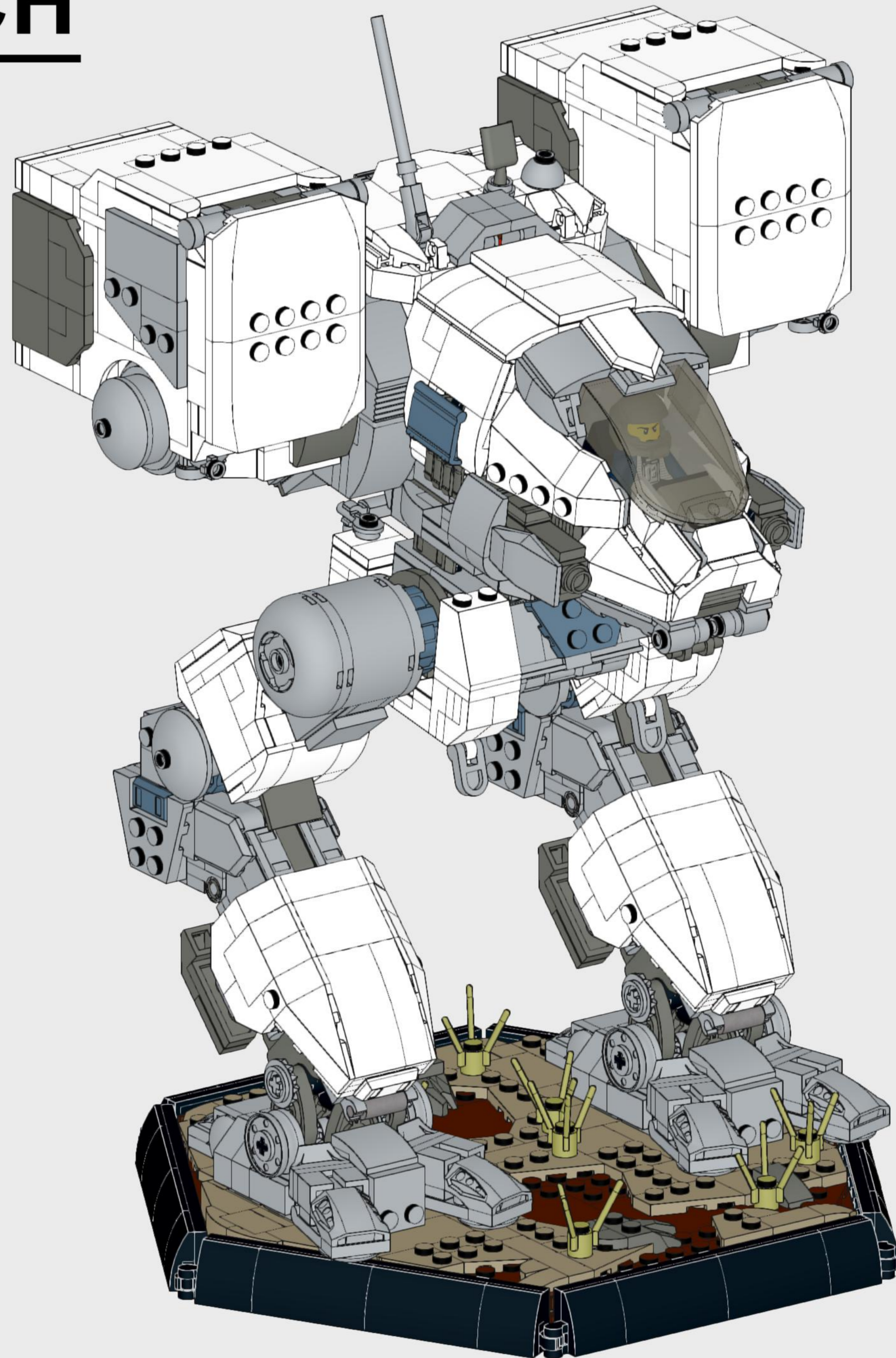


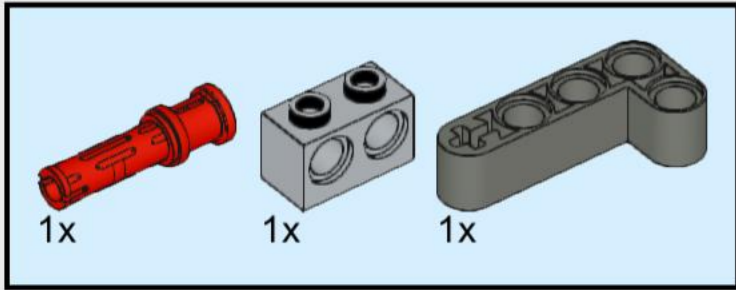
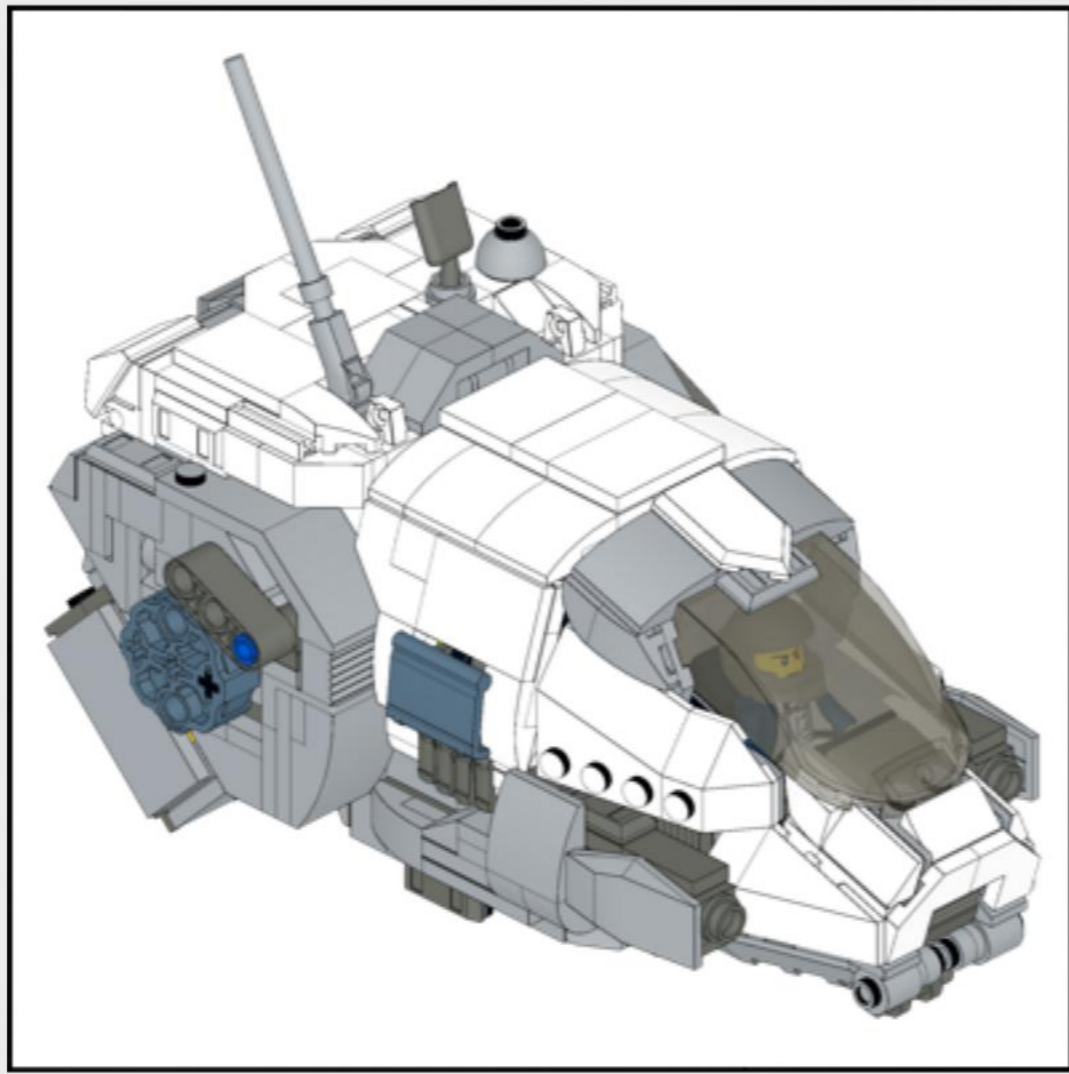
BATTLETECH

Catapult

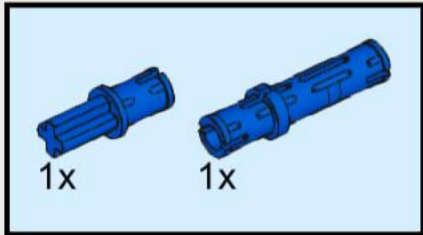


2230 Lego pcs

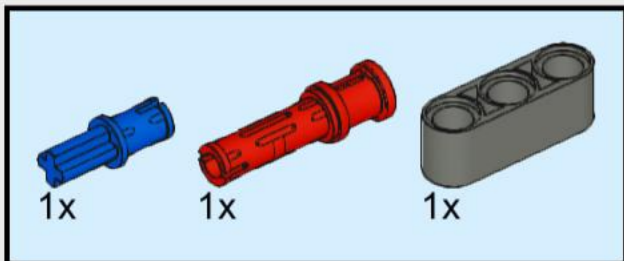
Model by Kevin Hansen
© 2022 HansenBricks.com



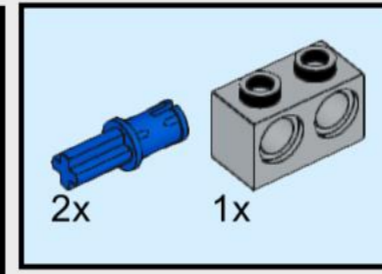
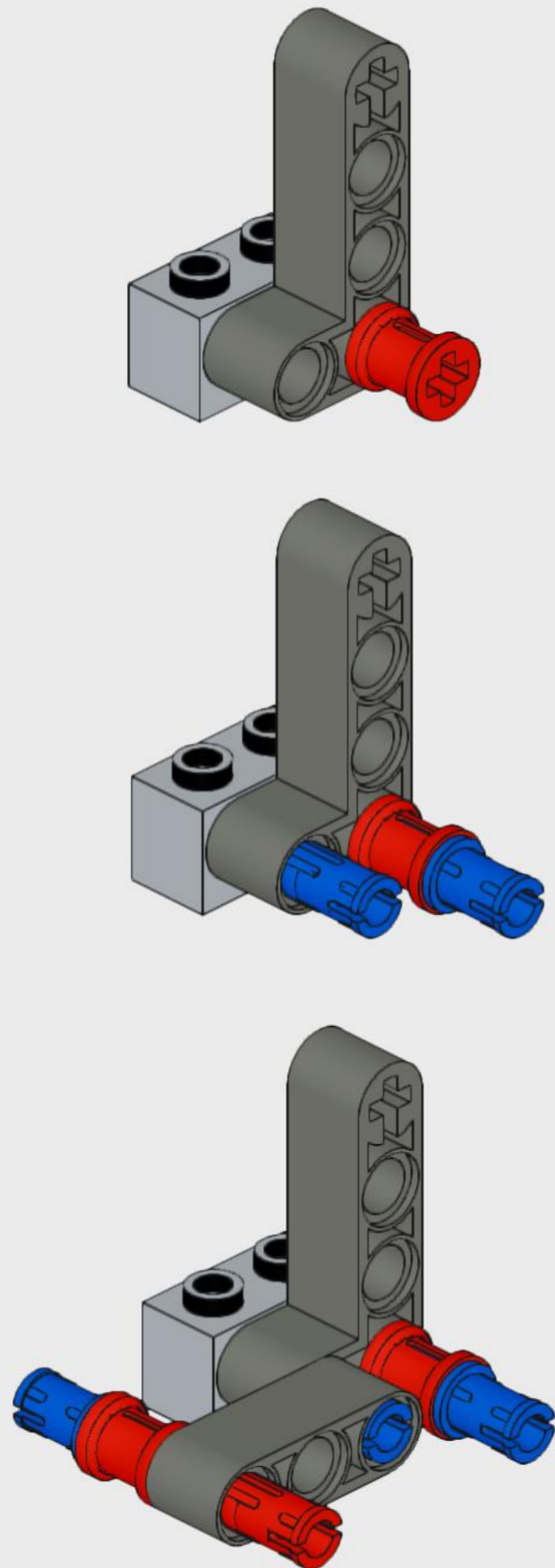
1



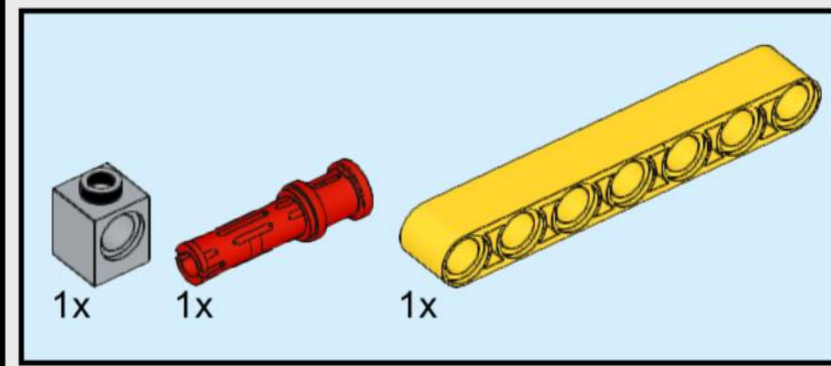
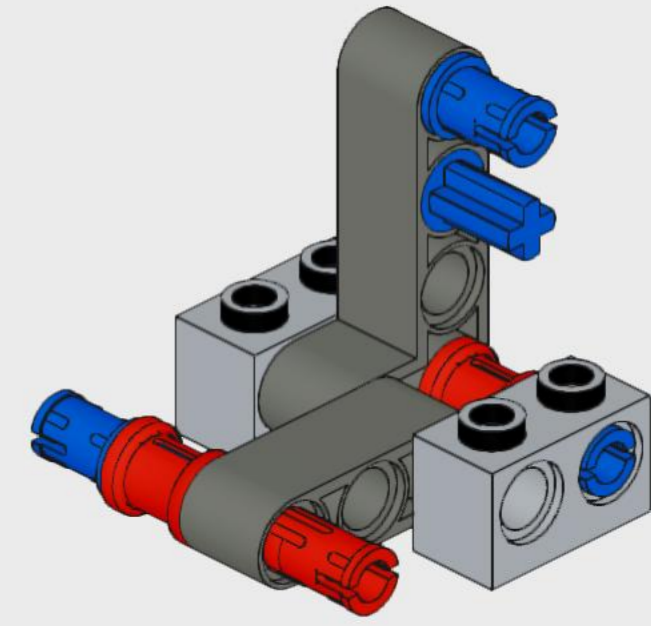
2



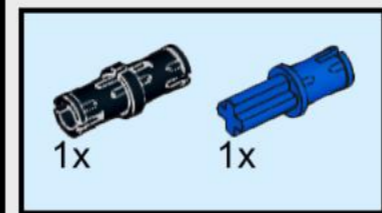
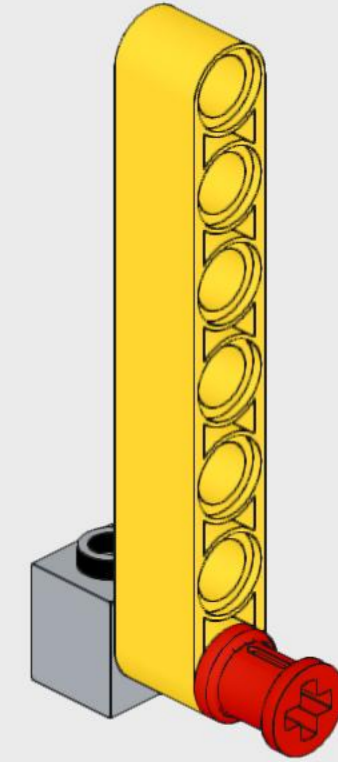
3



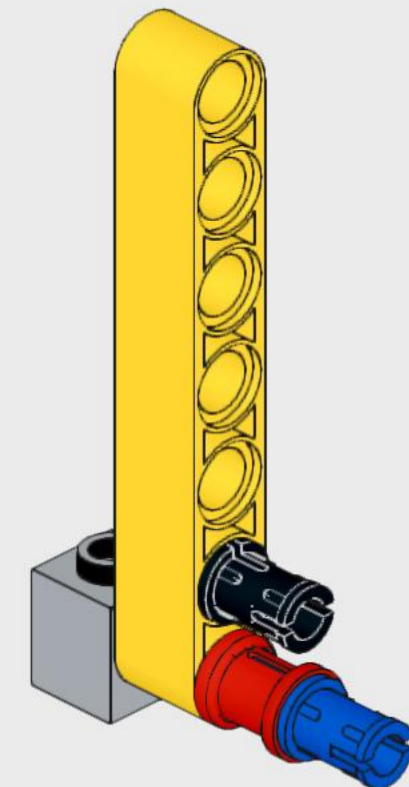
4

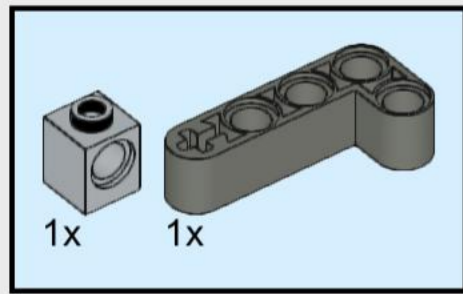


5

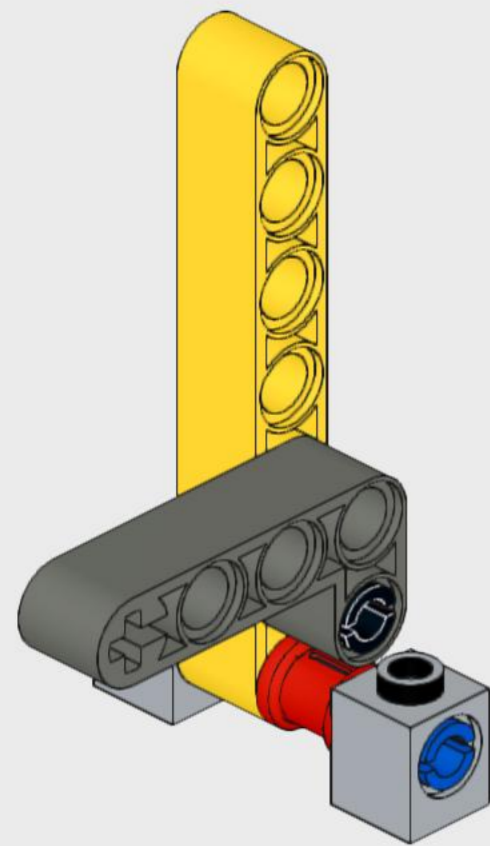


6

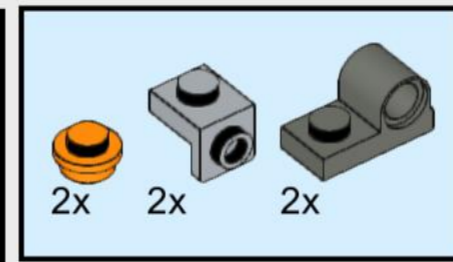
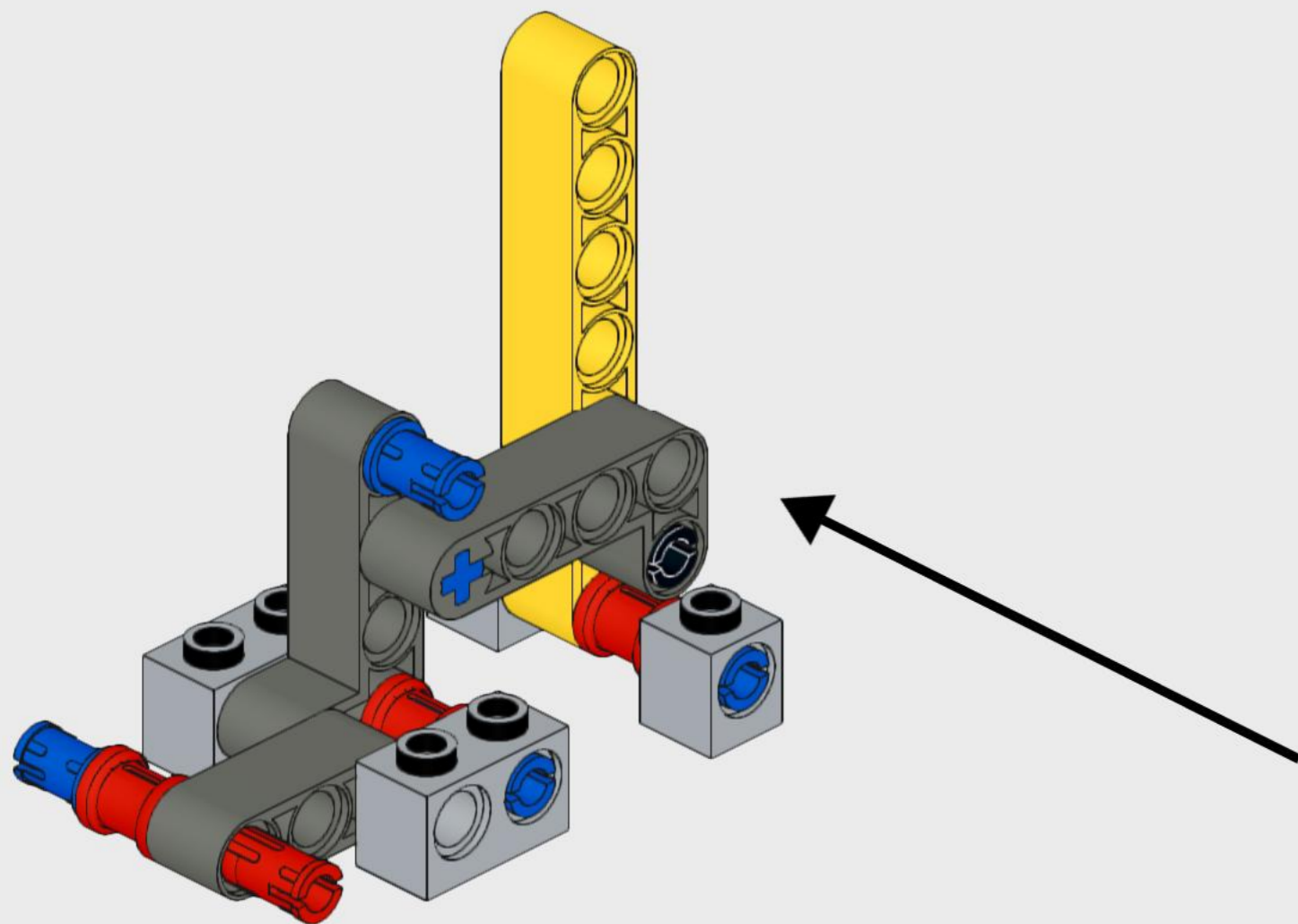




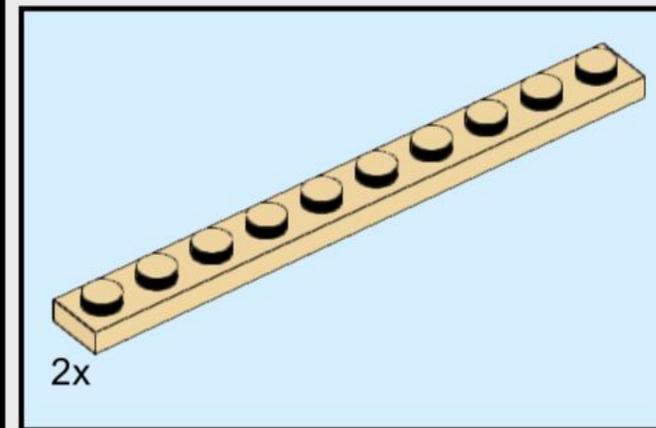
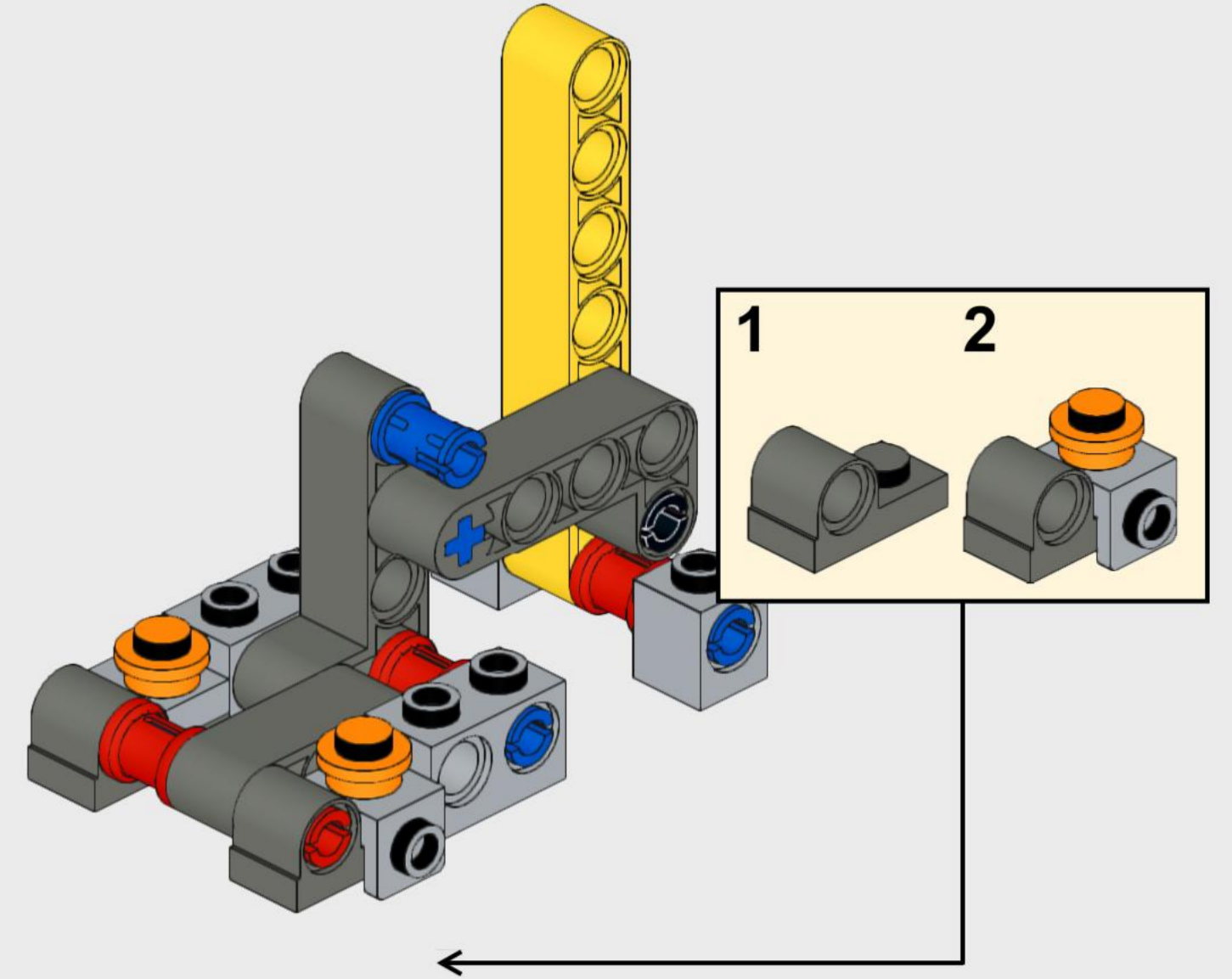
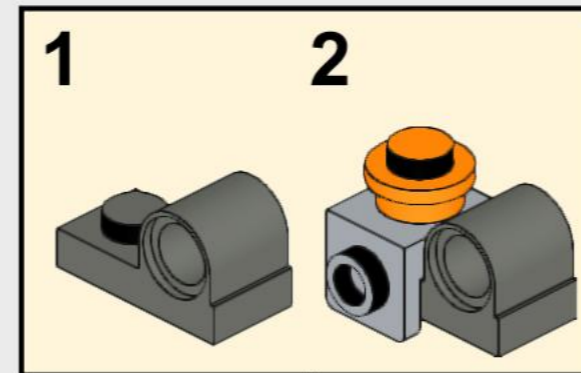
7



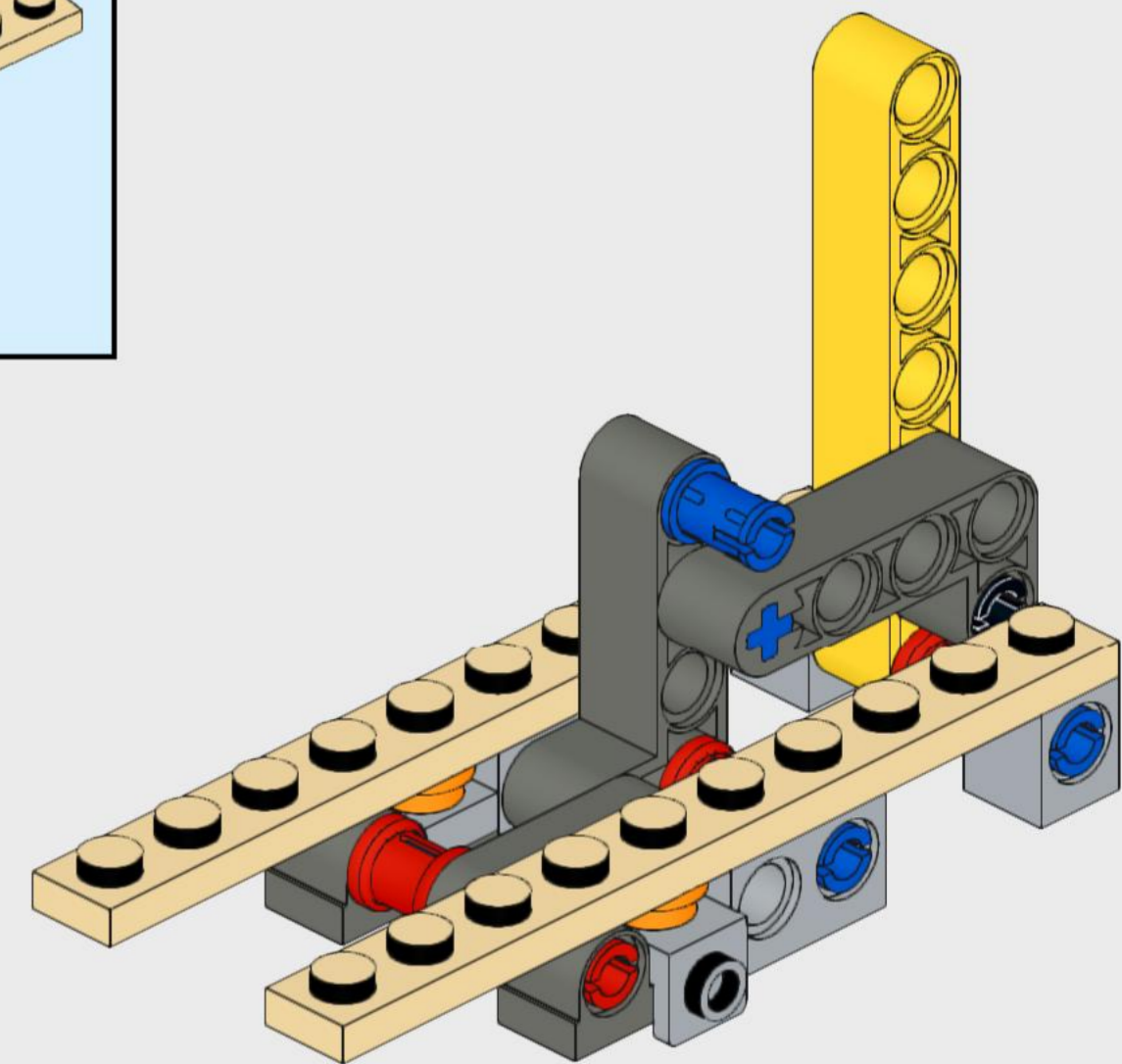
8

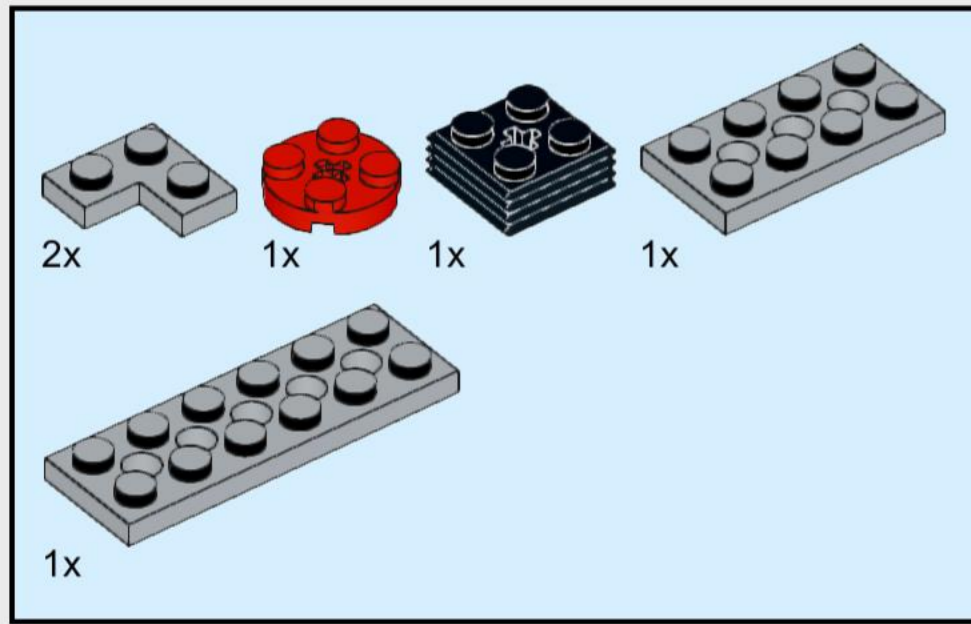


9

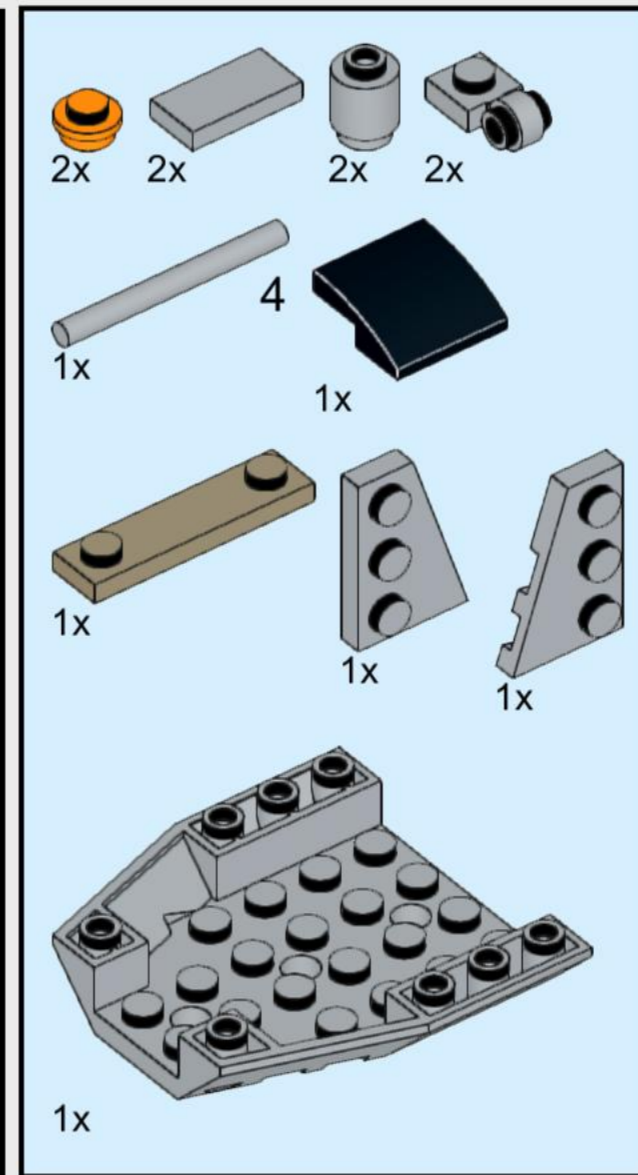
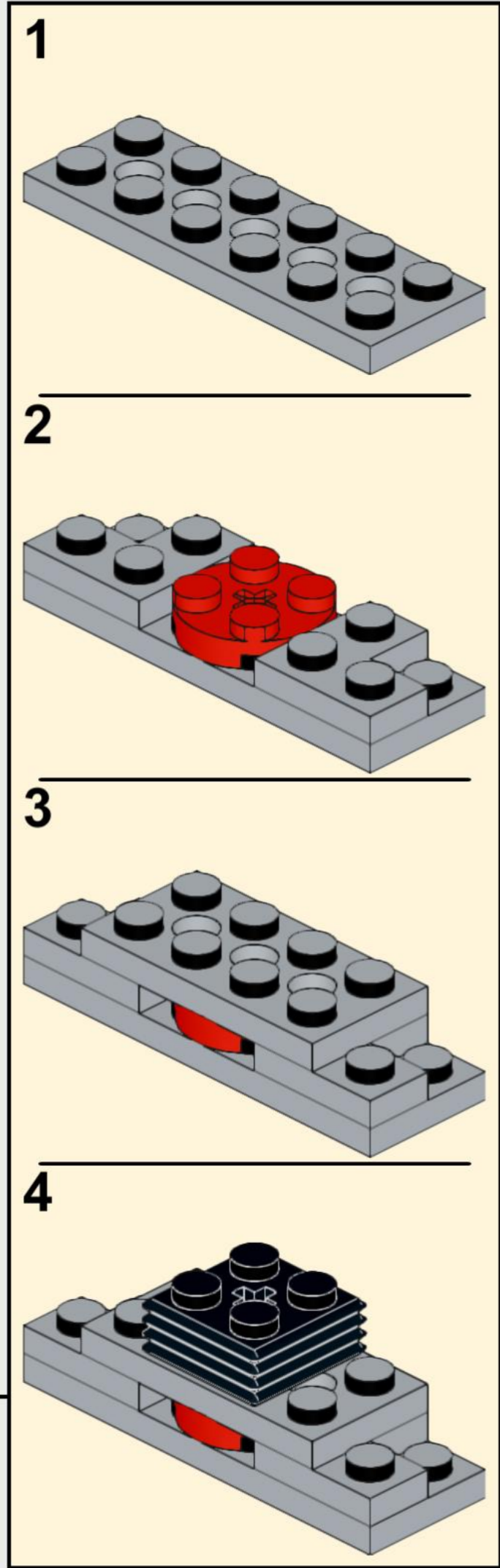
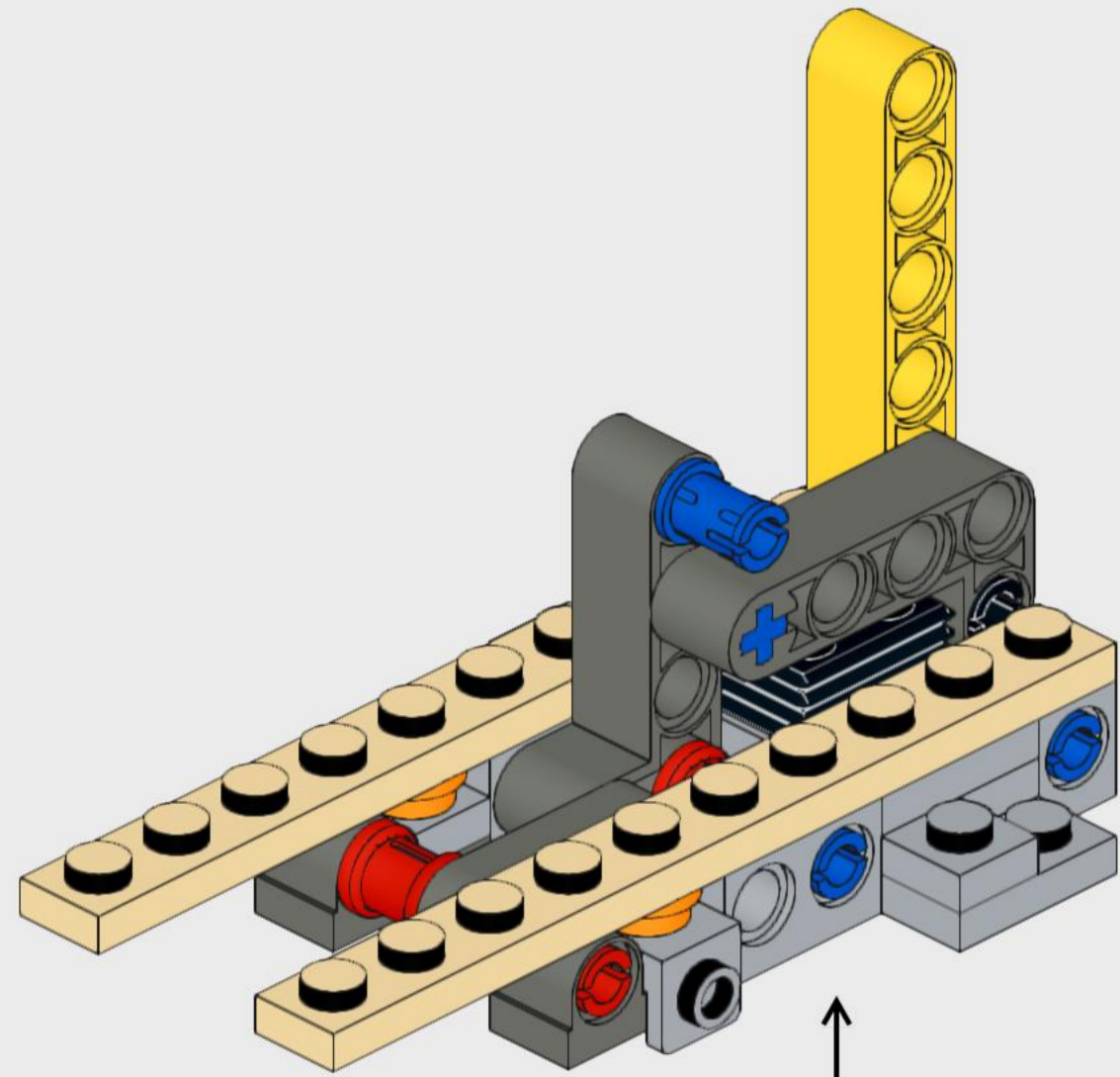


10

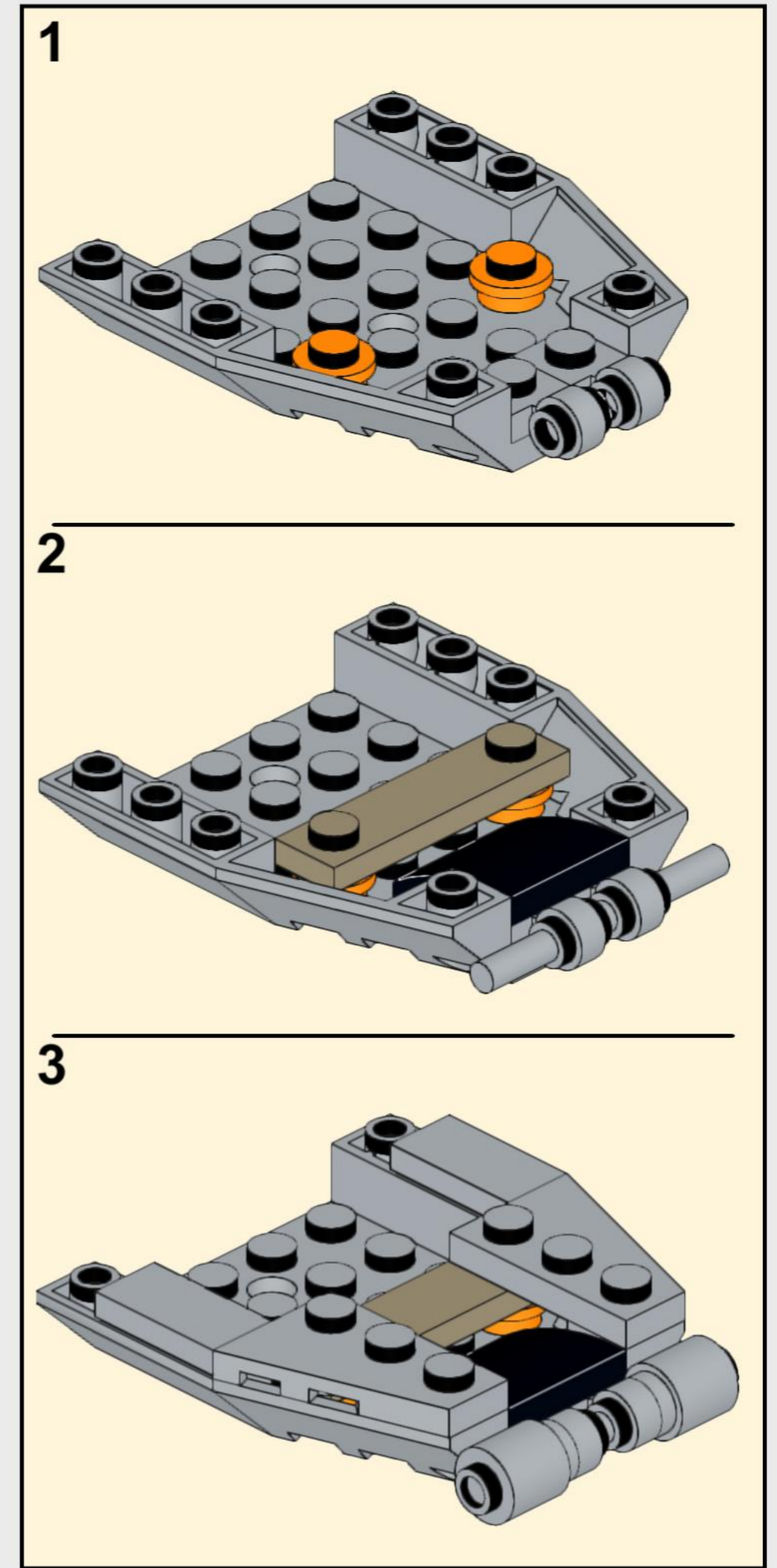
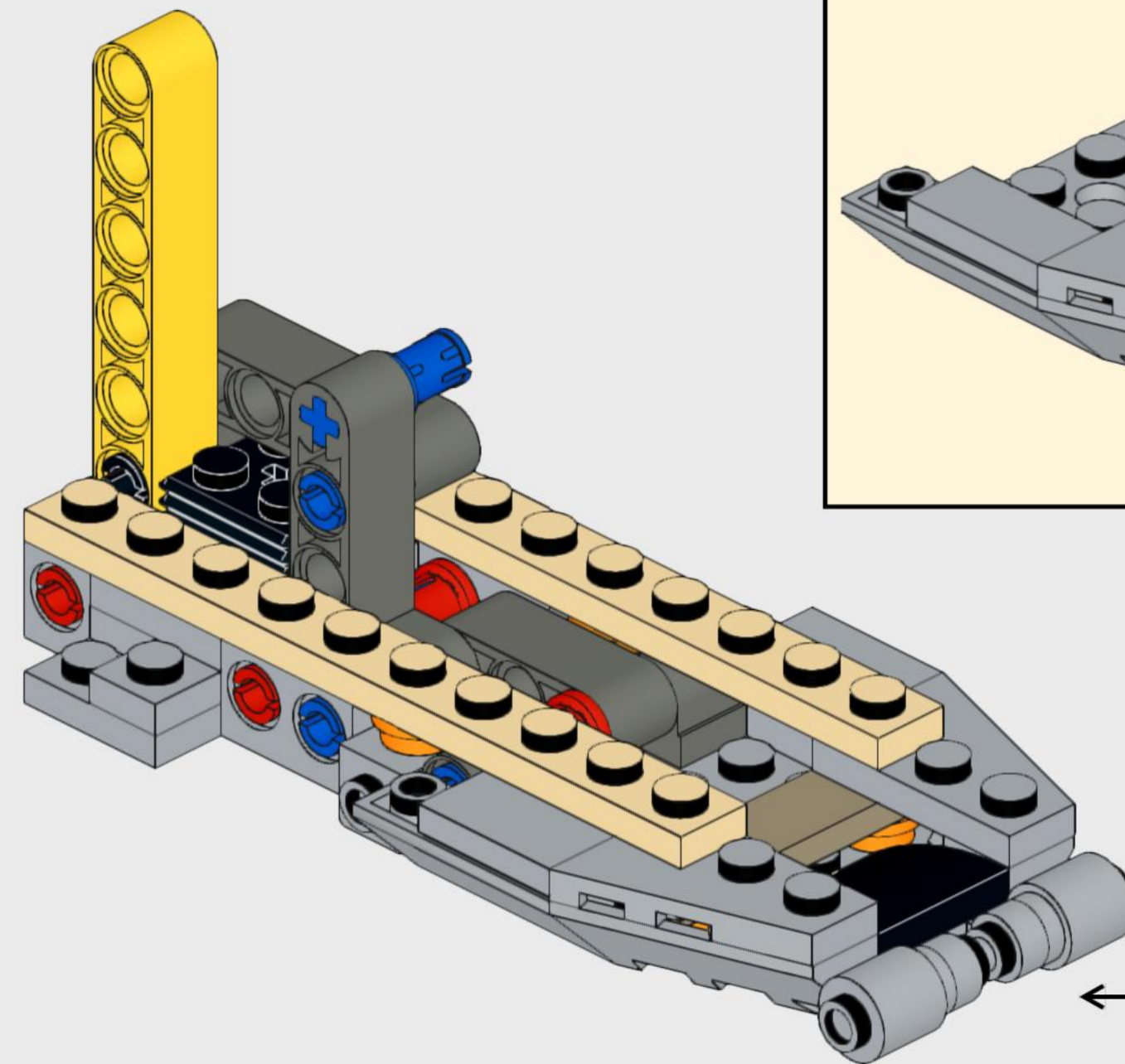


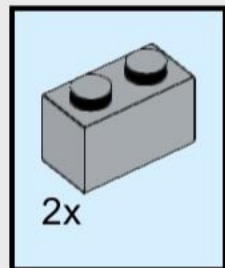


11

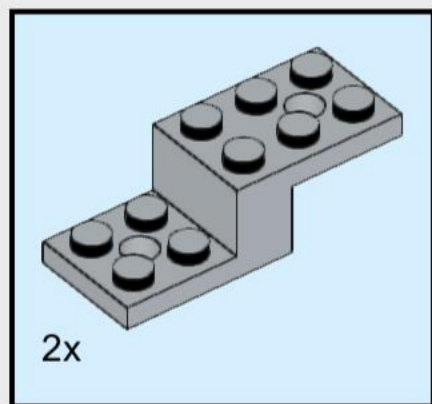
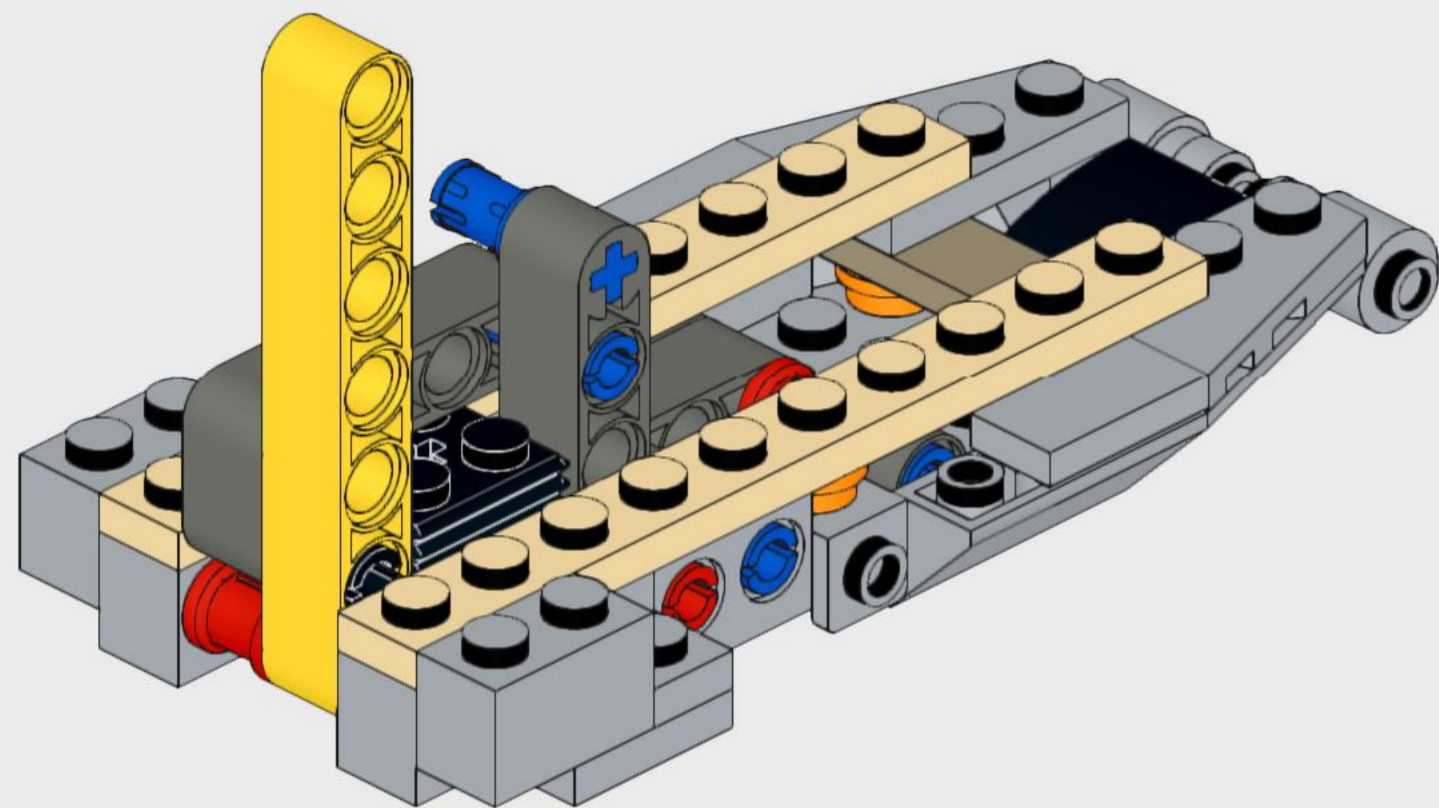


12

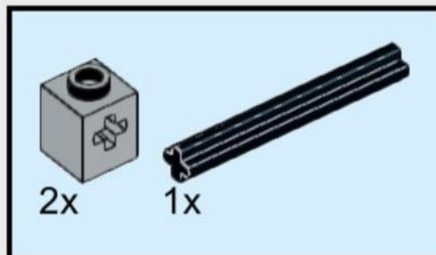
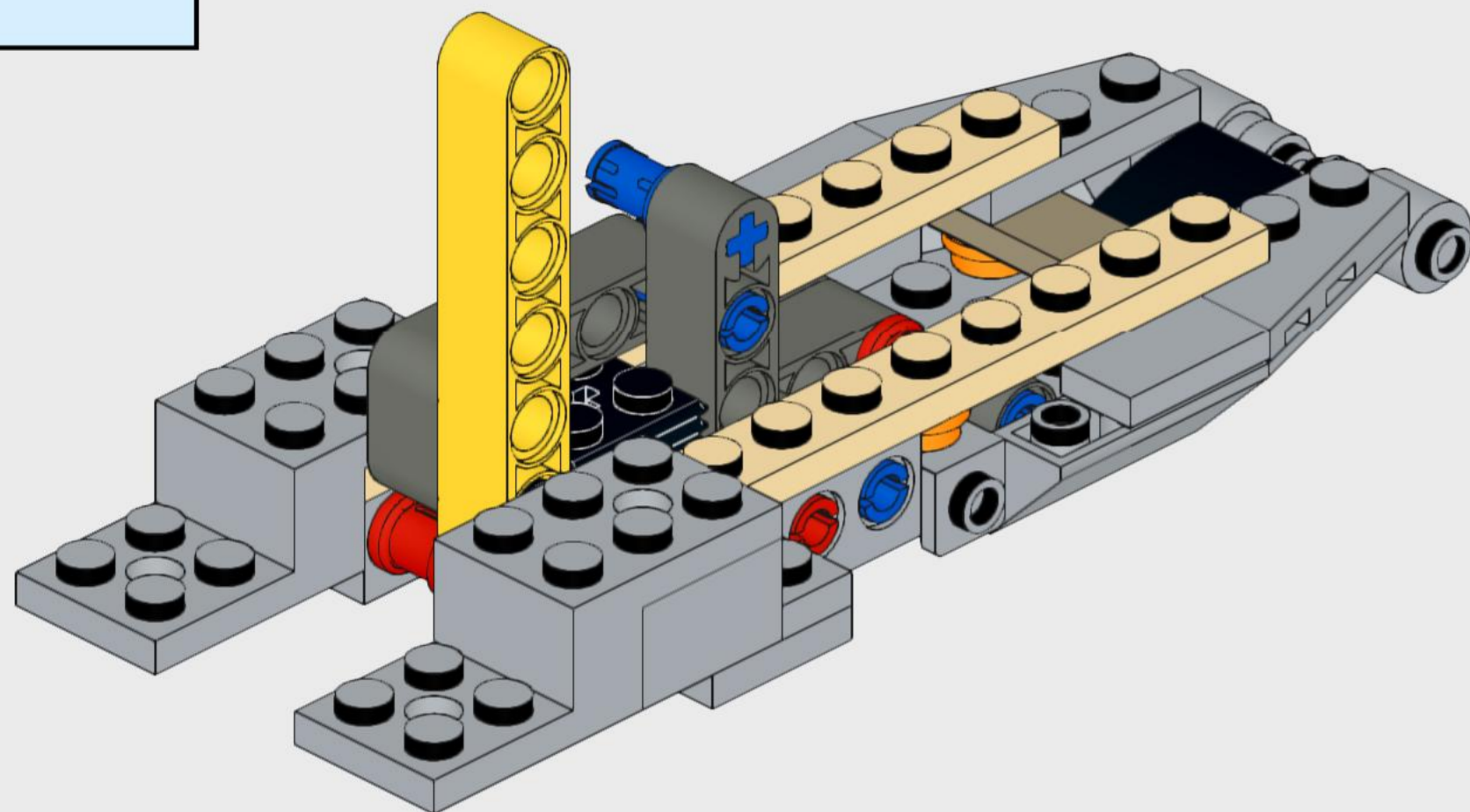




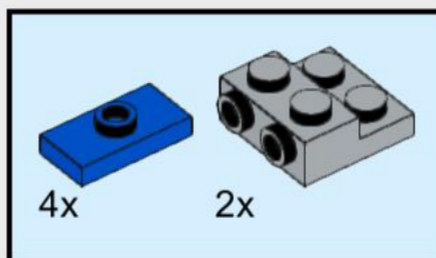
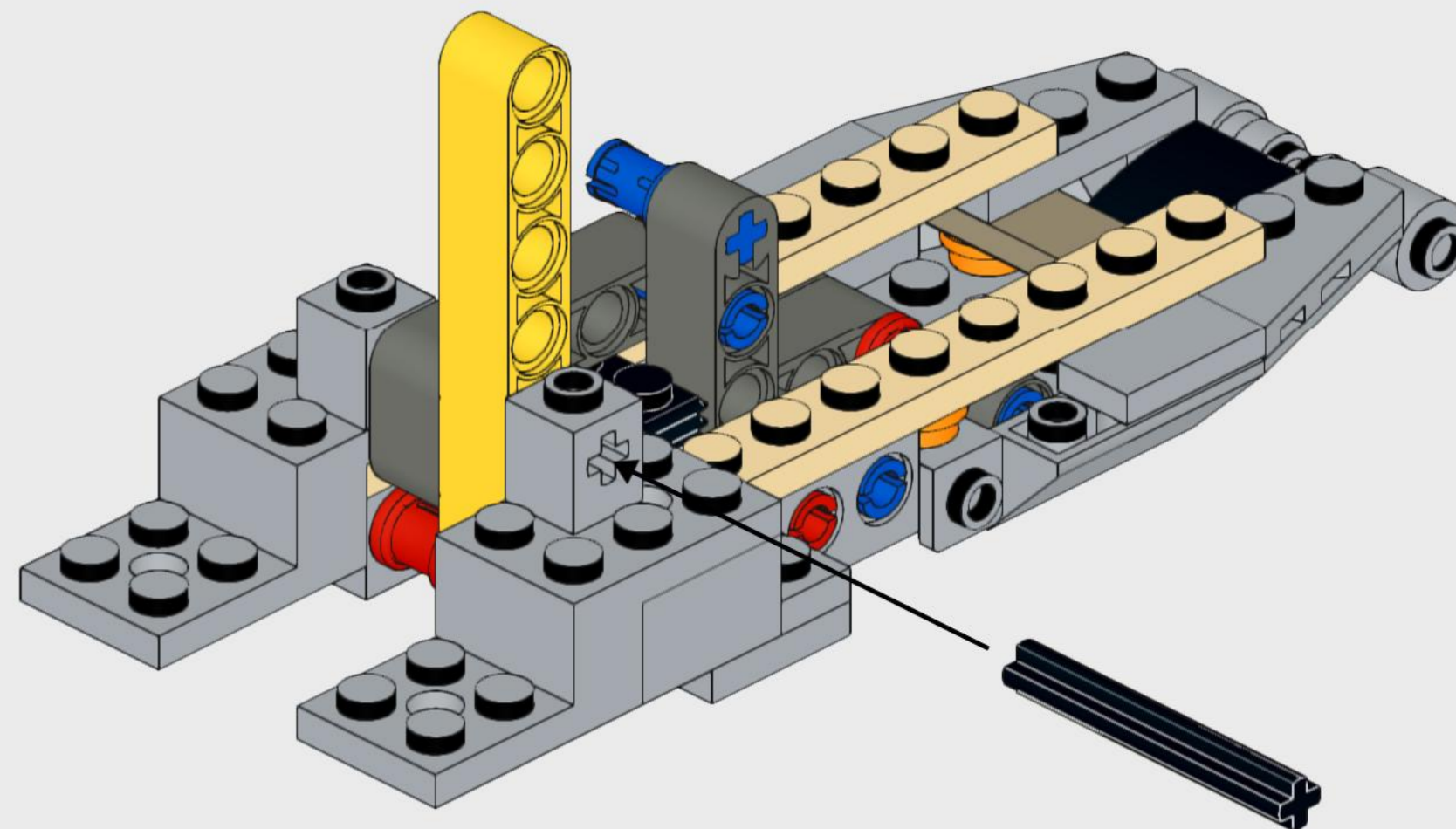
13



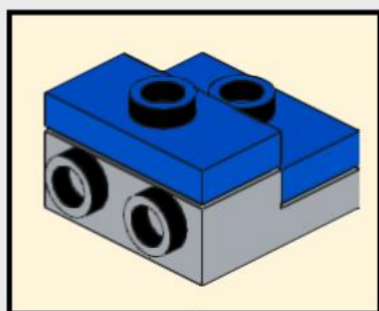
14



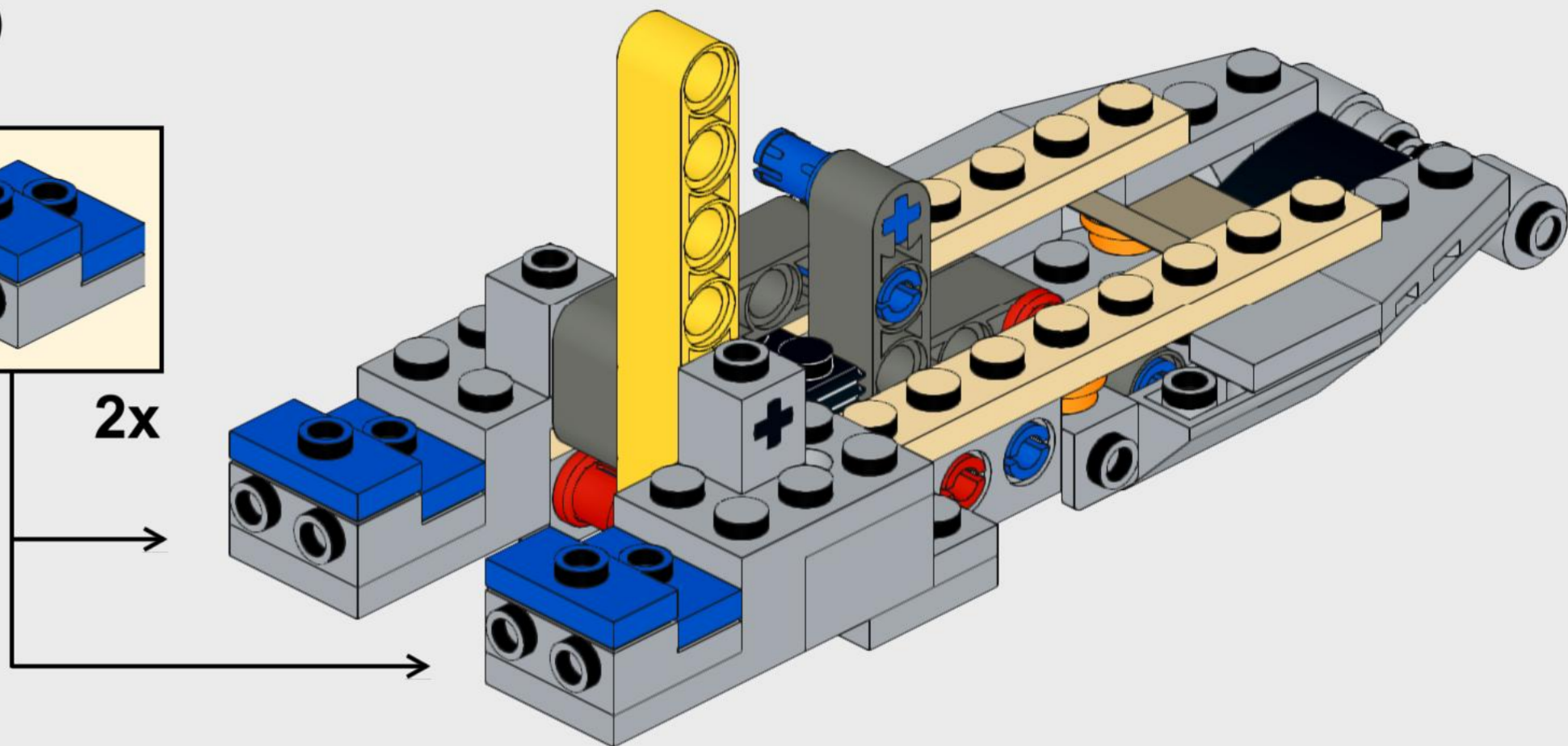
15

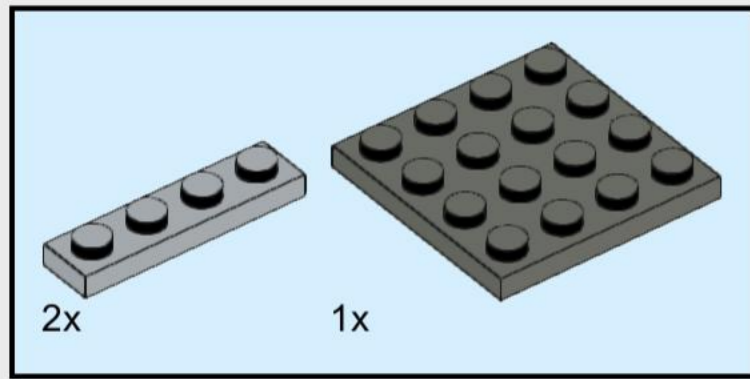


16

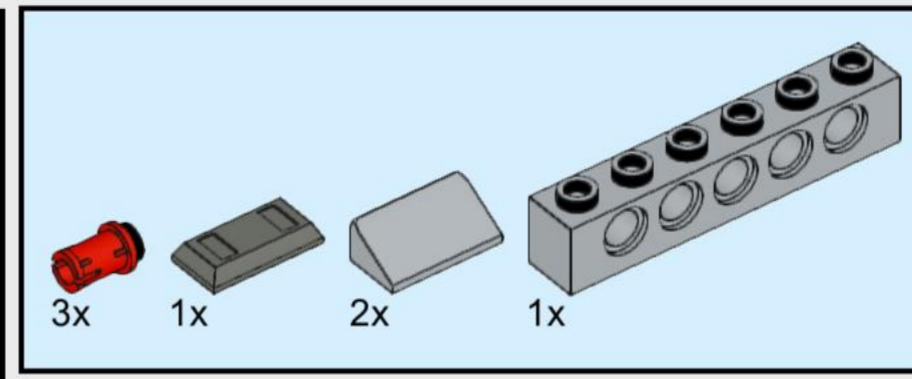
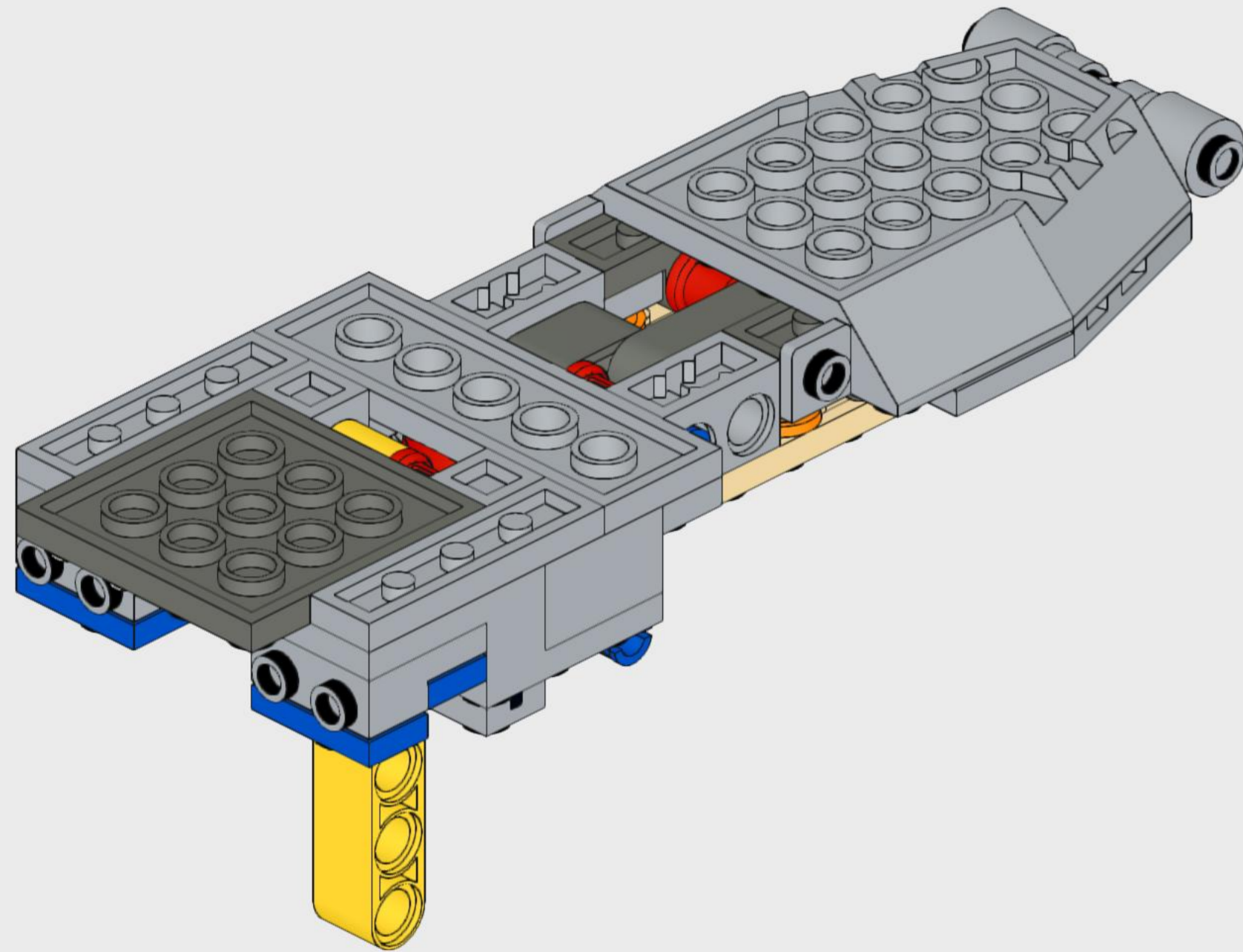


2x

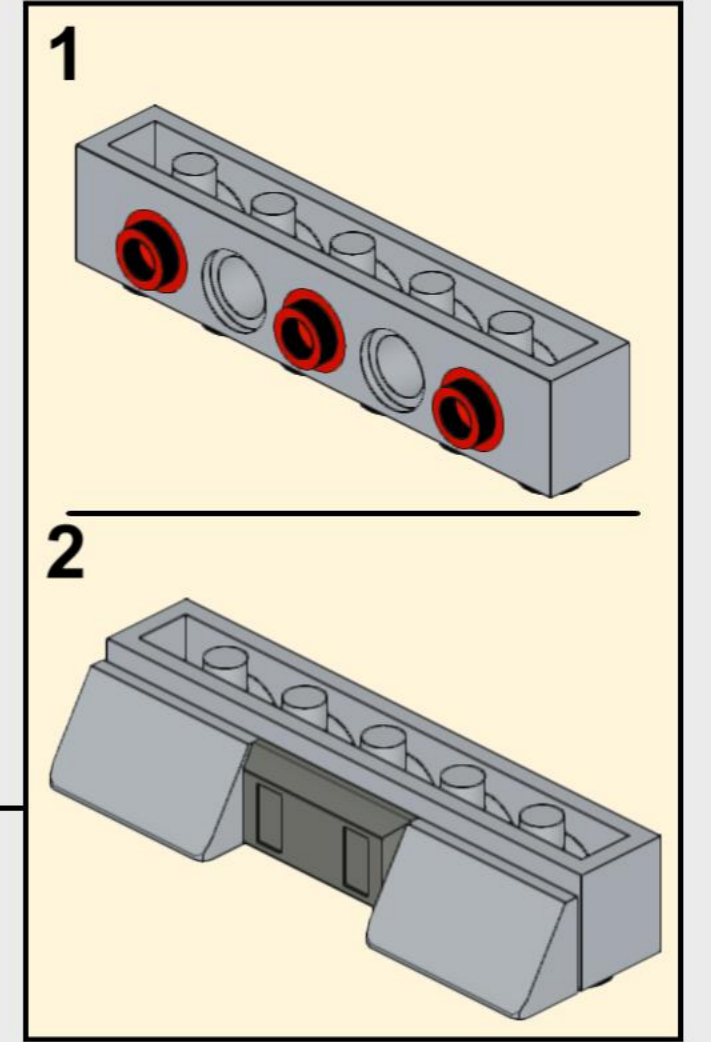
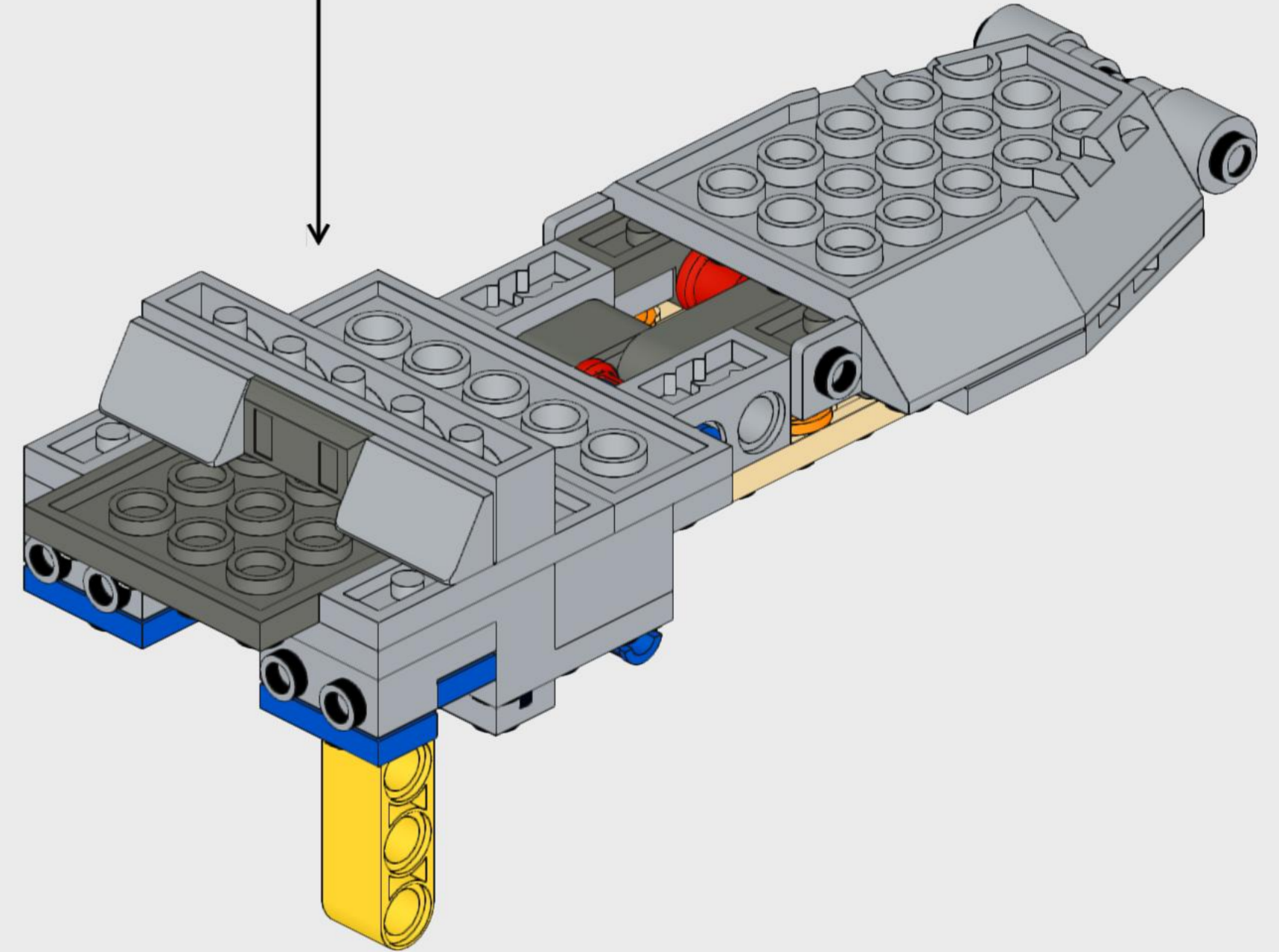


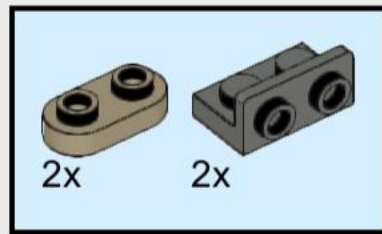


17

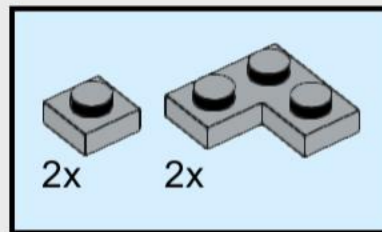
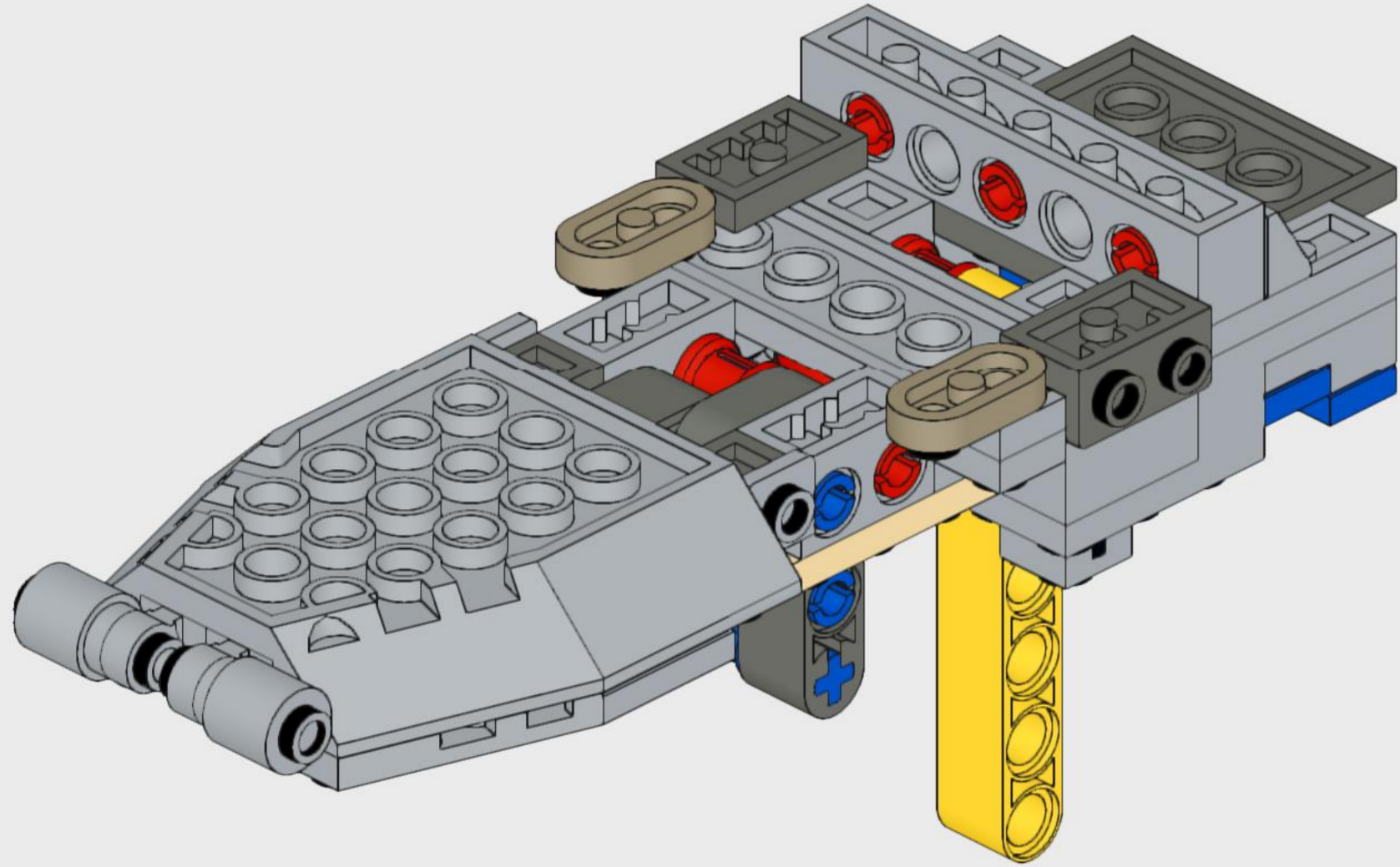


18

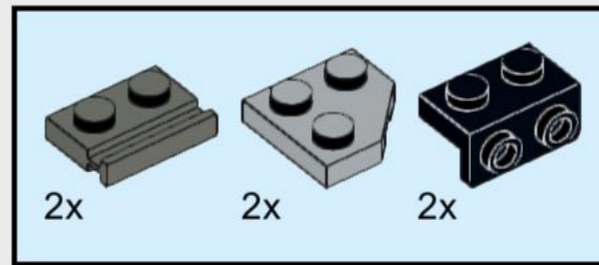
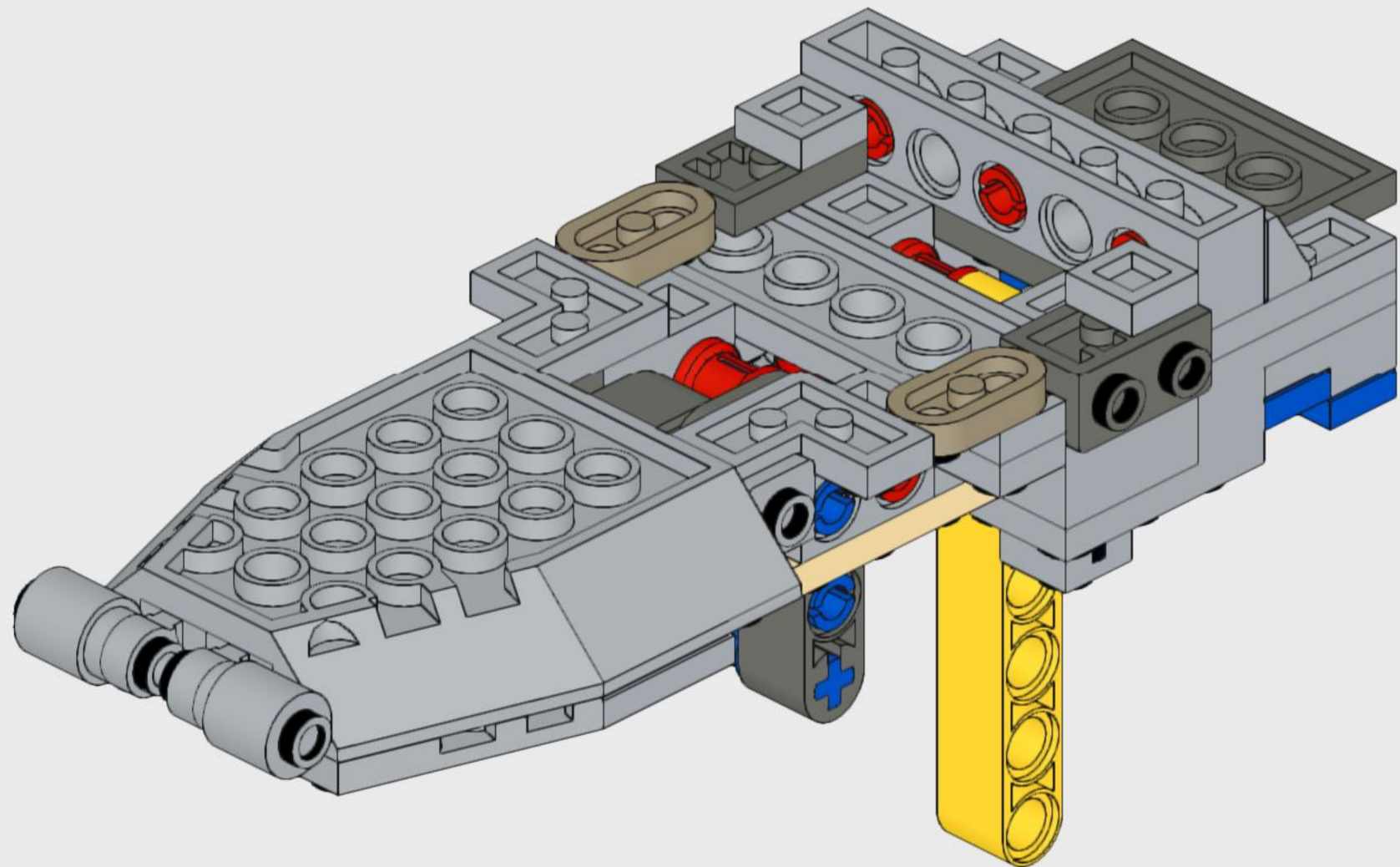




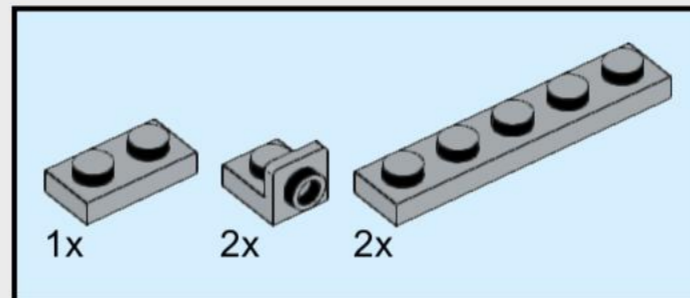
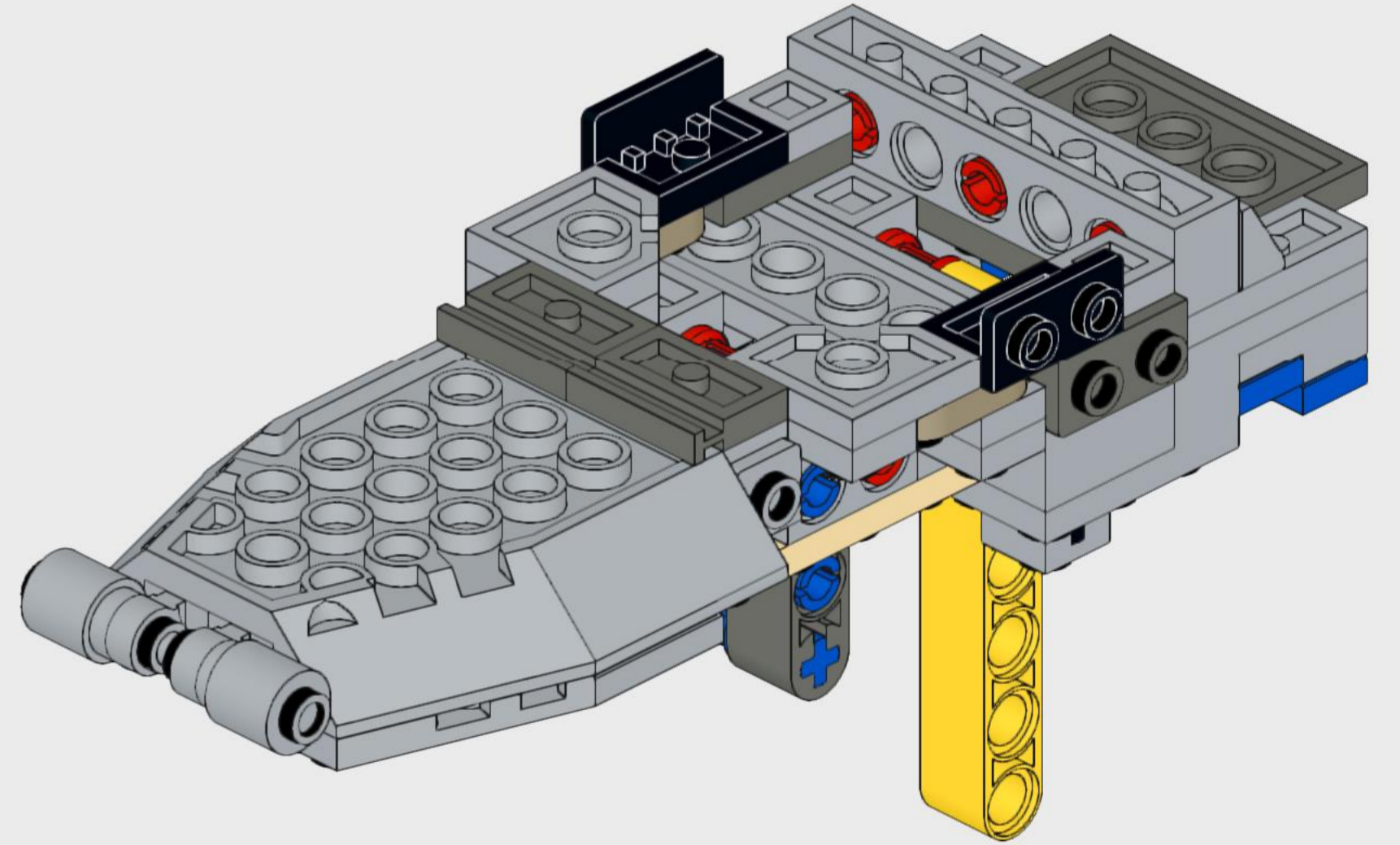
19



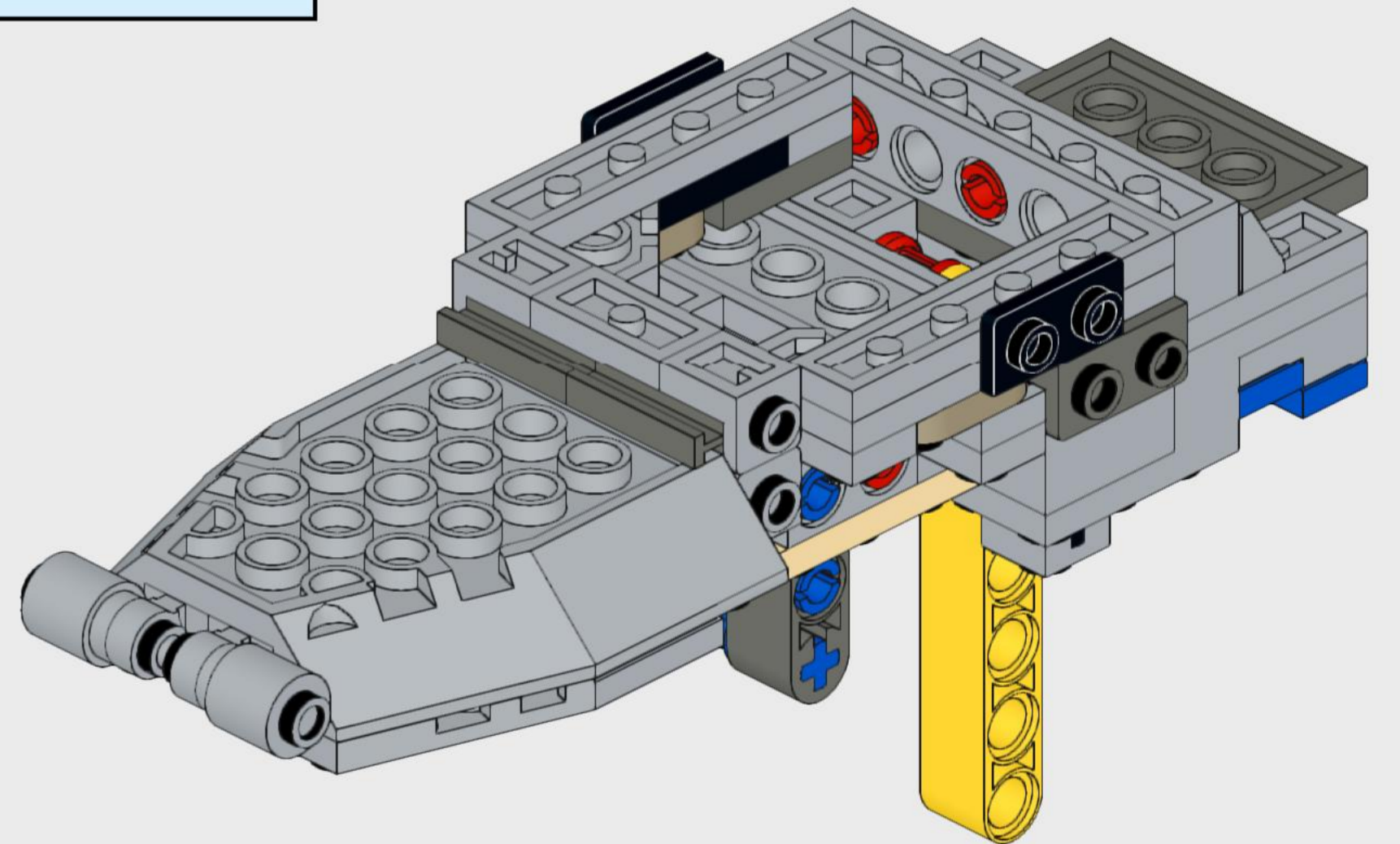
20

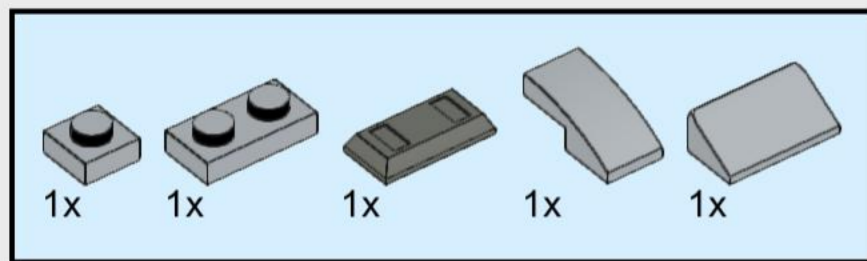


21

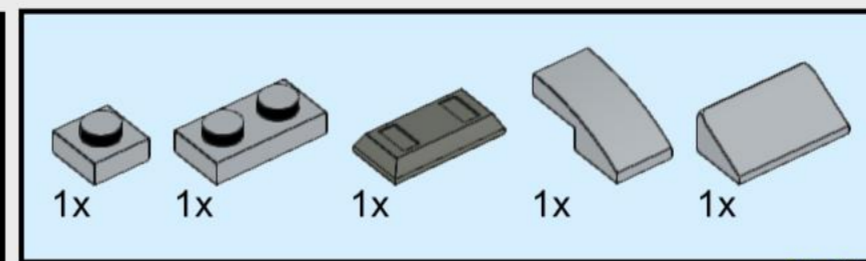
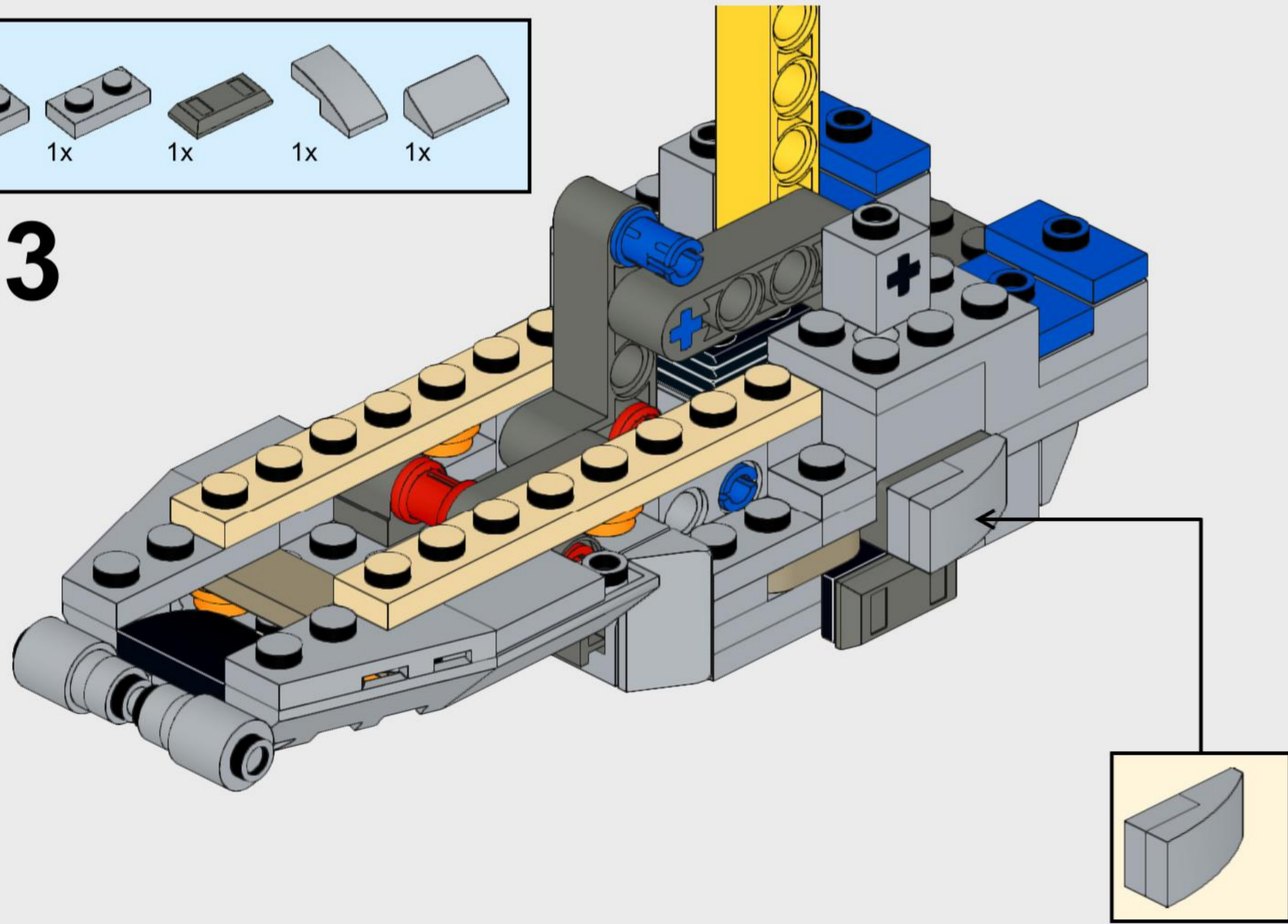


22

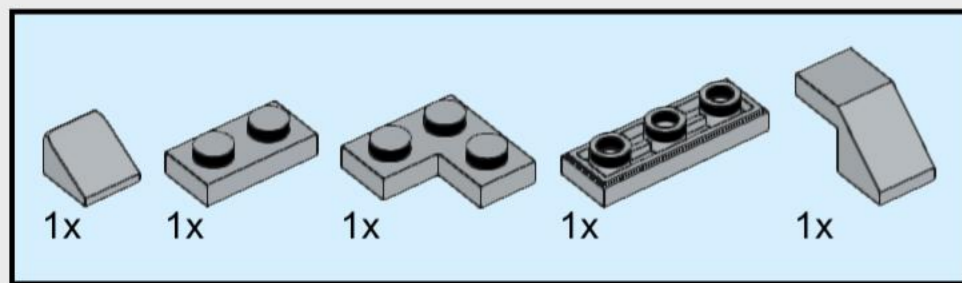
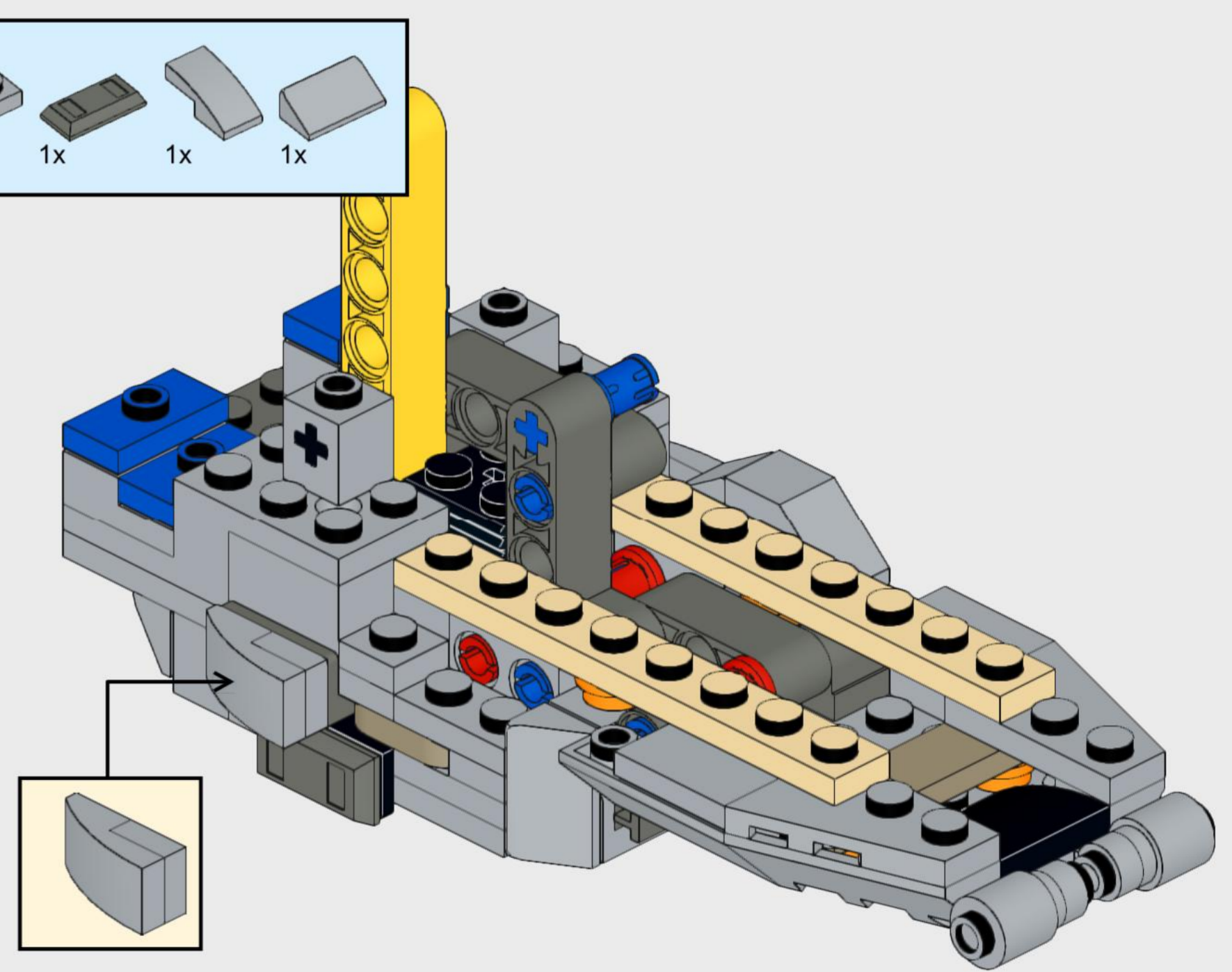




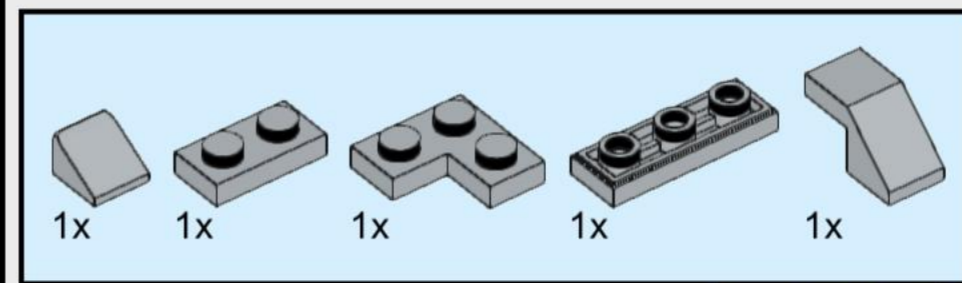
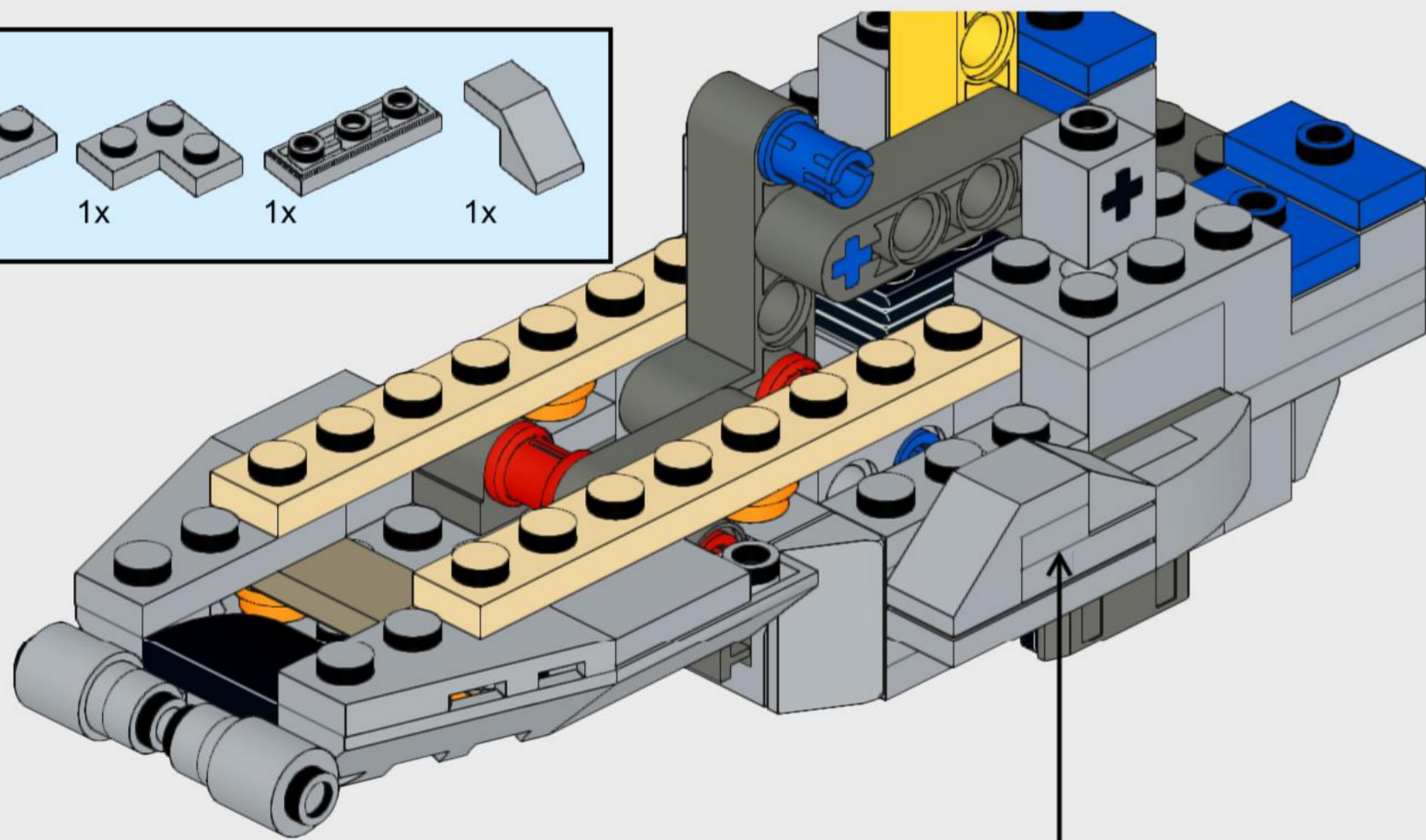
23



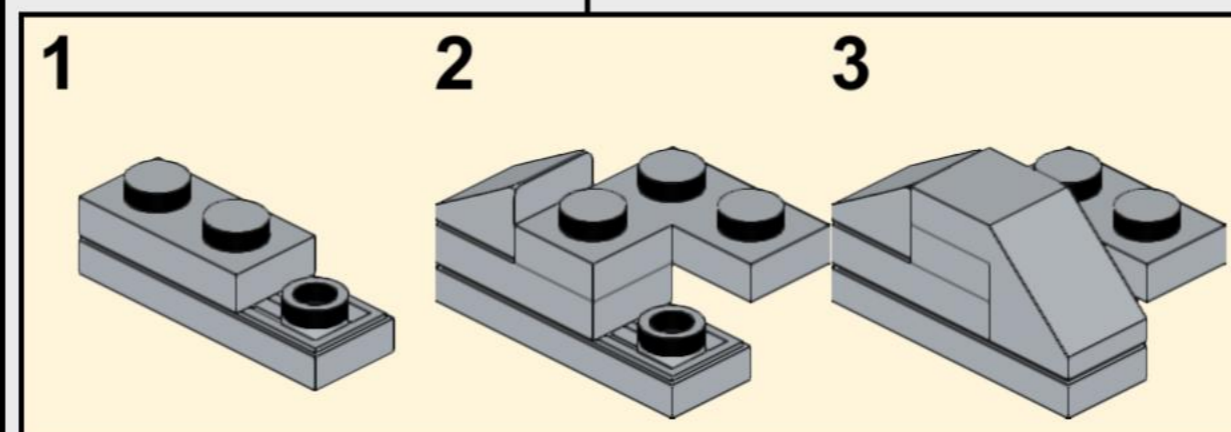
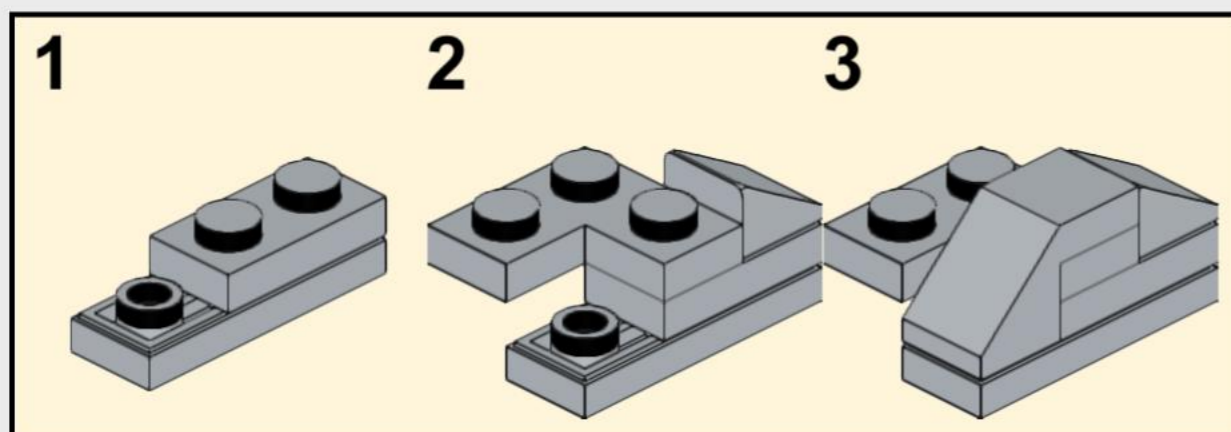
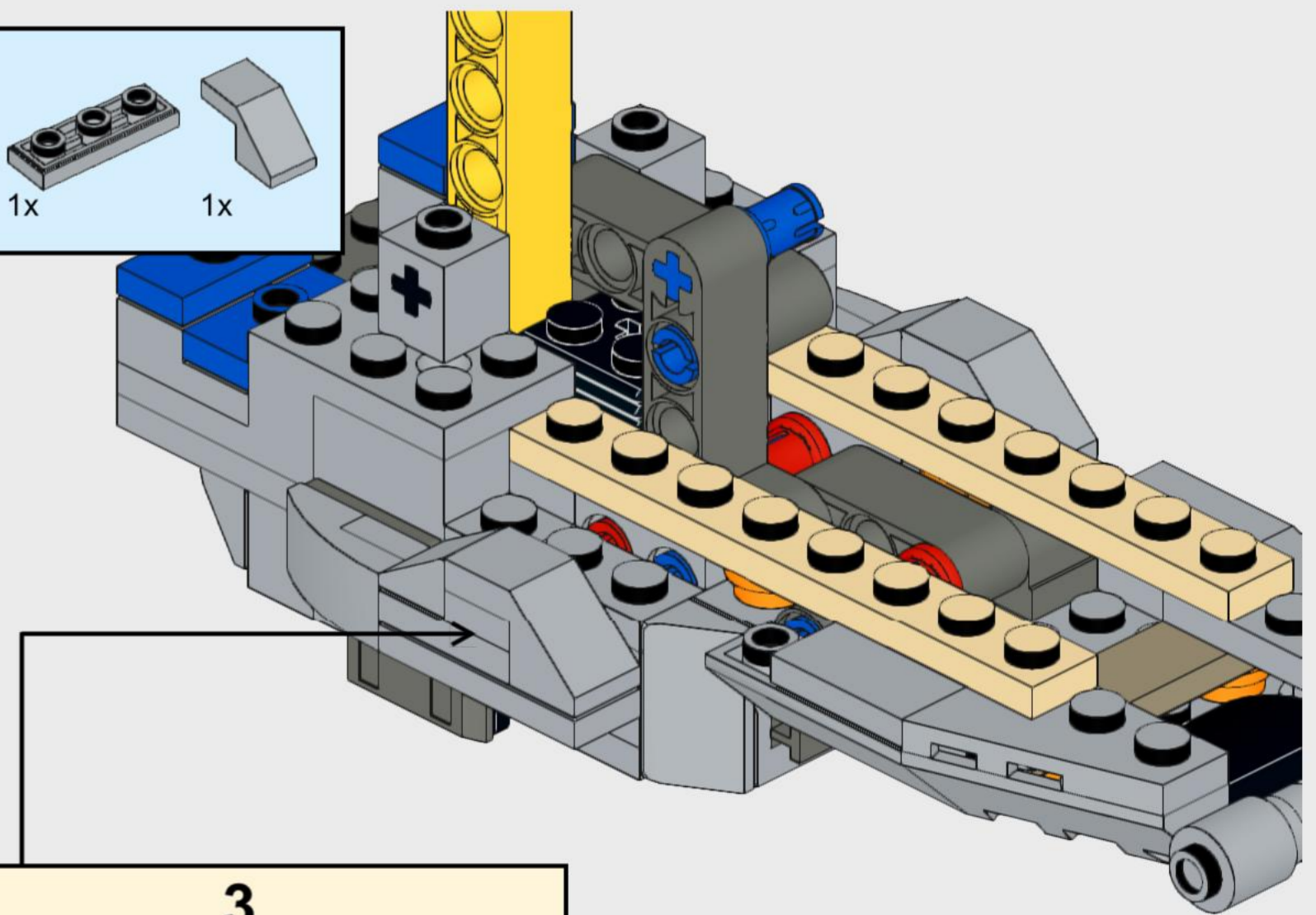
25

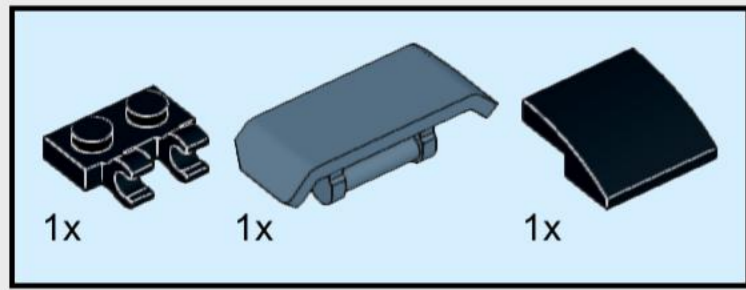


24

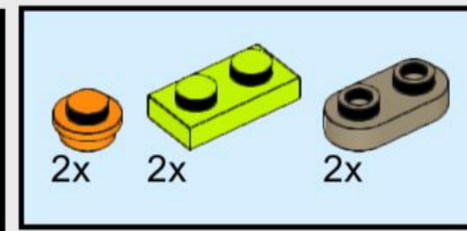
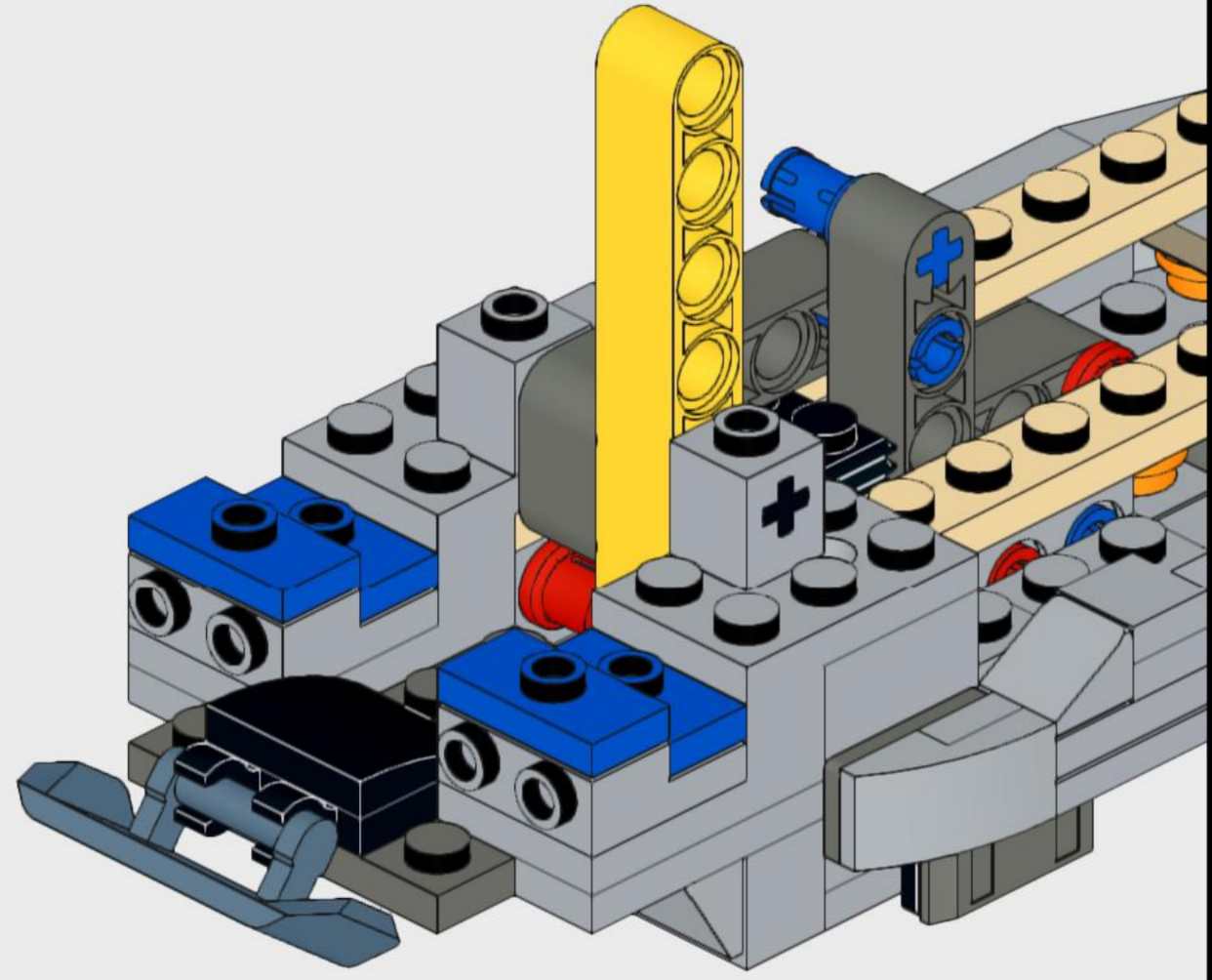
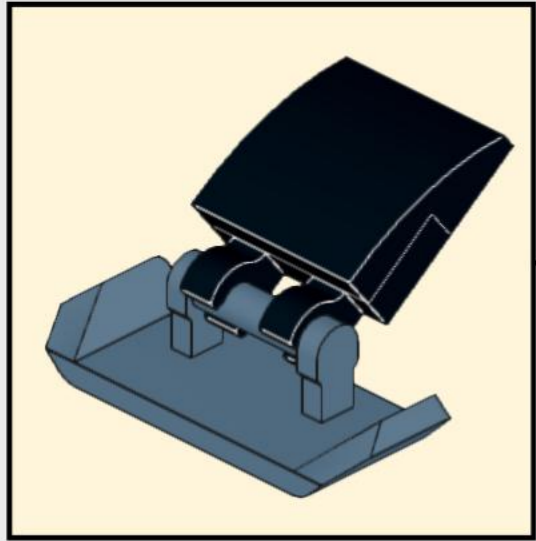


26

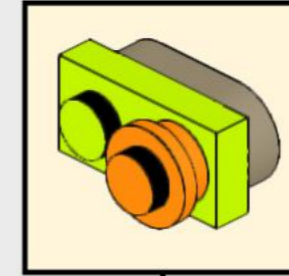




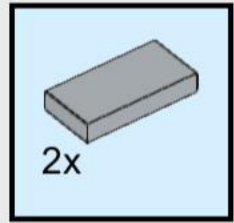
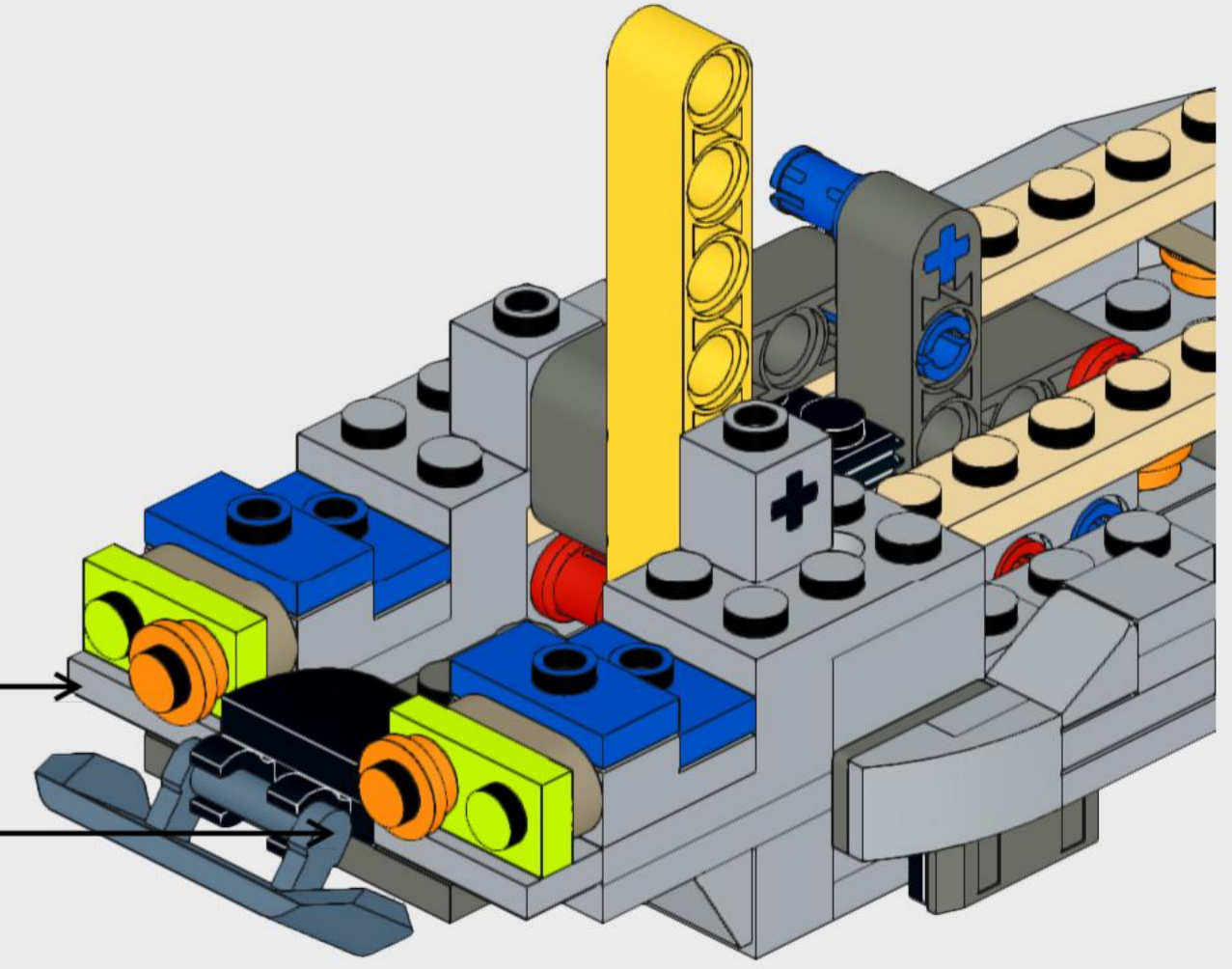
27



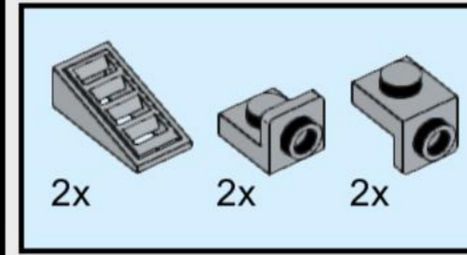
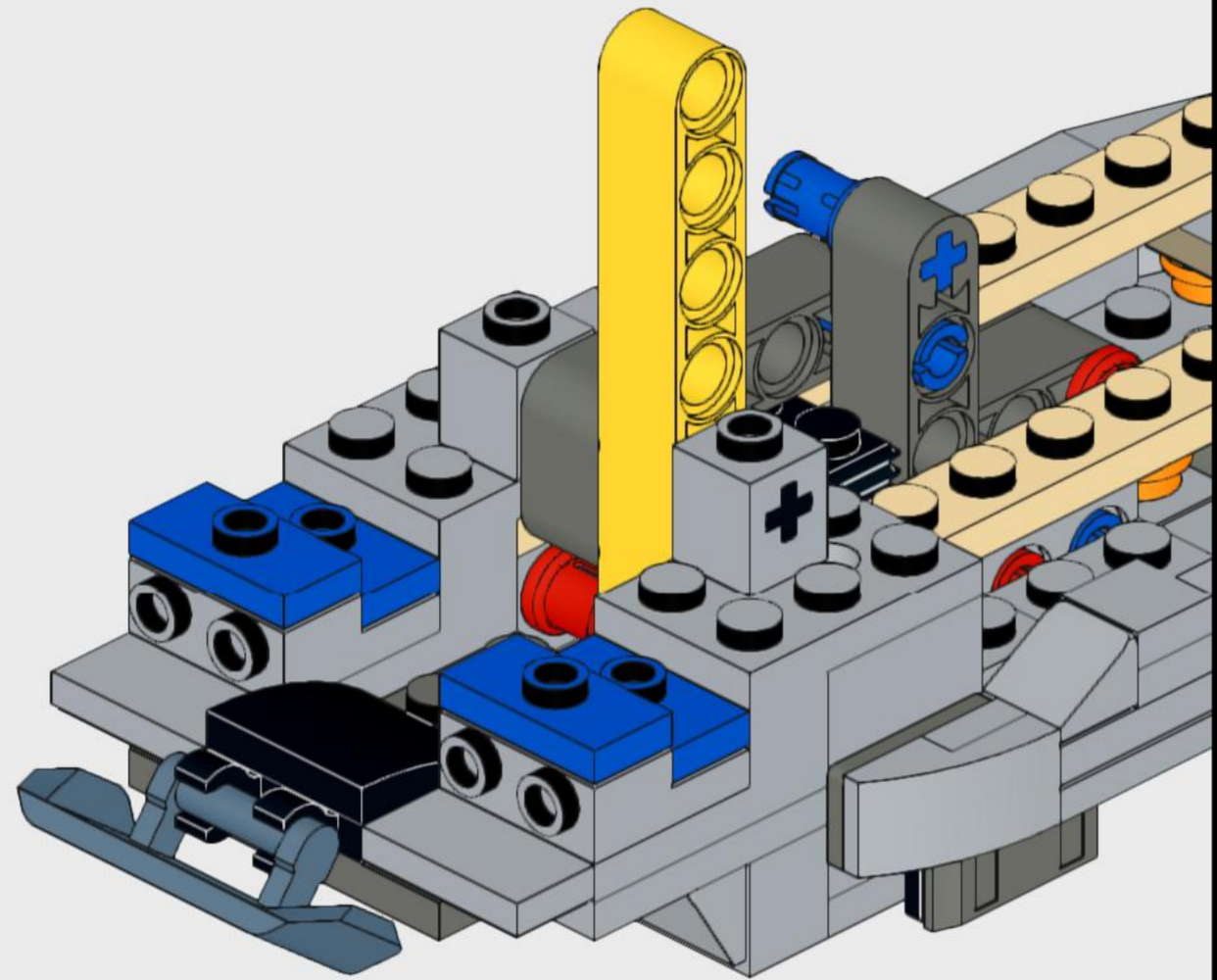
29



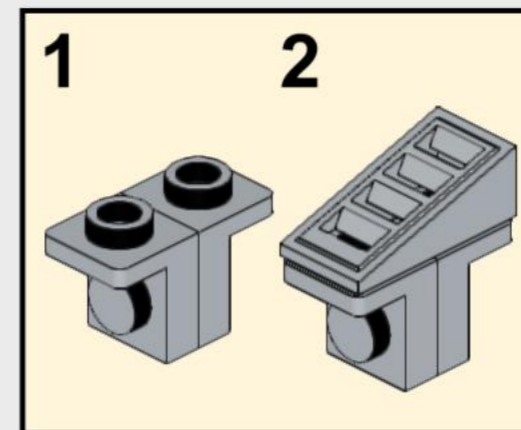
2x



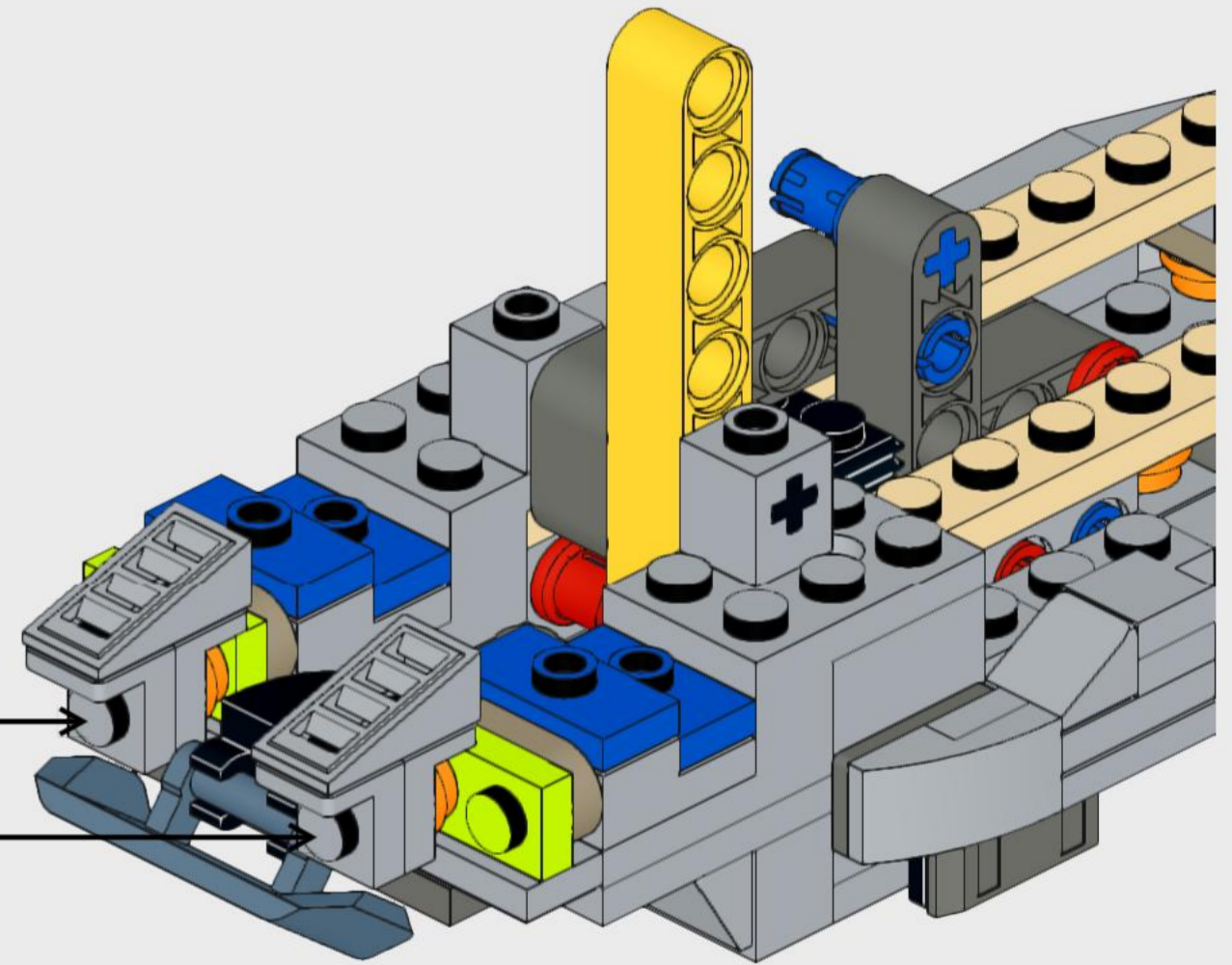
28

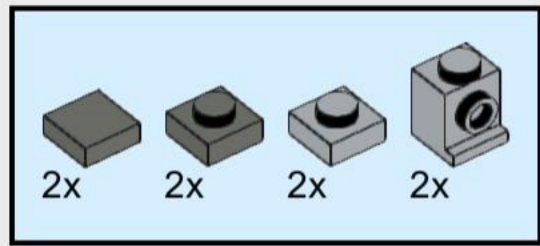


30

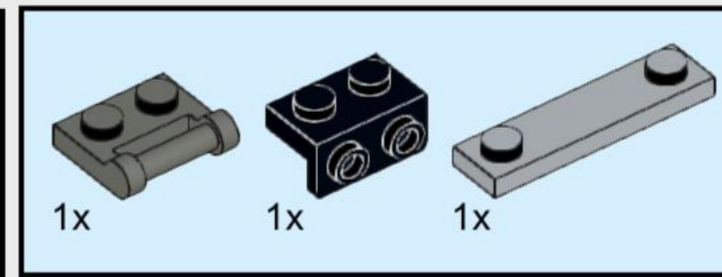
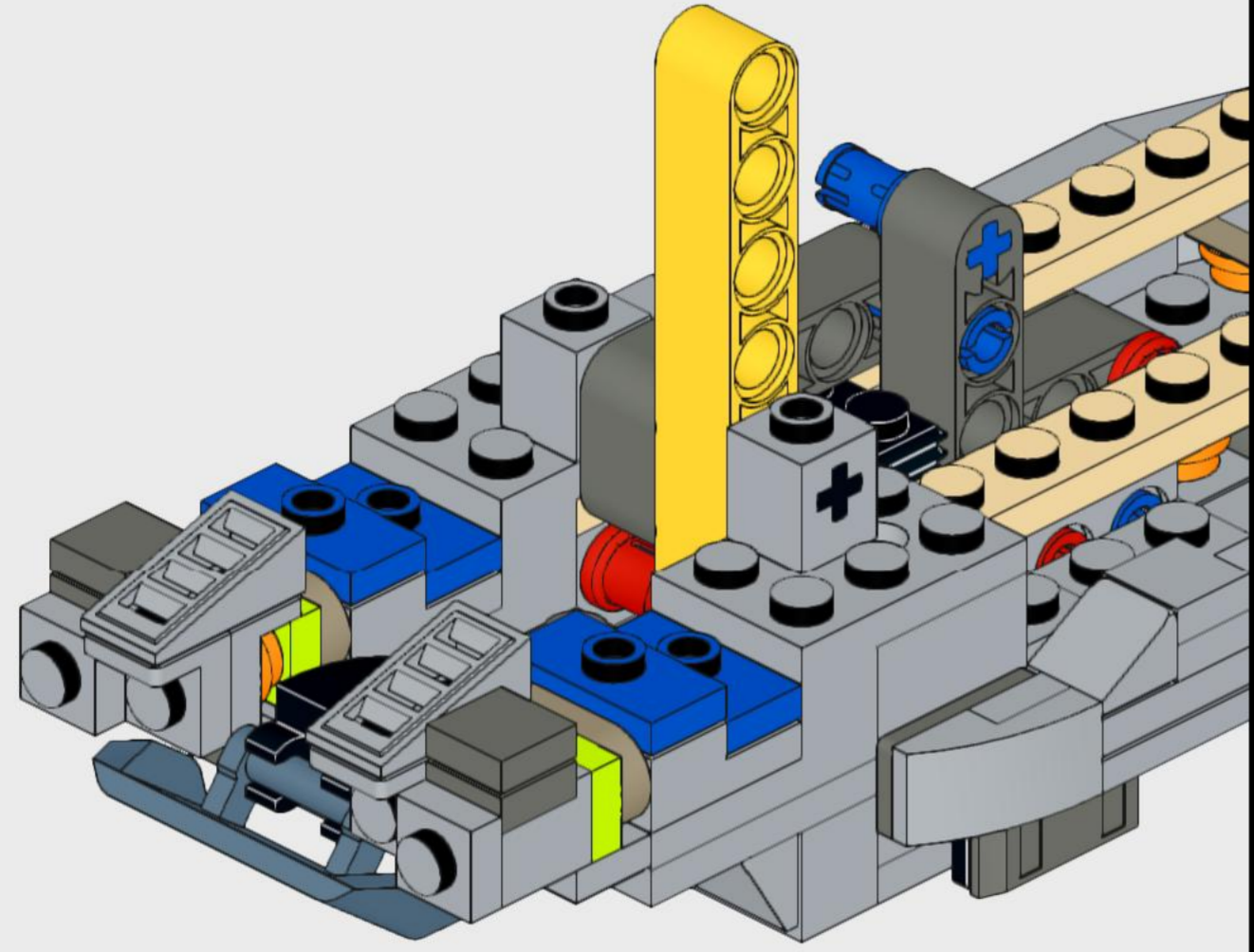
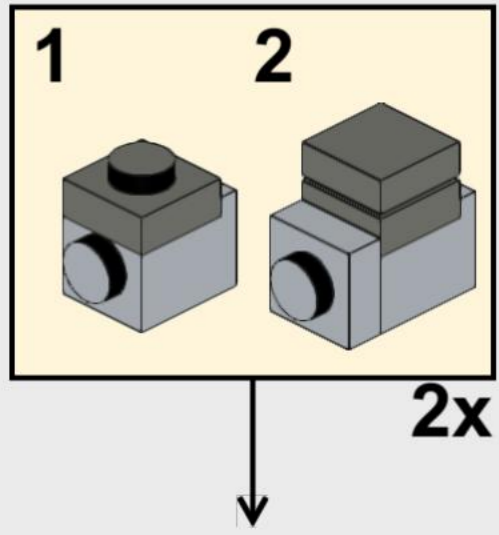


2x

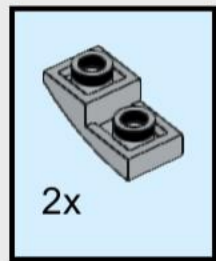
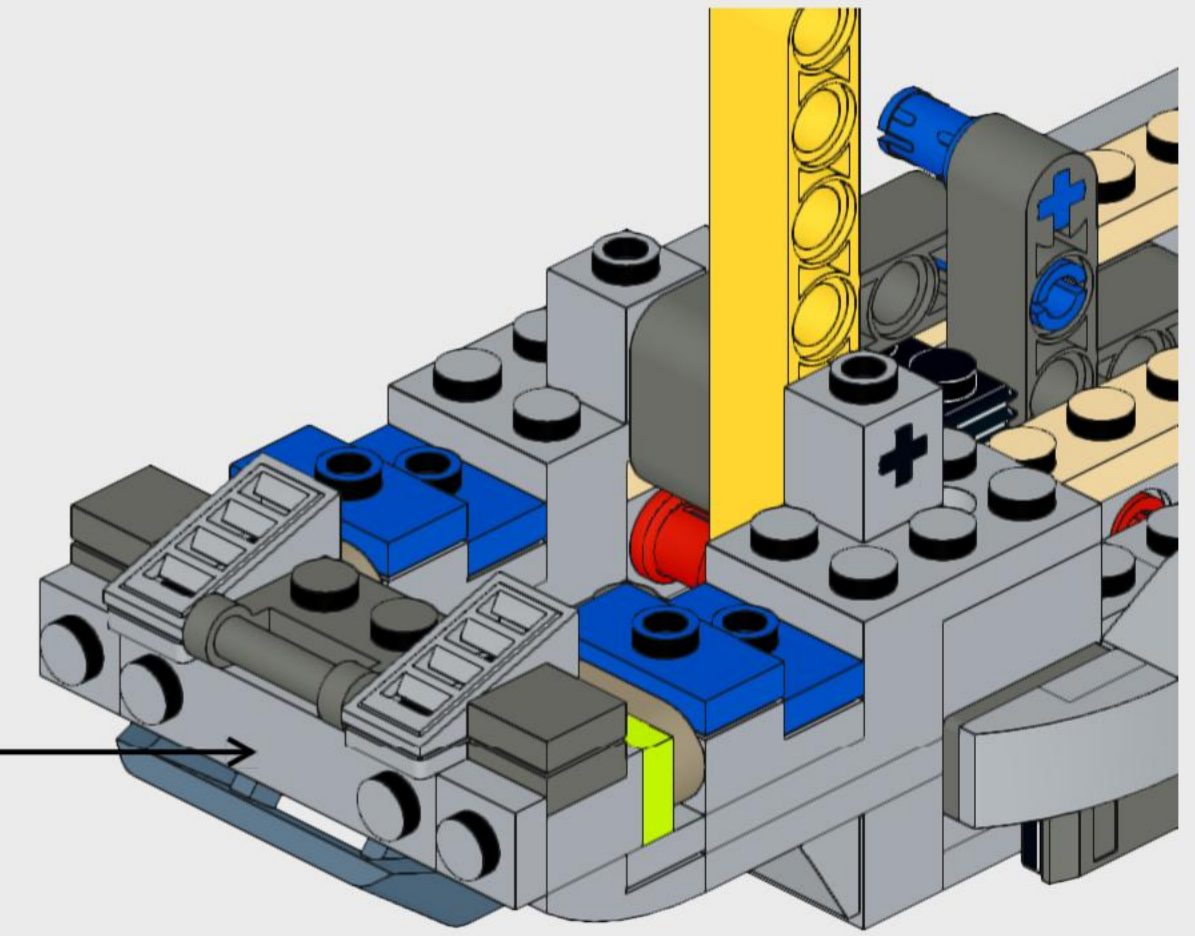
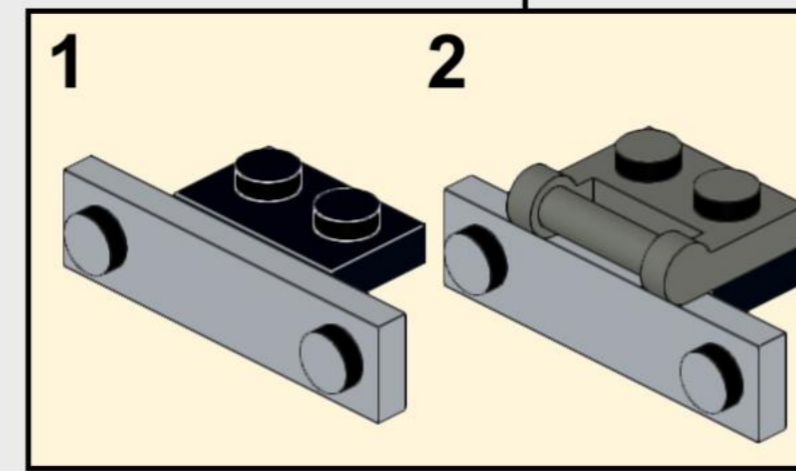




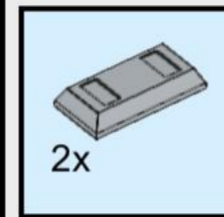
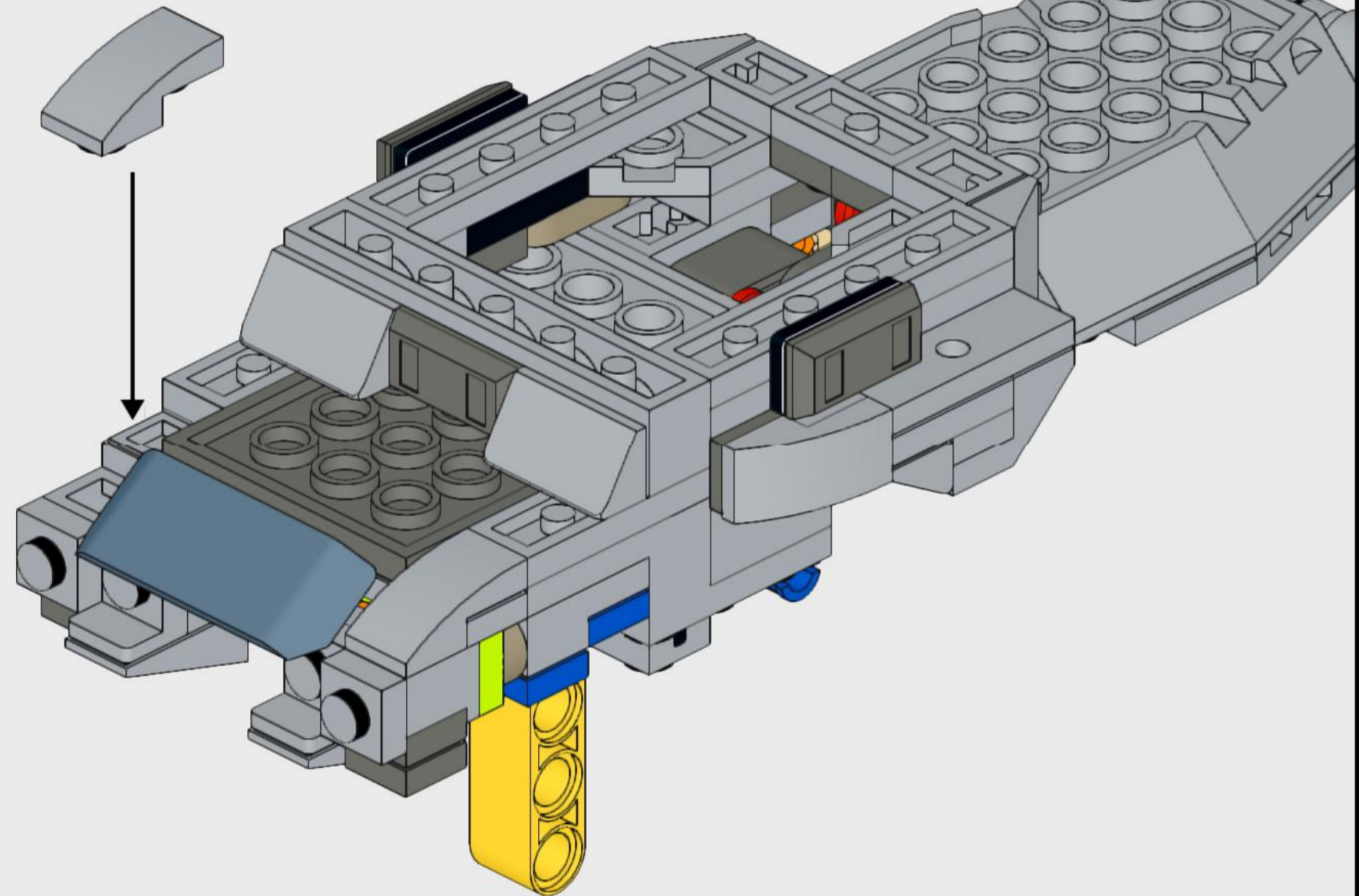
31



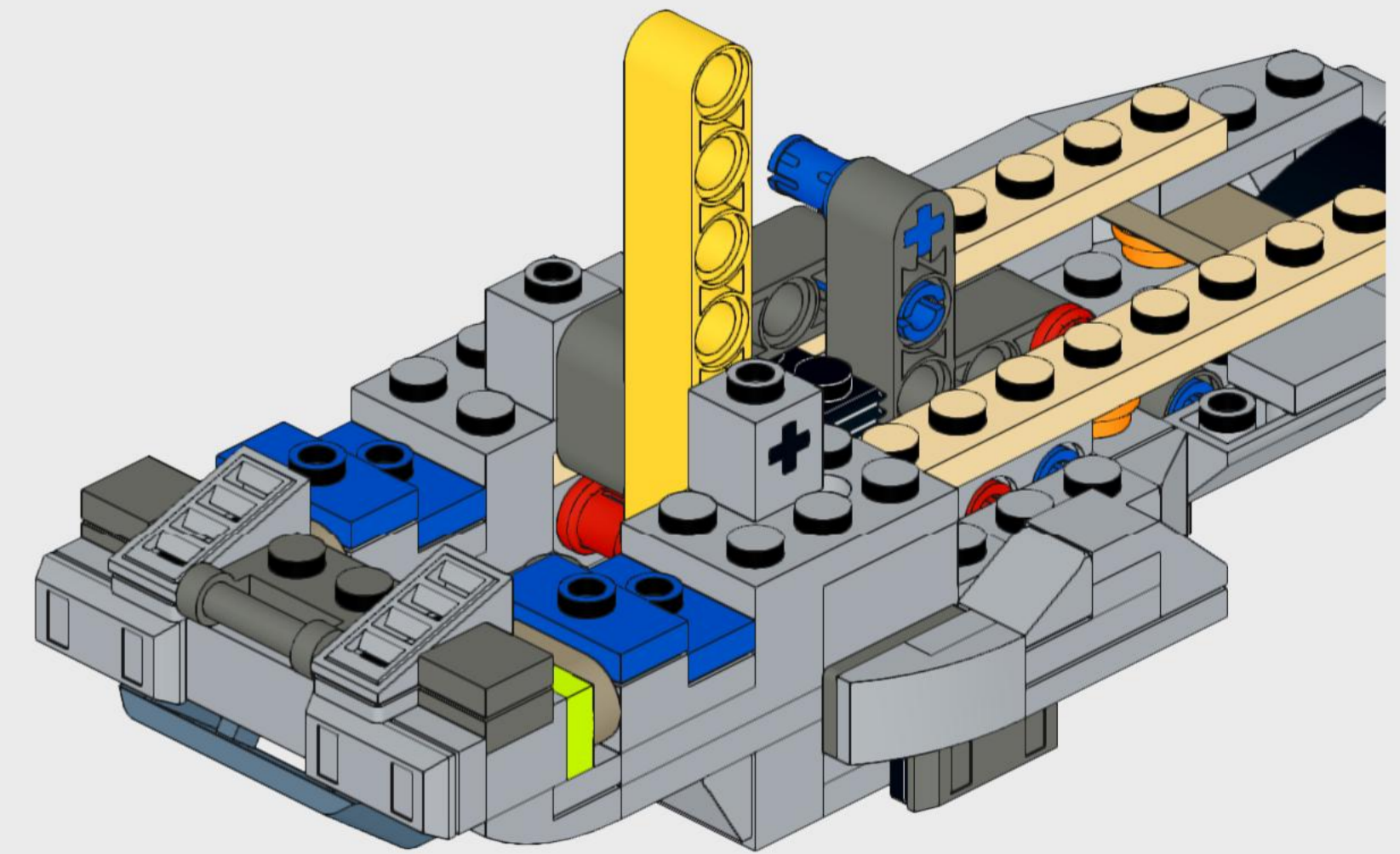
33

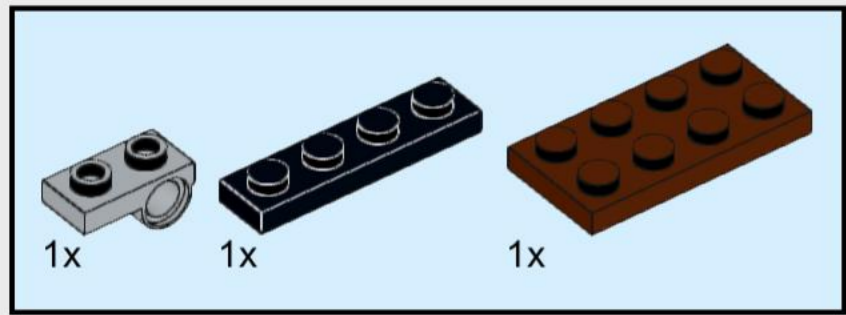


32

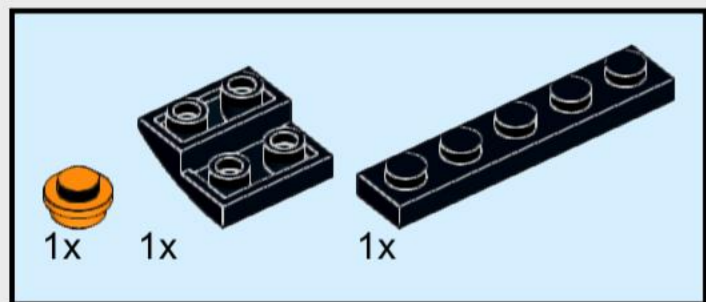
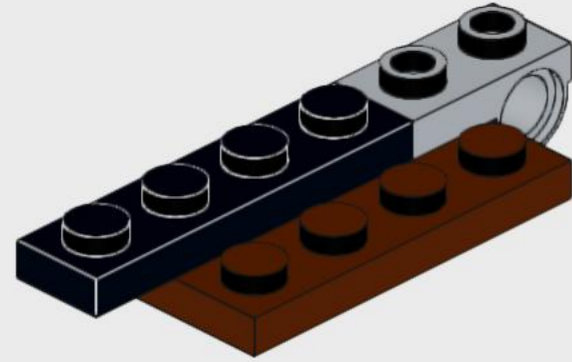


34

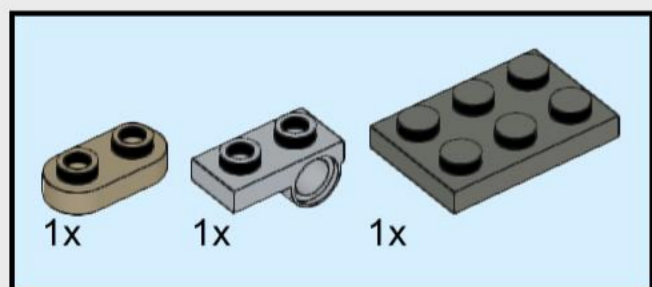




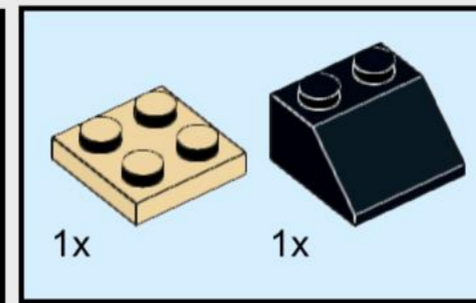
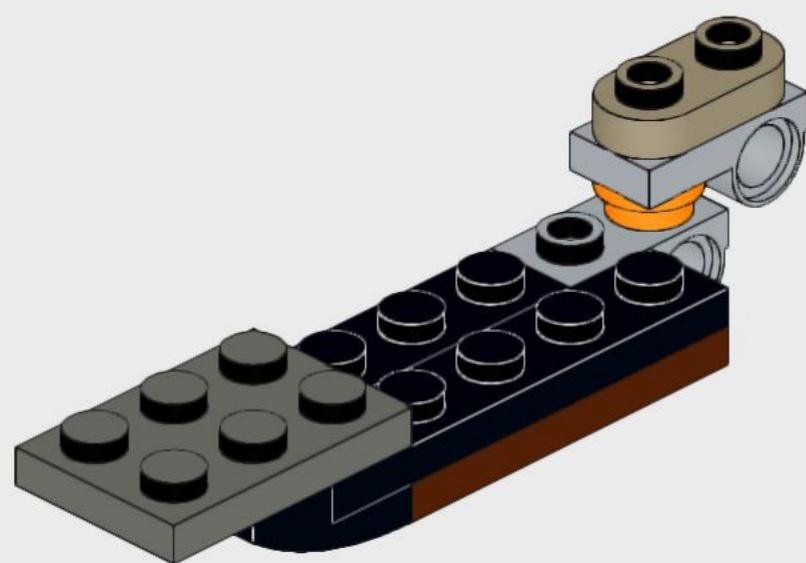
35



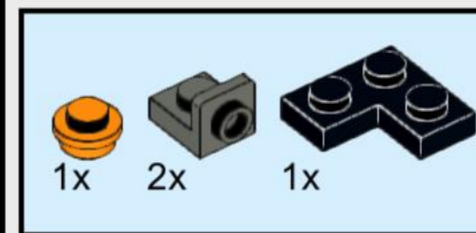
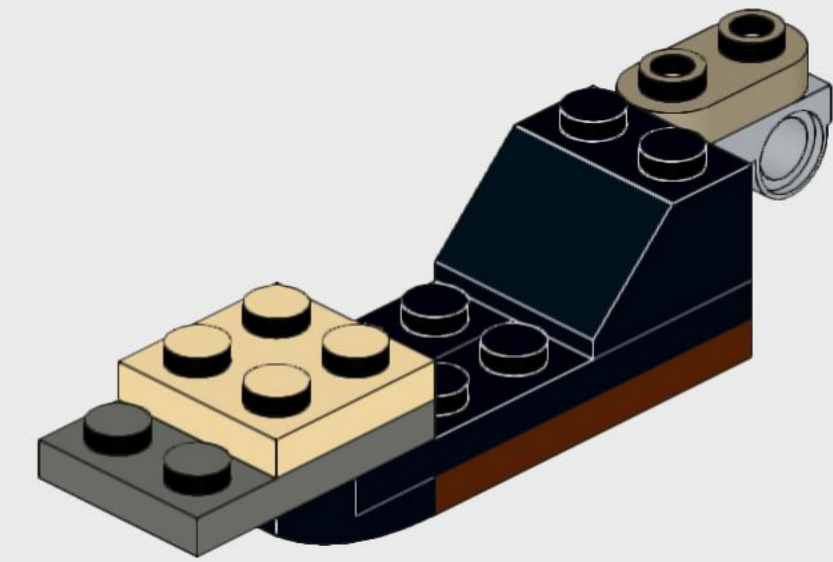
36



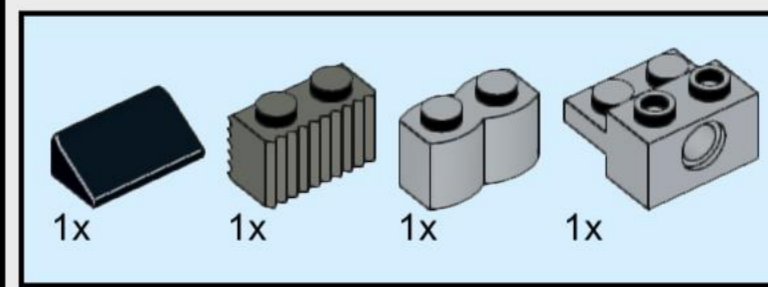
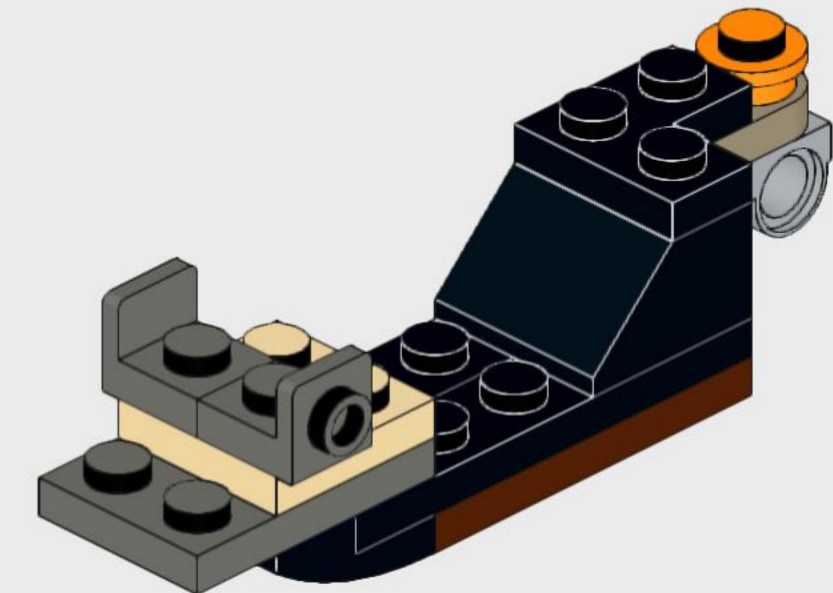
37



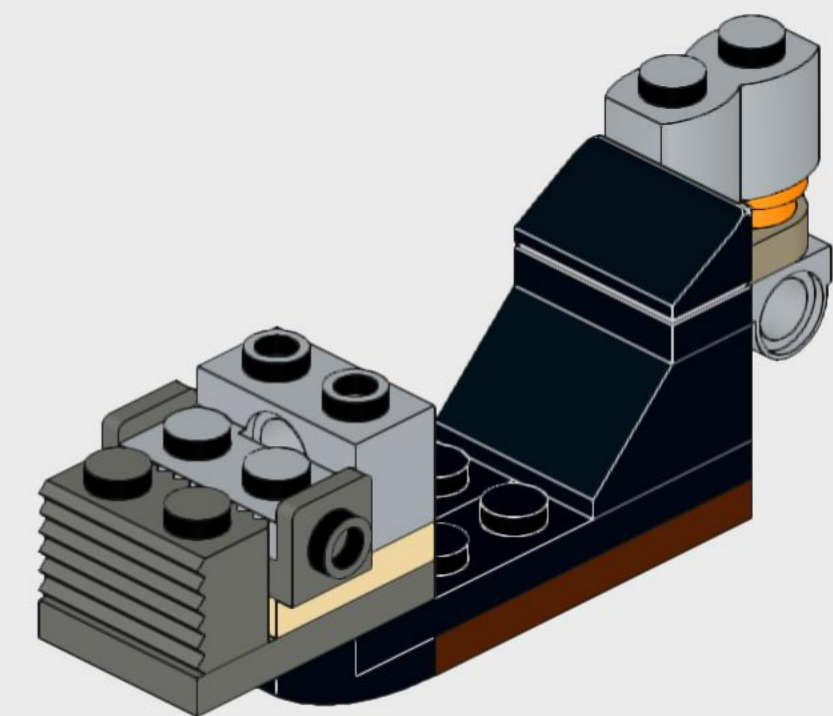
38

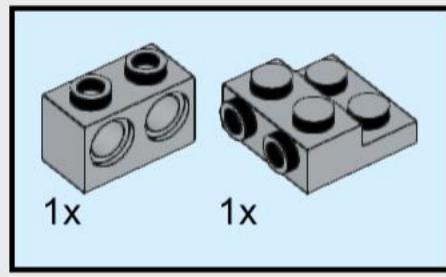


39

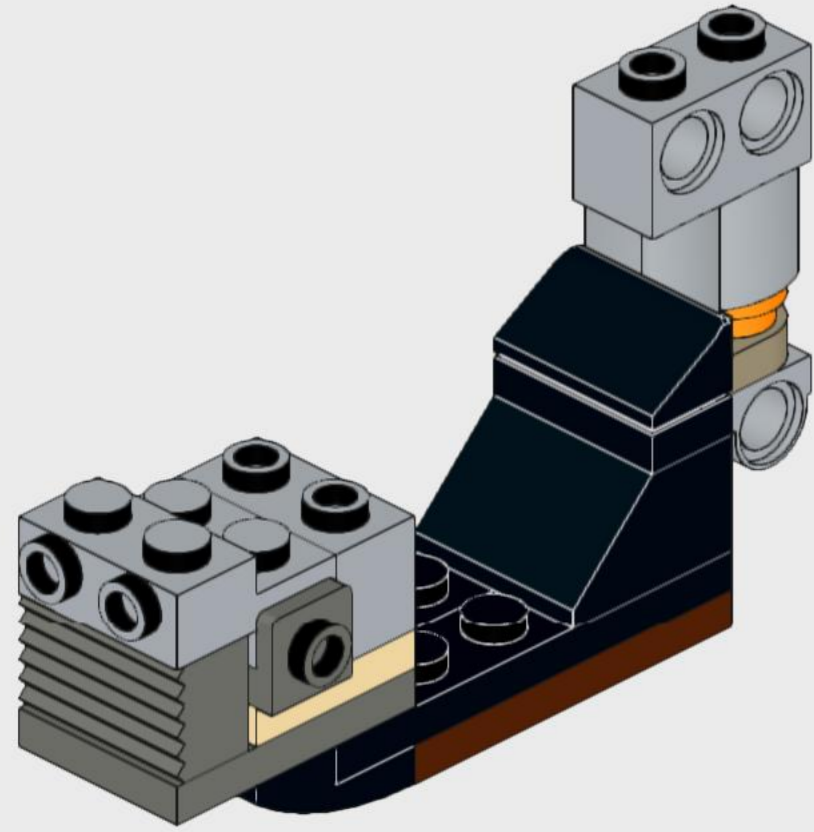


40

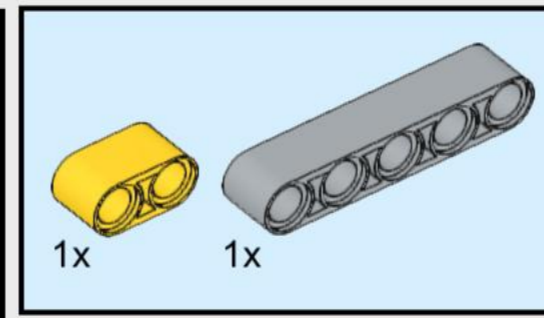
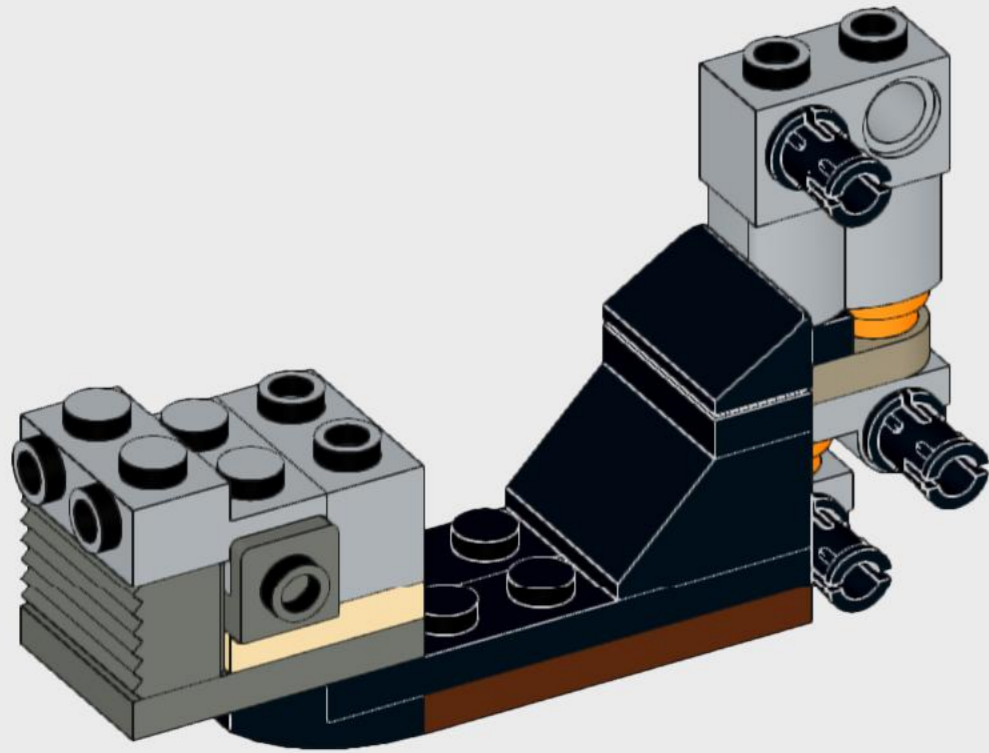




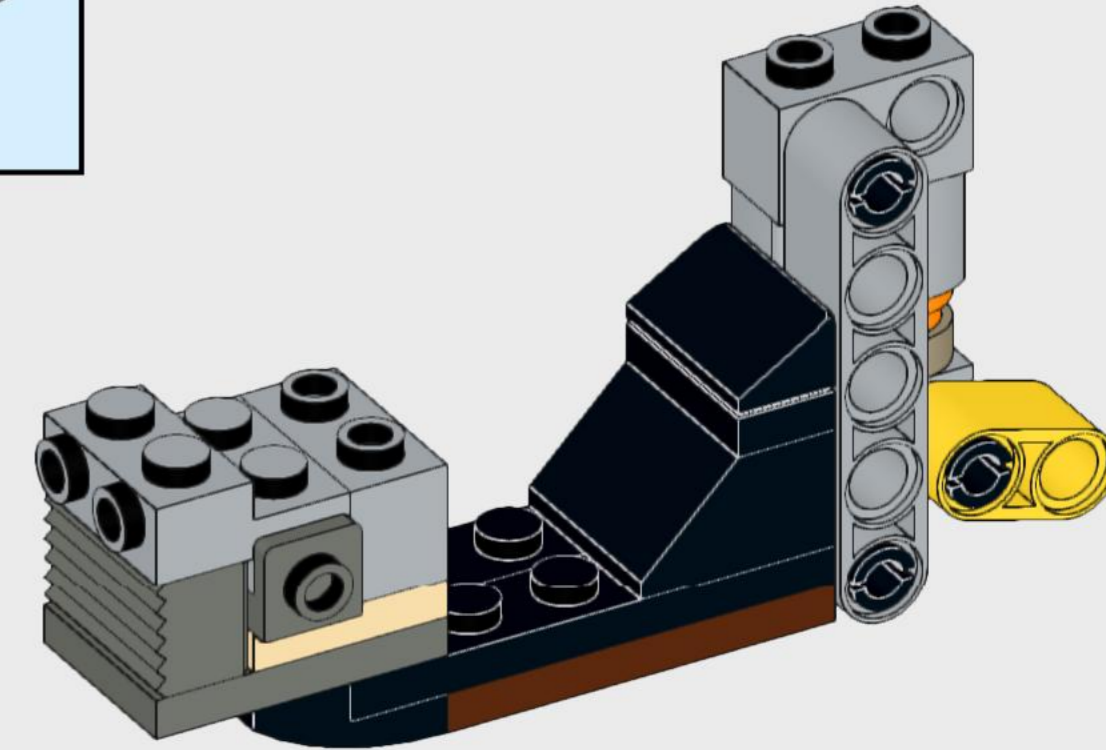
41



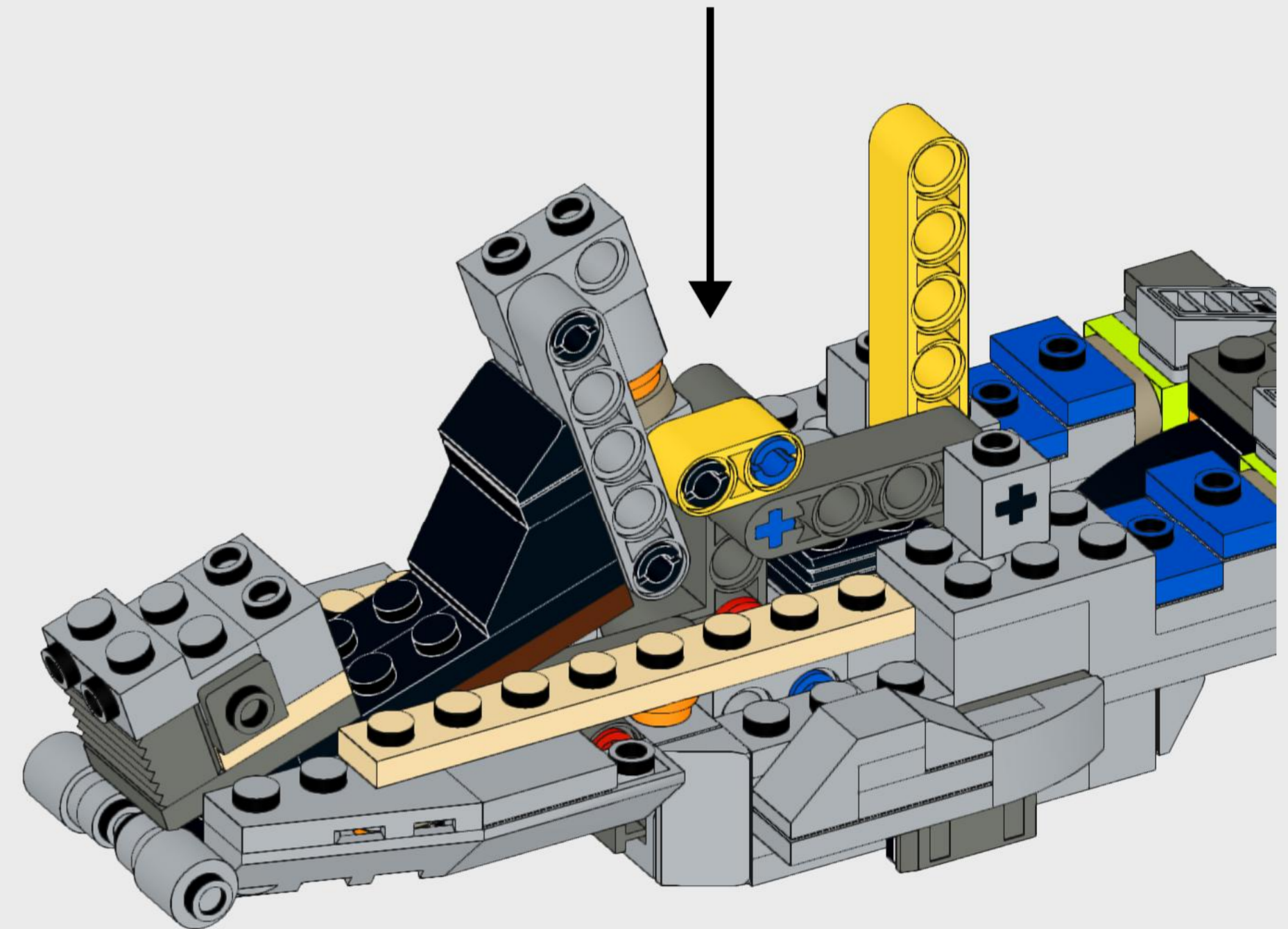
42

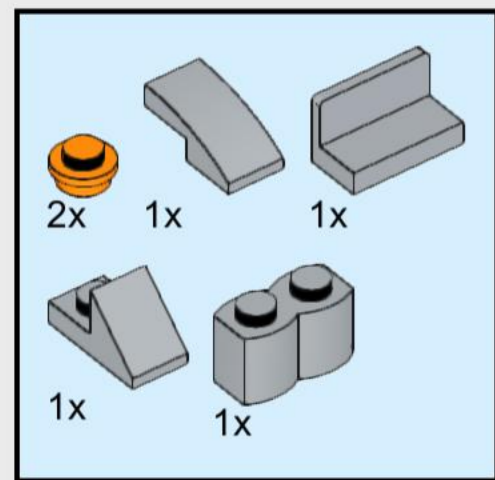


43

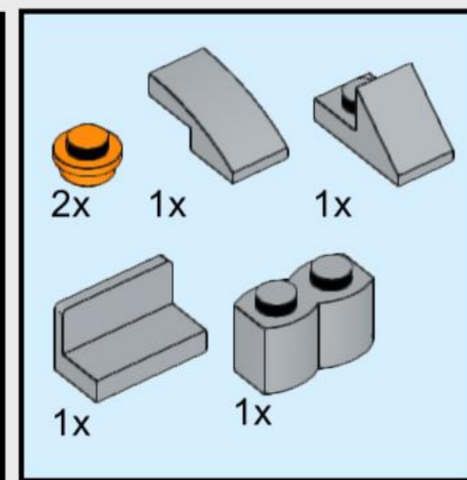
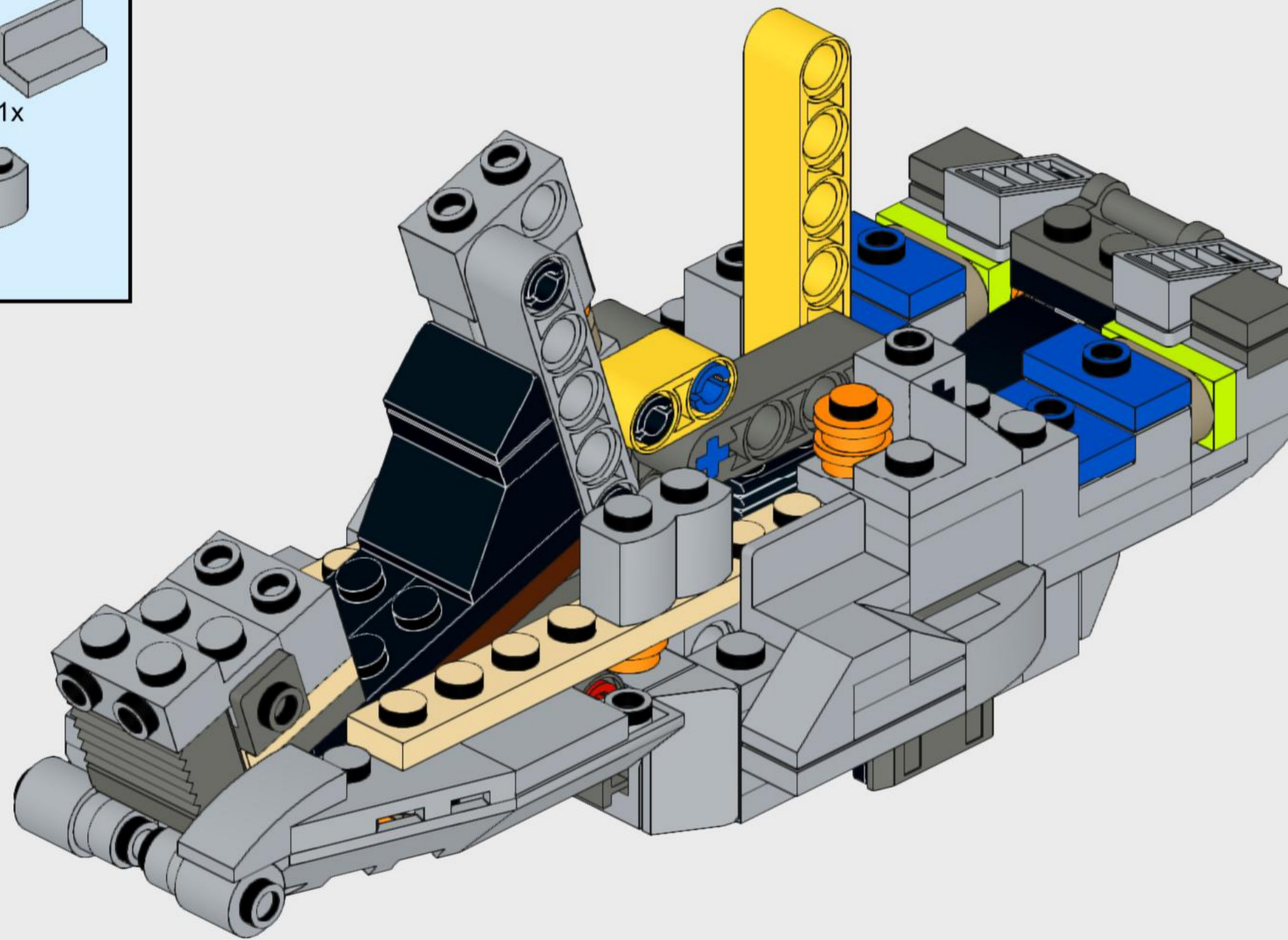


44

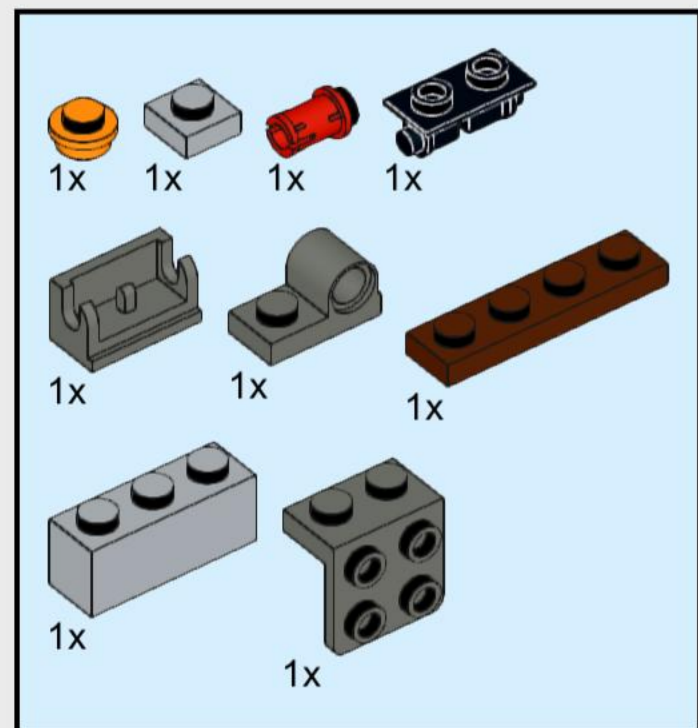
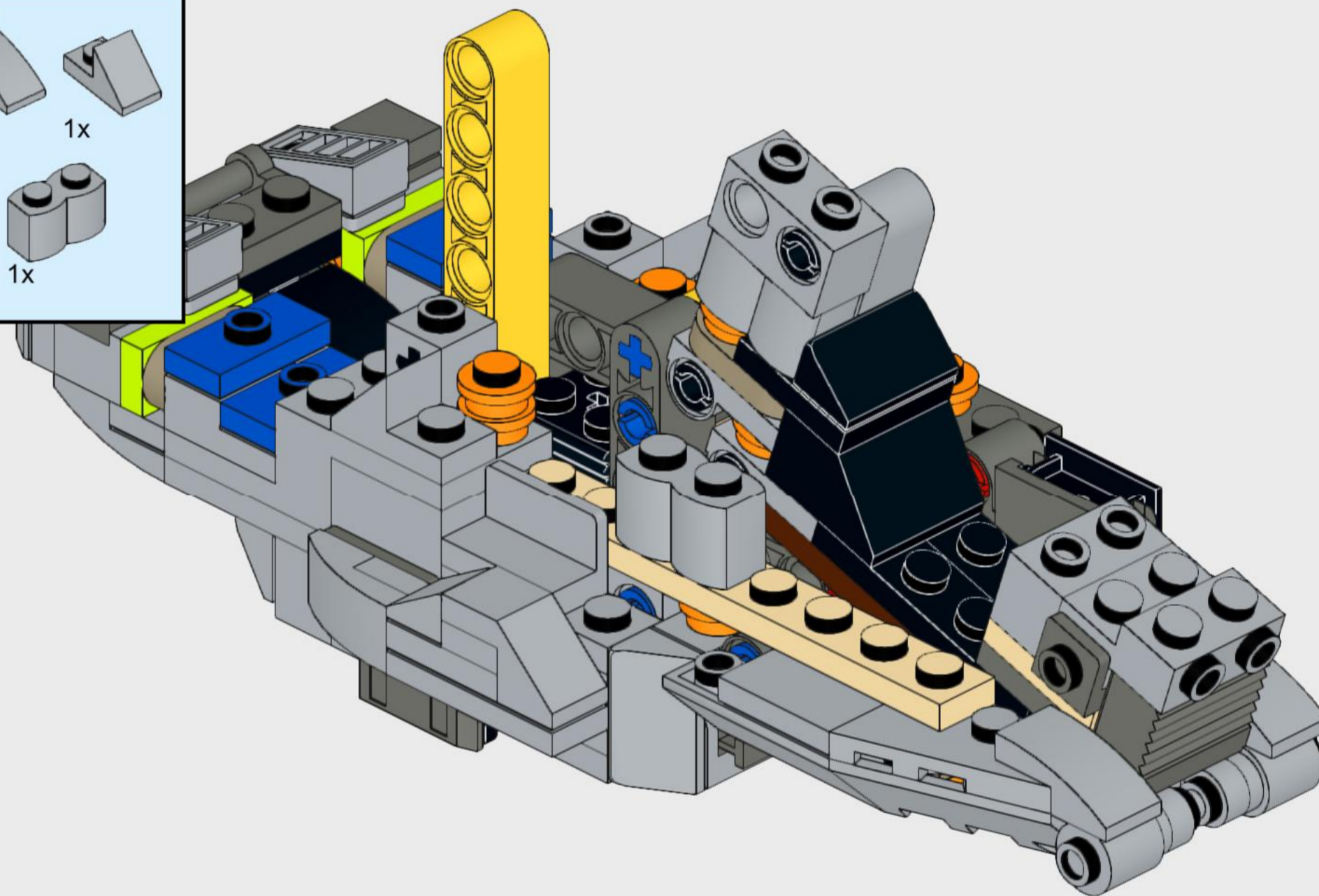




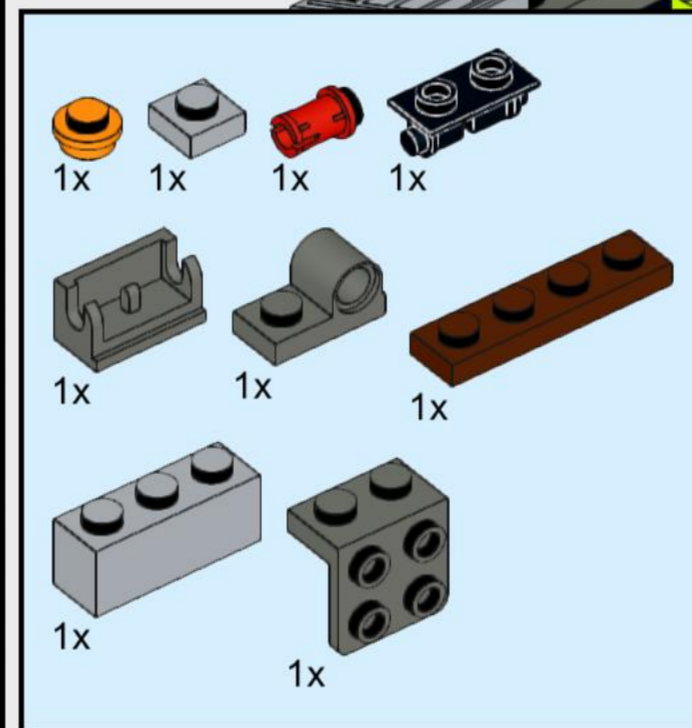
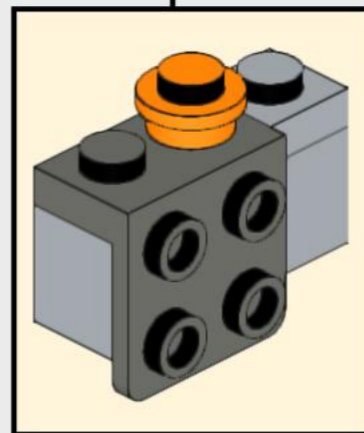
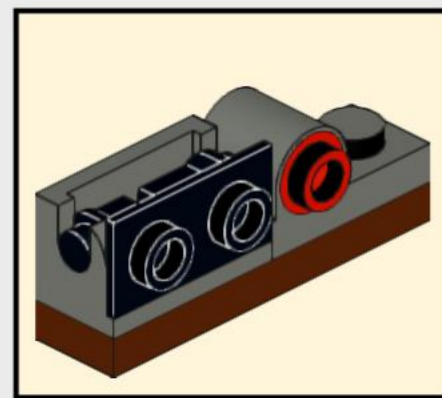
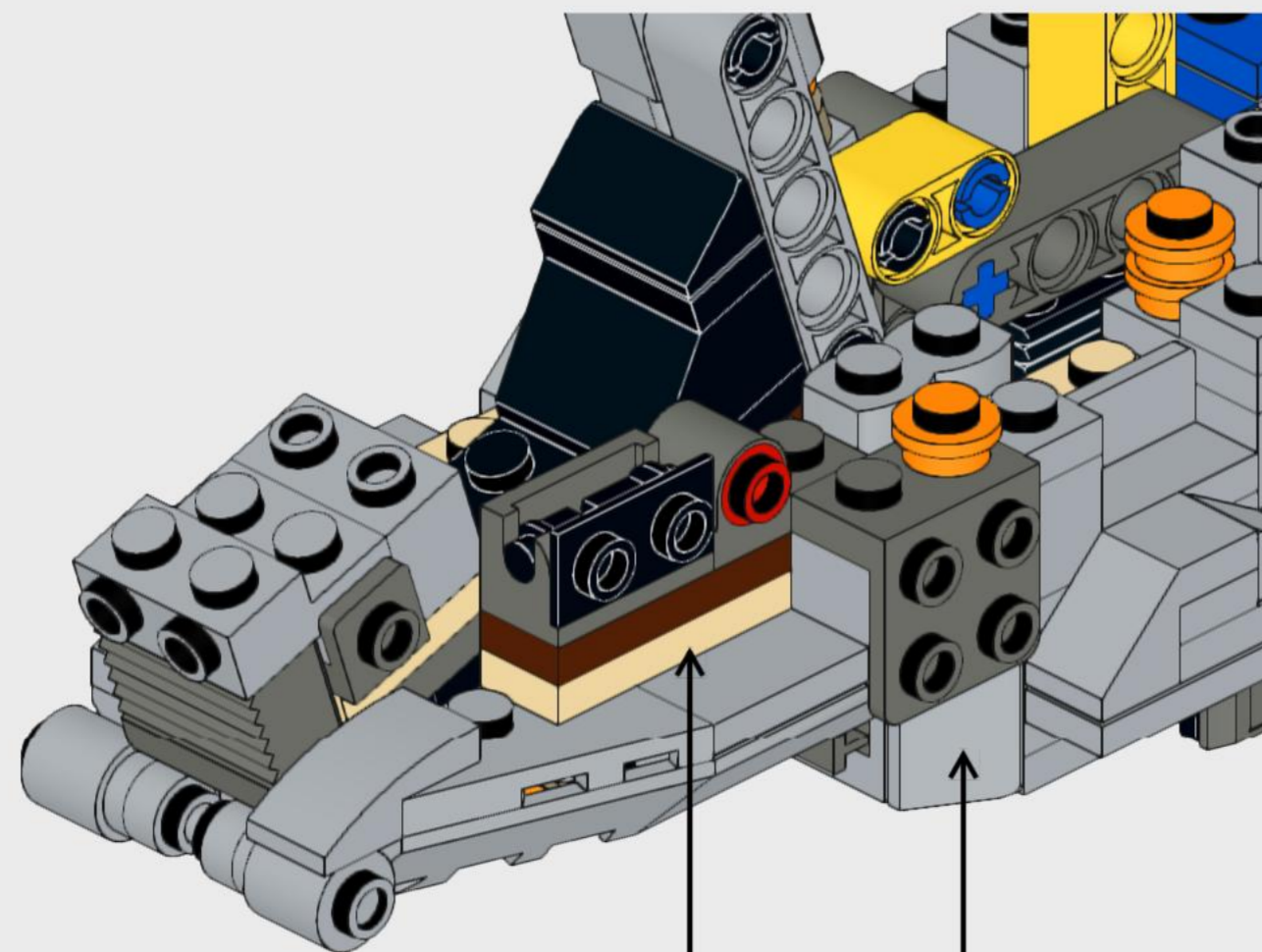
45



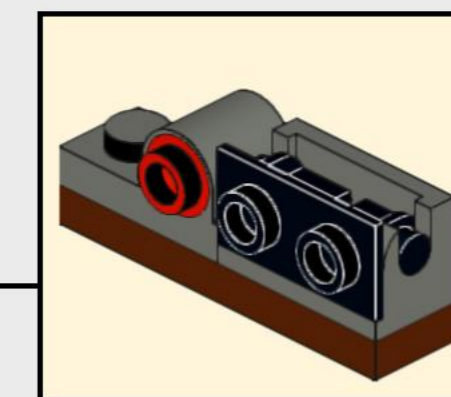
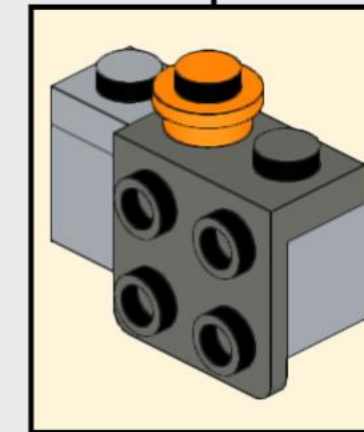
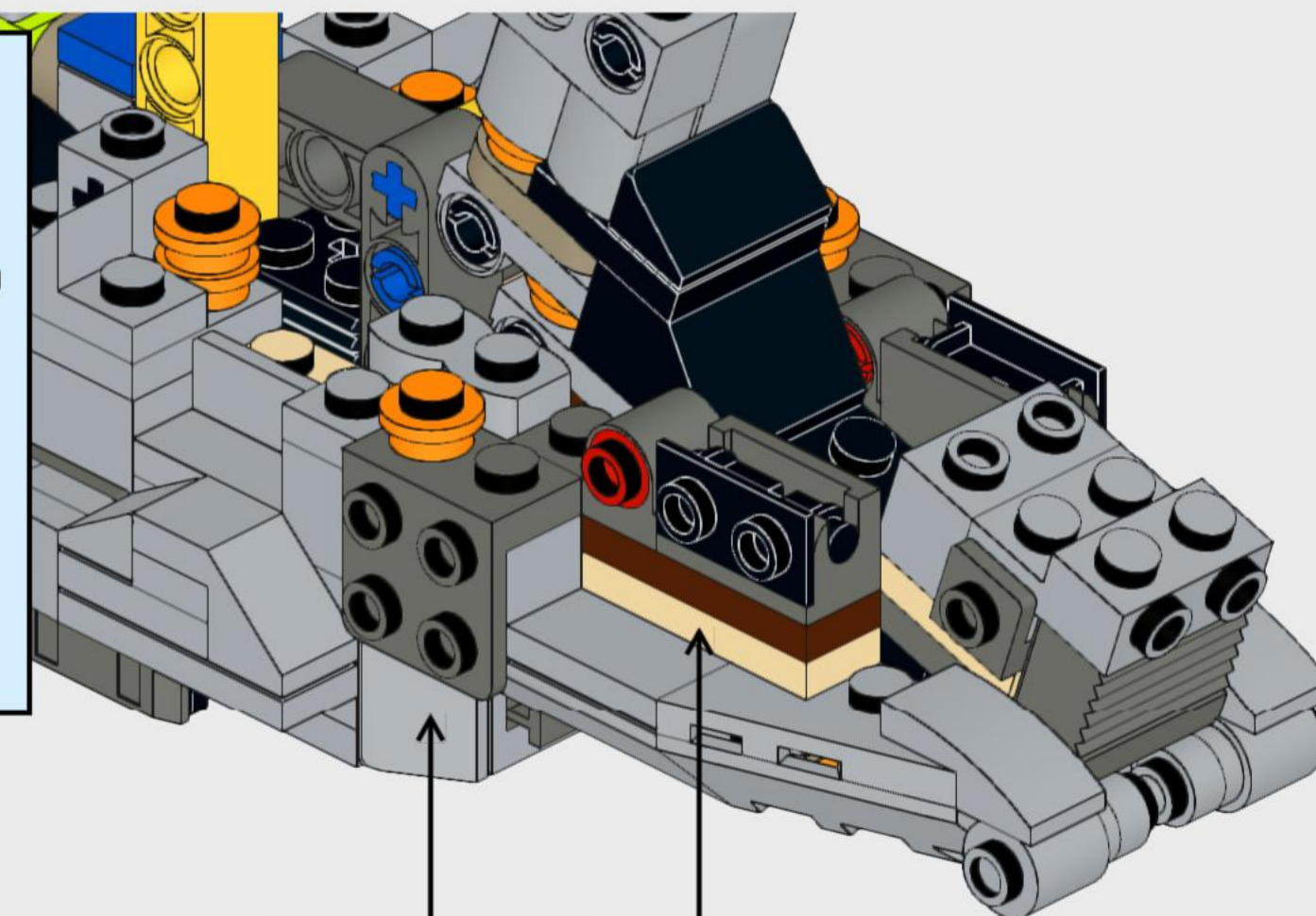
47

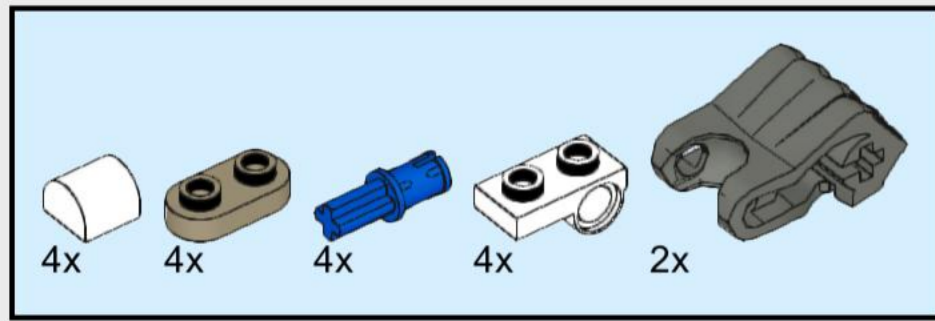


46

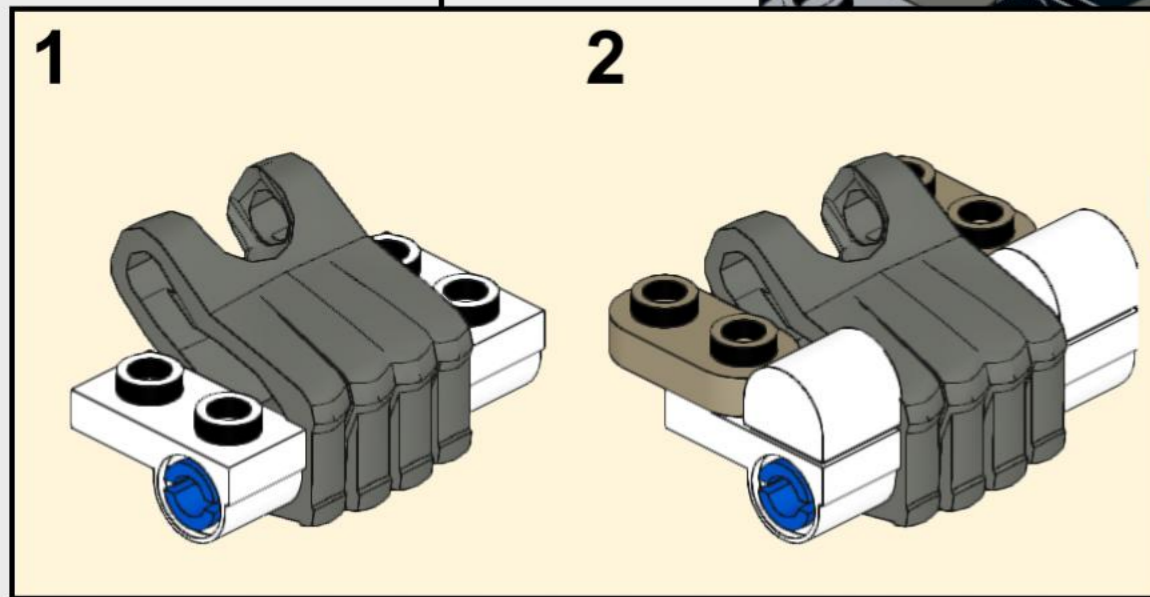


48

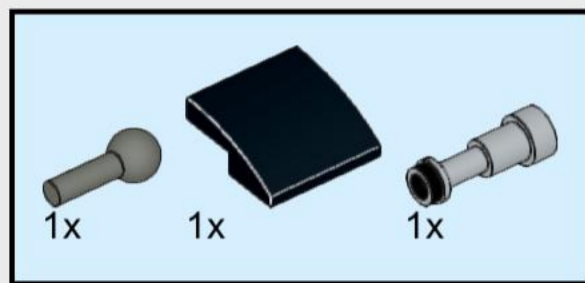




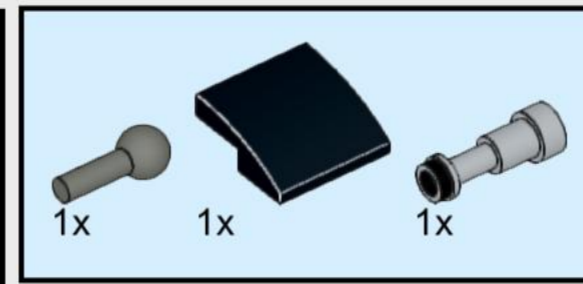
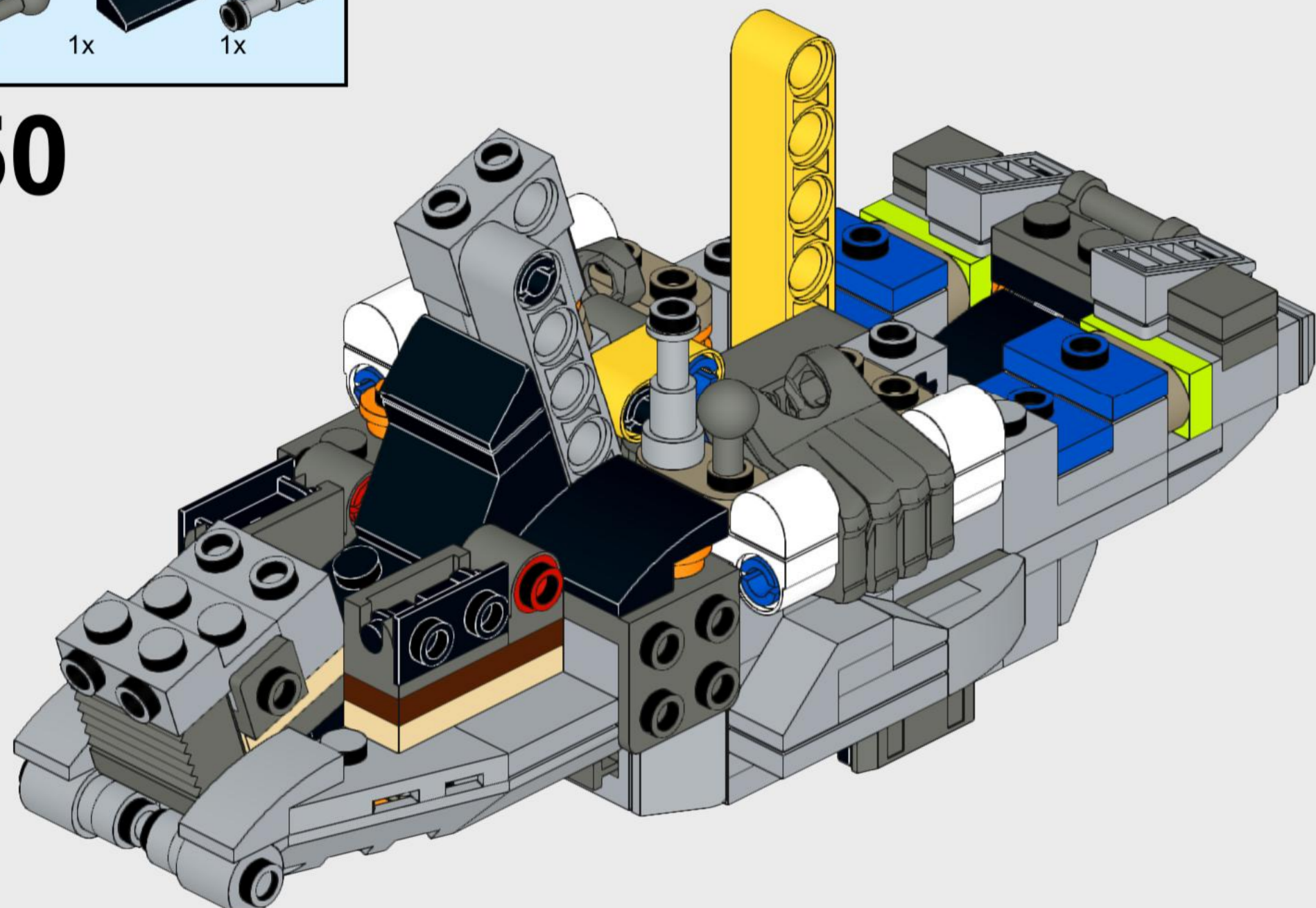
49



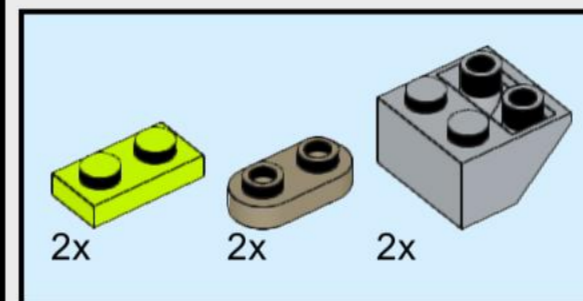
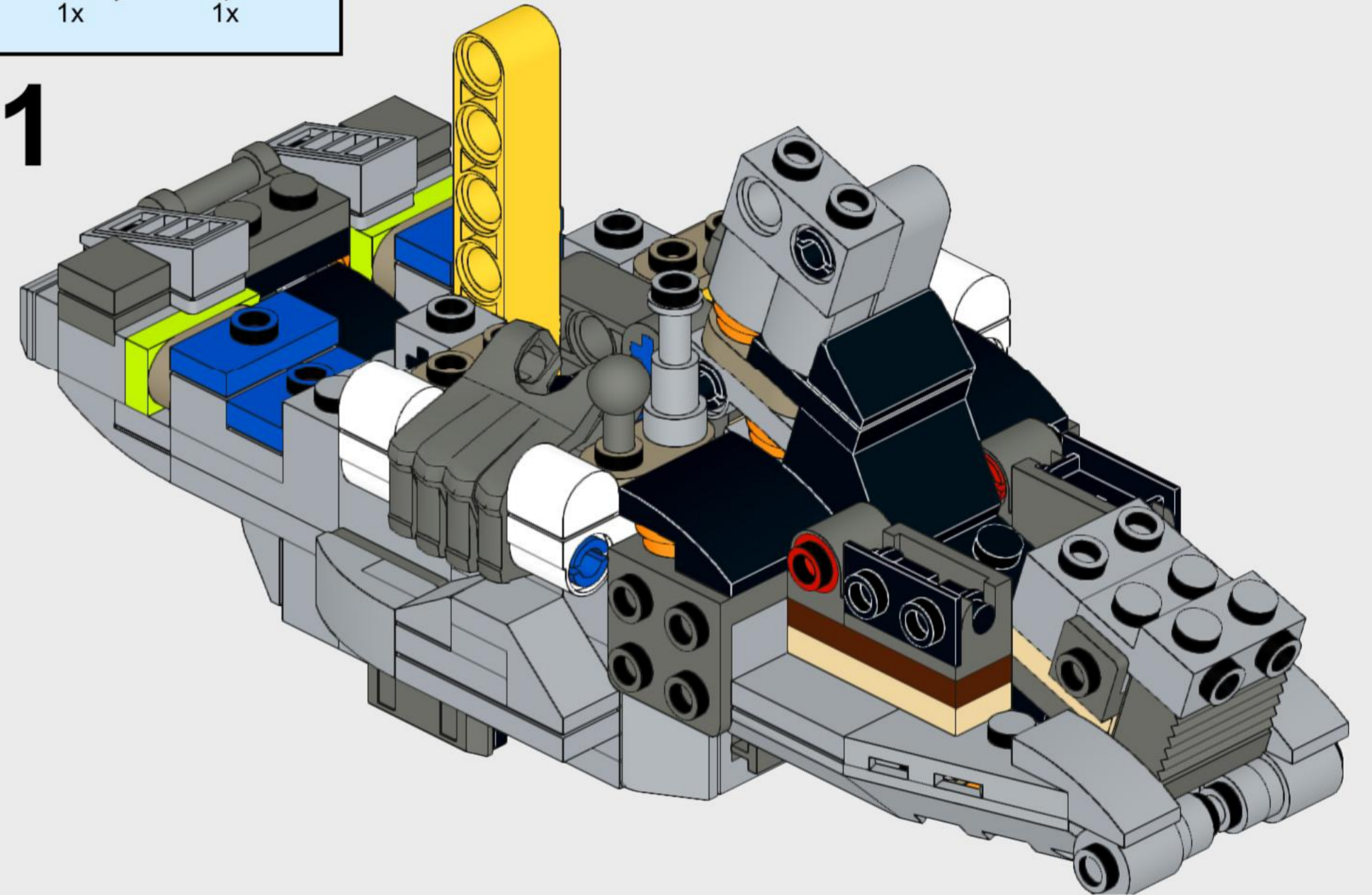
2x



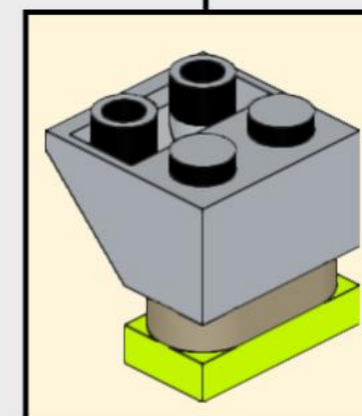
50



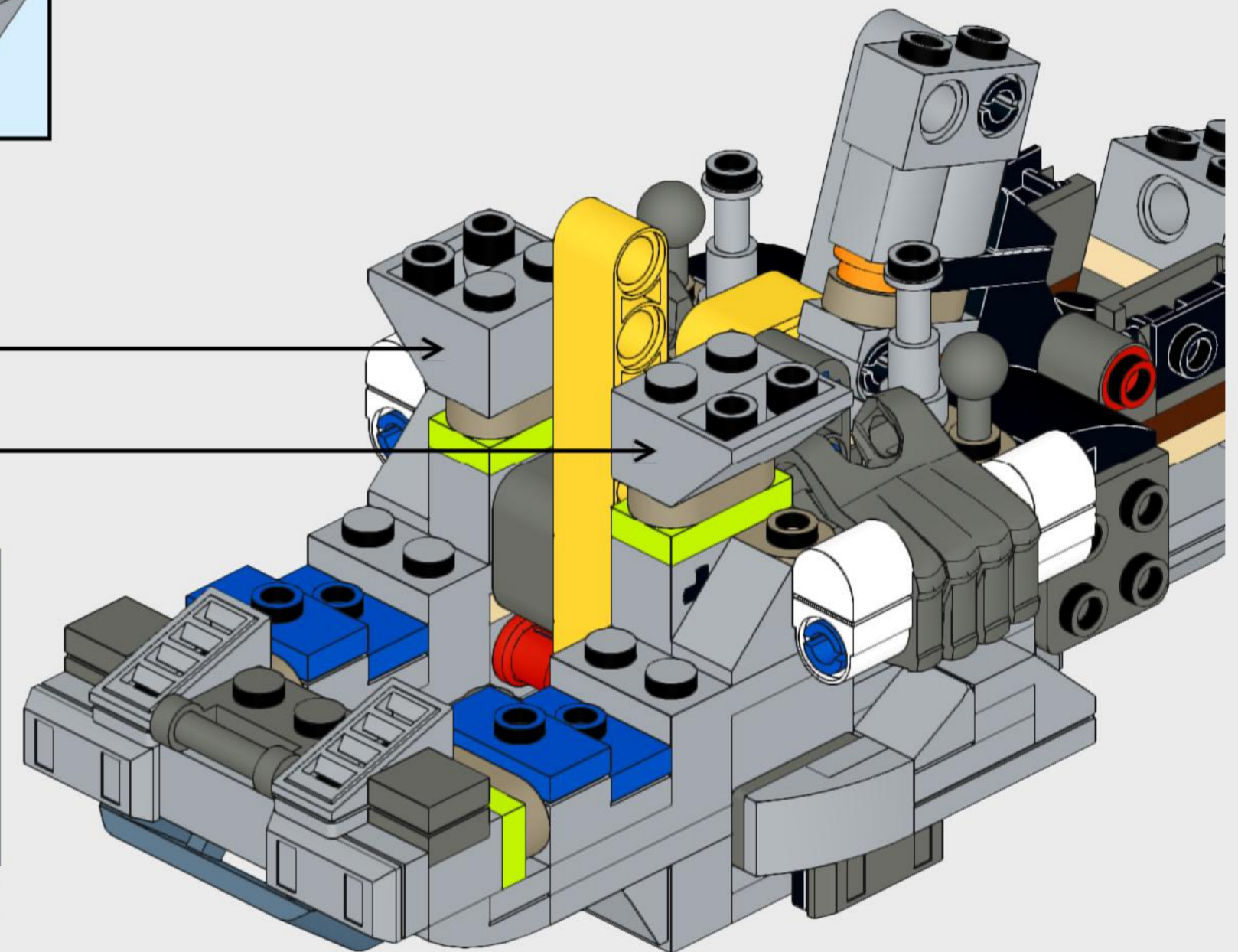
51

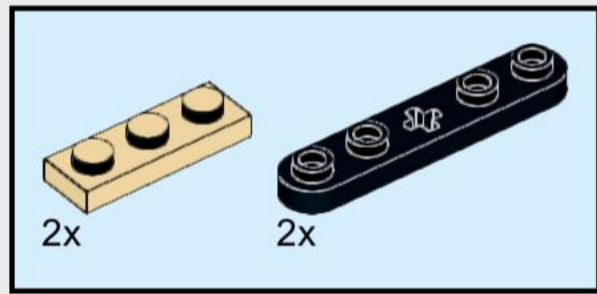


52

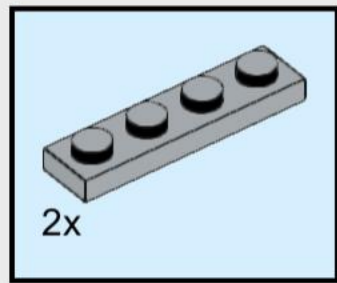
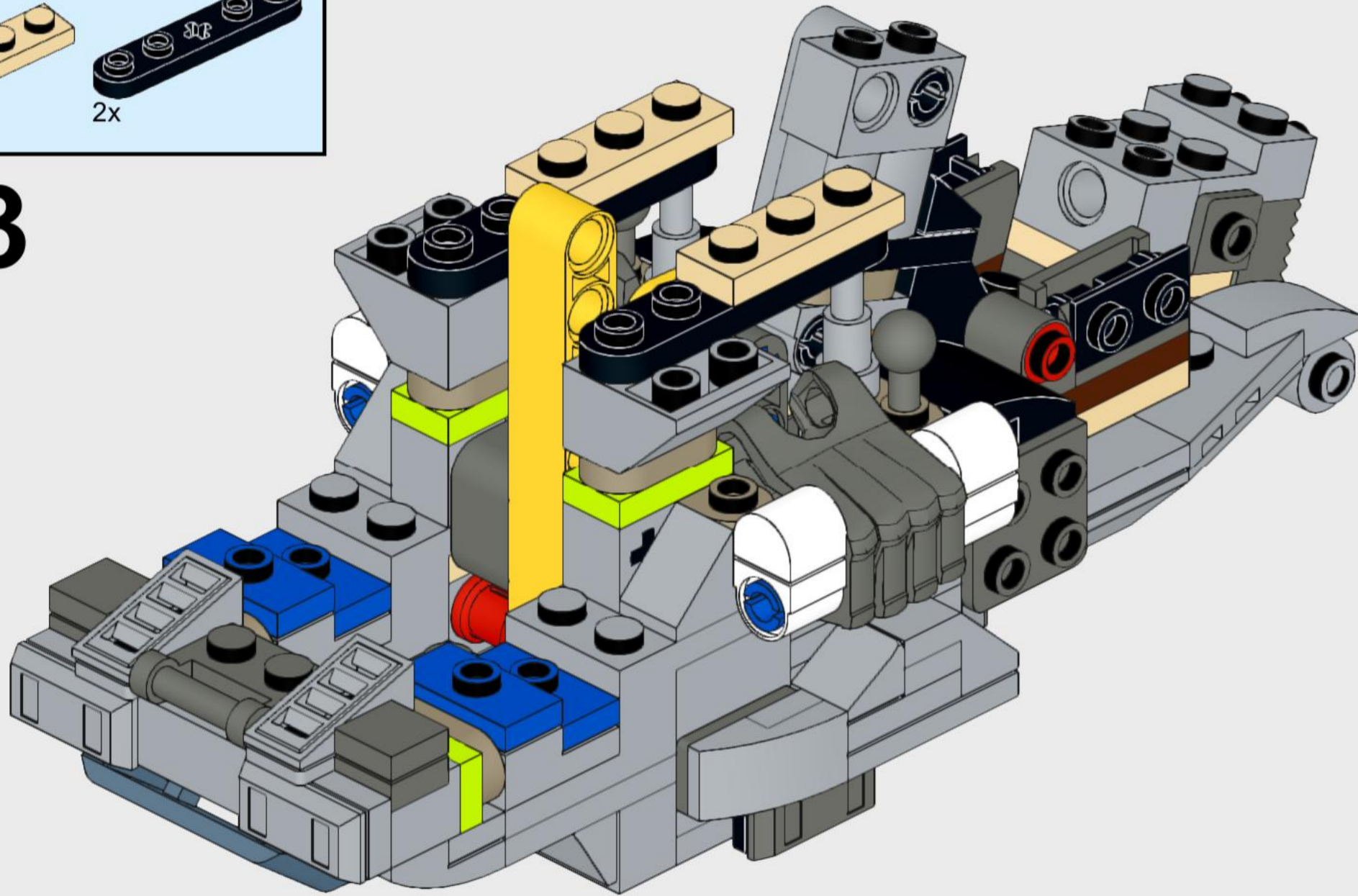


2x

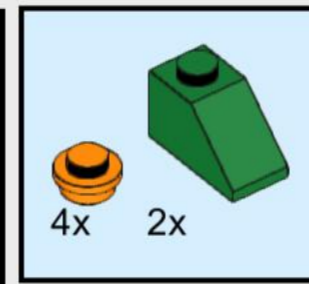
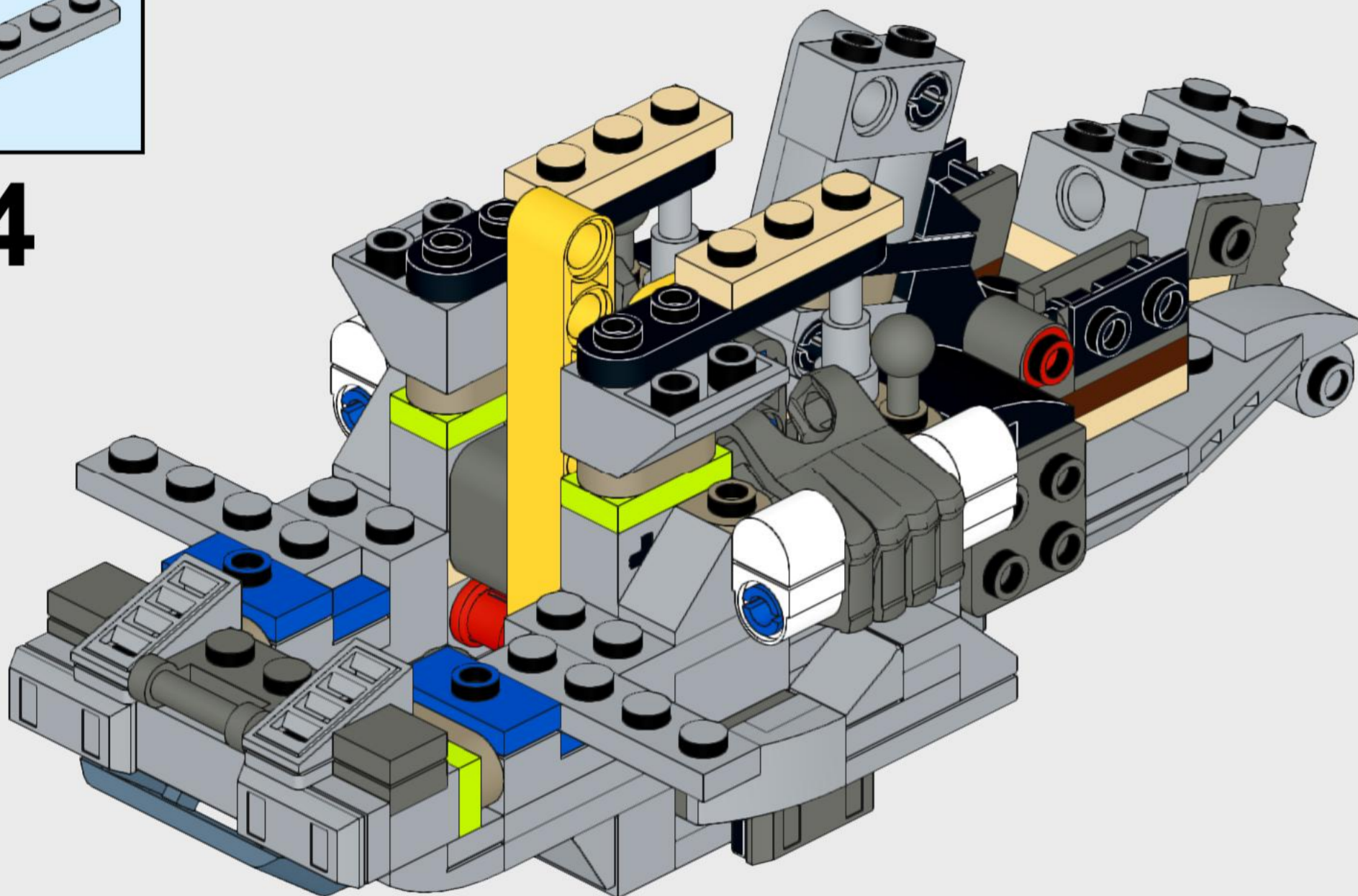




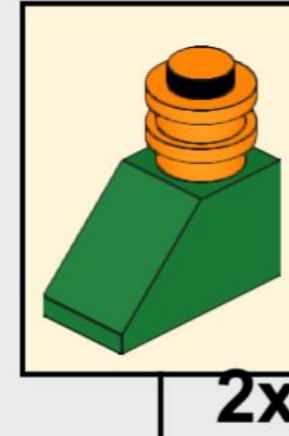
53



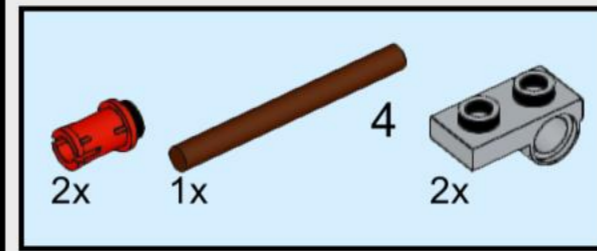
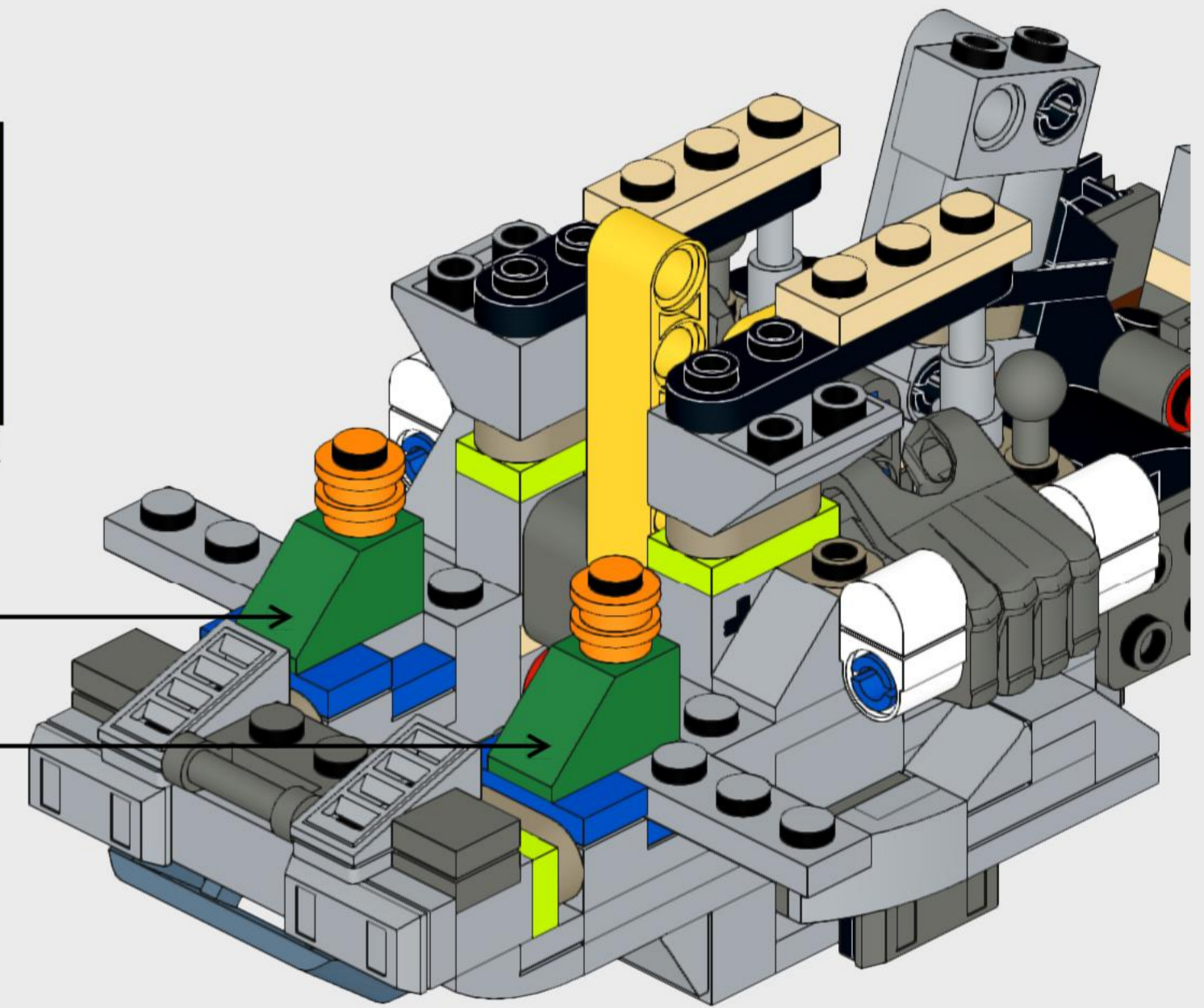
54



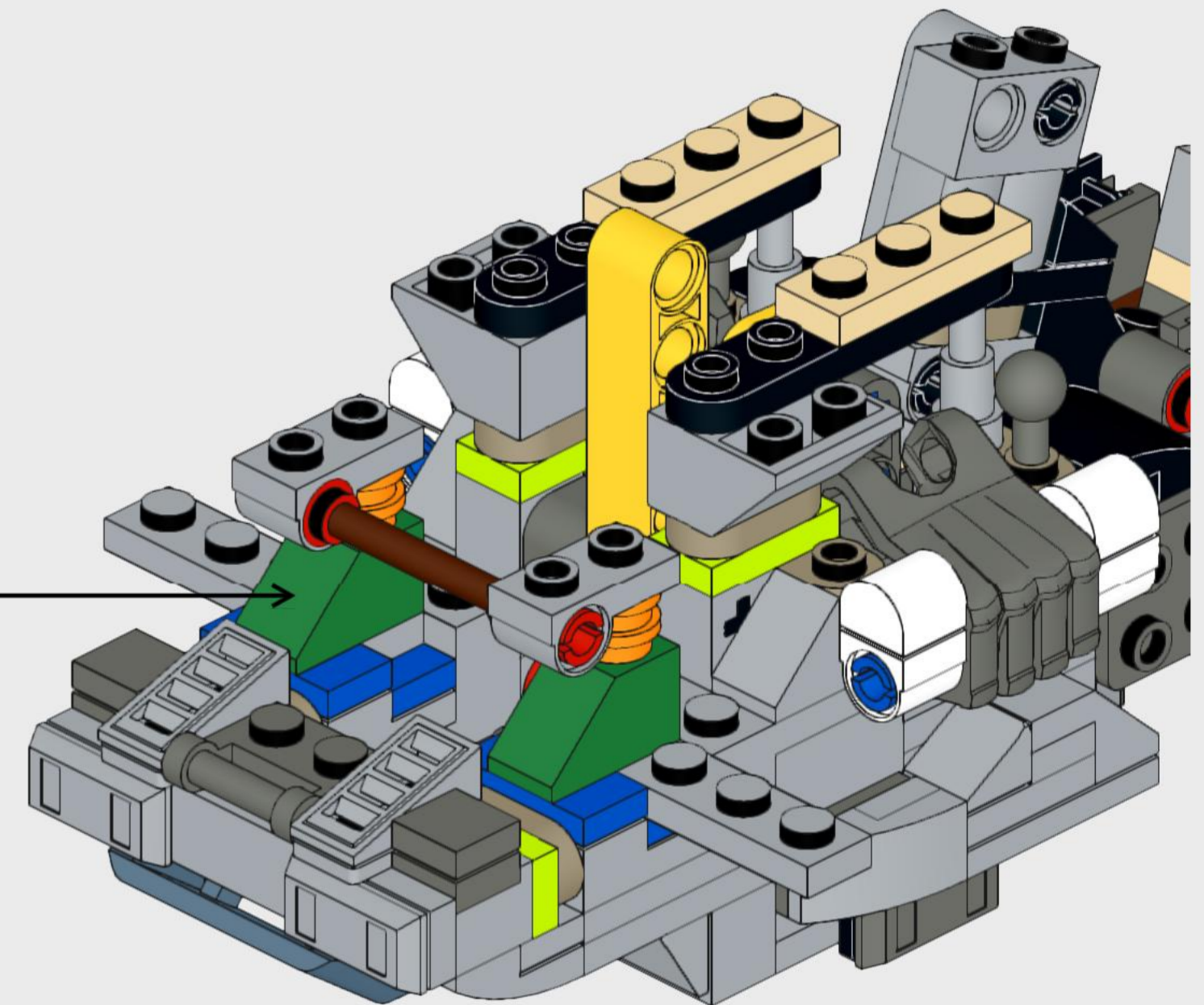
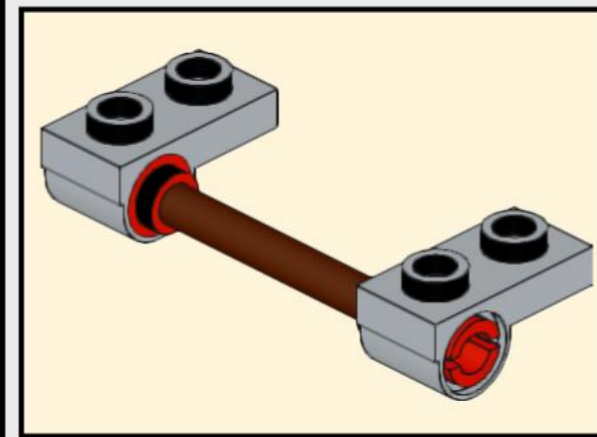
55

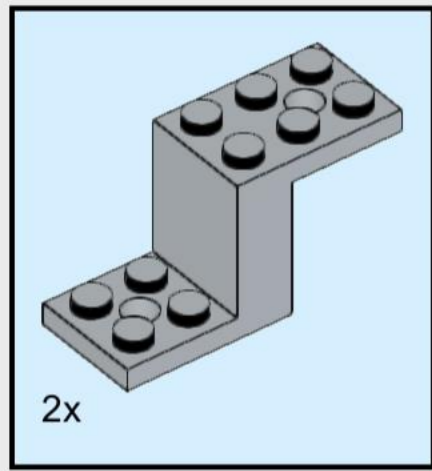


2x

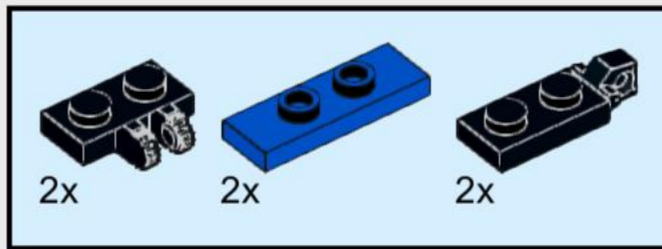
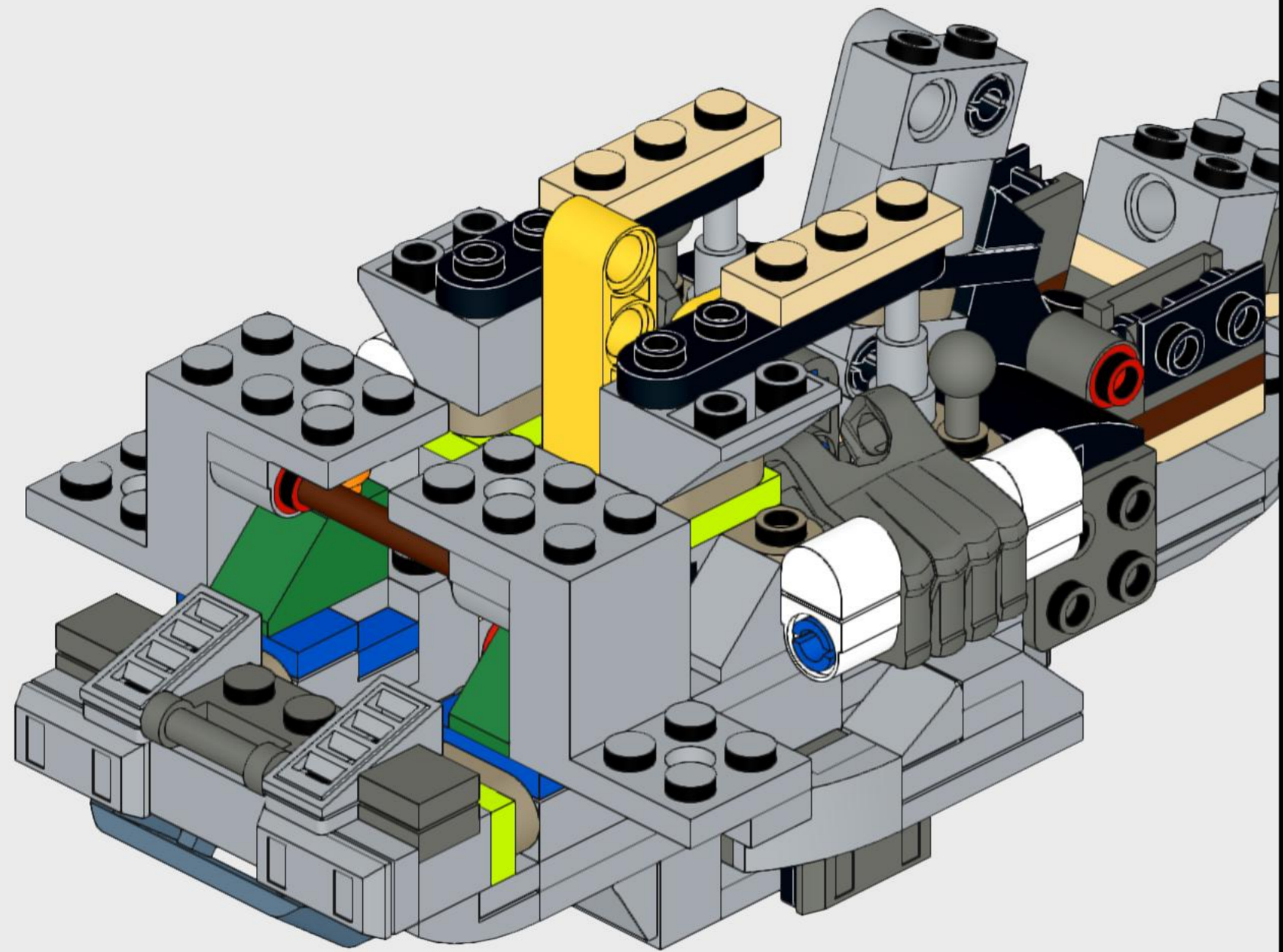


56

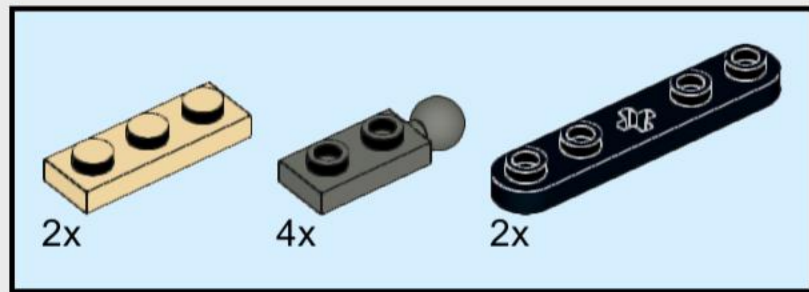
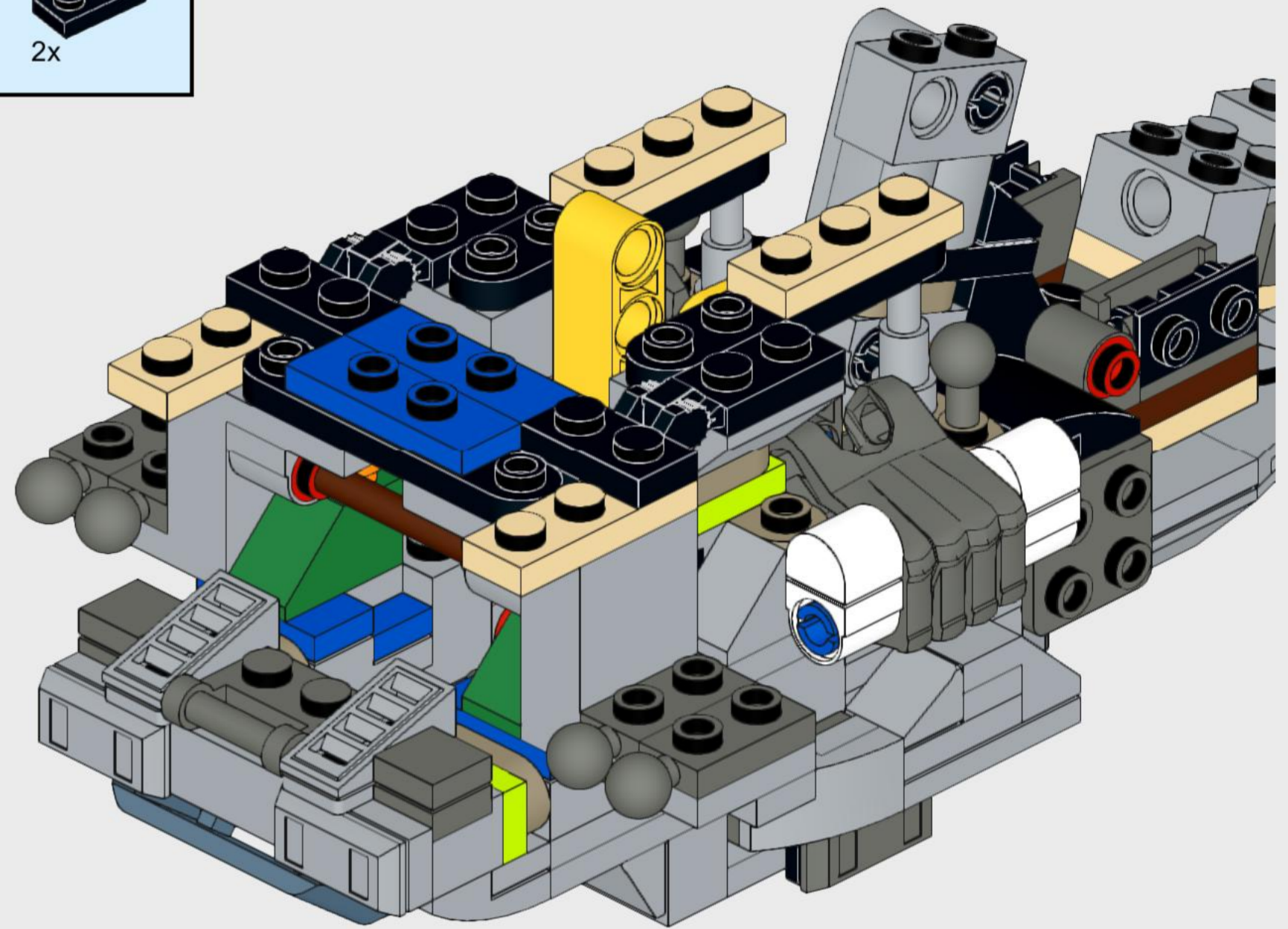




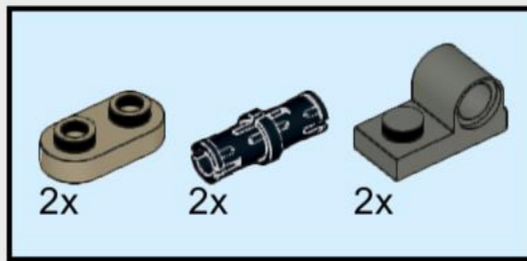
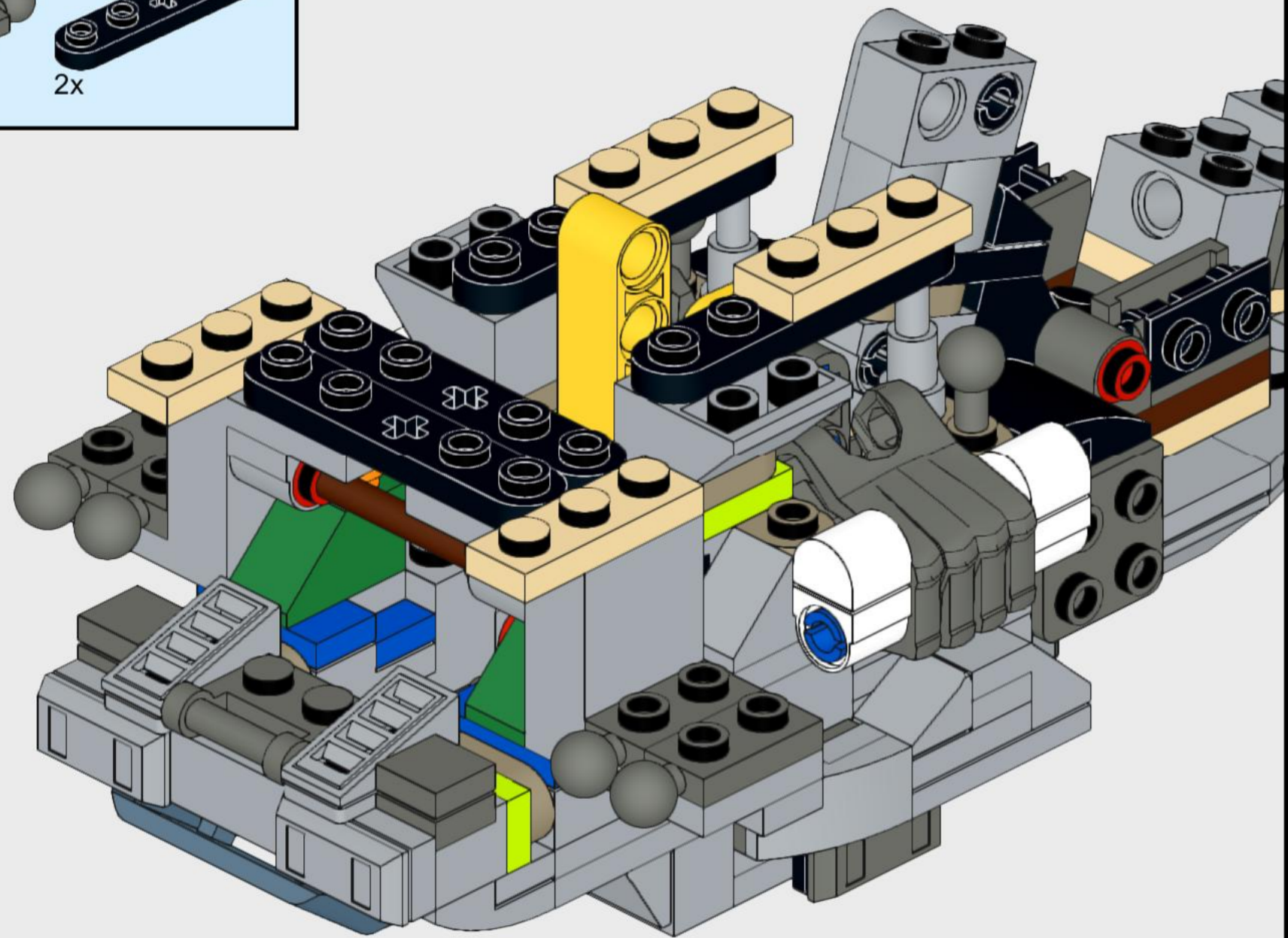
57



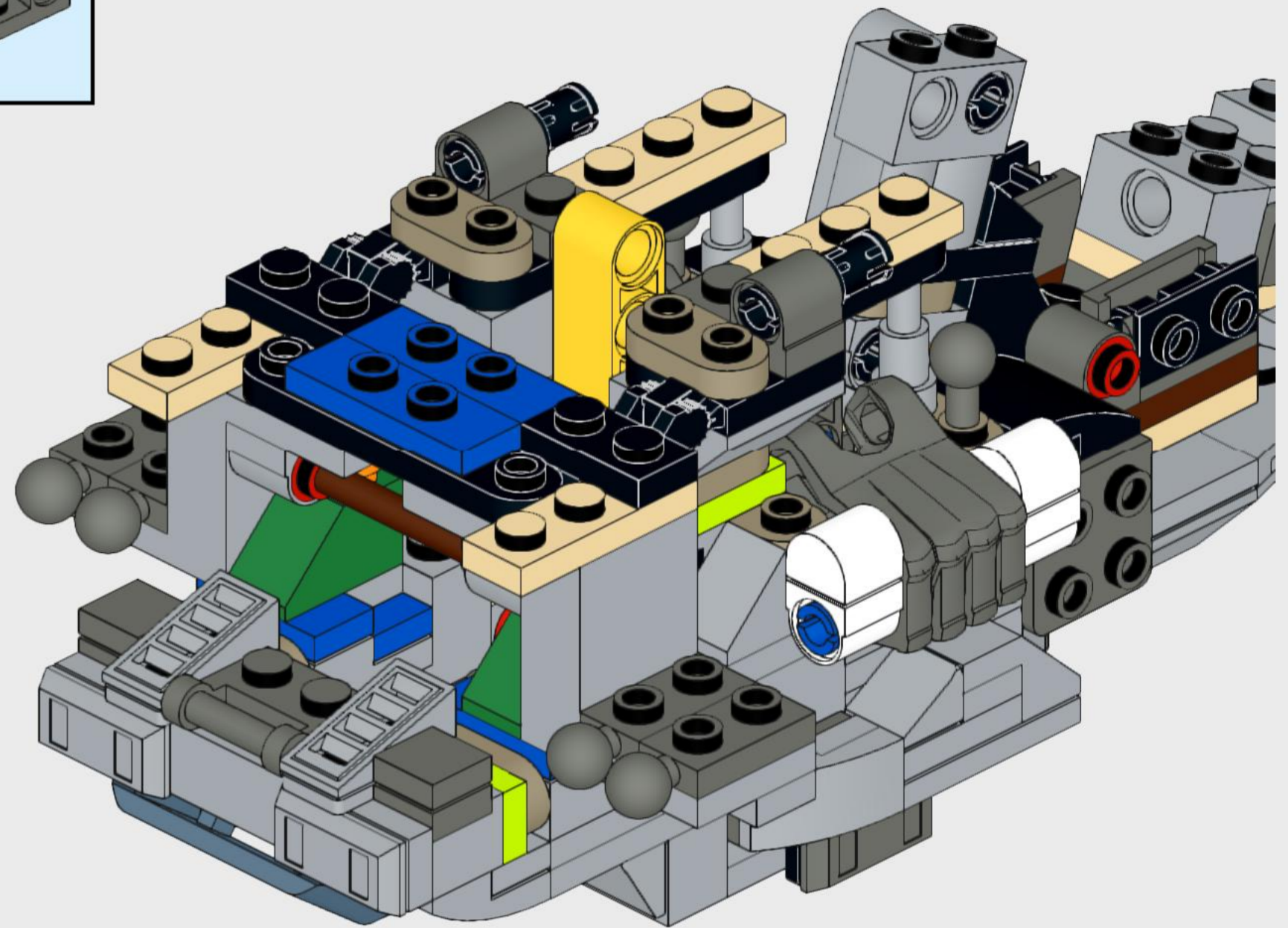
59

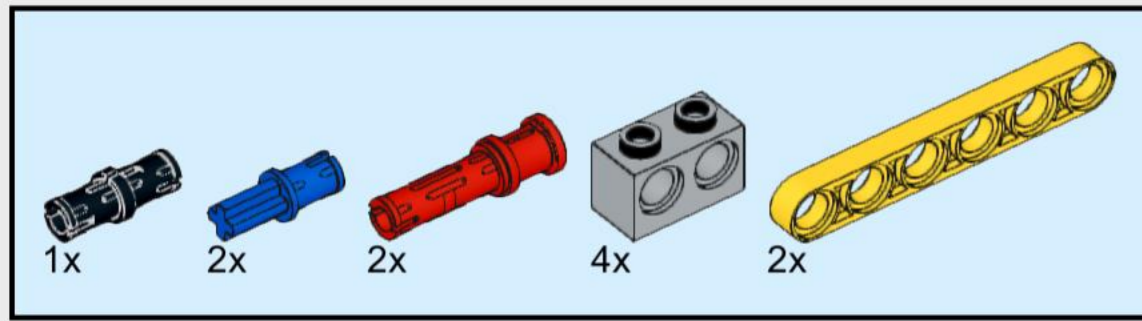


58

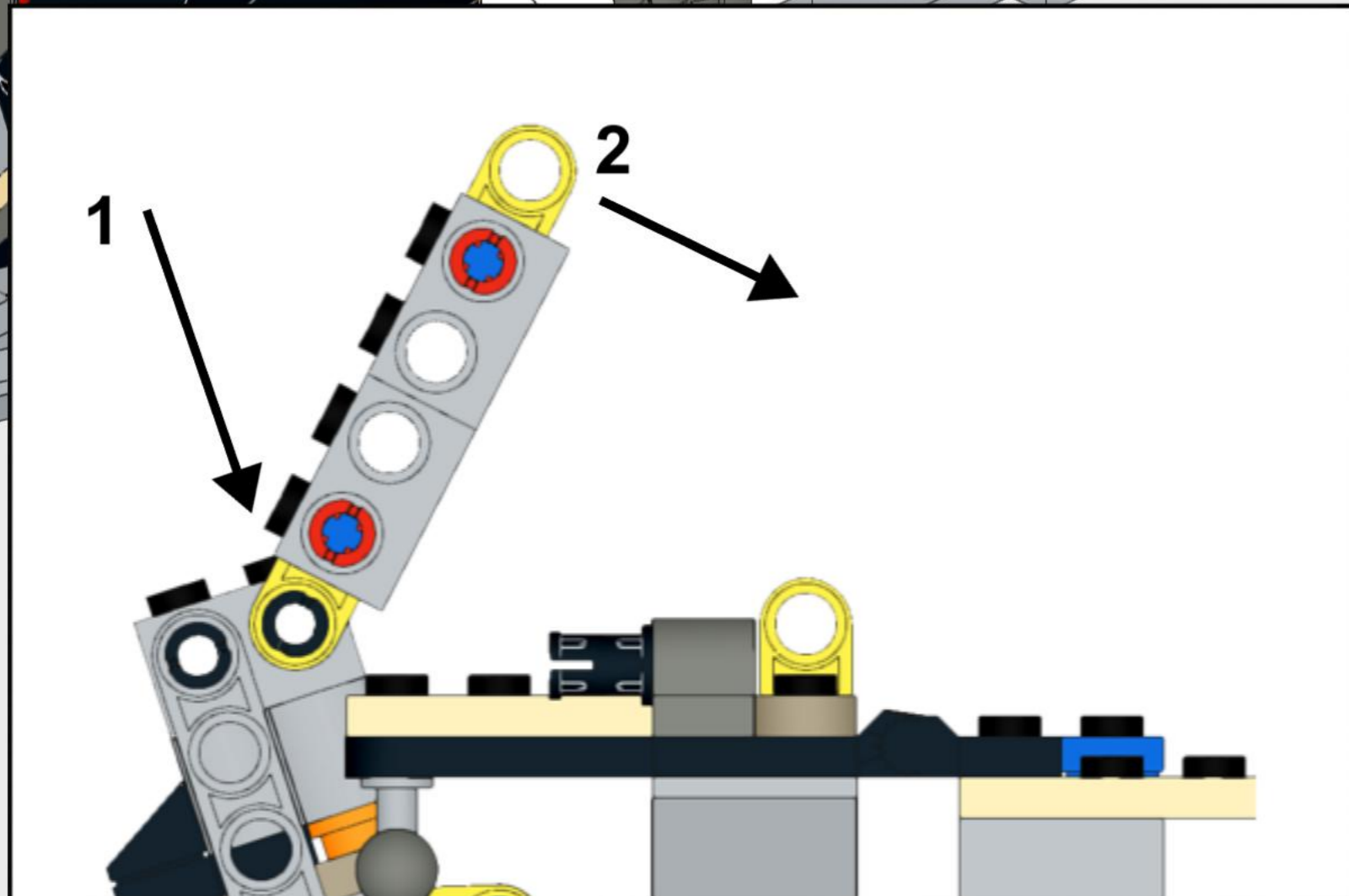
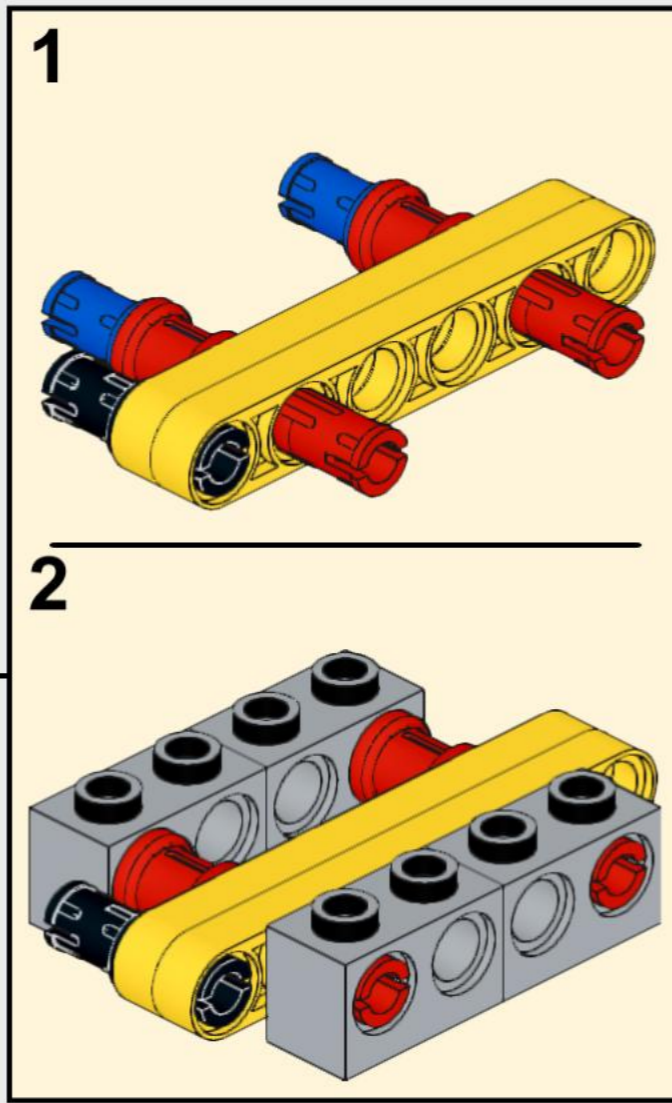
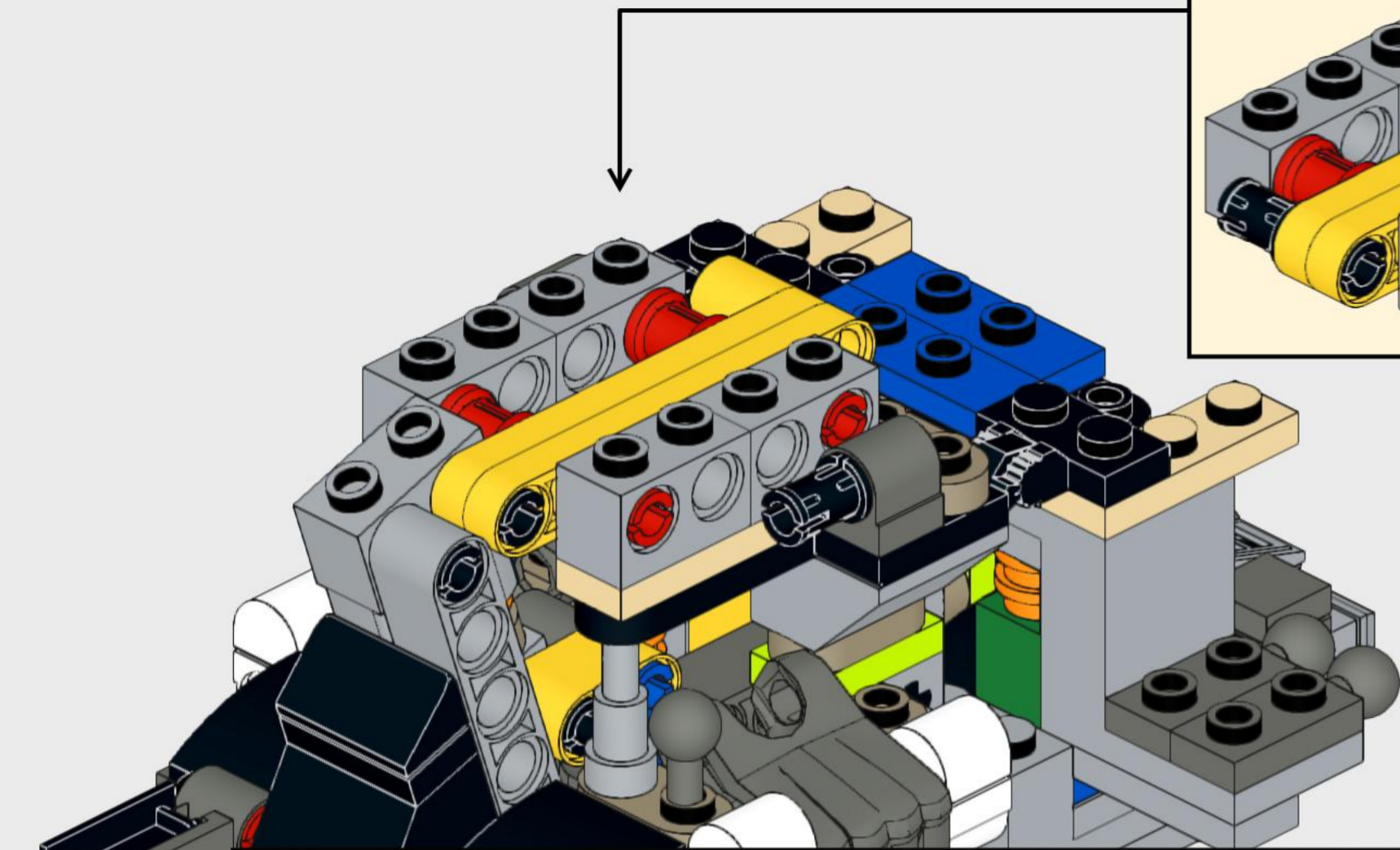


60

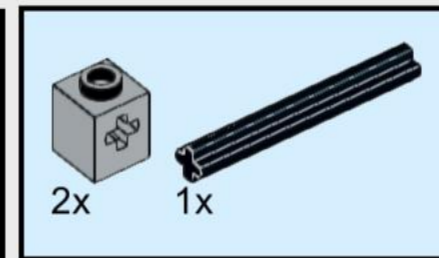




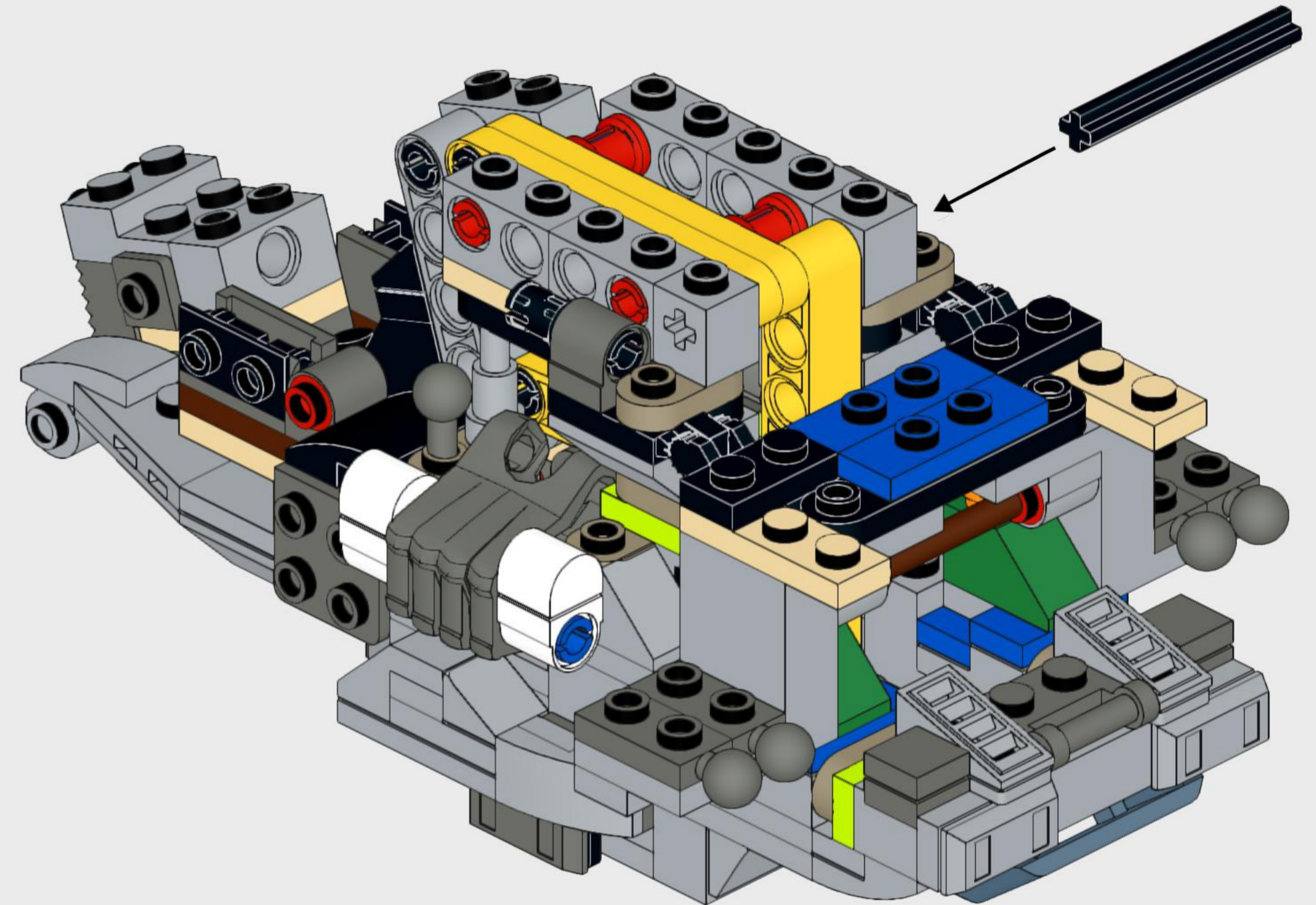
61

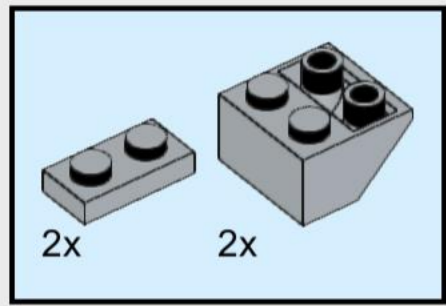


Insert black pin, then rotate down.

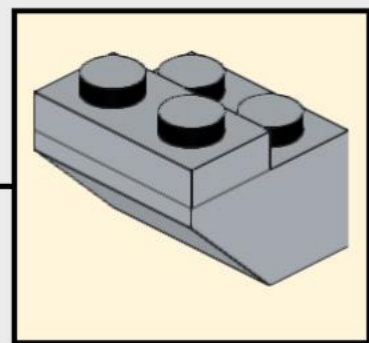
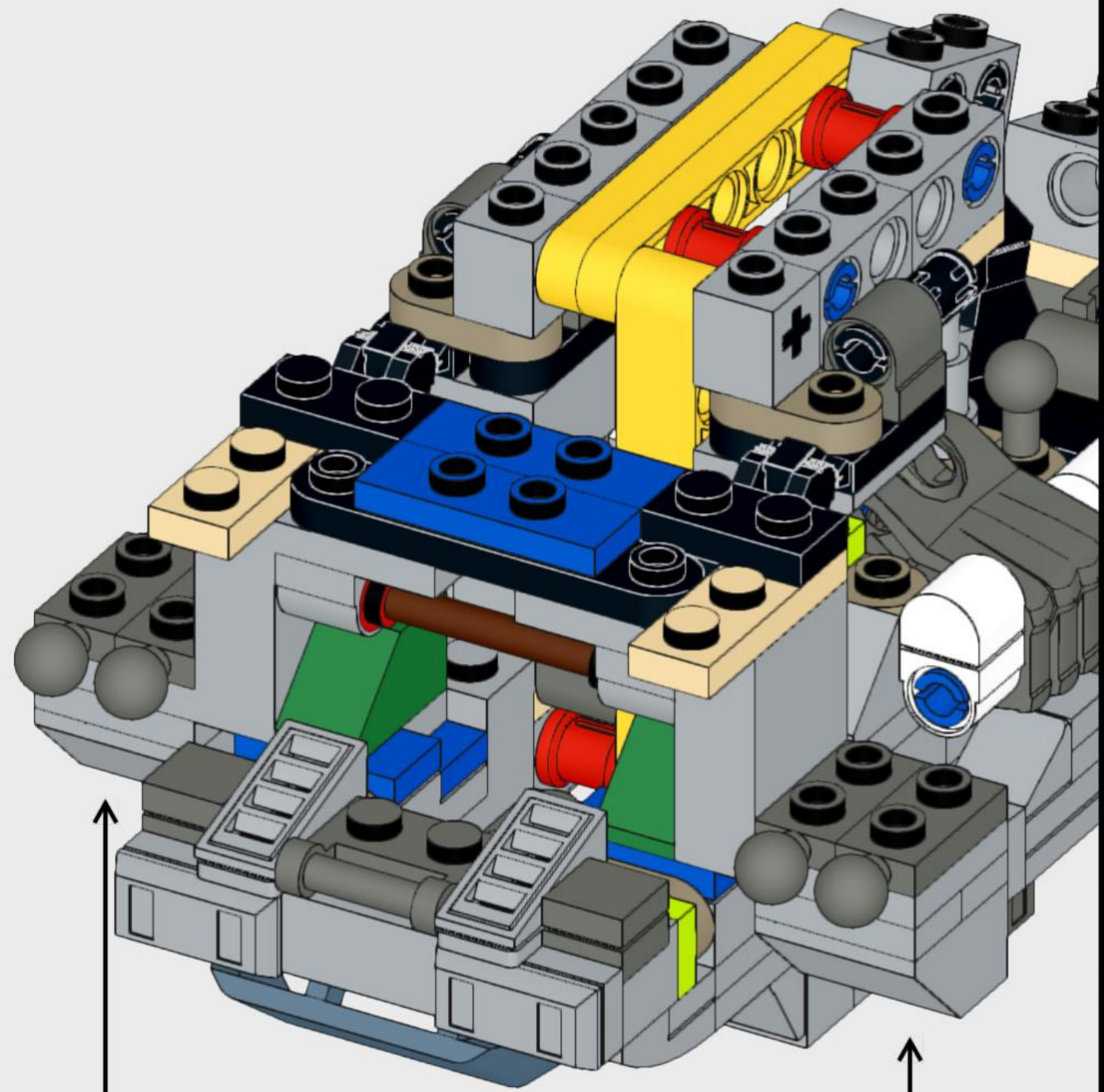


62

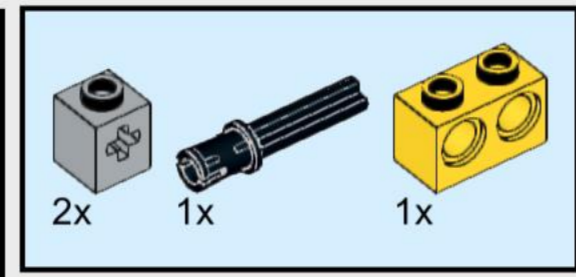




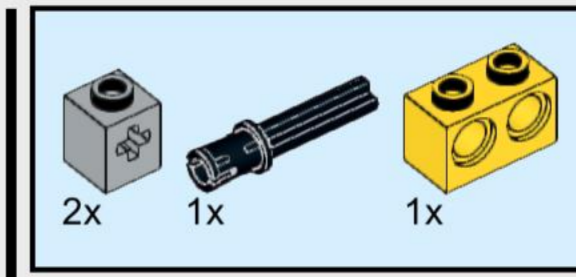
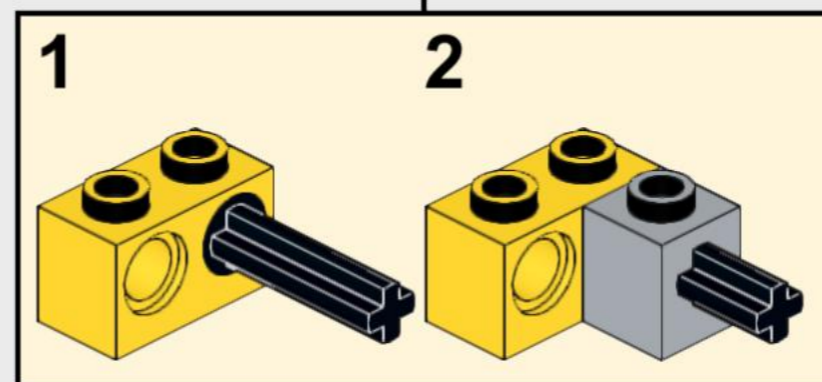
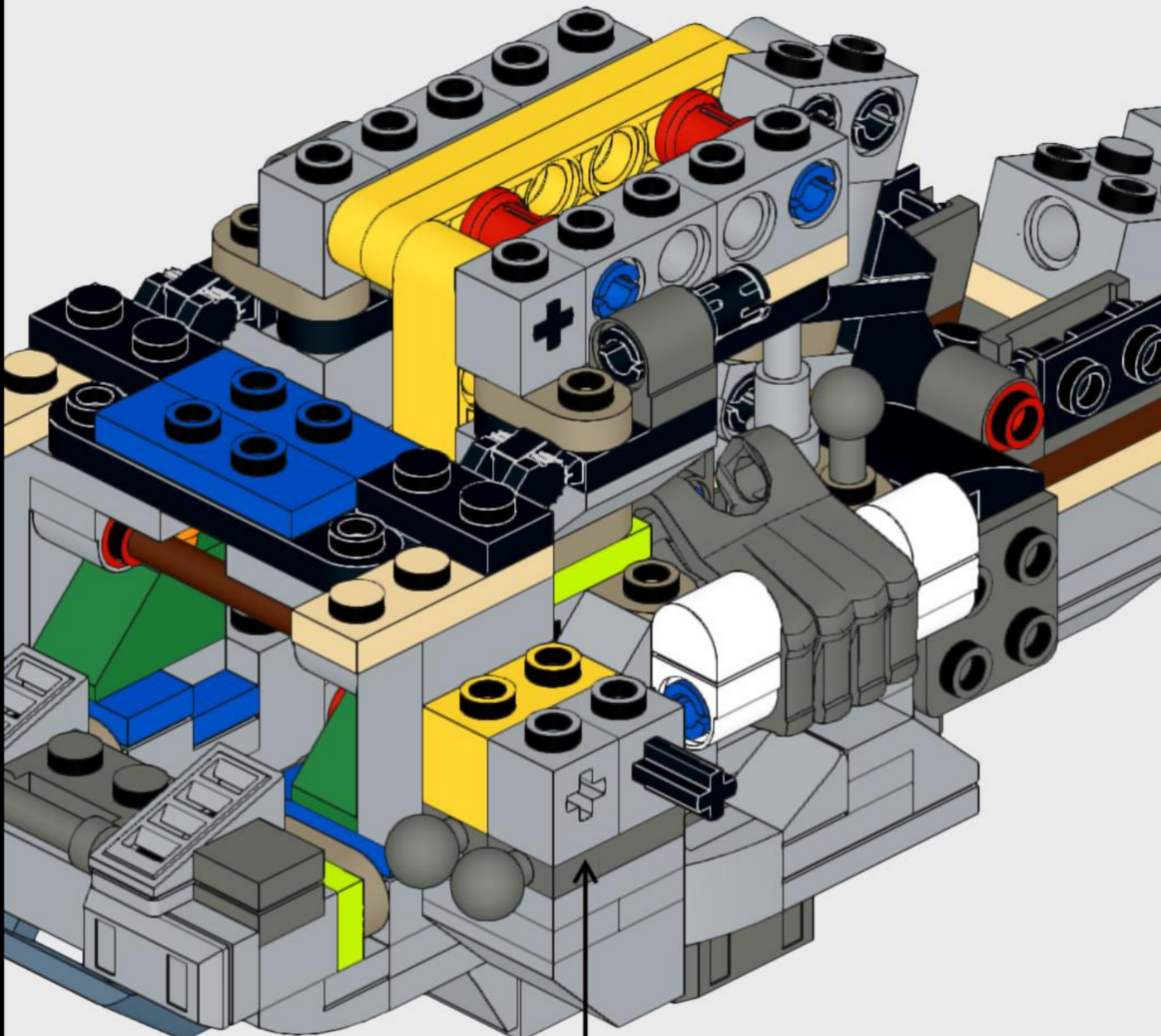
63



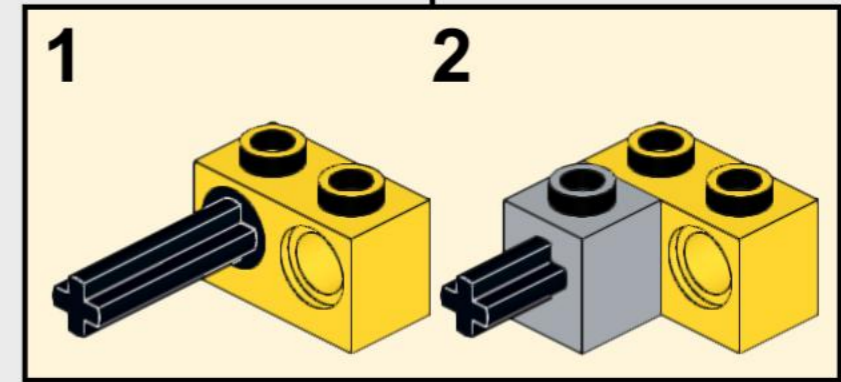
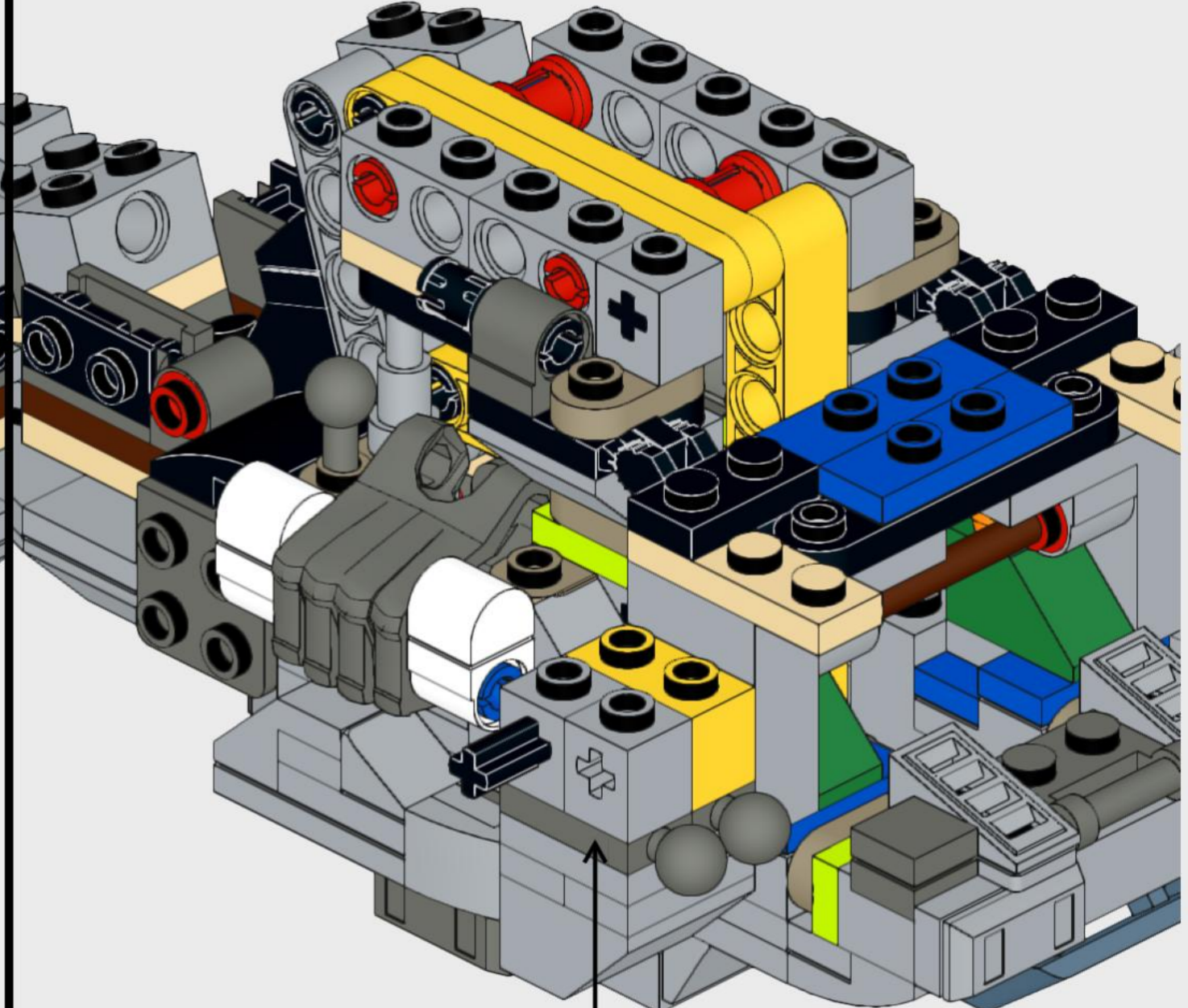
2x

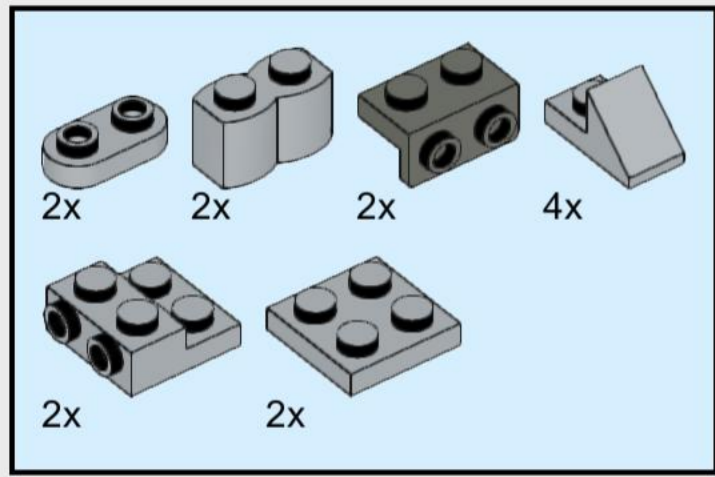


64

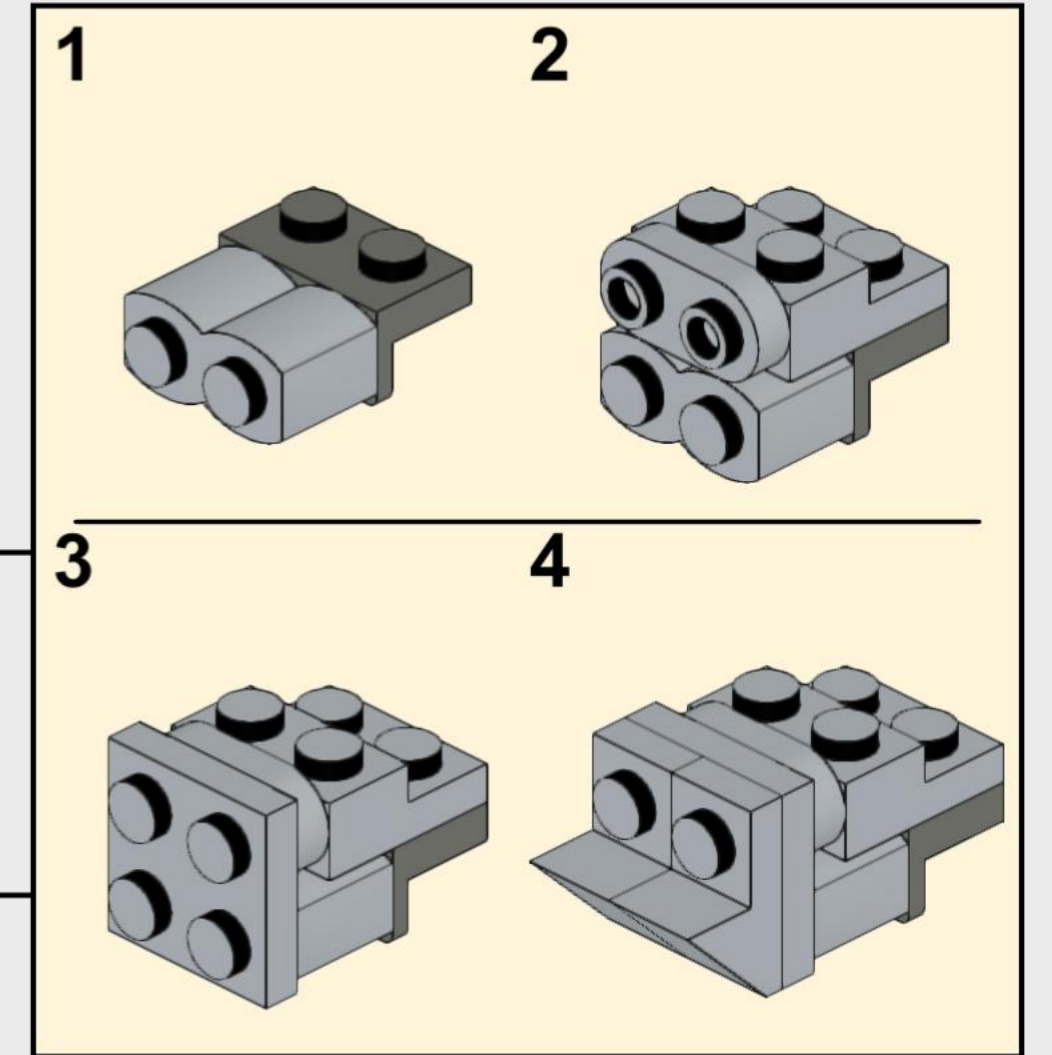
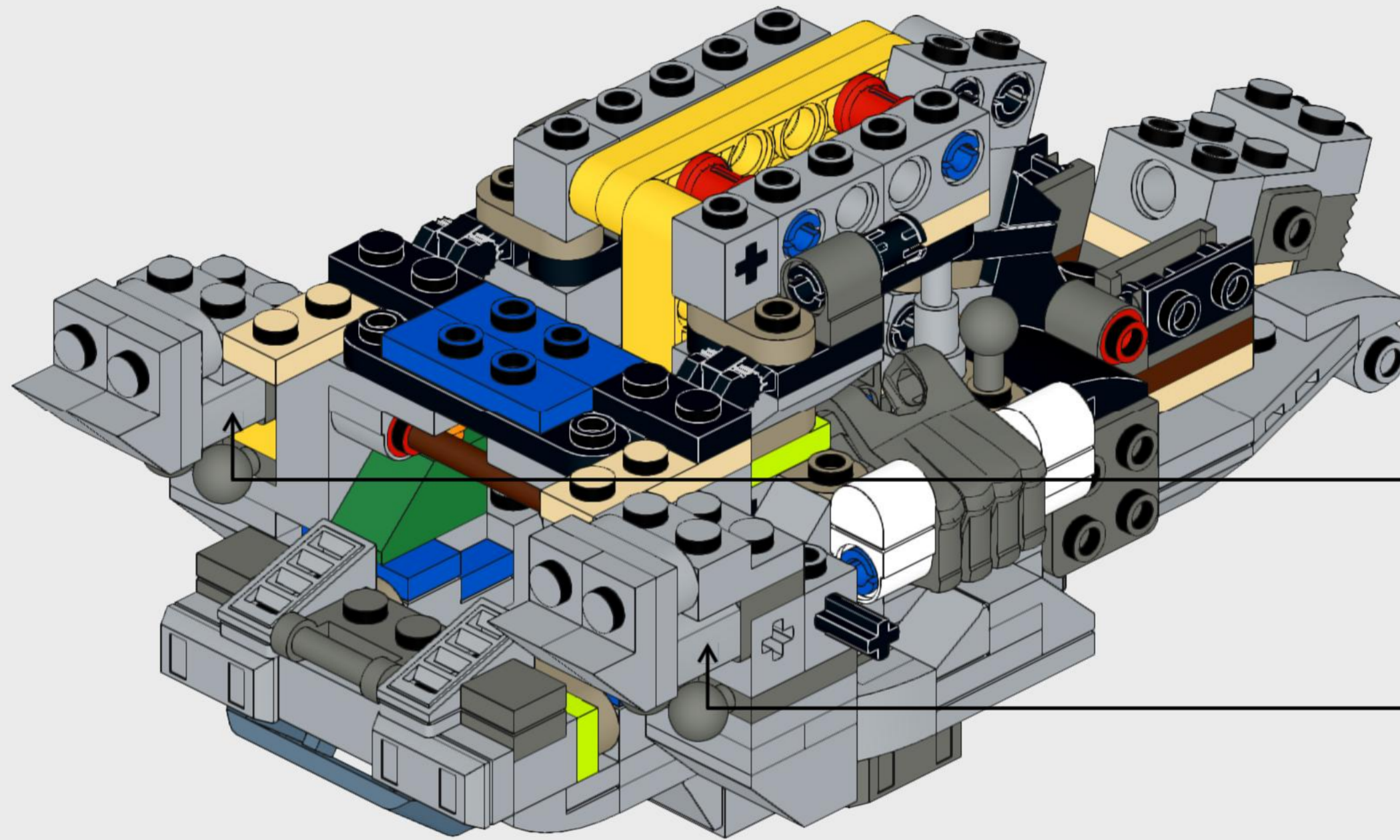


65

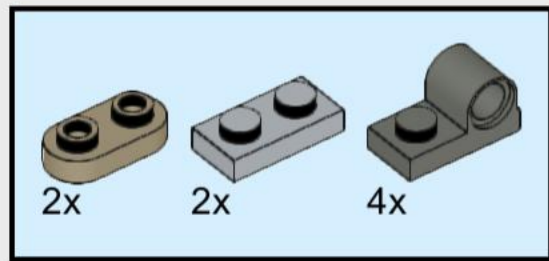




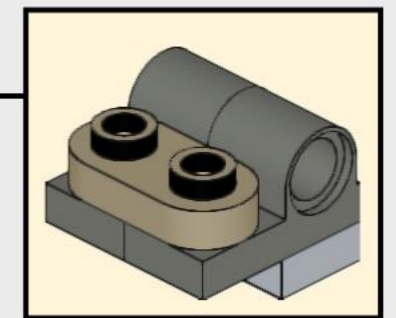
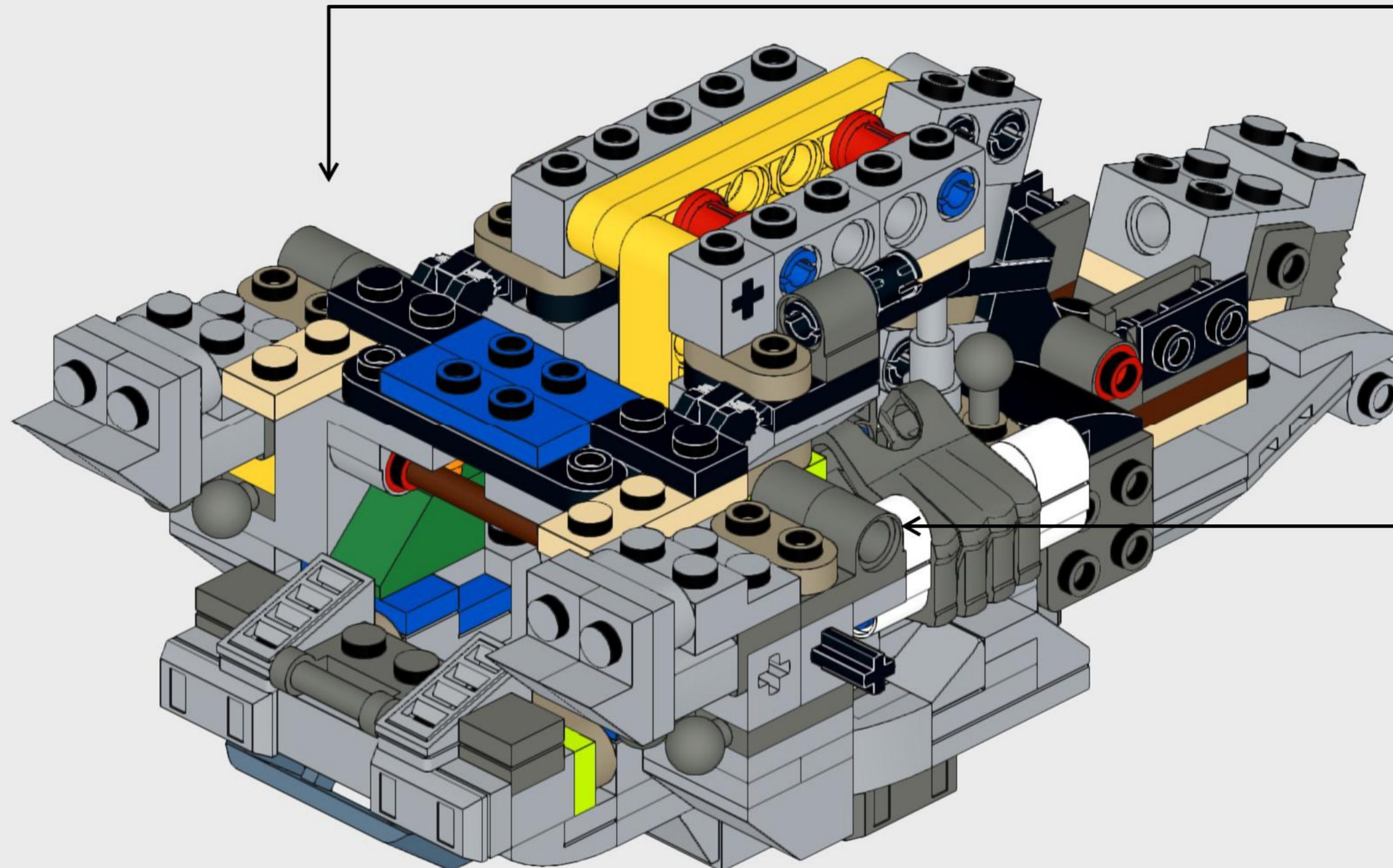
66



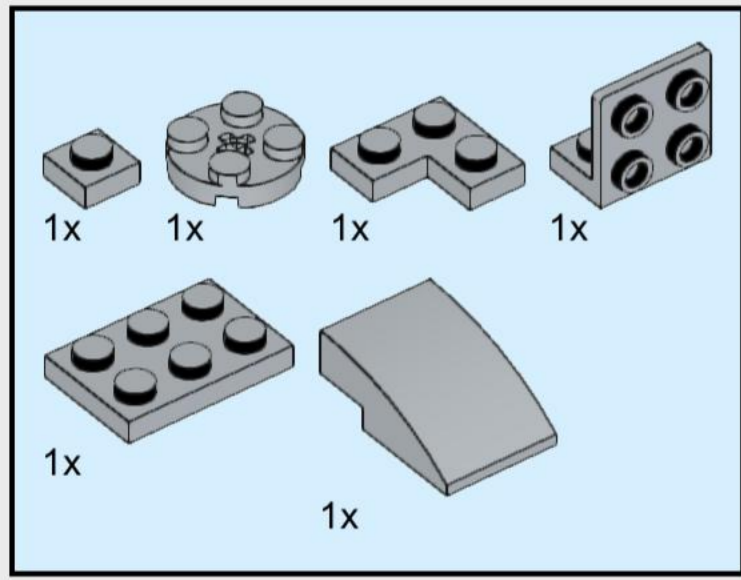
2x



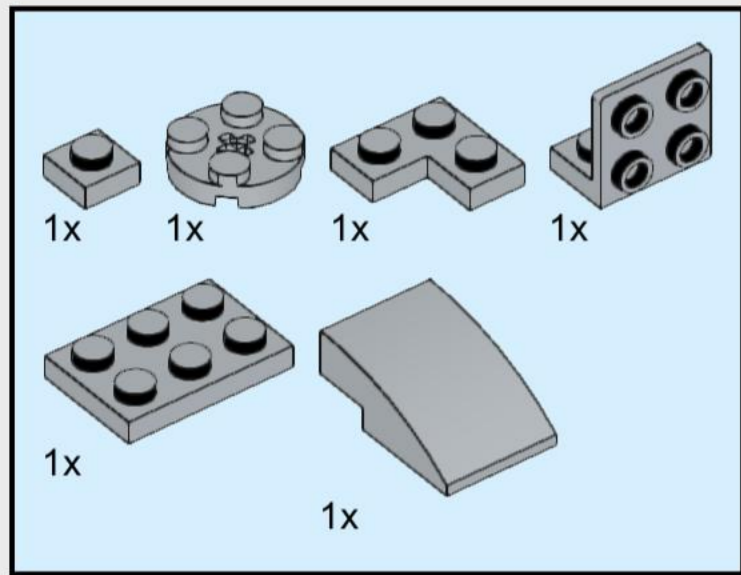
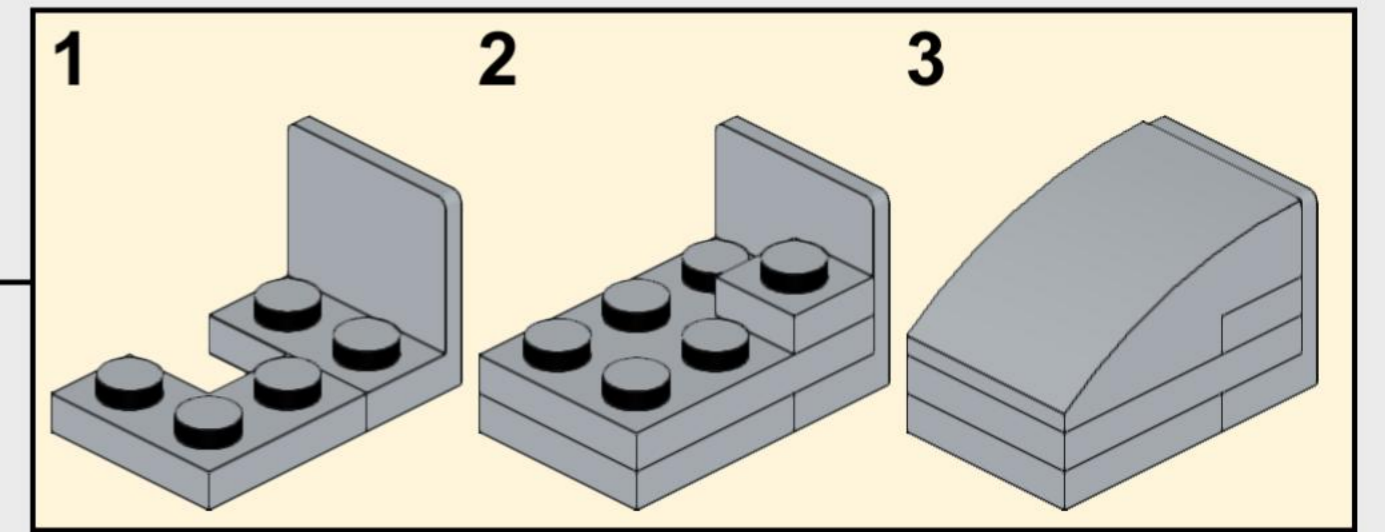
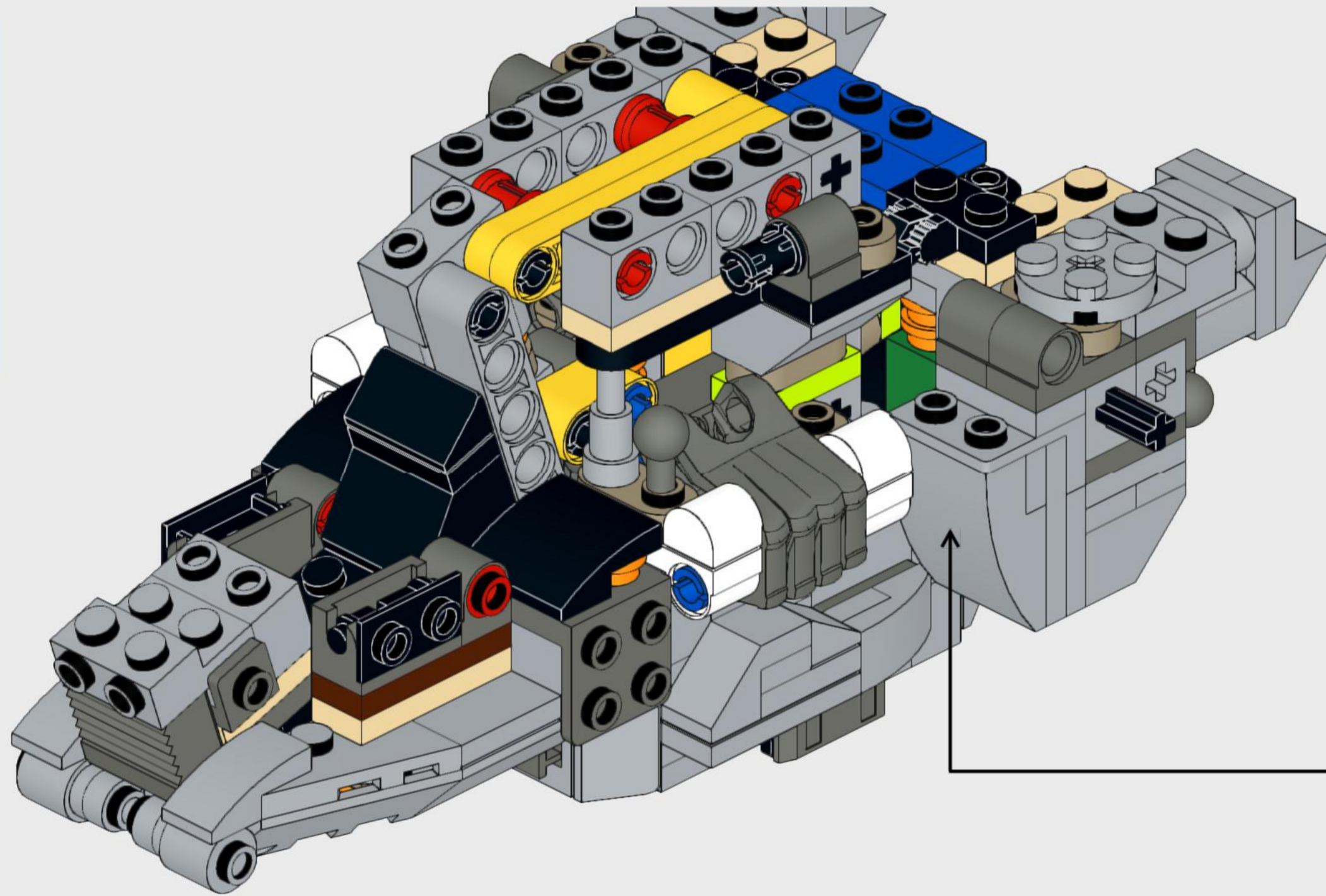
67



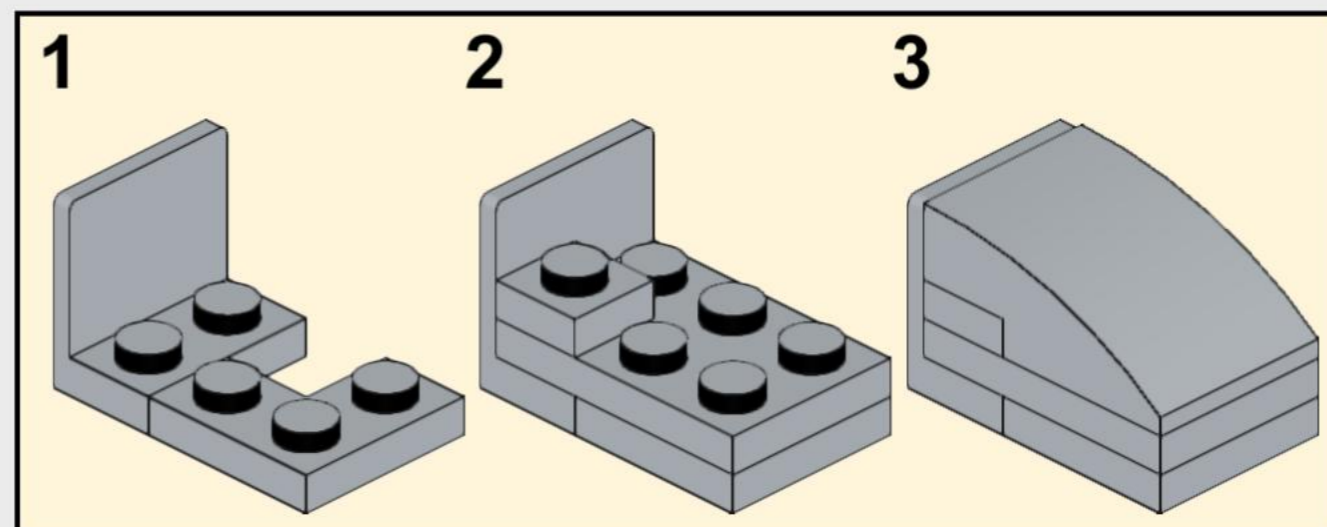
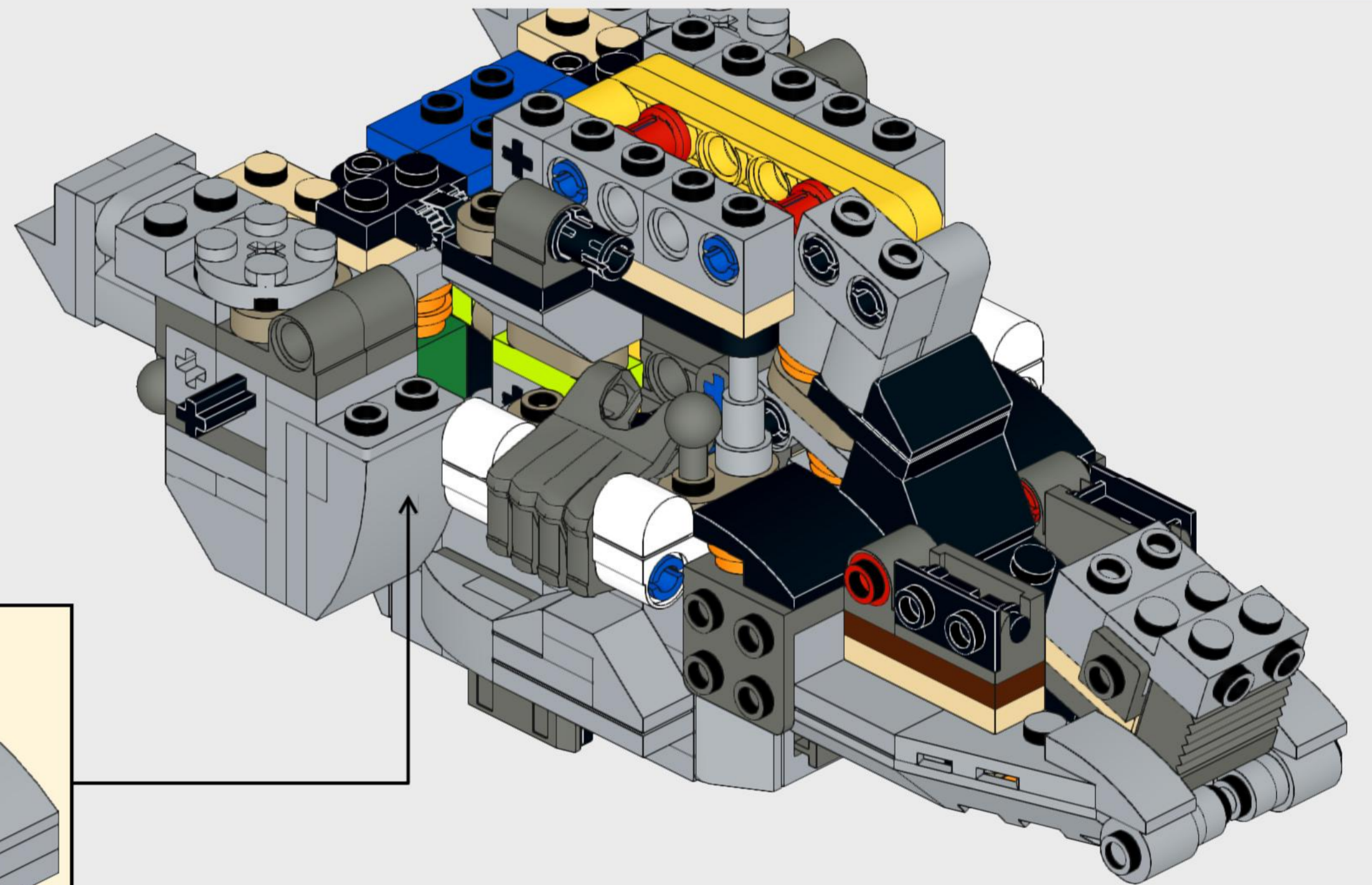
2x

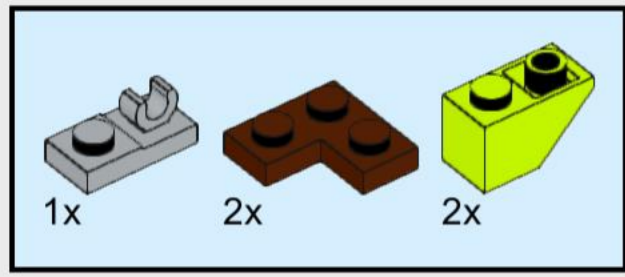


68

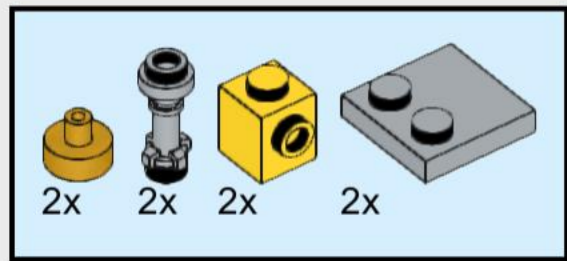
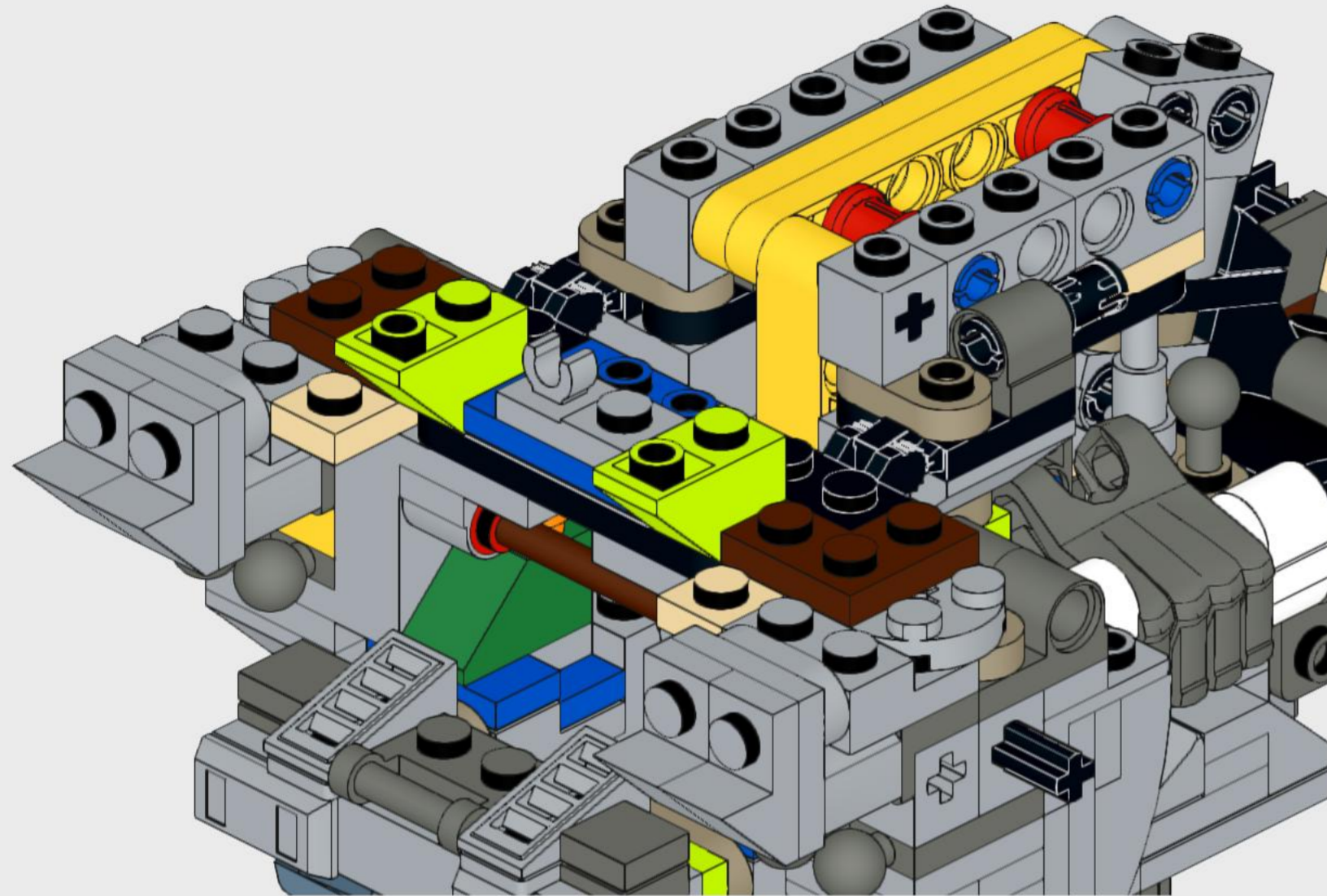


69

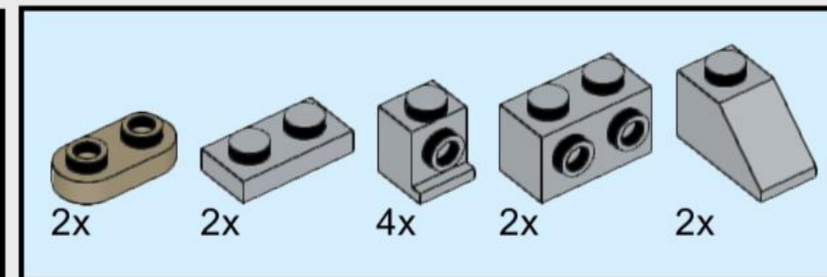
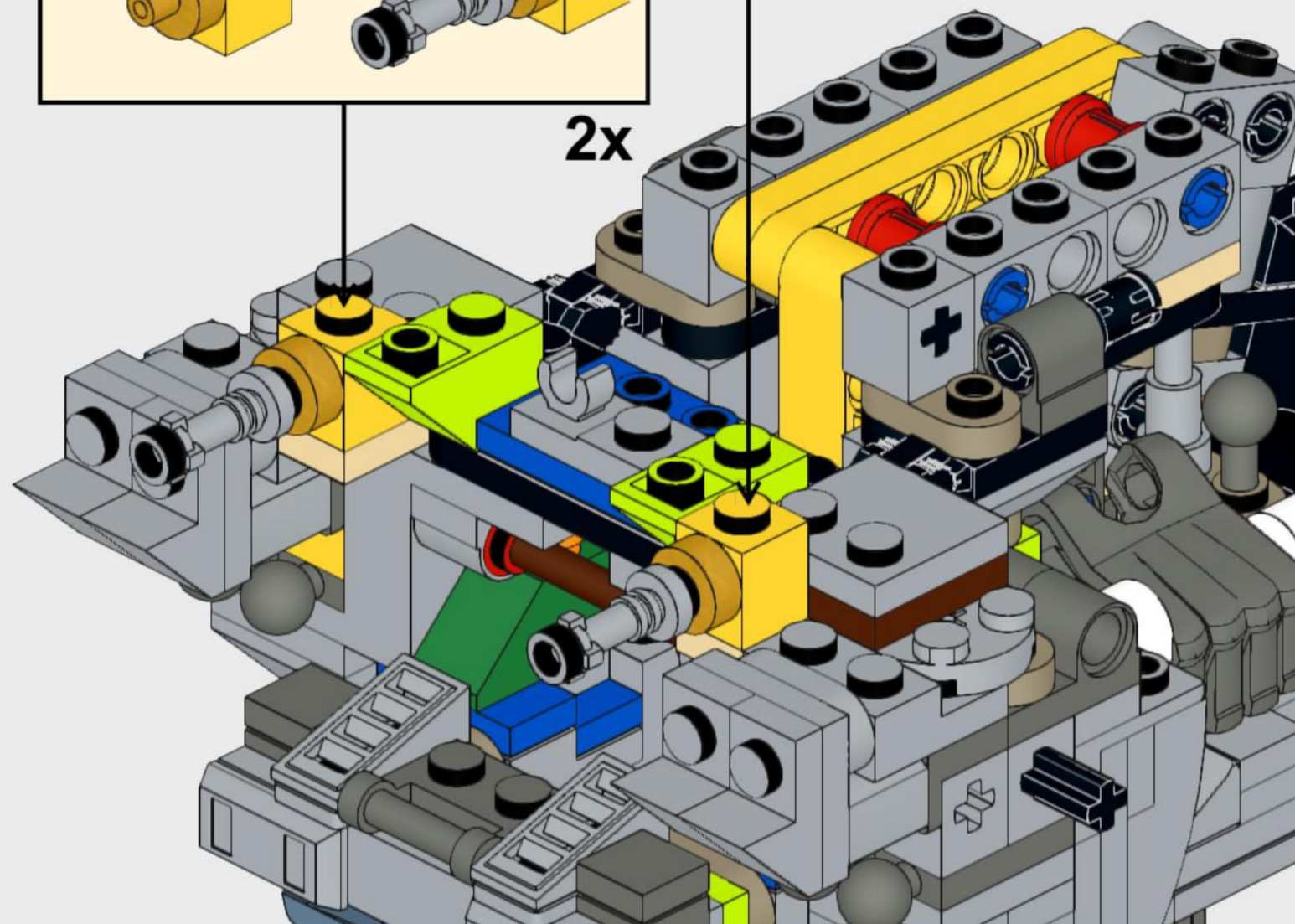
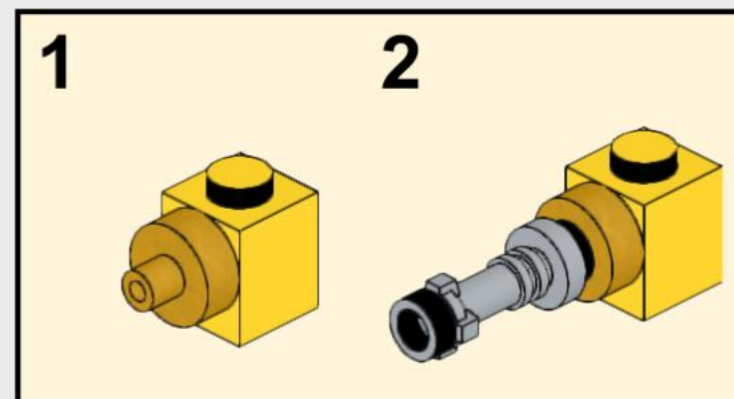




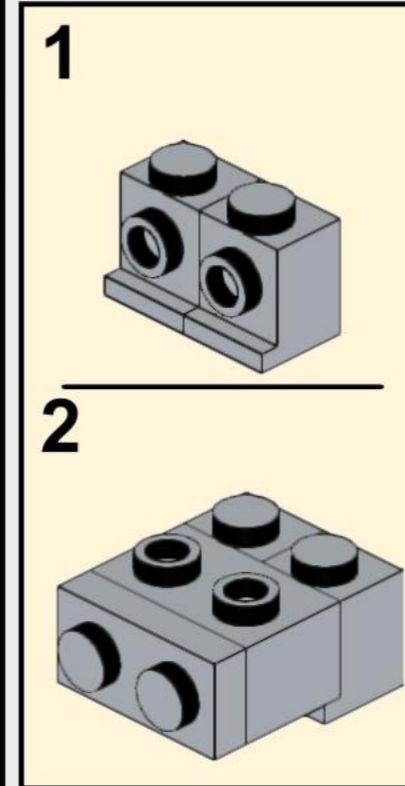
70



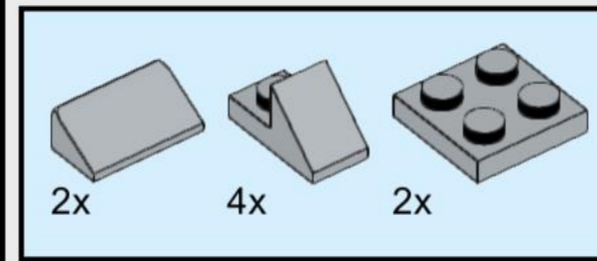
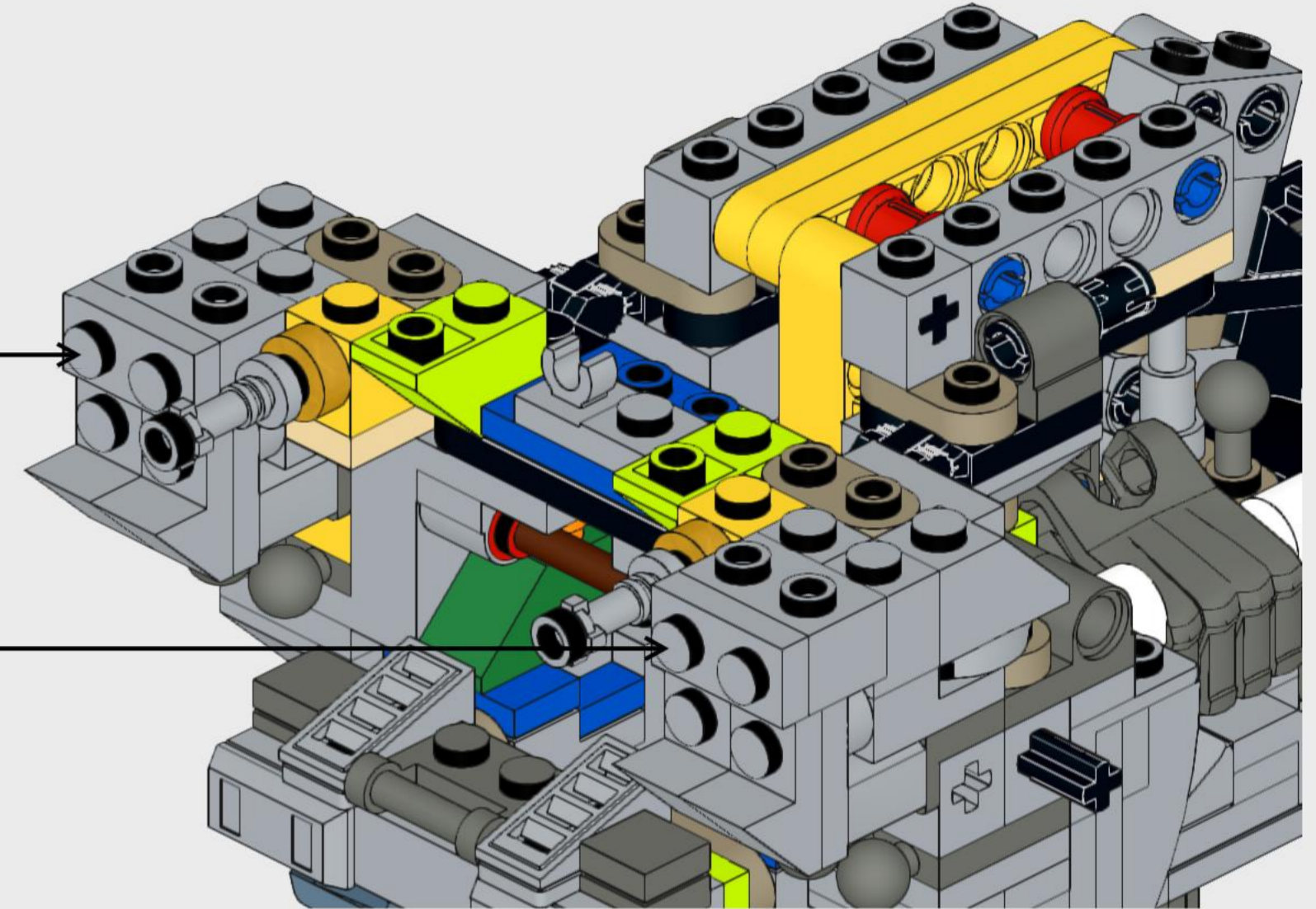
71



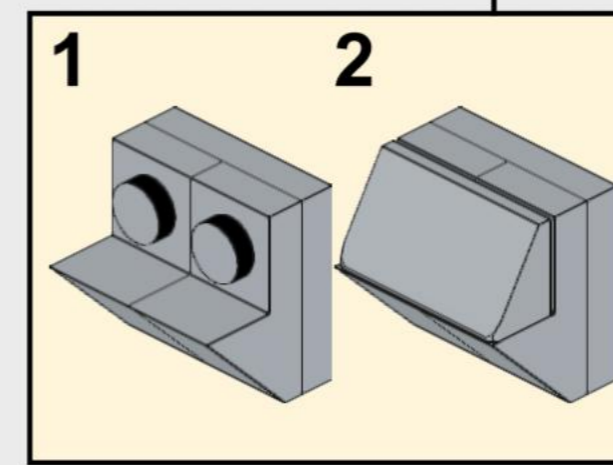
72



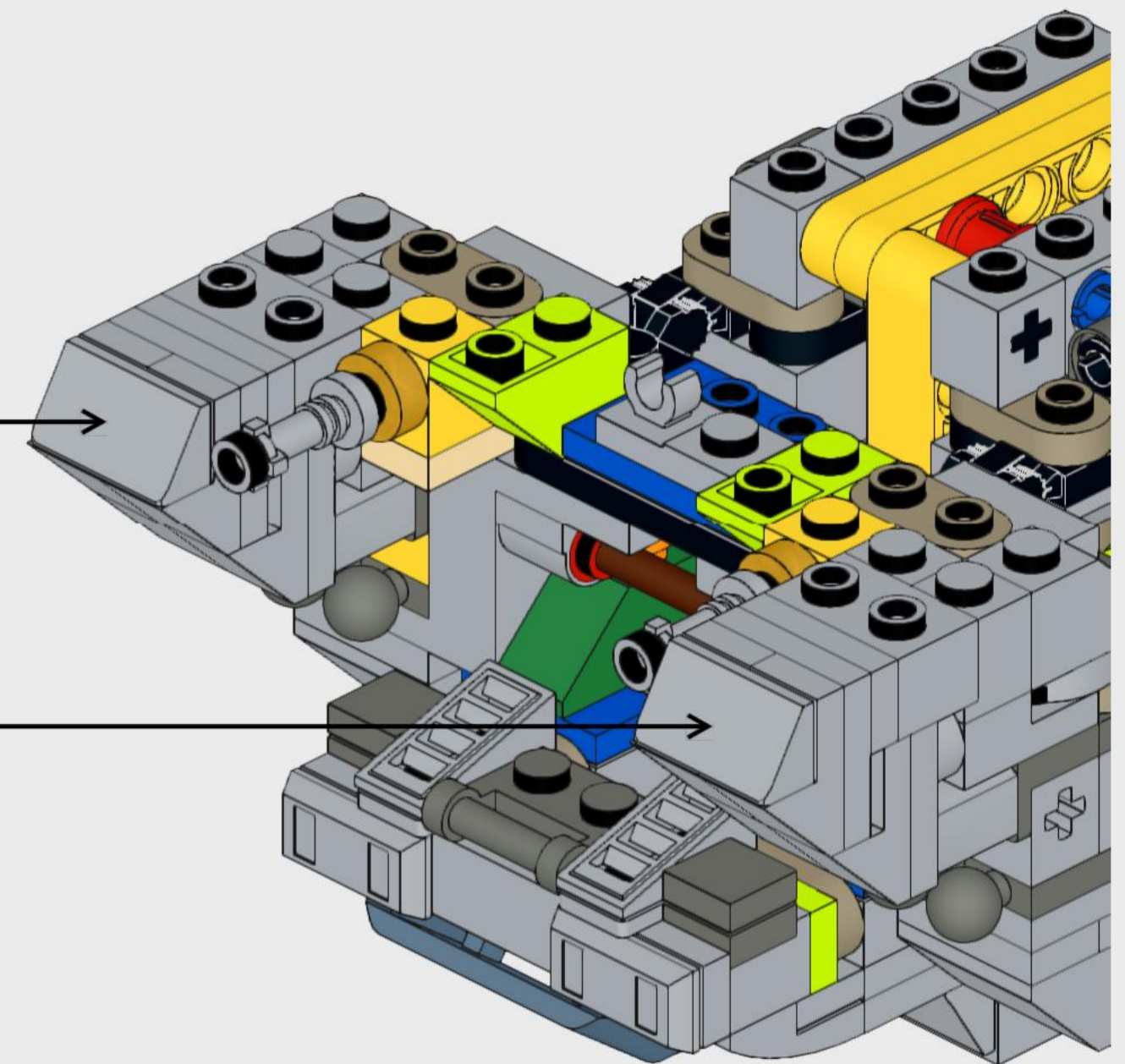
2x

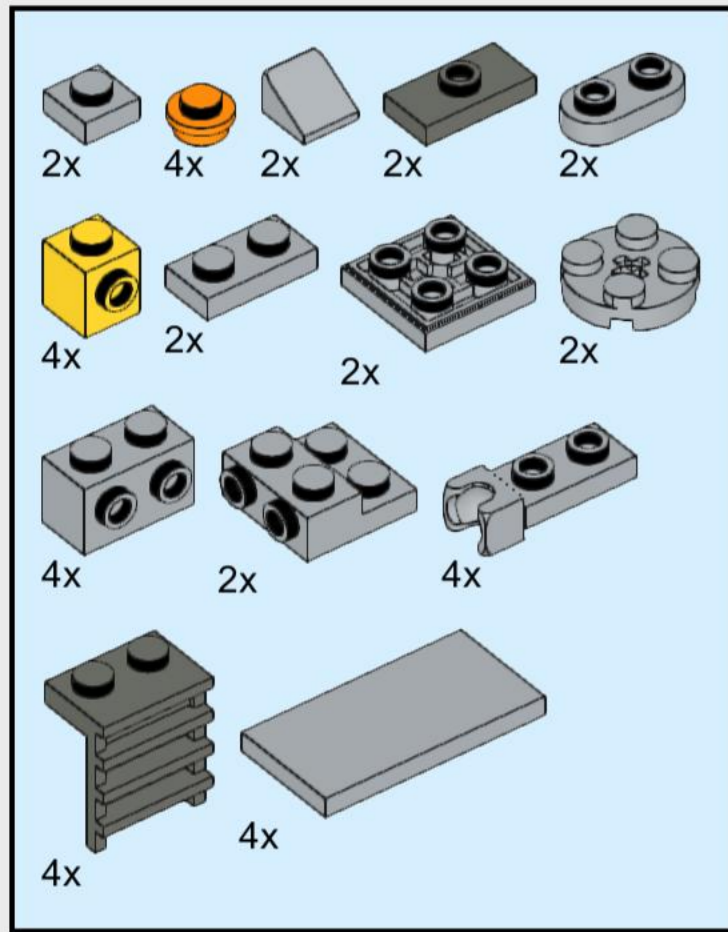


73

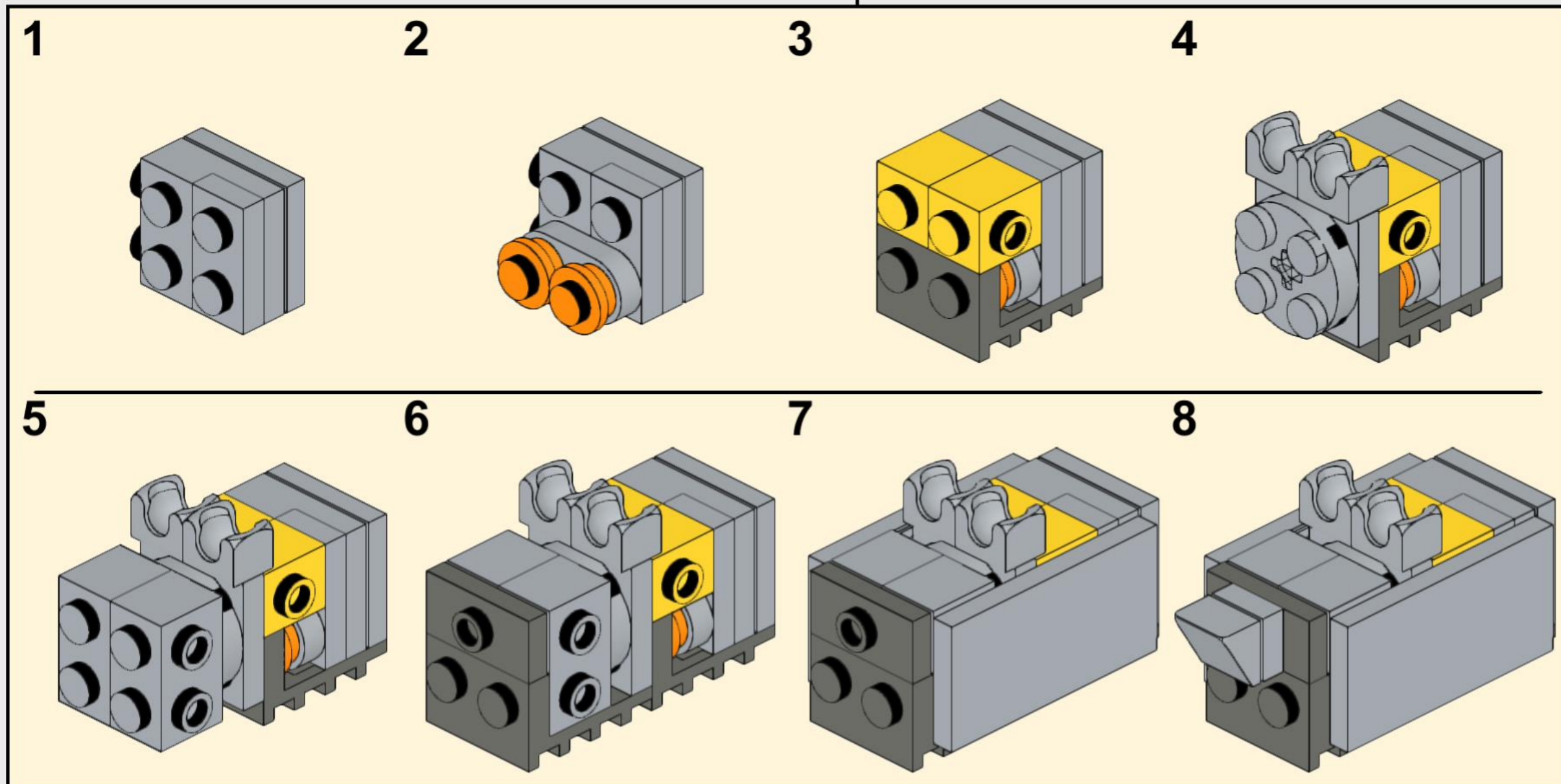
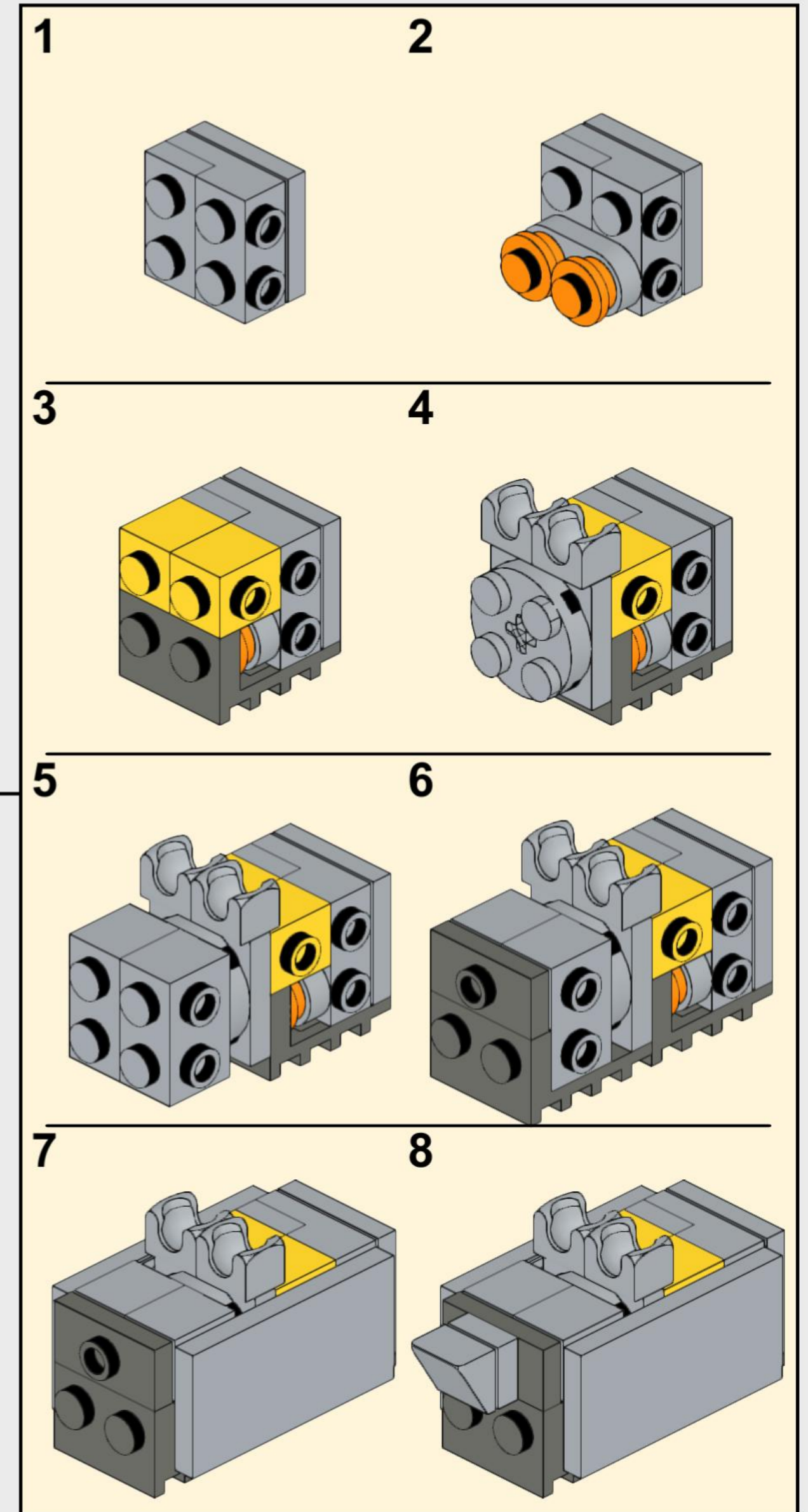
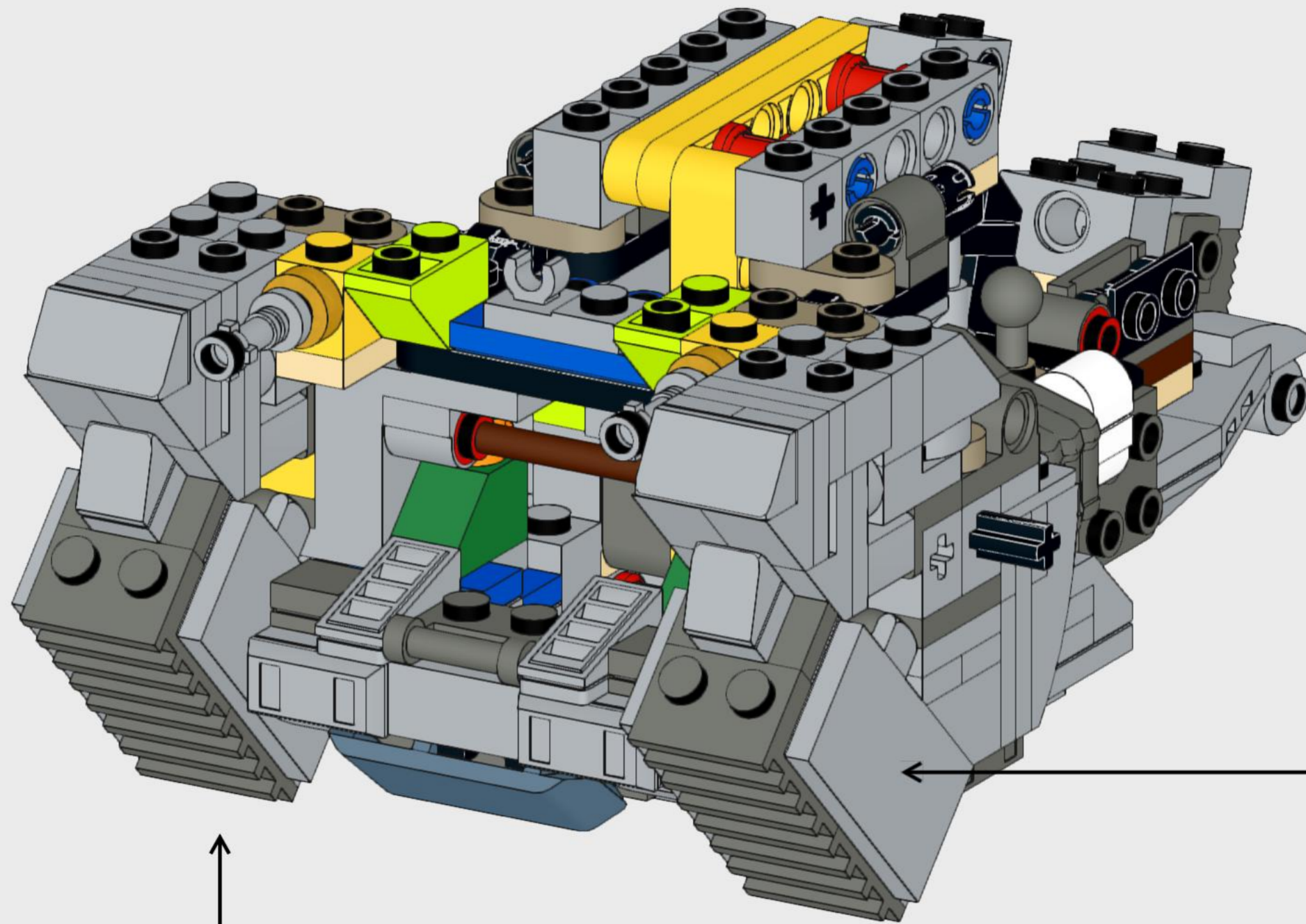


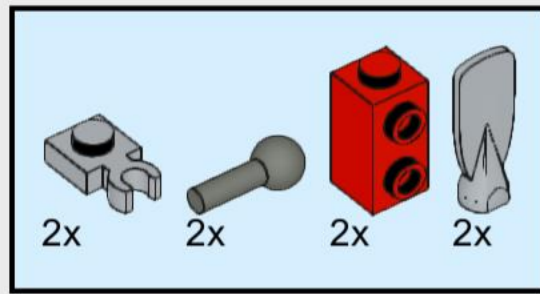
2x



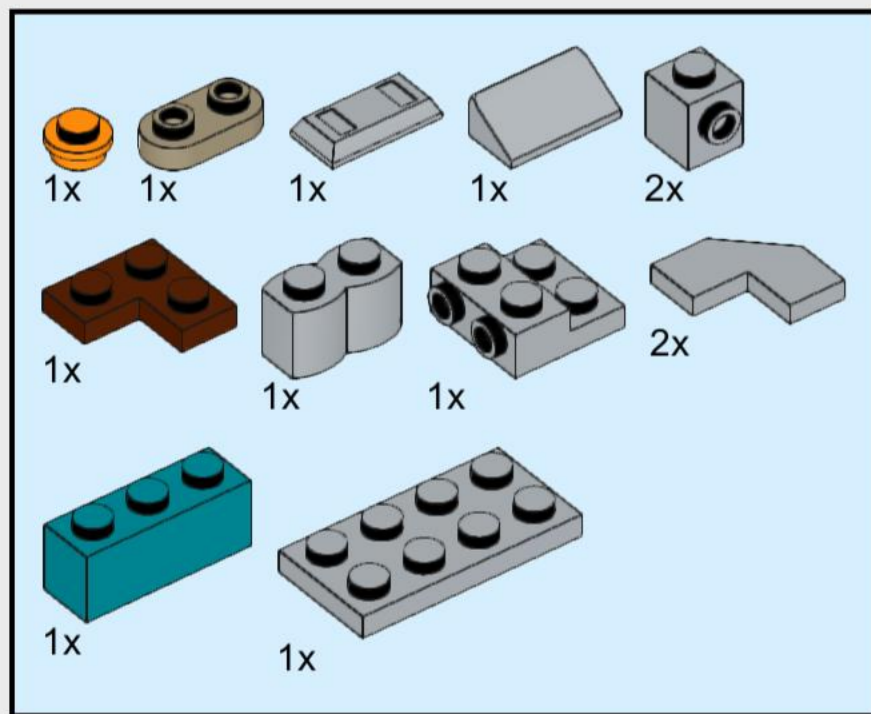
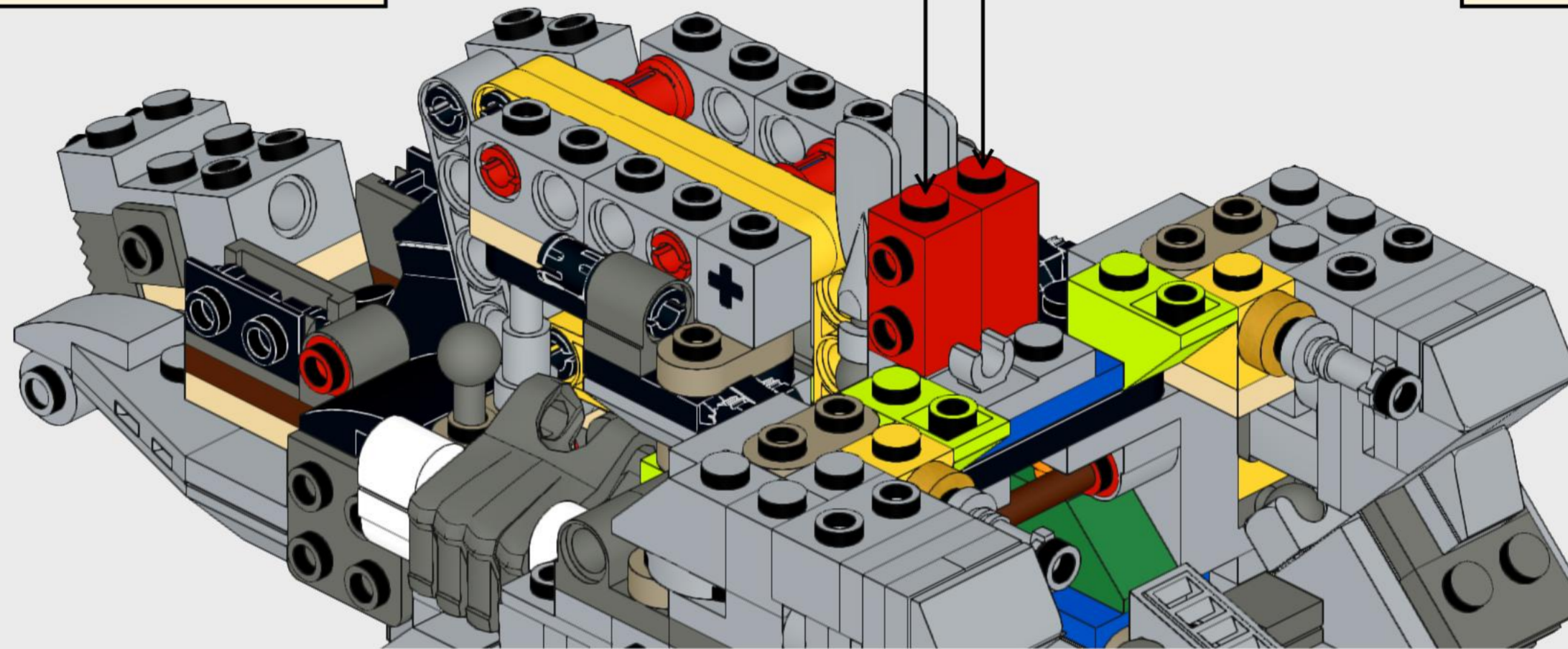
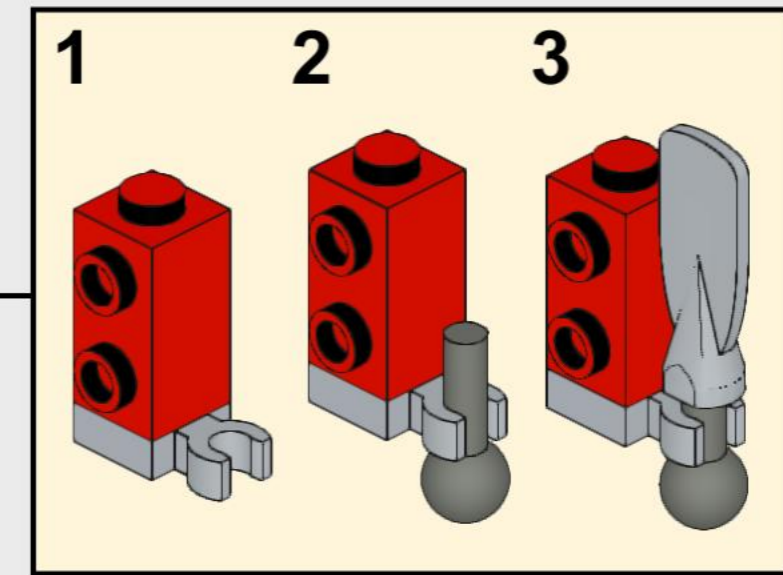
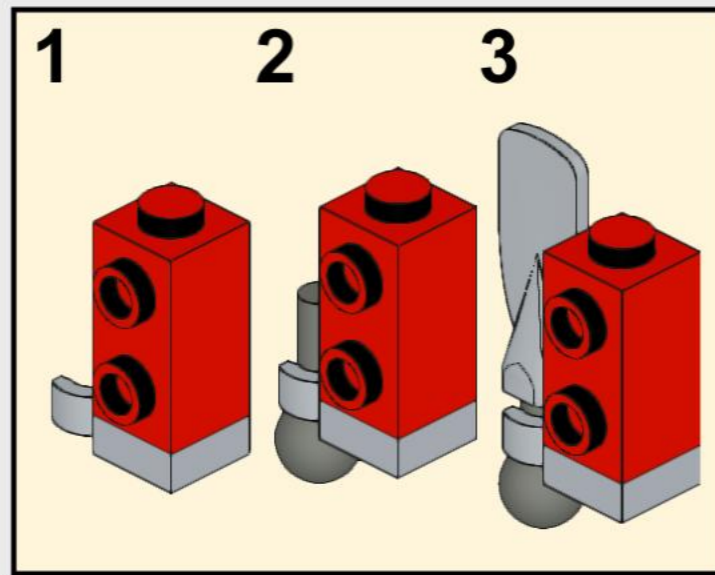


74

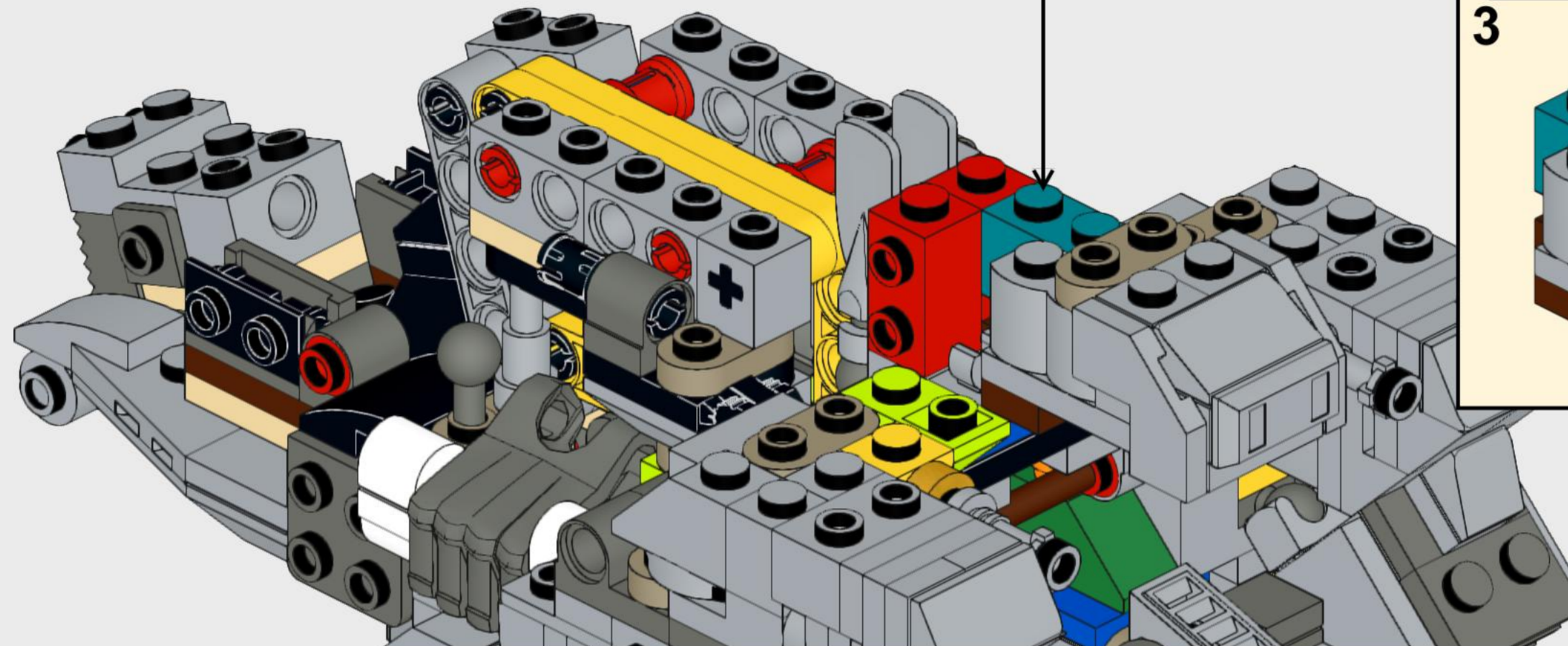
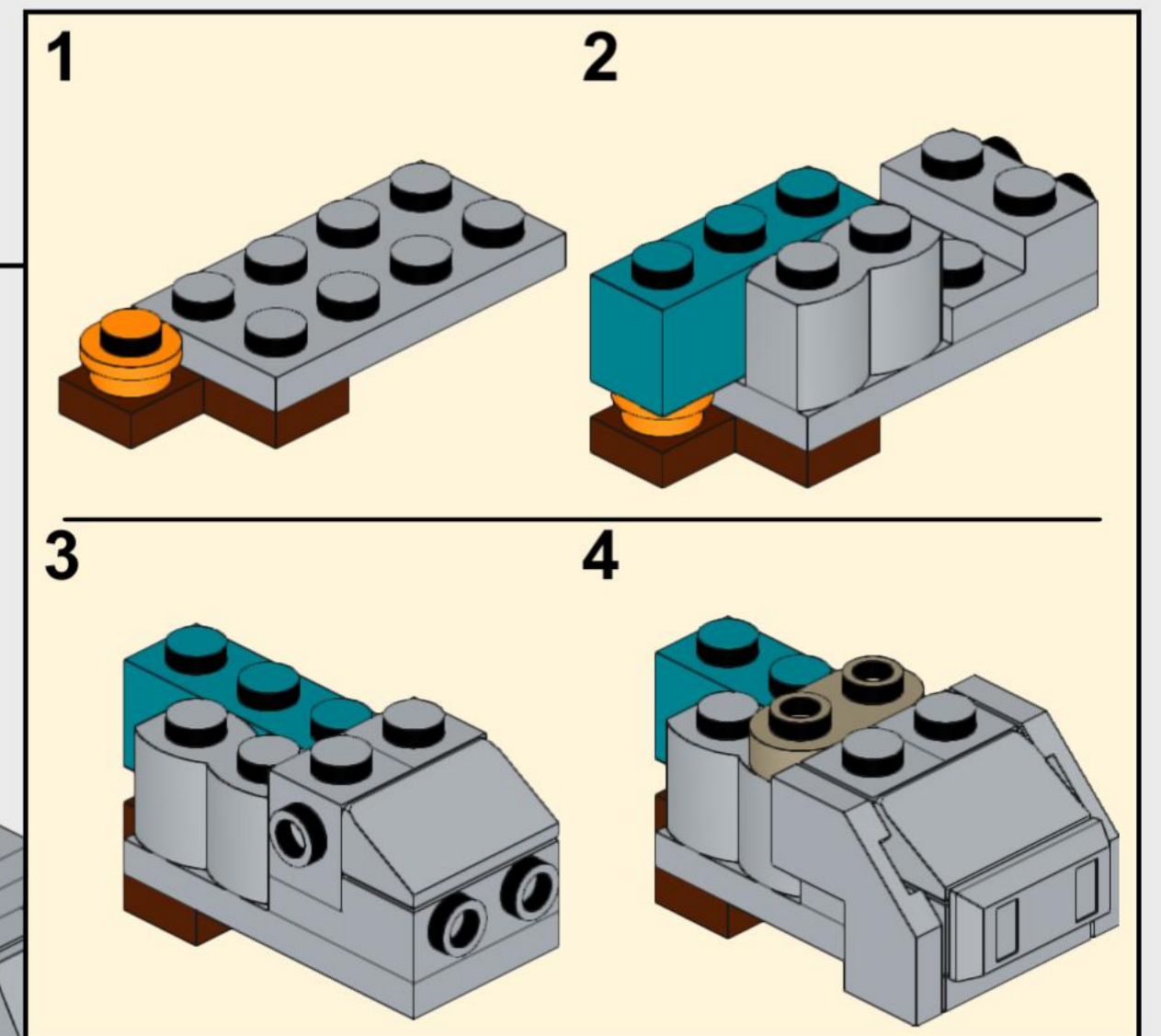


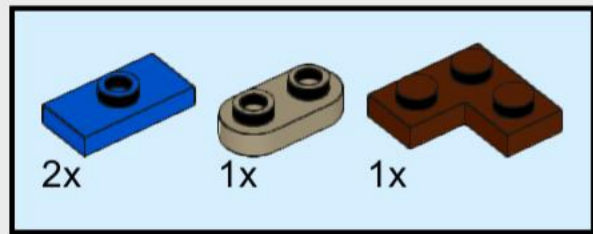


75

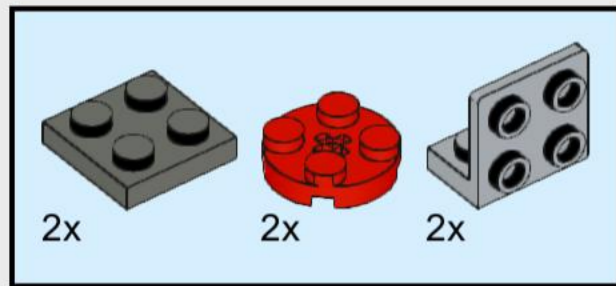
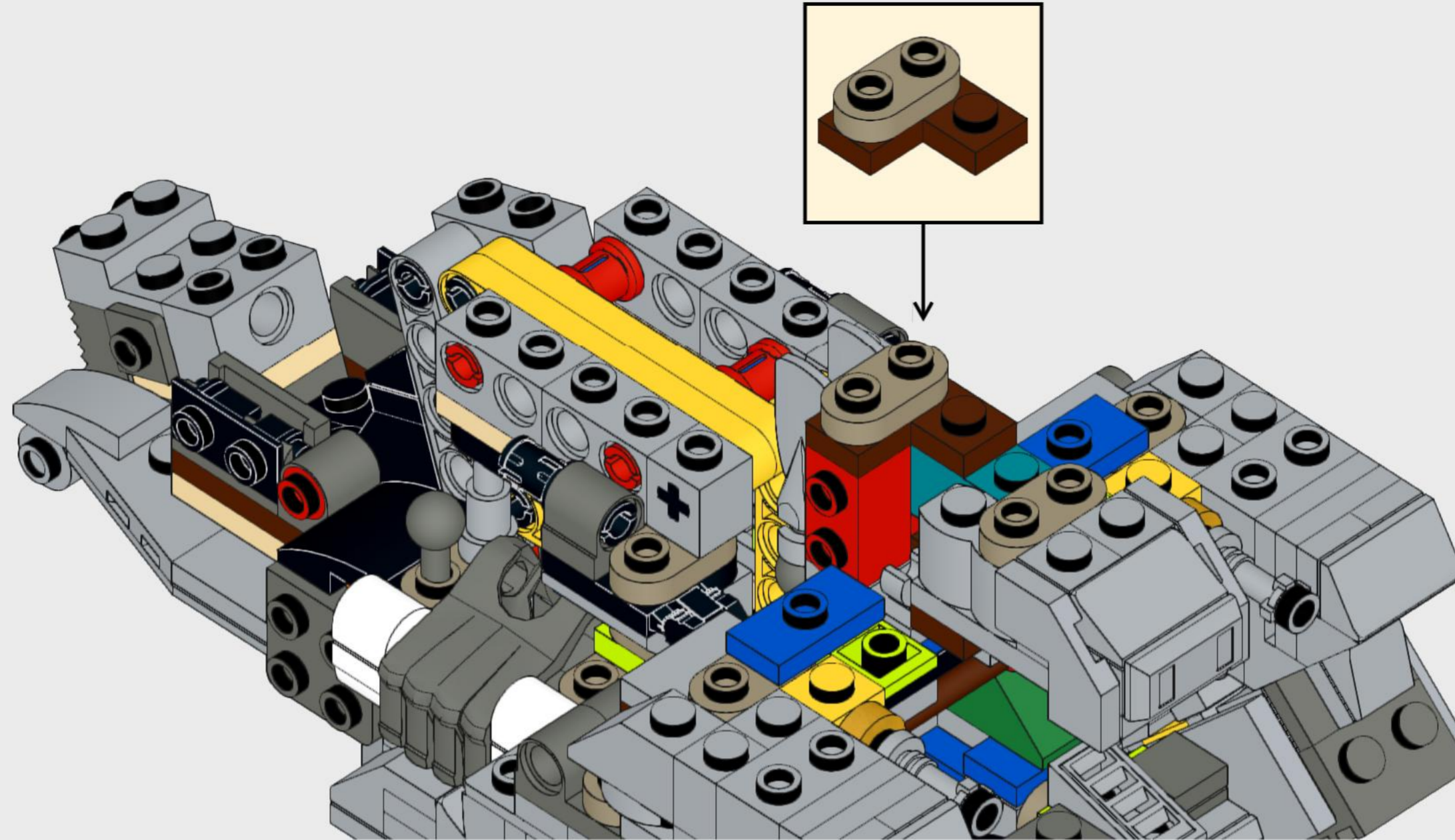


76

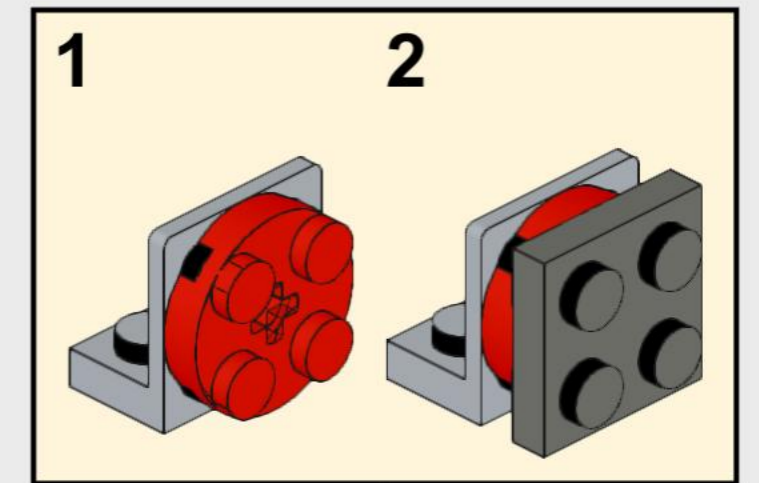
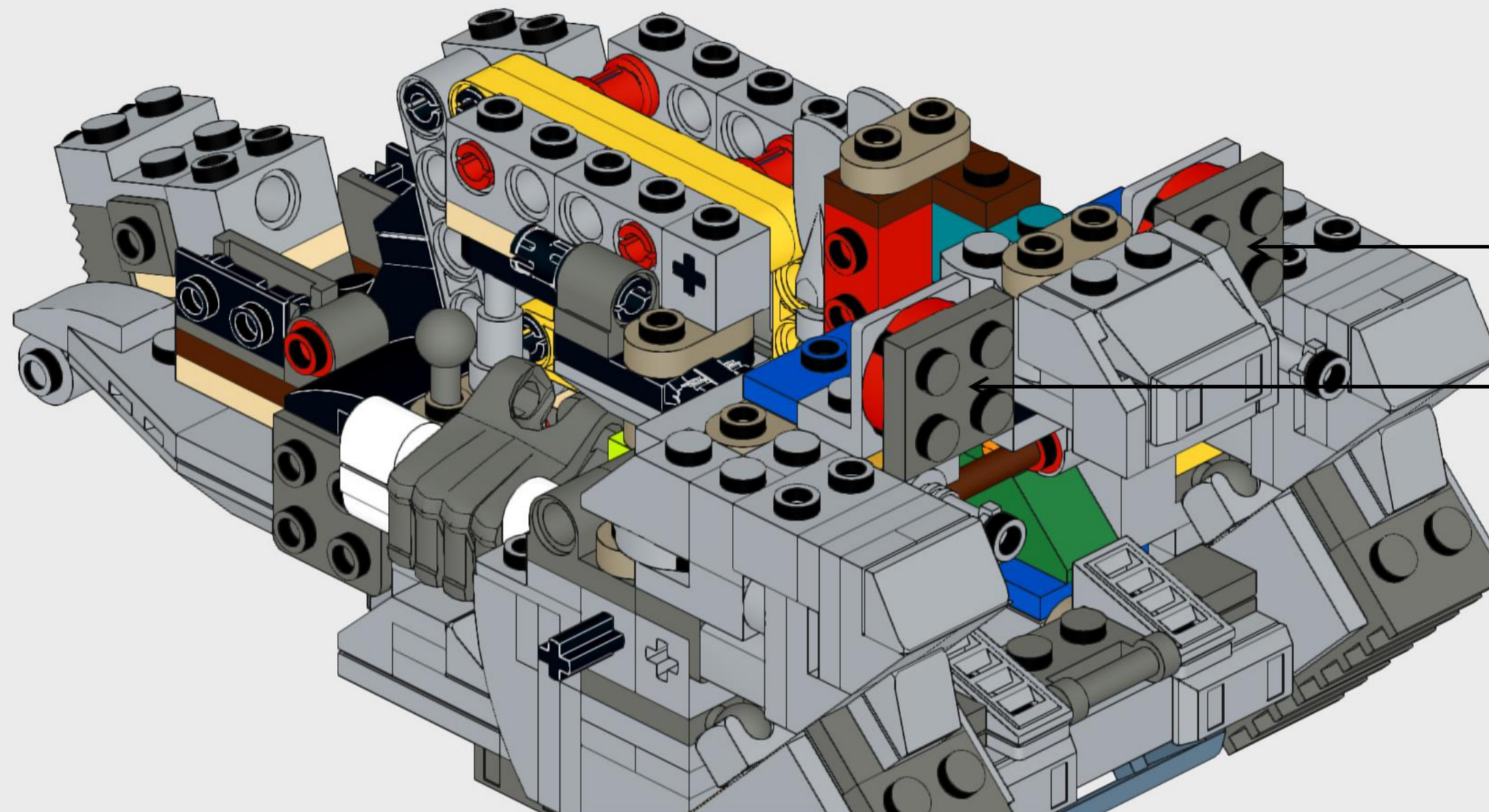




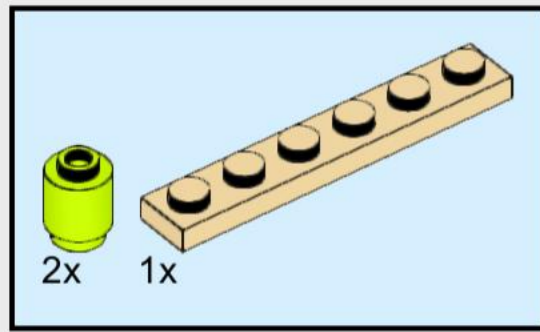
77



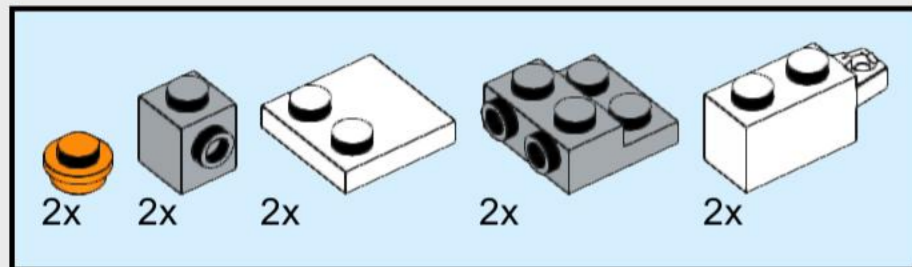
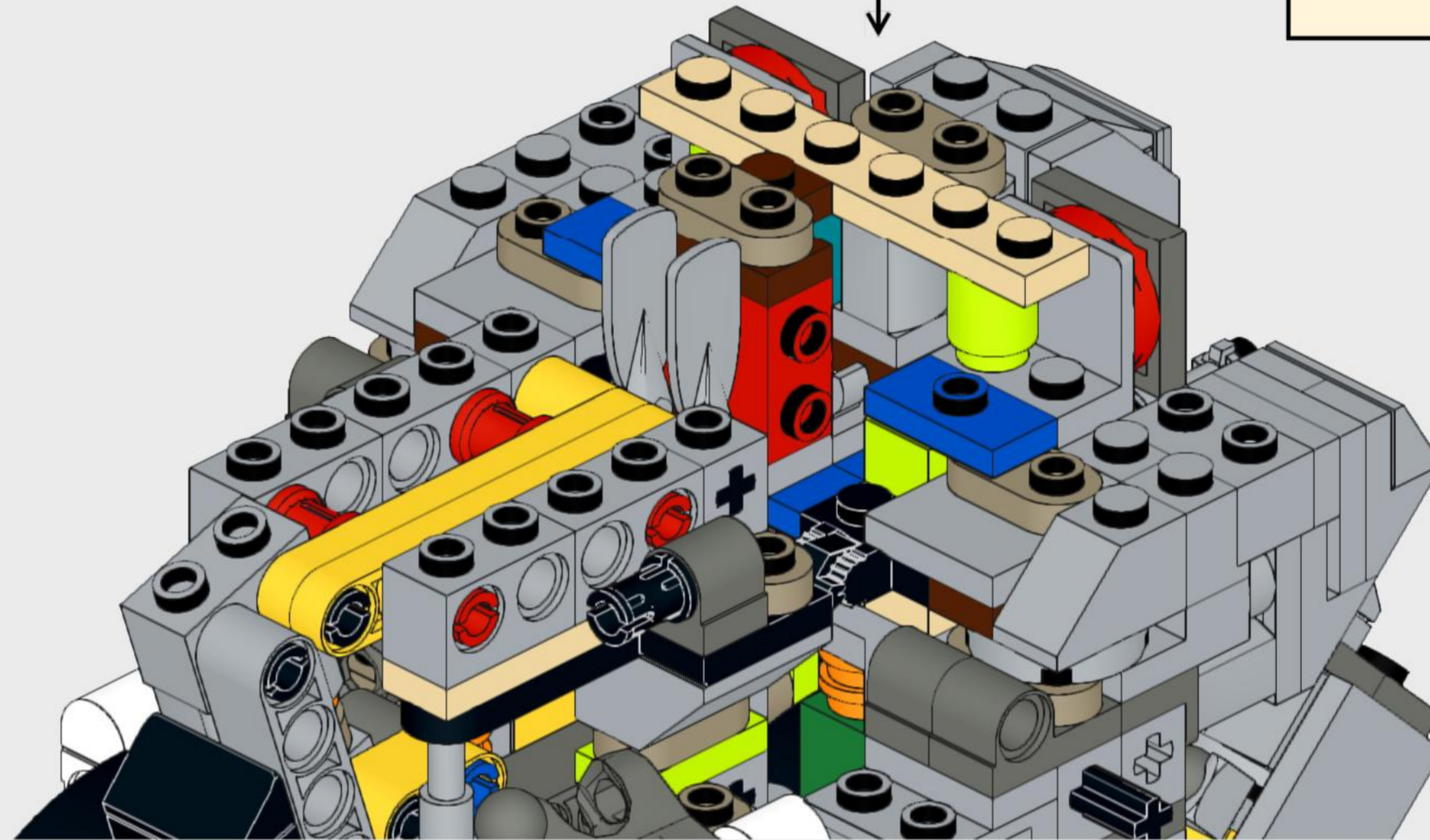
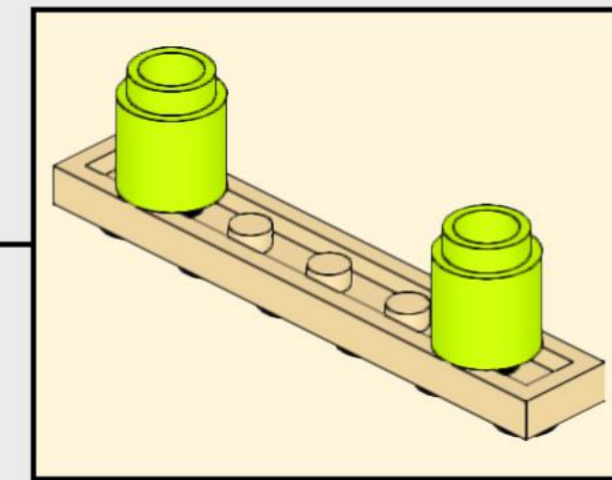
78



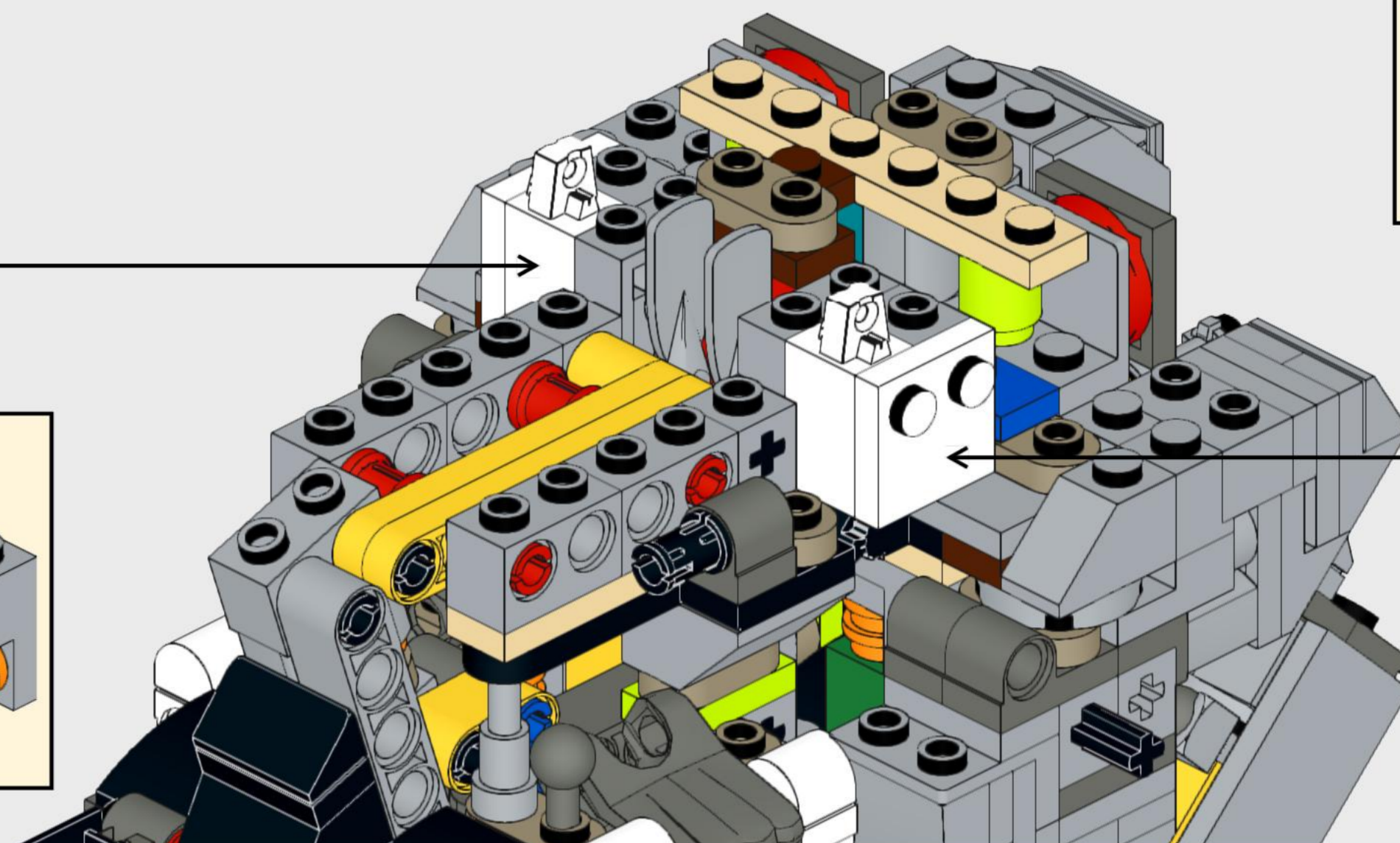
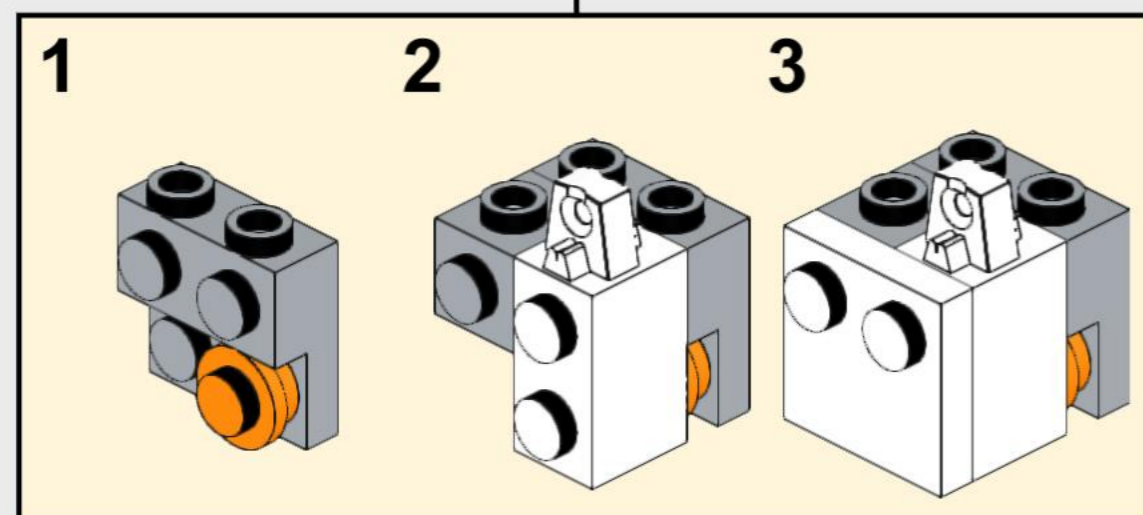
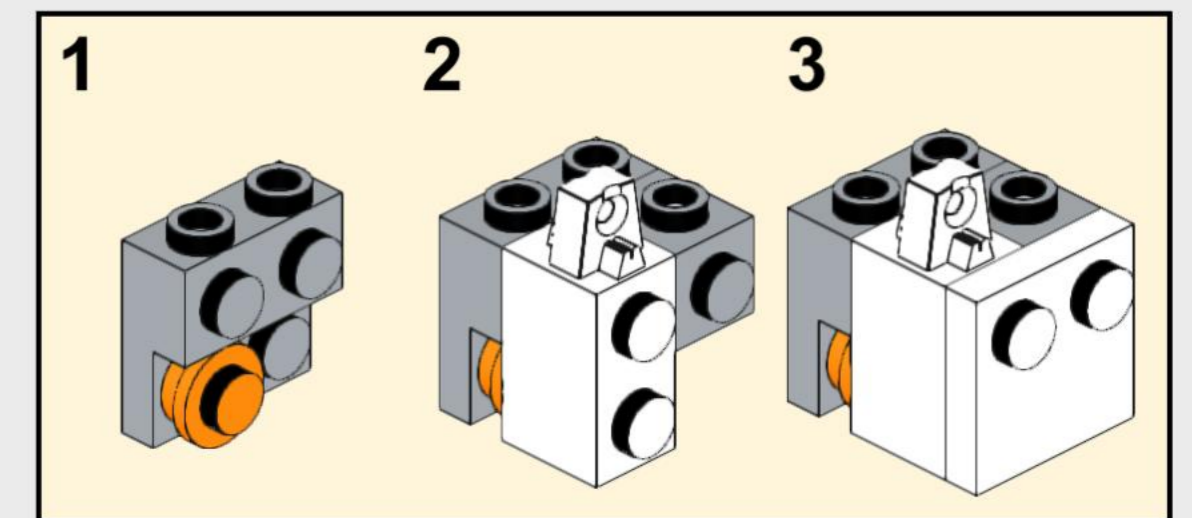
2x

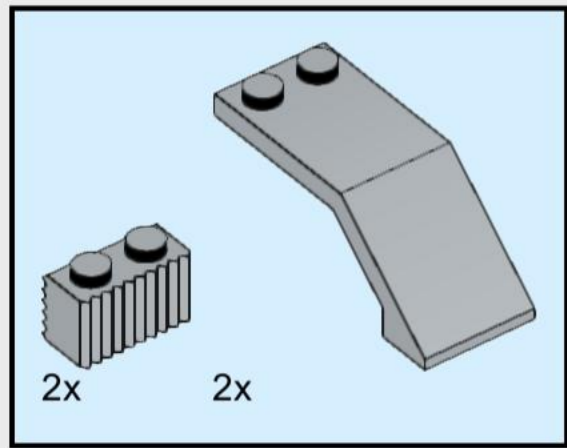


79

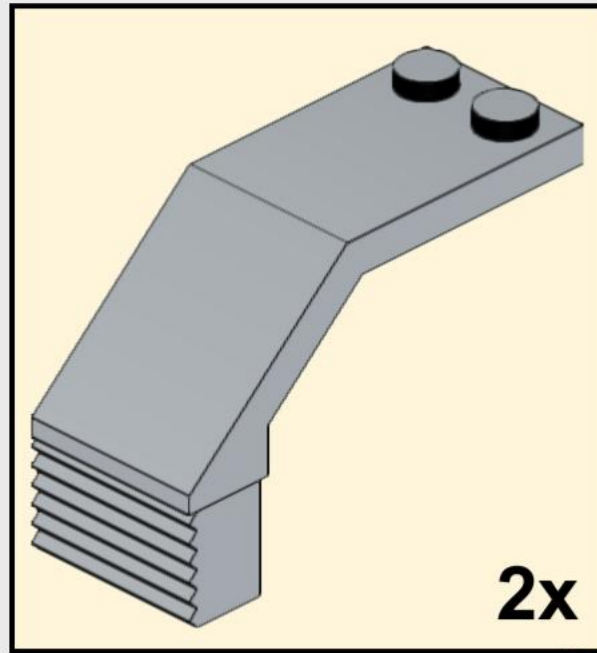


80

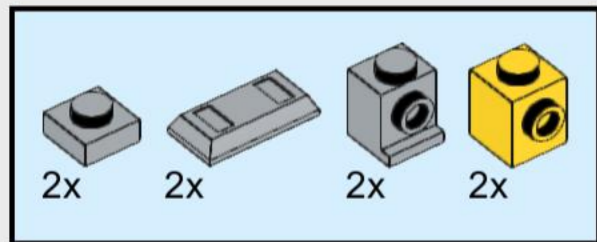
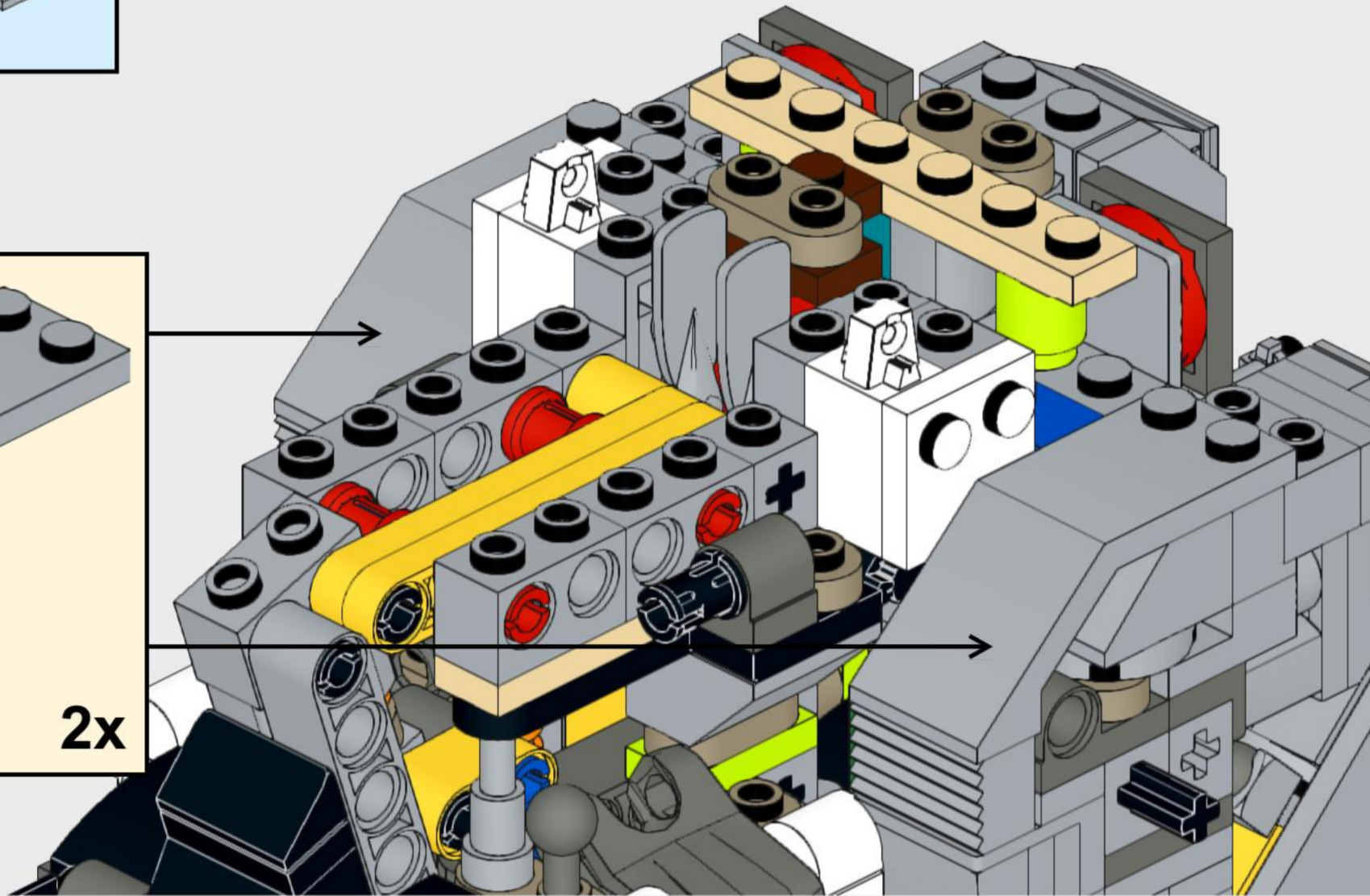




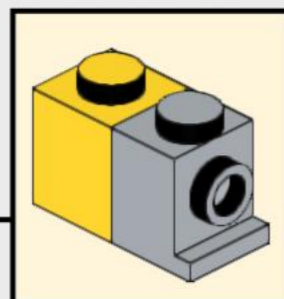
81



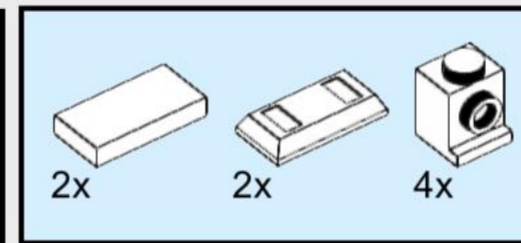
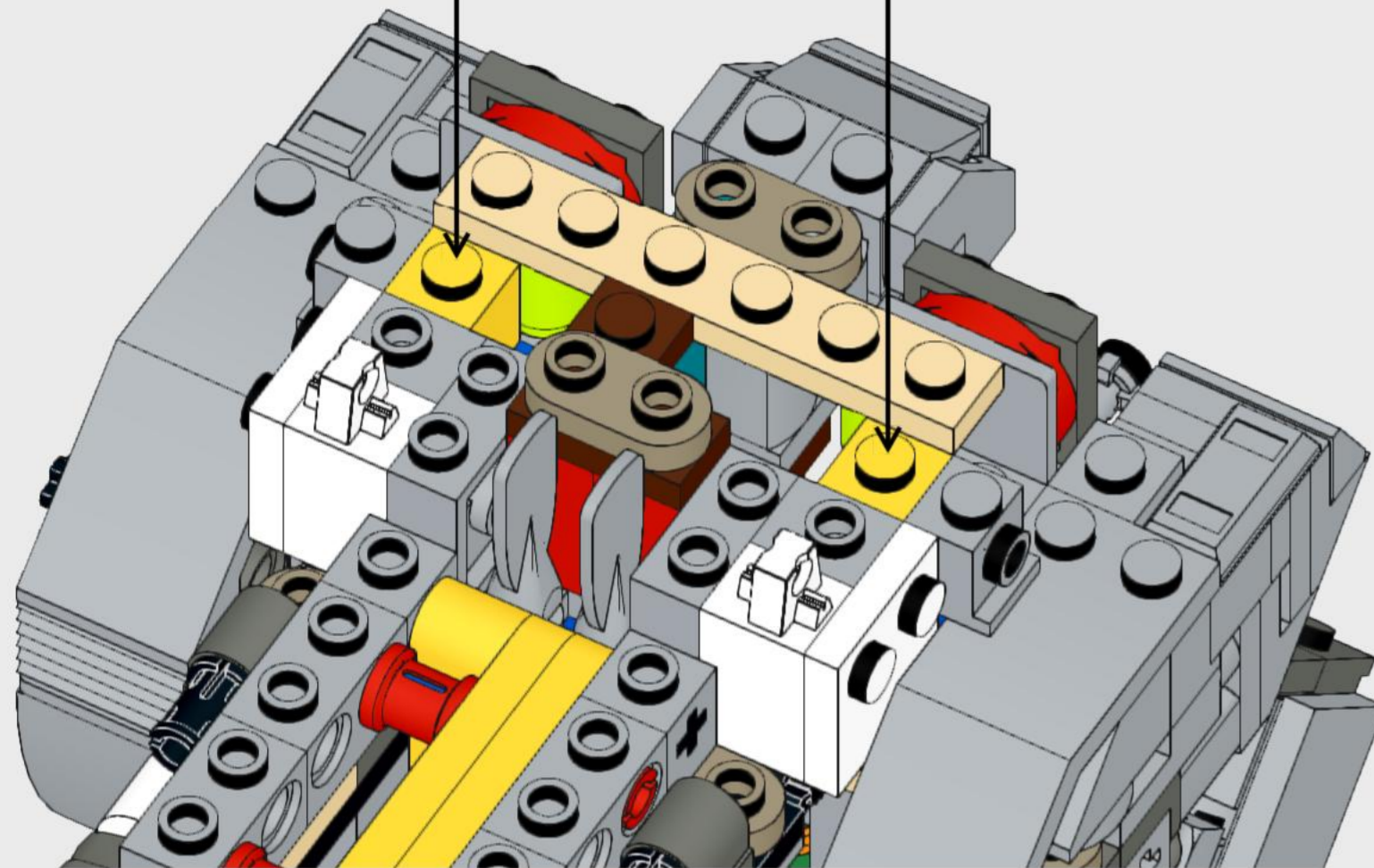
2x



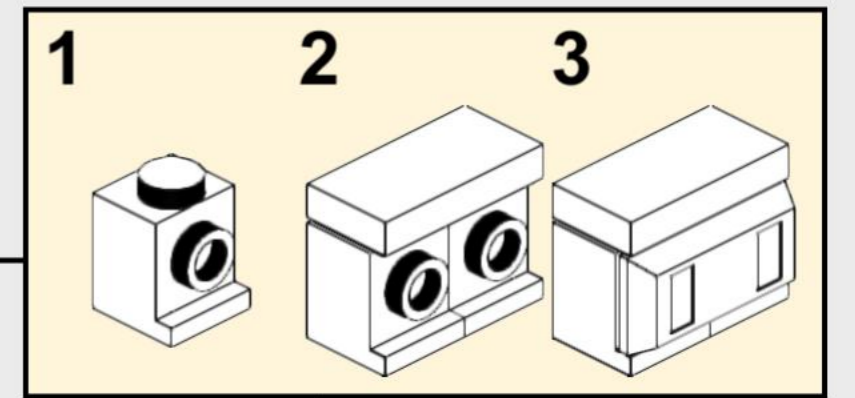
82



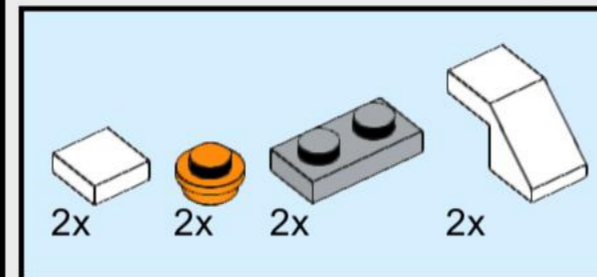
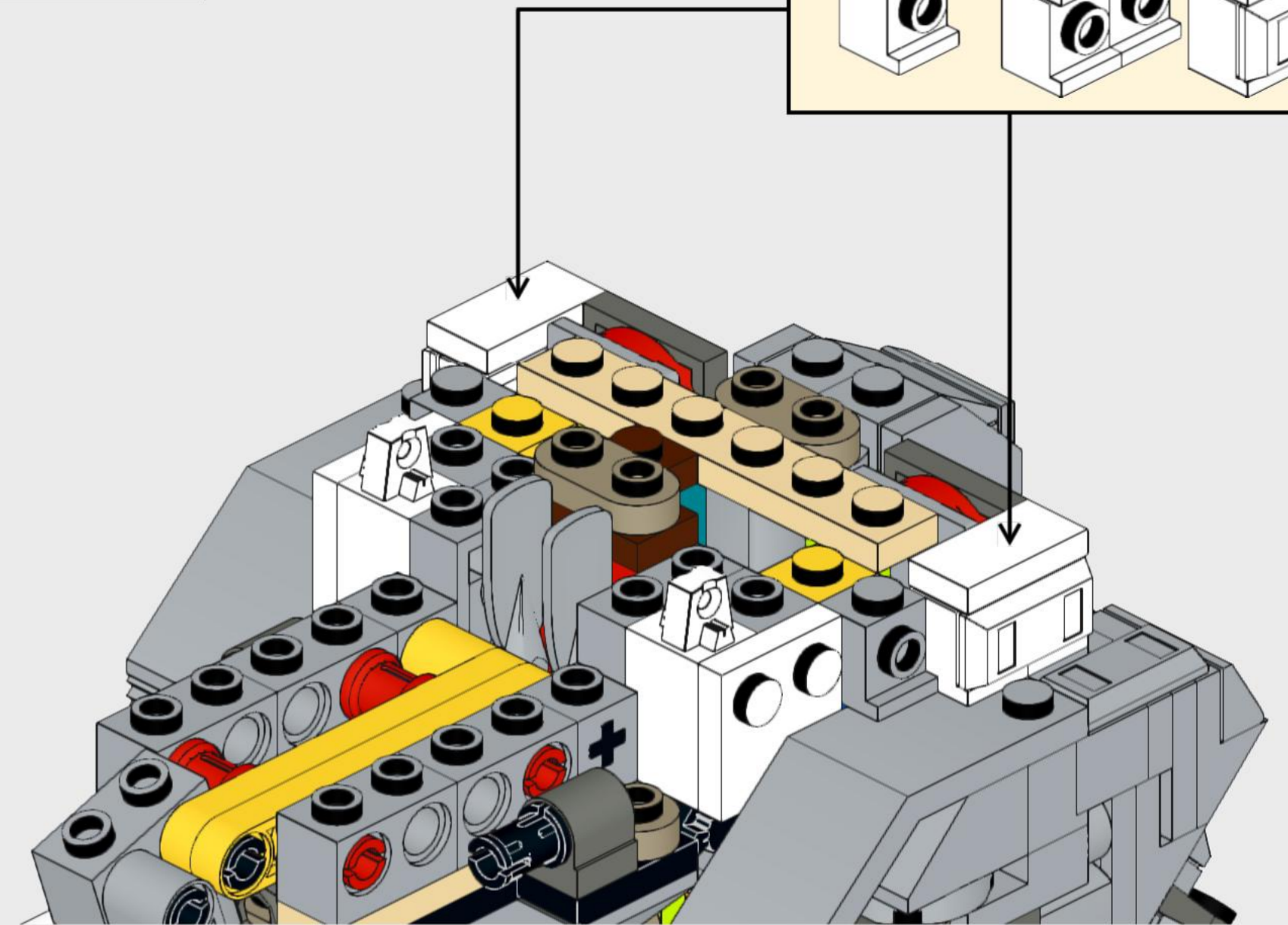
2x



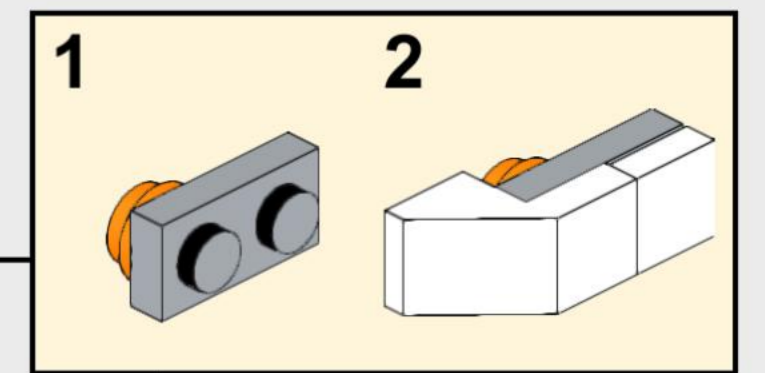
83



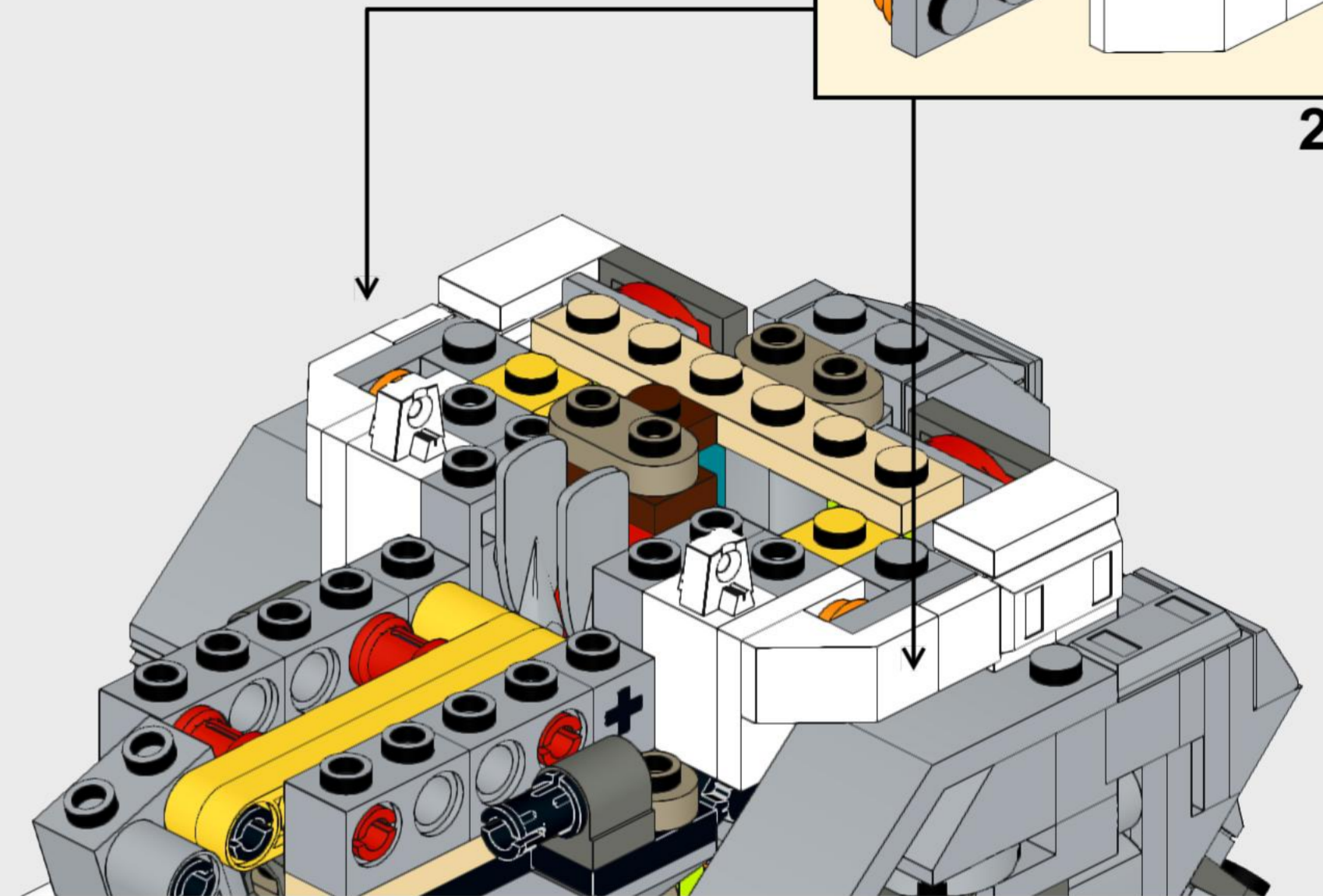
2x

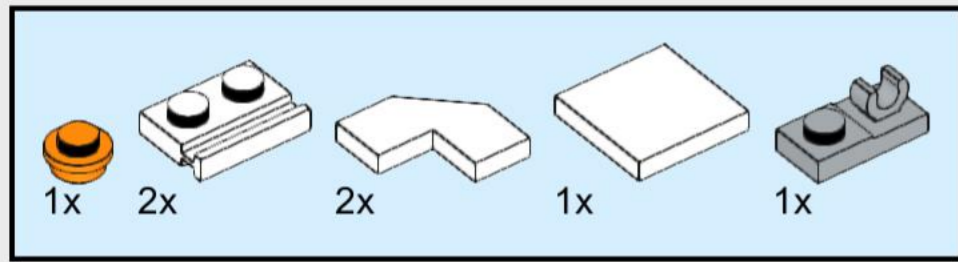


84

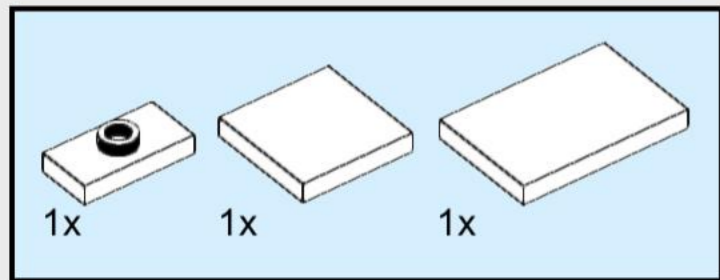
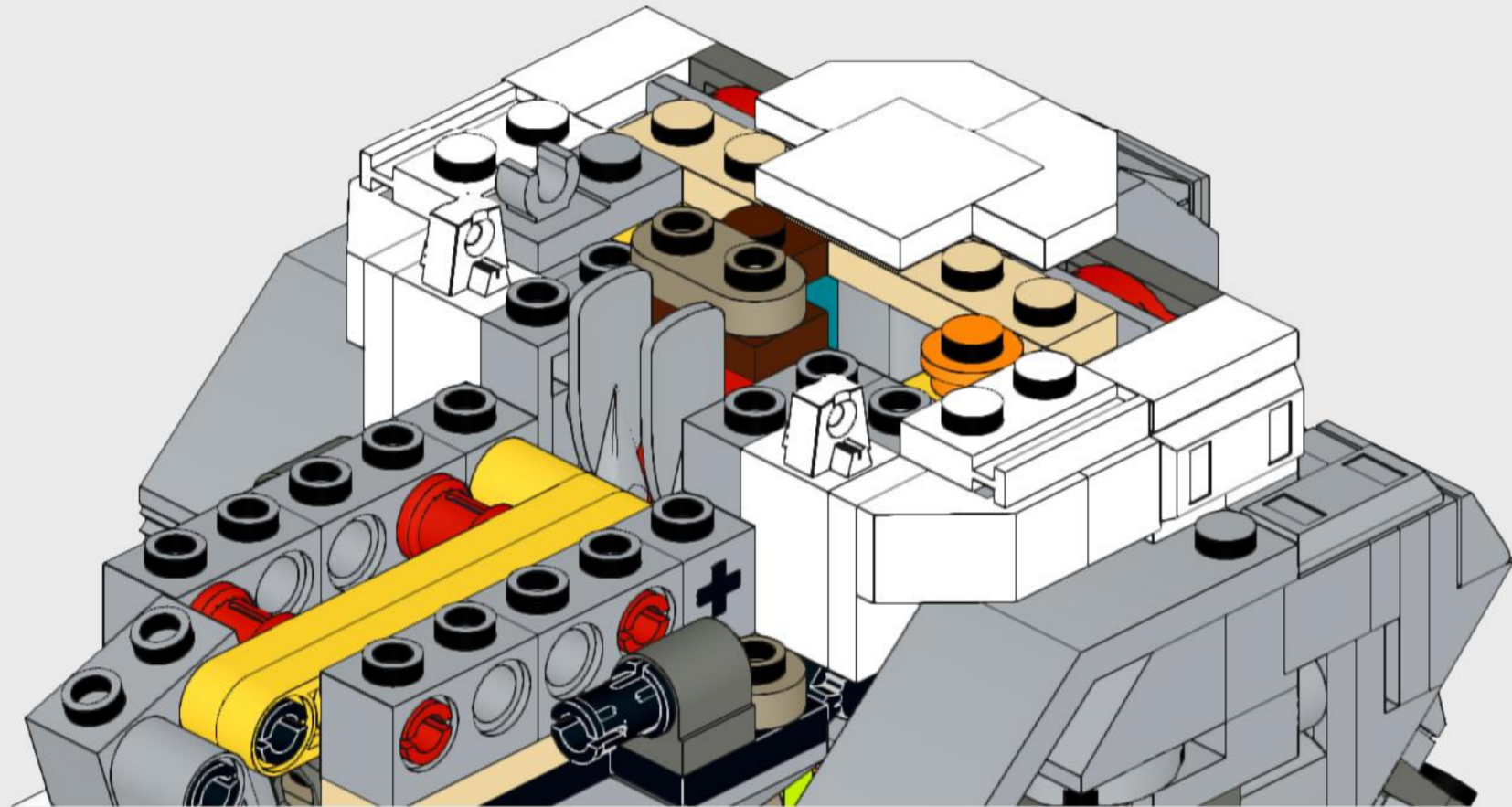


2x

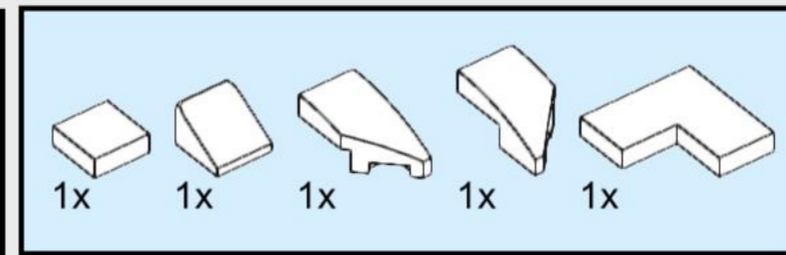
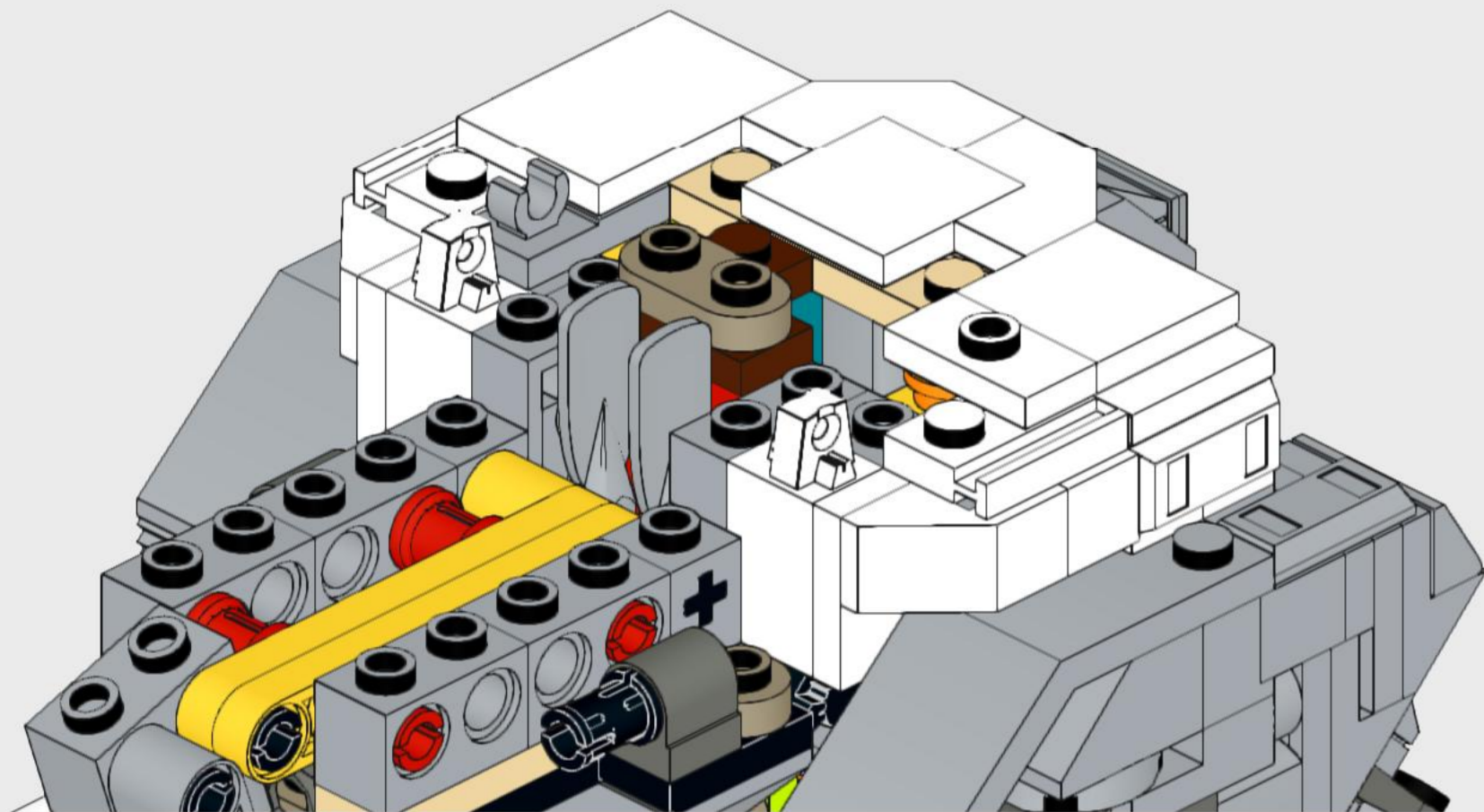




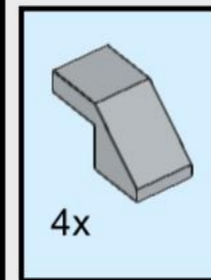
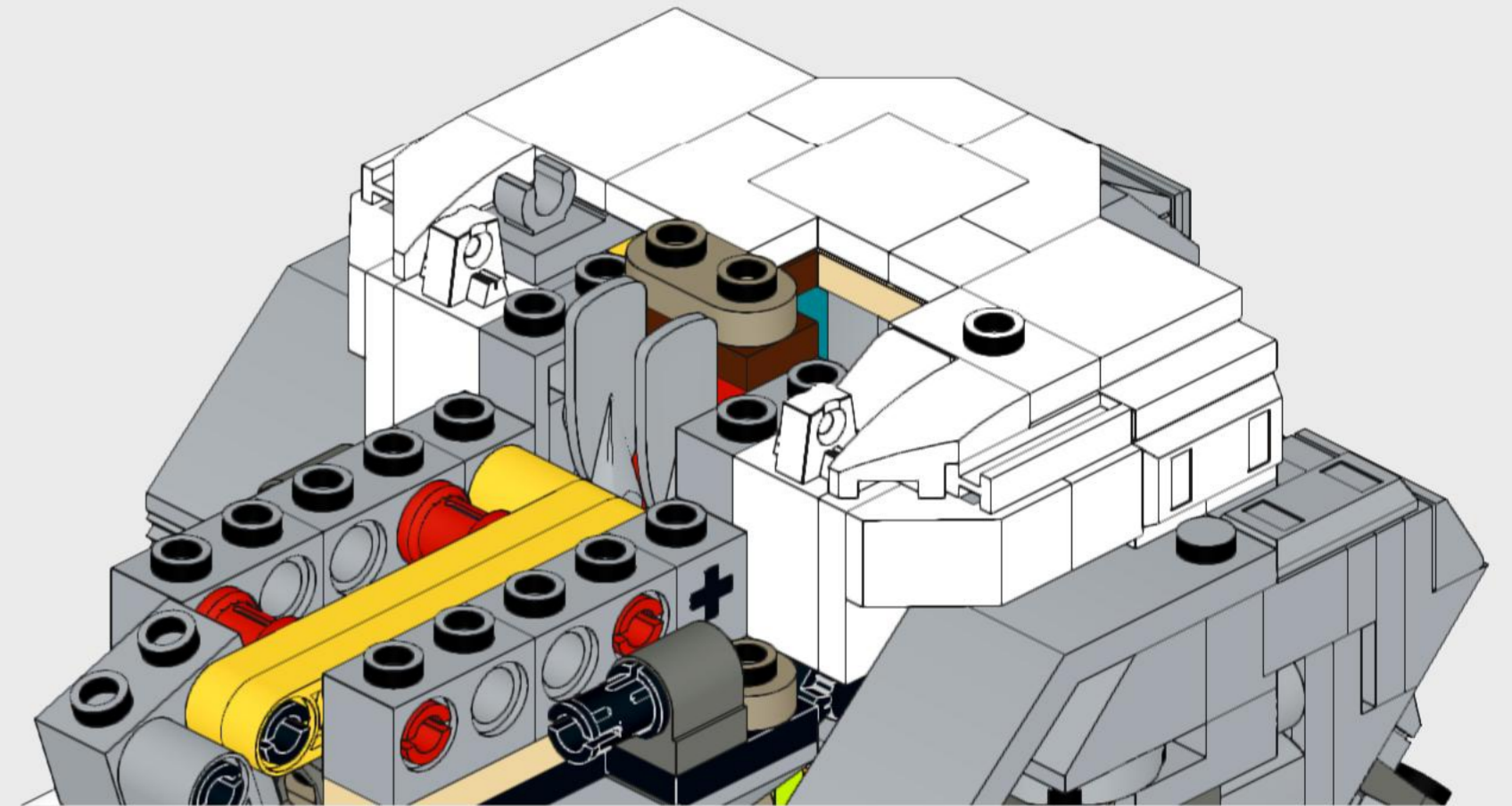
85



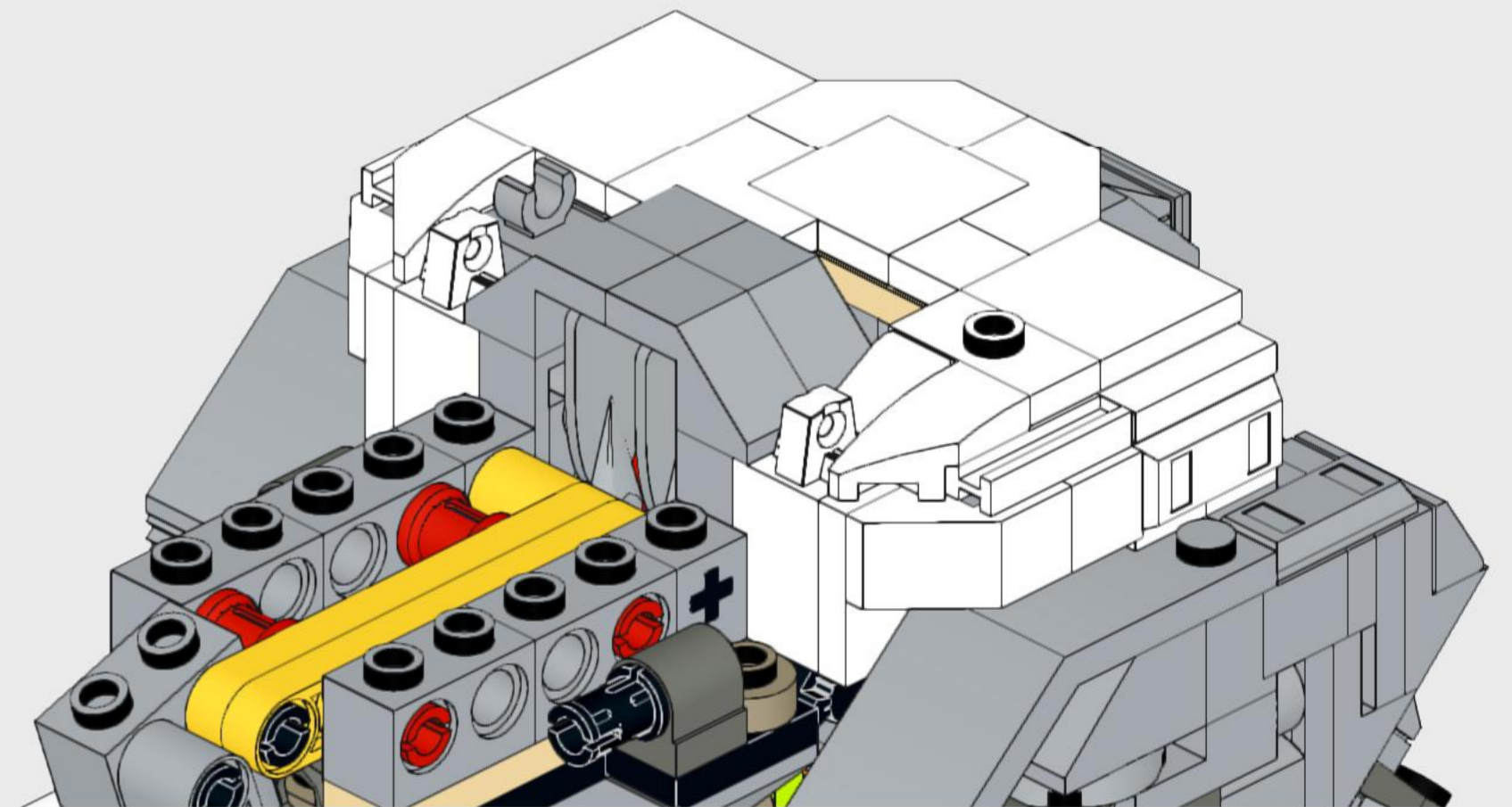
86

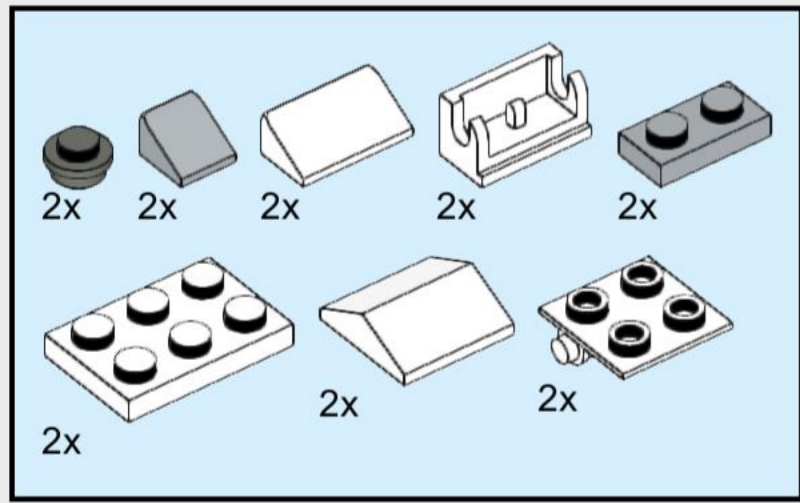


87

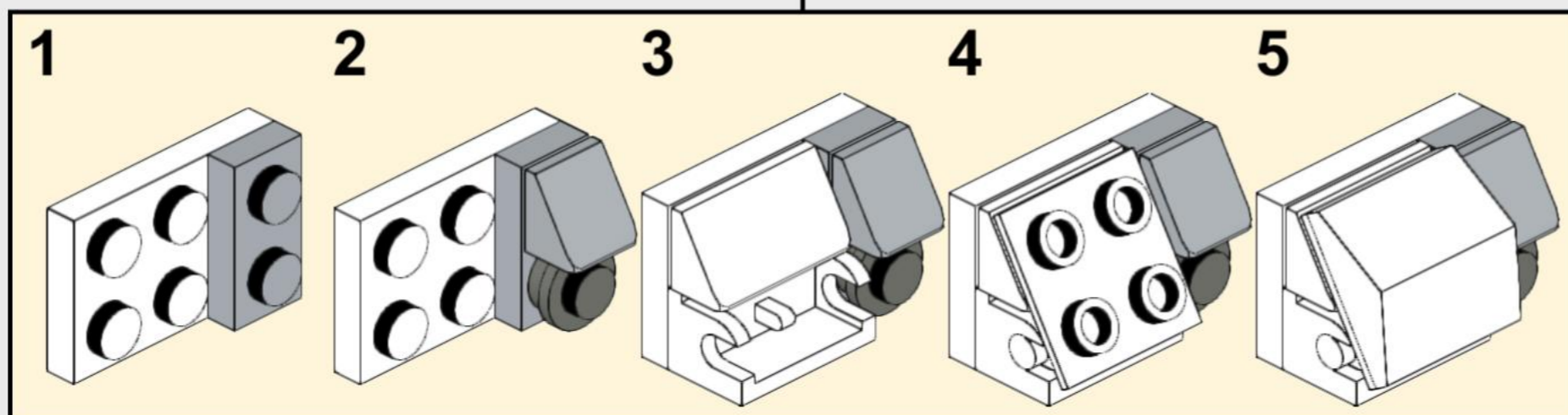
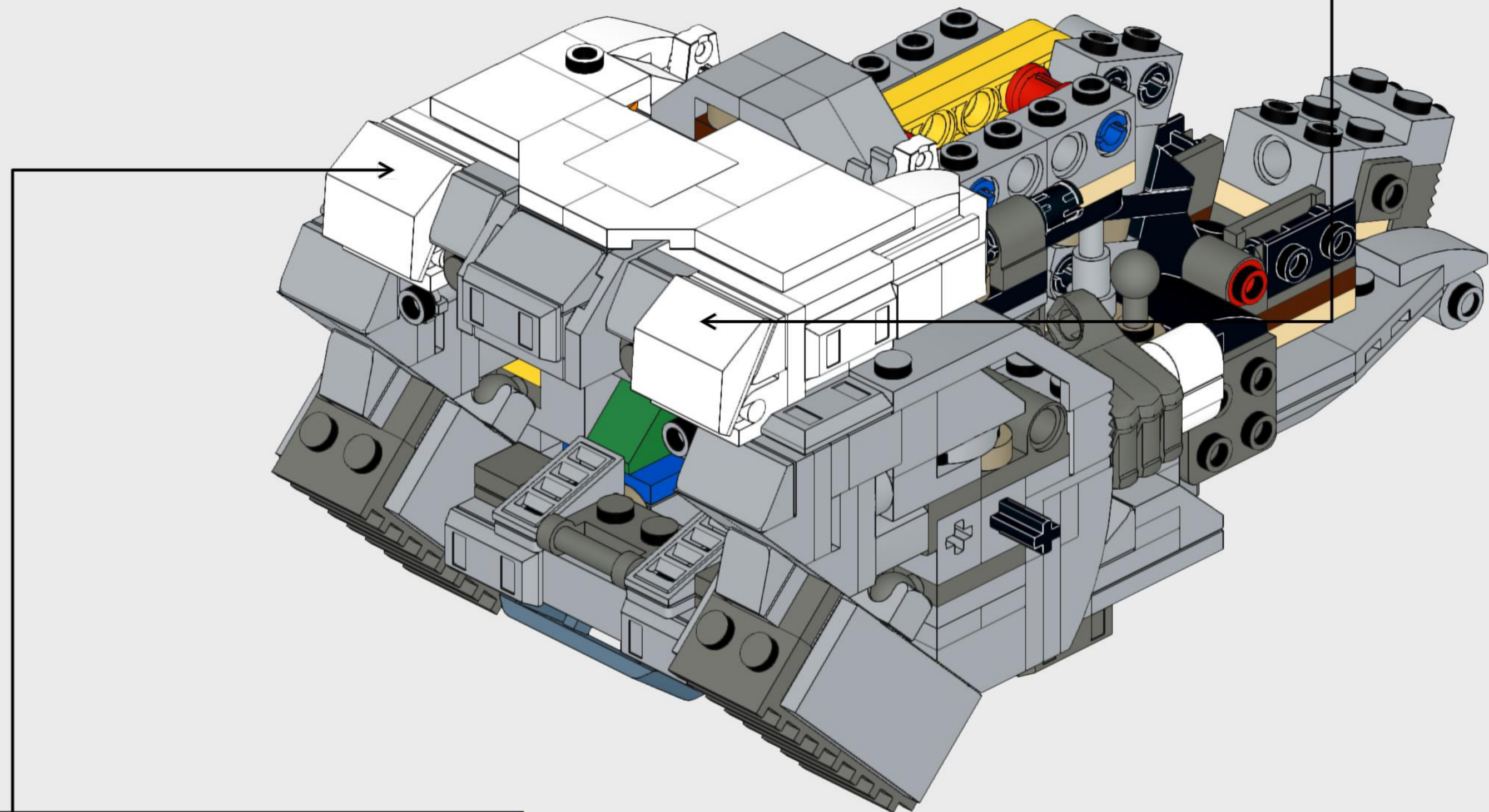
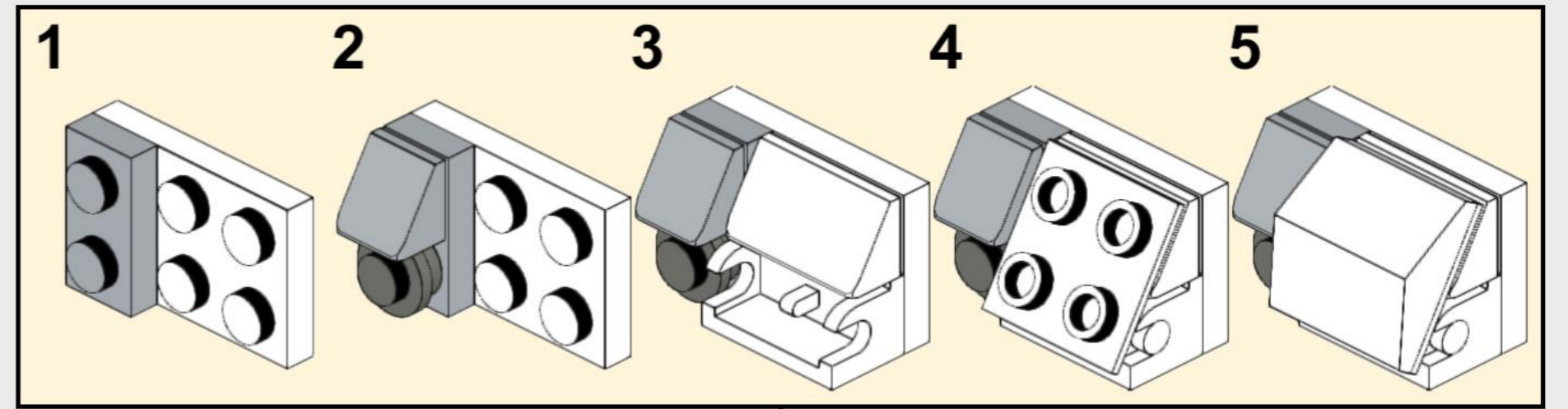


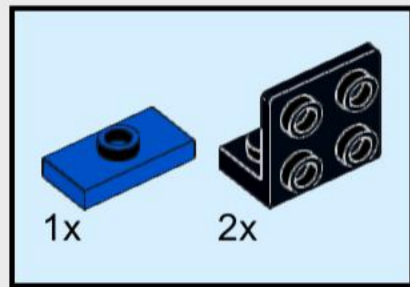
88



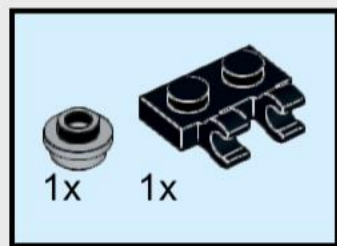
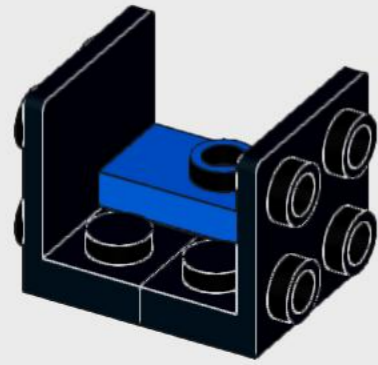


89

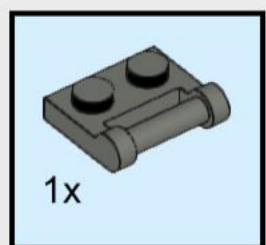
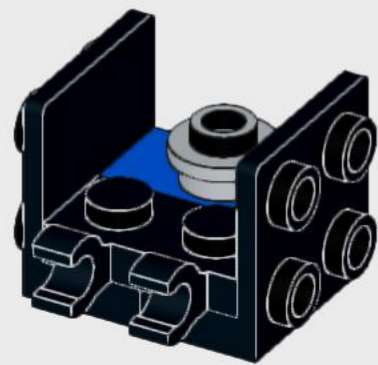




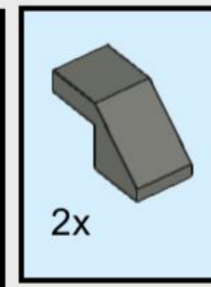
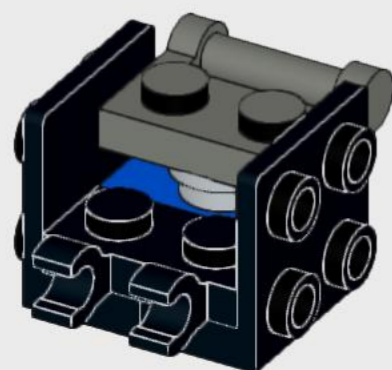
90



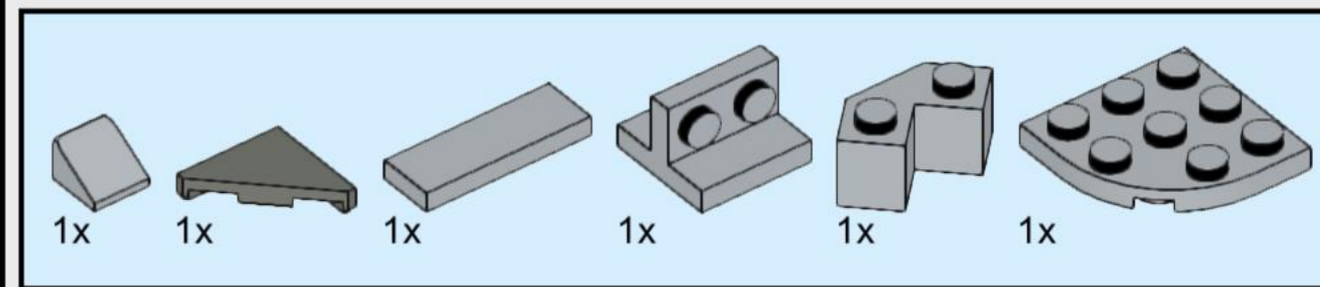
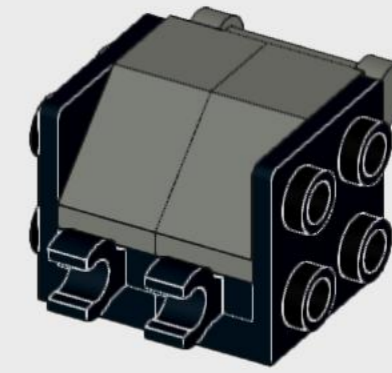
91



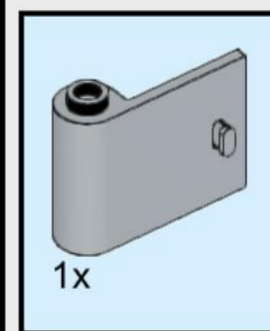
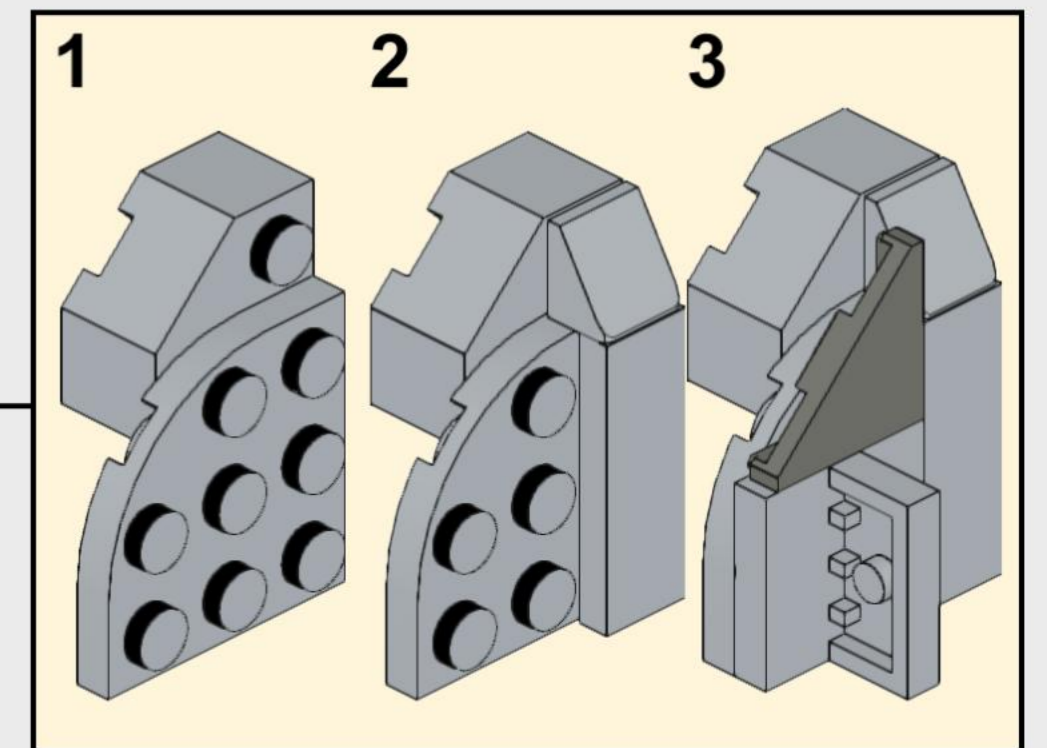
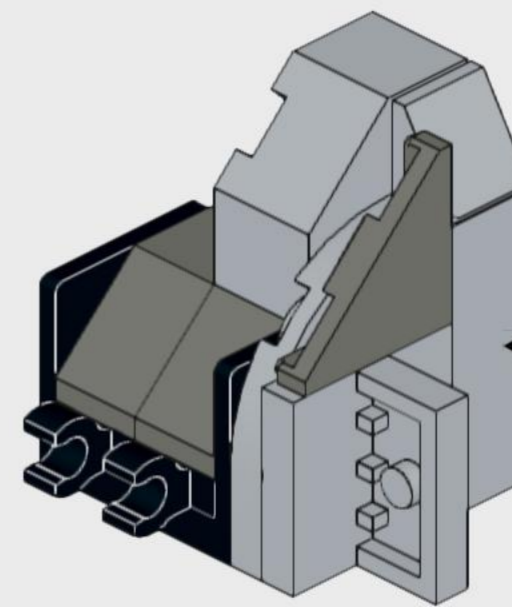
92



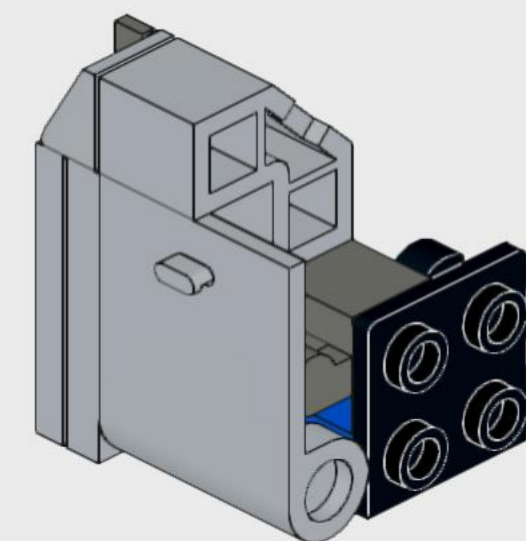
93

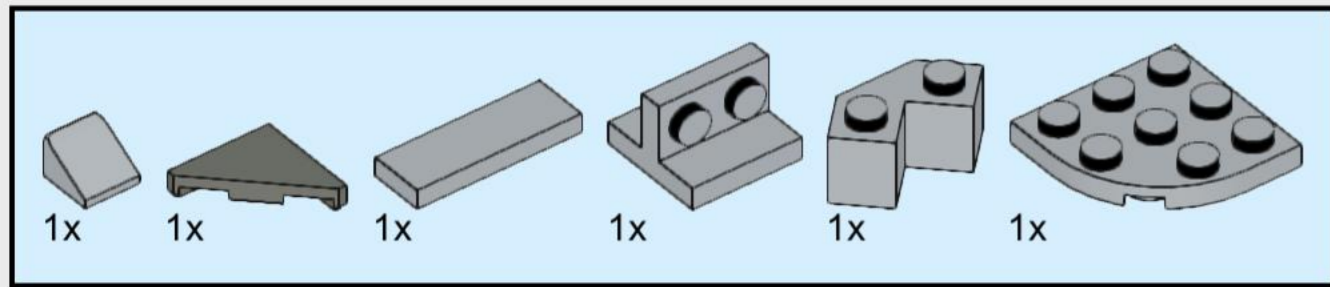


94

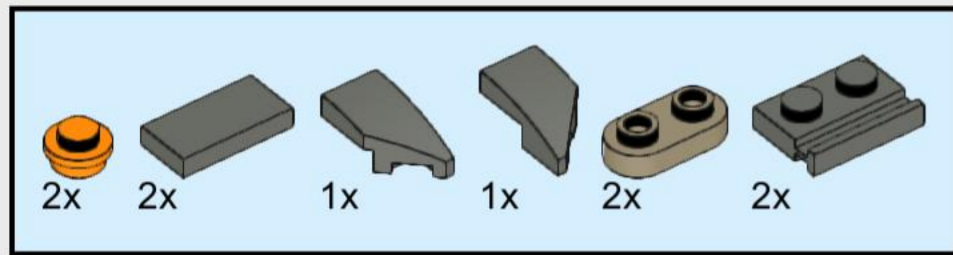
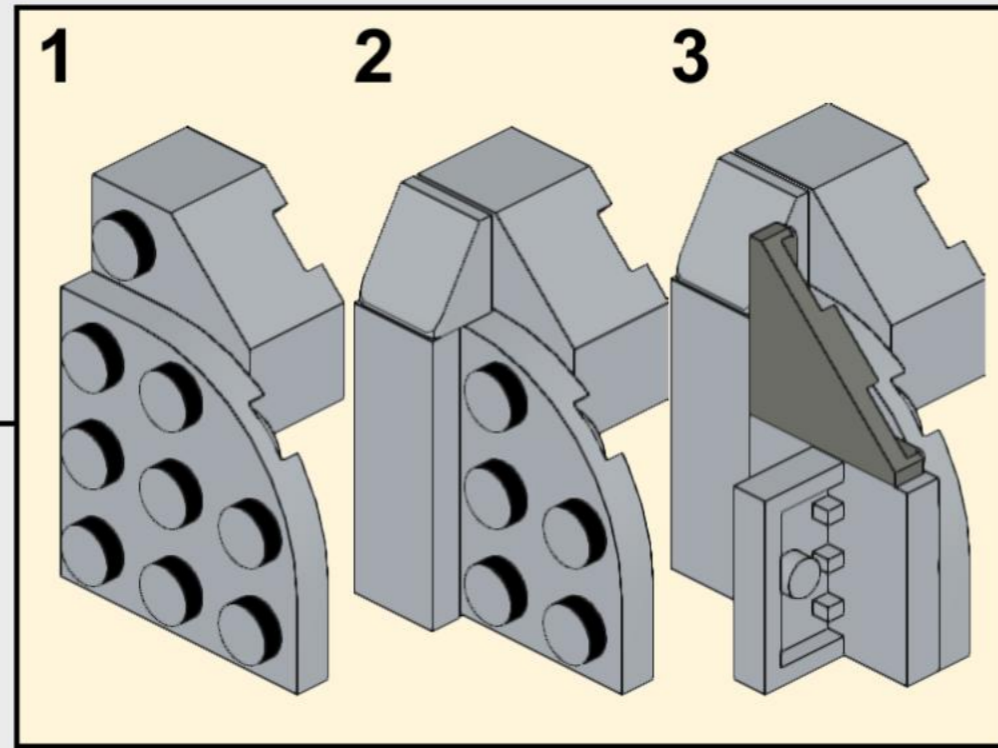
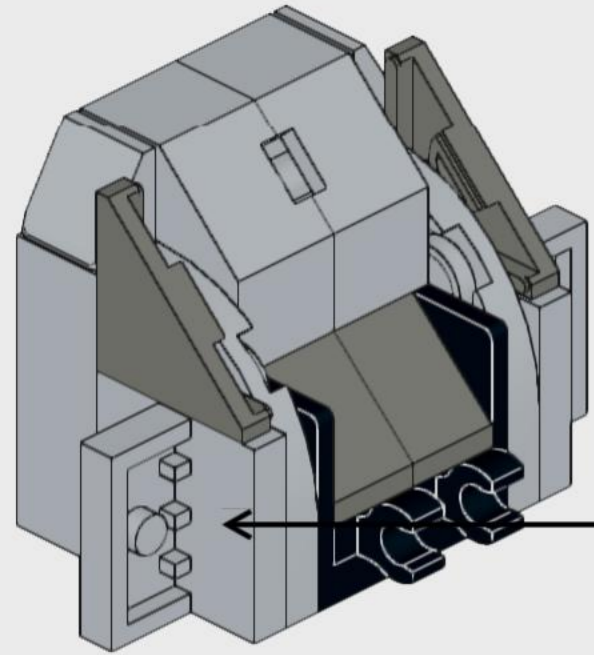


95

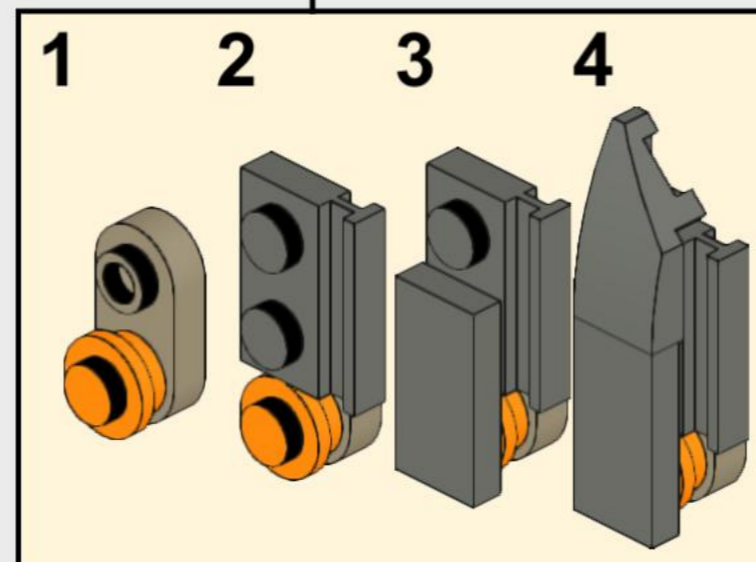
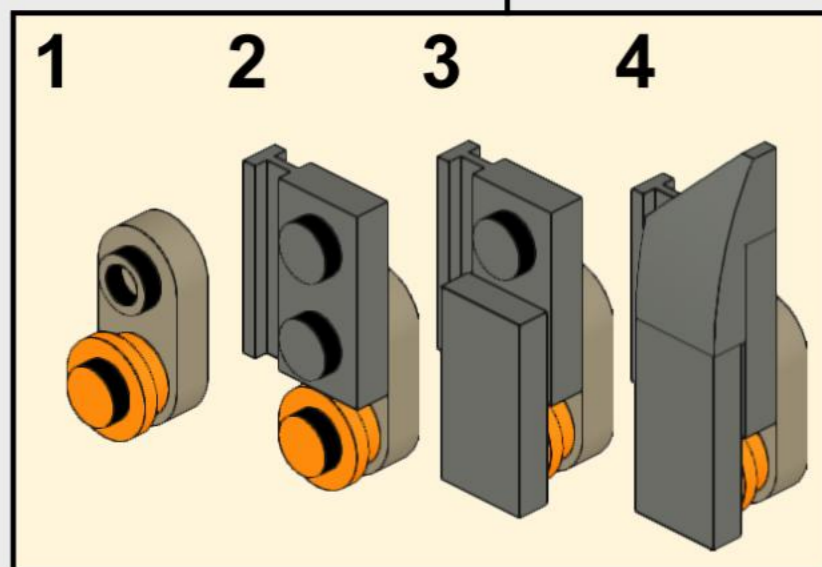
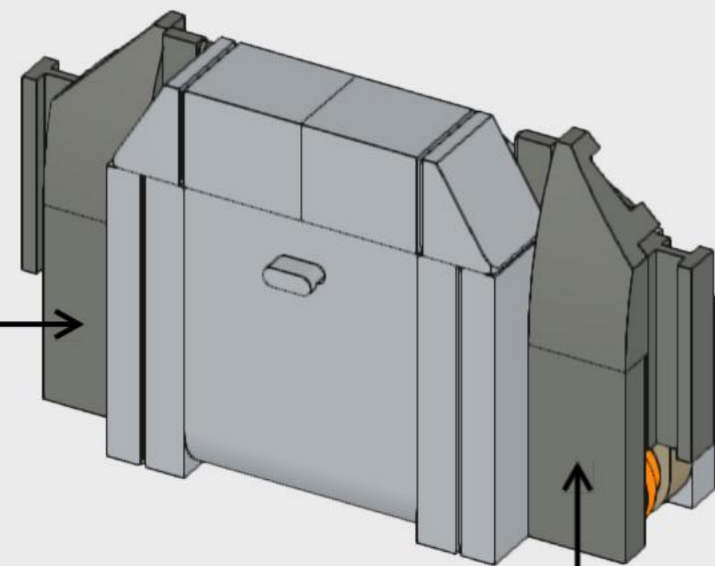




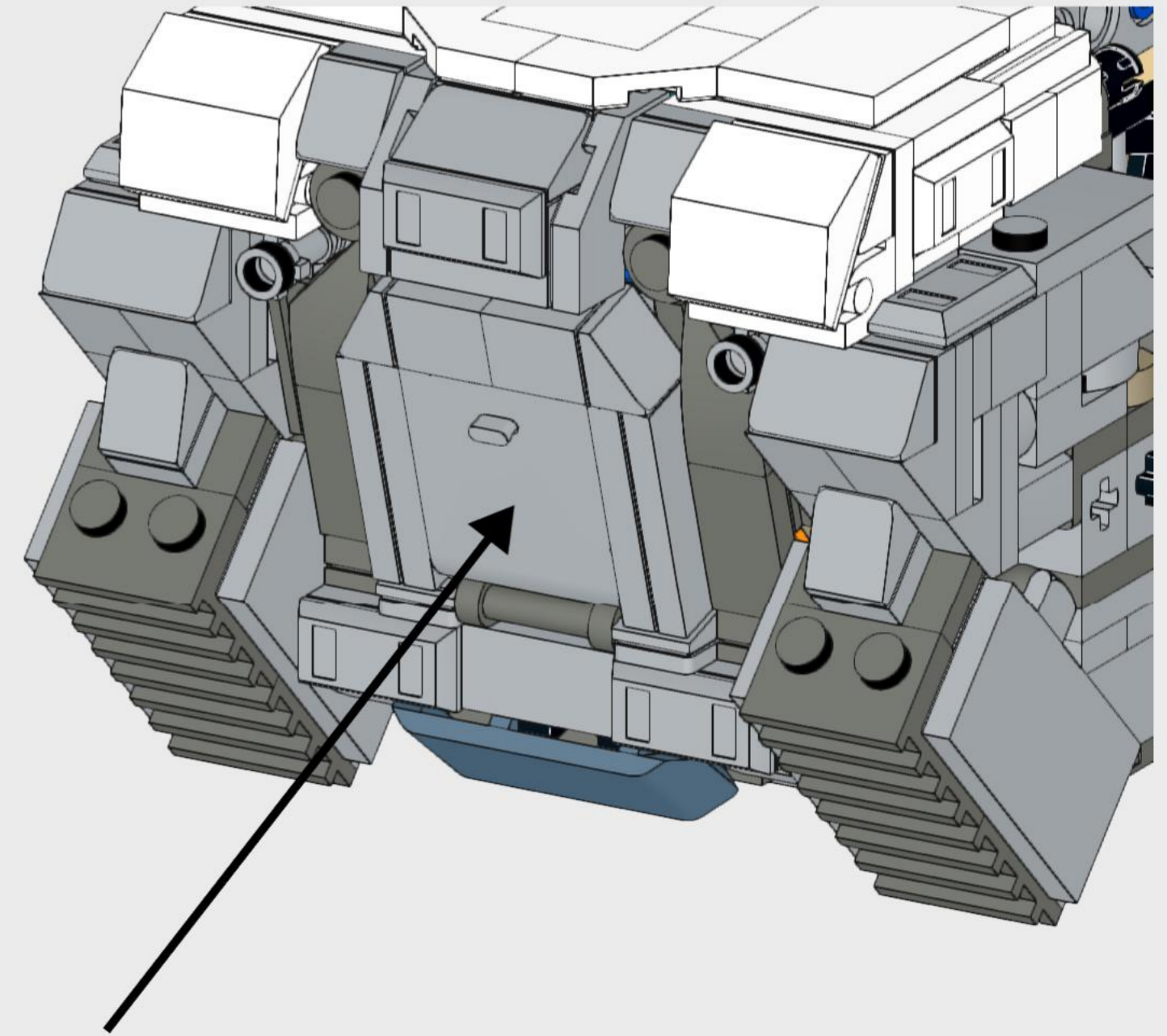
96



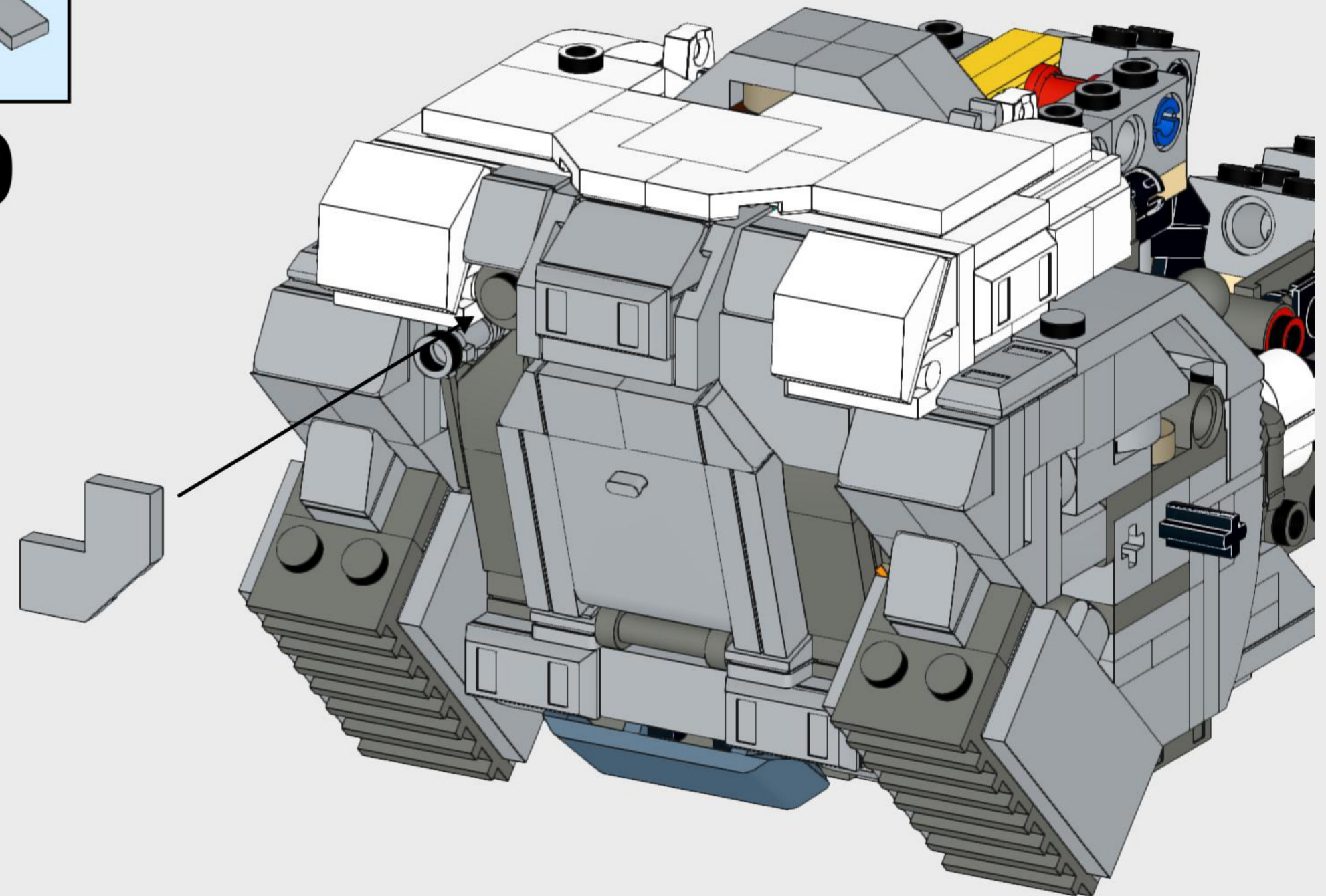
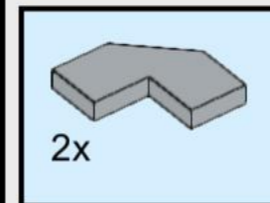
97

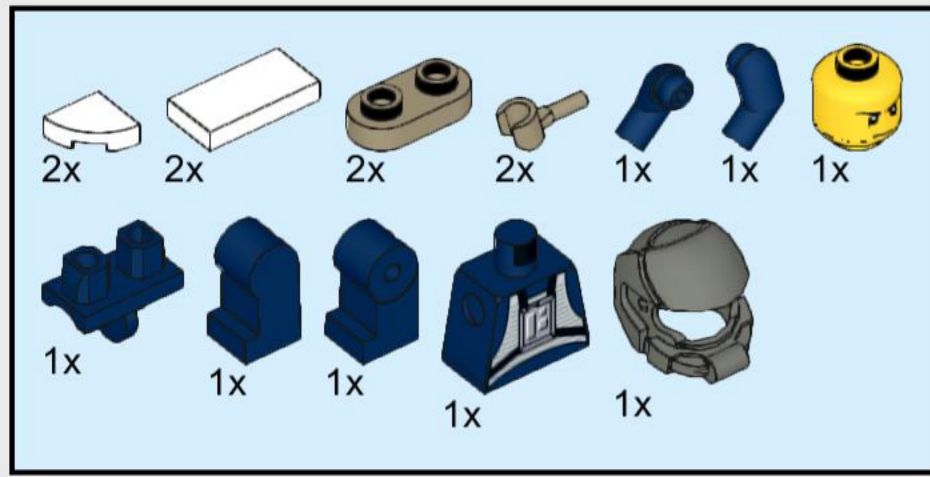


98

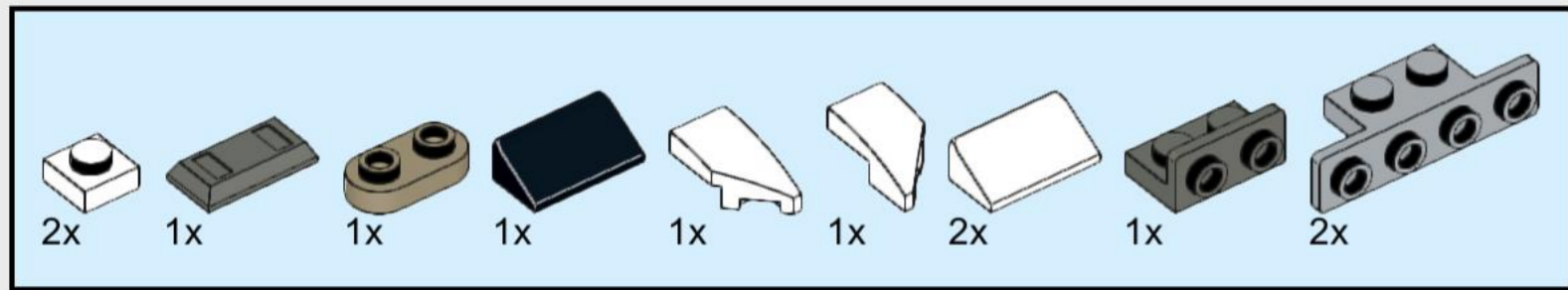
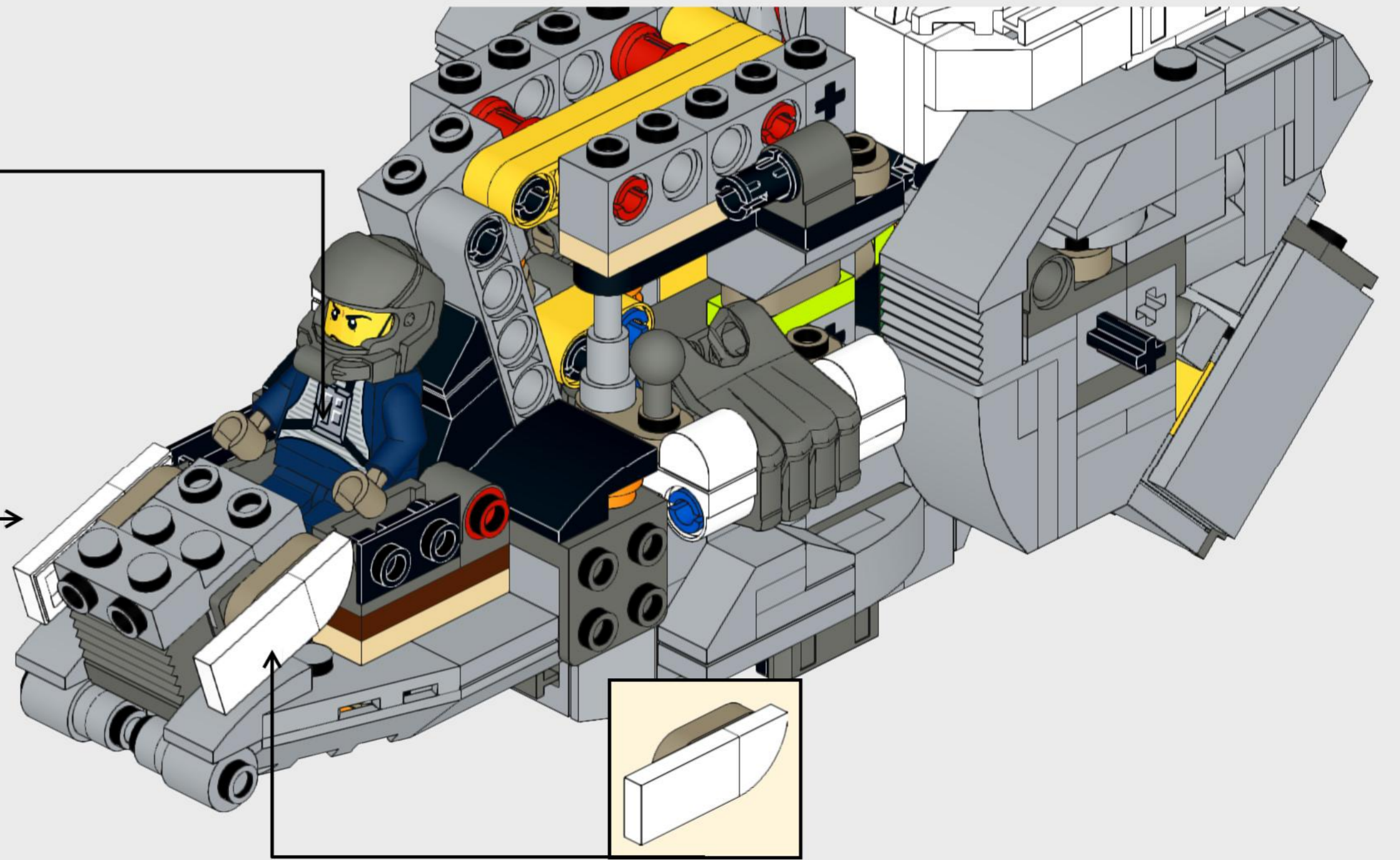


99

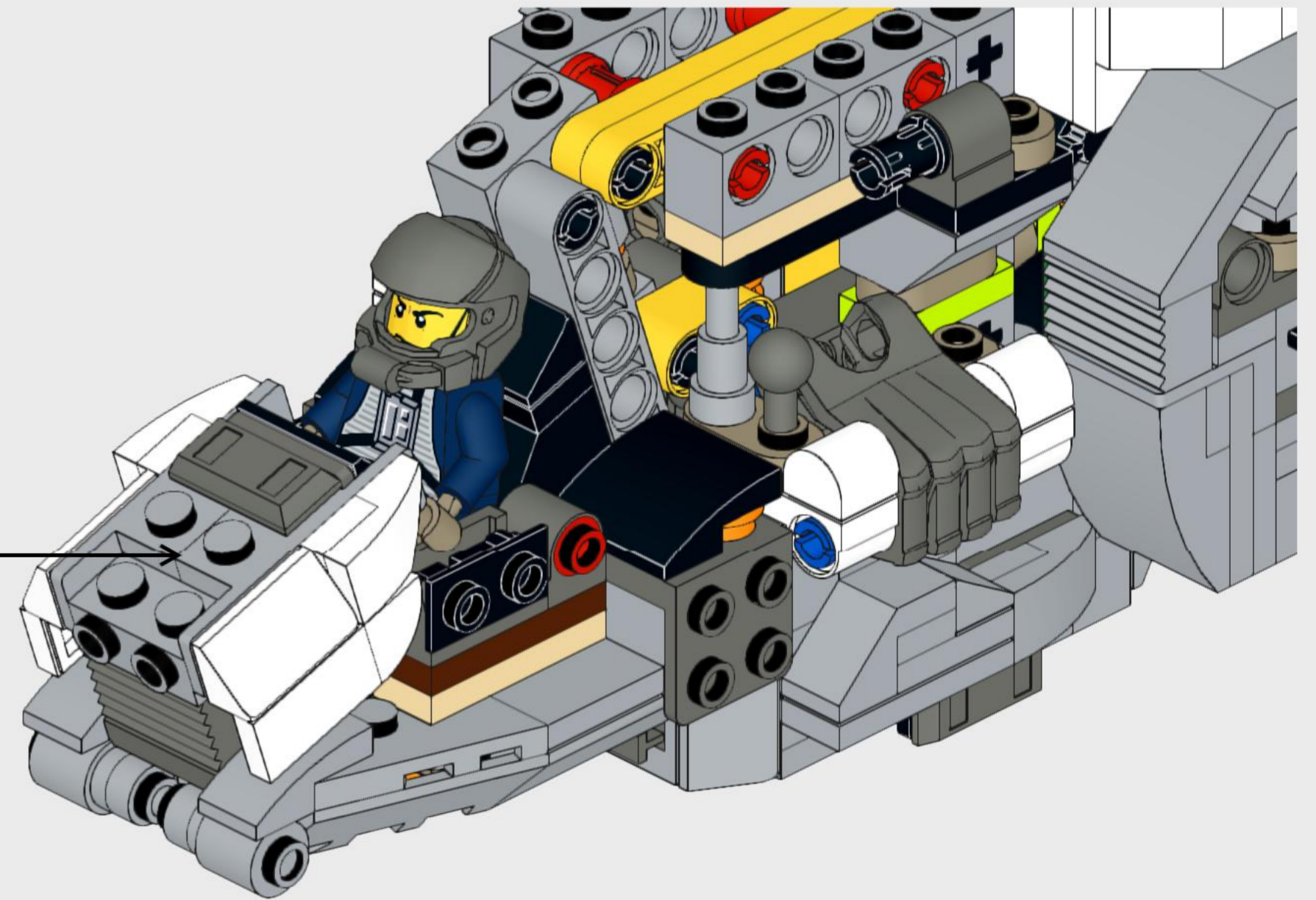
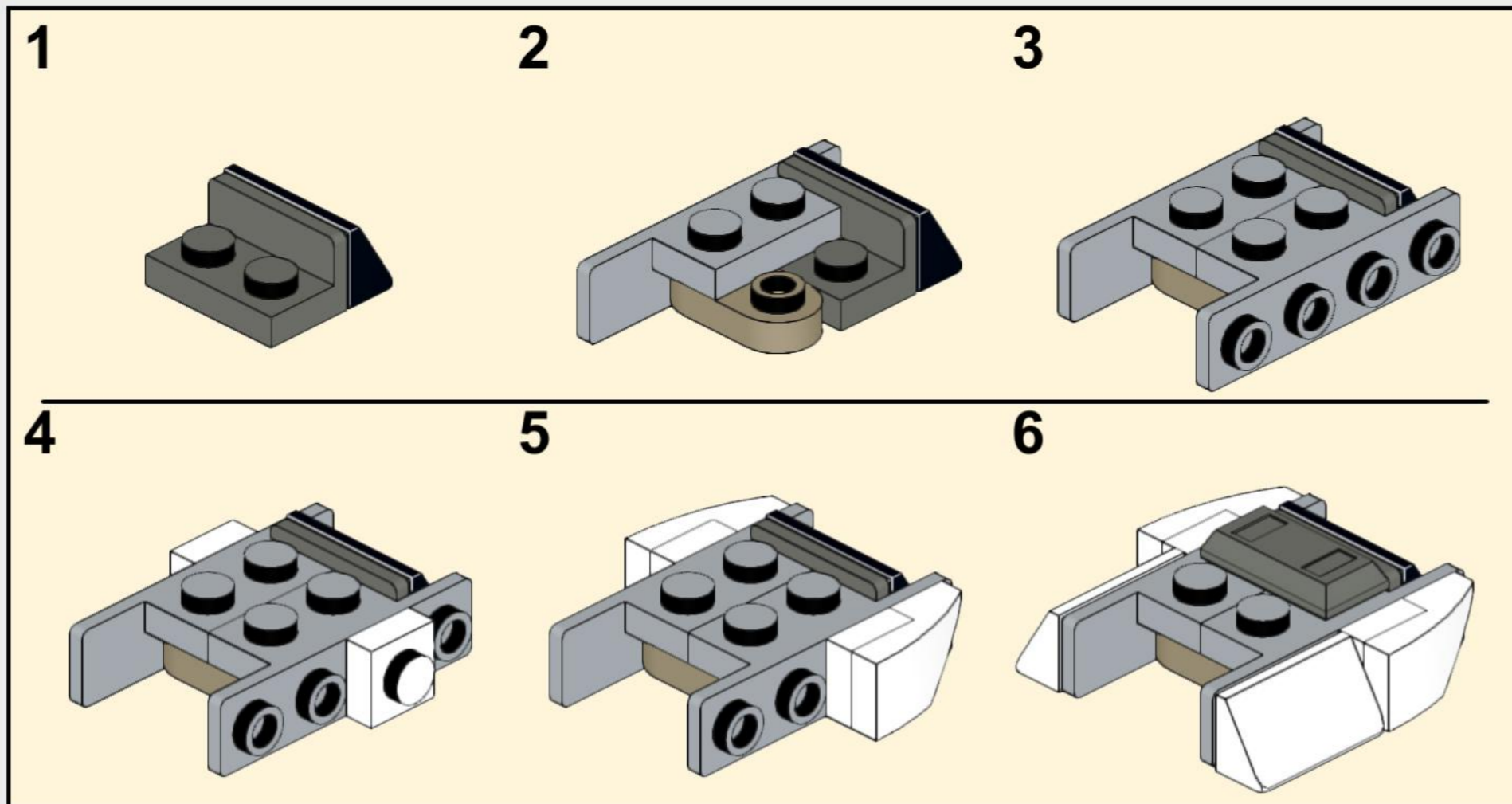


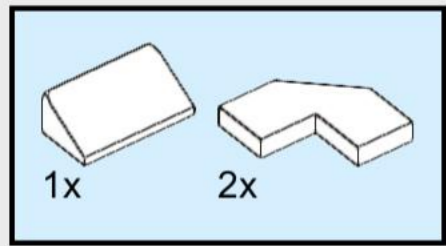


100

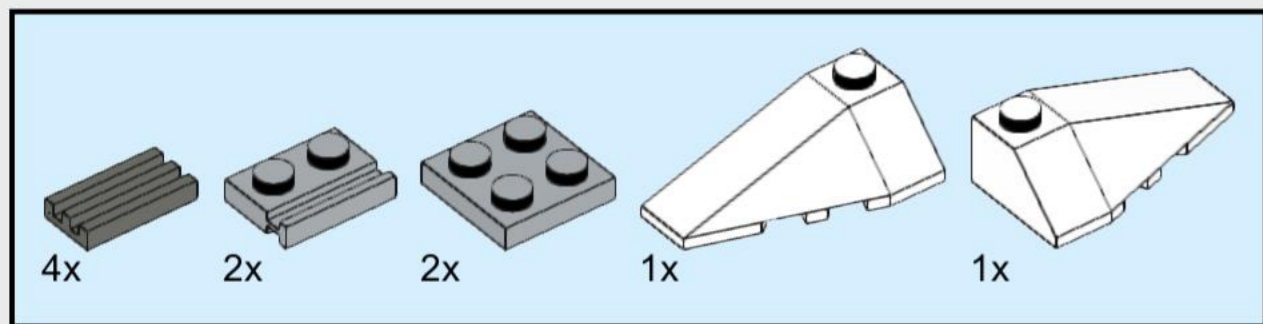
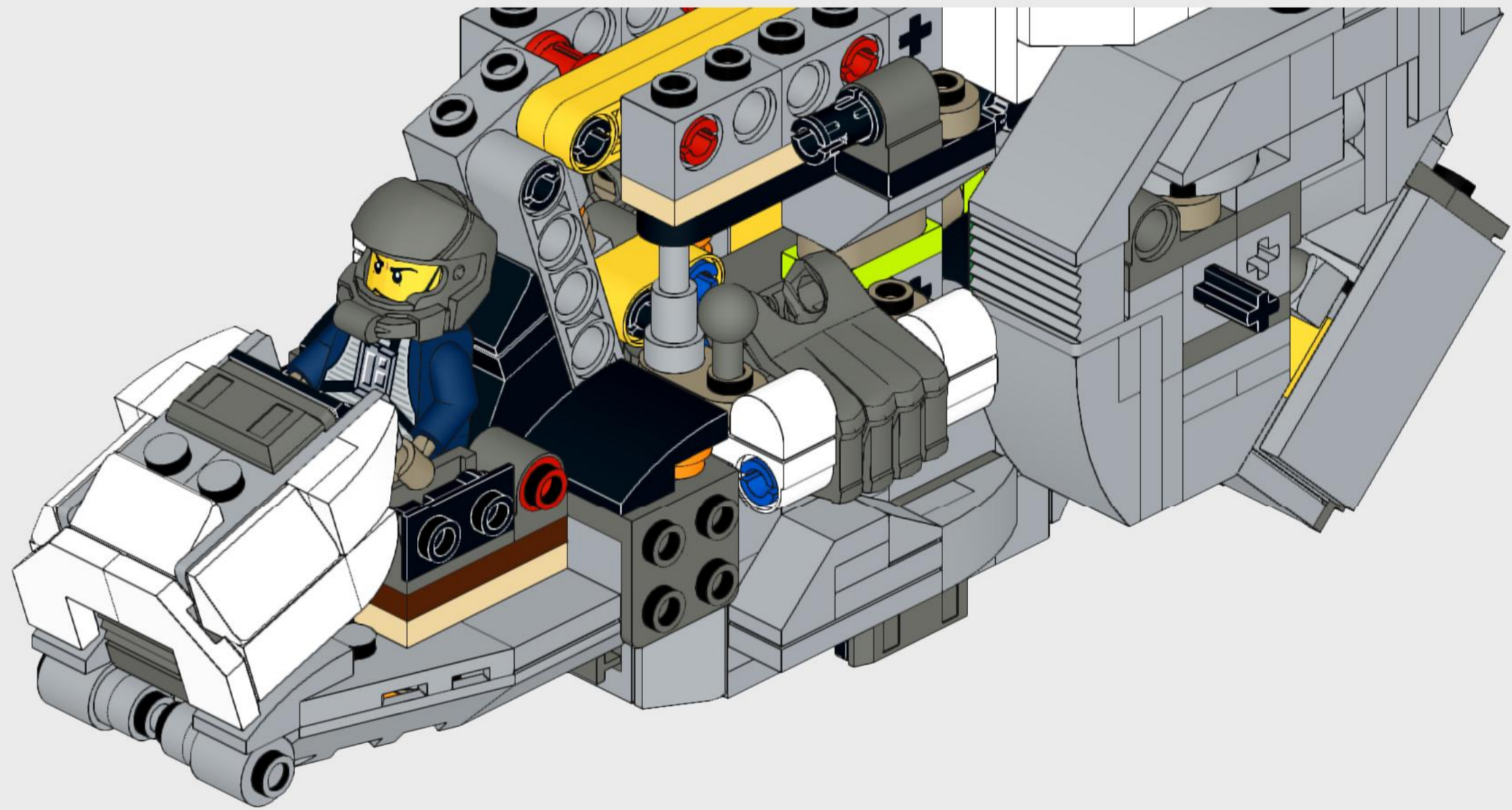


101

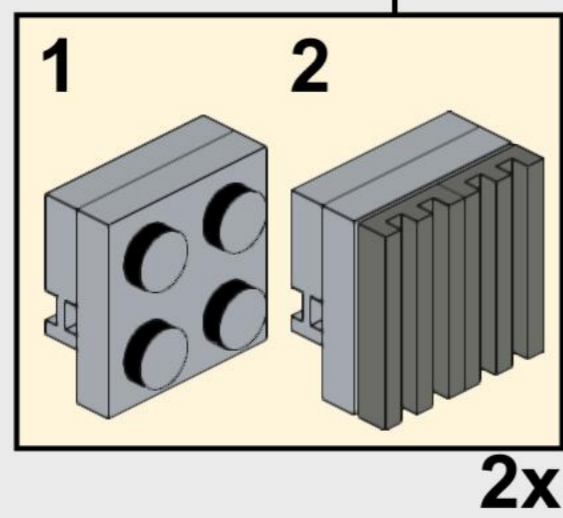
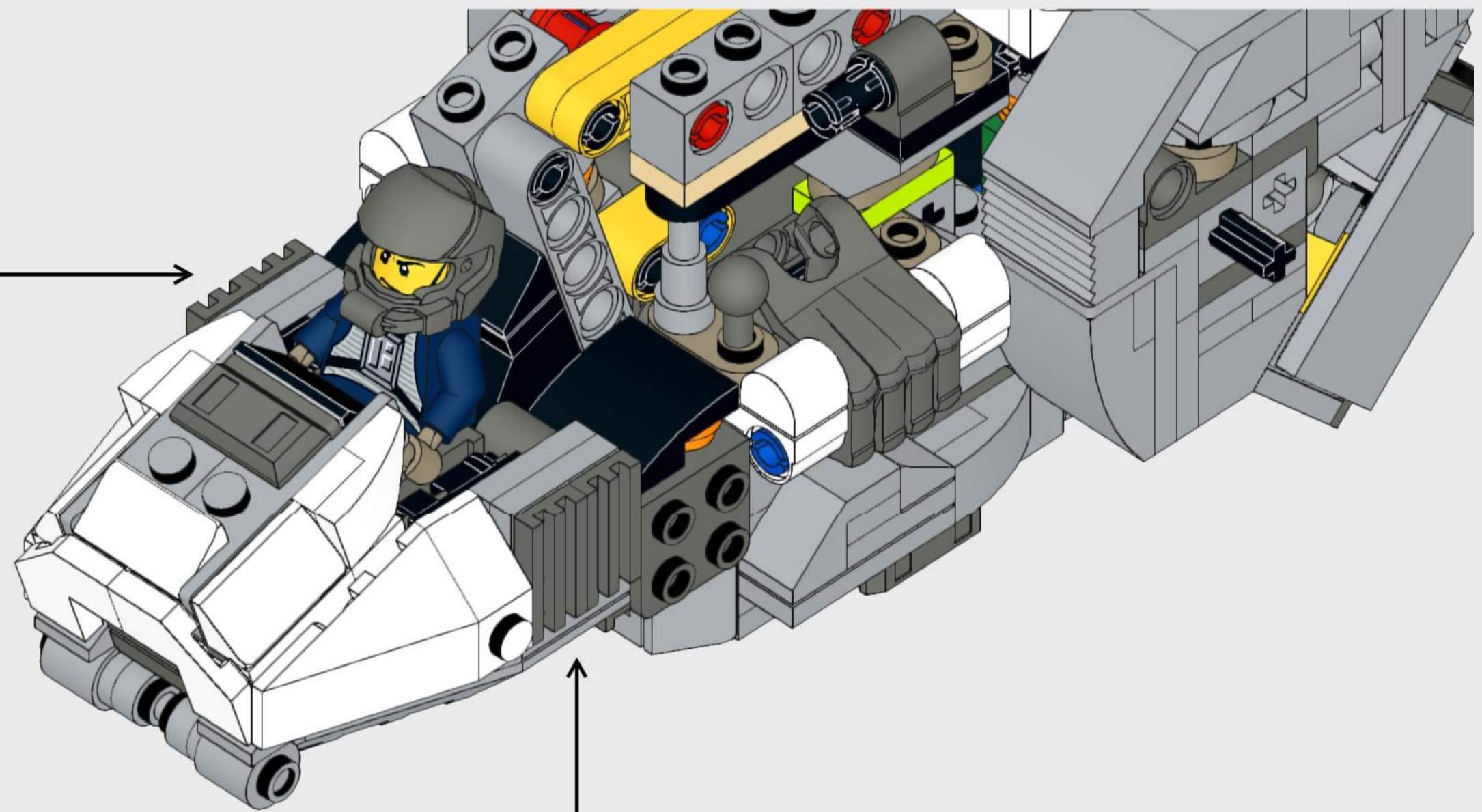




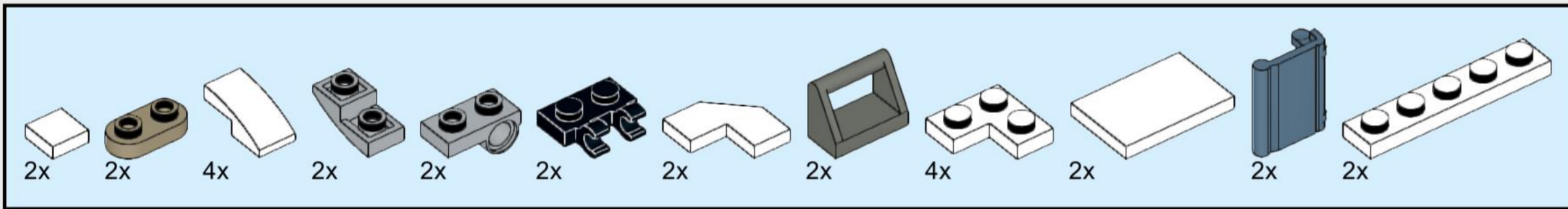
102



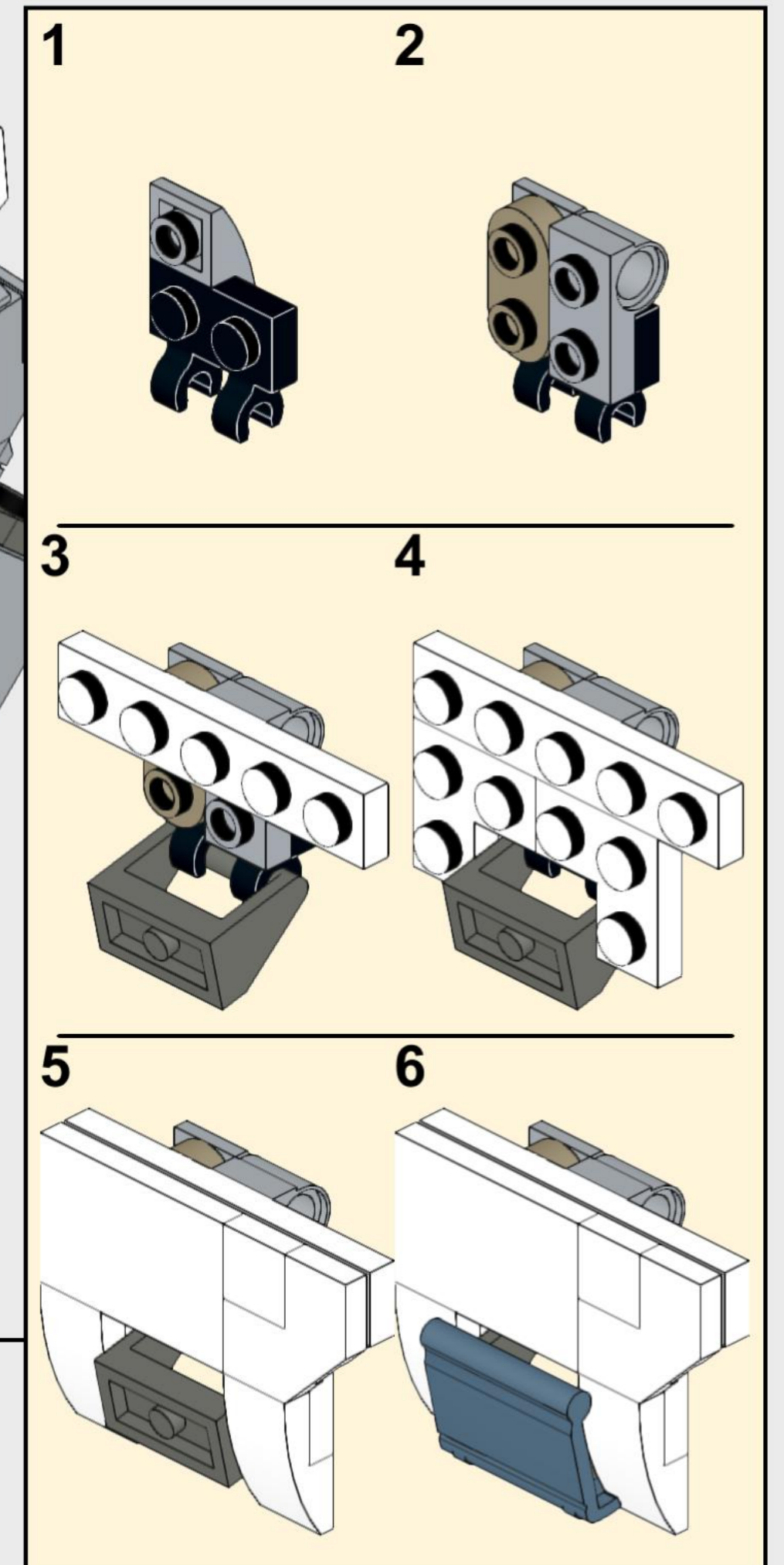
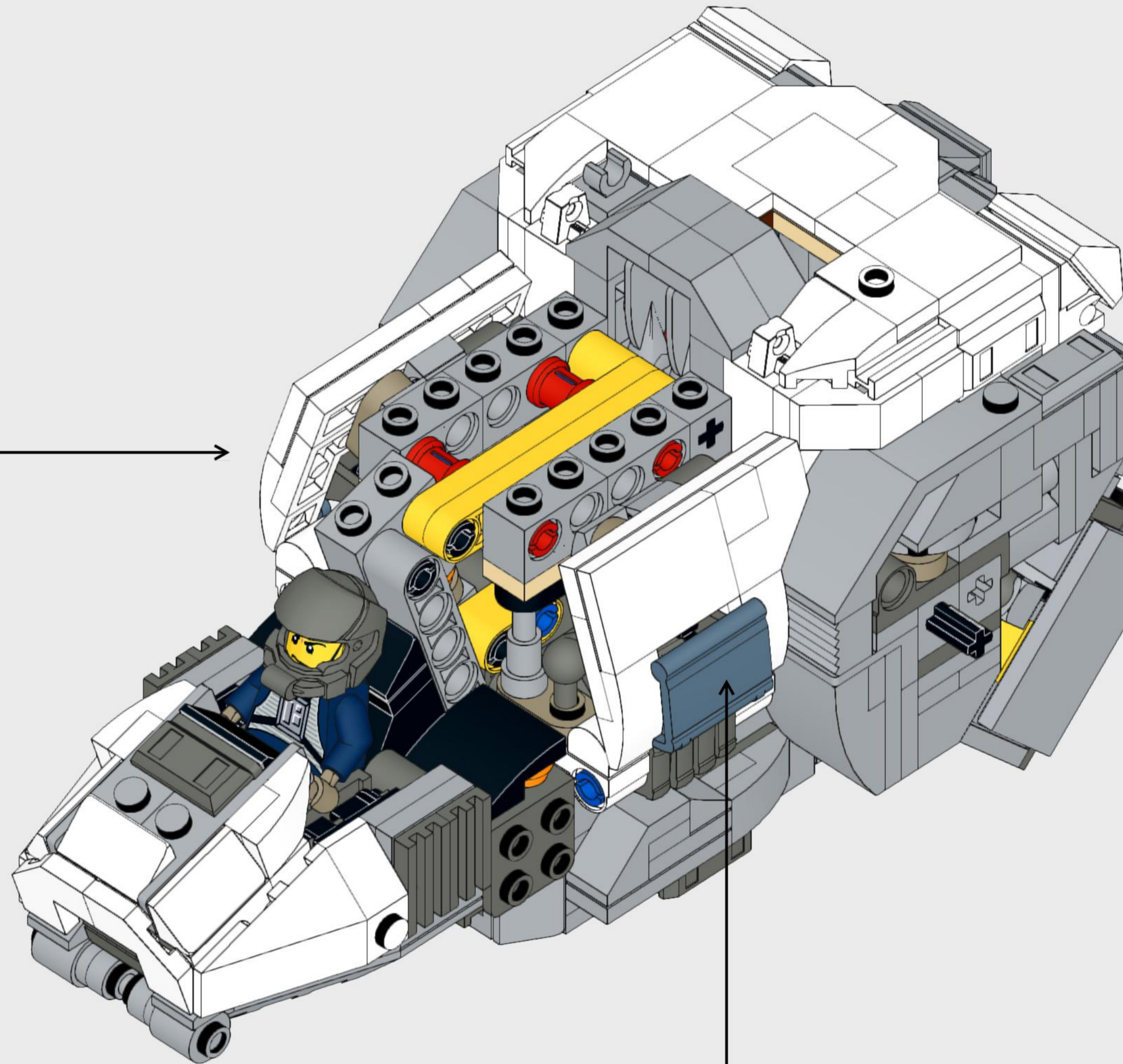
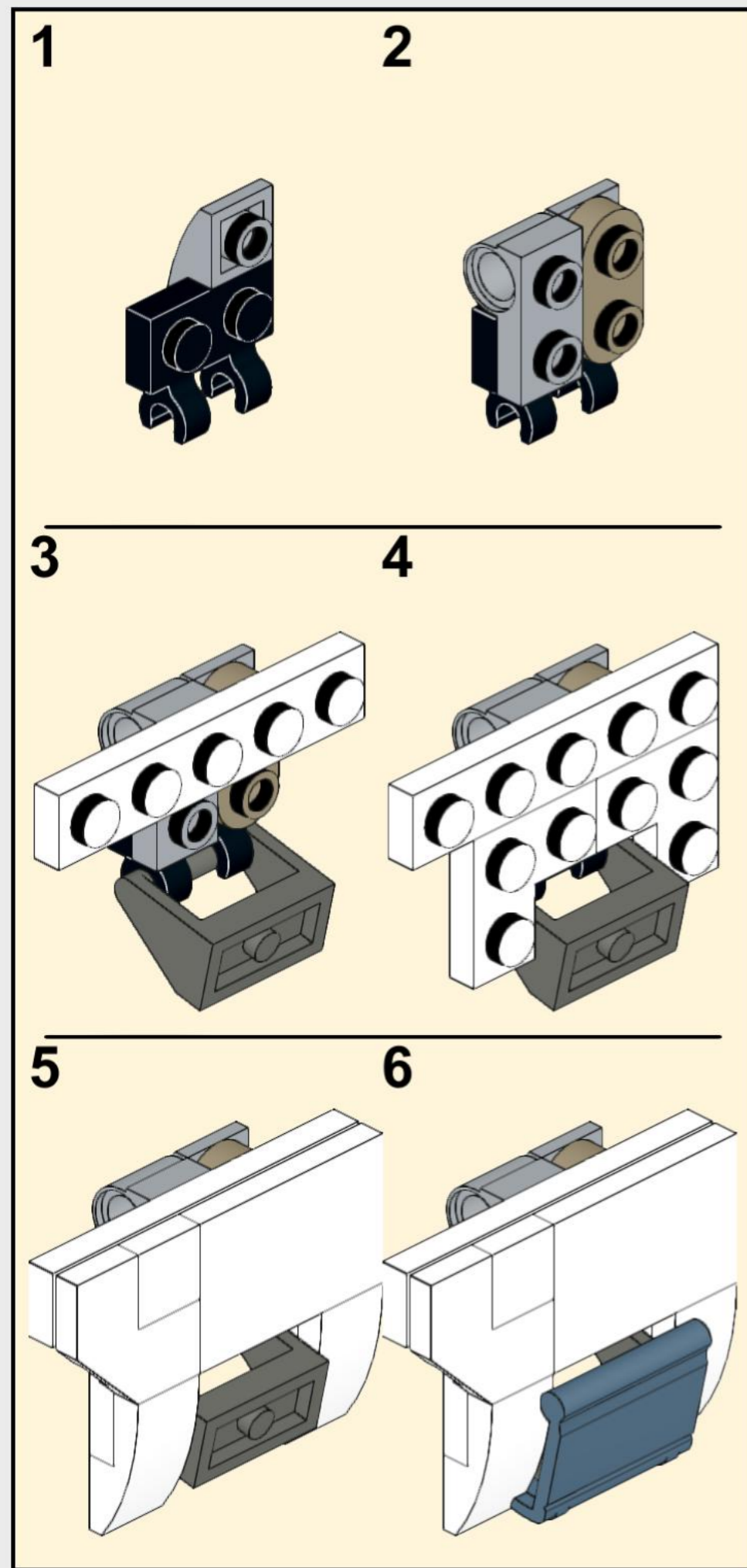
103

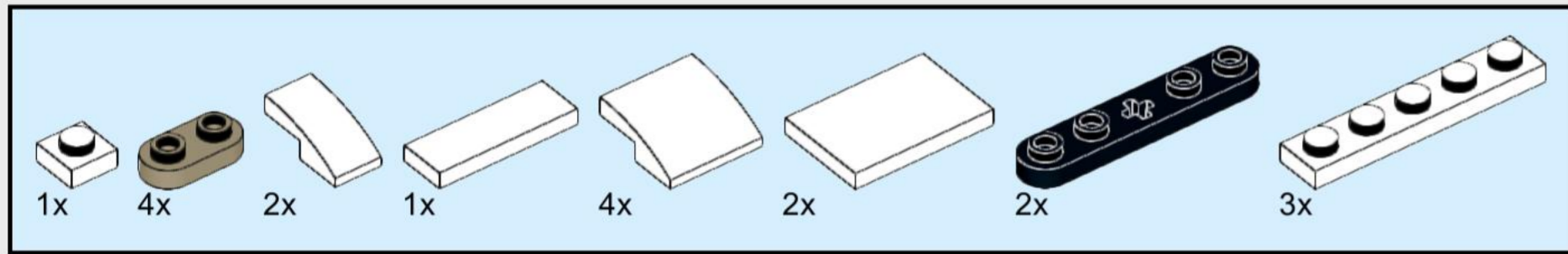


2x

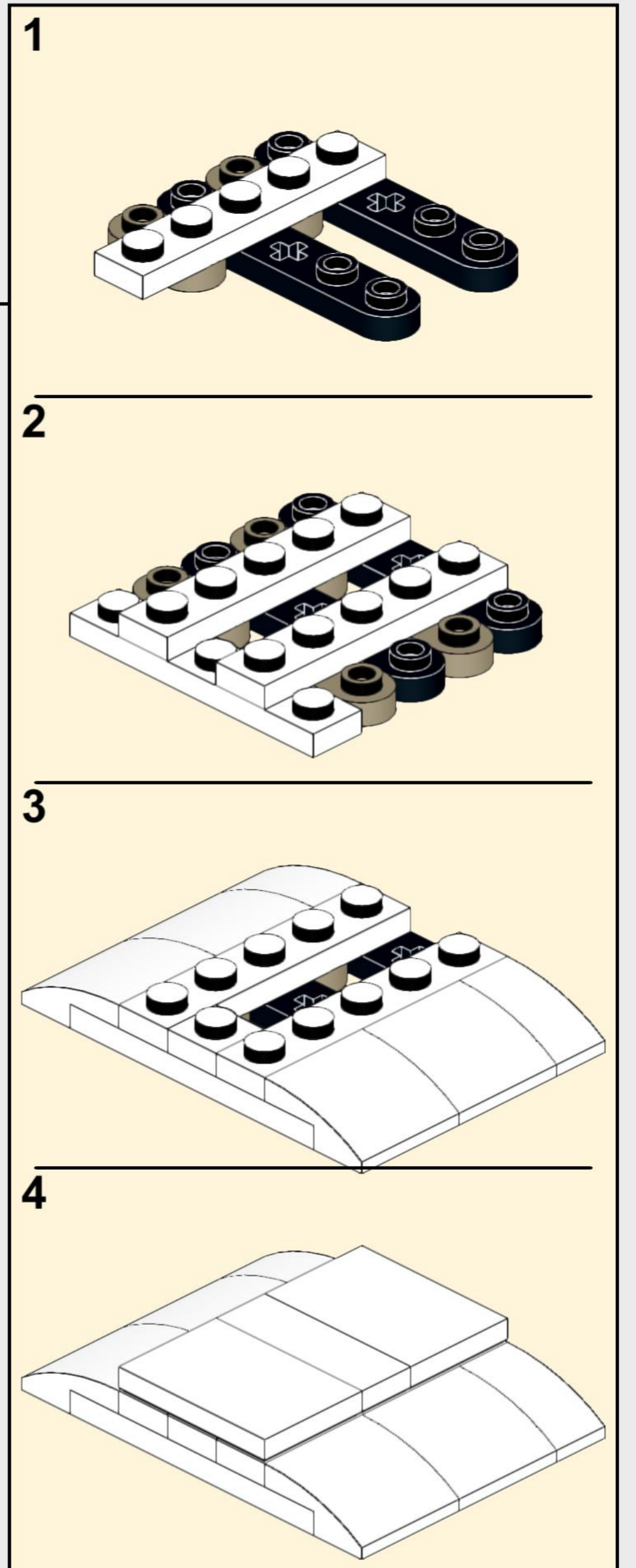
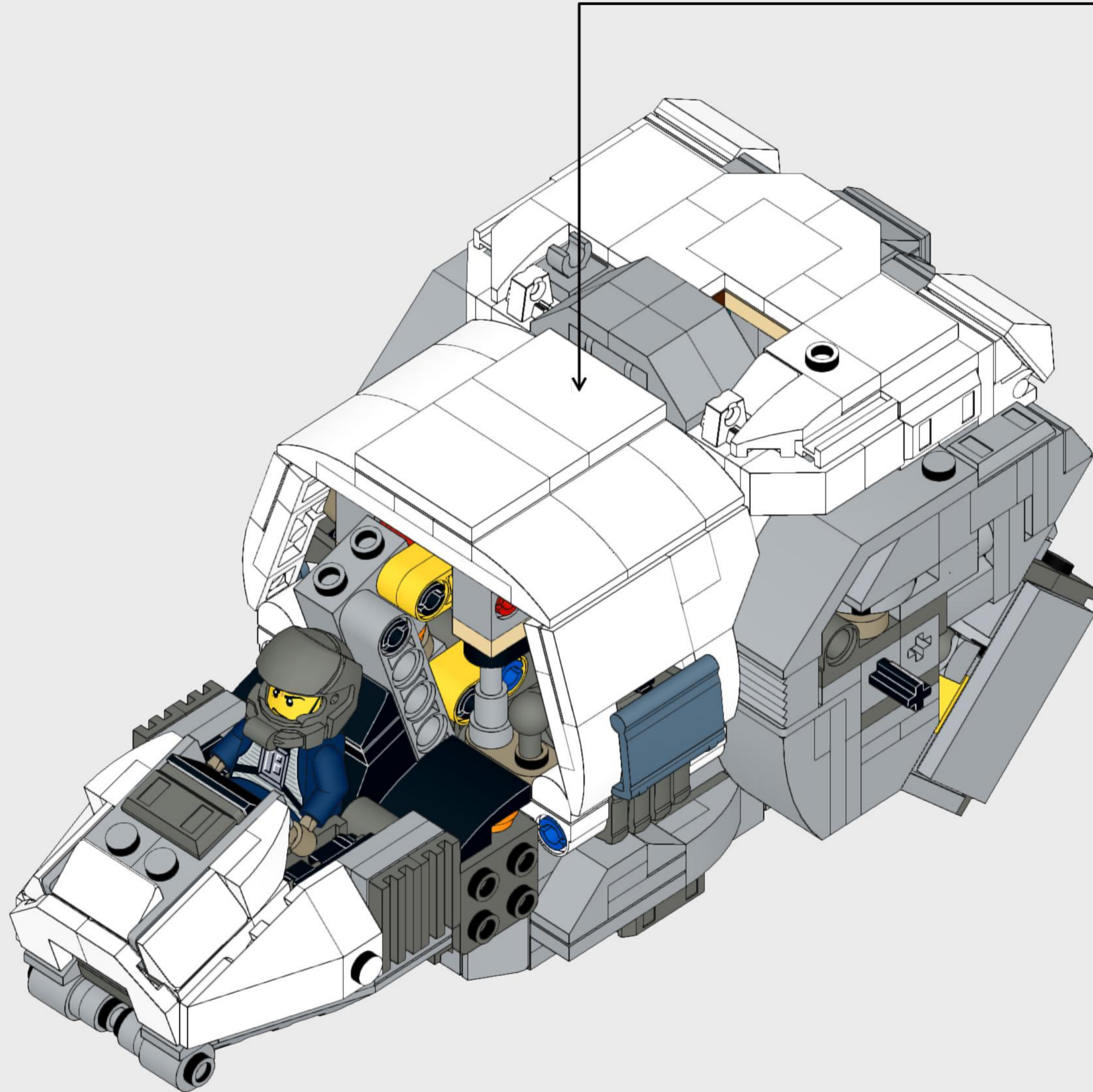


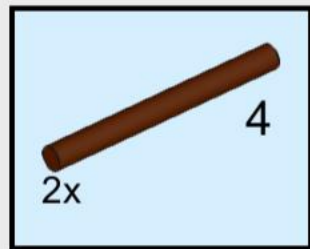
104



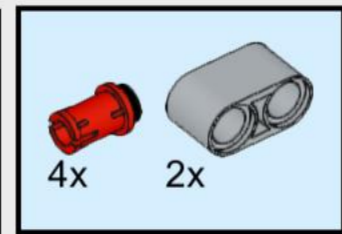
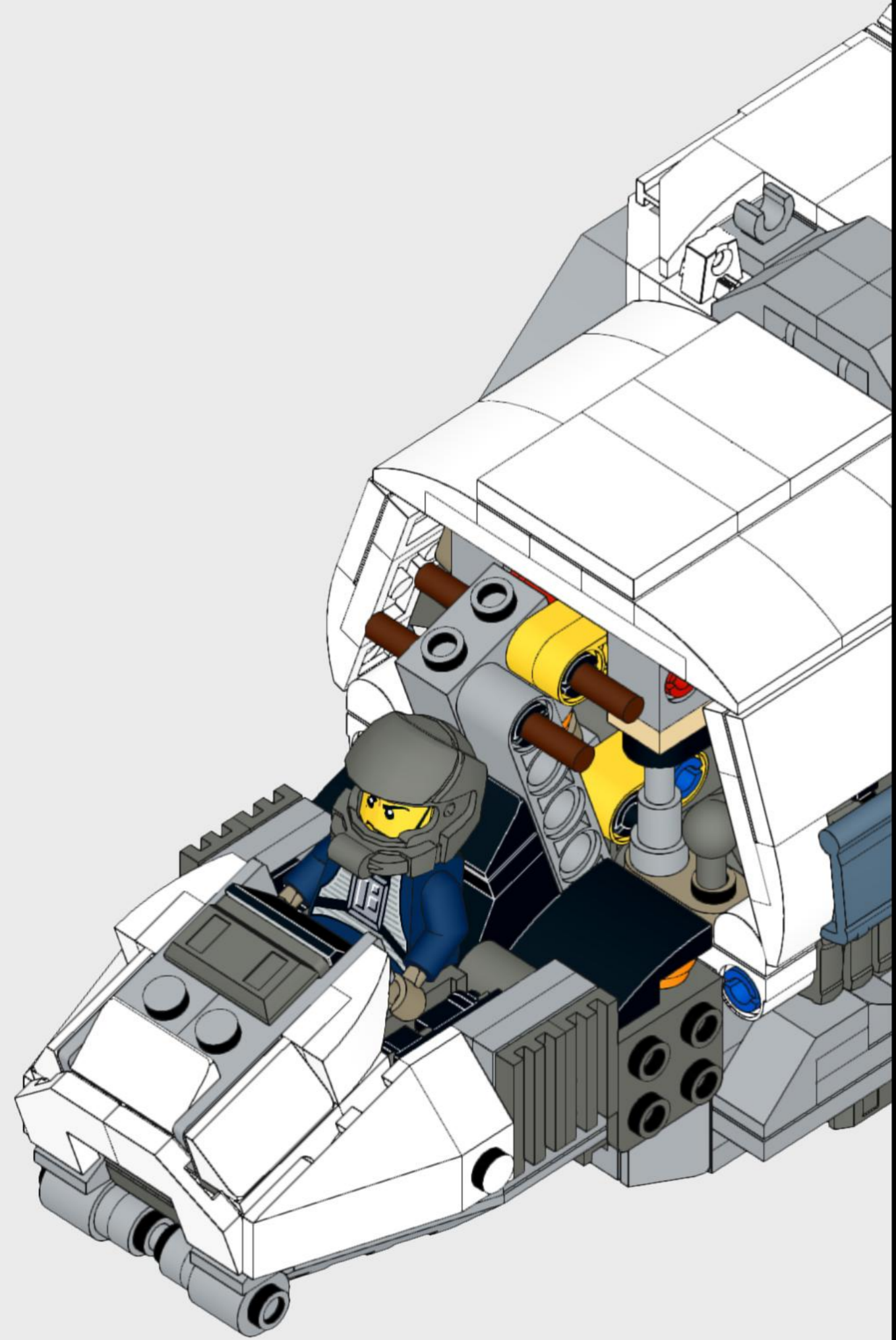


105

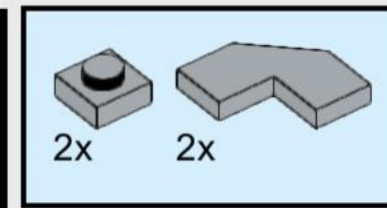
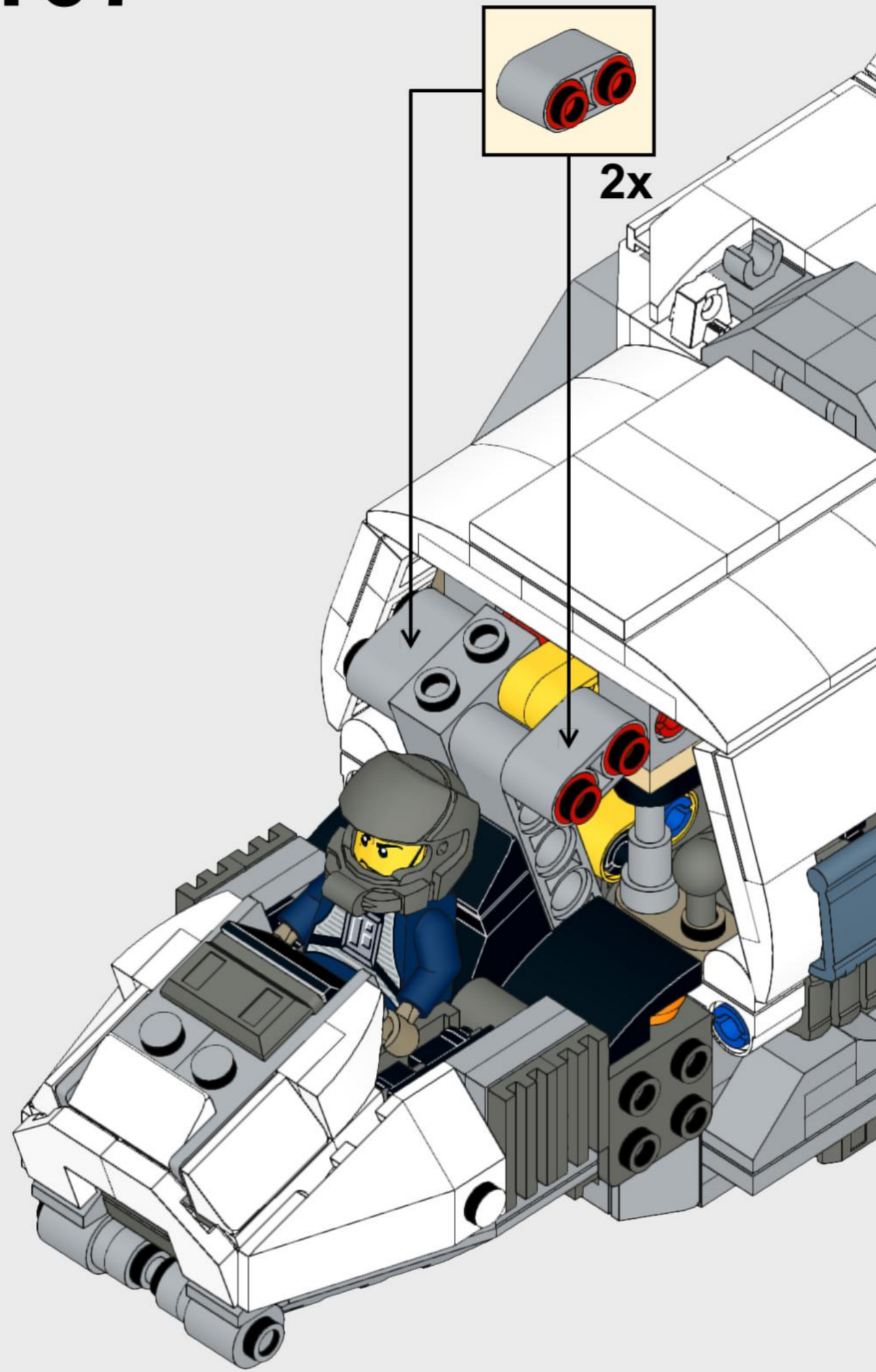




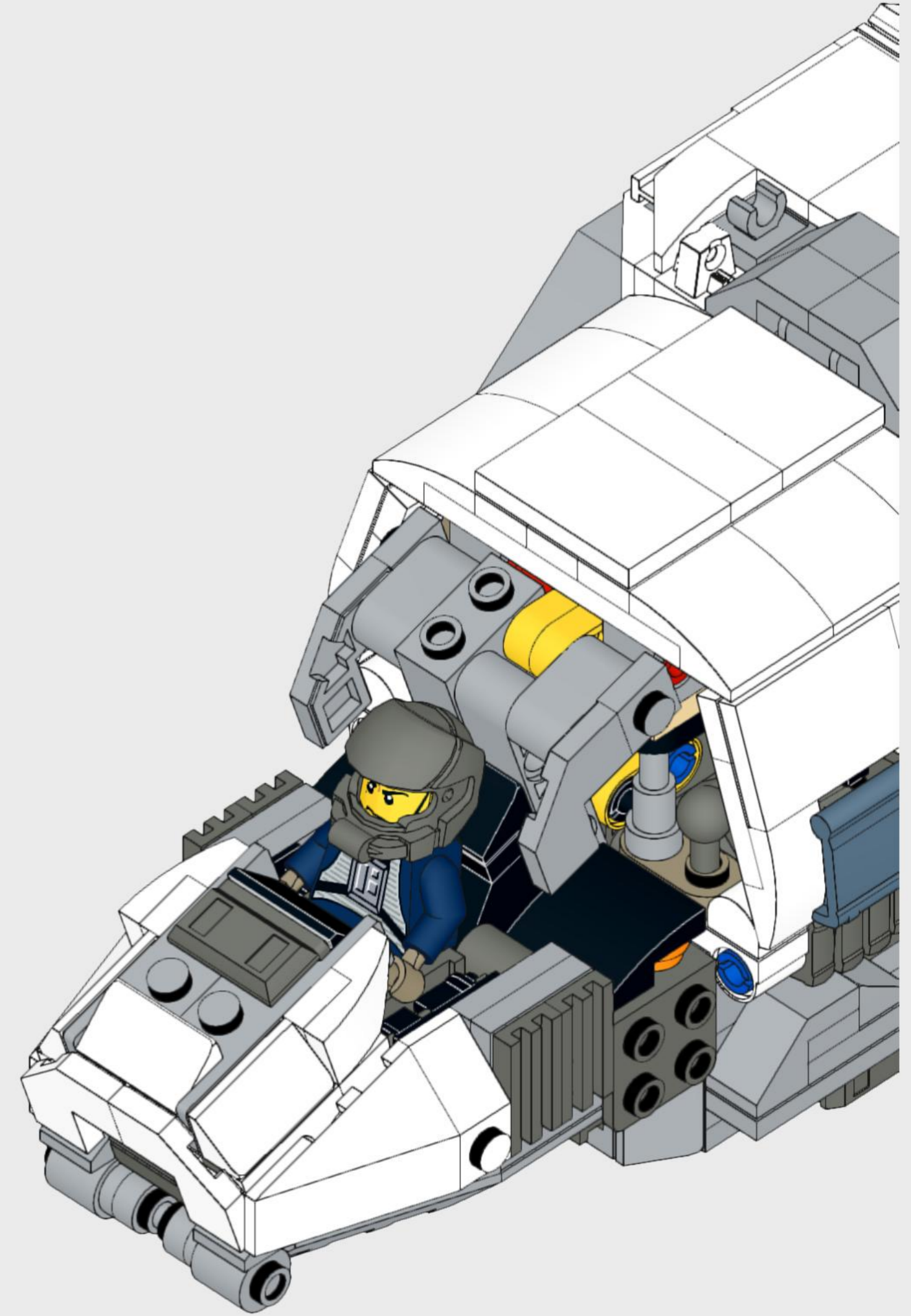
106

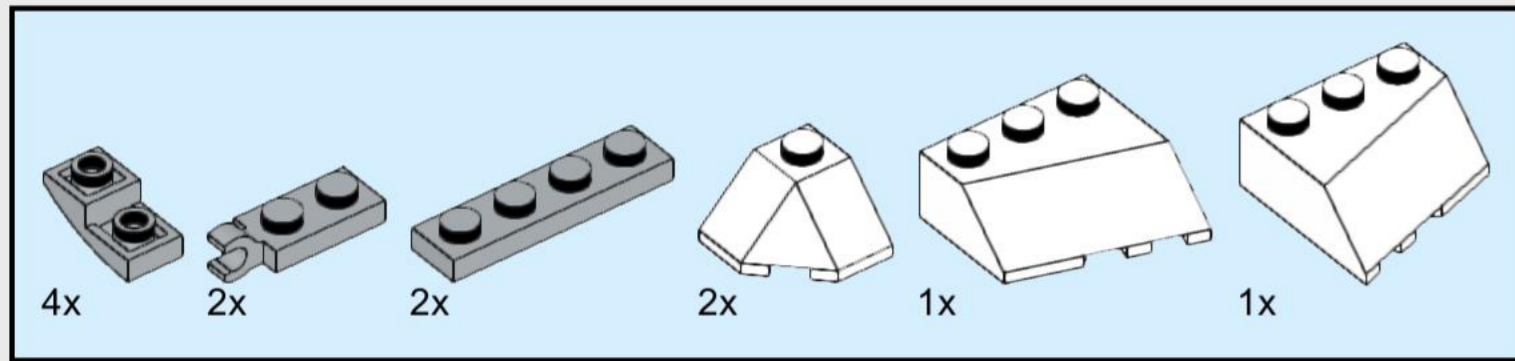


107

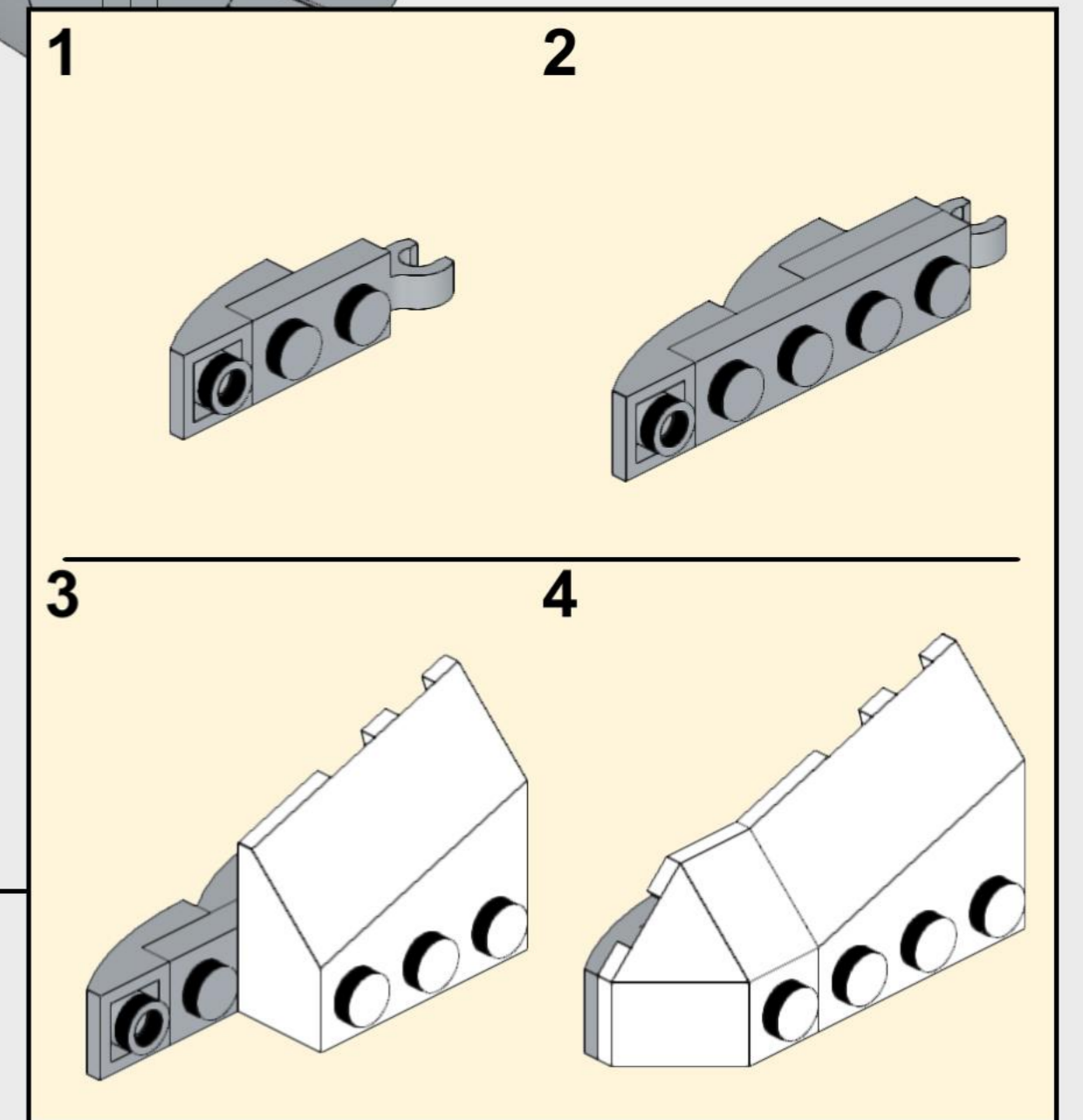
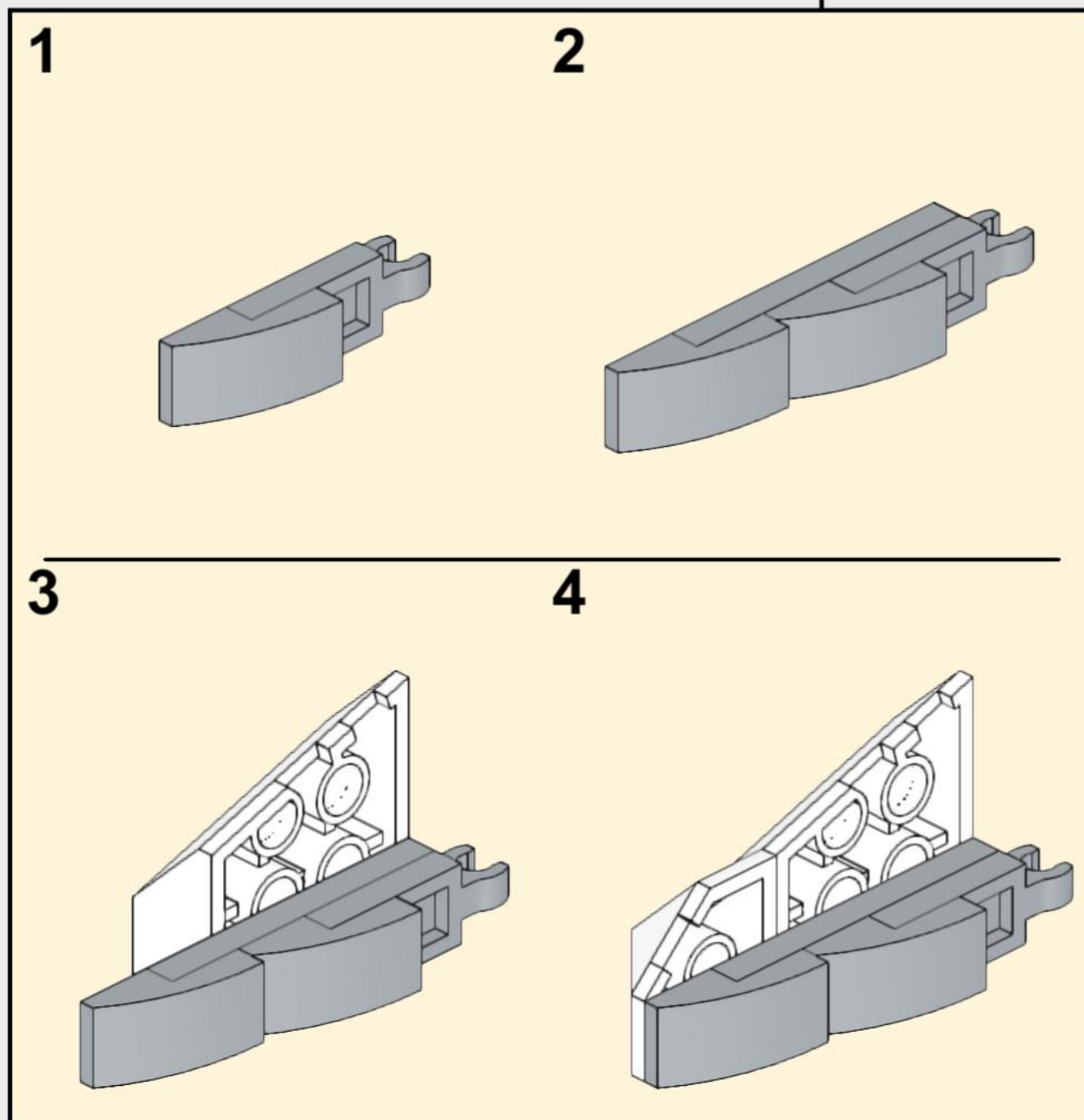
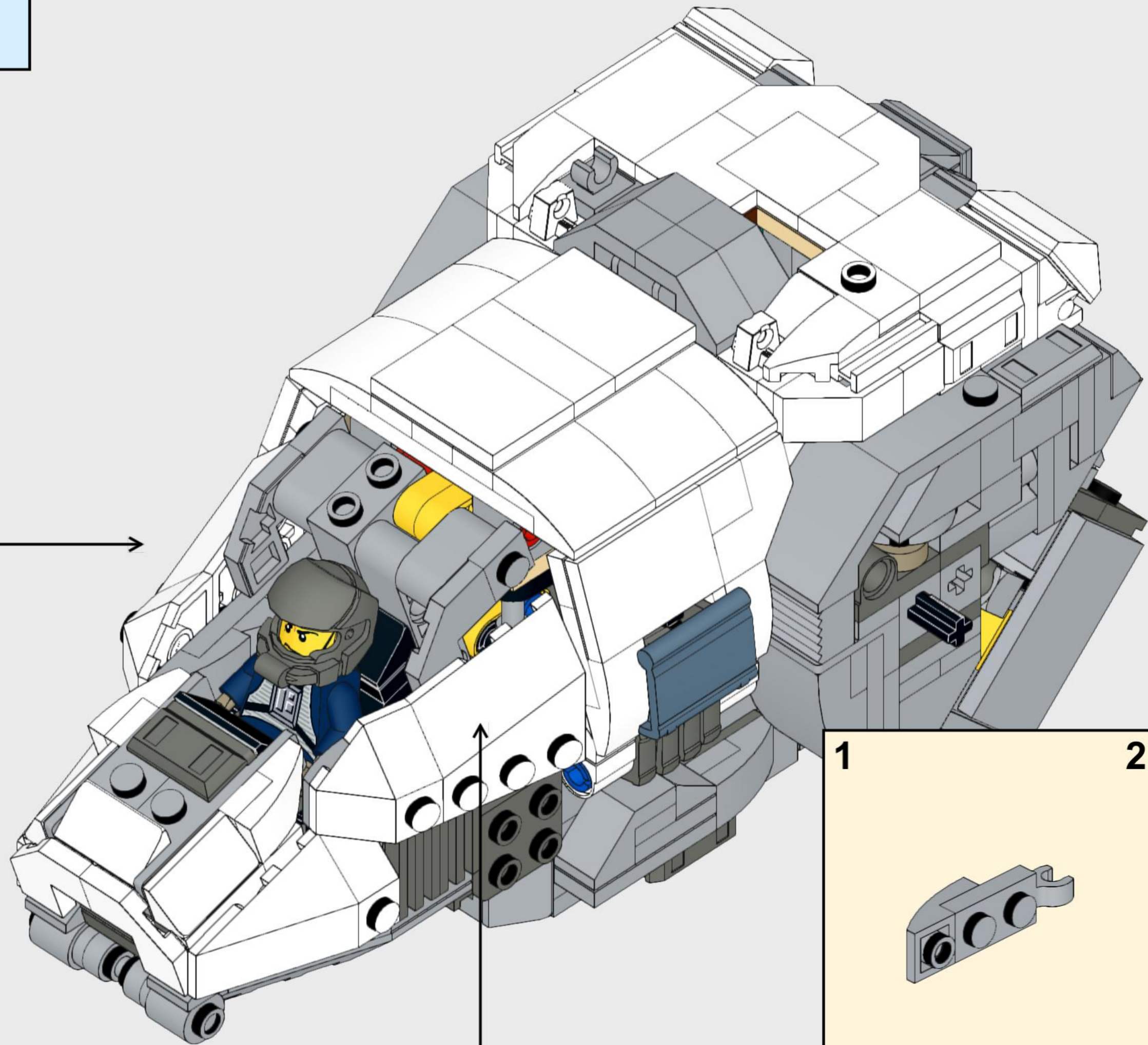


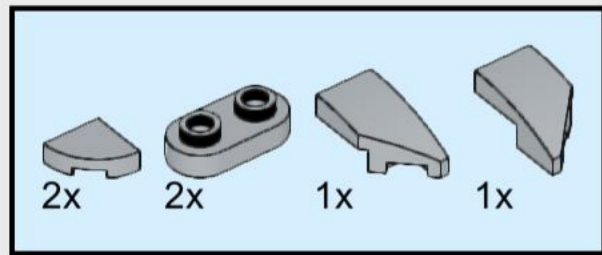
108



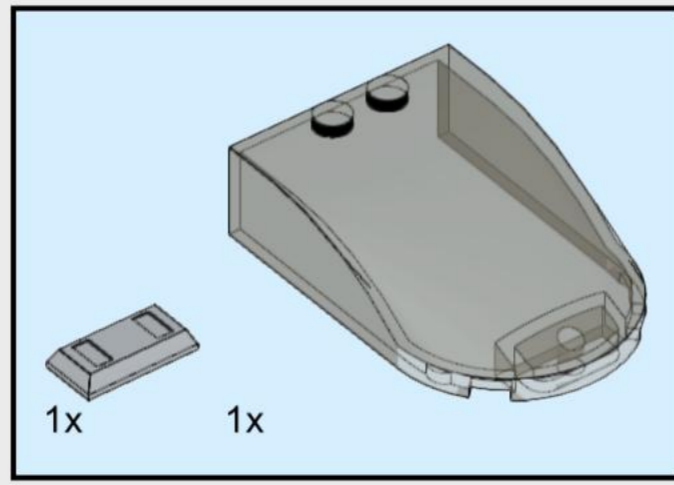
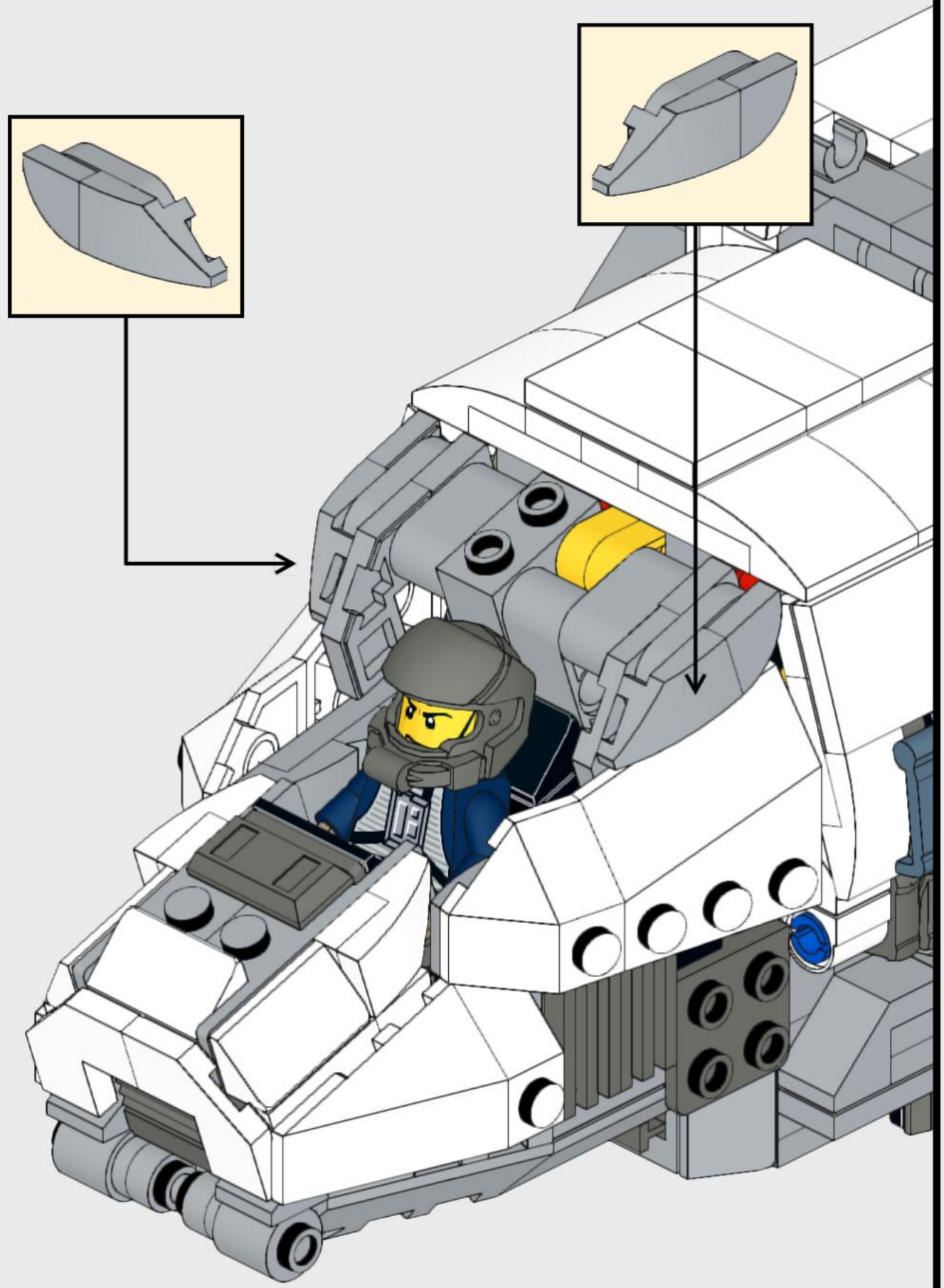
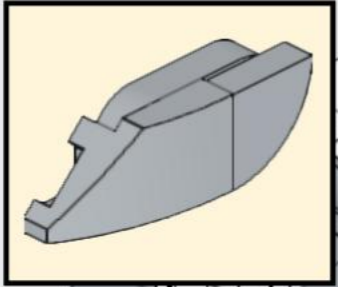
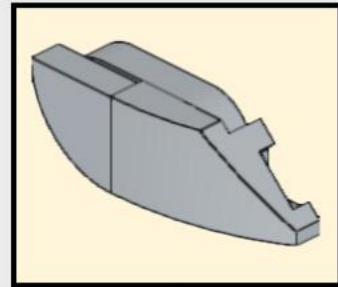


109

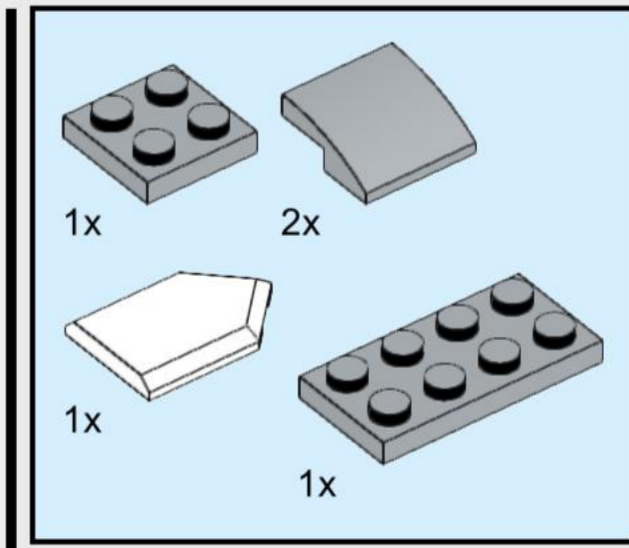
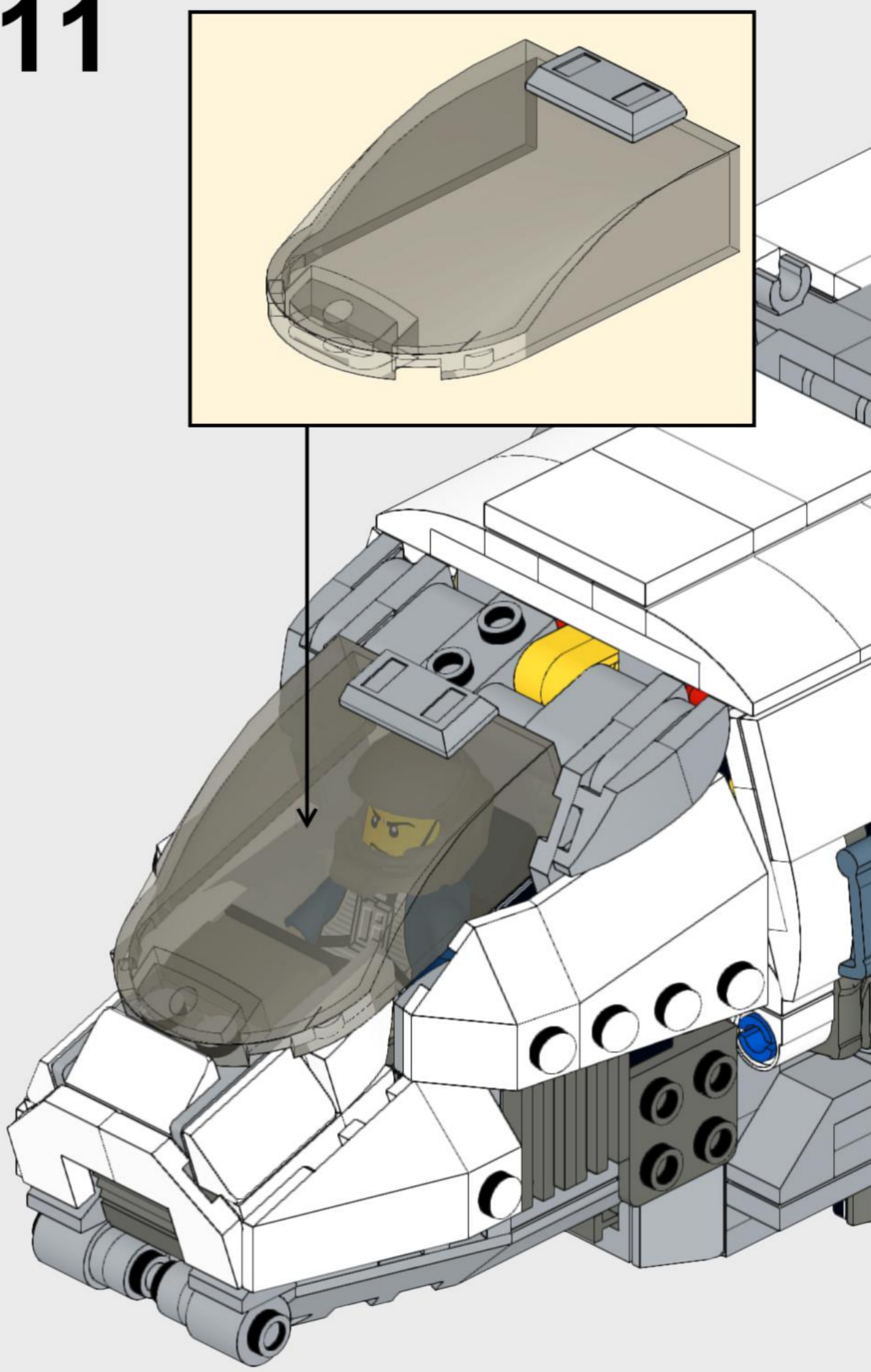
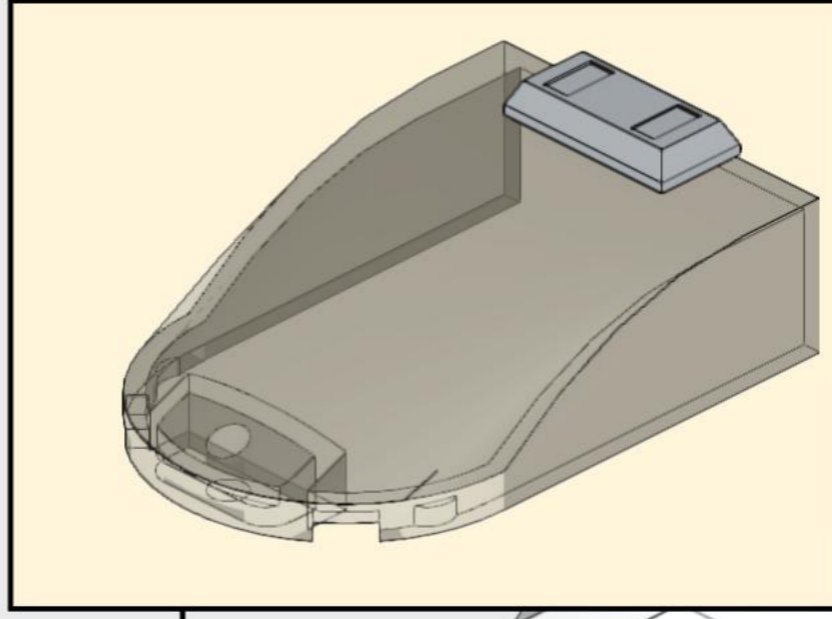




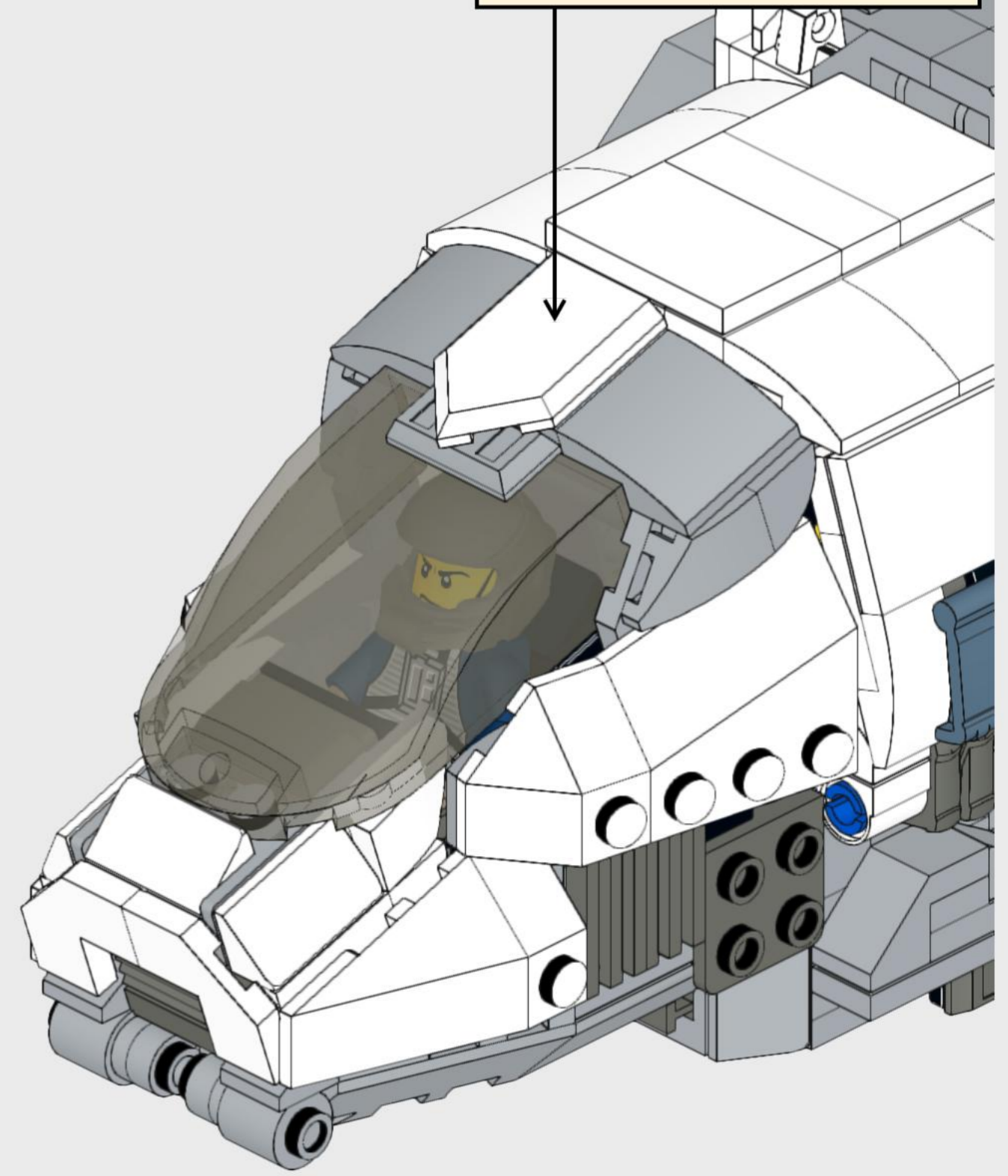
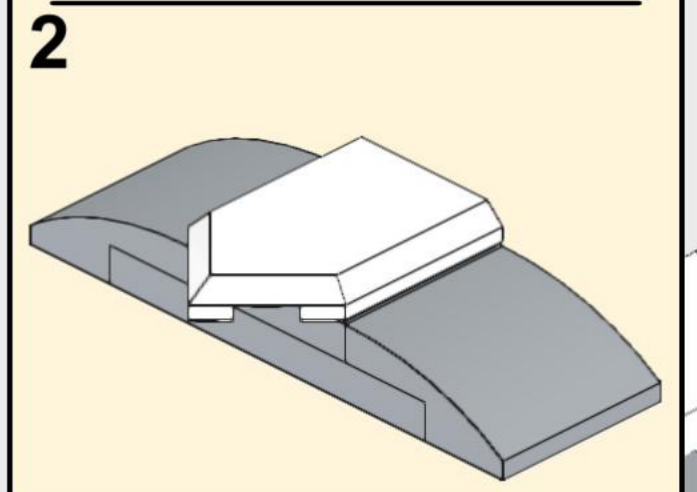
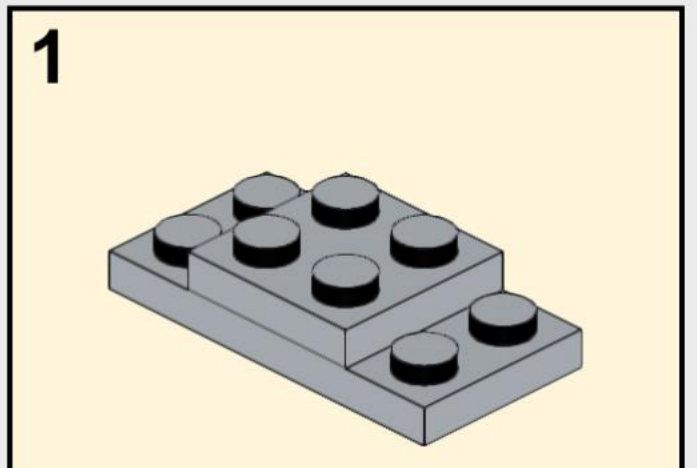
110

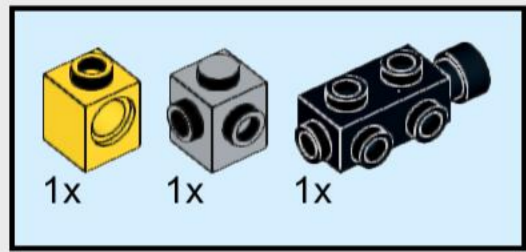


111

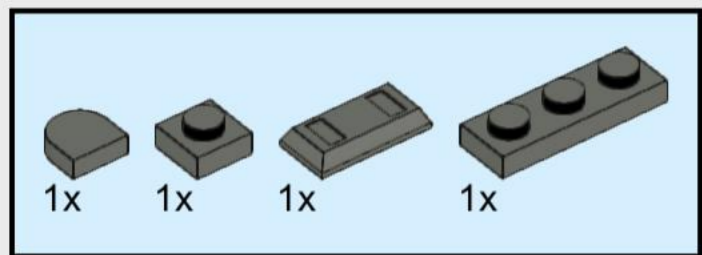
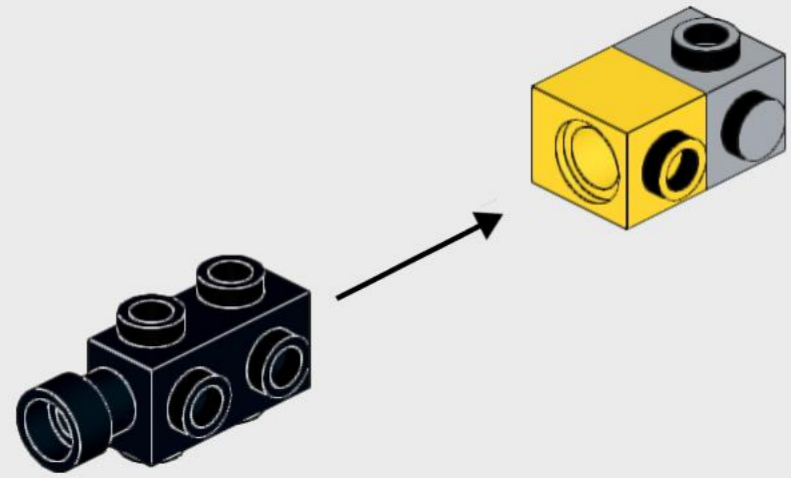


112

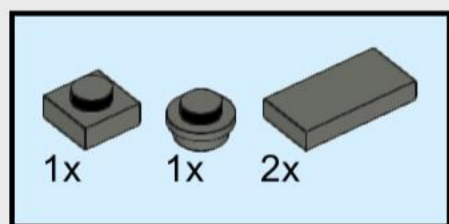
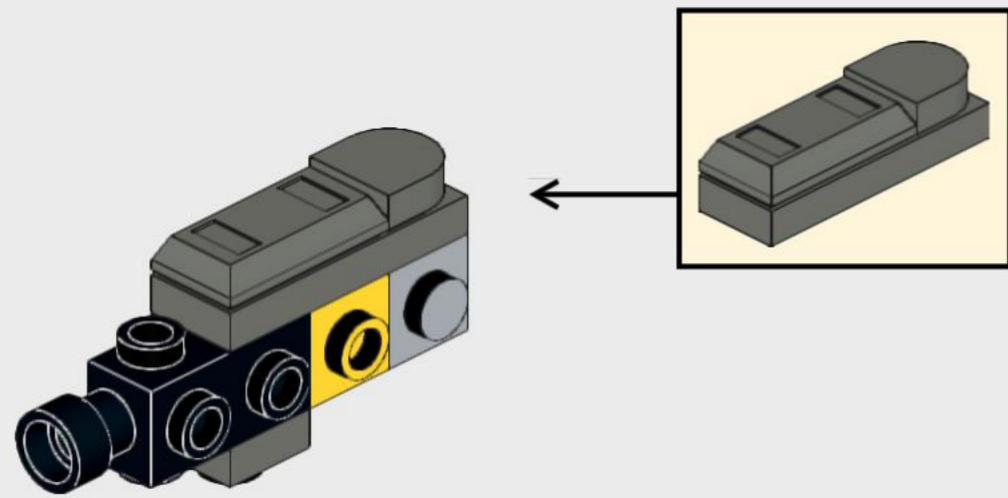




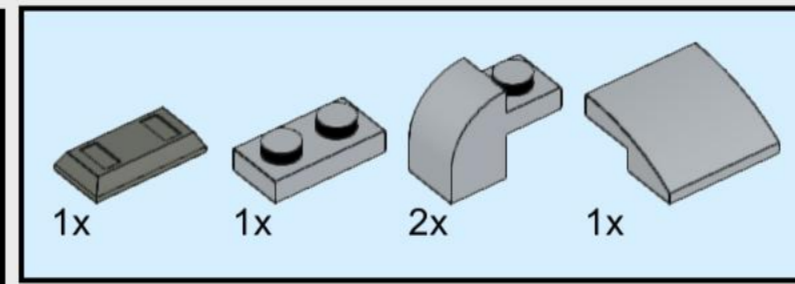
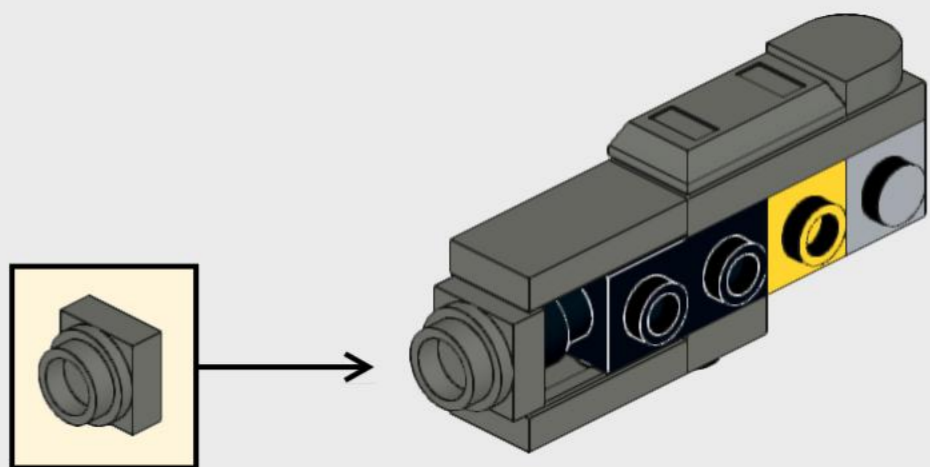
113



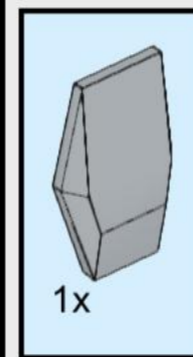
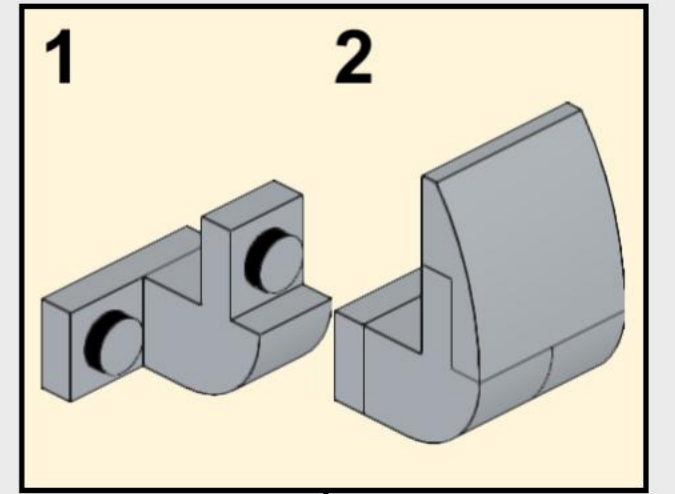
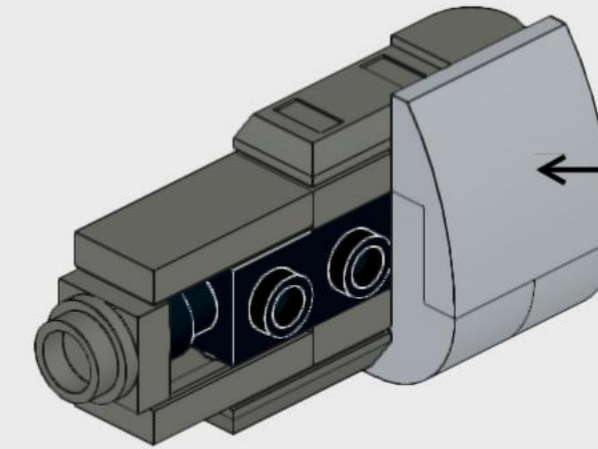
114



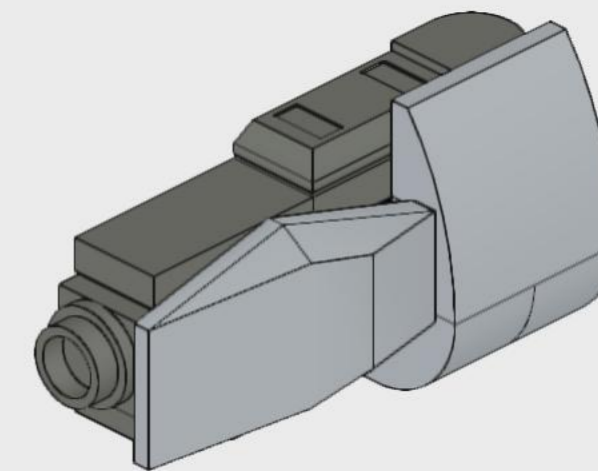
115



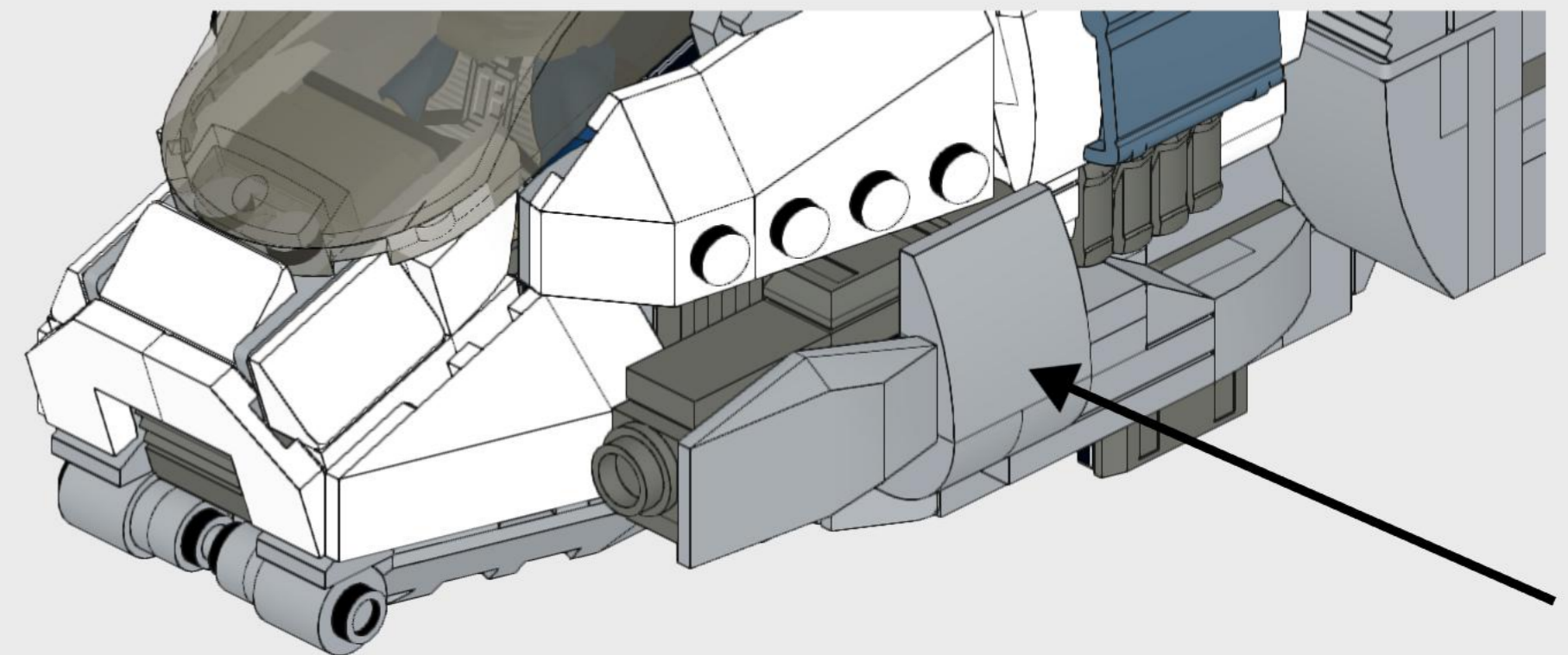
116

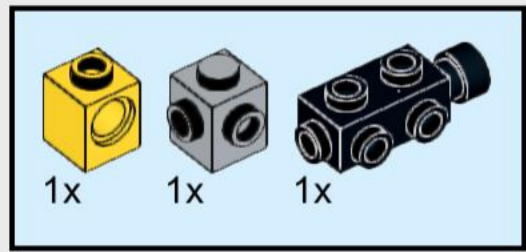


117

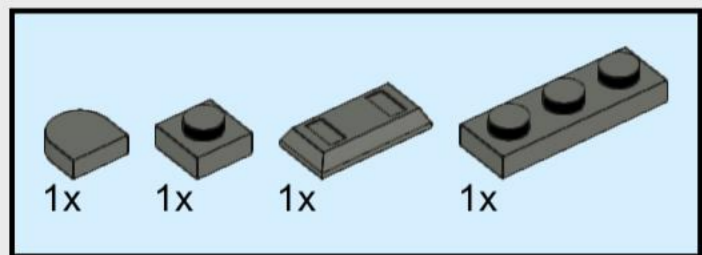
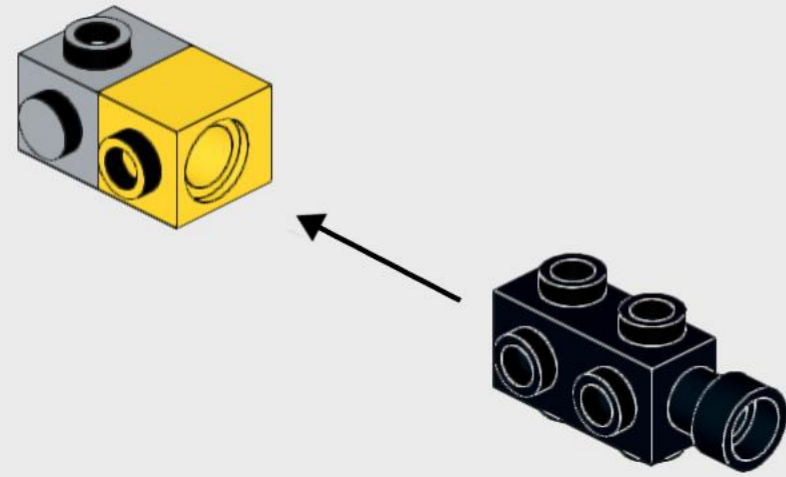


118

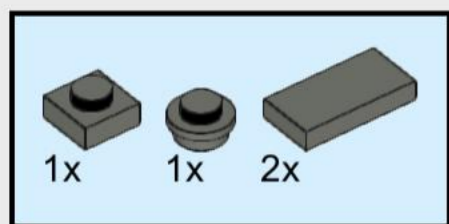
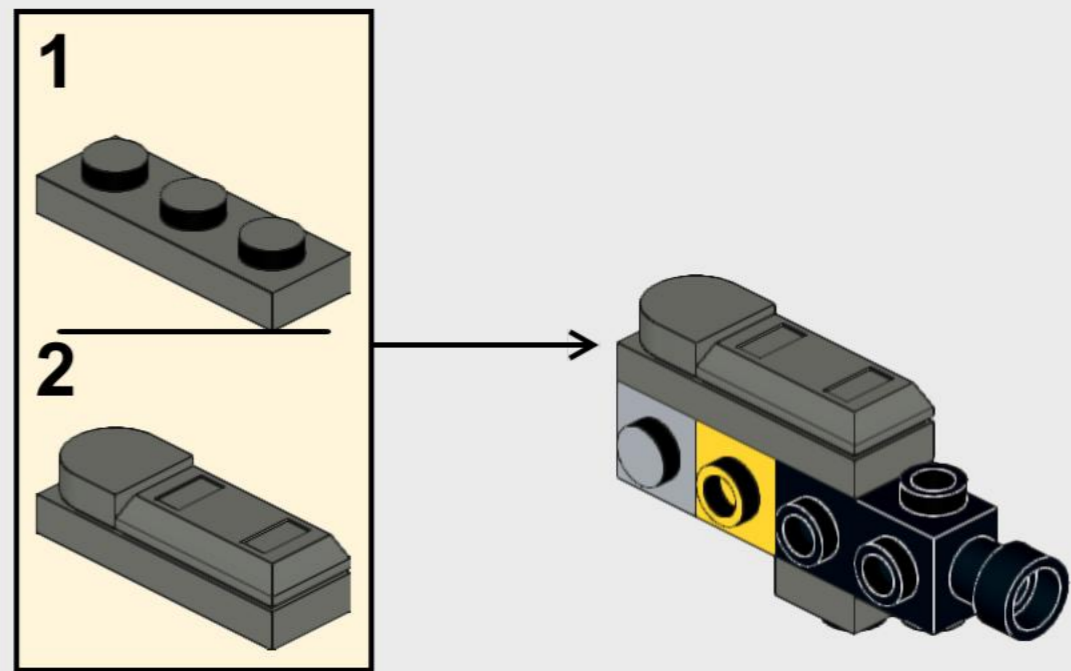




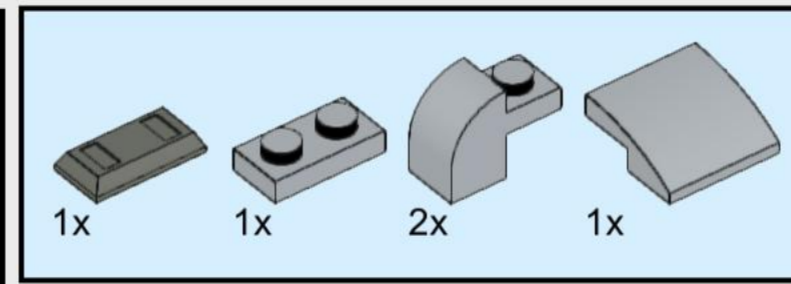
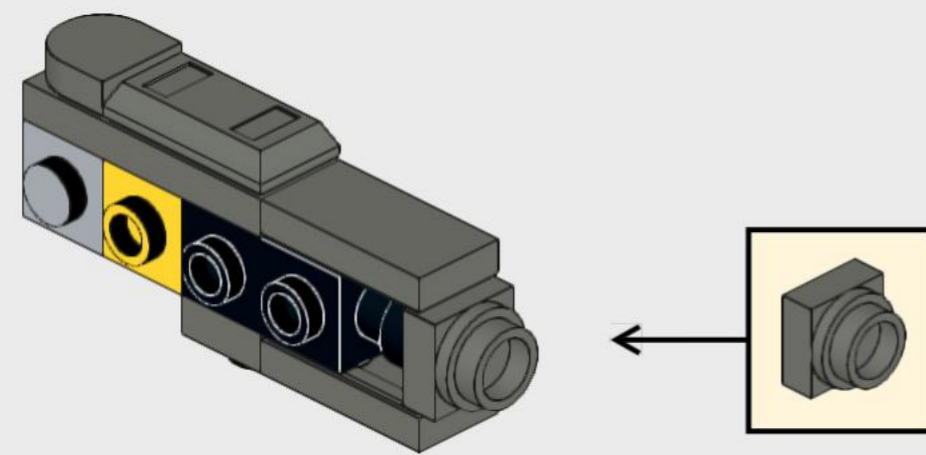
119



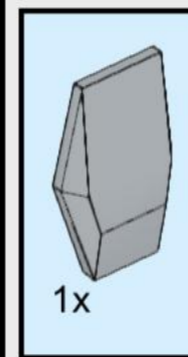
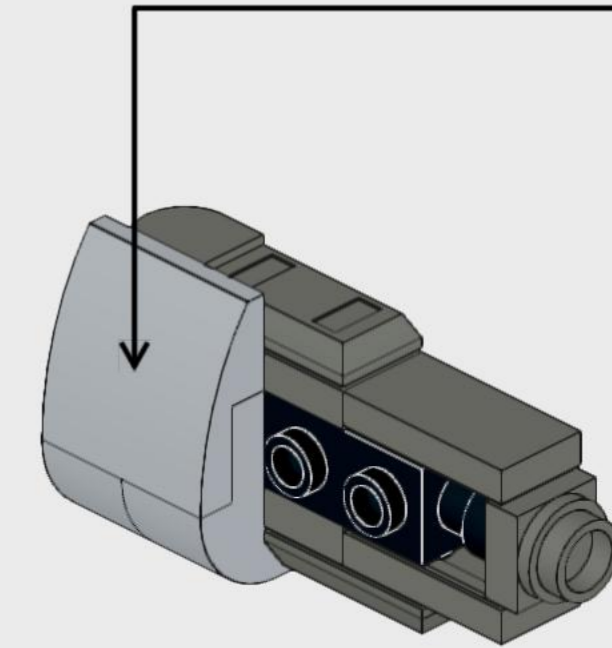
120



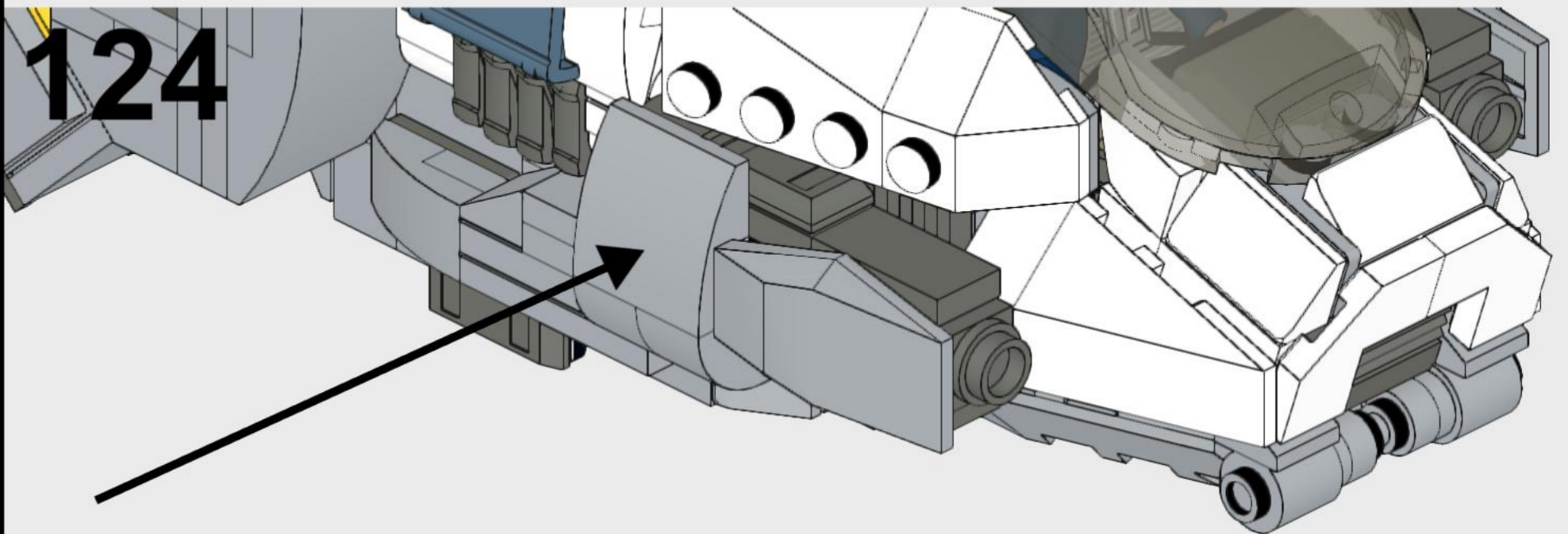
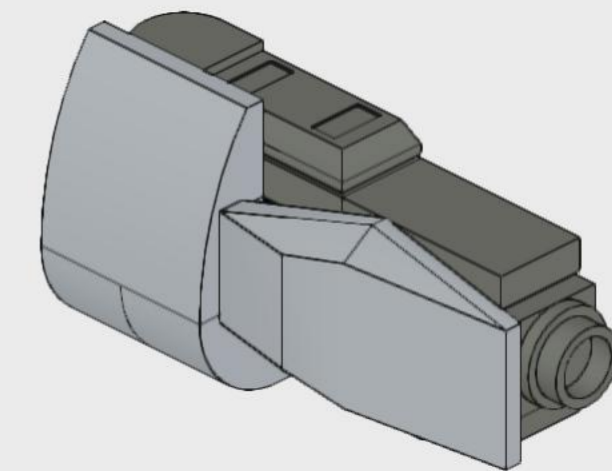
121



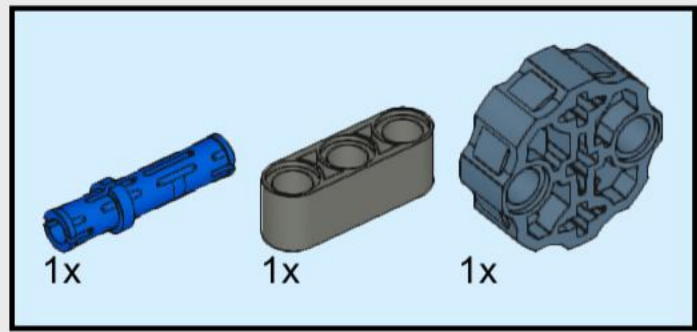
122



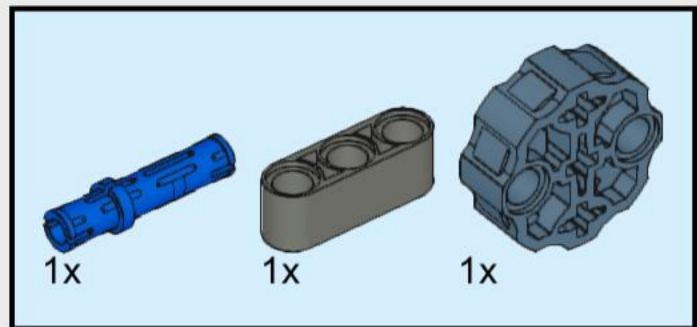
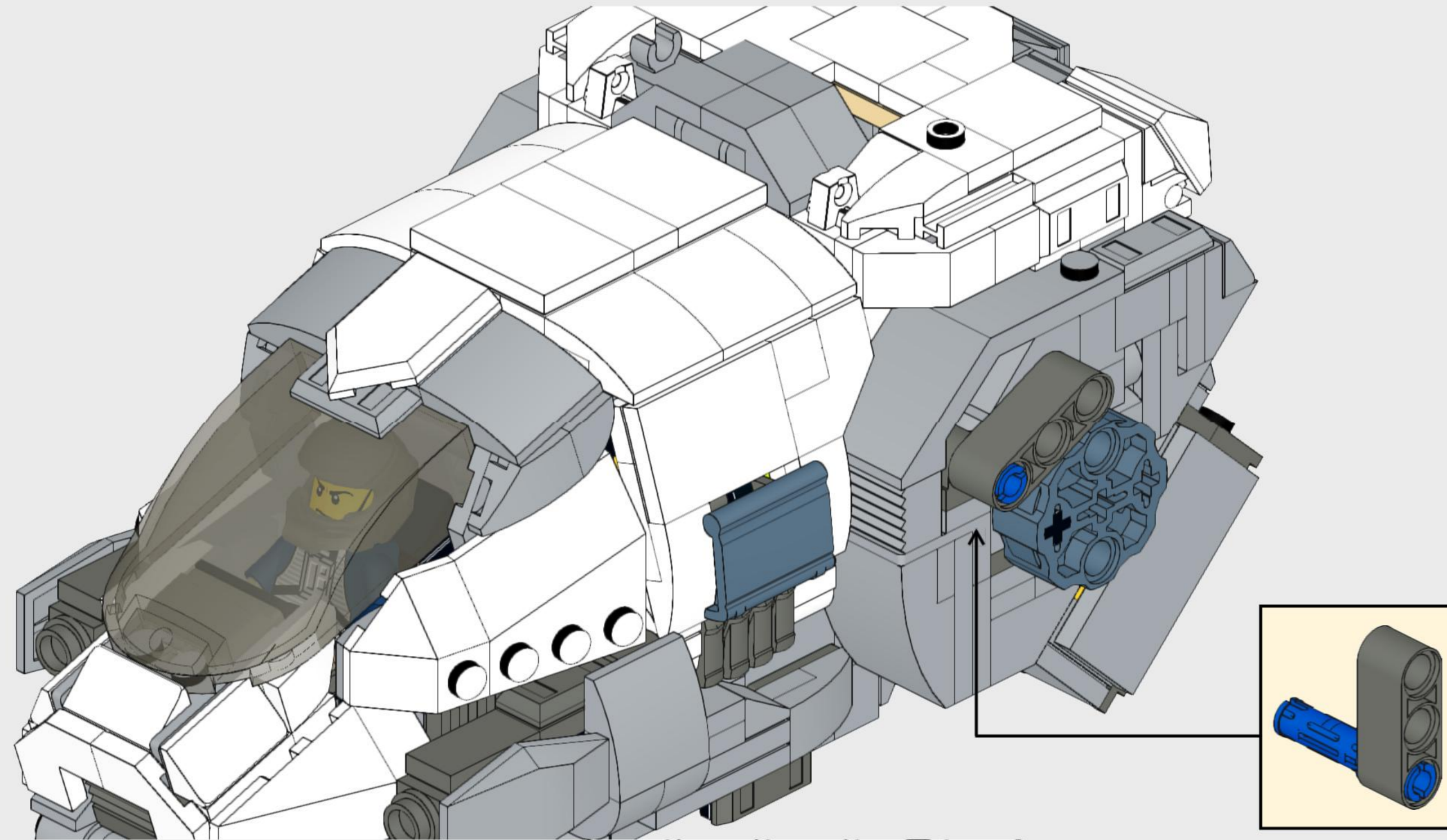
123



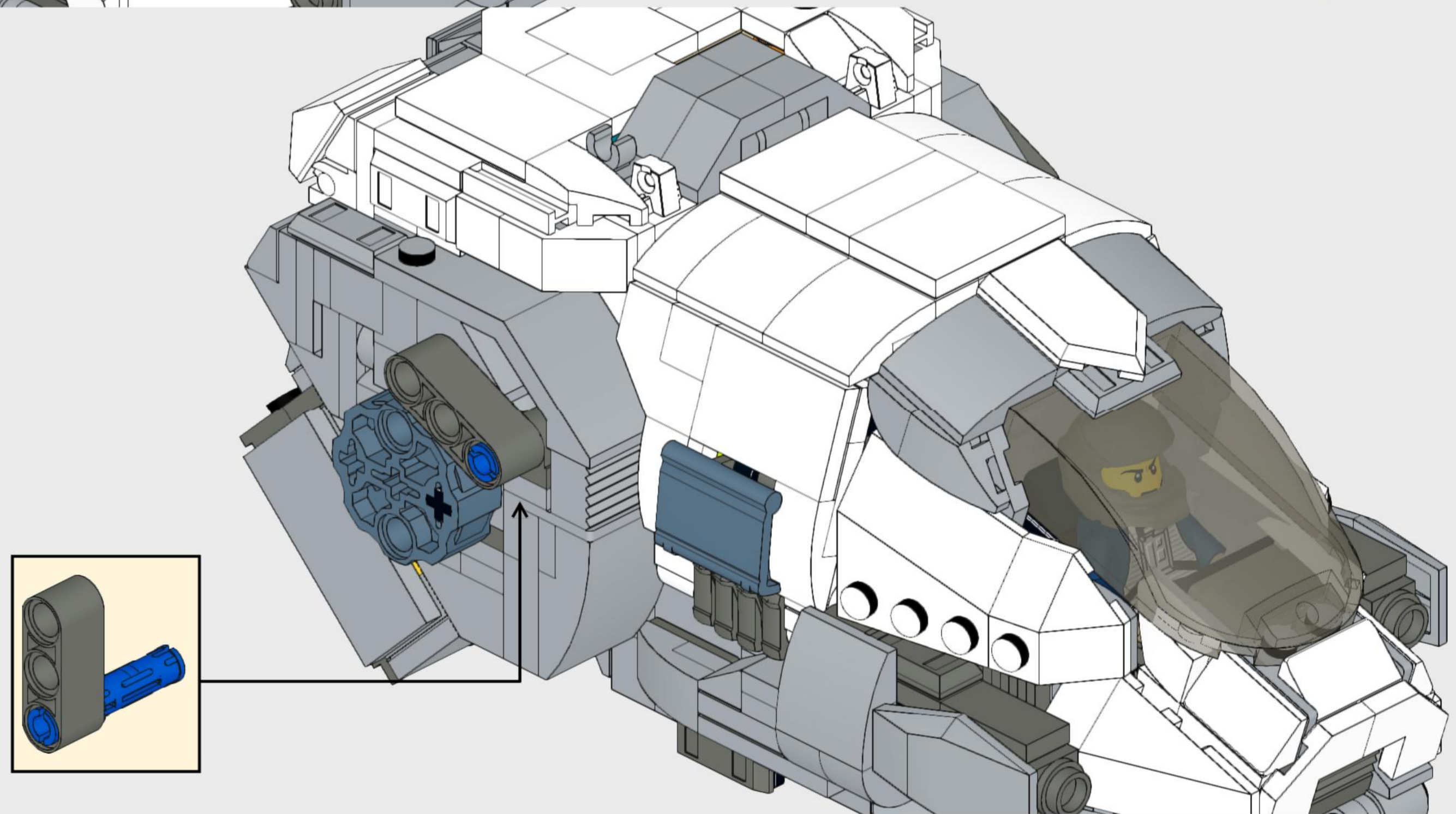
124

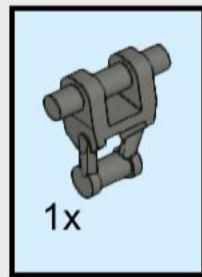


125

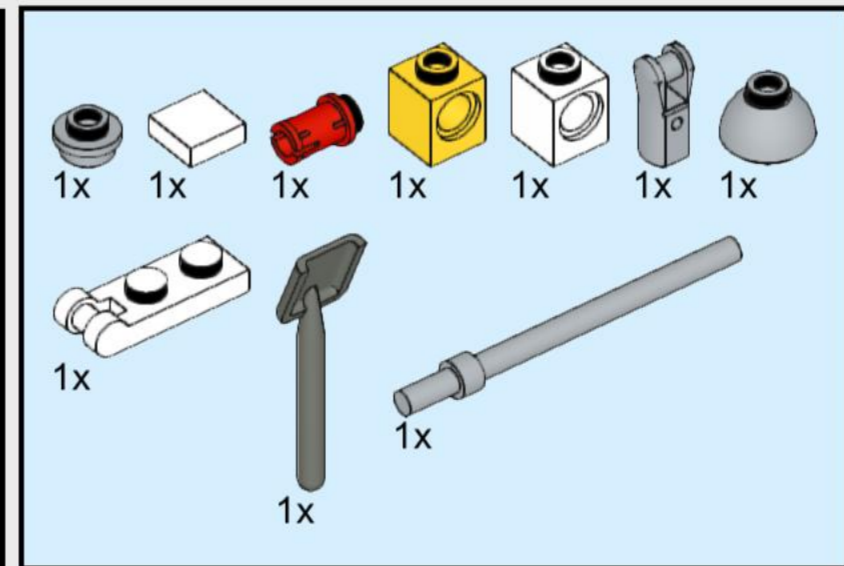
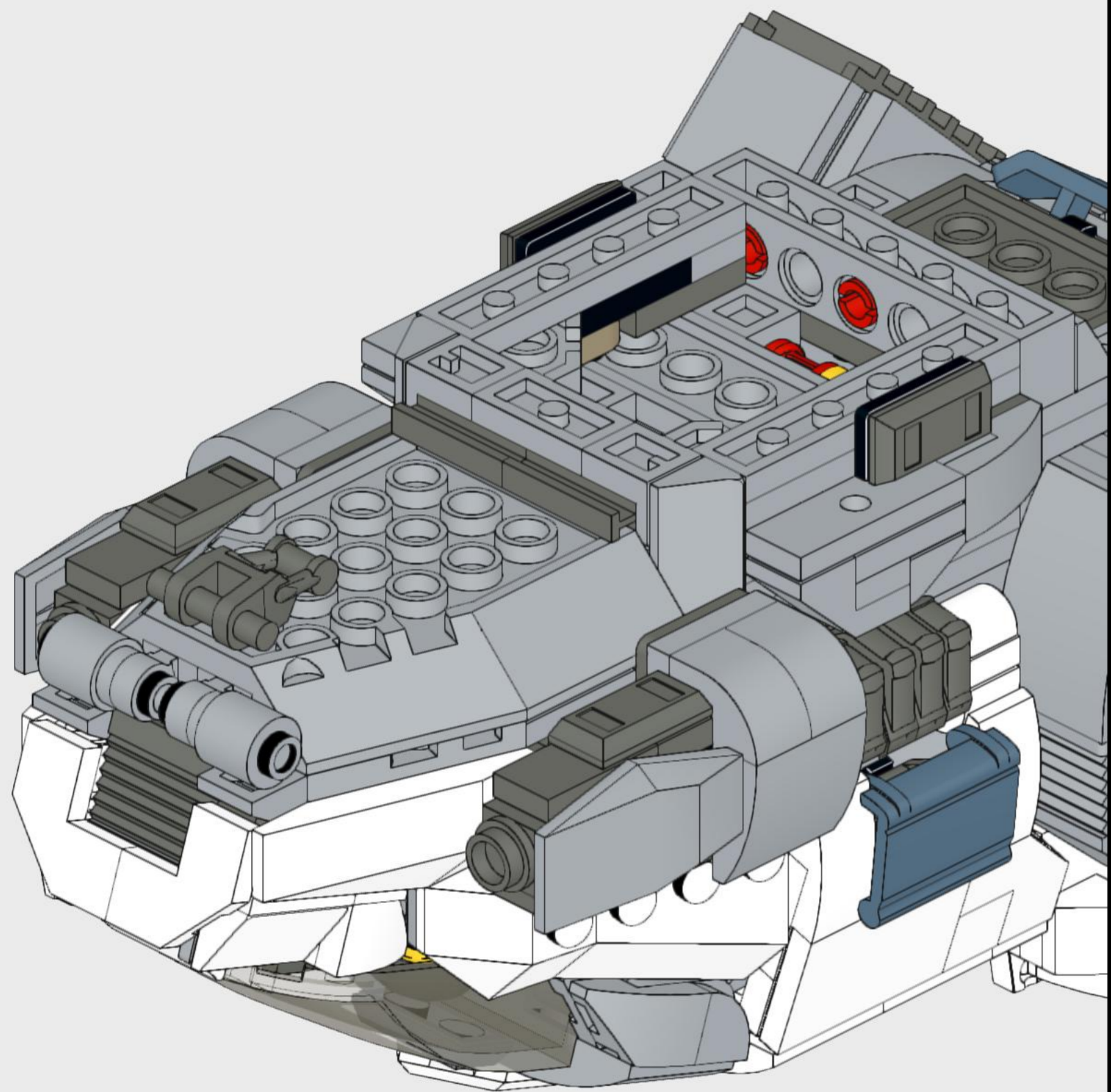


126

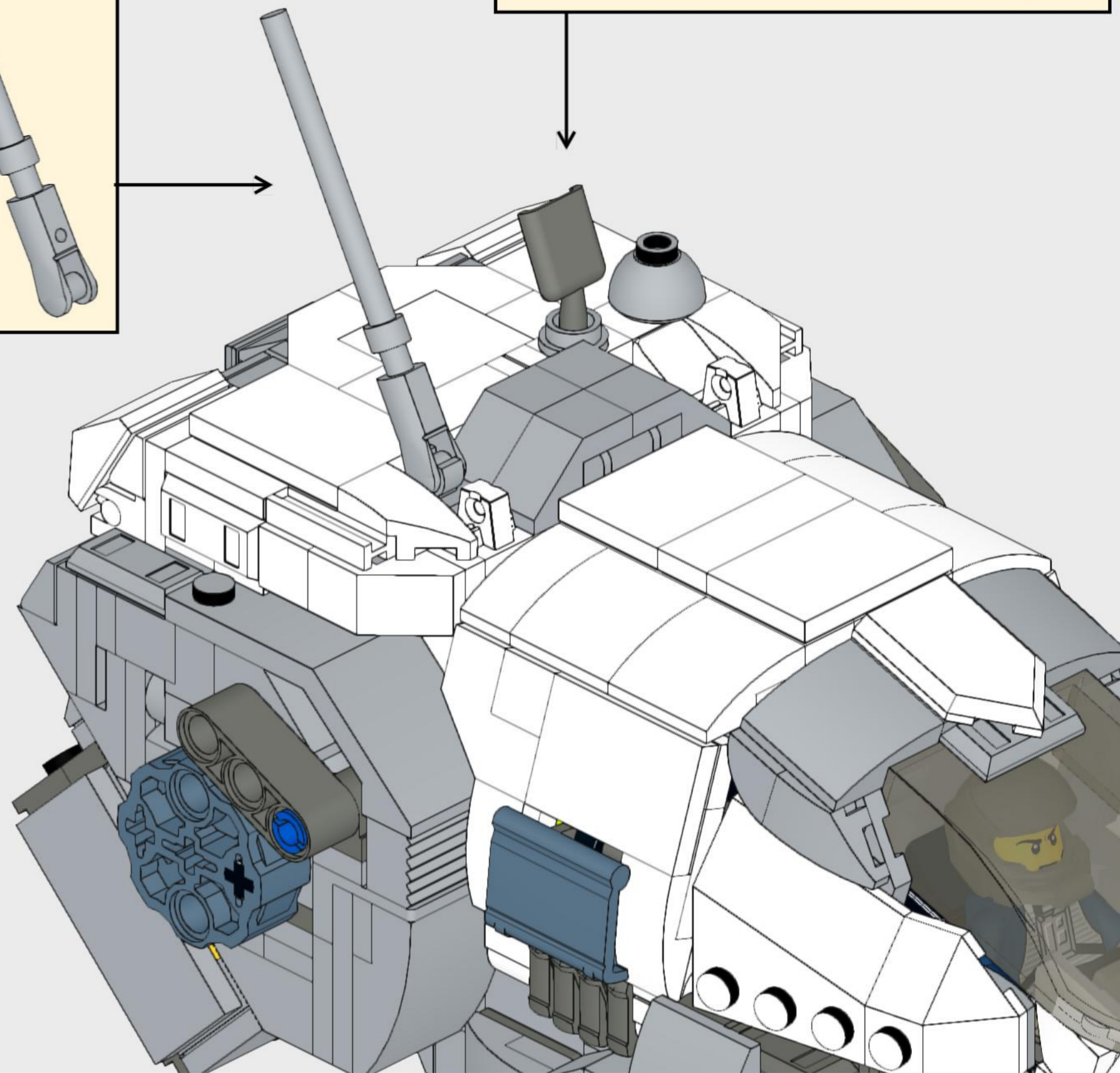
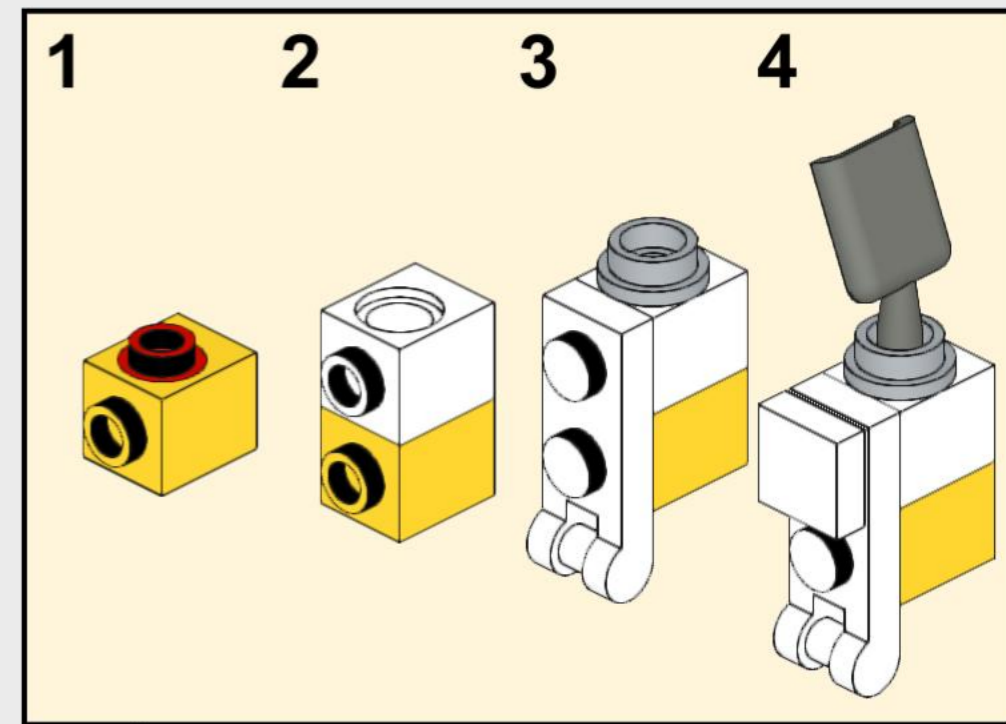
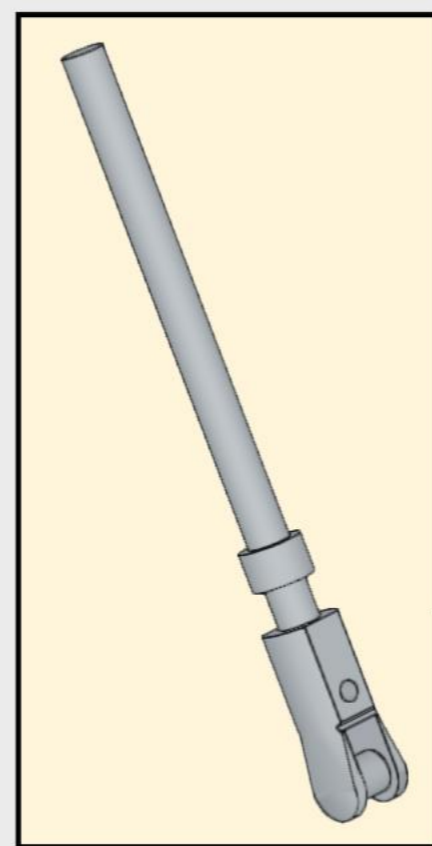


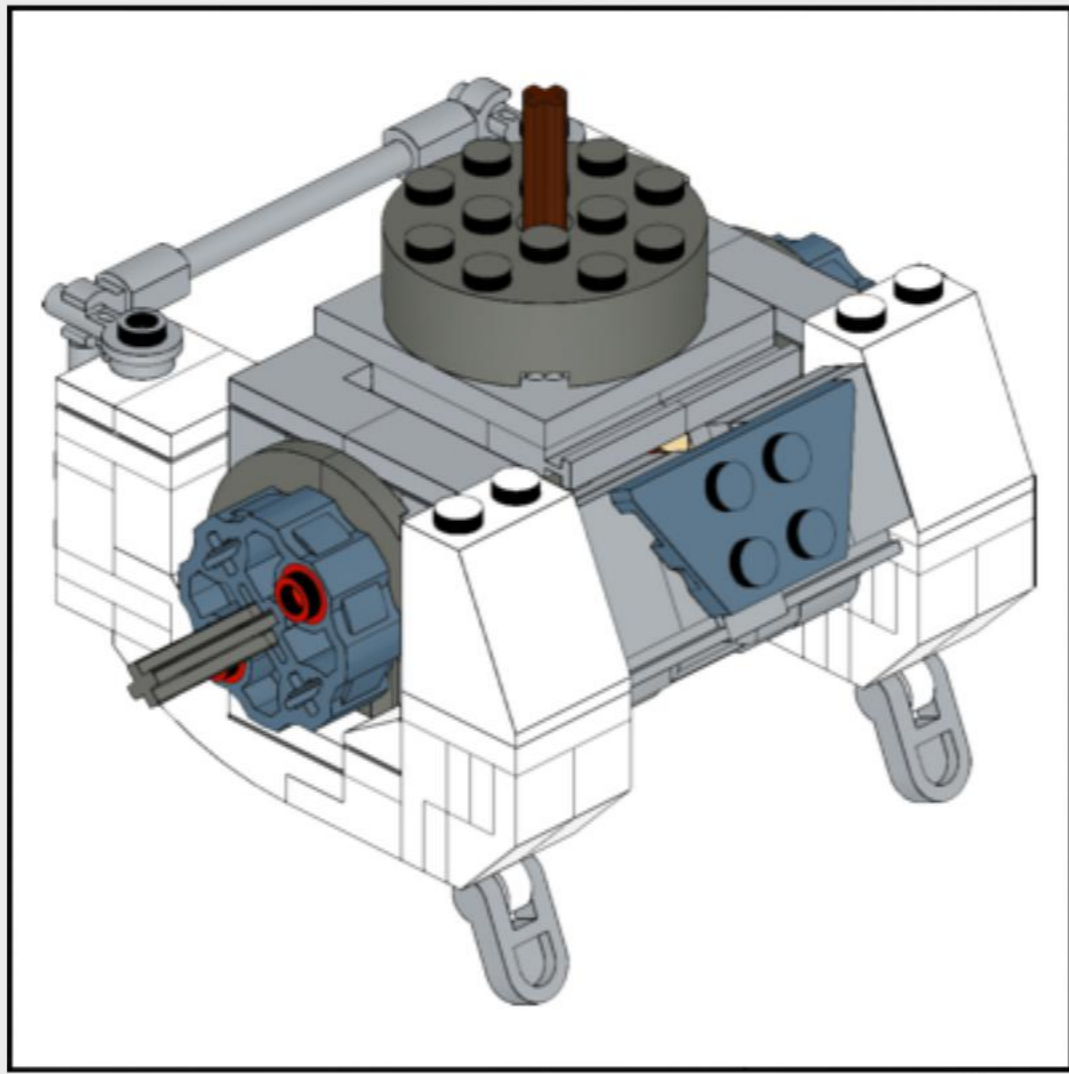


127

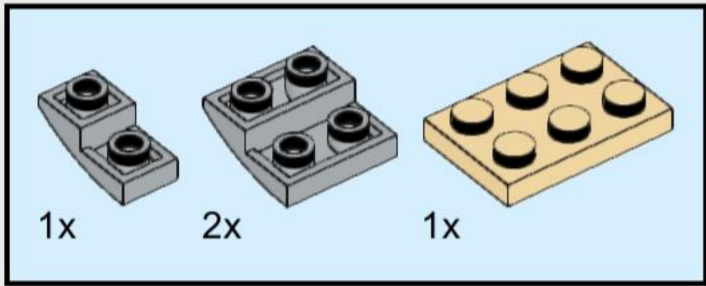


128

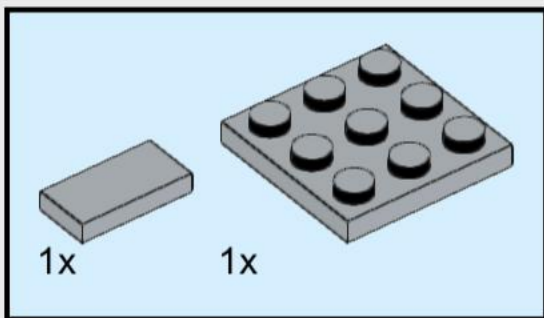
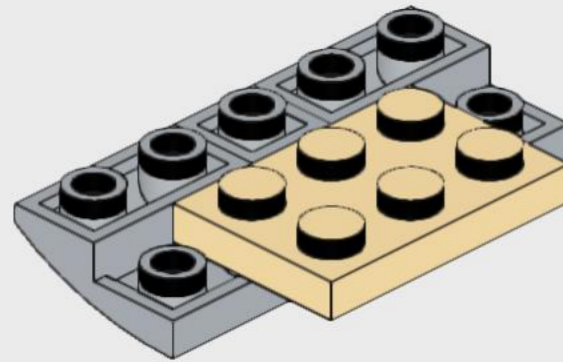




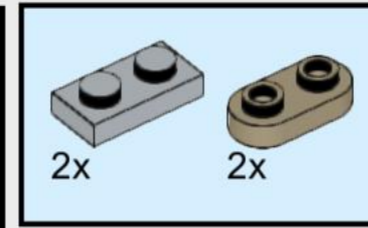
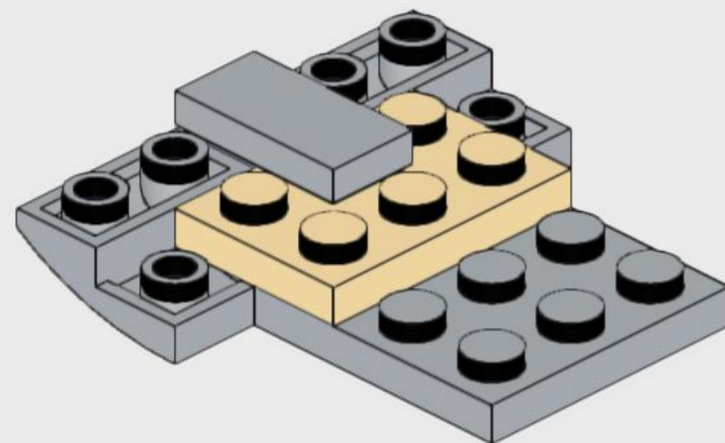
2x



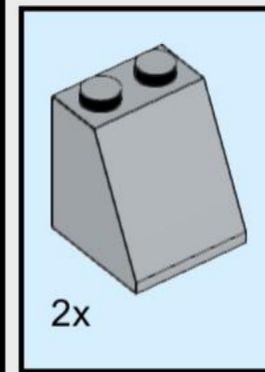
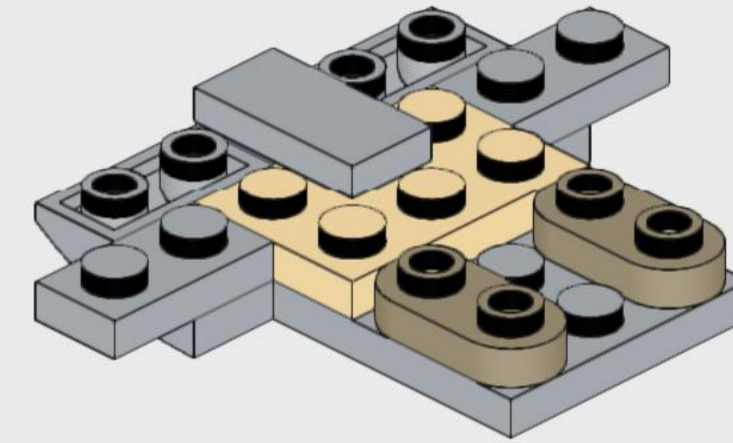
1



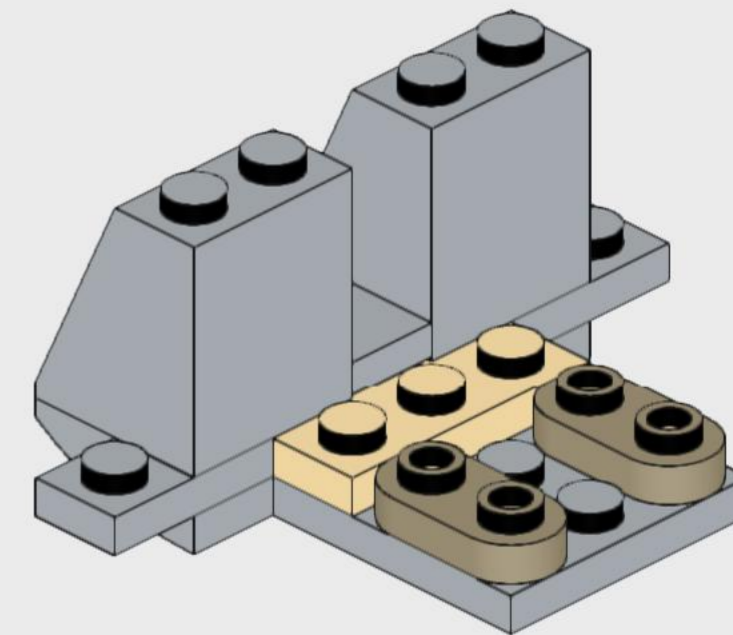
2

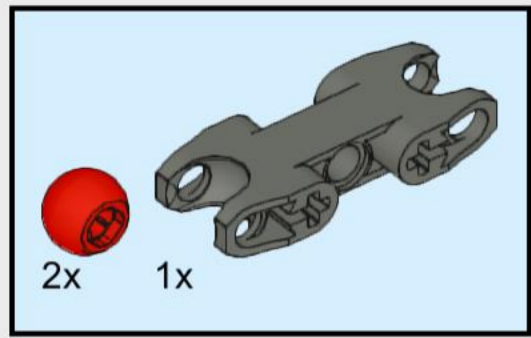


3

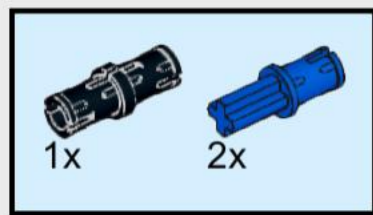
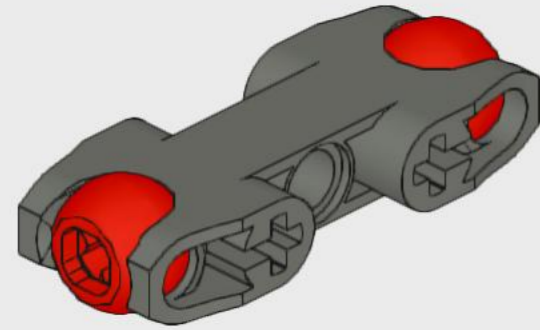


4

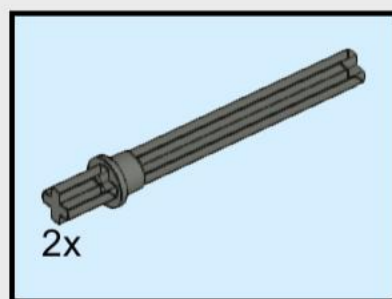
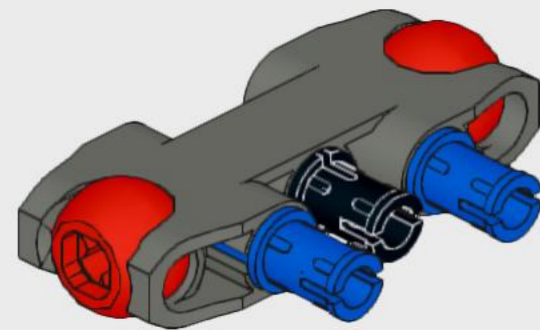




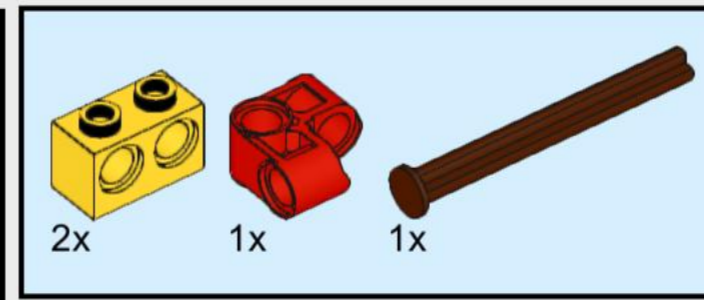
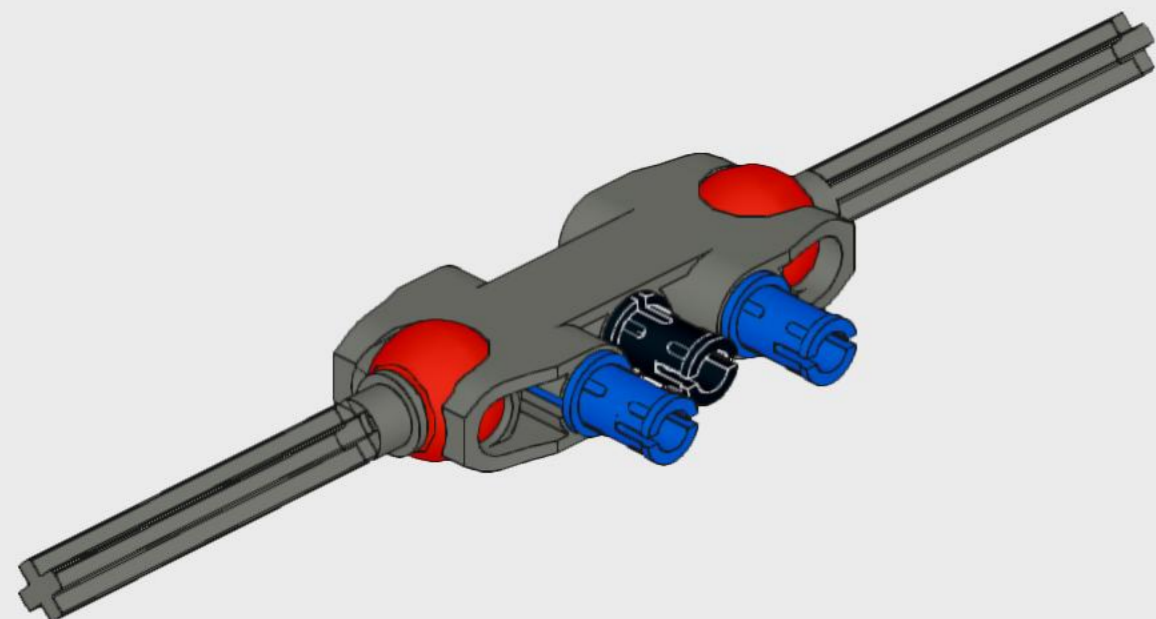
5



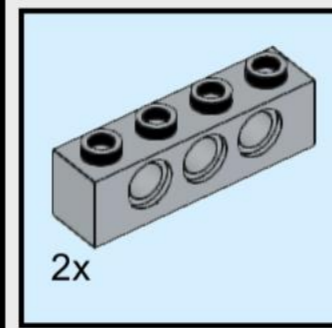
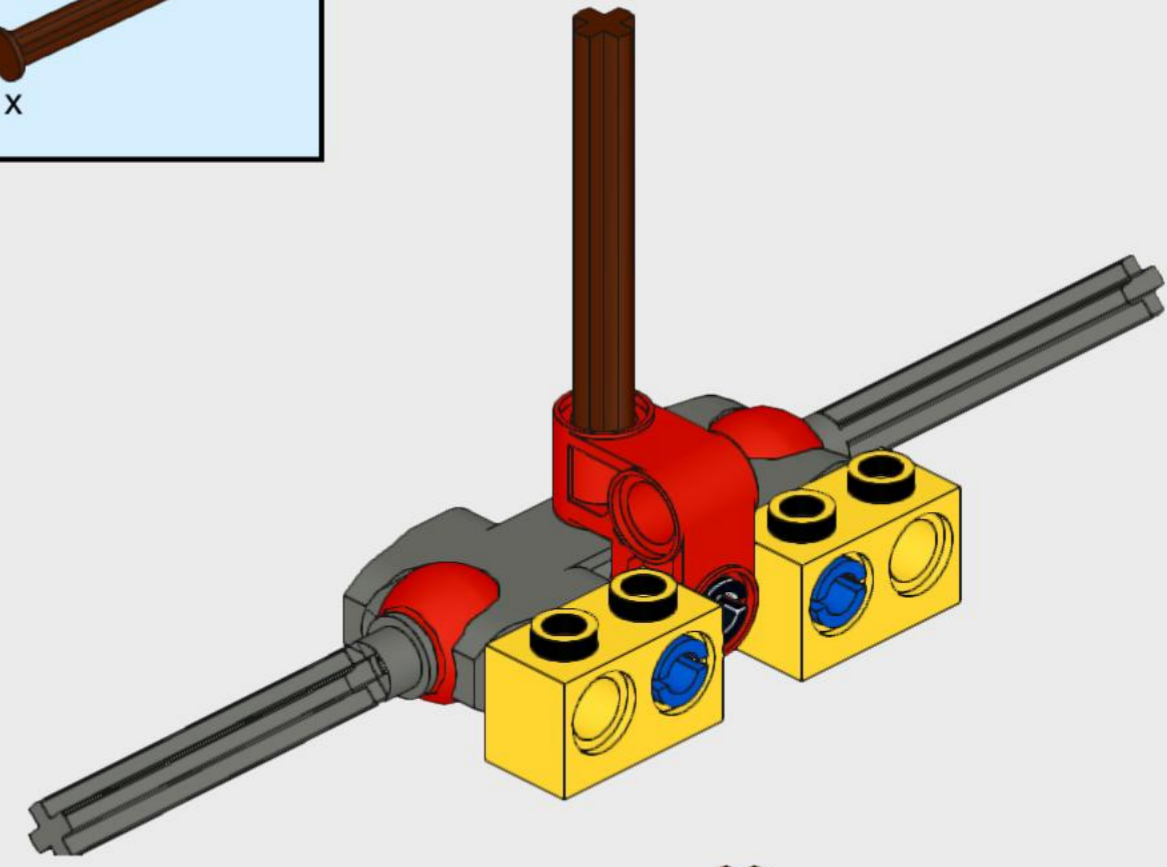
6



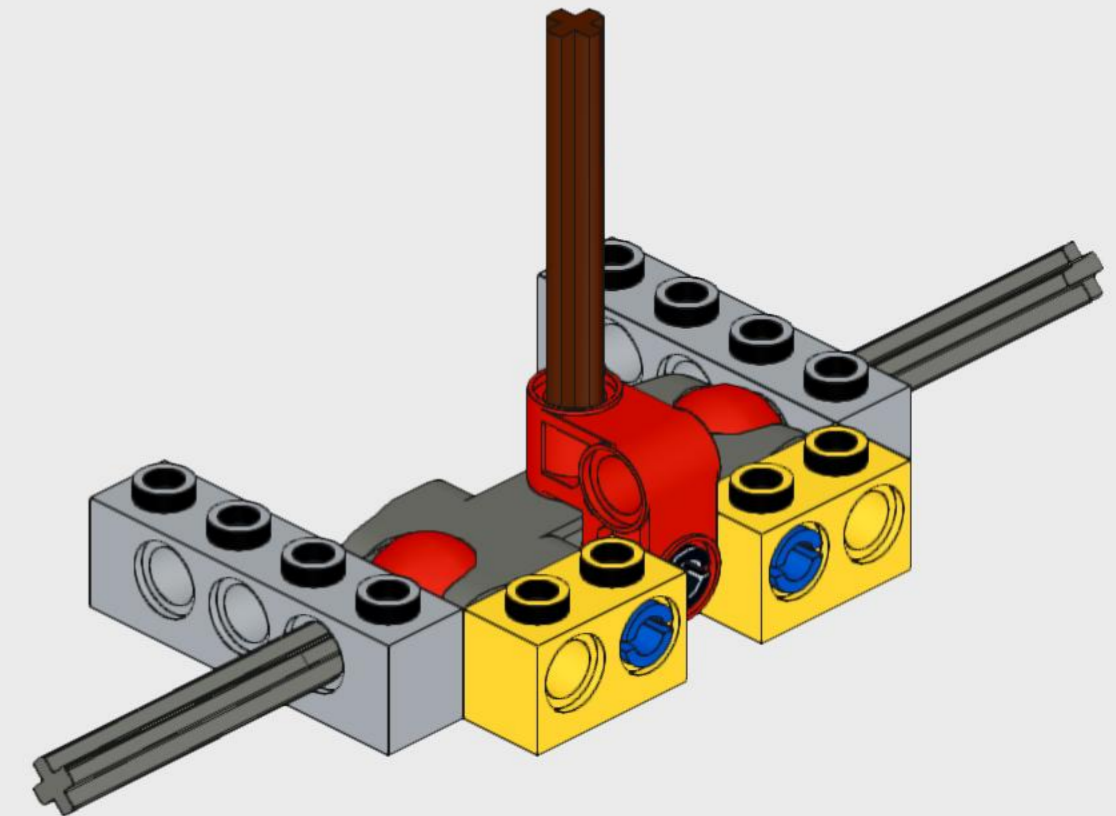
7



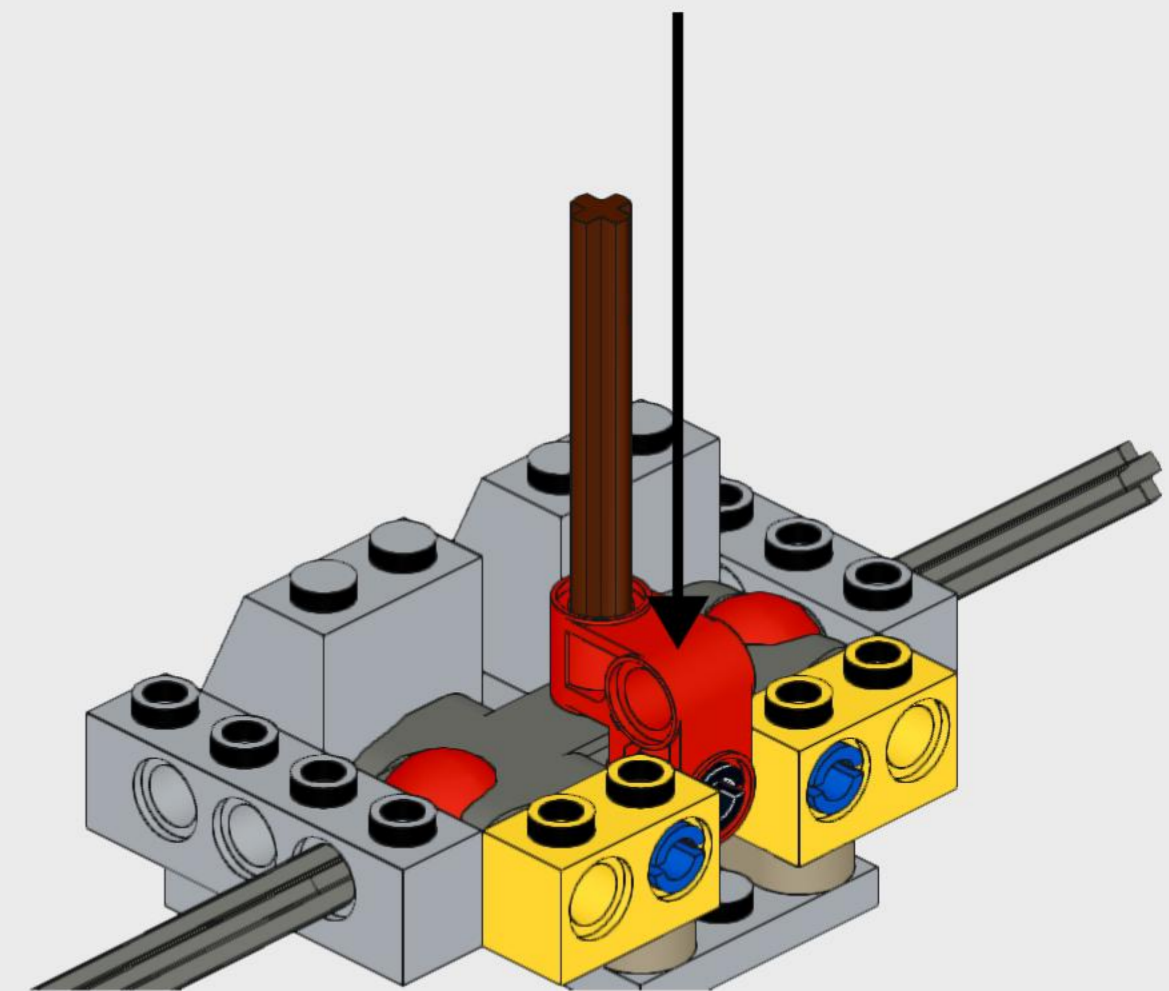
8

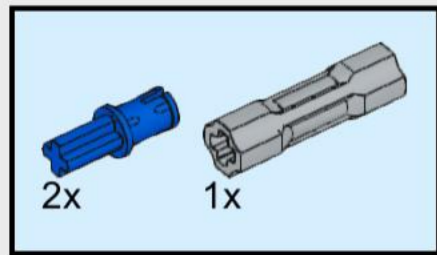


9

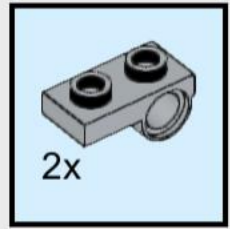
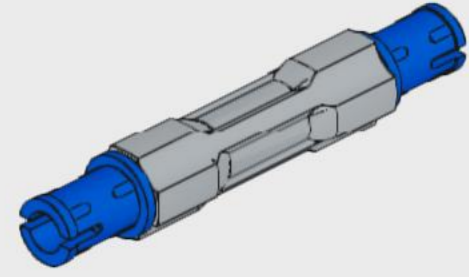


10

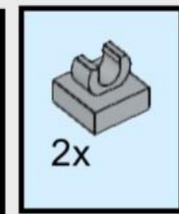
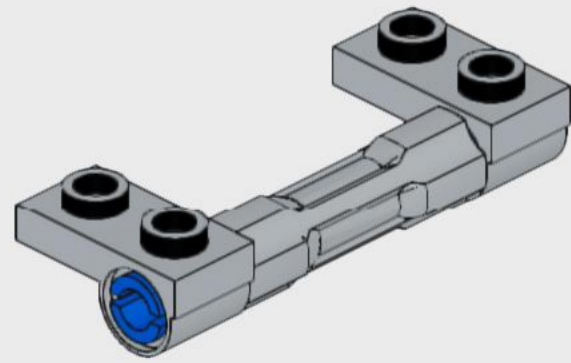




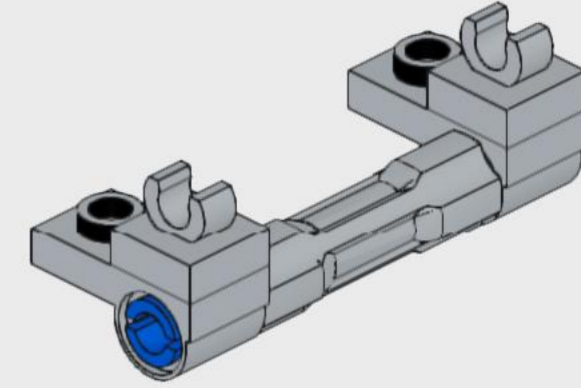
11



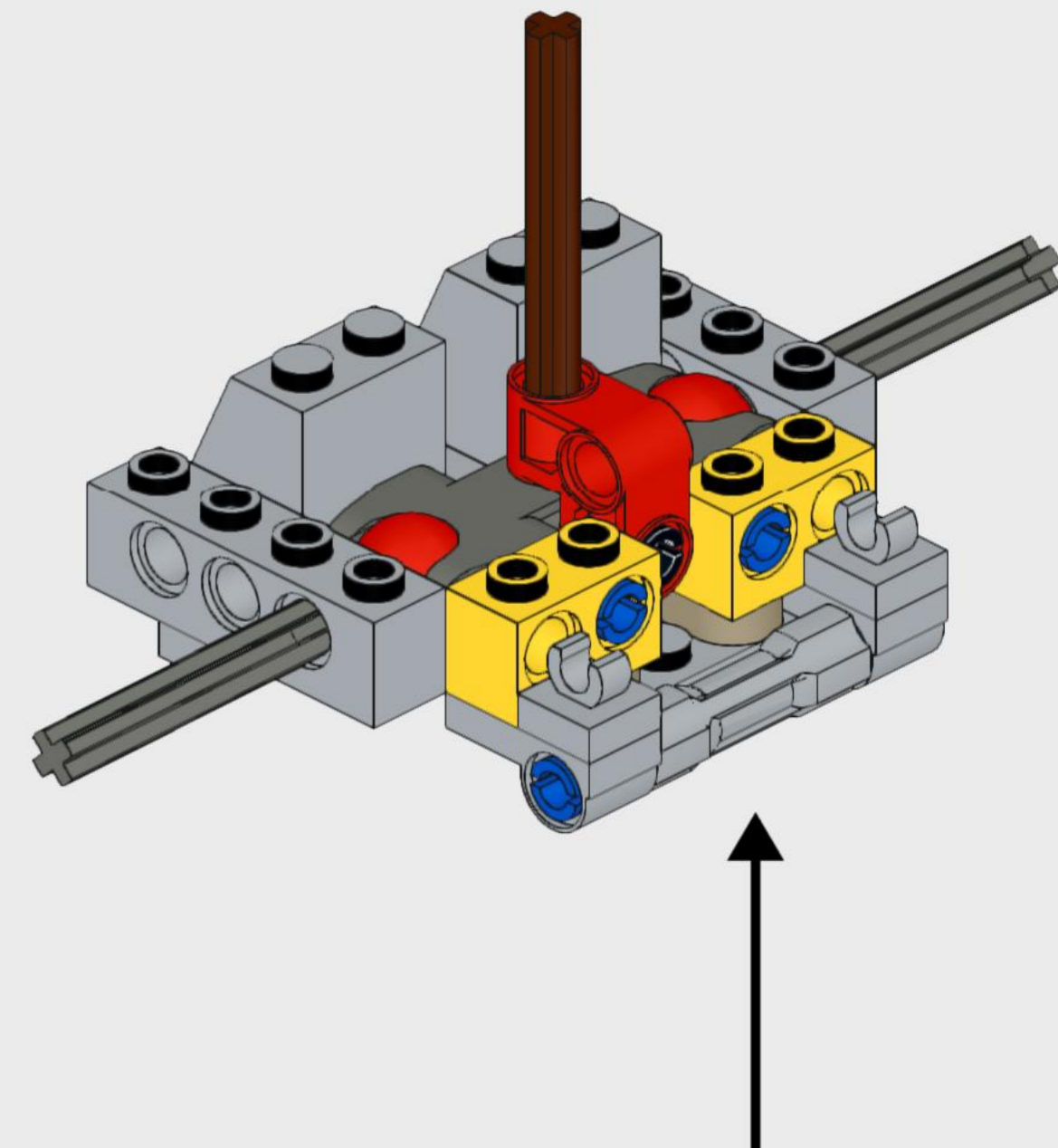
12

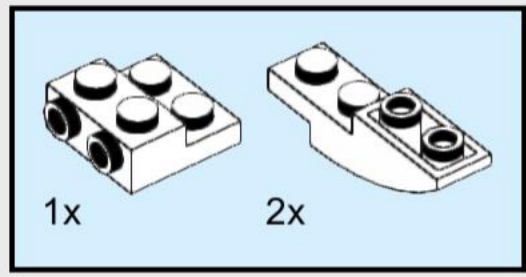


13

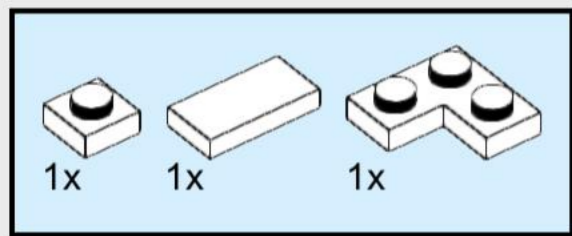
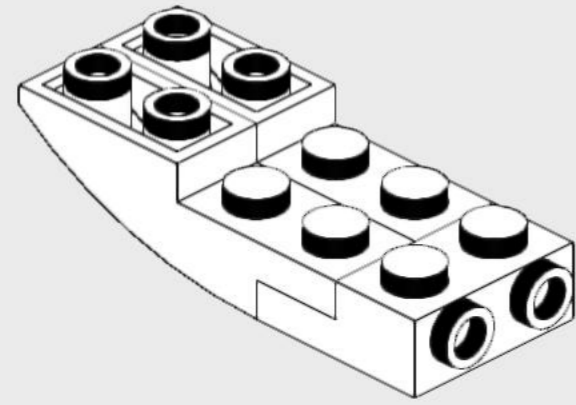


14

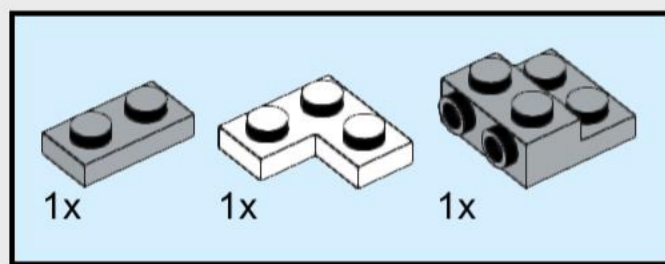
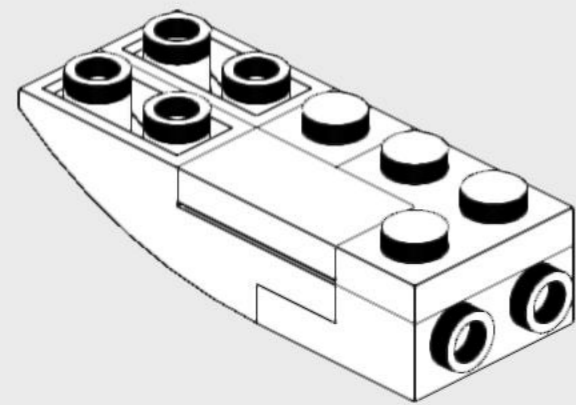




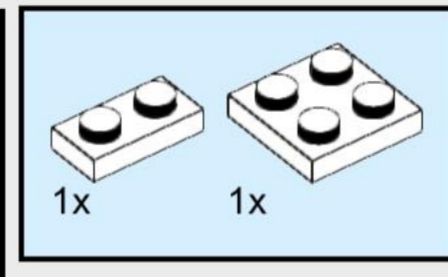
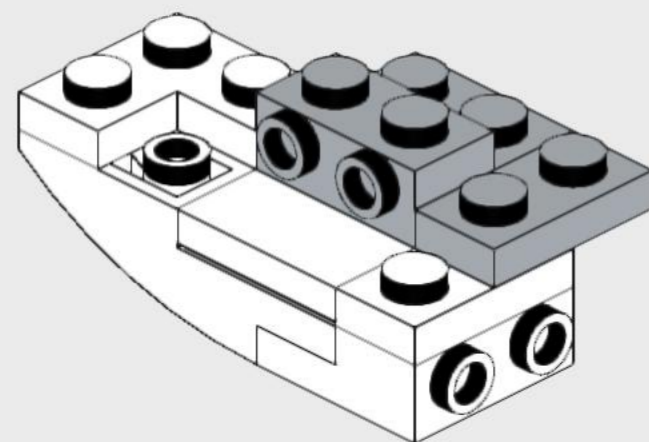
15



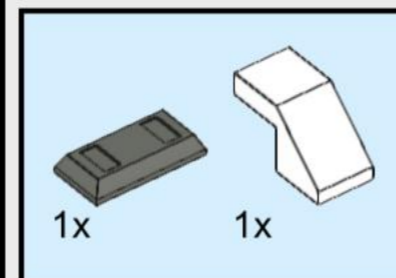
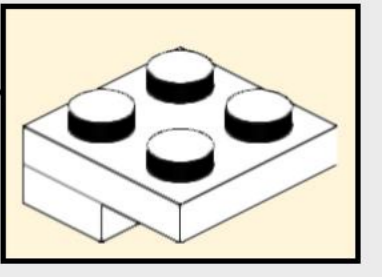
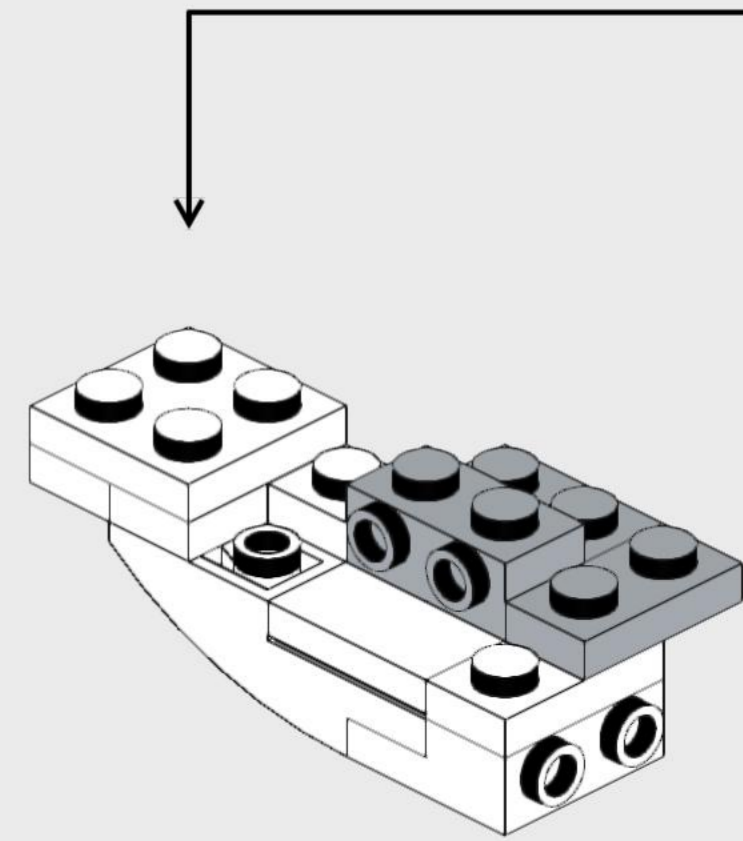
16



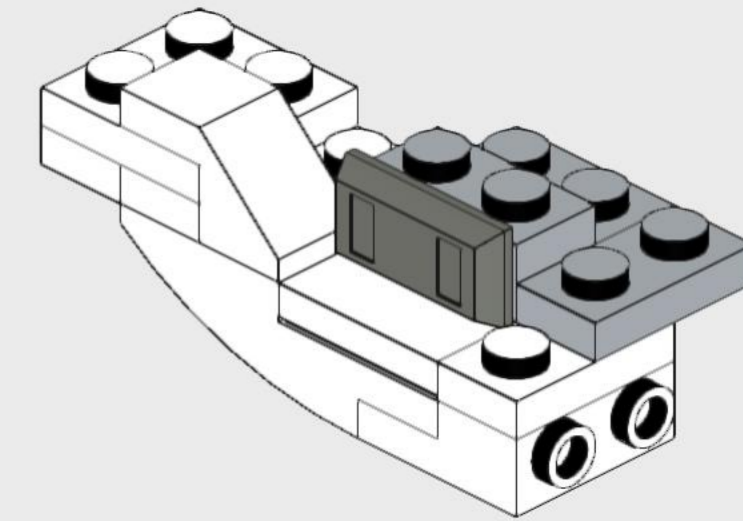
17



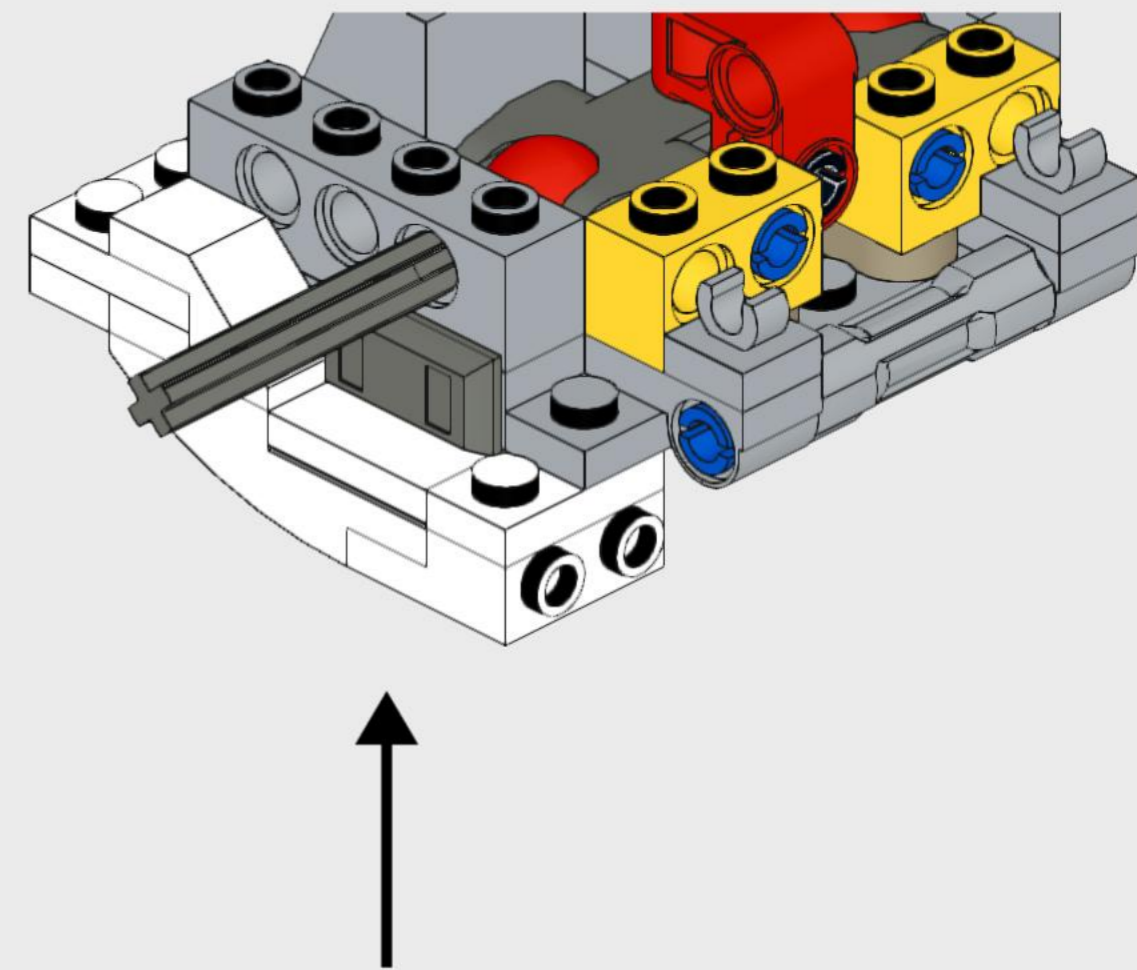
18

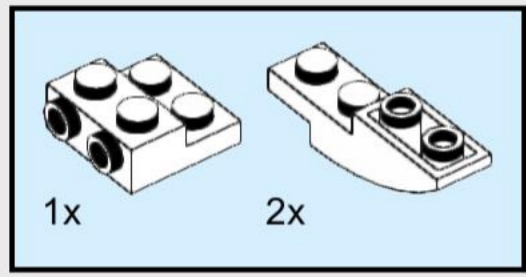


19

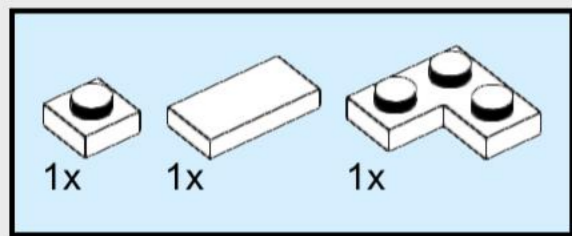
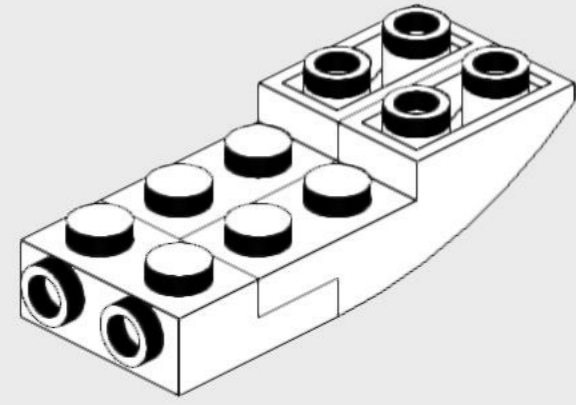


20

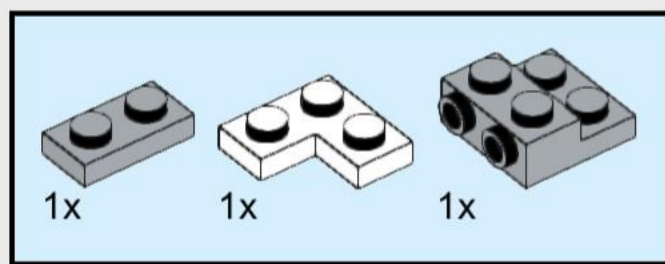
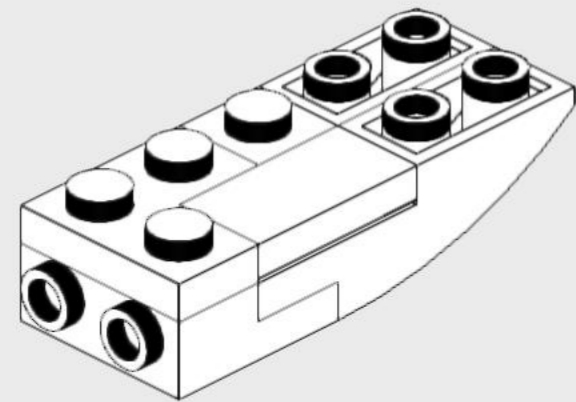




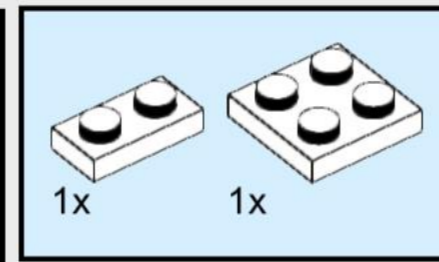
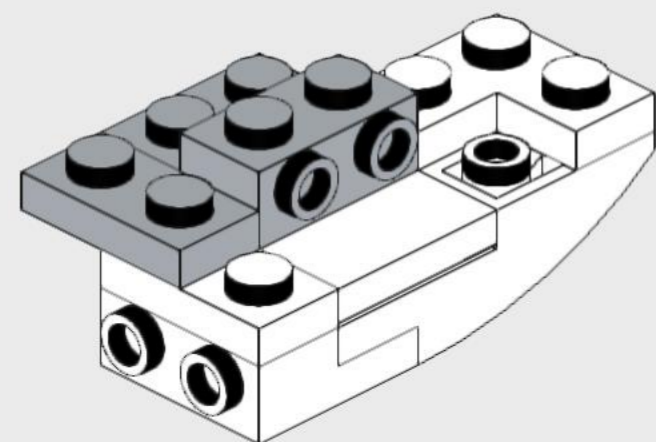
21



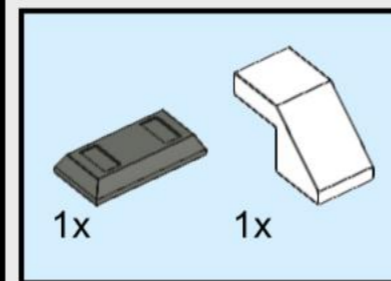
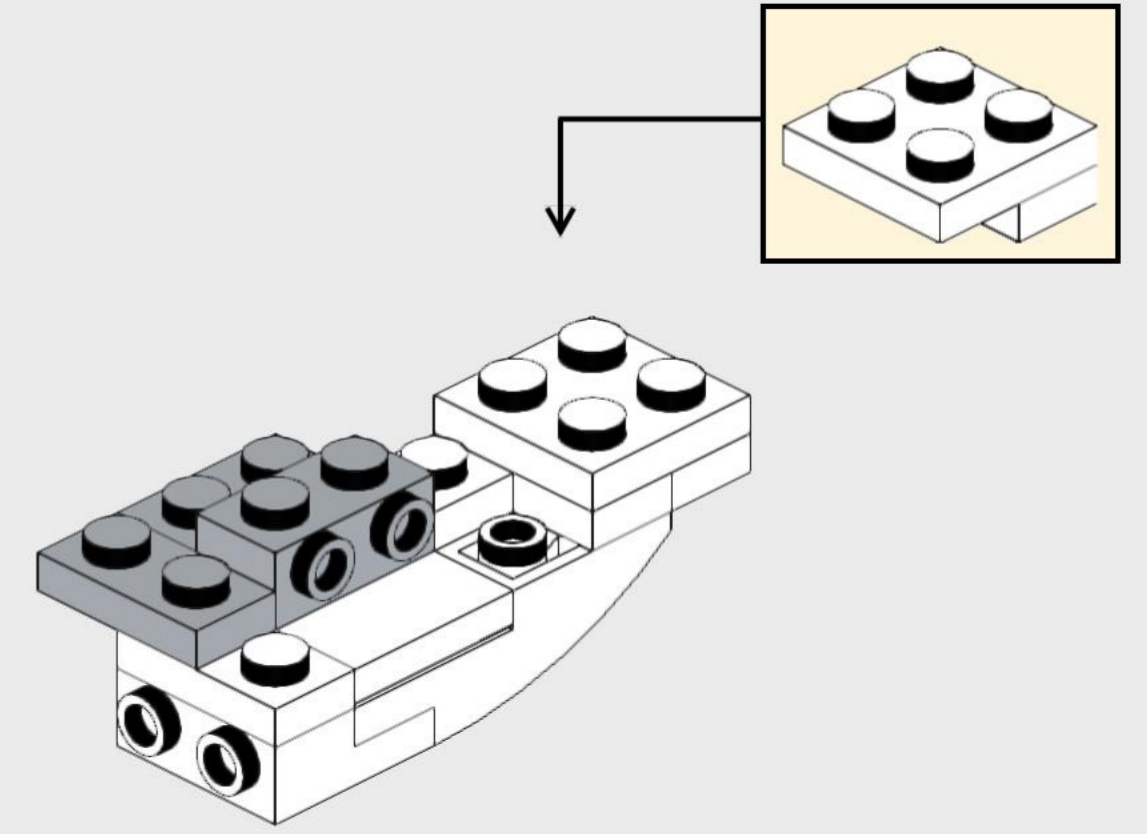
22



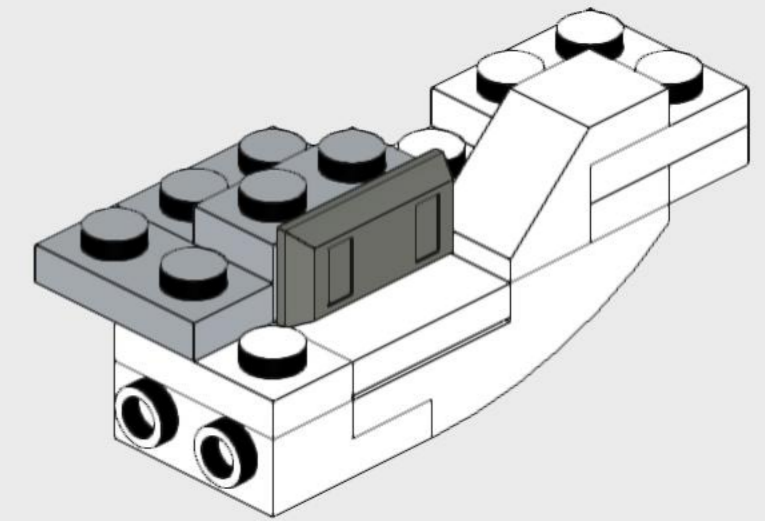
23



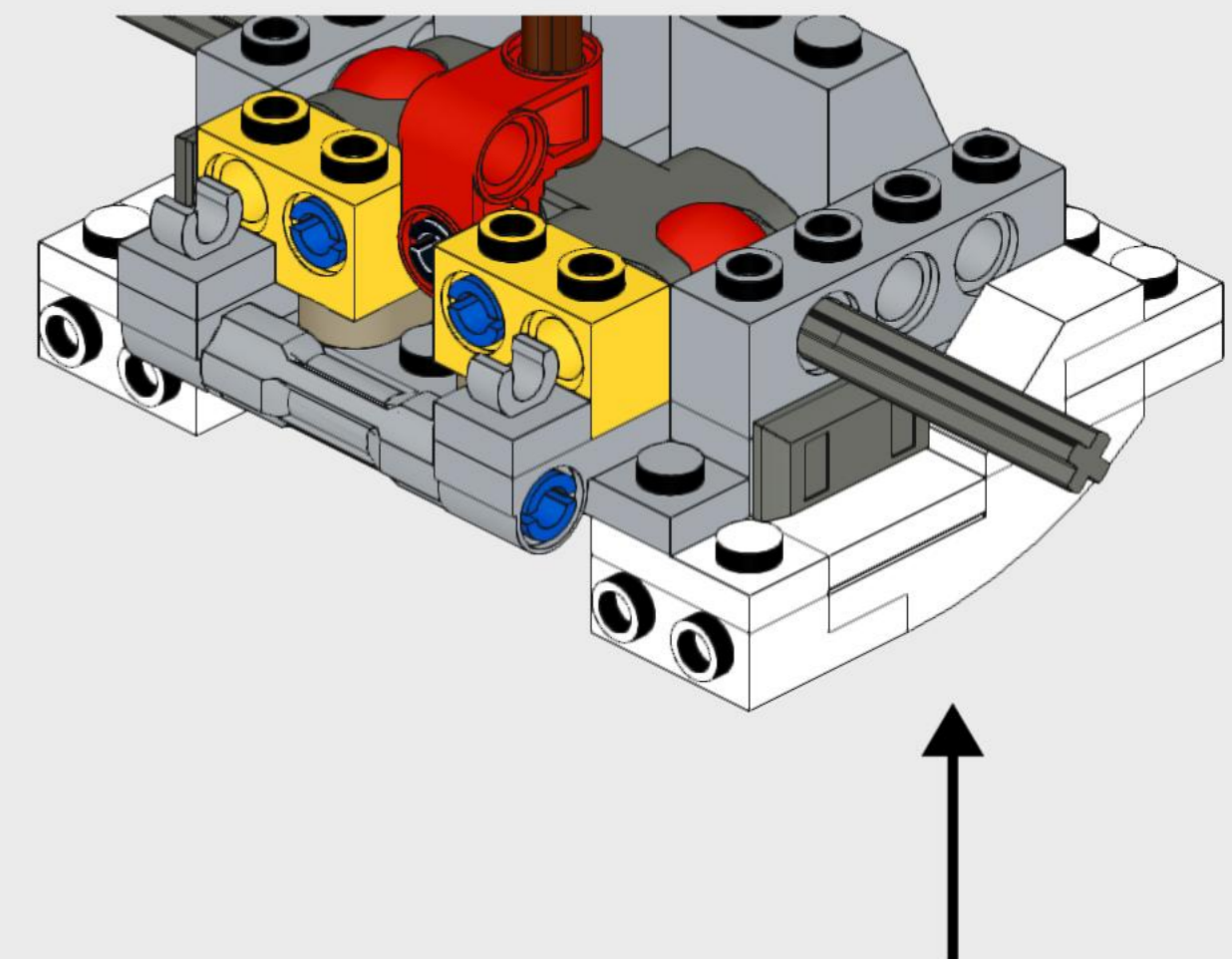
24

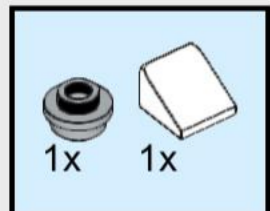


25

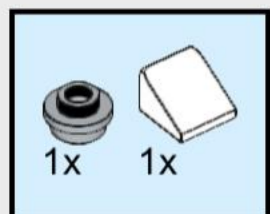
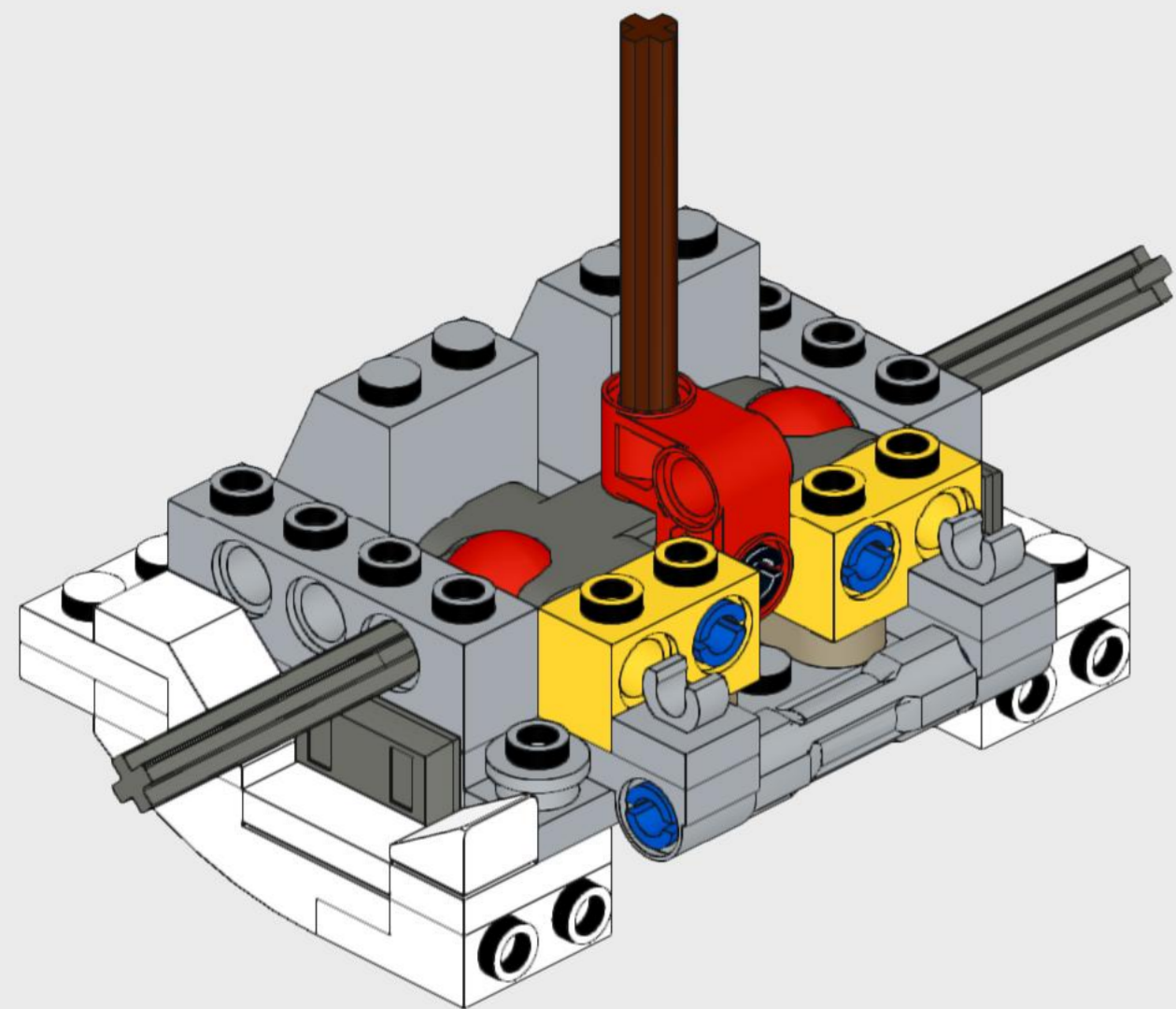


26

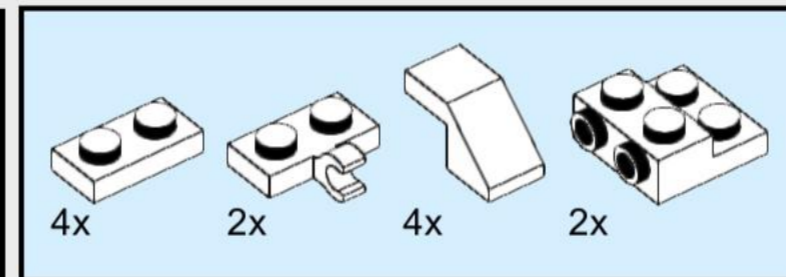
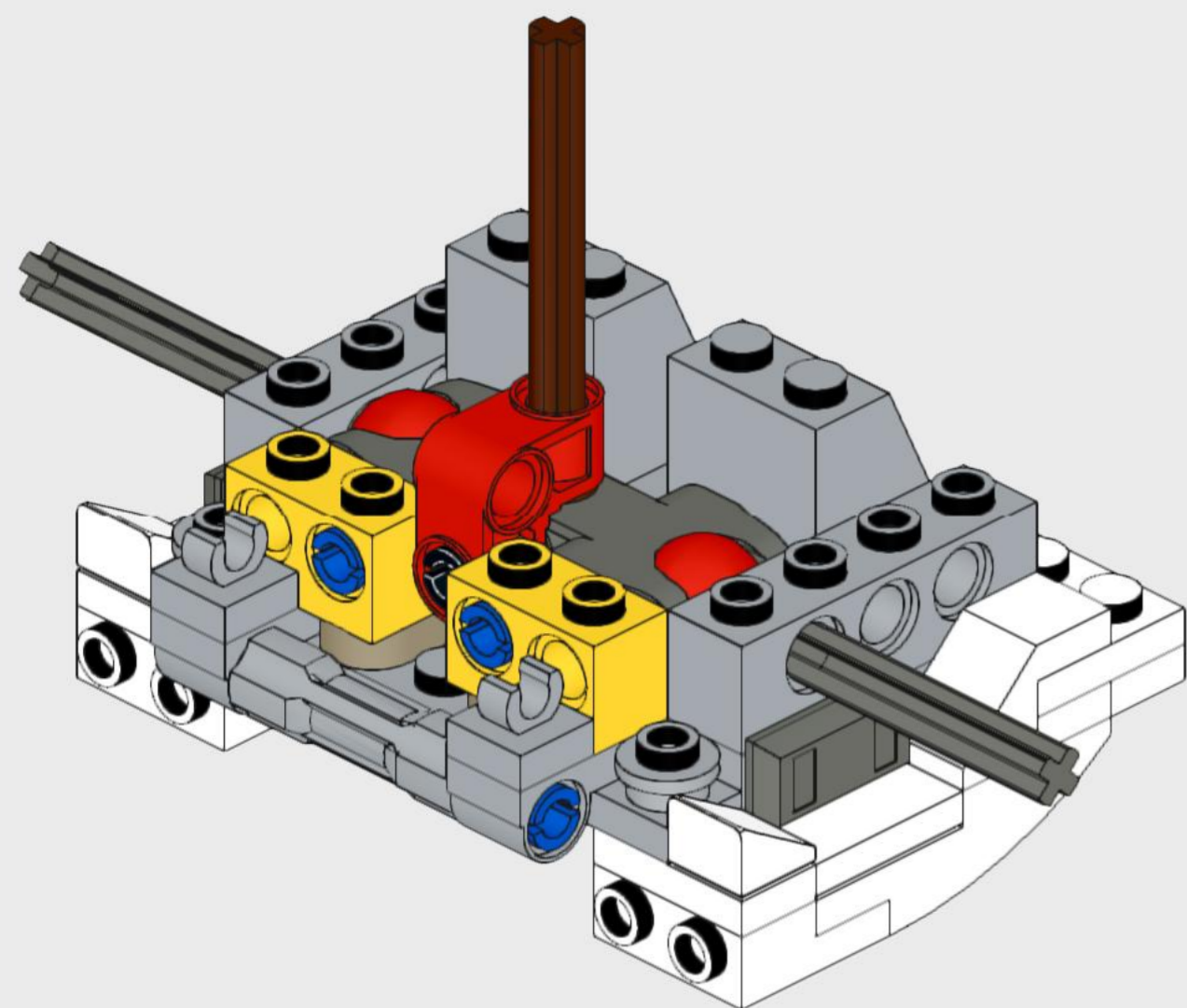




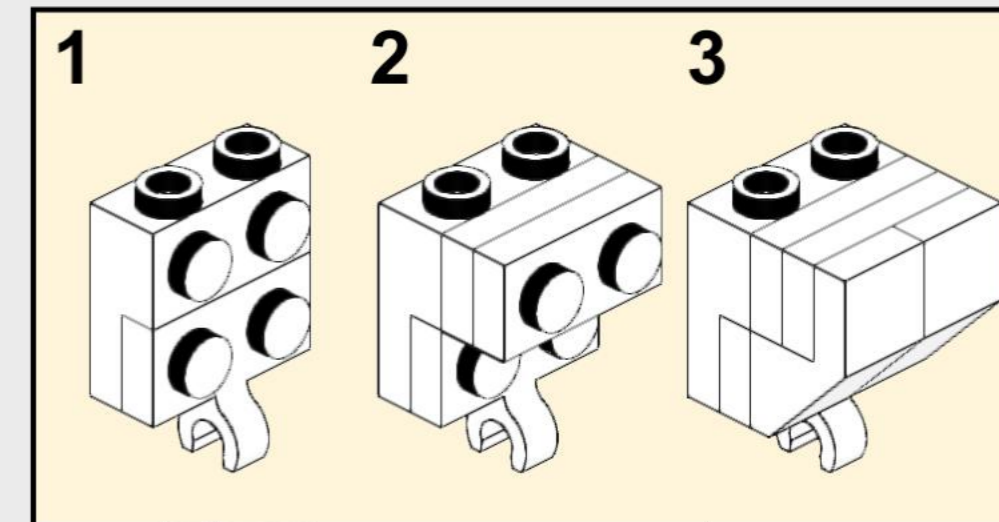
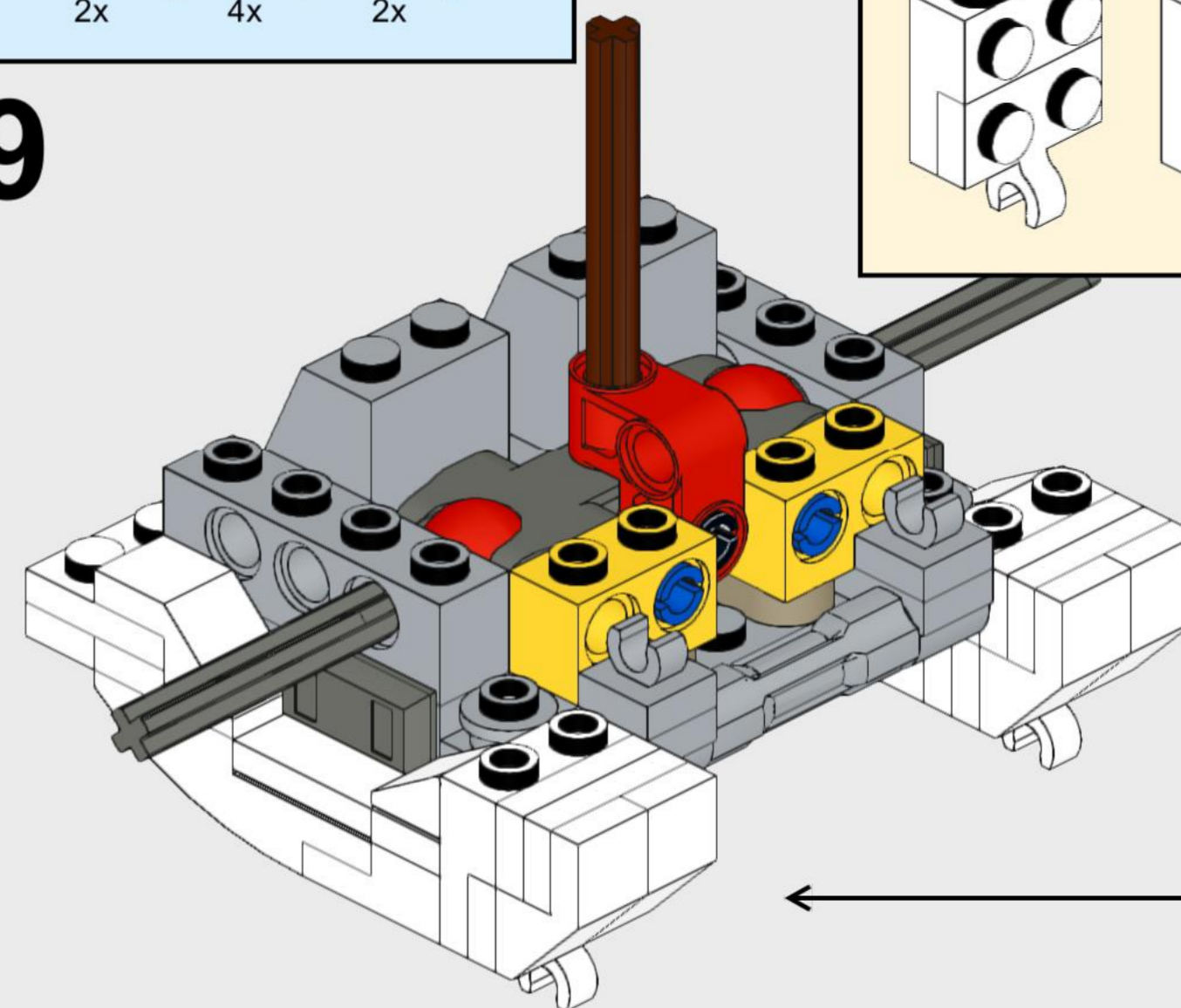
27



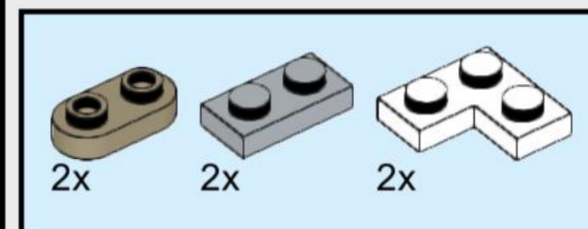
28



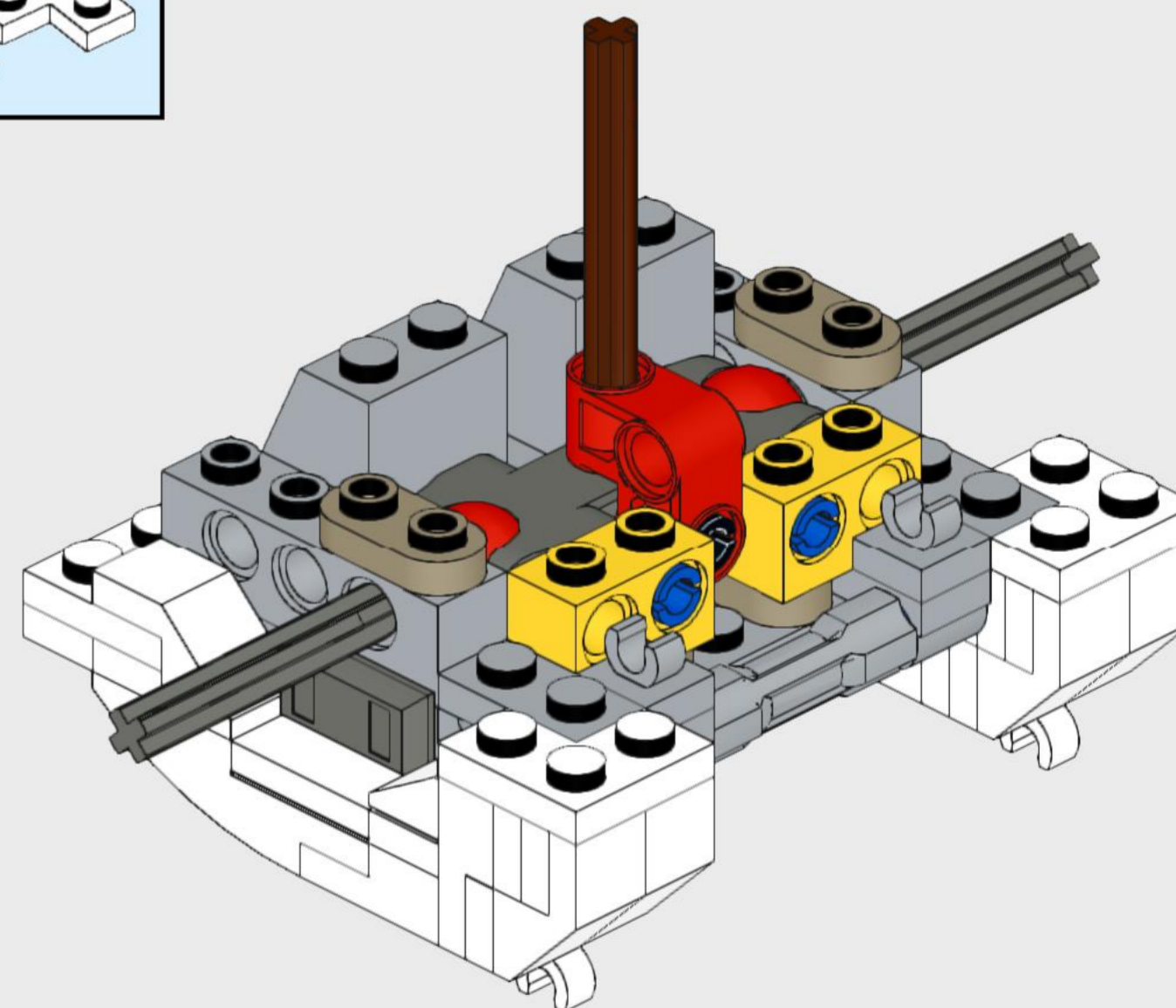
29

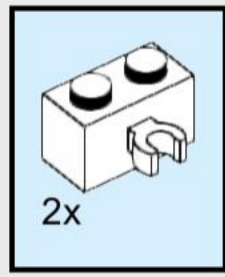


2x

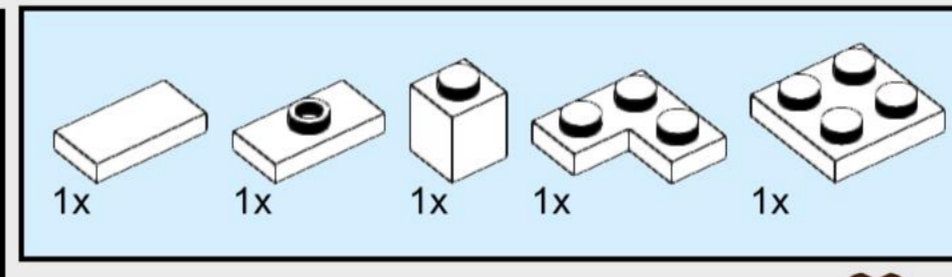
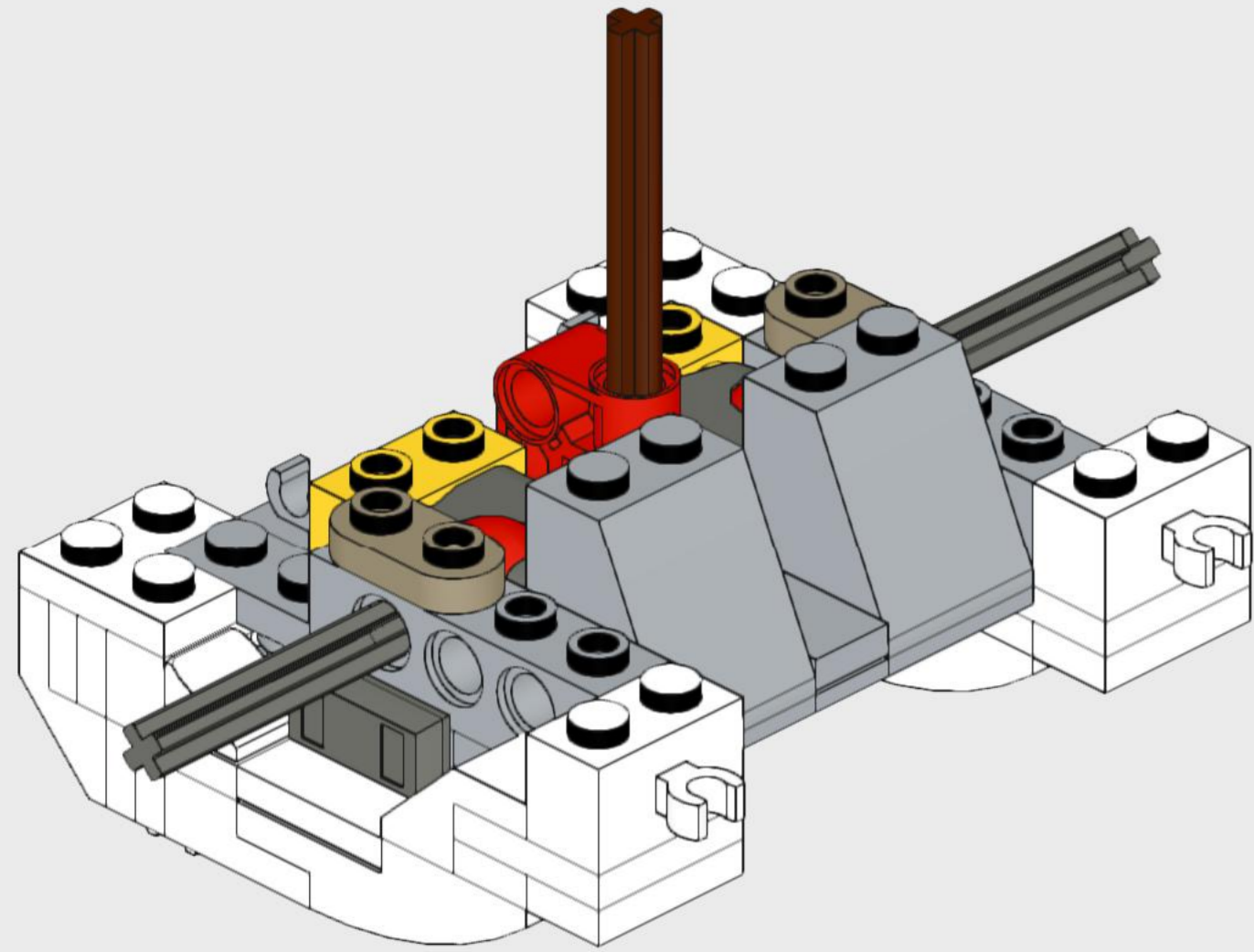


30

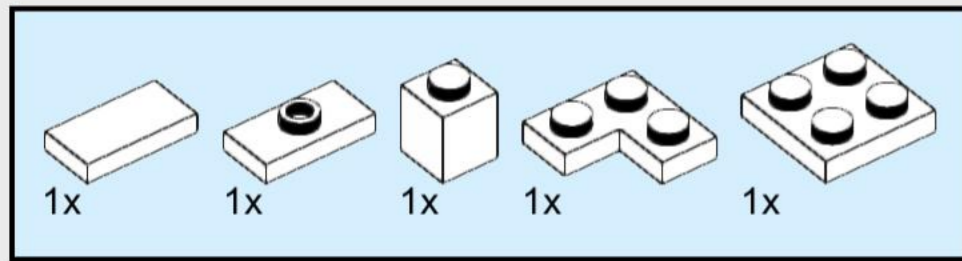
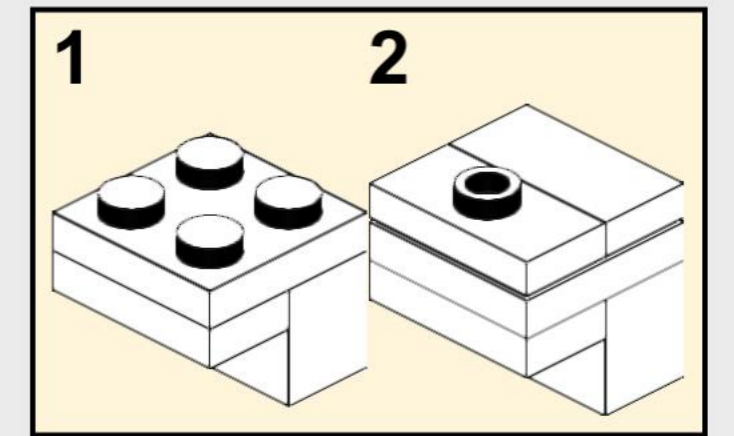
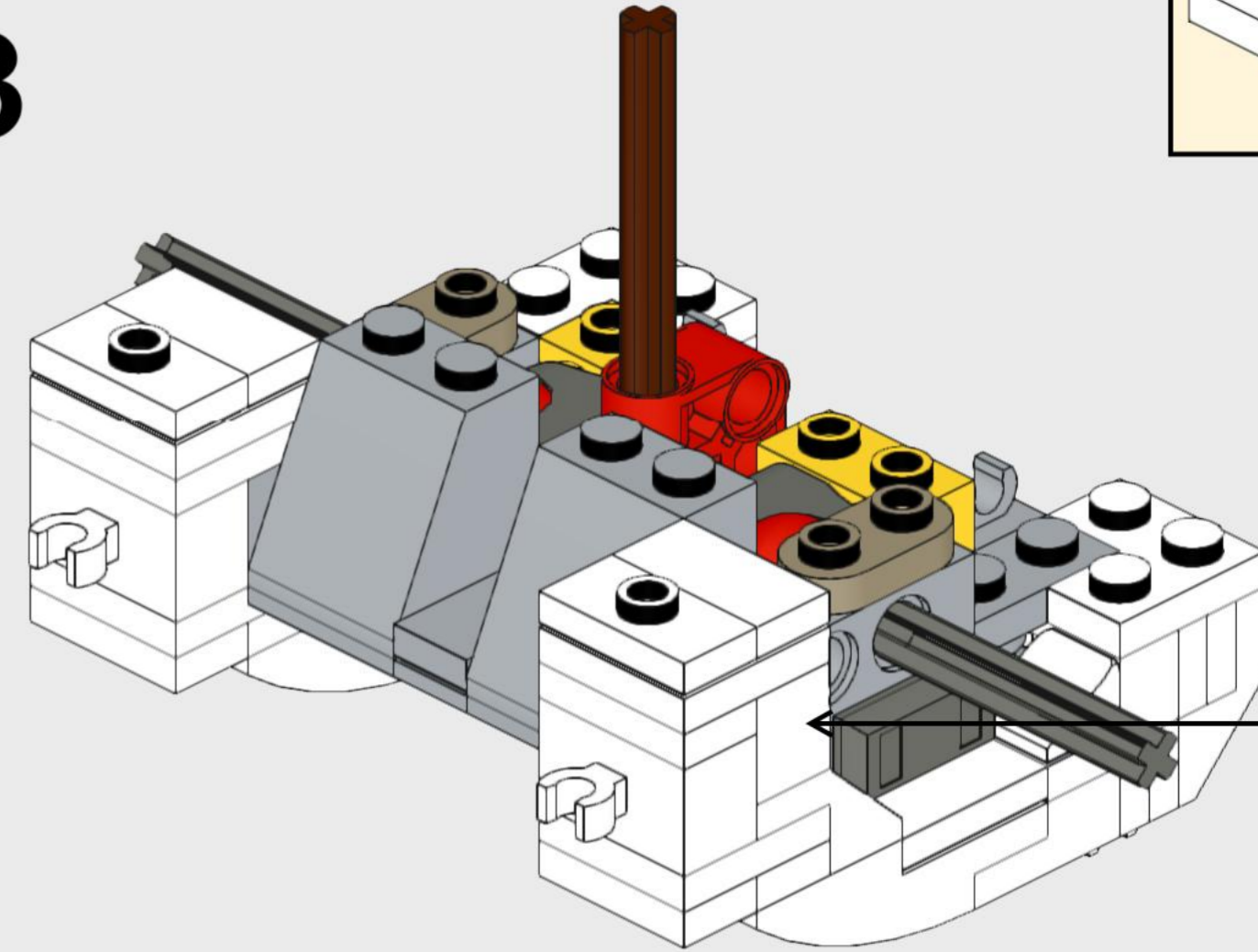




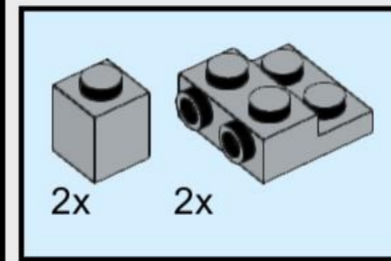
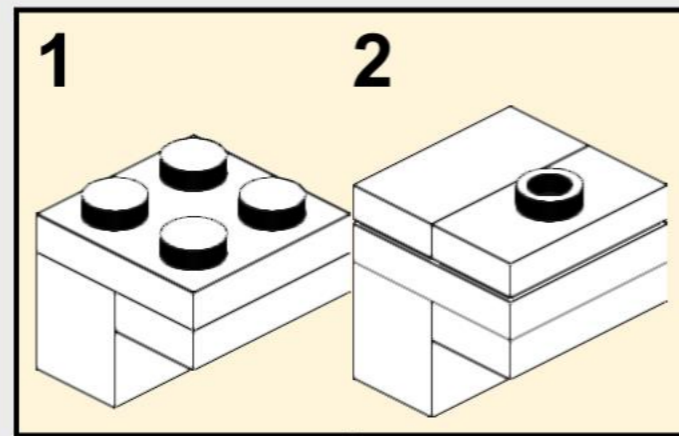
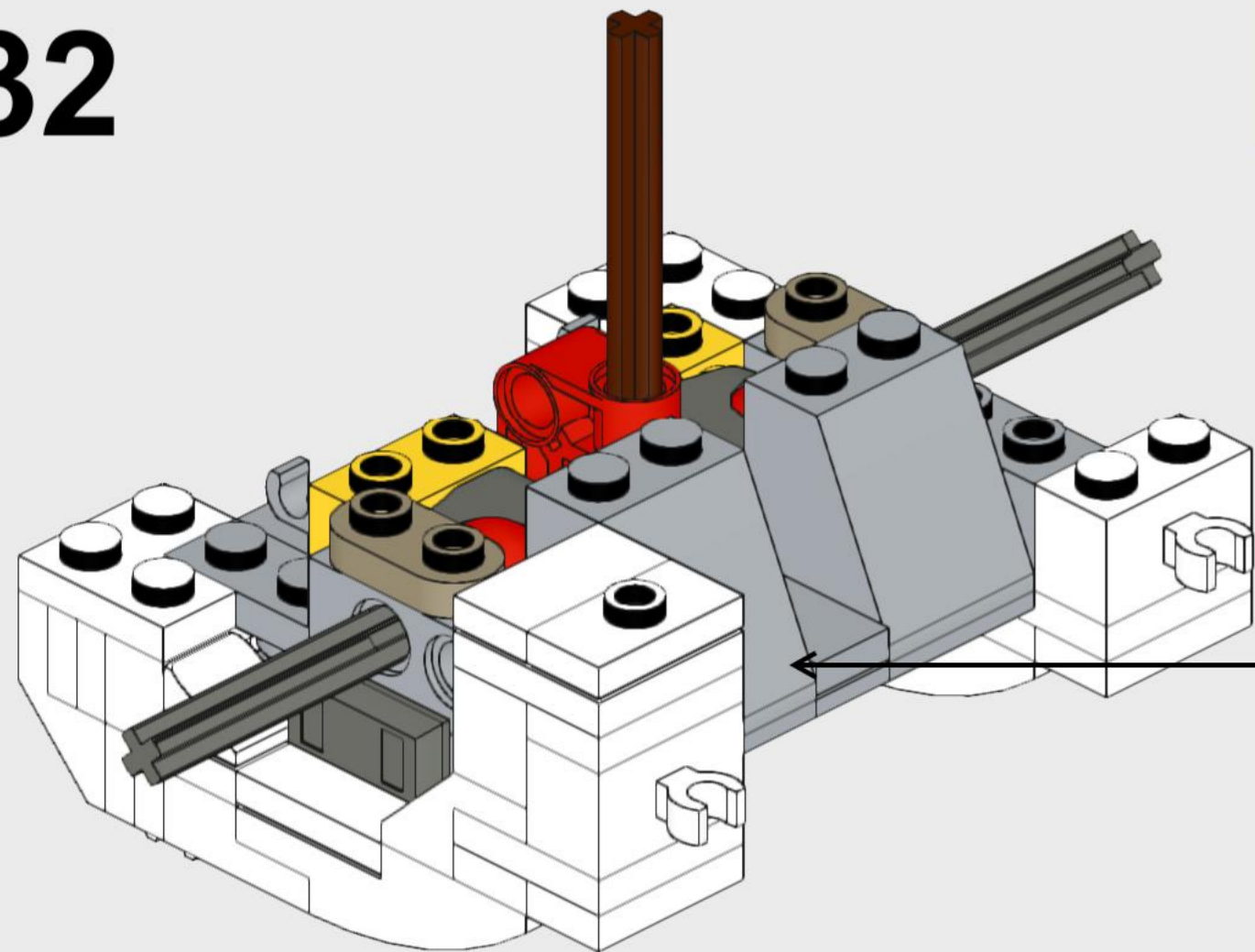
31



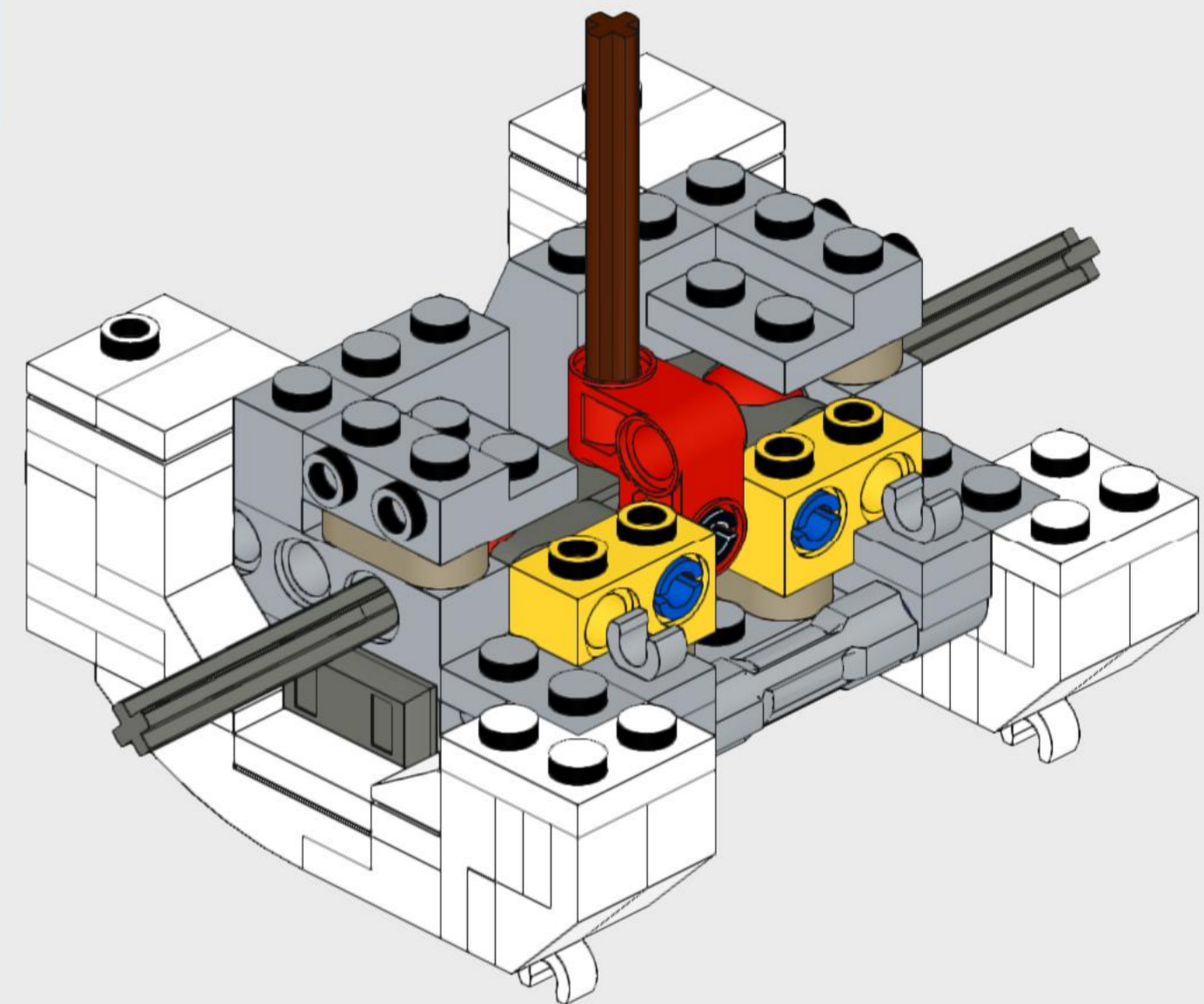
33

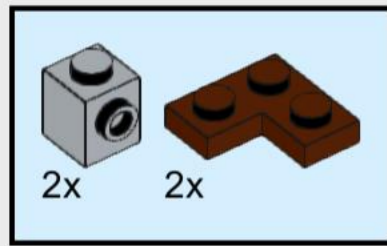


32

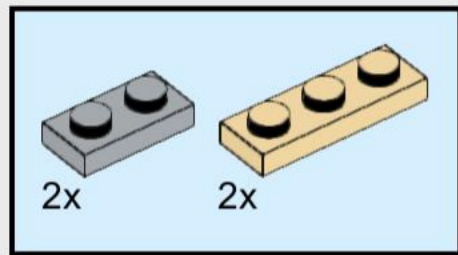
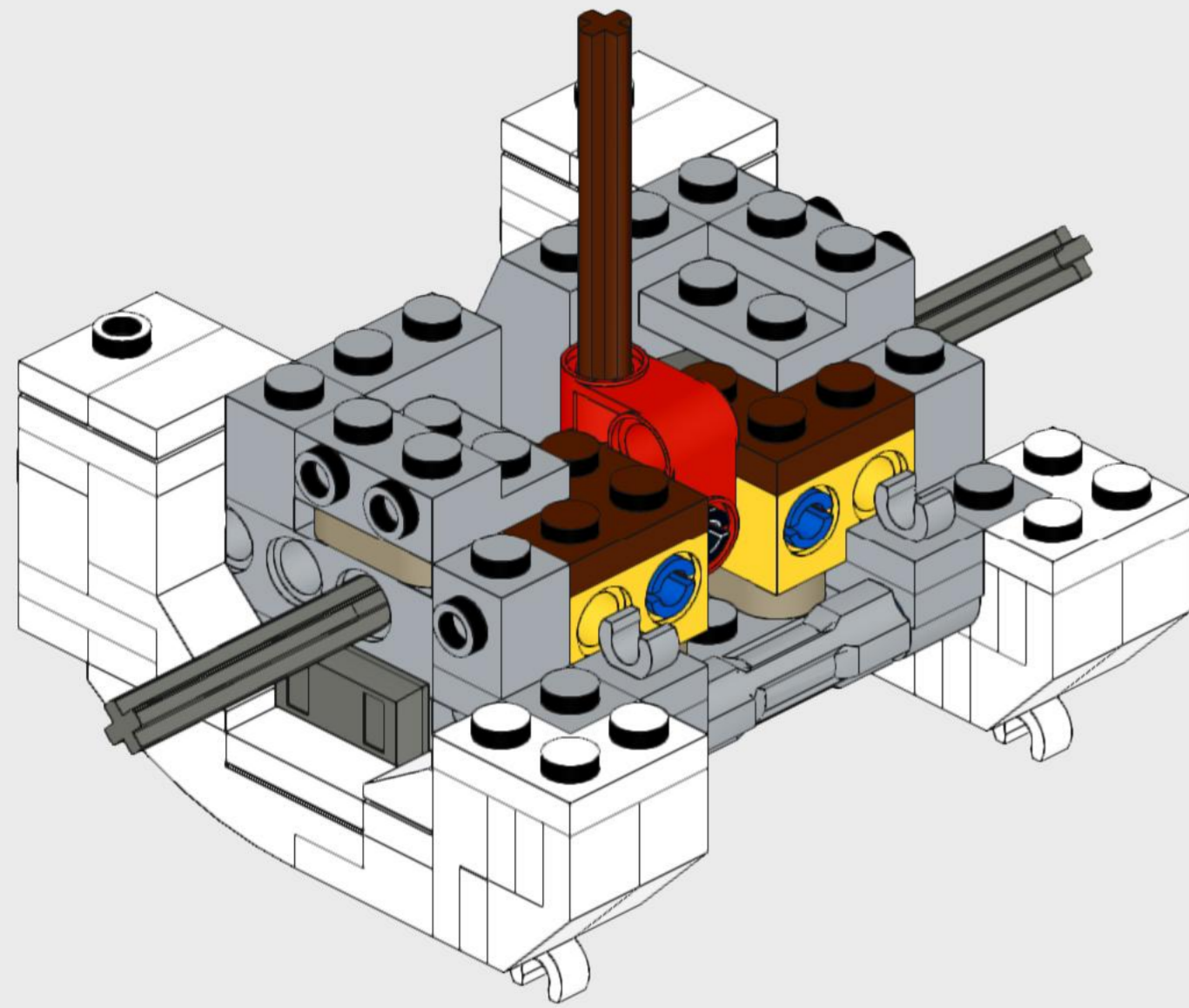


34

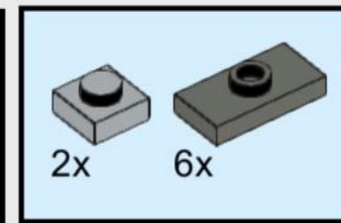
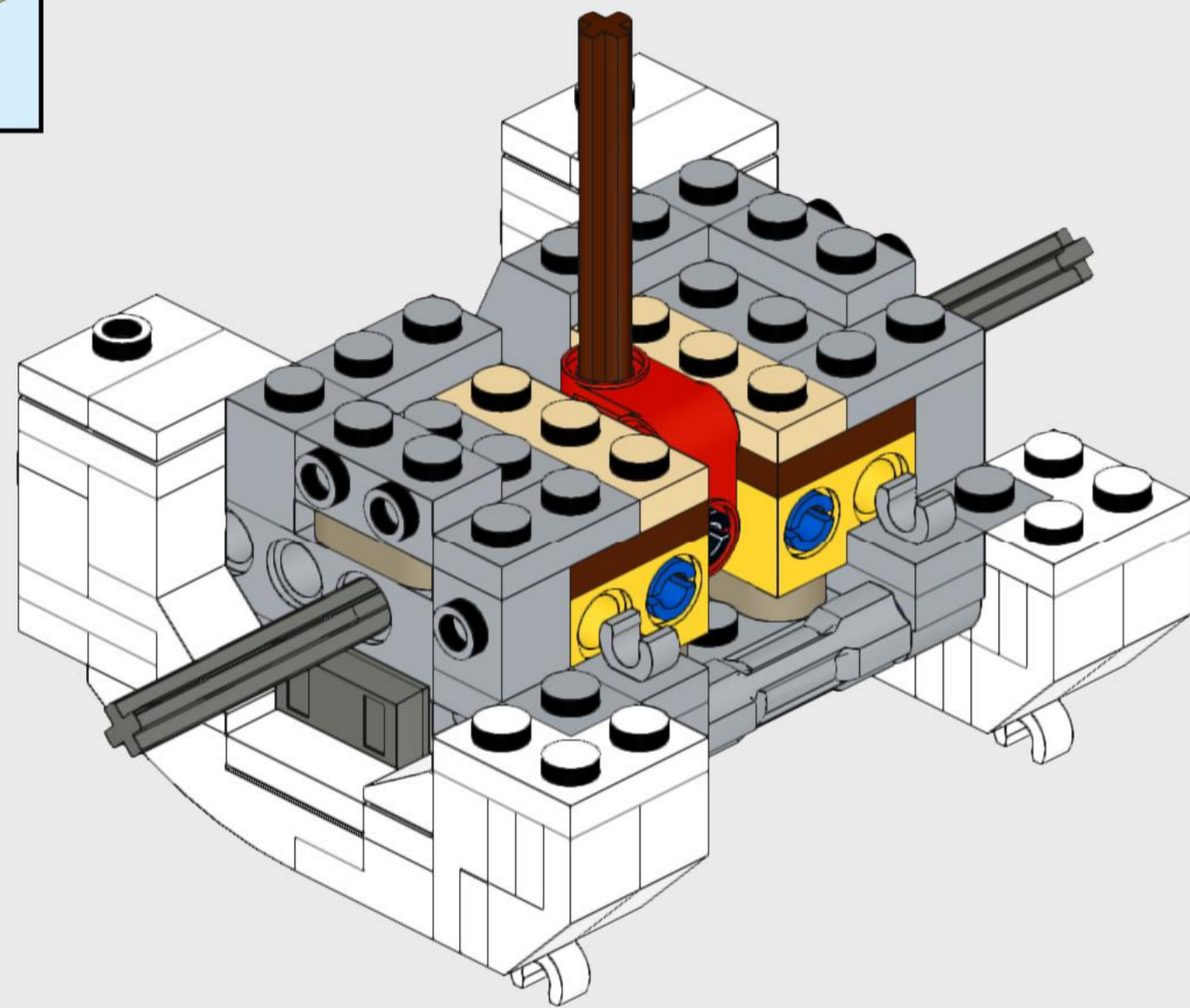




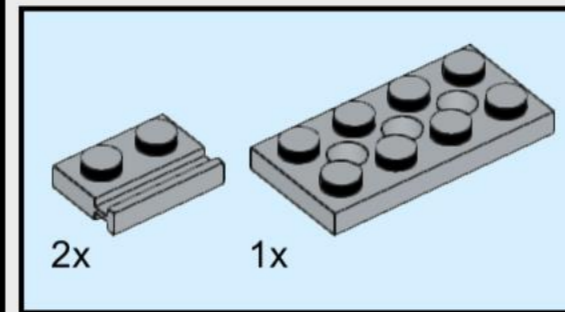
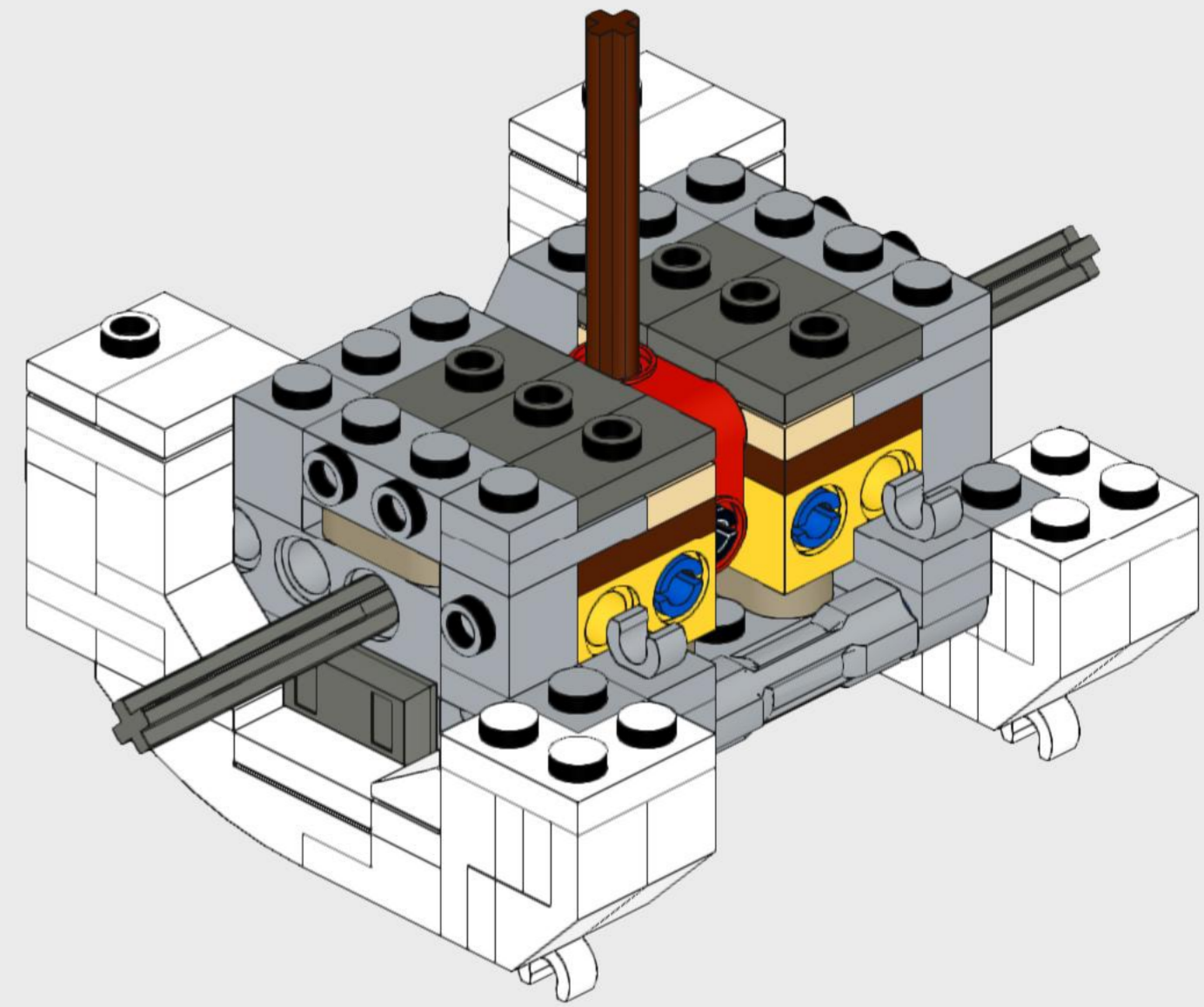
35



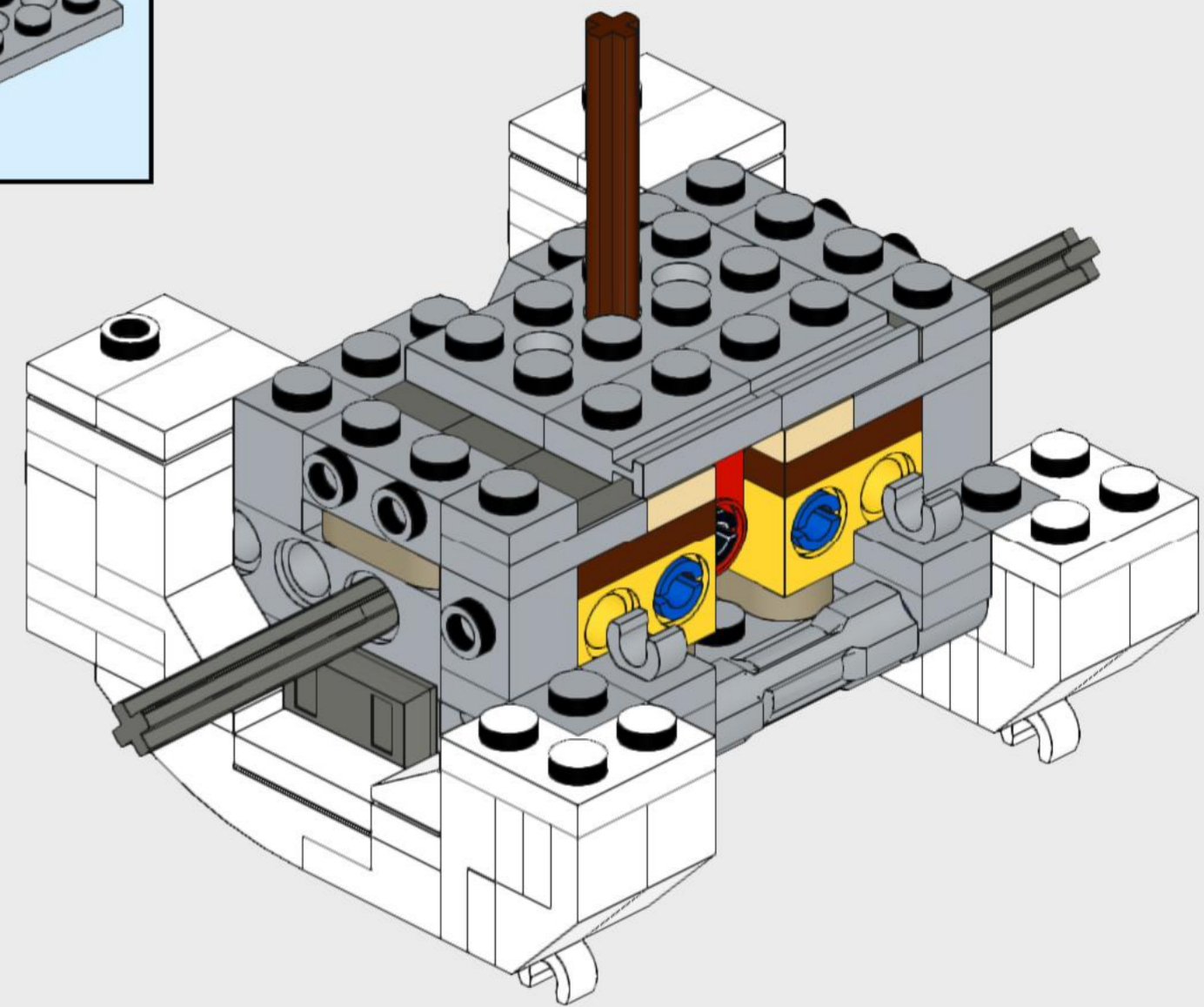
36

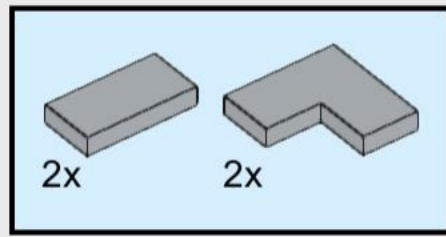


37

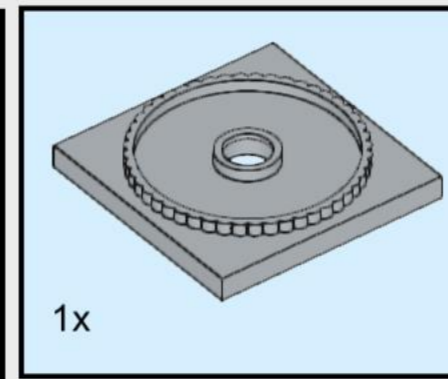
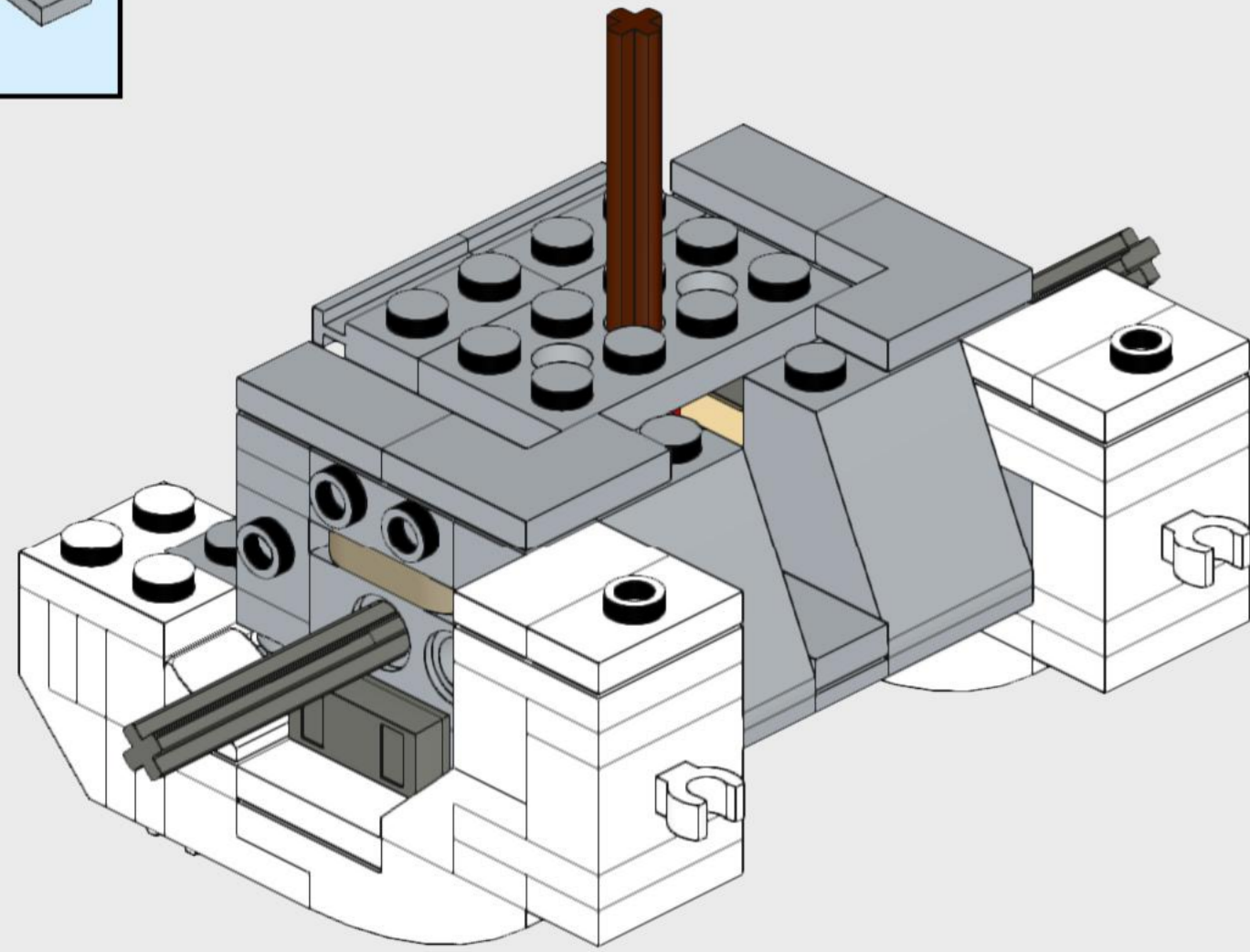


38

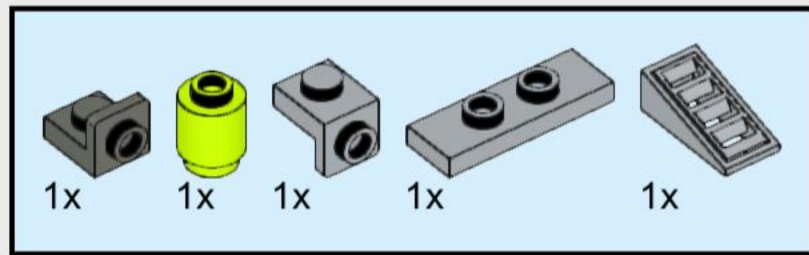
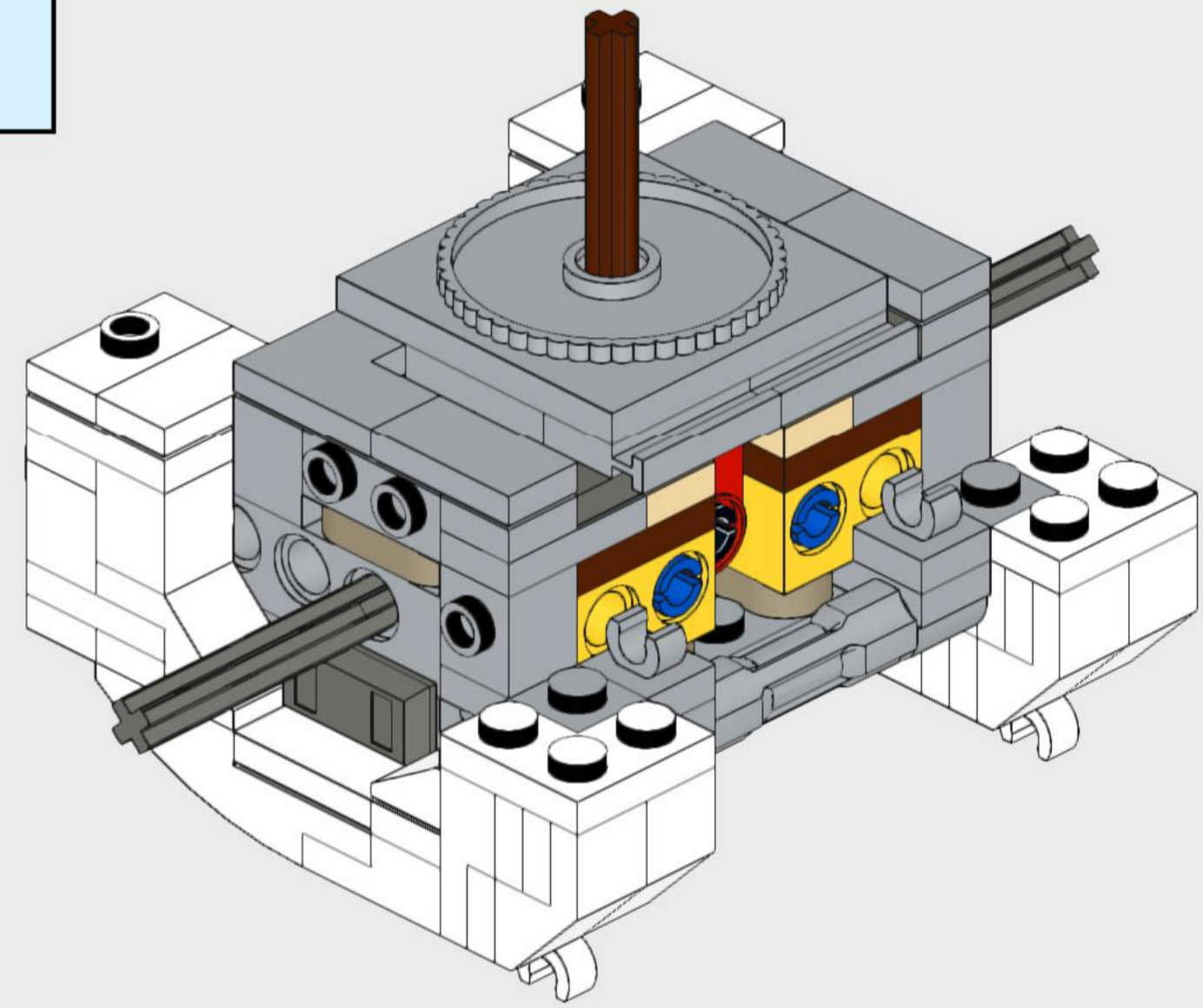




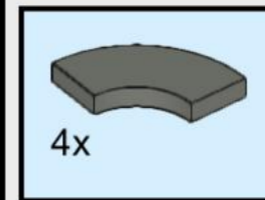
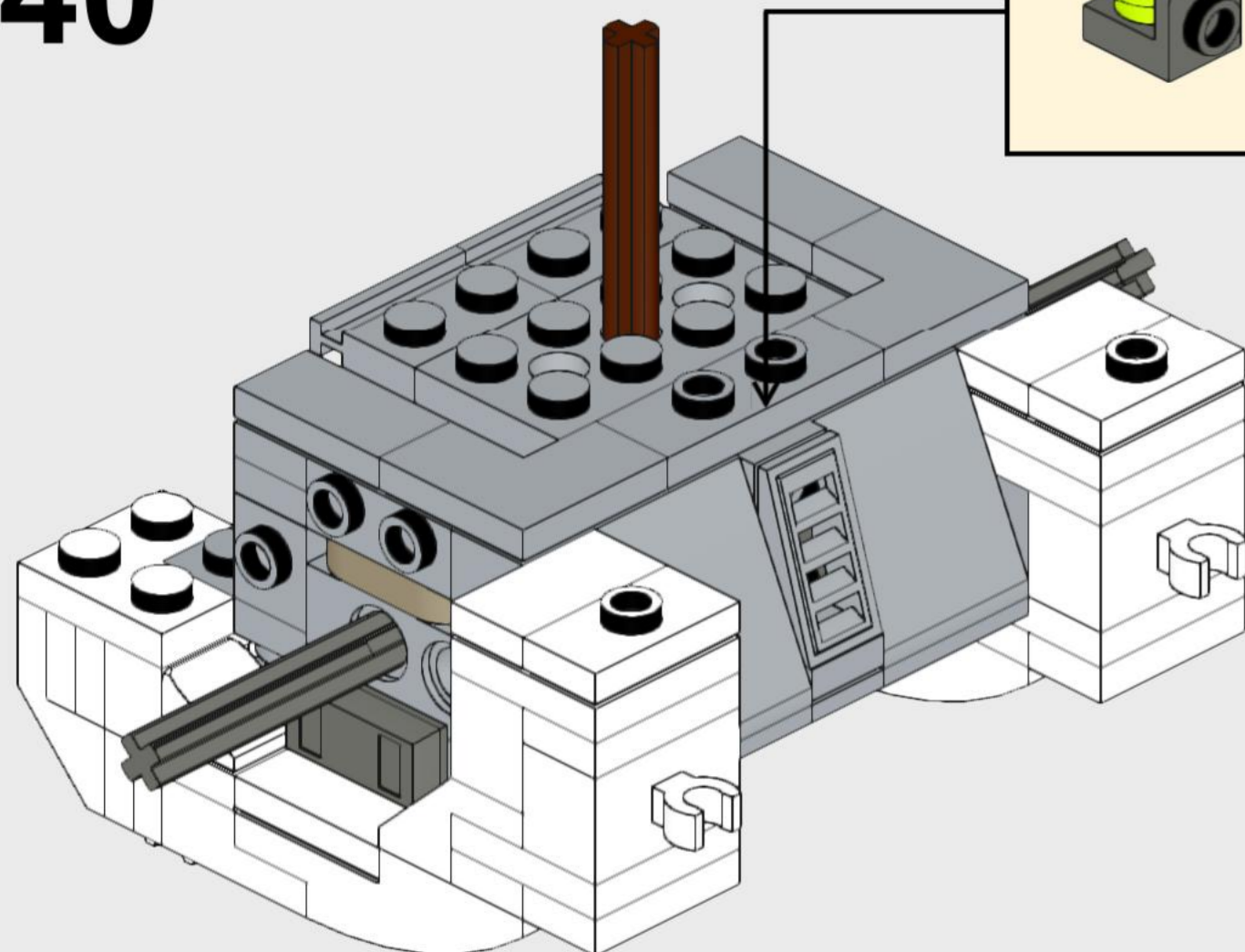
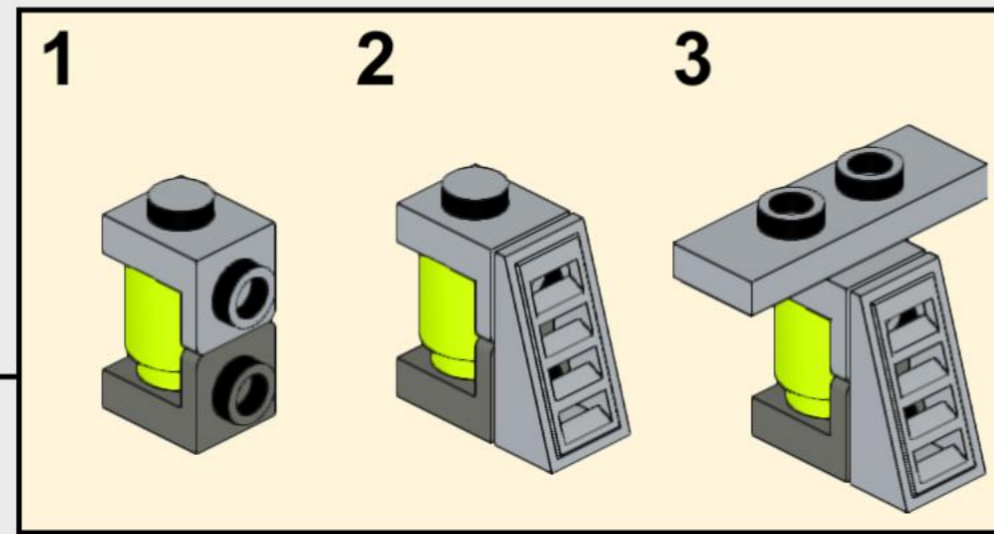
39



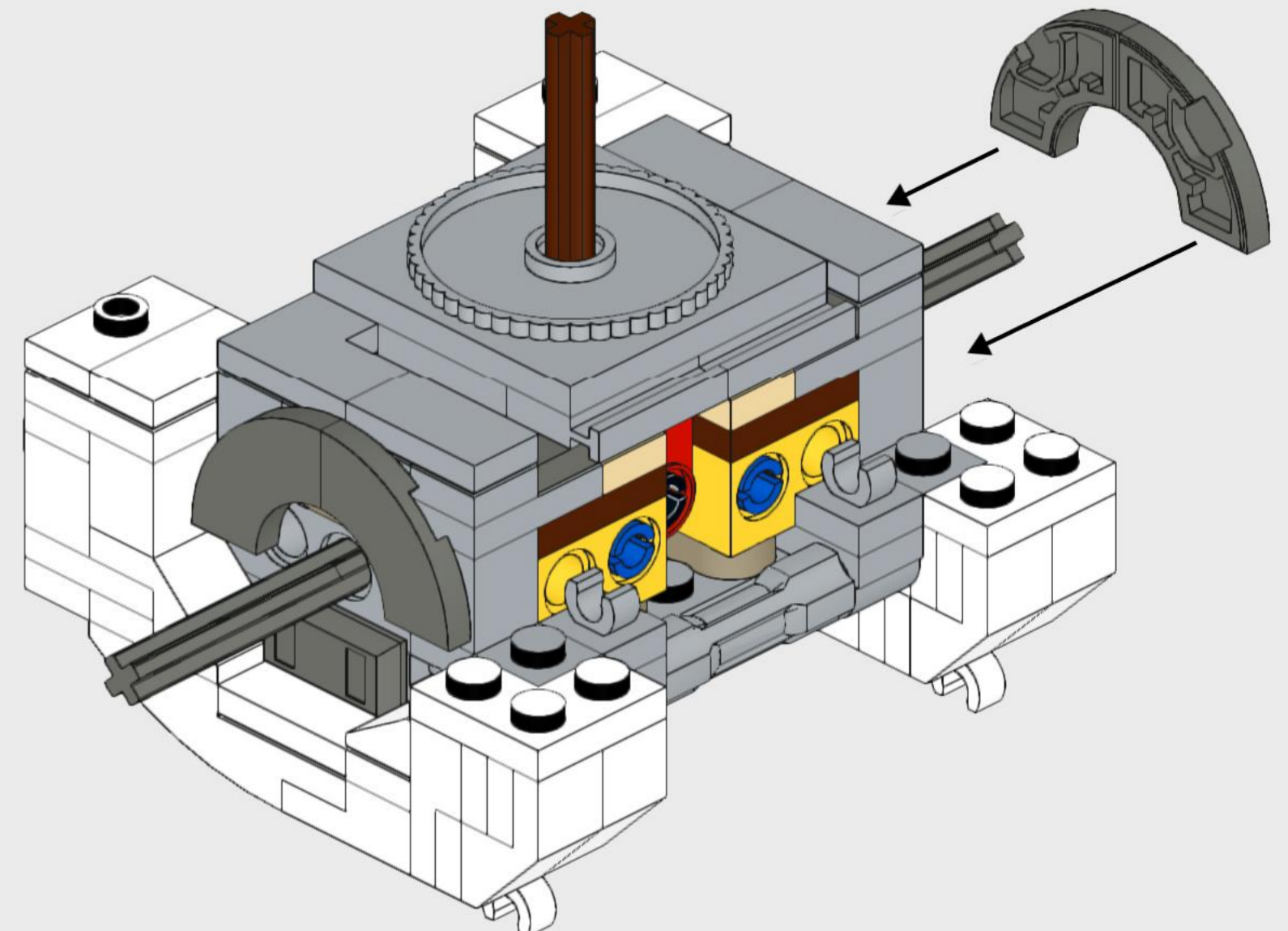
41

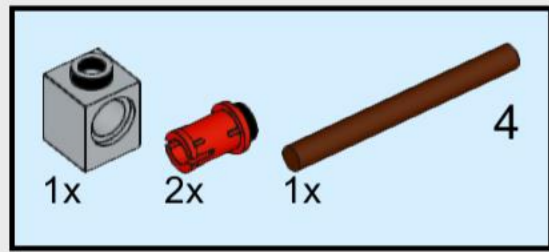


40

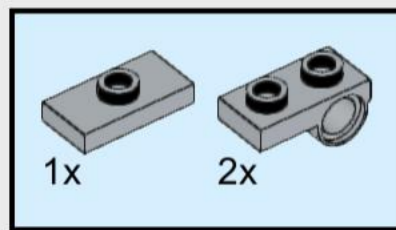
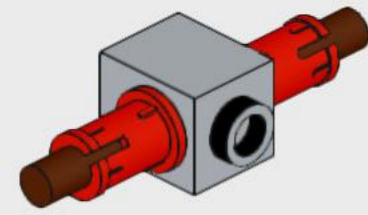


42

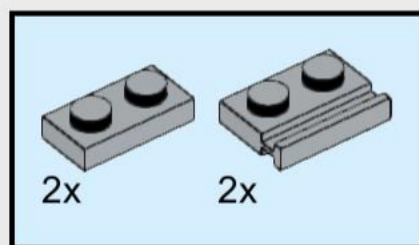
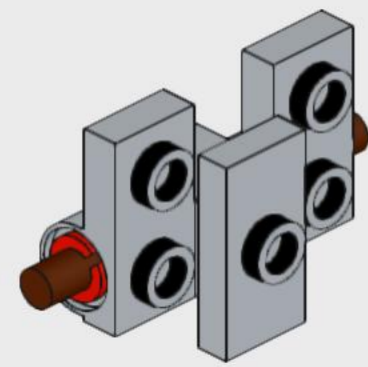




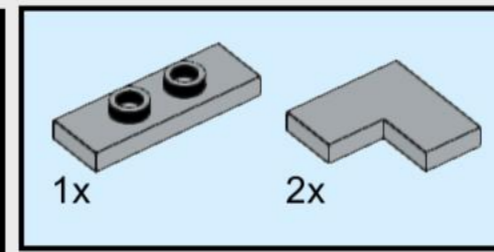
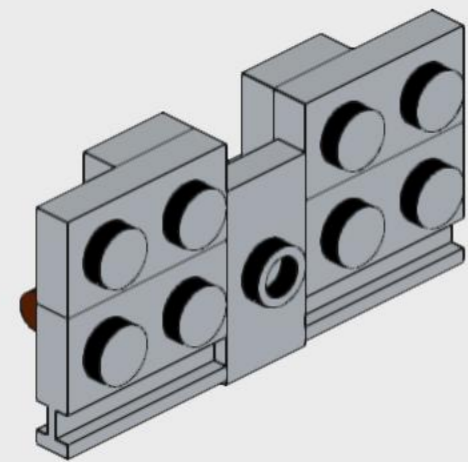
43



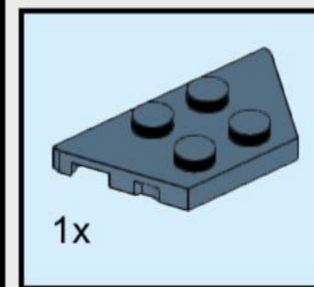
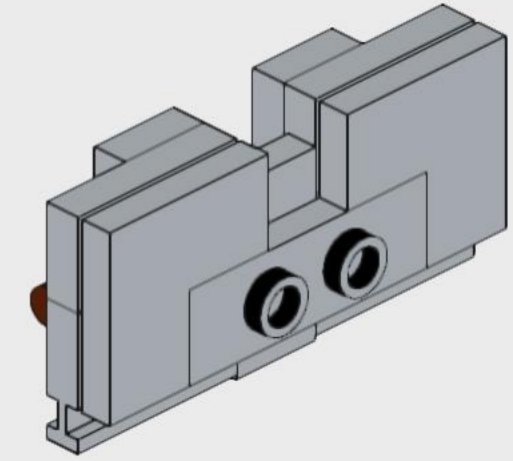
44



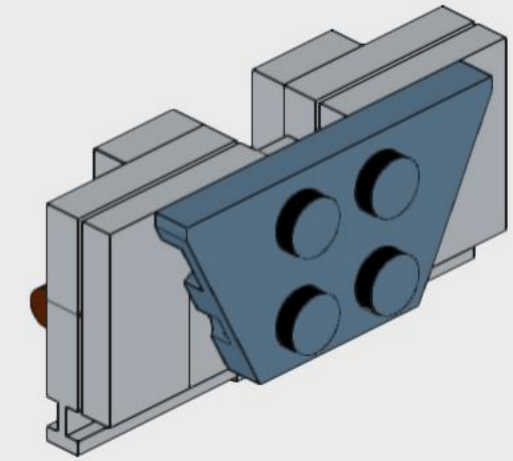
45



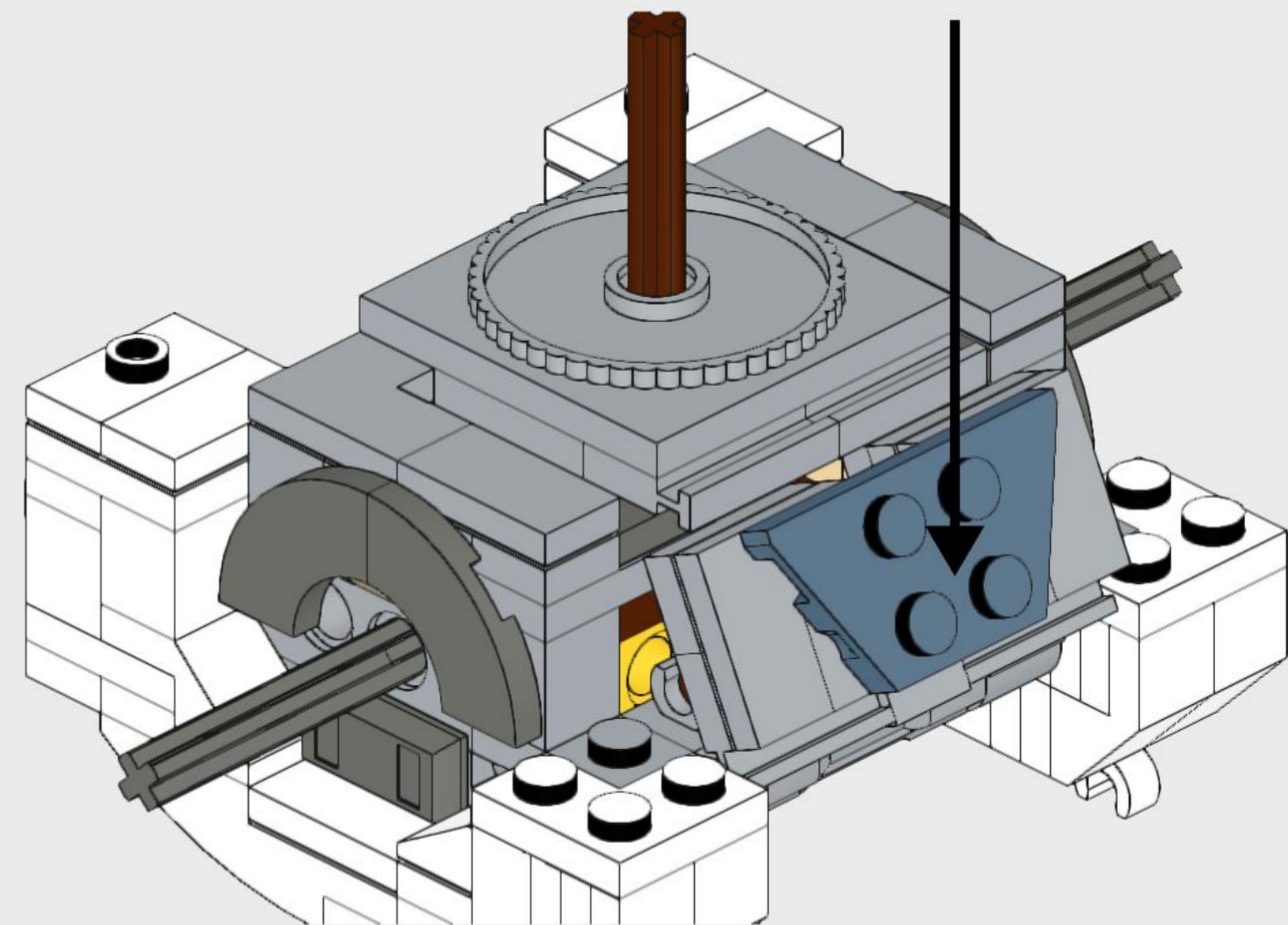
46

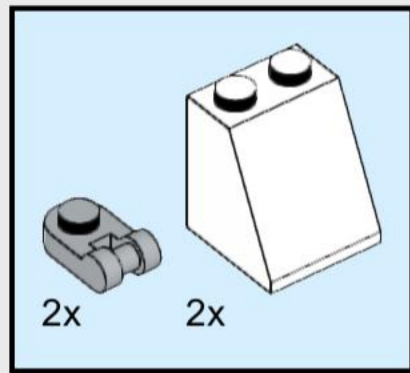


47

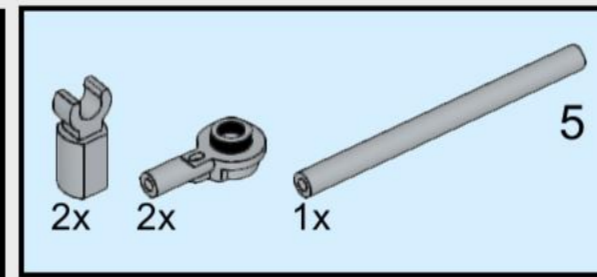
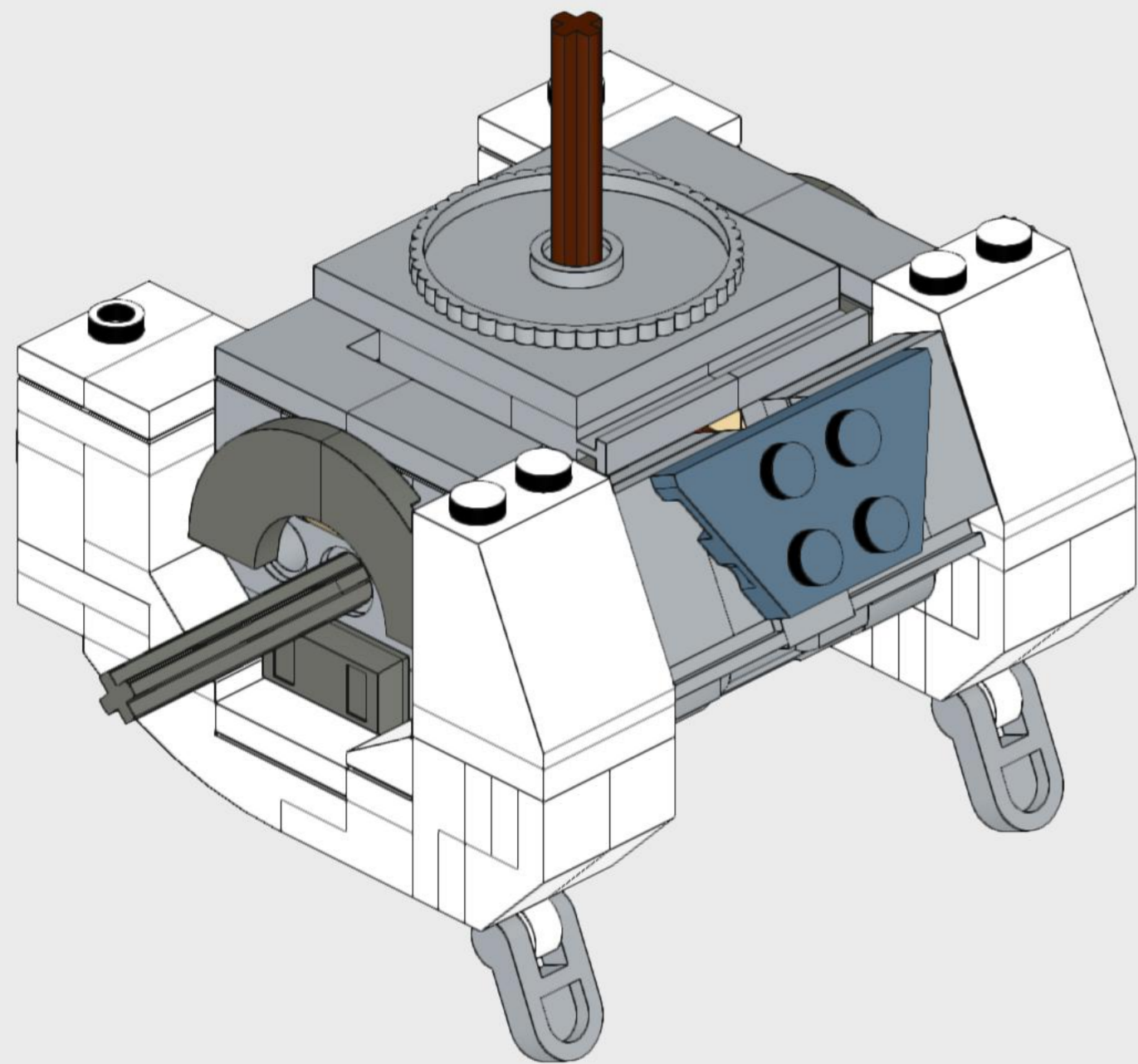


48

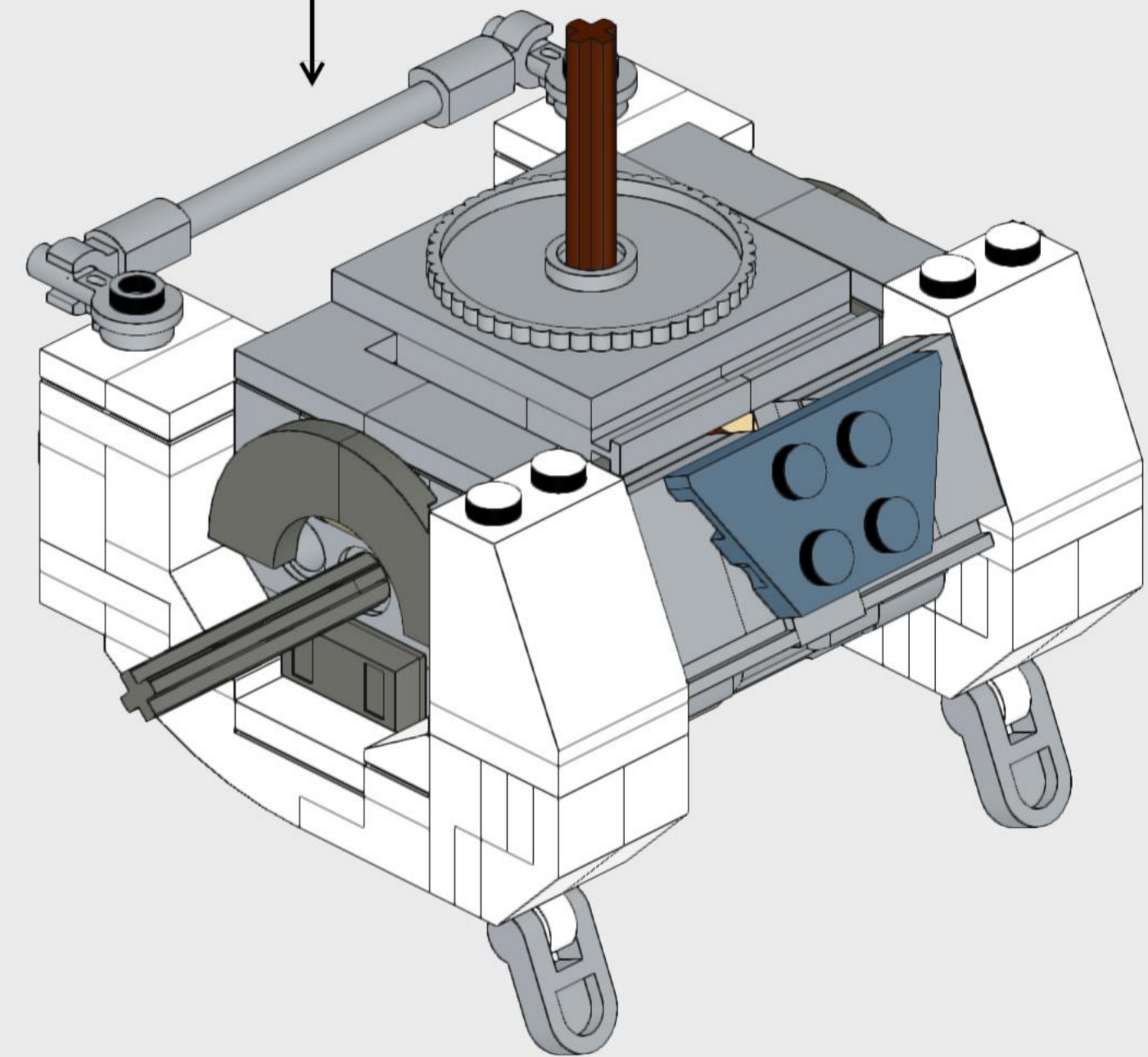
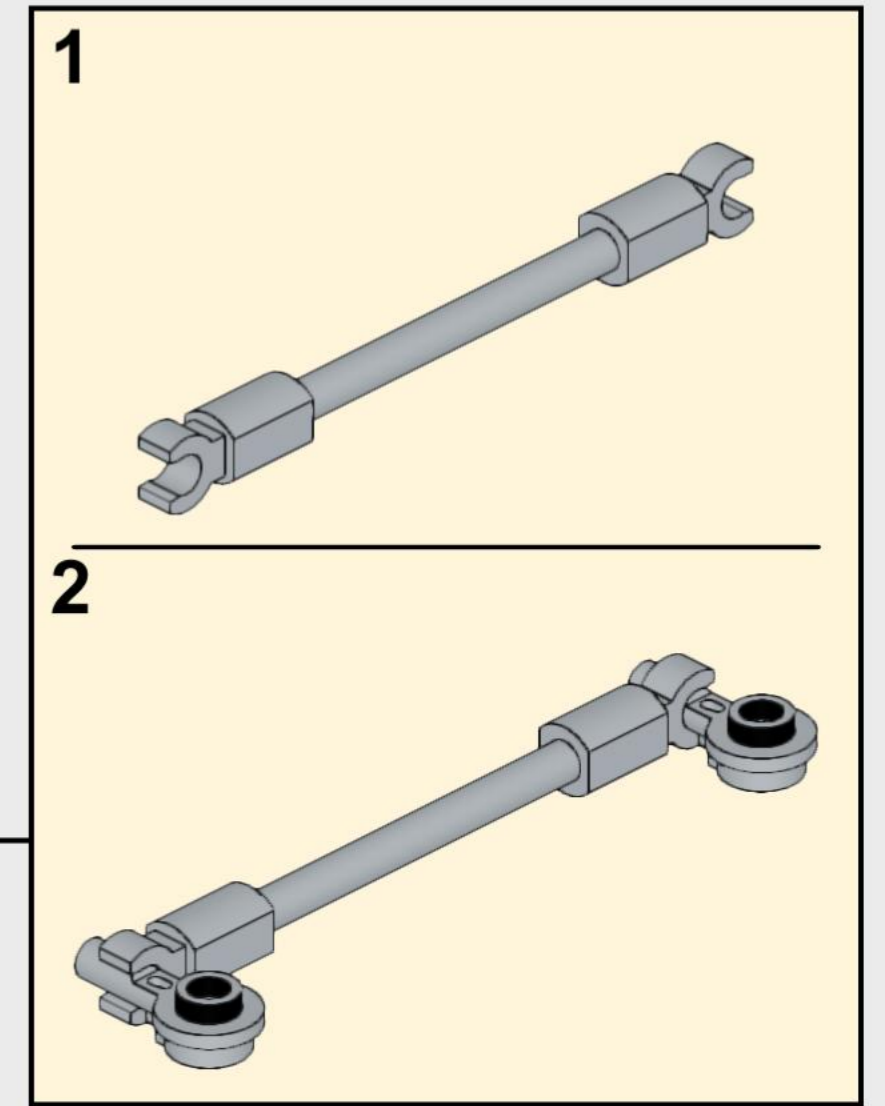




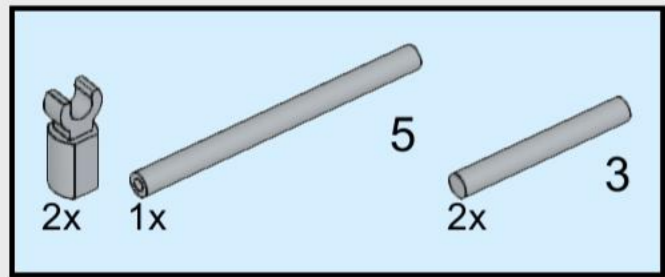
49



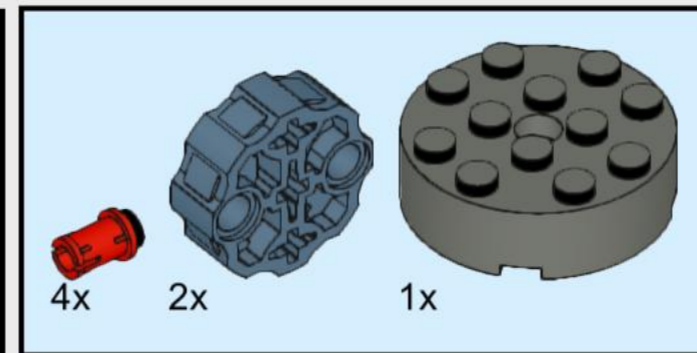
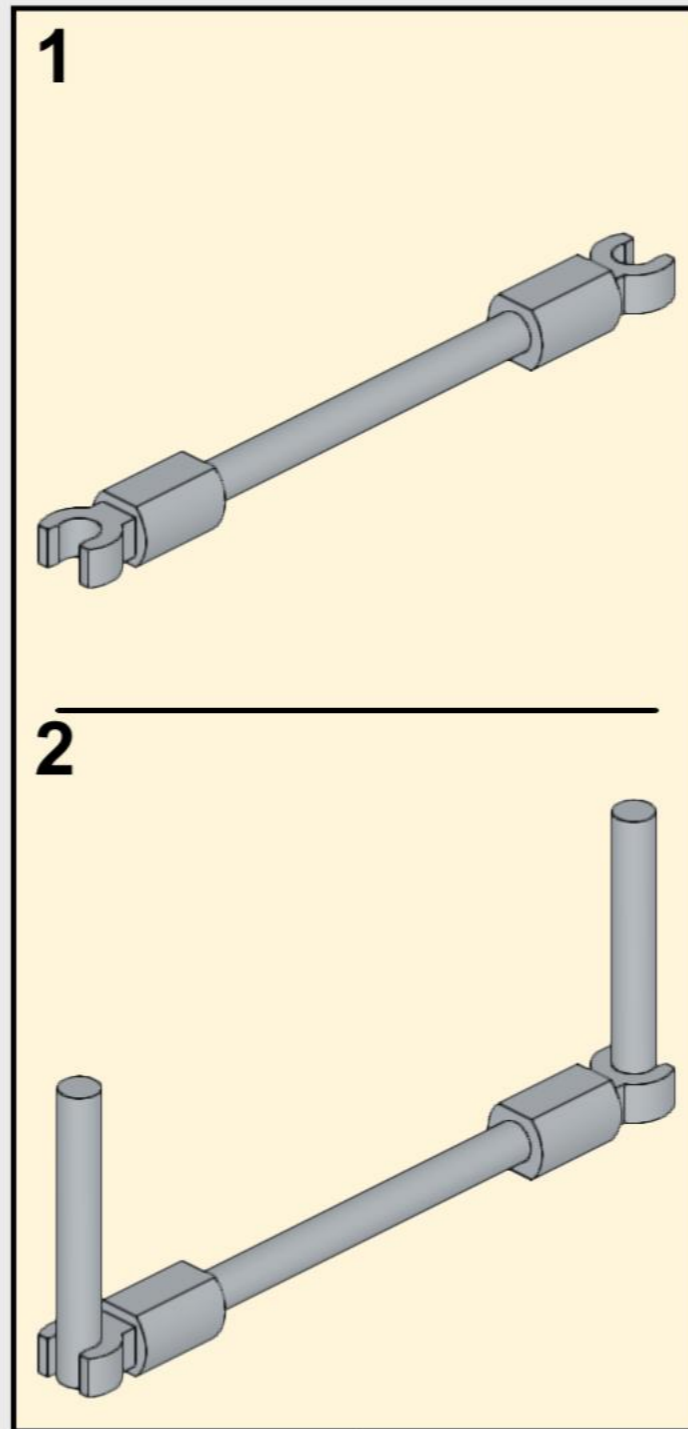
50



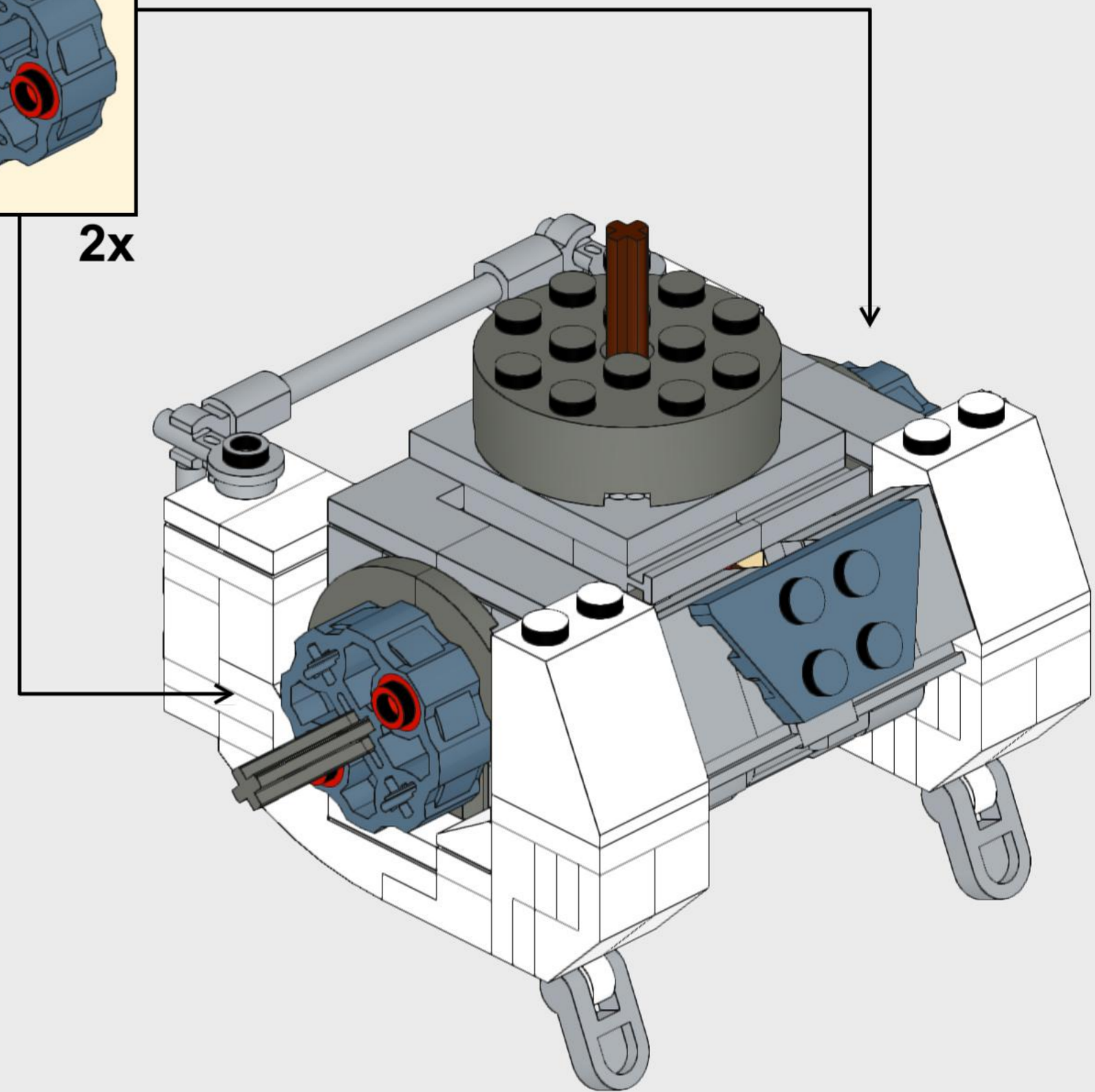
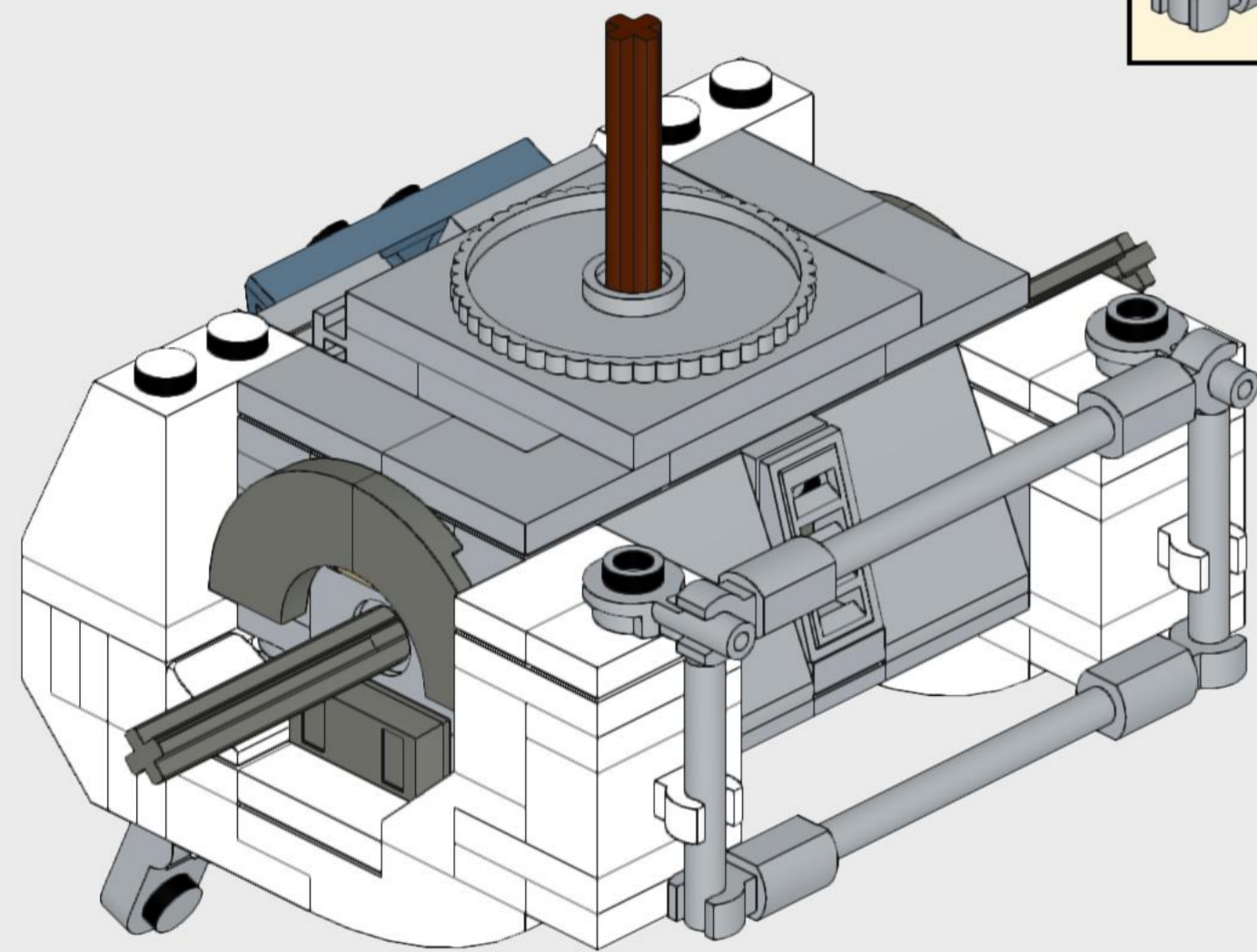
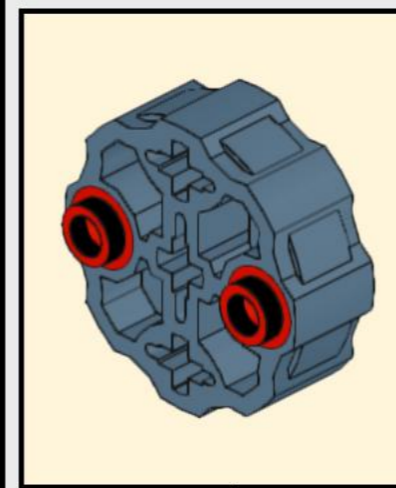
Note that hose needs to be cut to correct length of five studs using a sharp cutting tool such as a razor blade.

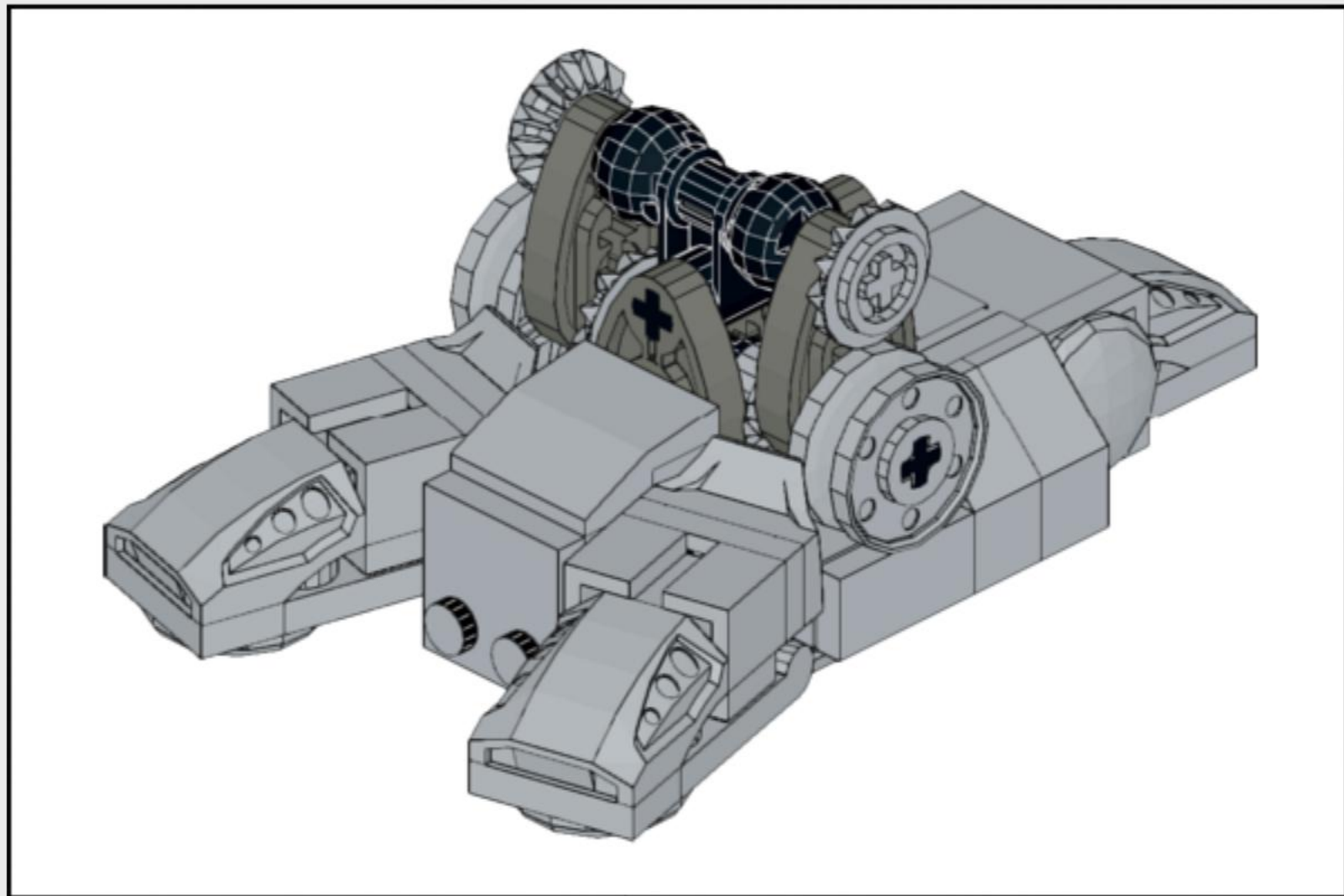


51

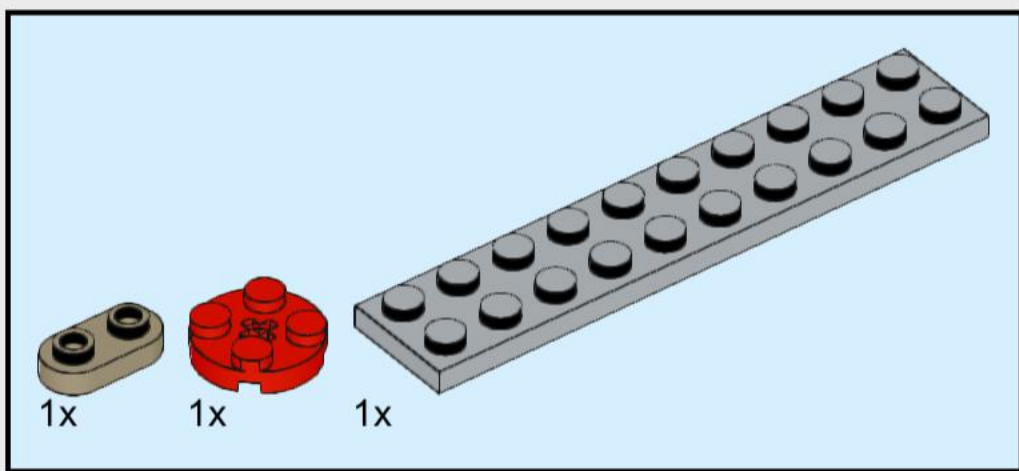


52

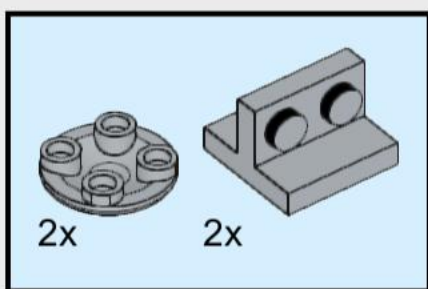
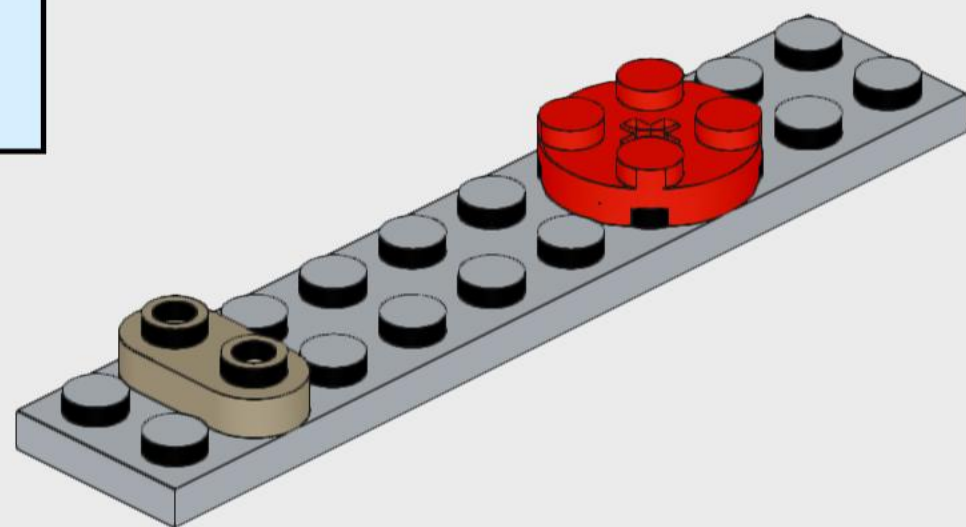




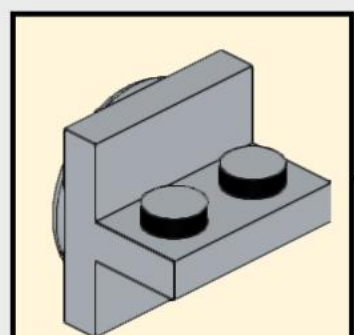
2x



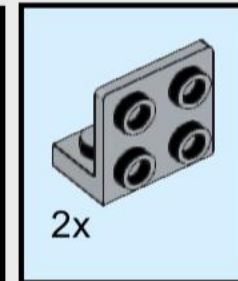
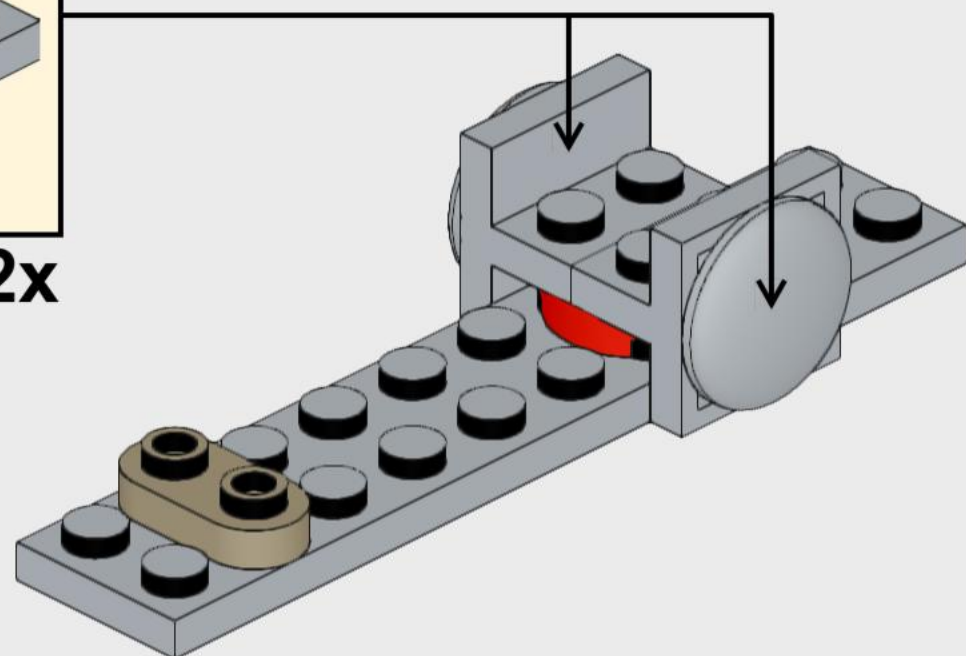
1



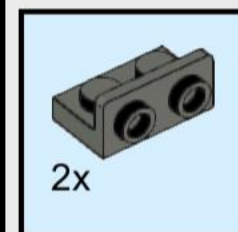
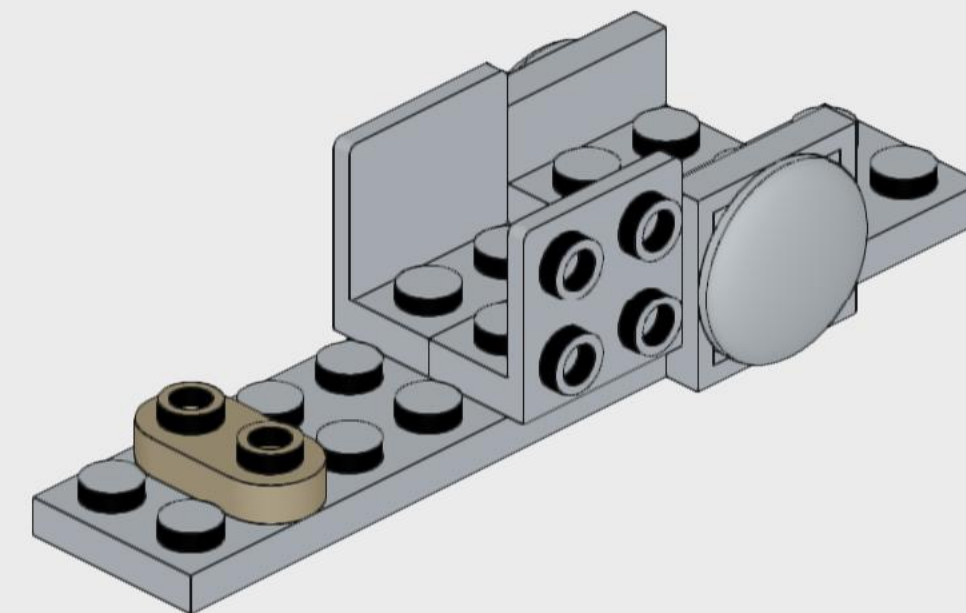
2



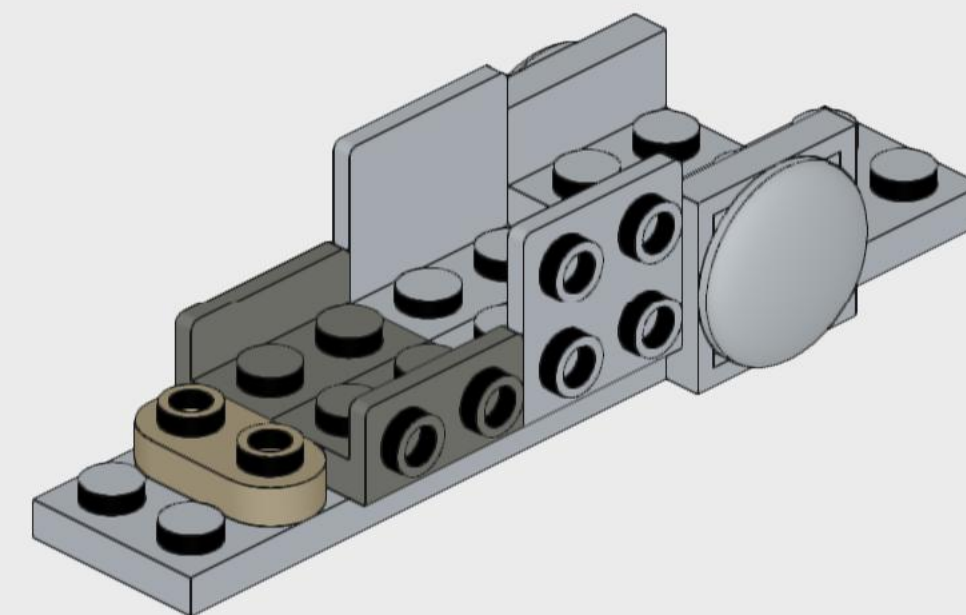
2x

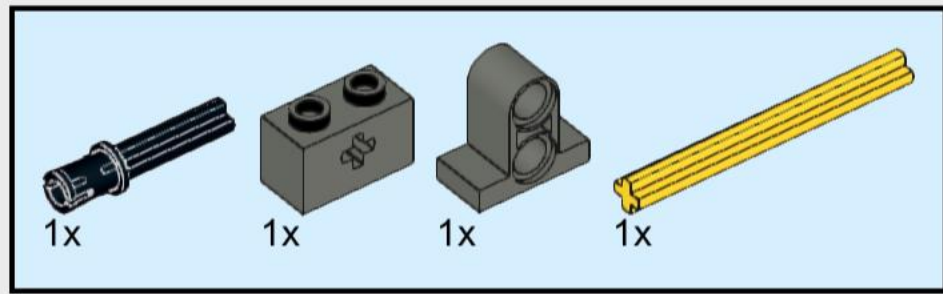


3

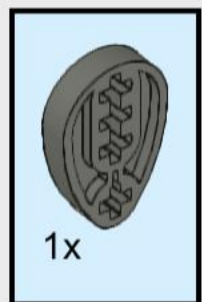
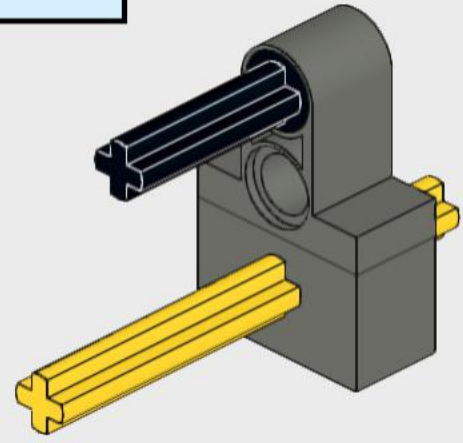


4

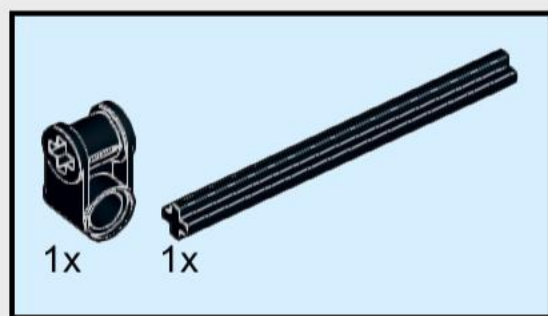
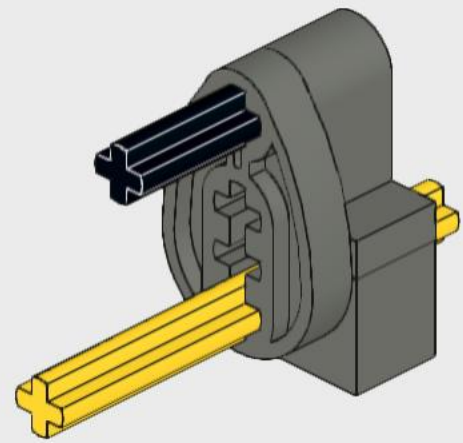




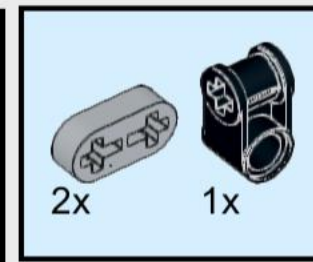
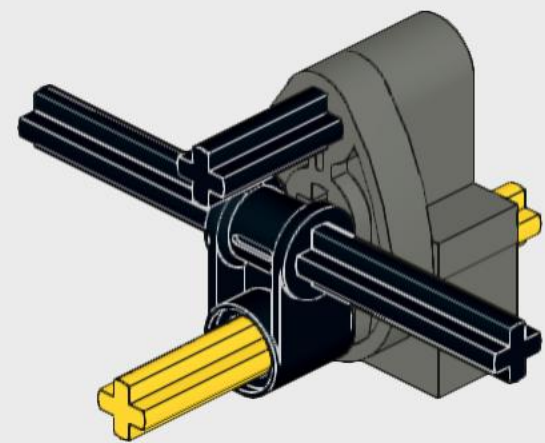
5



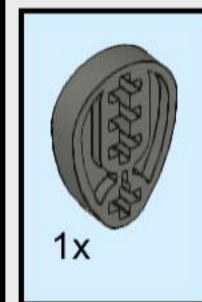
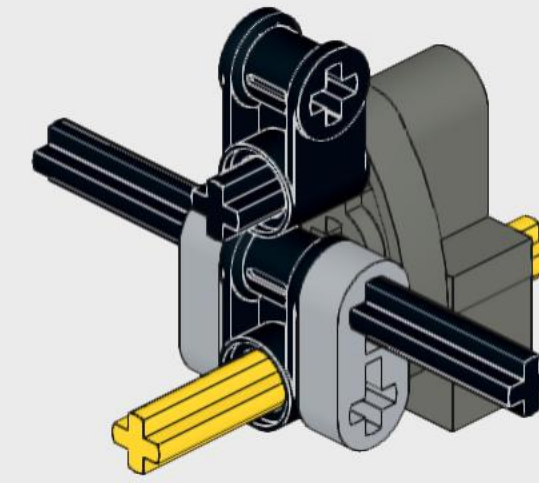
6



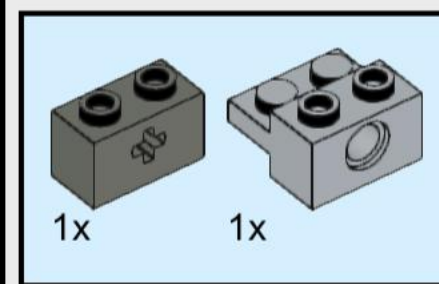
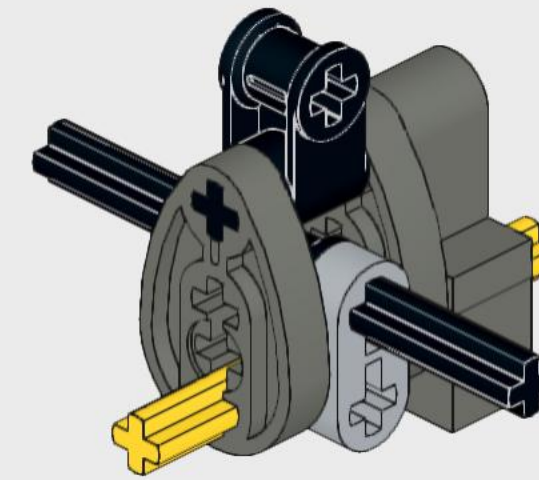
7



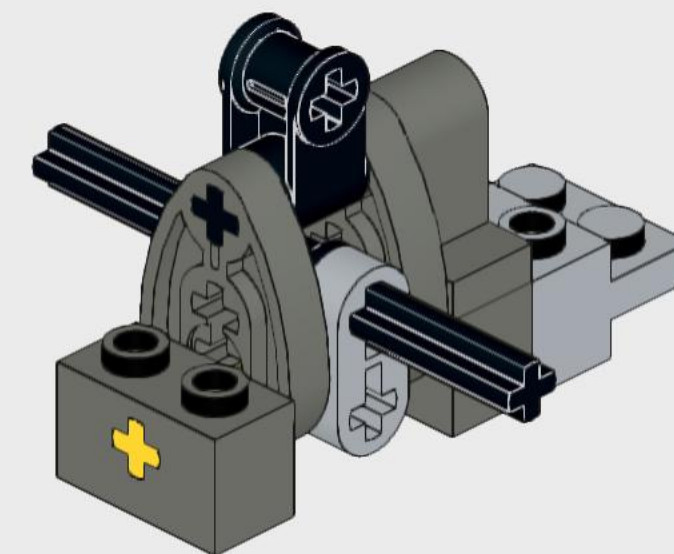
8



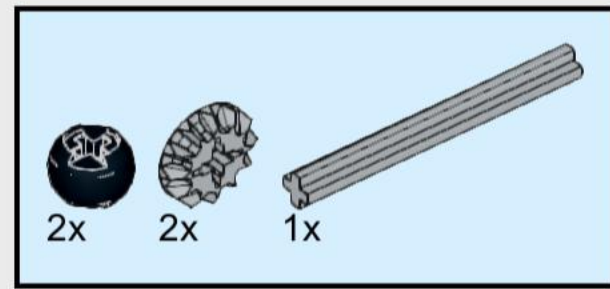
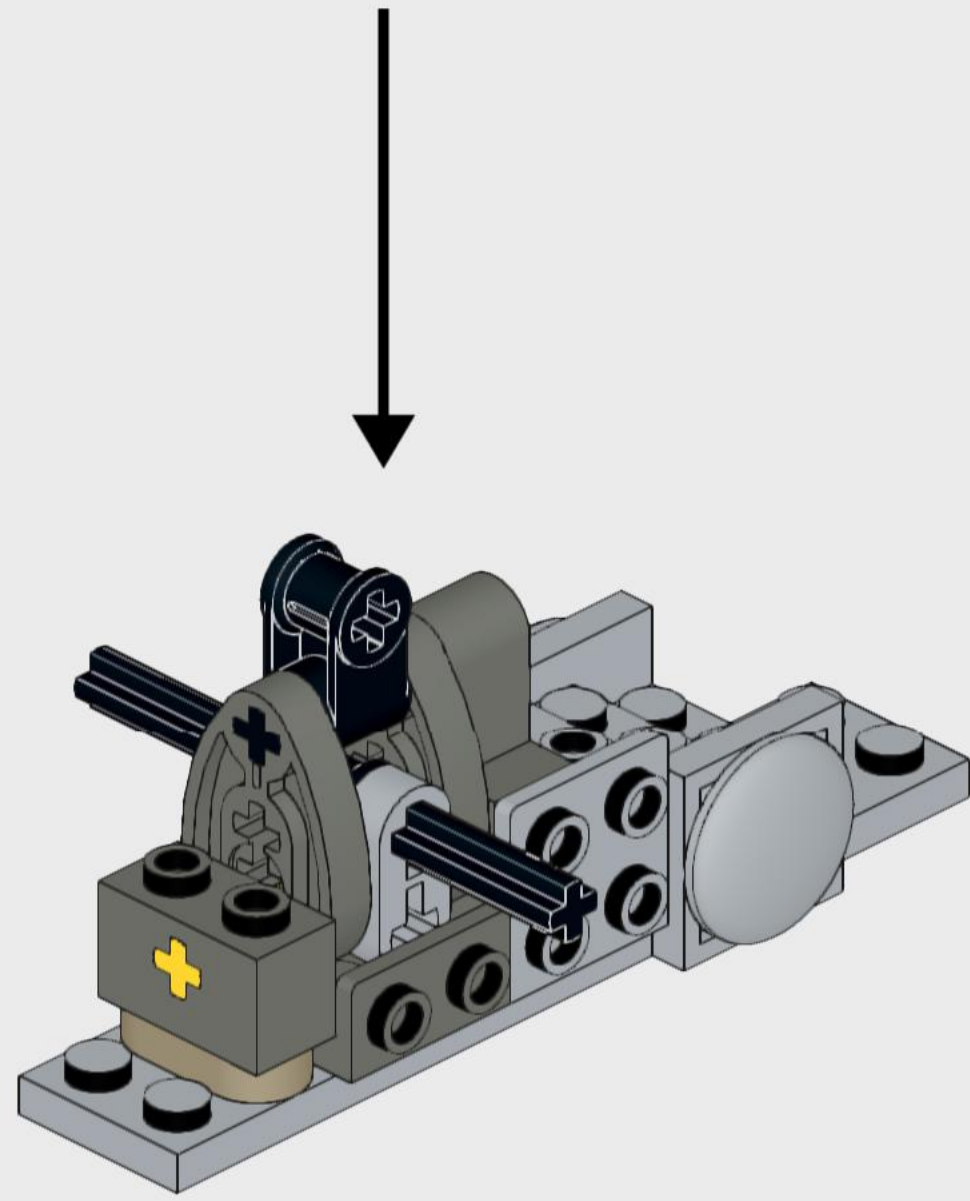
9



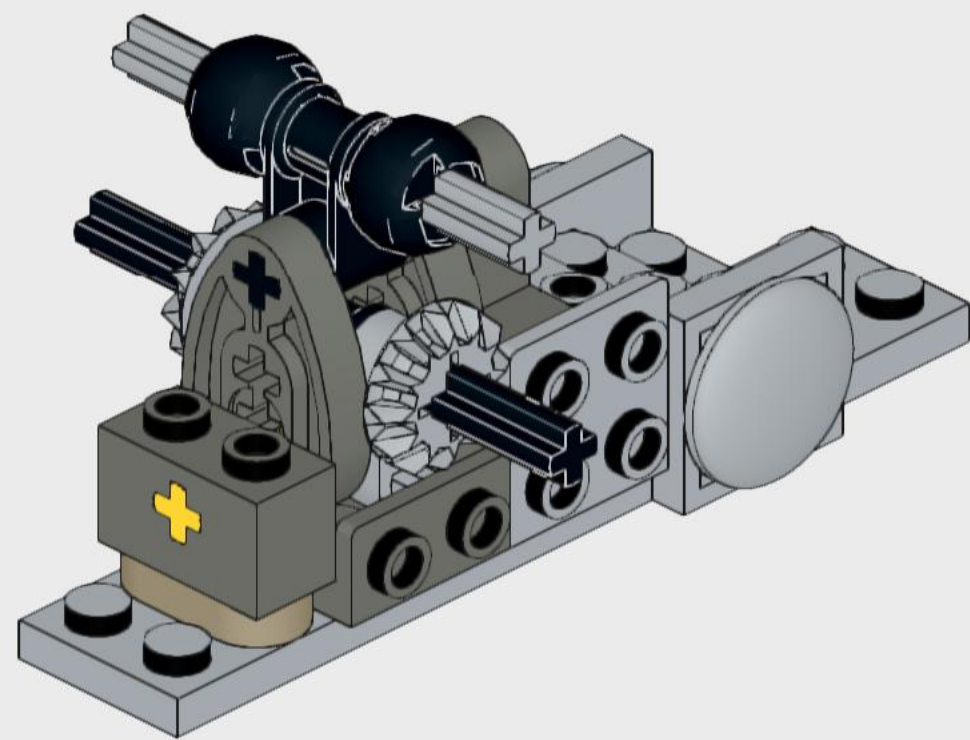
10



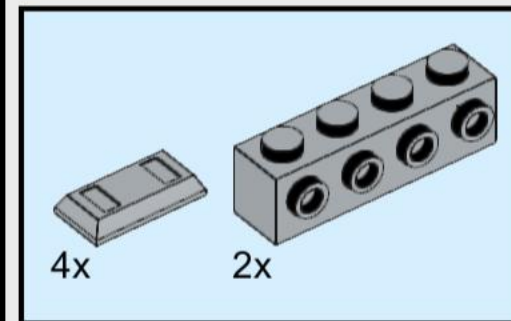
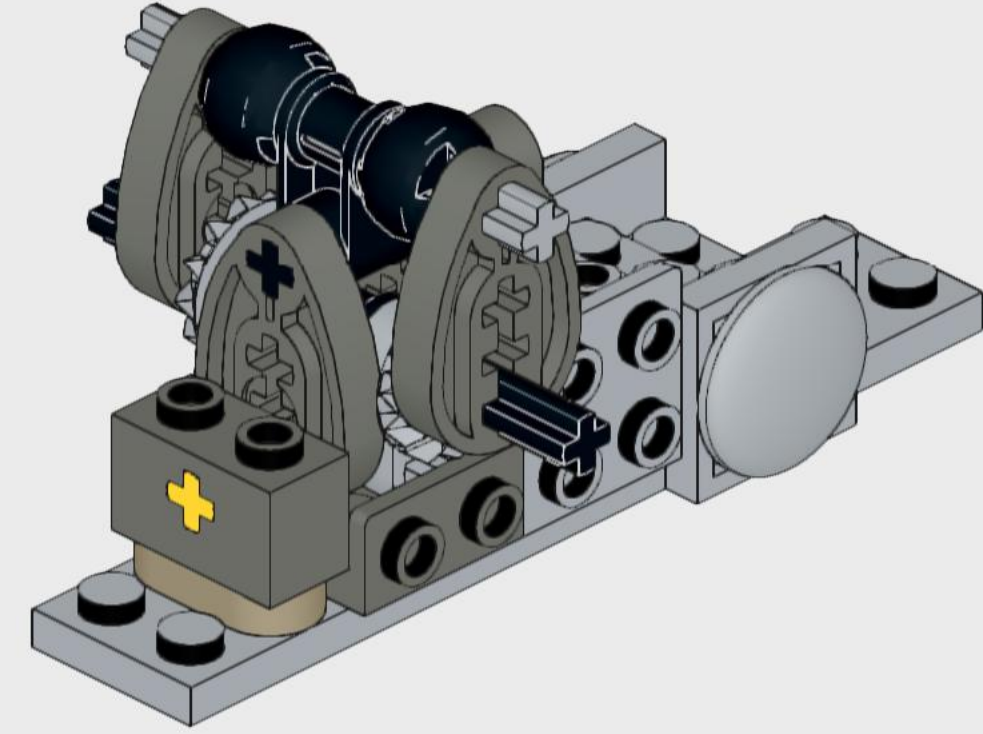
11



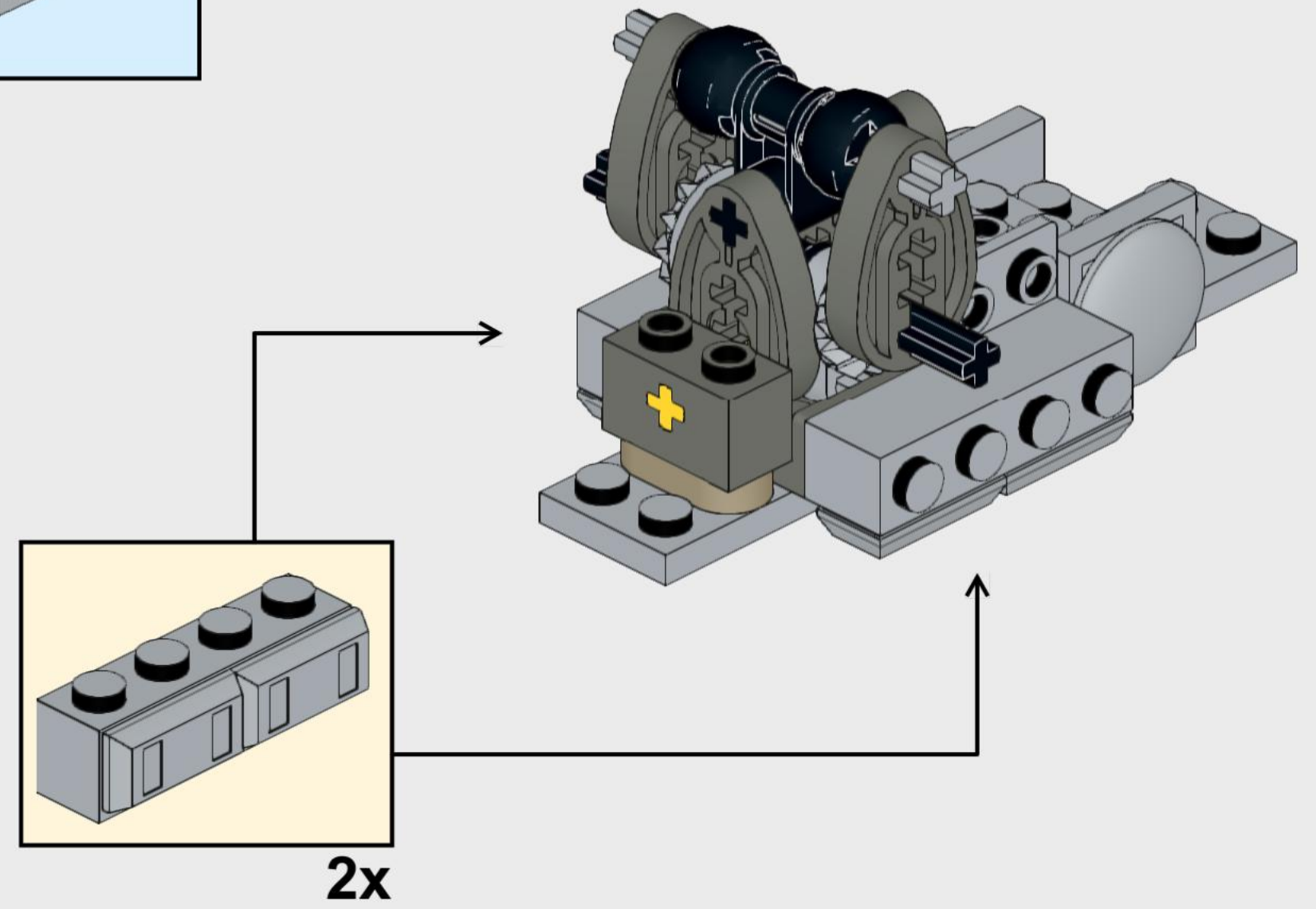
12

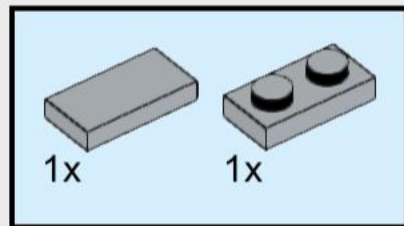


13

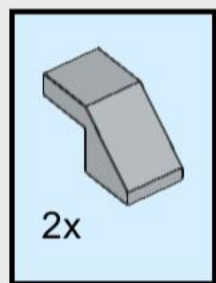
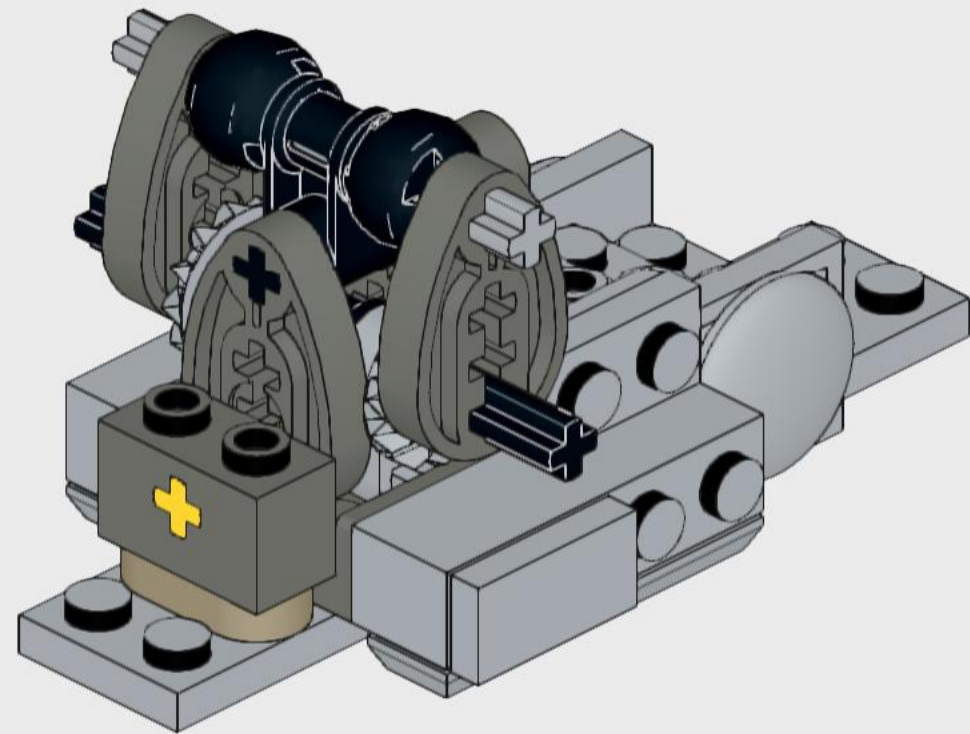


14

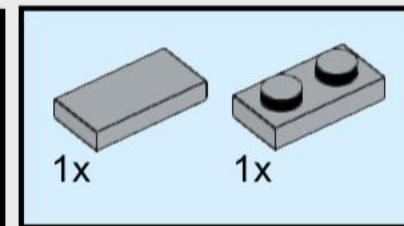
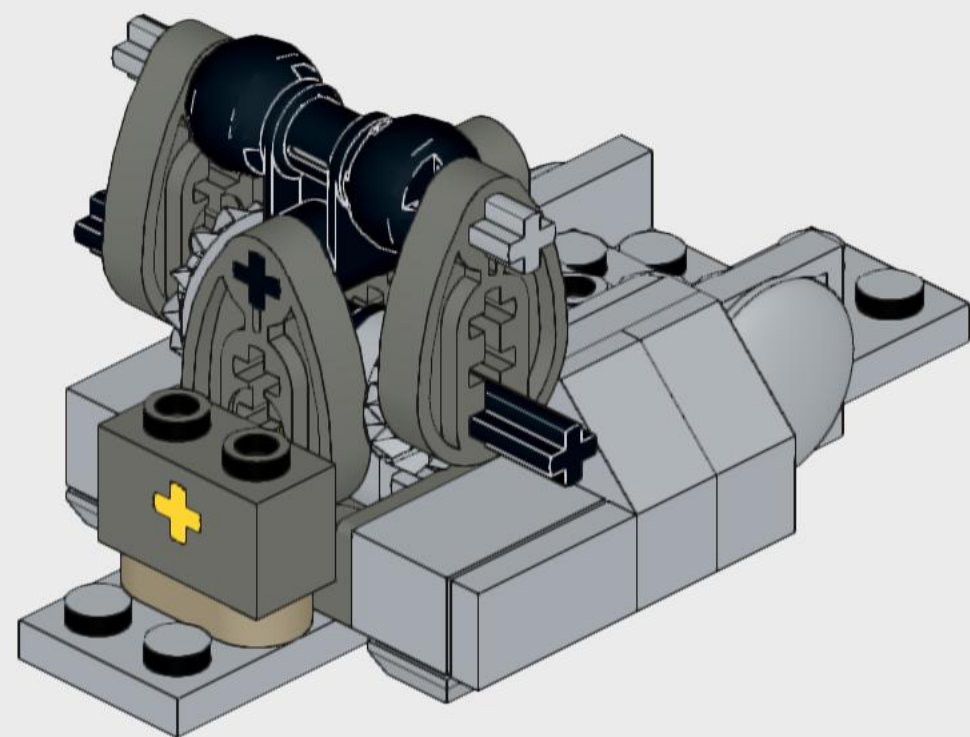




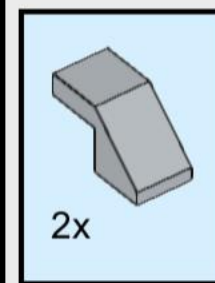
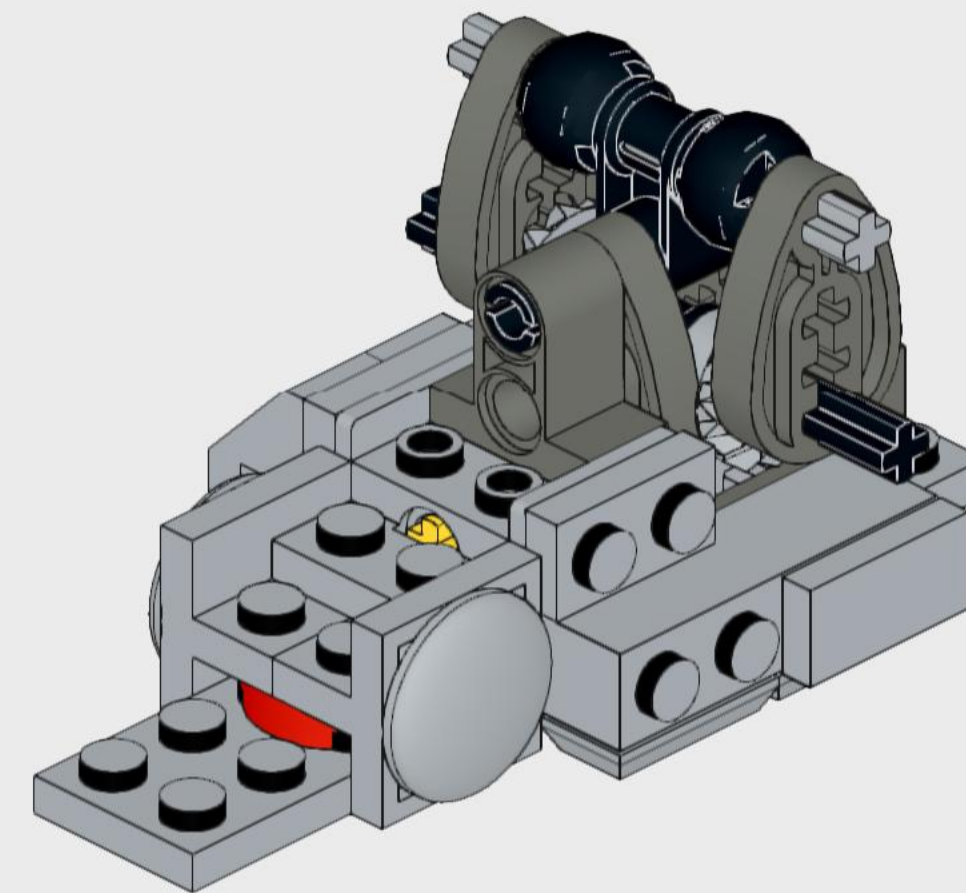
15



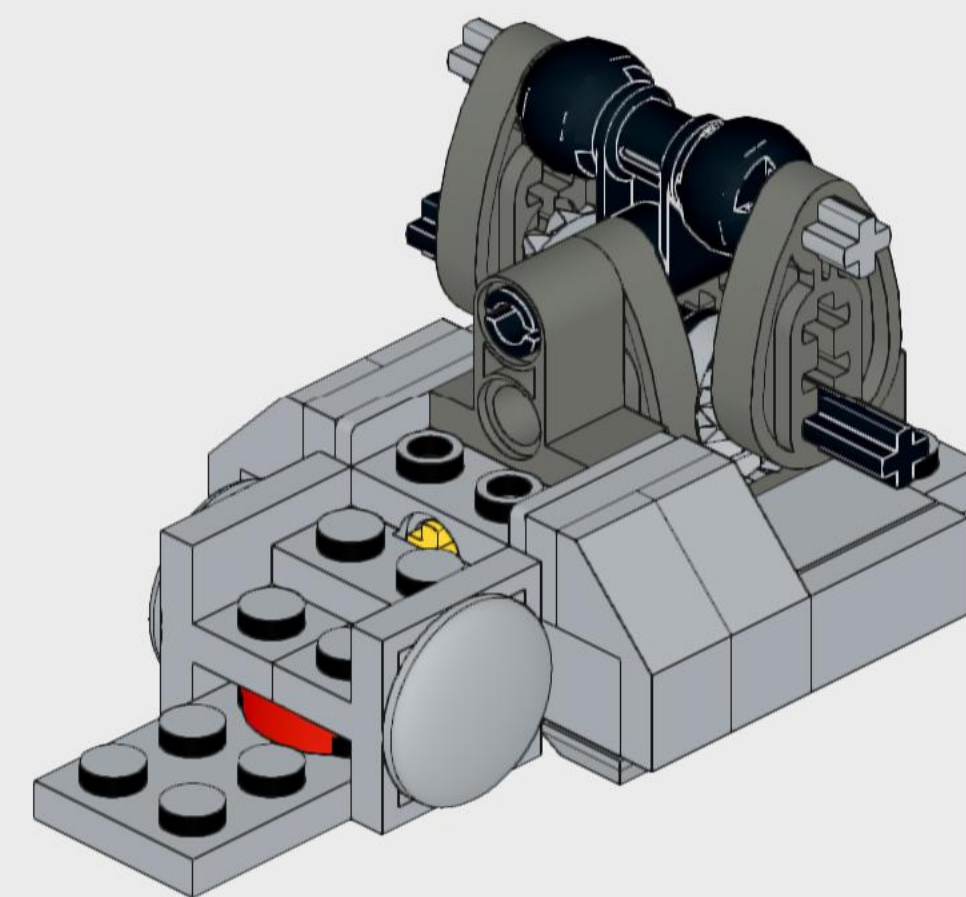
16

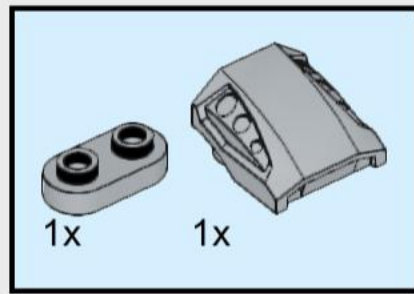


17

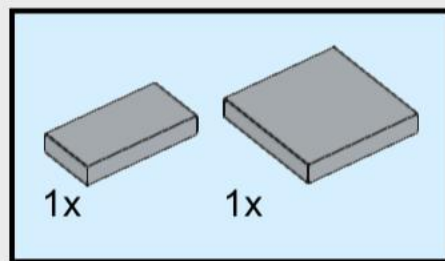
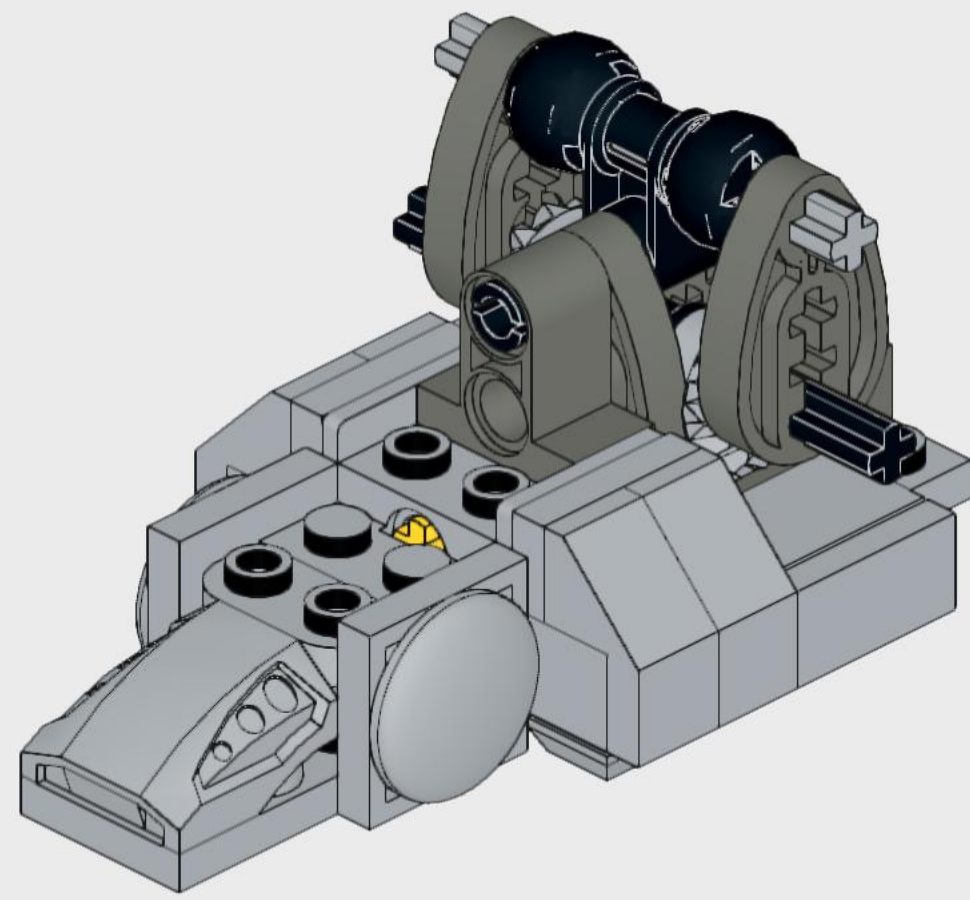


18

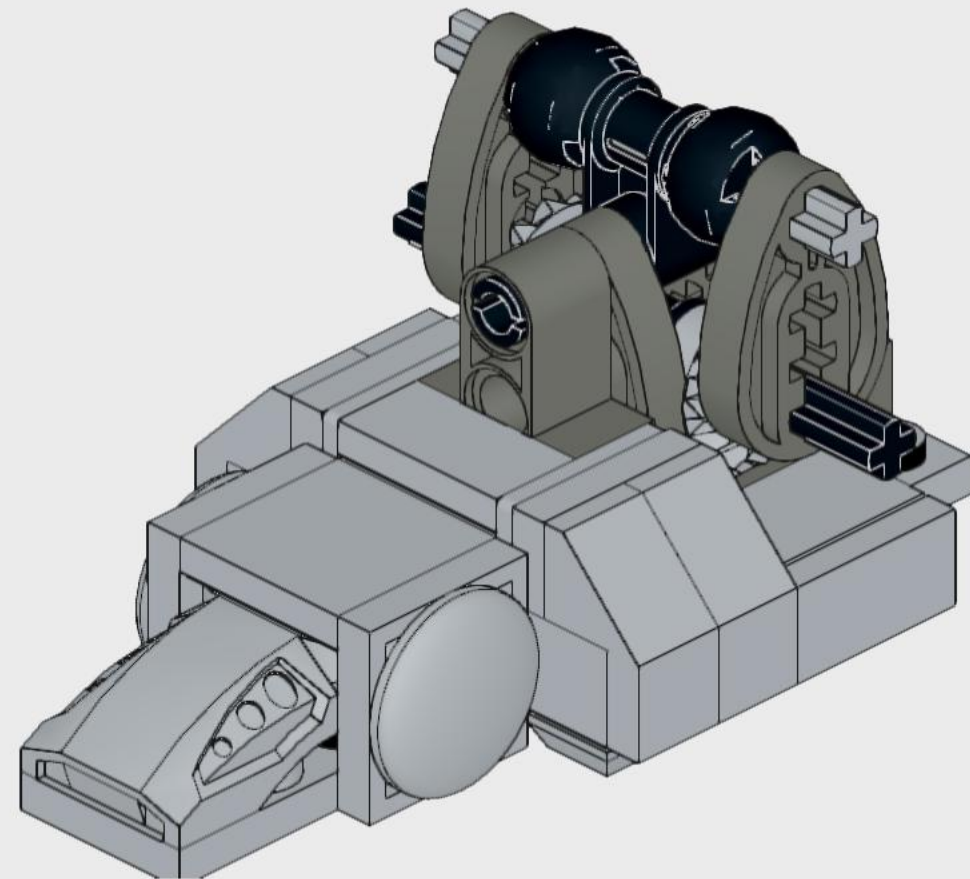




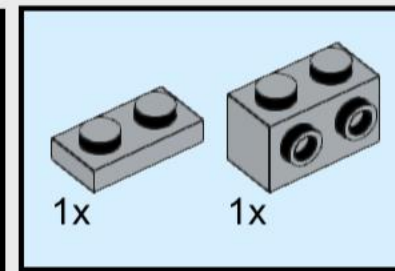
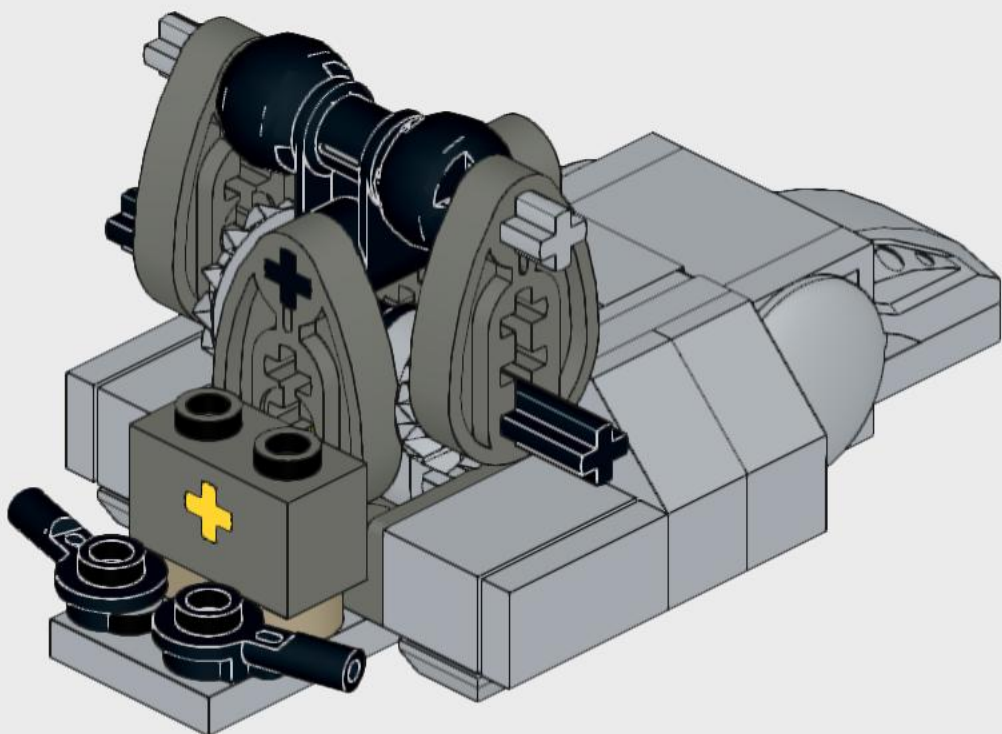
19



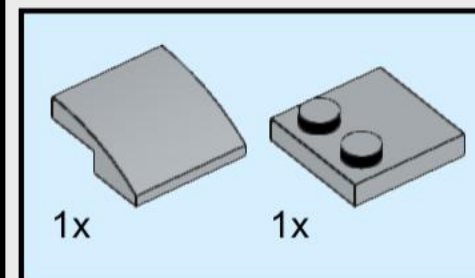
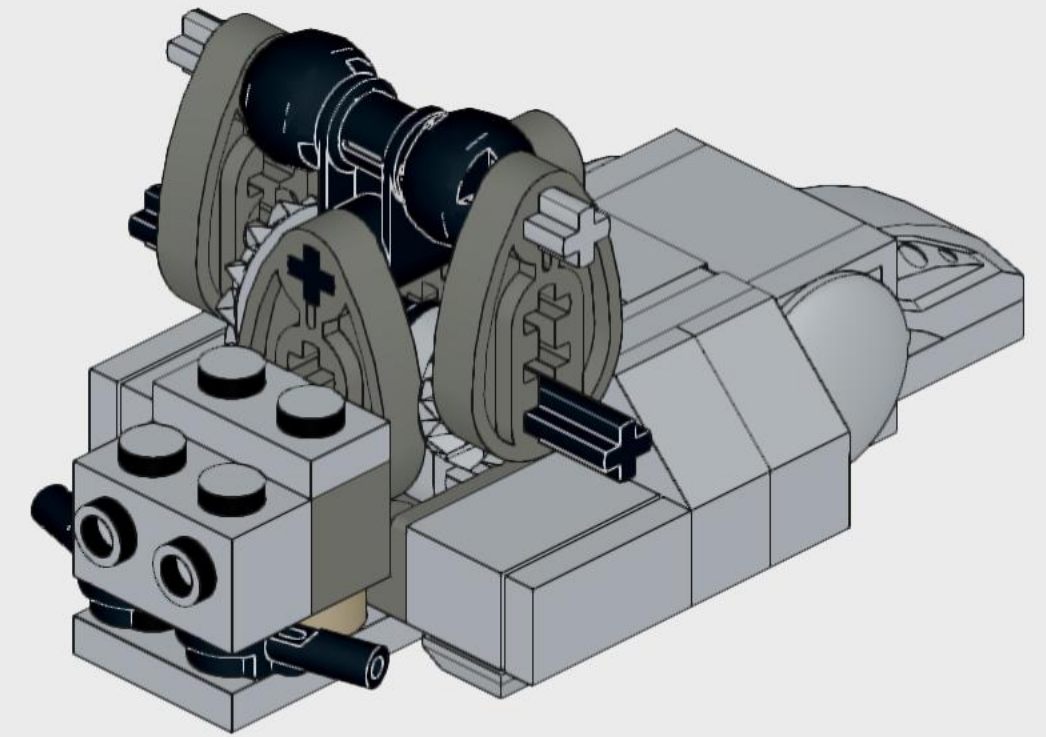
20



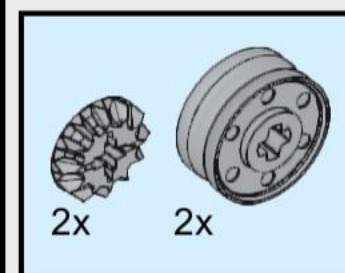
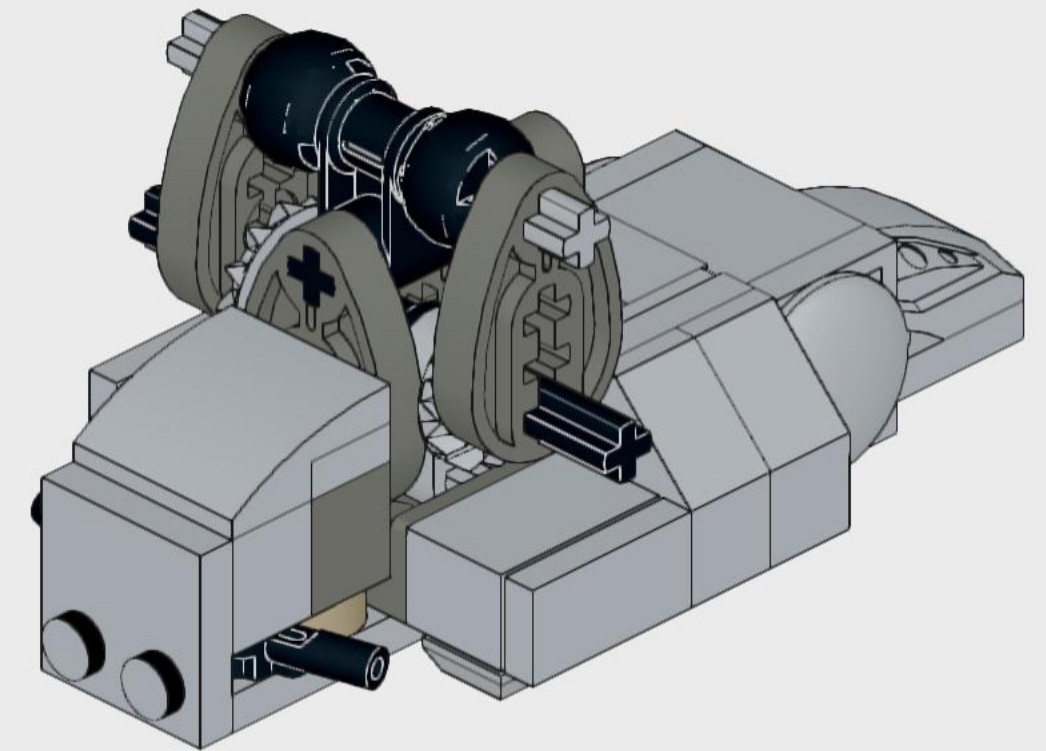
21



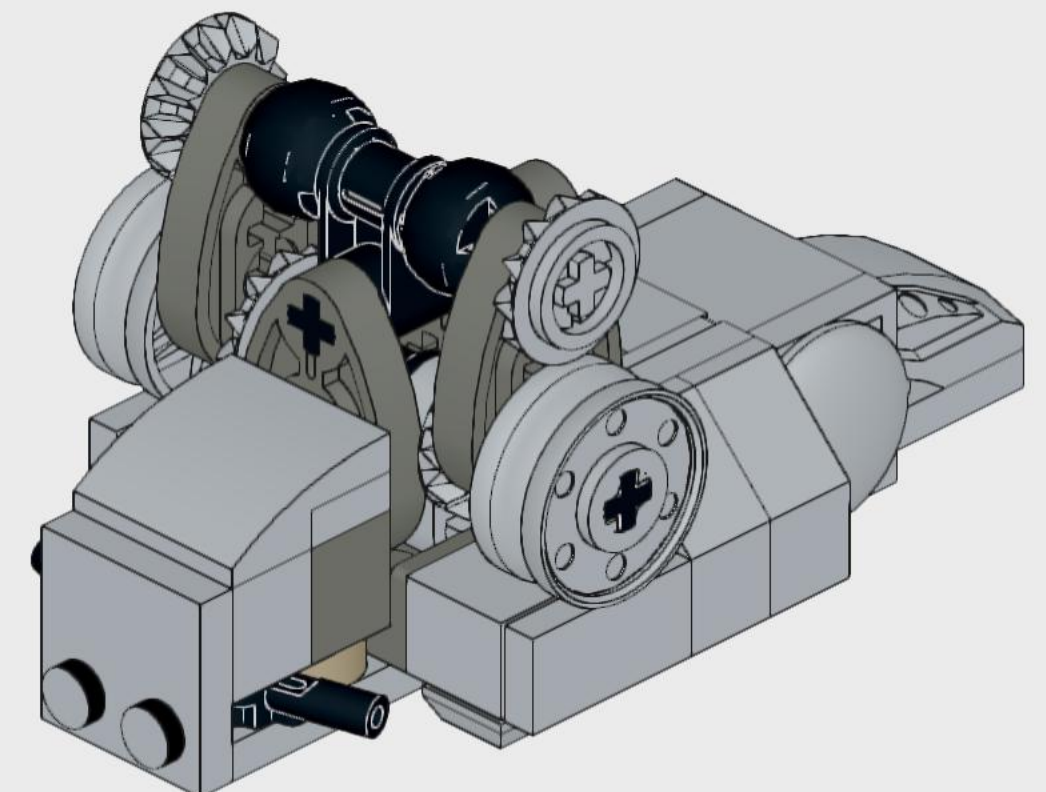
22

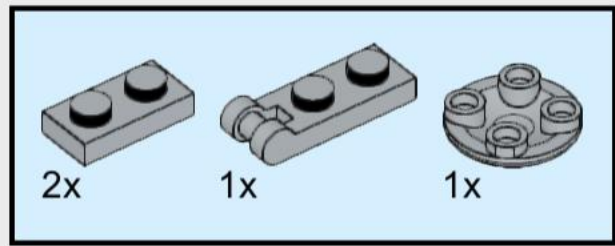


23

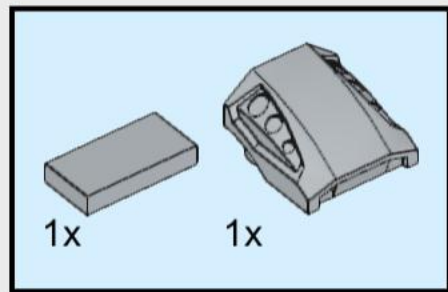
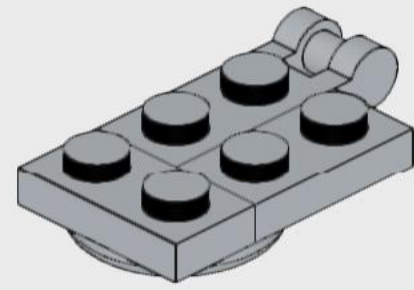


24

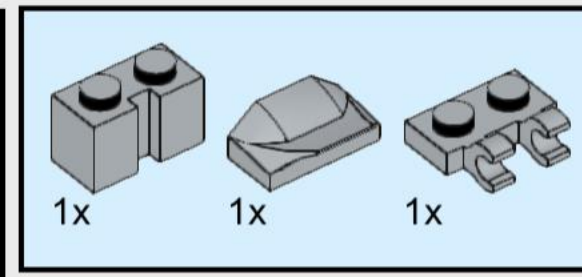
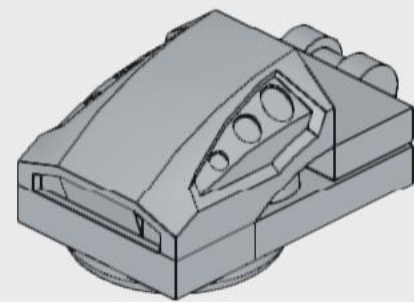




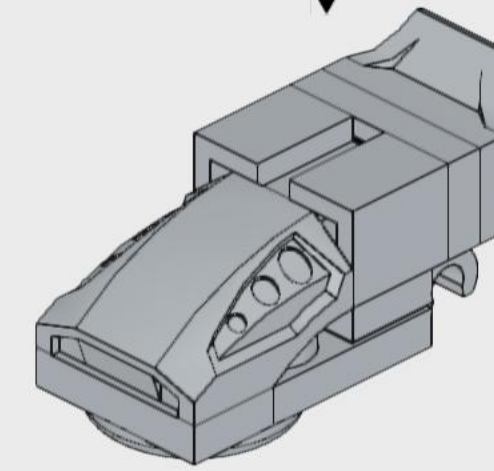
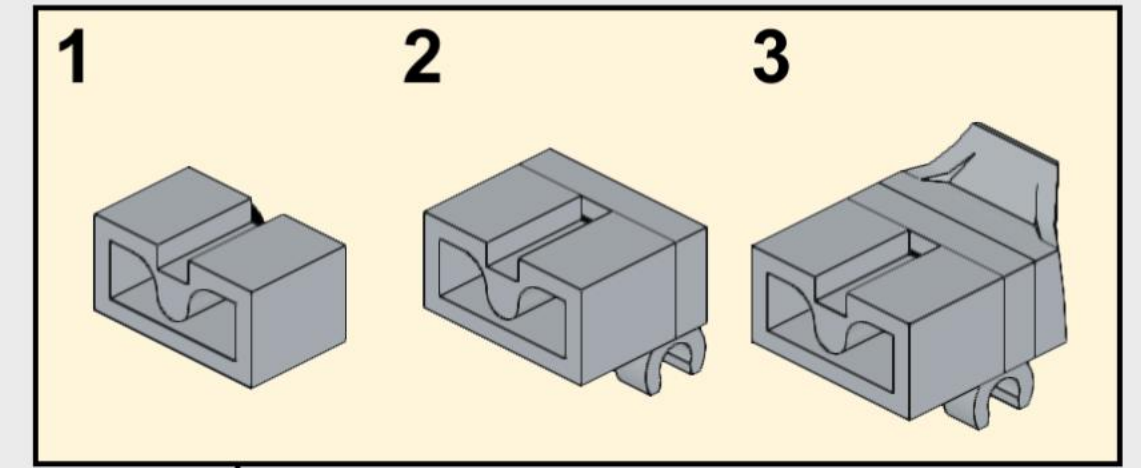
25



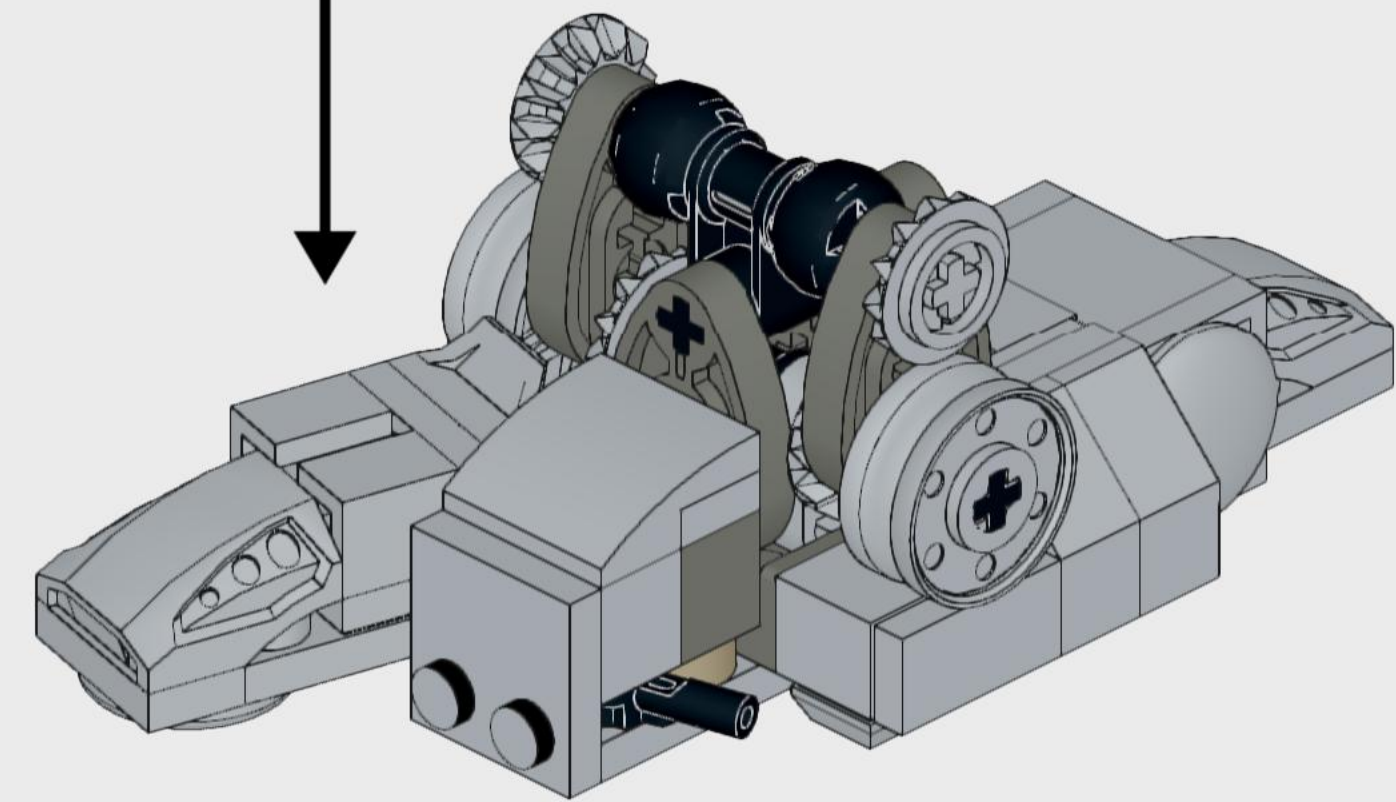
26

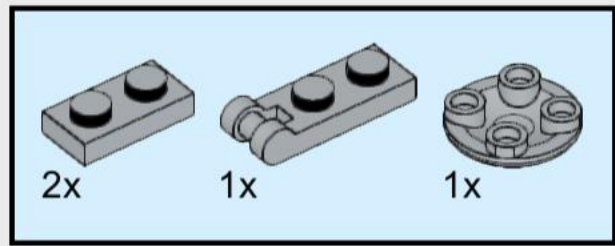


27

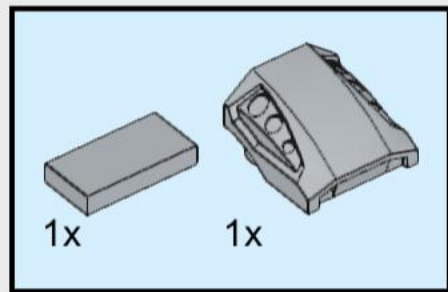
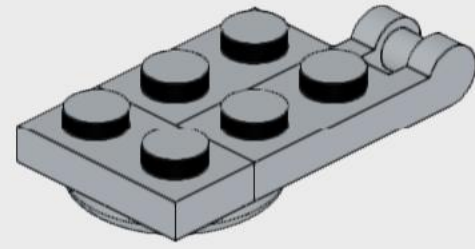


28

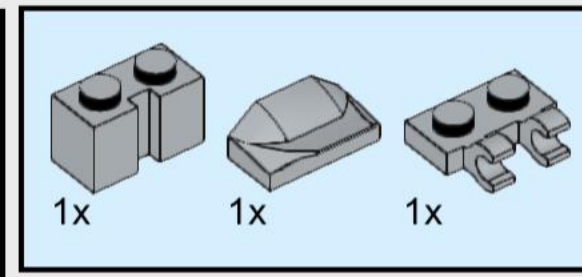
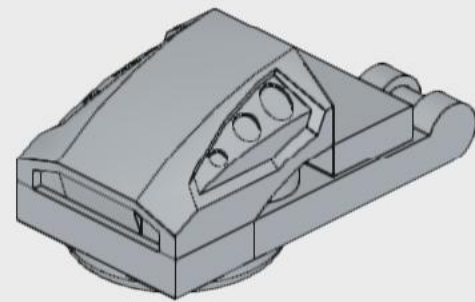




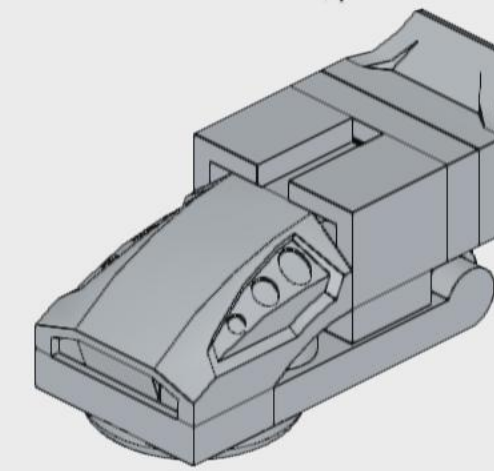
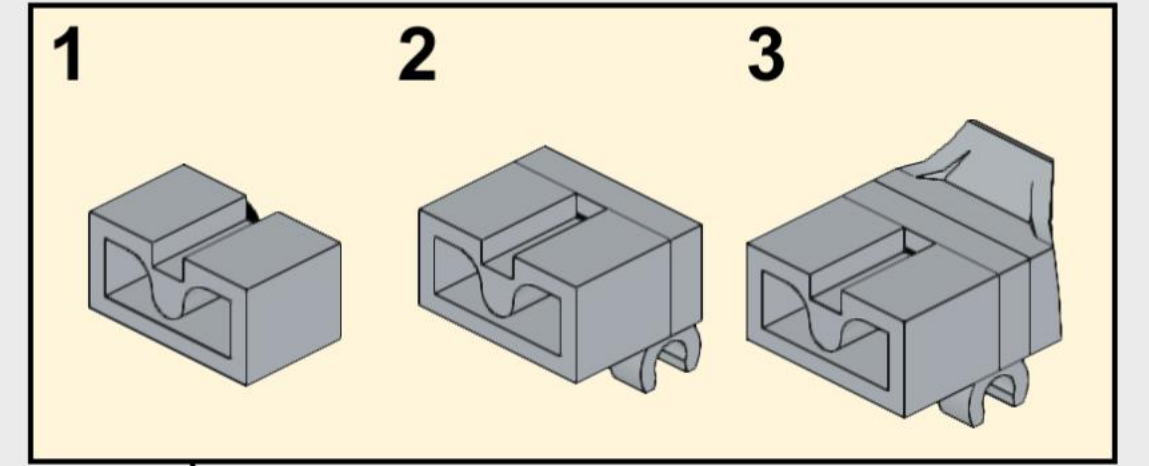
29



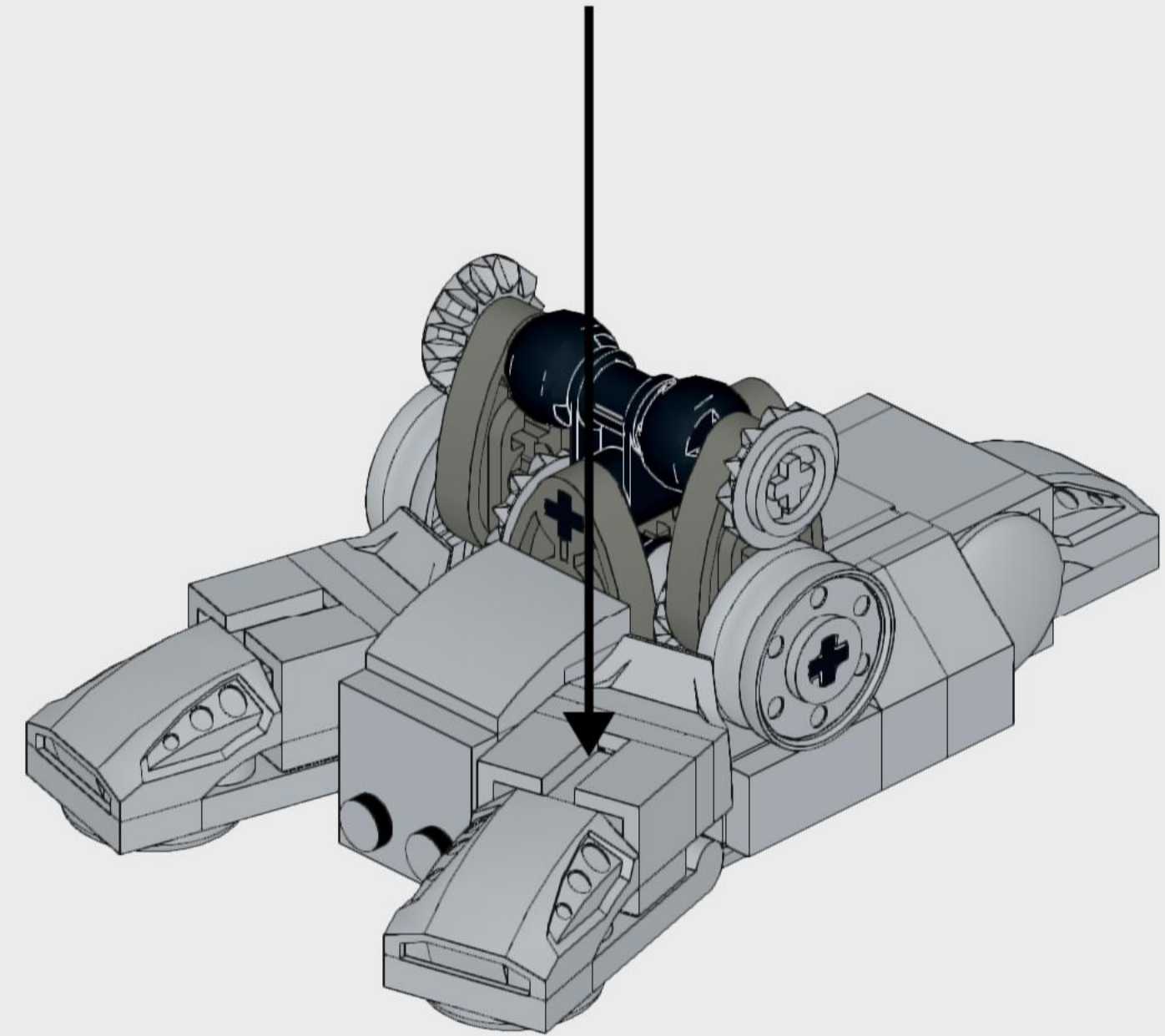
30

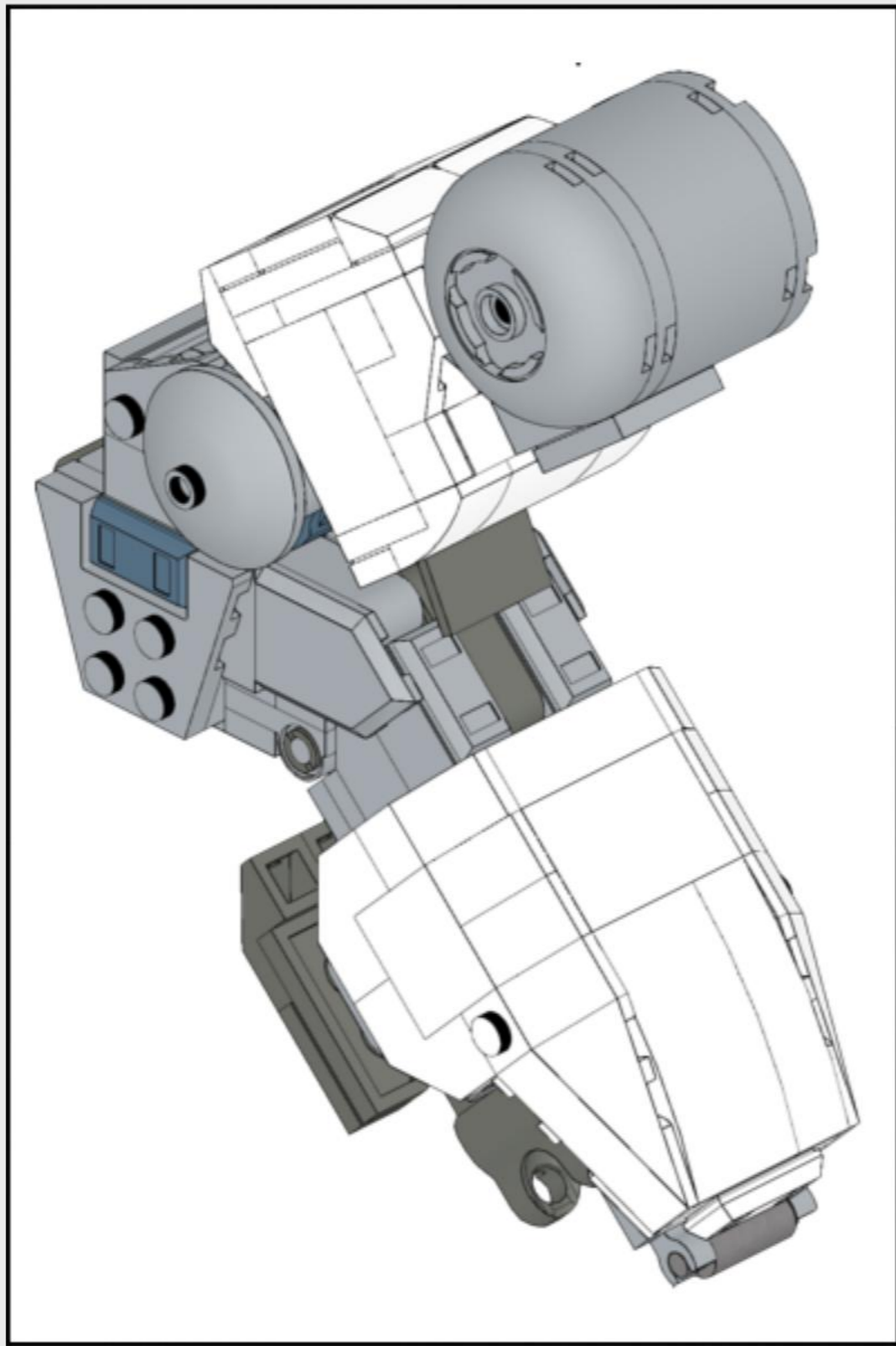


31

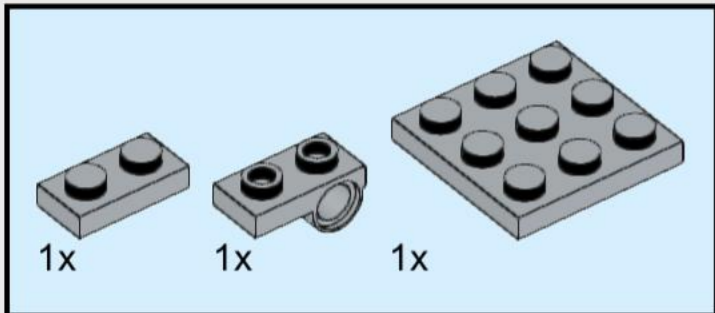


32

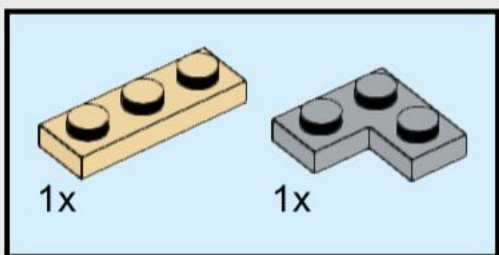




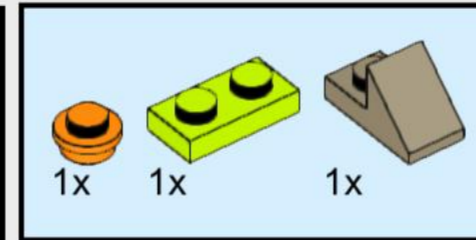
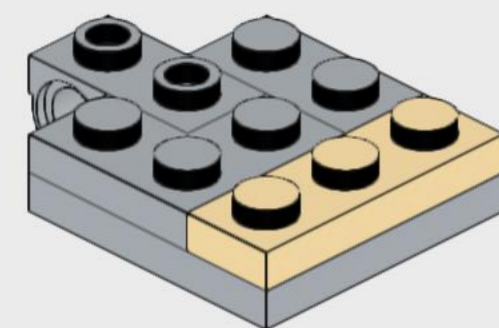
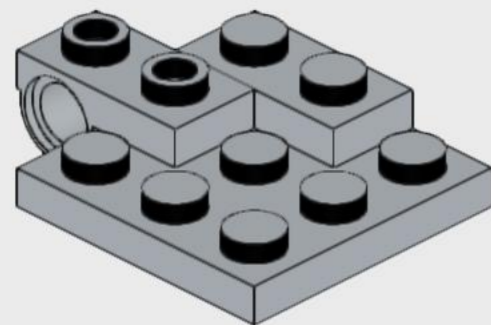
2x Inverted



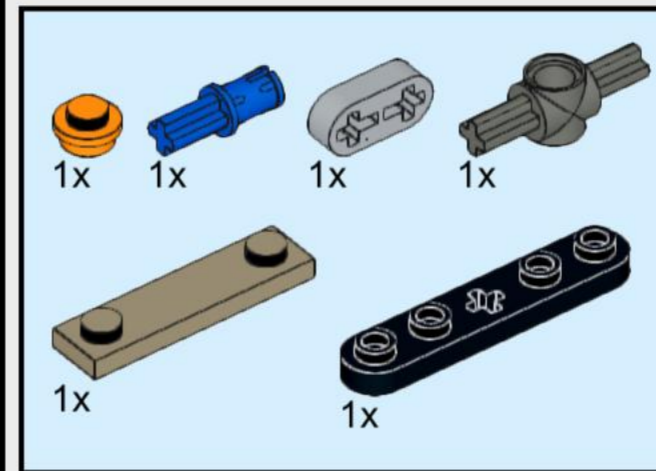
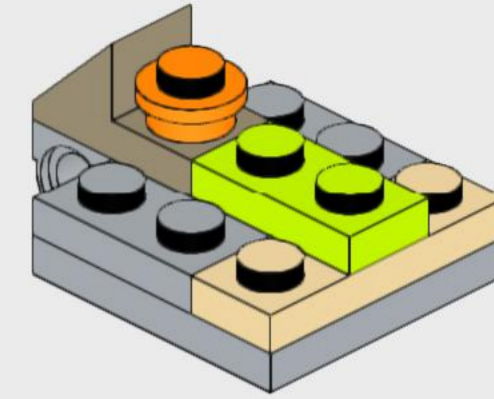
1



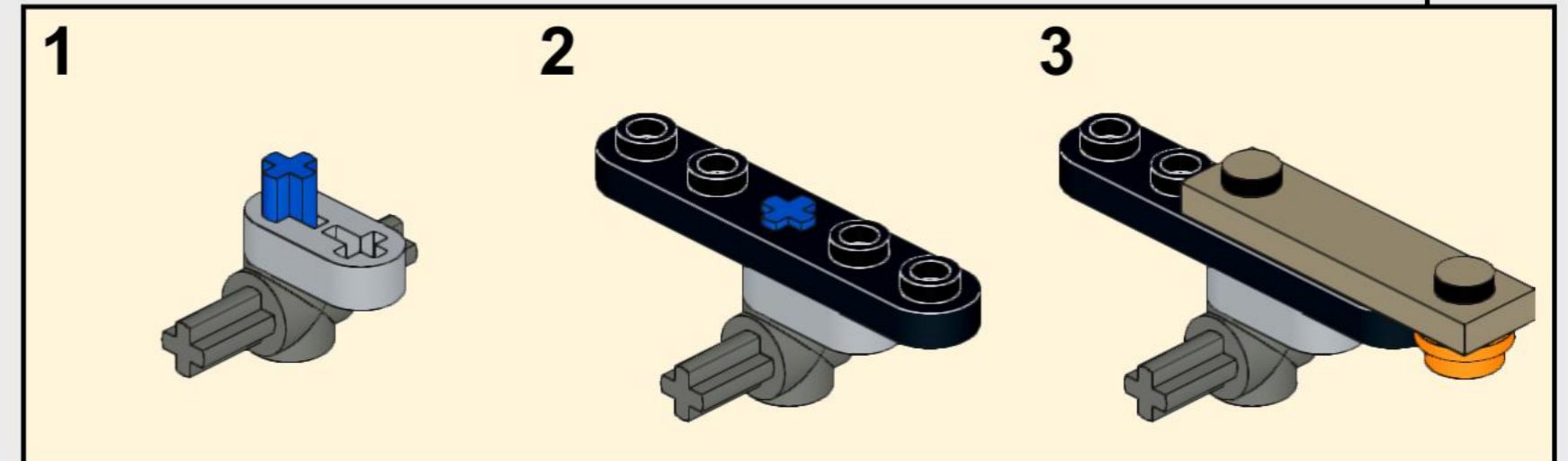
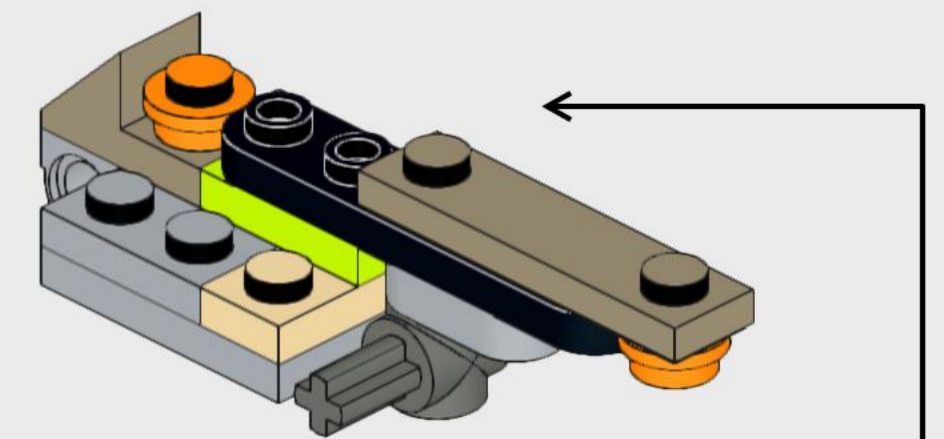
2

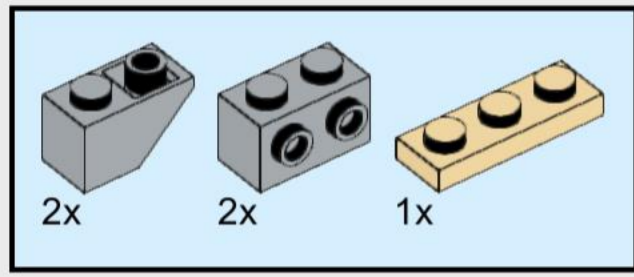


3

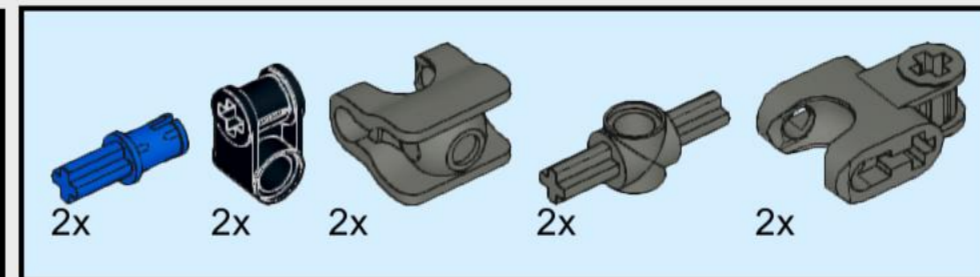
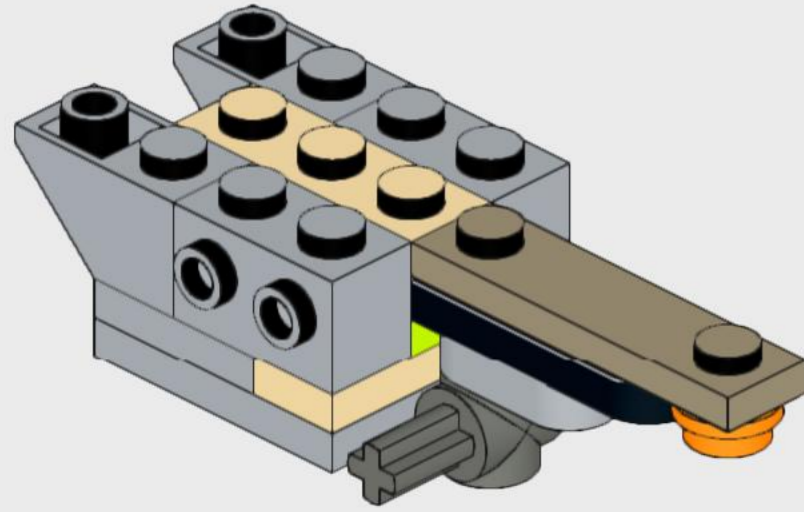


4

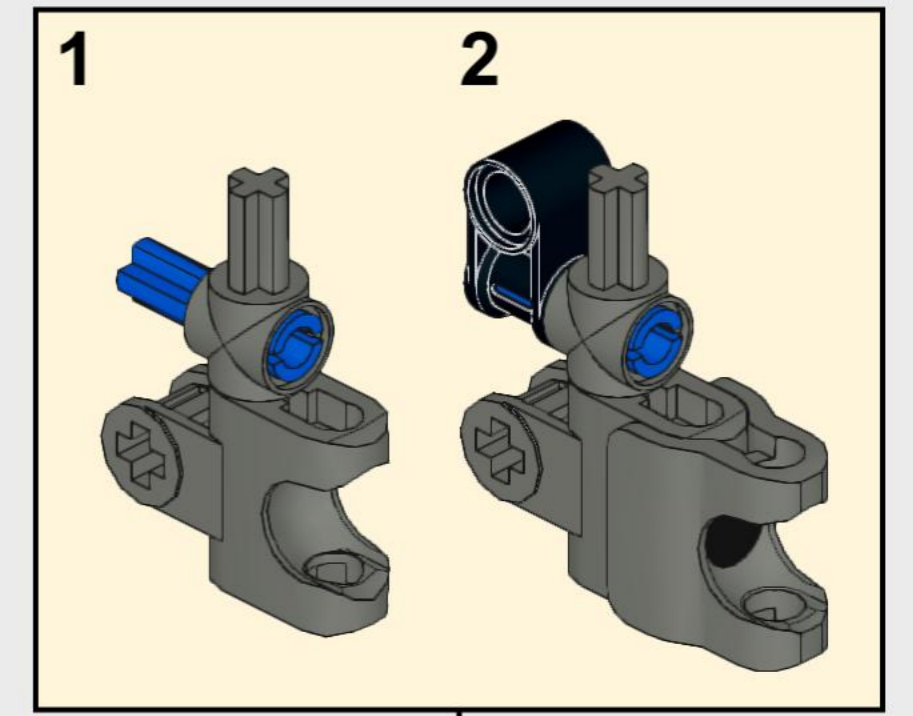
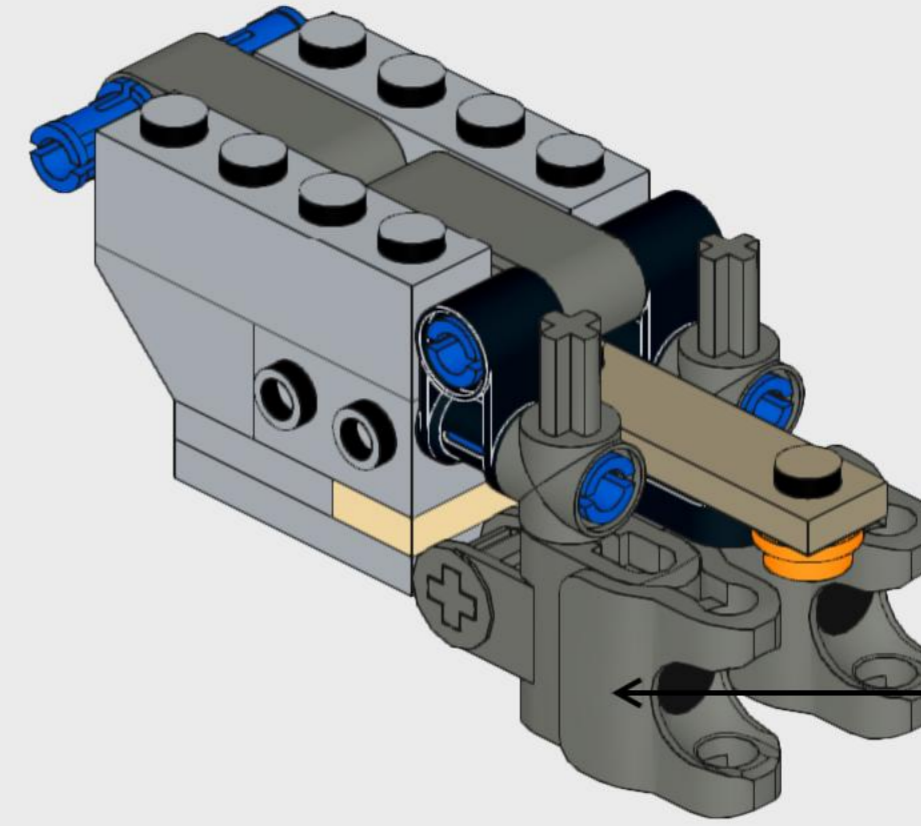




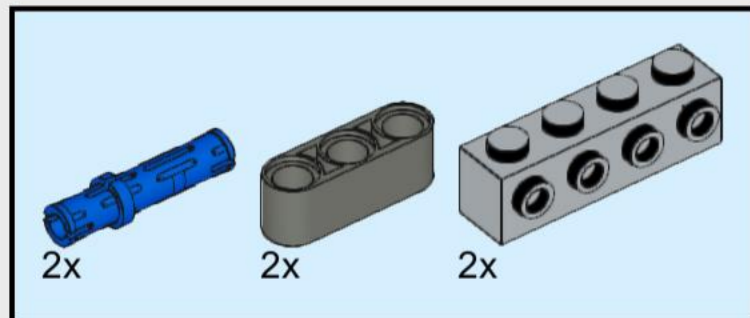
5



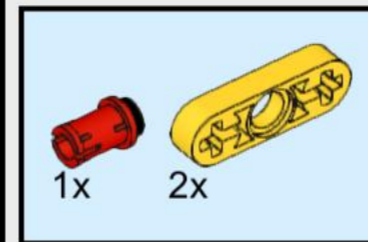
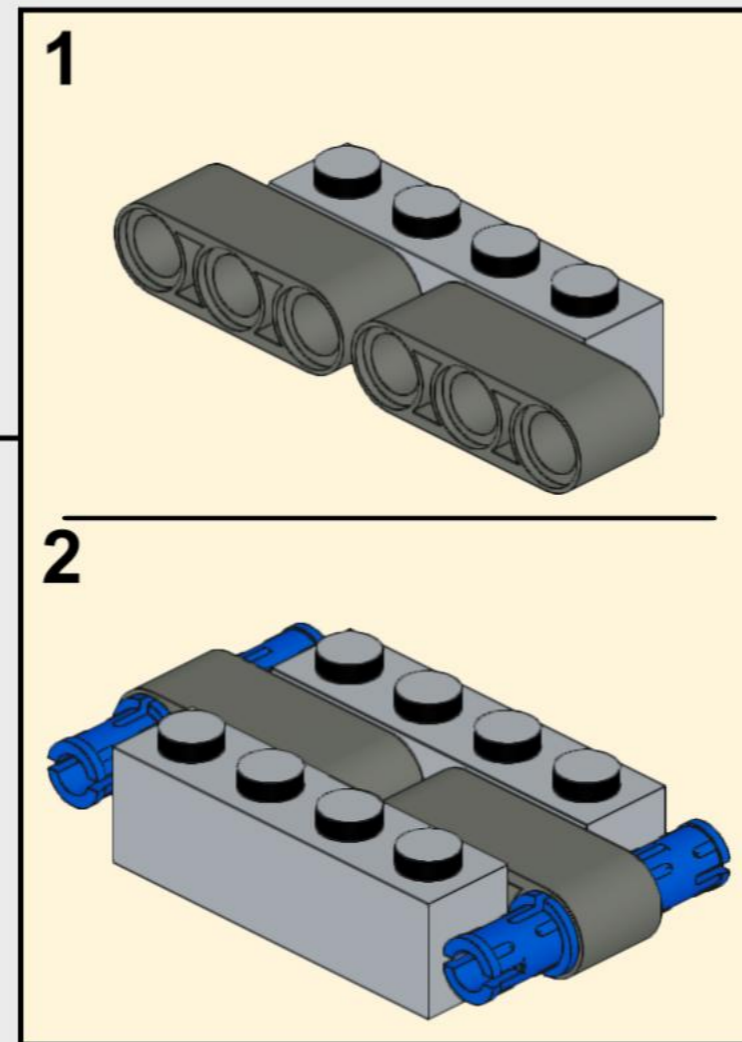
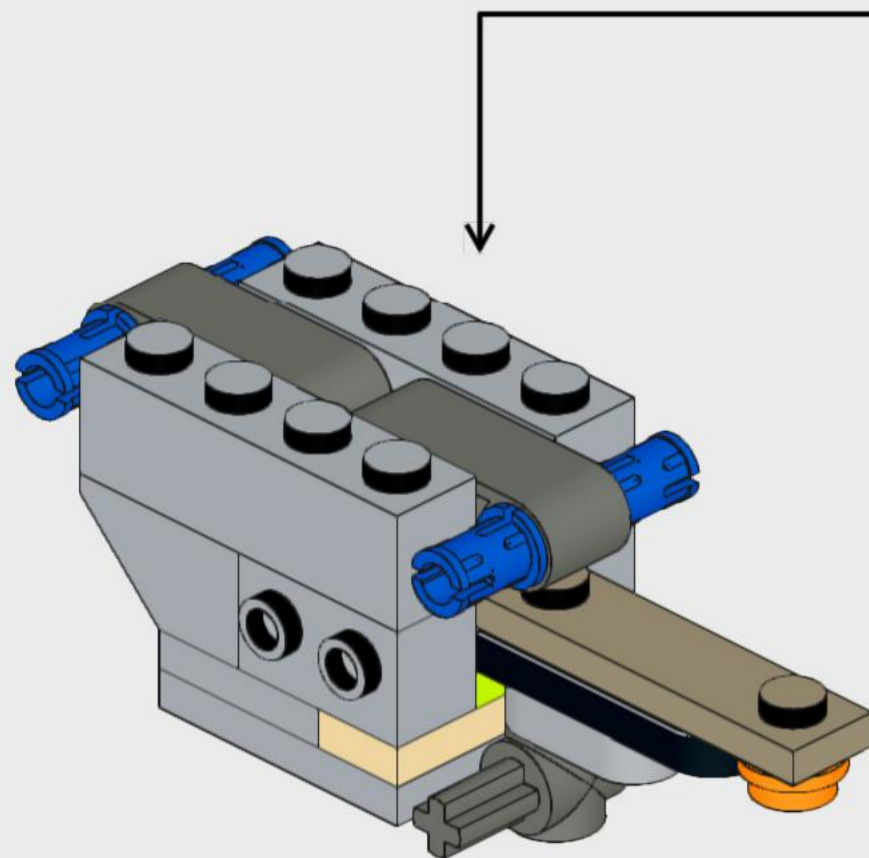
7



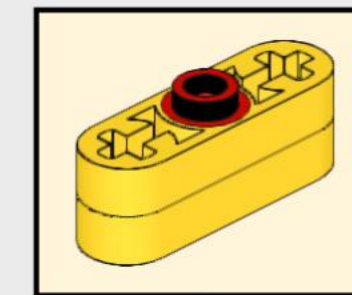
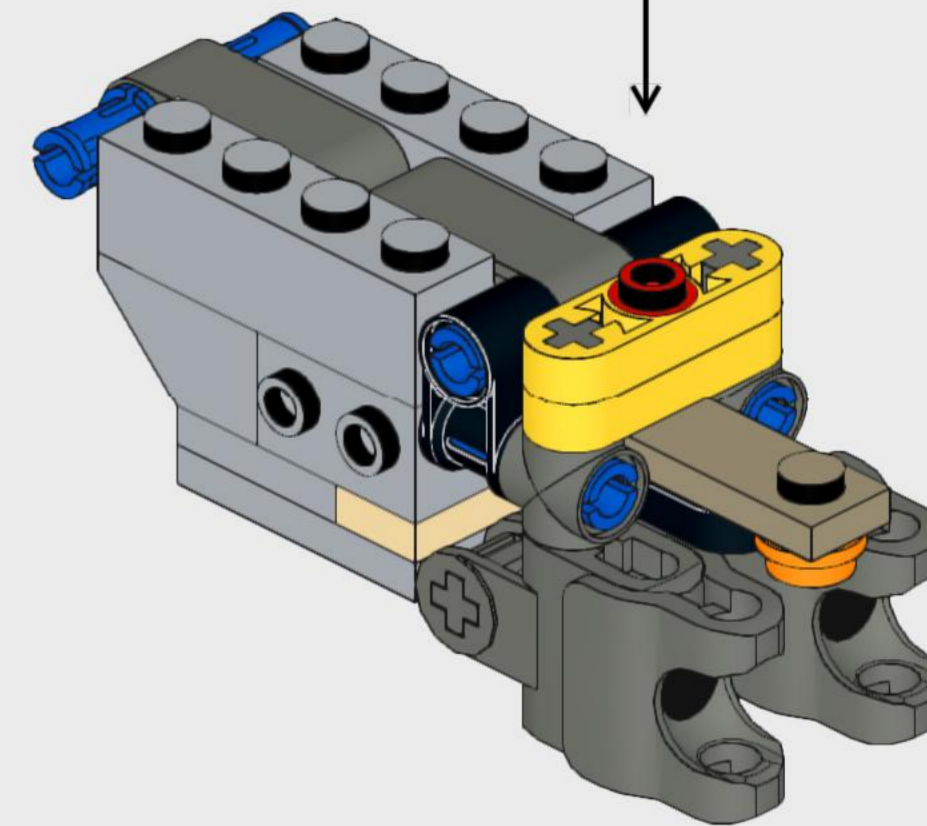
2x

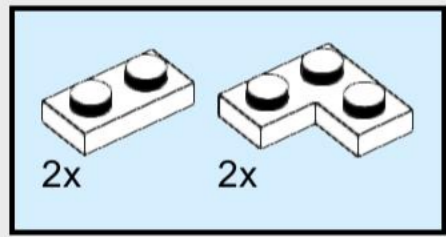


6

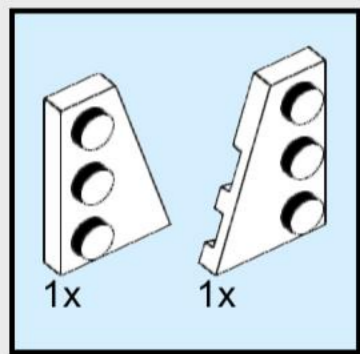
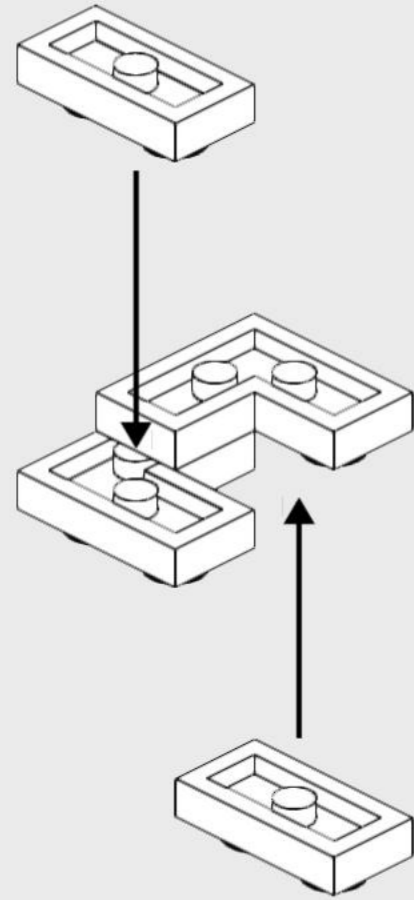


8

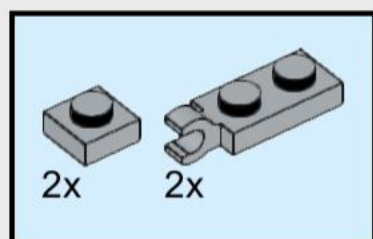
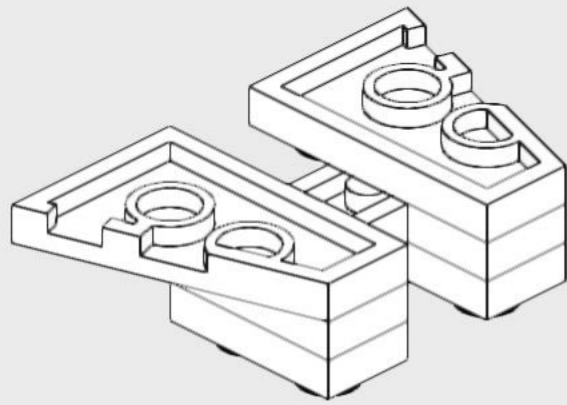




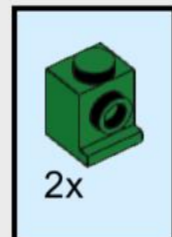
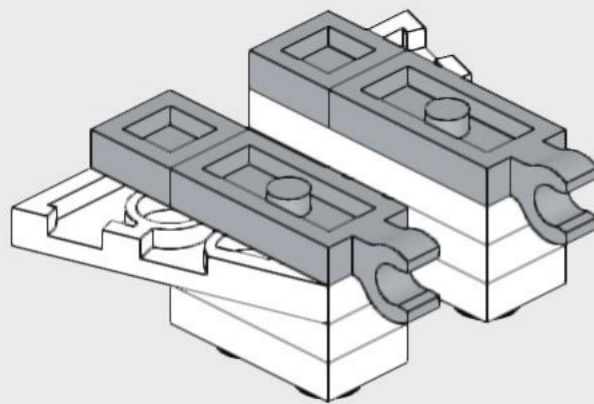
9



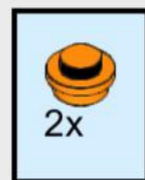
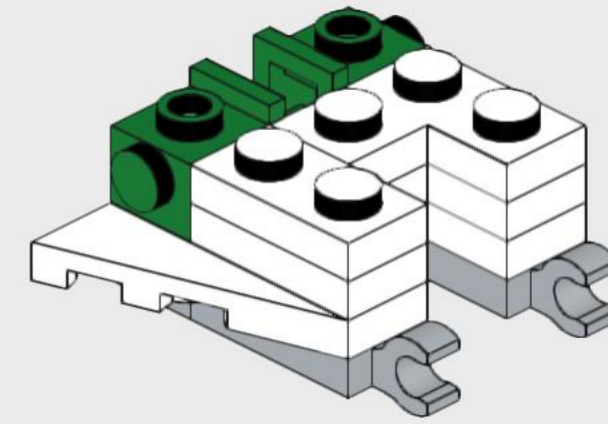
10



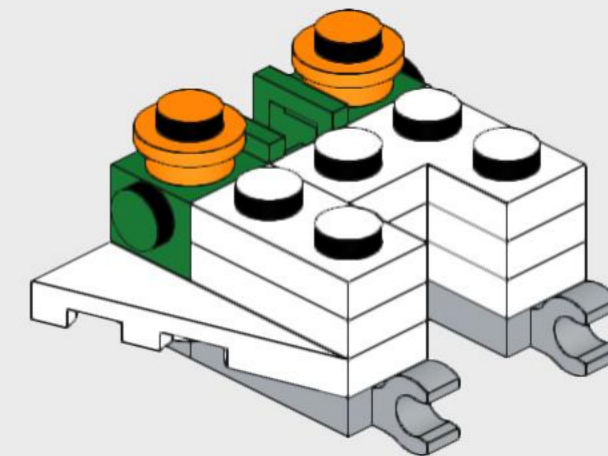
11



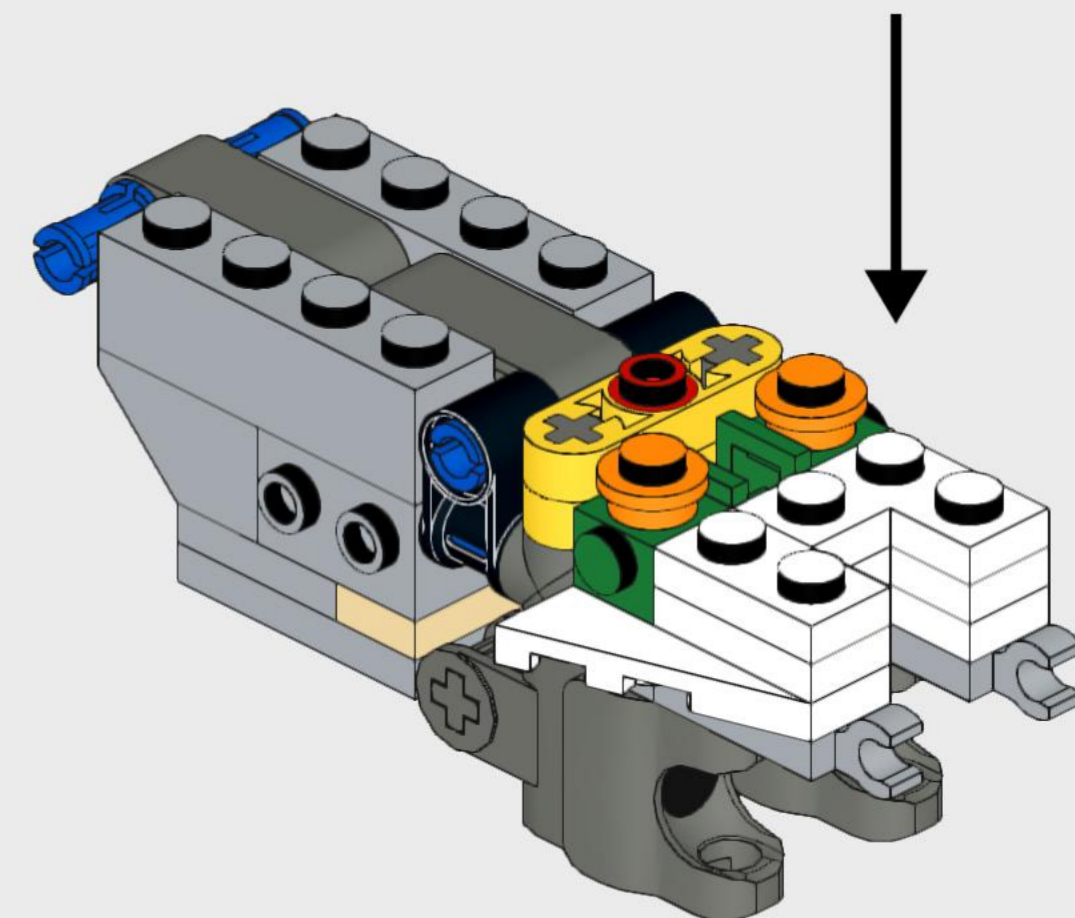
12

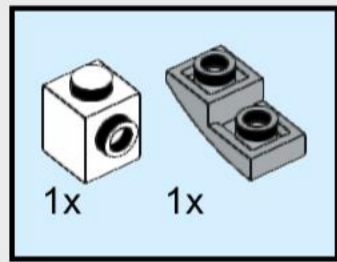


13

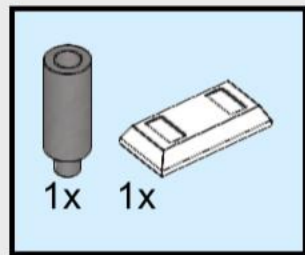
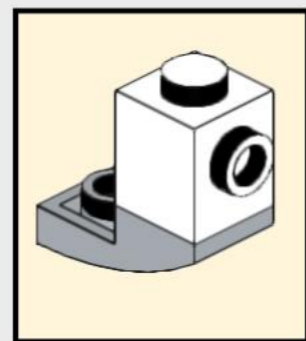
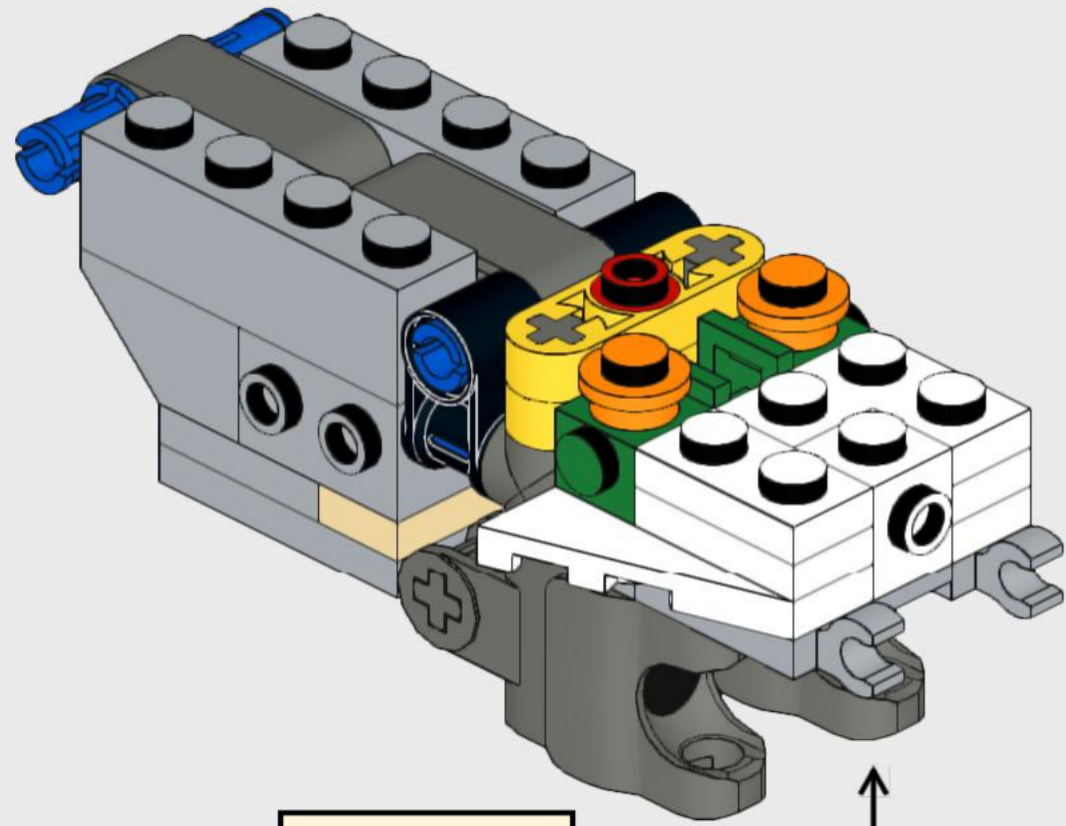


14

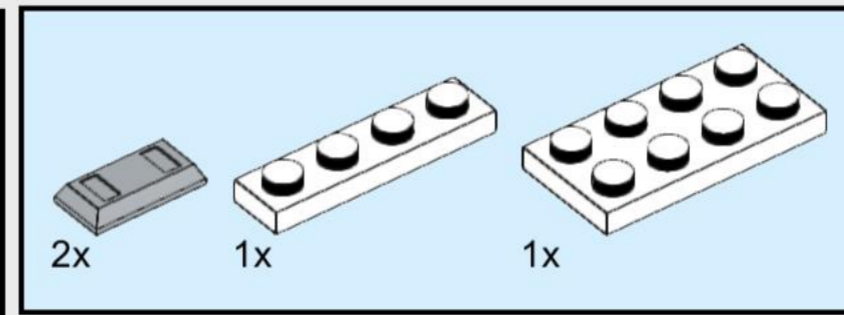
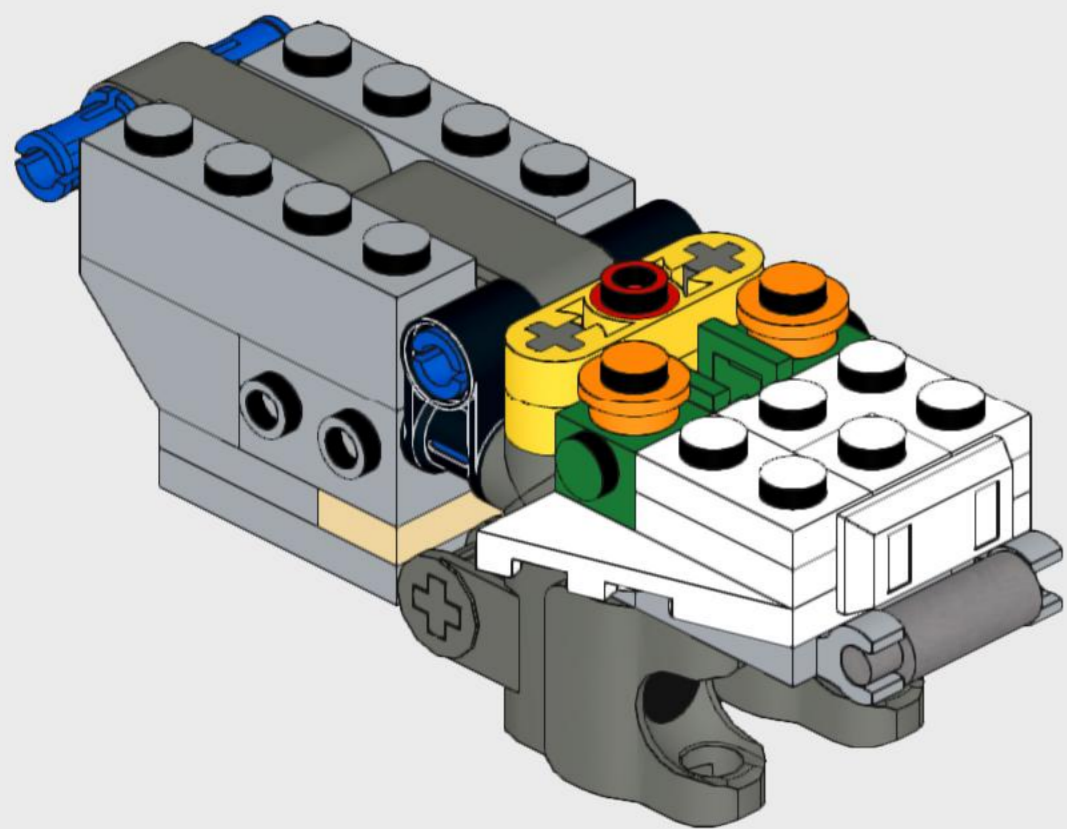




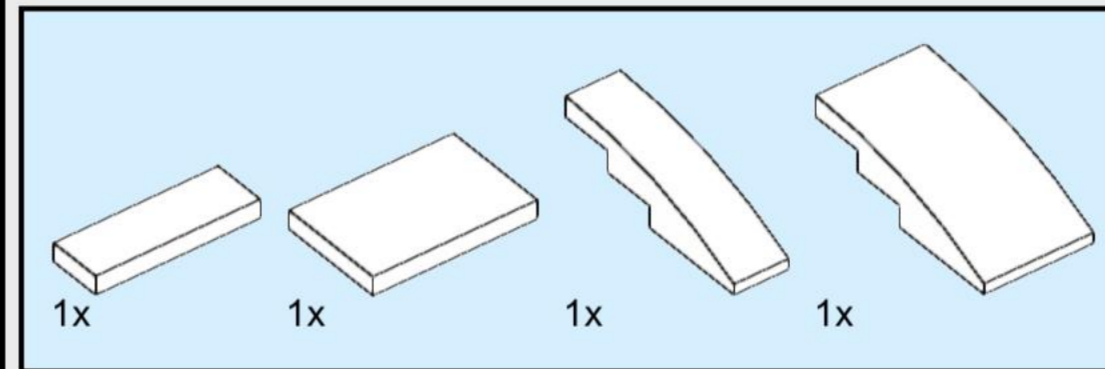
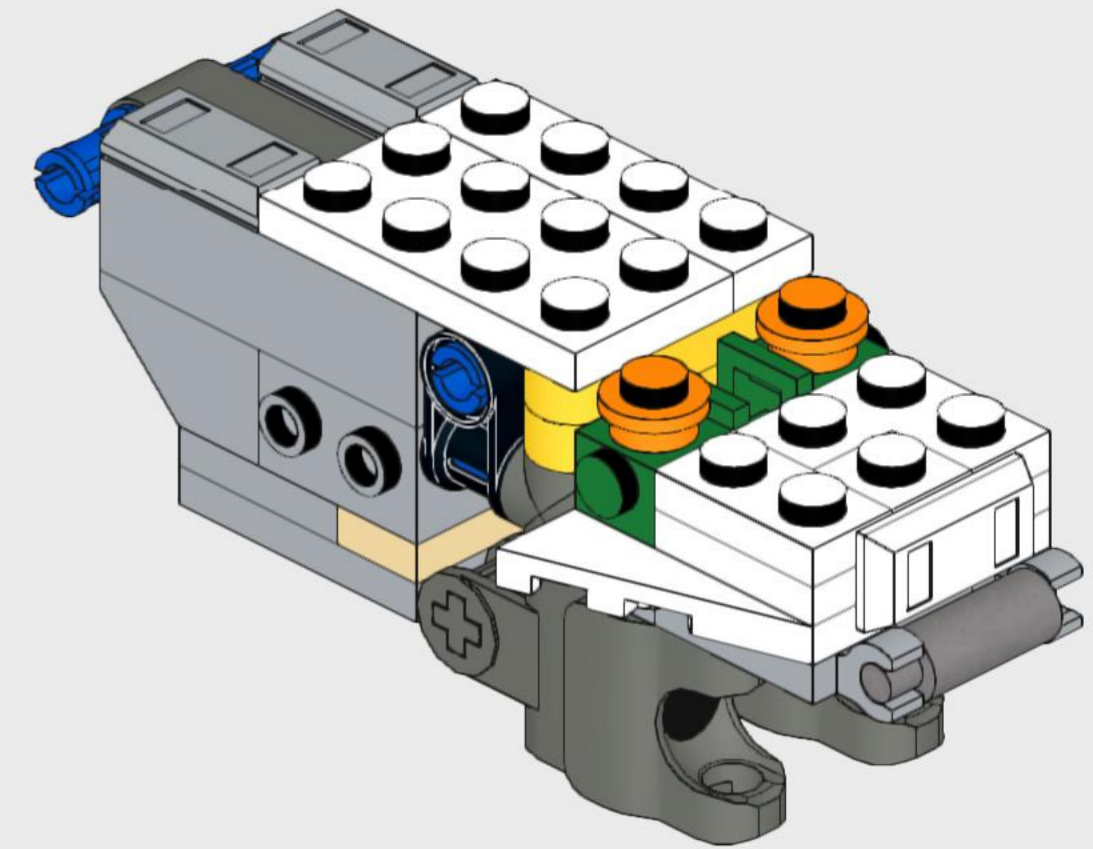
15



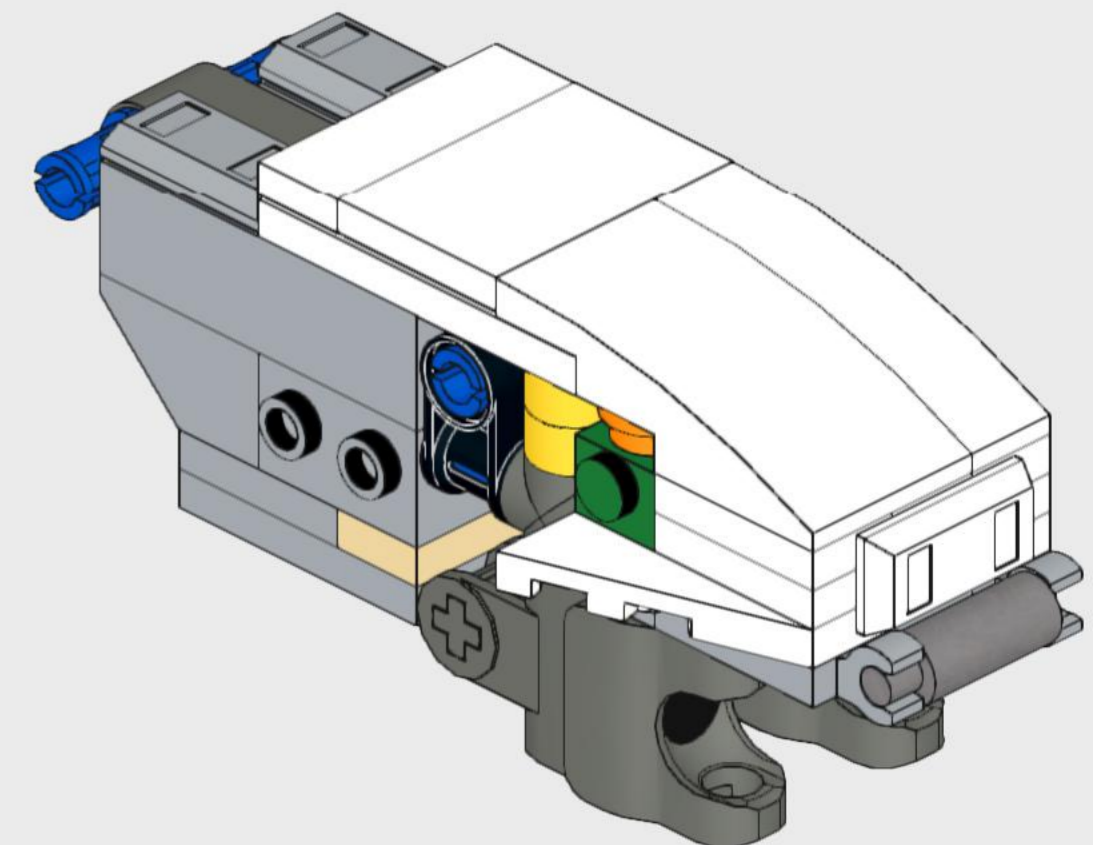
16

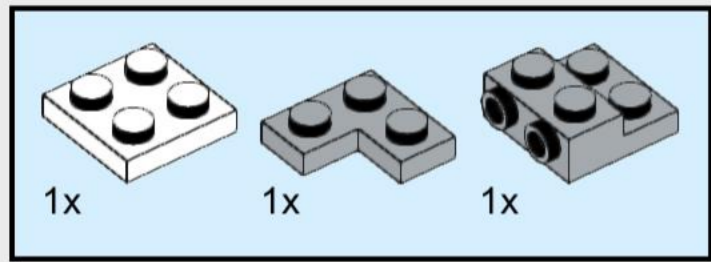


17

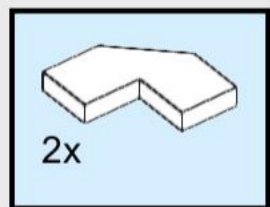
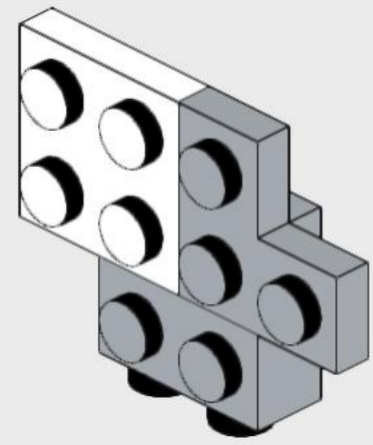


18

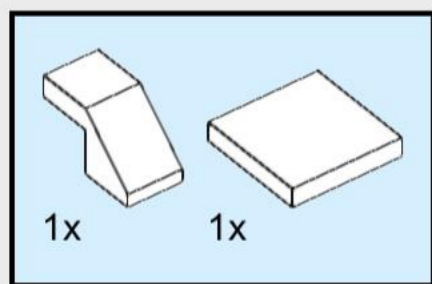
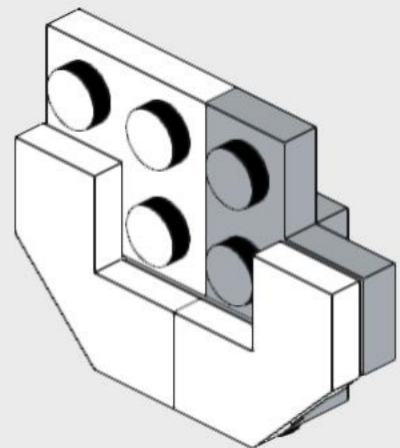




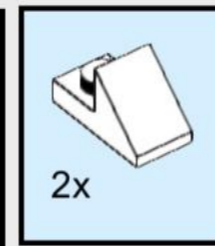
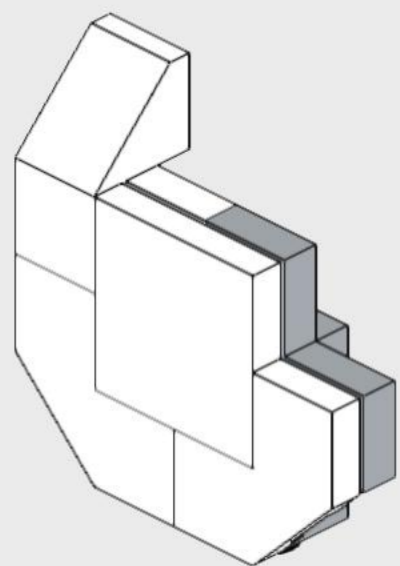
19



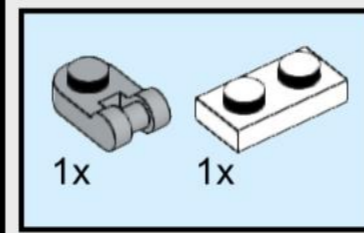
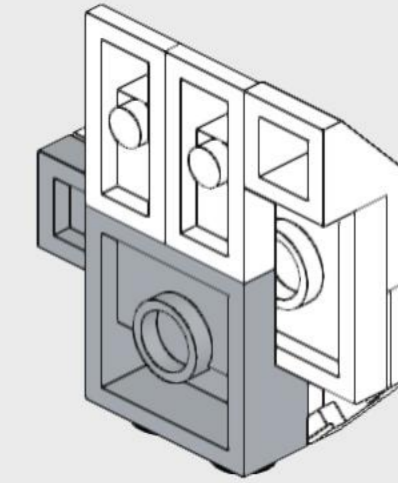
20



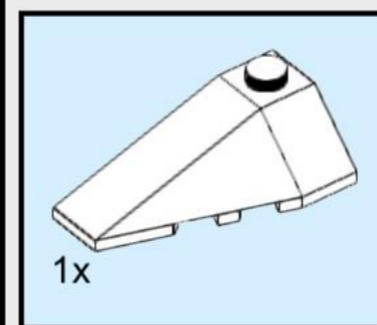
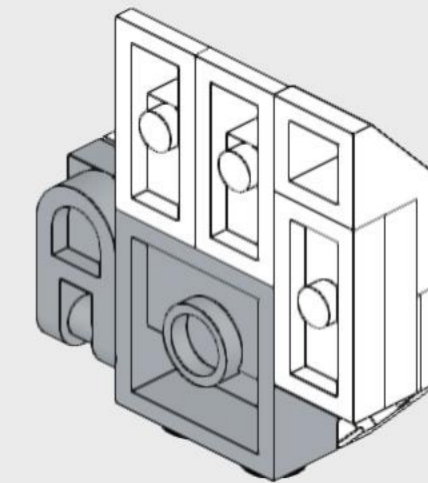
21



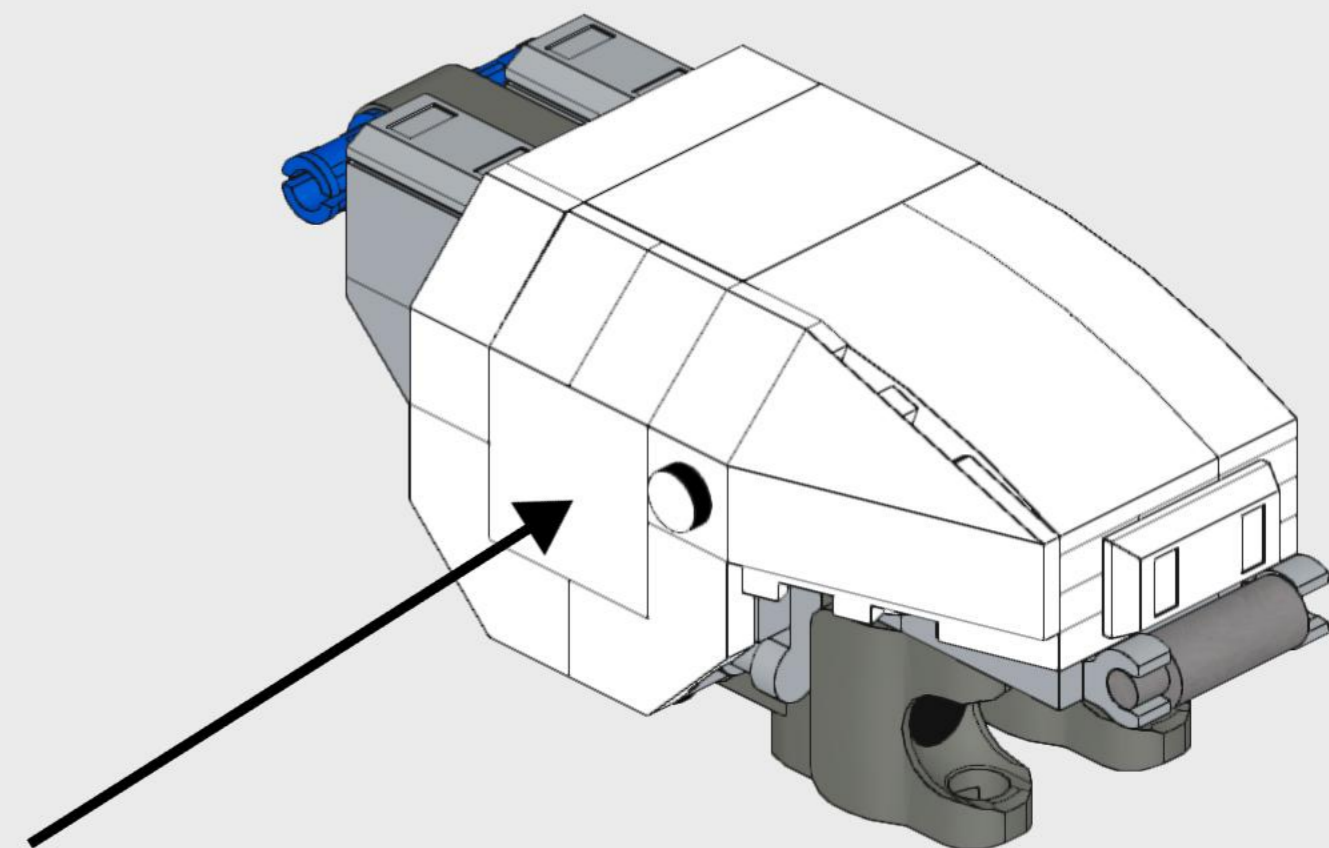
22

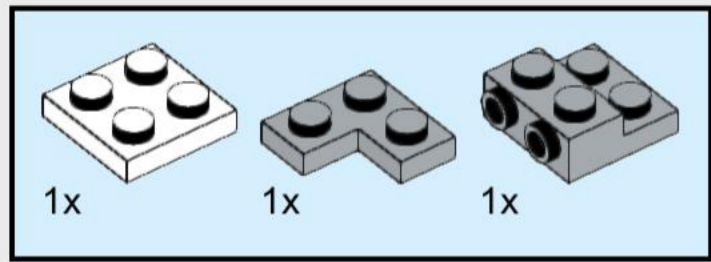


23

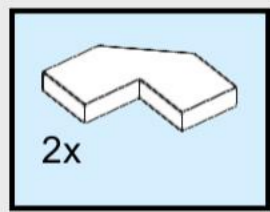
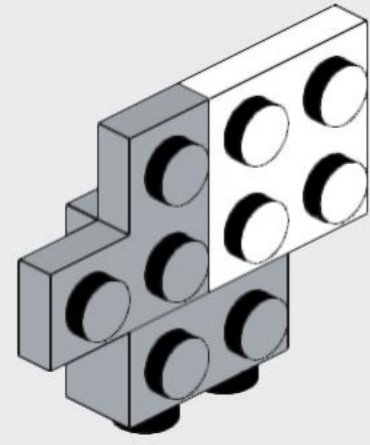


24

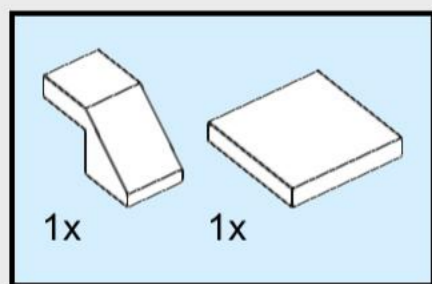
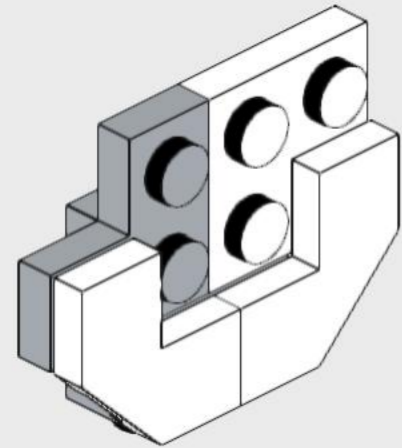




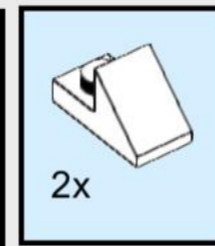
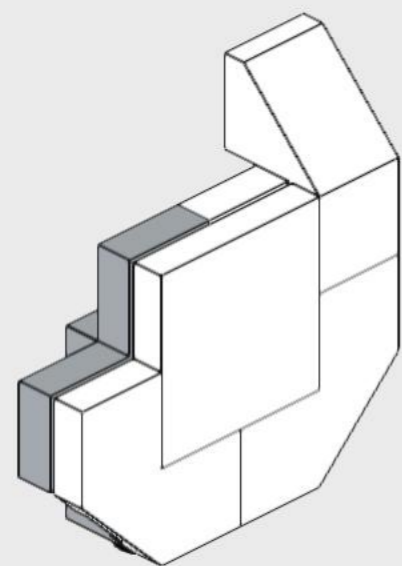
25



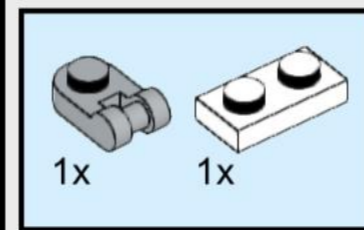
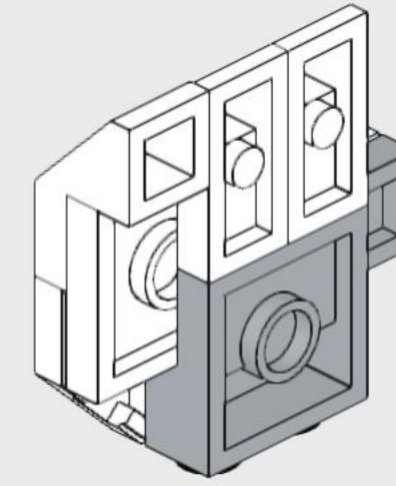
26



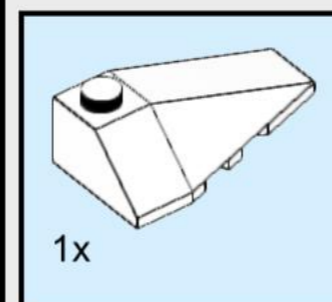
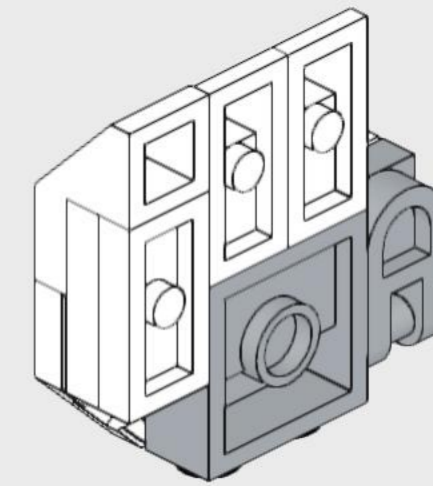
27



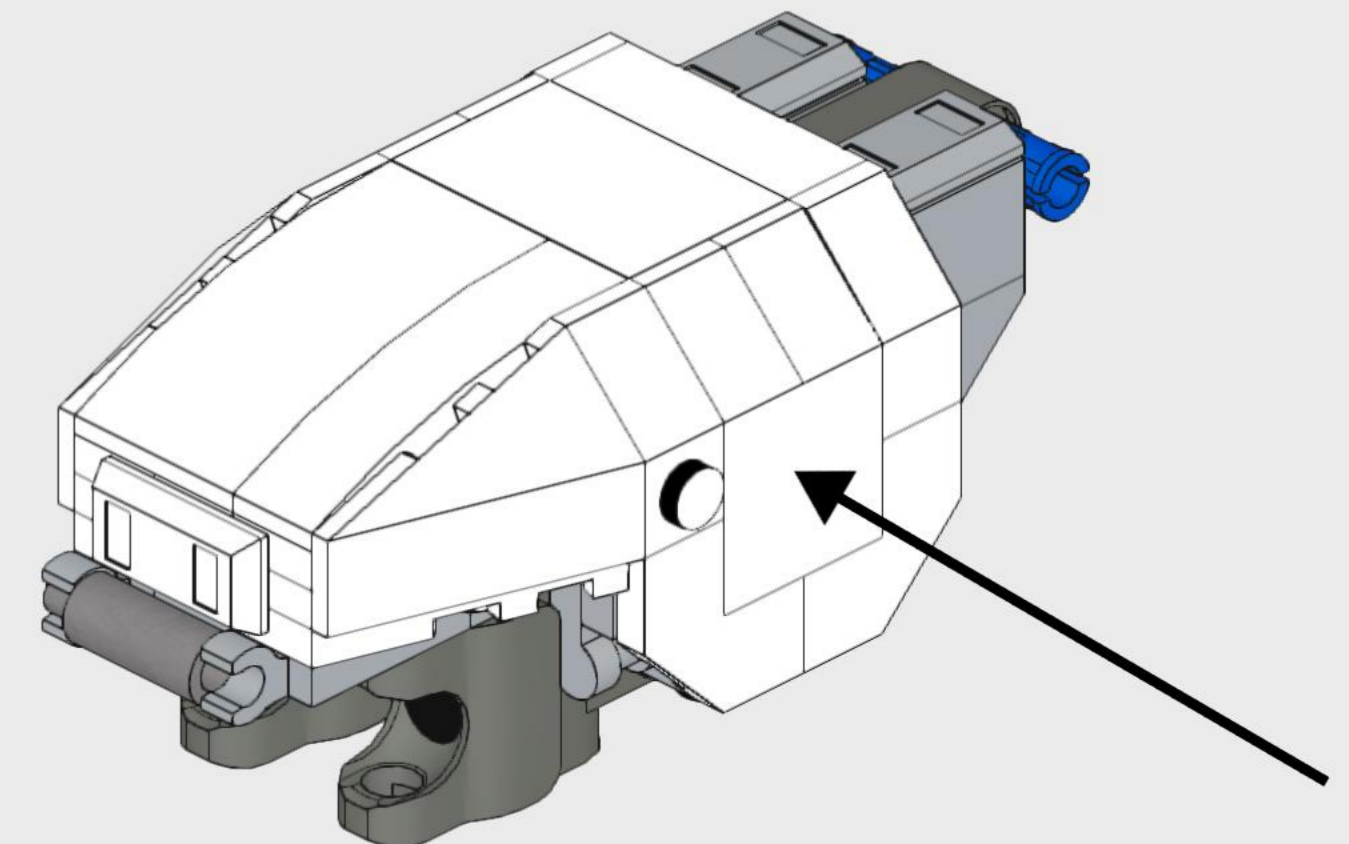
28

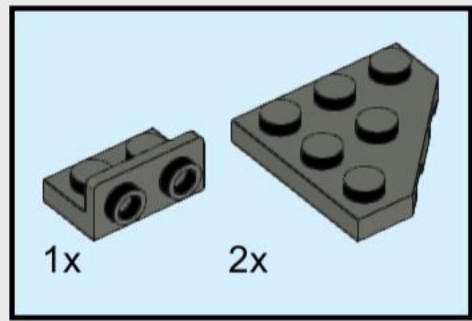


29

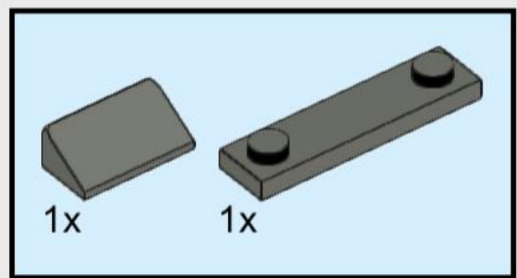
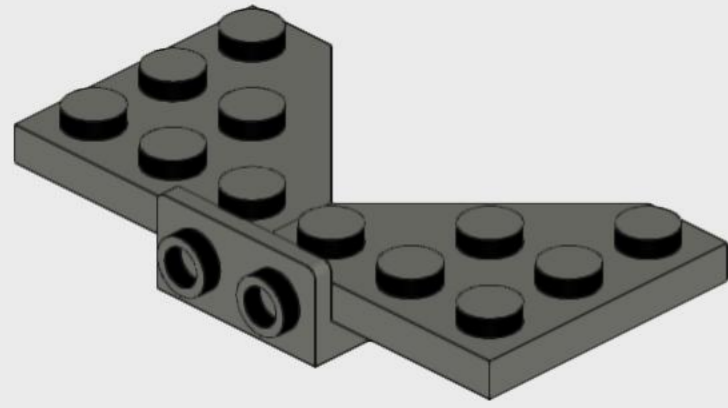


30

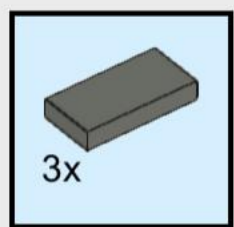
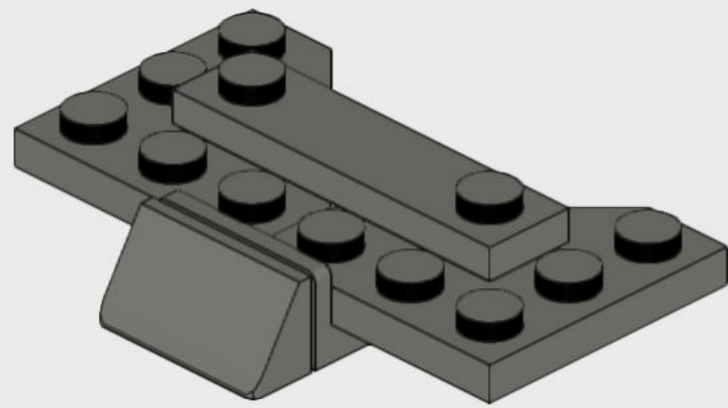




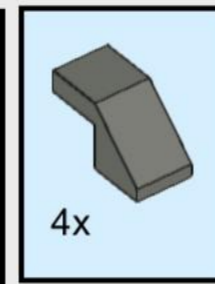
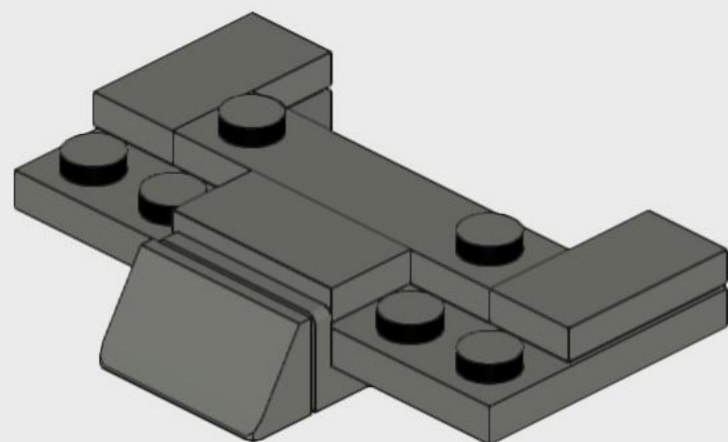
31



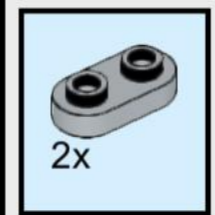
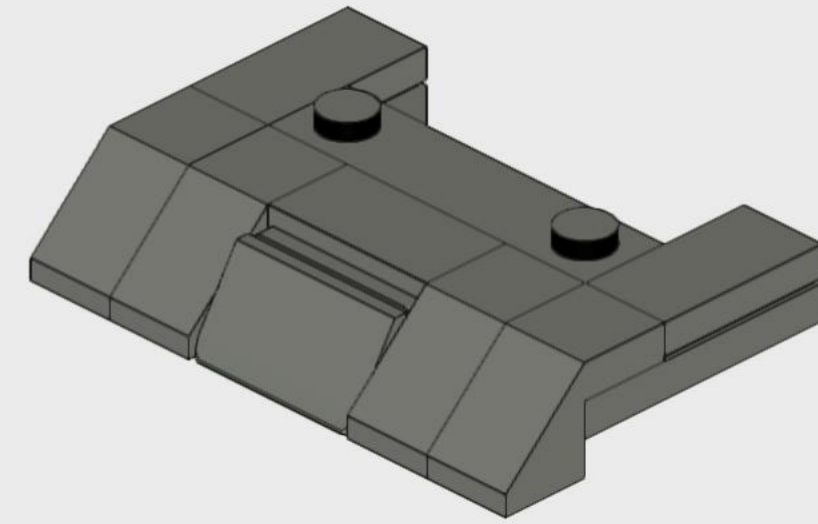
32



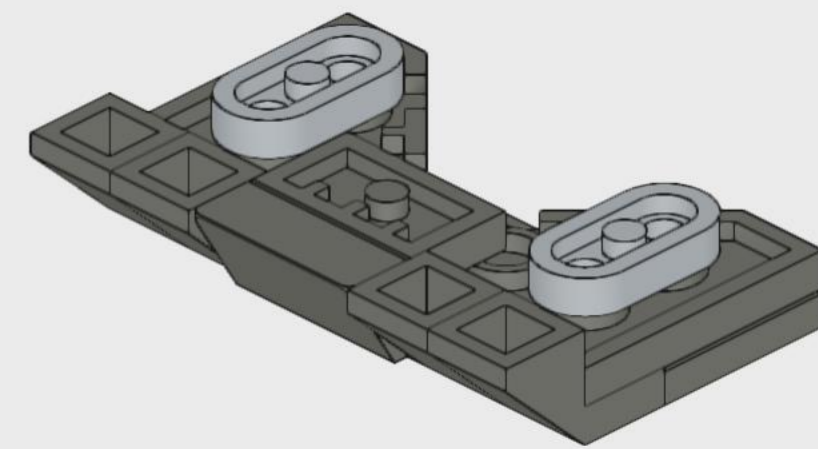
33



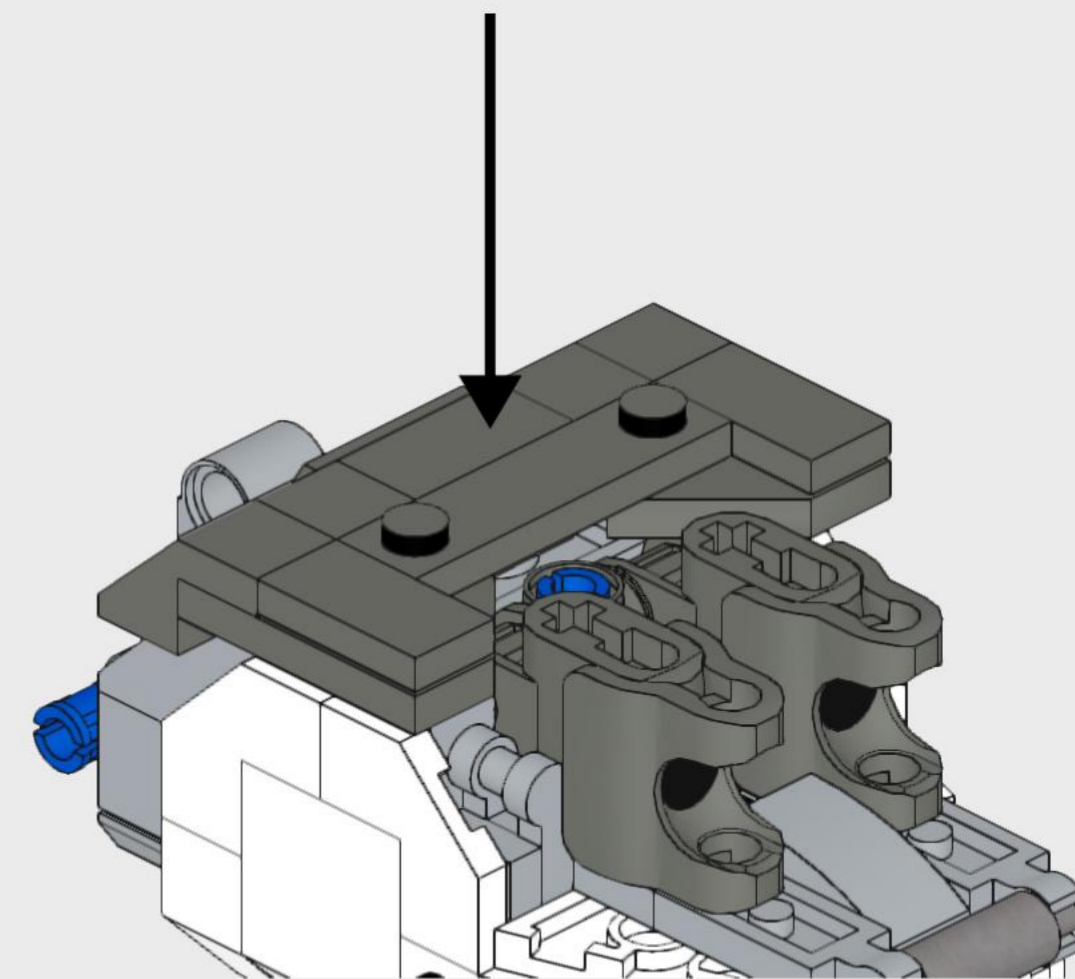
34

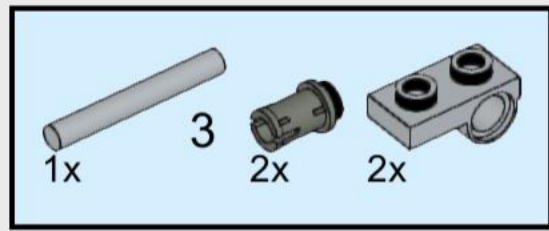


35

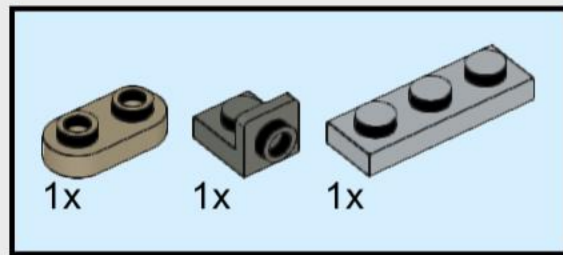
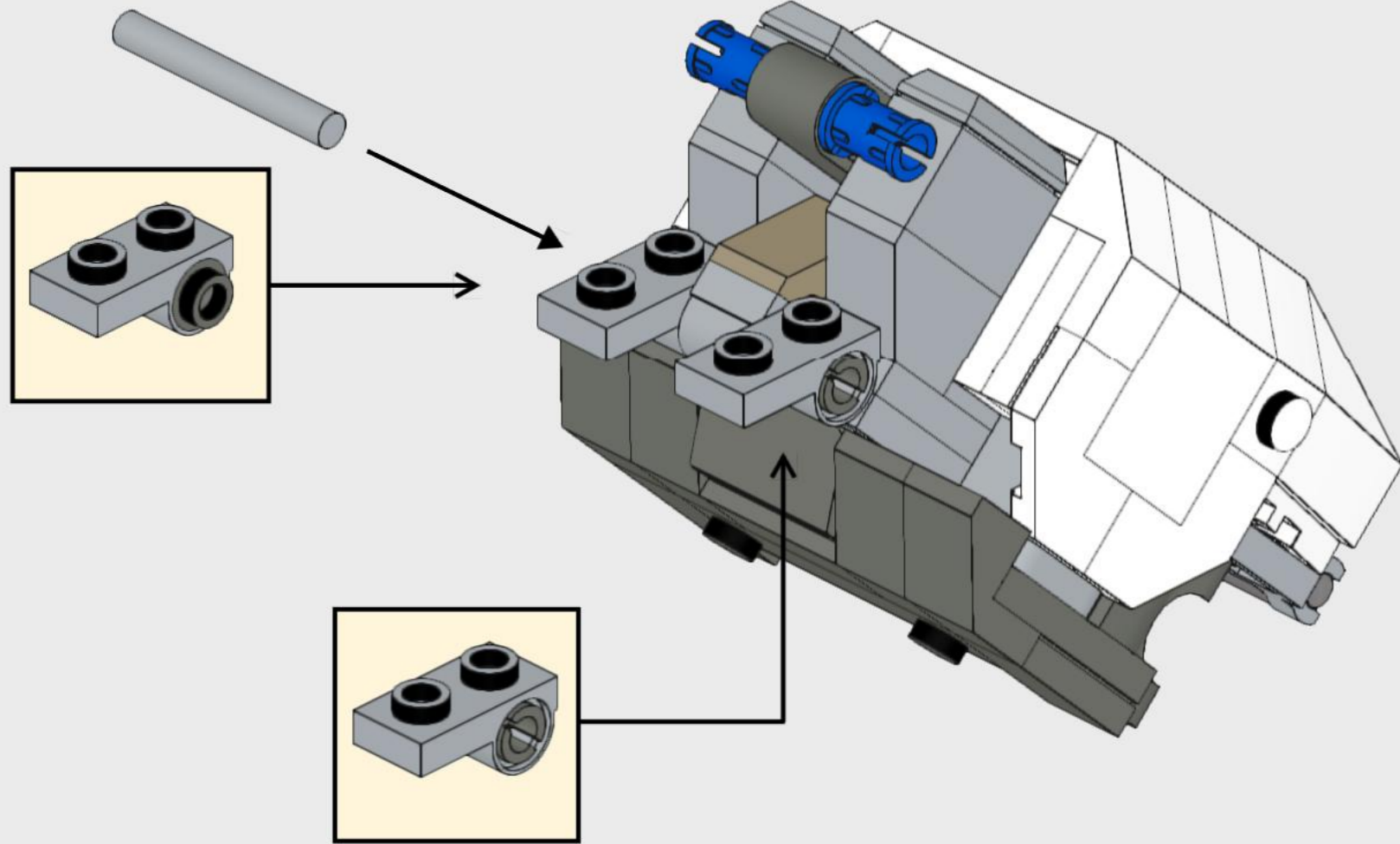


36

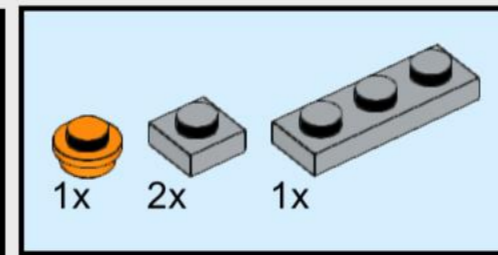
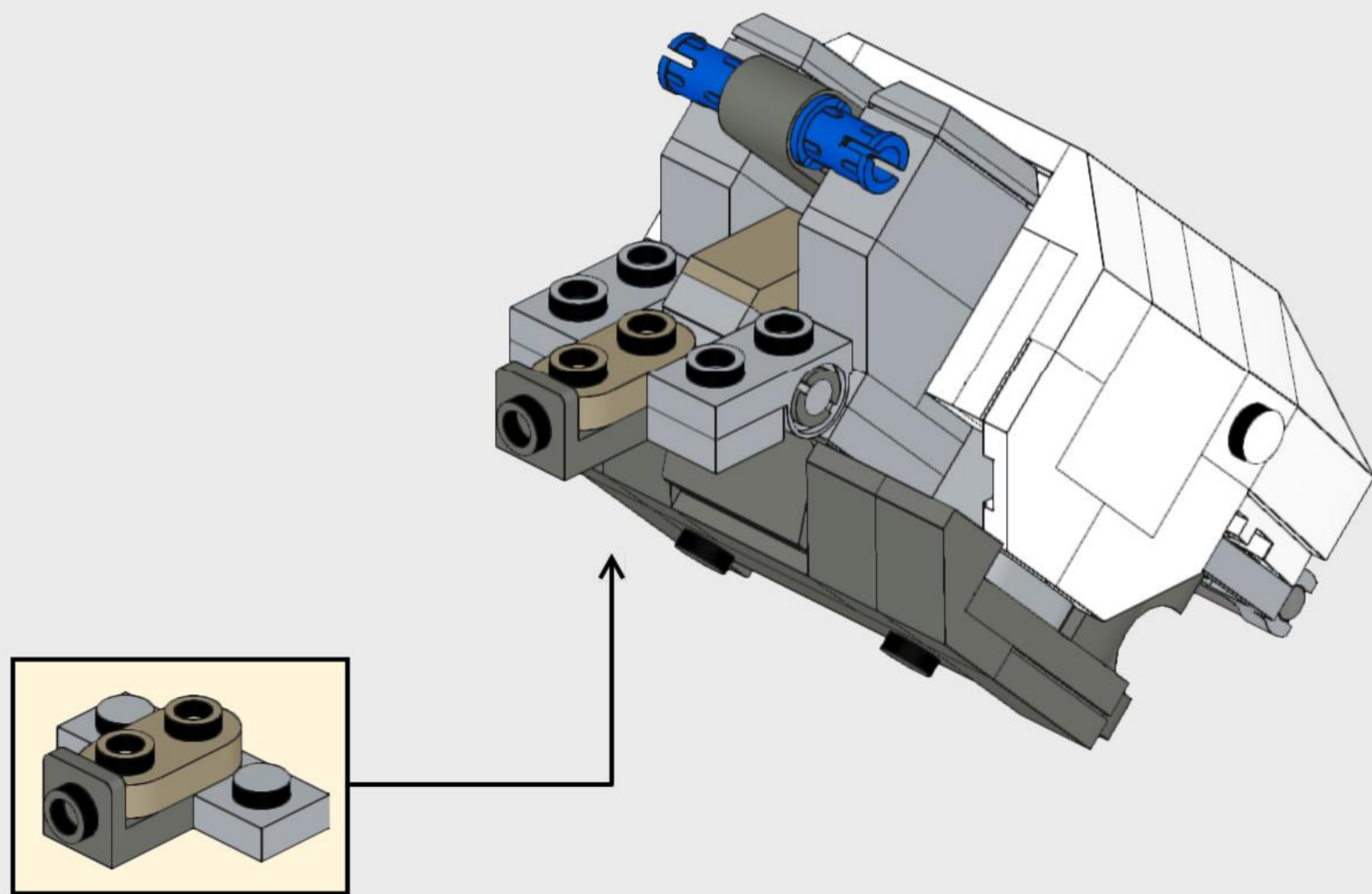




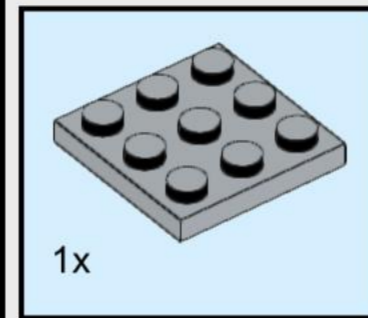
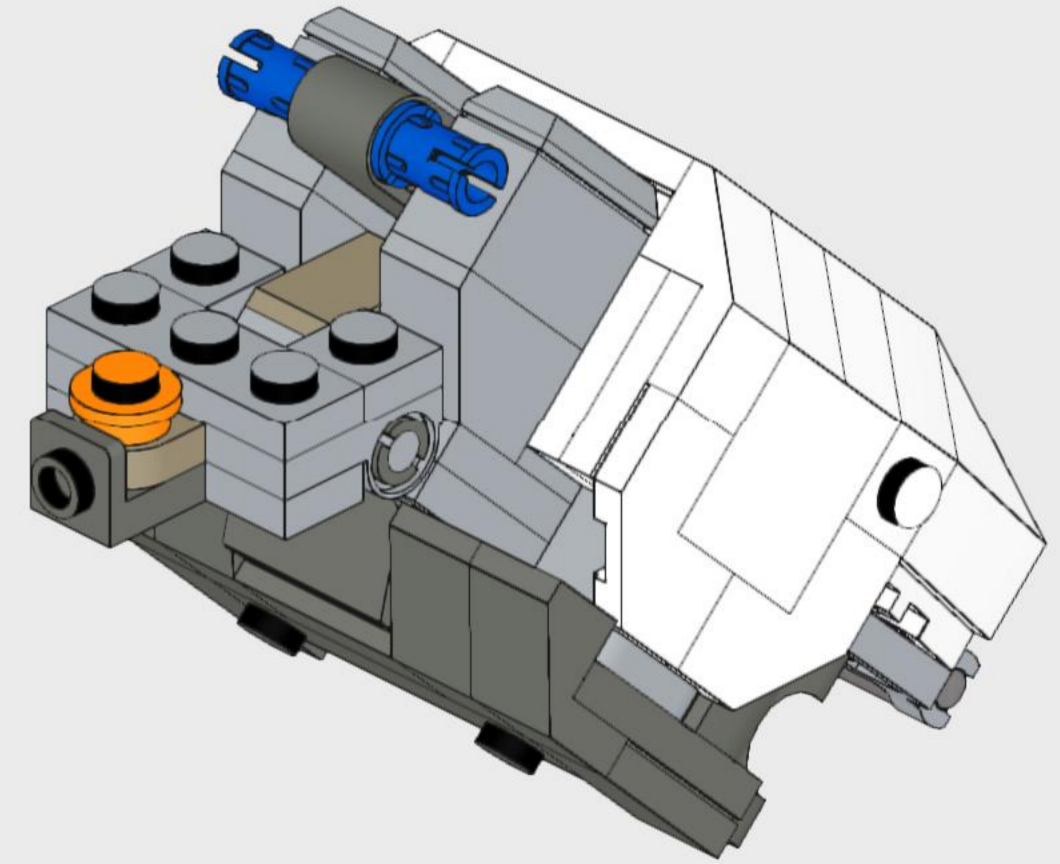
37



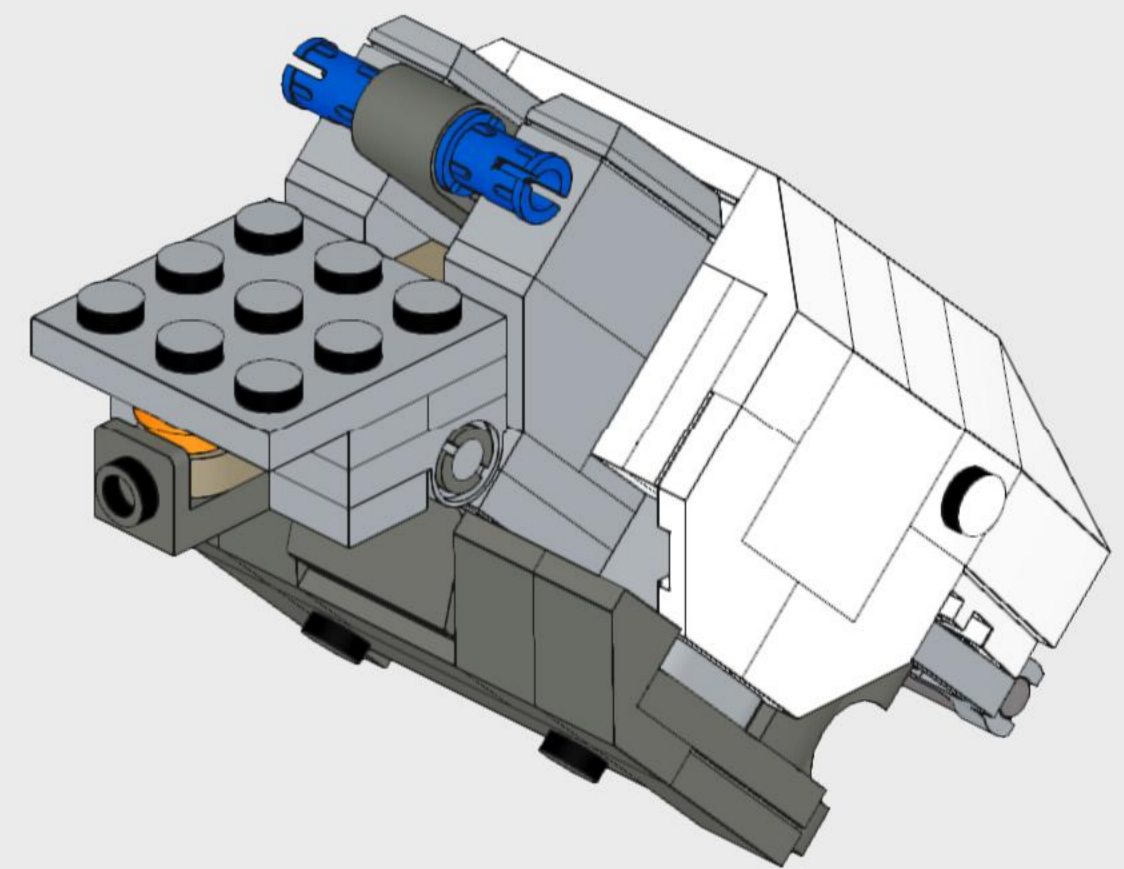
38

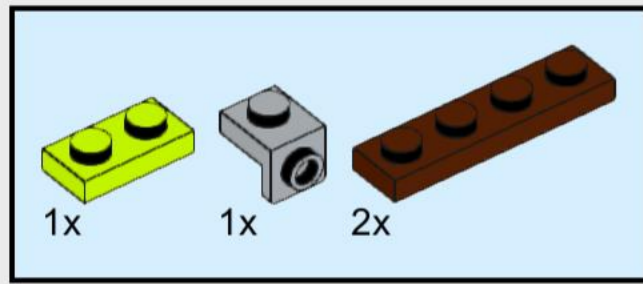


39

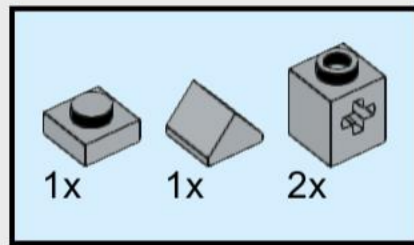
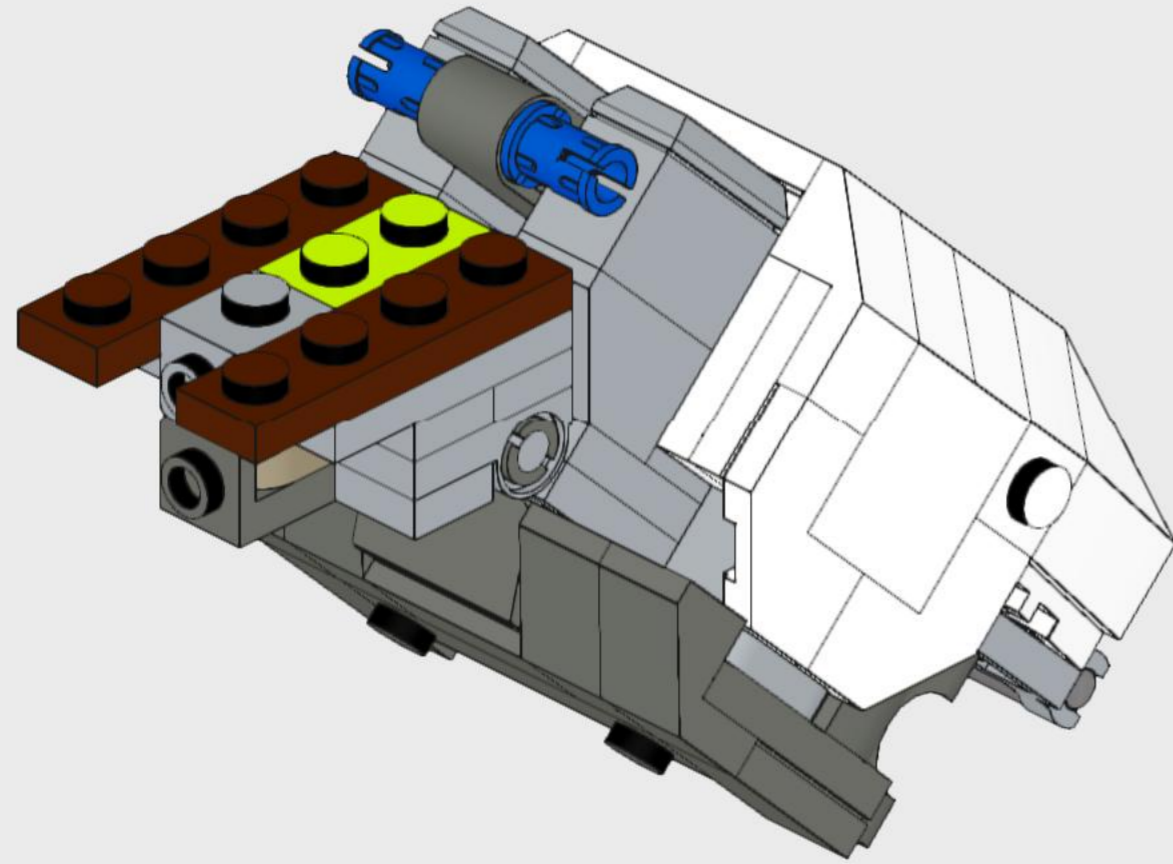


40

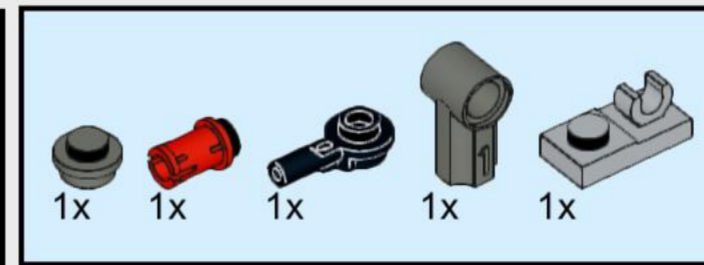
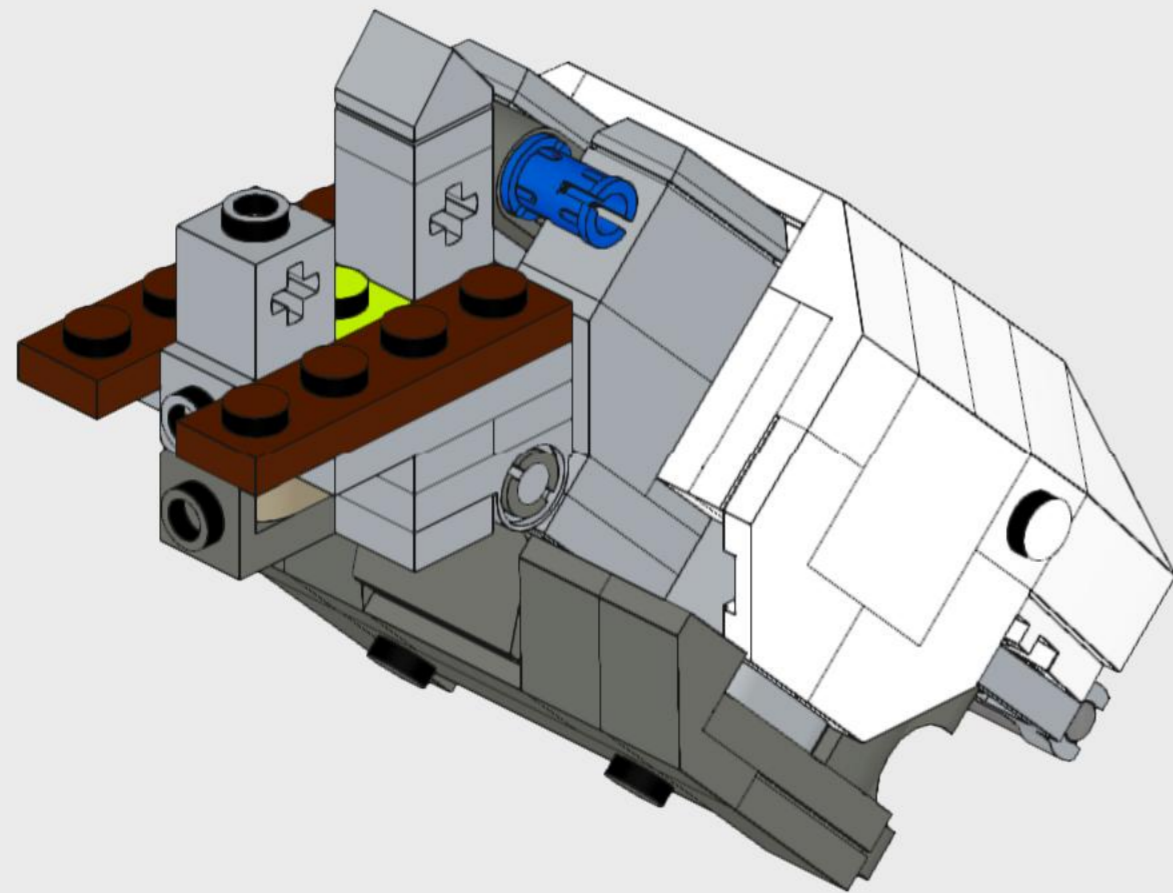




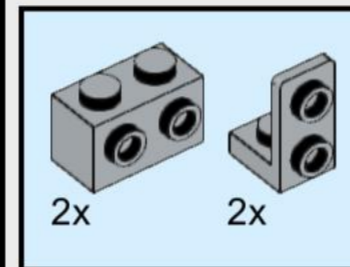
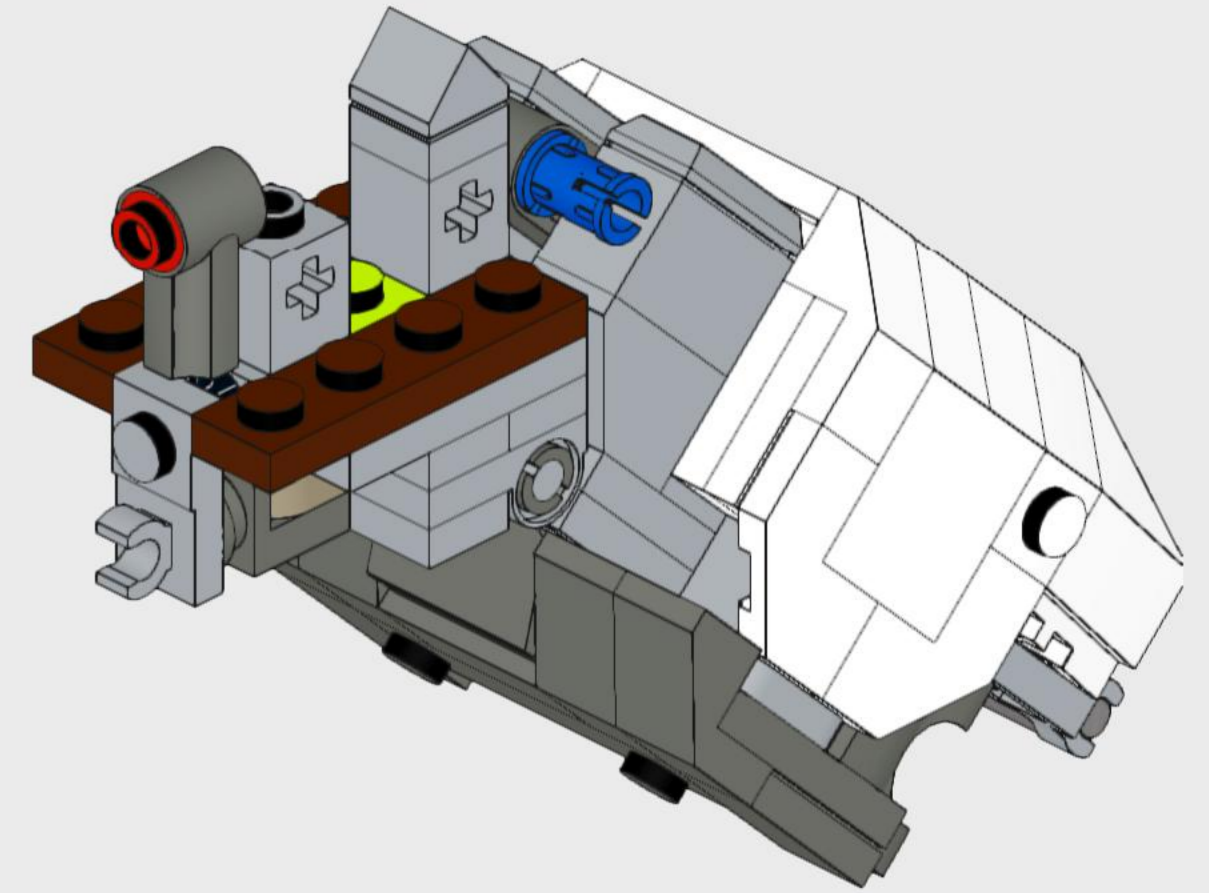
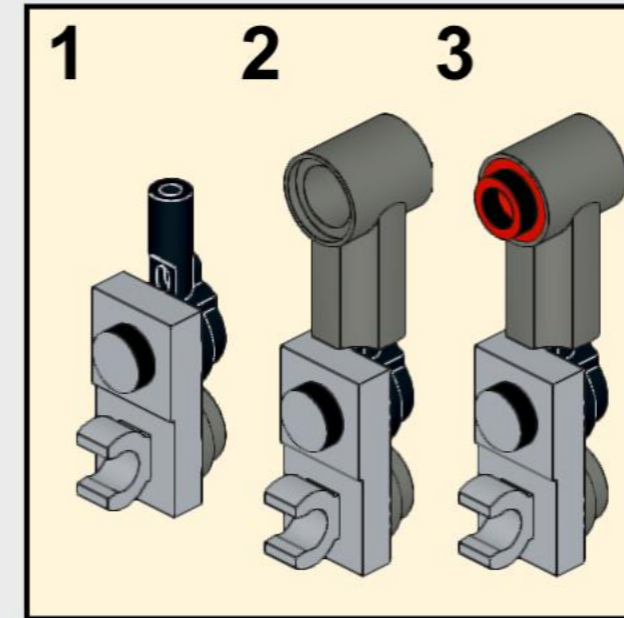
41



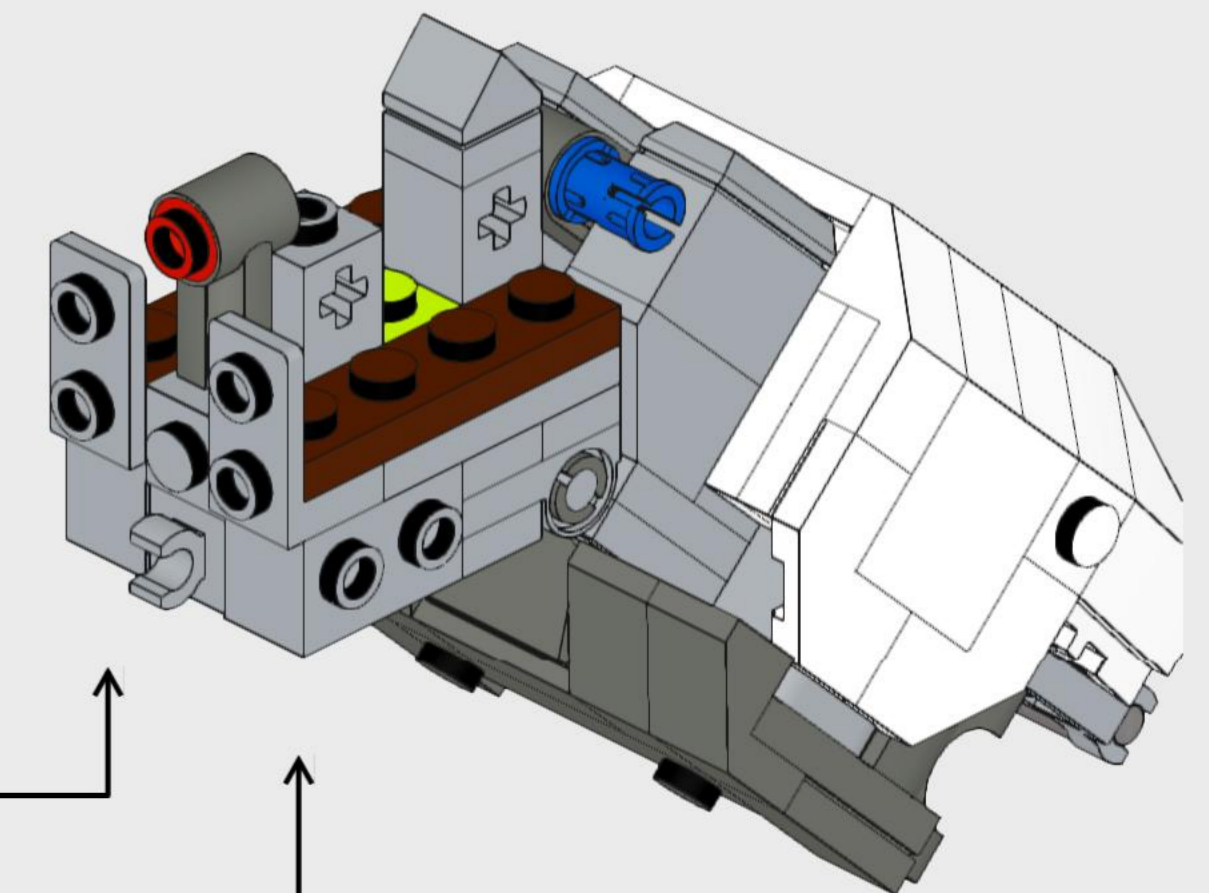
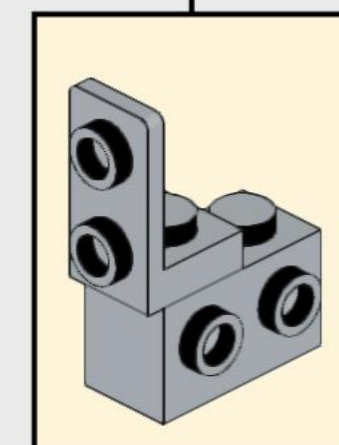
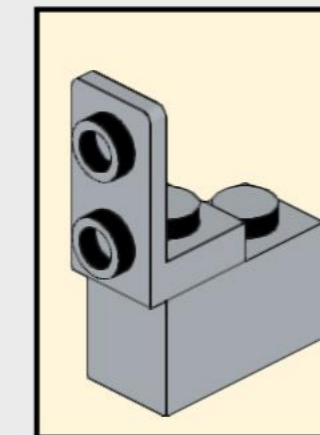
42

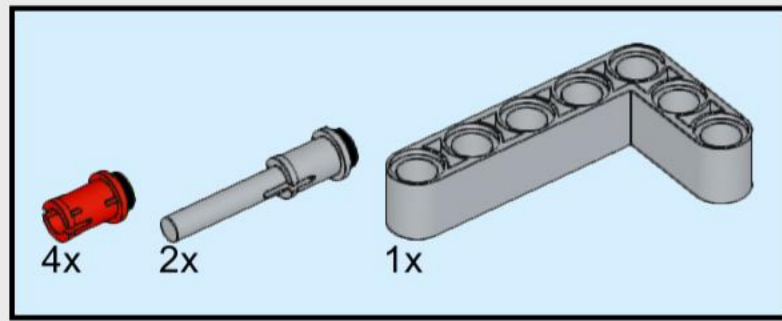


43

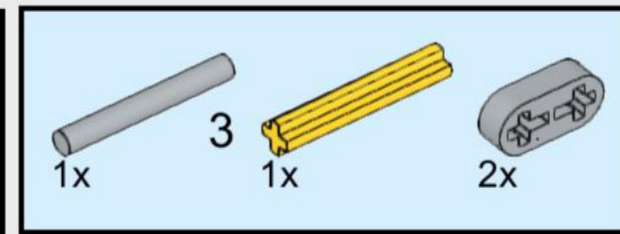
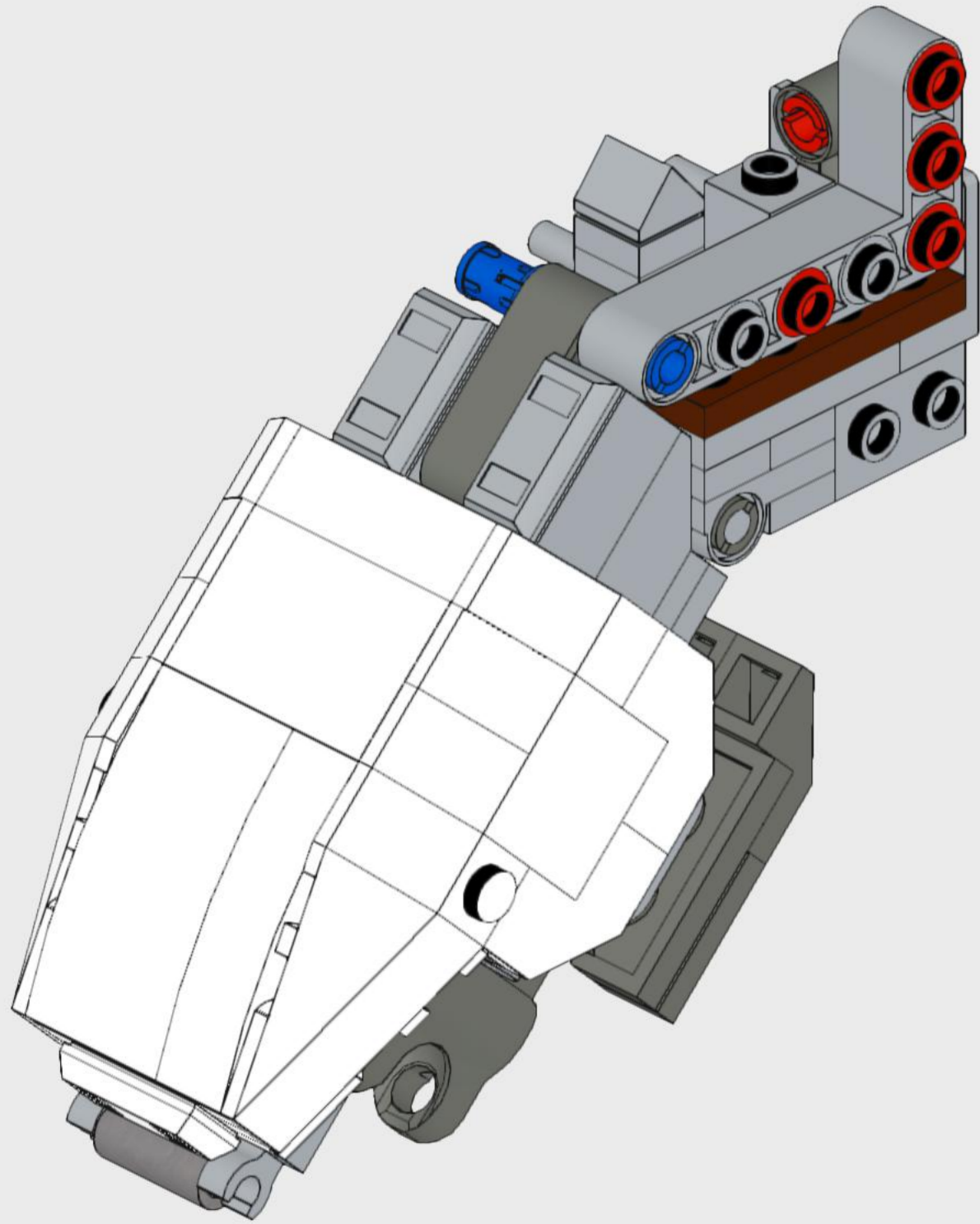
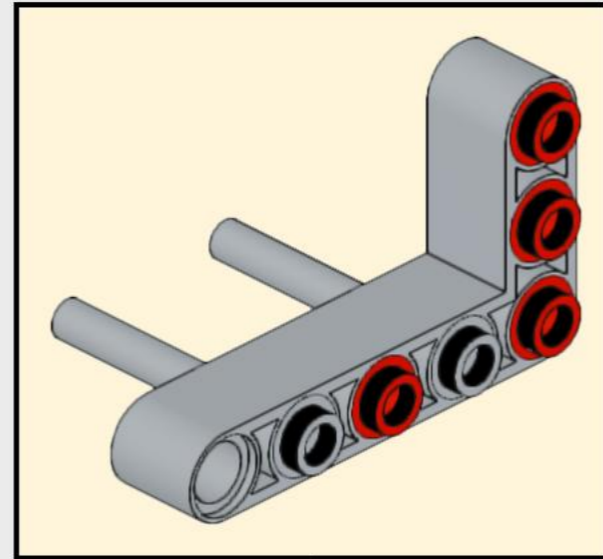


44

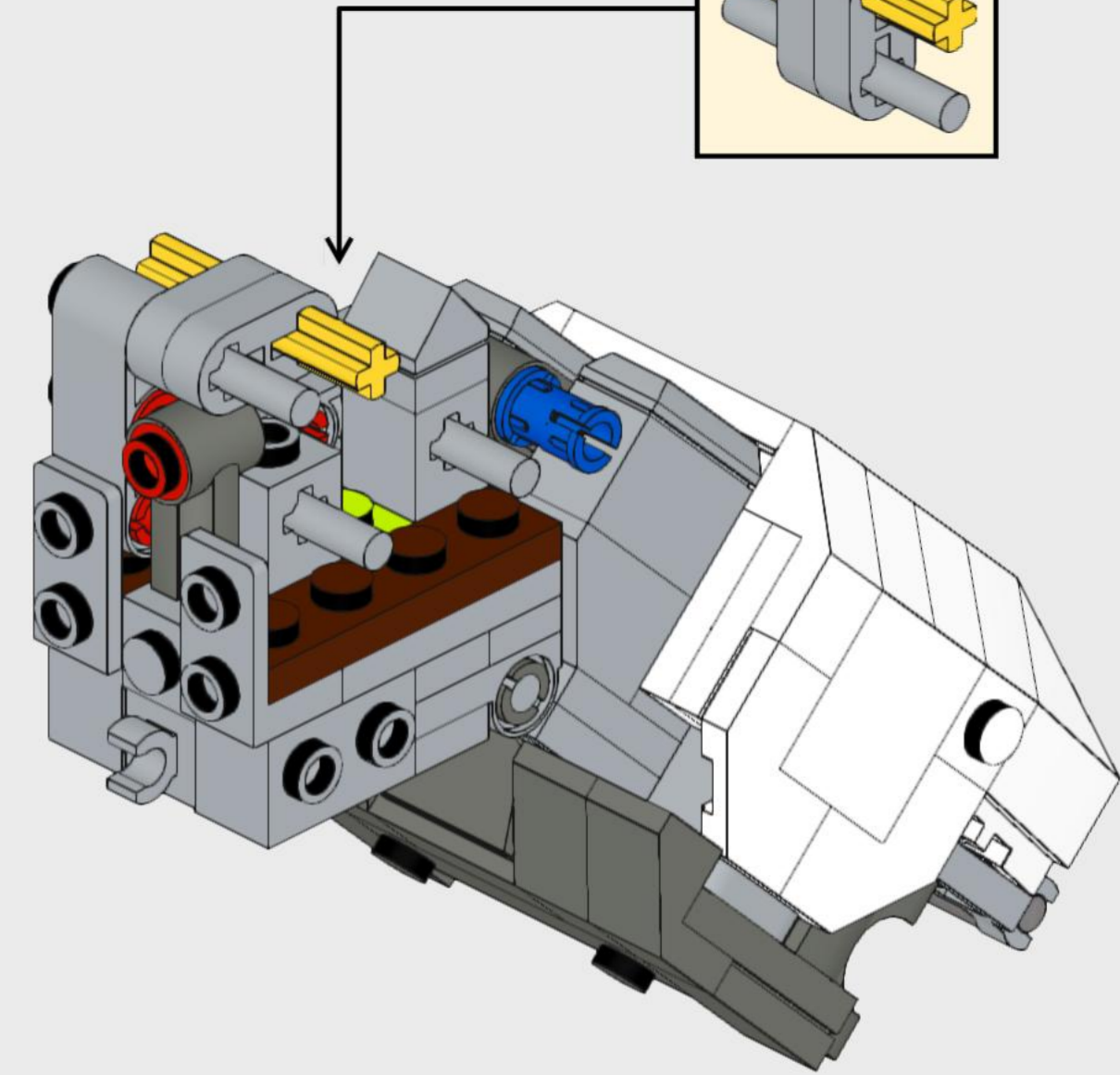
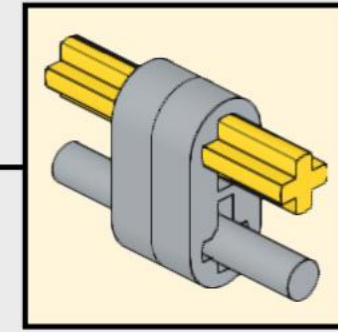


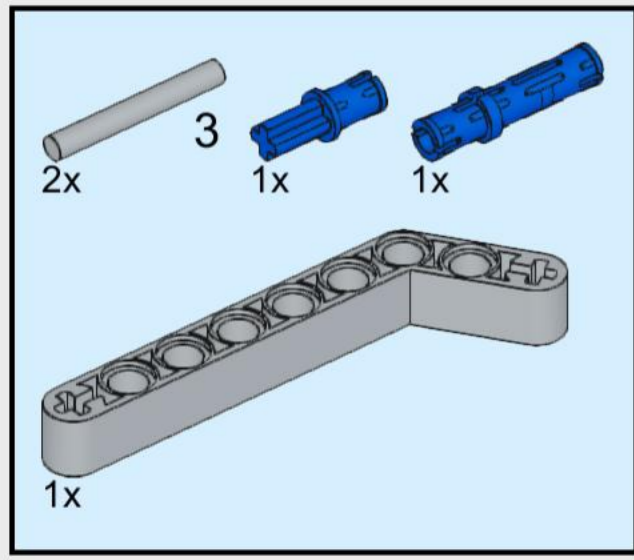


45

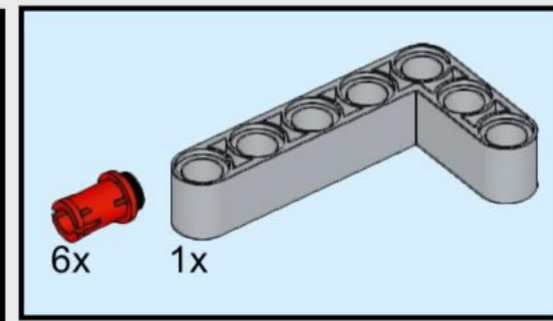
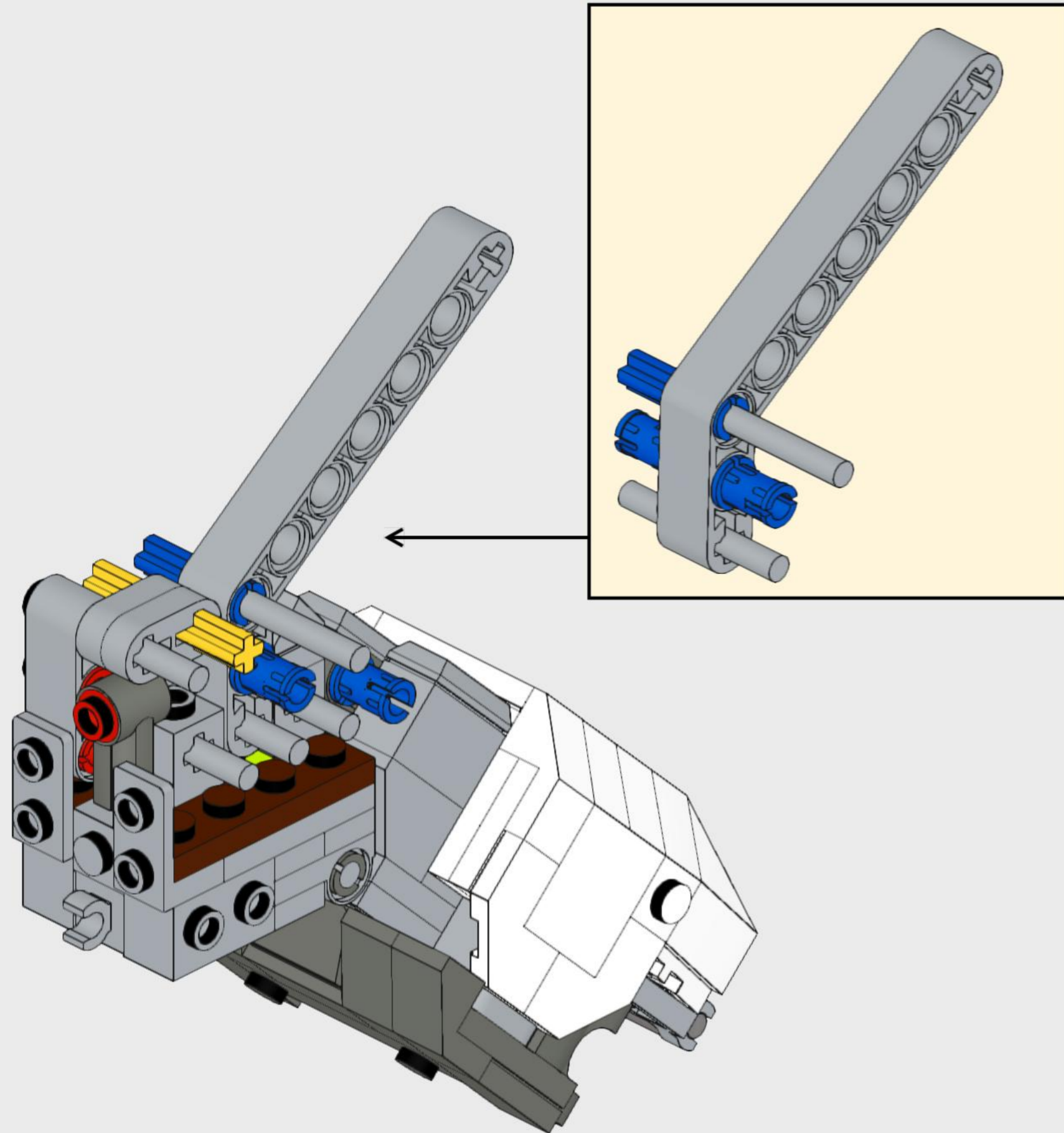


46

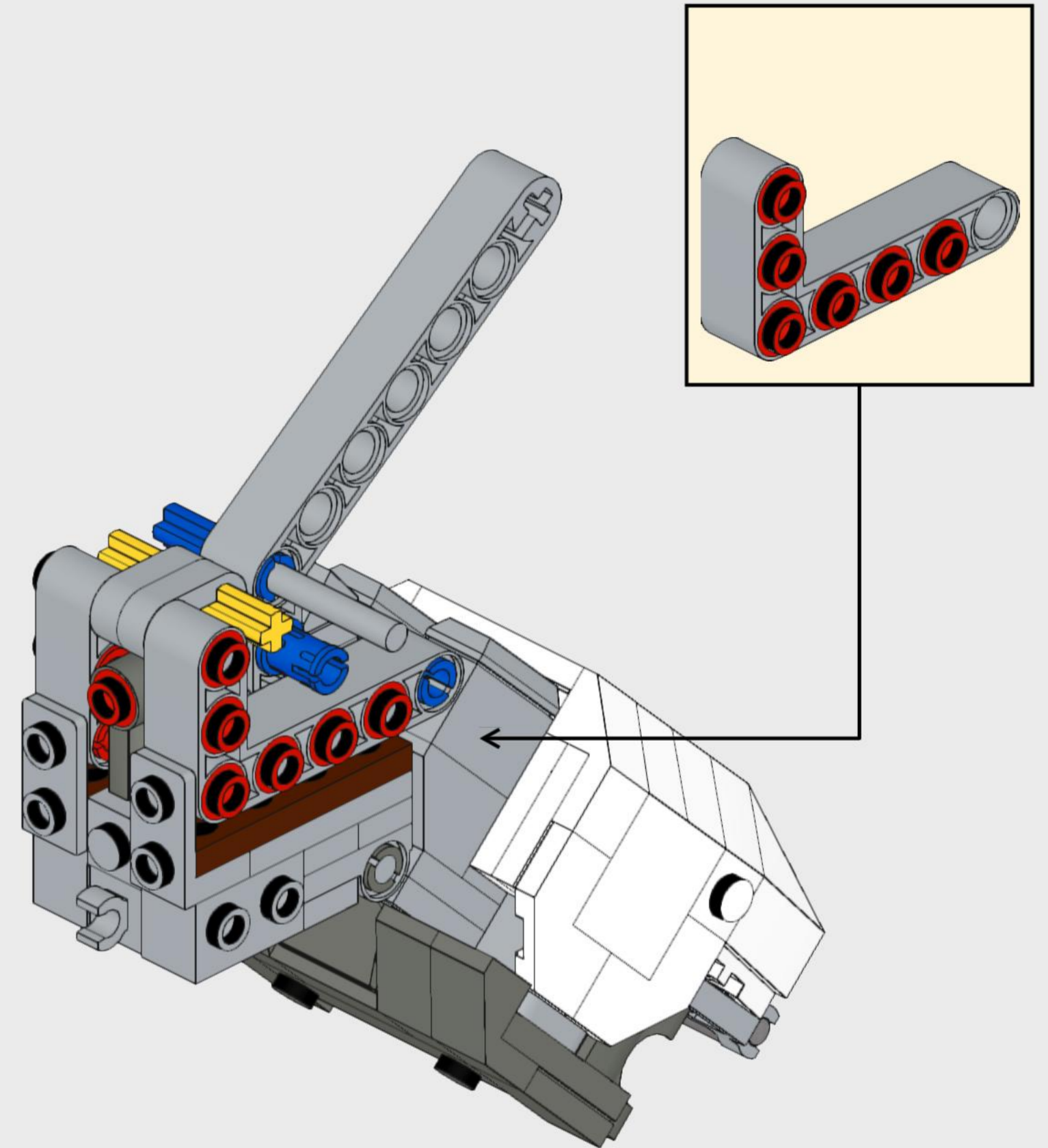


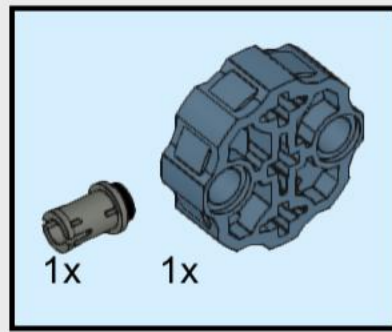


47

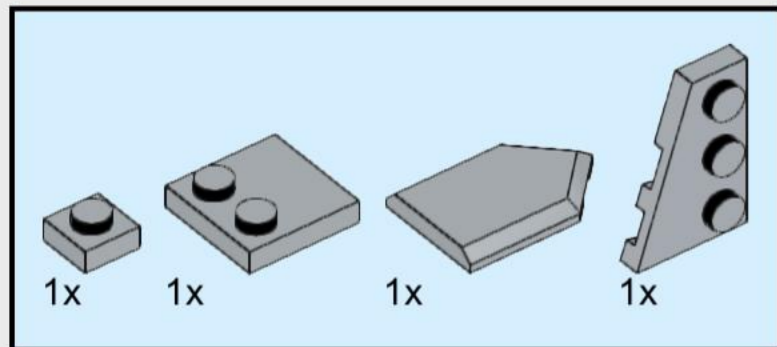
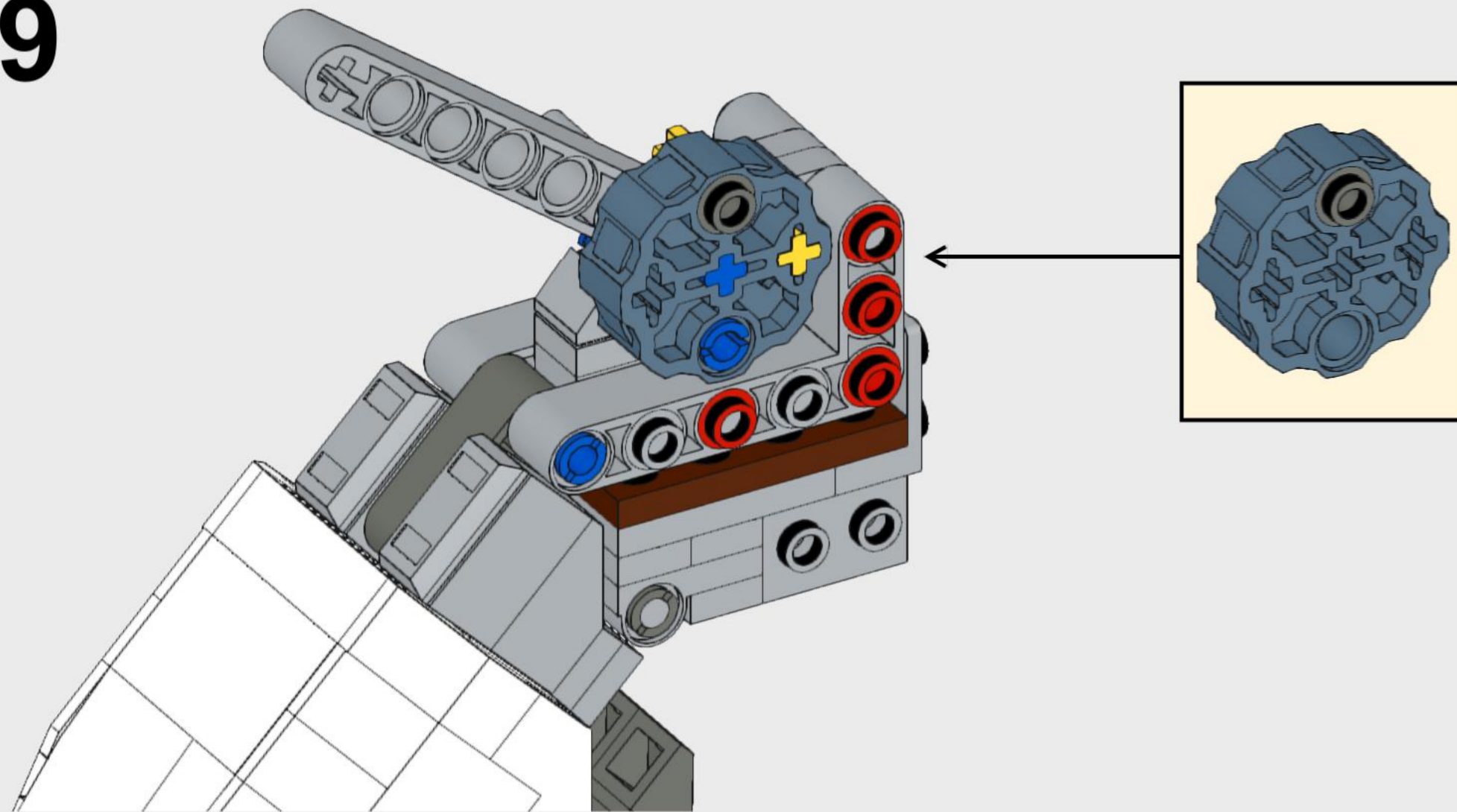


48

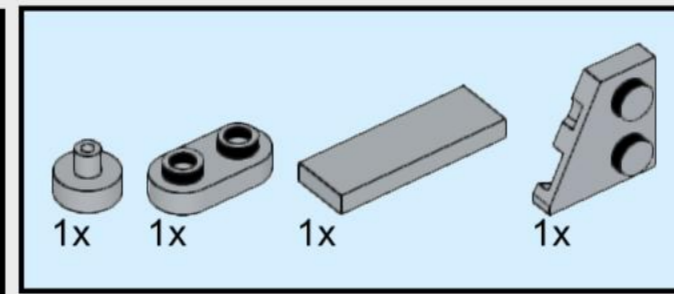
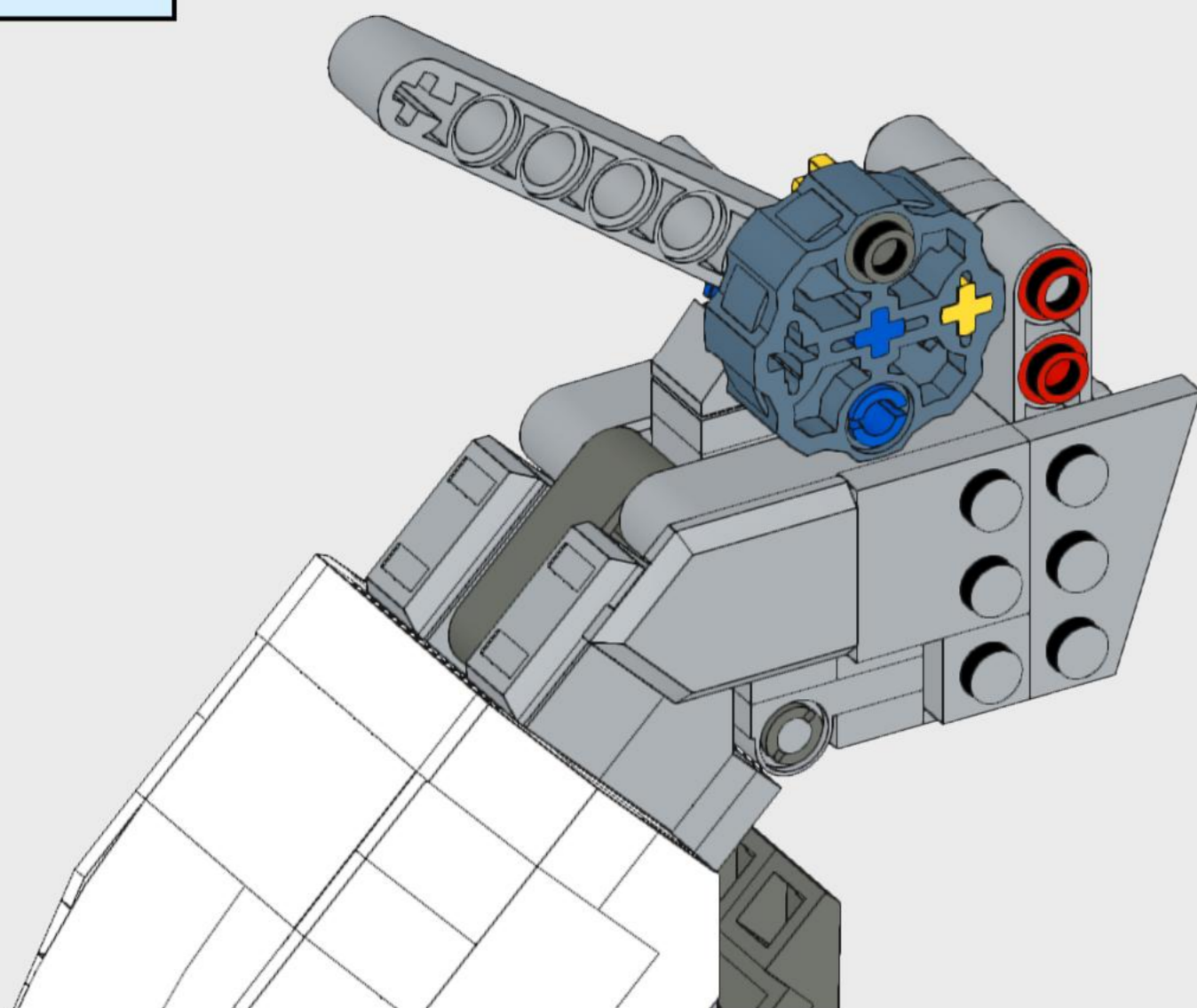




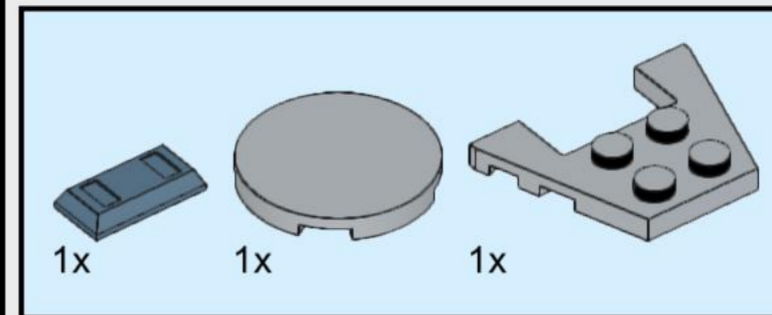
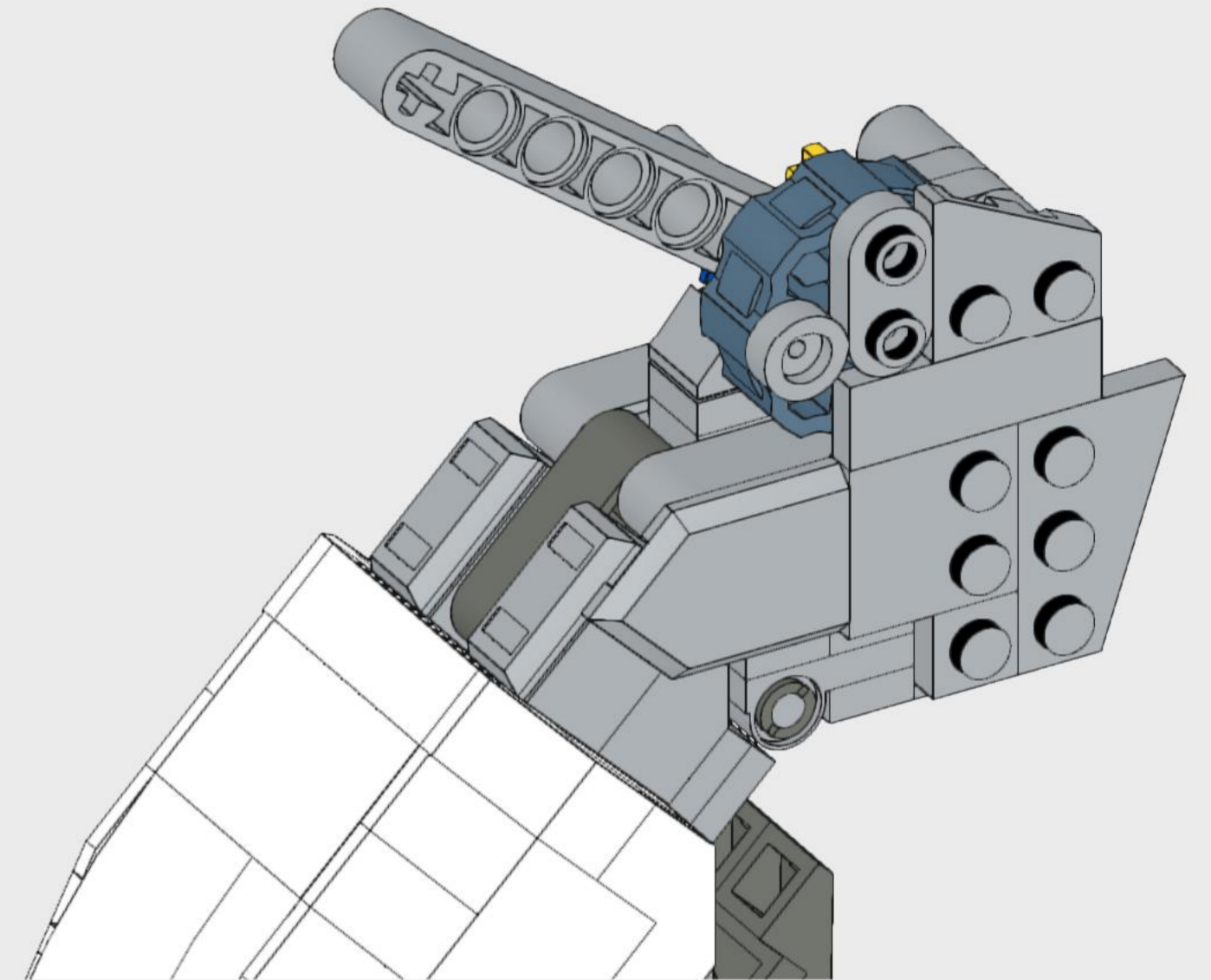
49



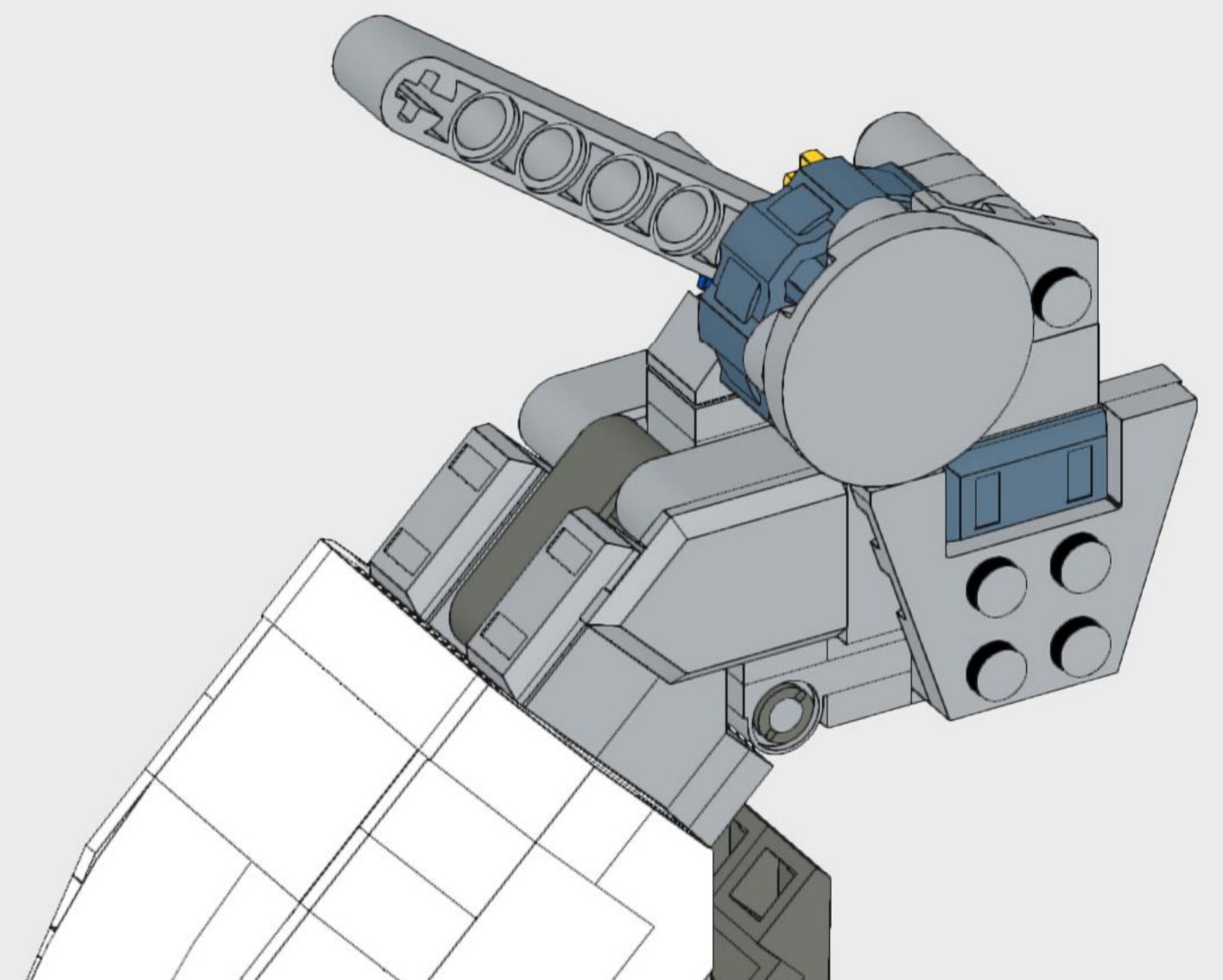
50

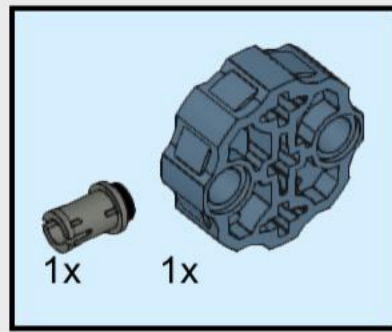


51

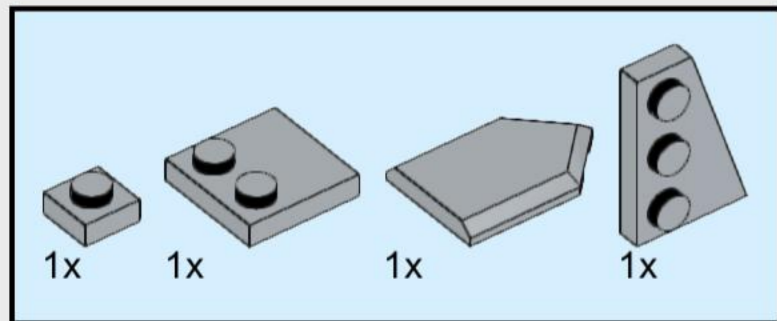
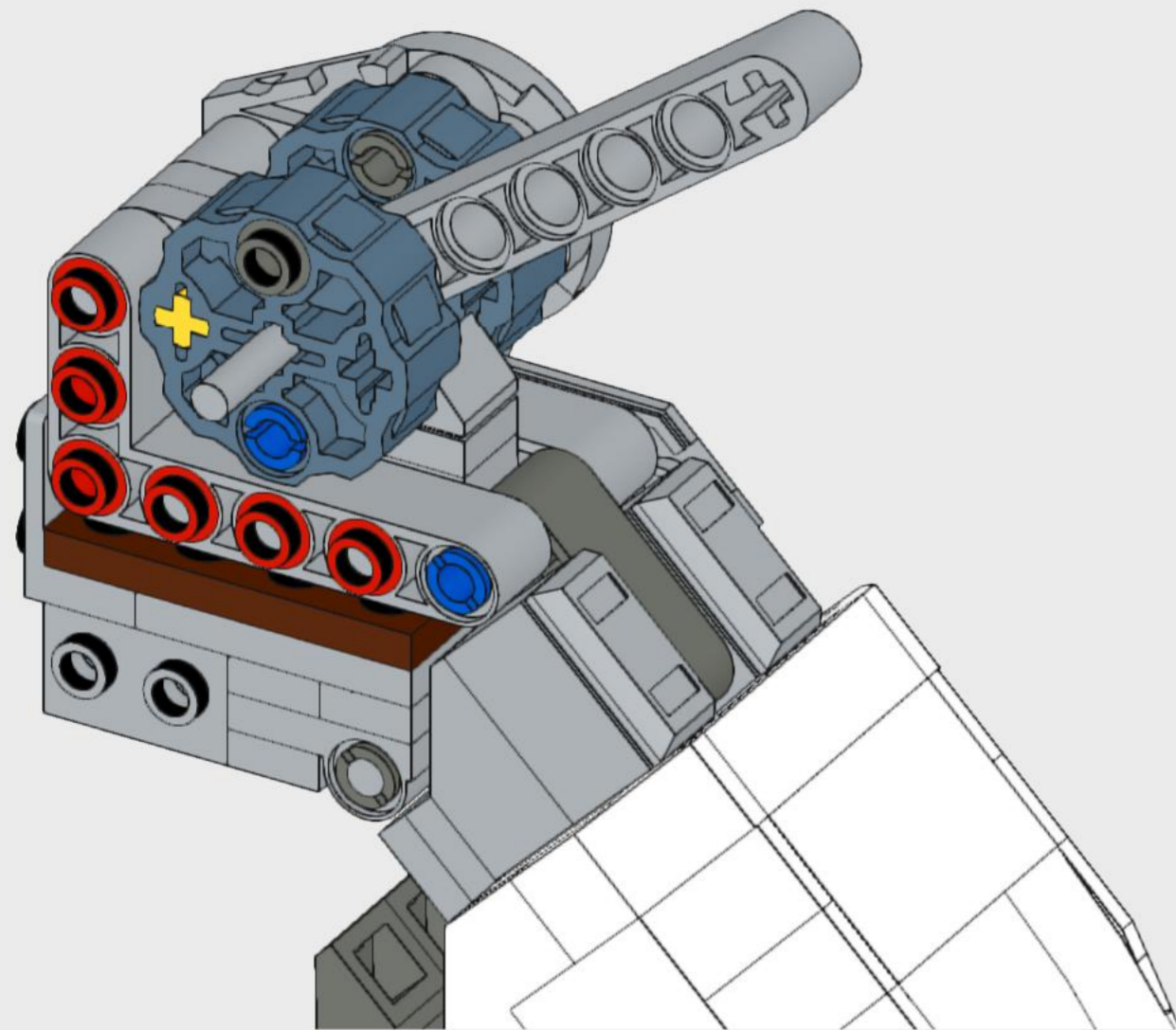
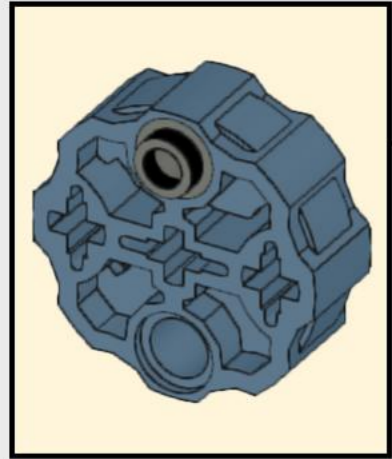


52

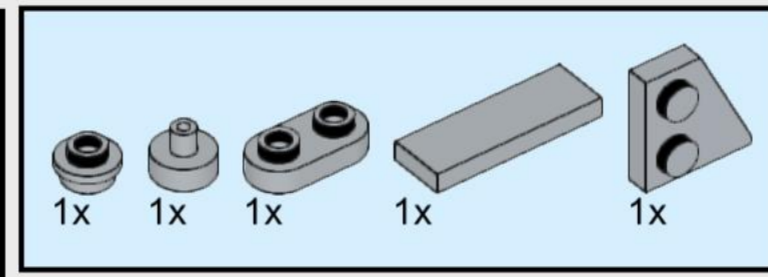
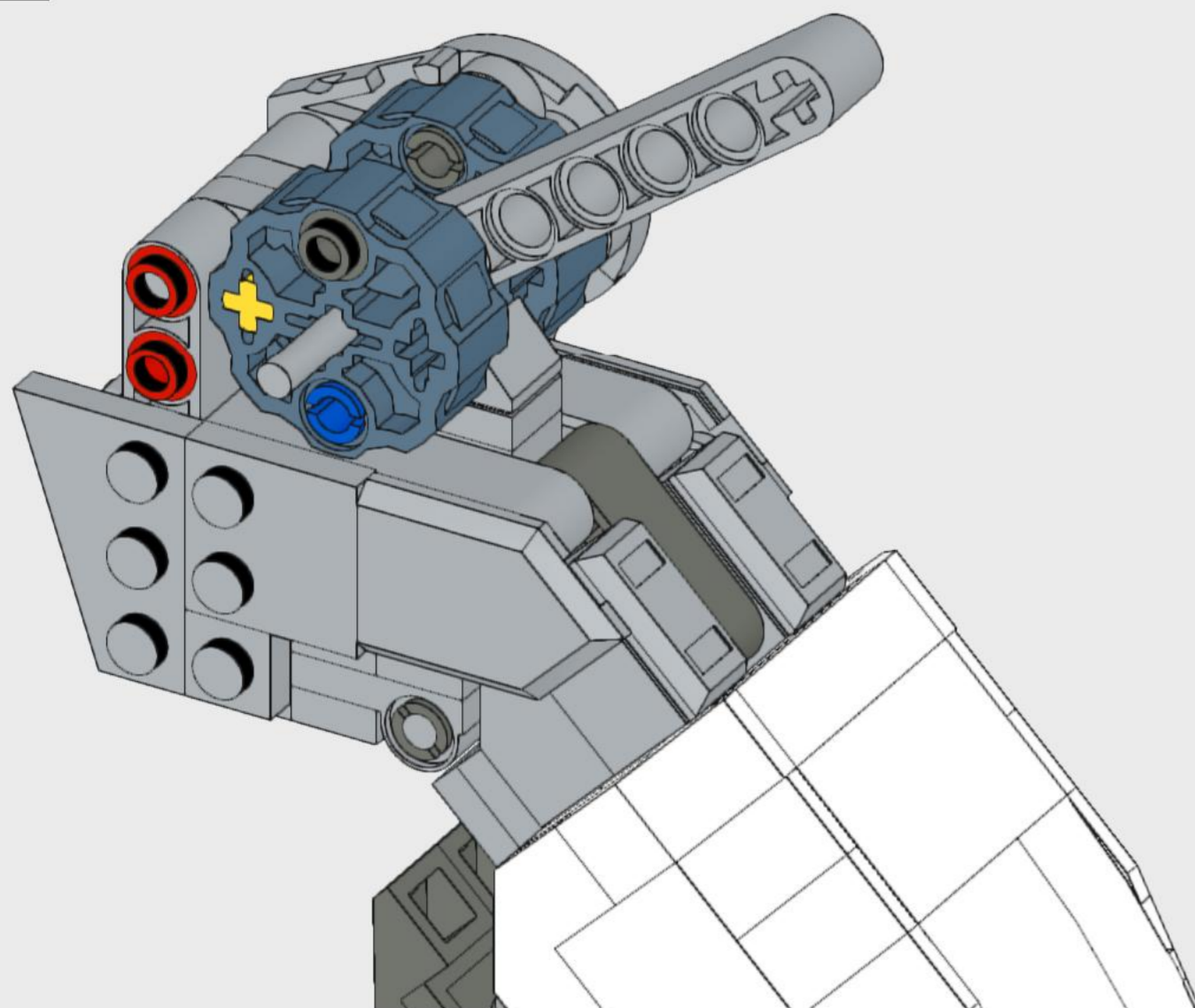




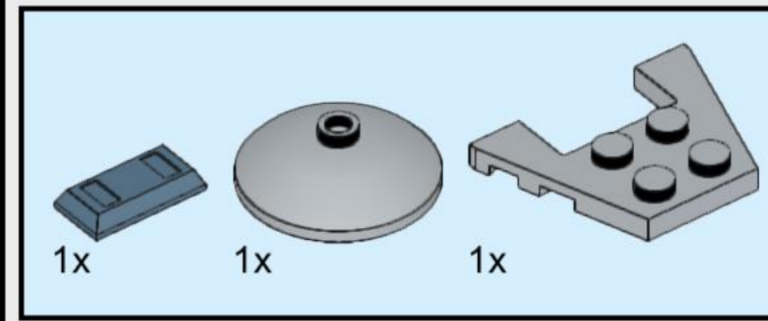
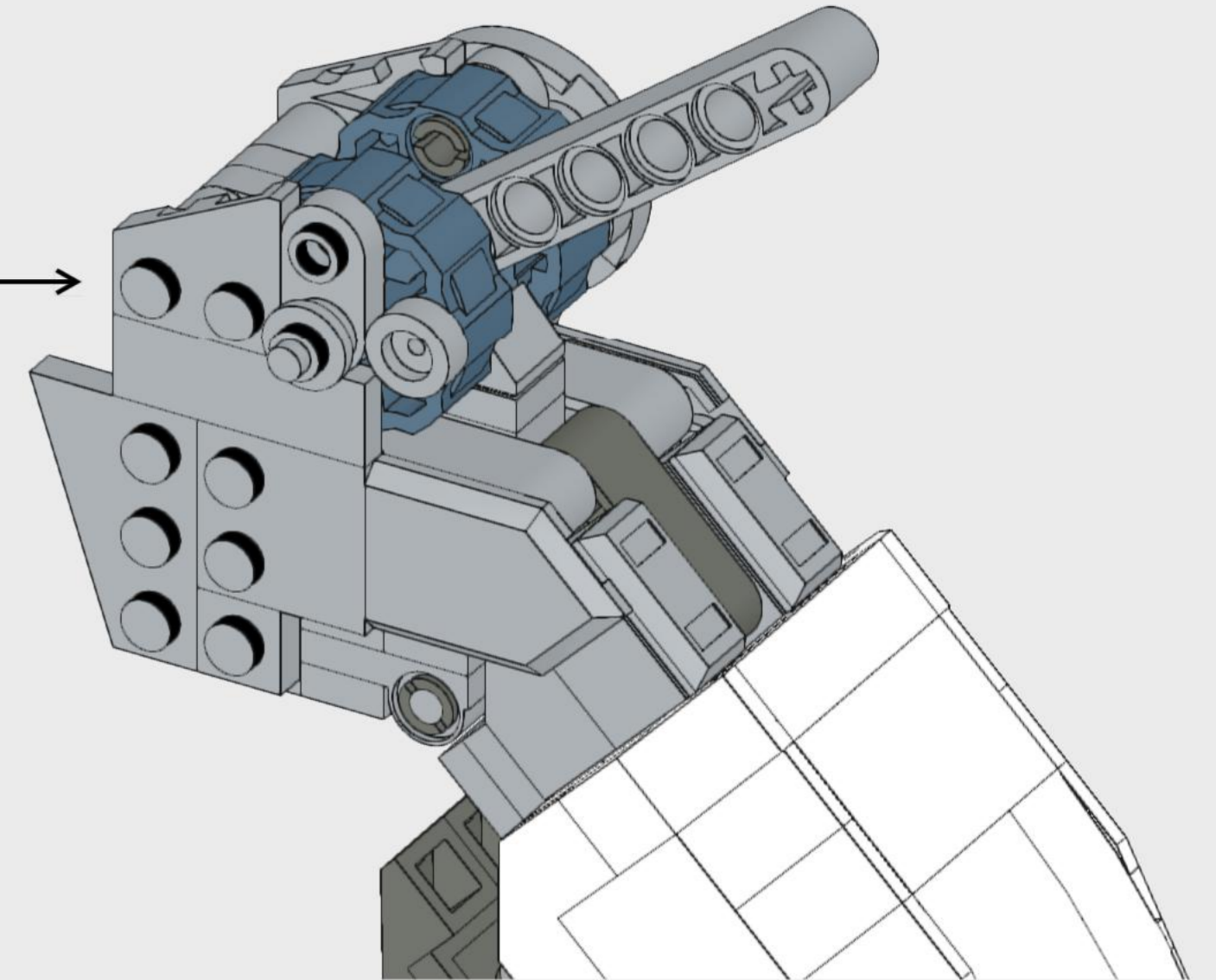
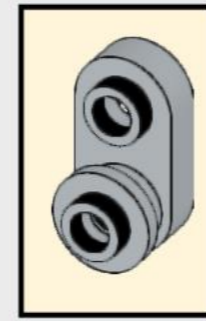
53



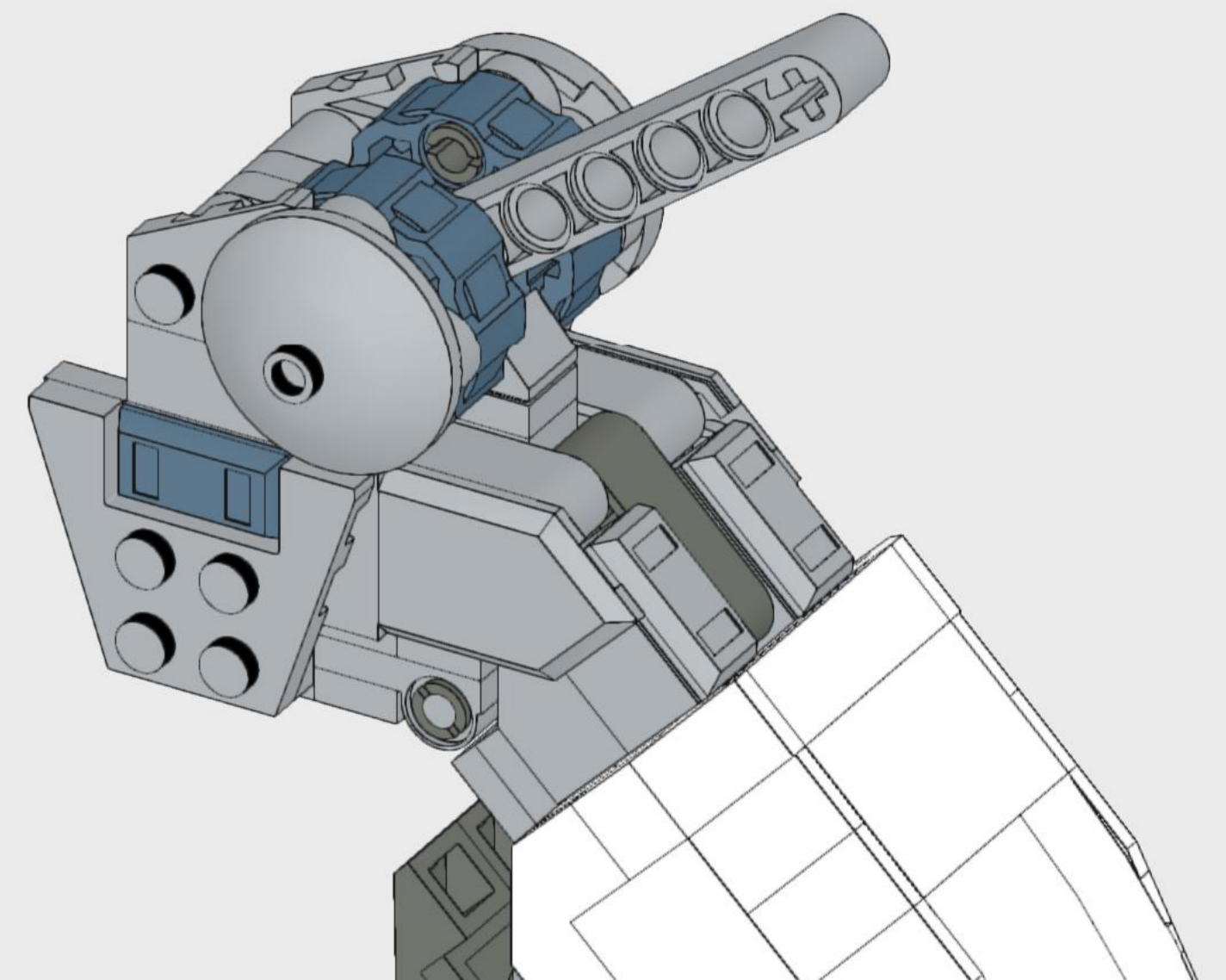
54

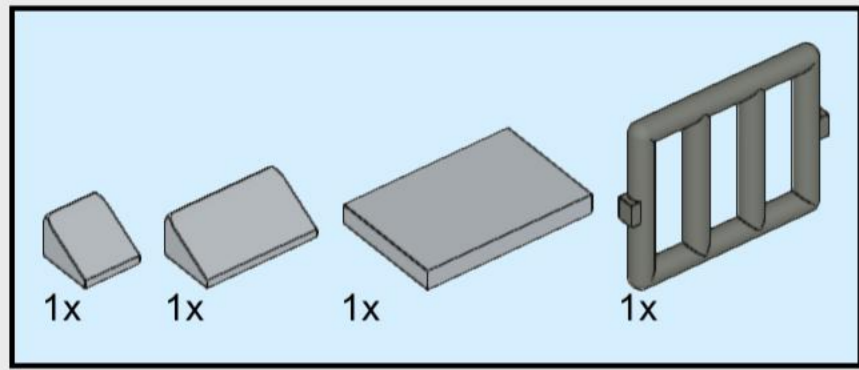


55

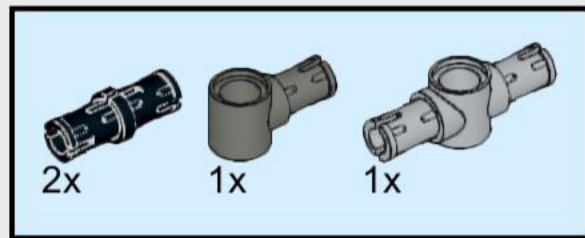
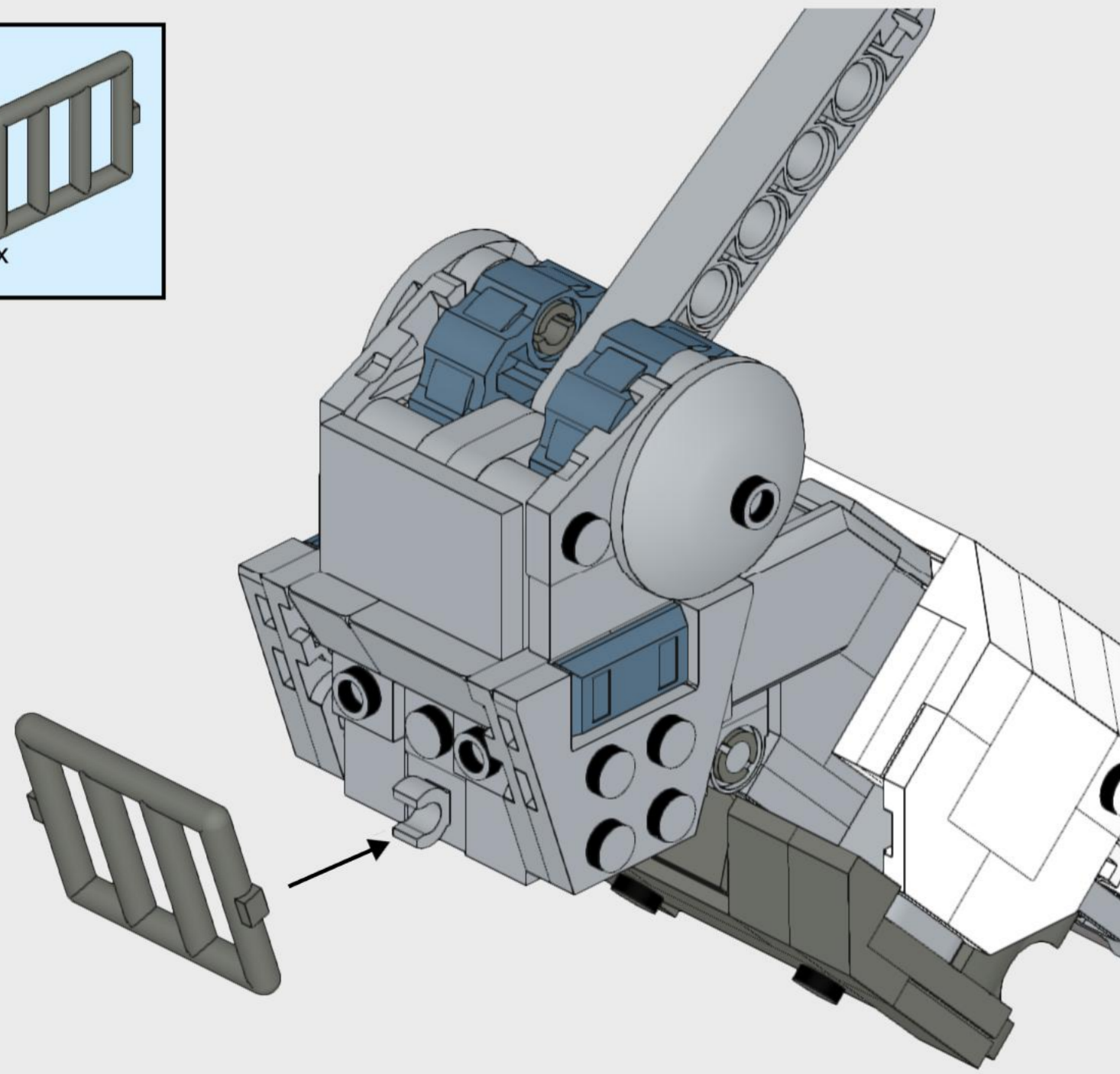


56

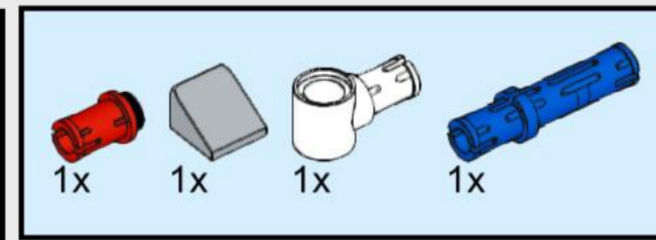
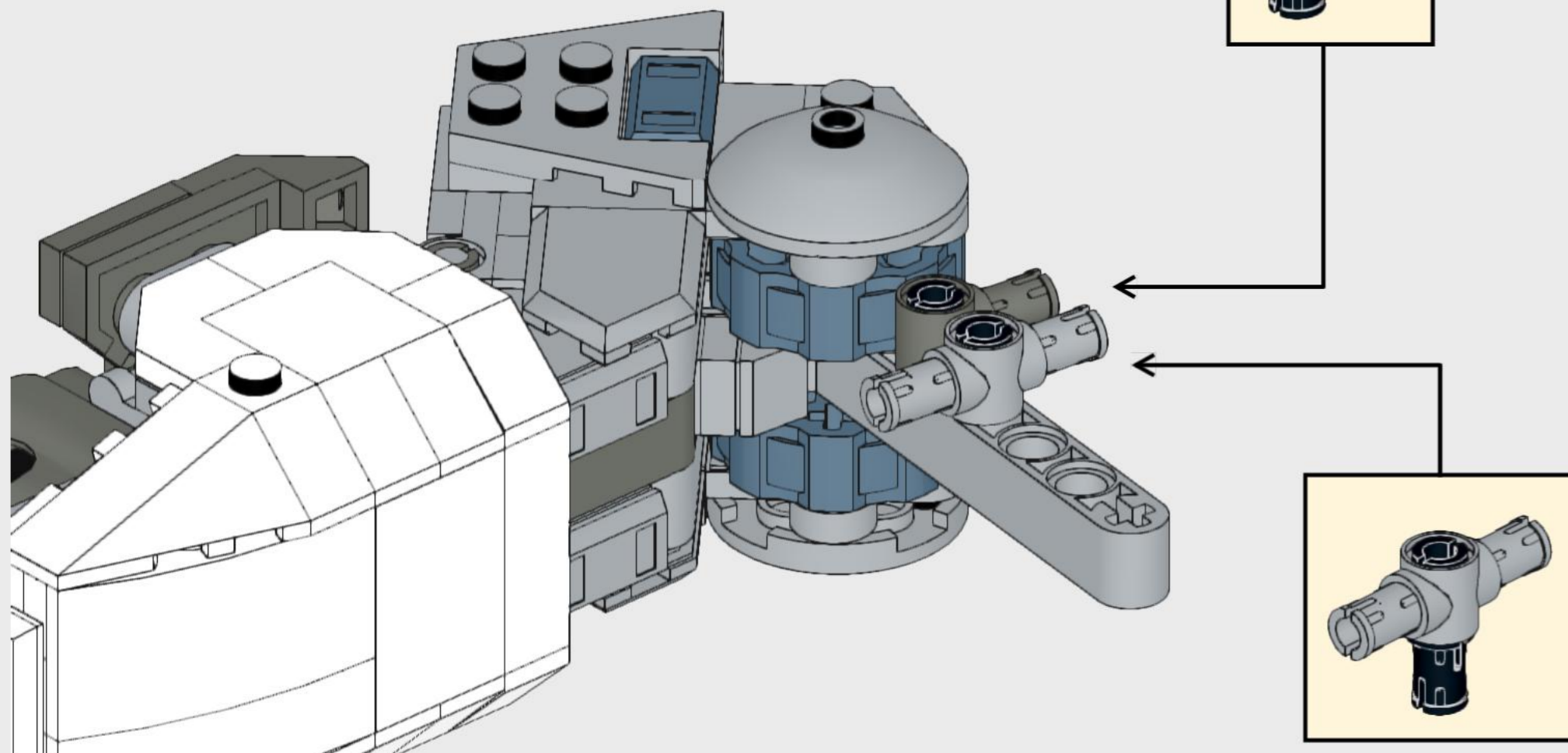




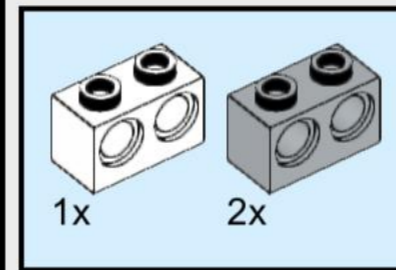
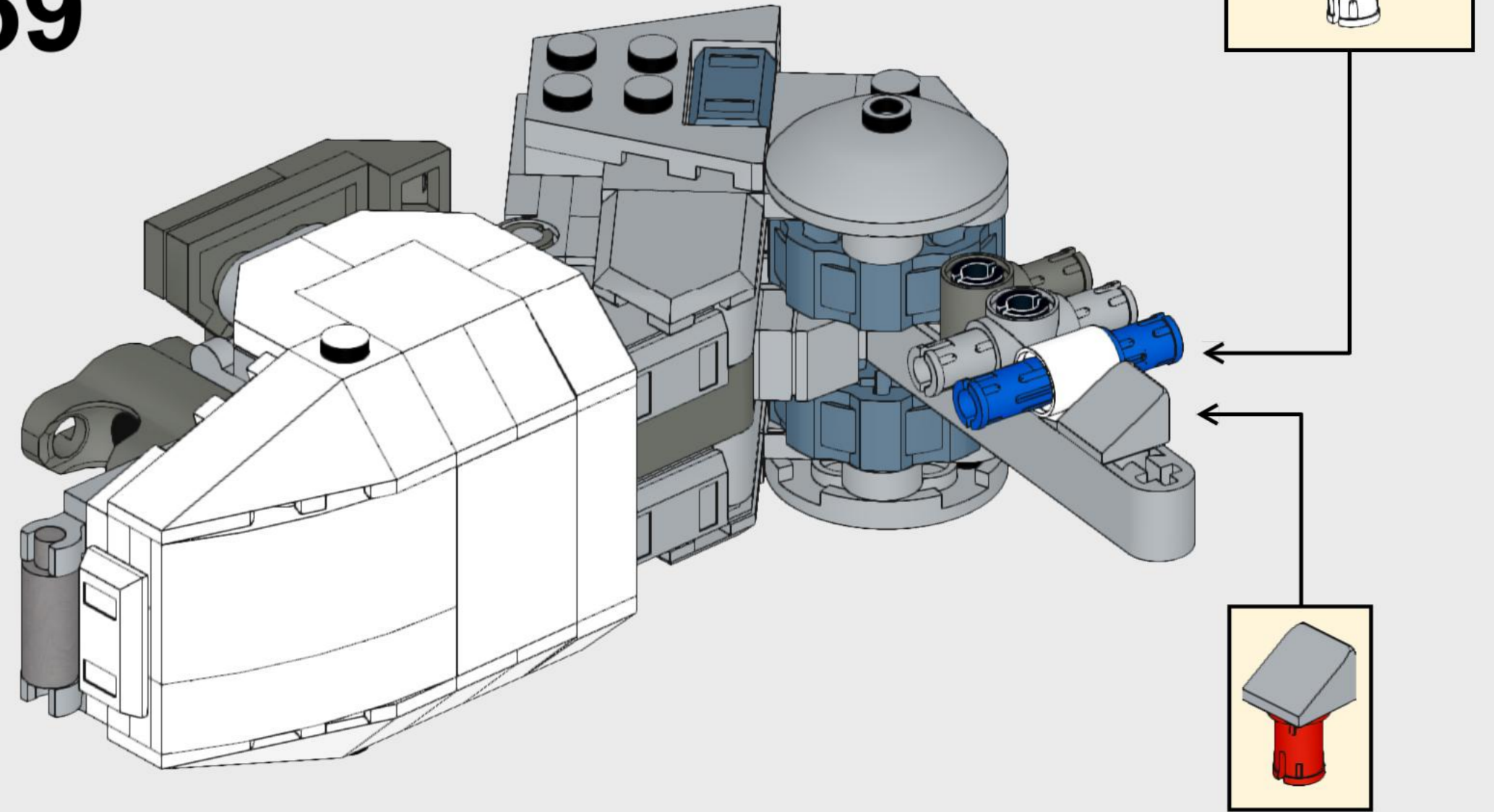
57



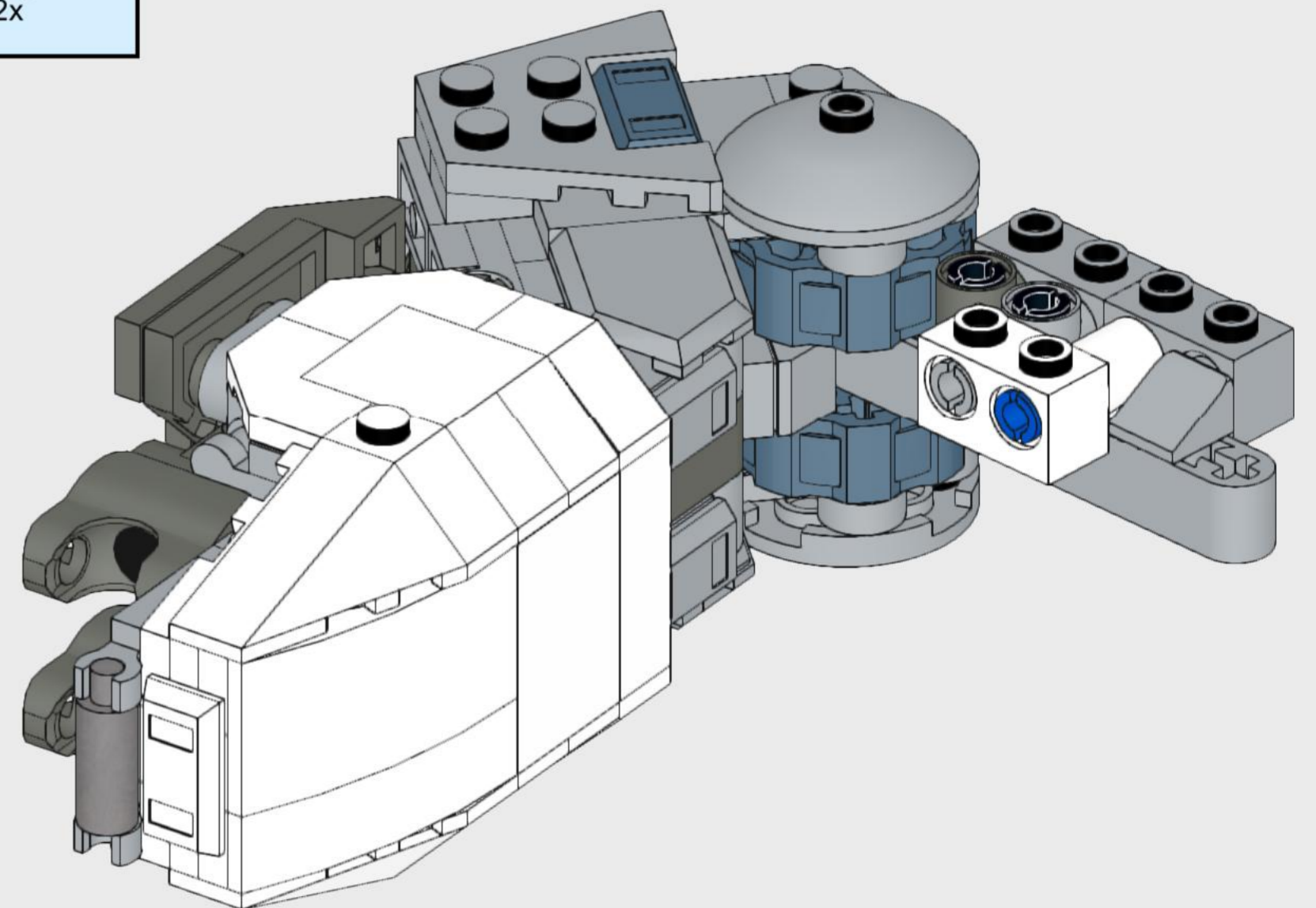
58

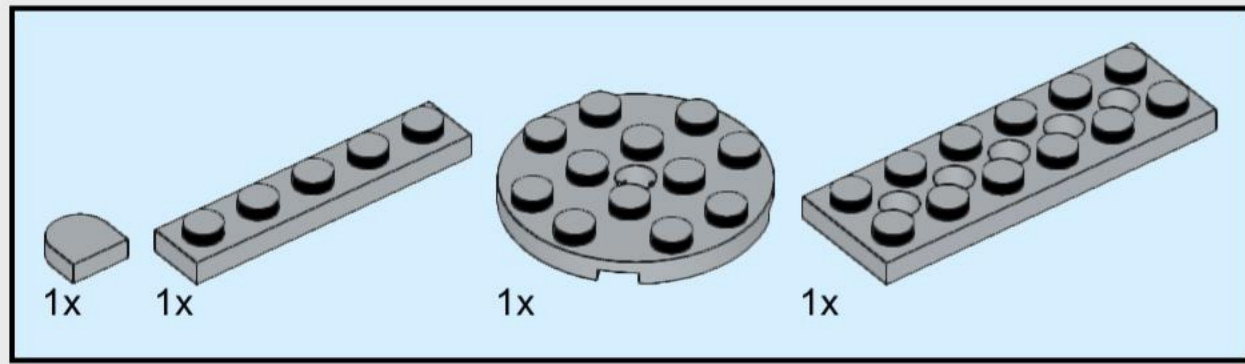


59

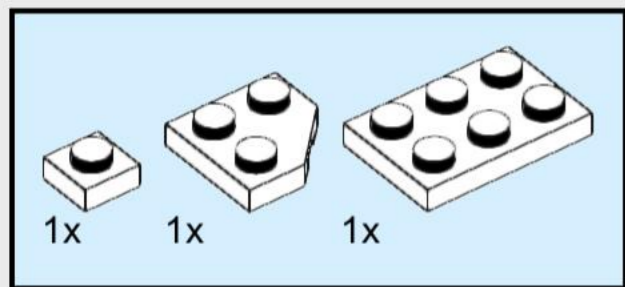
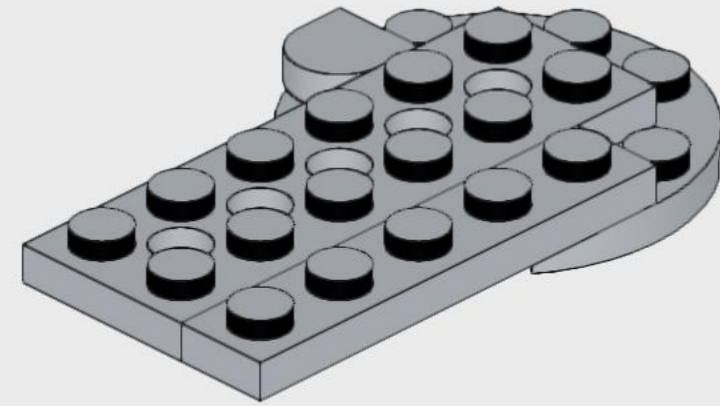


60

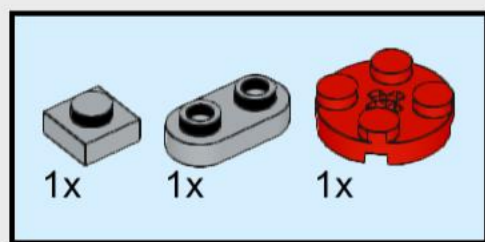
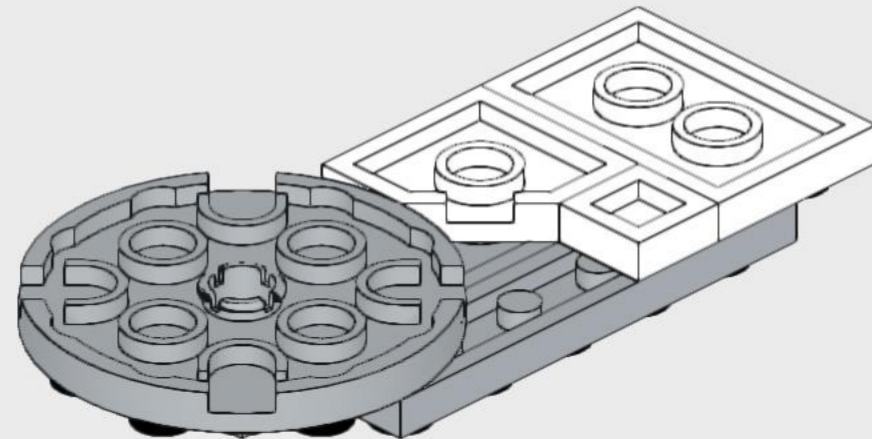




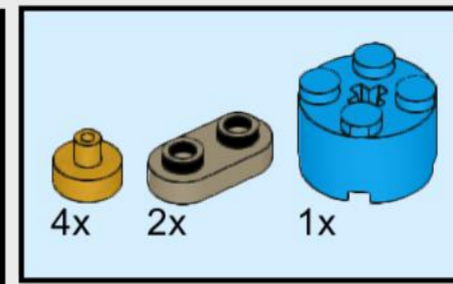
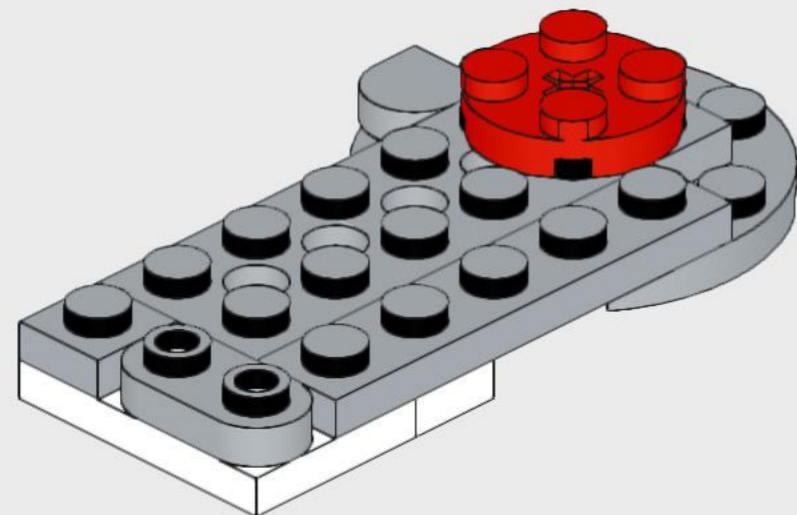
61



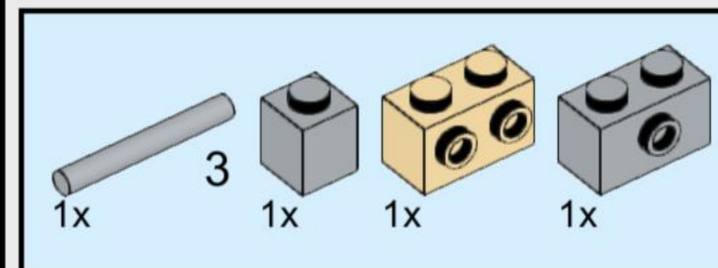
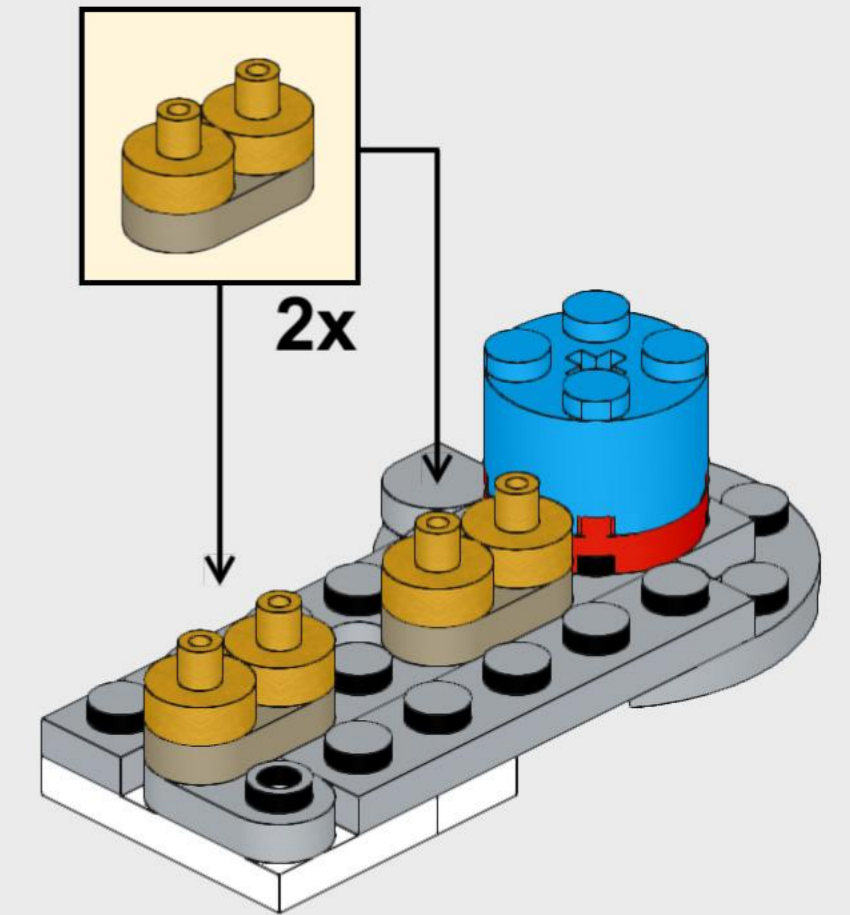
62



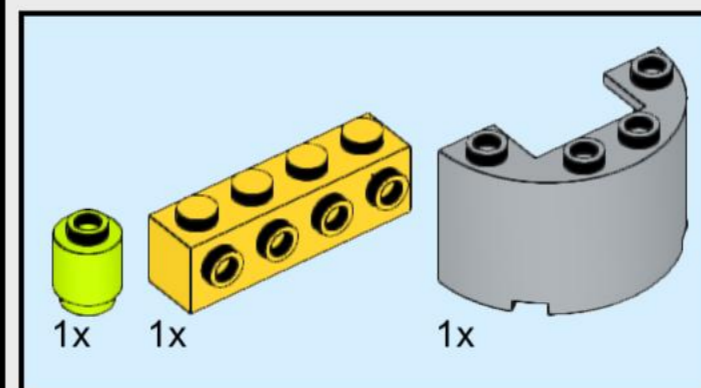
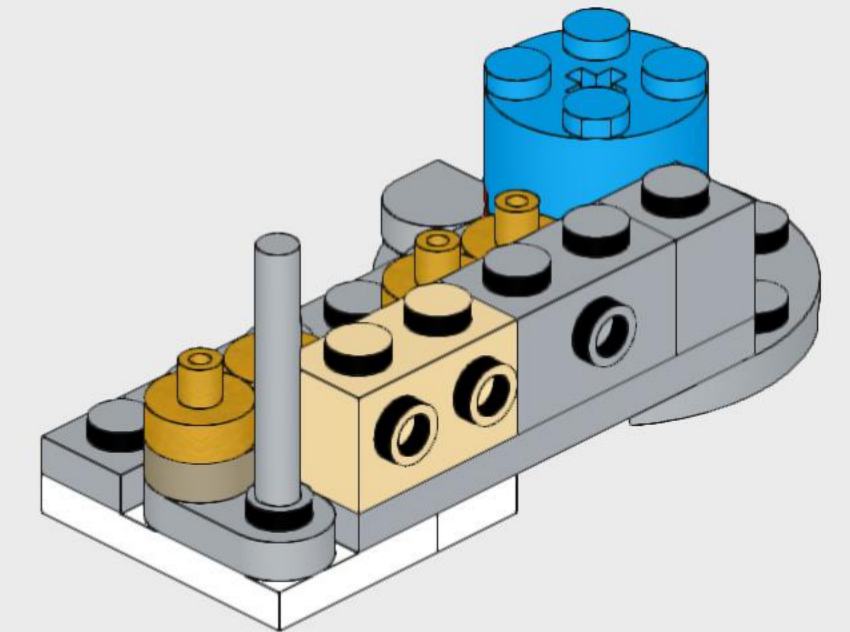
63



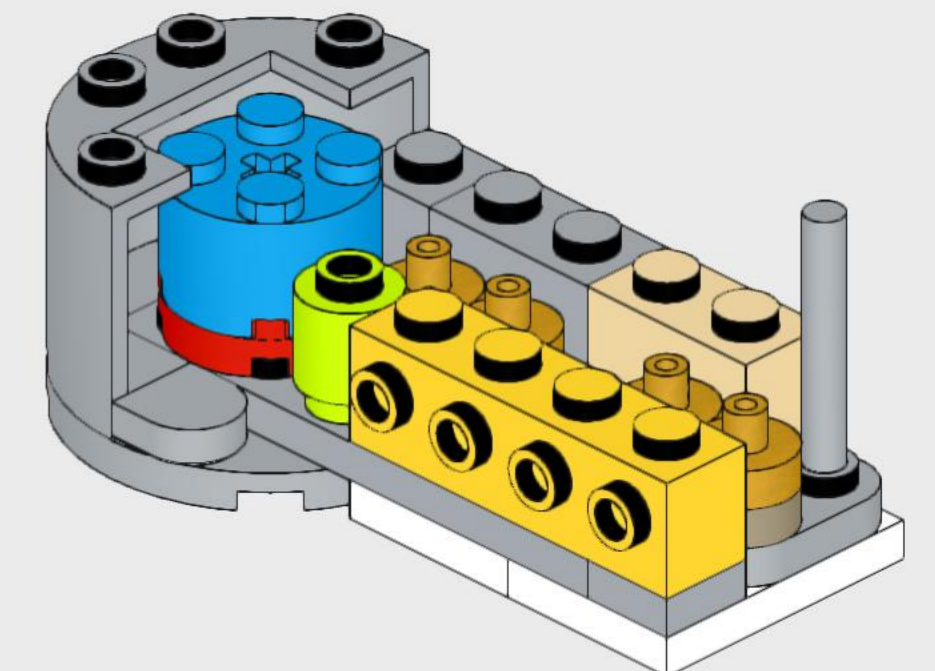
64

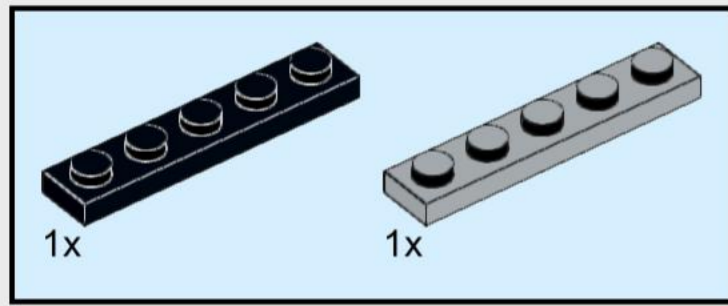


65

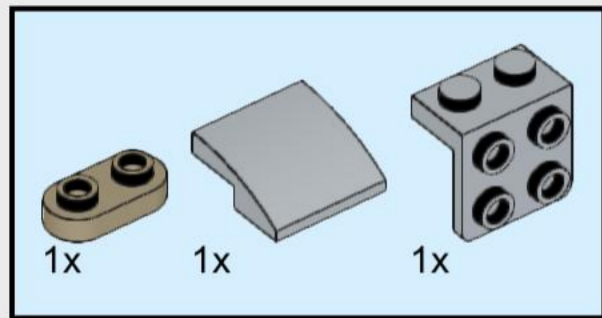
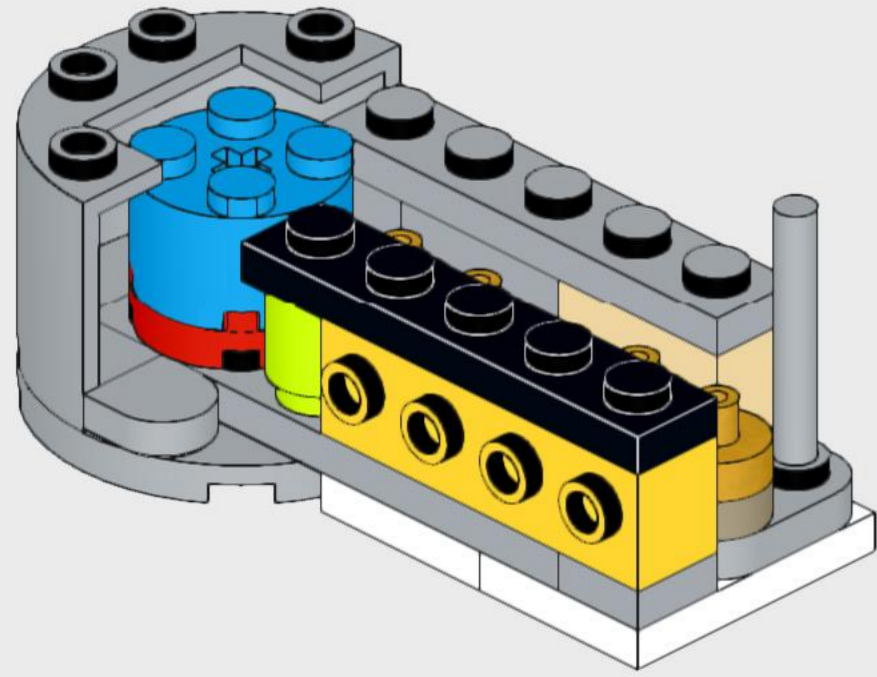


66

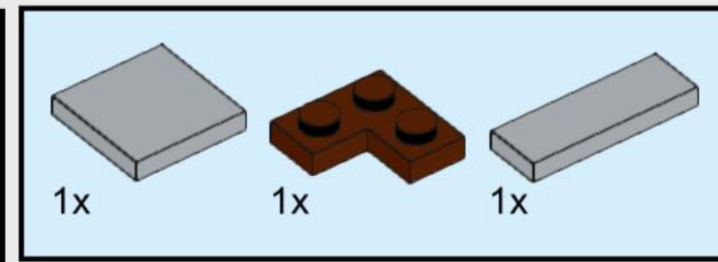
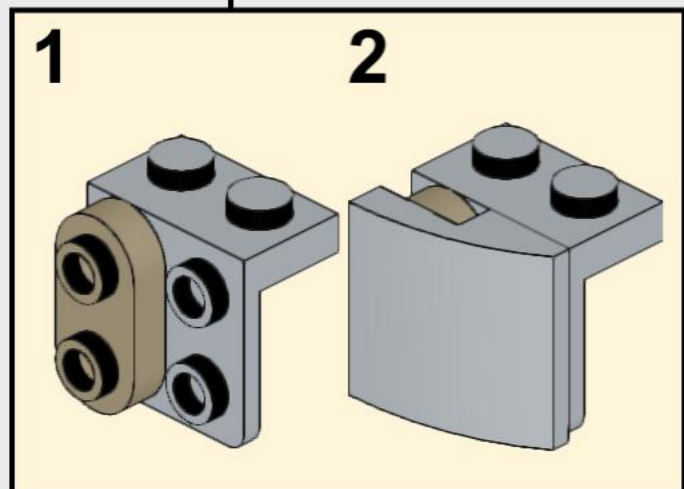
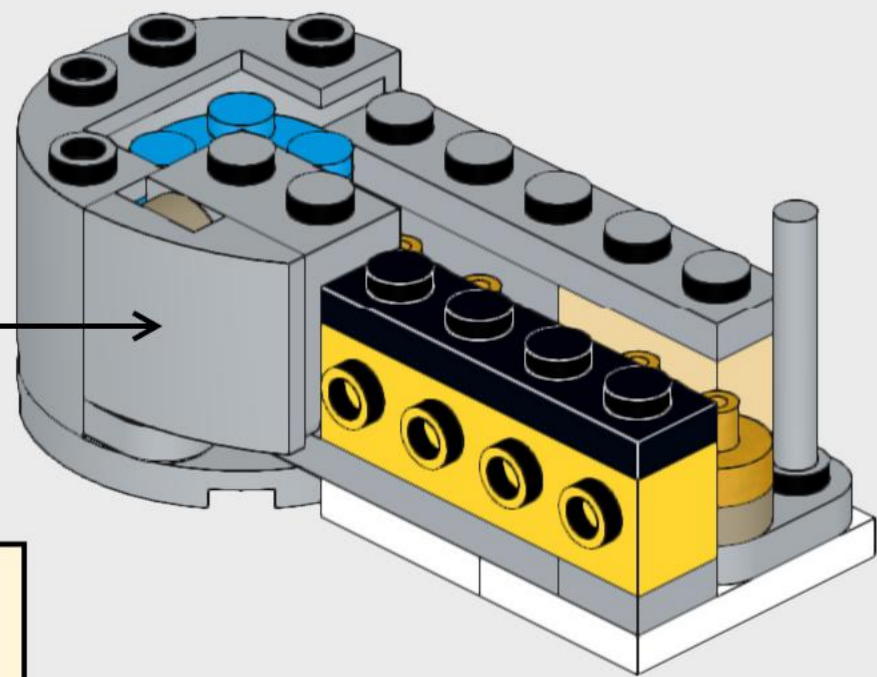




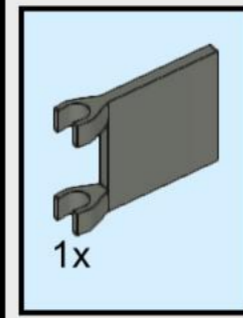
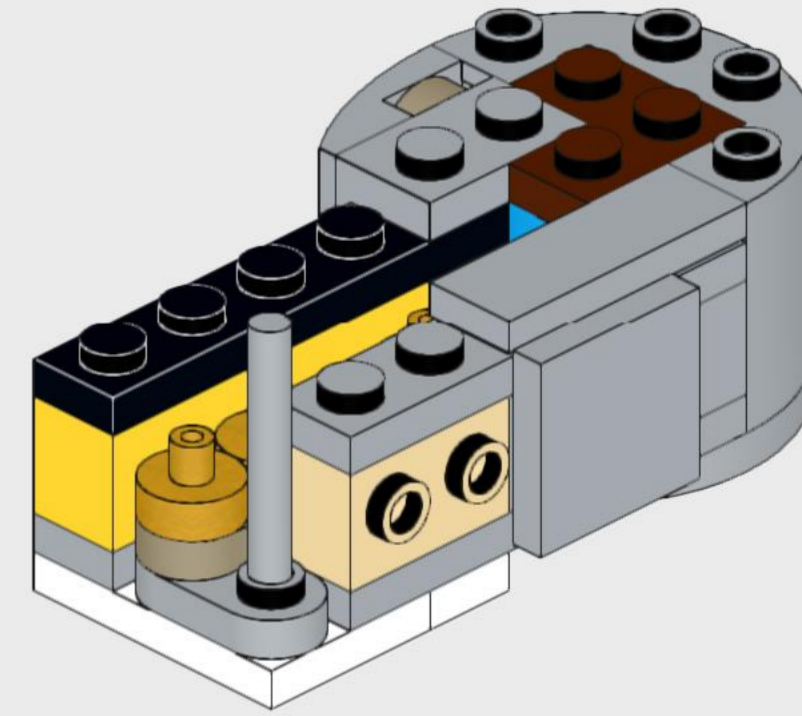
67



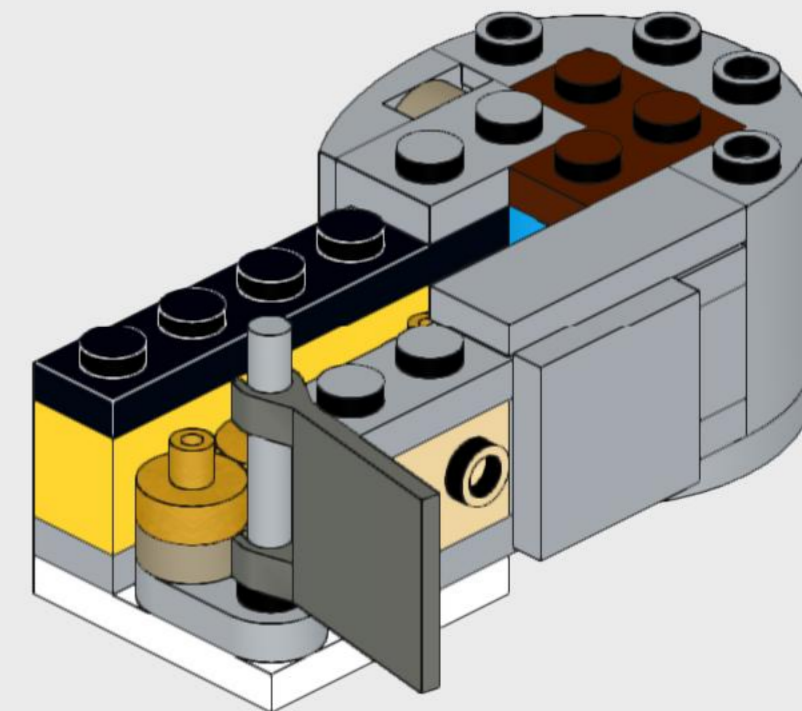
68



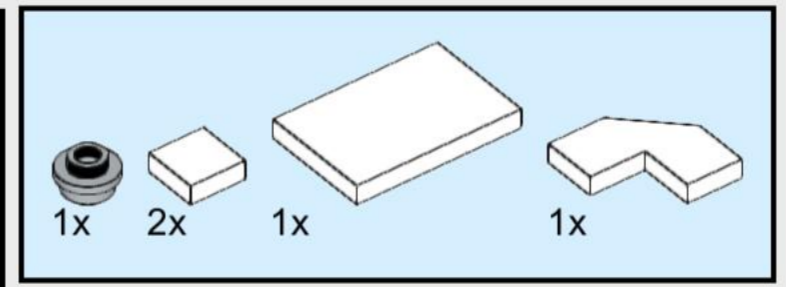
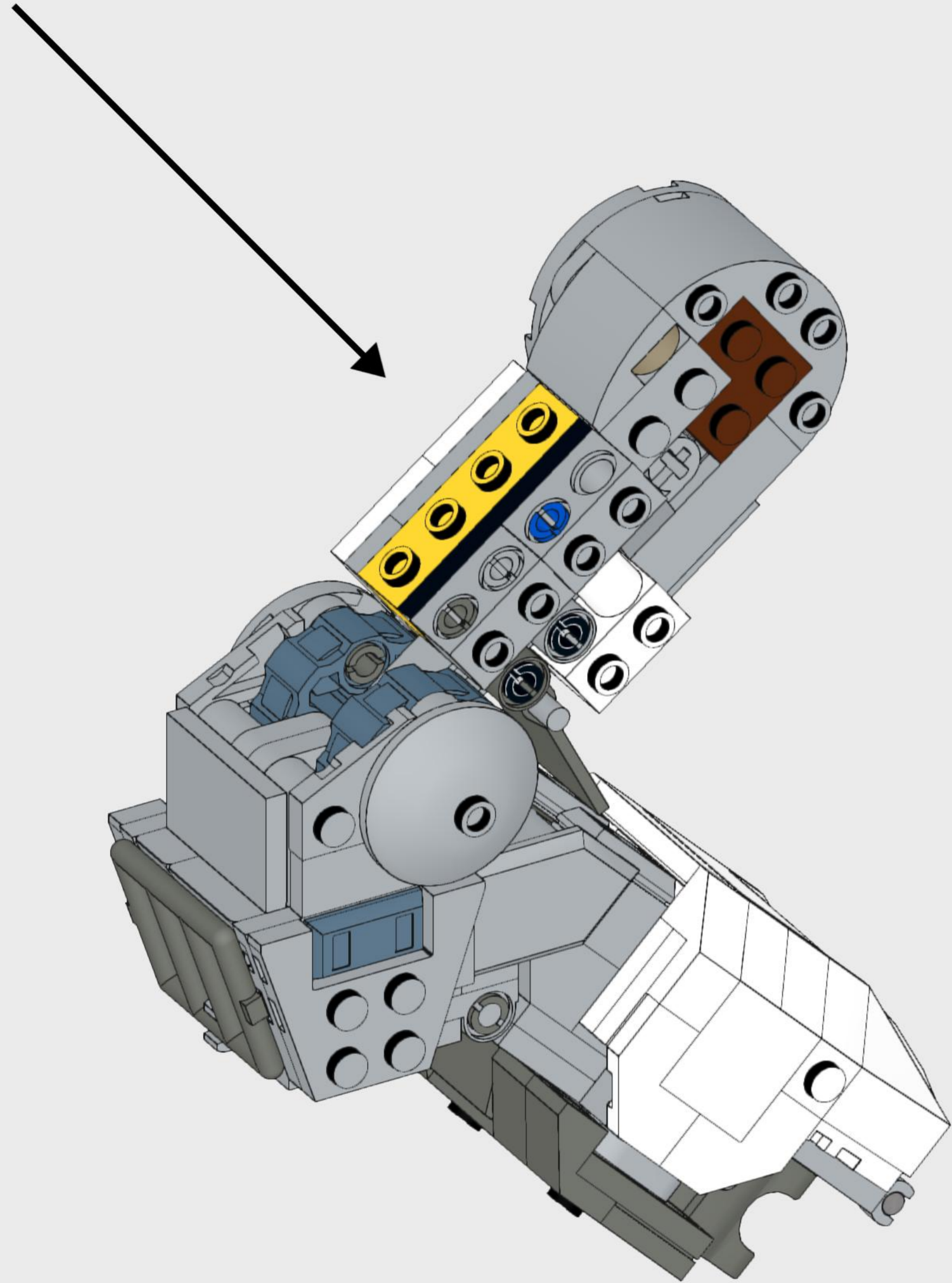
69



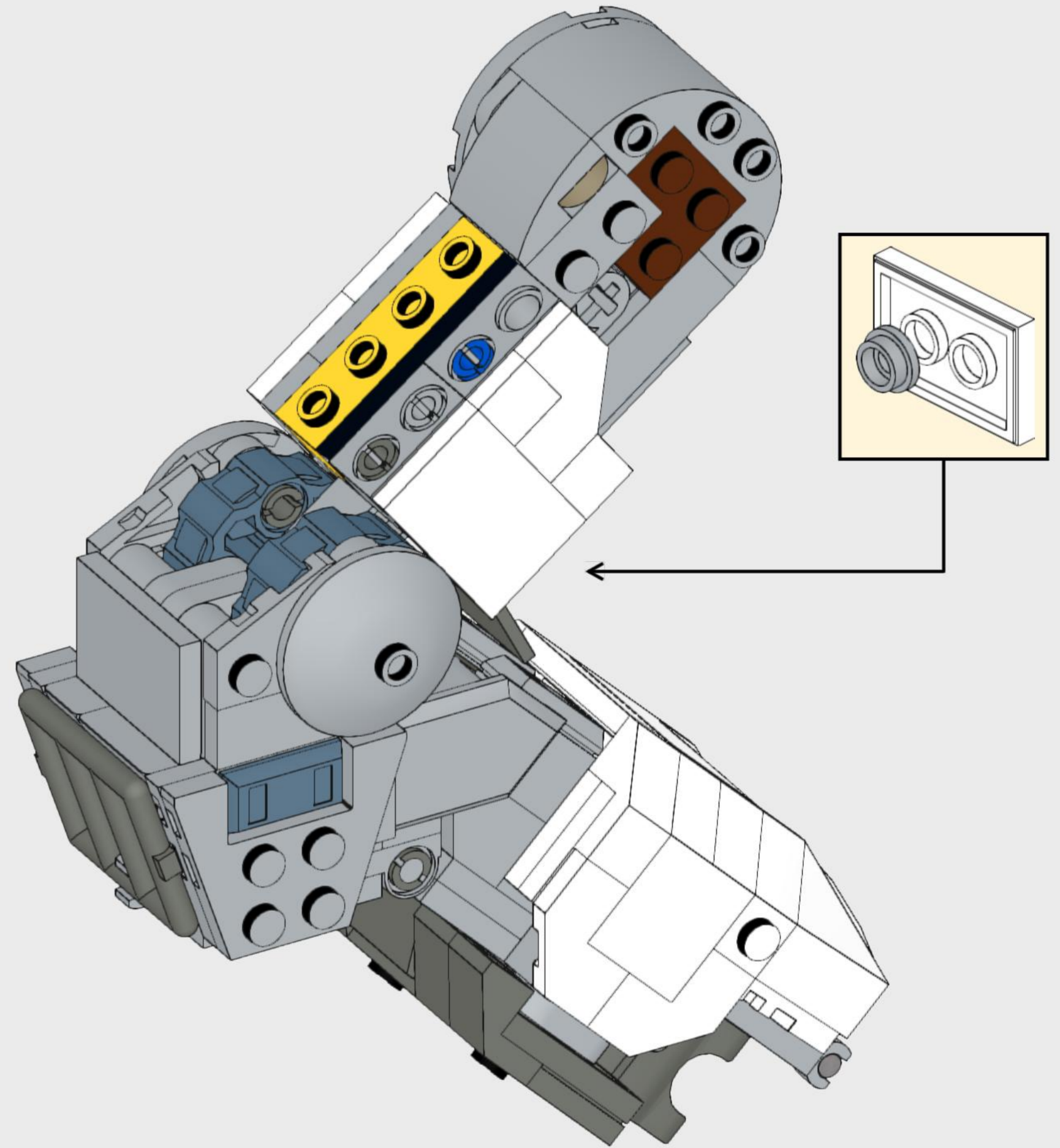
70

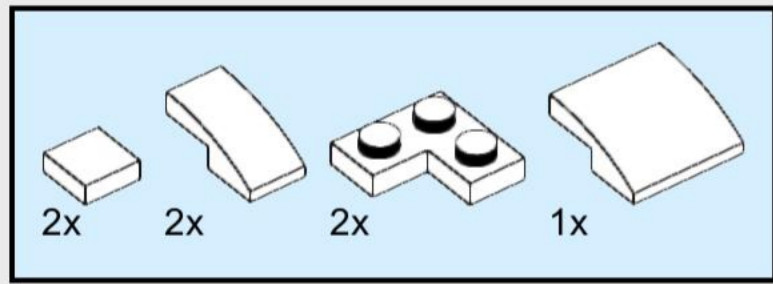


71

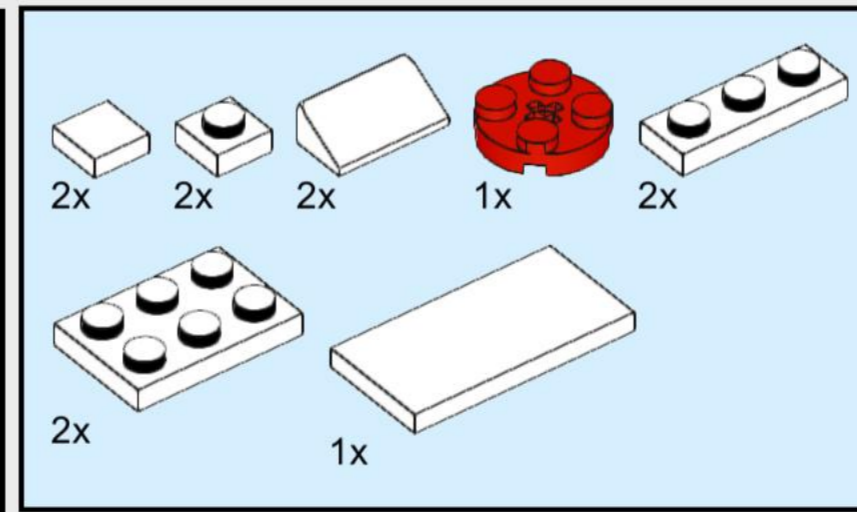
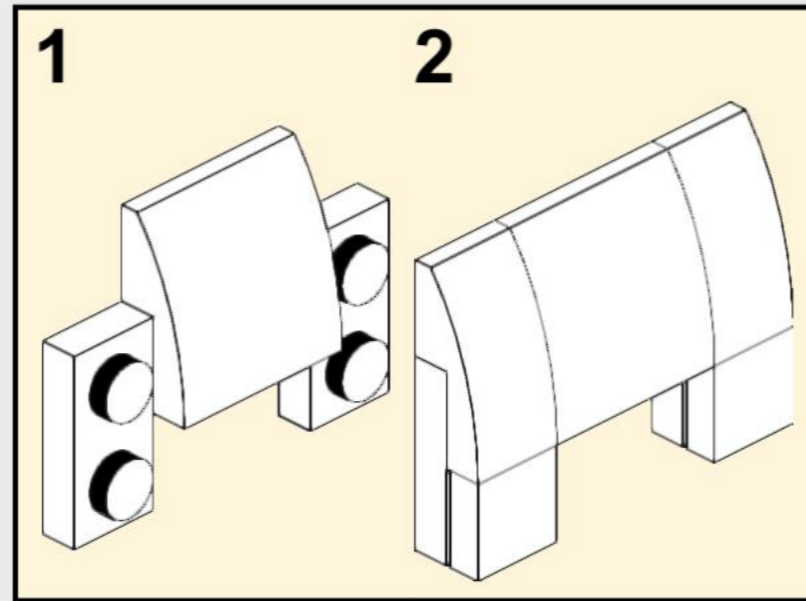
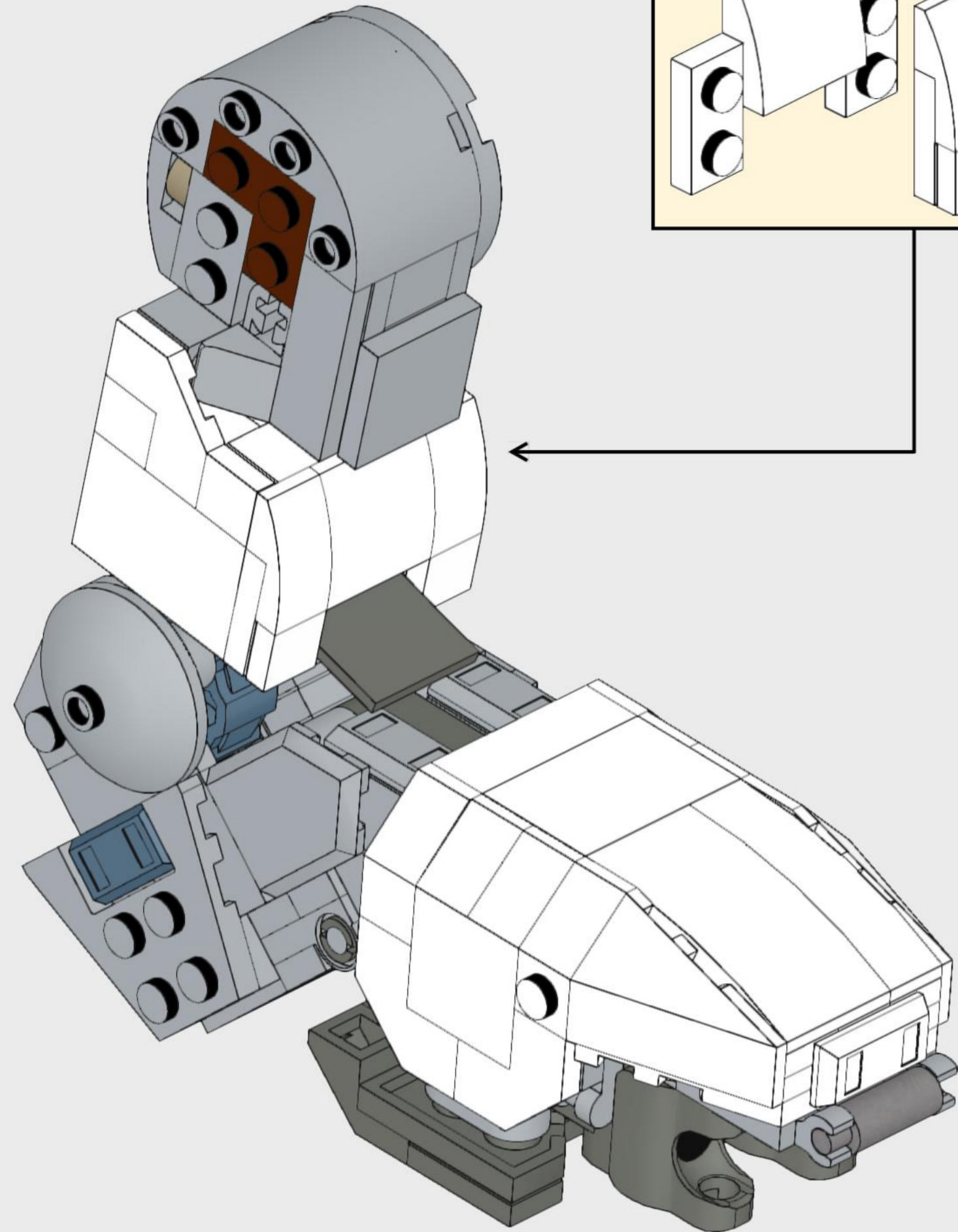


72

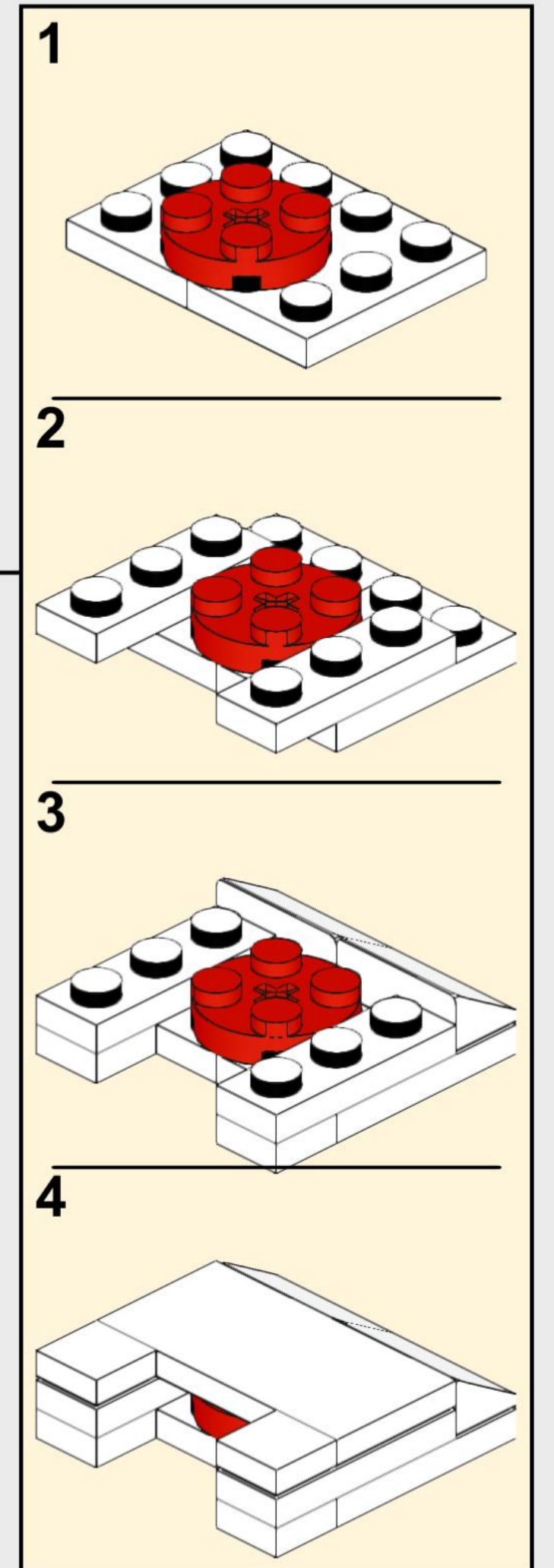
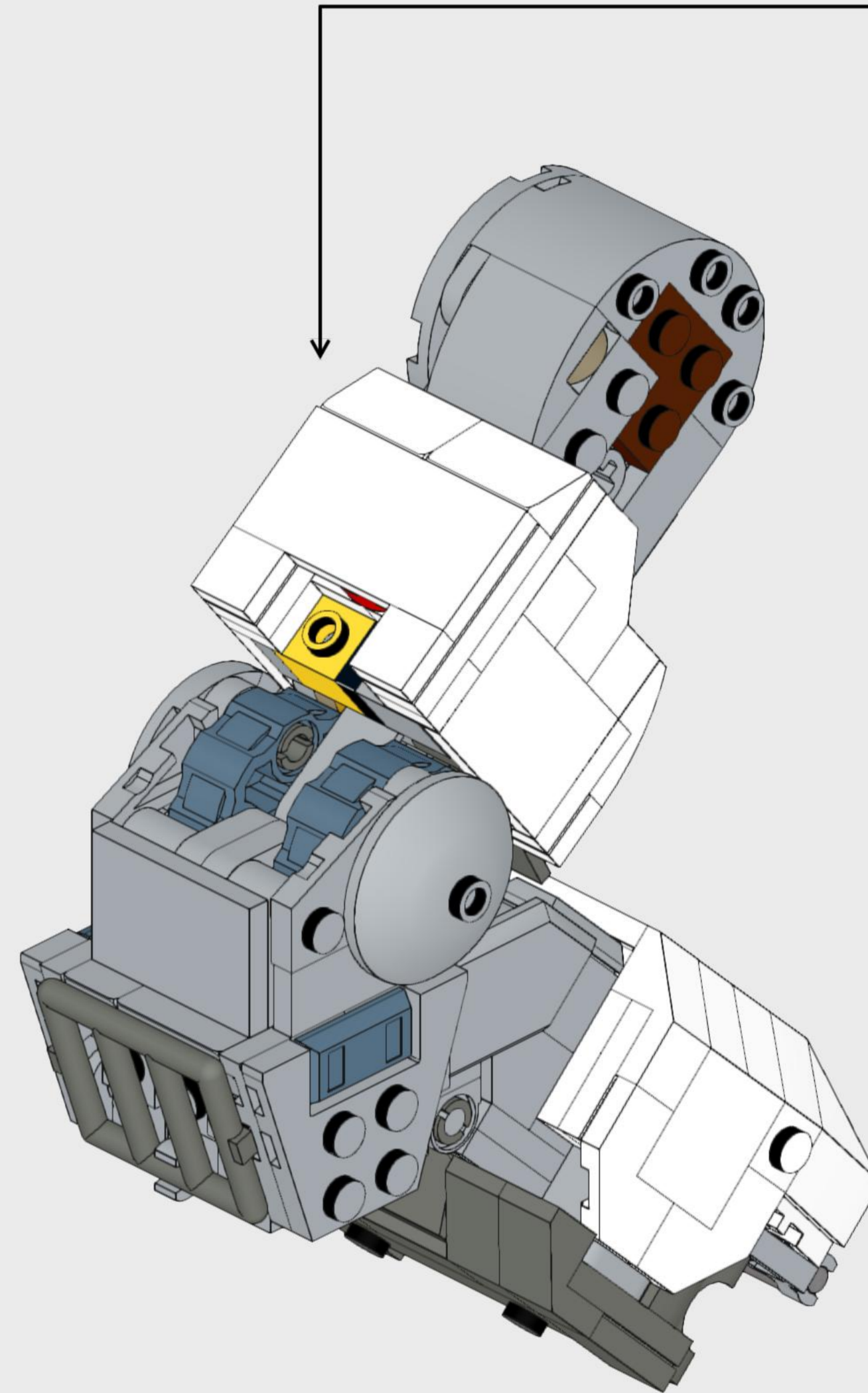


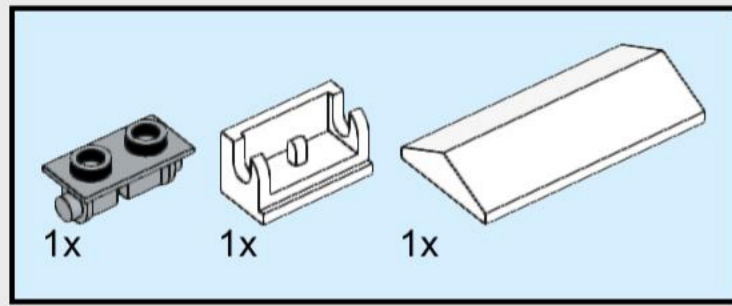


73

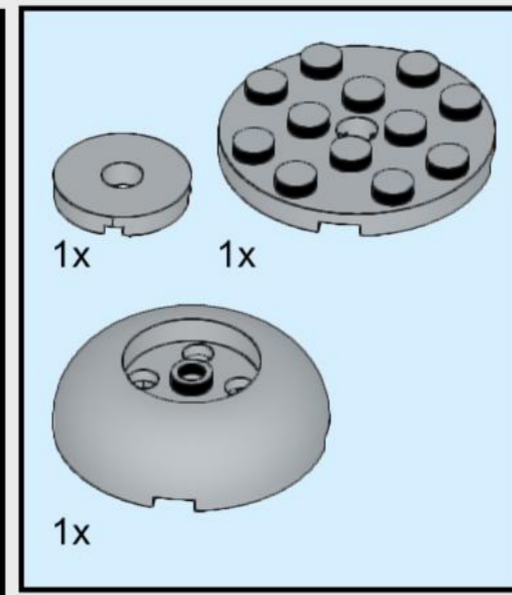
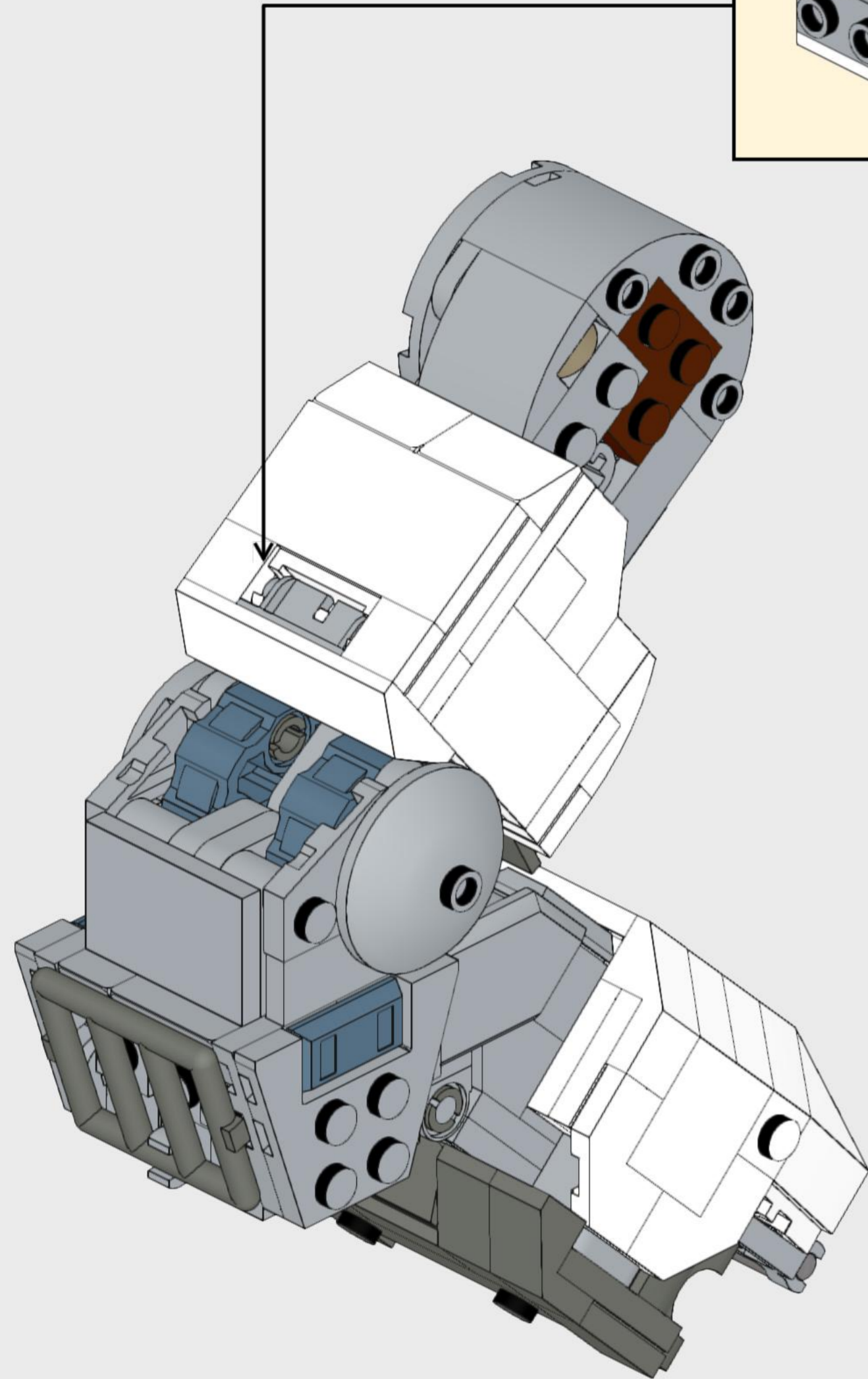
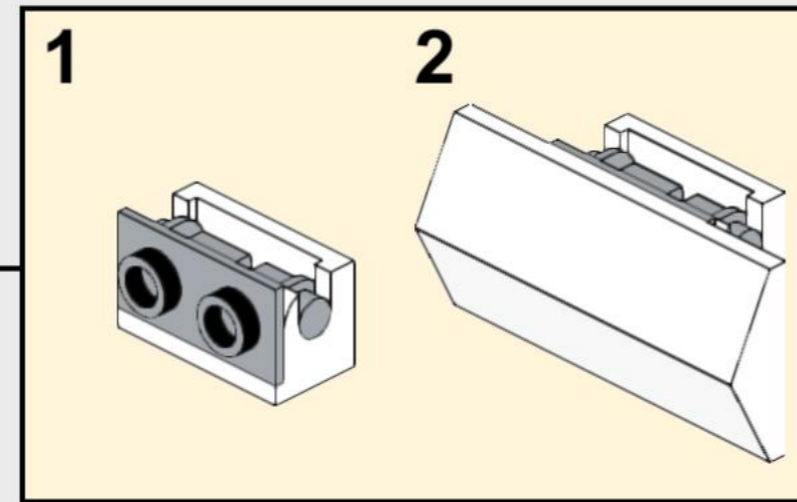


74

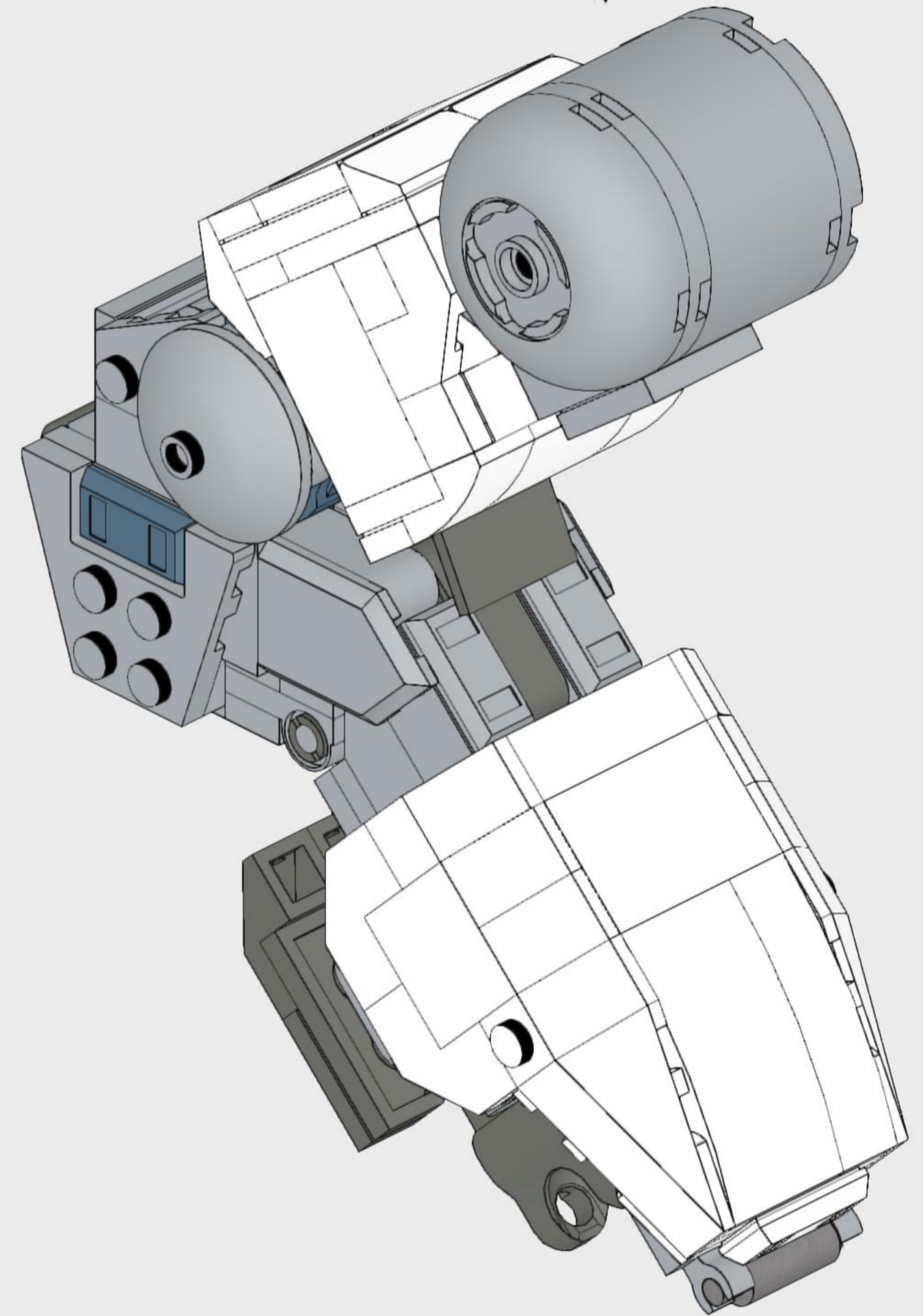
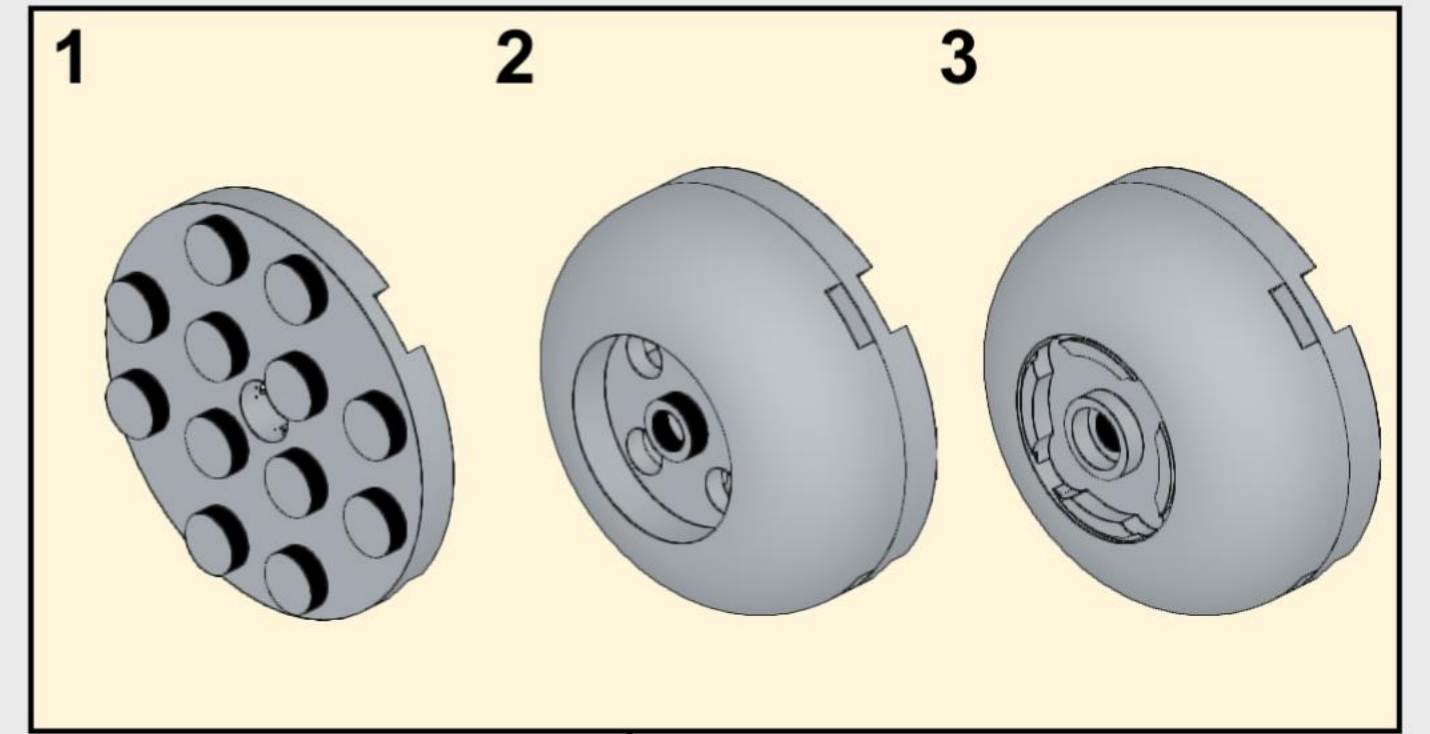


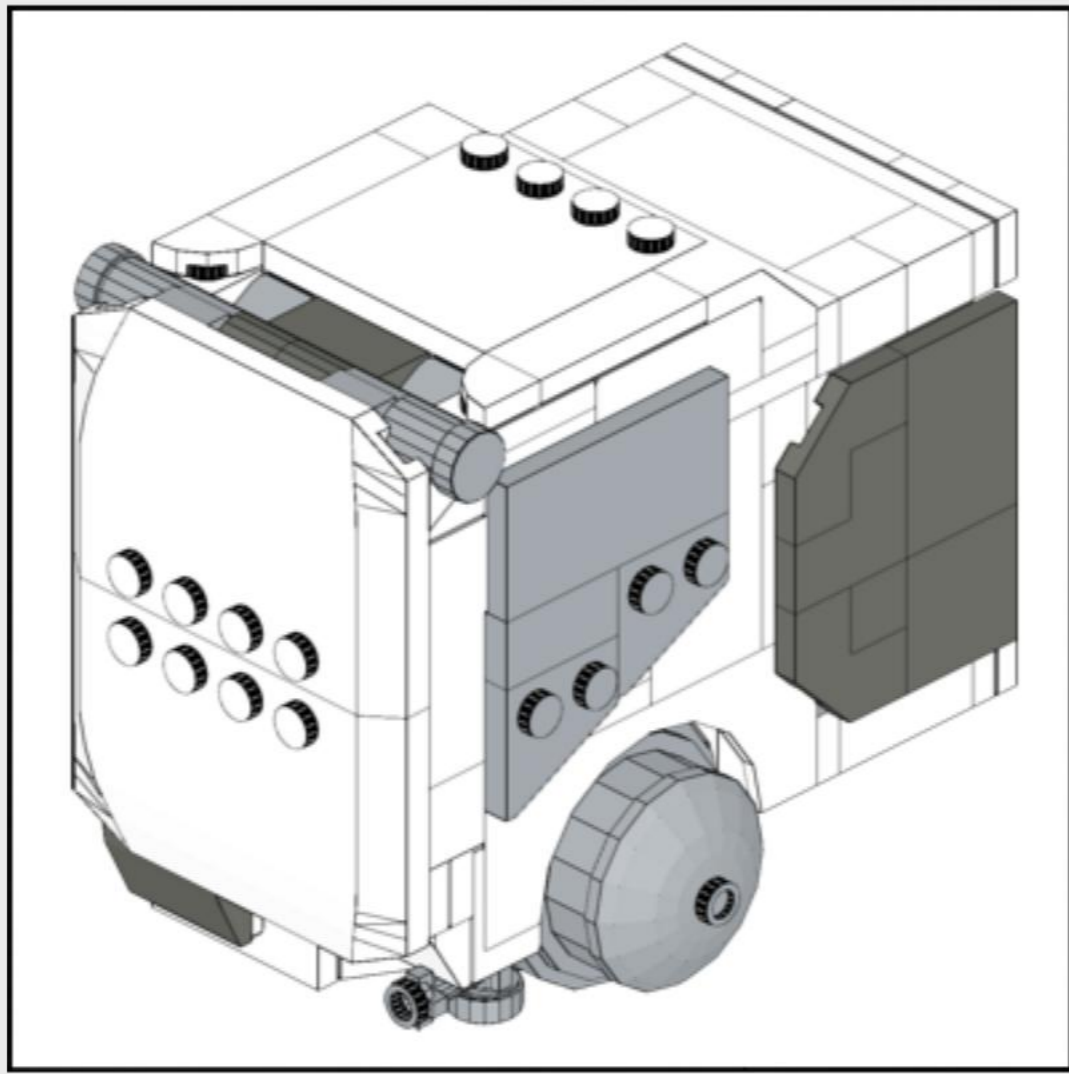


75

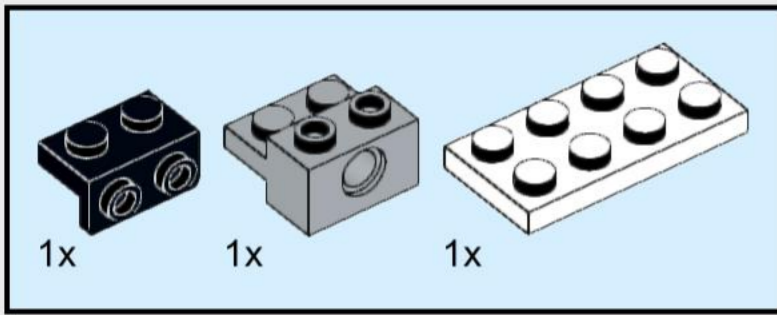


76

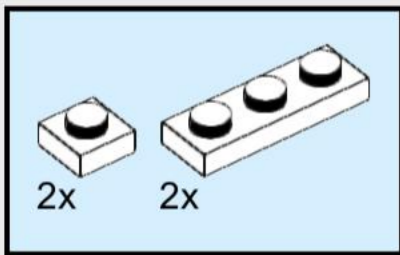
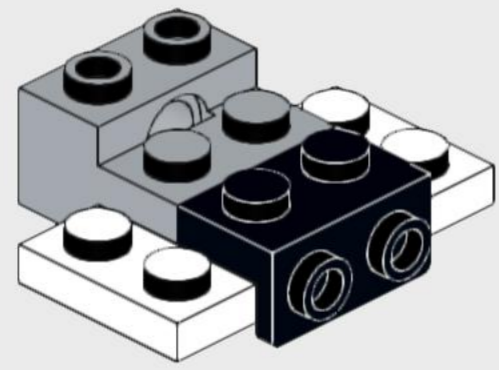




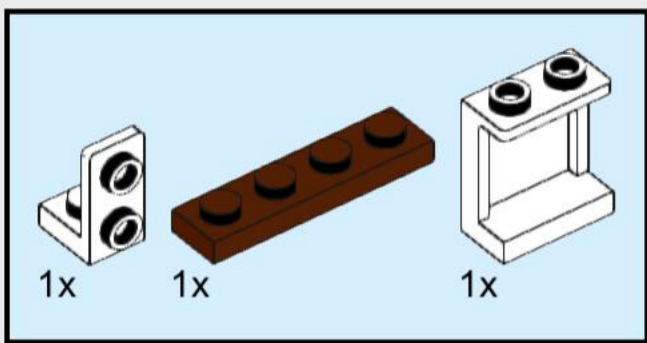
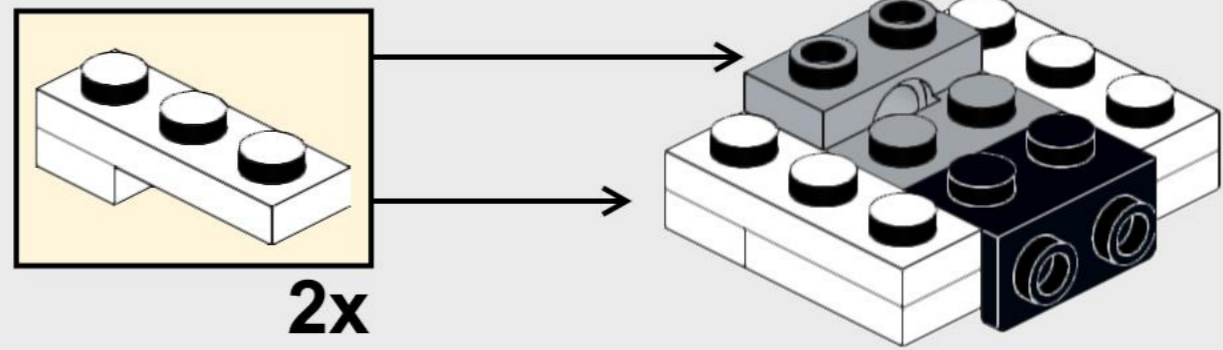
2x Inverted



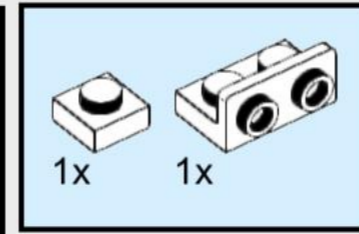
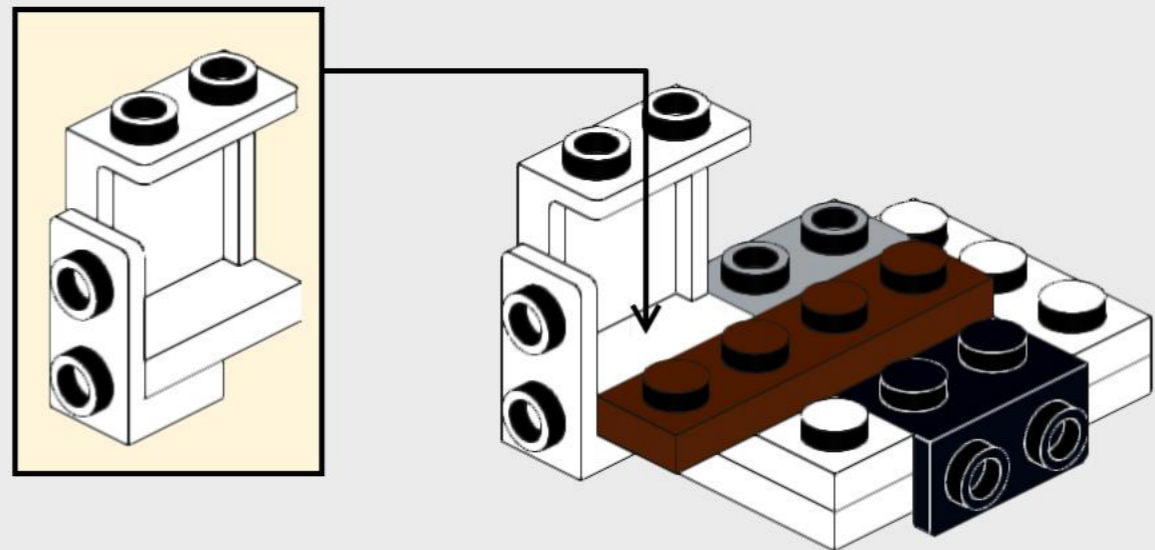
1



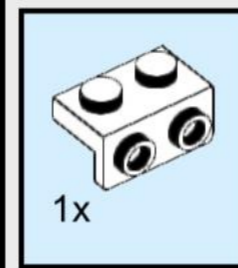
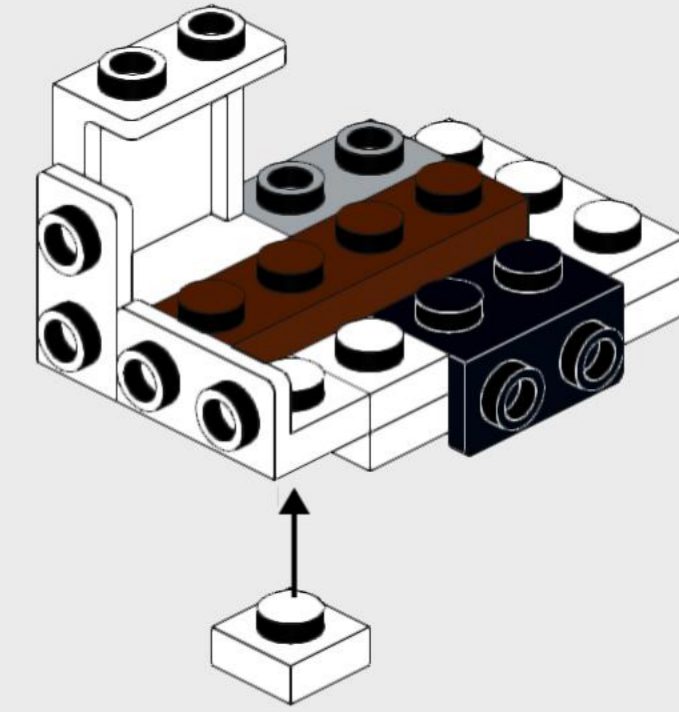
2



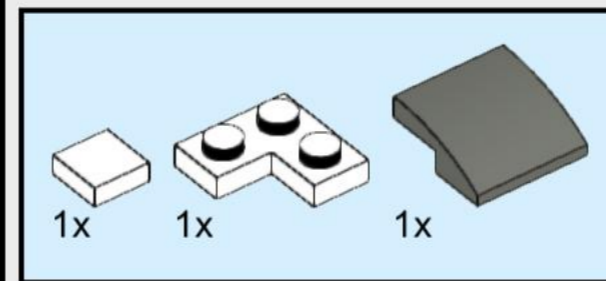
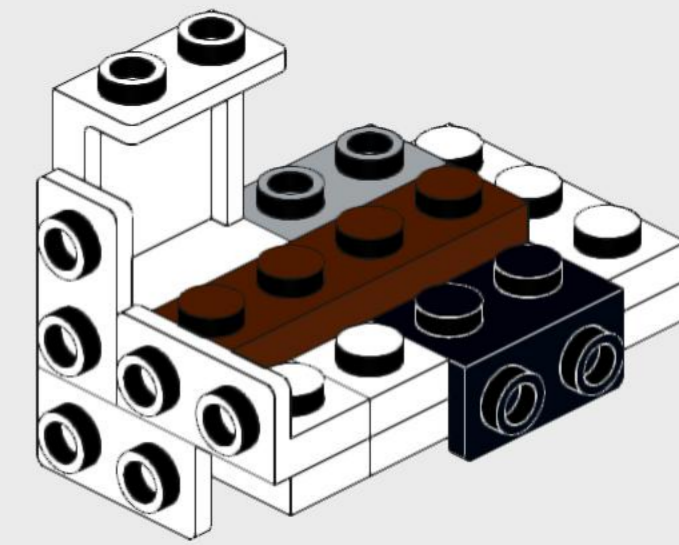
3



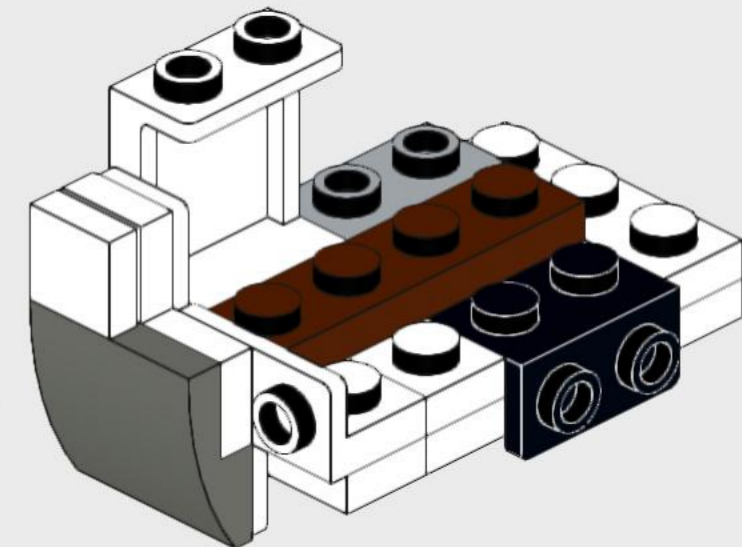
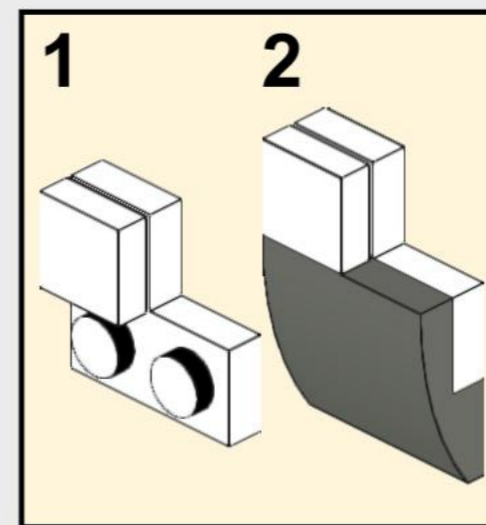
4

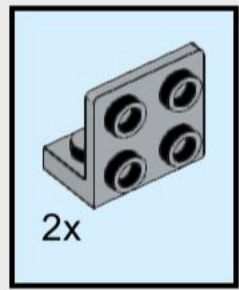


5

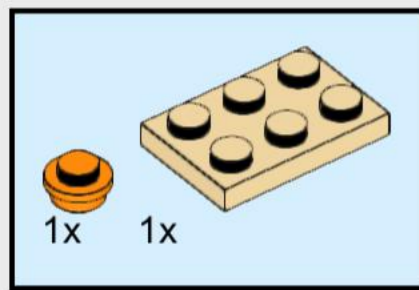
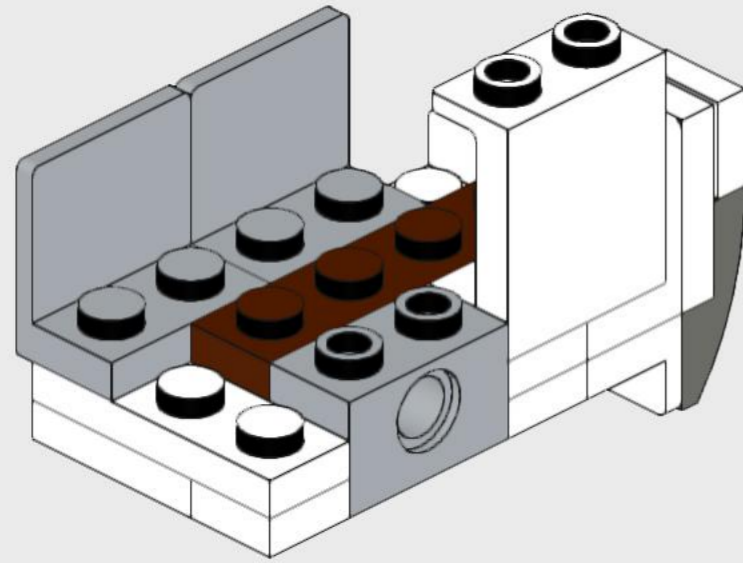


6

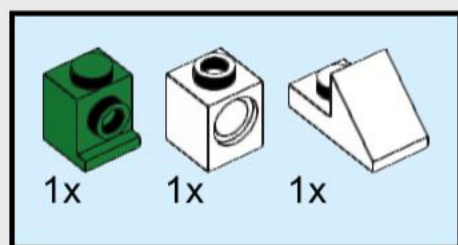
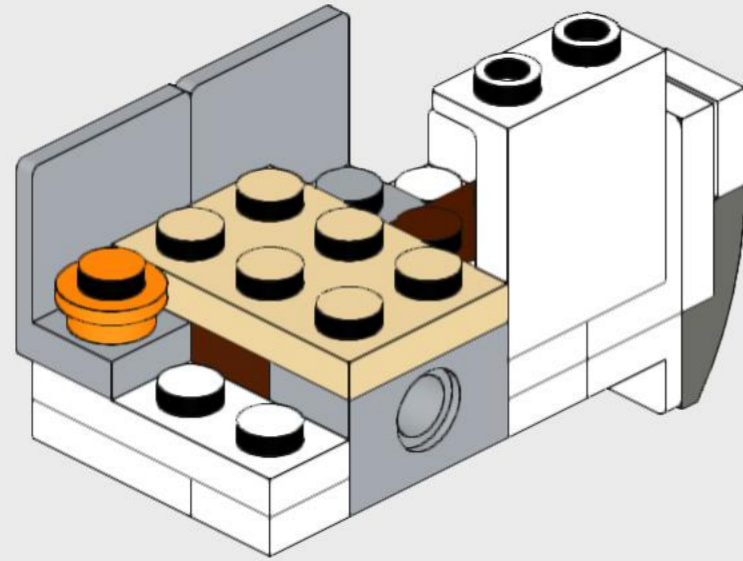




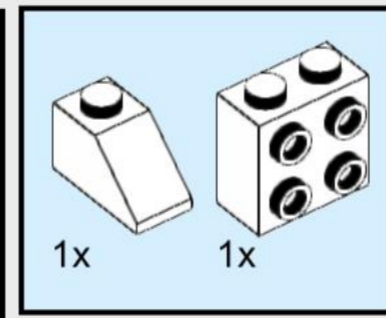
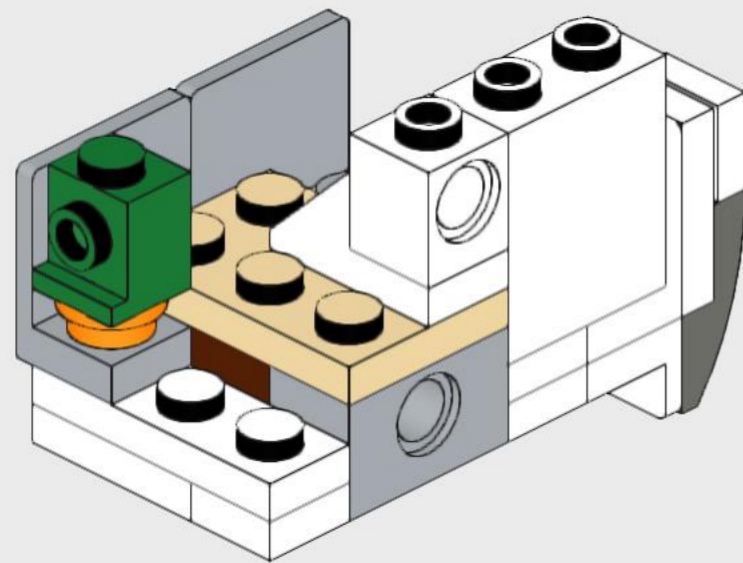
7



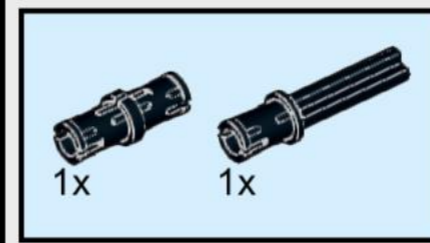
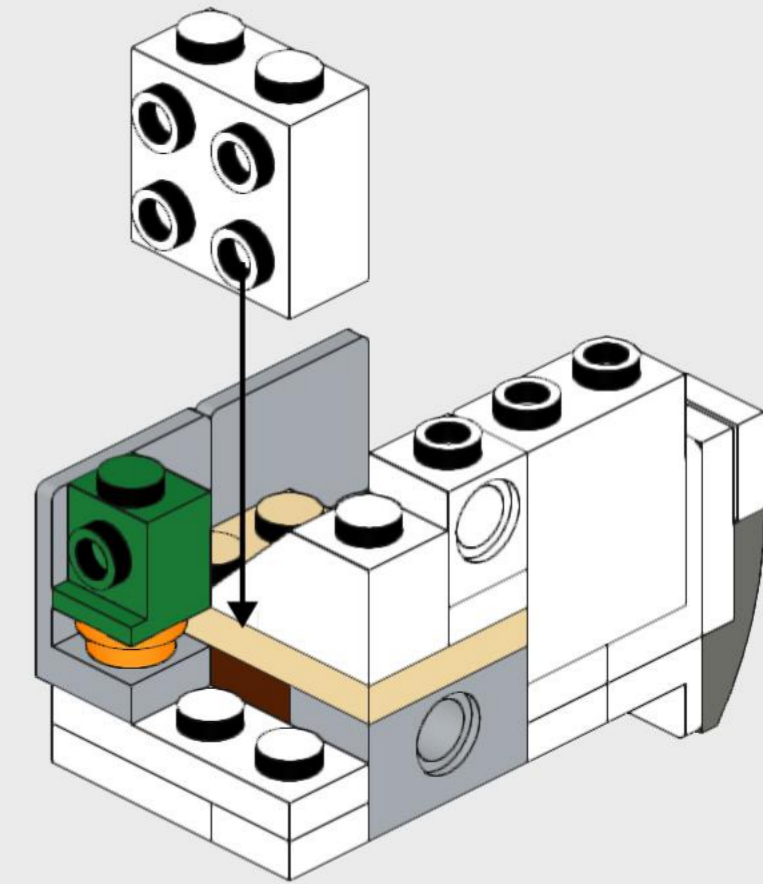
8



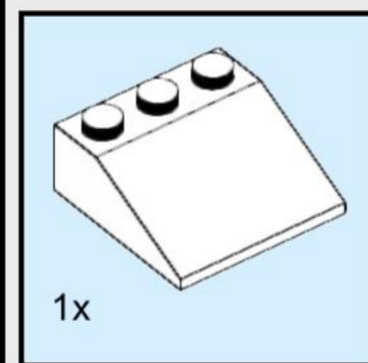
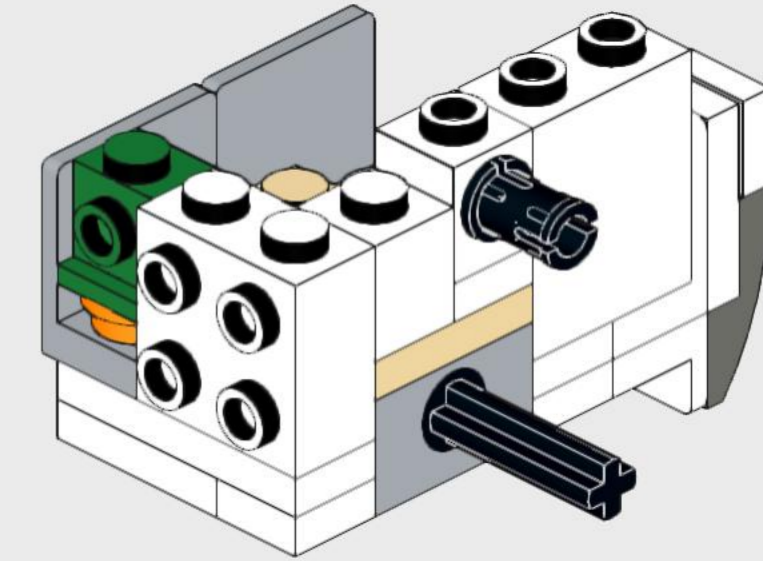
9



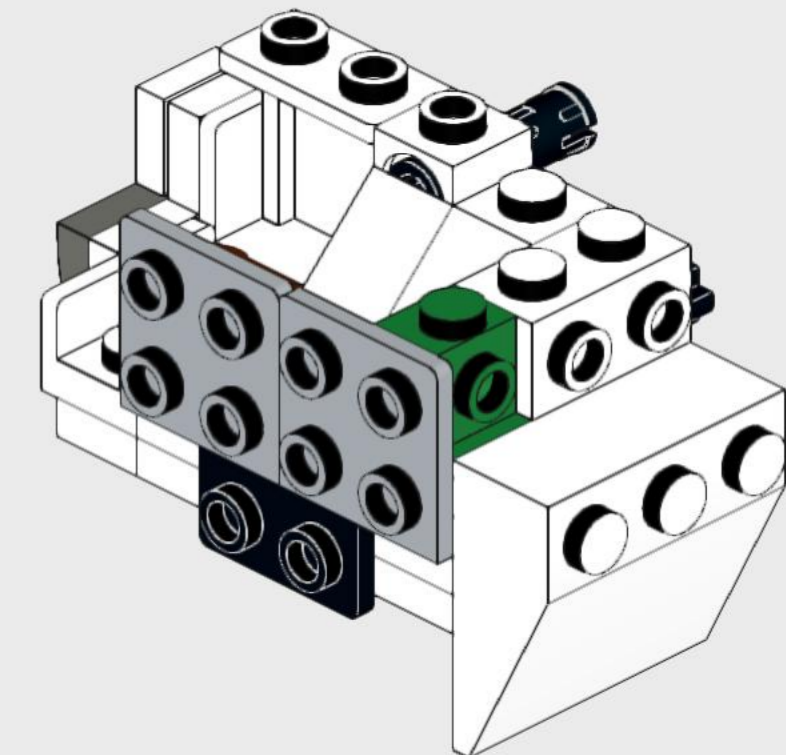
10

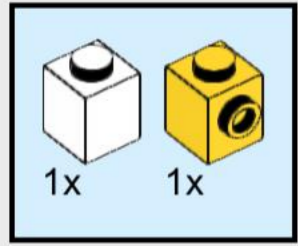


11

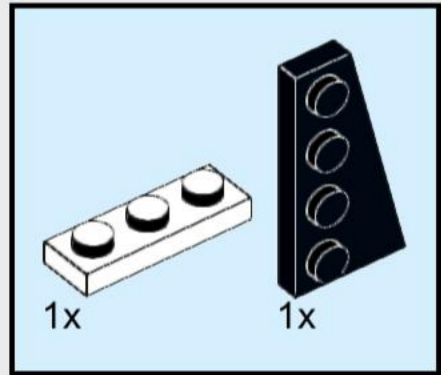
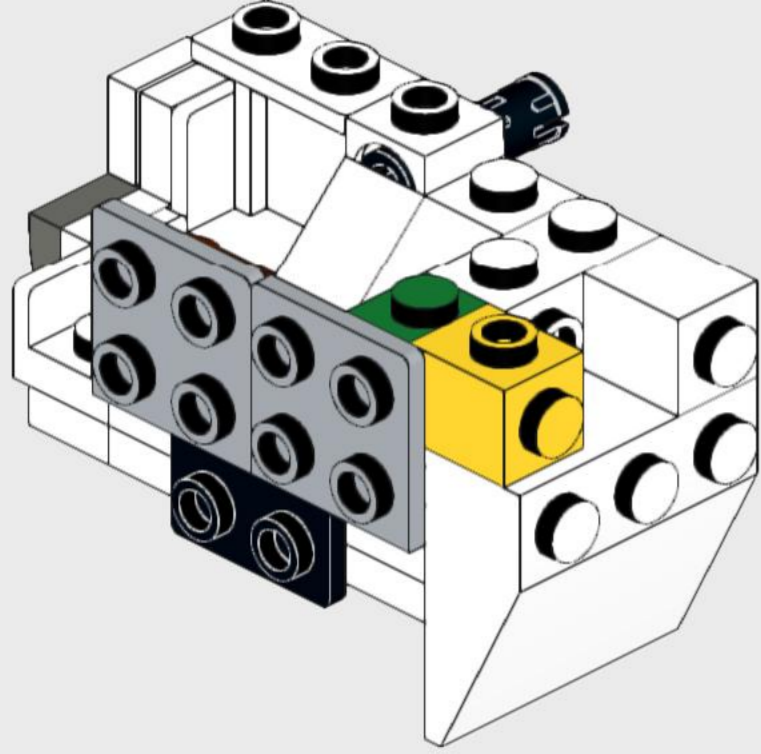


12

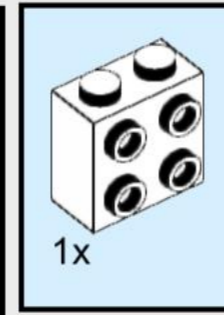
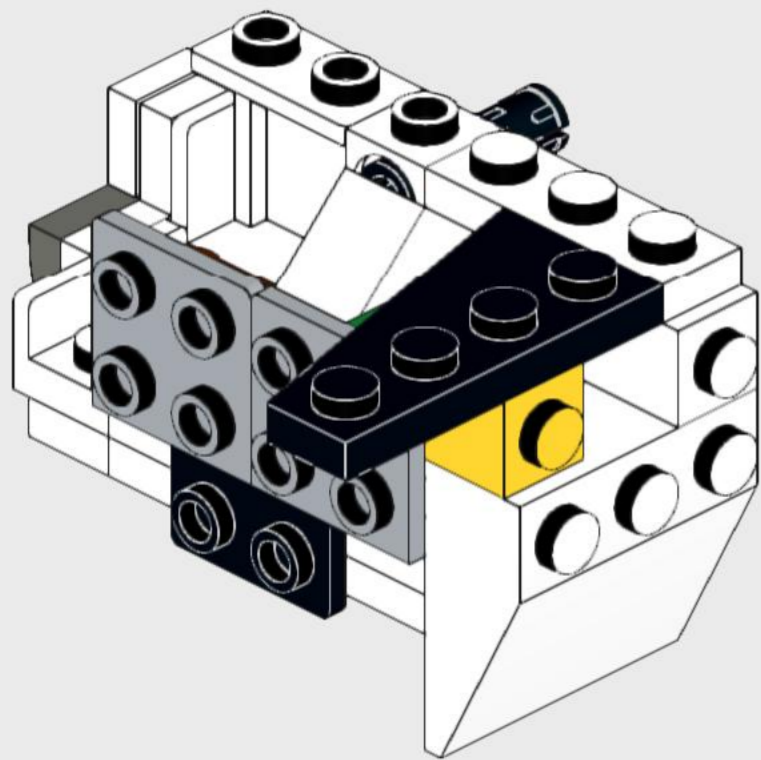




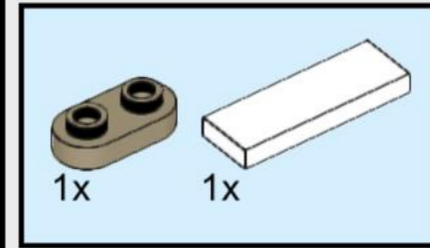
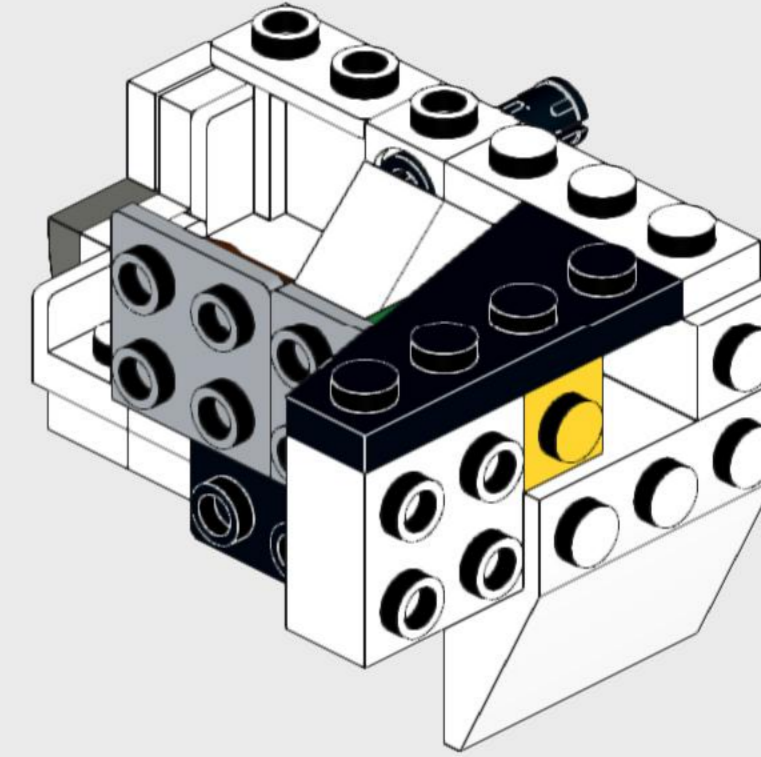
13



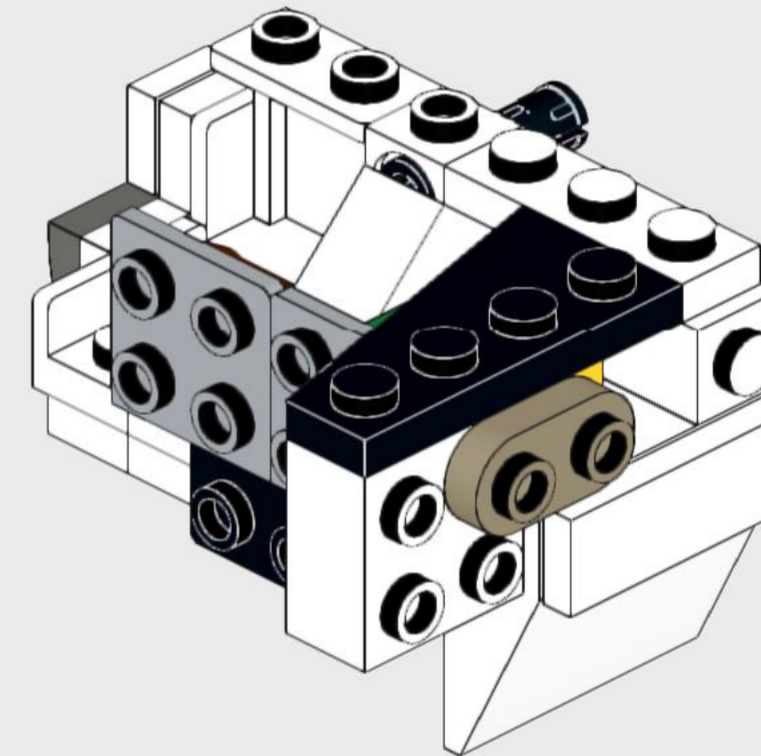
14

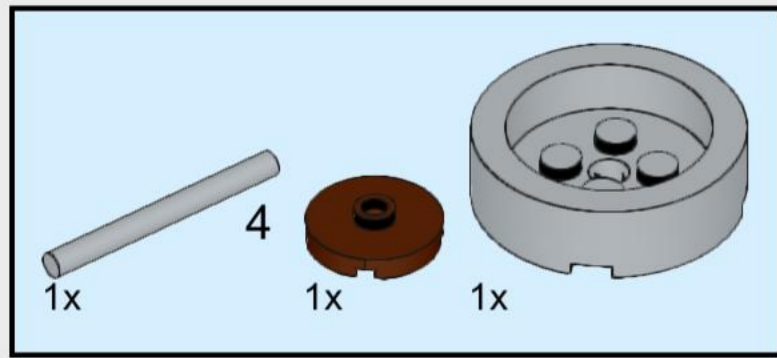


15

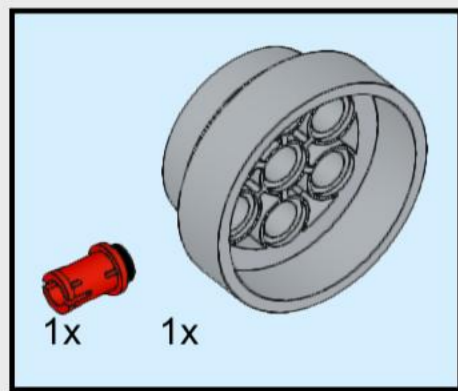
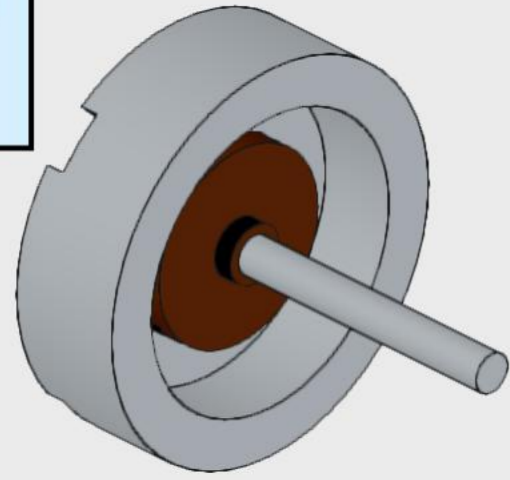


16

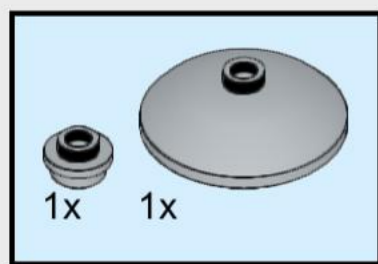
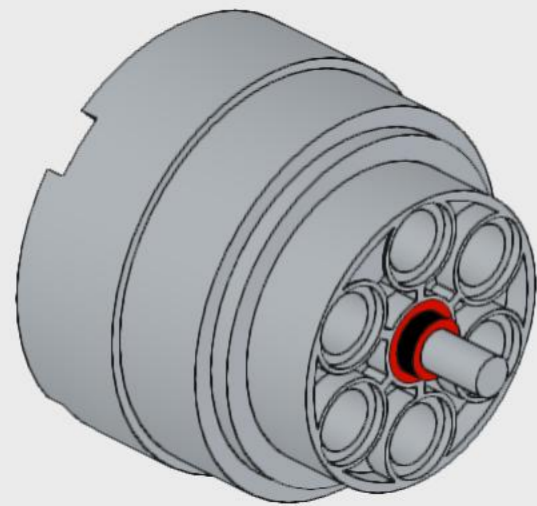




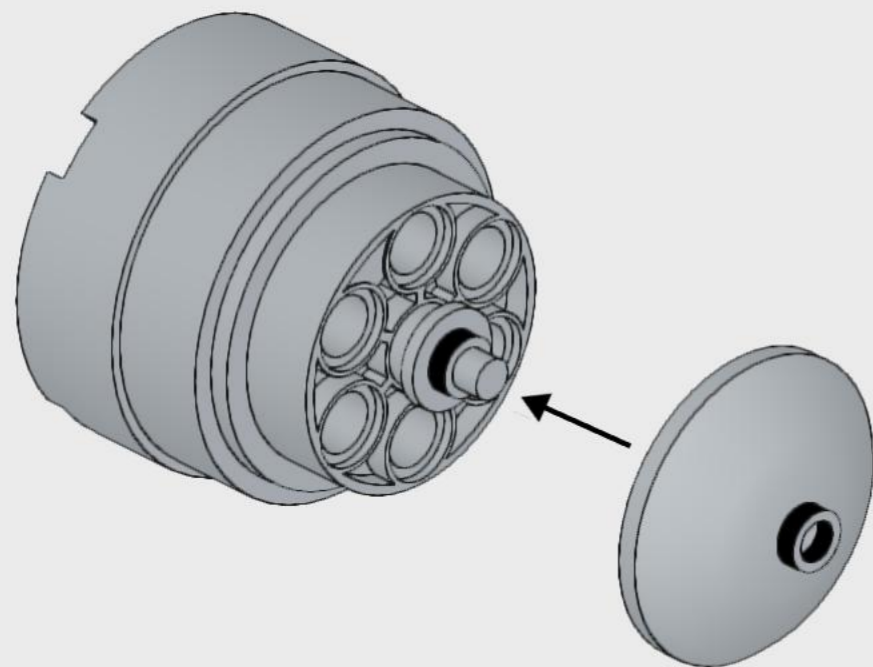
17



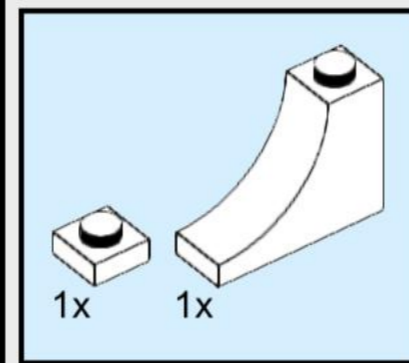
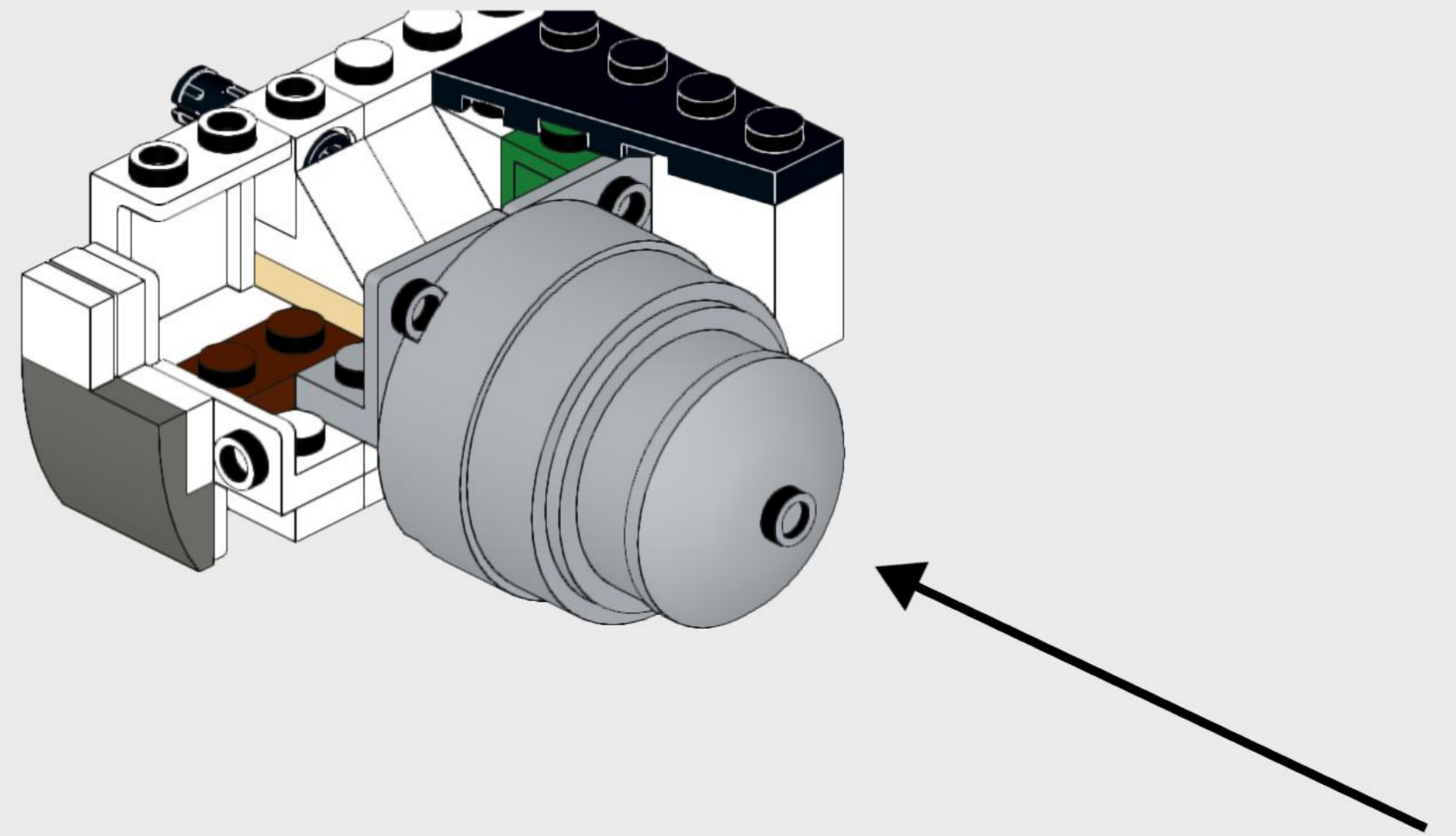
18



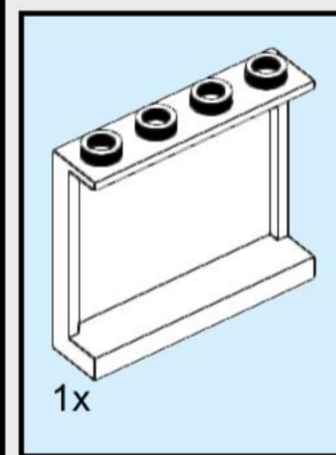
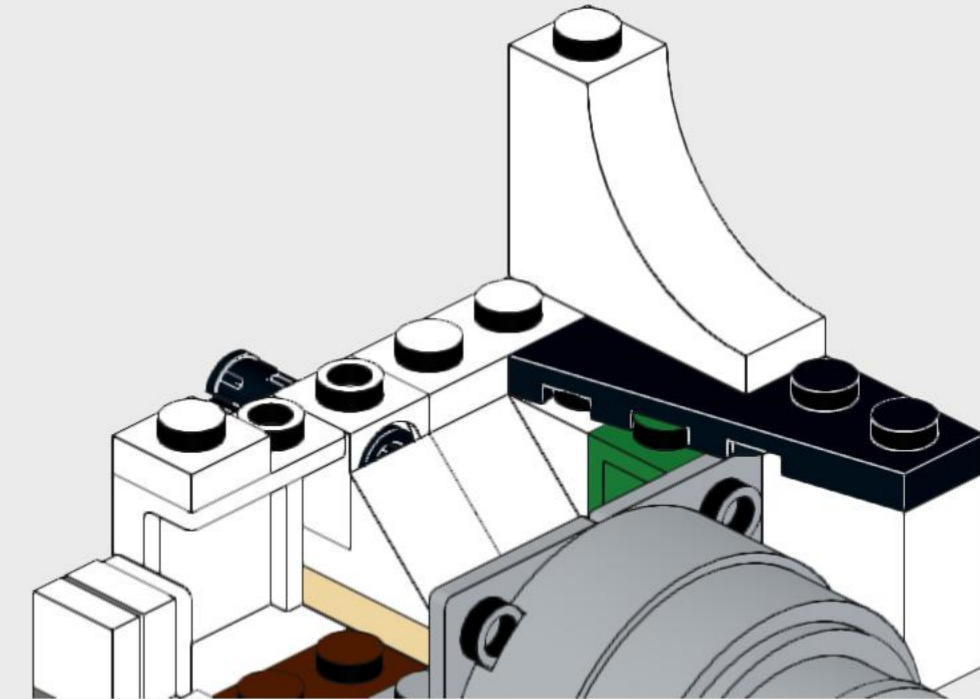
19



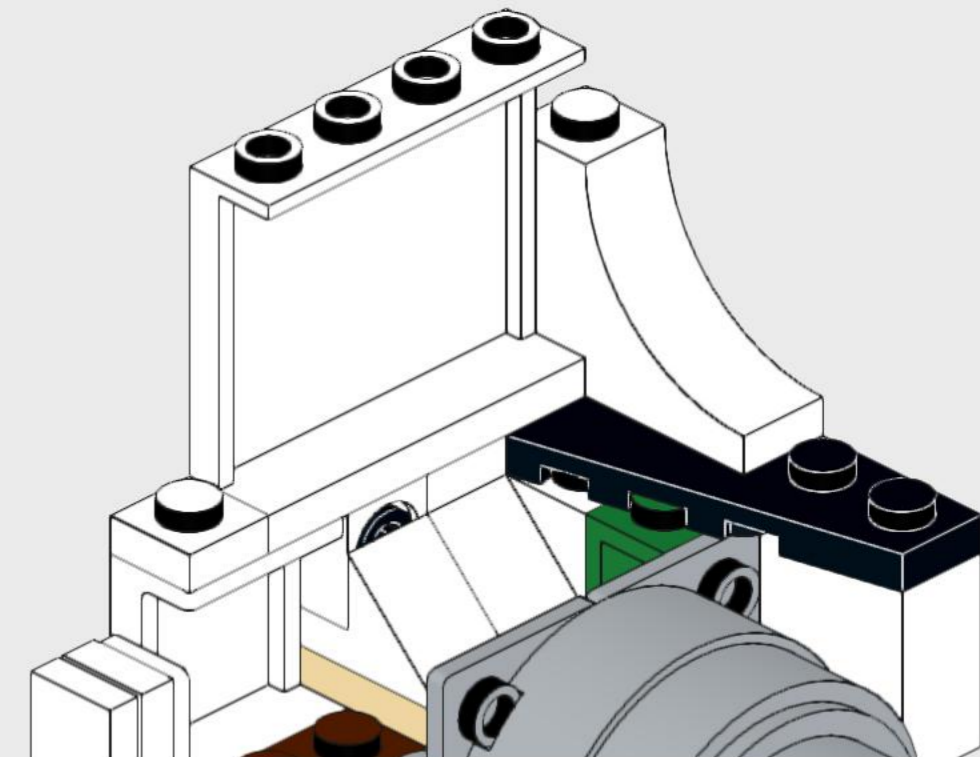
20

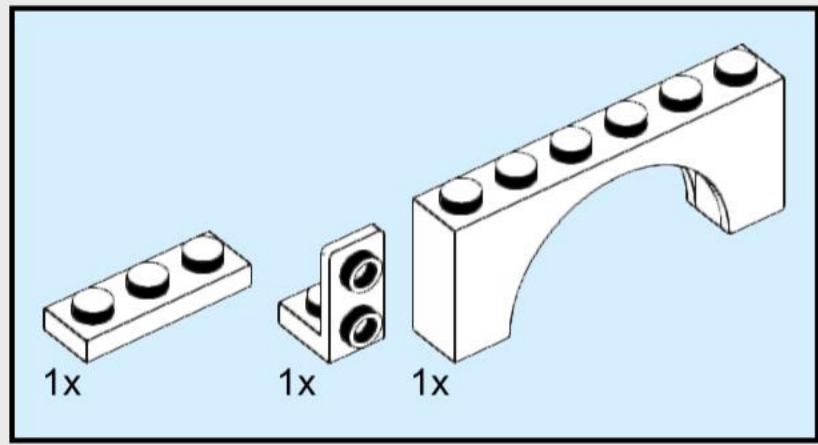


21

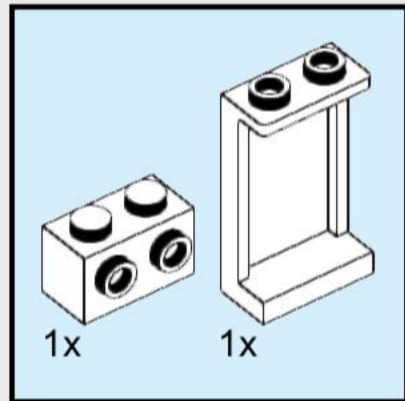
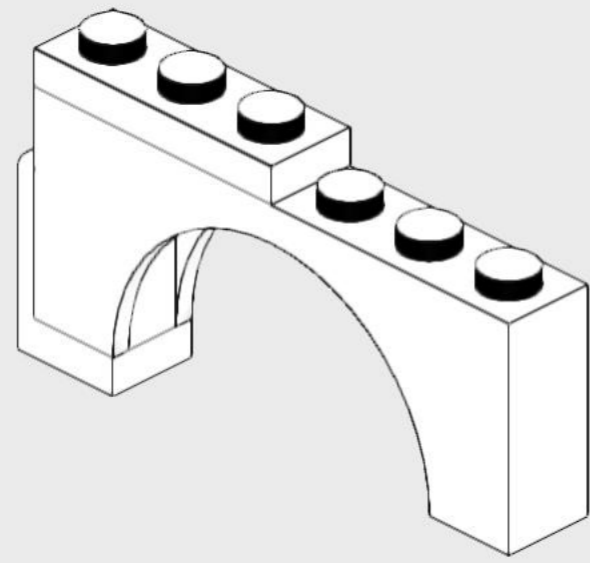


22

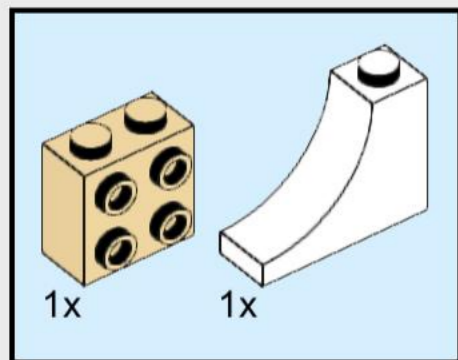
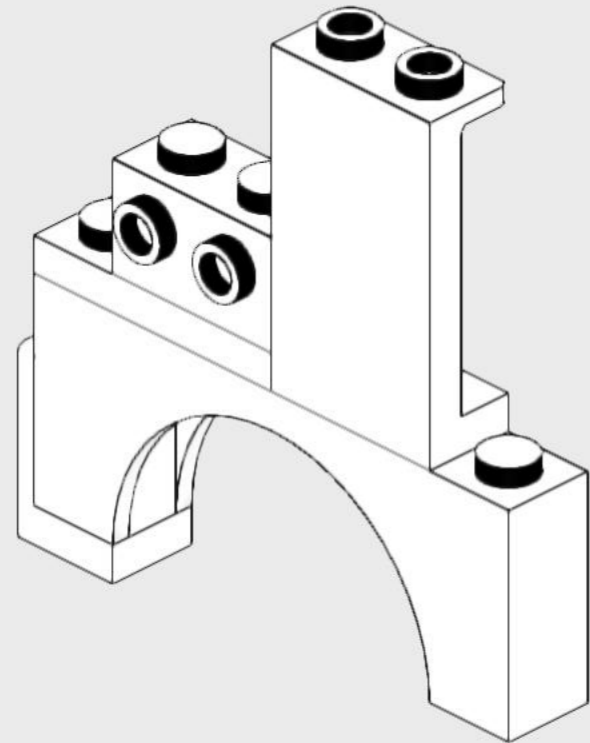




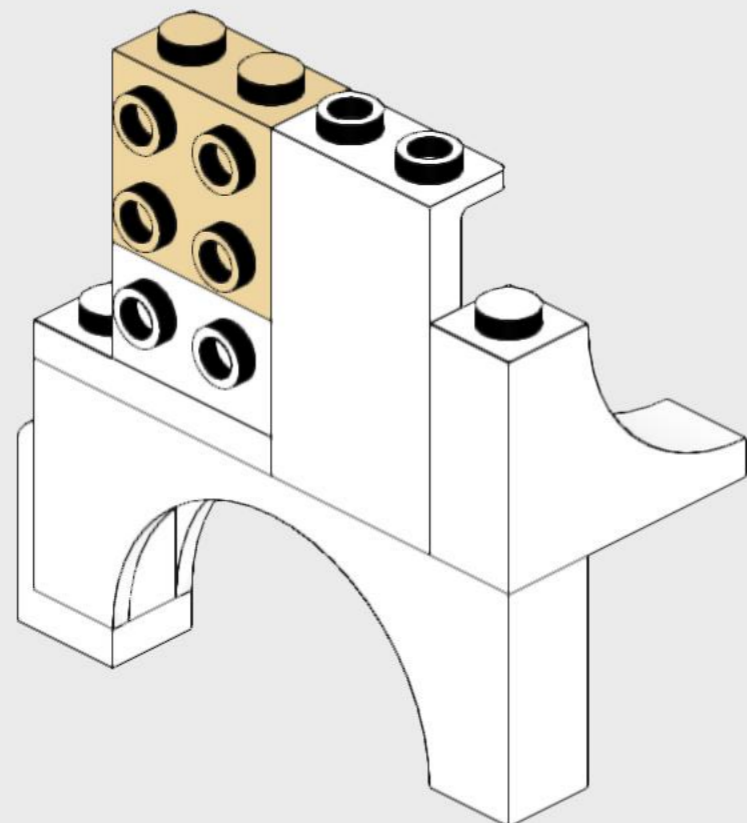
23



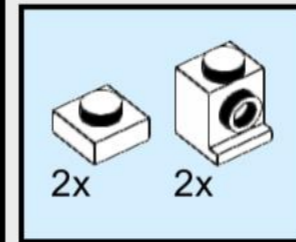
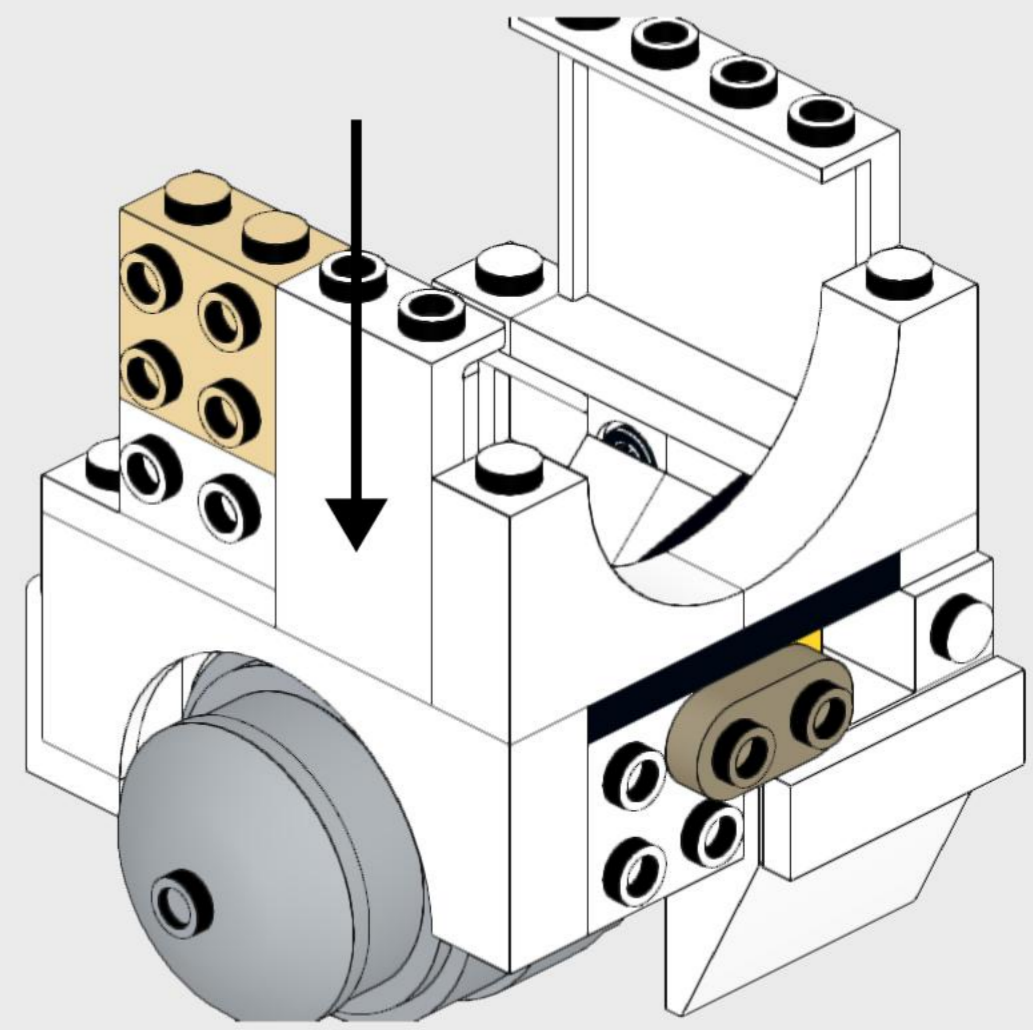
24



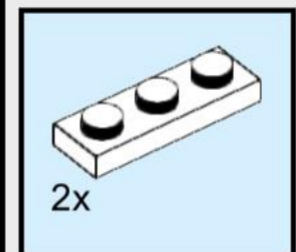
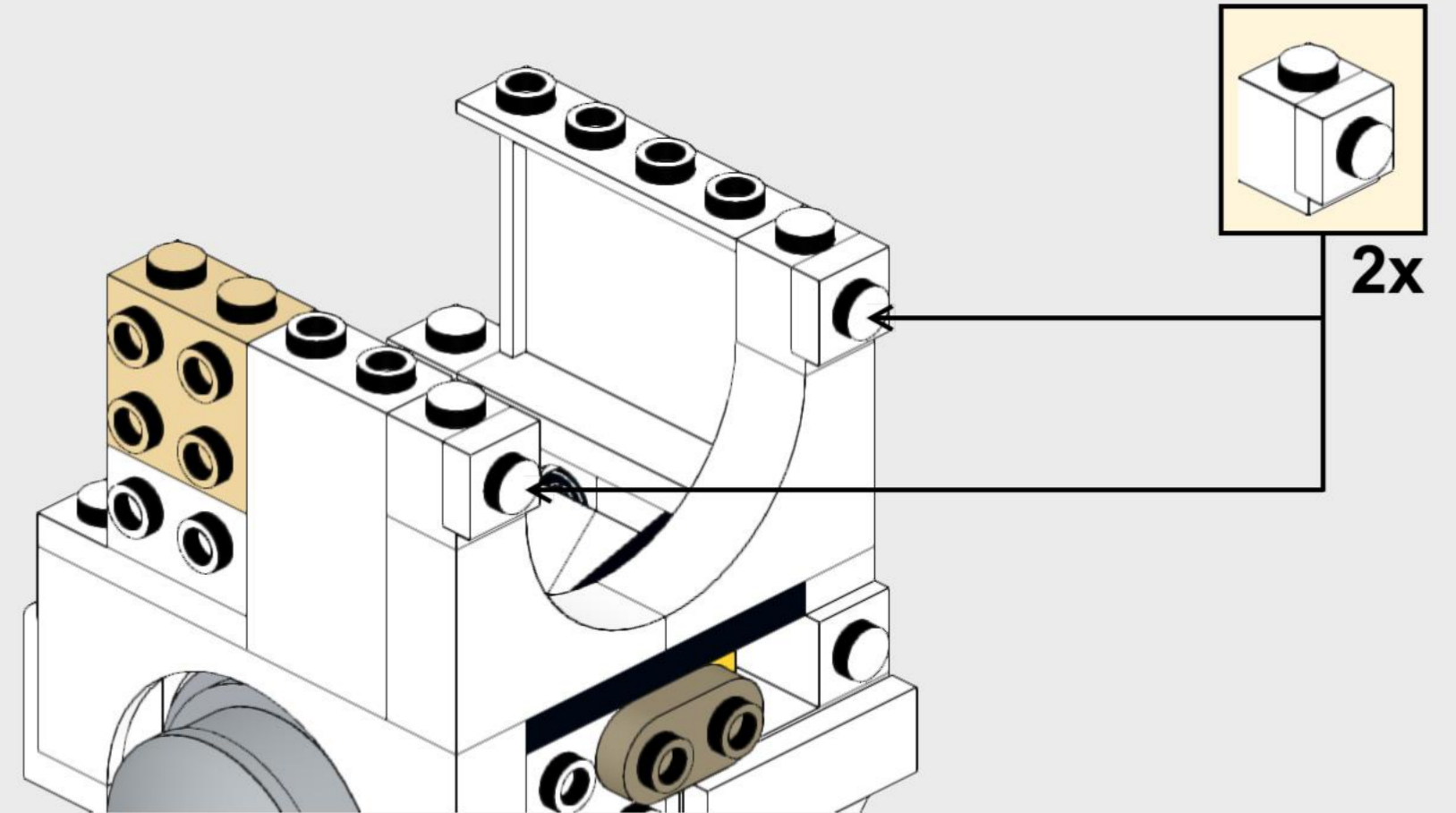
25



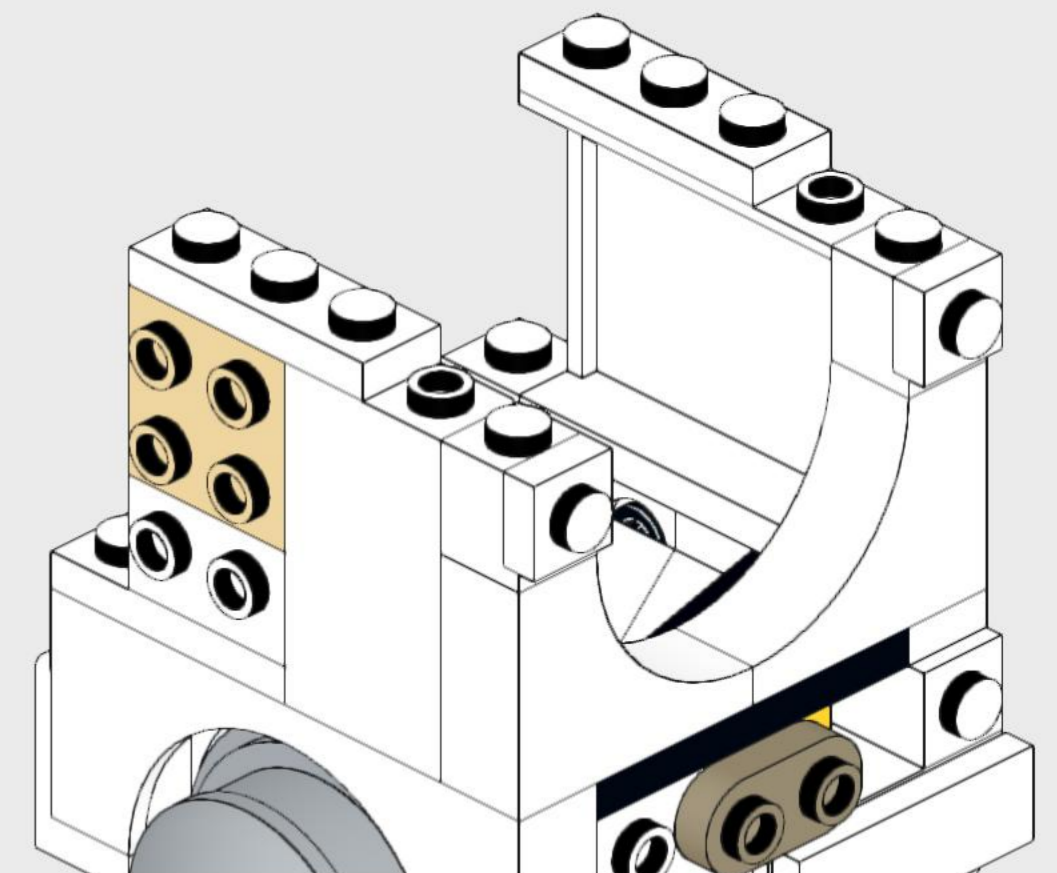
26

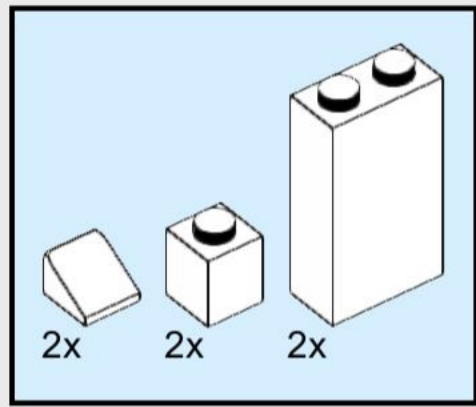


27

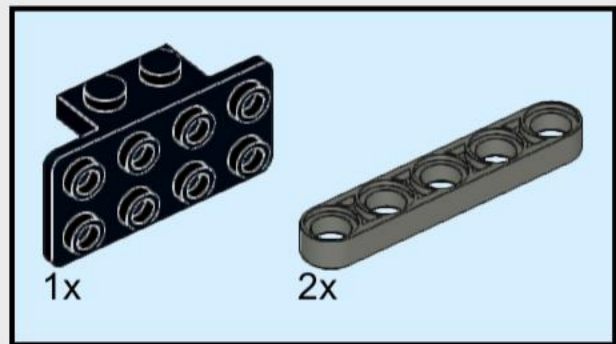
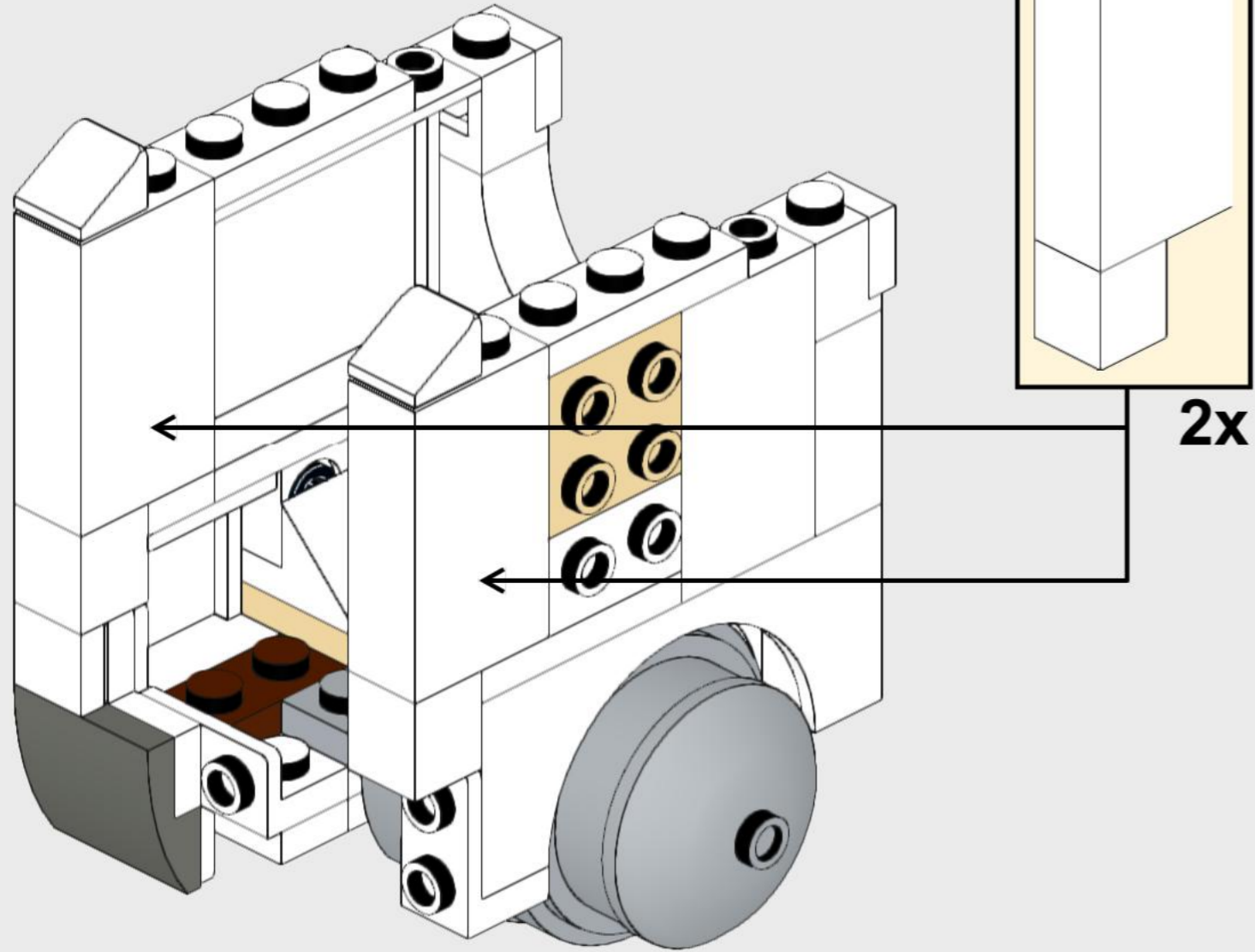


28

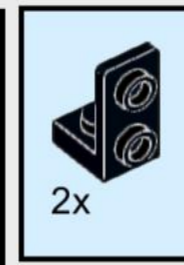
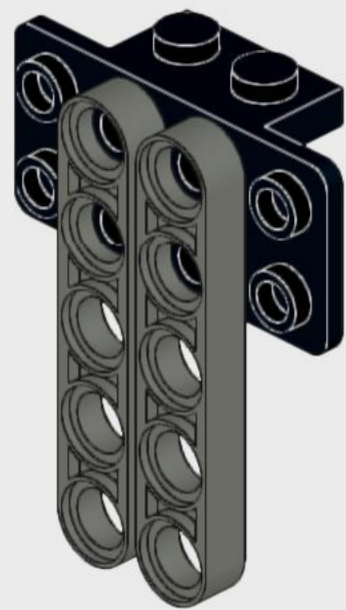




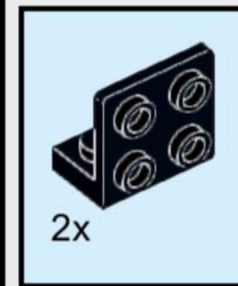
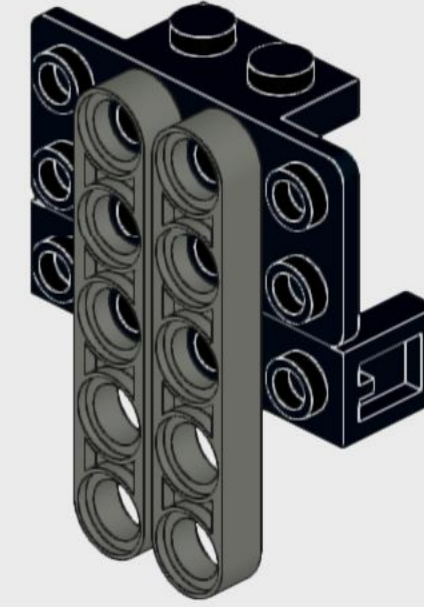
29



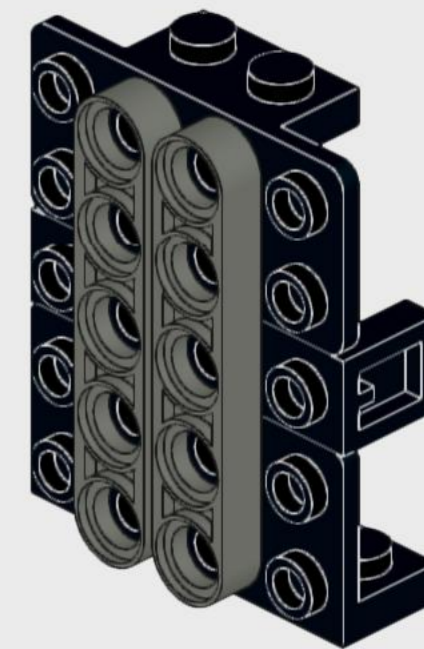
30

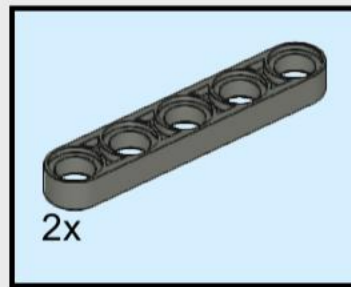


31

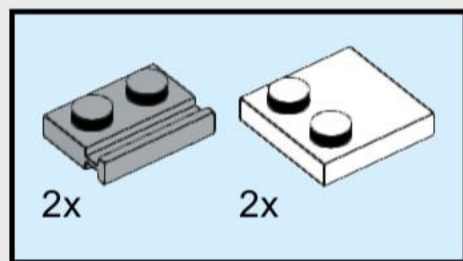
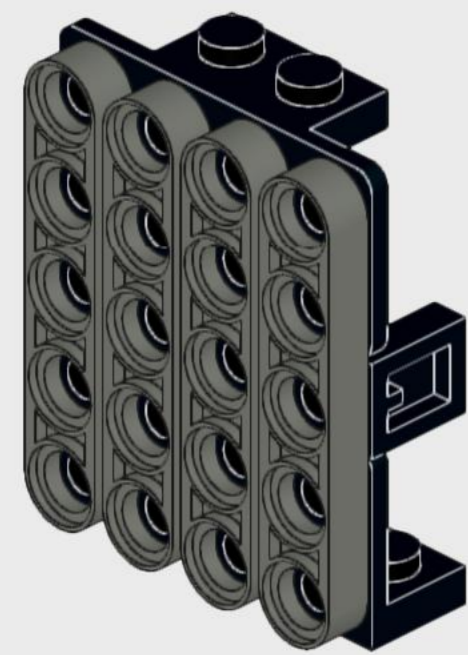


32

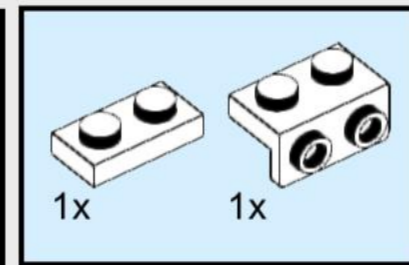
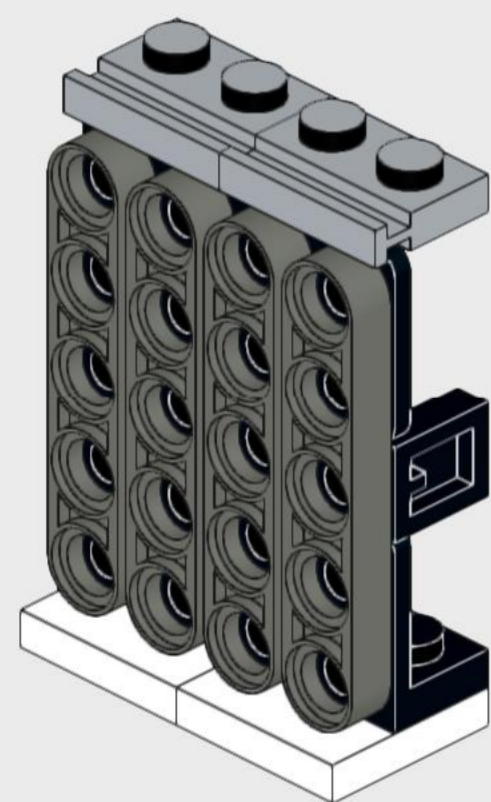




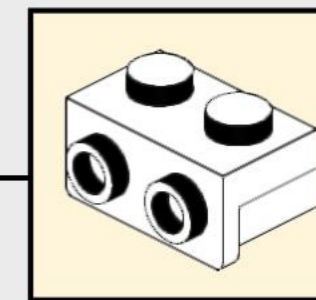
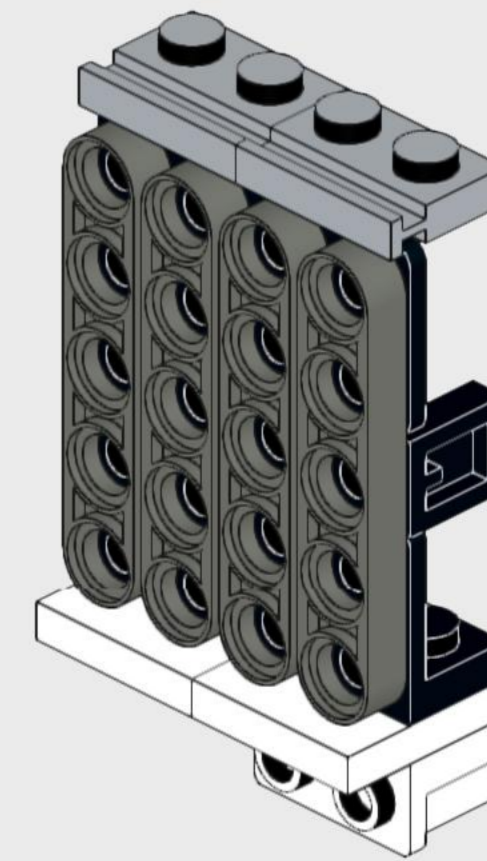
33



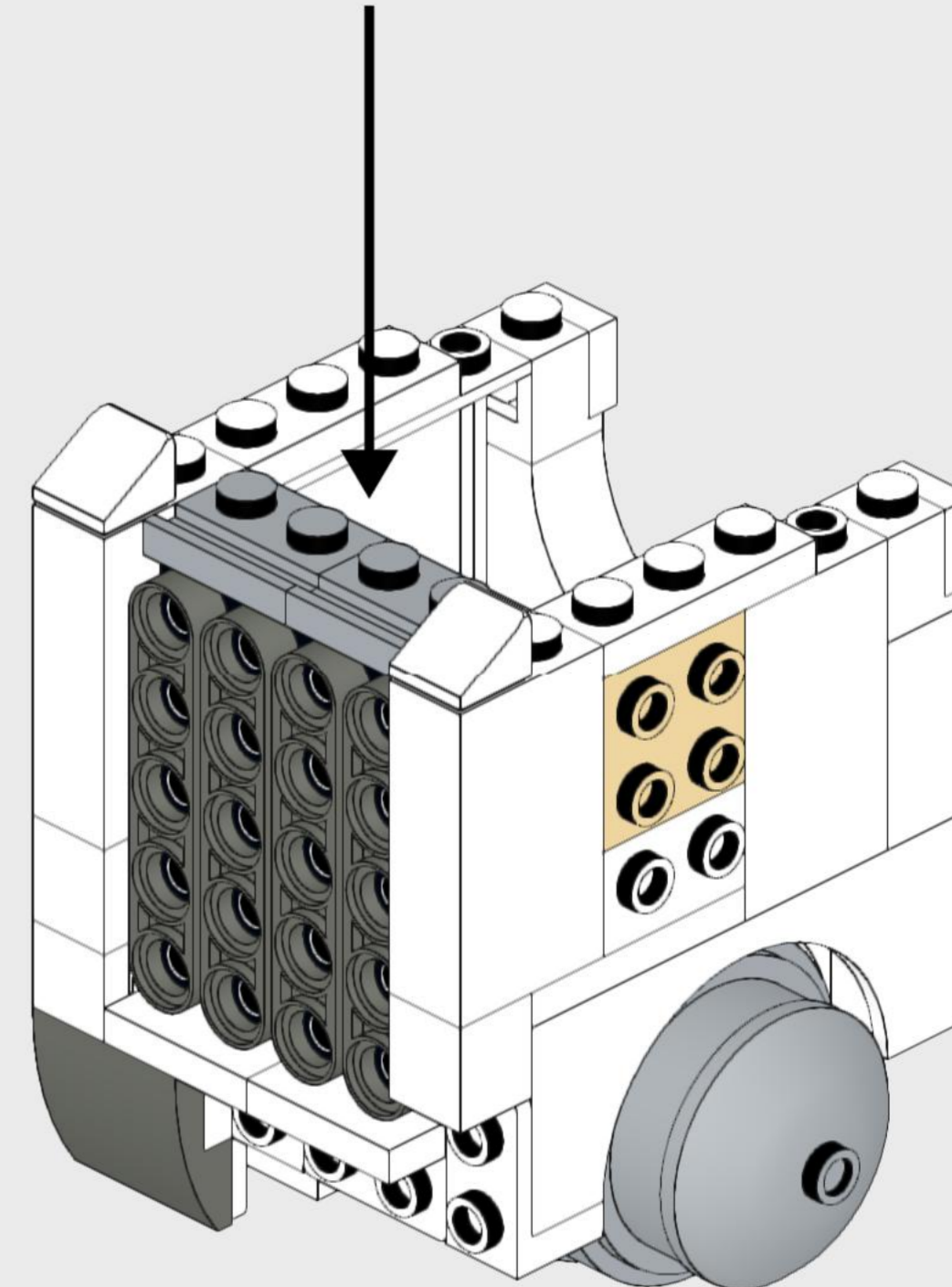
34

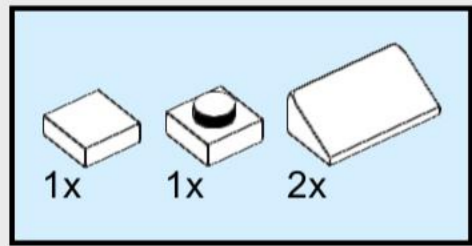


35

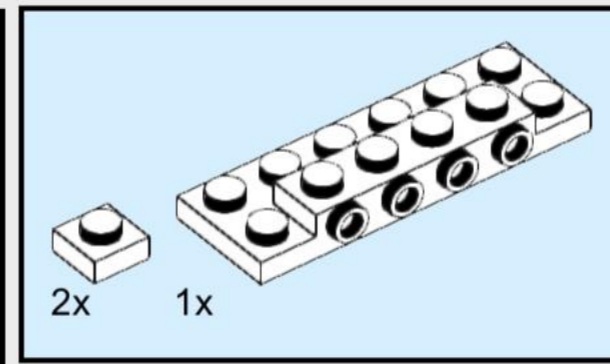
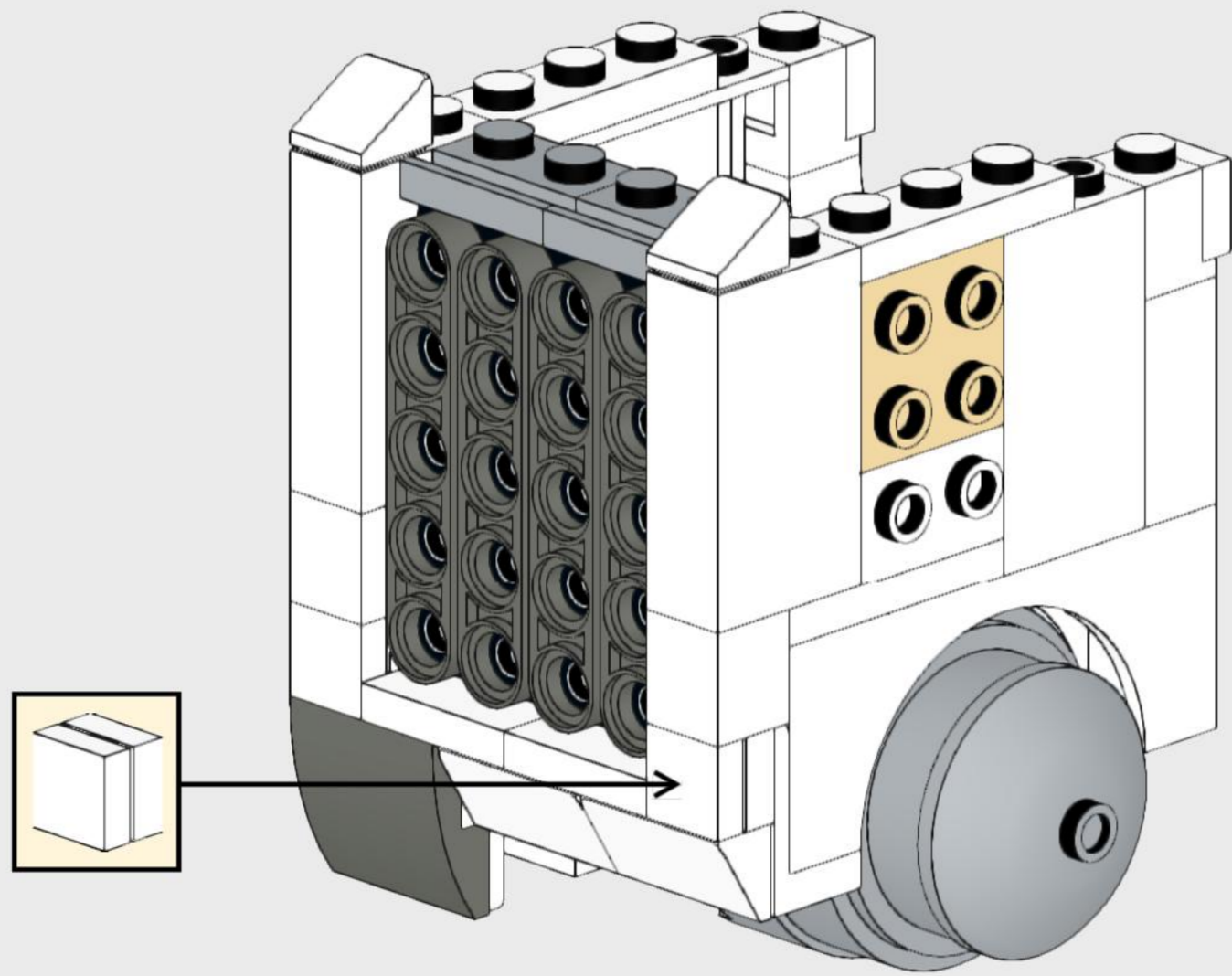


36

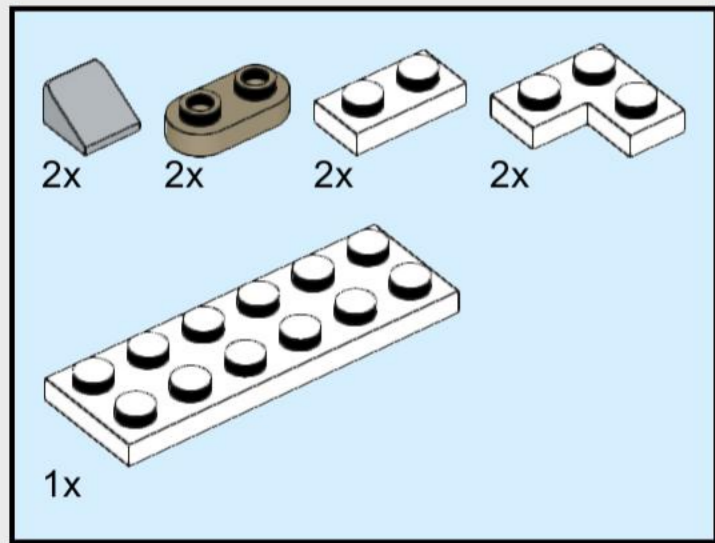
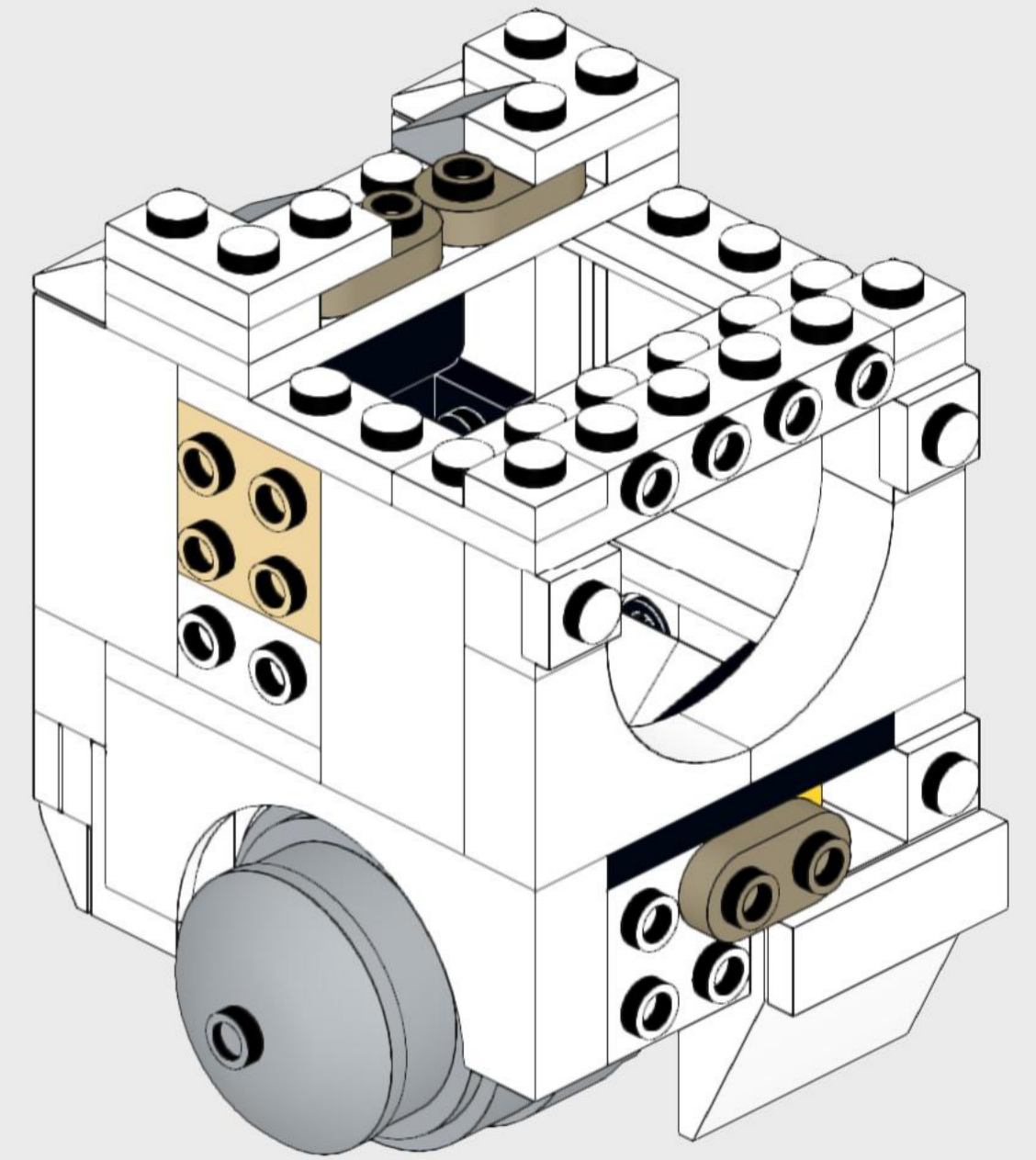




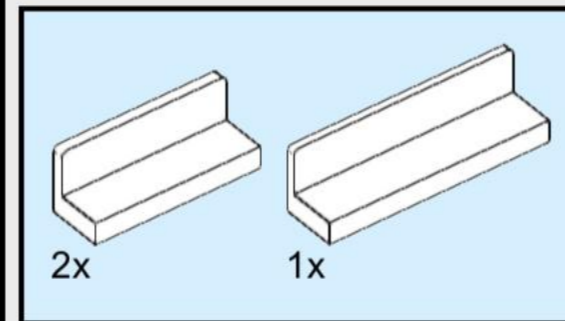
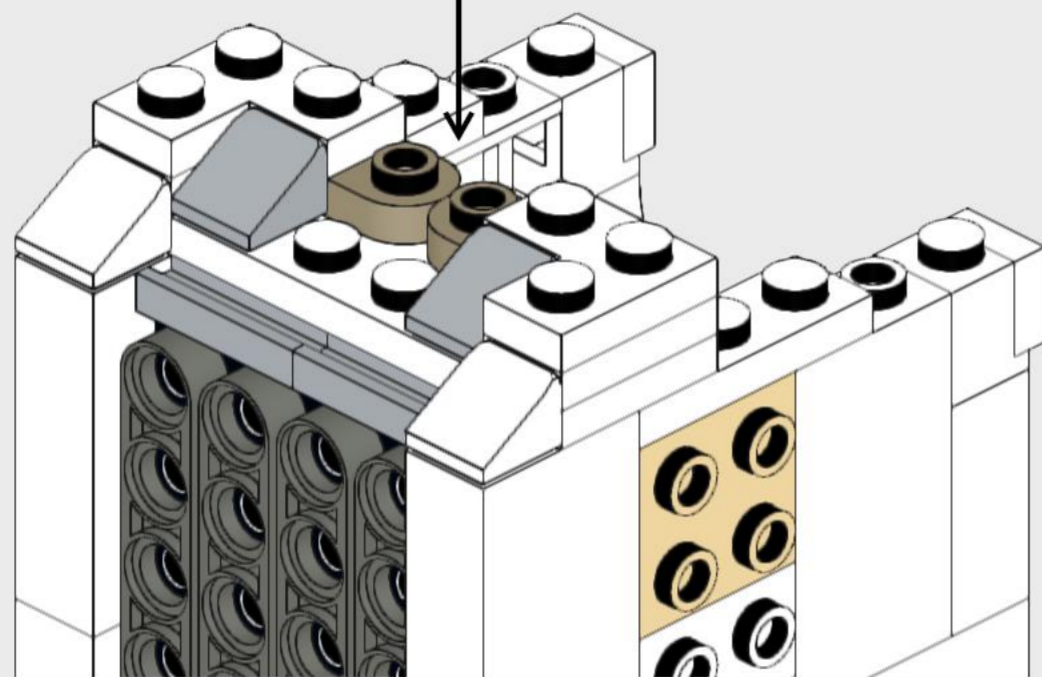
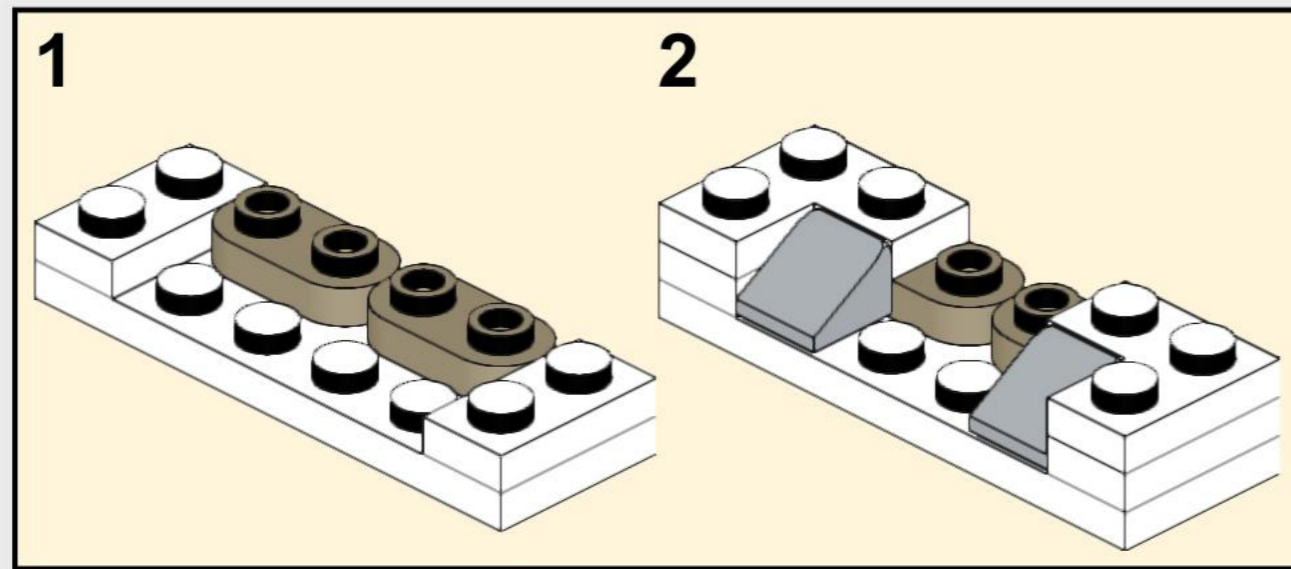
37



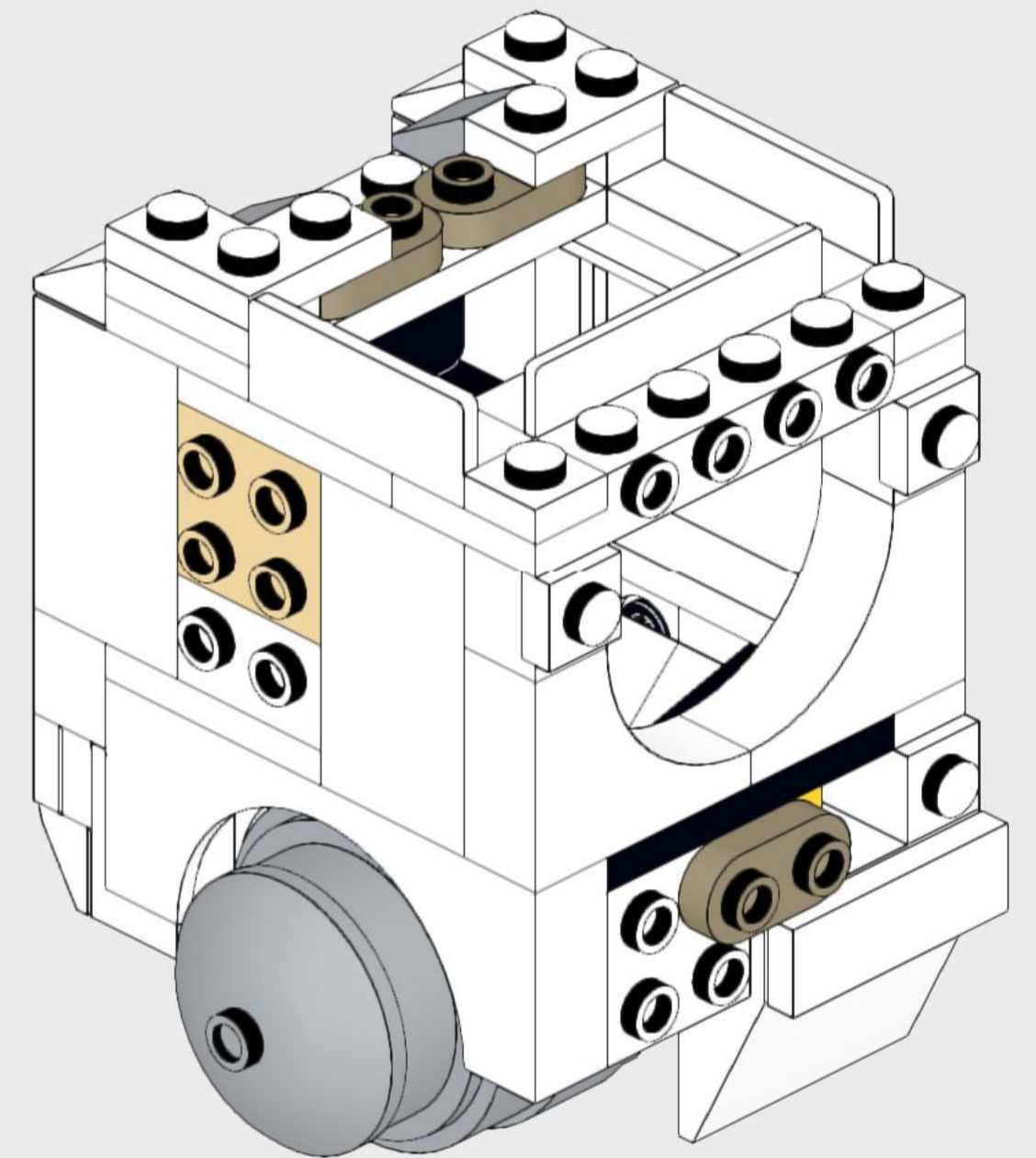
39

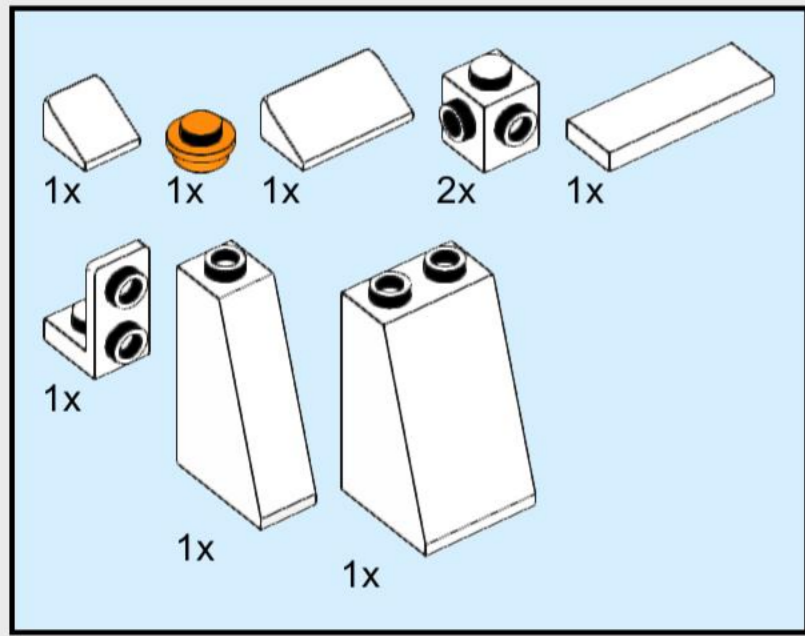


38

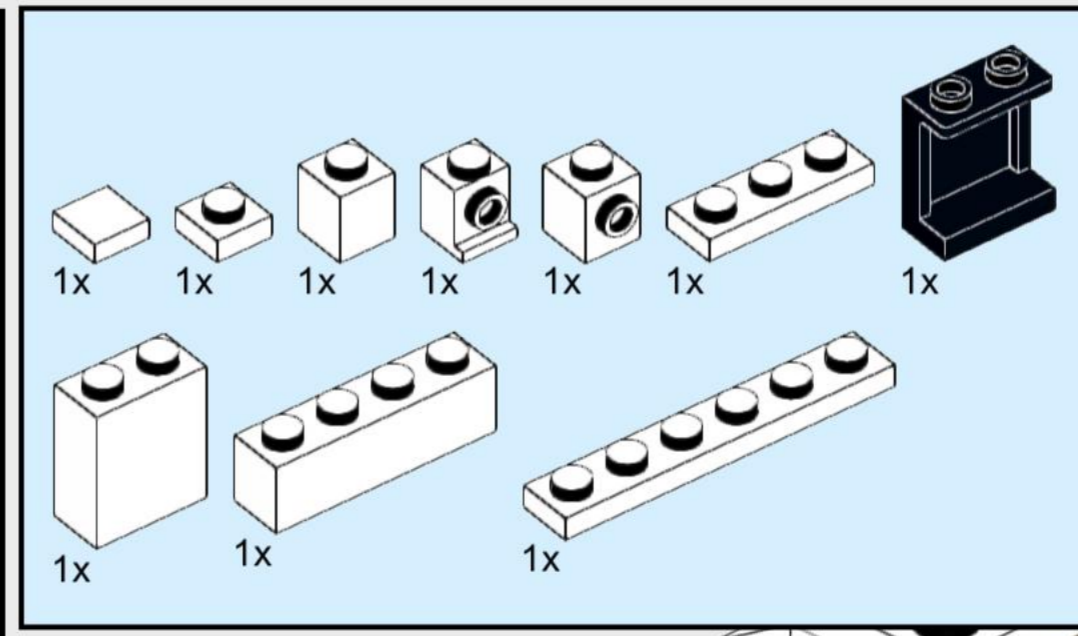
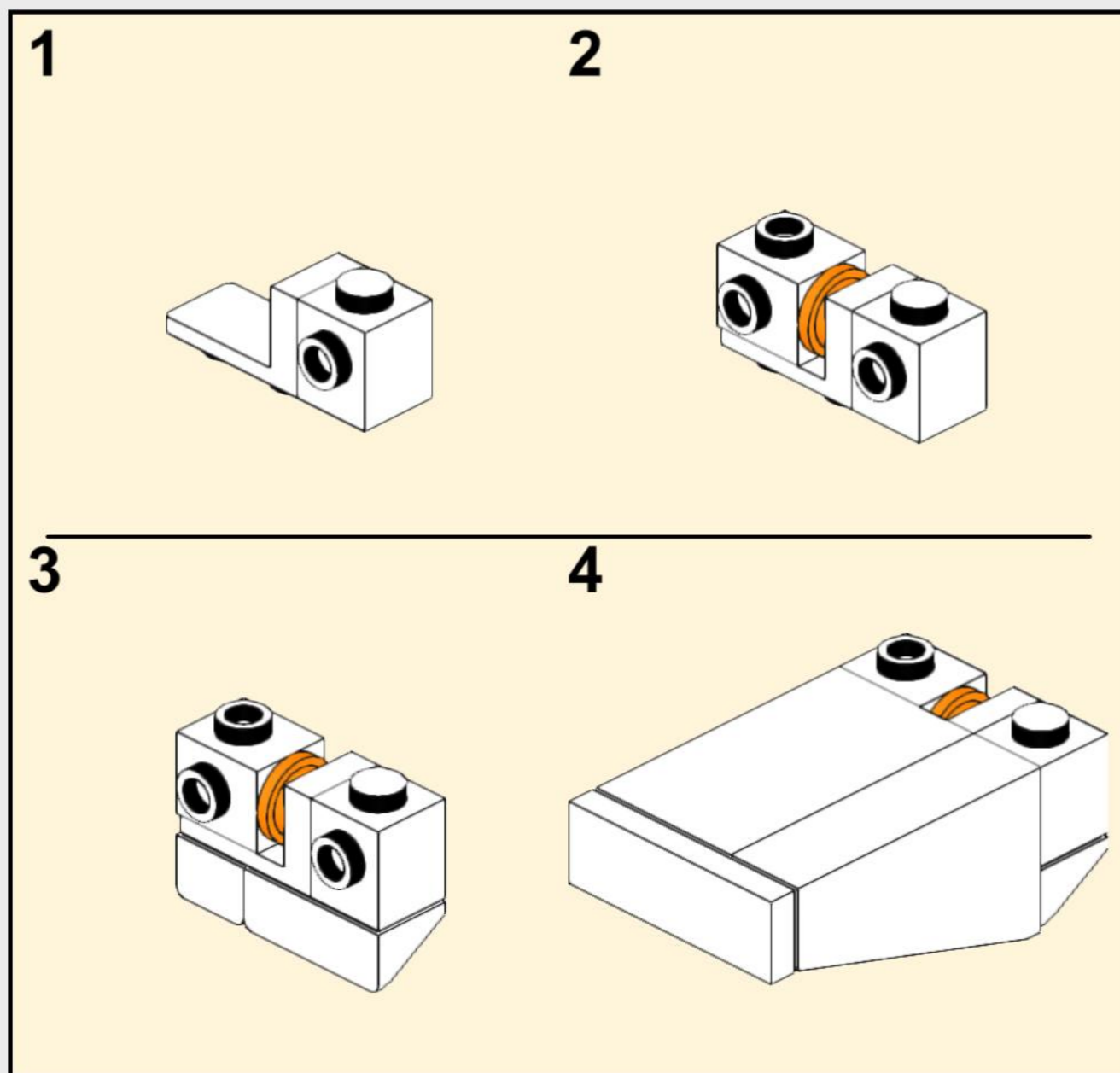
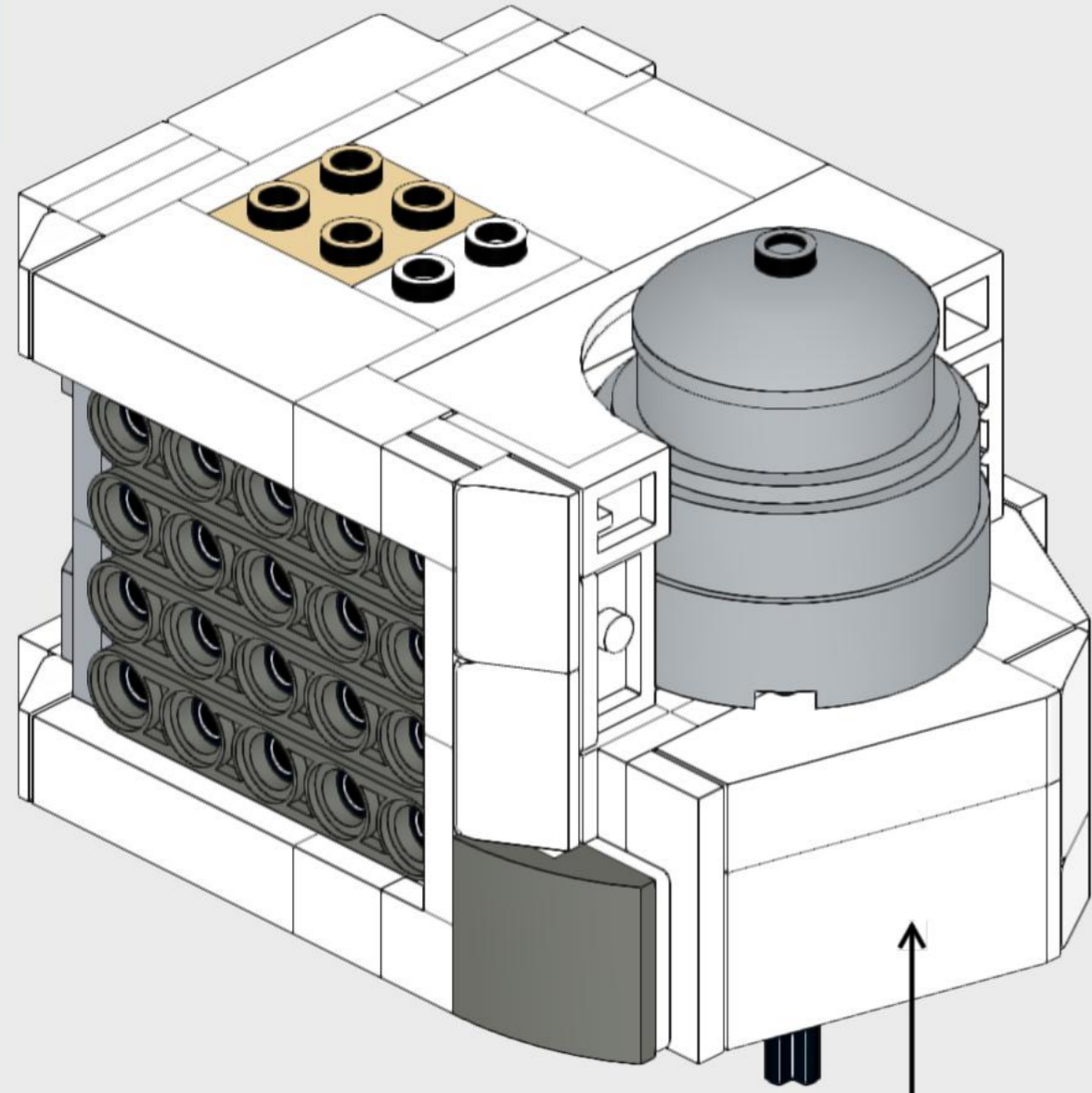


40

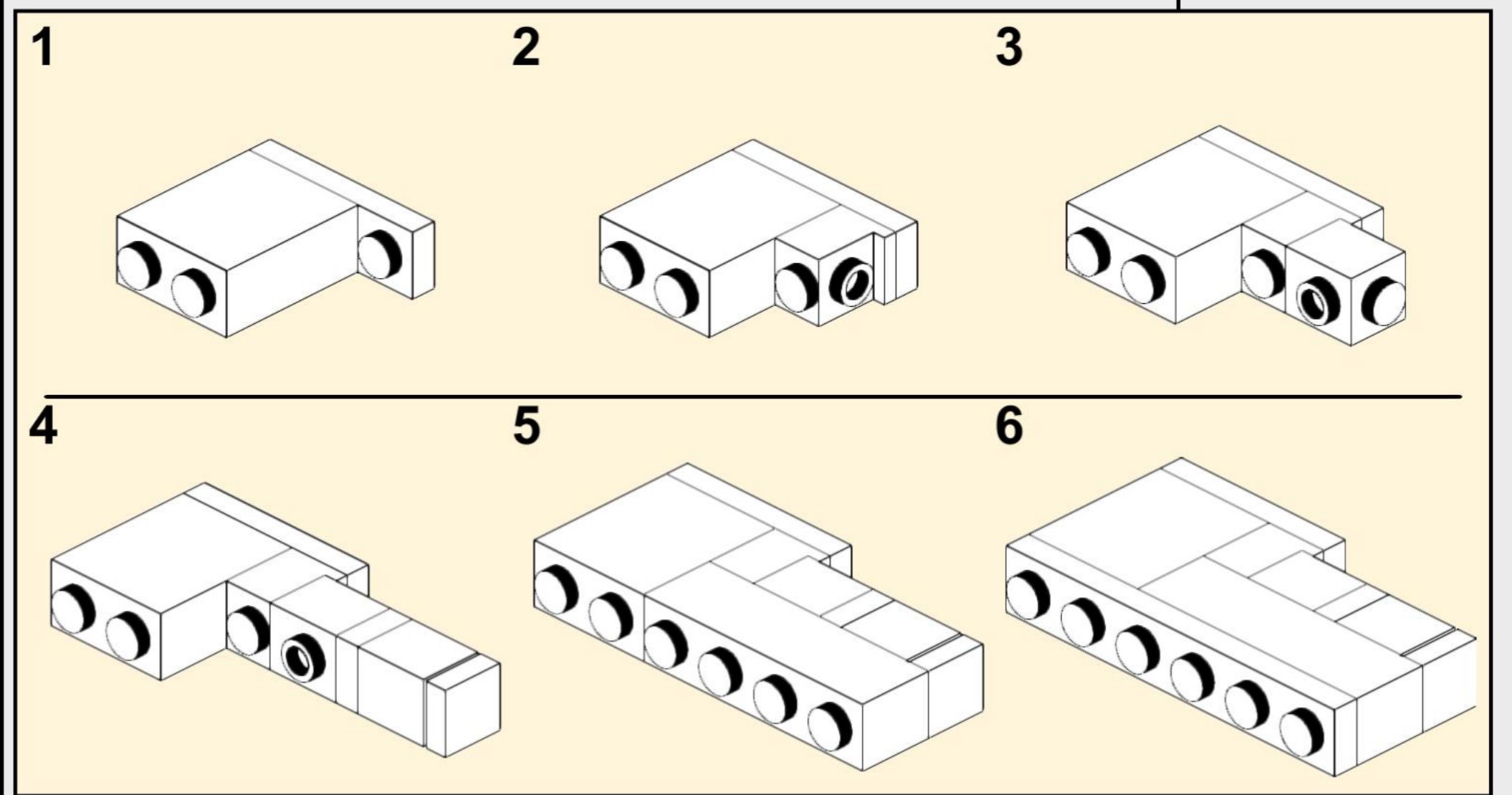
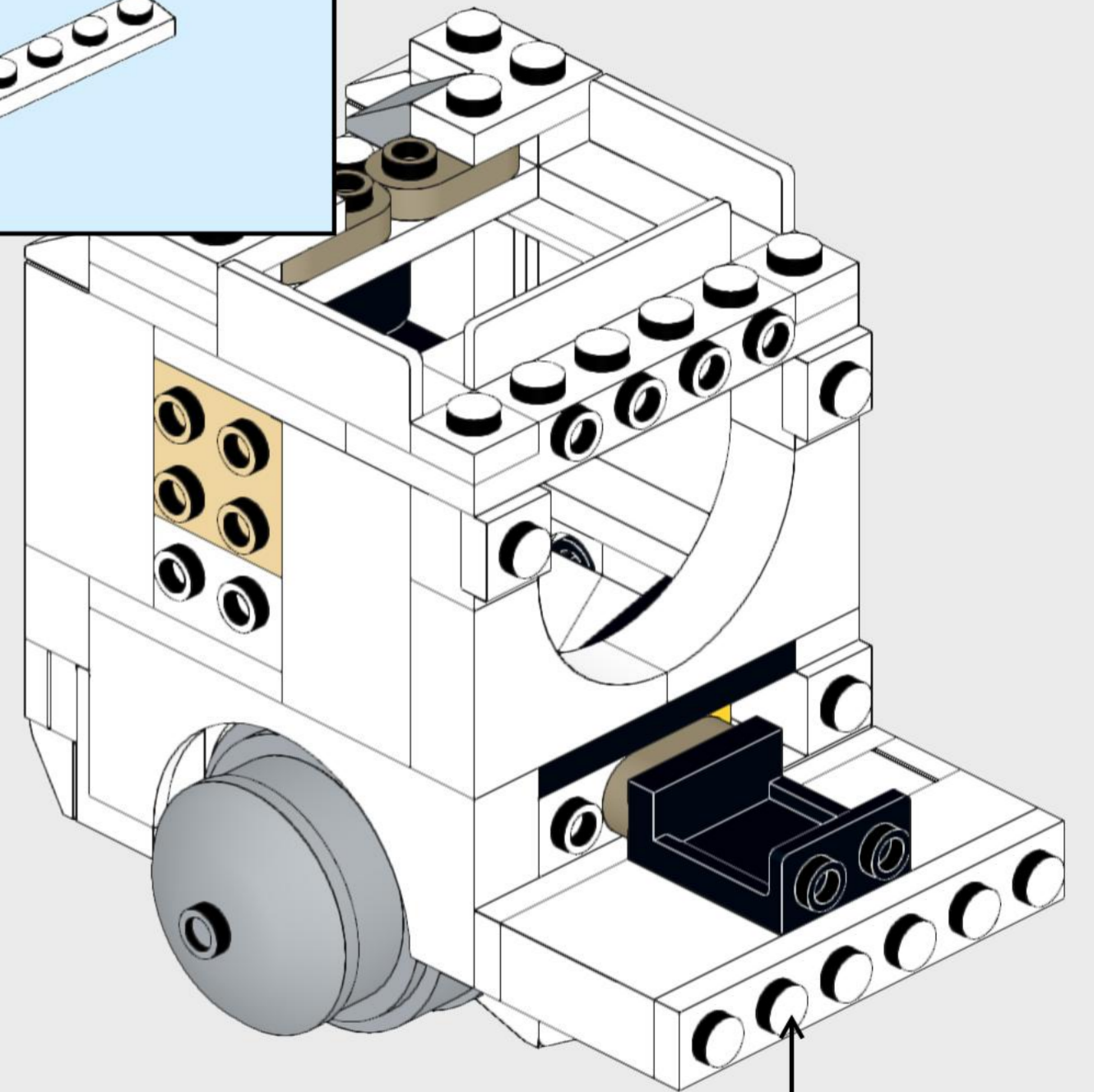


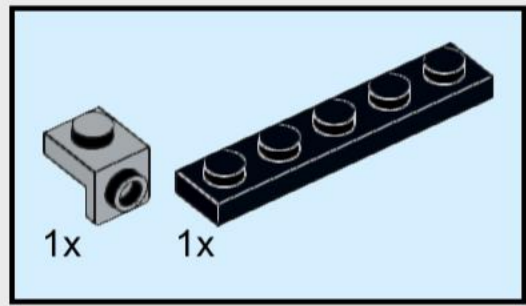


41

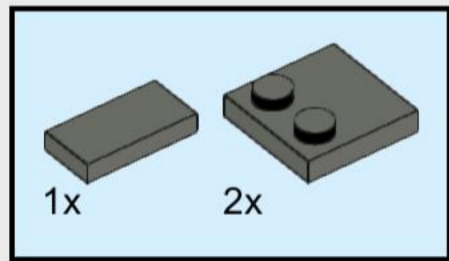


42

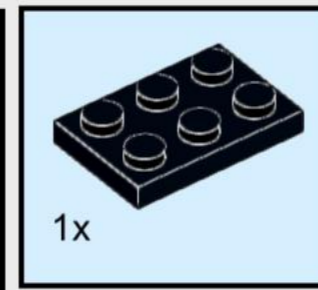
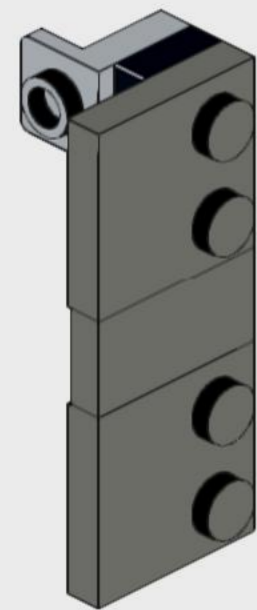




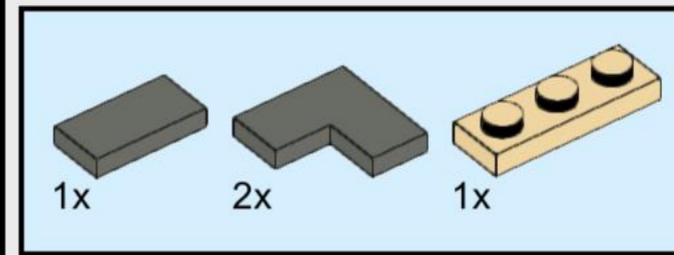
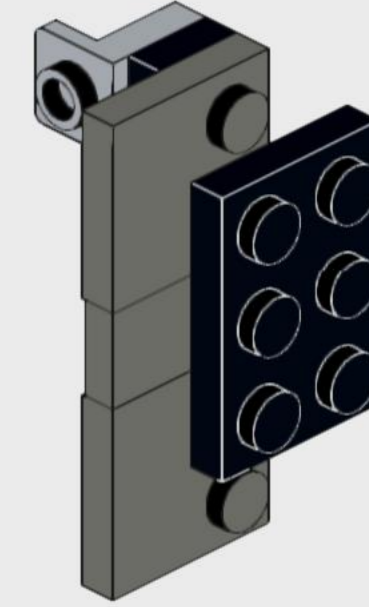
43



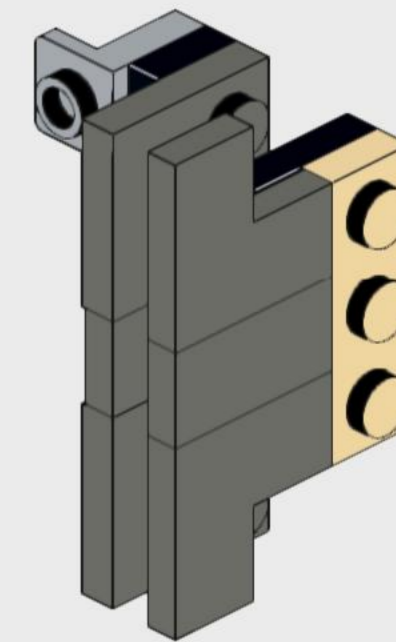
44

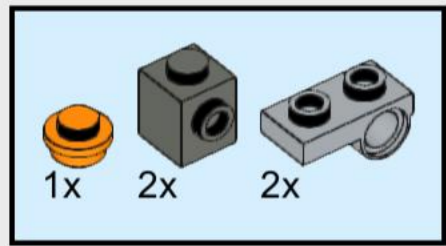


45

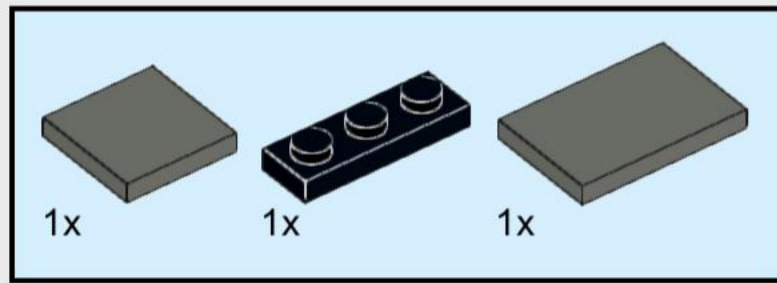
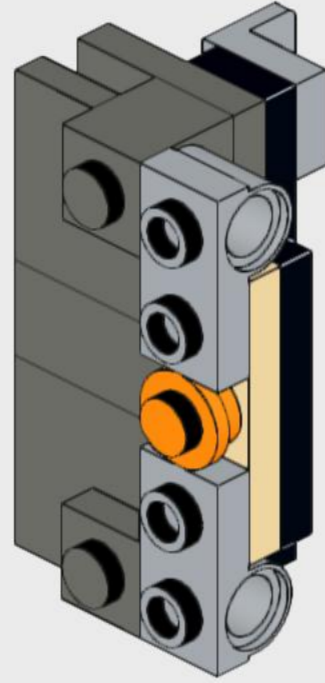
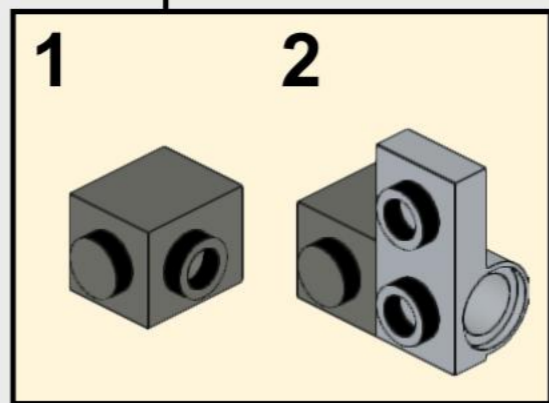
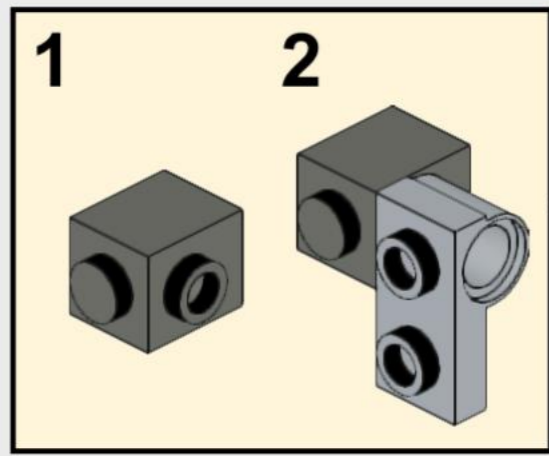


46

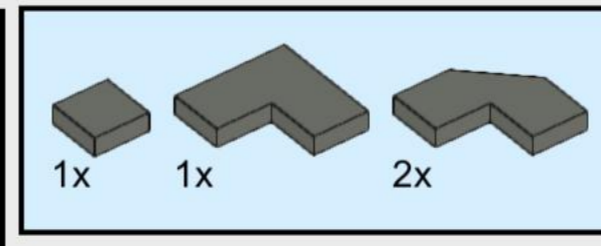
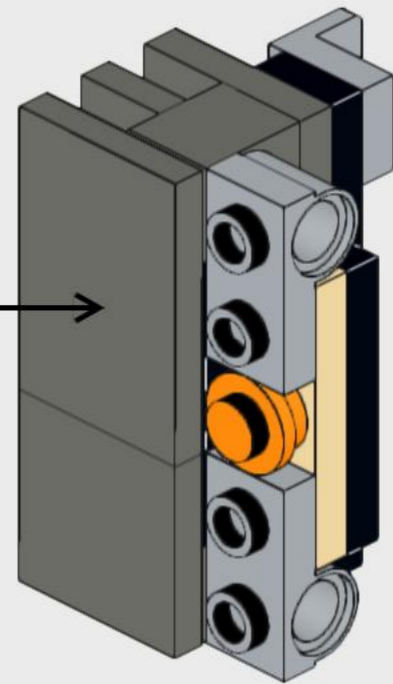
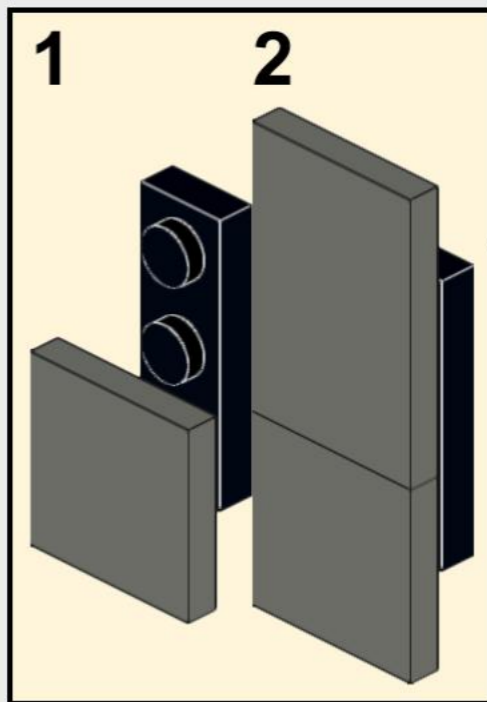




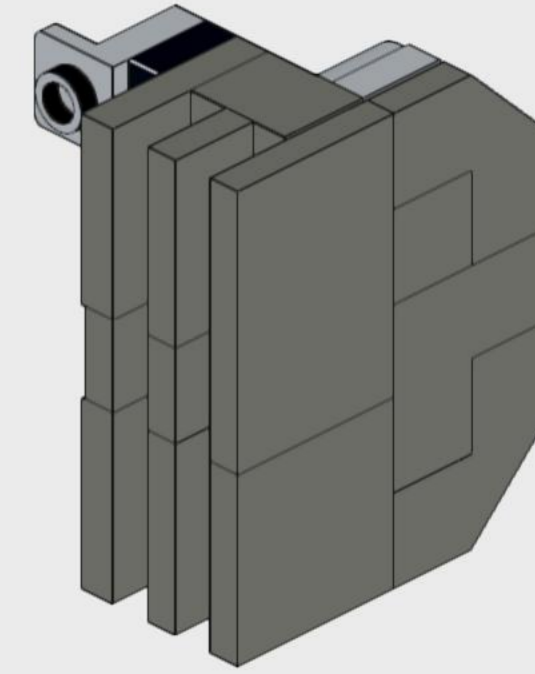
47



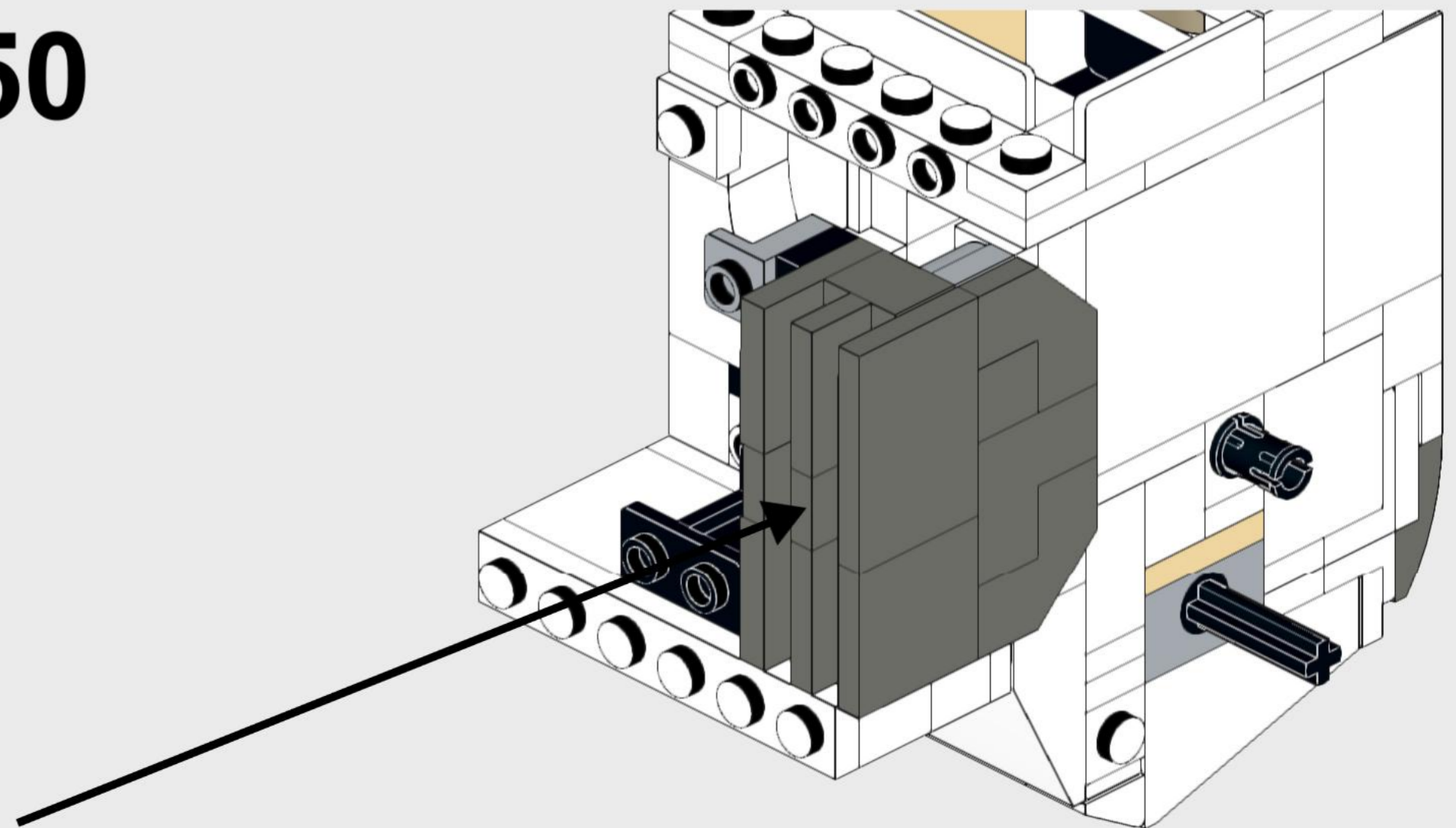
48

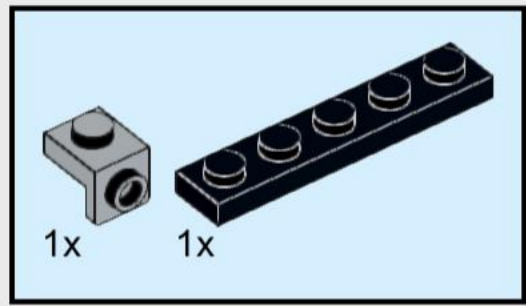


49

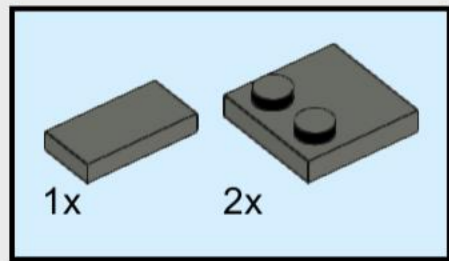


50

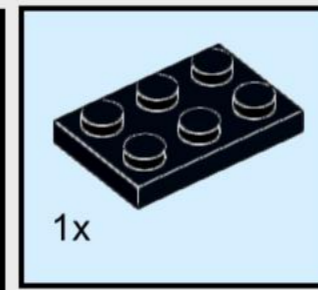
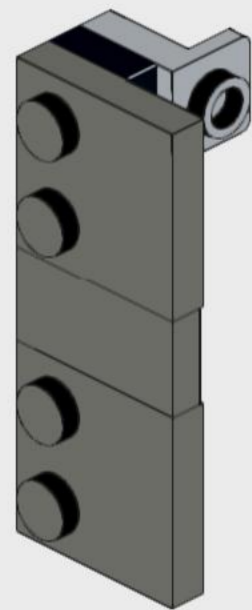




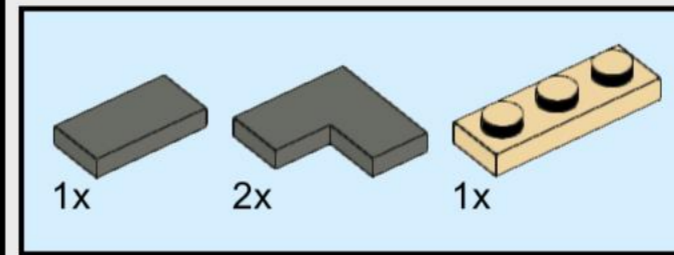
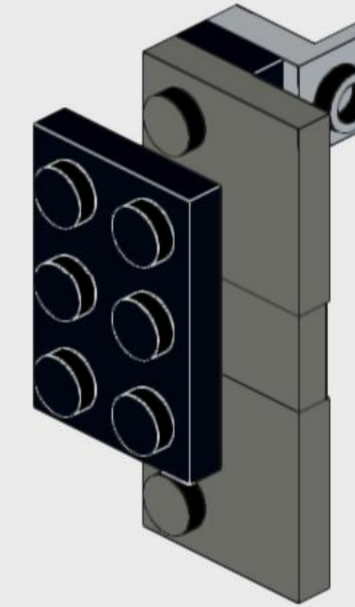
51



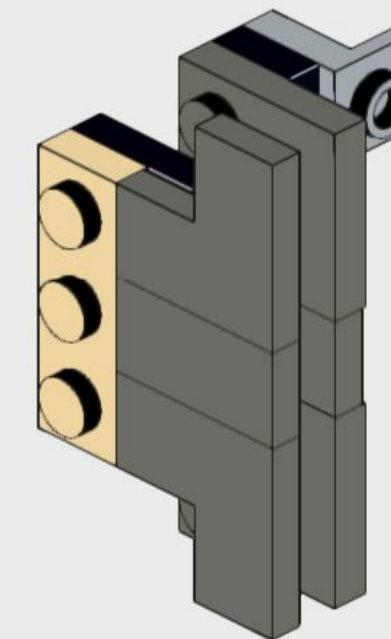
52

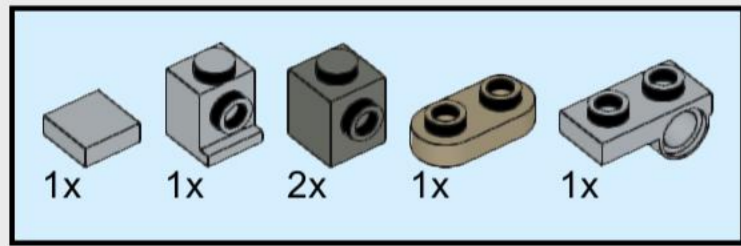


53

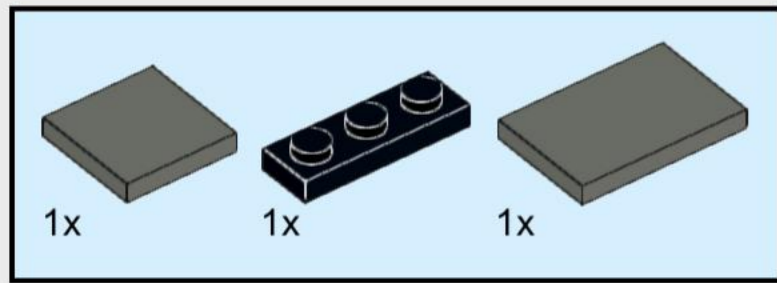
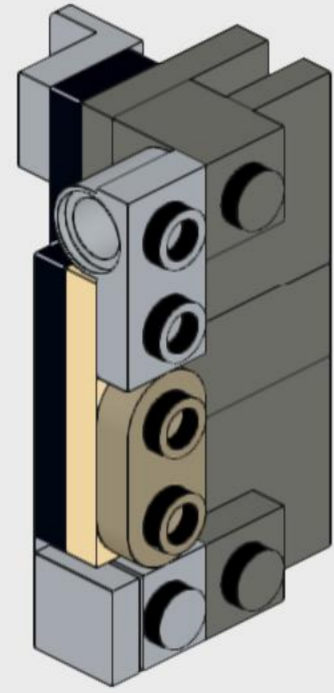
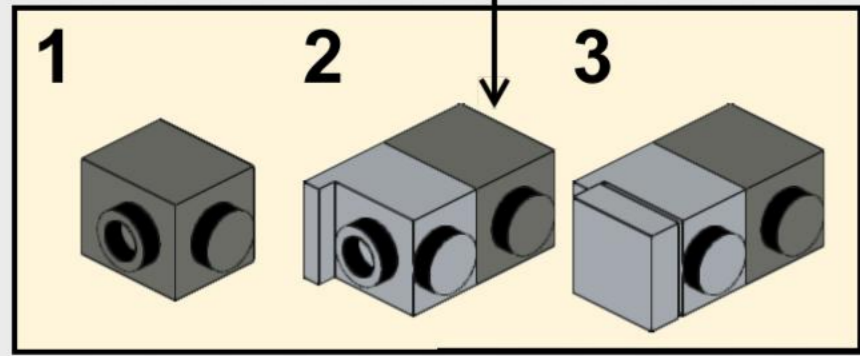
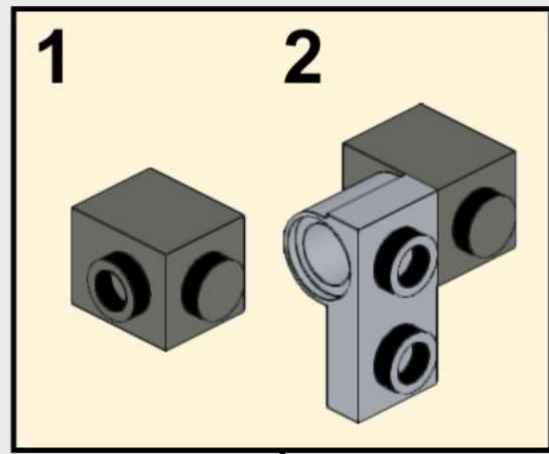


54

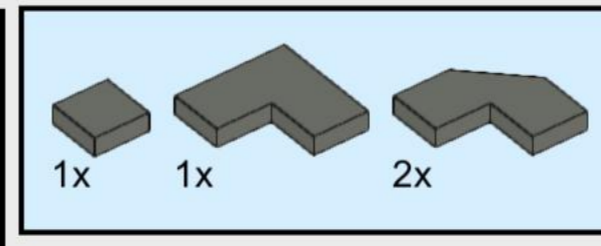
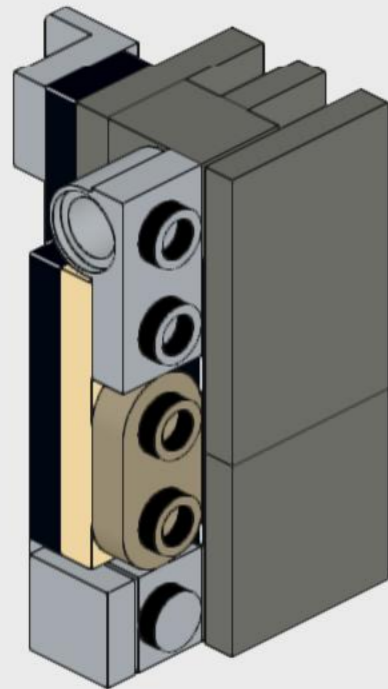
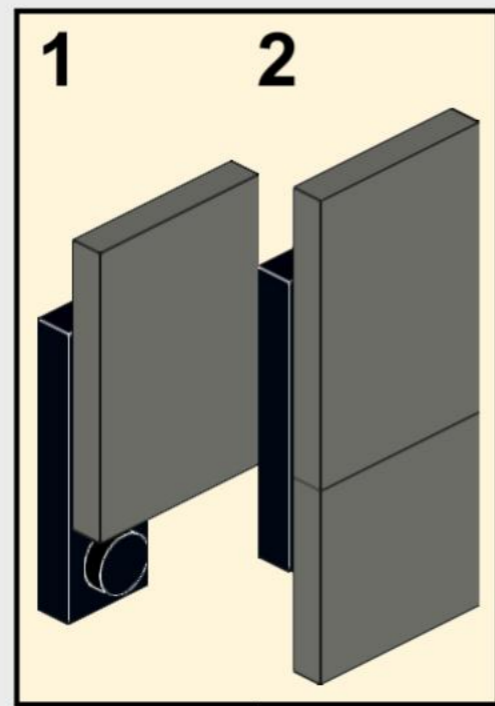




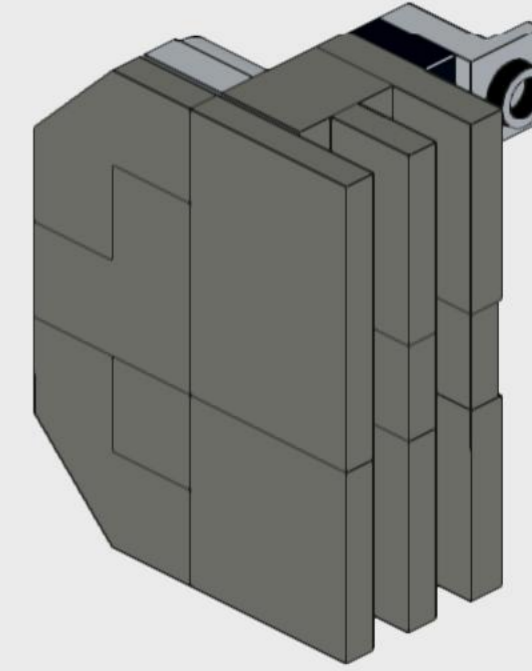
55



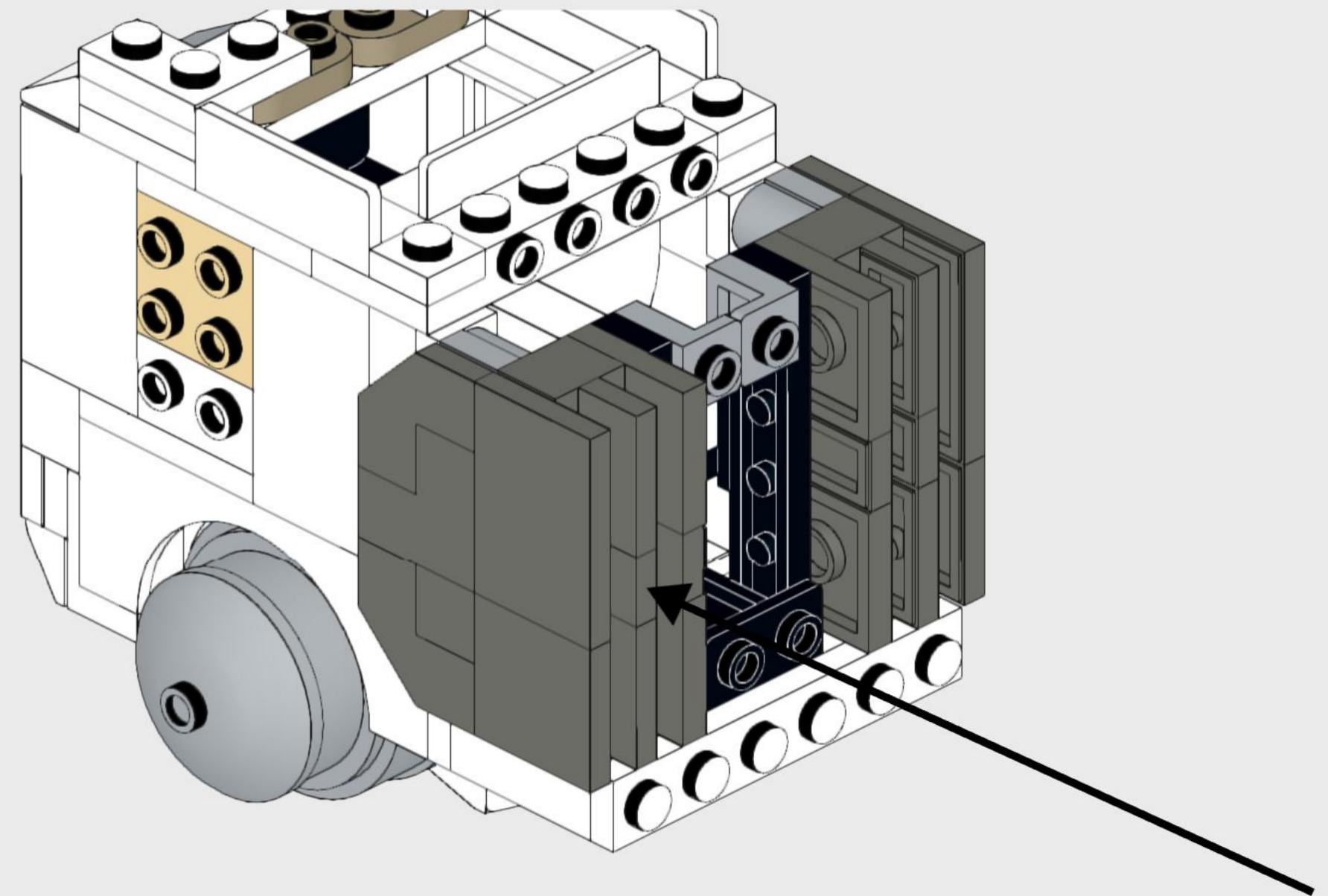
56

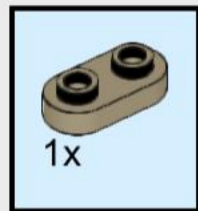


57

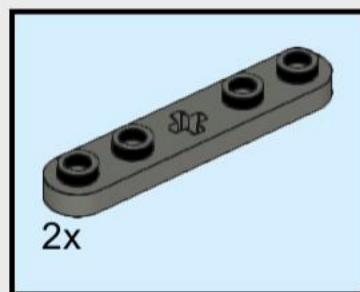
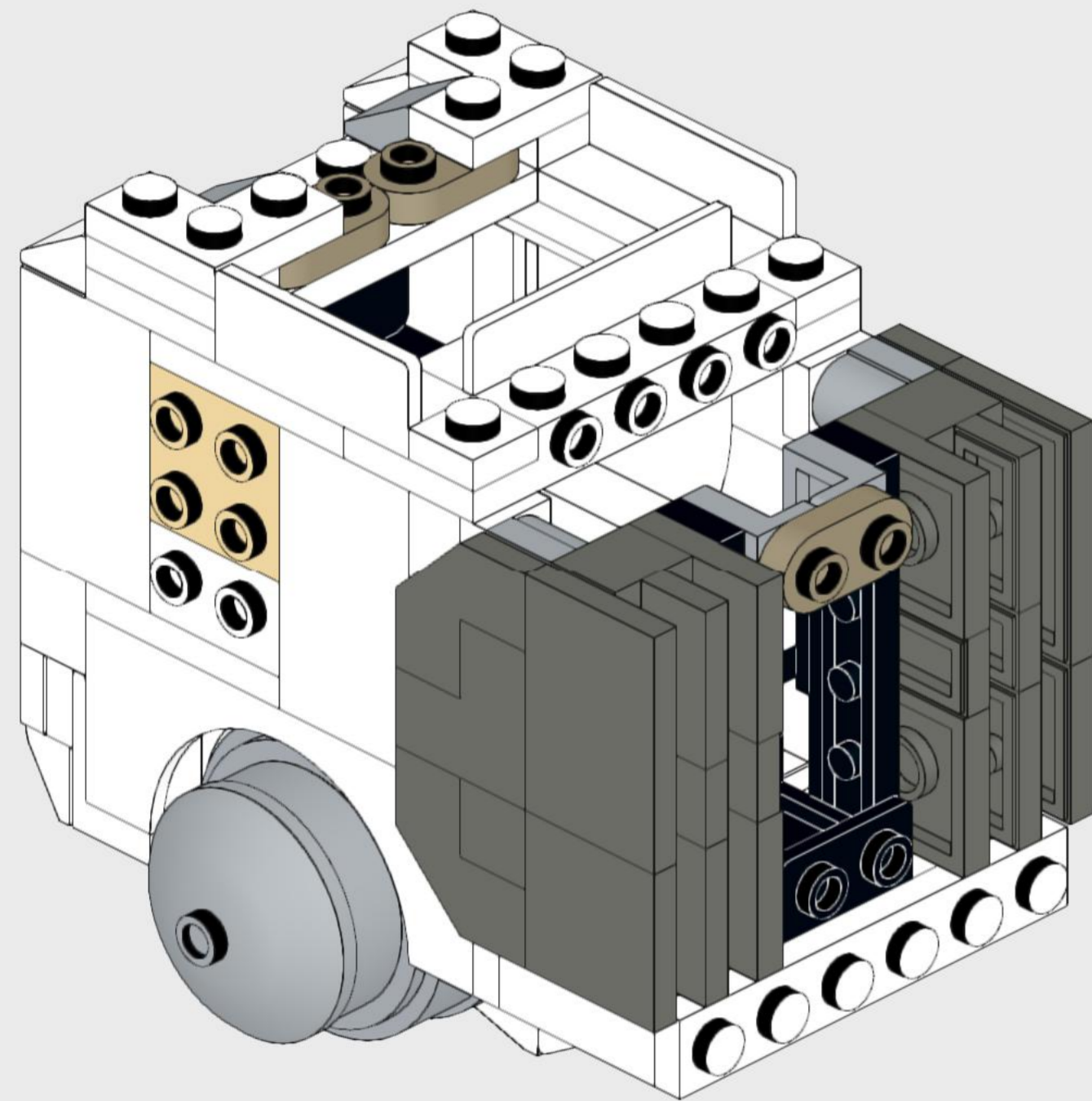


58

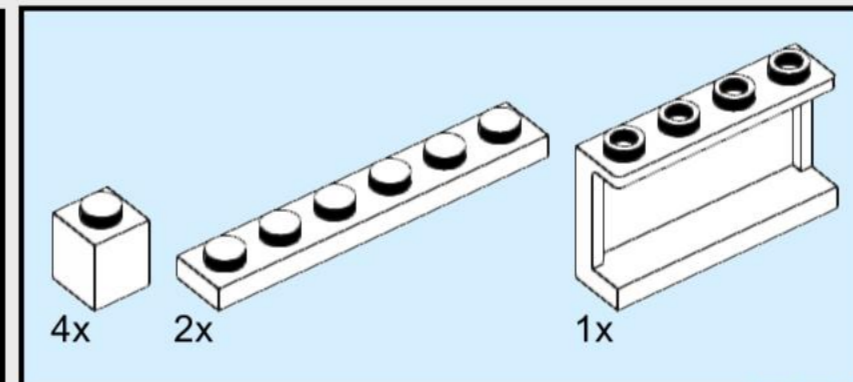
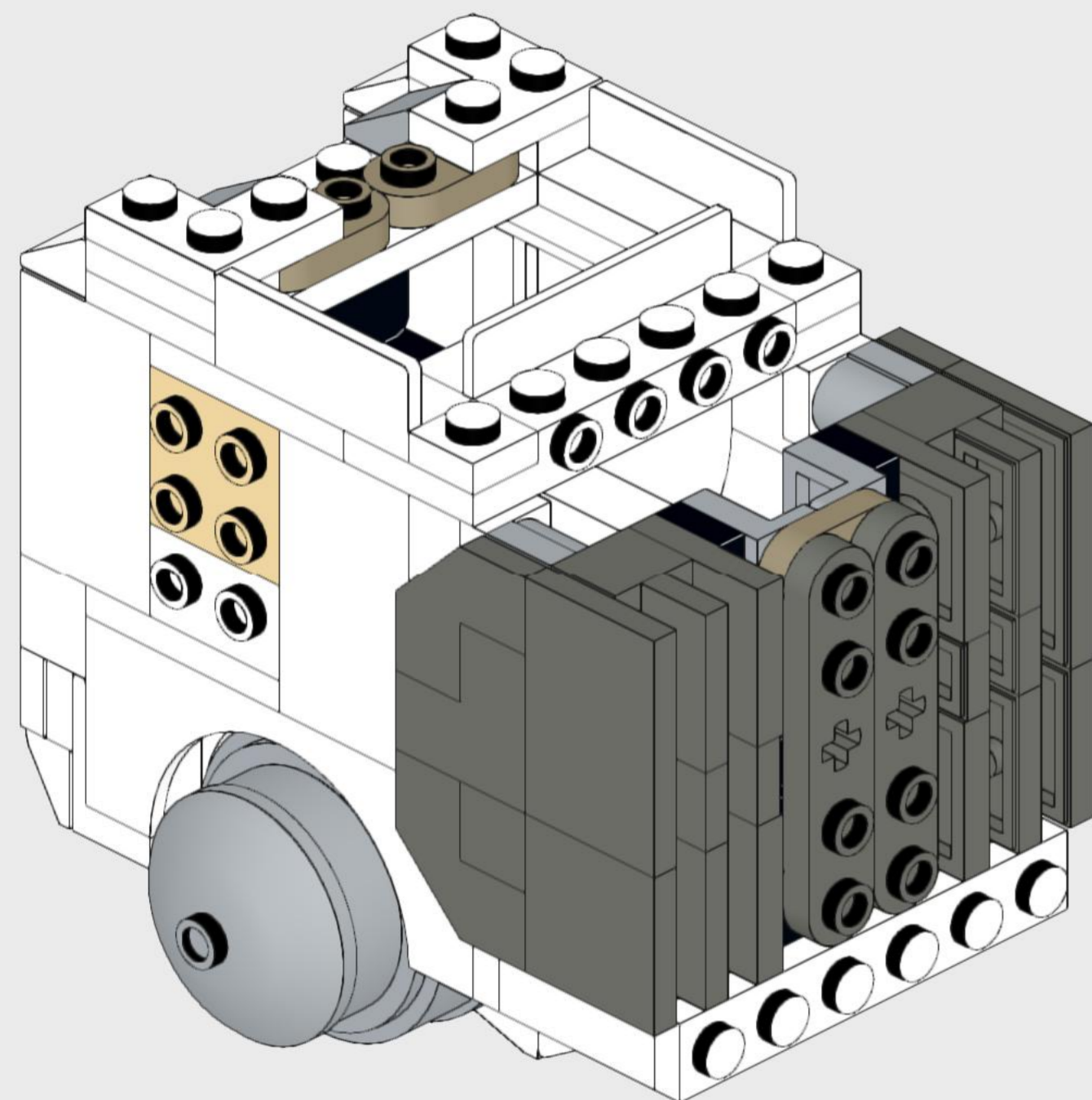




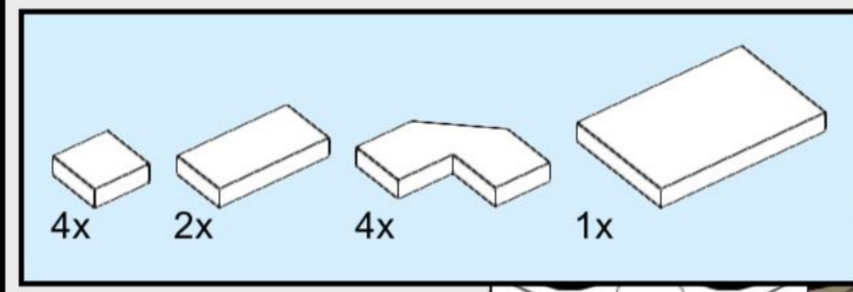
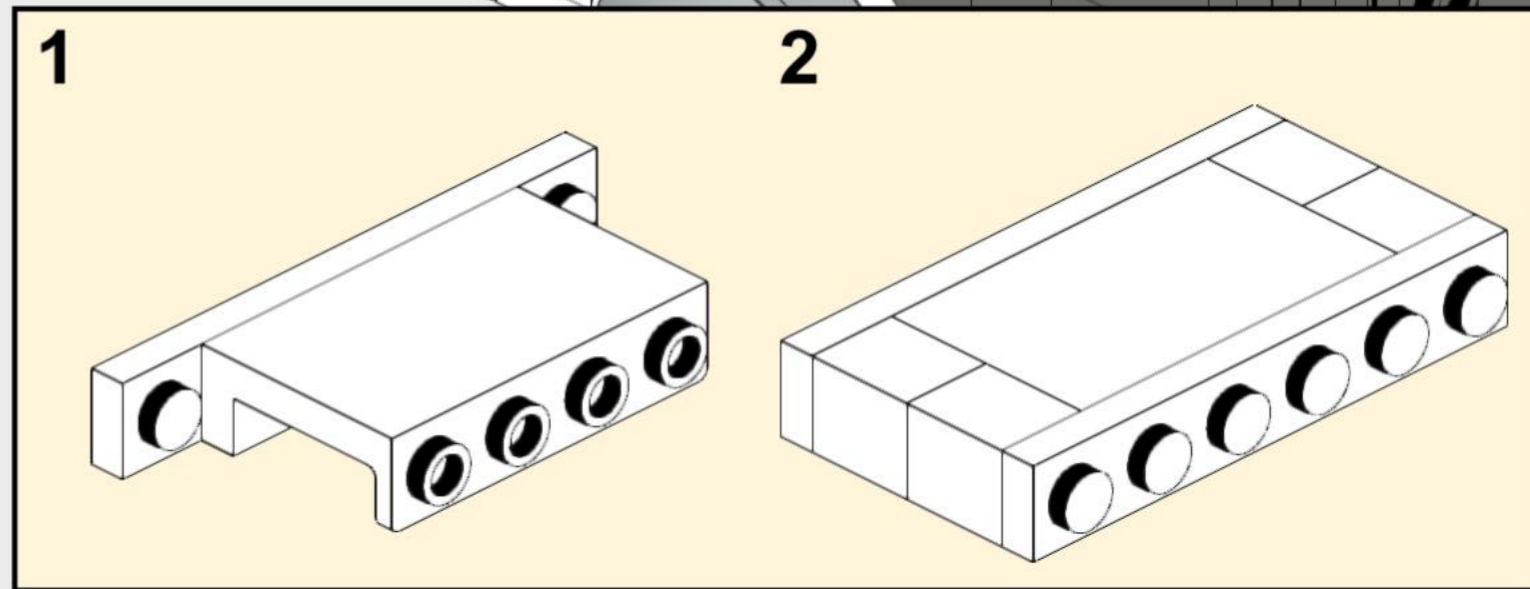
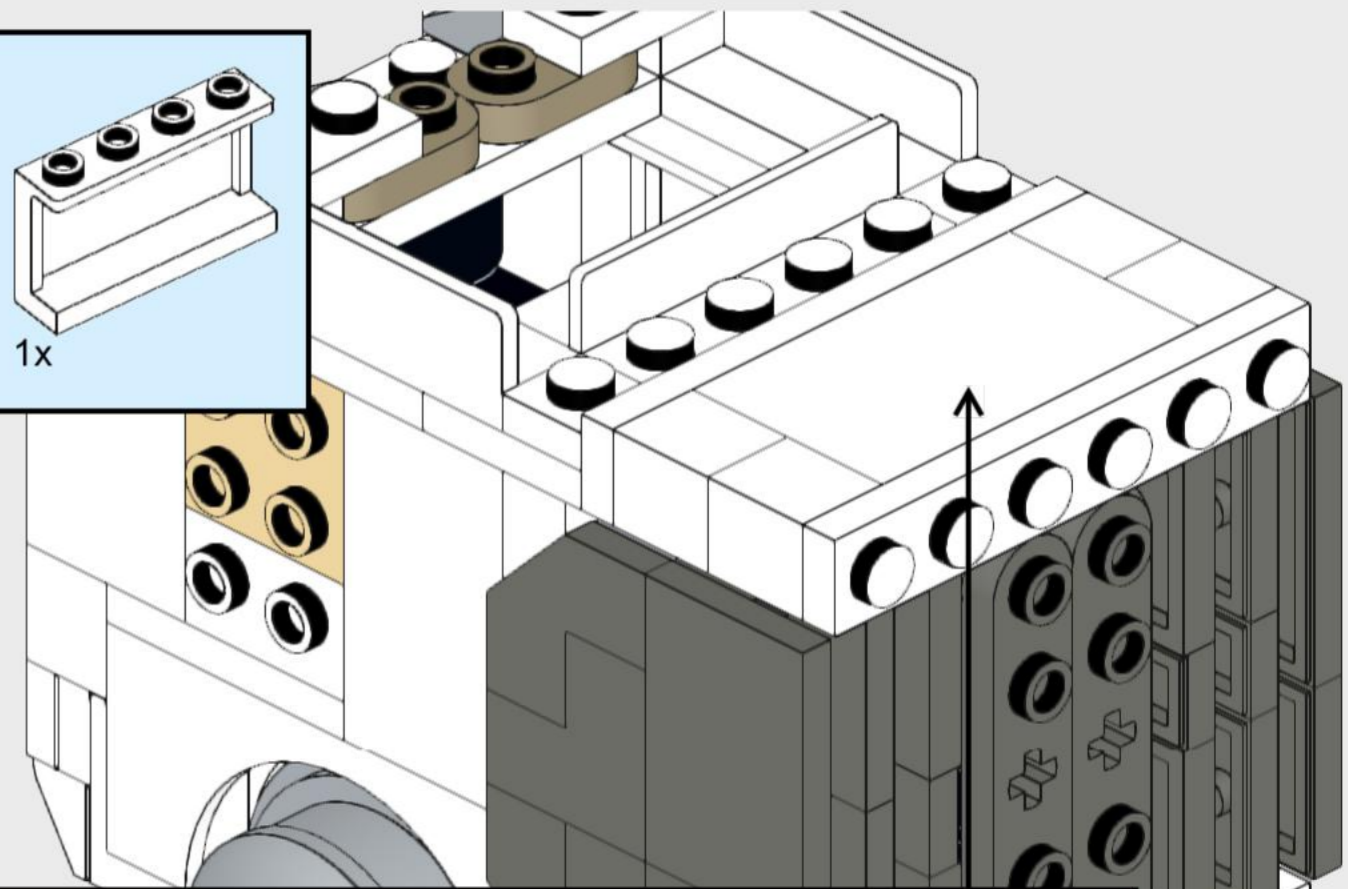
59



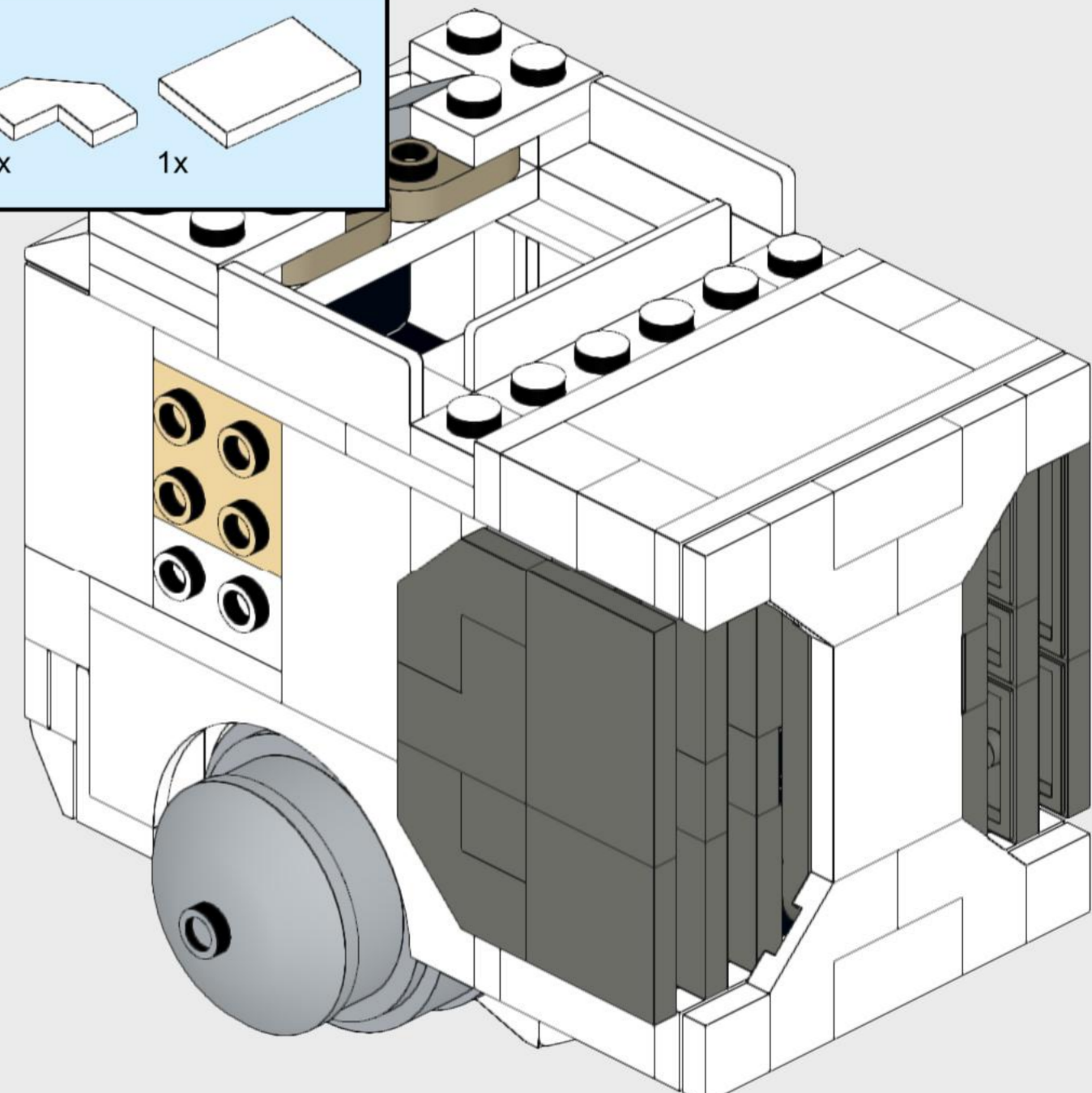
60

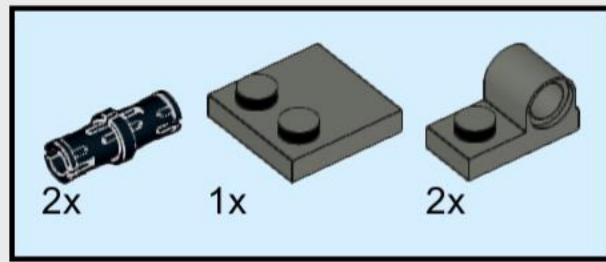


61

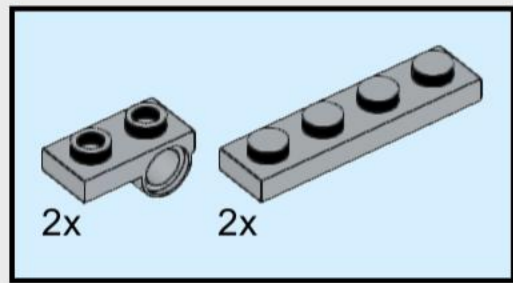
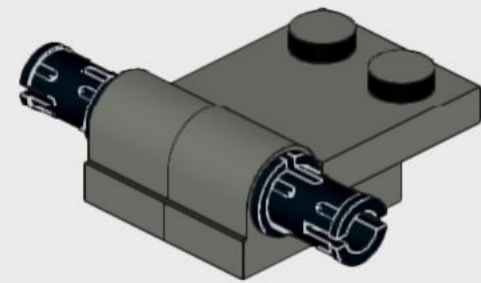


62

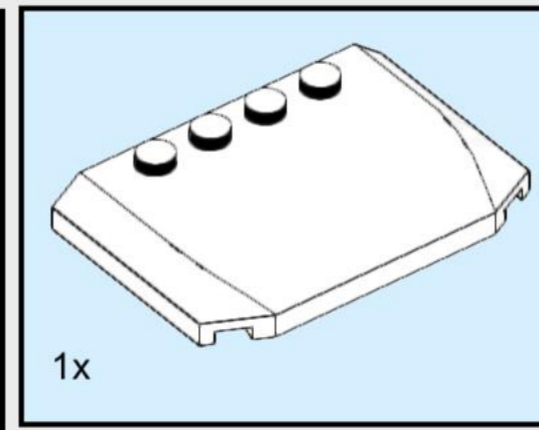
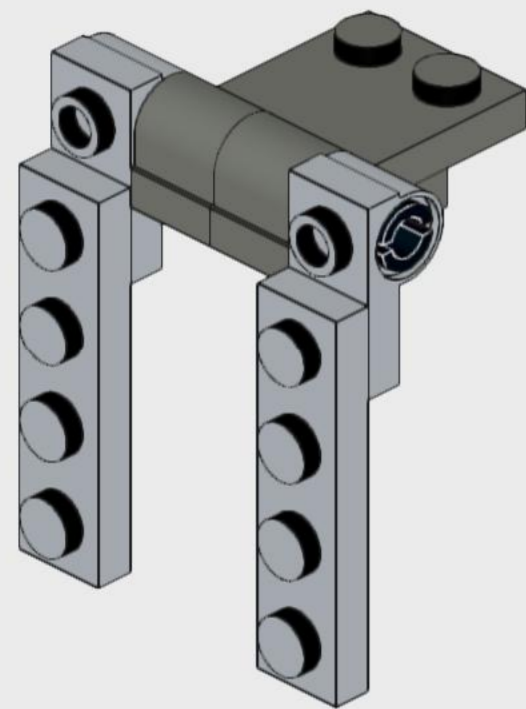




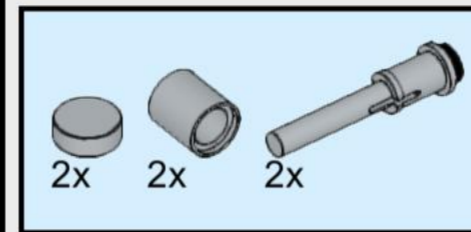
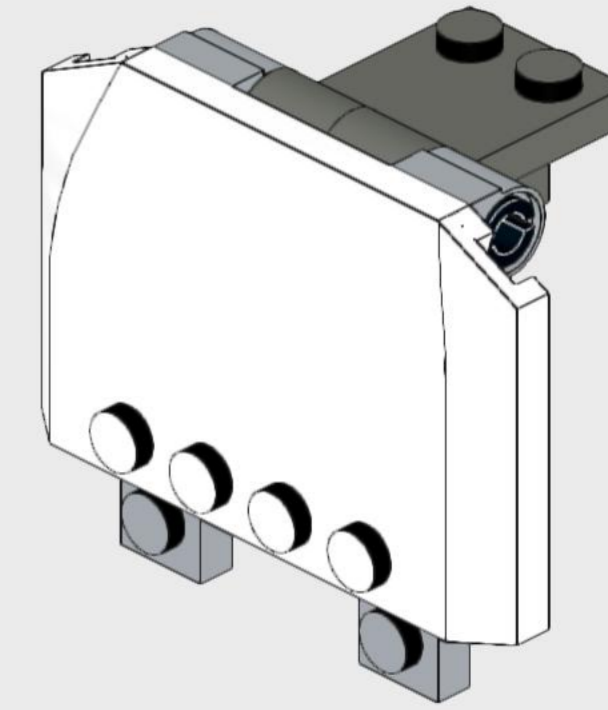
63



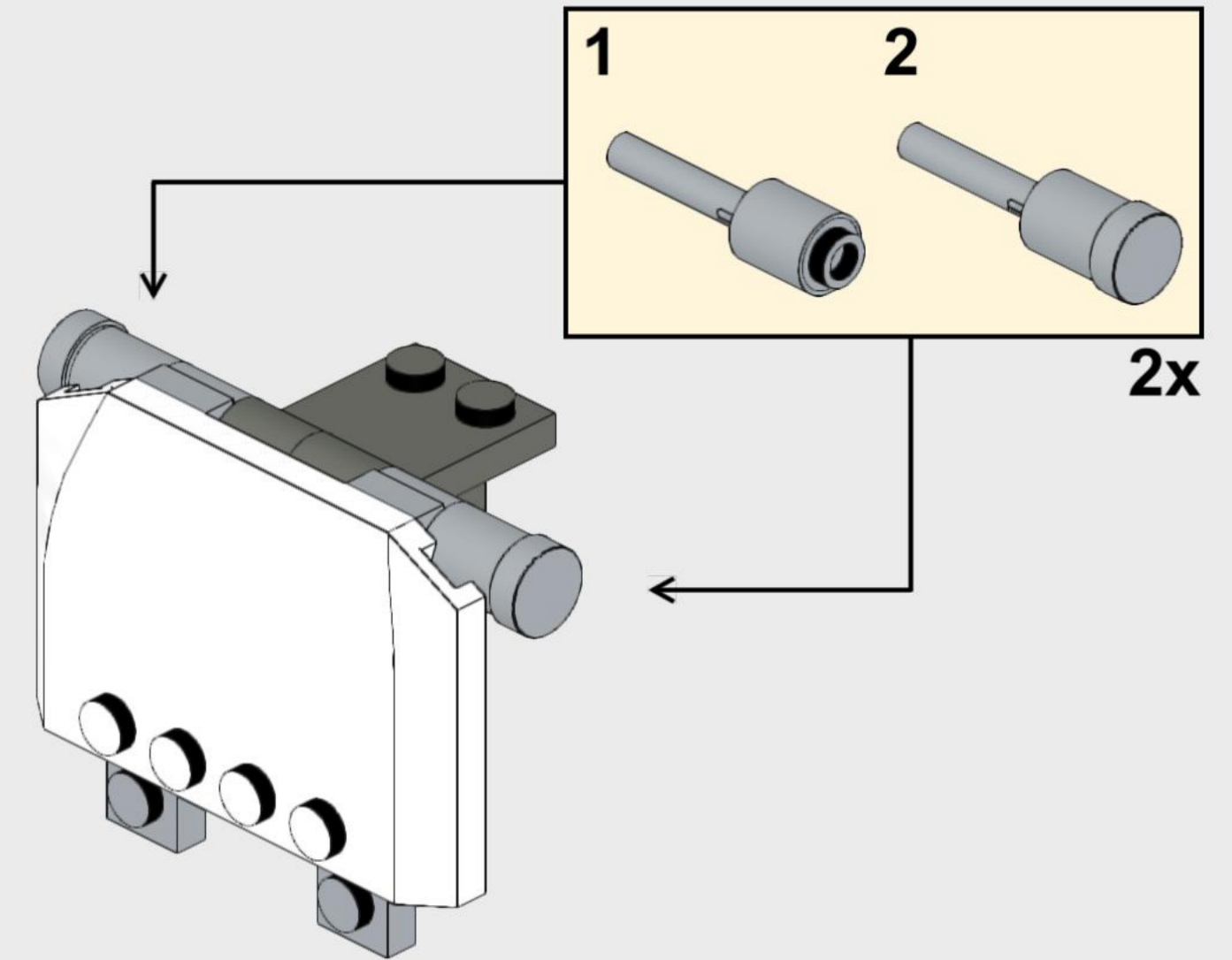
64

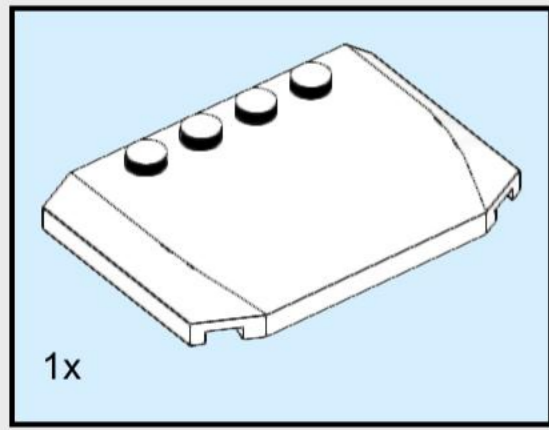


65

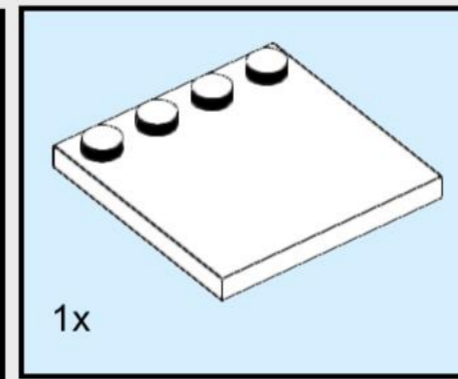
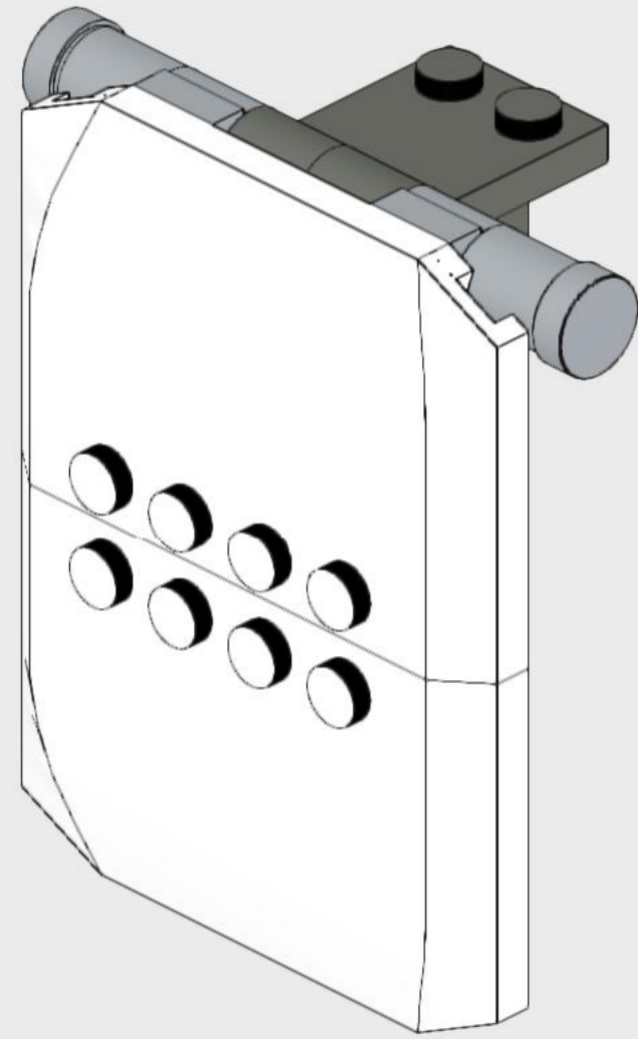


66

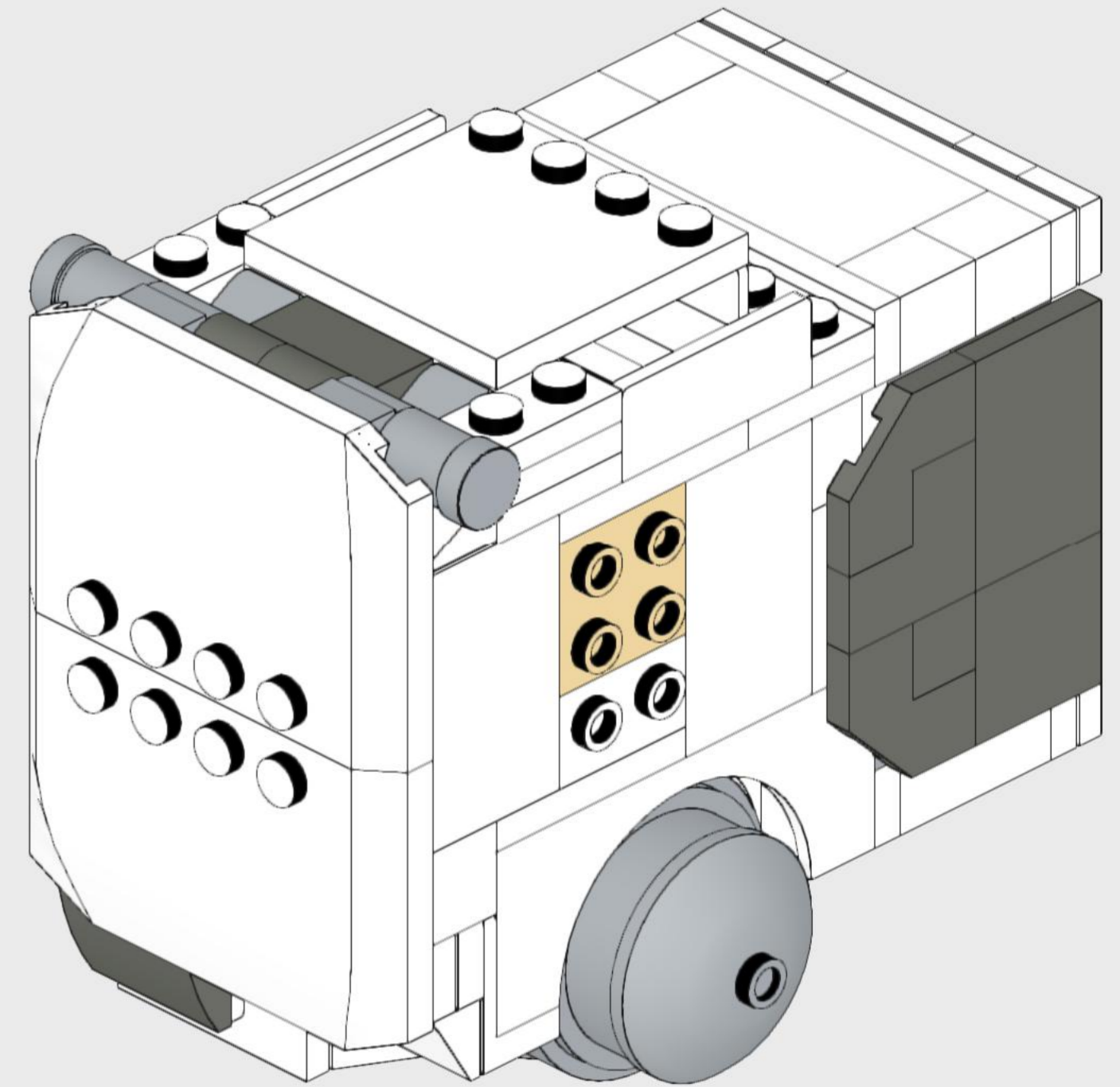




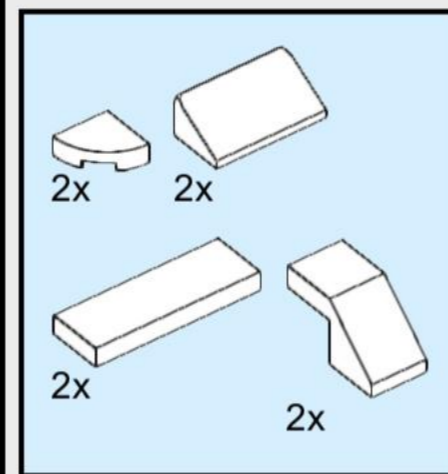
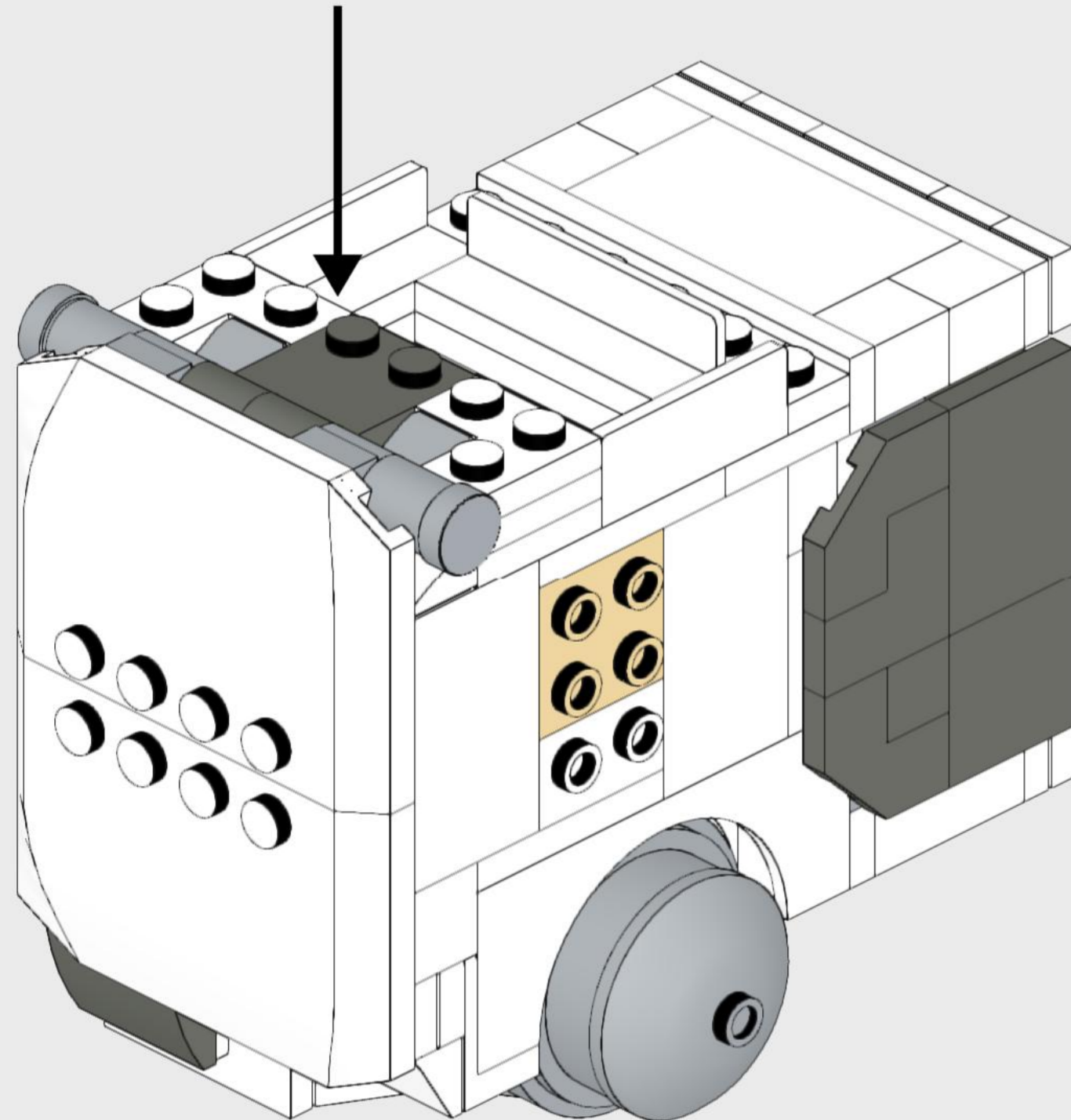
67



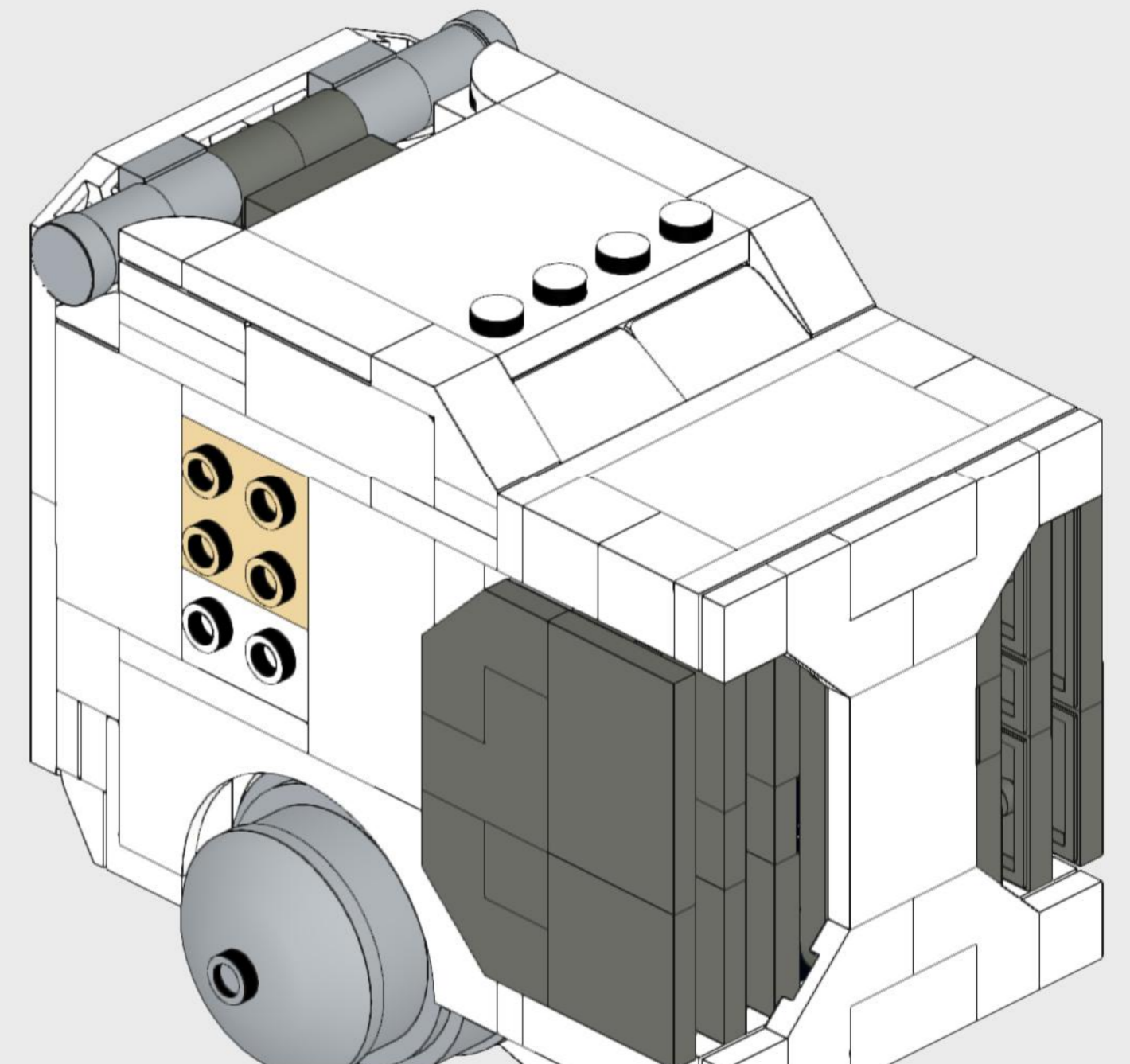
69

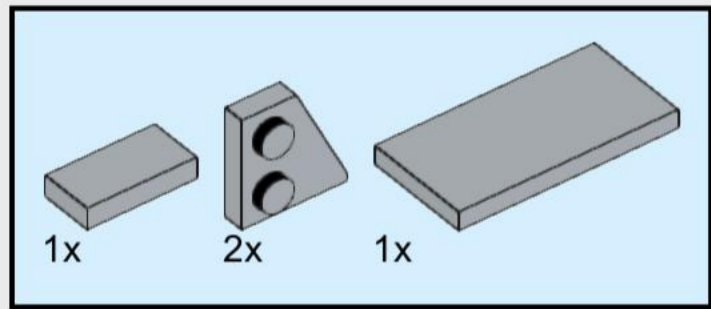


68

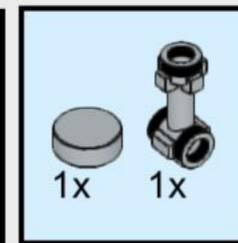
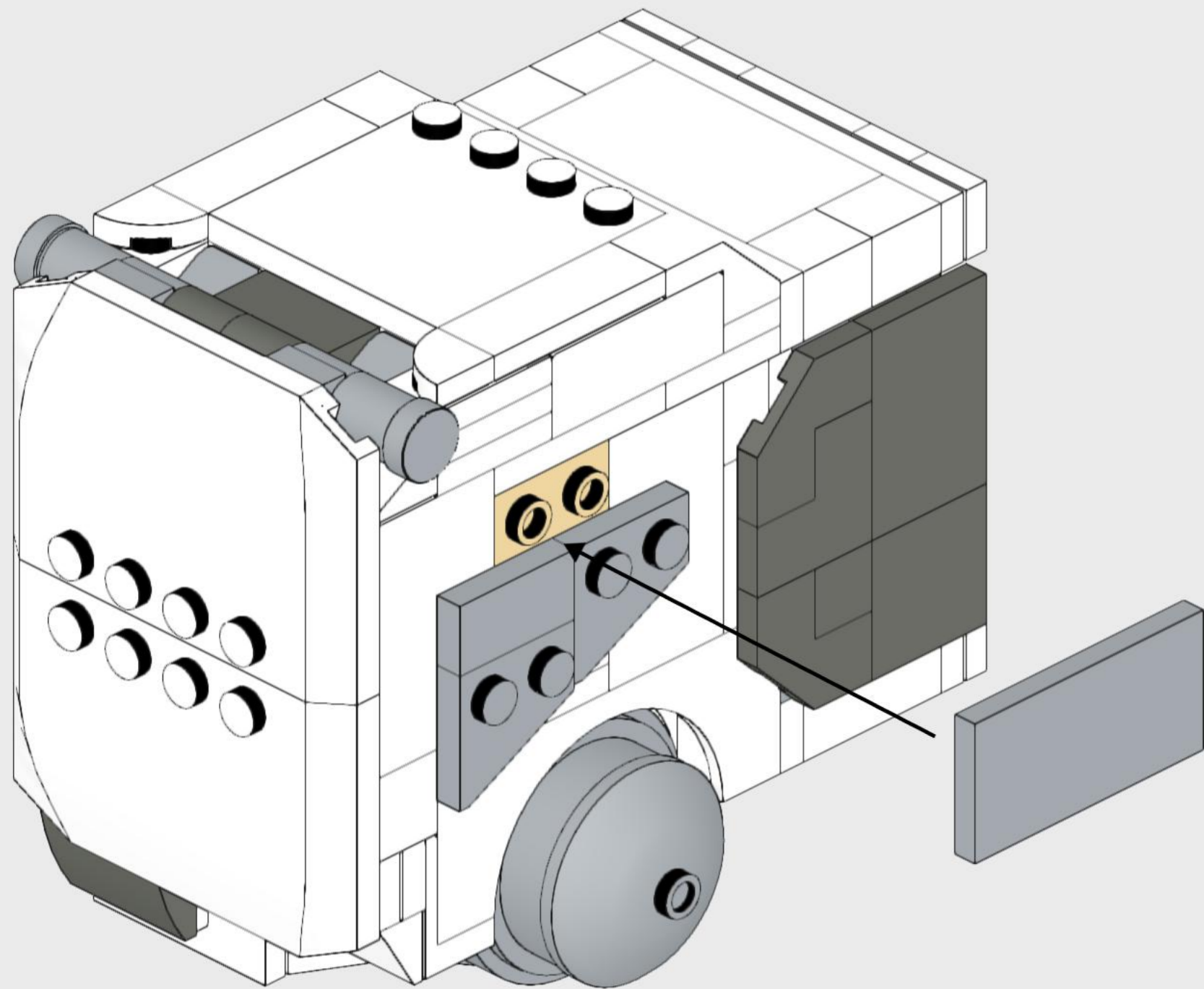


70

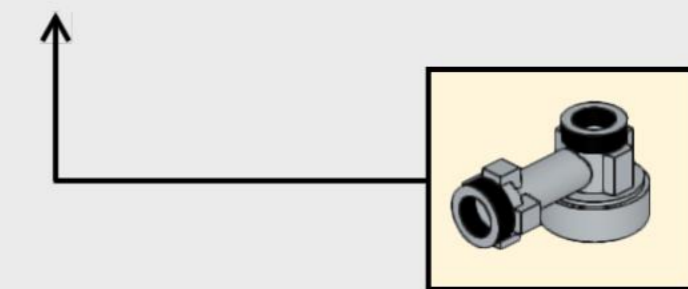
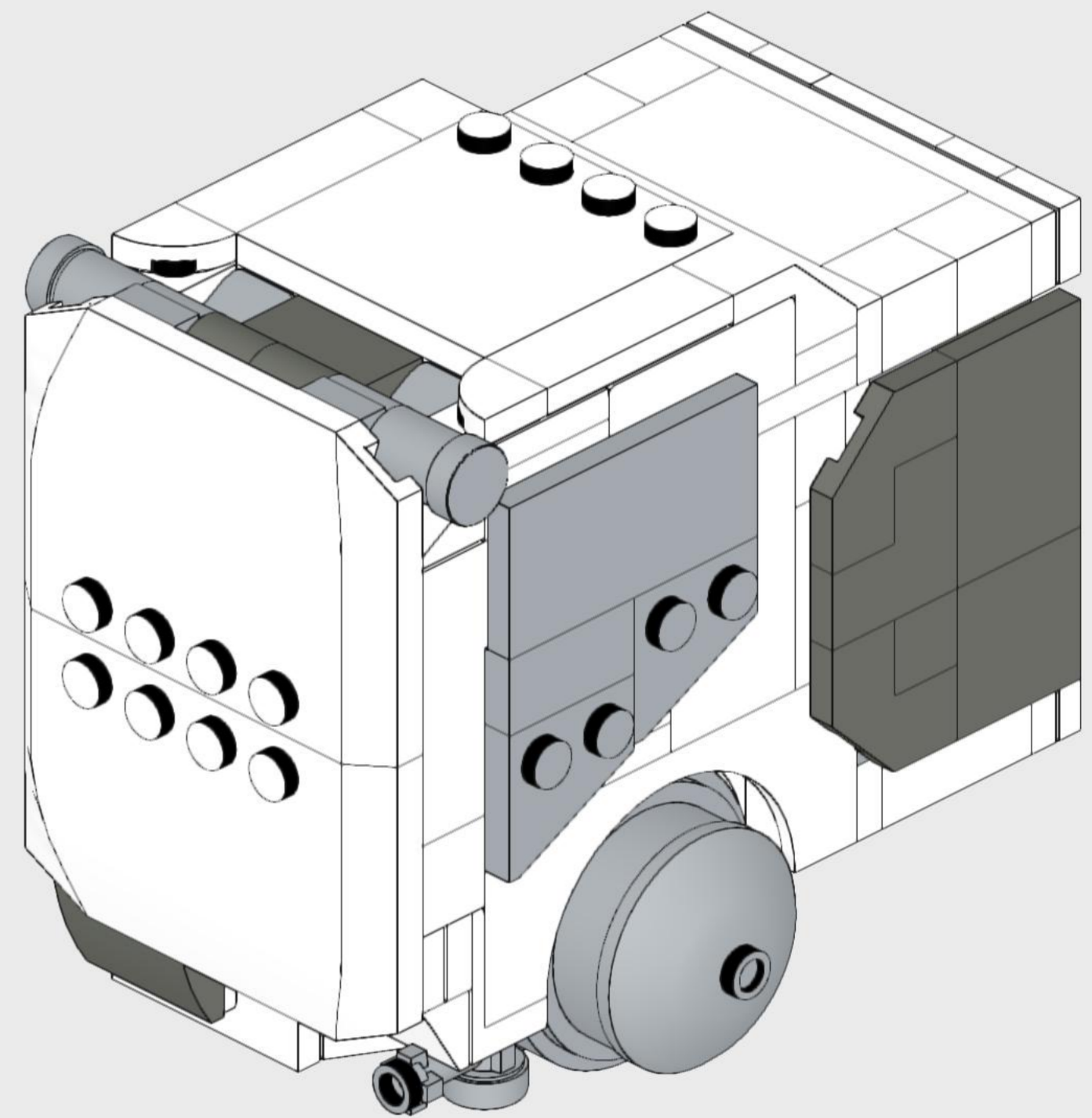


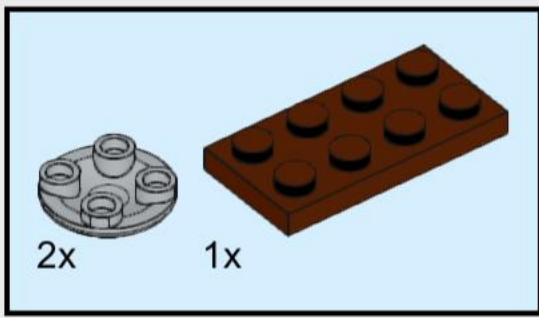


71

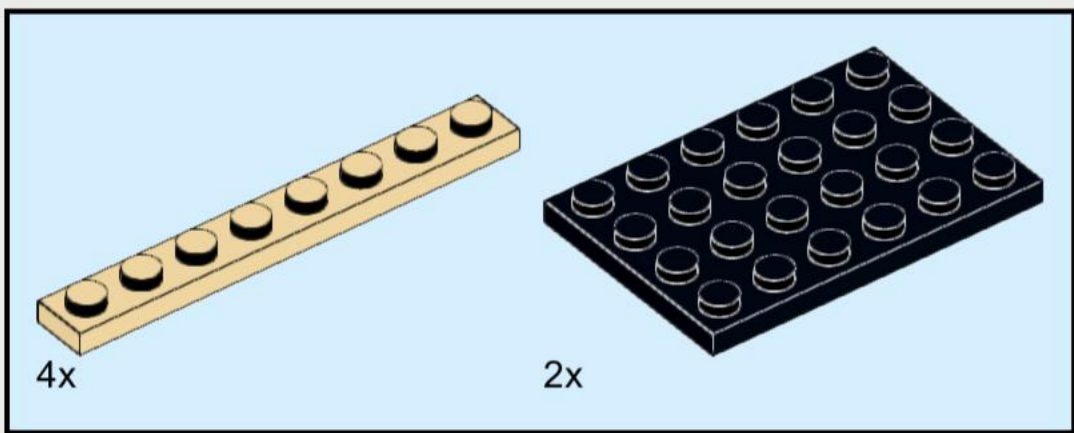


72

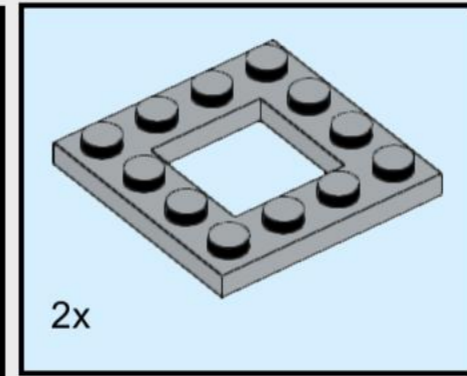
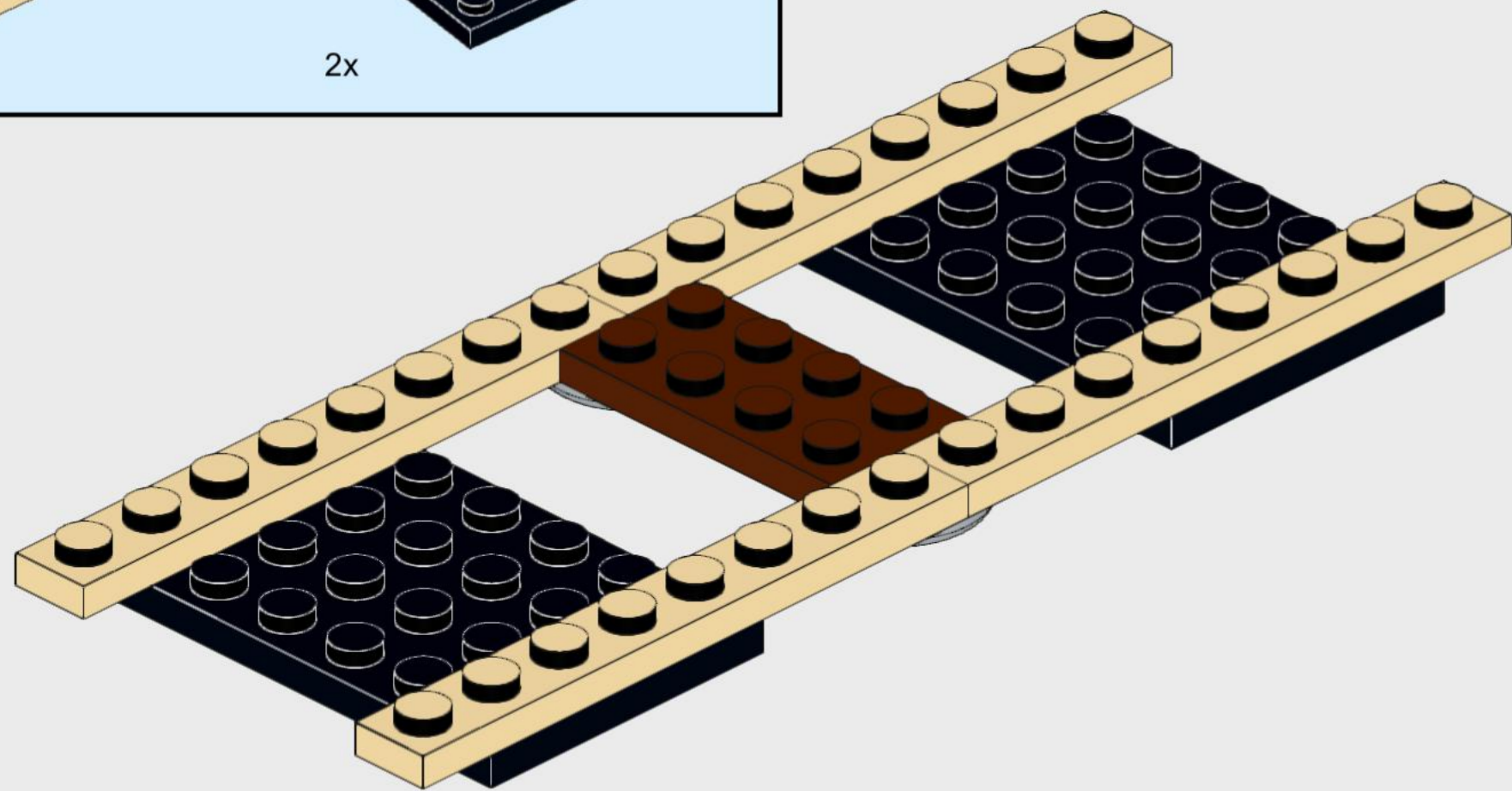




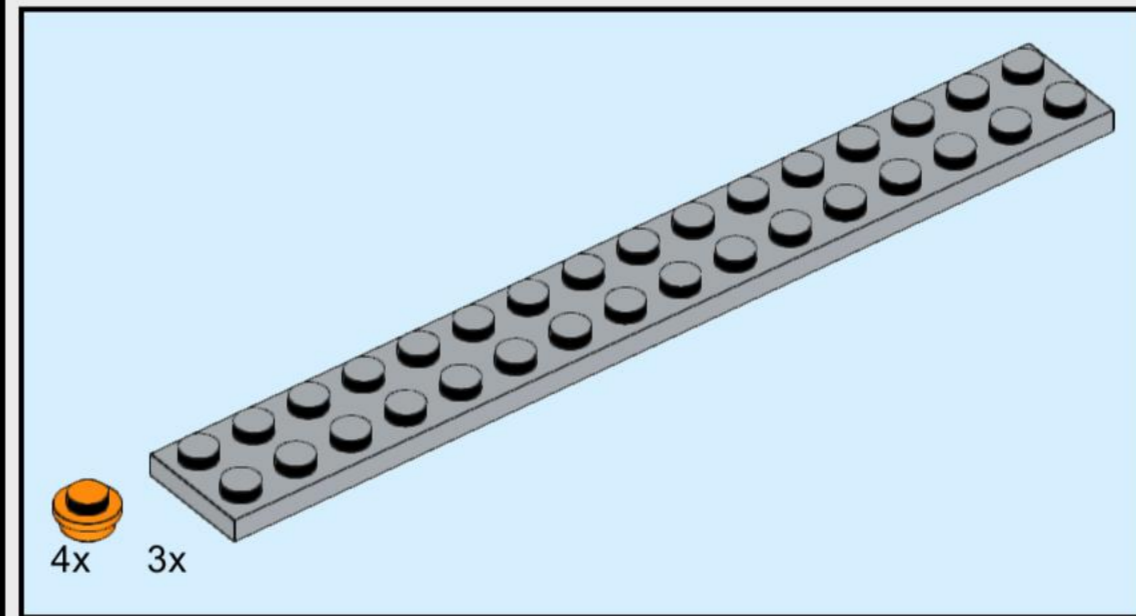
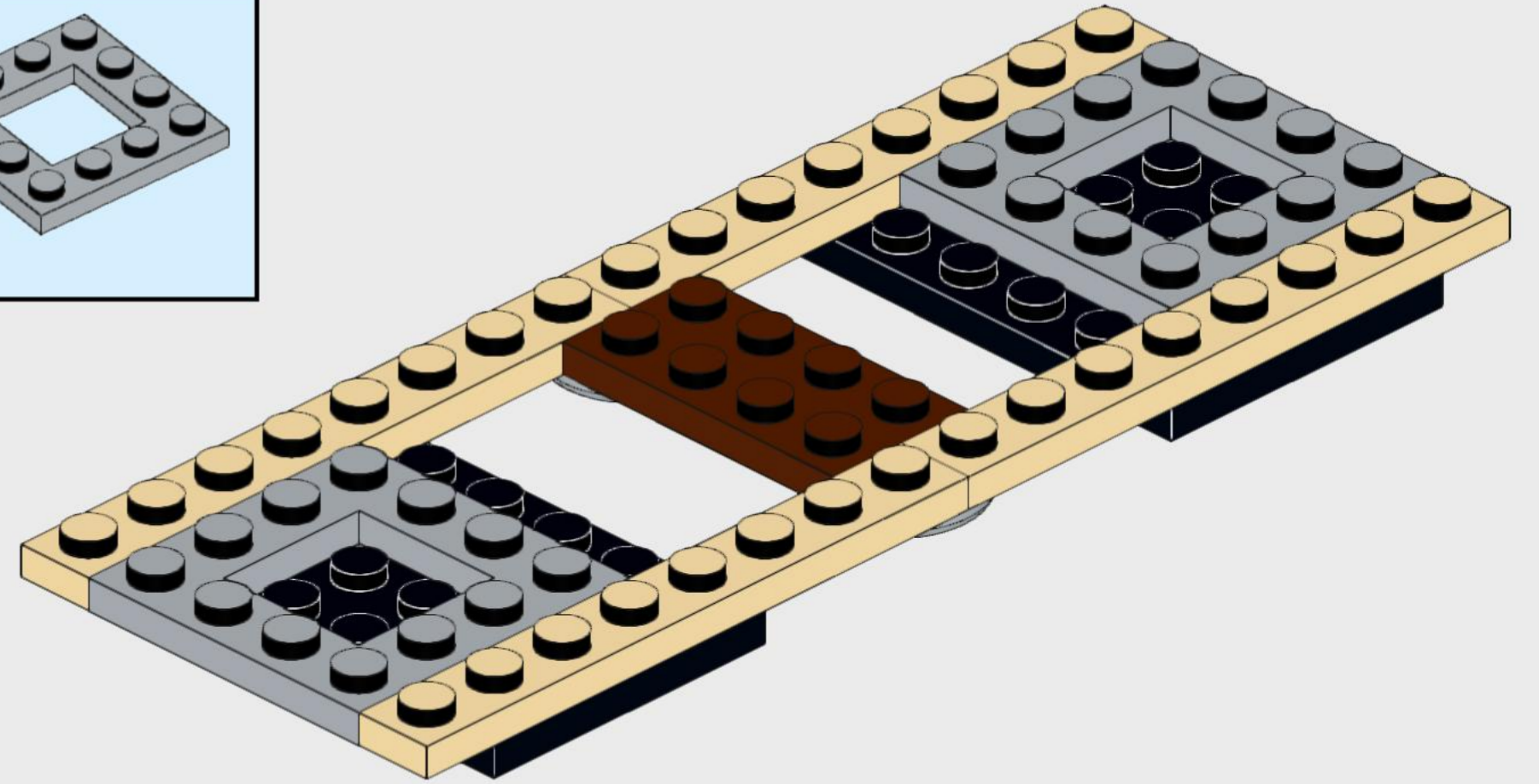
1



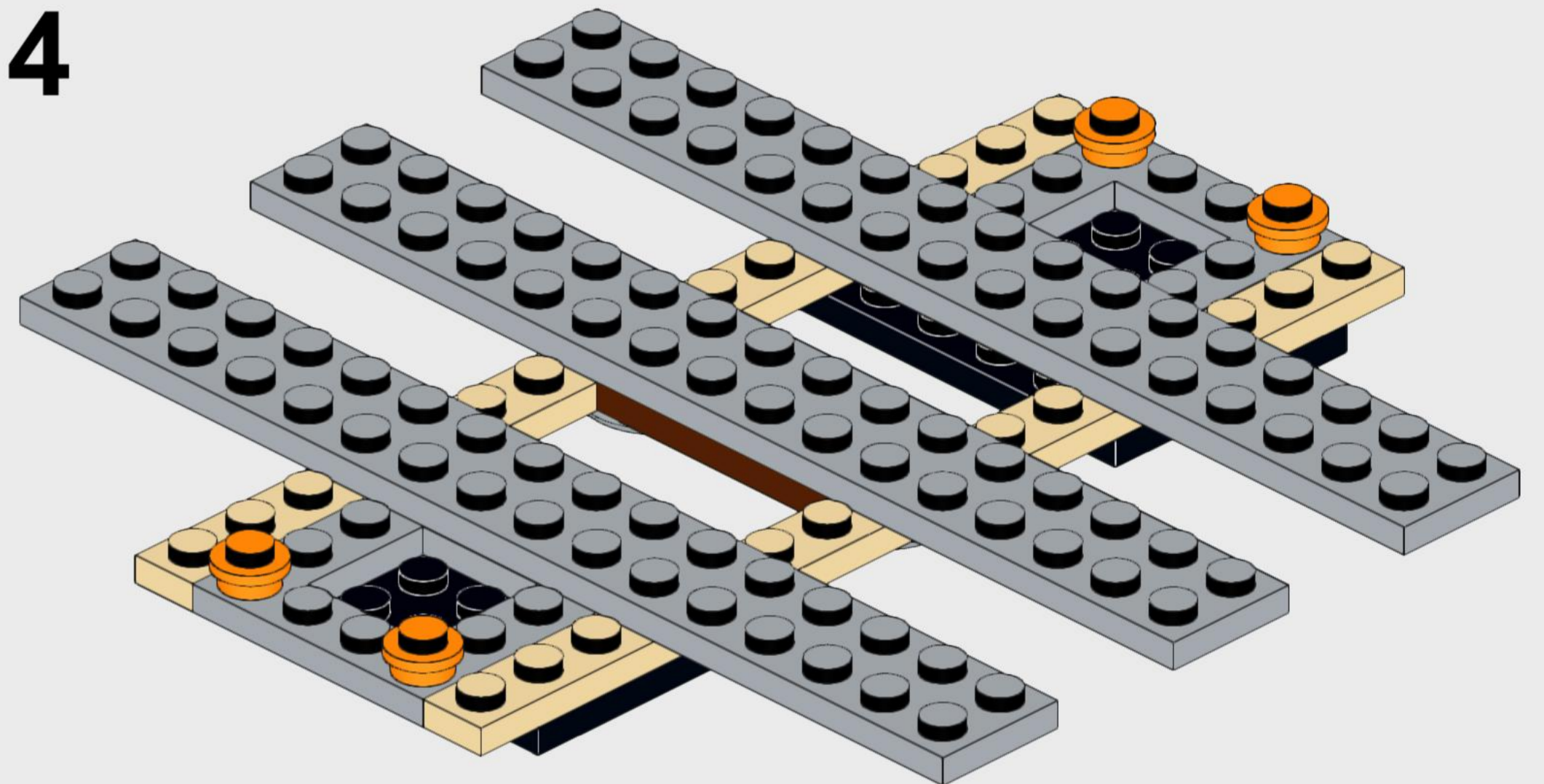
2

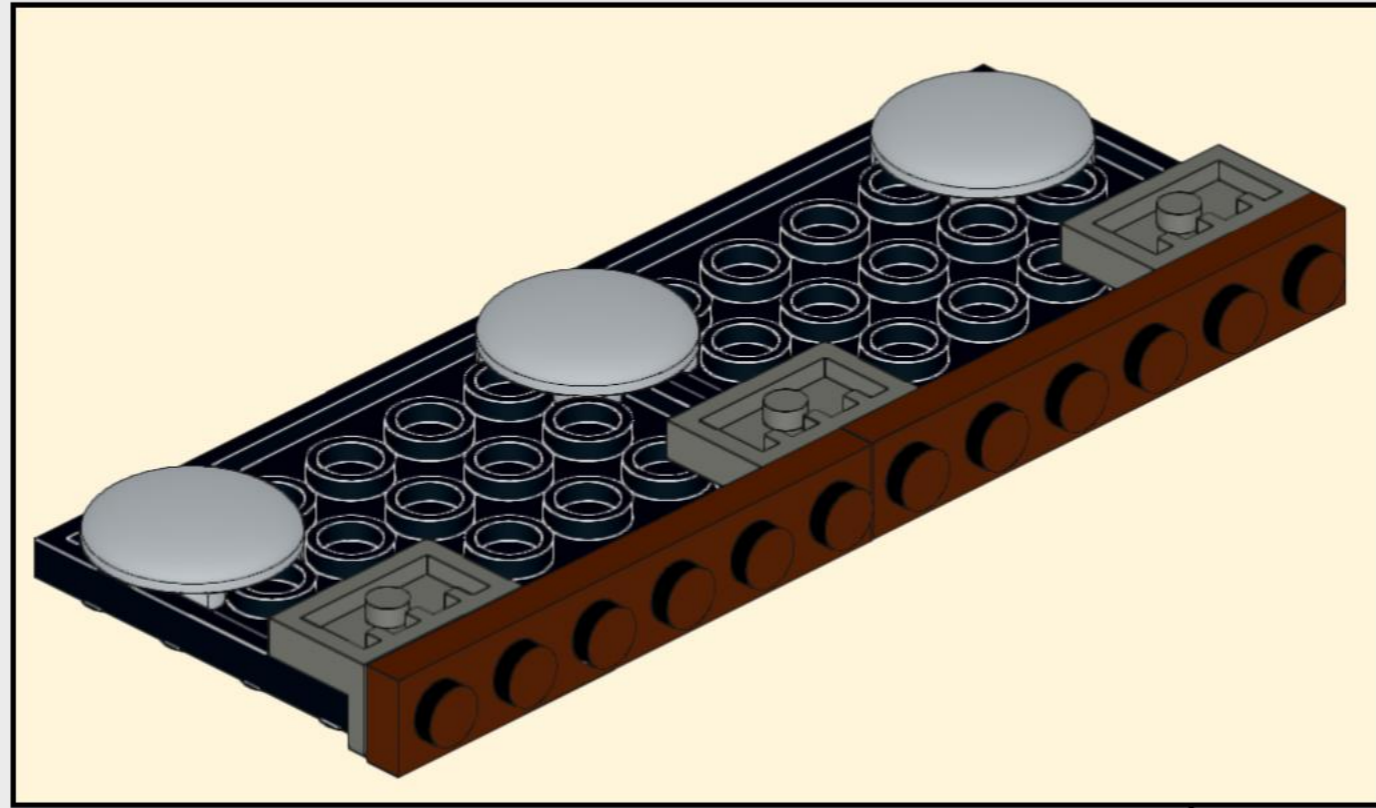
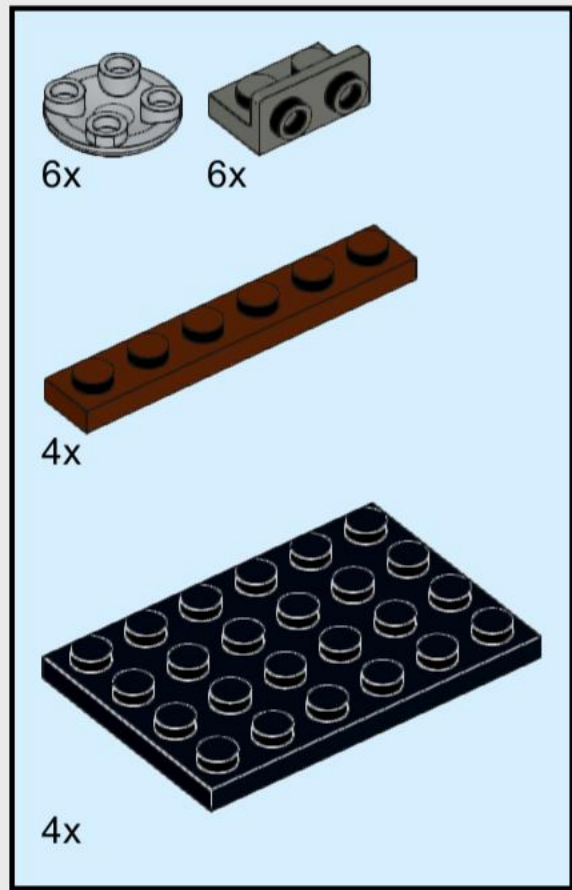


3



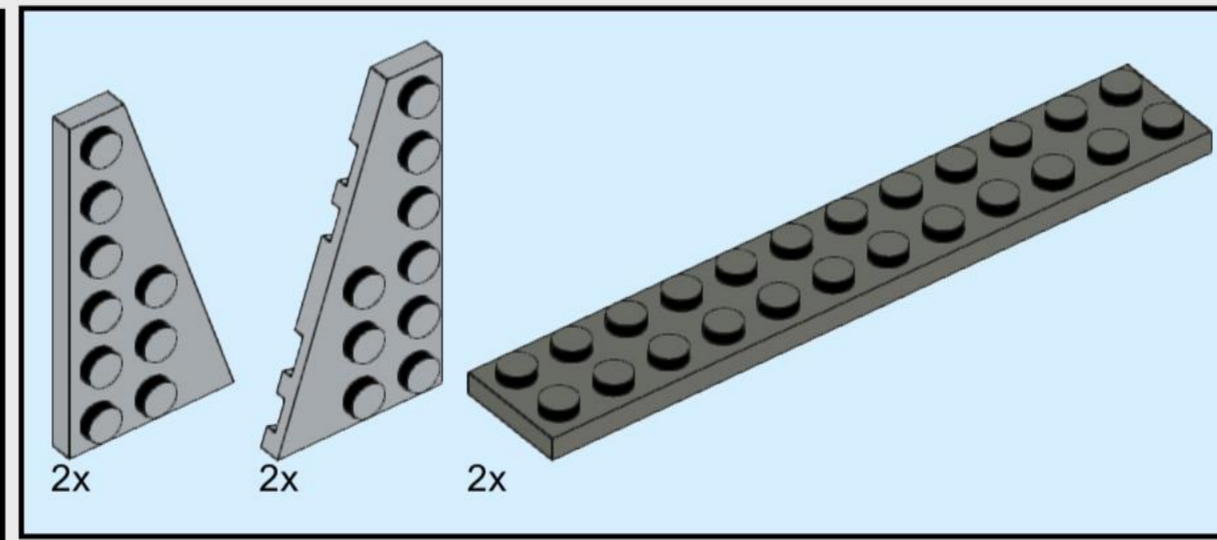
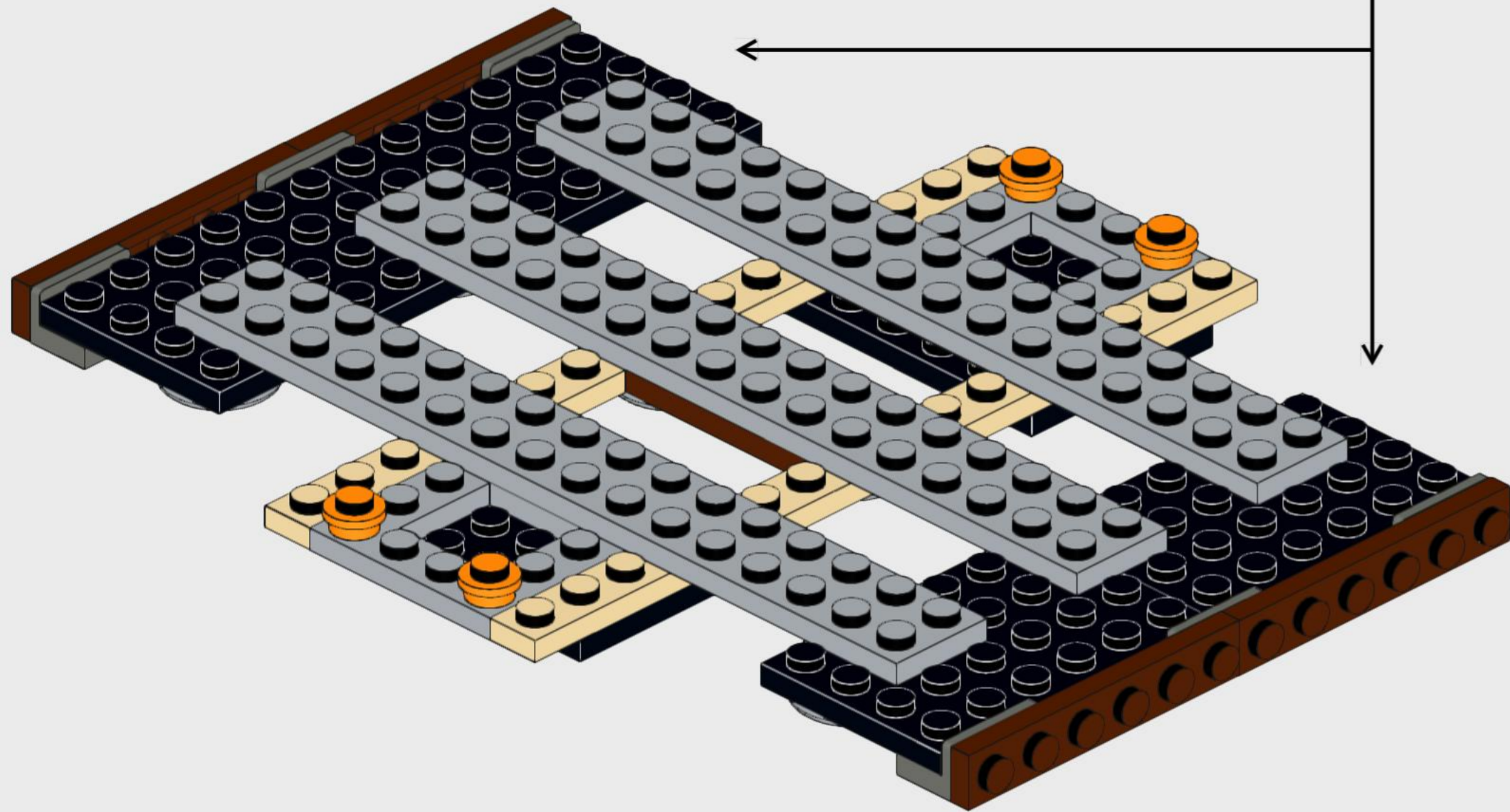
4



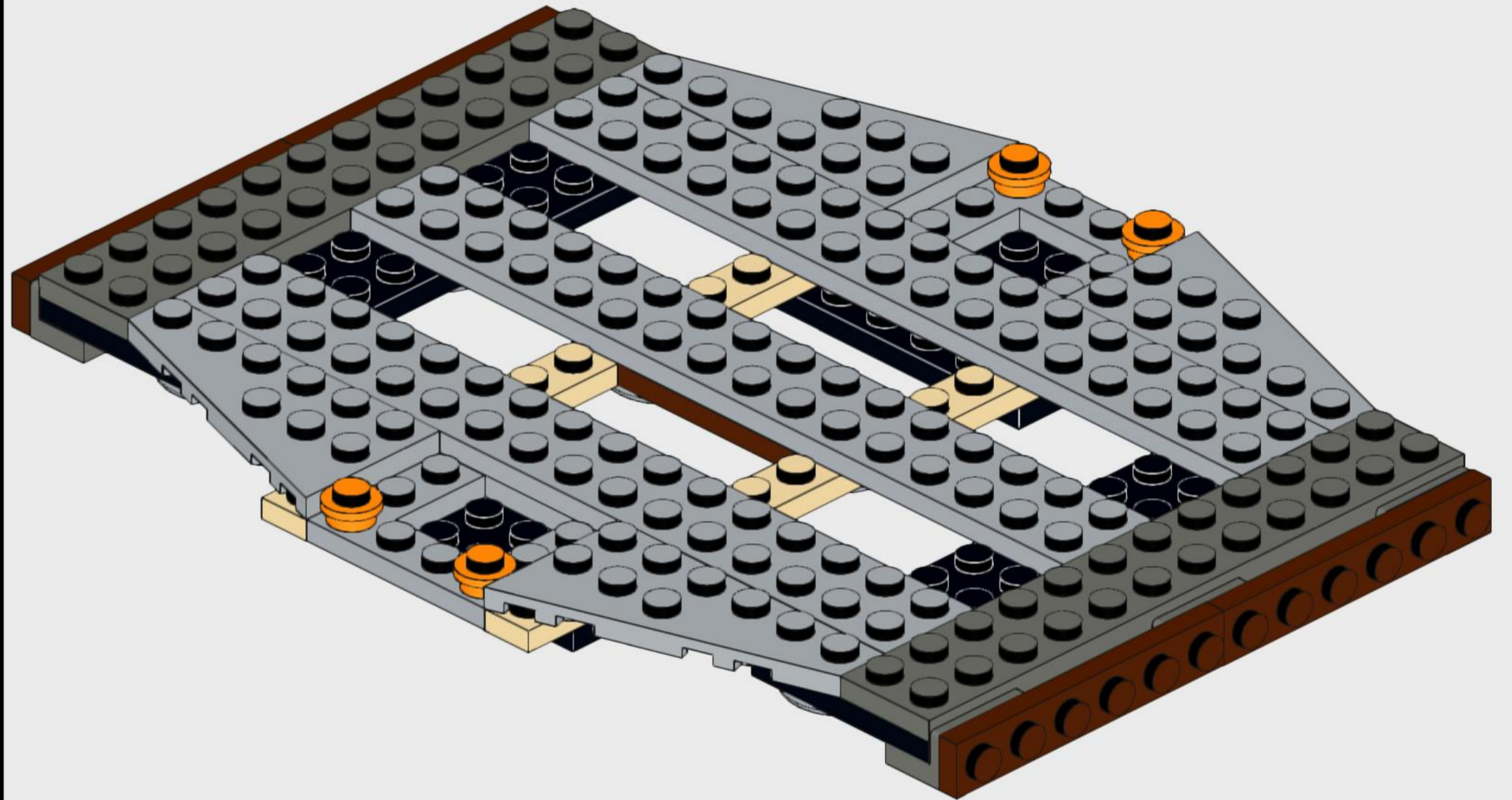


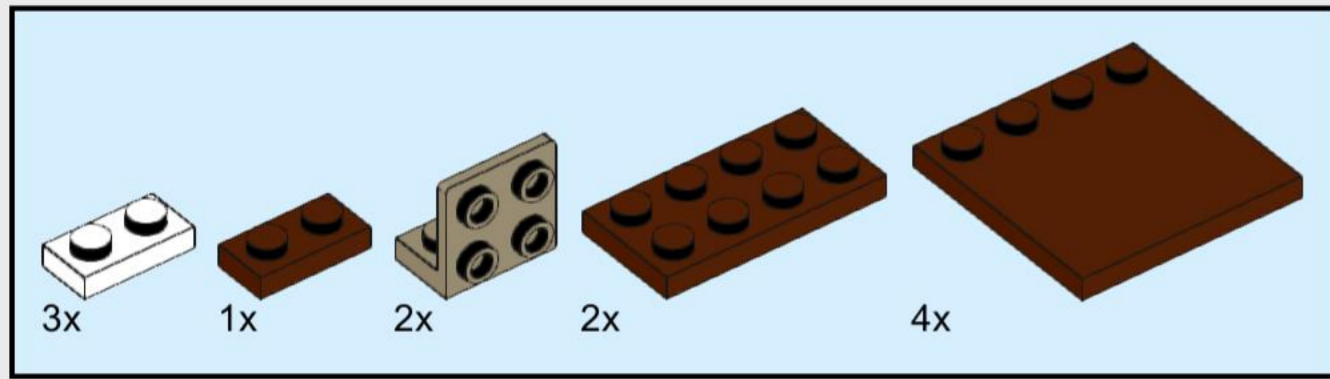
5

2x

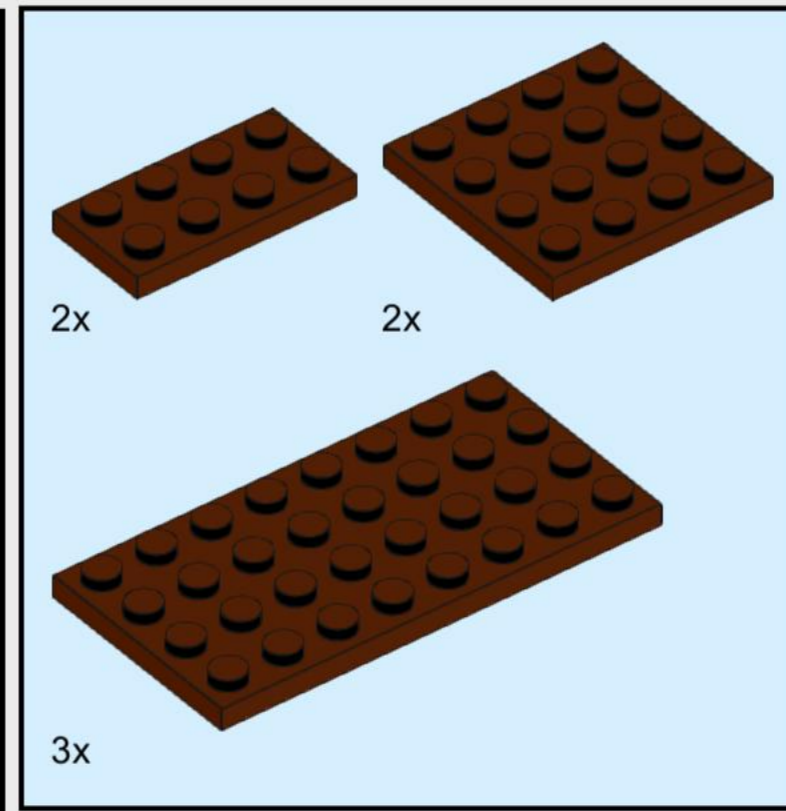
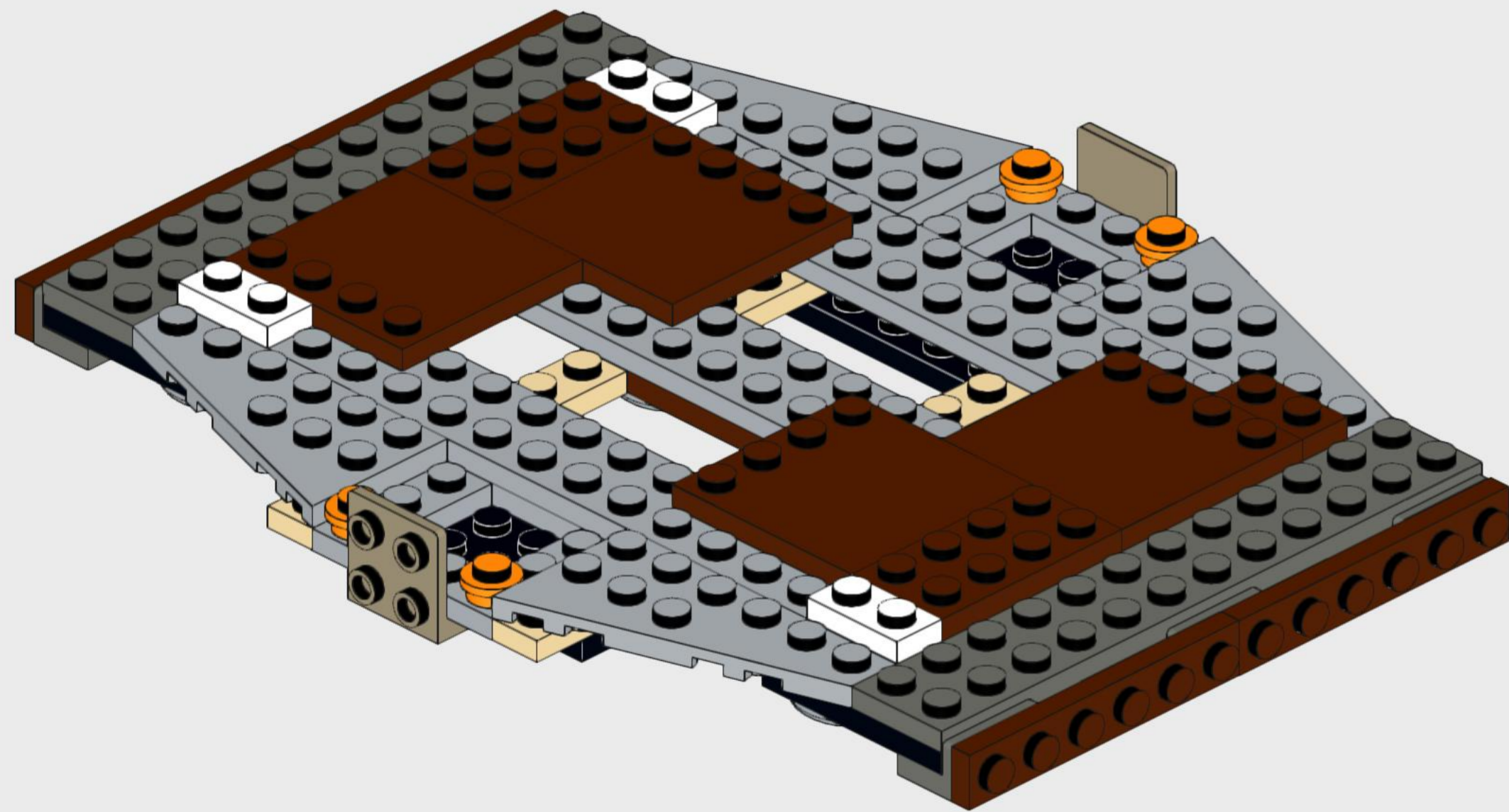


6

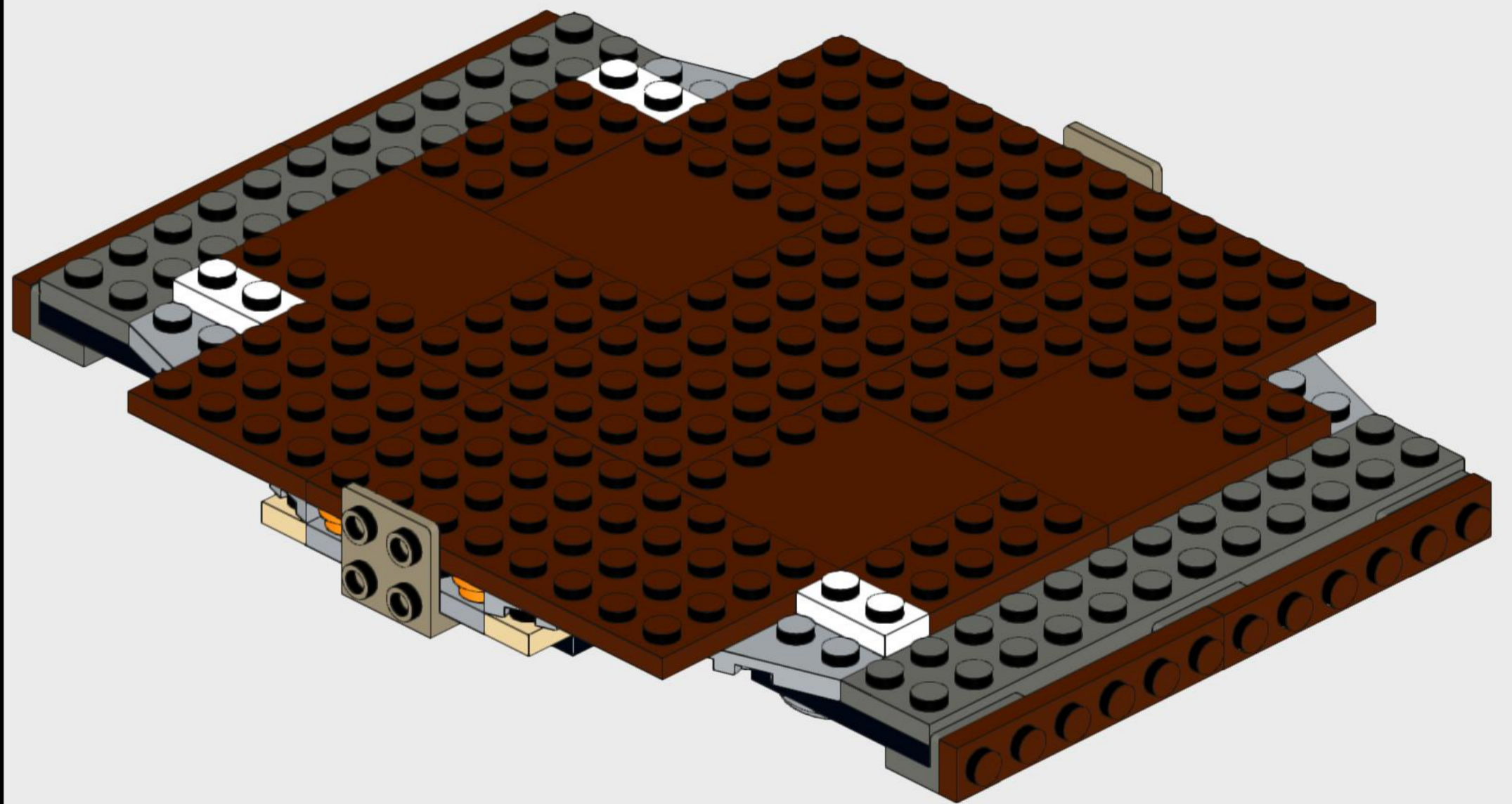


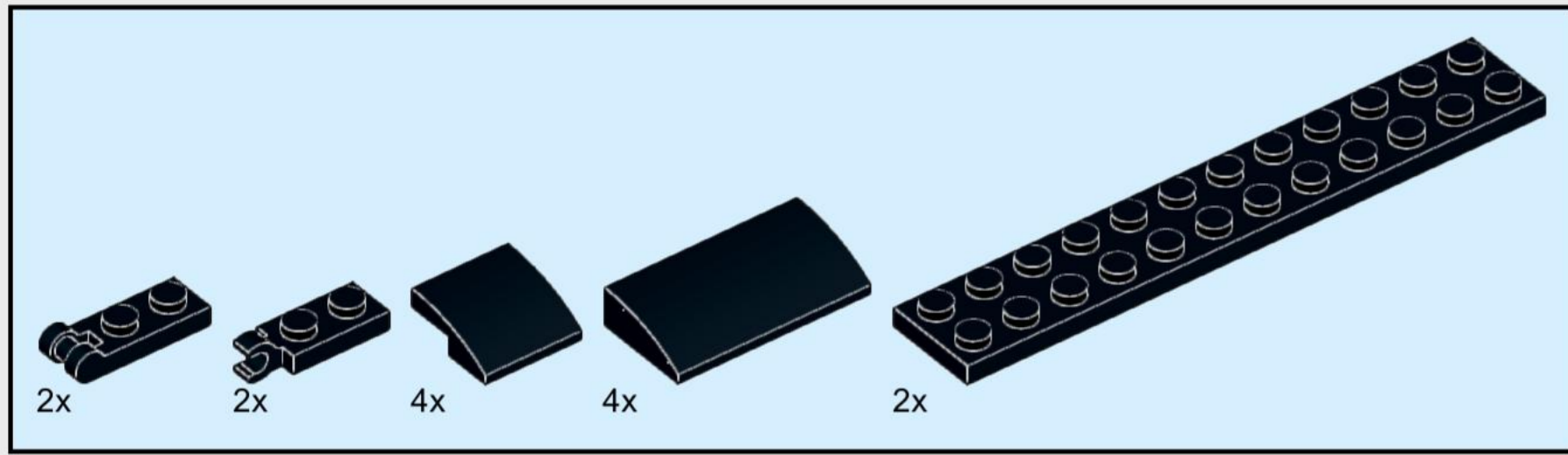


7

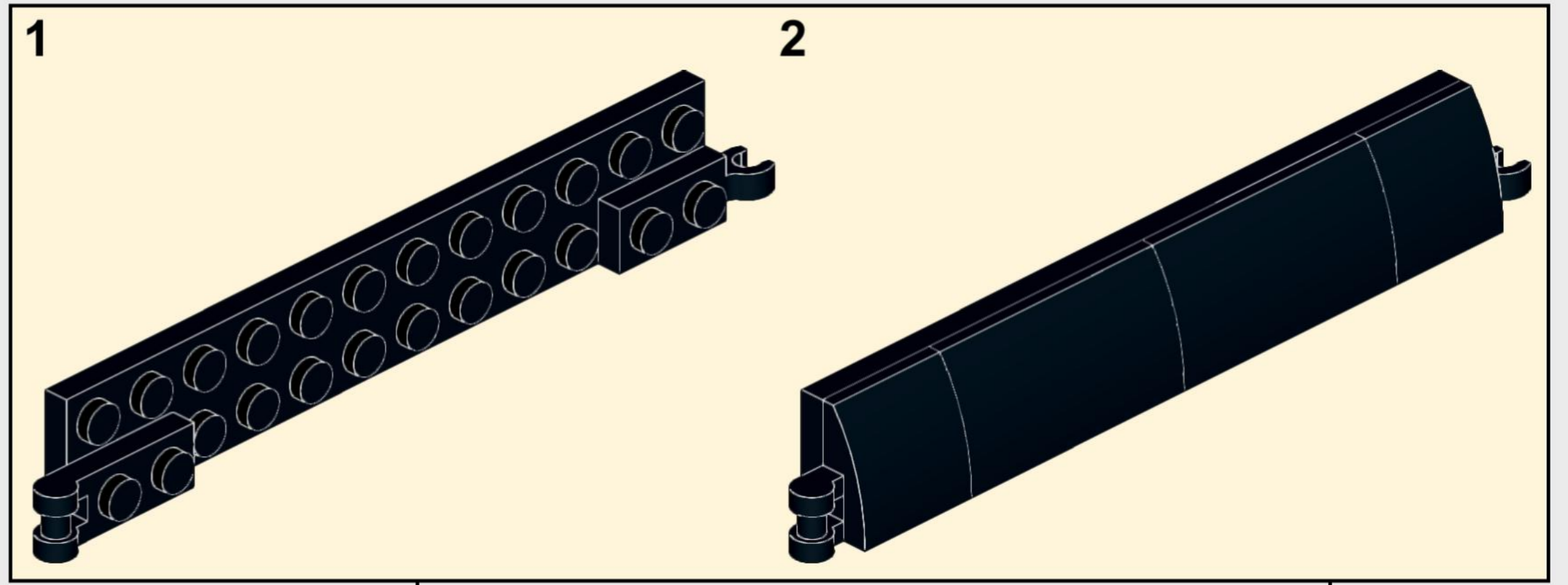


8

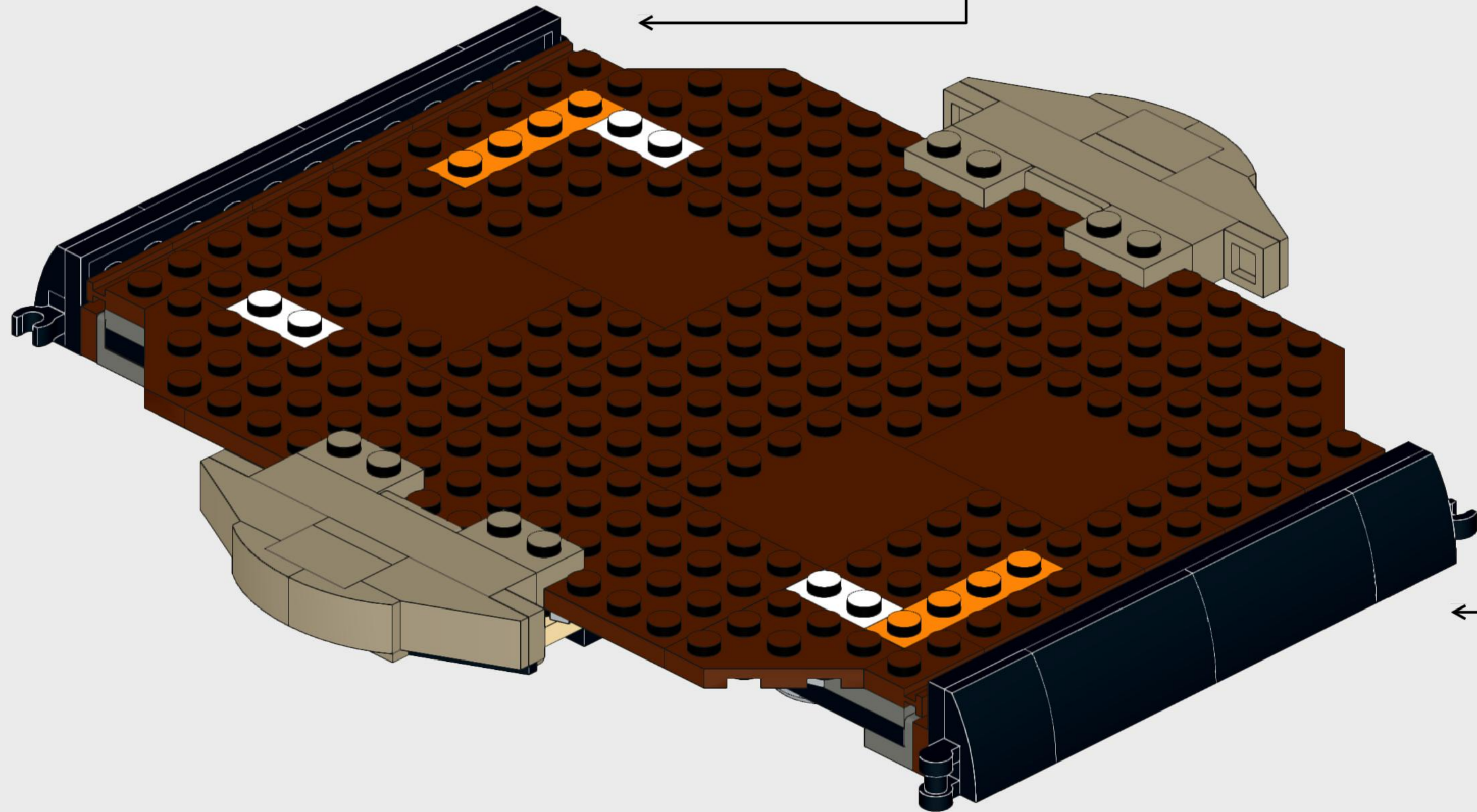


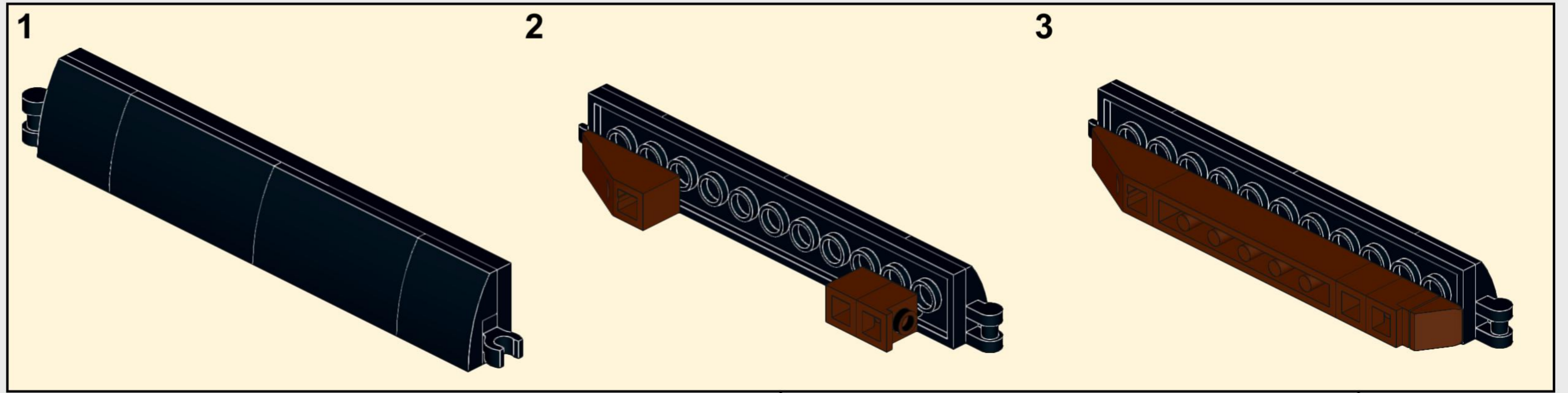
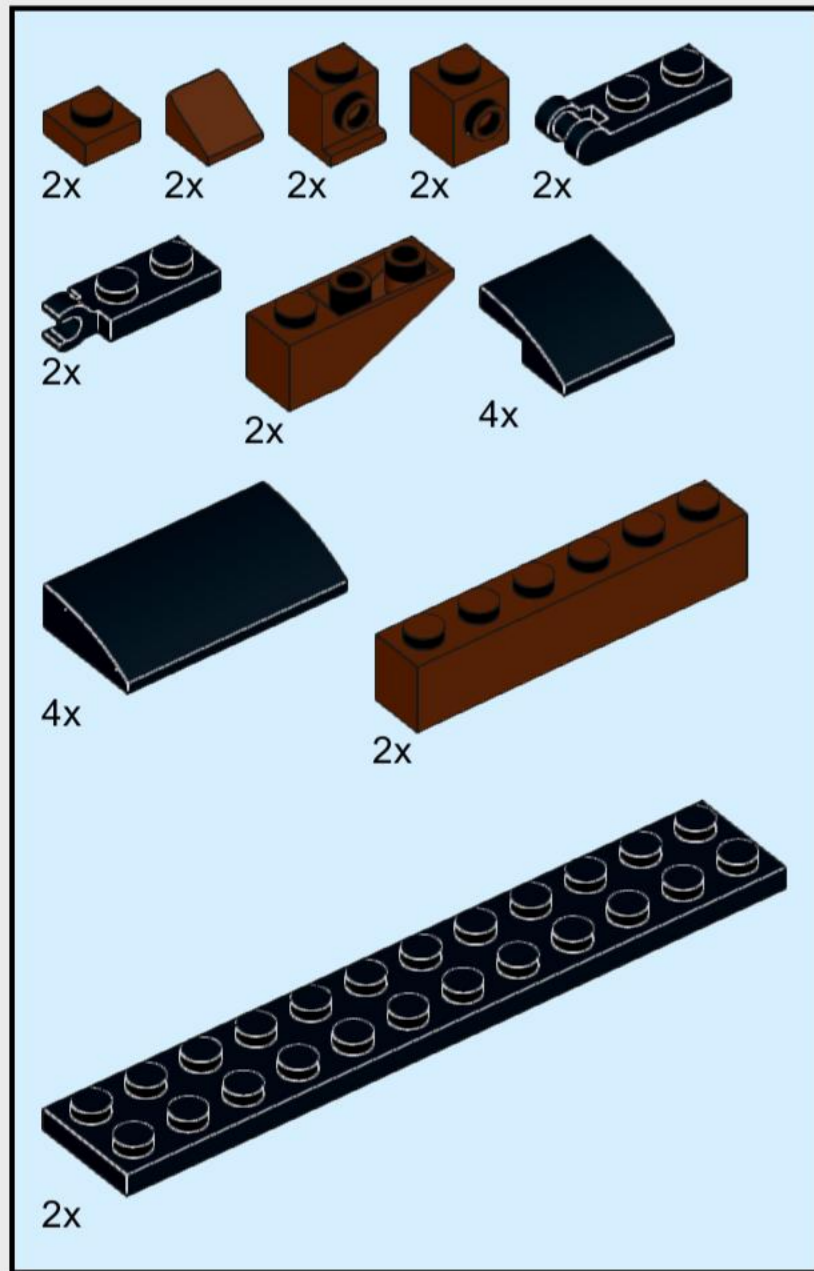


11

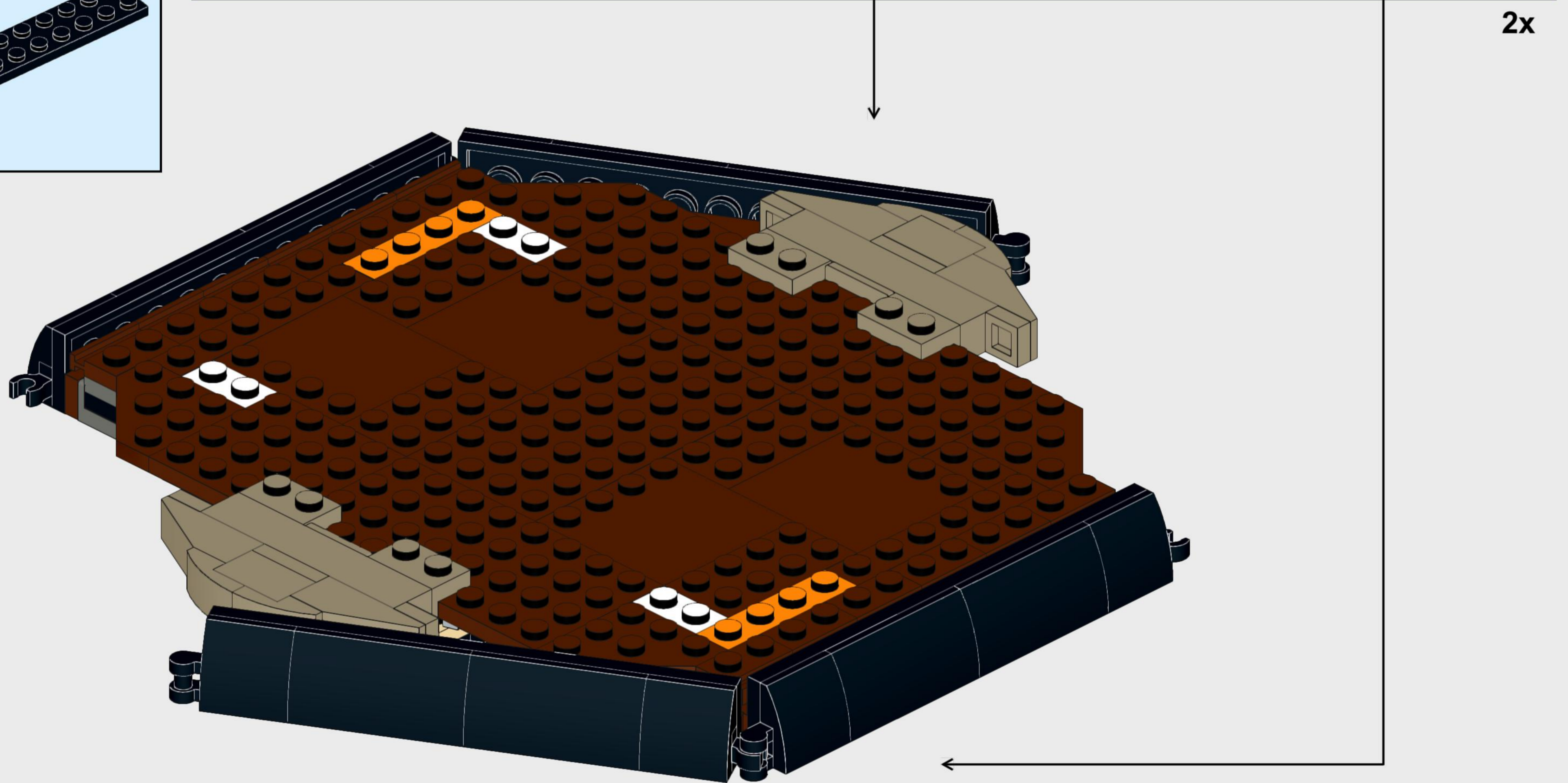


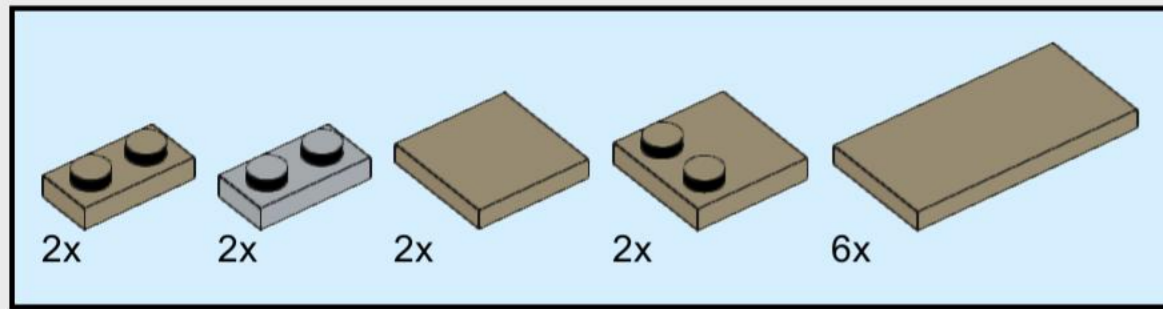
2x



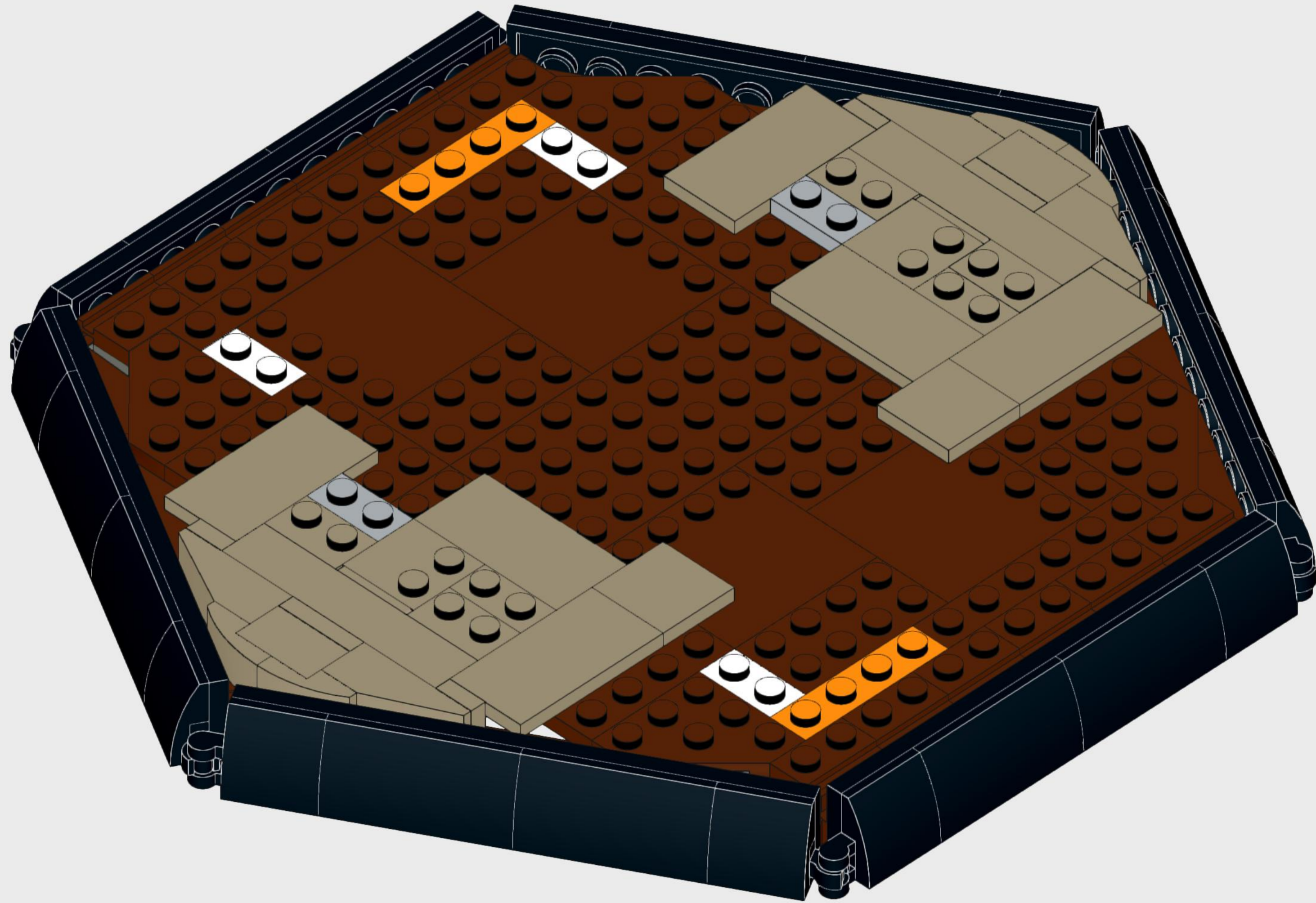


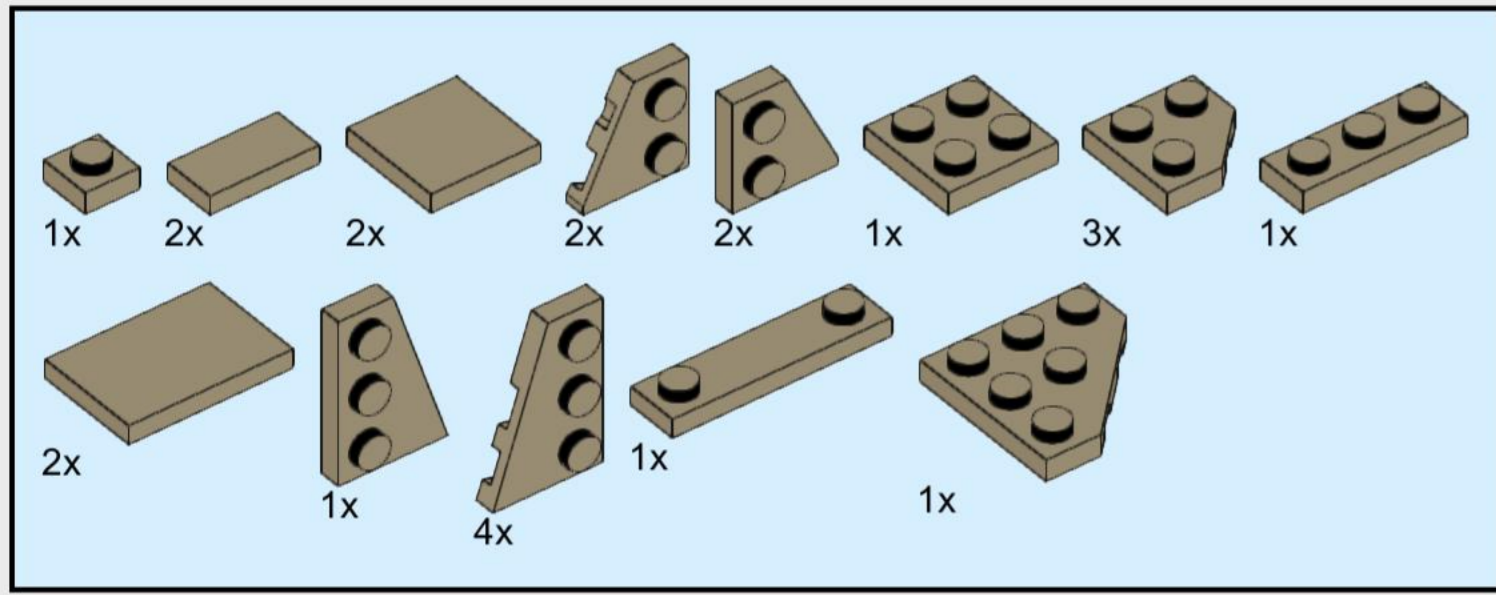
12



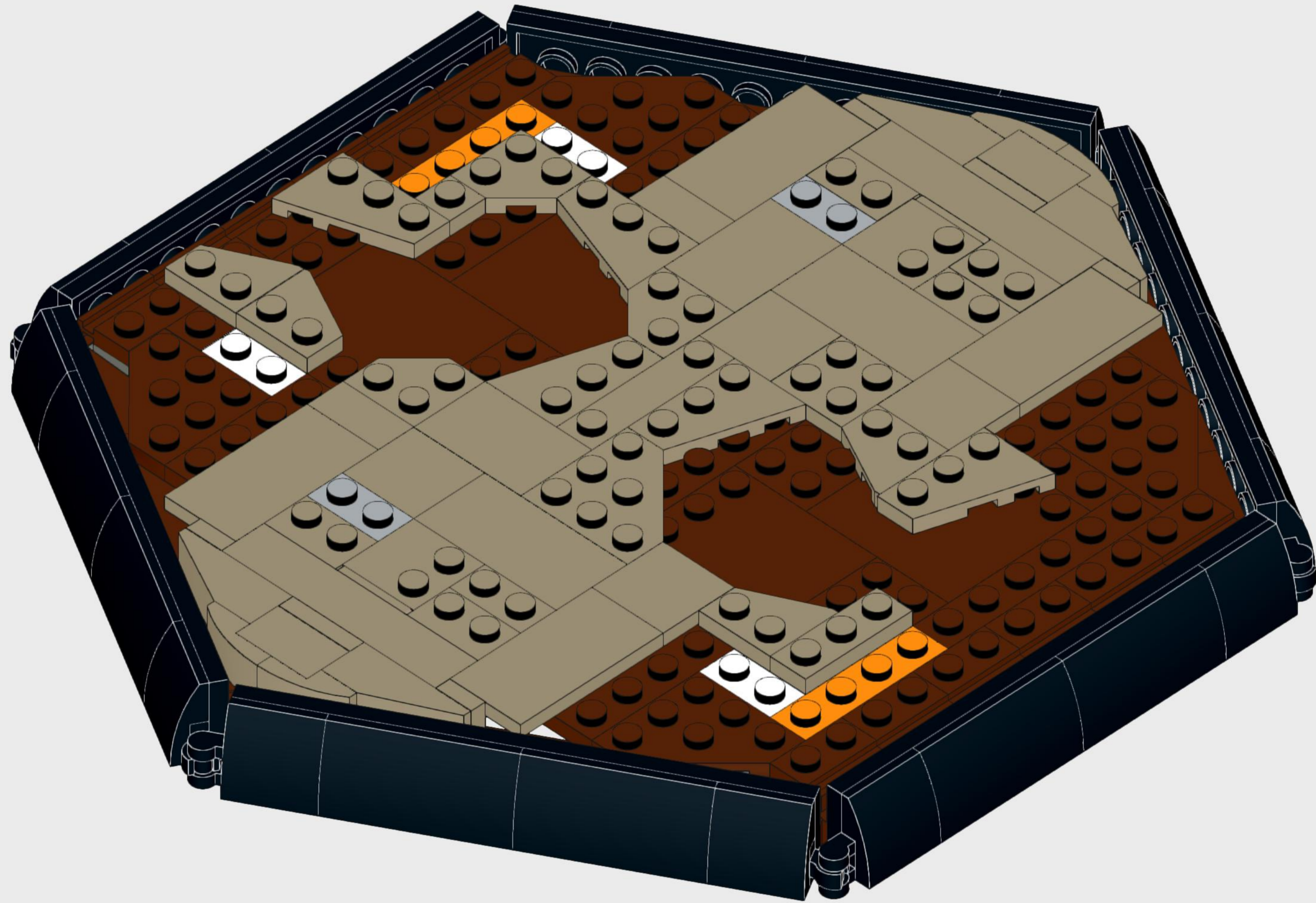


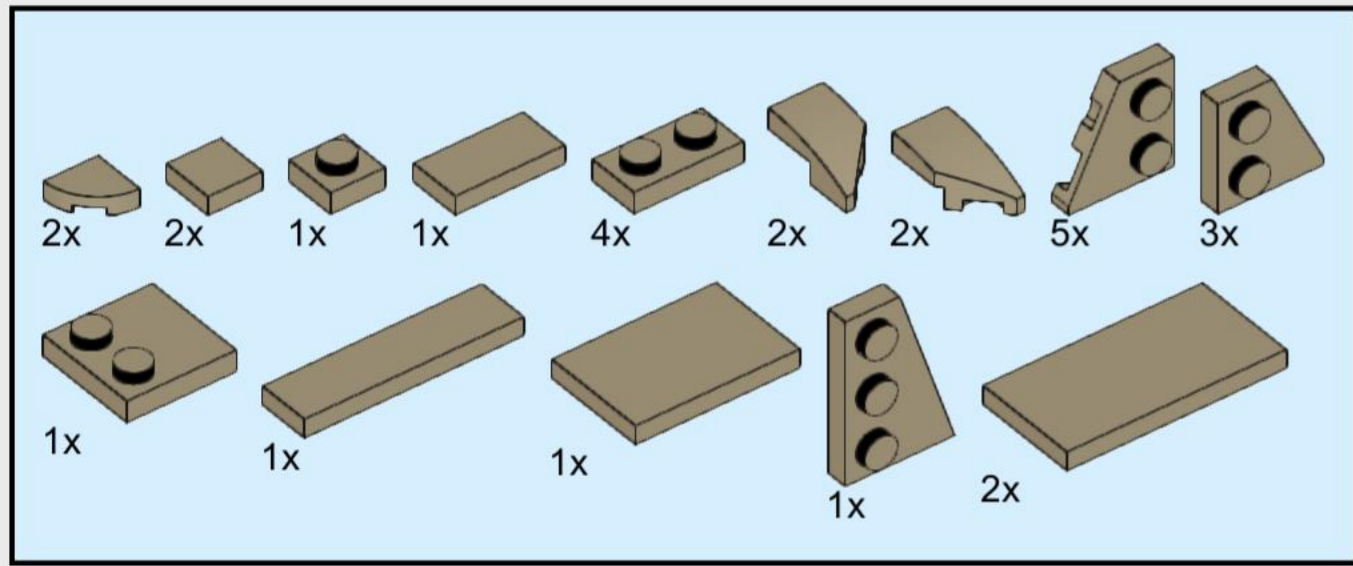
14



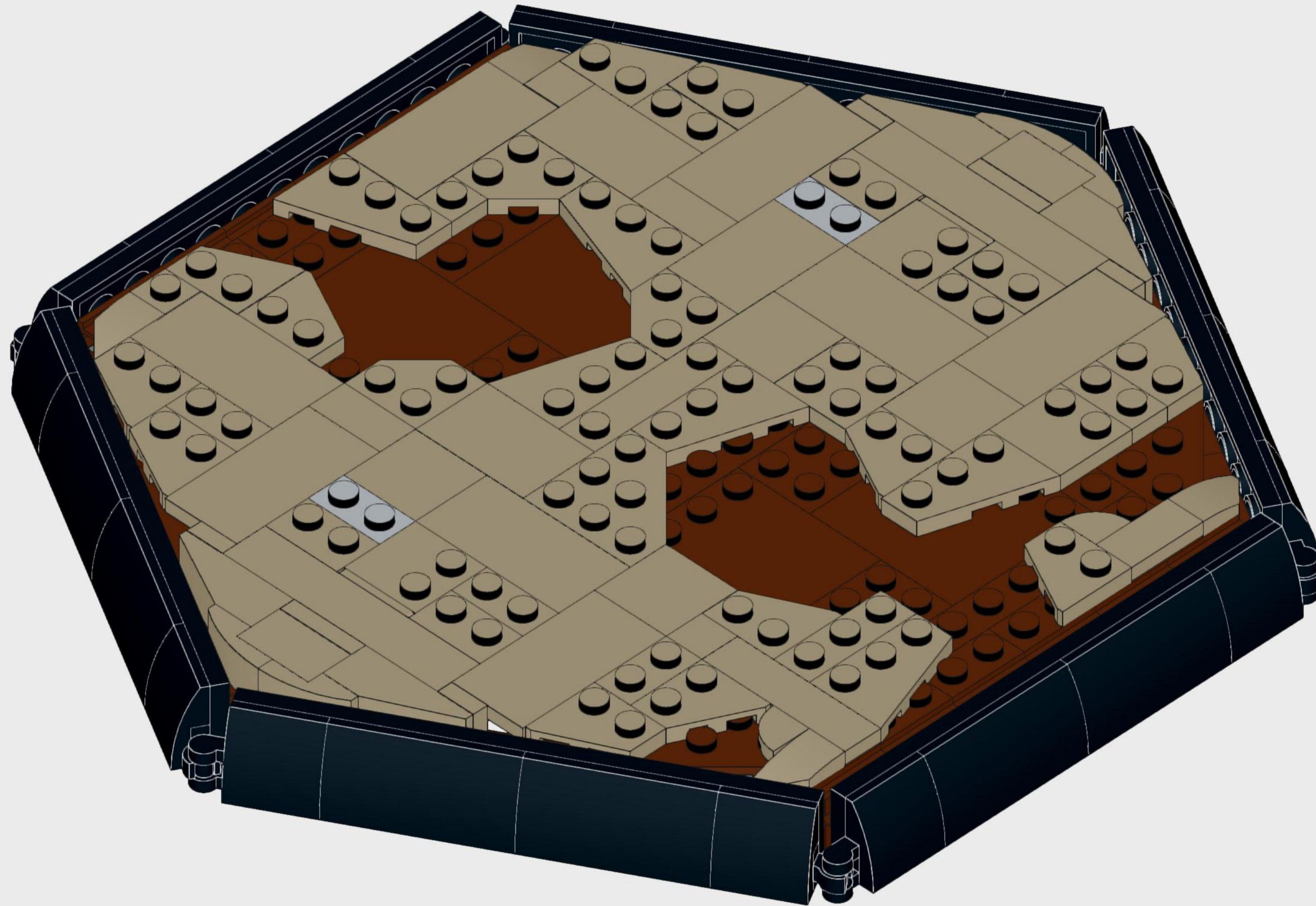


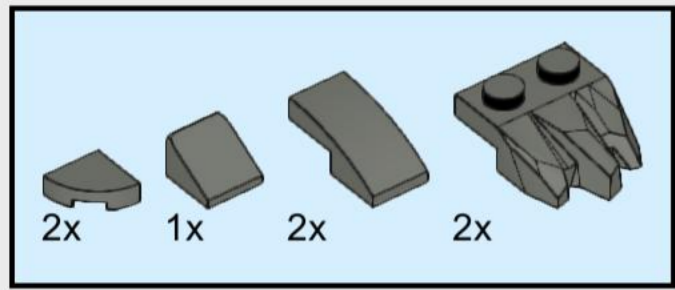
15



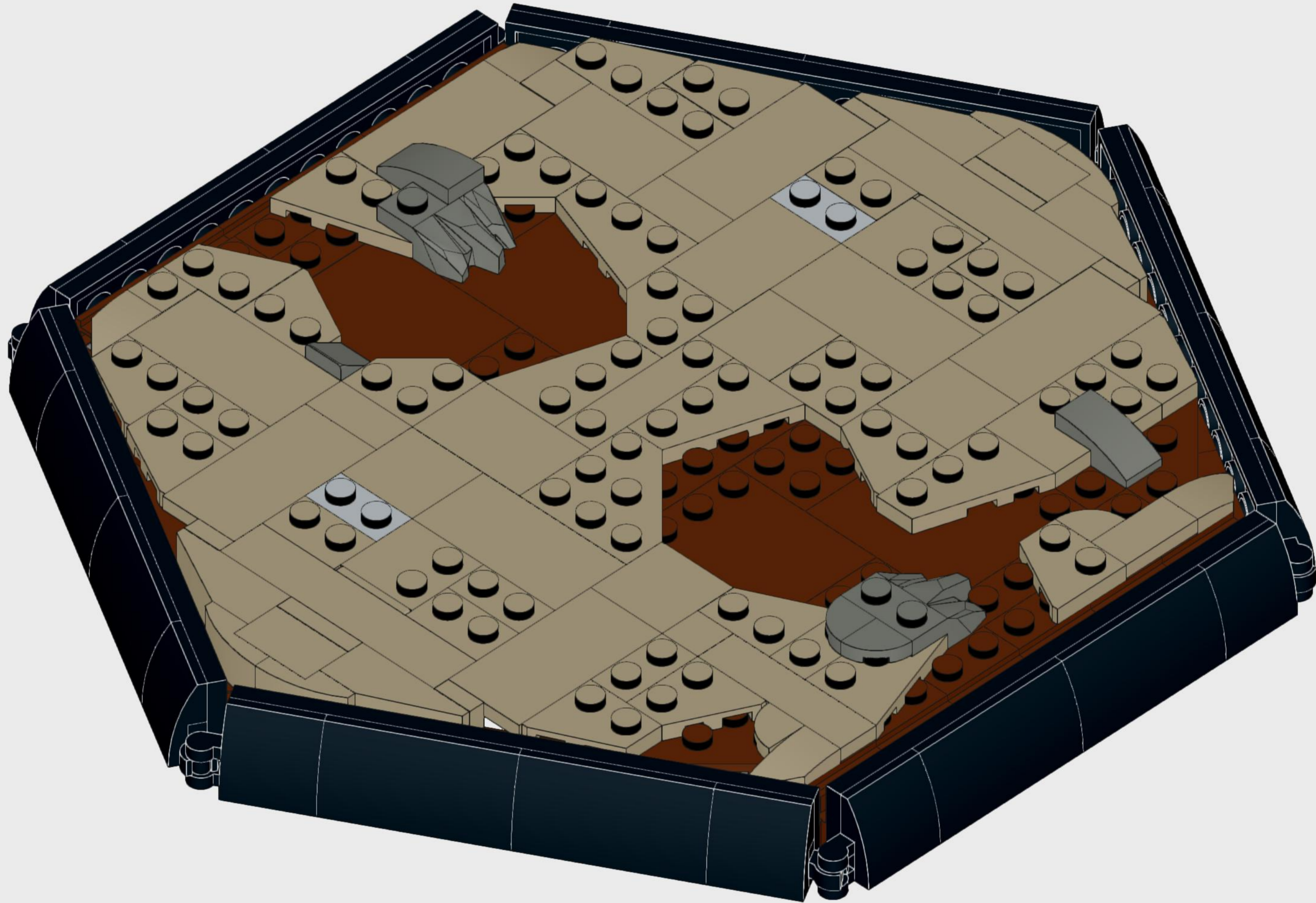


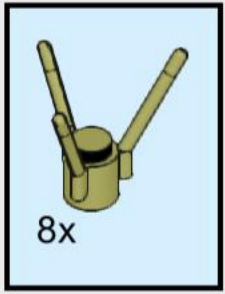
16



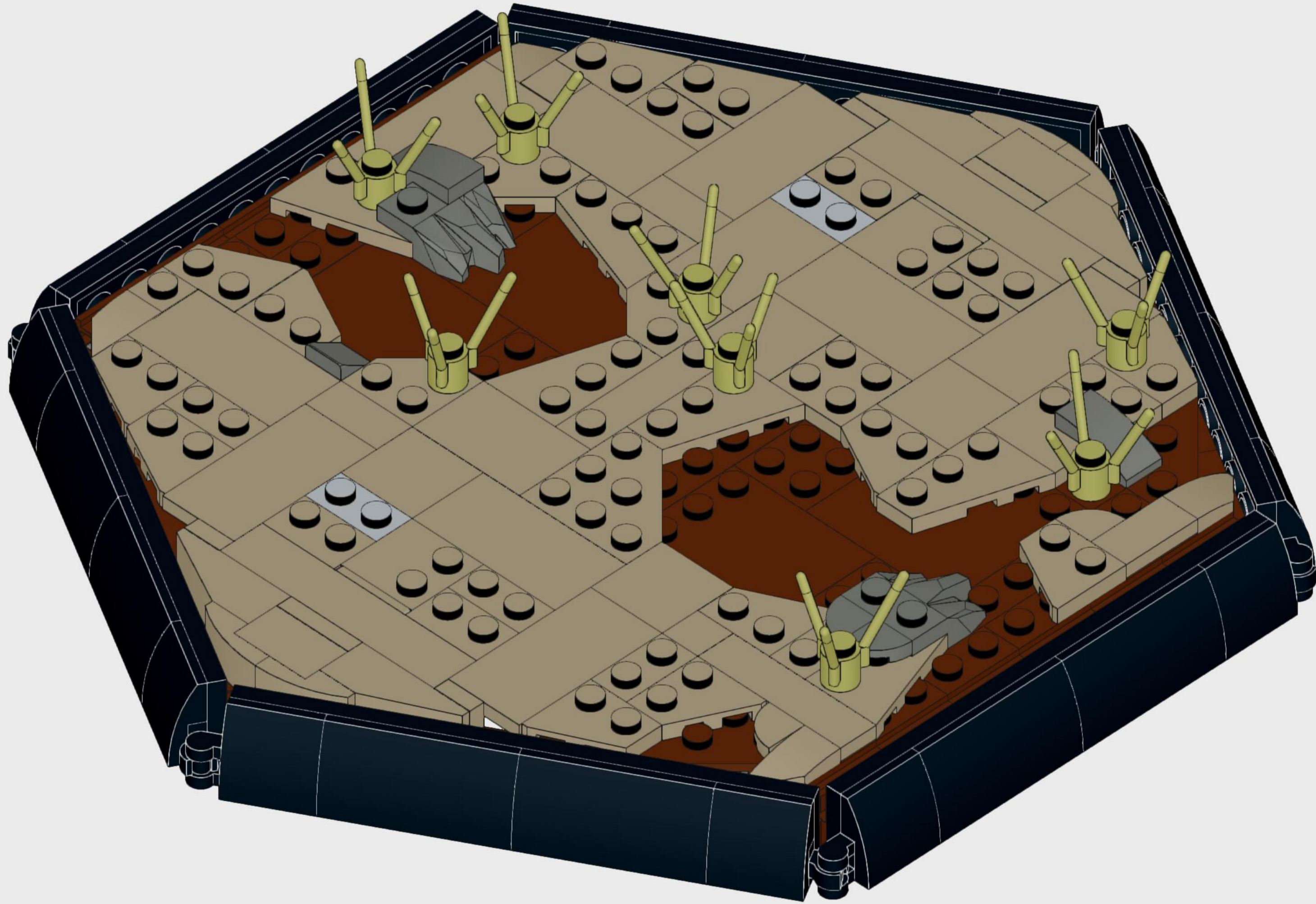


17

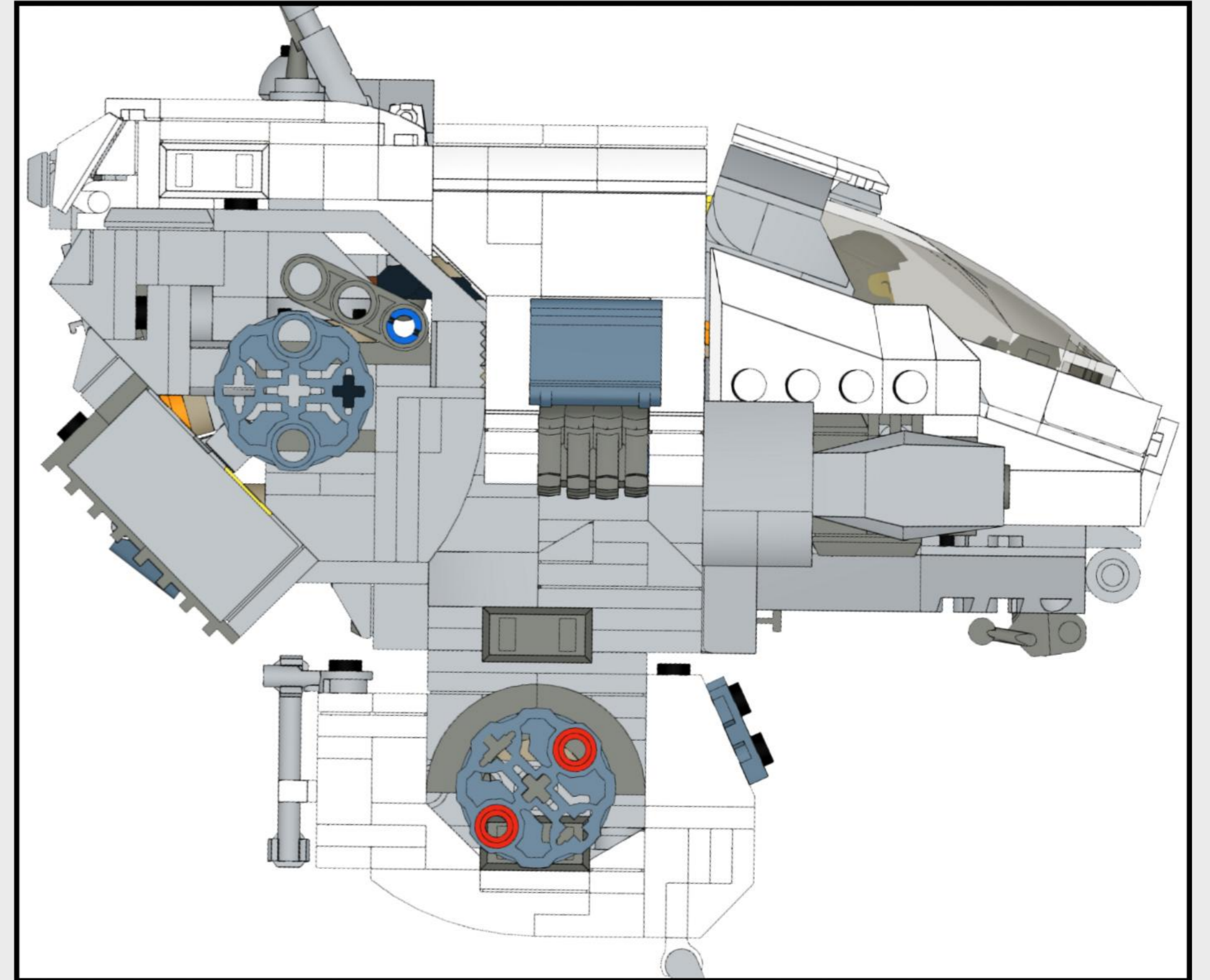
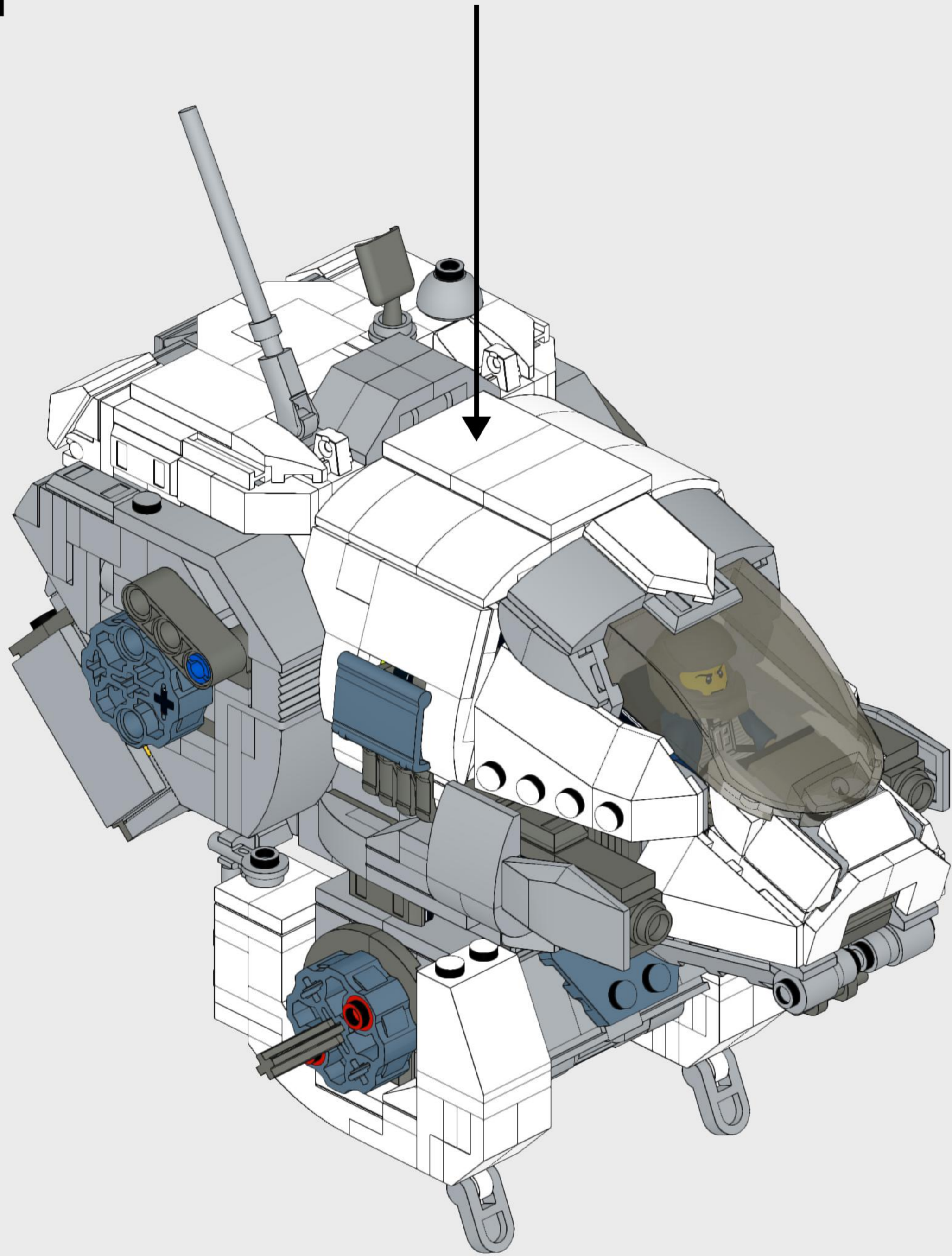




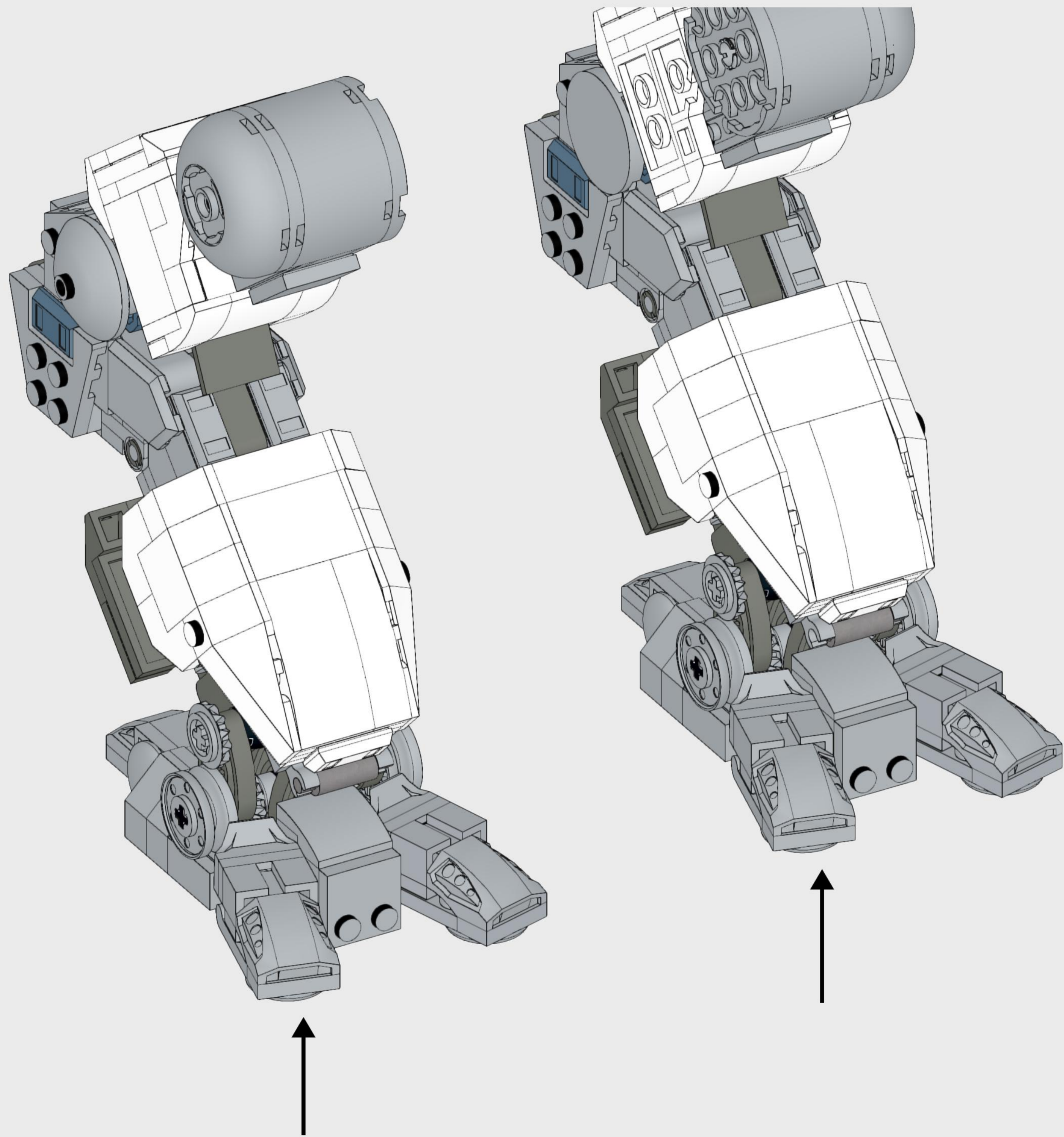
18



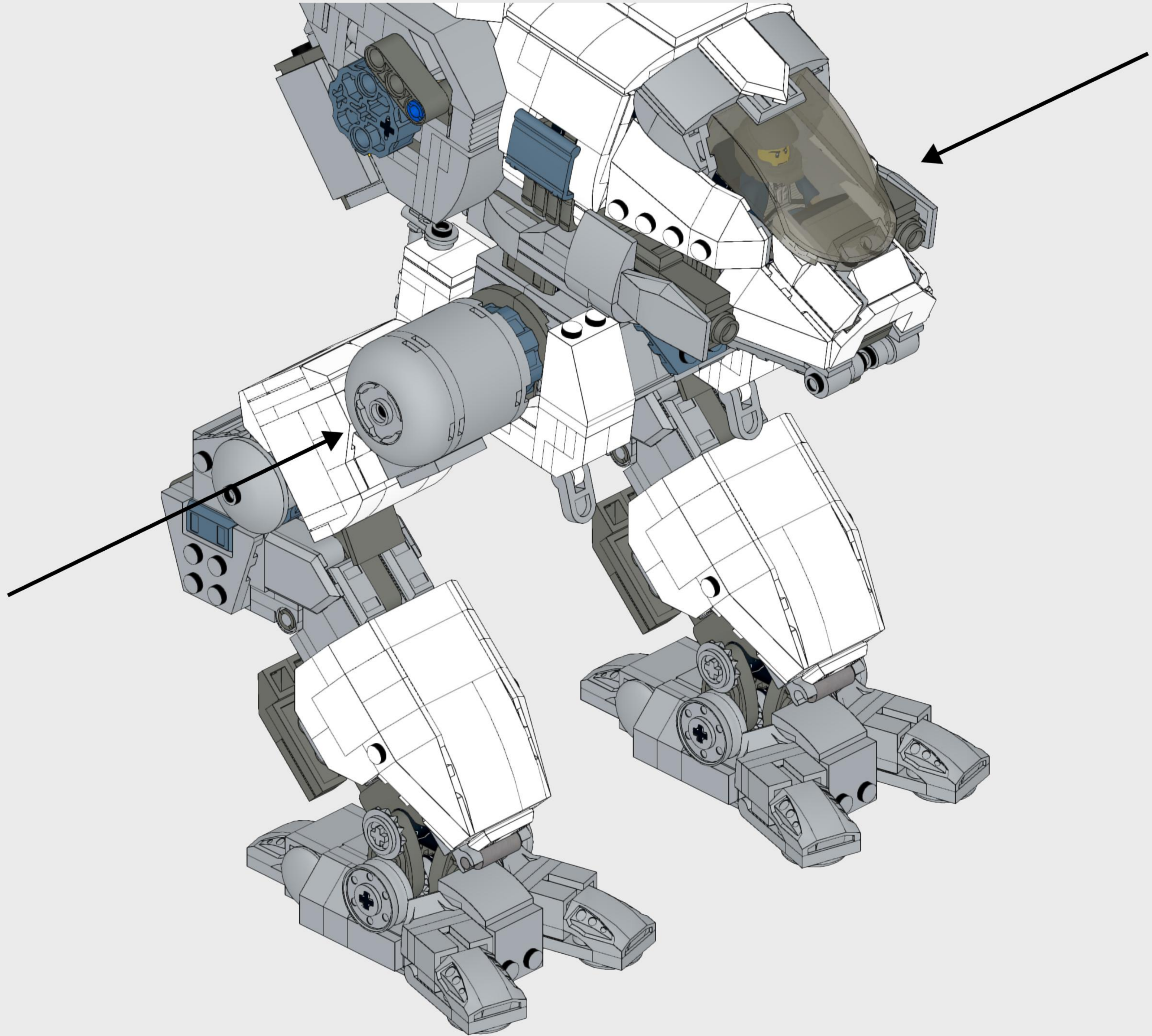
1



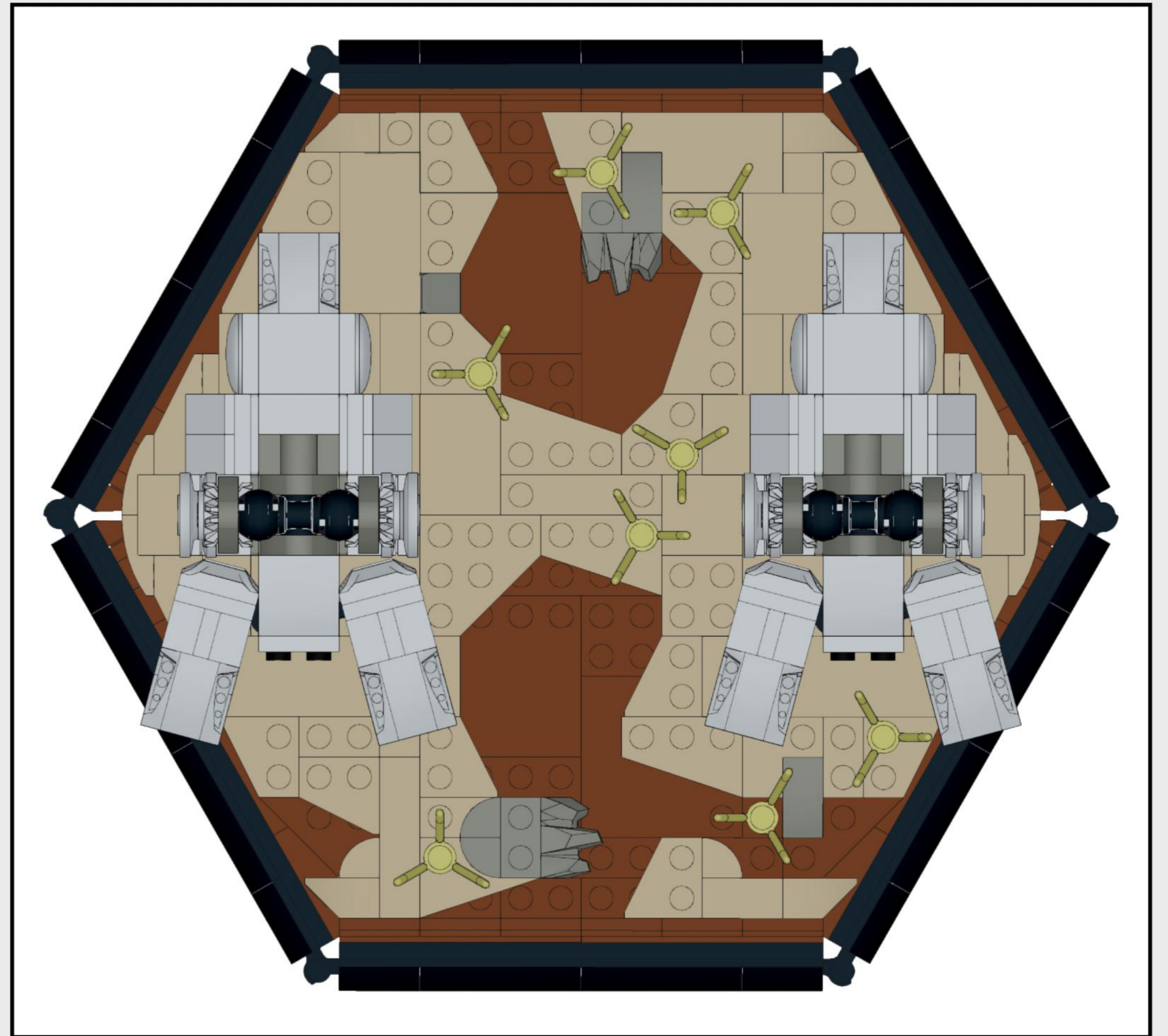
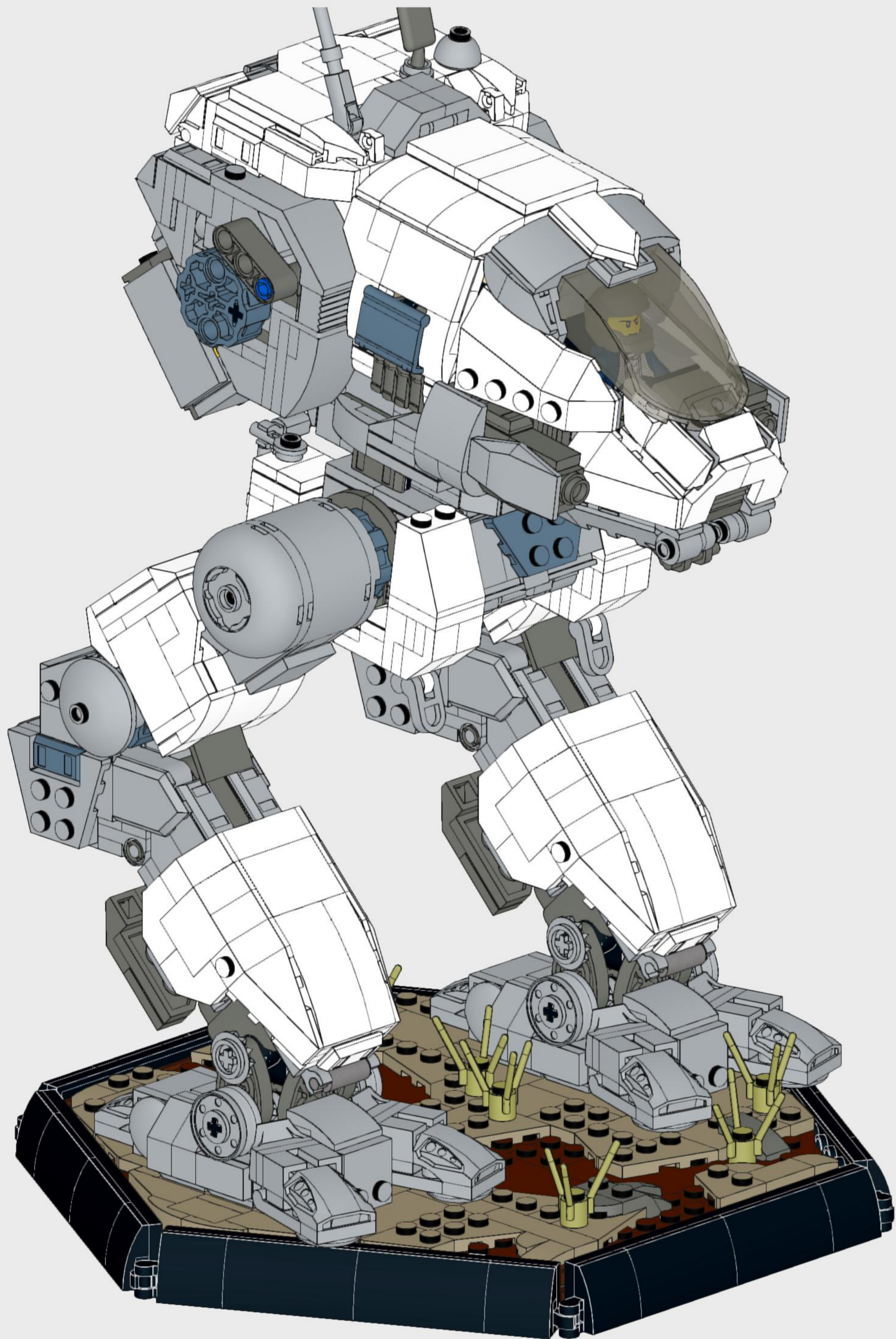
2



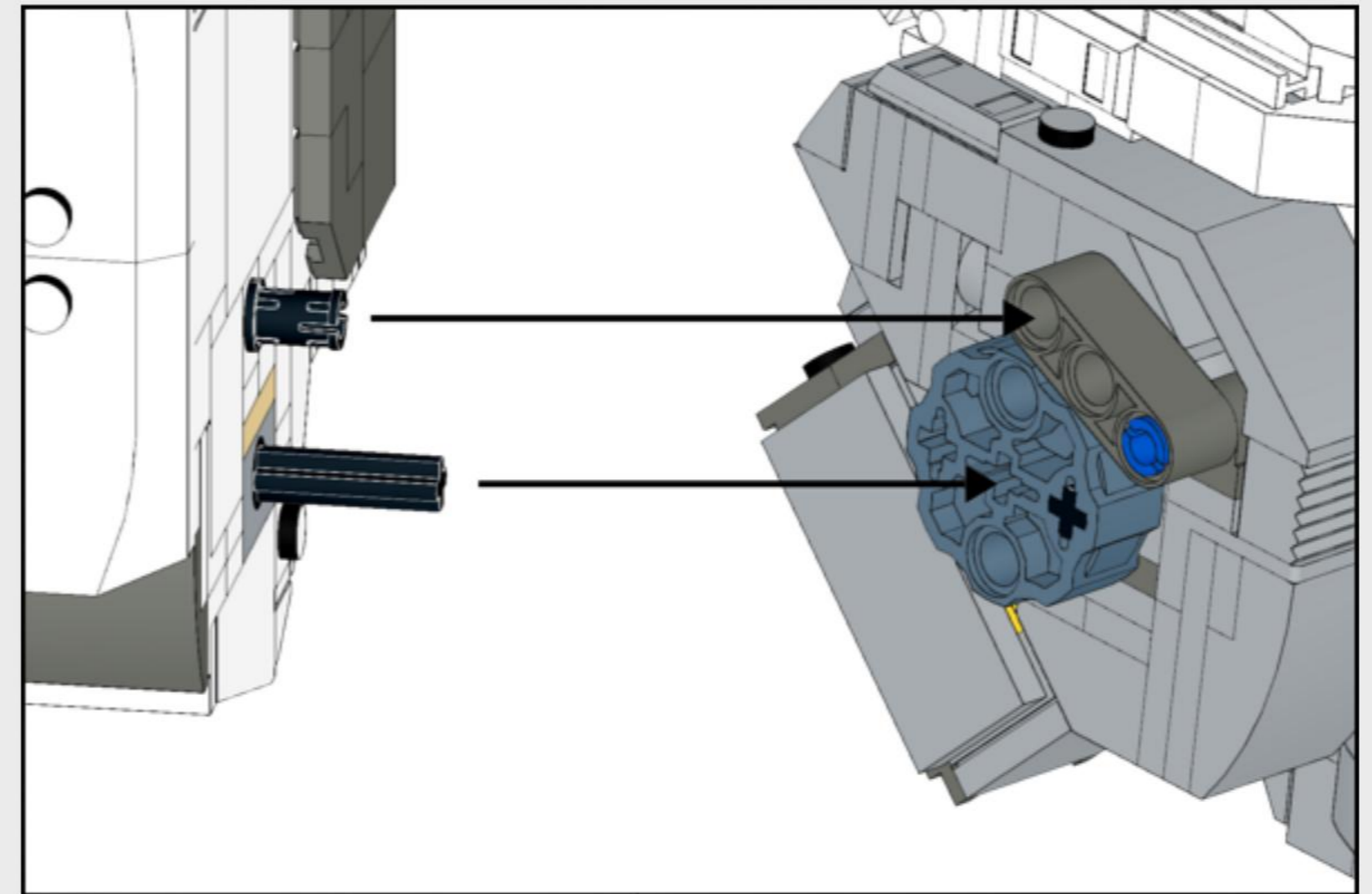
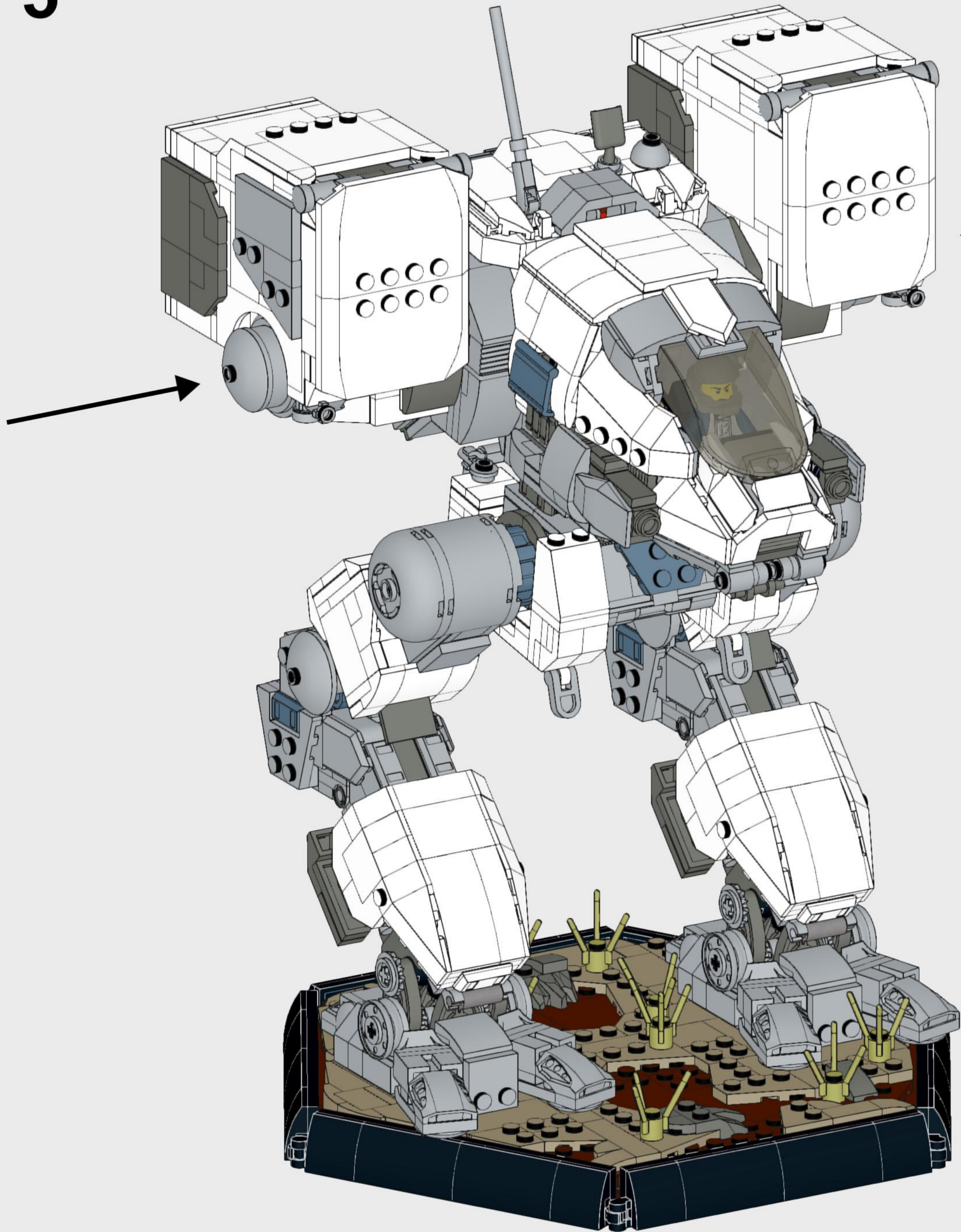
3

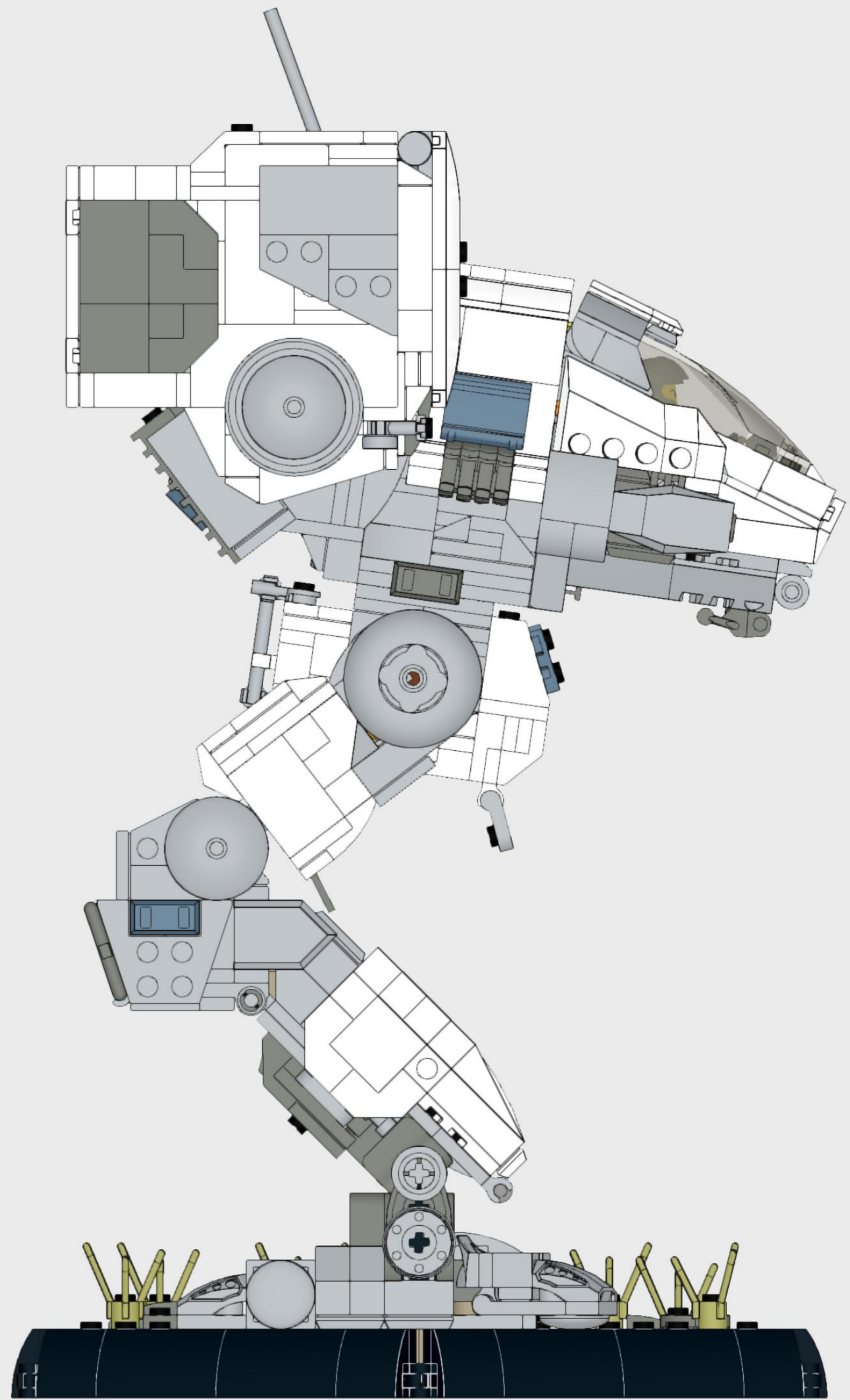
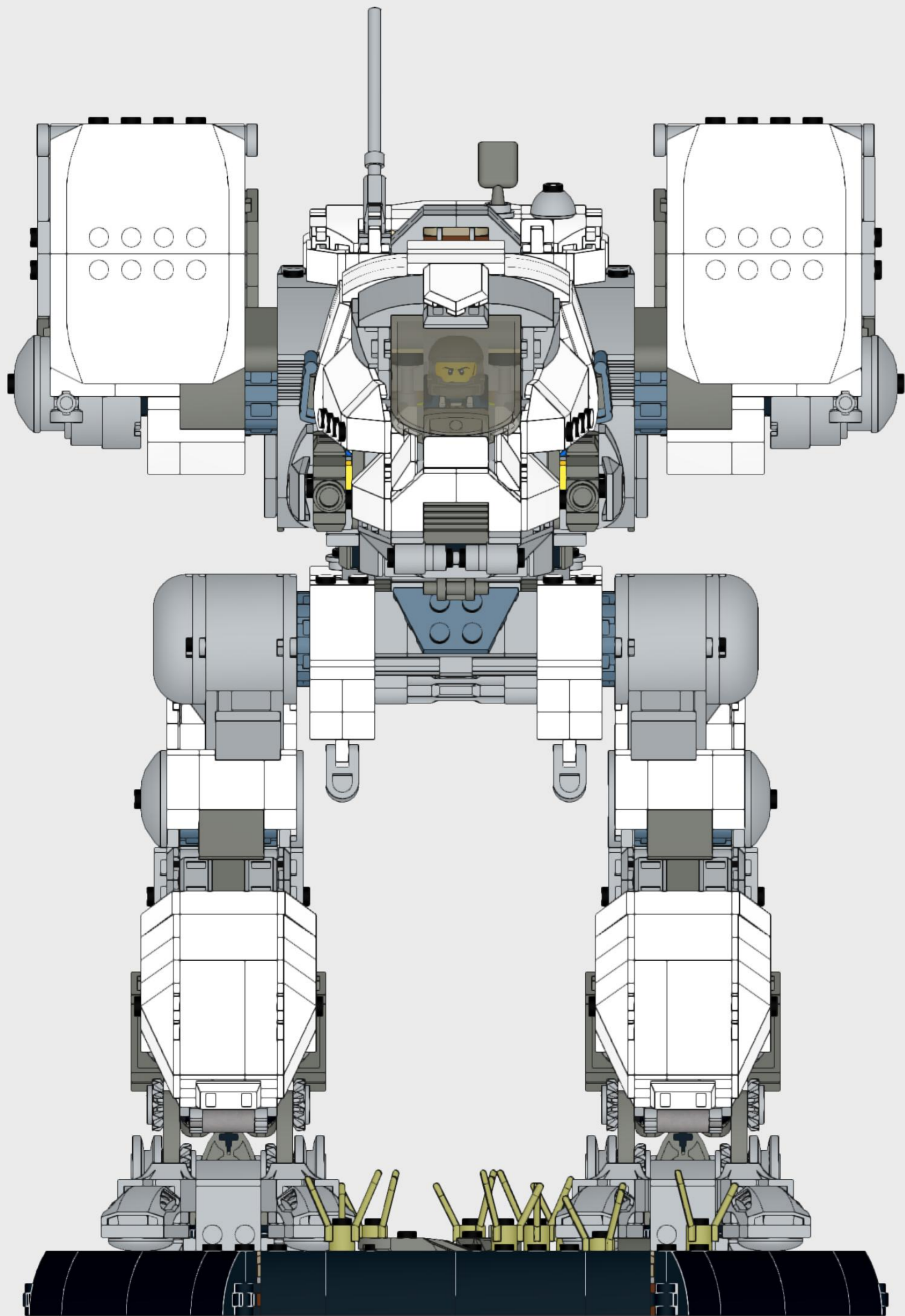


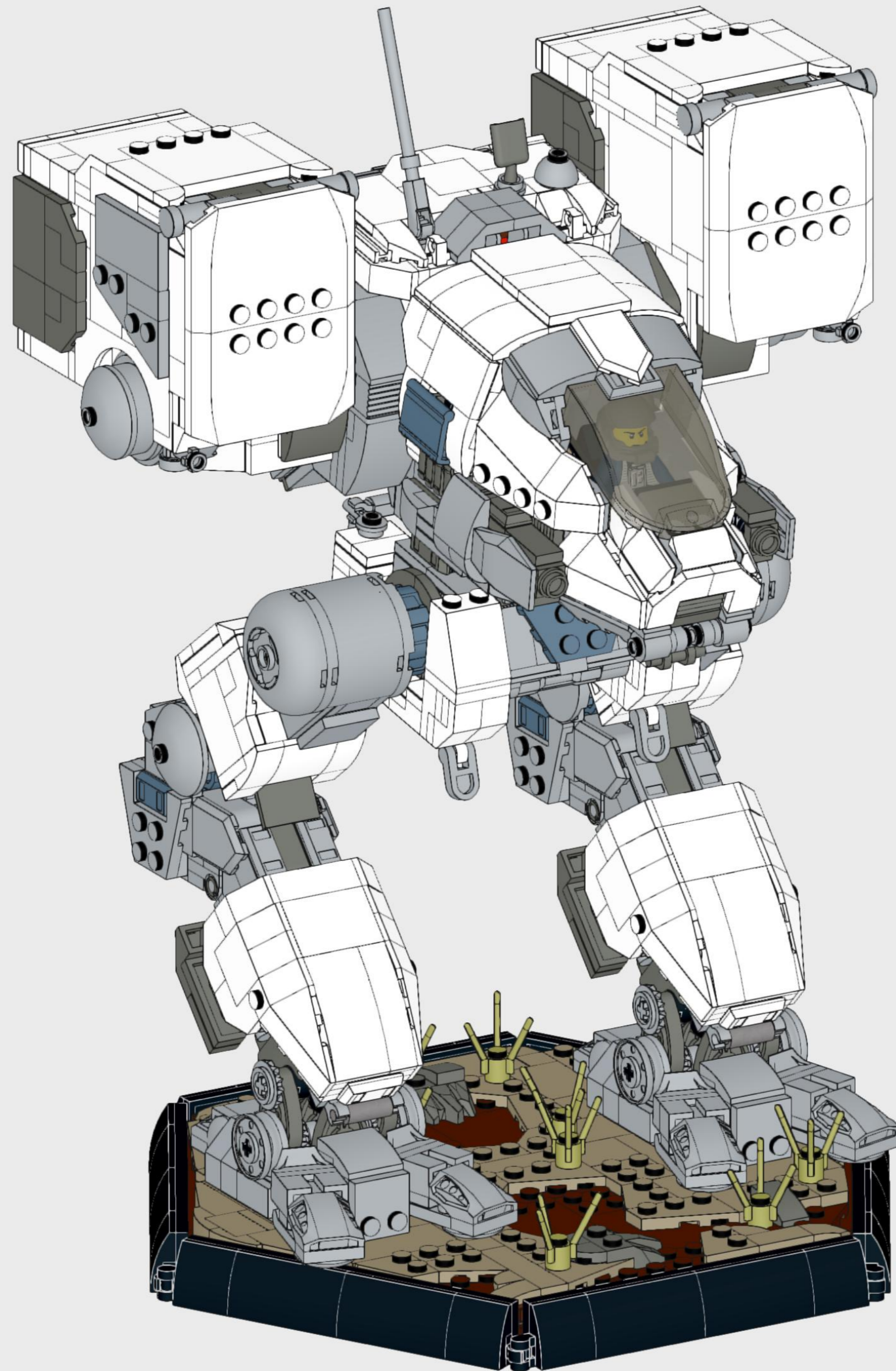
4

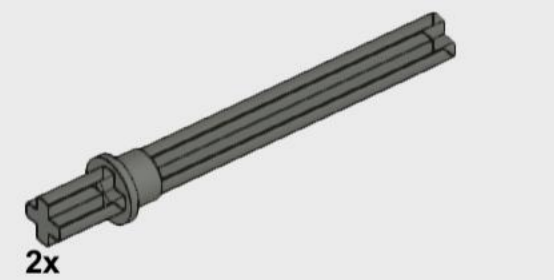


5

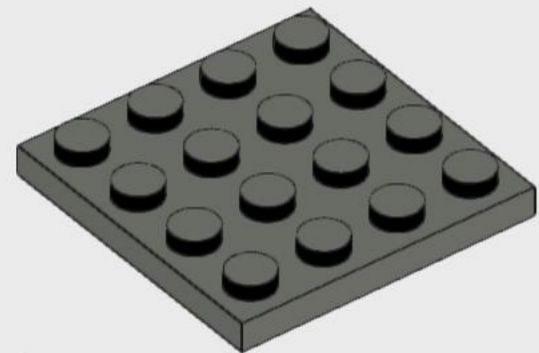




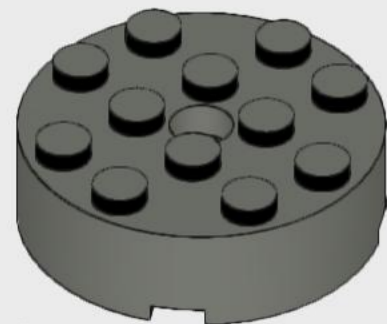




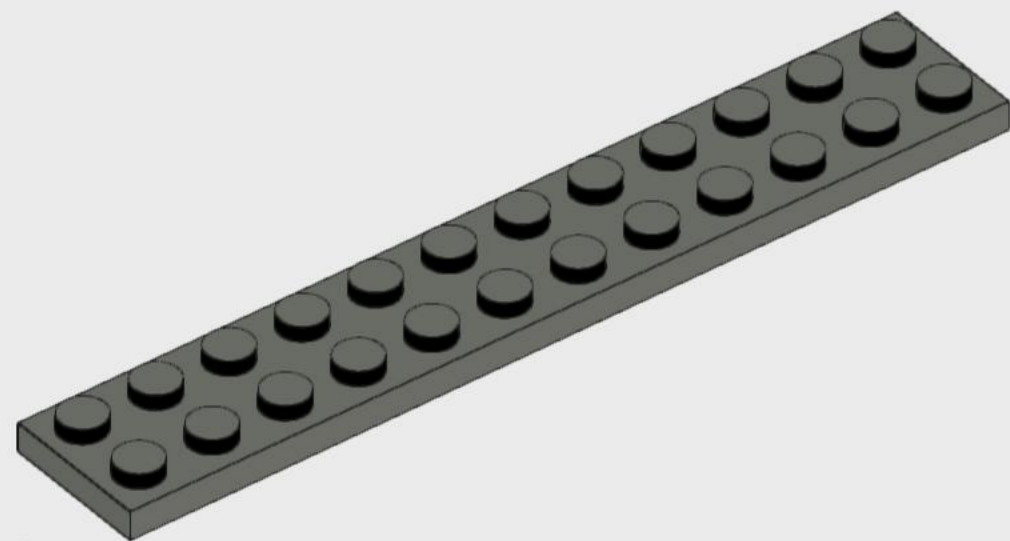
2x



1x



1x



2x



2x



6x



2x



2x



10x



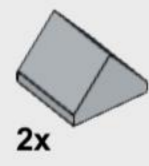
34x



4x



16x



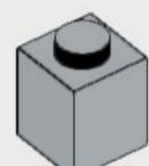
2x



4x



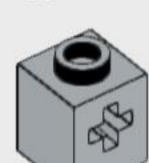
2x



4x



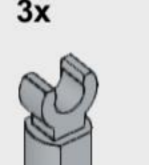
4x



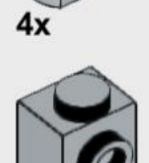
12x



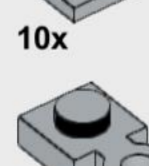
3x



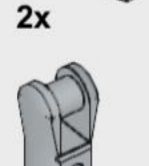
4x



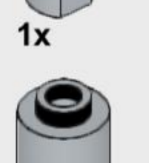
10x



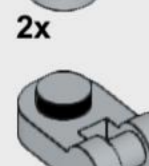
2x



1x



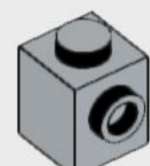
2x



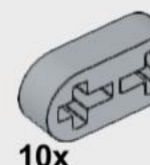
6x



11x



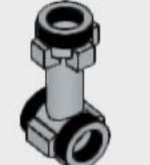
6x



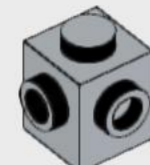
10x



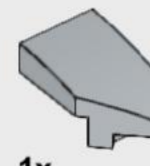
1x



2x



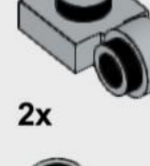
2x



1x



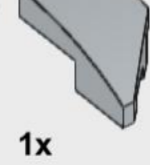
8x



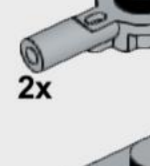
2x



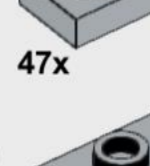
2x



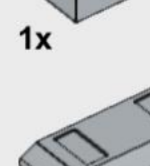
1x



2x



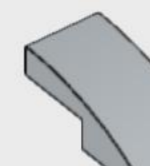
47x



1x



18x



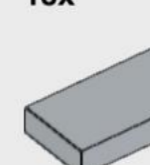
4x



2x



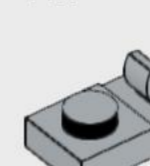
18x



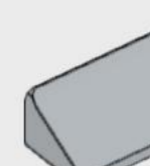
19x



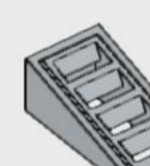
11x



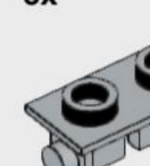
4x



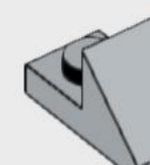
9x



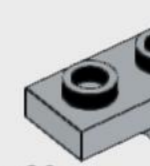
3x



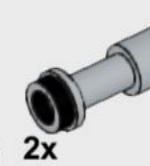
2x



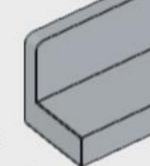
10x



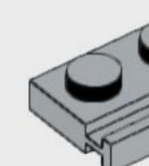
26x



2x



2x



10x



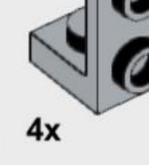
14x



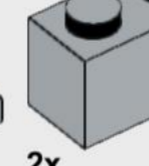
2x



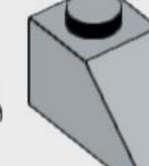
2x



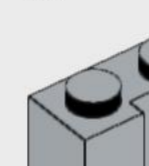
4x



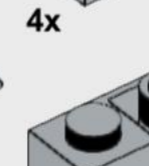
2x



2x



4x



4x



6x



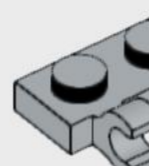
4x



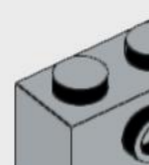
4x



11x



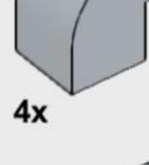
4x



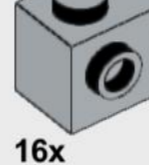
2x



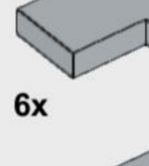
4x



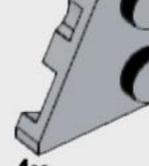
16x



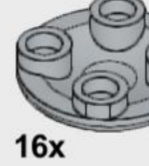
6x



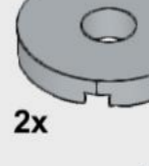
4x



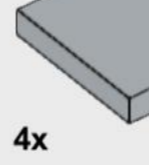
16x



2x



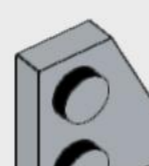
4x



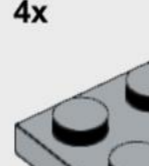
2x



4x



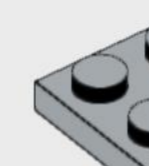
2x



4x



2x



7x



4x



2x



2x



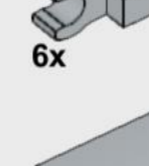
4x



8x



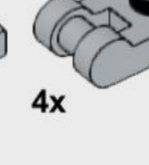
14x



6x



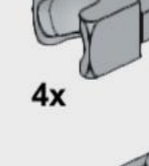
8x



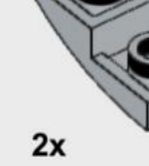
4x



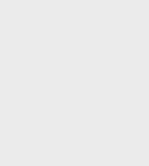
12x



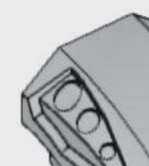
4x



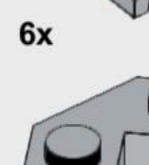
2x



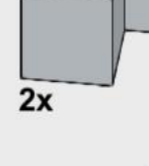
2x



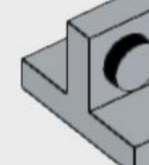
6x



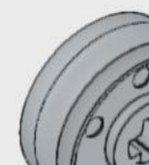
2x



2x



6x



4x



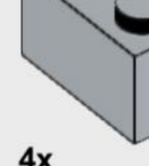
8x



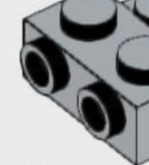
12x



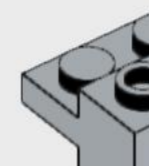
4x



18x



5x



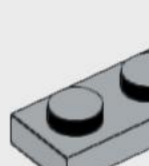
2x



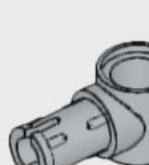
2x



2x



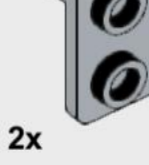
4x



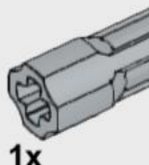
2x



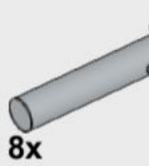
2x



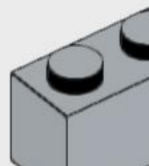
1x



8x



2x



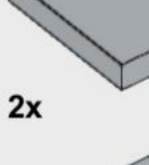
2x



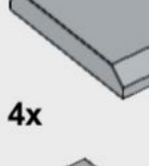
2x



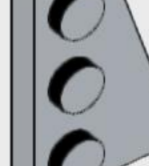
1x



10x



4x



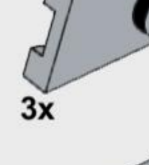
3x



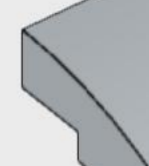
2x



3x



2x



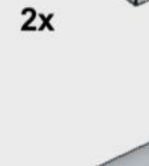
2x



2x



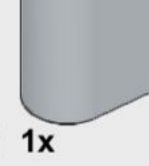
3x



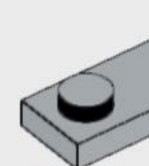
1x



1x



1x



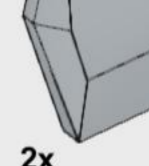
2x



10x



2x



5x



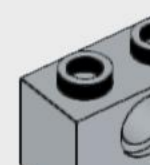
2x



2x



2x



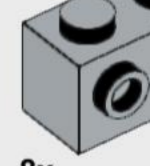
2x



2x



8x



4x



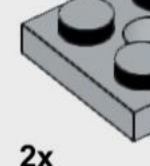
2x



2x



2x



6x



2x



2x

