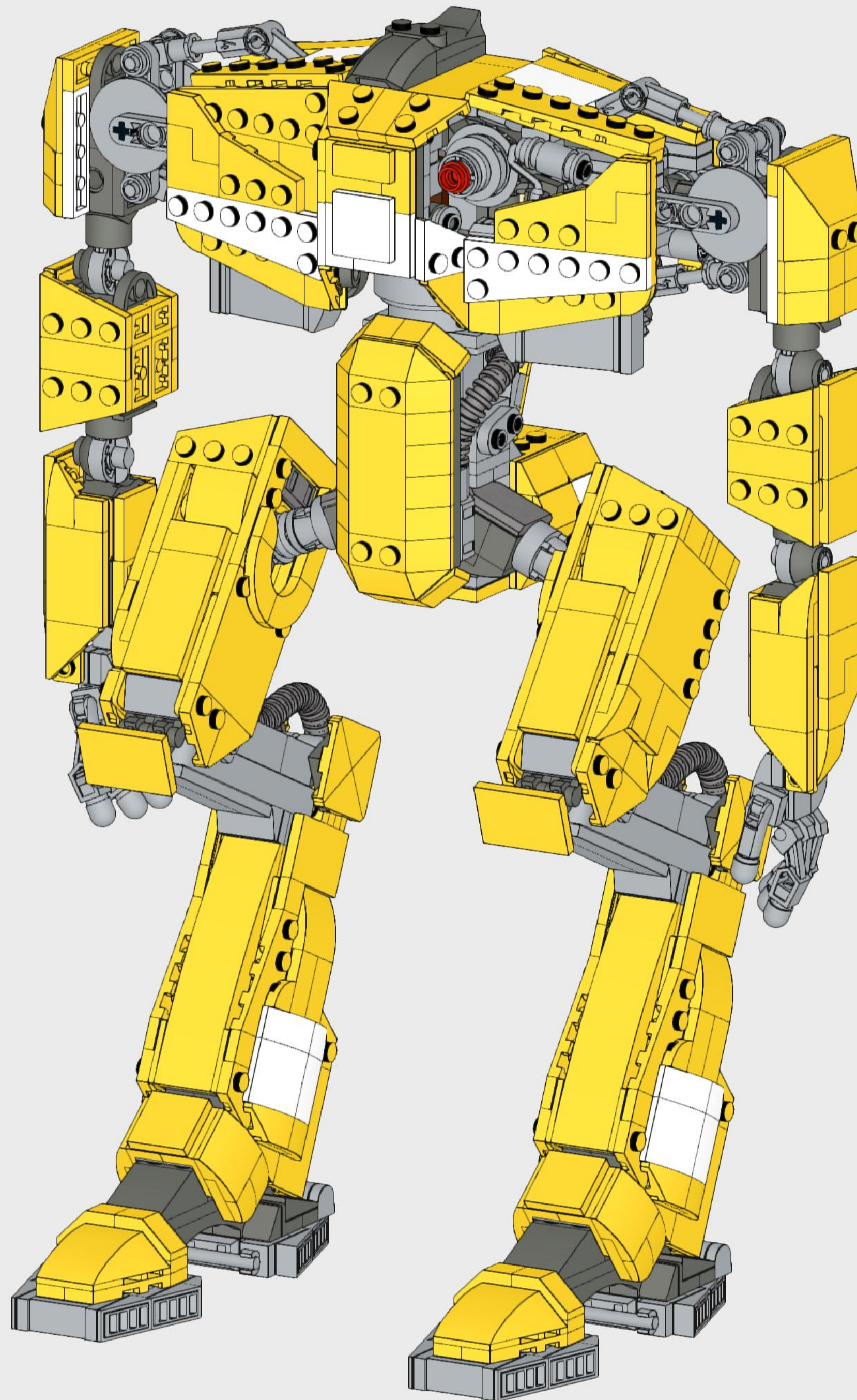


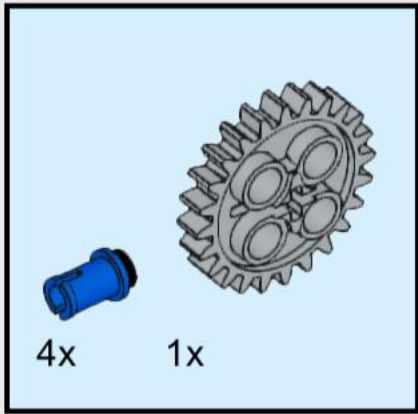
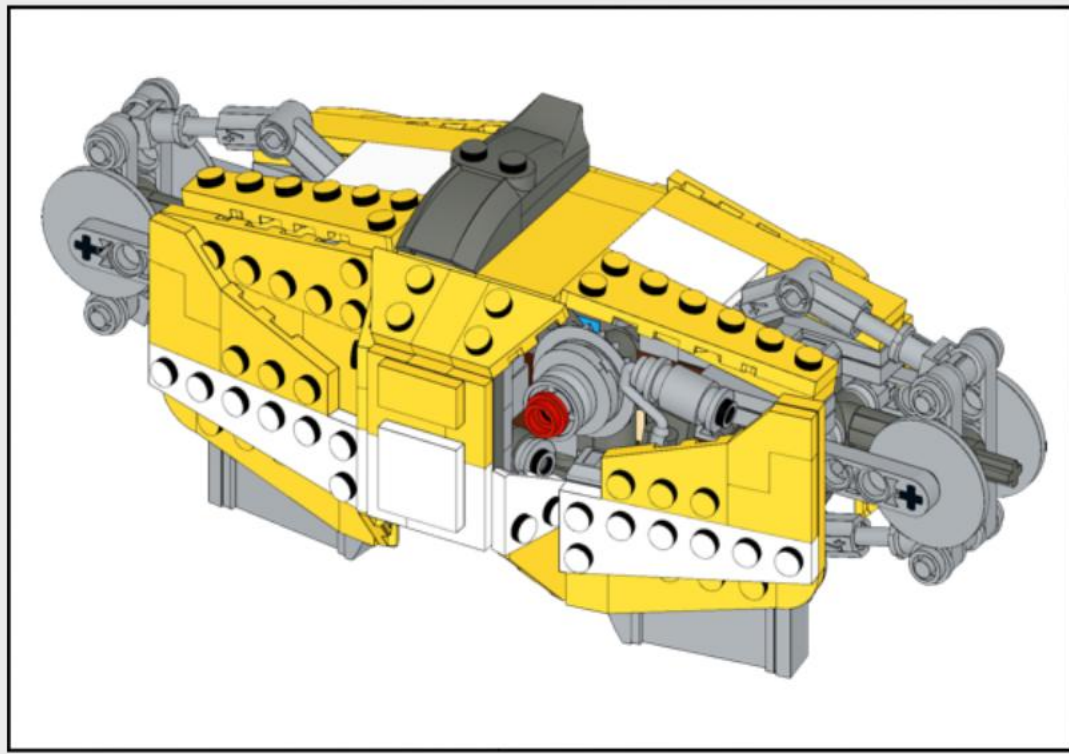
BORDERLANDS

Loader Bot

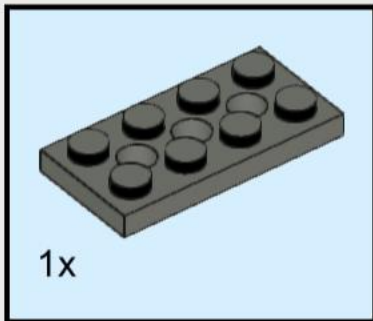
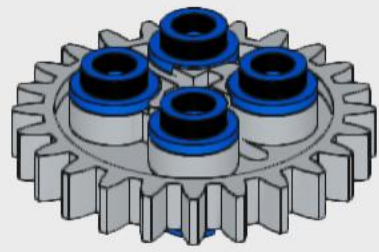


1380 Lego pcs

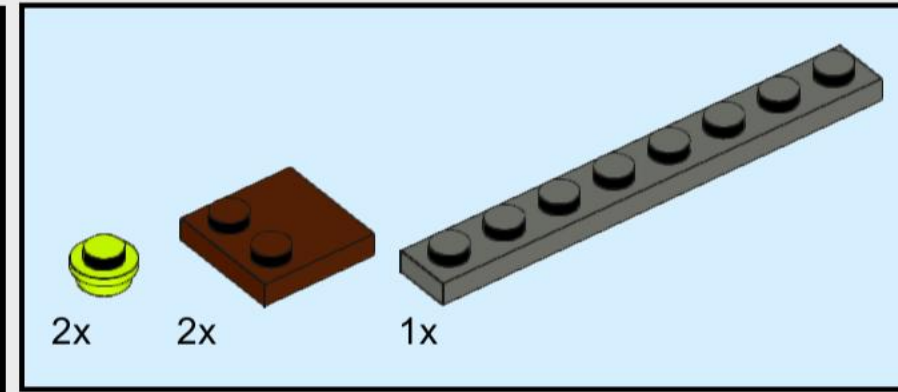
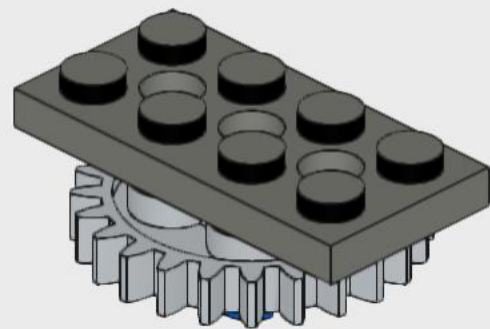
Model by Kevin Hansen
©2021 HansenBricks.com



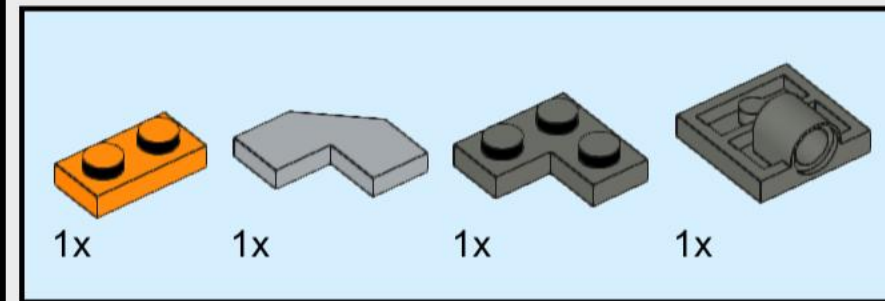
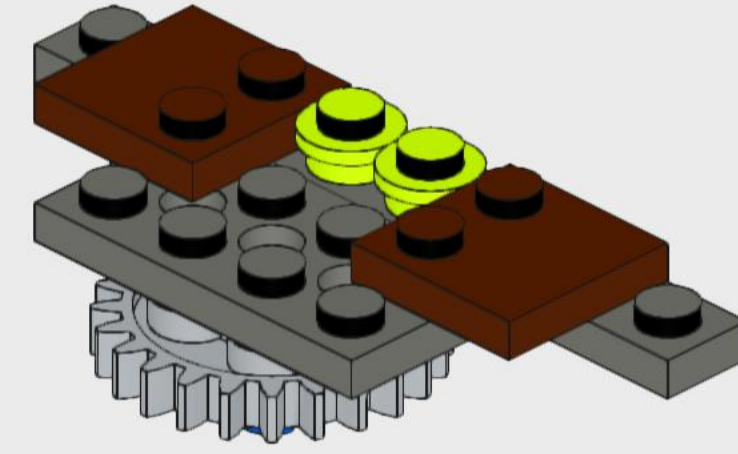
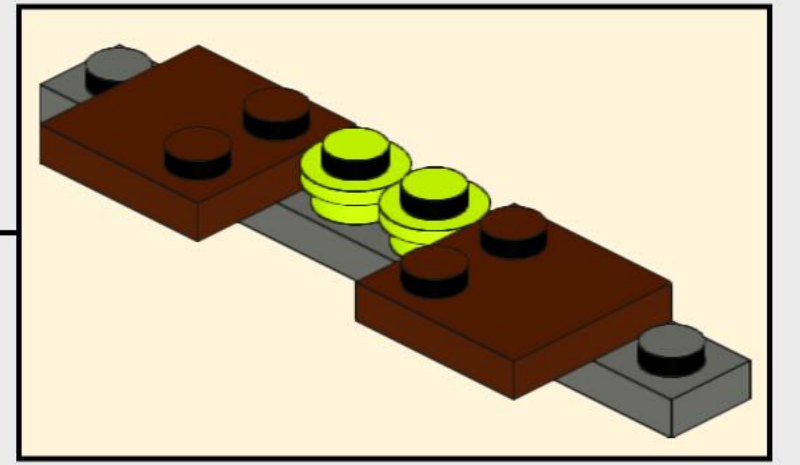
1



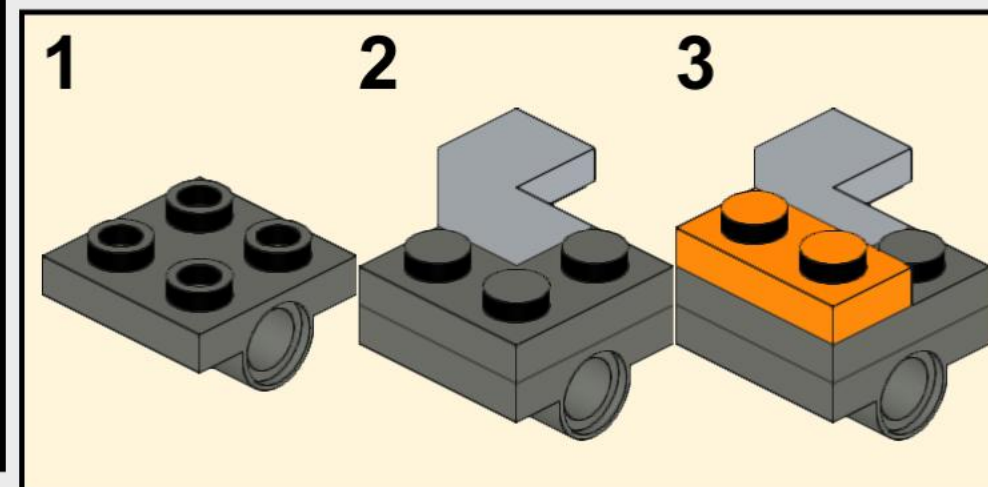
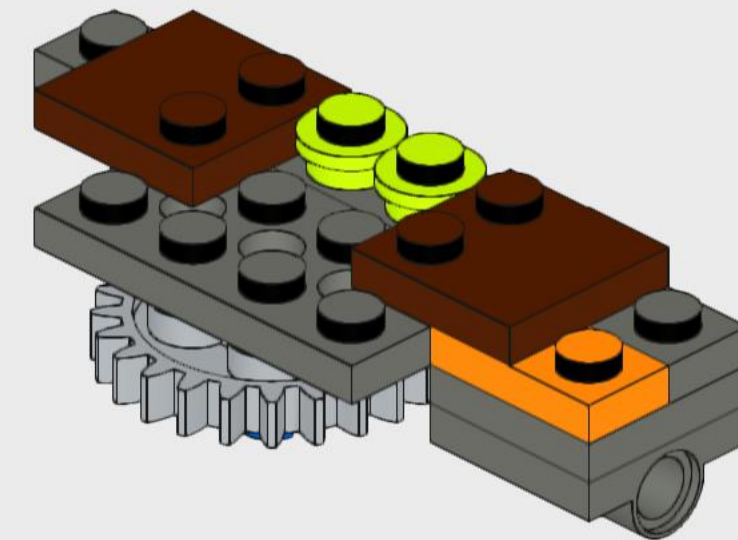
2



3



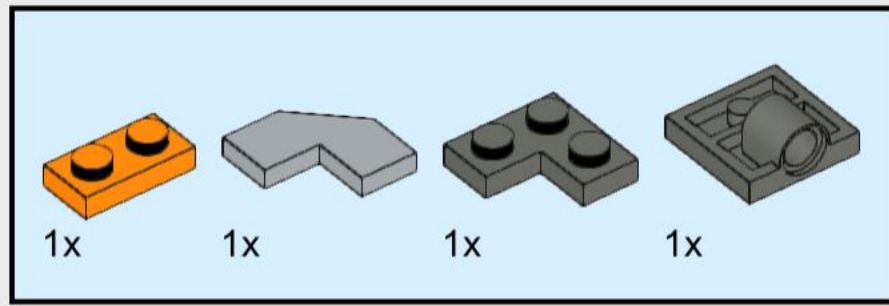
4



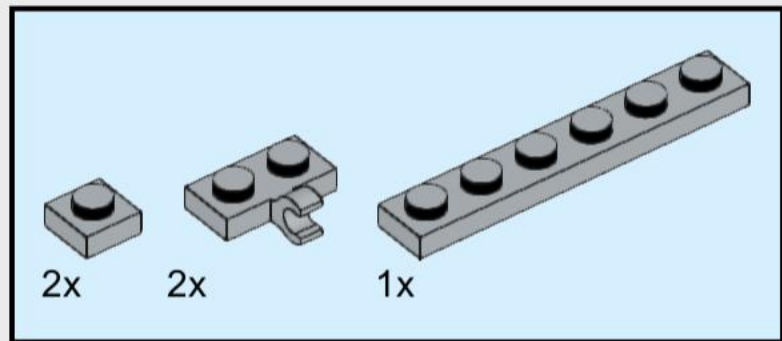
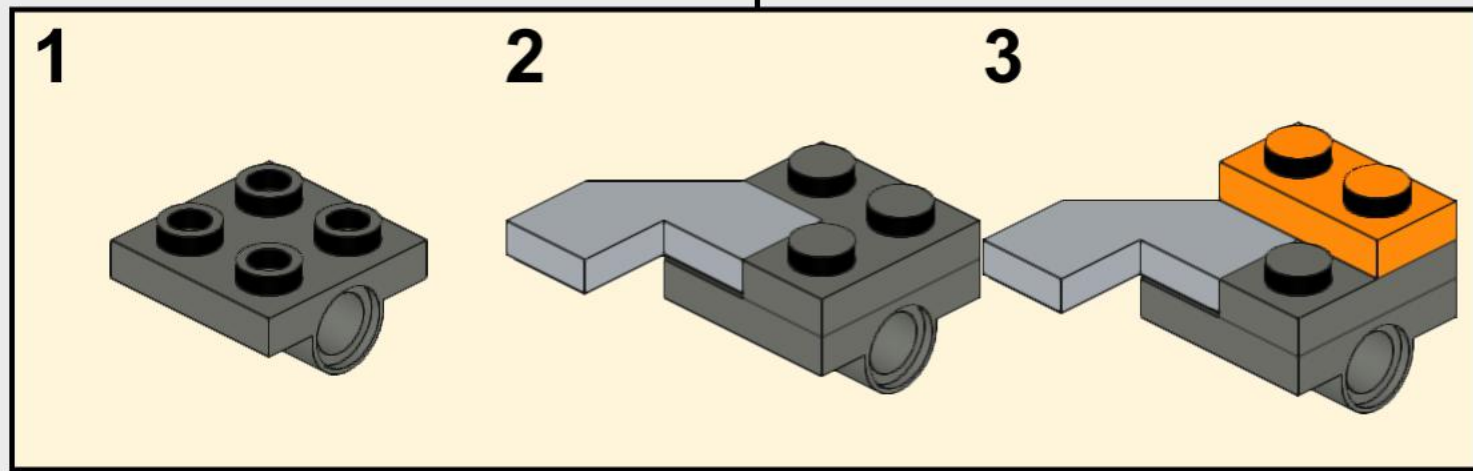
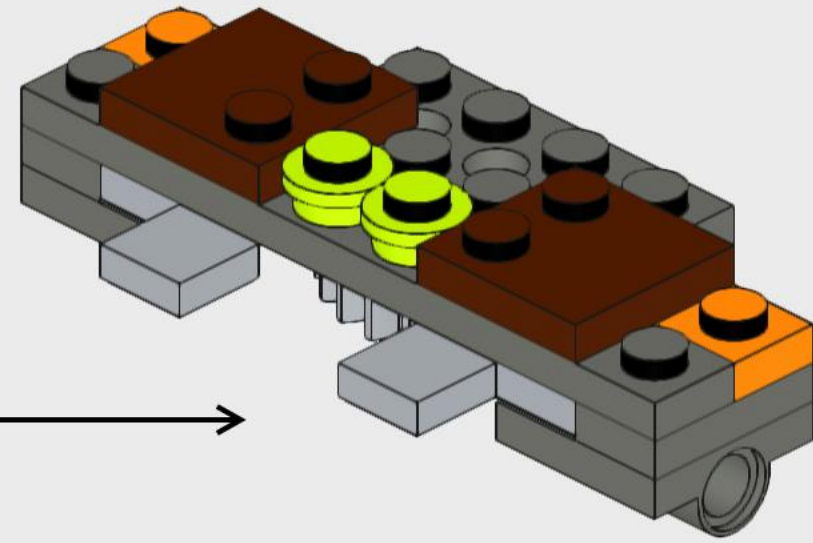
1

2

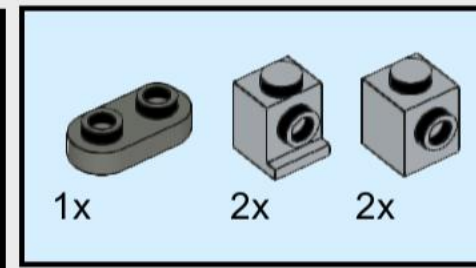
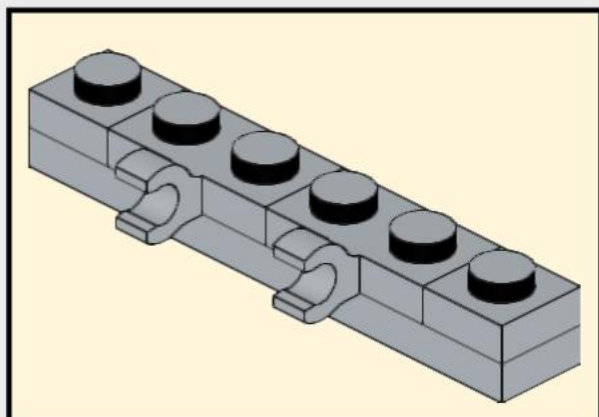
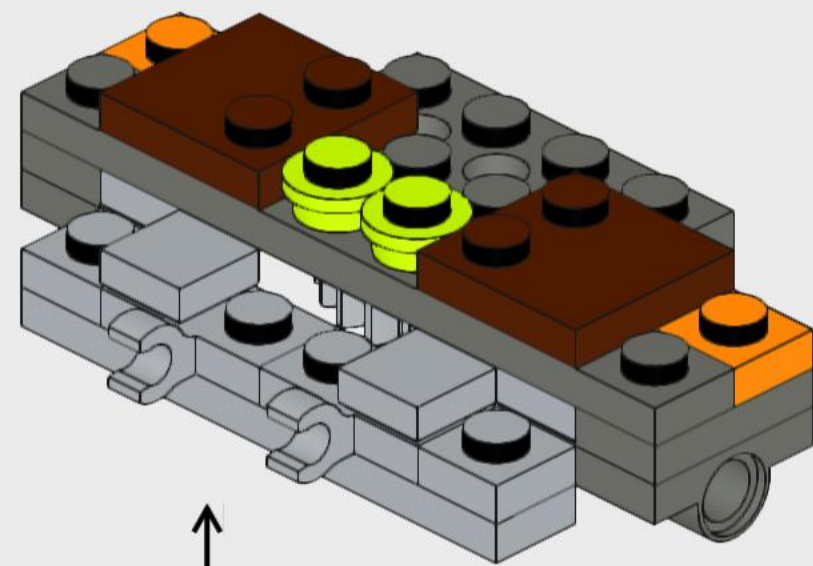
3



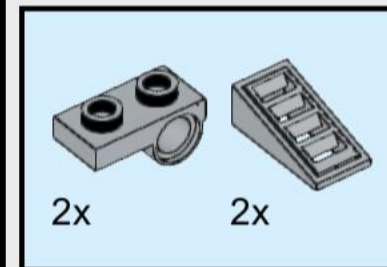
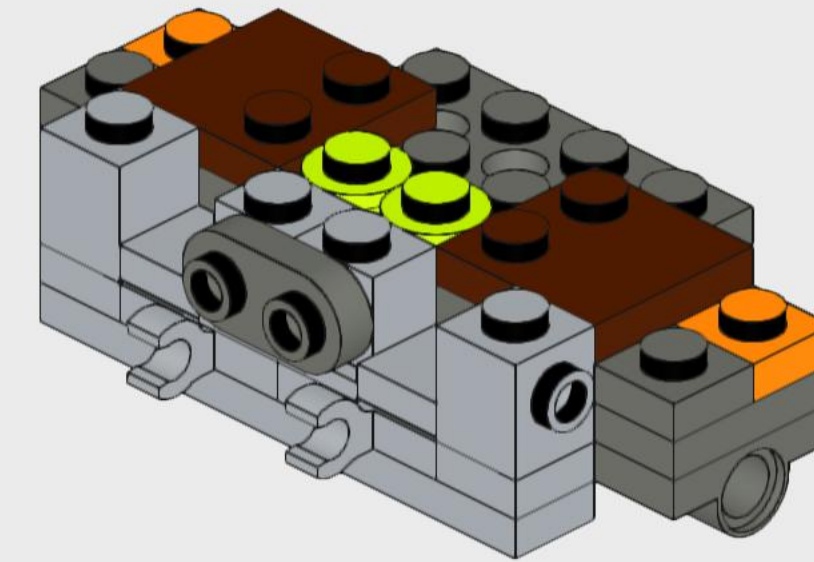
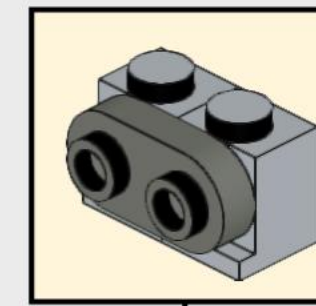
5



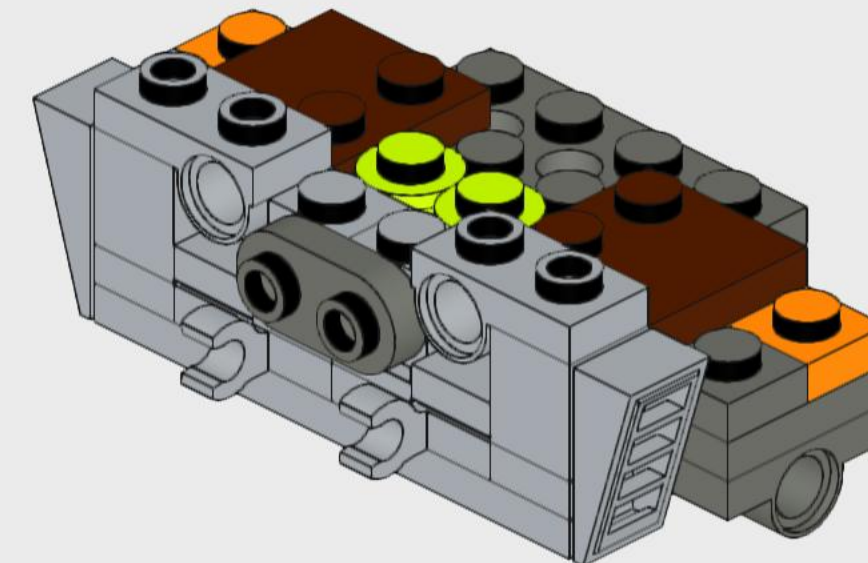
6

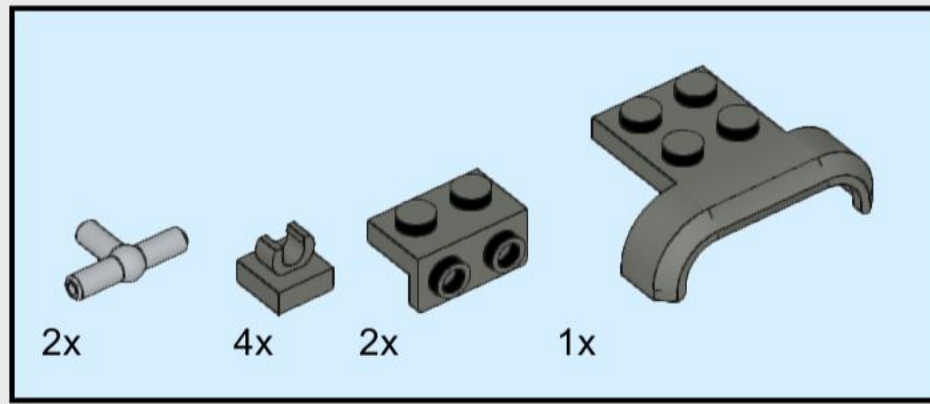


7

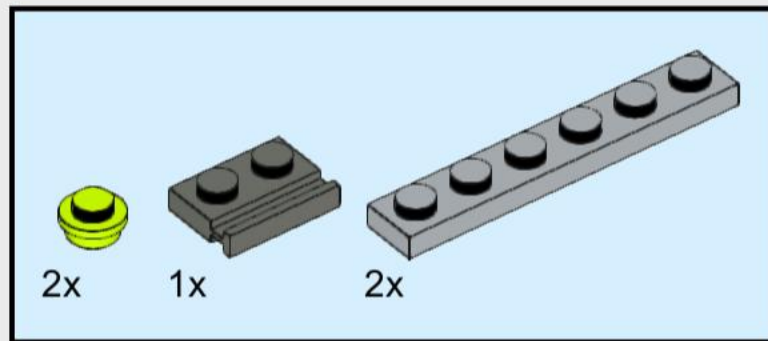
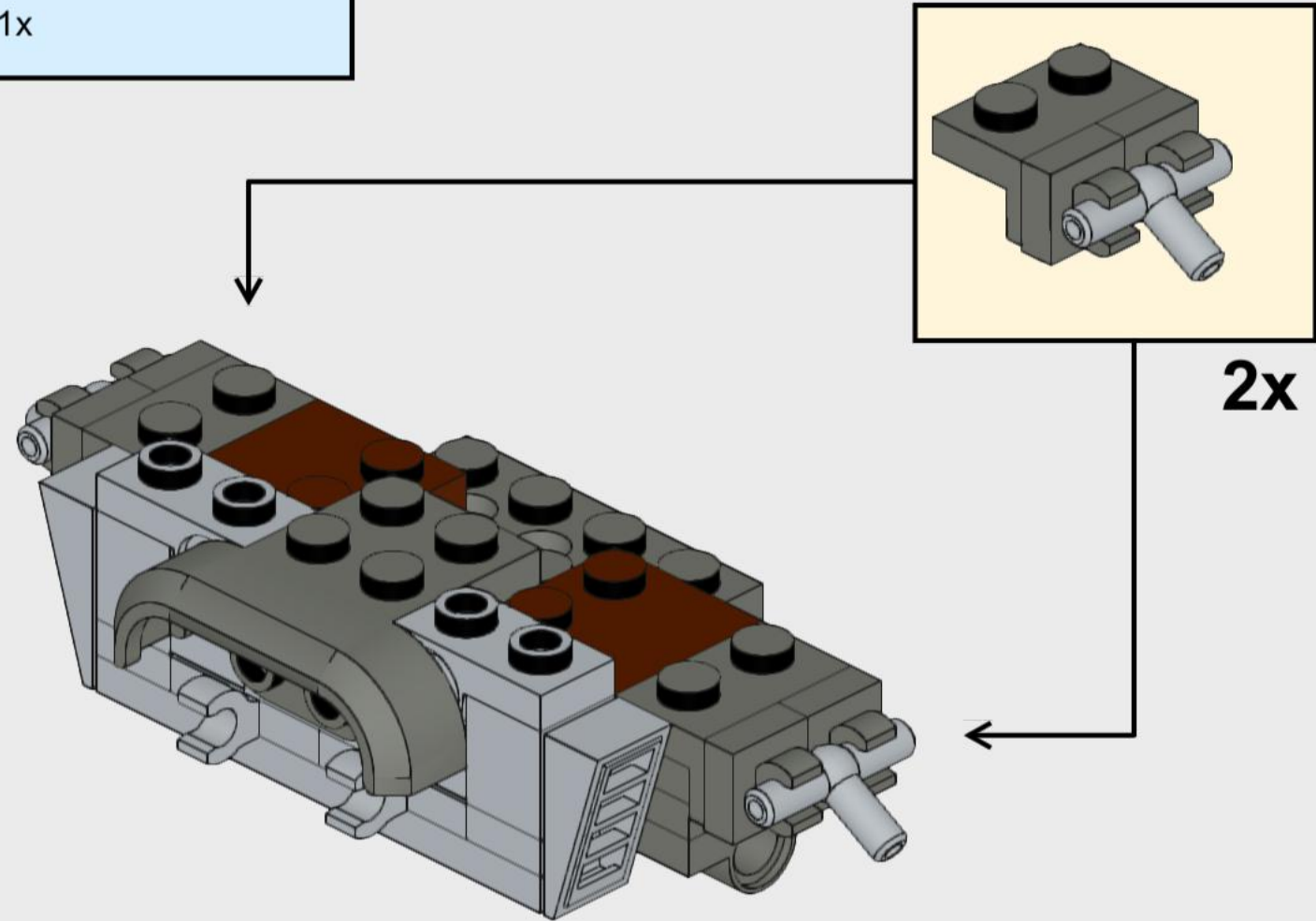


8

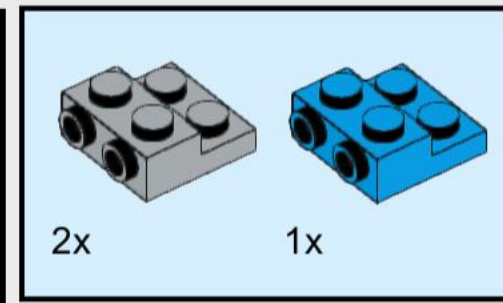
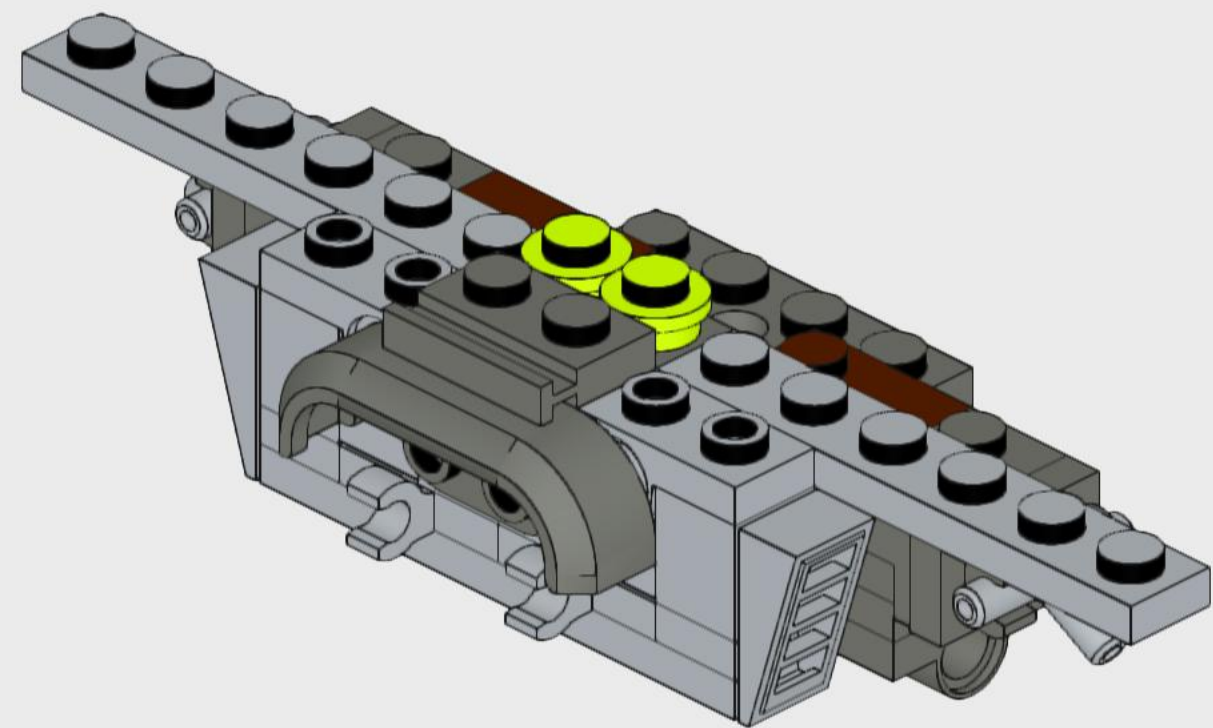




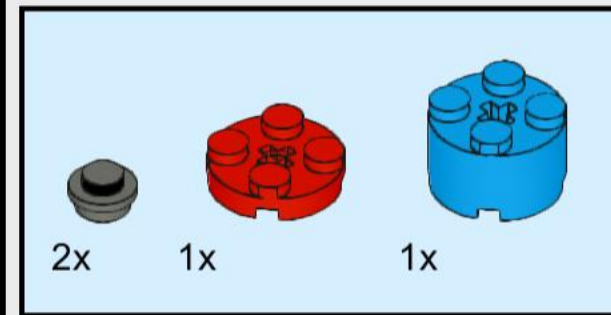
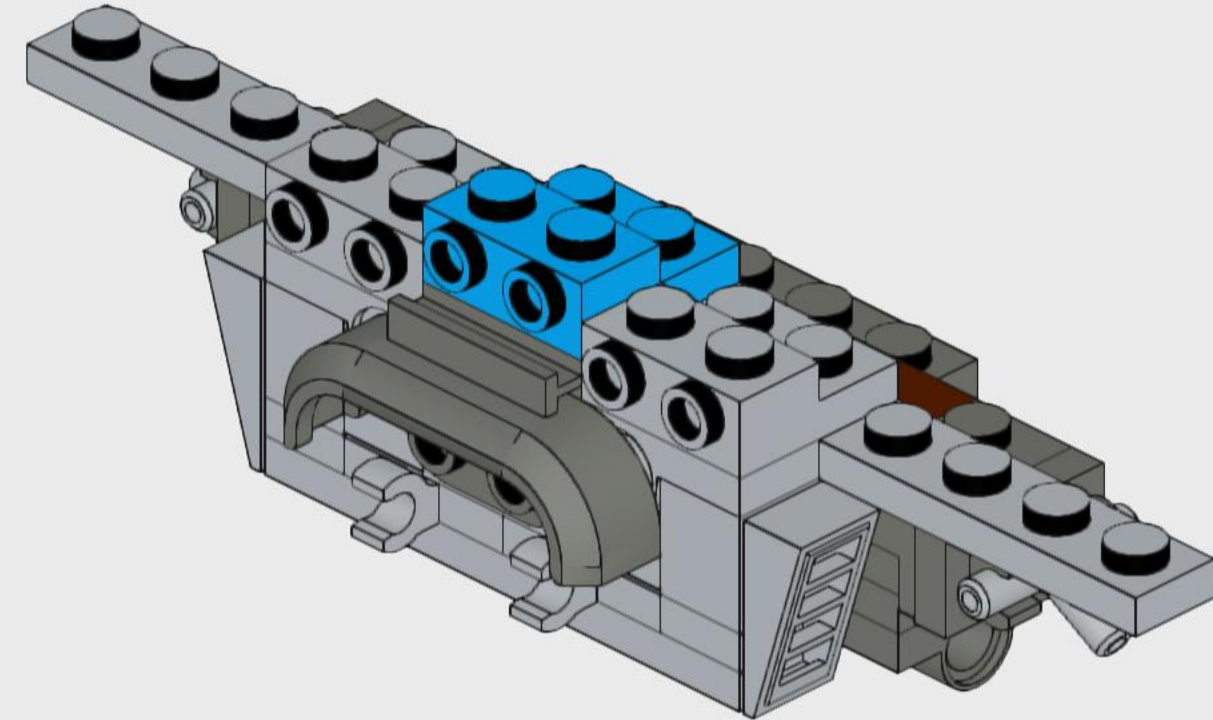
9



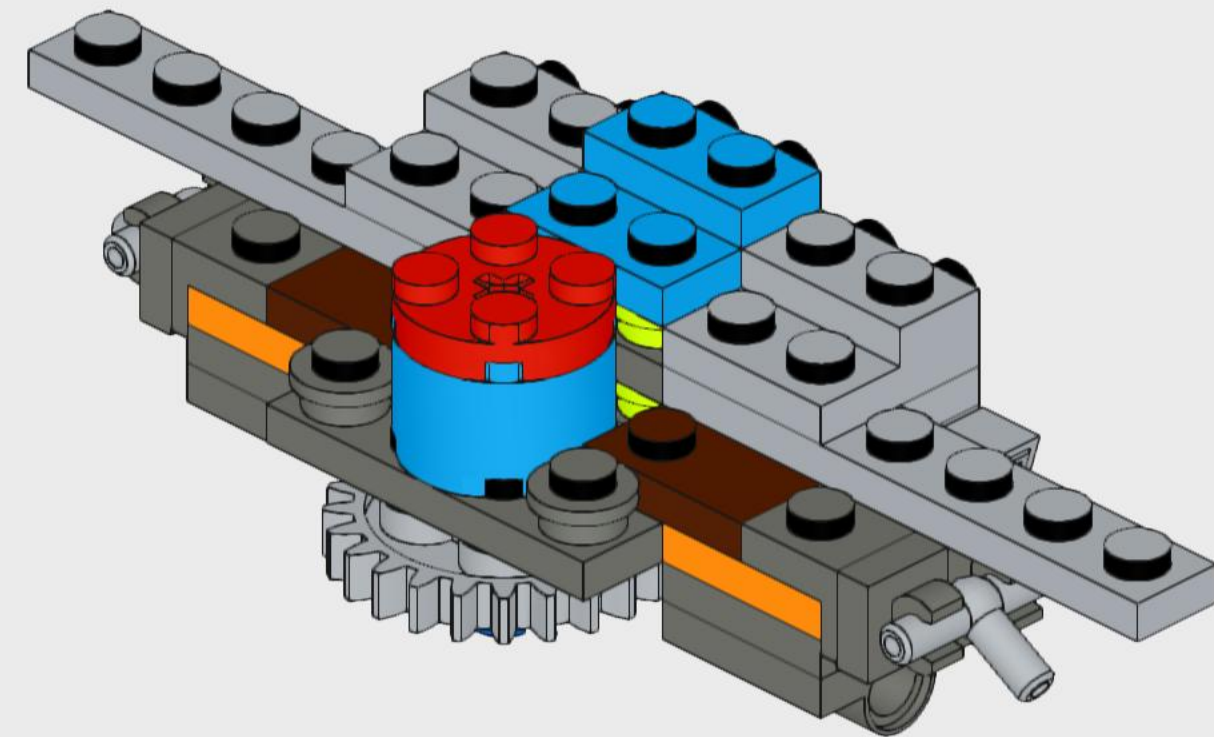
10

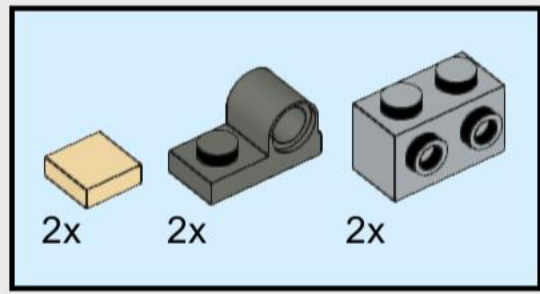


11

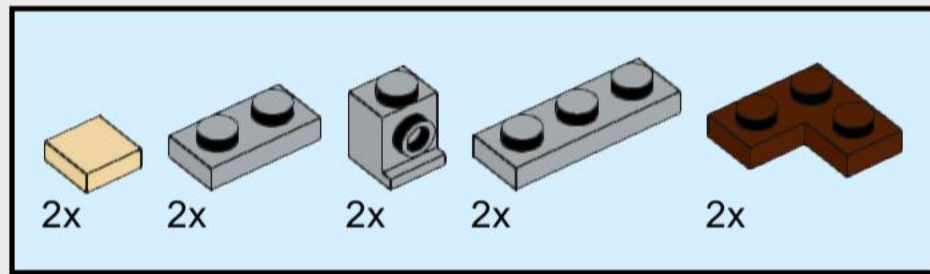
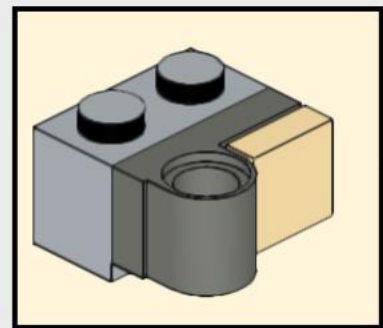
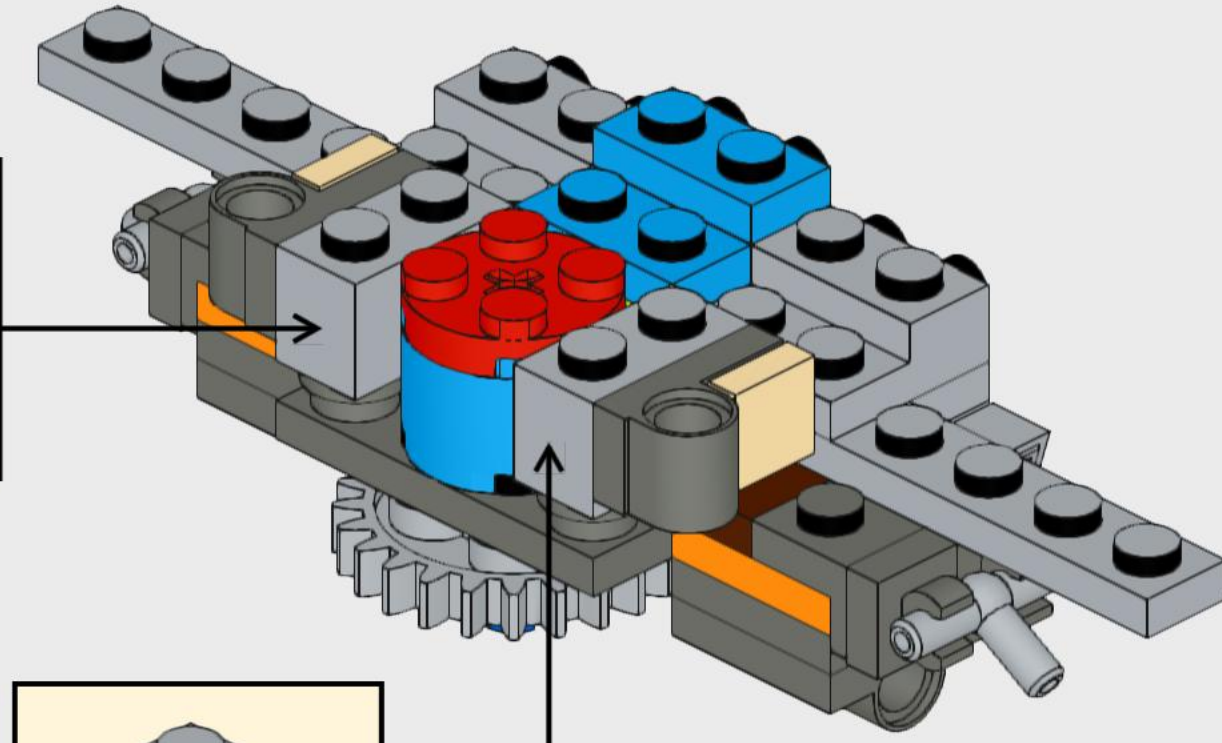
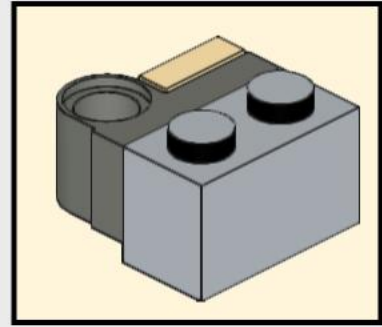


12

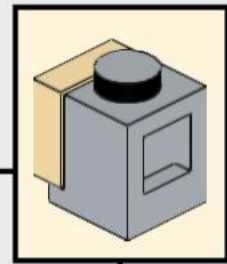




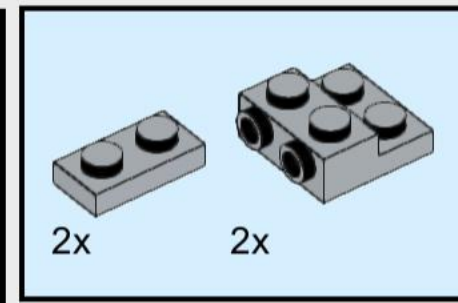
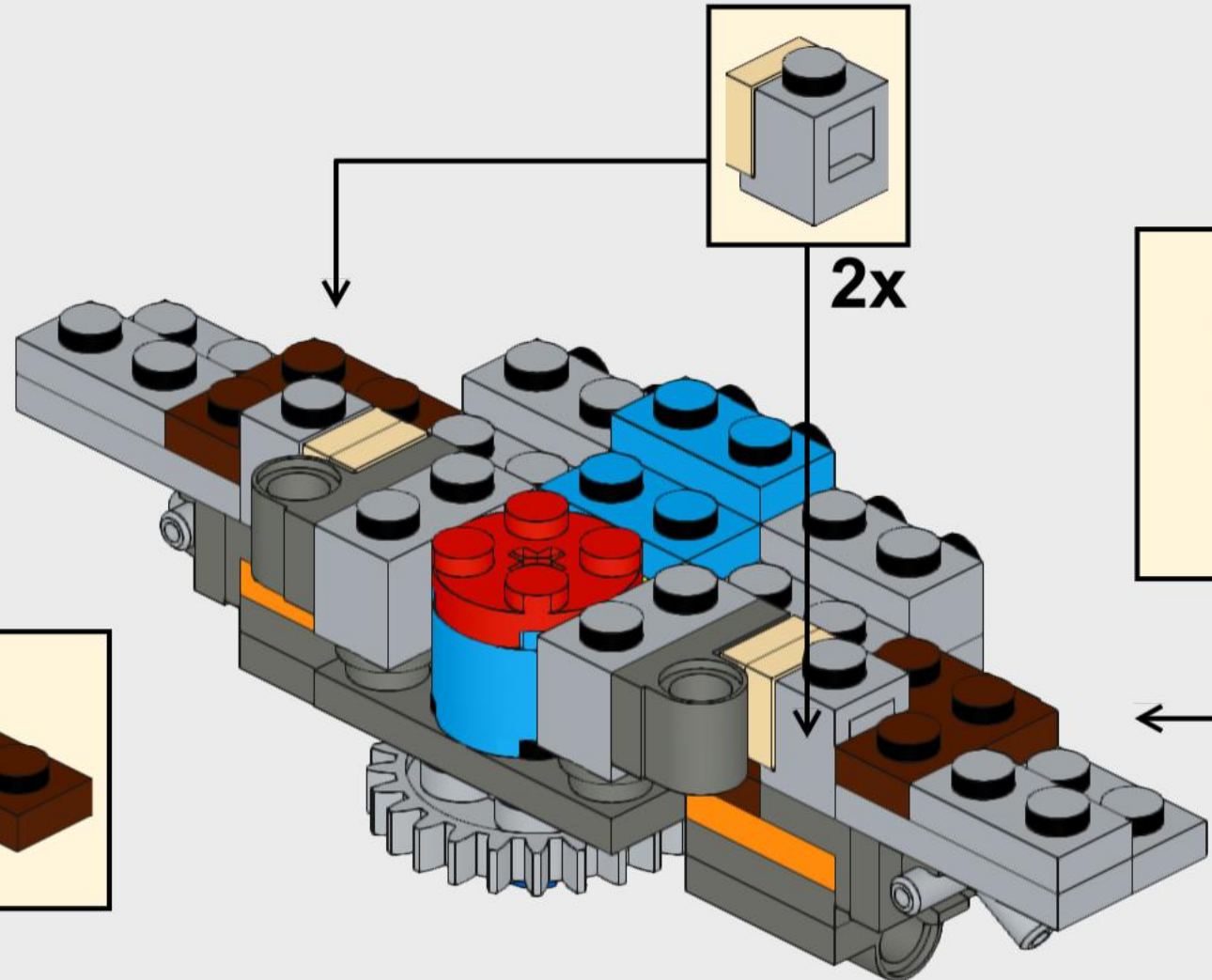
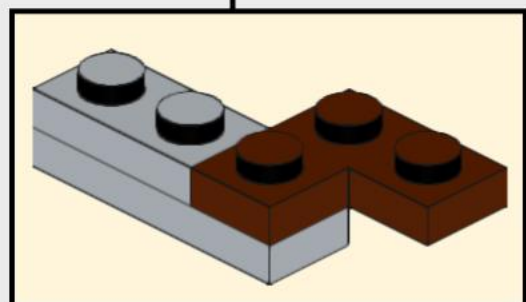
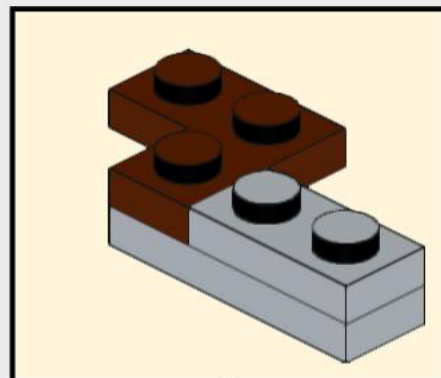
13



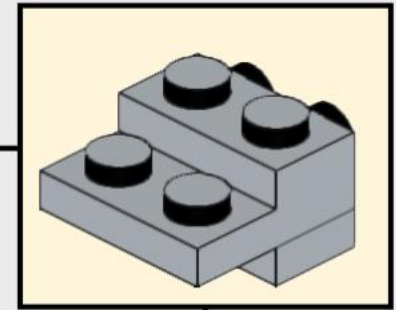
14



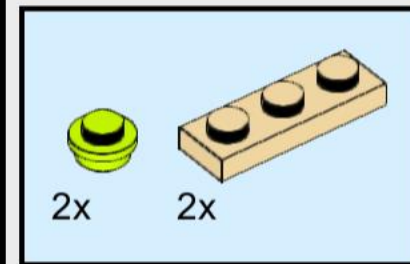
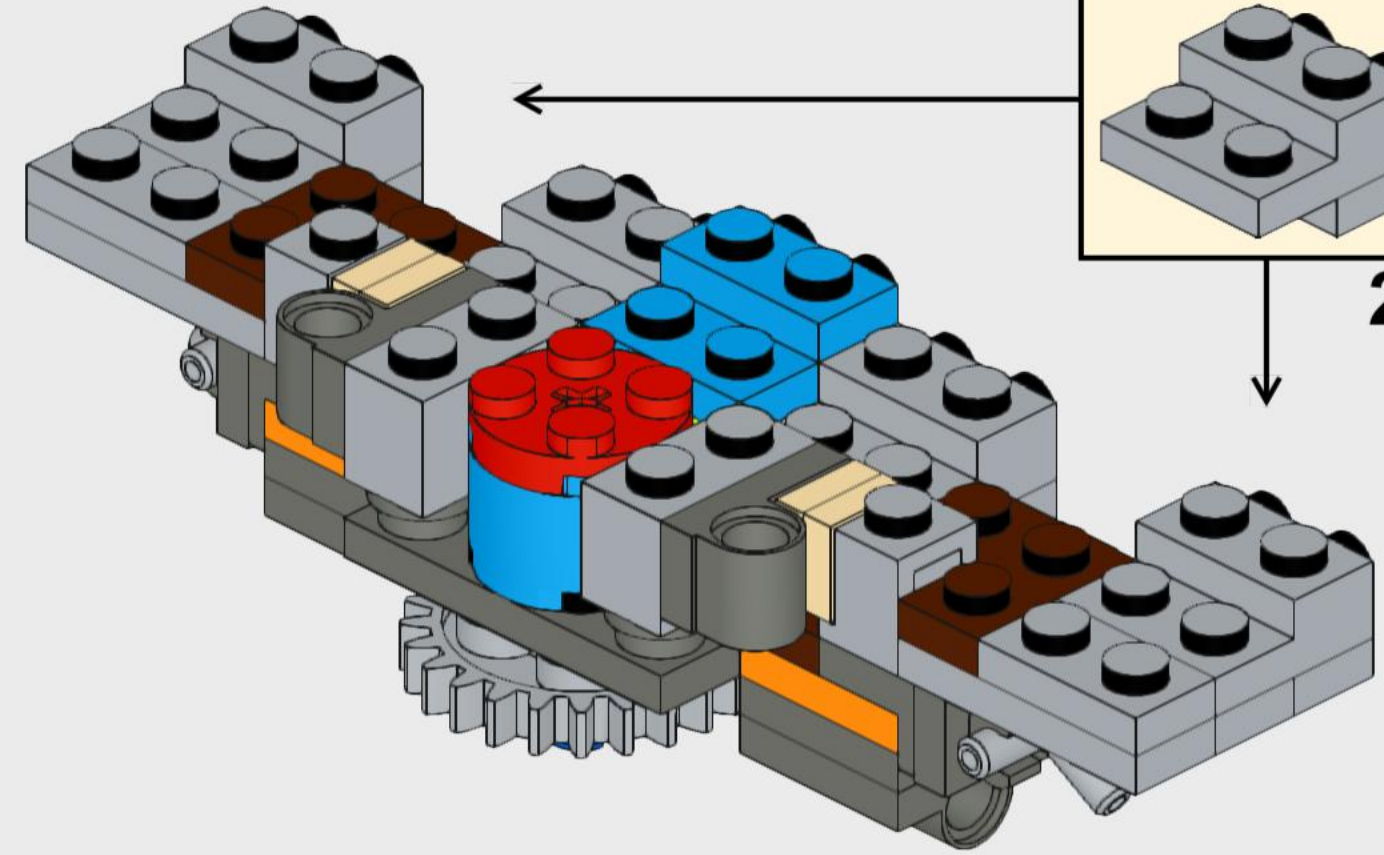
2x



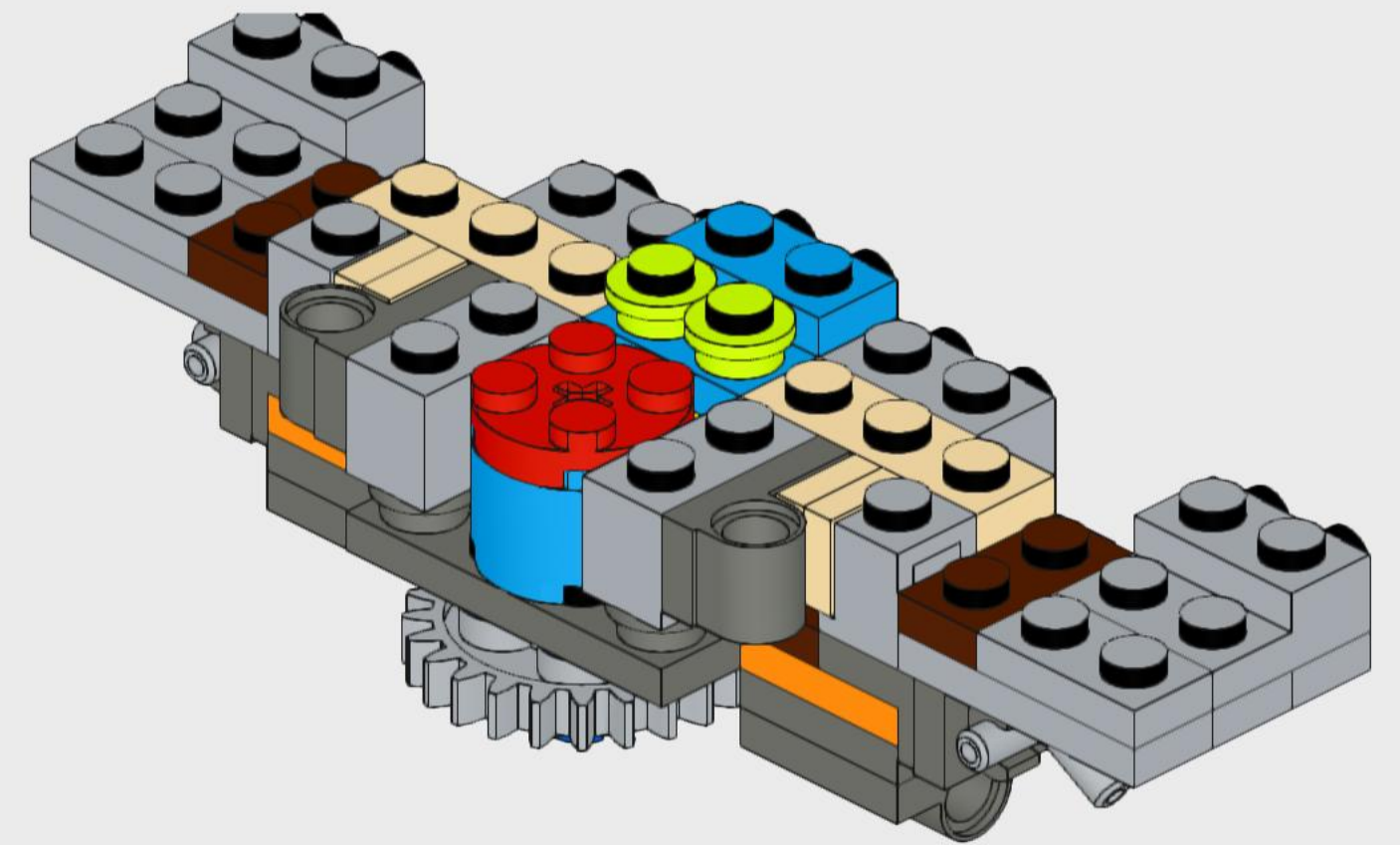
15

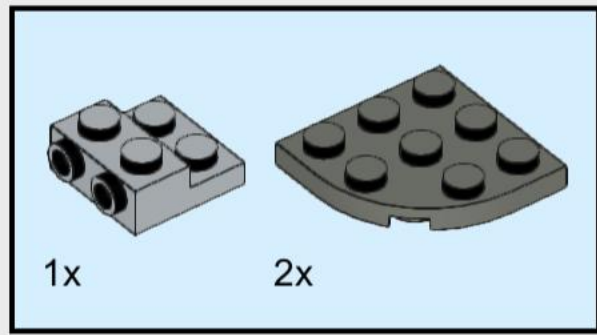


2x

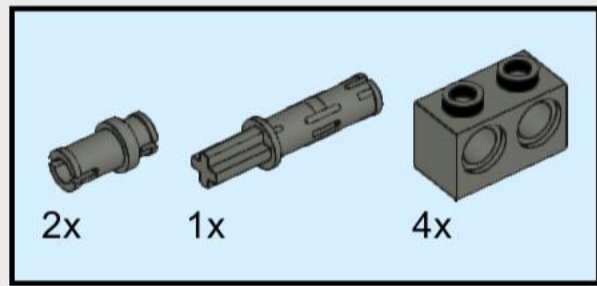
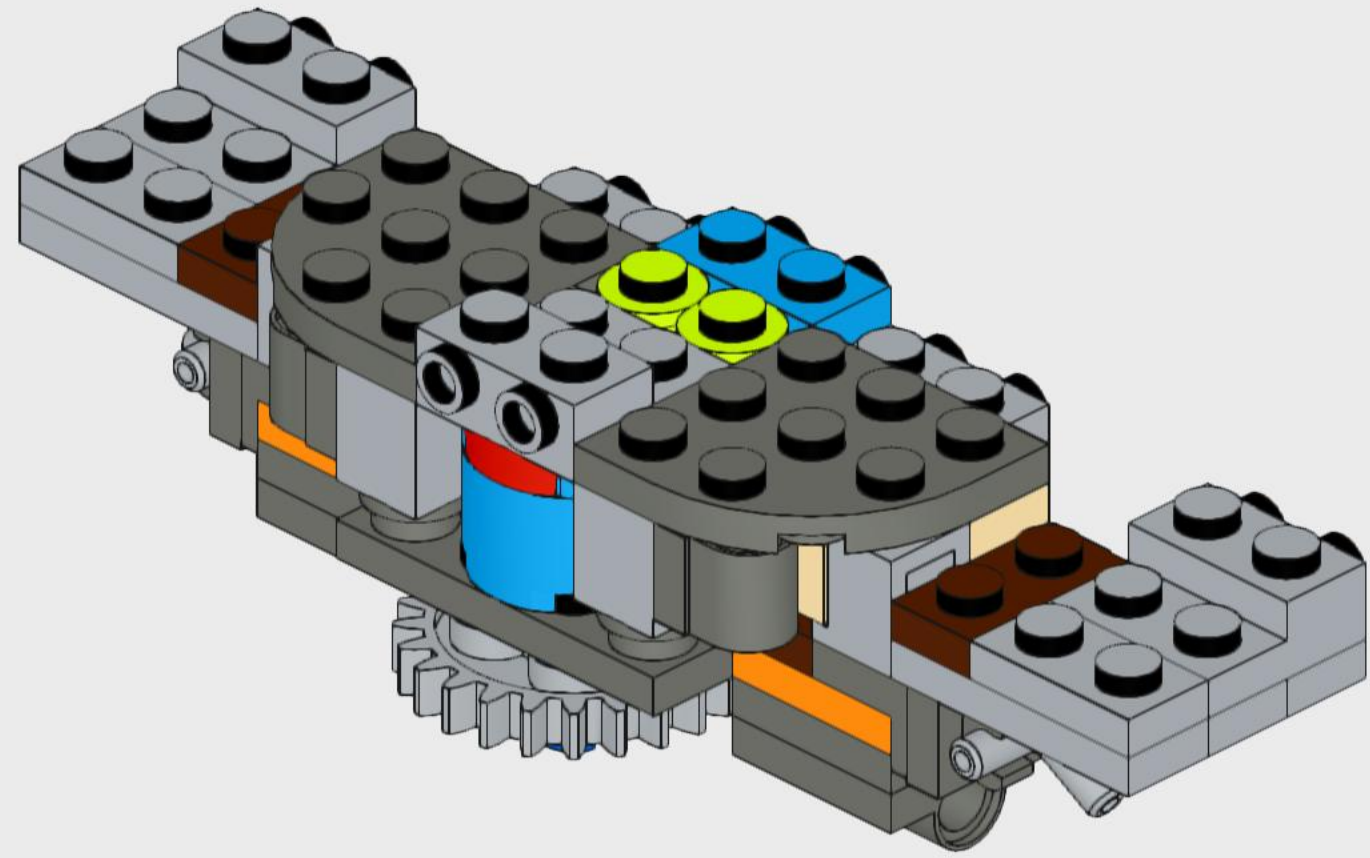


16

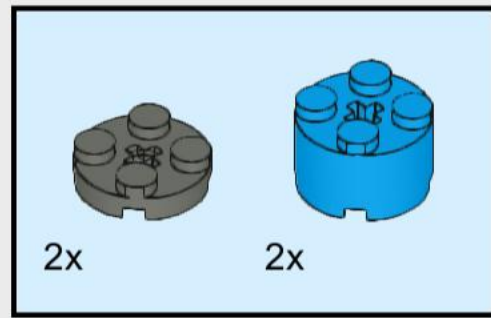
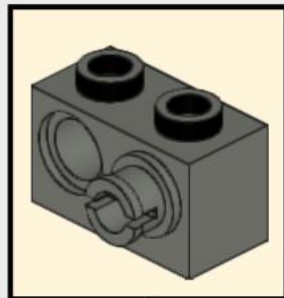
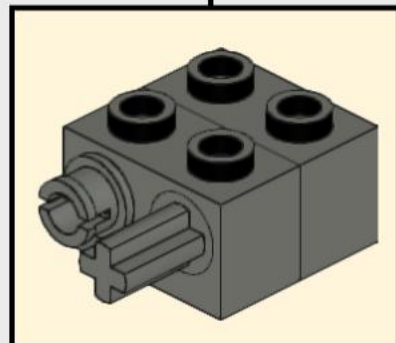
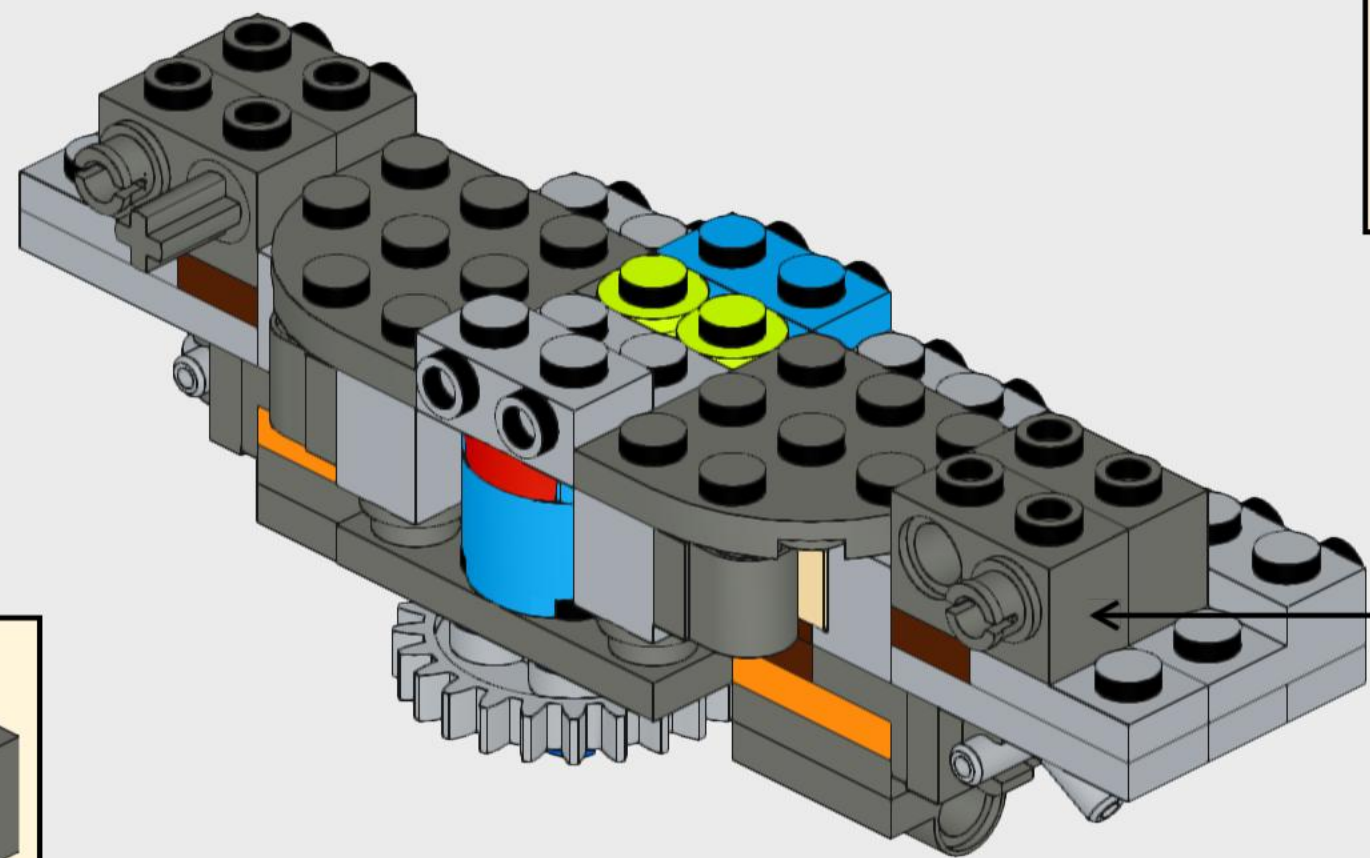




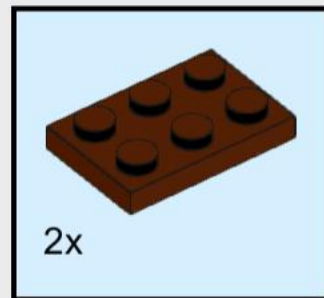
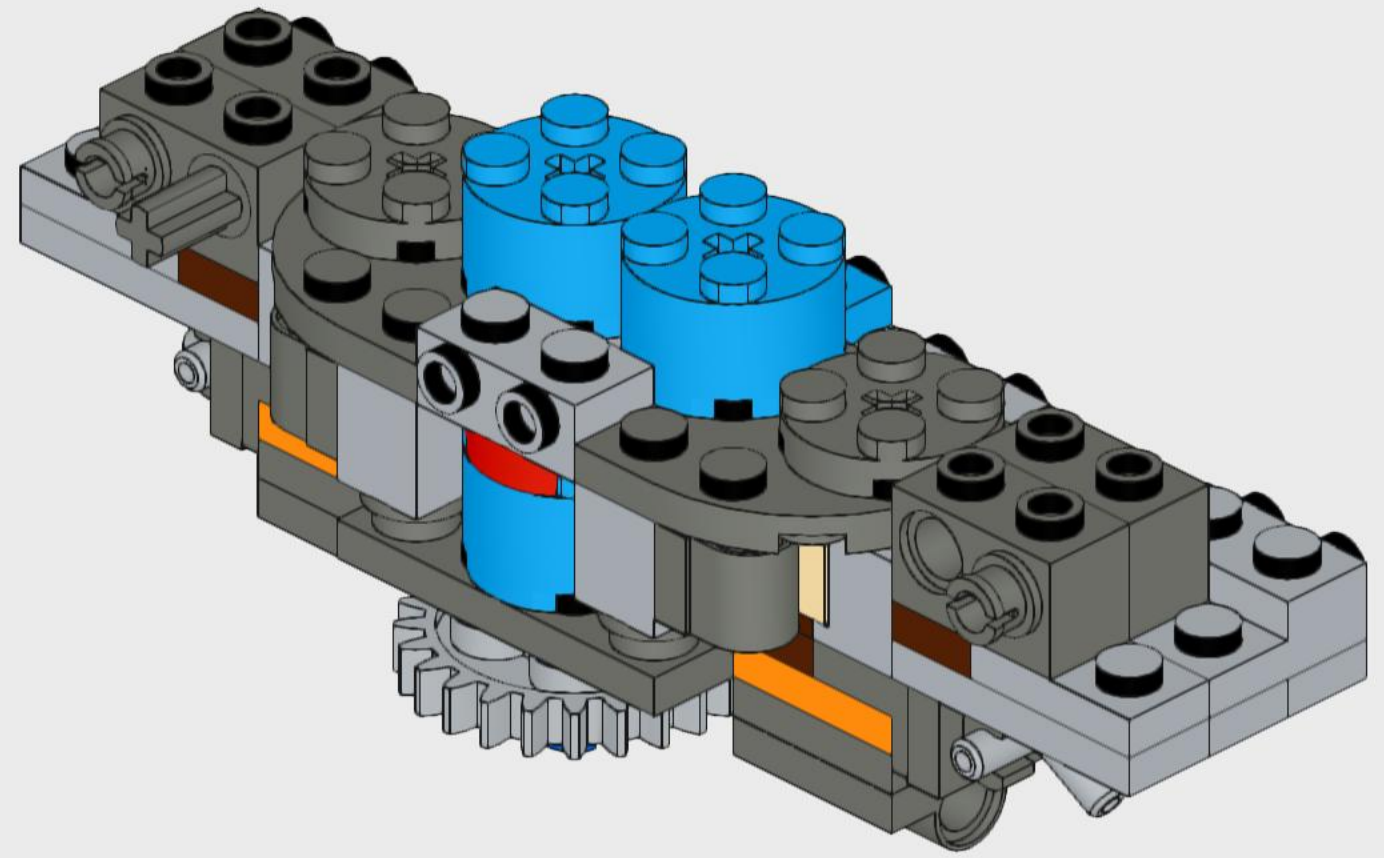
17



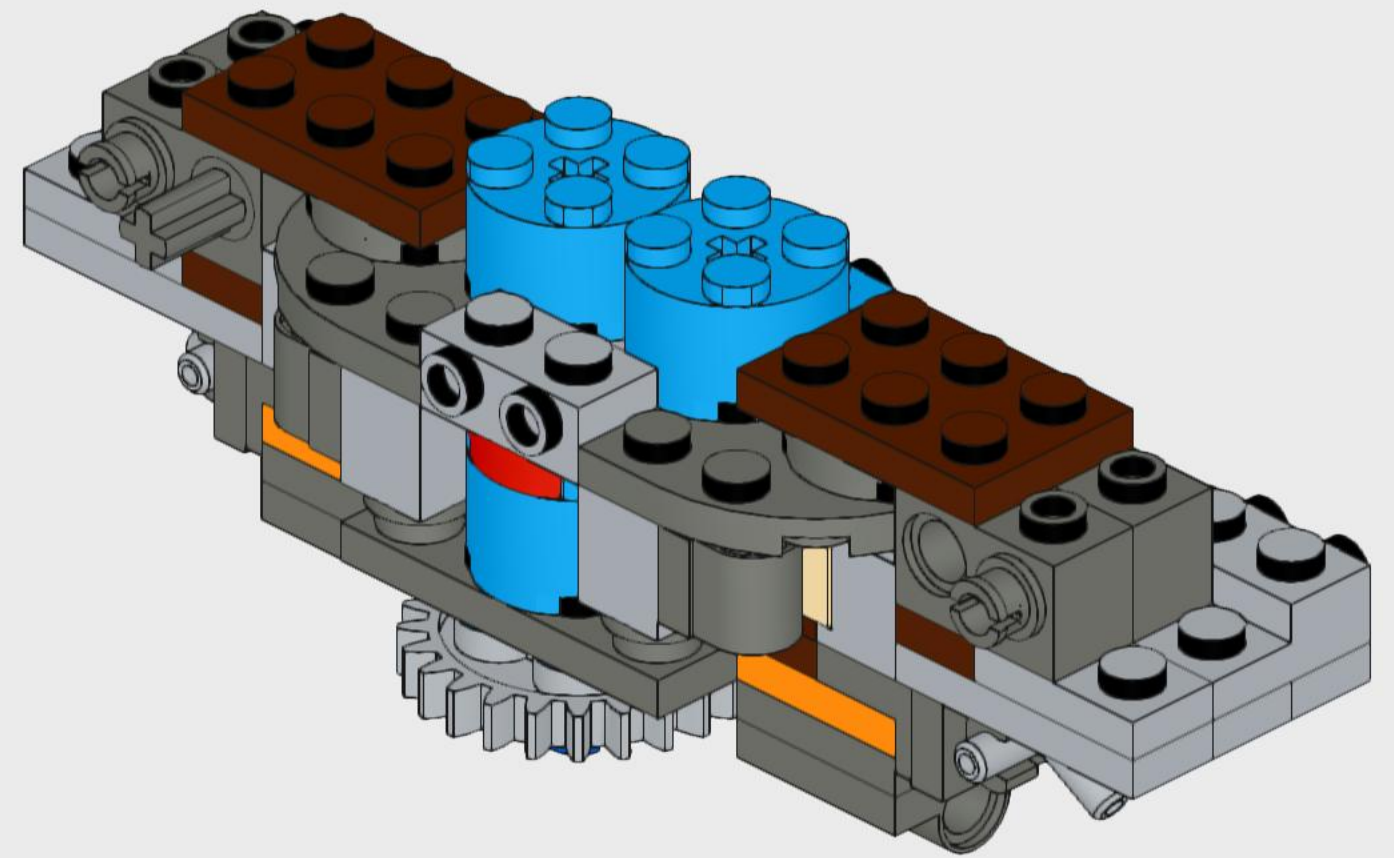
18

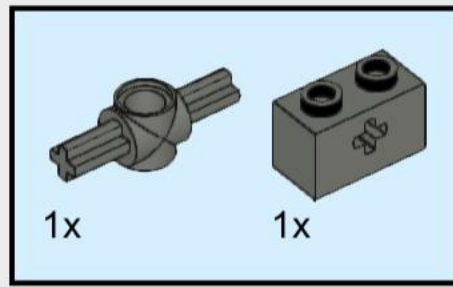


19

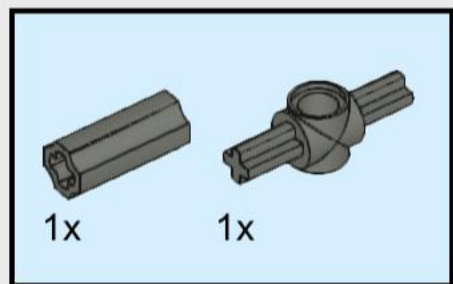
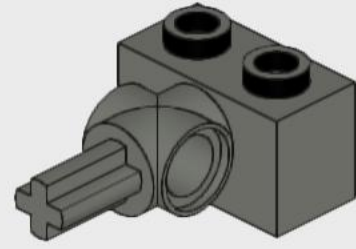


20

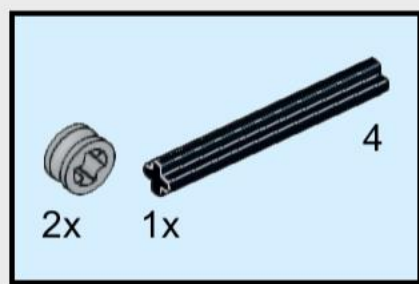
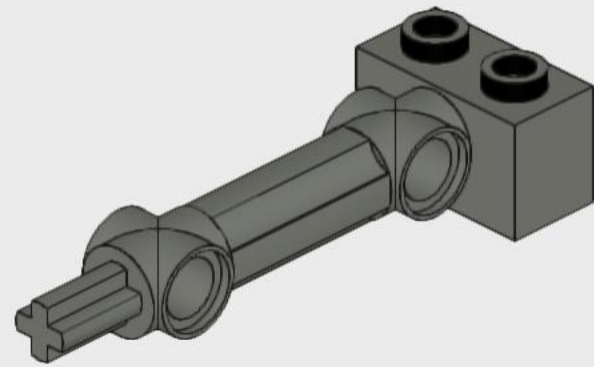




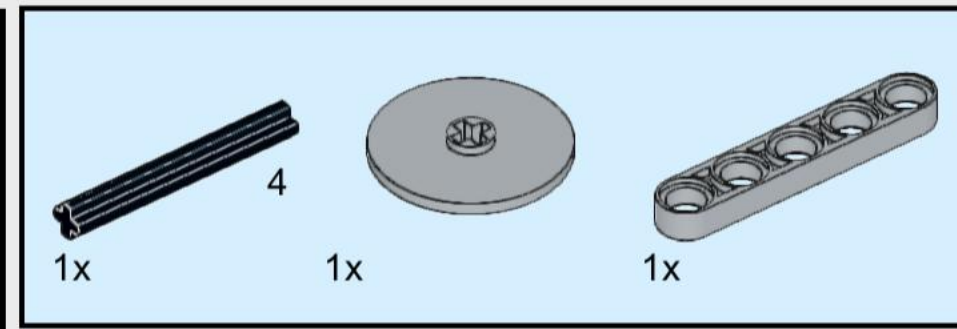
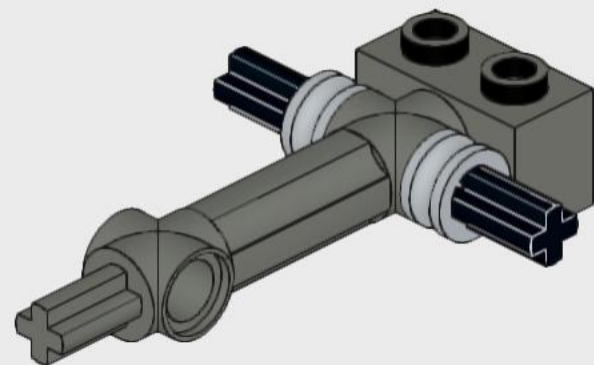
21



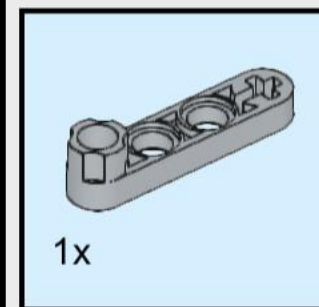
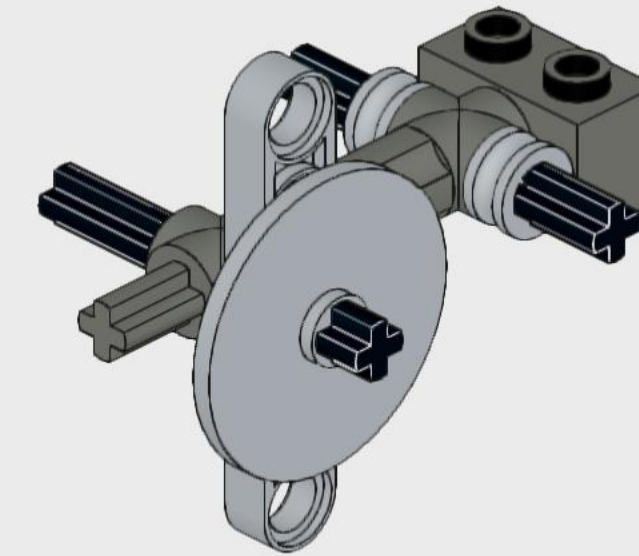
22



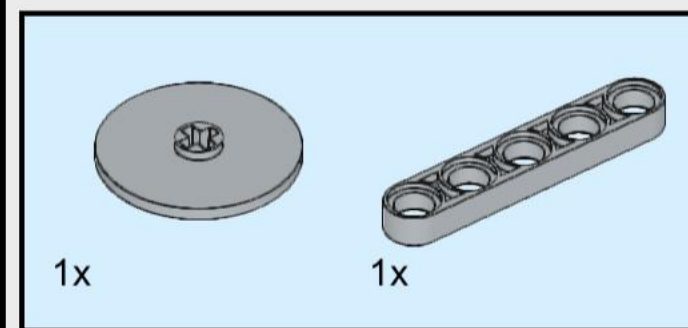
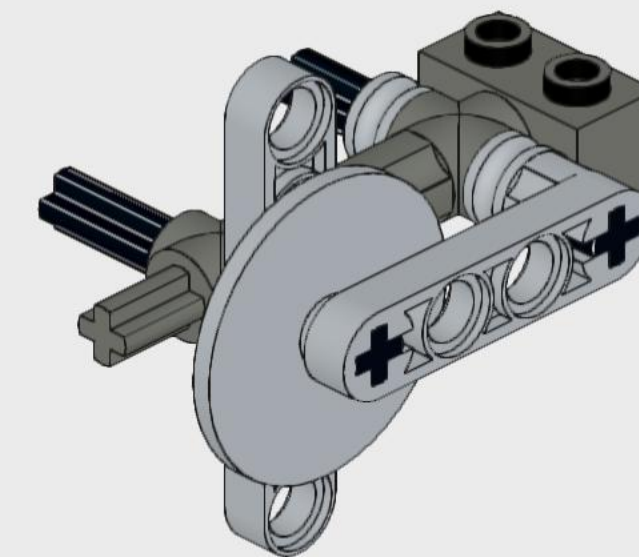
23



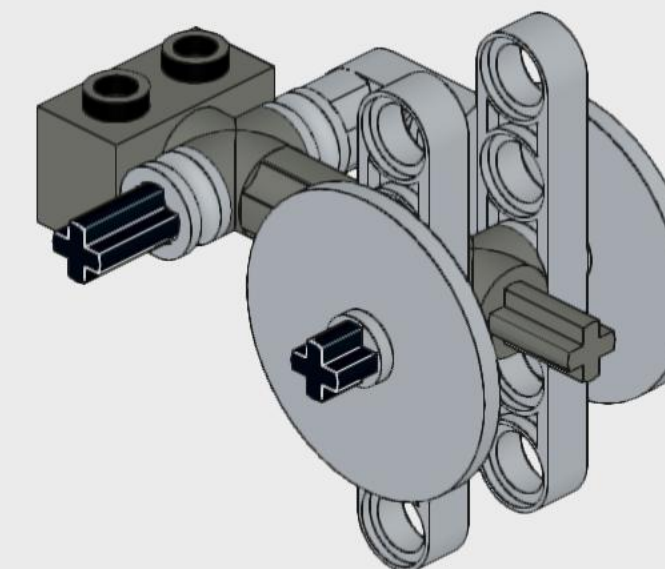
24



25

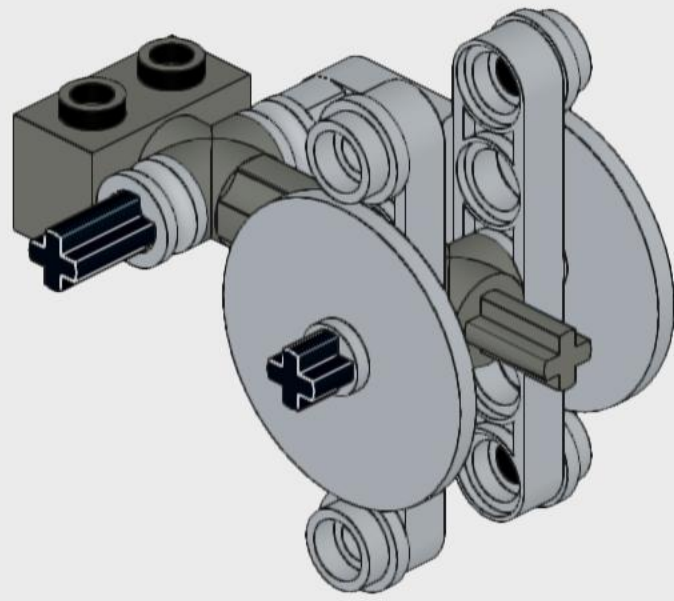


26 

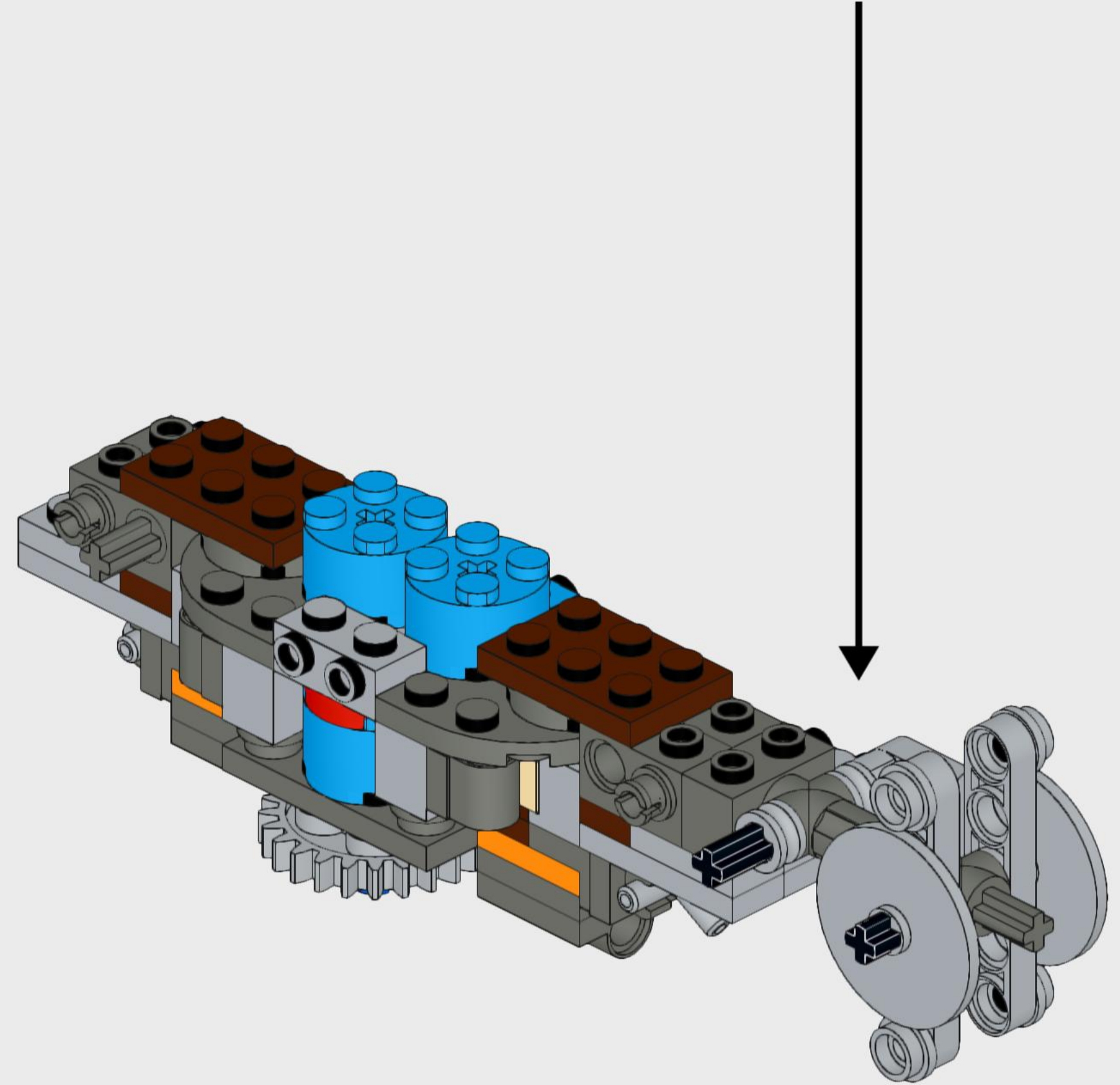


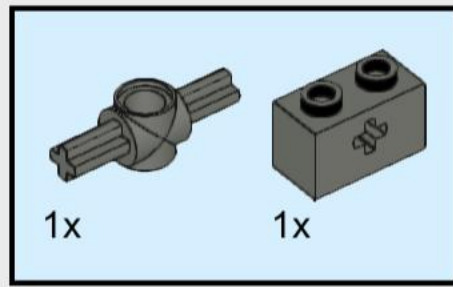


27

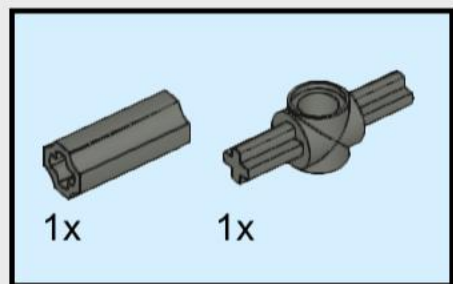
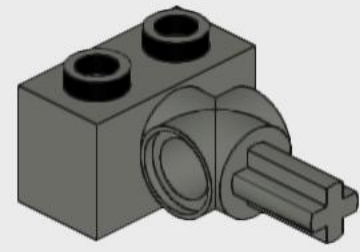


28

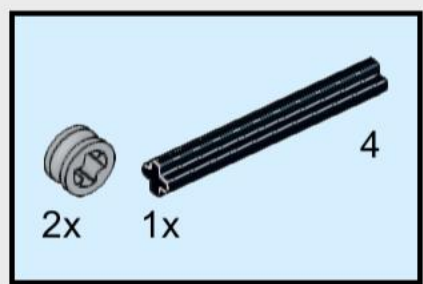
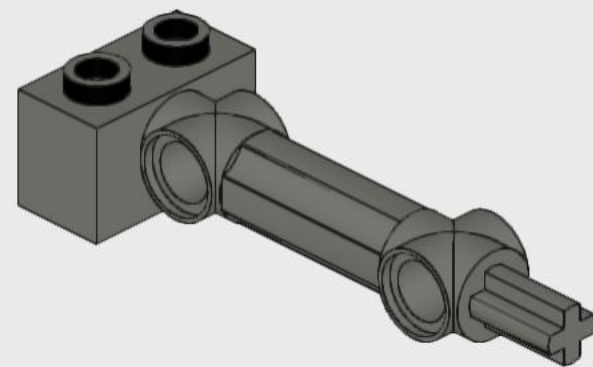




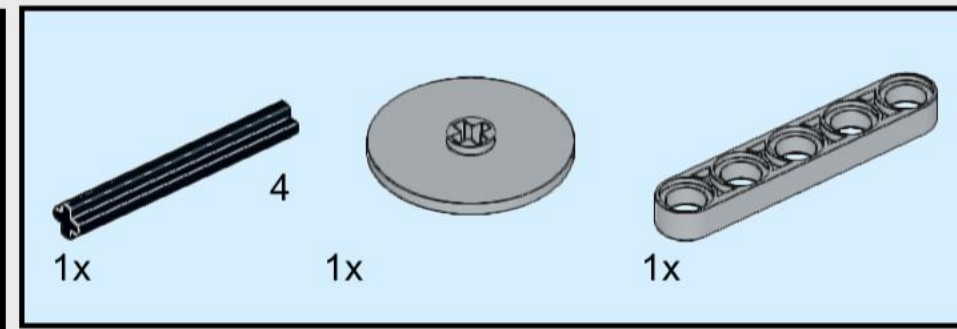
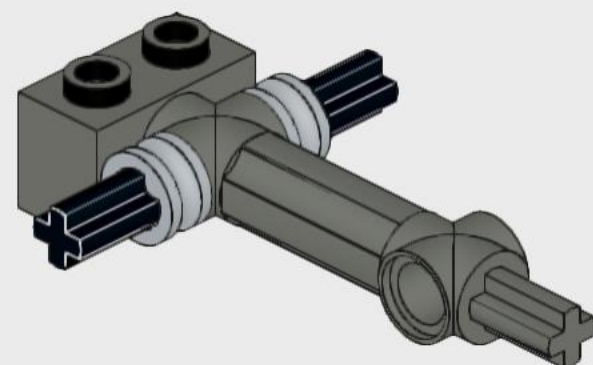
29



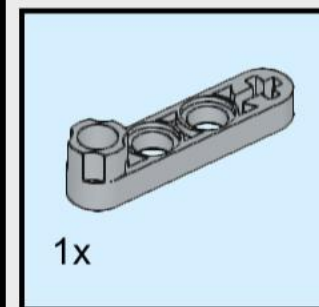
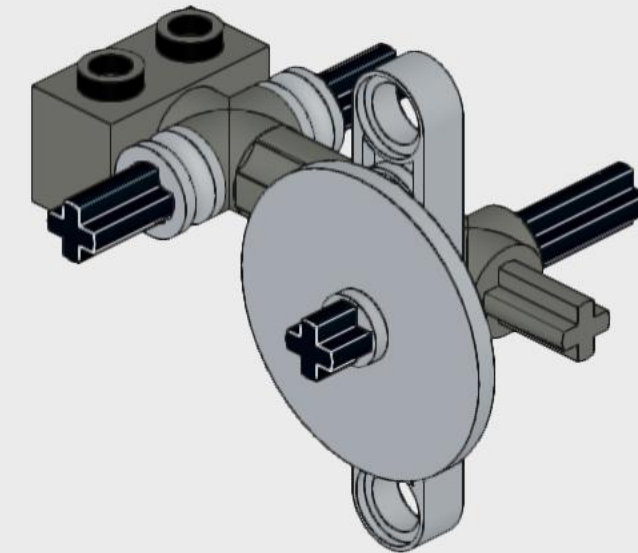
30



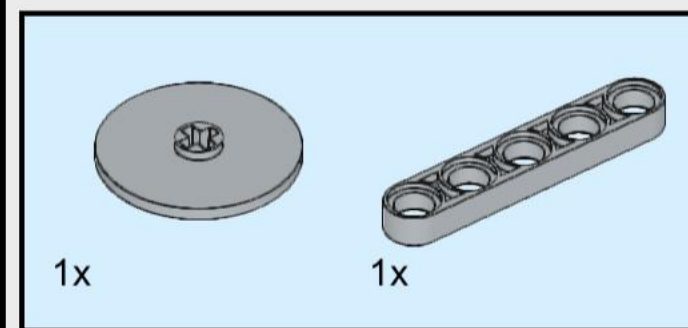
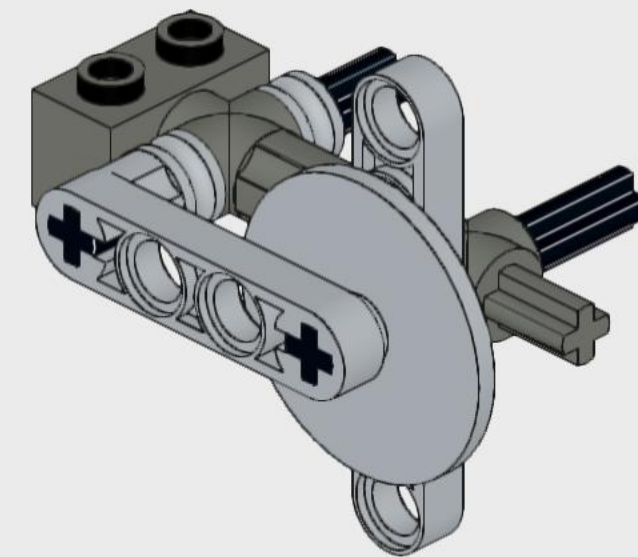
31



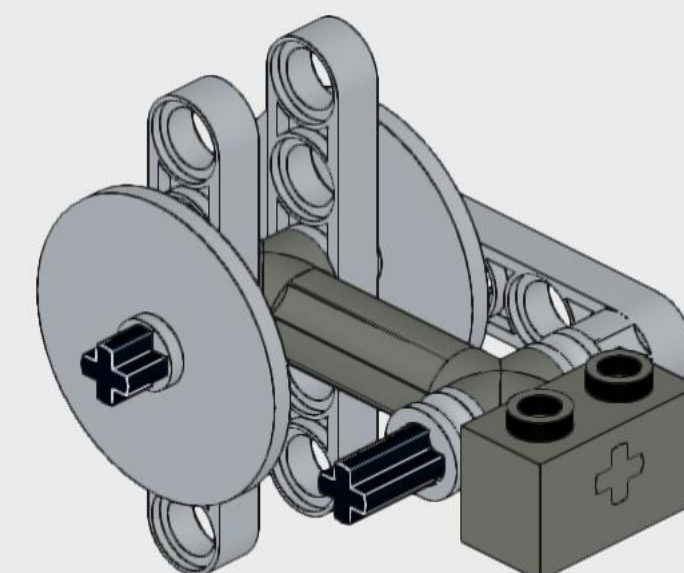
32



33

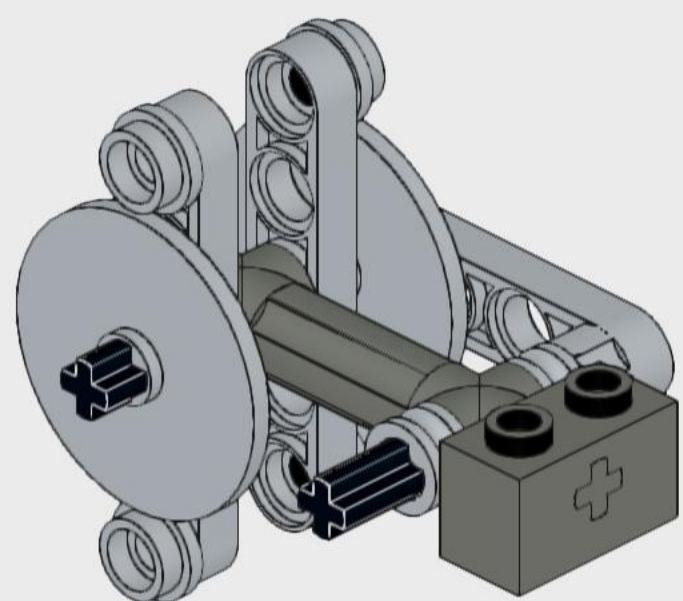


34 

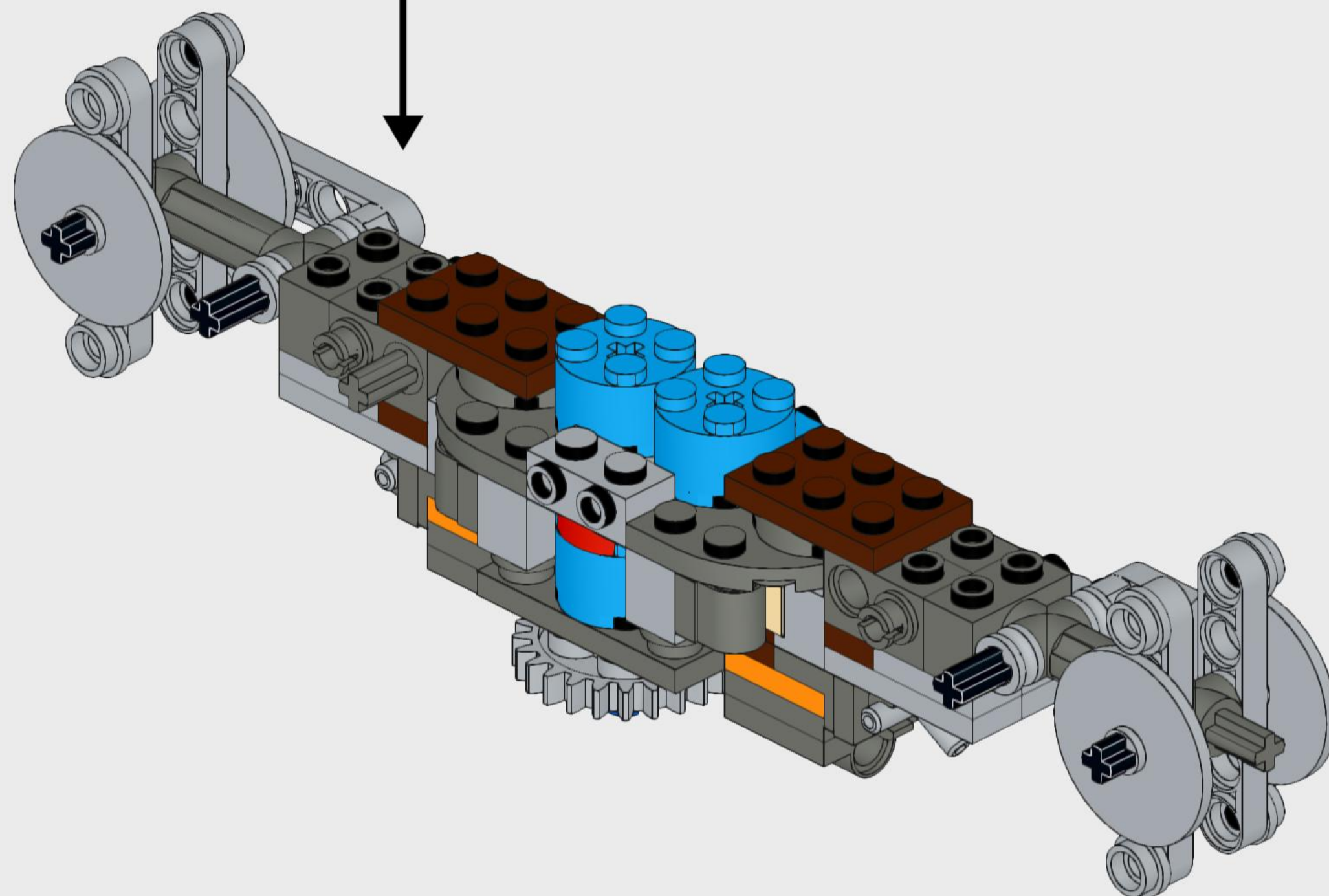


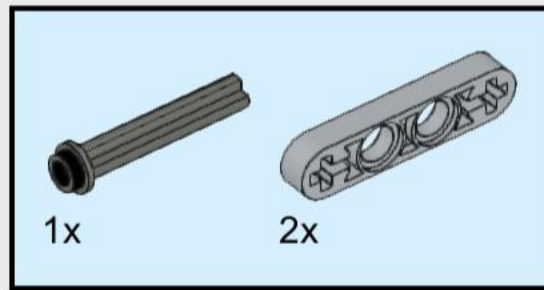


35

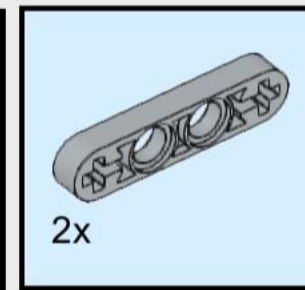
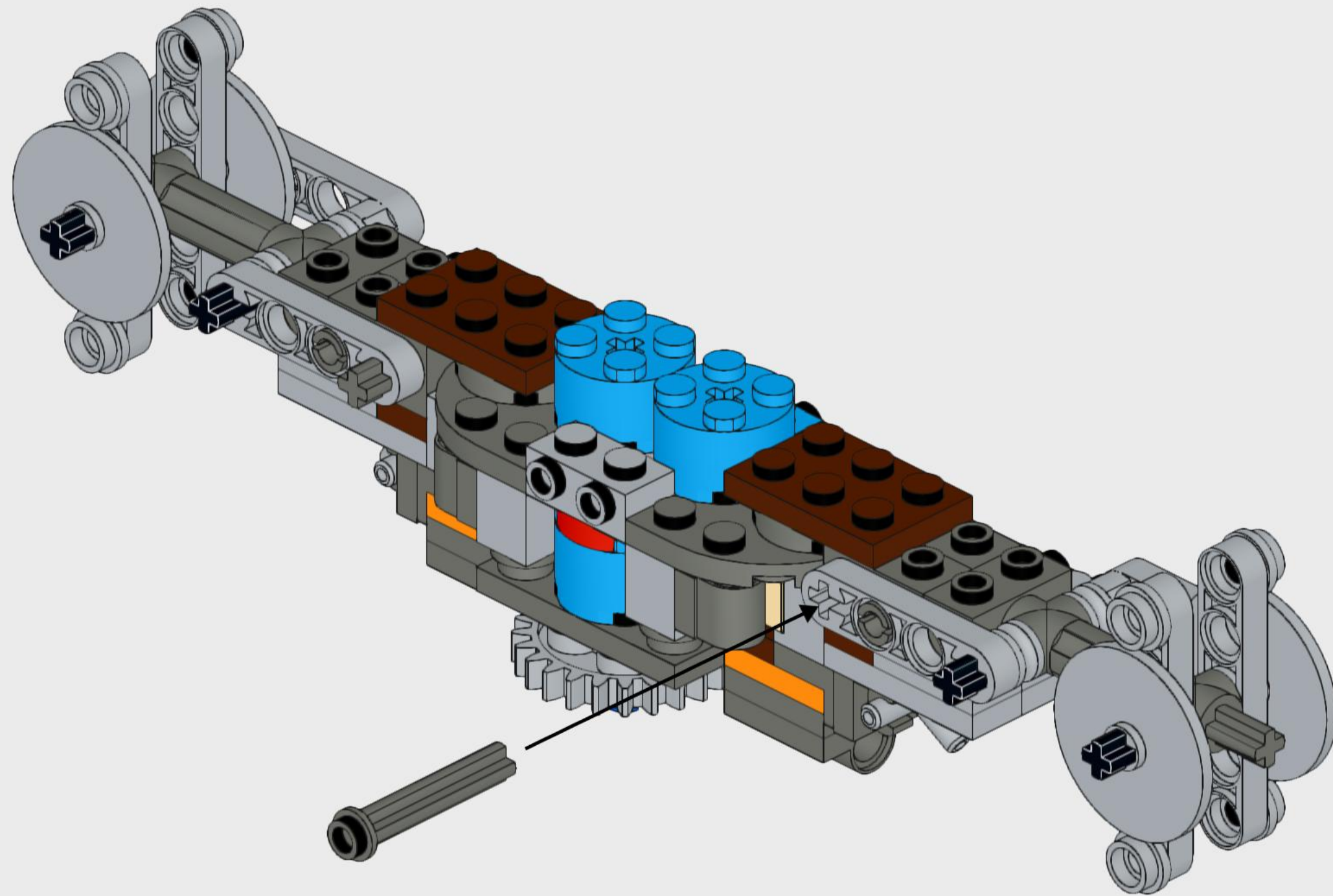


36

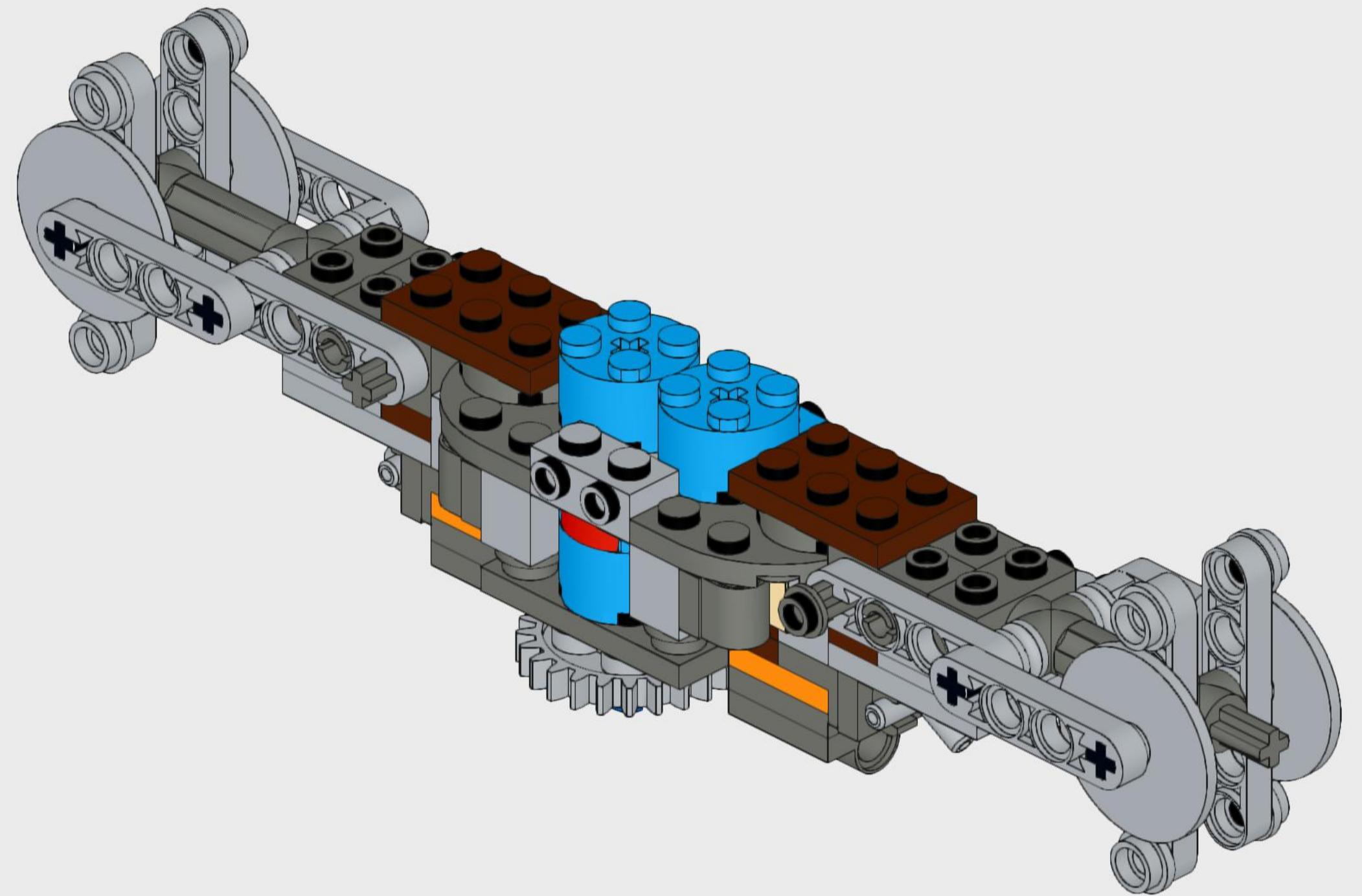


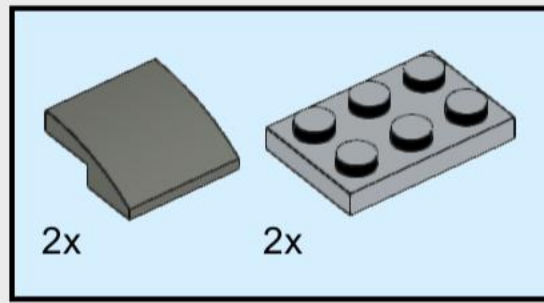


37

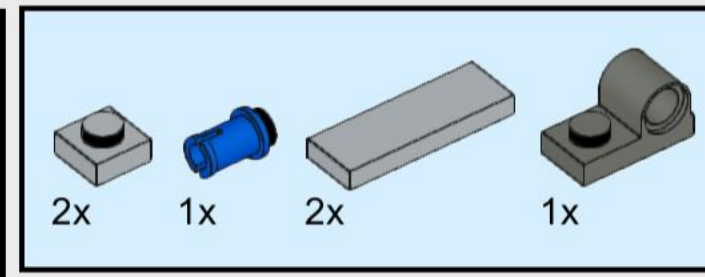
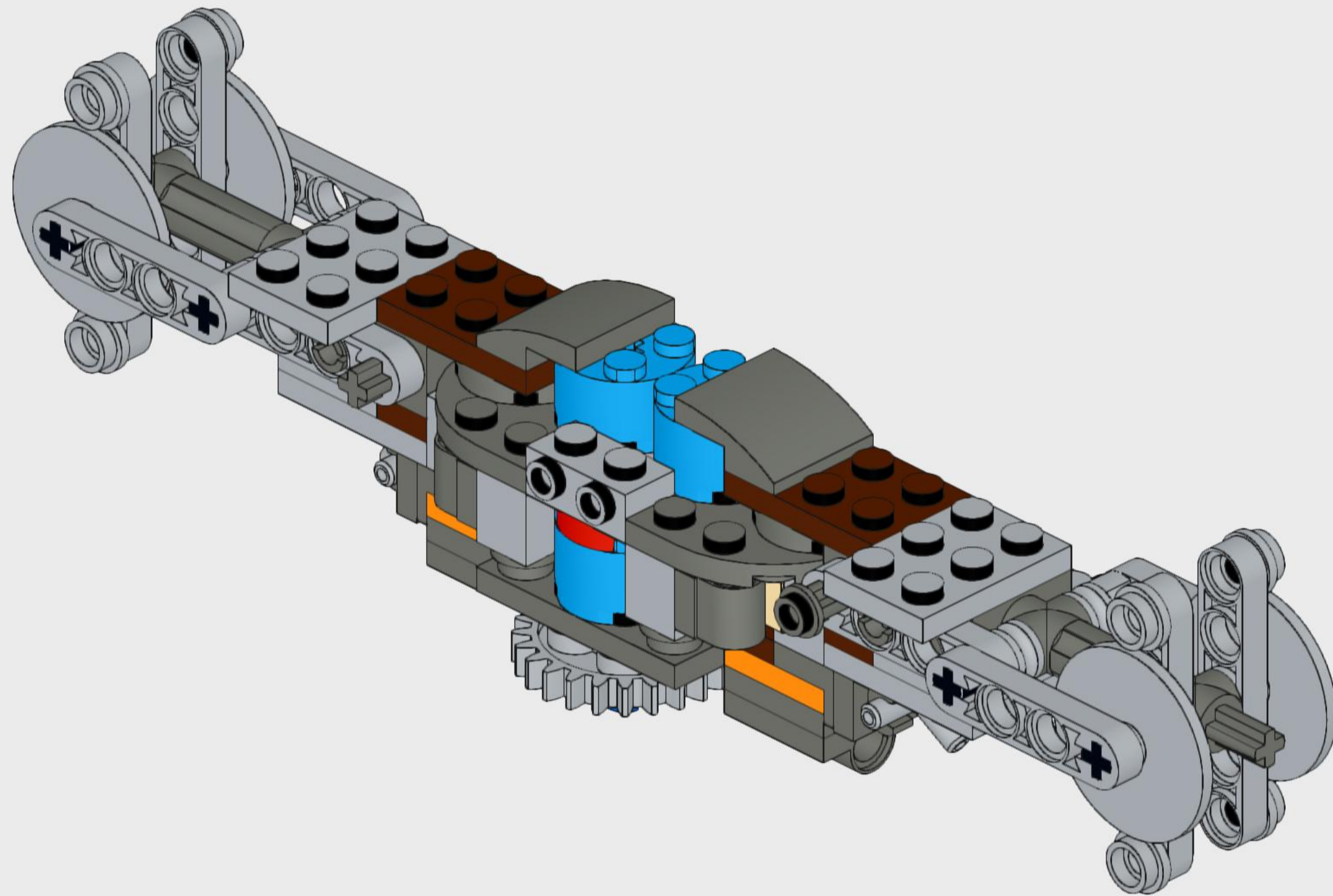


38

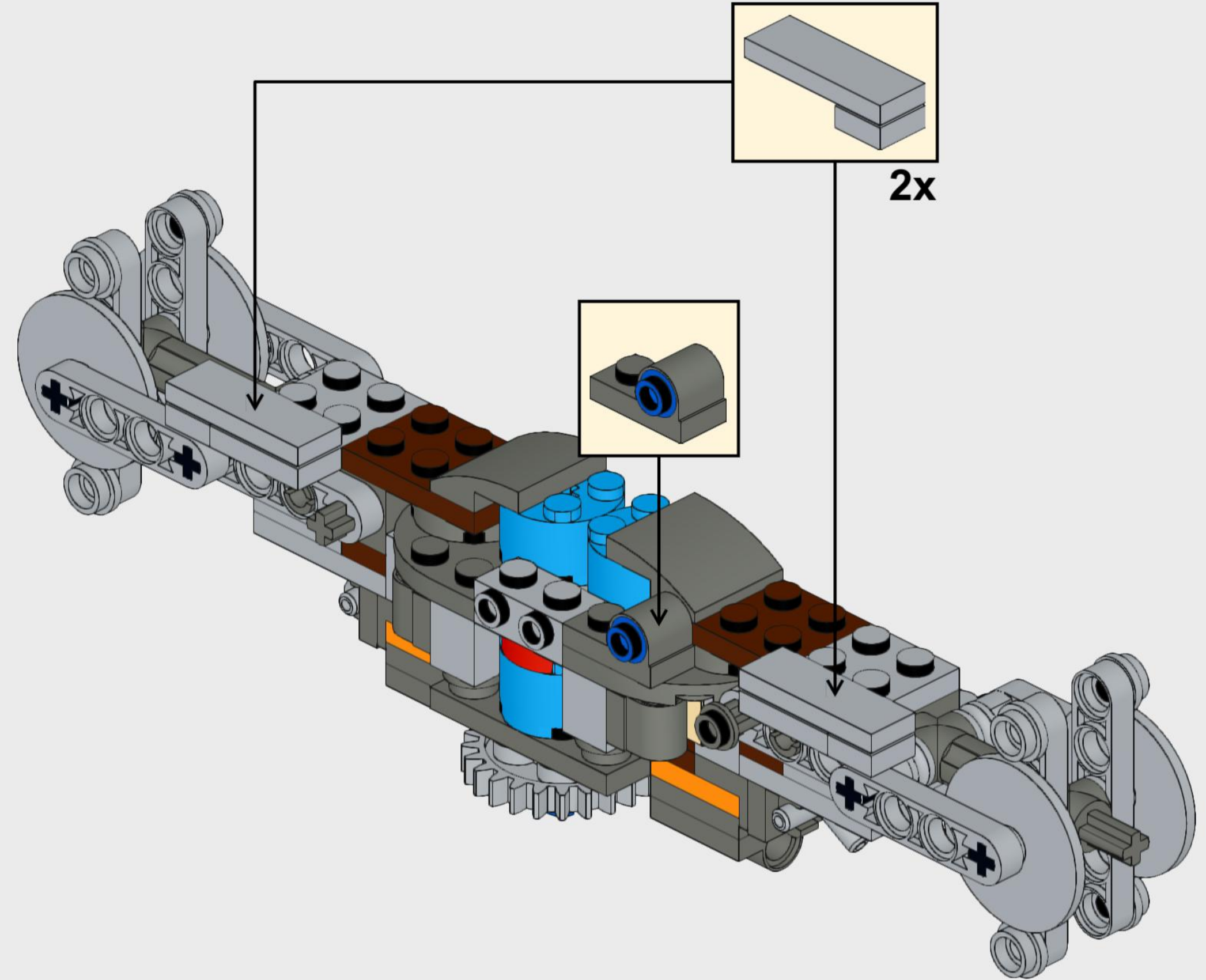


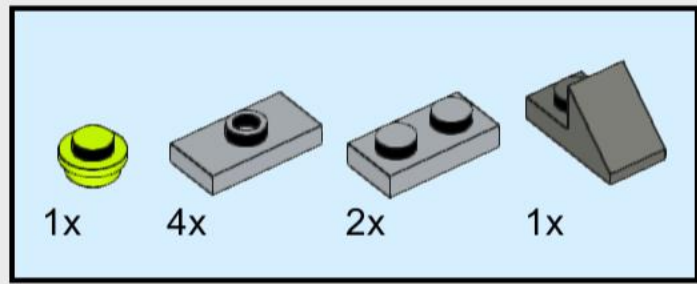


39

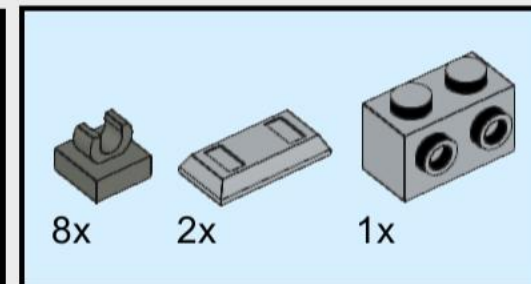
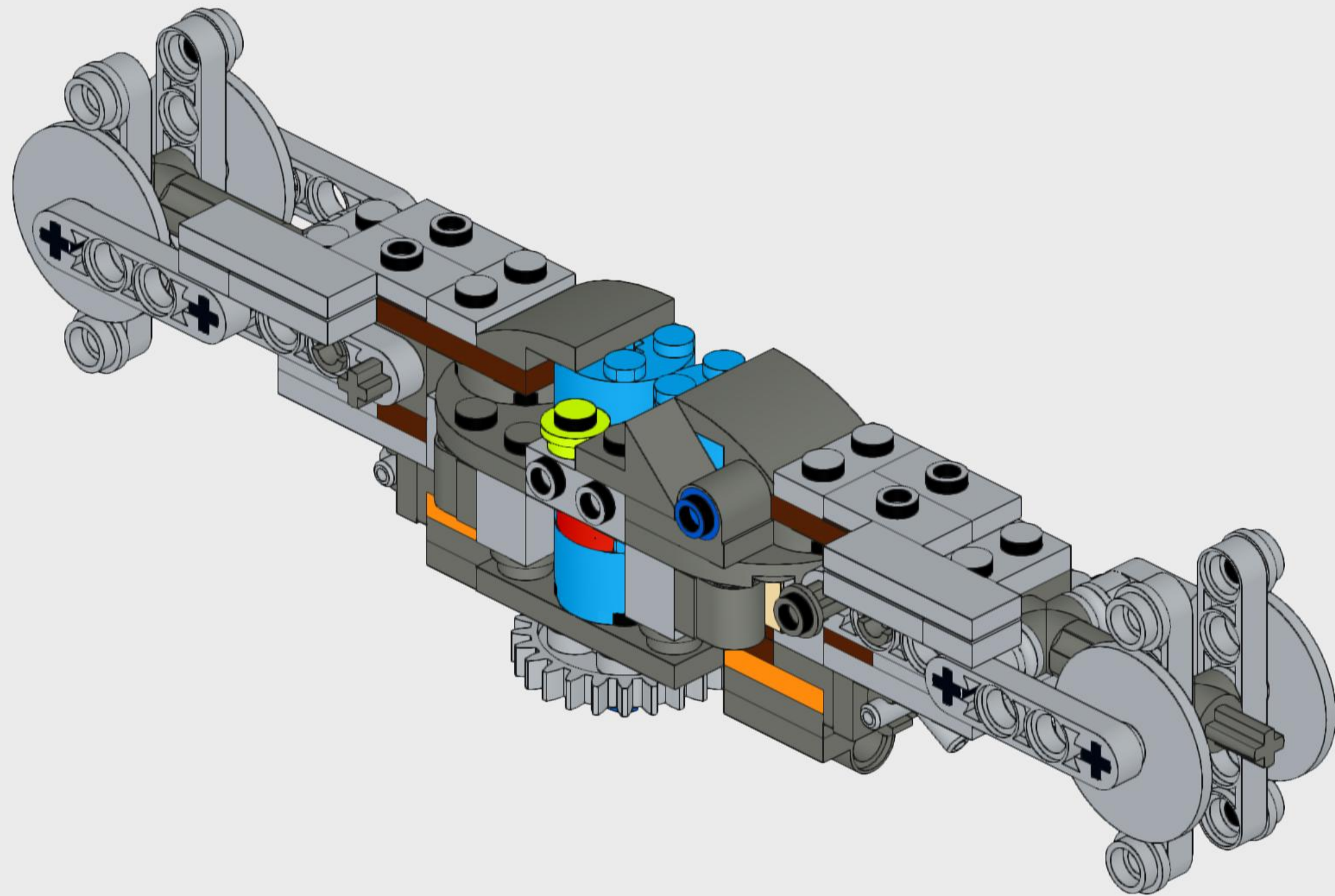


40

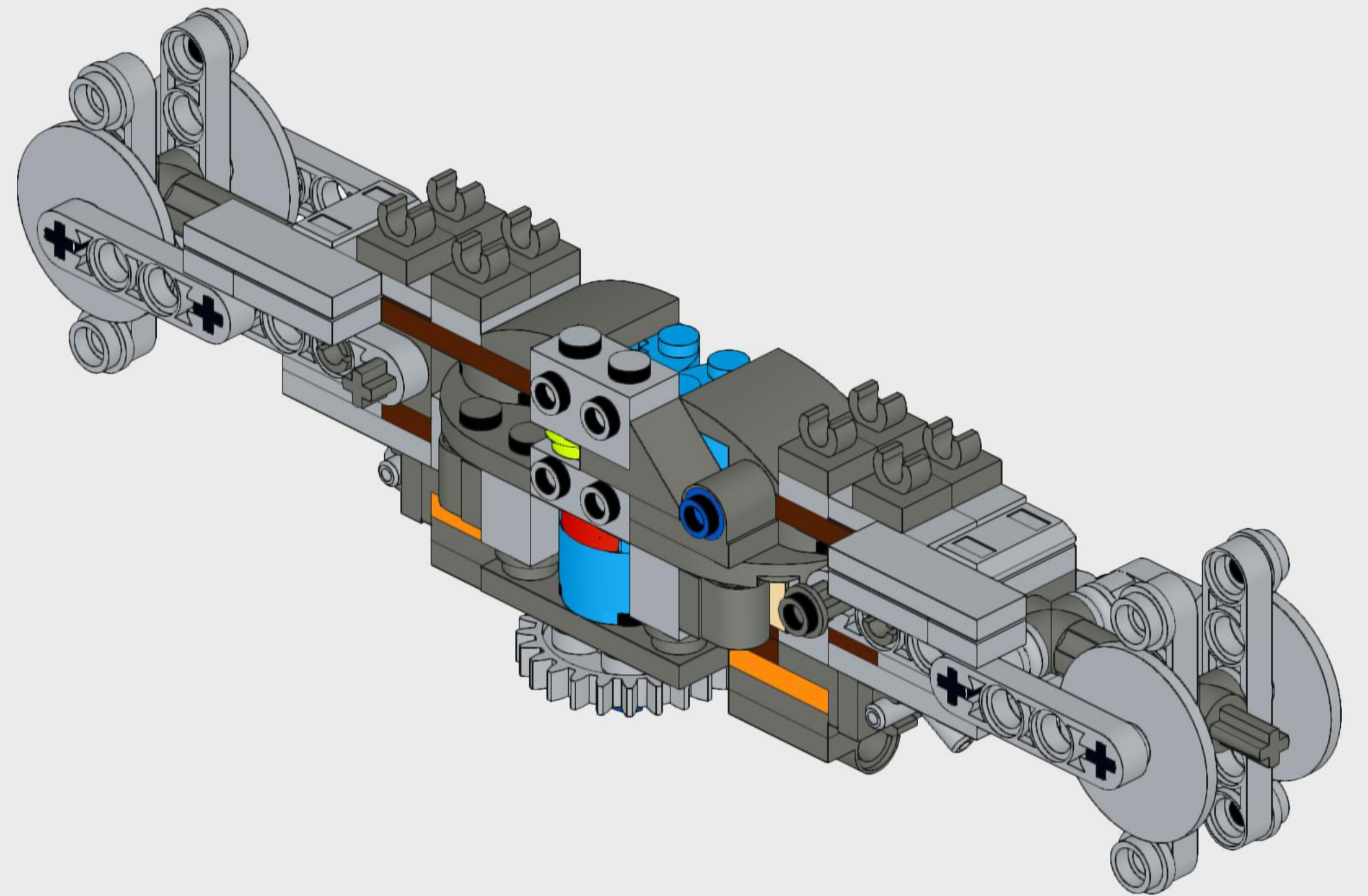


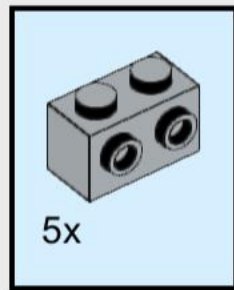


41

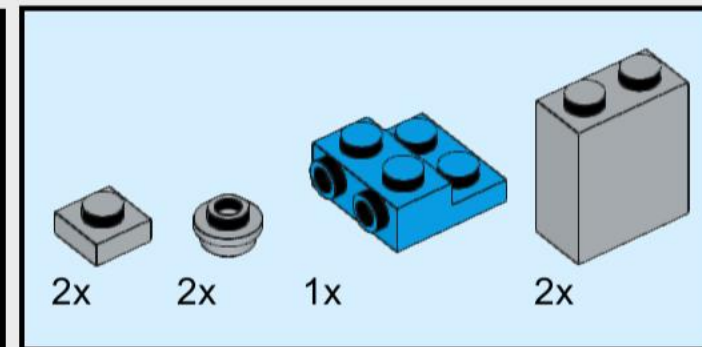
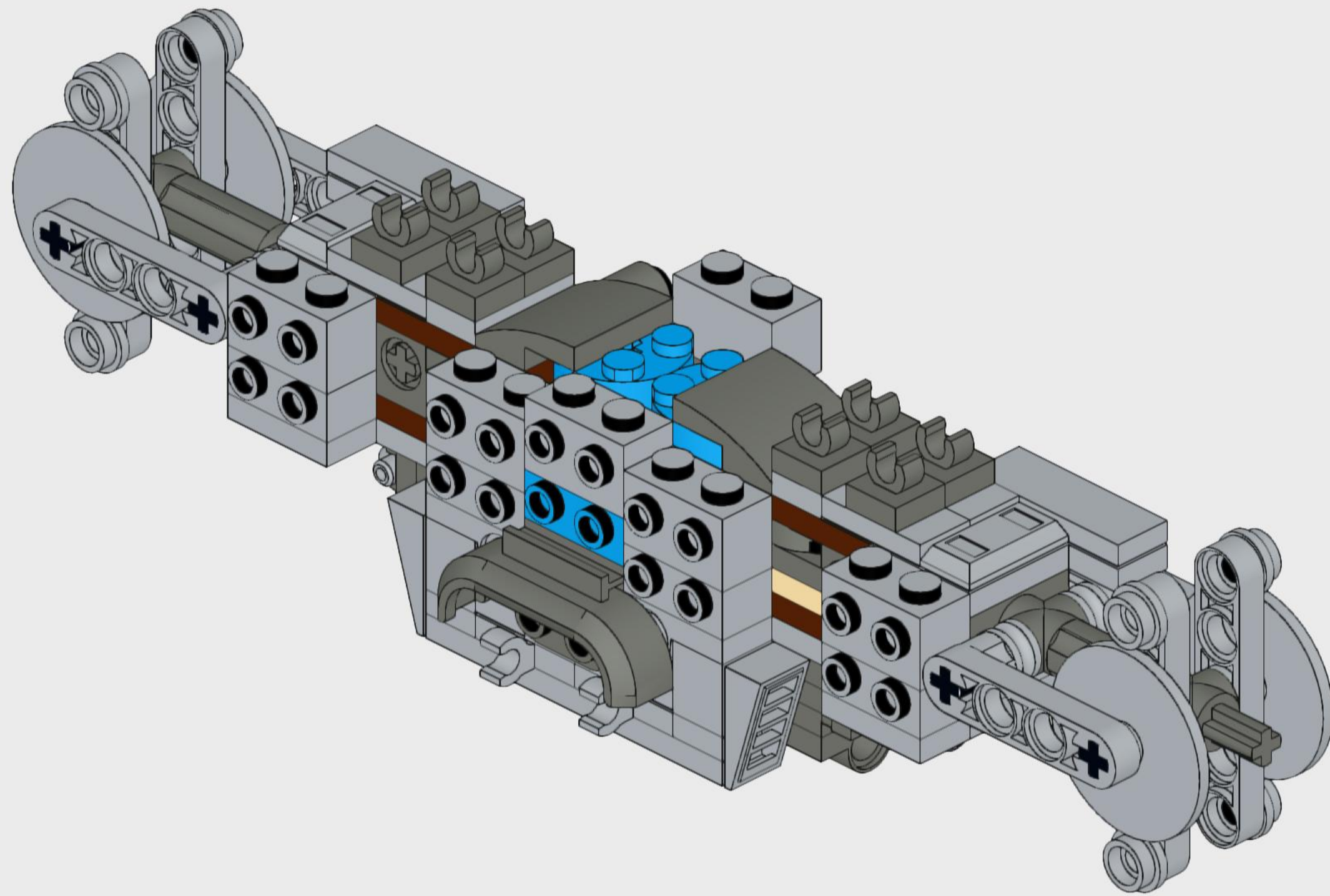


42

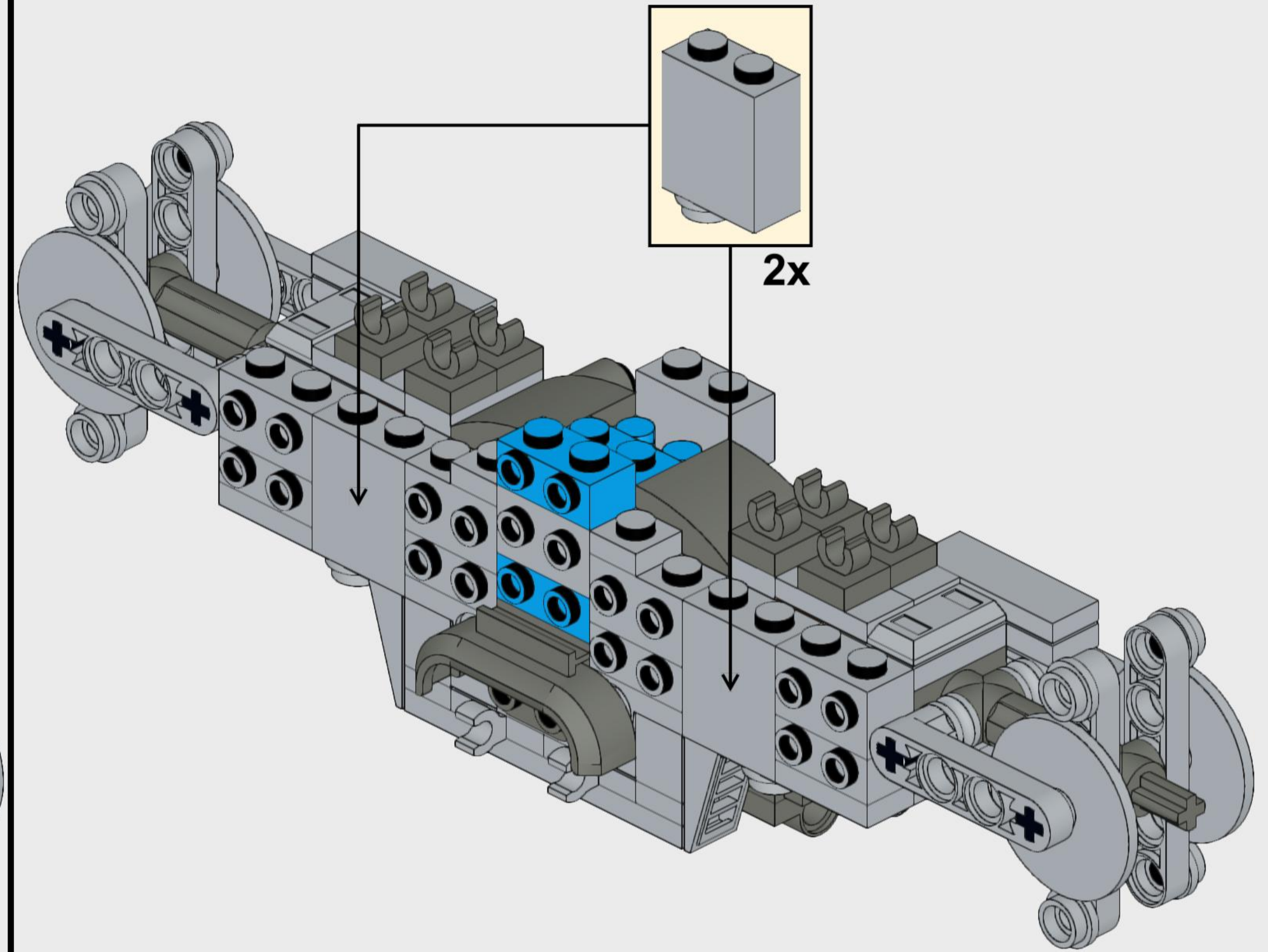


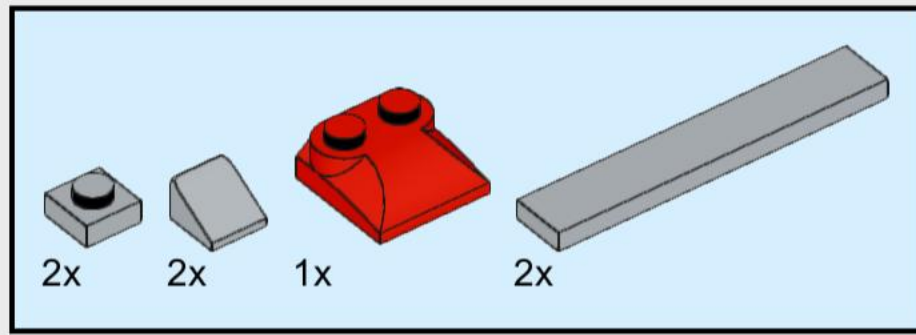


43

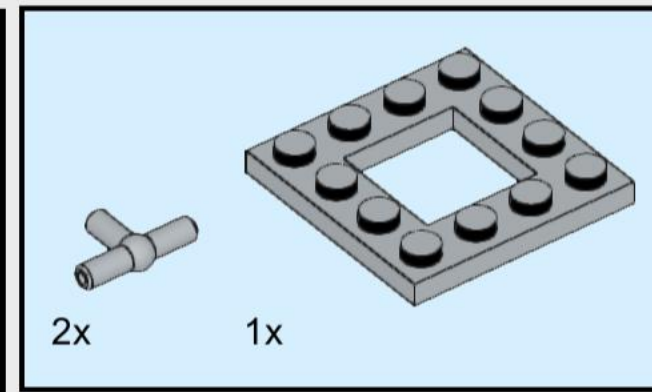
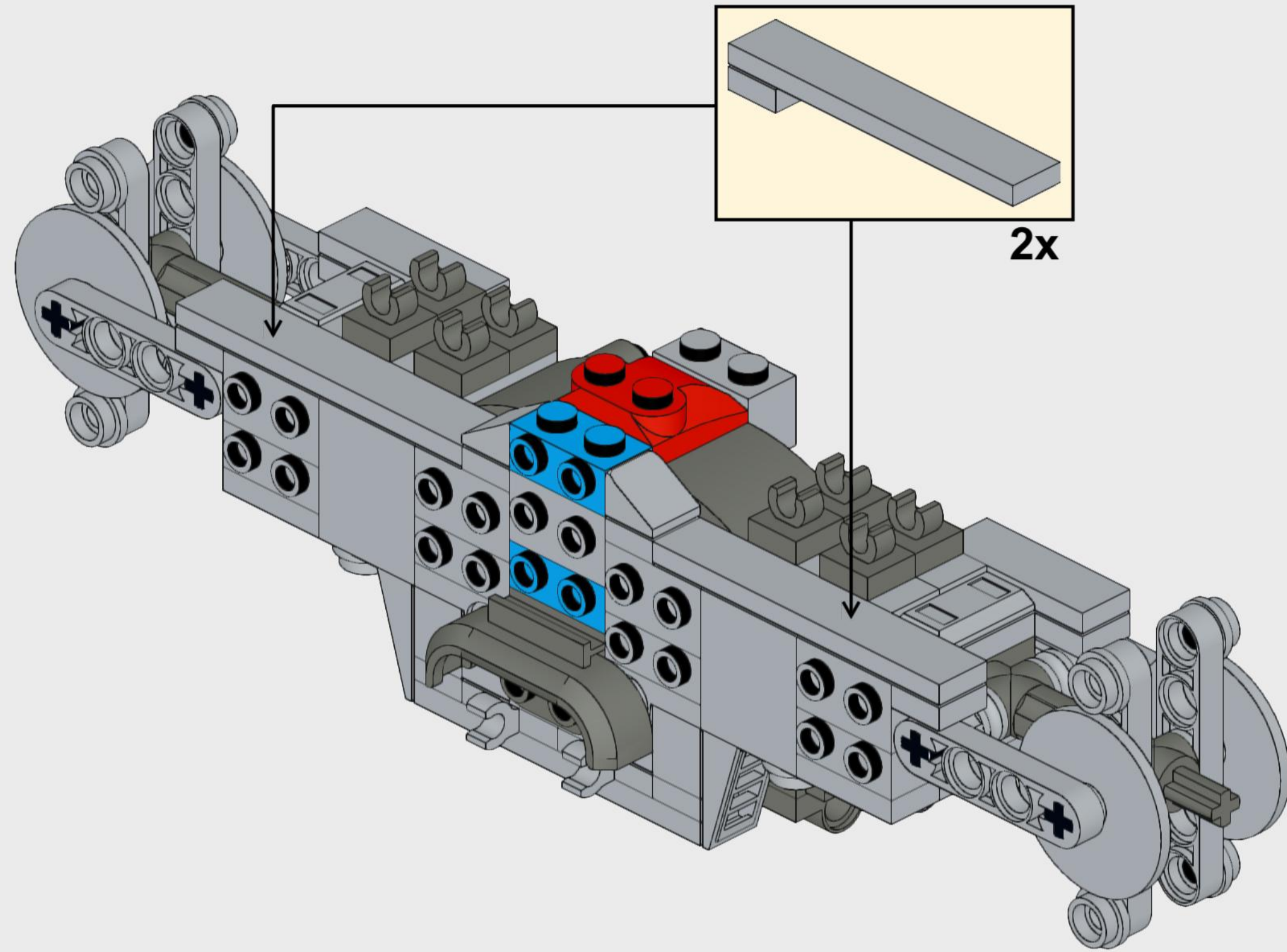


44

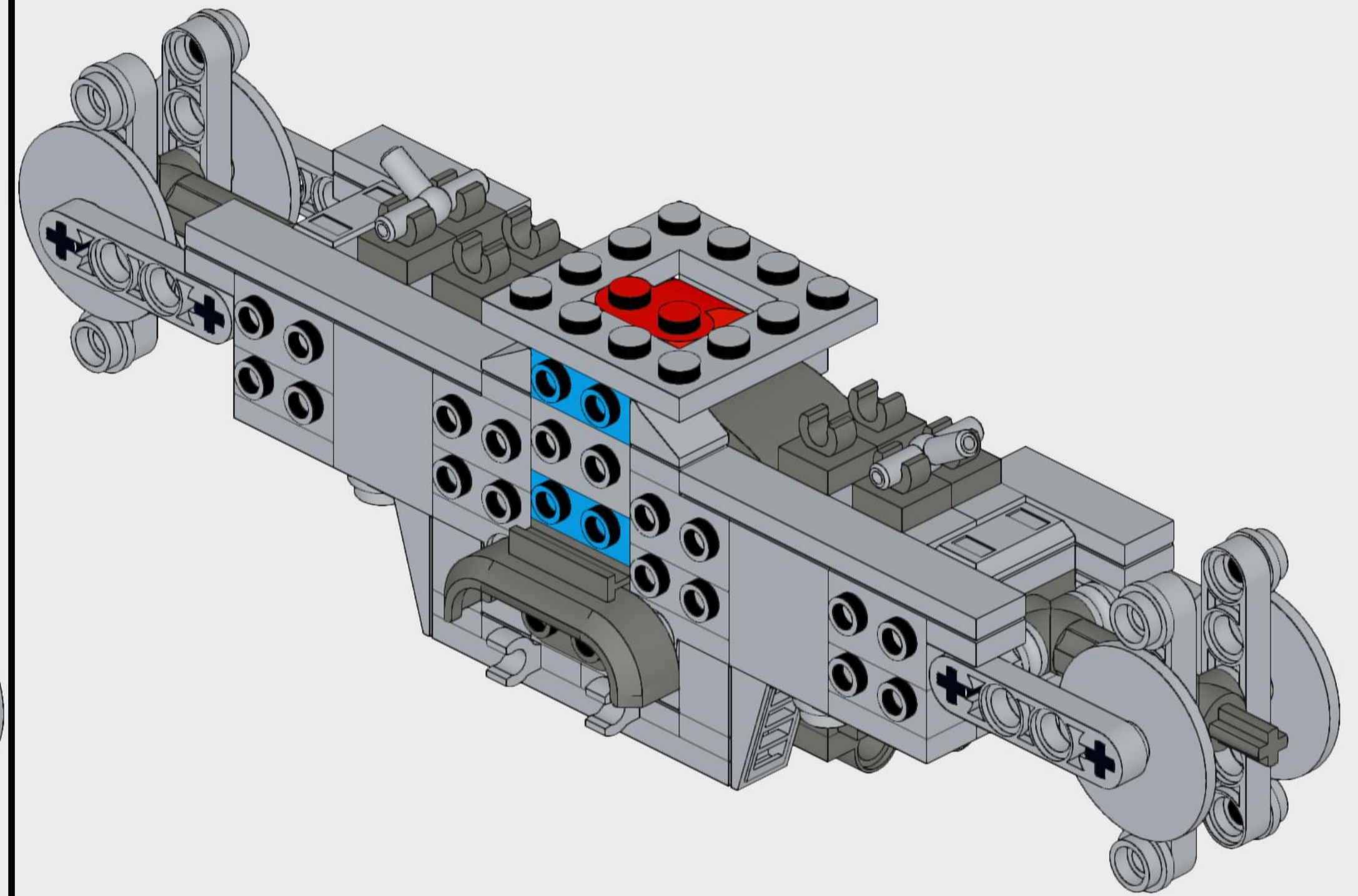


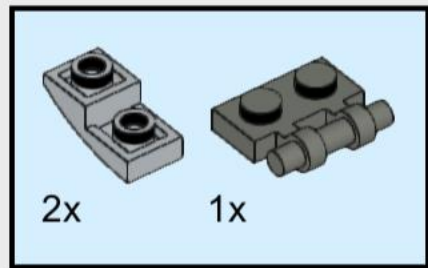


45

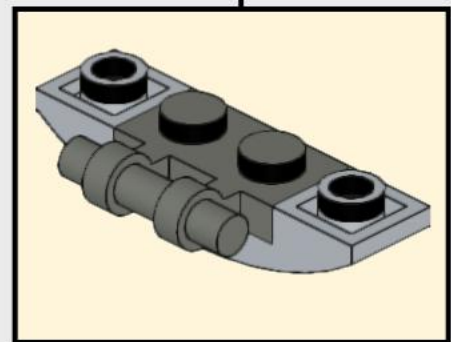
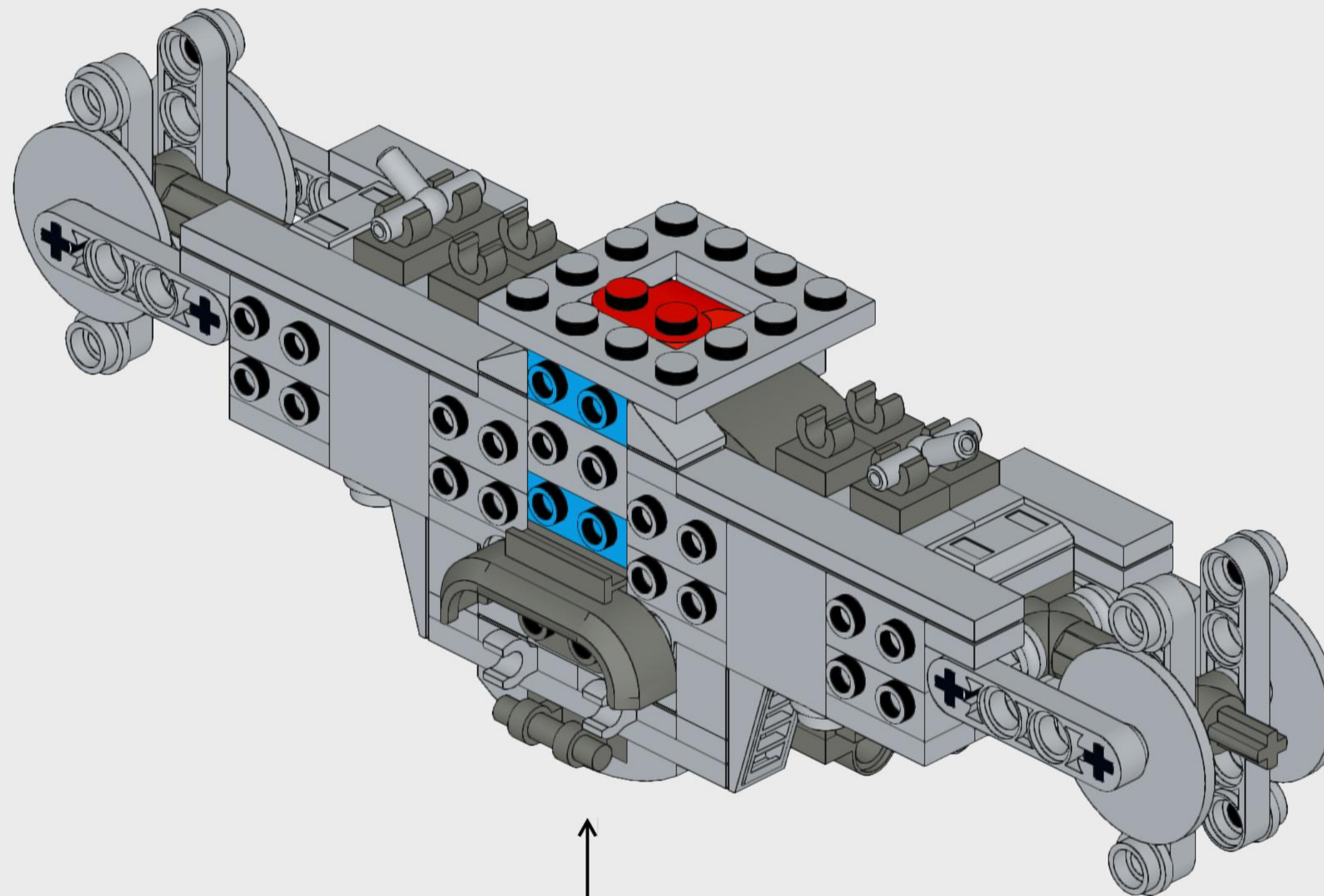


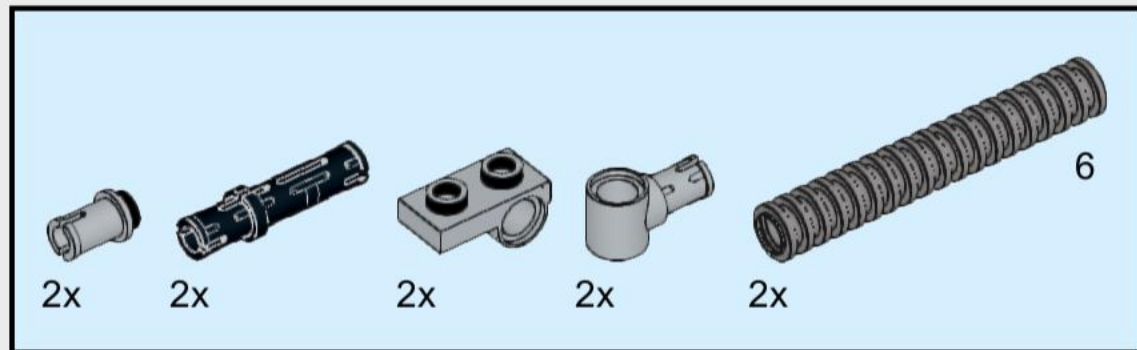
46



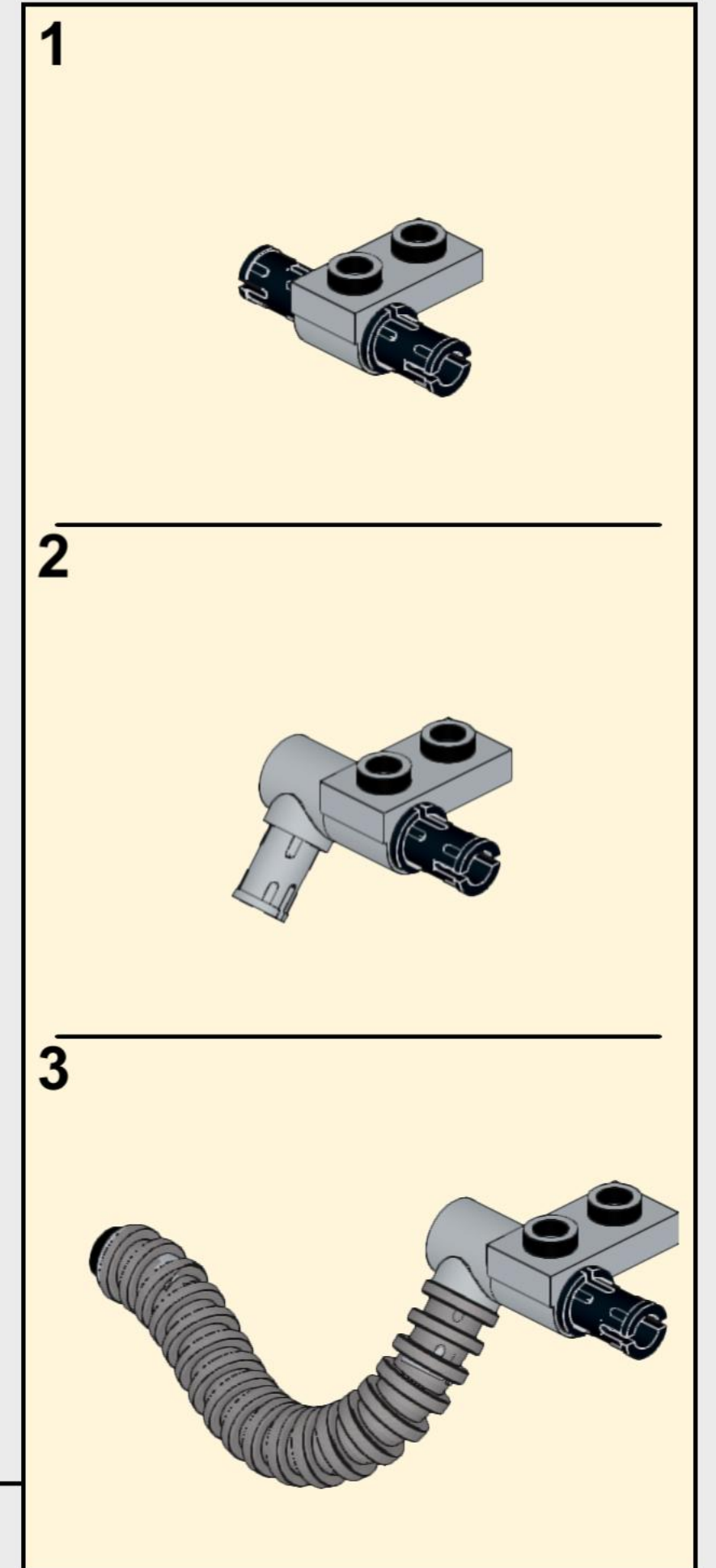
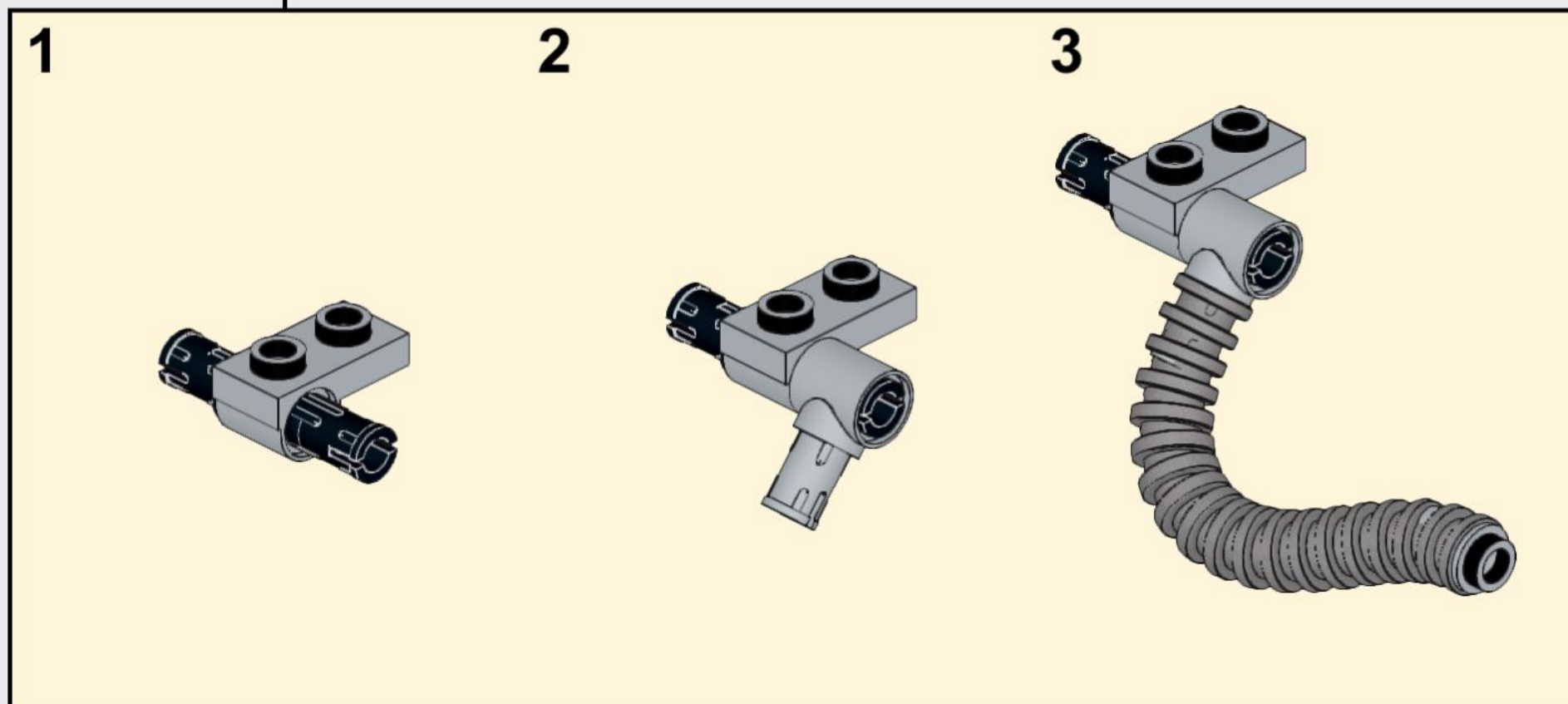
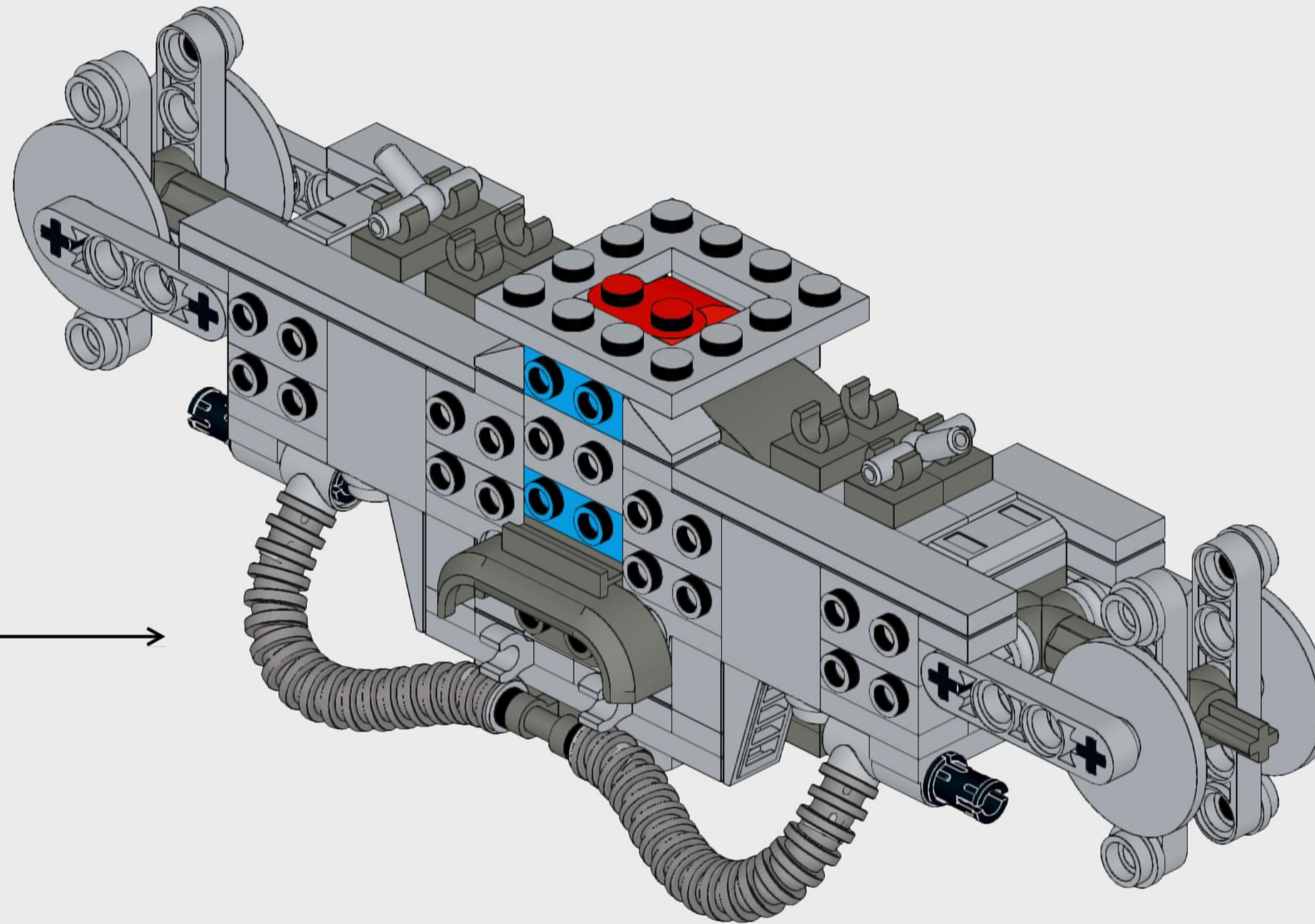


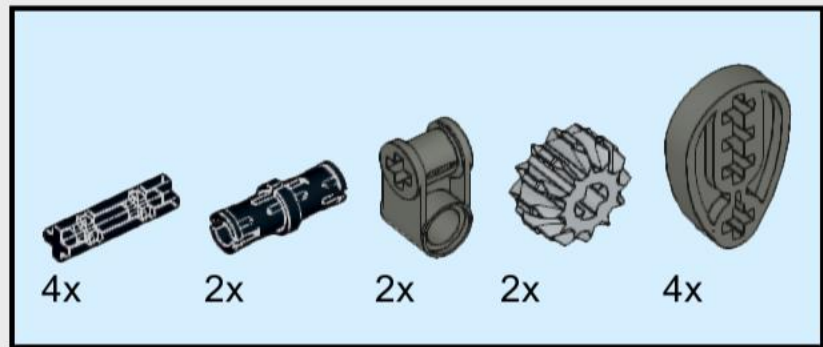
47



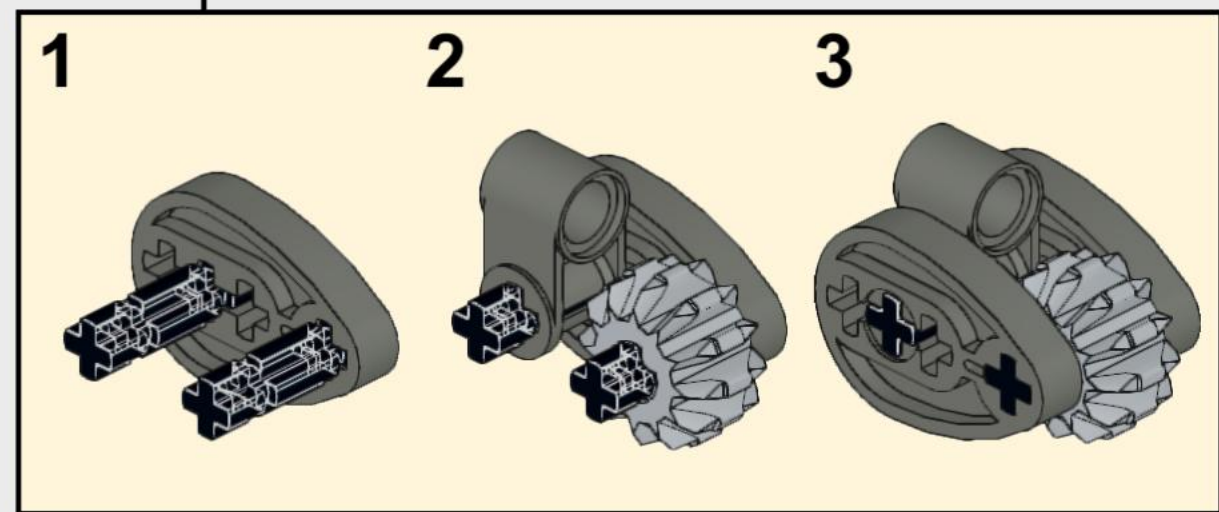
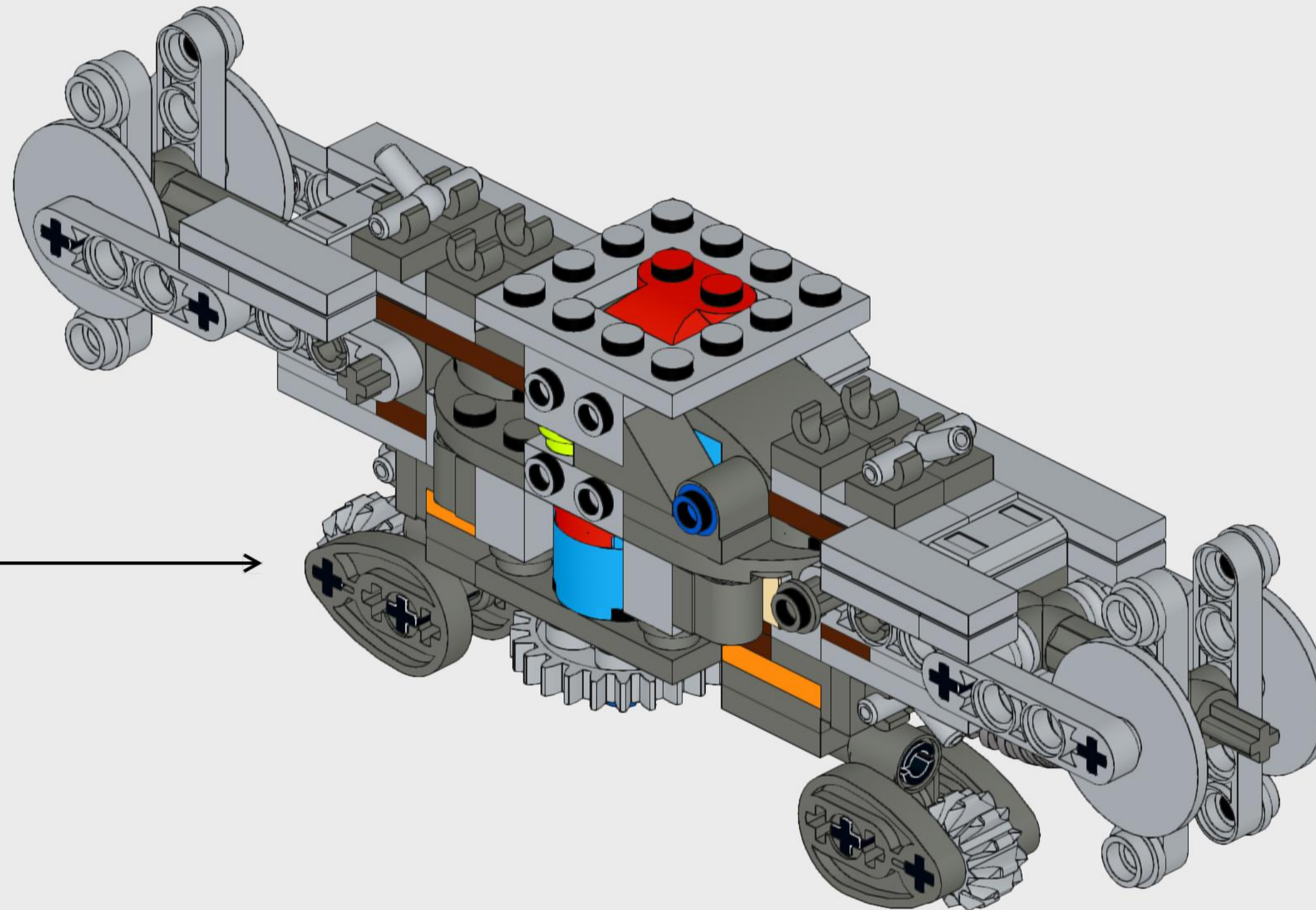


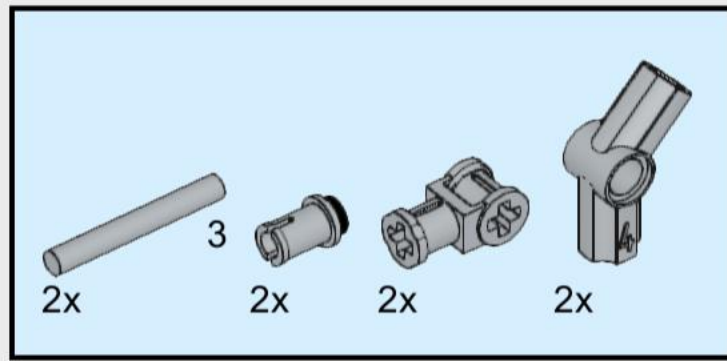
48



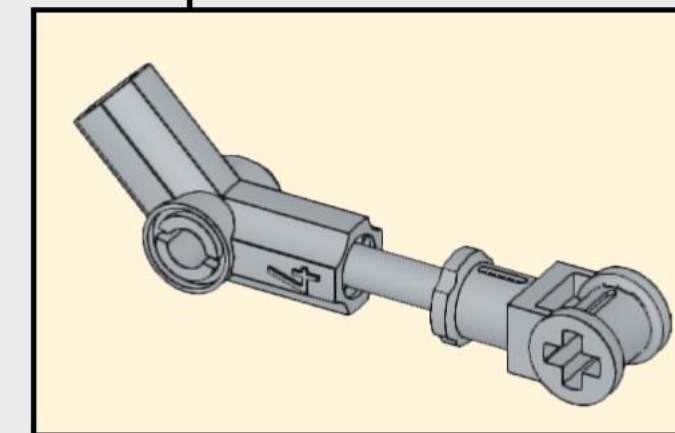
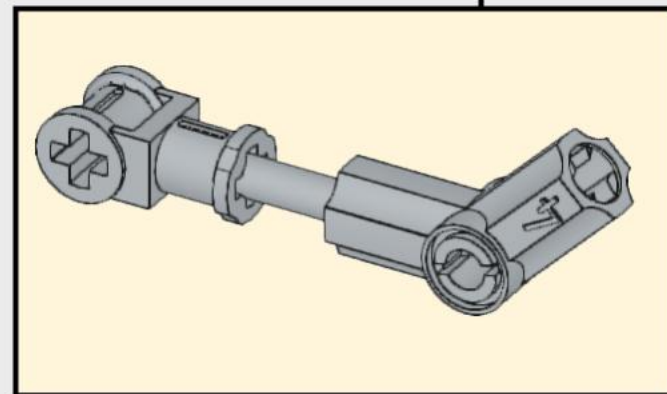
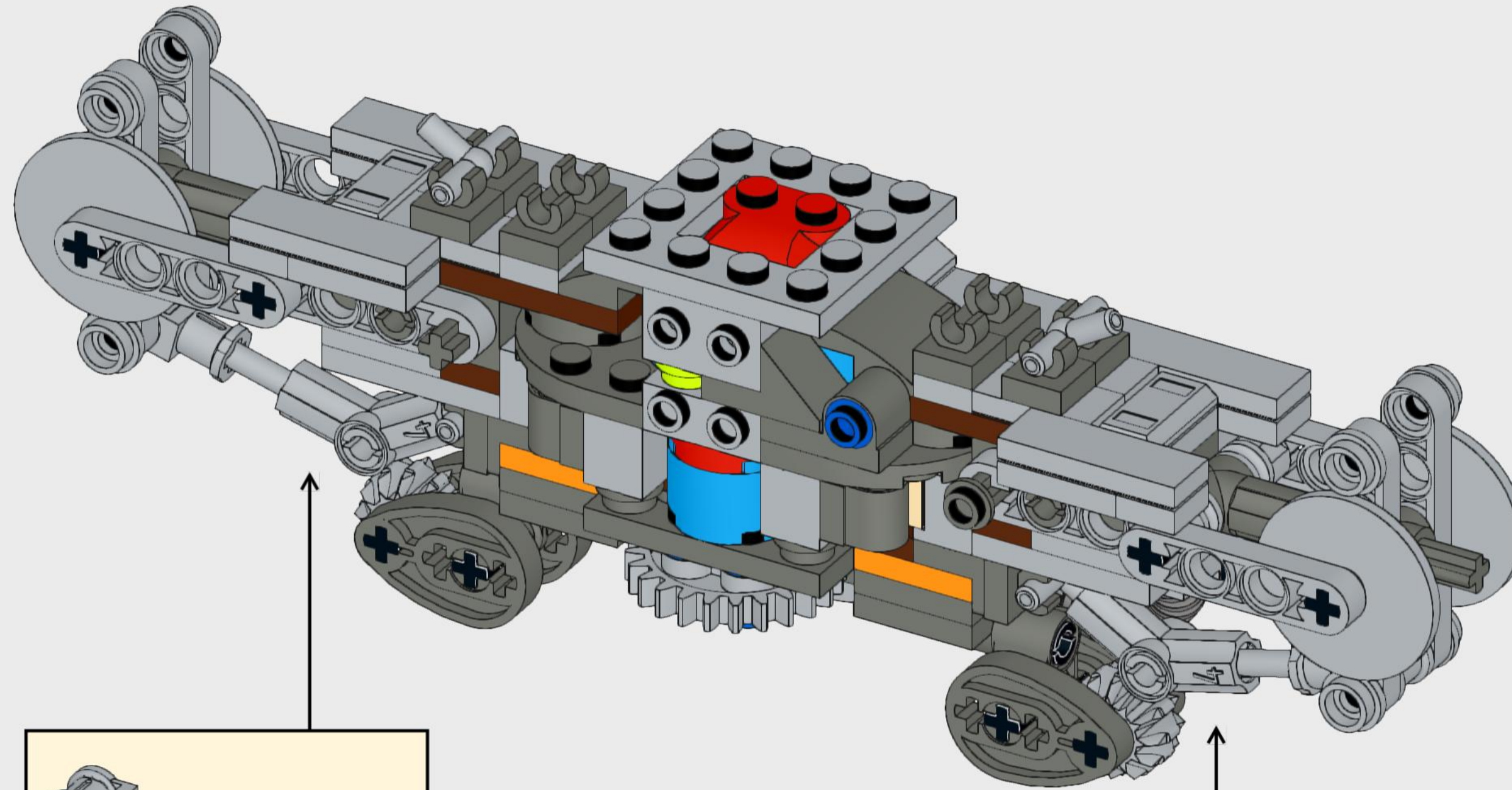


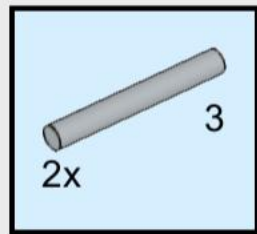
49 



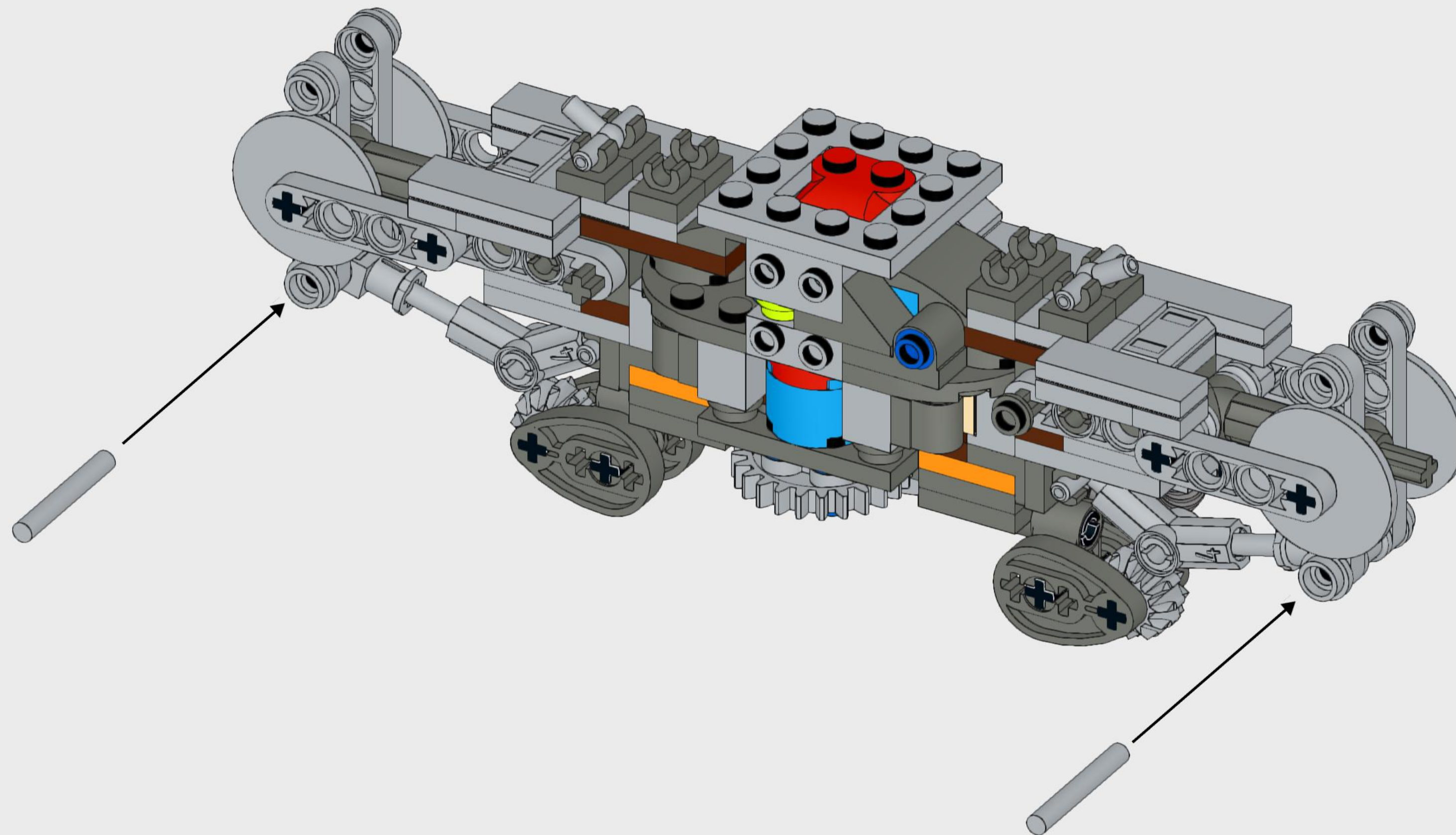


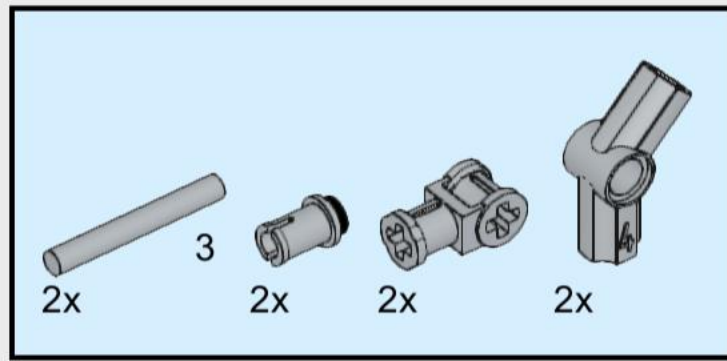
50



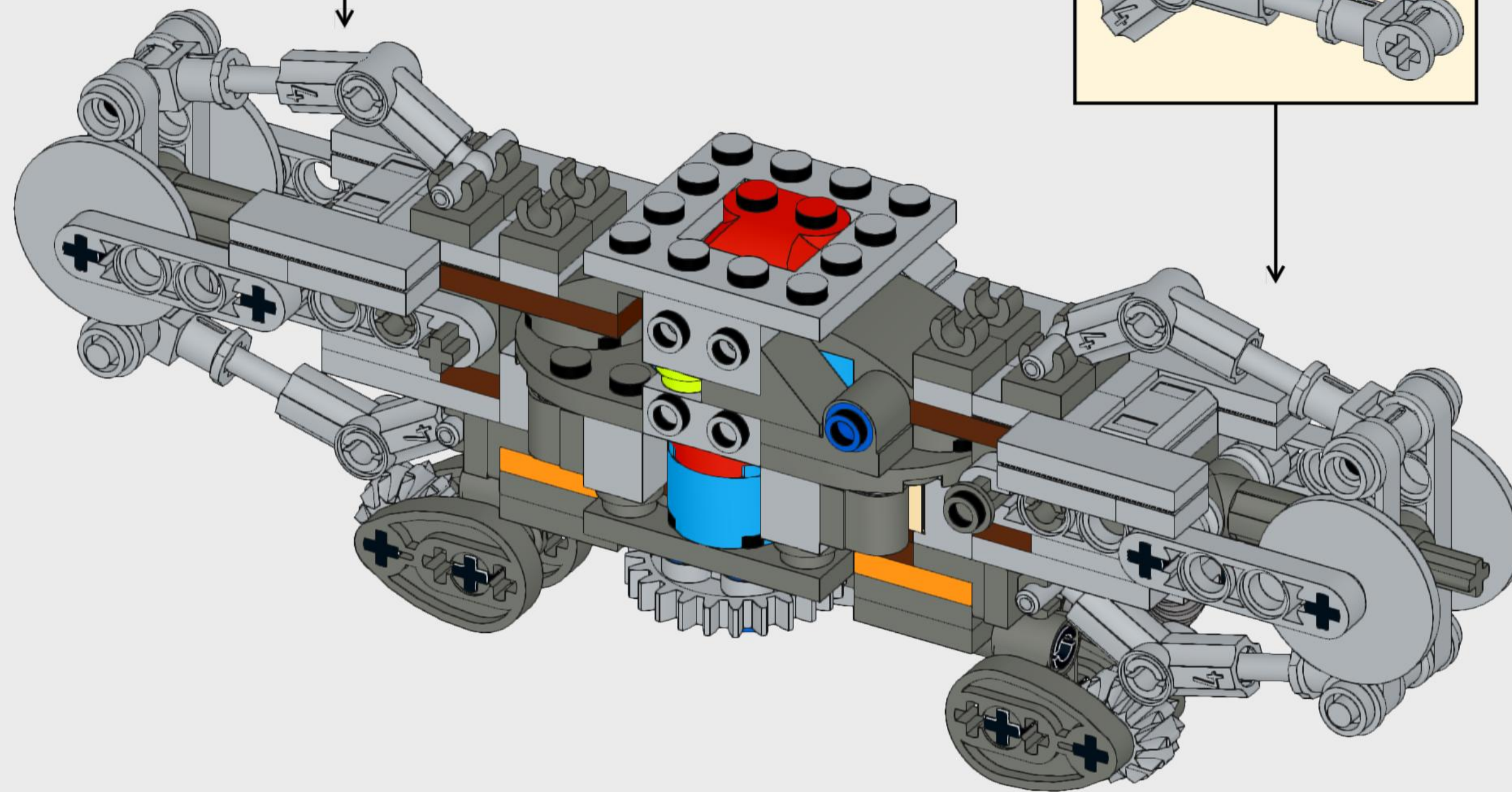
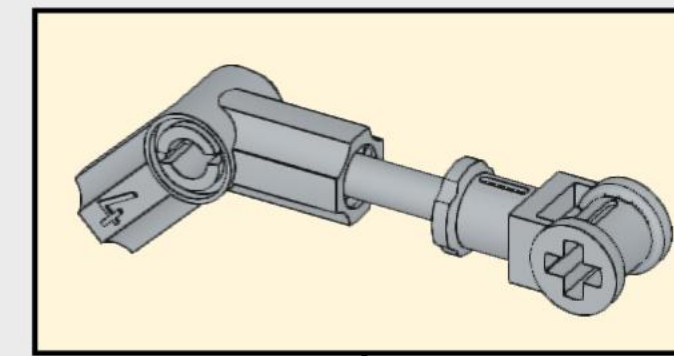
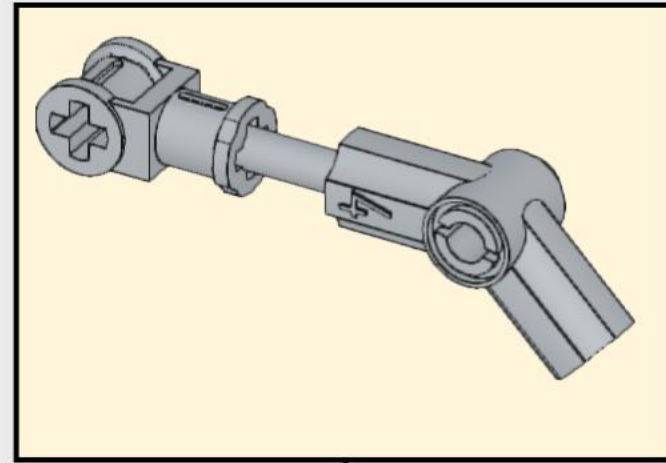


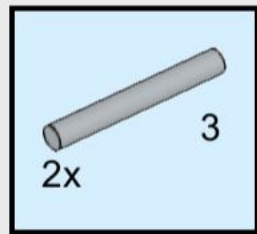
51



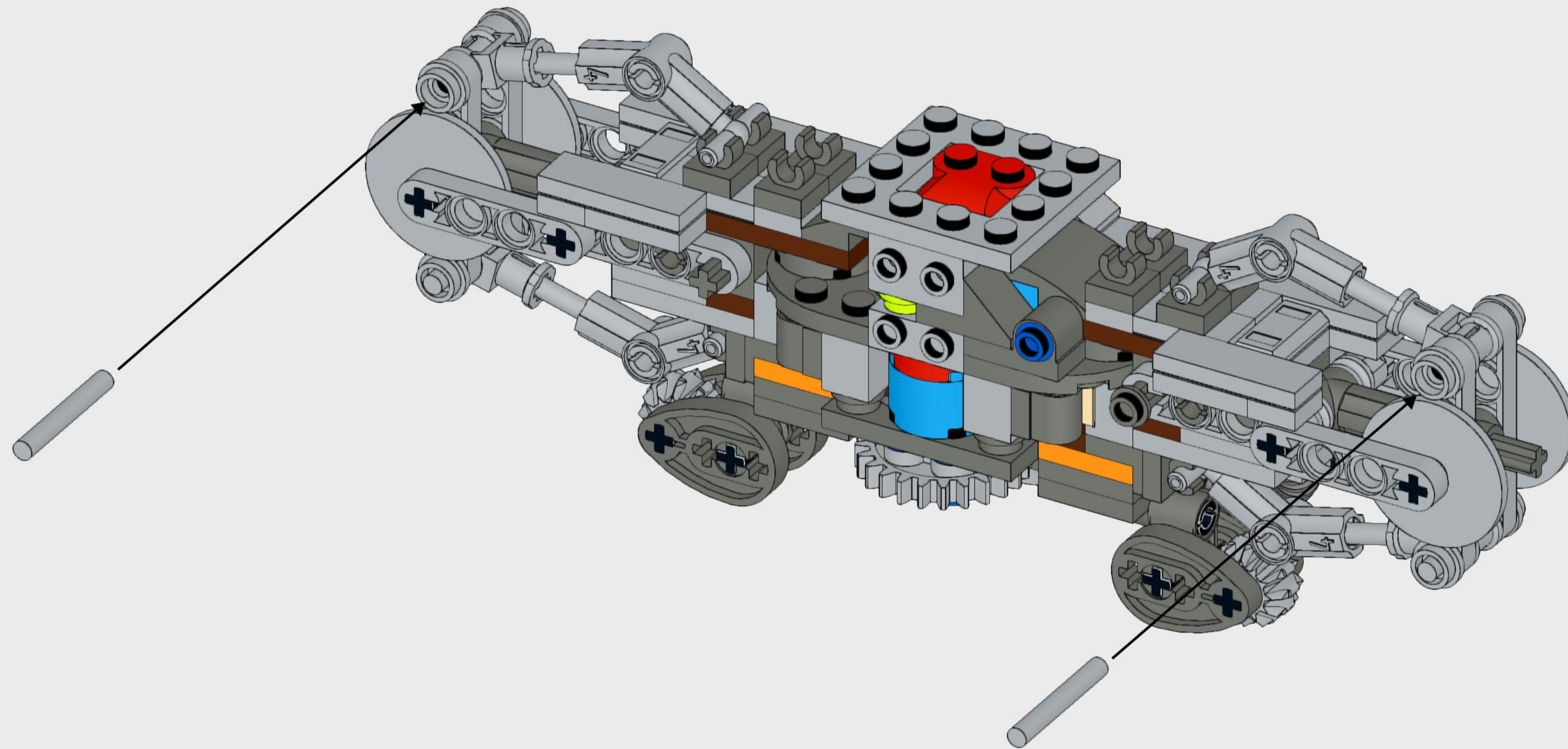


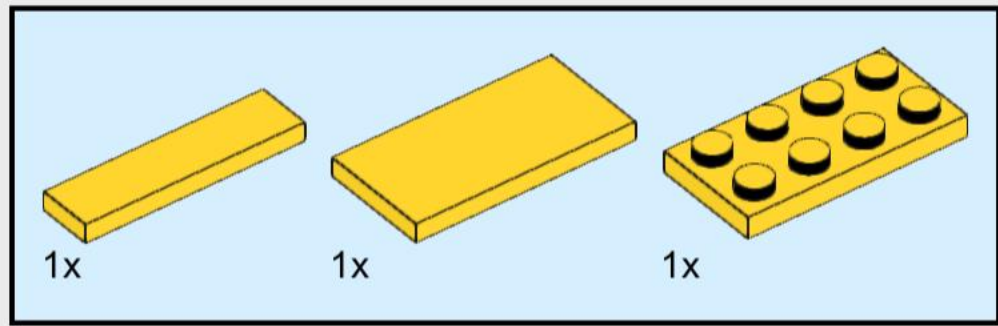
52



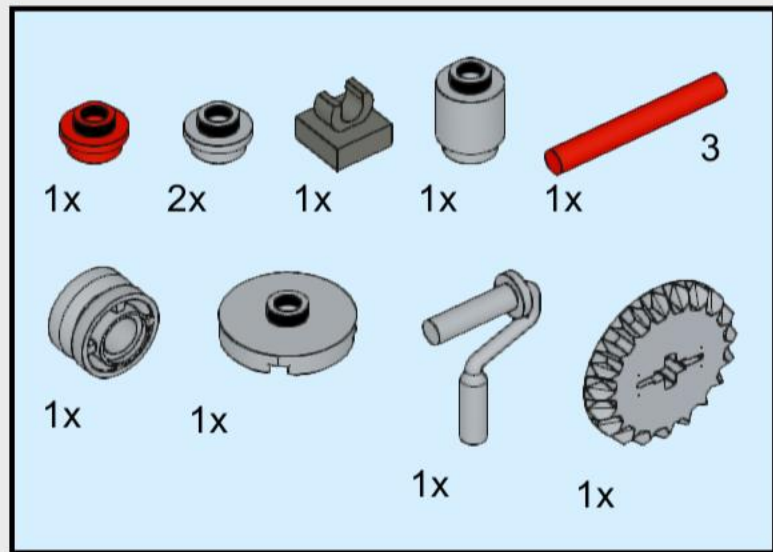
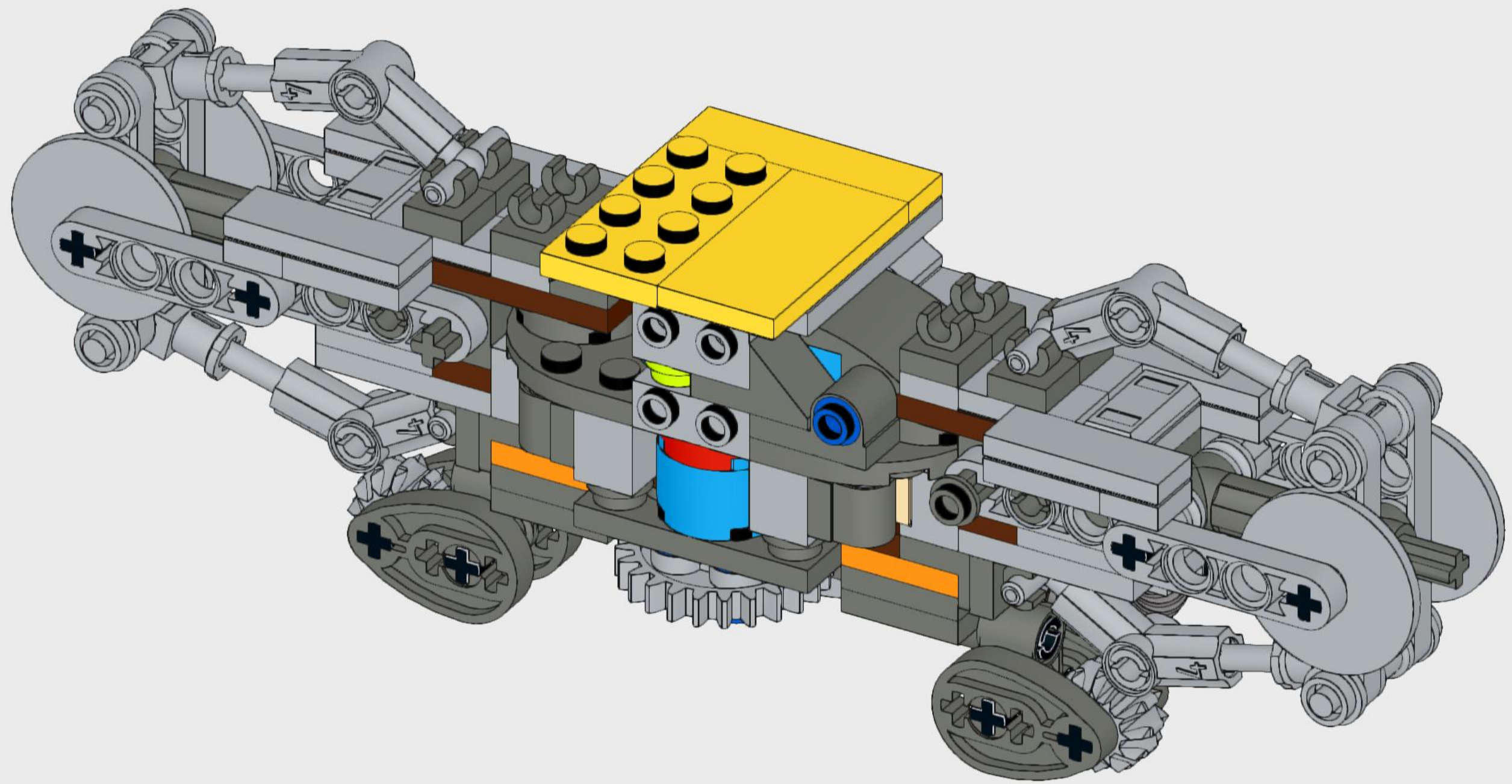


53

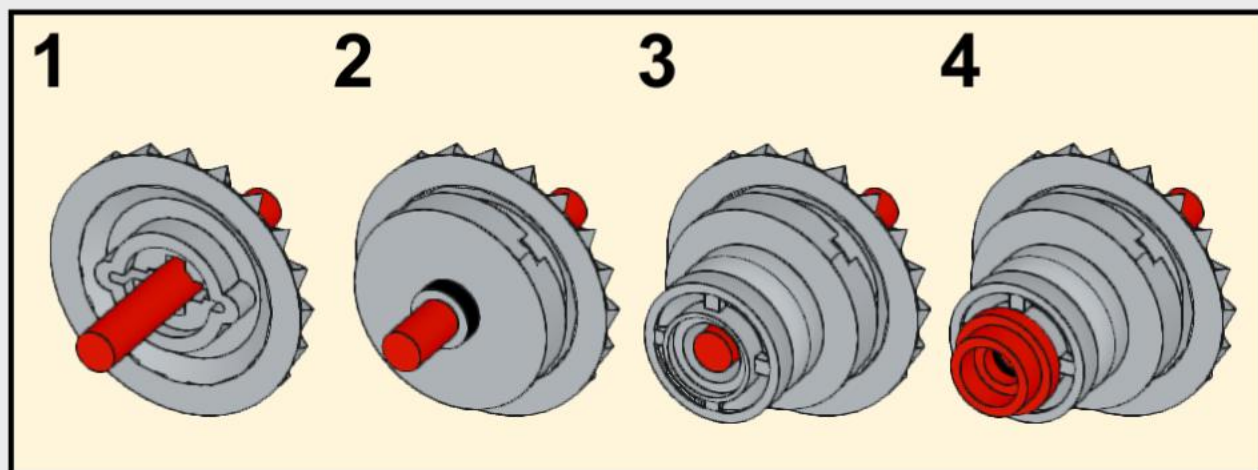
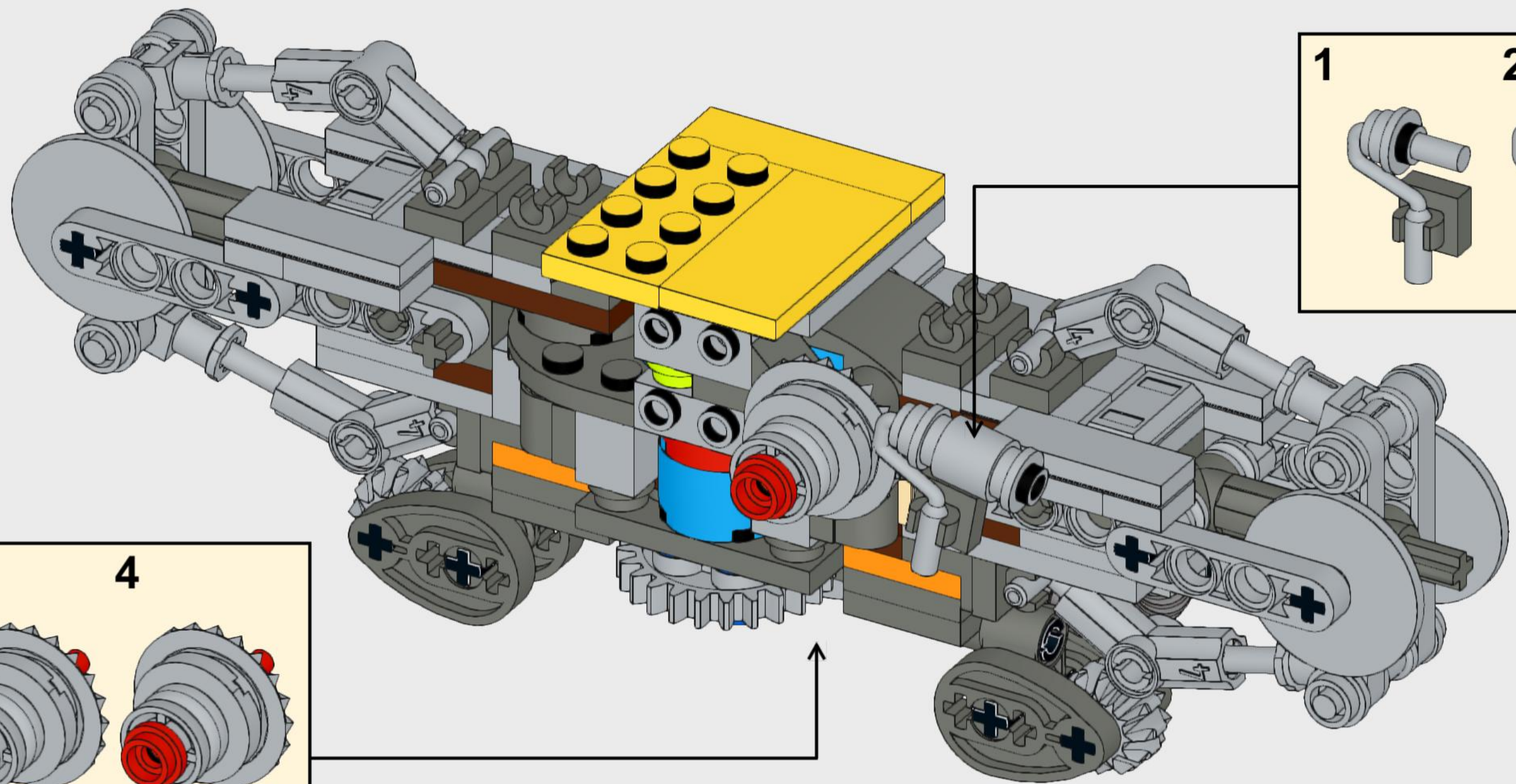


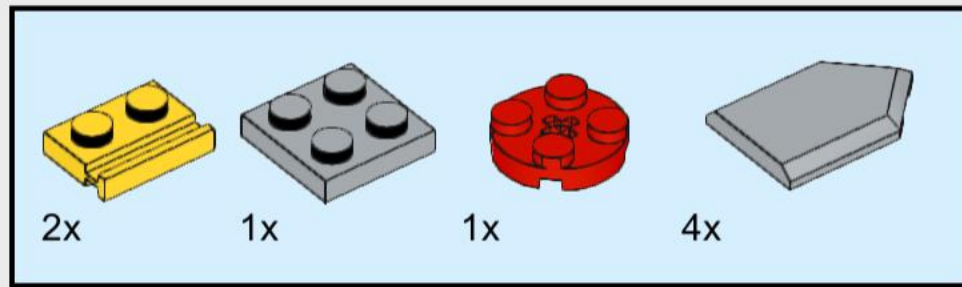


54

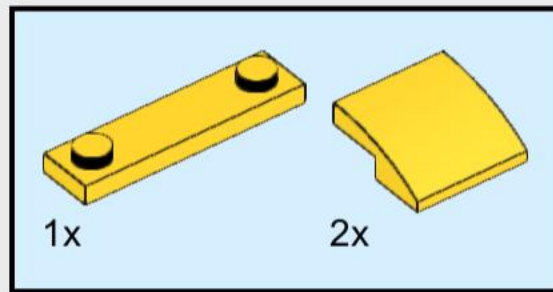
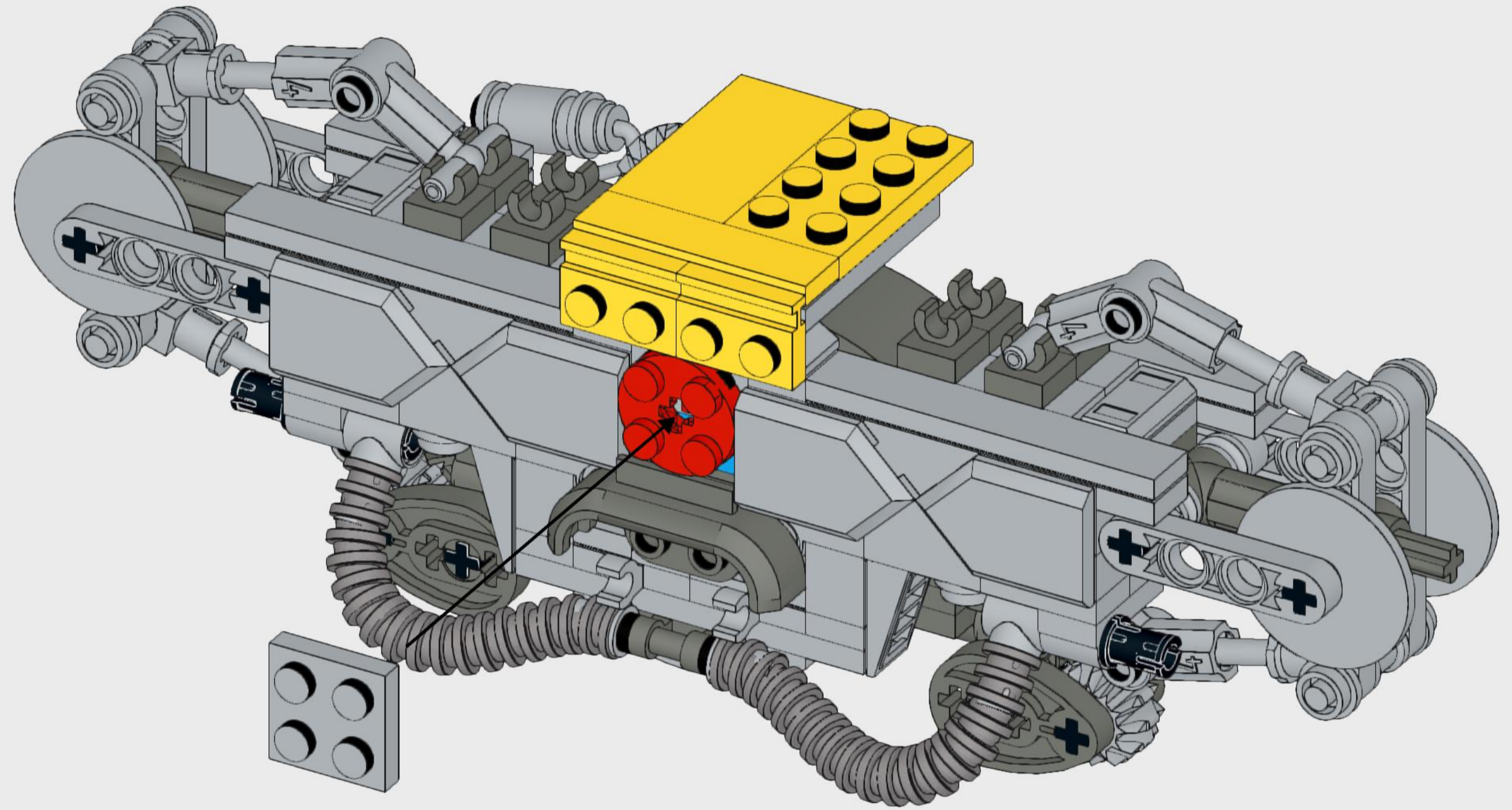


55

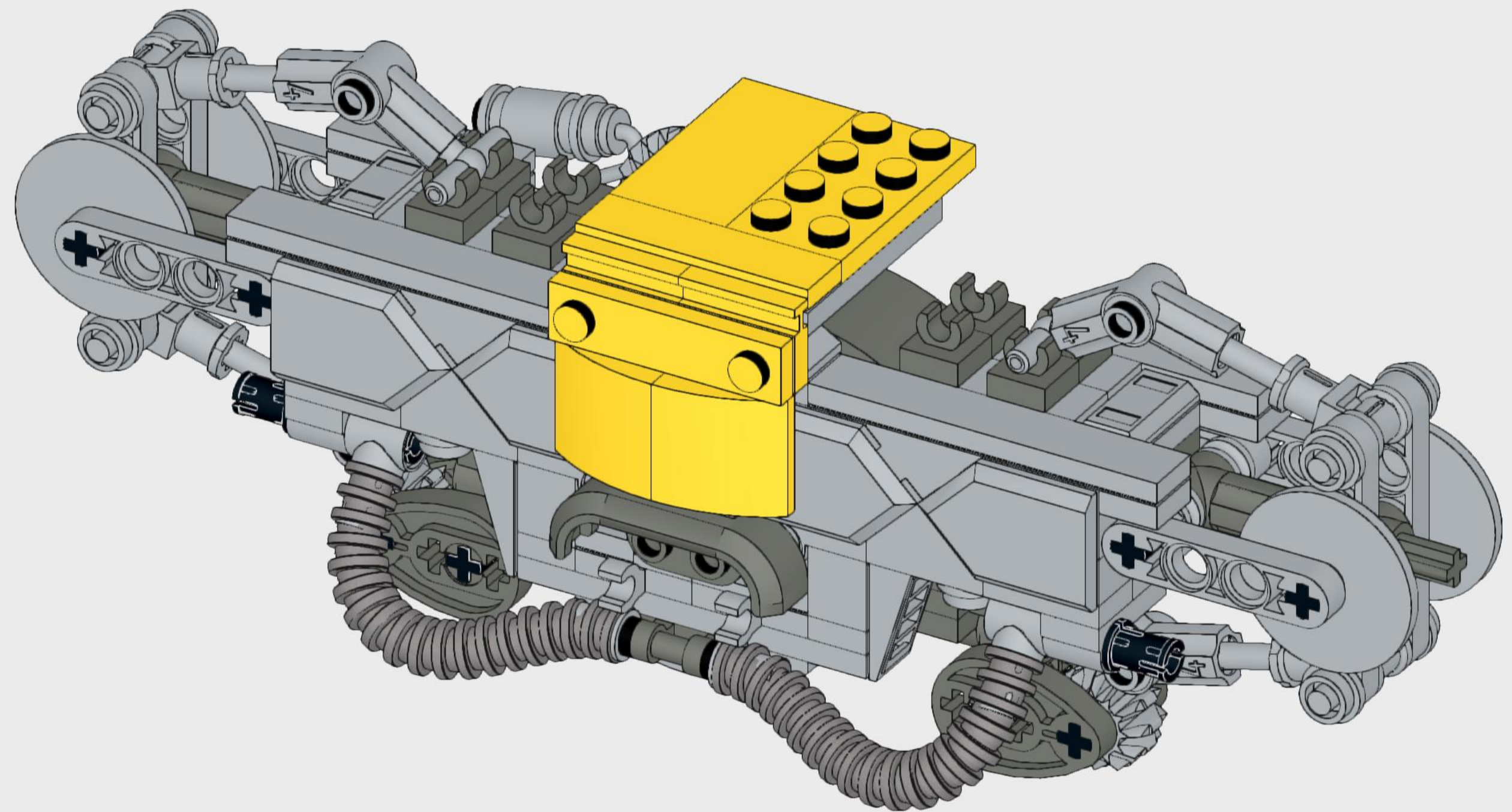


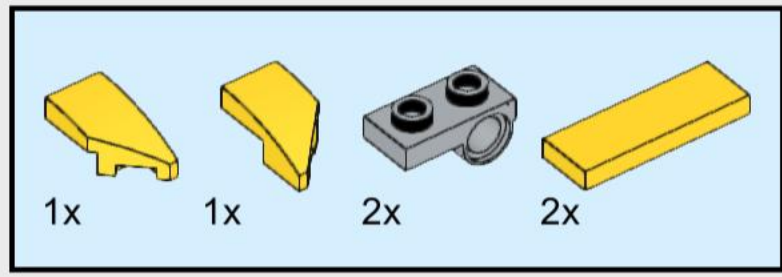


56 

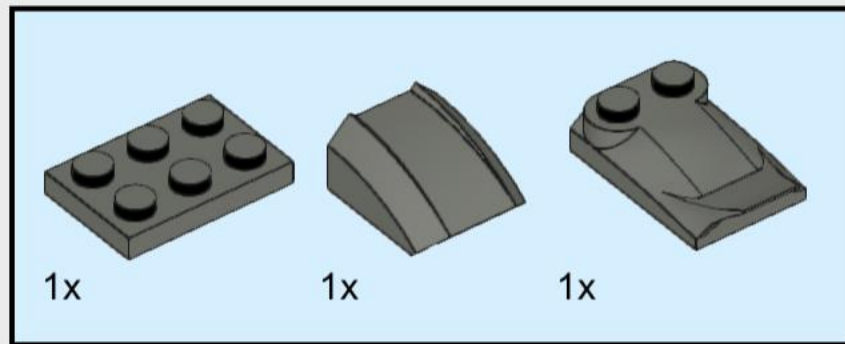
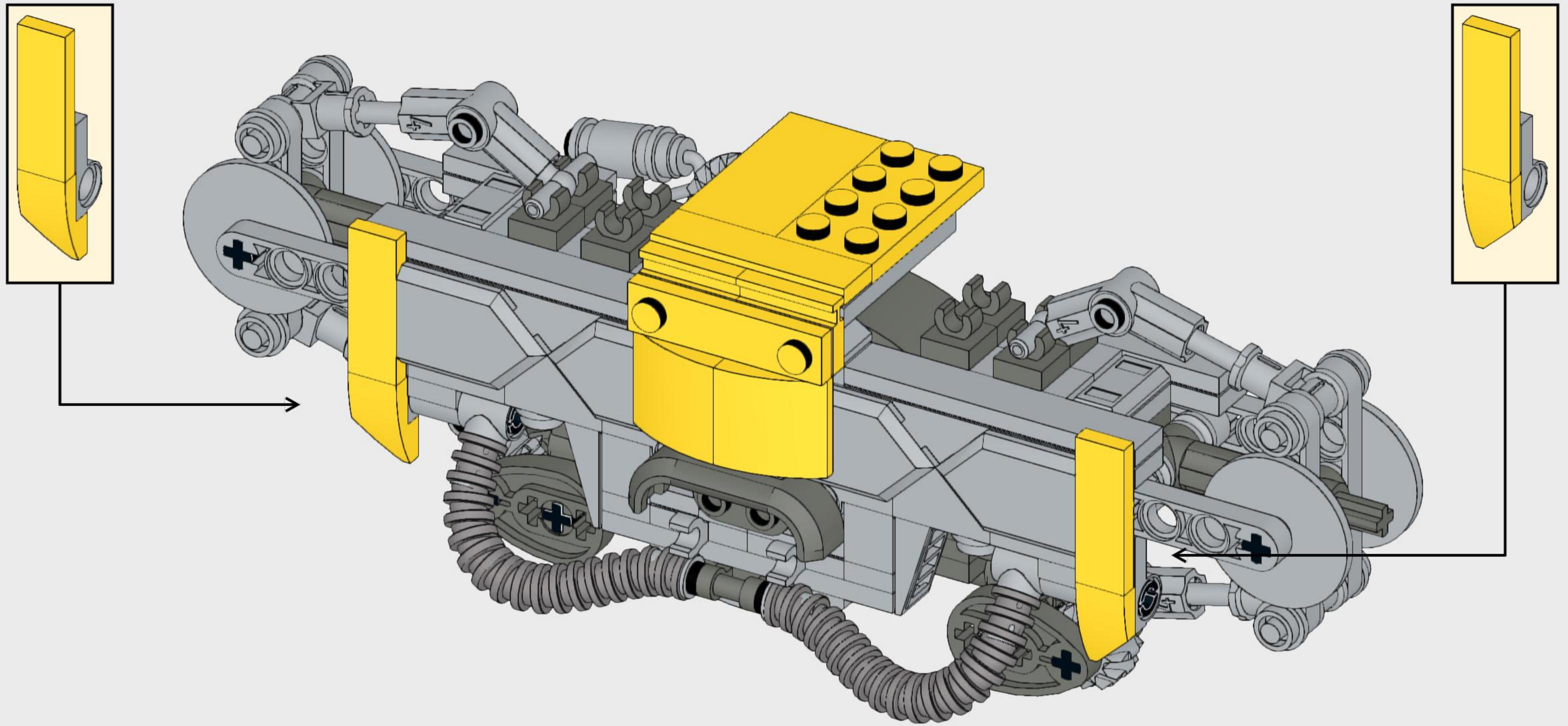


57

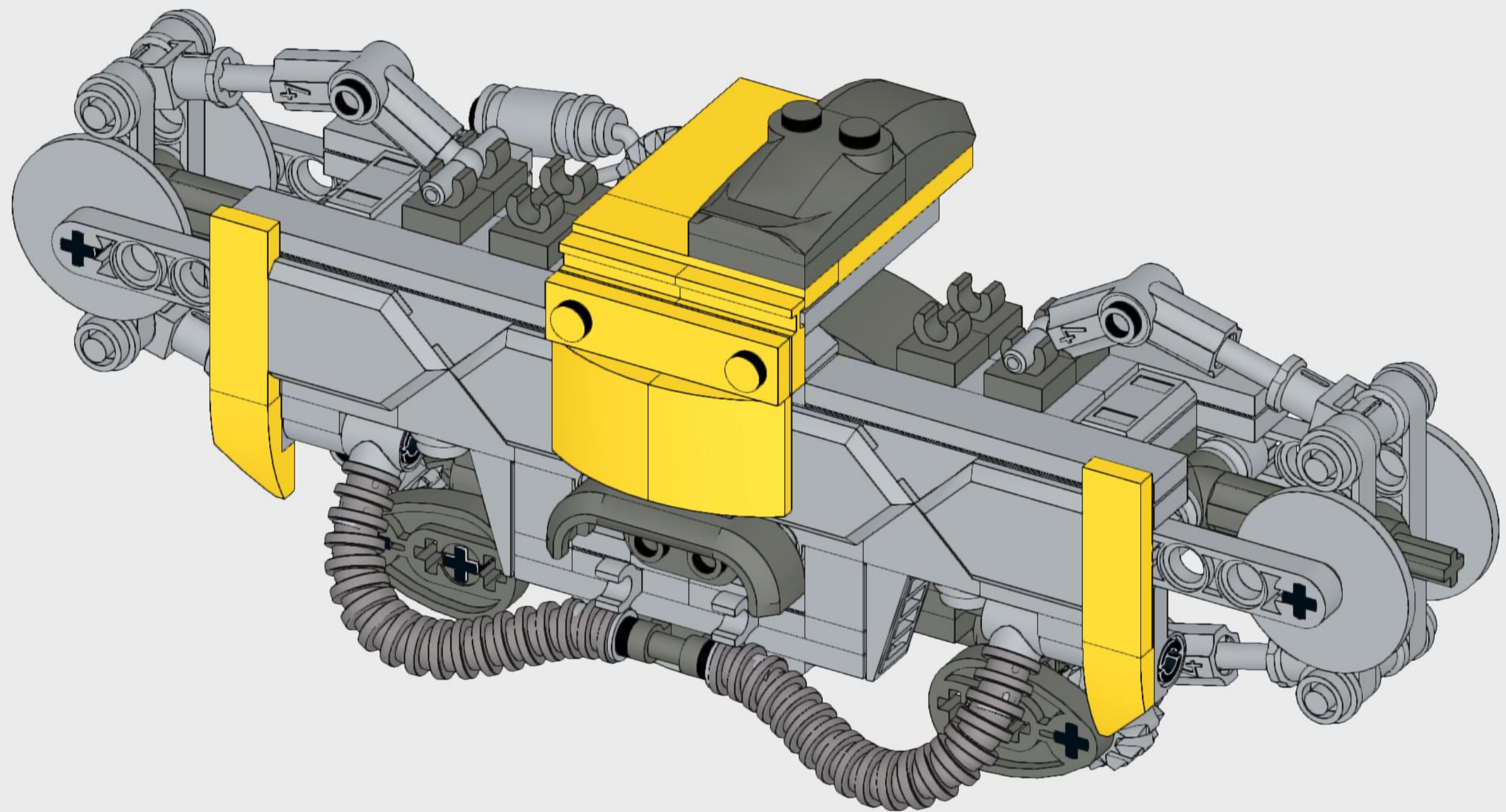


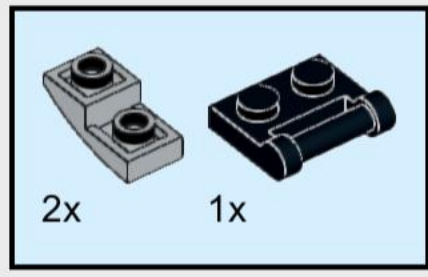


58

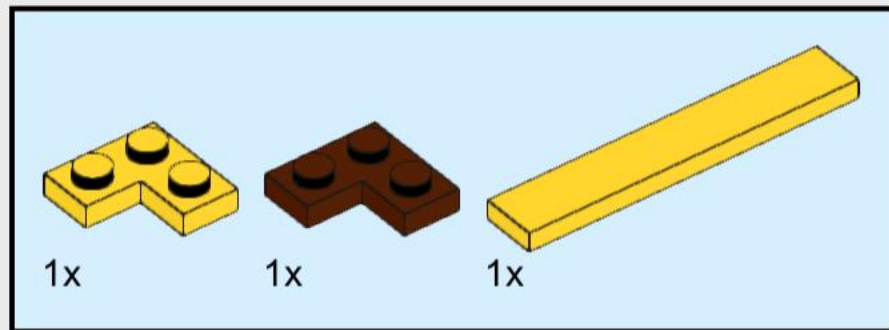
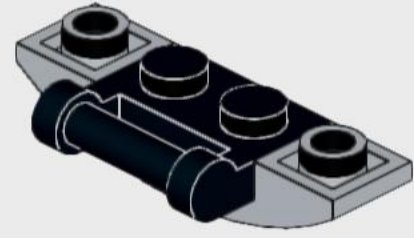


59

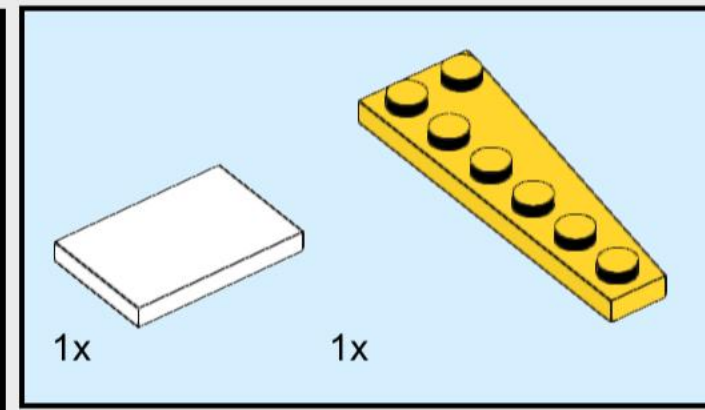
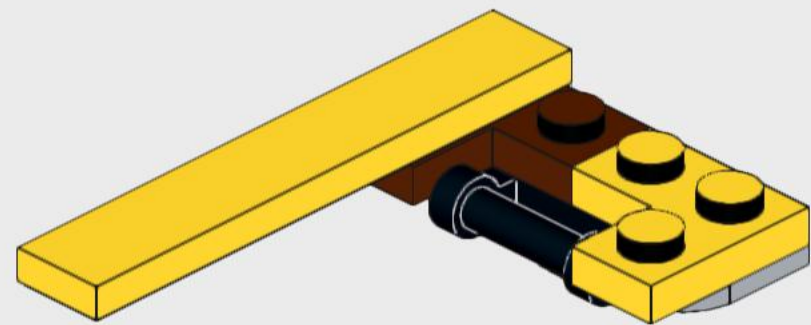




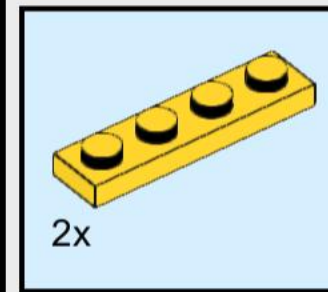
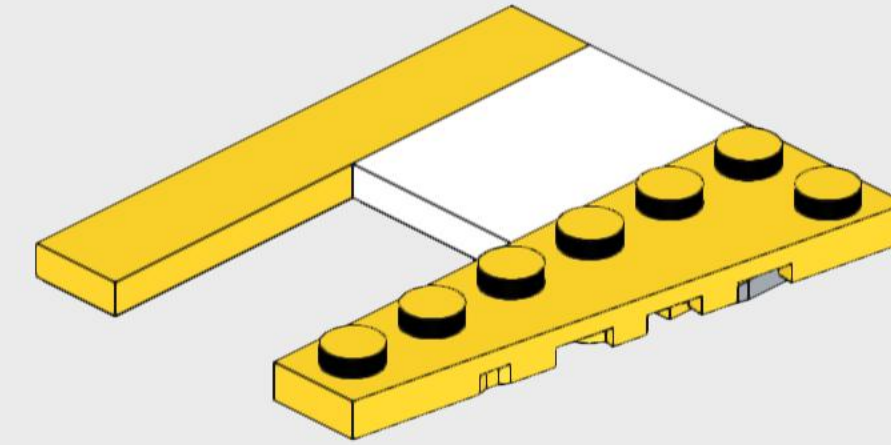
60



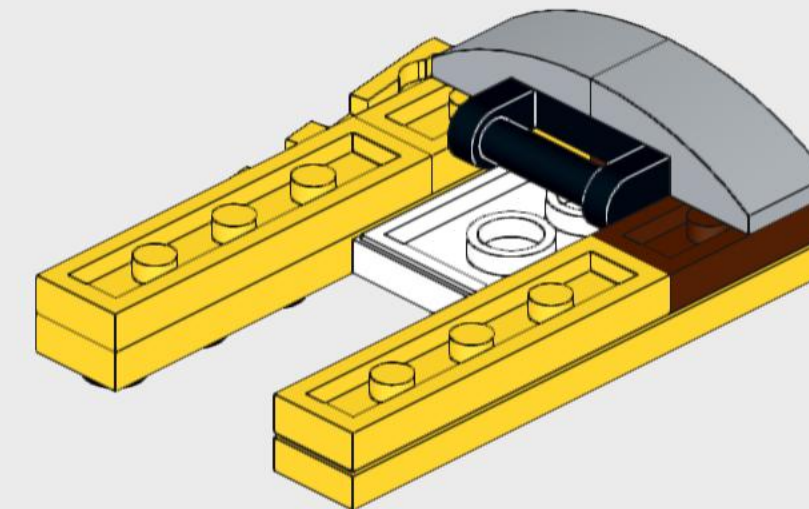
61

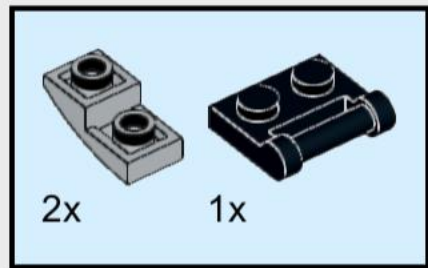


62

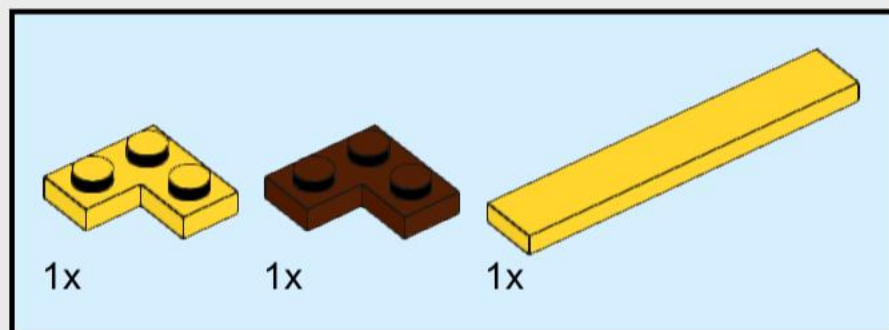
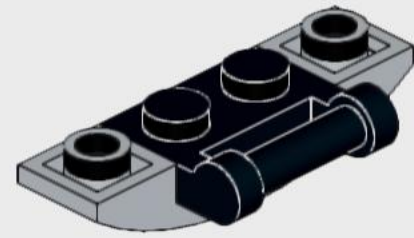


63

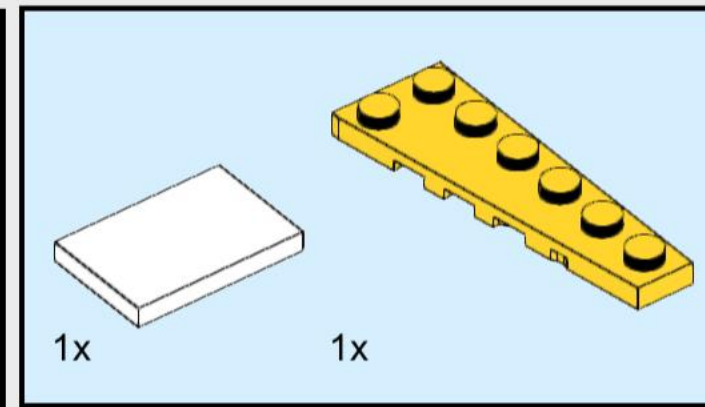
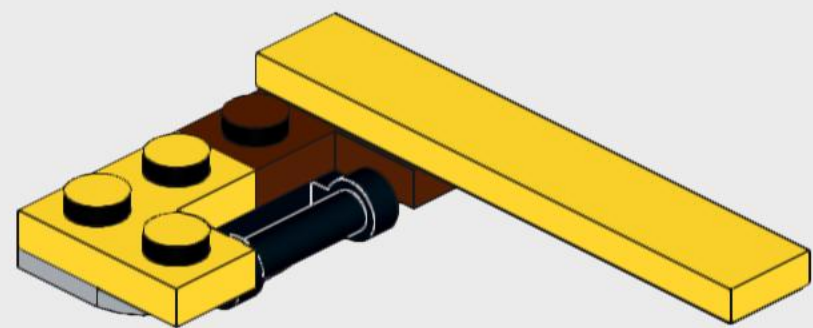




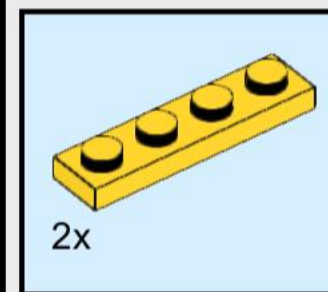
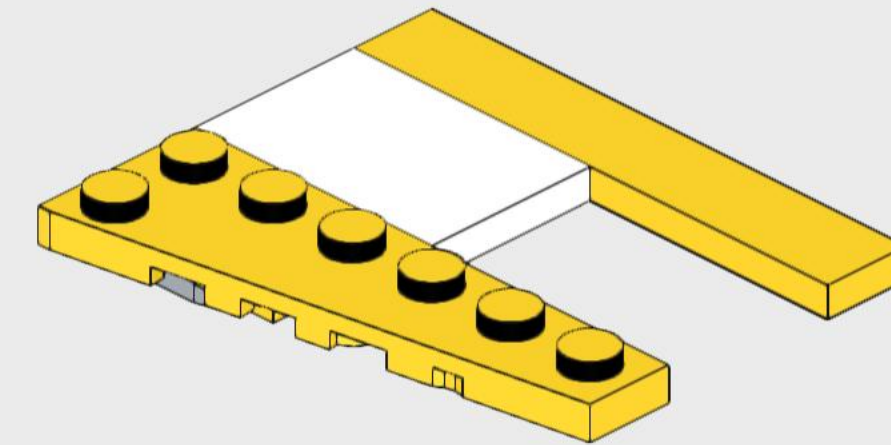
64



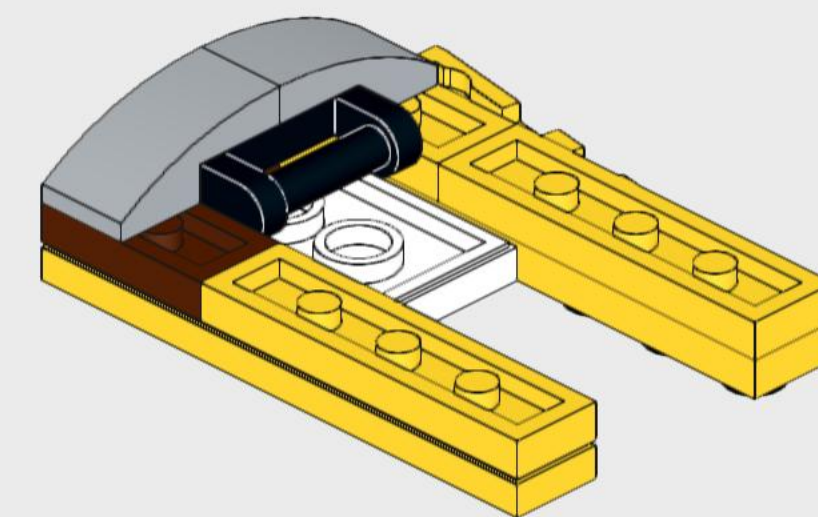
65

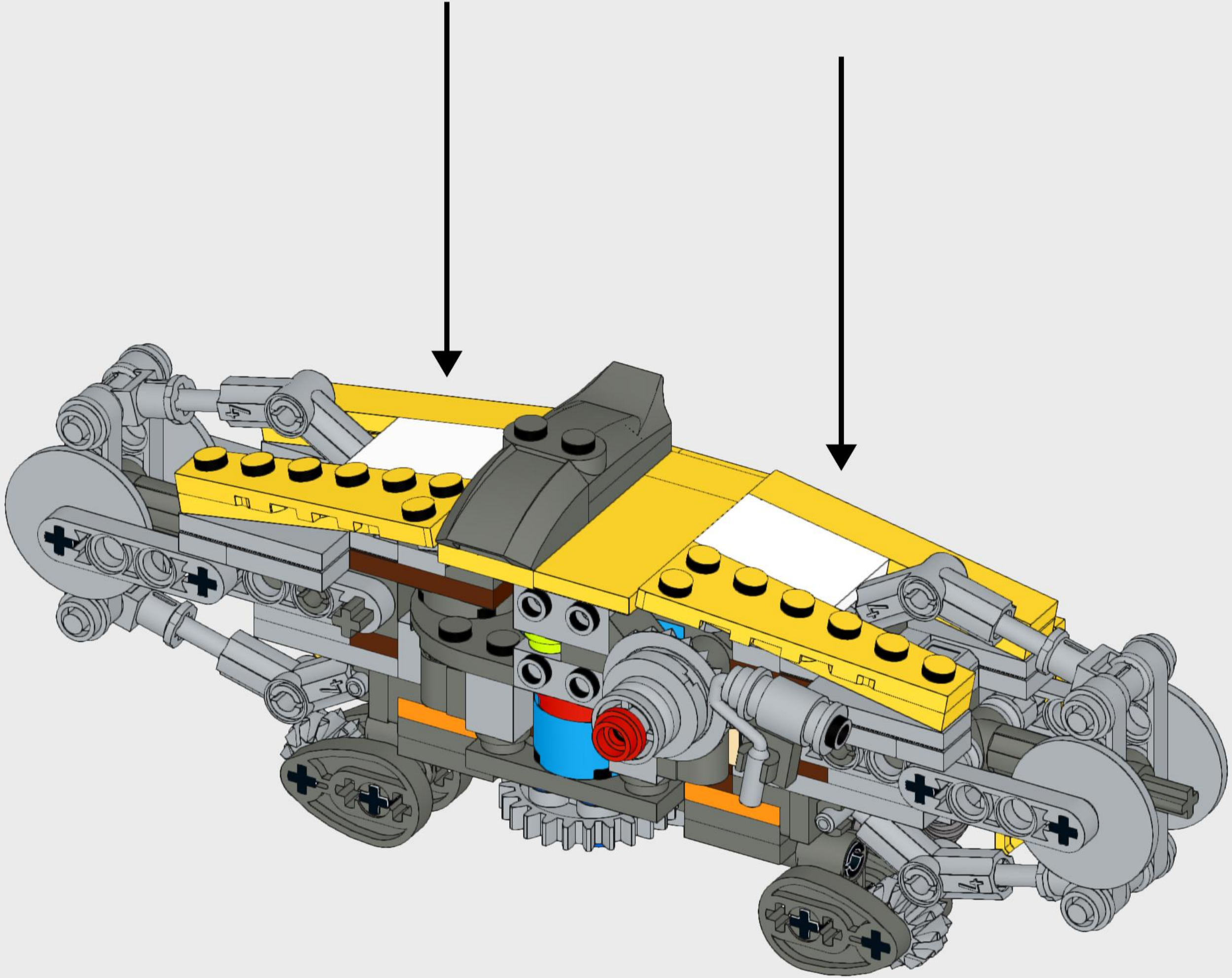


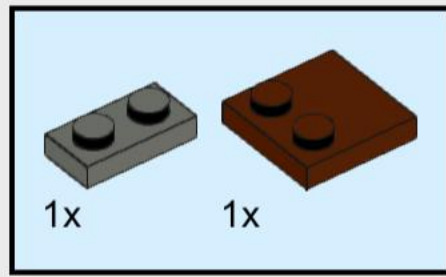
66



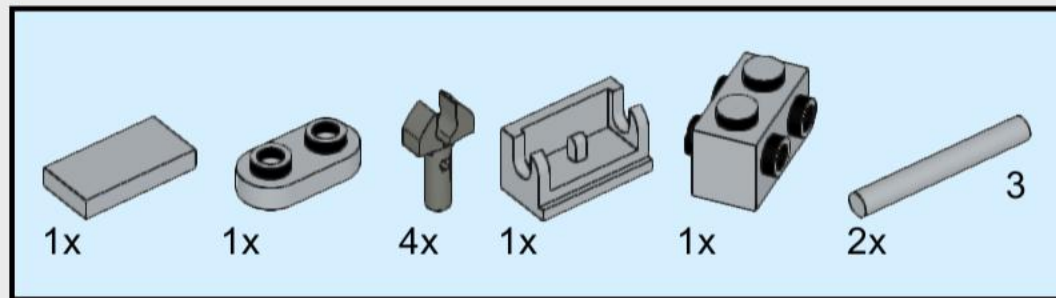
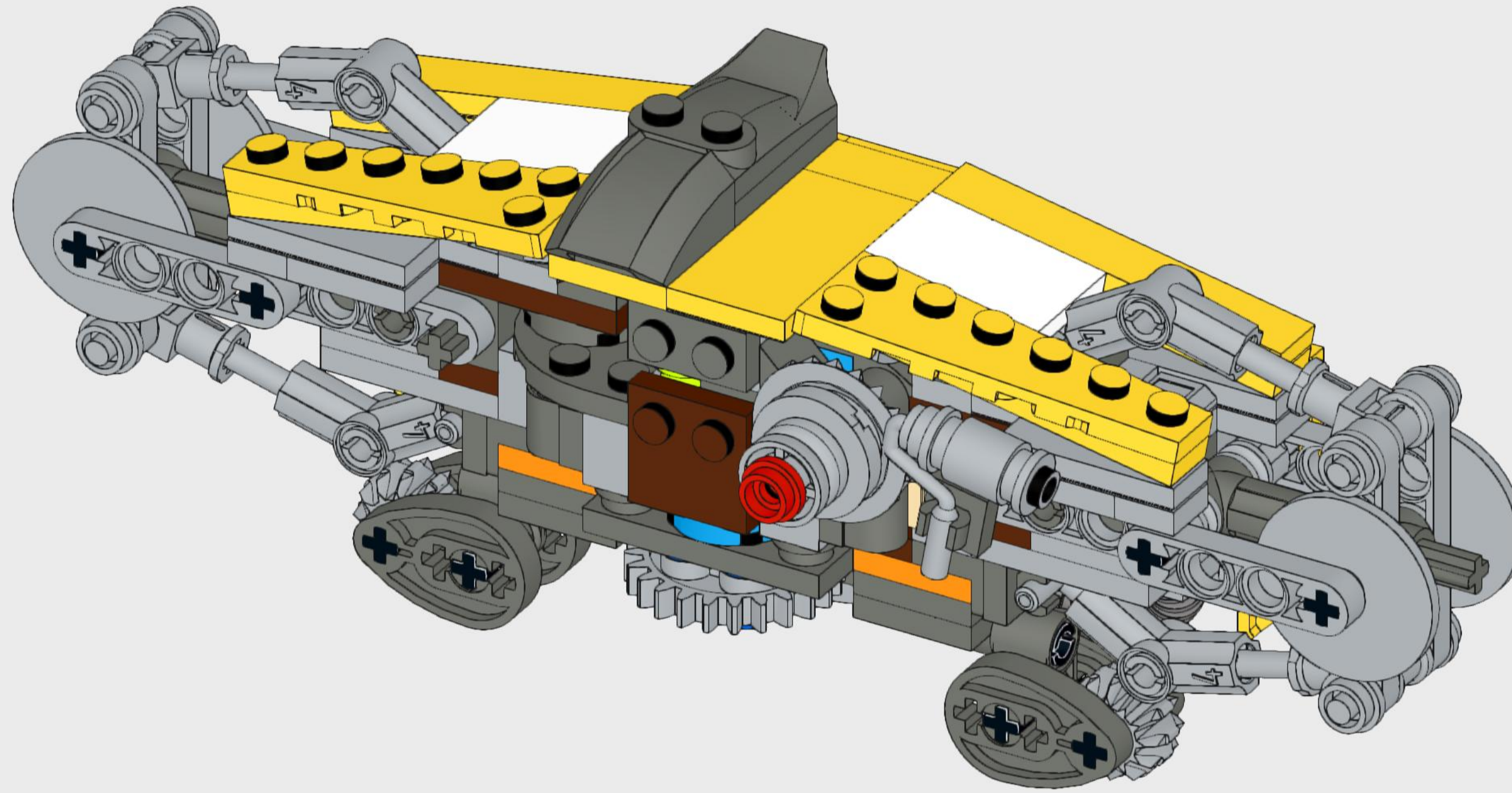
67 



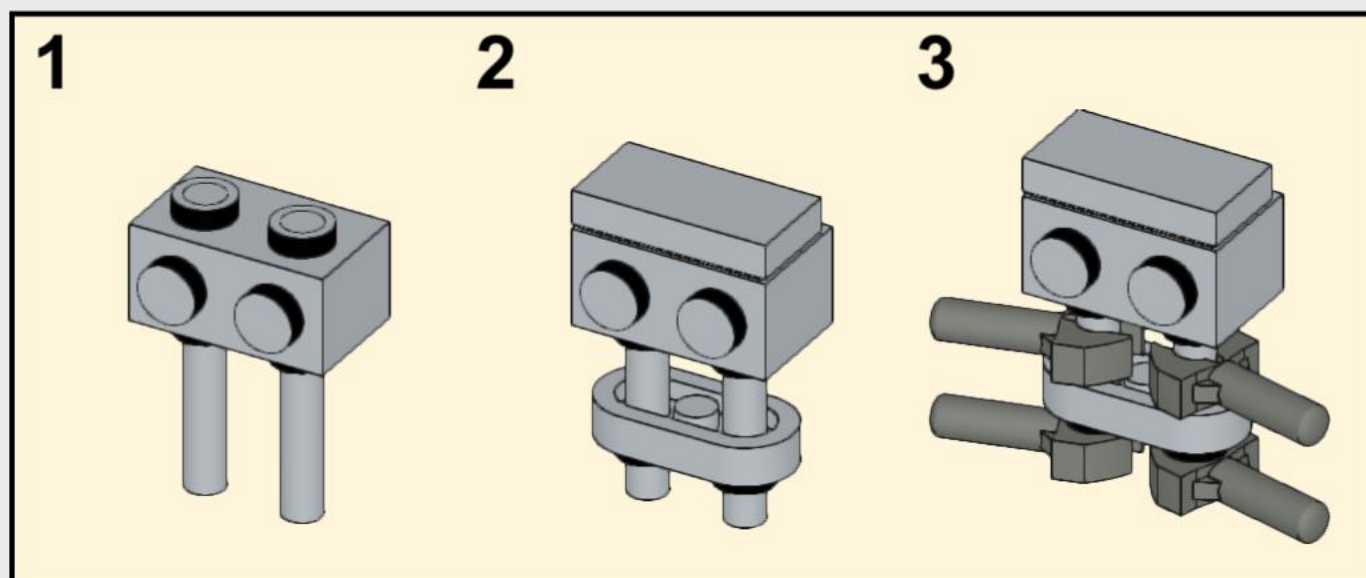
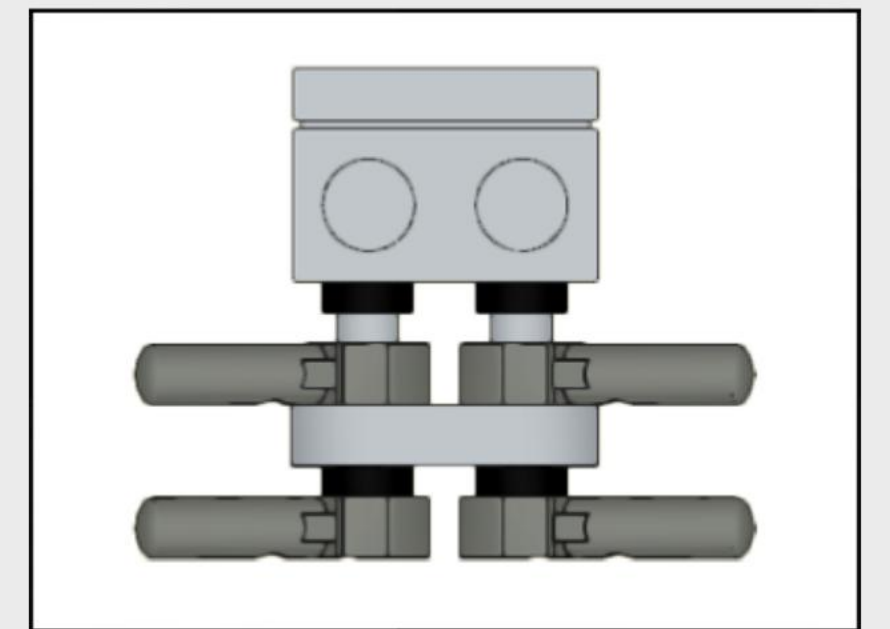
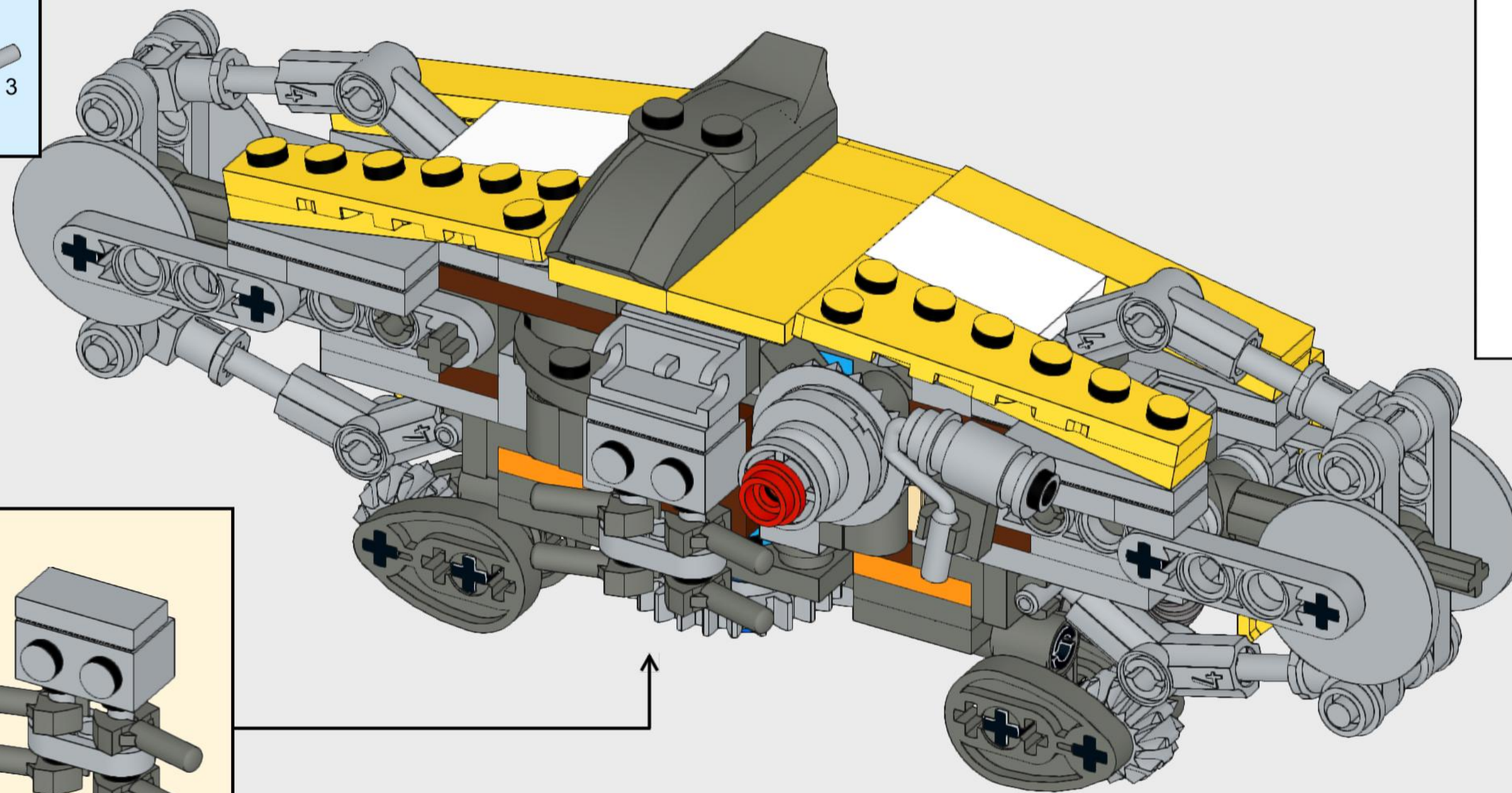


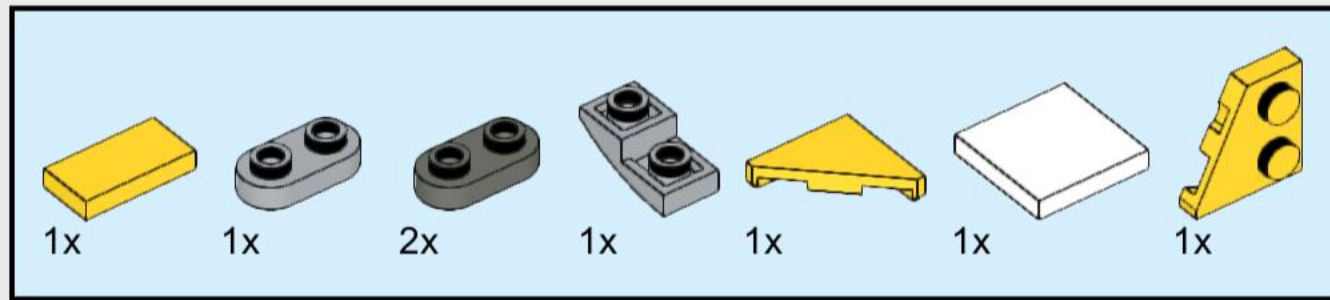


69

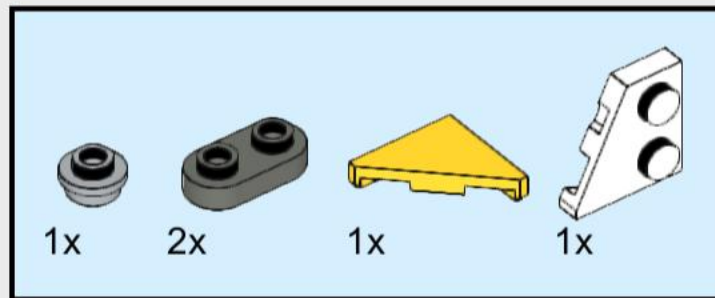
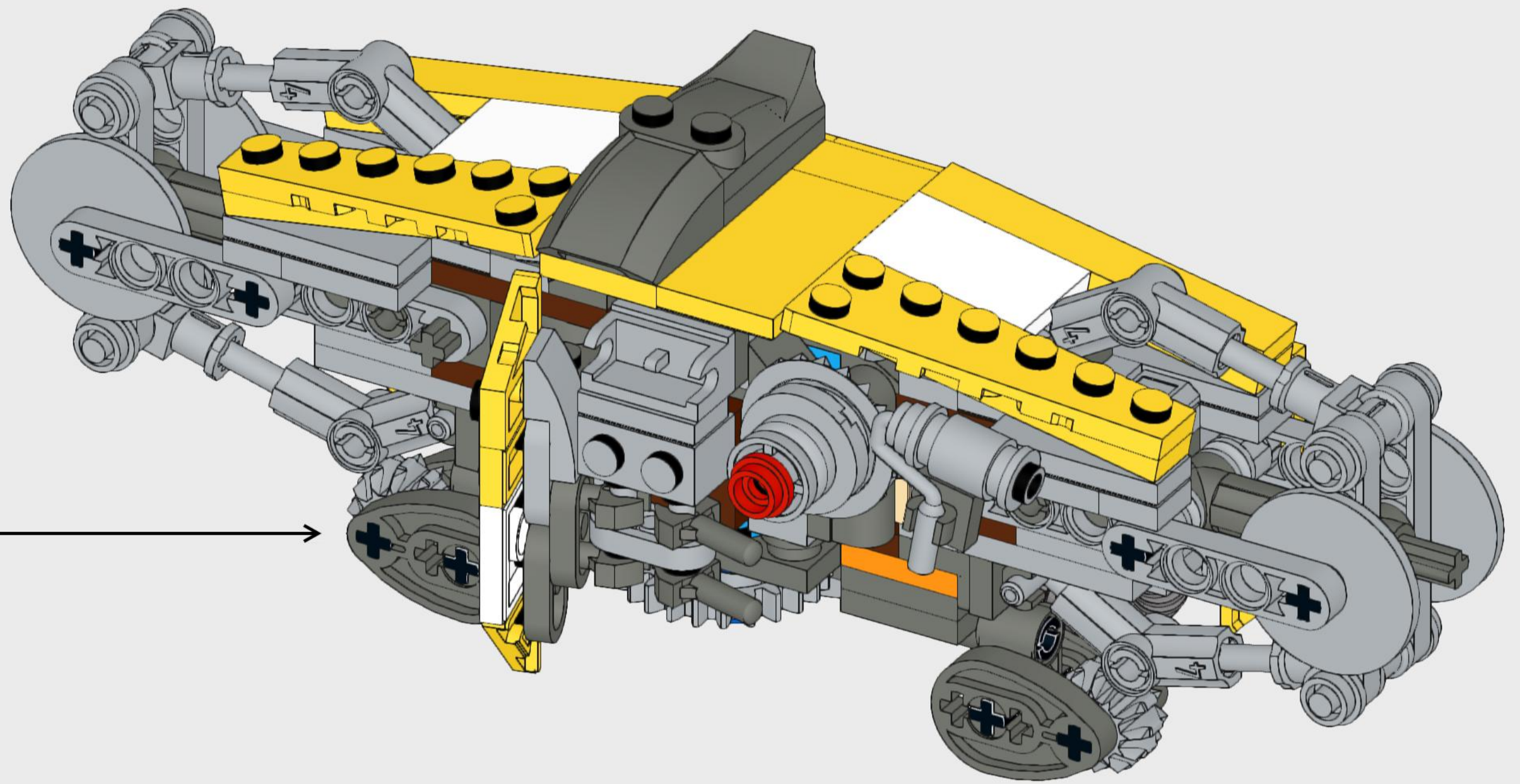
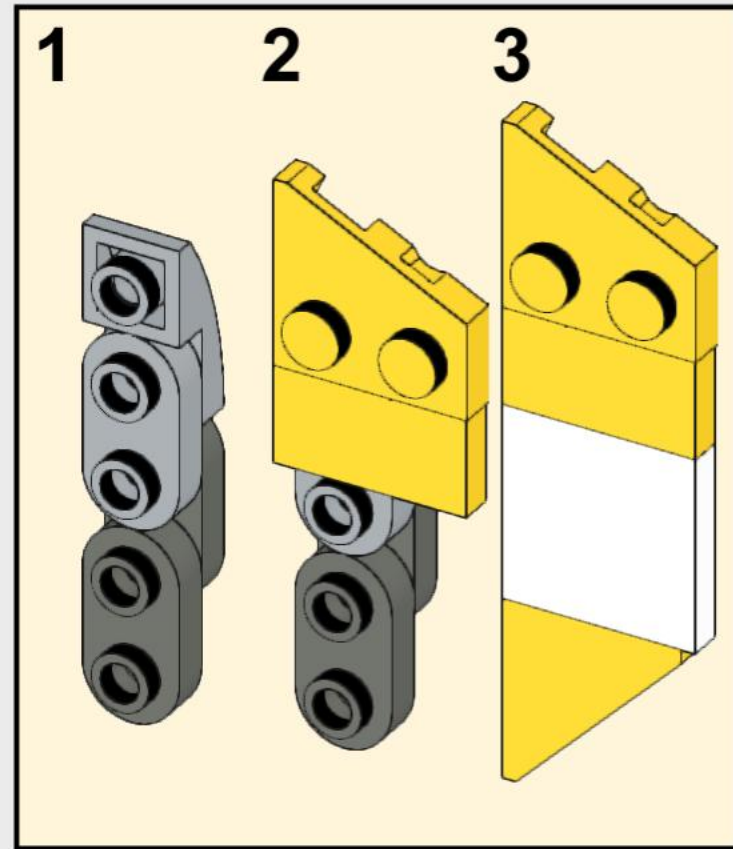


70

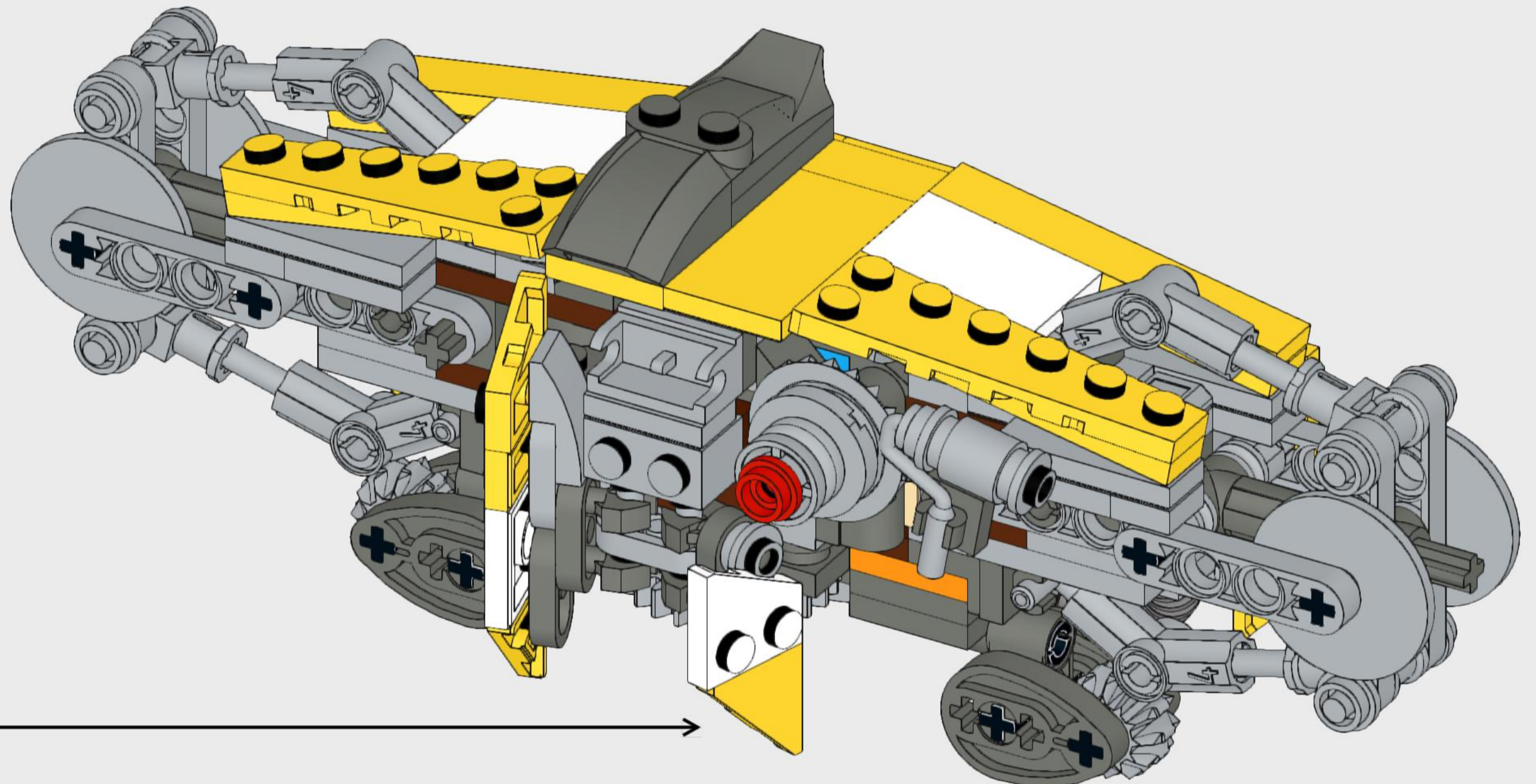
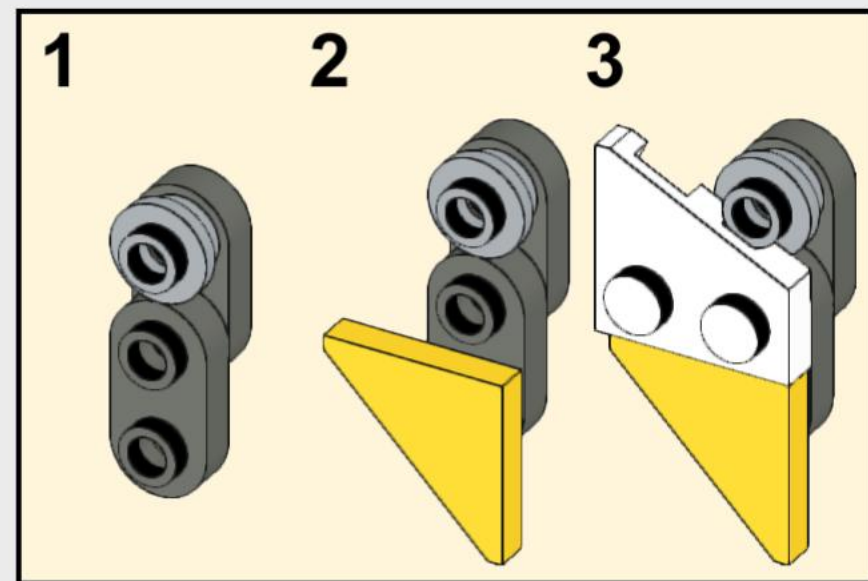


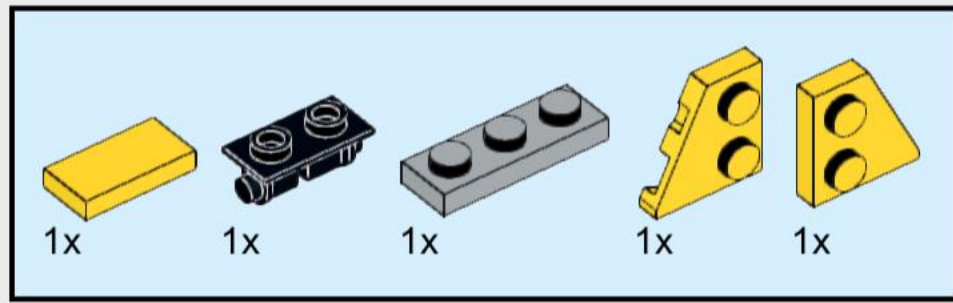


71

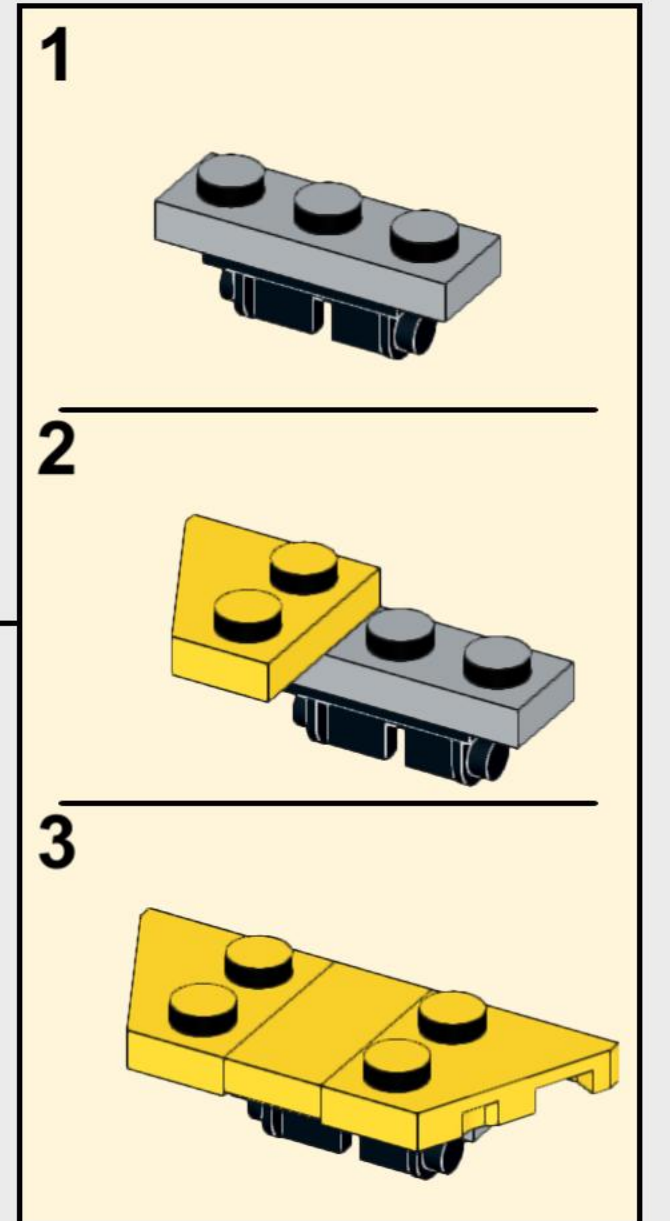
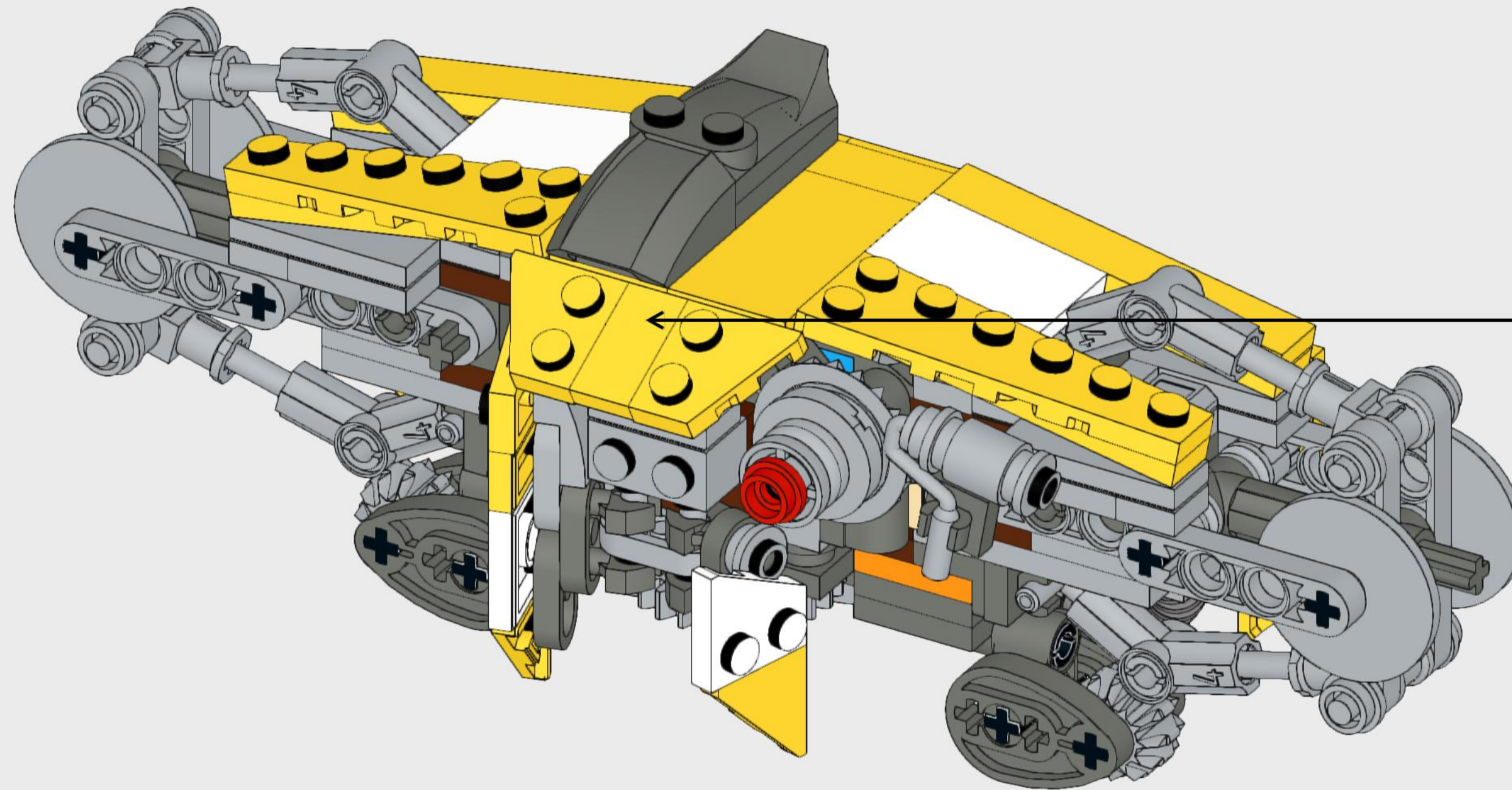


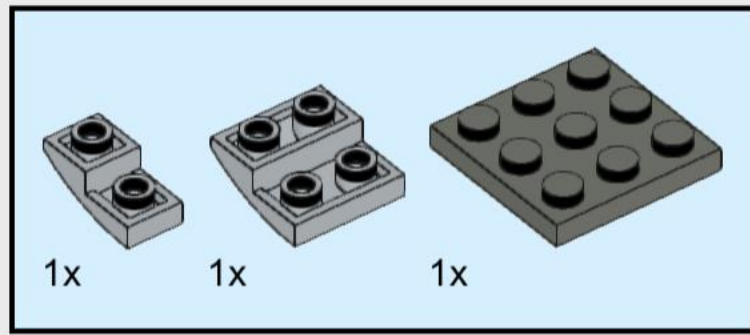
72



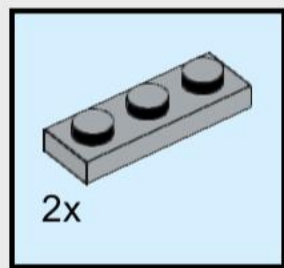
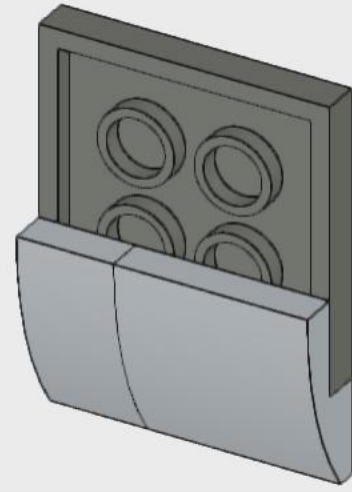


73

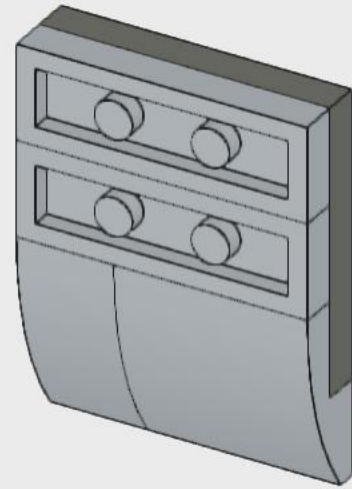




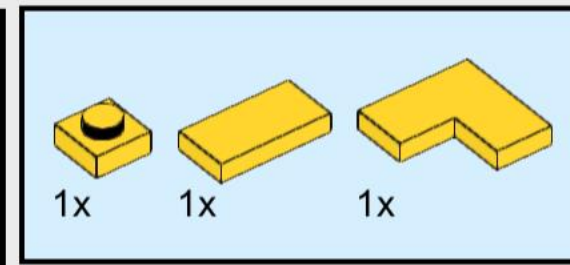
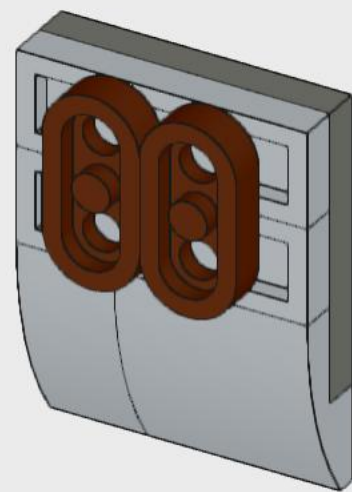
74



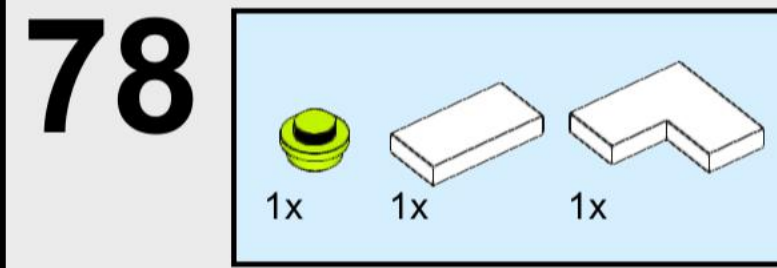
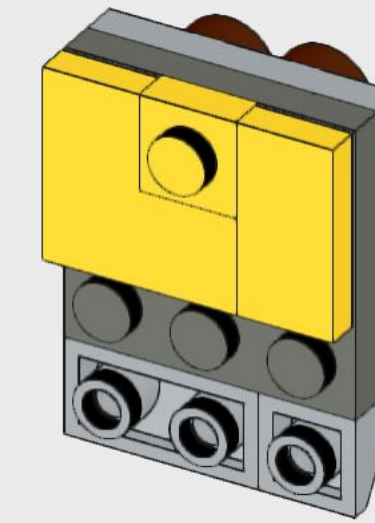
75



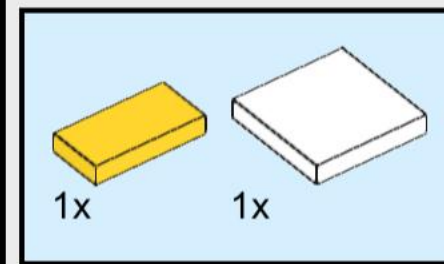
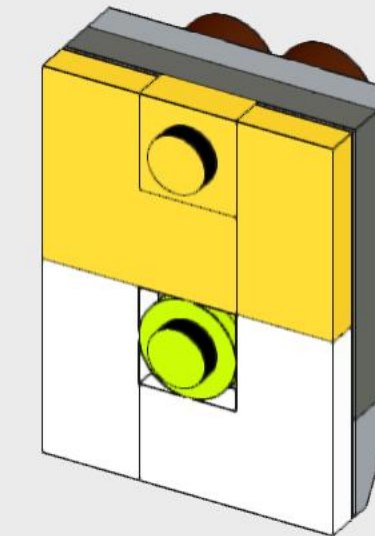
76



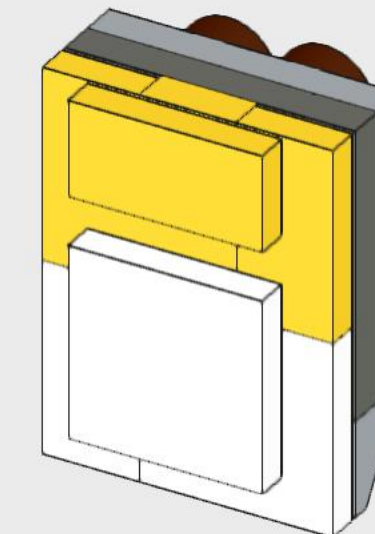
77

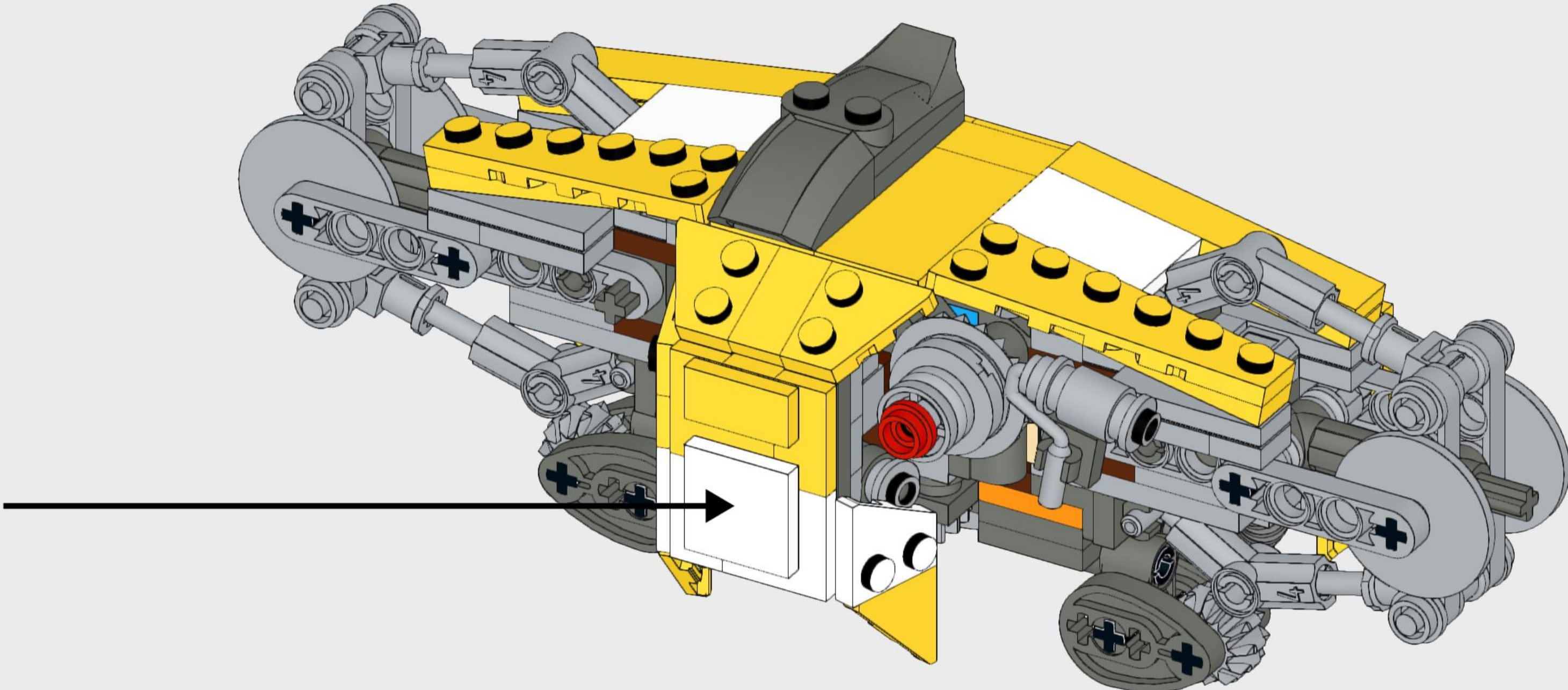


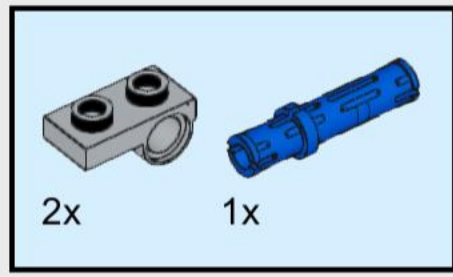
78



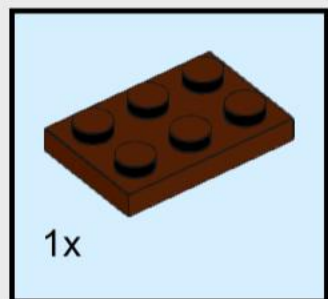
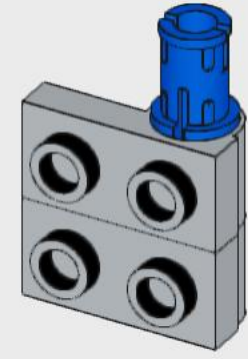
79



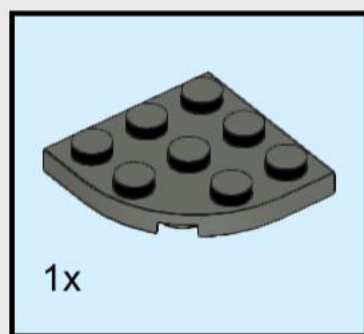
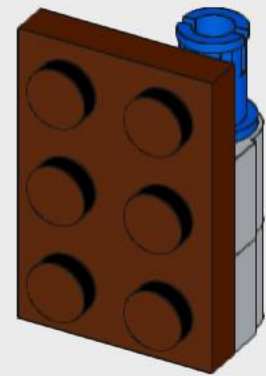




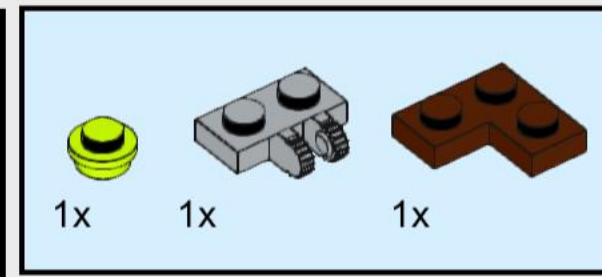
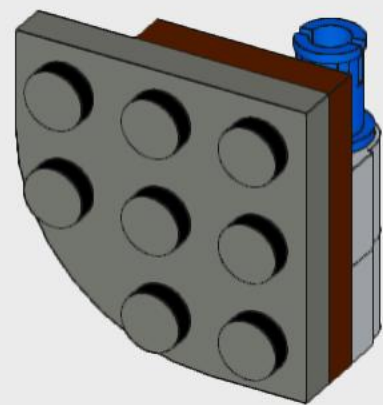
81



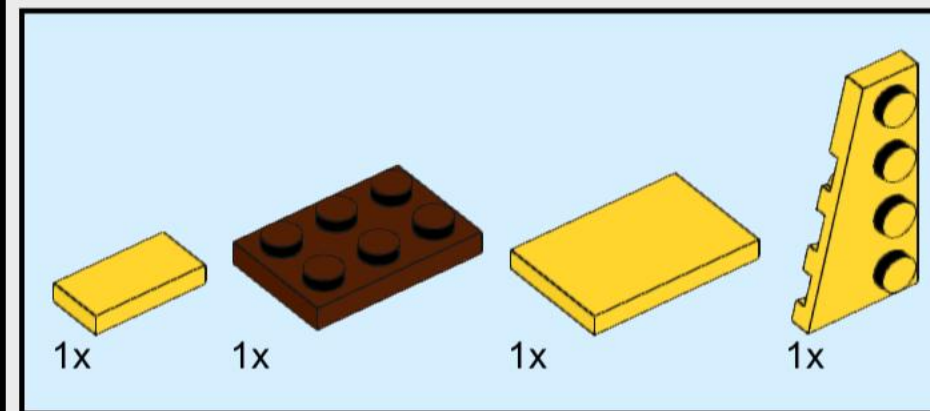
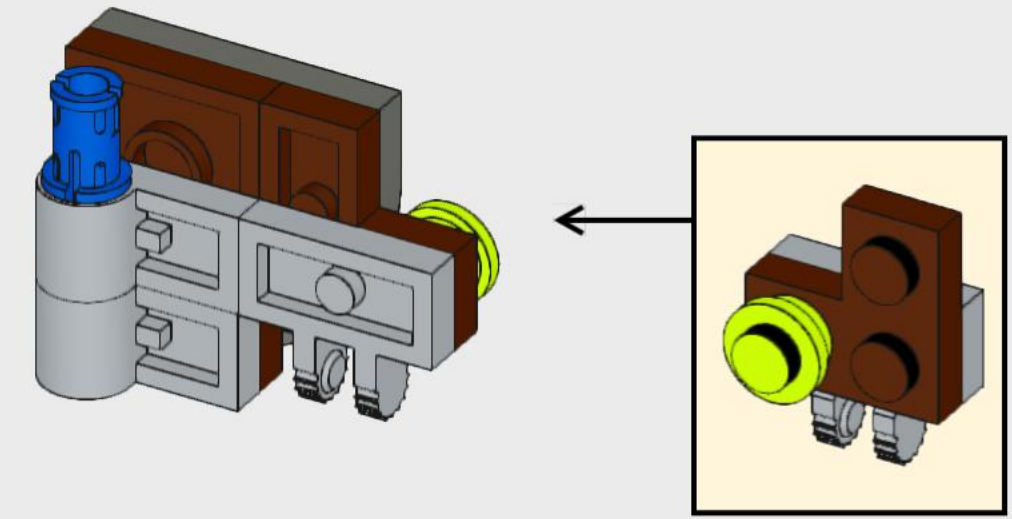
82



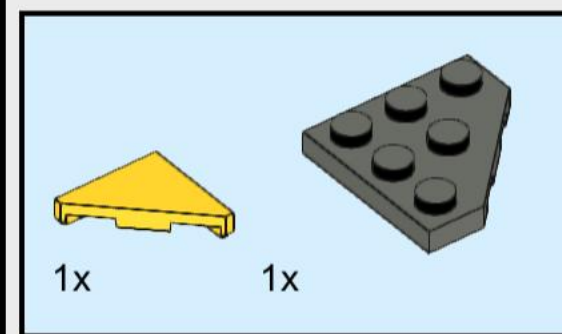
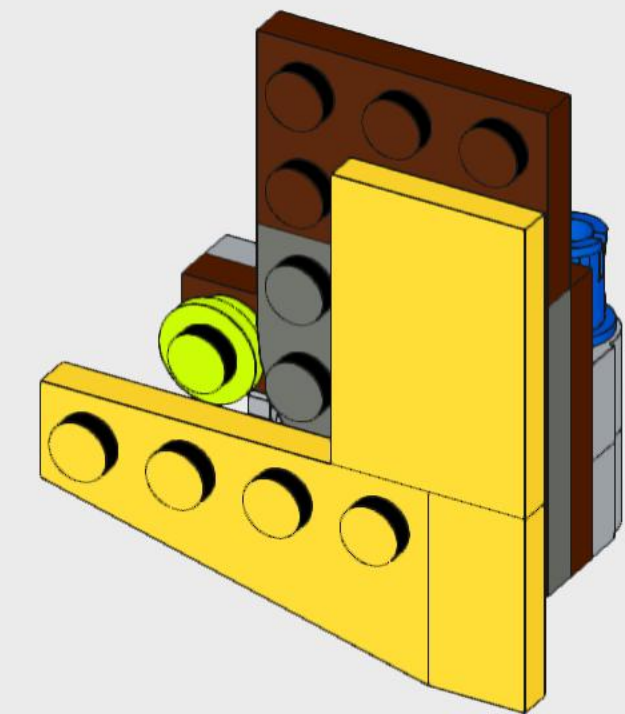
83



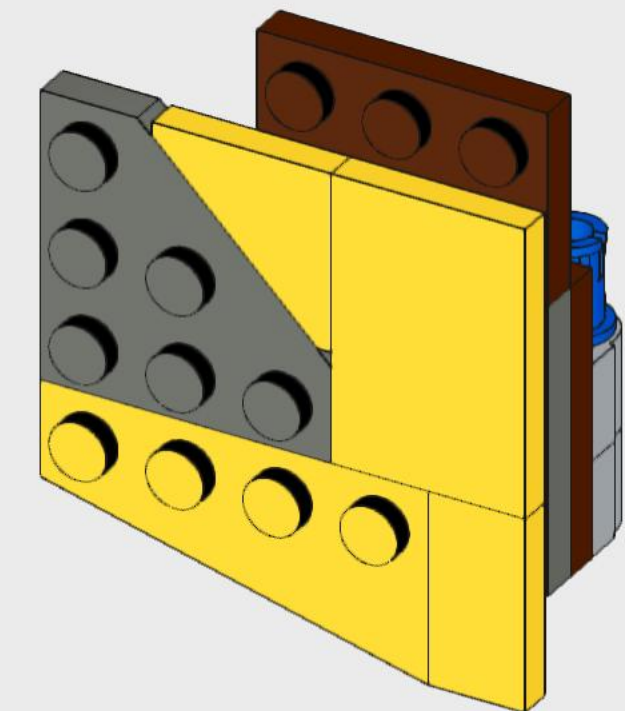
84

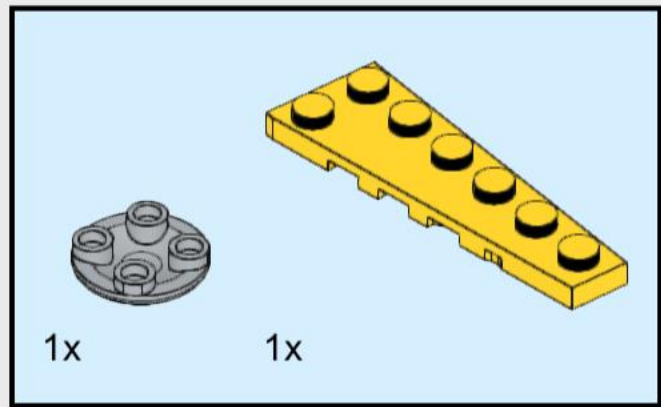


85

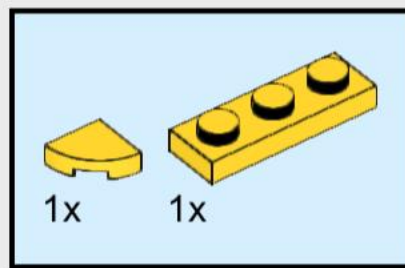
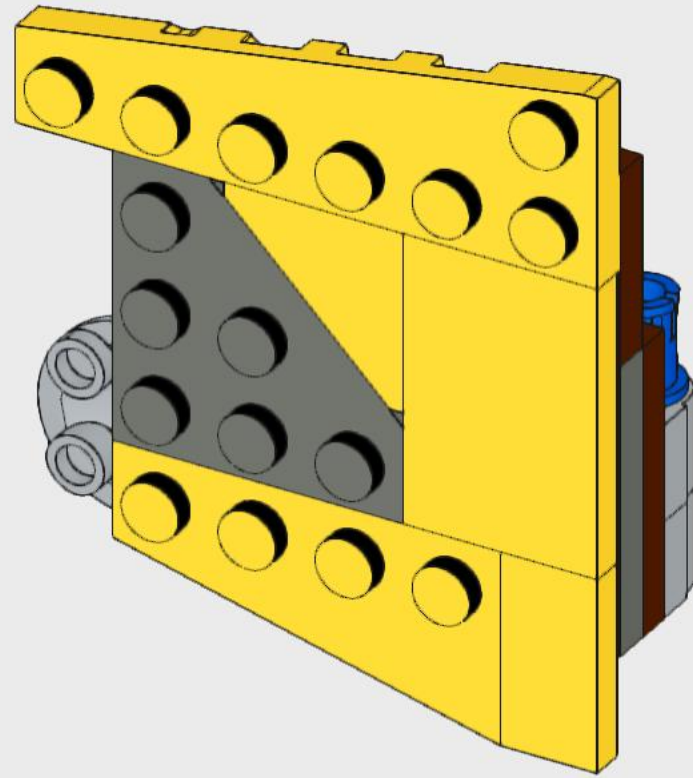


86

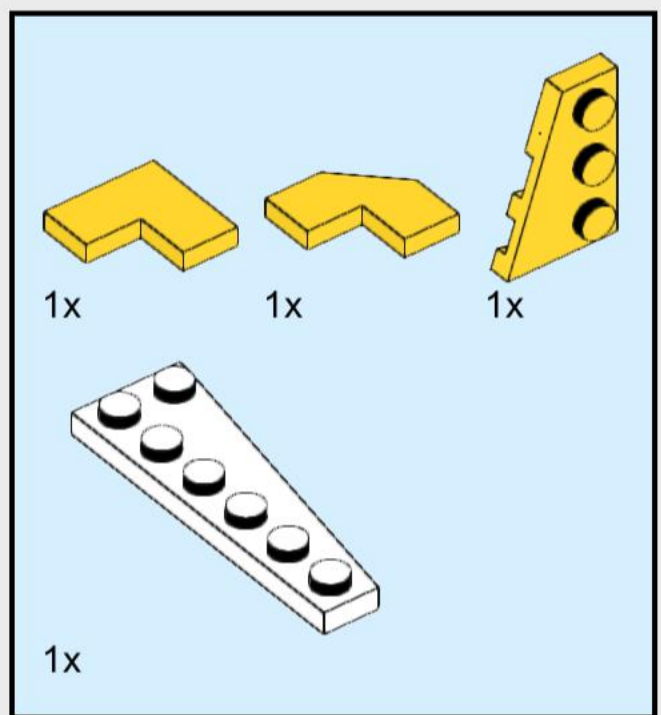
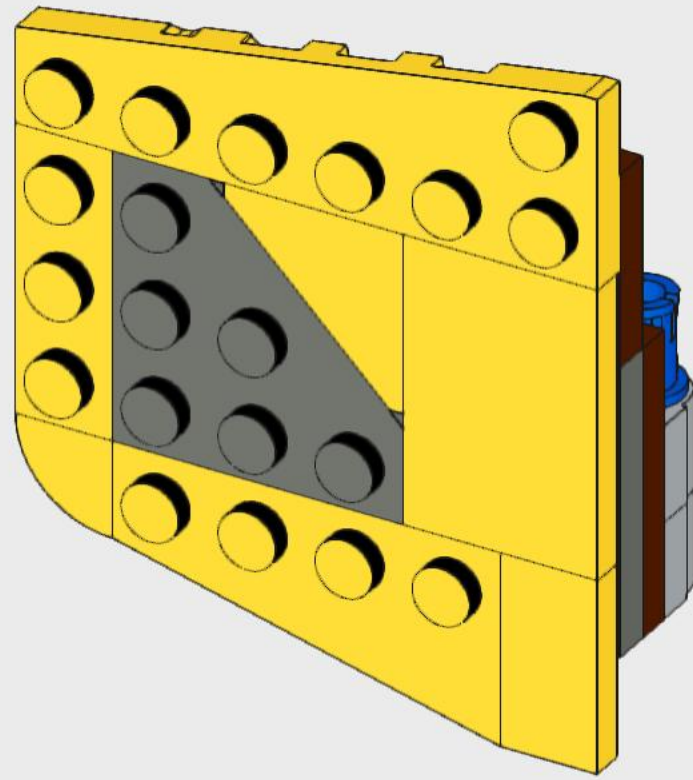




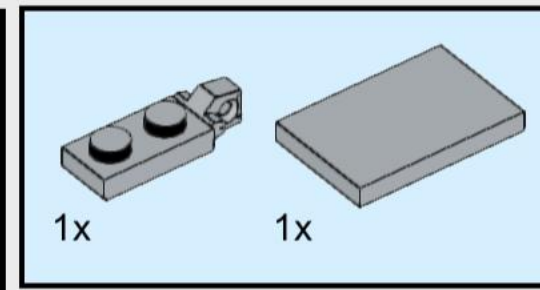
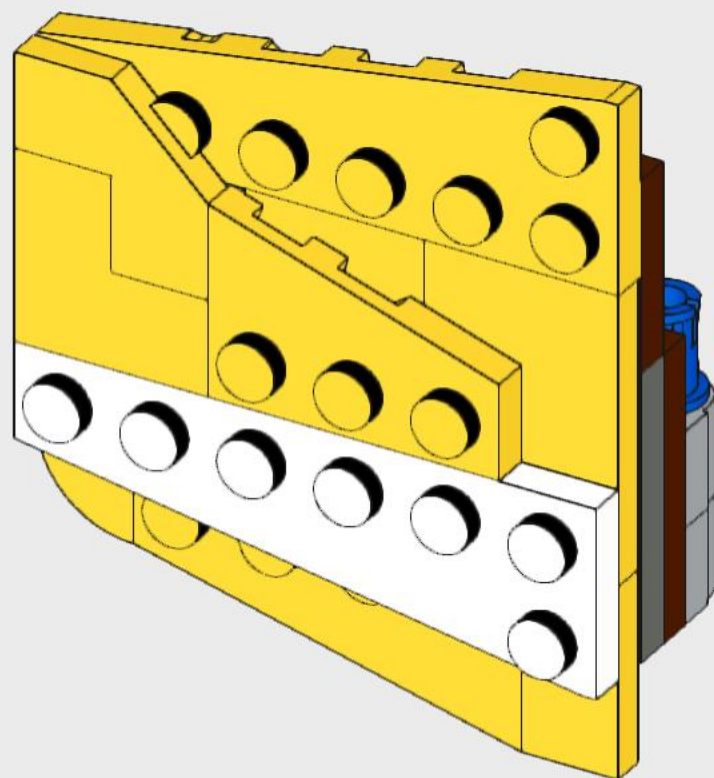
87



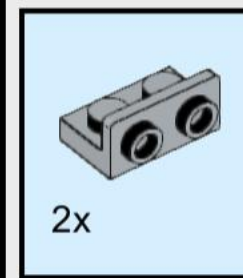
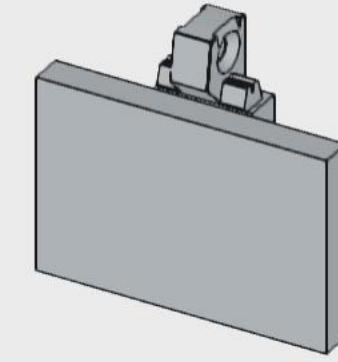
88



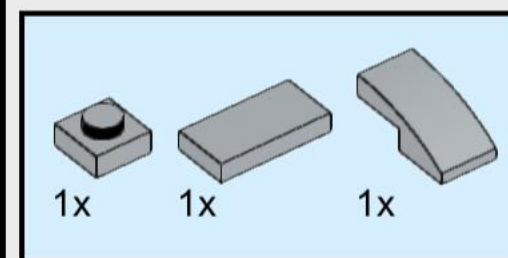
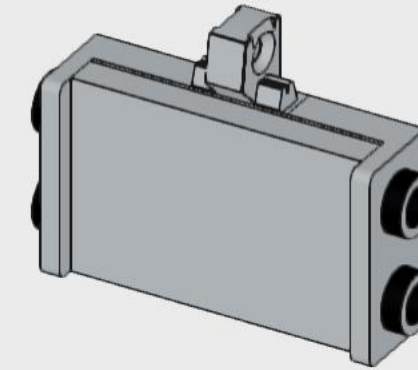
89



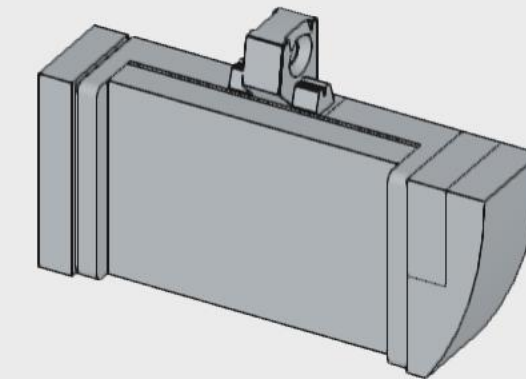
90



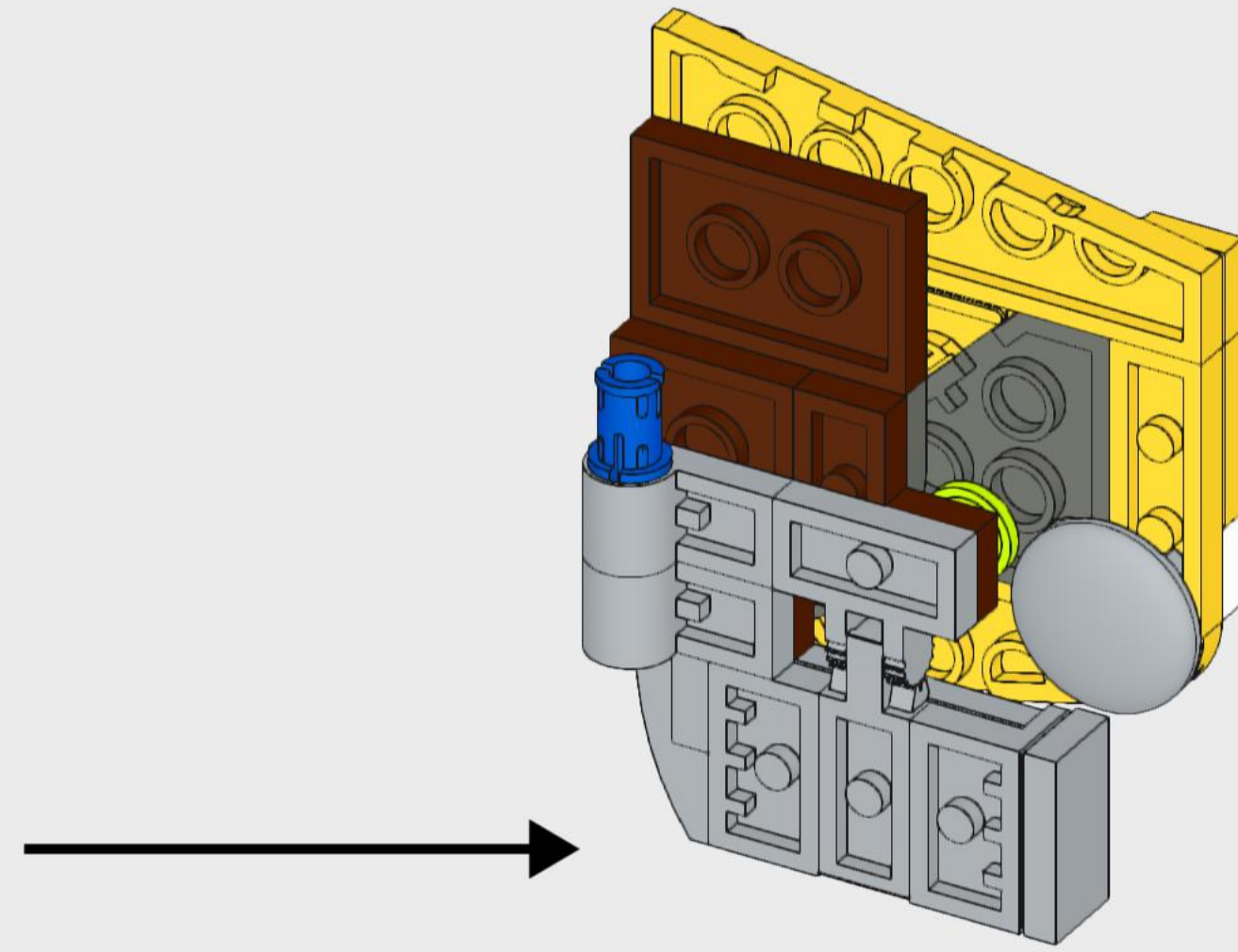
91



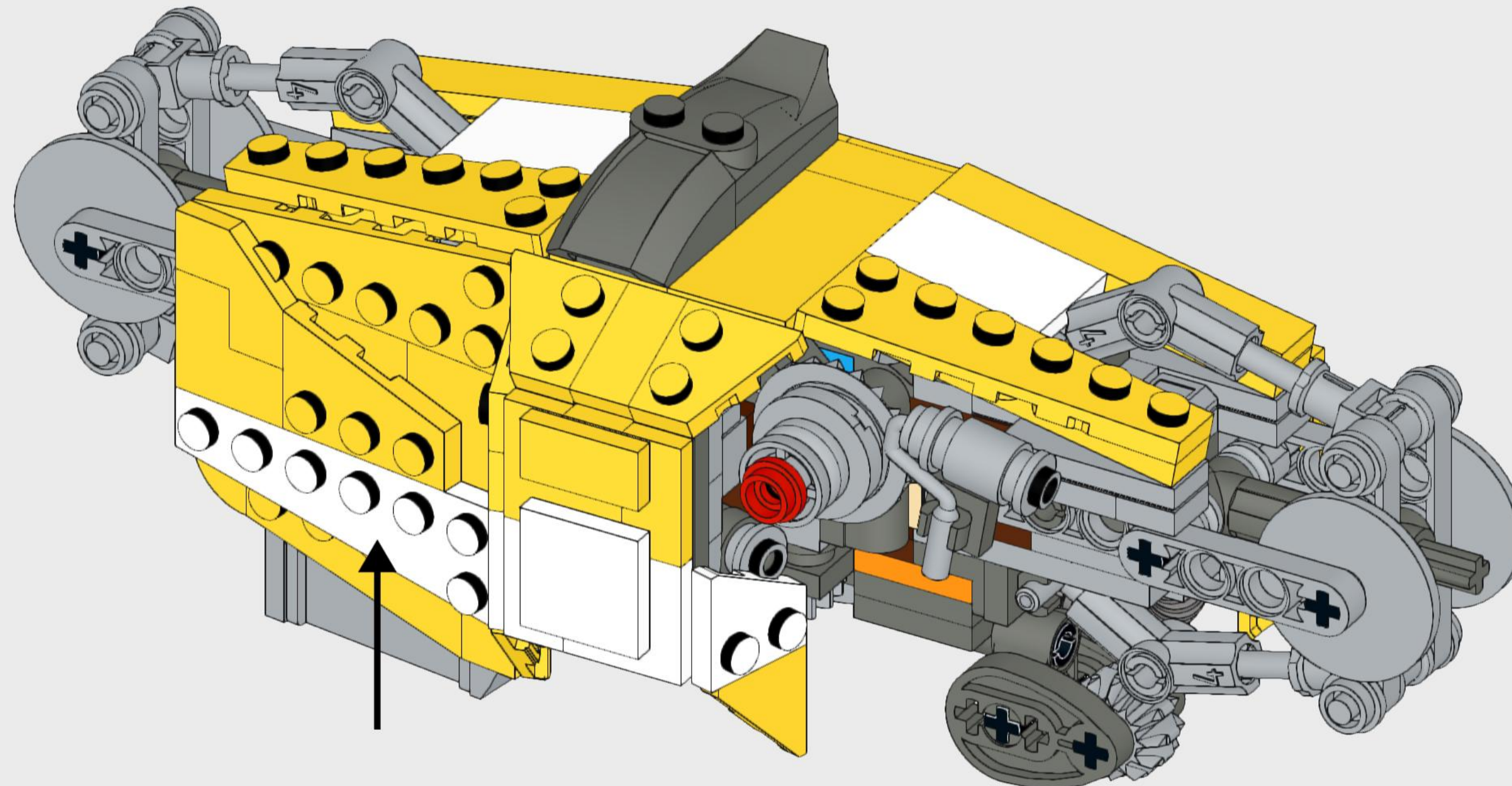
92

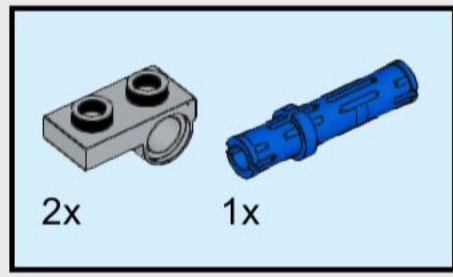


93

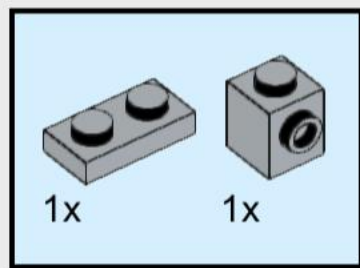
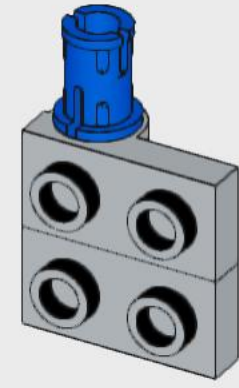


94

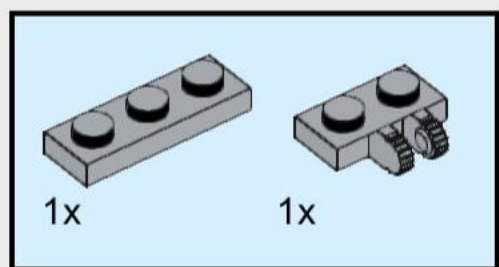
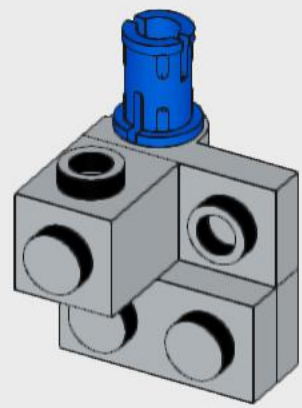




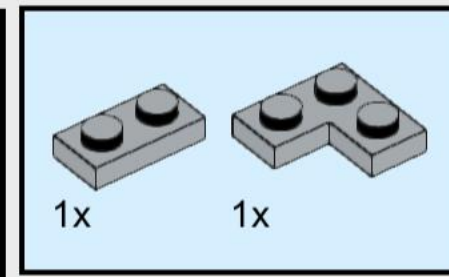
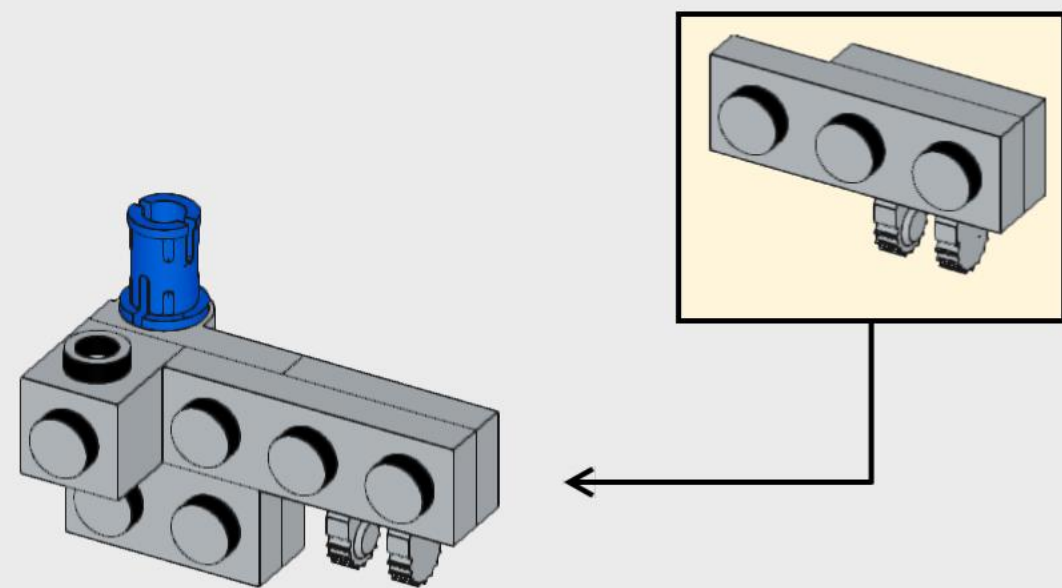
95



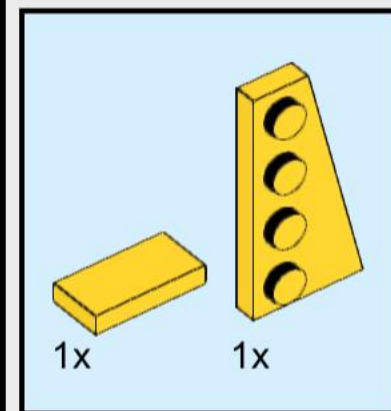
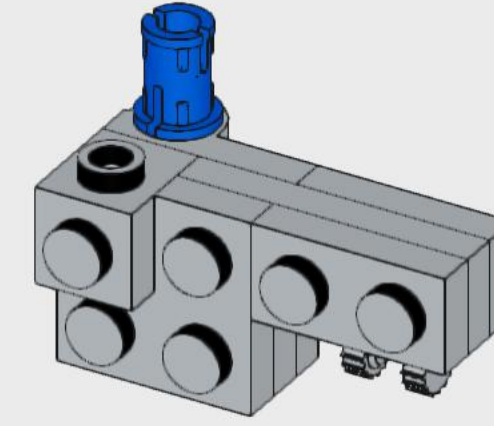
96



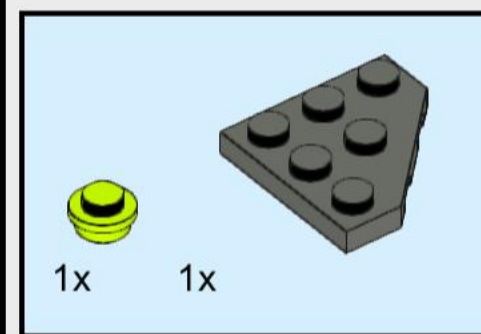
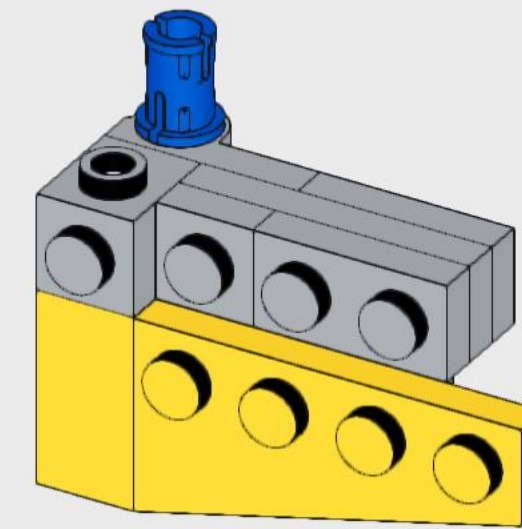
97



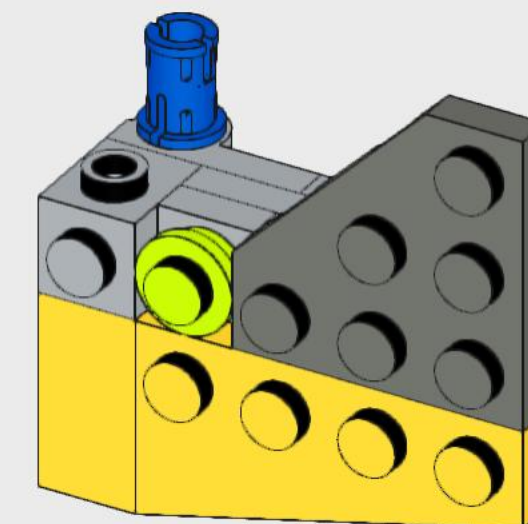
98

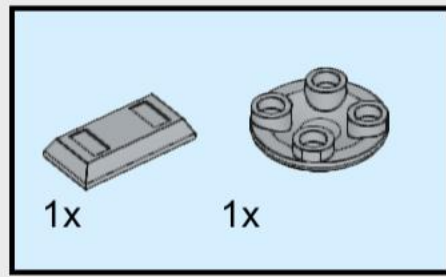


99

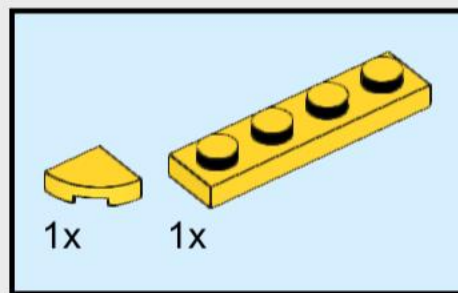
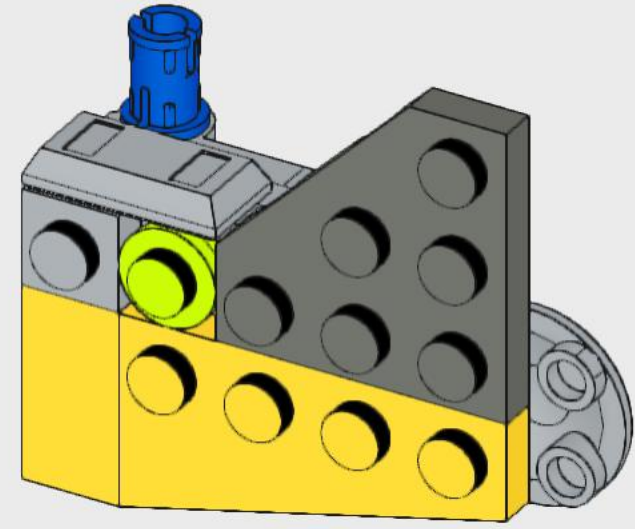


100

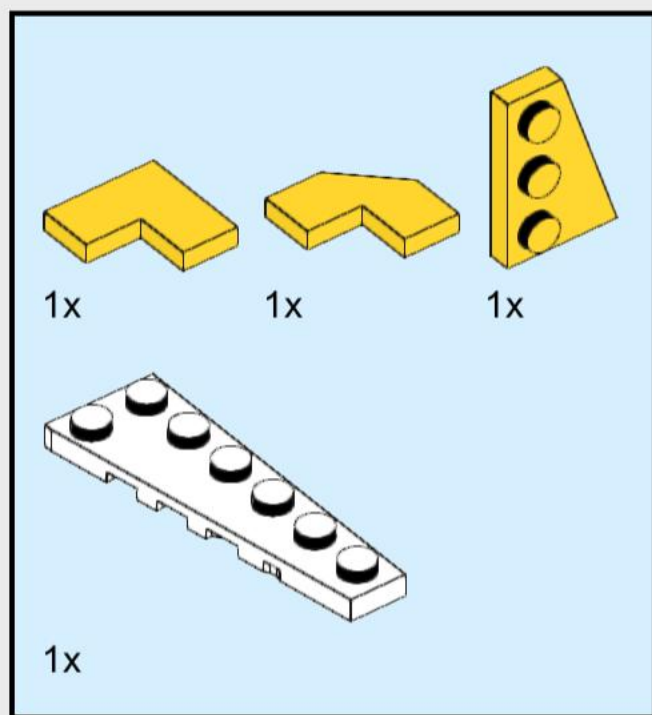
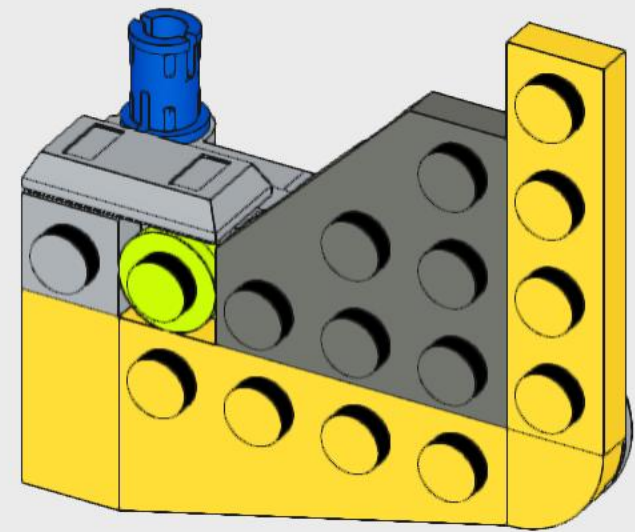




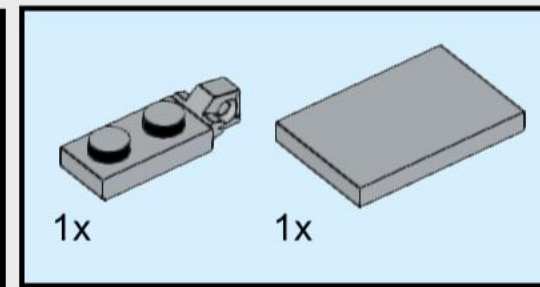
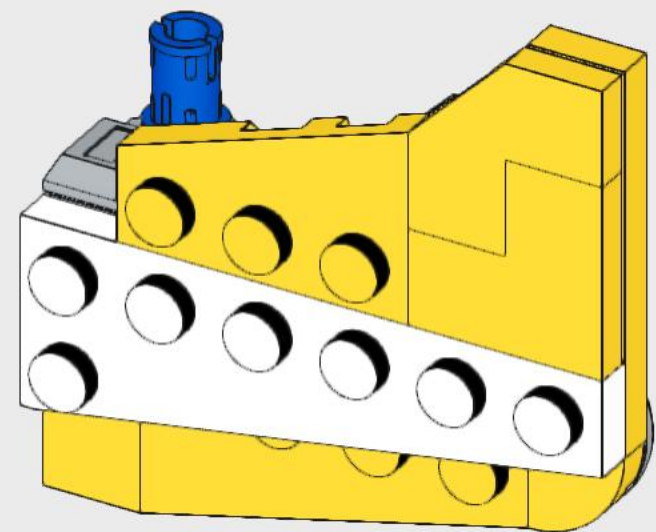
101



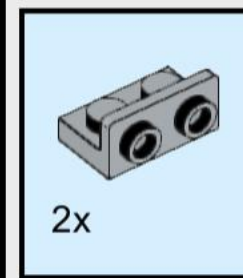
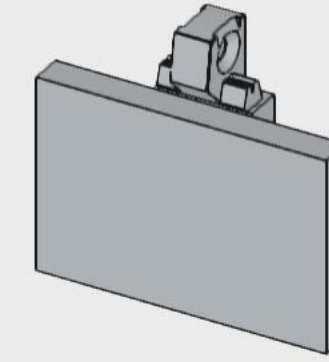
102



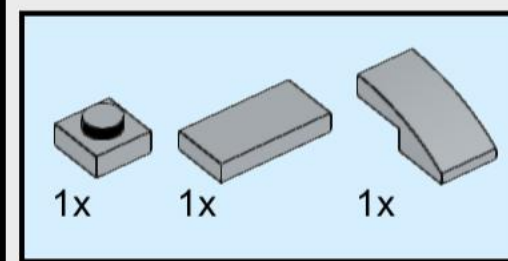
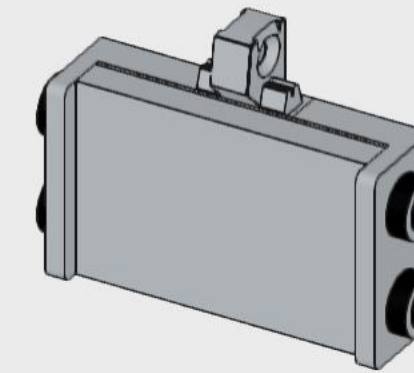
103



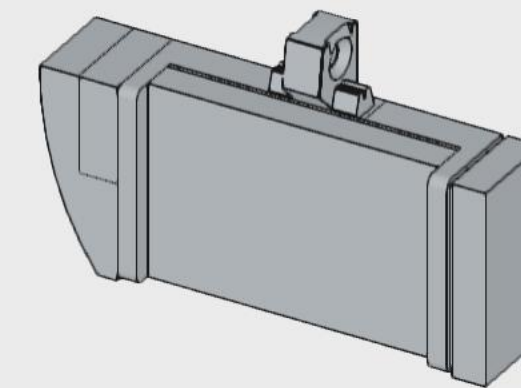
104



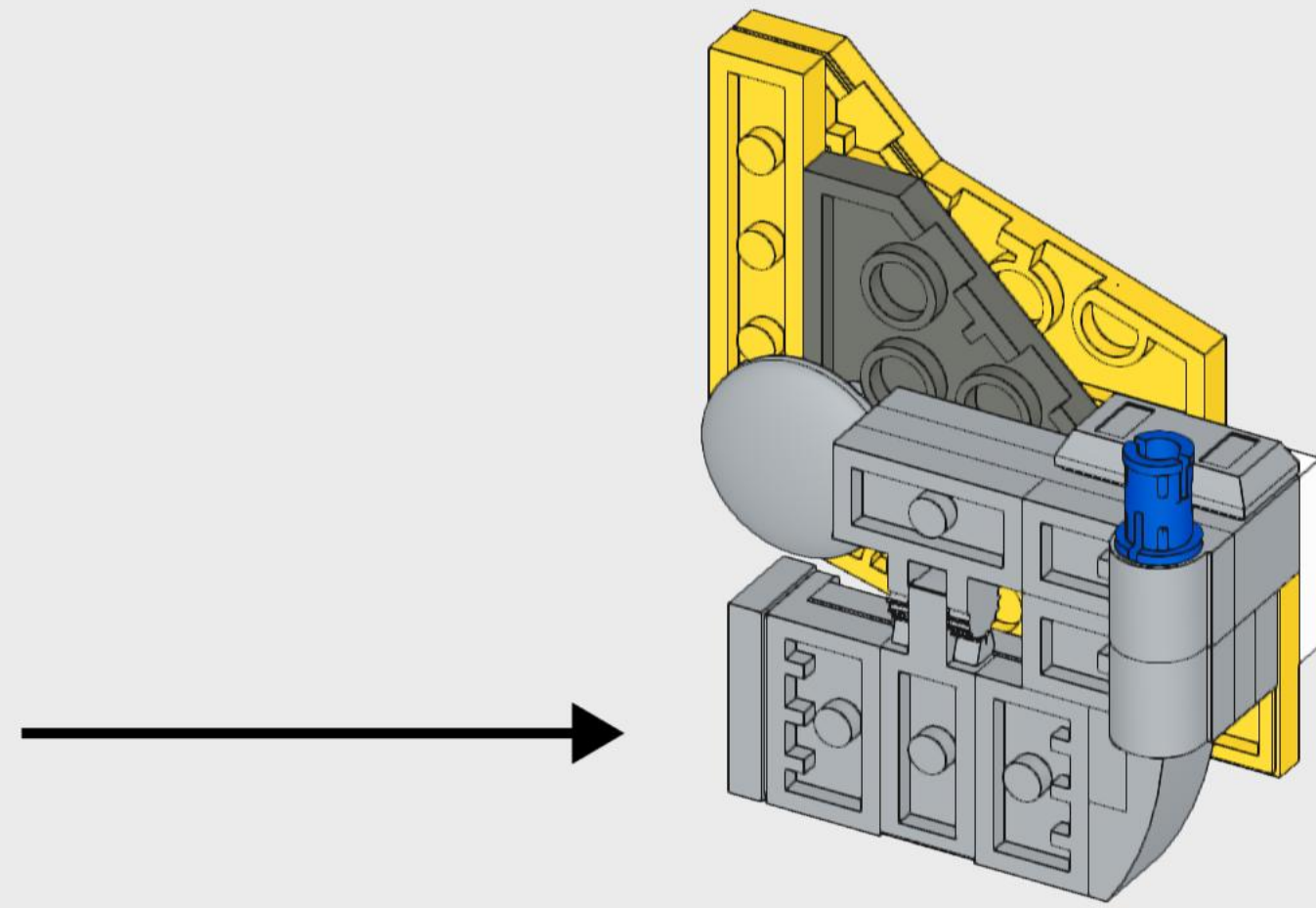
105



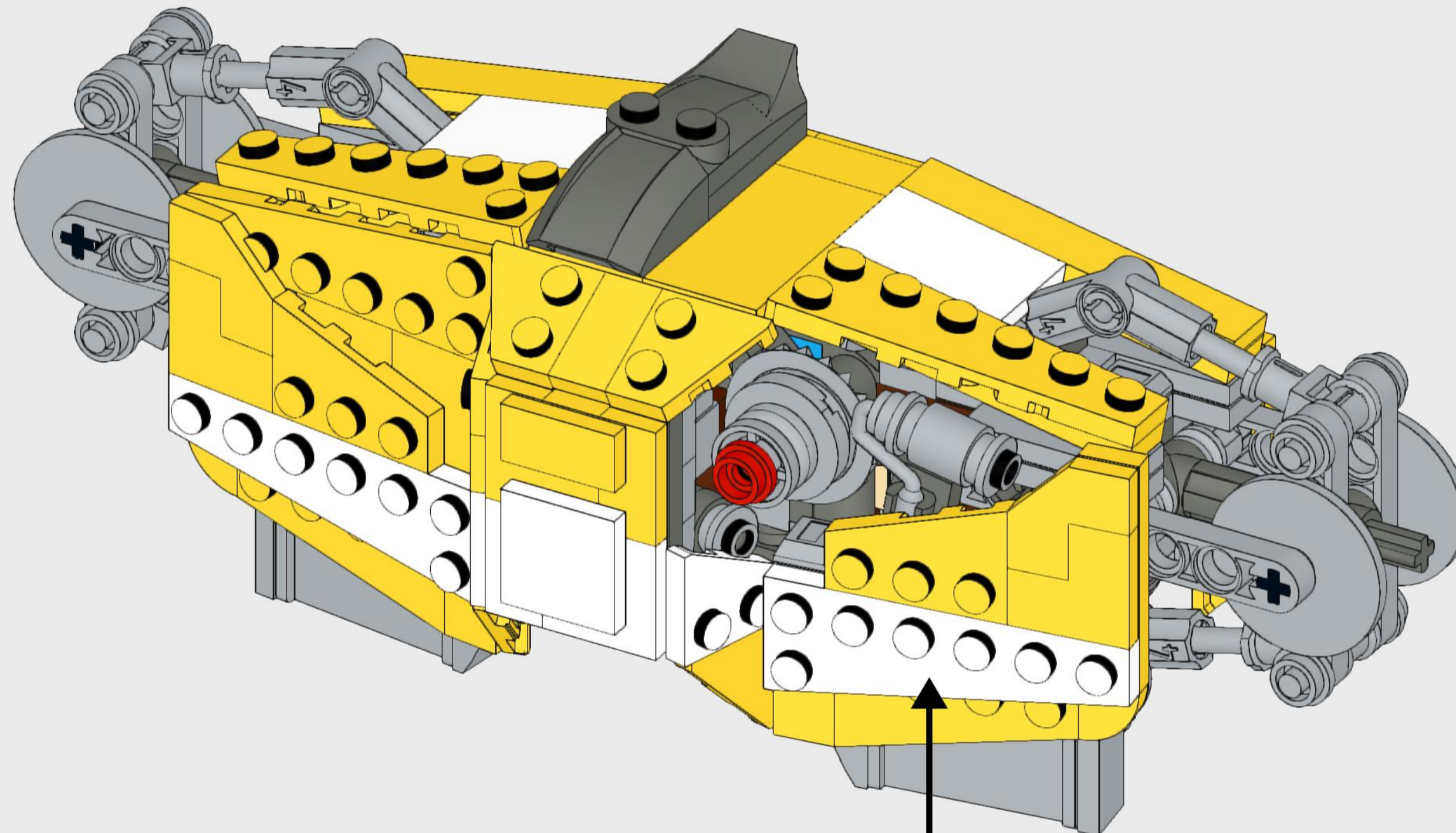
106

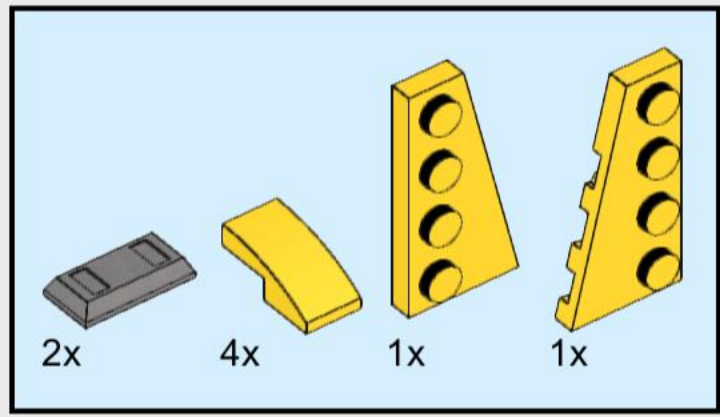


107

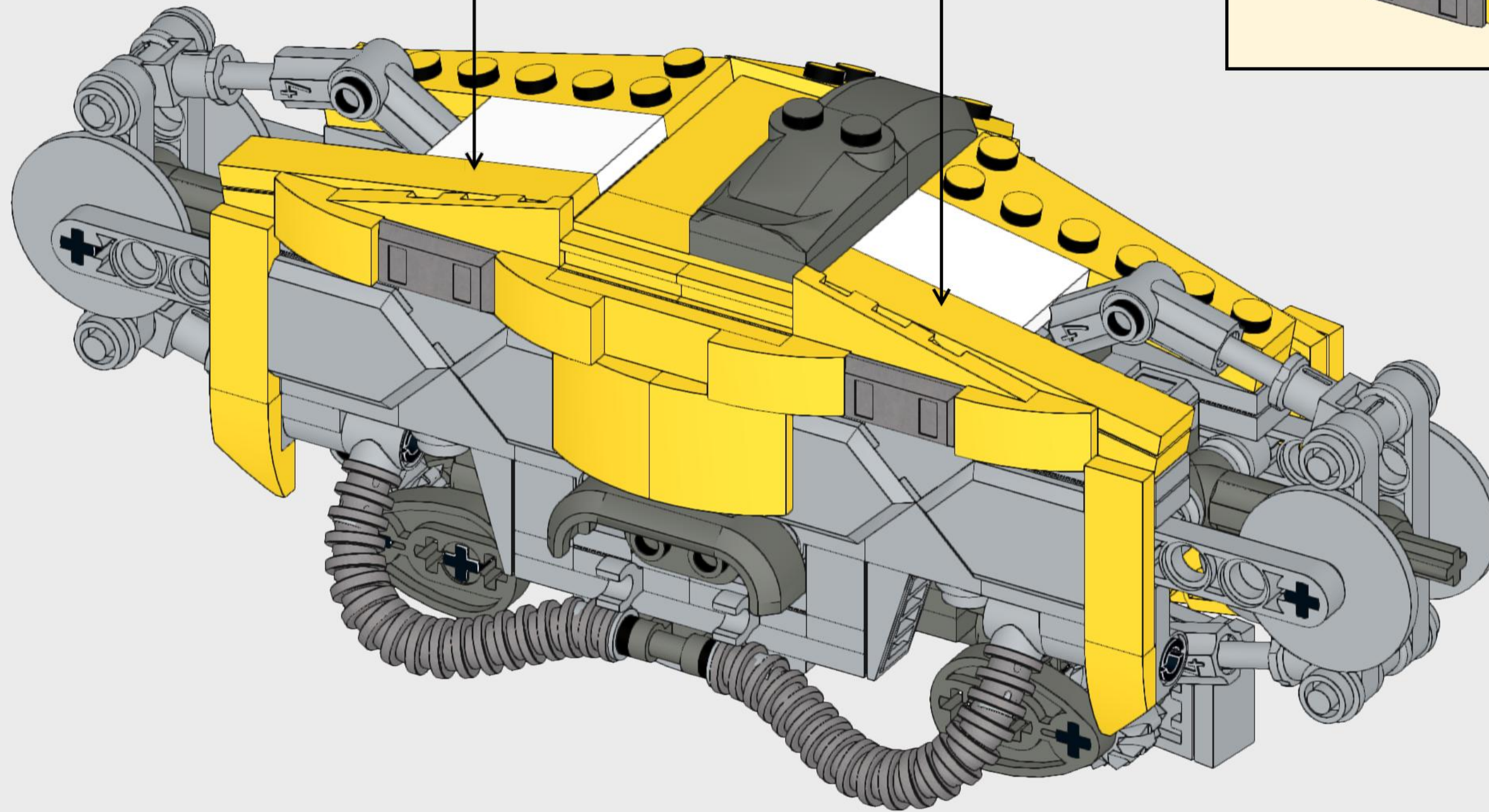
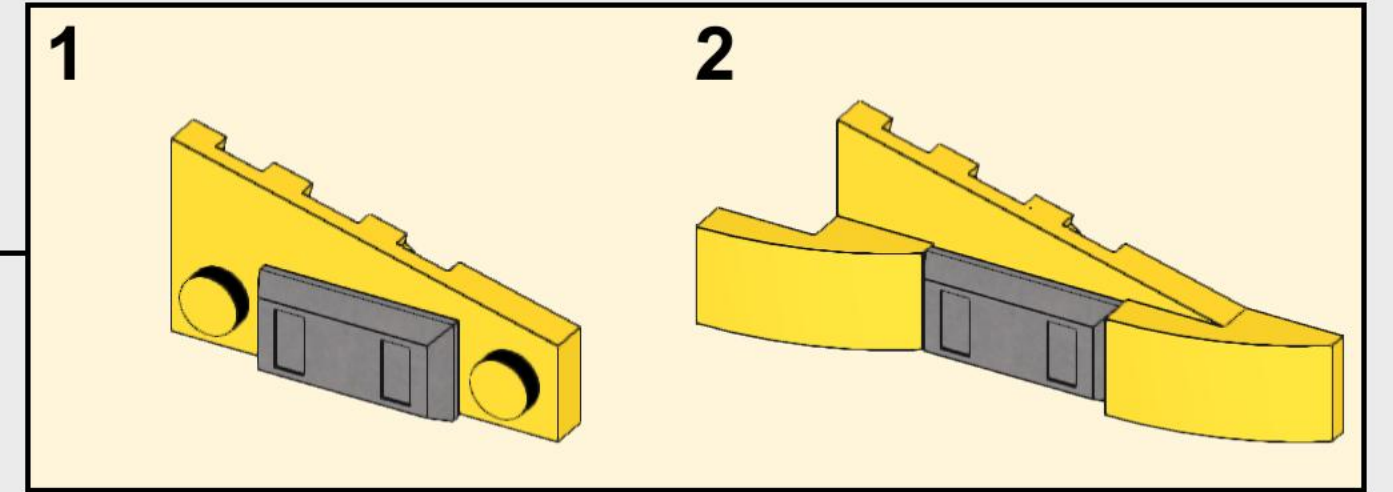
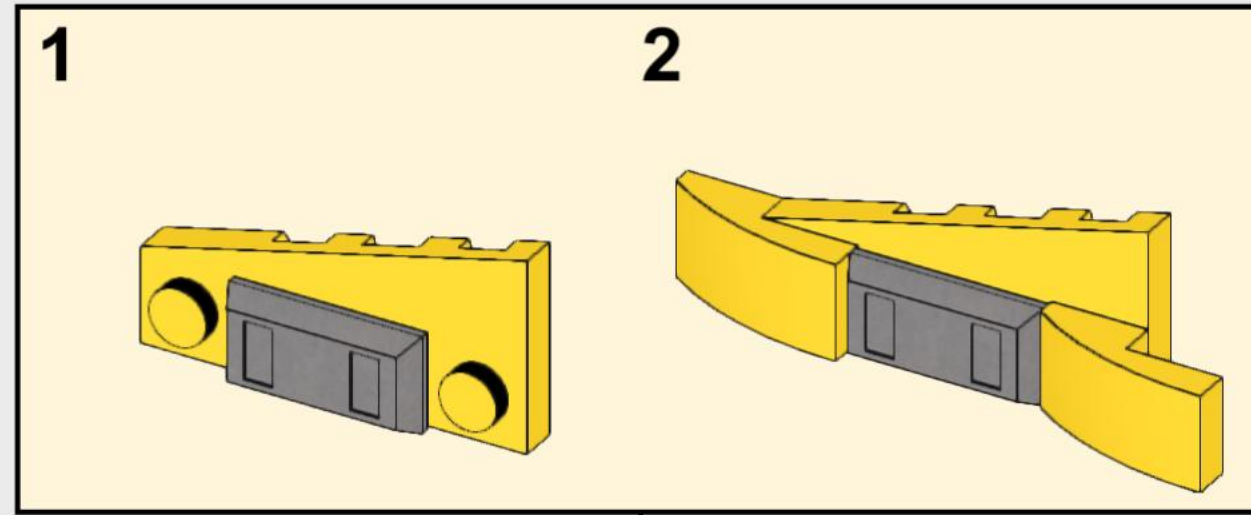


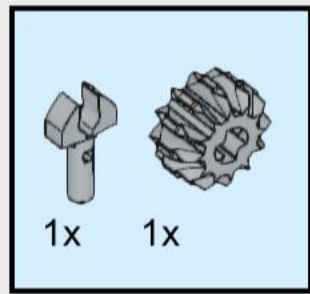
108



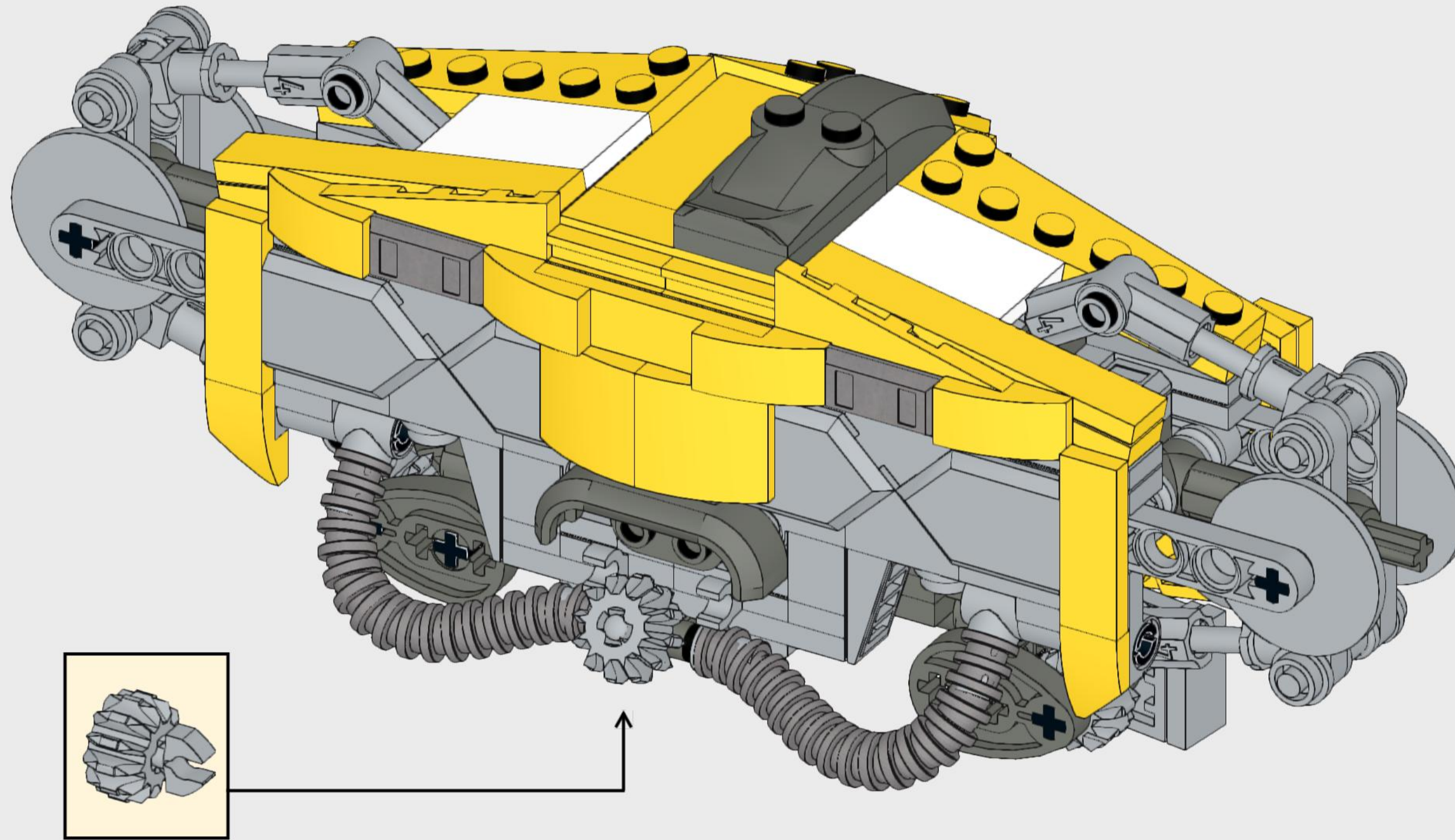


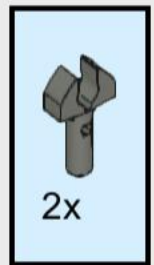
109



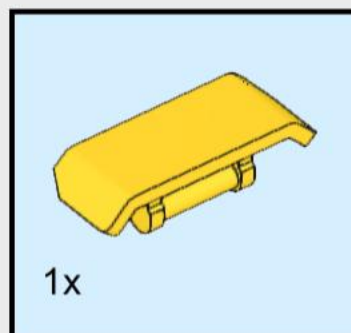
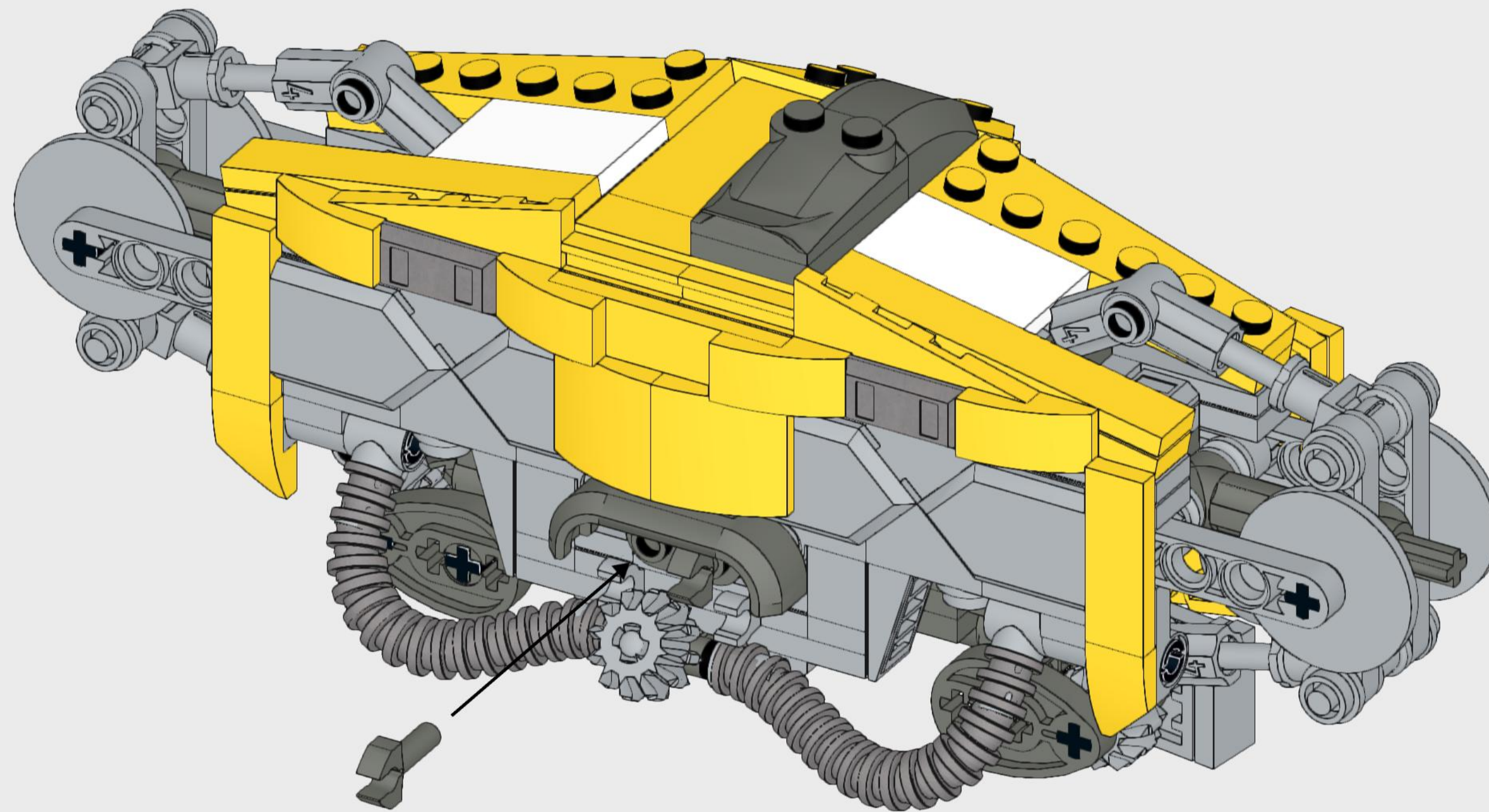


110

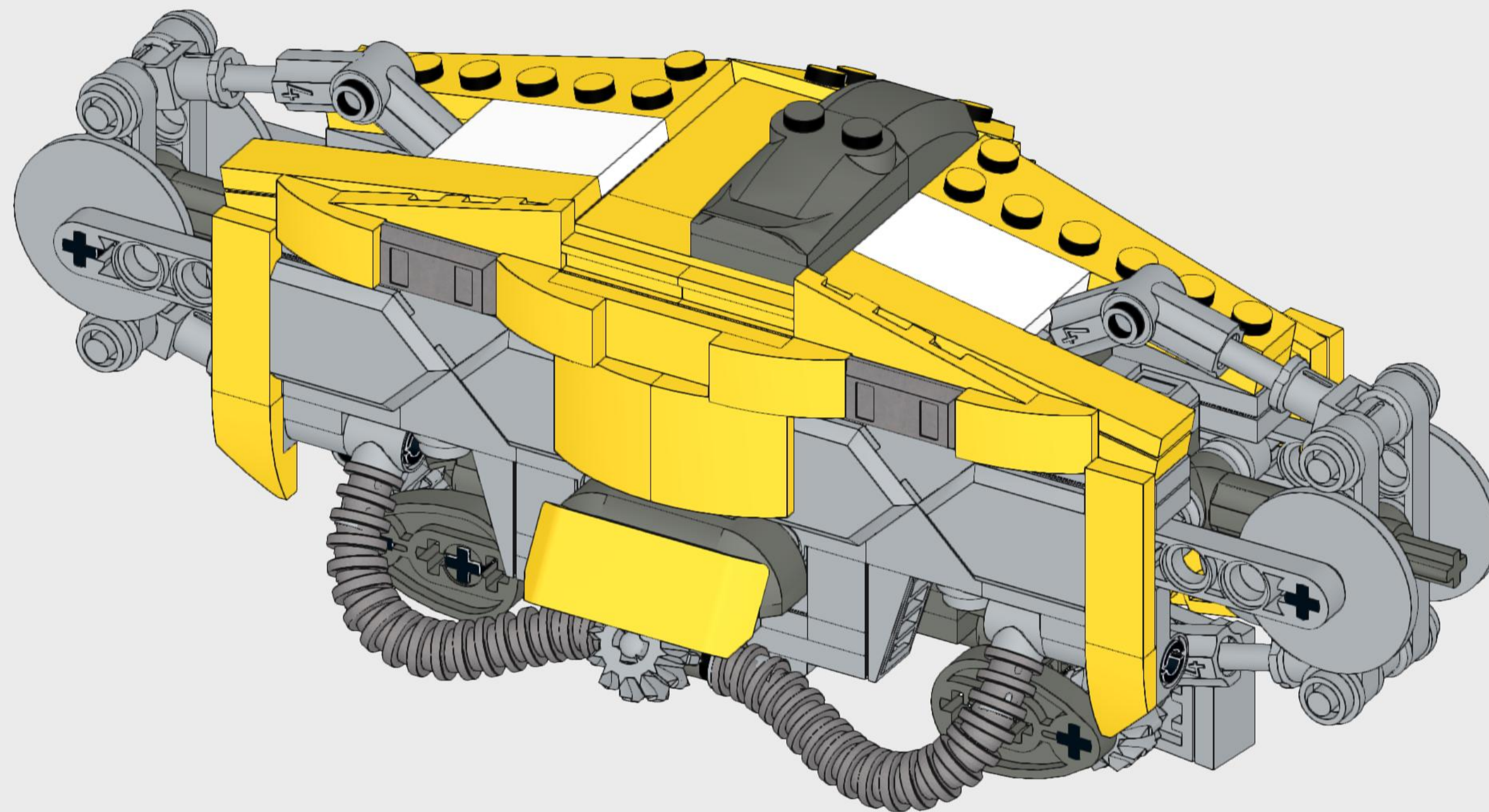




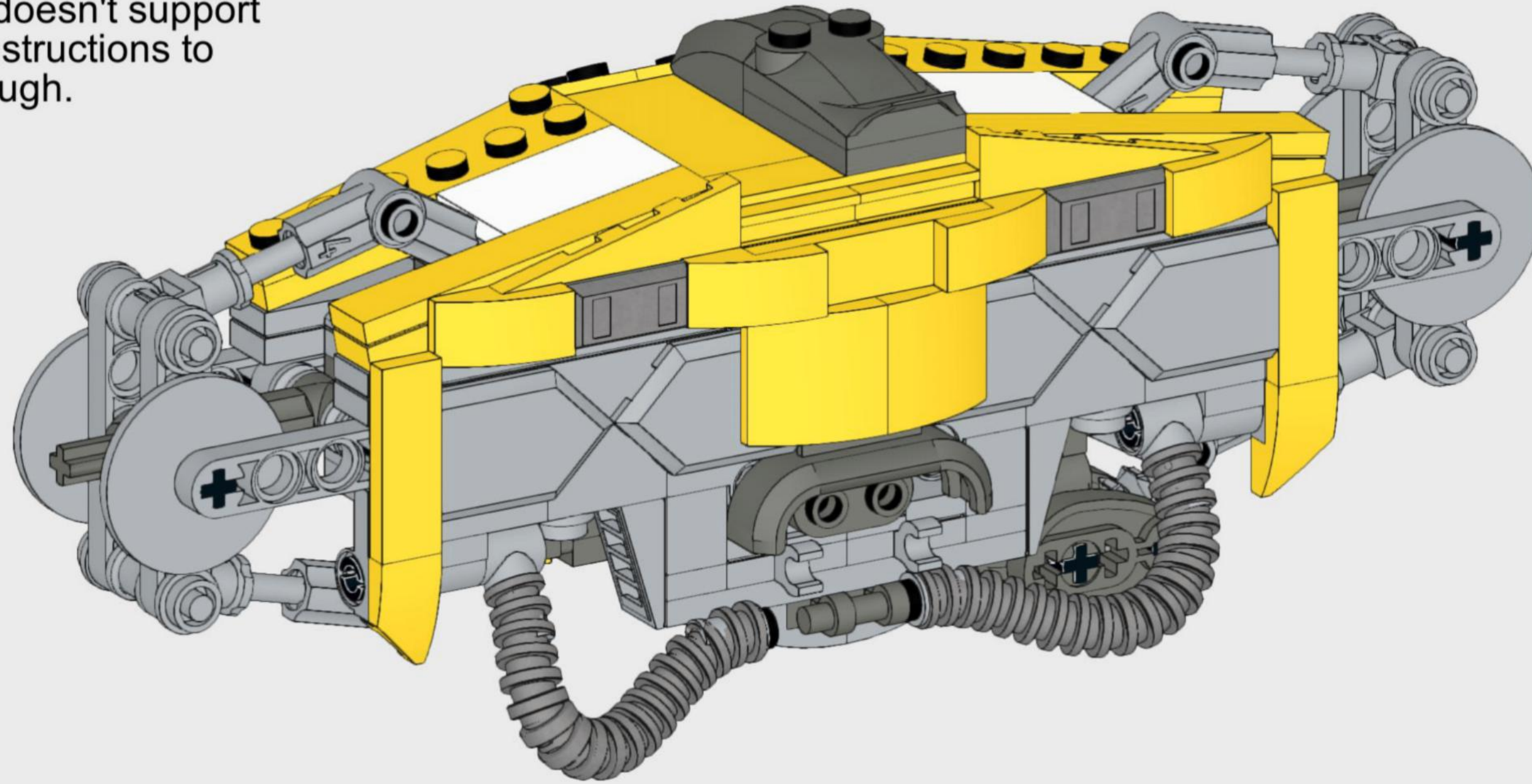
111



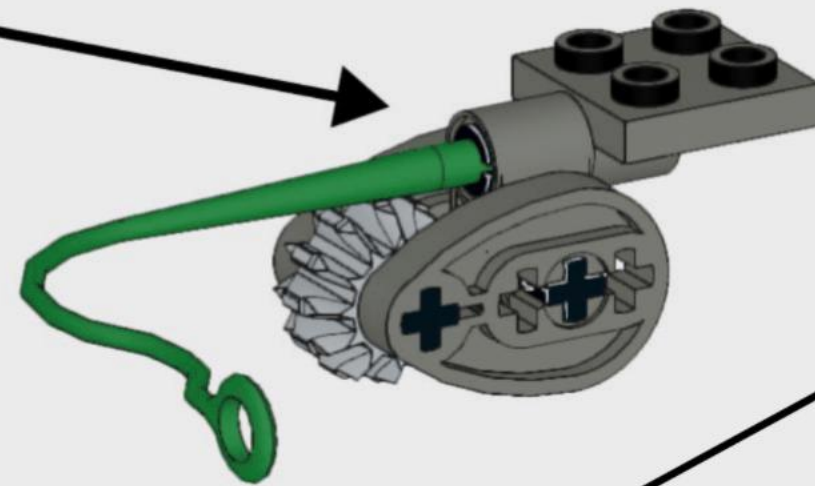
112



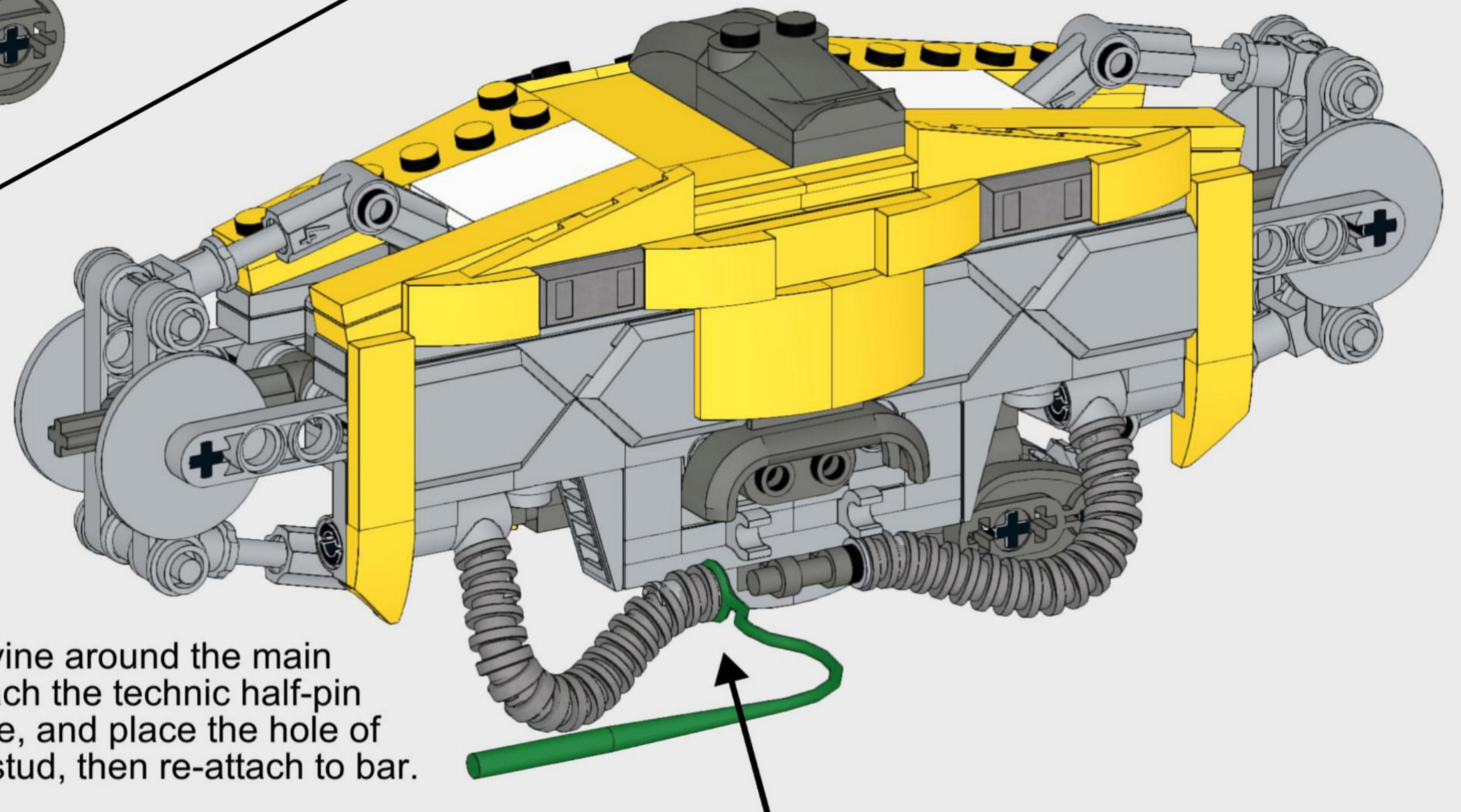
Bricklink Editor unfortunately doesn't support certain flexible parts, so the instructions to attach these vines are a bit rough.

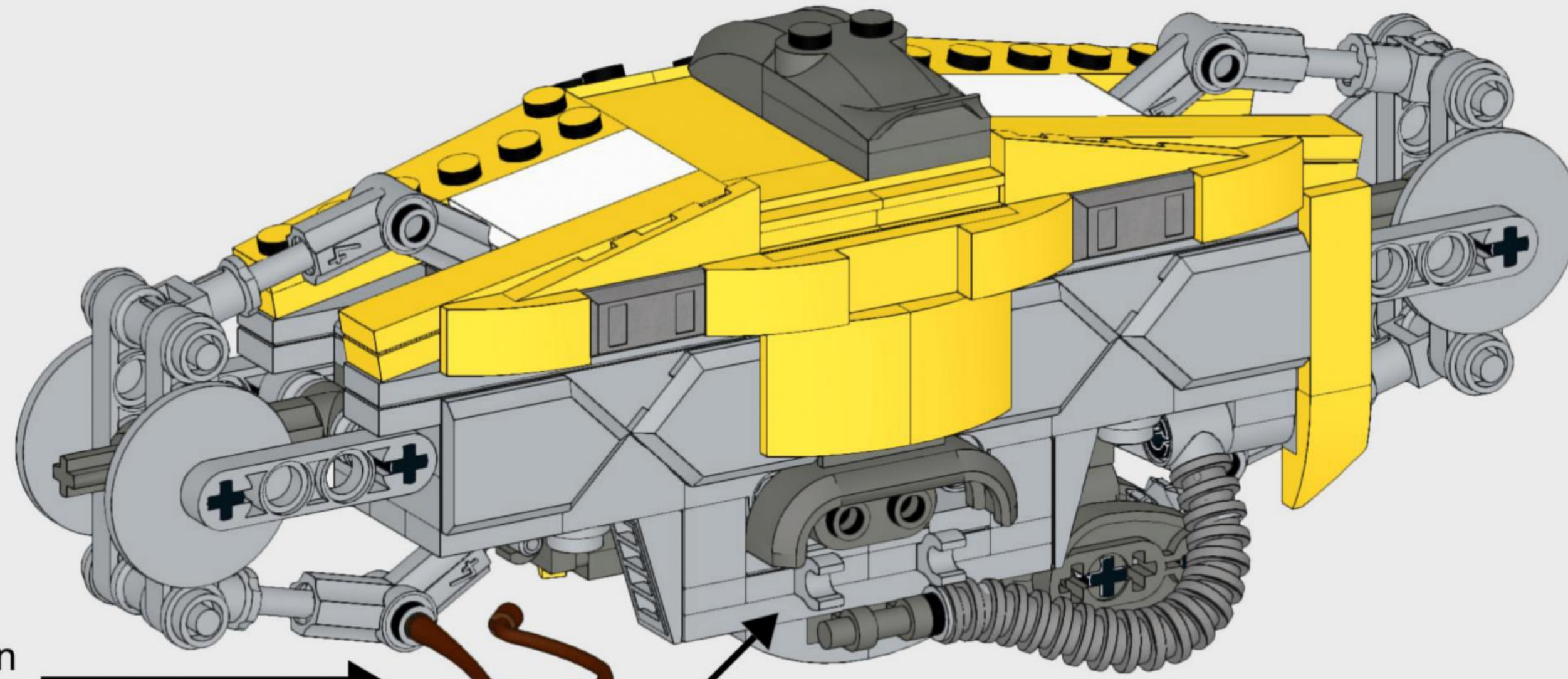


Detach the parts shown here. Insert the bottom of the green vine fully into the black pin.



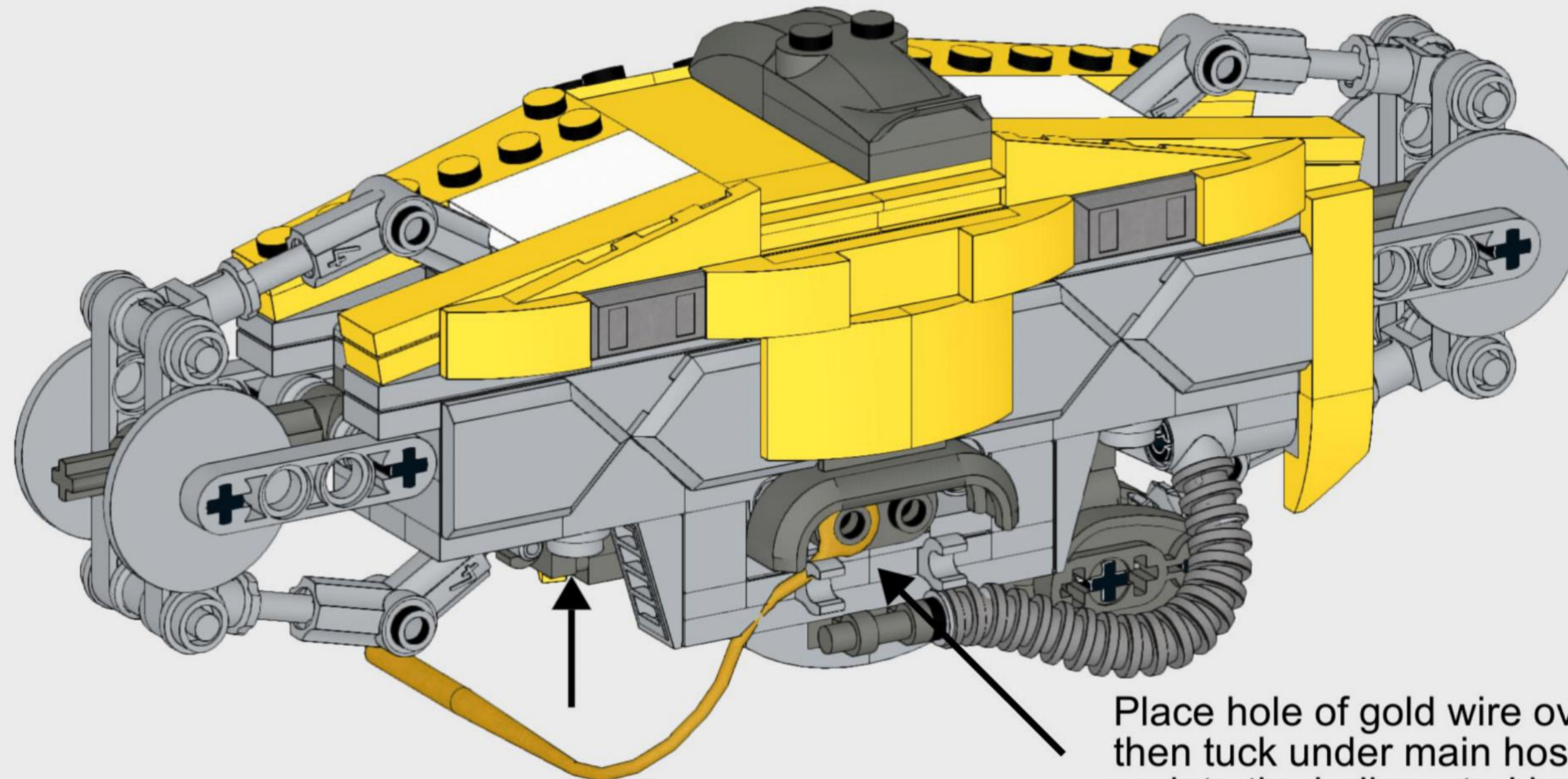
After twisting the vine around the main flexible hose, detach the technic half-pin that holds the hose, and place the hole of the vine over the stud, then re-attach to bar.





Insert the bottom of the brown vine fully into the grey half-pin.

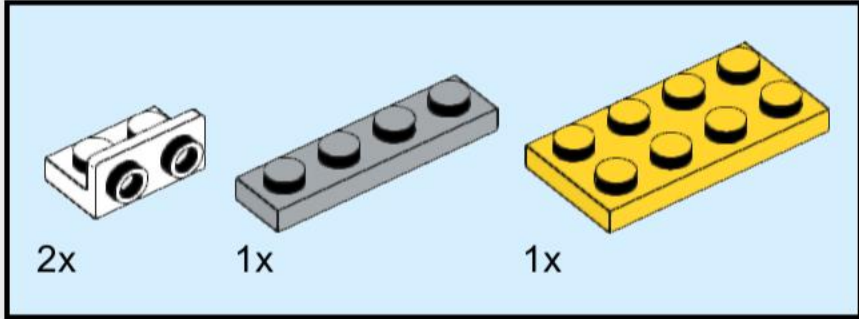
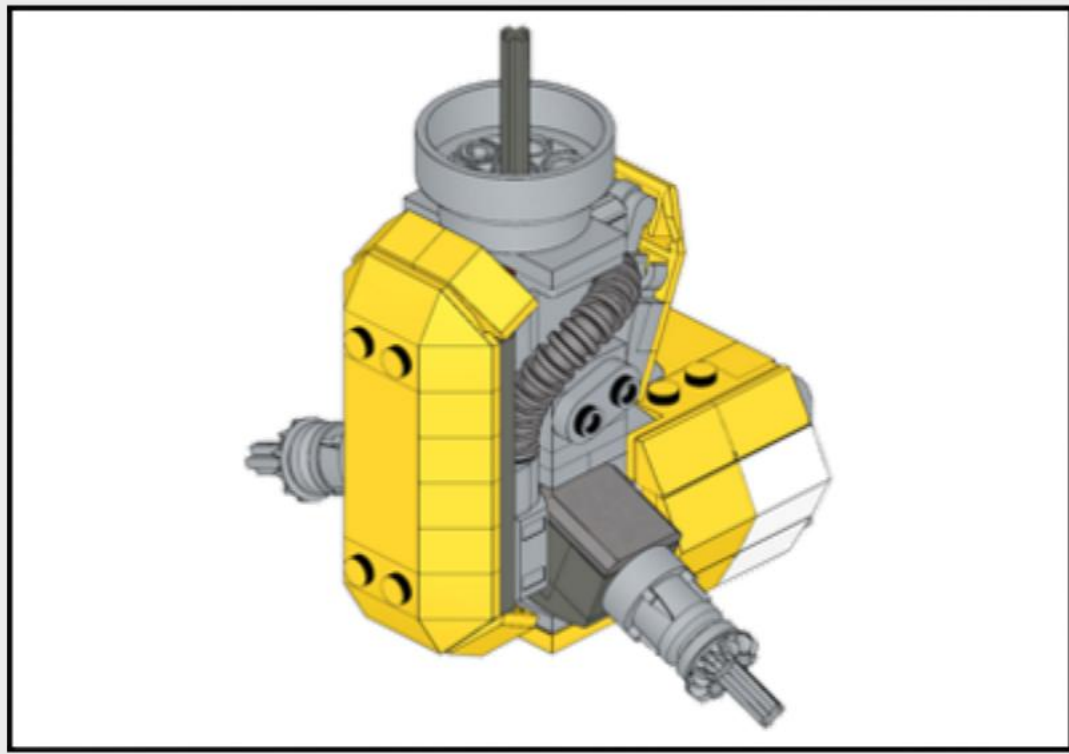
Then take the small end, wrap around main hose, then snap into the clip.



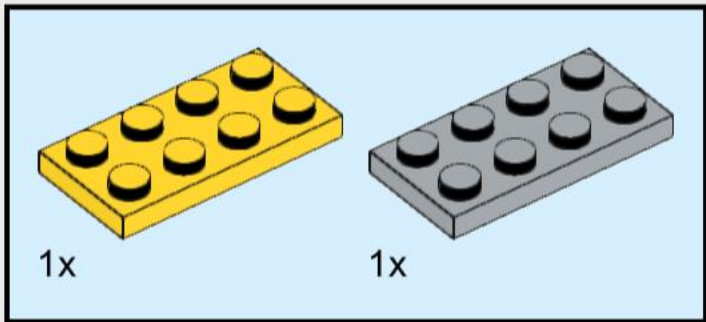
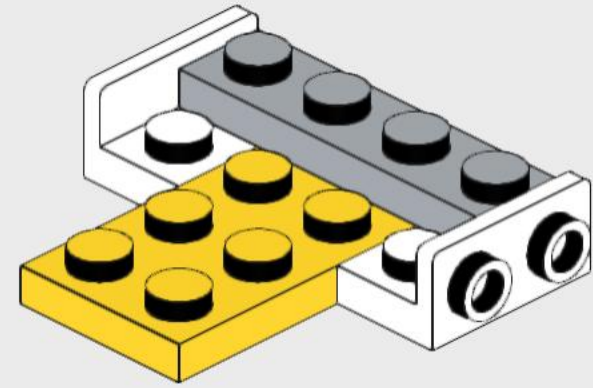
Place hole of gold wire over stud here, then tuck under main hose, and push up into the hollow stud indicated by the arrow to the left.

Complete Wire Attachment Reference

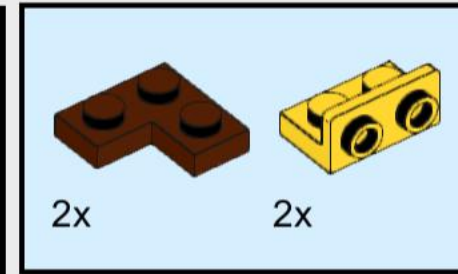
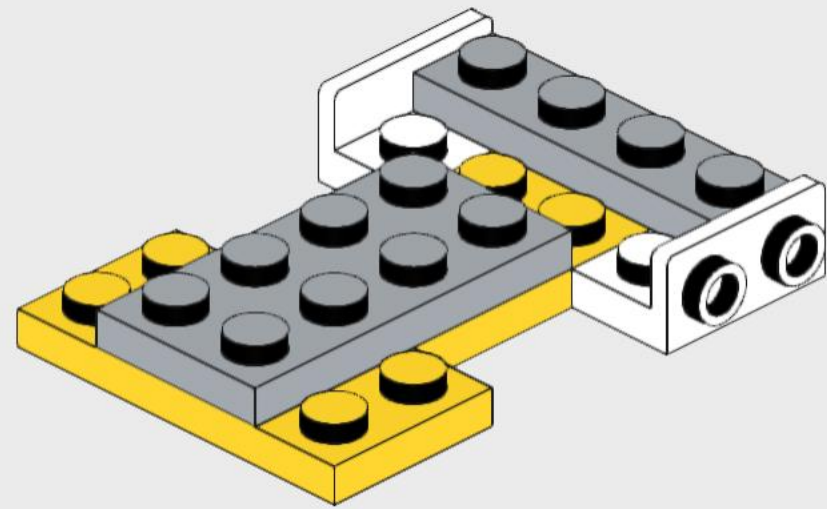




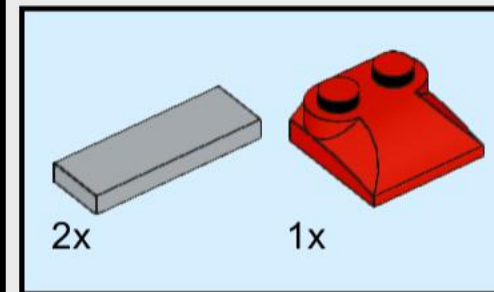
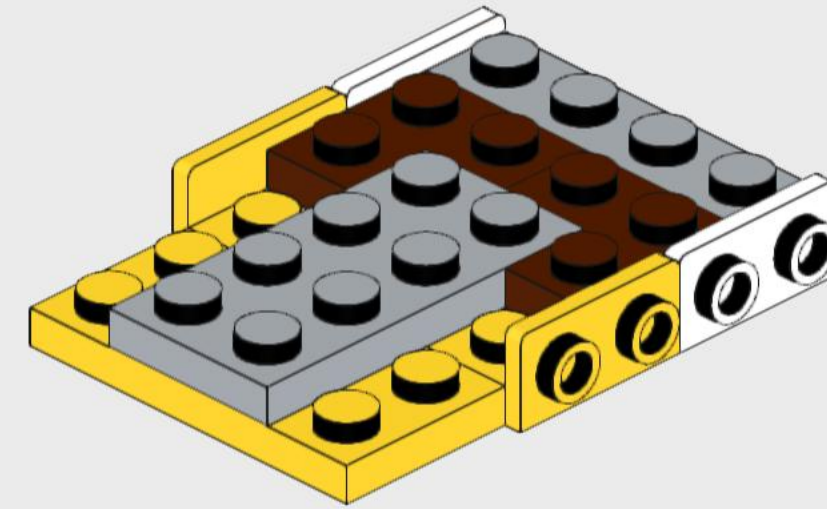
1



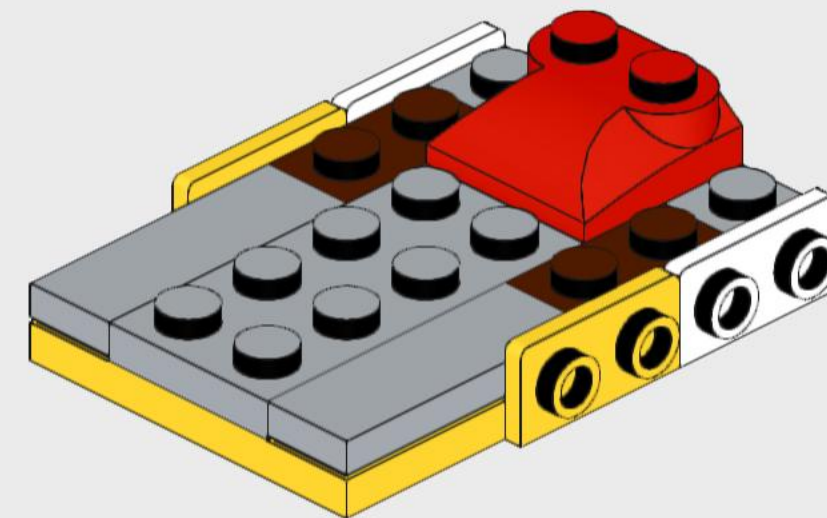
2

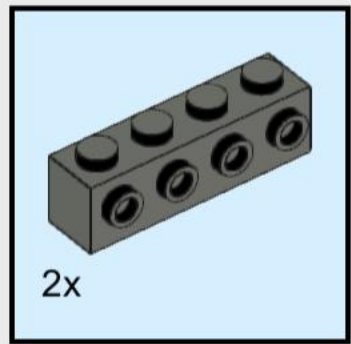


3

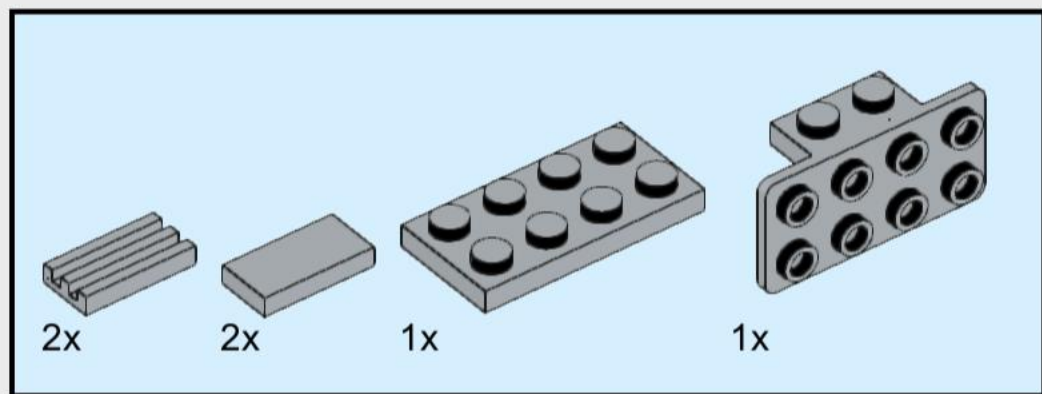
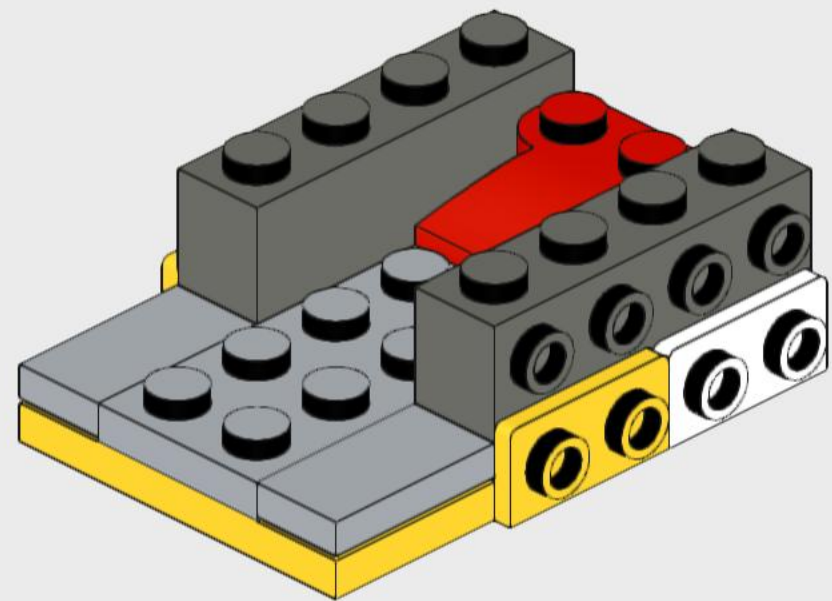


4

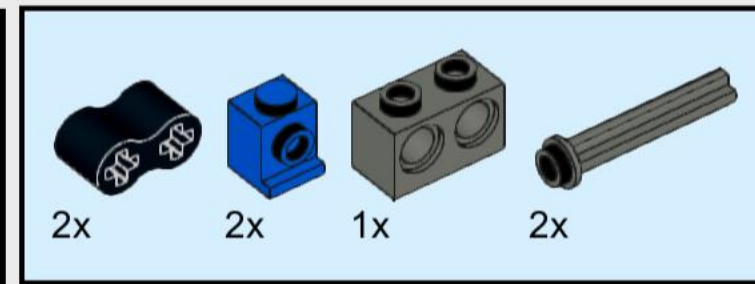
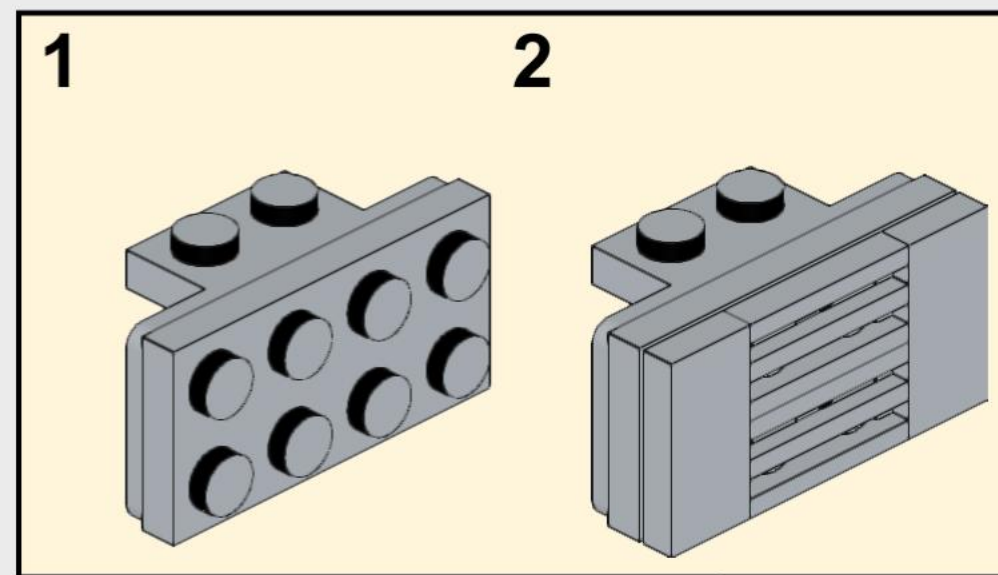
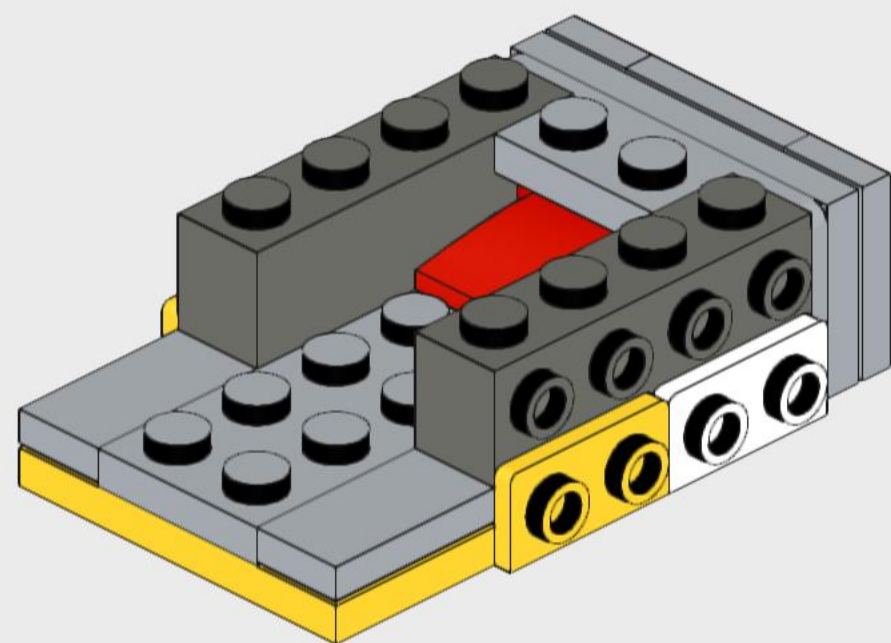




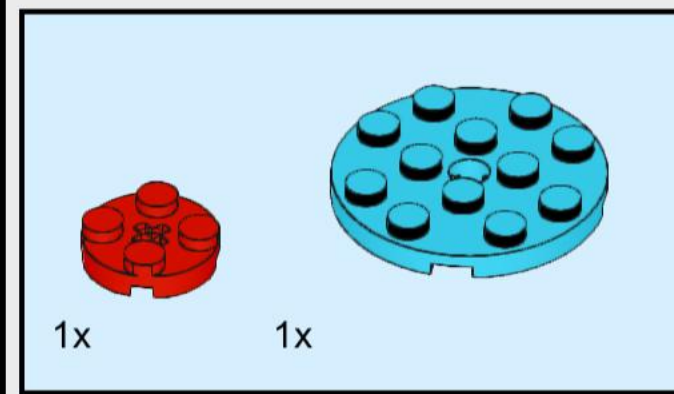
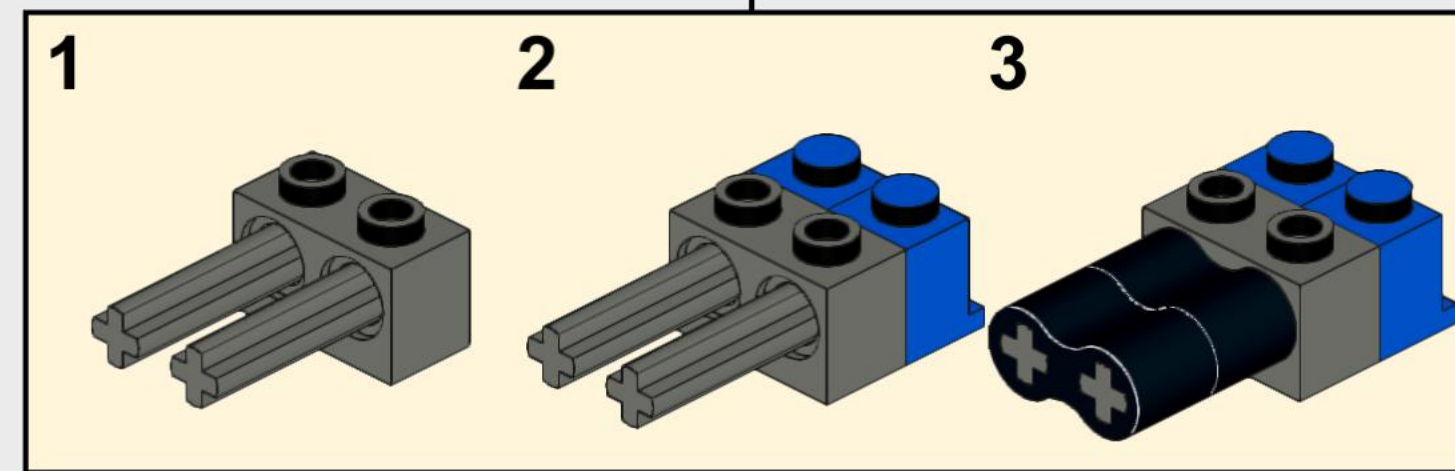
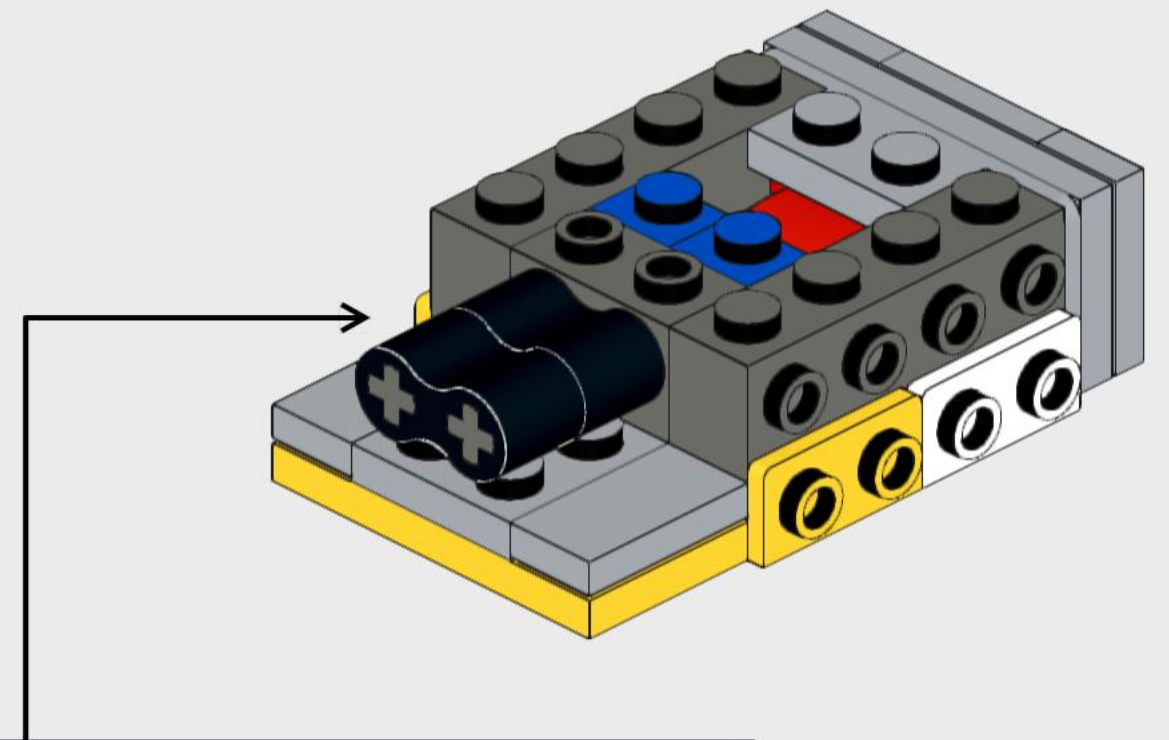
5



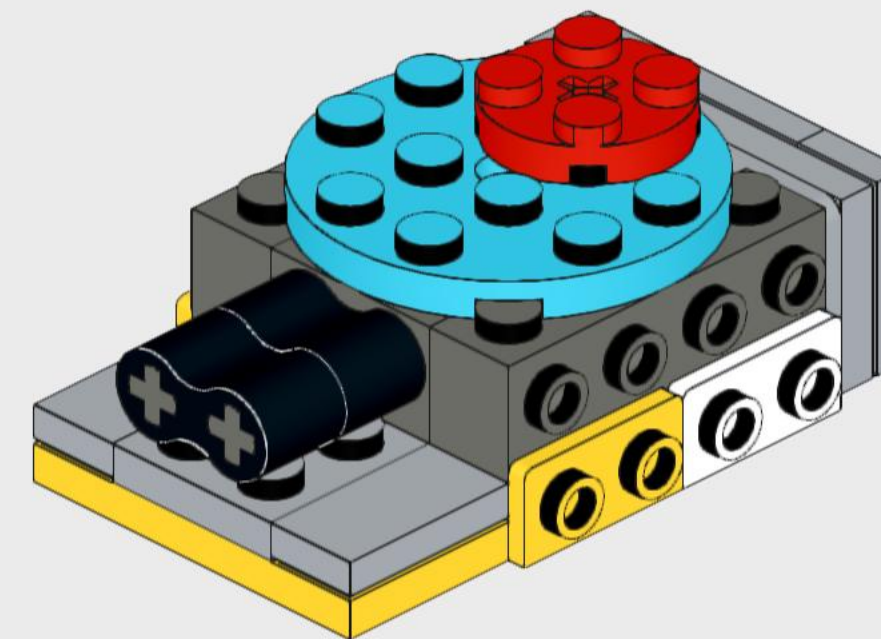
6

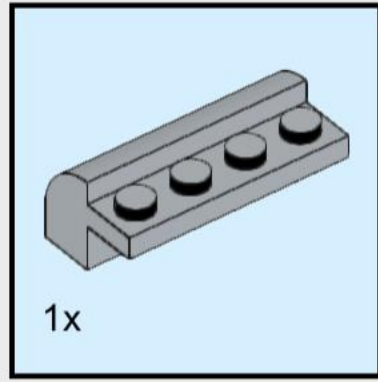


7

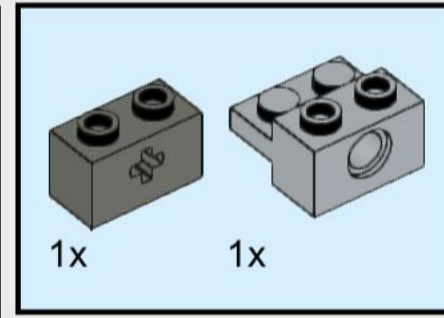
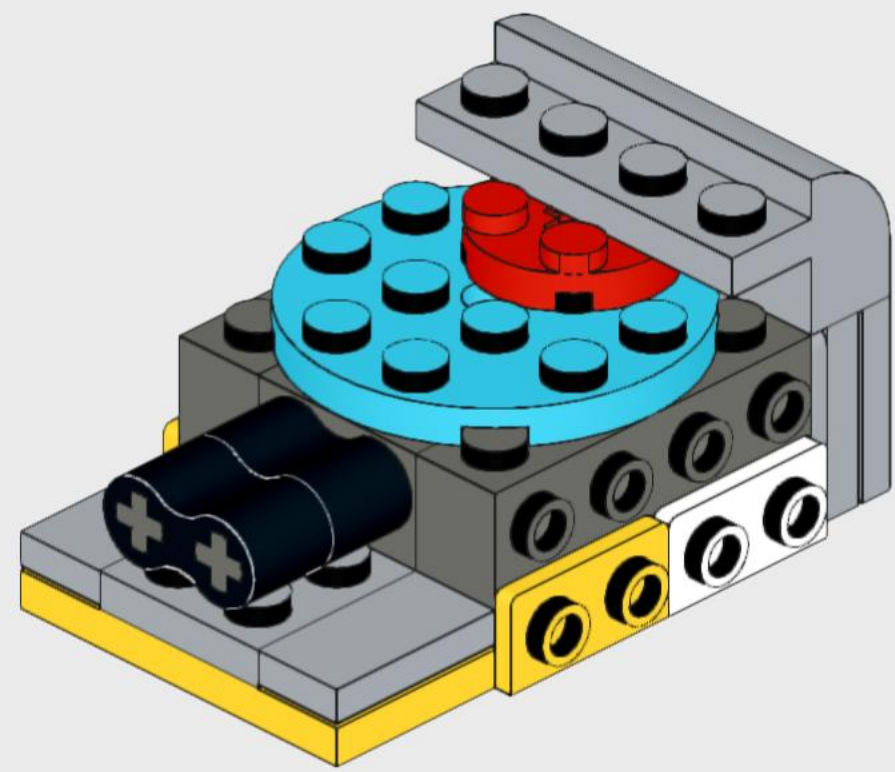


8

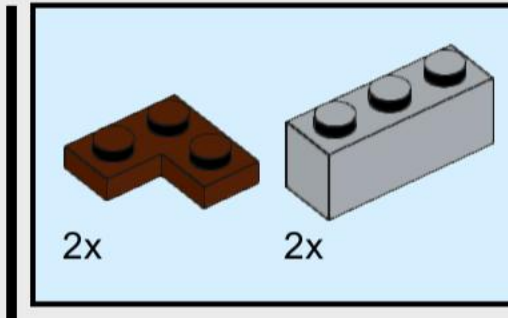
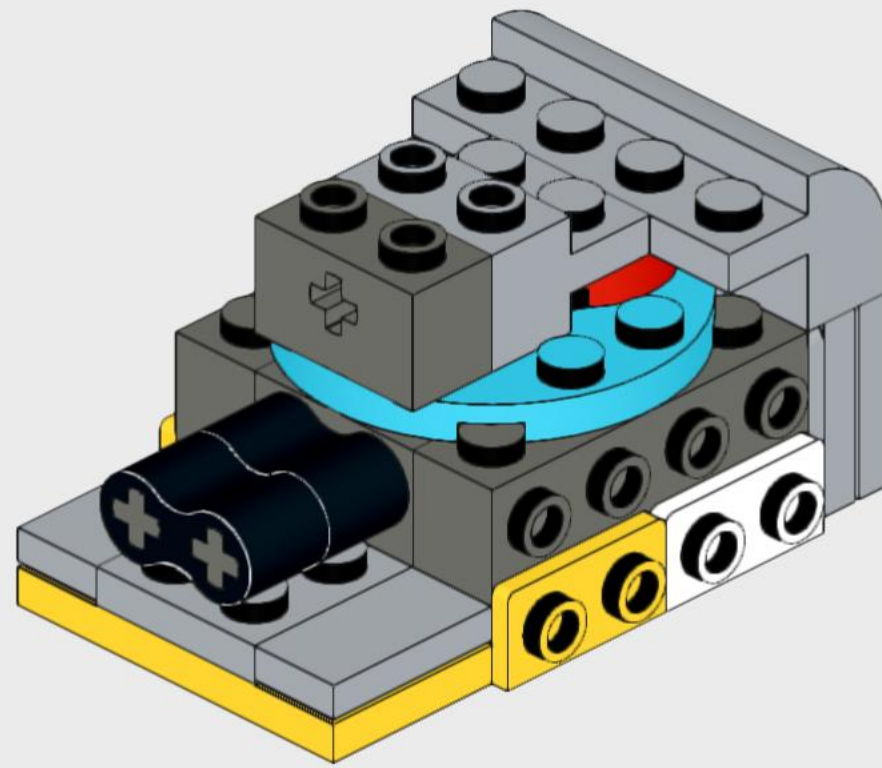




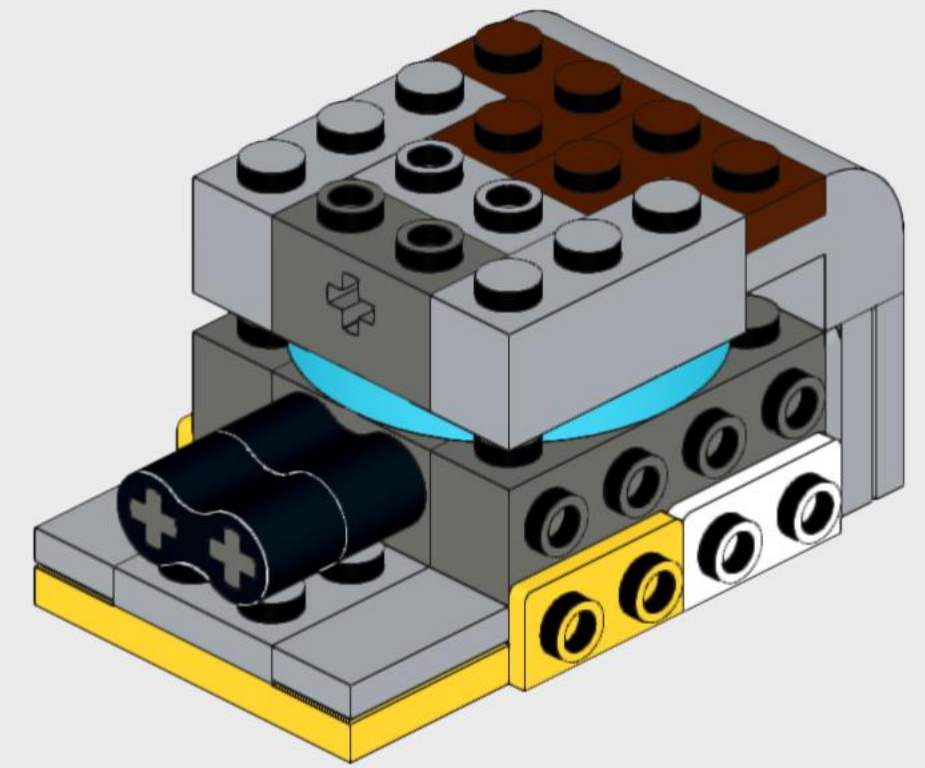
9

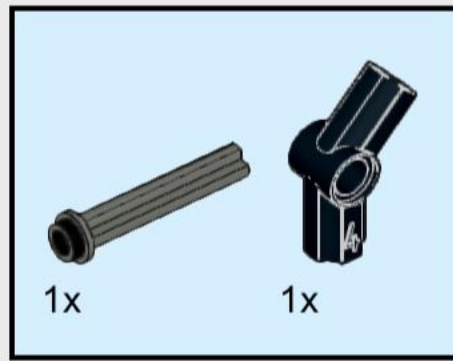


10

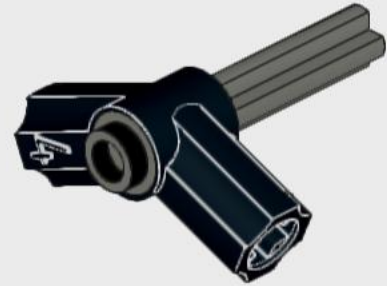


11

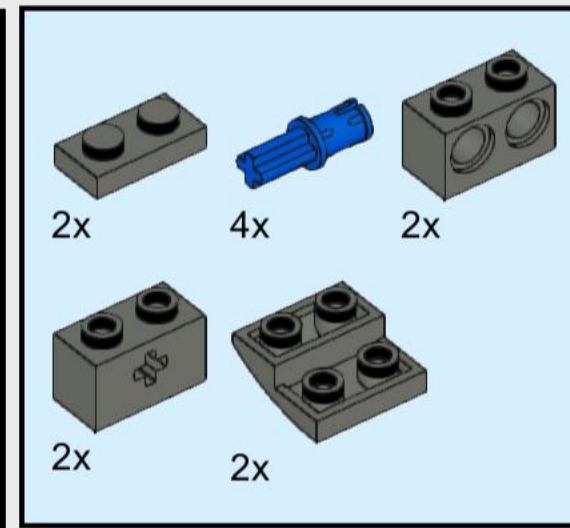
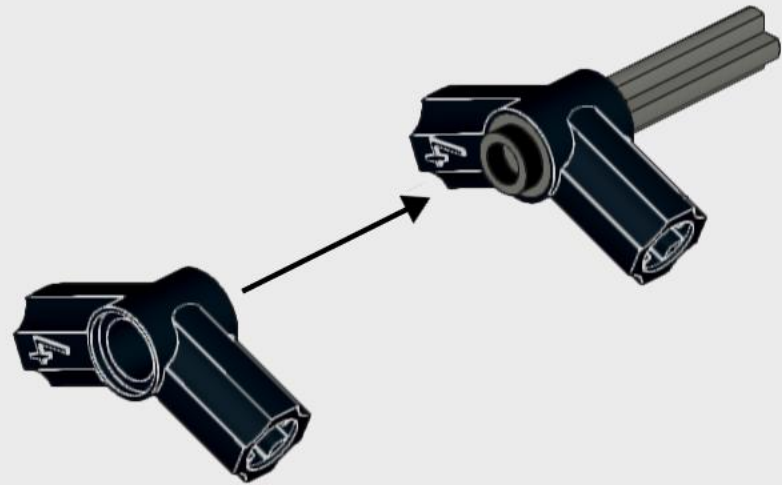




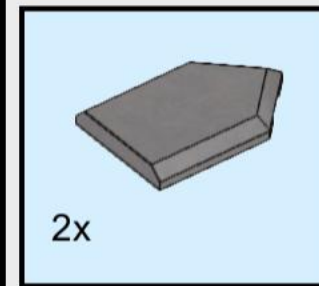
12



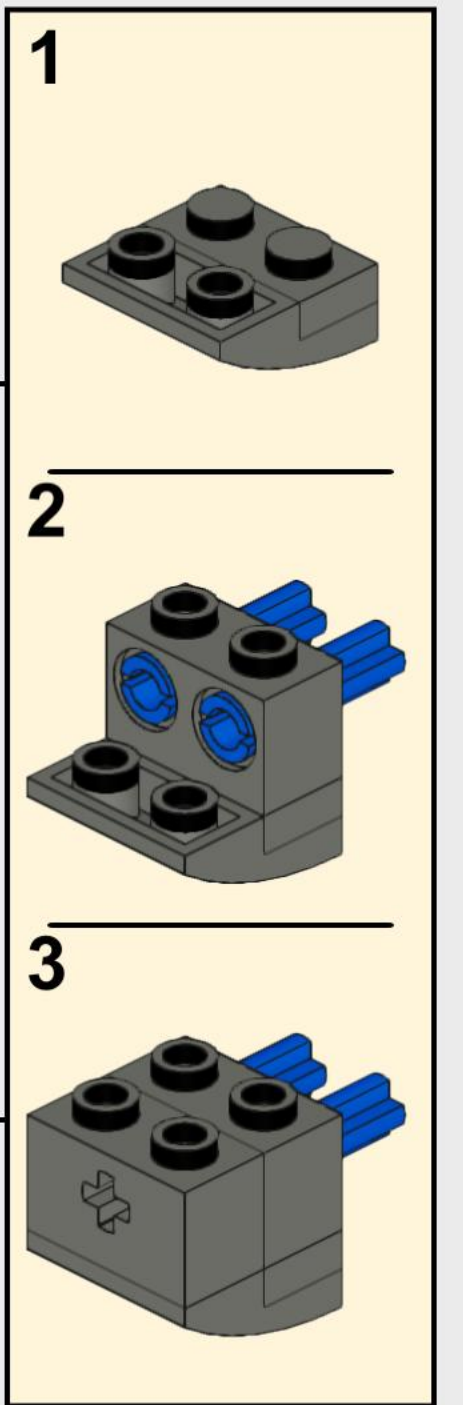
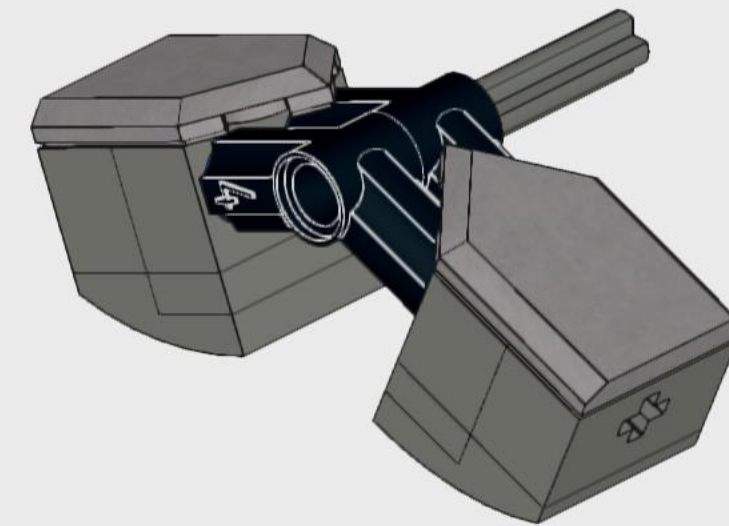
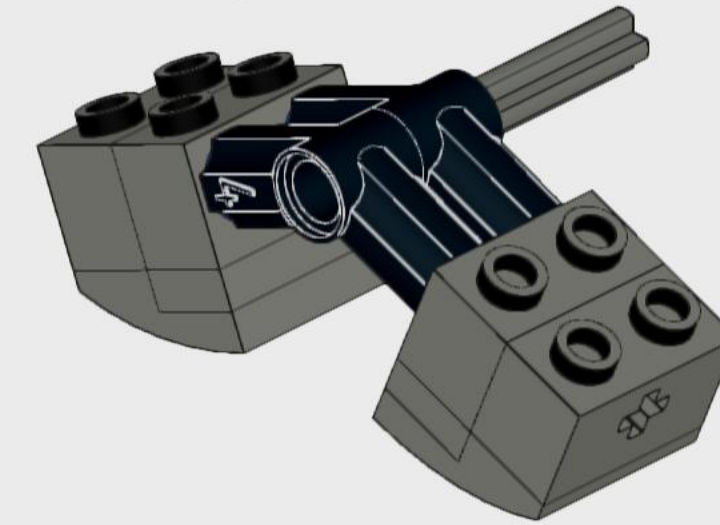
13



14

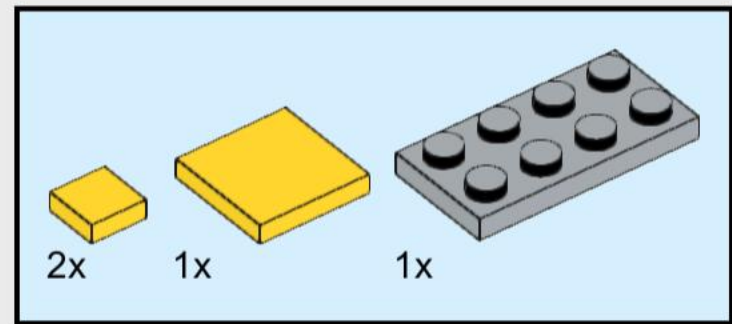
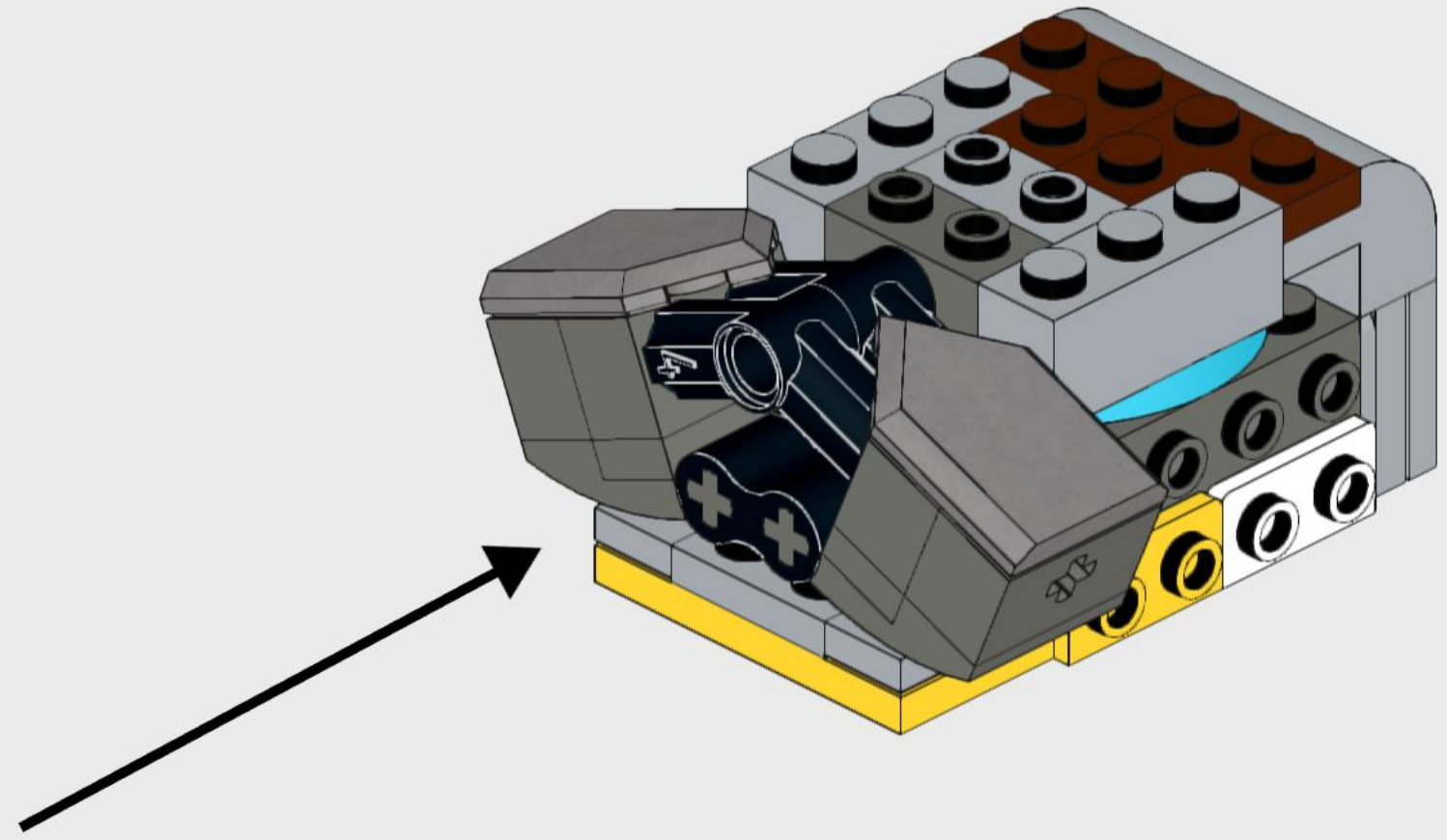


15

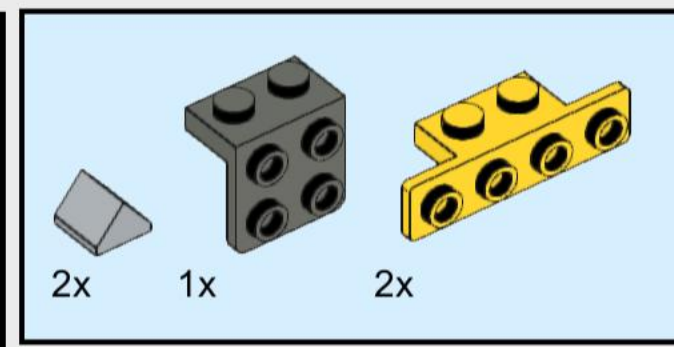
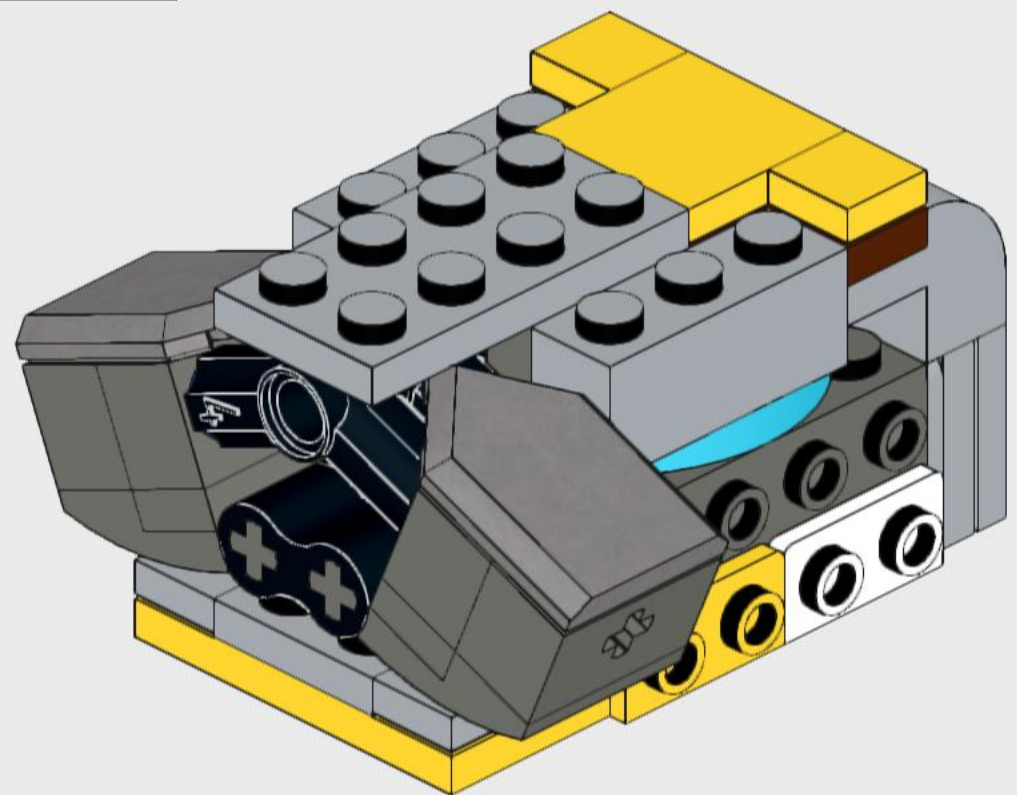


2x

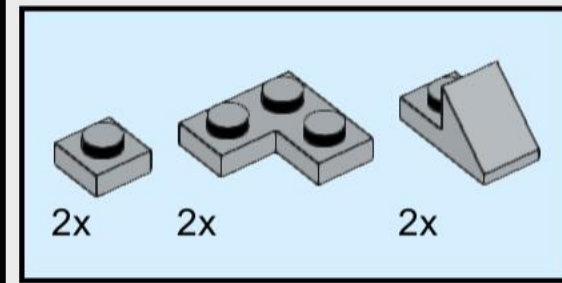
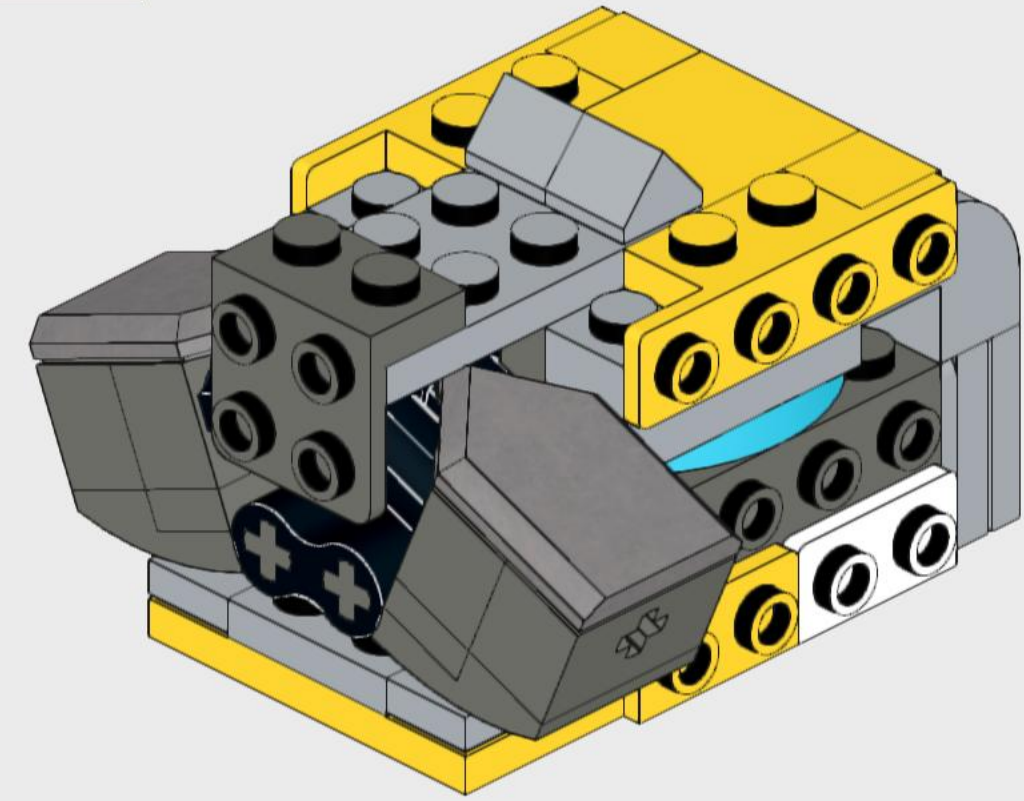
16



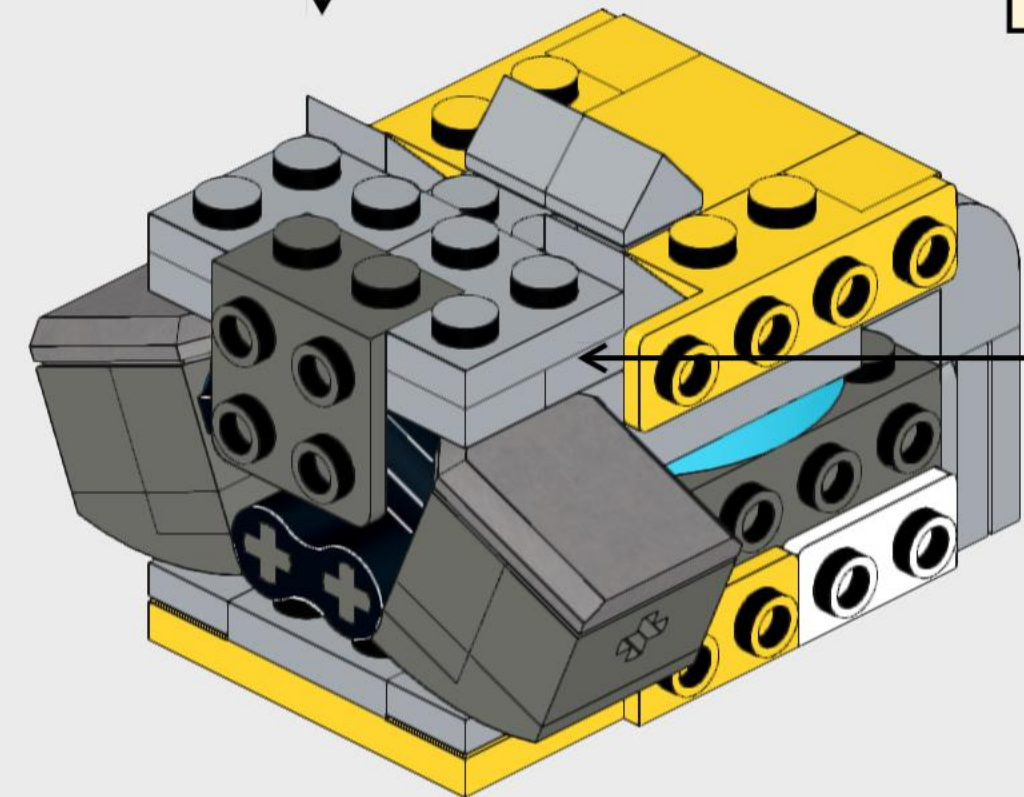
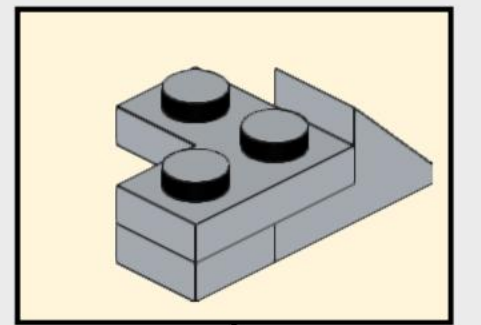
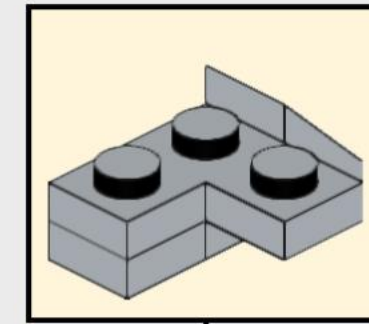
17

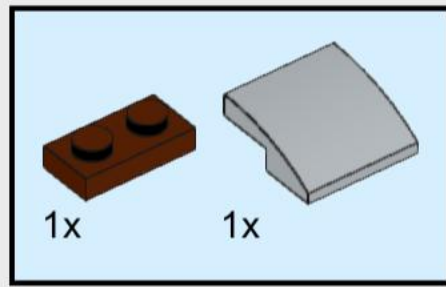


18

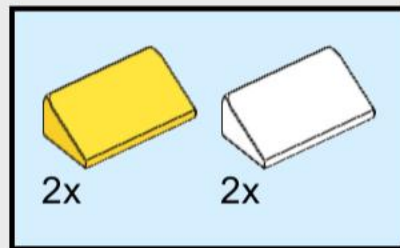
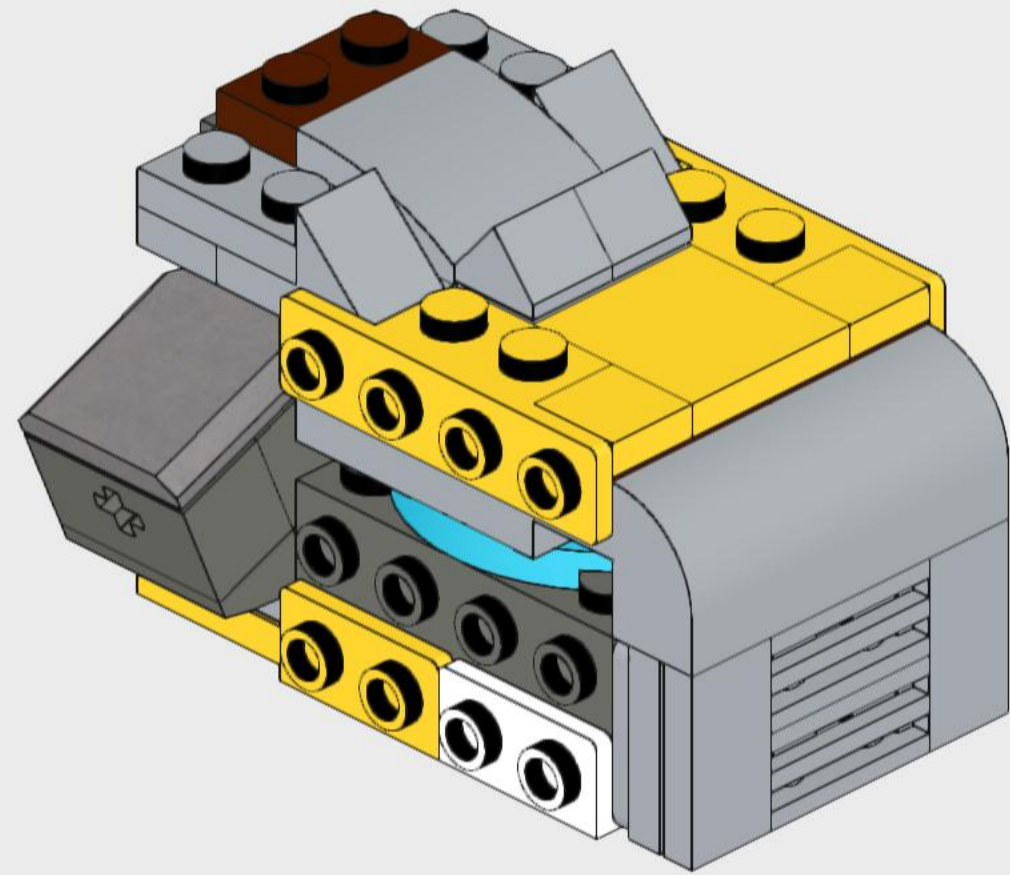


19

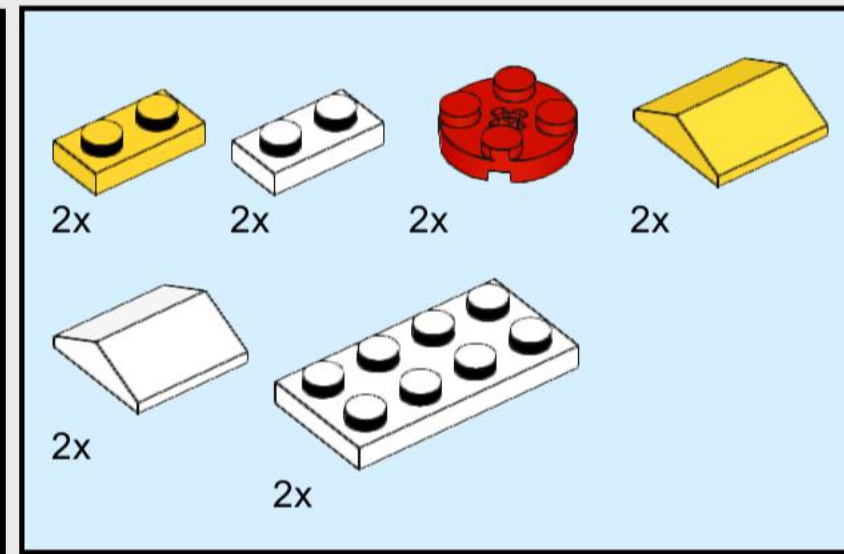
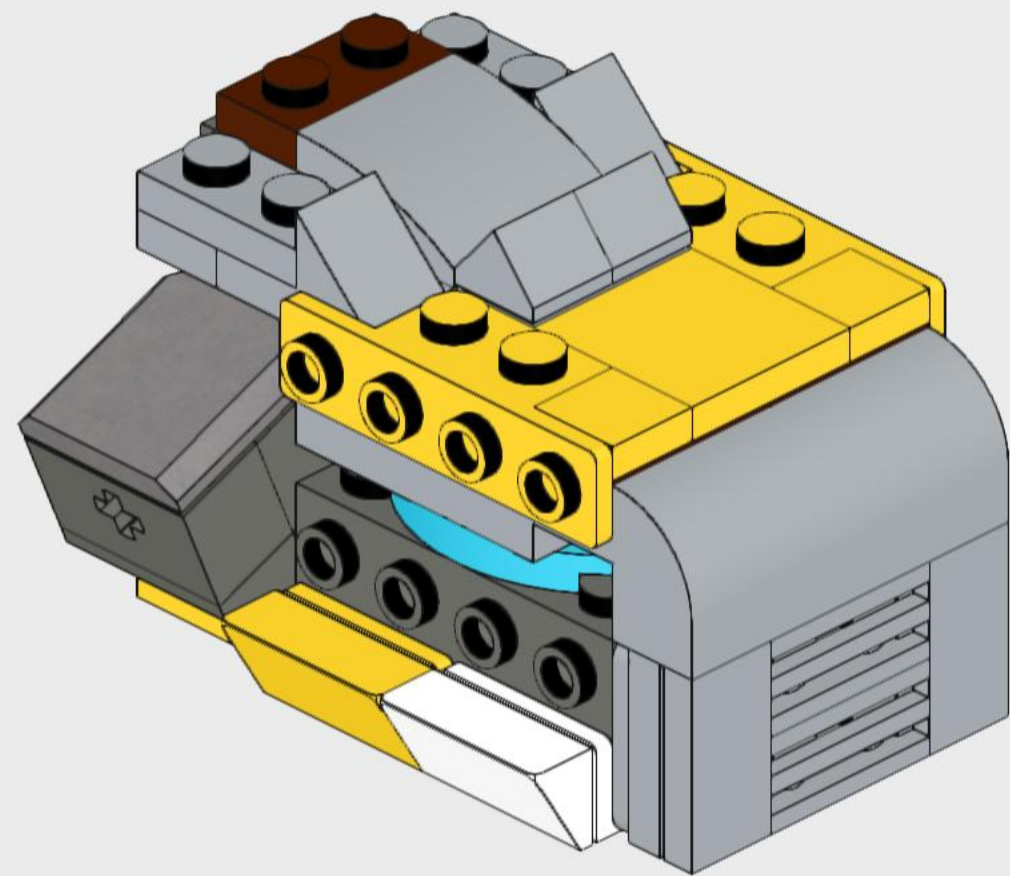




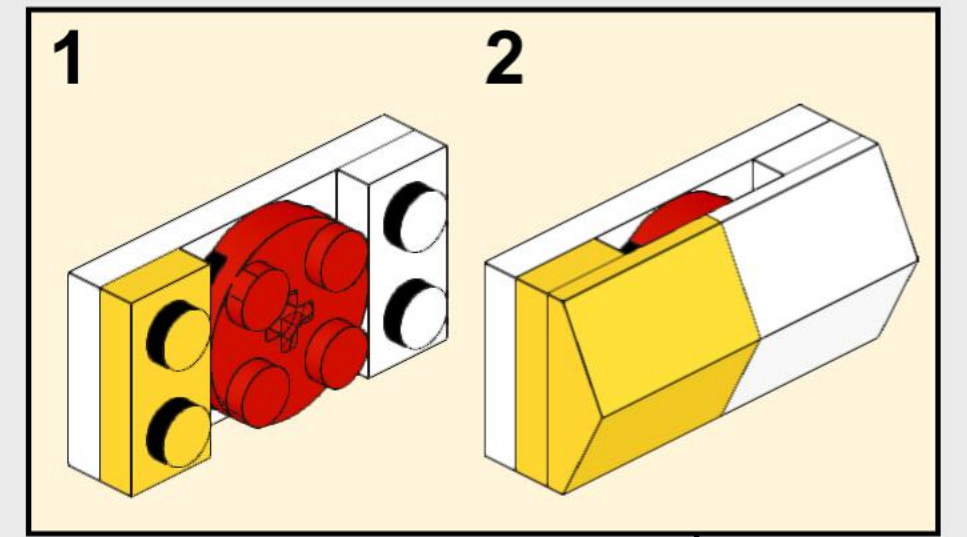
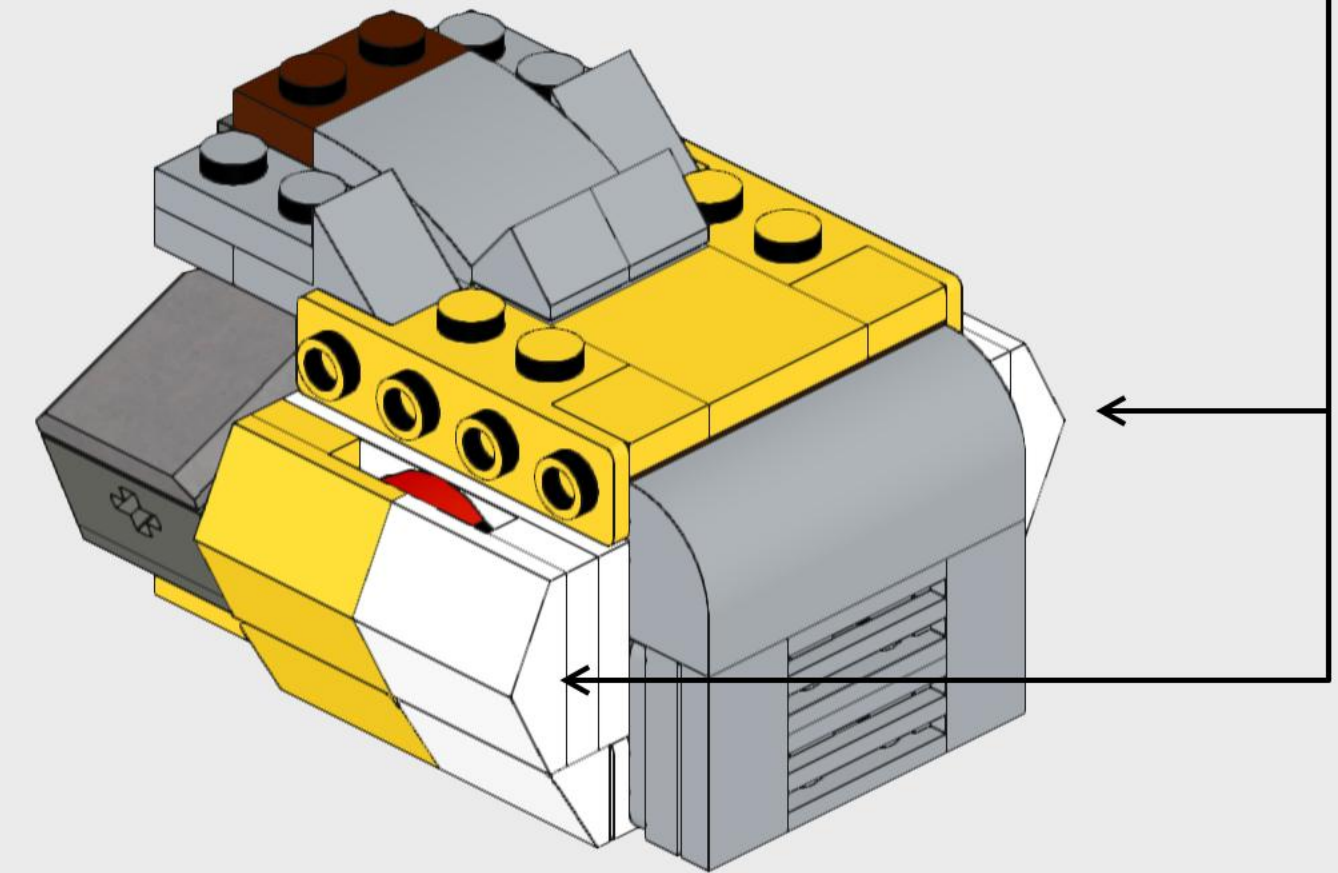
20



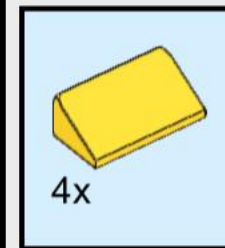
21



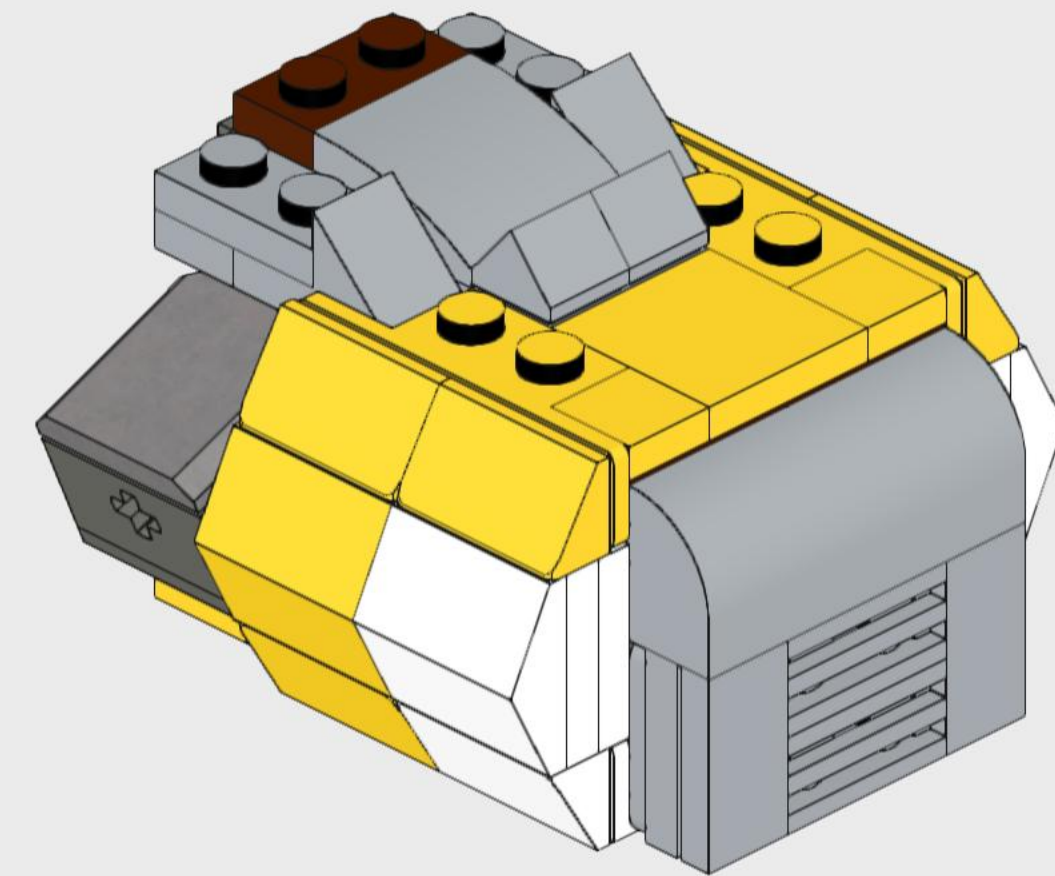
22

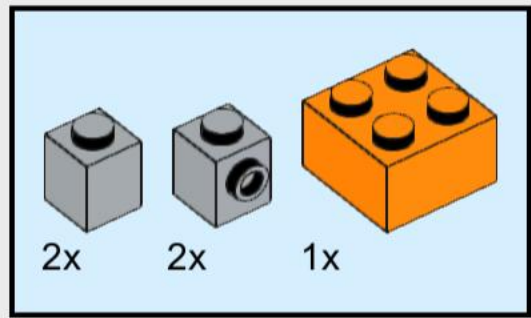


2x

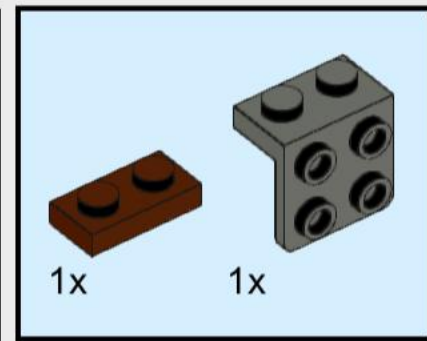
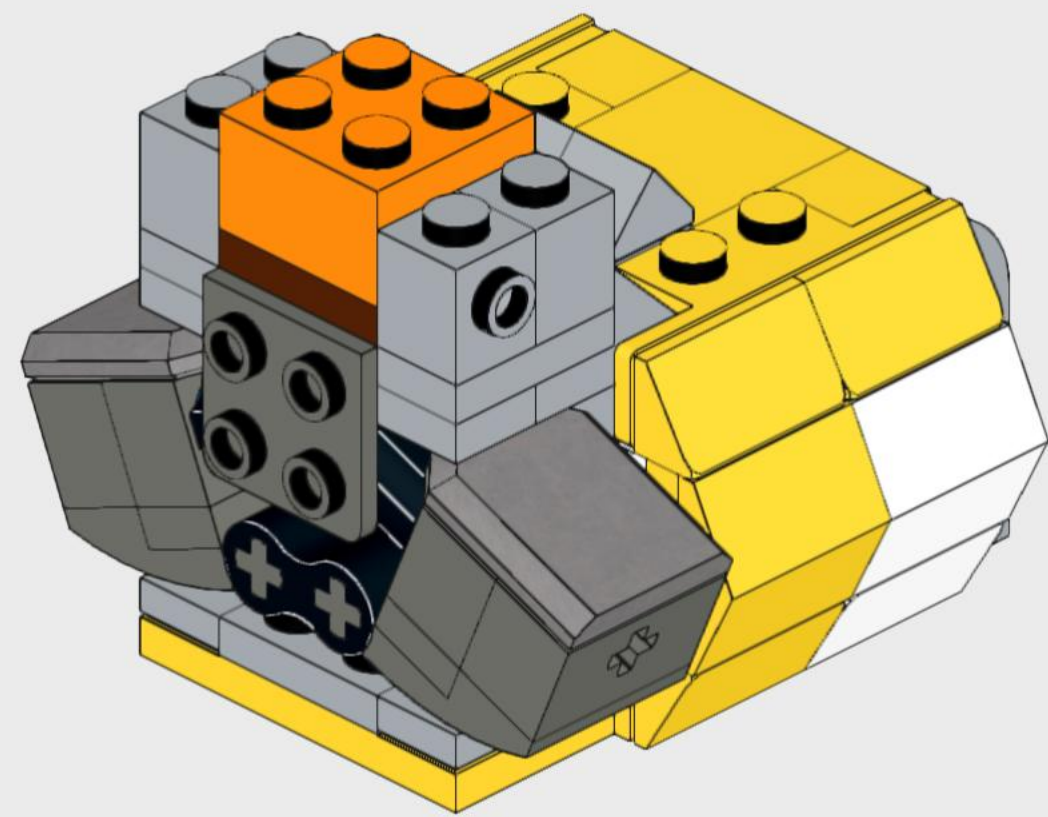


23

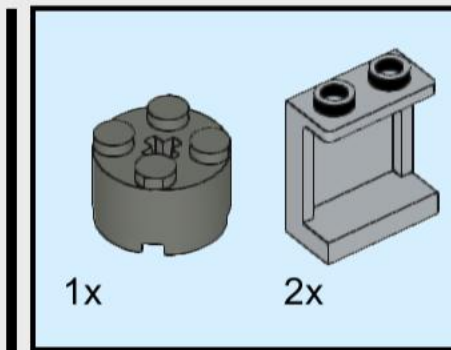
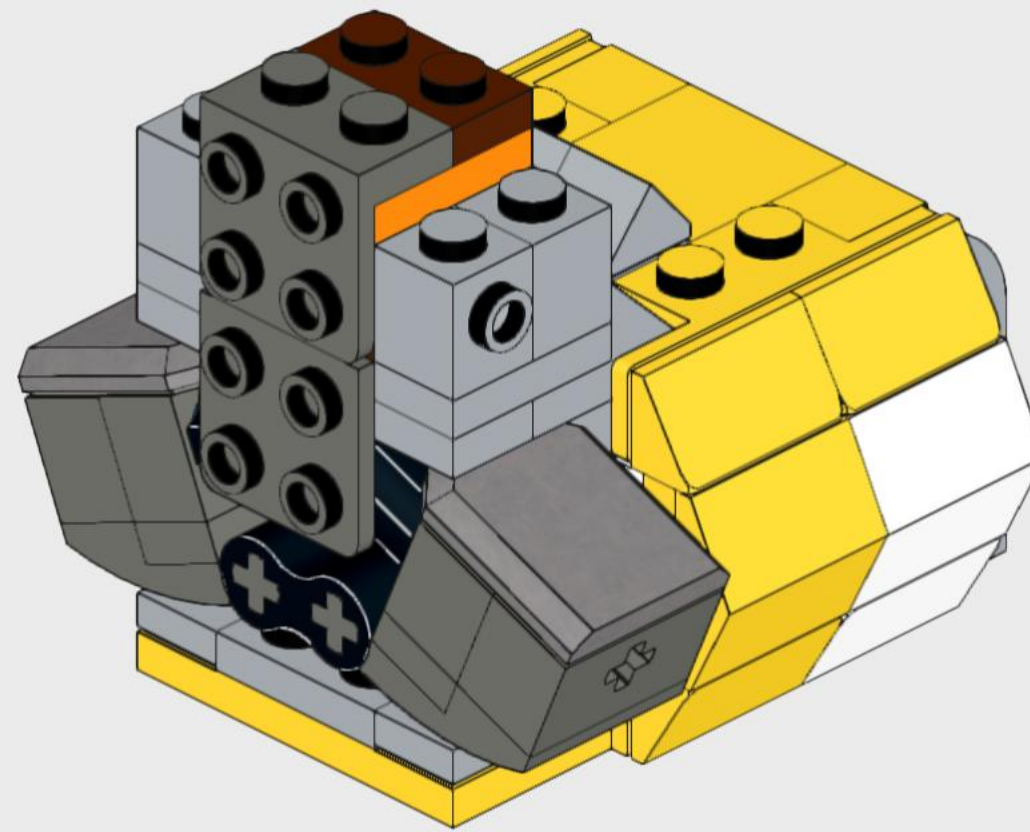




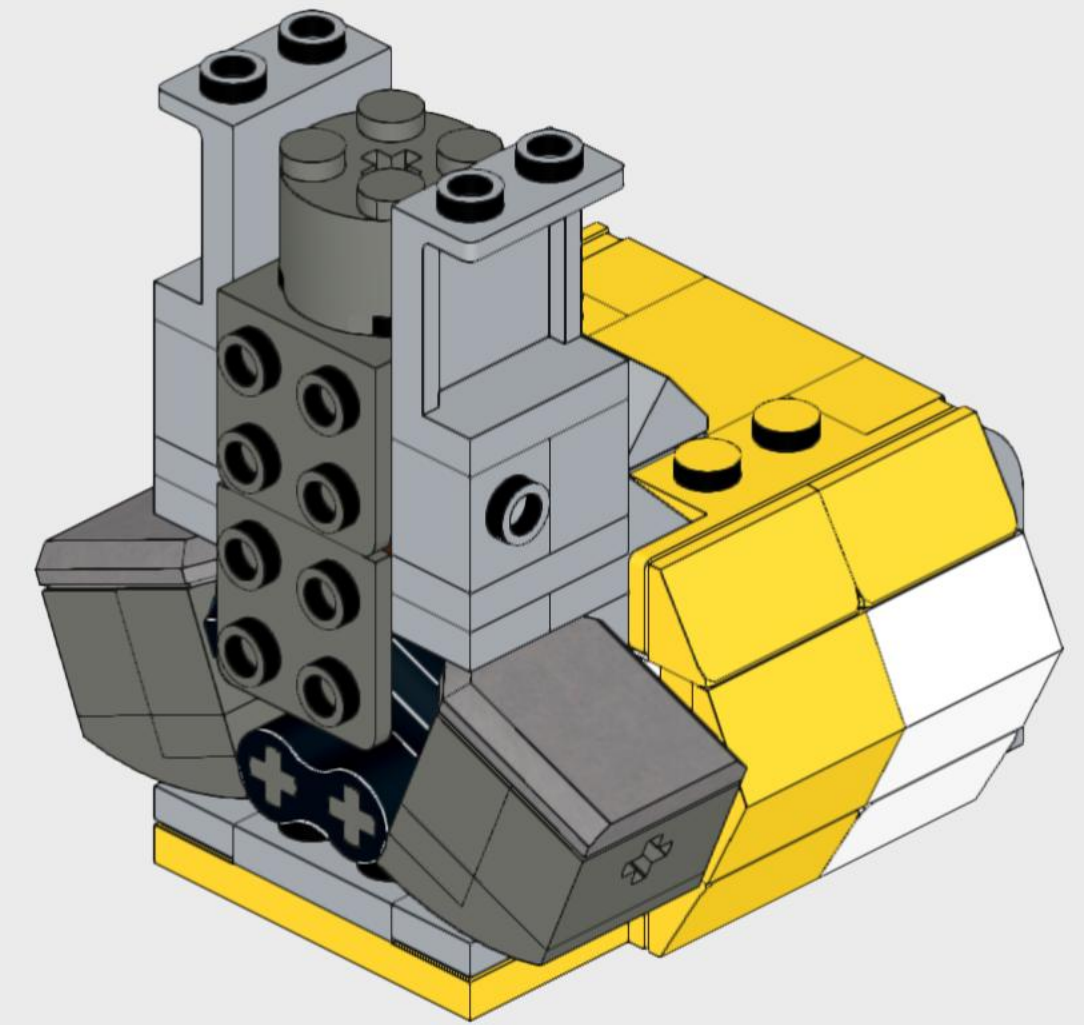
24 

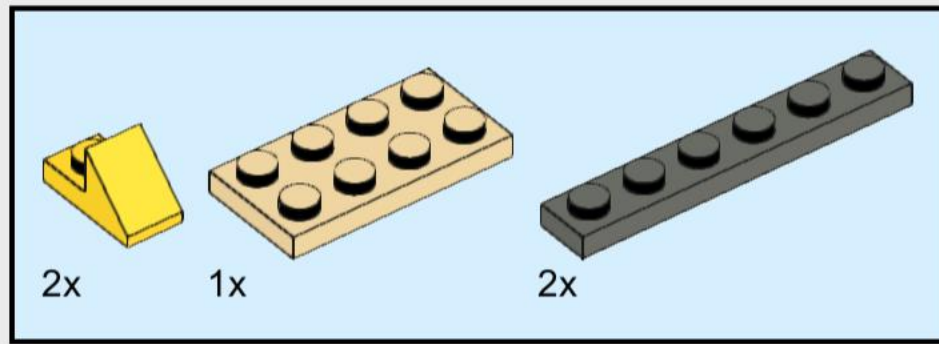


25

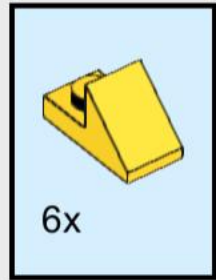
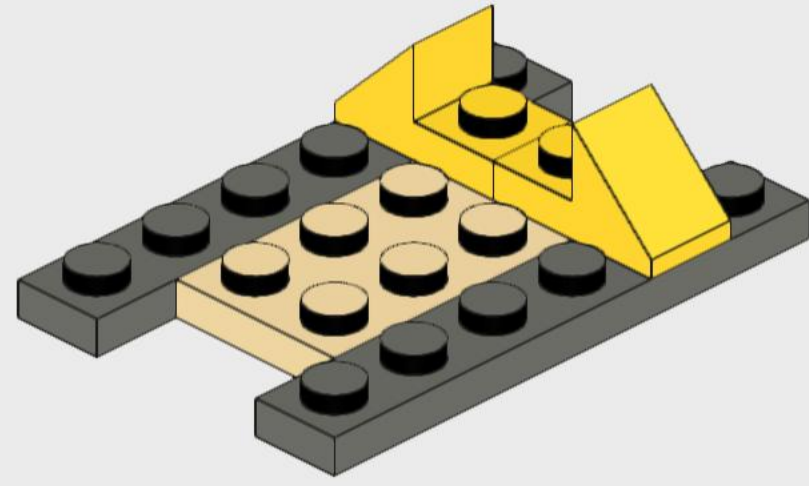


26

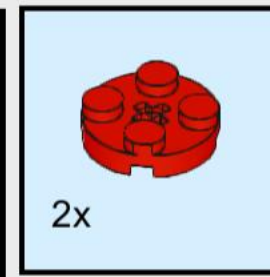
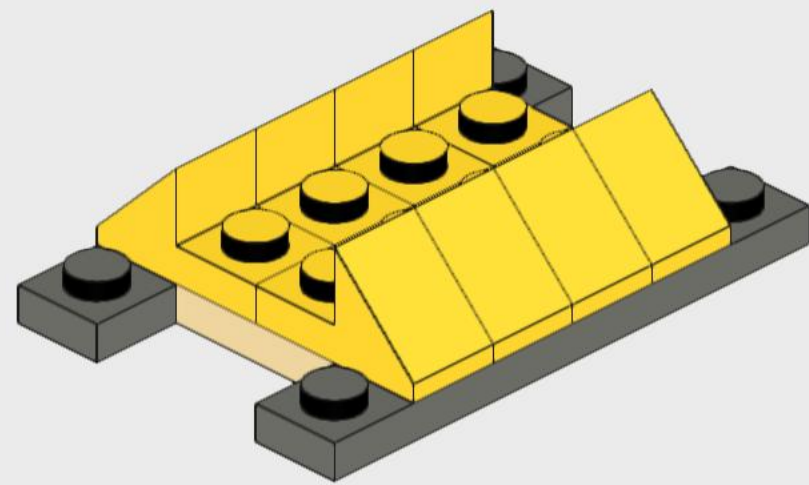




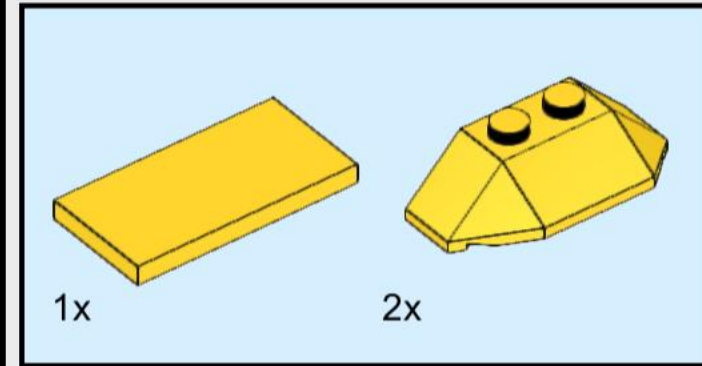
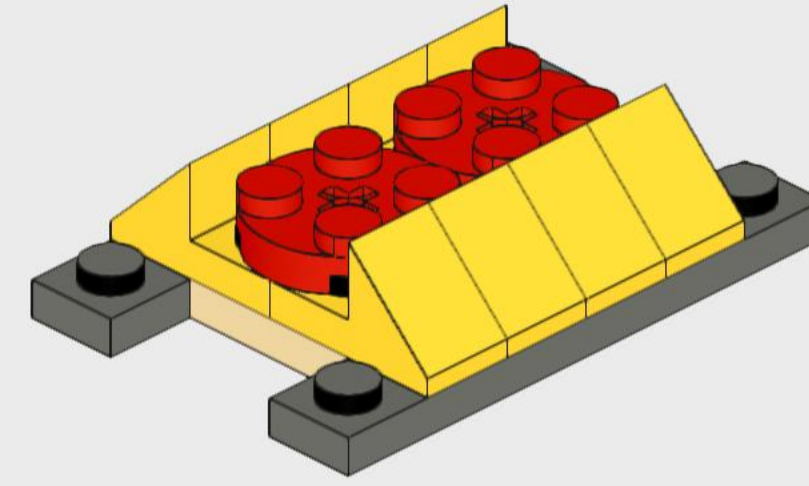
27



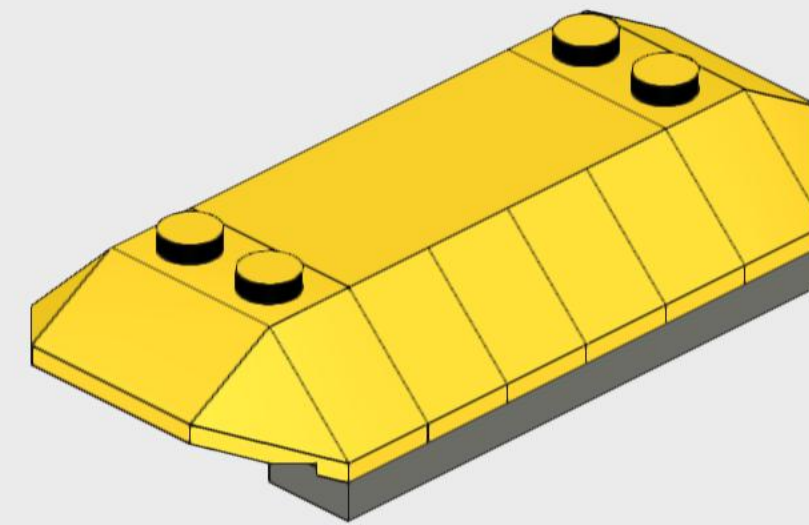
28

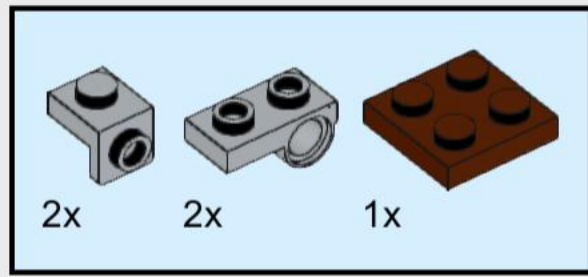


29

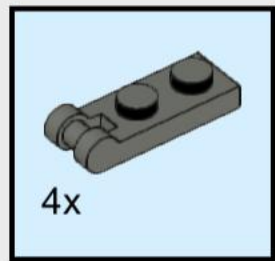
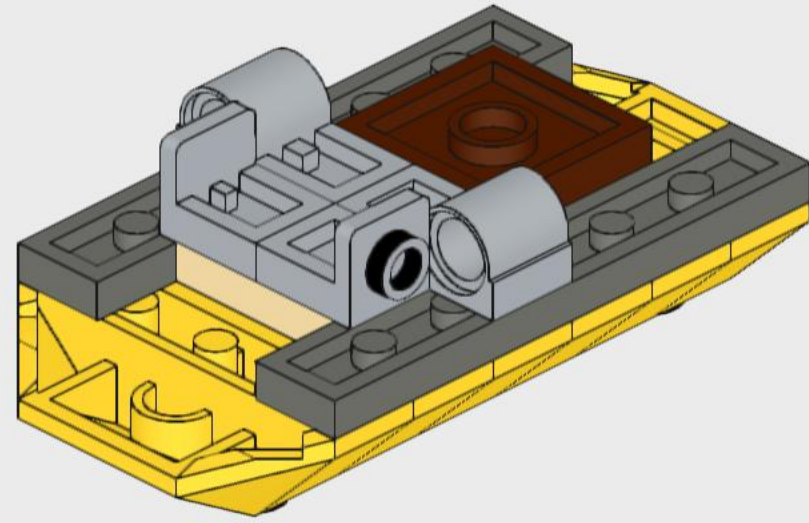


30

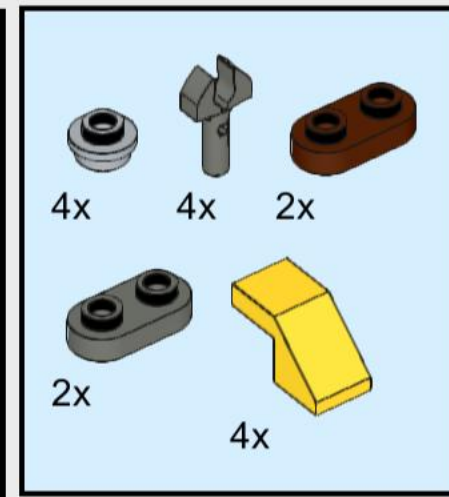
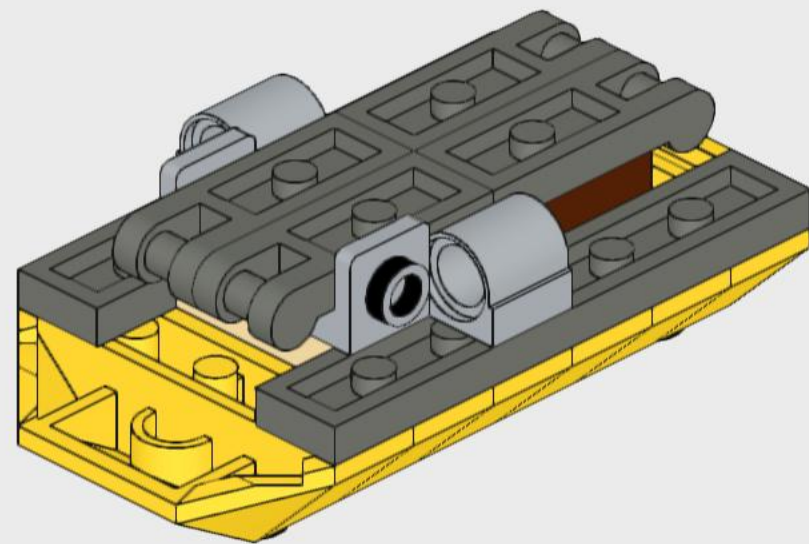




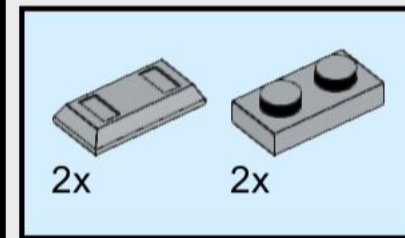
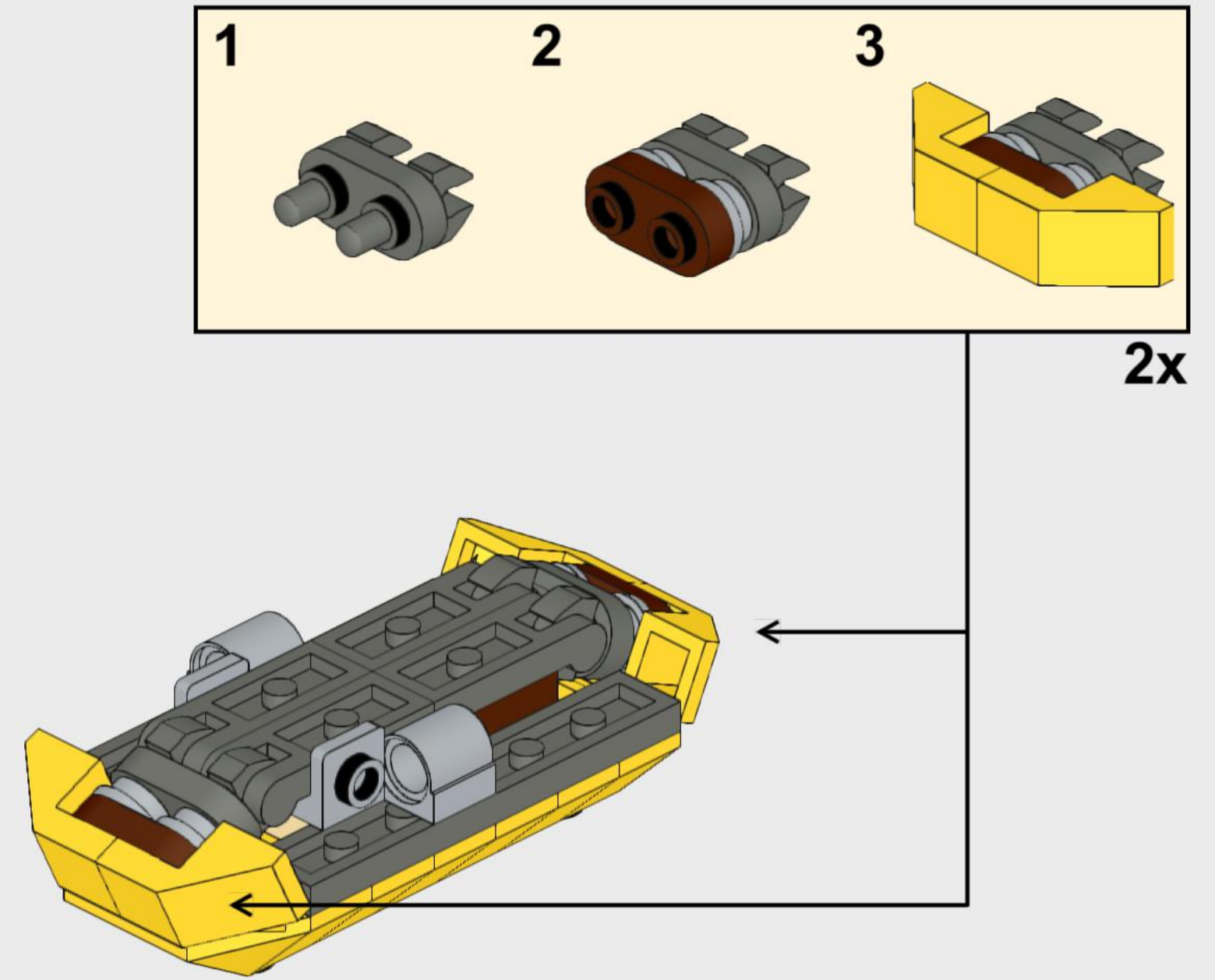
31



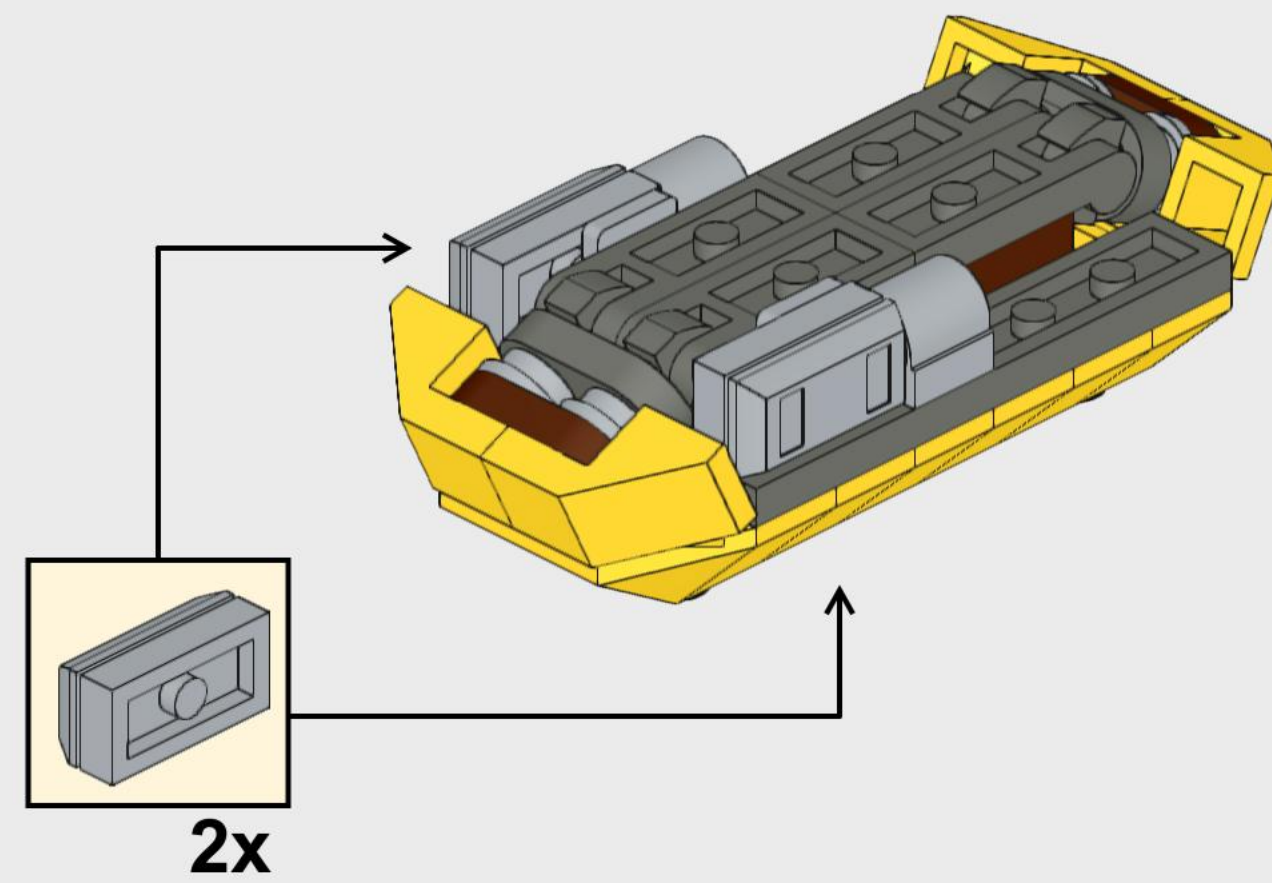
32



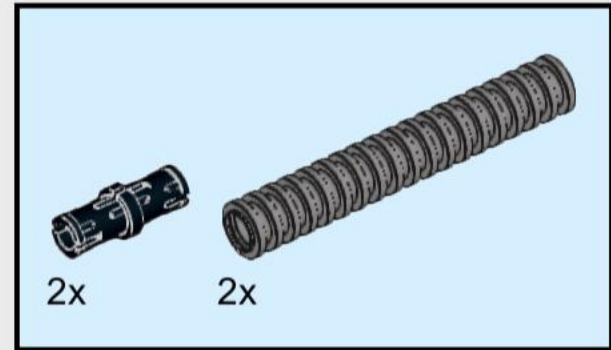
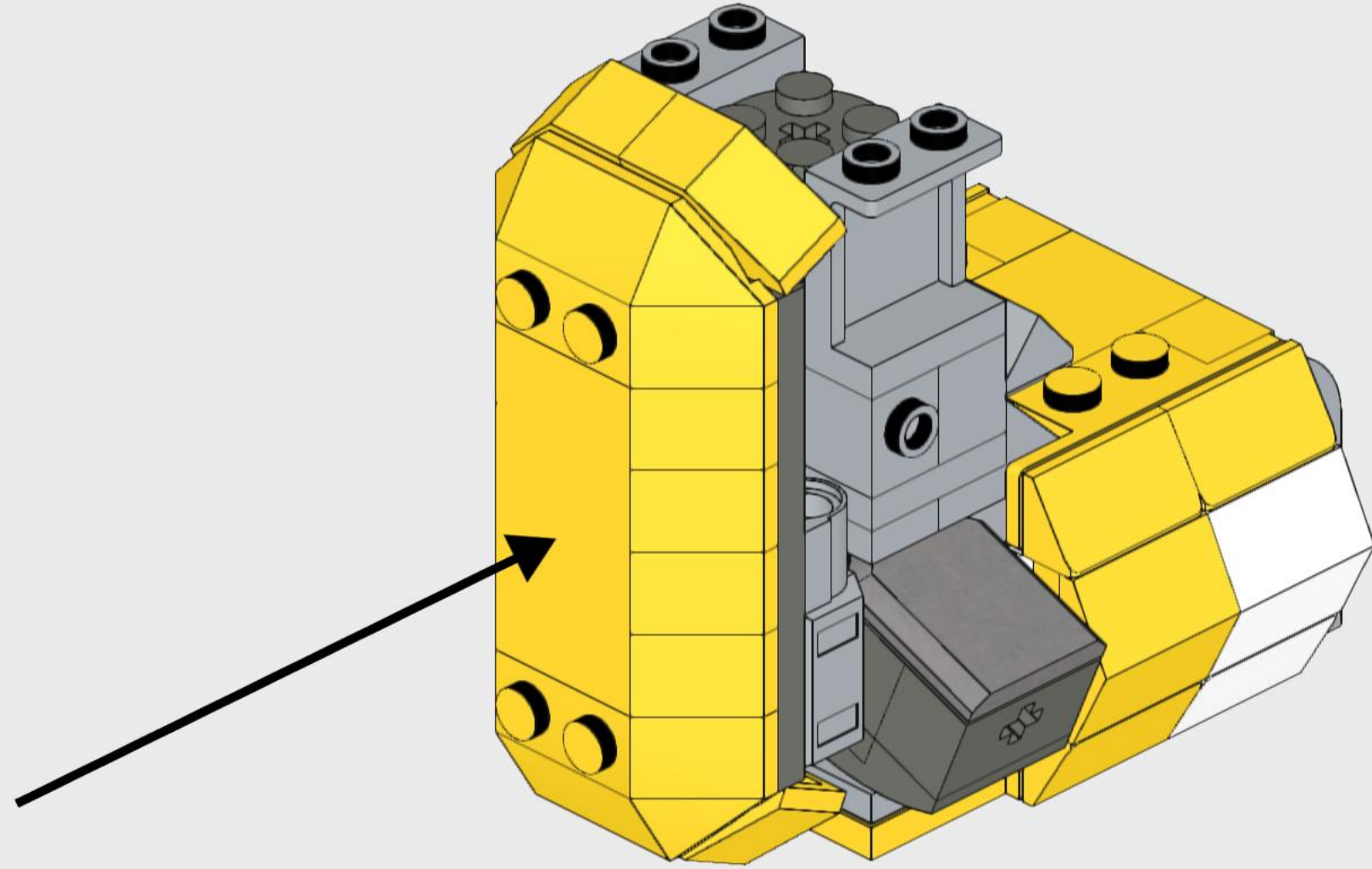
33



34

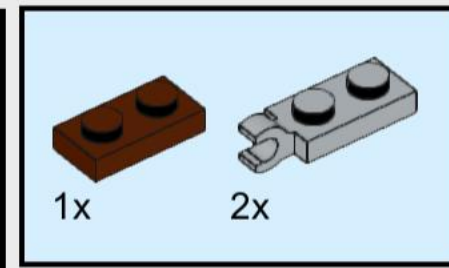
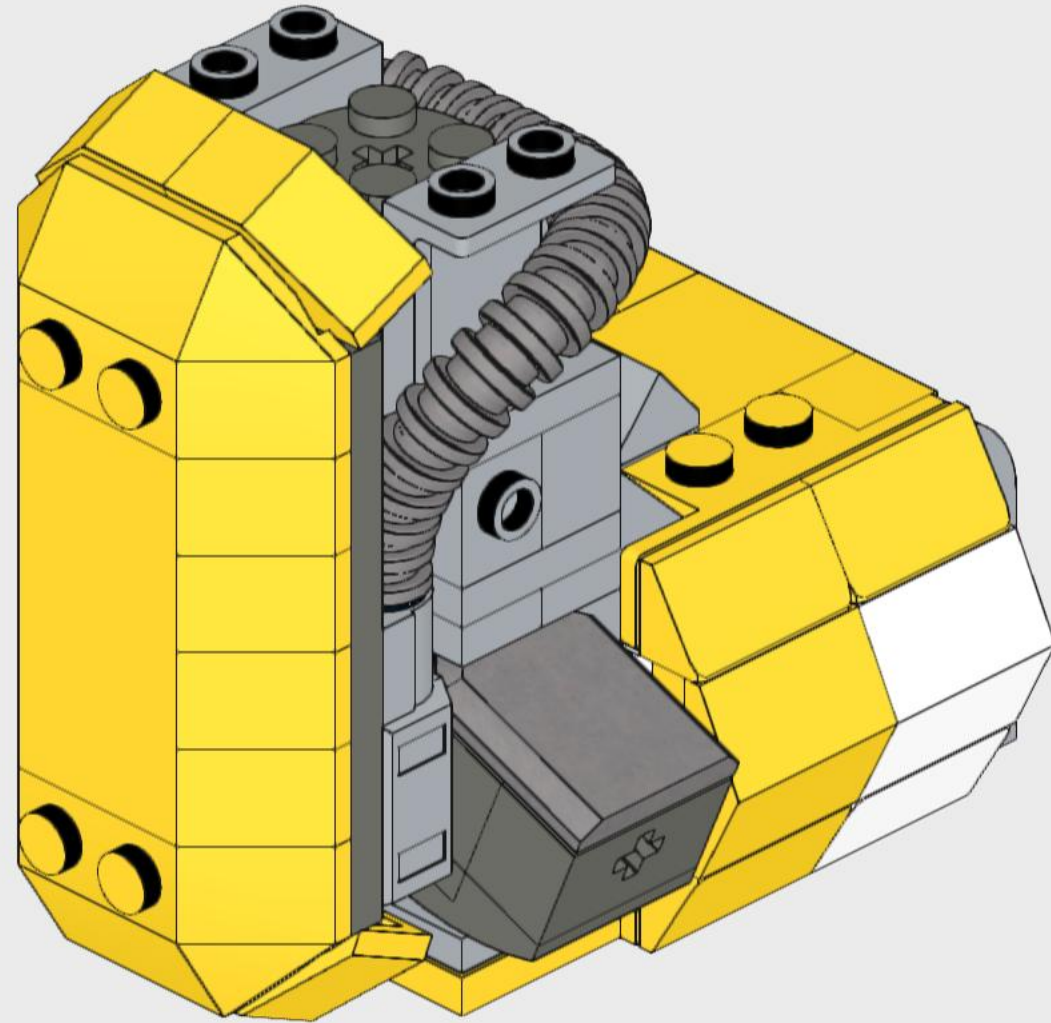


35

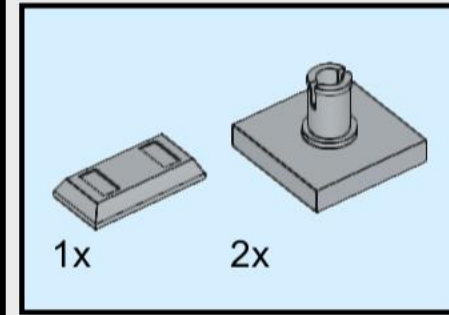
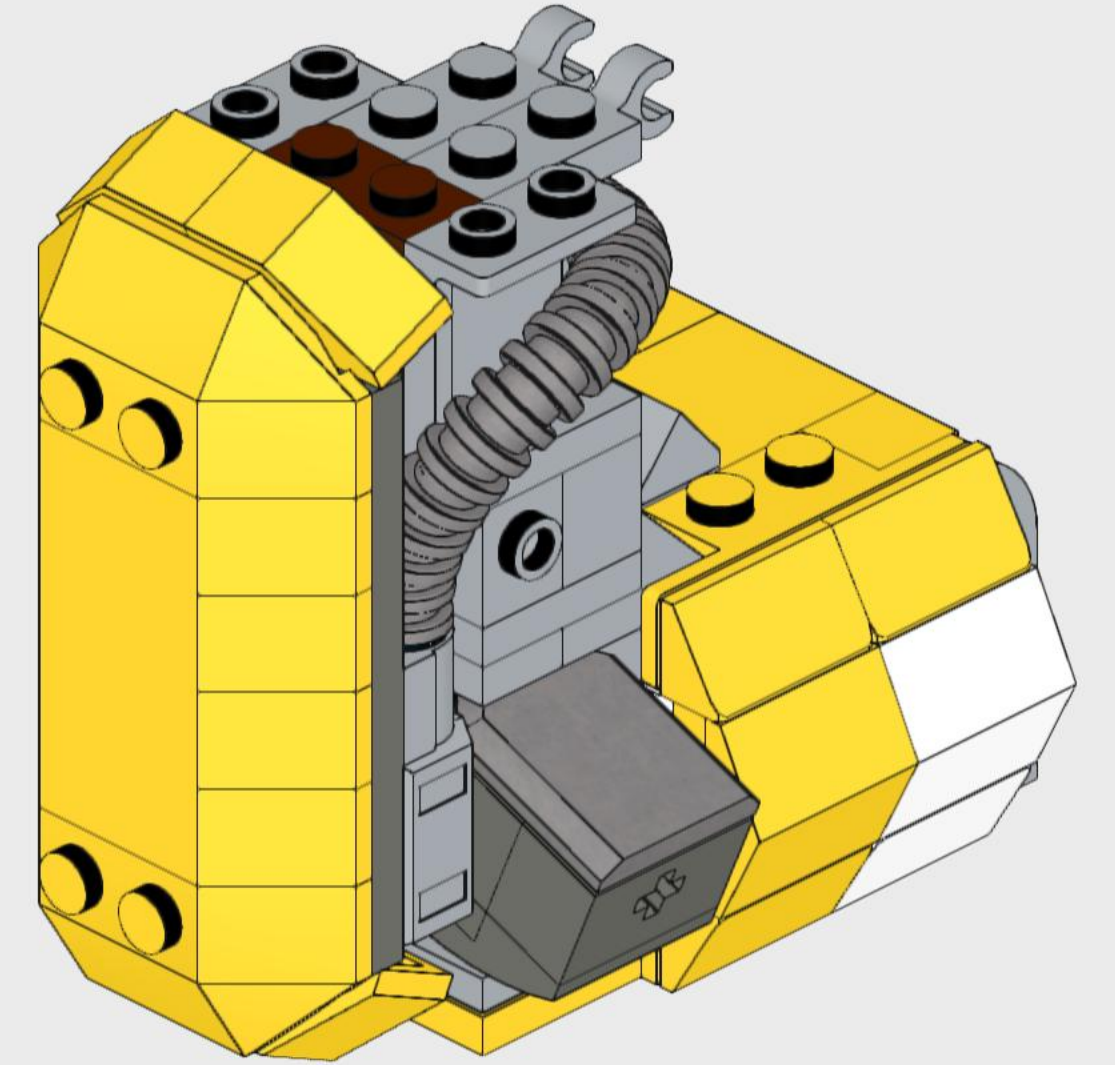


Use 1x 14 stud-length hose, rather than 2x 7 stud-length hoses shown.

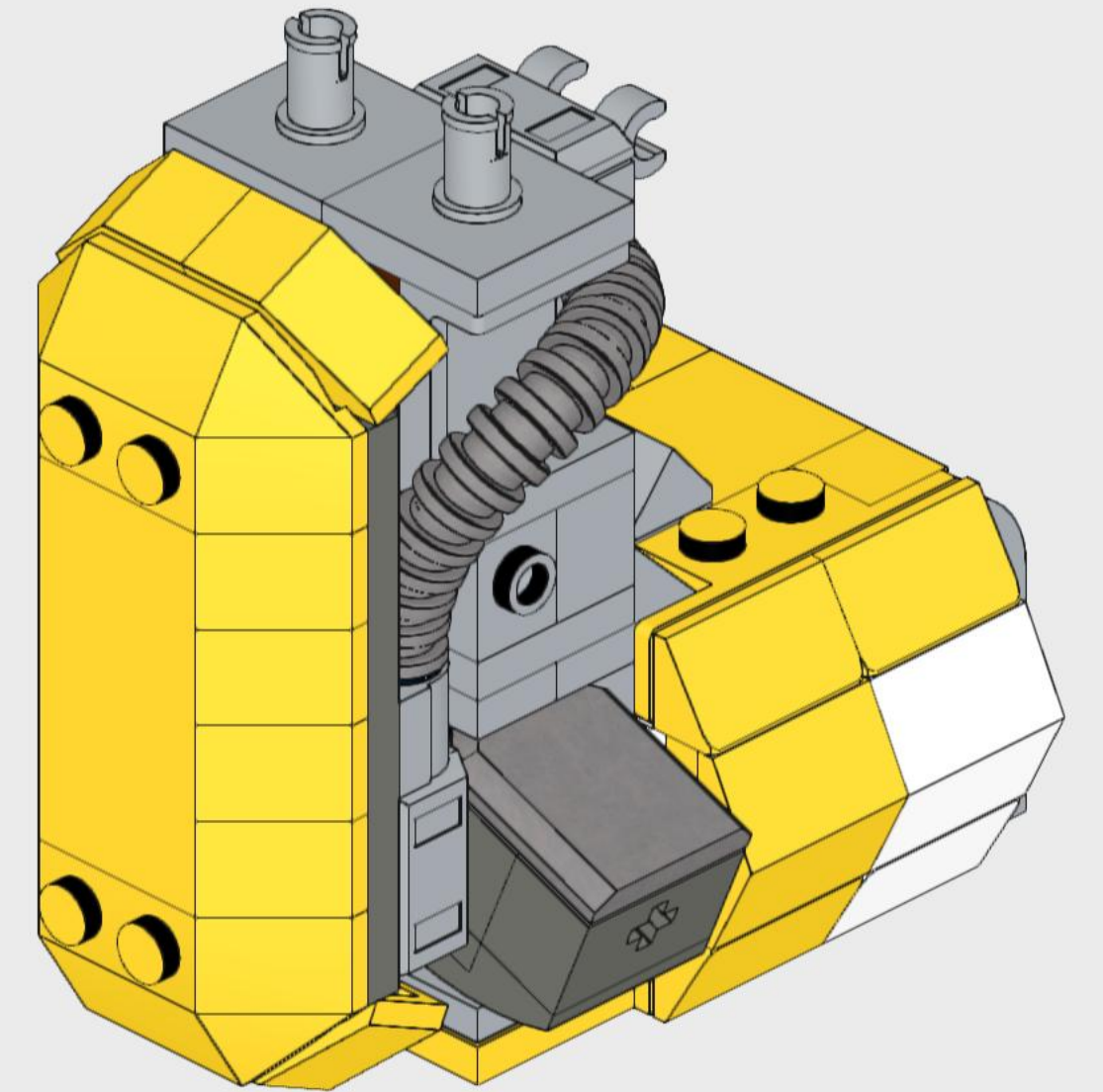
36

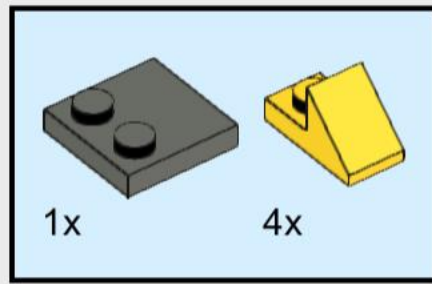


37

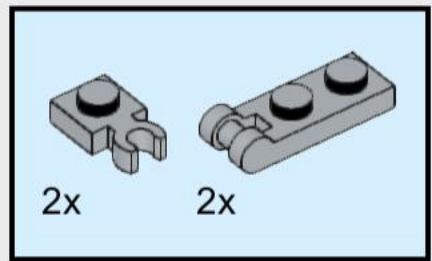
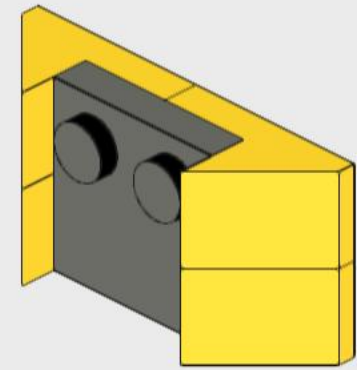


38

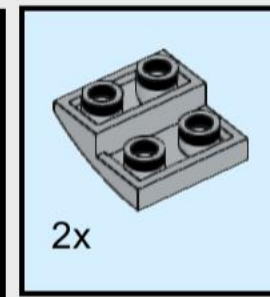
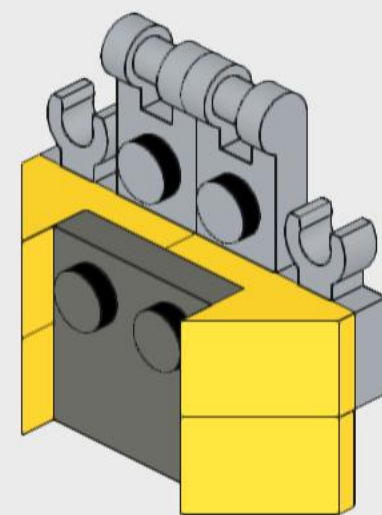




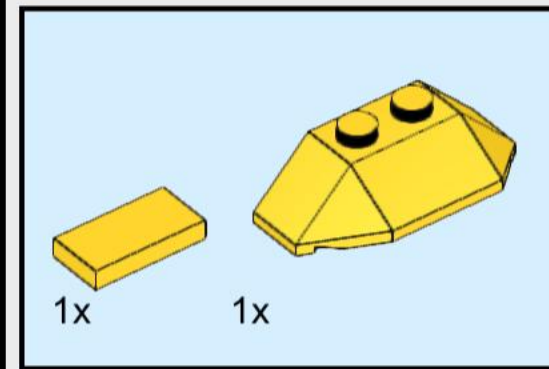
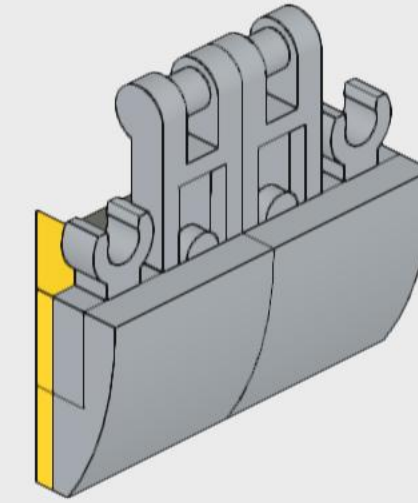
39



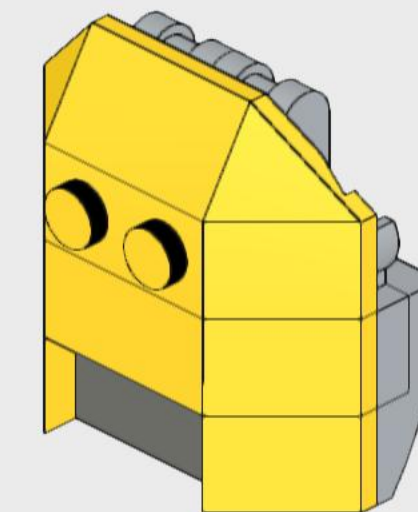
40



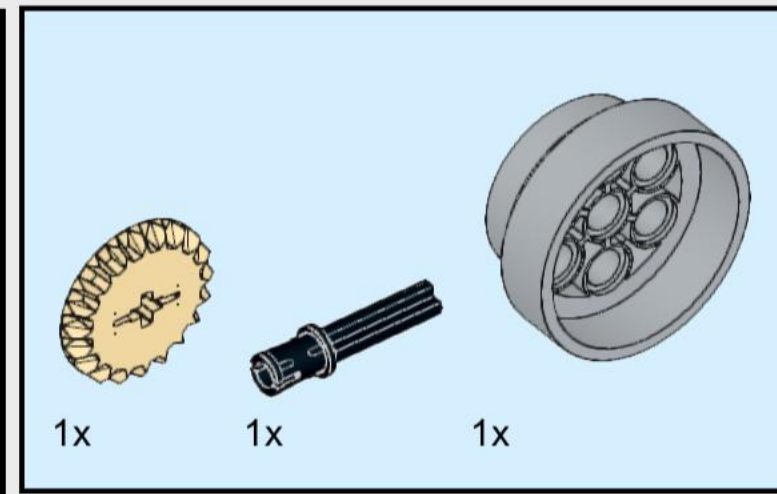
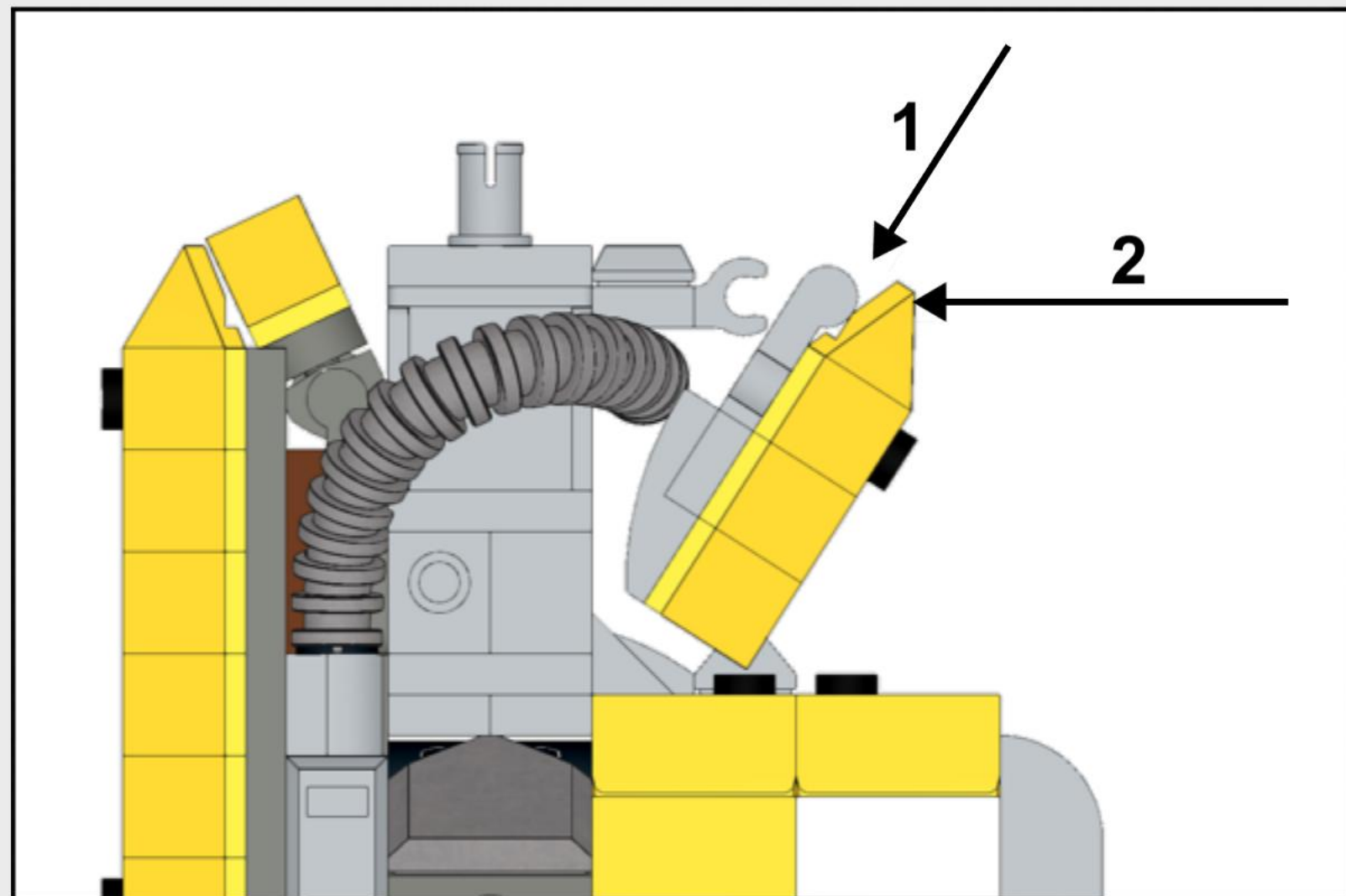
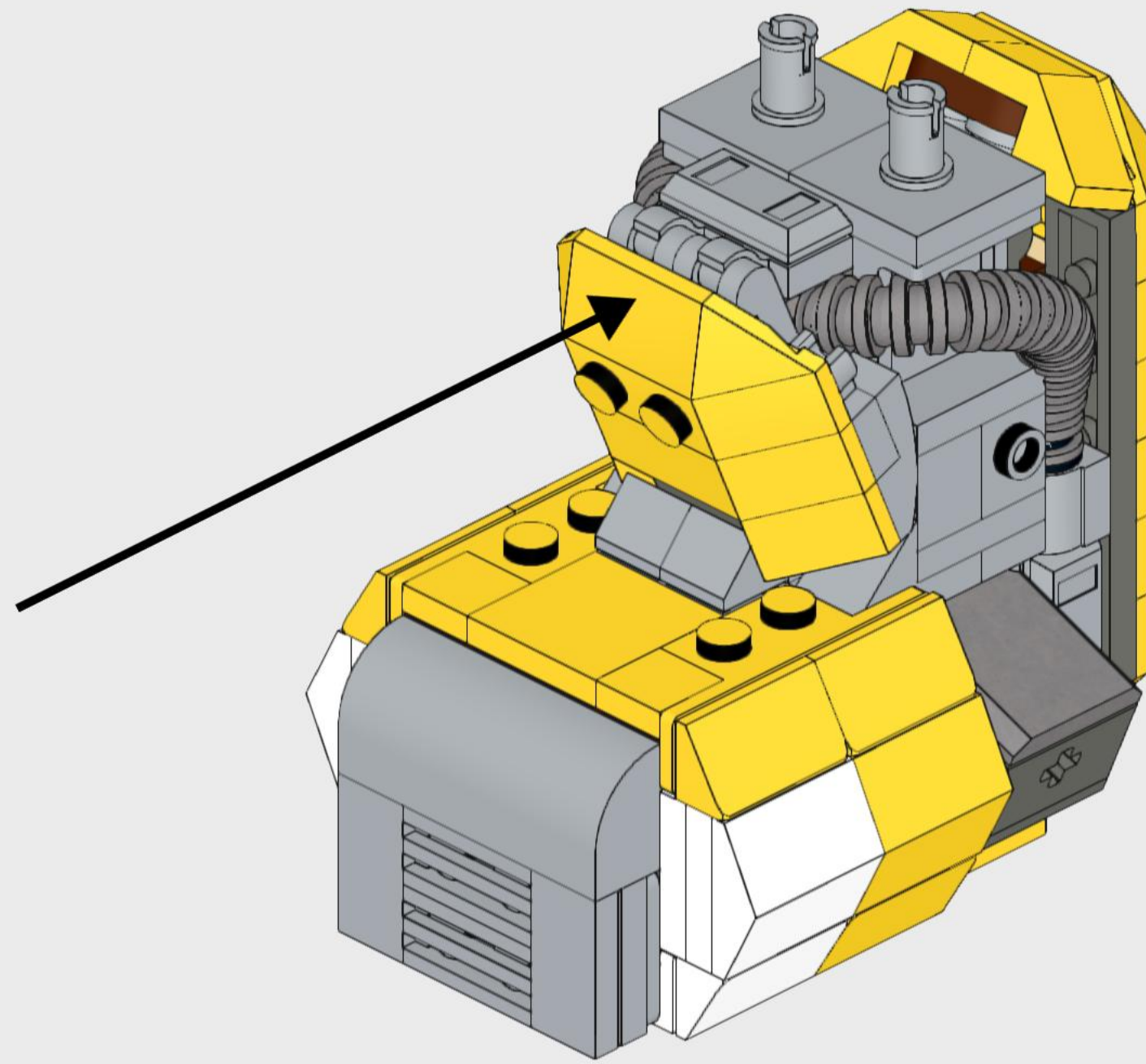
41 



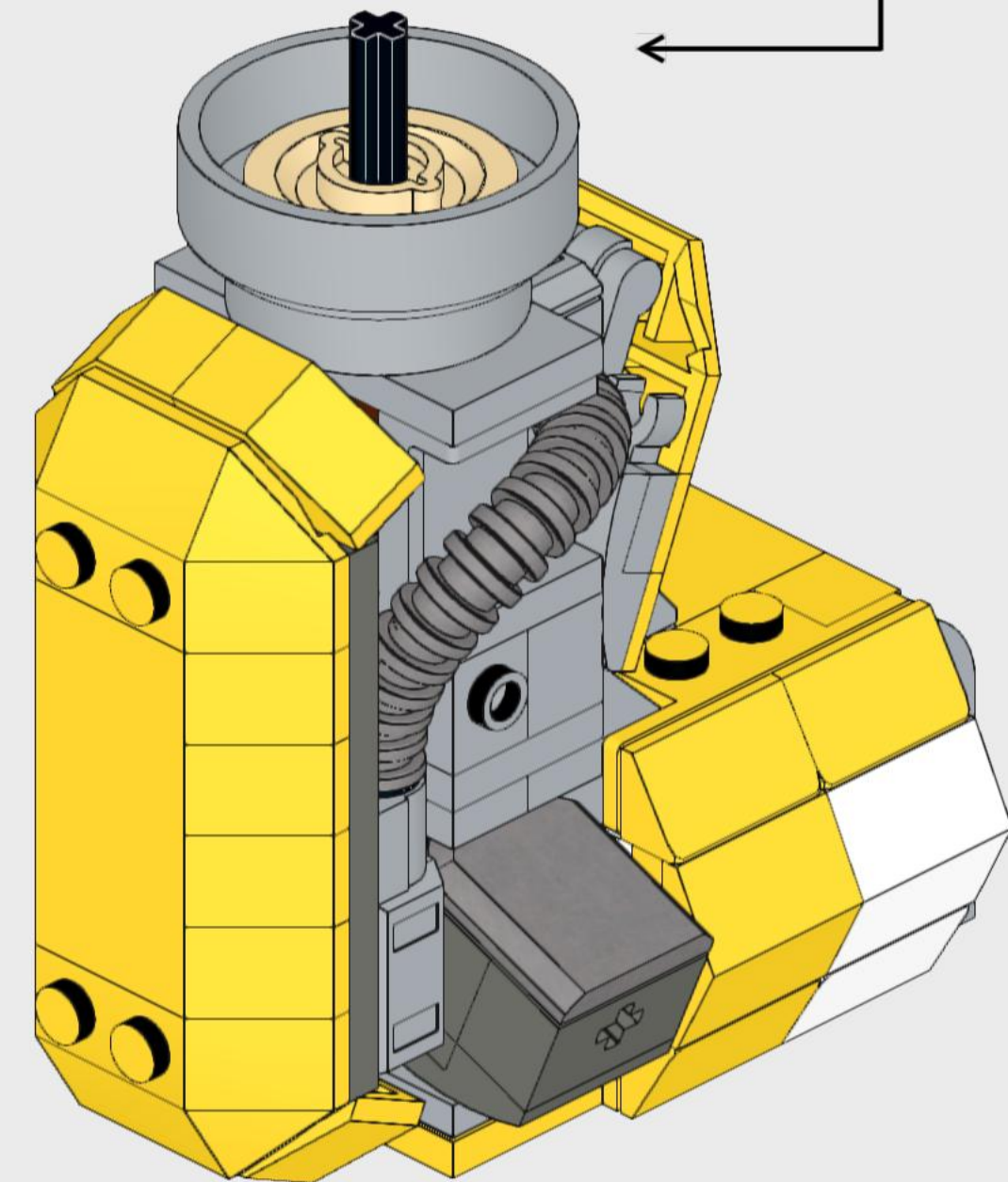
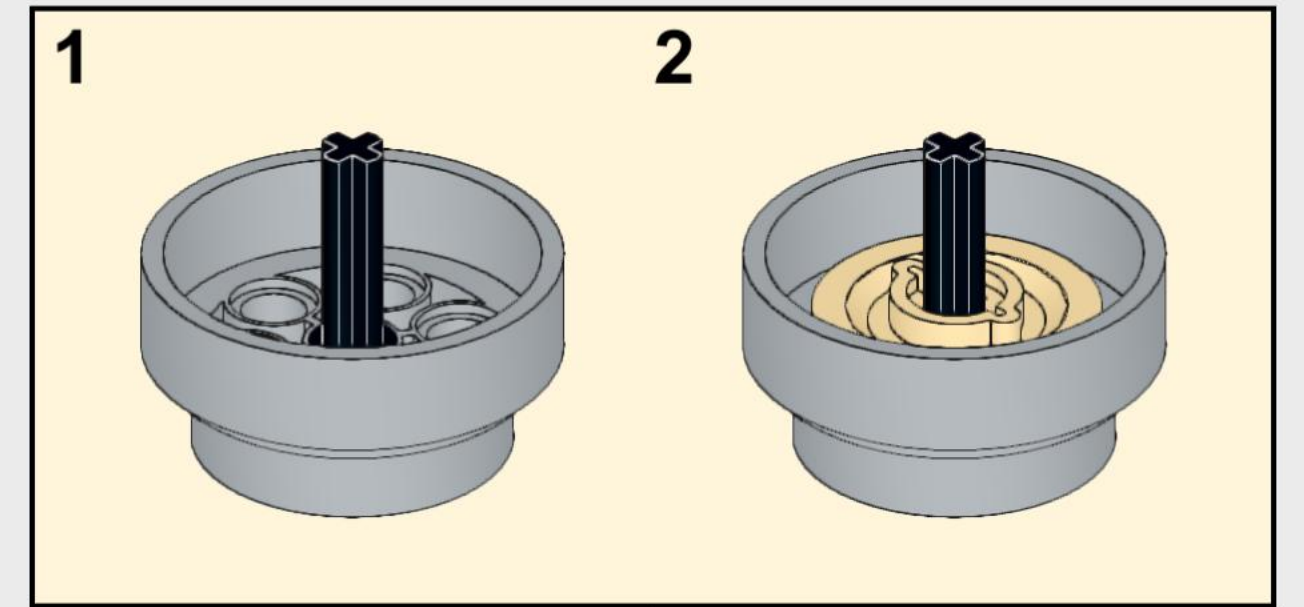
42 

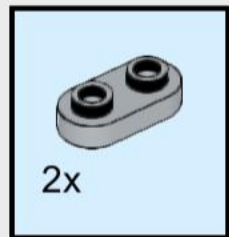


43

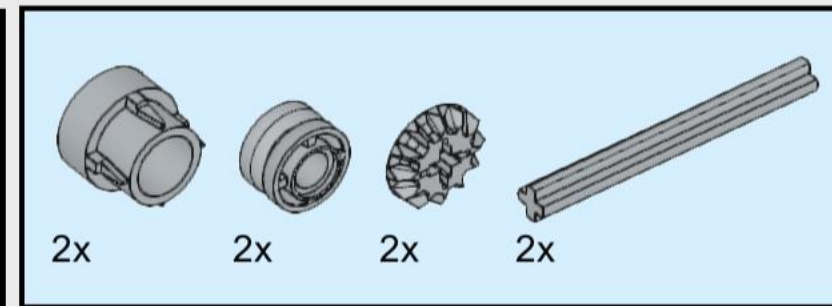
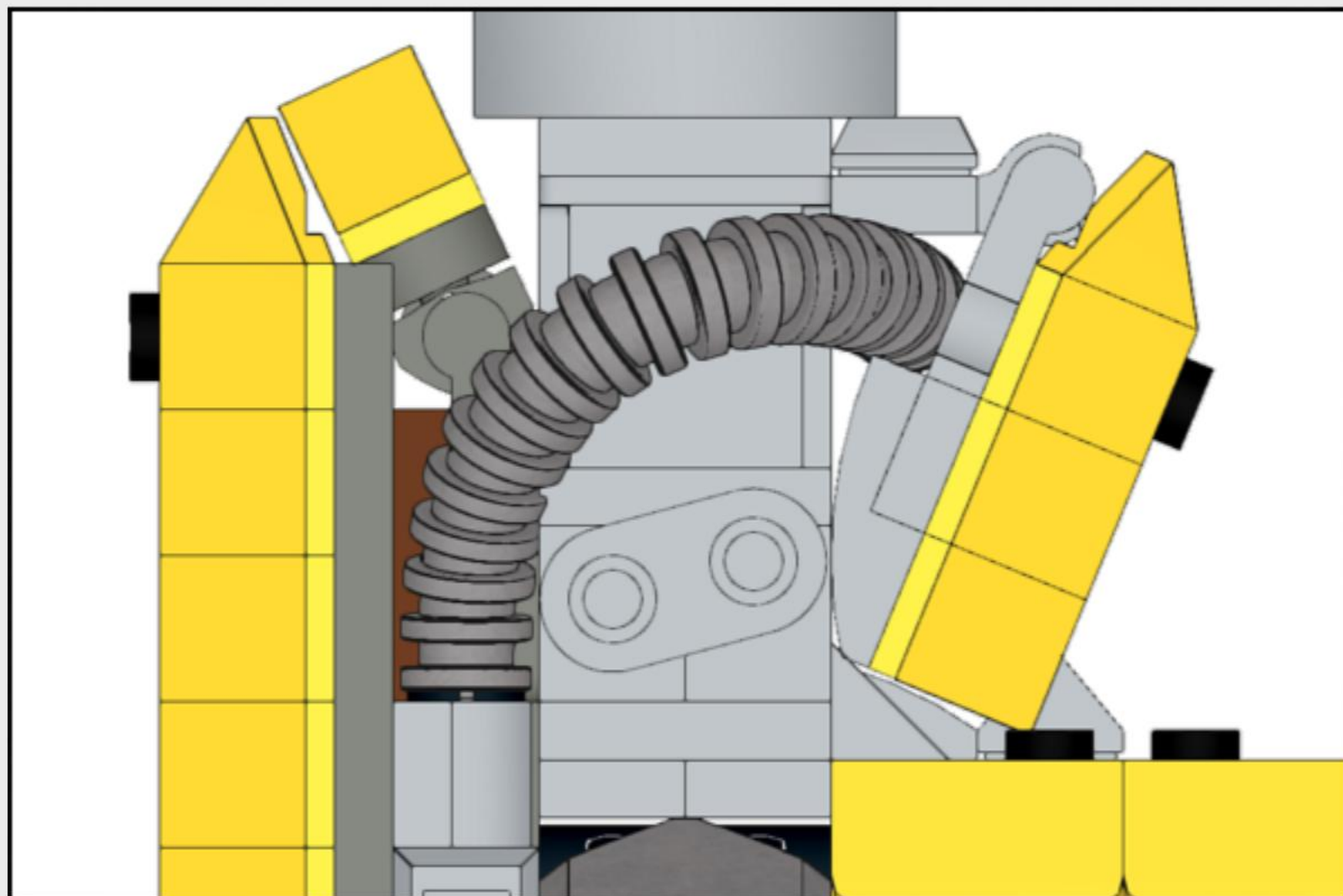
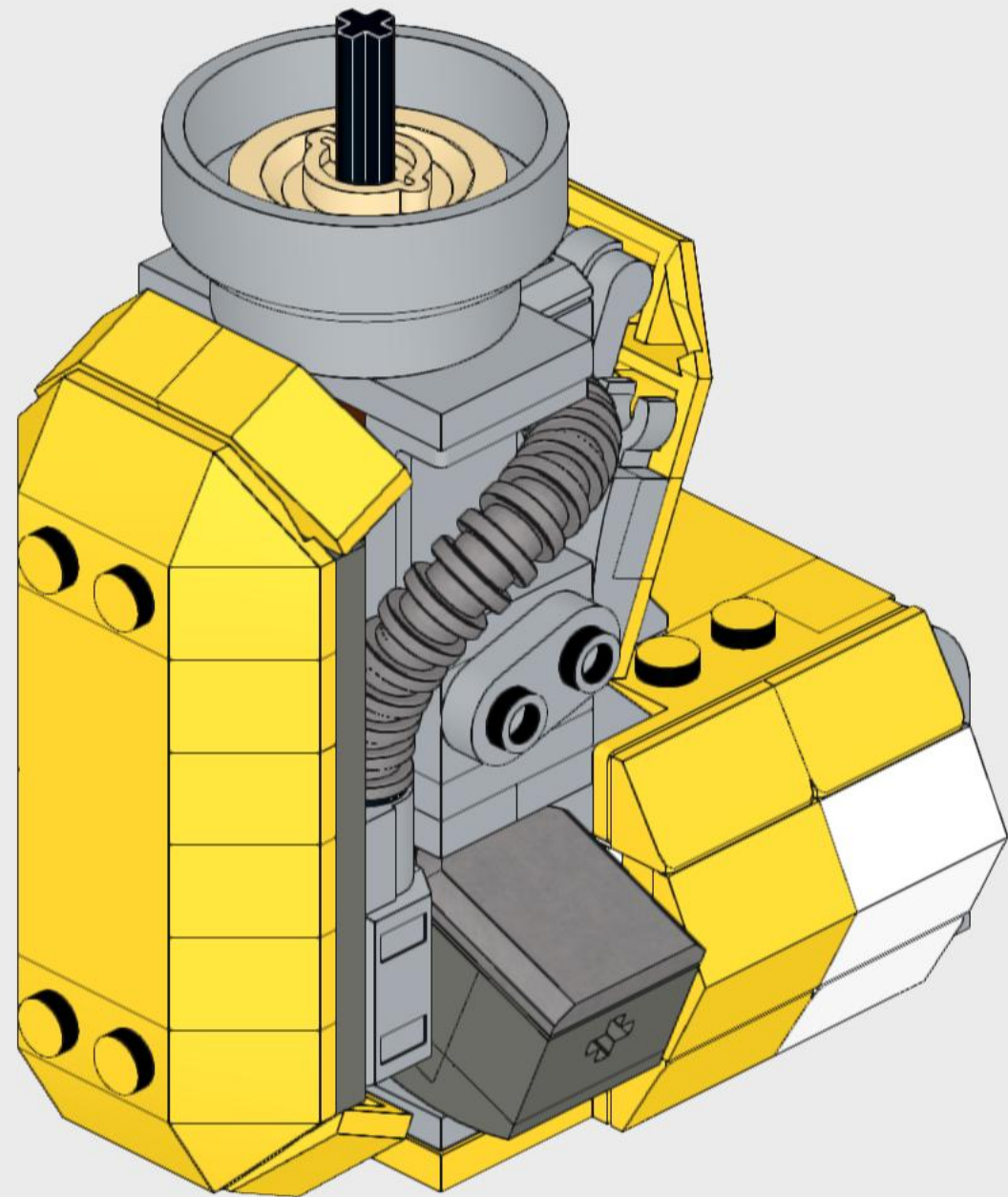


44 

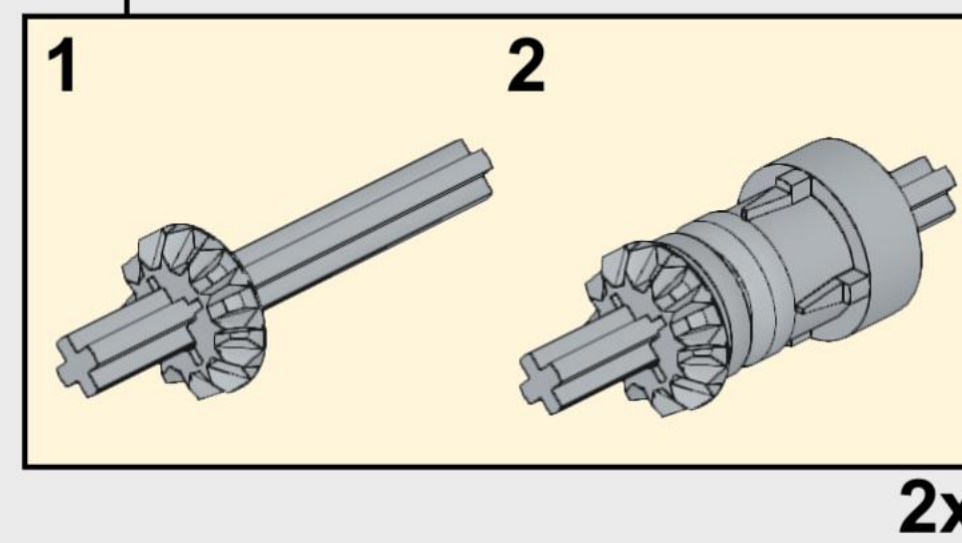
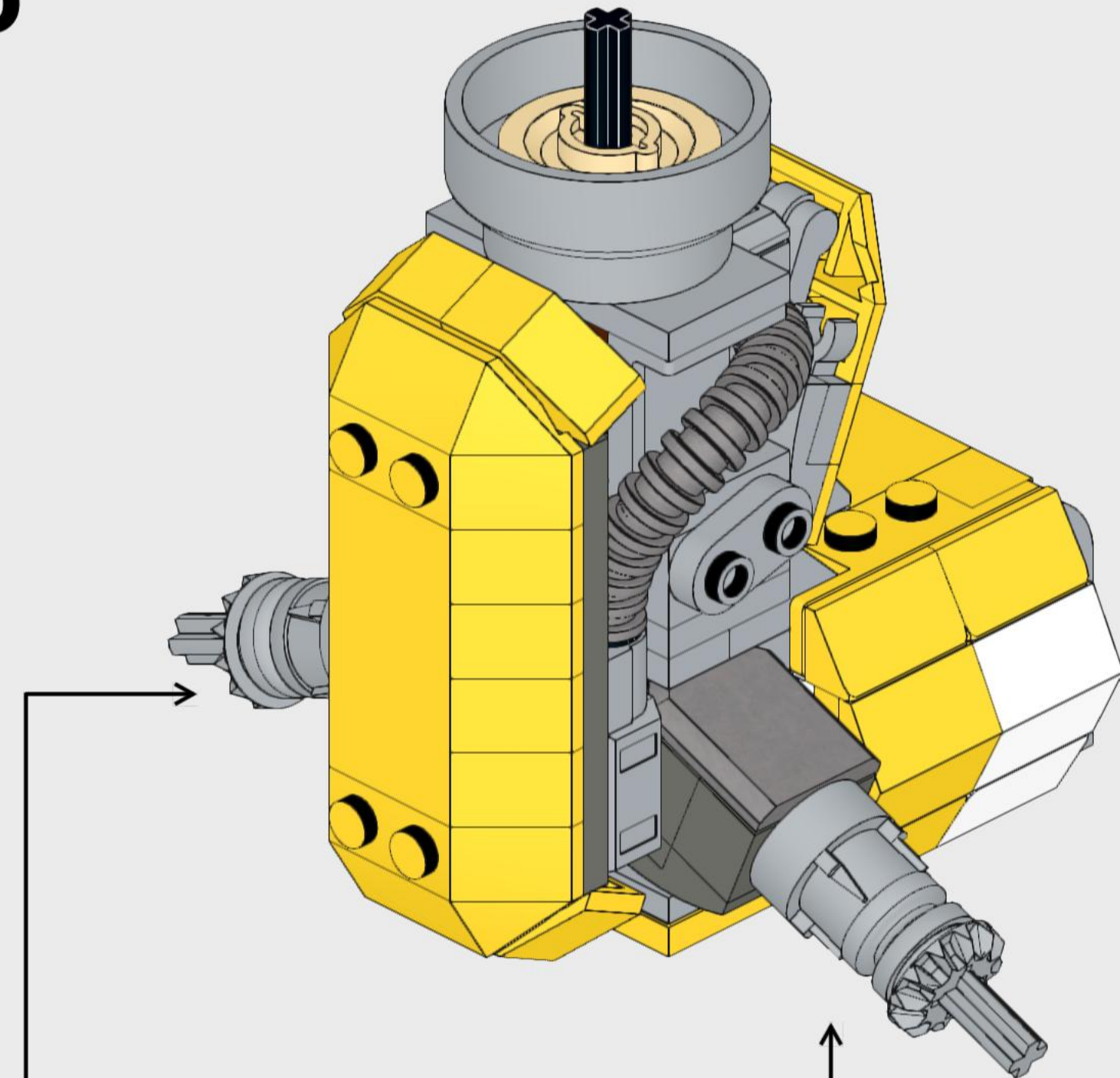


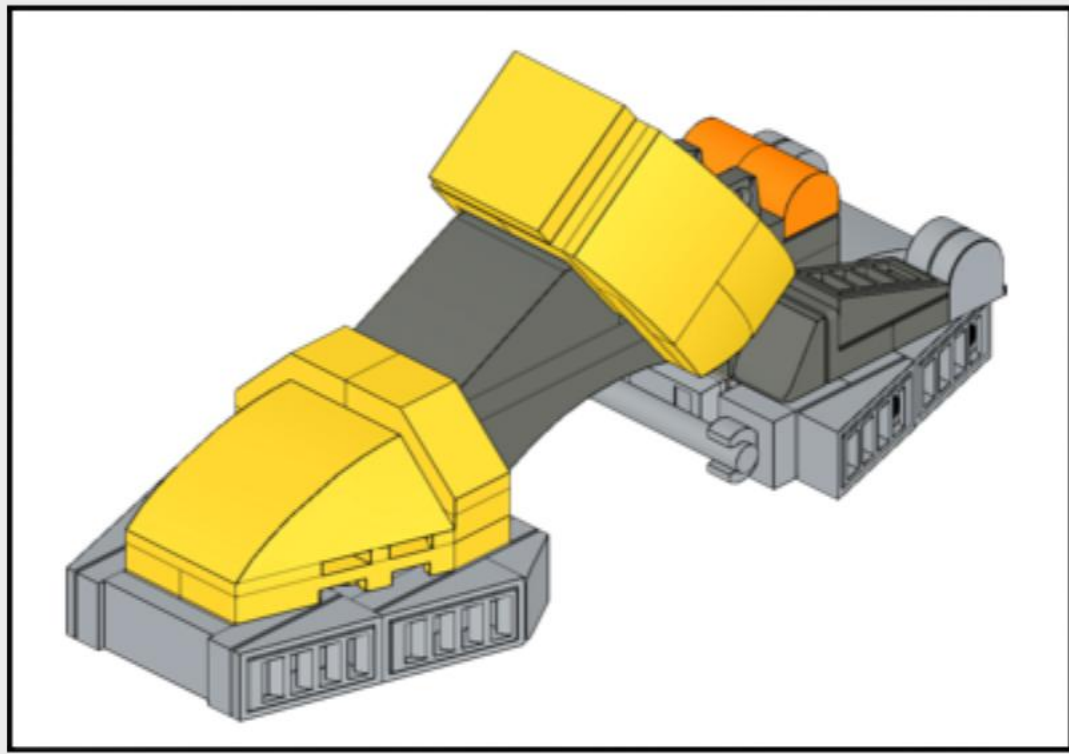


45

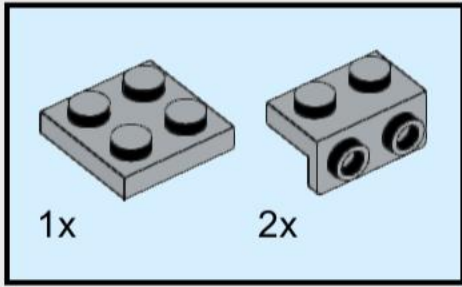


46

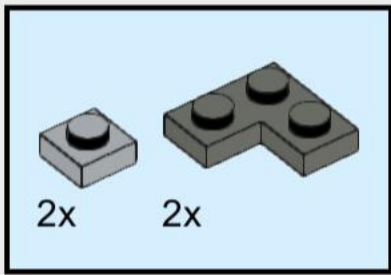
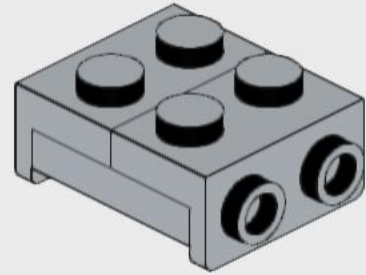




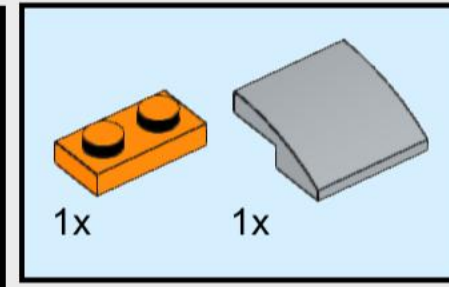
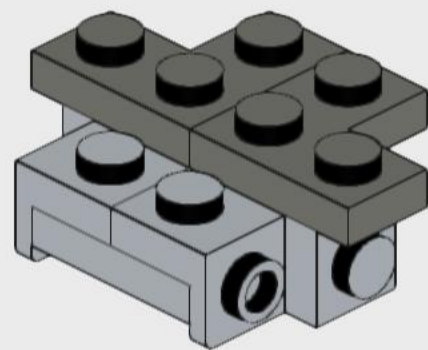
2x



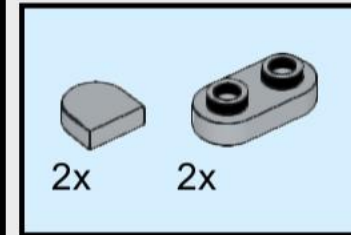
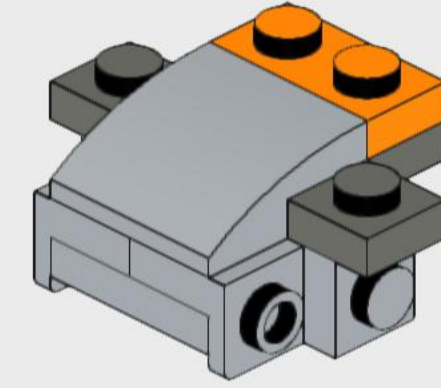
1



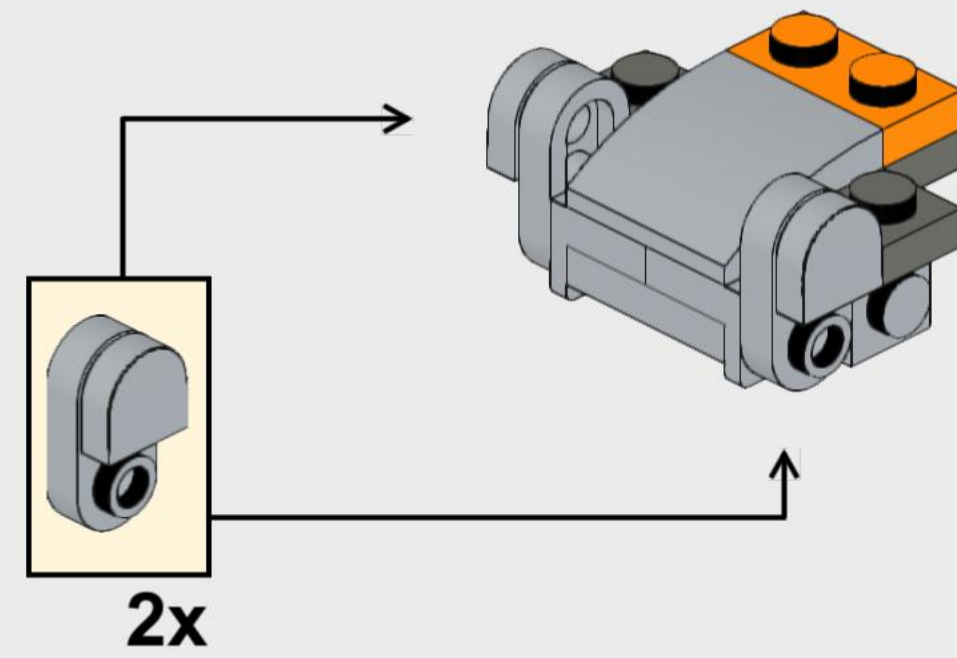
2

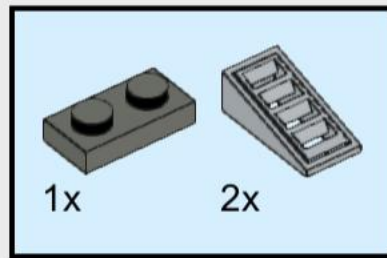


3

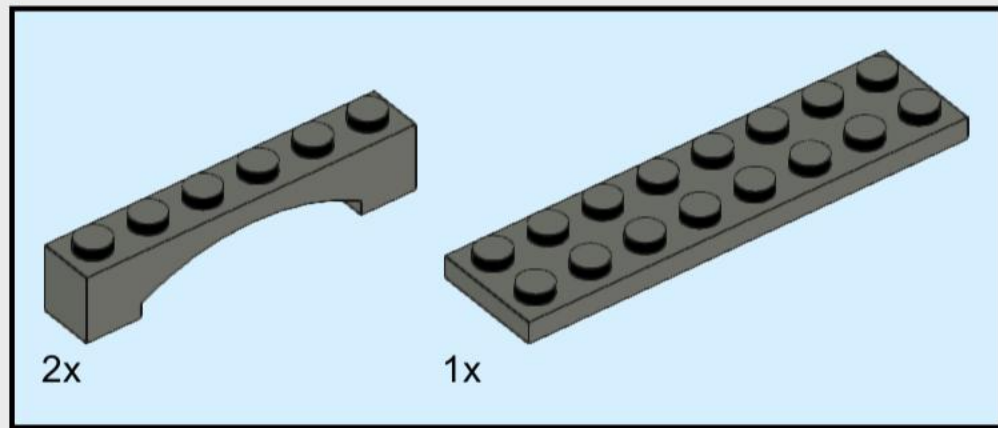
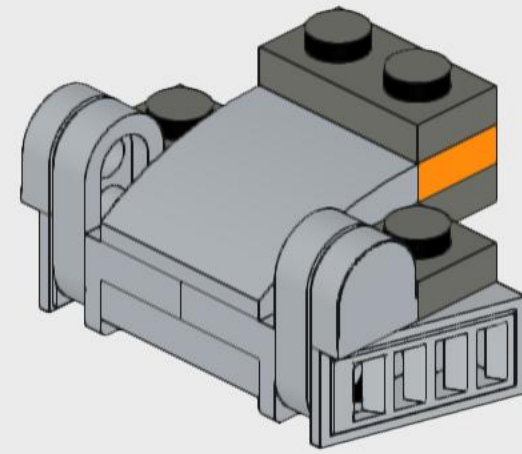


4

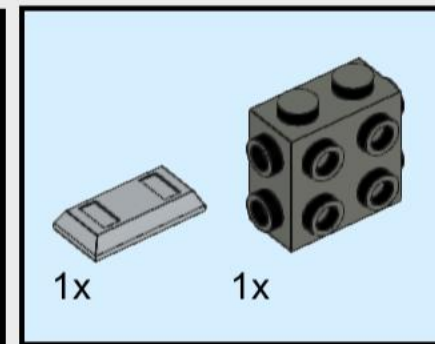
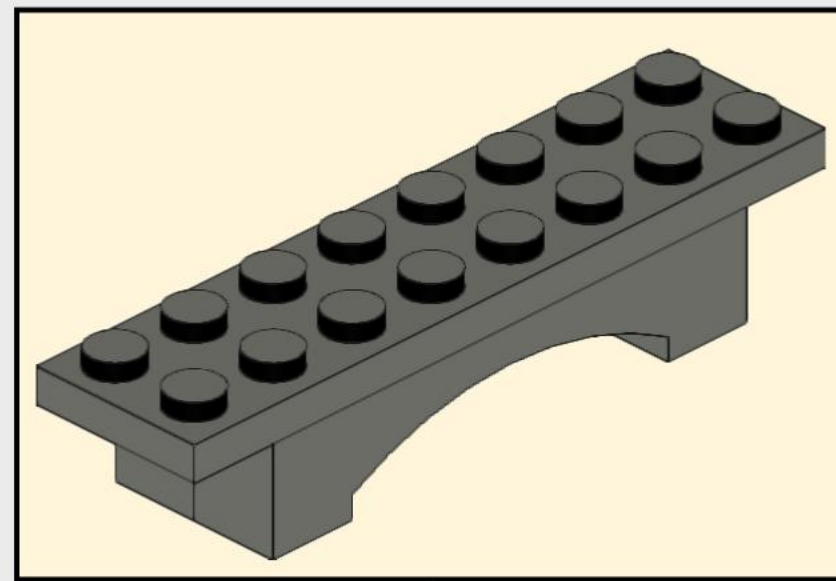
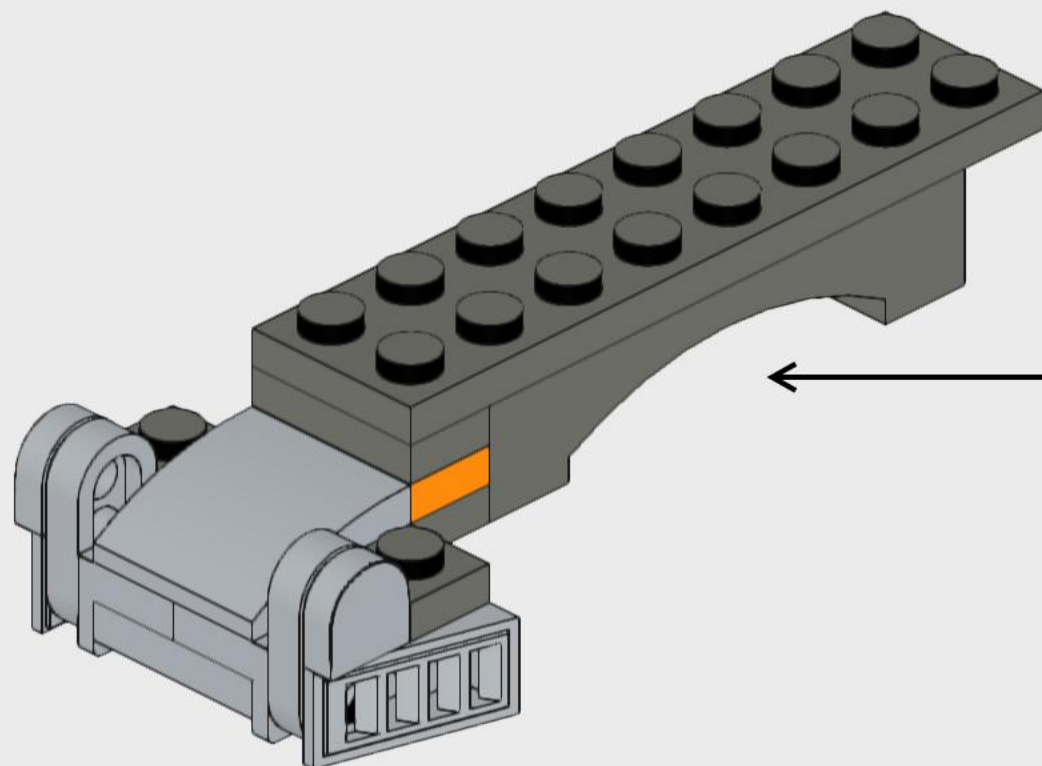




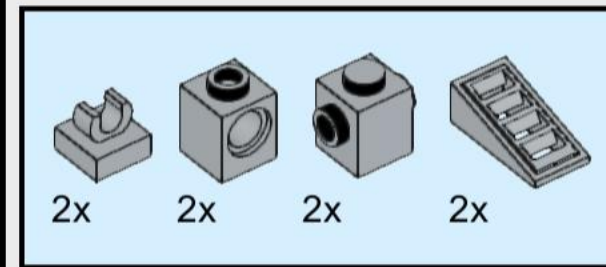
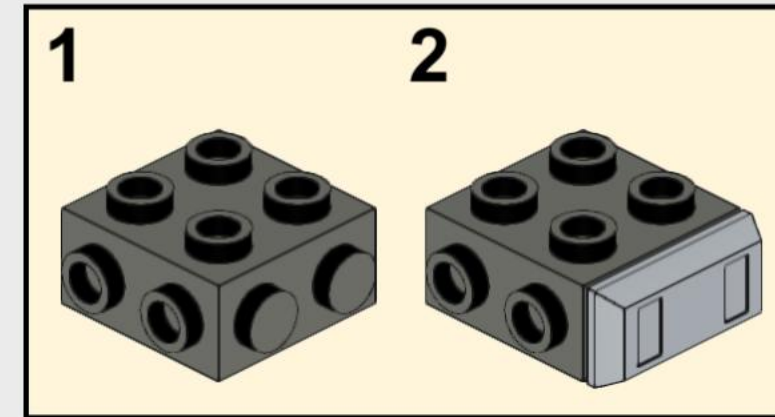
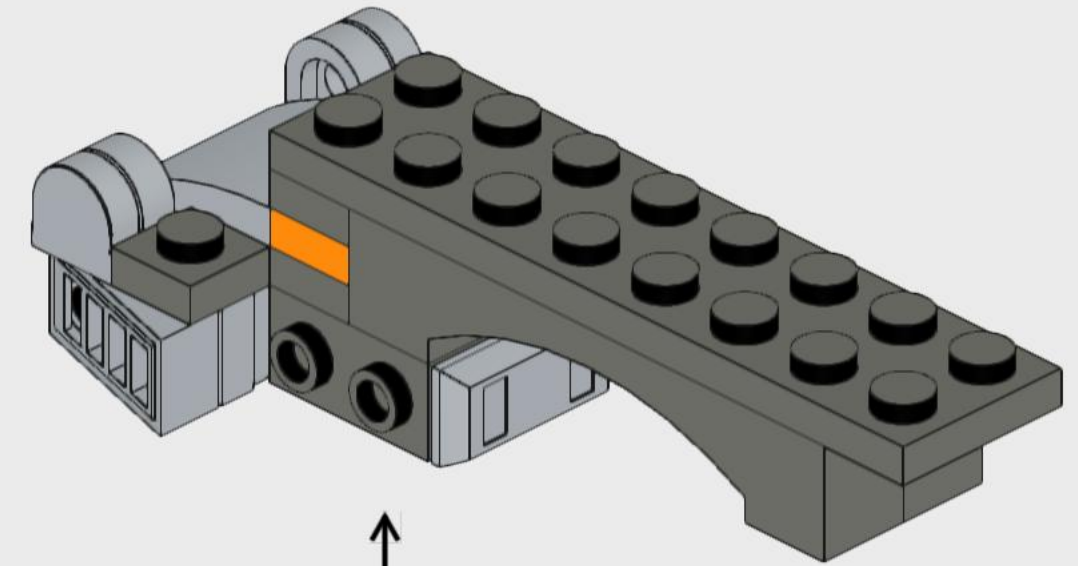
5



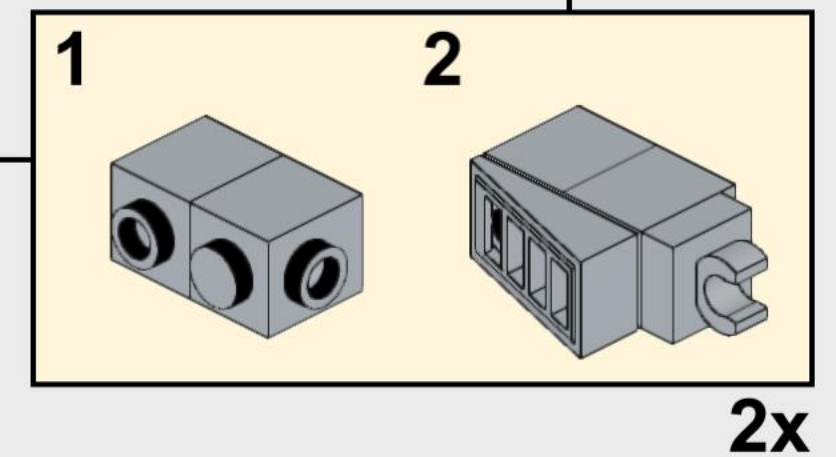
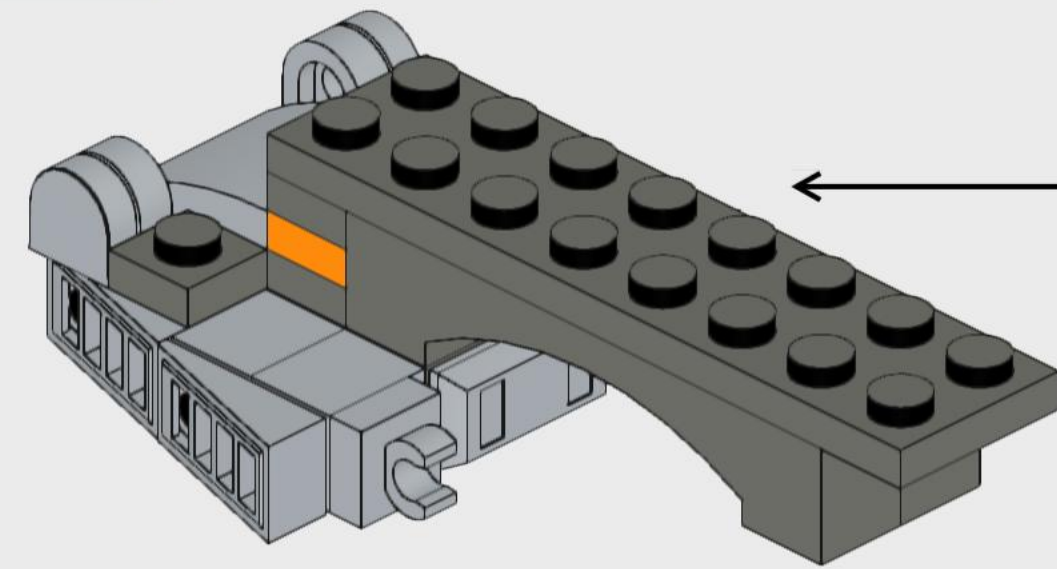
6



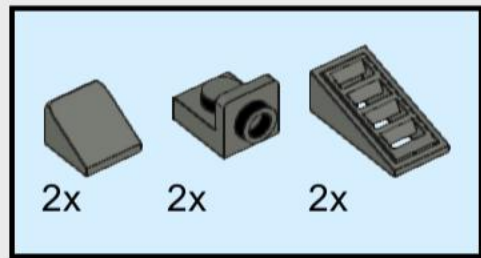
7



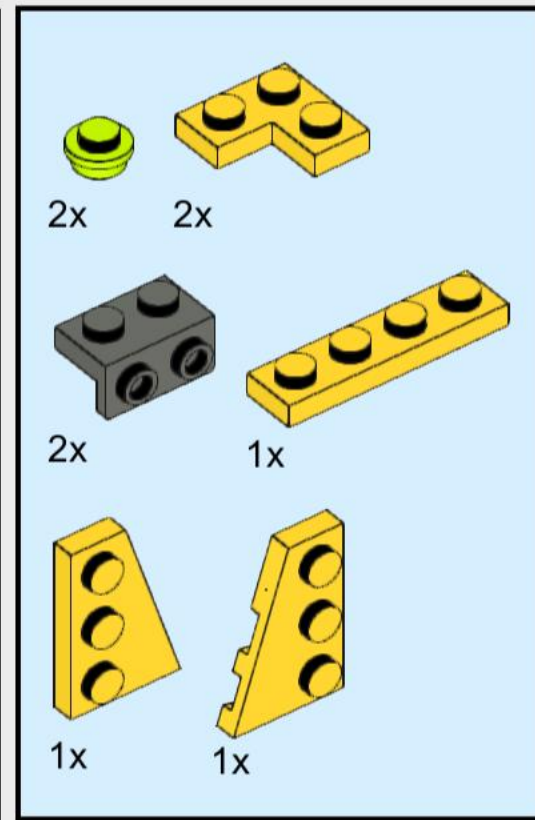
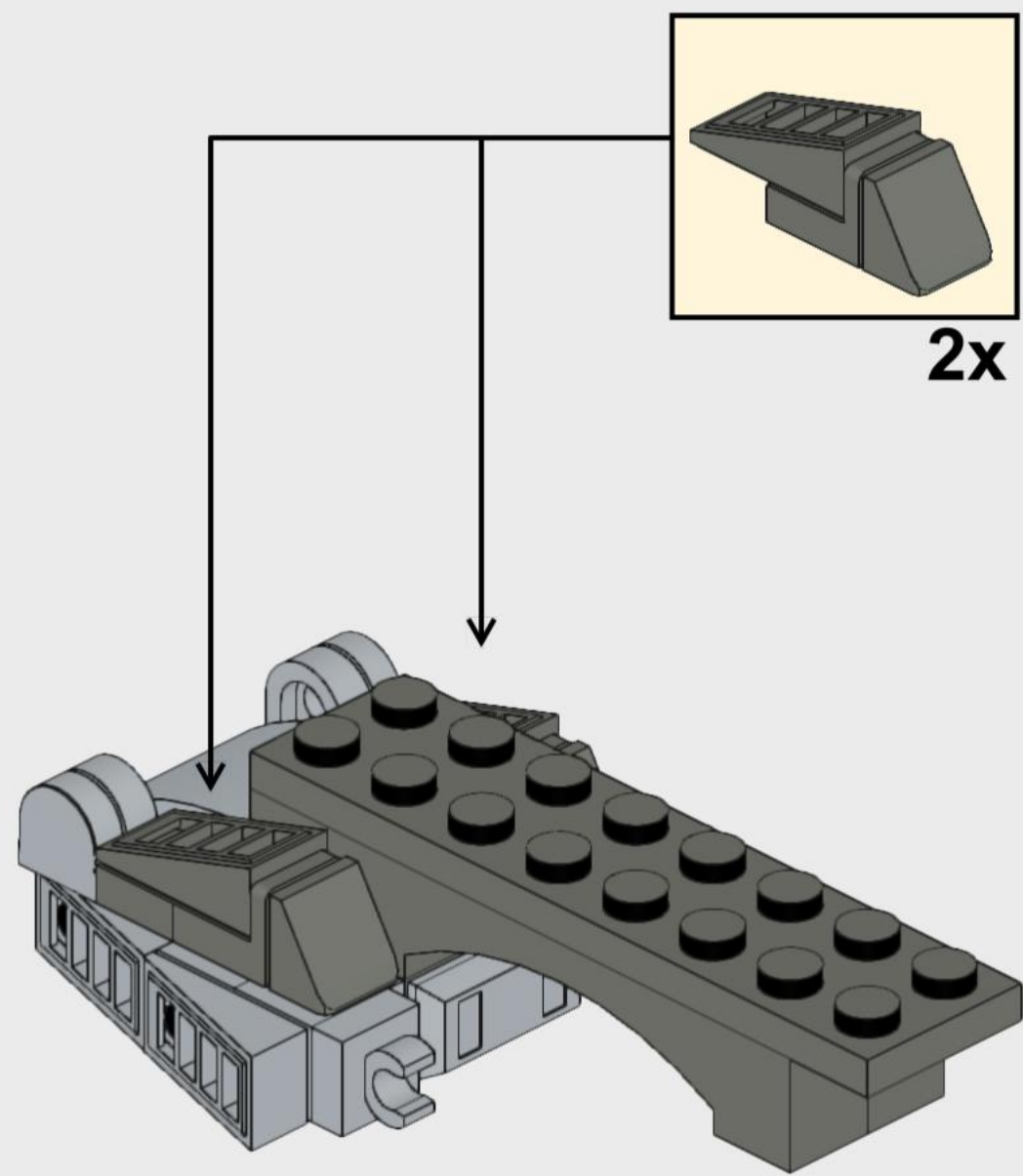
8



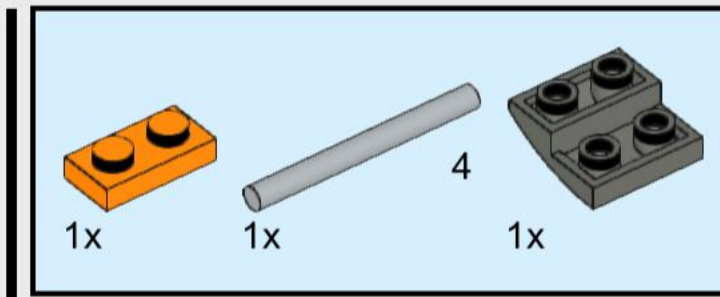
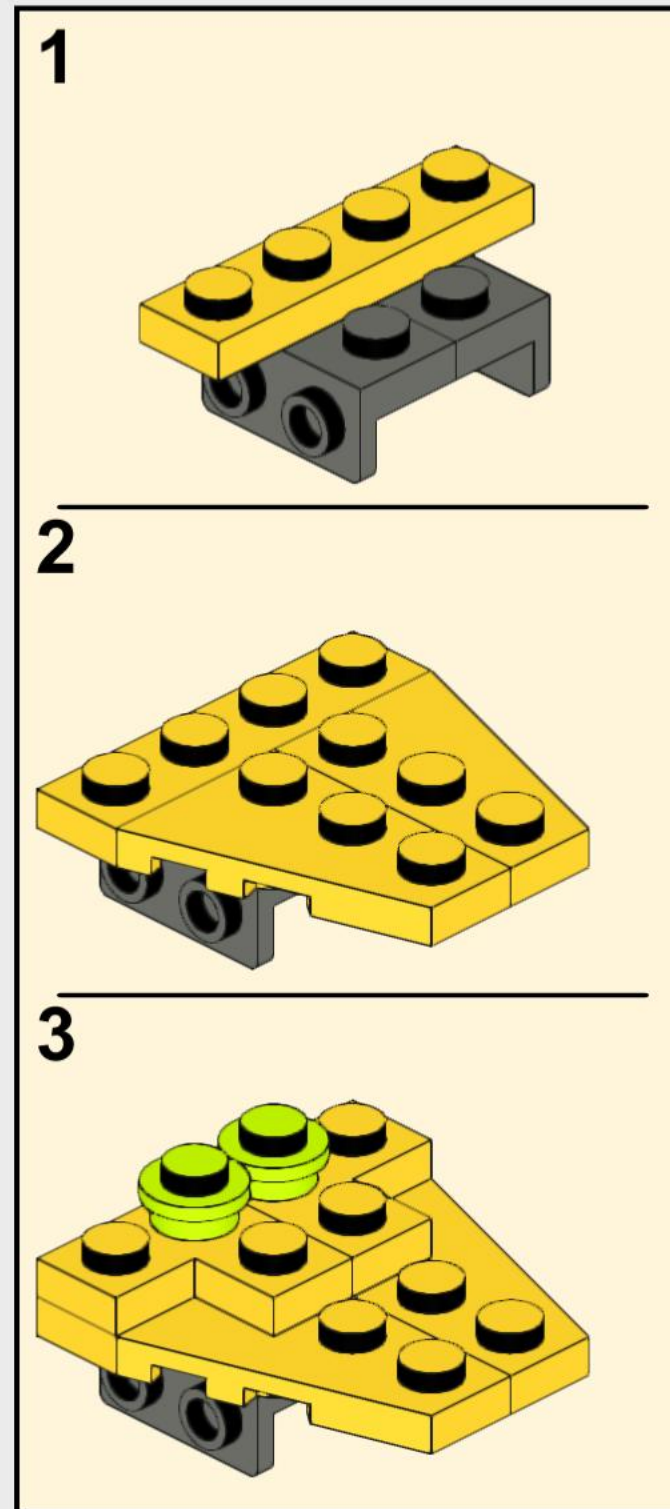
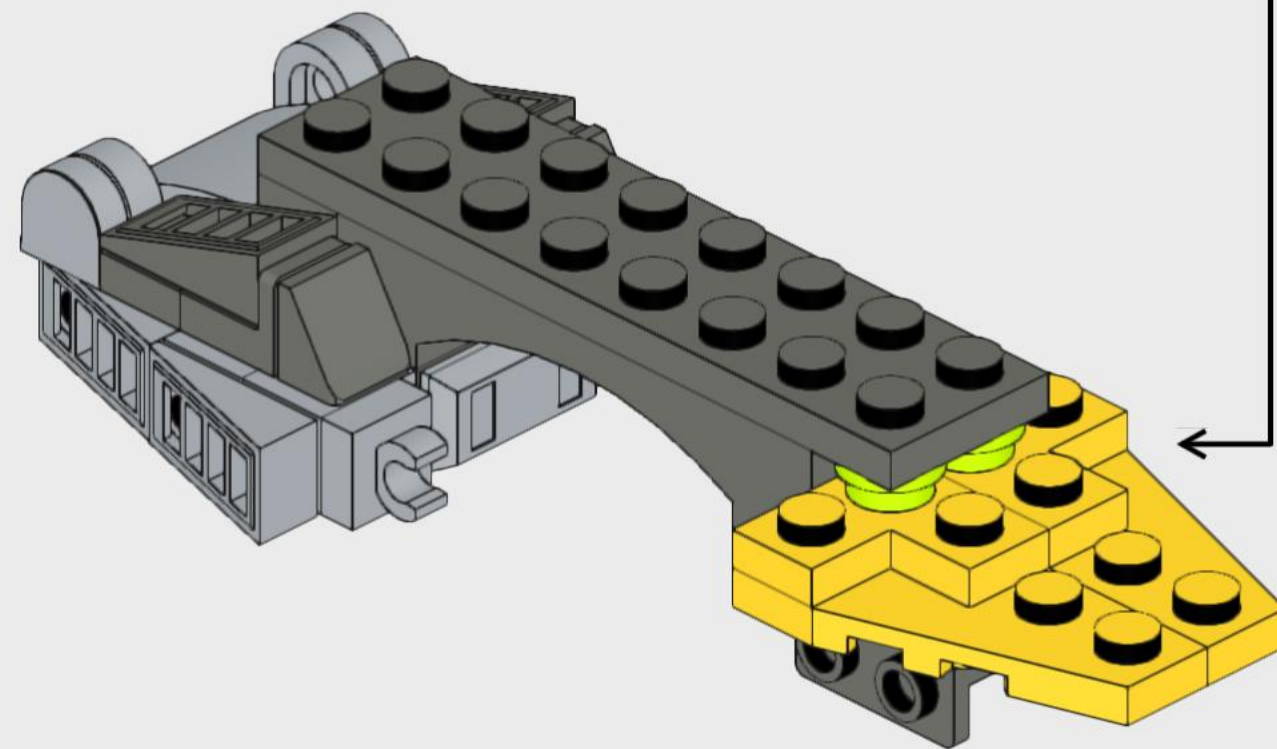
2x



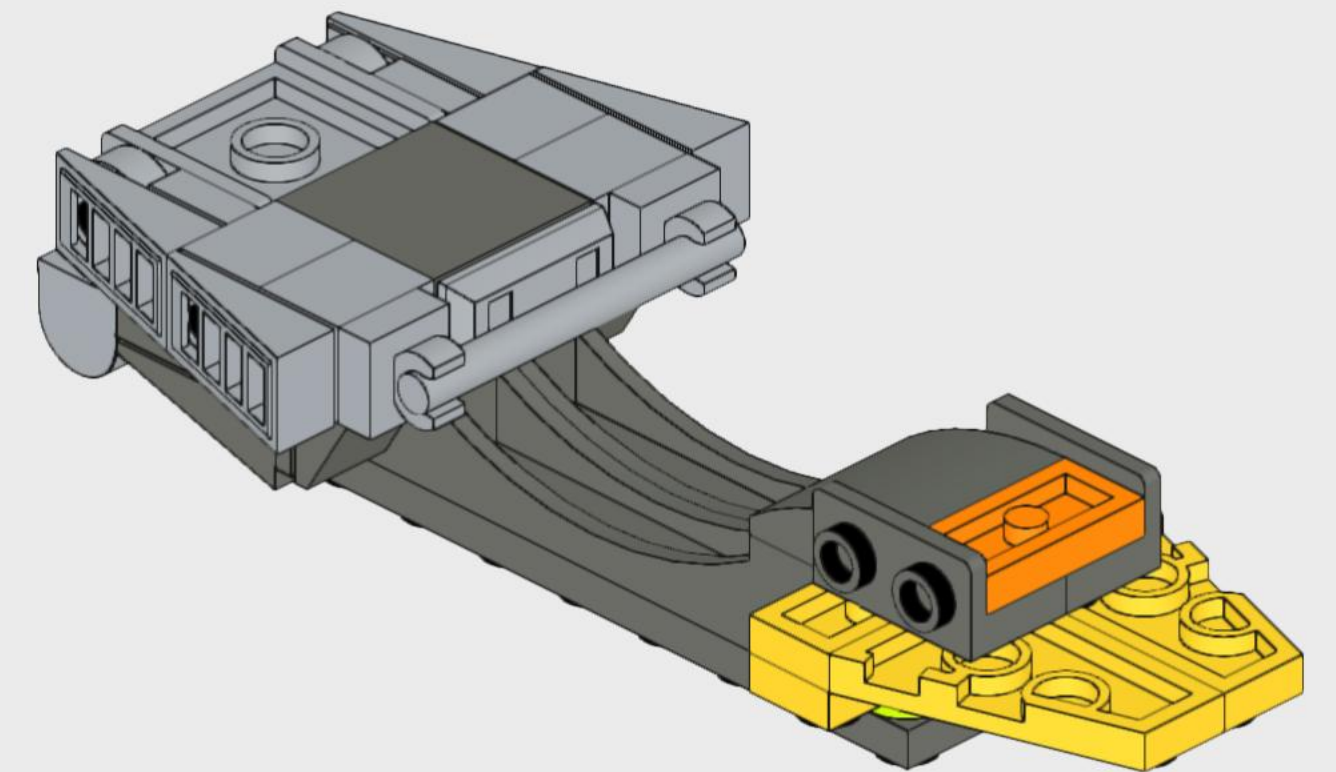
9

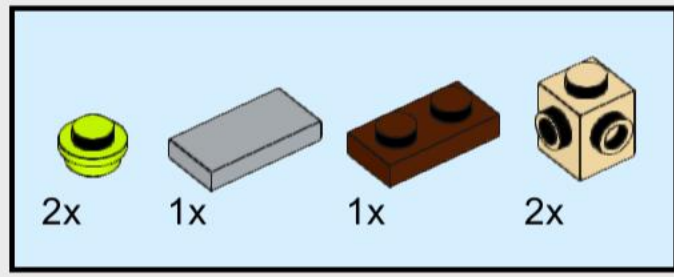


10

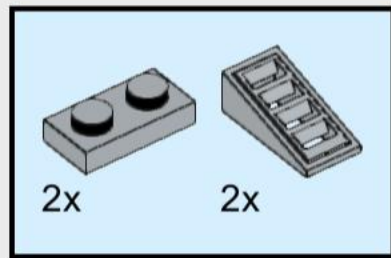
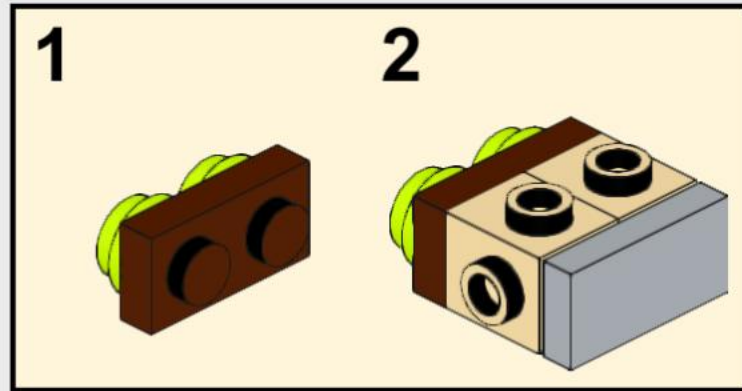
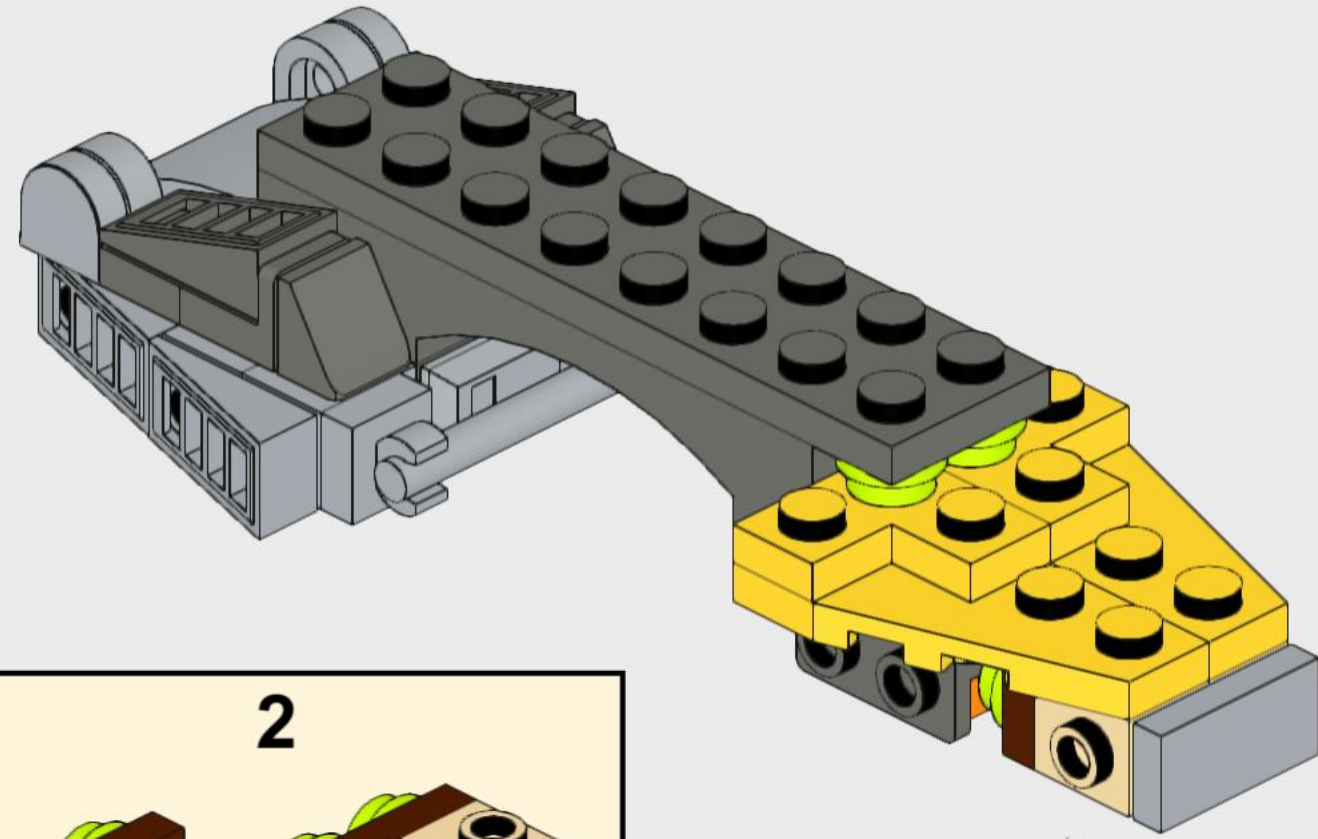


11

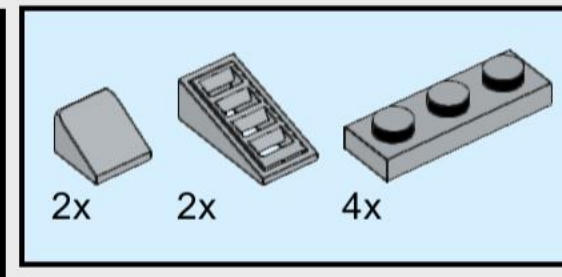
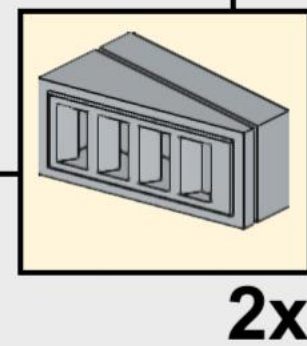
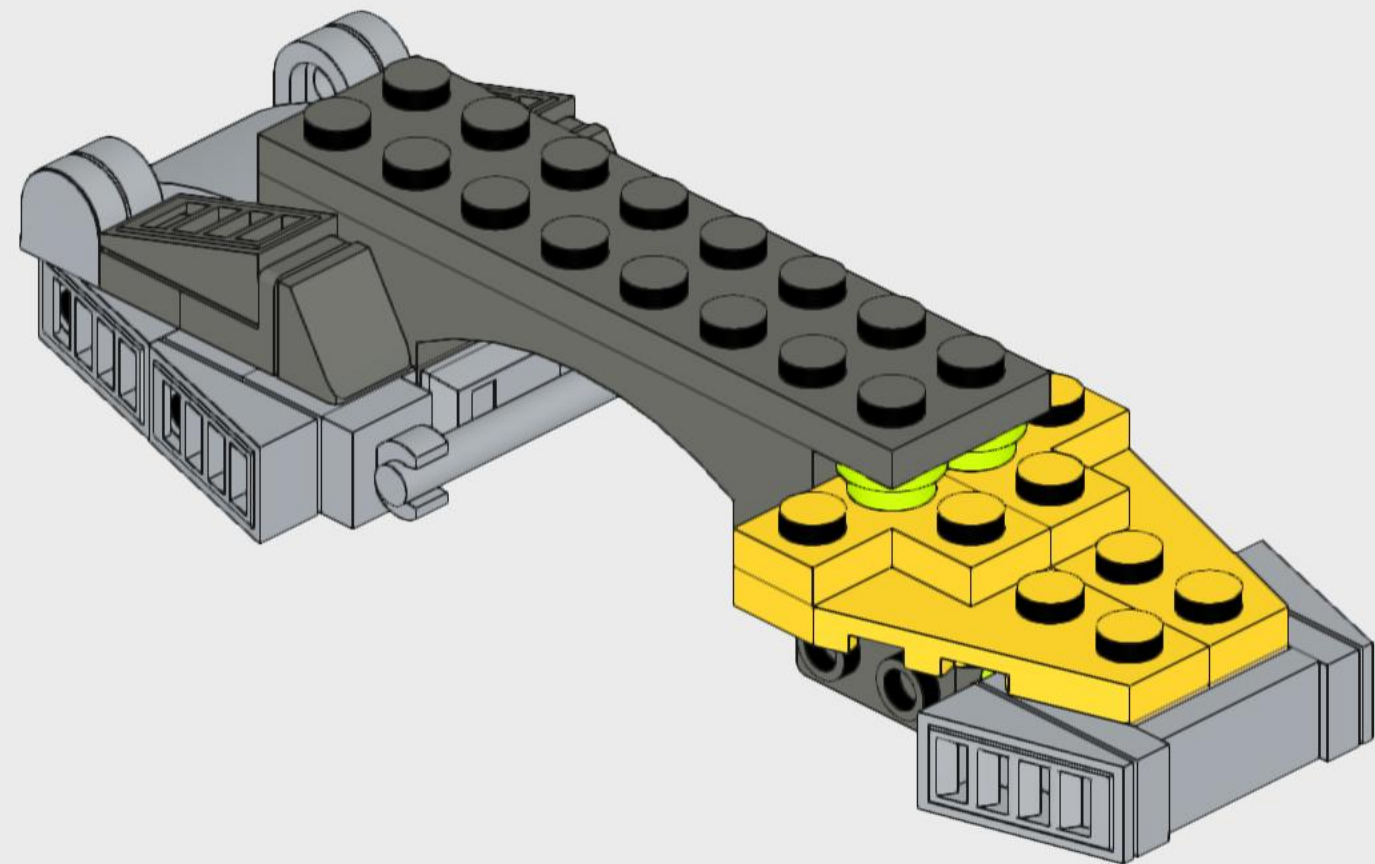




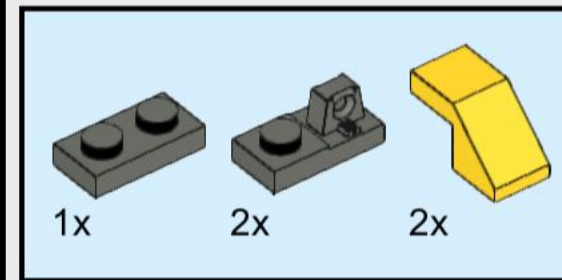
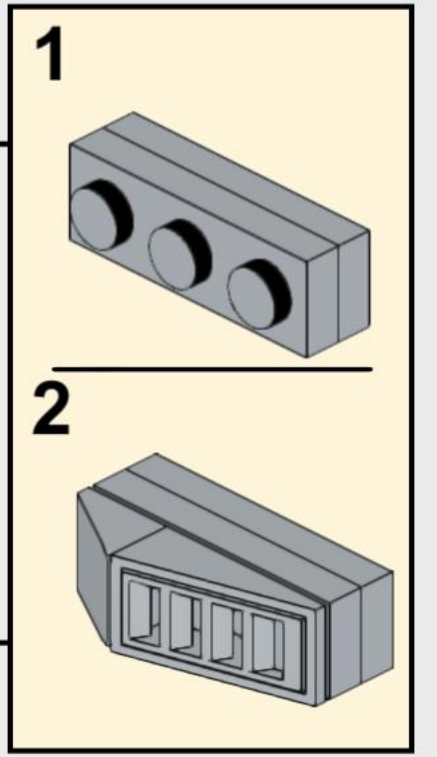
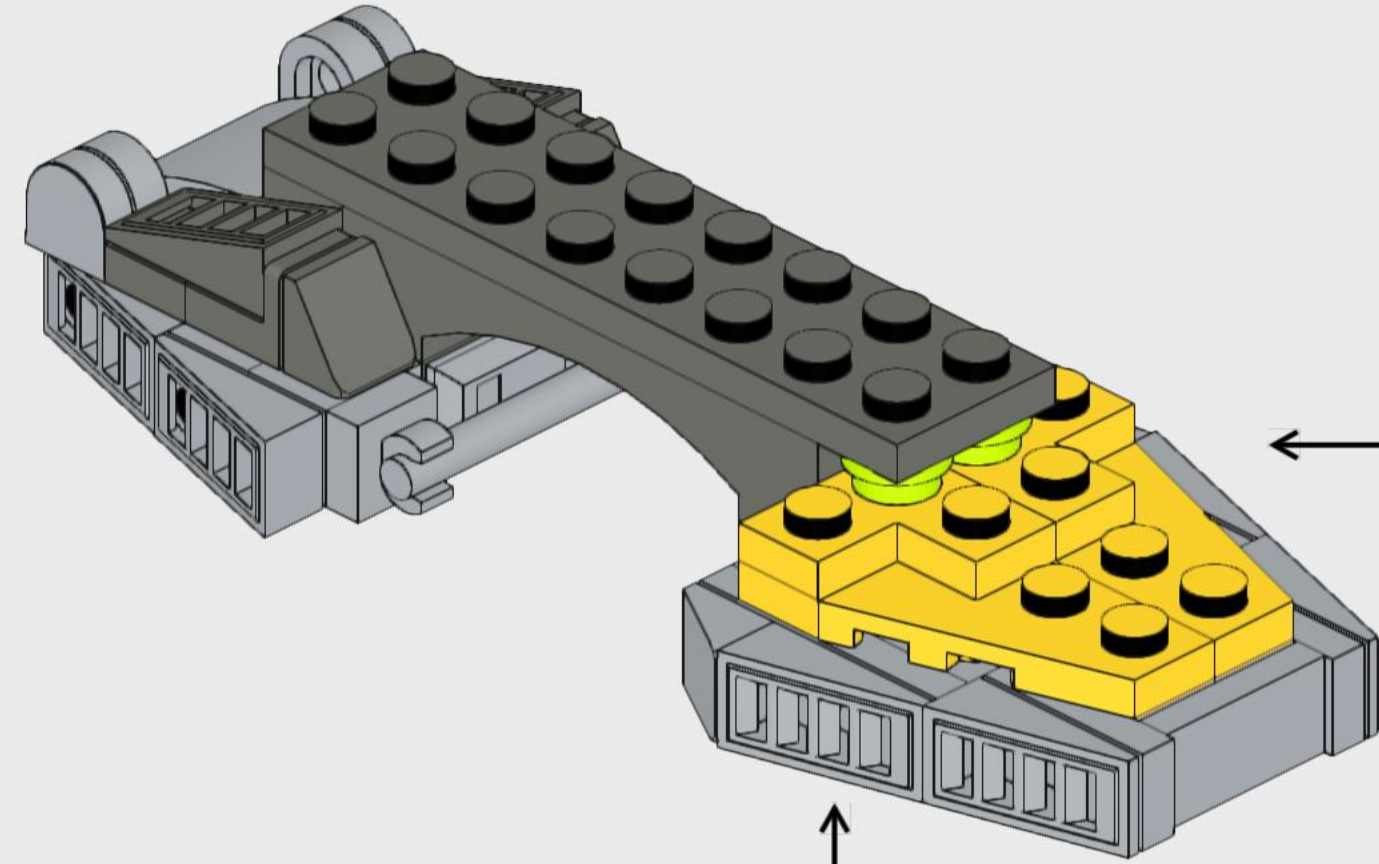
12



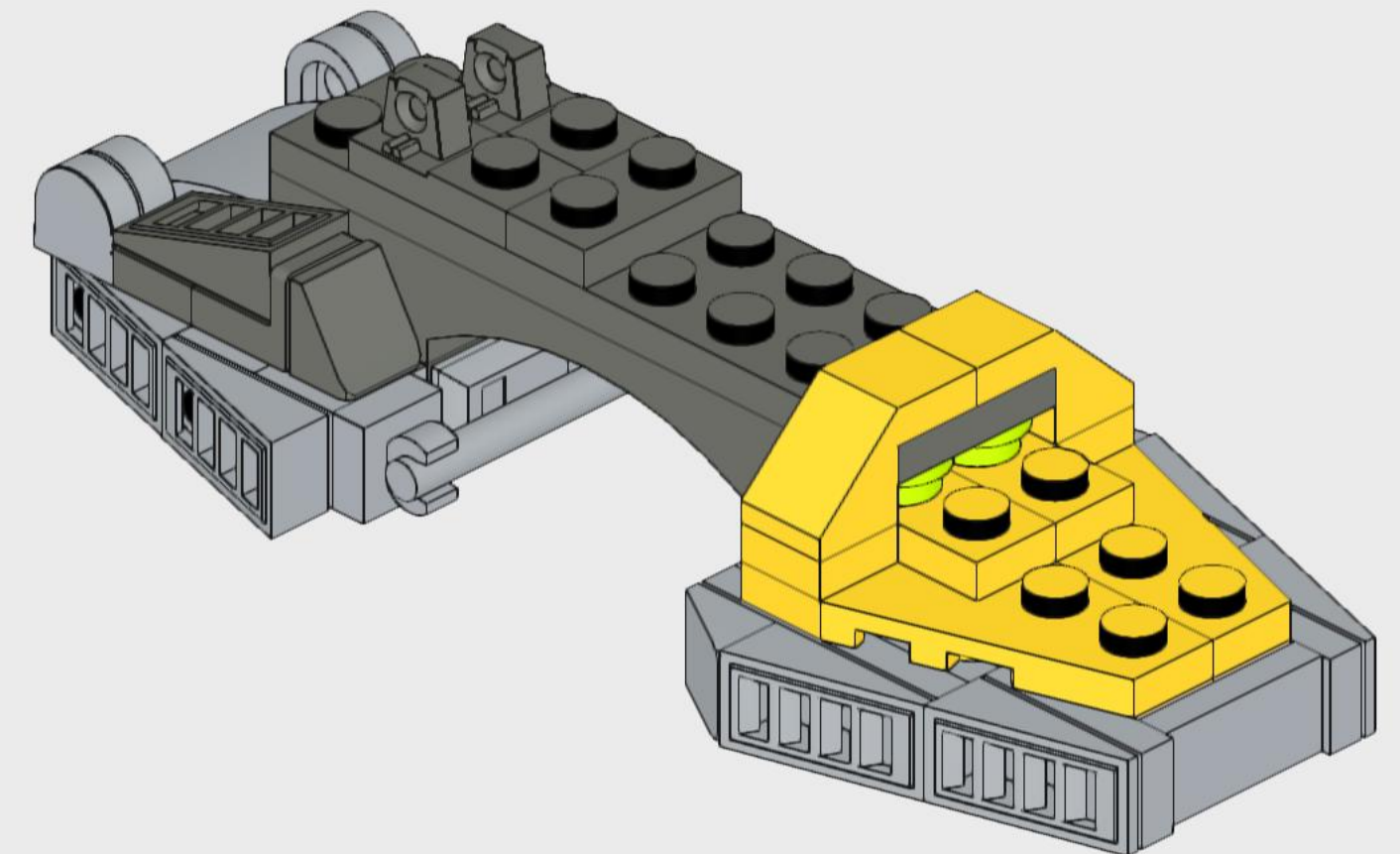
13

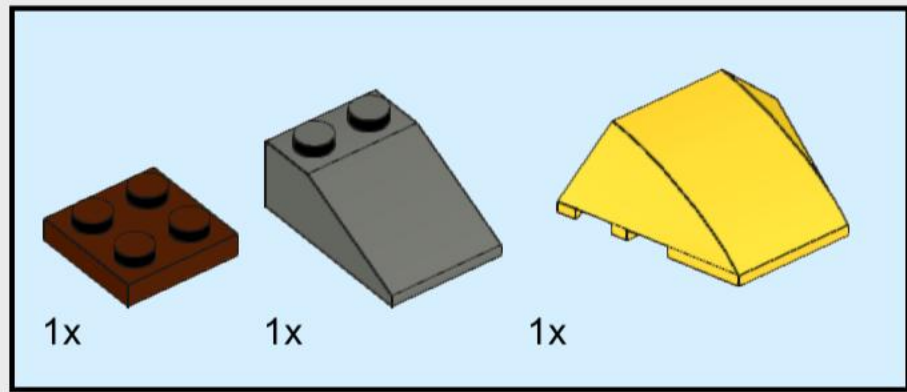


14

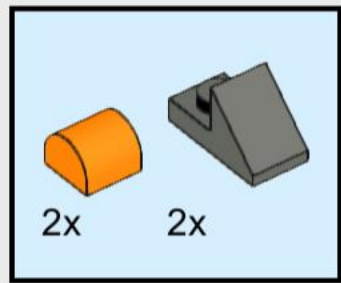
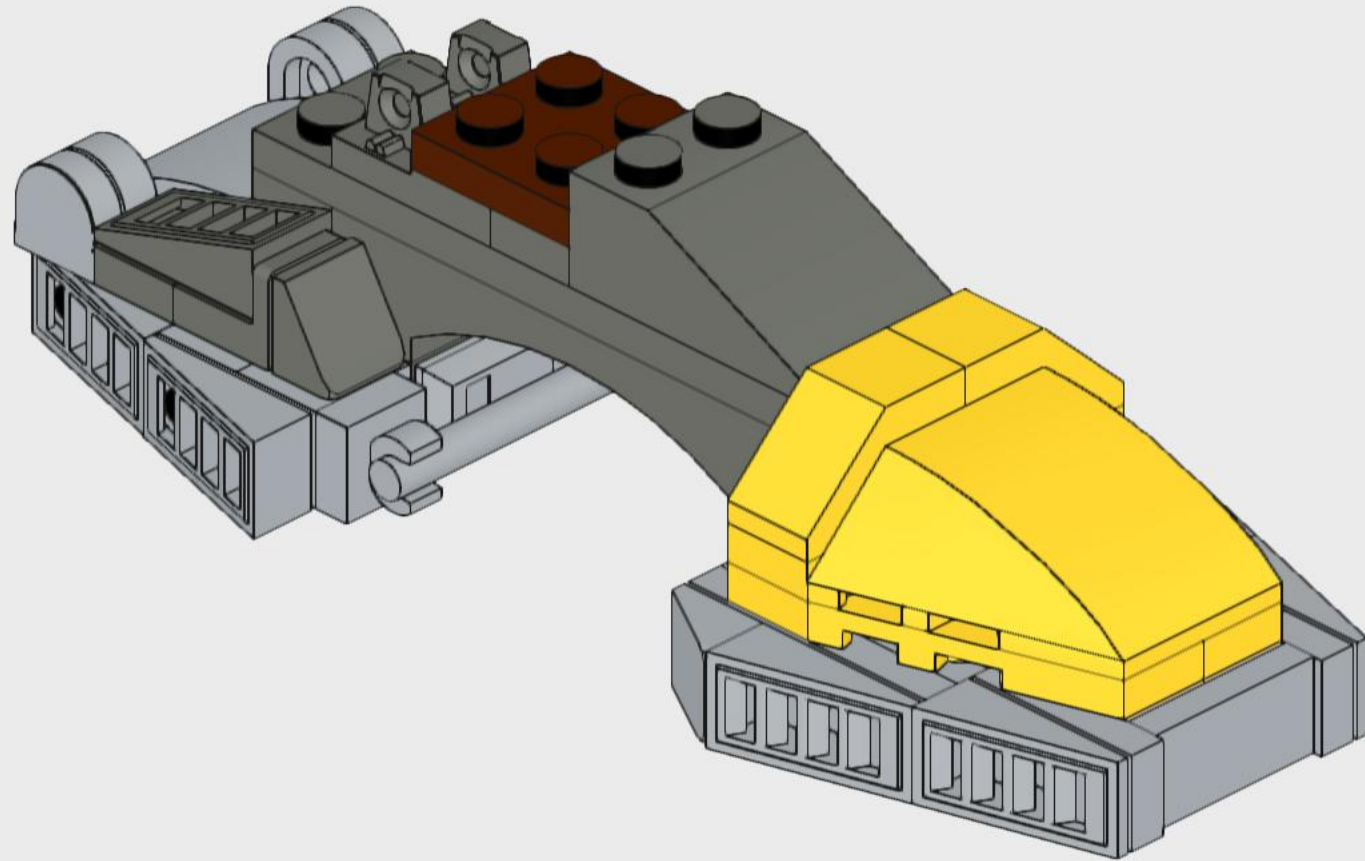


15

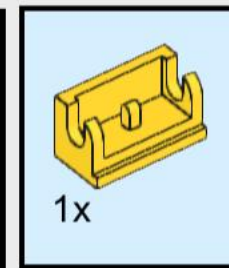
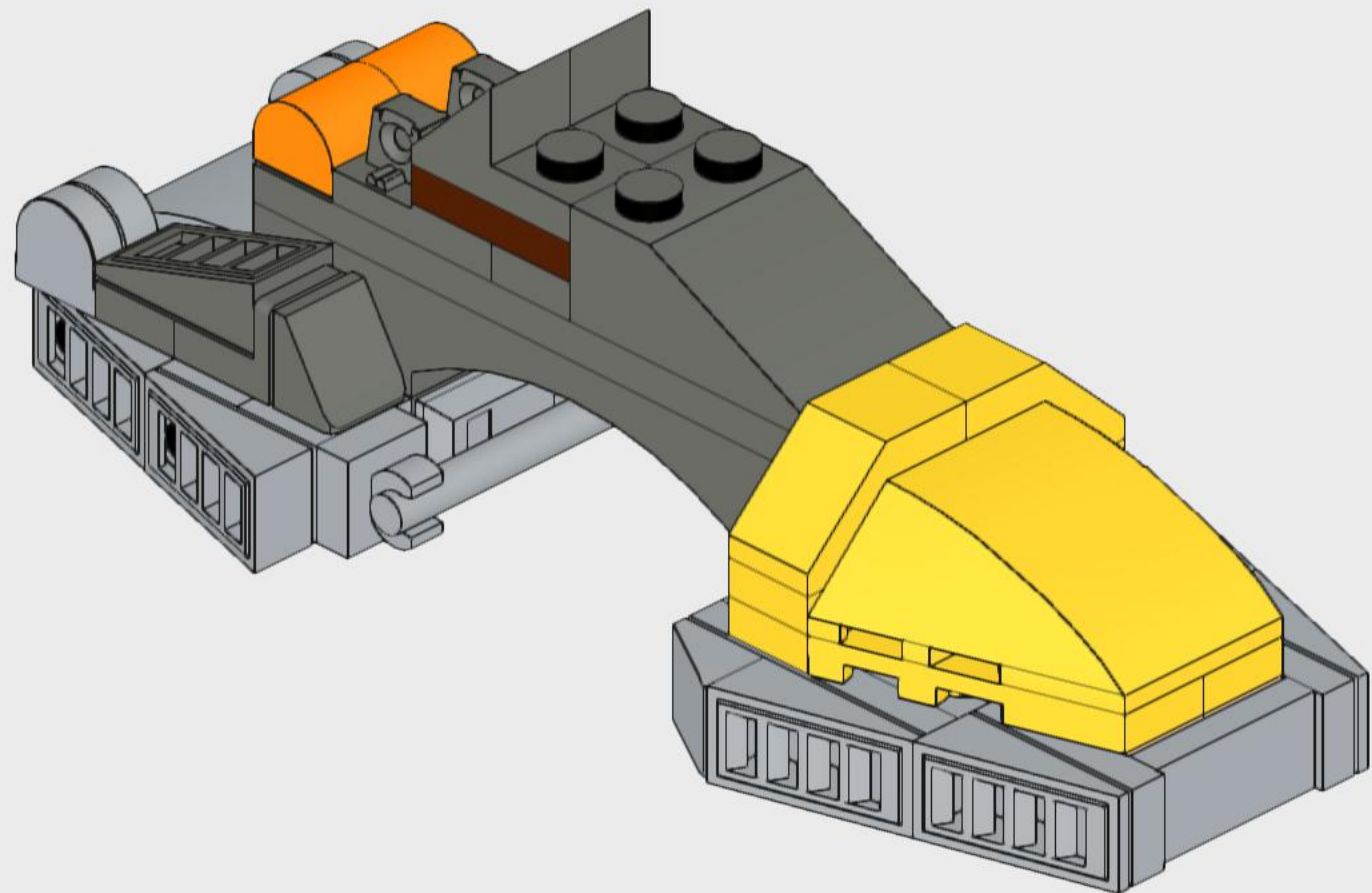




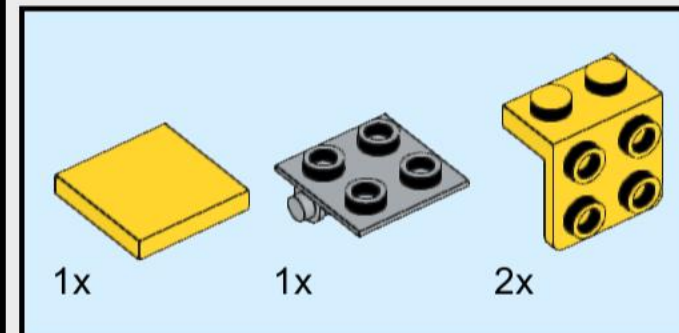
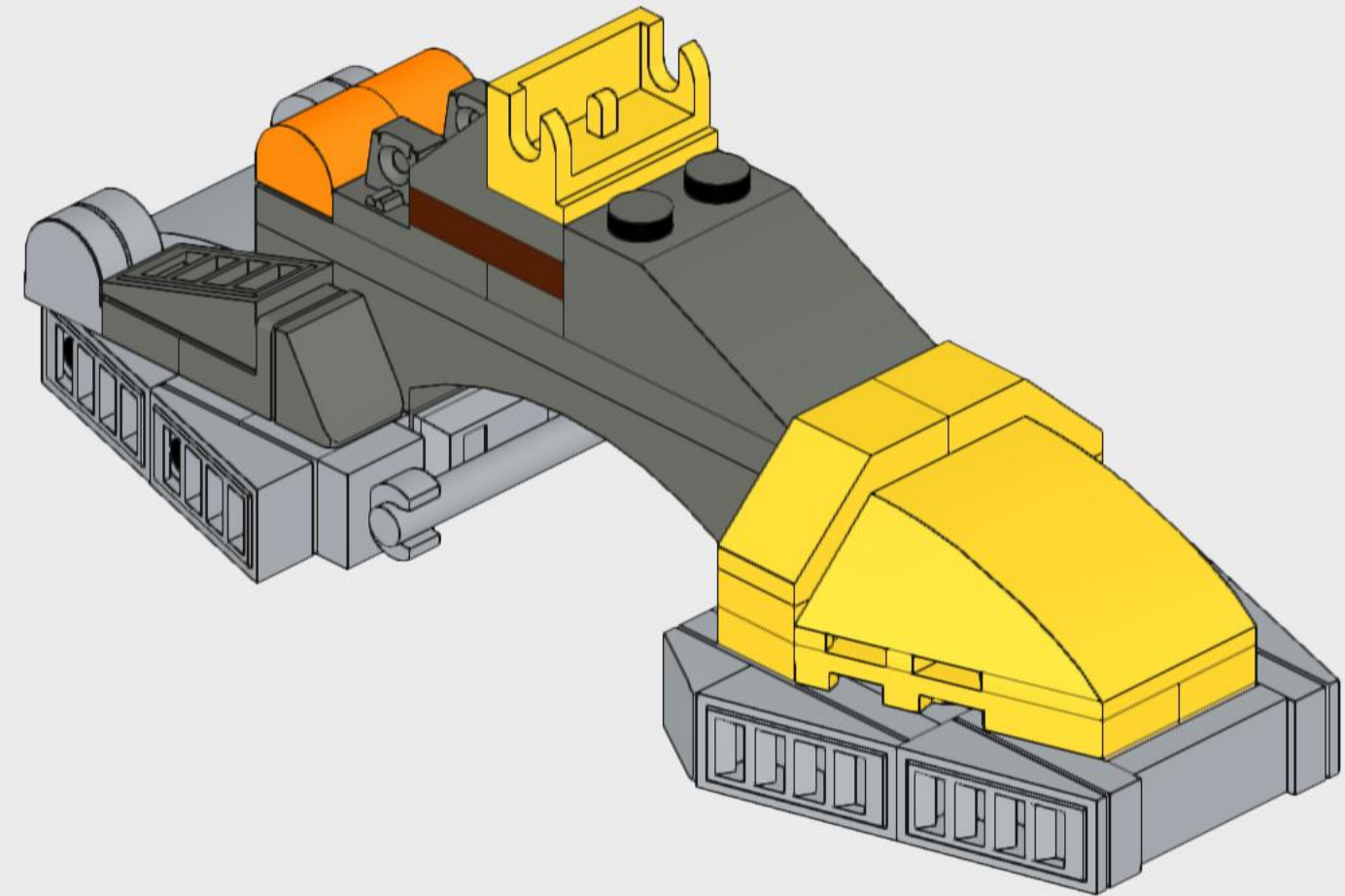
16



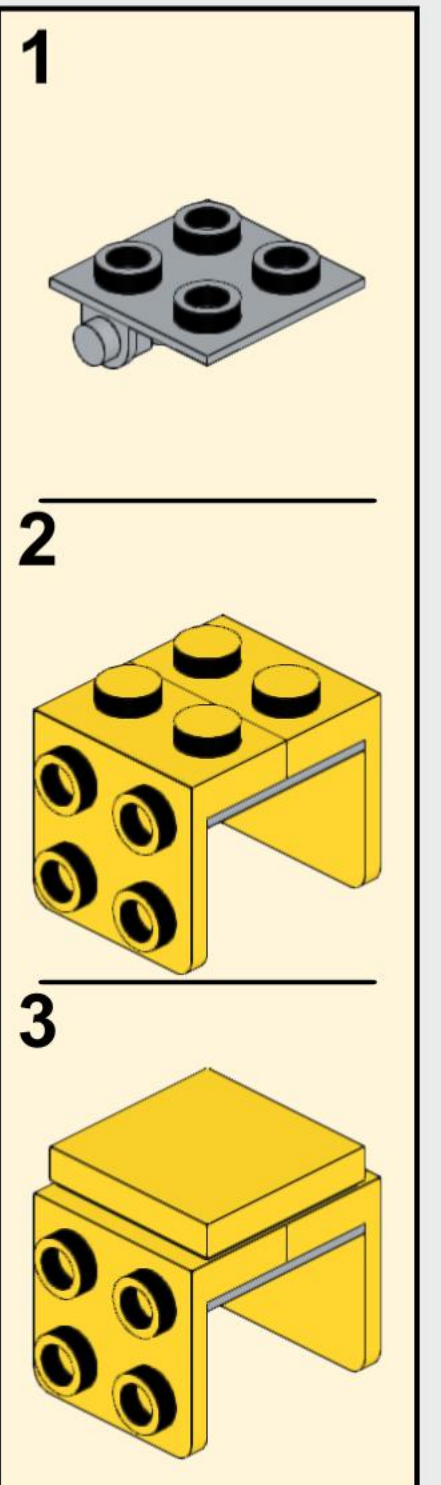
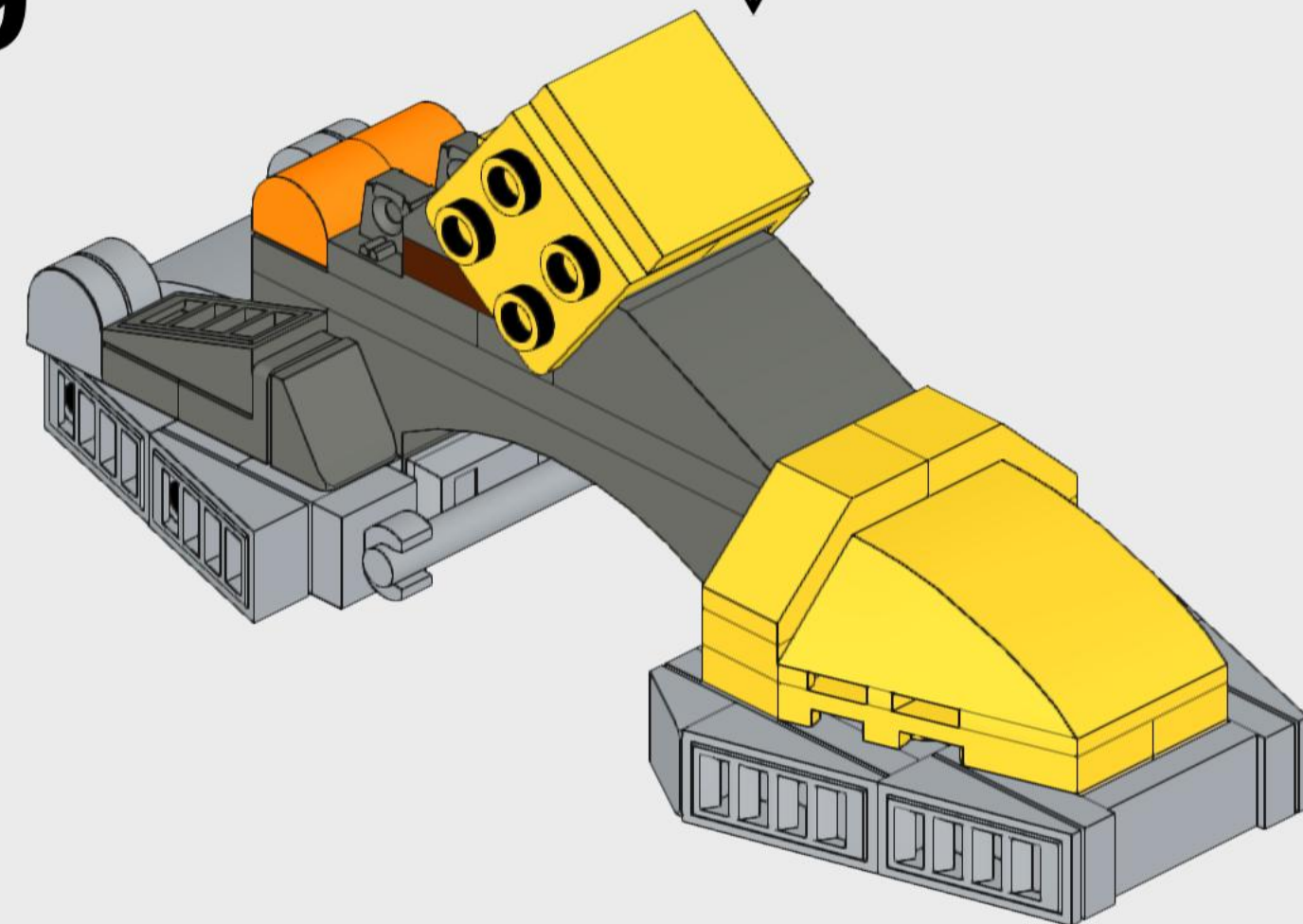
17

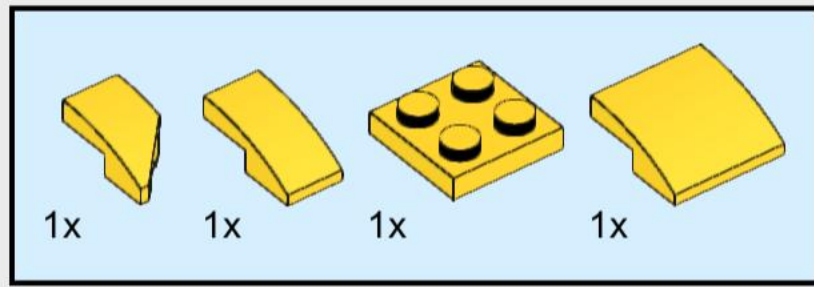


18

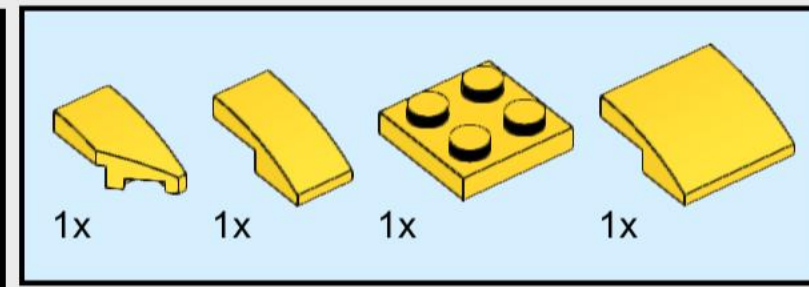
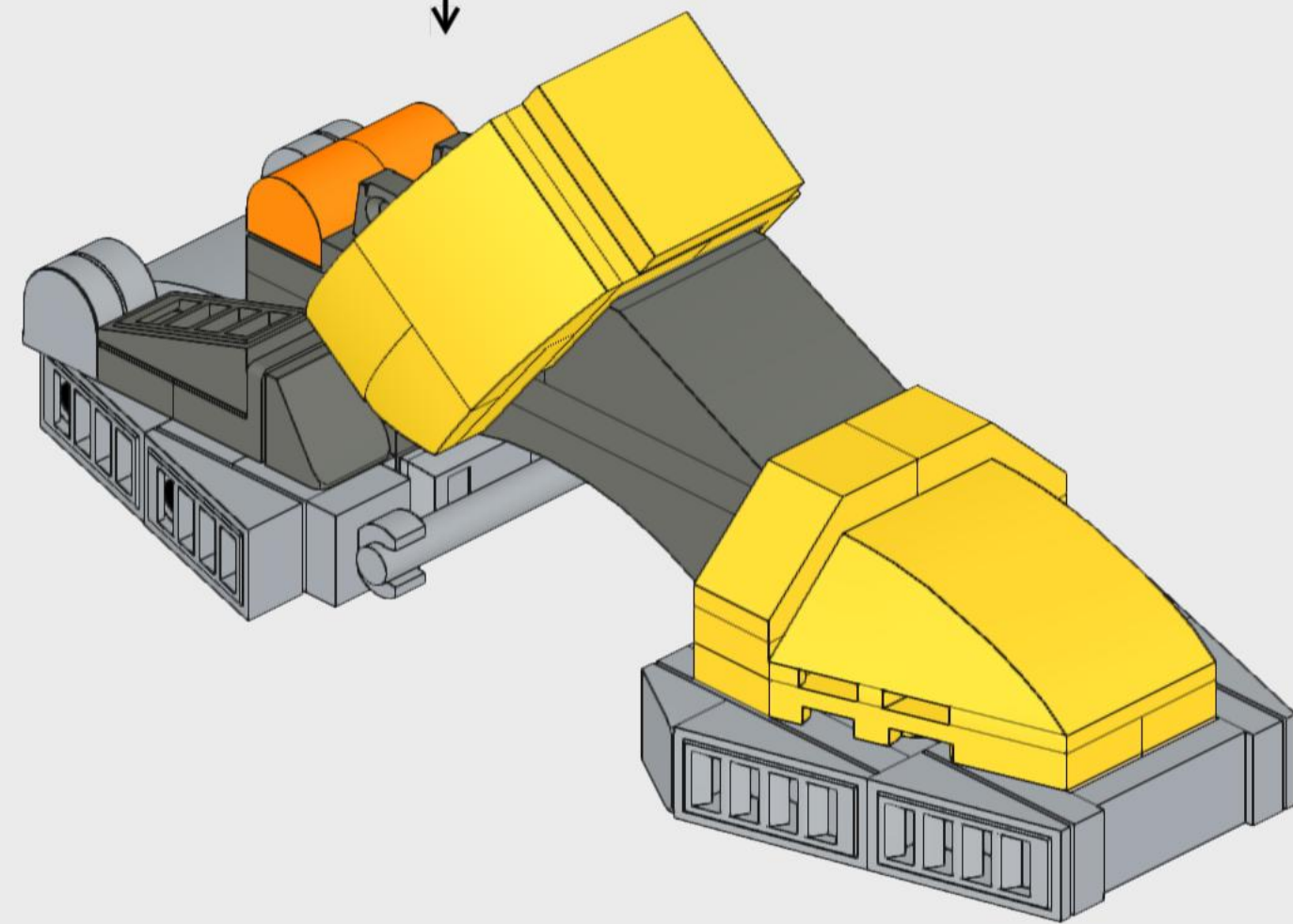
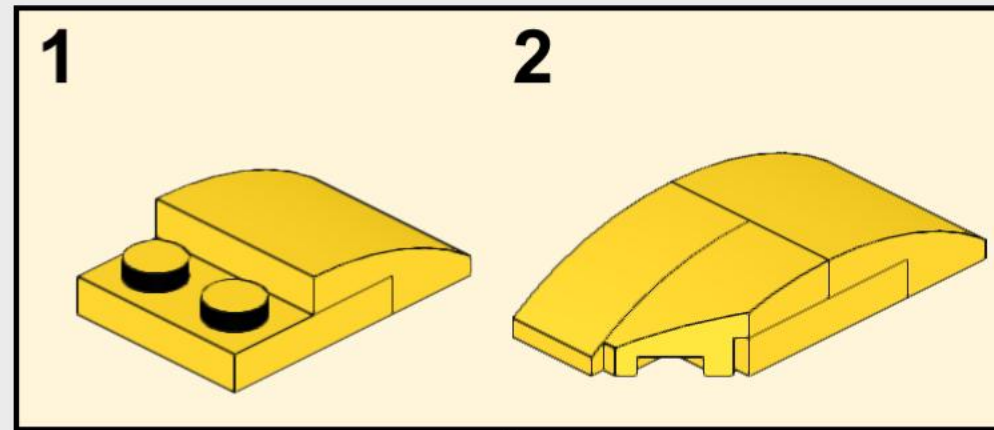


19

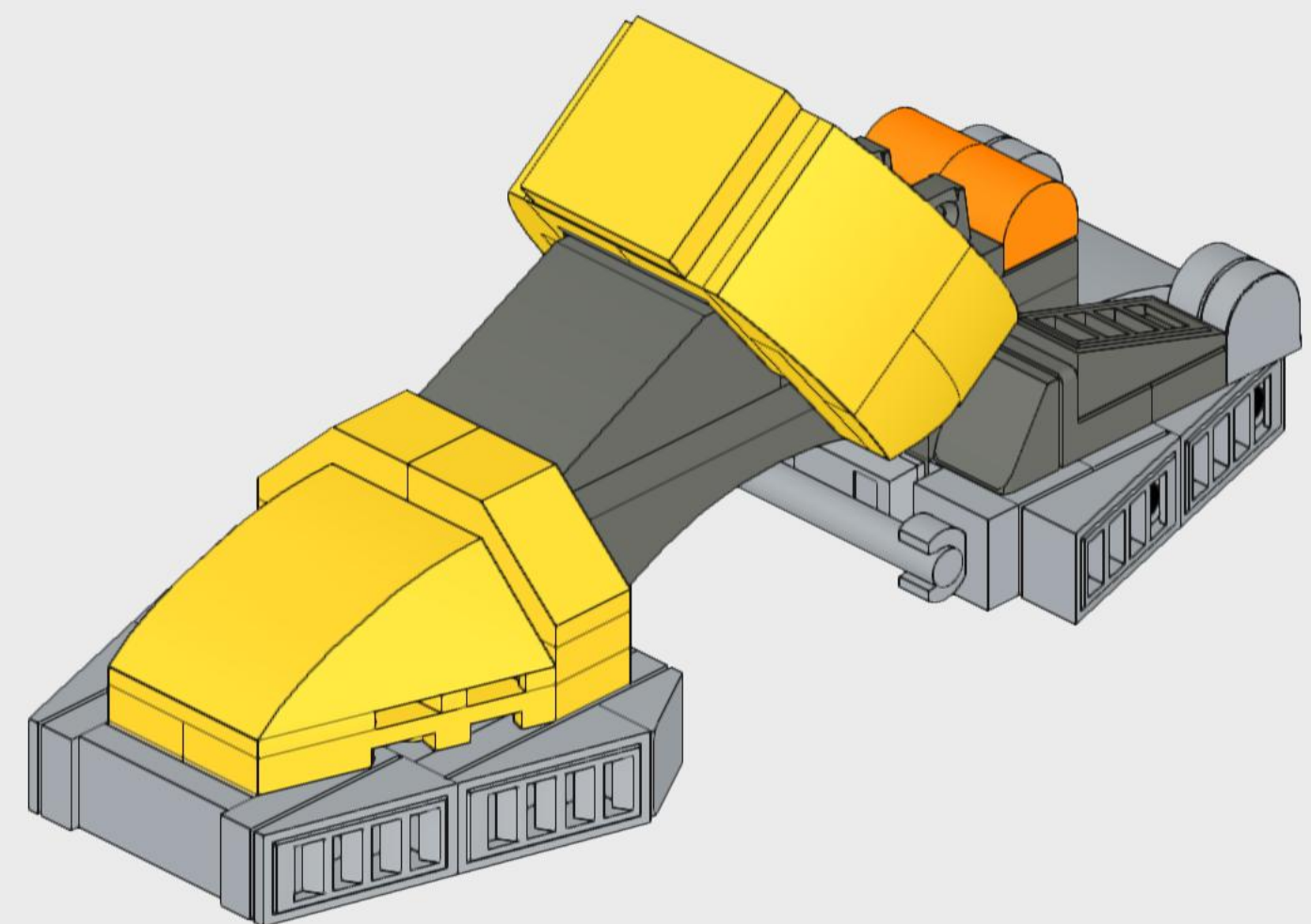
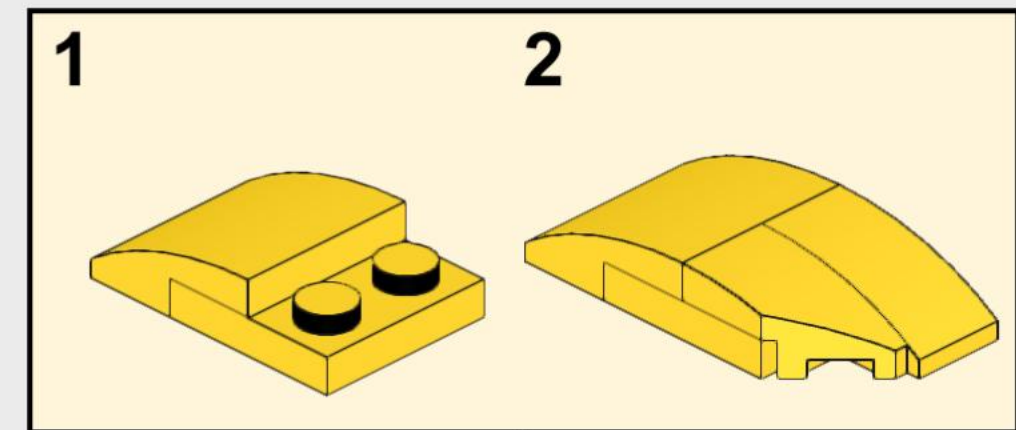


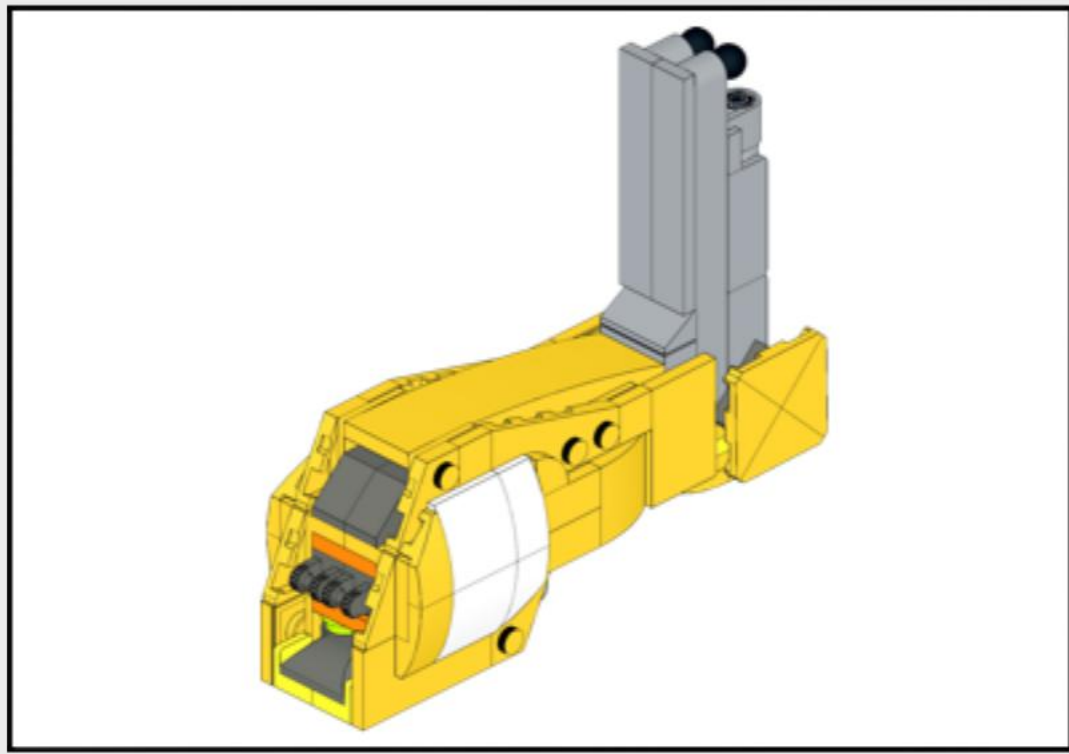


20

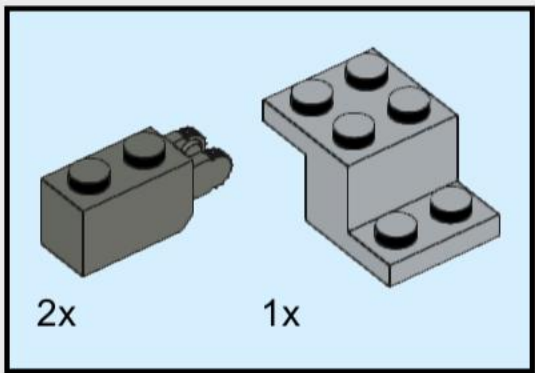


21 

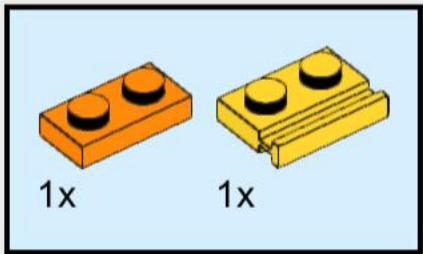
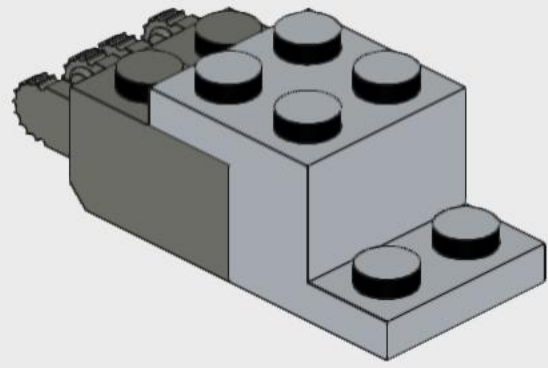




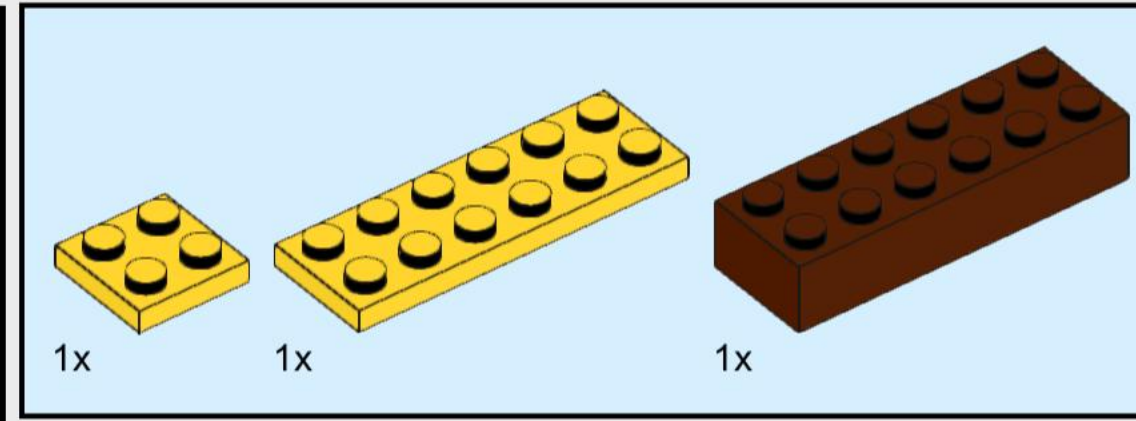
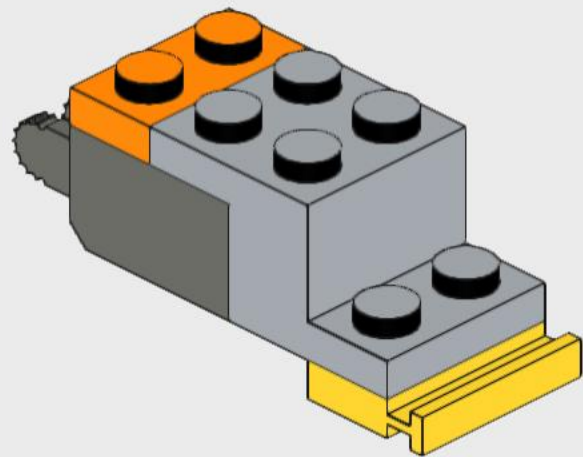
2x



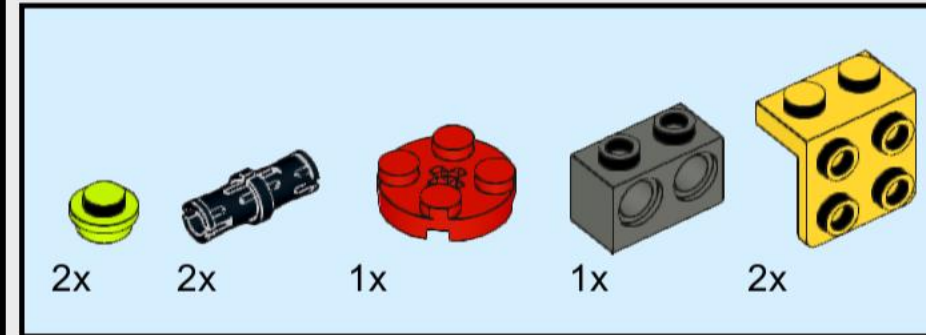
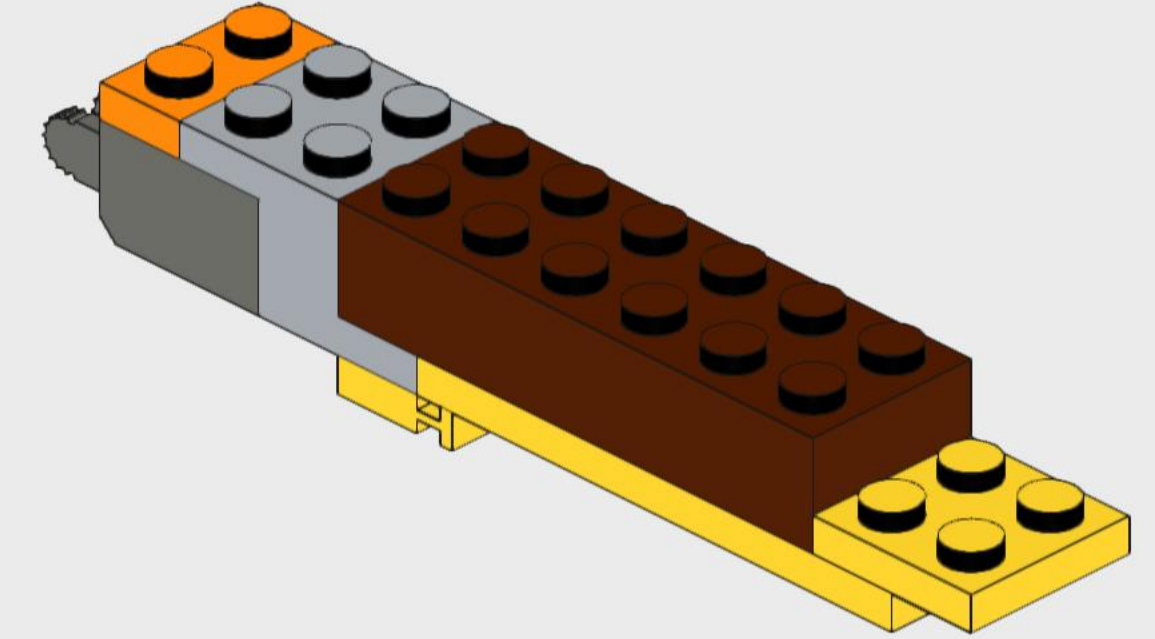
1



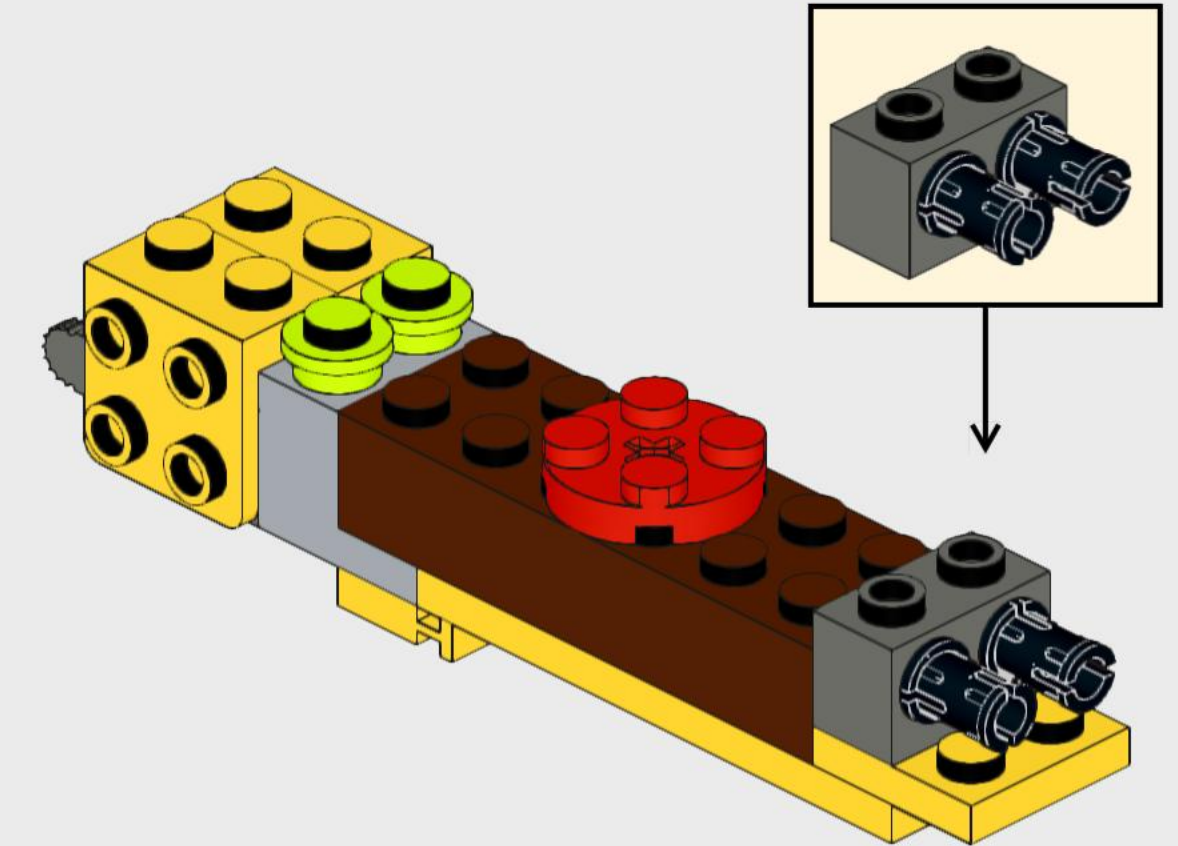
2

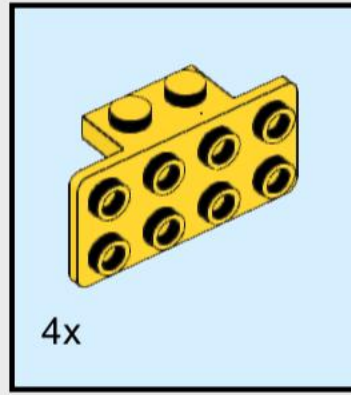


3



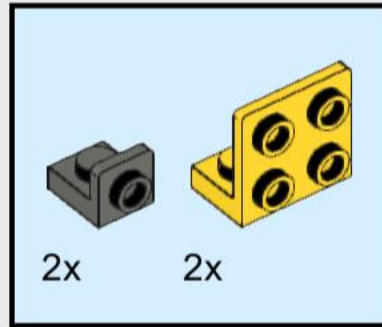
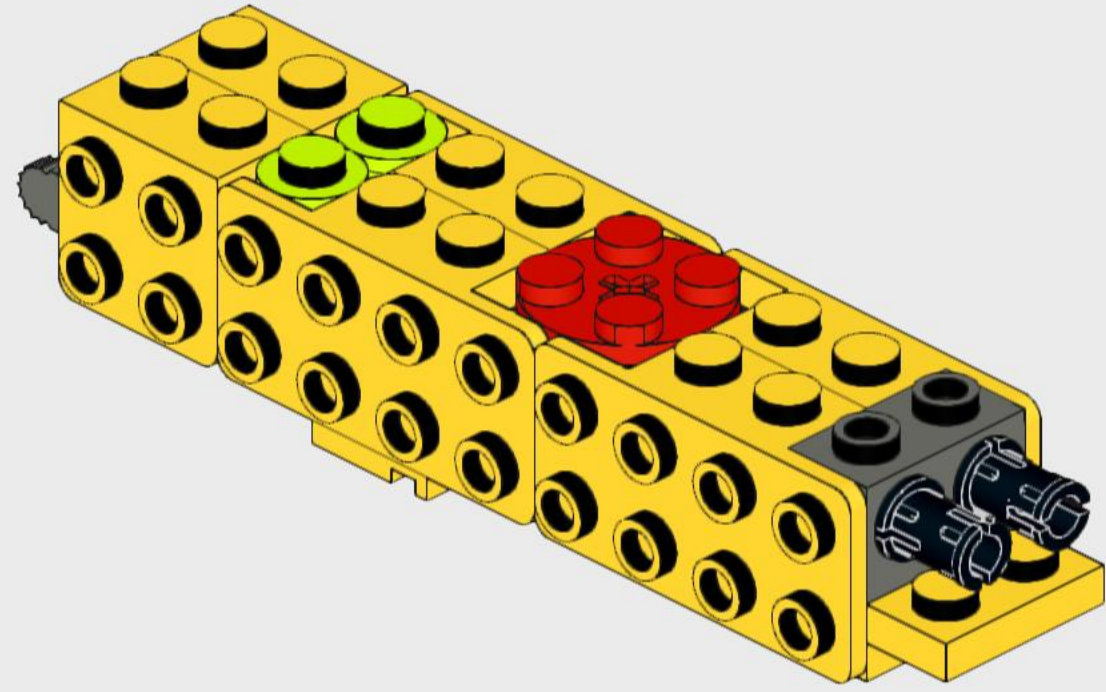
4





4x

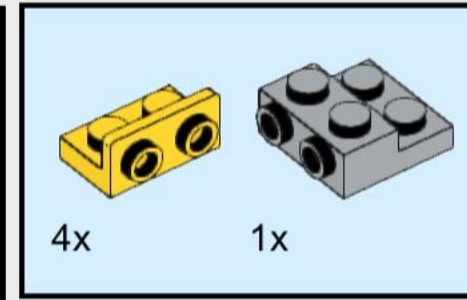
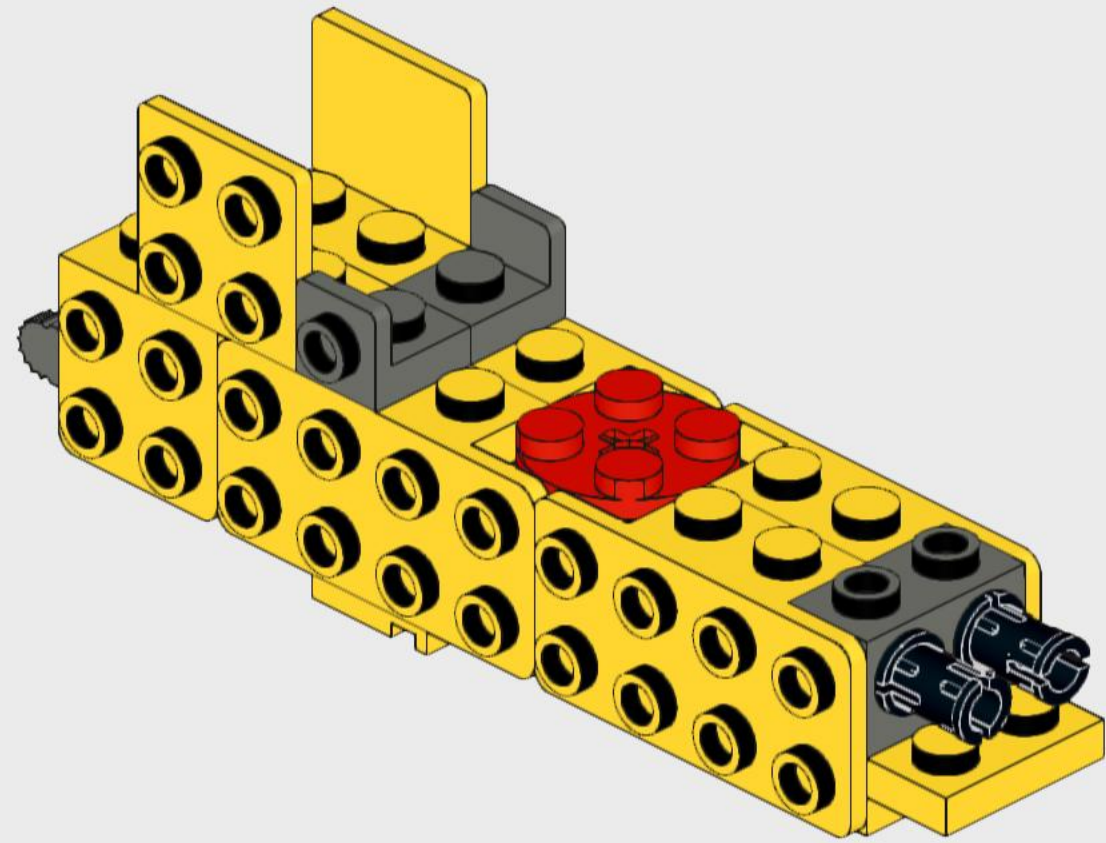
5



2x

2x

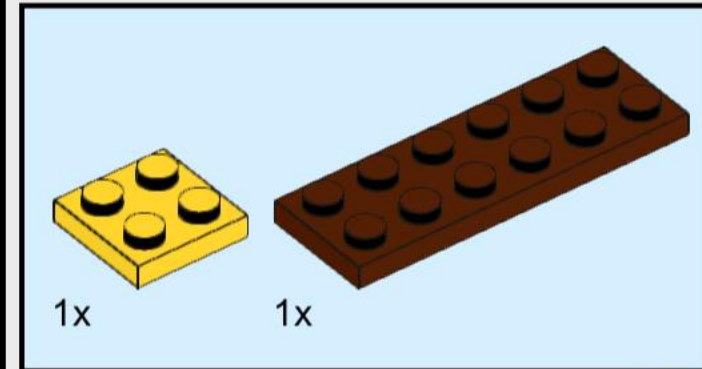
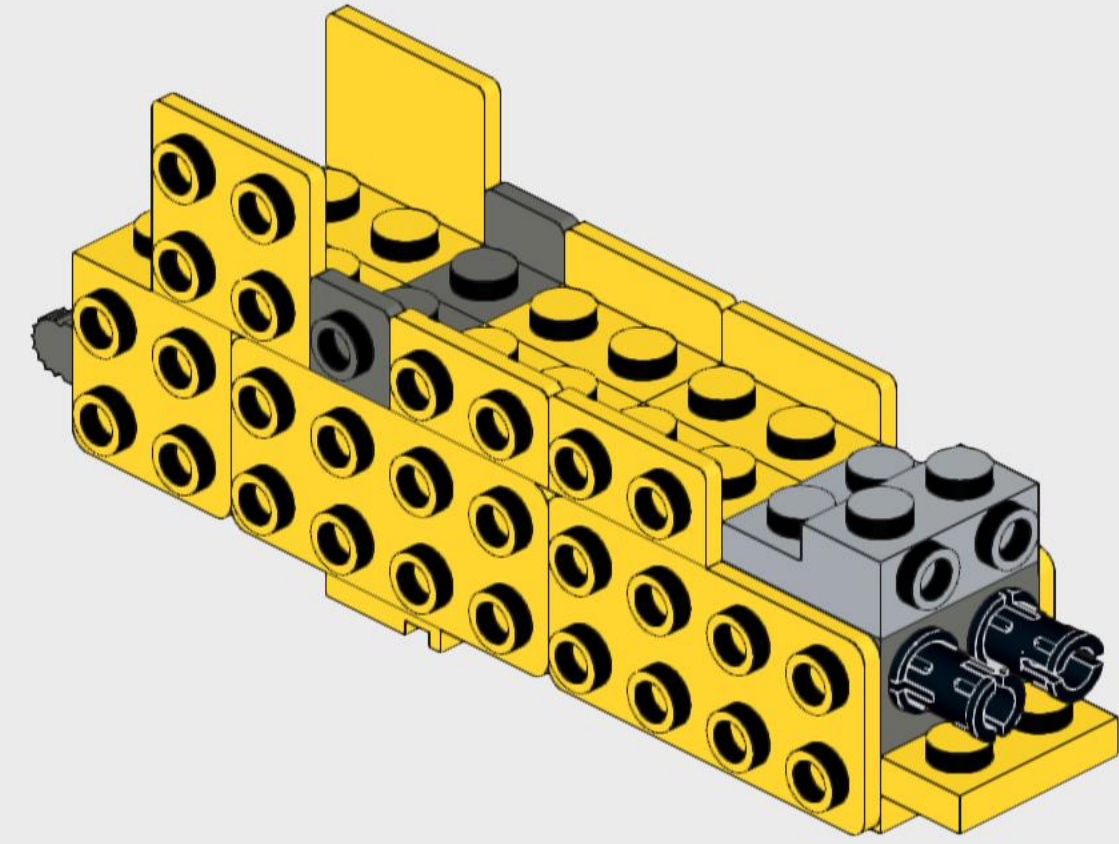
6



4x

1x

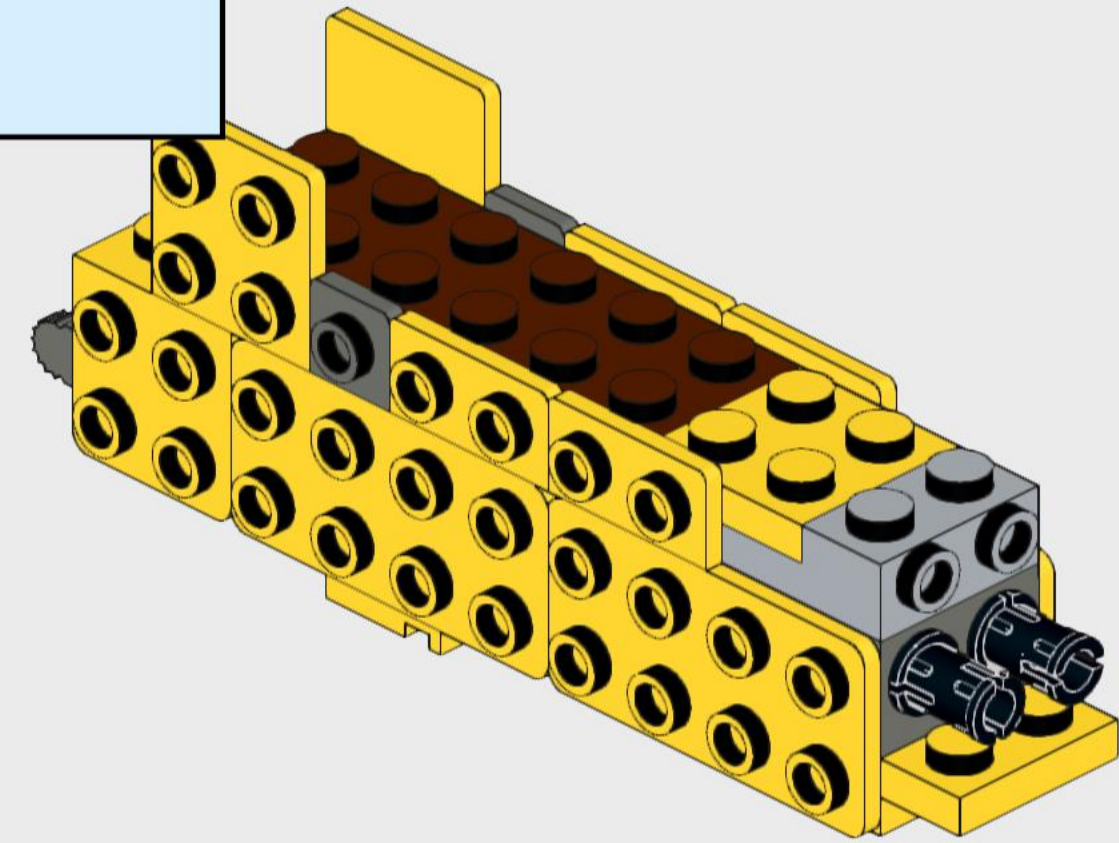
7

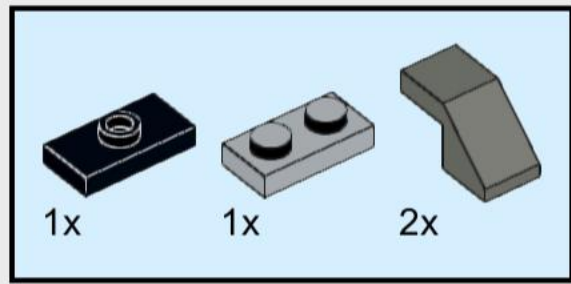


1x

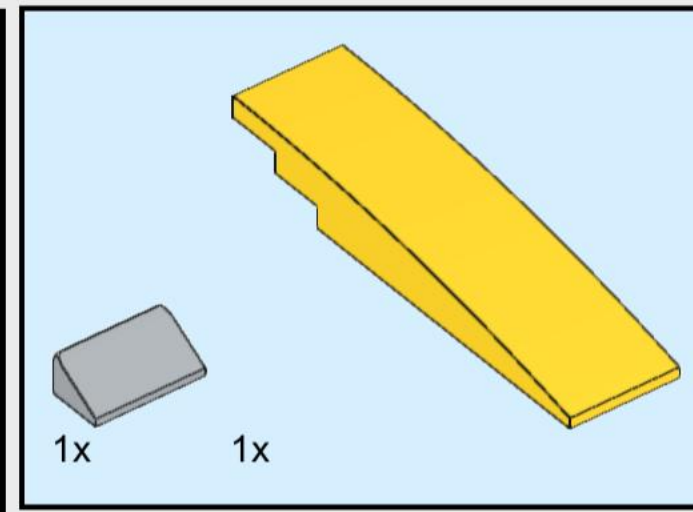
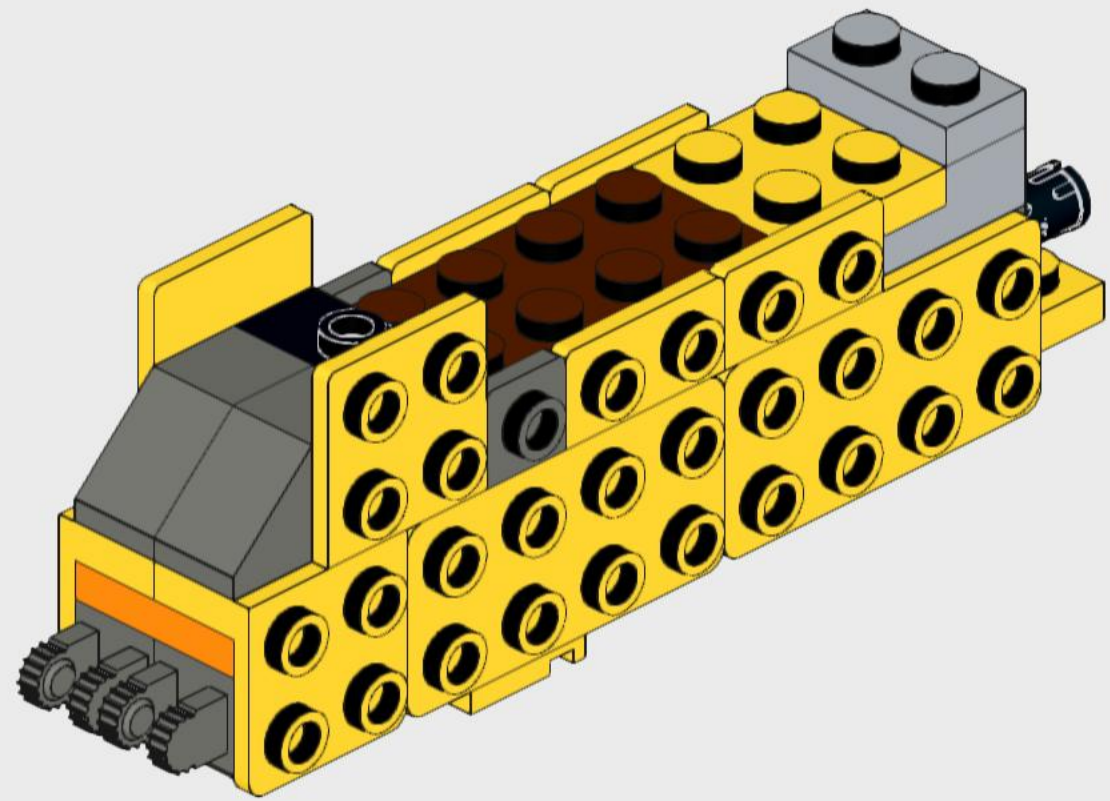
1x

8

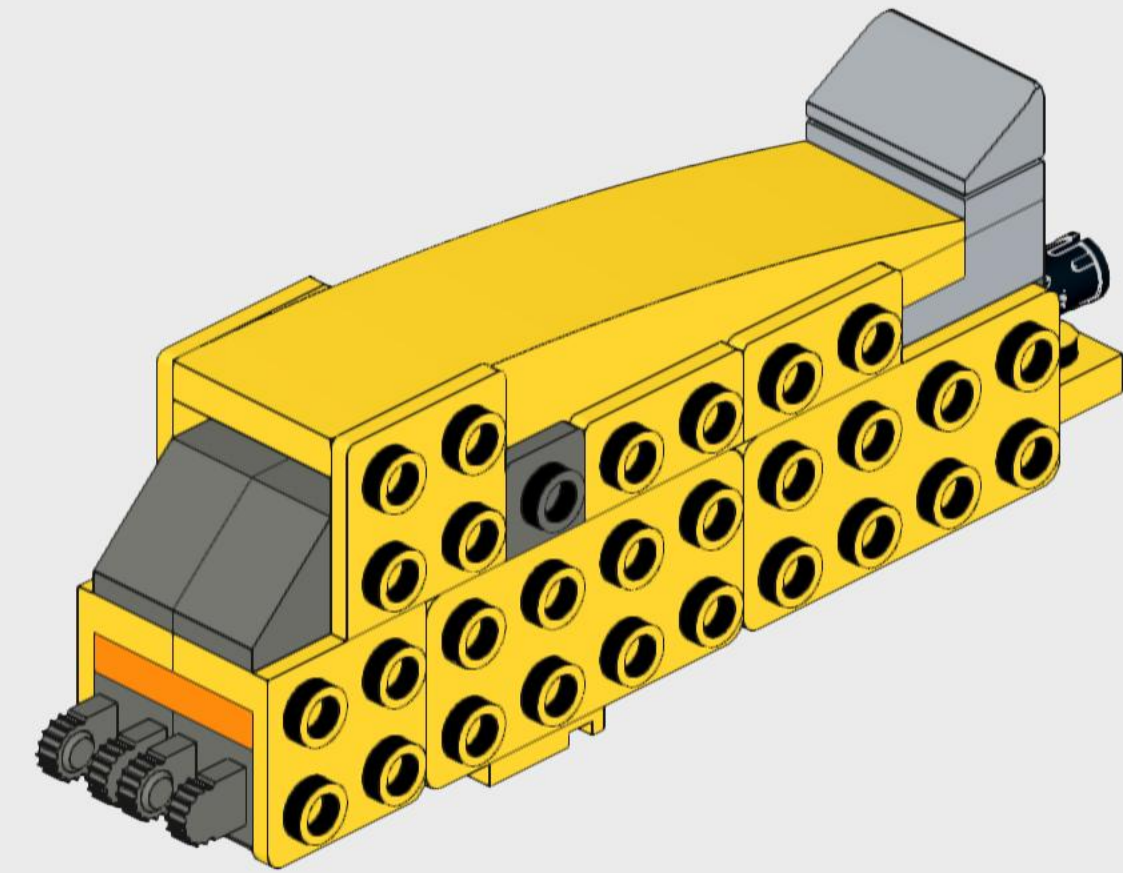


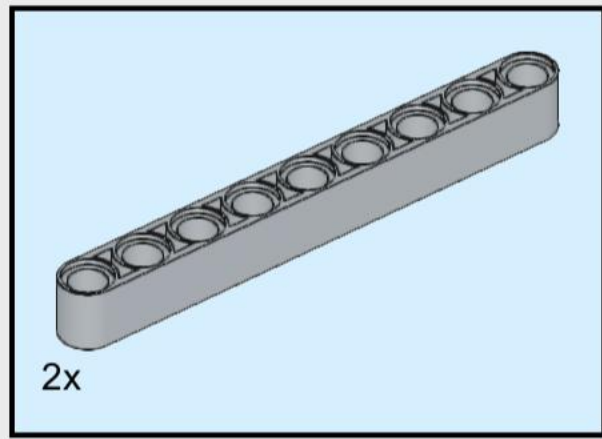


9 

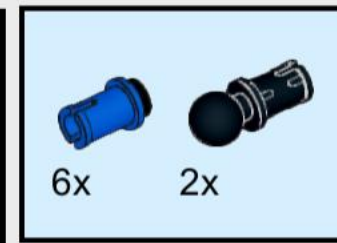
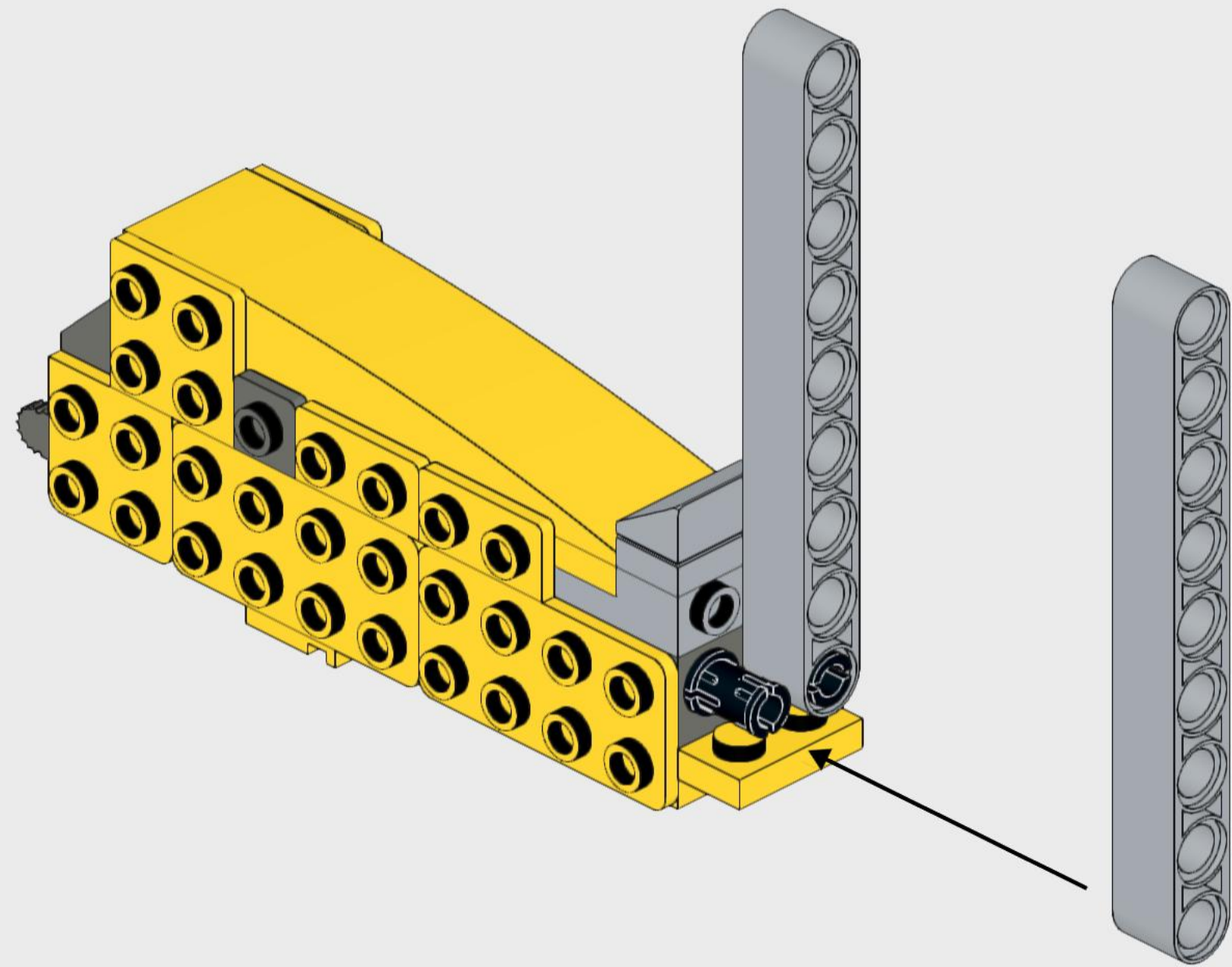


10

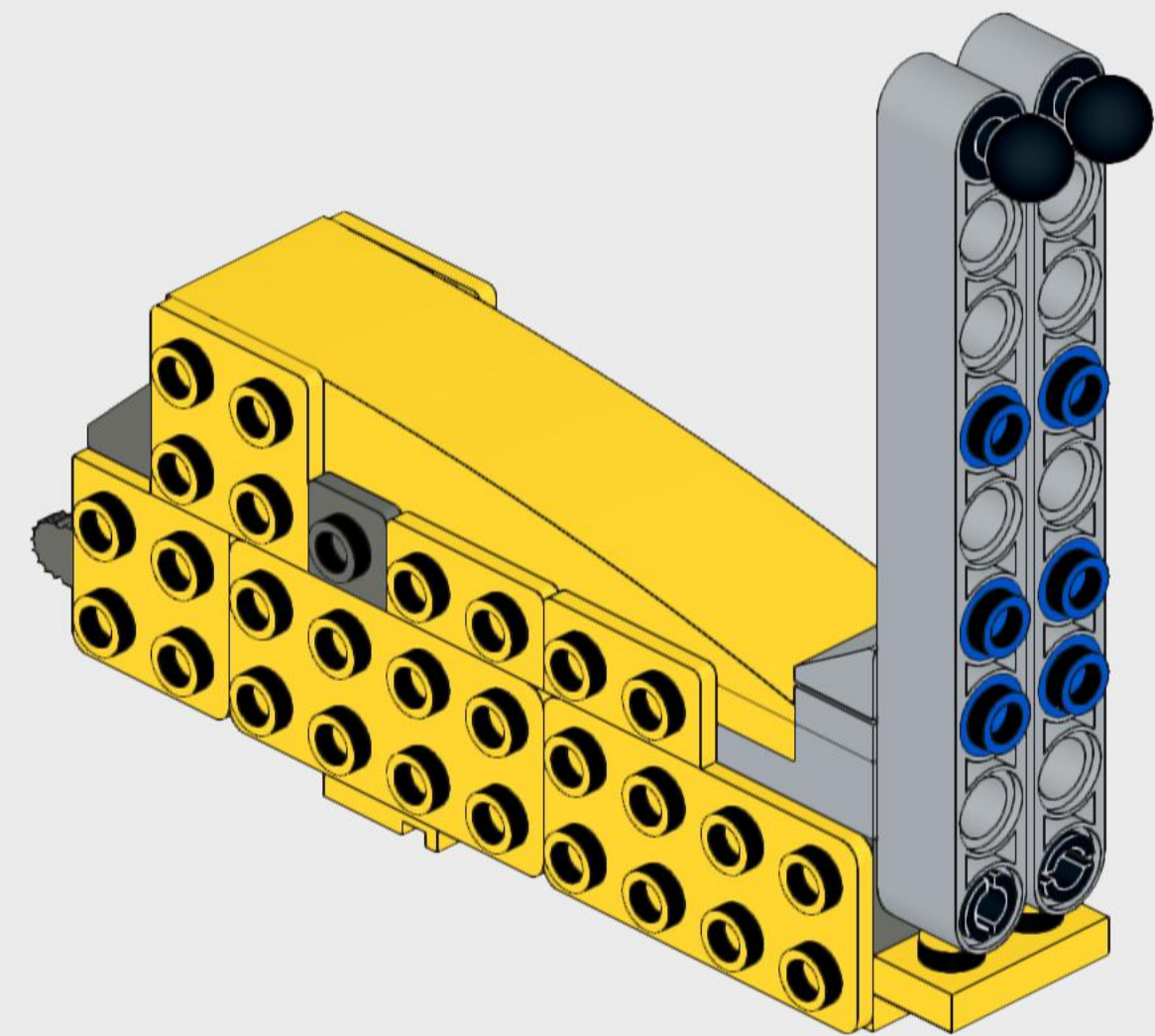


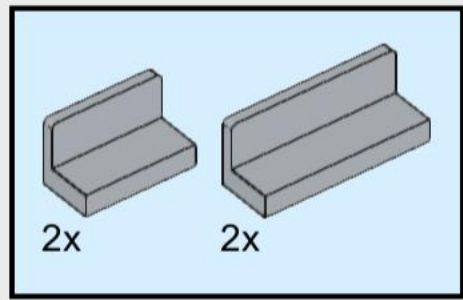


11 

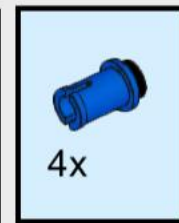
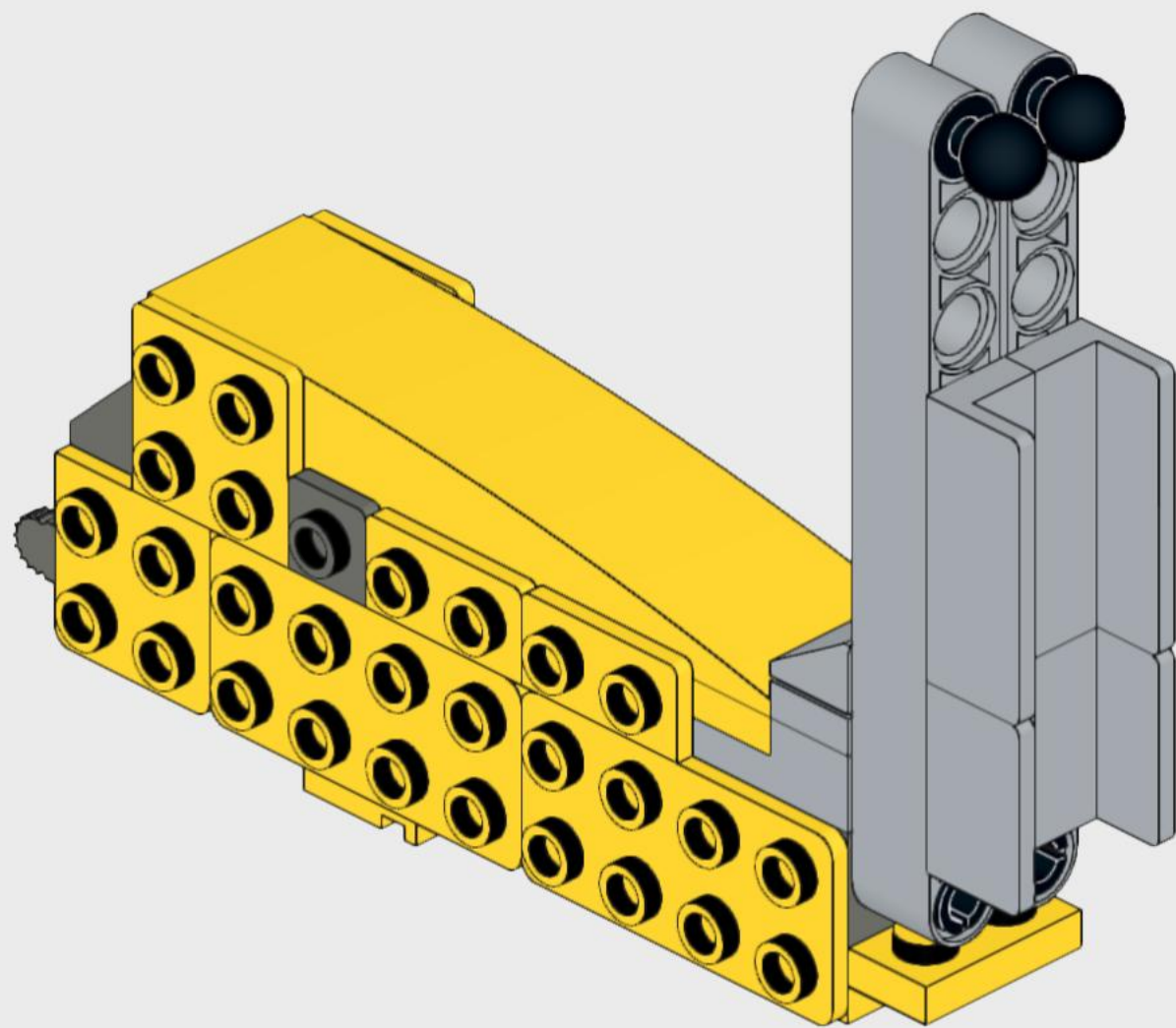


12

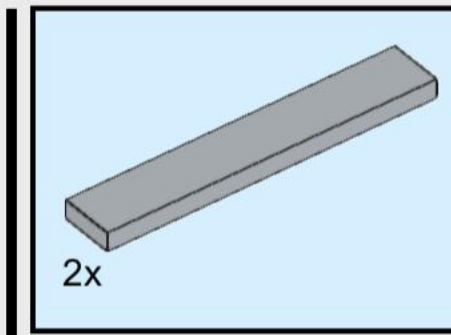
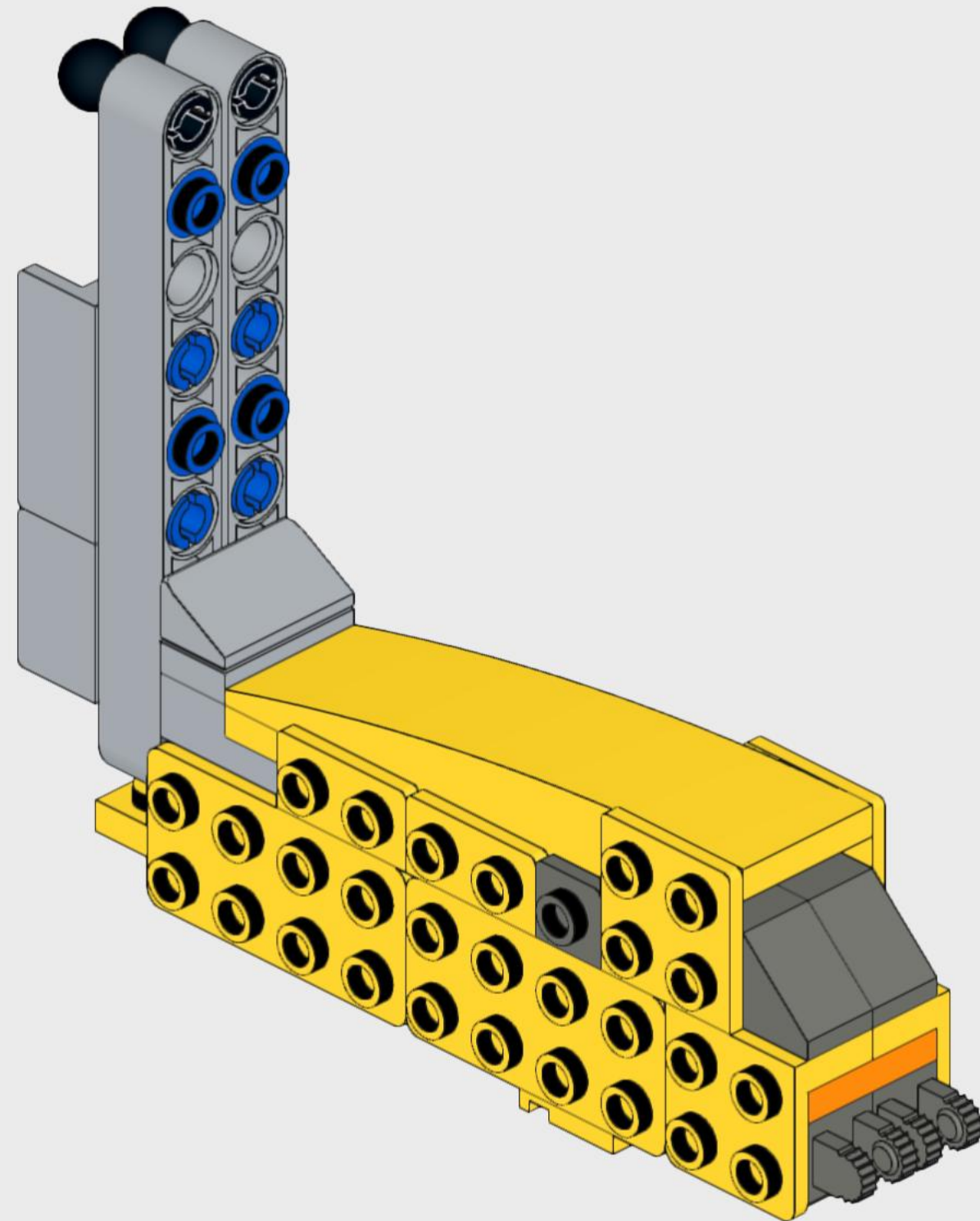




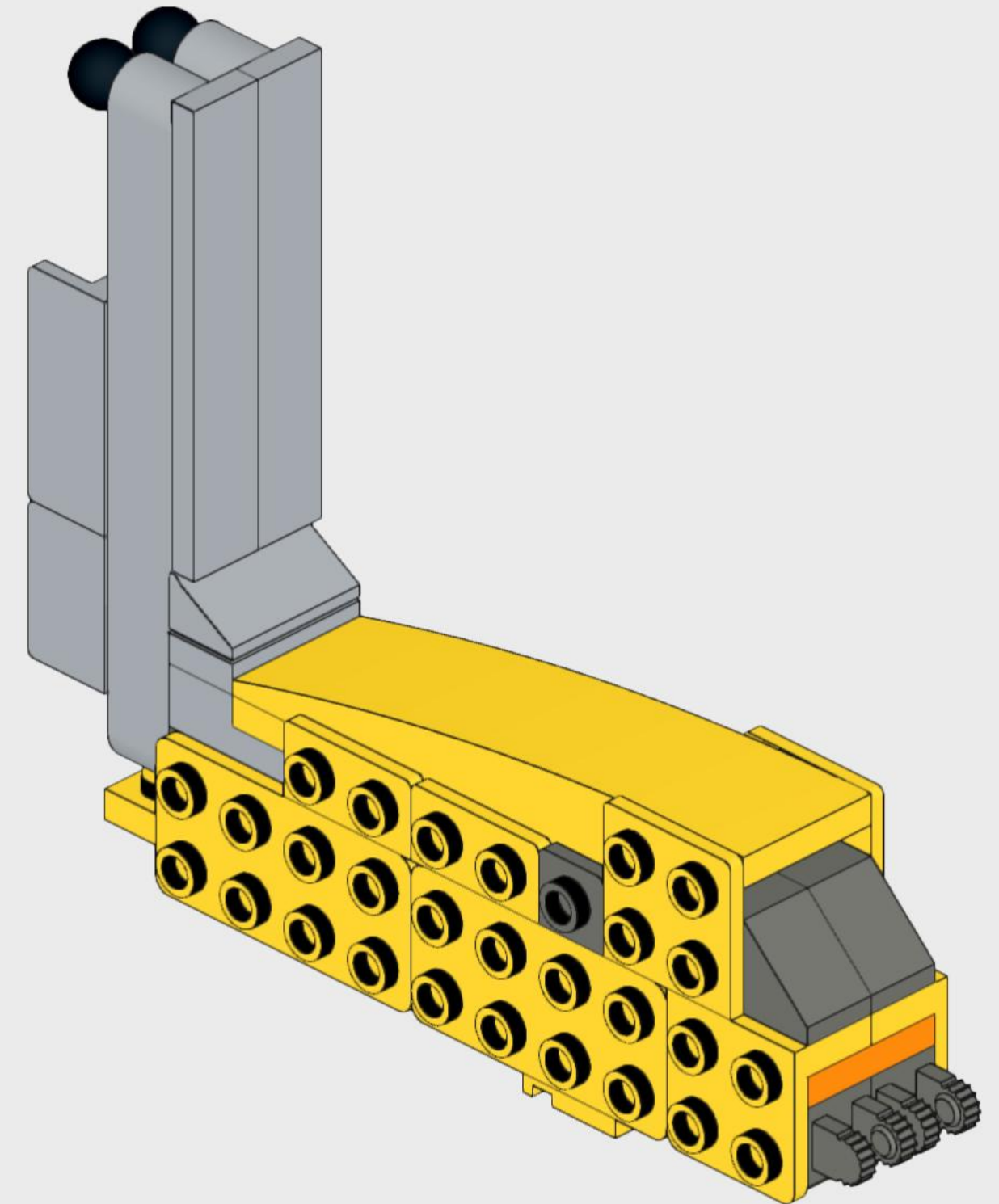
13

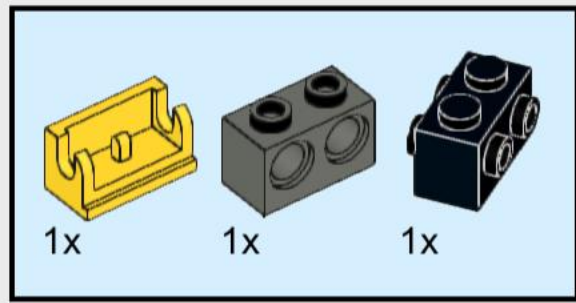


14 

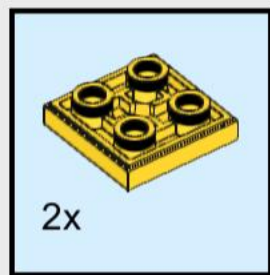
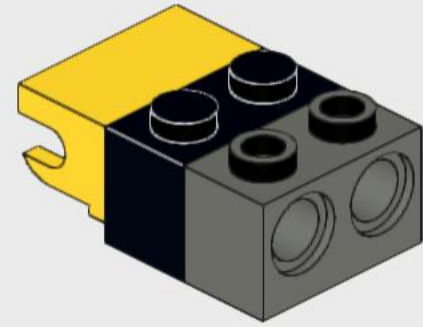


15

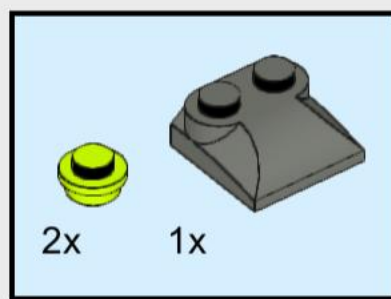
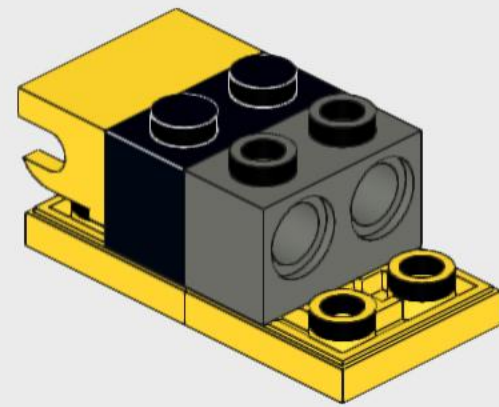




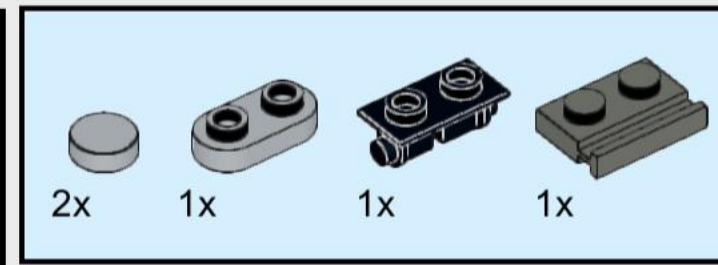
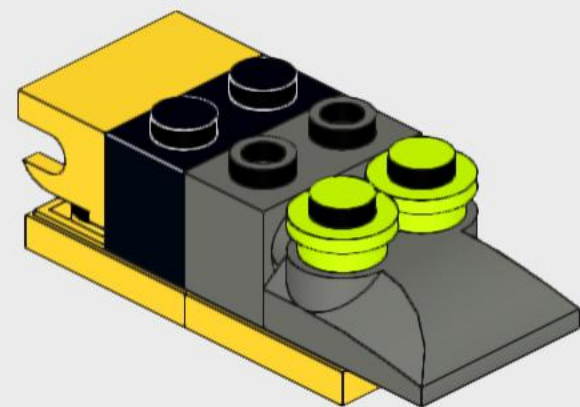
16



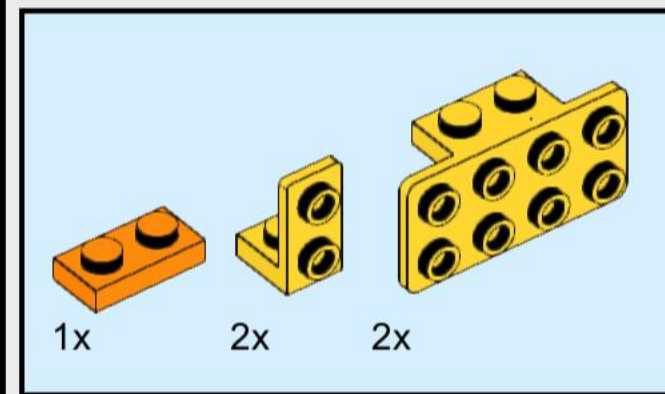
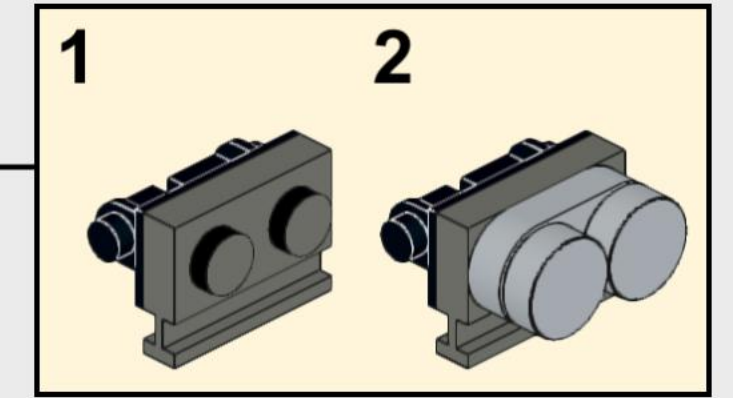
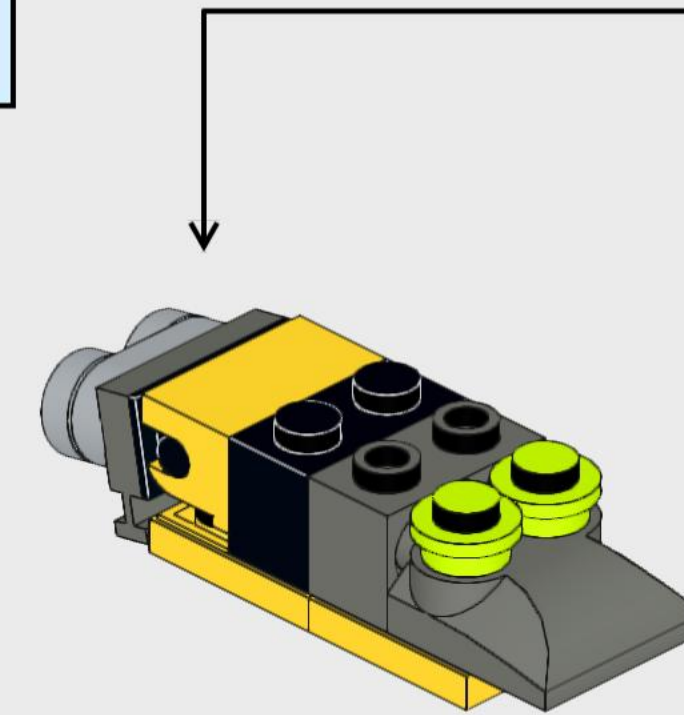
17



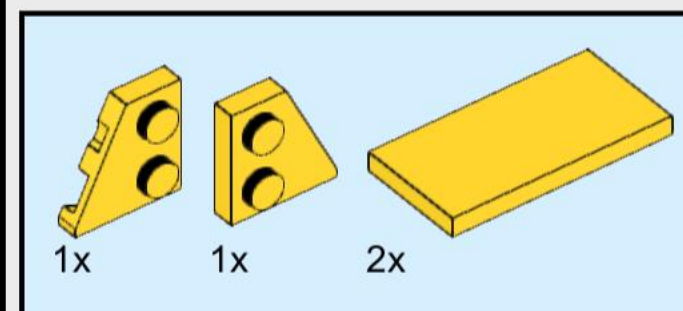
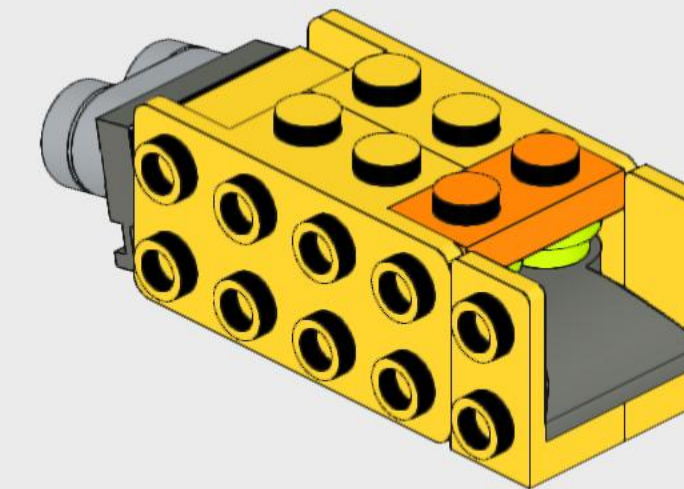
18



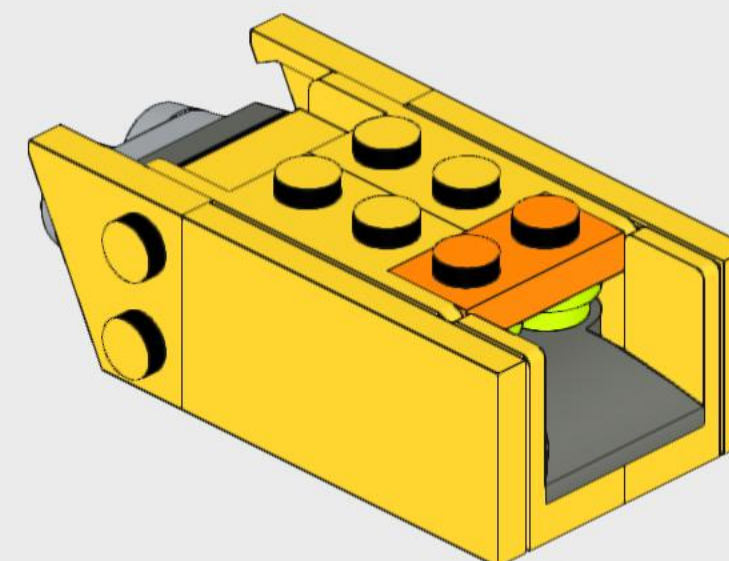
19



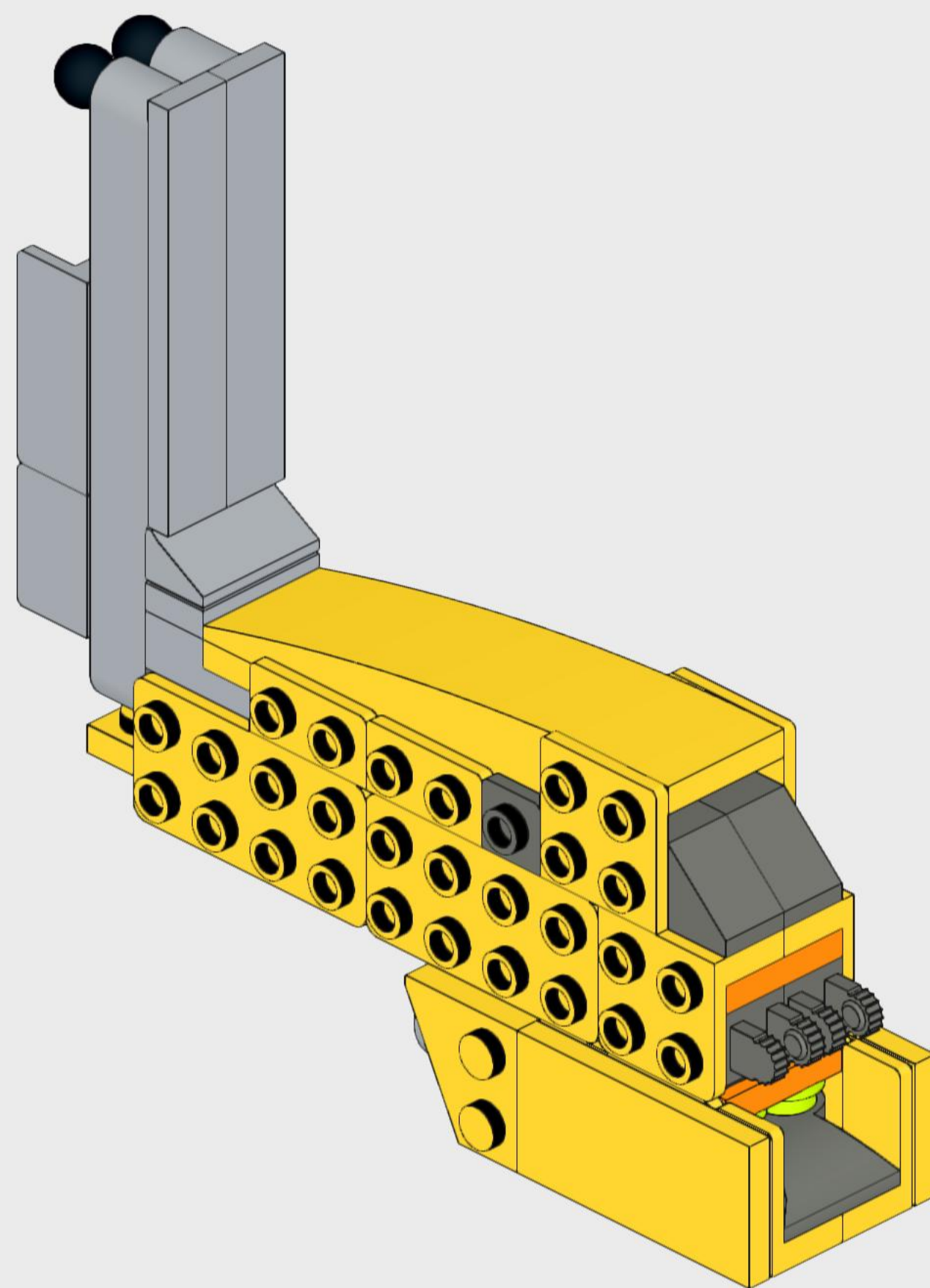
20

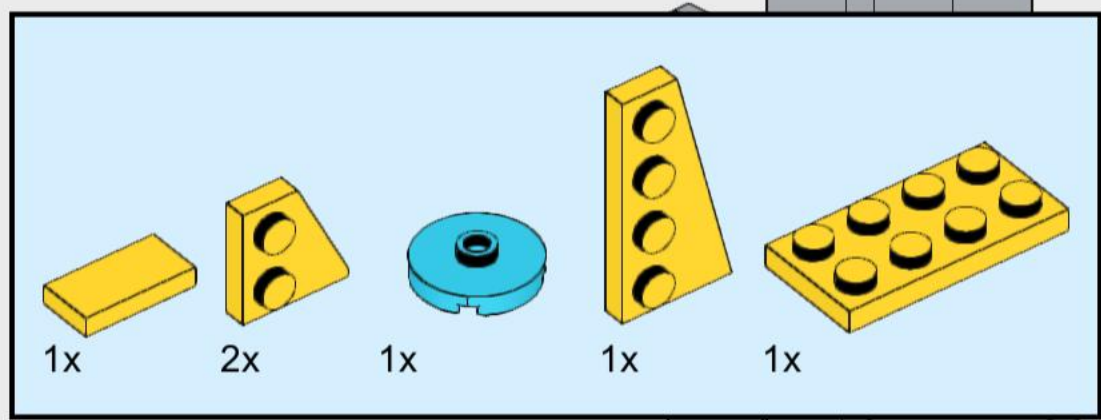


21

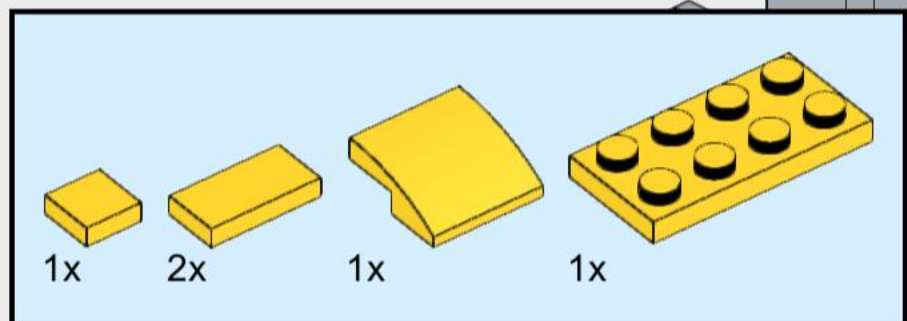
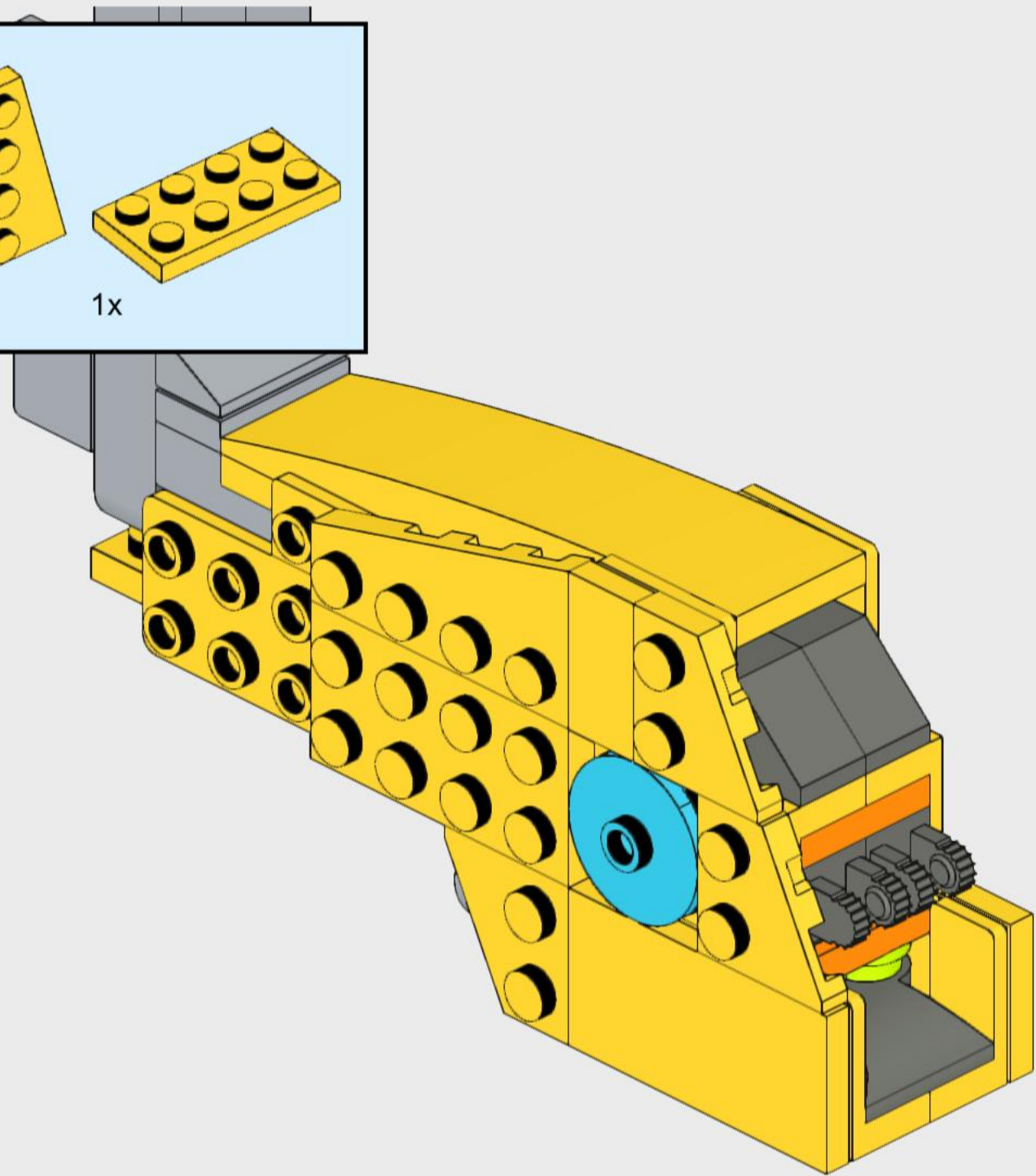


22

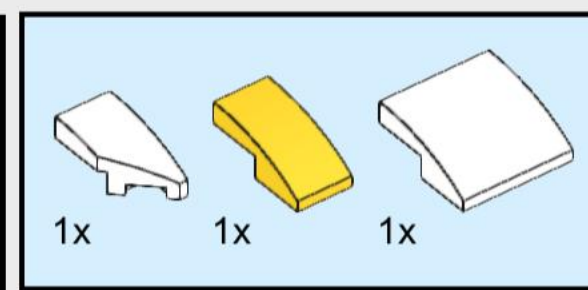
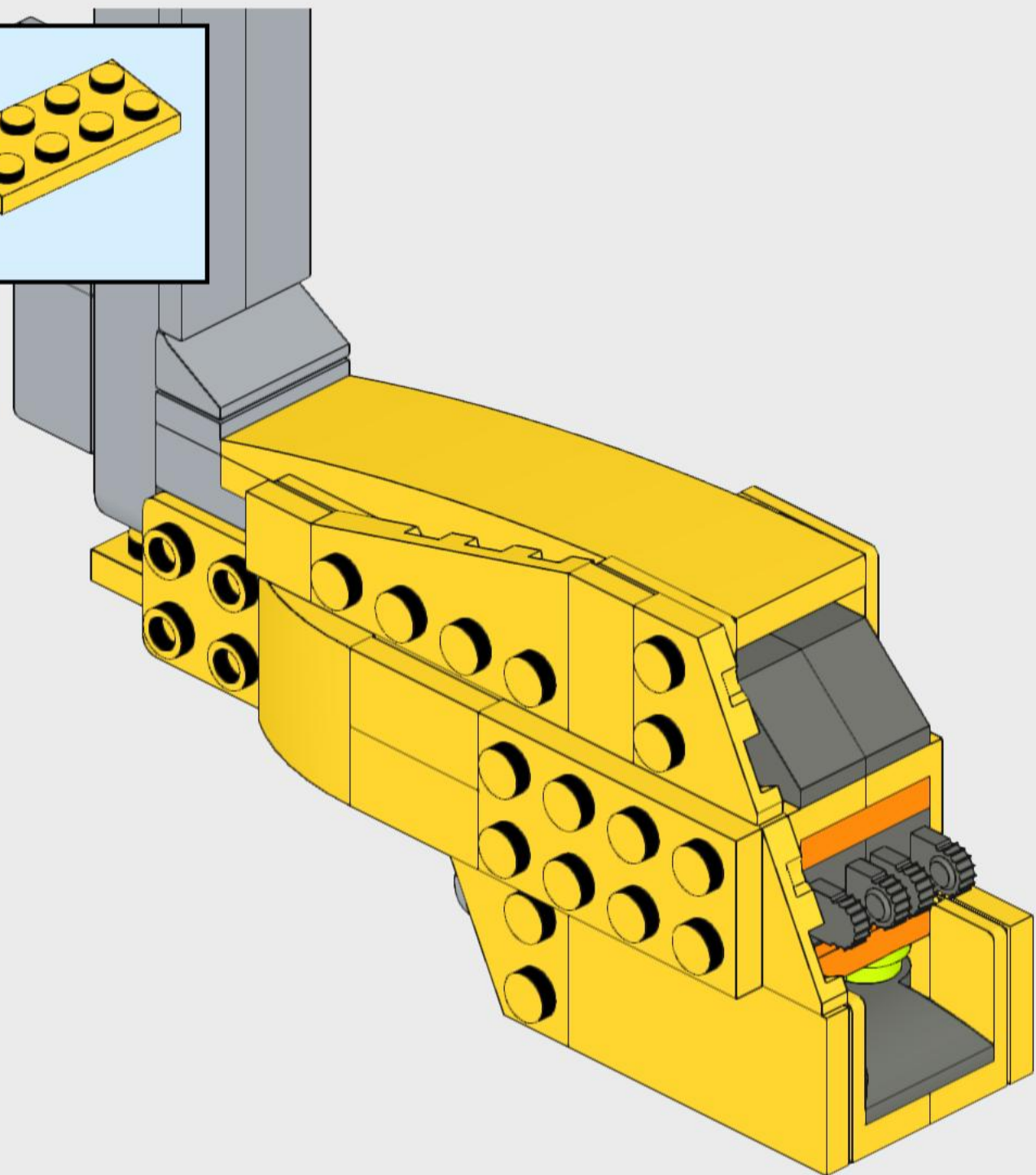




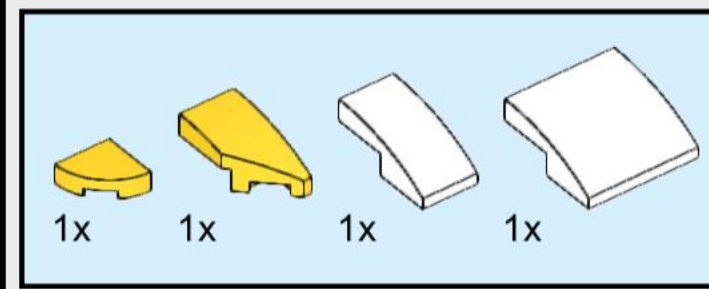
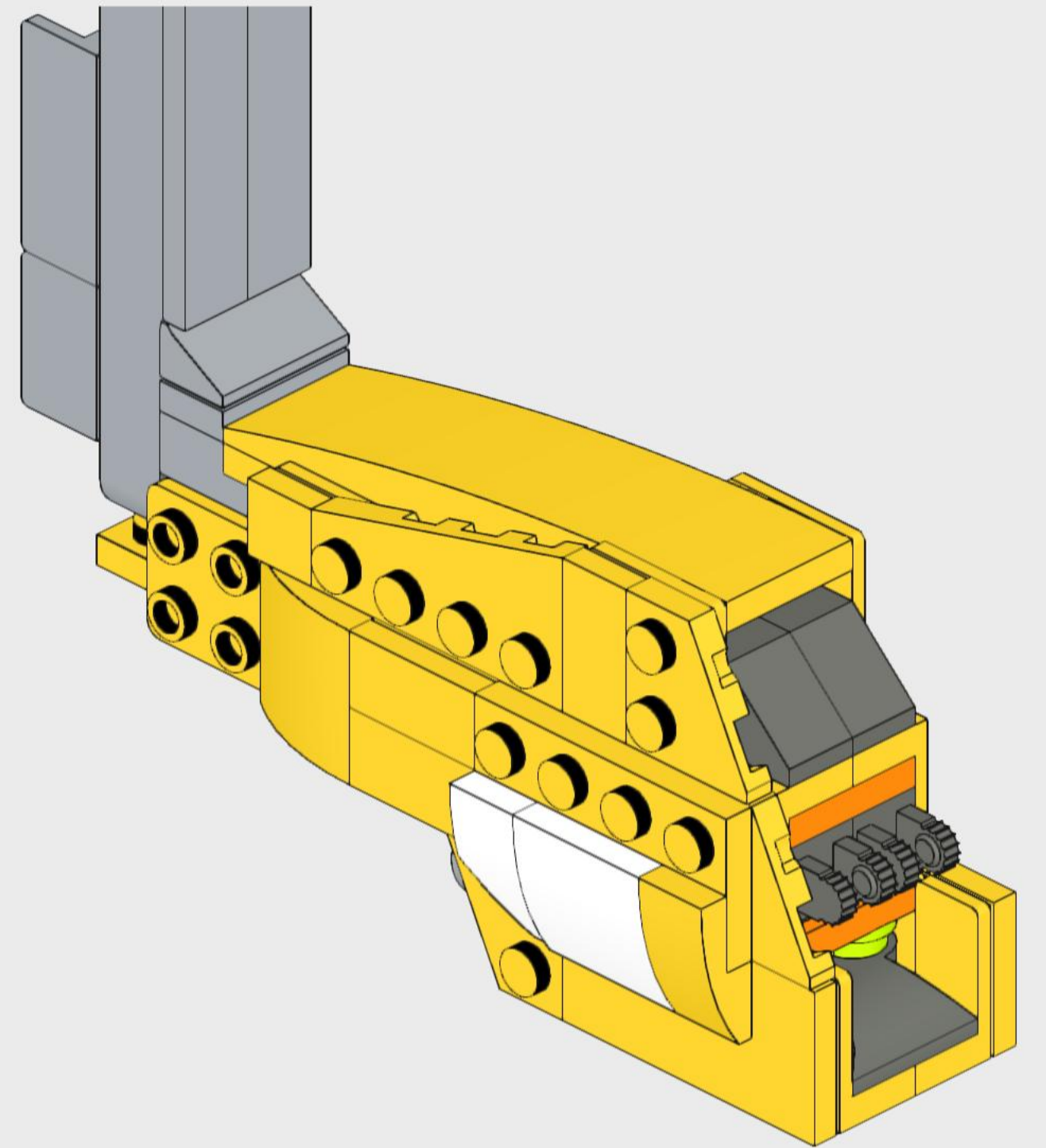
23



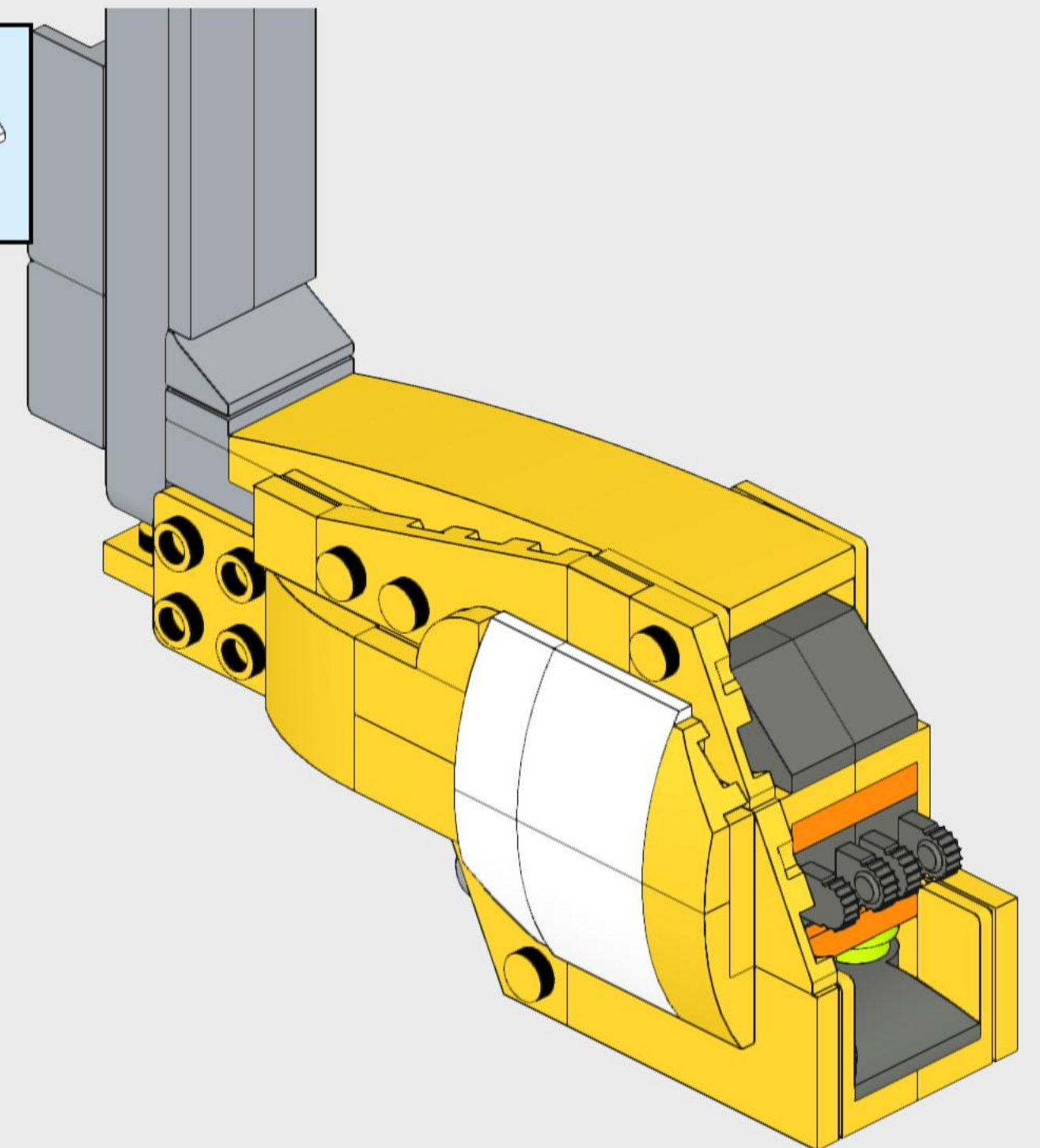
24

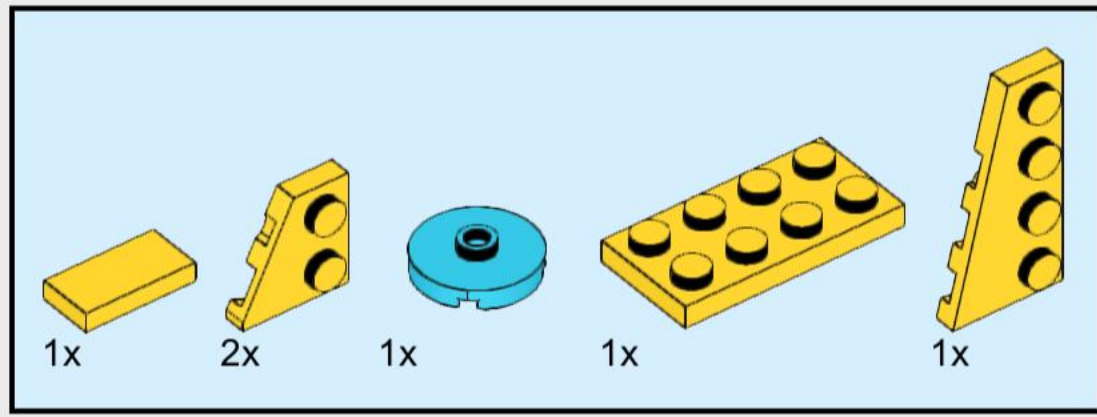


25

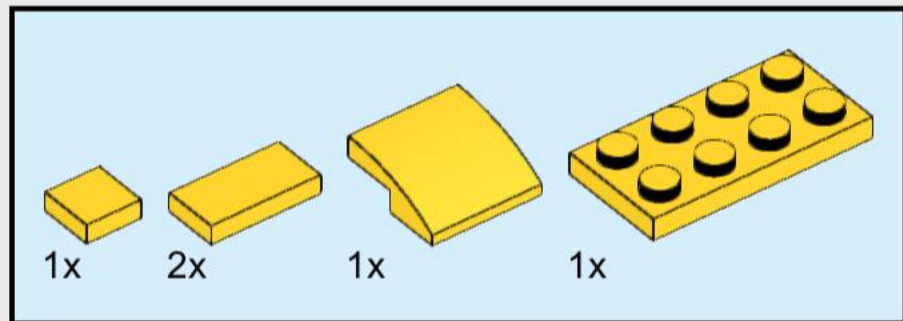
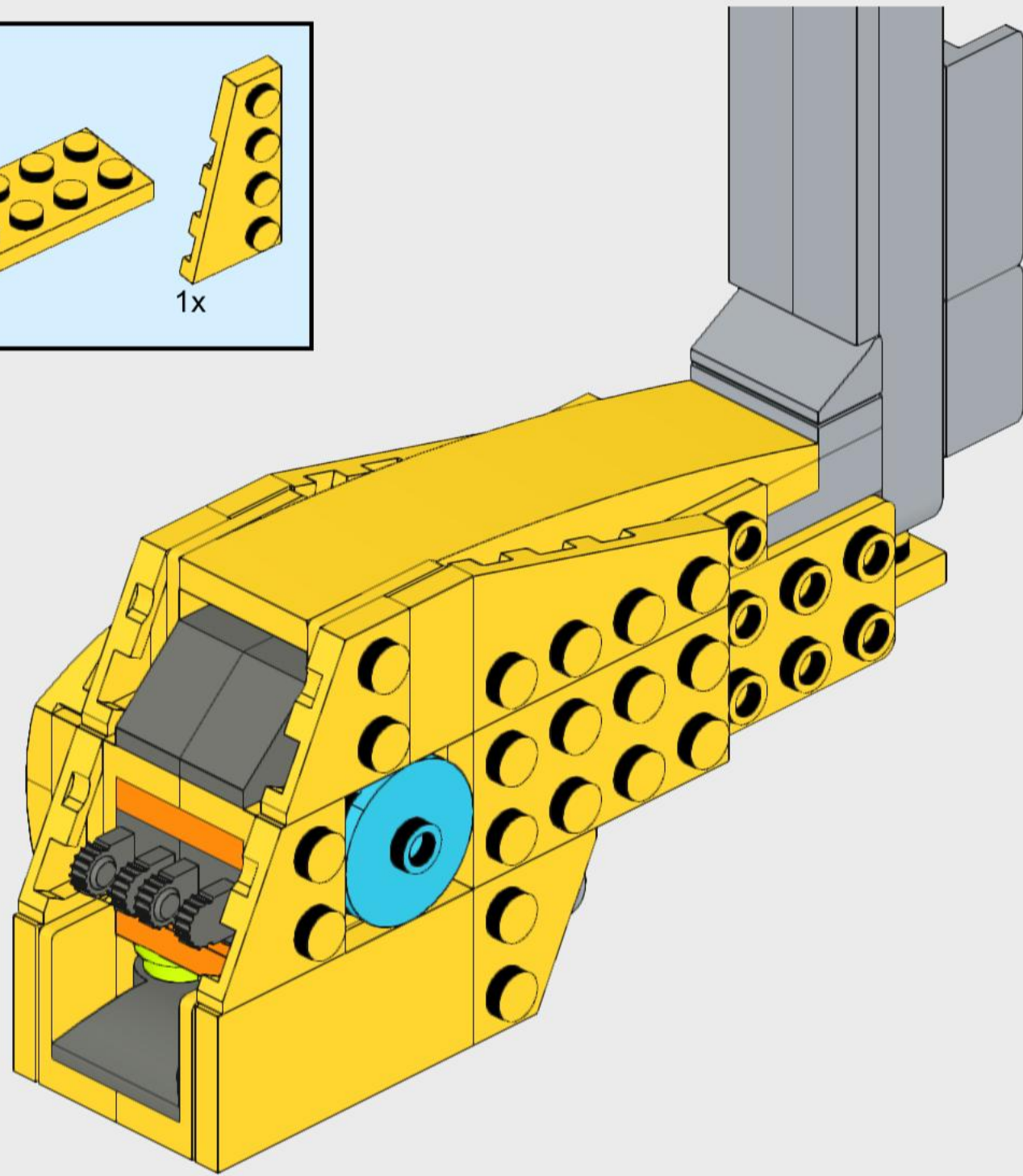


26

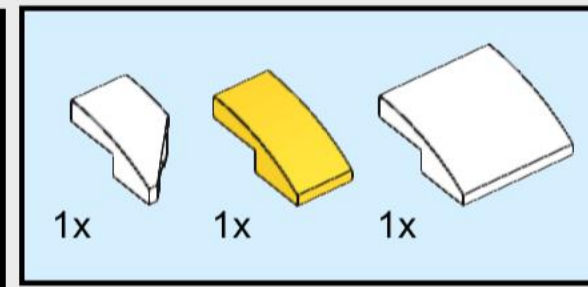
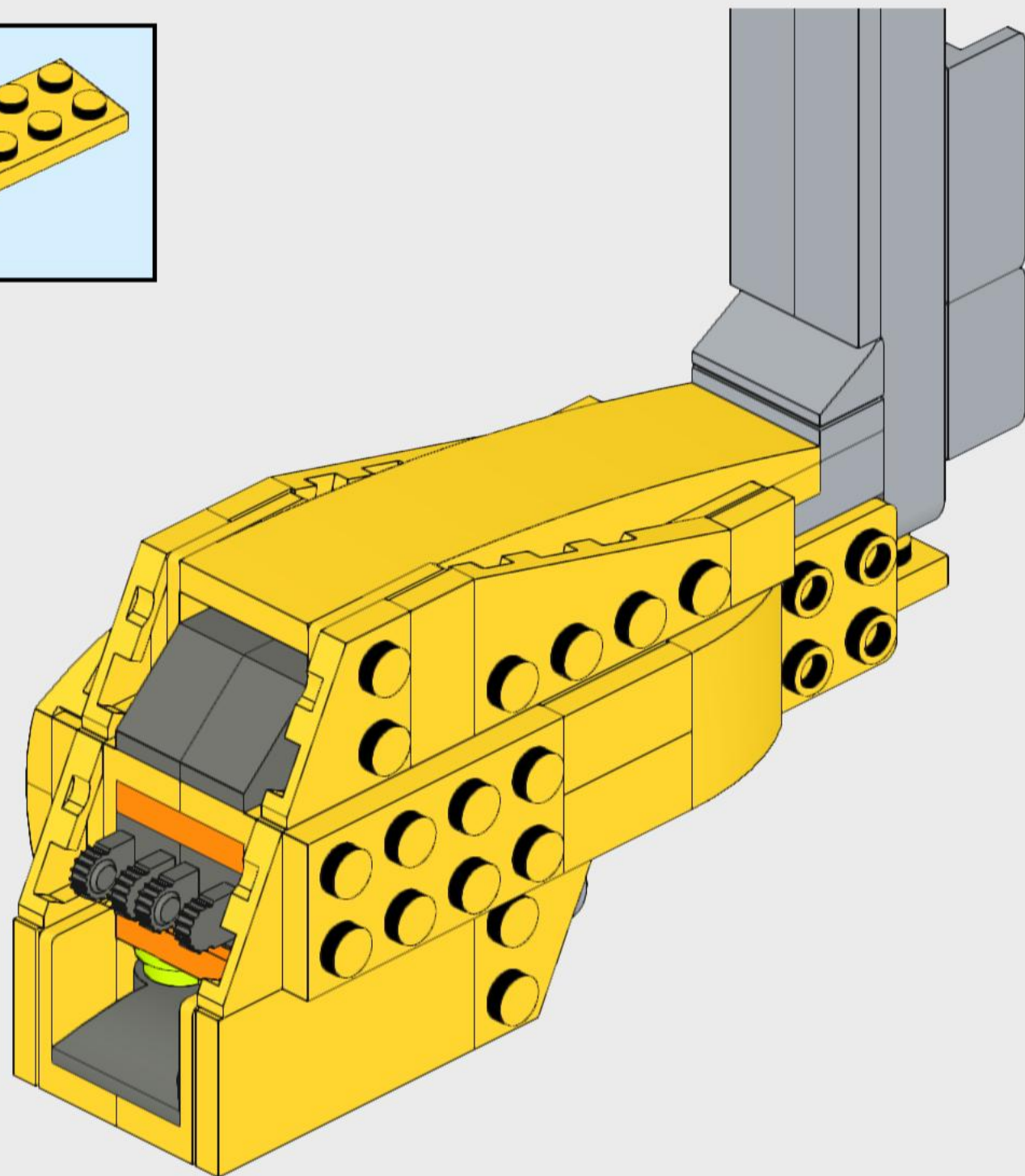




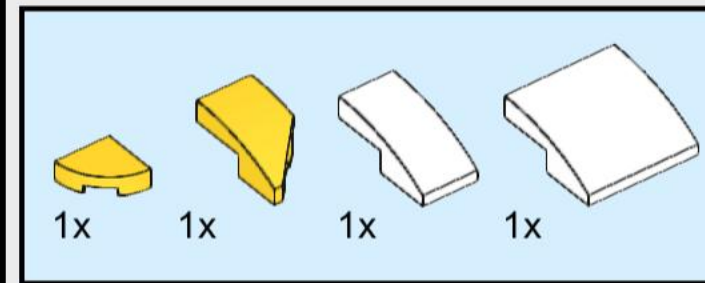
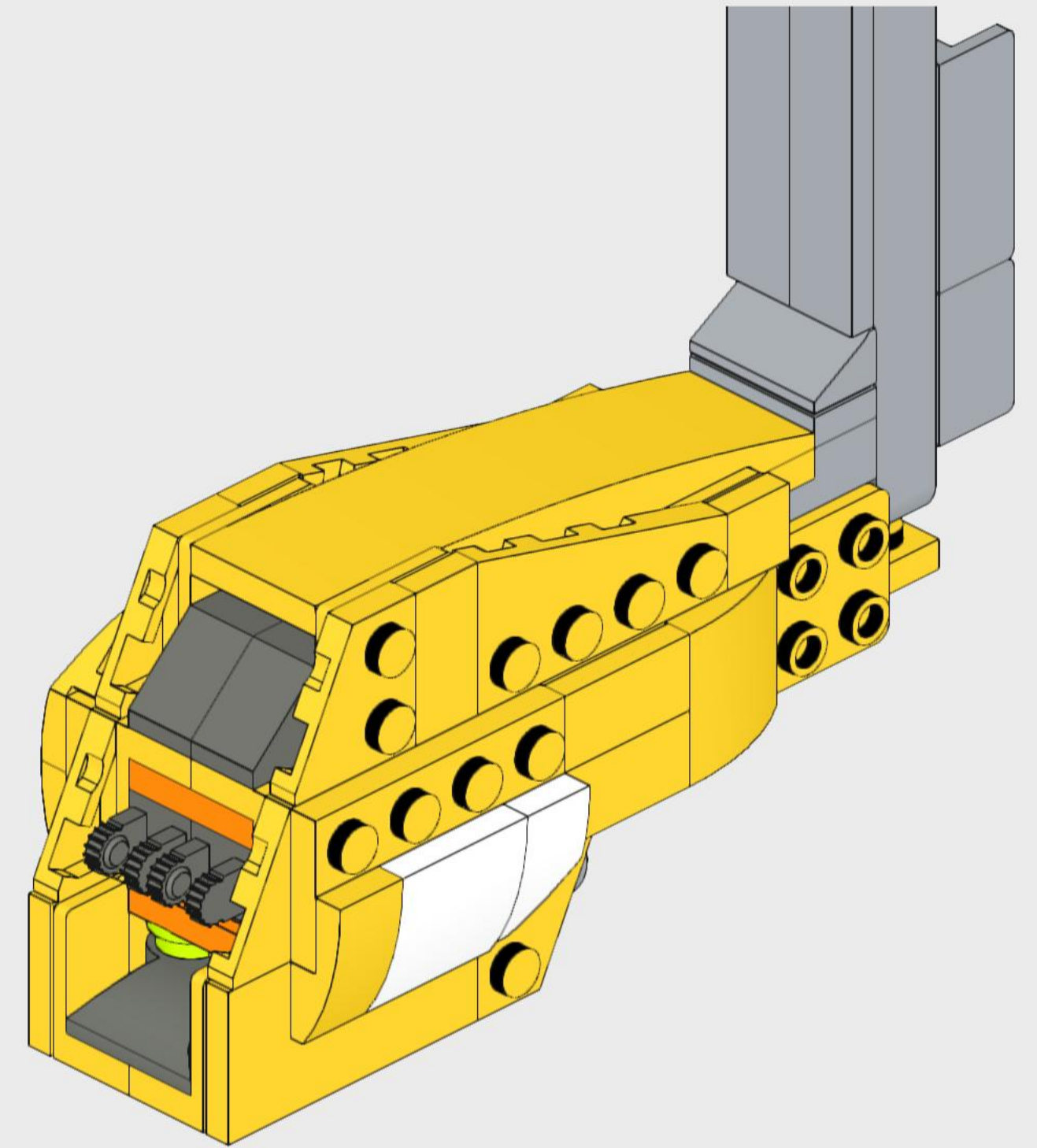
27 



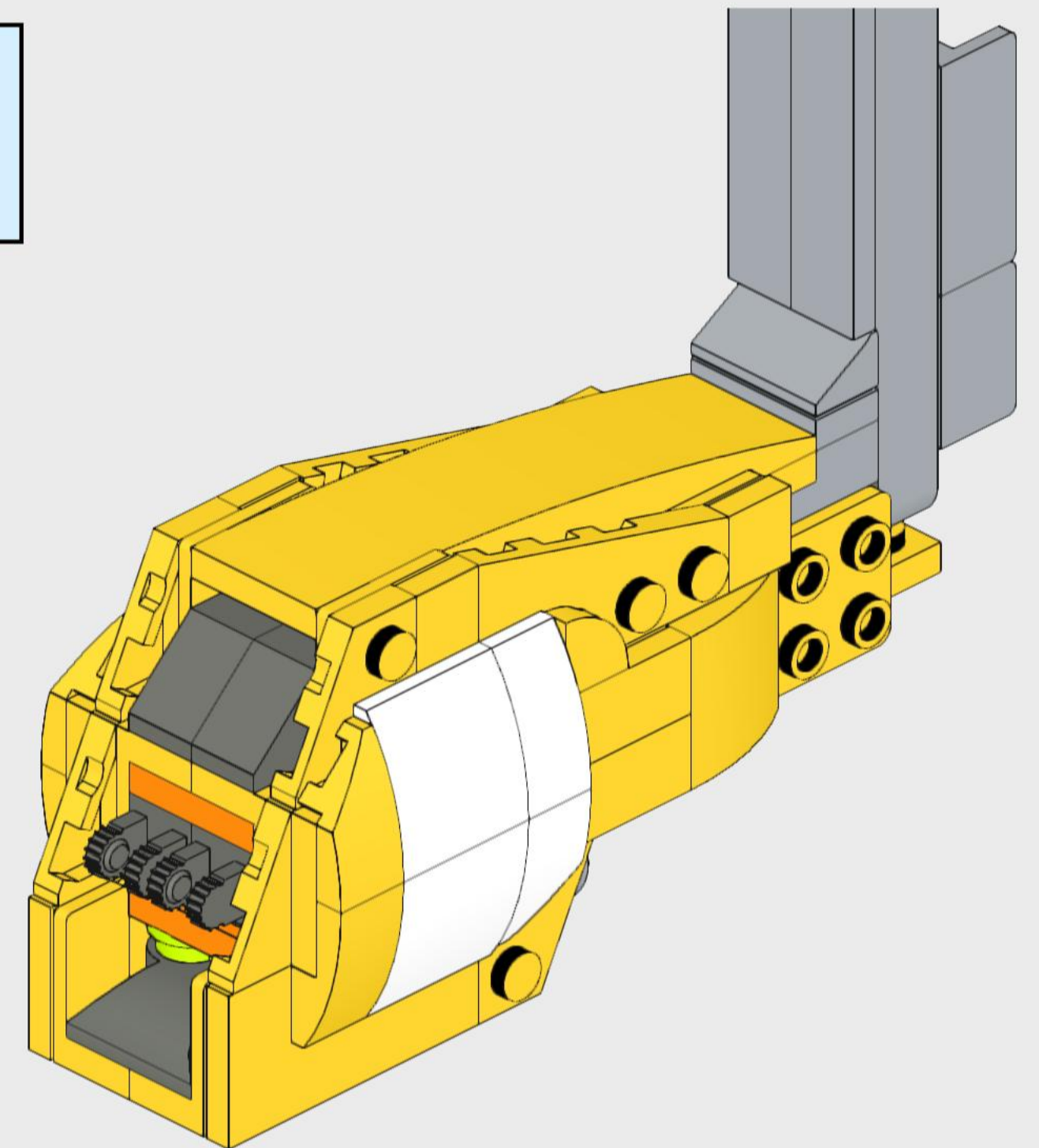
28

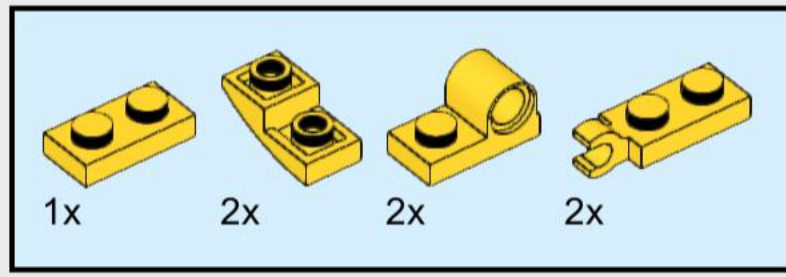


29

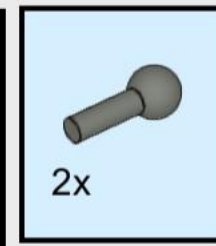
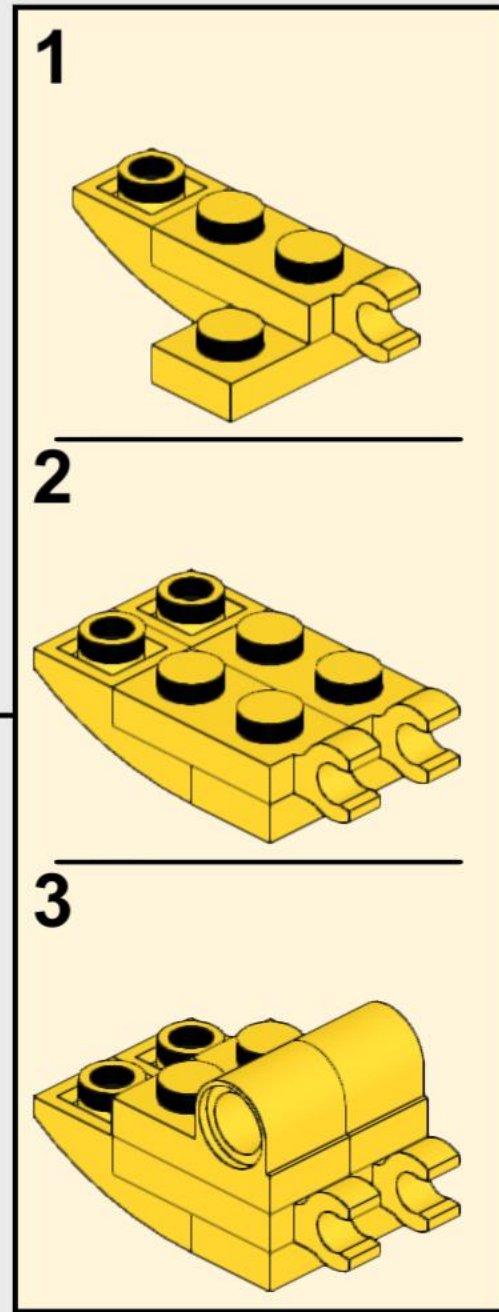
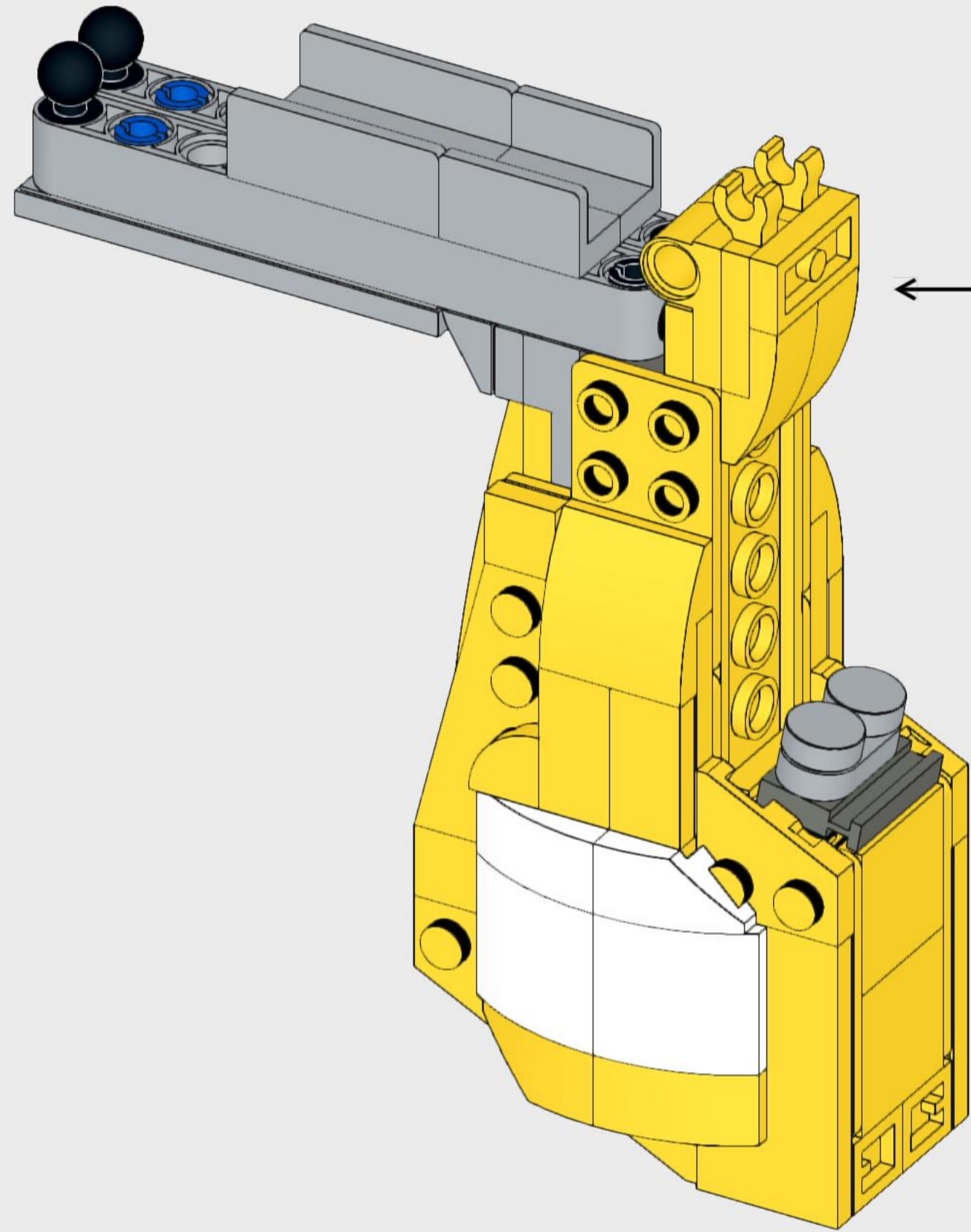


30

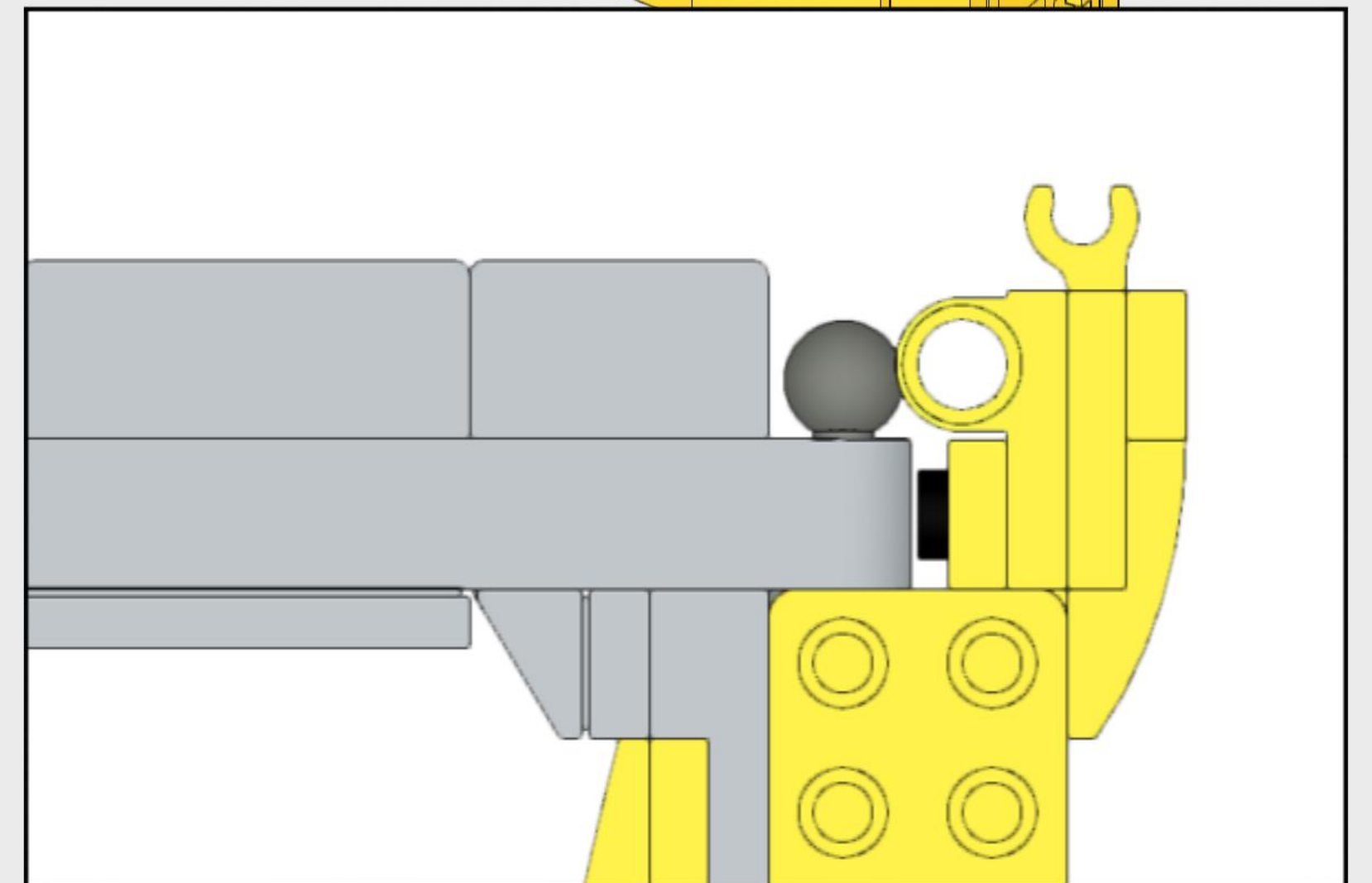
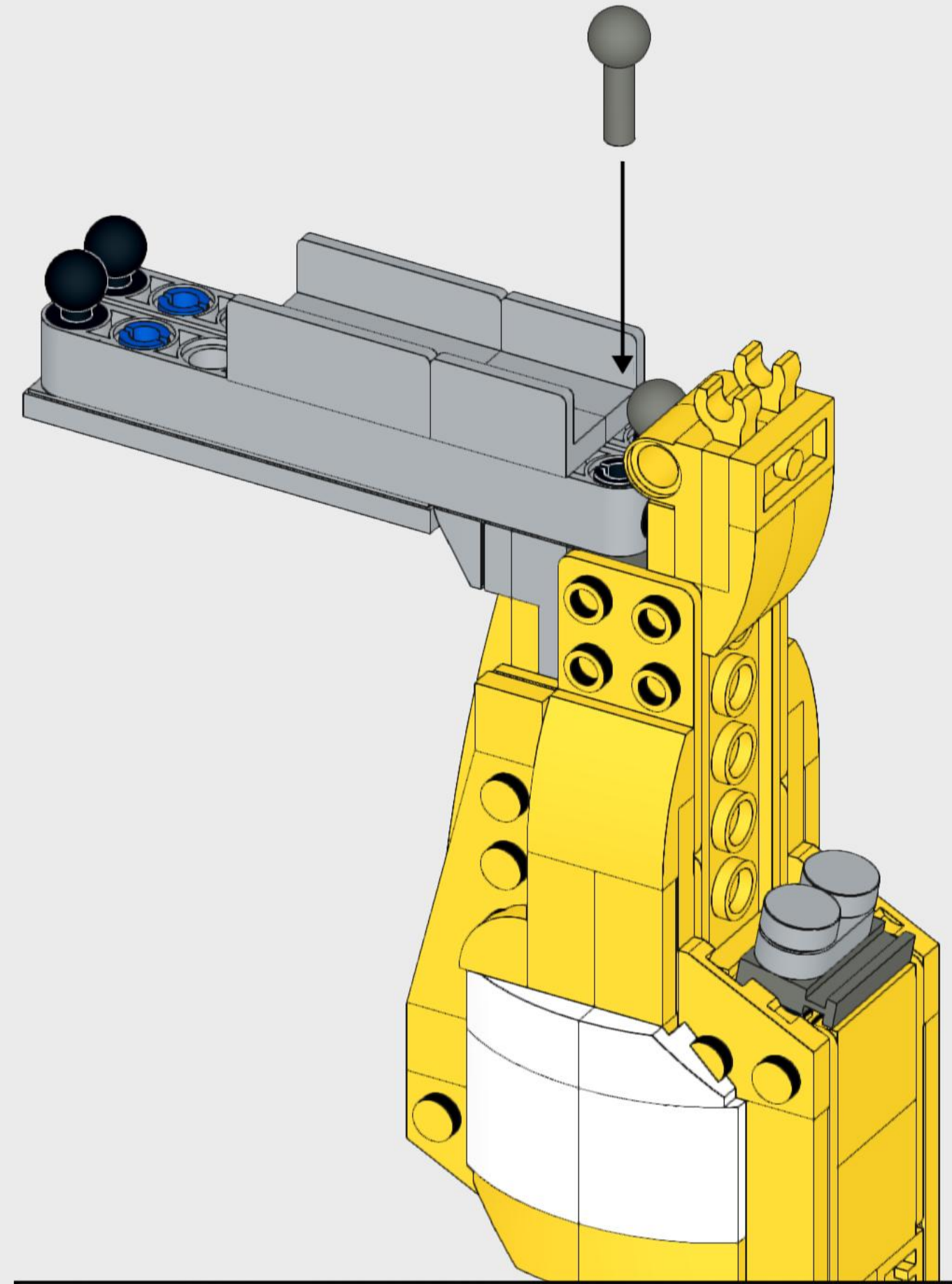


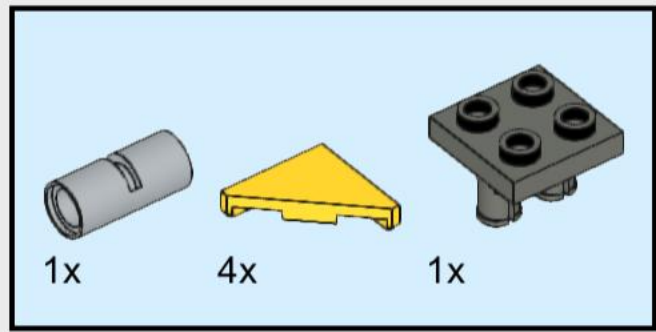


31

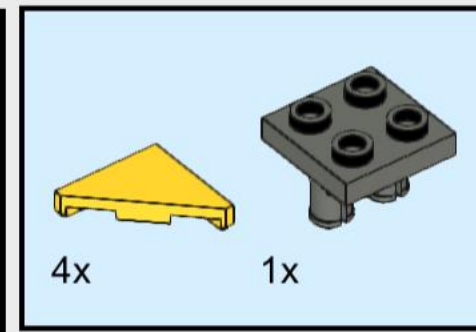
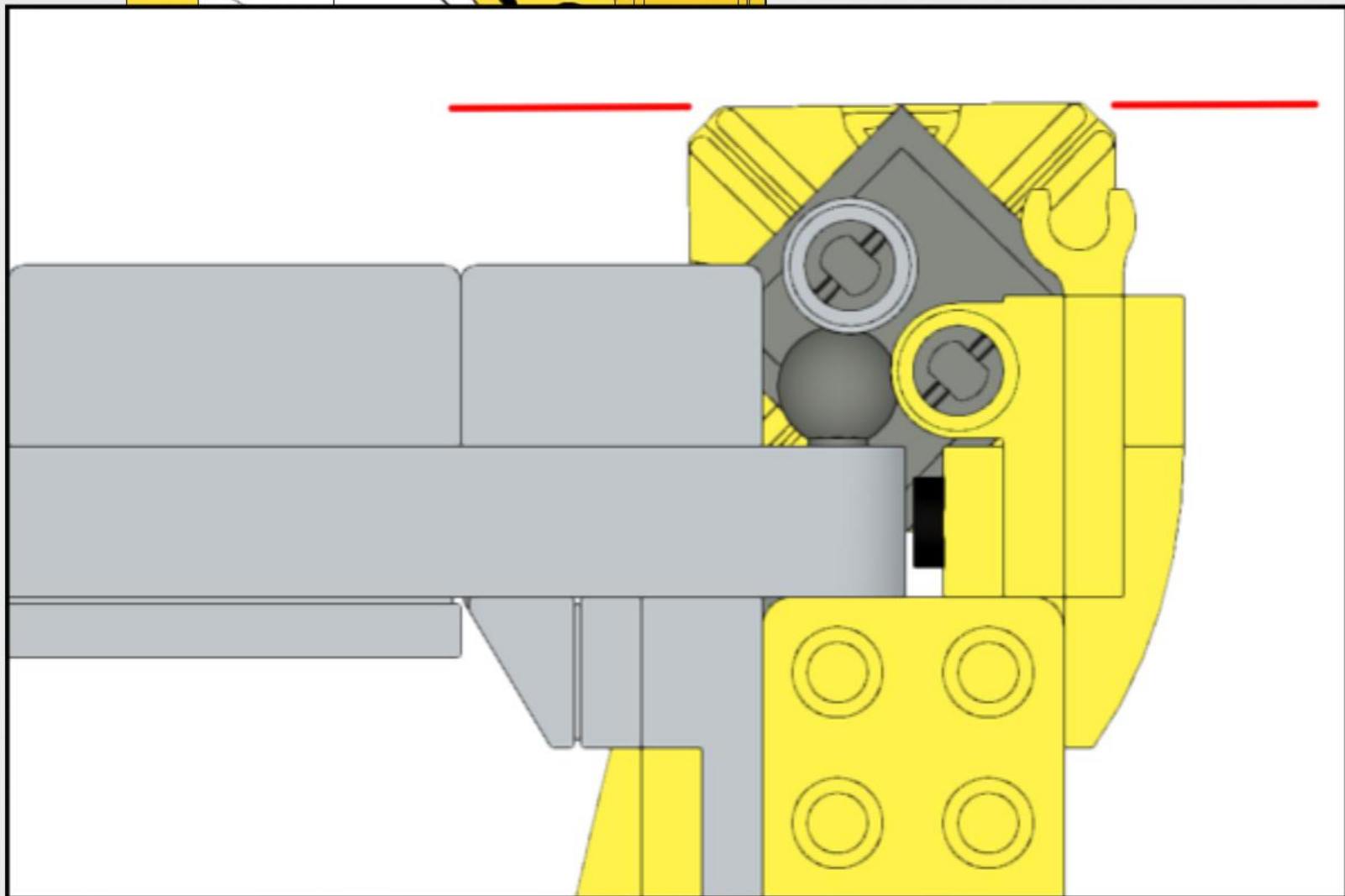
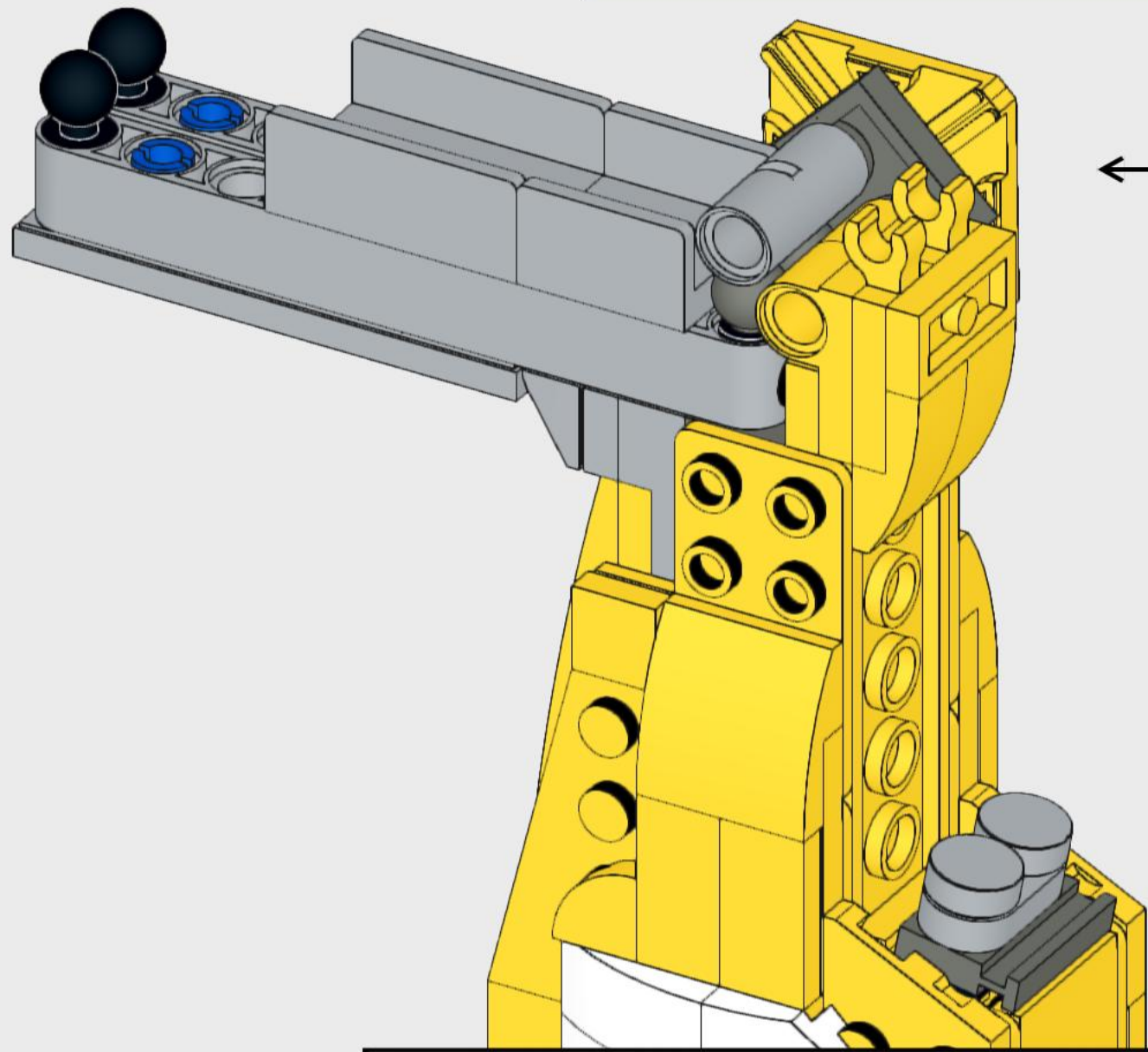
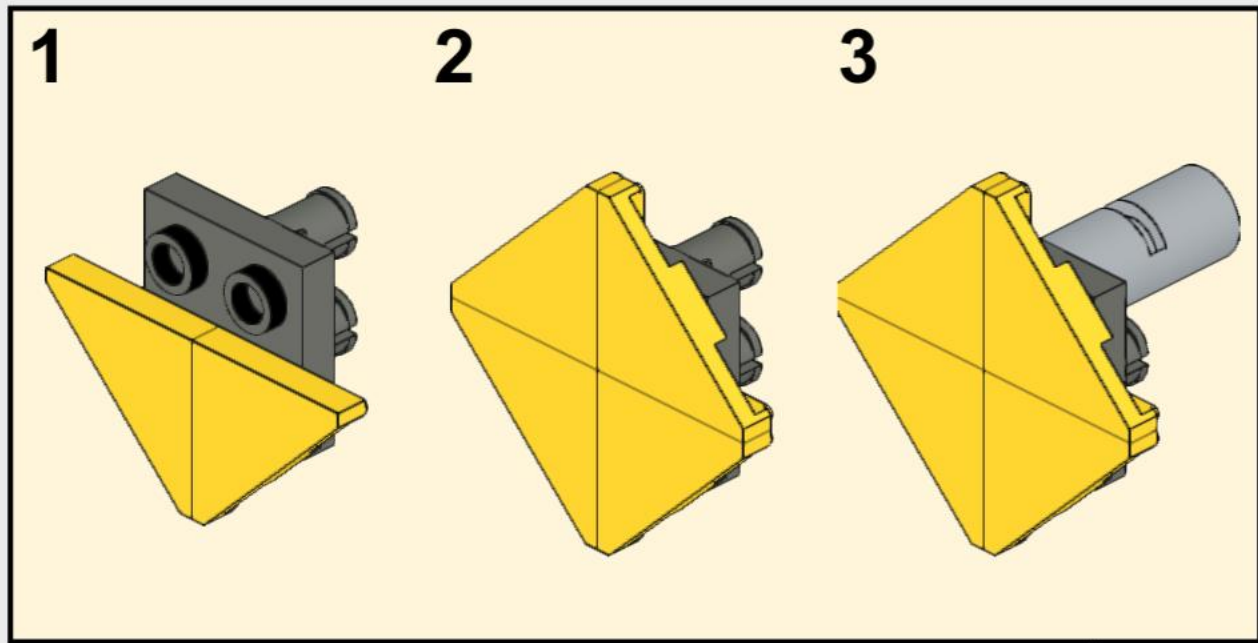


32

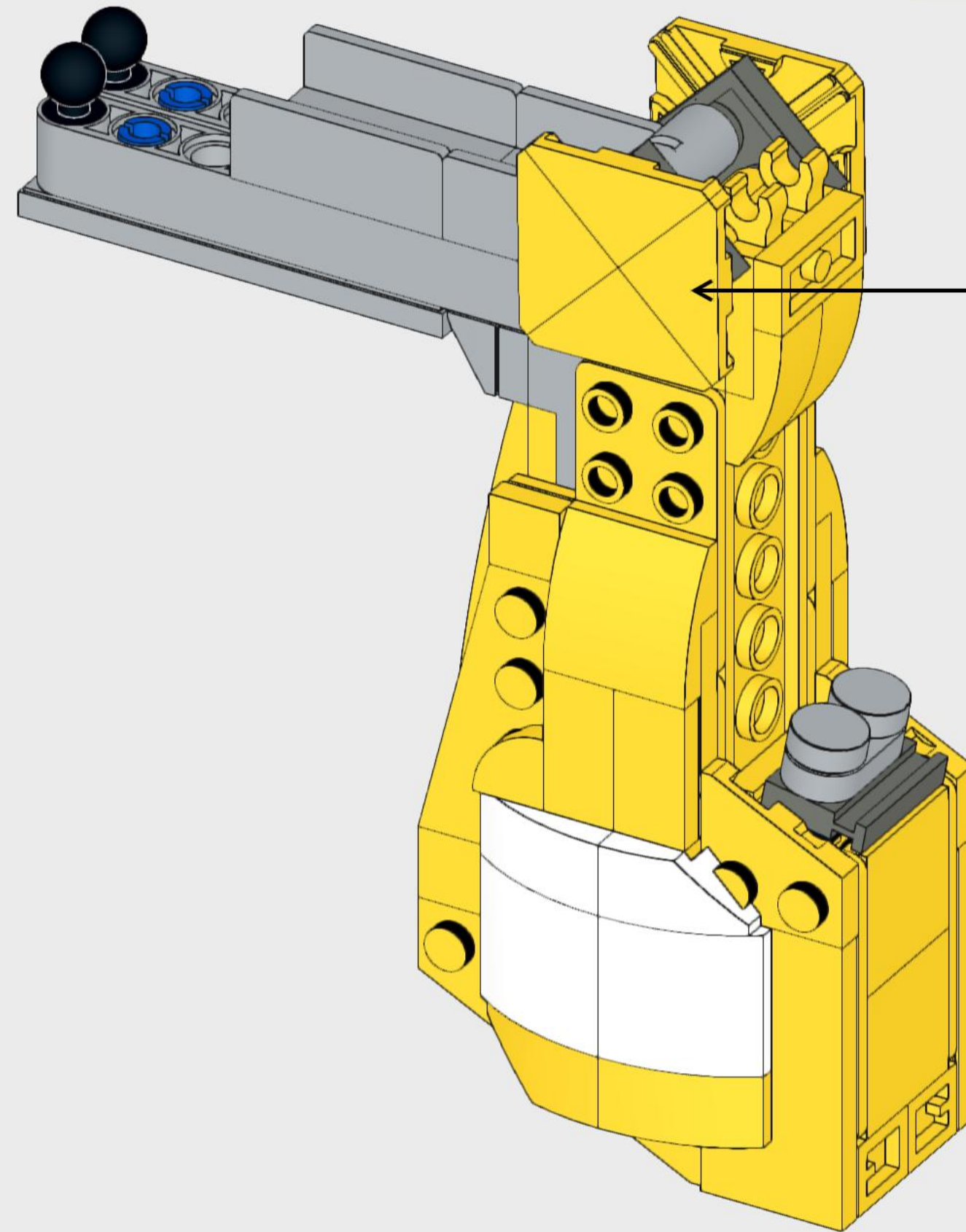
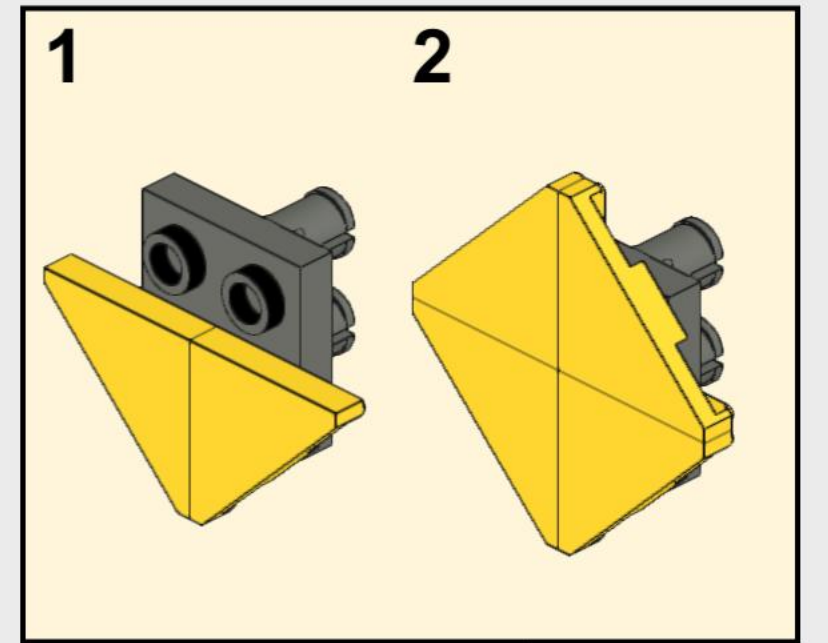


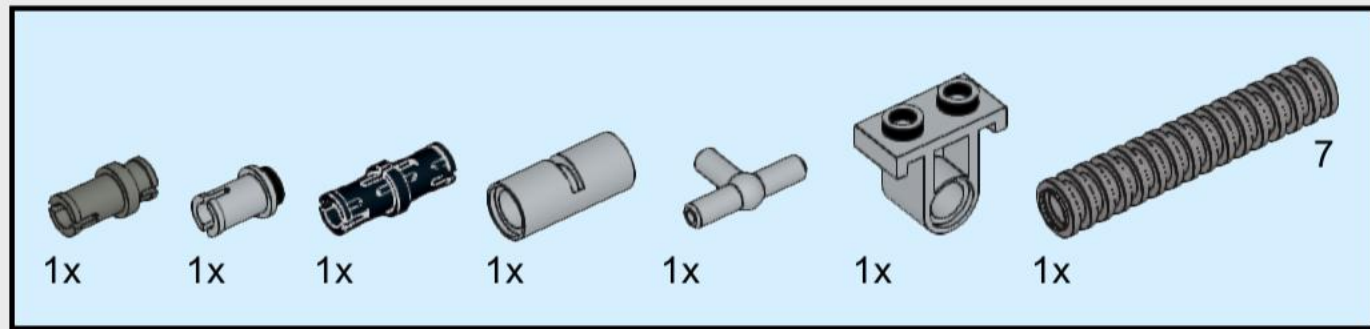


33

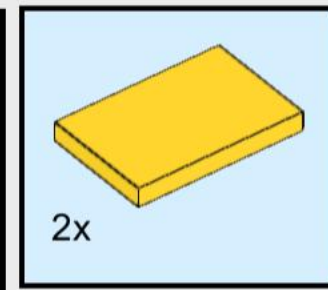
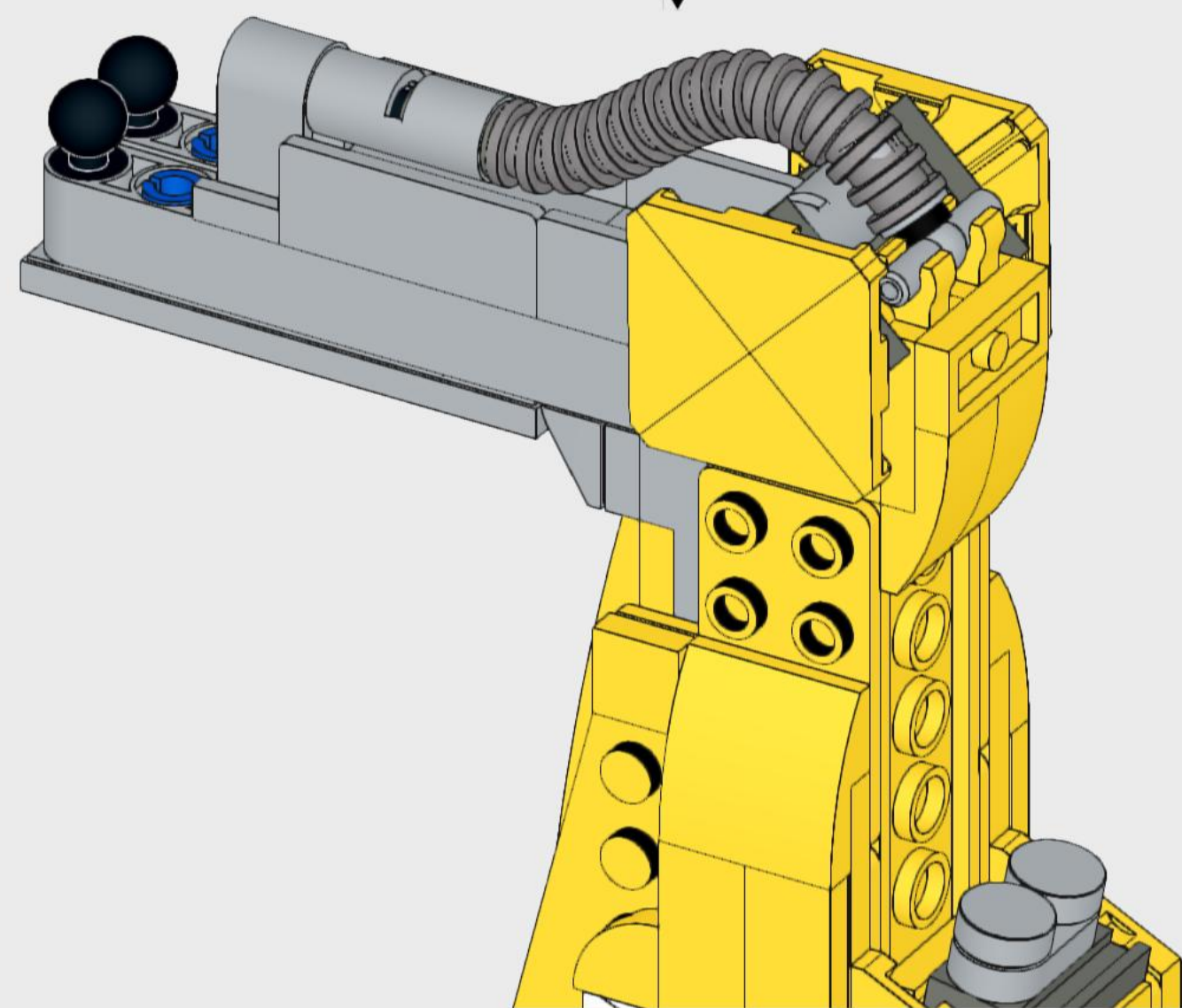
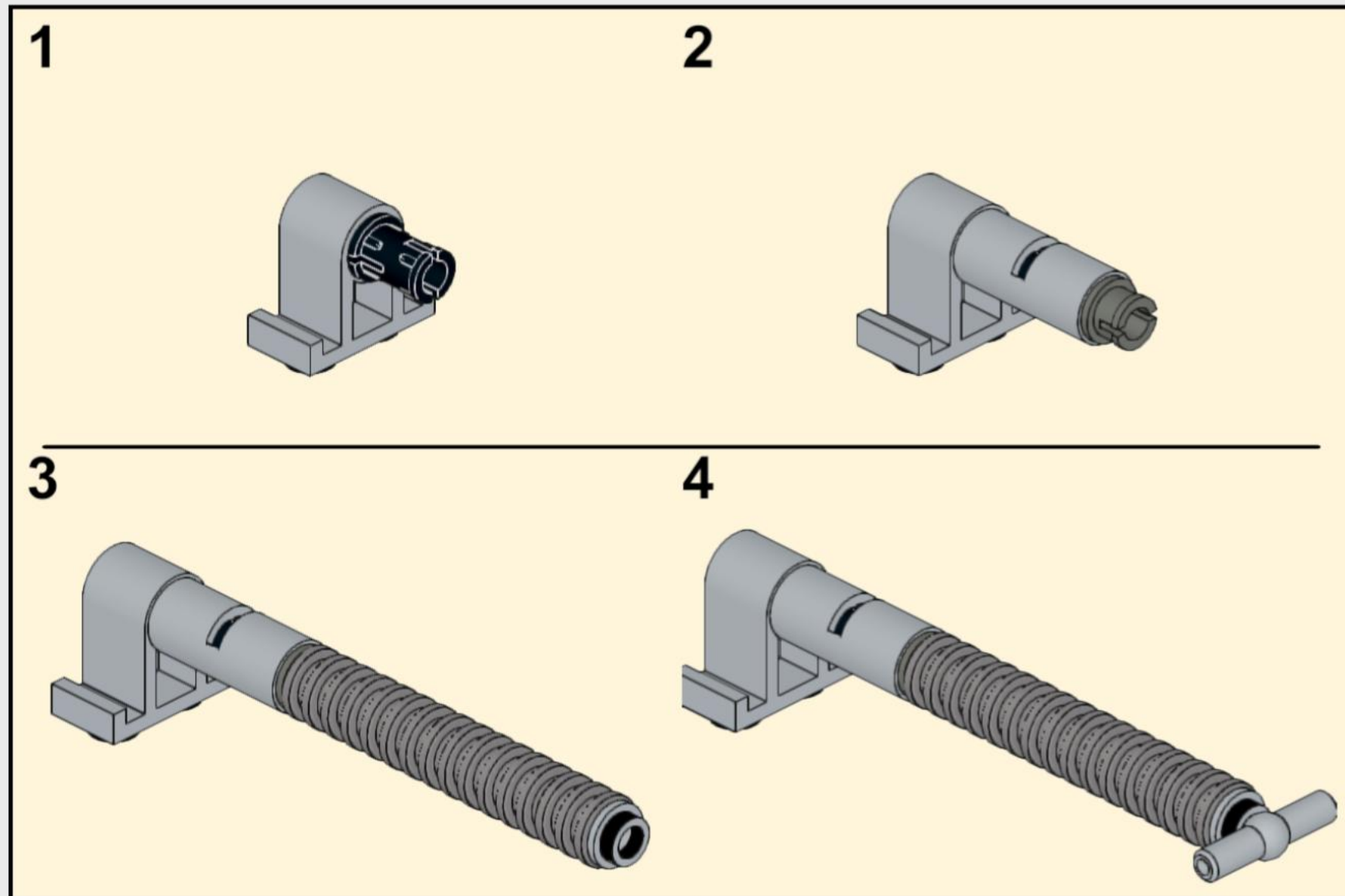


34

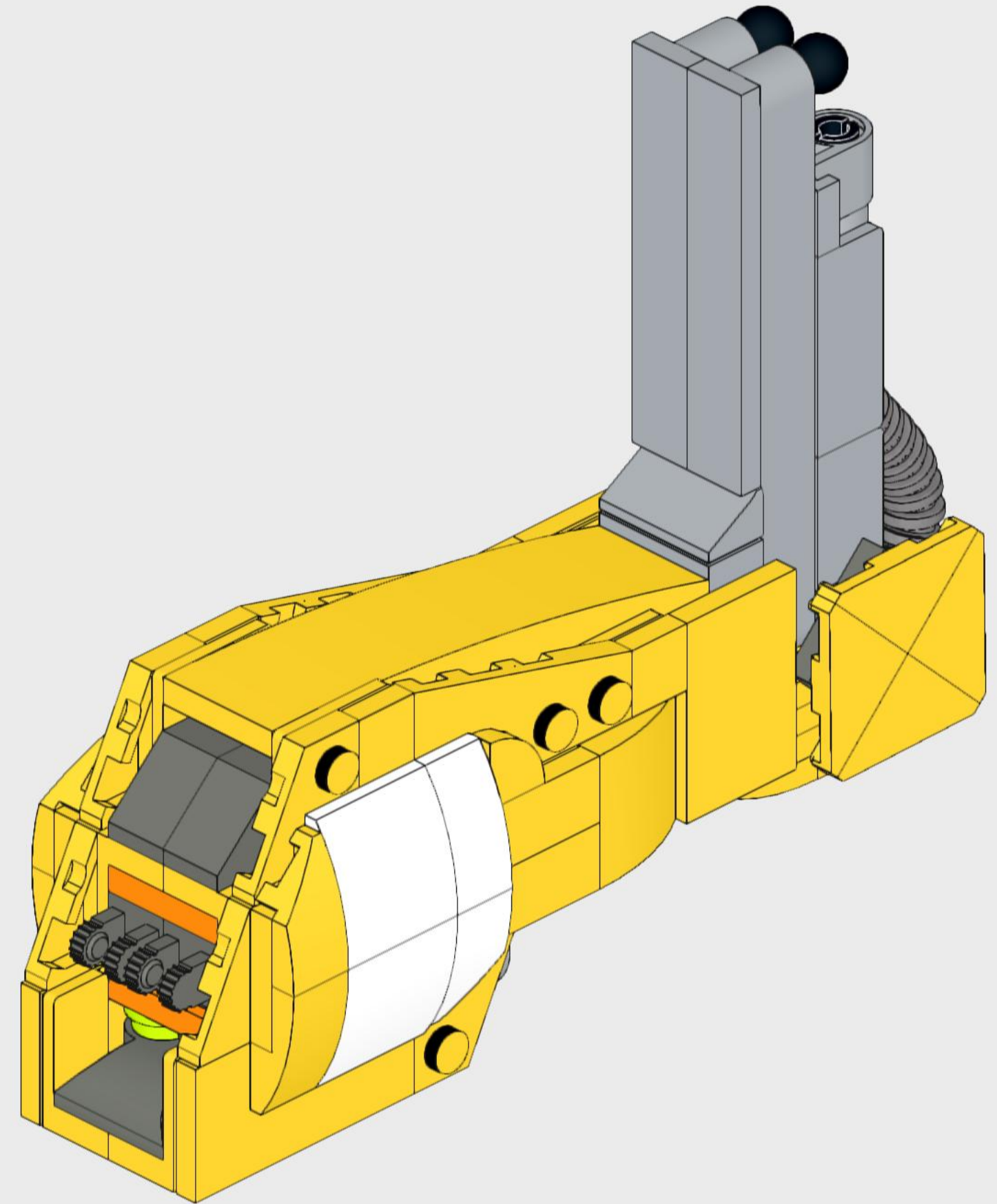


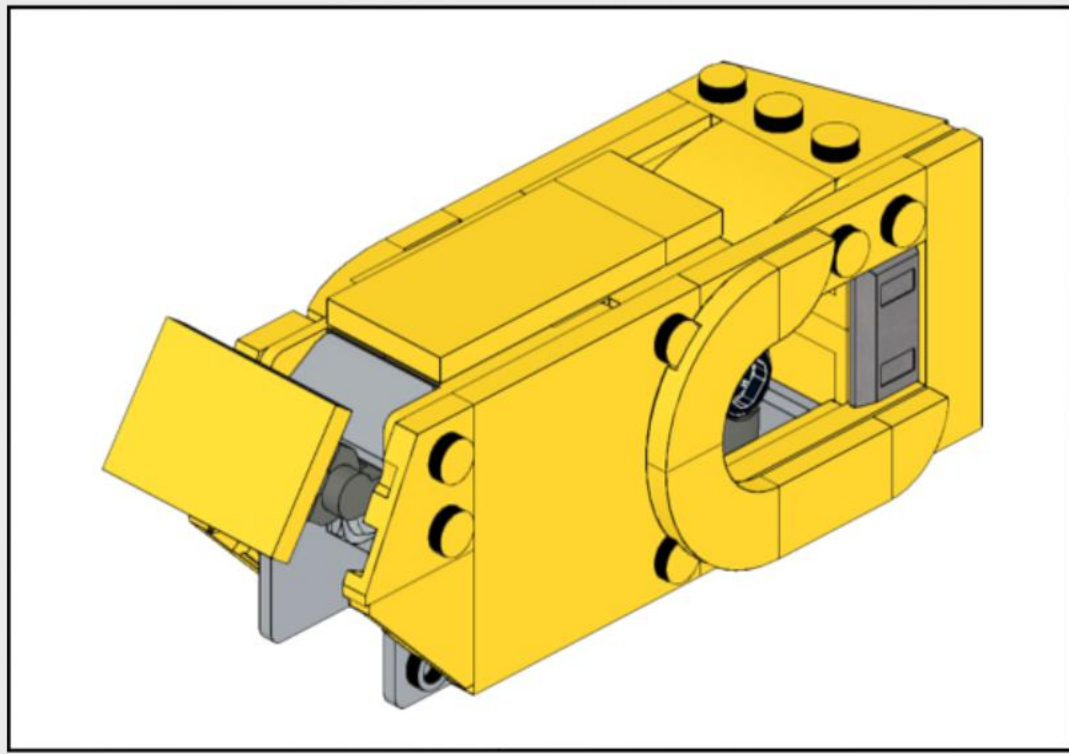


35

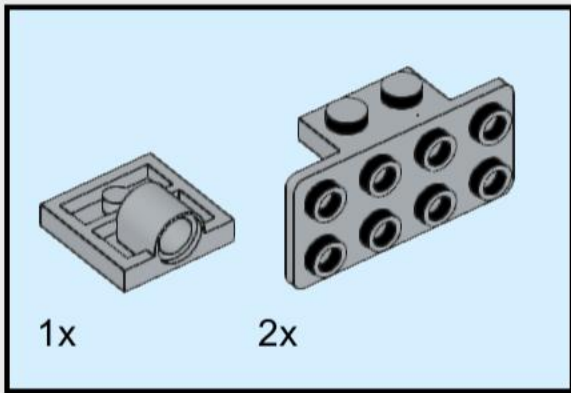


36

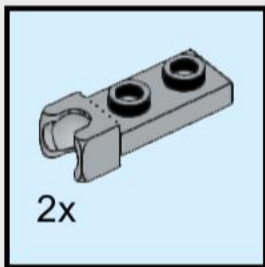
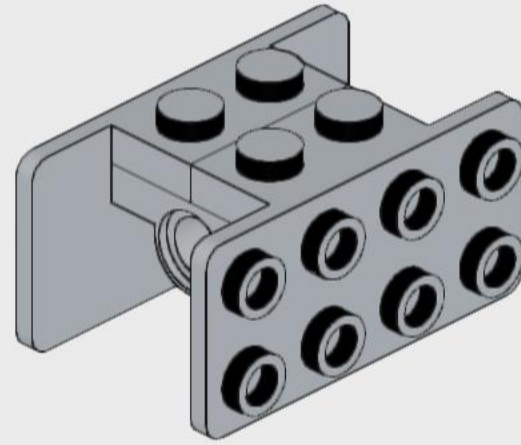




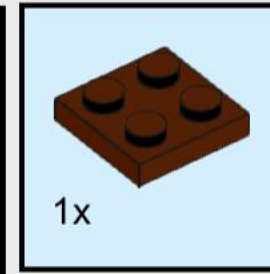
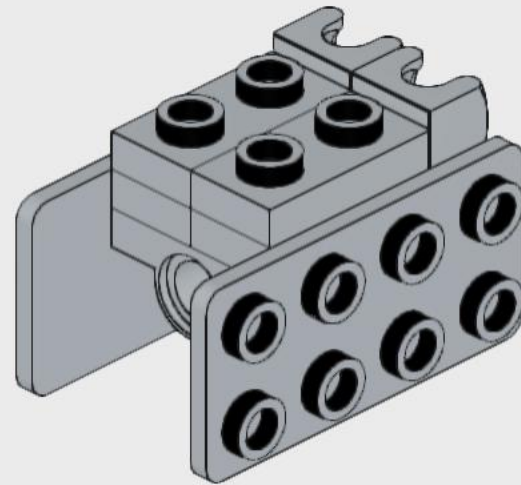
2x Inverted



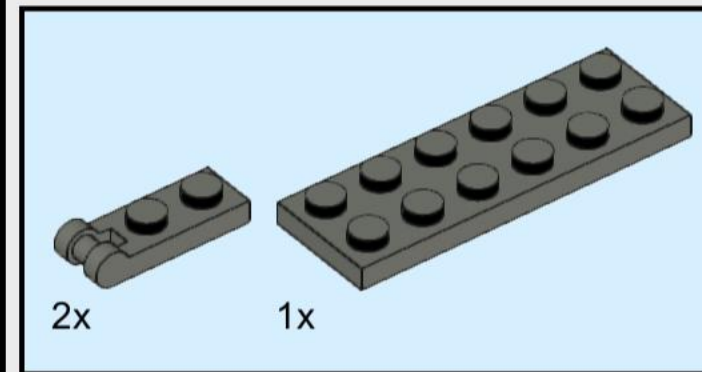
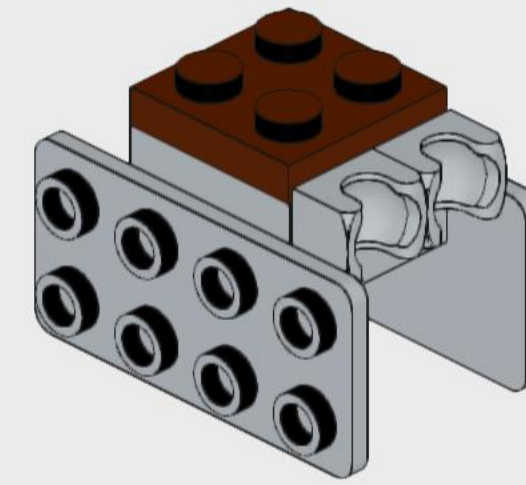
1



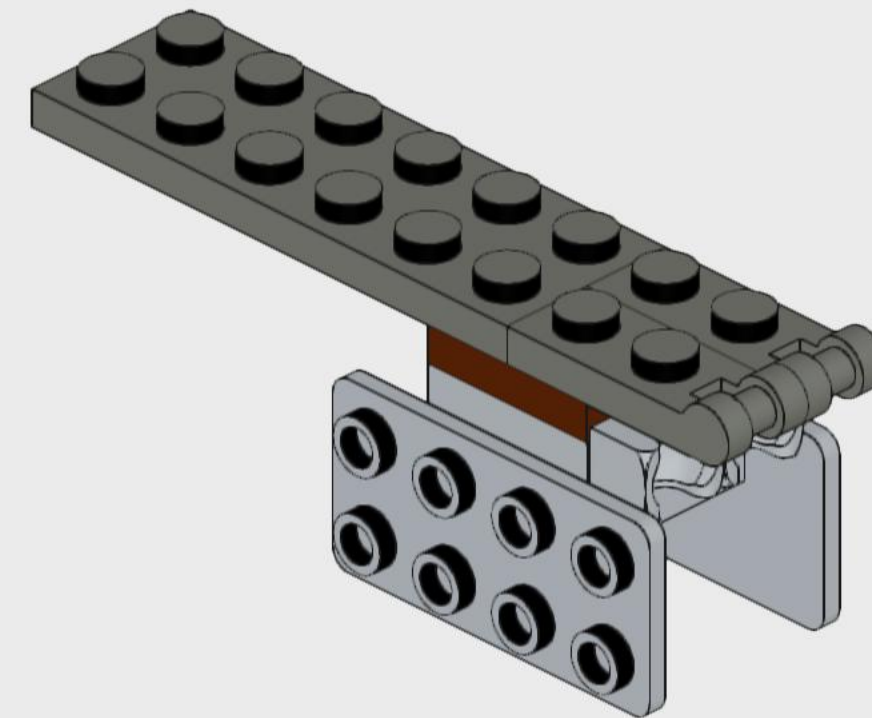
2

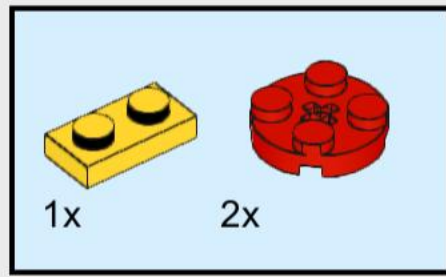


3

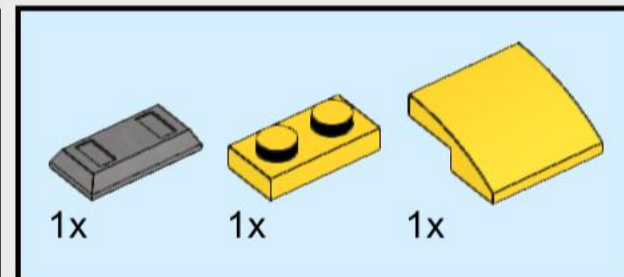
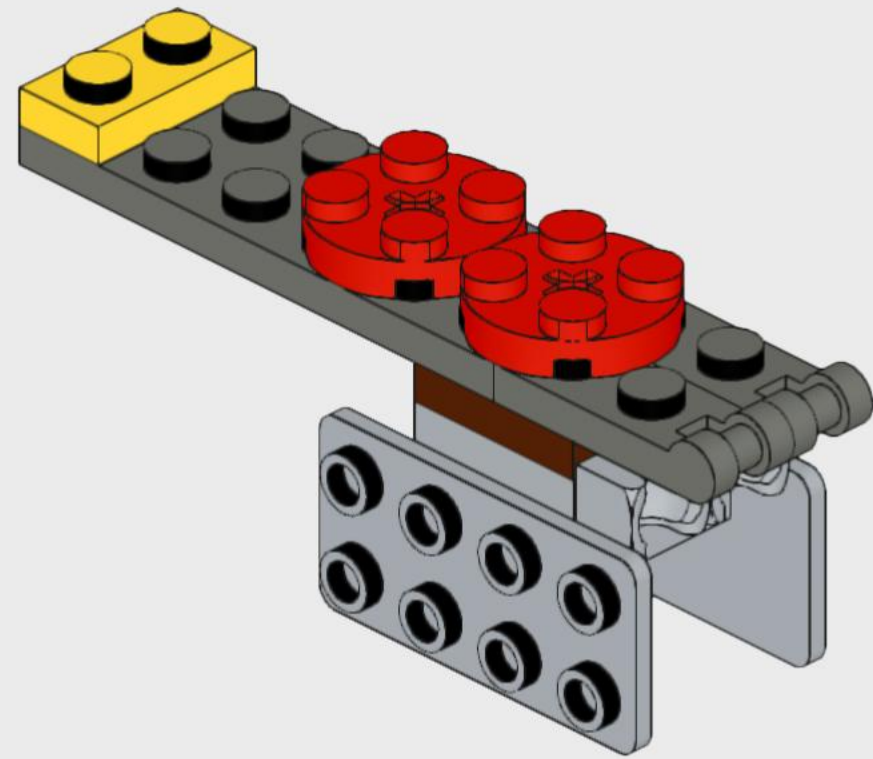


4

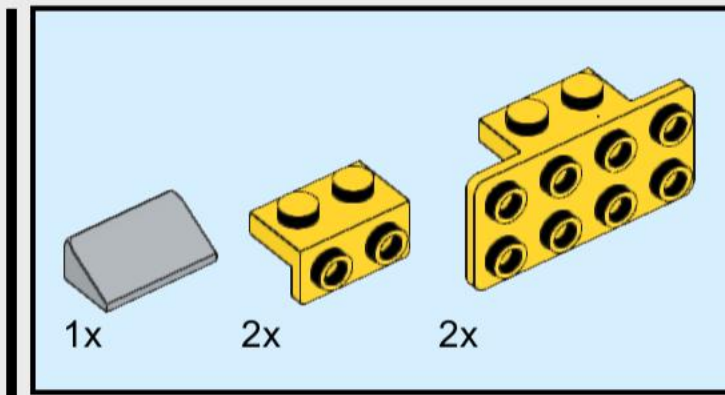
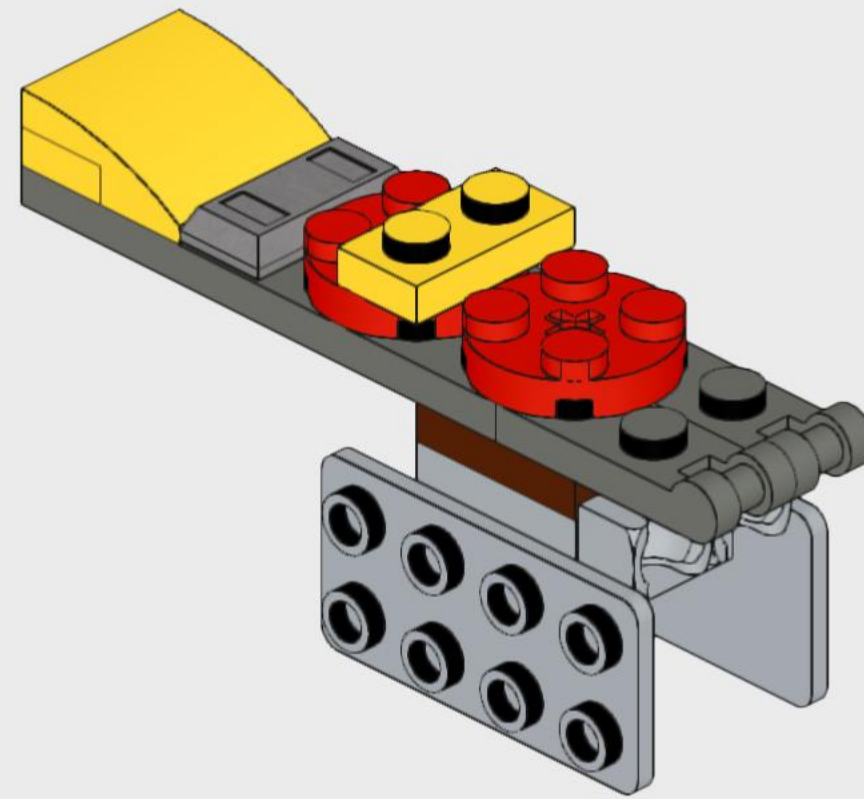




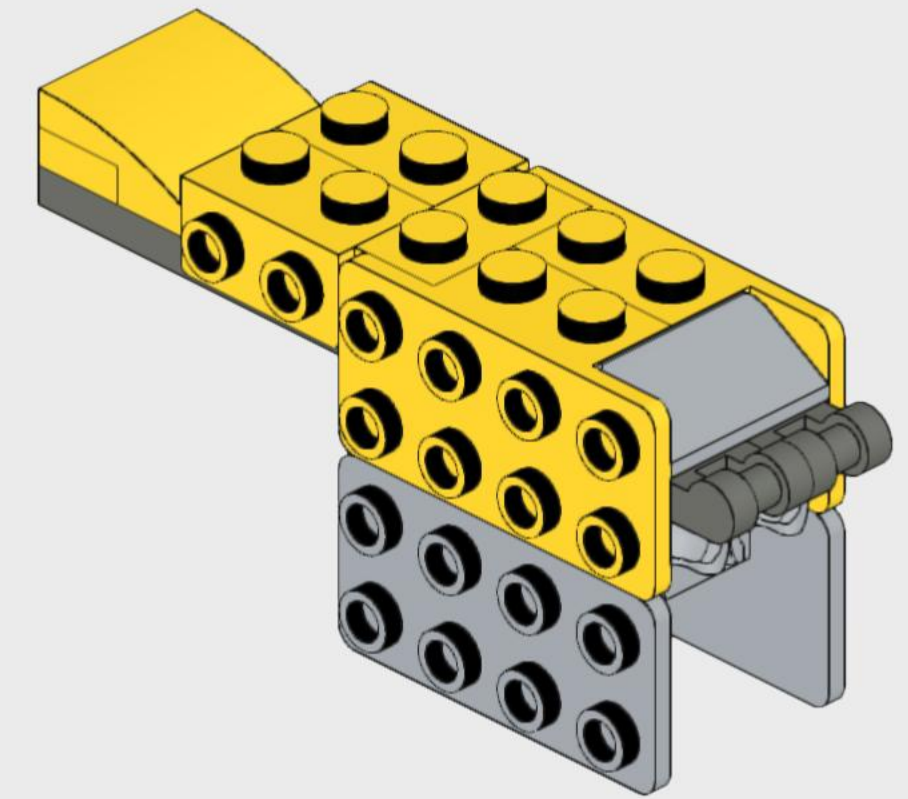
5

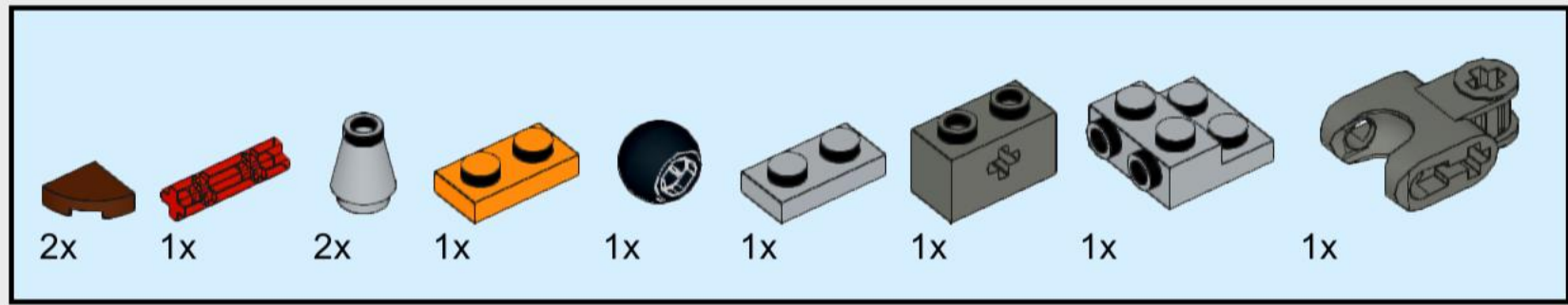


6

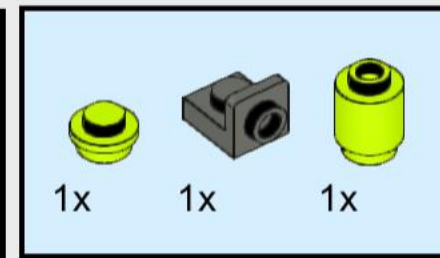
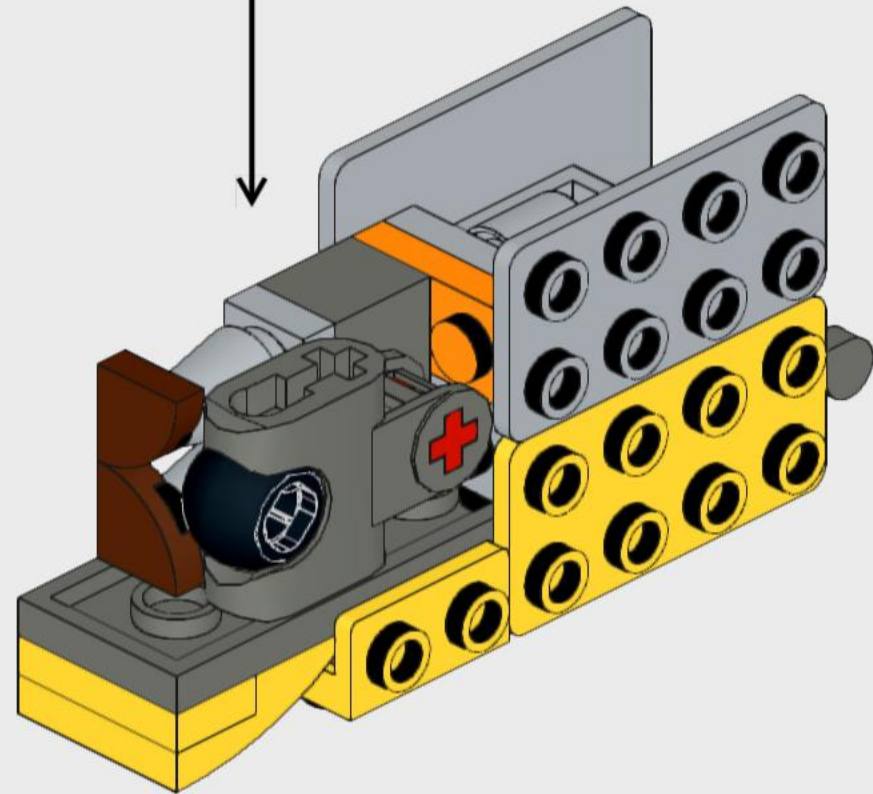
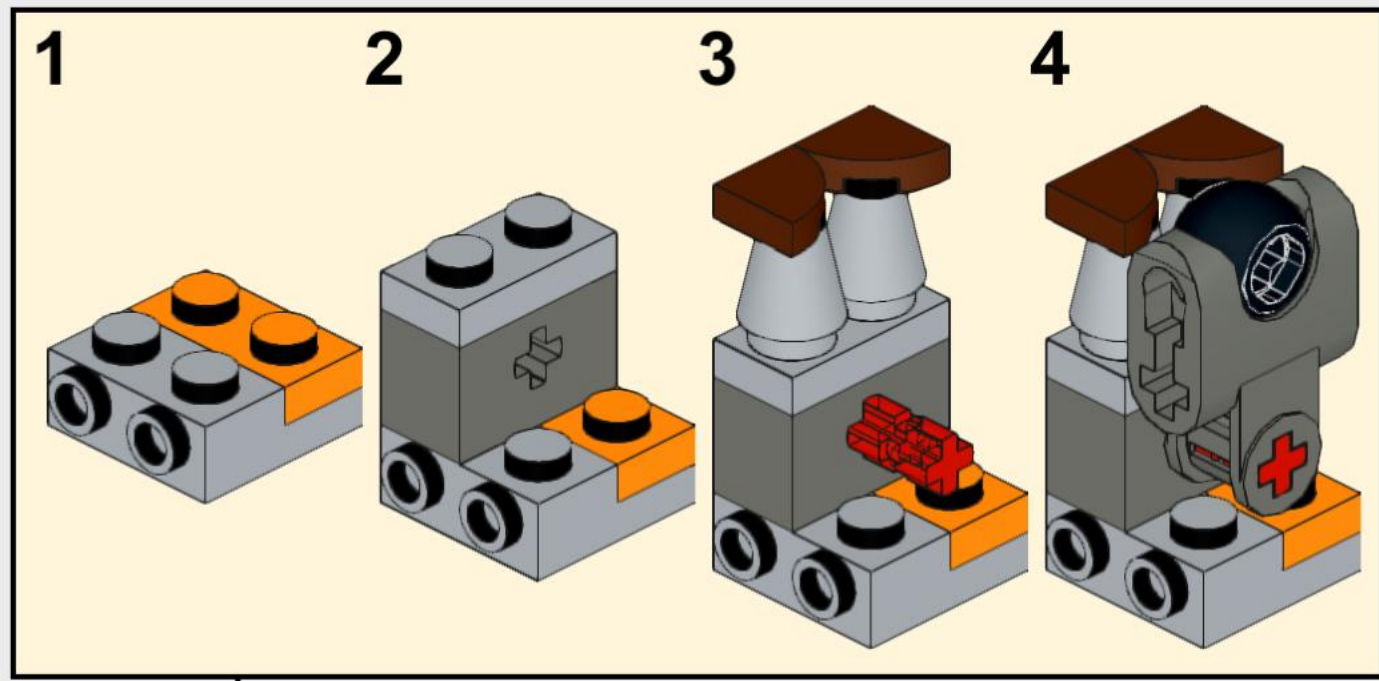


7

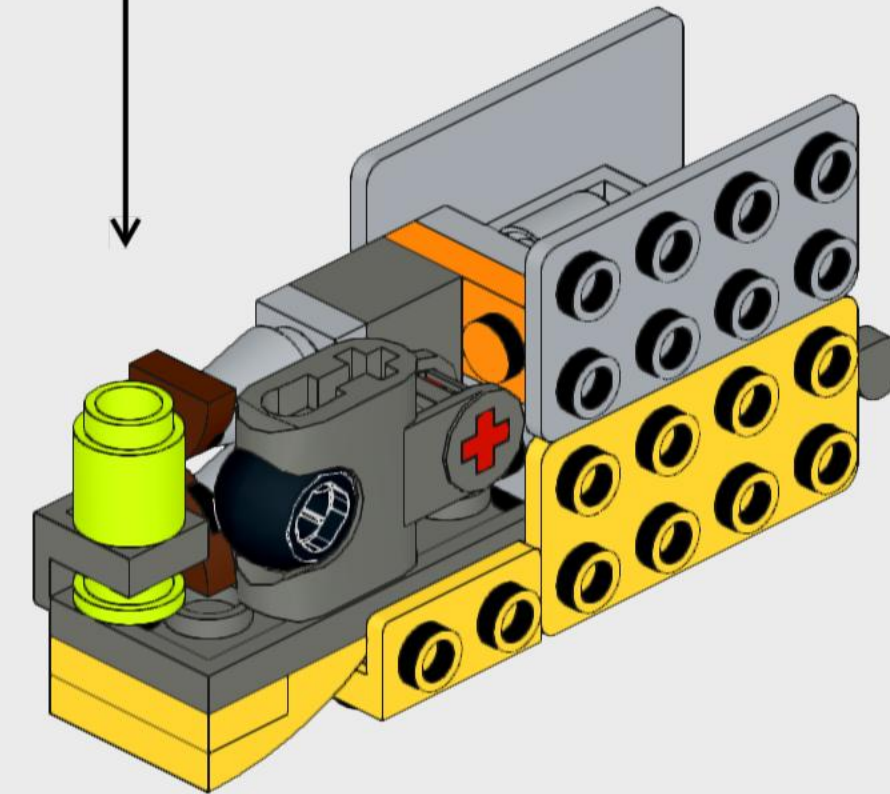
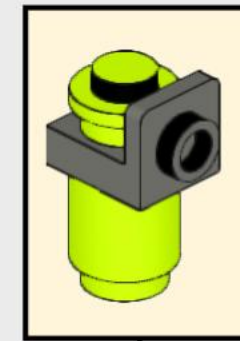


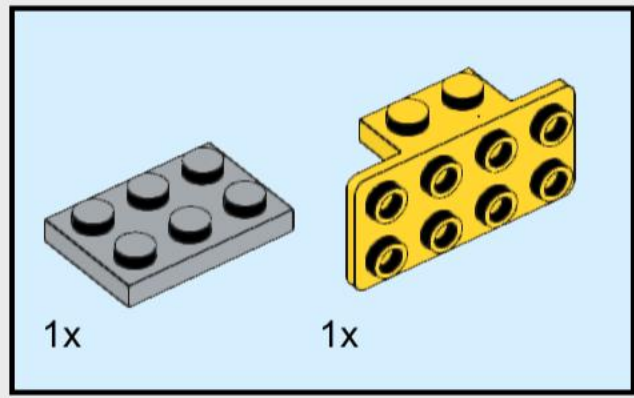


8 

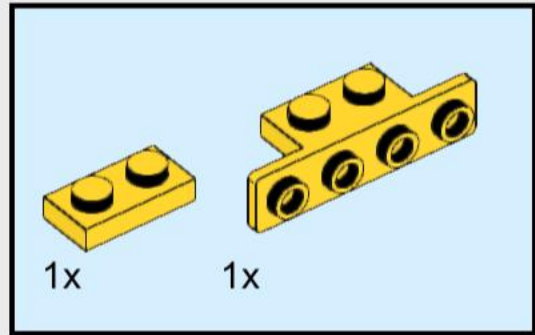
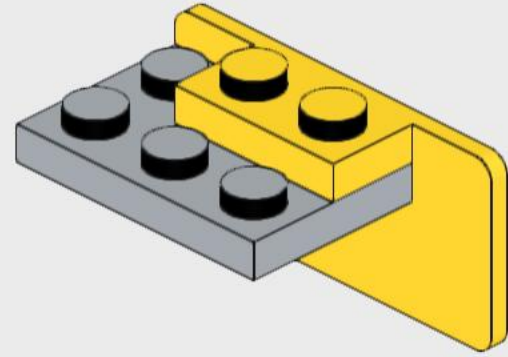


9

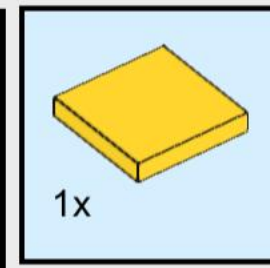
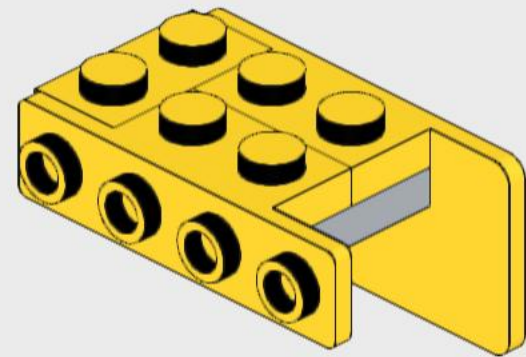




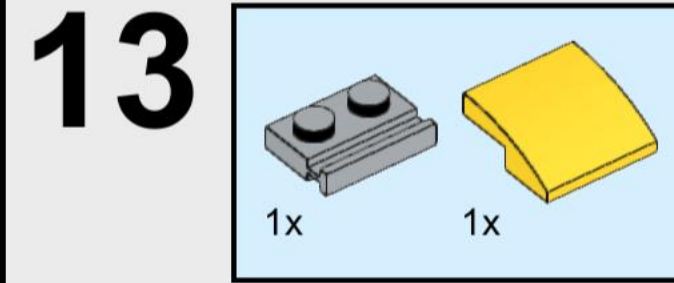
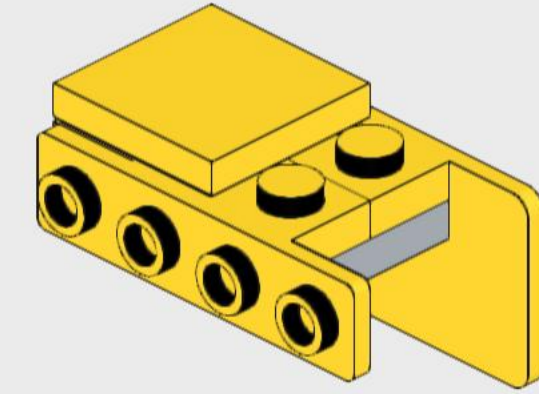
10



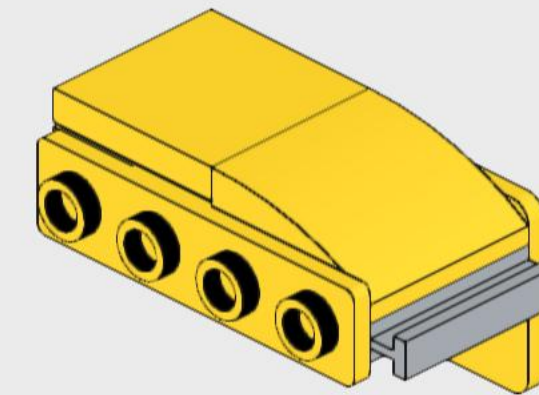
11



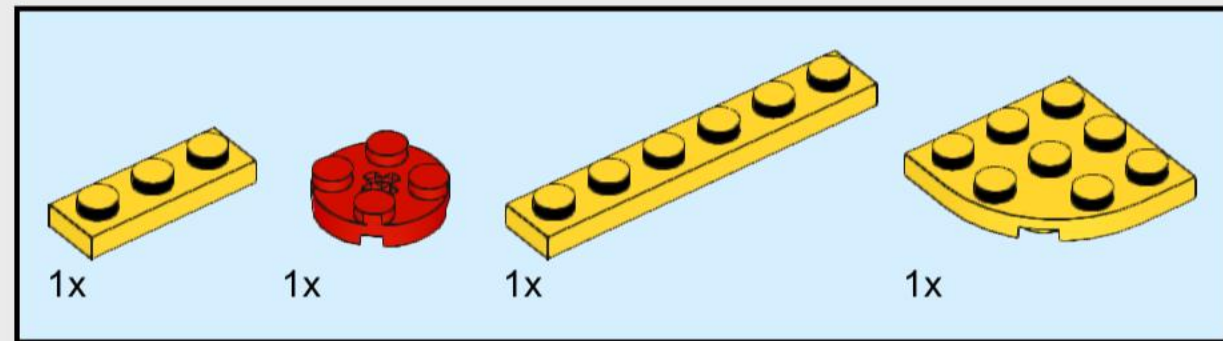
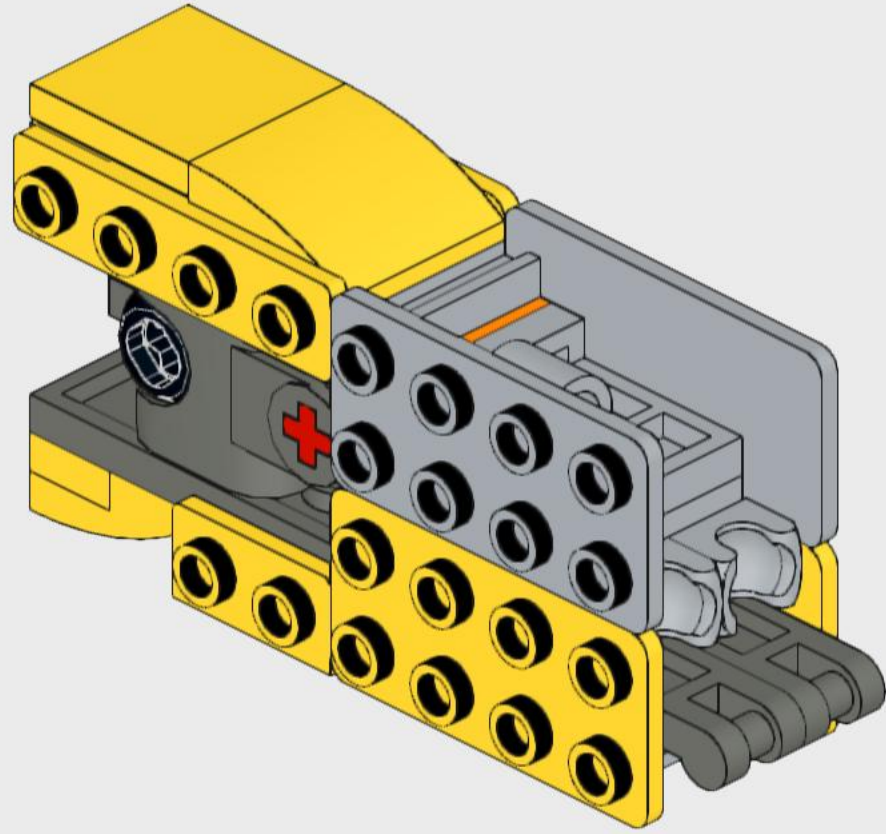
12



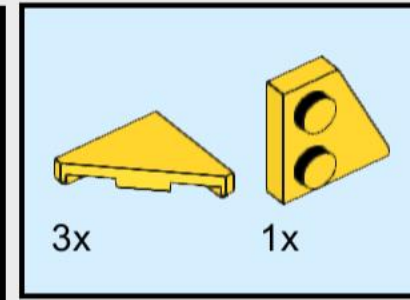
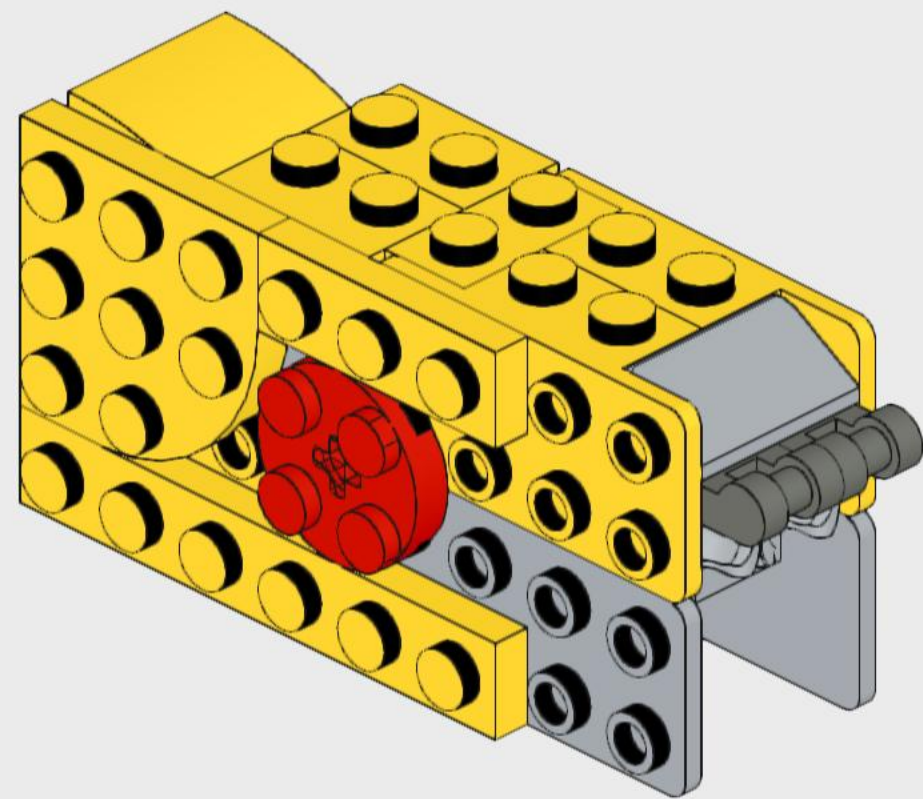
13



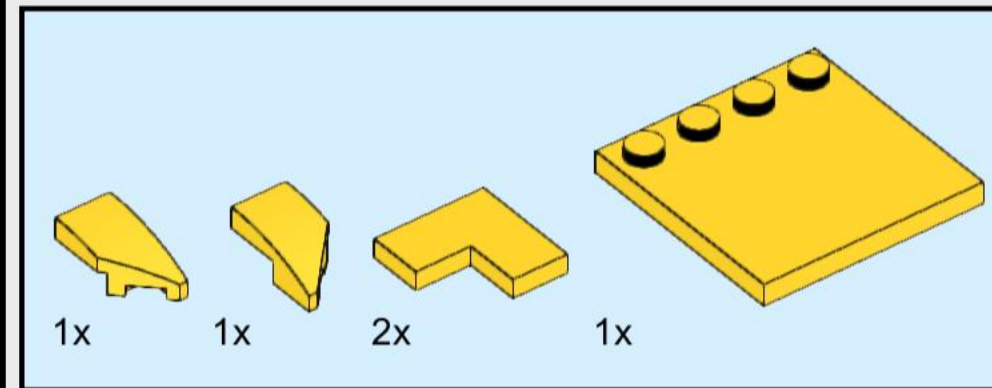
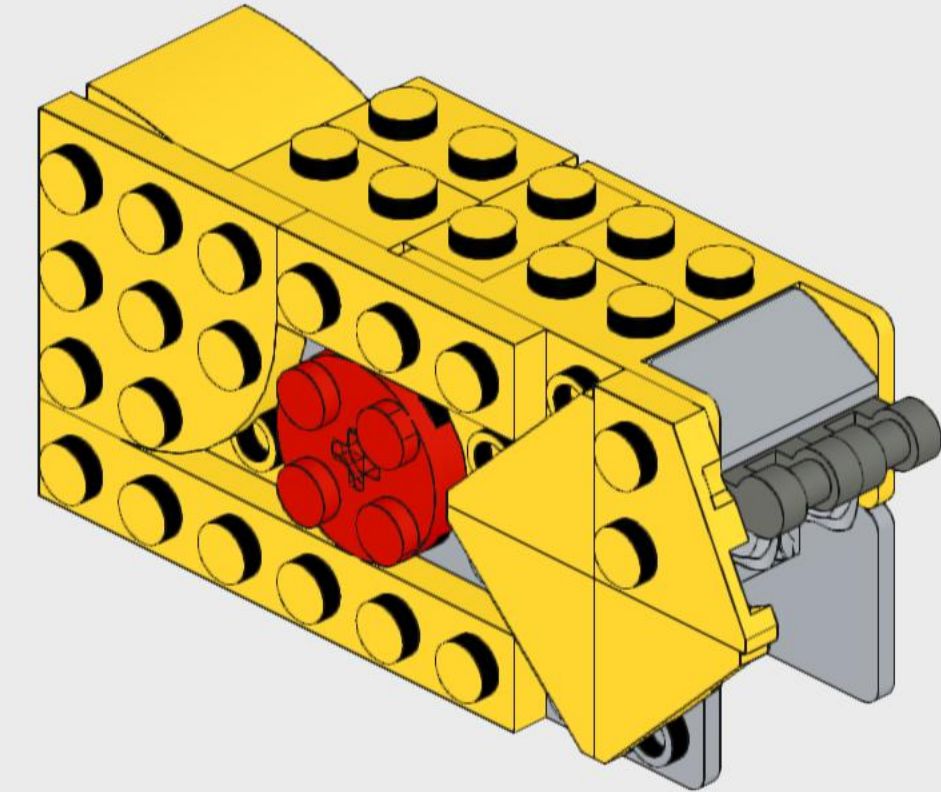
14



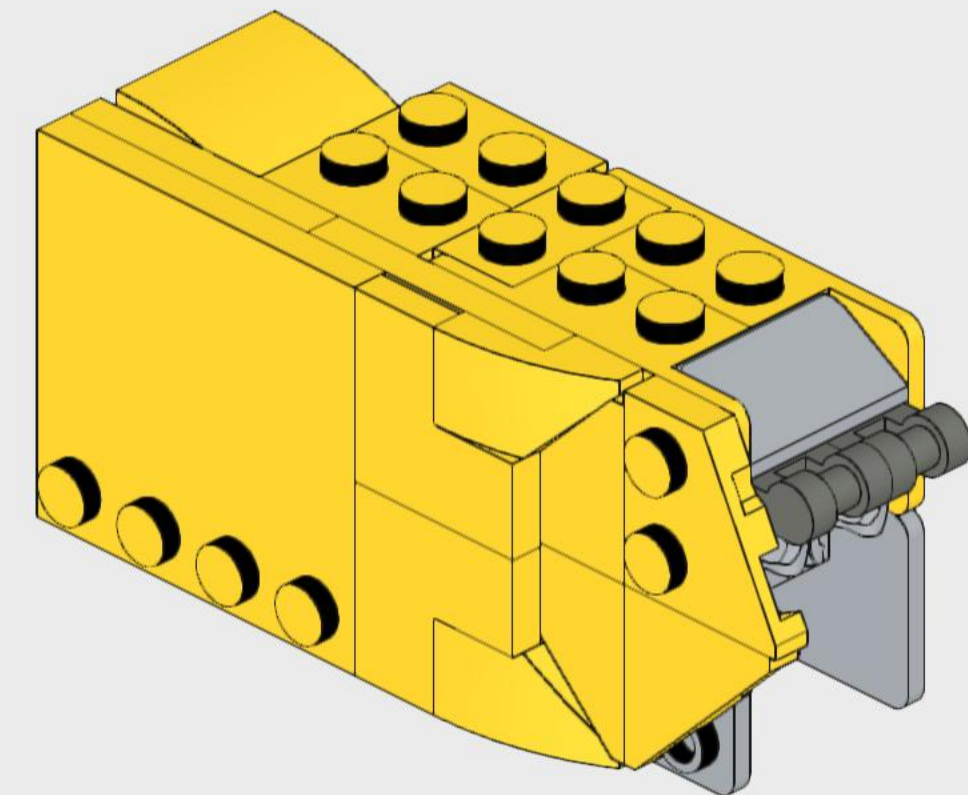
15 

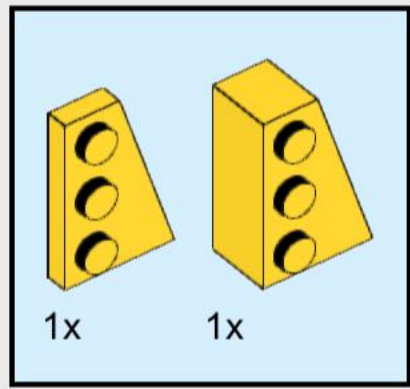


16

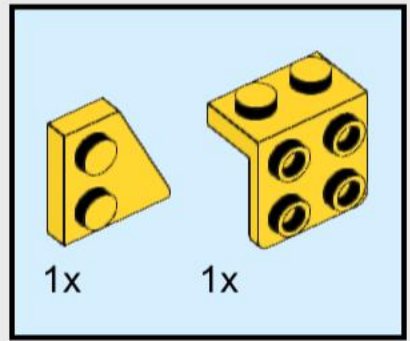
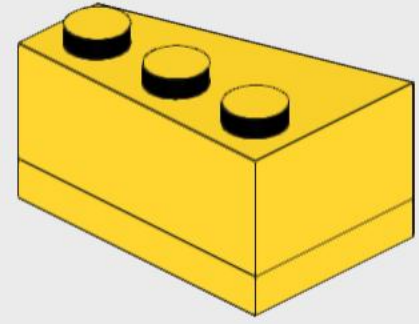


17

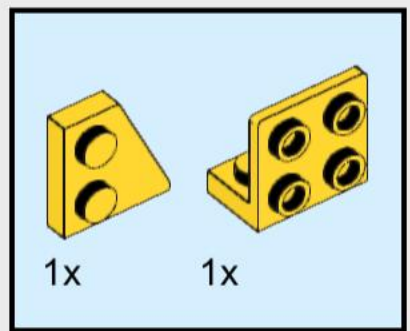
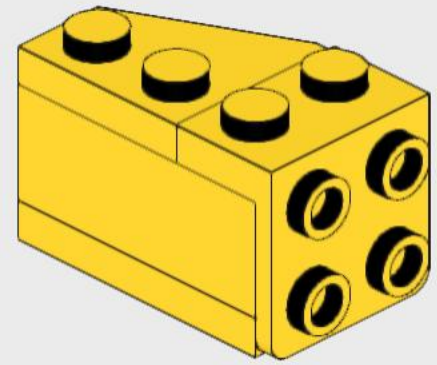




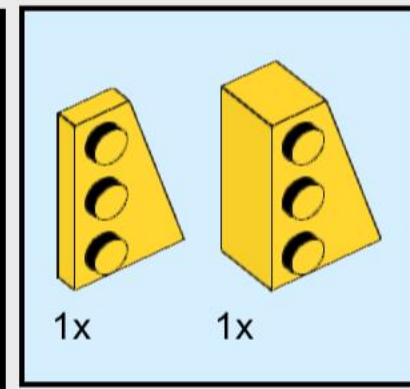
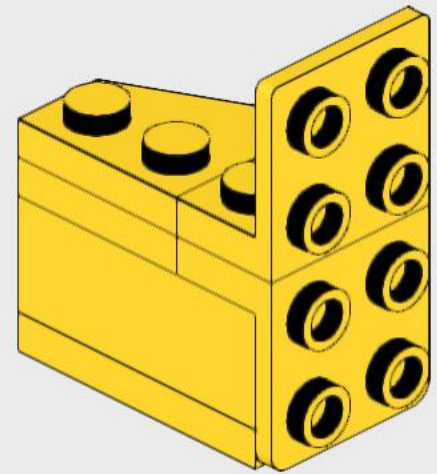
18



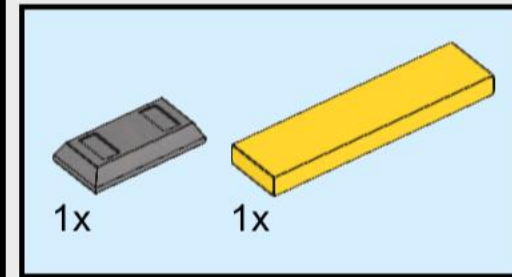
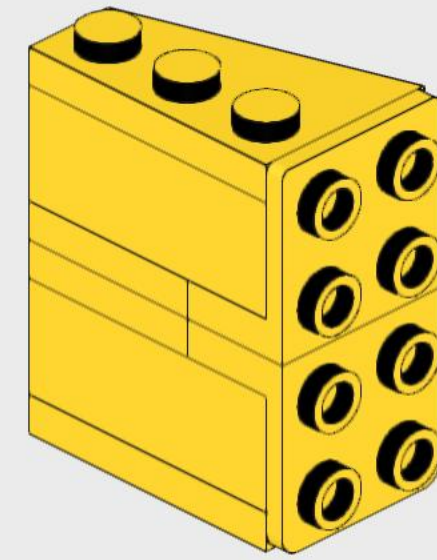
19



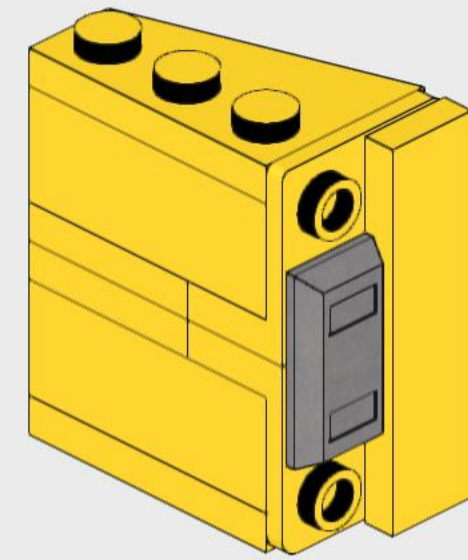
20



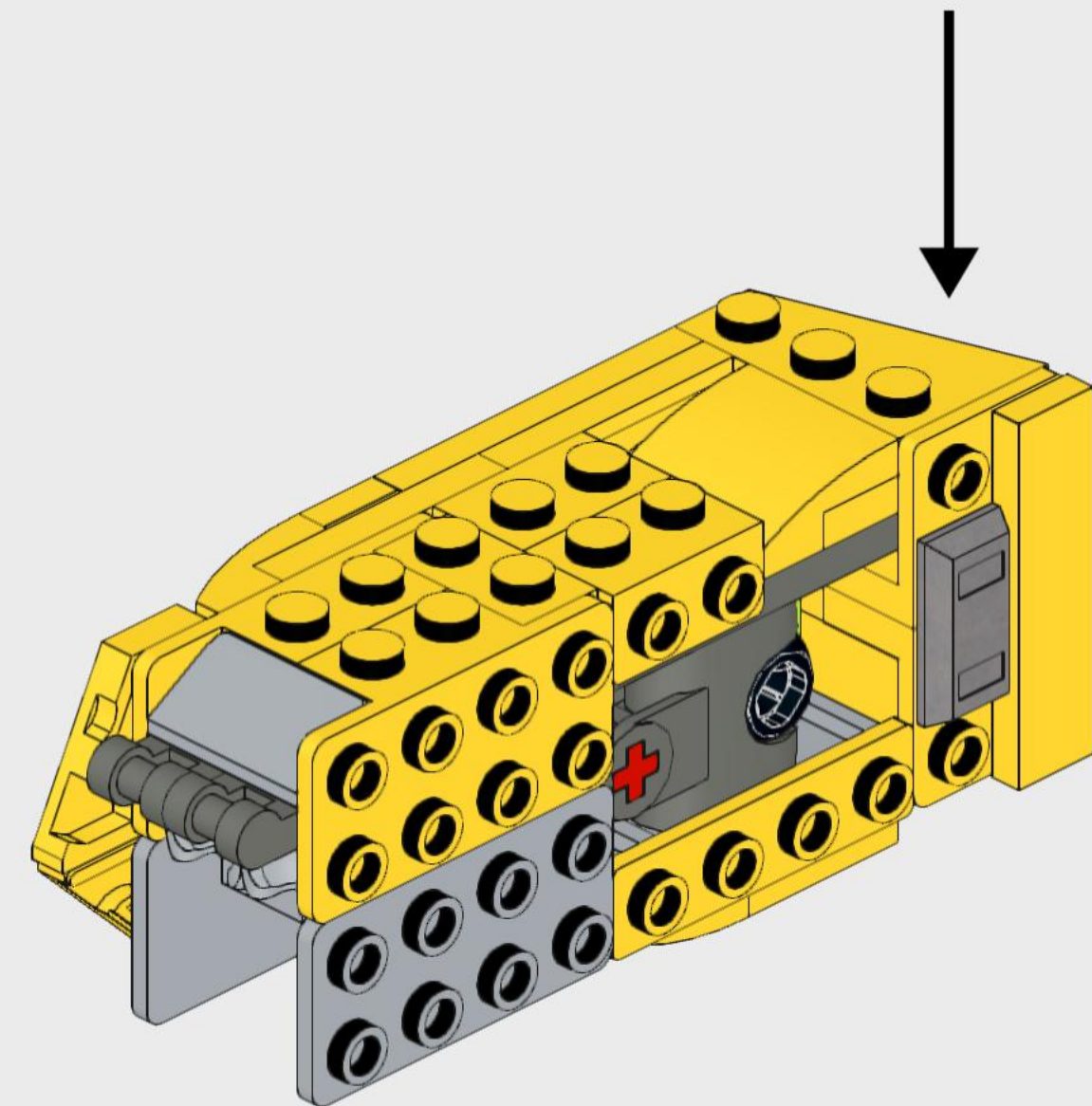
21

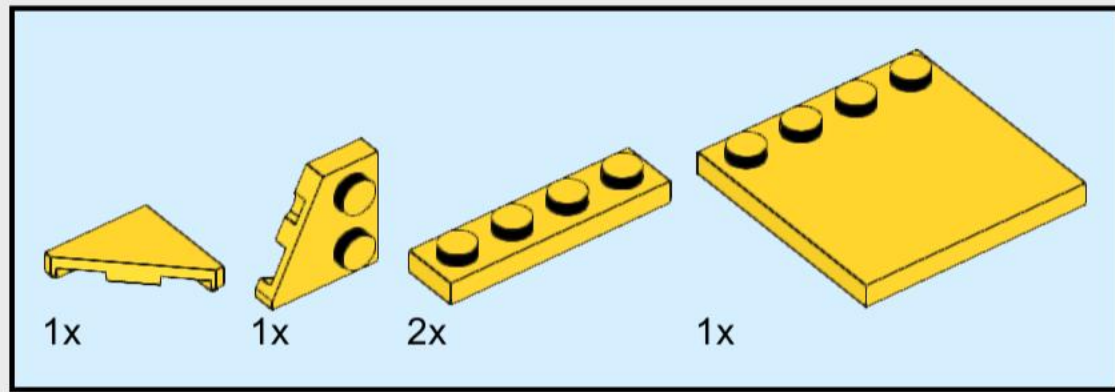


22

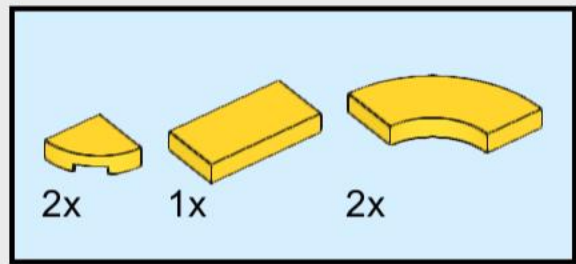
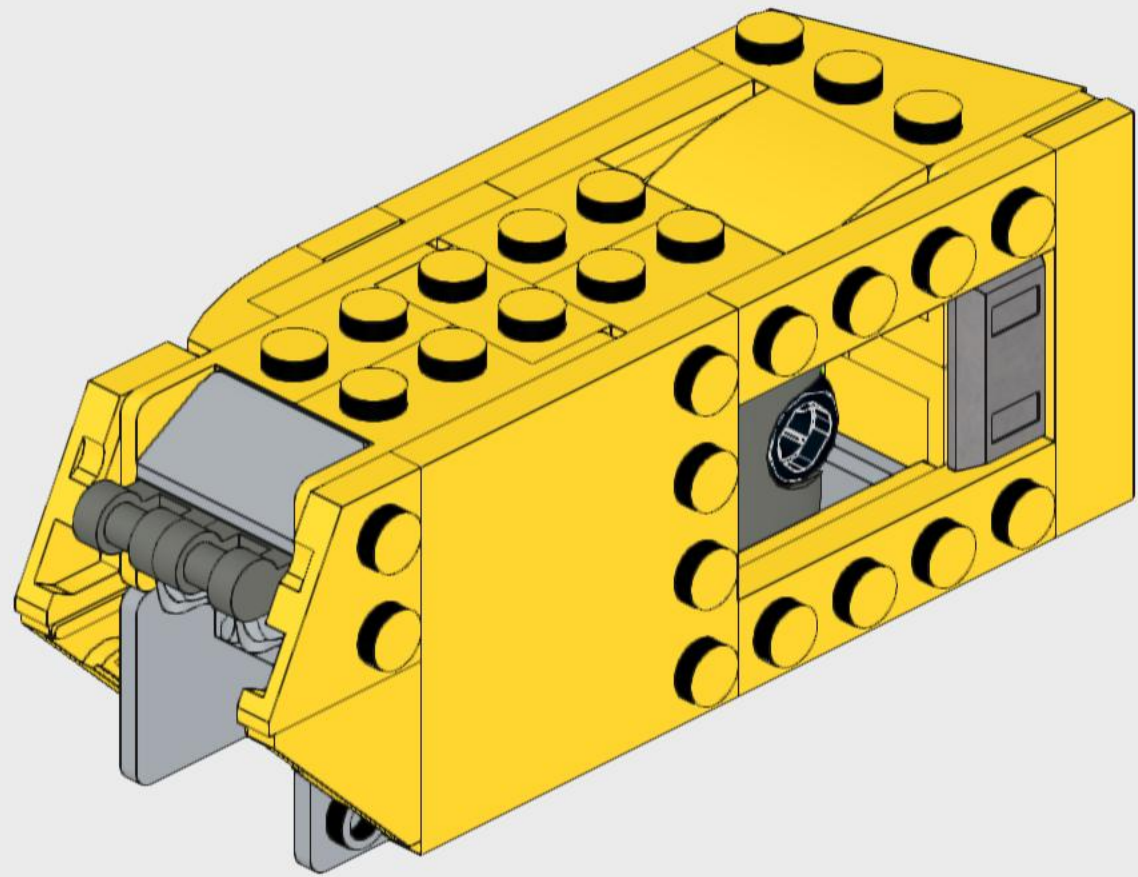


23

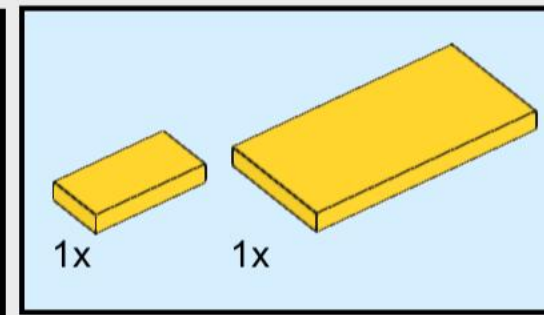
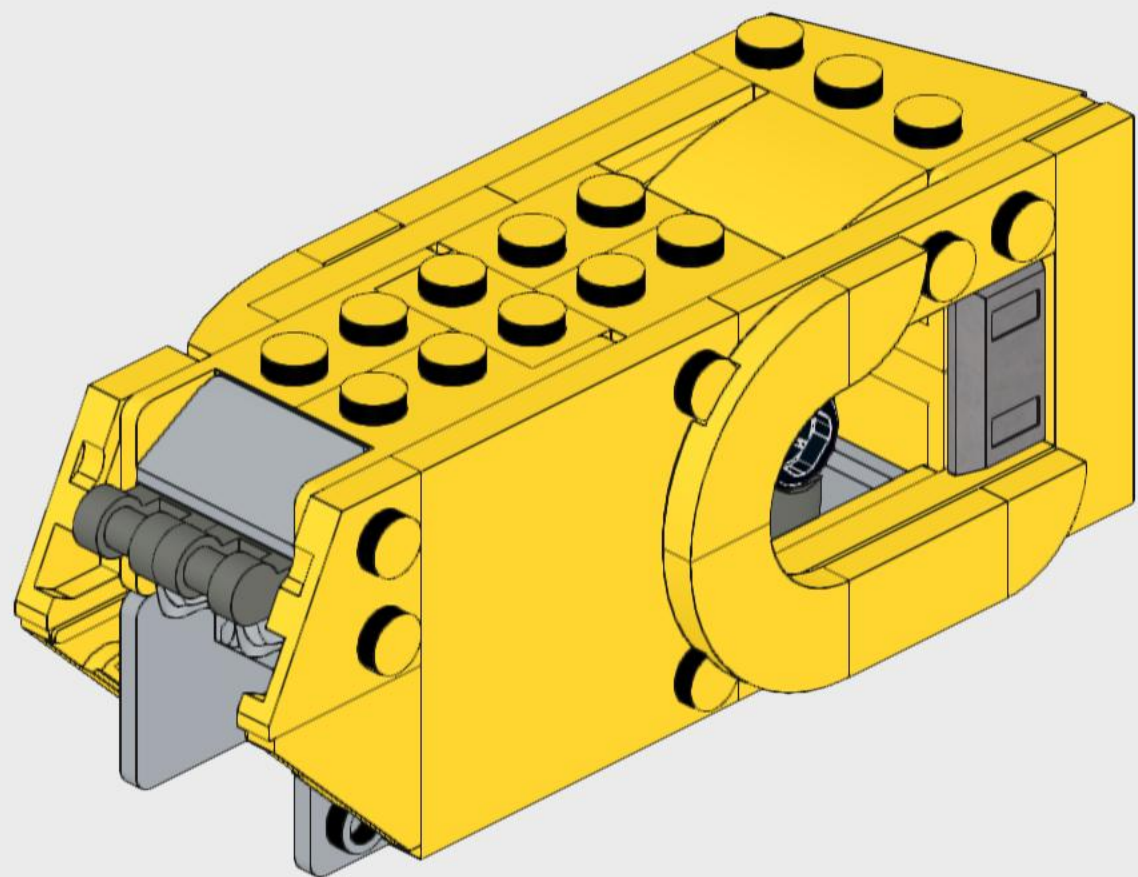




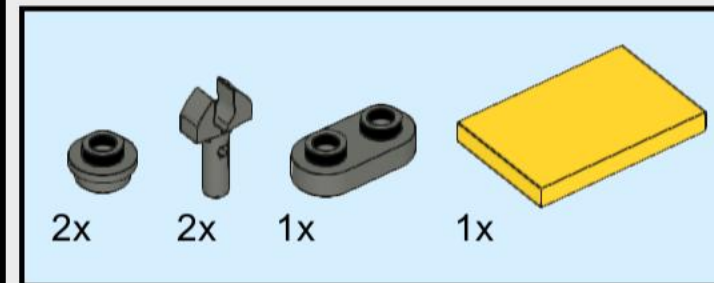
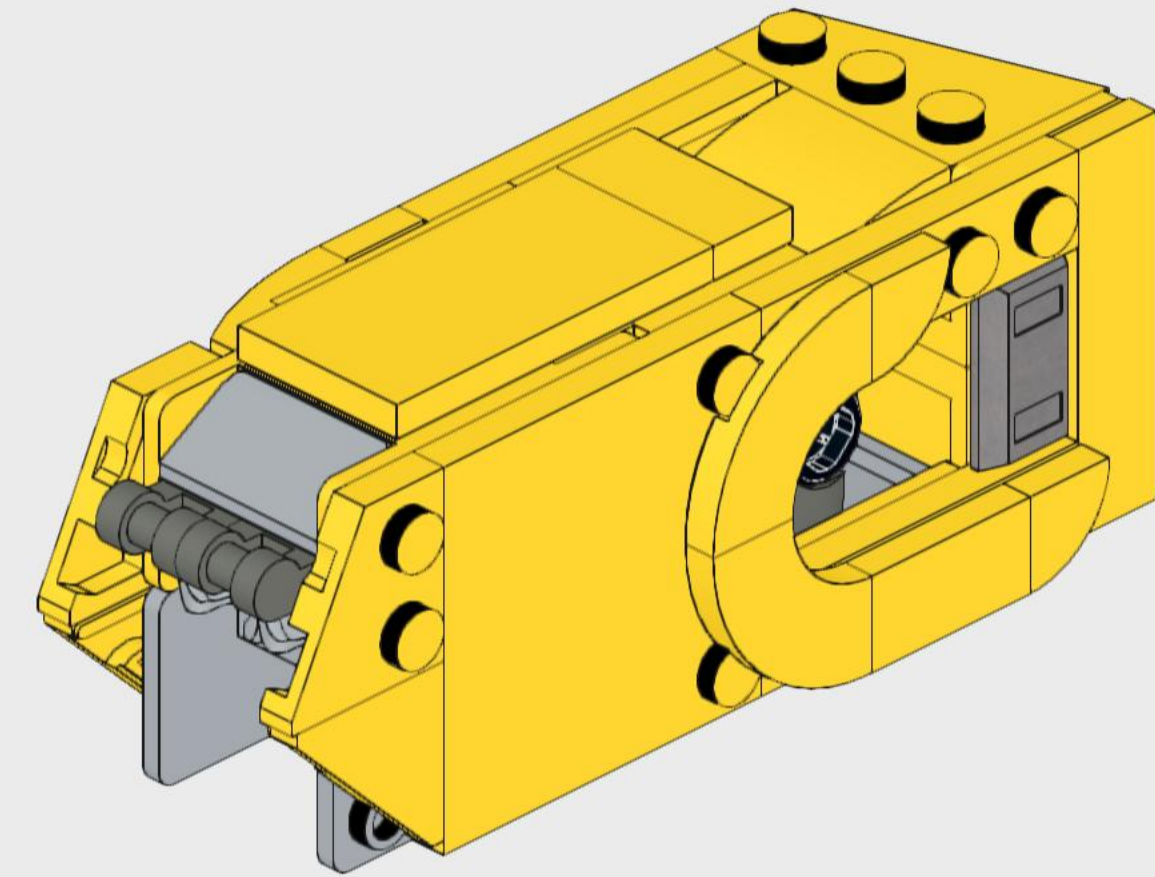
24



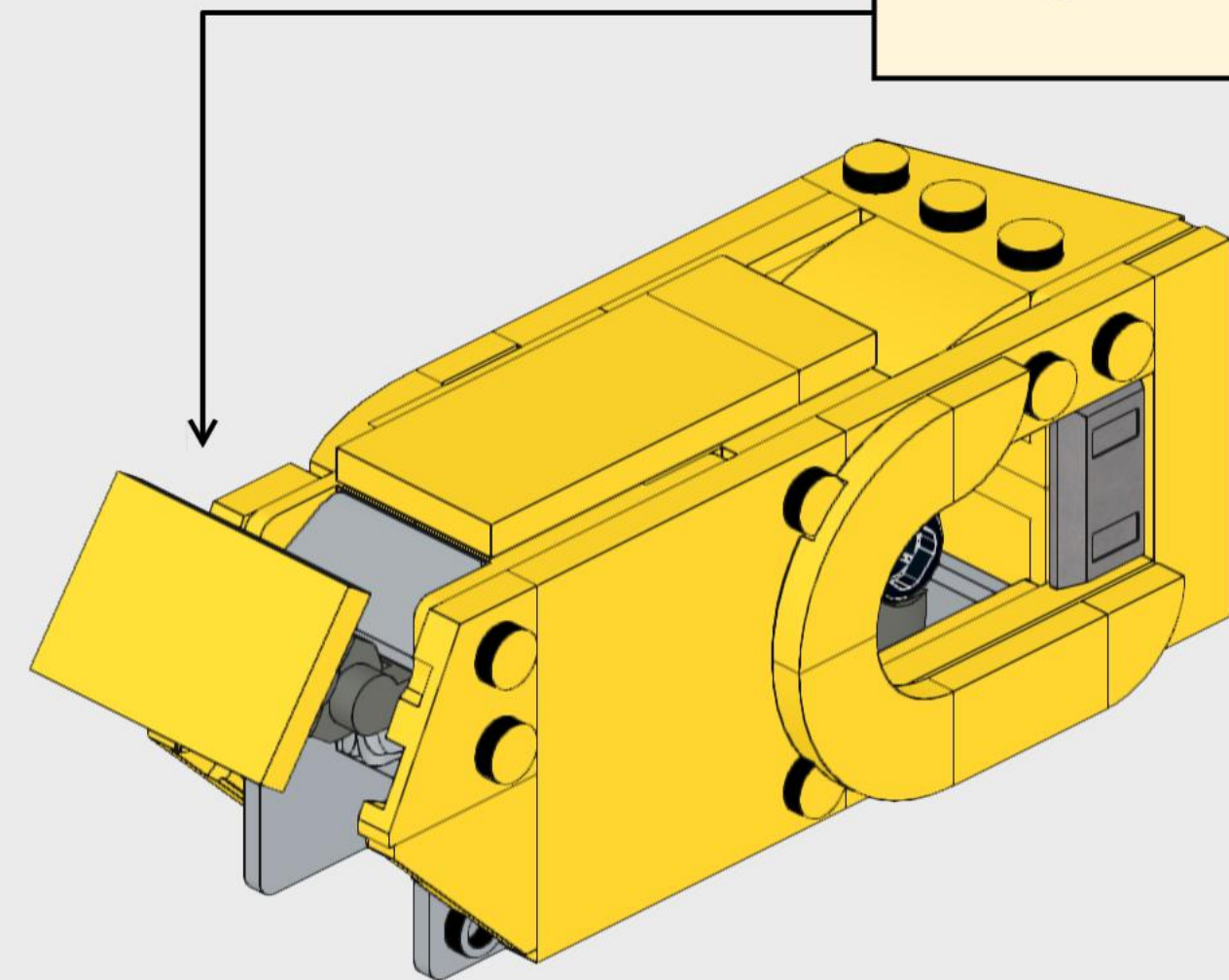
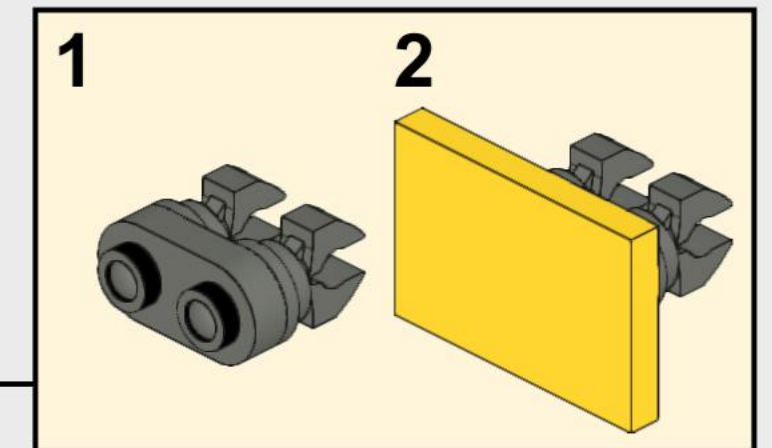
25

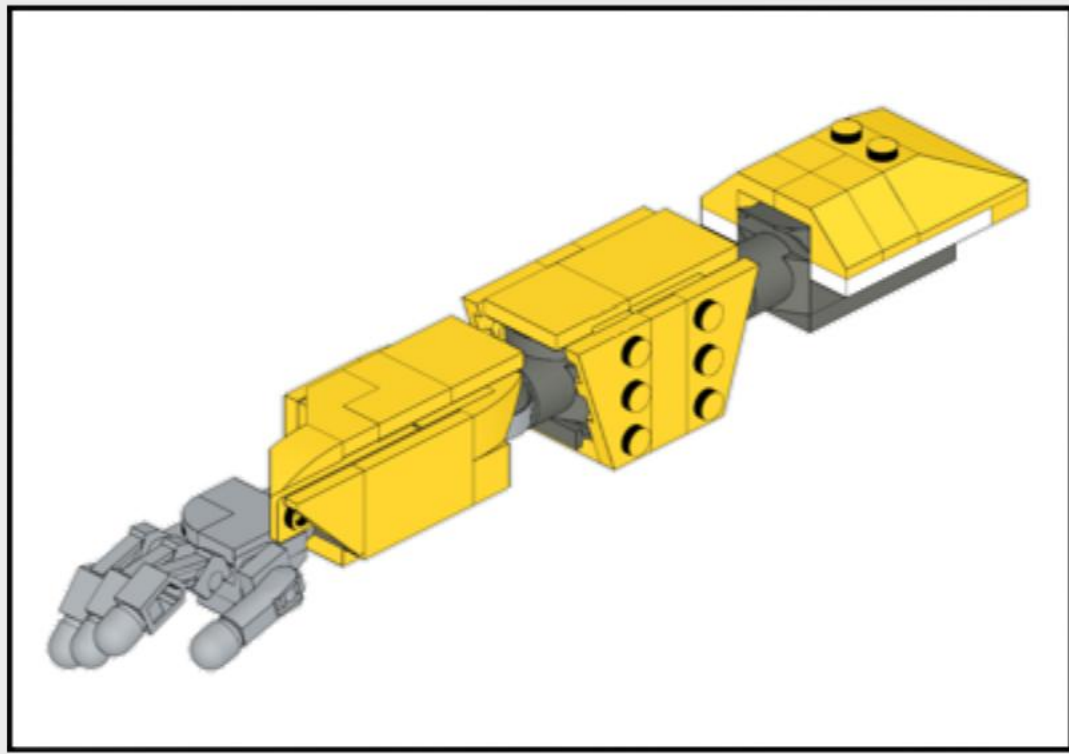


26

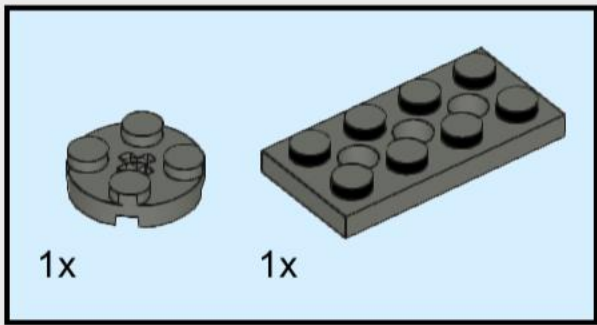


27

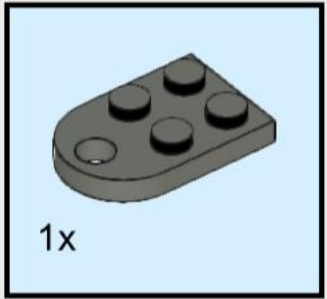
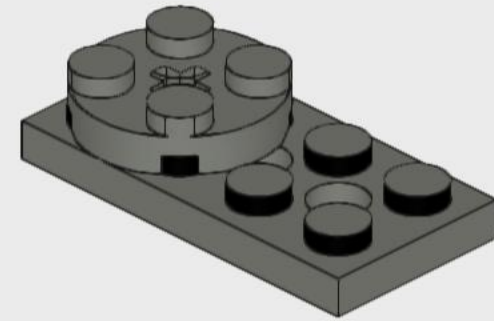




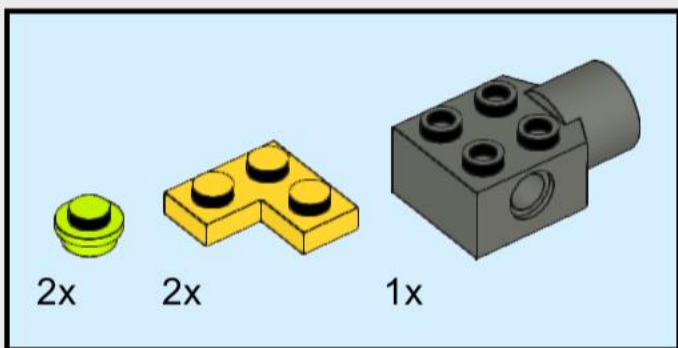
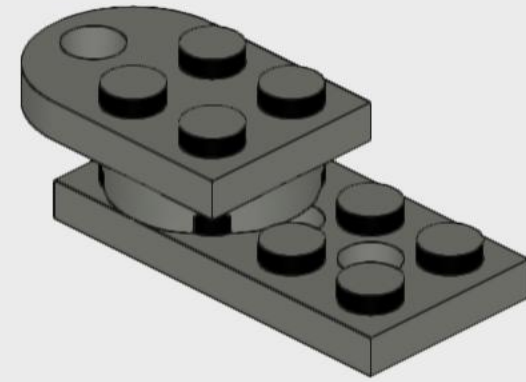
2x Inverted



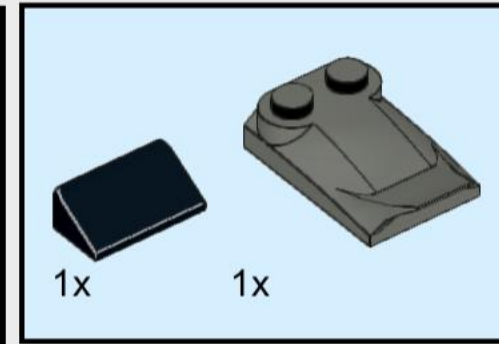
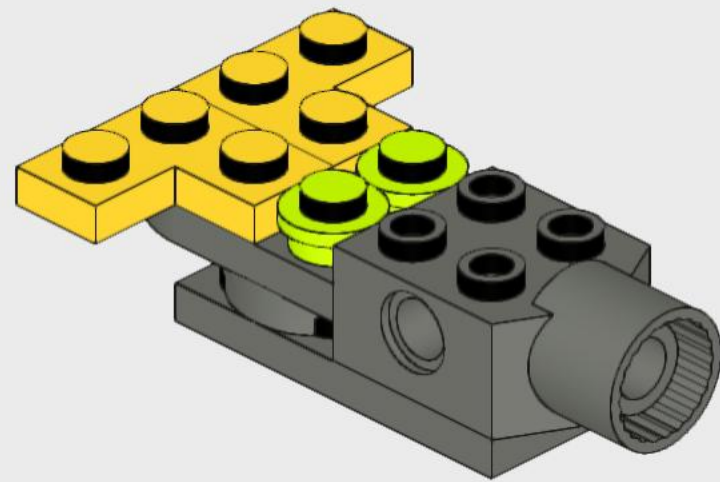
1



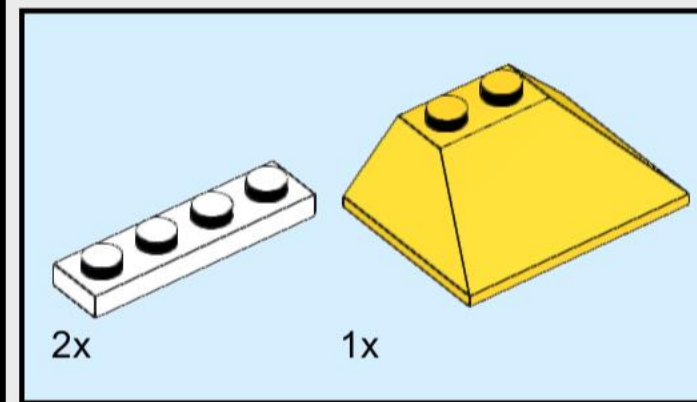
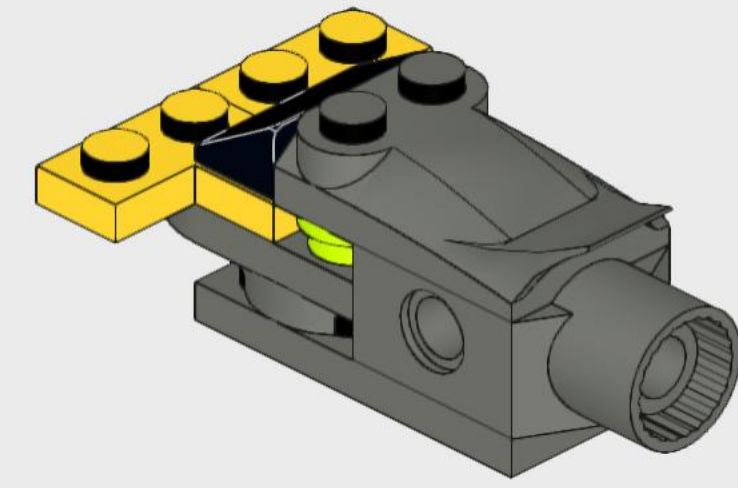
2



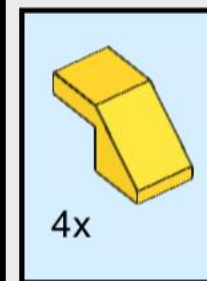
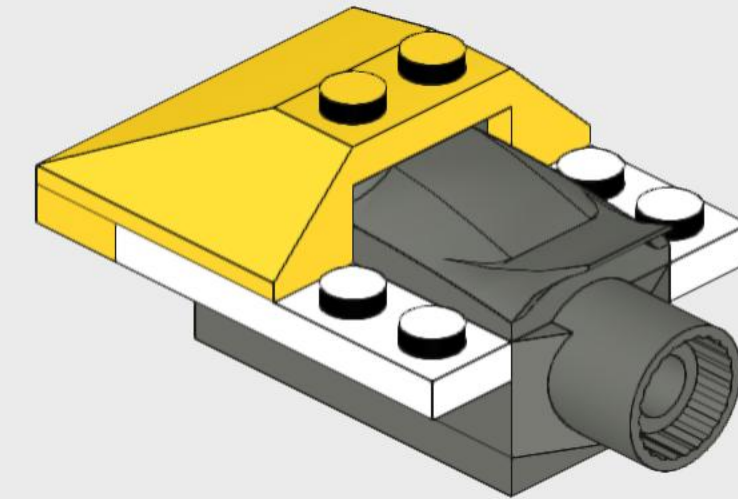
3



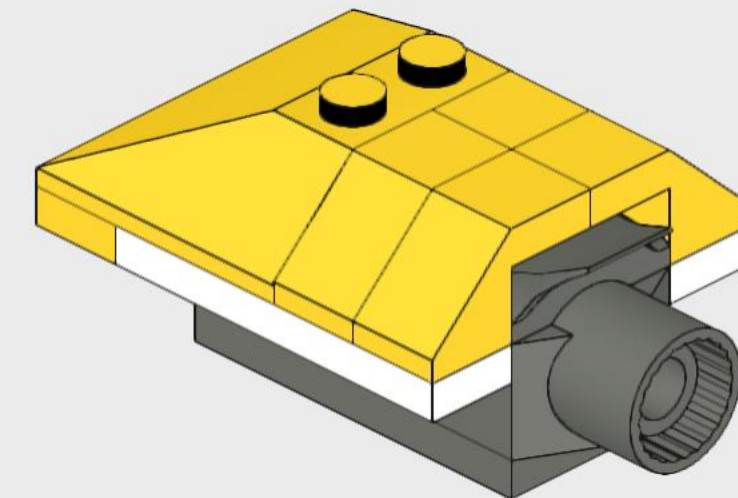
4

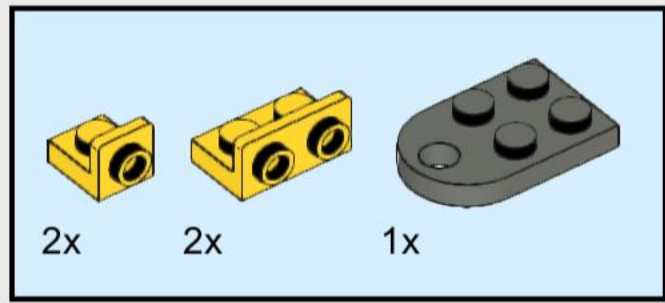


5

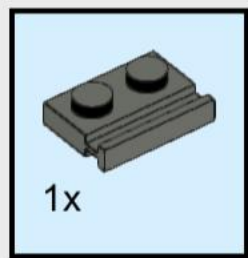
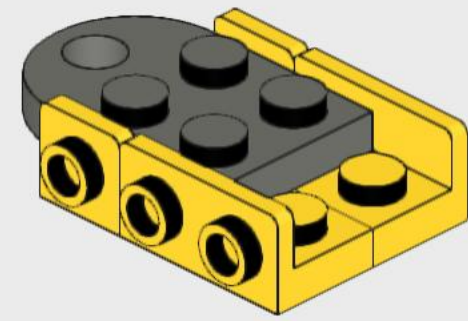


6

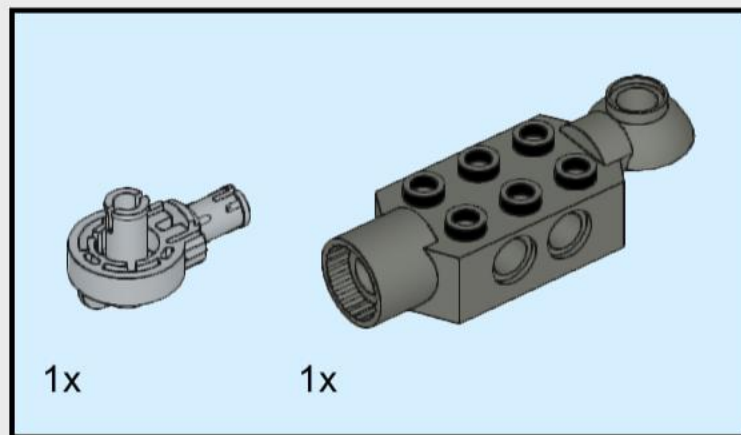
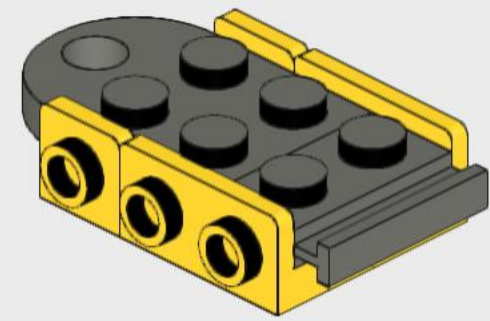




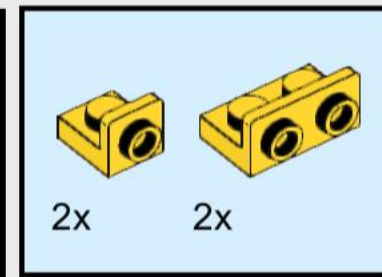
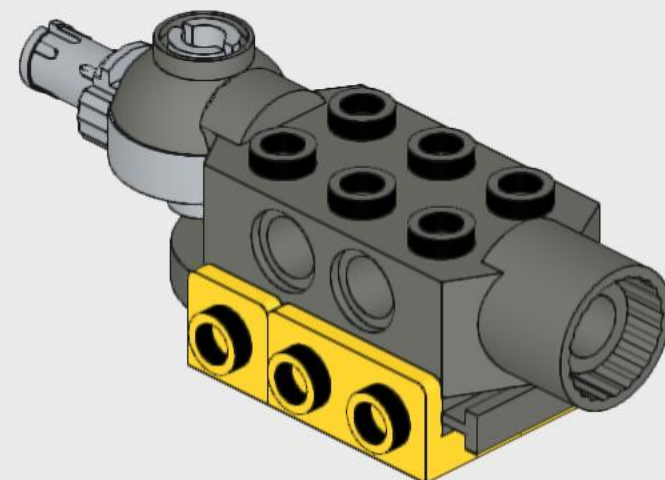
7



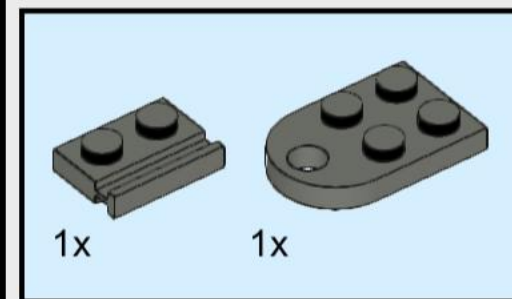
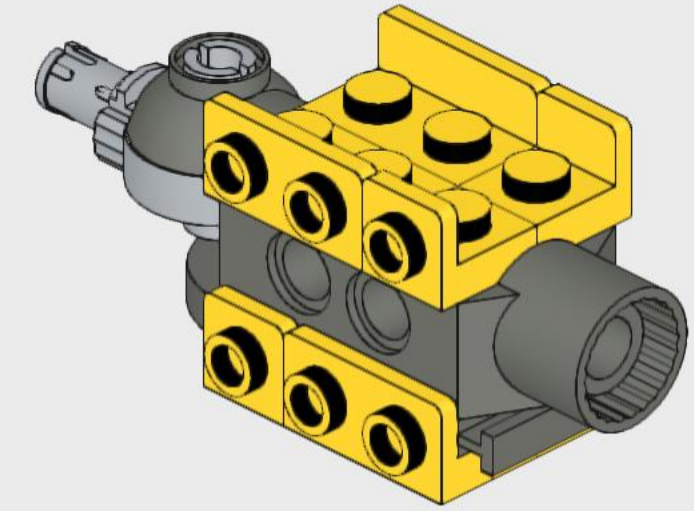
8



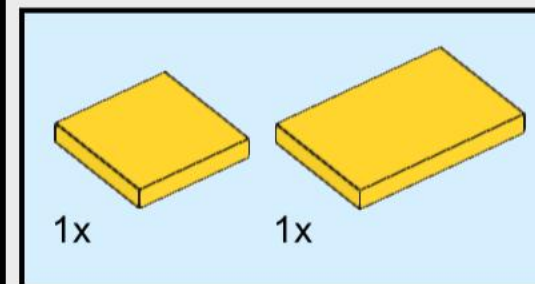
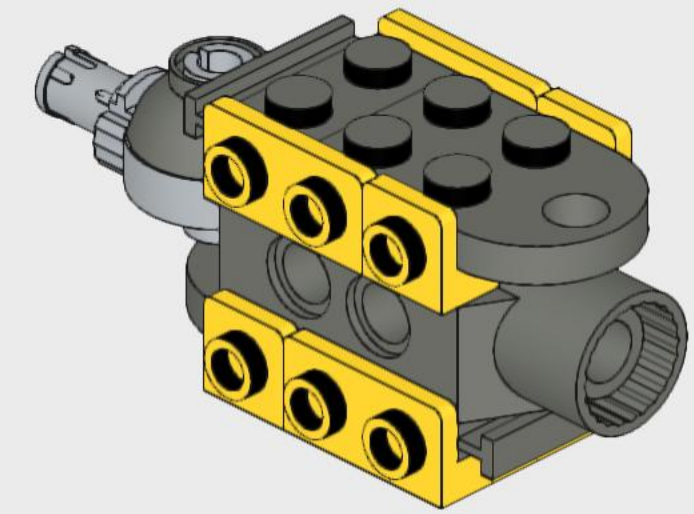
9



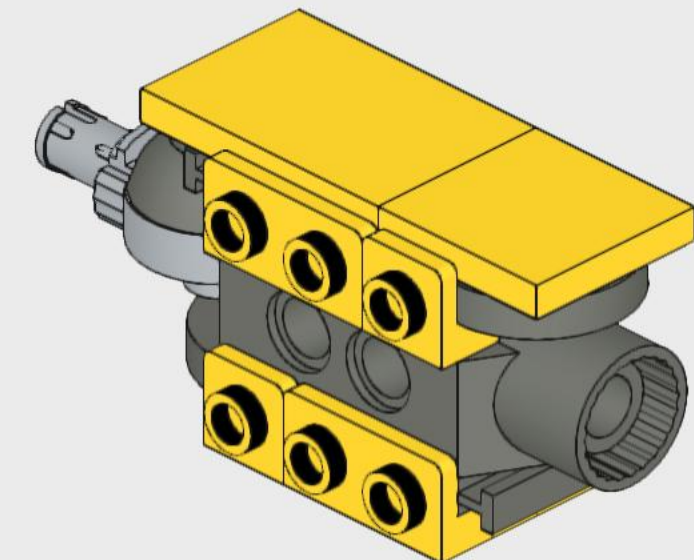
10

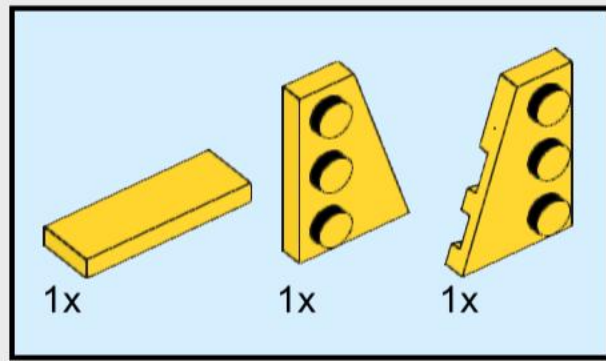


11

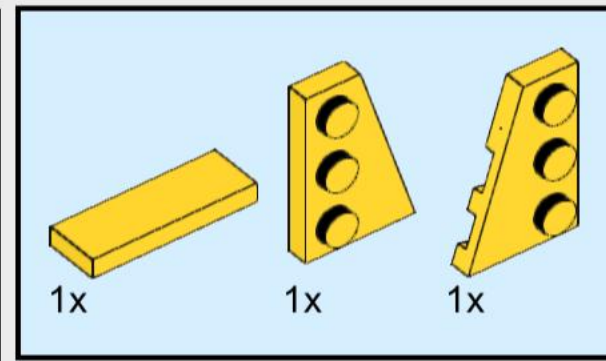
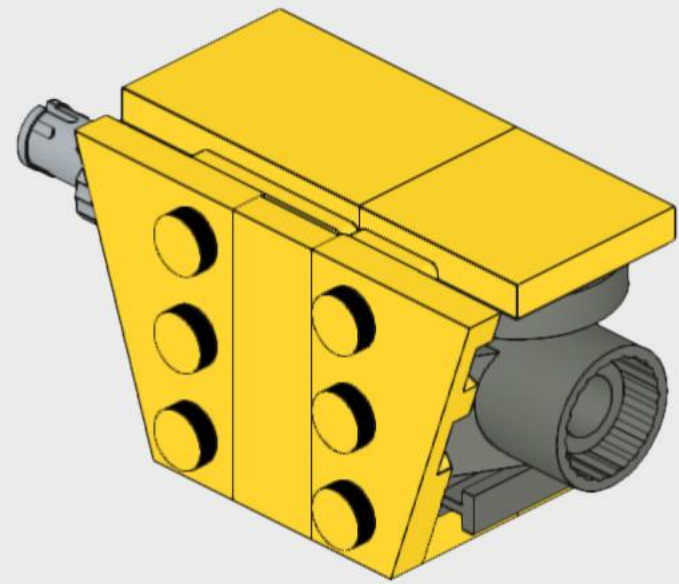


12

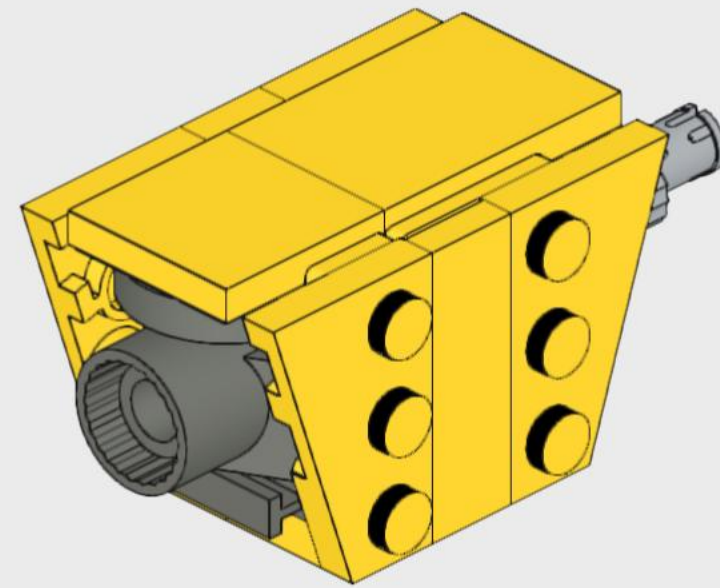




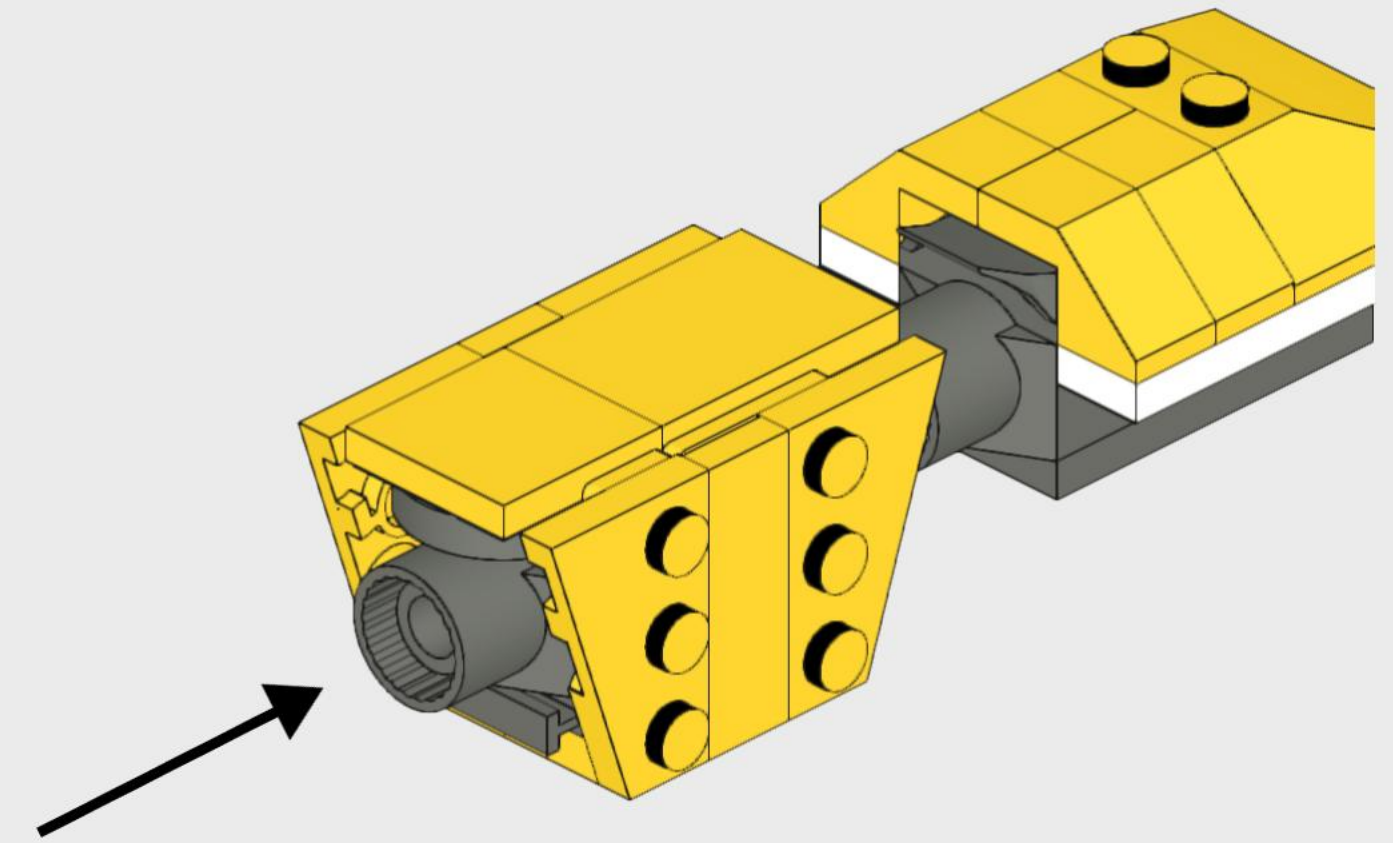
13

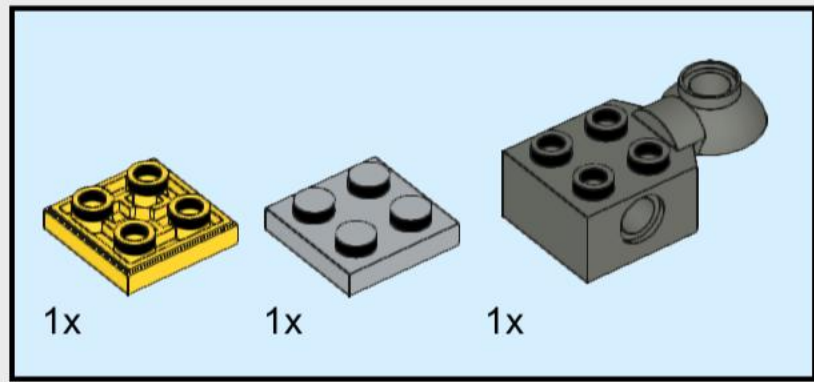


14 

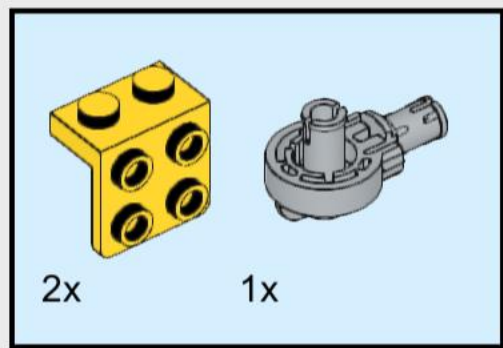
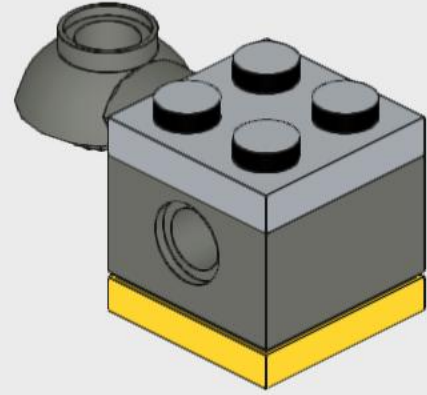


15

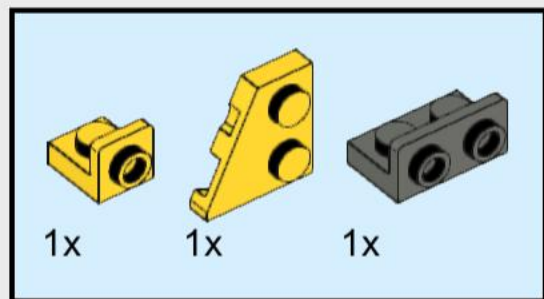
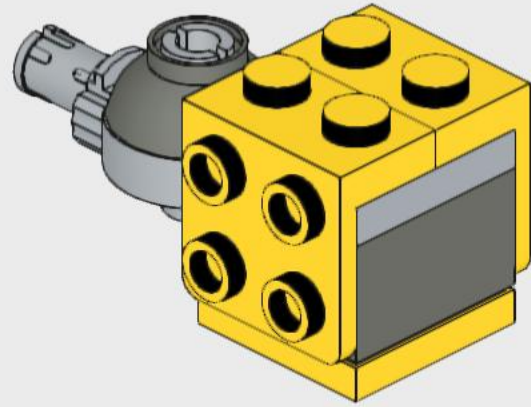




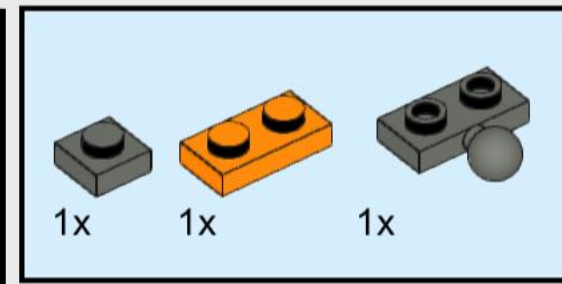
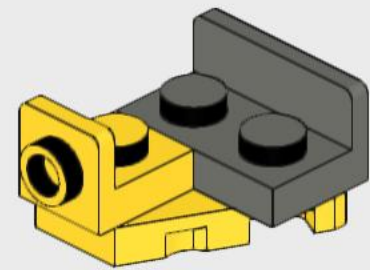
16



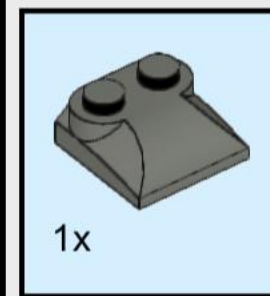
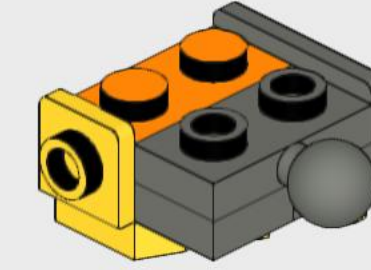
17



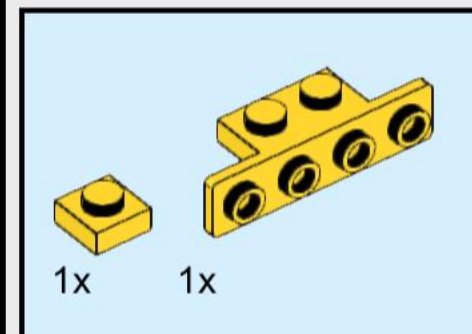
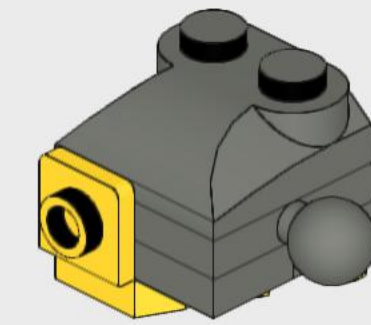
18



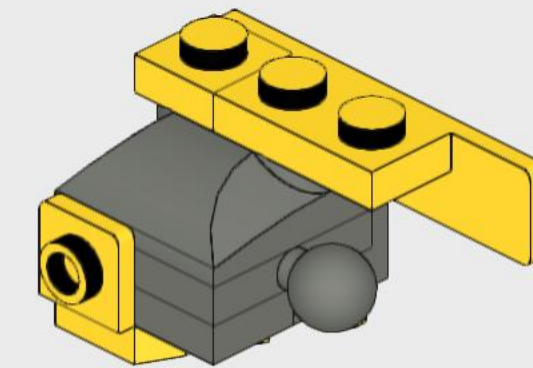
19



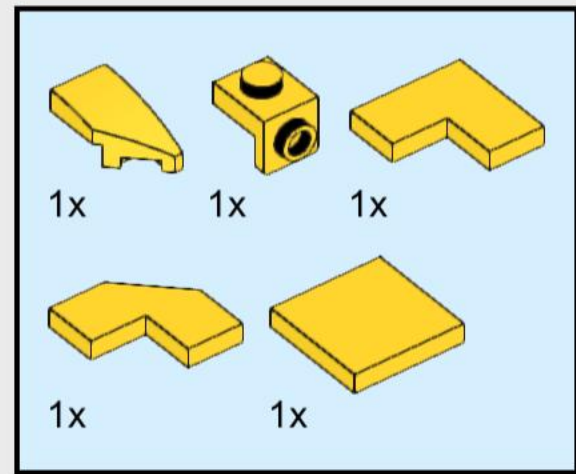
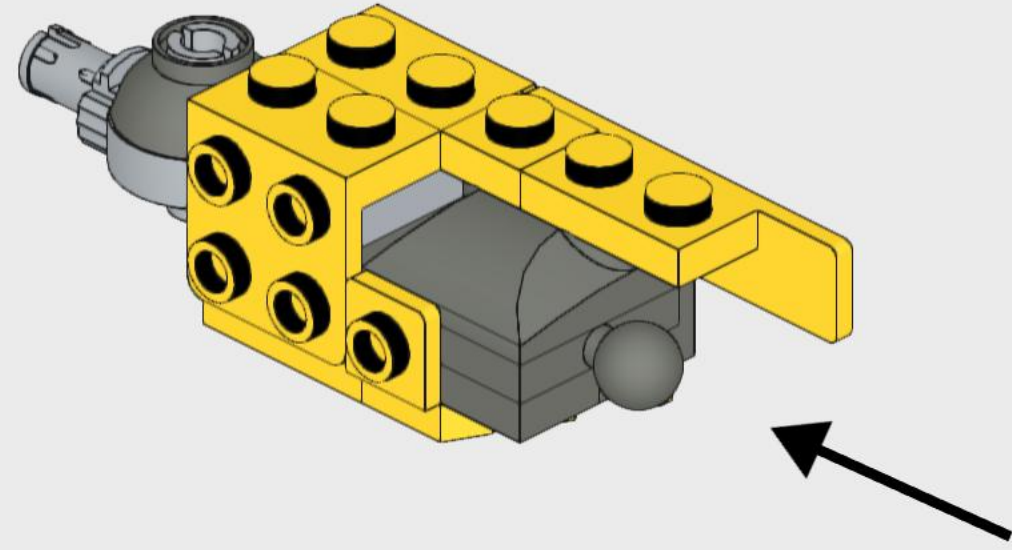
20



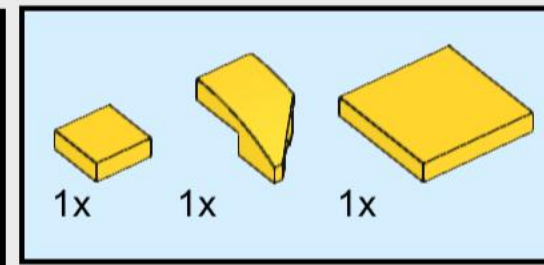
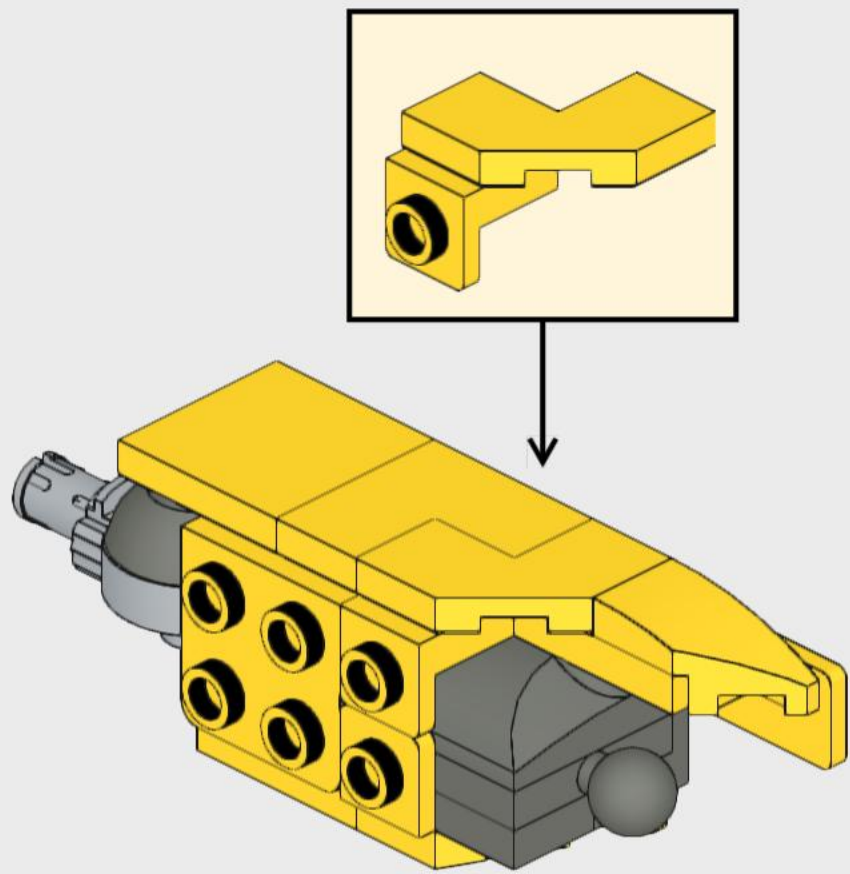
21



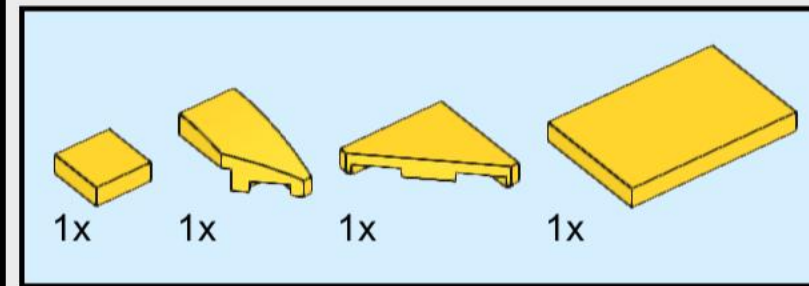
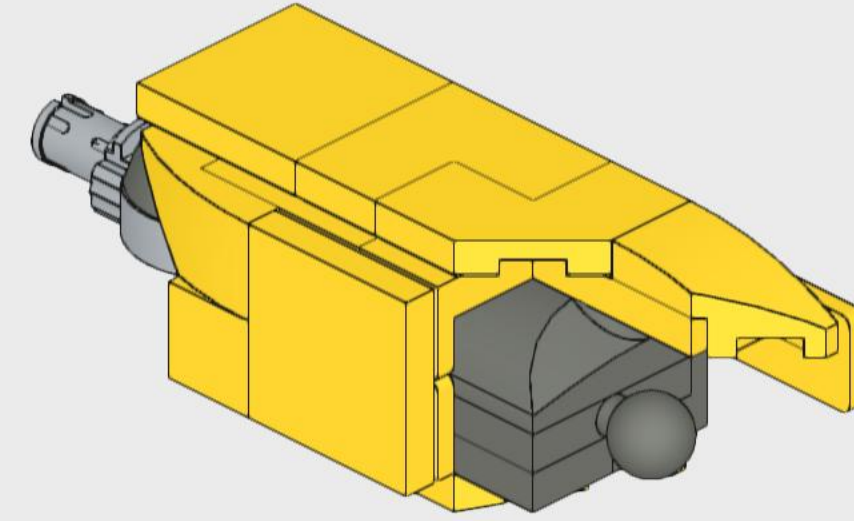
22



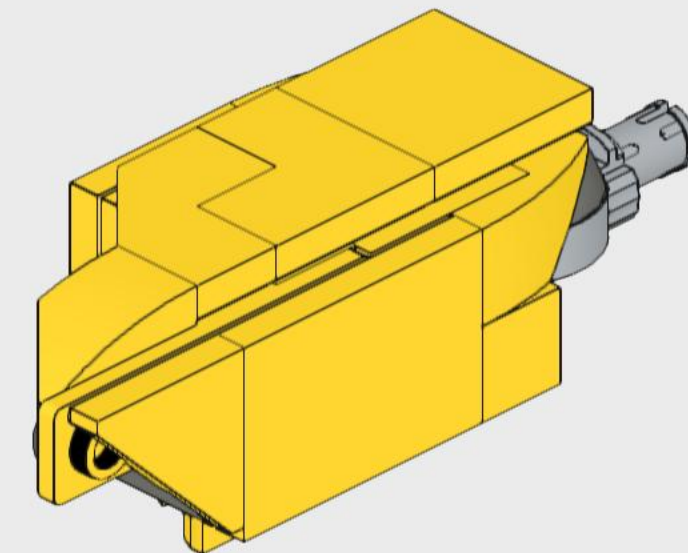
23

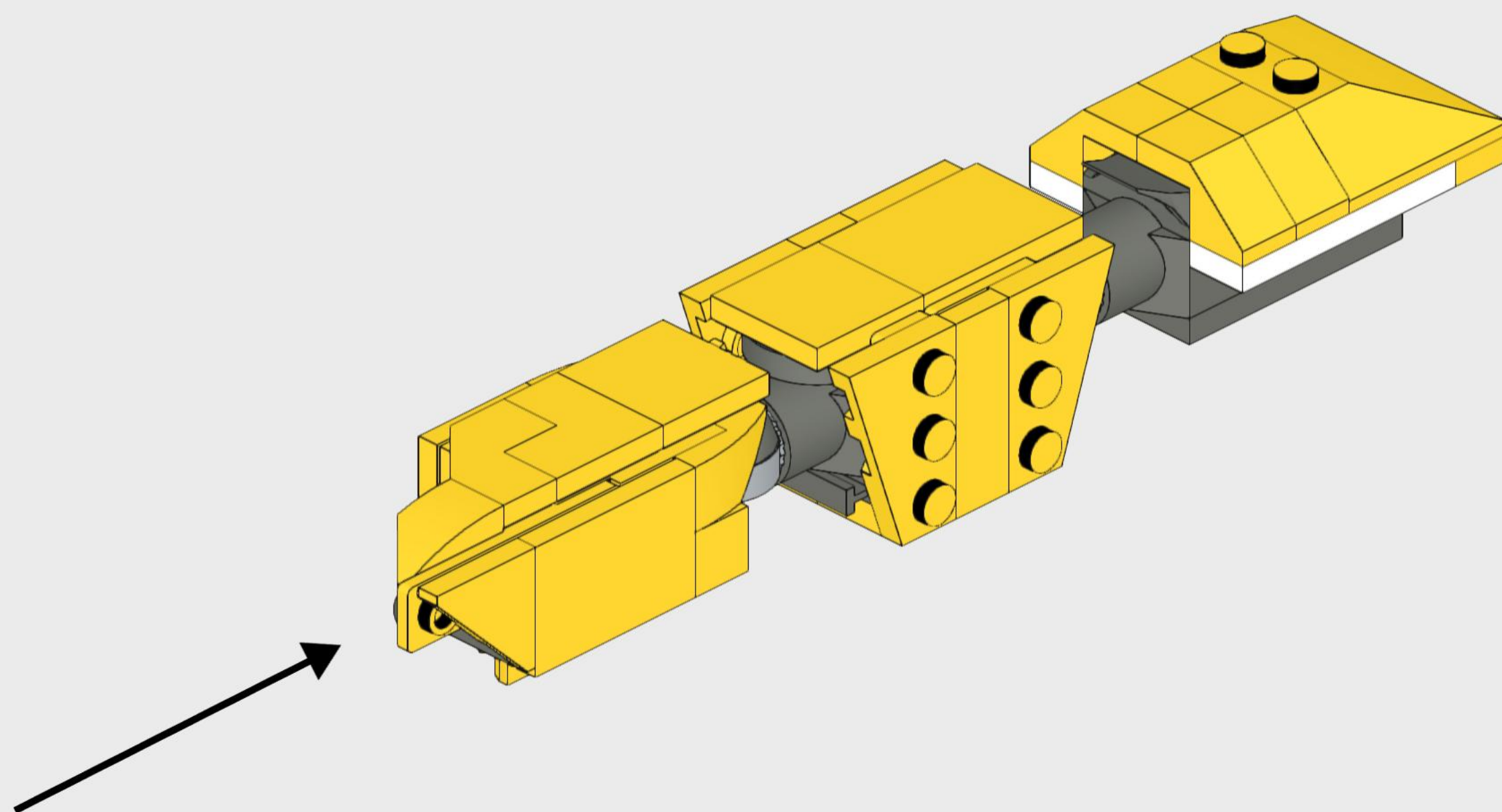


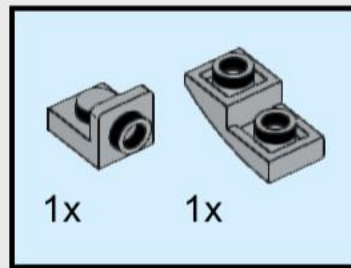
24



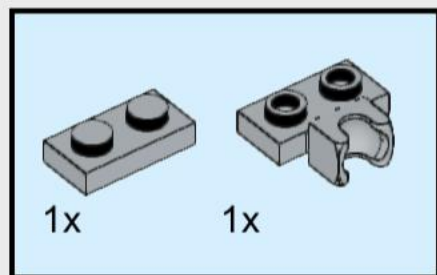
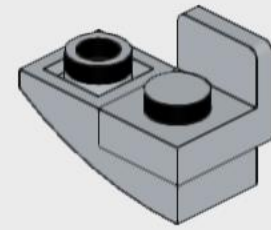
25



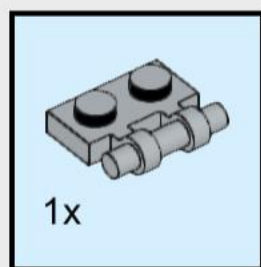
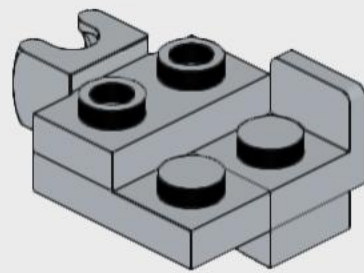




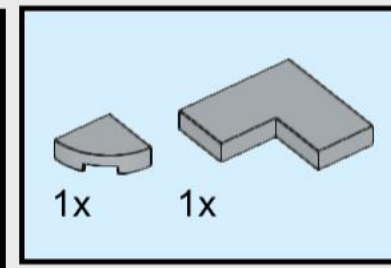
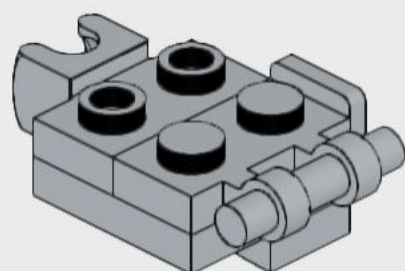
27



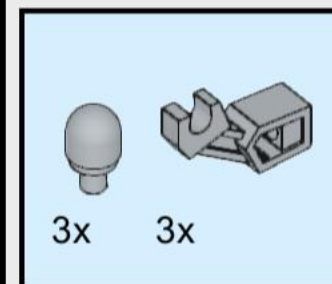
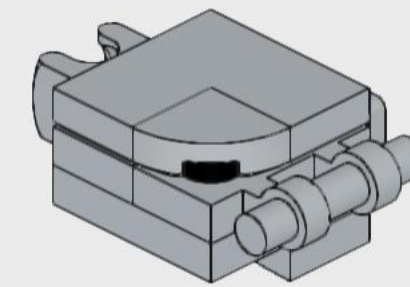
28



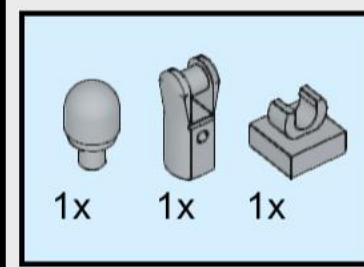
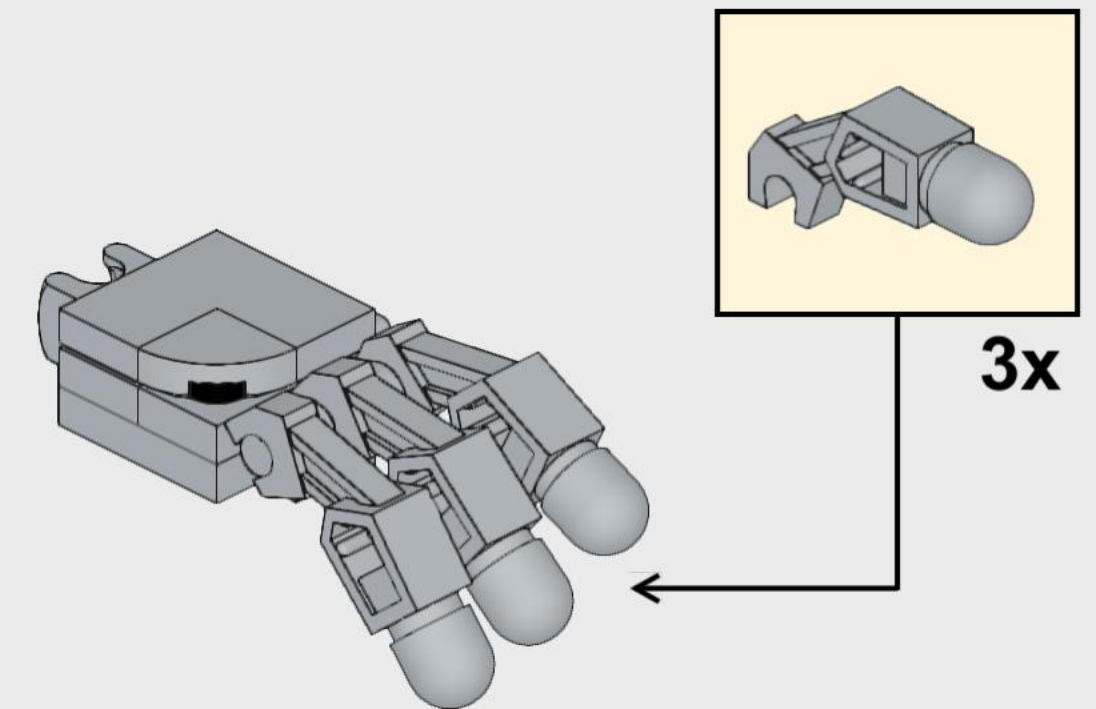
29



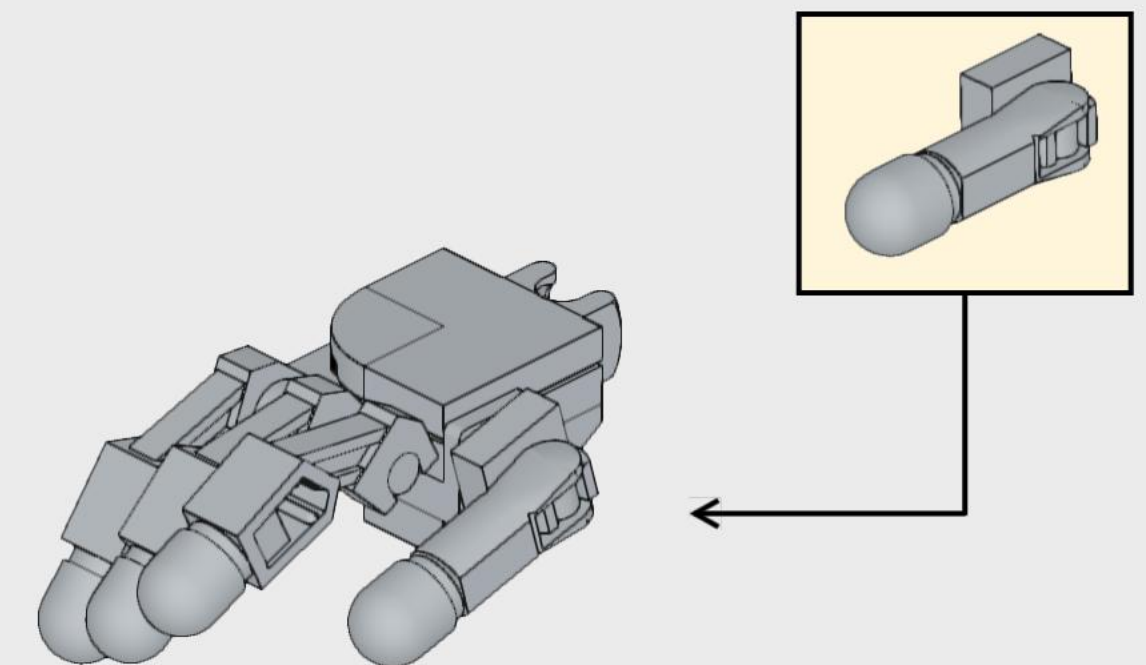
30

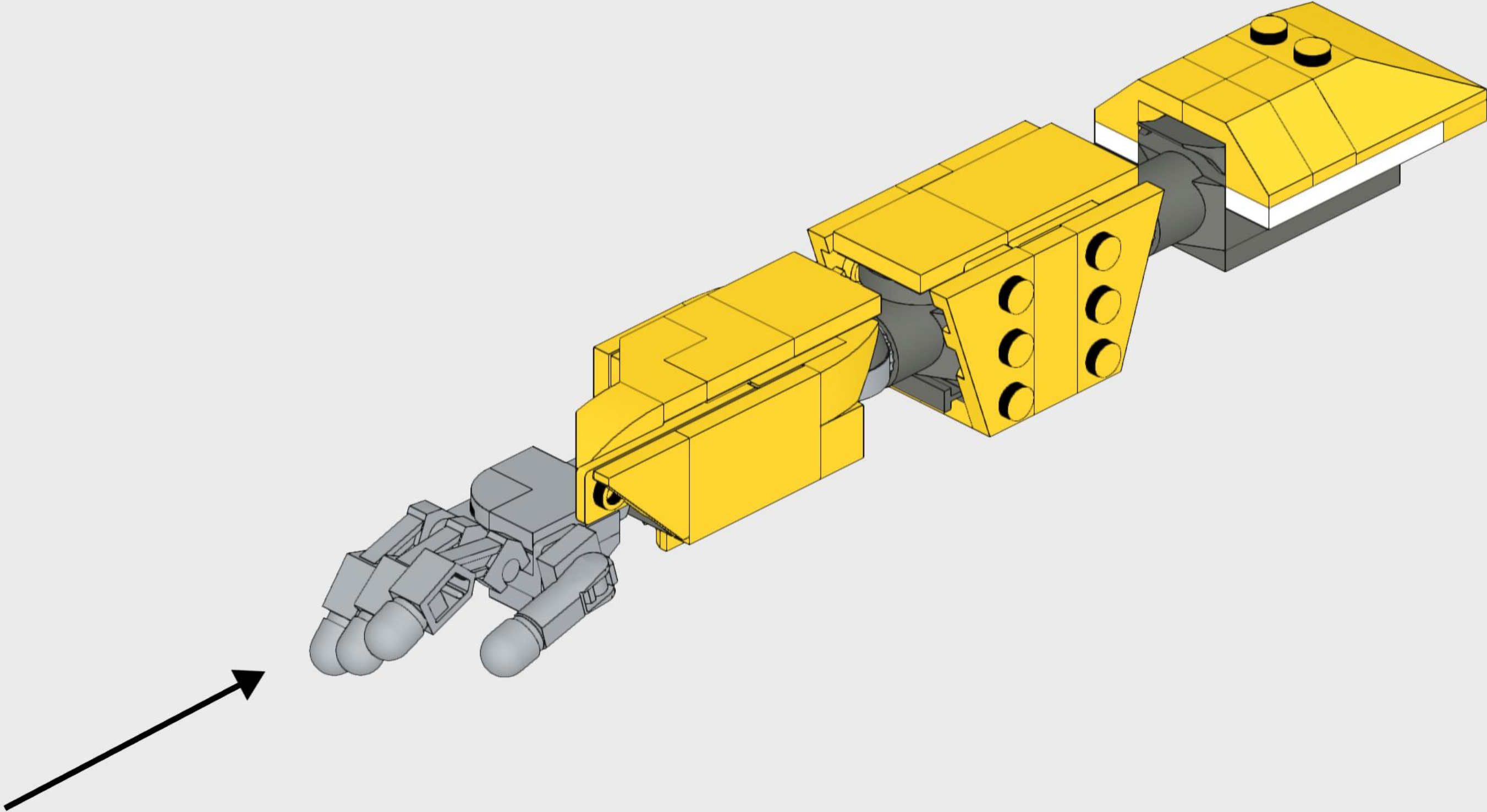


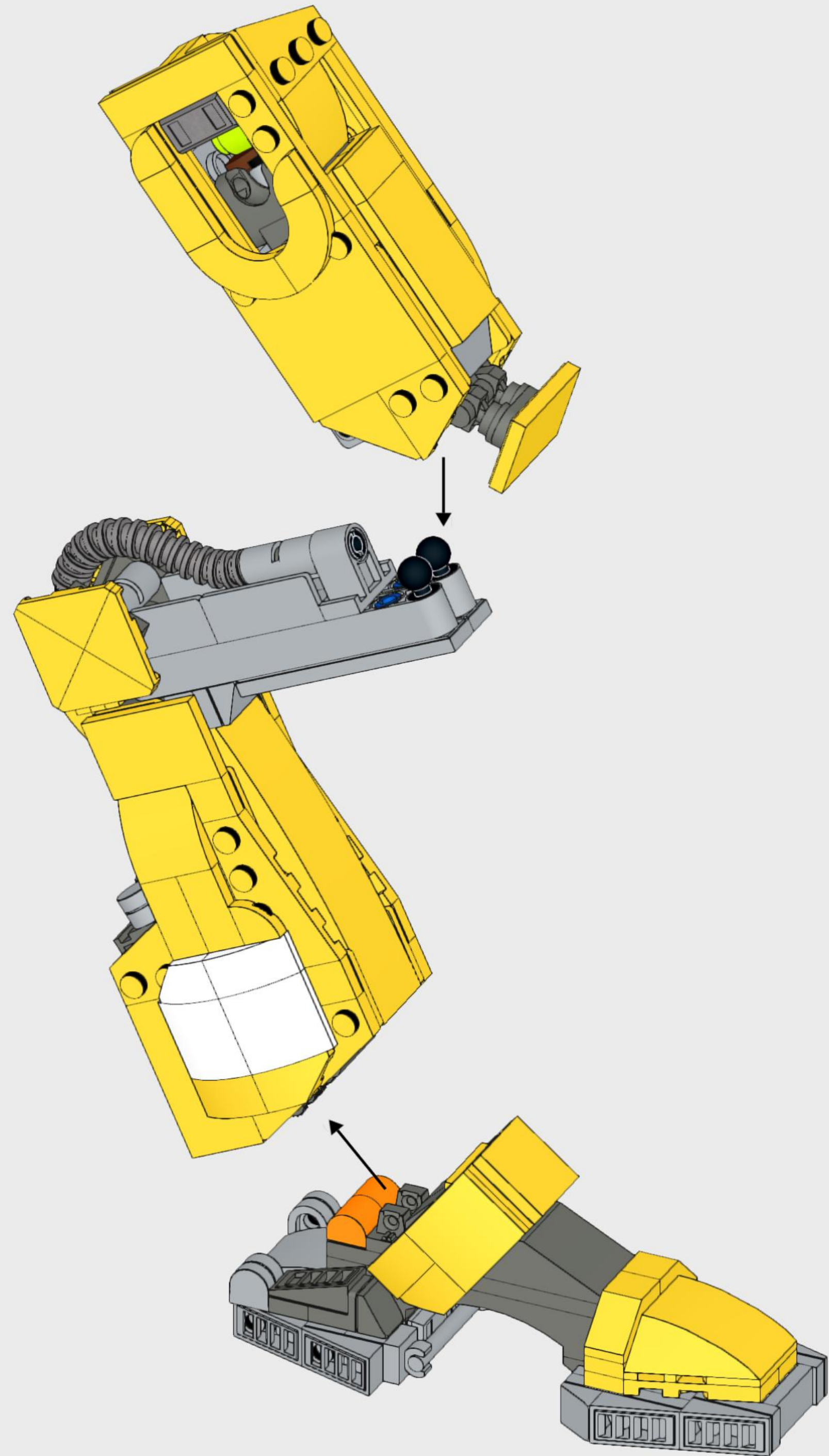
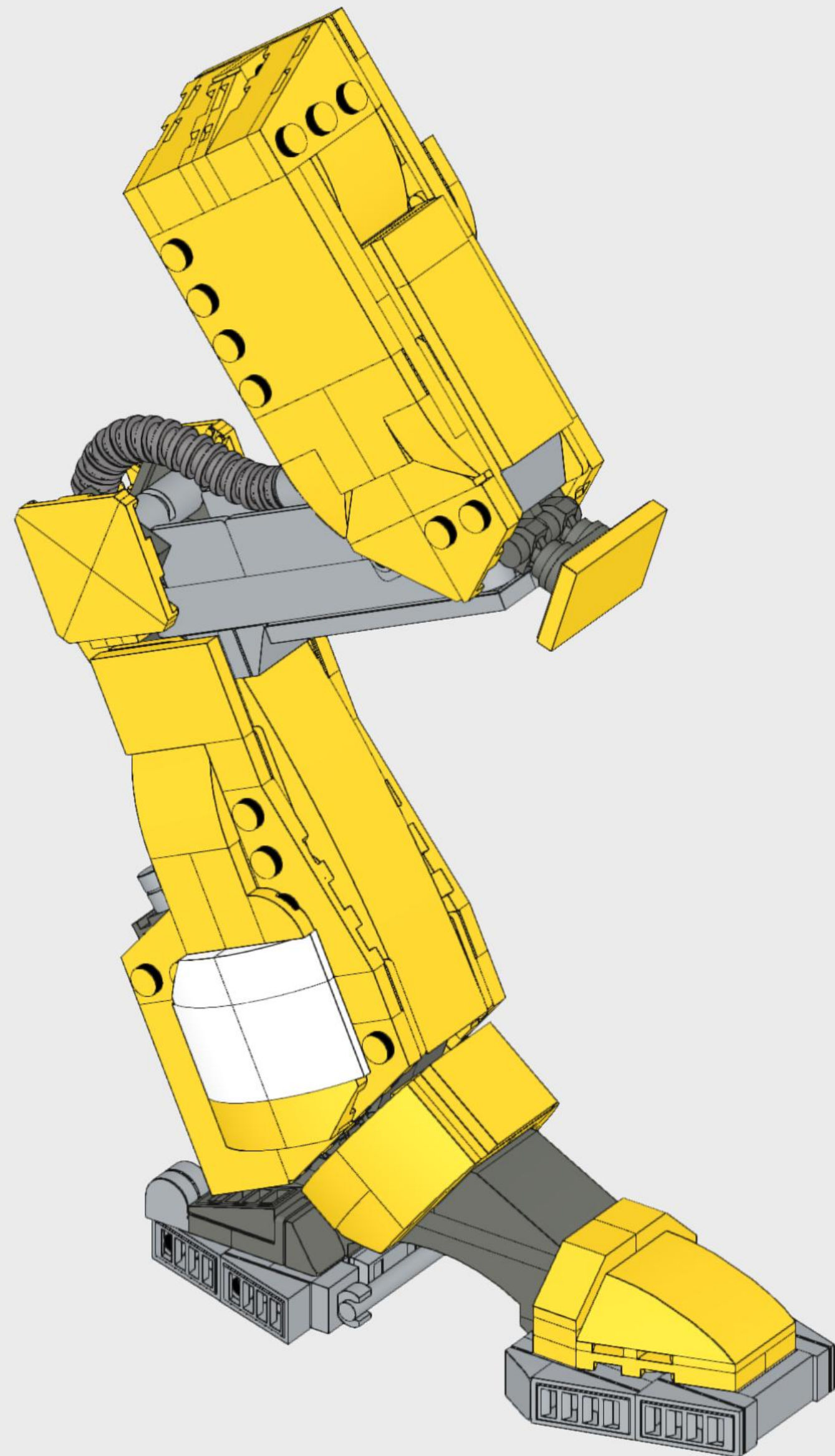
31

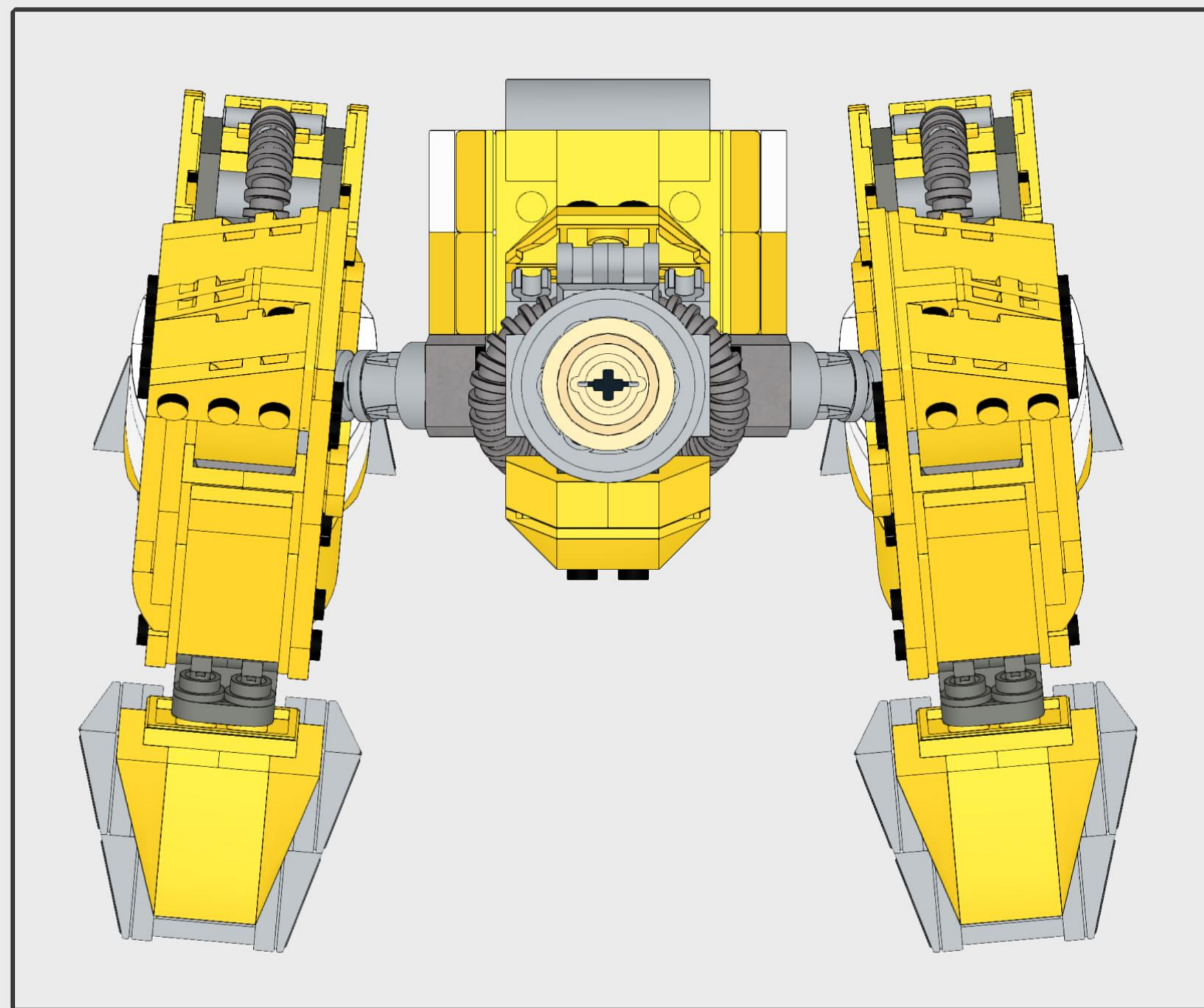
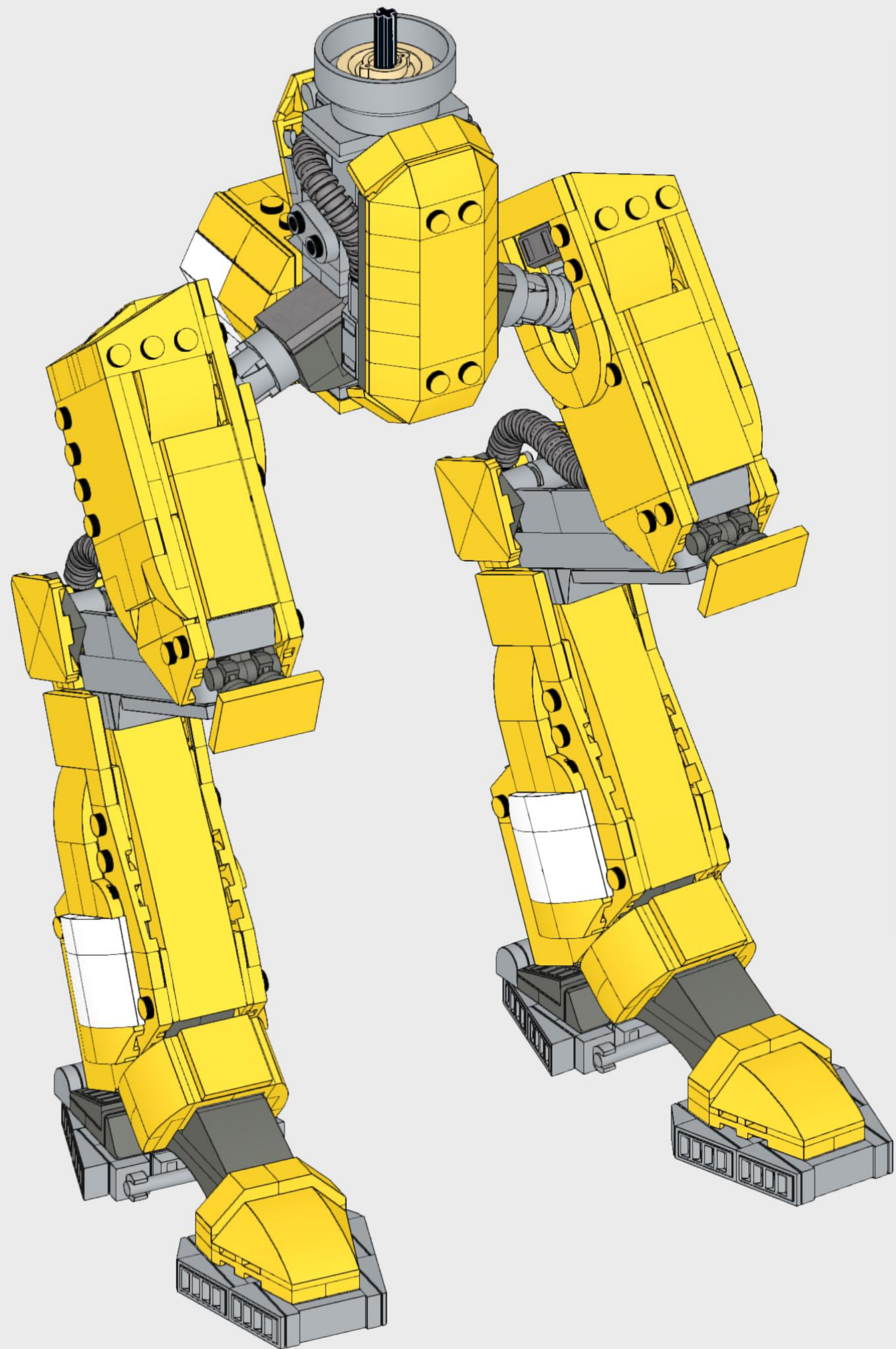


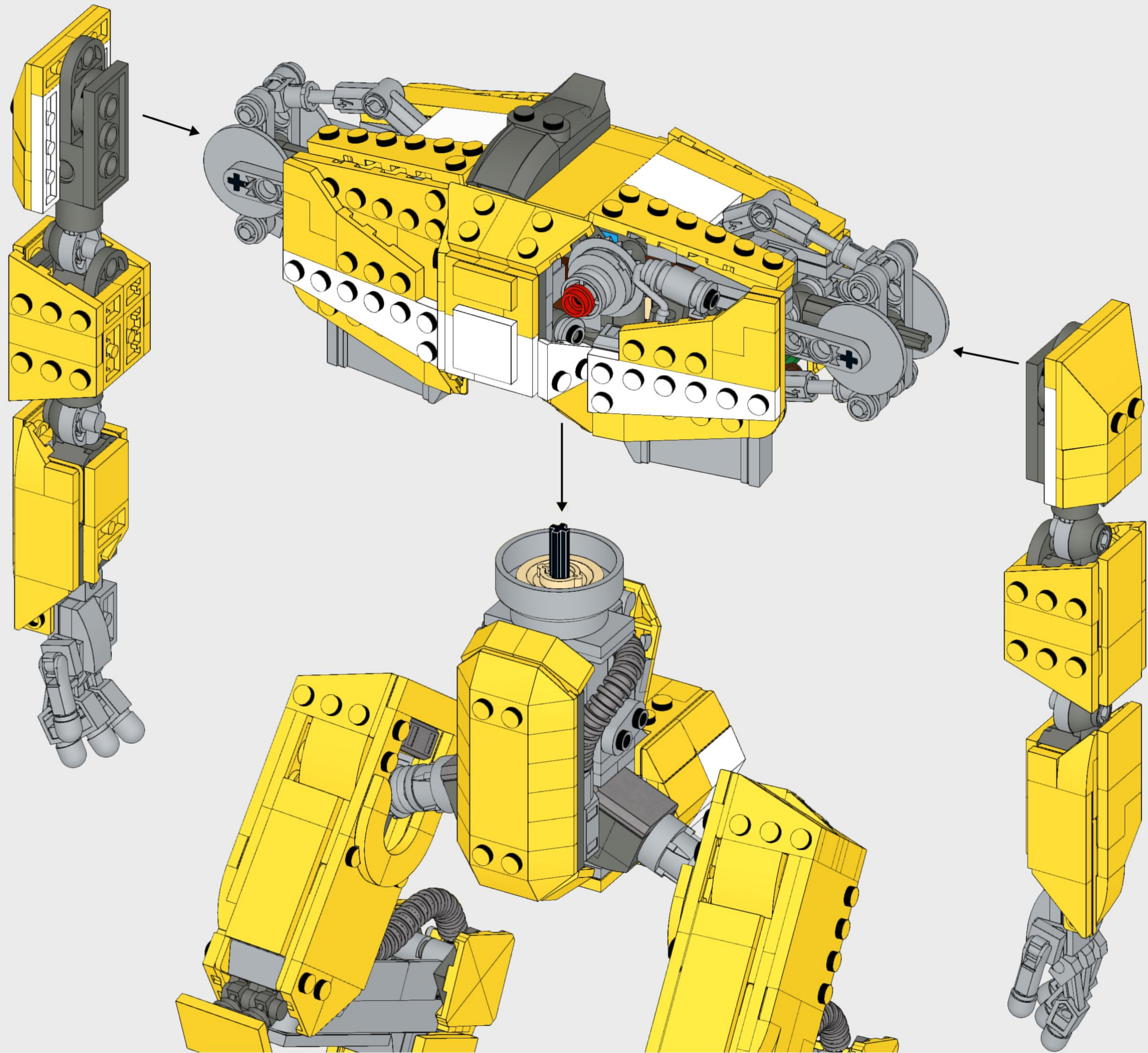
32

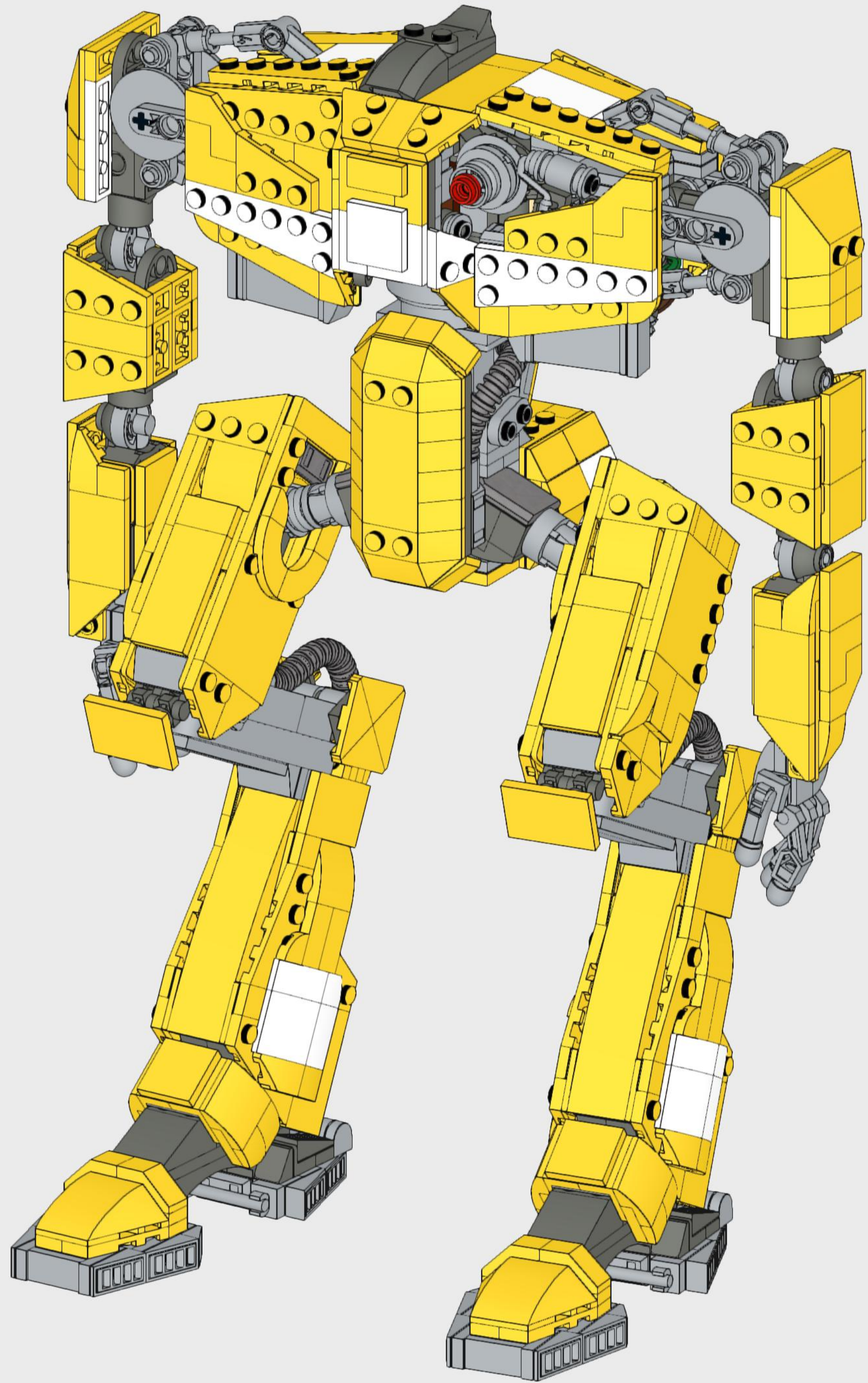


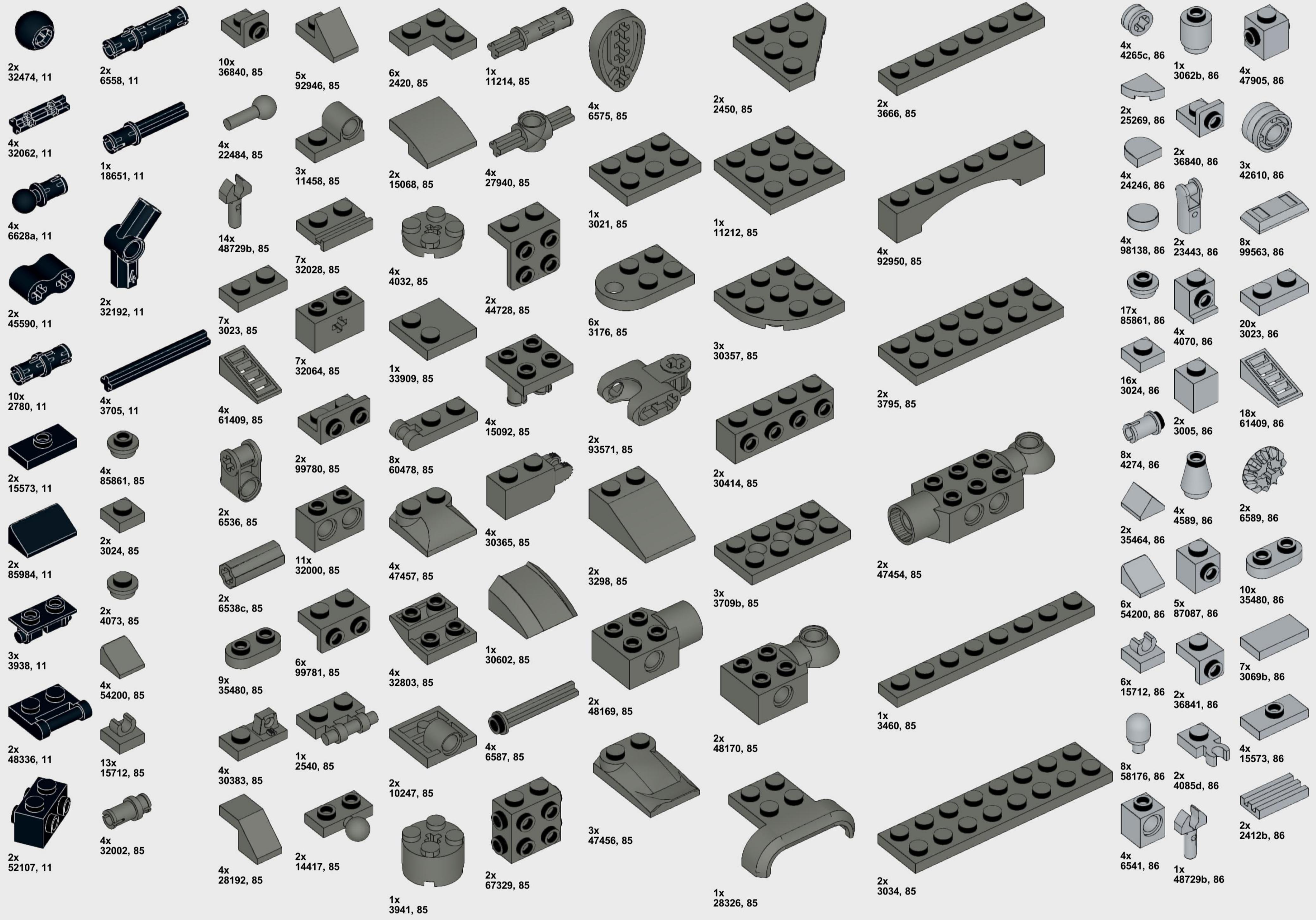












2x
32474, 11

2x
6558, 11

10x
36840, 85

5x
92946, 85

6x
2420, 85

1x
11214, 85

4x
6575, 85

2x
2450, 85

2x
3666, 85

4x
4265c, 86

1x
3062b, 86

4x
47905, 86

4x
32062, 11

1x
18651, 11

4x
22484, 85

3x
11458, 85

2x
15068, 85

4x
27940, 85

1x
3021, 85

1x
11212, 85

4x
92950, 85

2x
25269, 86

2x
36840, 86

3x
42610, 86

4x
6628a, 11

2x
32192, 11

14x
48729b, 85

7x
32028, 85

4x
4032, 85

2x
44728, 85

6x
3176, 85

3x
30357, 85

4x
92950, 85

4x
98138, 86

2x
23443, 86

8x
99563, 86

2x
45590, 11

4x
3705, 11

7x
3023, 85

7x
32064, 85

1x
33909, 85

4x
15092, 85

2x
93571, 85

2x
30414, 85

2x
3795, 85

17x
85861, 86

4x
4070, 86

20x
3023, 86

10x
2780, 11

4x
85861, 85

4x
61409, 85

2x
99780, 85

8x
60478, 85

4x
30365, 85

2x
3298, 85

3x
3709b, 85

2x
47454, 85

16x
3024, 86

2x
3005, 86

18x
61409, 86

2x
15573, 11

2x
3024, 85

2x
6536, 85

11x
32000, 85

4x
47457, 85

1x
30602, 85

2x
48169, 85

2x
48170, 85

1x
3460, 85

8x
4274, 86

4x
4589, 86

2x
6589, 86

2x
85984, 11

2x
4073, 85

2x
6538c, 85

6x
99781, 85

4x
32803, 85

4x
6587, 85

3x
47456, 85

1x
28326, 85

1x
3460, 85

2x
35464, 86

6x
54200, 86

10x
35480, 86

3x
3938, 11

4x
54200, 85

9x
35480, 85

1x
2540, 85

2x
10247, 85

2x
67329, 85

1x
28326, 85

1x
3460, 85

6x
15712, 86

2x
36841, 86

7x
3069b, 86

2x
48336, 11

13x
15712, 85

4x
30383, 85

2x
14417, 85

1x
3941, 85

2x
67329, 85

1x
28326, 85

1x
3460, 85

8x
58176, 86

2x
4085d, 86

4x
15573, 86

2x
52107, 11

4x
32002, 85

4x
28192, 85

2x
14417, 85

1x
3941, 85

2x
67329, 85

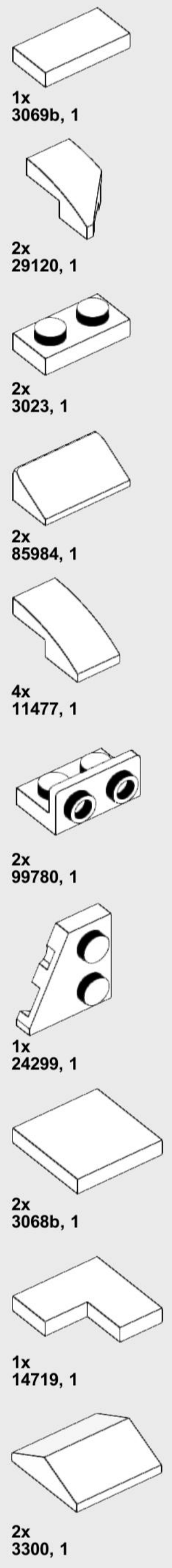
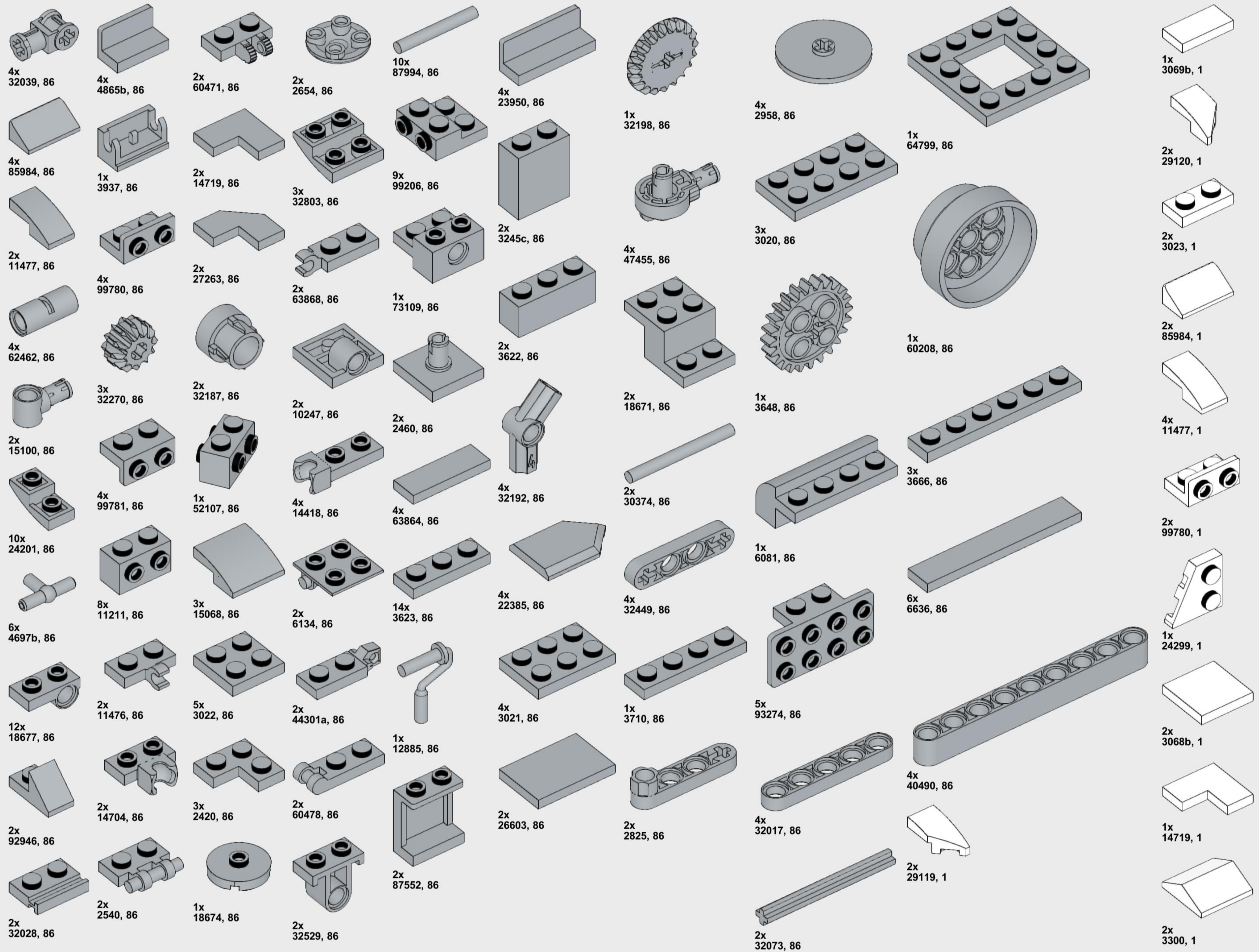
1x
28326, 85

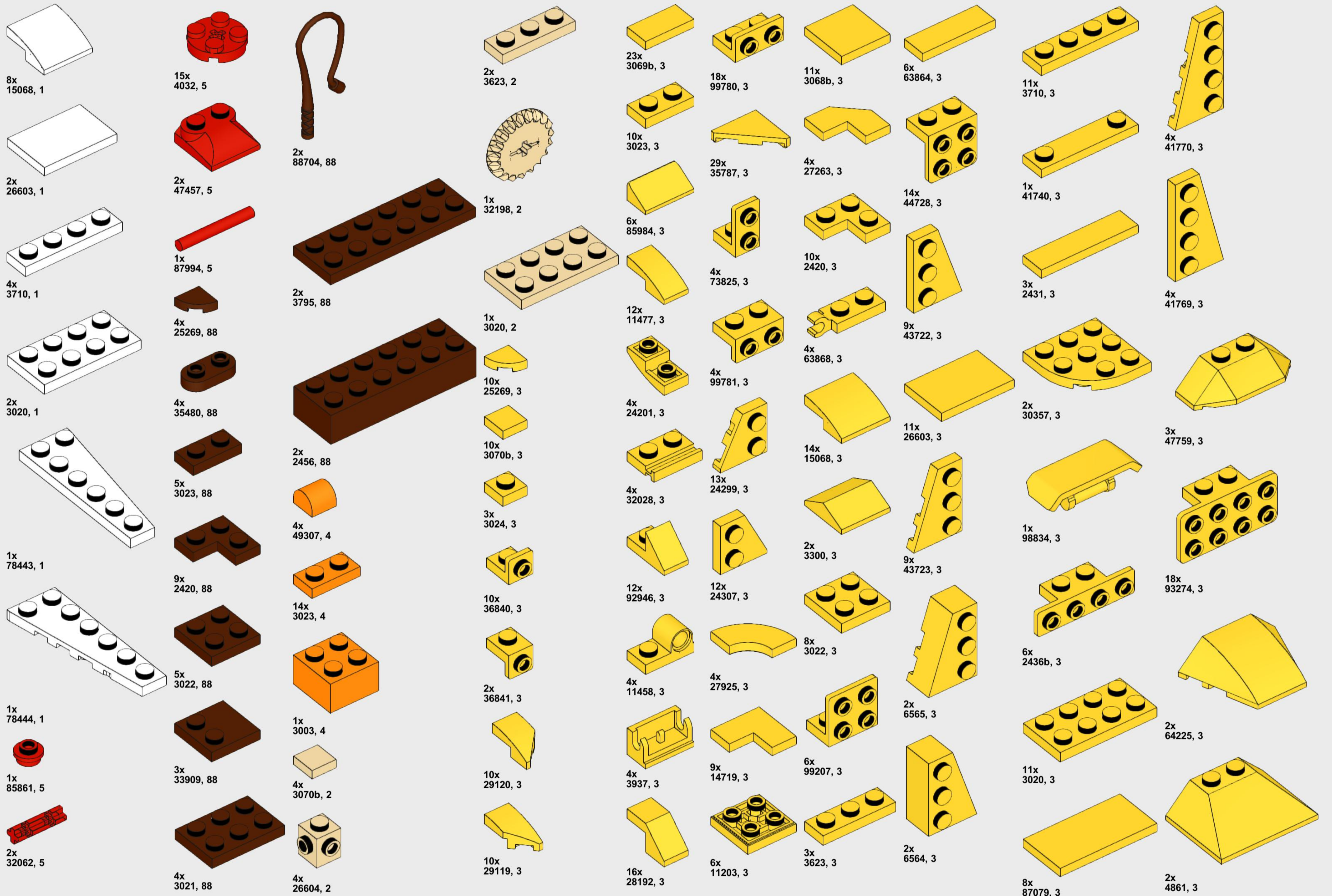
2x
3034, 85

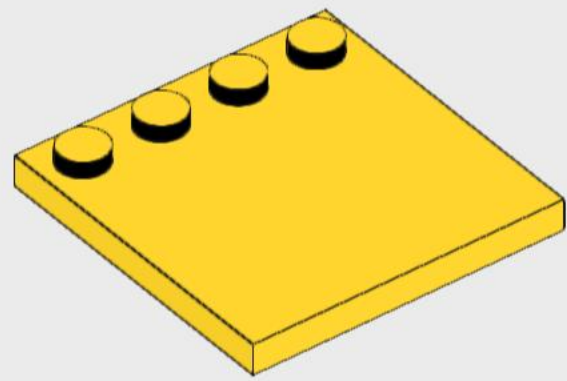
4x
6541, 86

1x
48729b, 86

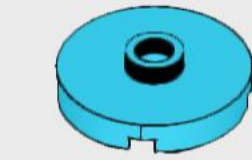
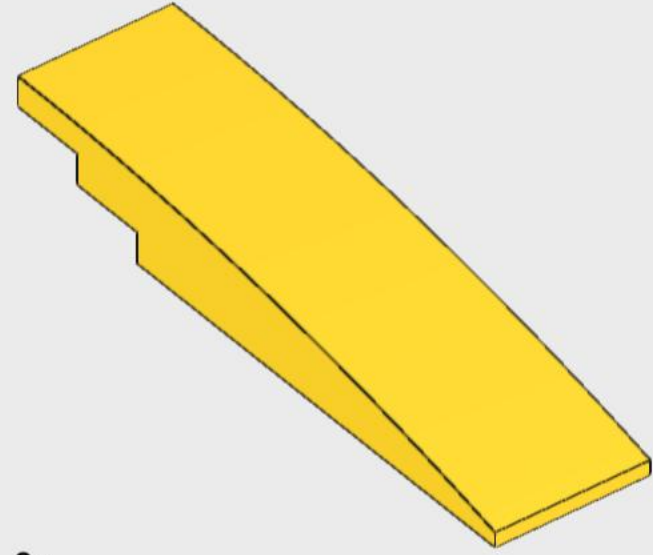
2x
2412b, 86



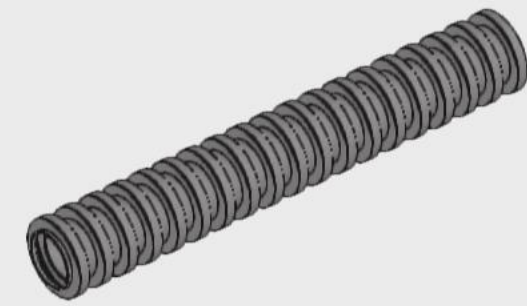




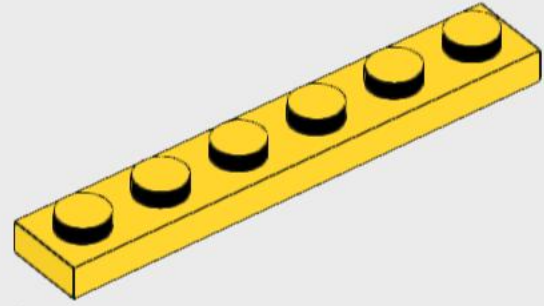
4x
6179, 3



4x
18674, 156

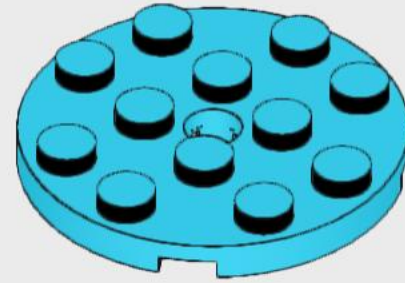


2x
78c06, 95

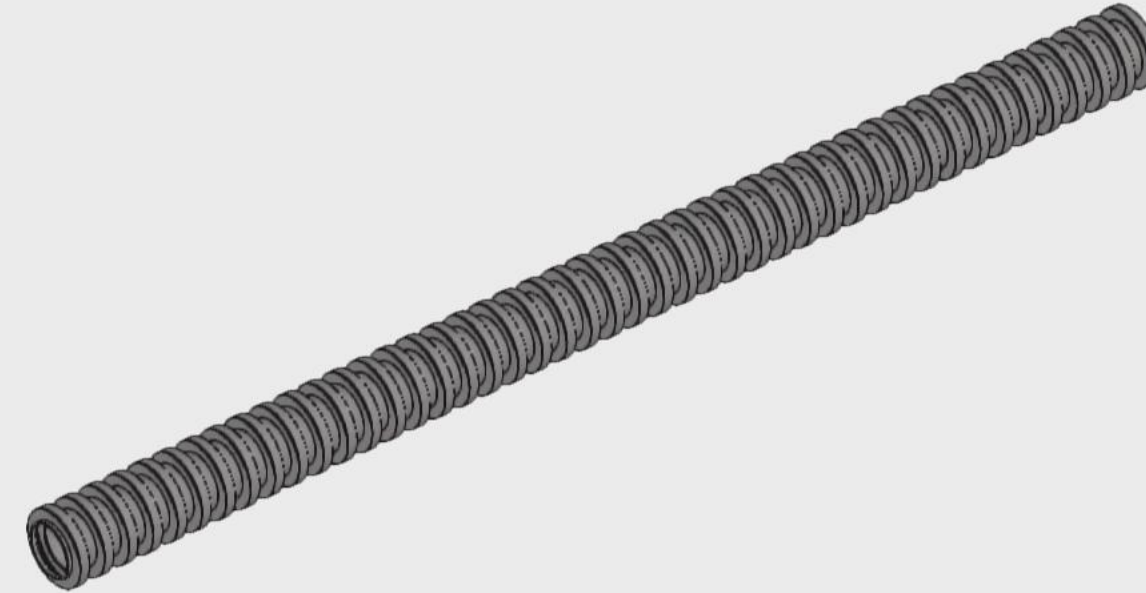


2x
3666, 3

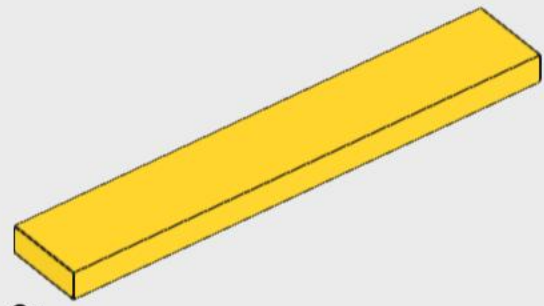
2x
42918, 3



1x
60474, 156



1x
78c14, 95



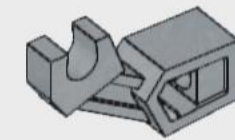
2x
6636, 3



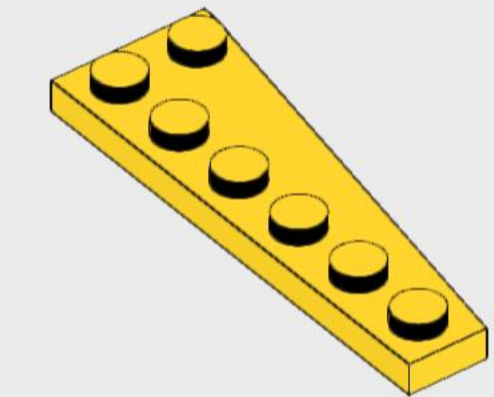
32x
4073, 34



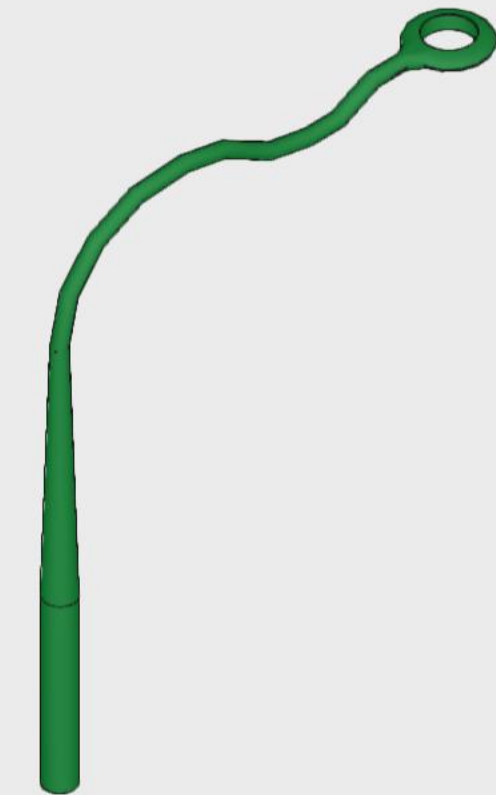
25x
4274, 7



6x
98313, 66



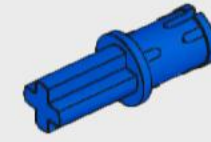
1x
78443, 3



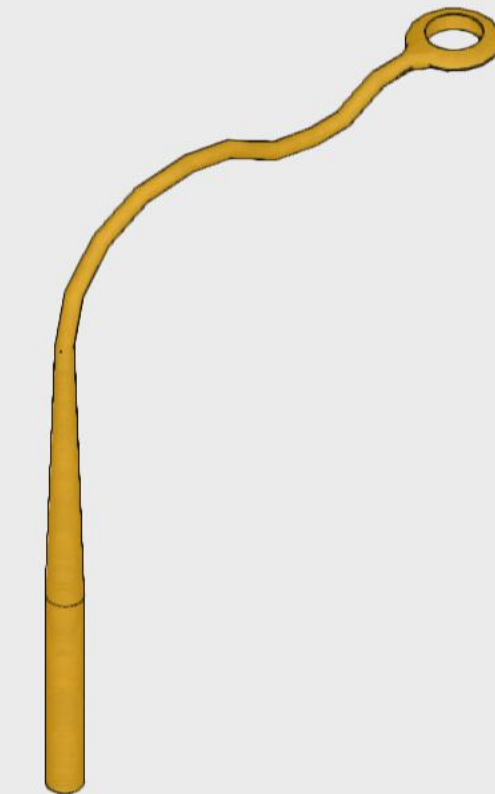
2x
2488, 6



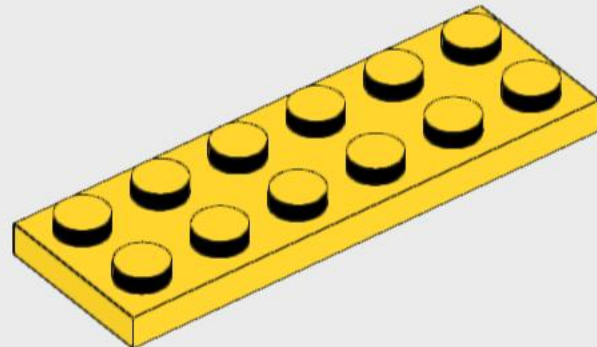
2x
4070, 7



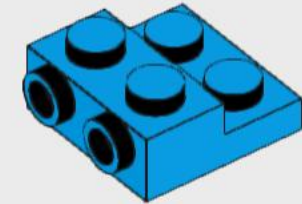
4x
43093, 7



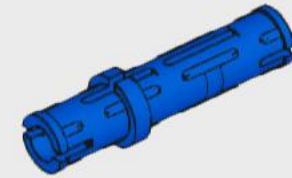
2x
2488, 115



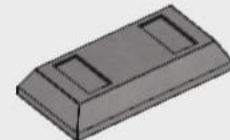
2x
3795, 3



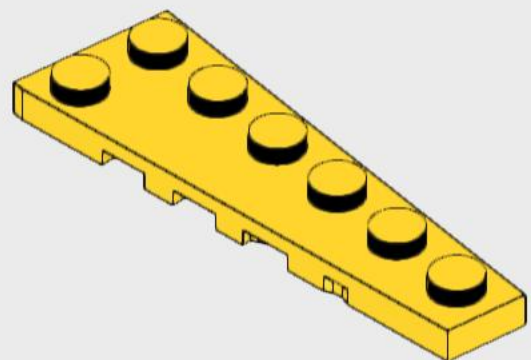
2x
99206, 153



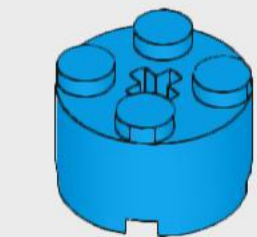
2x
6558, 7



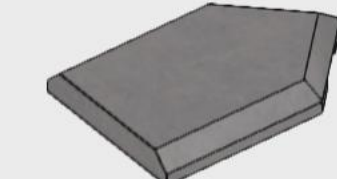
6x
99563, 95



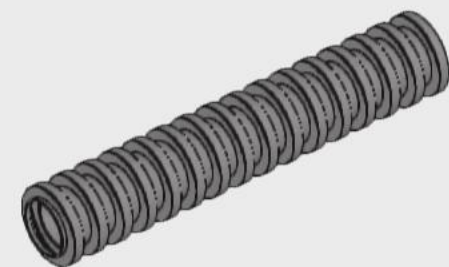
2x
78444, 3



3x
3941, 153



2x
22385, 95



2x
78c05, 95