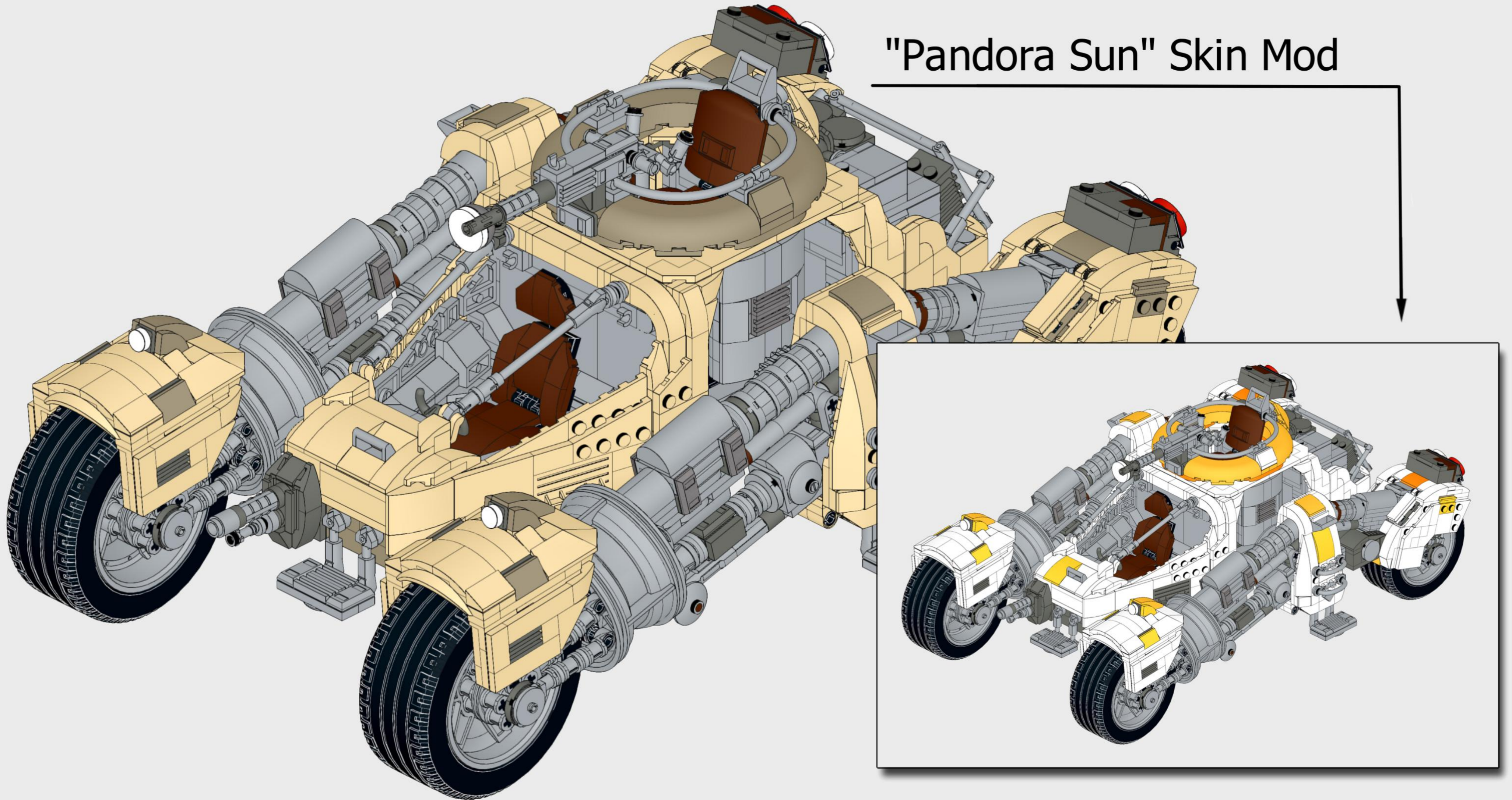


BORDERLANDS

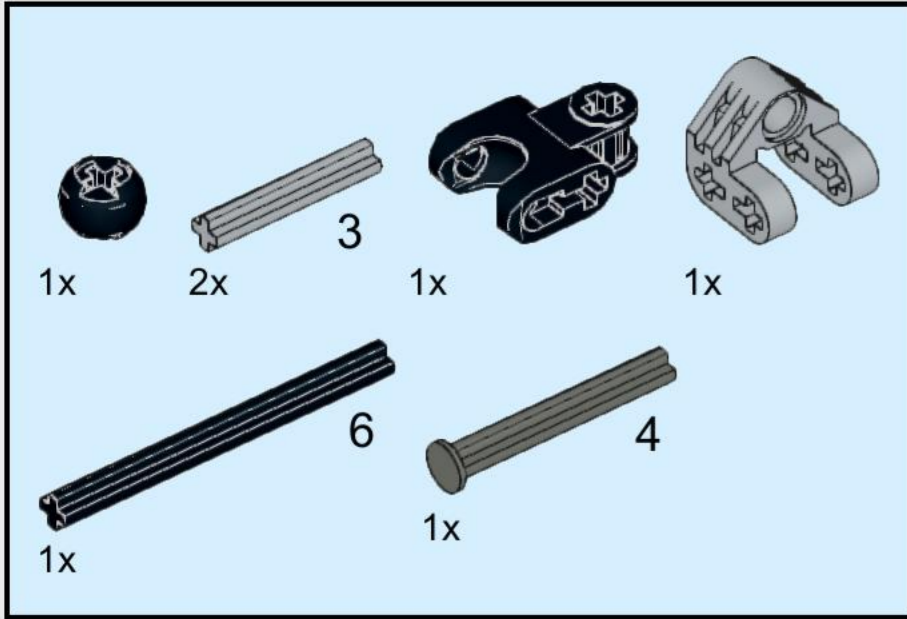
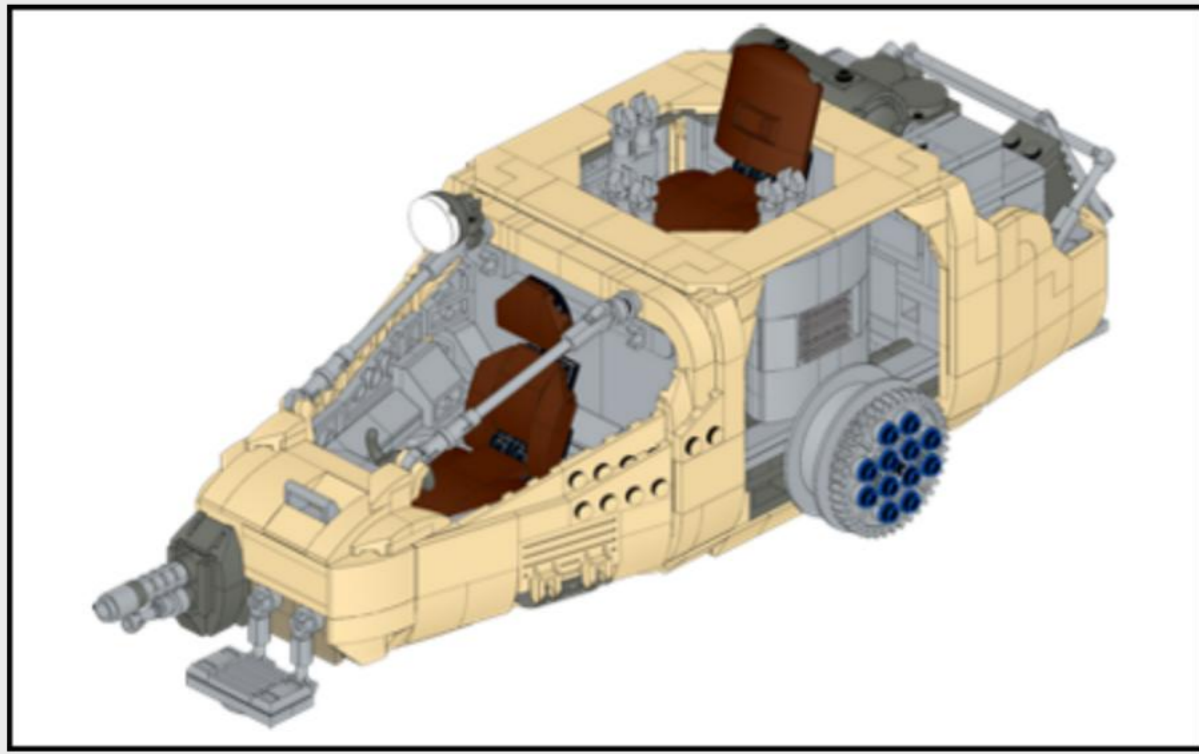
Outrunner

"Pandora Sun" Skin Mod

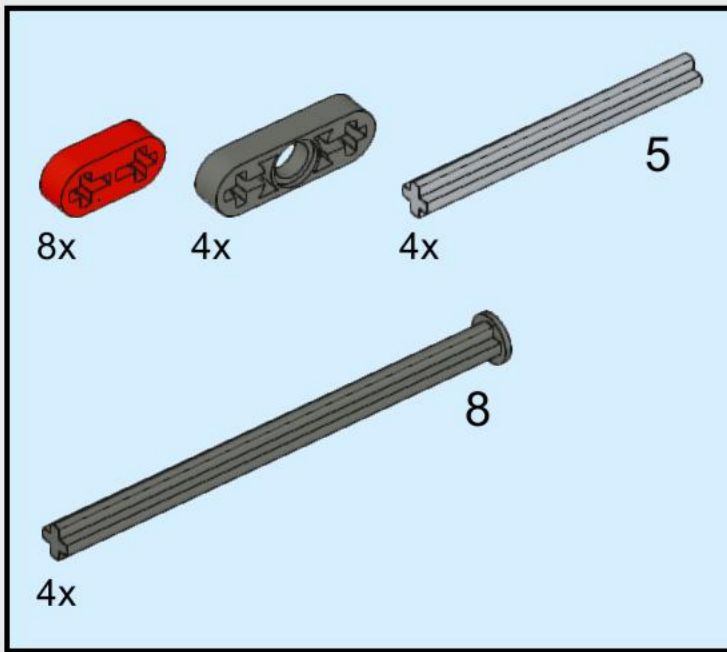


2540 Lego pcs

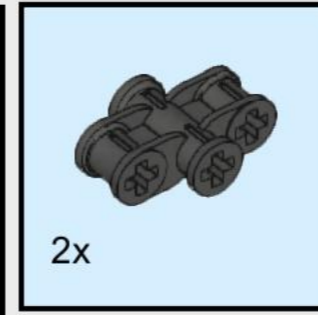
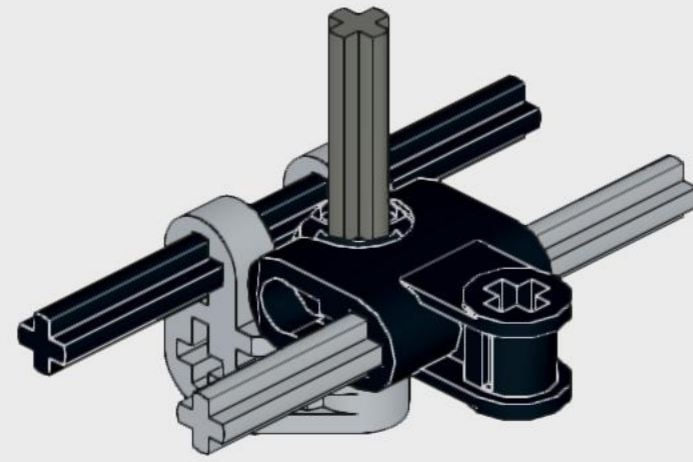
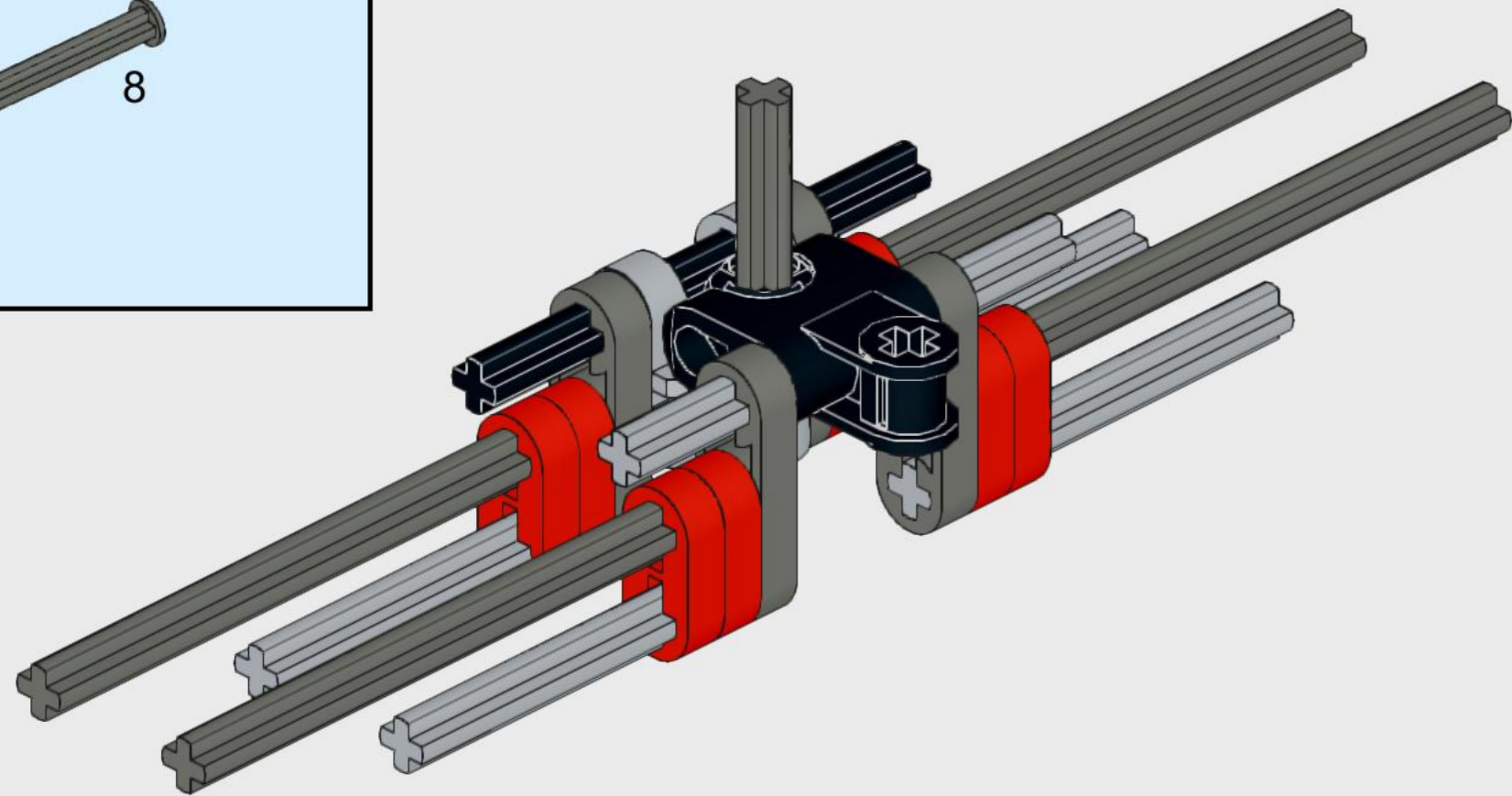
Model by Kevin Hansen
©2020 HansenBricks.com



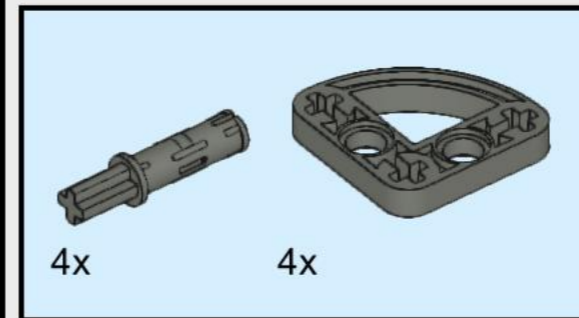
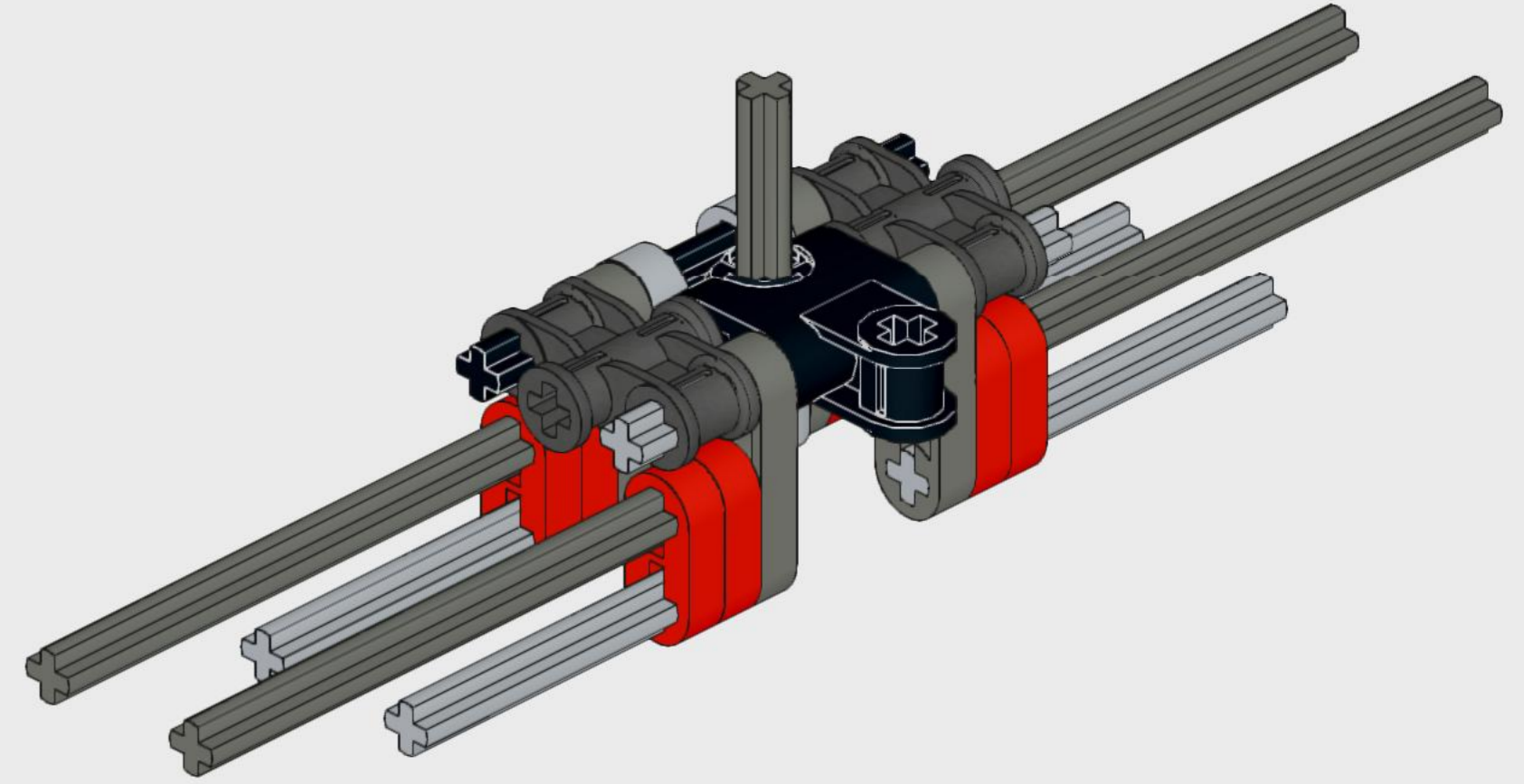
1



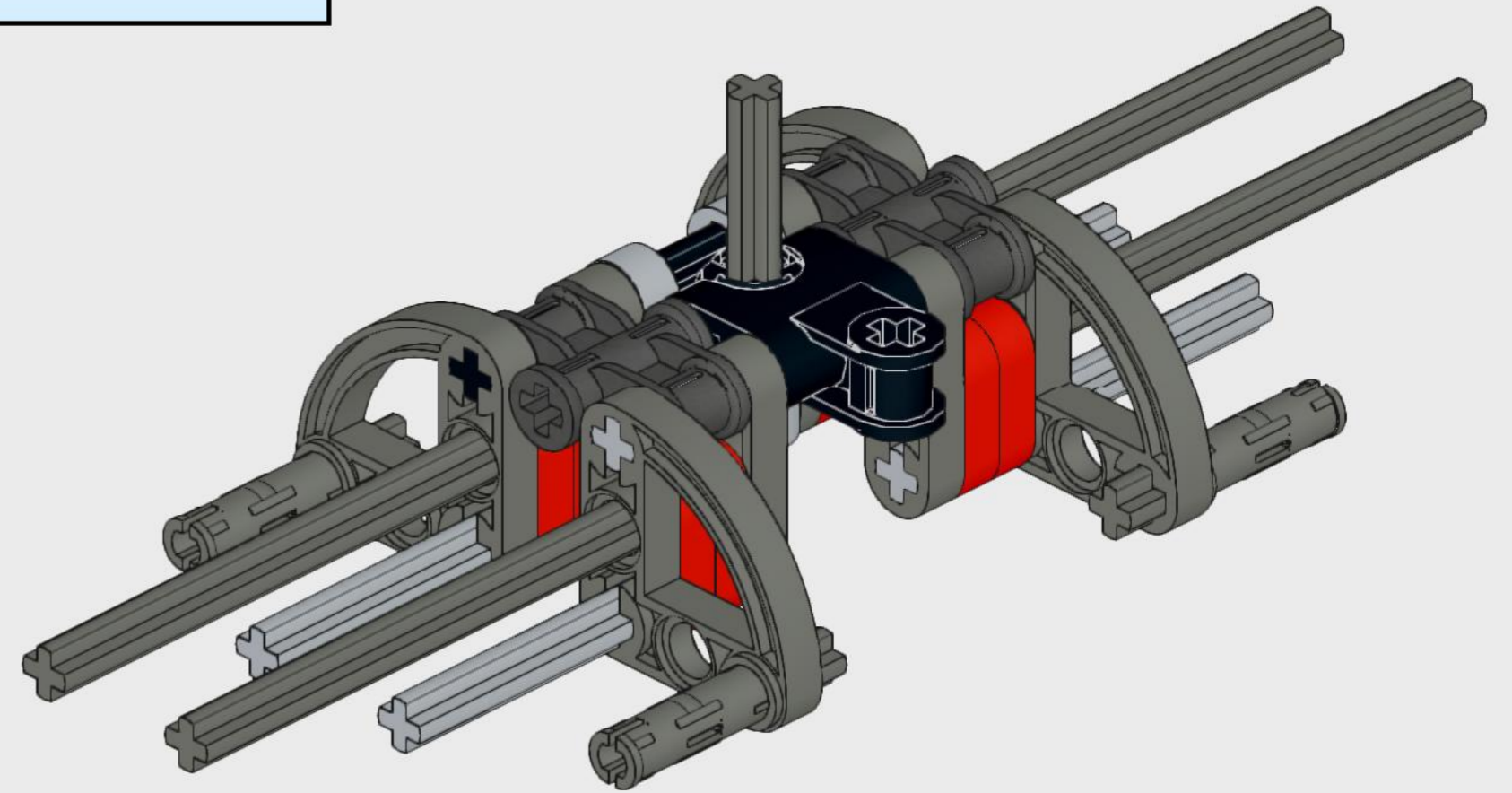
2

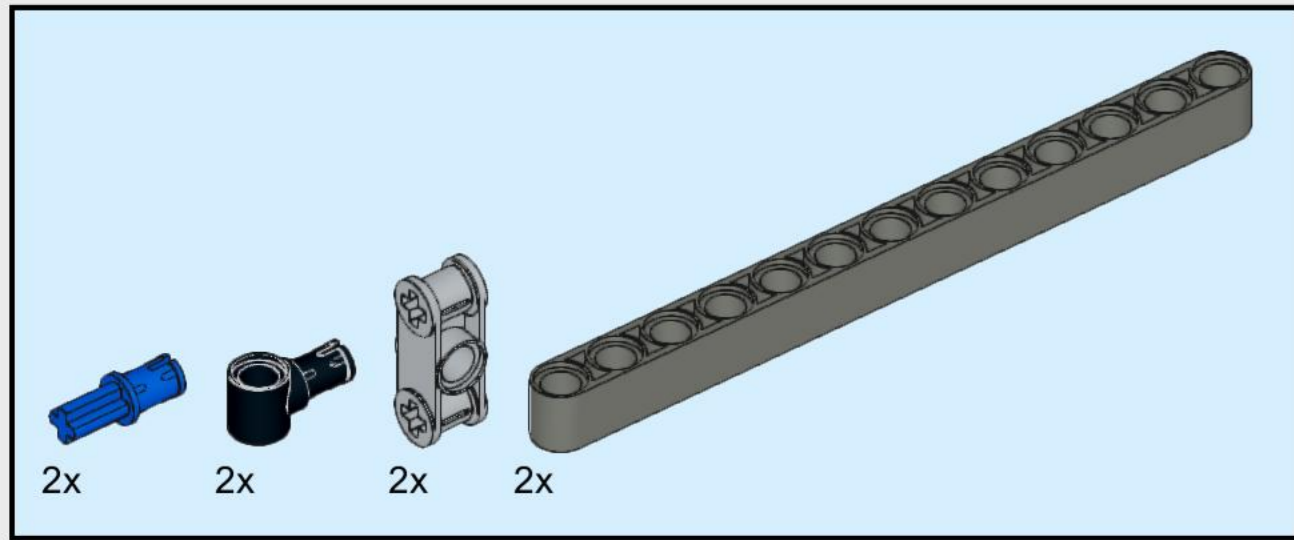


3

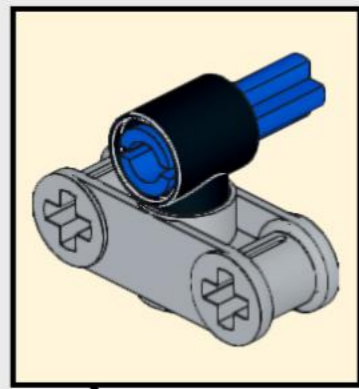
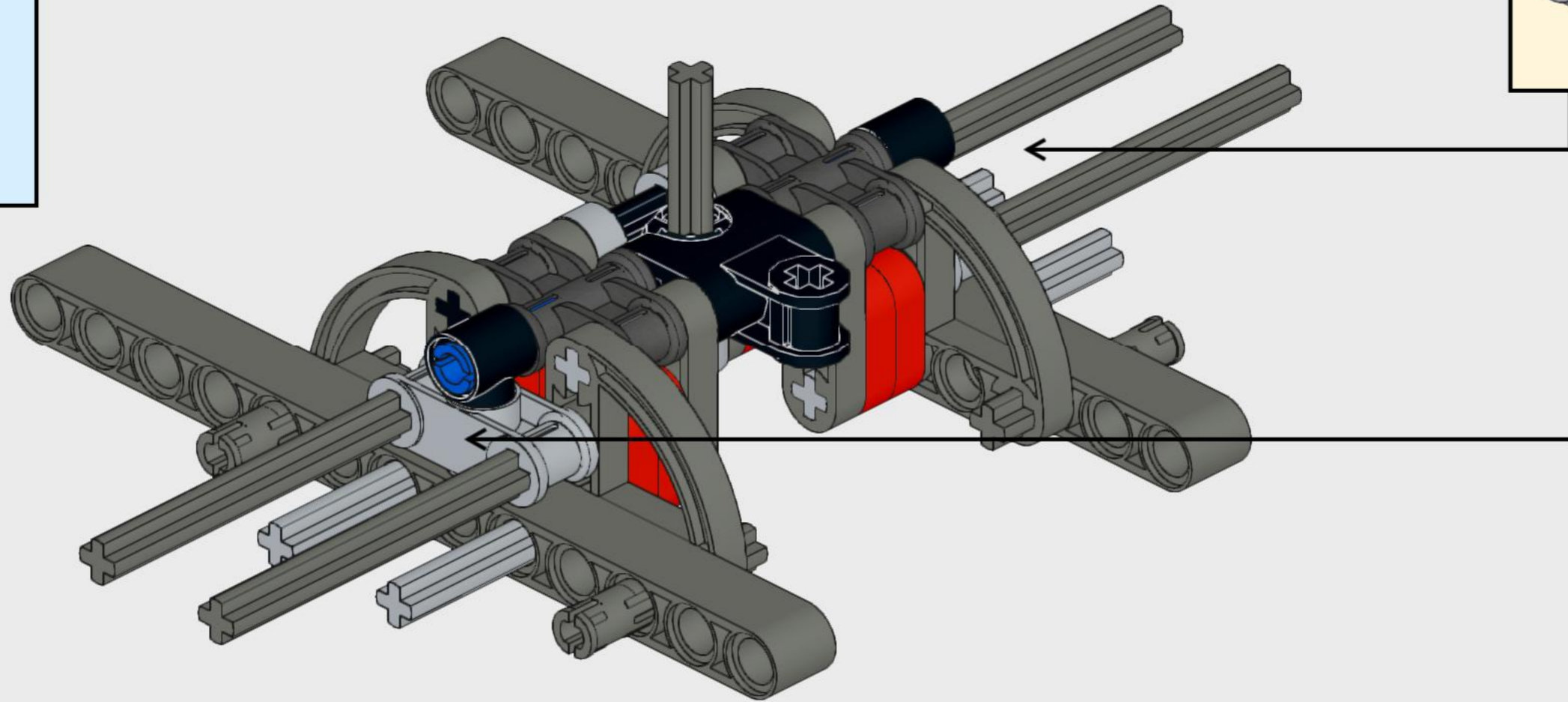


4

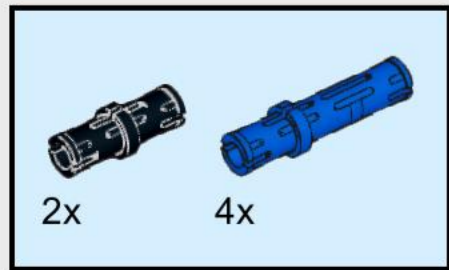




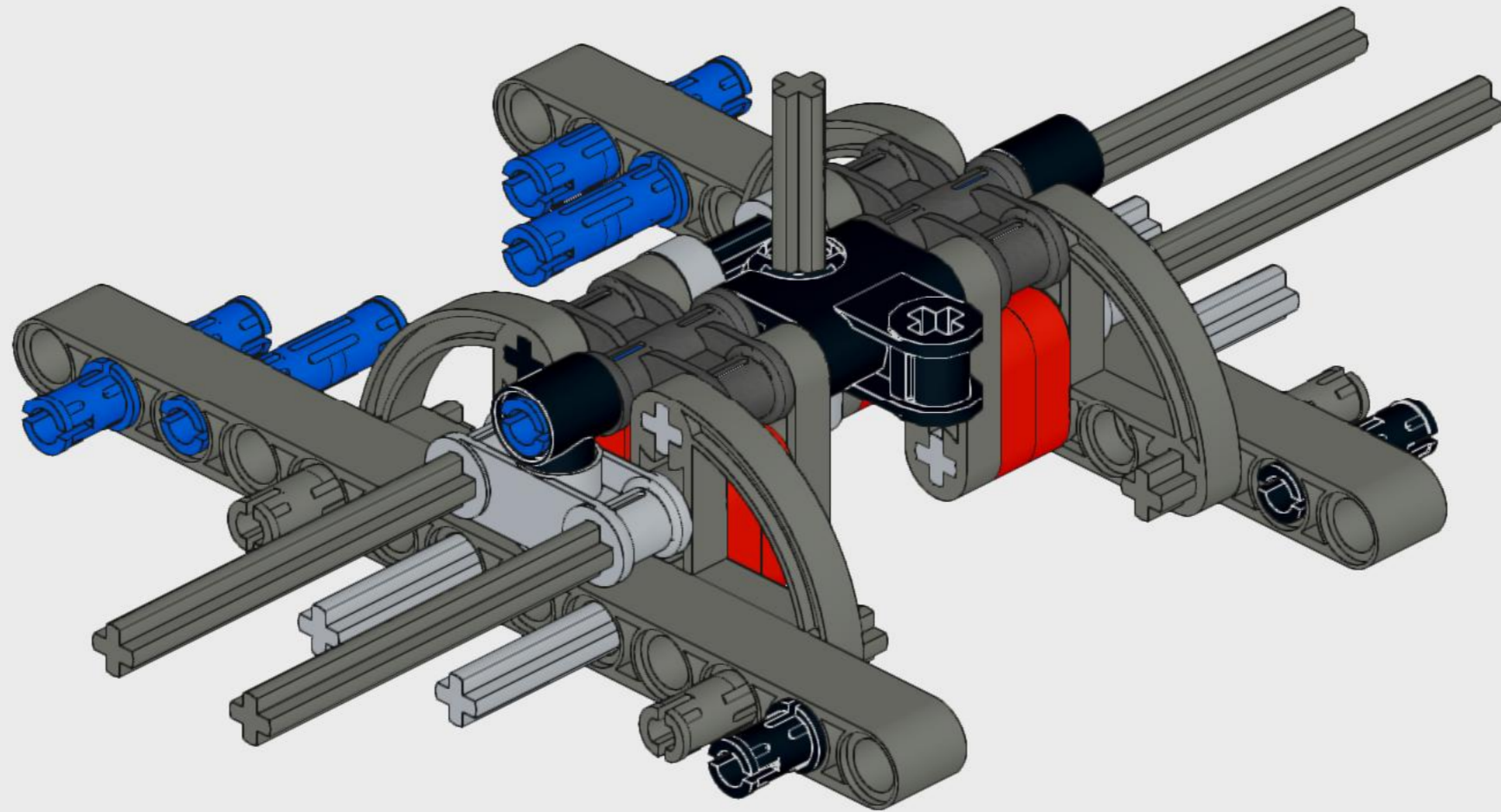
5

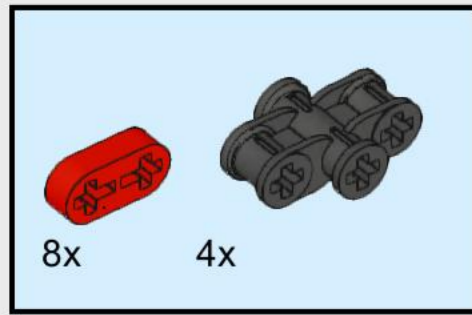


2x

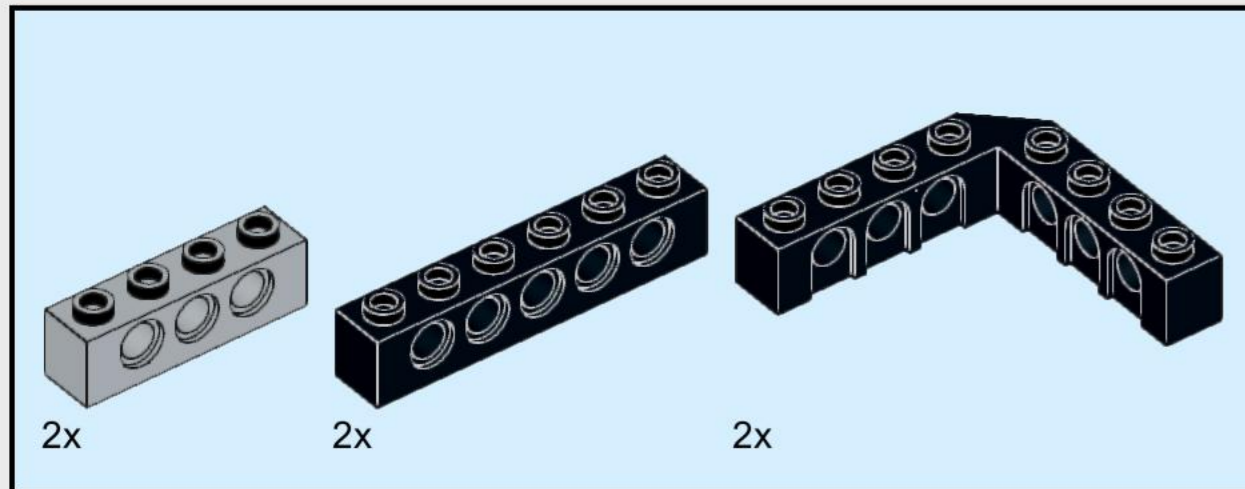
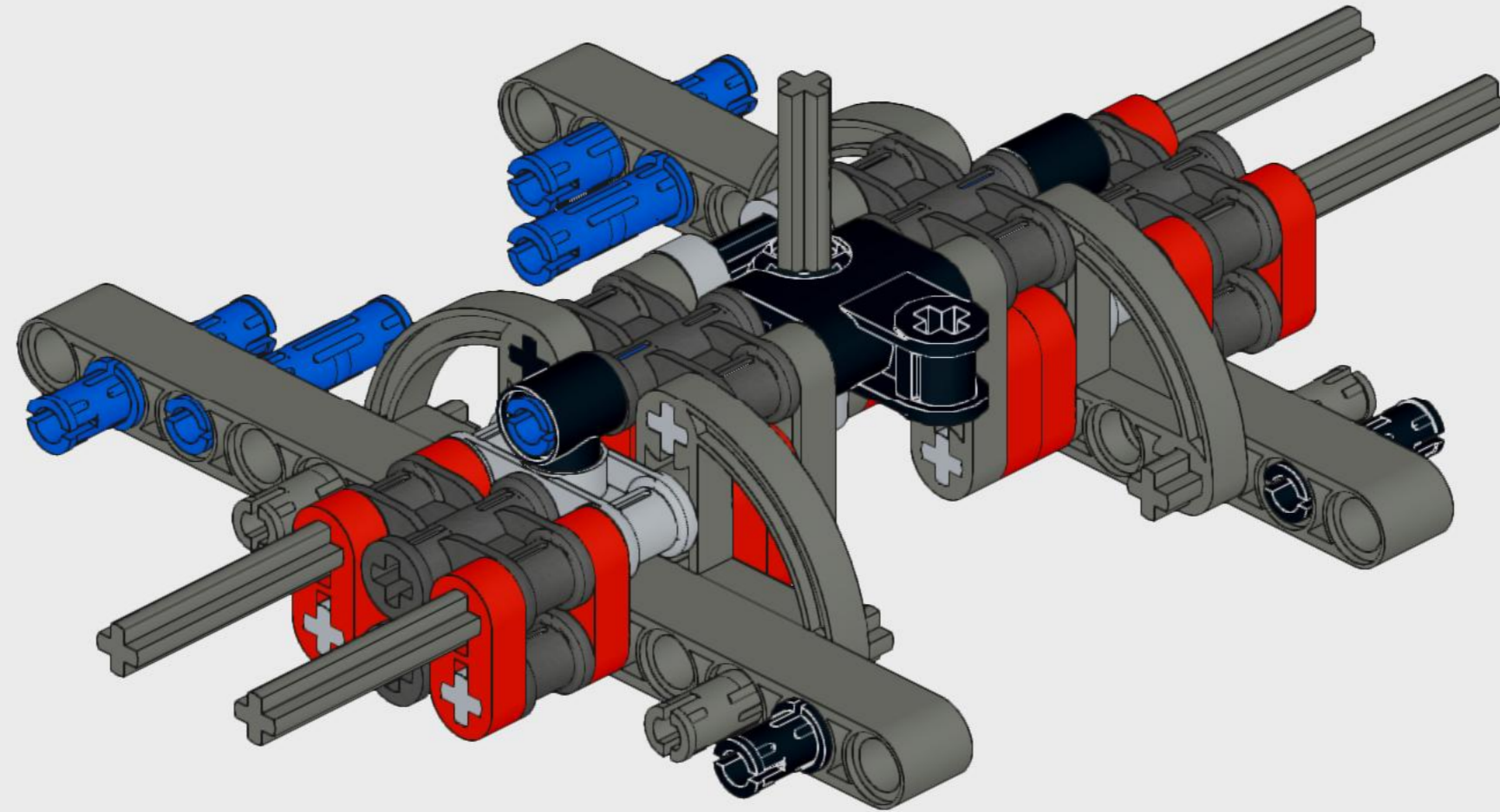


6

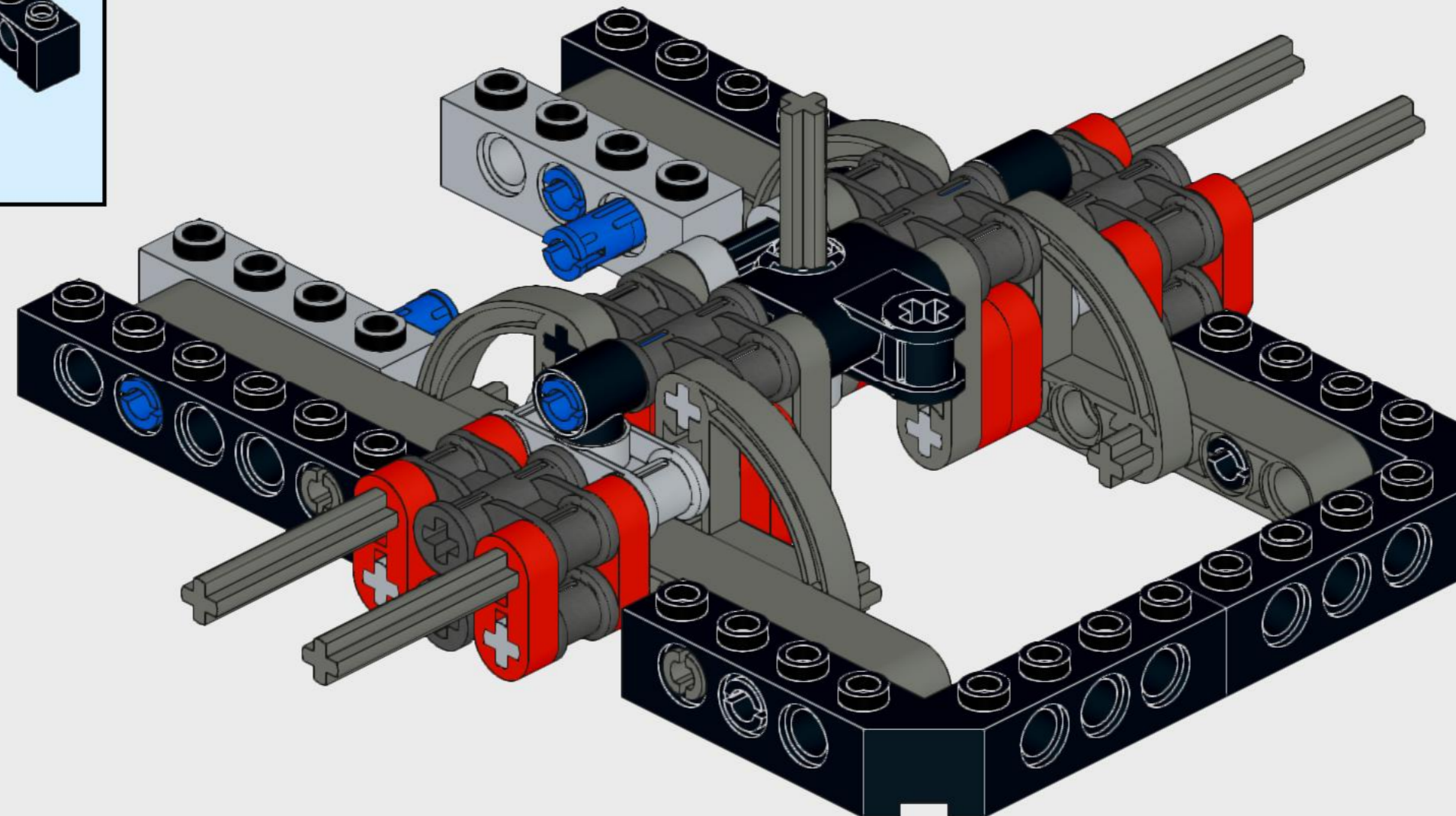


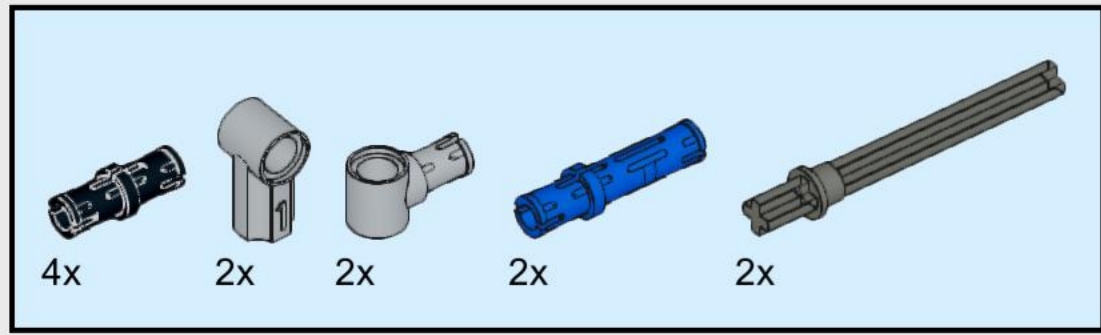


7

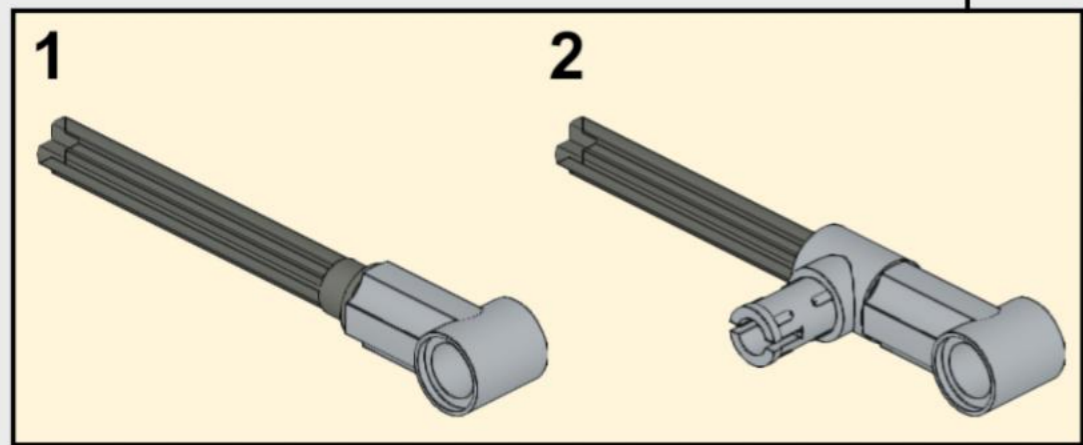


8

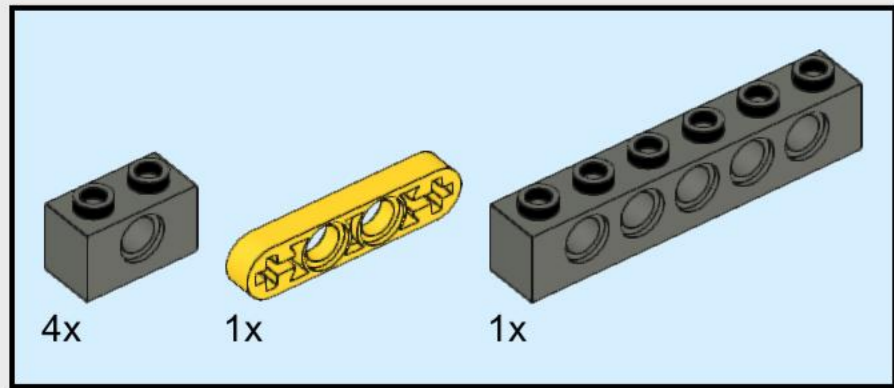
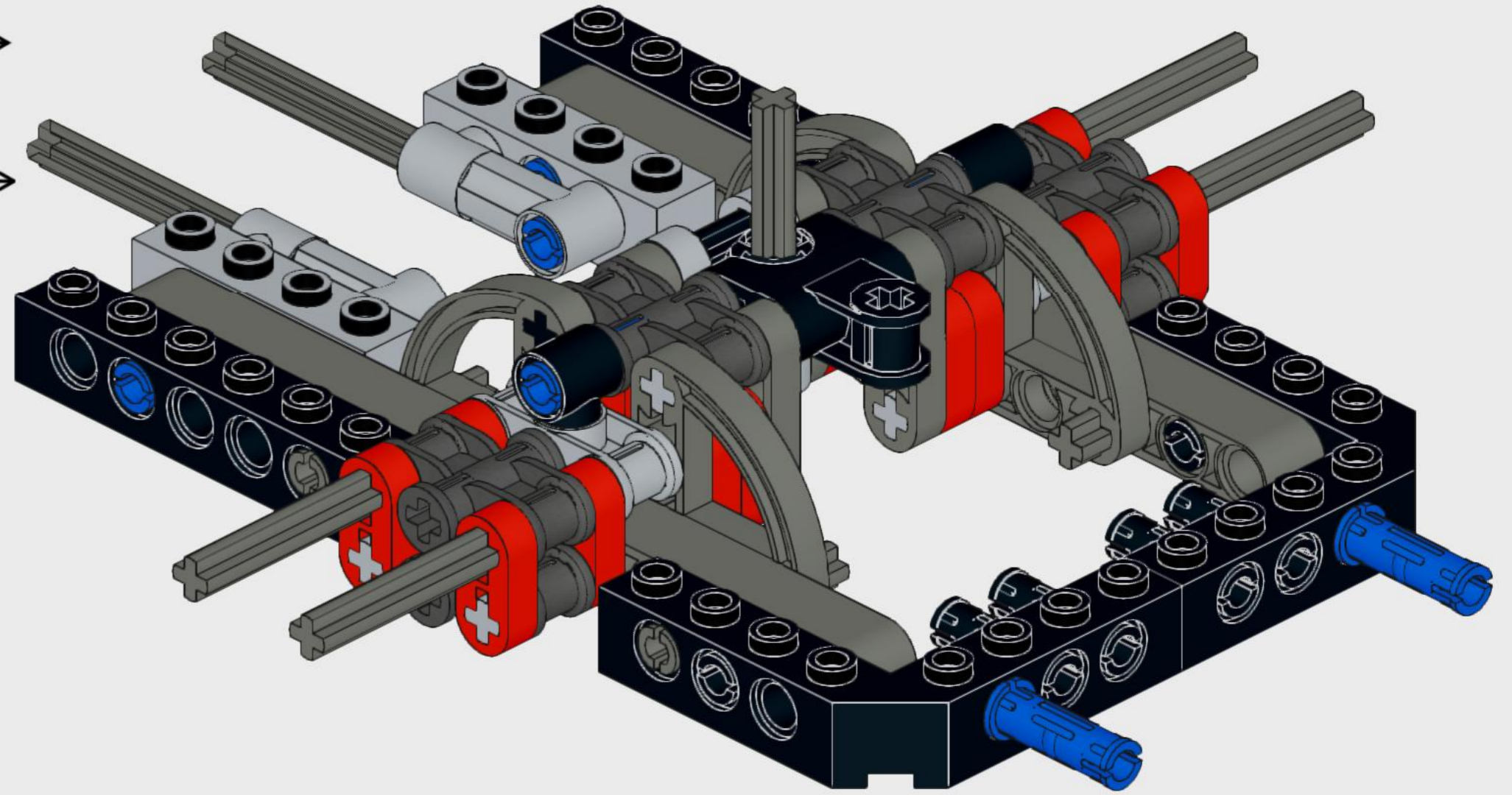




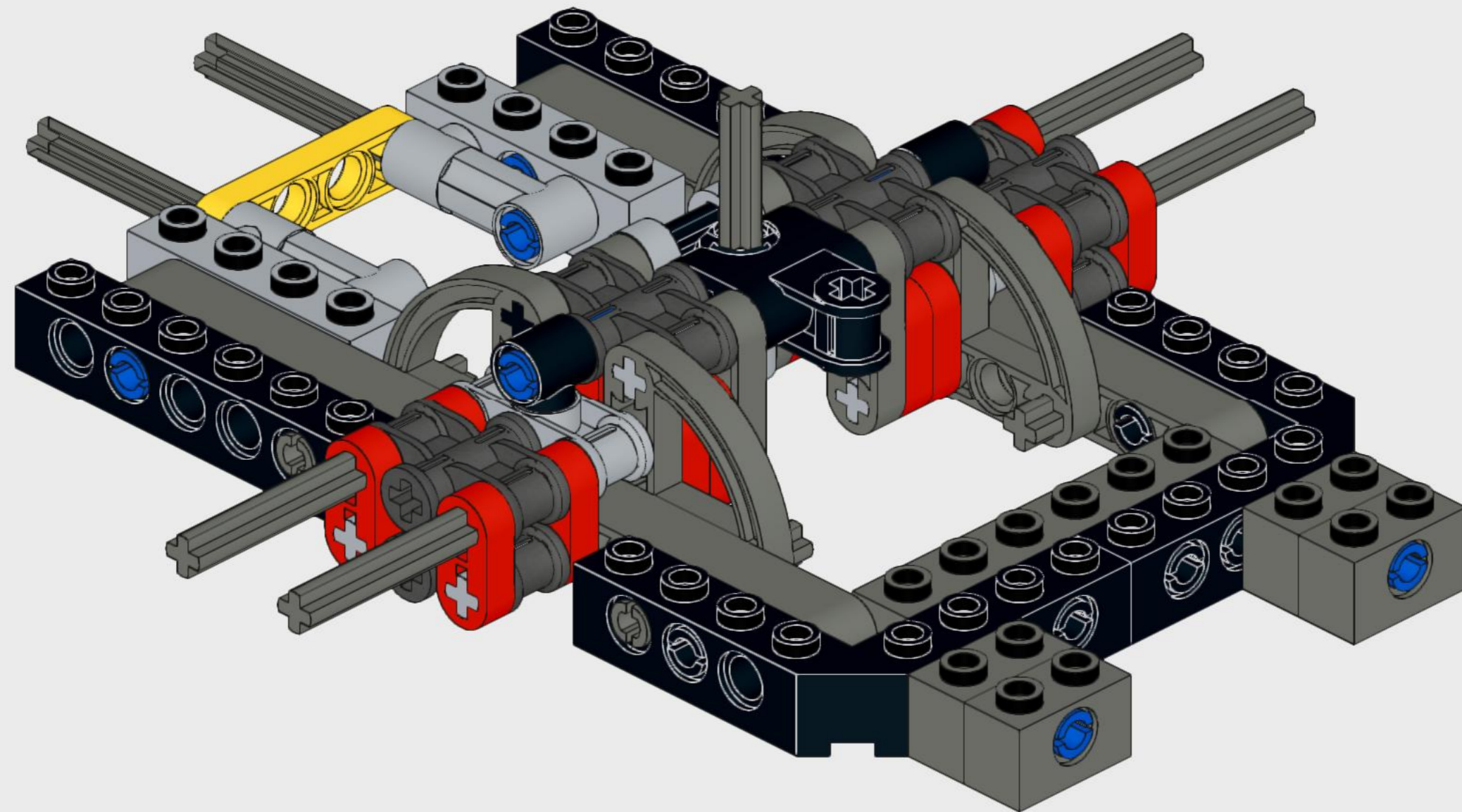
9

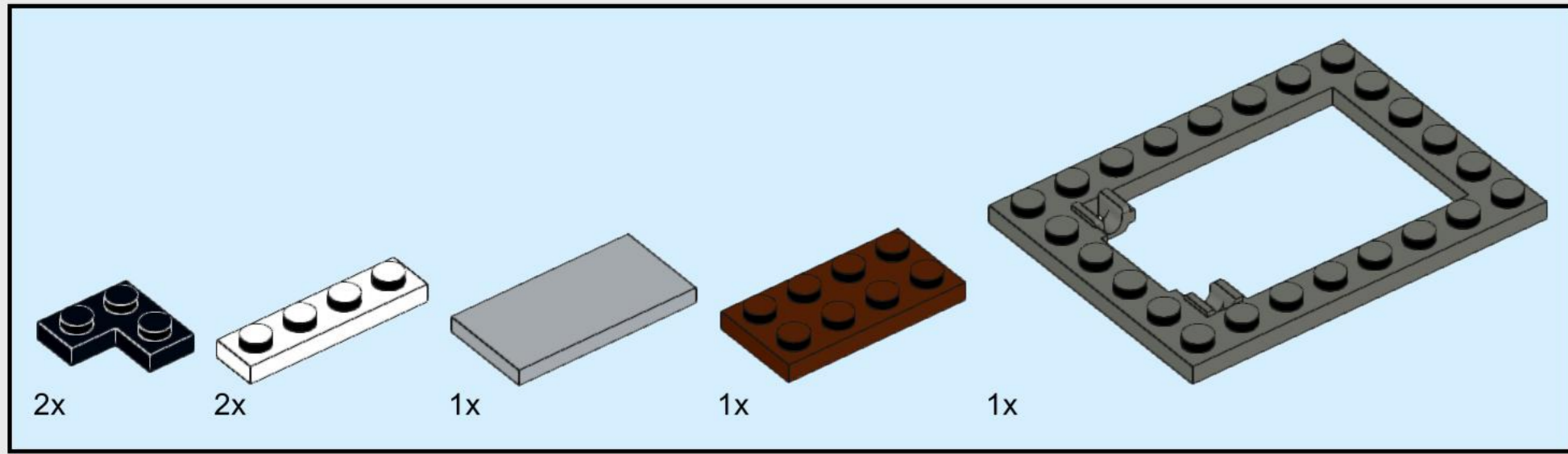


2x

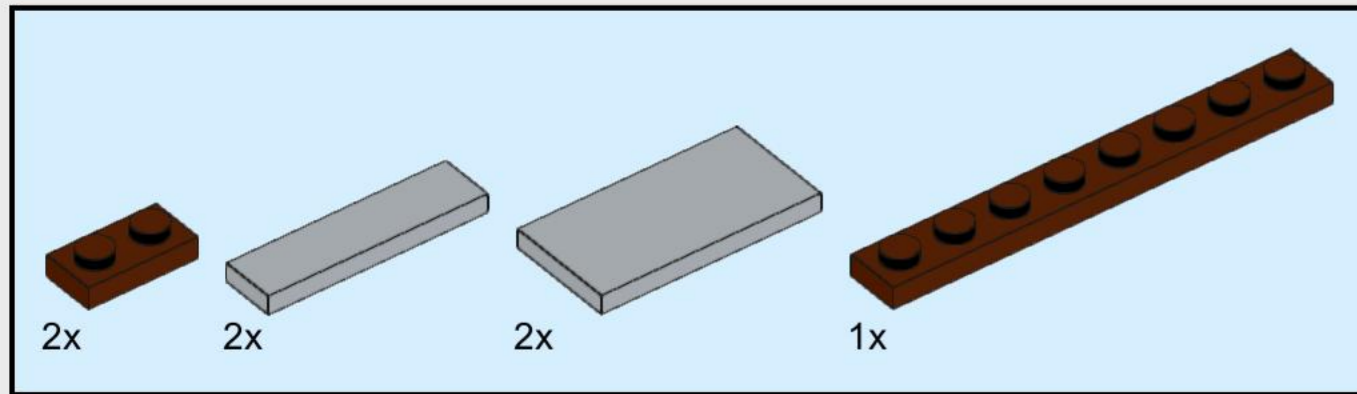
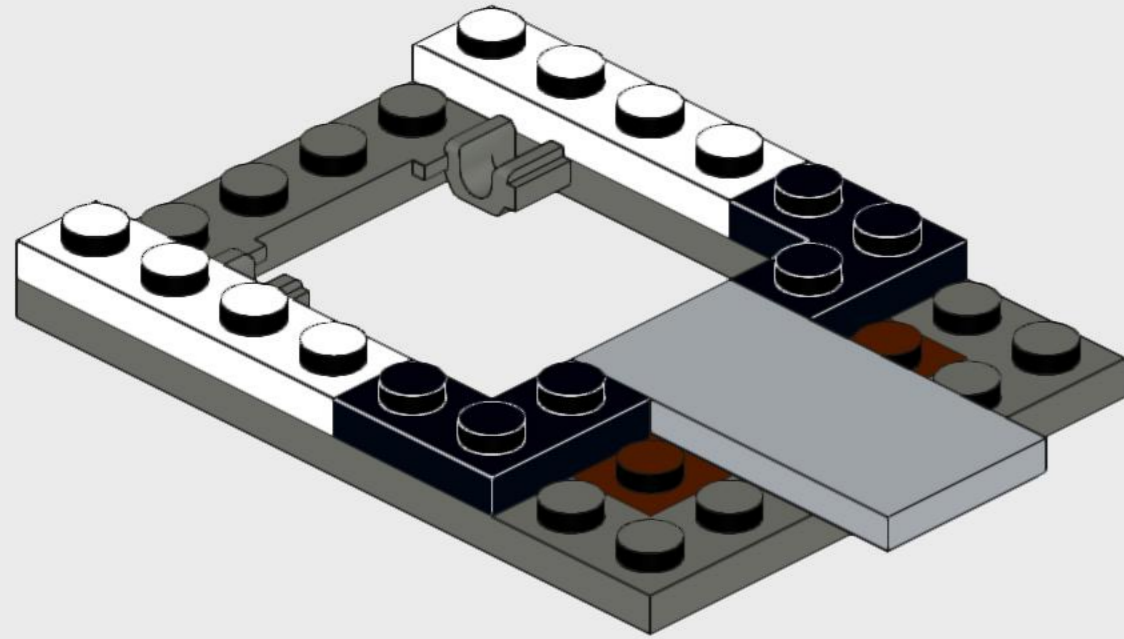


10

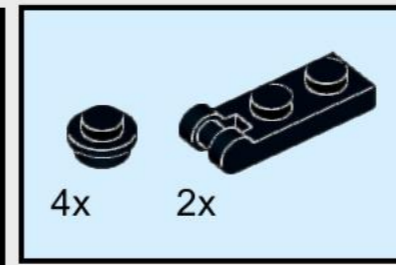
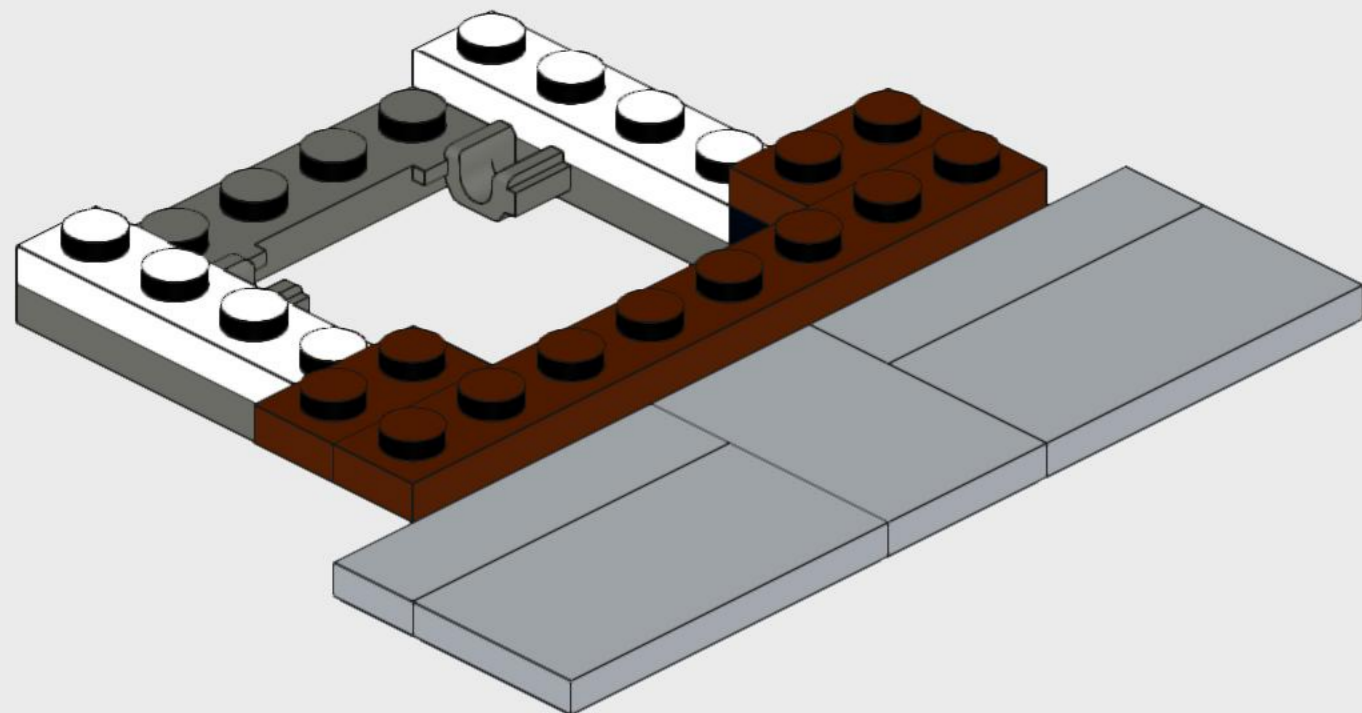




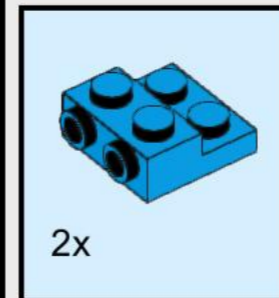
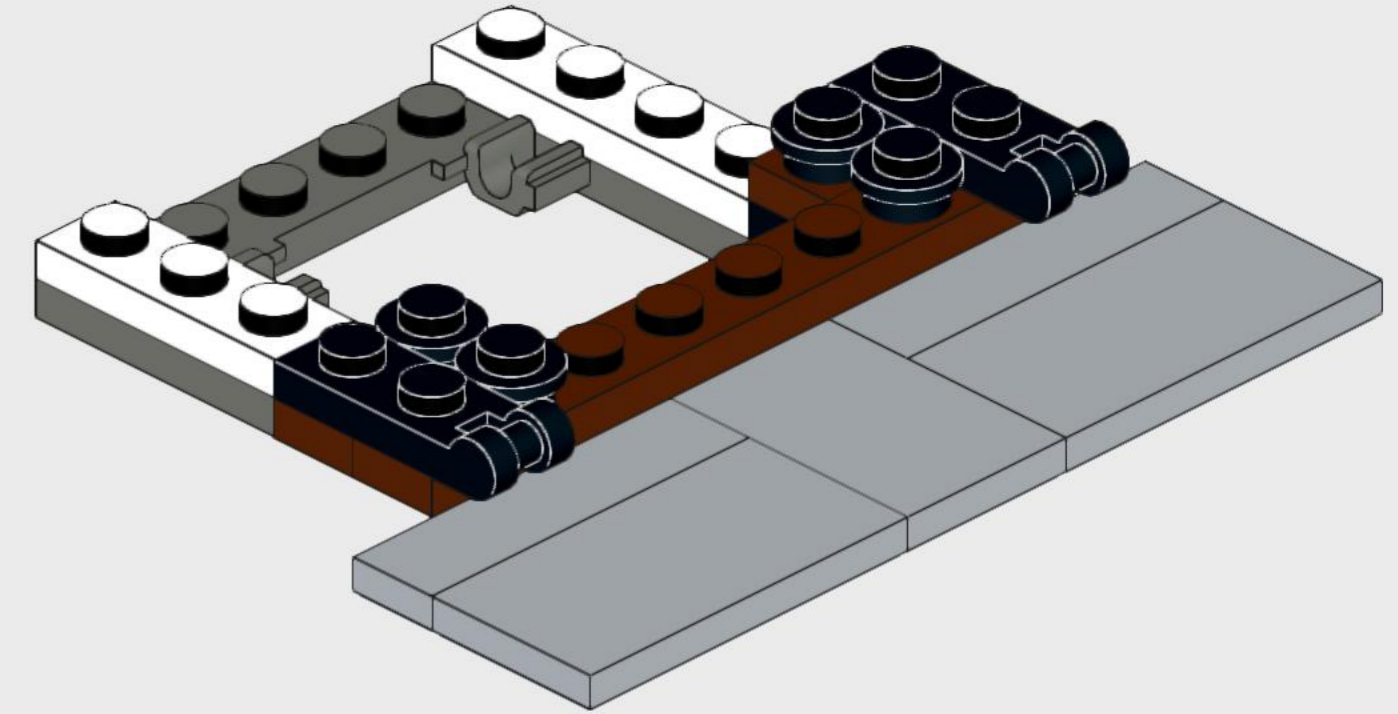
11



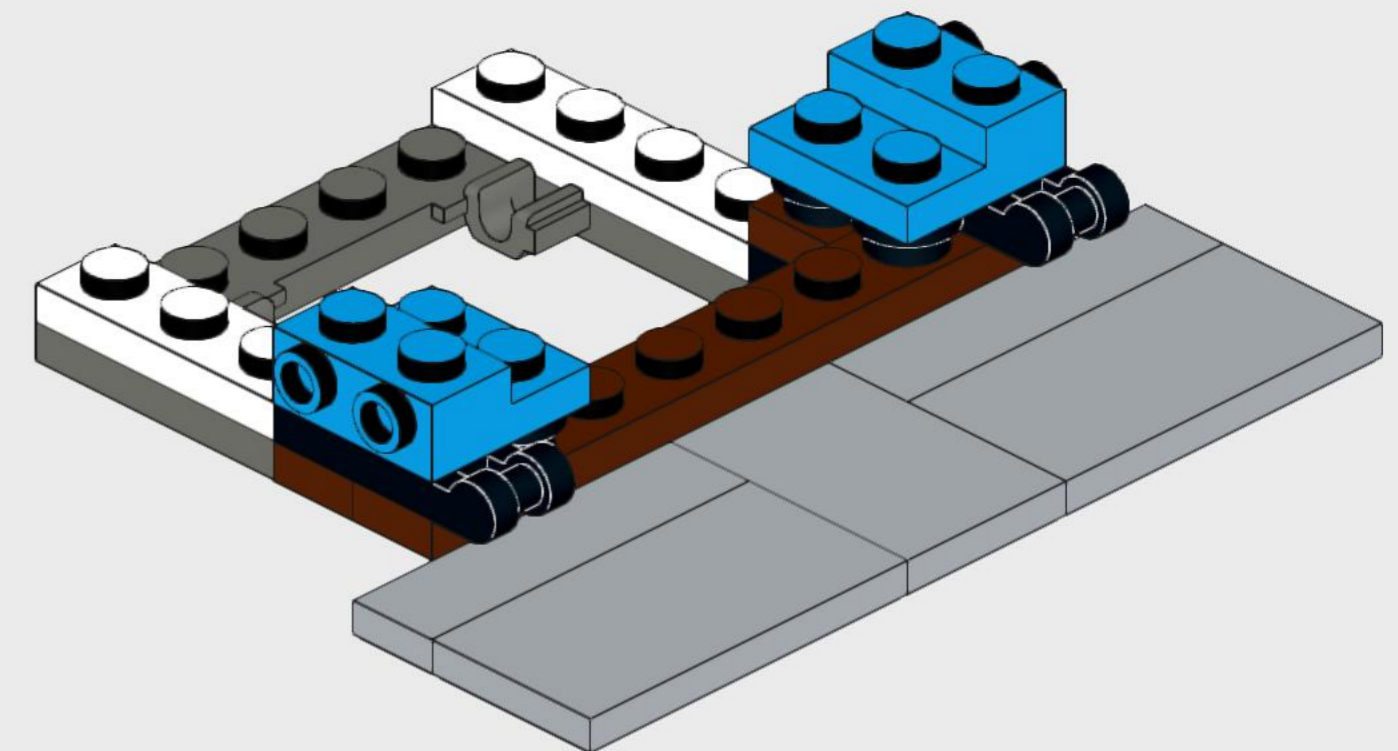
12



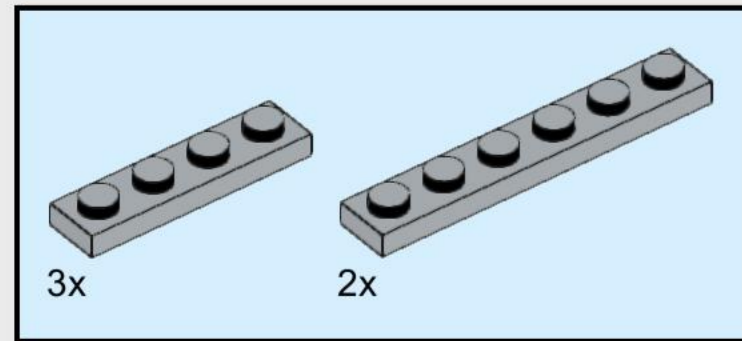
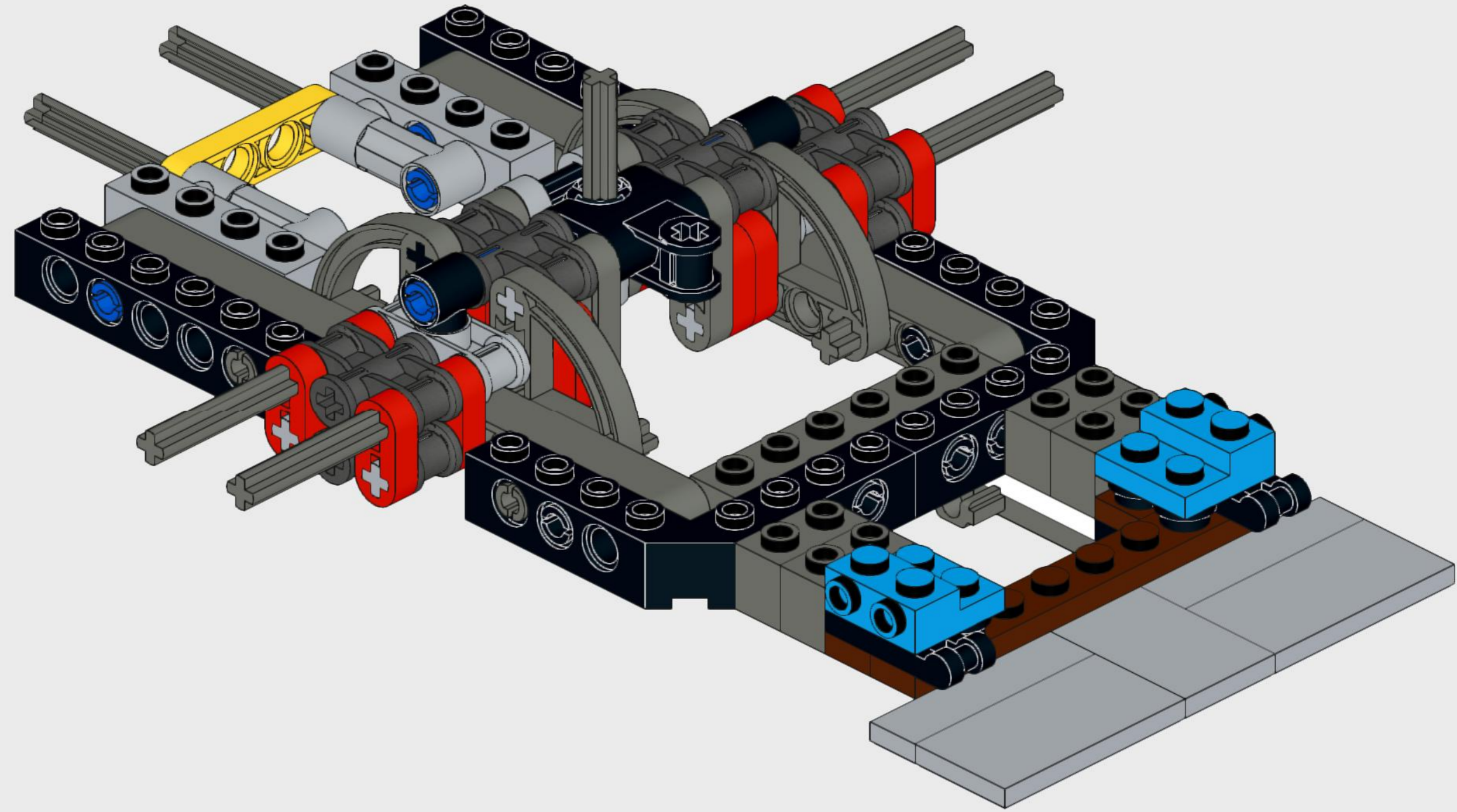
13



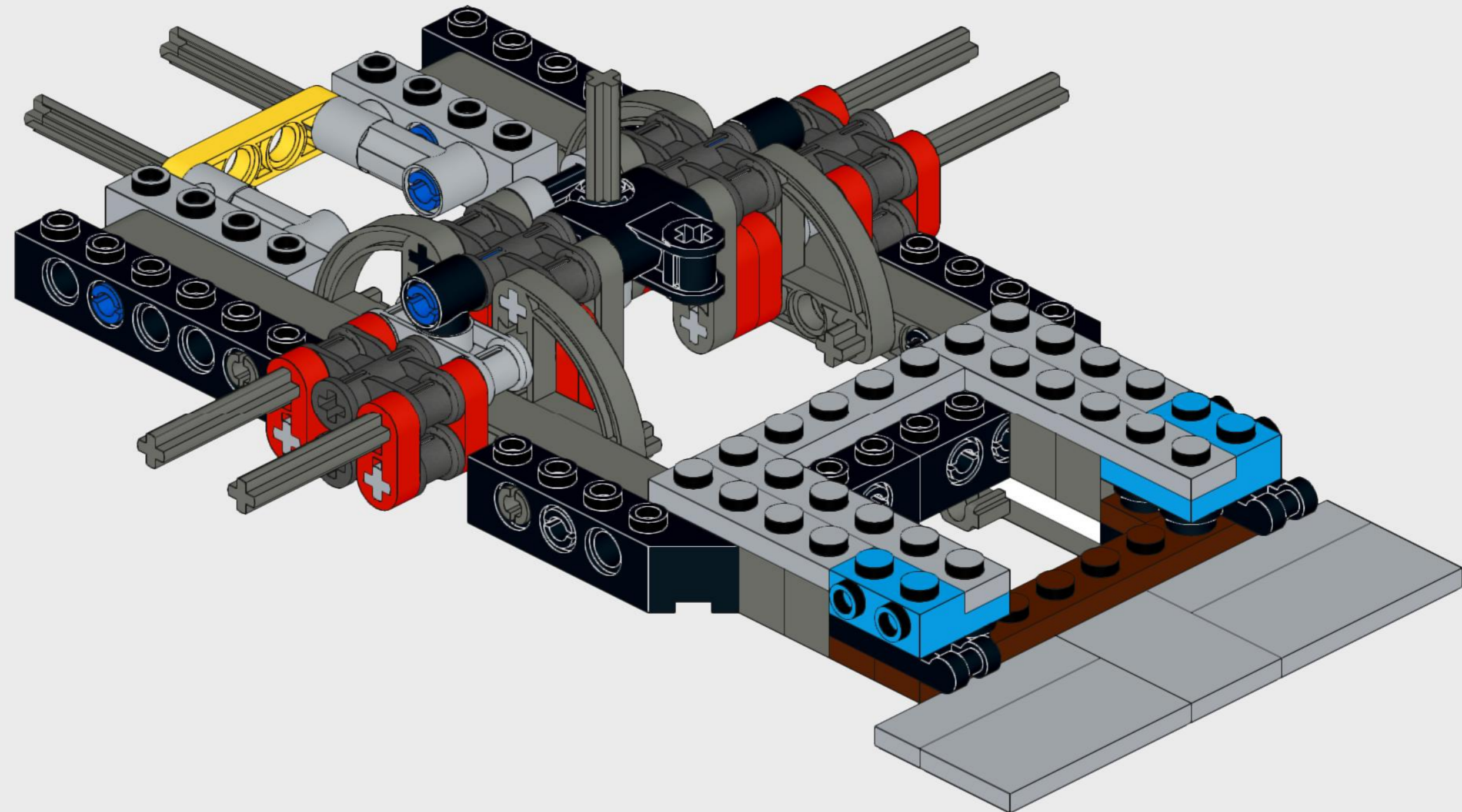
14

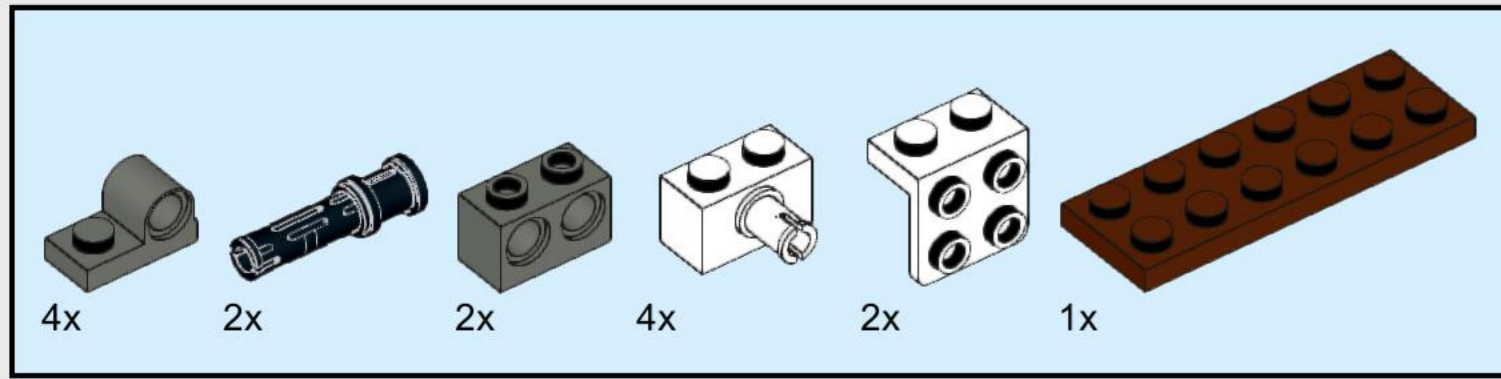


15

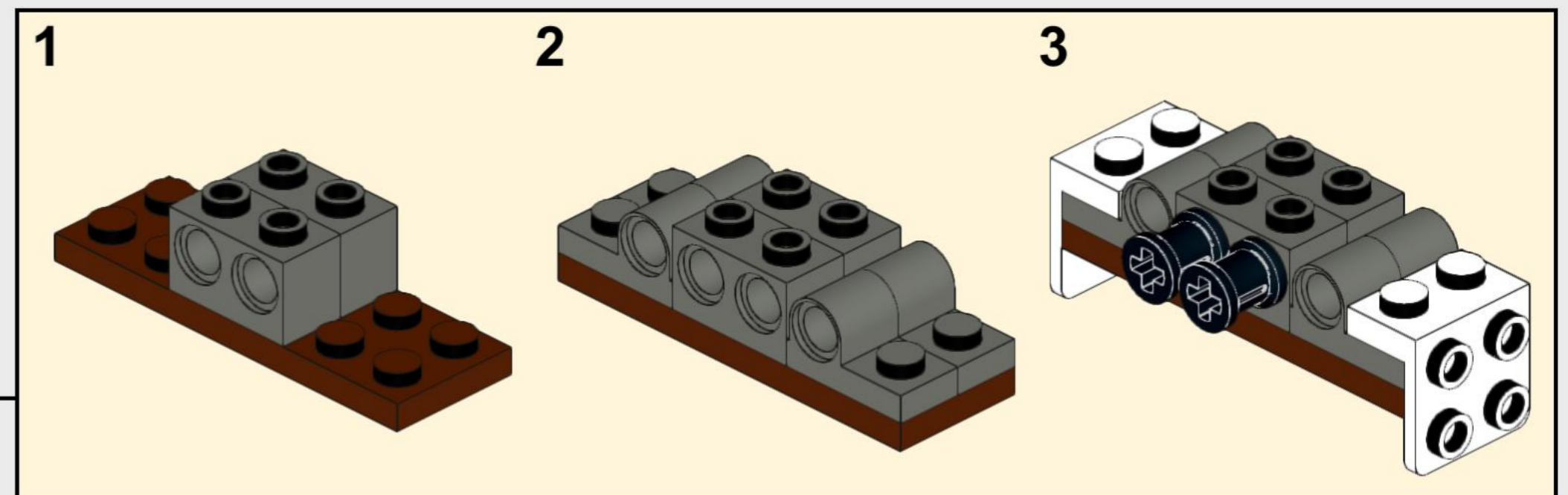
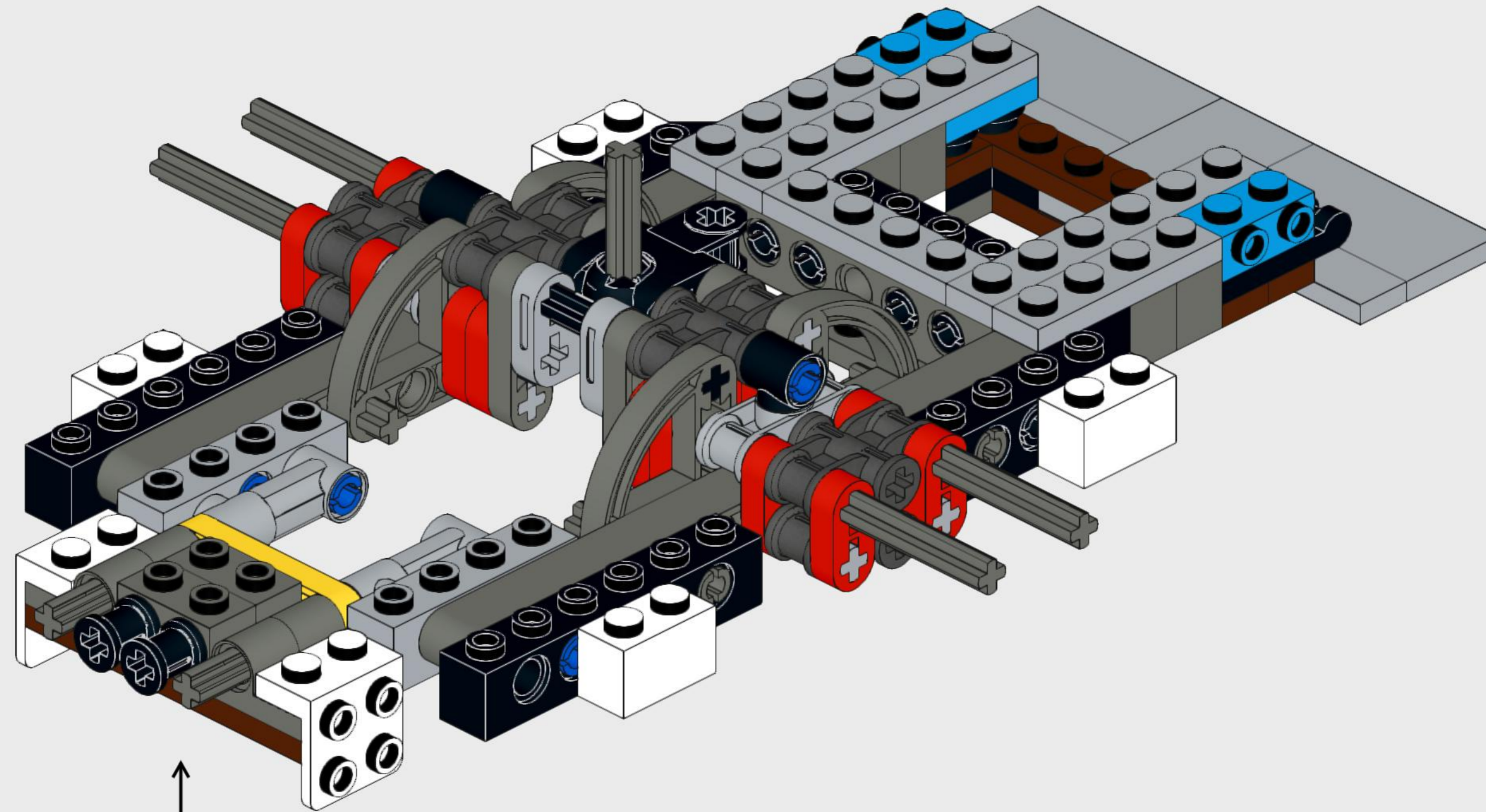


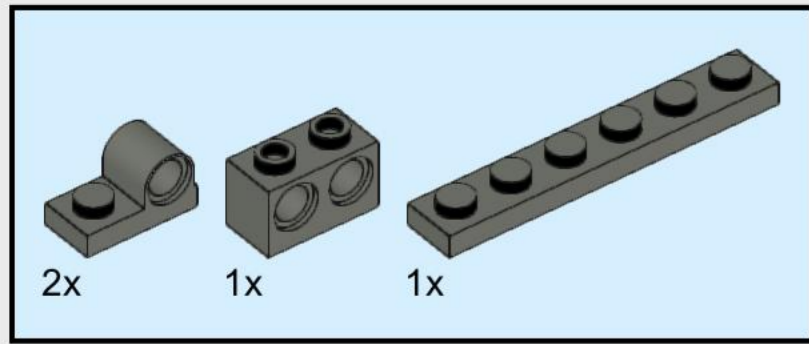
16



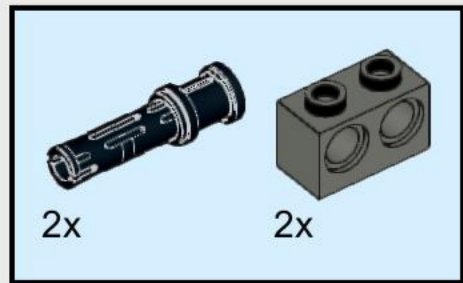
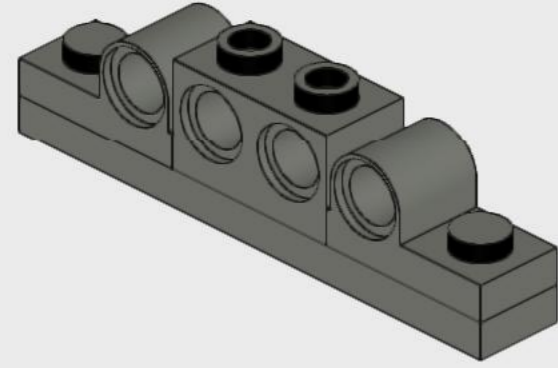


17 

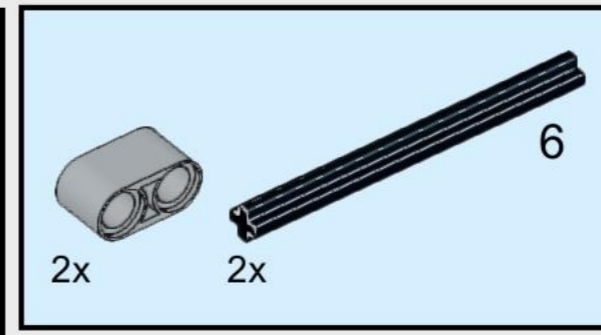
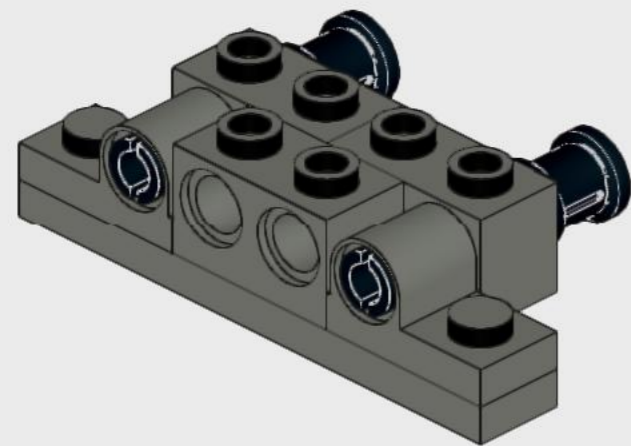




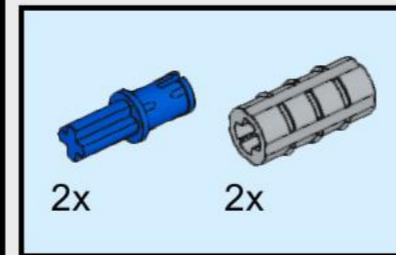
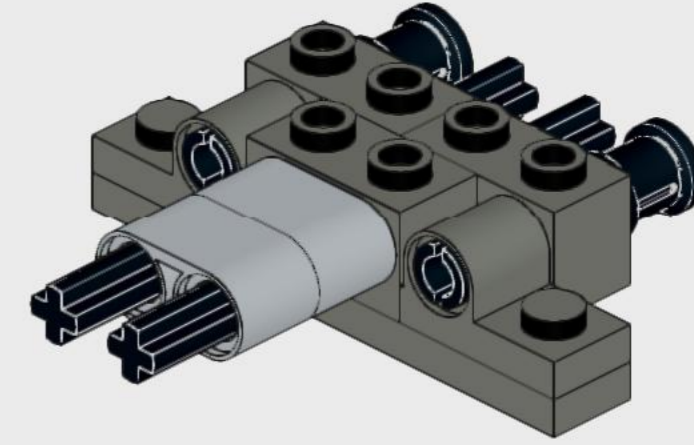
18



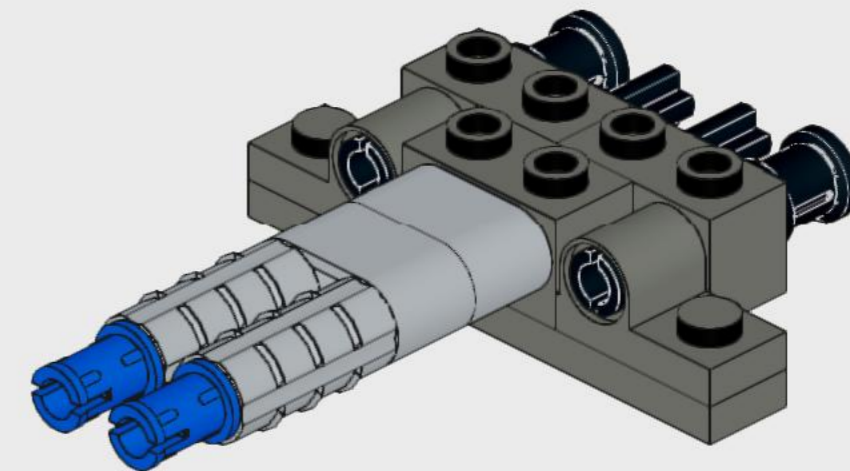
19

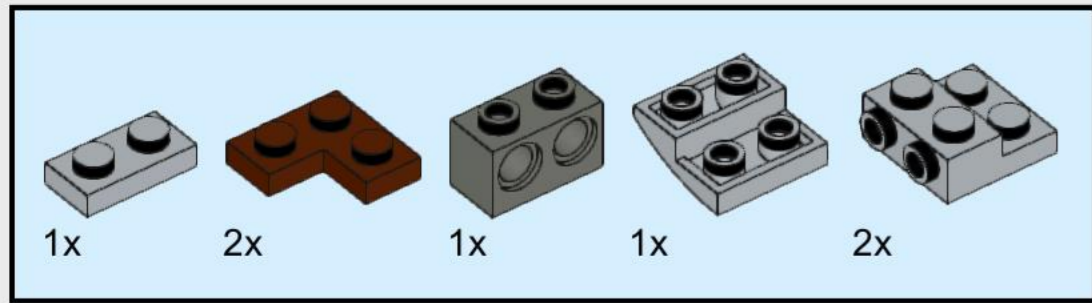


20

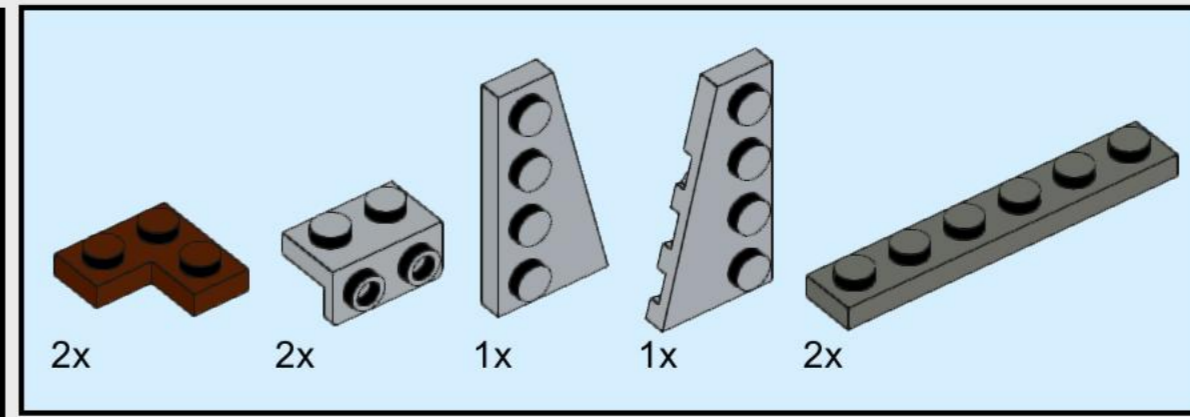
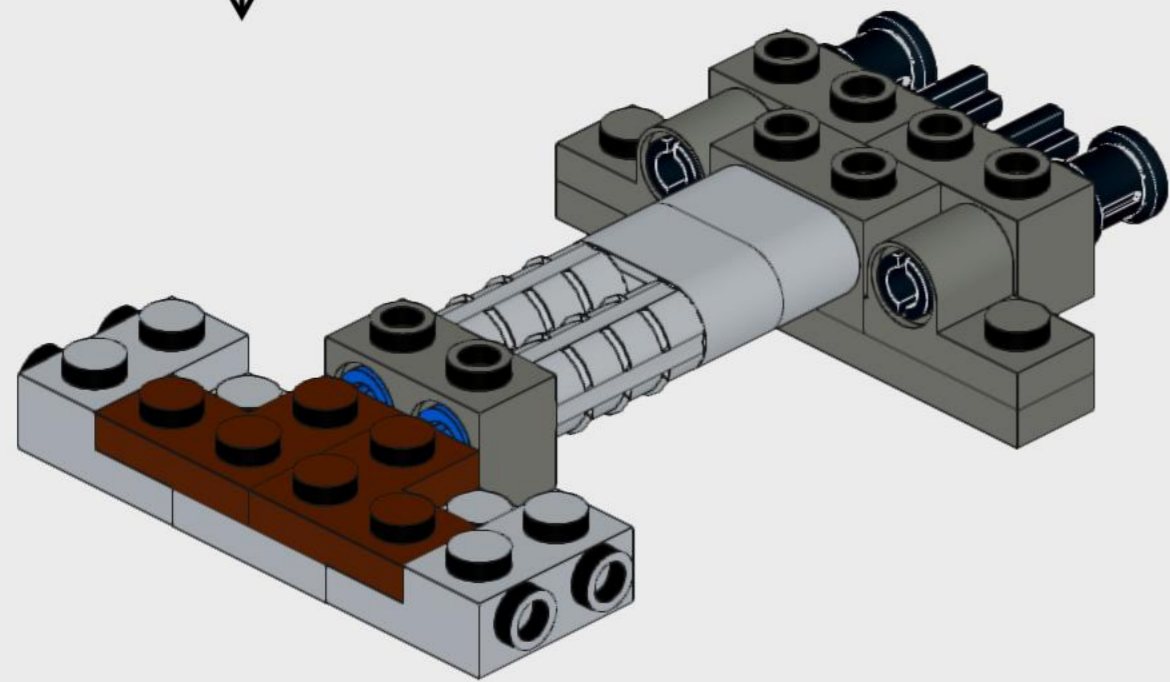
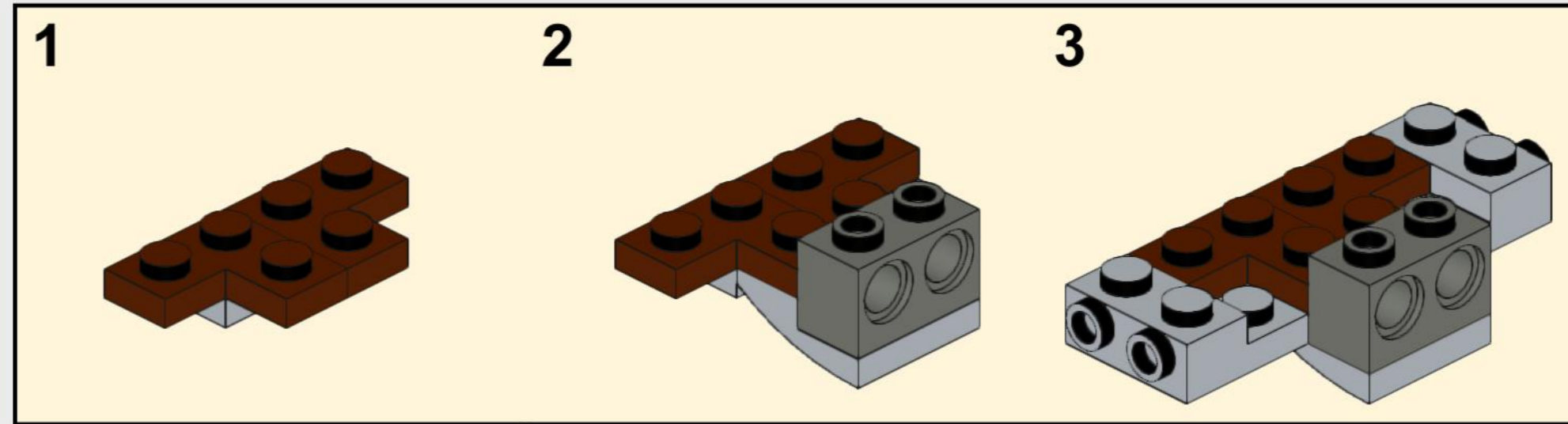


21

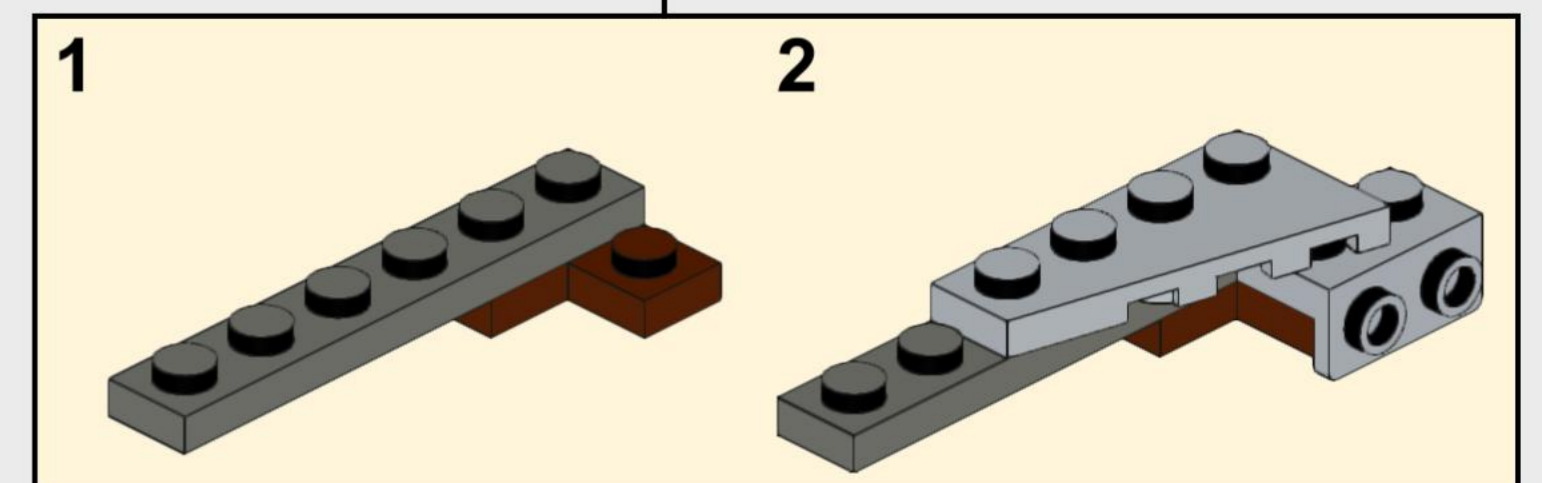
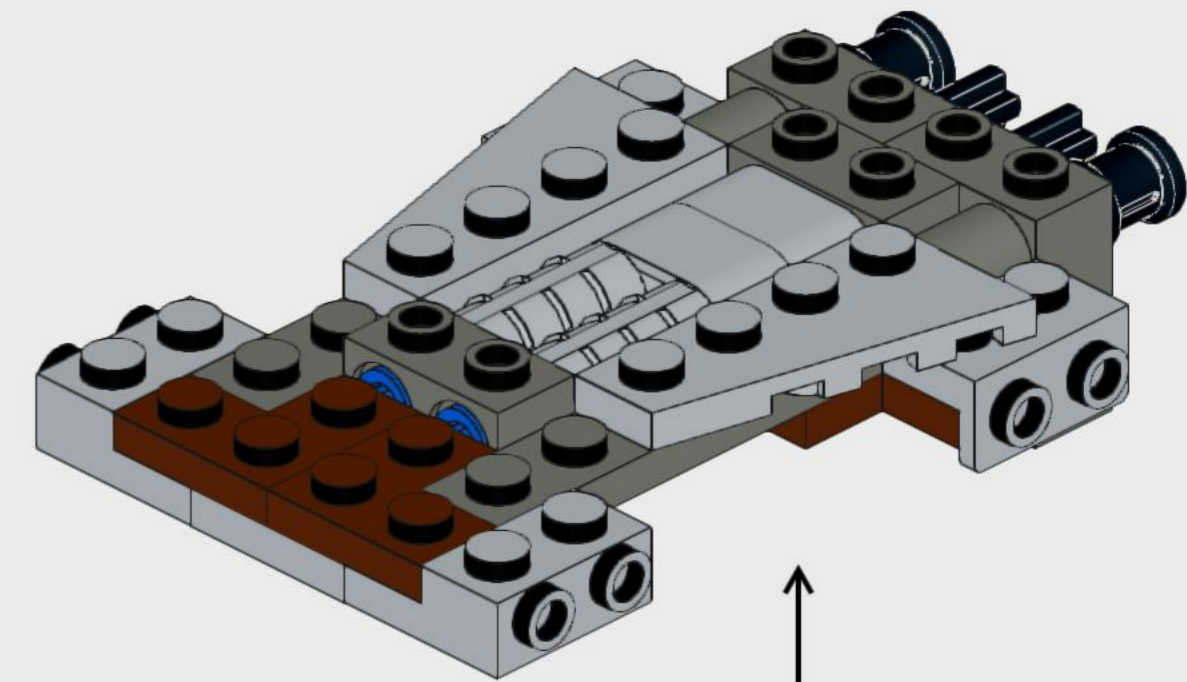
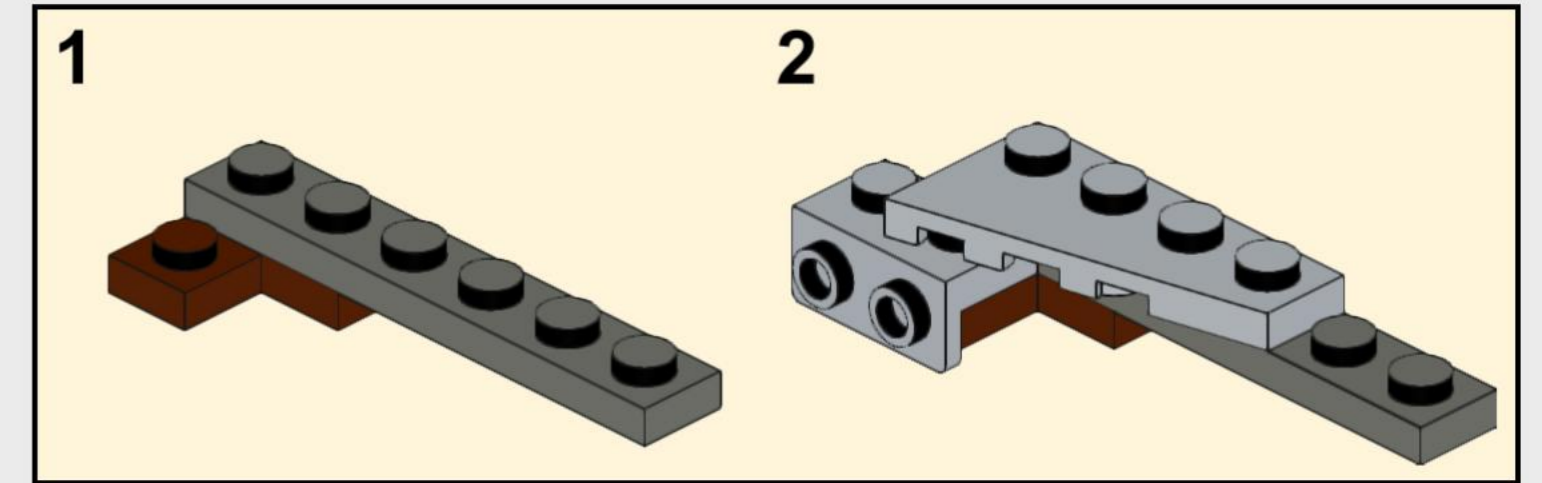


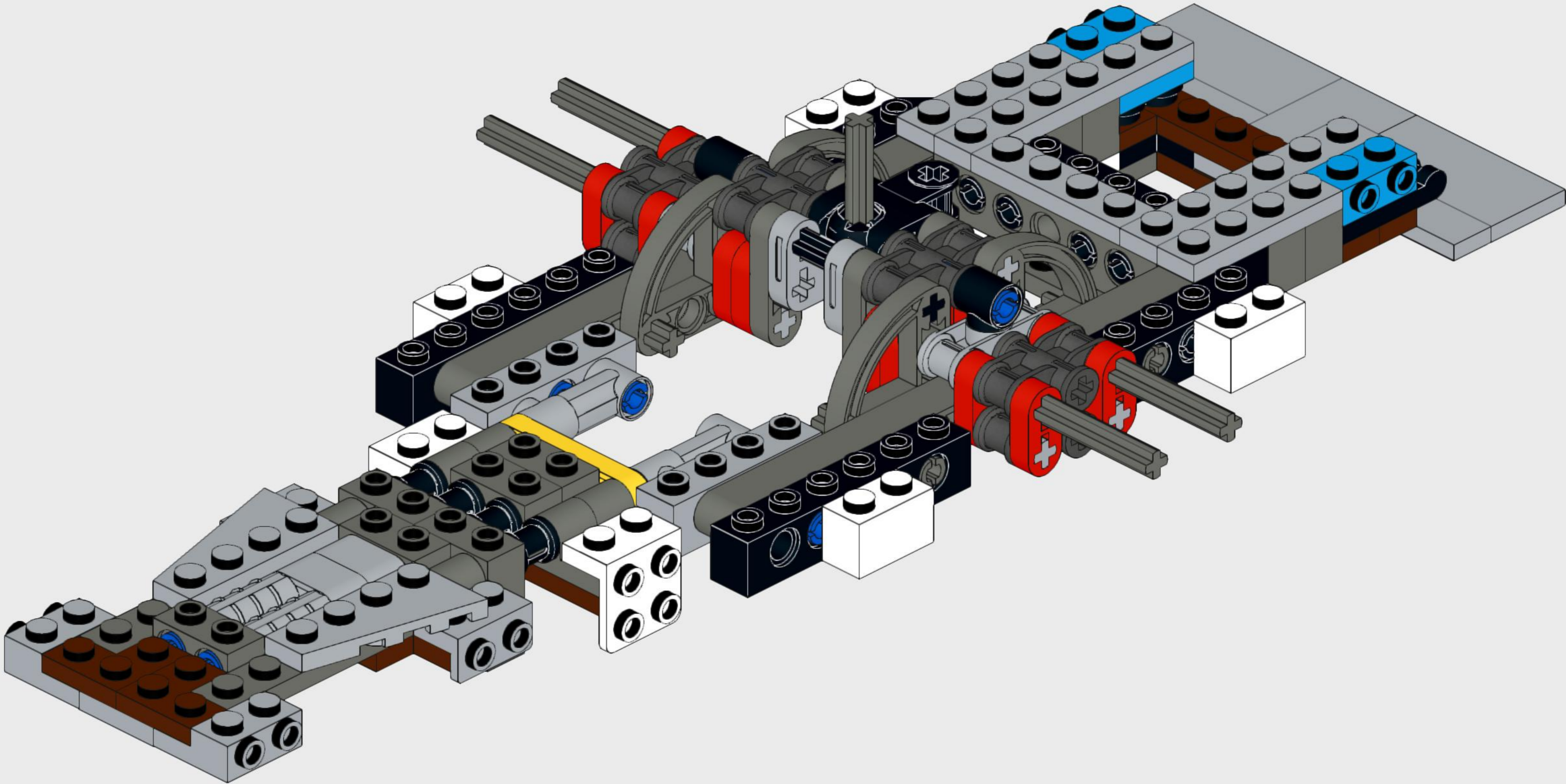


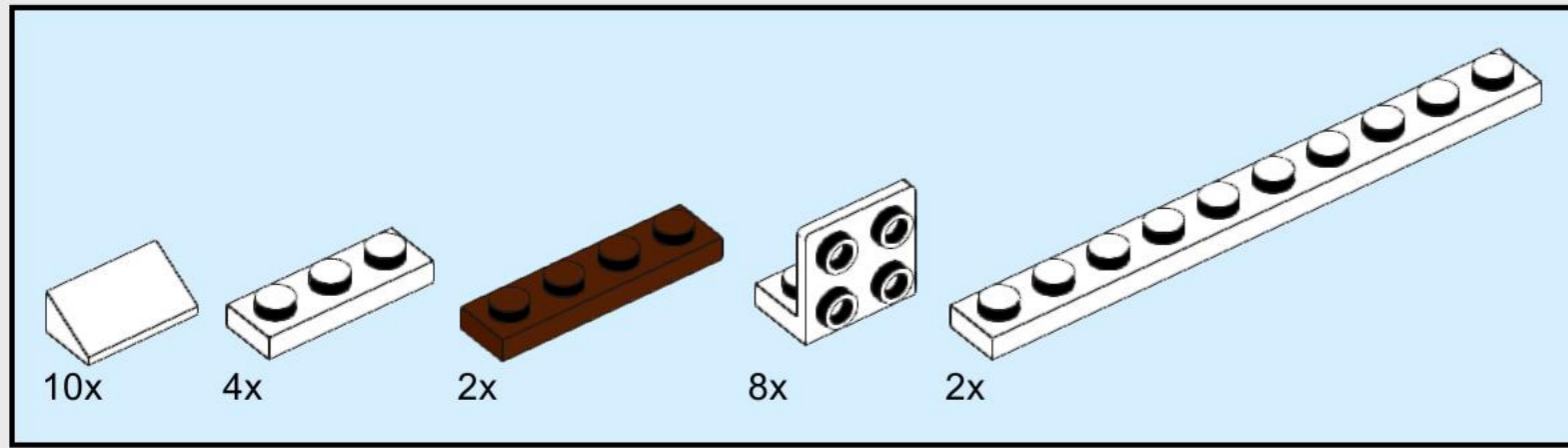
22



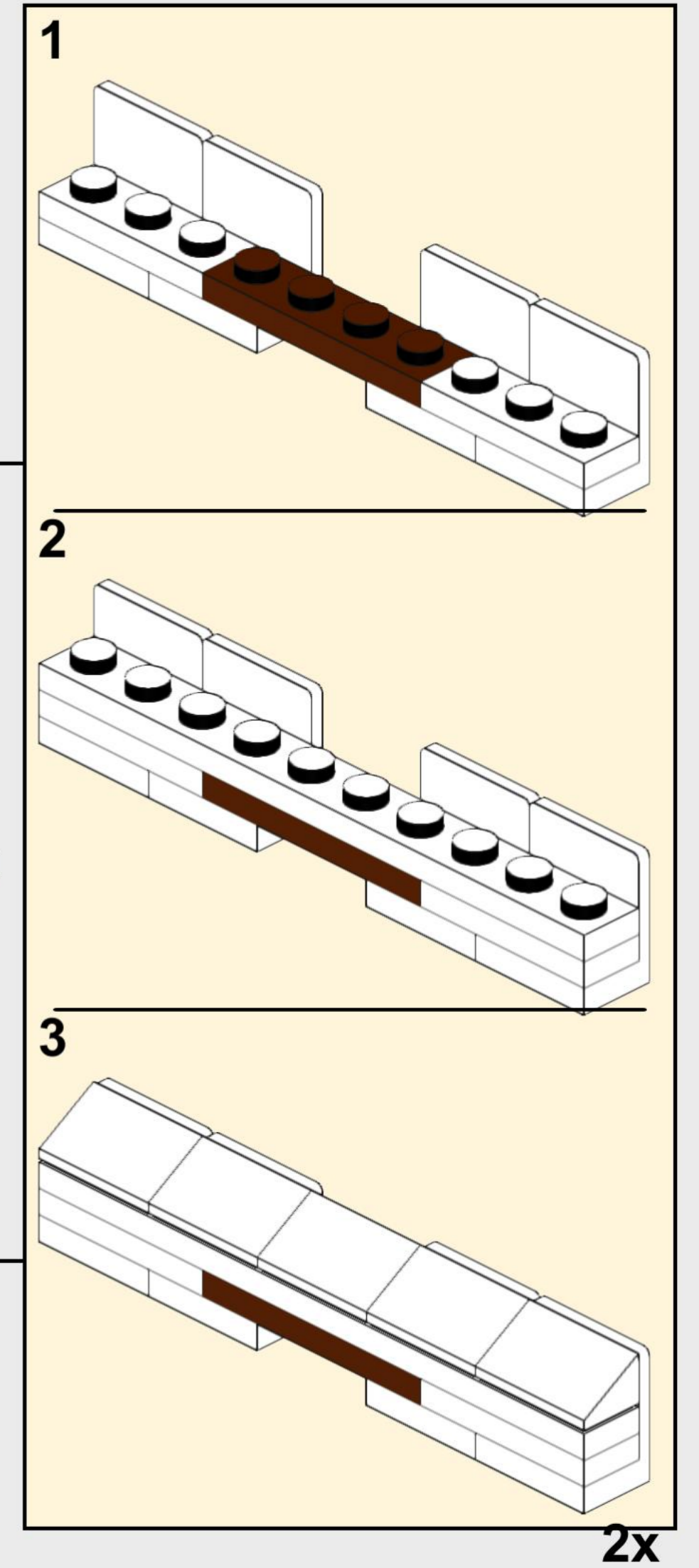
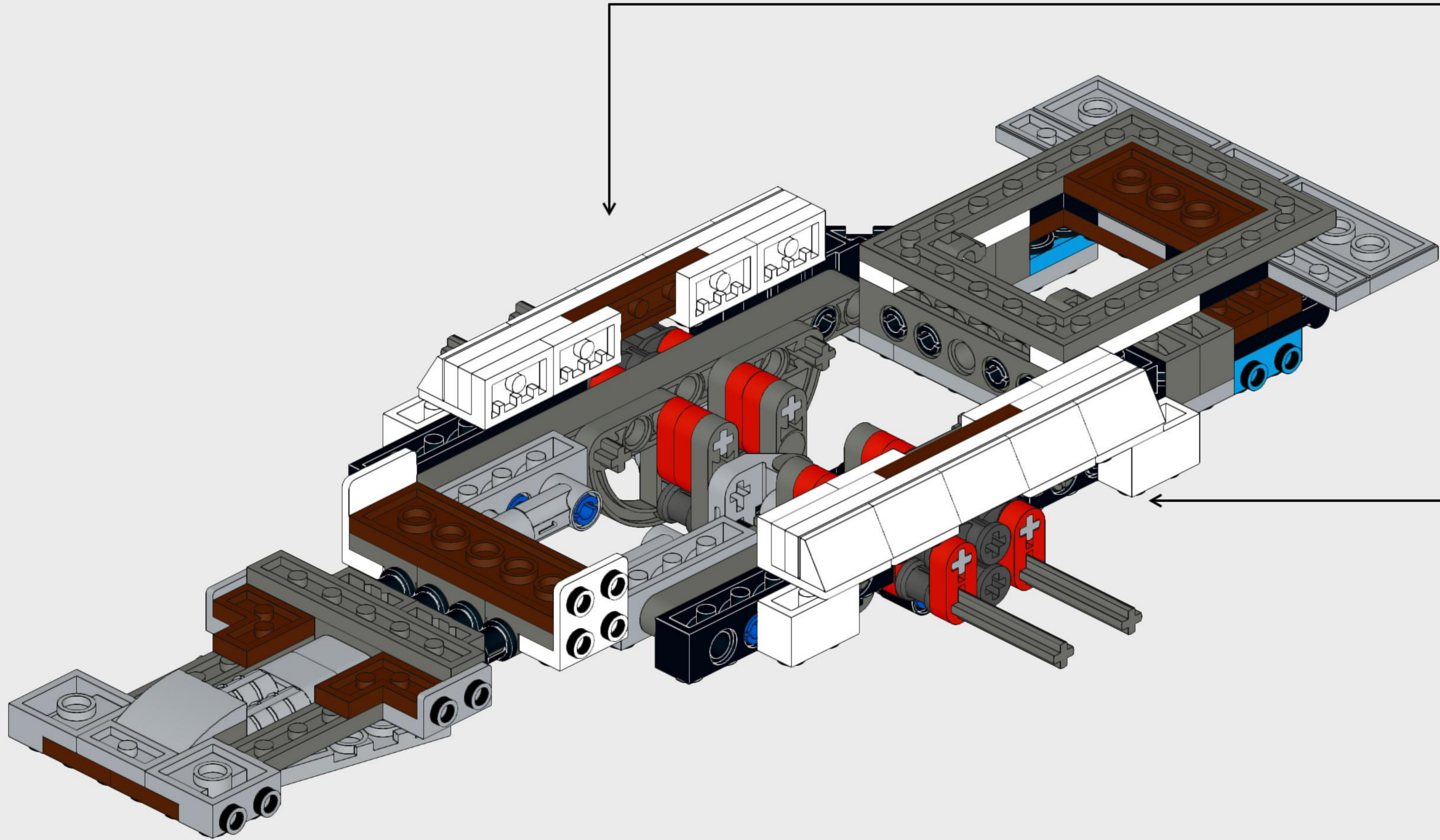
23

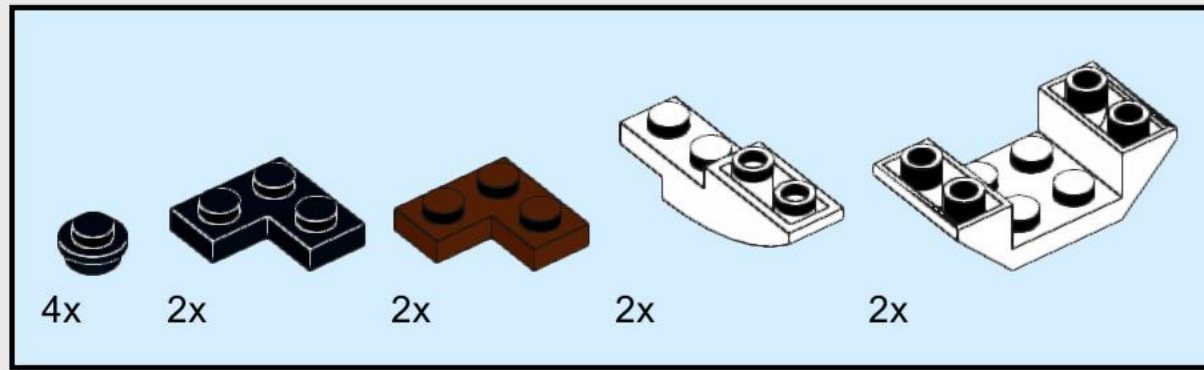




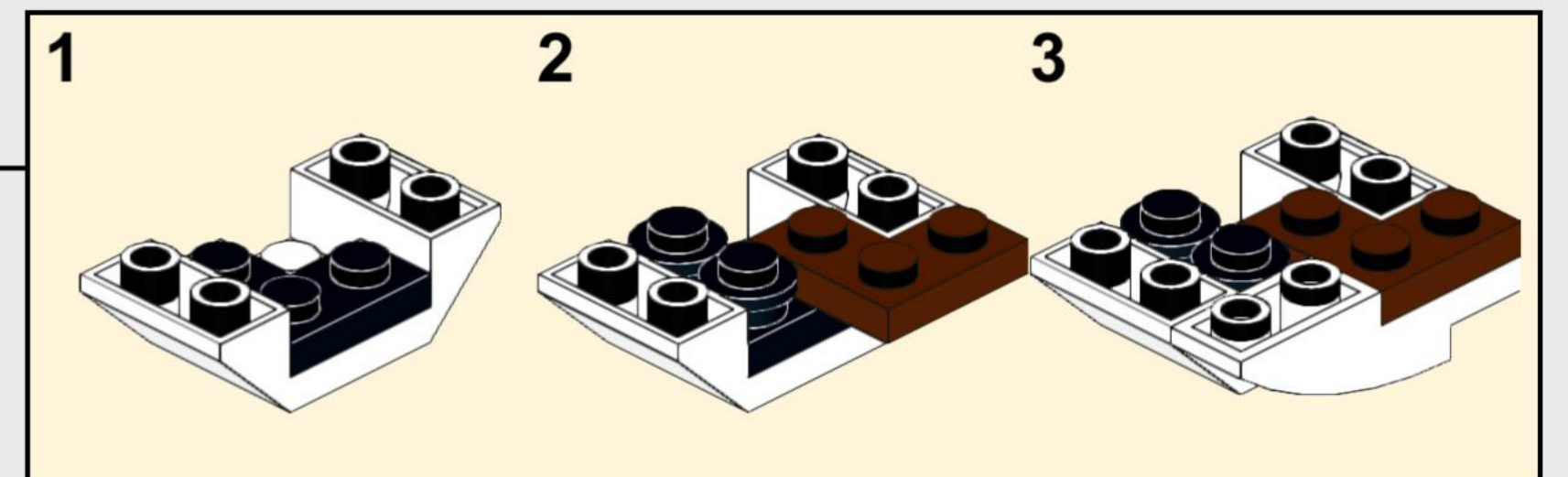
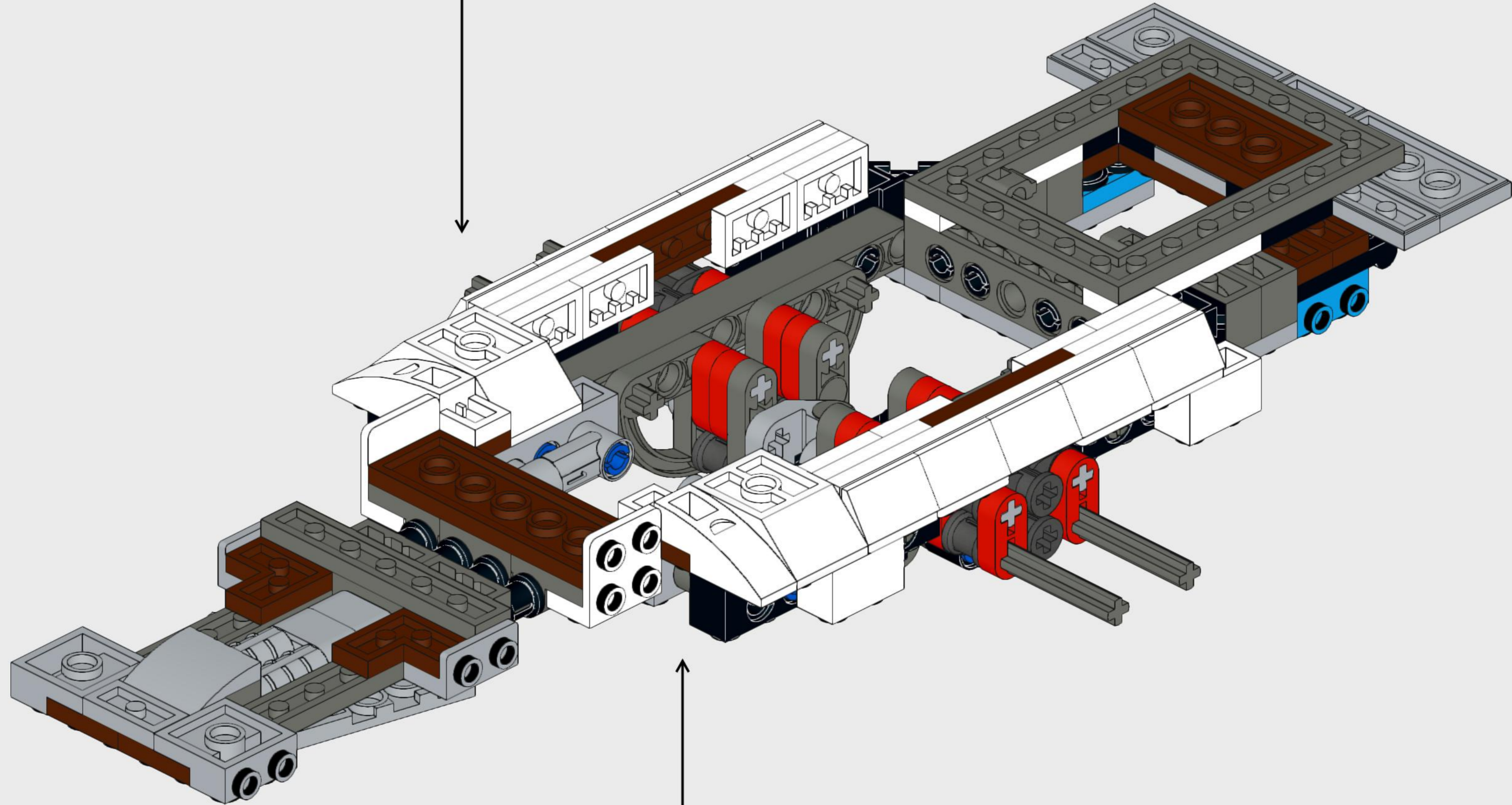
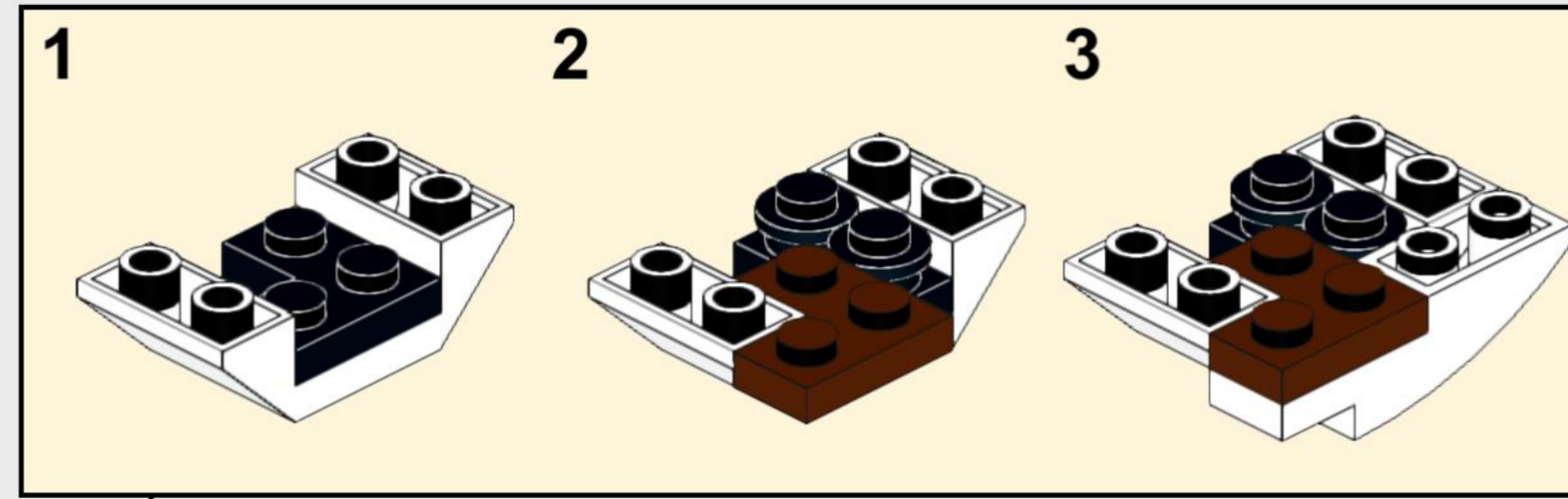


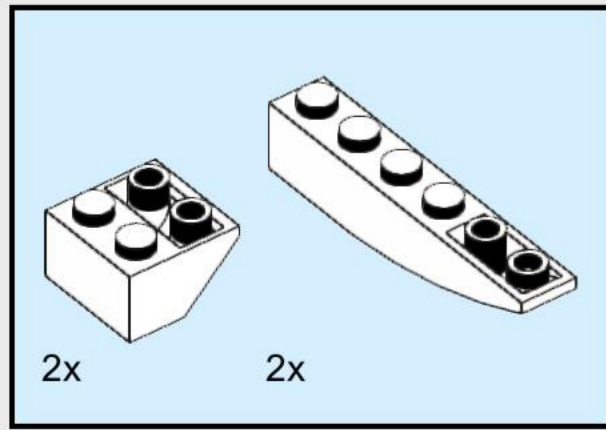
25 



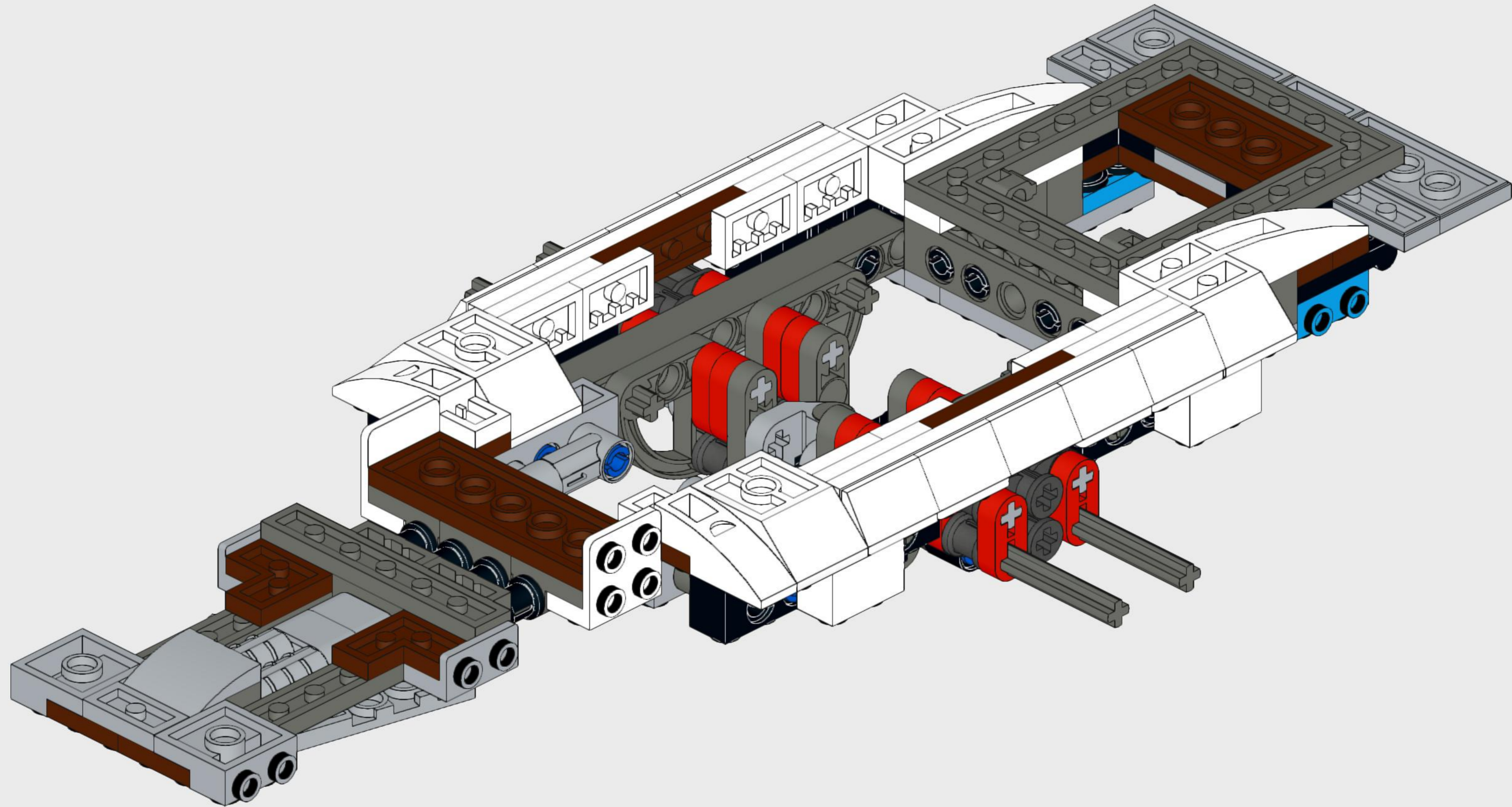


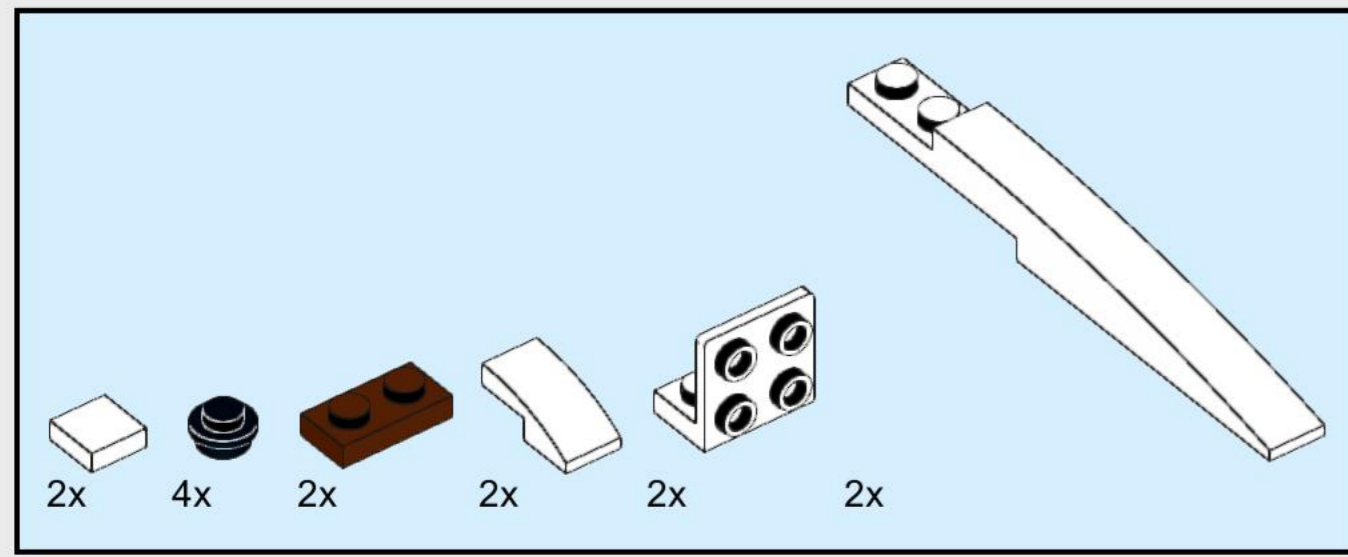
26



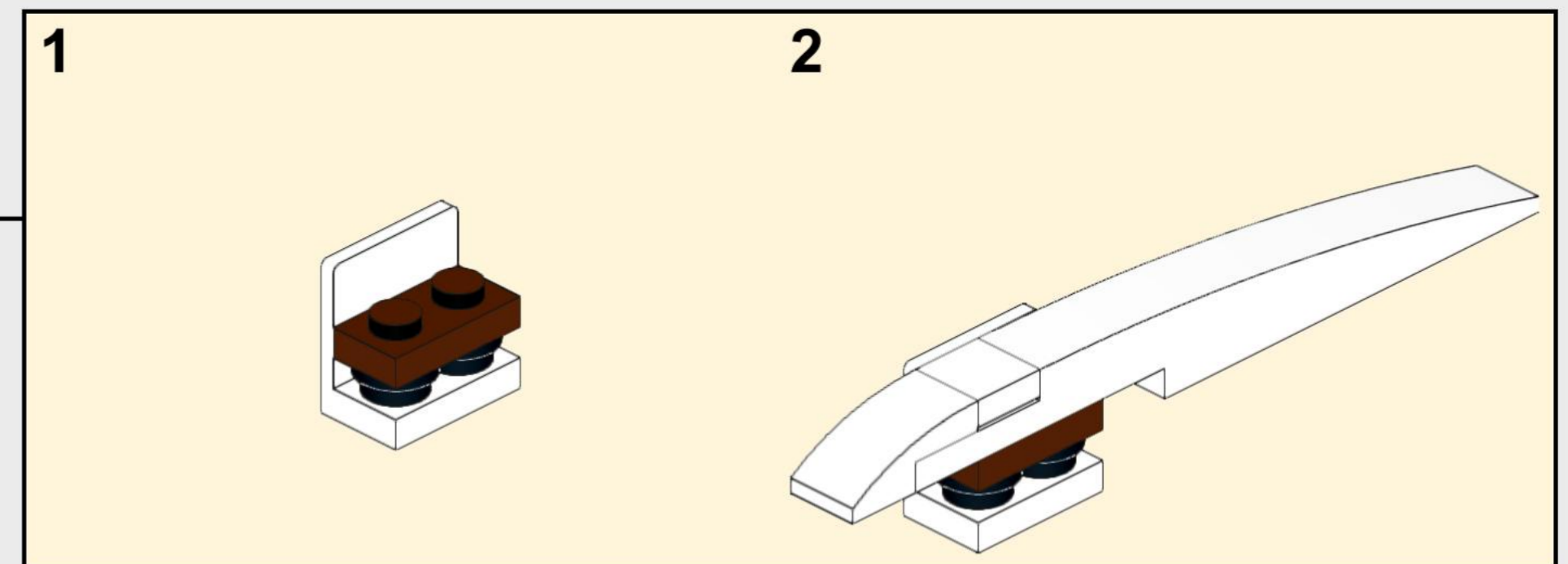
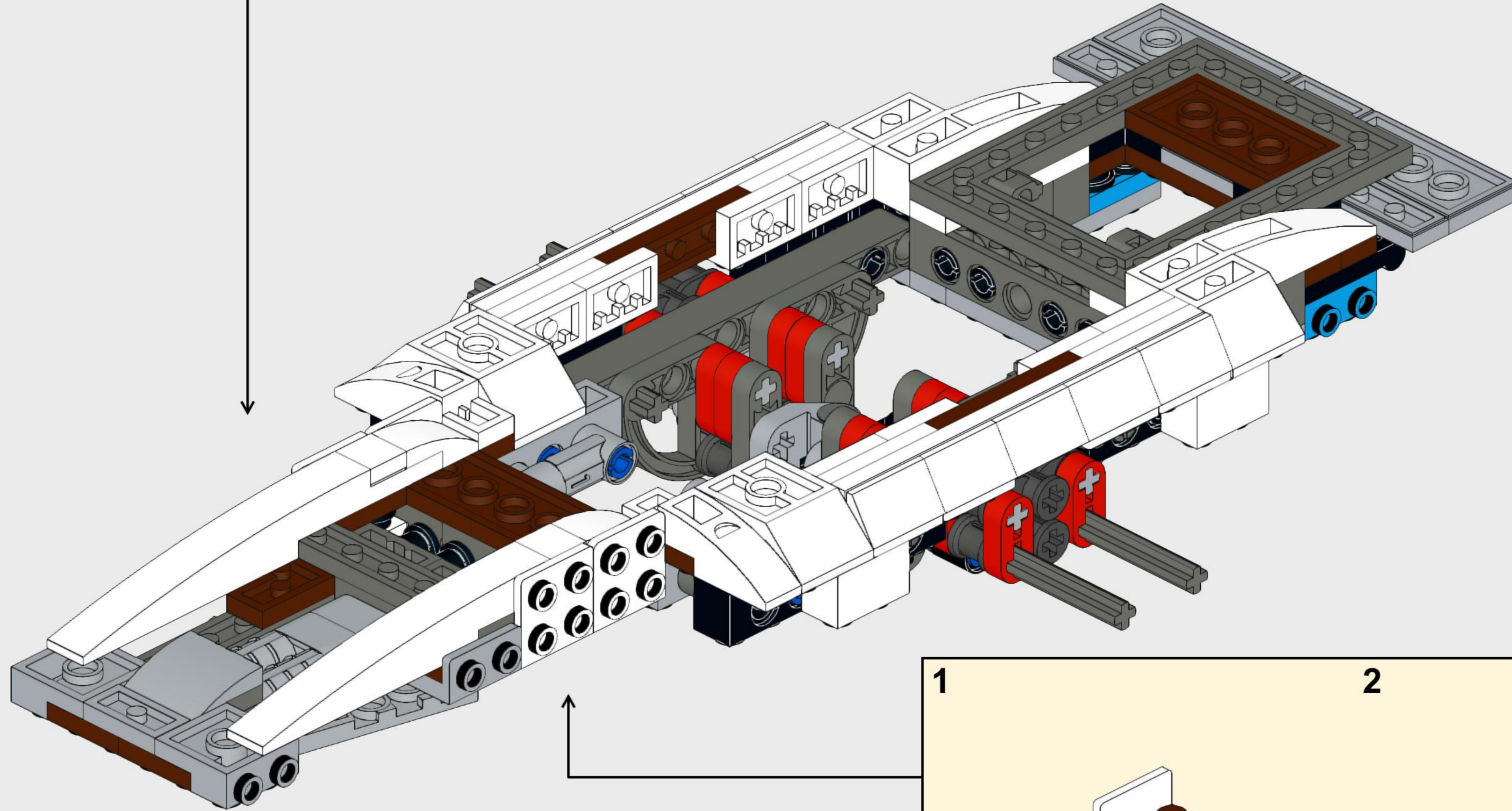
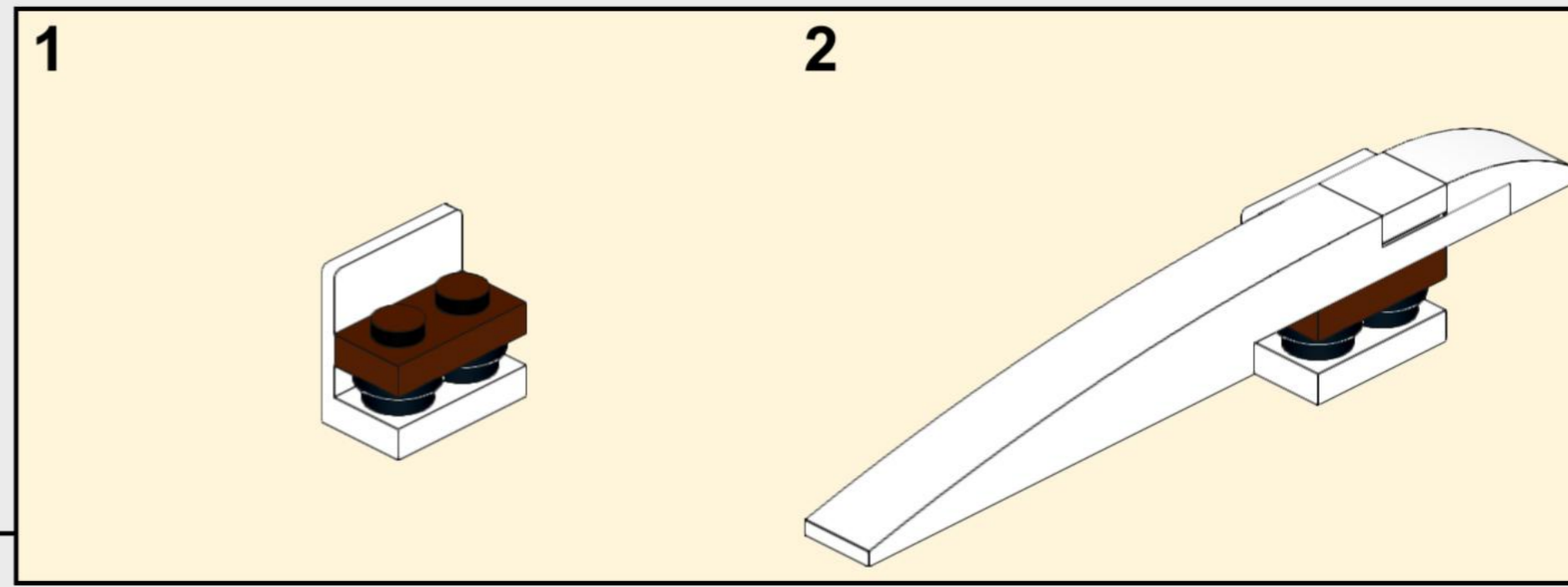


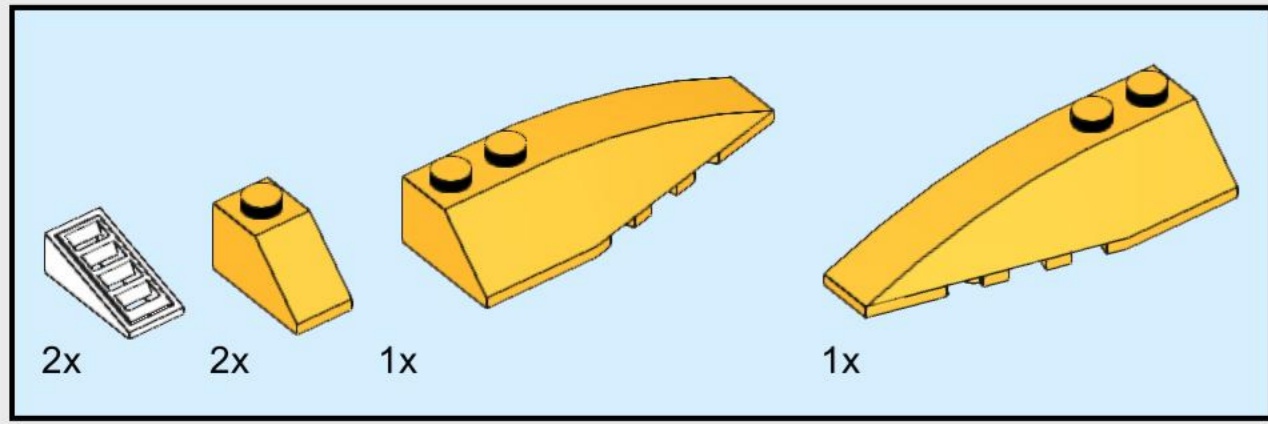
27



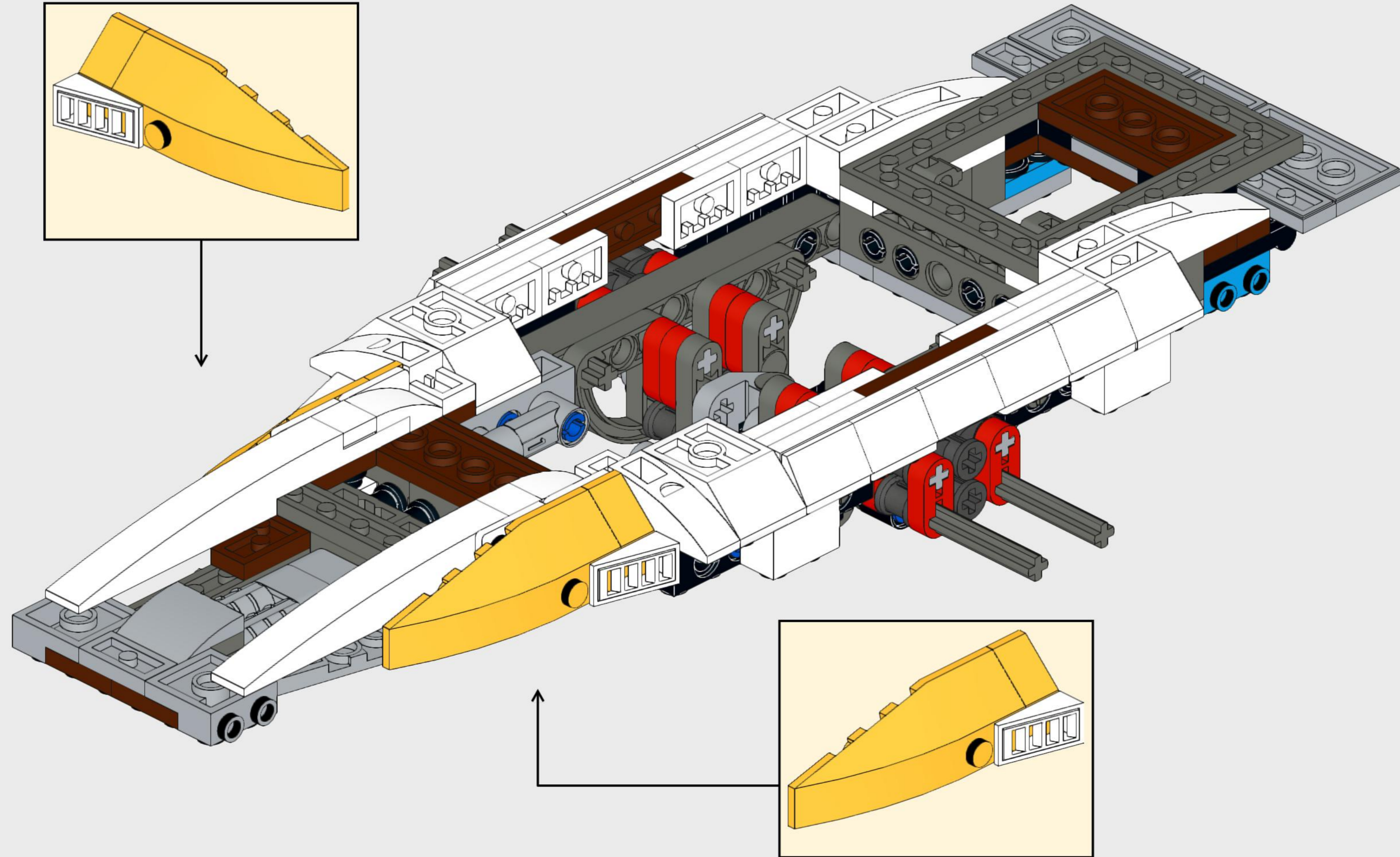


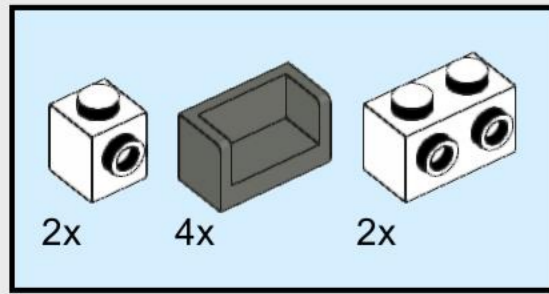
28



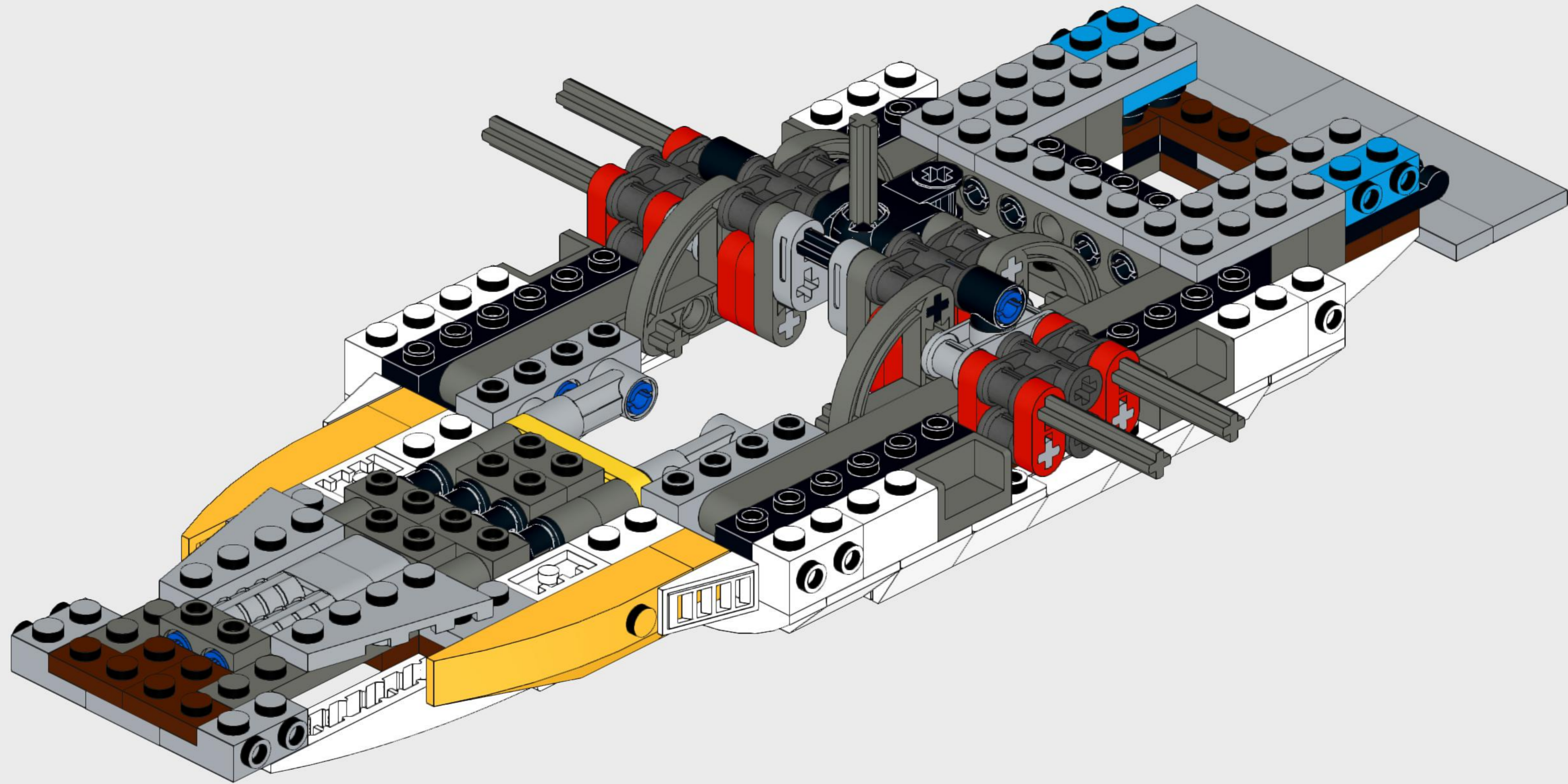


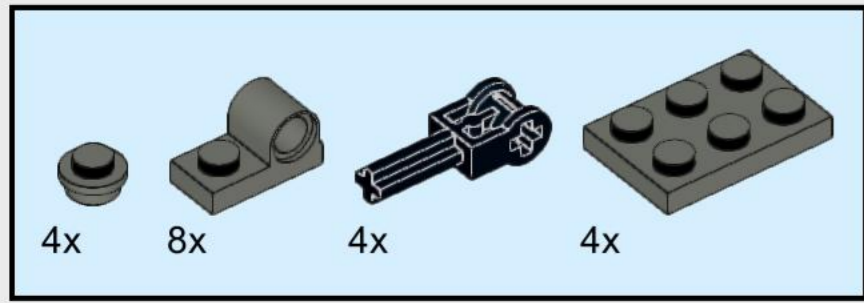
29



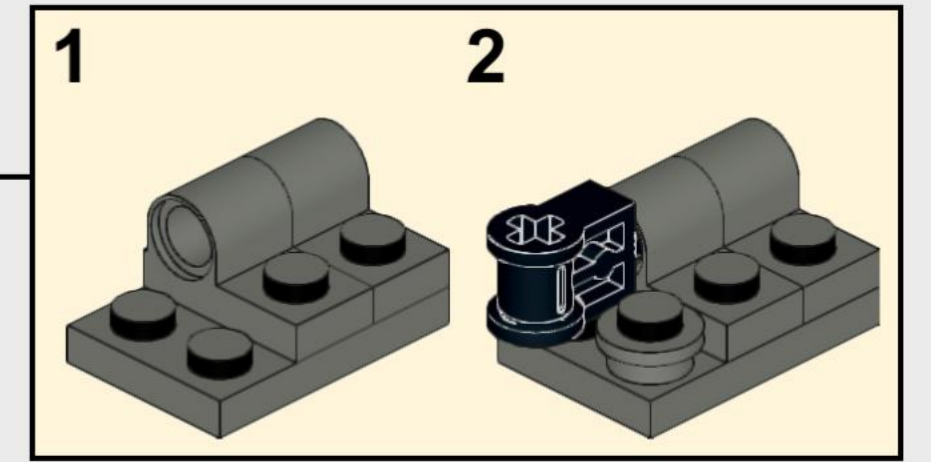


30 





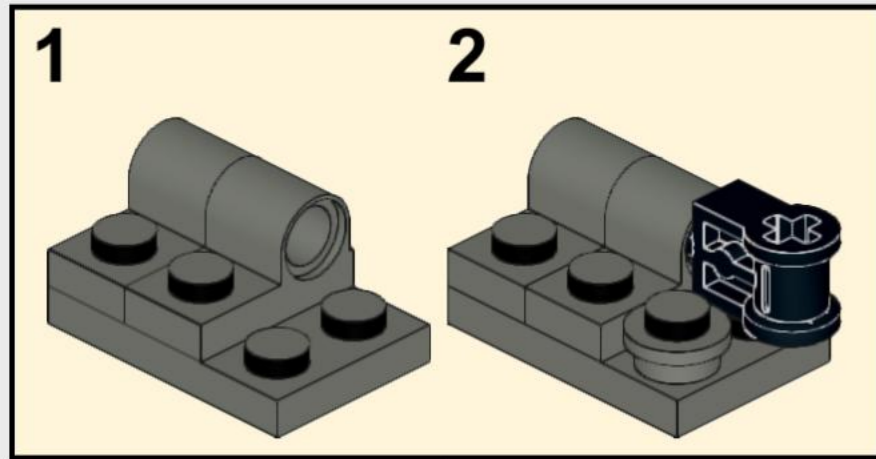
31



1

2

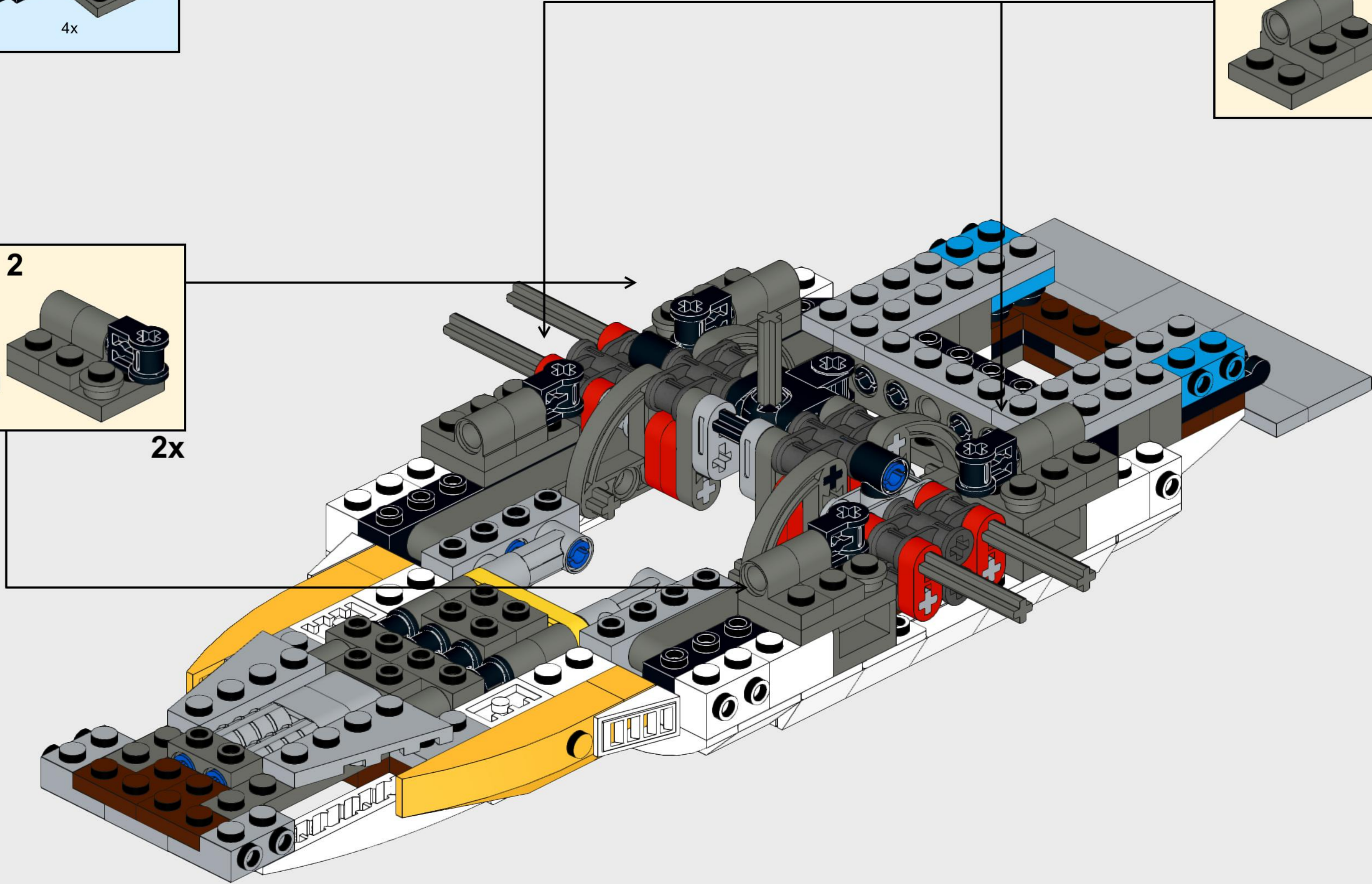
2x

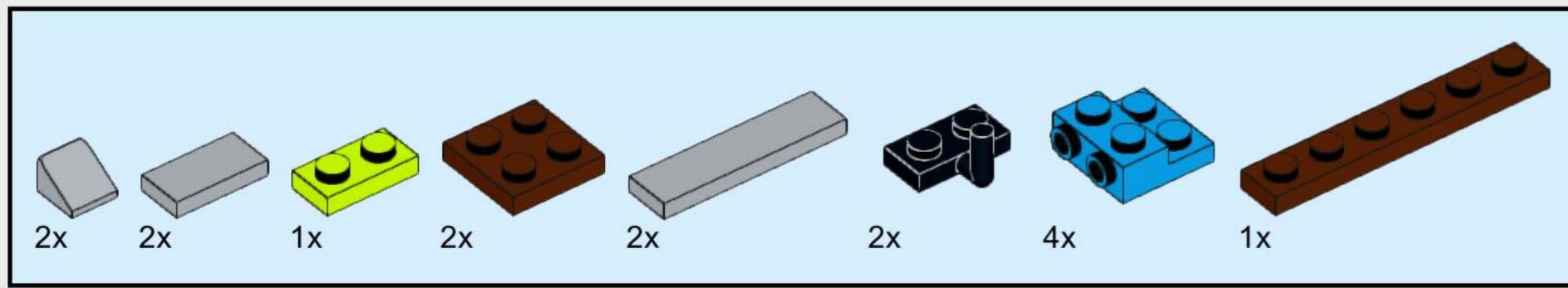


1

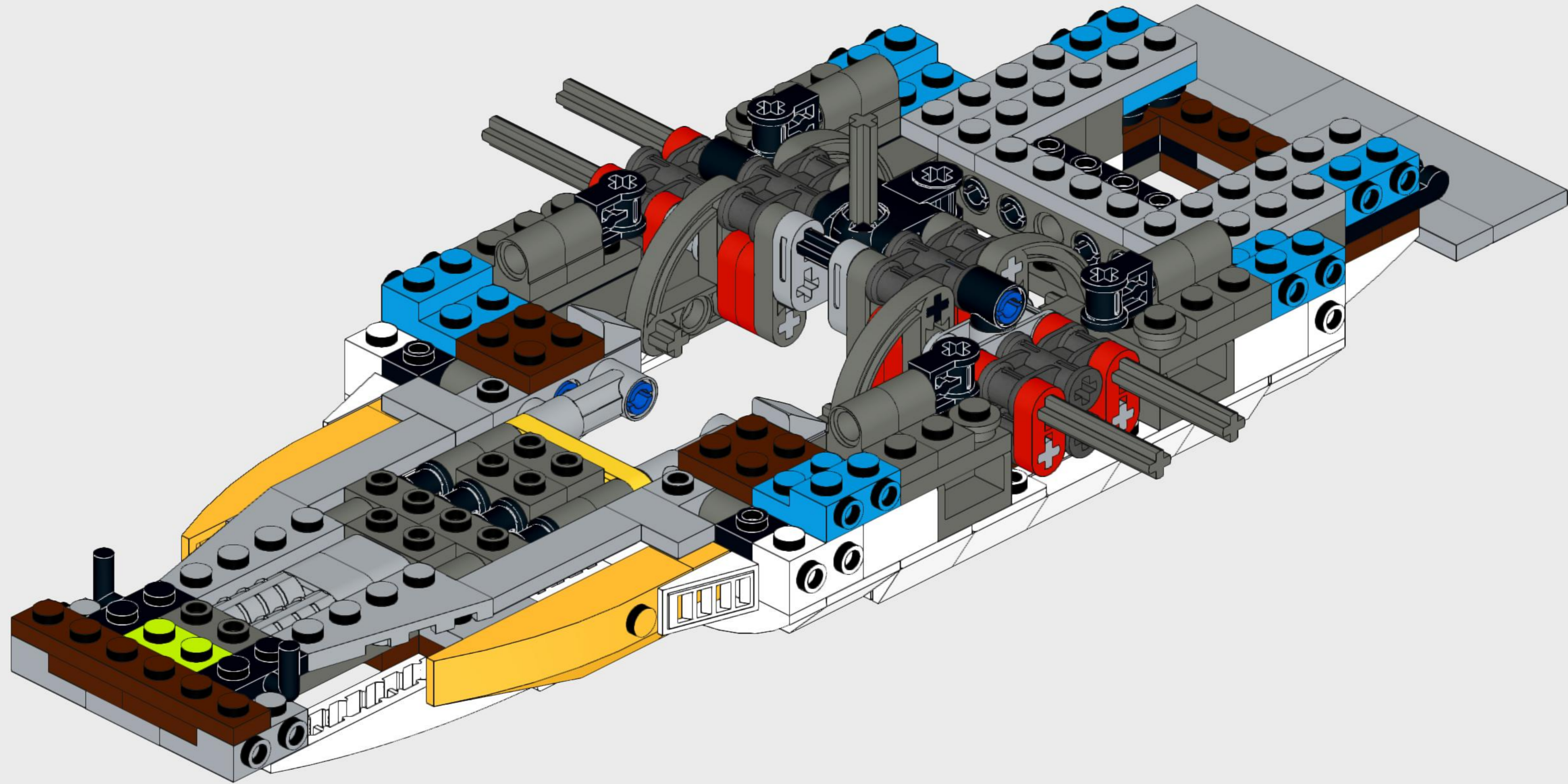
2

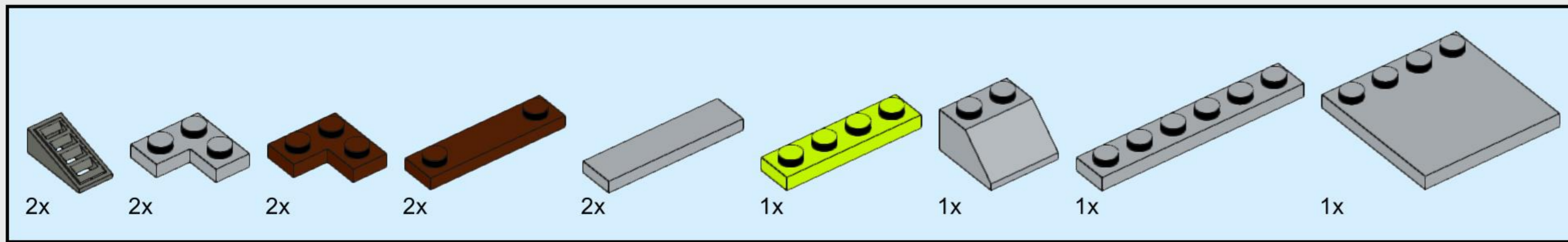
2x



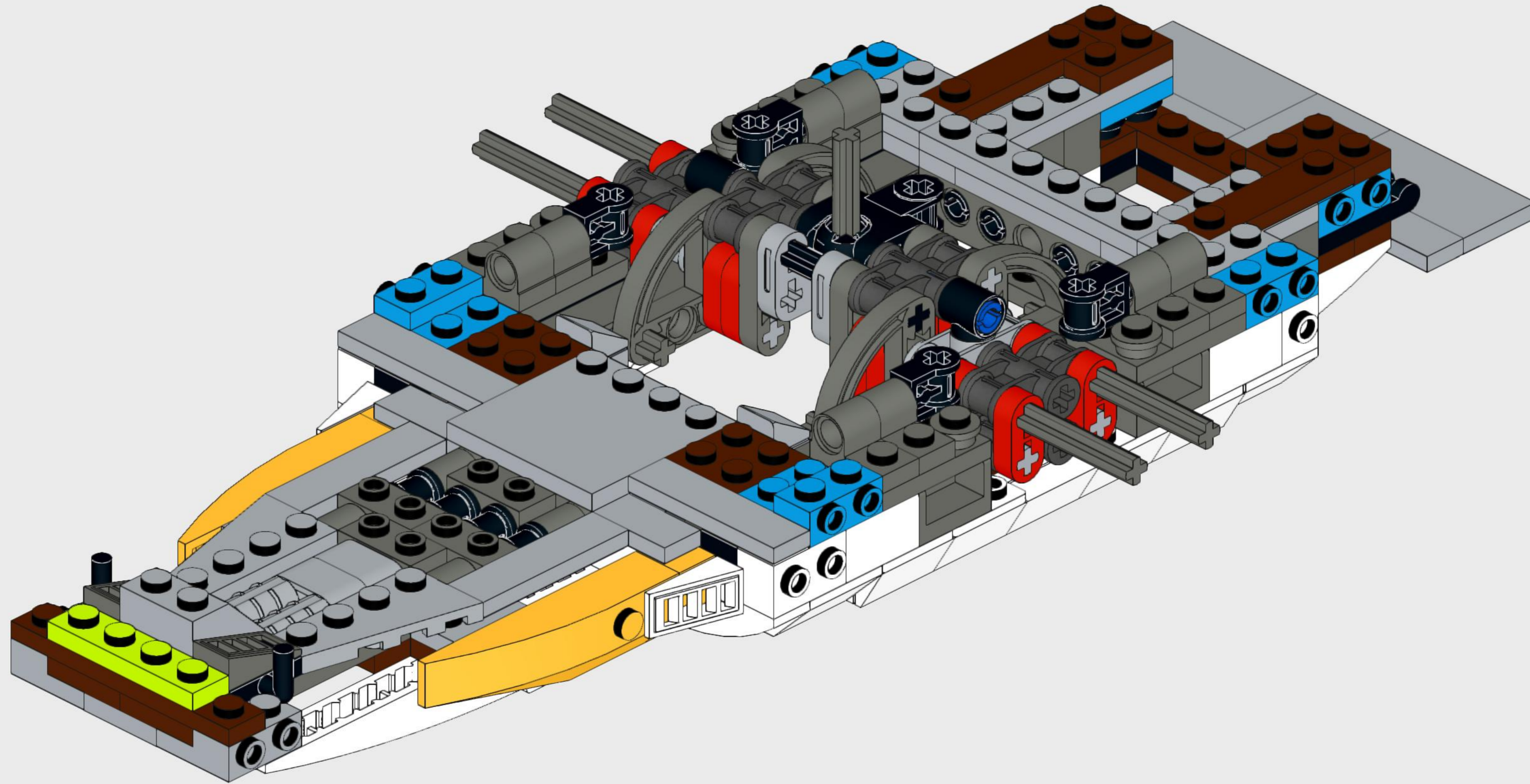


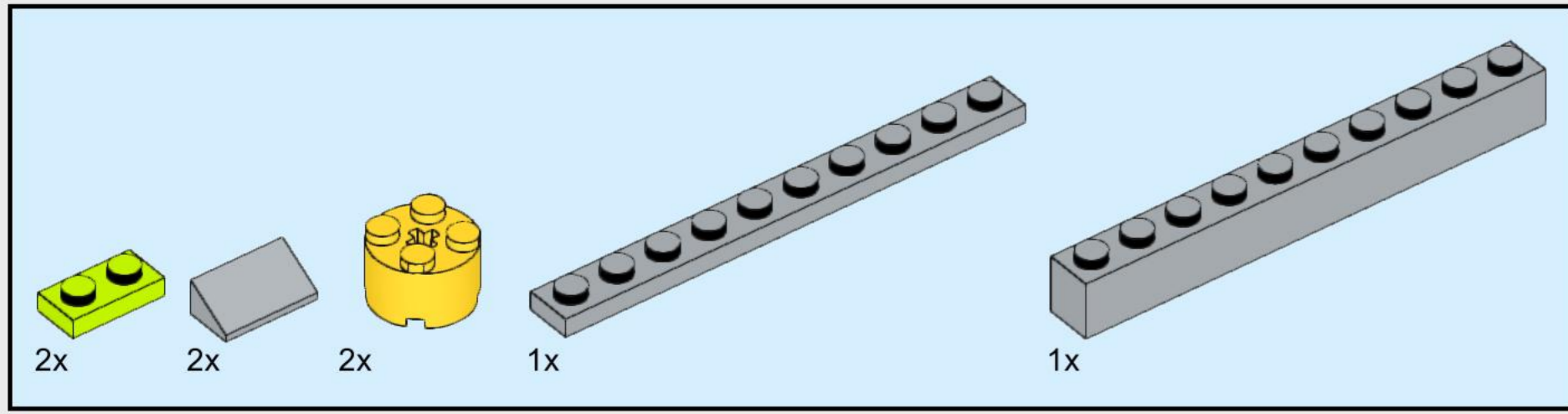
32



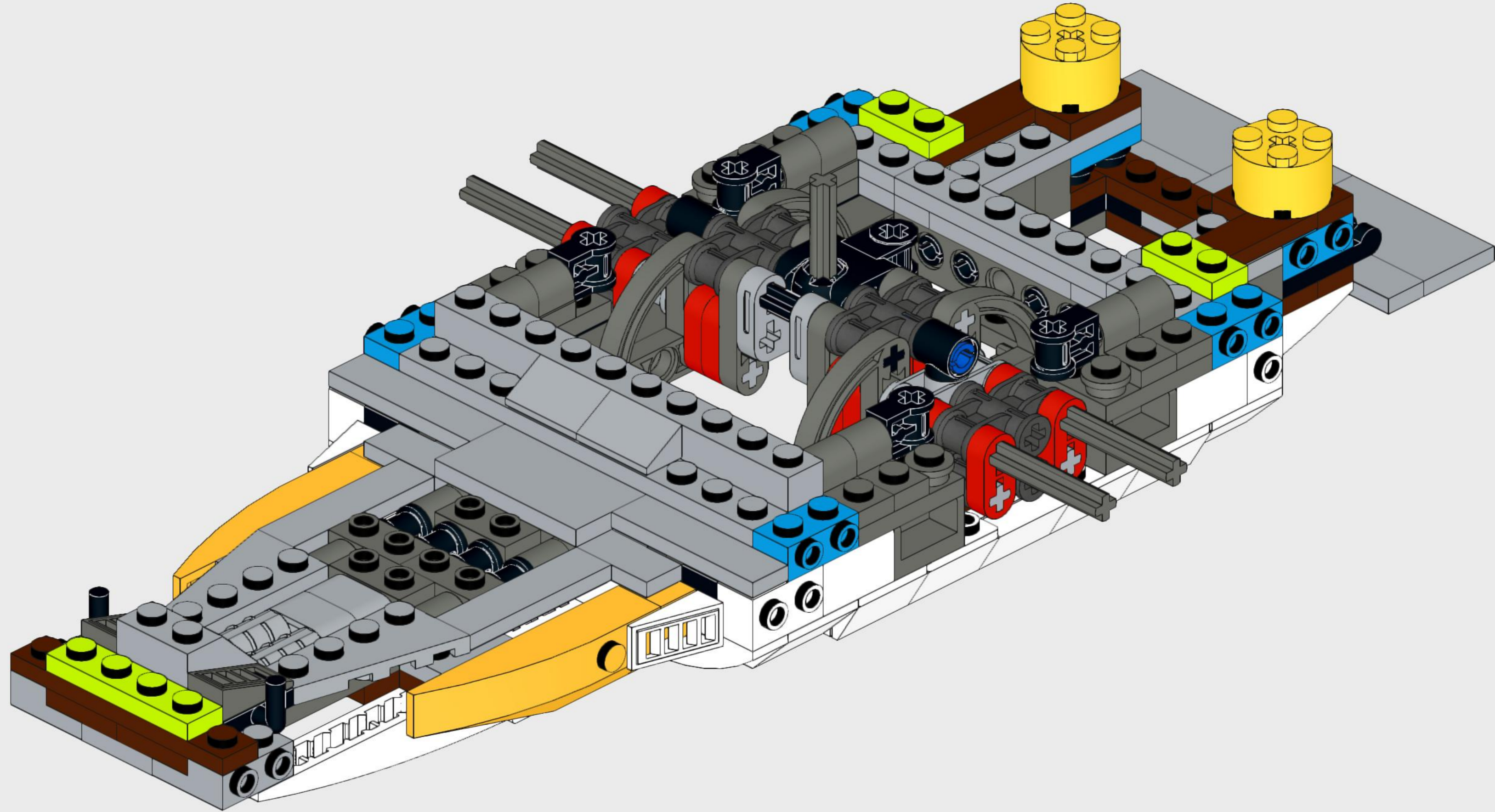


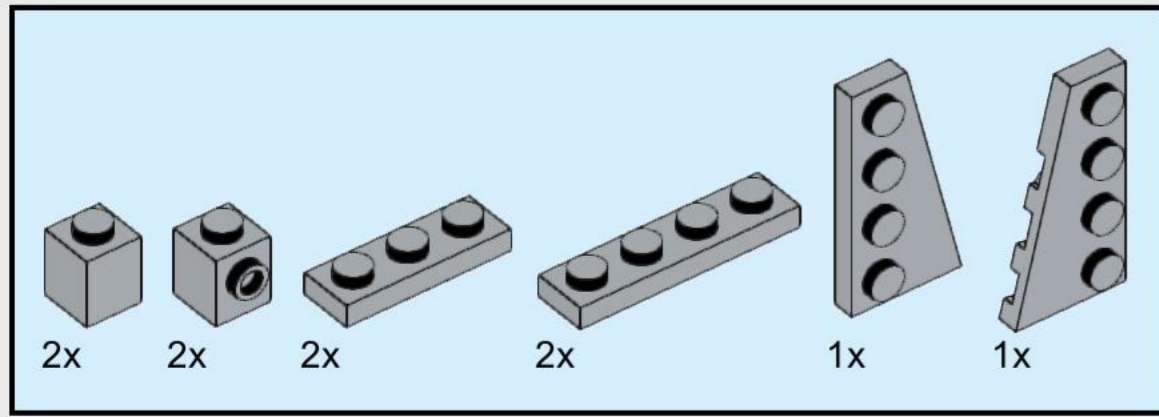
33



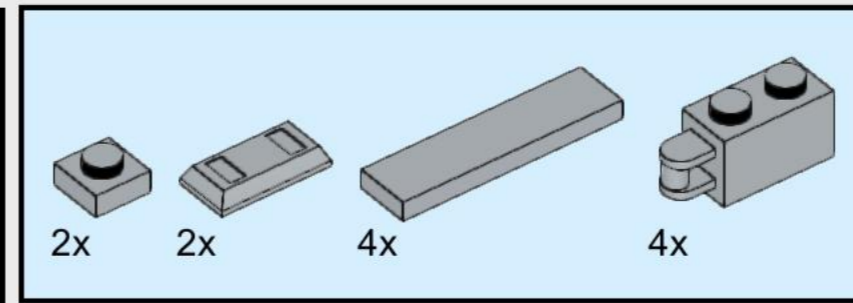
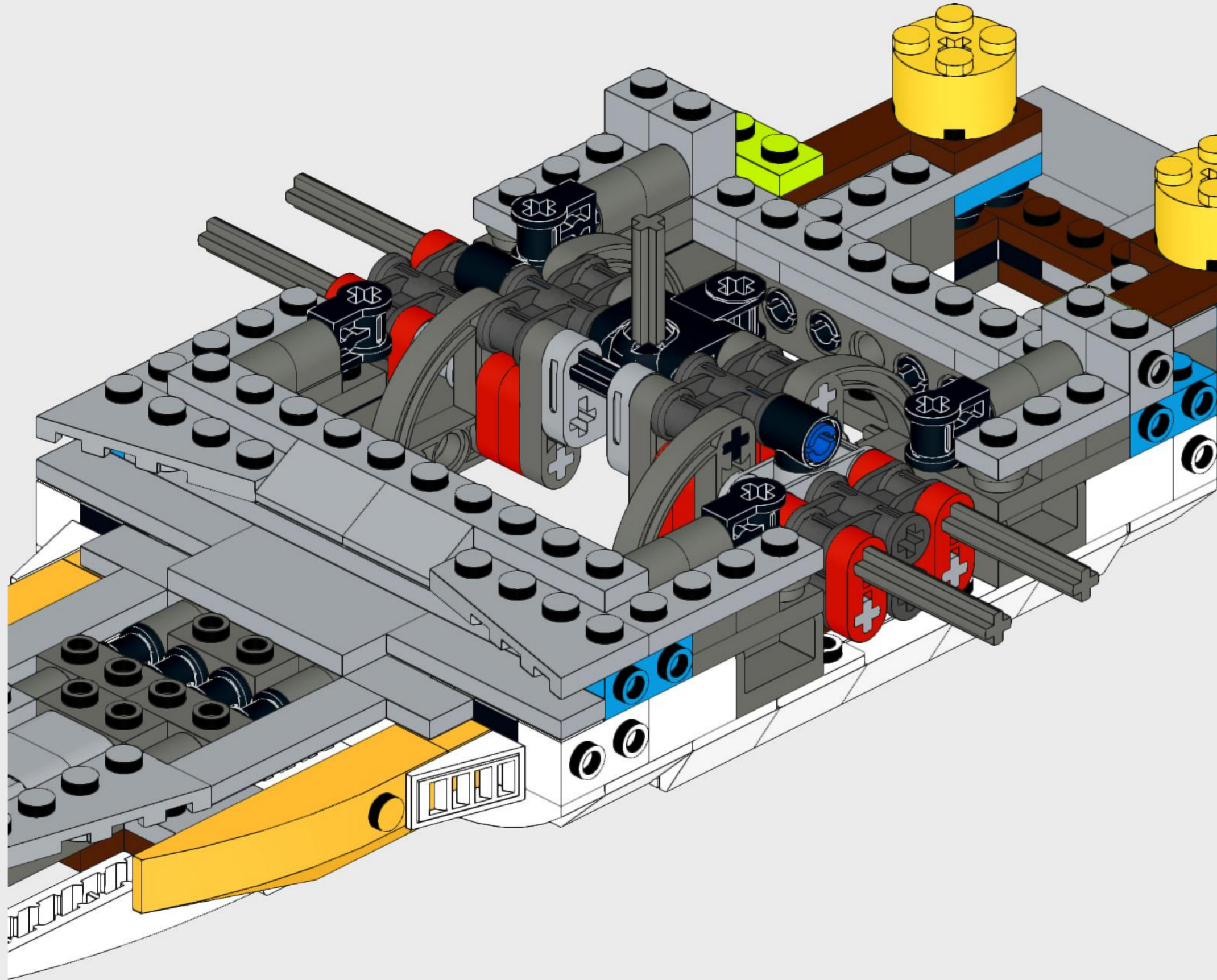


34

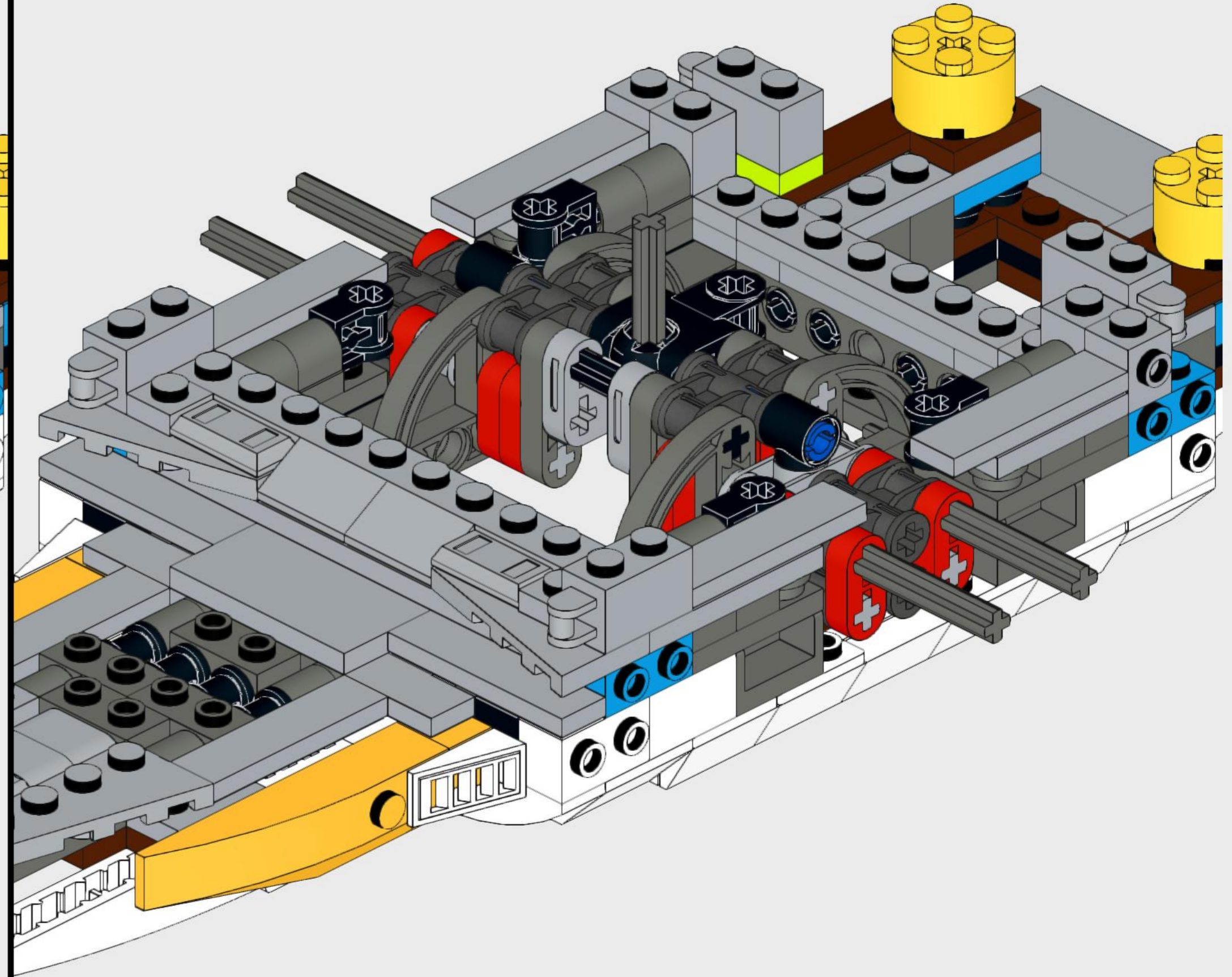


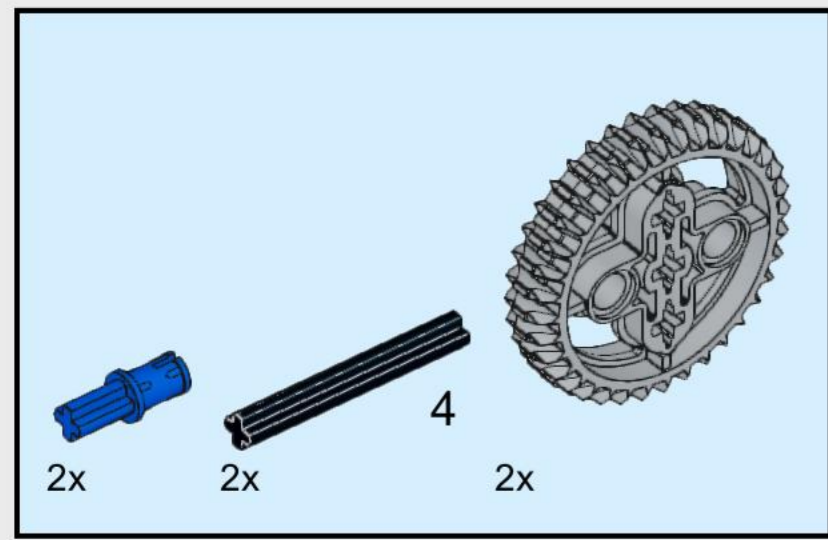


35

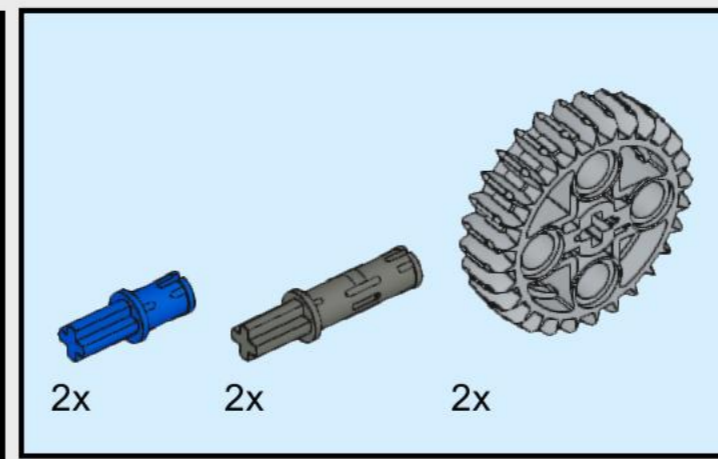
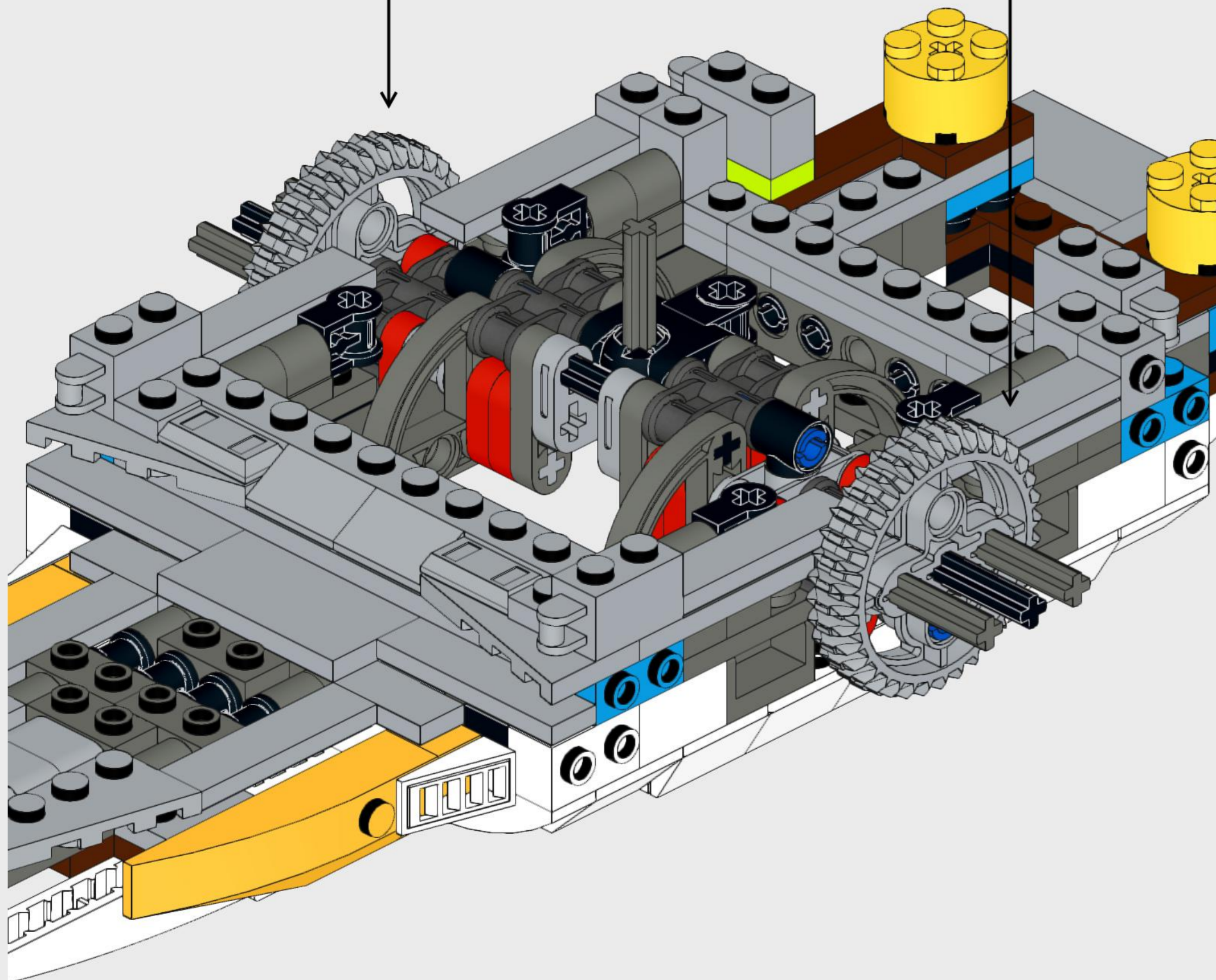
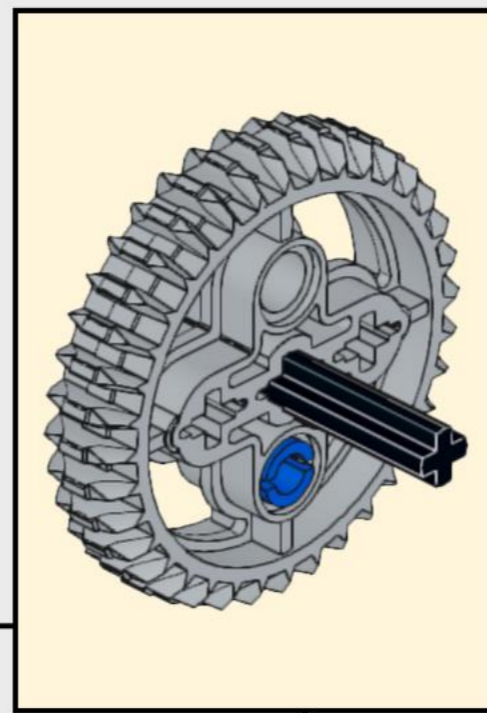


36

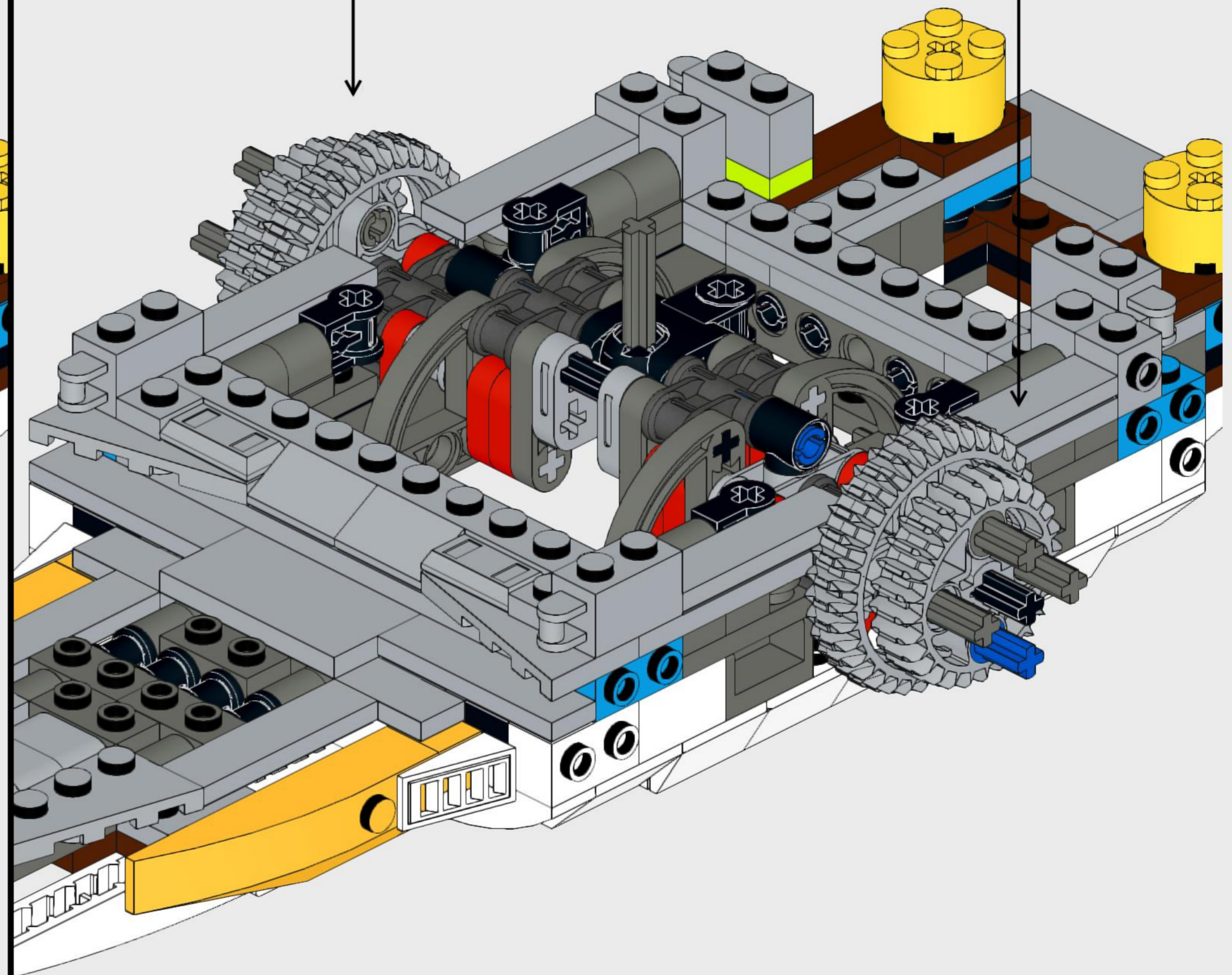
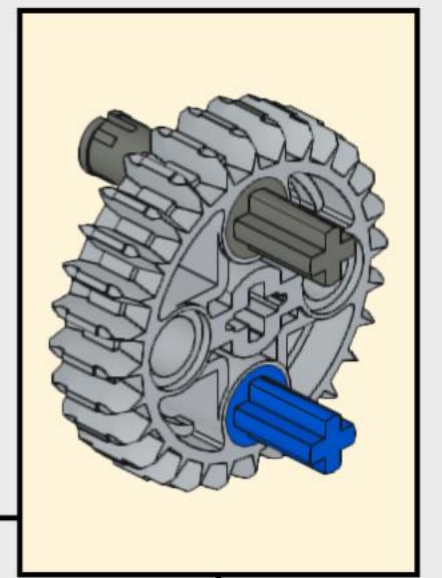


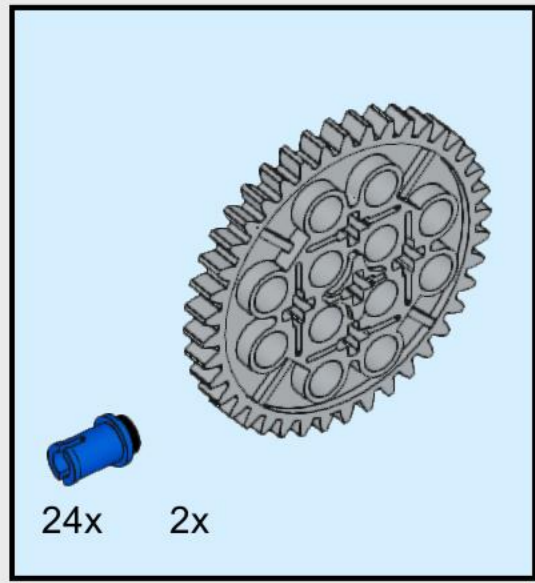


37

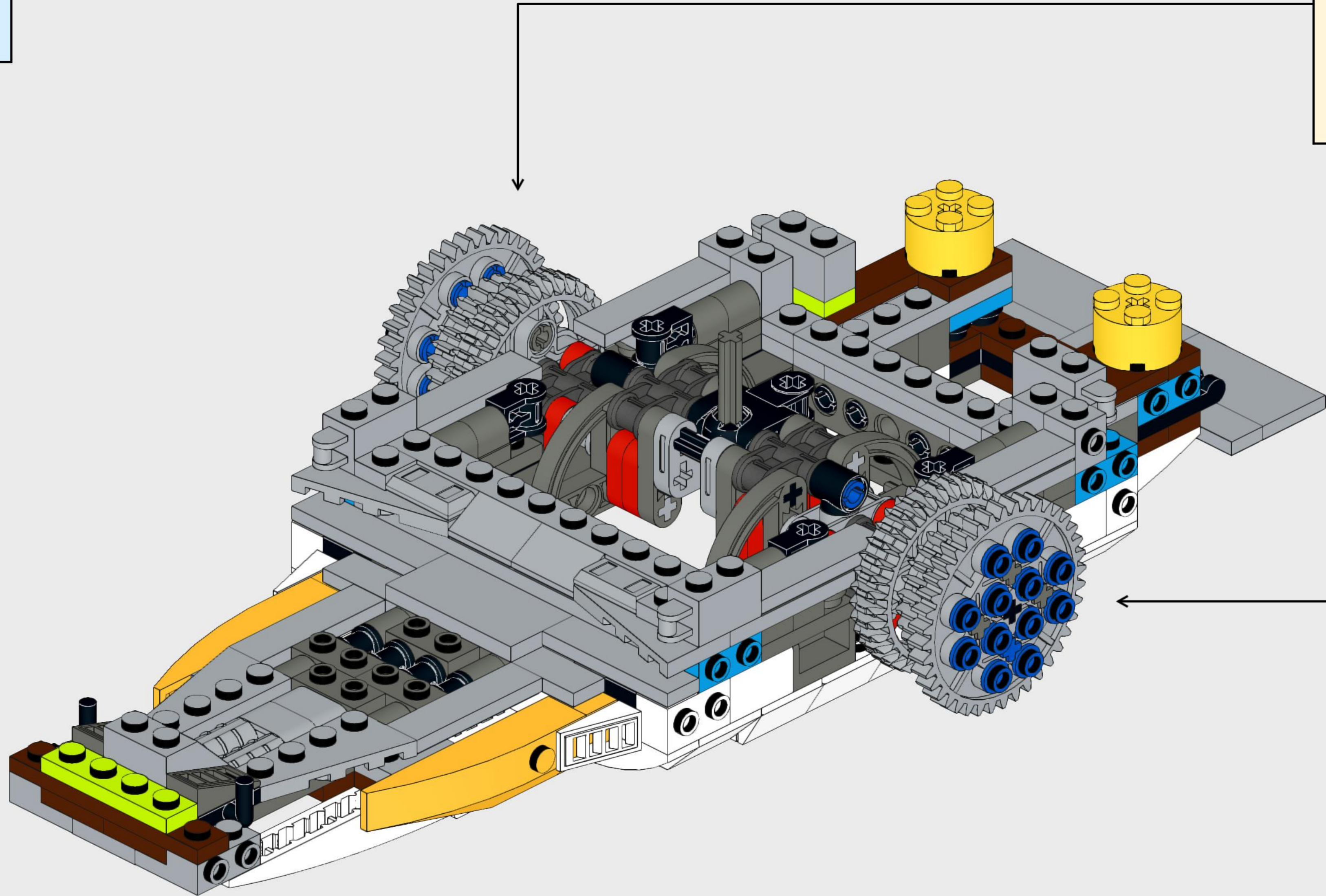
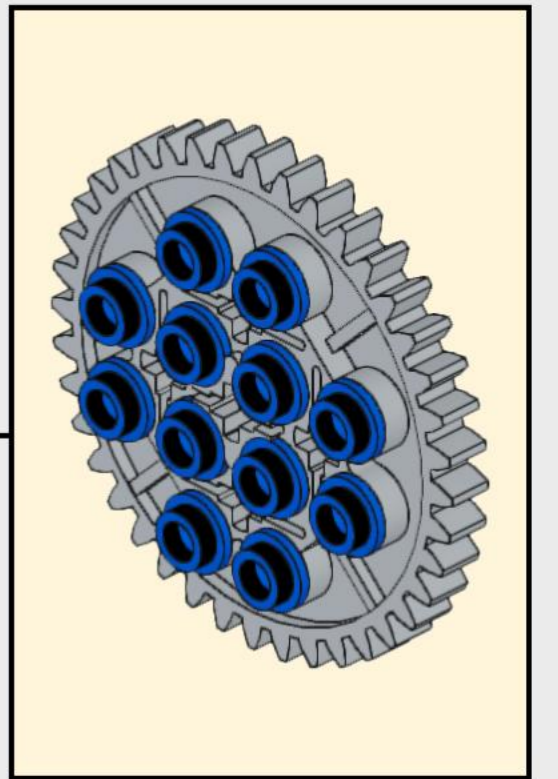


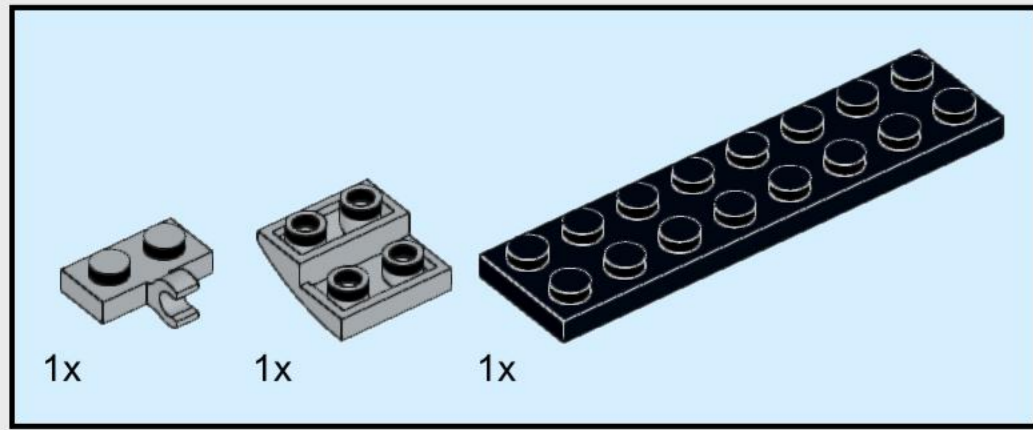
38



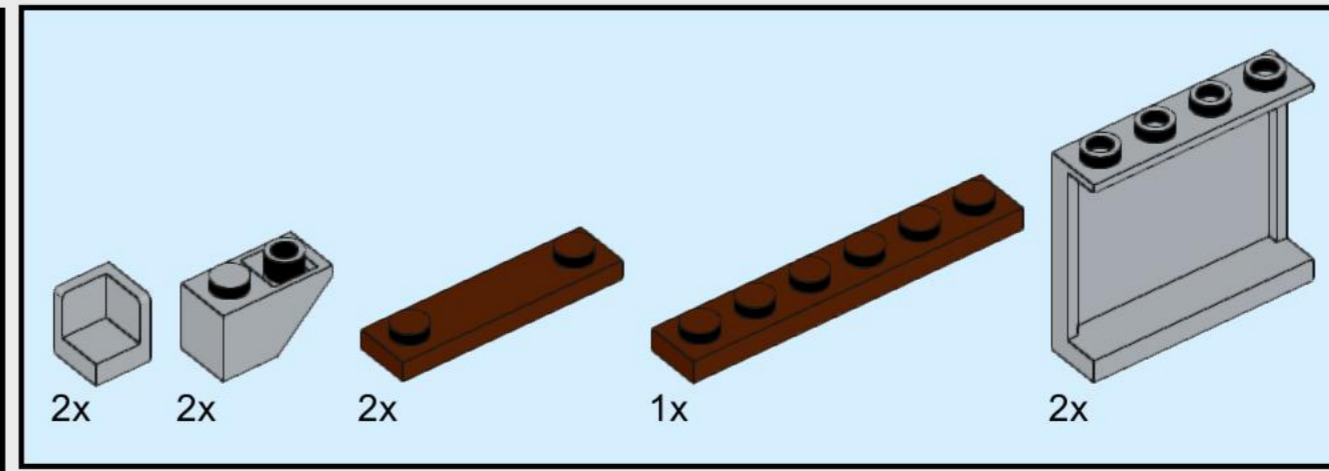
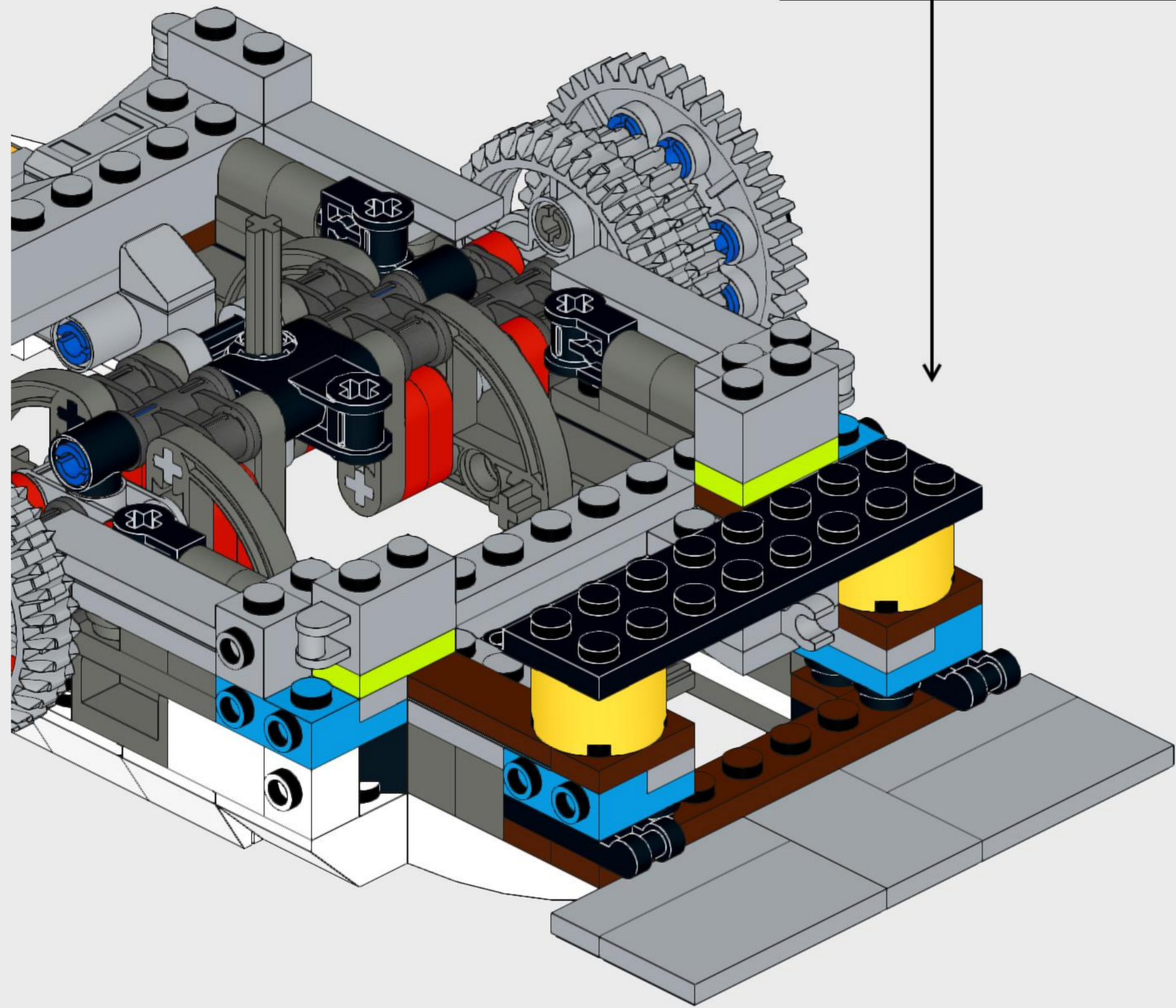
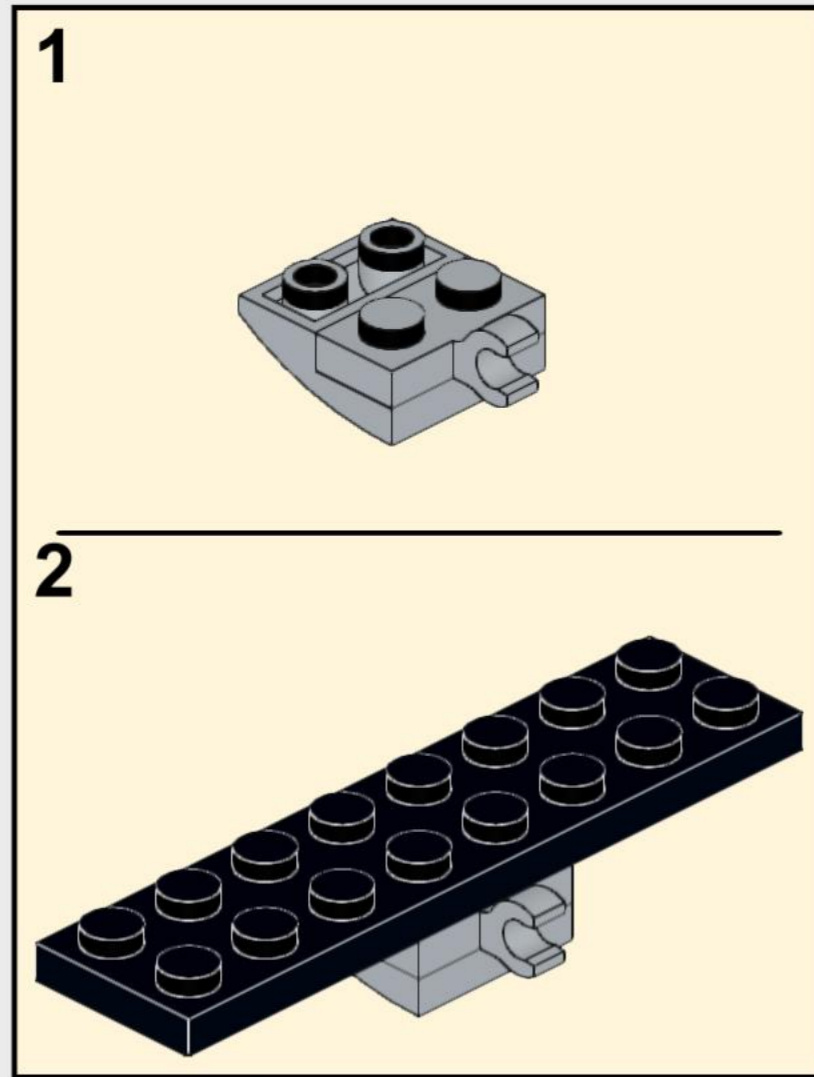


39

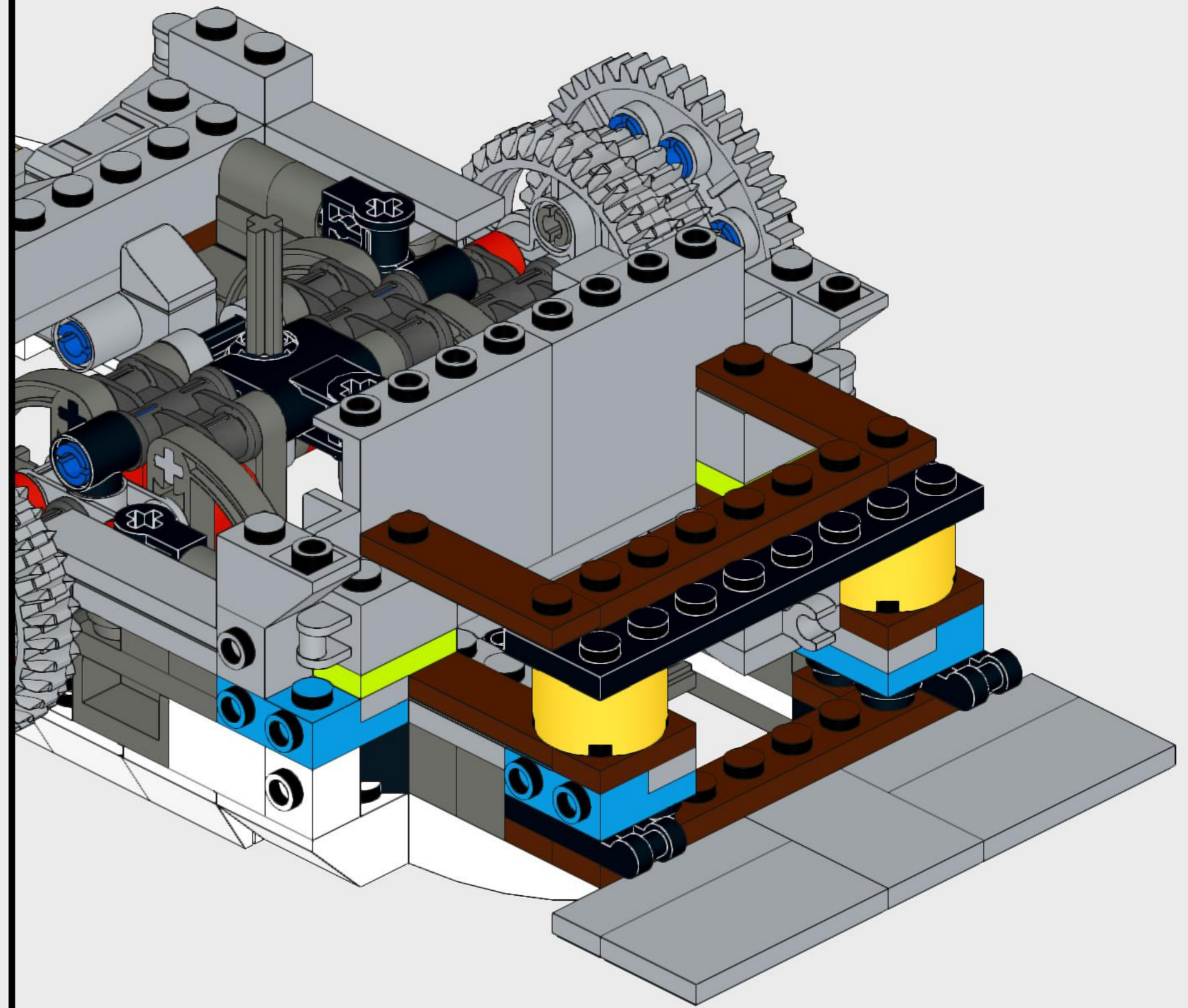


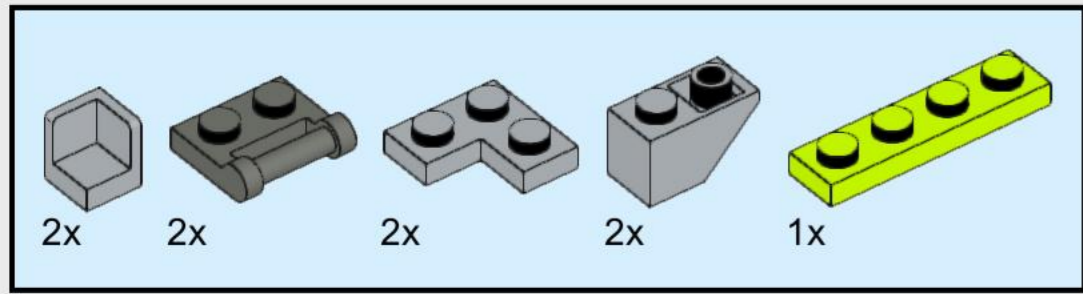


40 

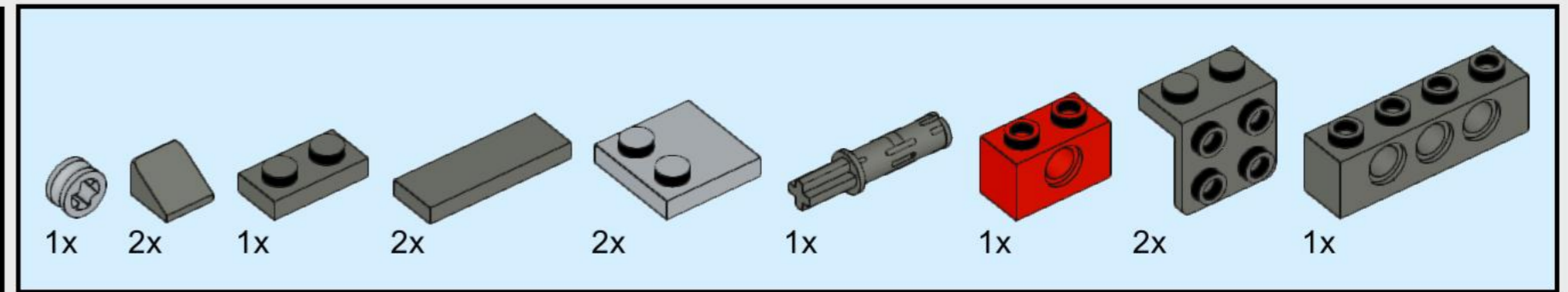
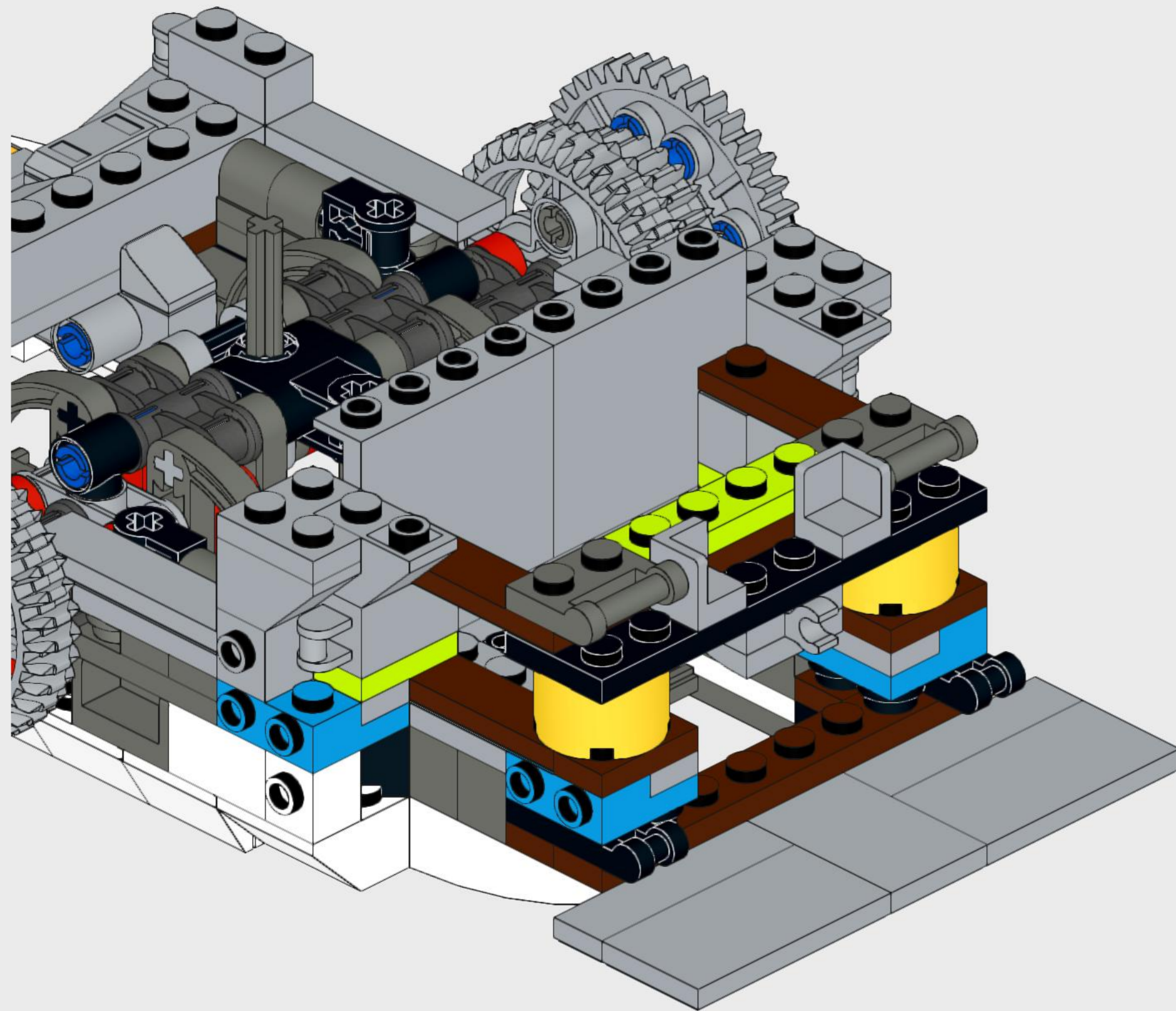


41

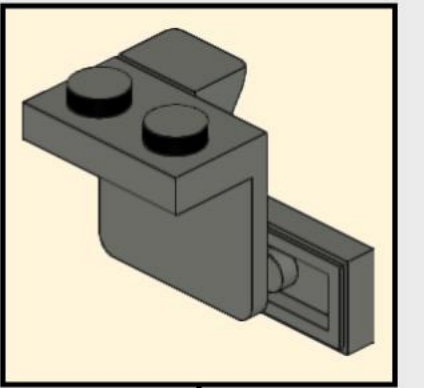
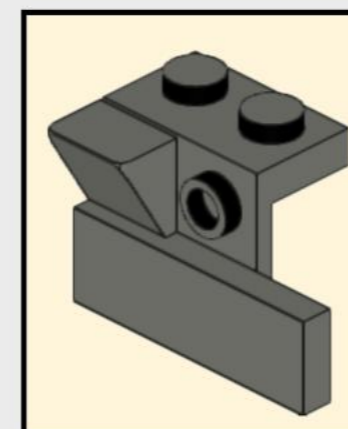
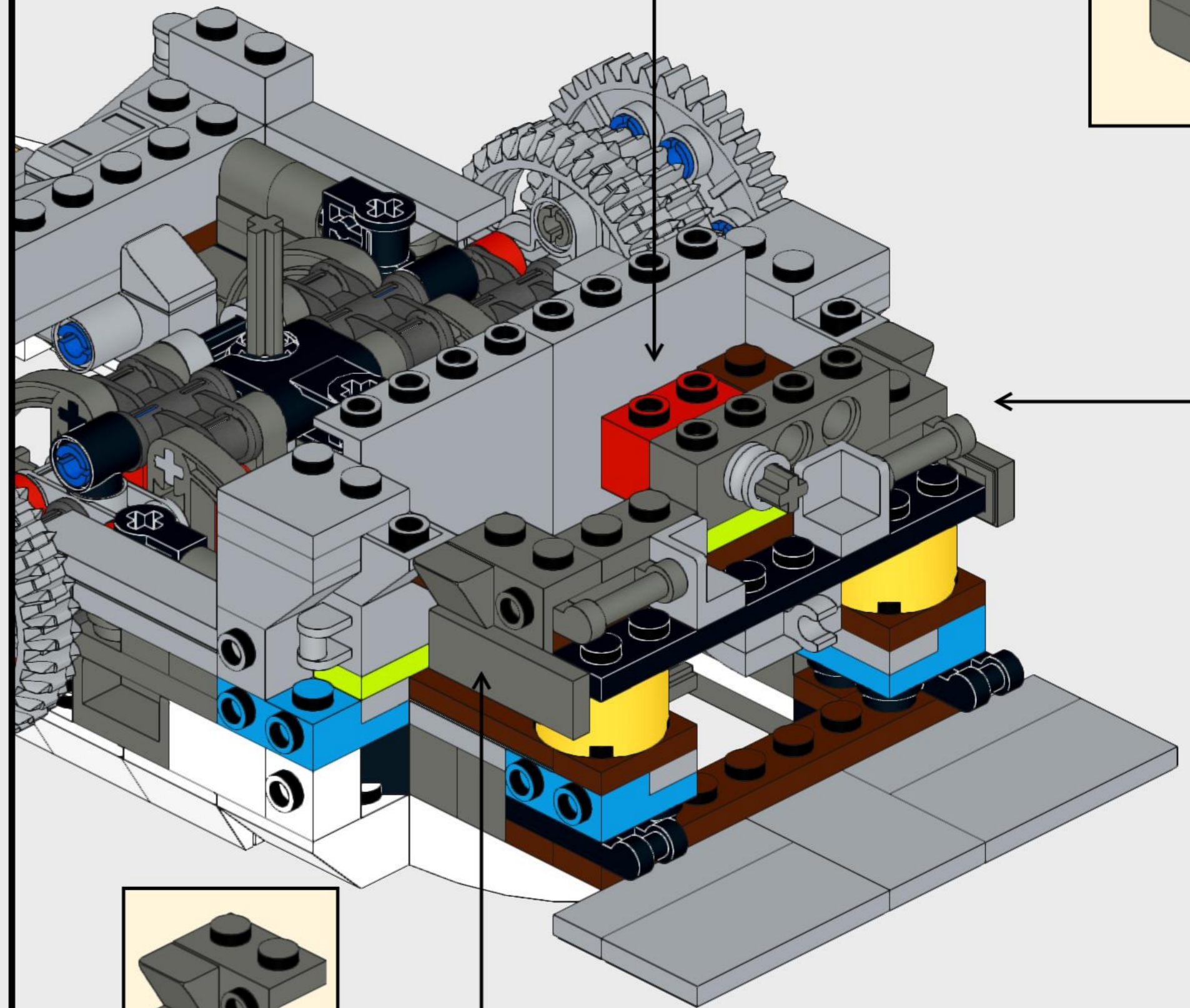
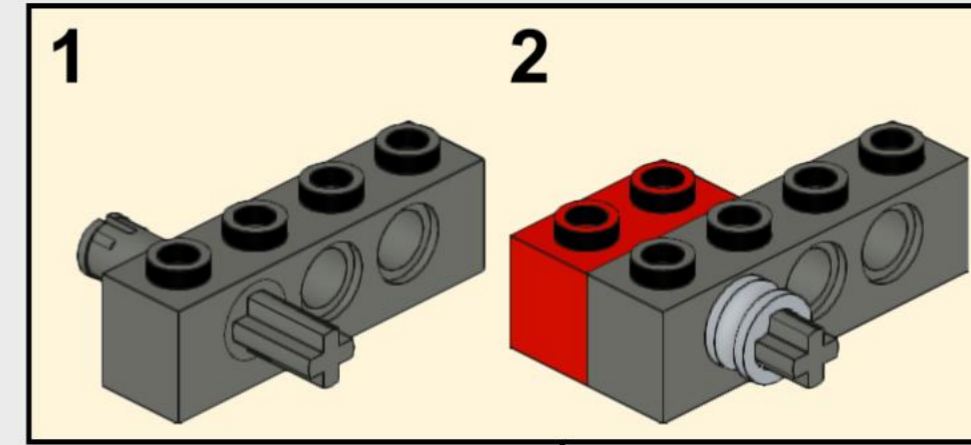


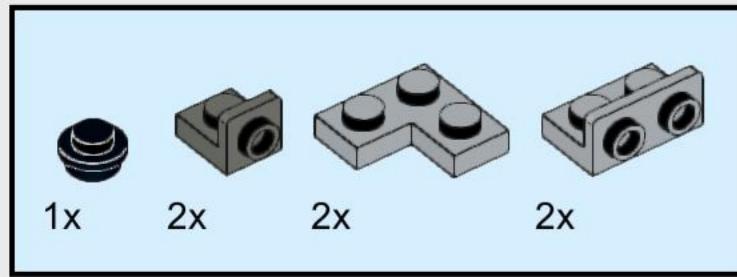


42

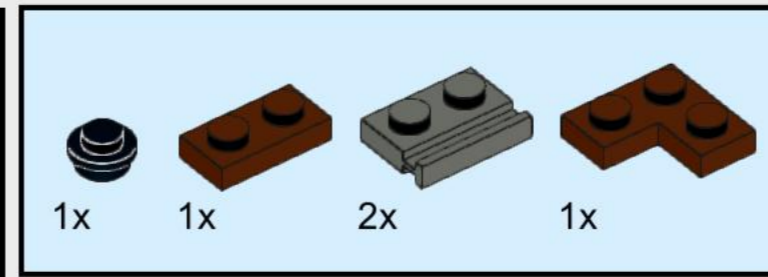
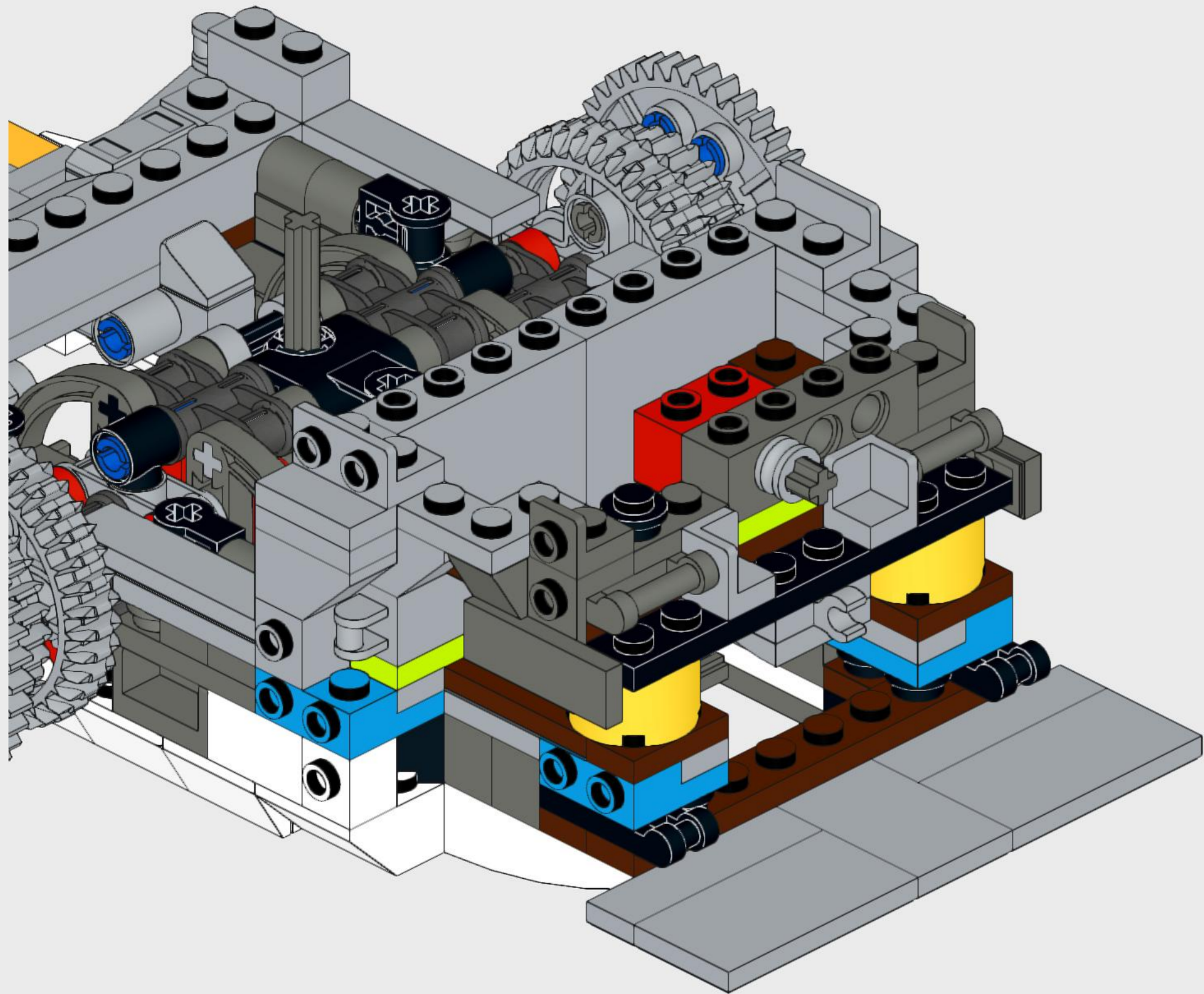


43

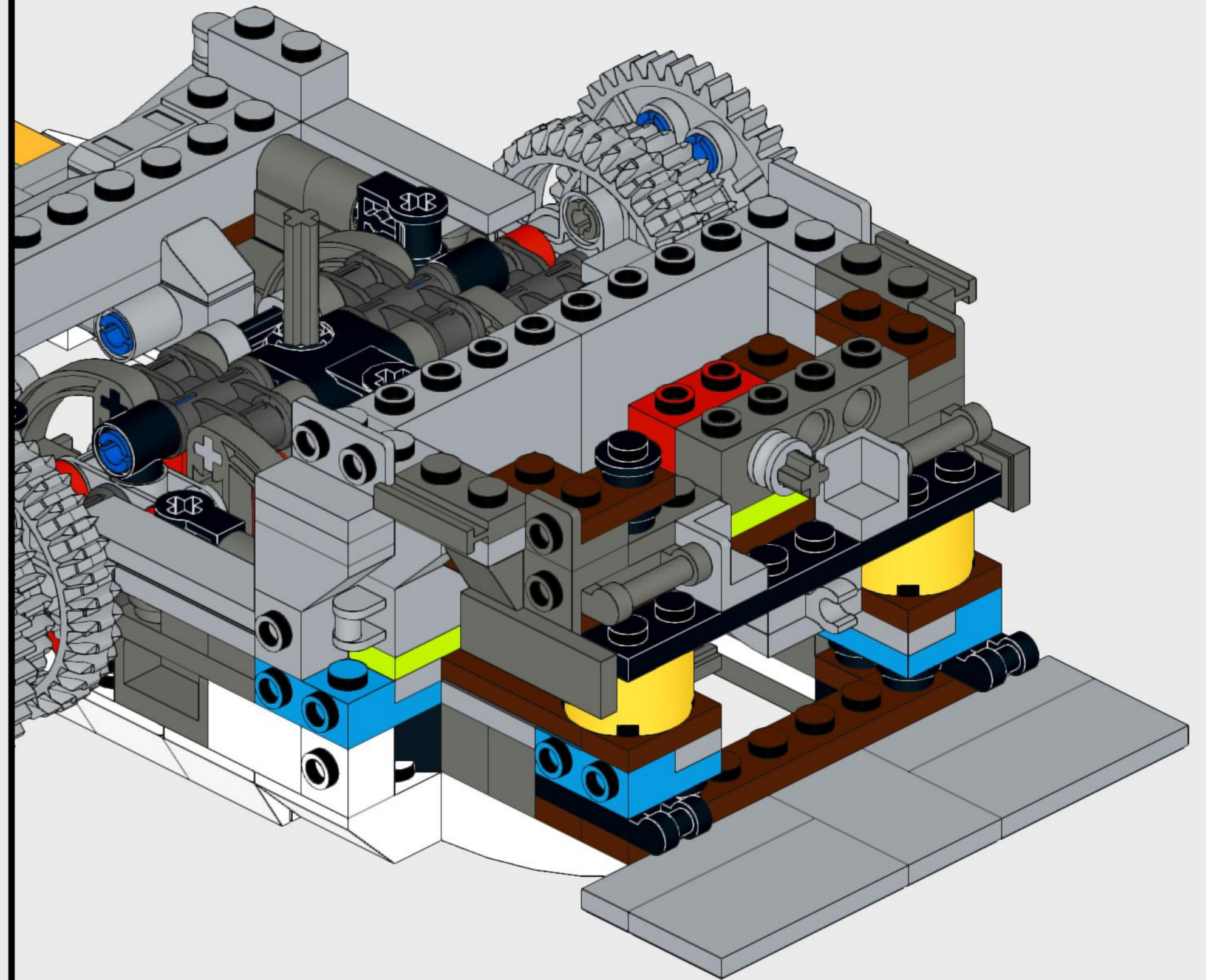


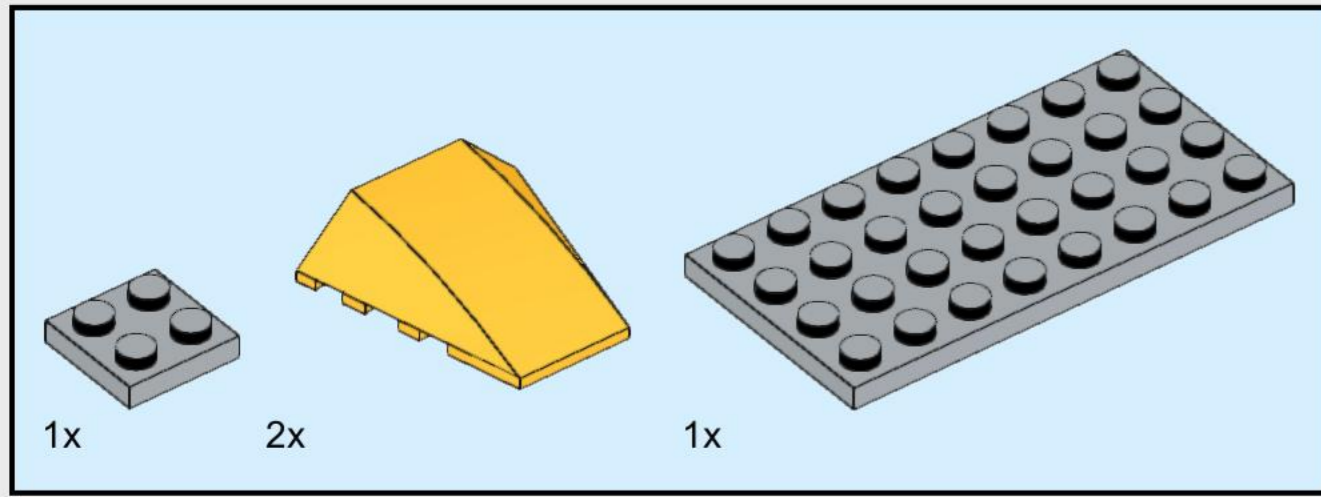


44

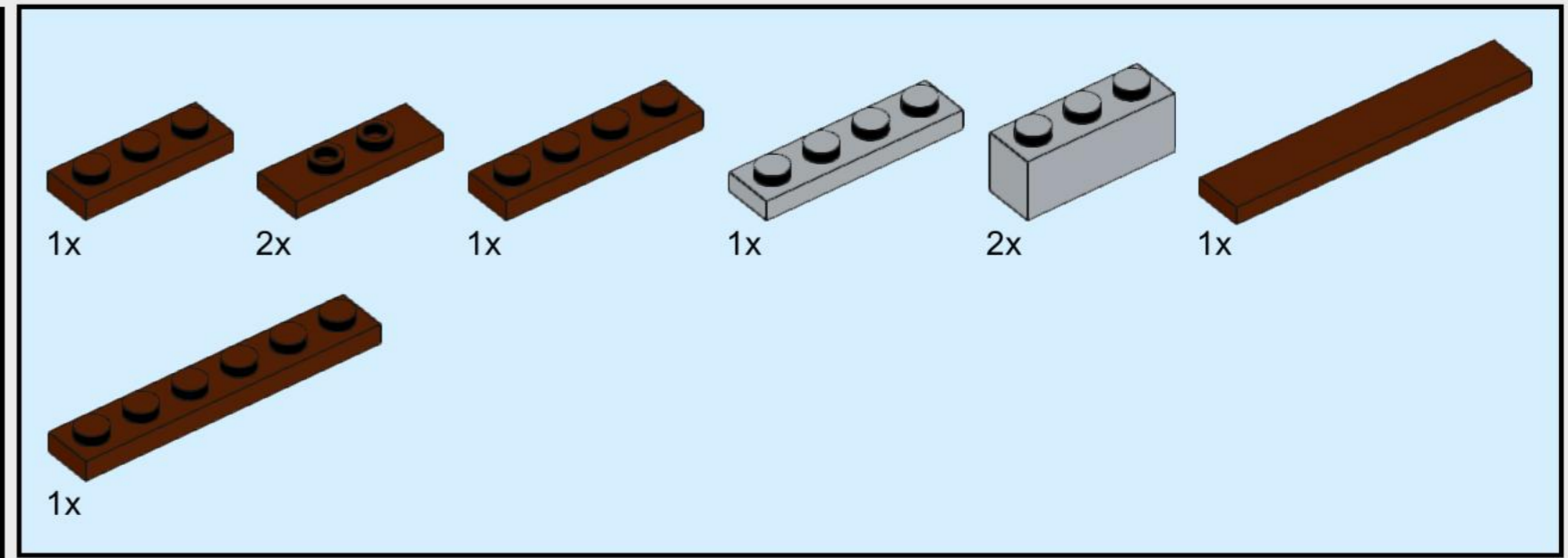
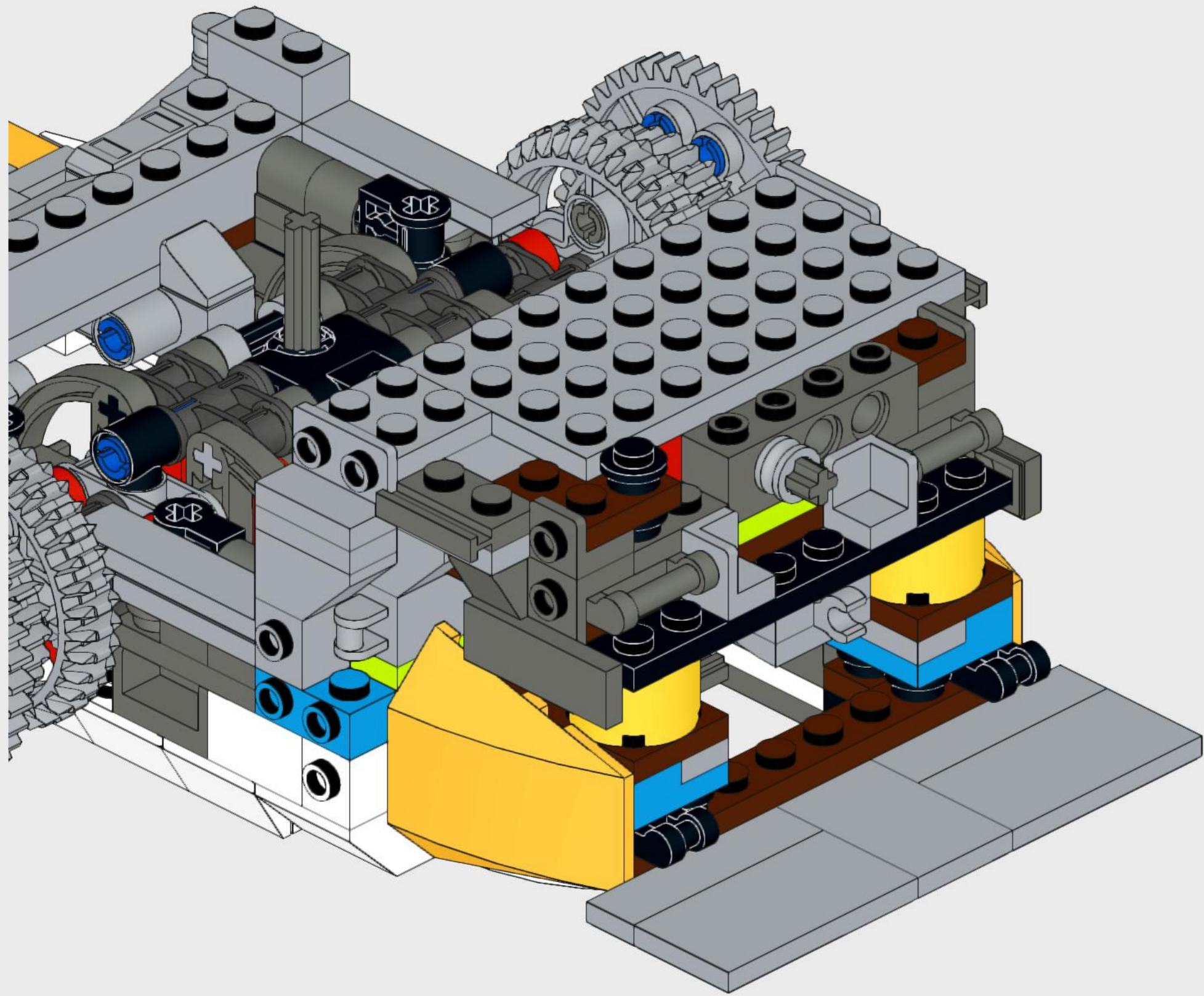


45

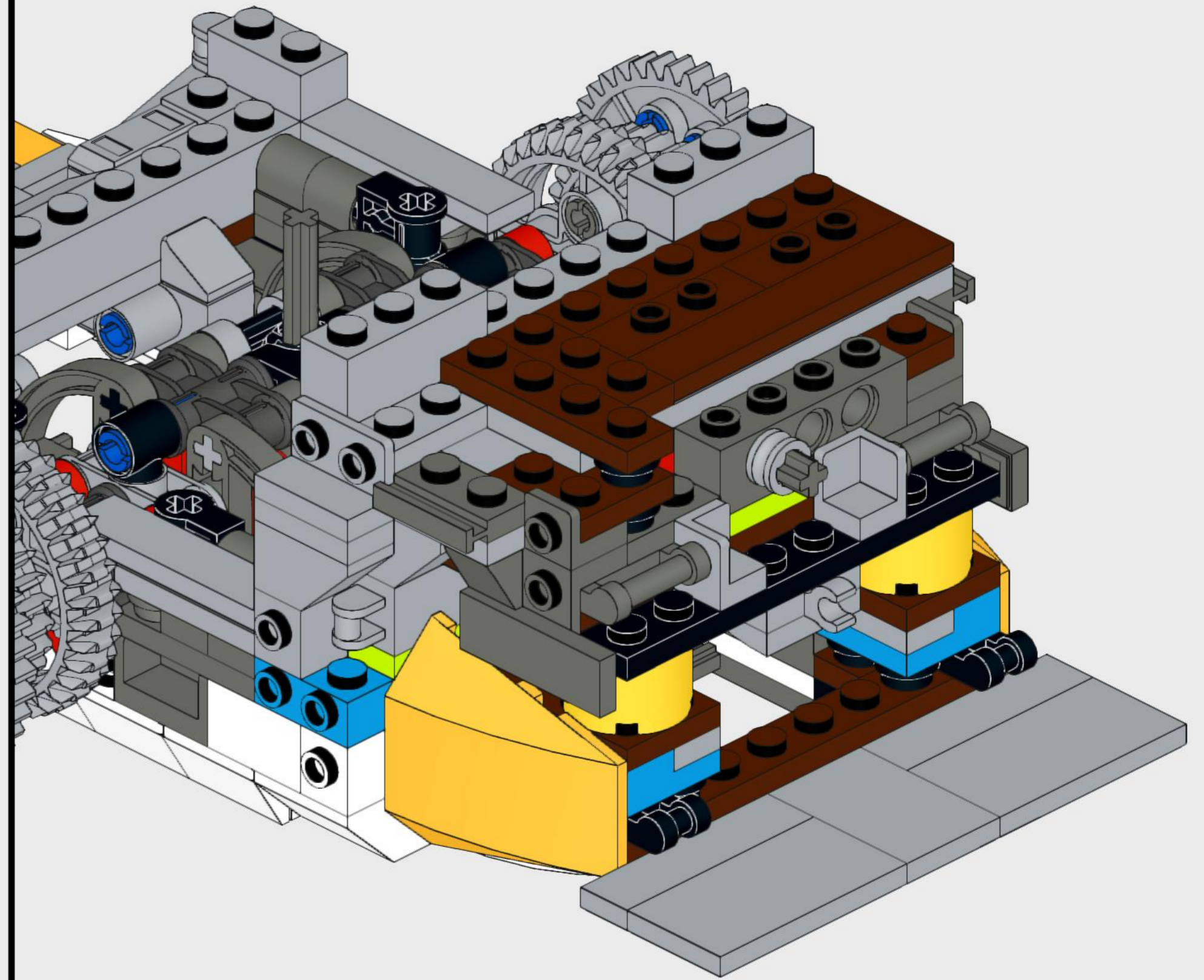


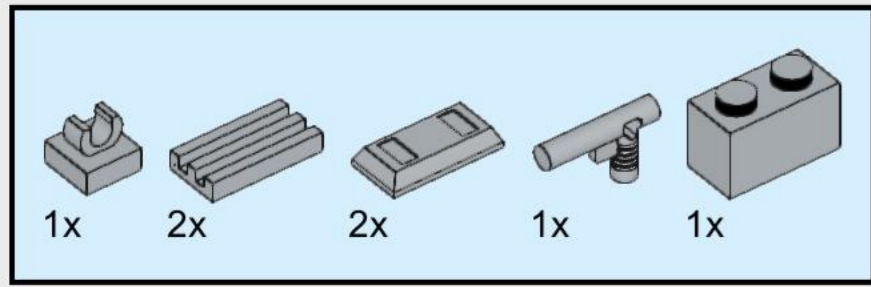


46

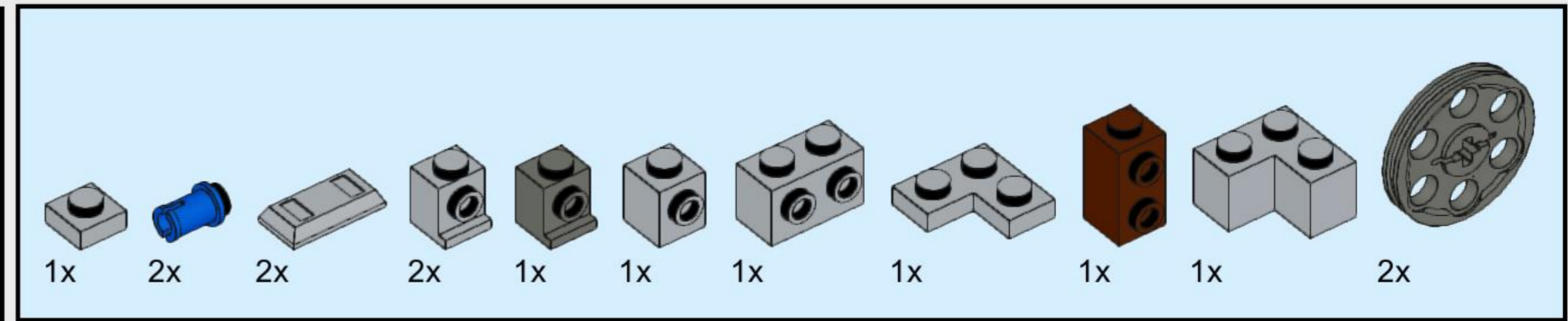
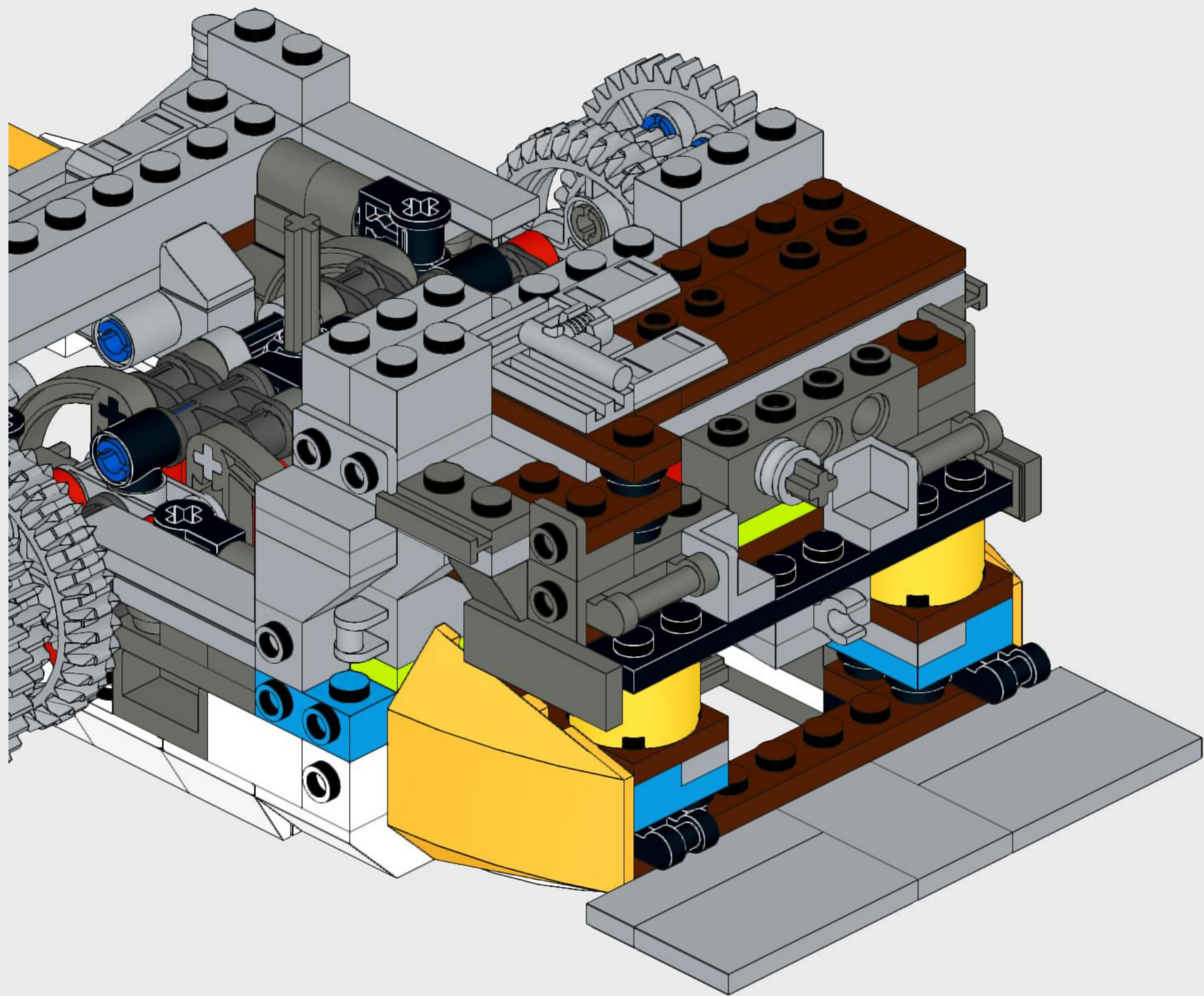


47

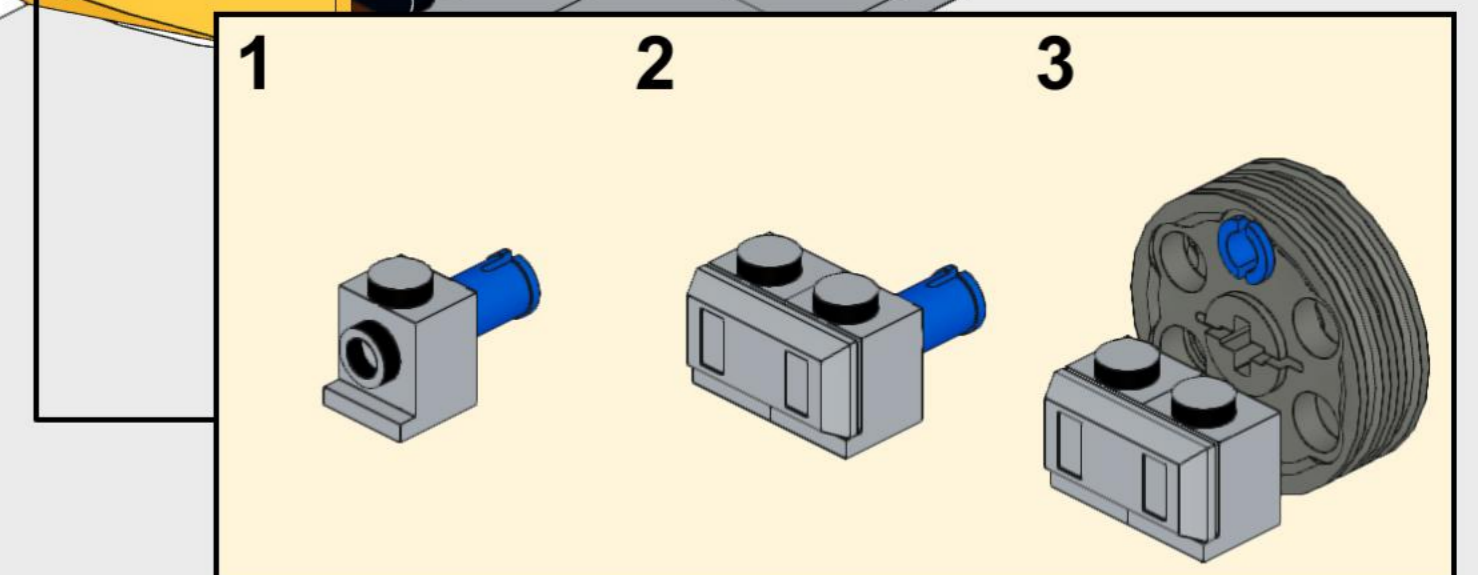
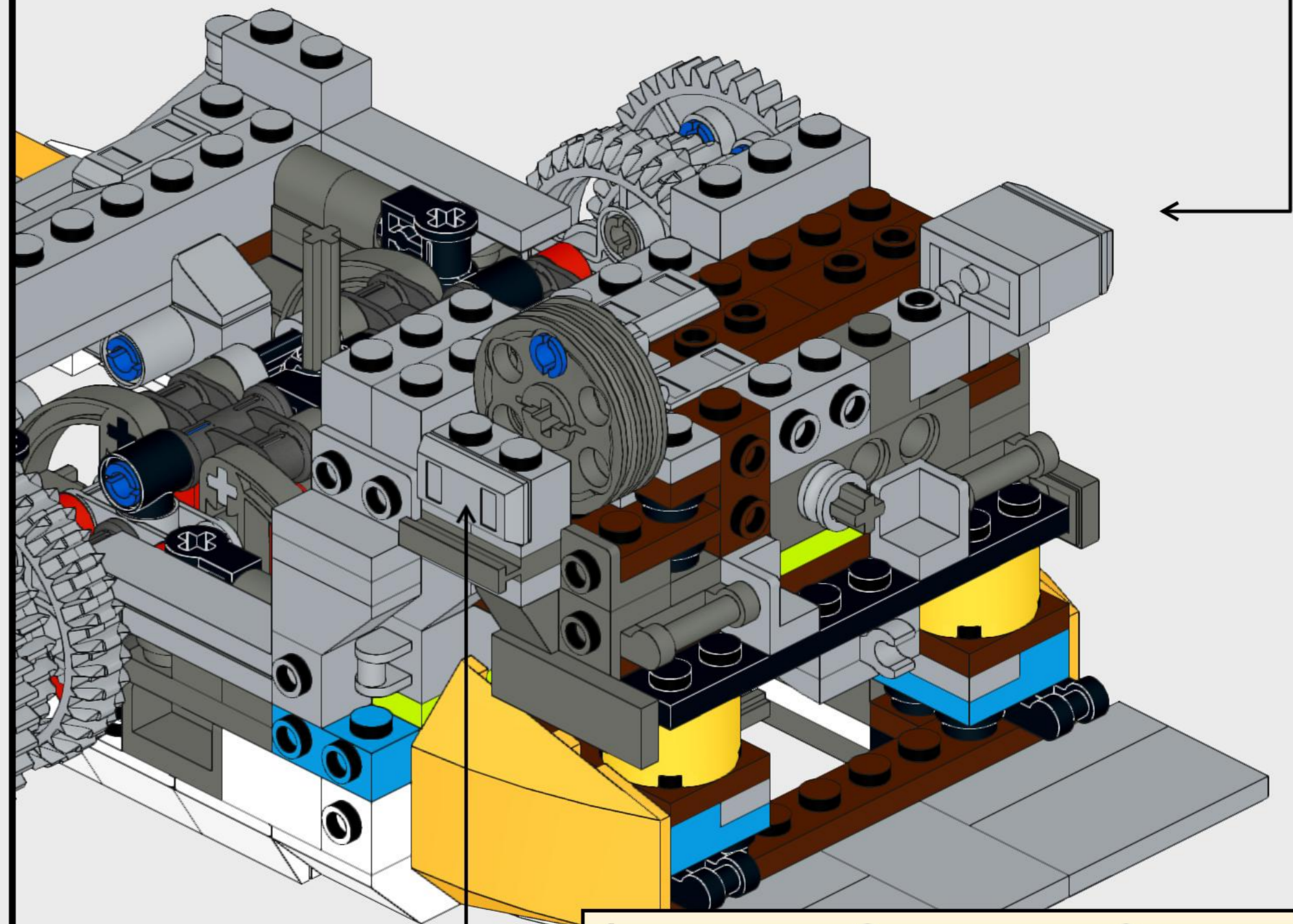
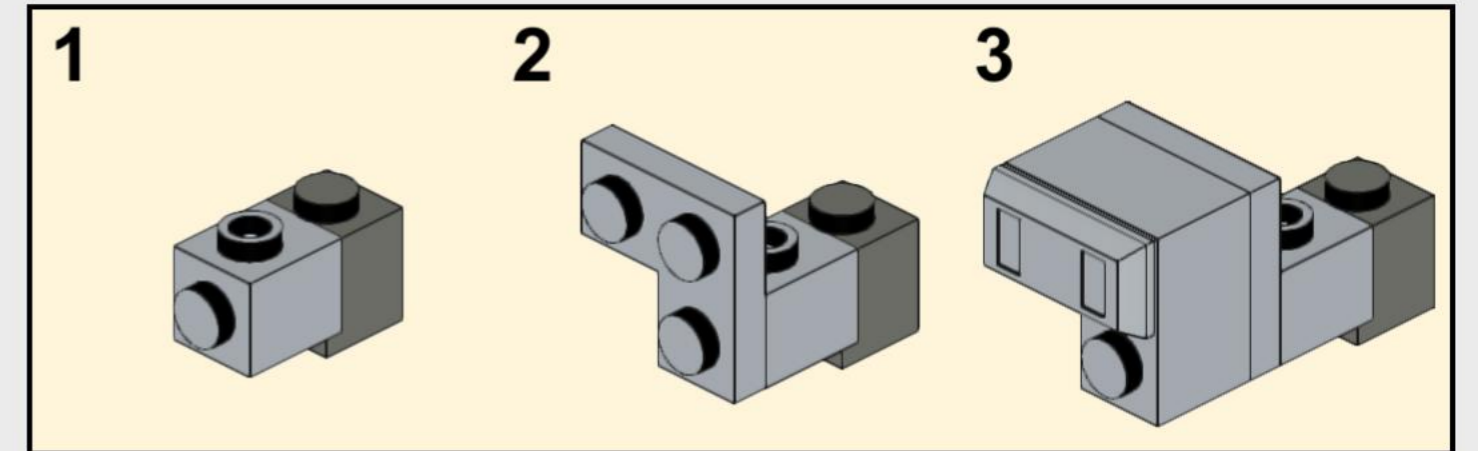


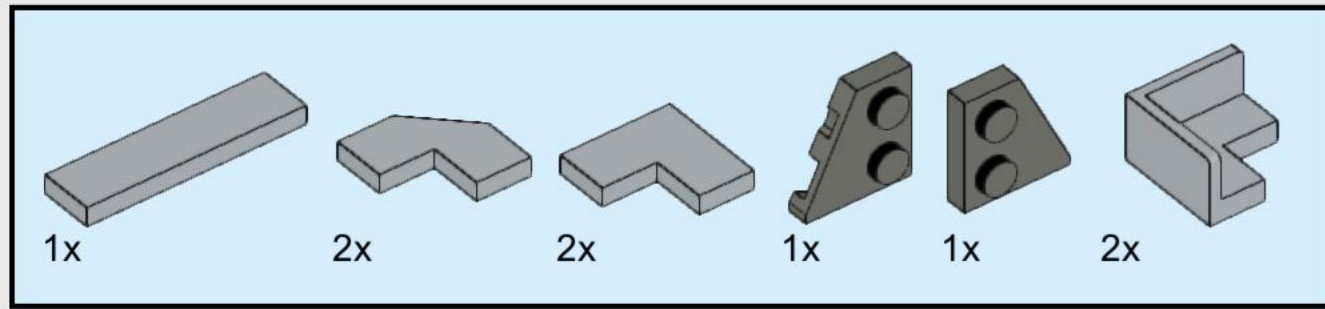


48

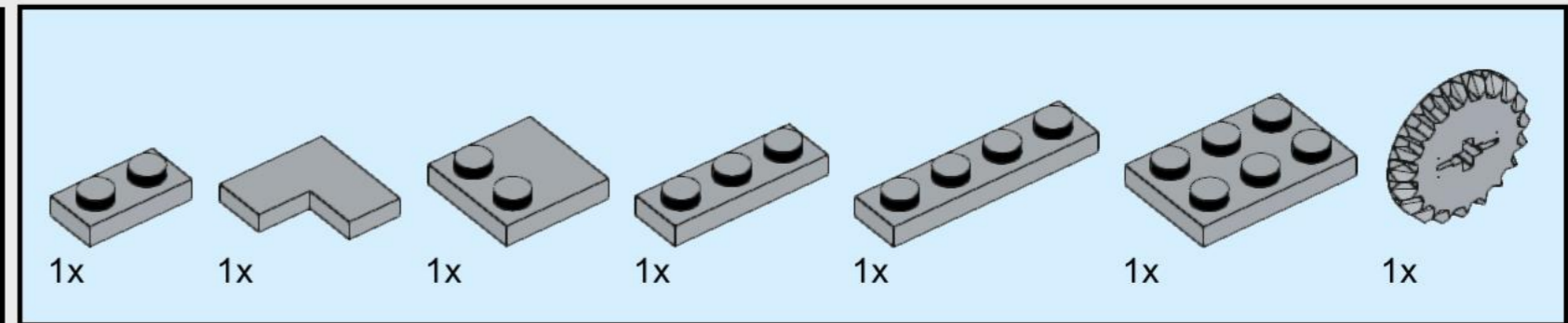
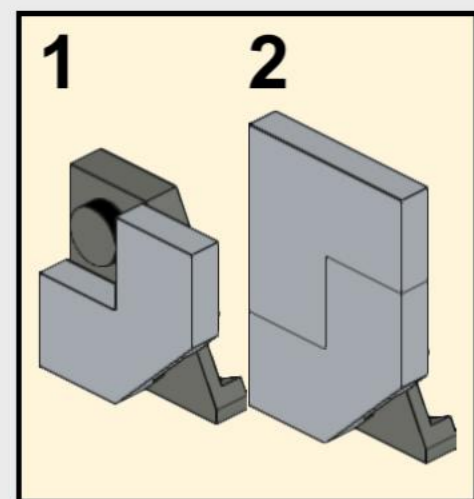
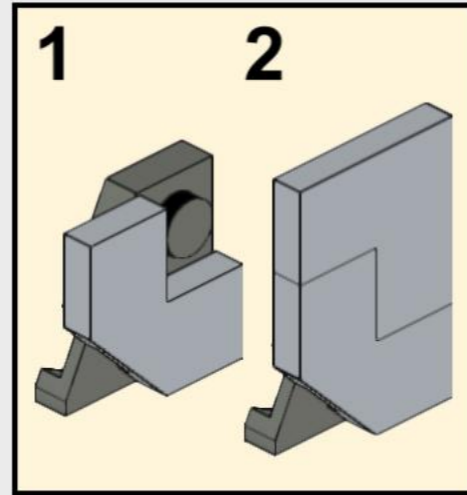
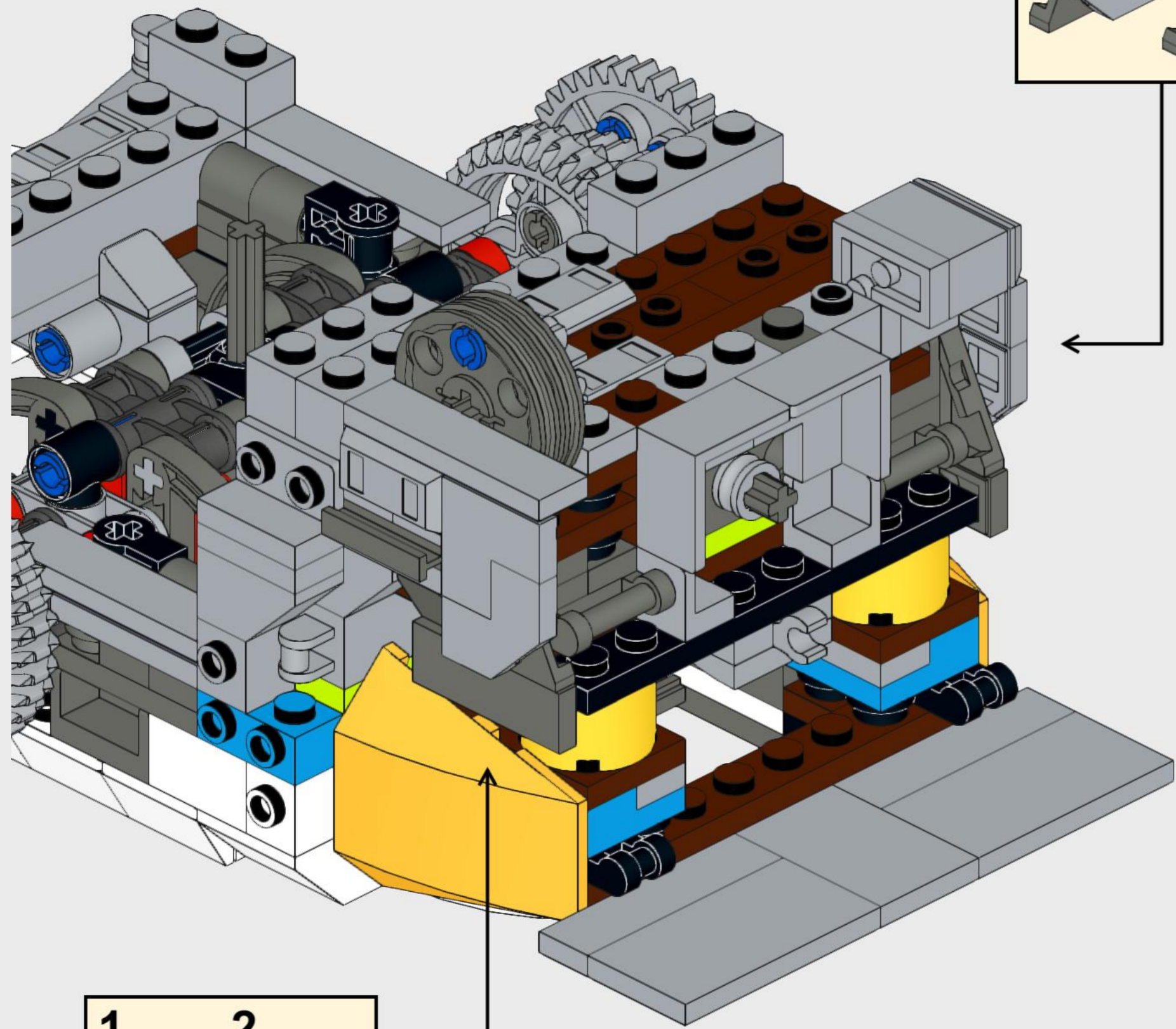


49

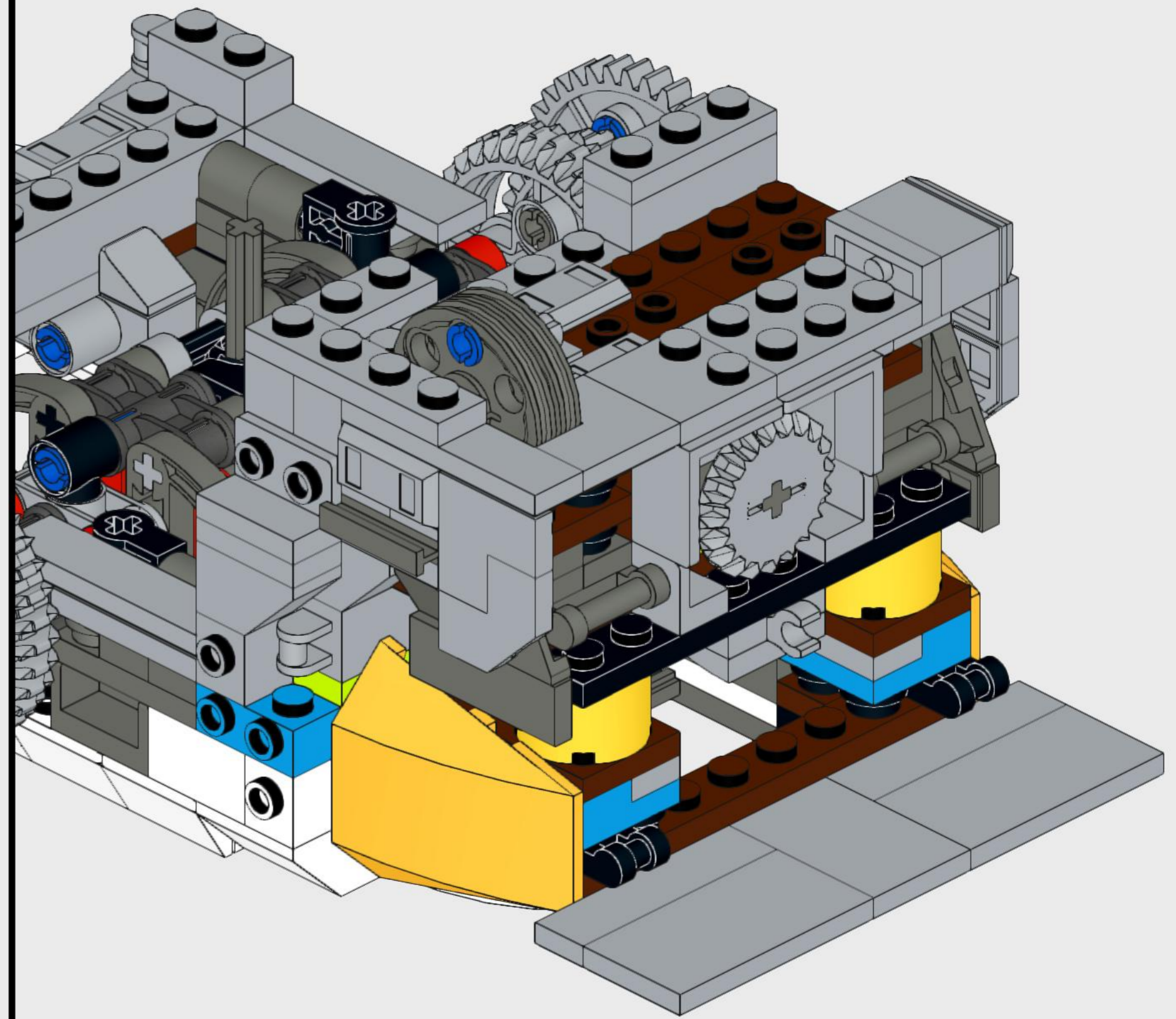


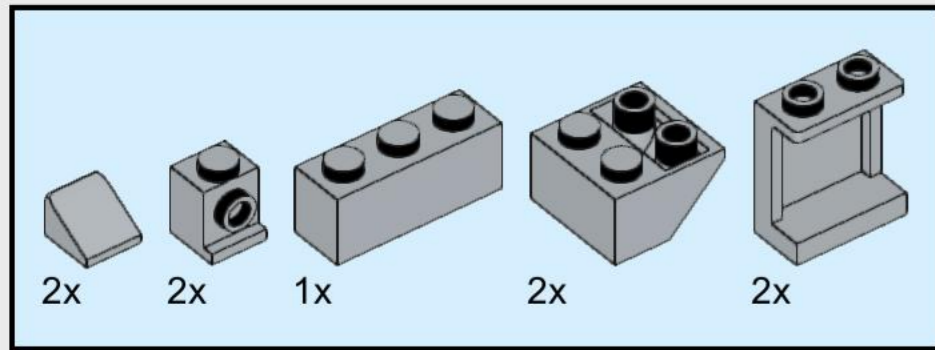


50

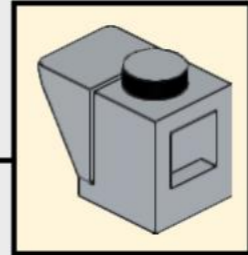


51

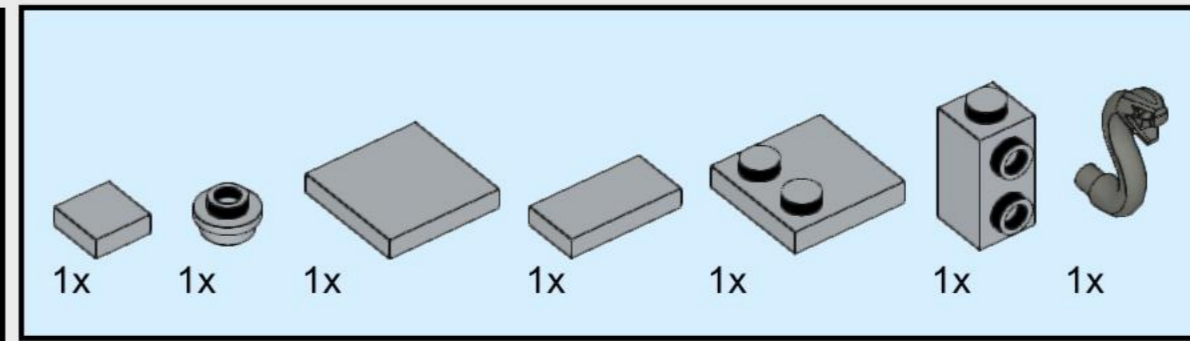
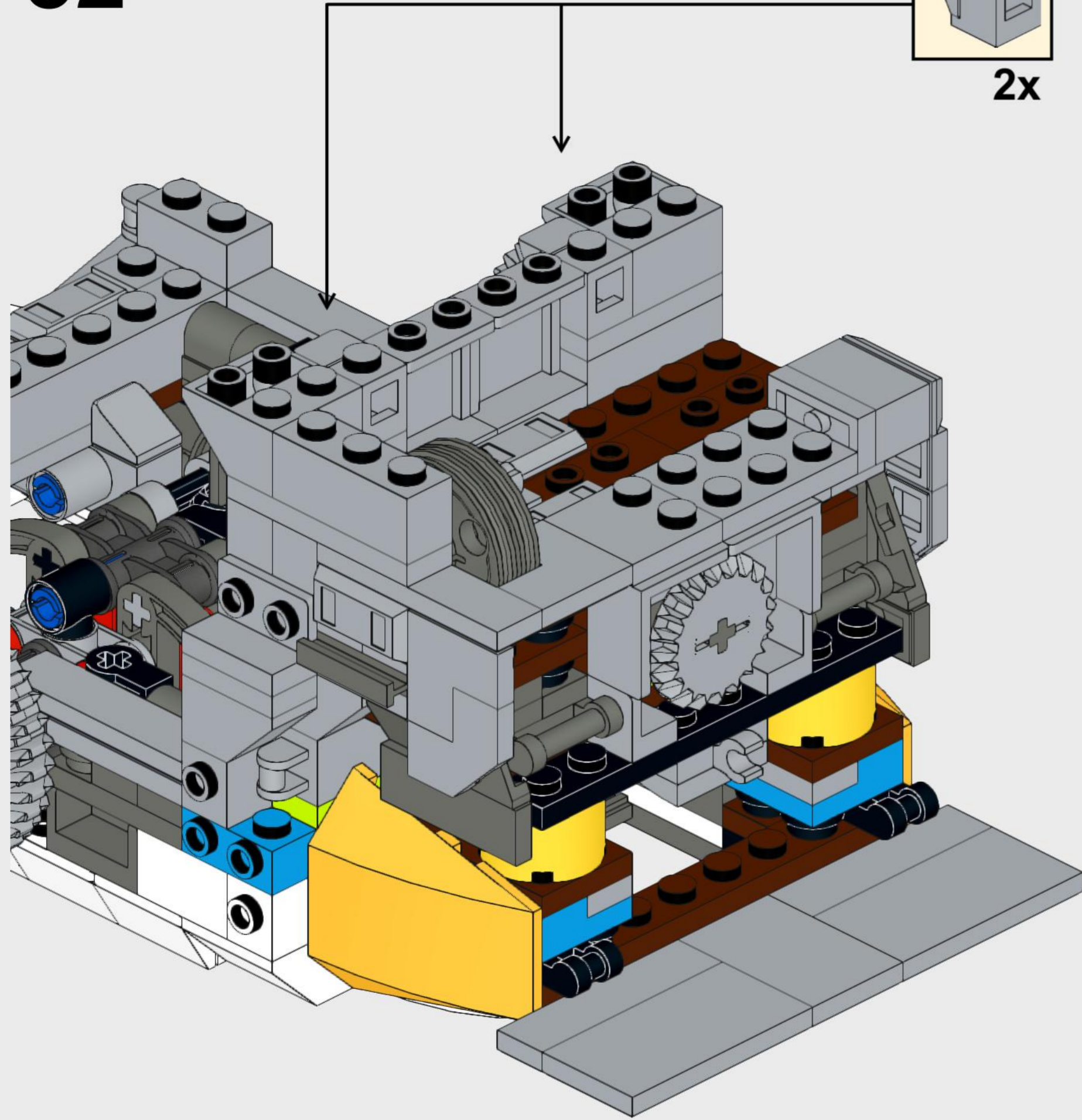




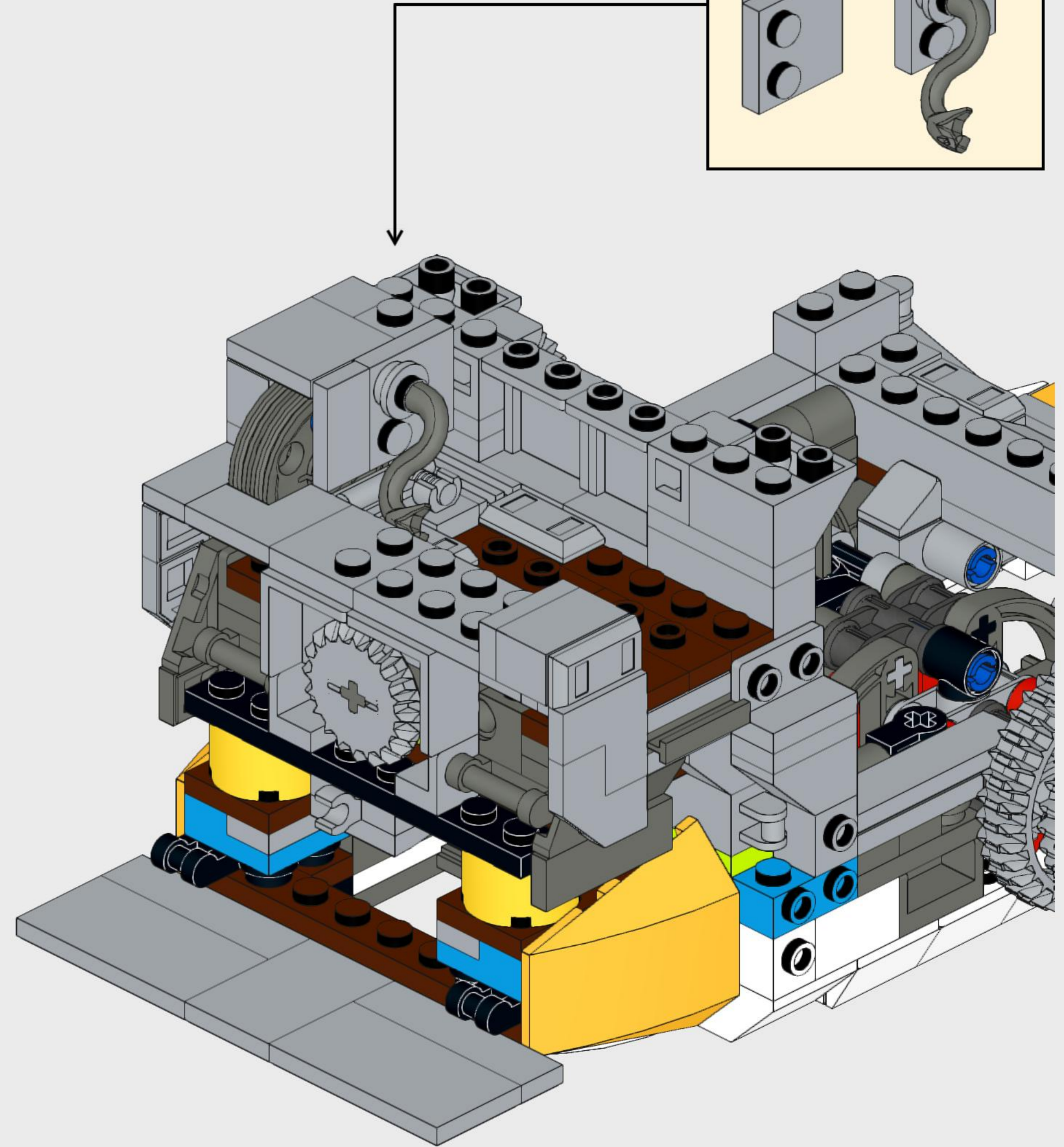
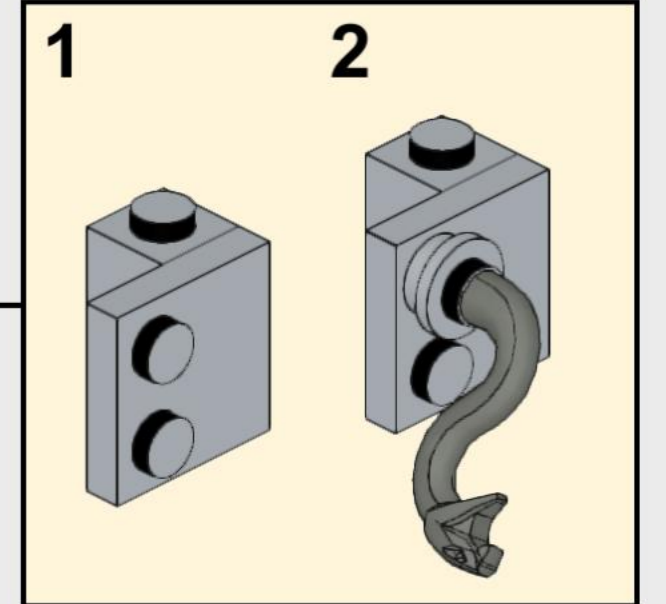
52

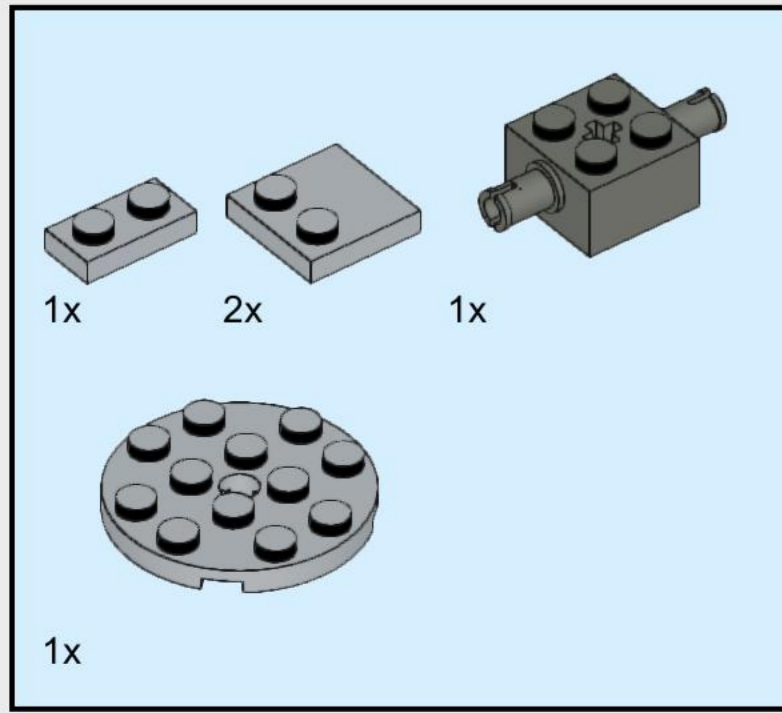


2x

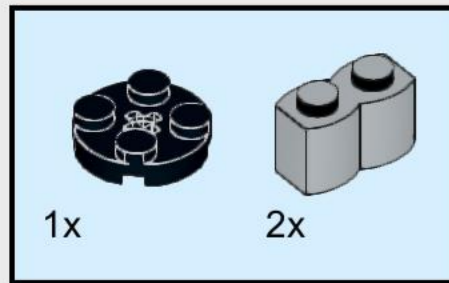
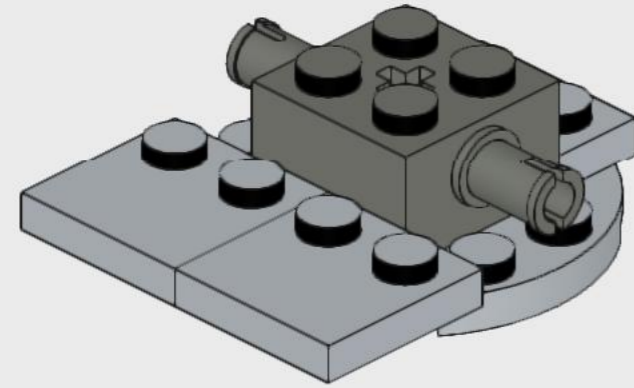


53

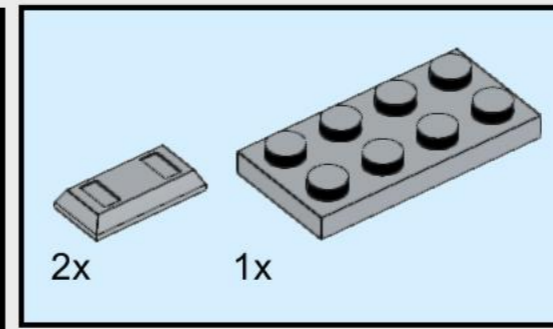
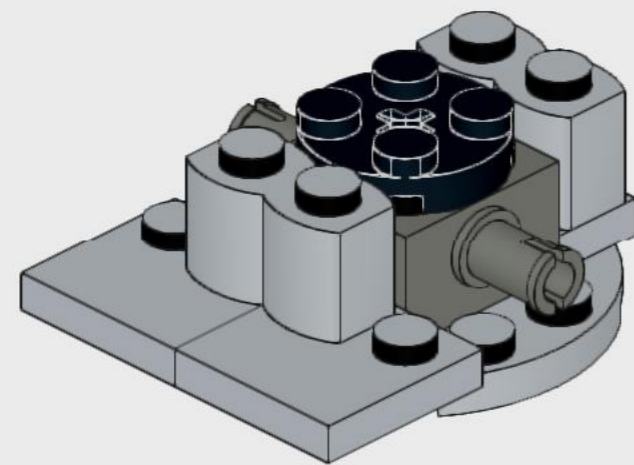




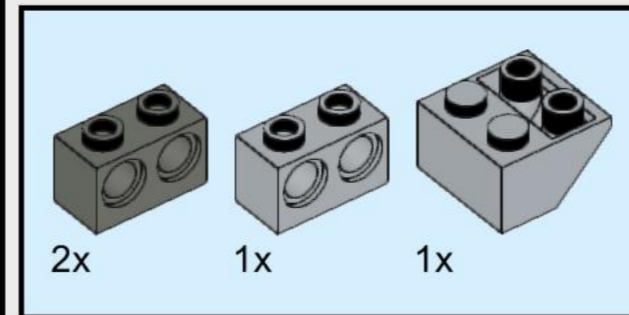
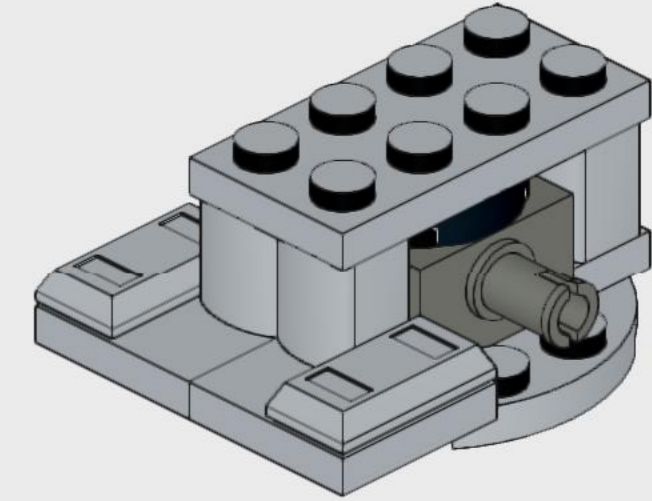
54



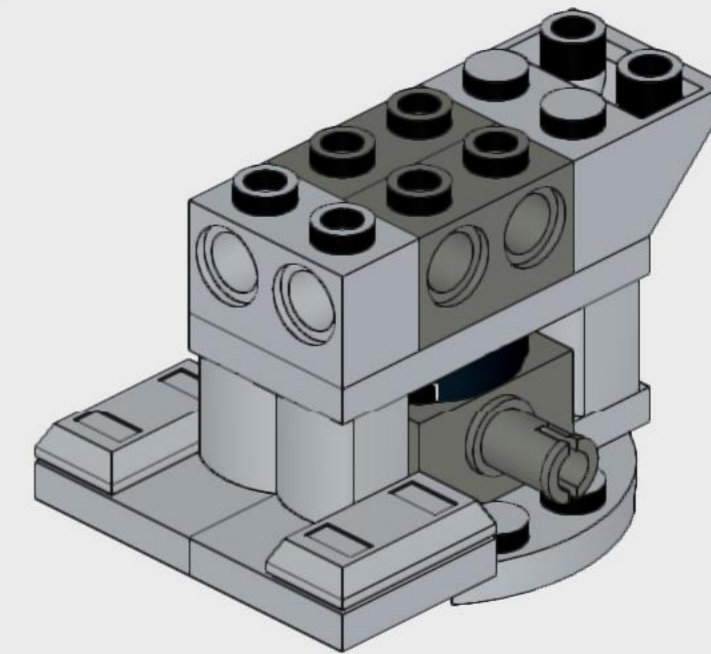
55

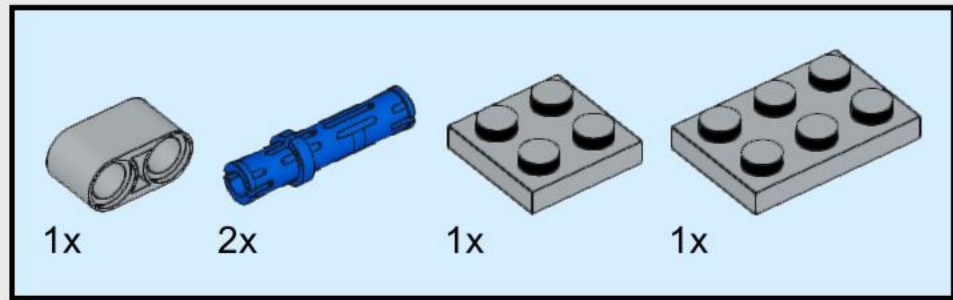


56

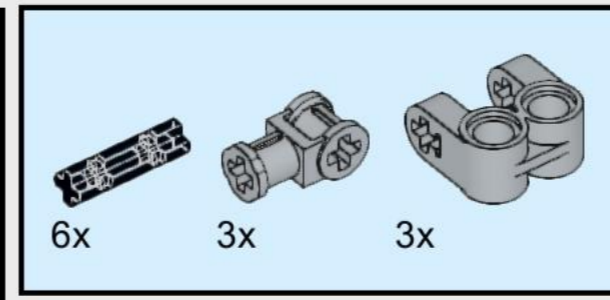
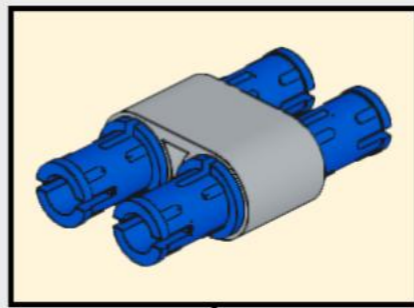
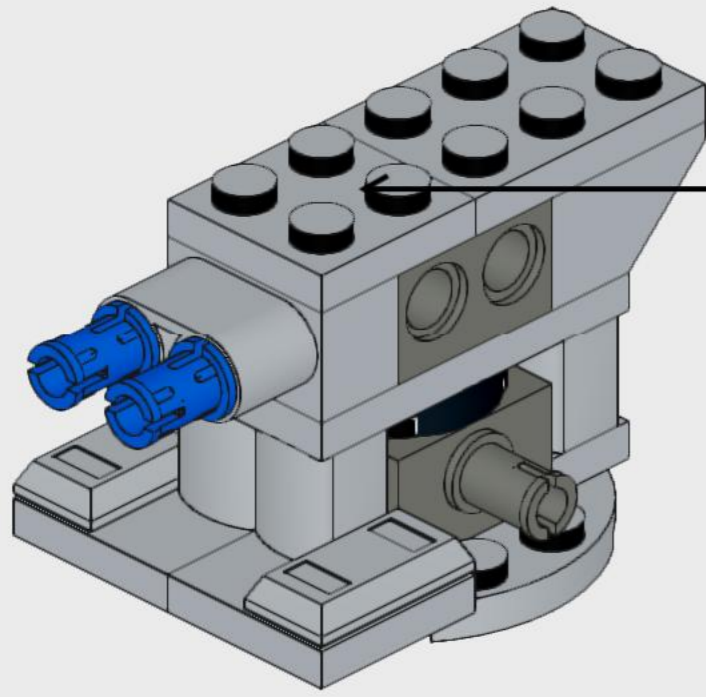


57

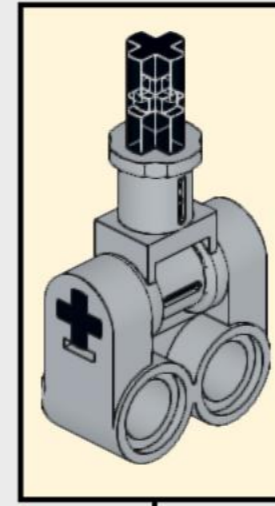




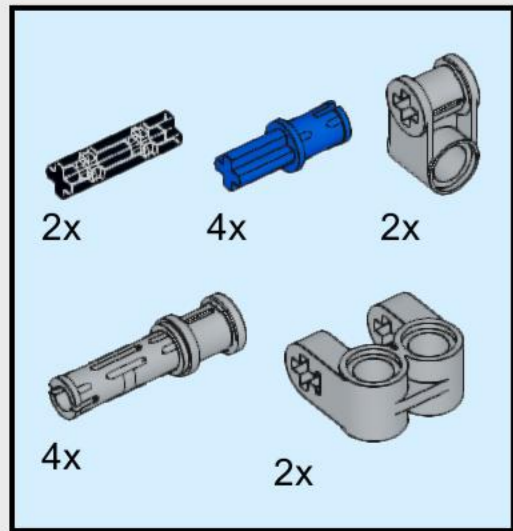
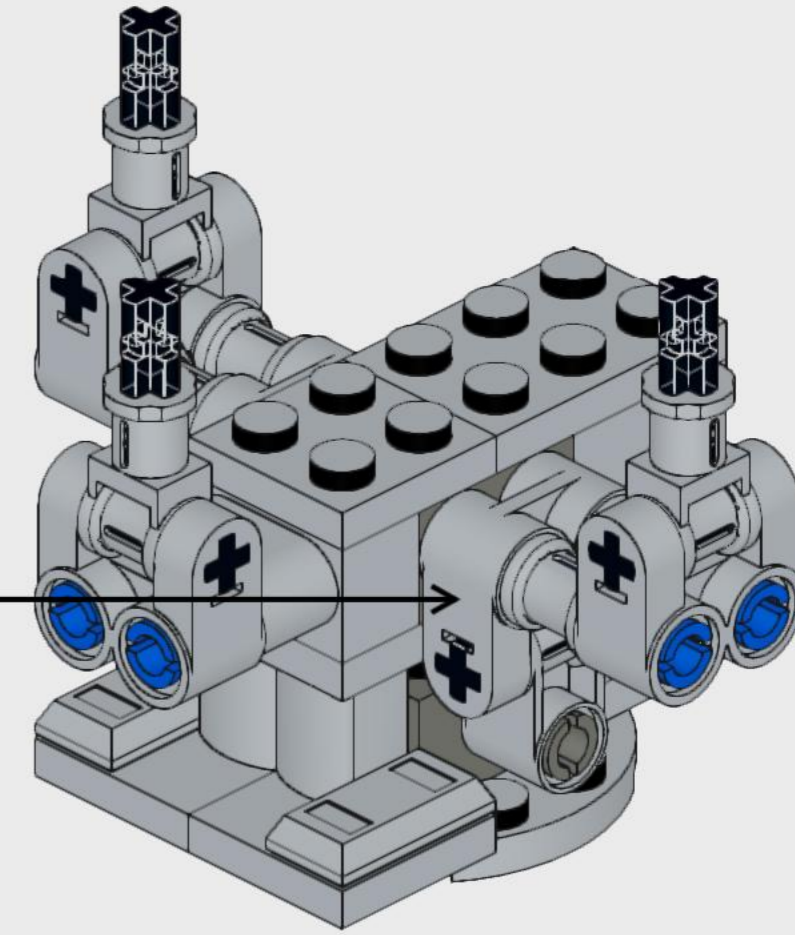
58



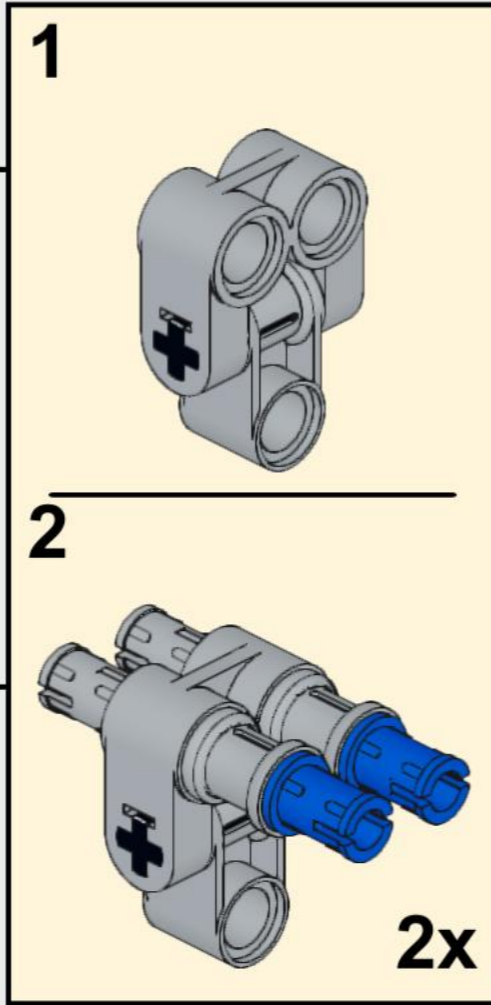
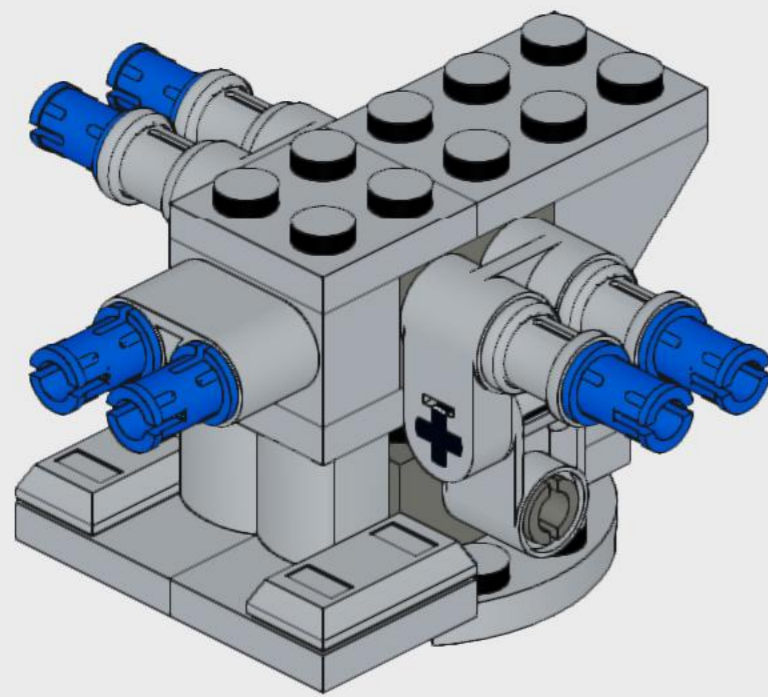
60



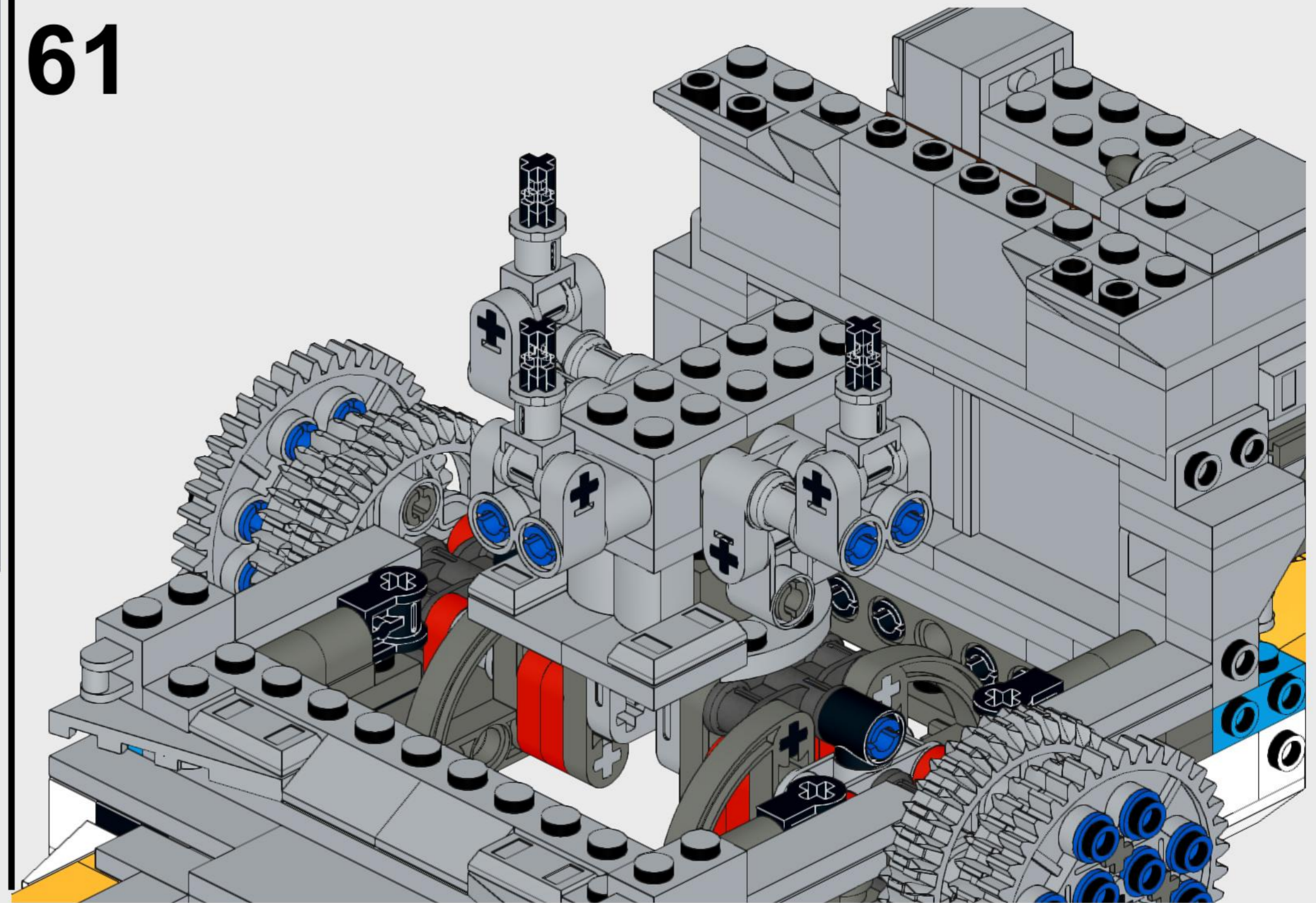
3x

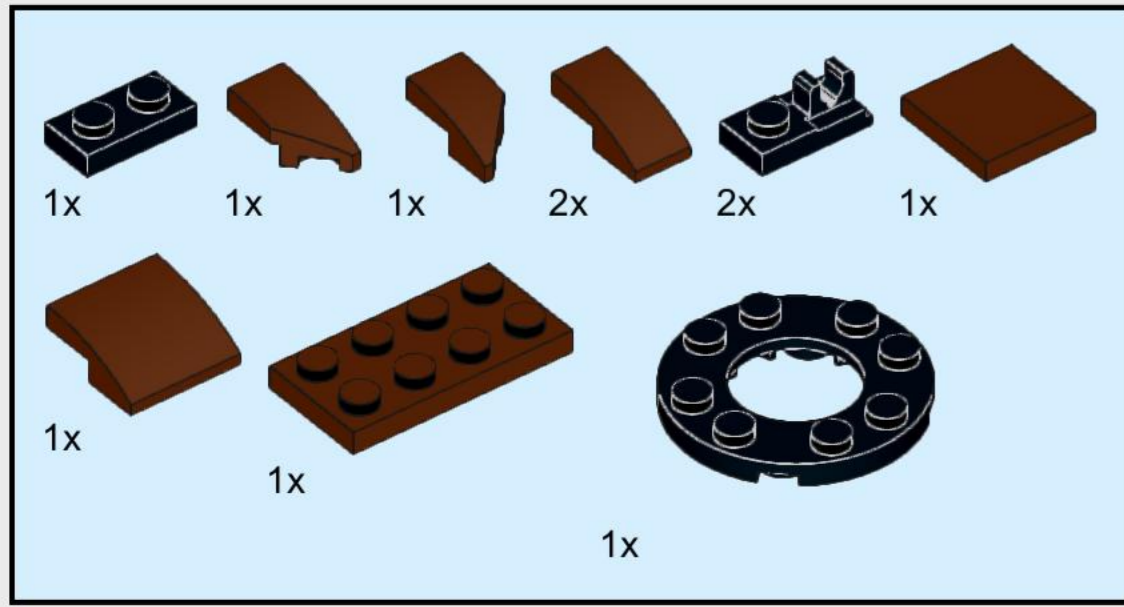


59

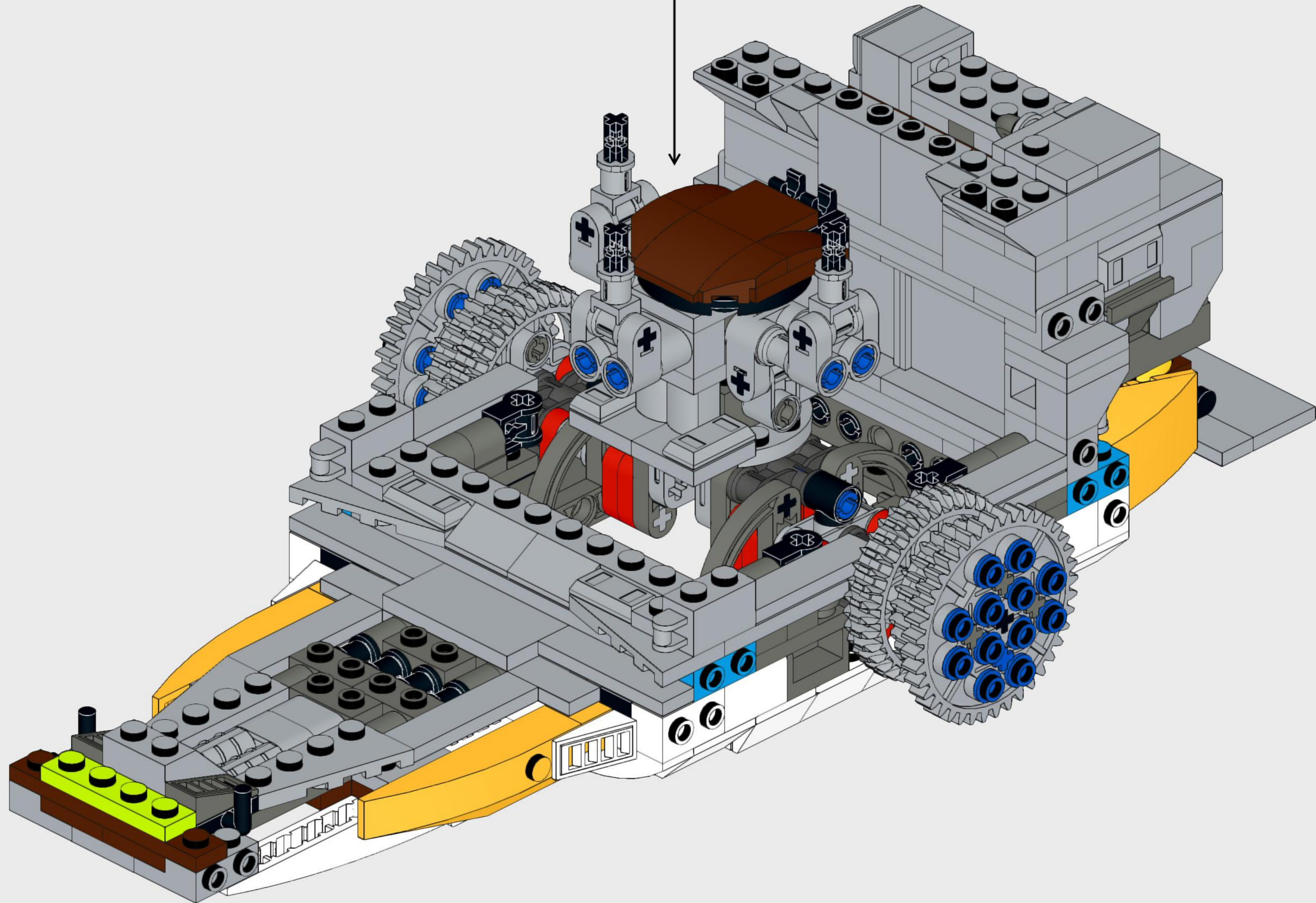
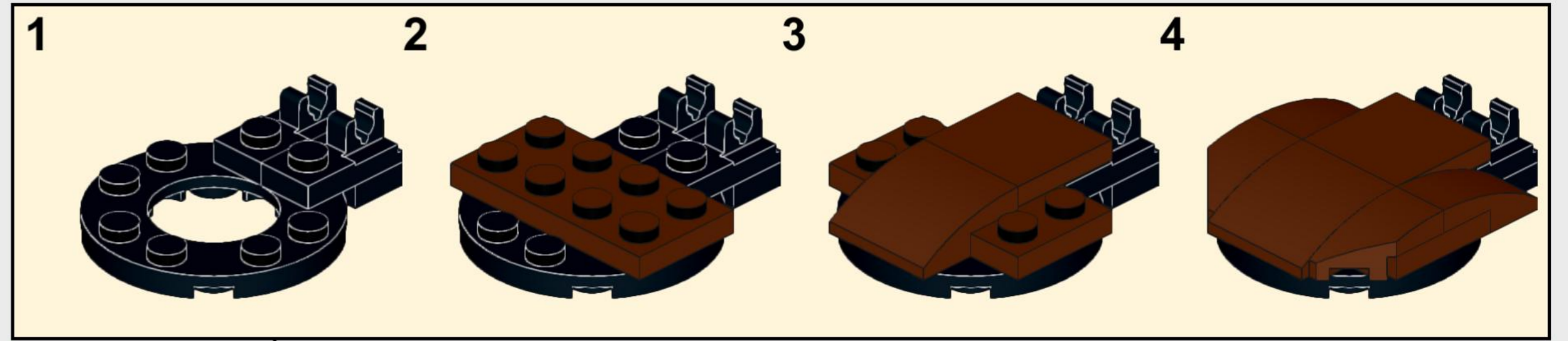


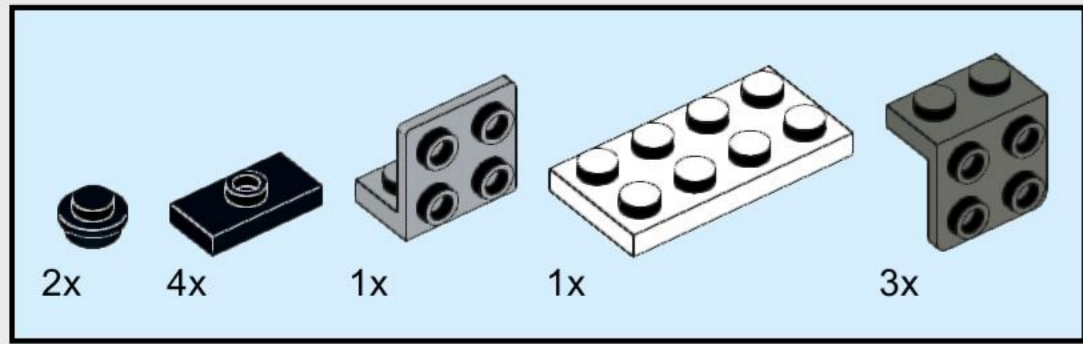
61



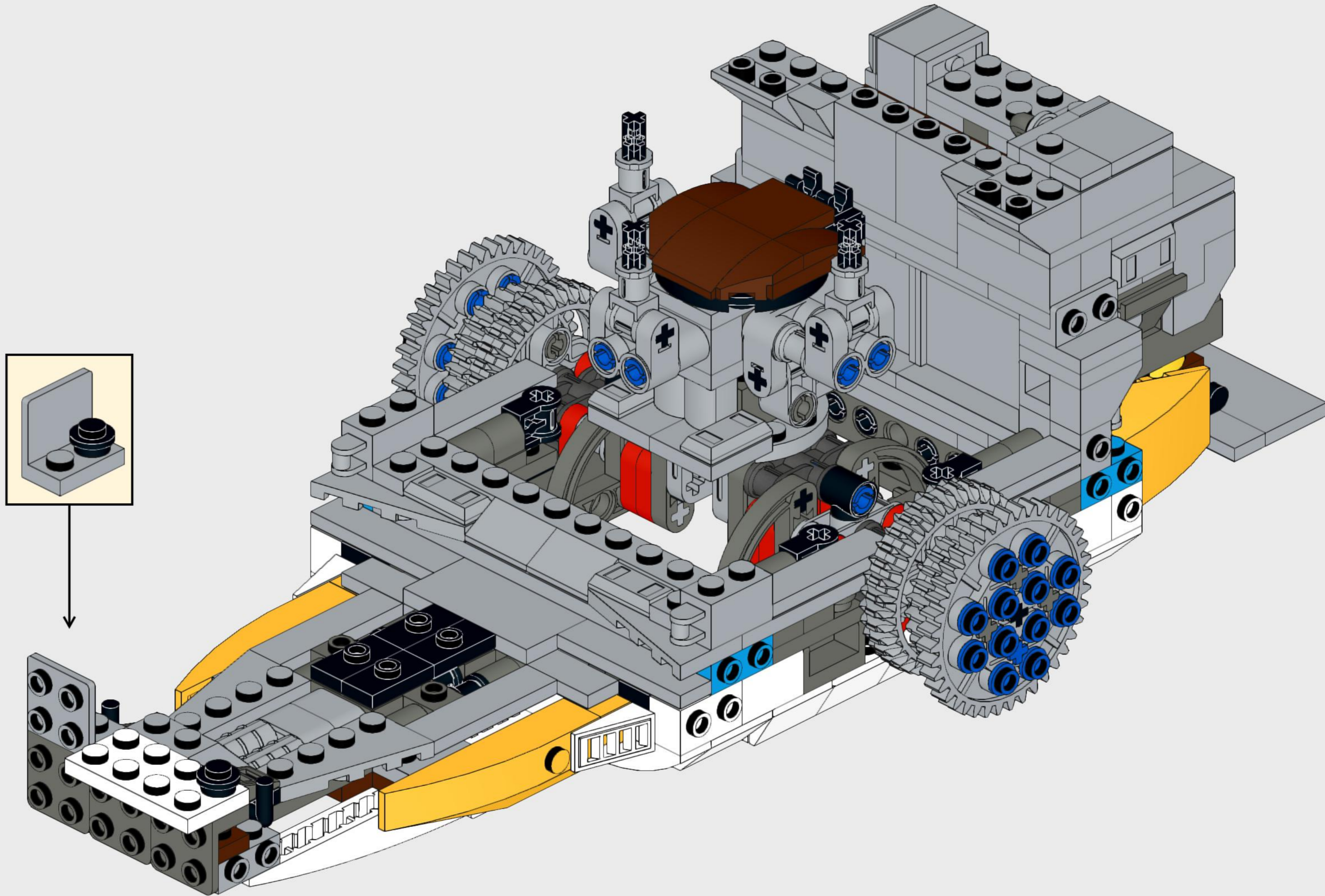


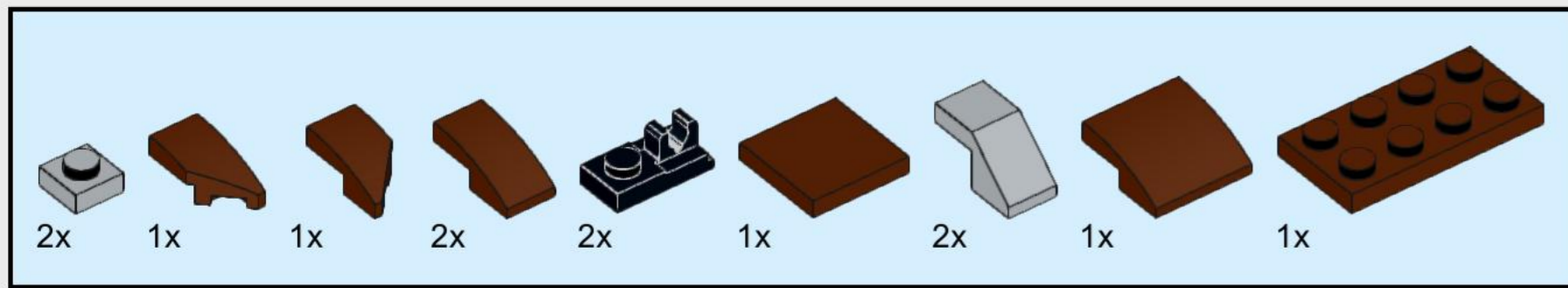
62



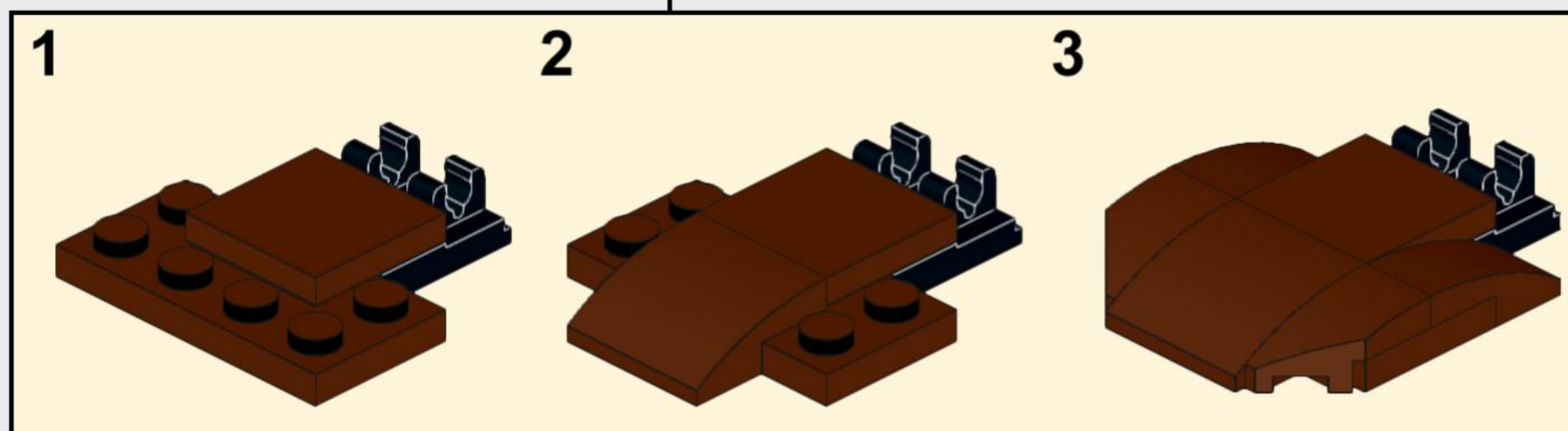
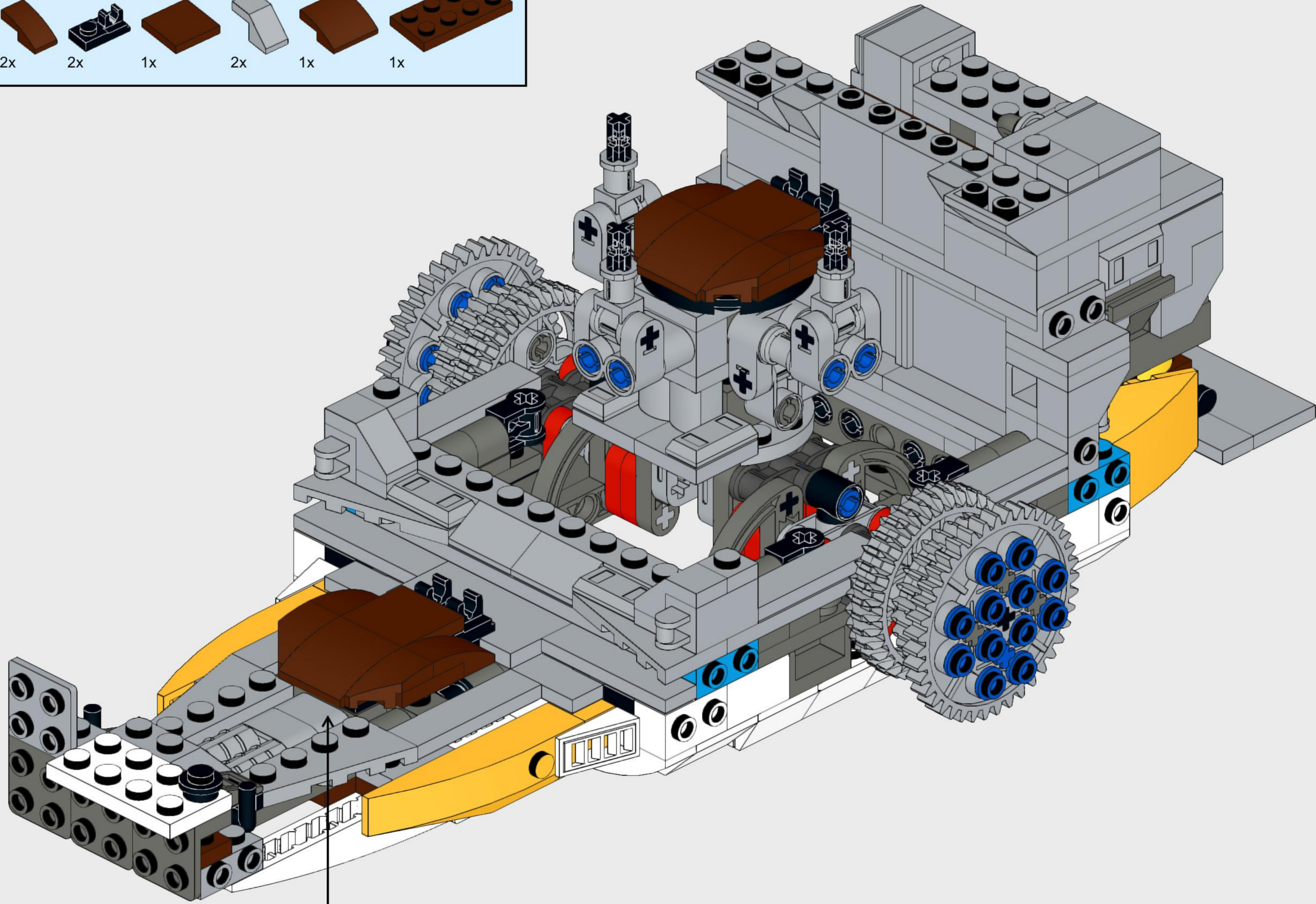


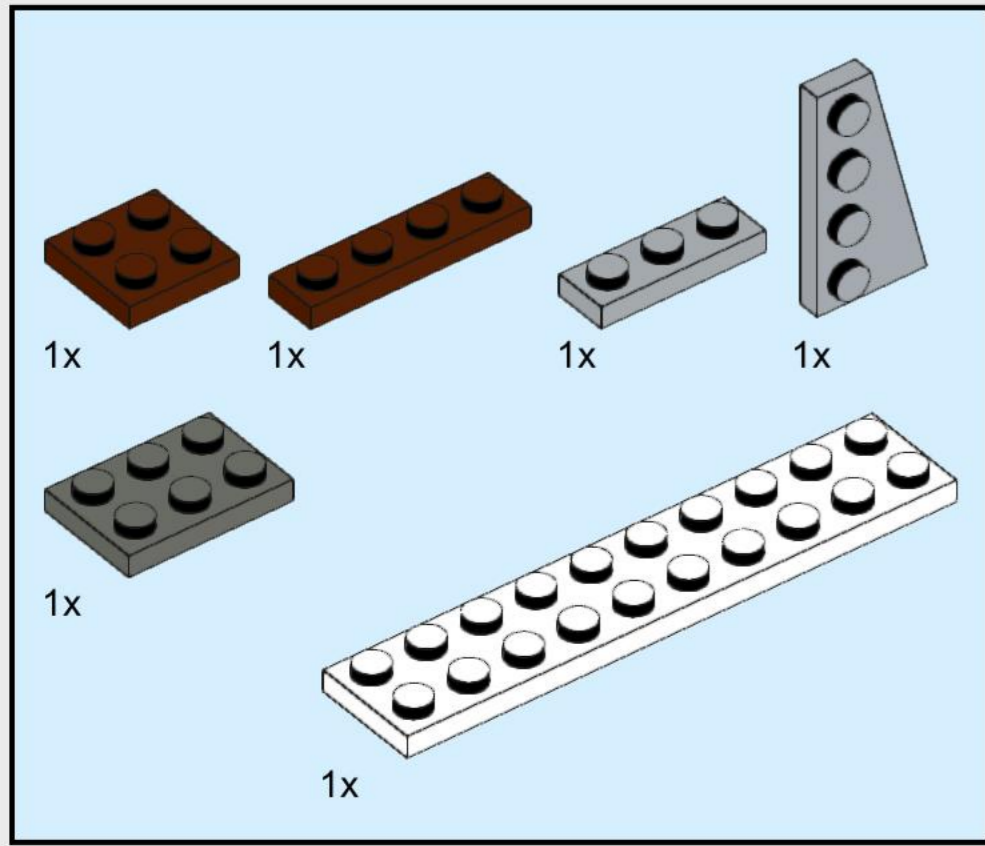
63



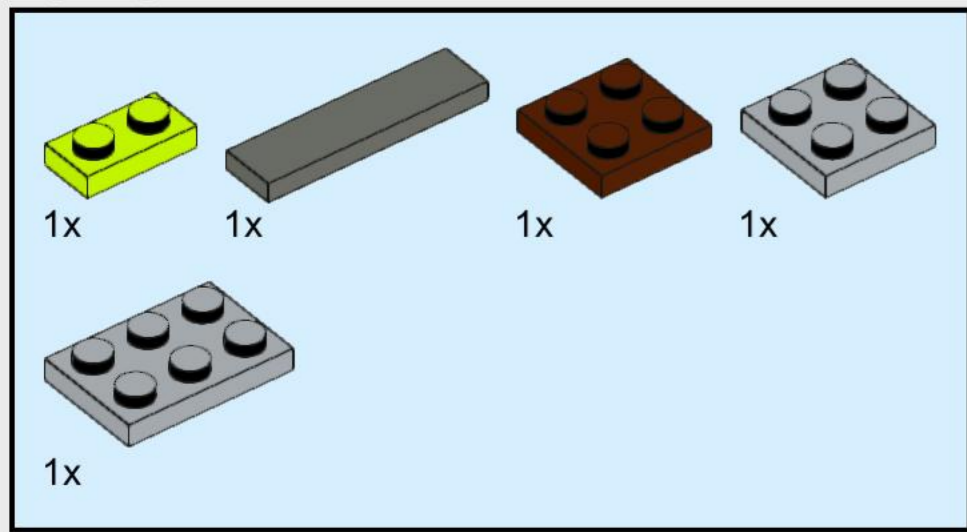


64

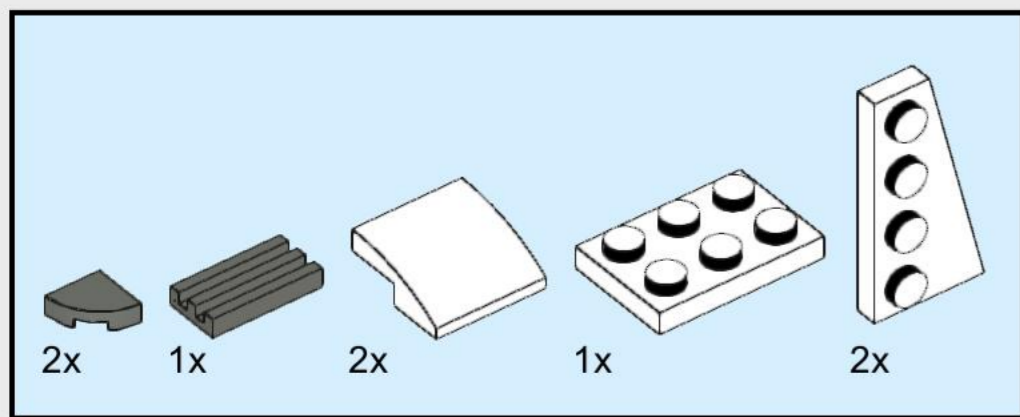




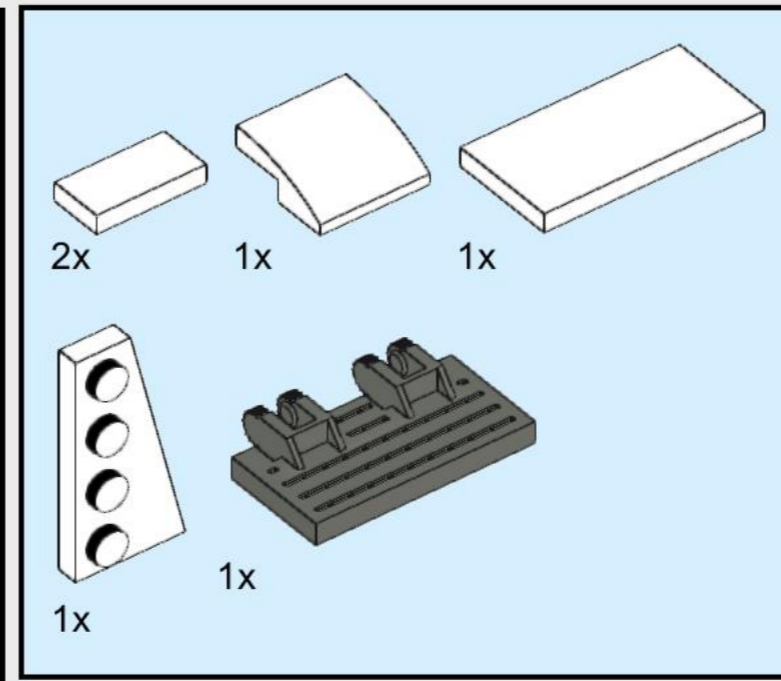
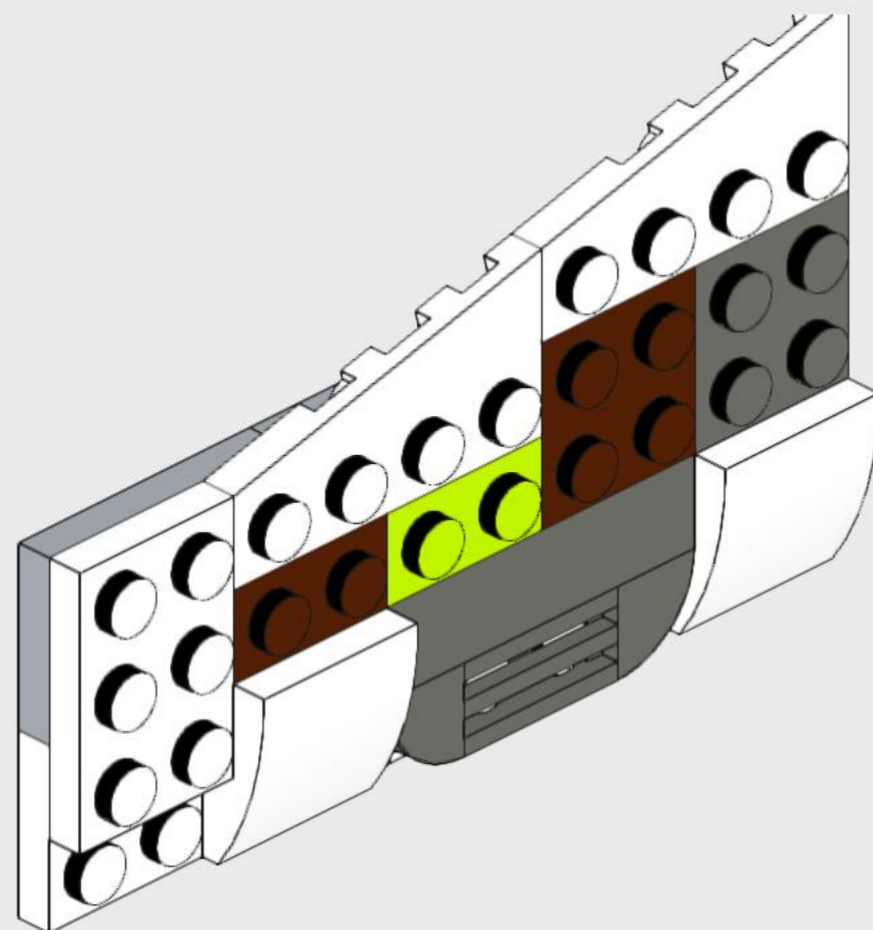
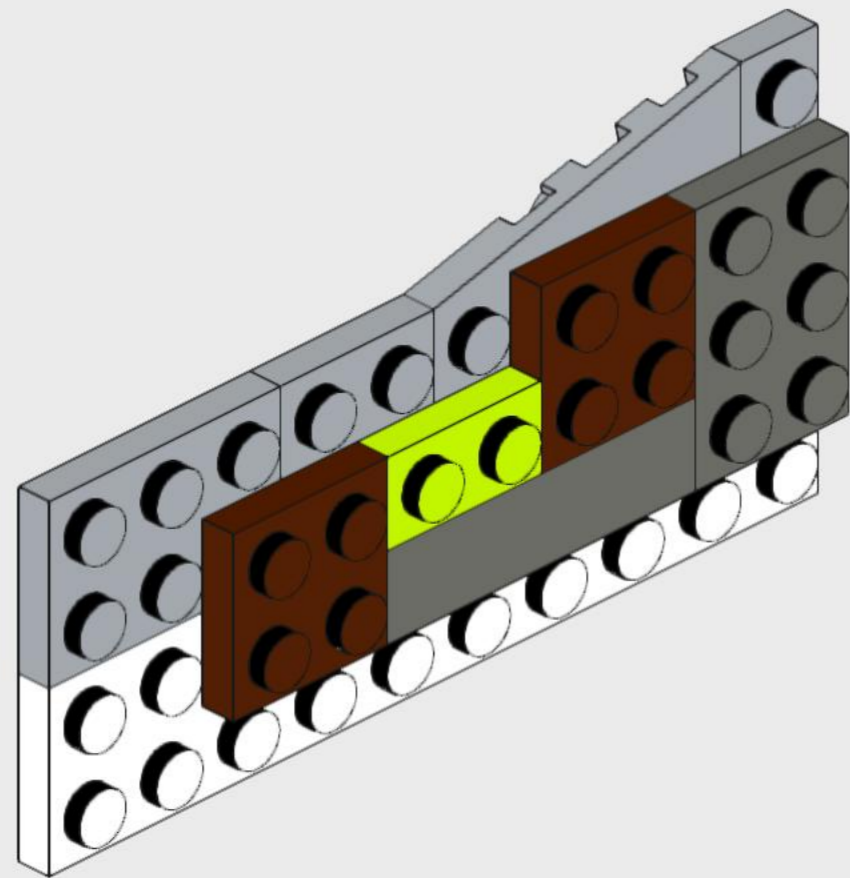
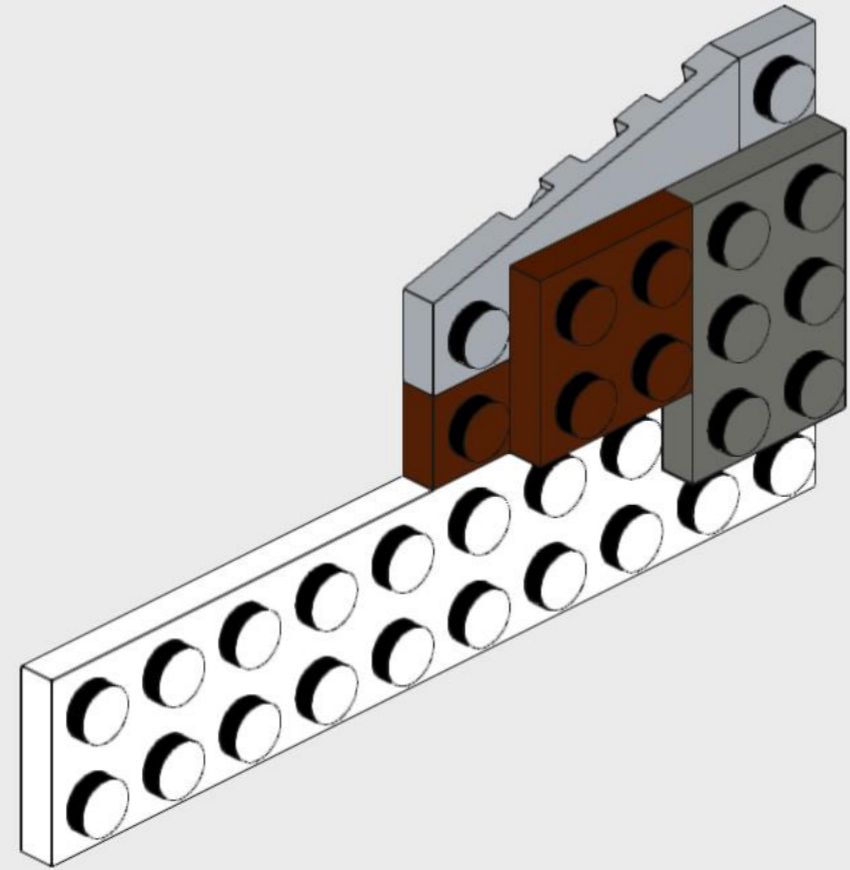
65



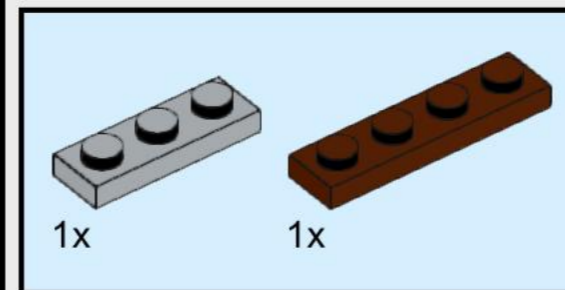
66



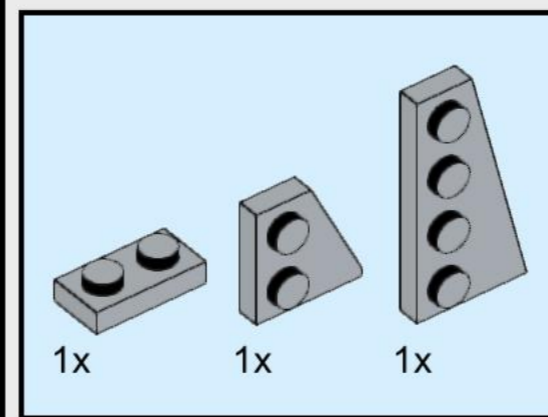
67



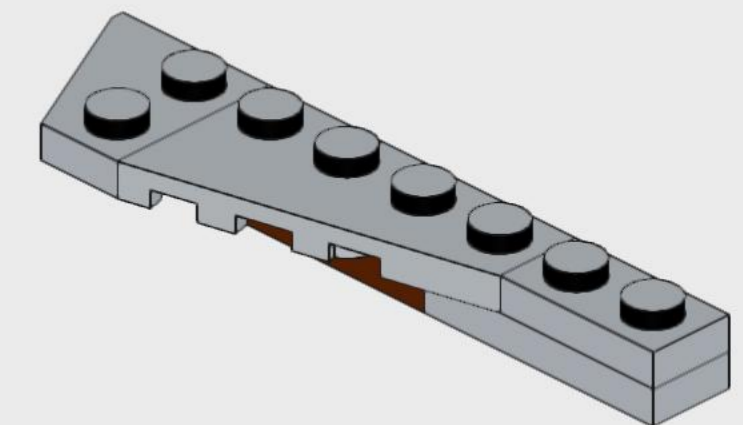
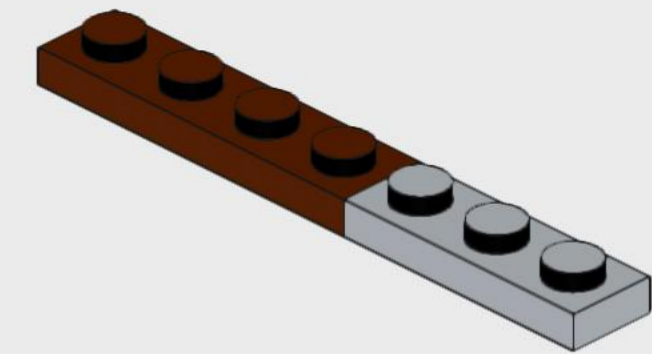
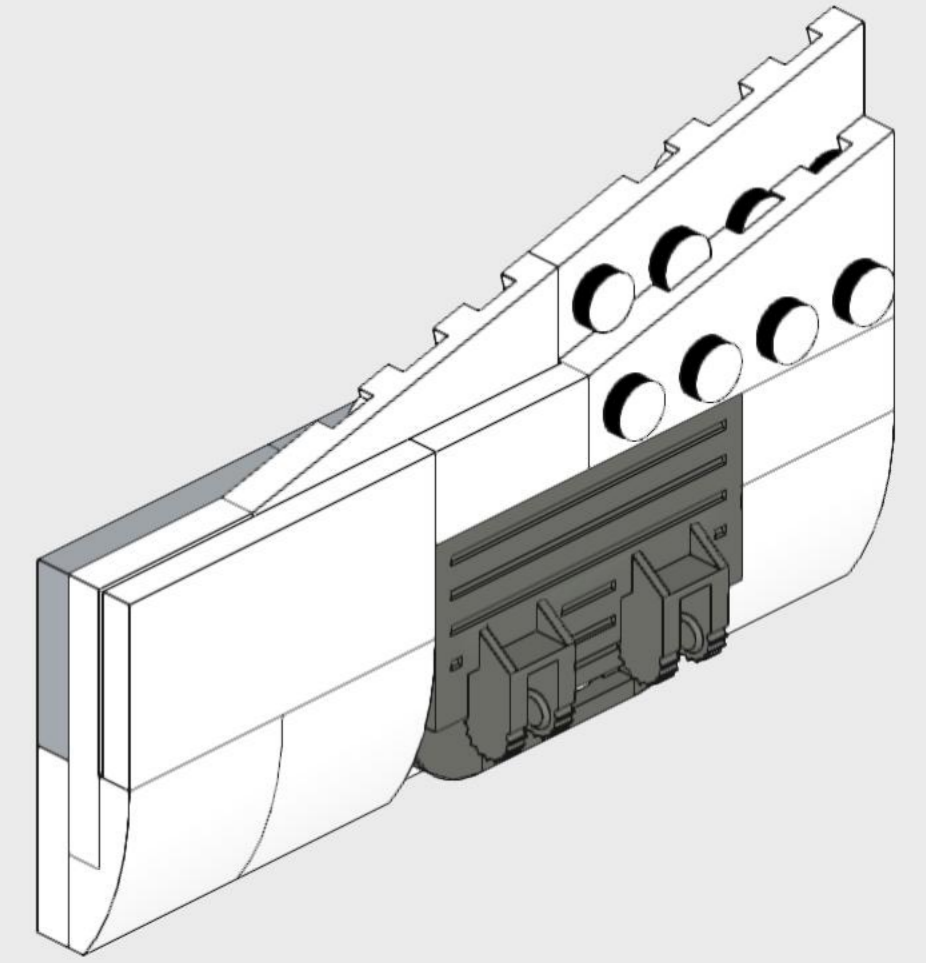
68

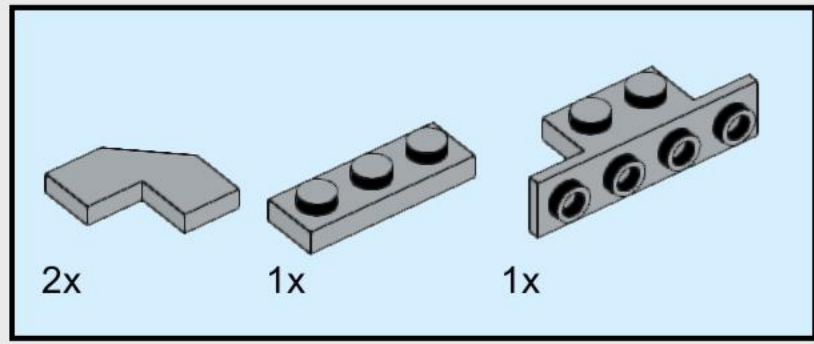


69

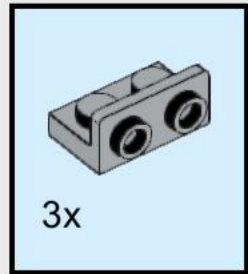
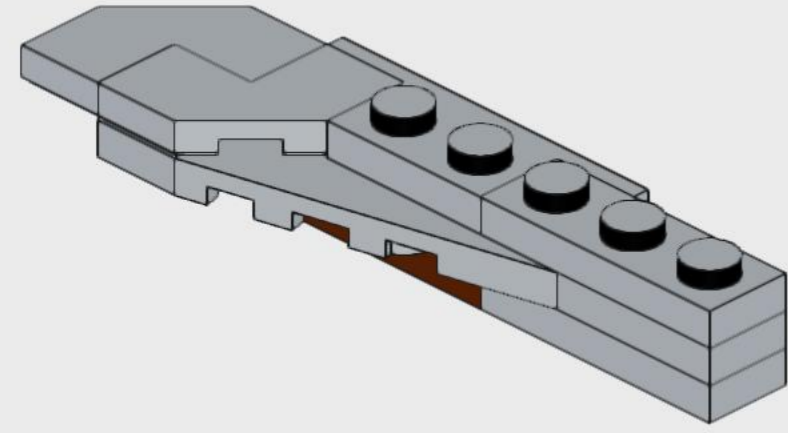


70

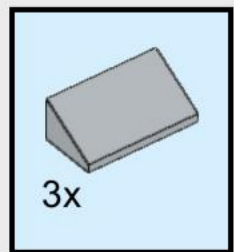
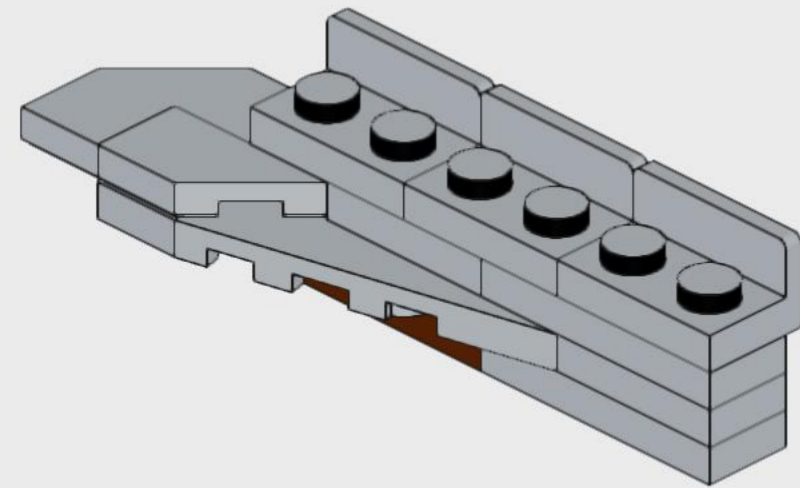




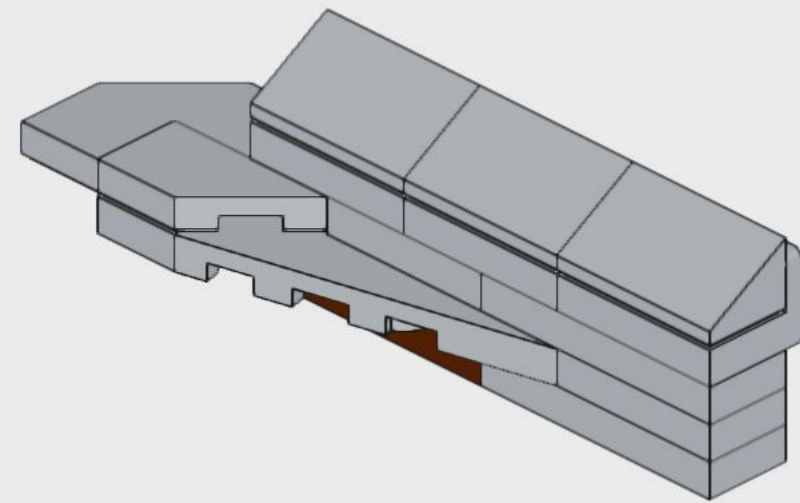
71



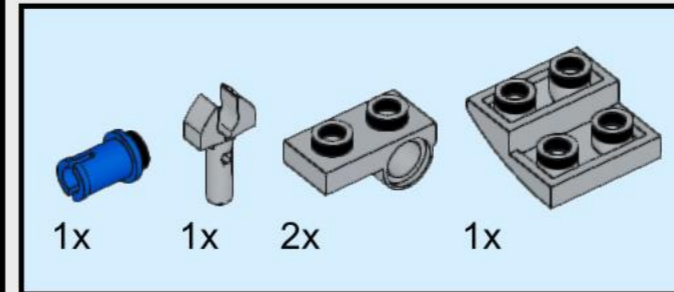
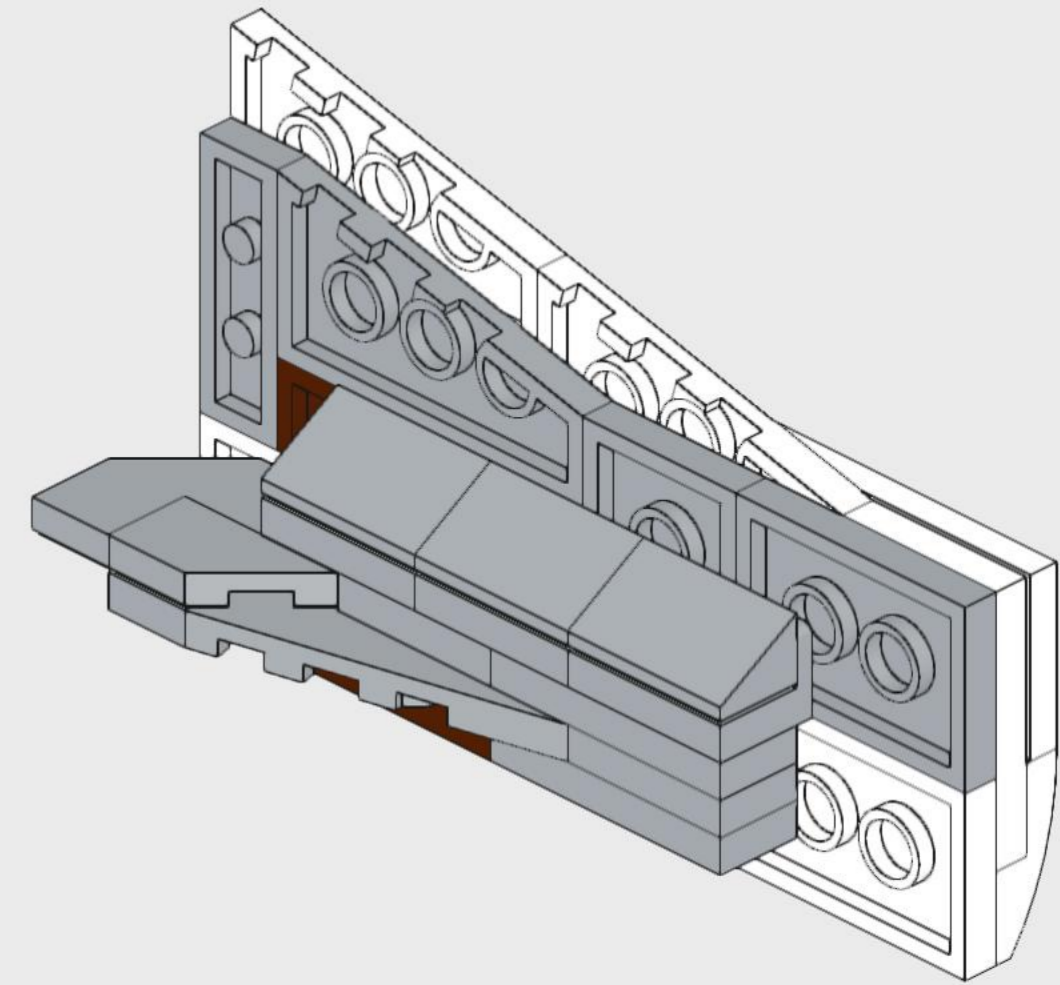
72



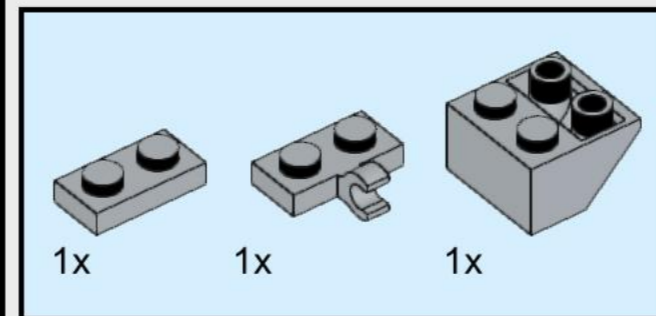
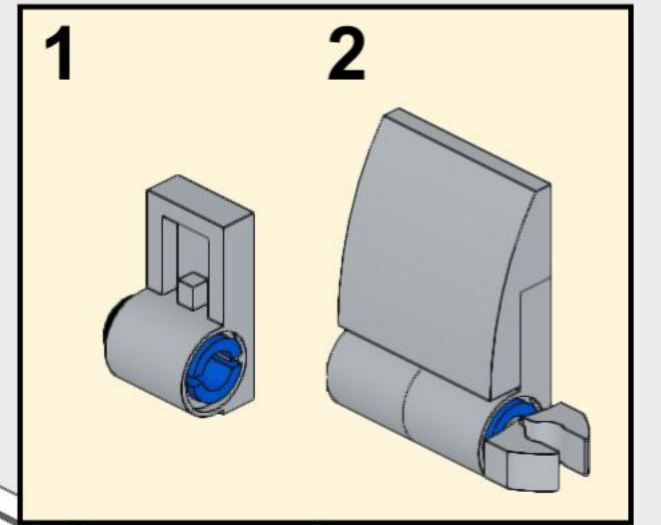
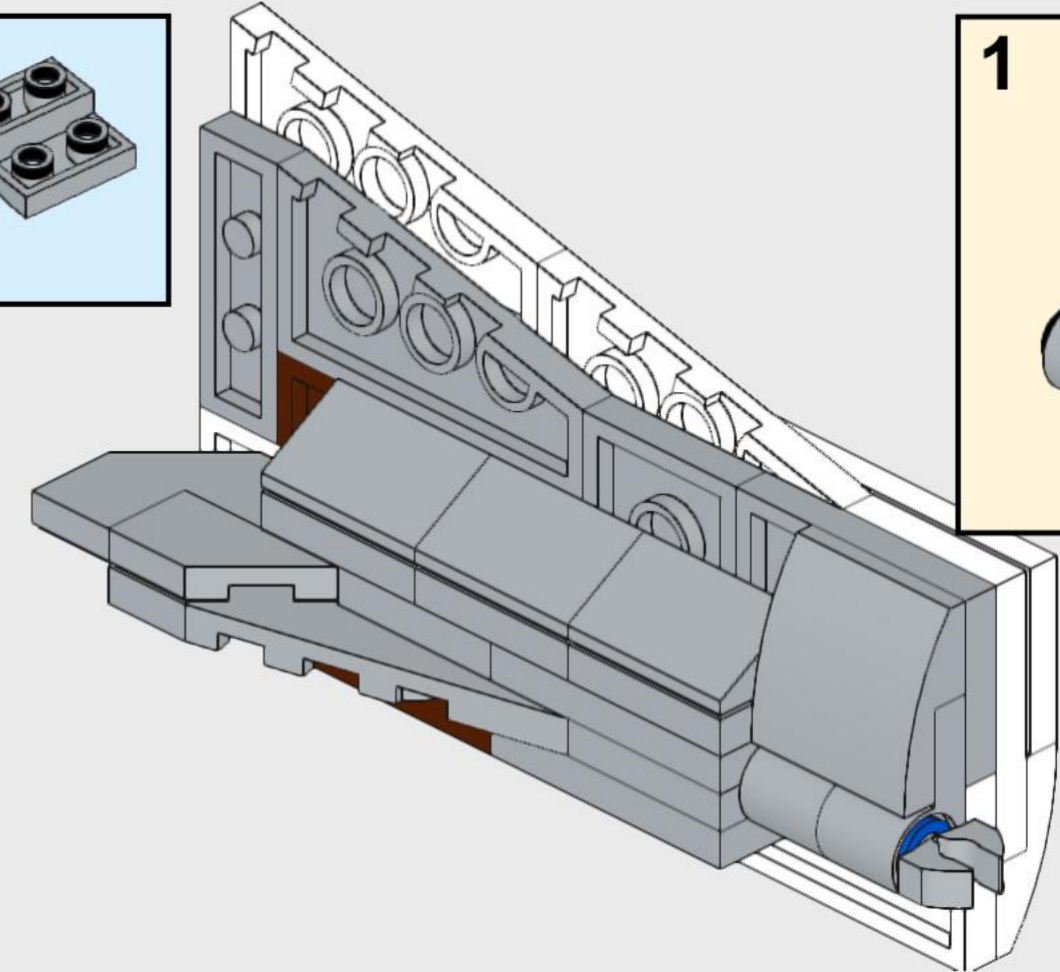
73



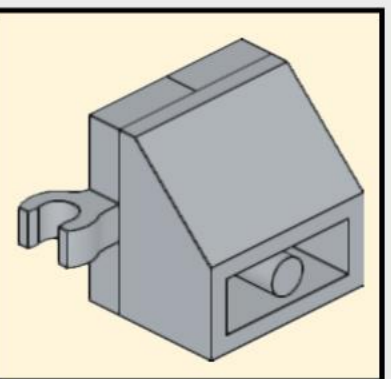
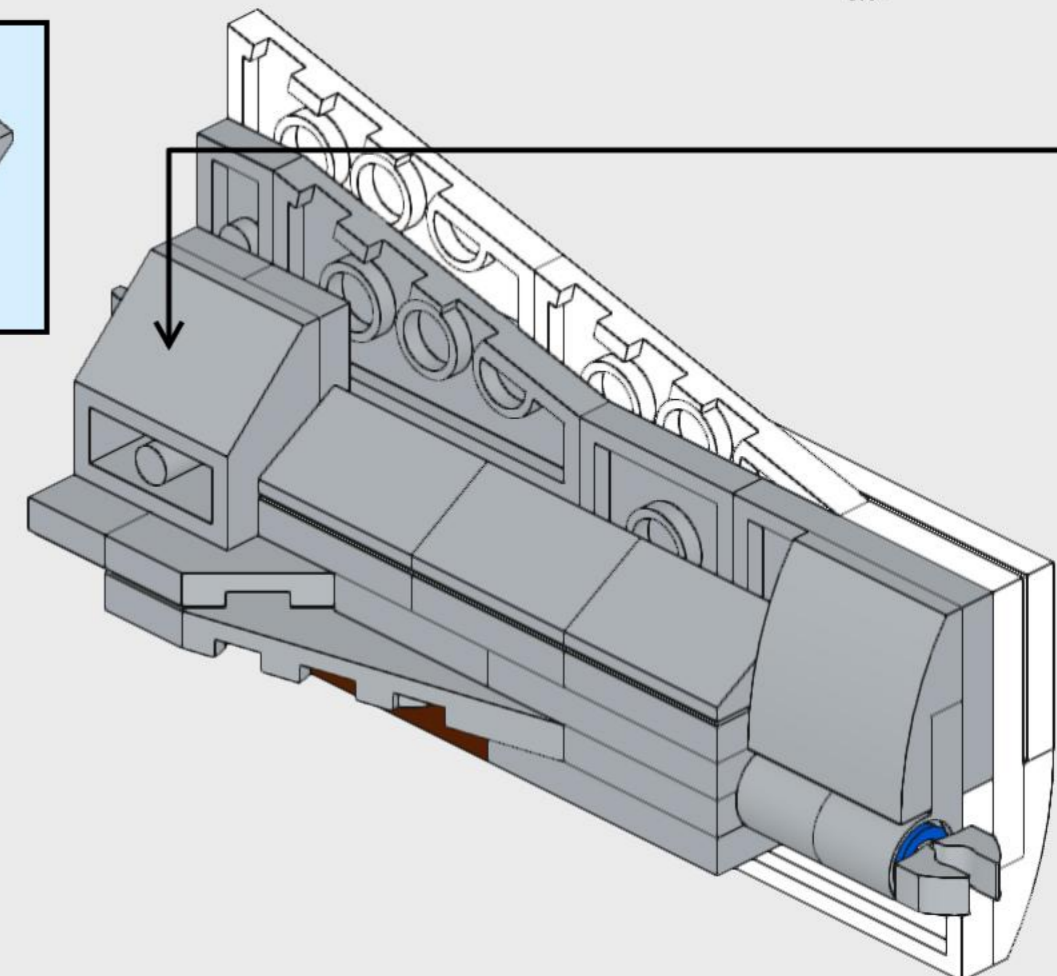
74

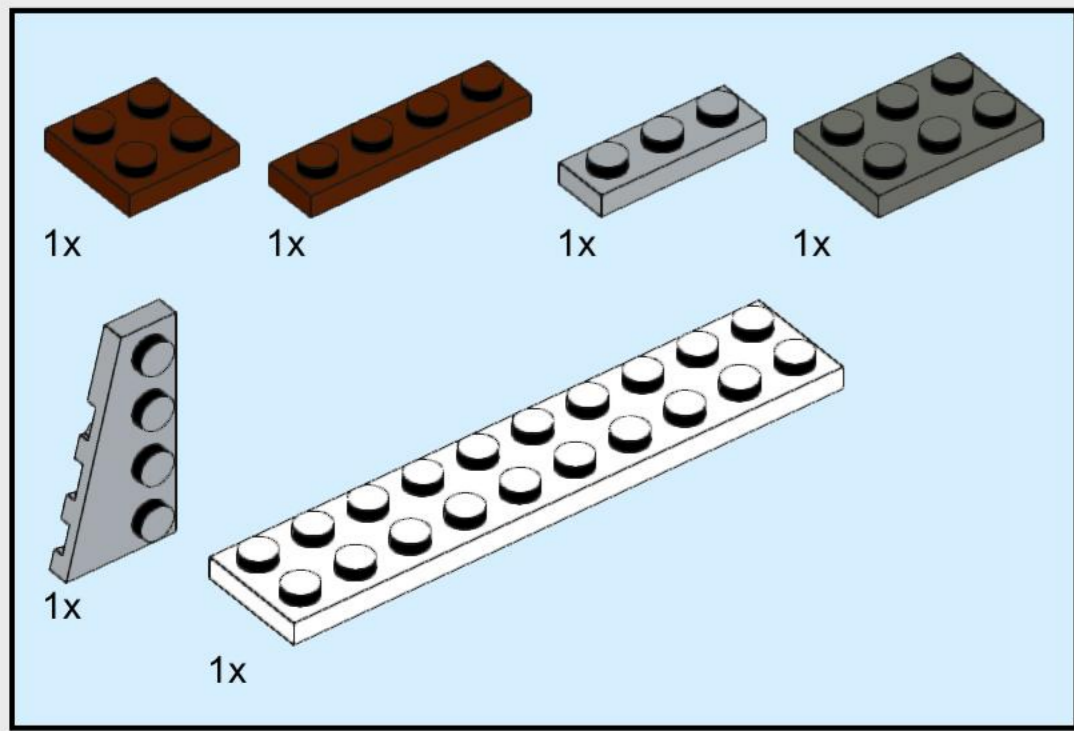


75

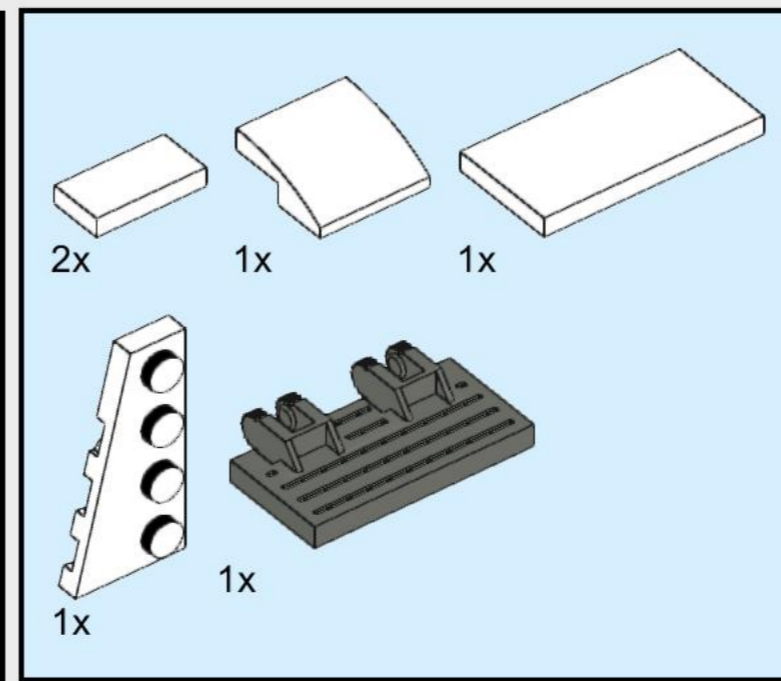
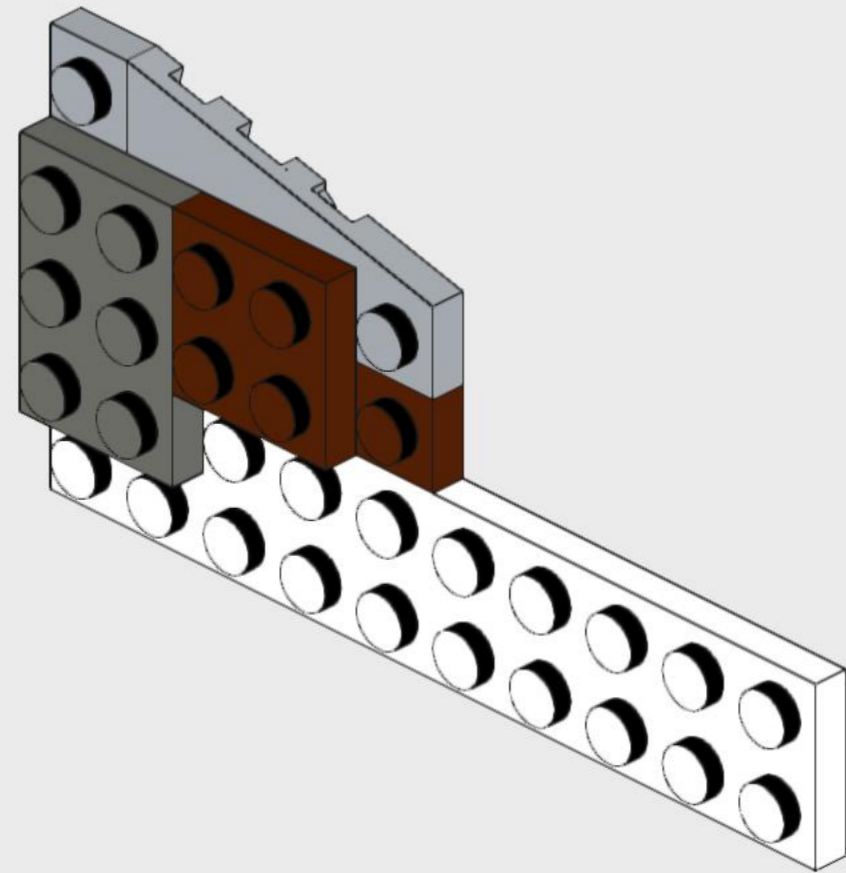


76

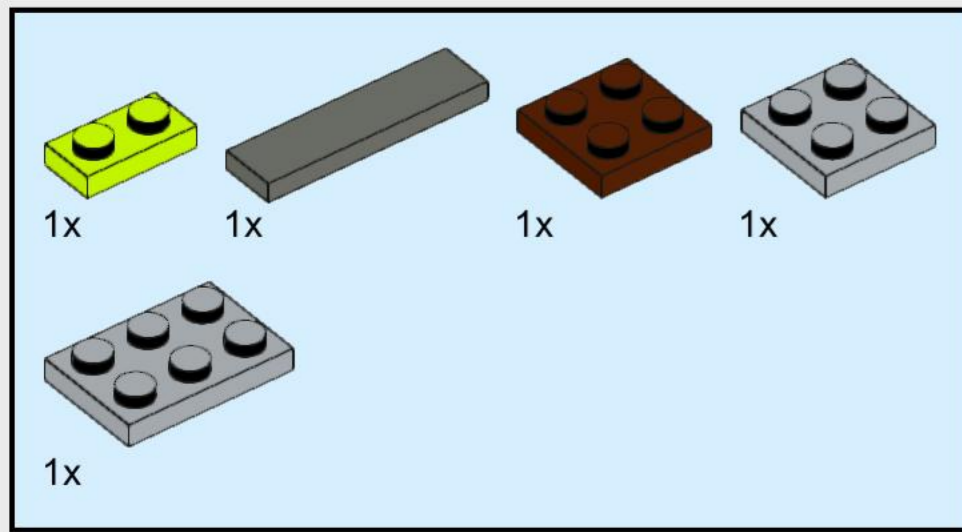
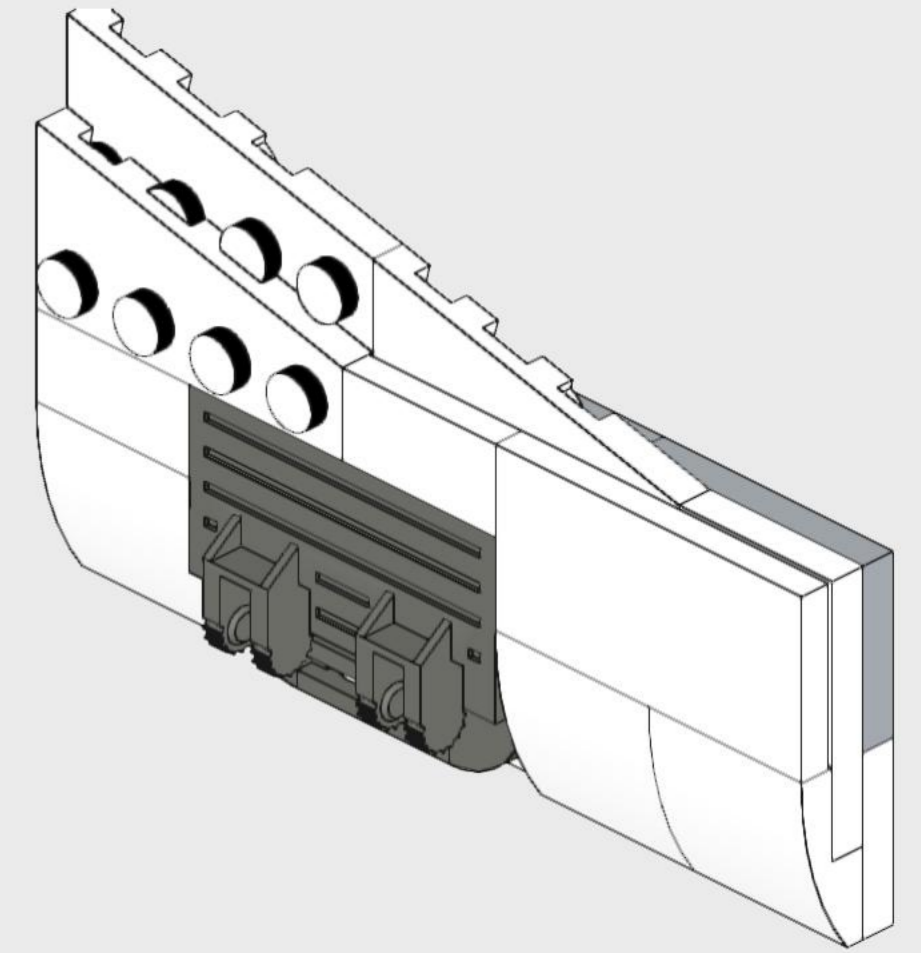




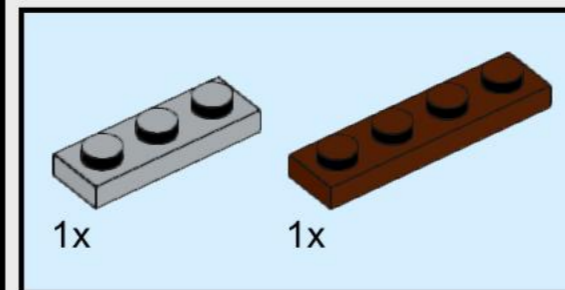
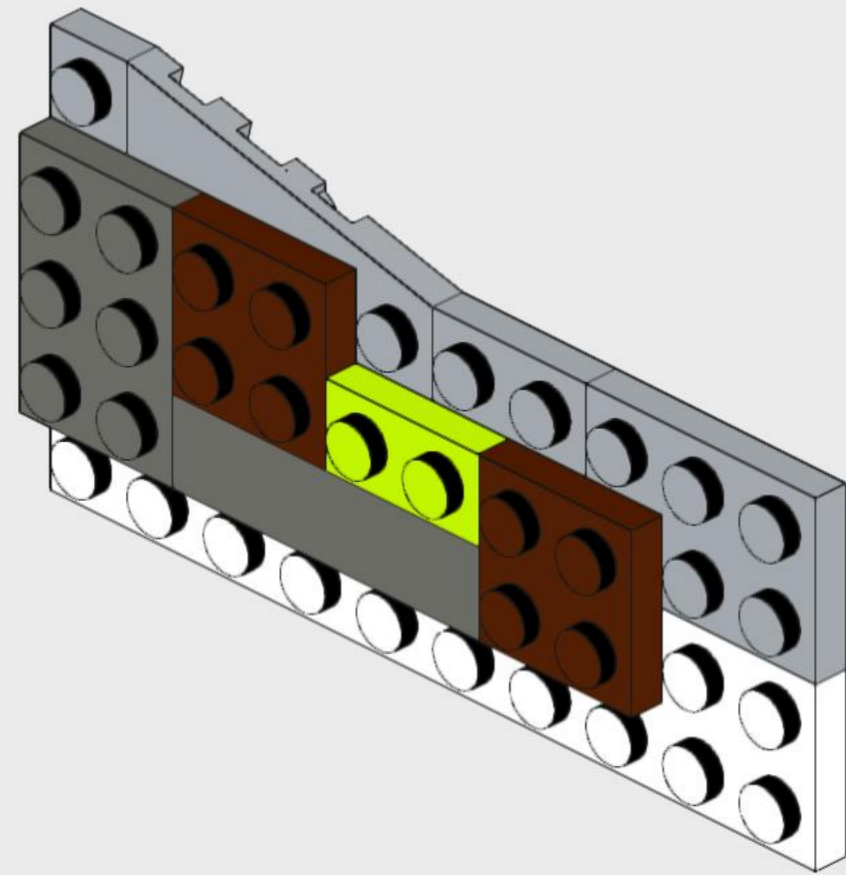
77



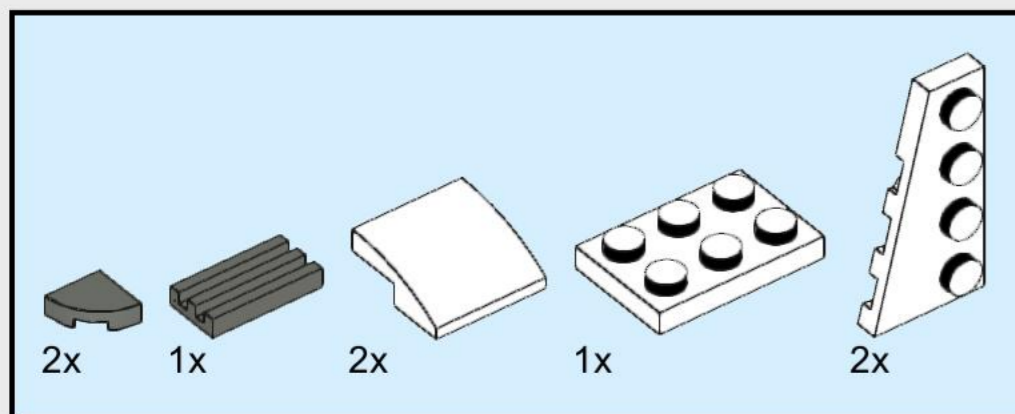
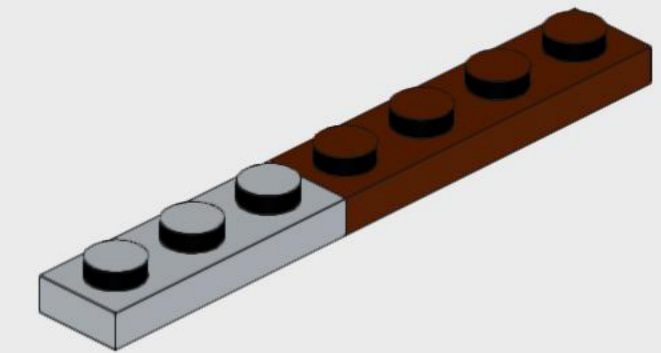
80



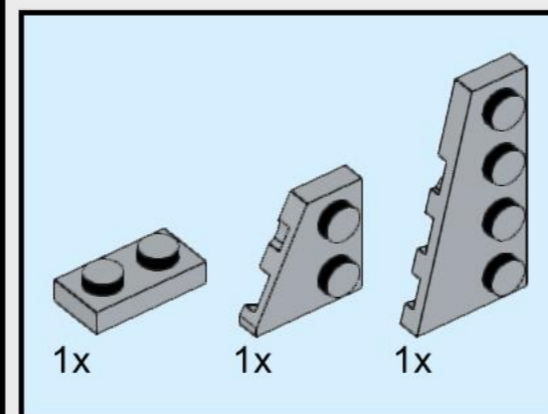
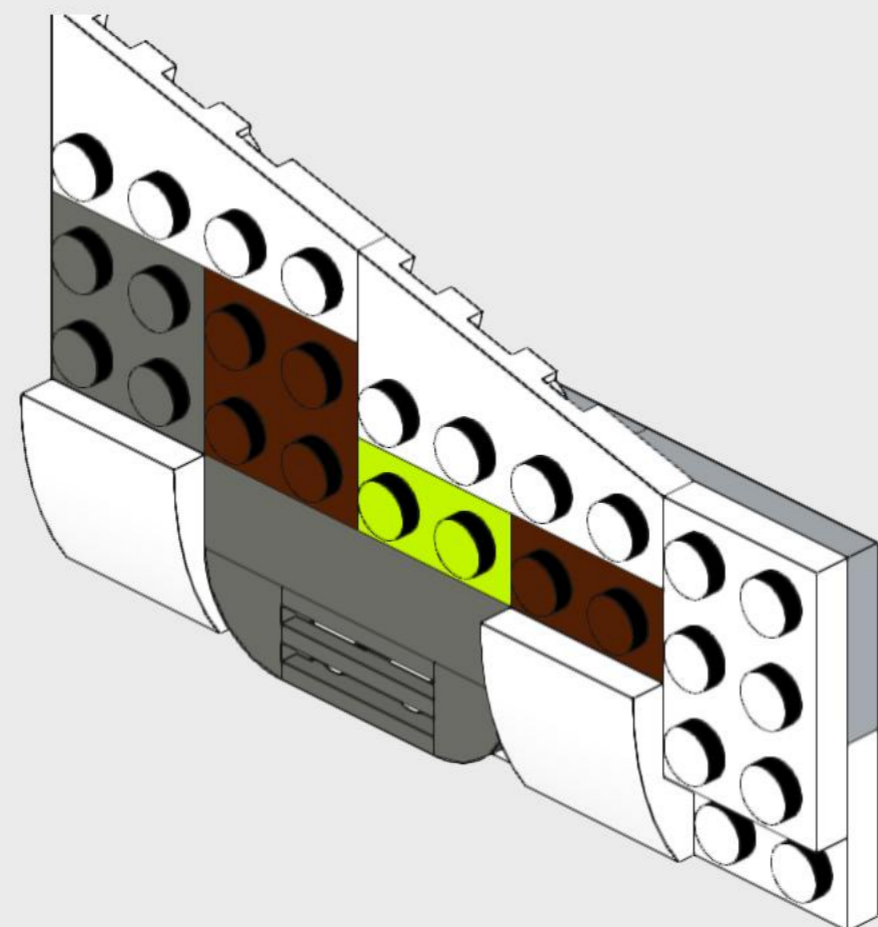
78



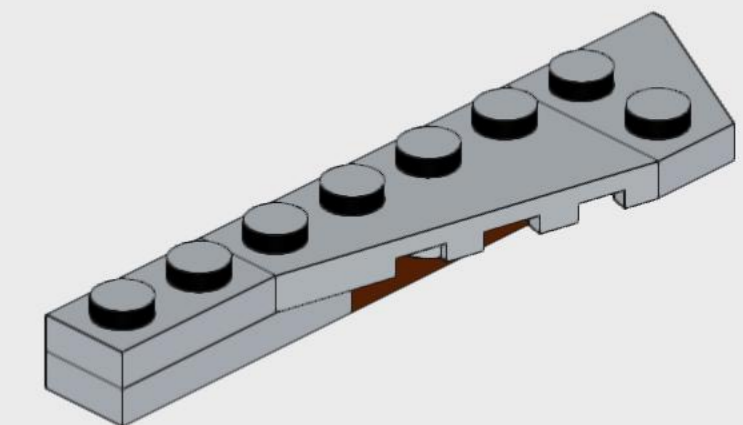
81

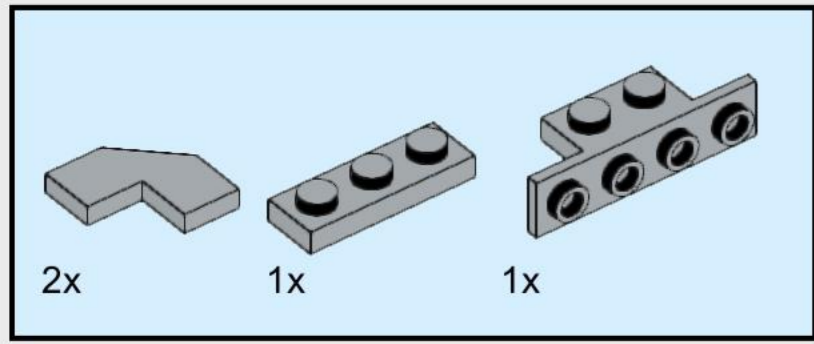


79

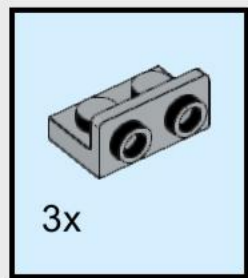
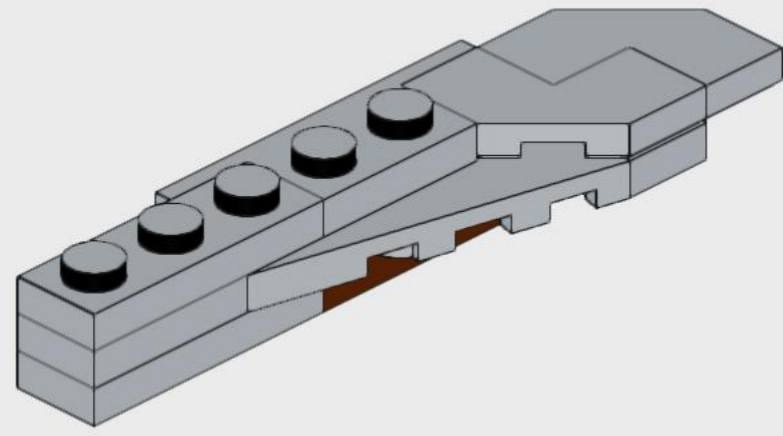


82

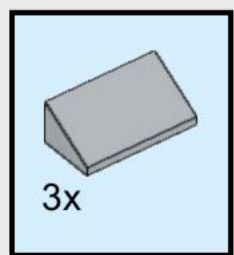
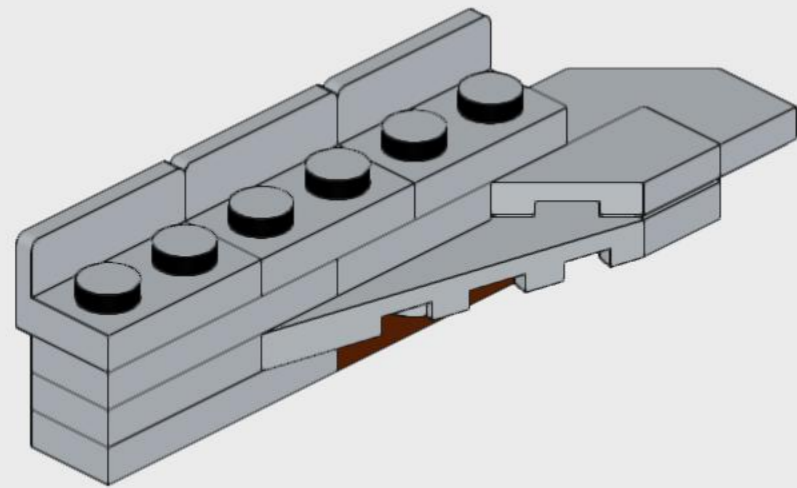




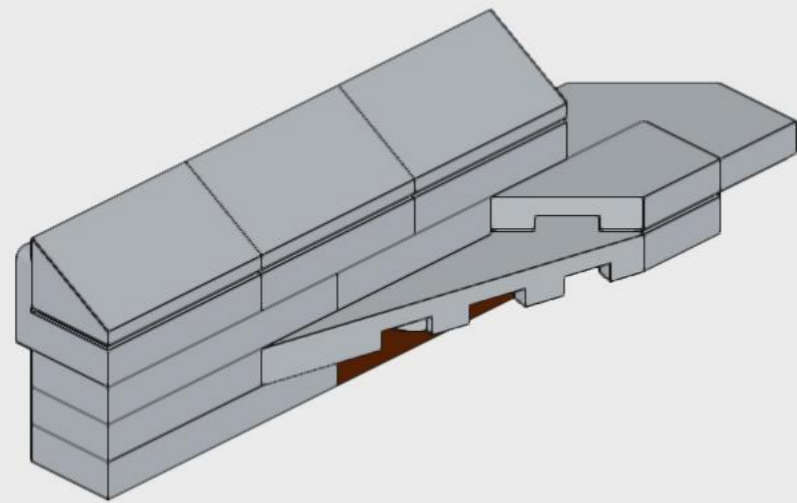
83



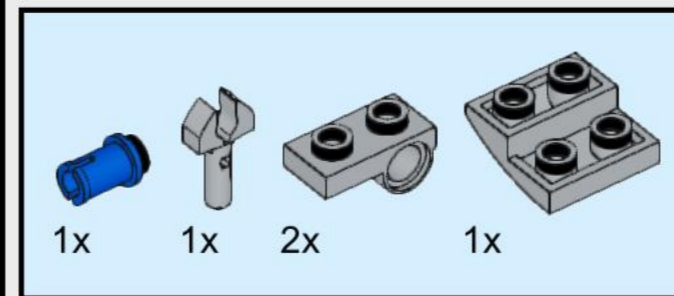
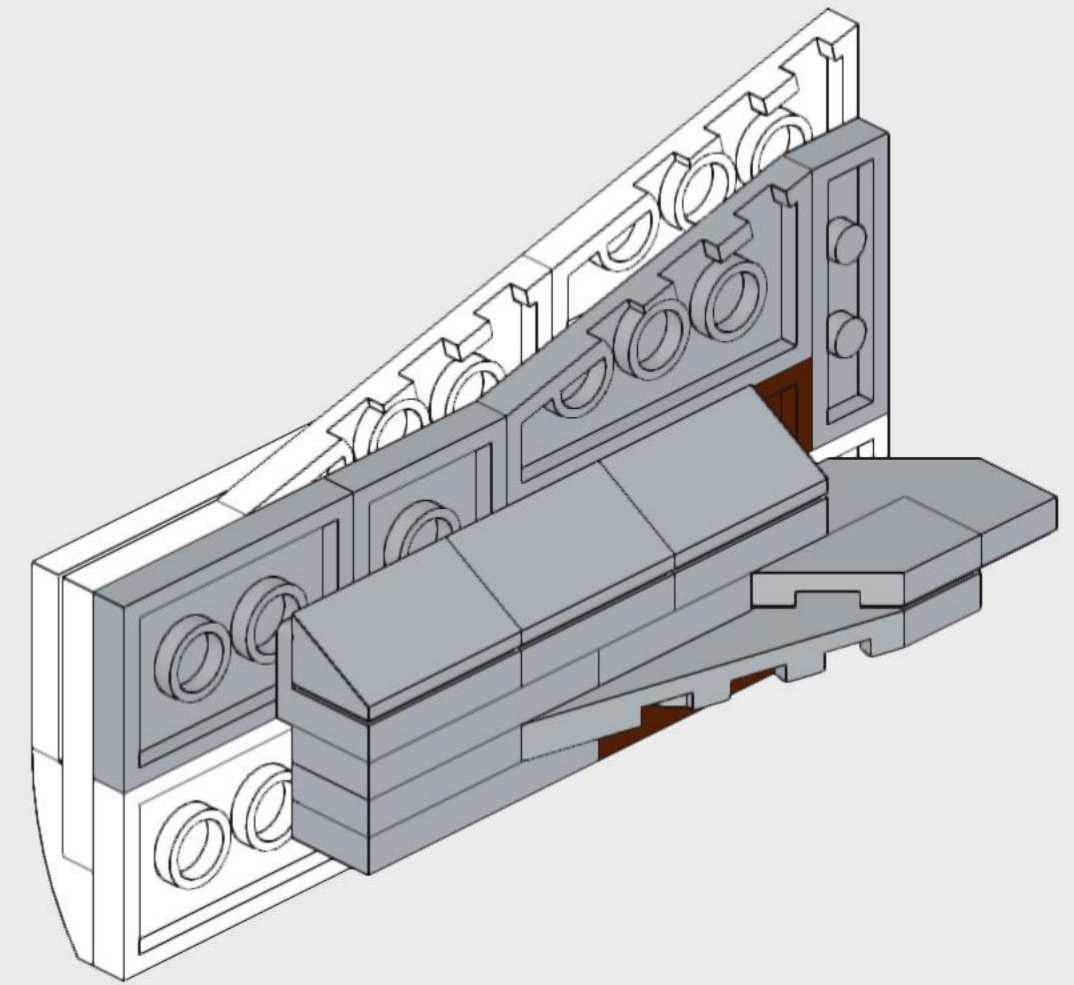
84



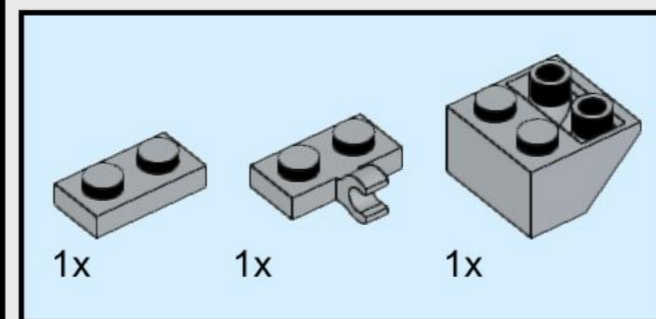
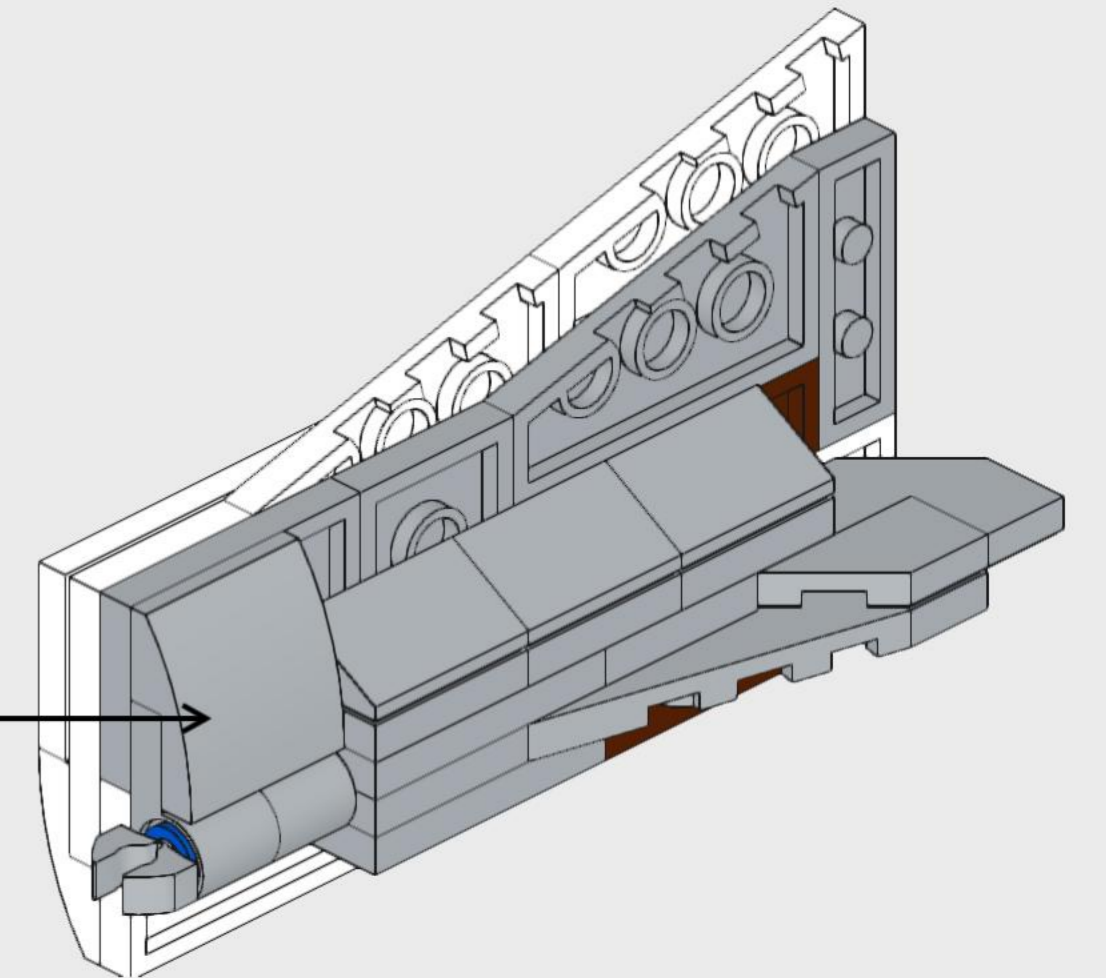
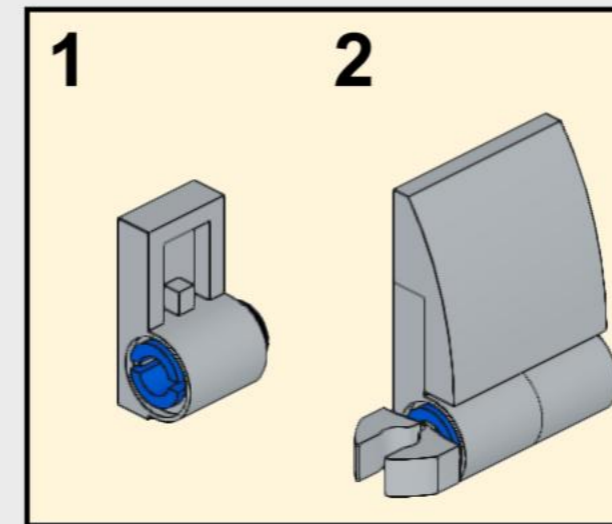
85



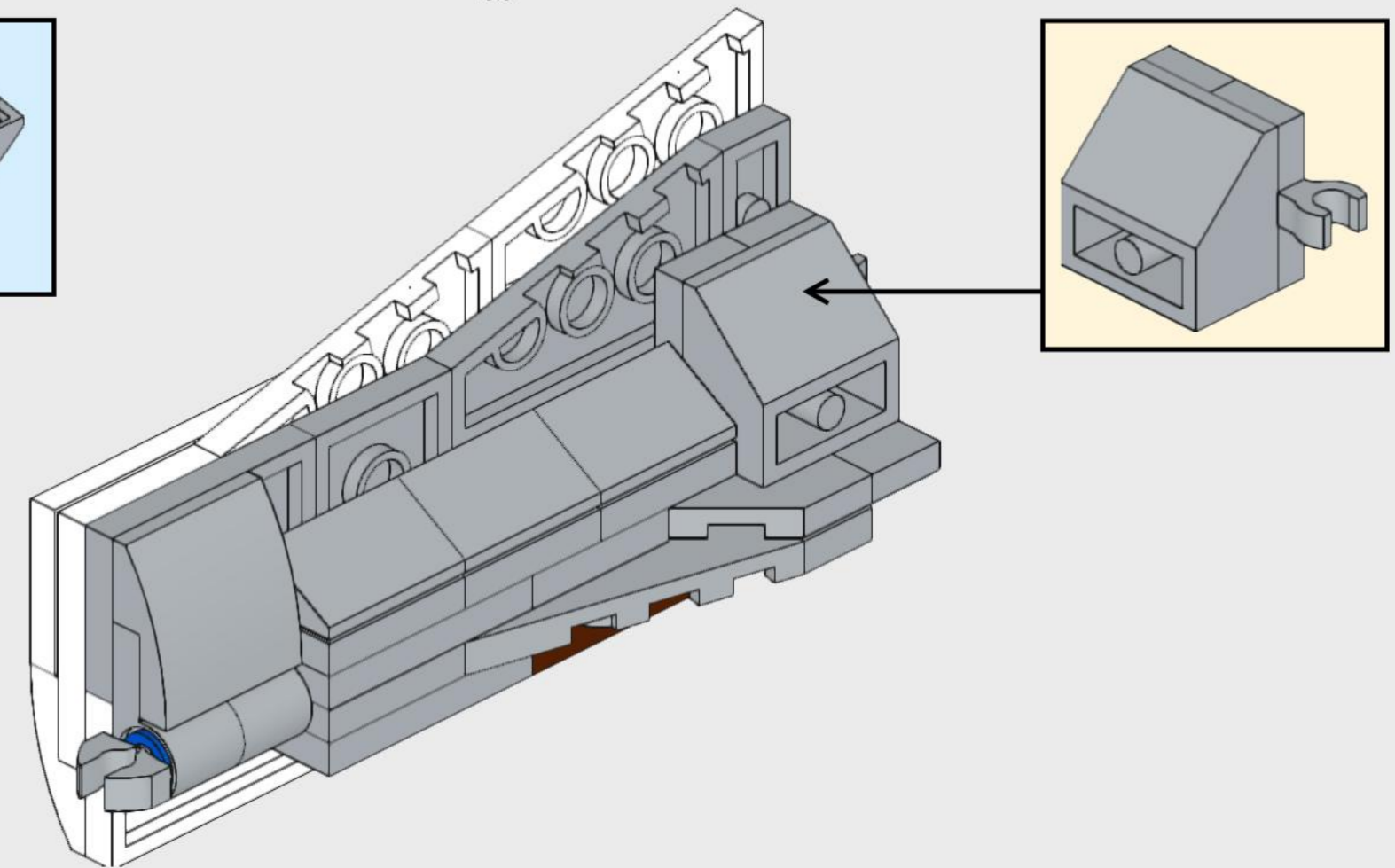
86

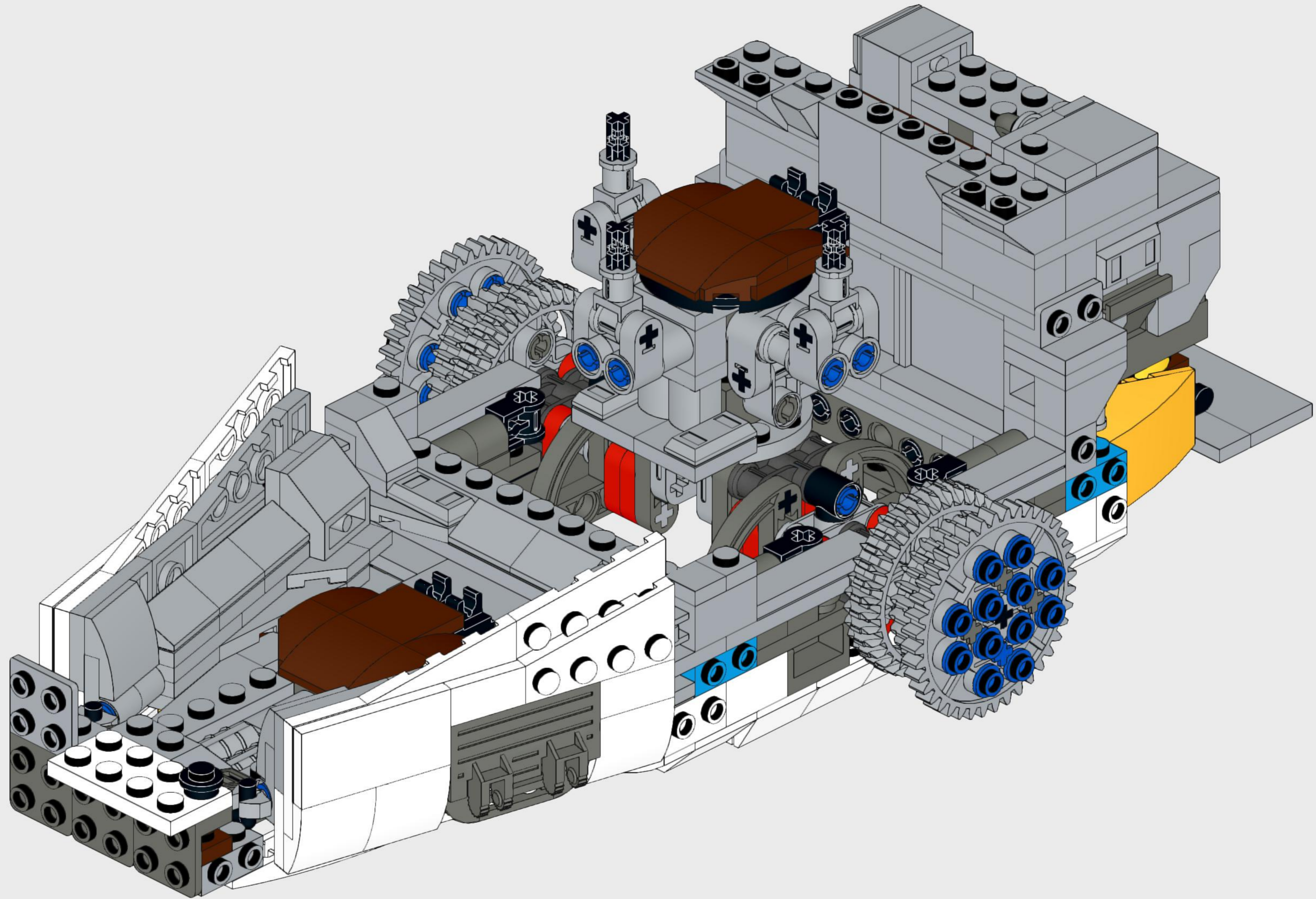


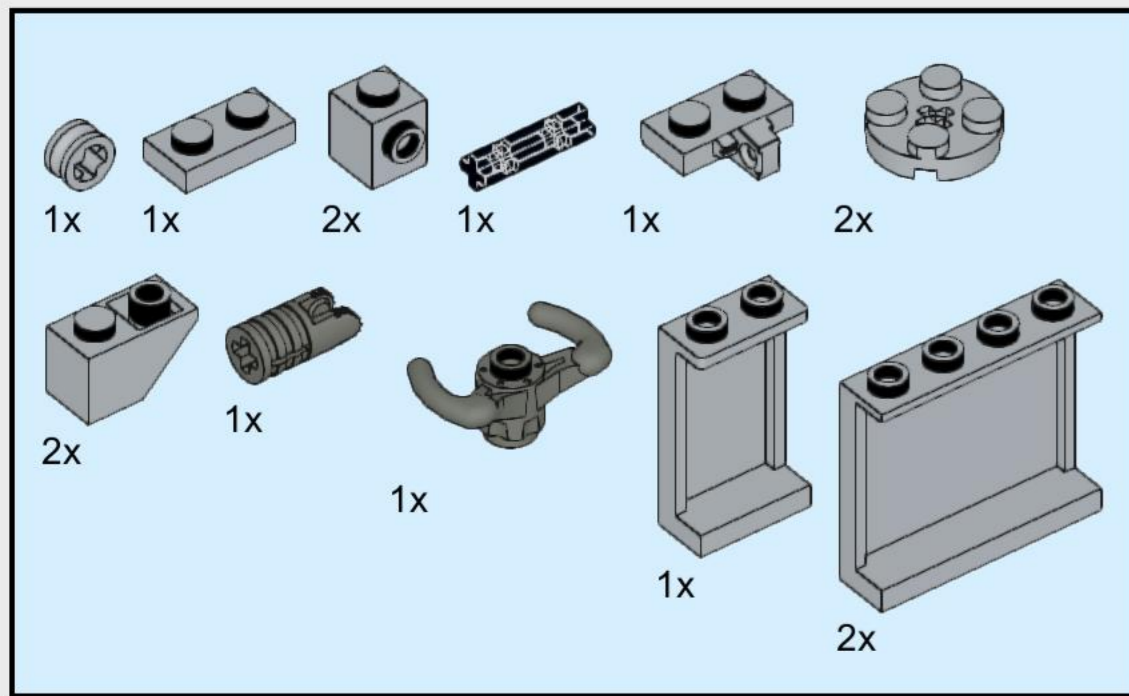
87



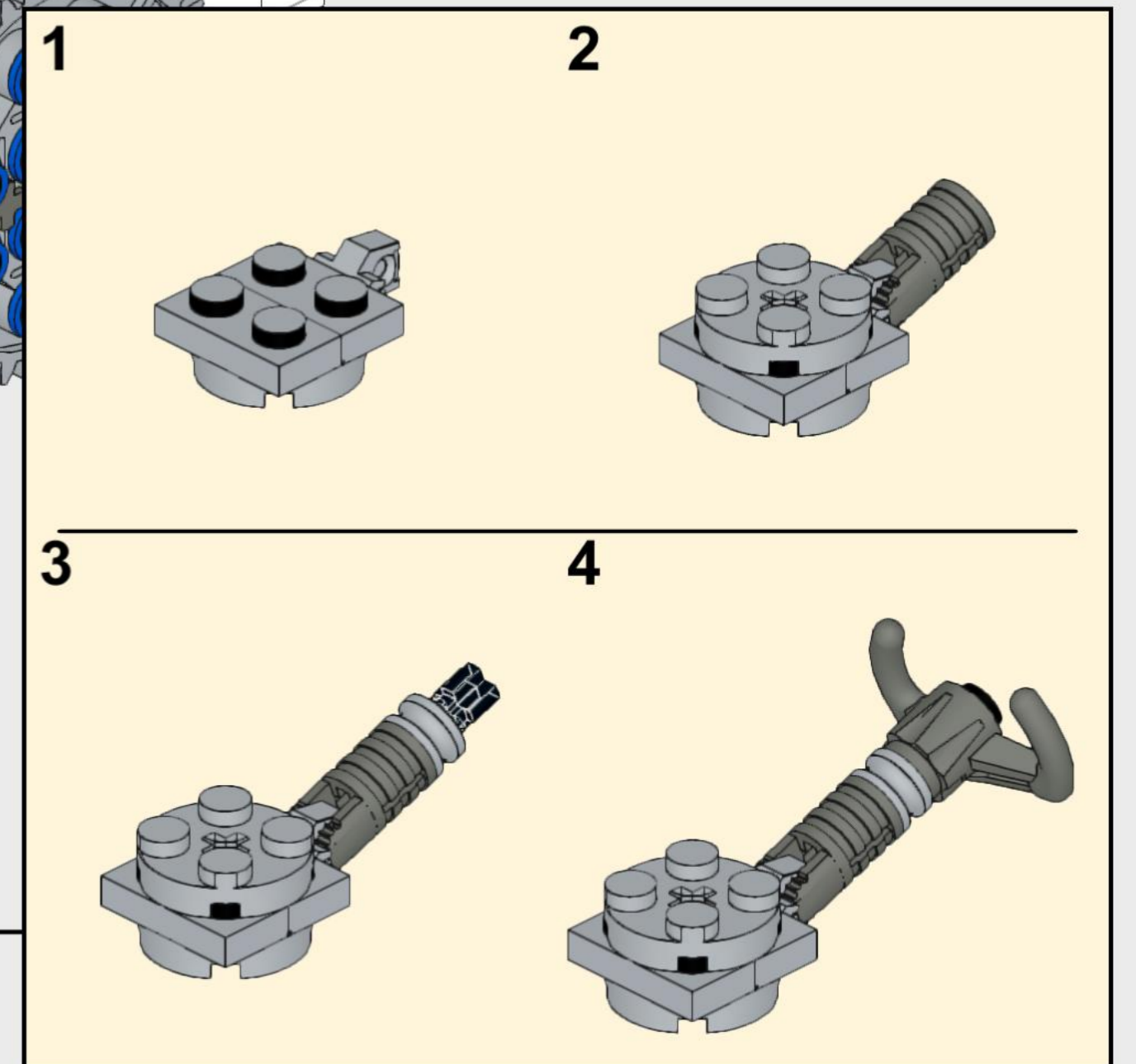
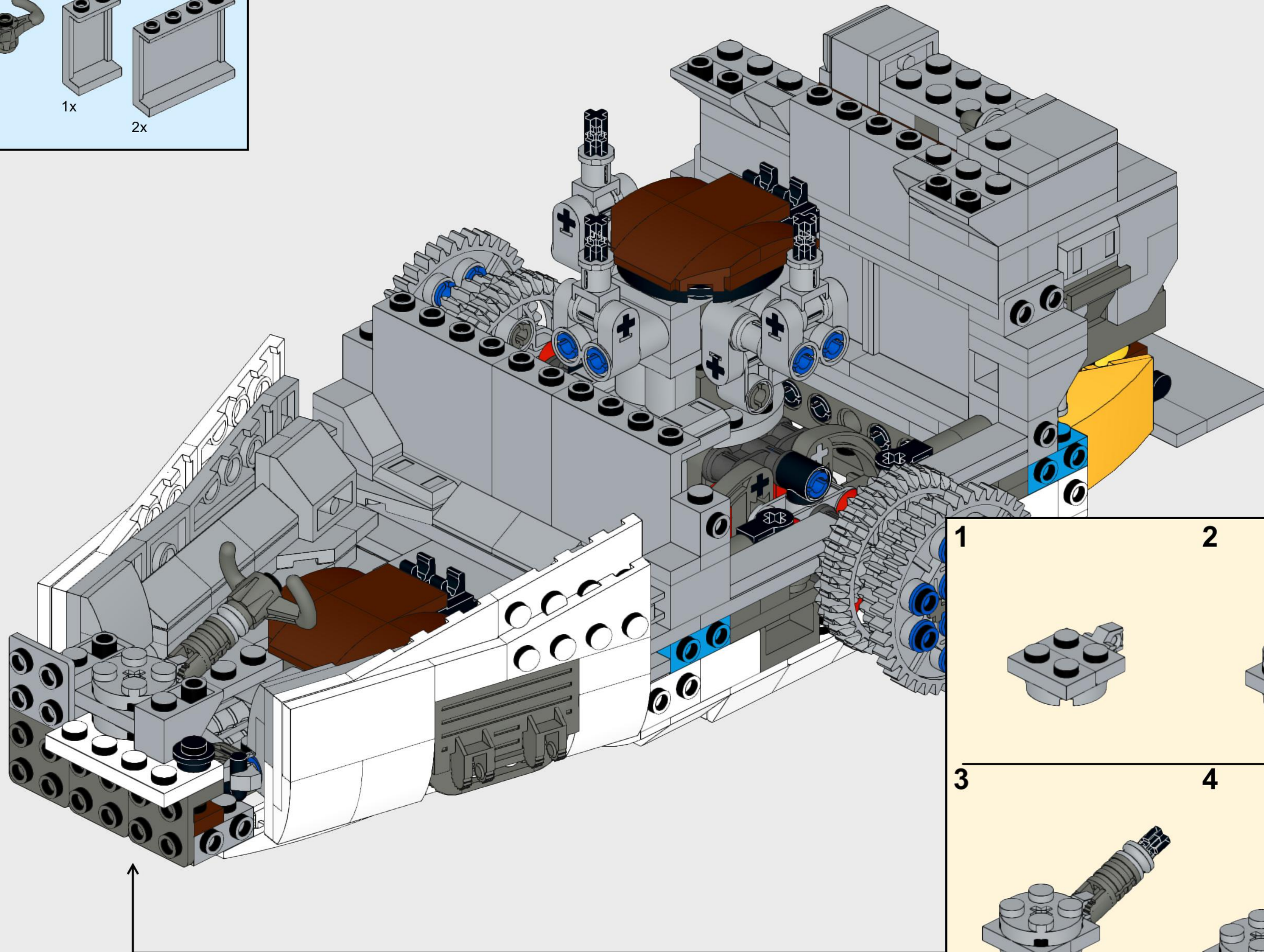
88

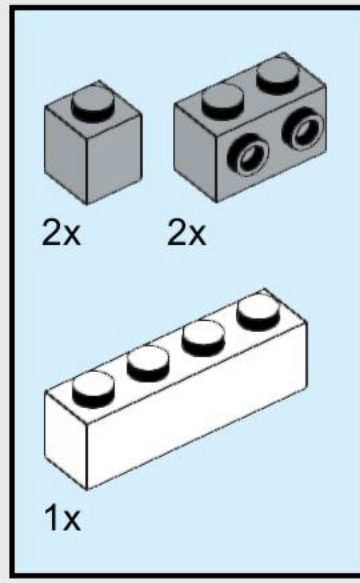




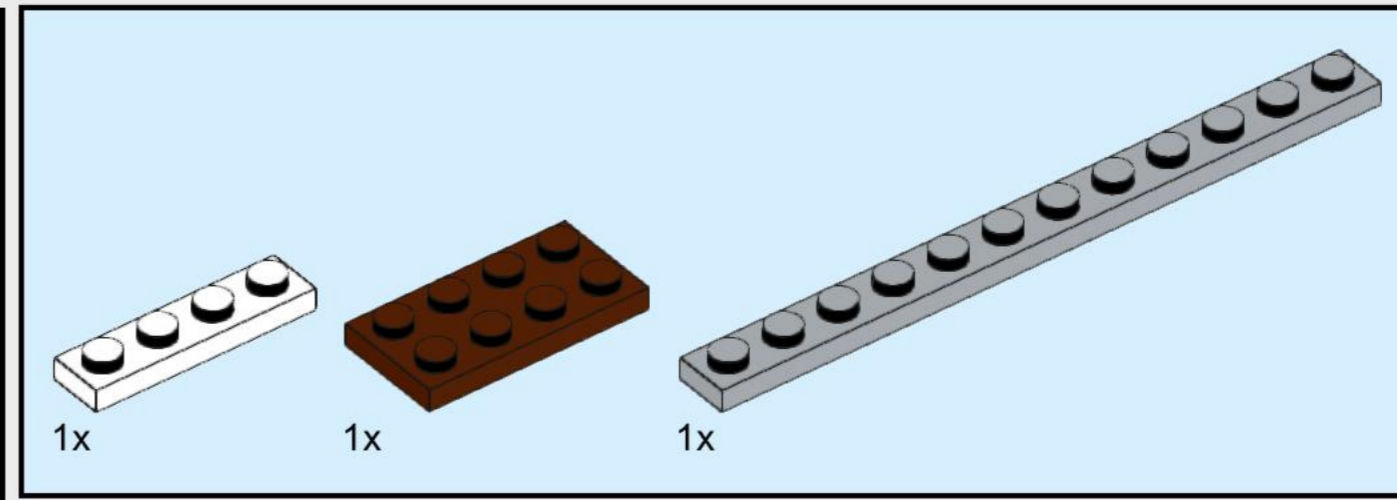
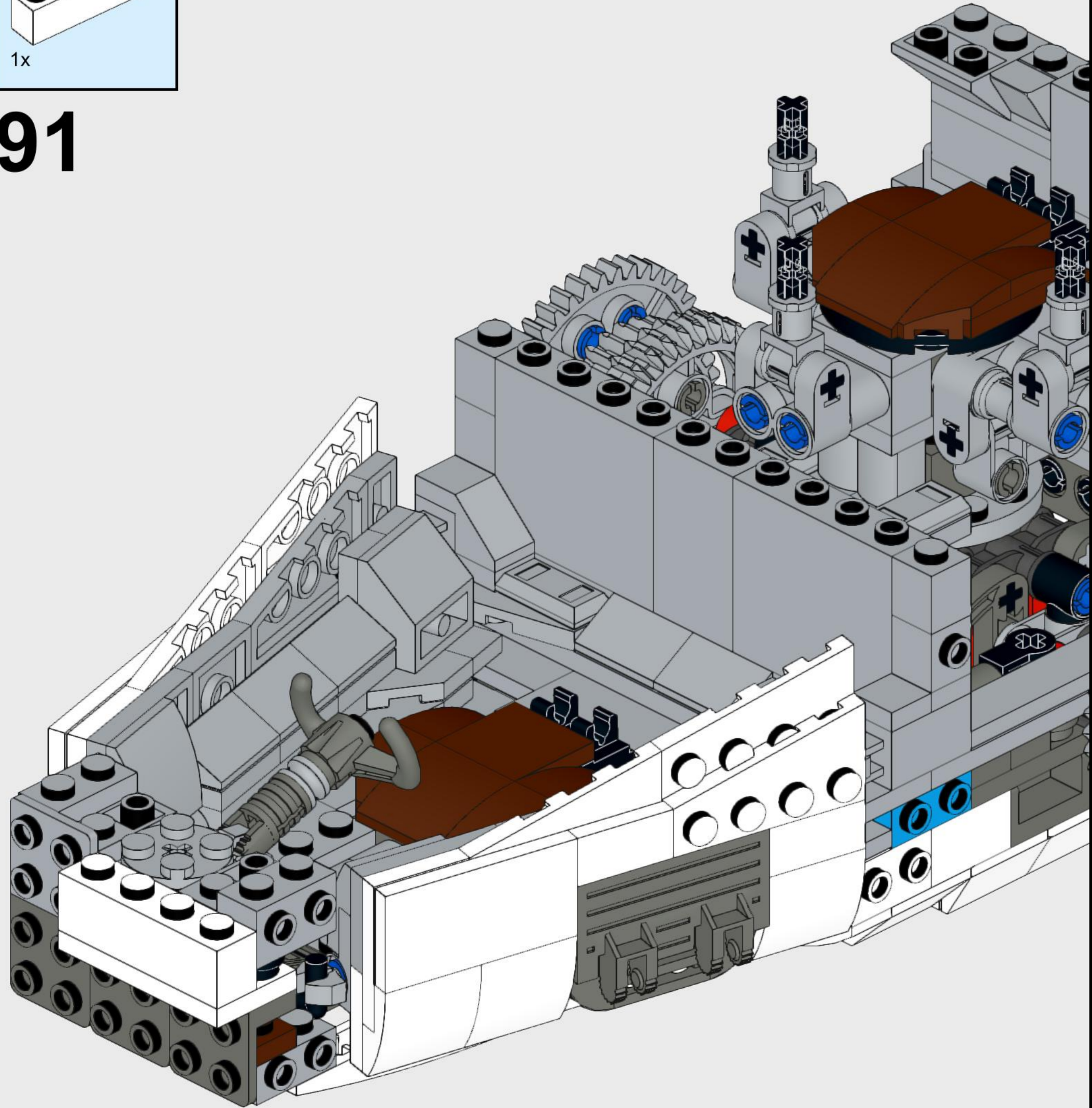


90

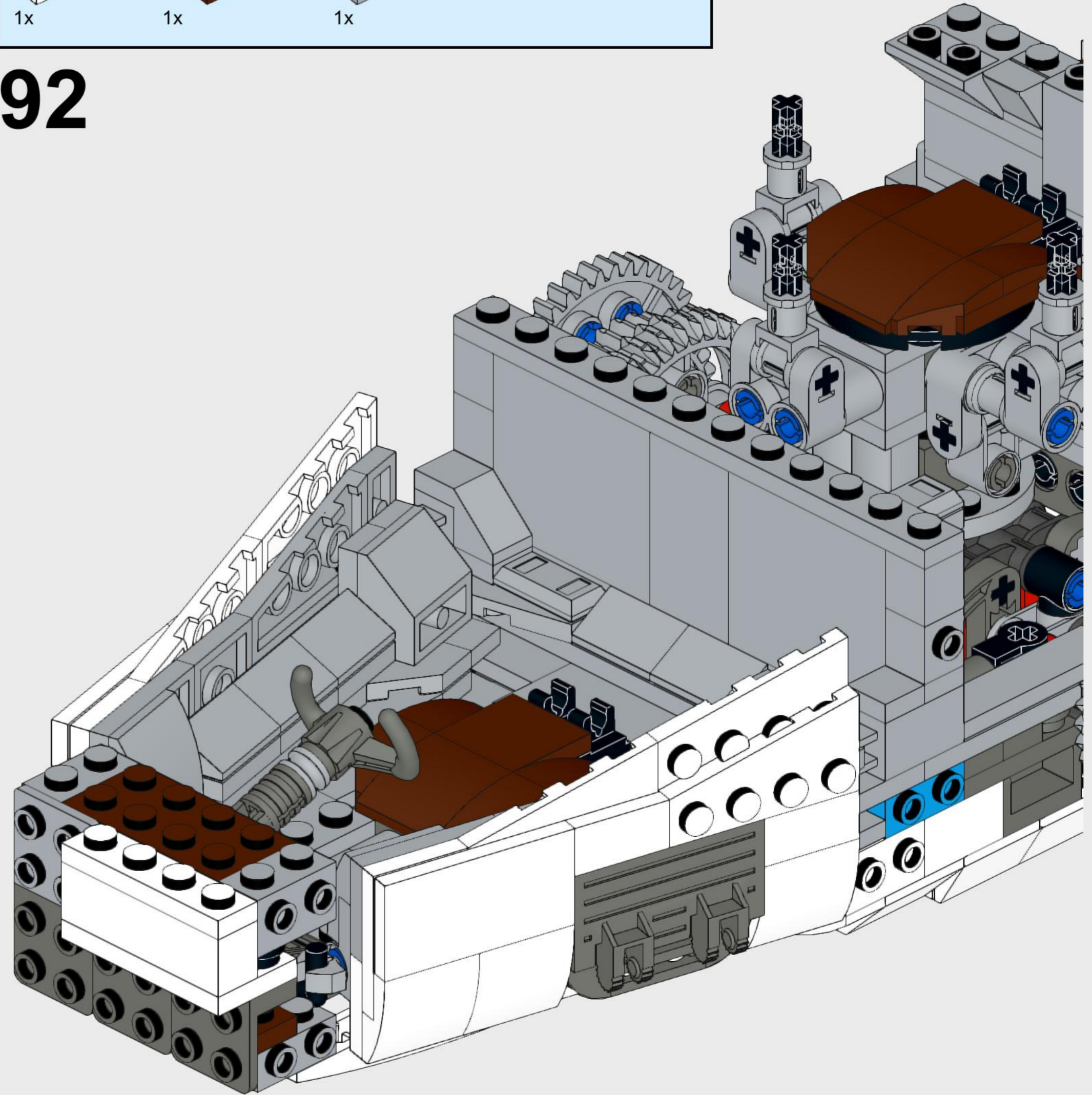


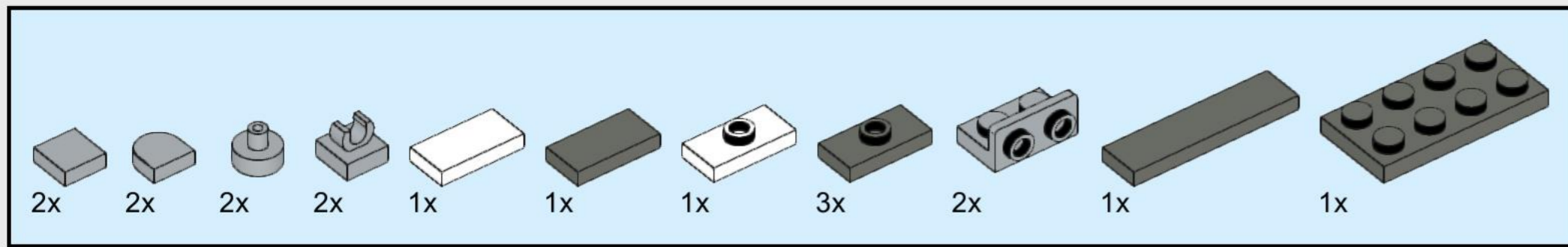


91

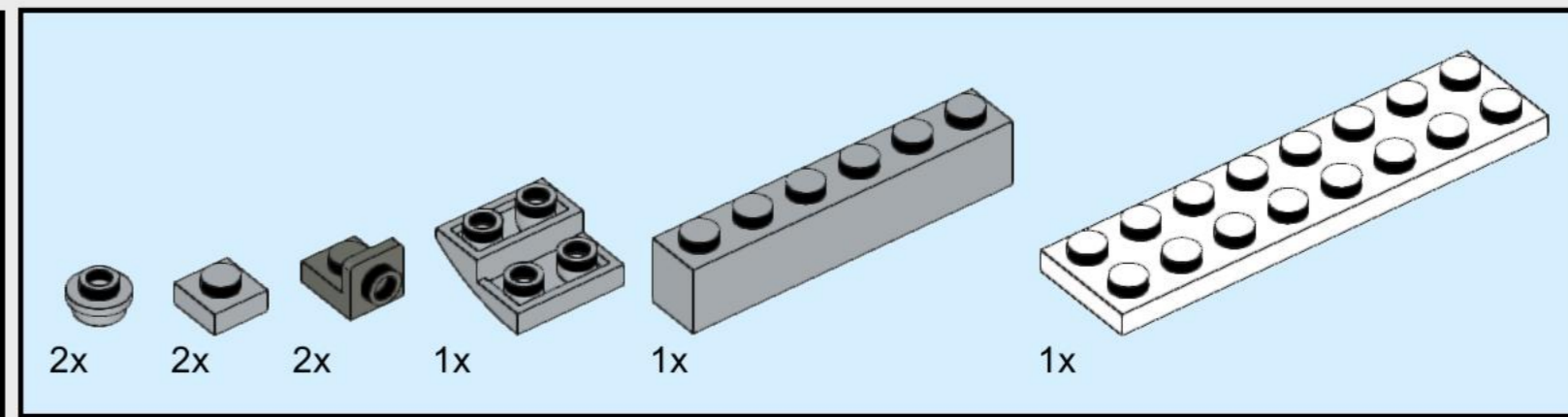
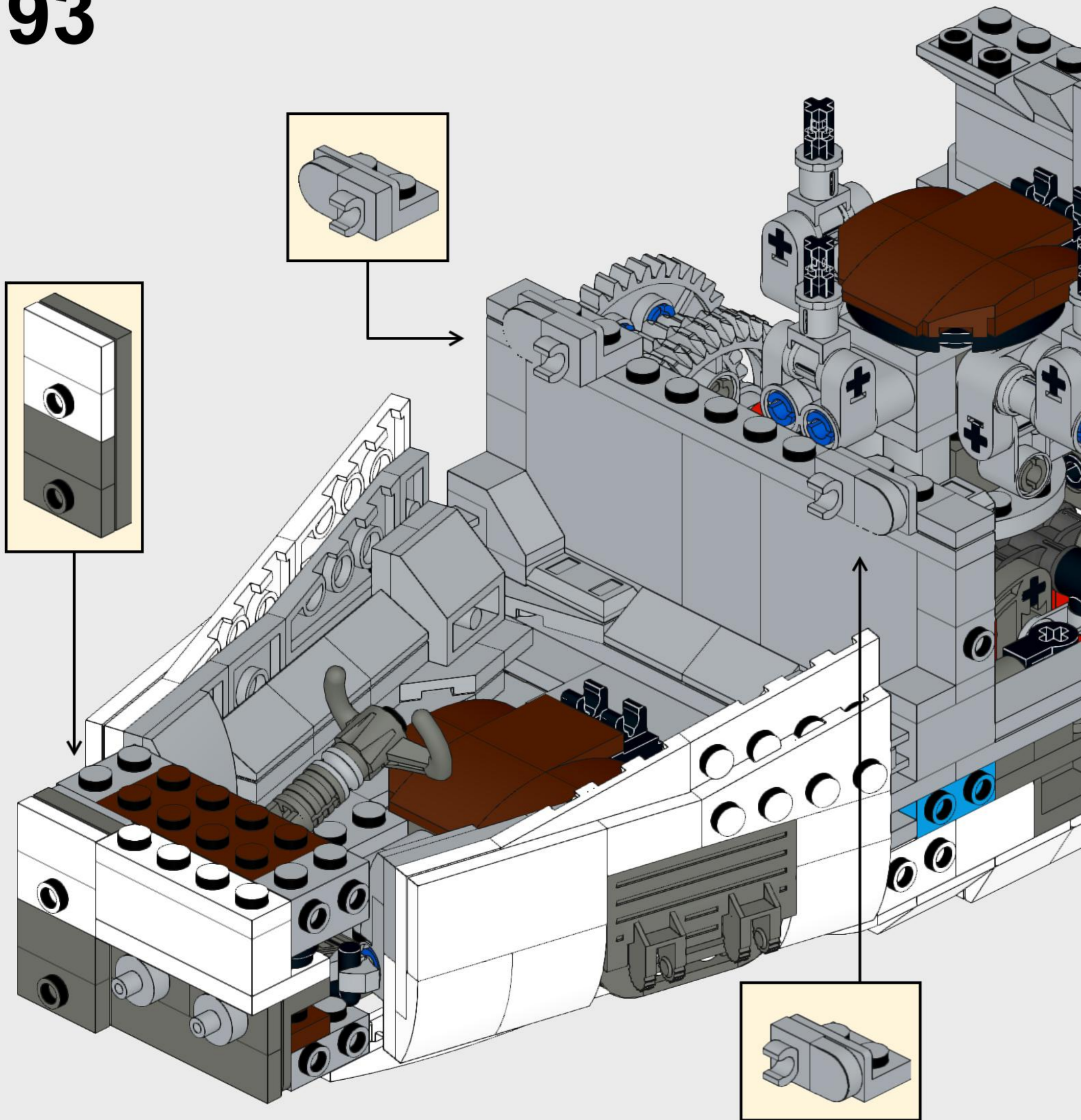


92

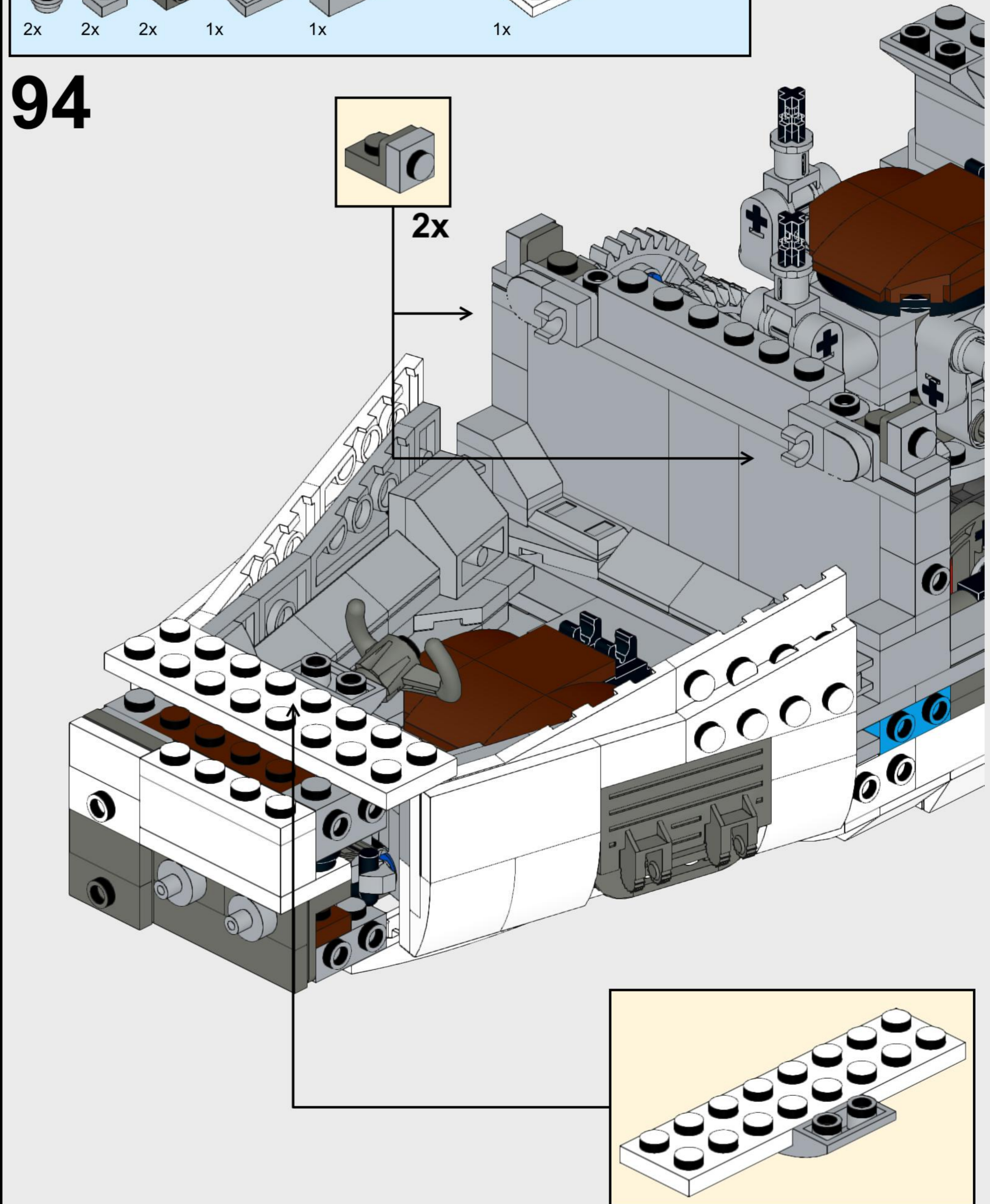


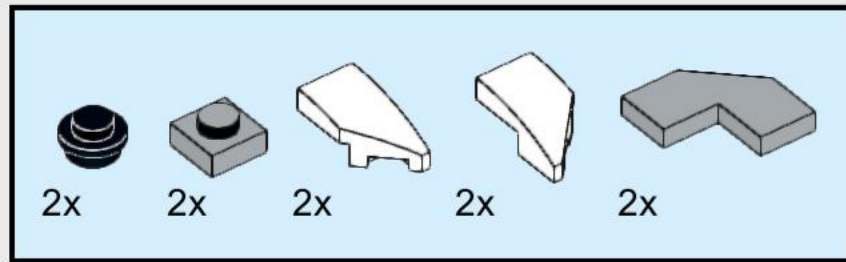


93

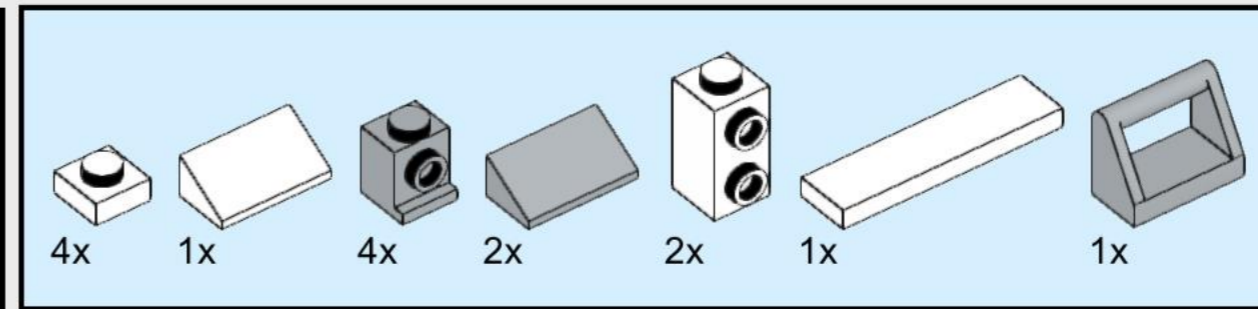
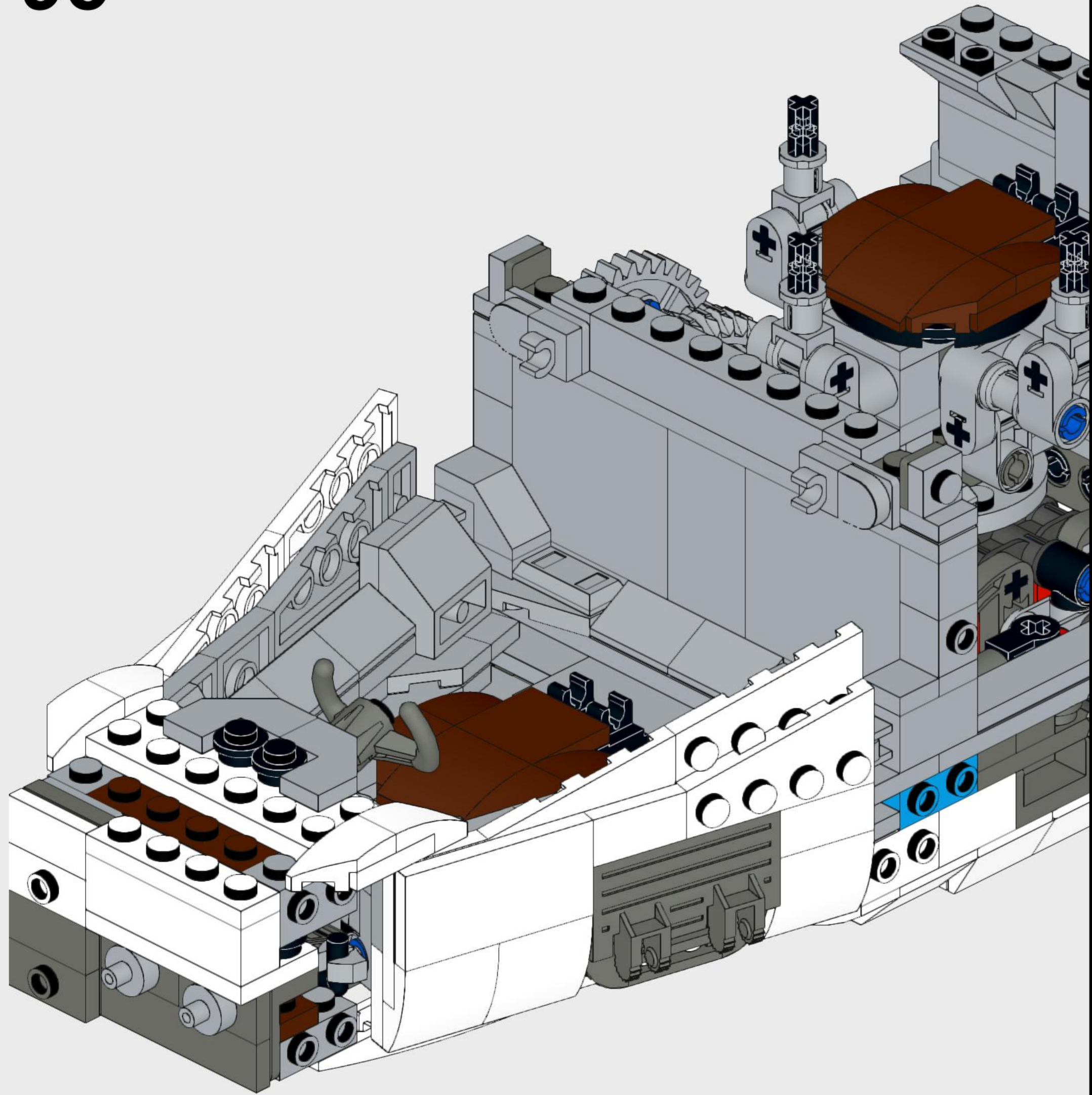


94

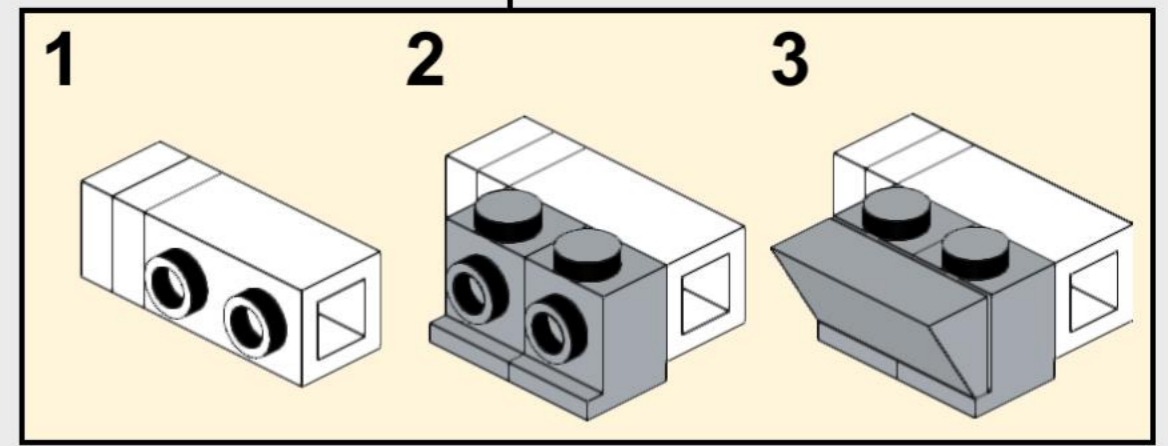
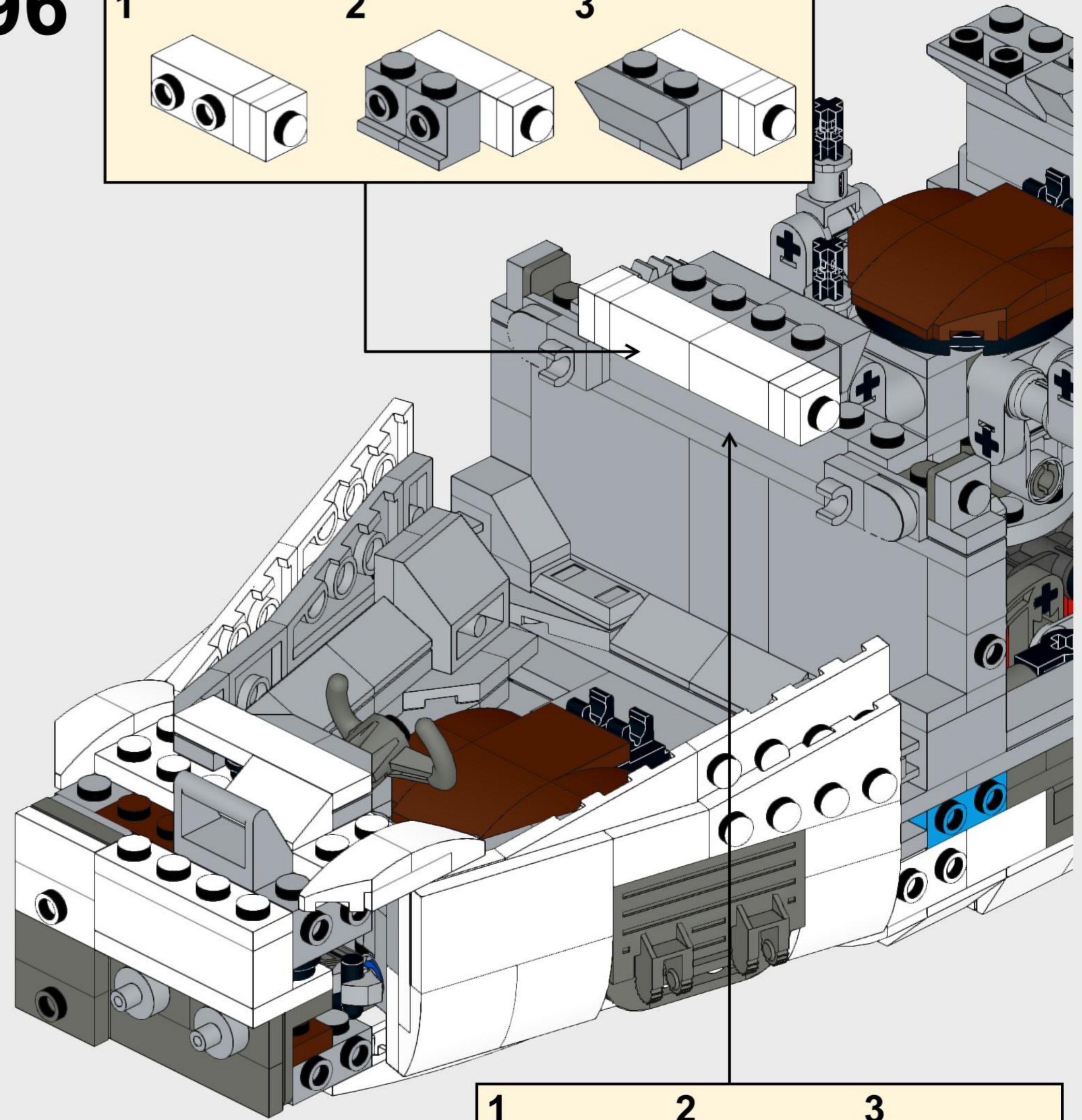
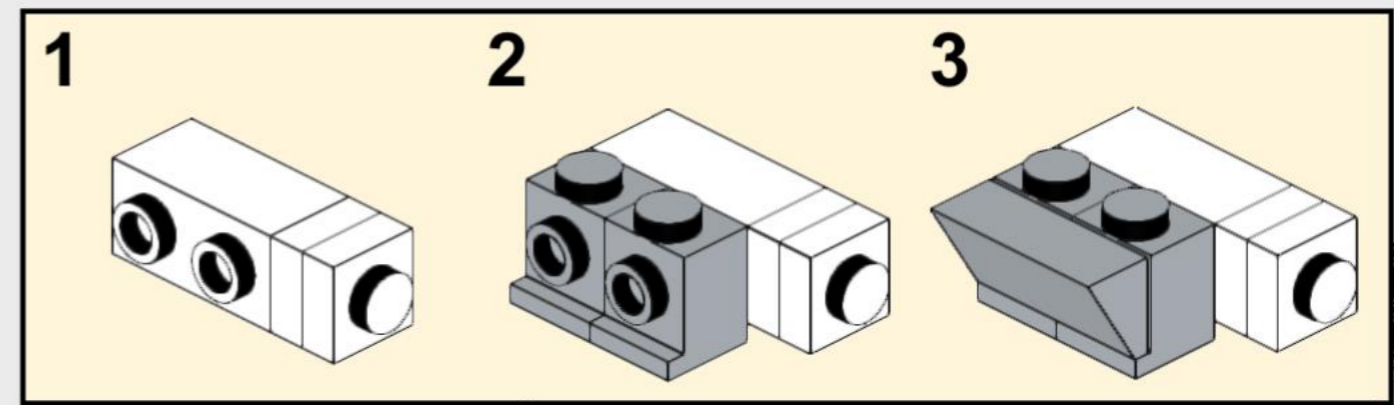


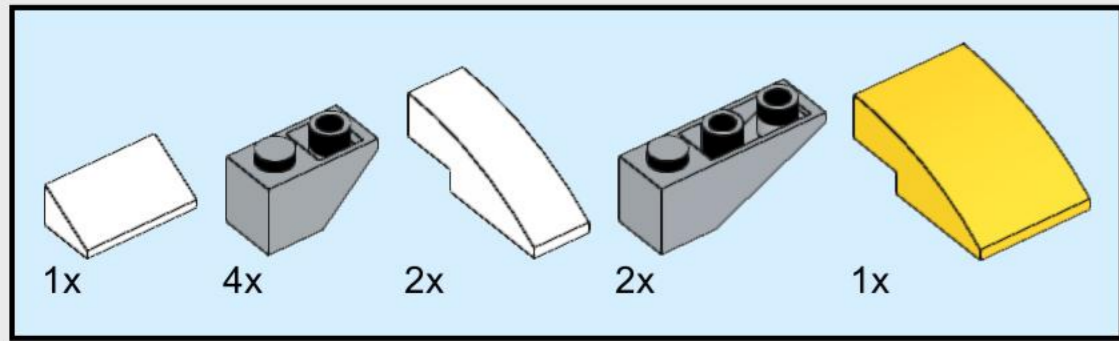


95

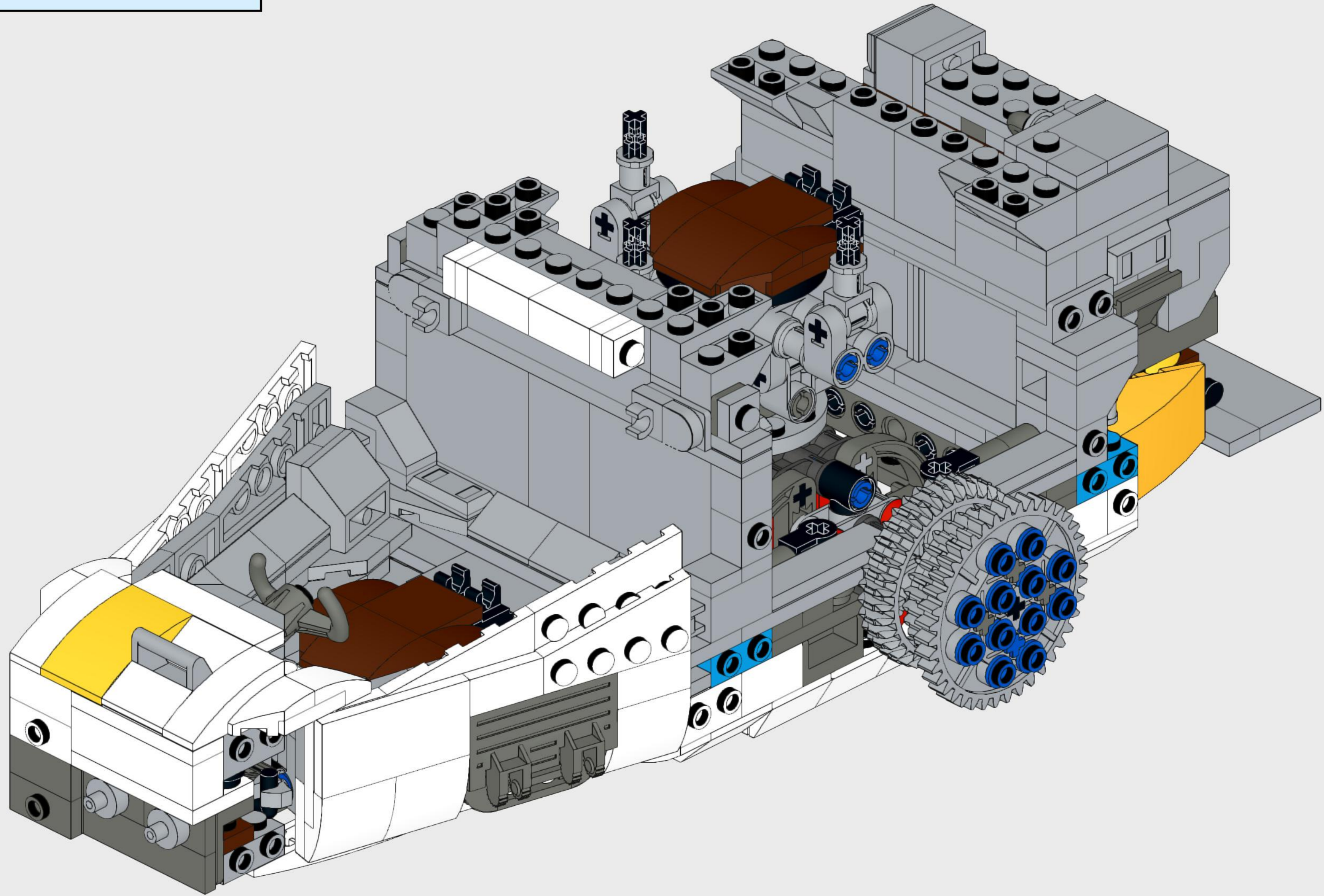


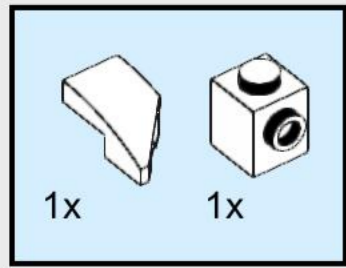
96



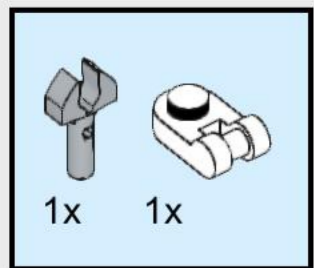
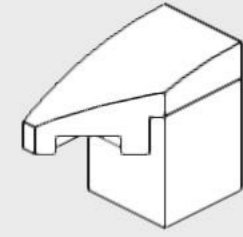


97

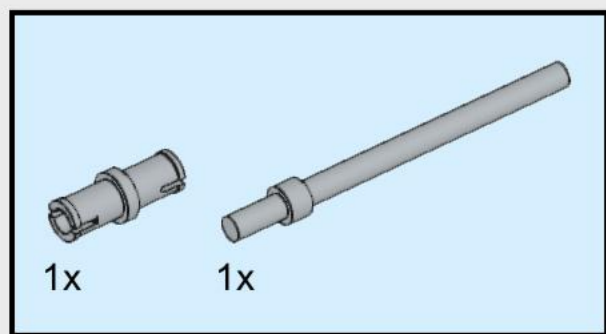
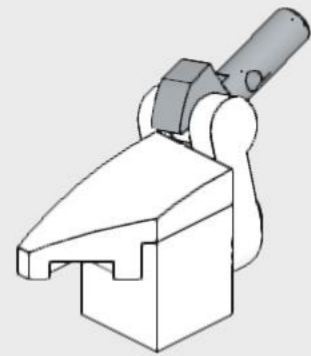




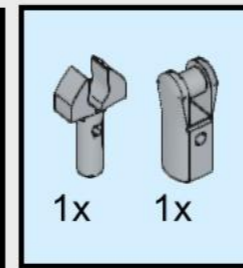
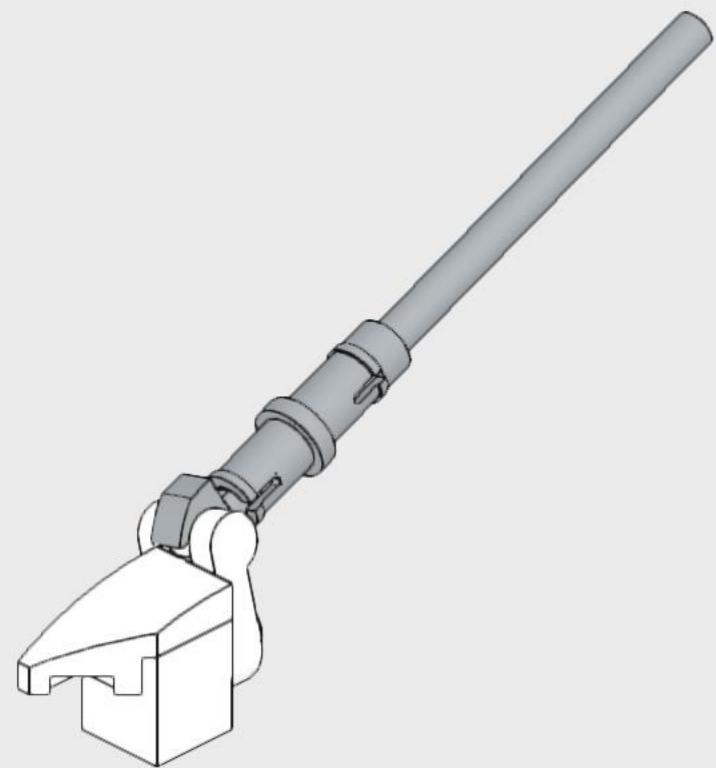
98



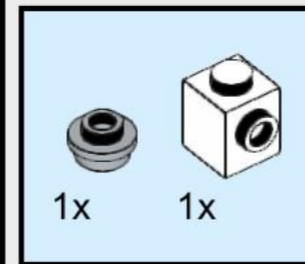
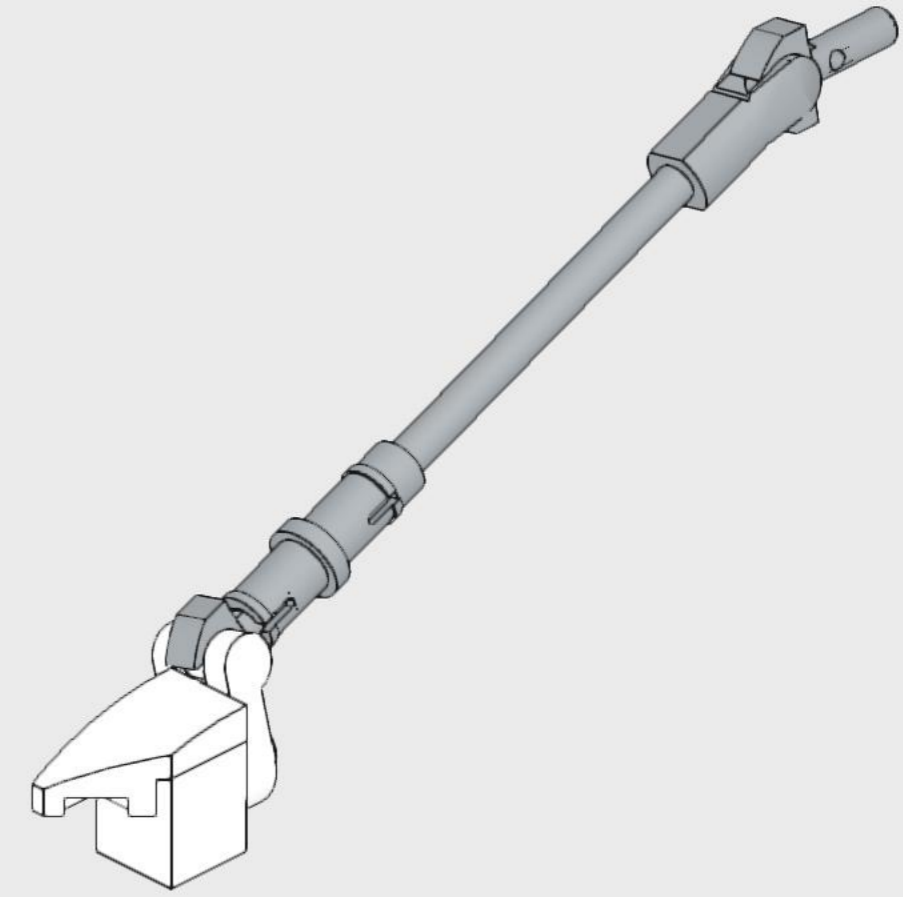
99



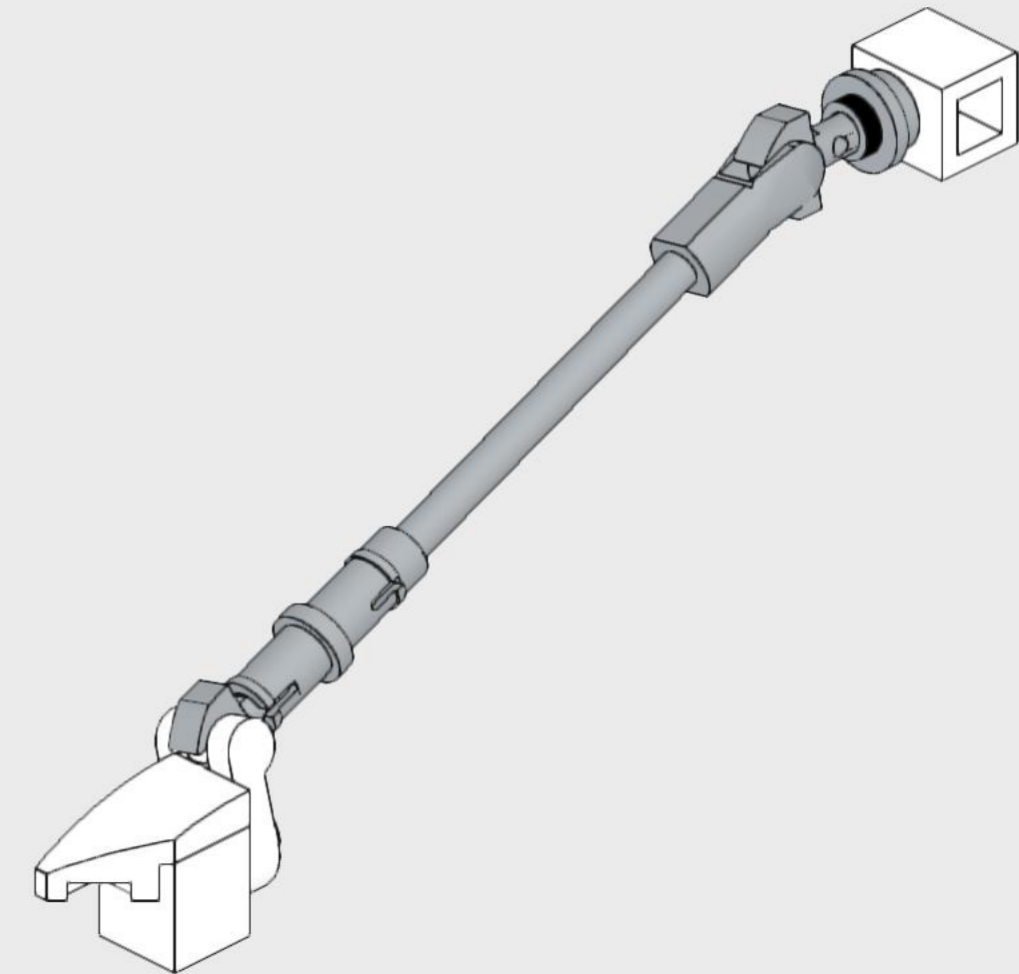
100



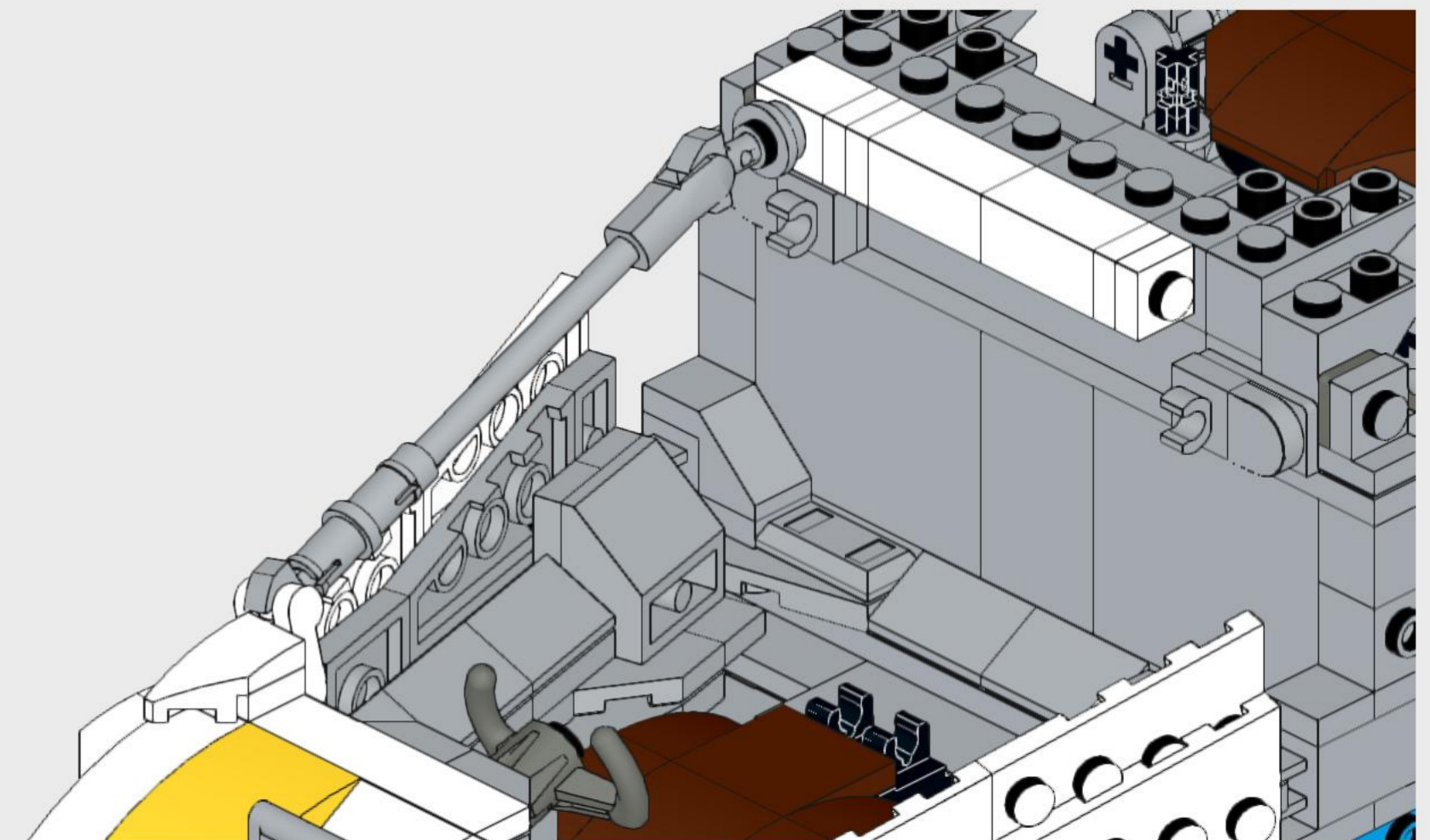
101

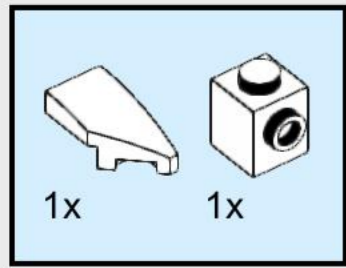


102

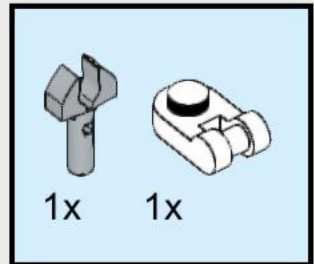
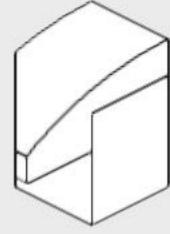


103

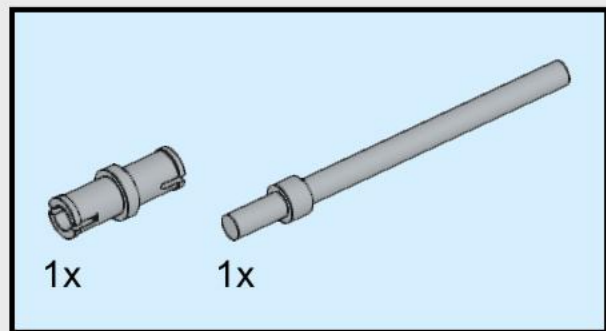
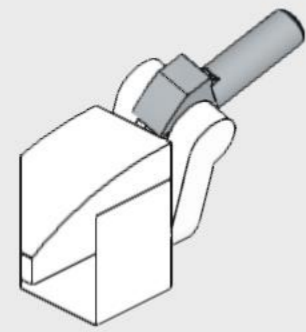




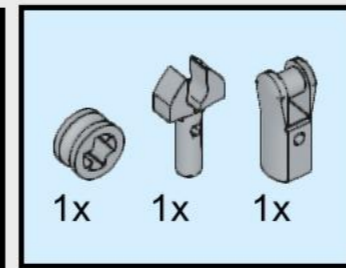
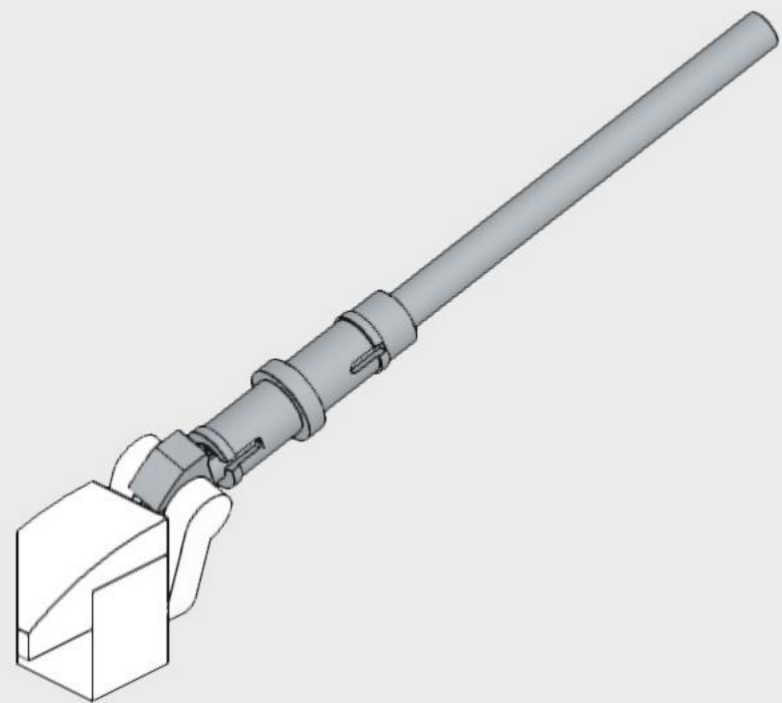
104



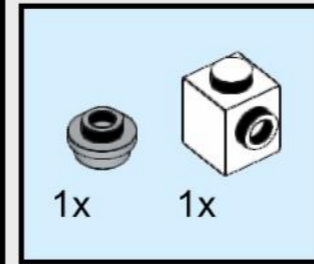
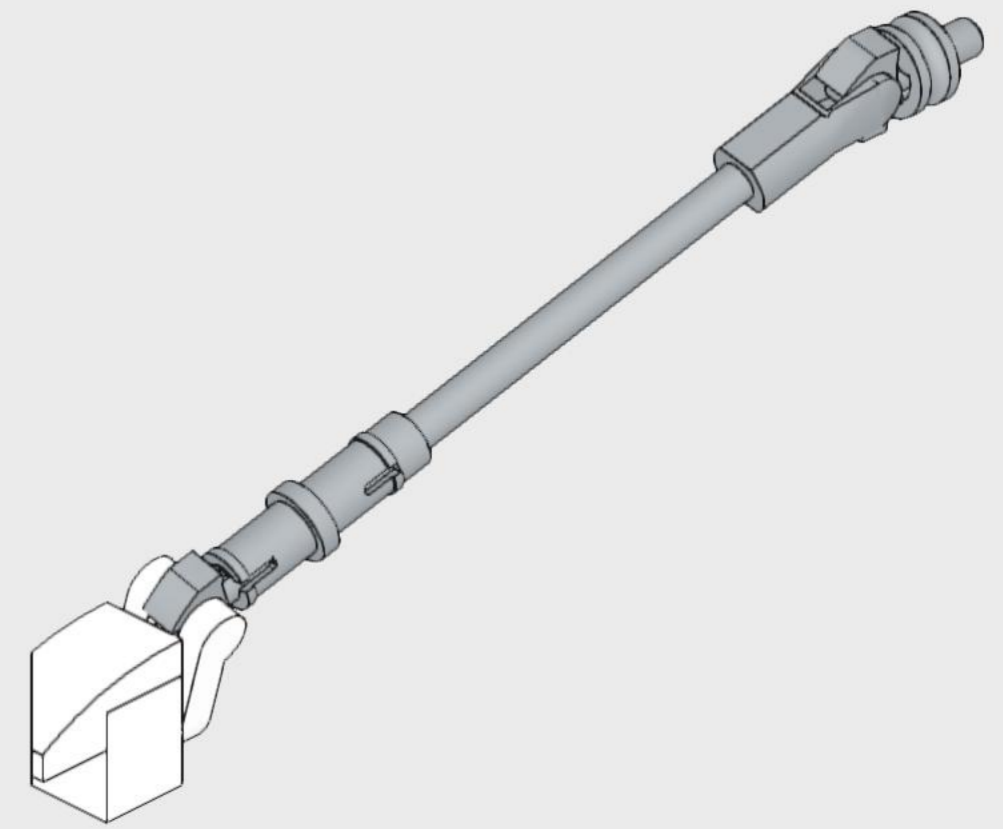
105



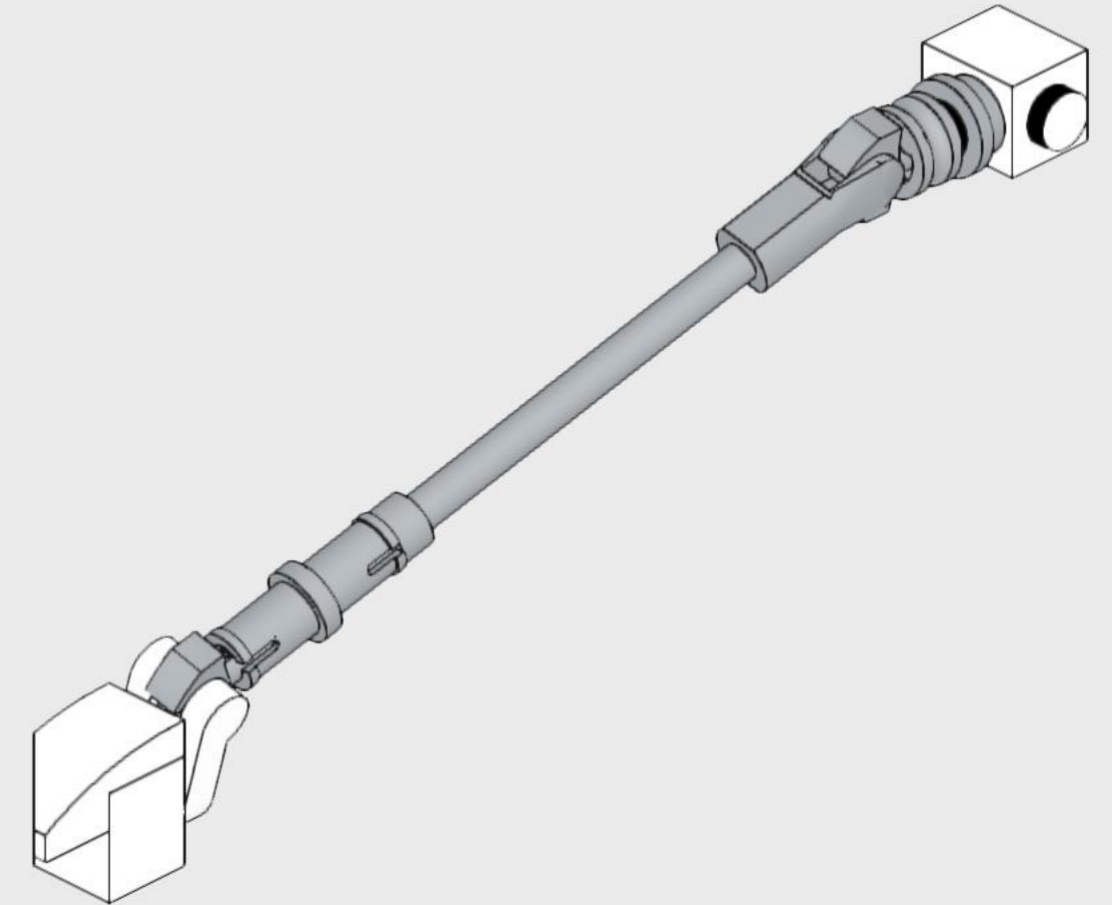
106



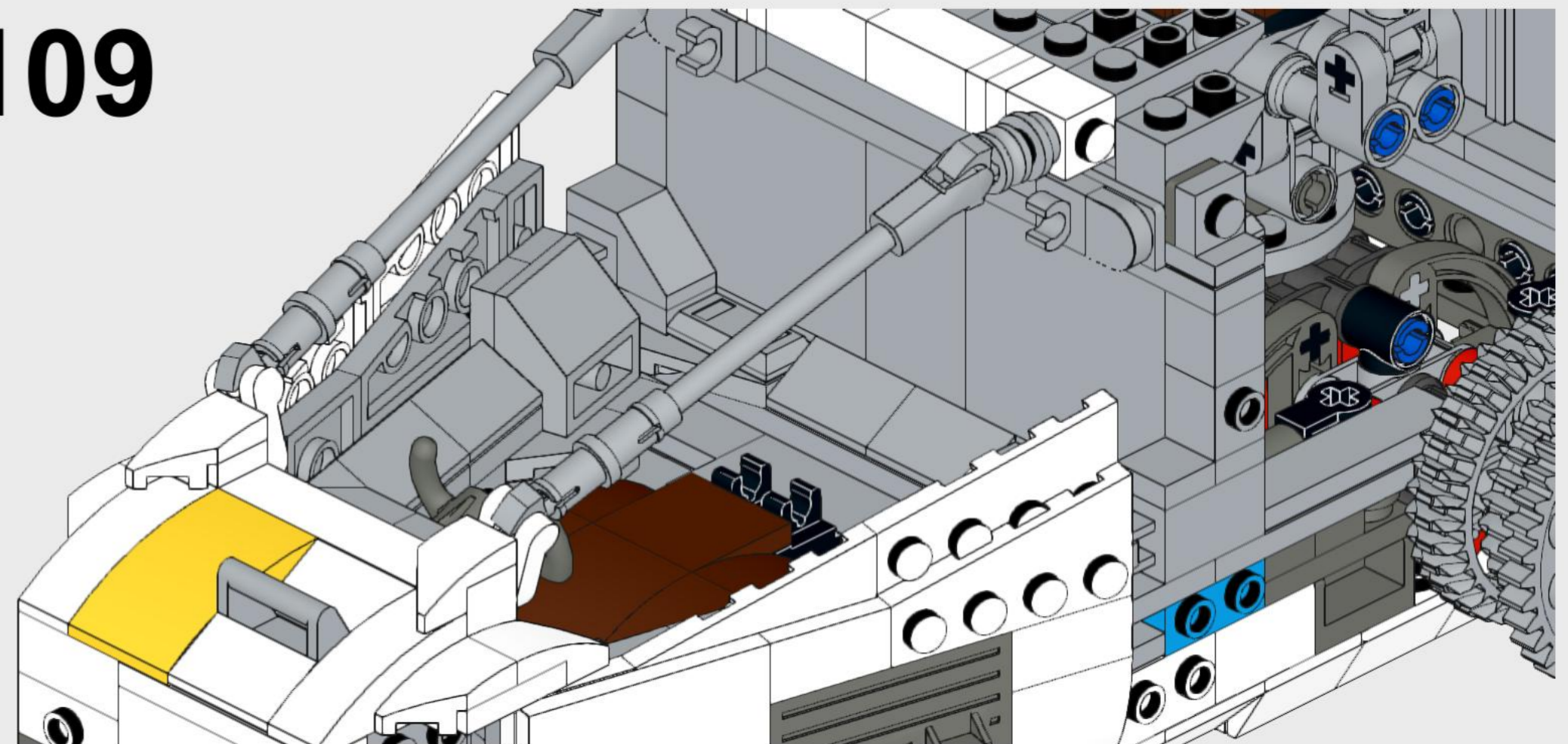
107

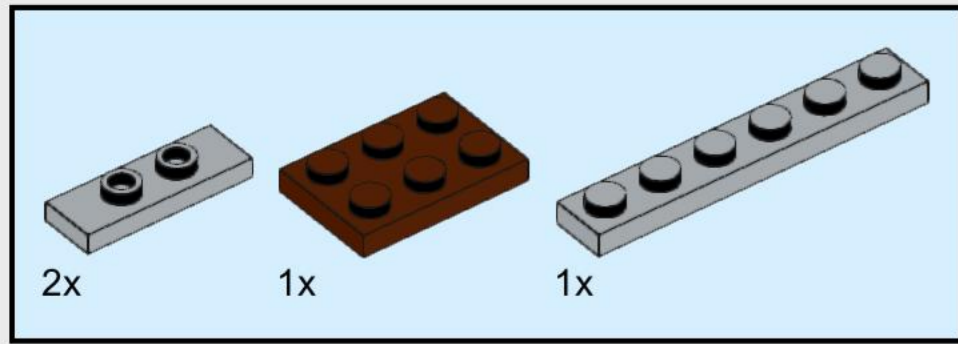


108

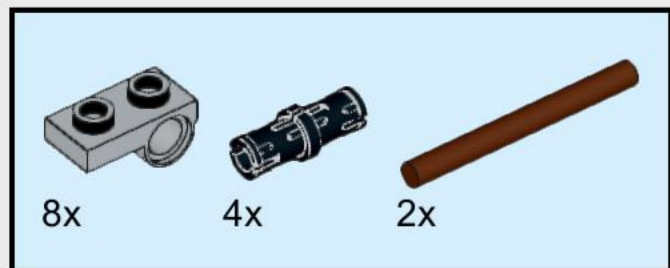
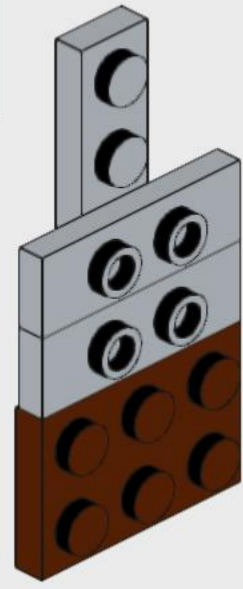


109

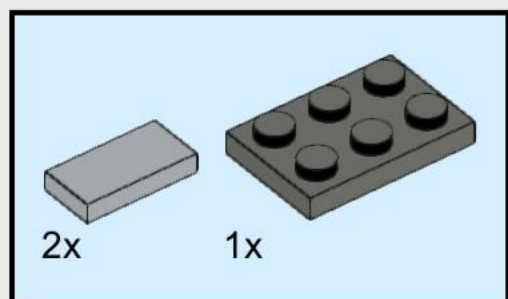
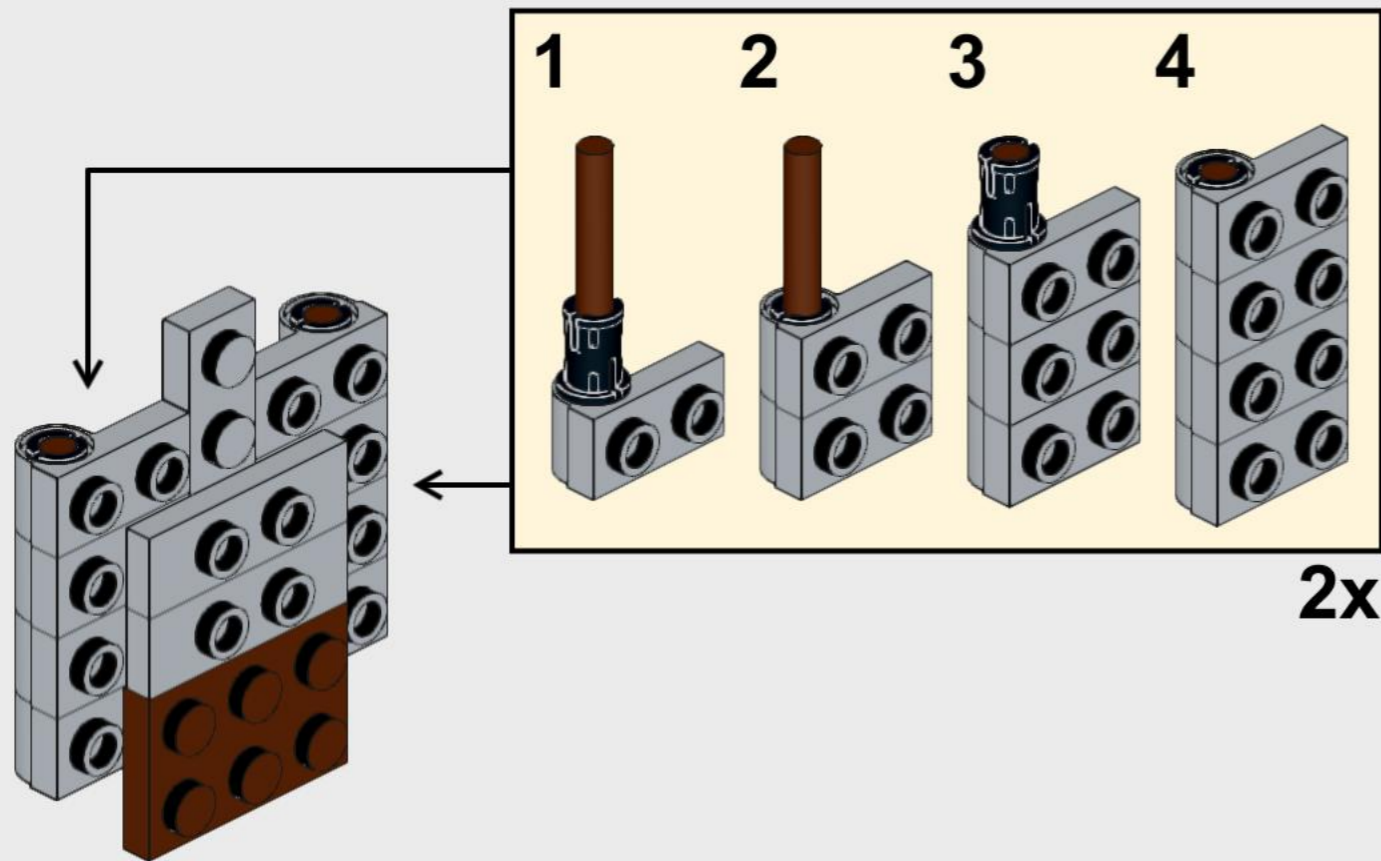




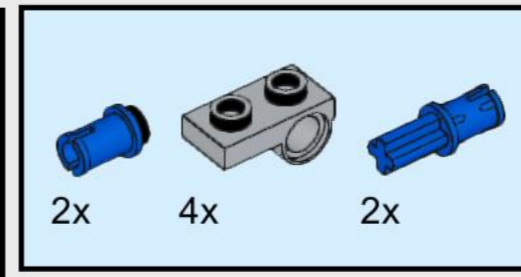
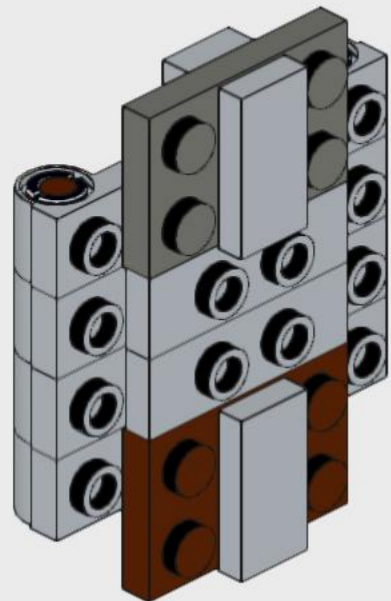
110



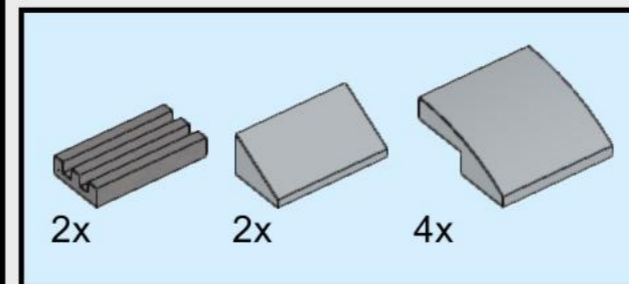
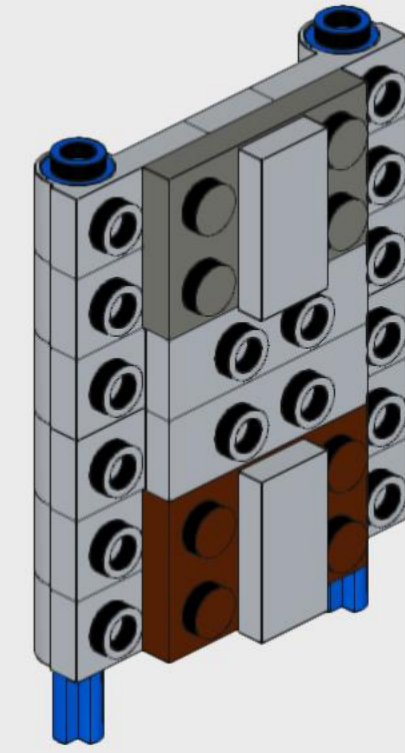
111



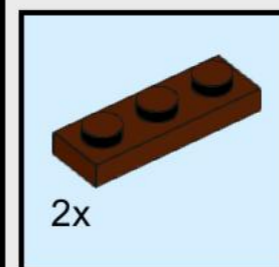
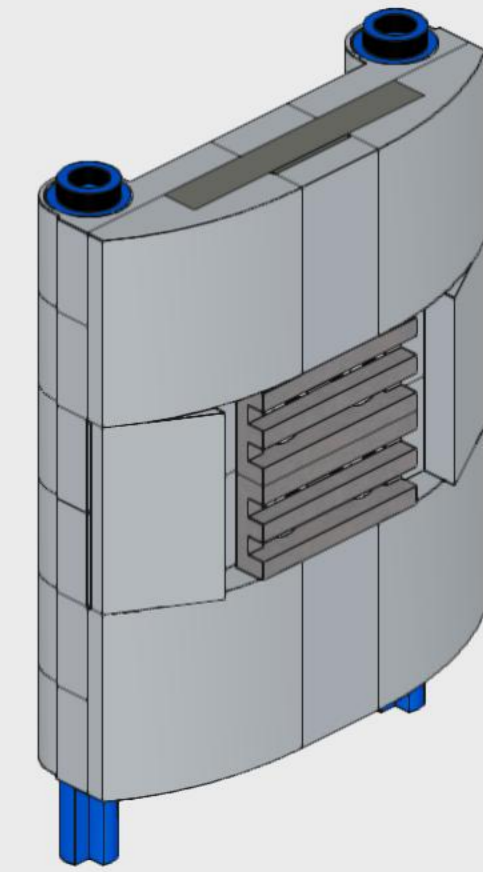
112



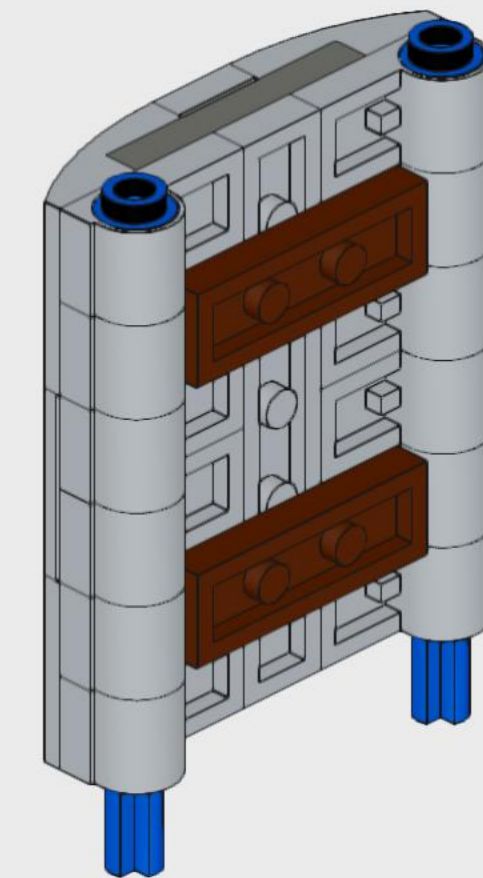
113

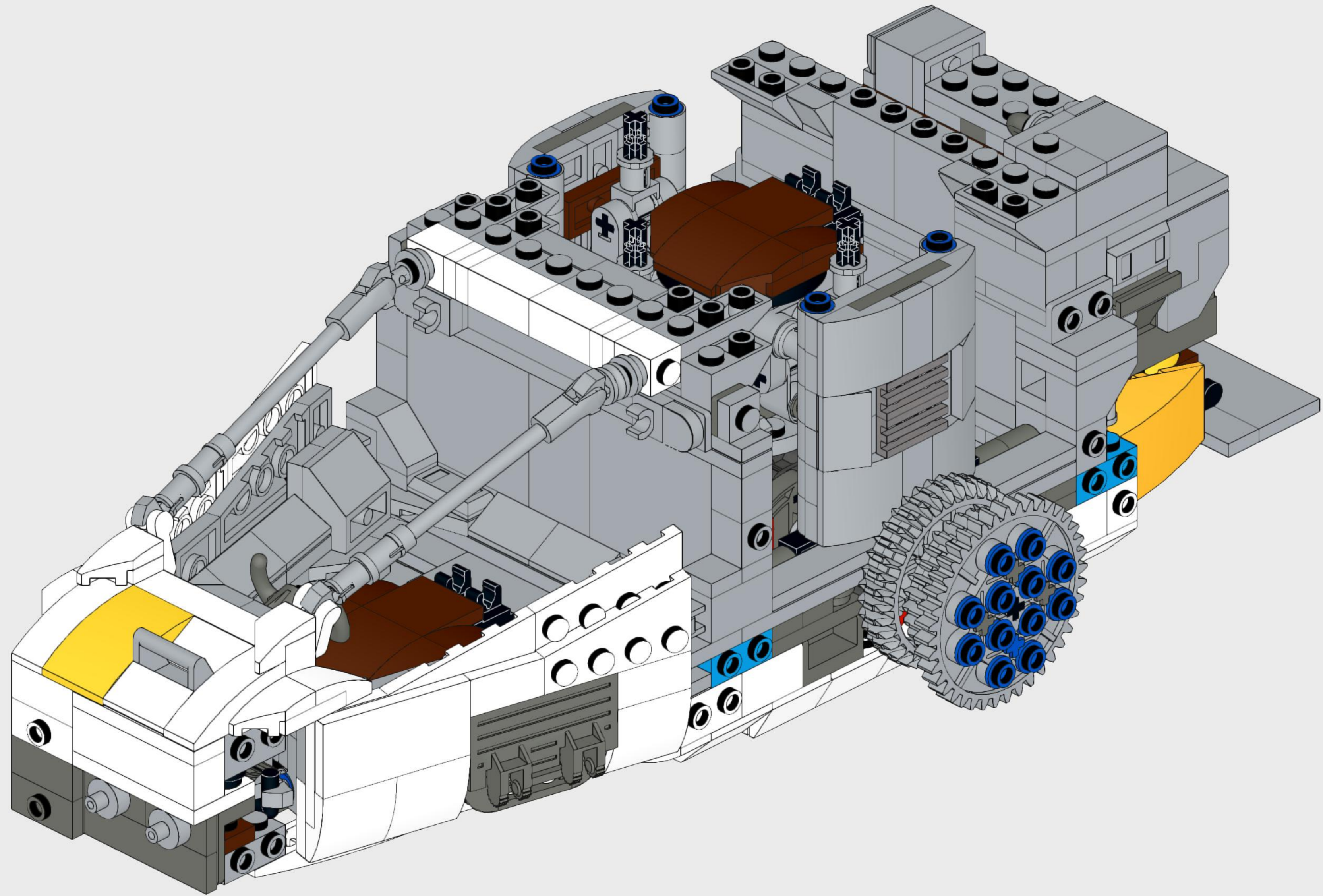


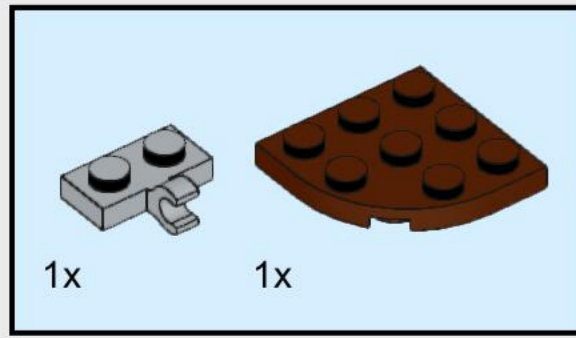
114



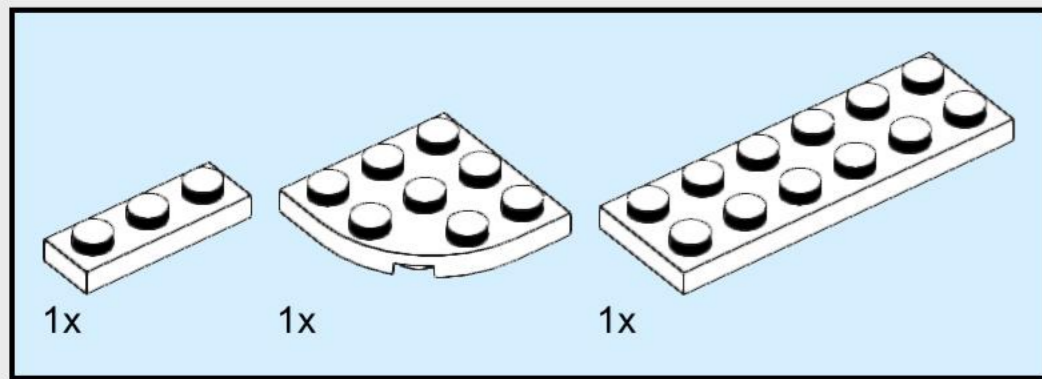
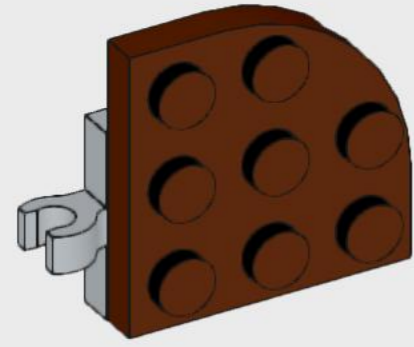
115



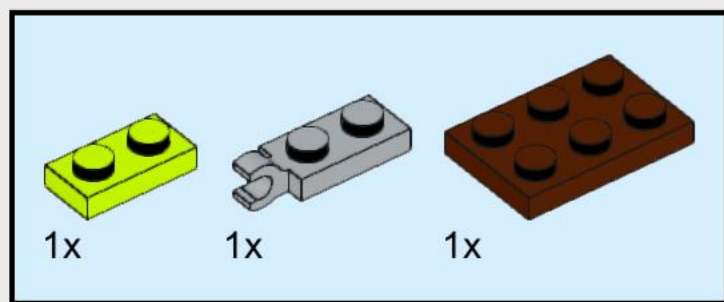
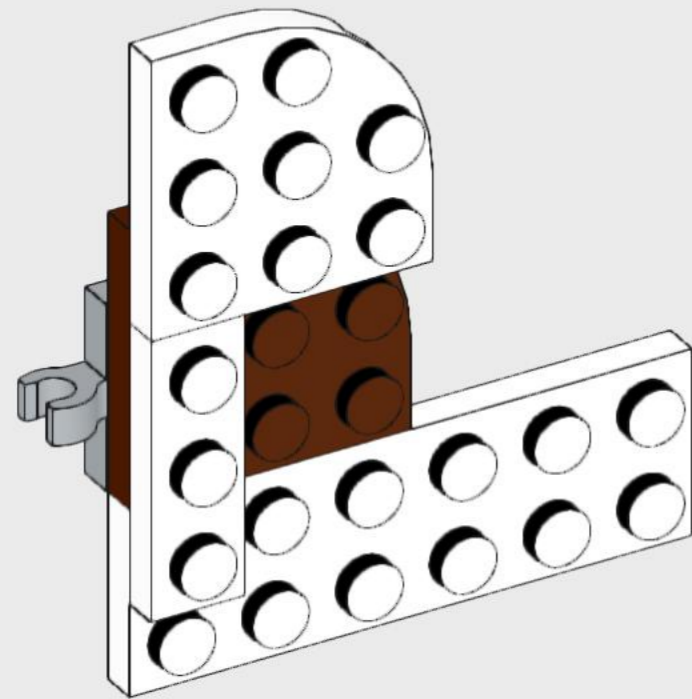




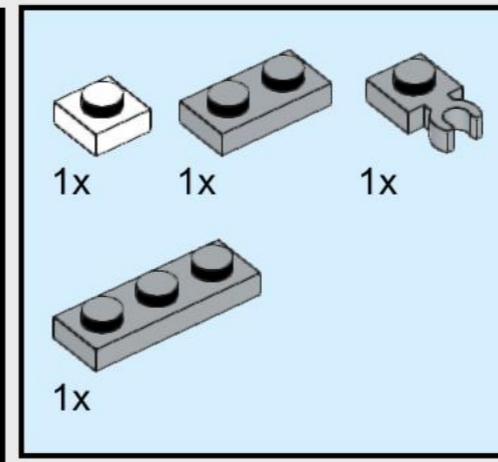
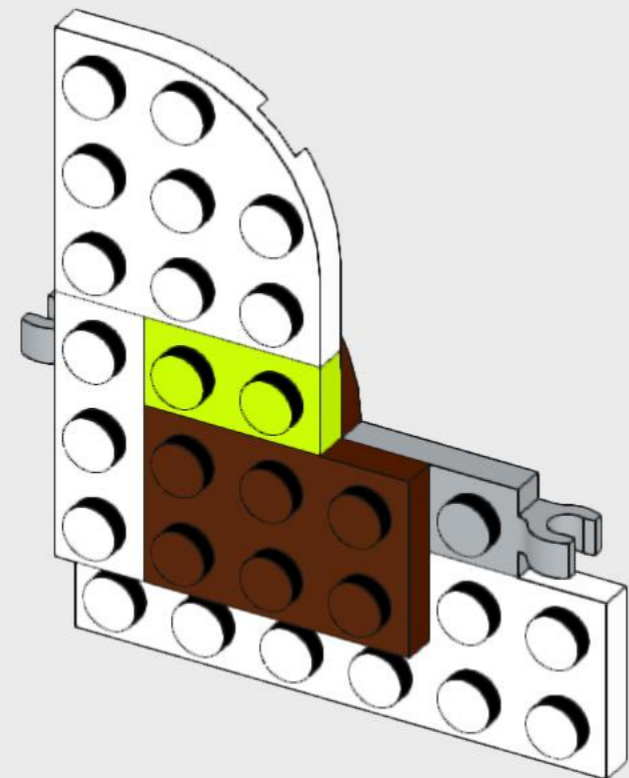
117



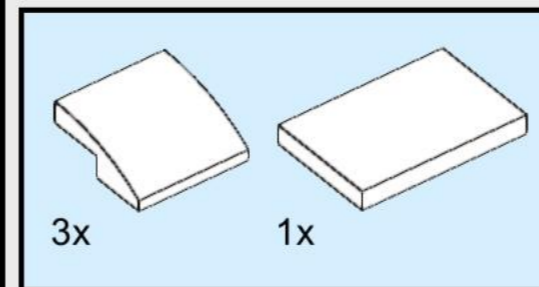
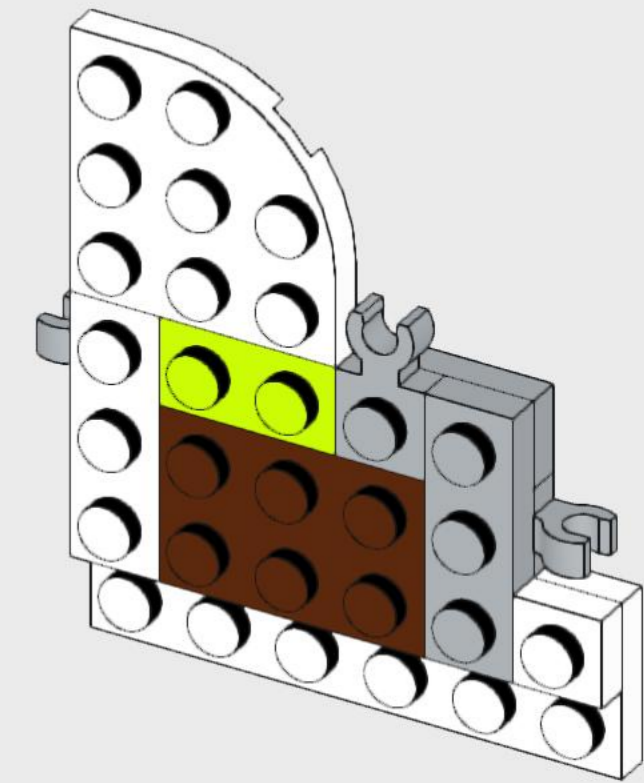
118



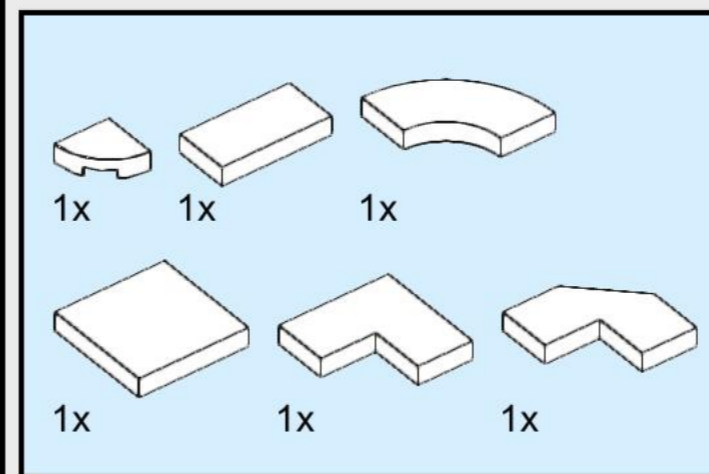
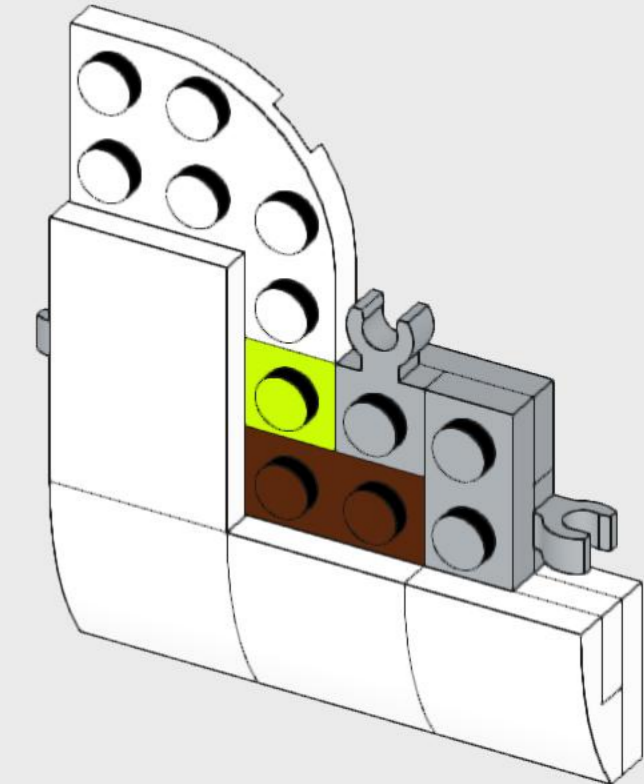
119 



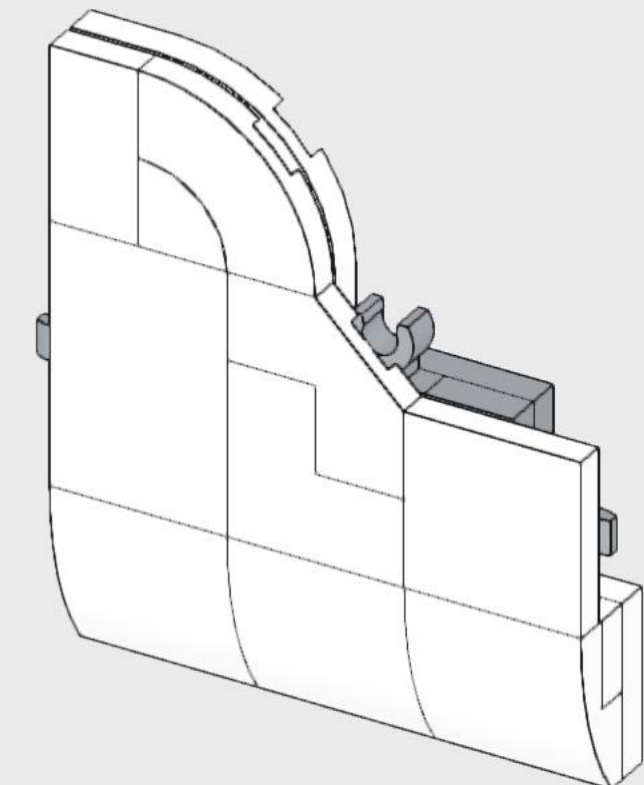
120

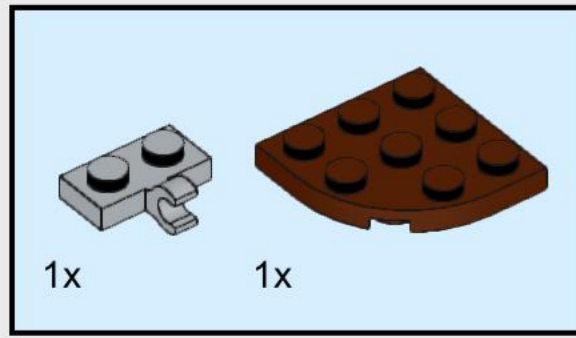


121

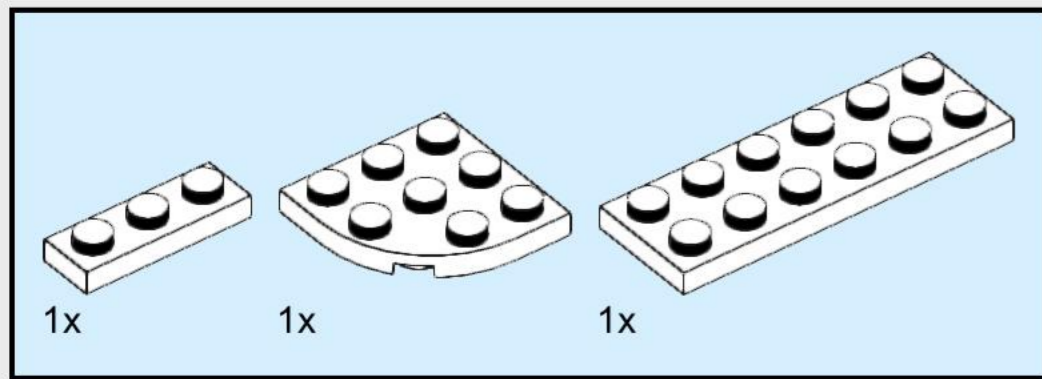
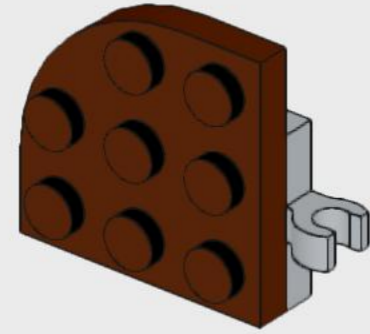


122

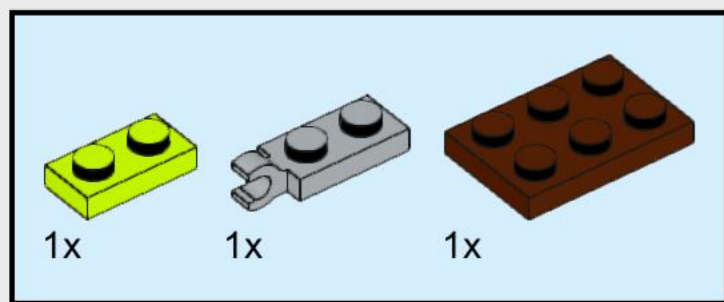
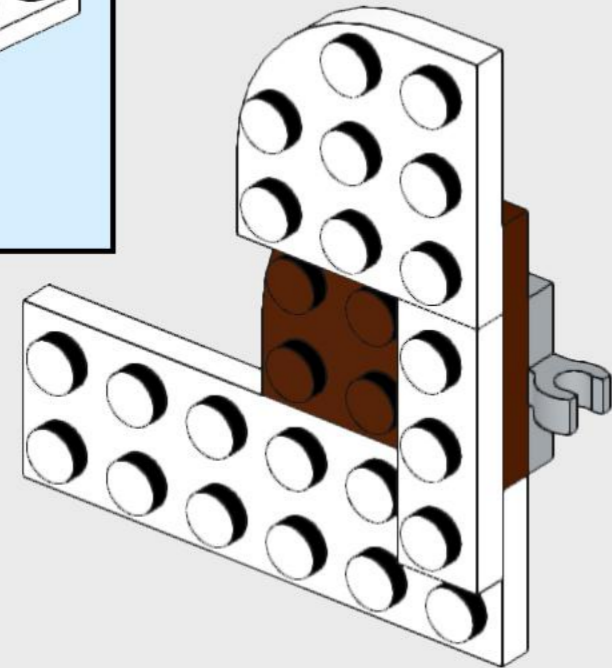




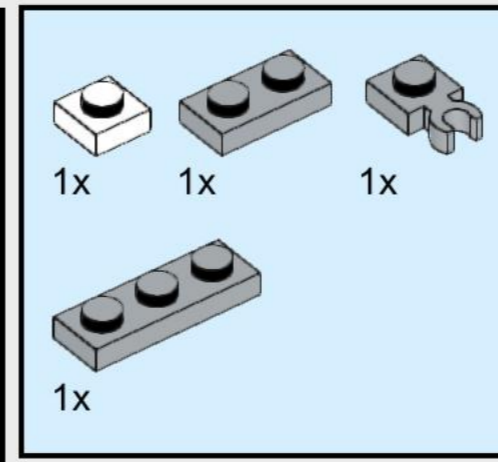
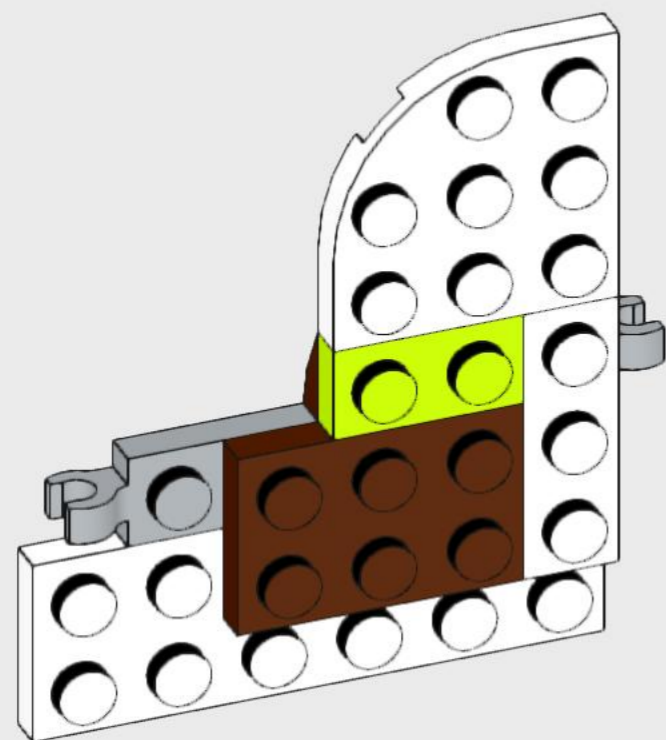
123



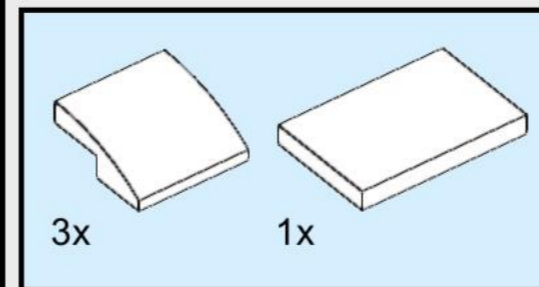
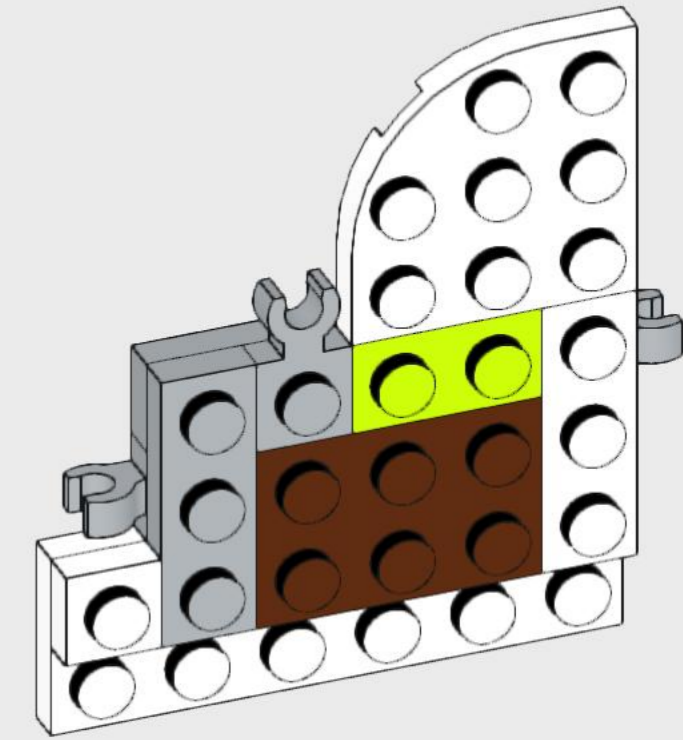
124



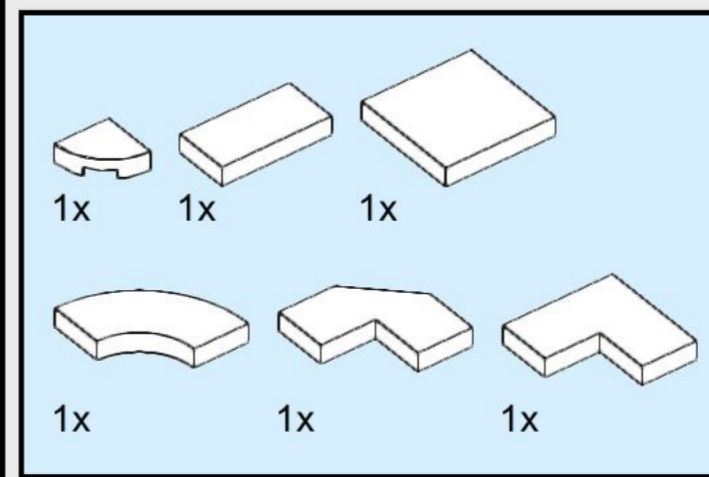
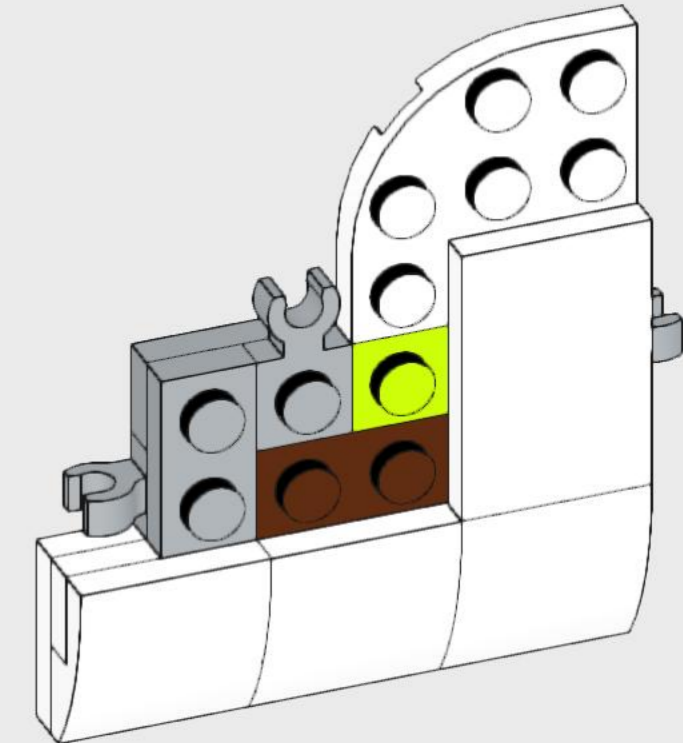
125 



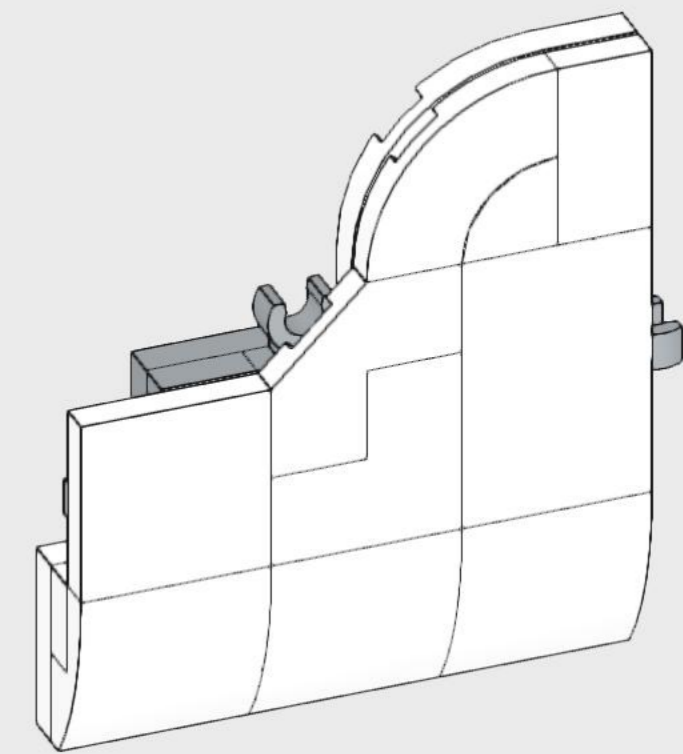
126

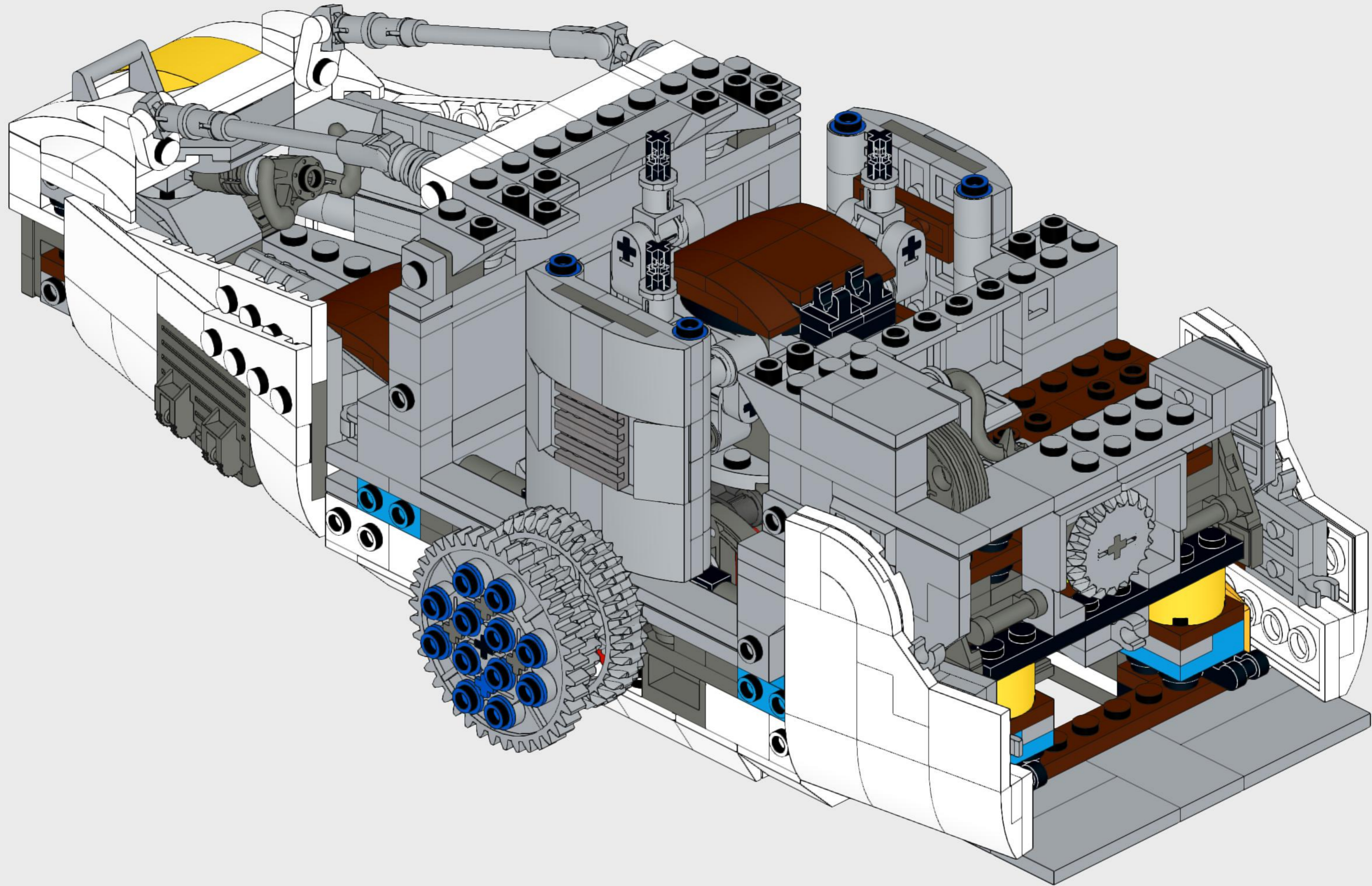


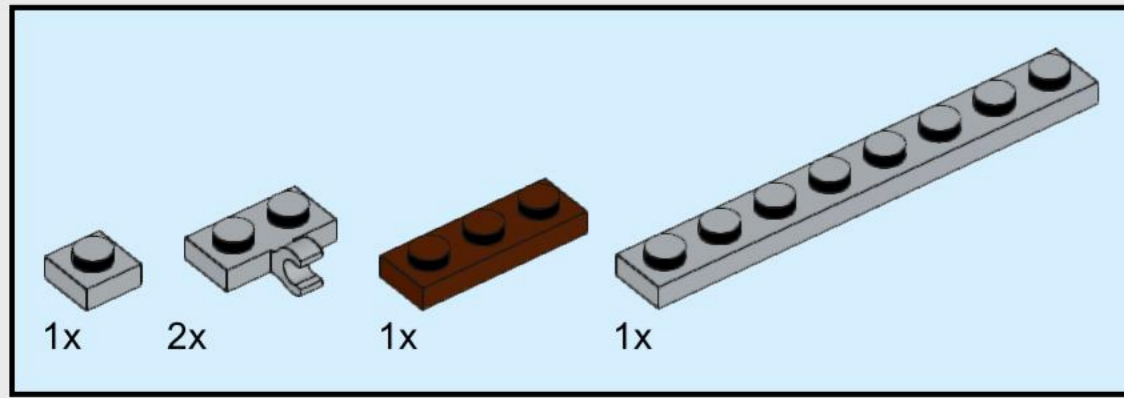
127



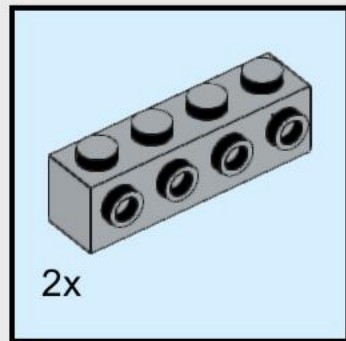
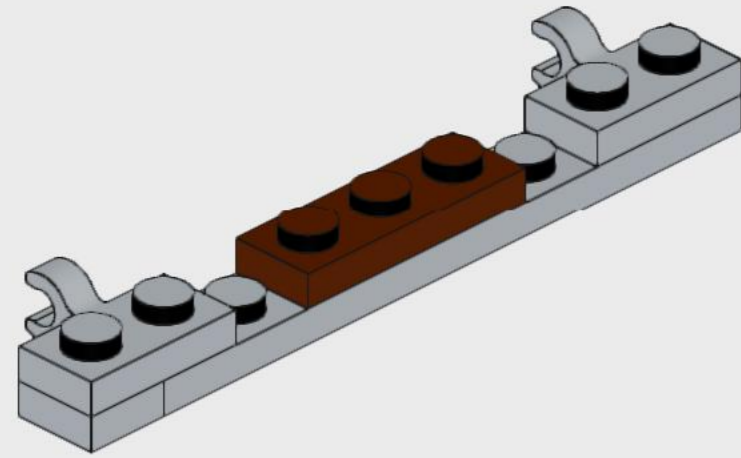
128



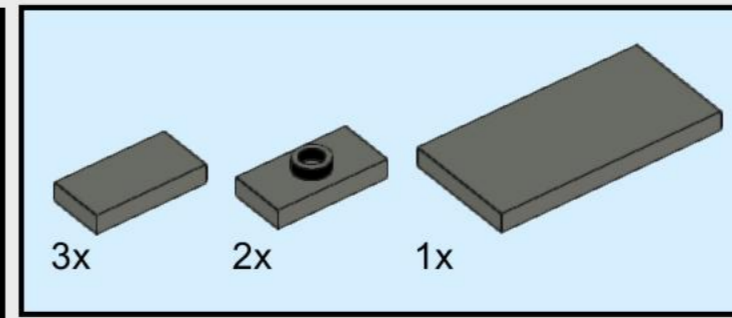
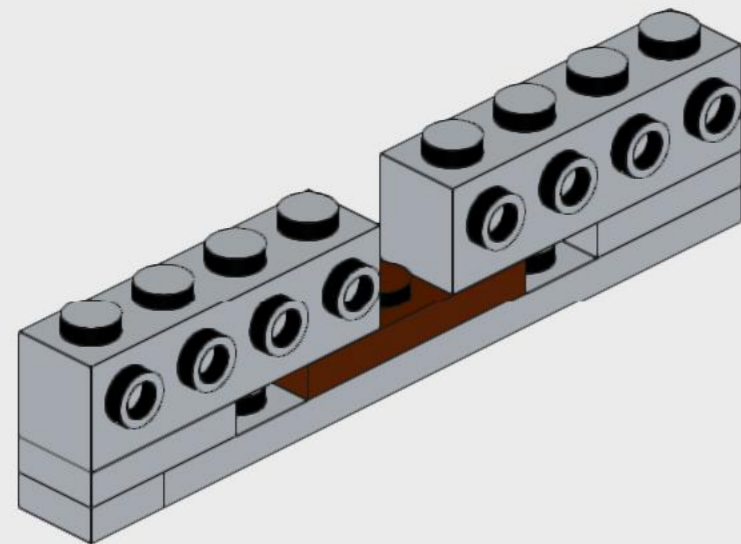




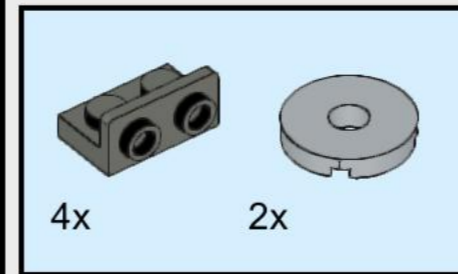
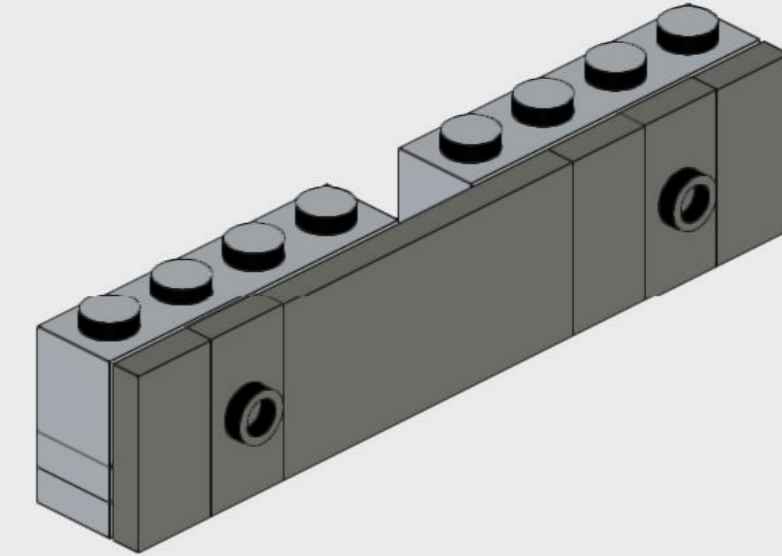
130



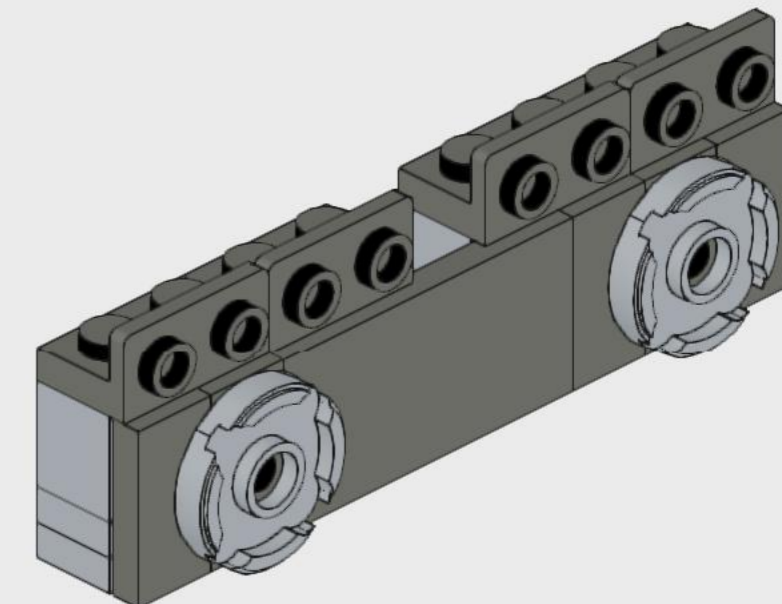
131

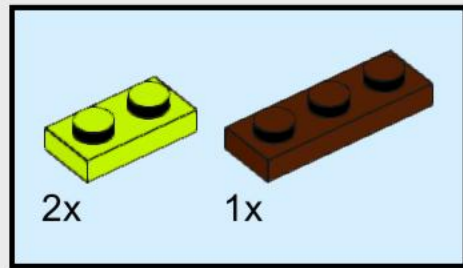


132

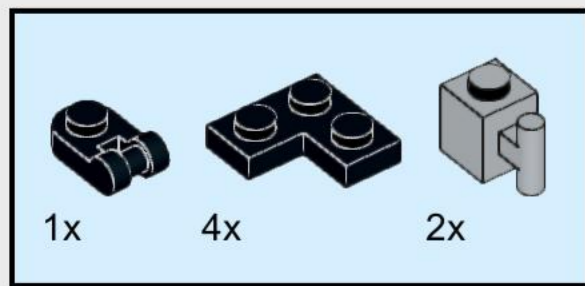
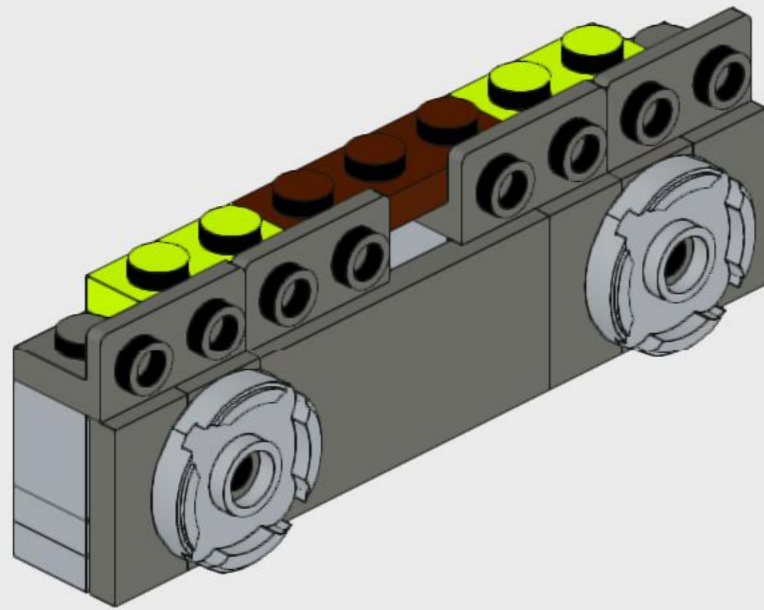


133

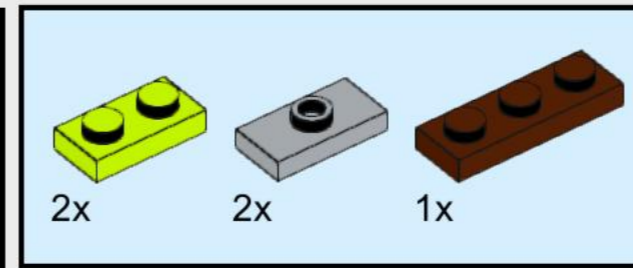
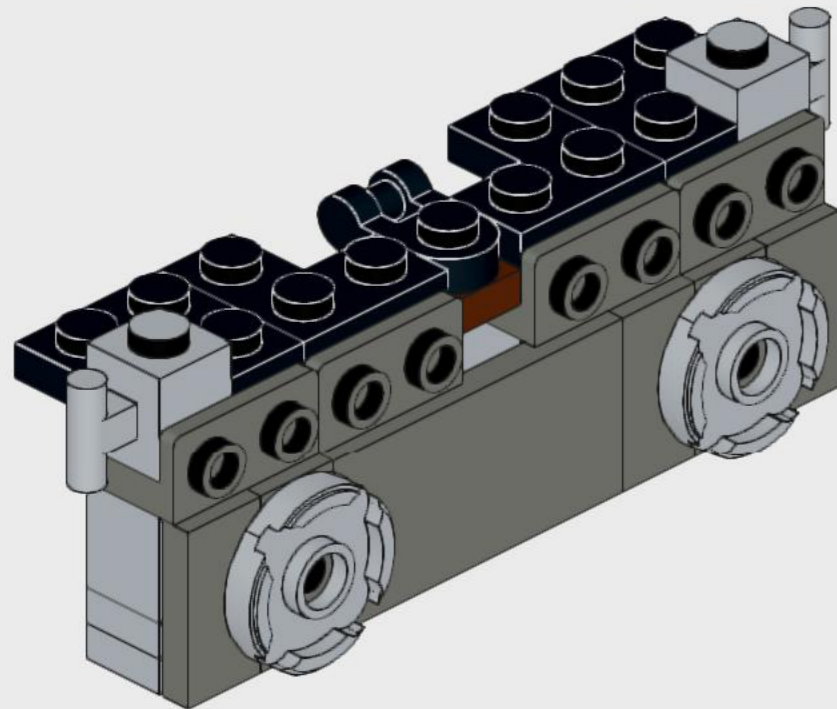




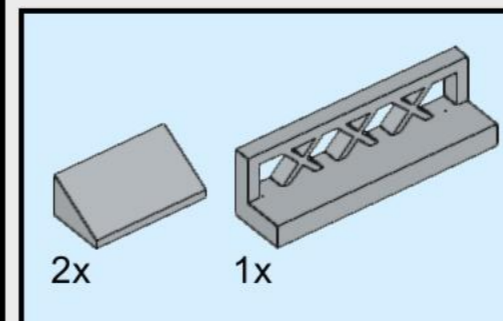
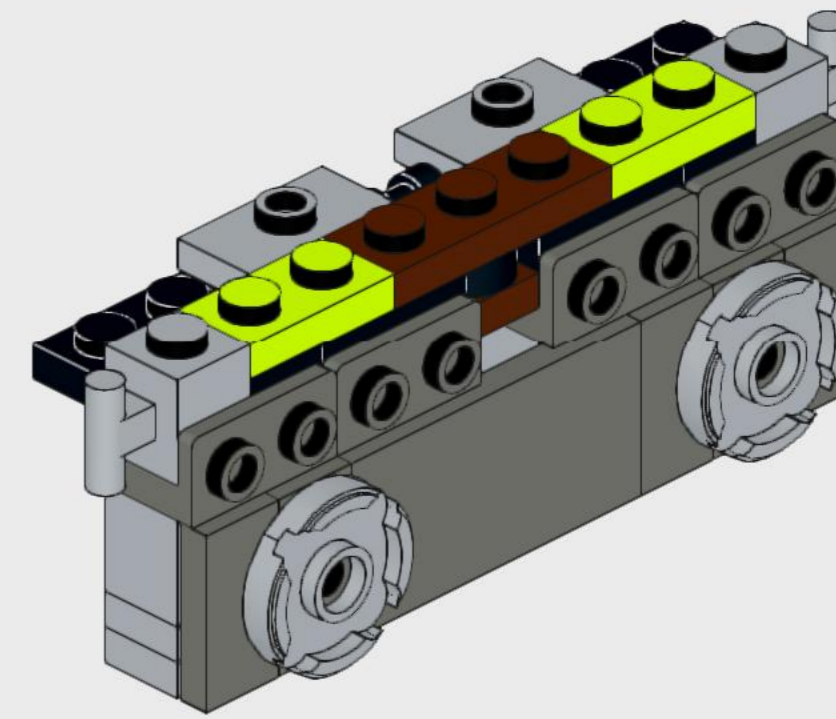
134



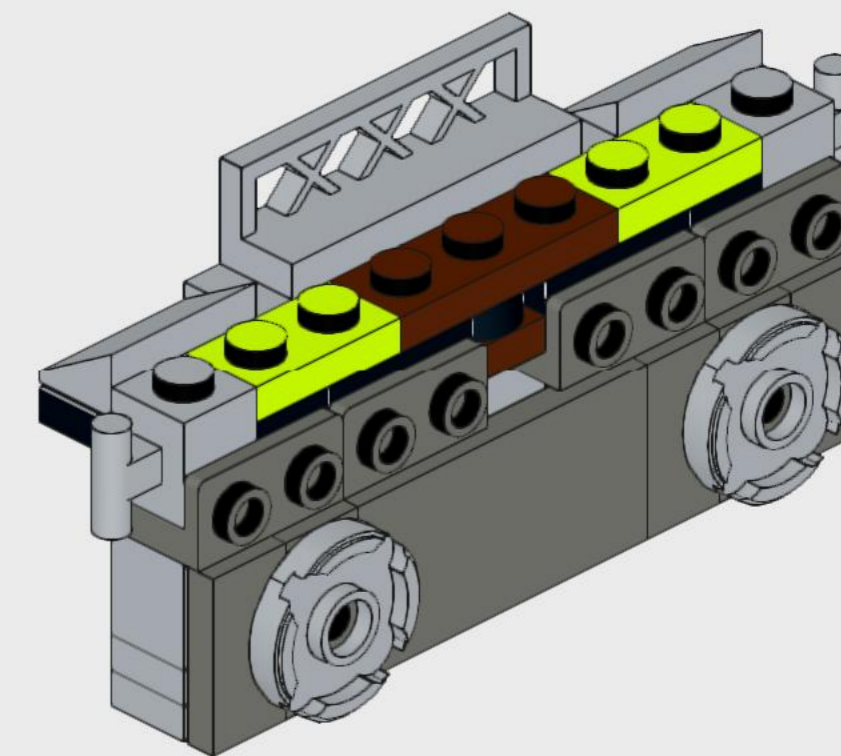
135

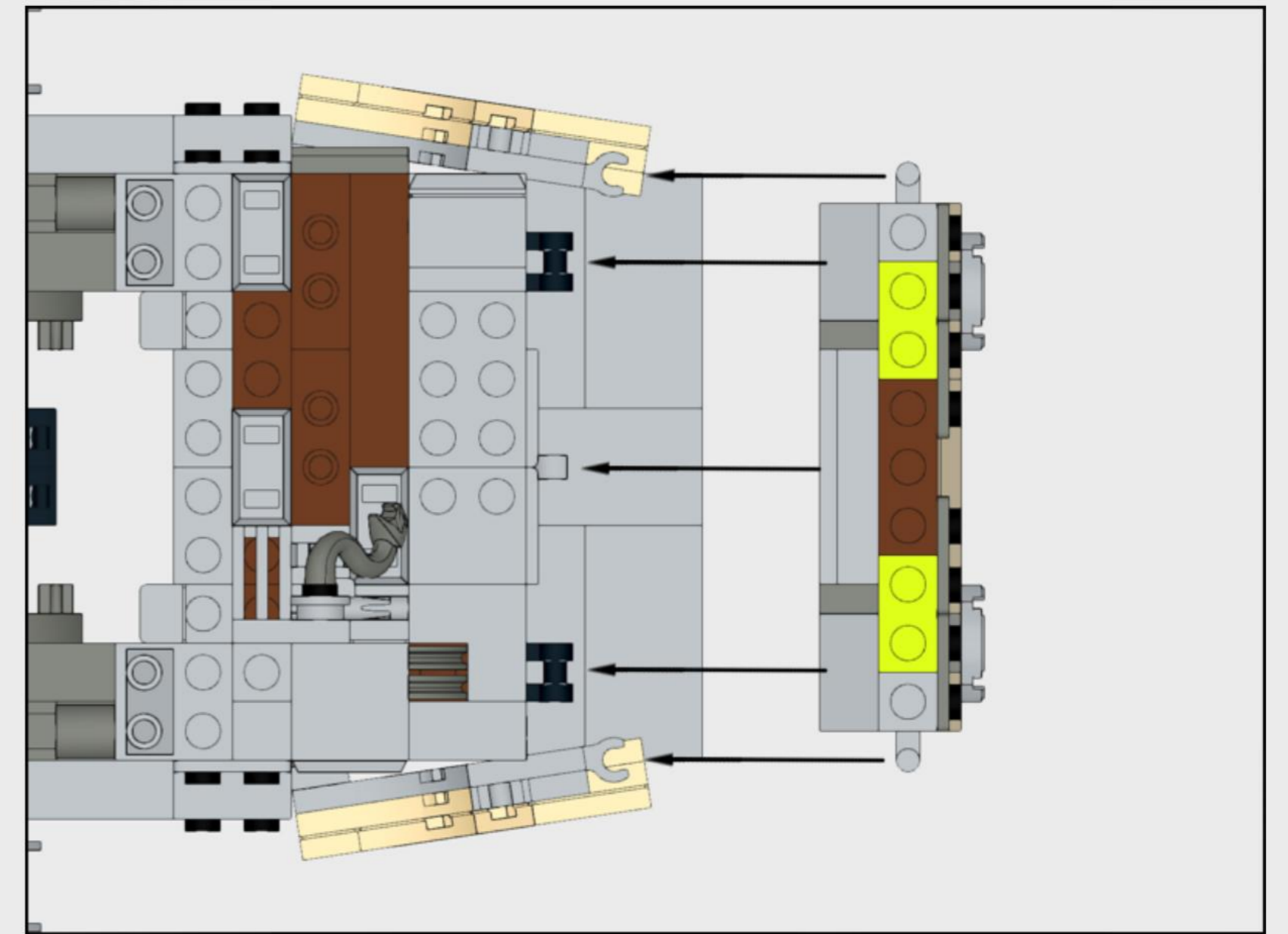
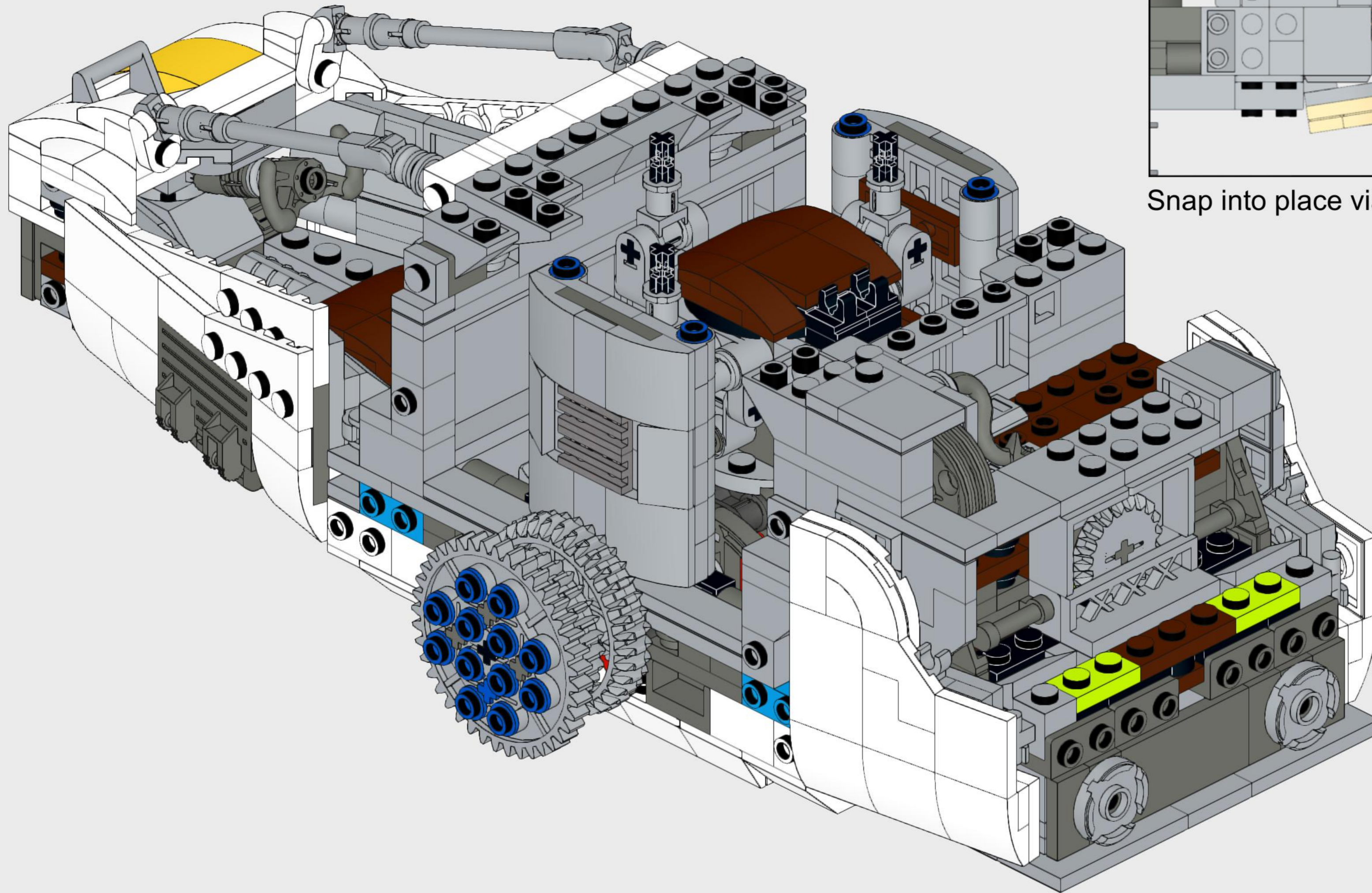


136

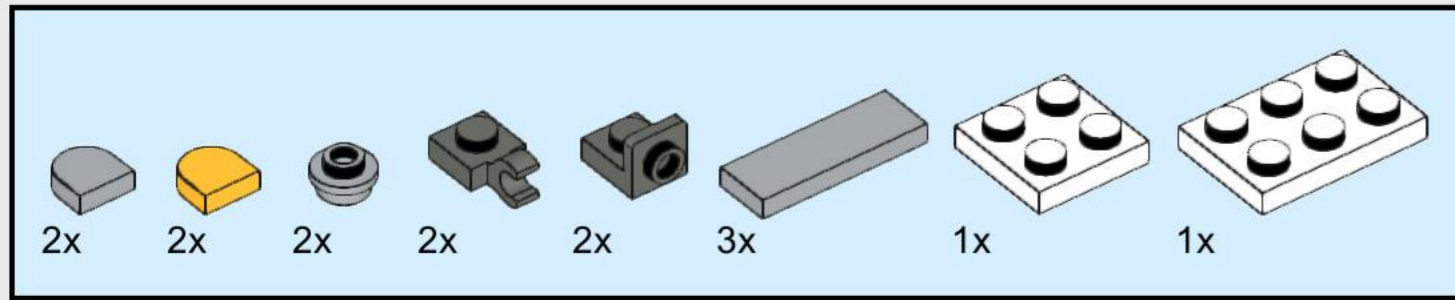


137

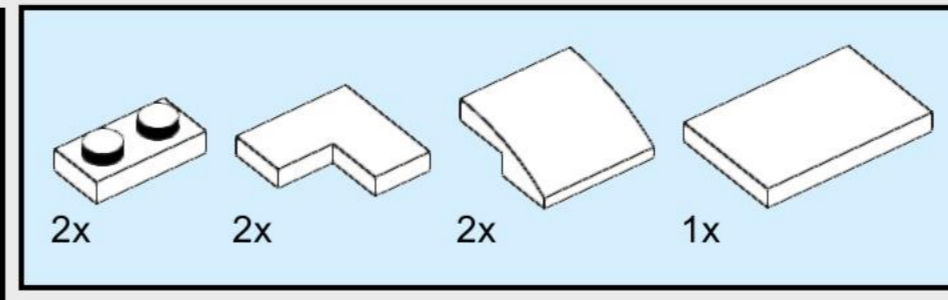
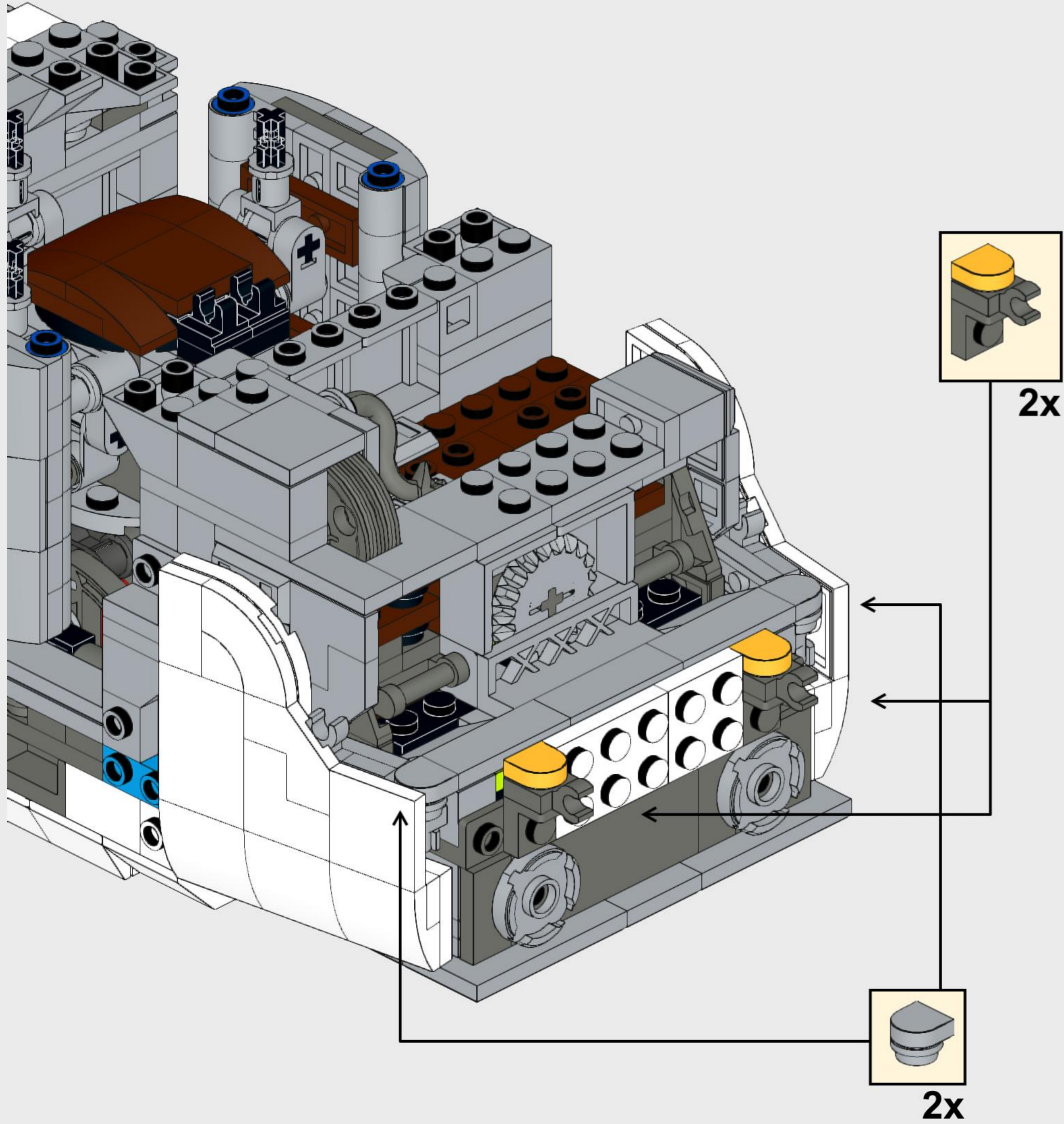




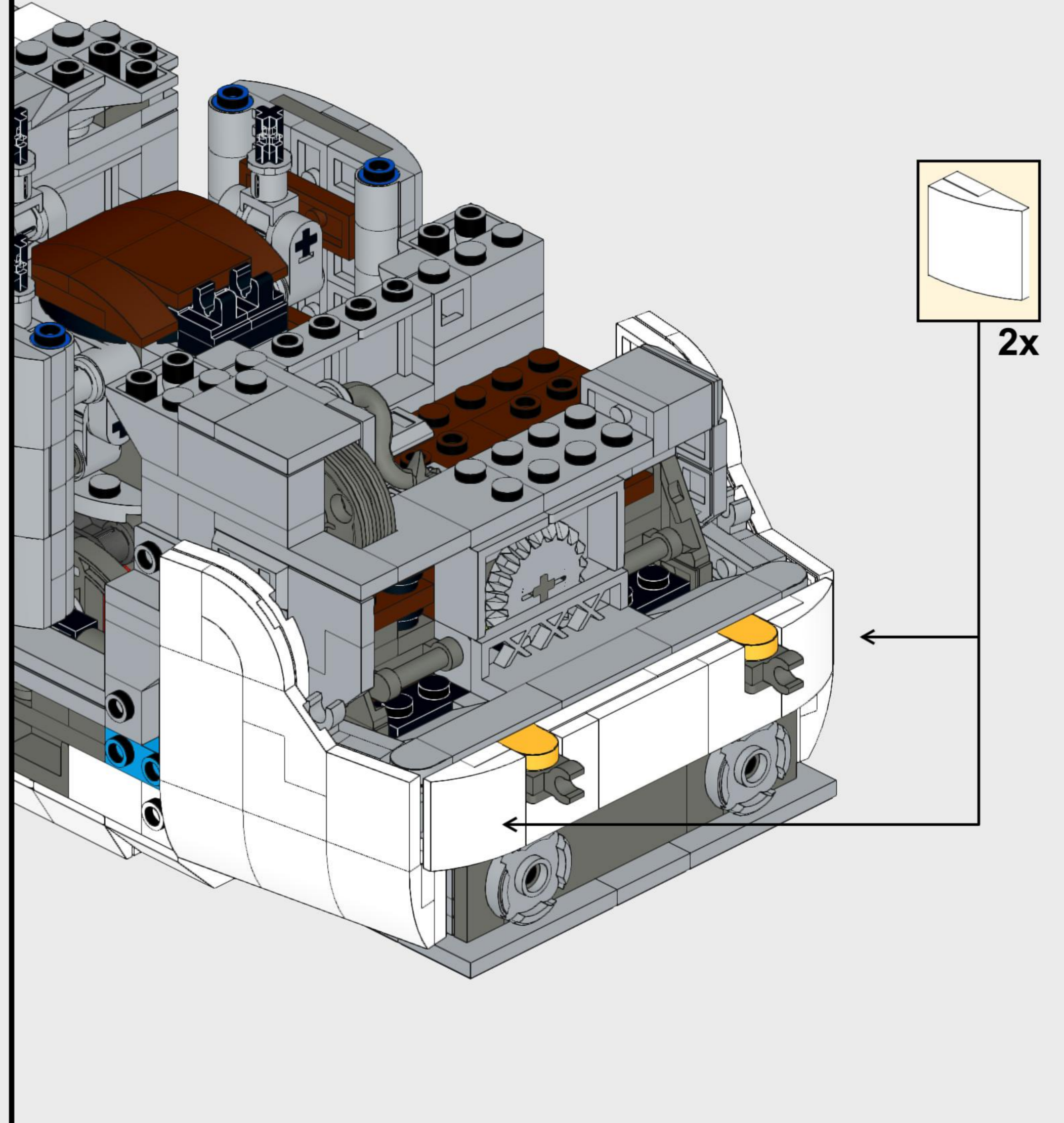
Snap into place via five clip points.

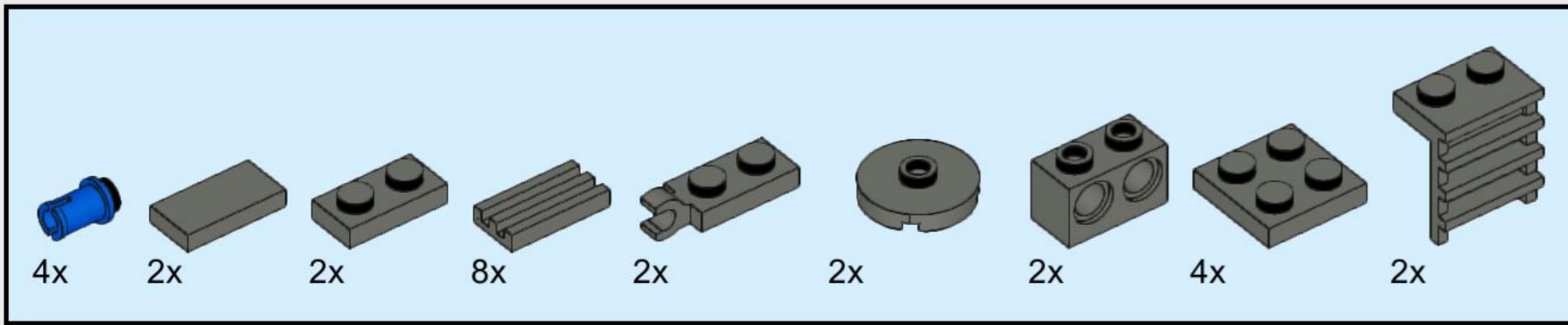


139

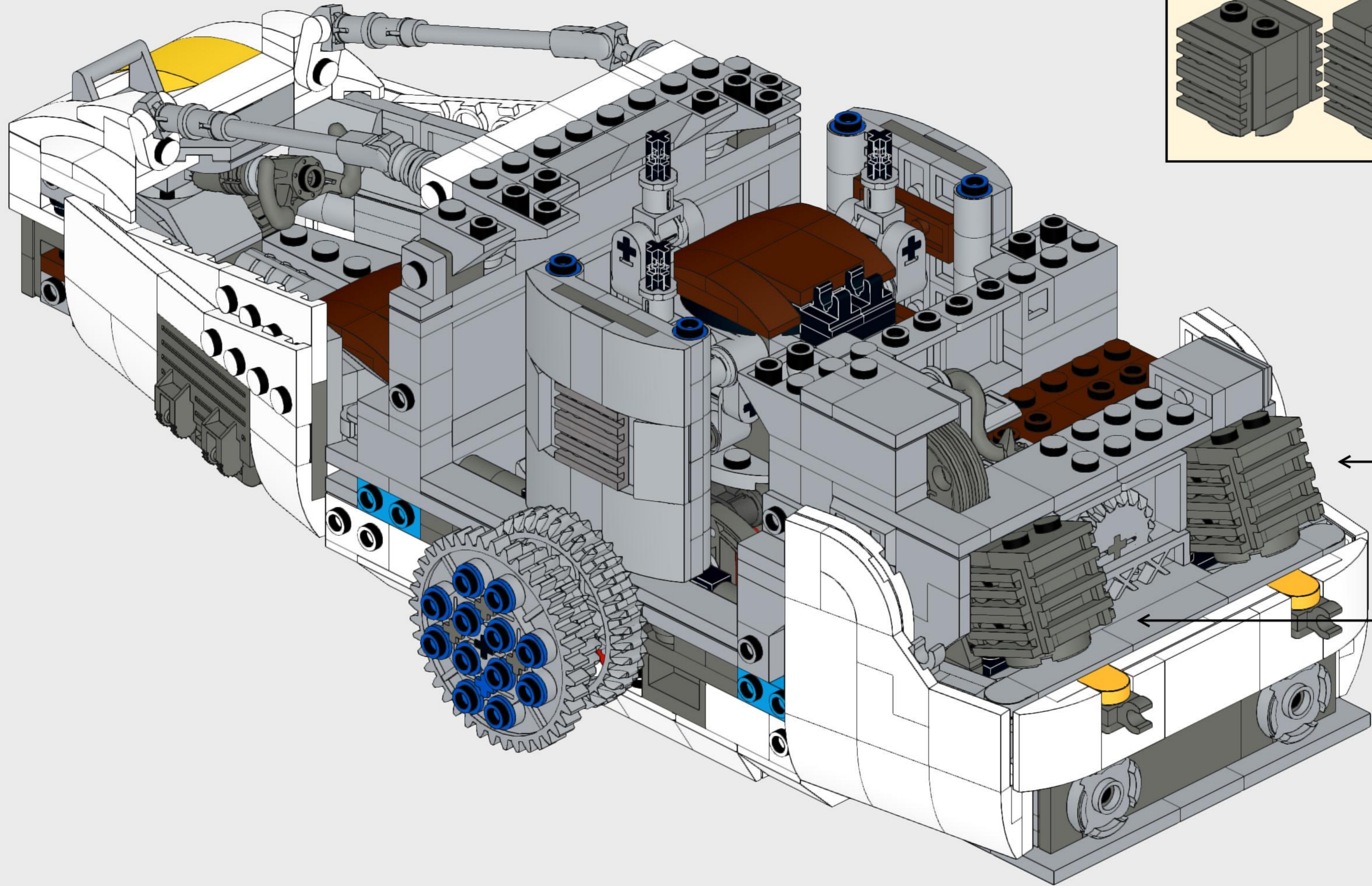
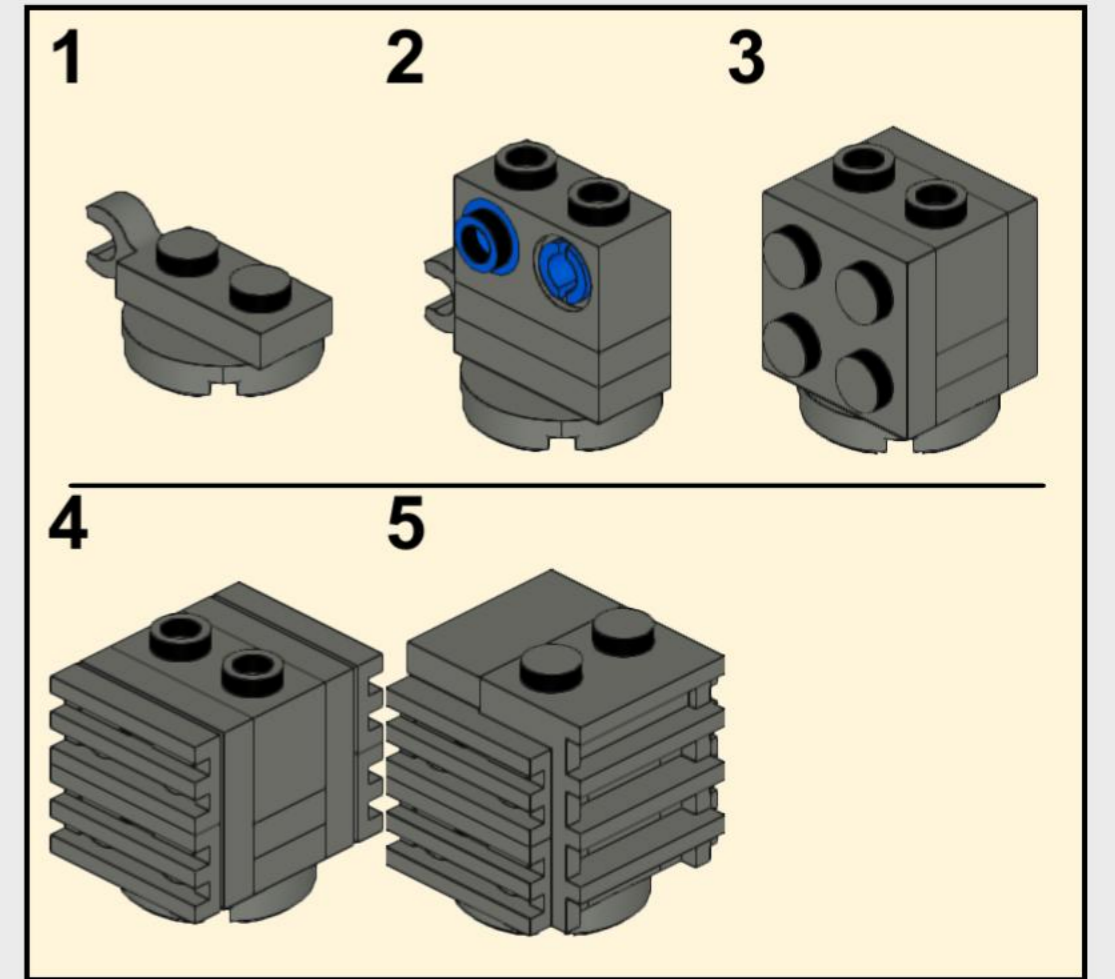


140

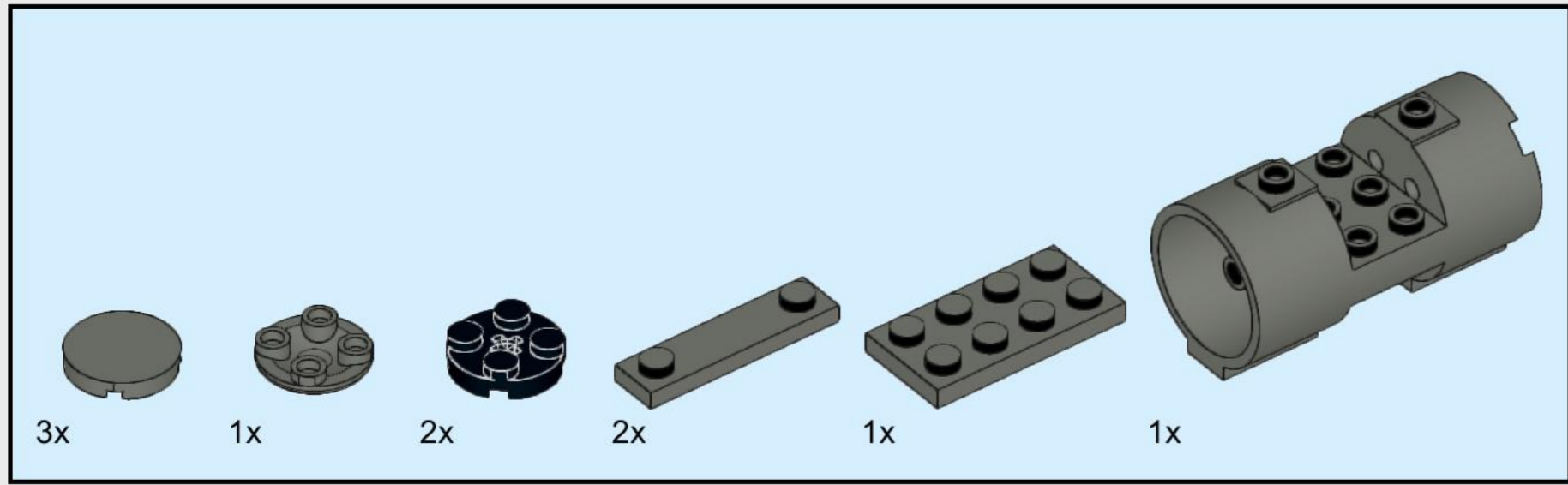




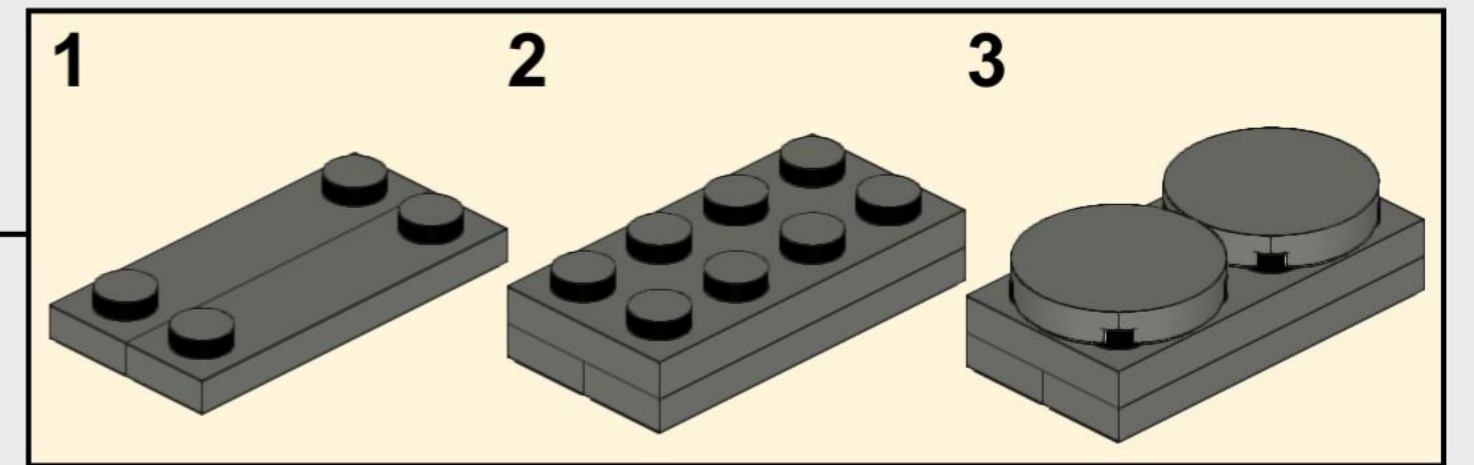
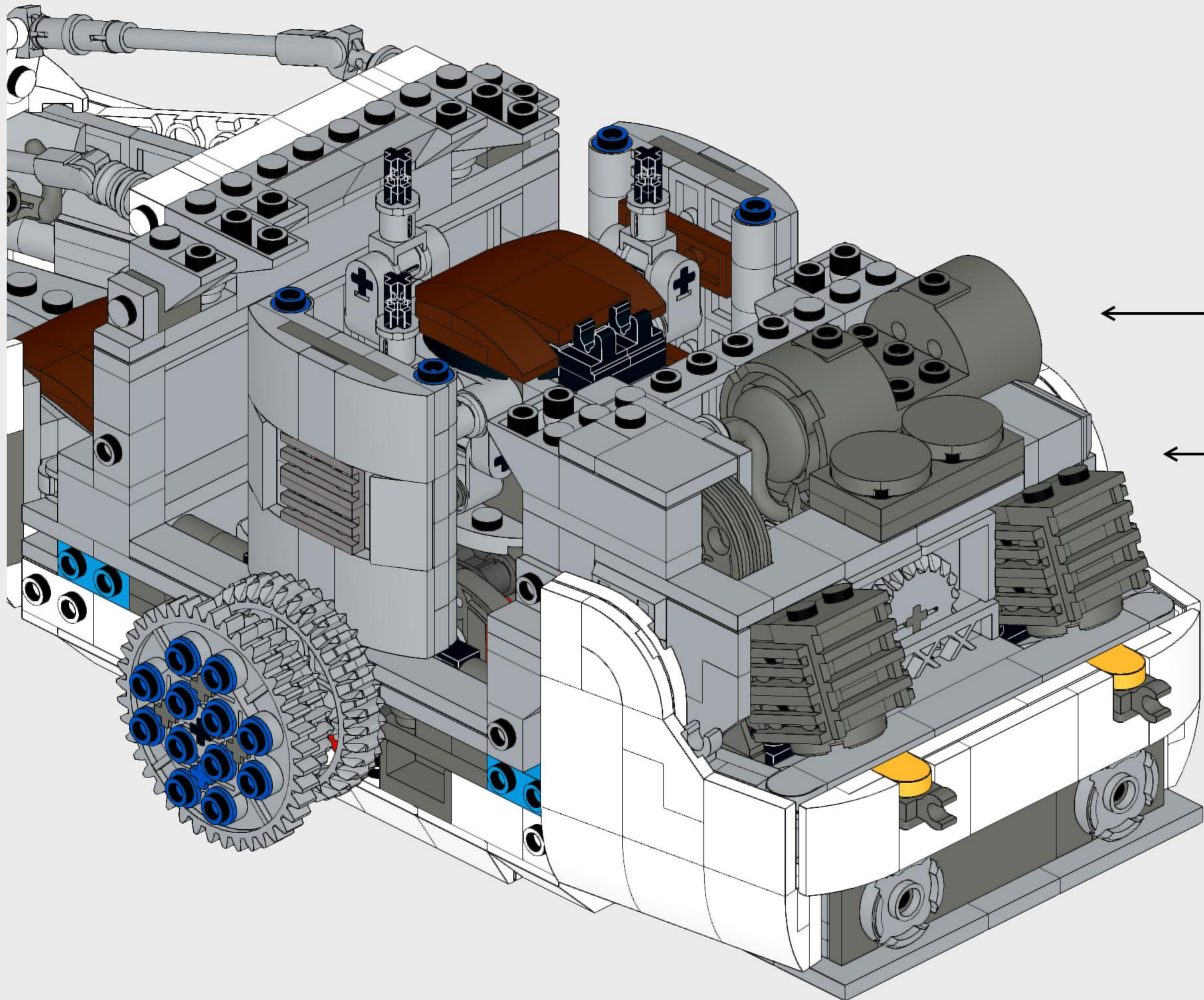
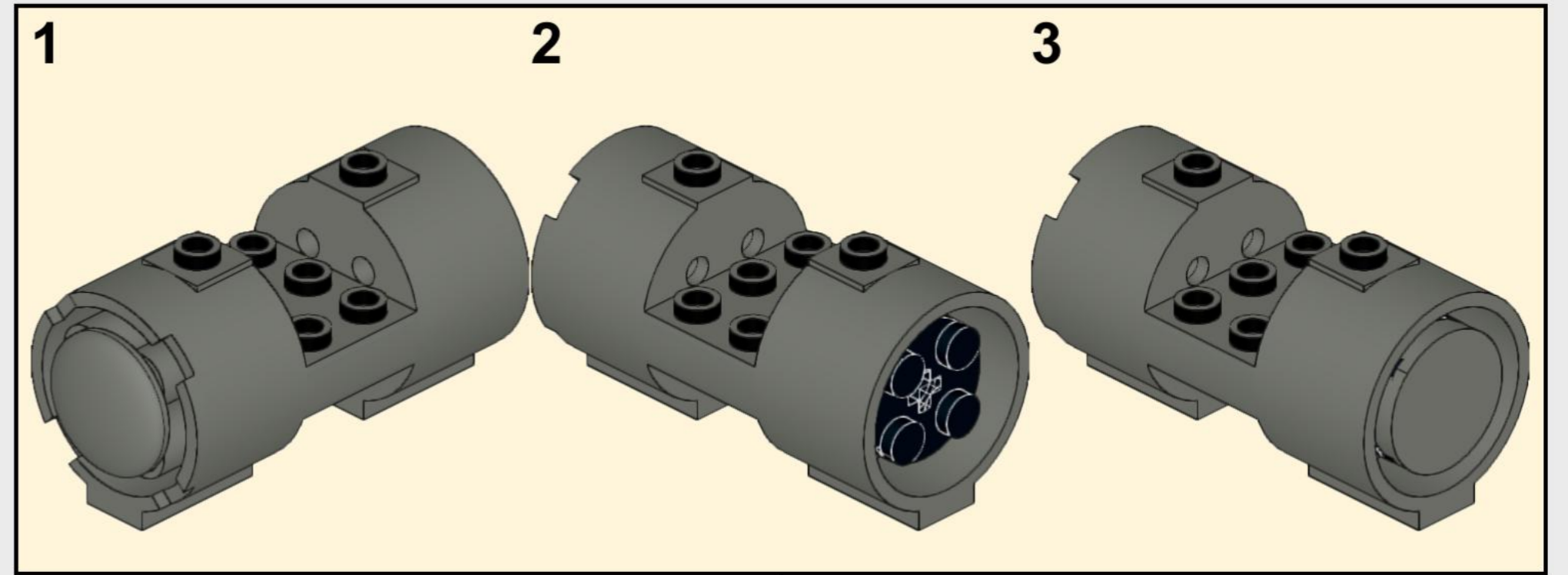
141



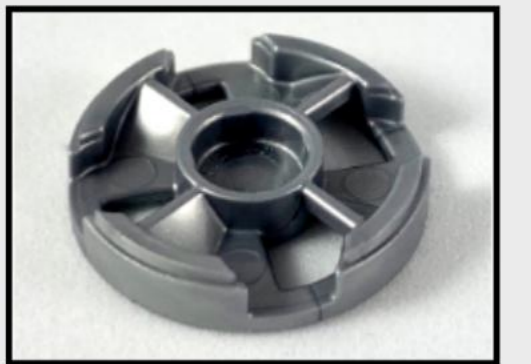
2x

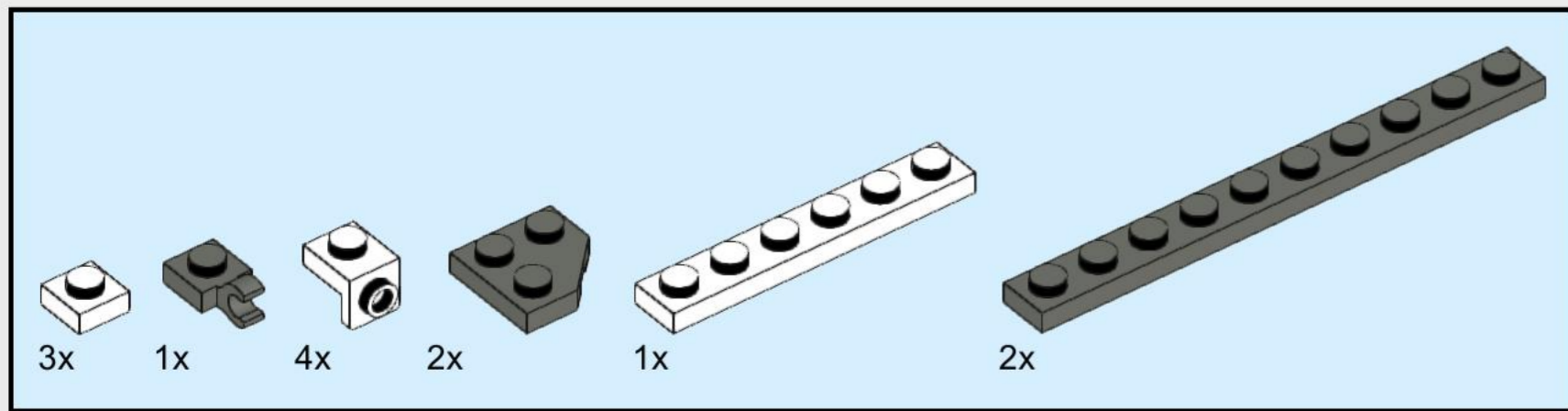


142

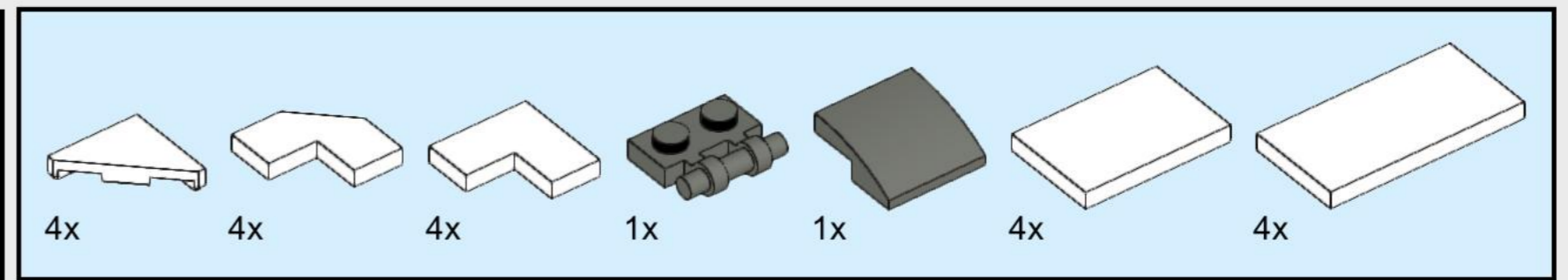
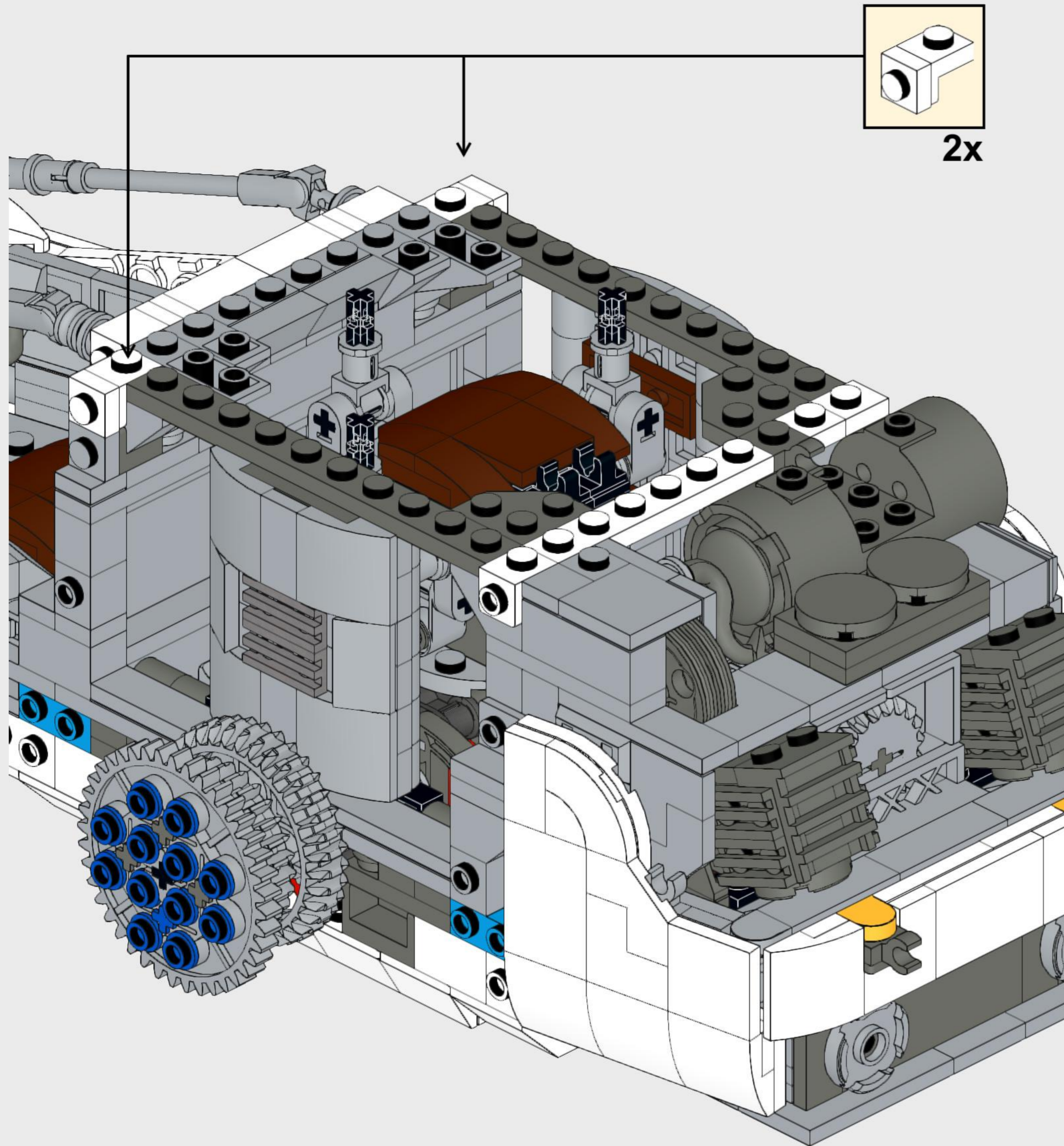


Use Weapon Disk in place of flat tiles.

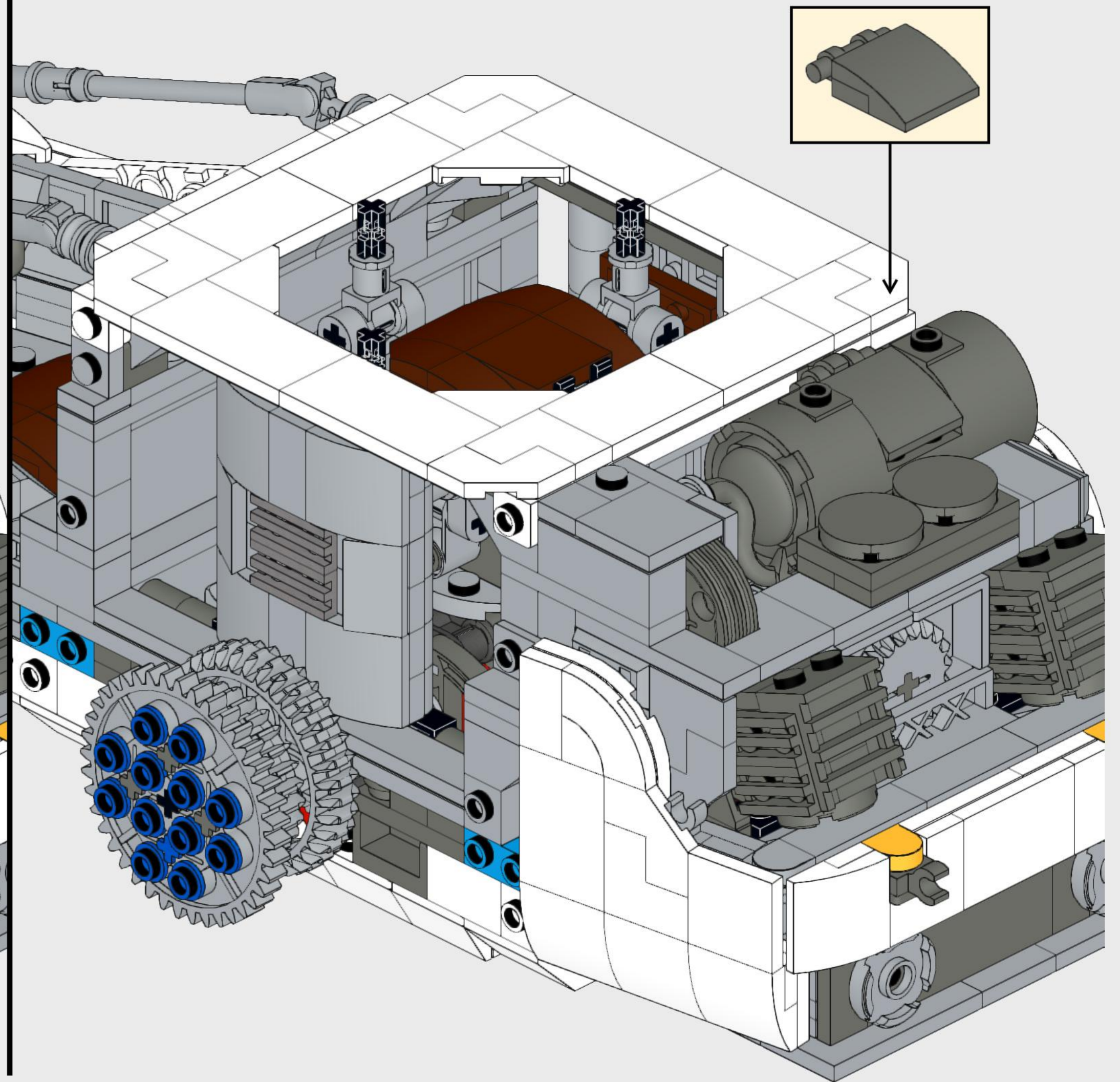


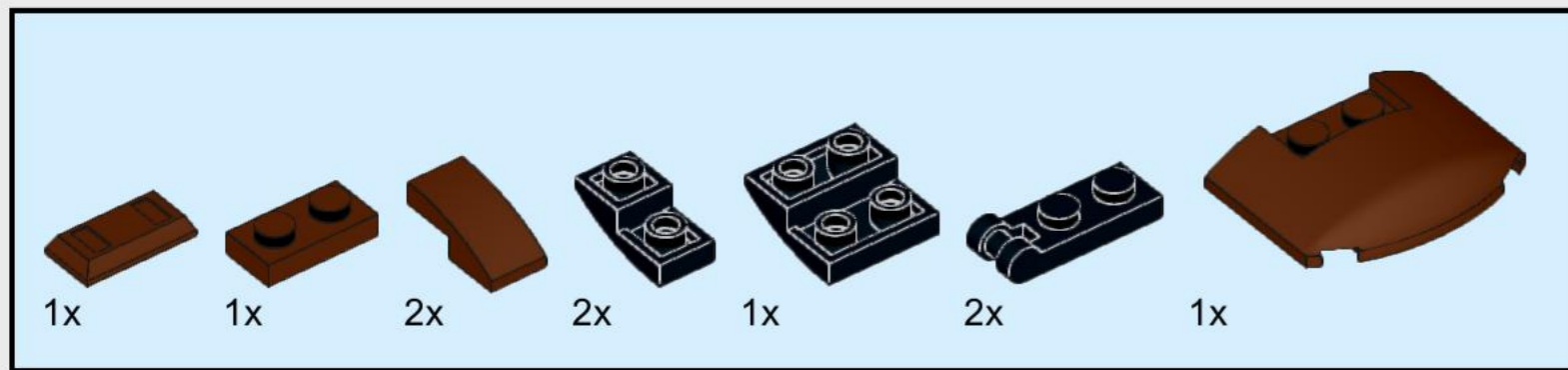


143

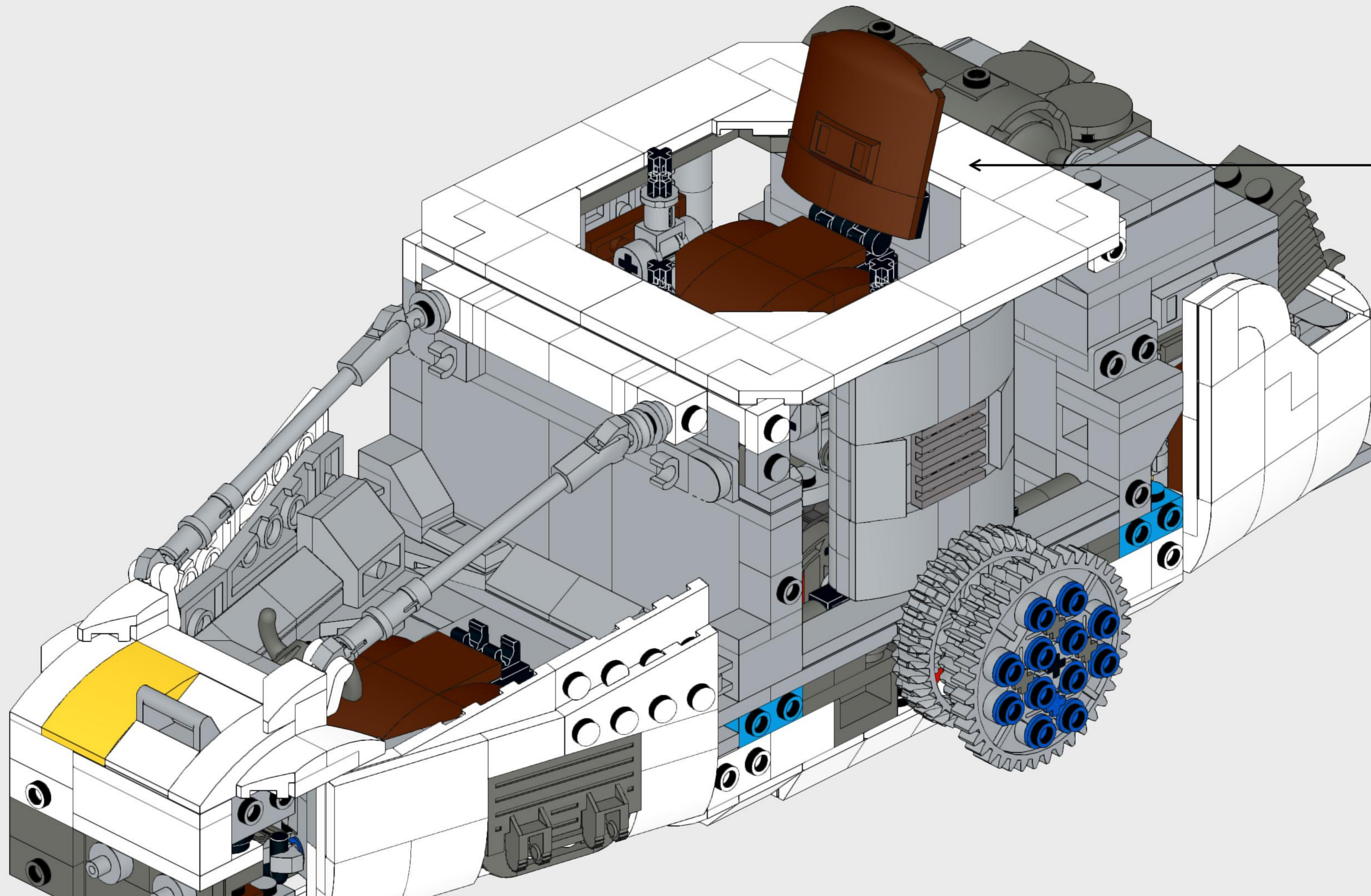
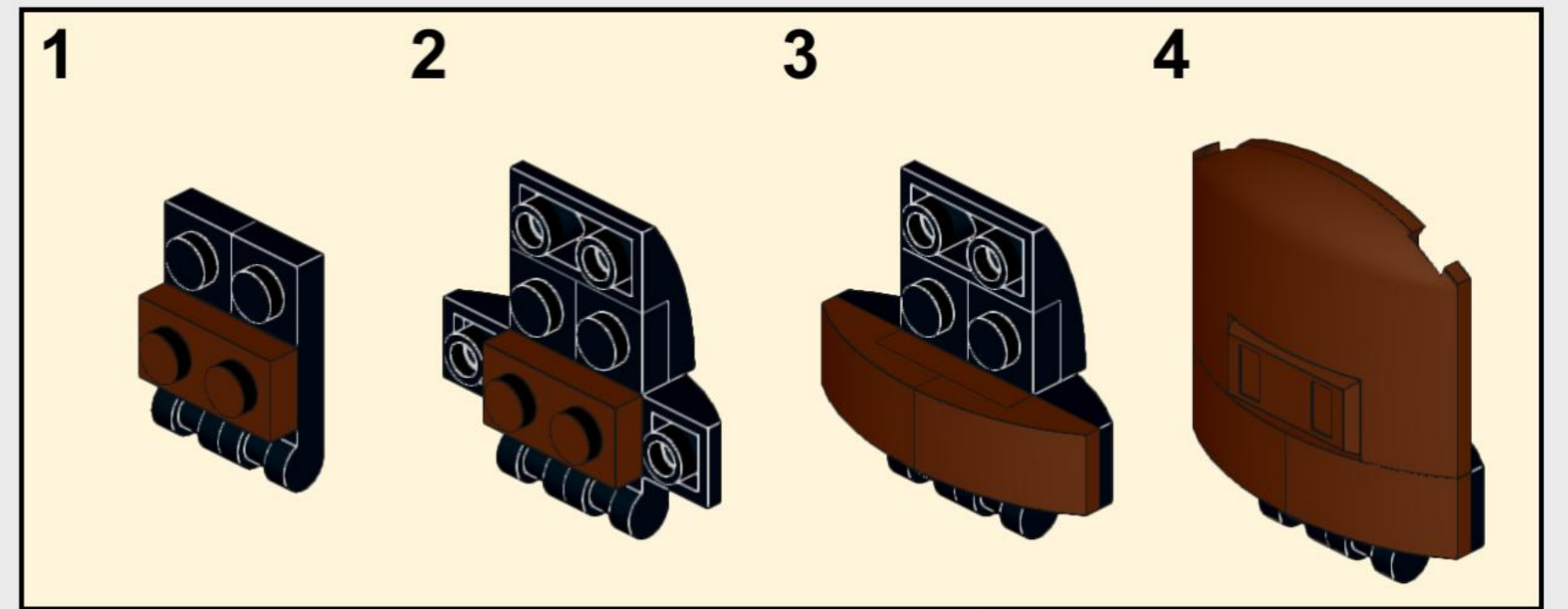


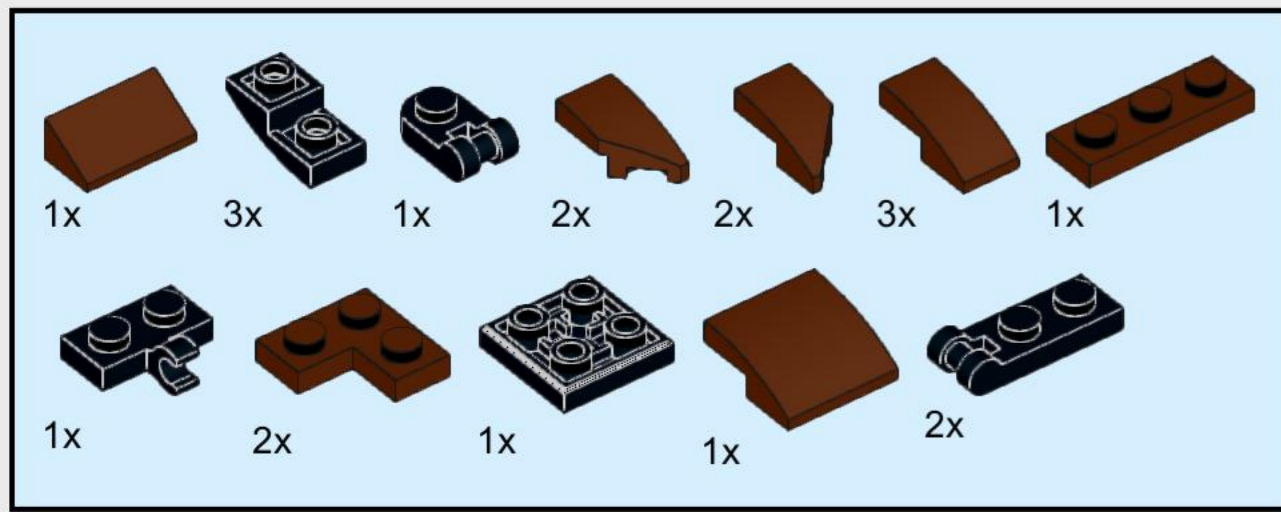
144



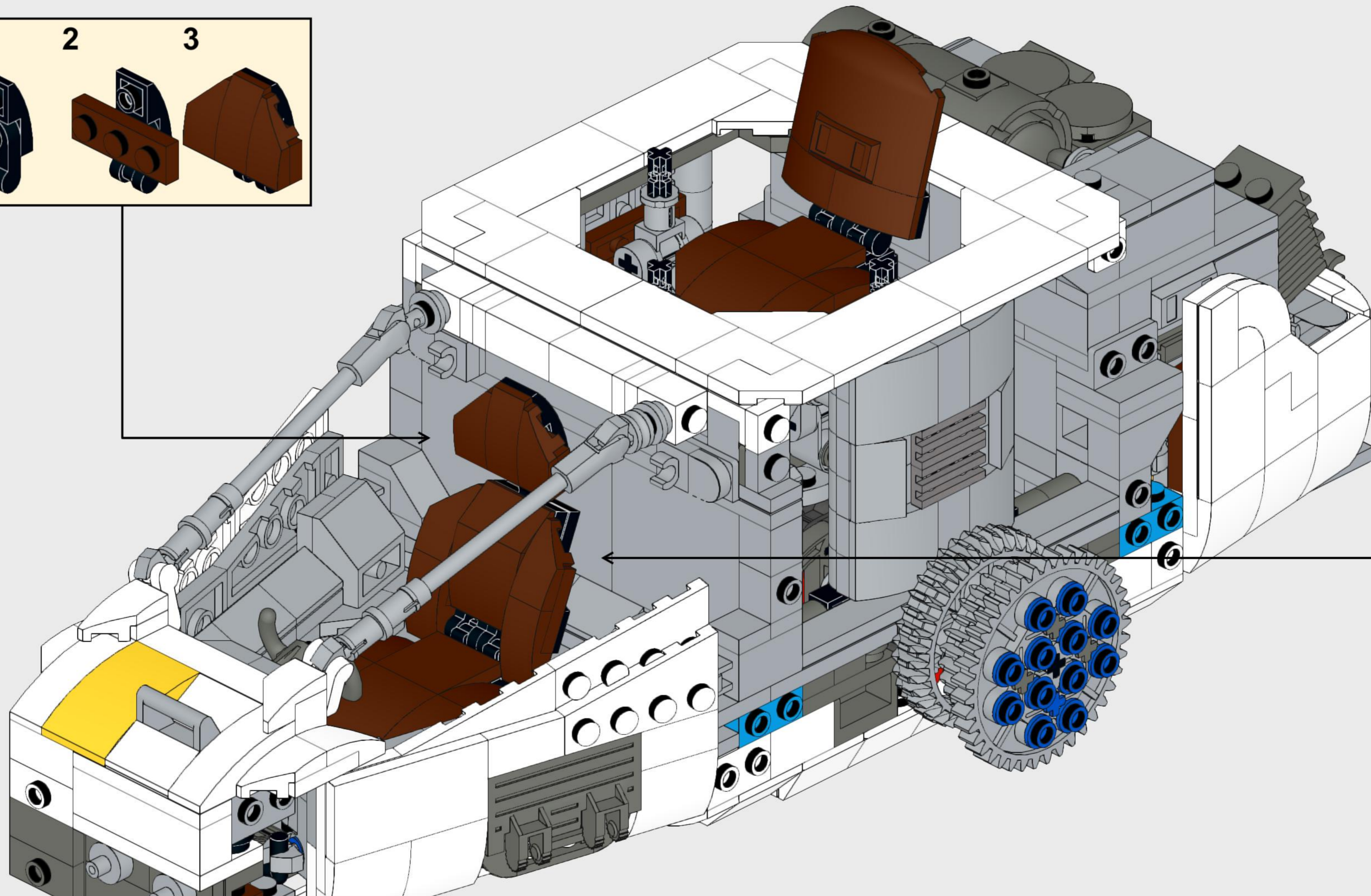
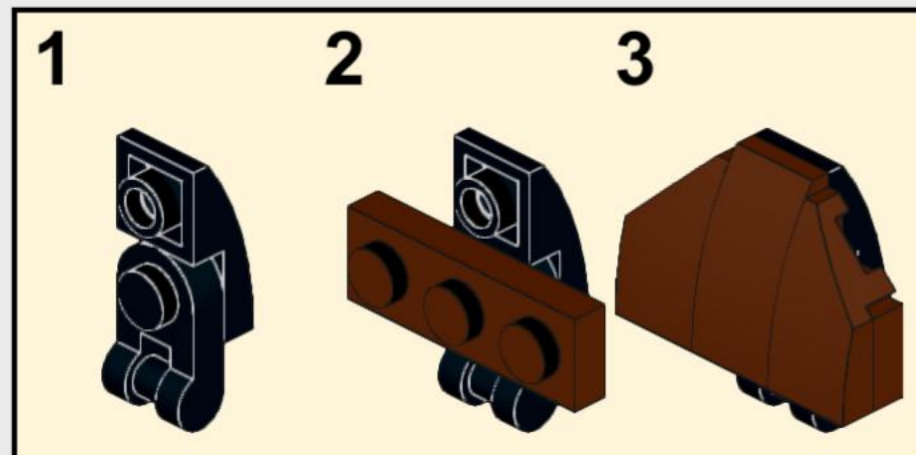
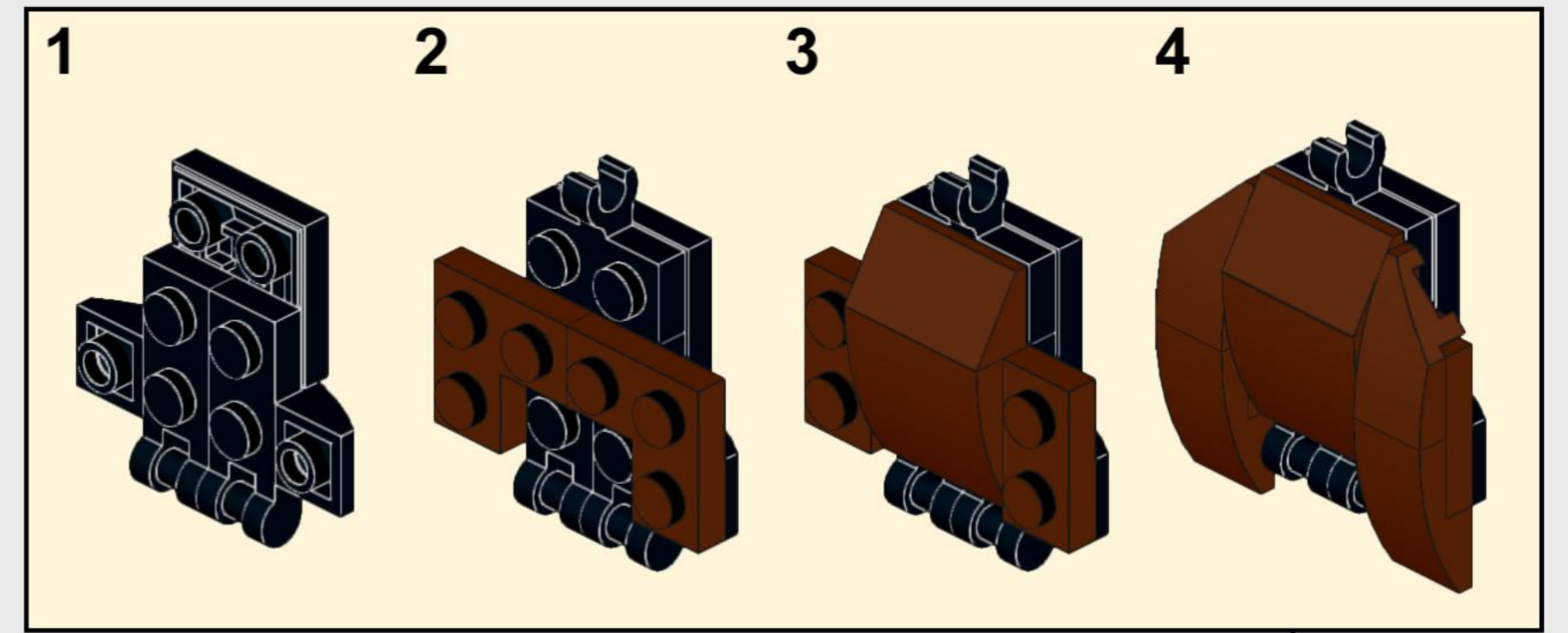


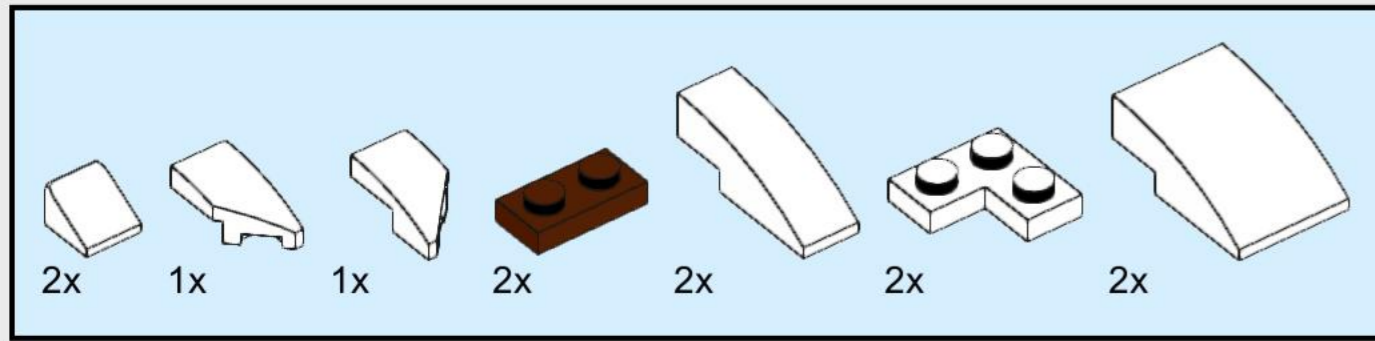
145 



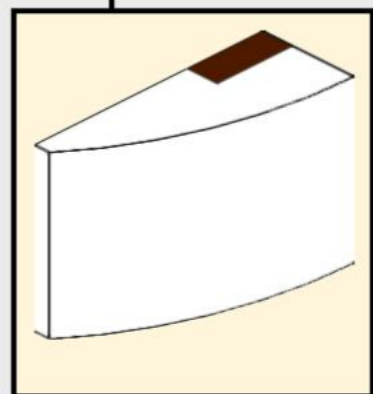
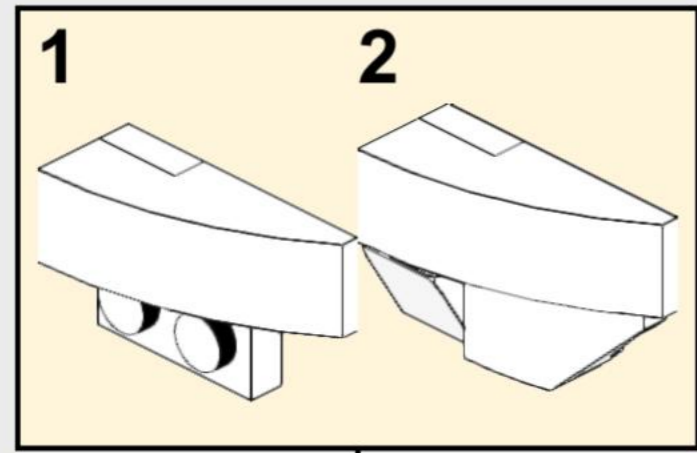


146

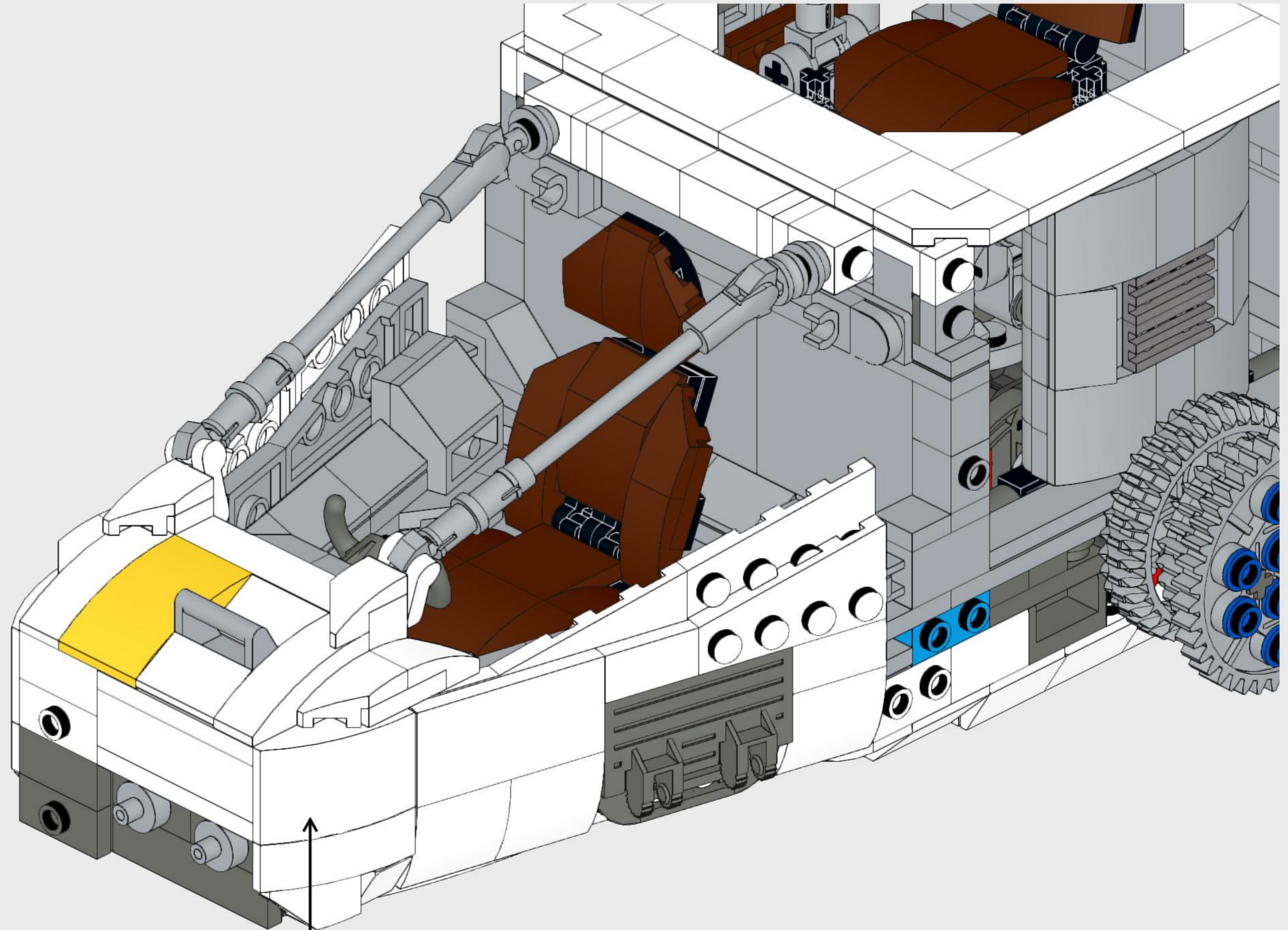
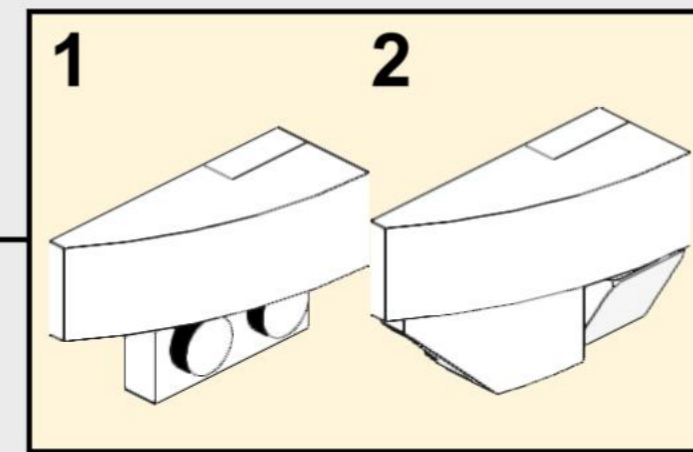


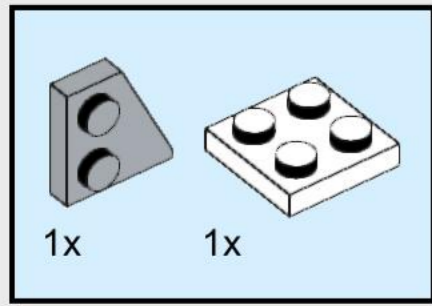


147

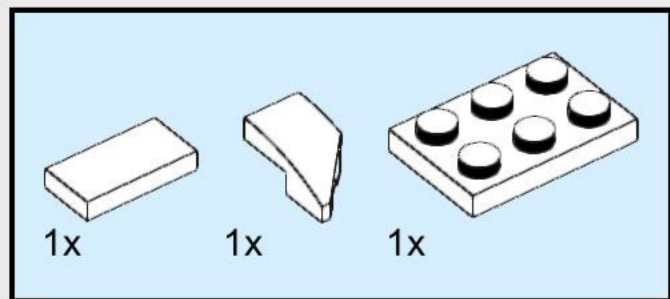
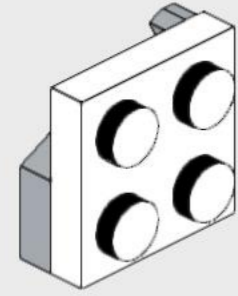


2x

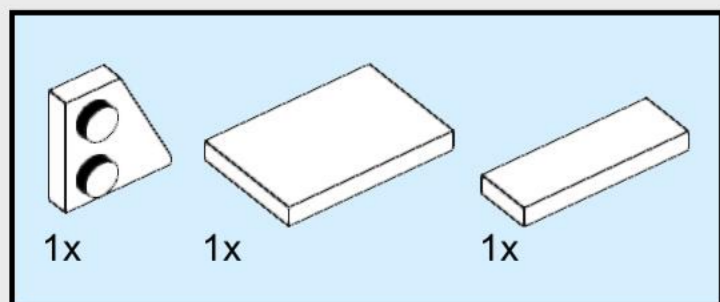
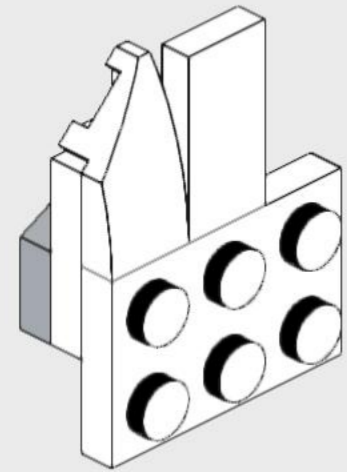




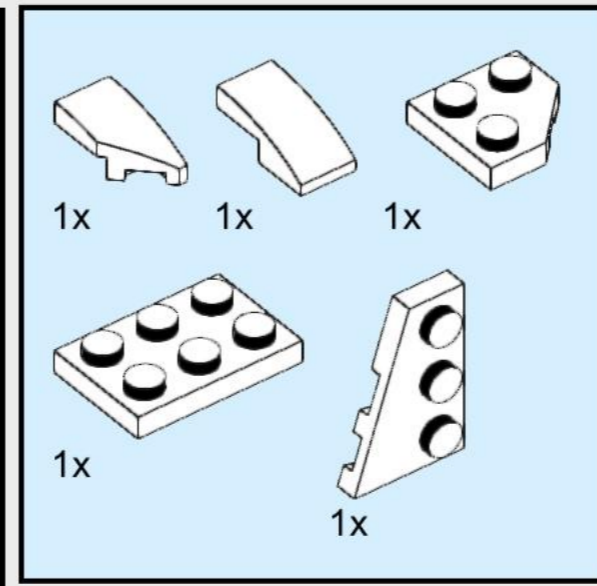
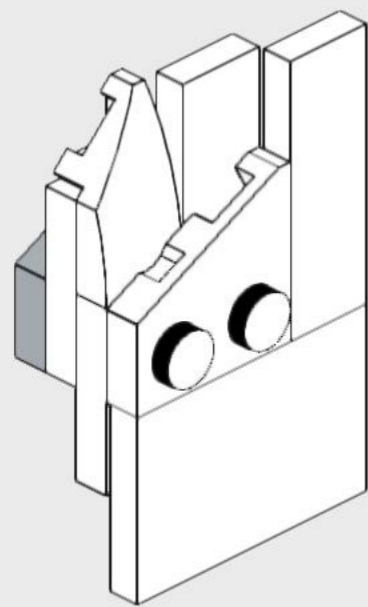
148



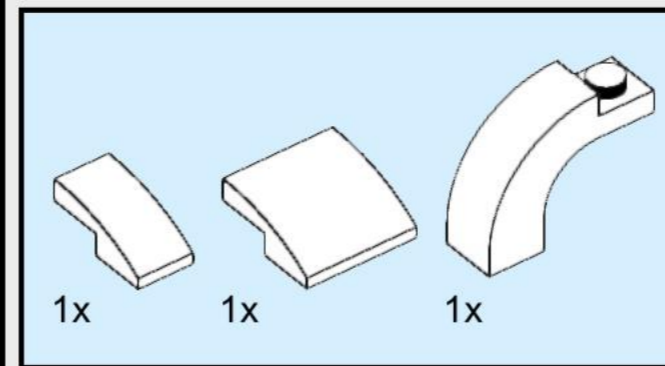
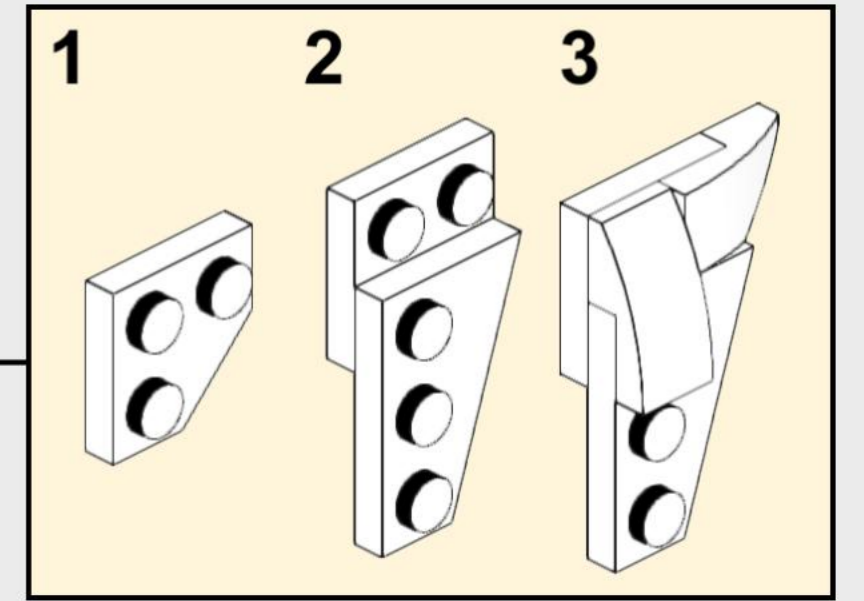
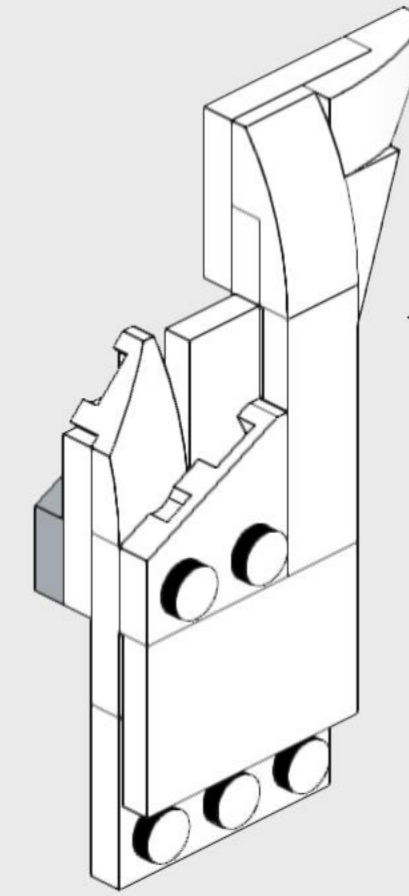
149



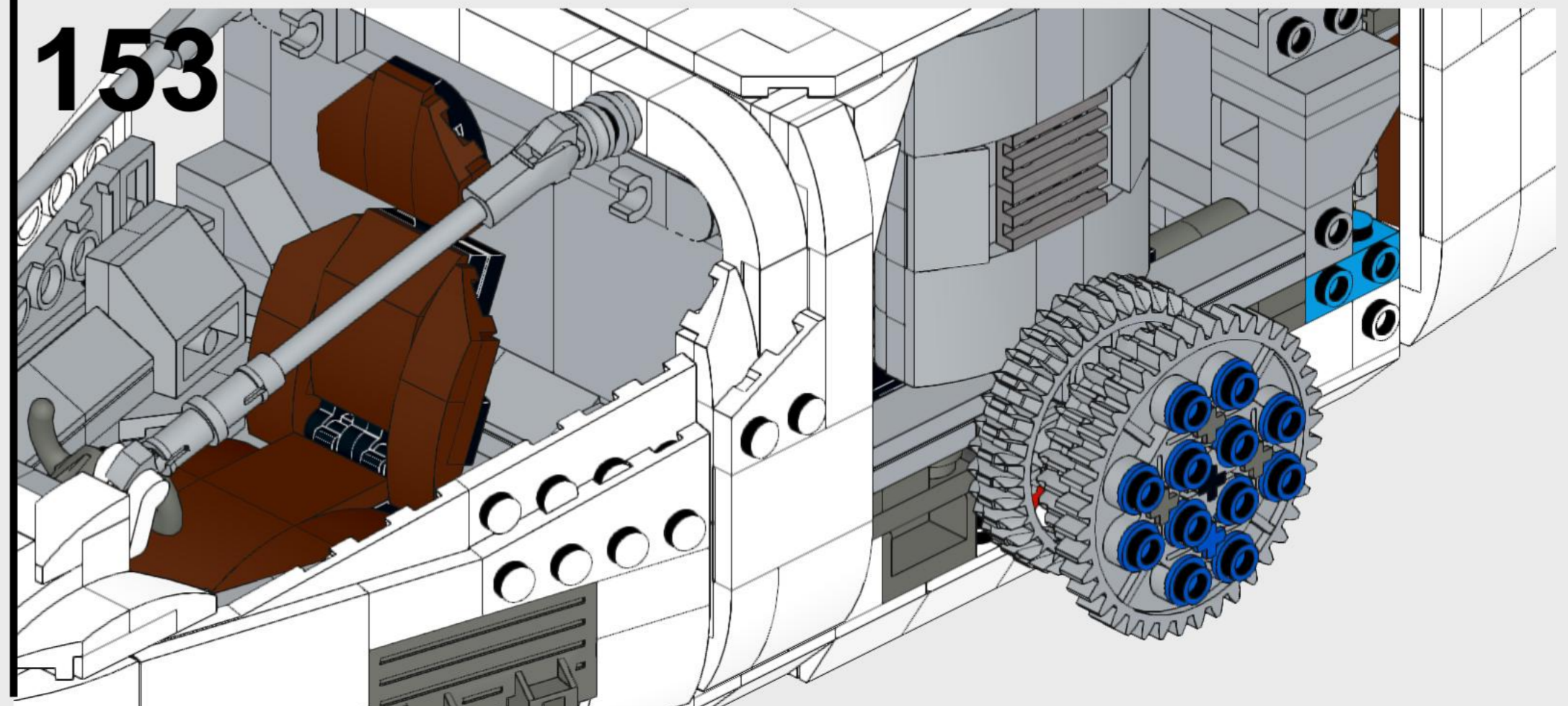
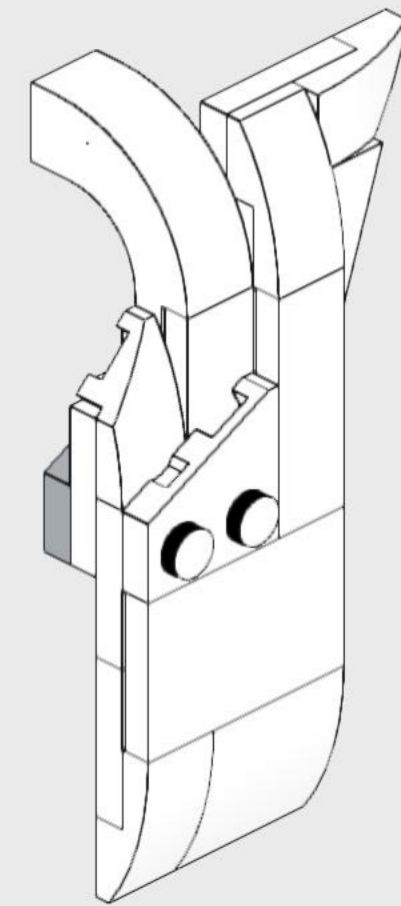
150



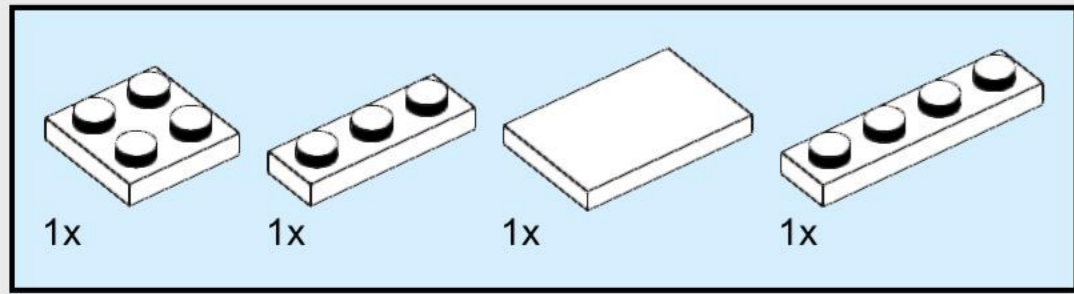
151



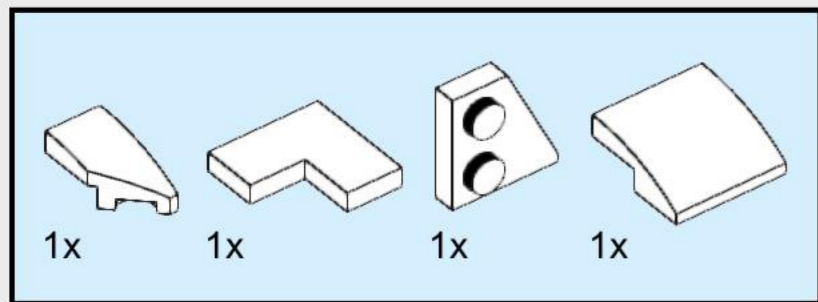
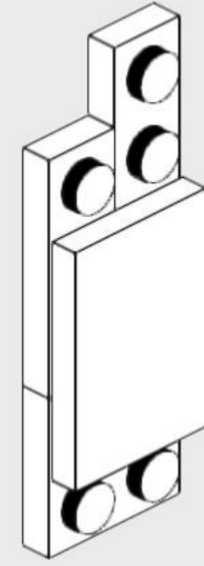
152



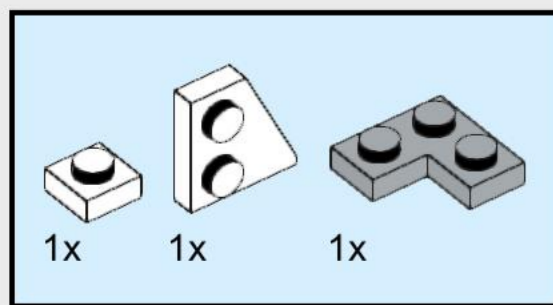
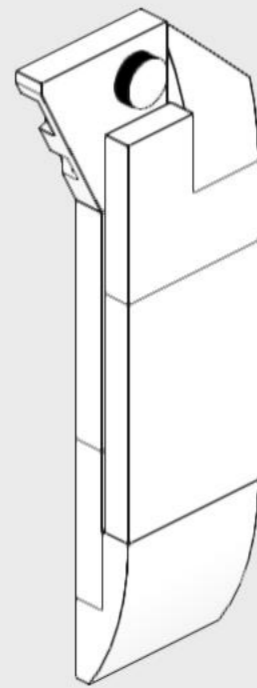
153



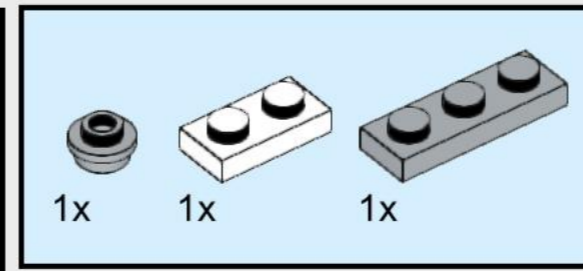
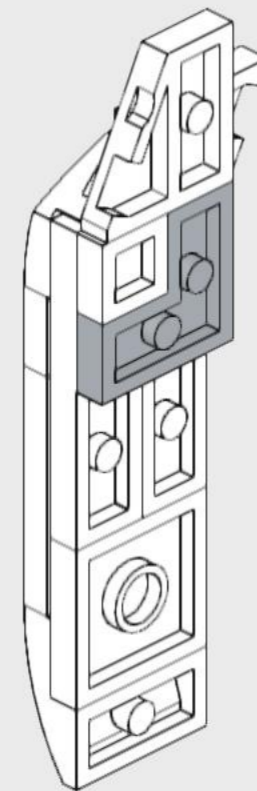
154



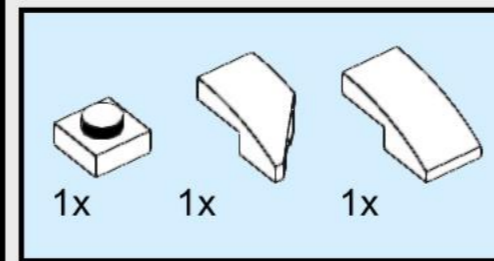
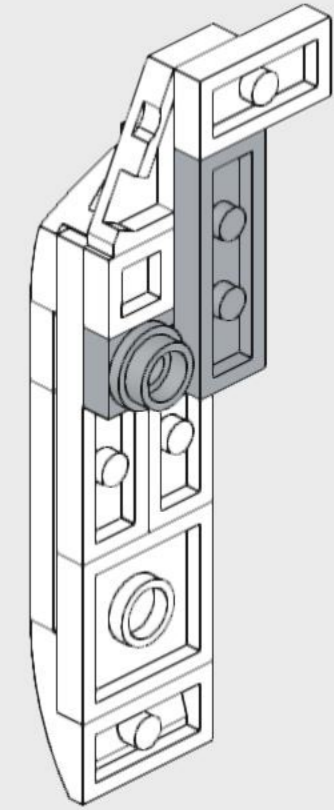
155



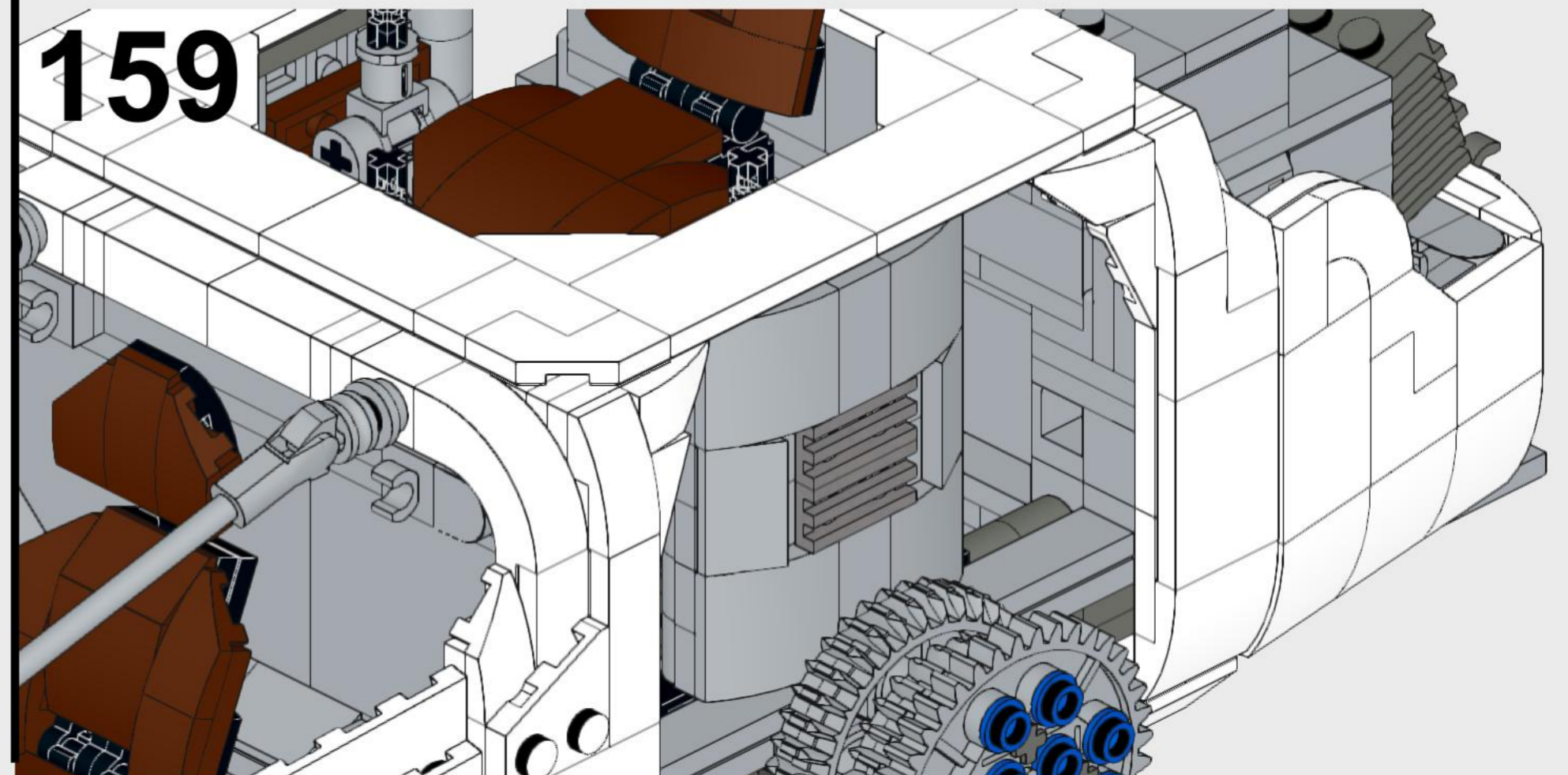
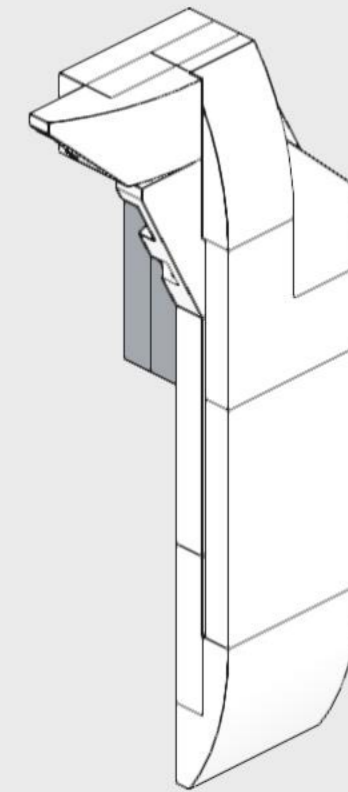
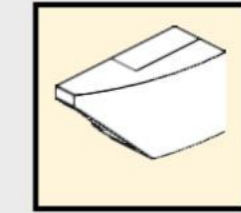
156



157

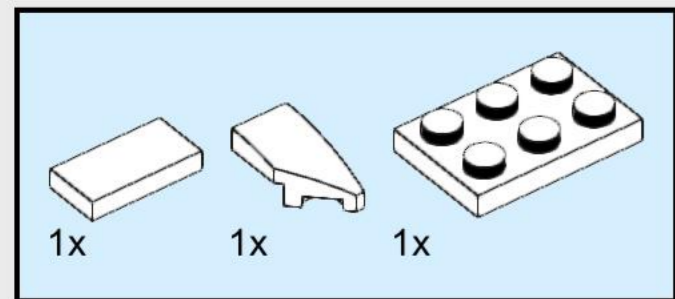
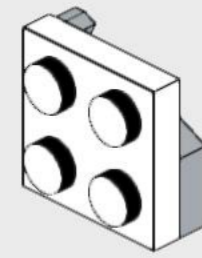
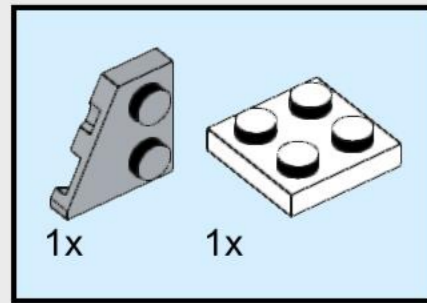


158

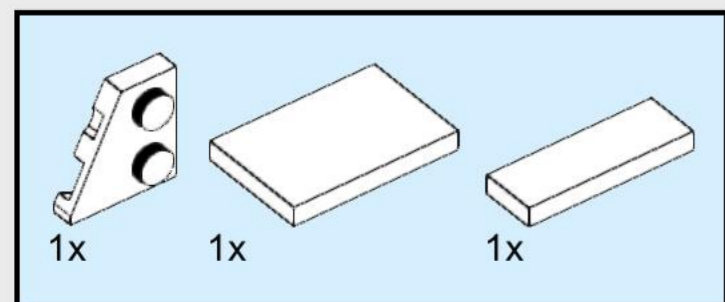
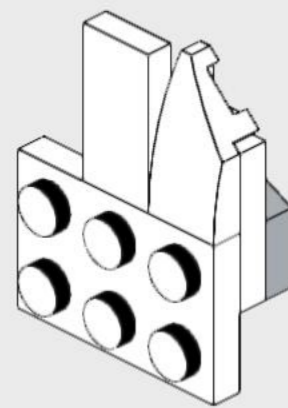


159

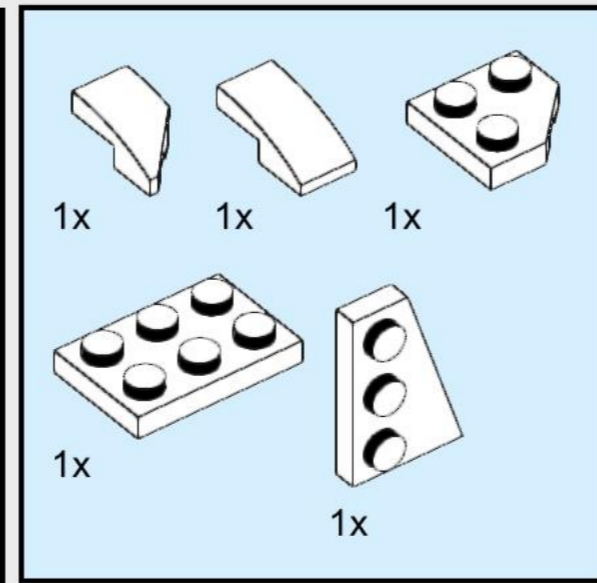
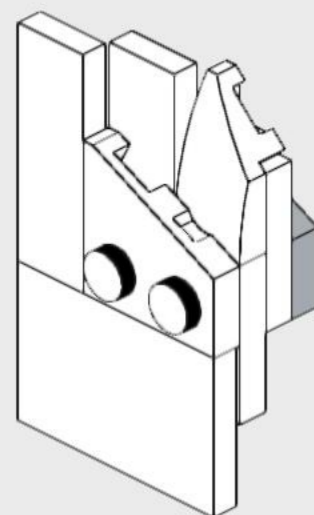
160



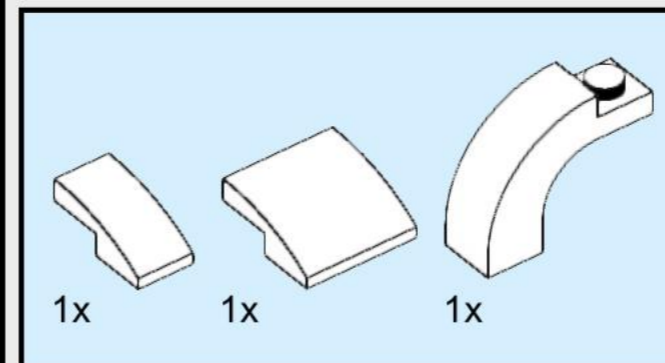
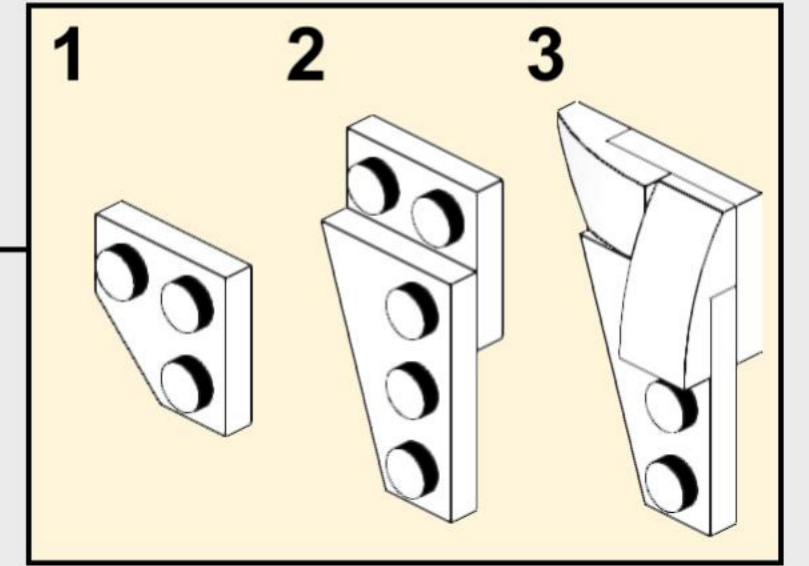
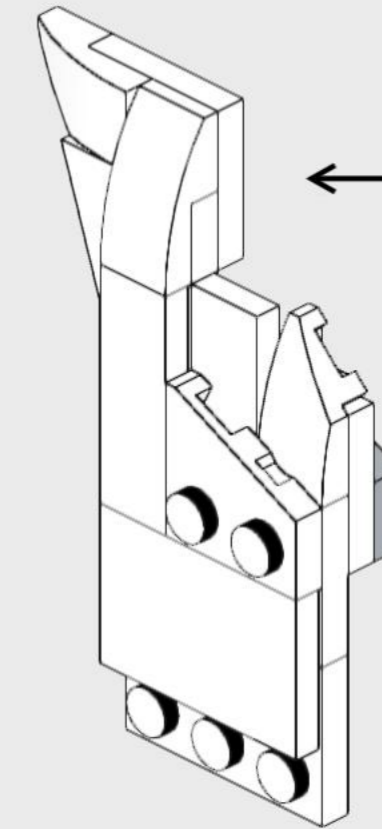
161



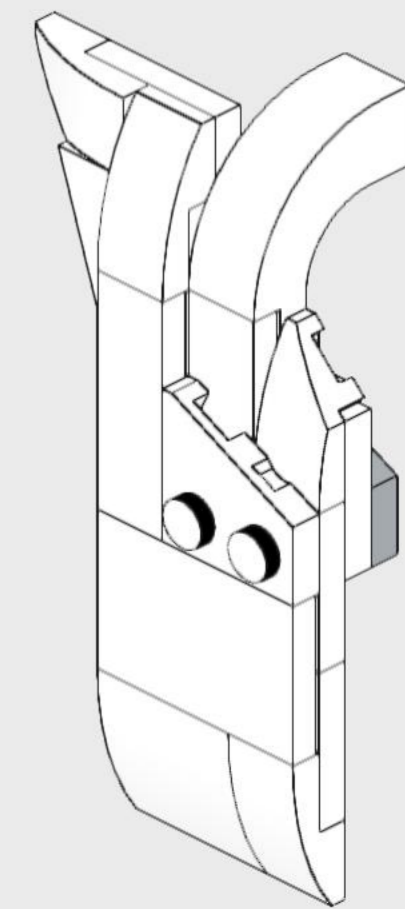
162



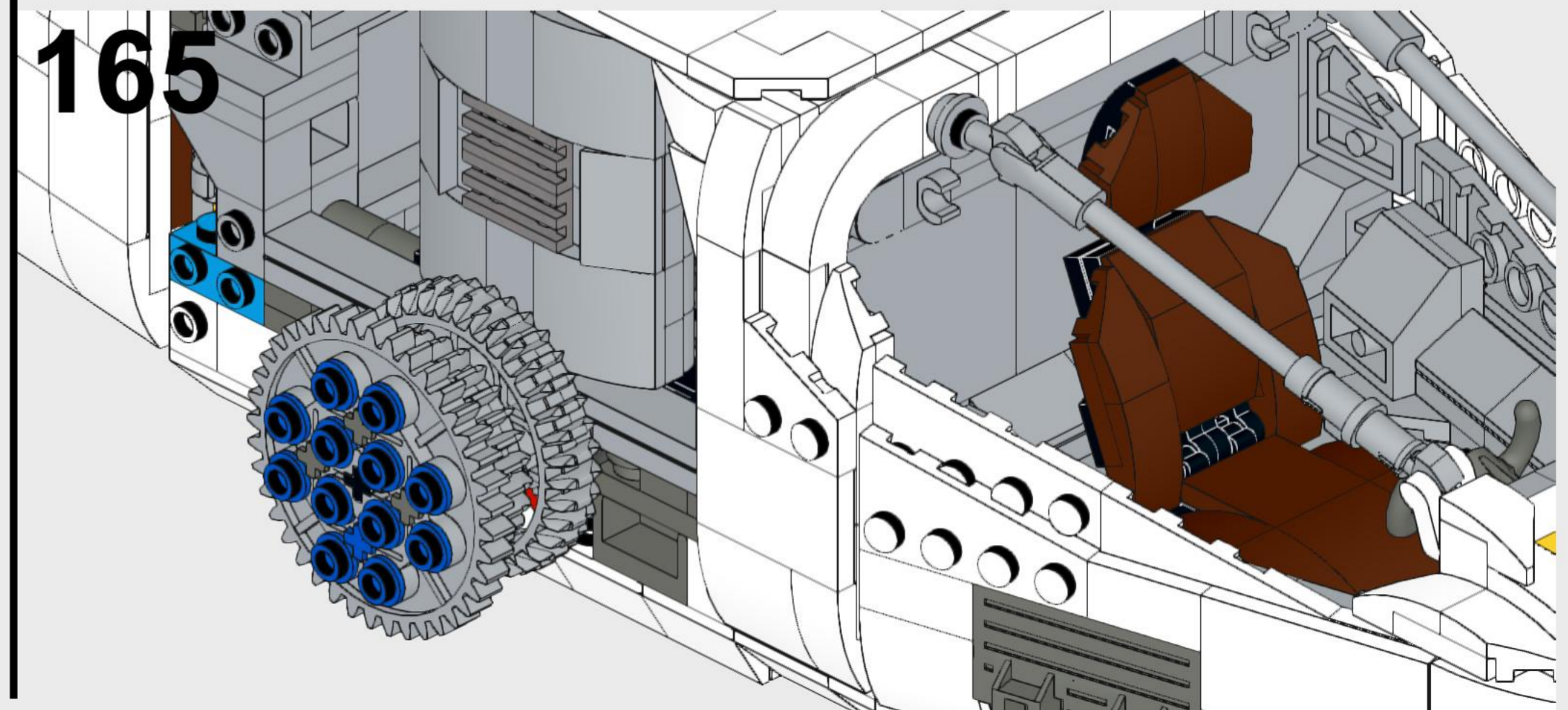
163

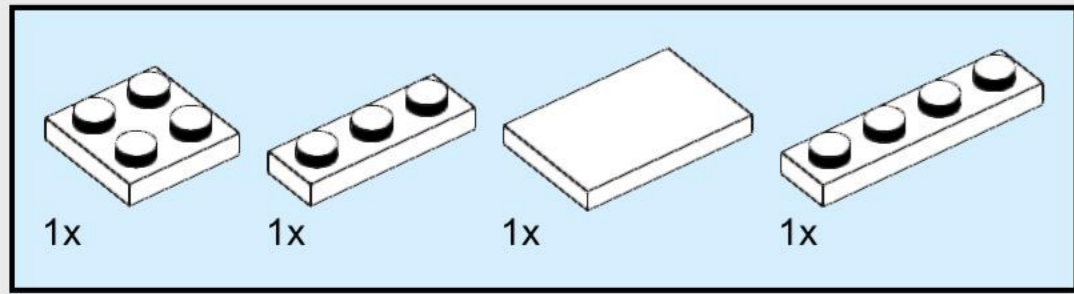


164

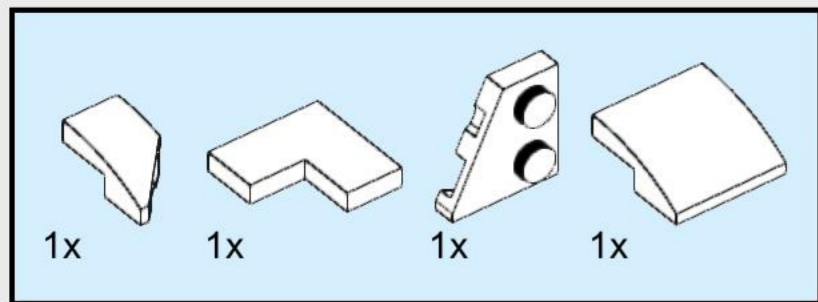
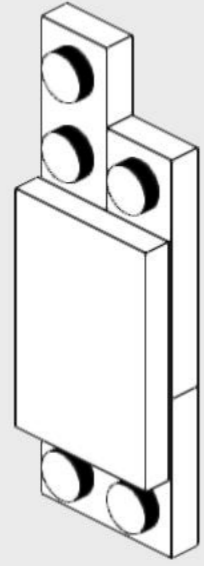


165

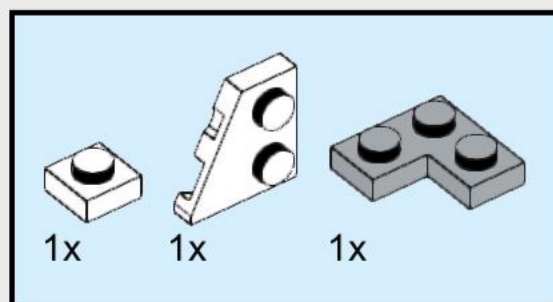
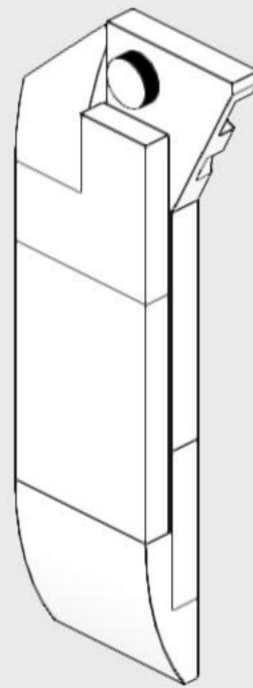




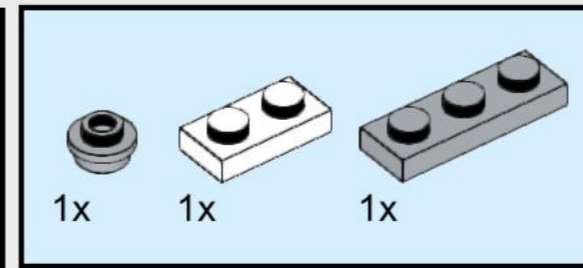
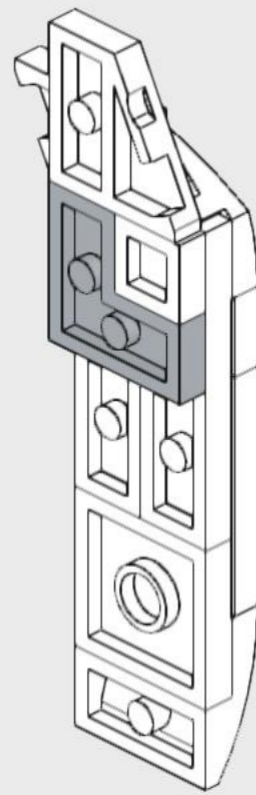
166



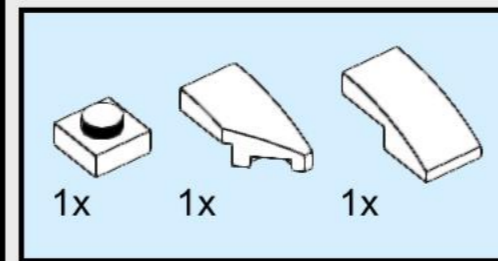
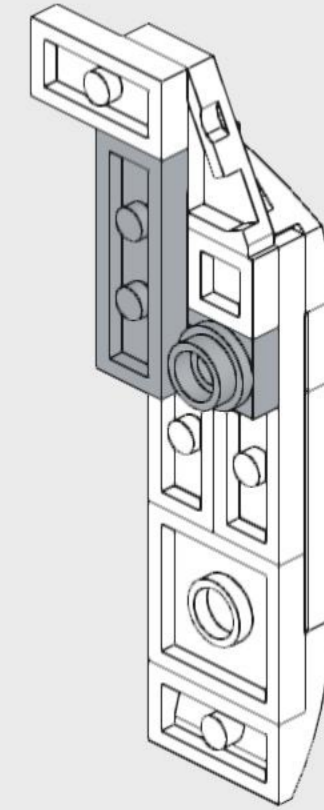
167



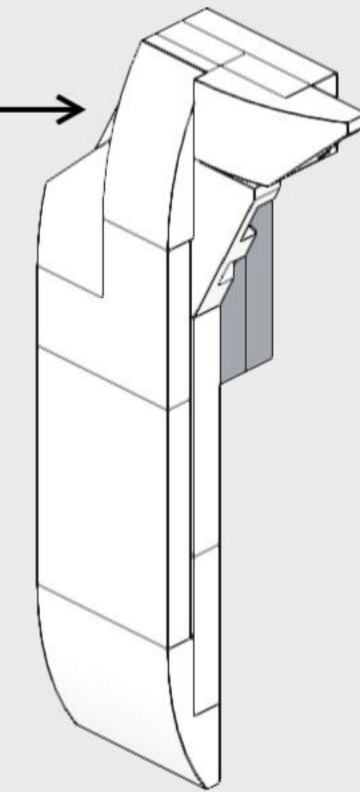
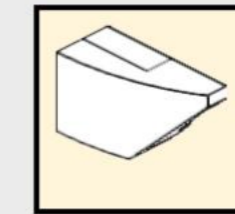
168



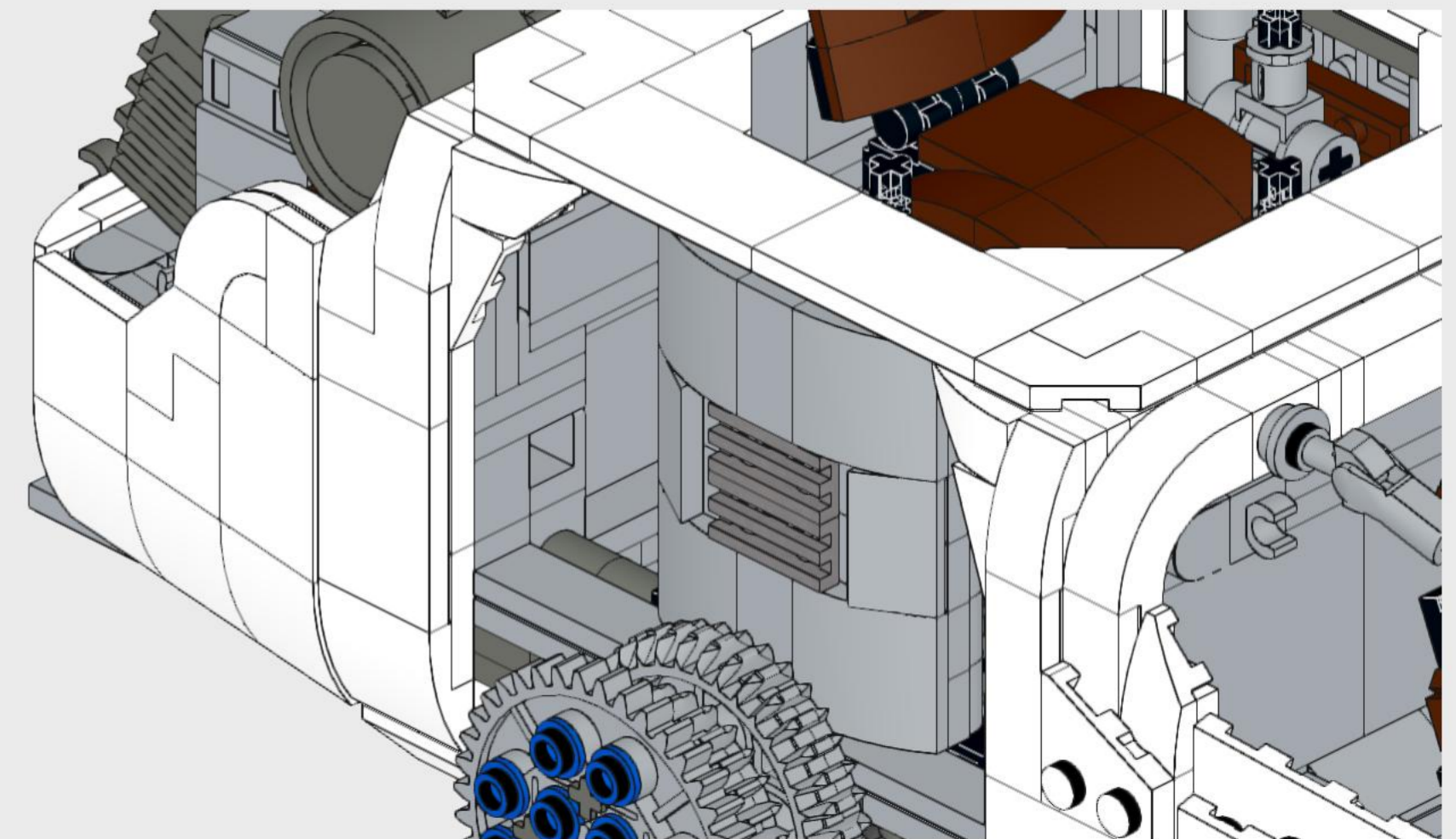
169

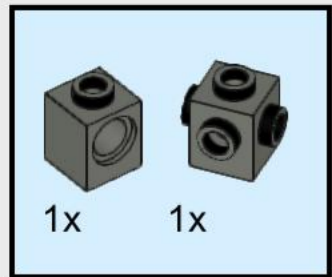


170

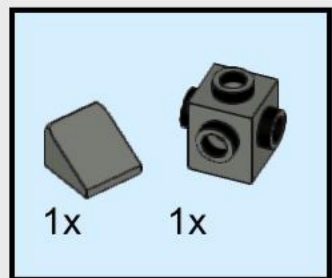
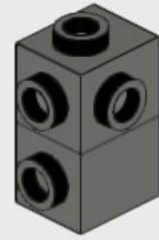


171

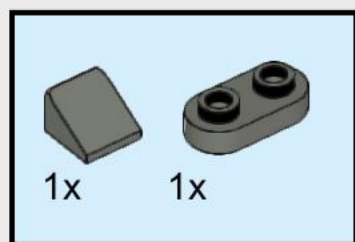
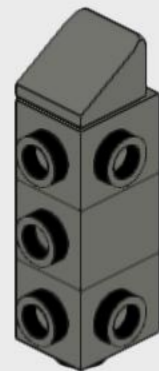




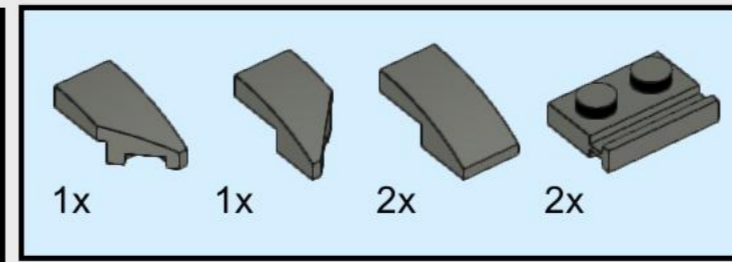
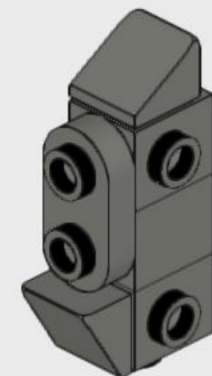
172



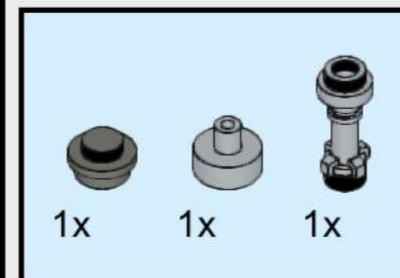
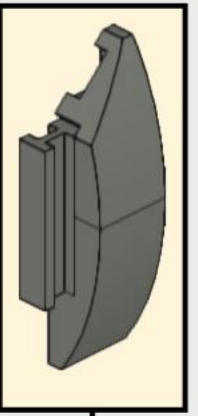
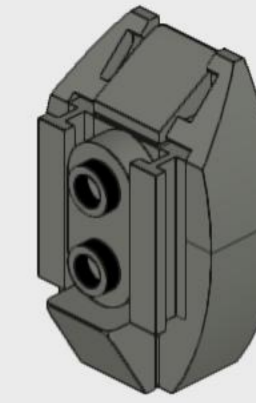
173



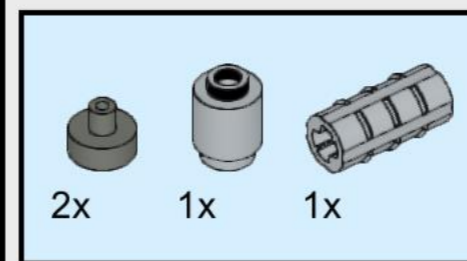
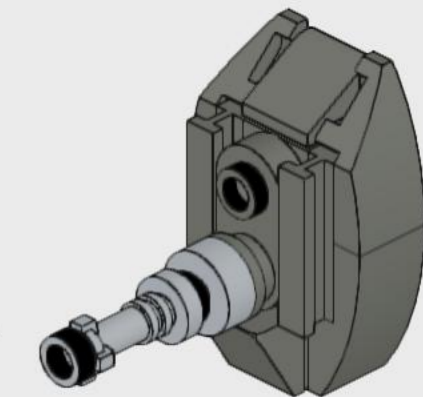
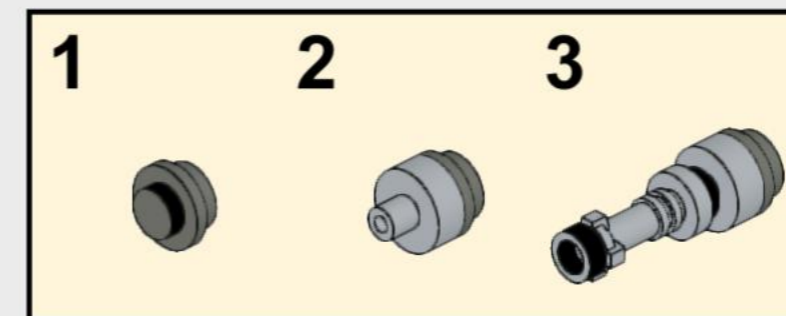
174



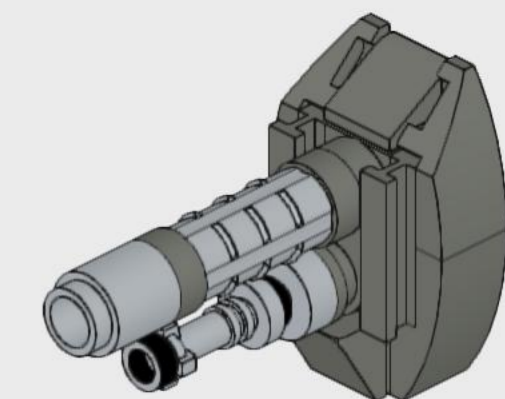
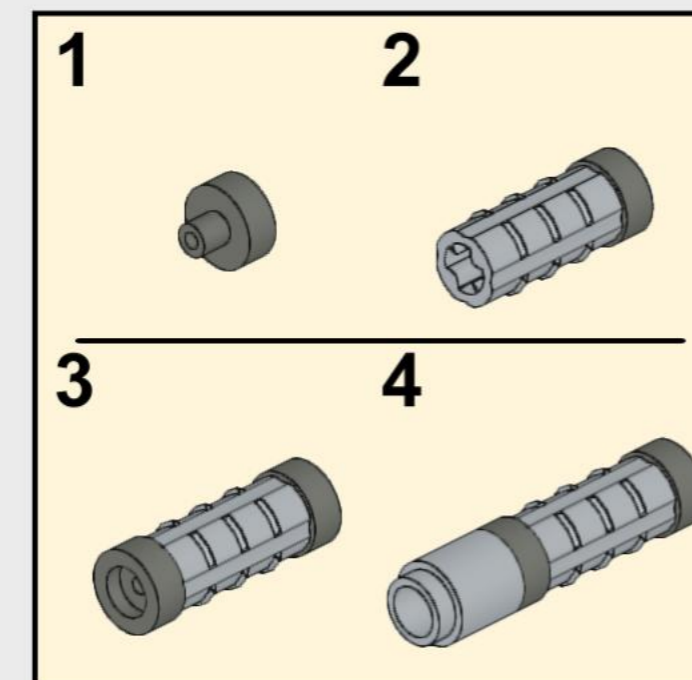
175

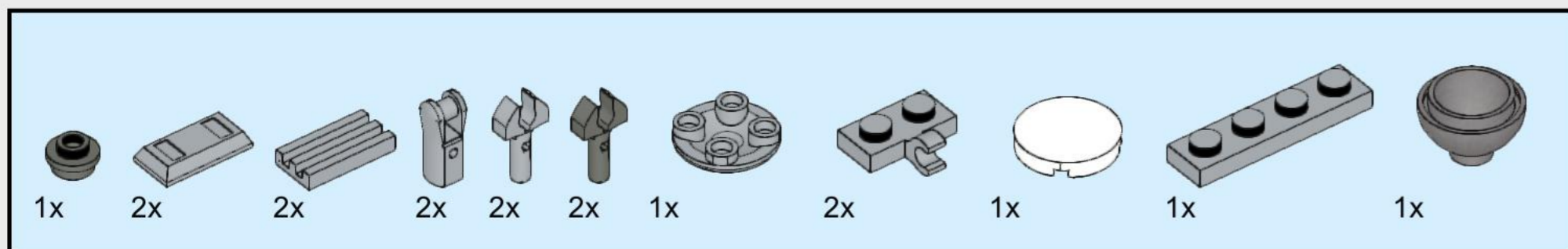


176

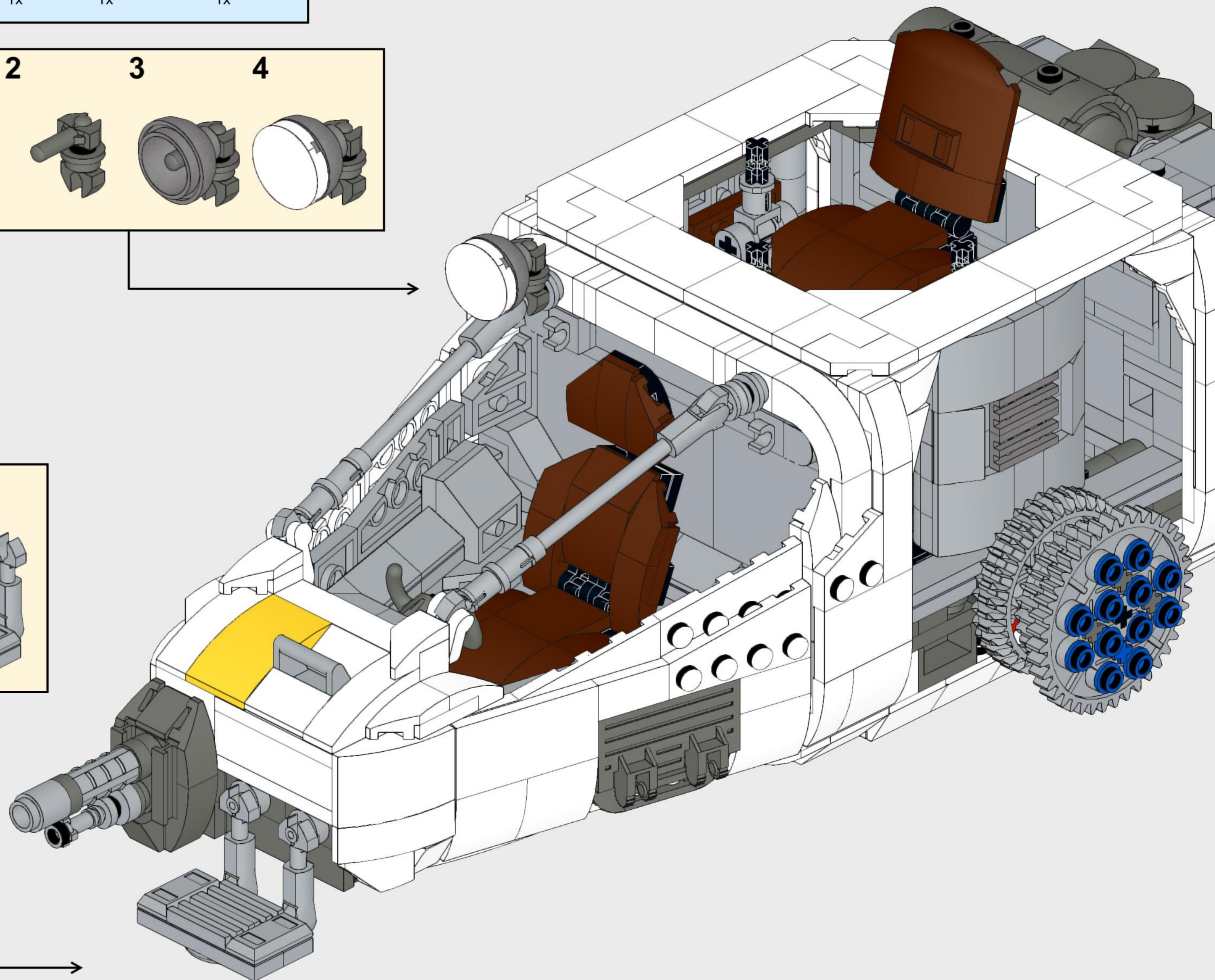
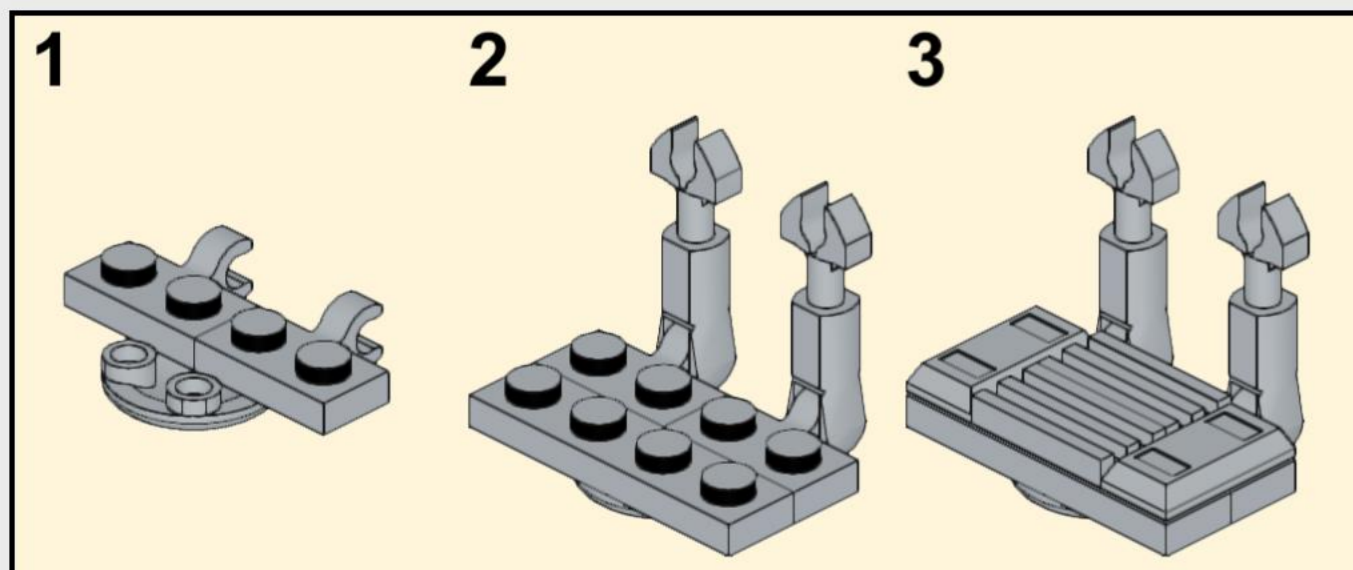
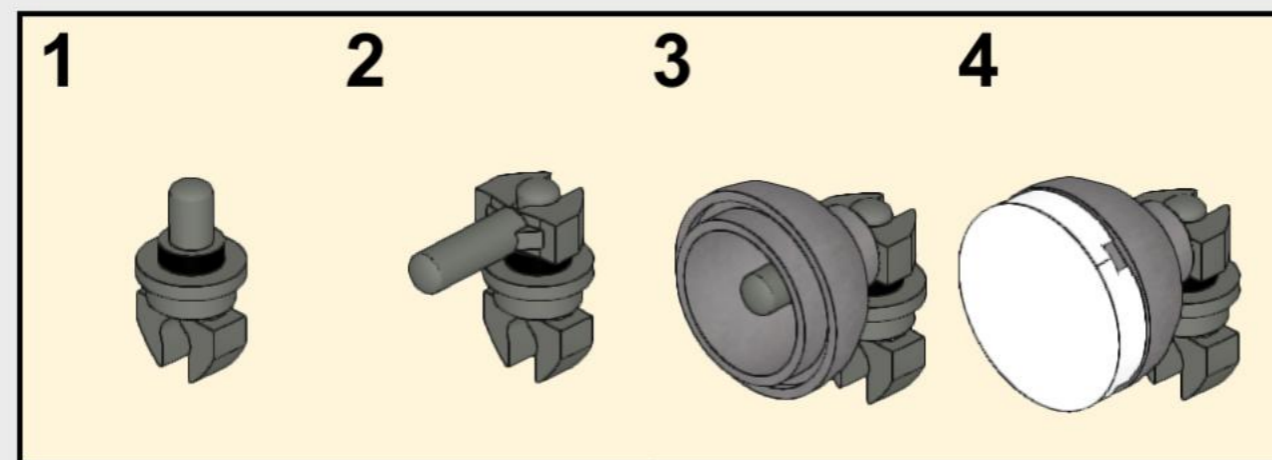


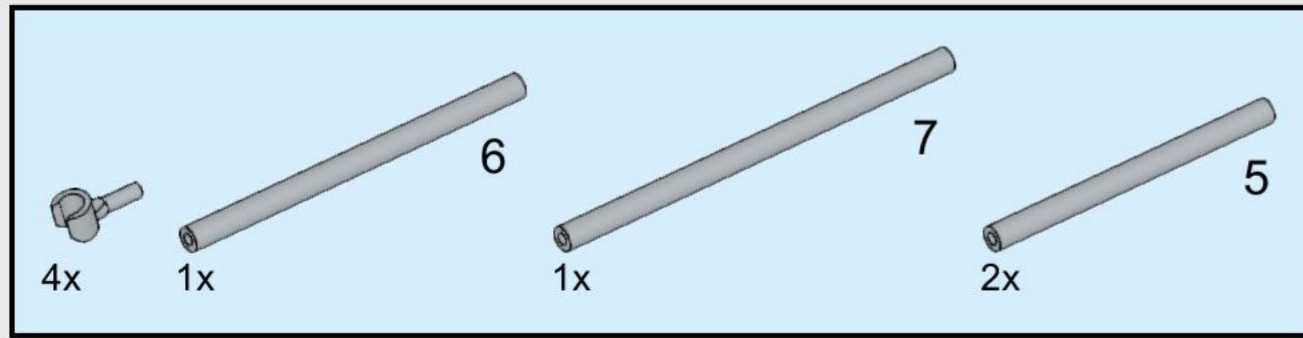
177



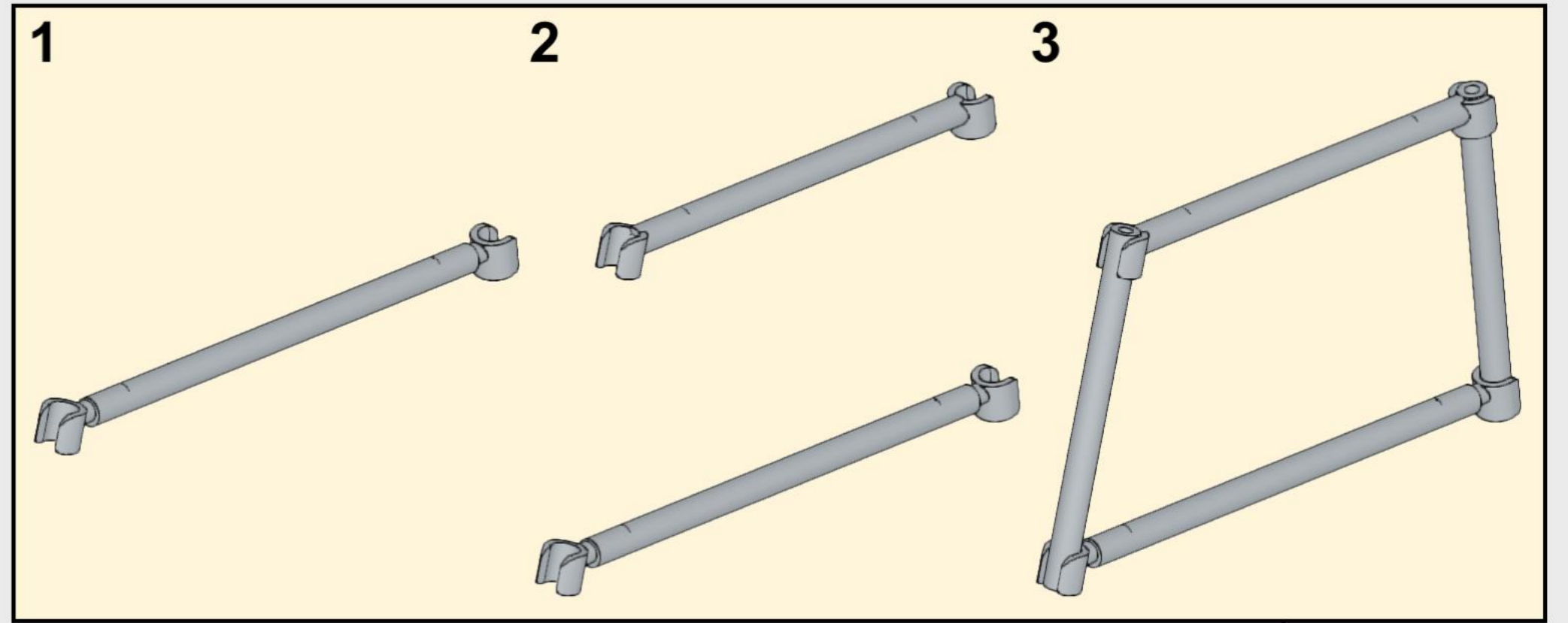
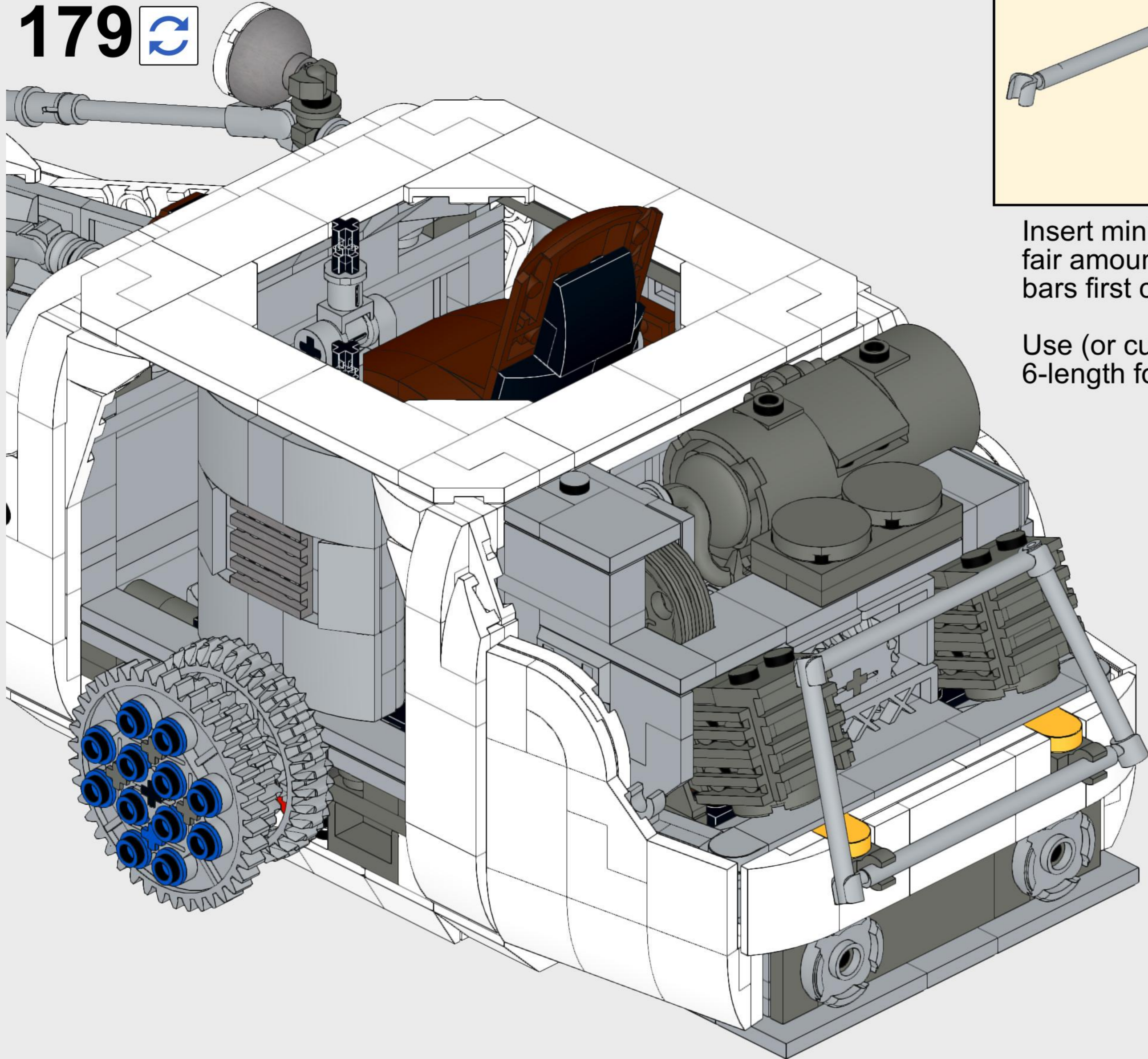


178



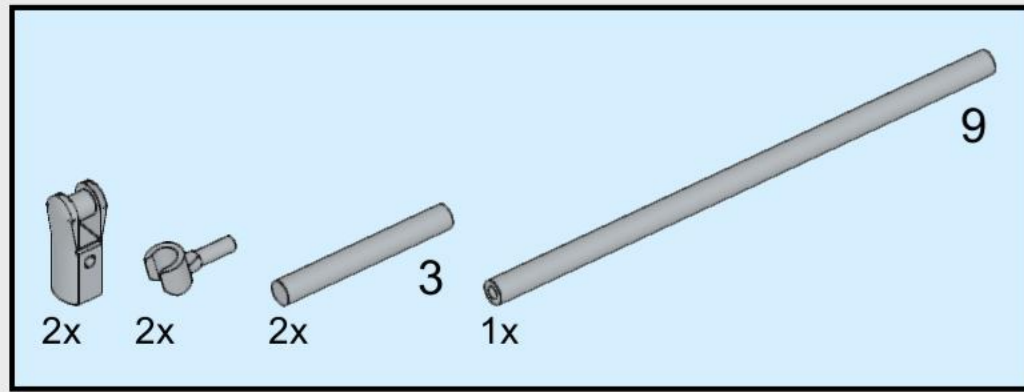


179

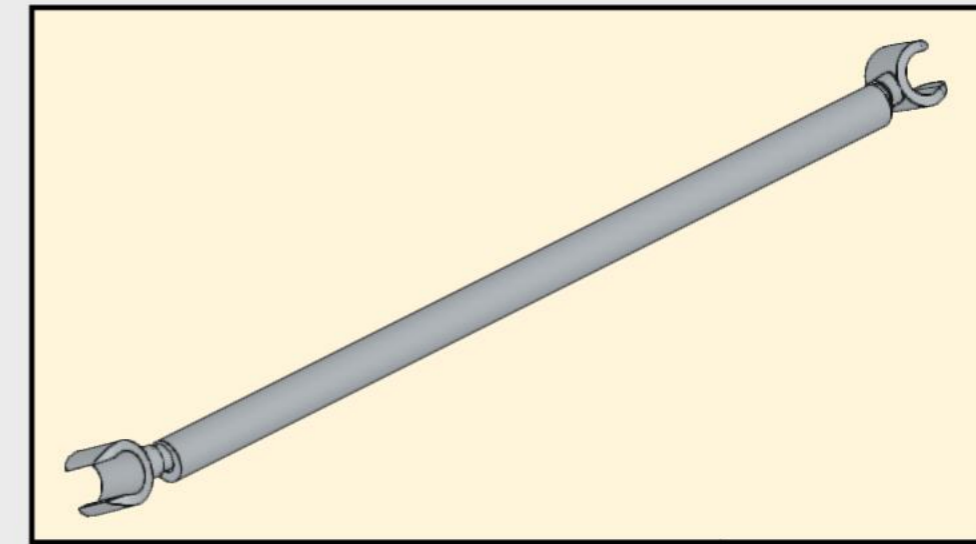
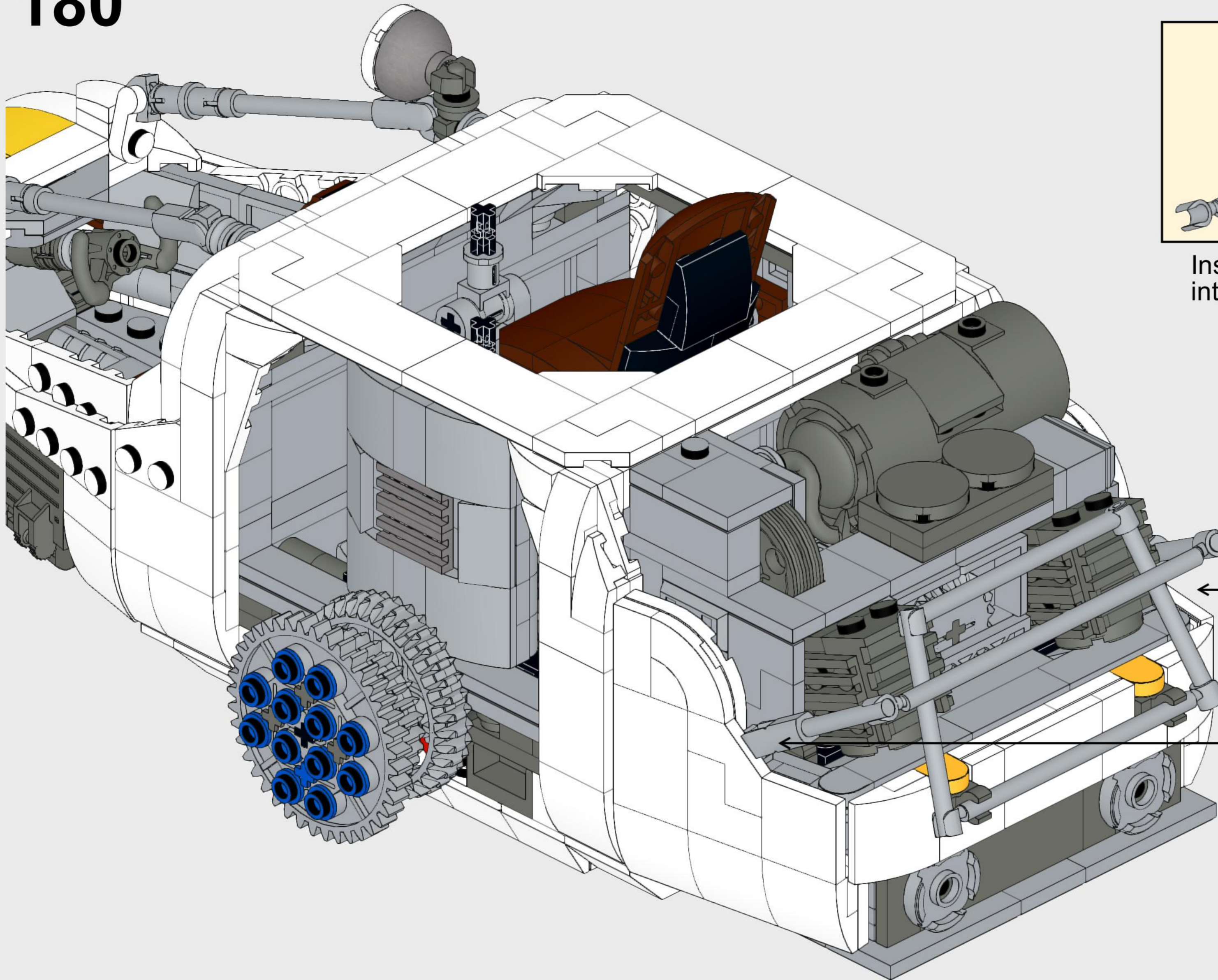


Insert minifig hands into rigid hoses. This can take a fair amount of pressure, so clipping the hands onto bars first can help get leverage needed to insert them.

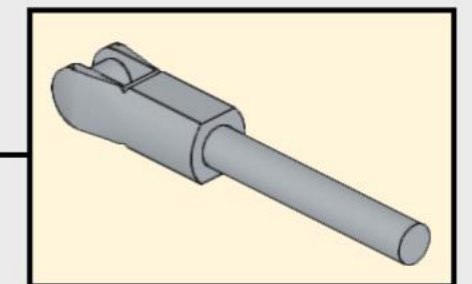
Use (or cut) a 7-stud-length piece for the bottom, a 6-length for the top and 5-lengths for the sides.



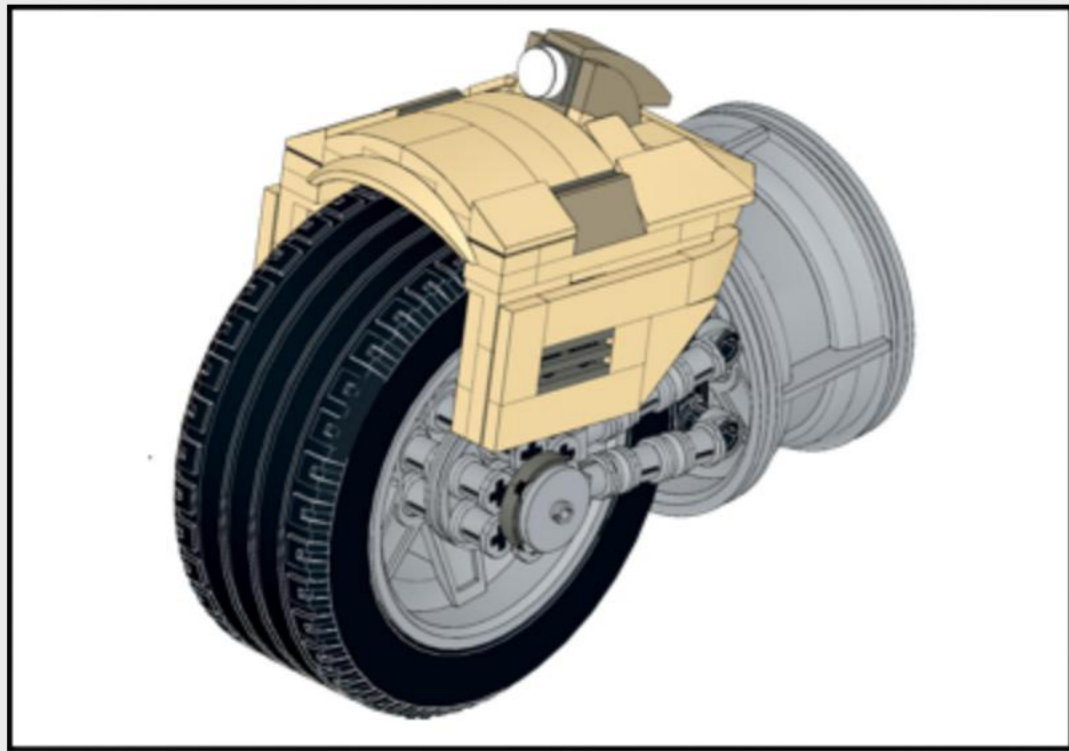
180



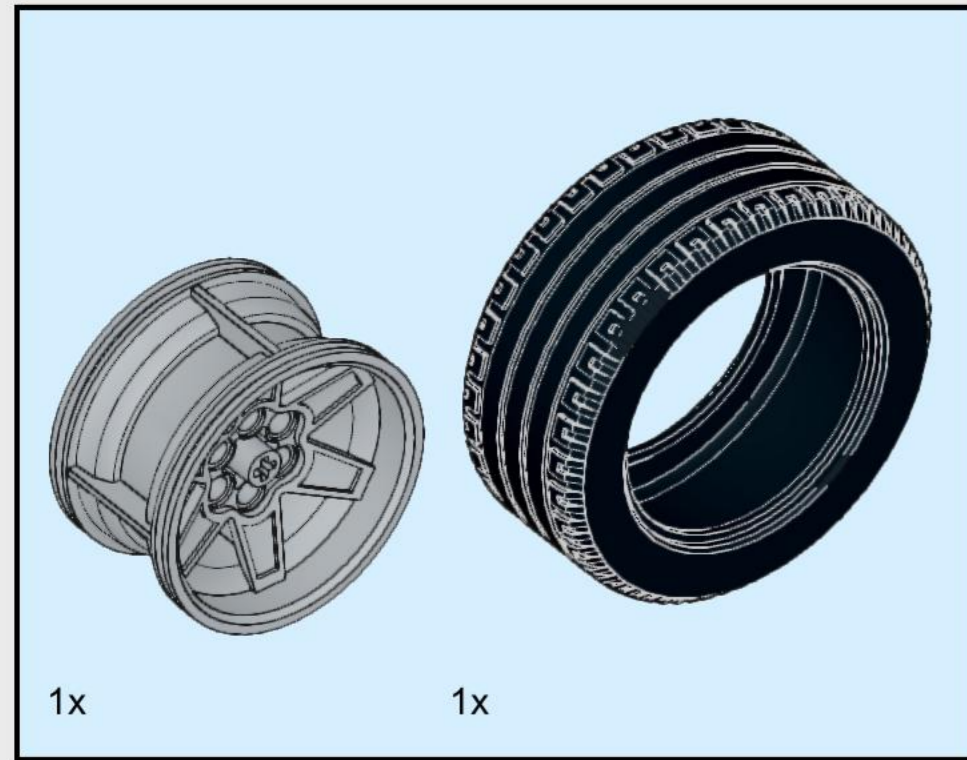
Insert minifig hands
into 9-length hose



2x



2x

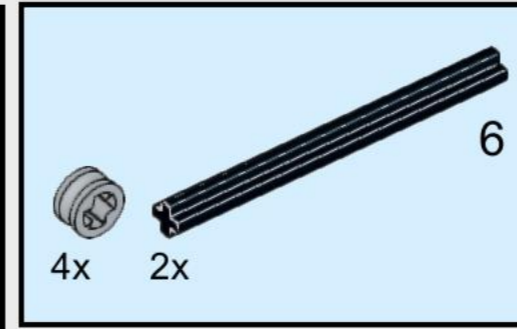


1x

1x

Reverse wheel on second build of this model, so that left/right front wheels will be symmetrically mirrored when the full model is constructed.

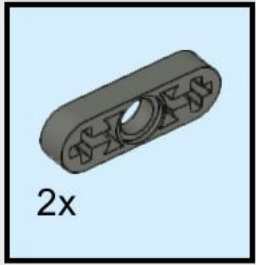
1



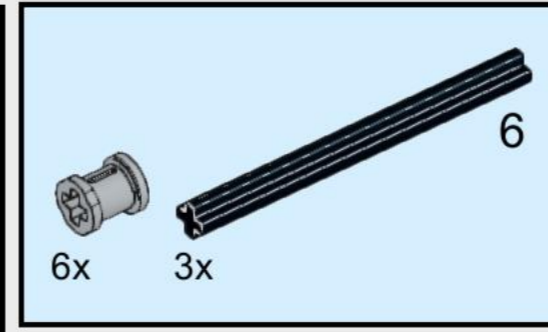
2

Wheel build is symmetrical. Add same pieces to reverse side per step.



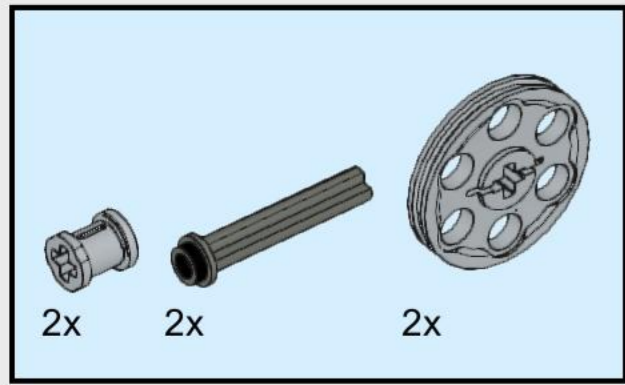


3

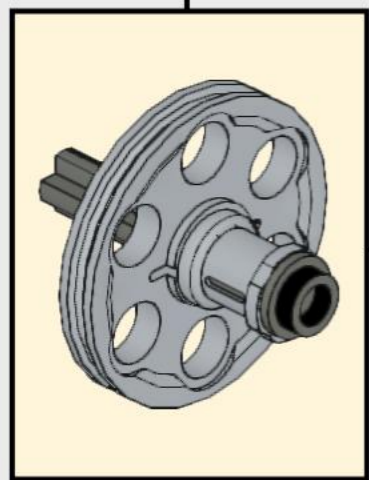


4

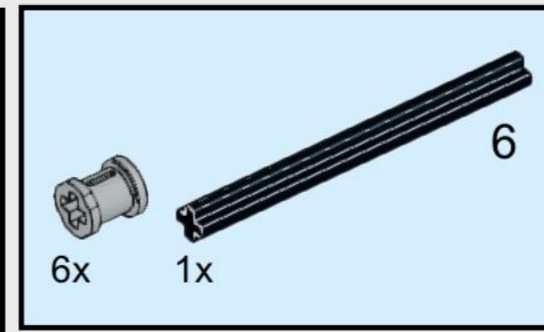




5

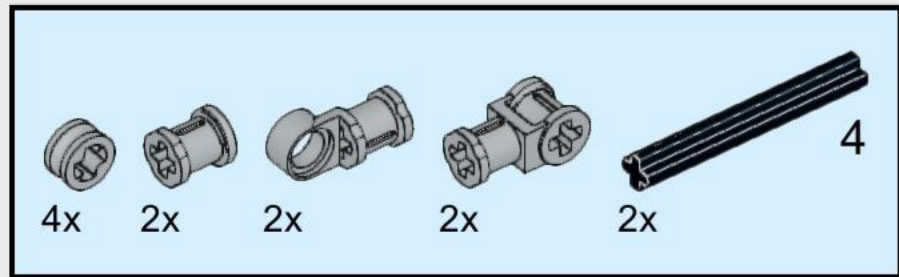


2x

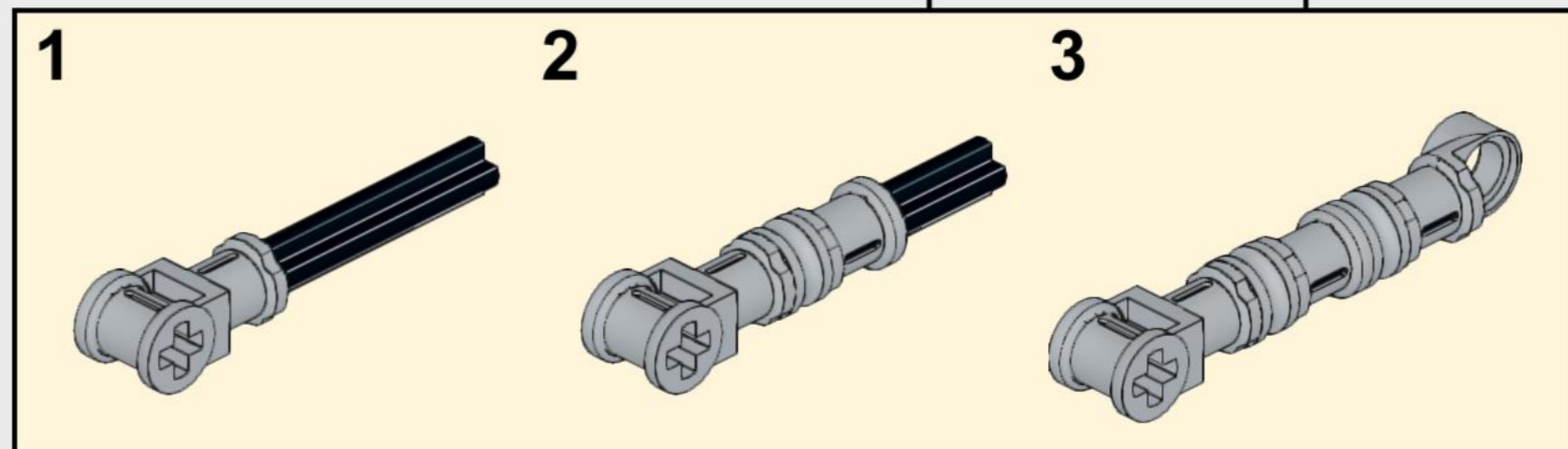
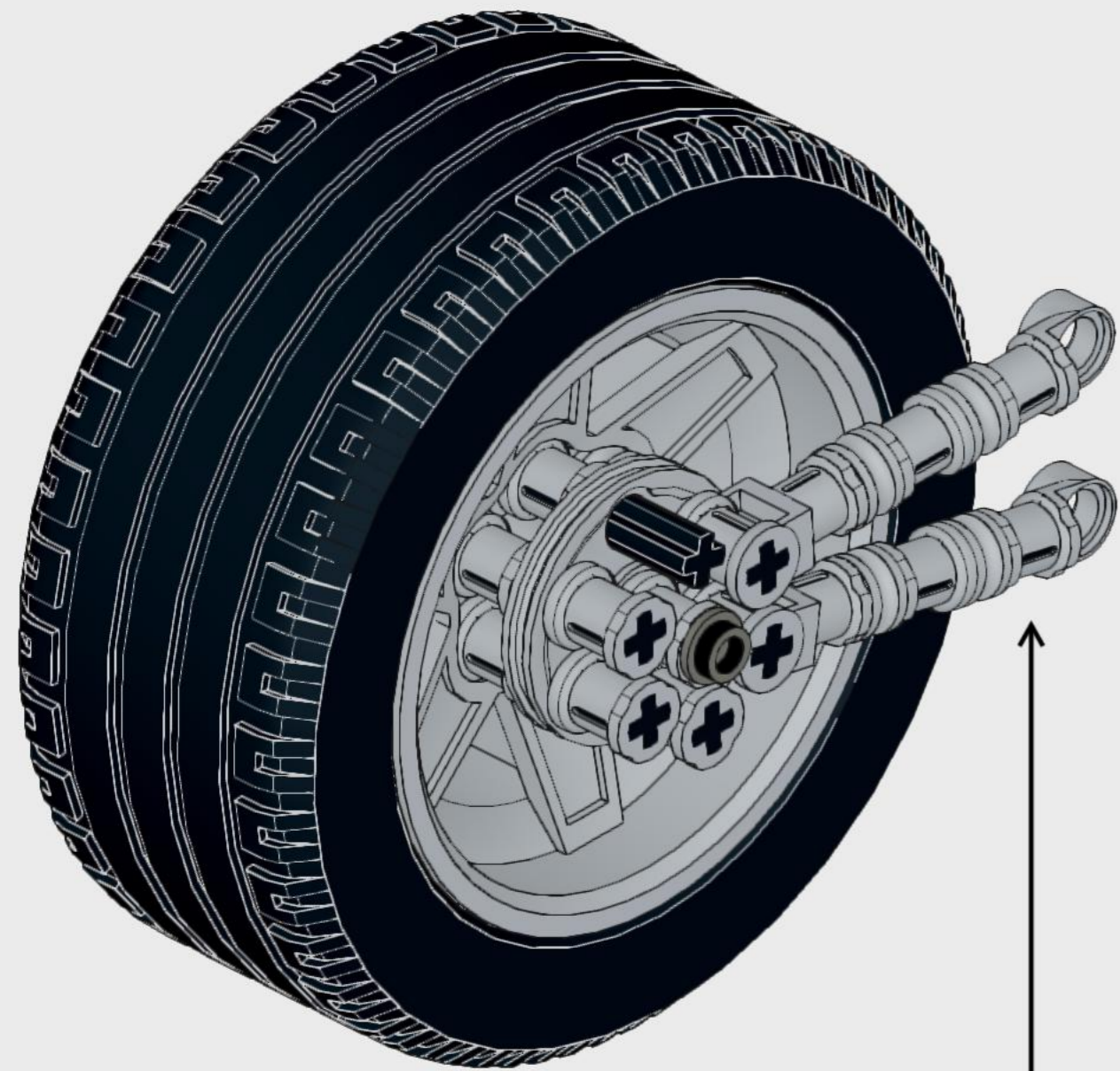


6

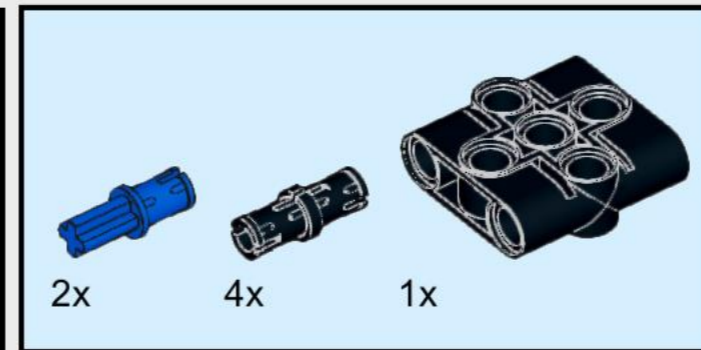




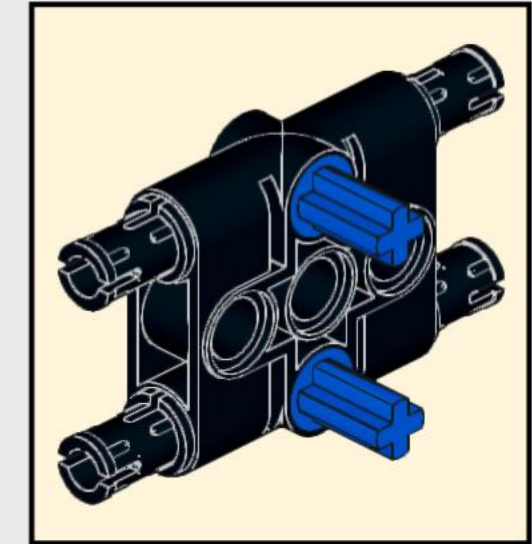
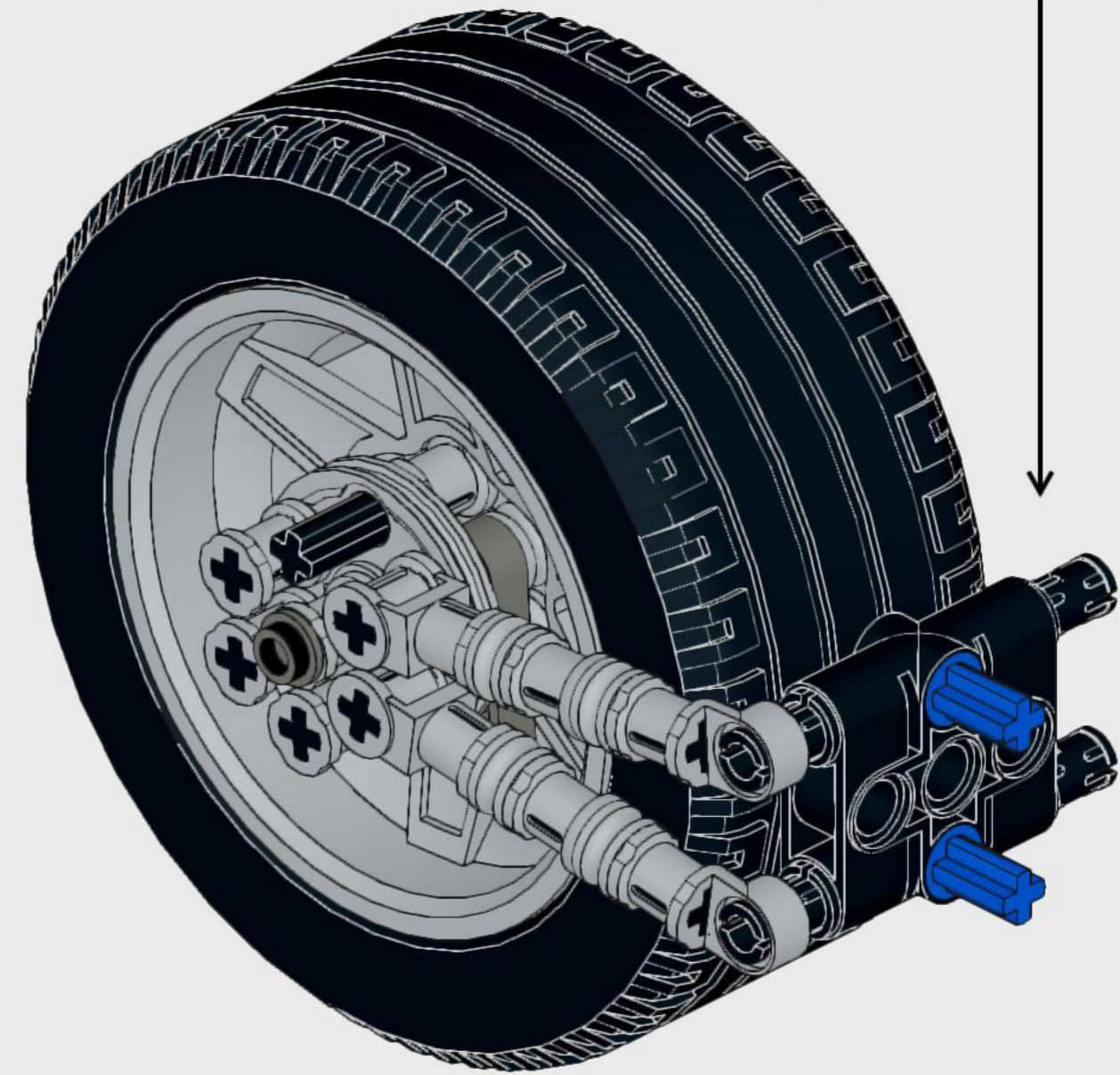
7

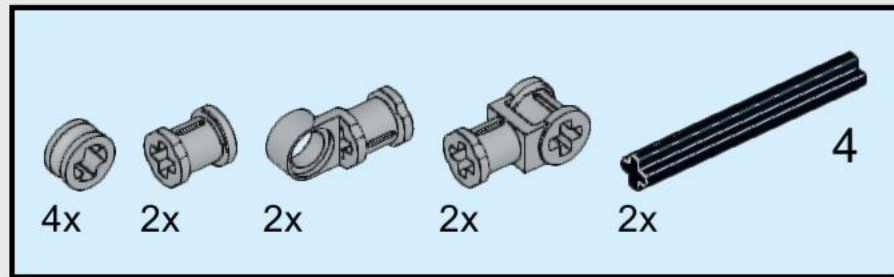


2x

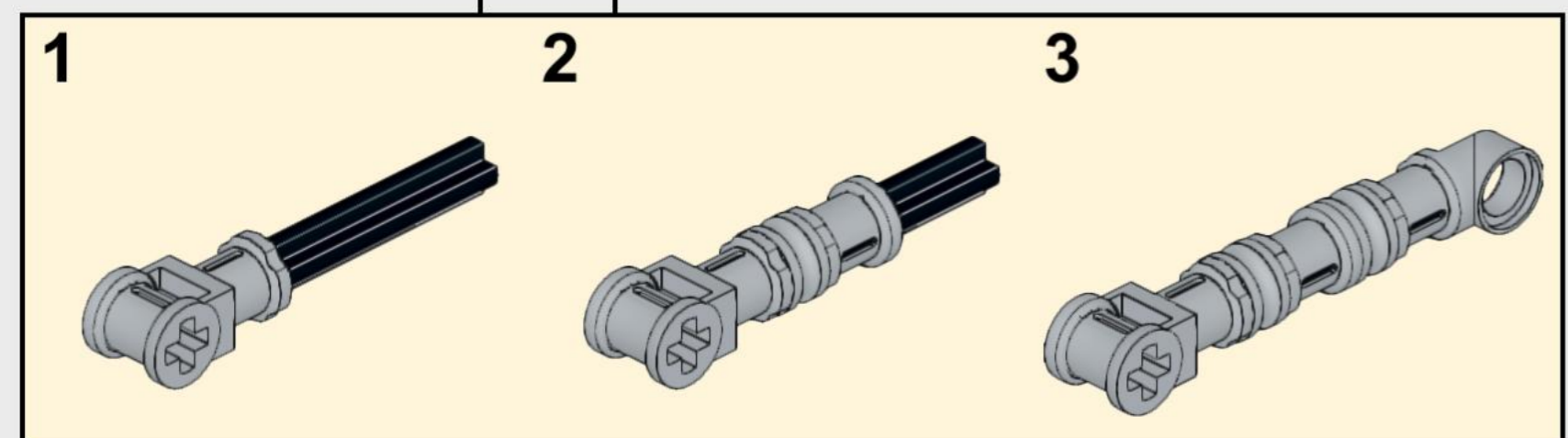
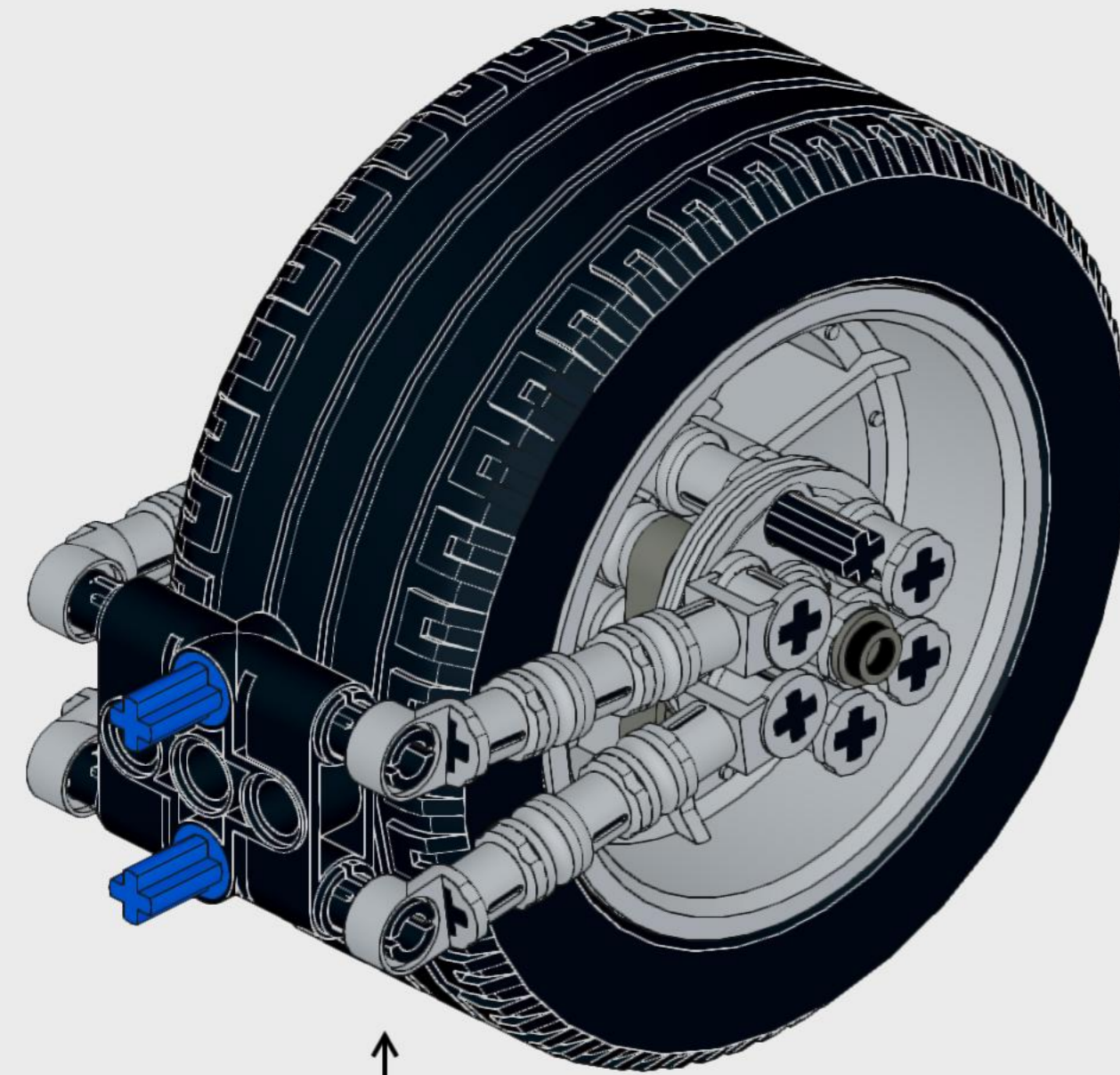


8 

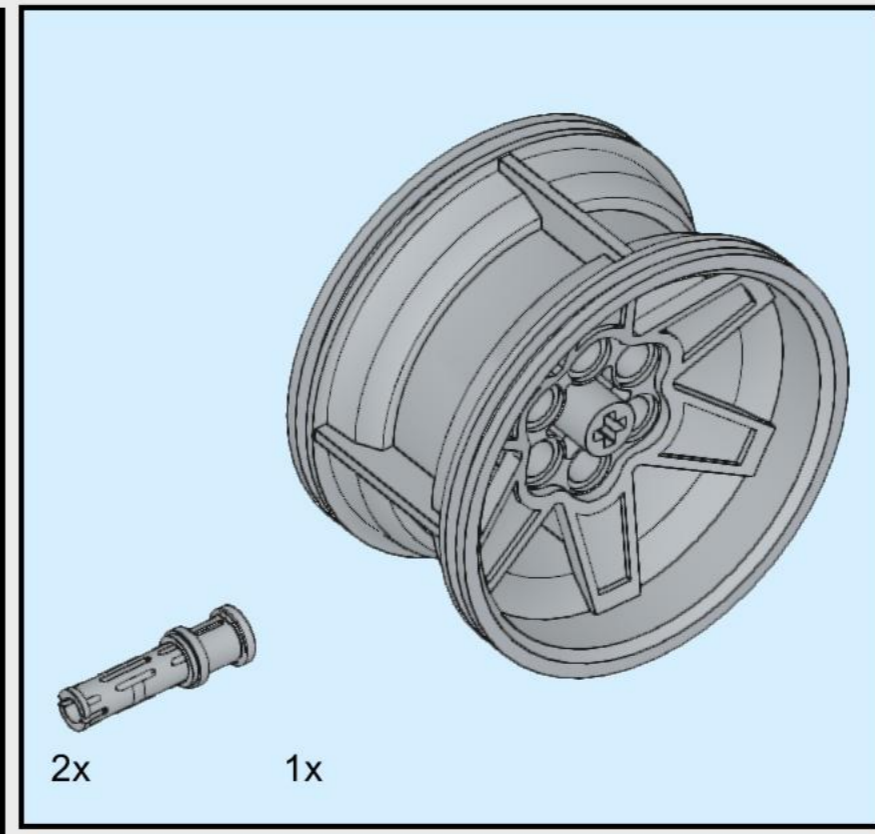




9

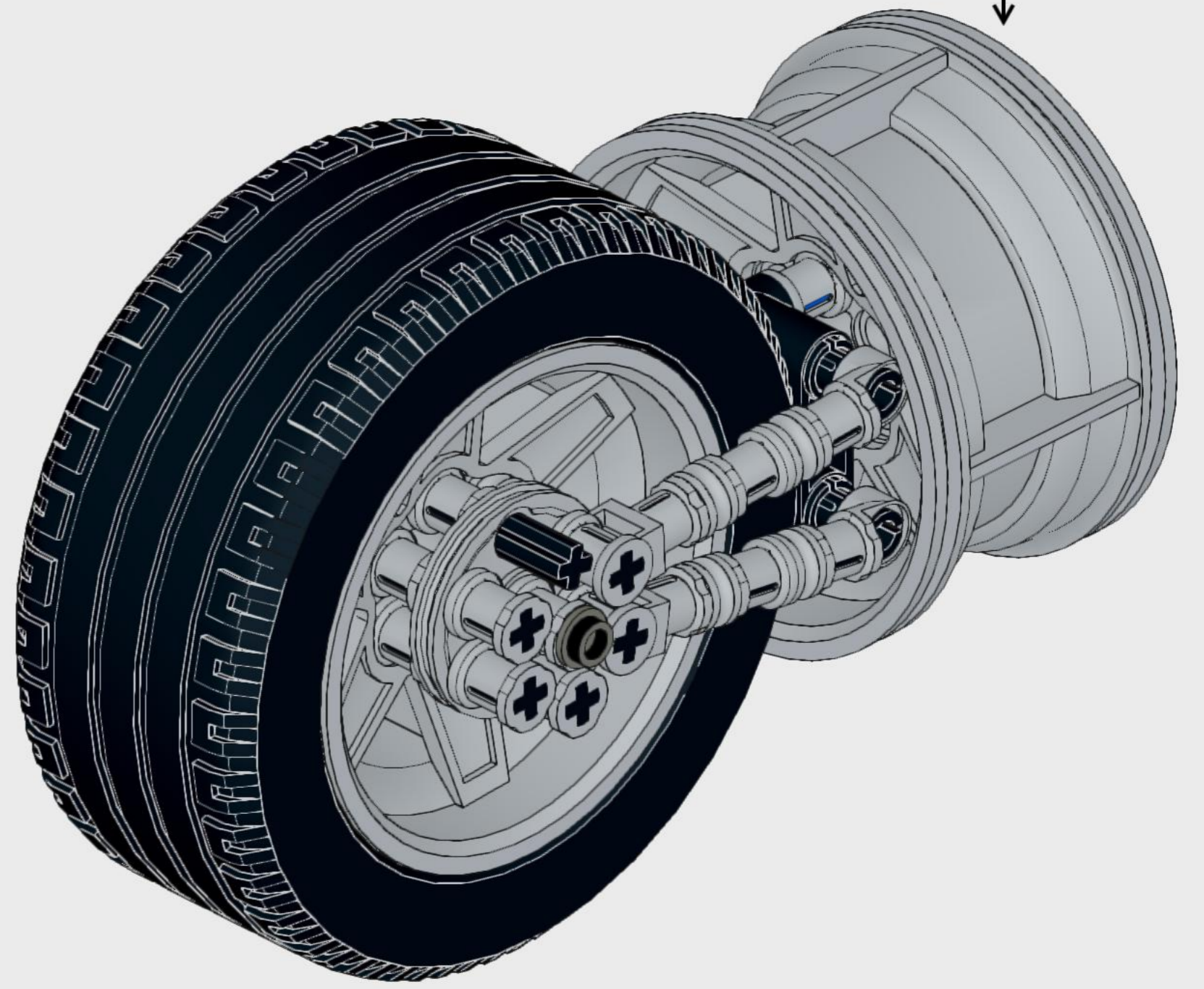
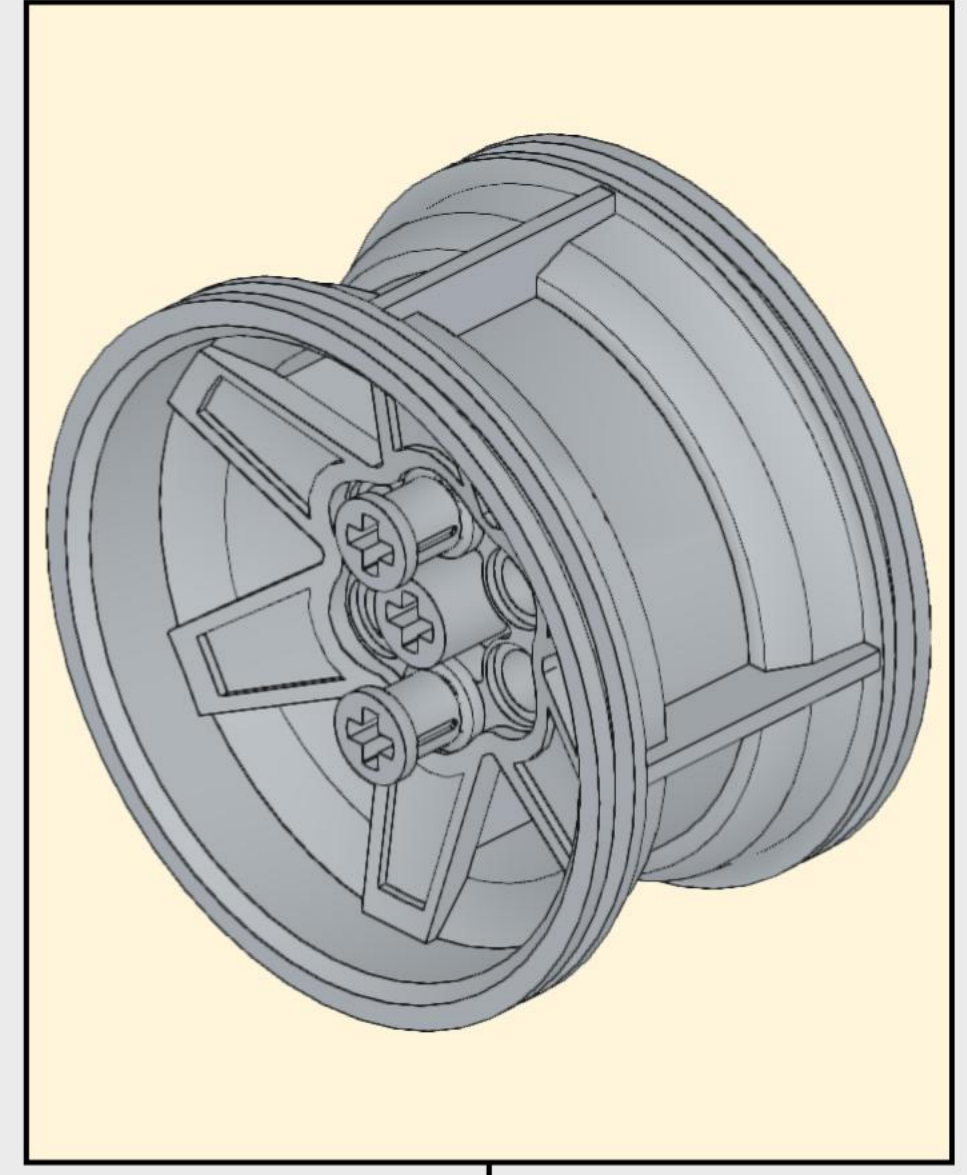


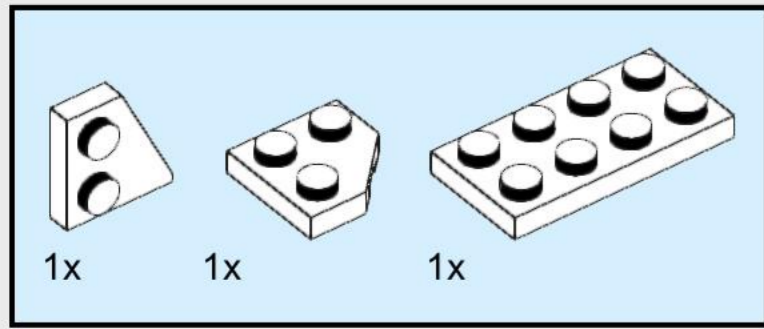
2x



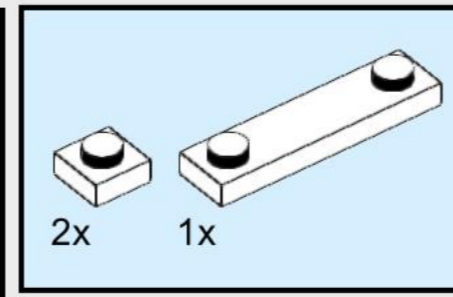
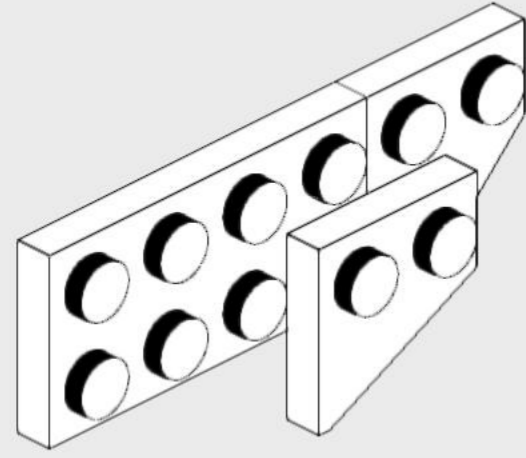
10

Ensure wheel interior matches instruction. Interior of wheel is different on each side.

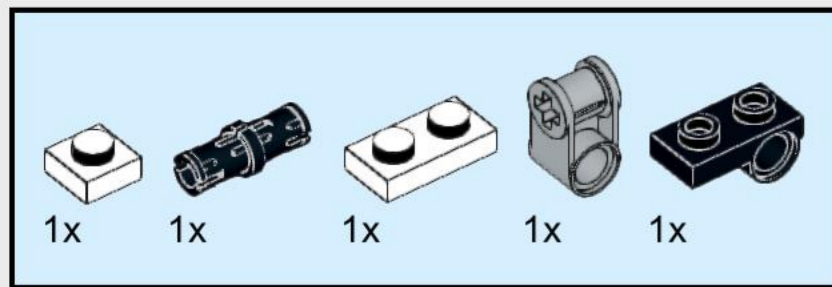
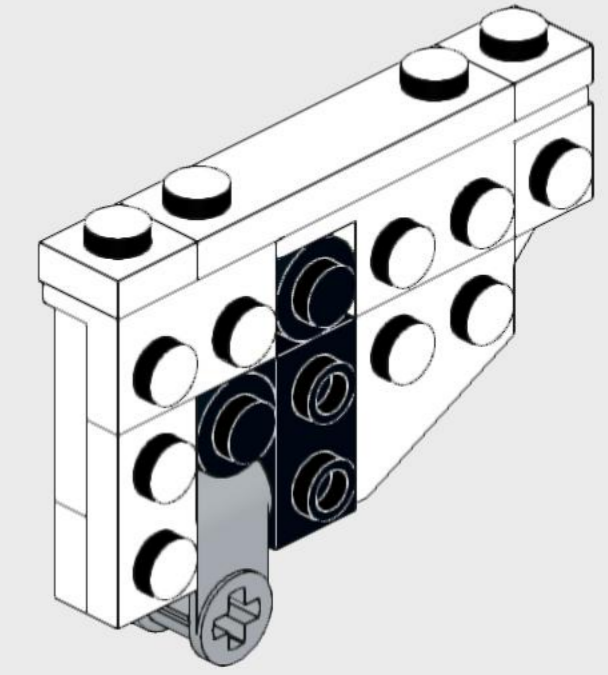




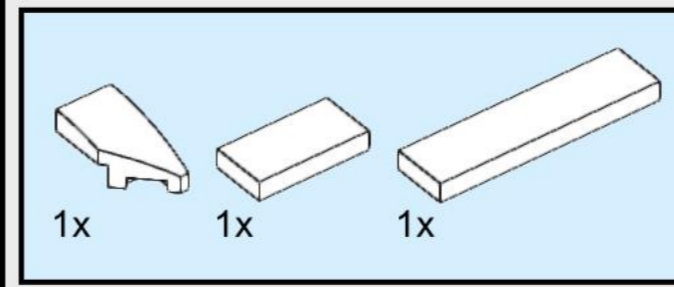
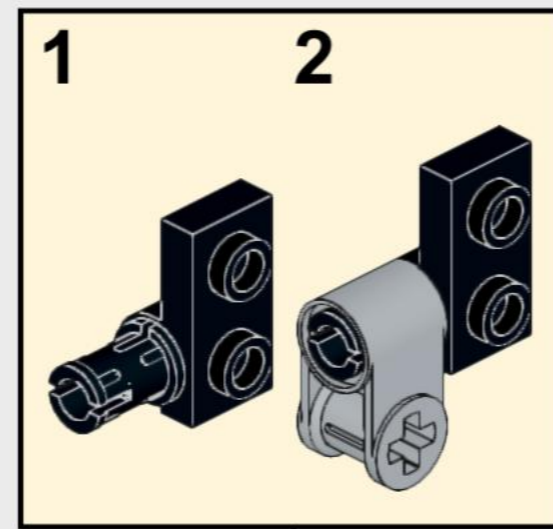
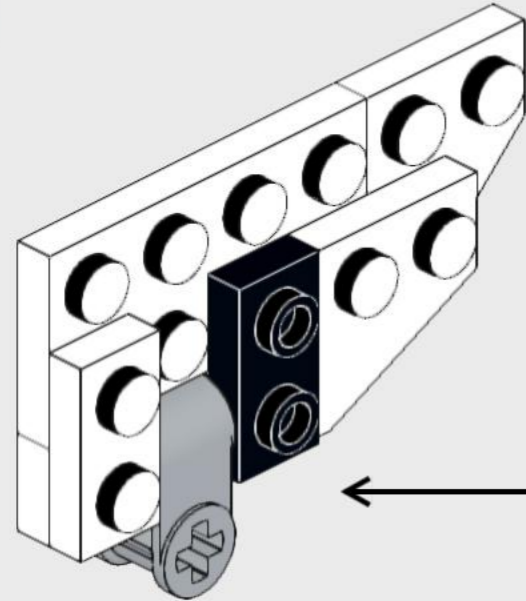
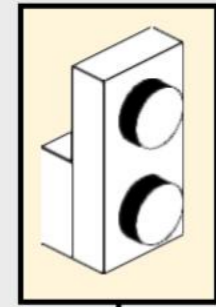
11



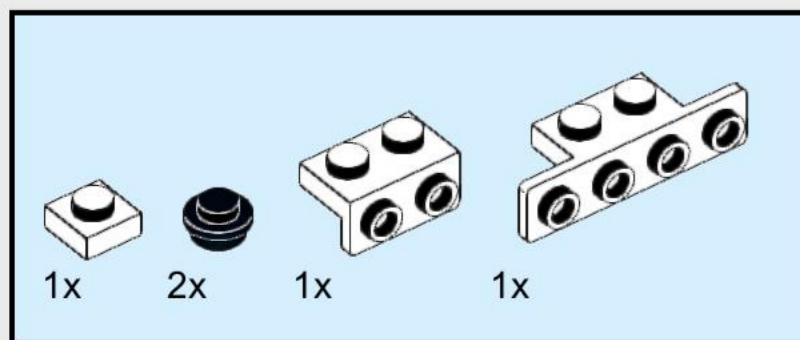
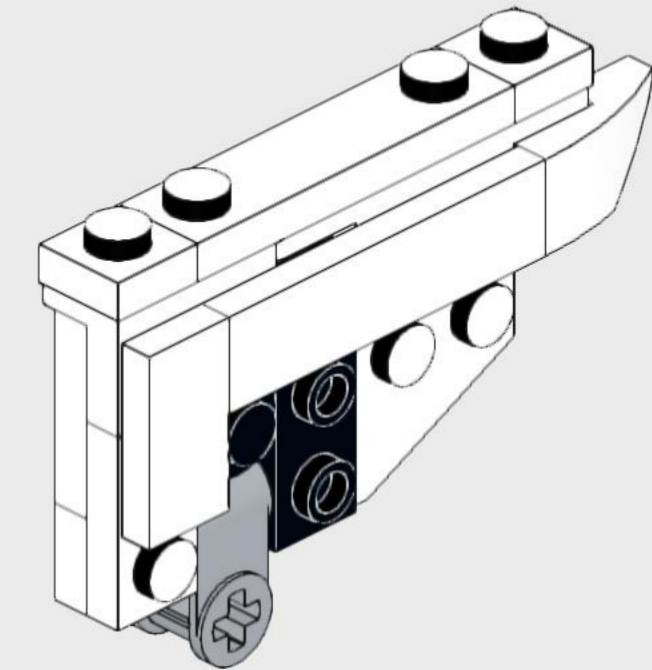
14



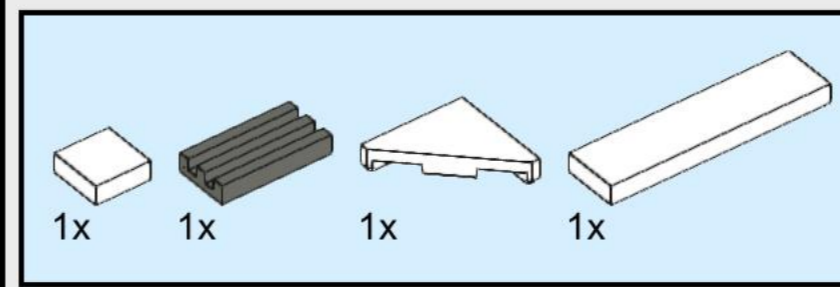
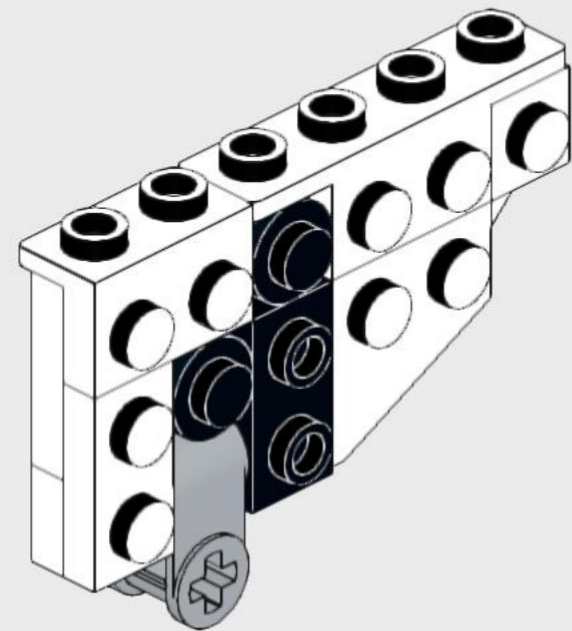
12



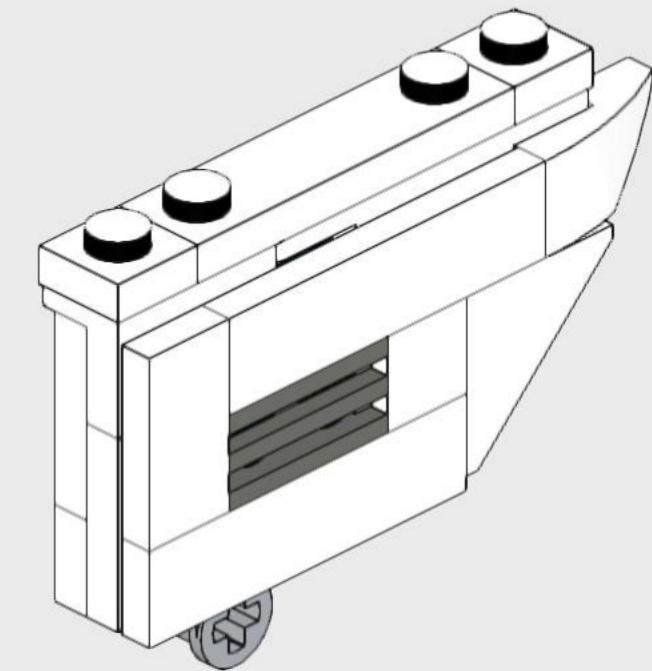
15

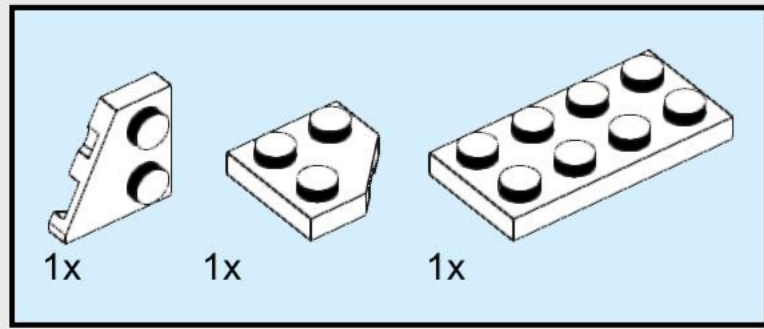


13

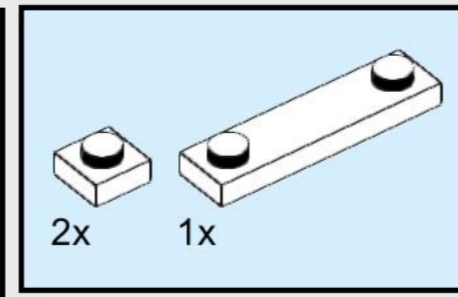
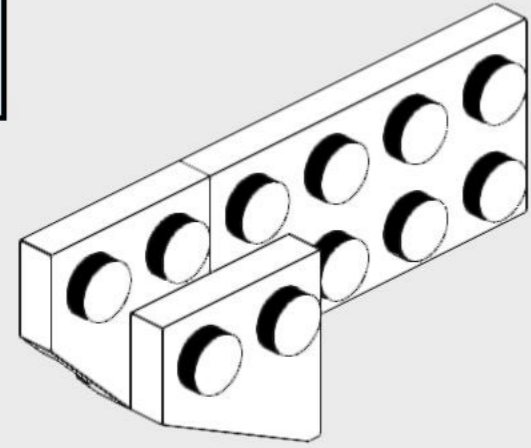


16

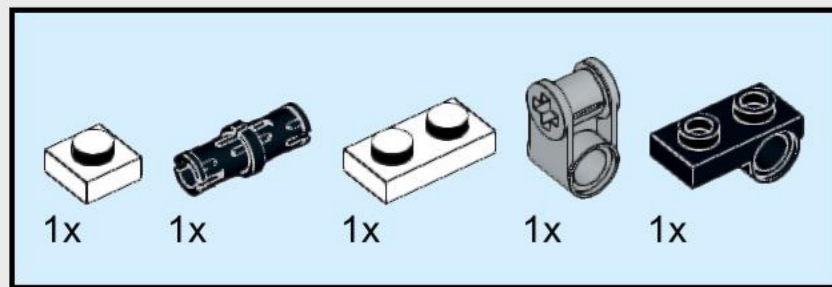
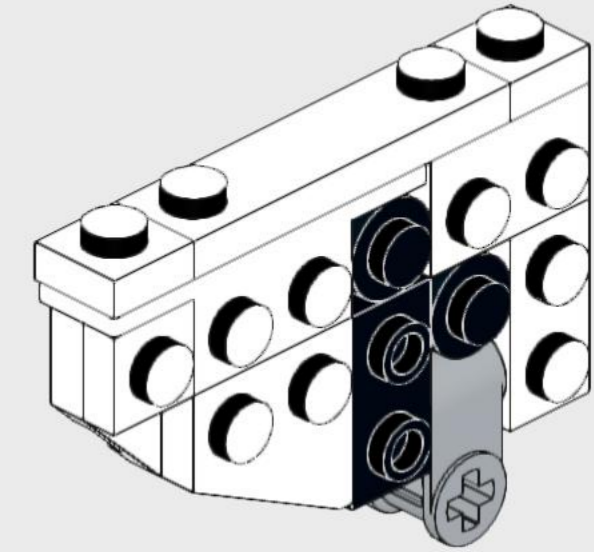




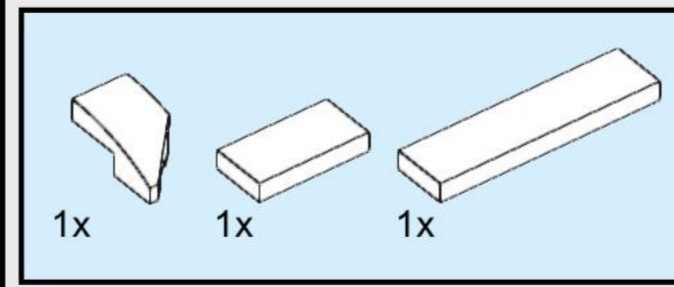
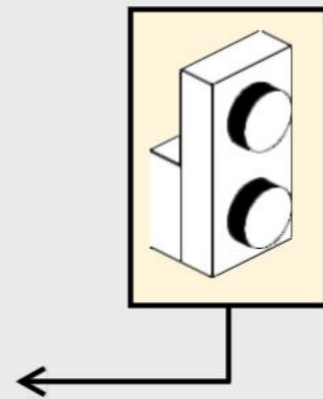
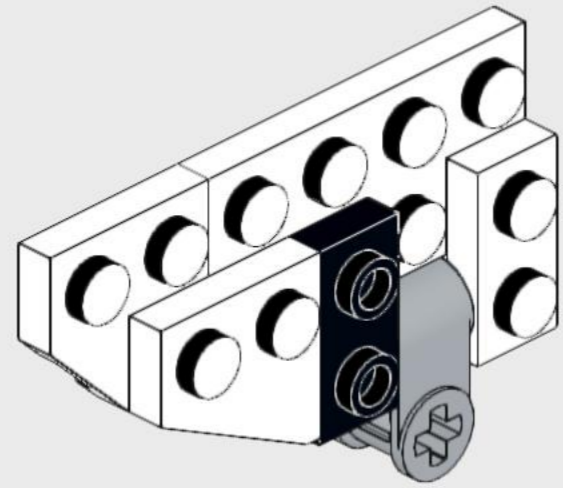
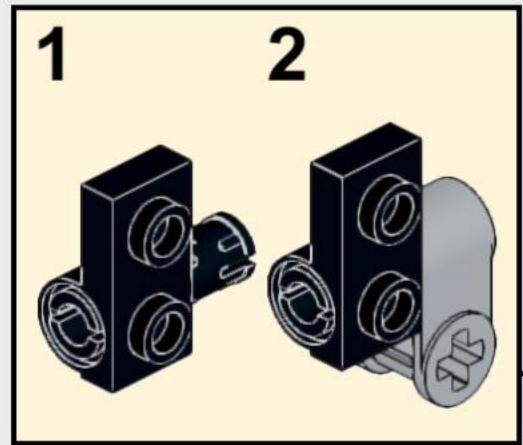
17



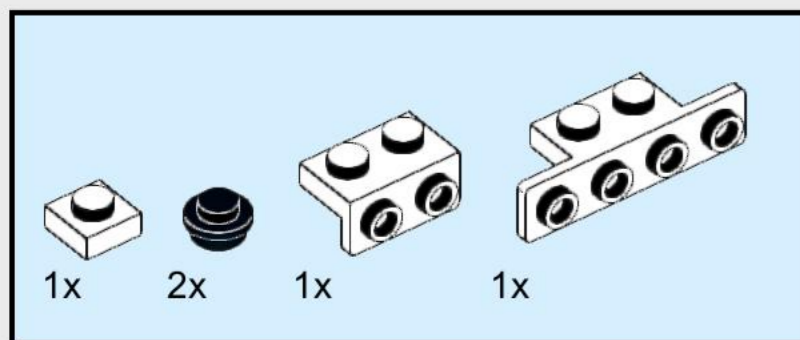
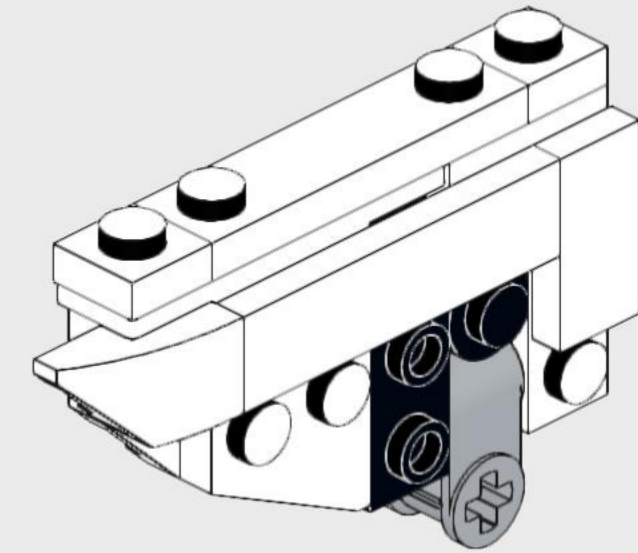
20



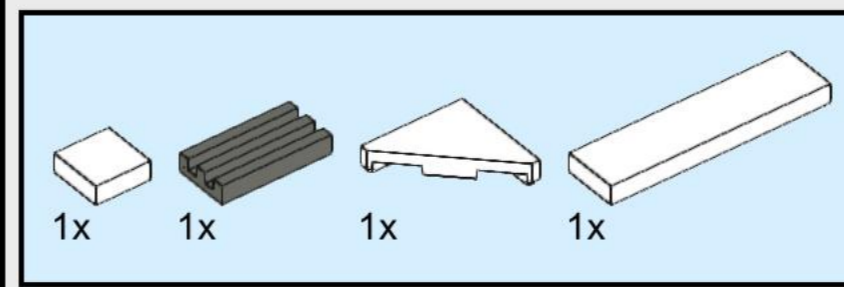
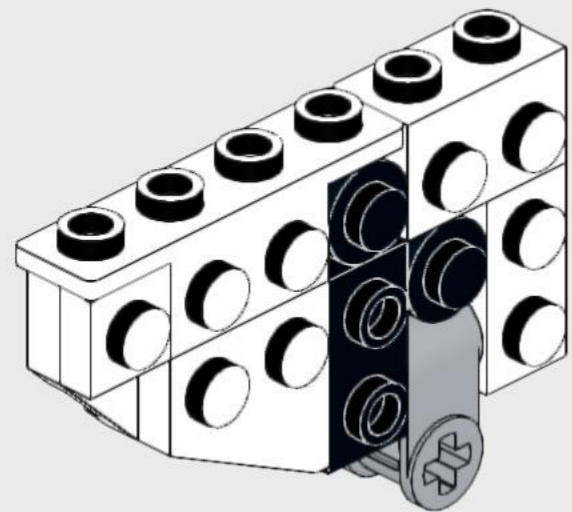
18



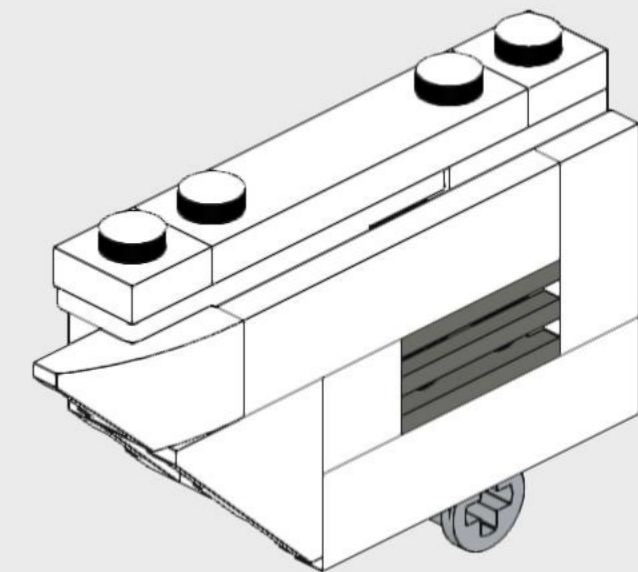
21



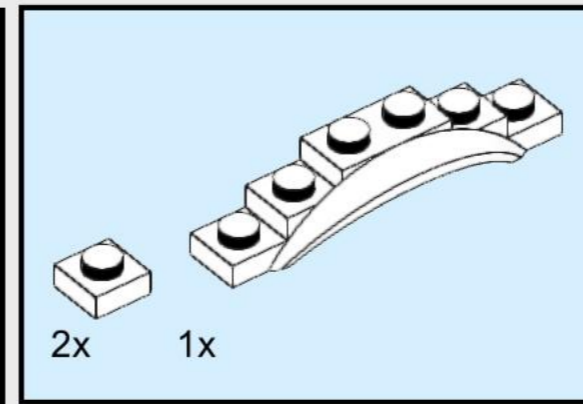
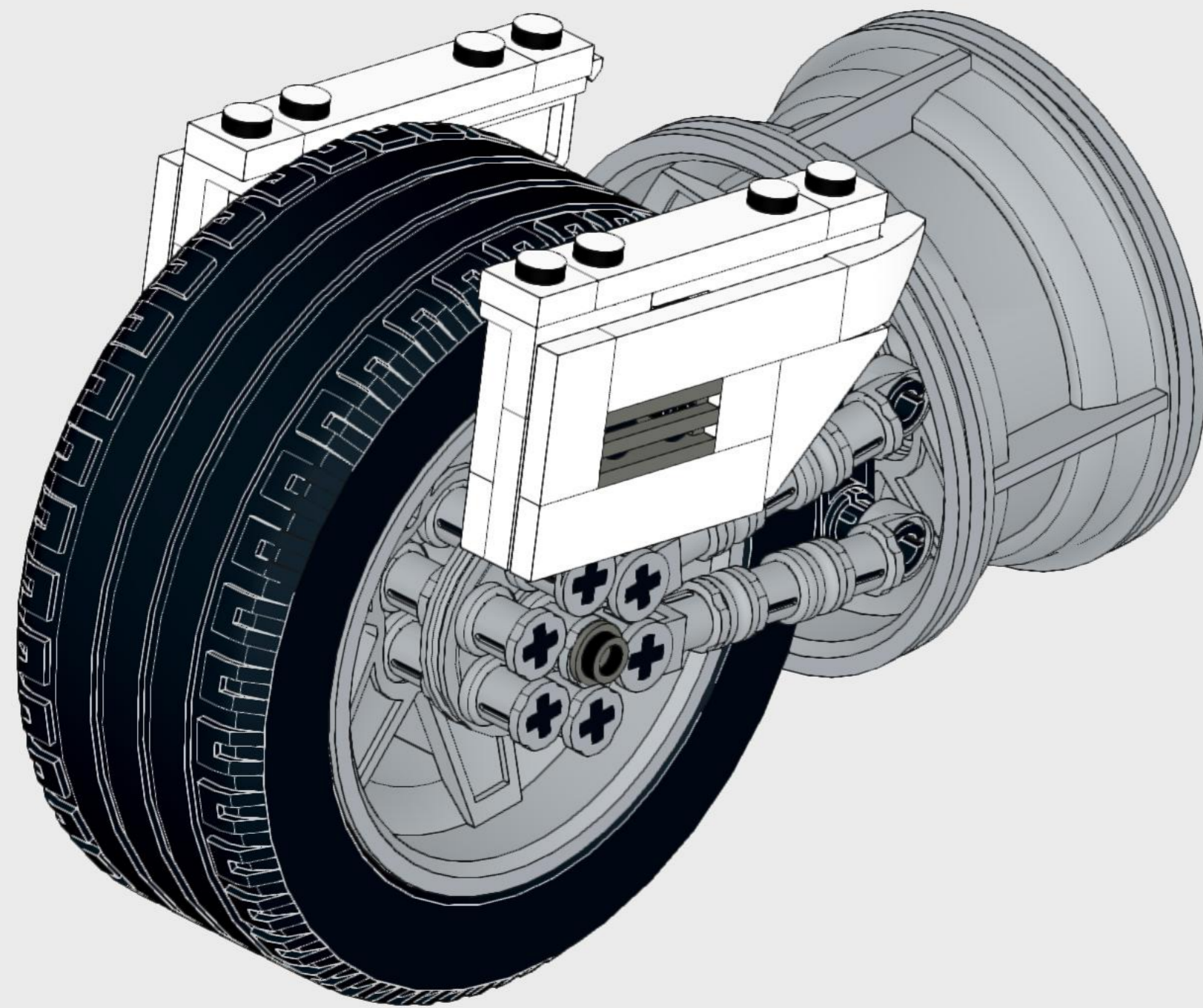
19



22

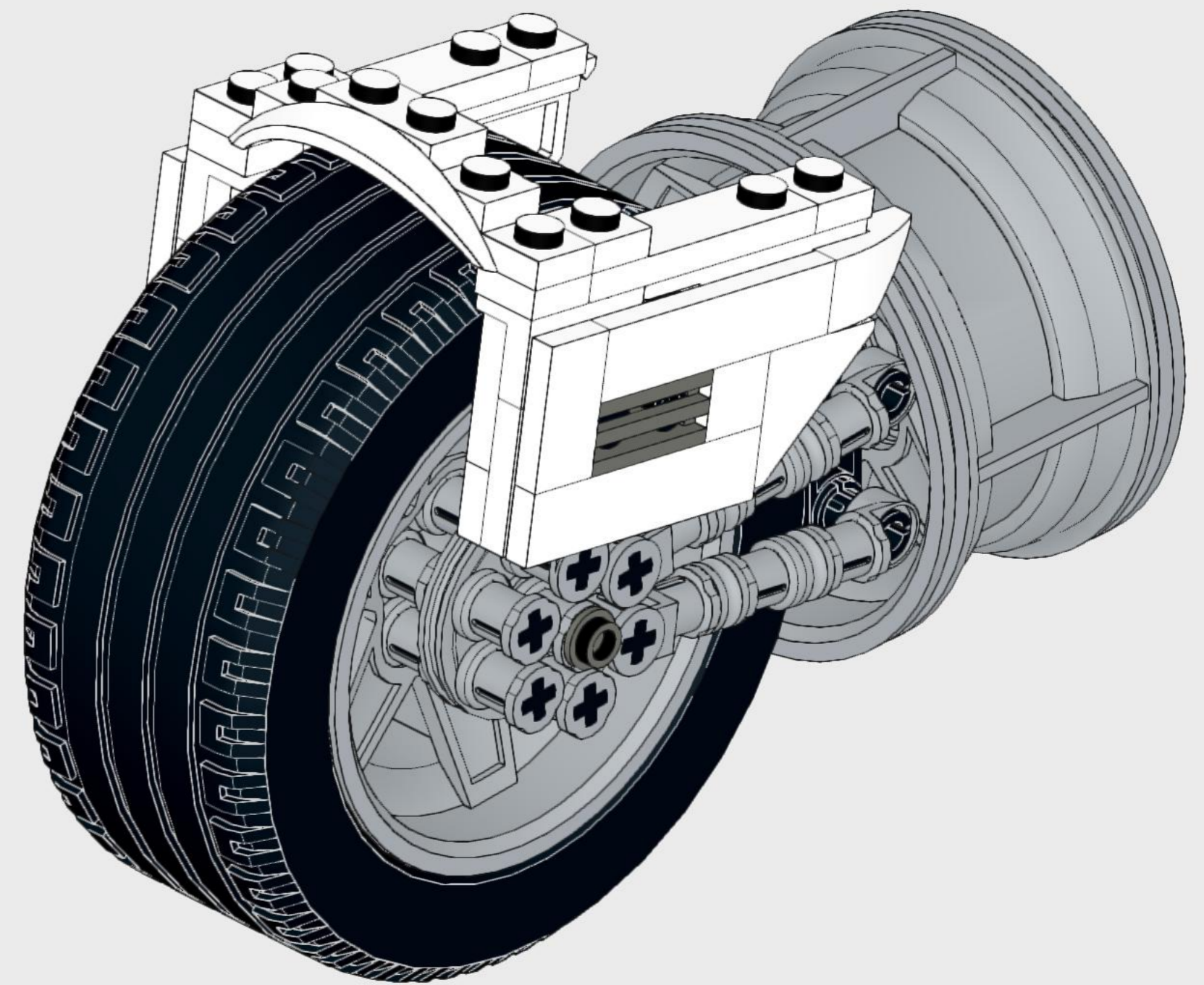


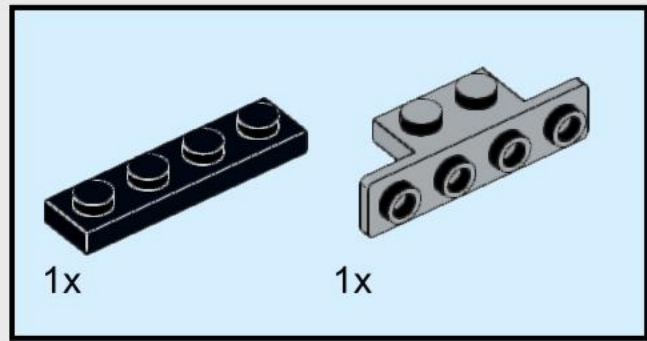
23



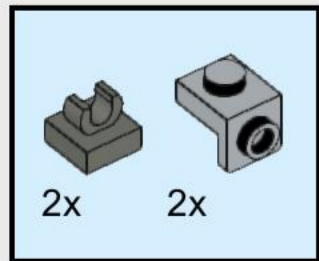
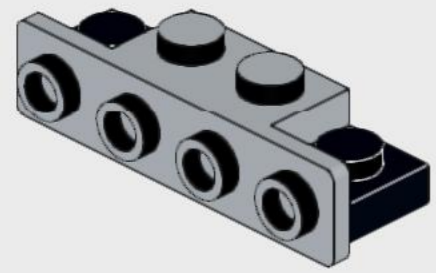
Push sides against wheel to be able to add arch piece on top. The rubber wheels fit a bit tight, but will easily deform slightly when pressure is added.

24

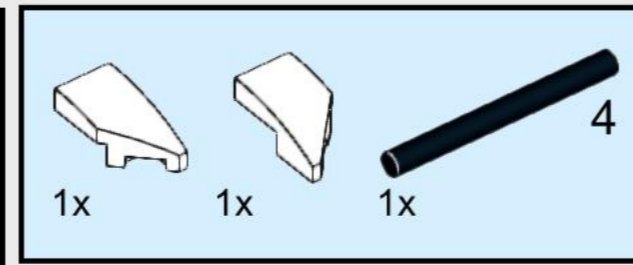
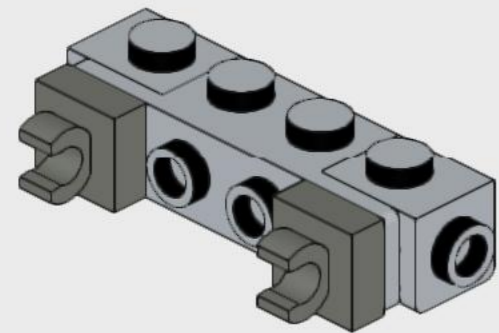




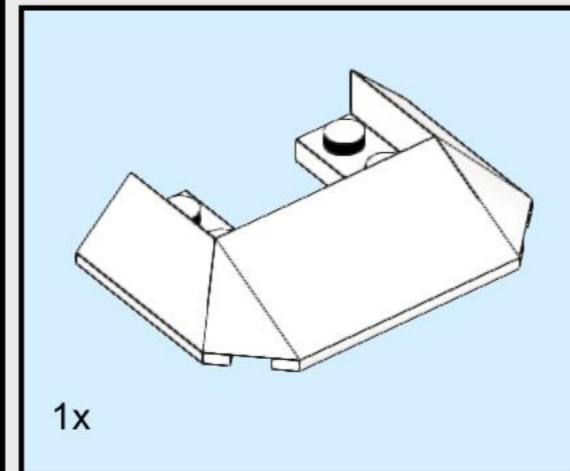
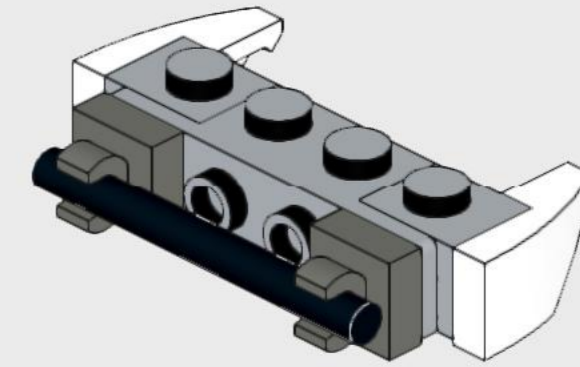
25



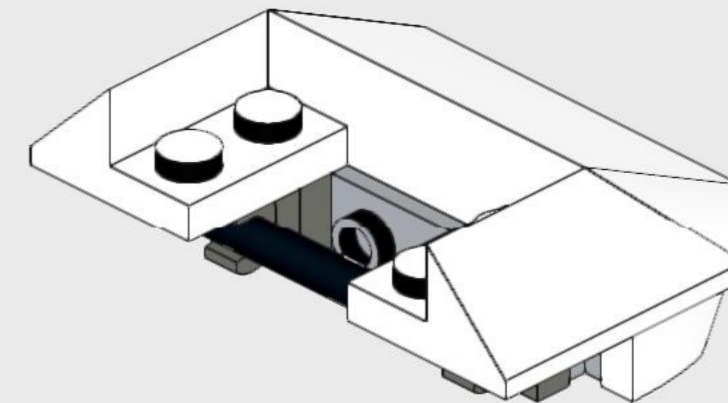
26

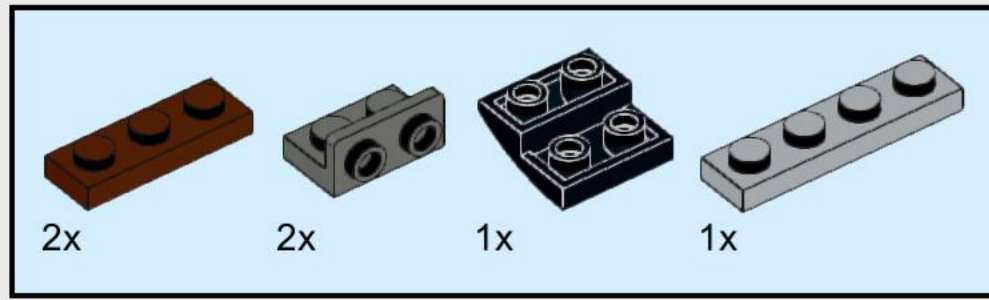


27

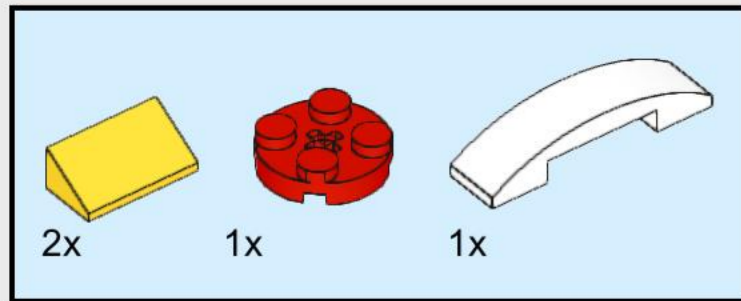
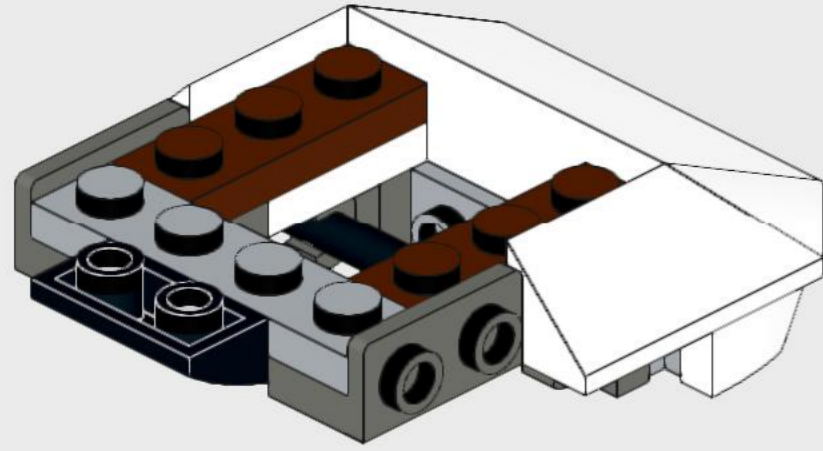


28

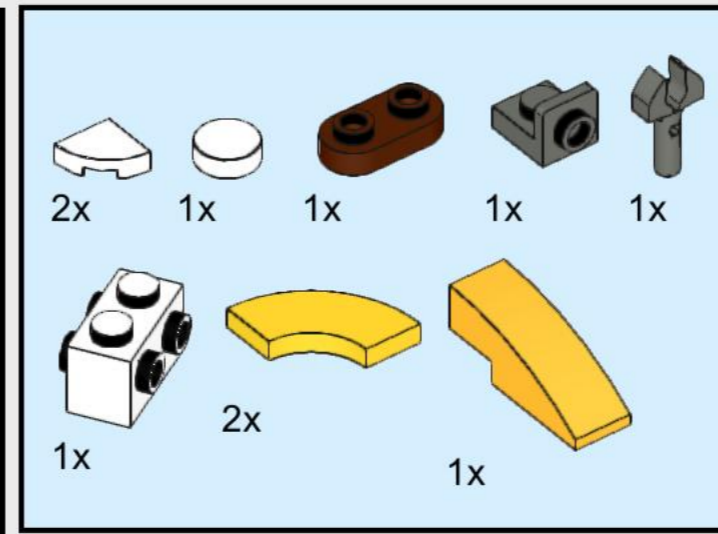
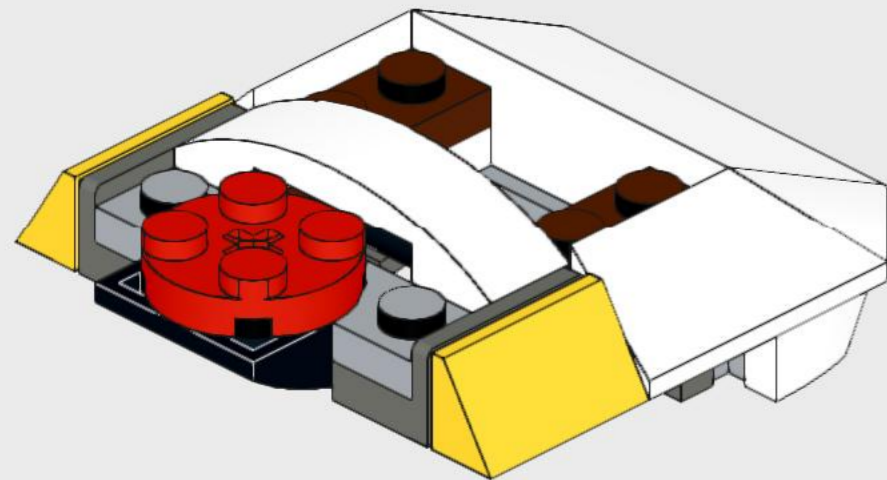




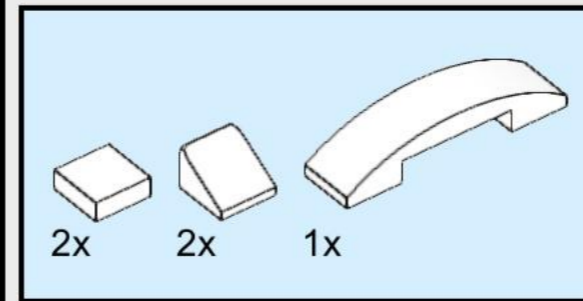
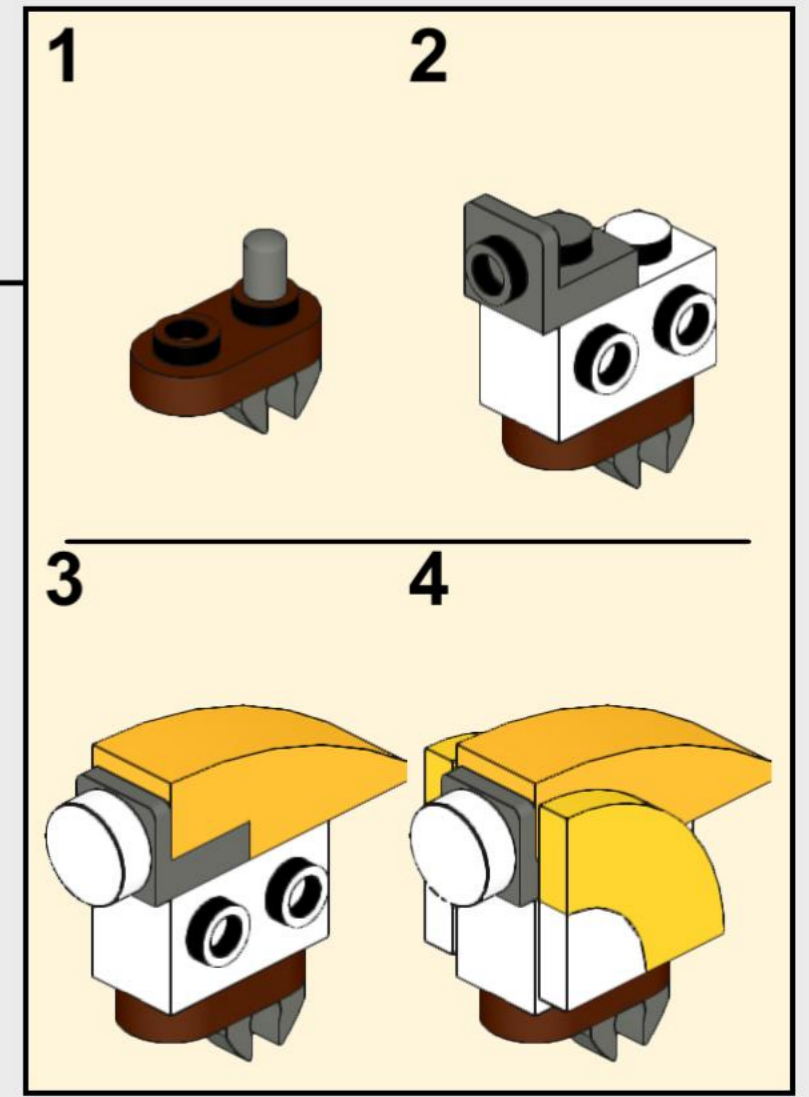
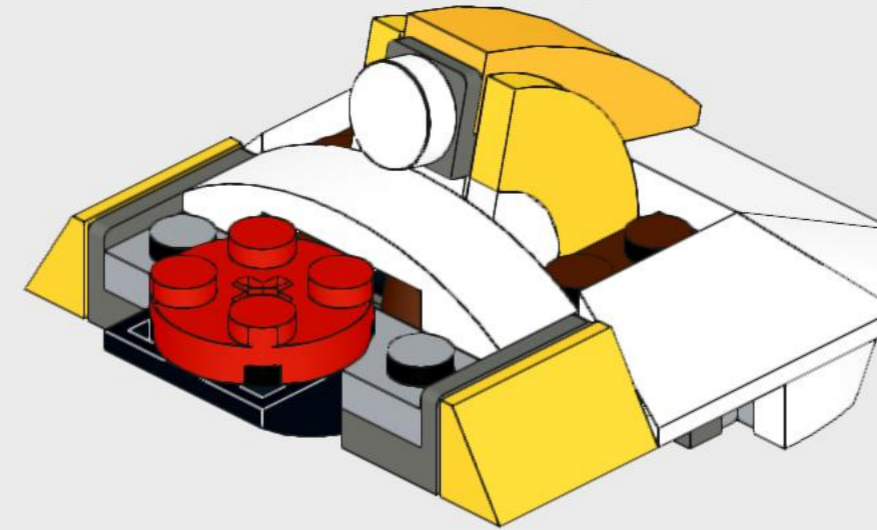
29



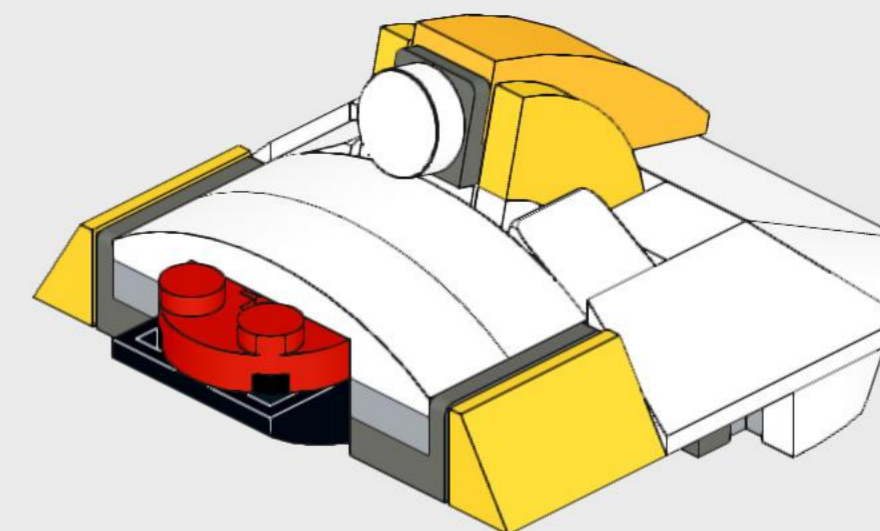
30



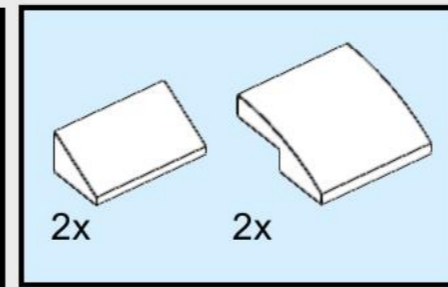
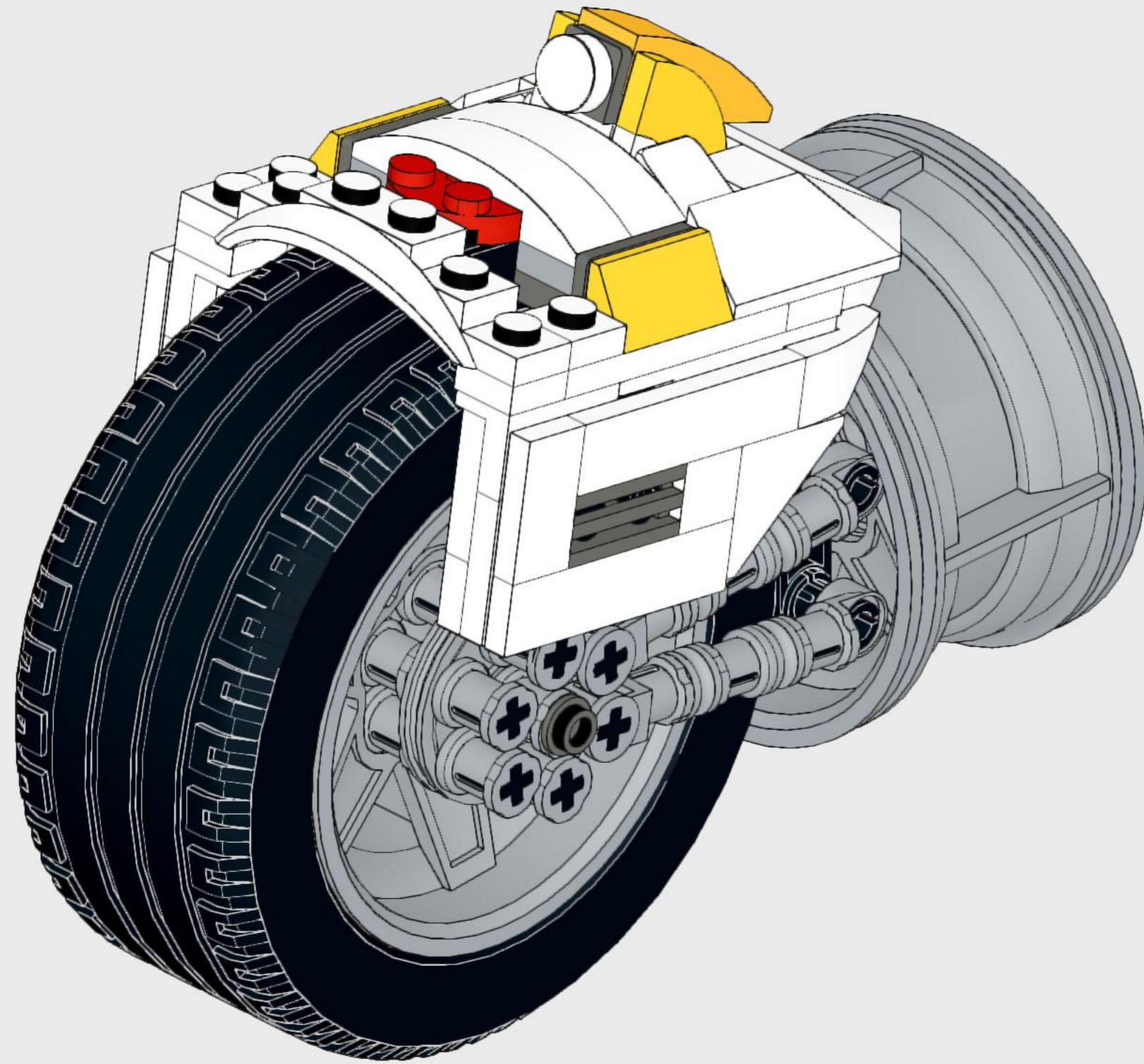
31



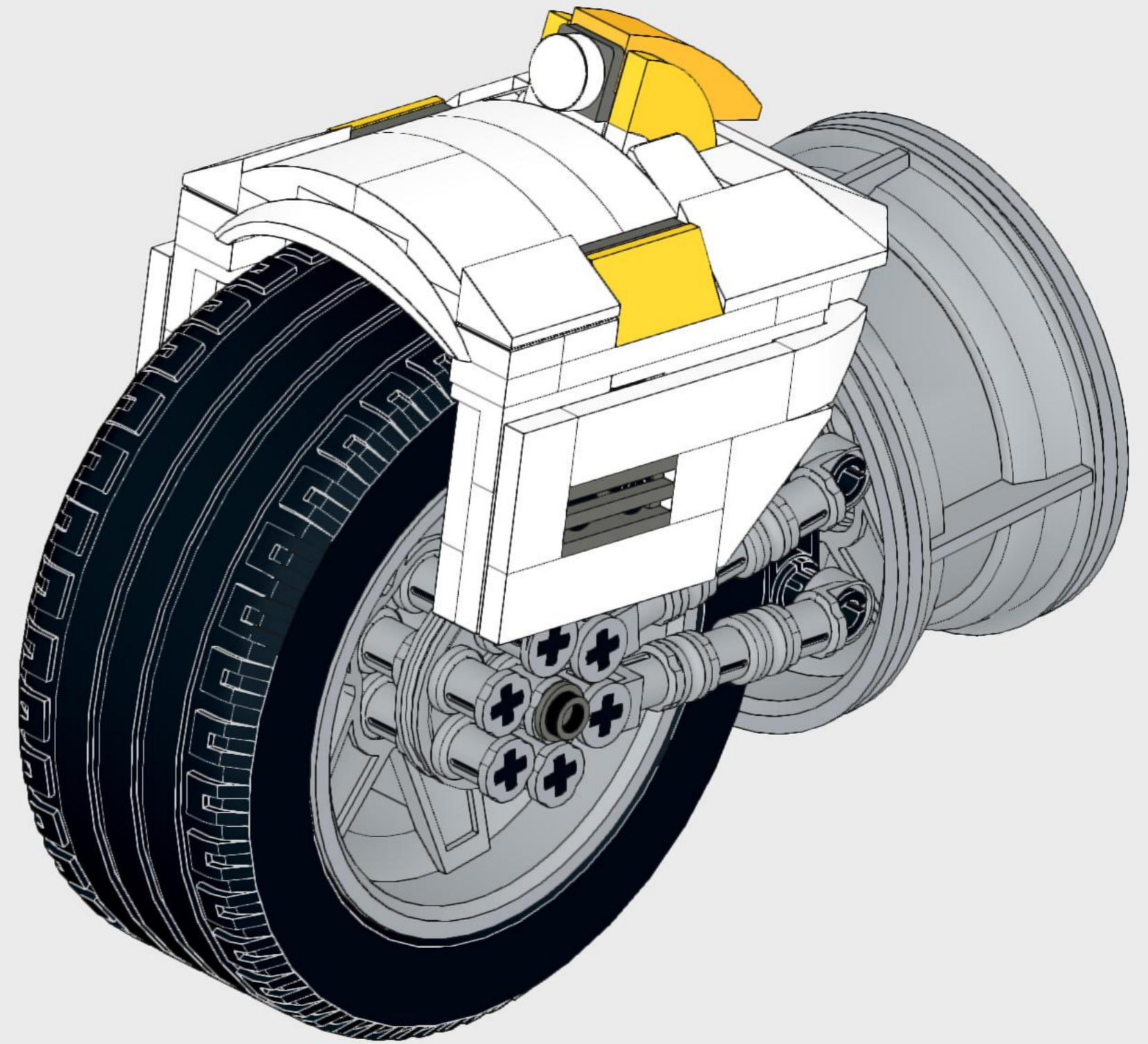
32

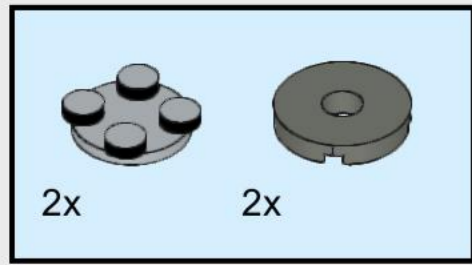


33

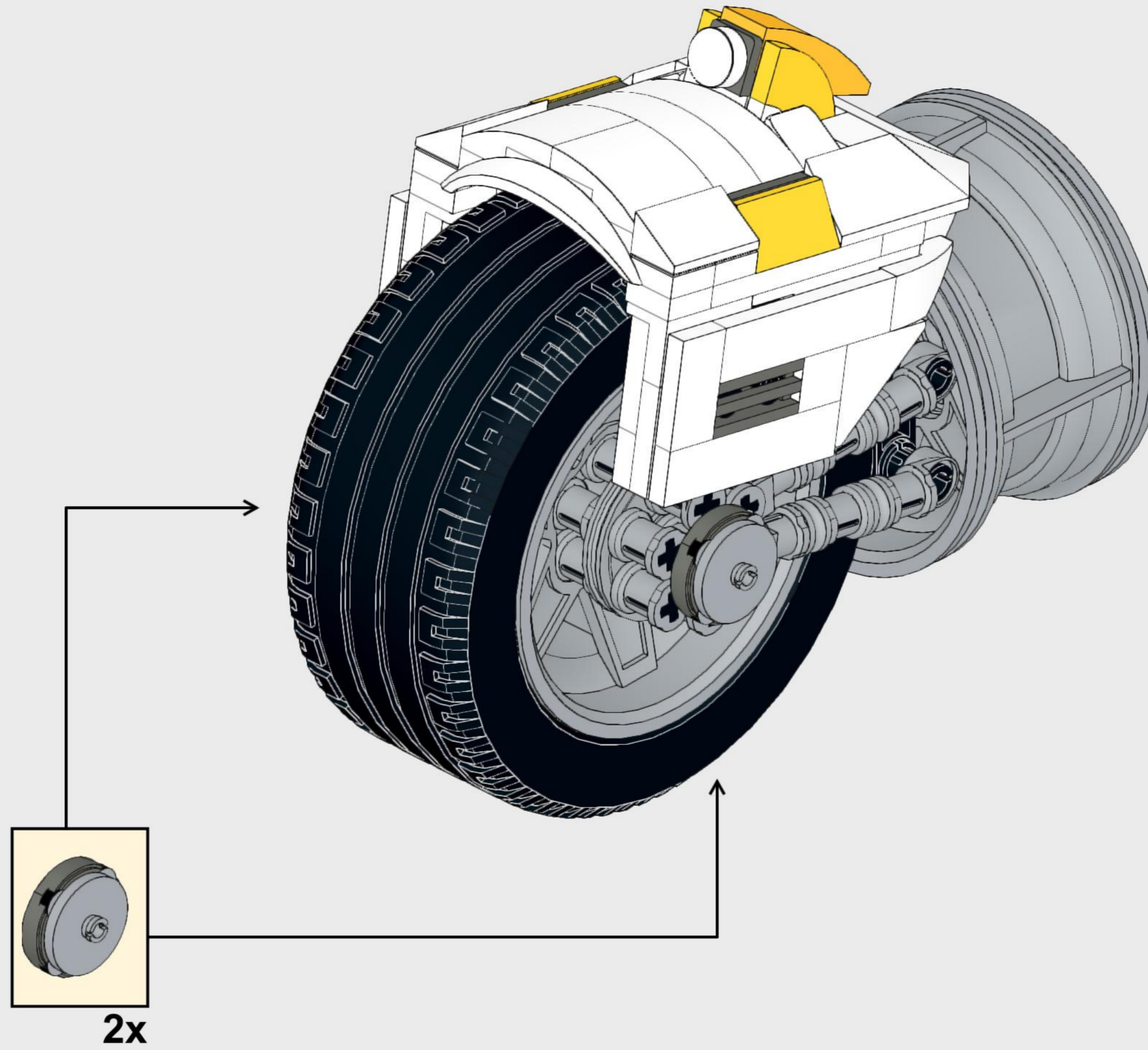


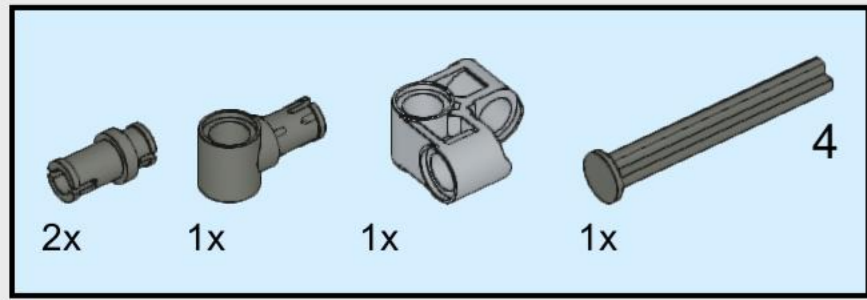
34



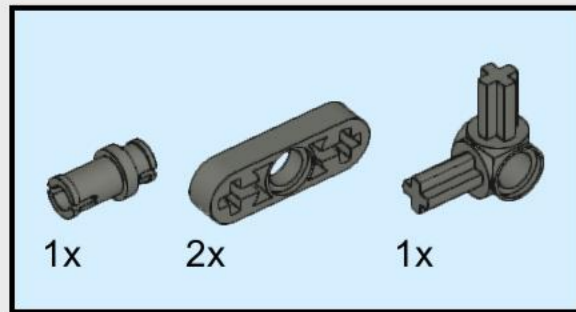
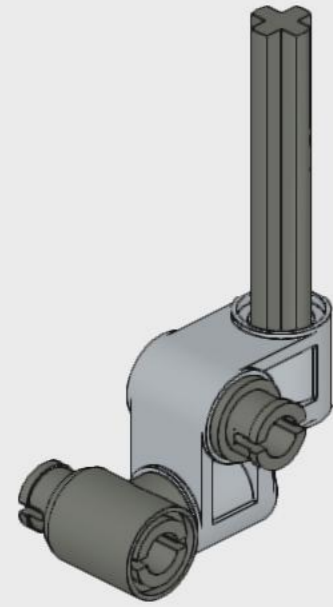


35

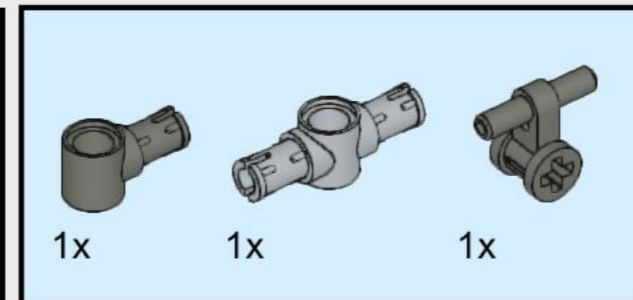
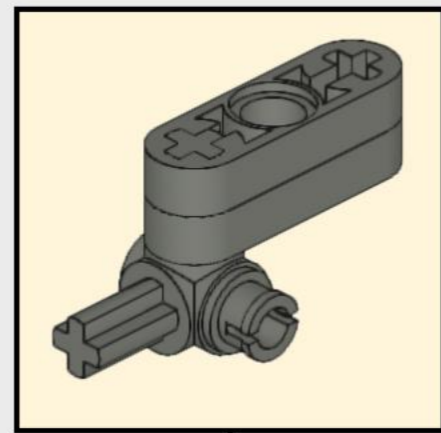
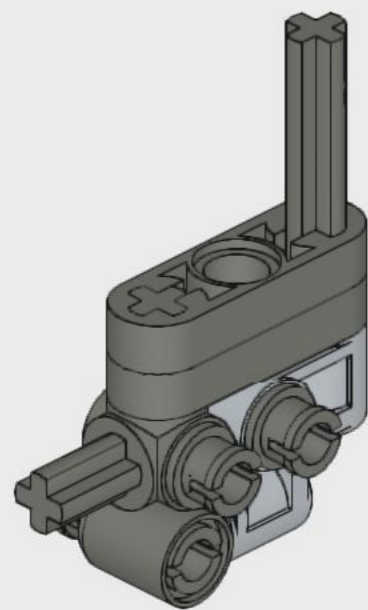




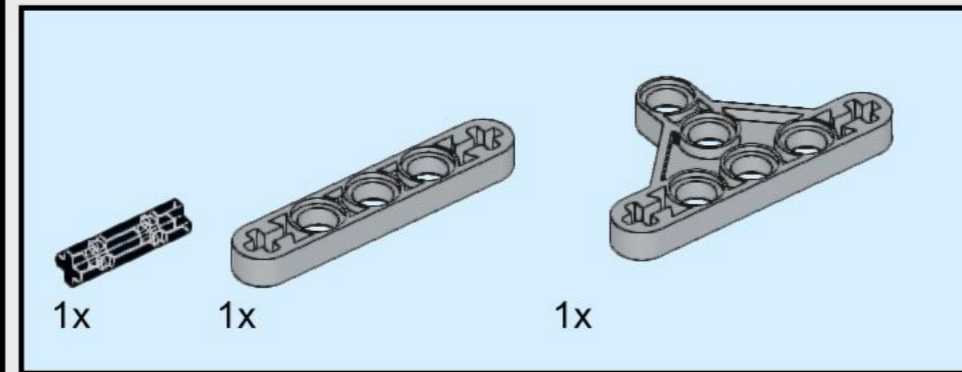
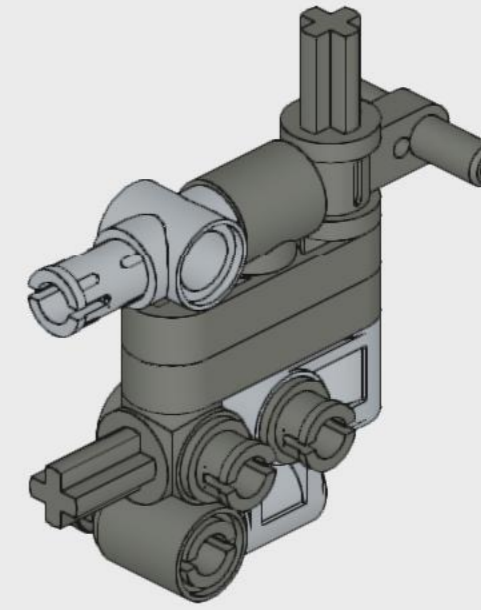
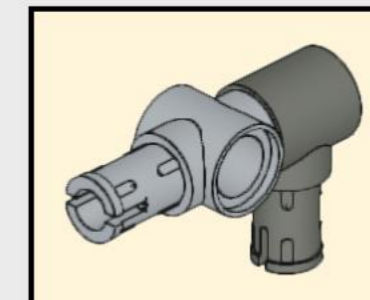
1



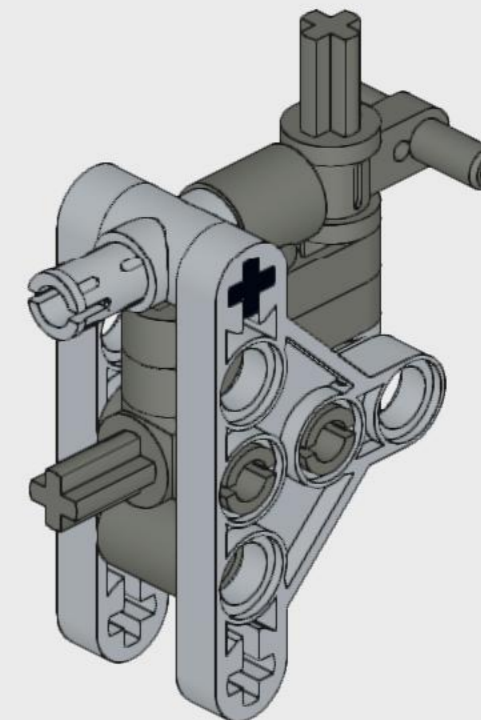
2

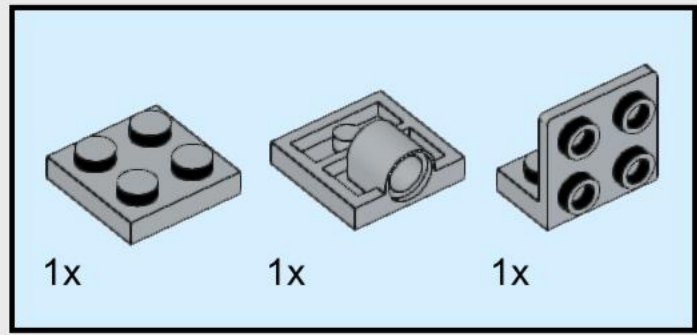


3

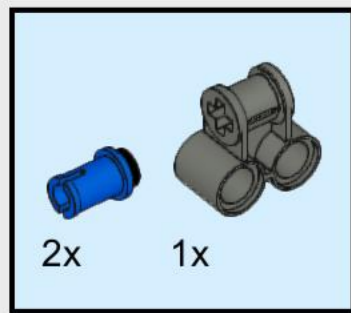
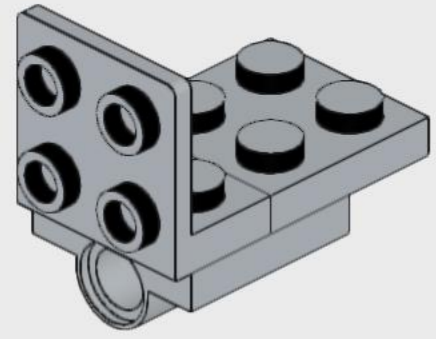


4

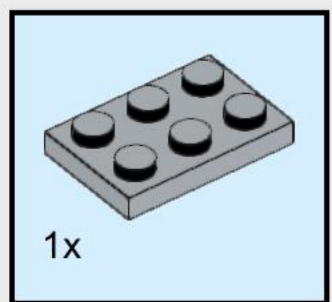
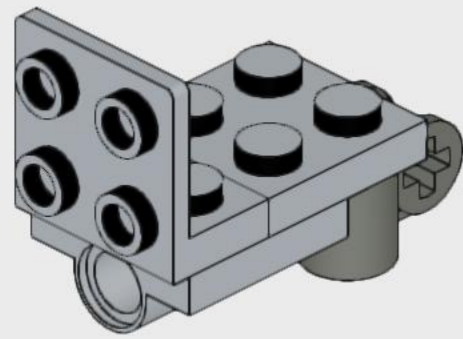




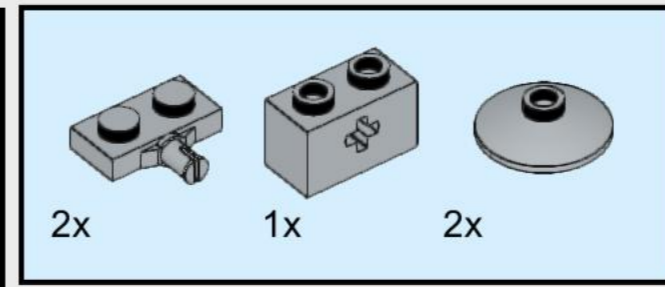
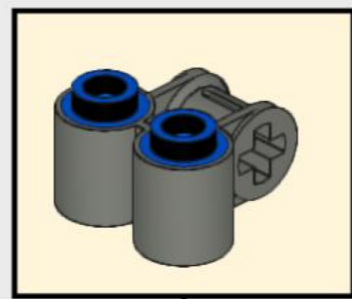
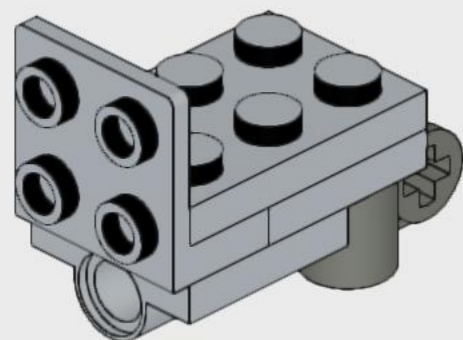
5



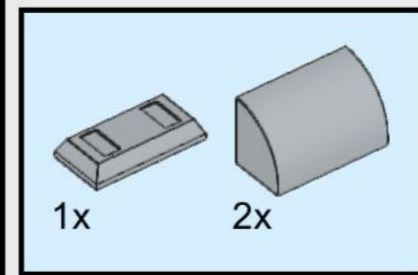
6



7

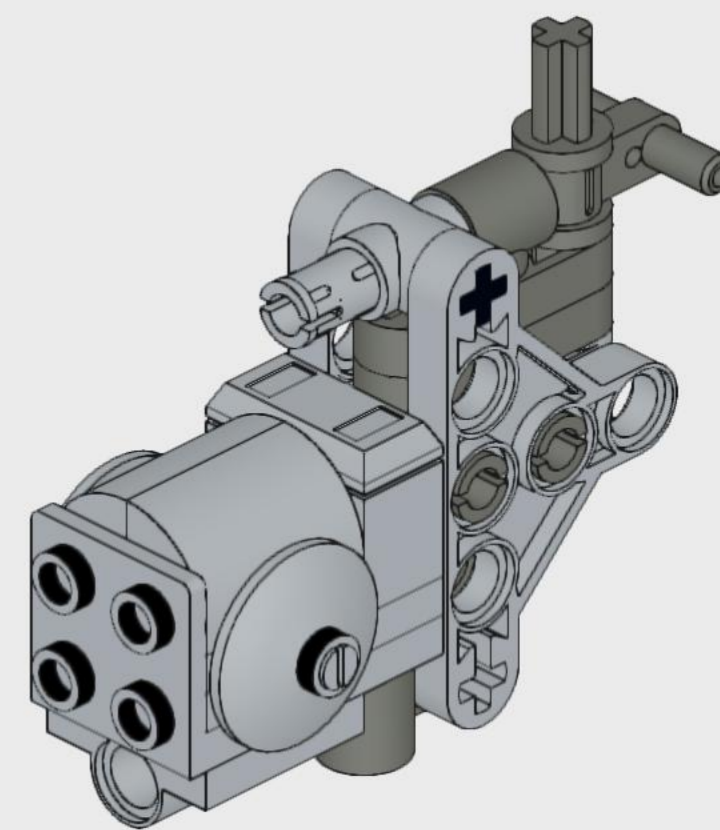
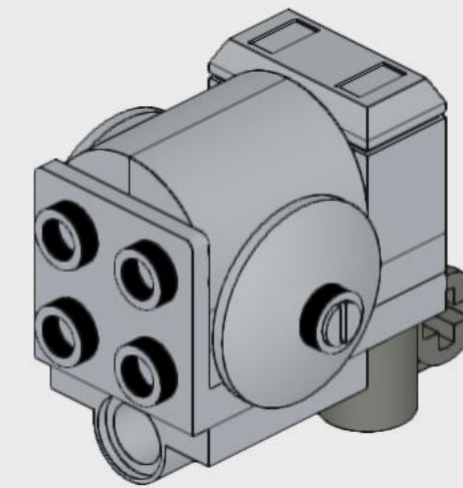
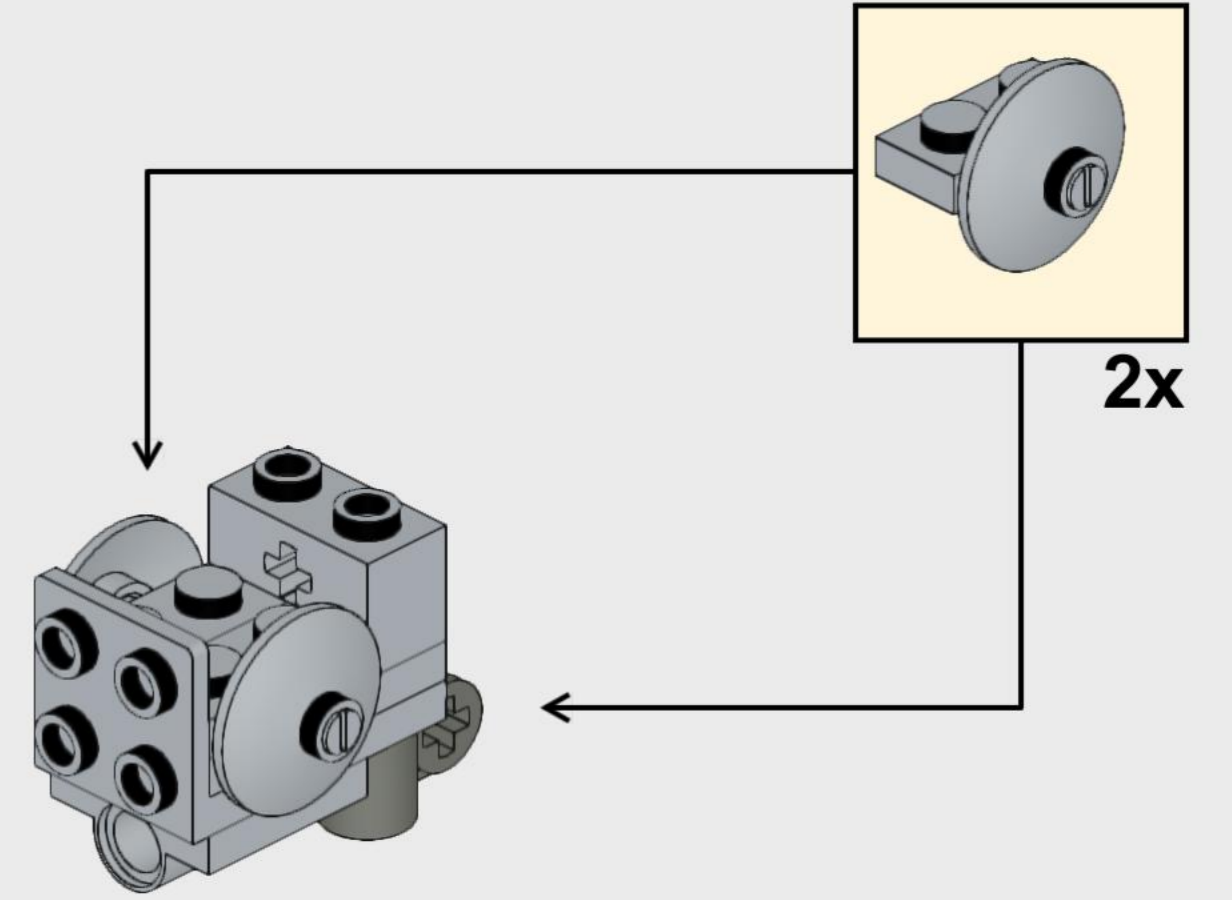


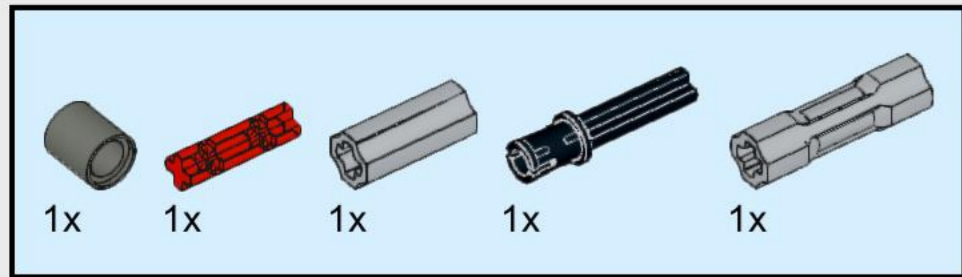
8



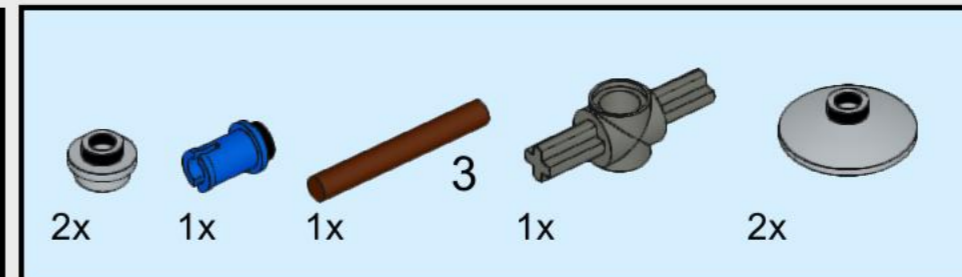
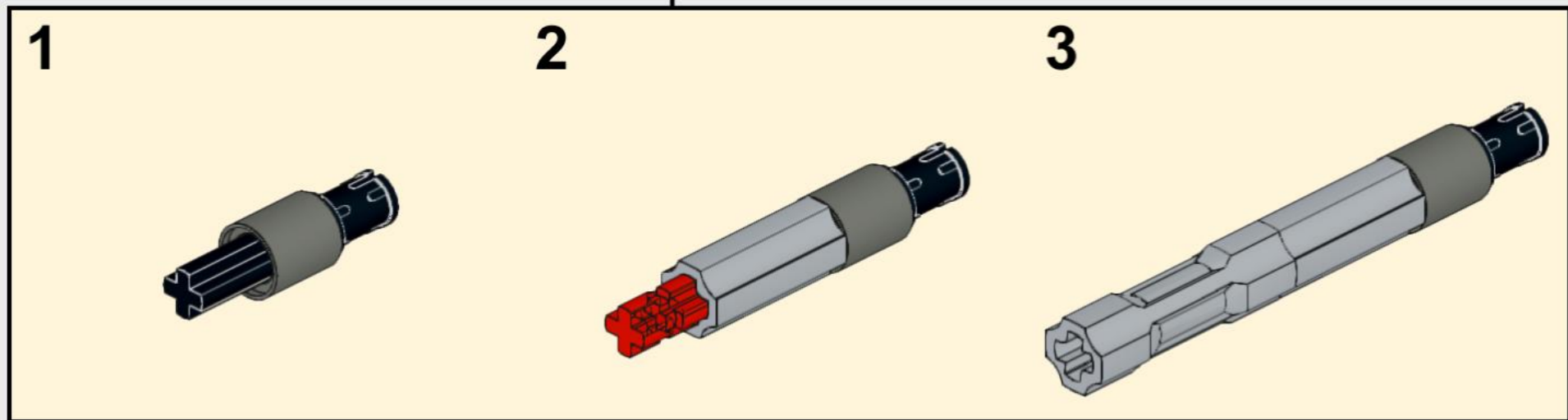
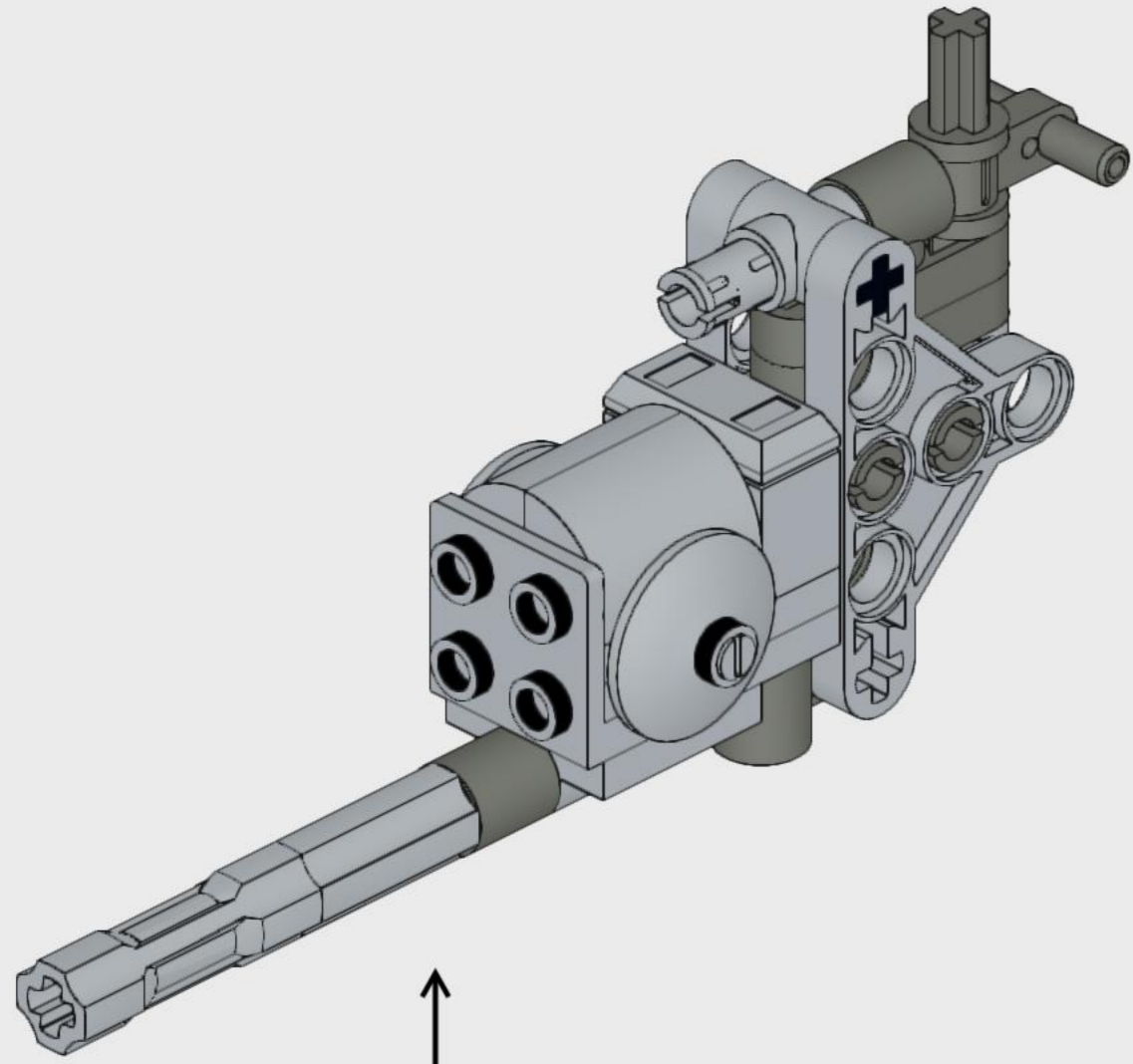
9

10

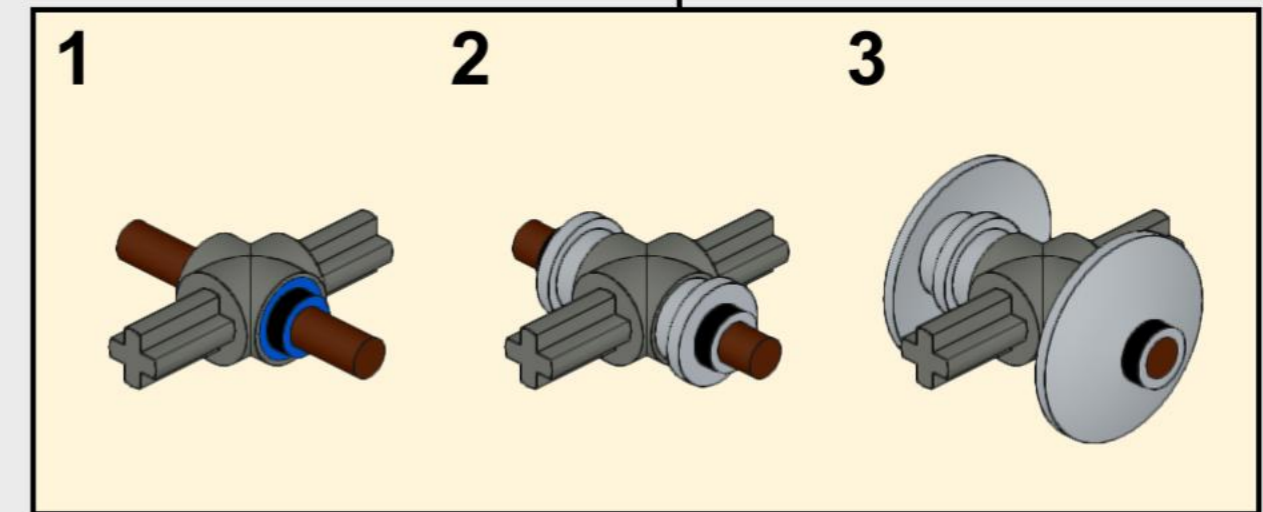
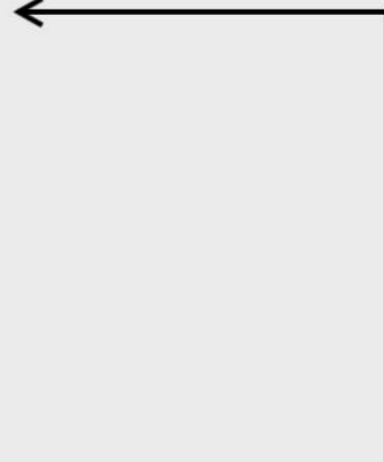
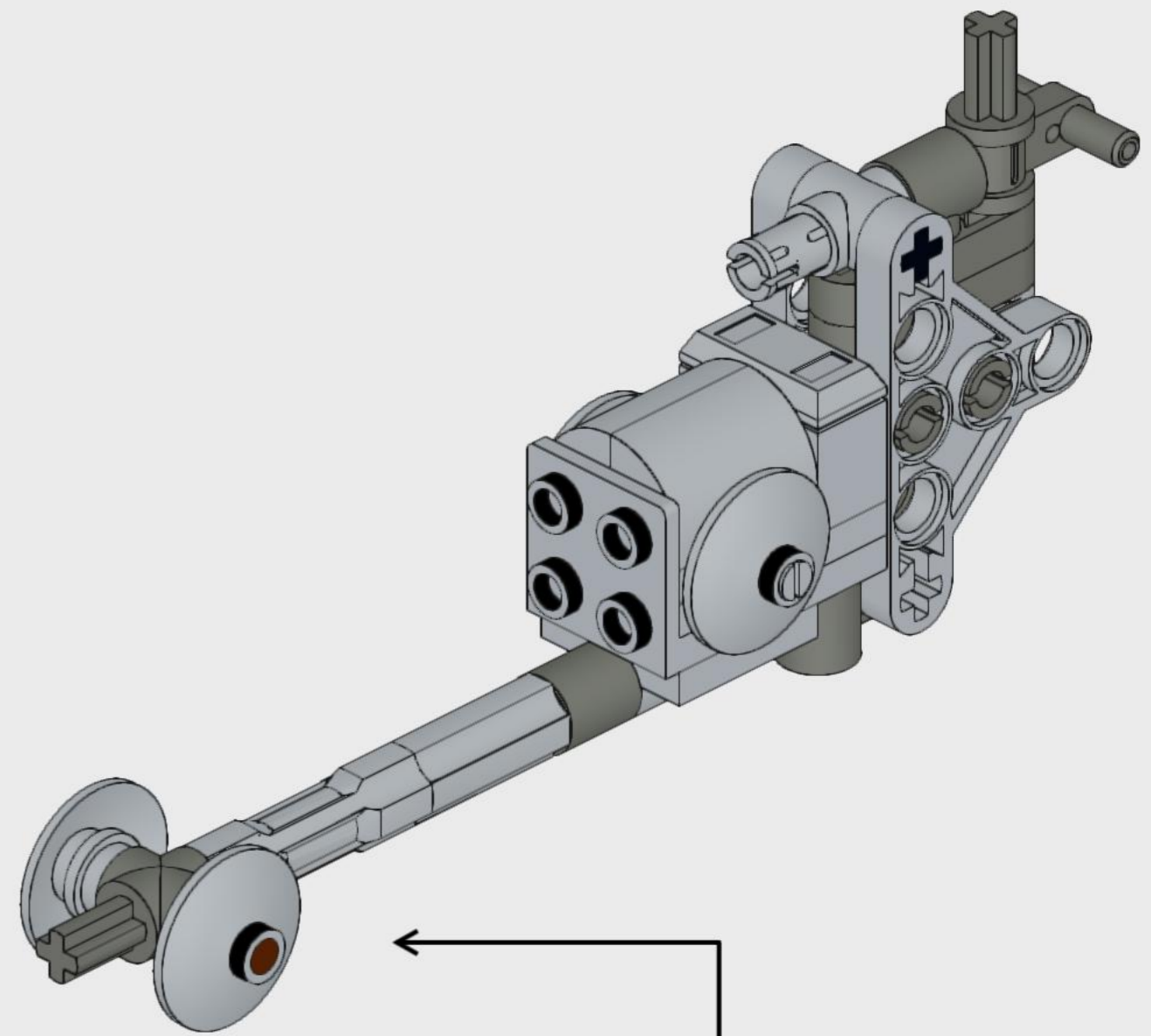


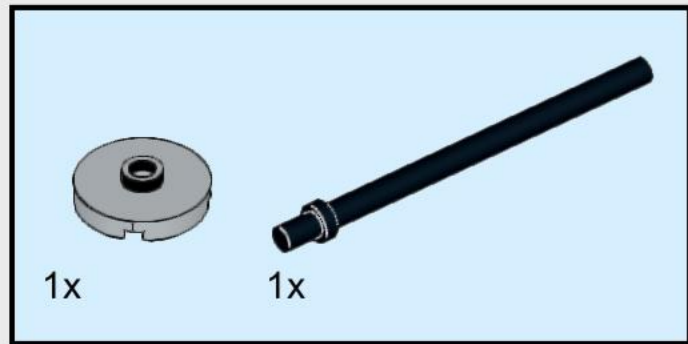


11

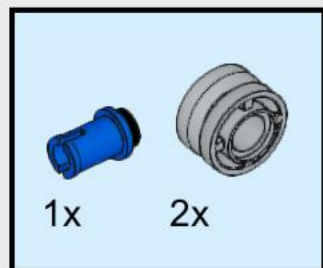
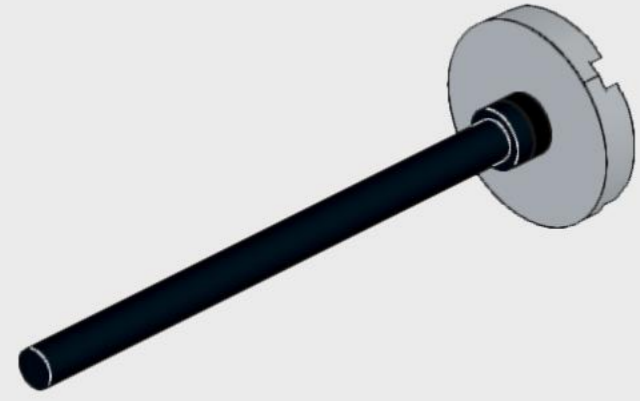


12

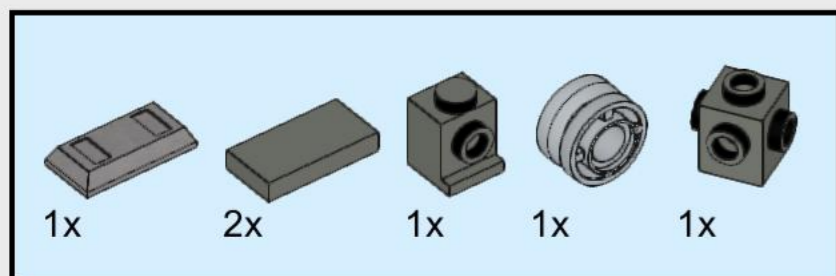
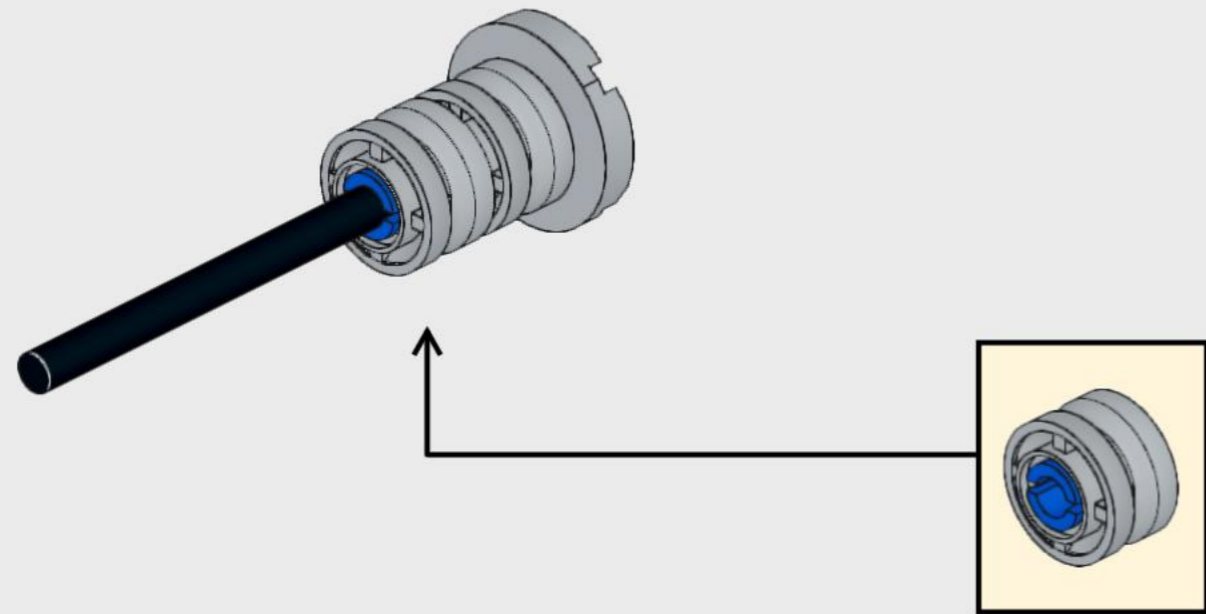




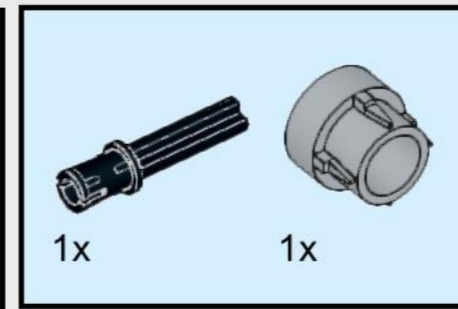
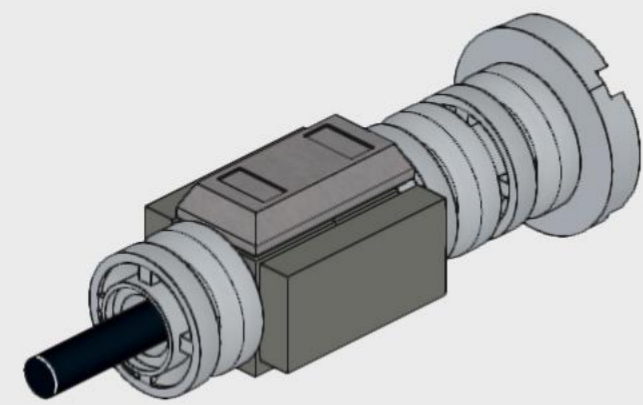
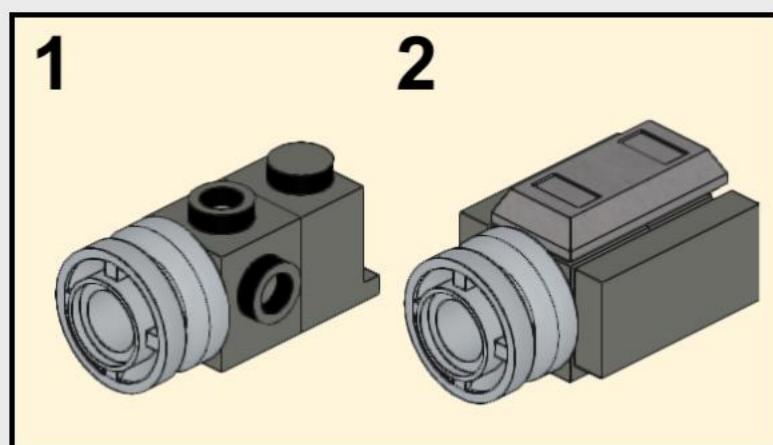
13



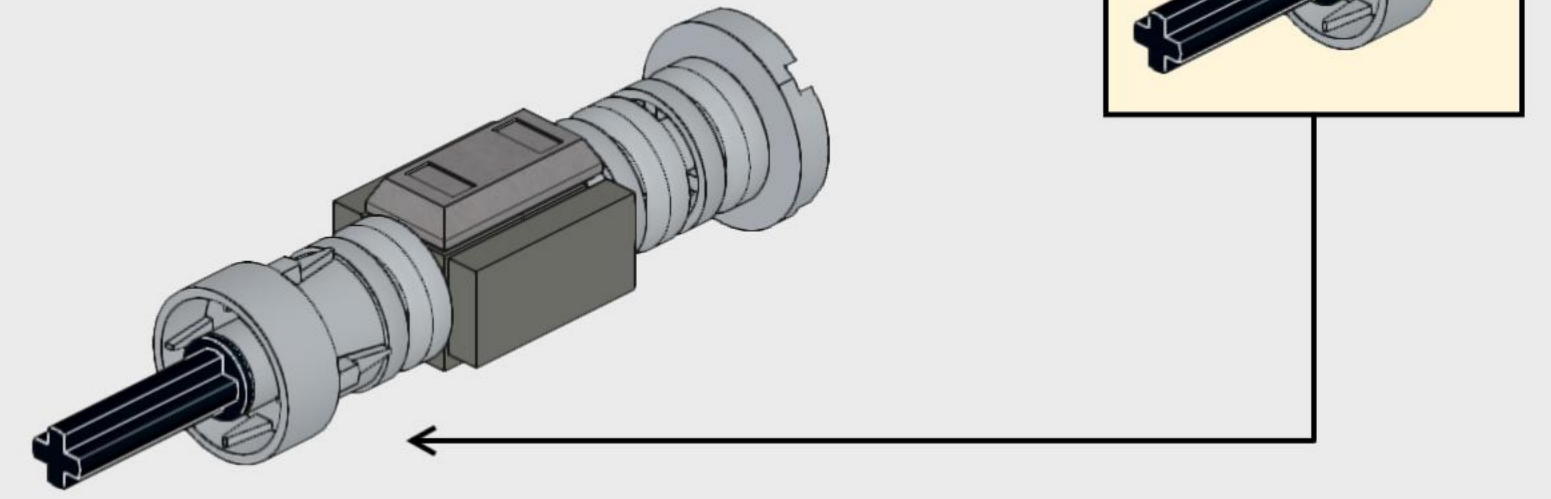
14



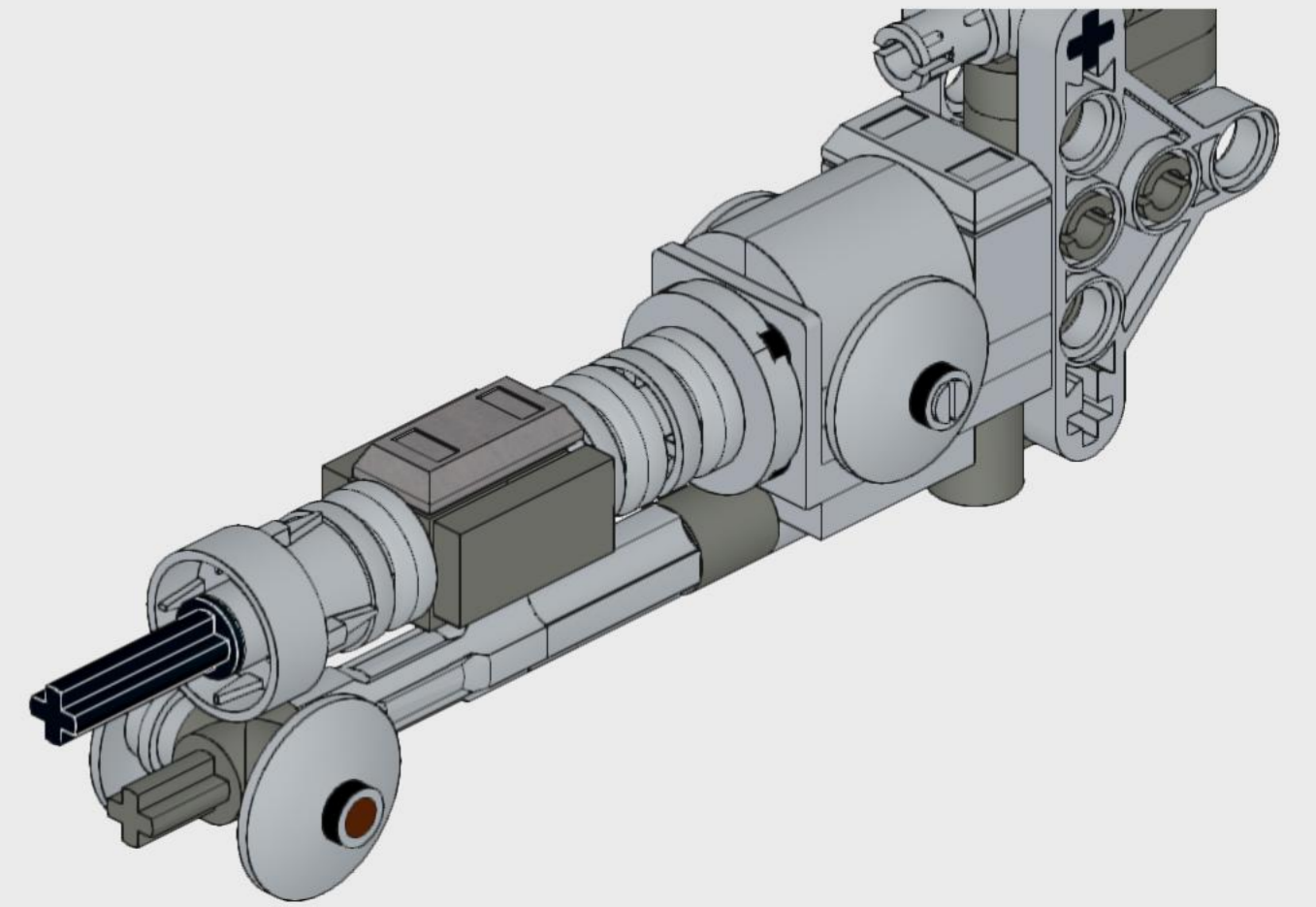
15



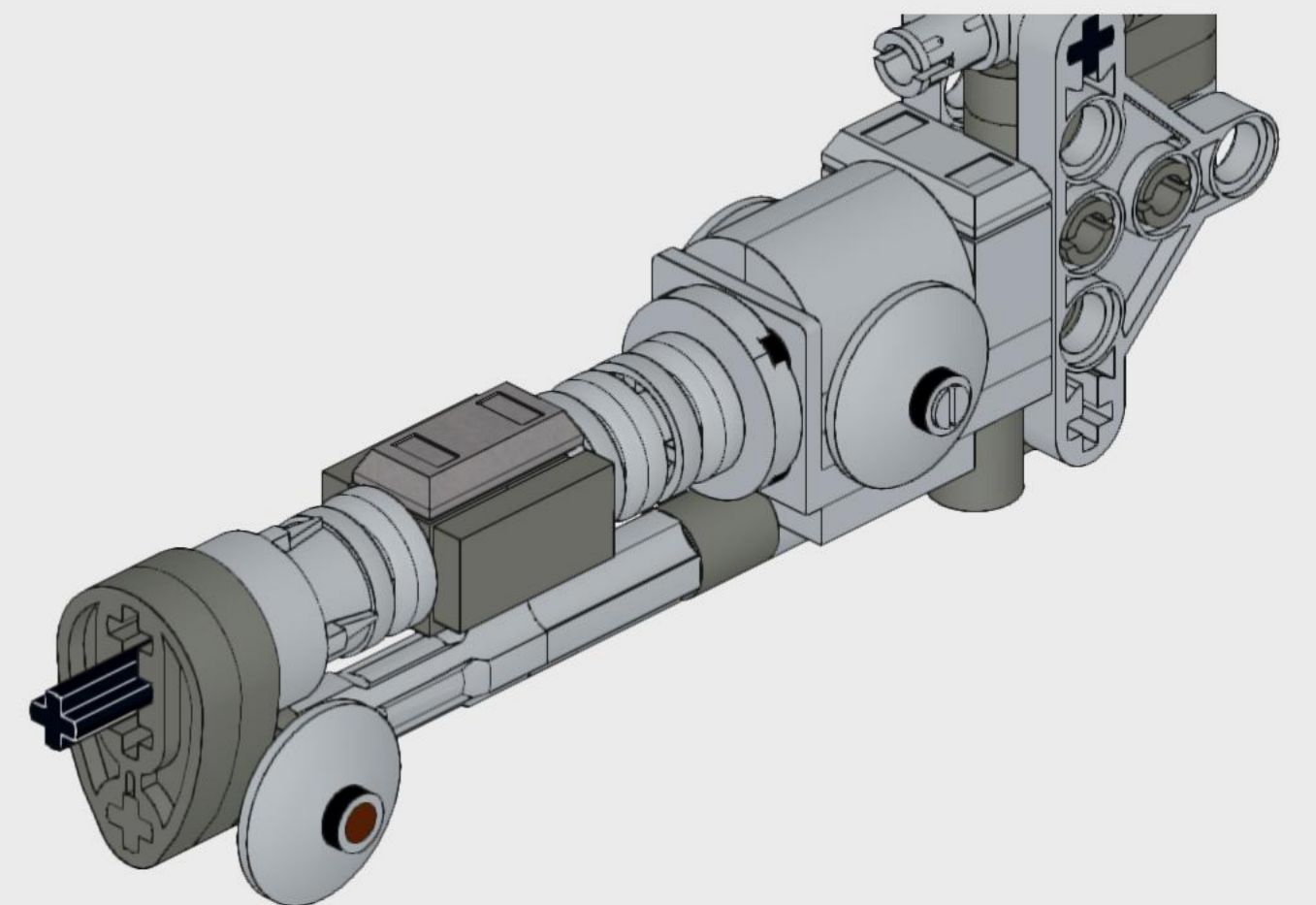
16

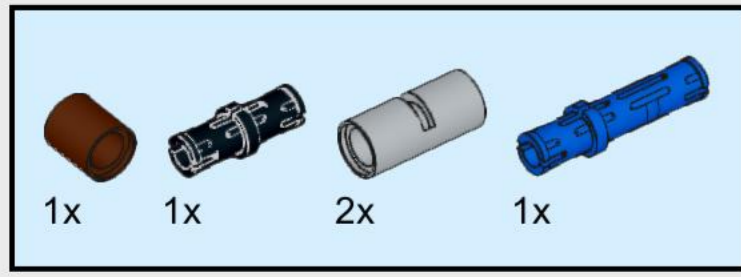


17

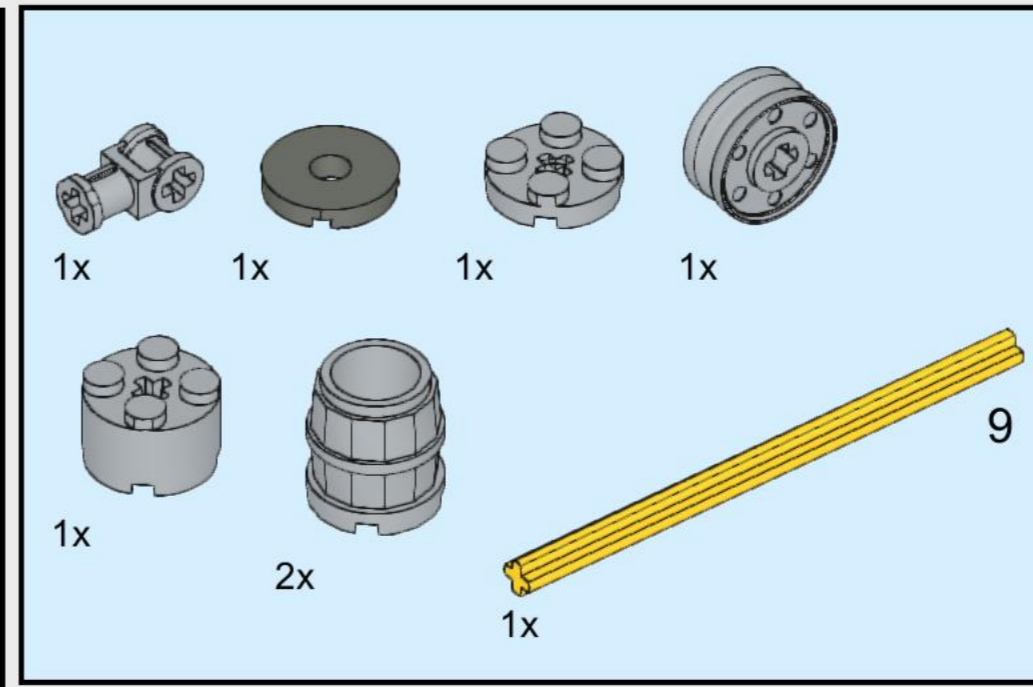
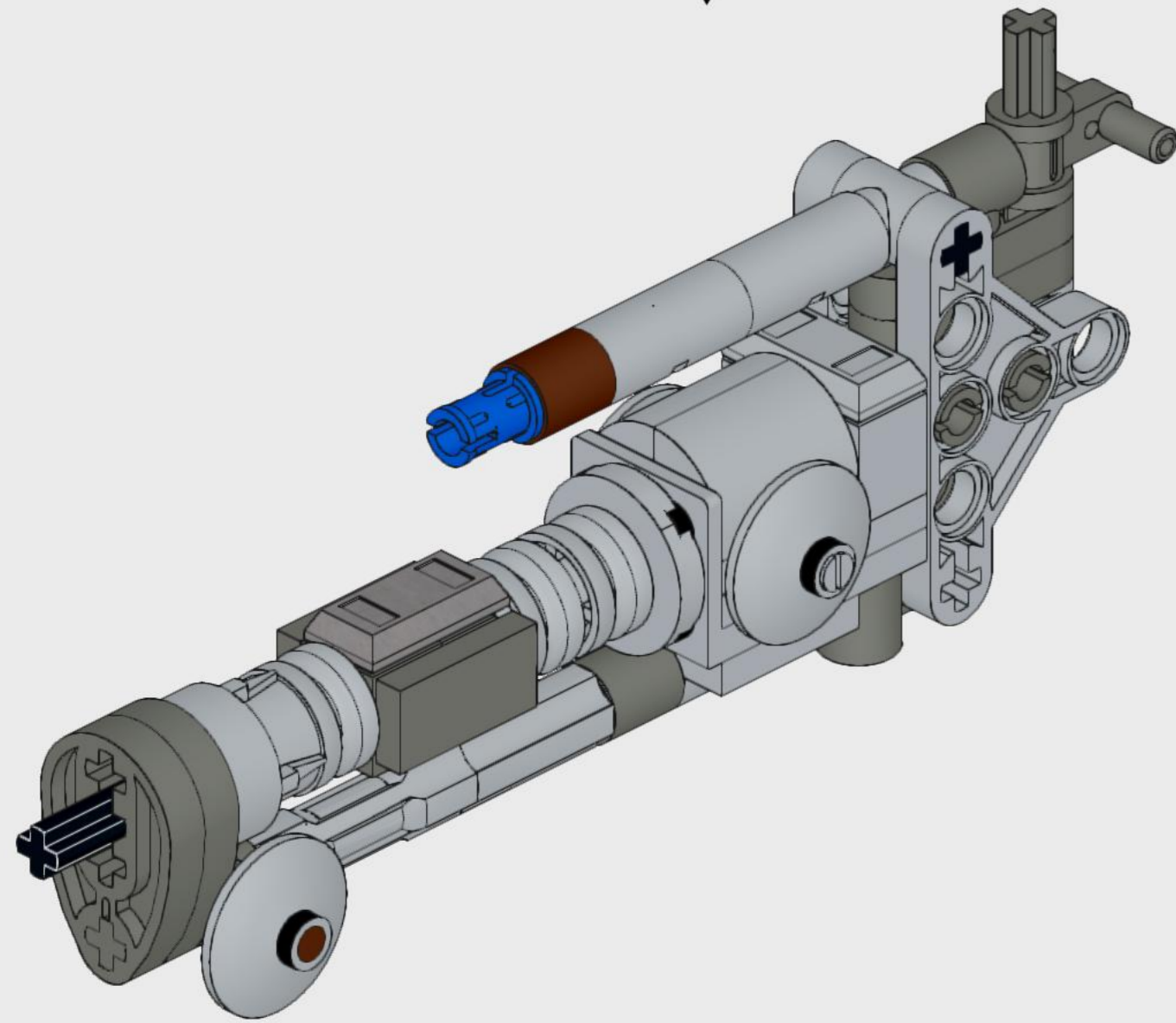
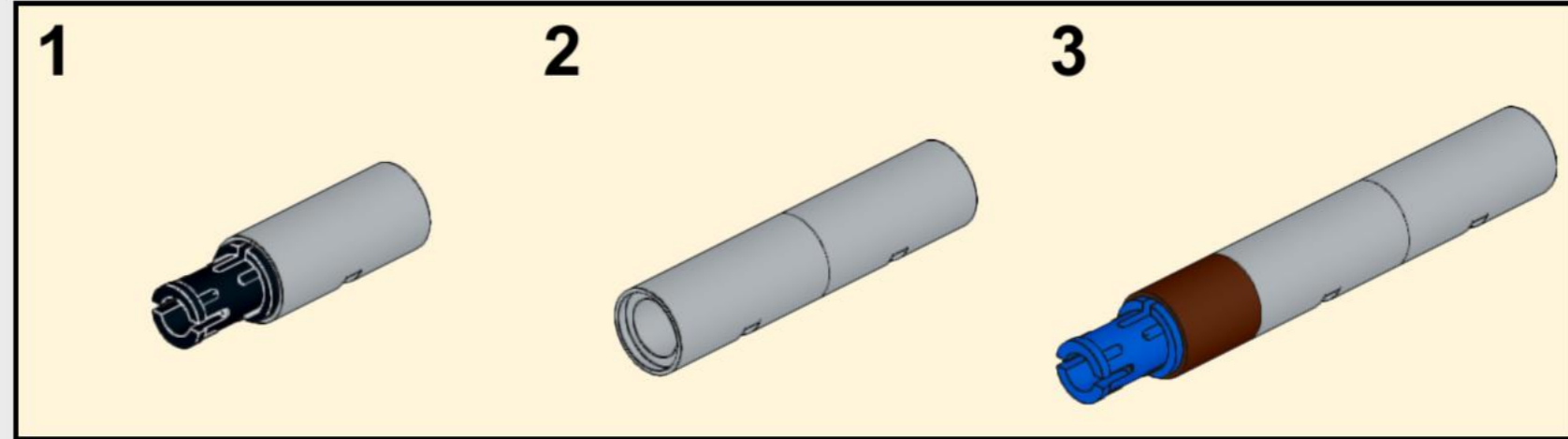


18

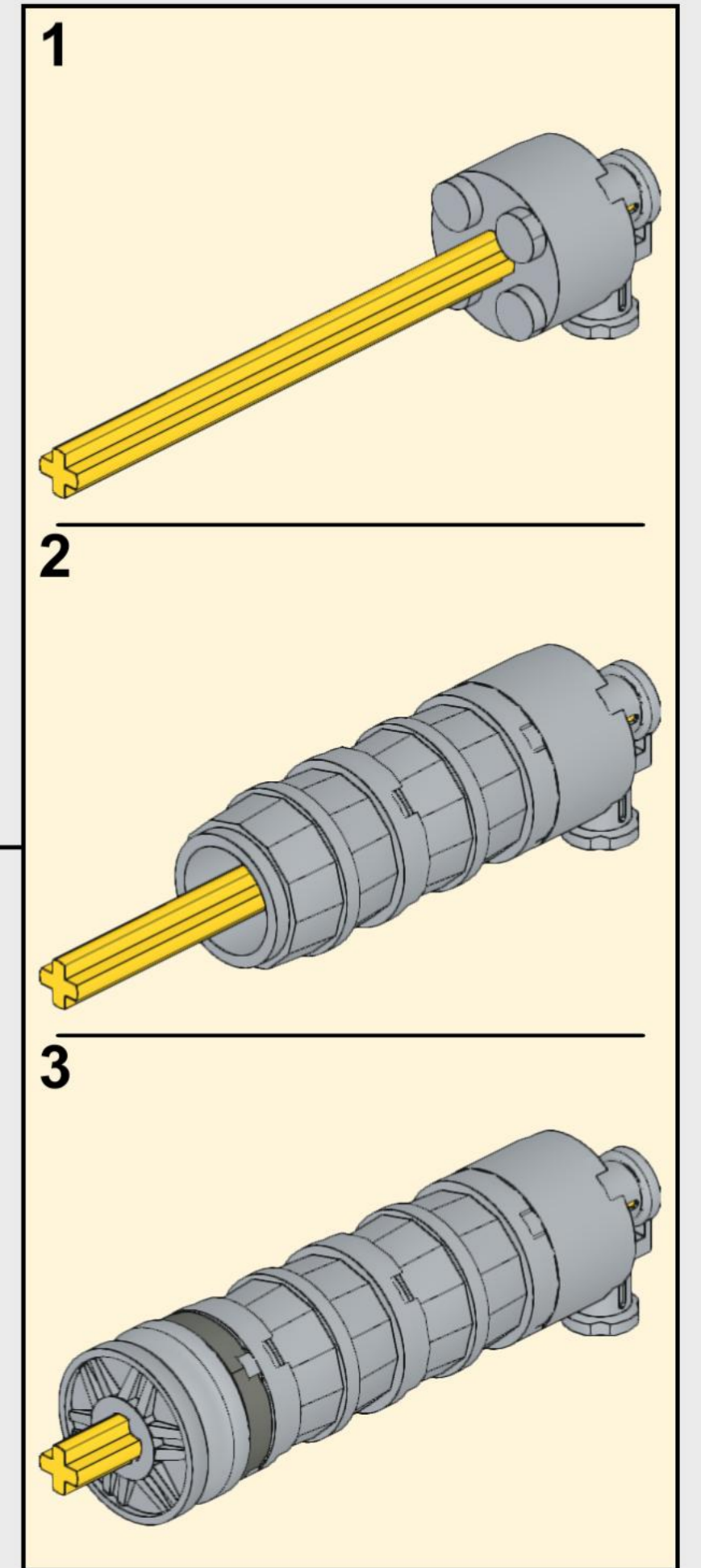
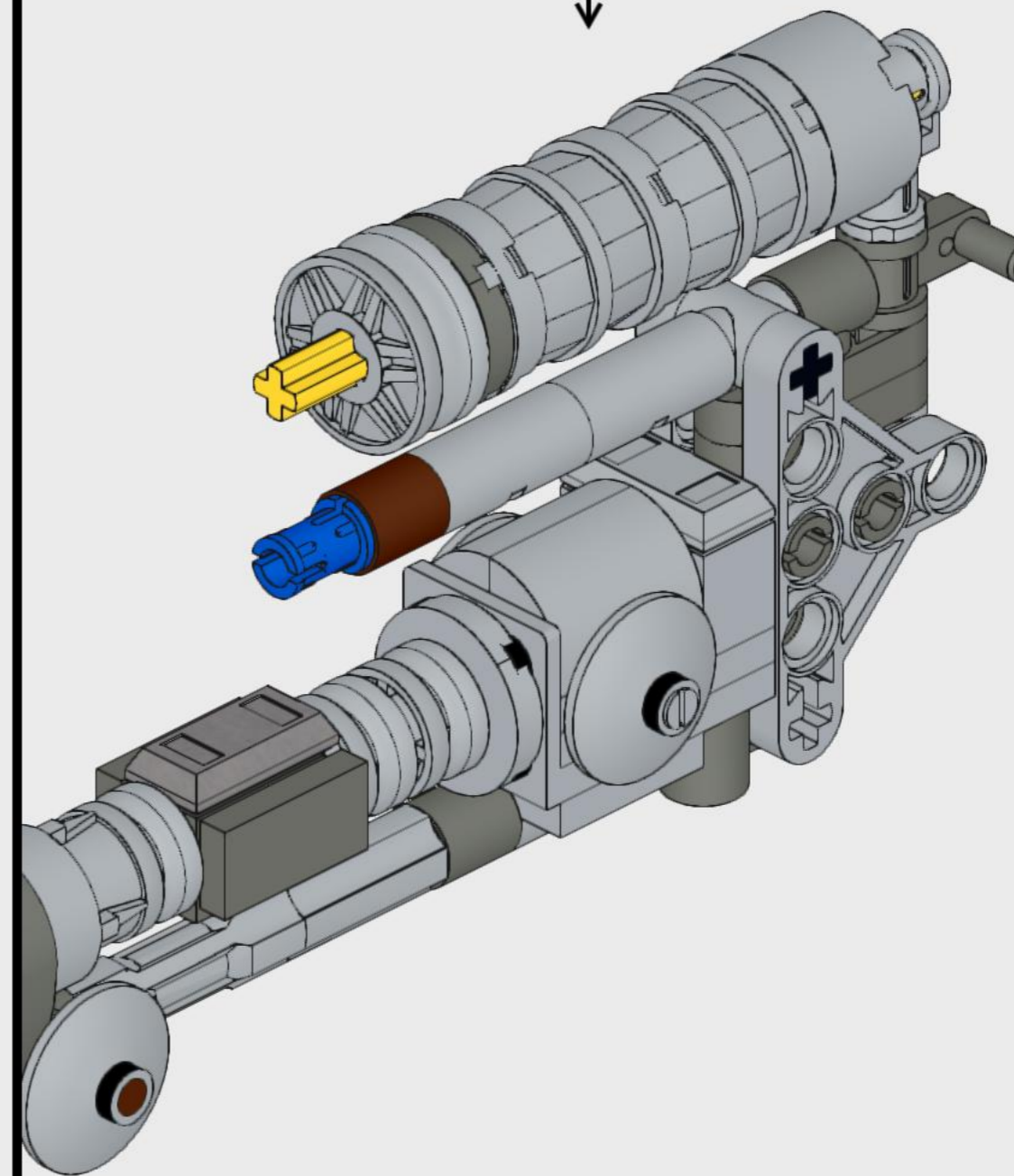
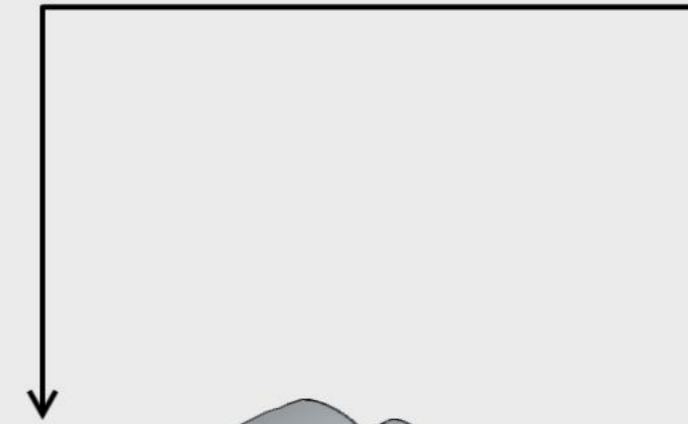


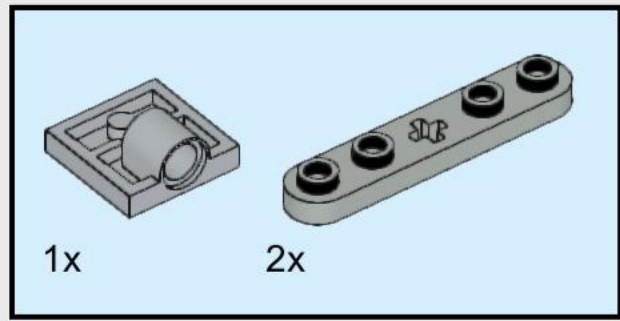


19

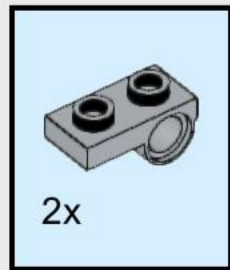
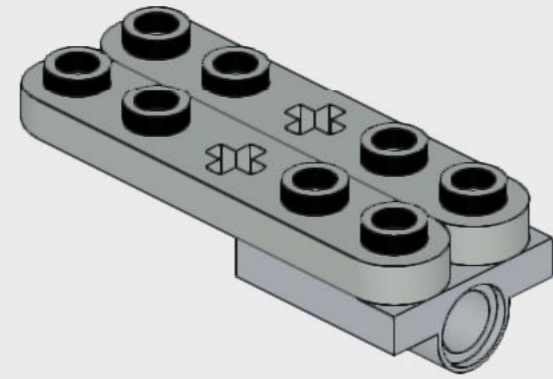


20

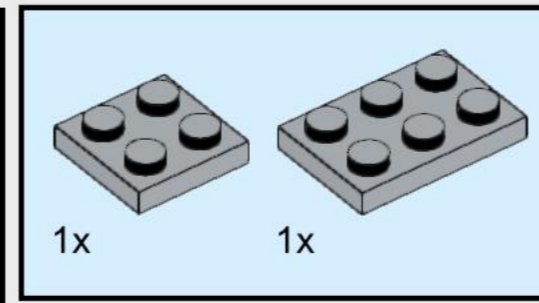
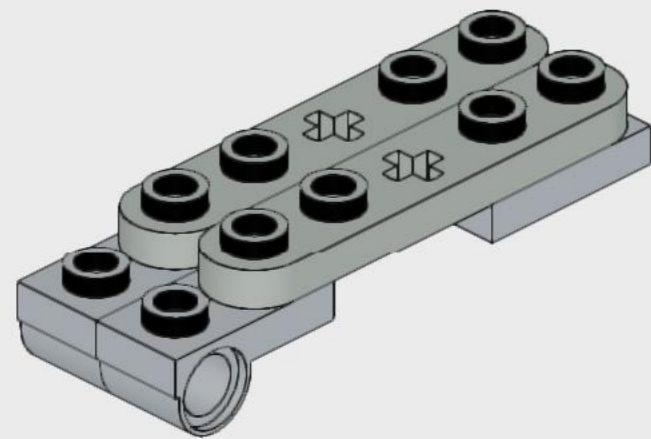




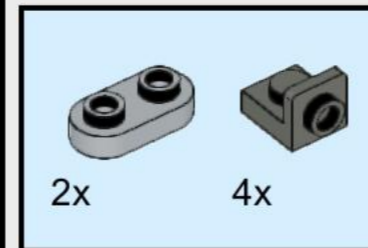
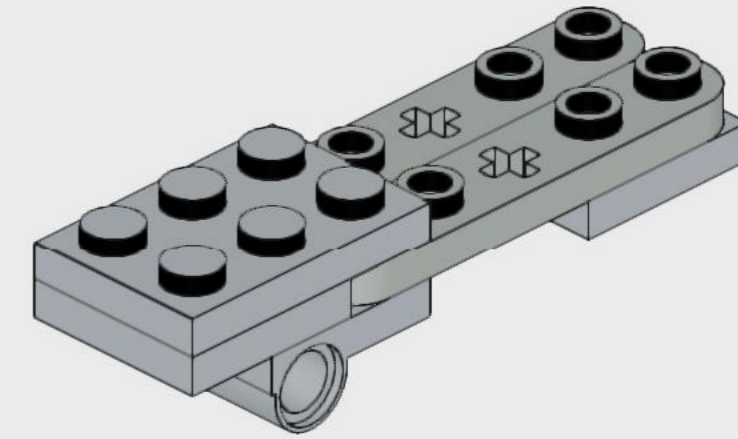
21



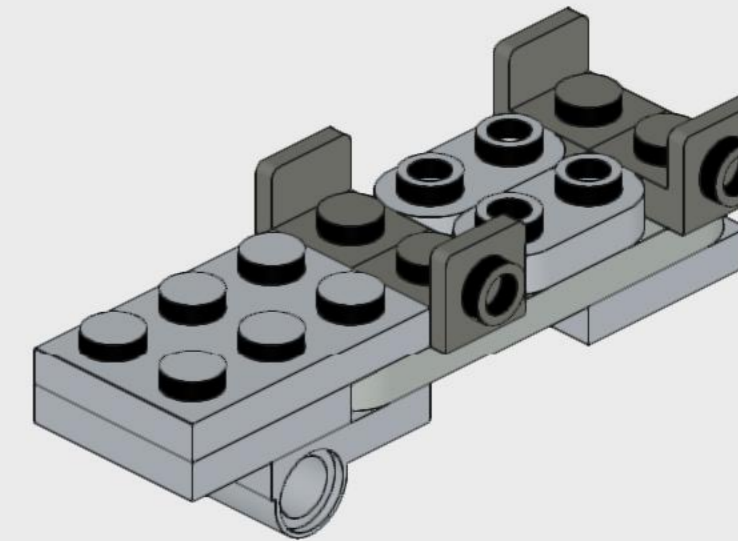
22 

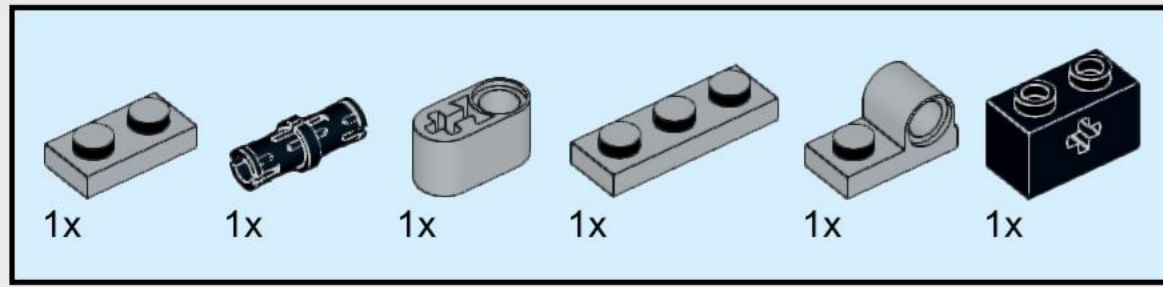


23

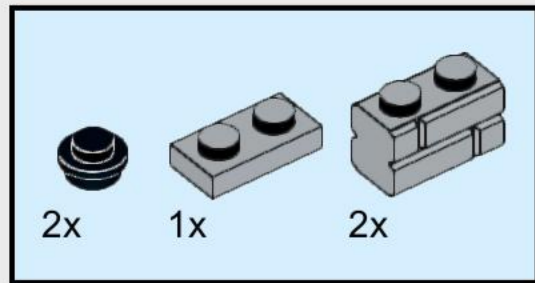
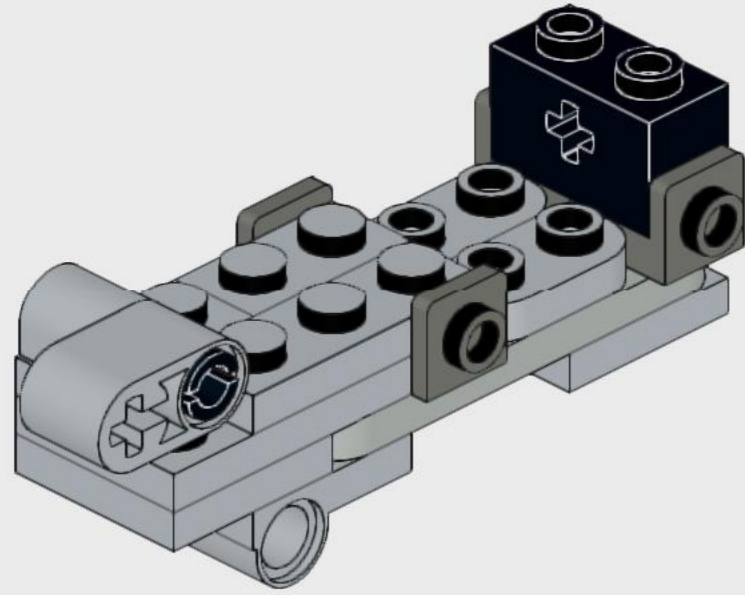
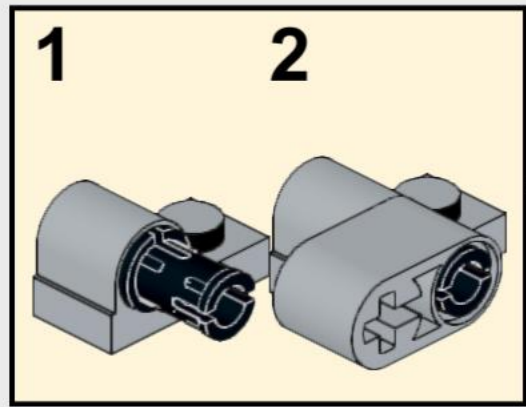


24

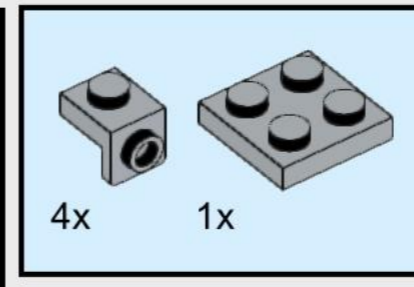
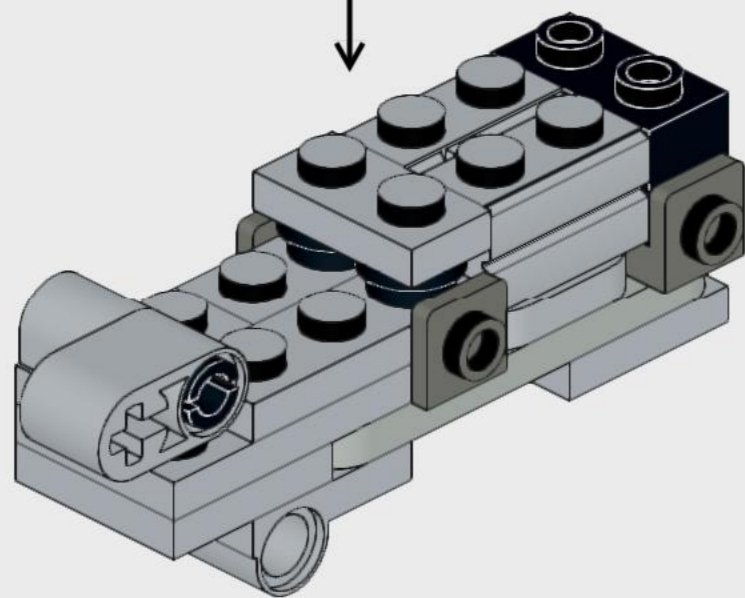
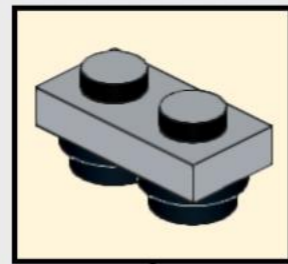




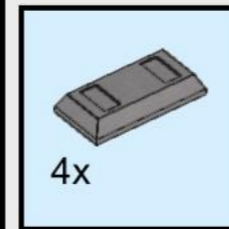
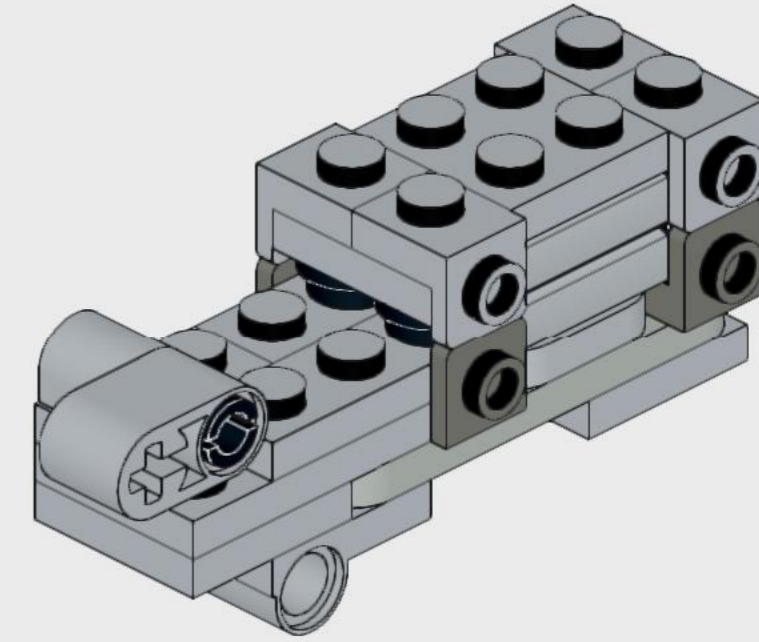
25



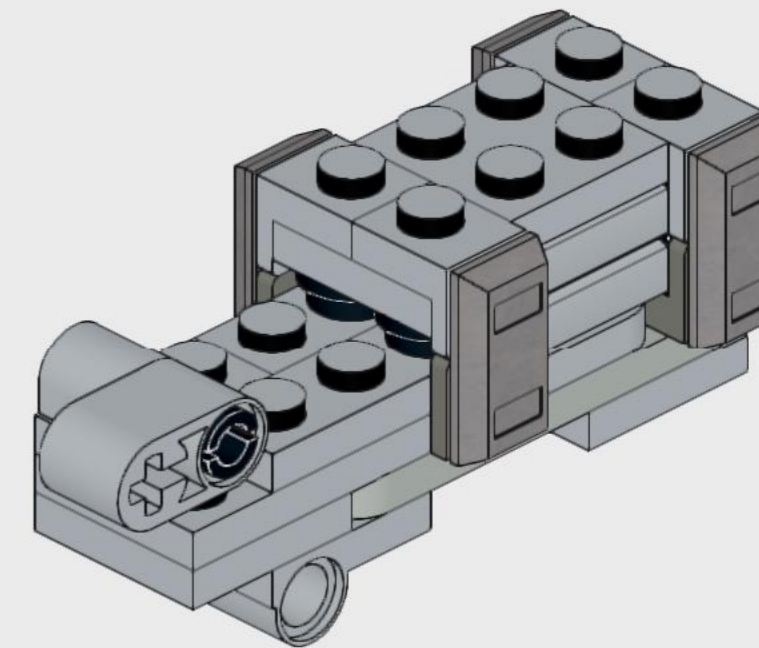
26

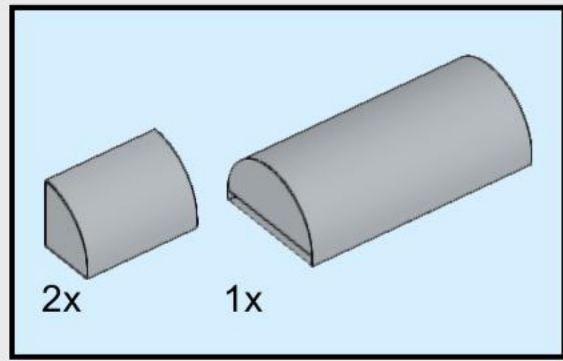


27

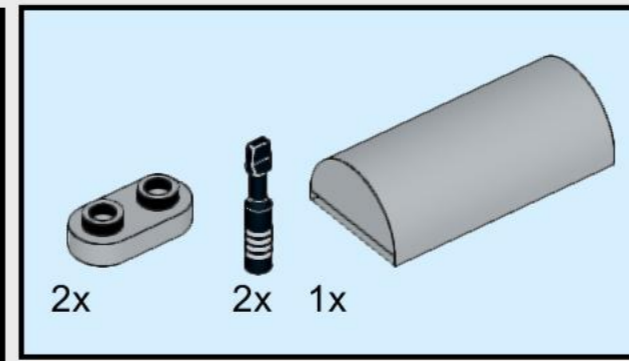
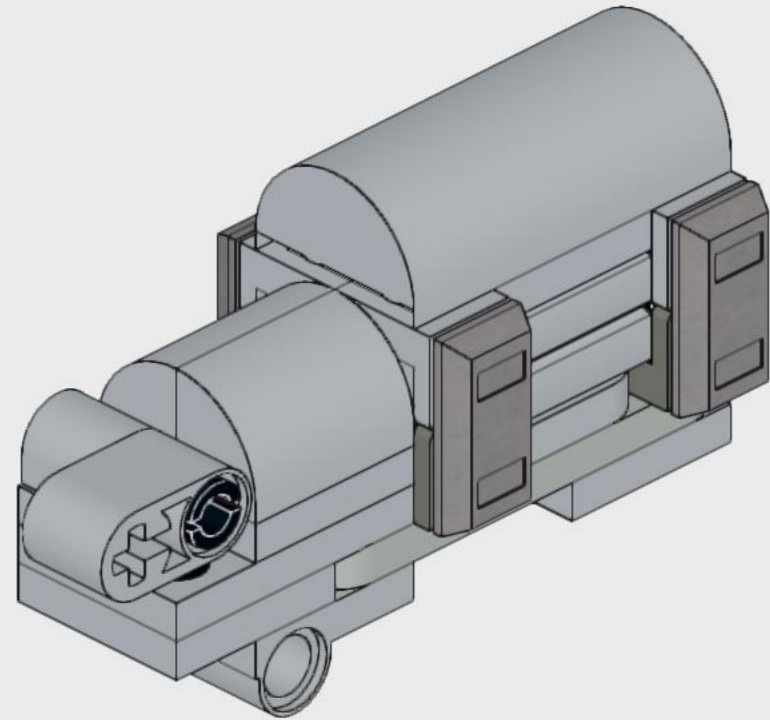


28



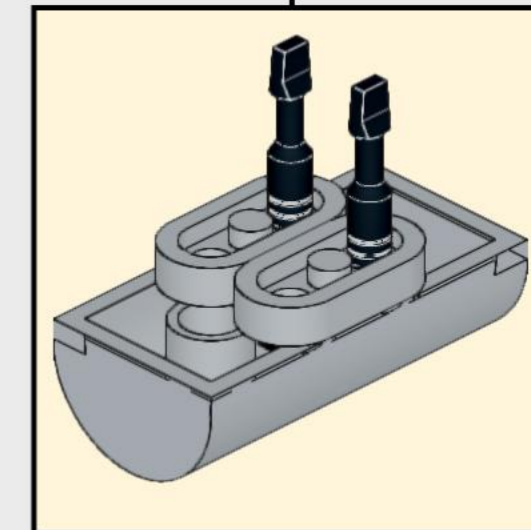
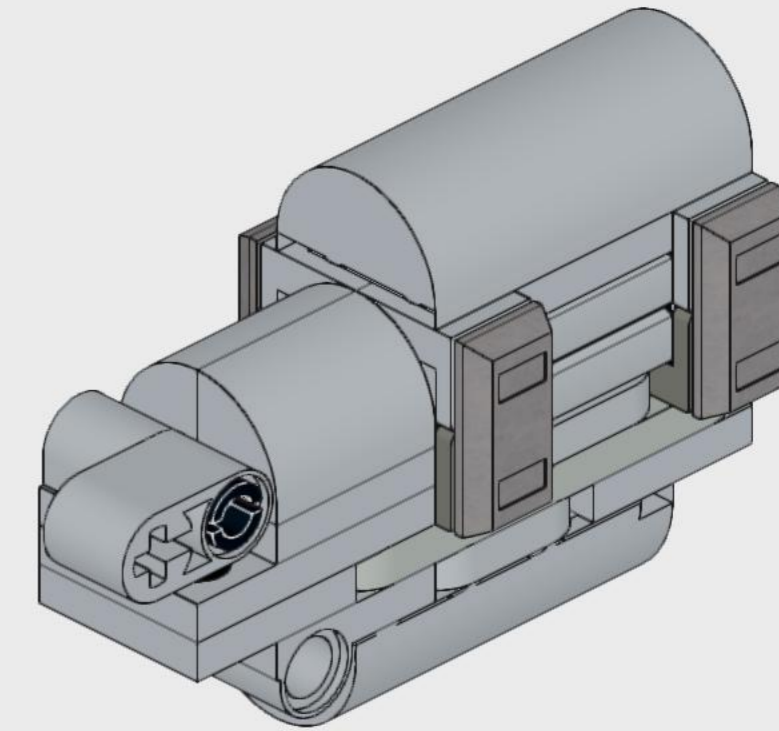


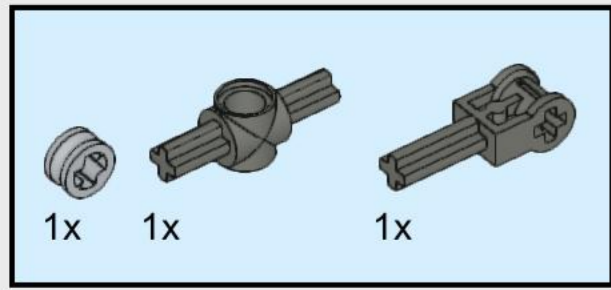
29



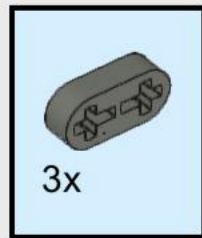
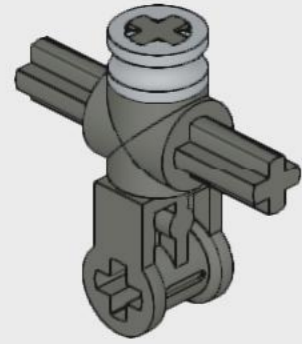
30

Alternatively, 2-stud-long rigid hose pieces can be substituted for black screw-drivers, which are a rare part.

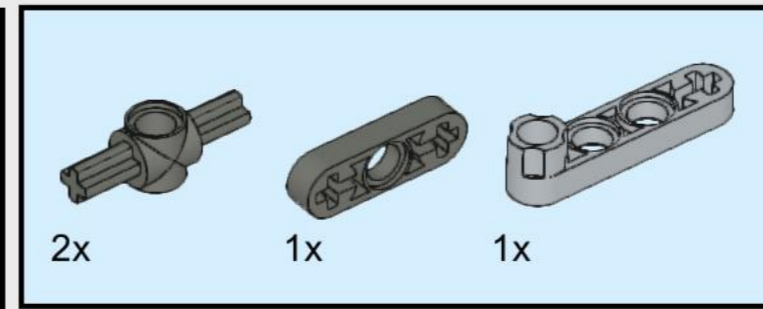
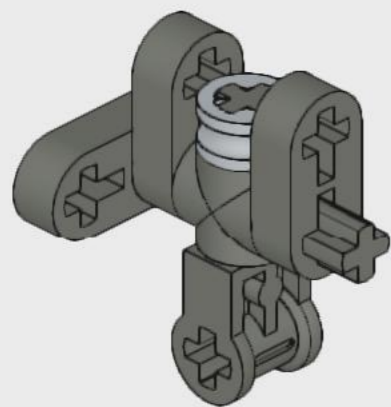




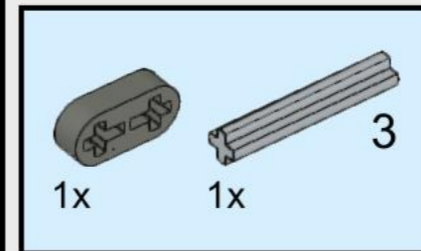
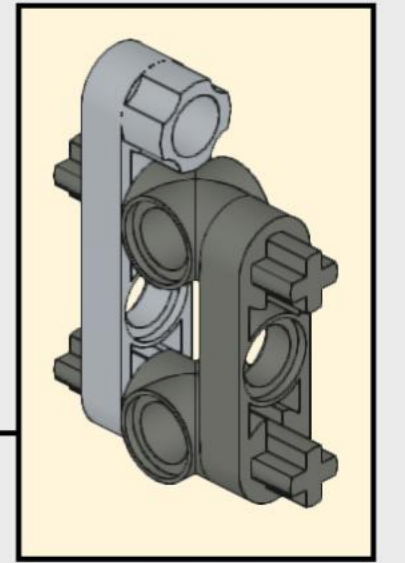
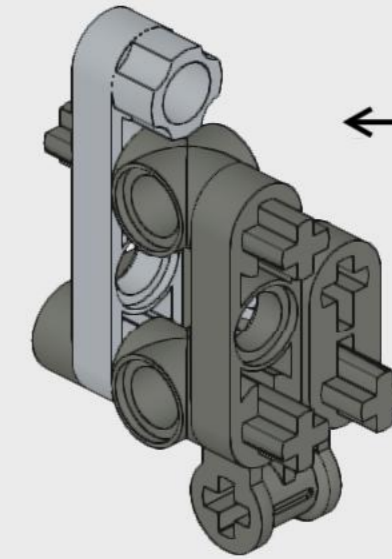
31



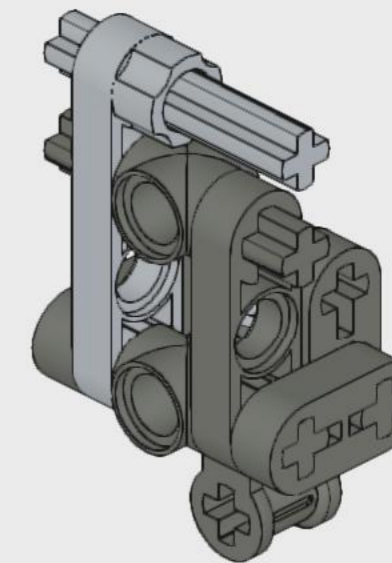
32



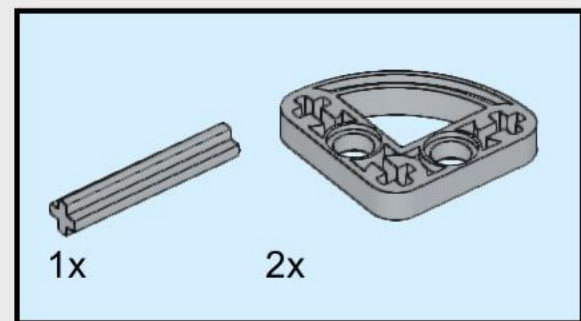
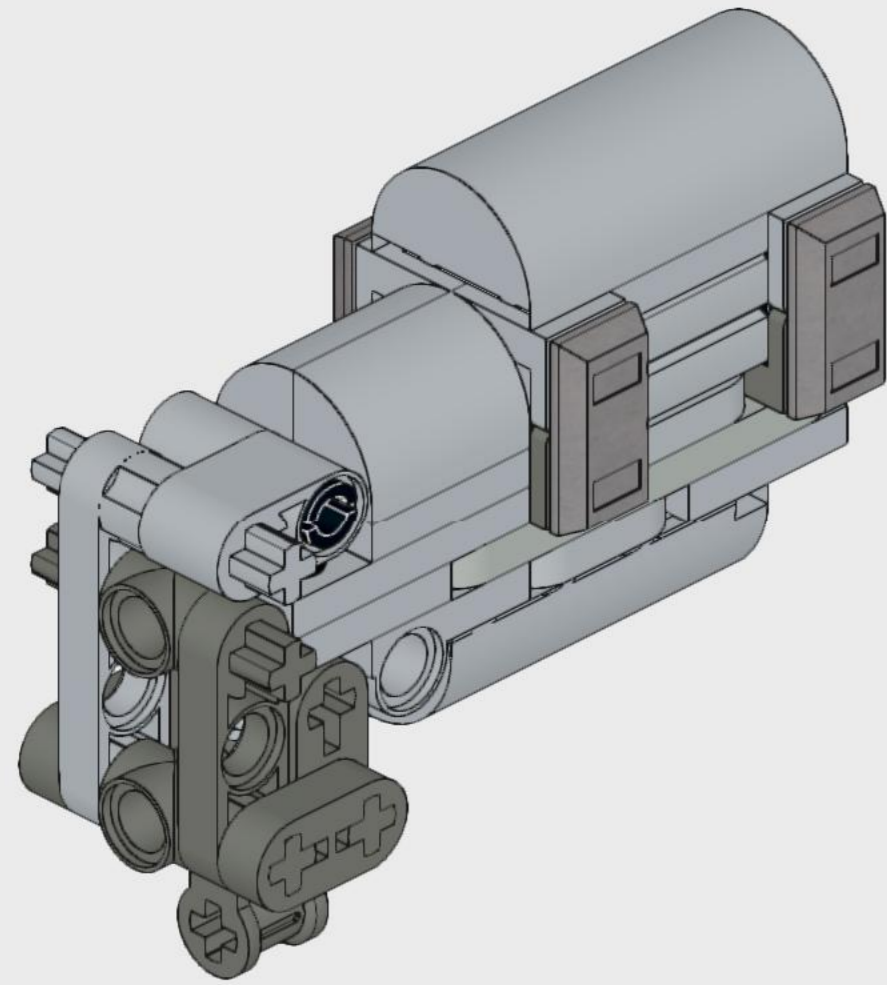
33



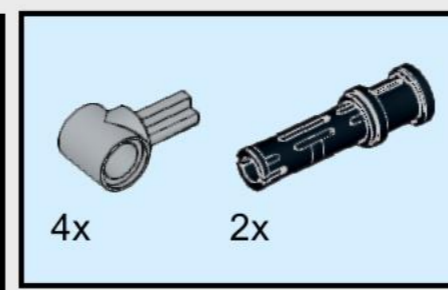
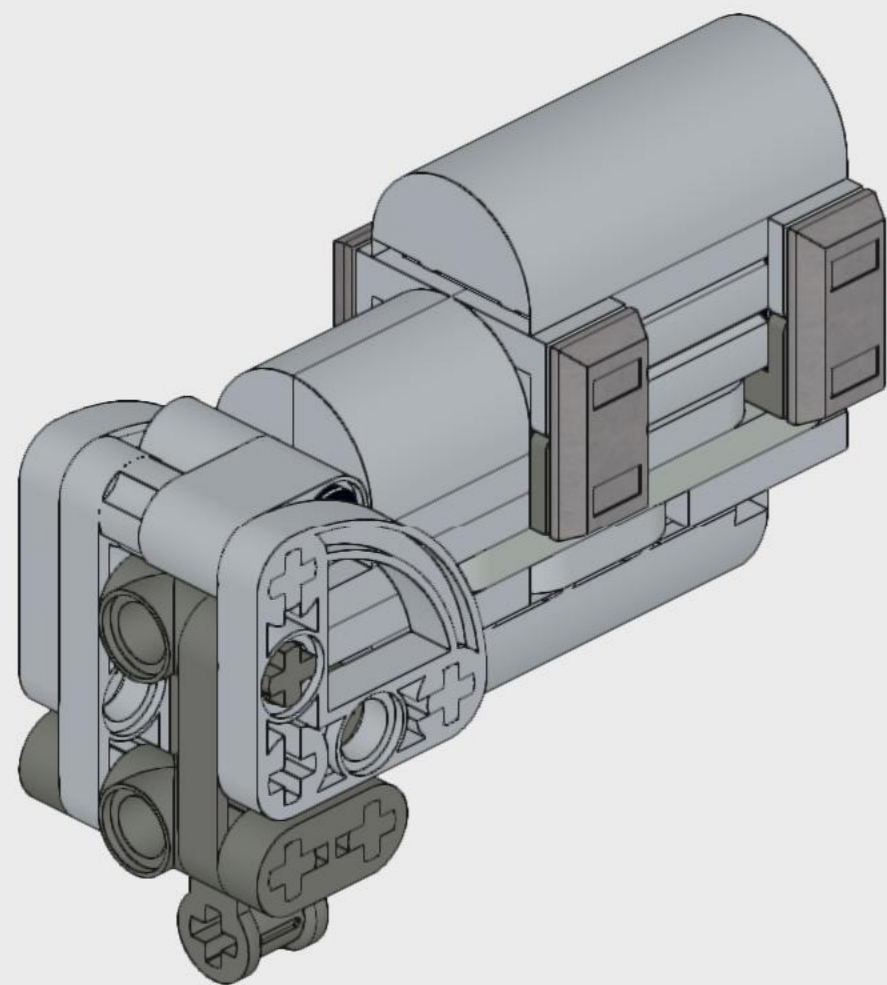
34



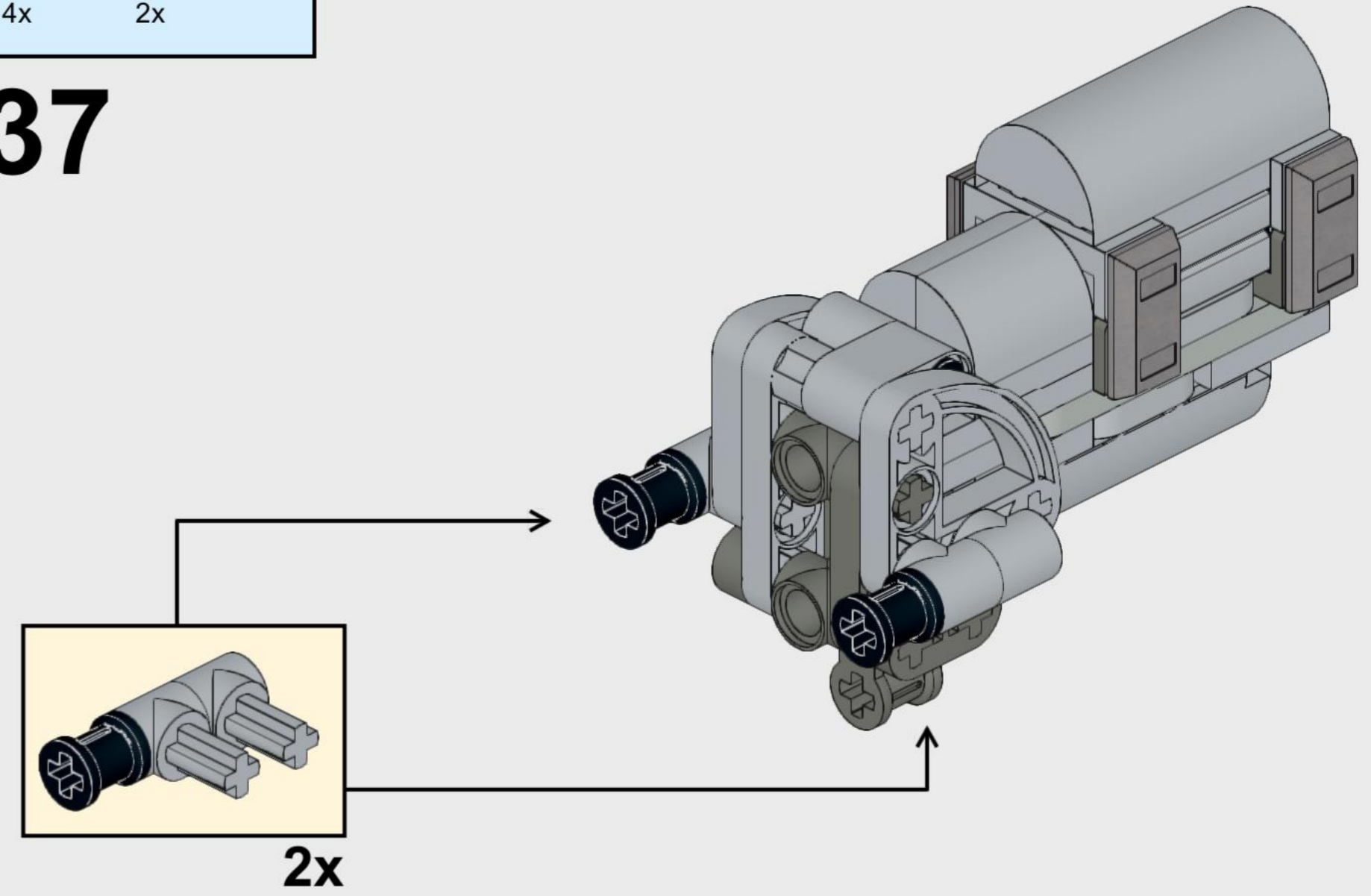
35



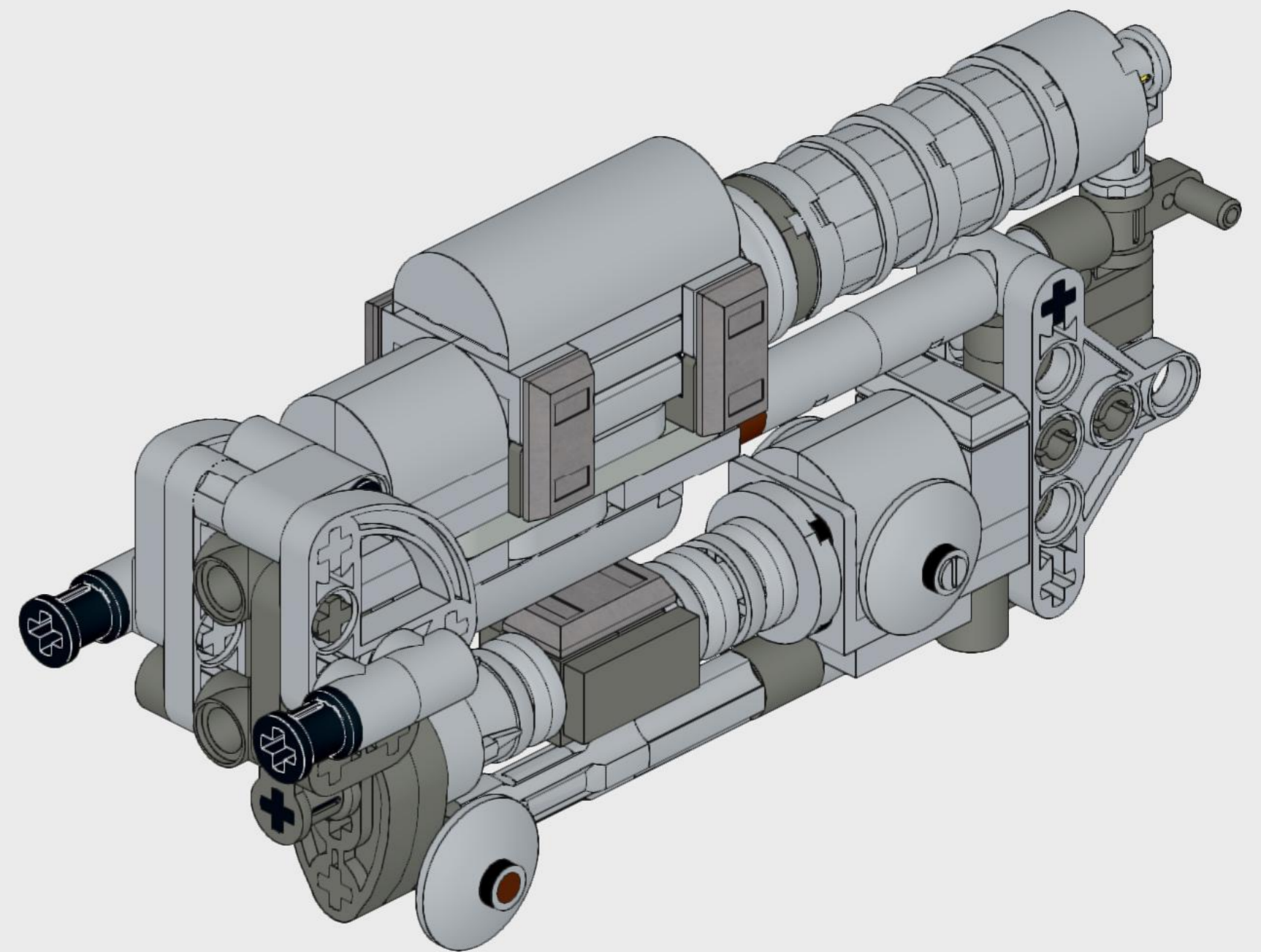
36

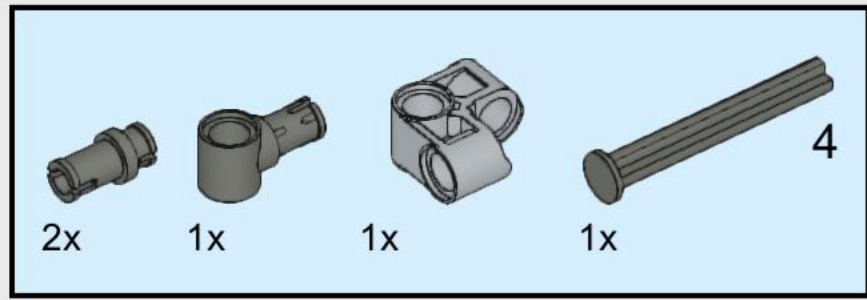


37

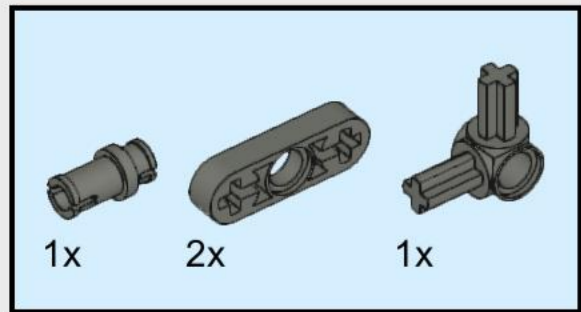
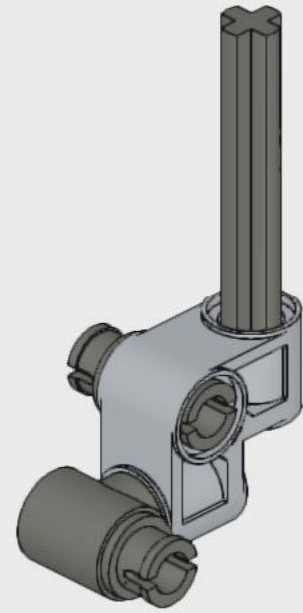


38

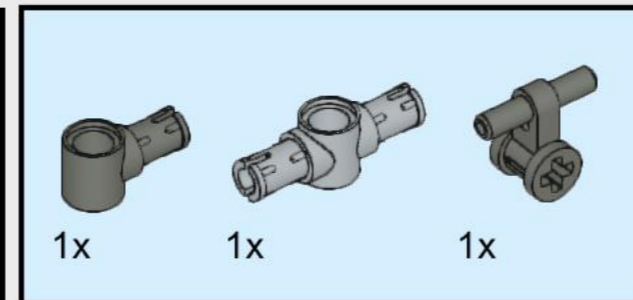
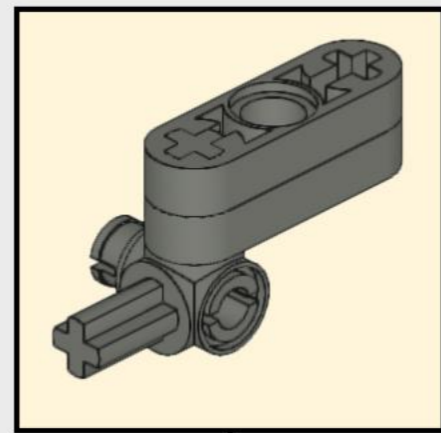
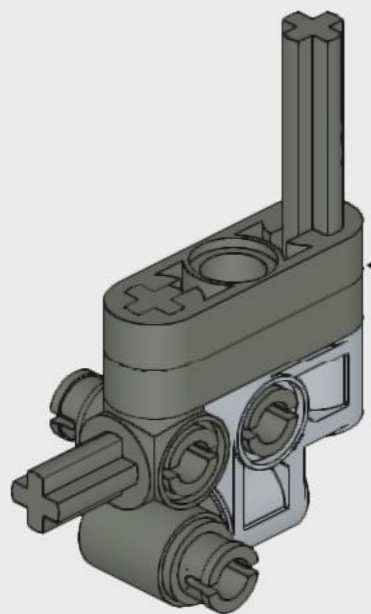




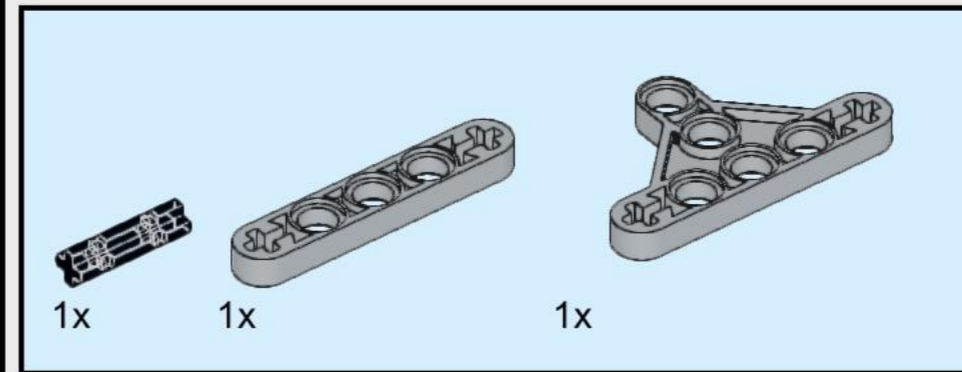
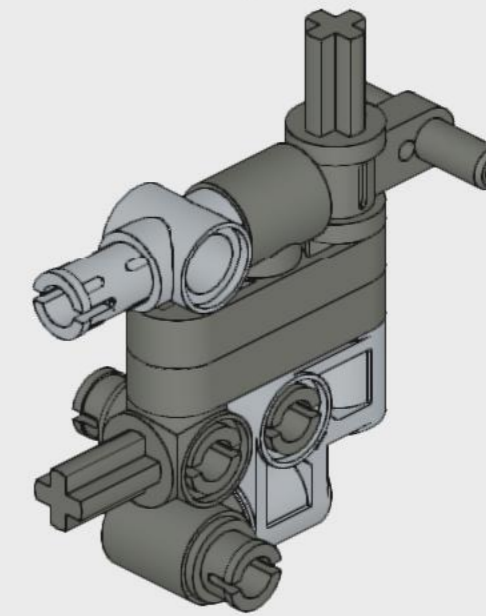
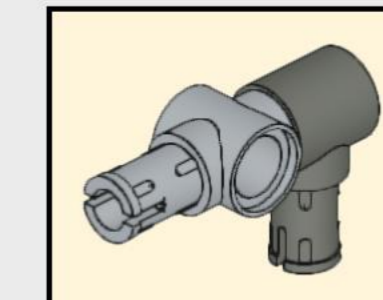
1



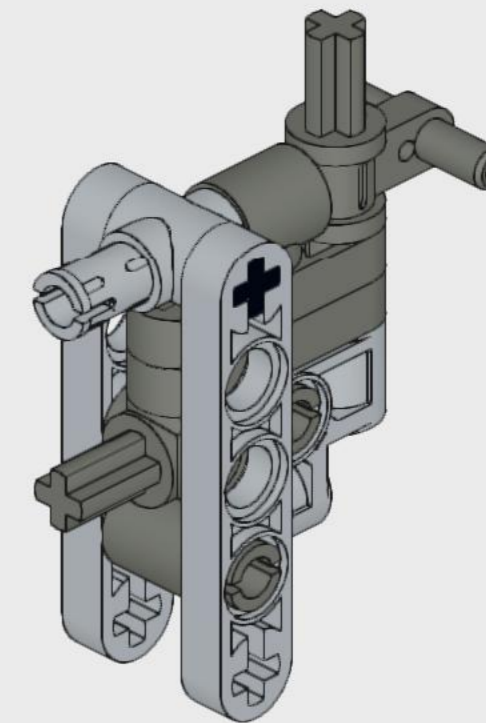
2

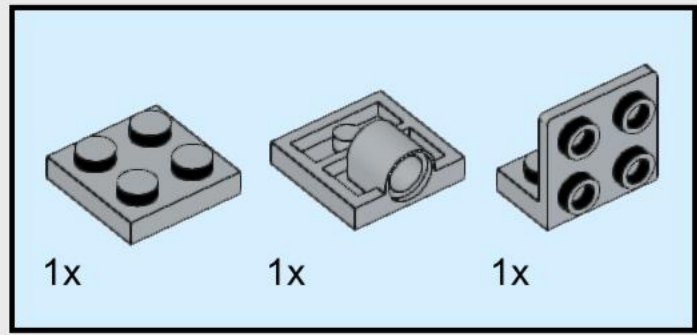


3

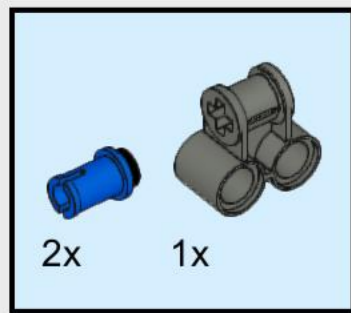
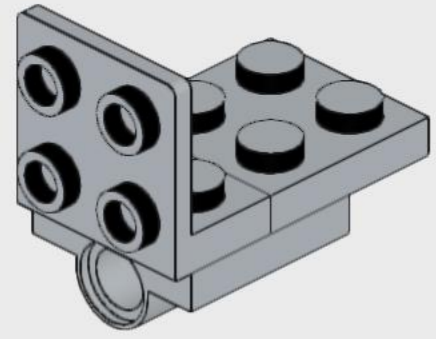


4

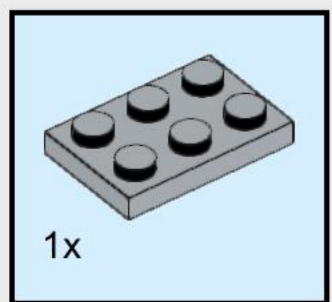
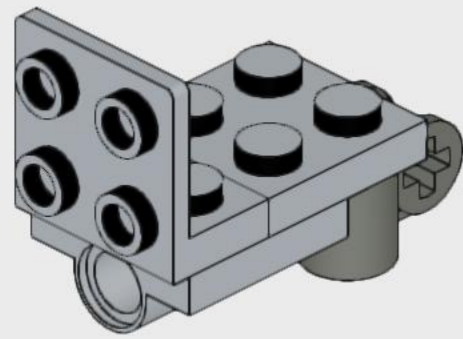




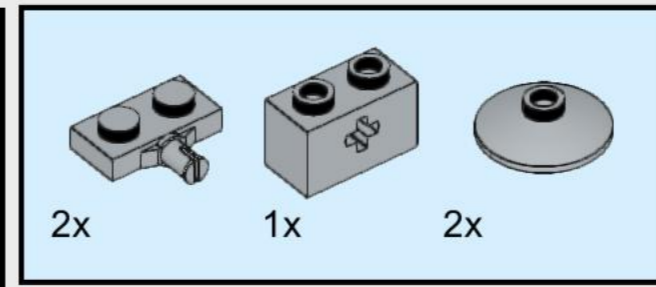
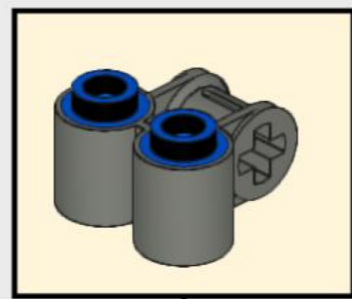
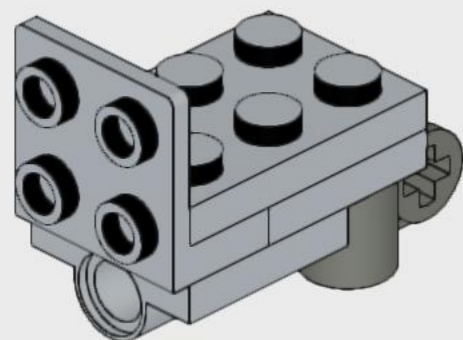
5



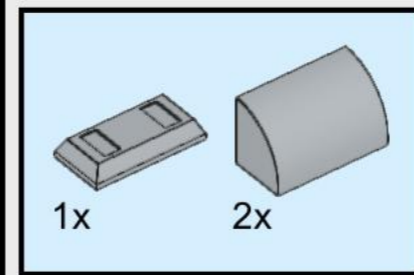
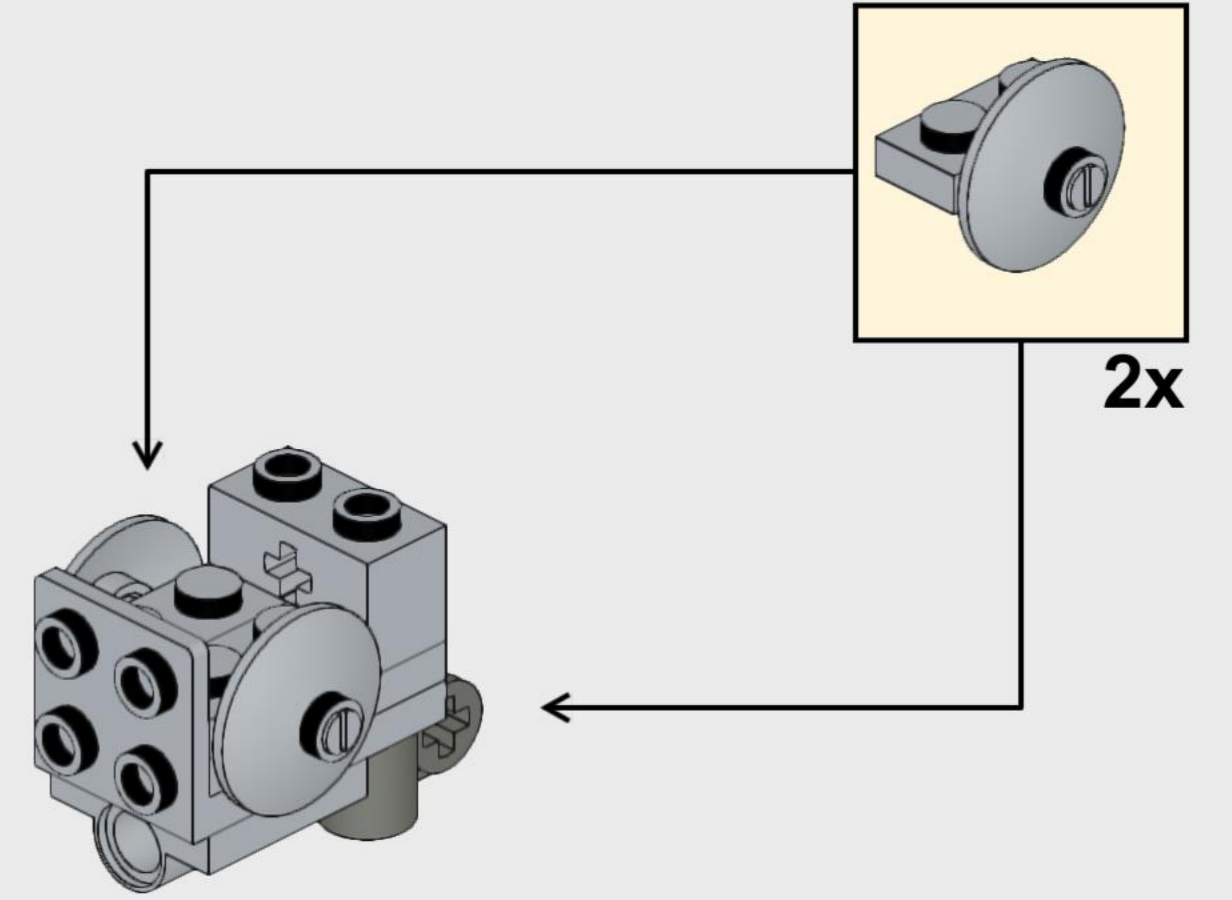
6



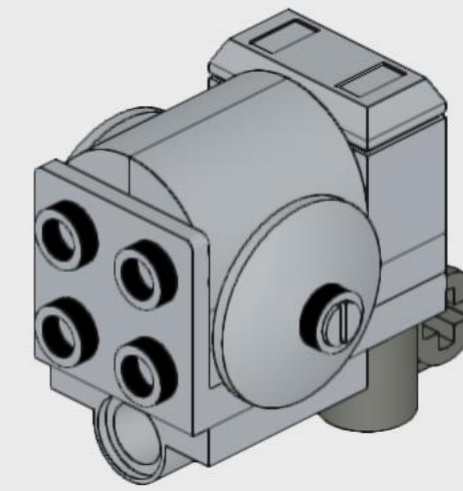
7



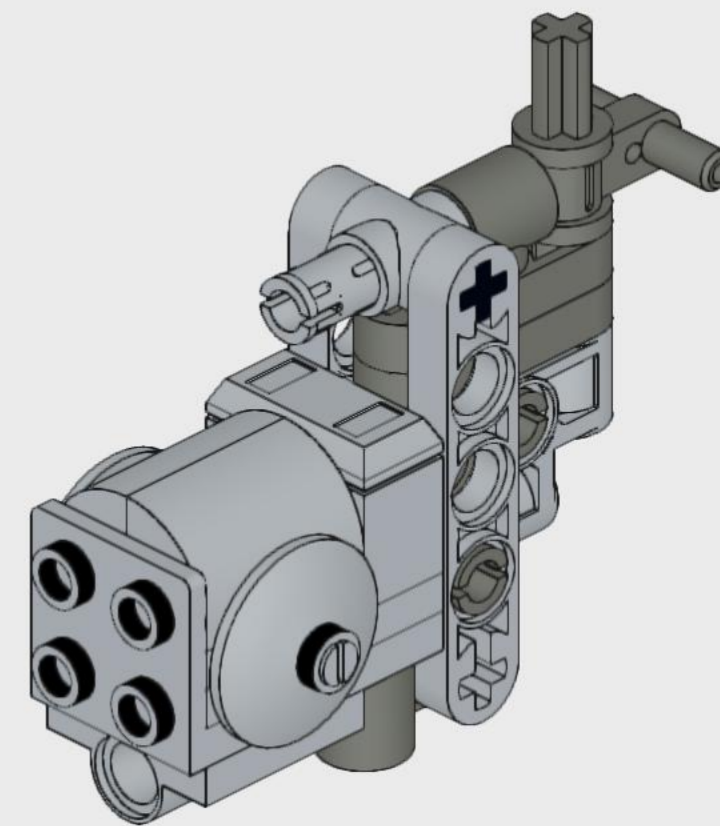
8

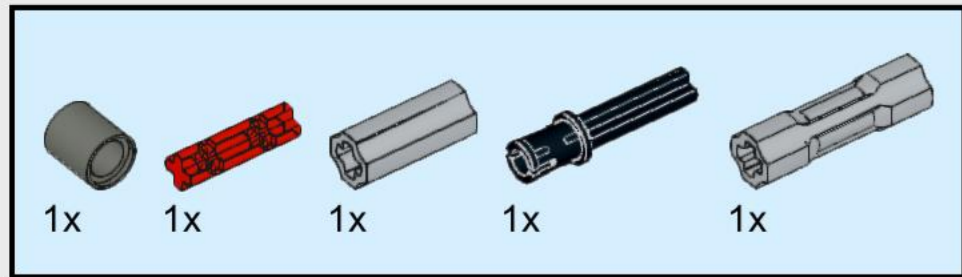


9

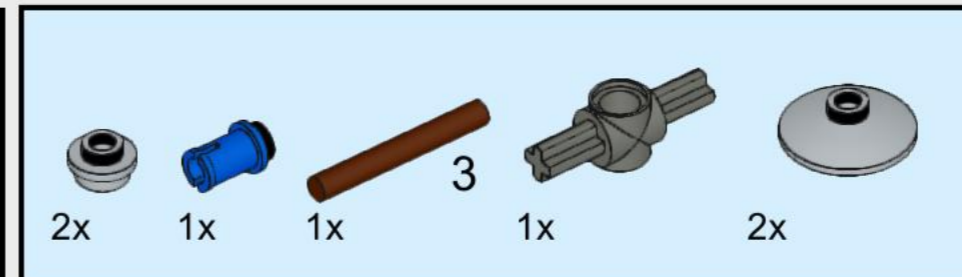
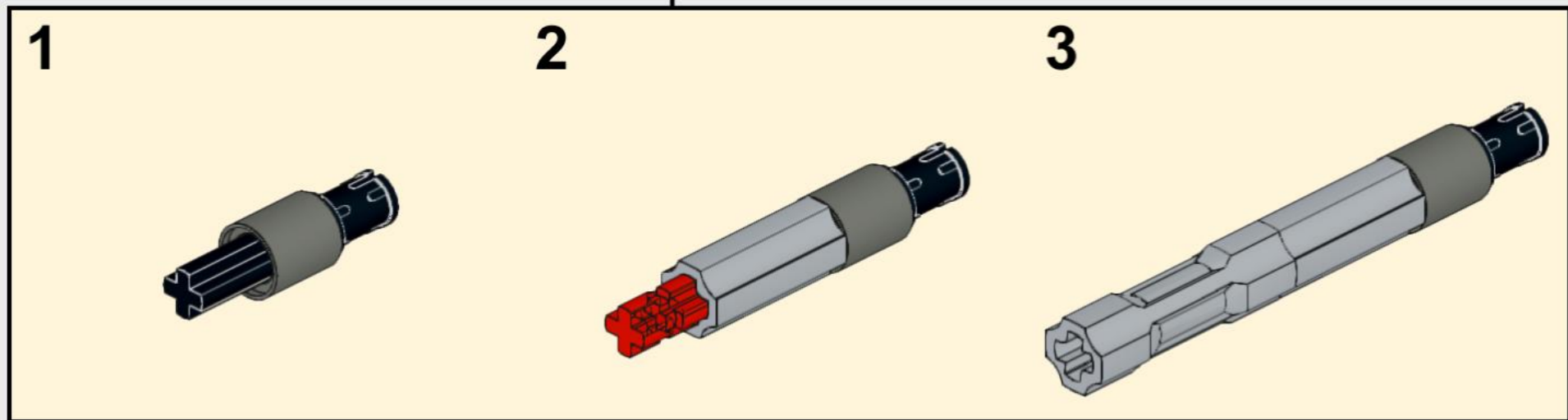
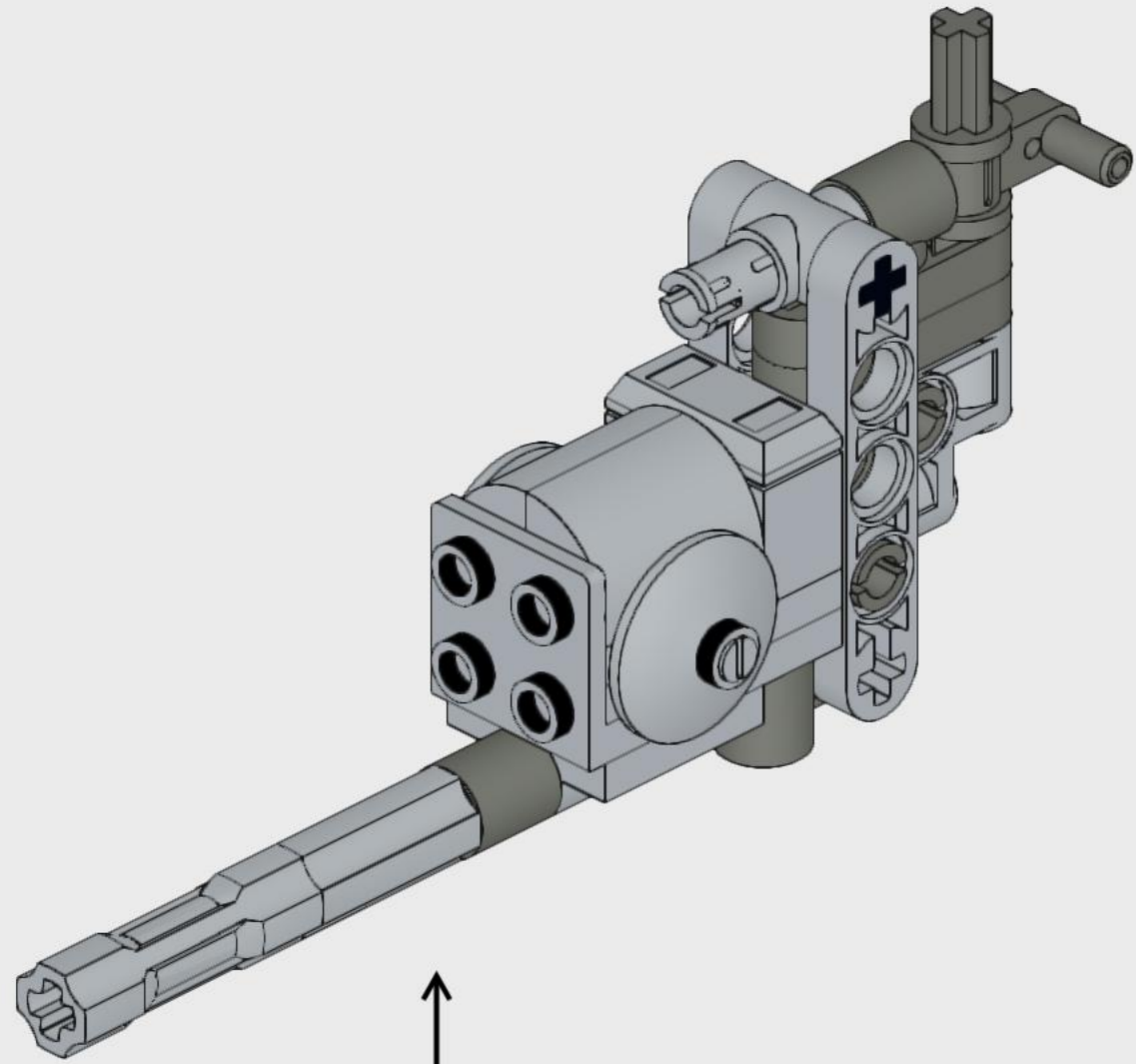


10

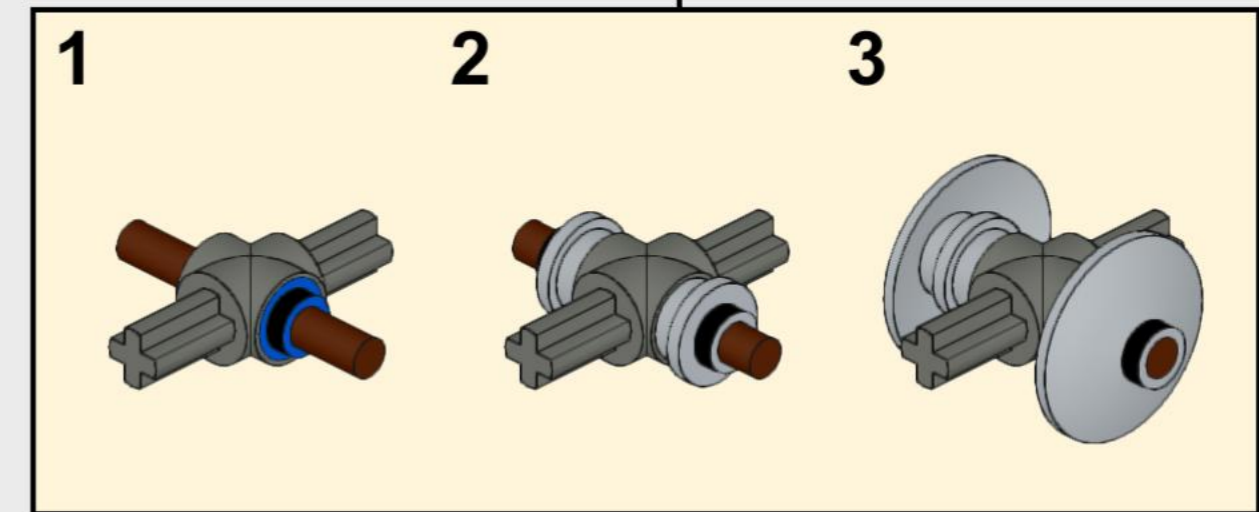
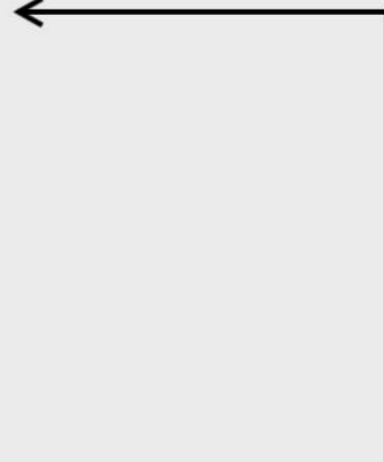
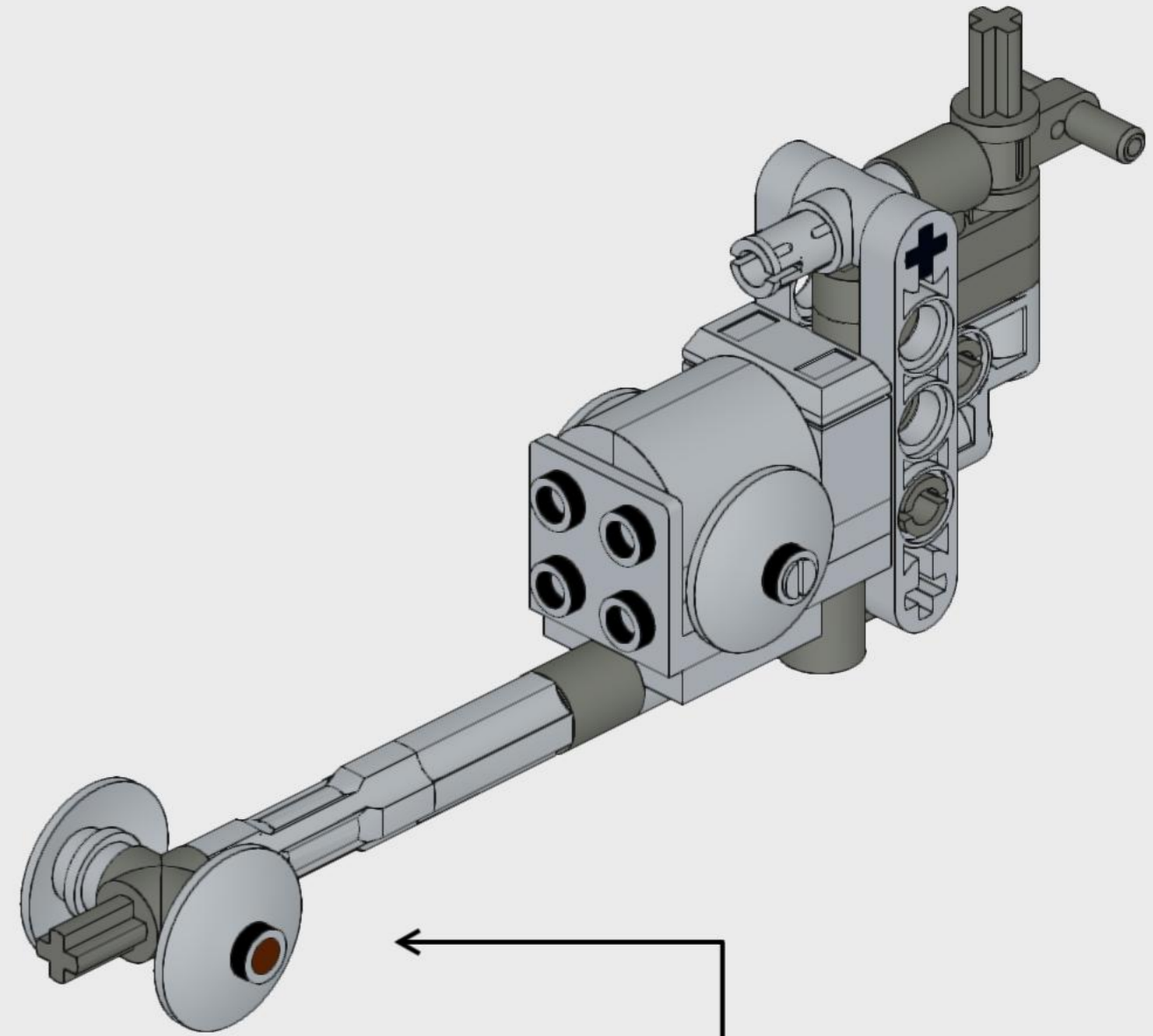


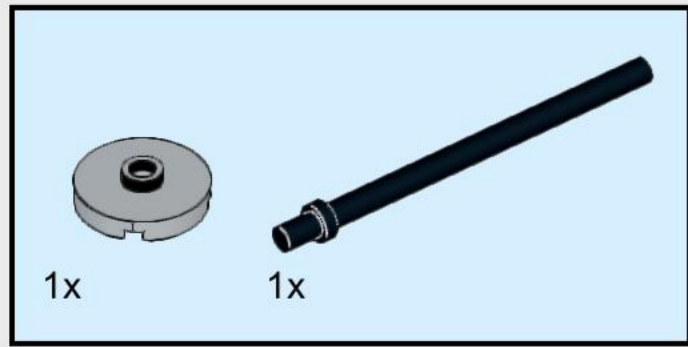


11

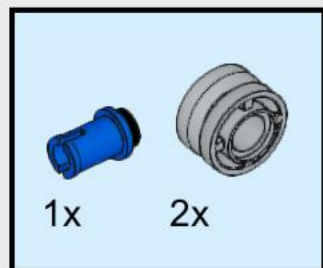
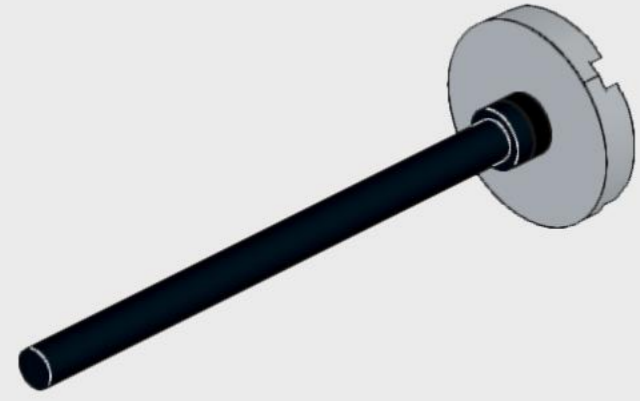


12

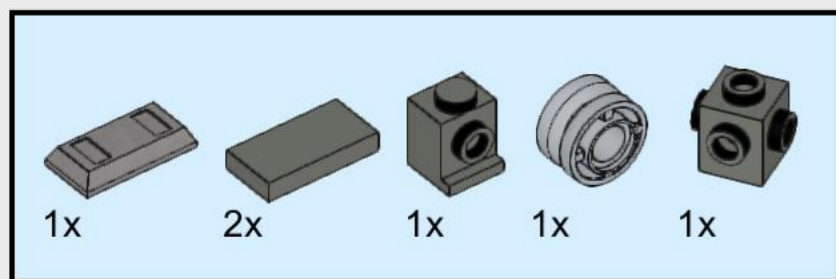
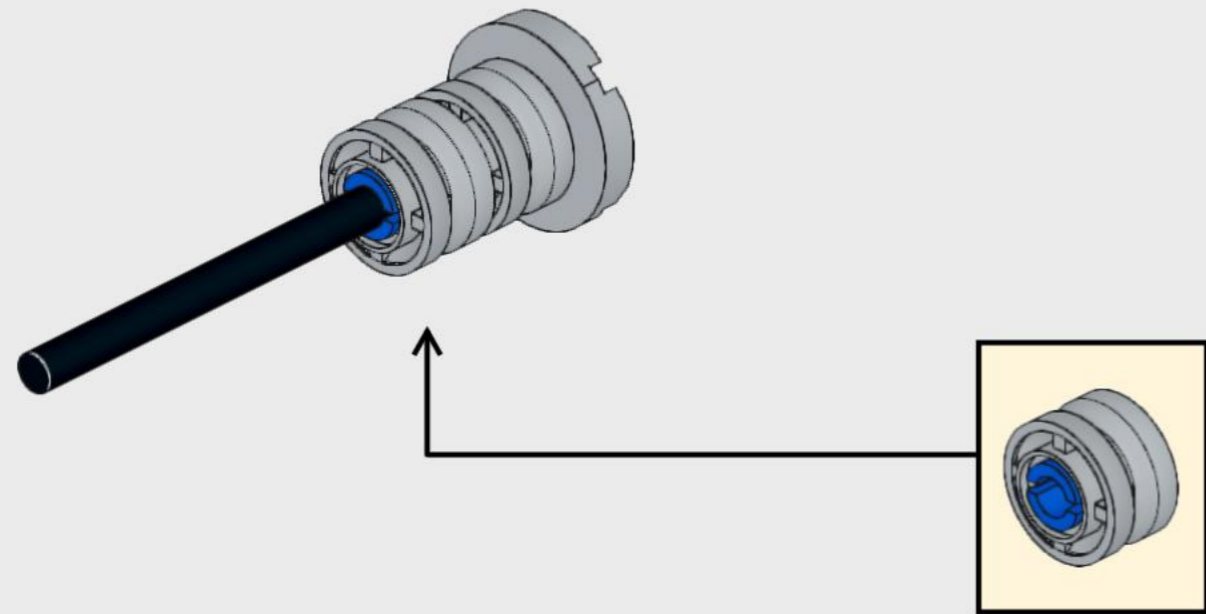




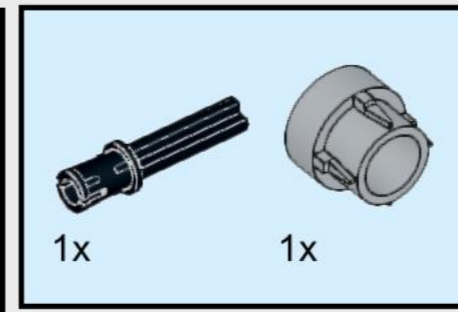
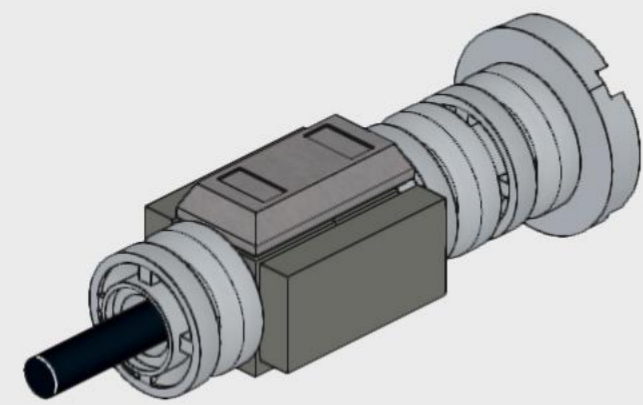
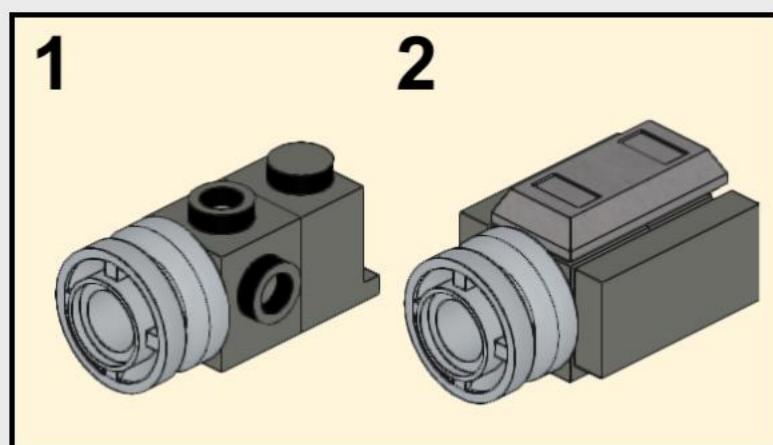
13



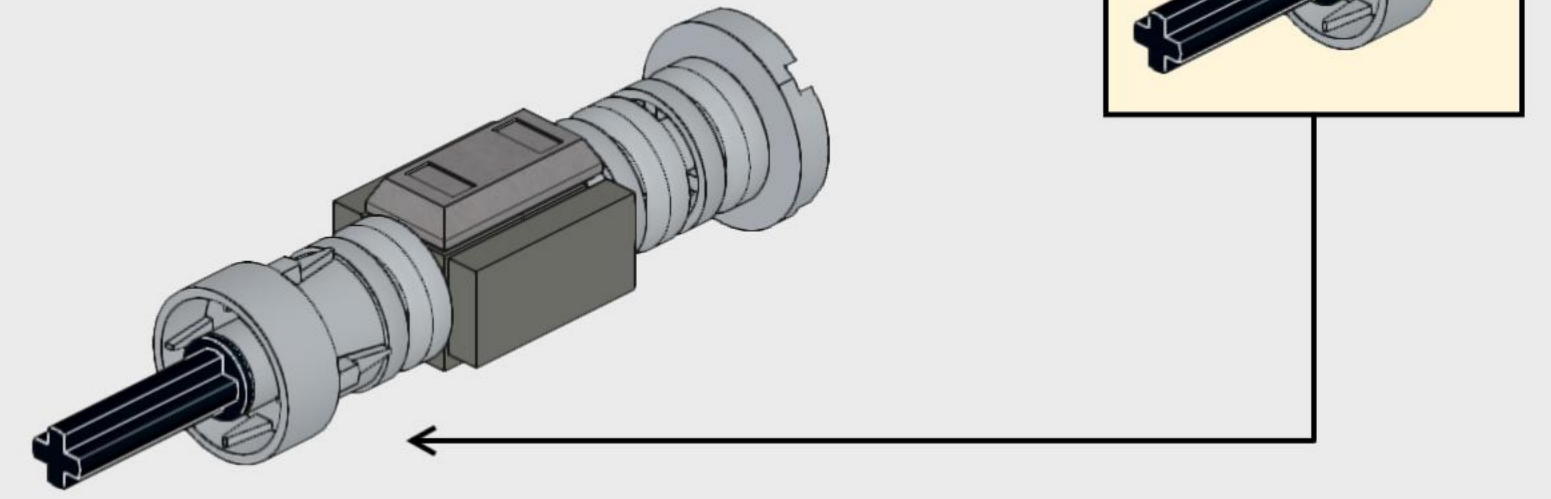
14



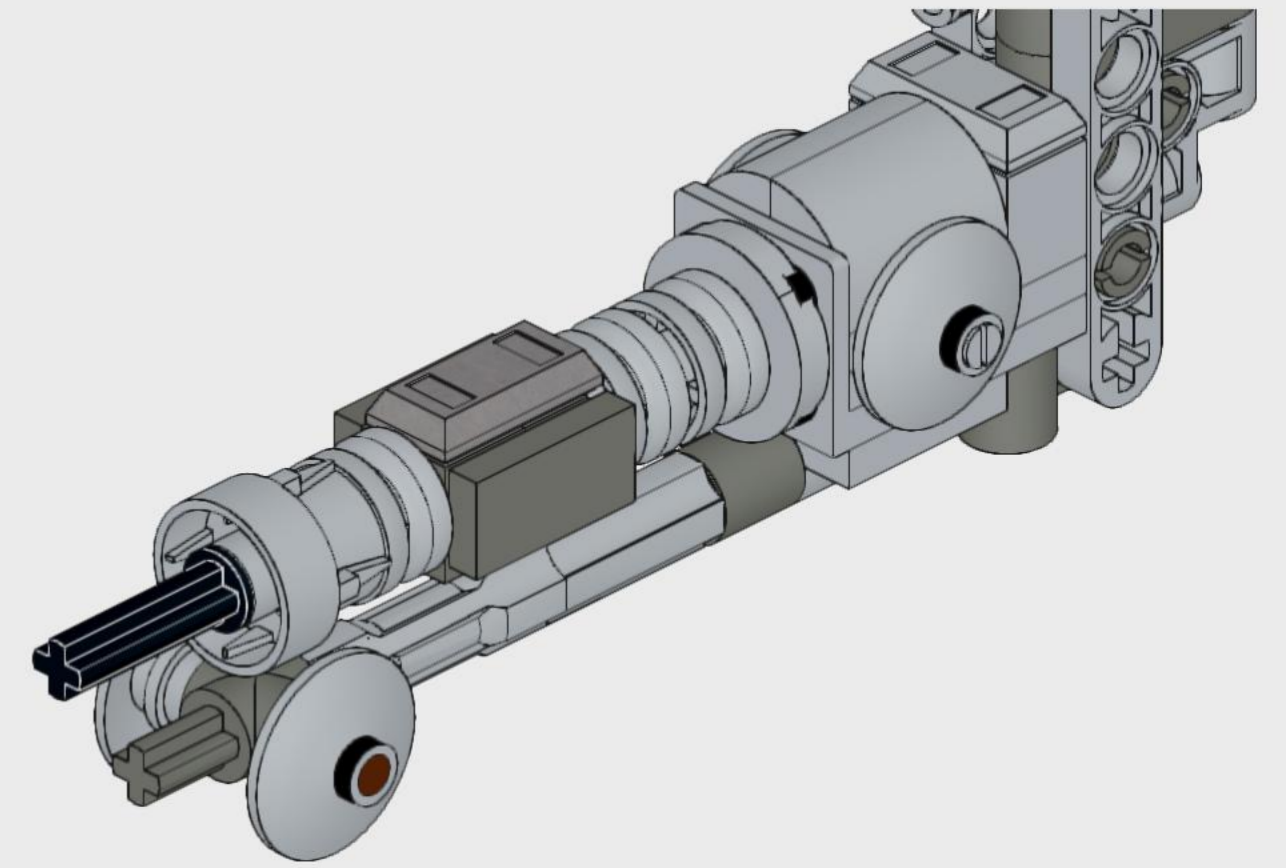
15



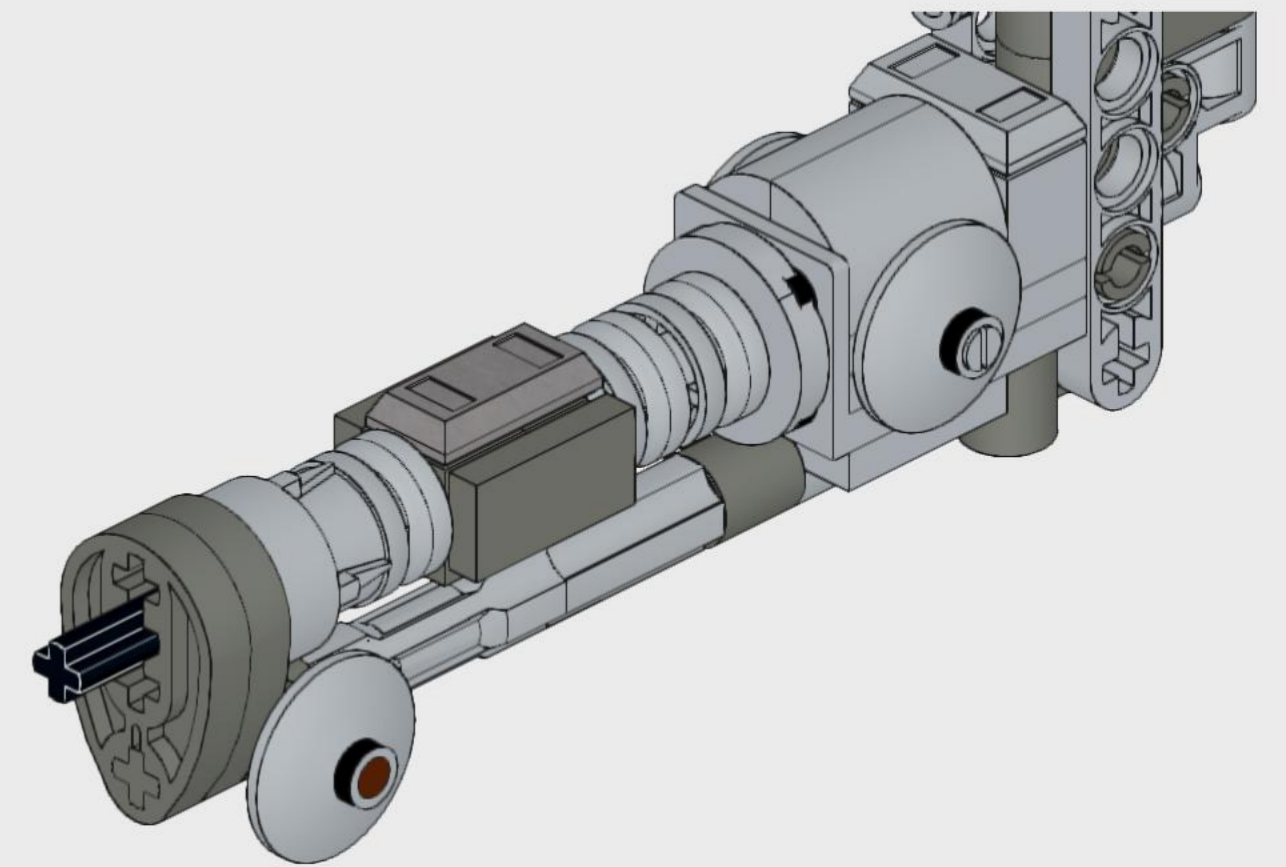
16

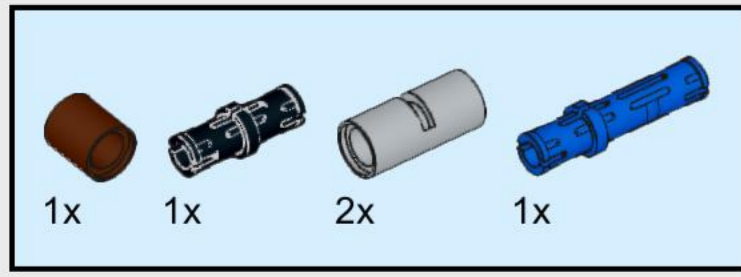


17

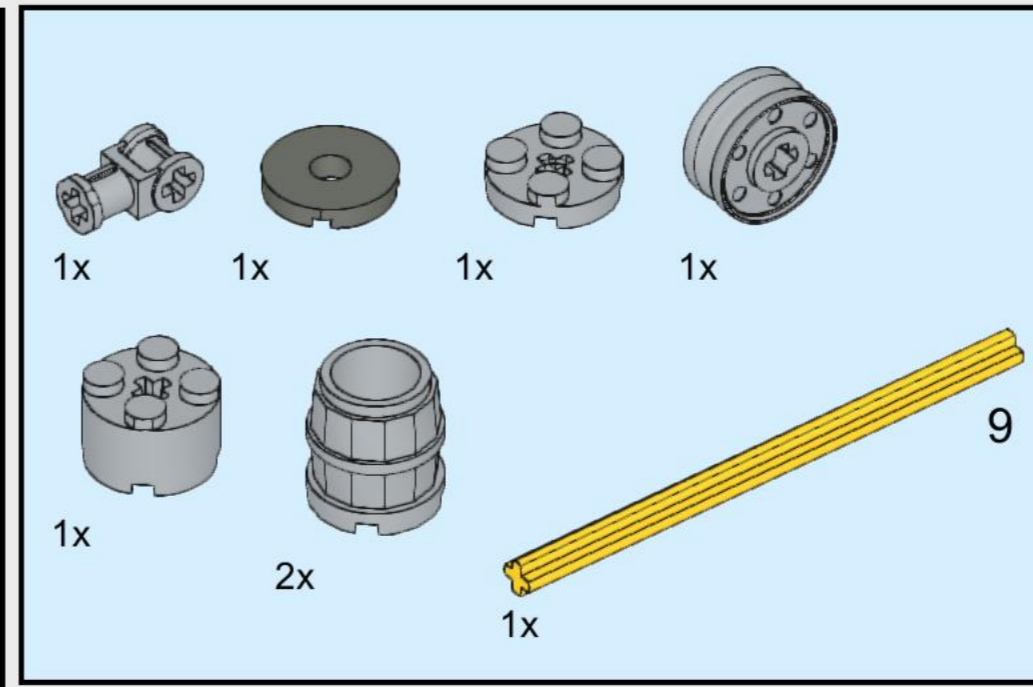
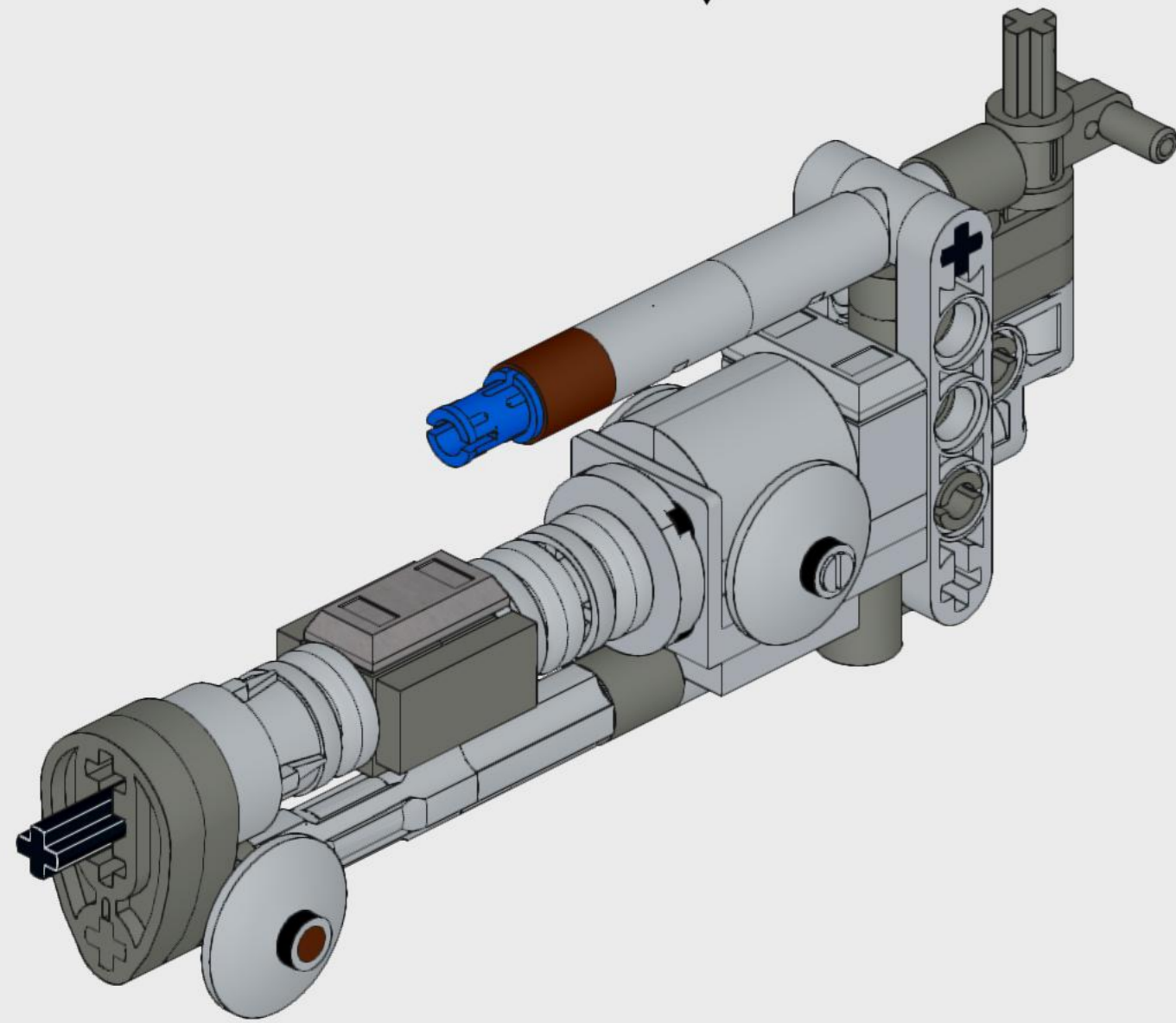
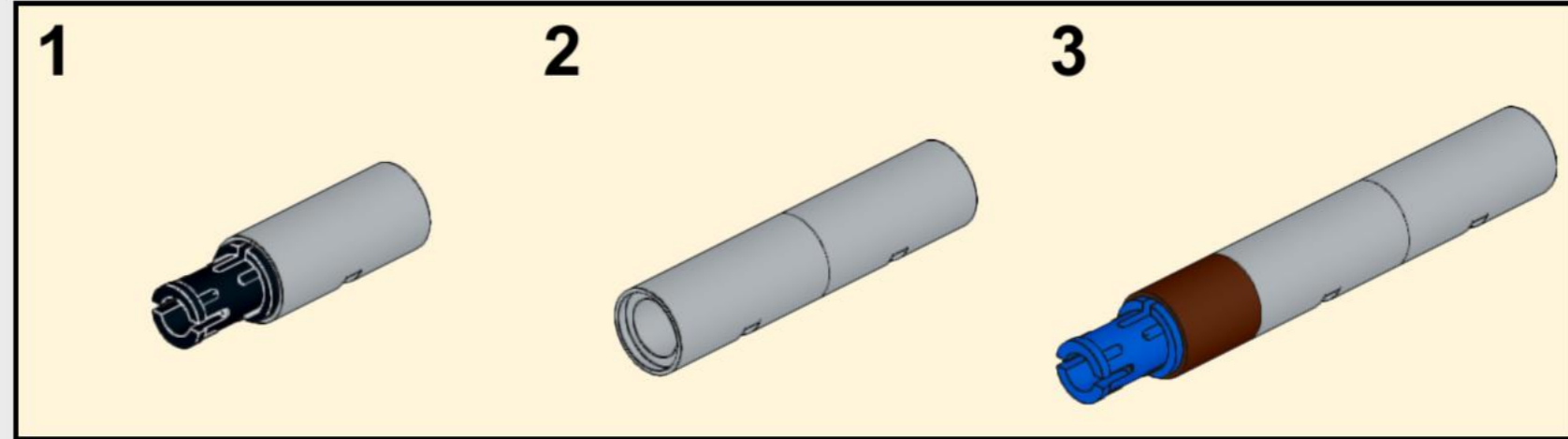


18

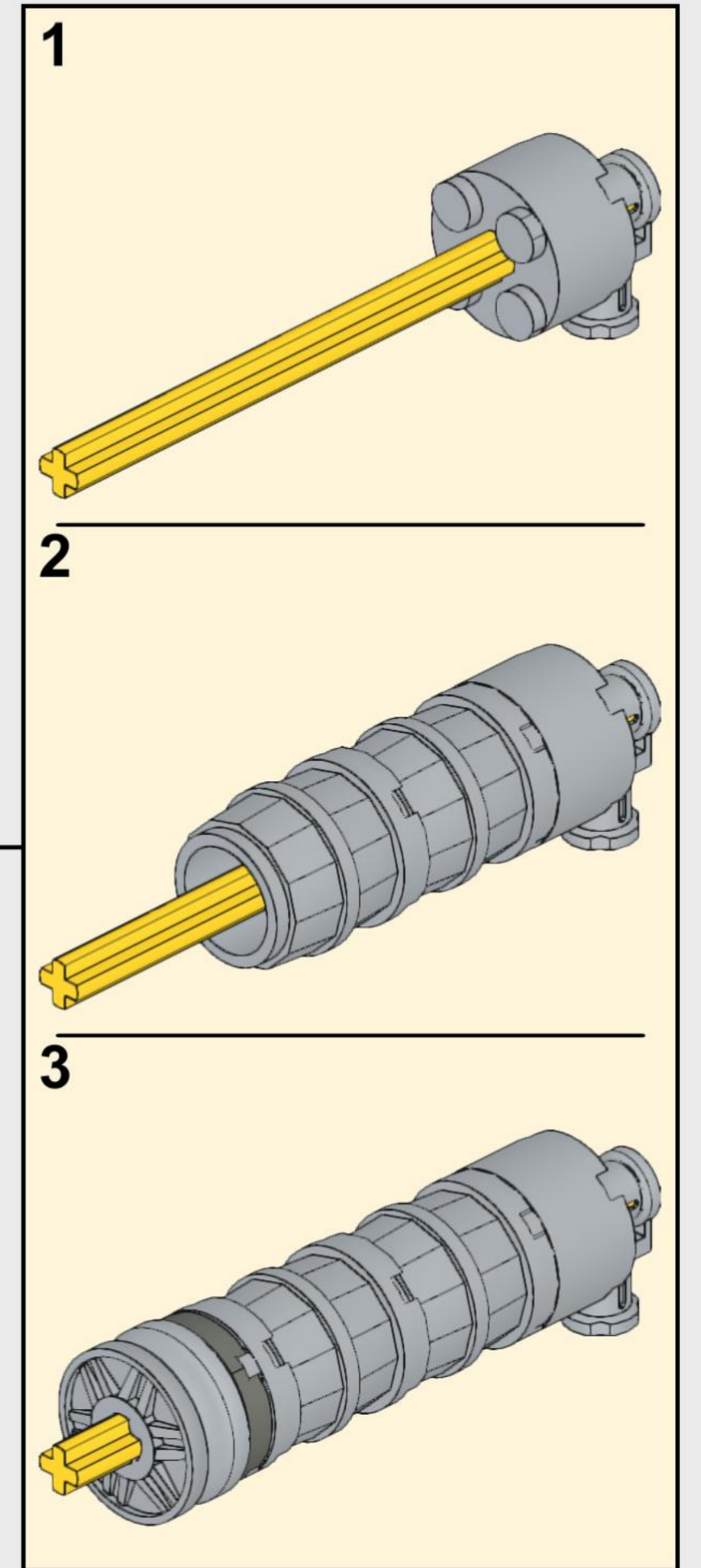
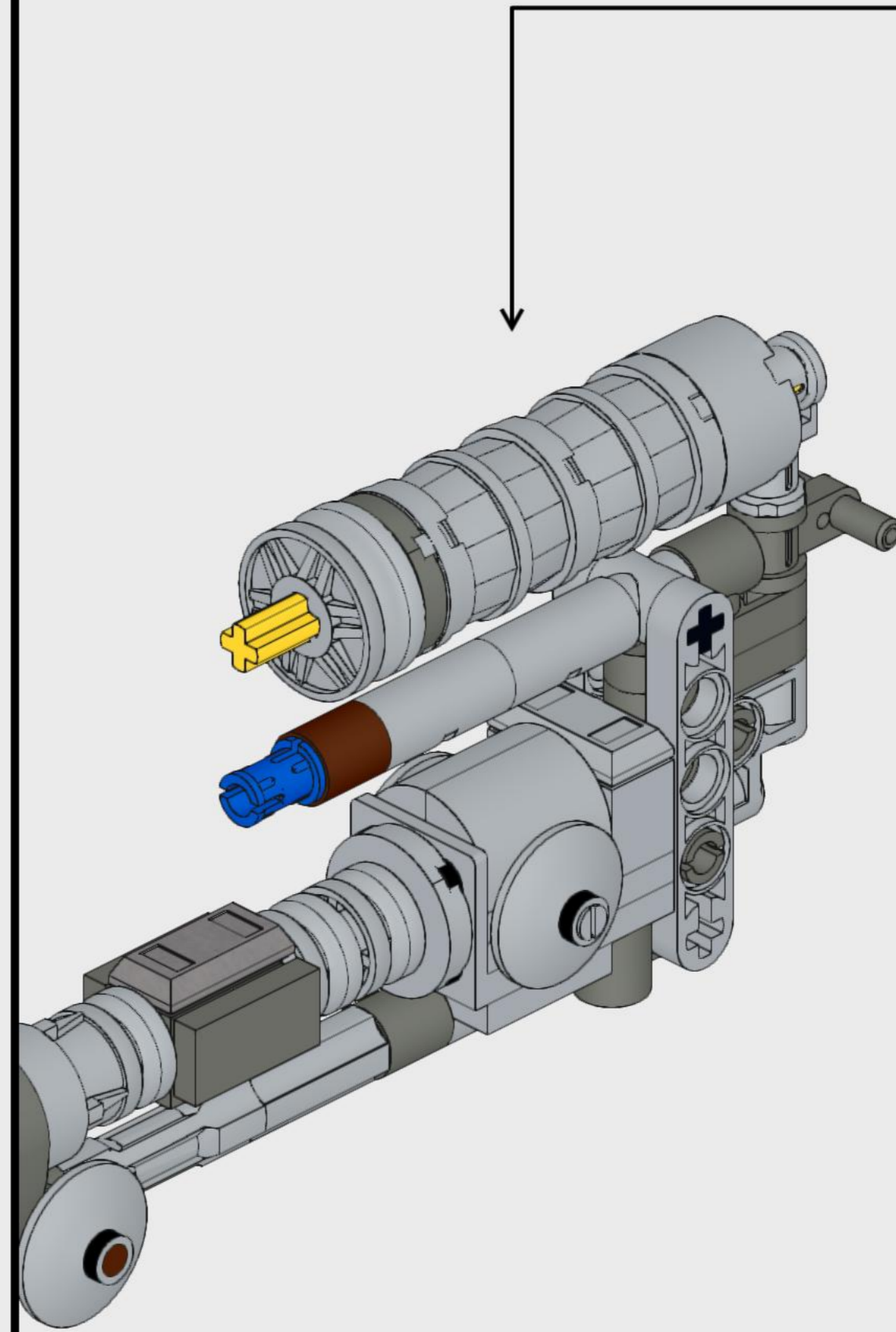


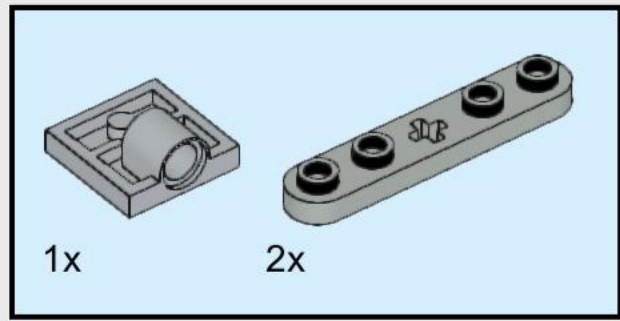


19

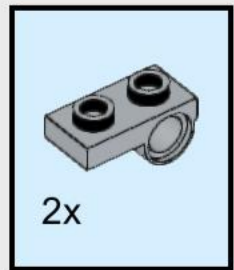
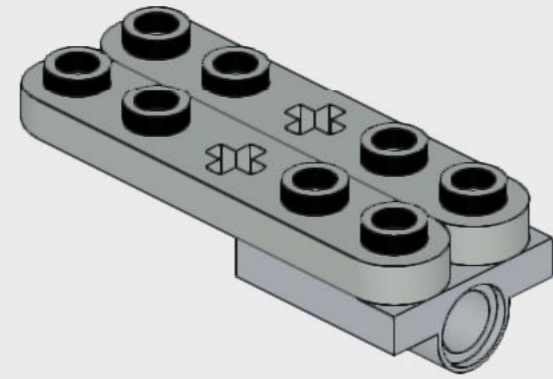


20

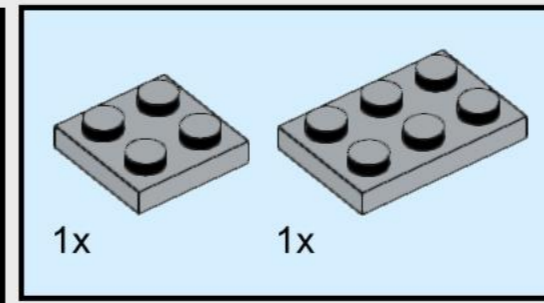
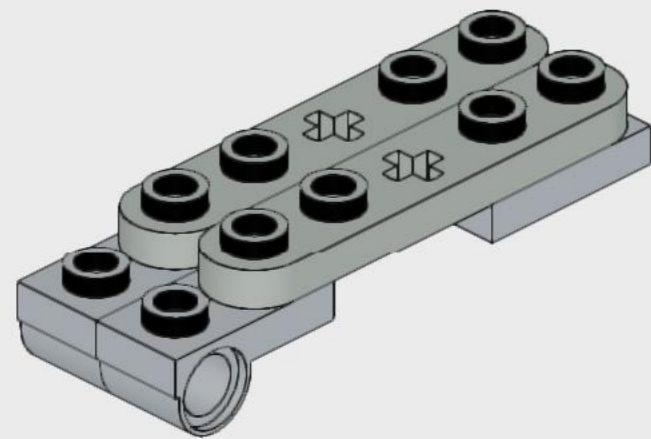




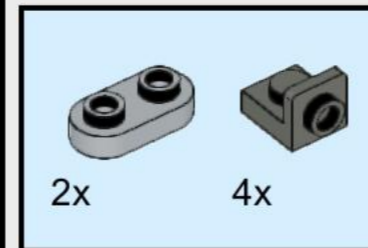
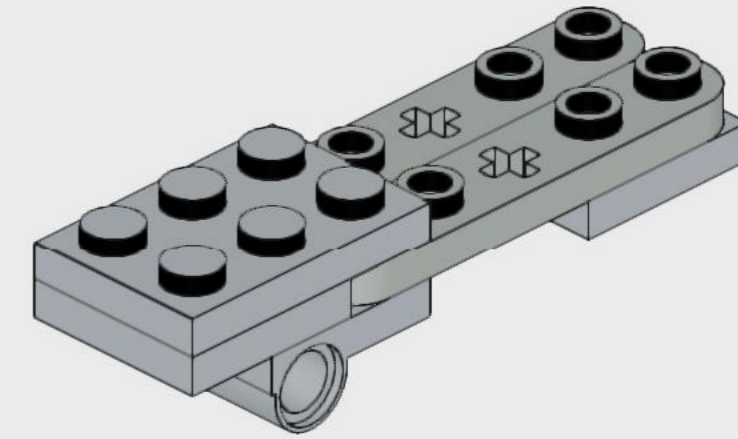
21



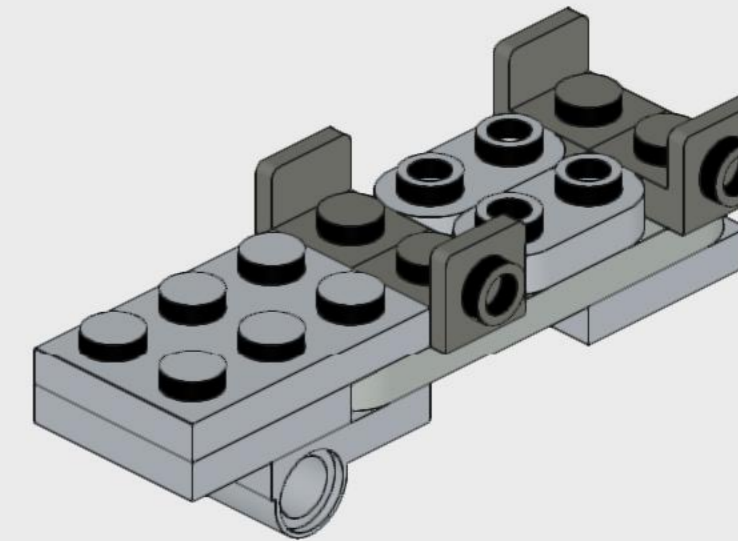
22 

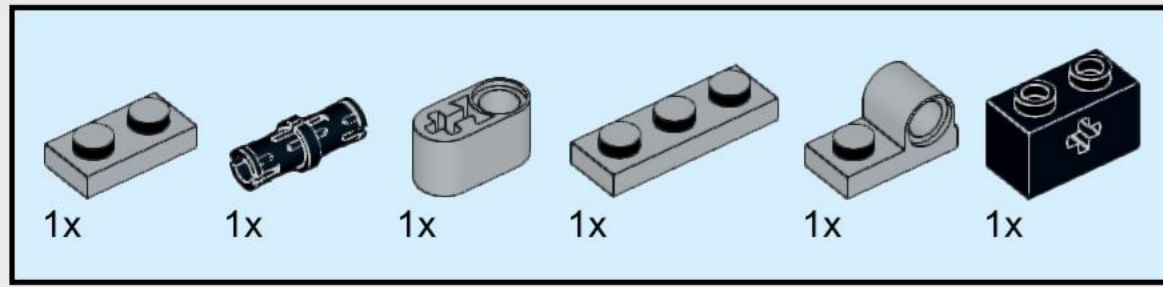


23

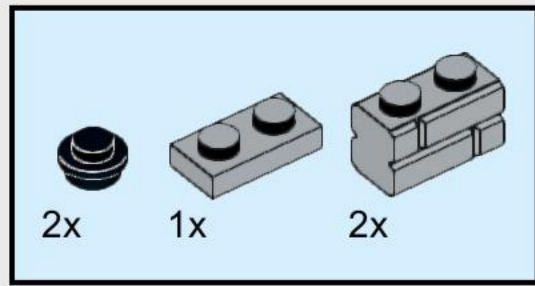
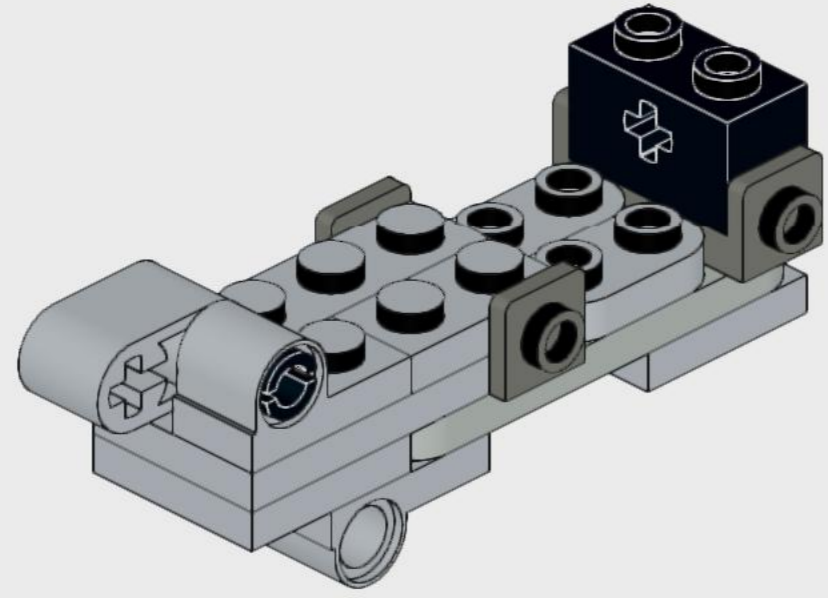
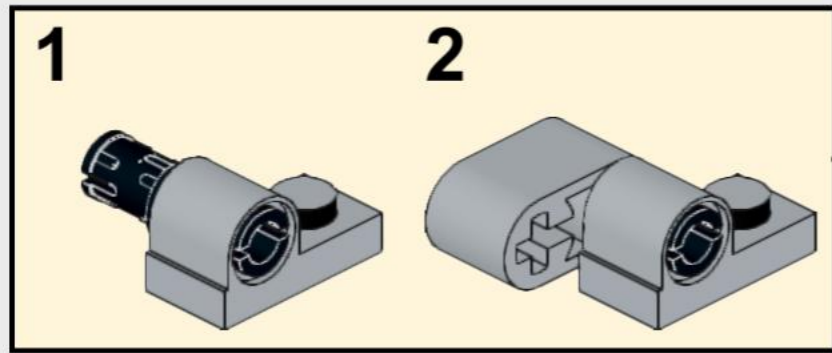


24

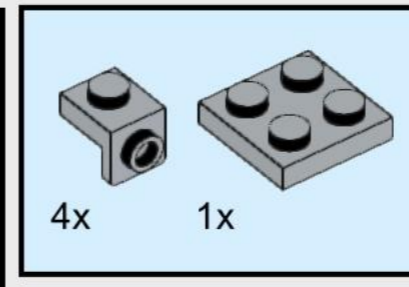
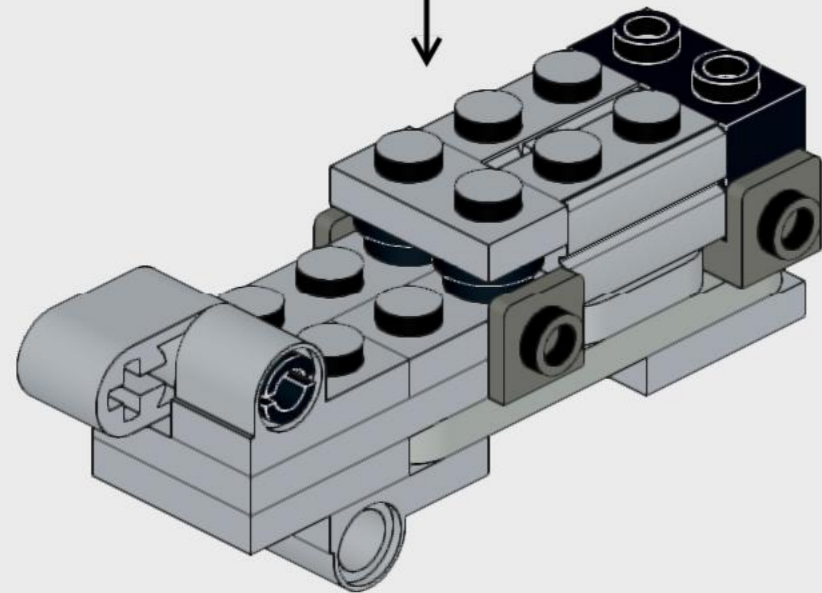
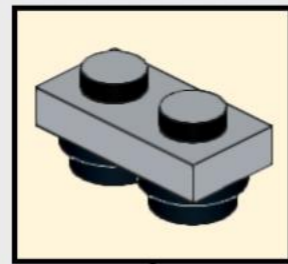




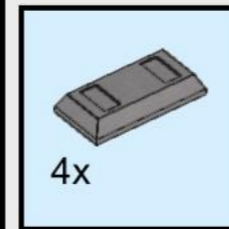
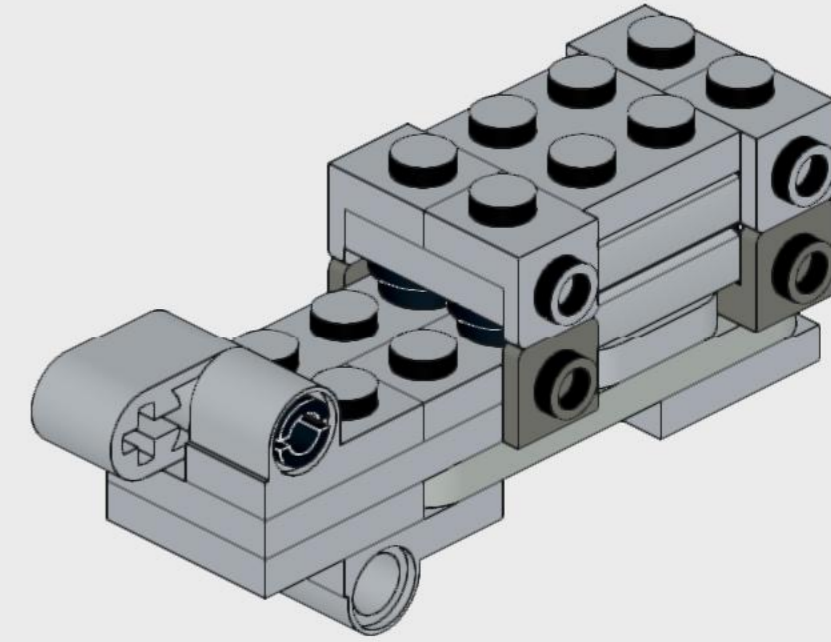
25



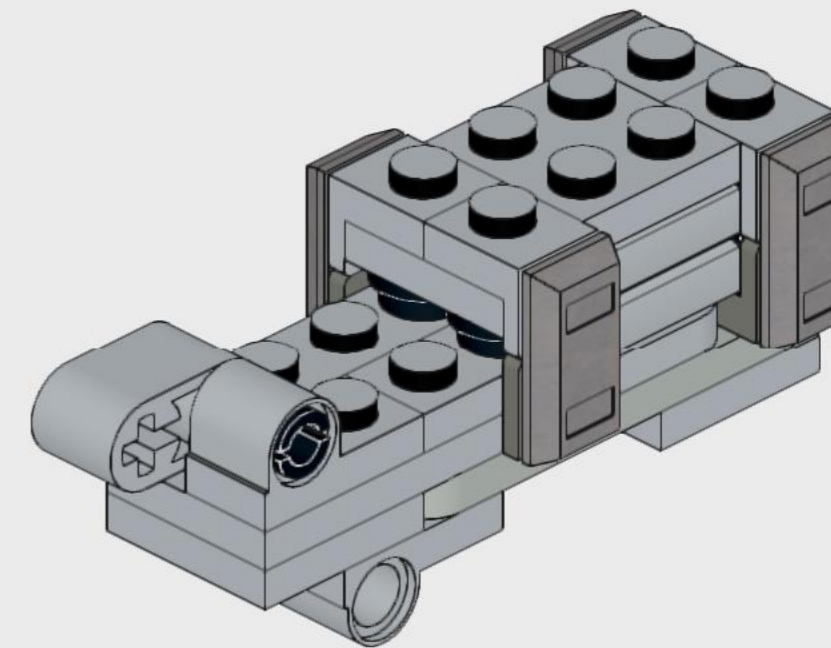
26

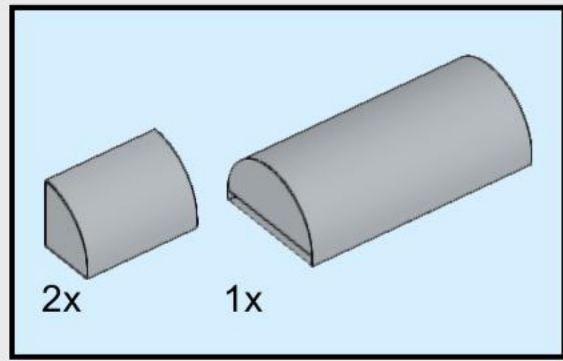


27

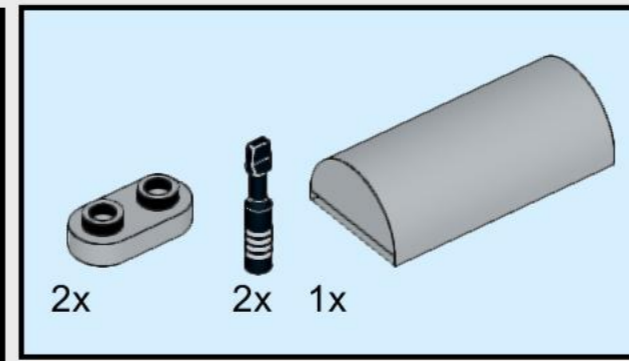
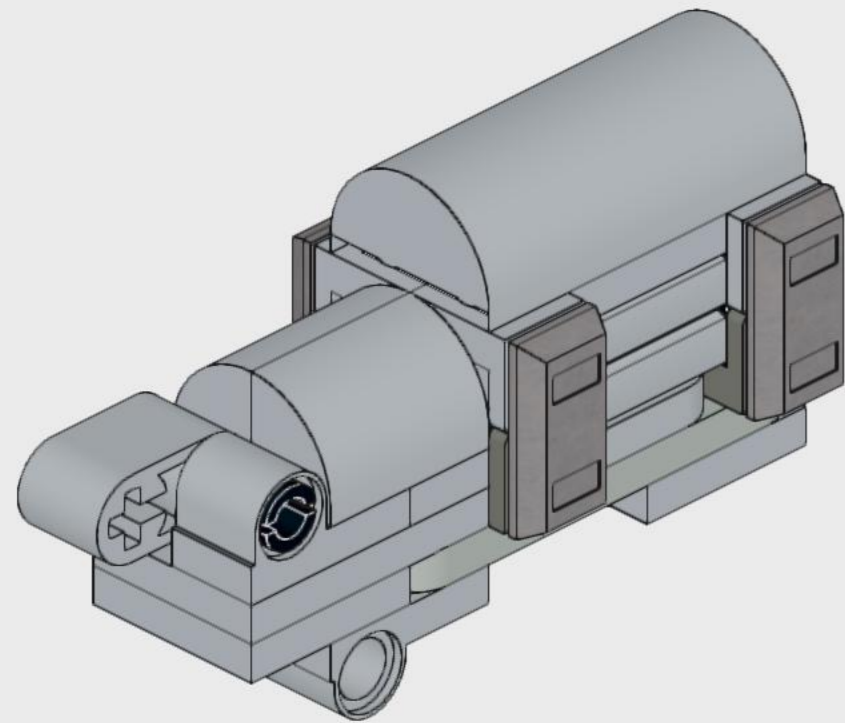


28



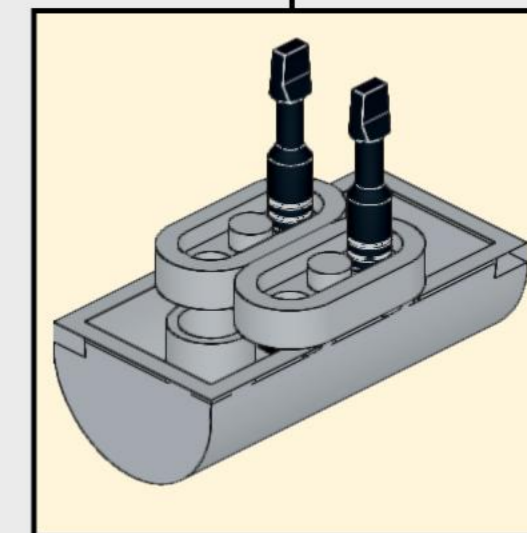
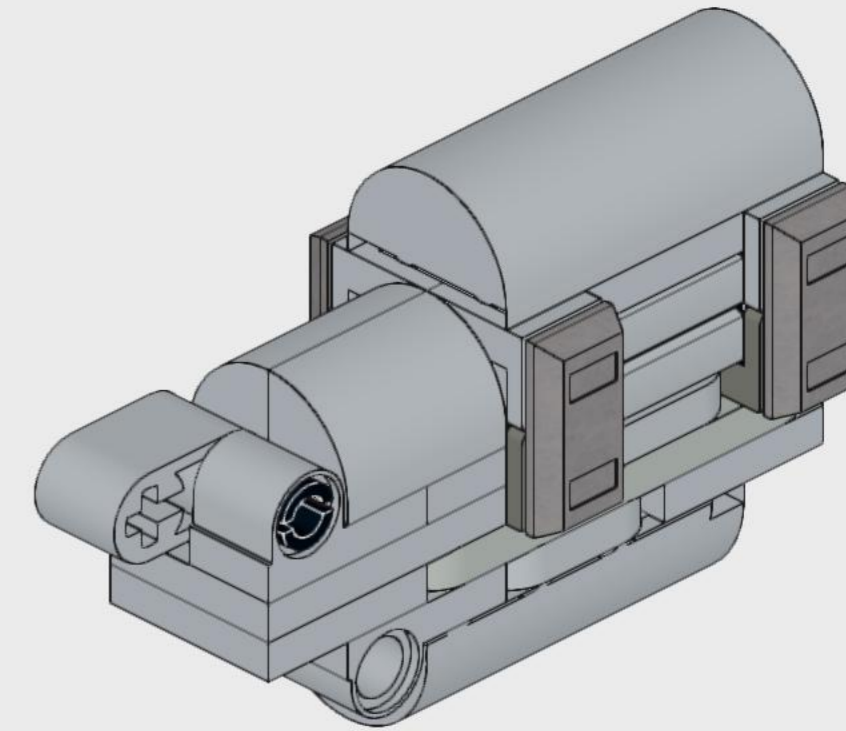


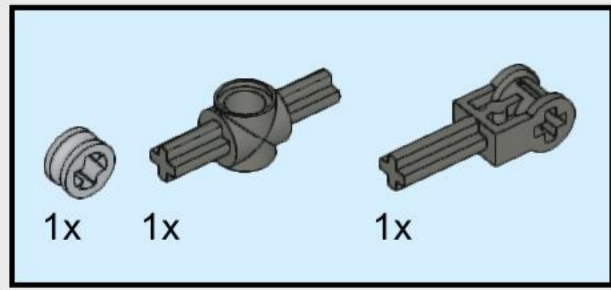
29



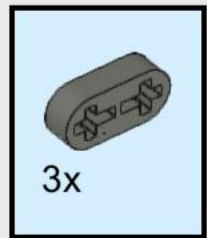
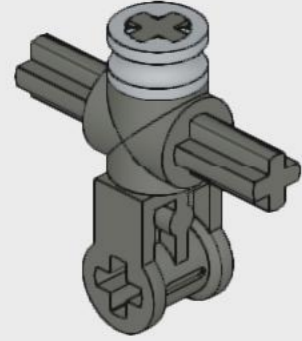
30

Alternatively, 2-stud-long rigid hose pieces can be substituted for black screw-drivers, which are a rare part.

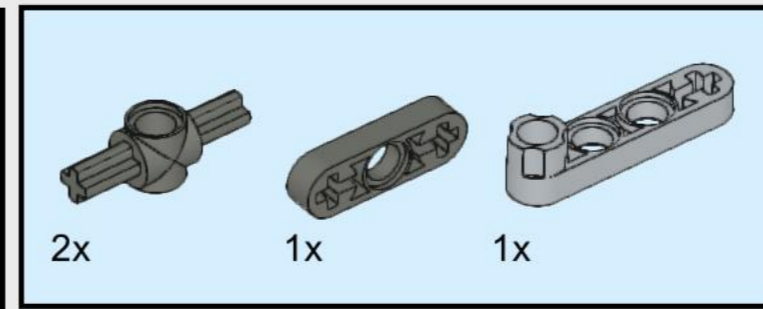
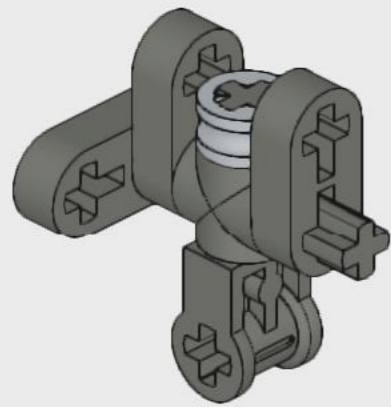




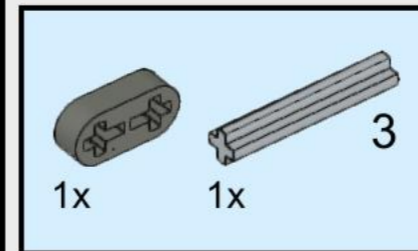
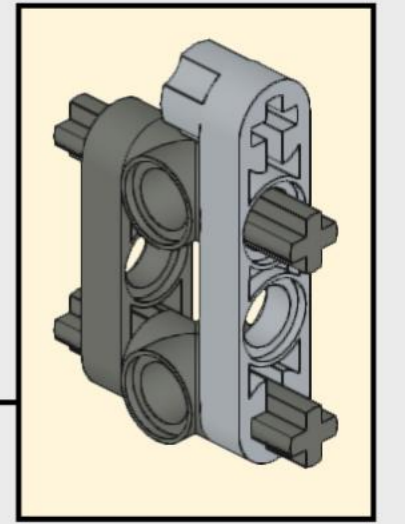
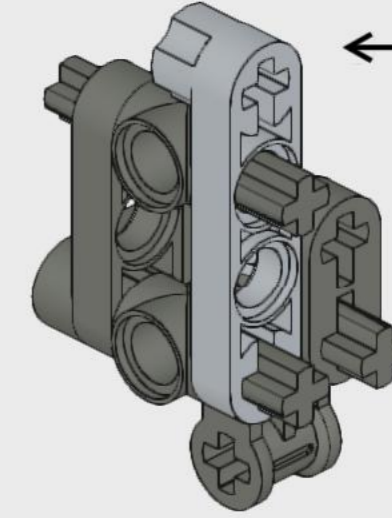
31



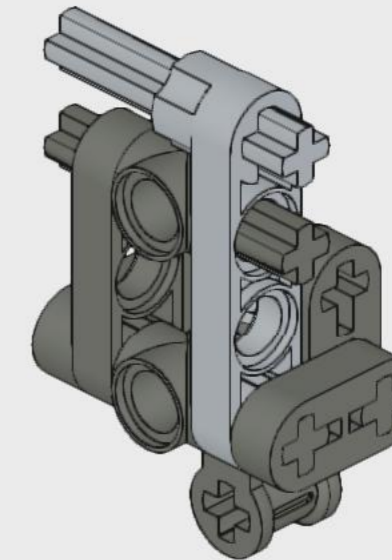
32



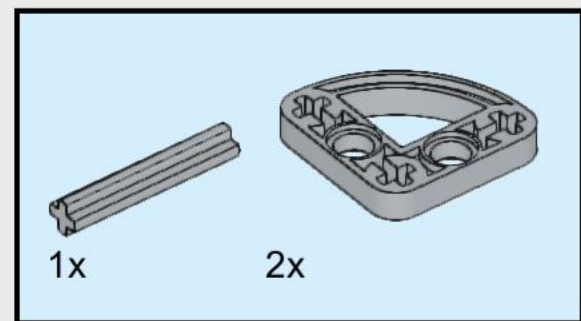
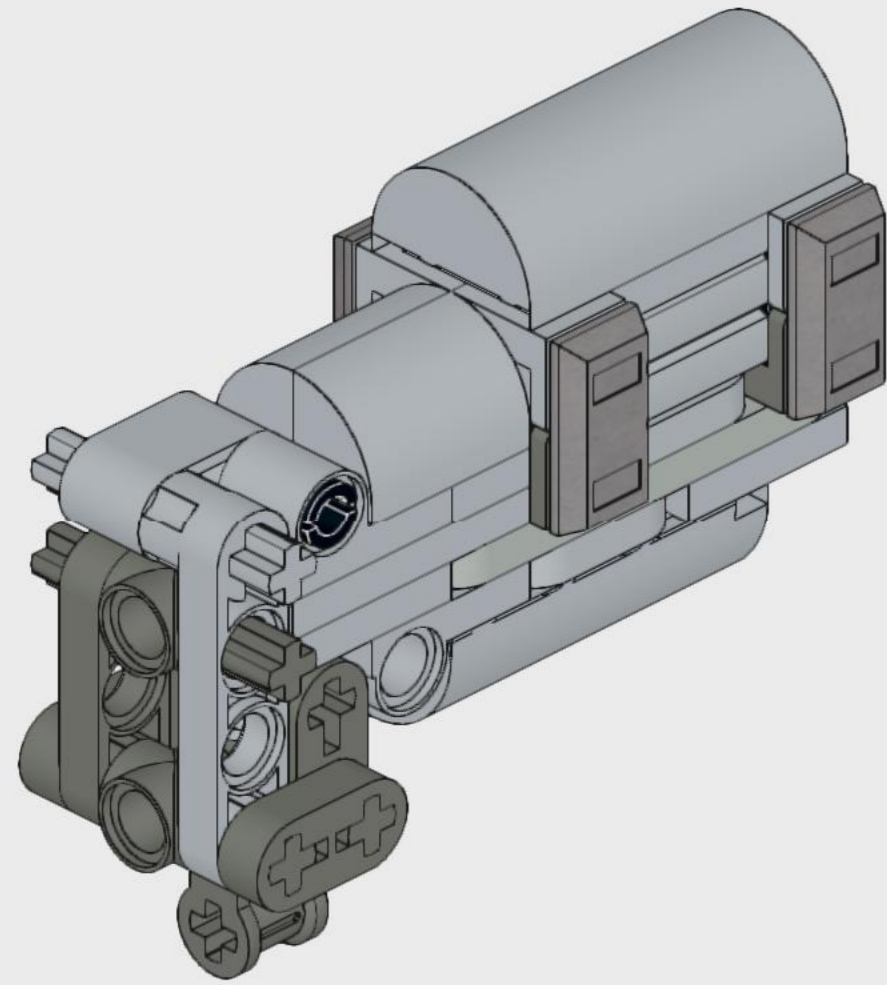
33



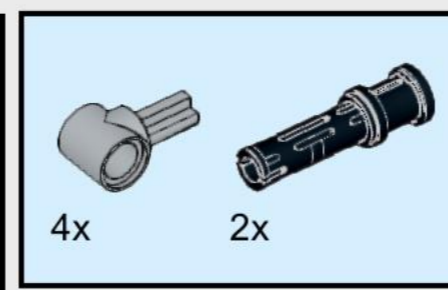
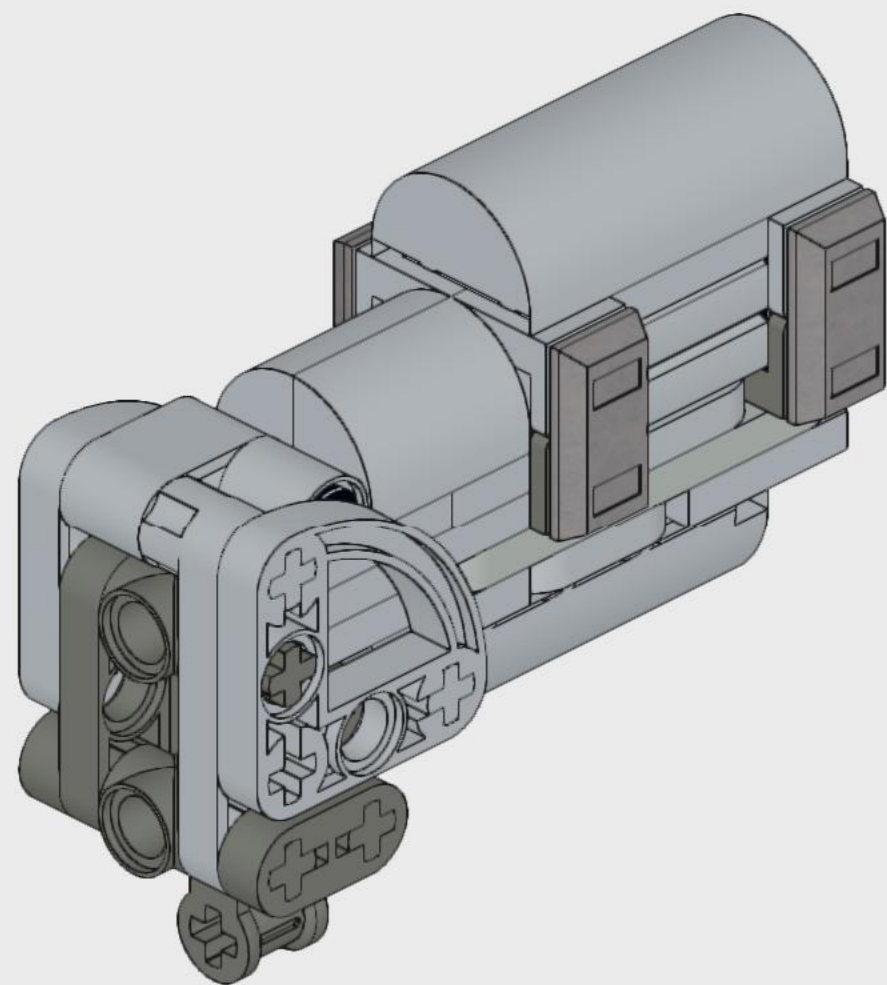
34



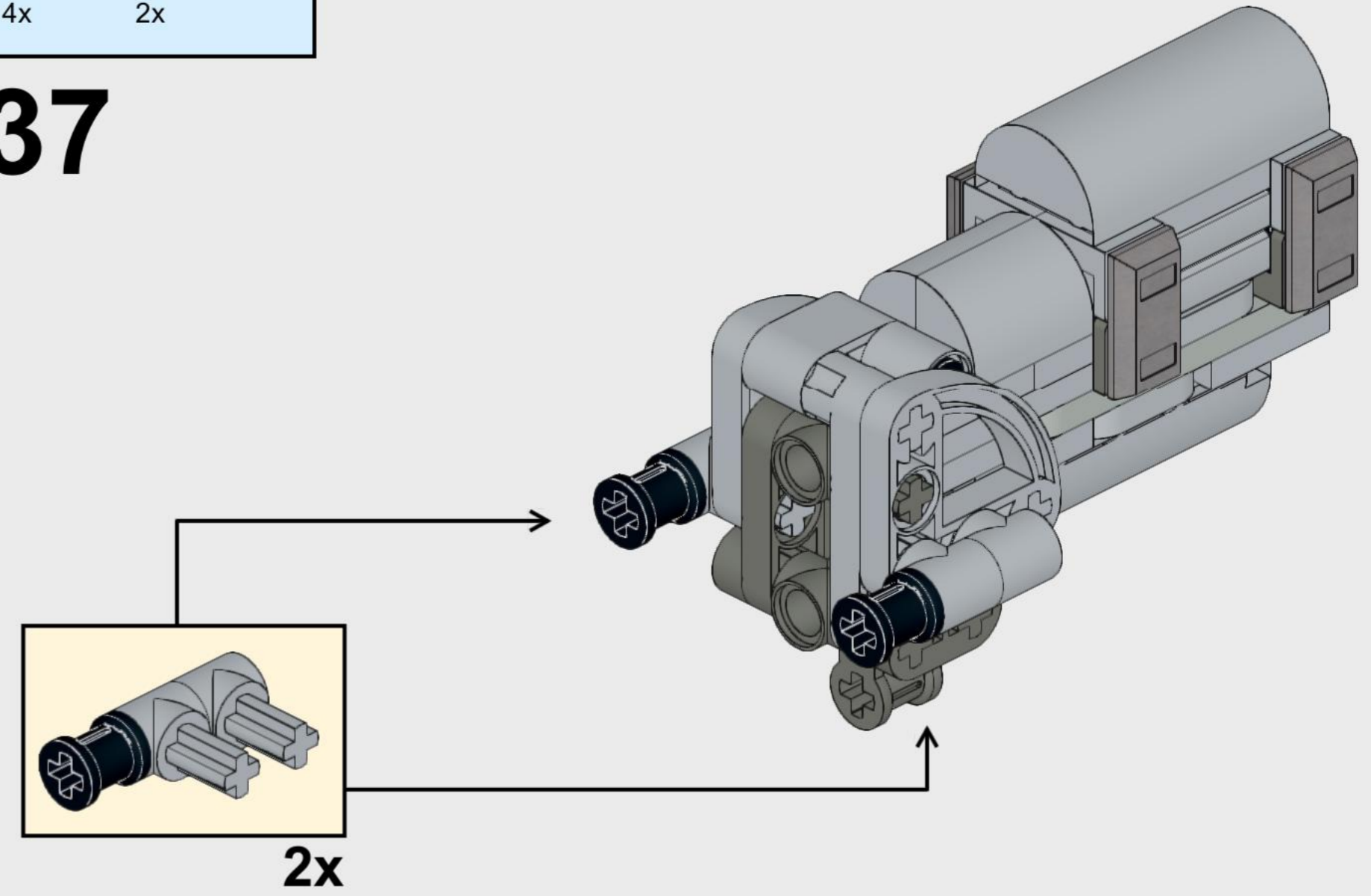
35



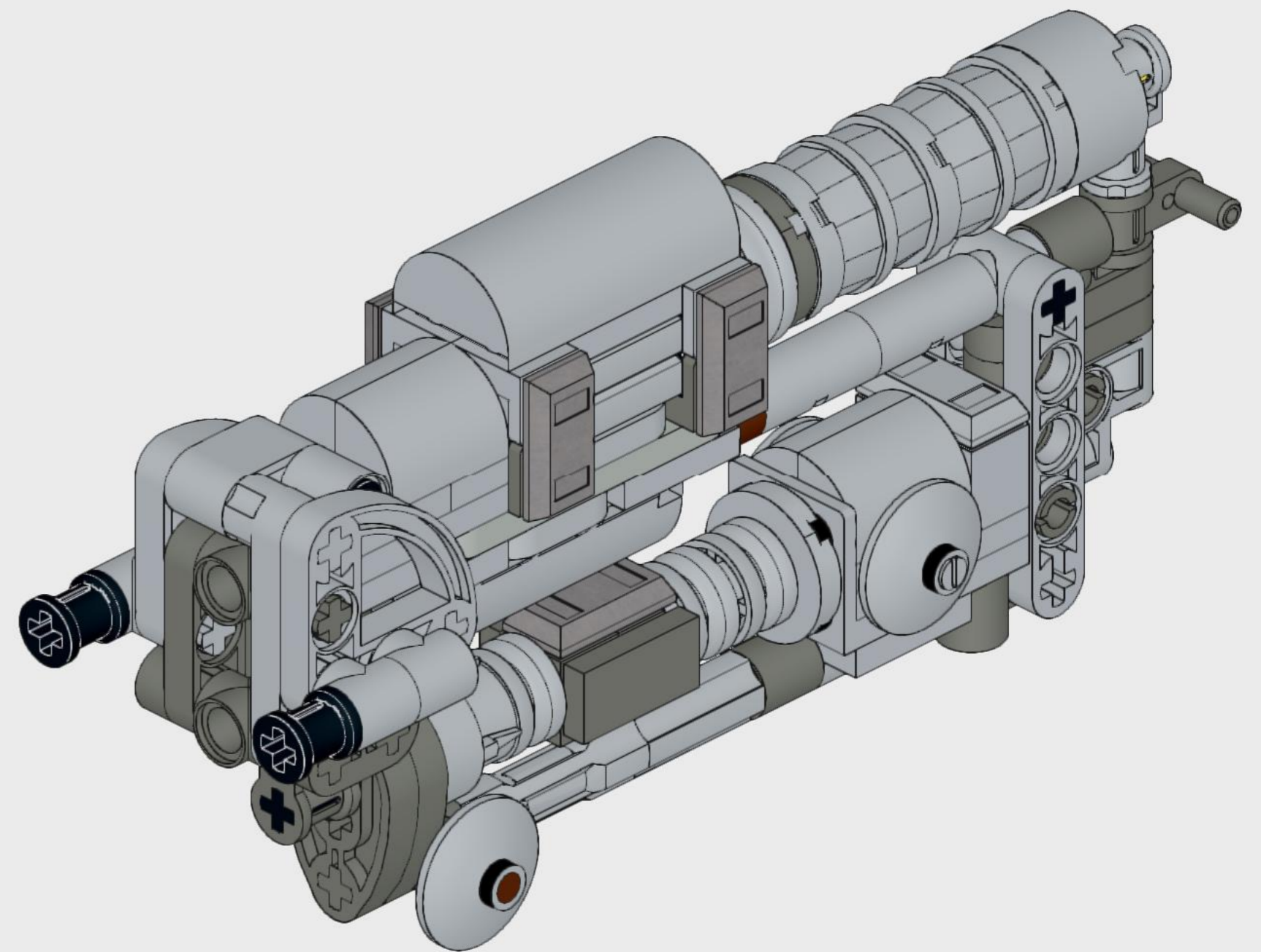
36

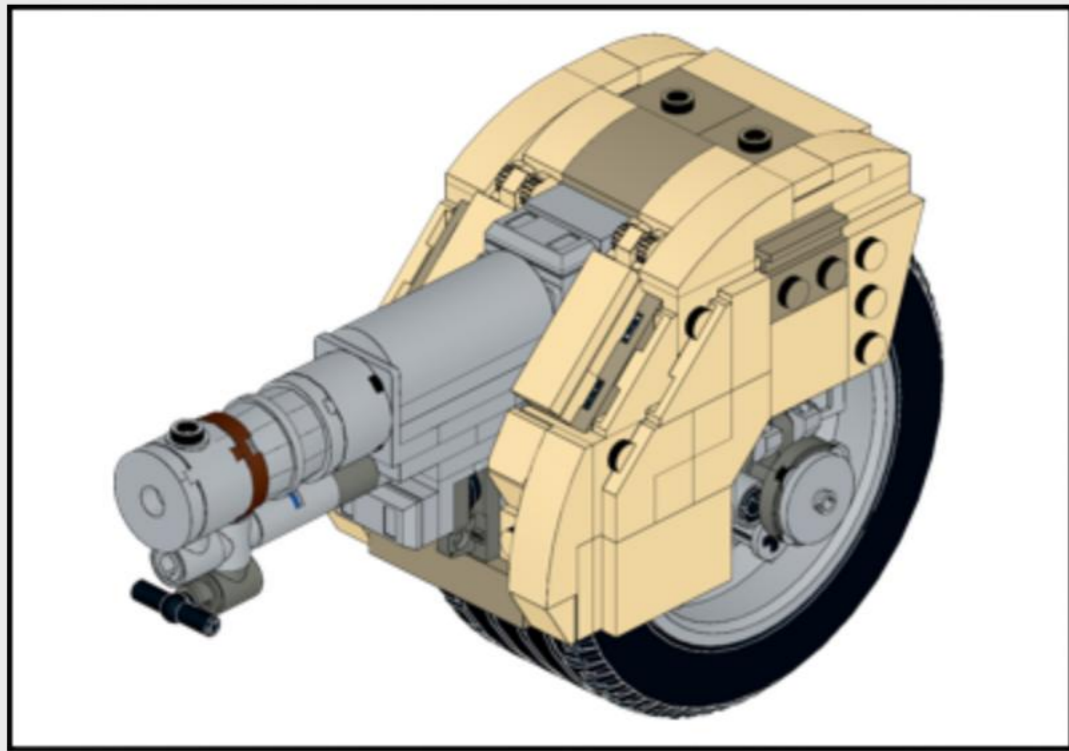


37

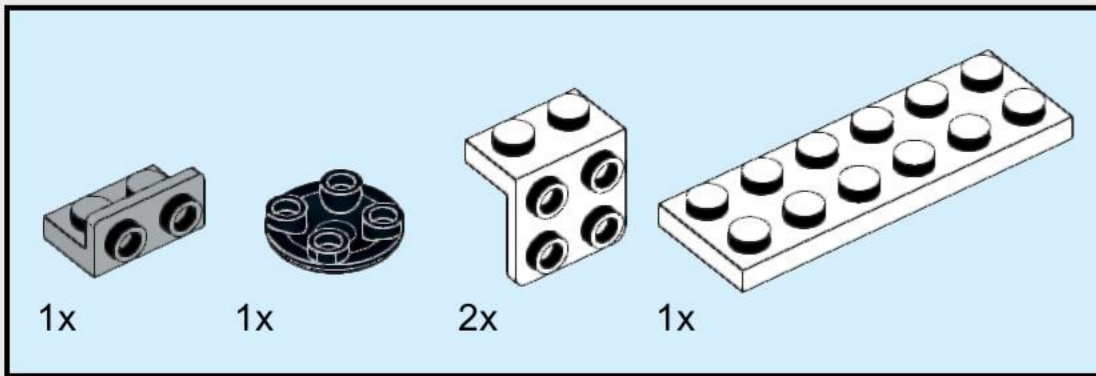


38

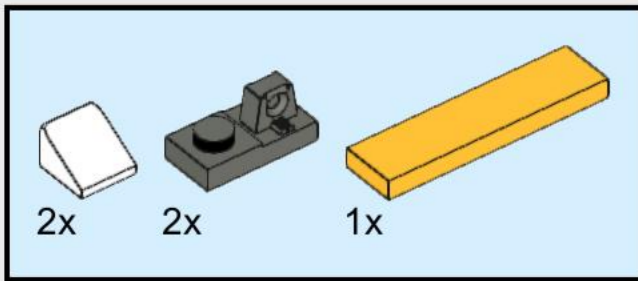
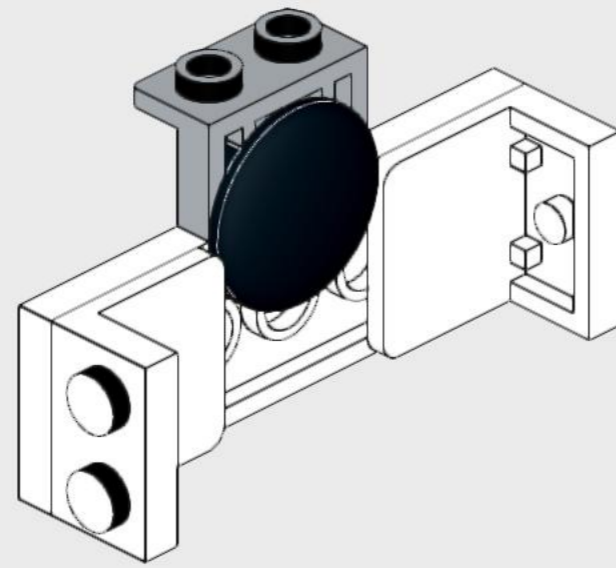




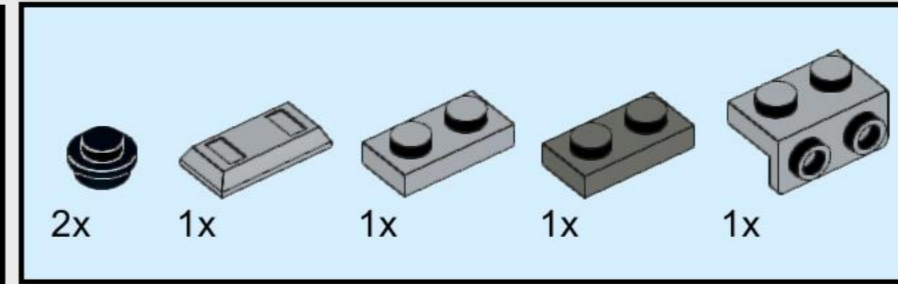
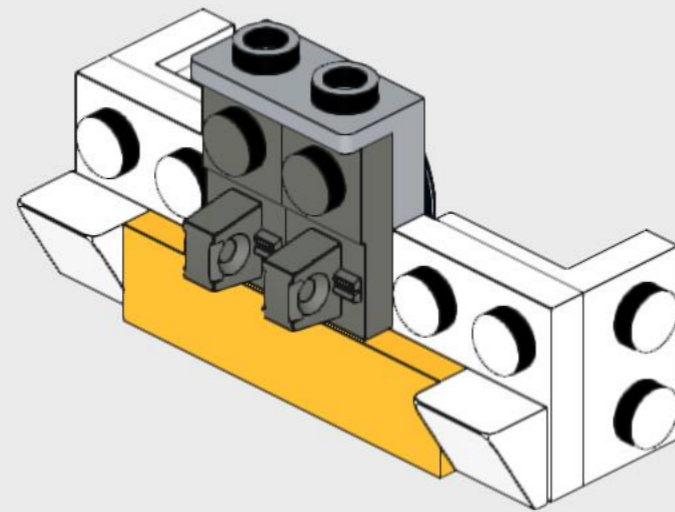
2x



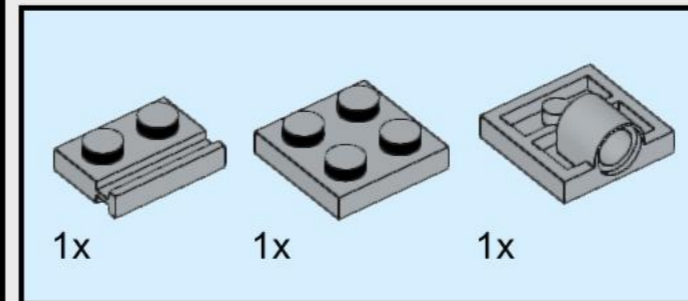
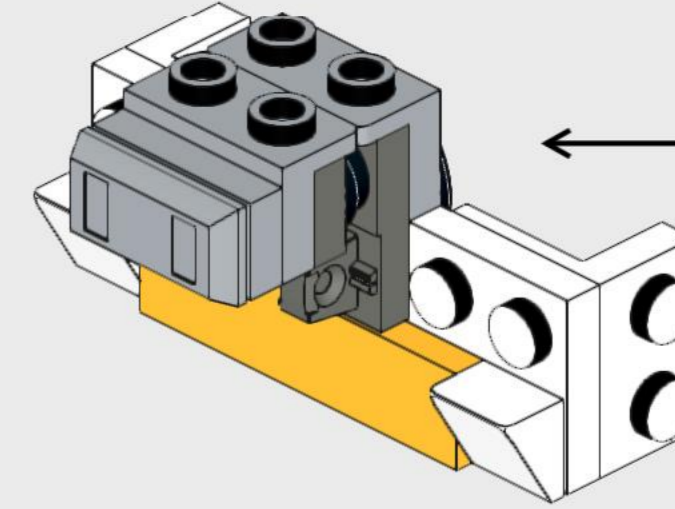
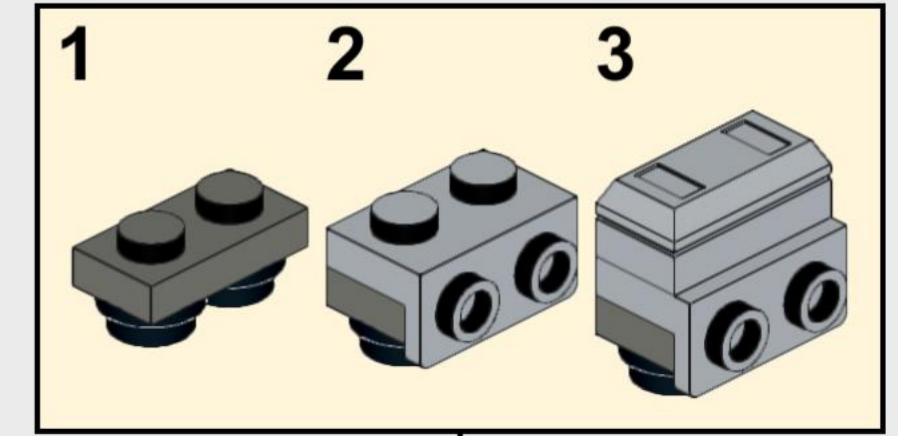
1



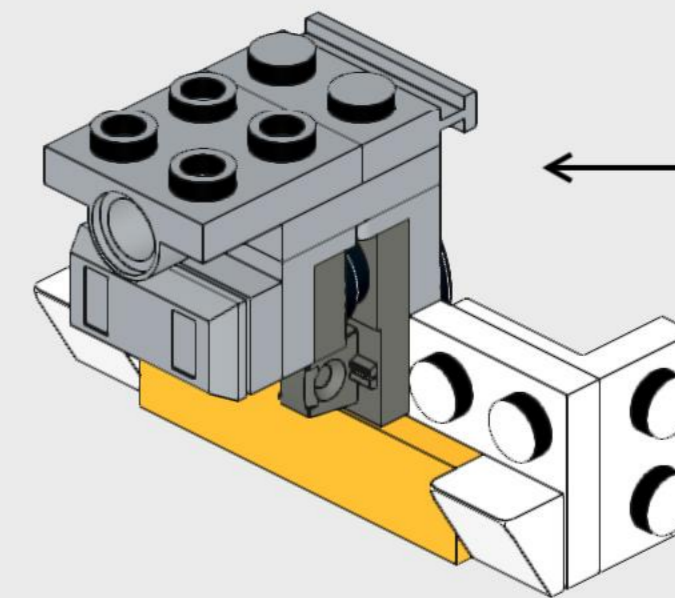
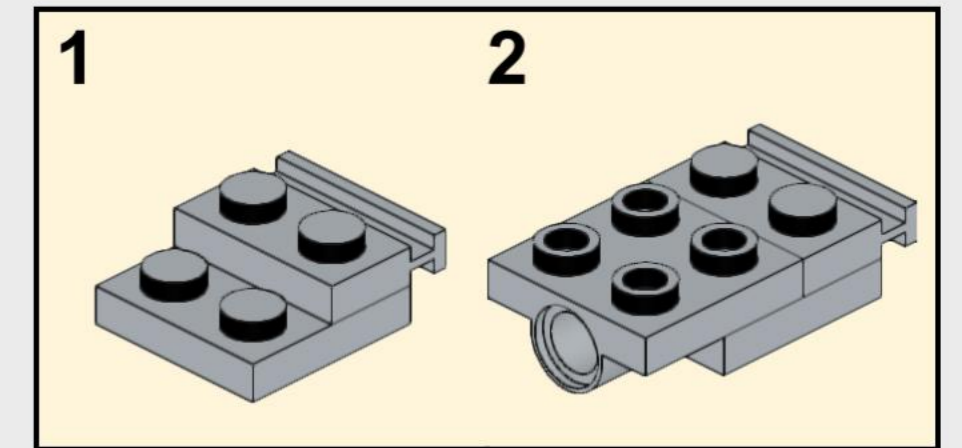
2

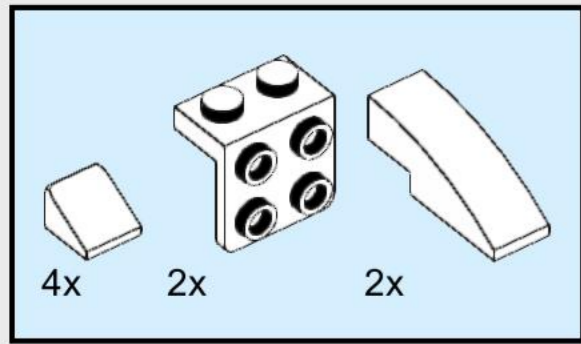


3

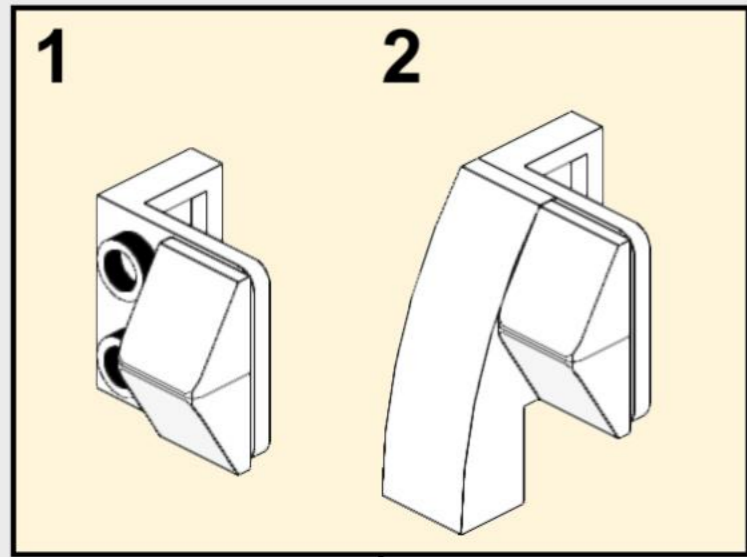


4

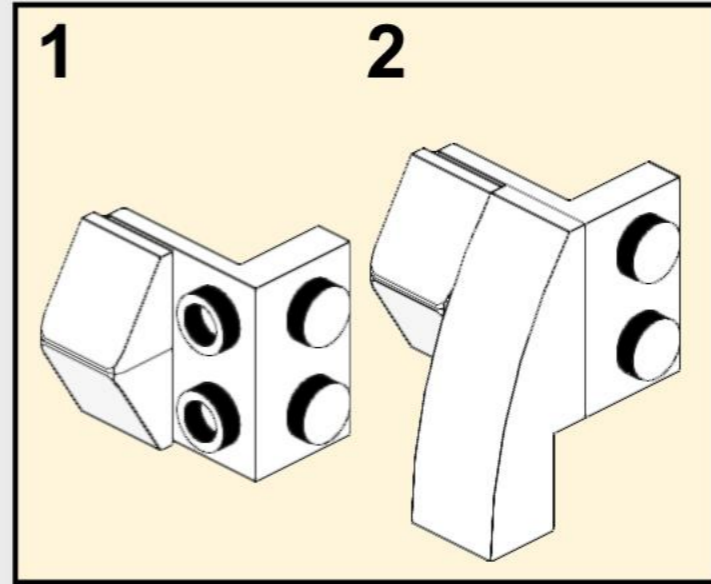
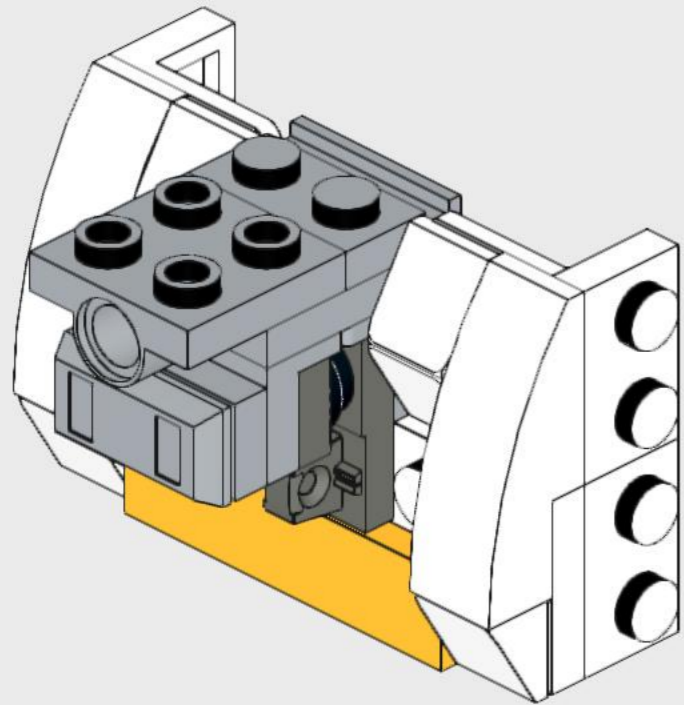
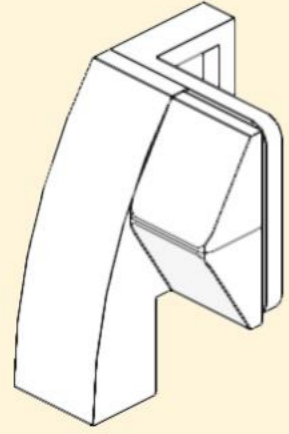




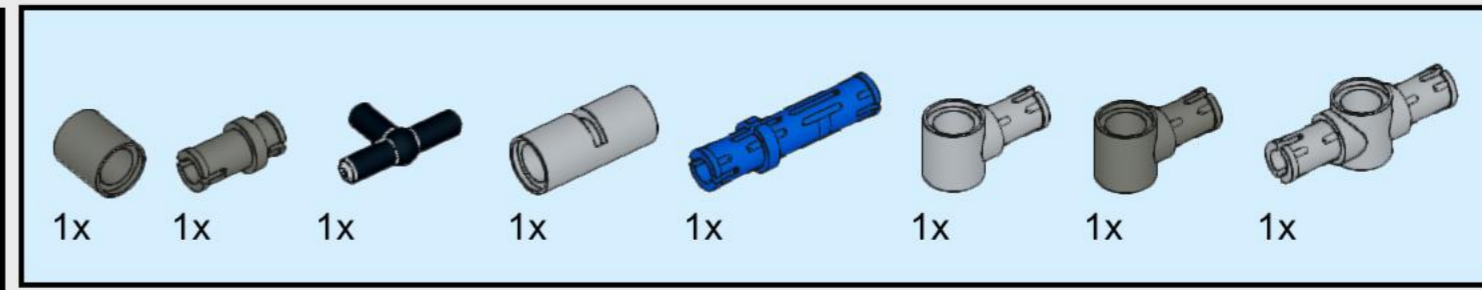
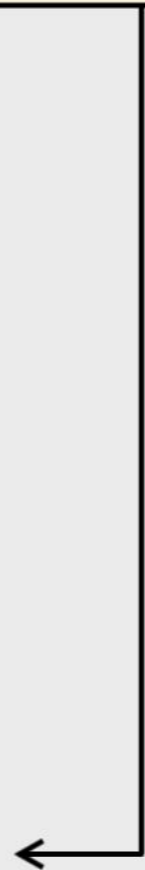
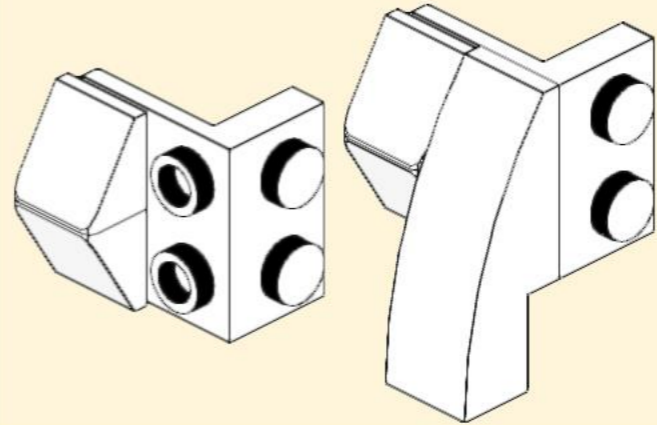
5



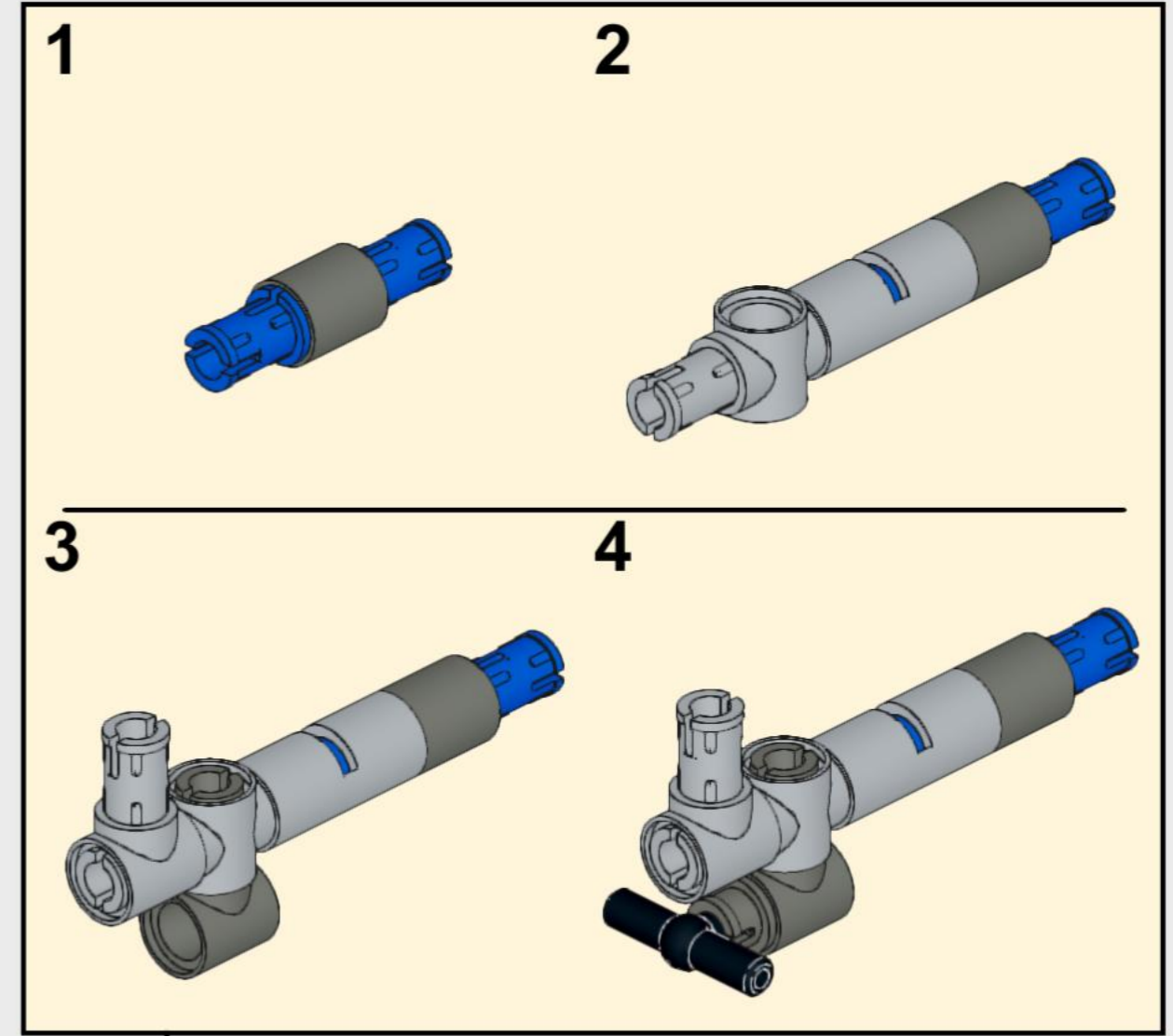
2



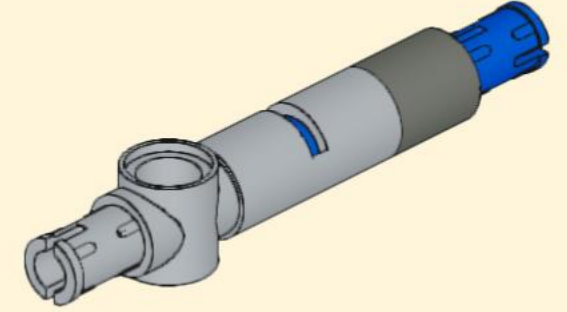
2



6

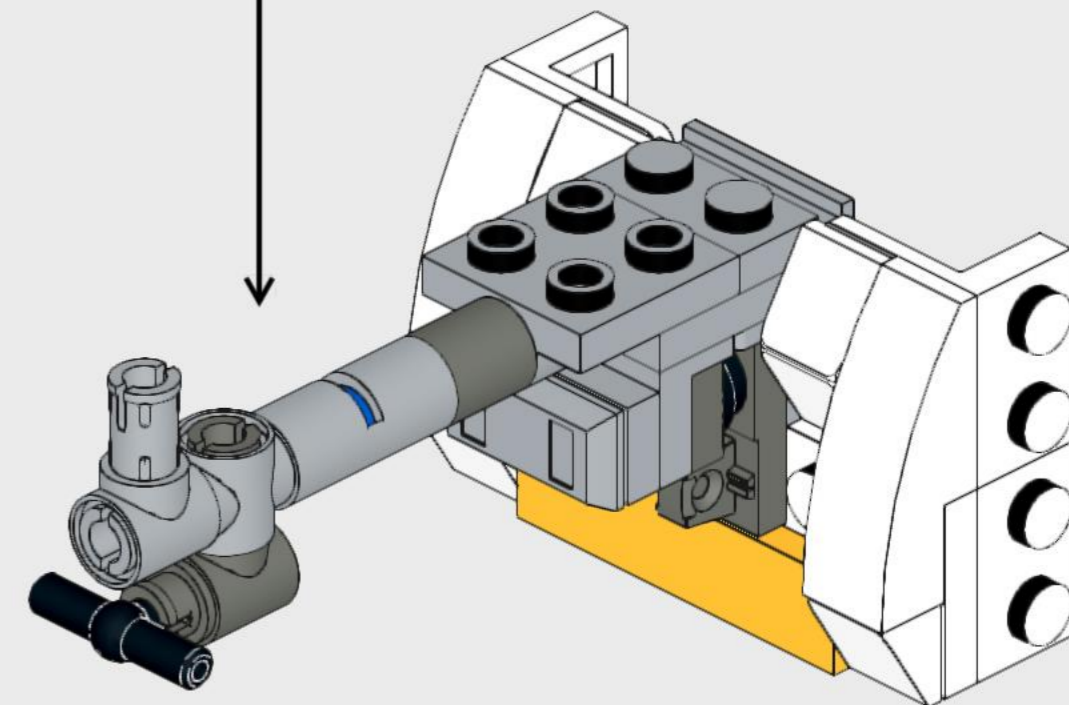
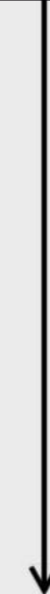
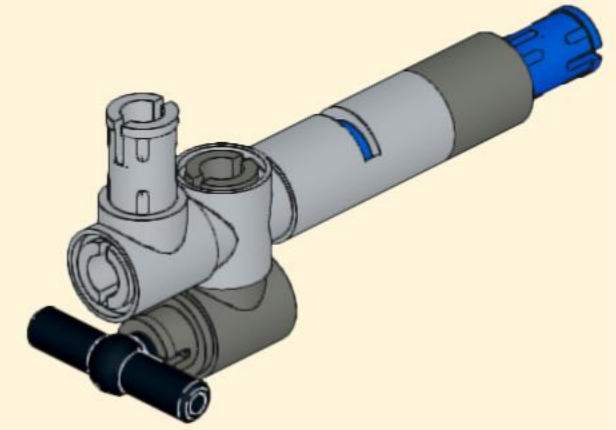
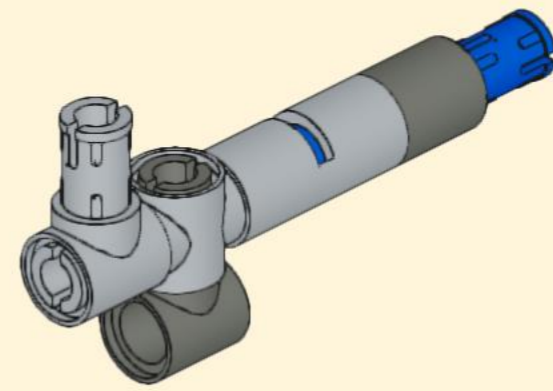


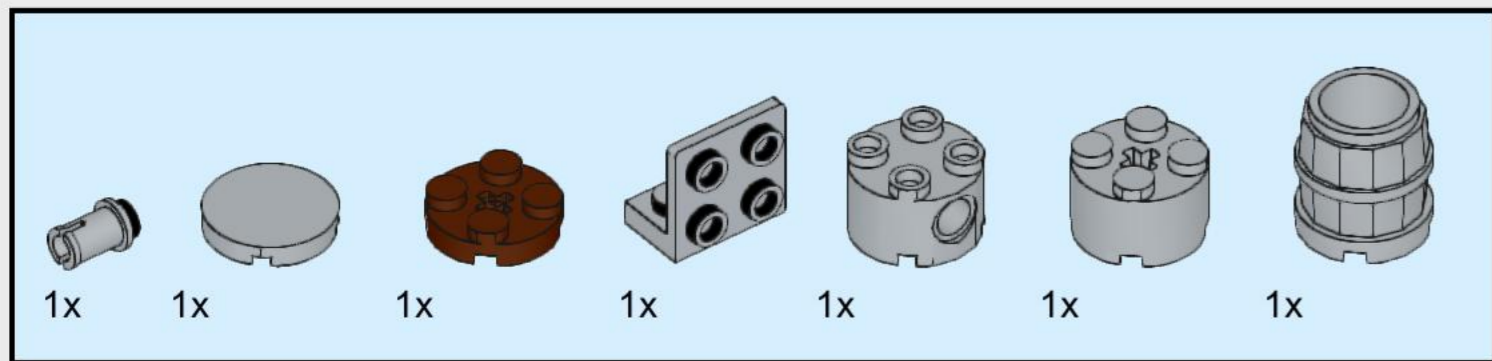
2



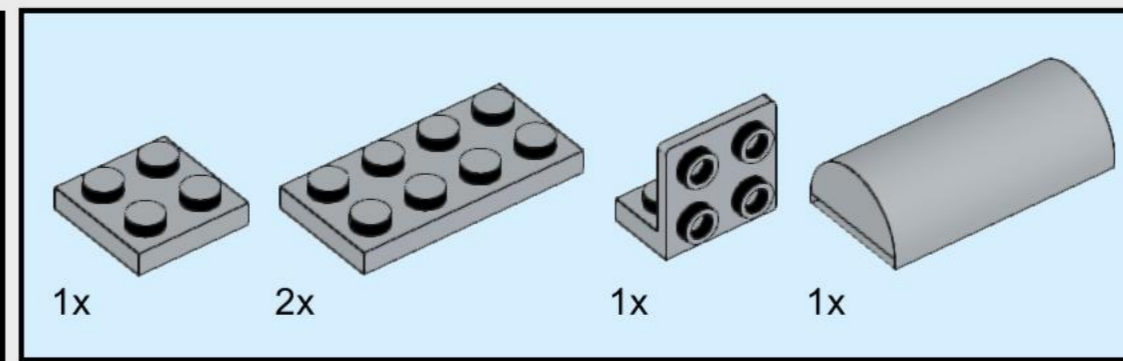
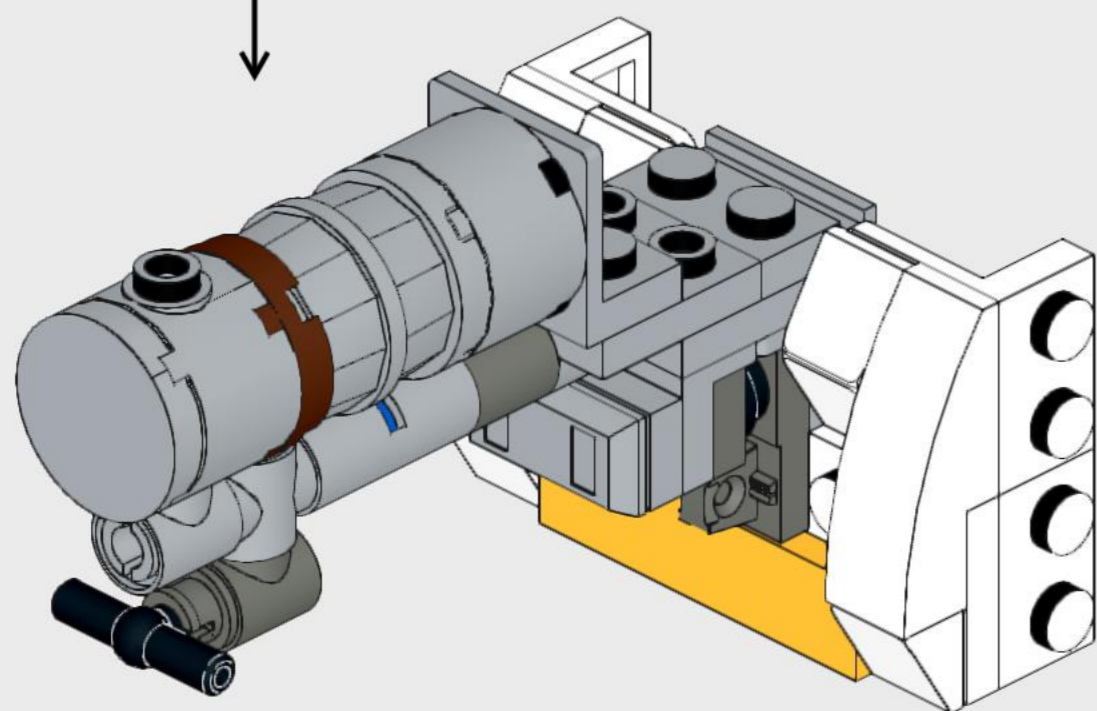
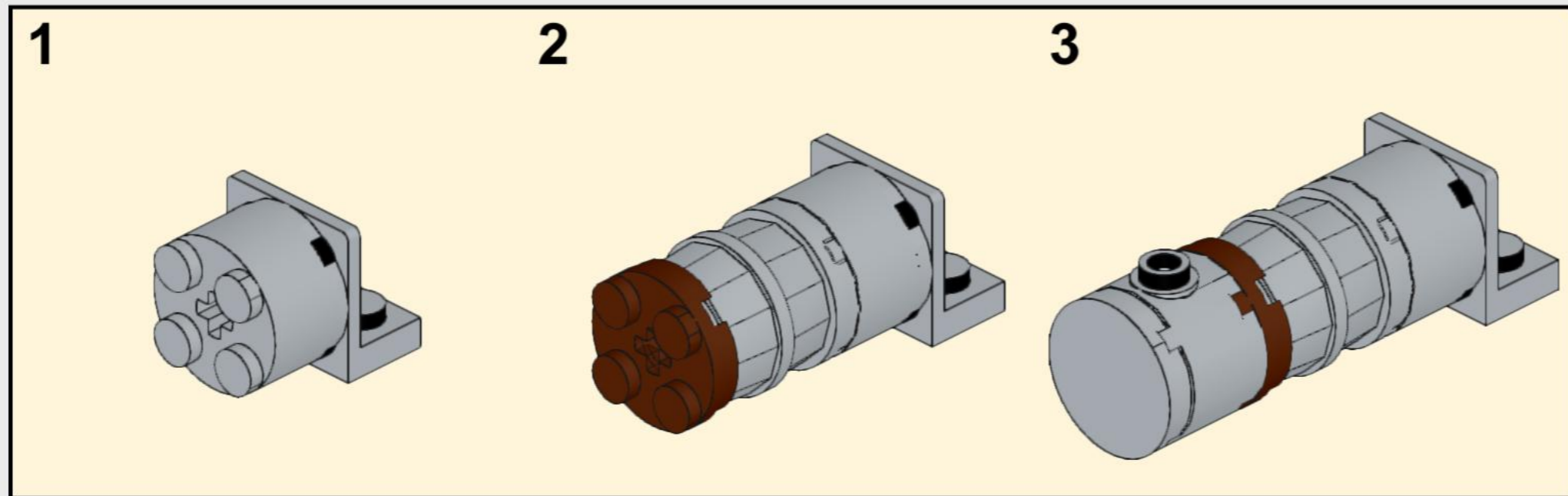
3

4

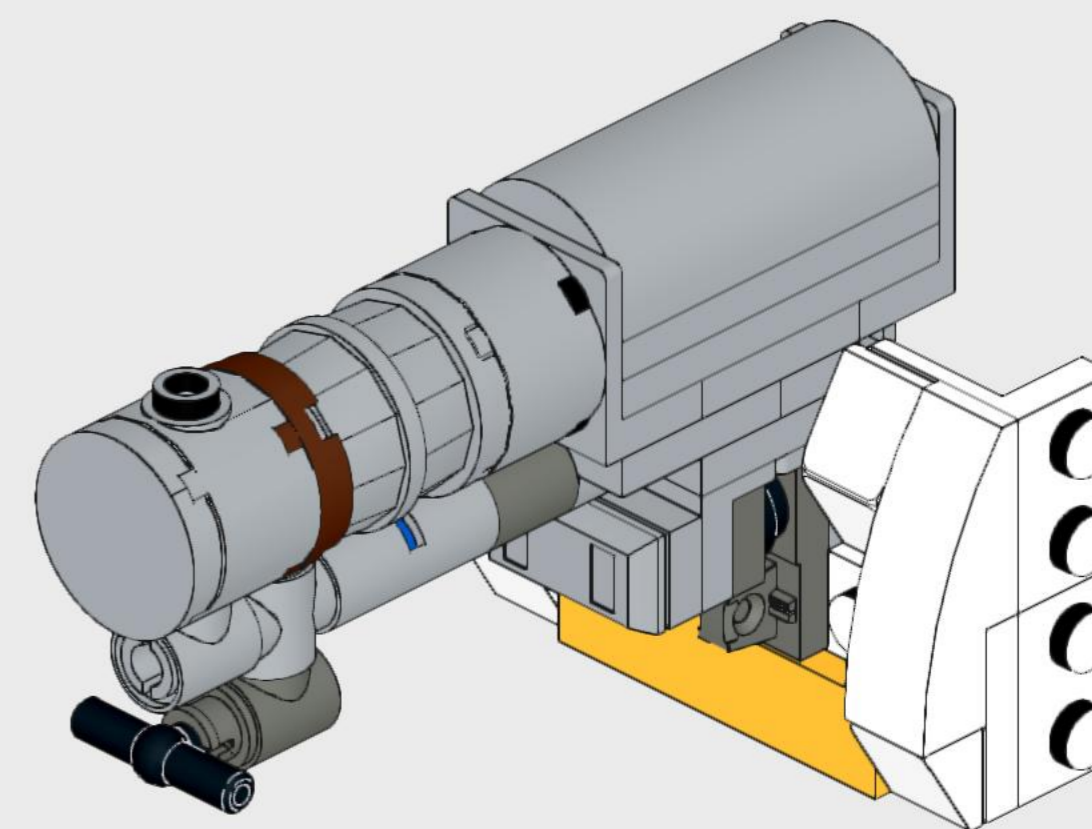
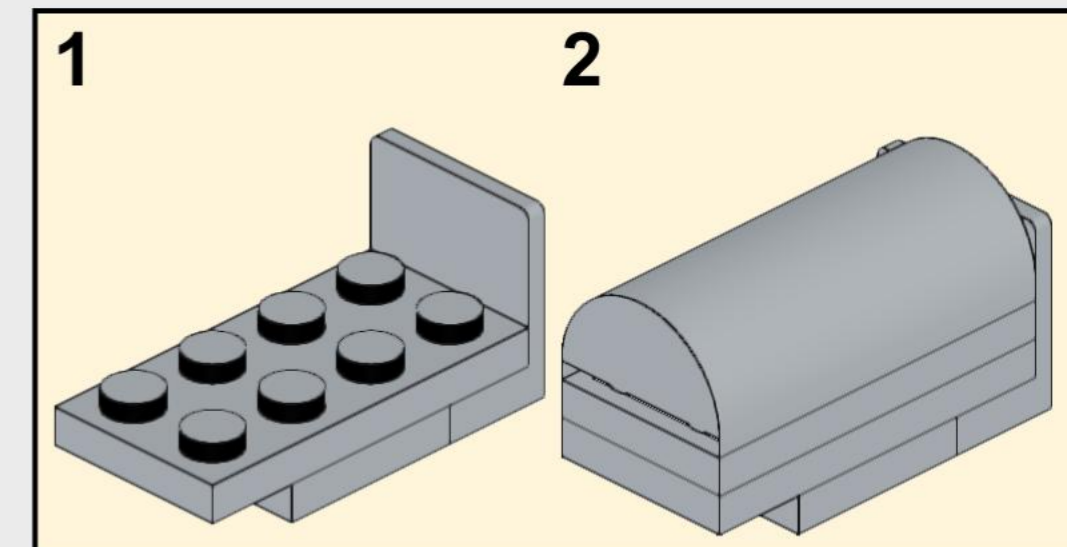


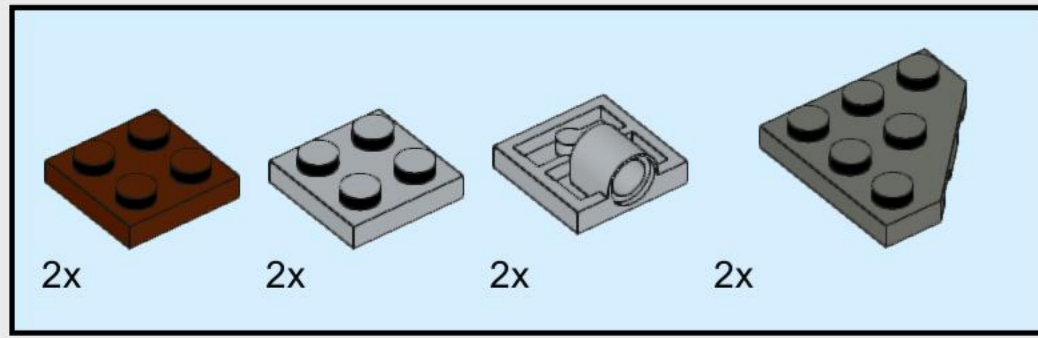


7

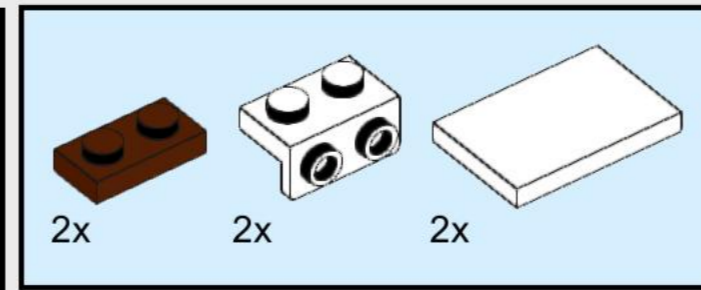
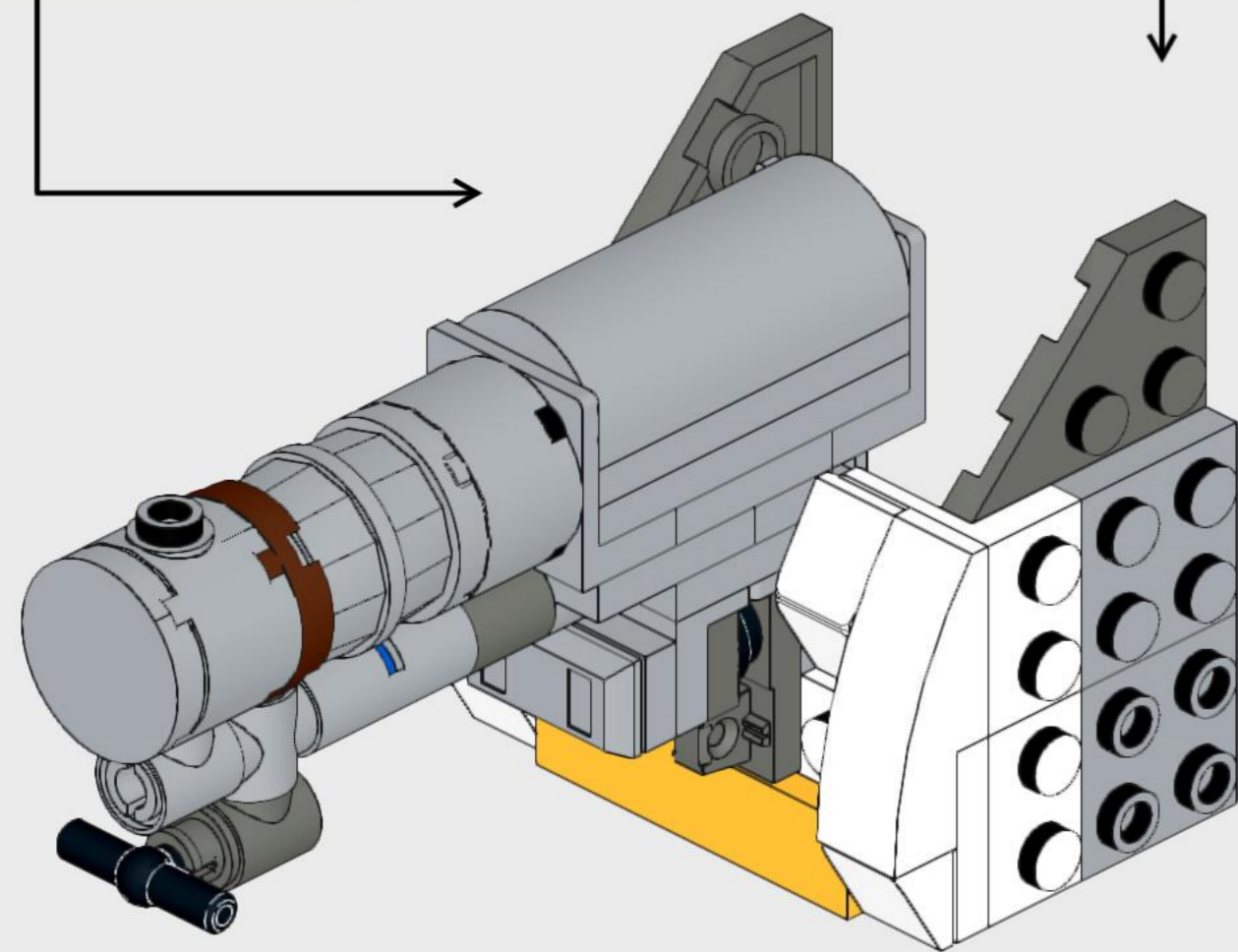
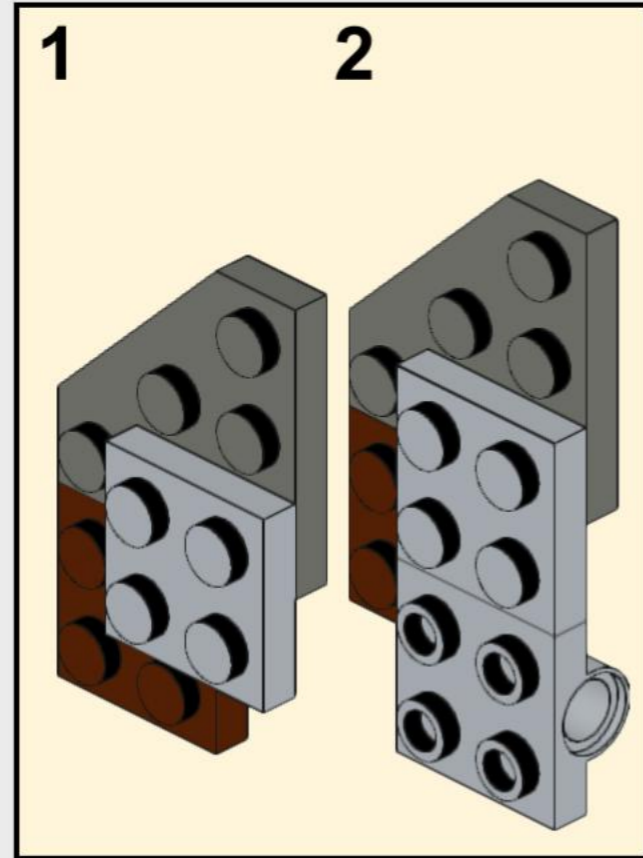
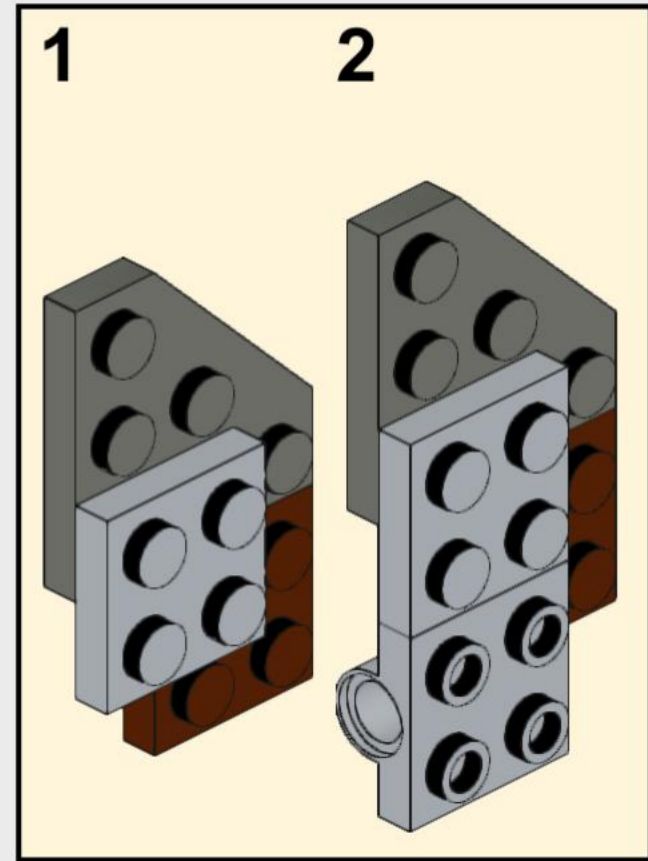


8

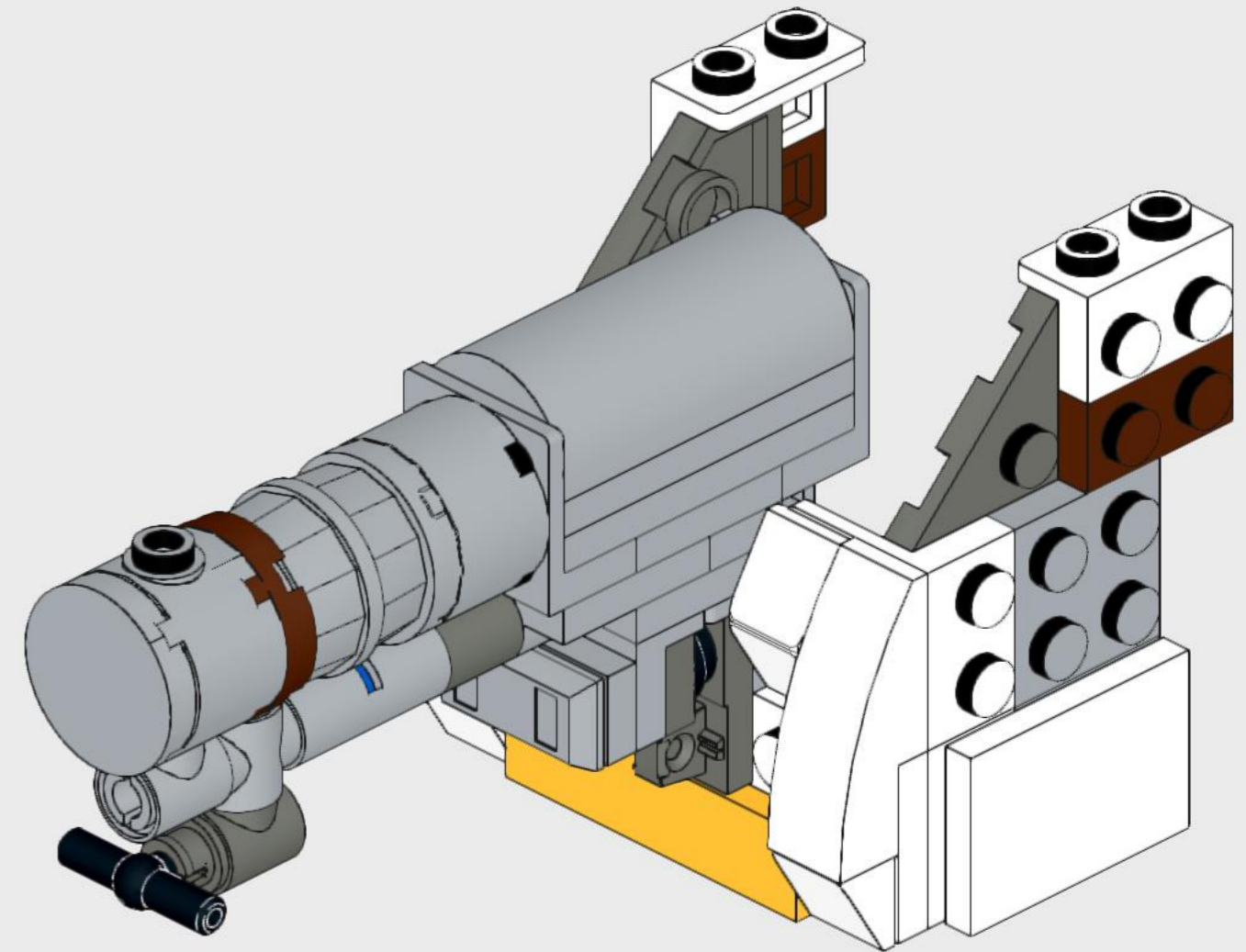


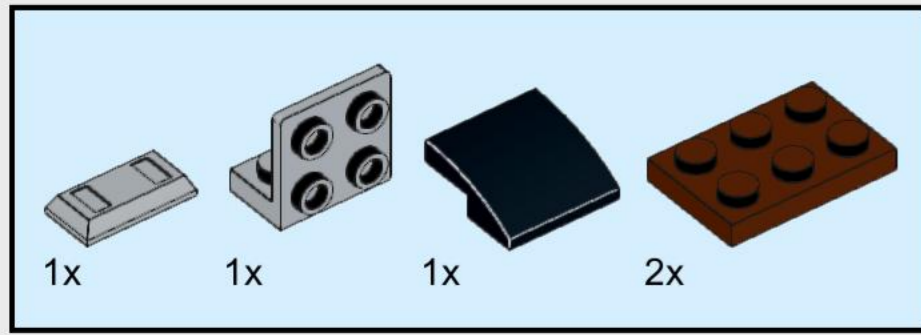


9

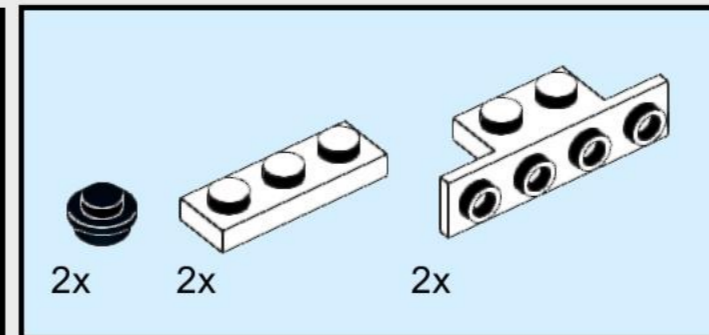
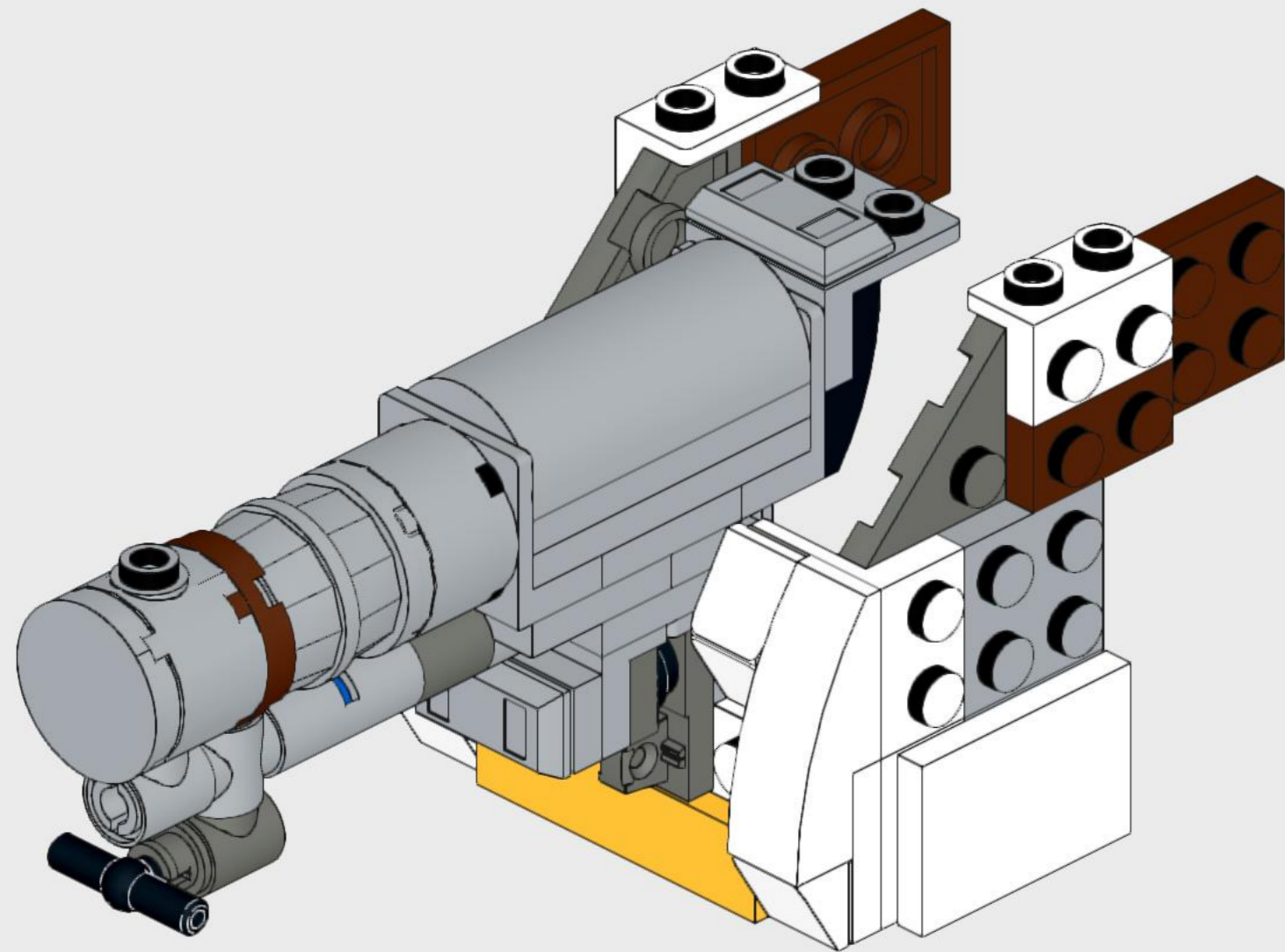
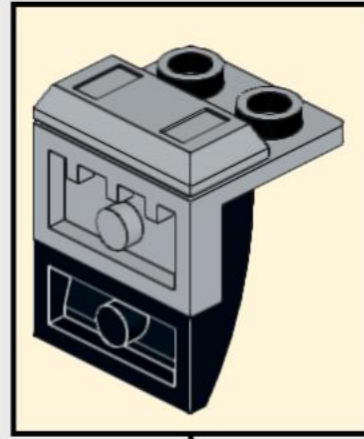


10

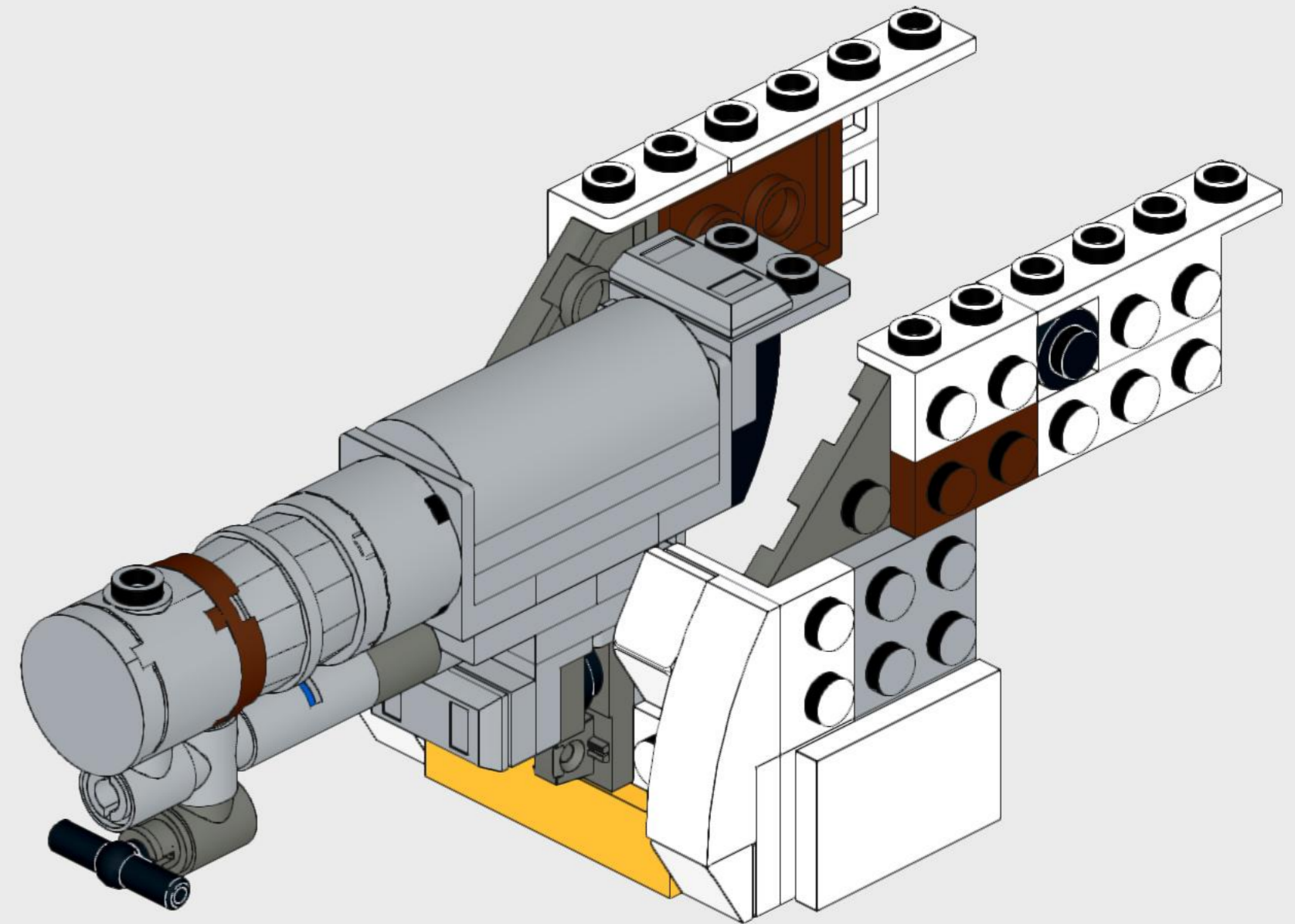


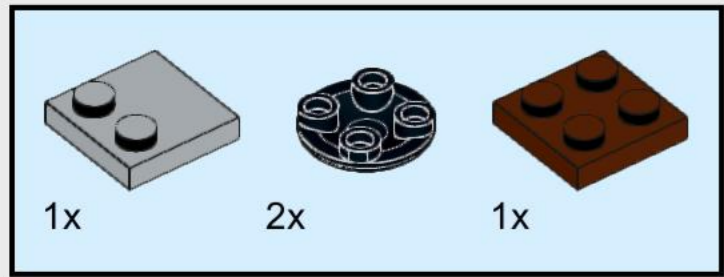


11

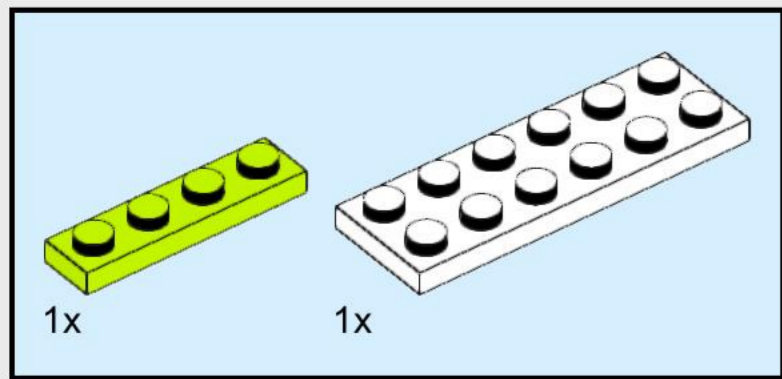
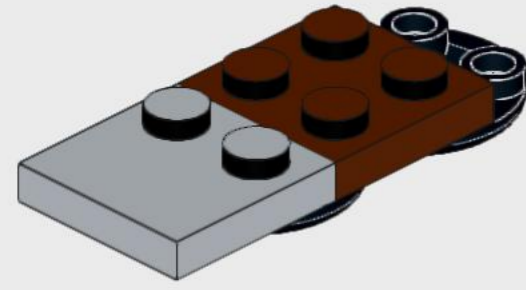


12

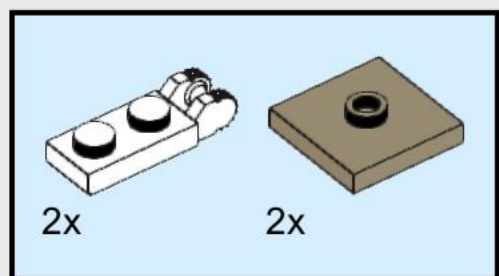
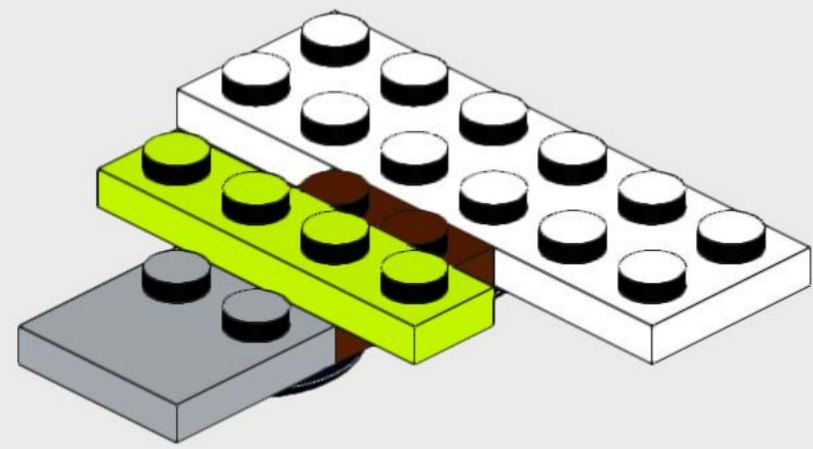




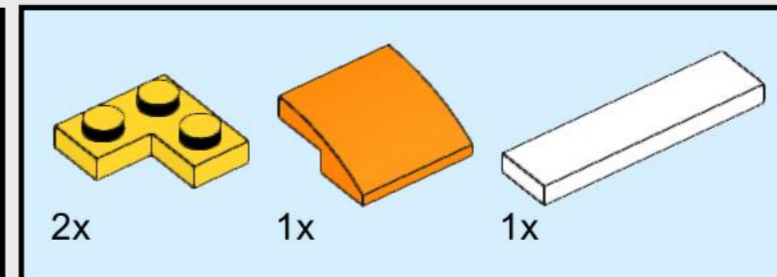
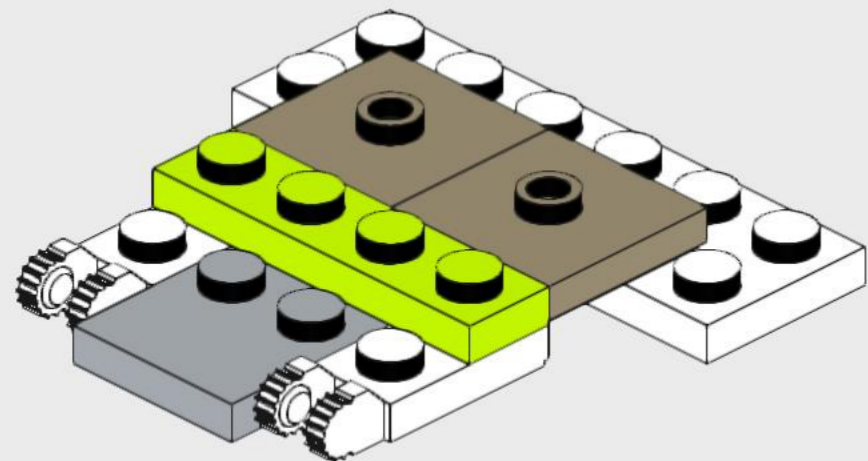
13



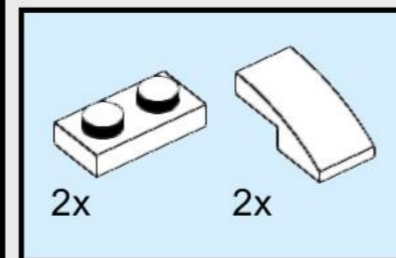
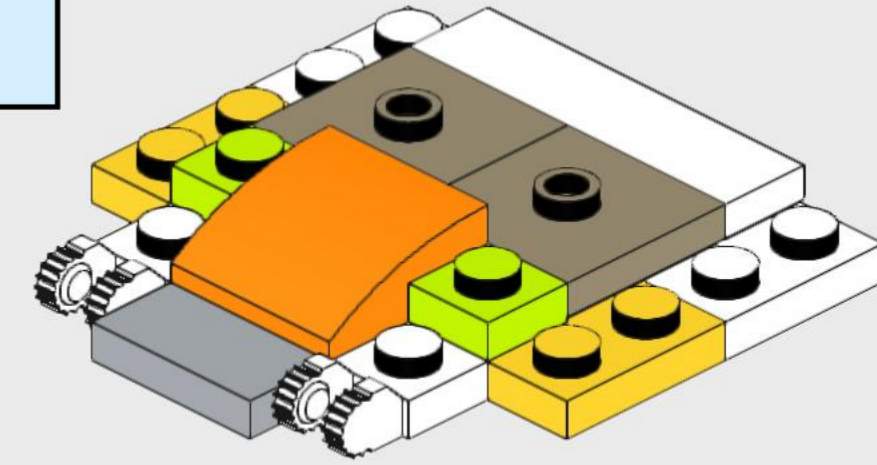
14



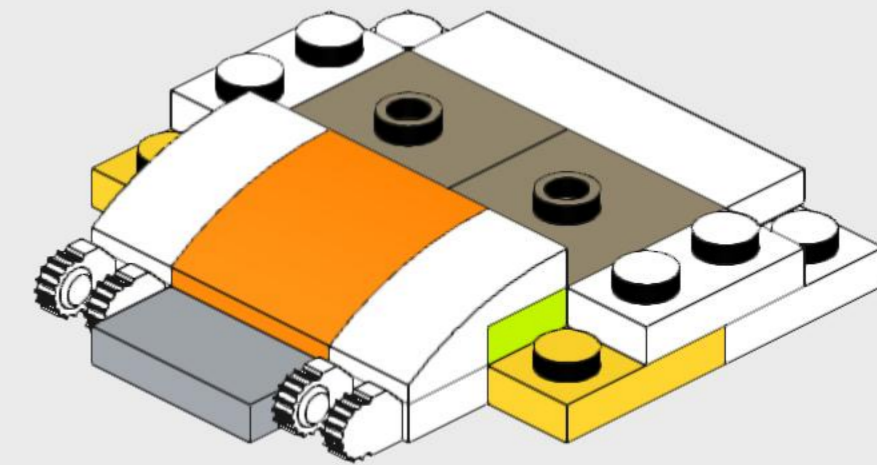
15



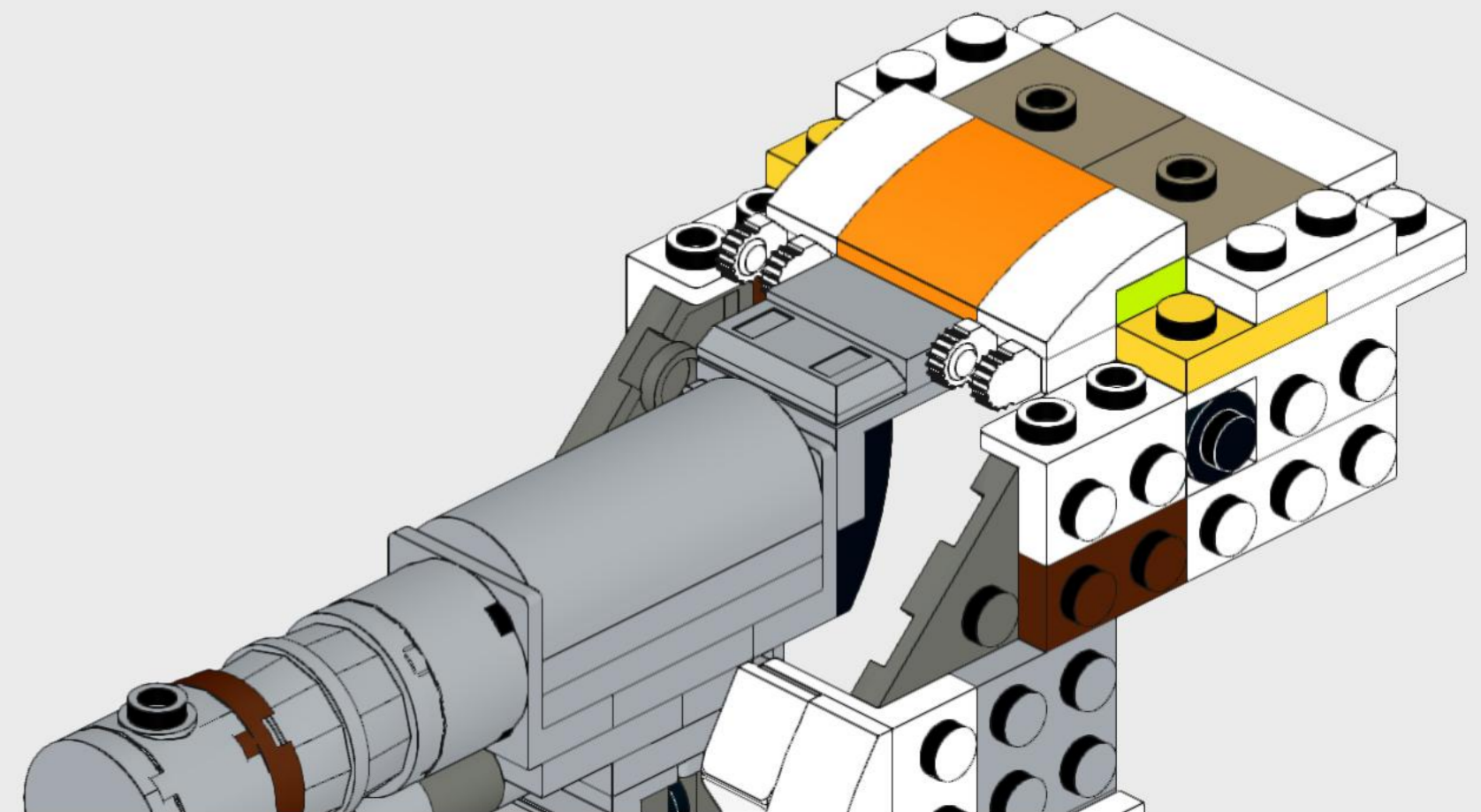
16

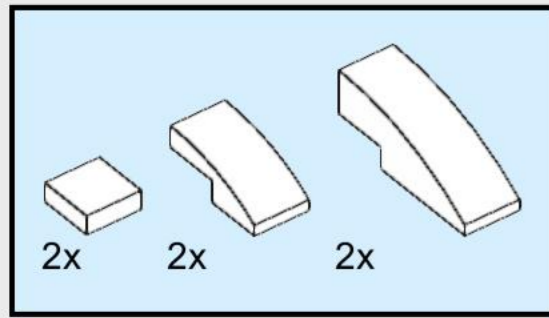


17

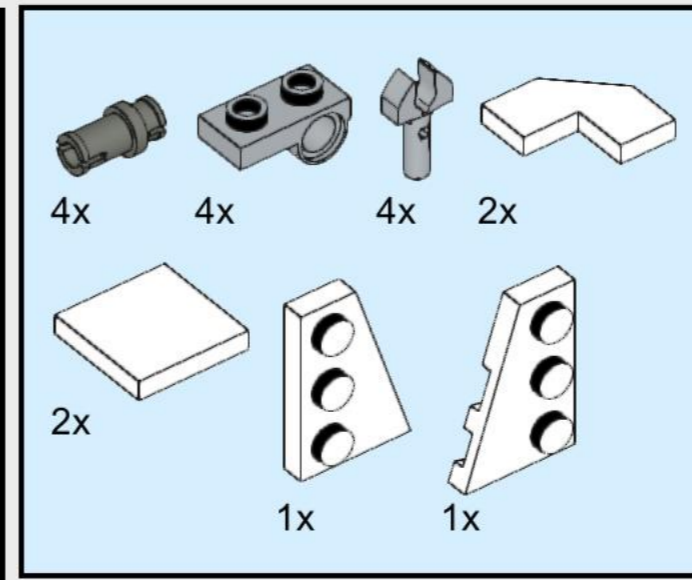
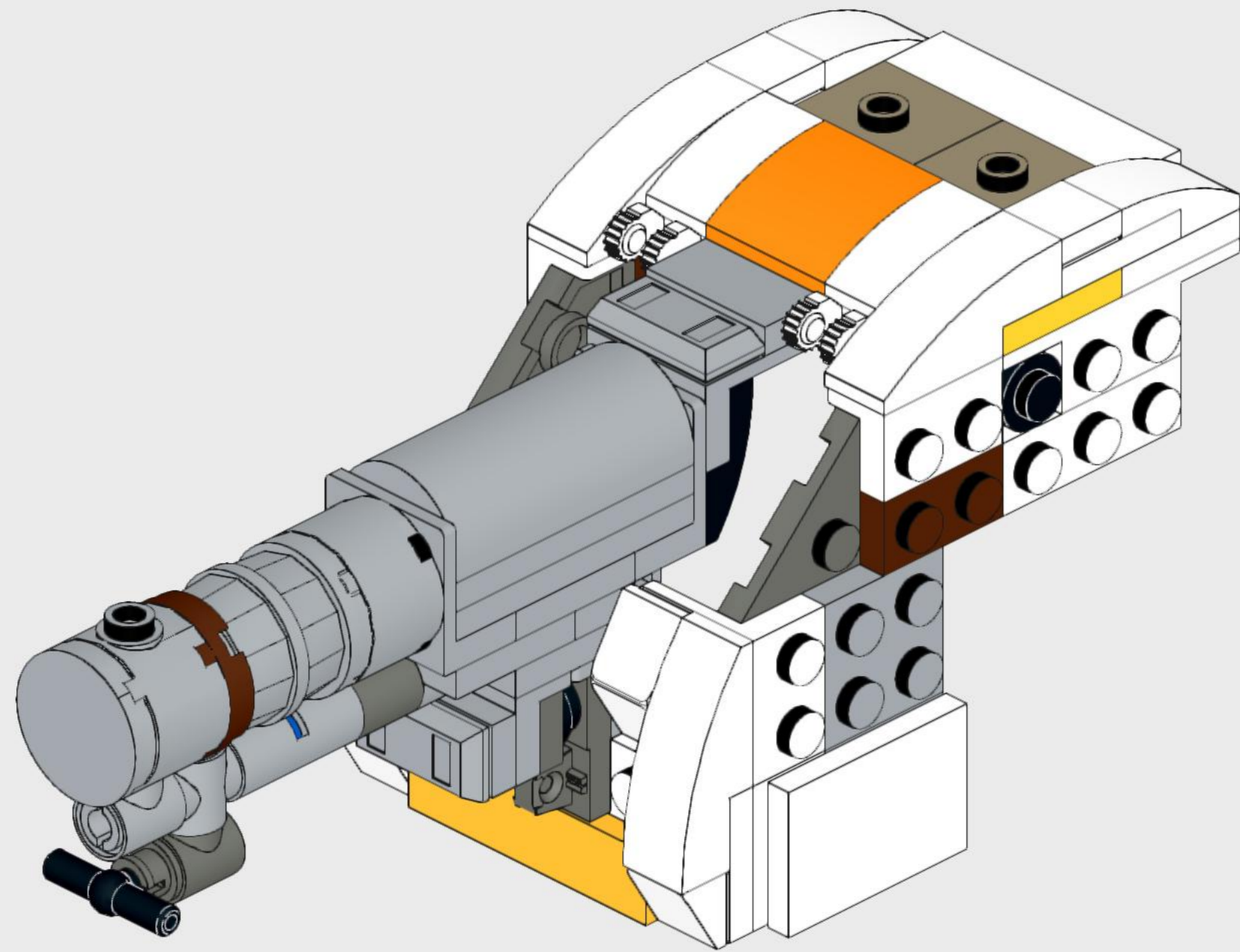


18

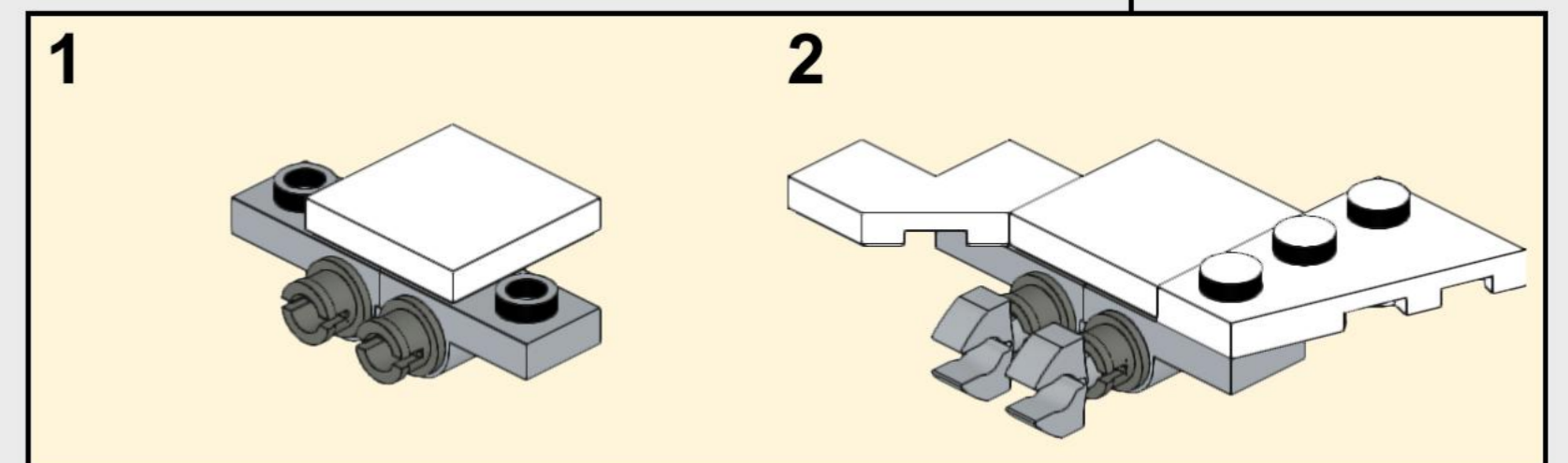
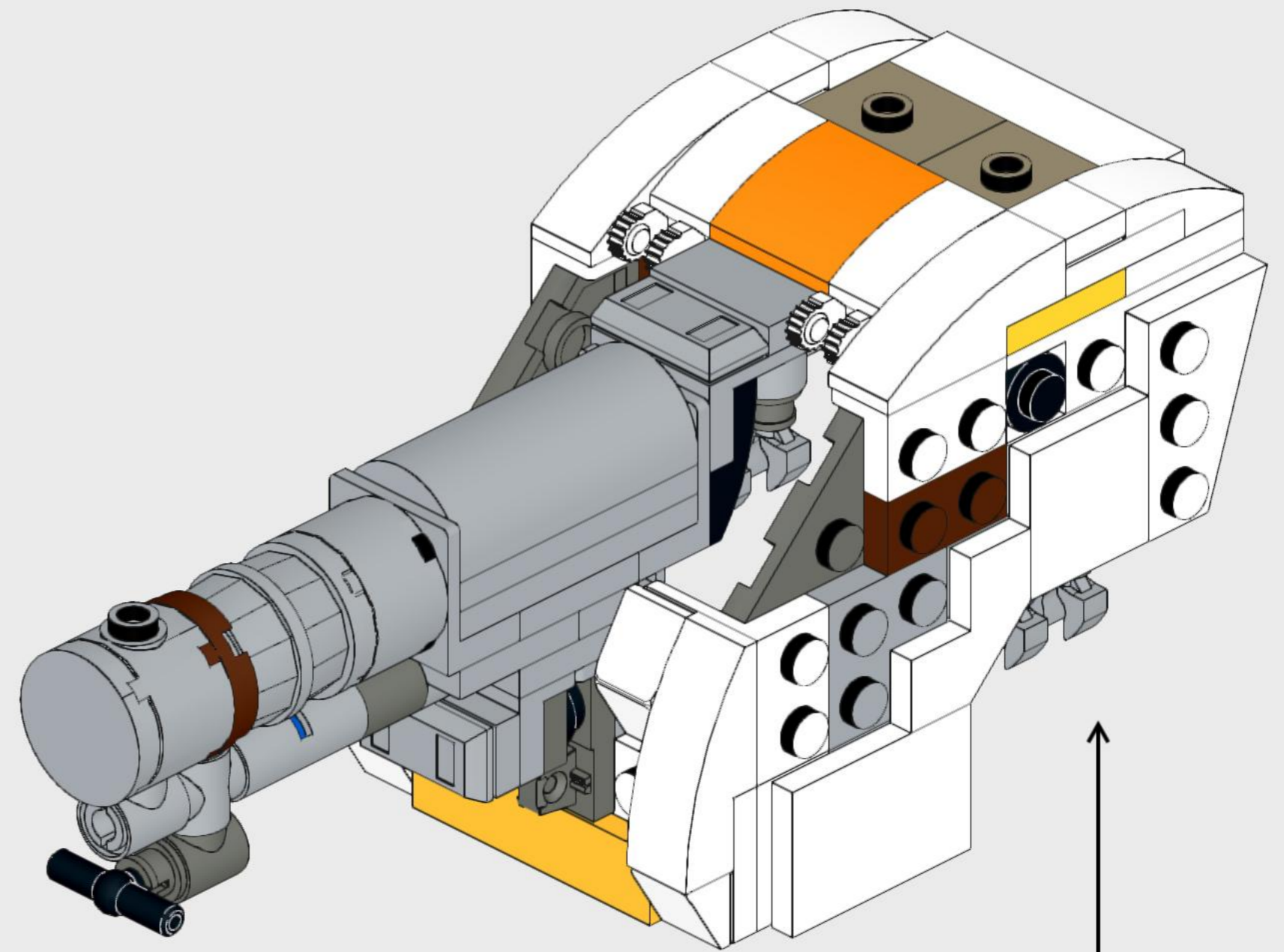
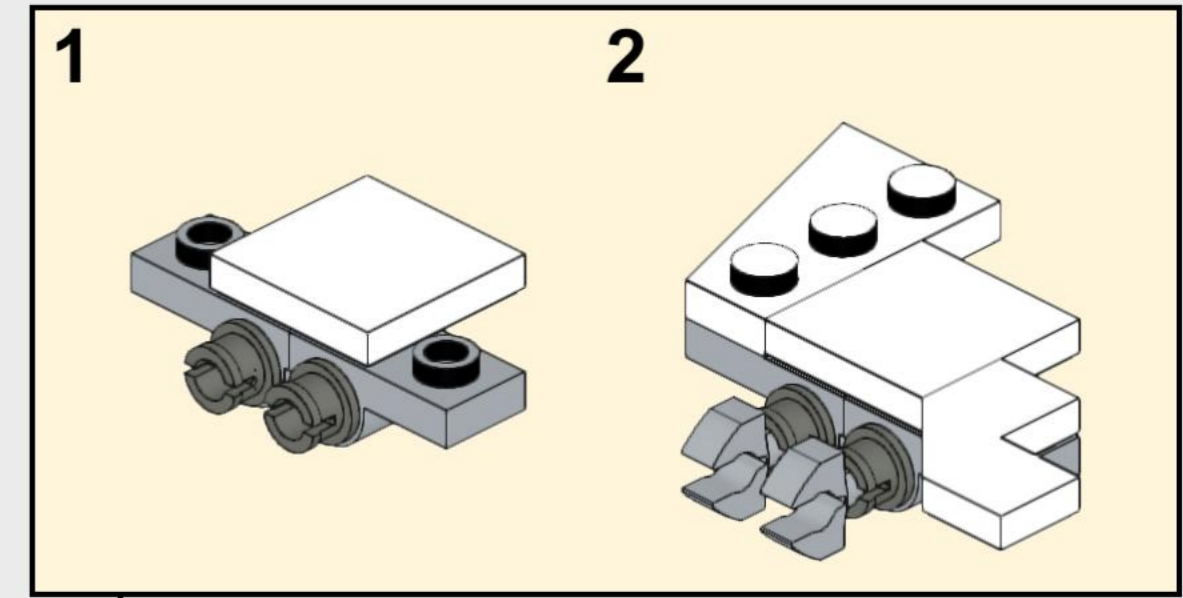


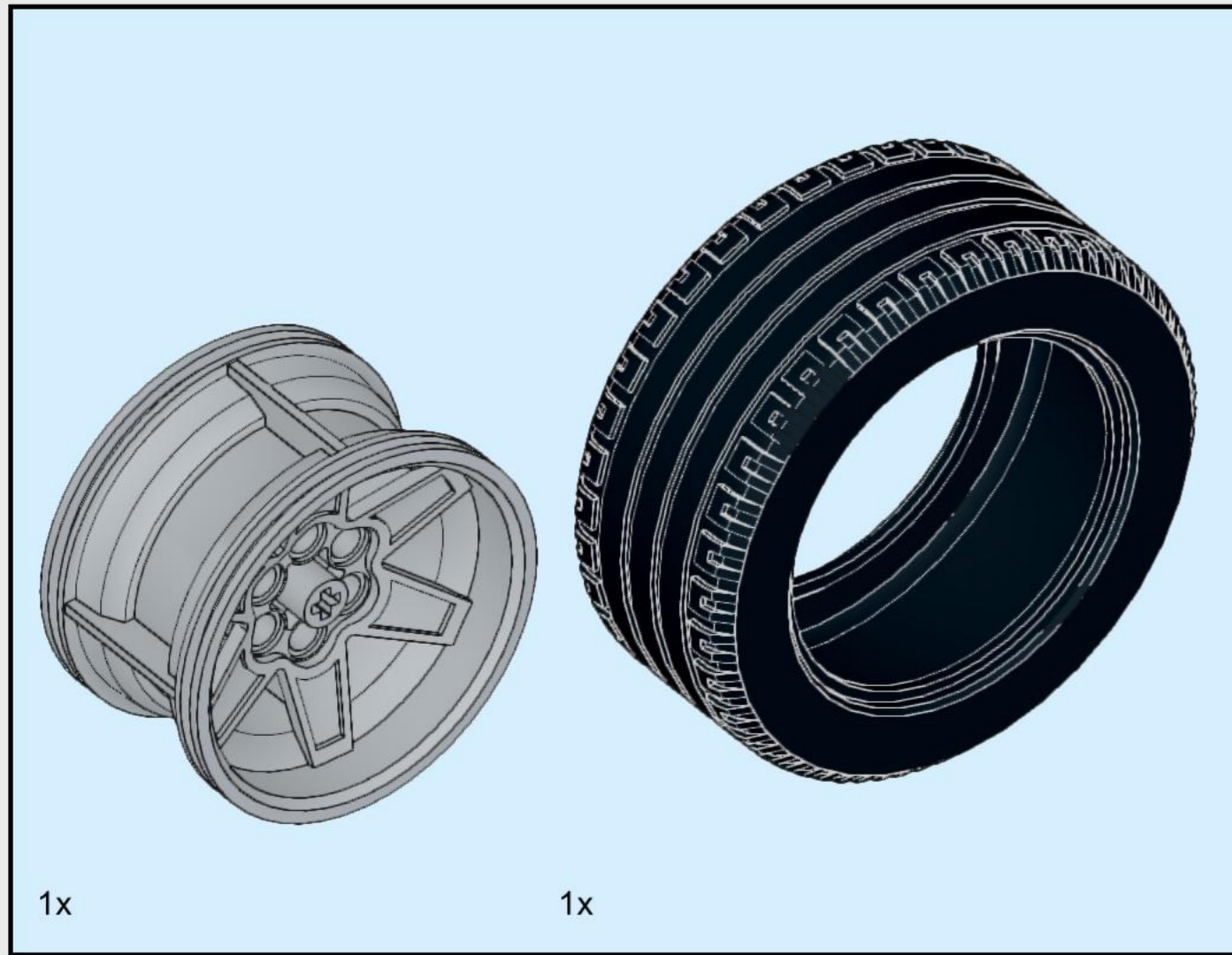


19

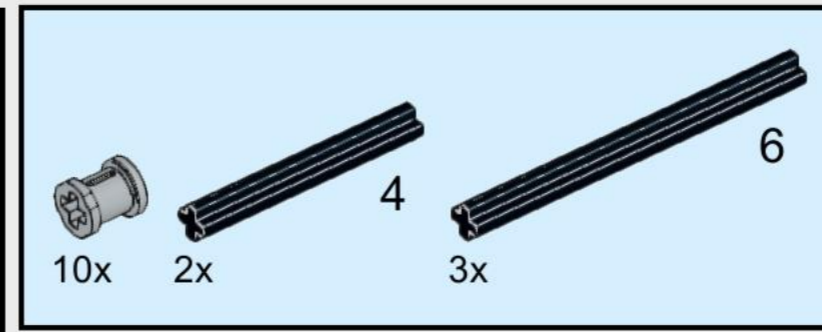


20



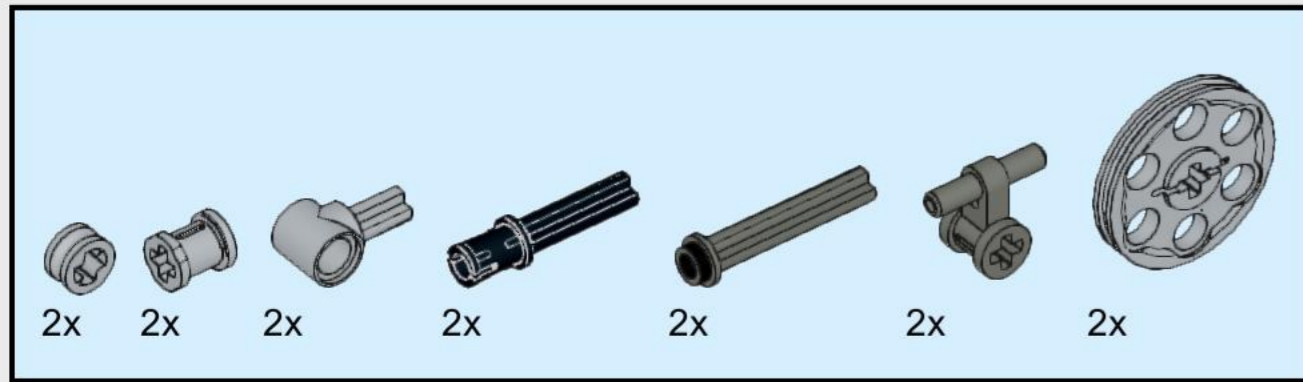


21

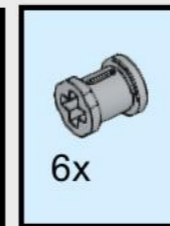
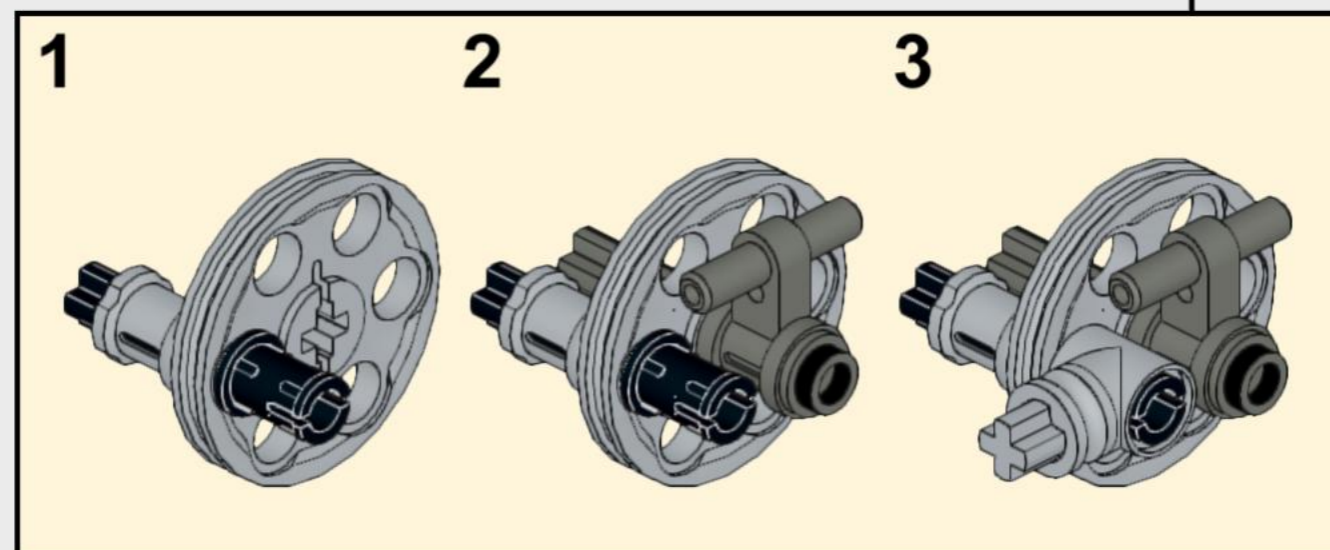
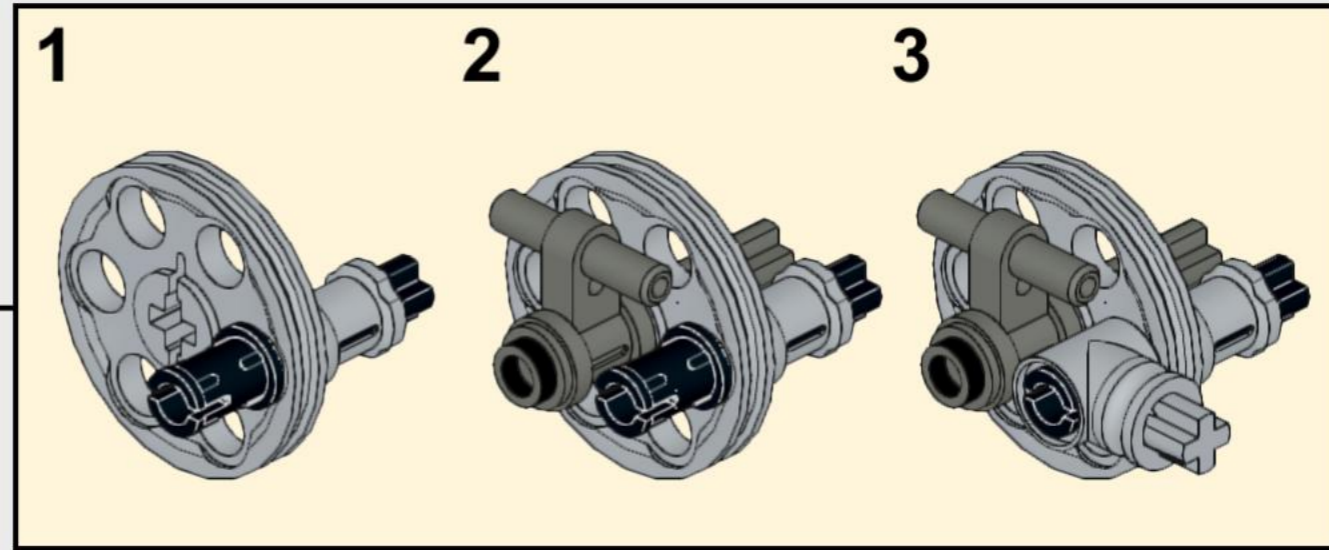


22



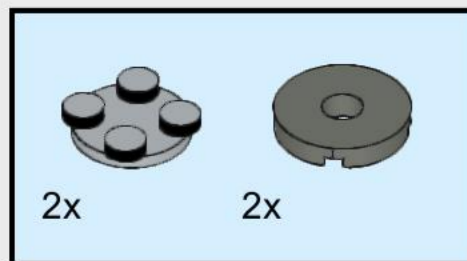


23

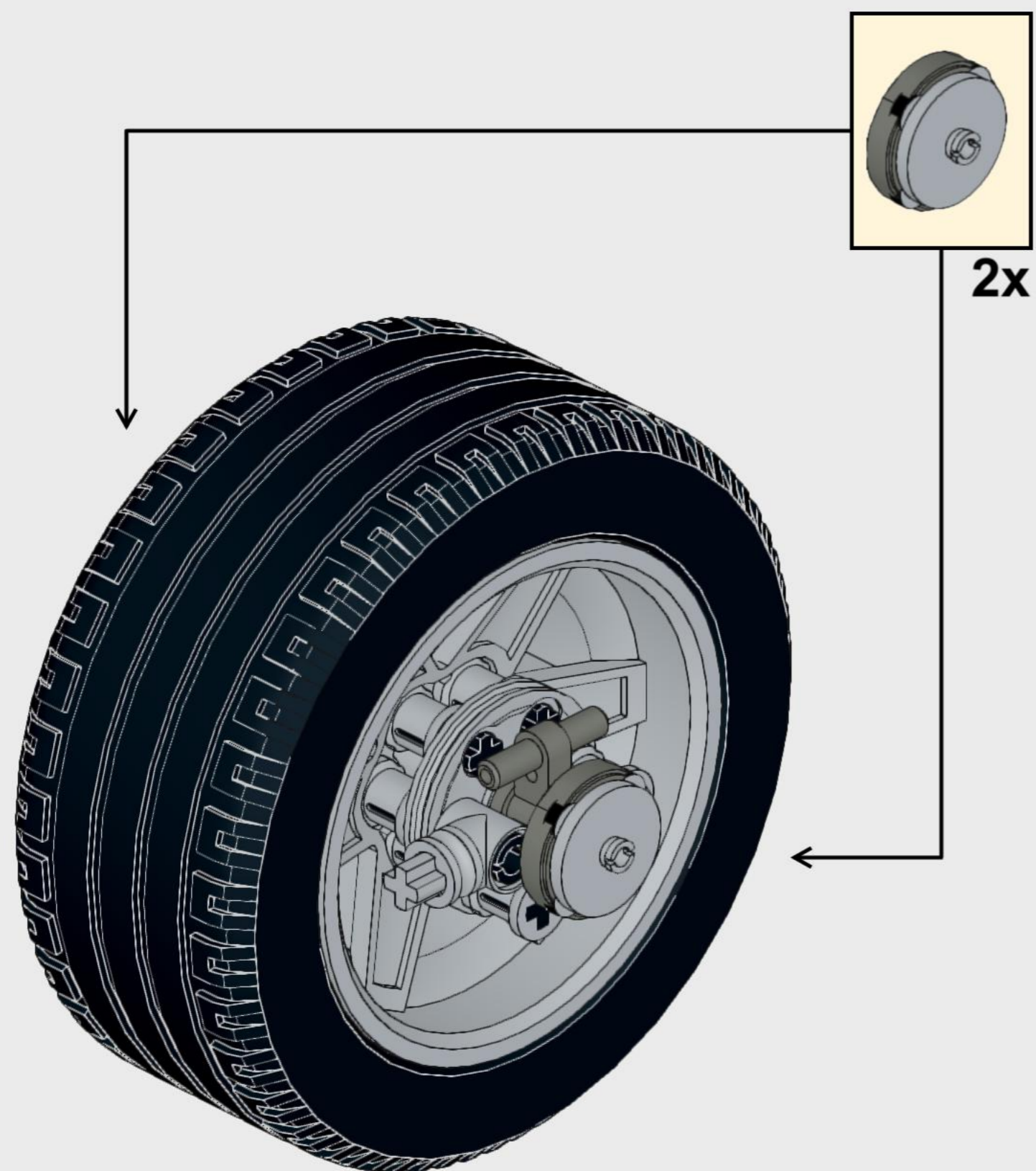


24





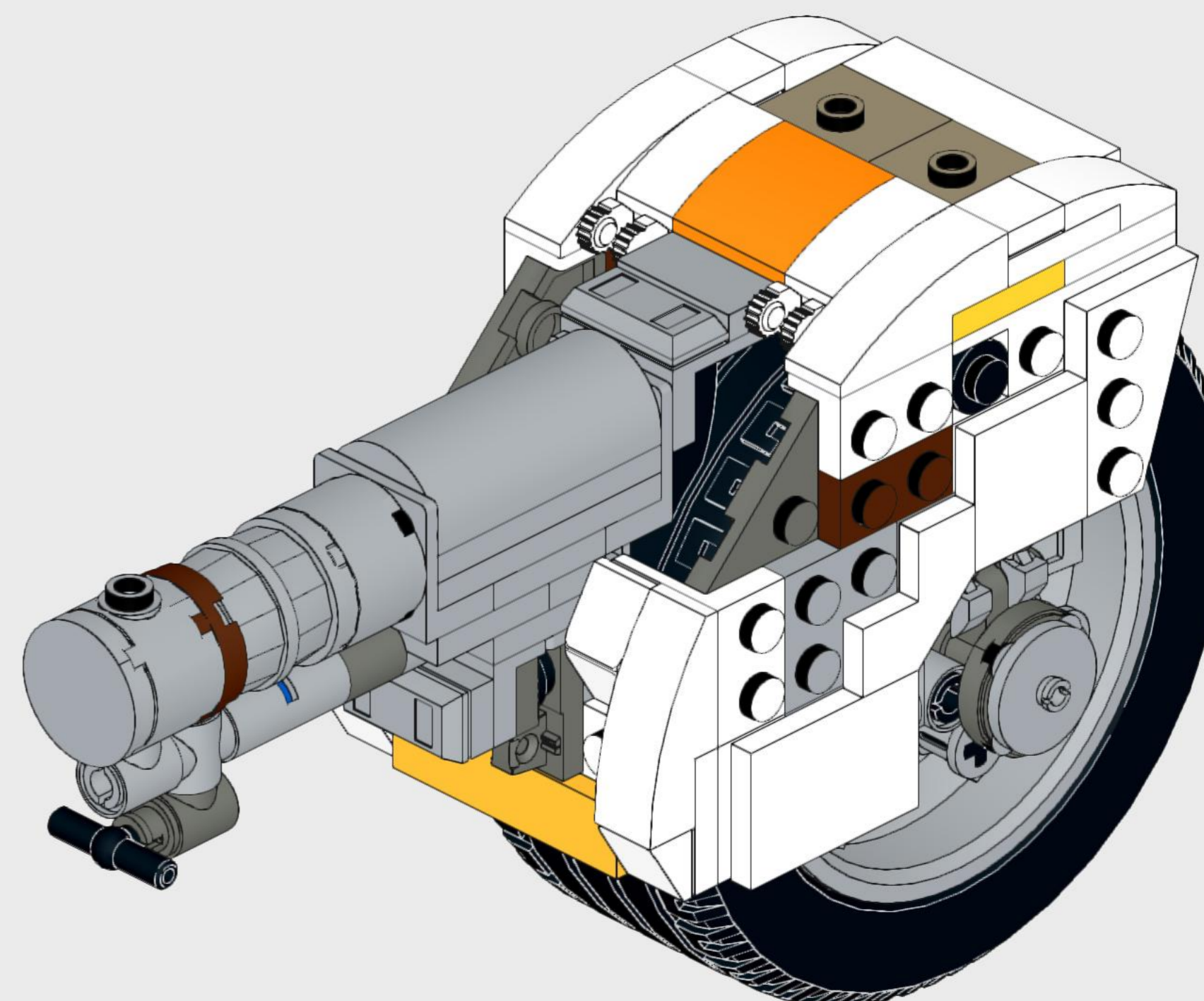
25

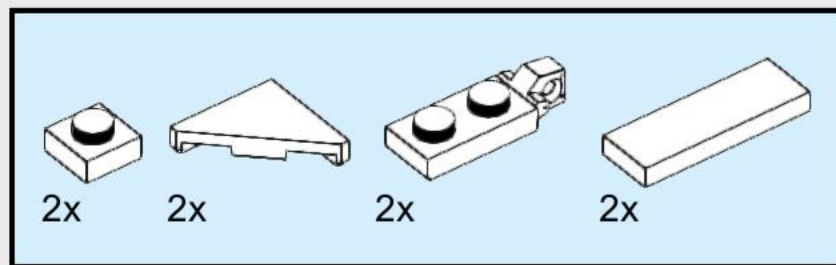


26 Inserting the wheel into the housing can be a bit tricky, as the wheel will fit very tightly against the sides until it is fully in place.

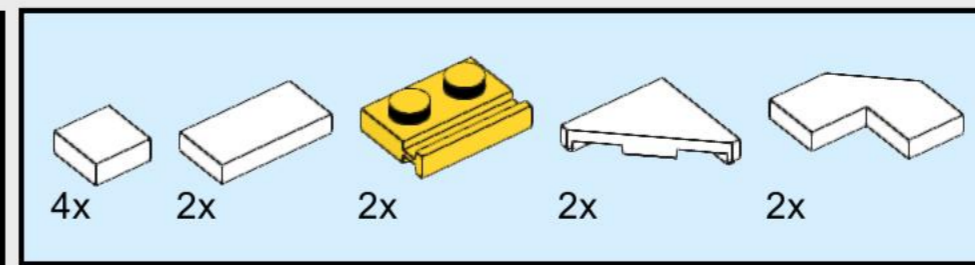
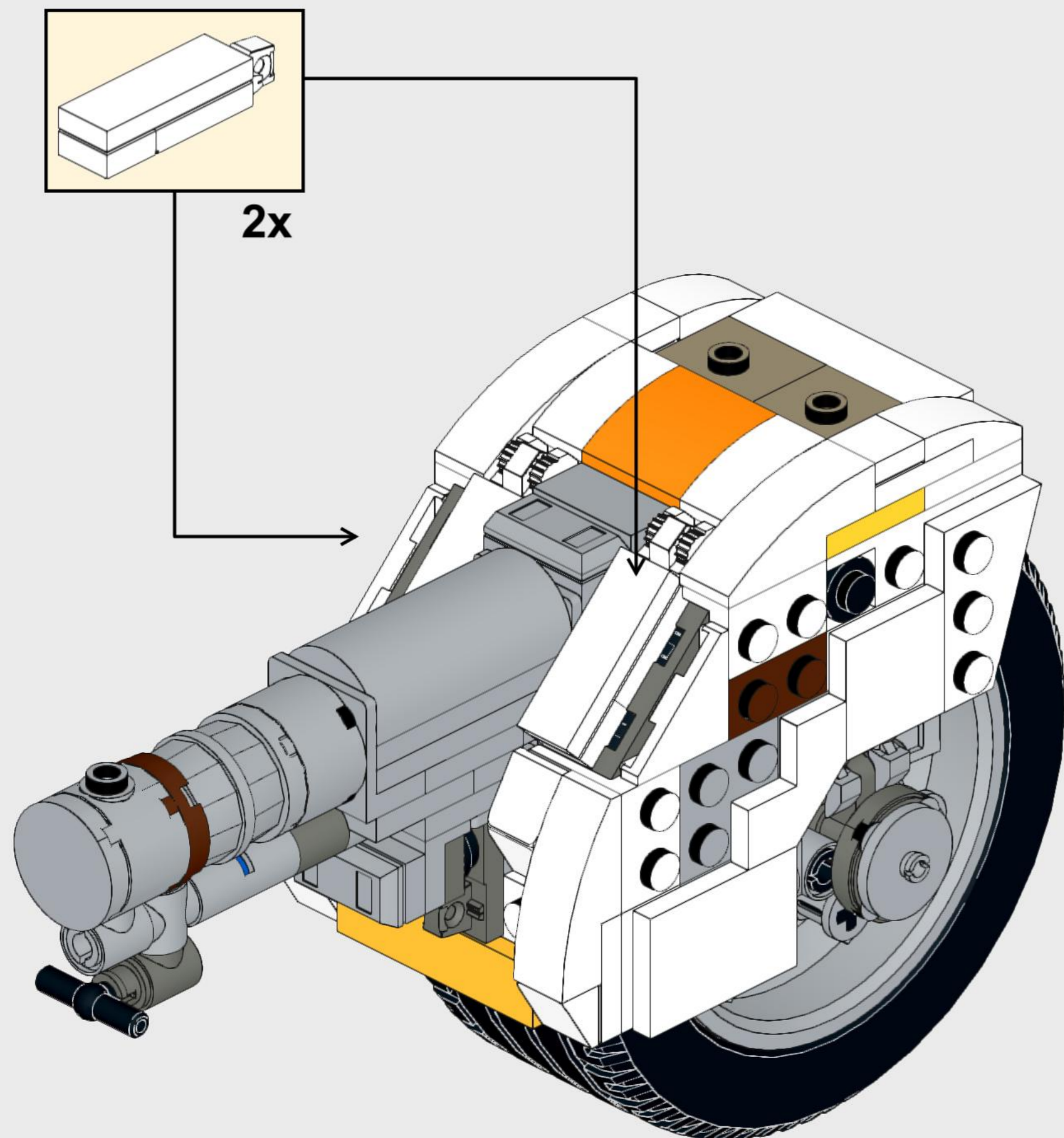
For the easiest attach, first line up the small light grey axle with it's corresponding pin hole. While ensuring that the pin stays in it's hole, snap the wheel's dark grey bars up into the light grey clips.

Once in place the wheel will be snug and unable to turn, since the housing structure puts pressure on the center top of the tire.

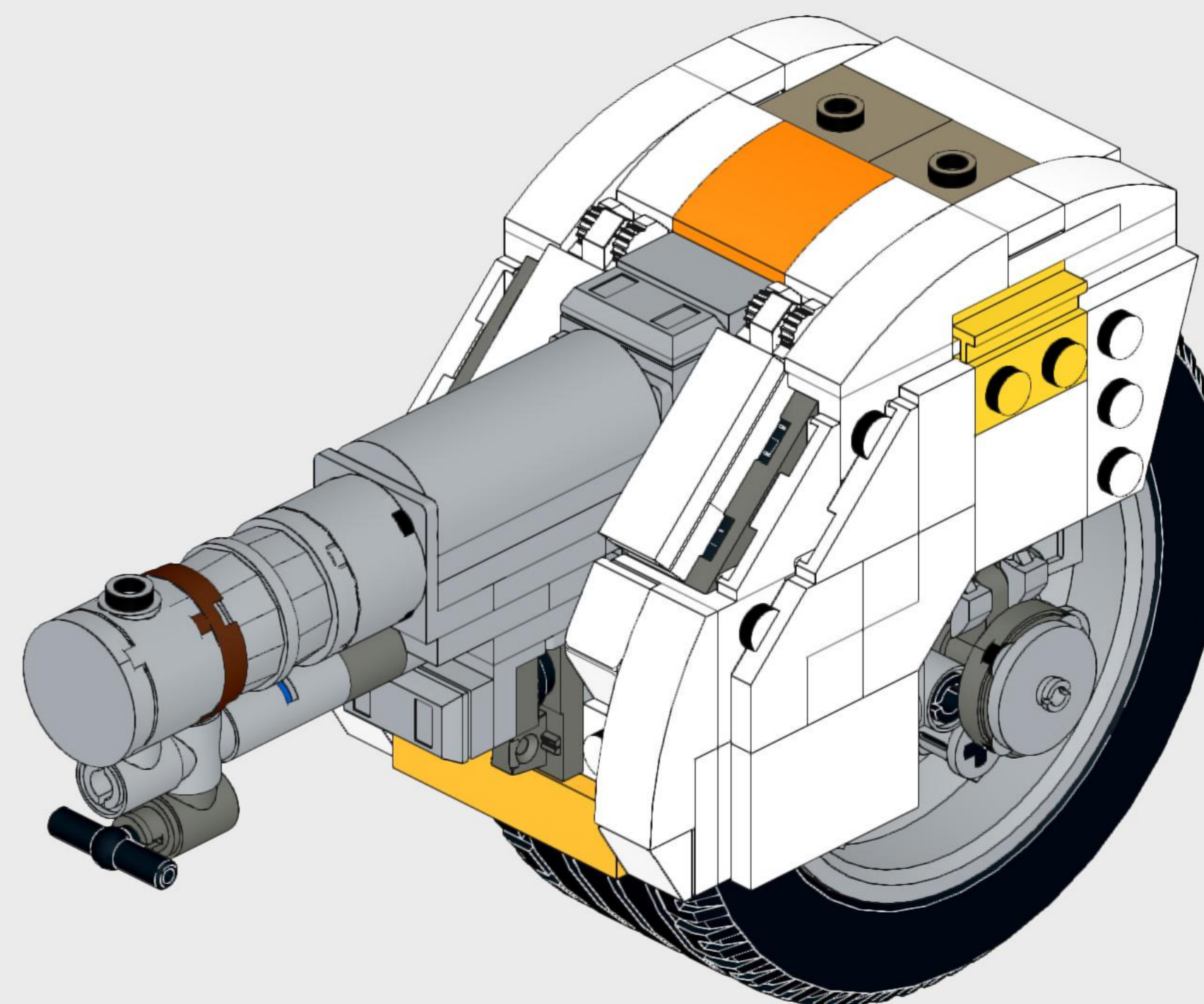


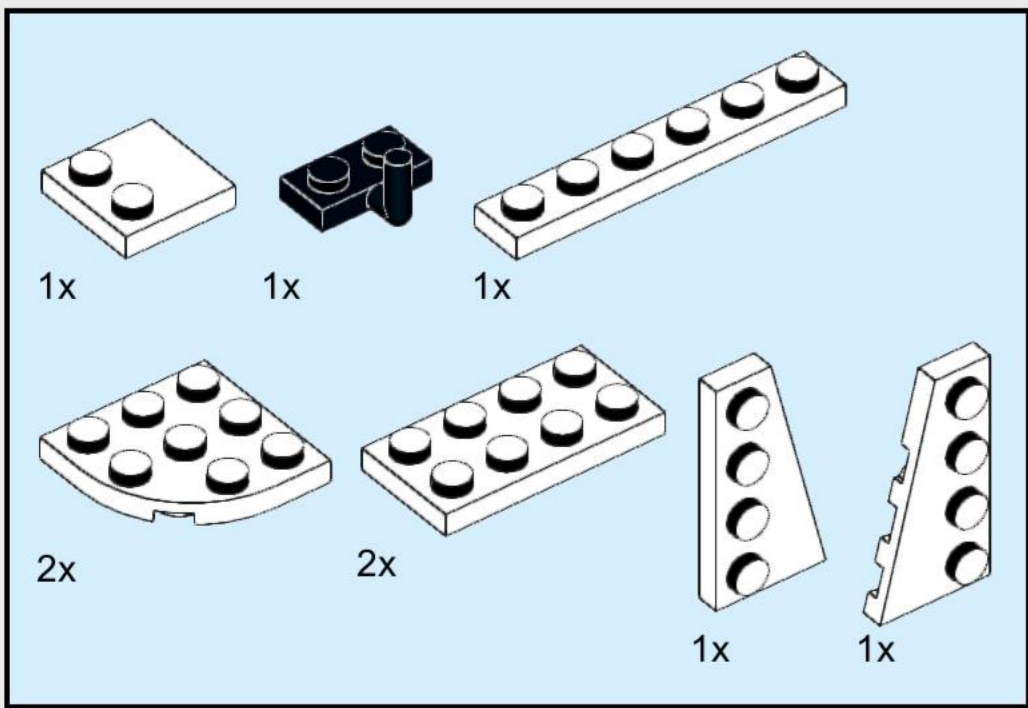
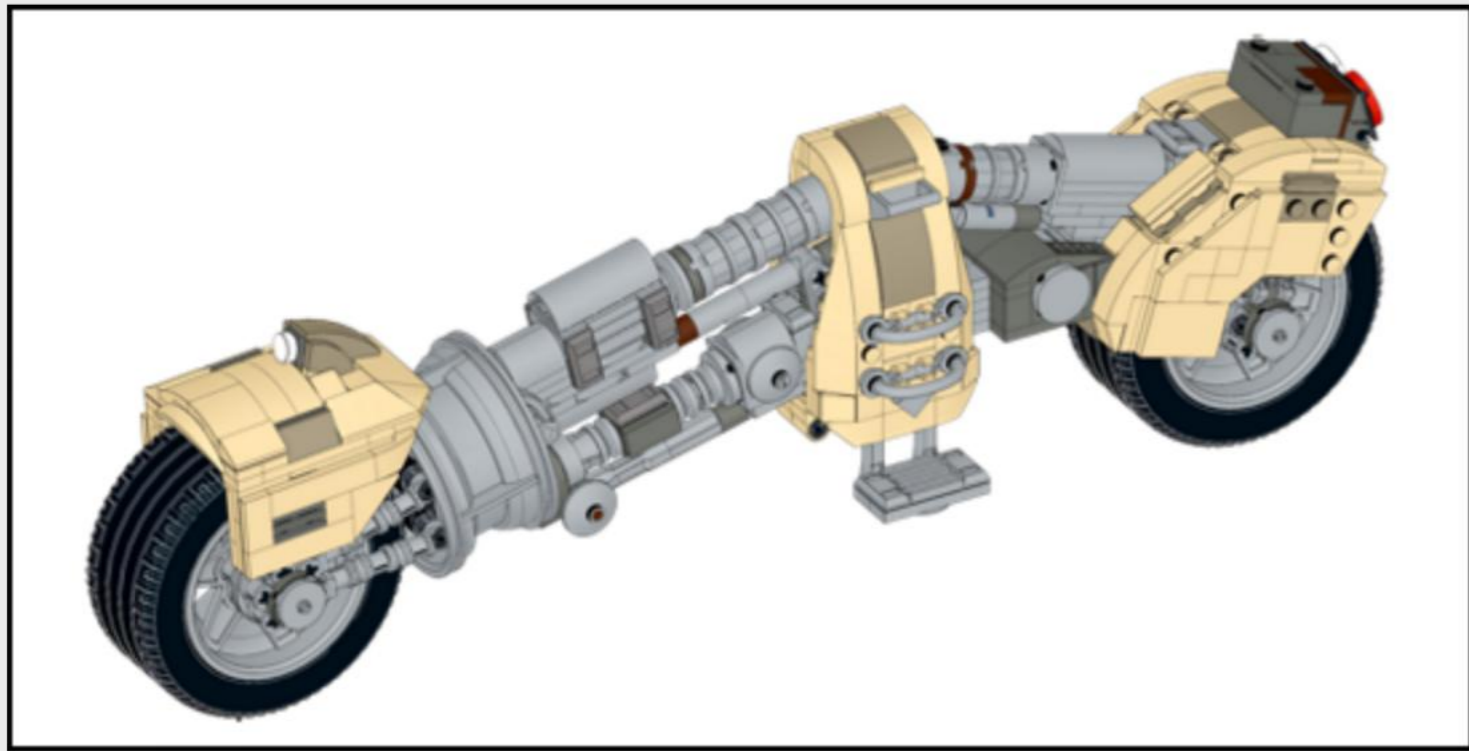


27

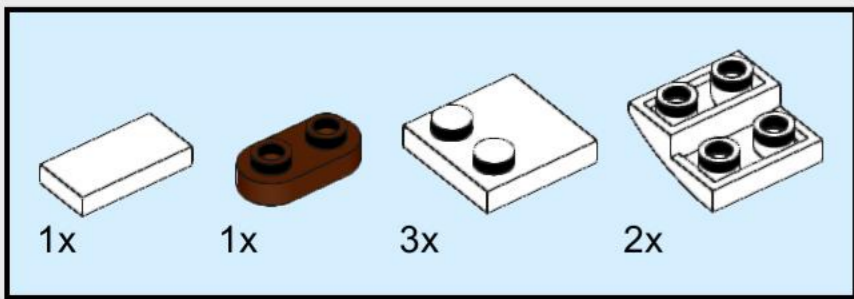


28

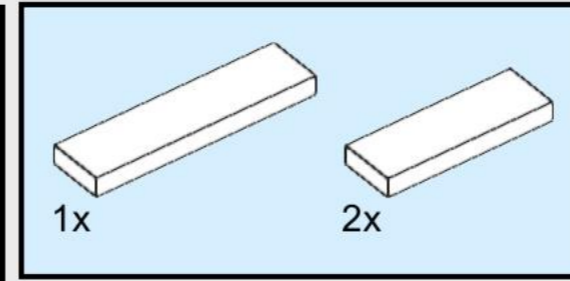
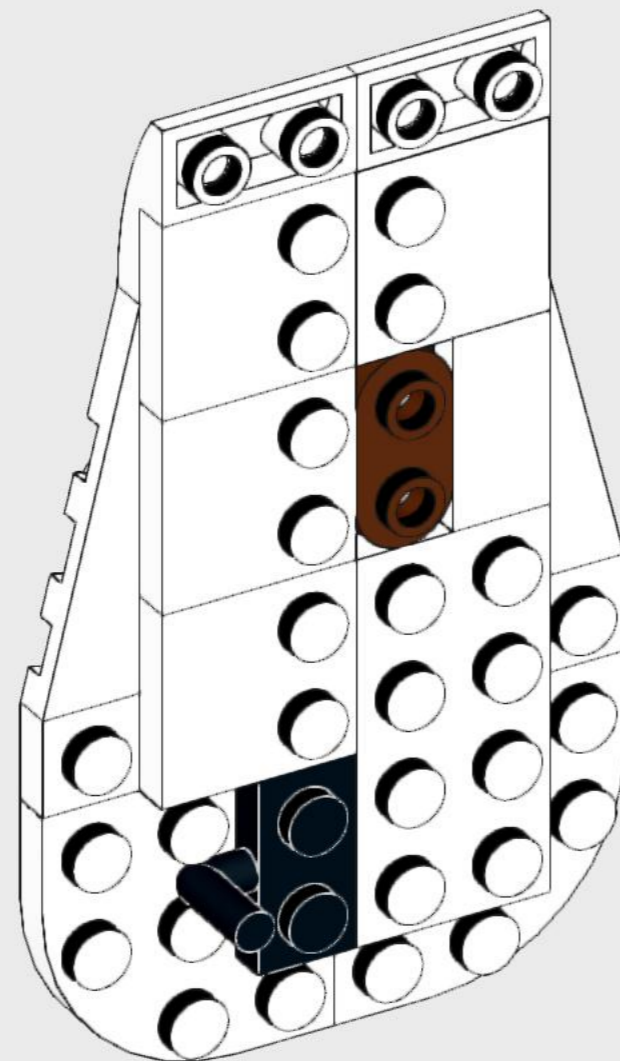
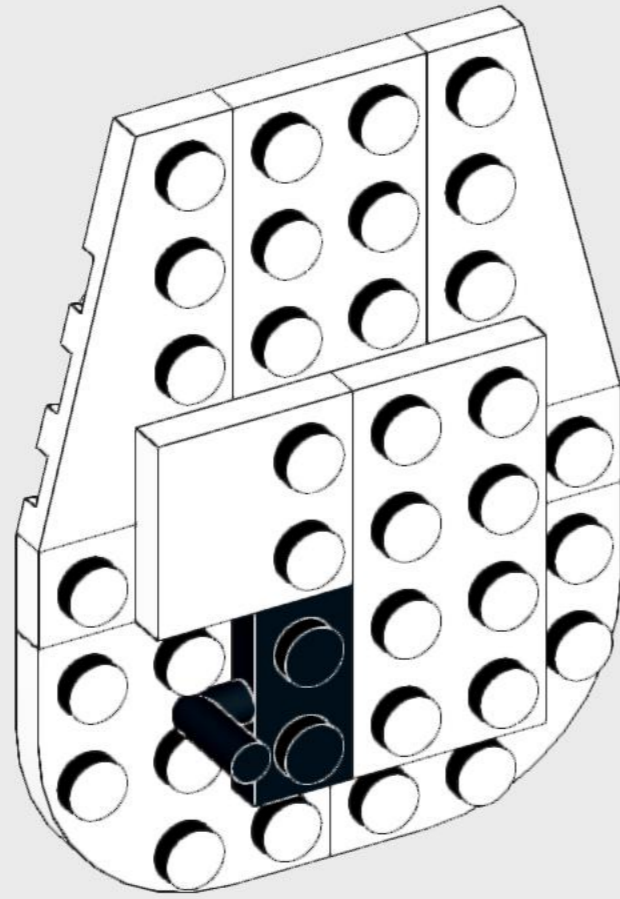




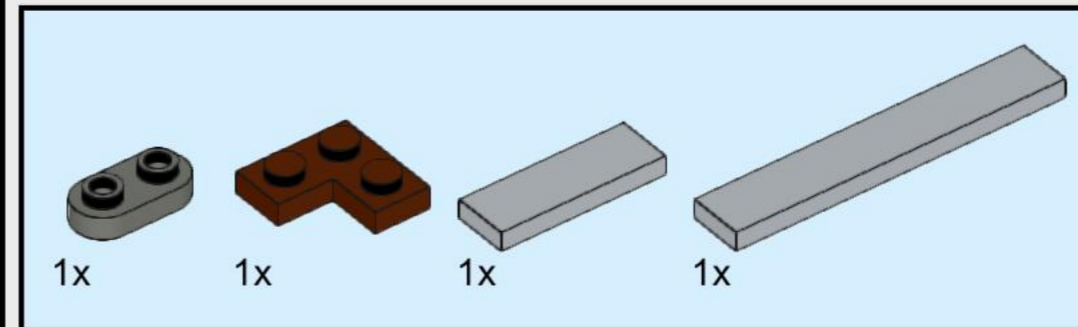
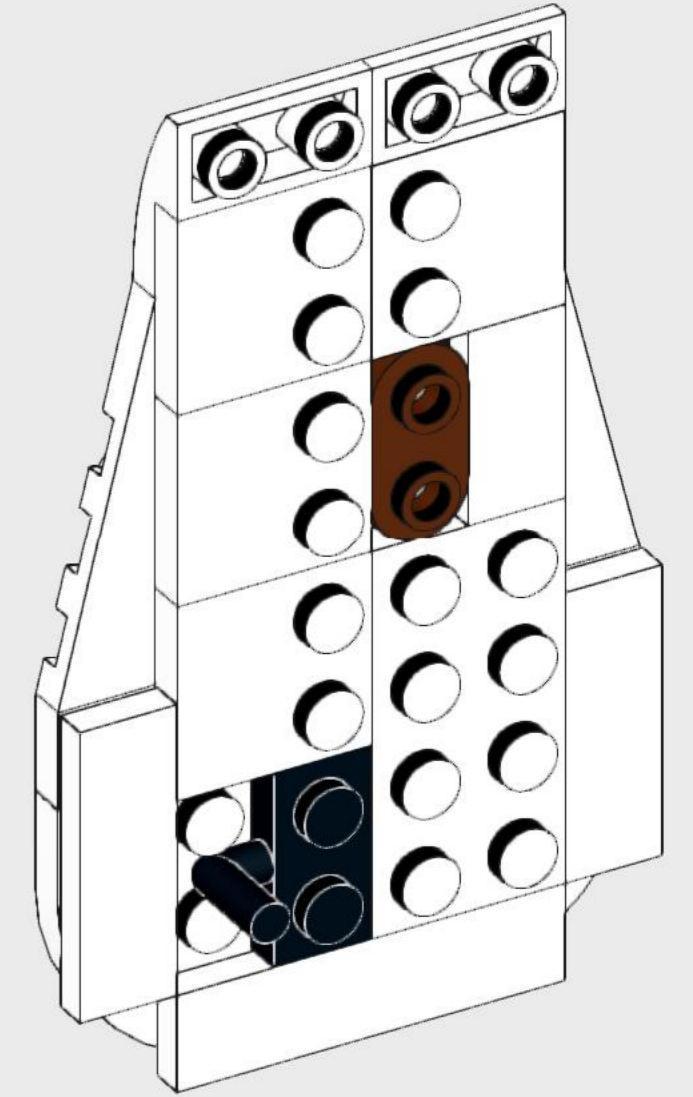
1



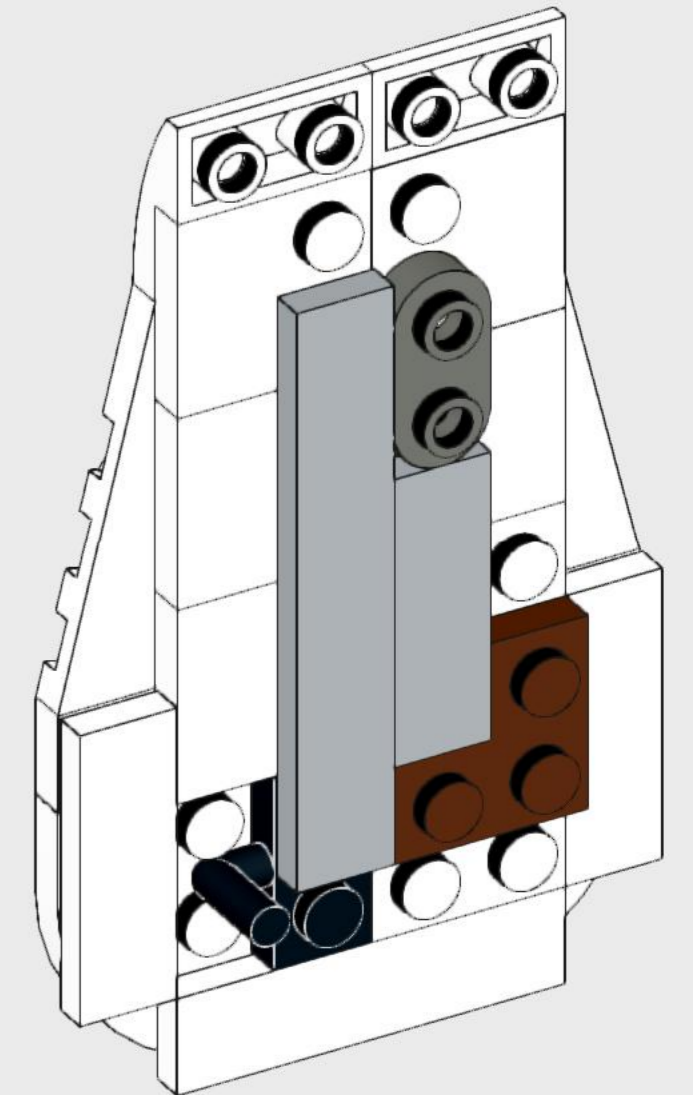
2

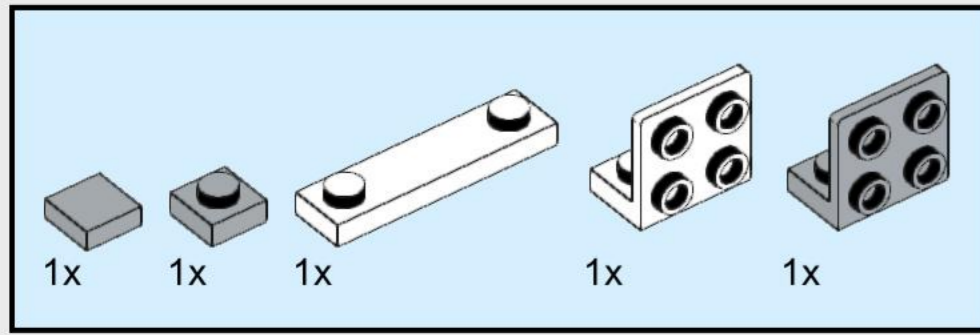


3

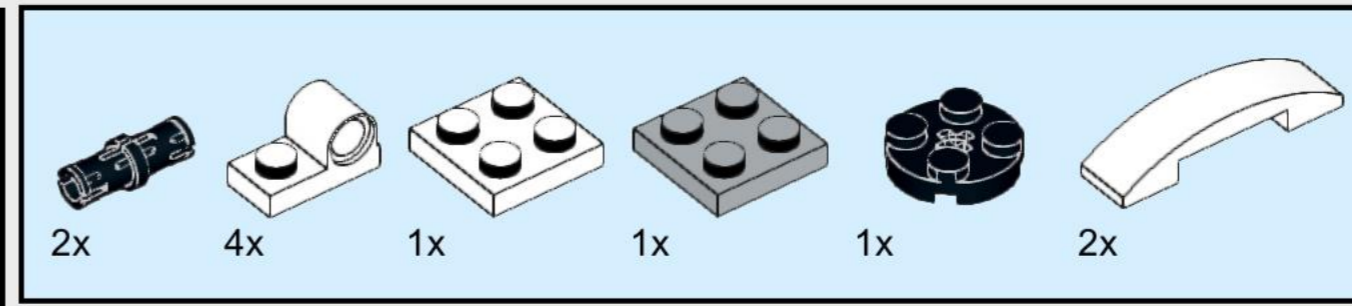
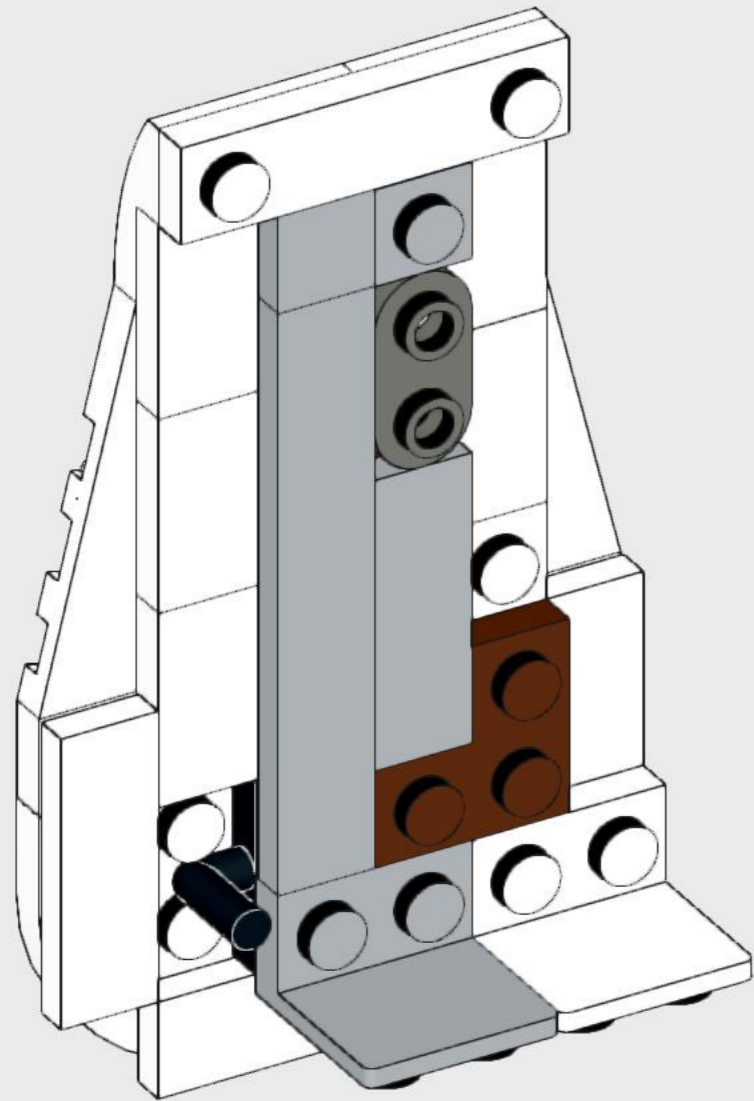


4

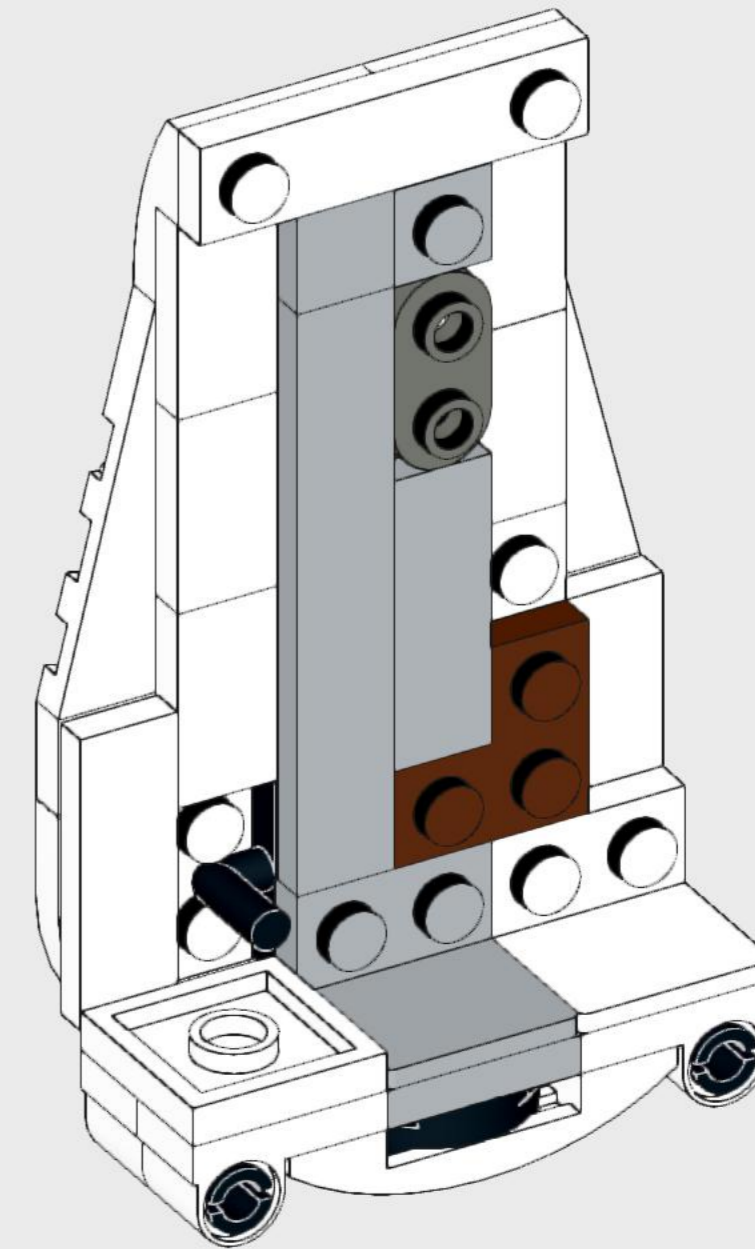
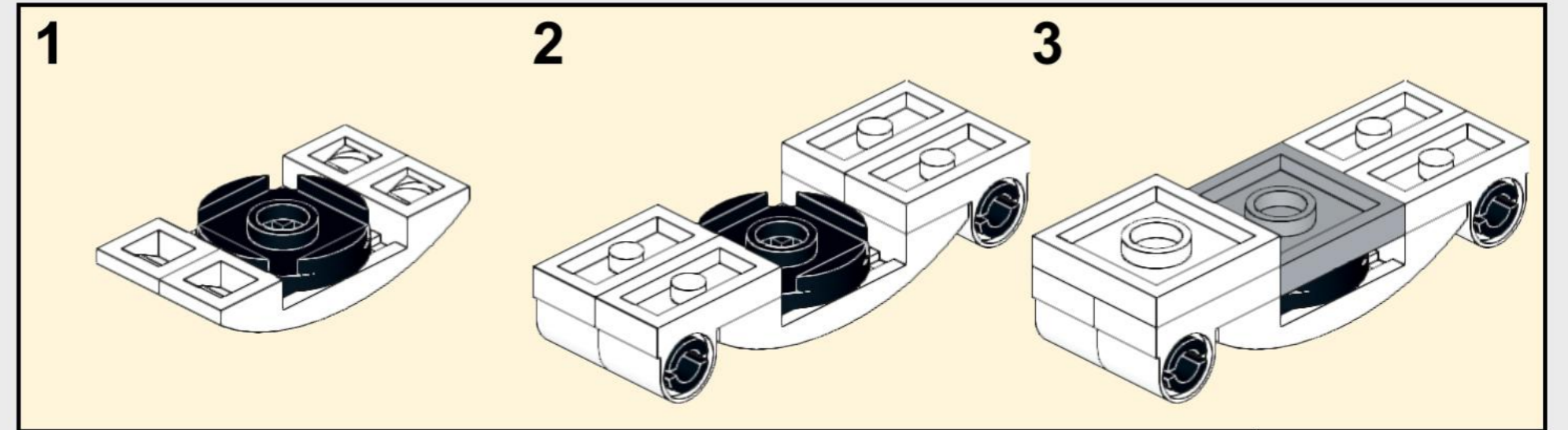


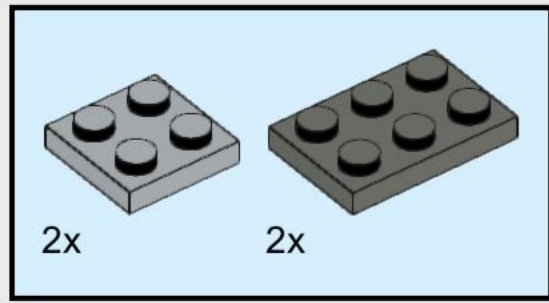


5

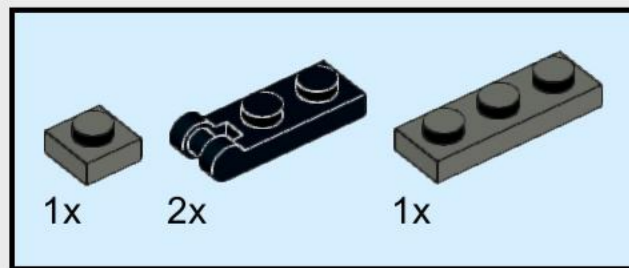
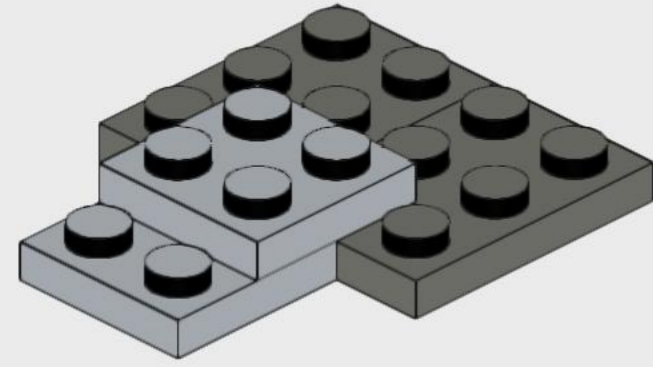


6

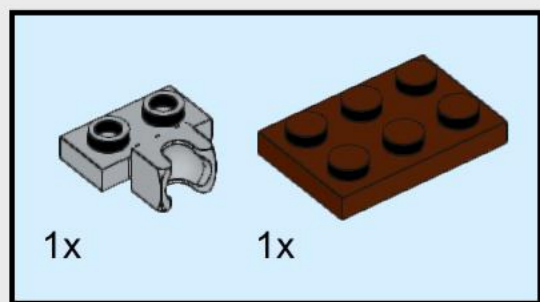
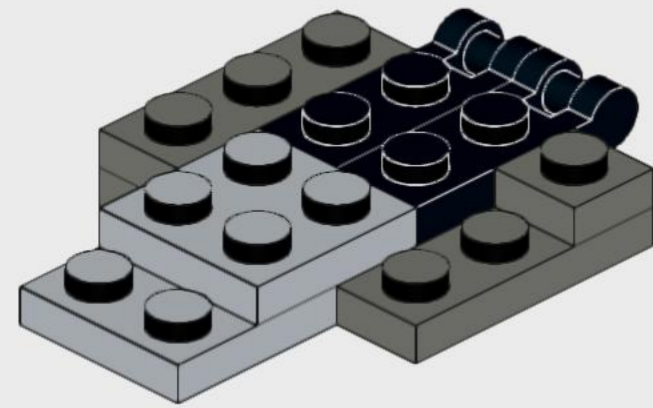




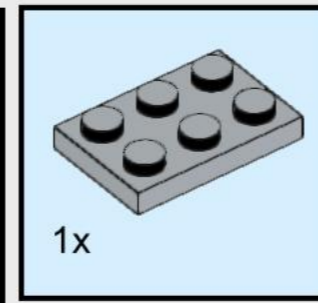
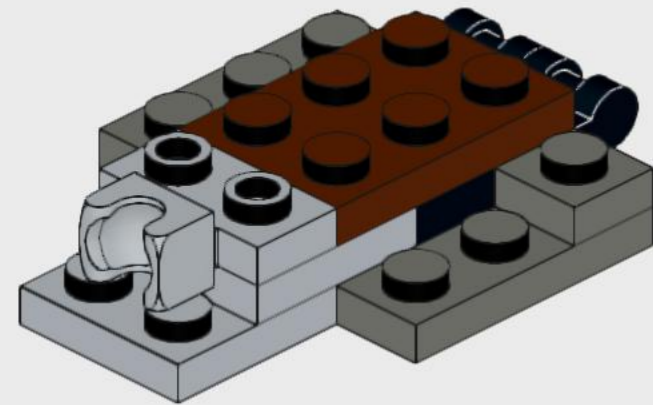
7



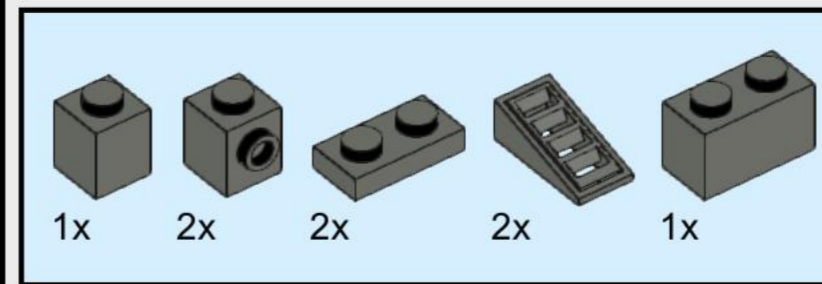
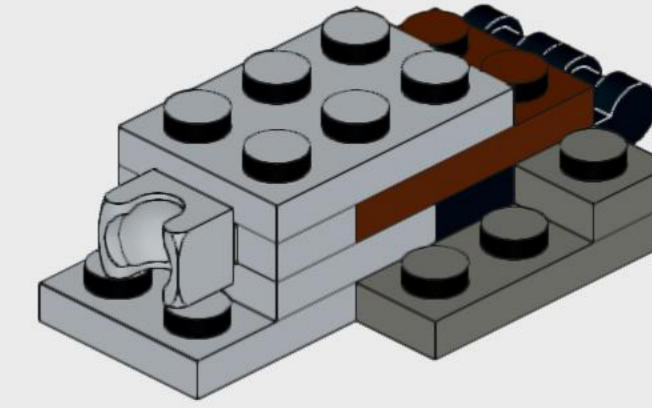
8



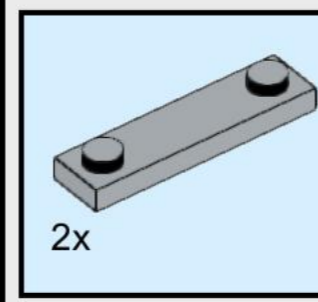
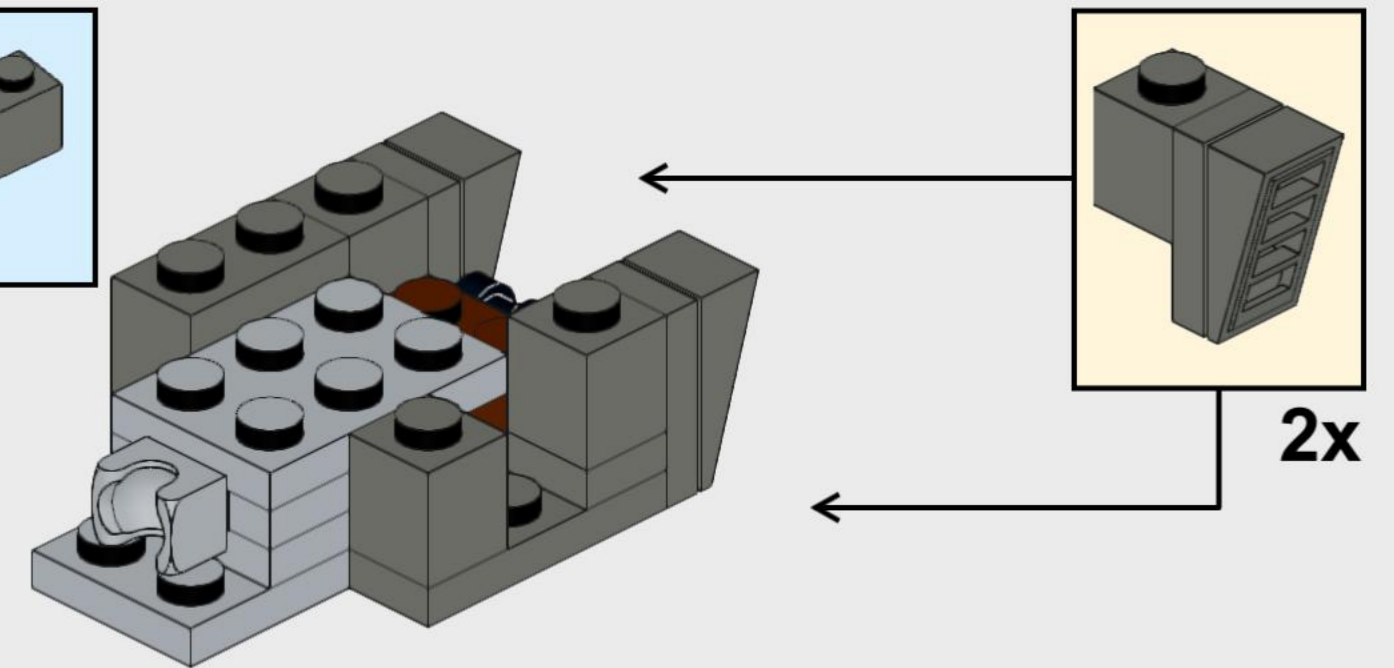
9



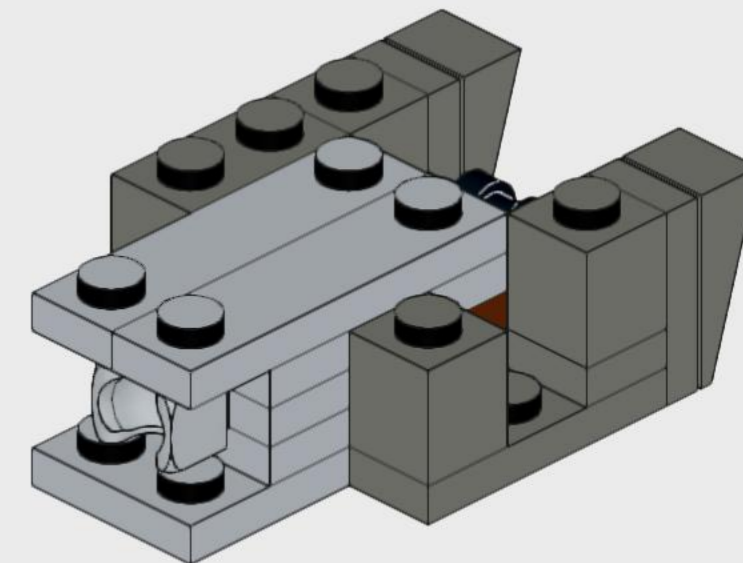
10

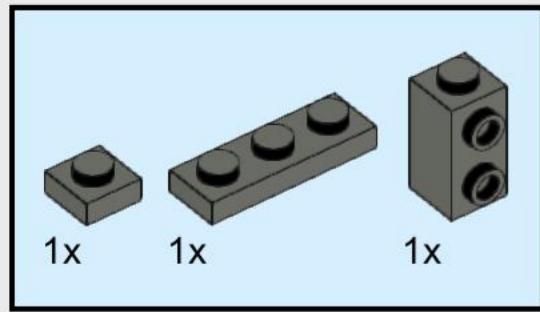


11

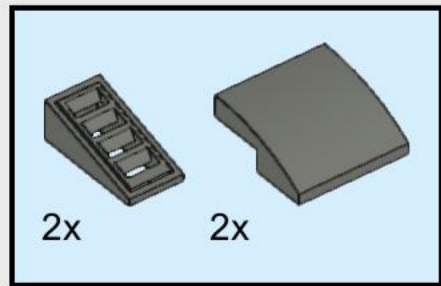
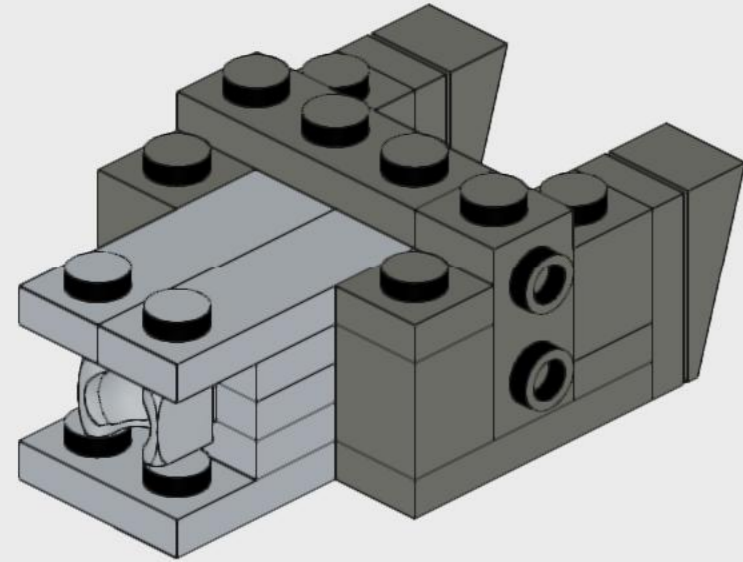


12

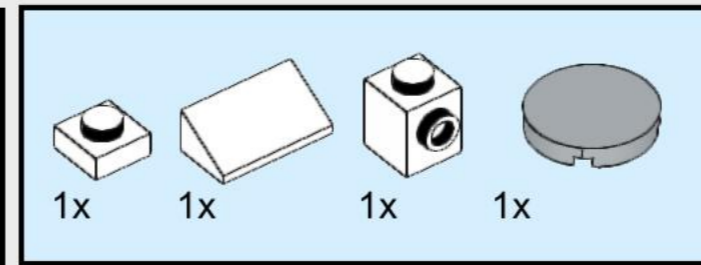
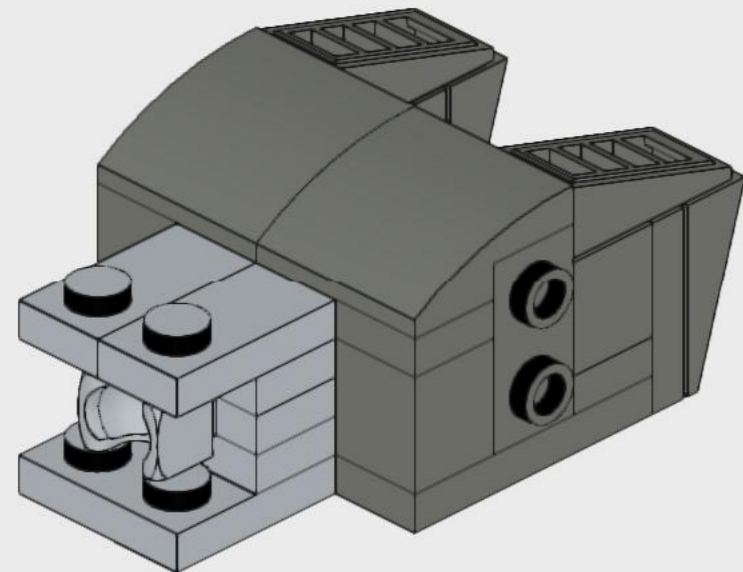




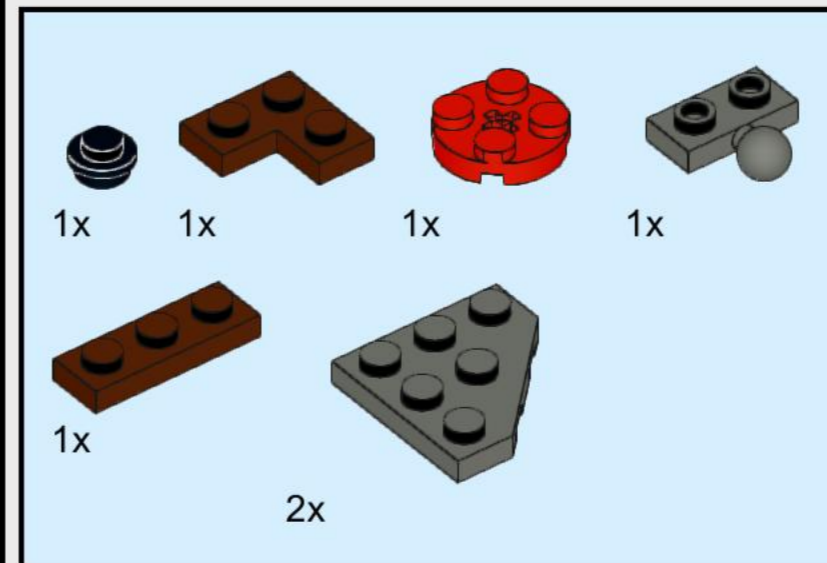
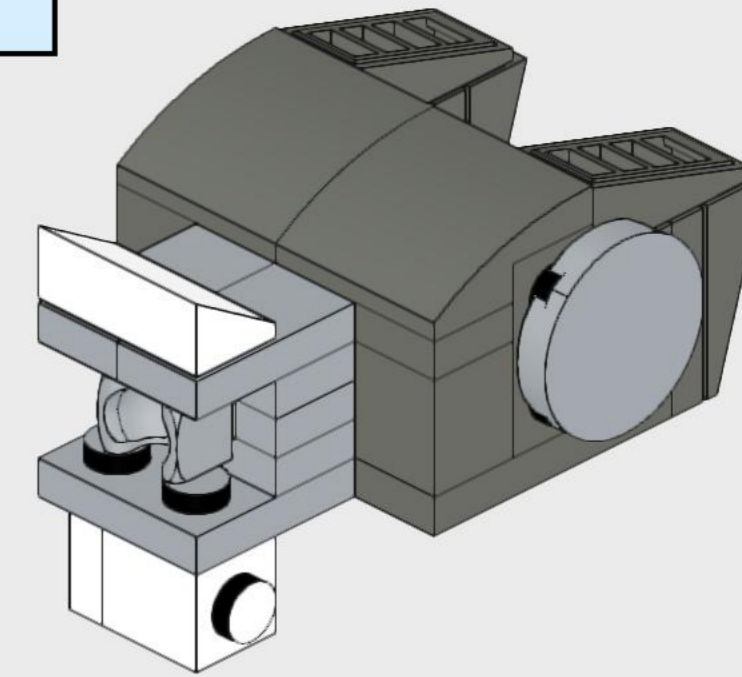
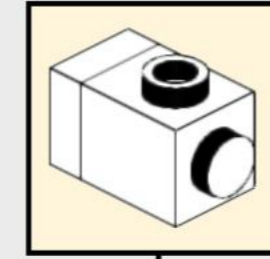
13



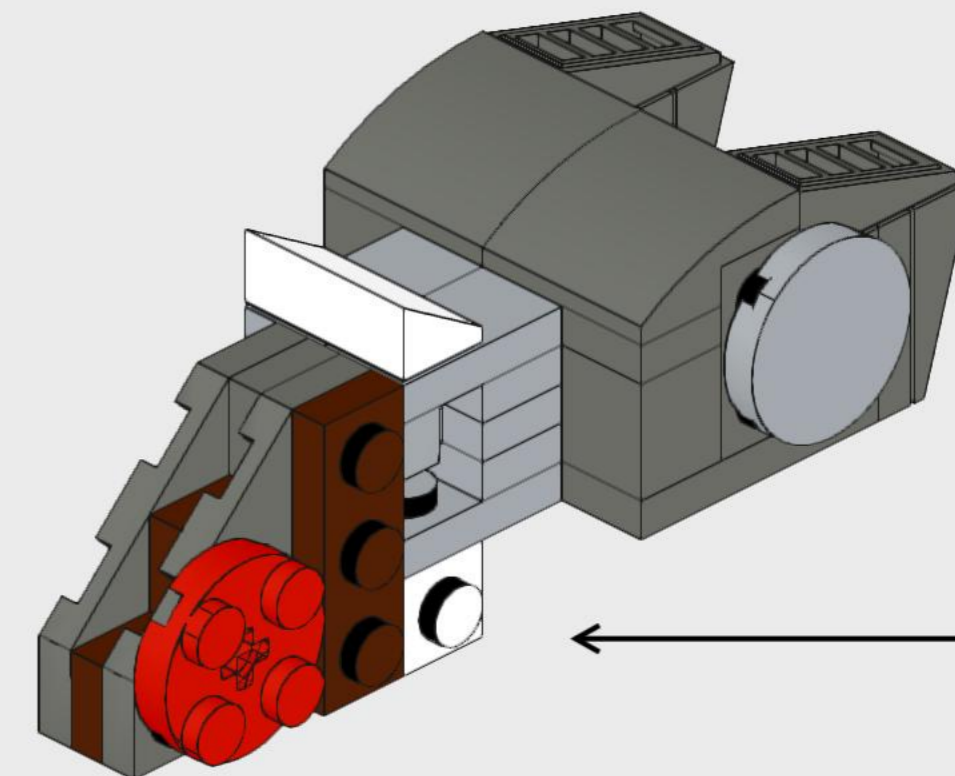
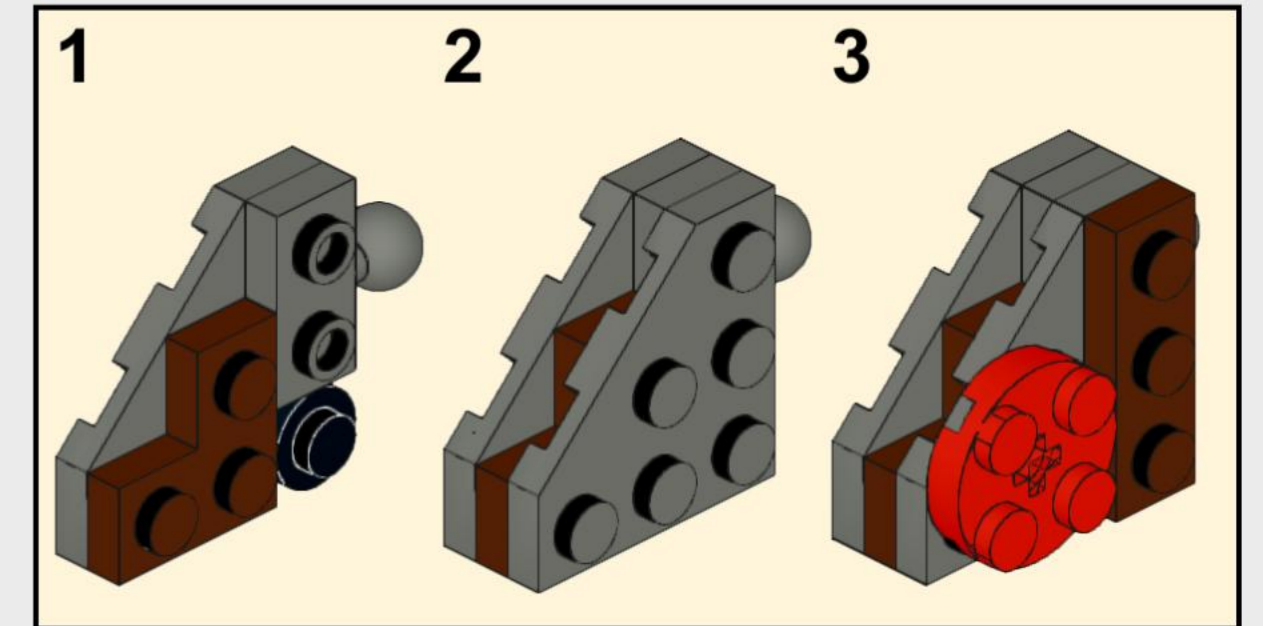
14



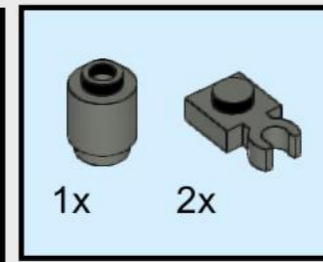
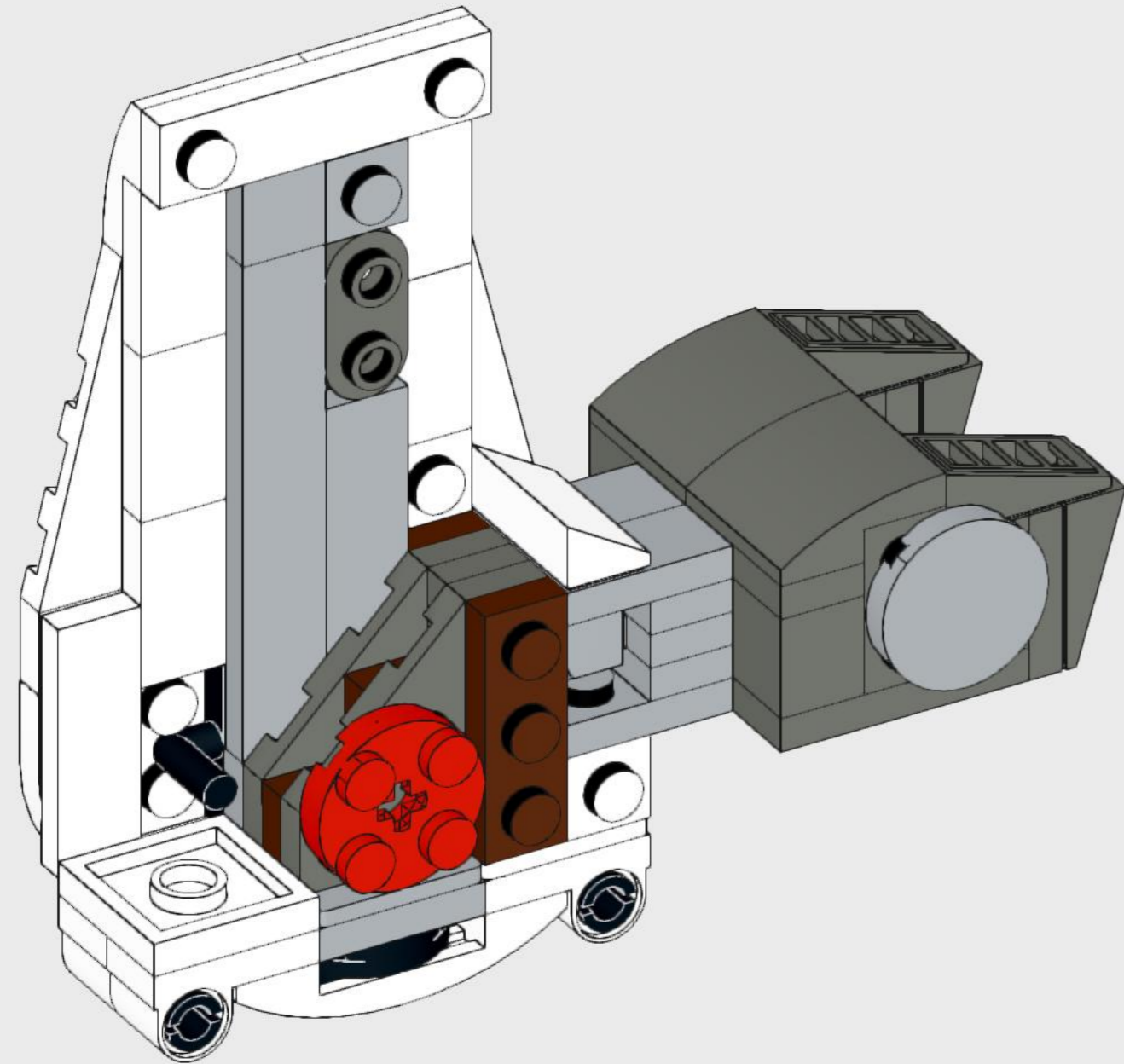
15



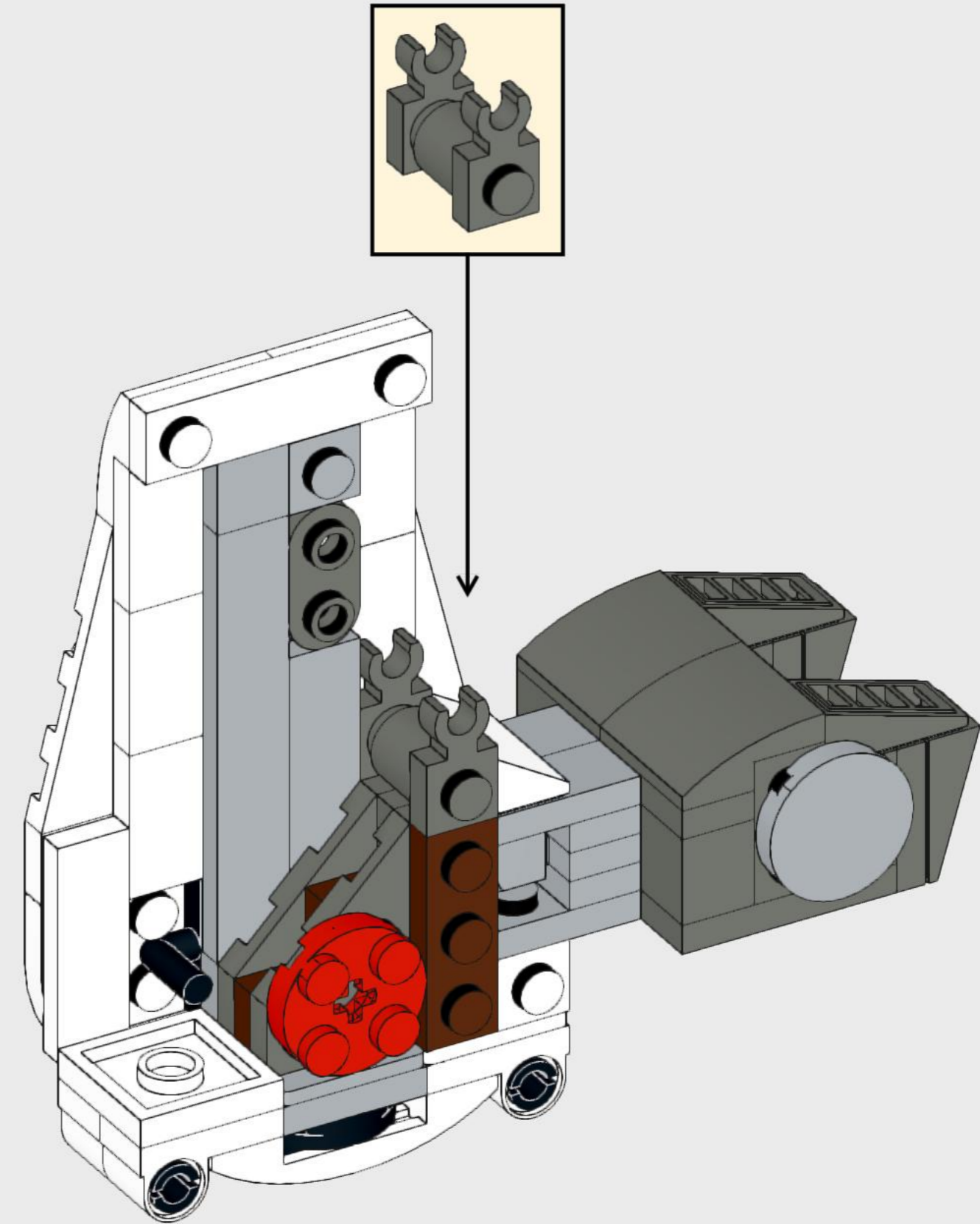
16



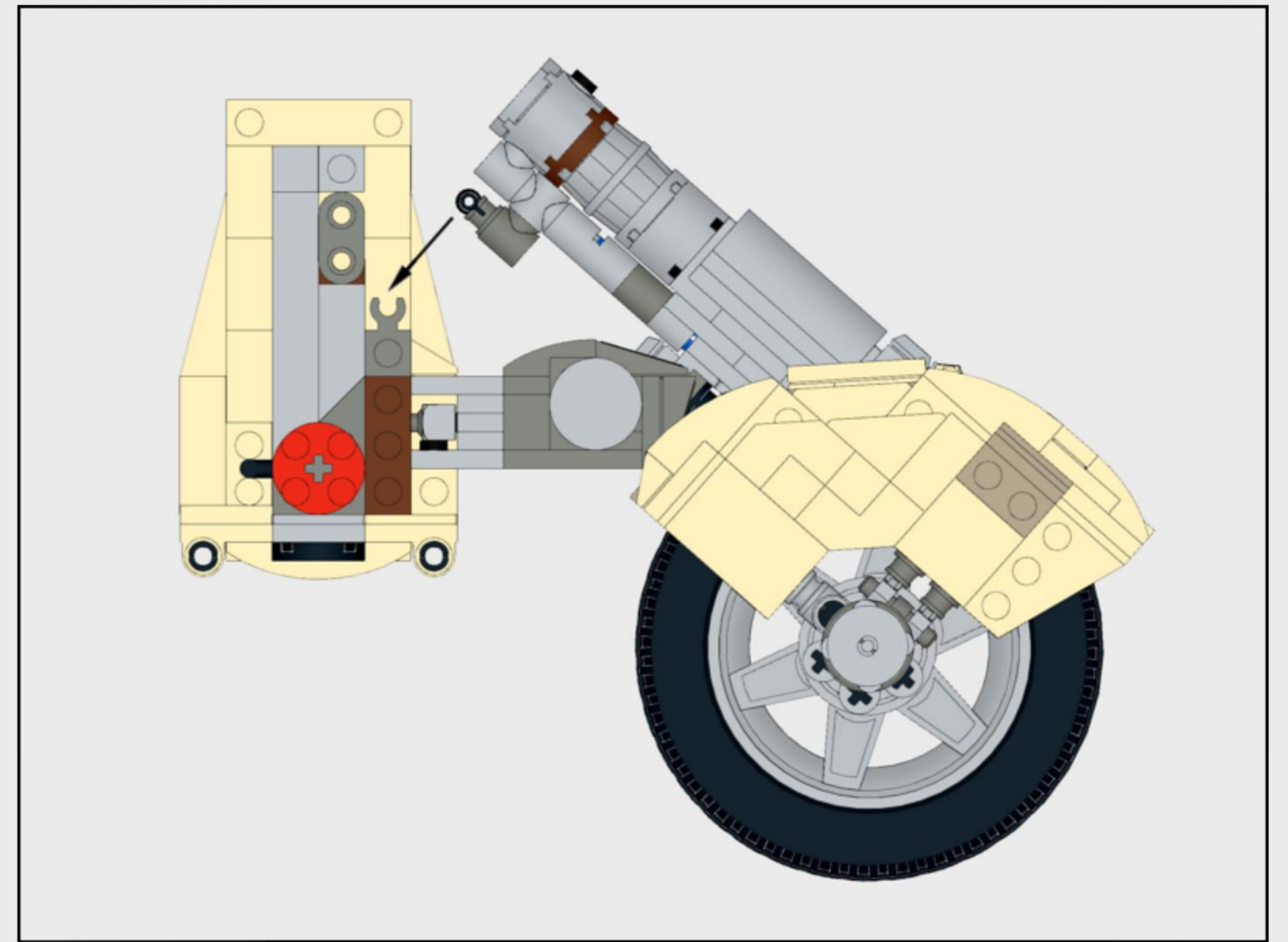
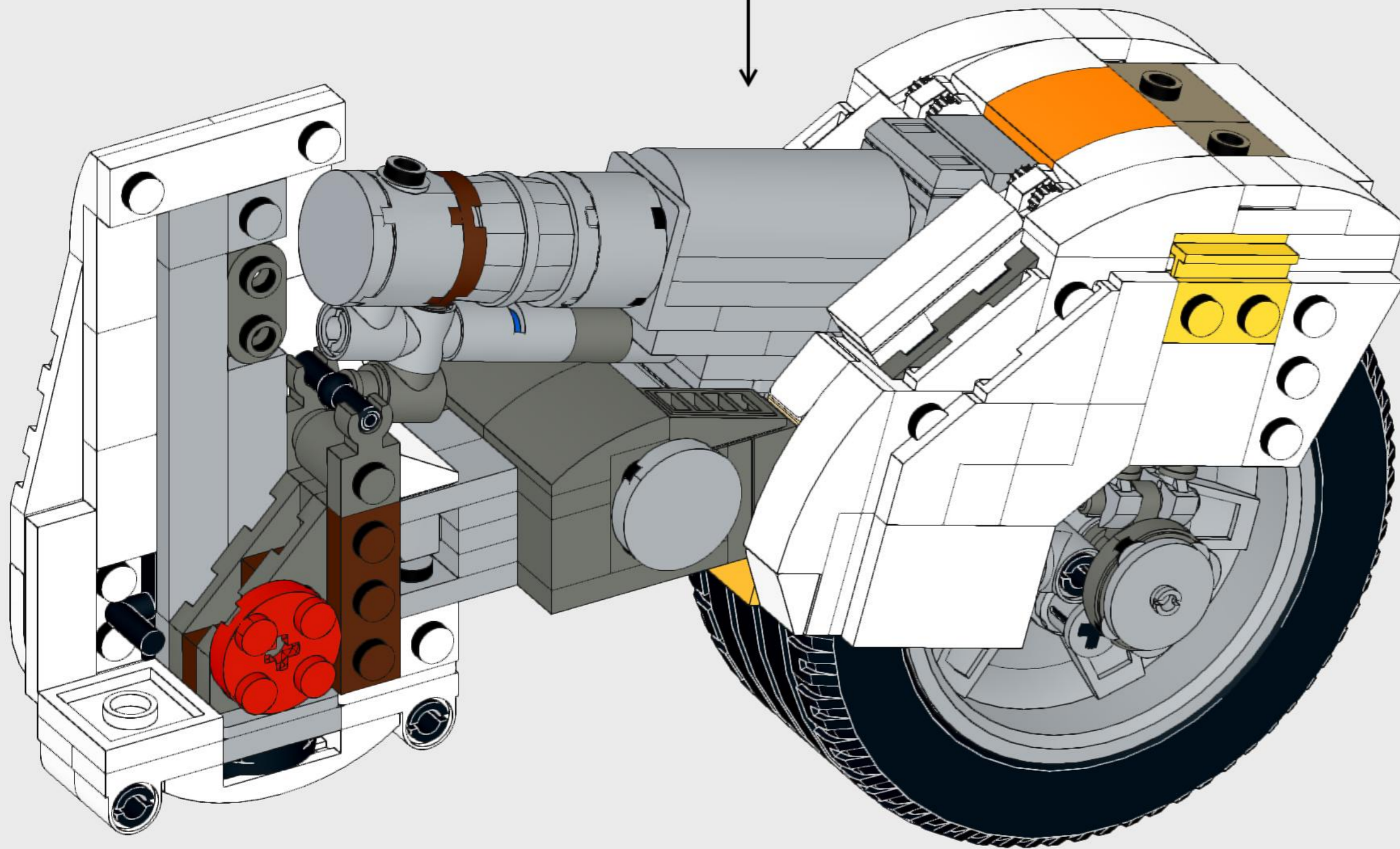
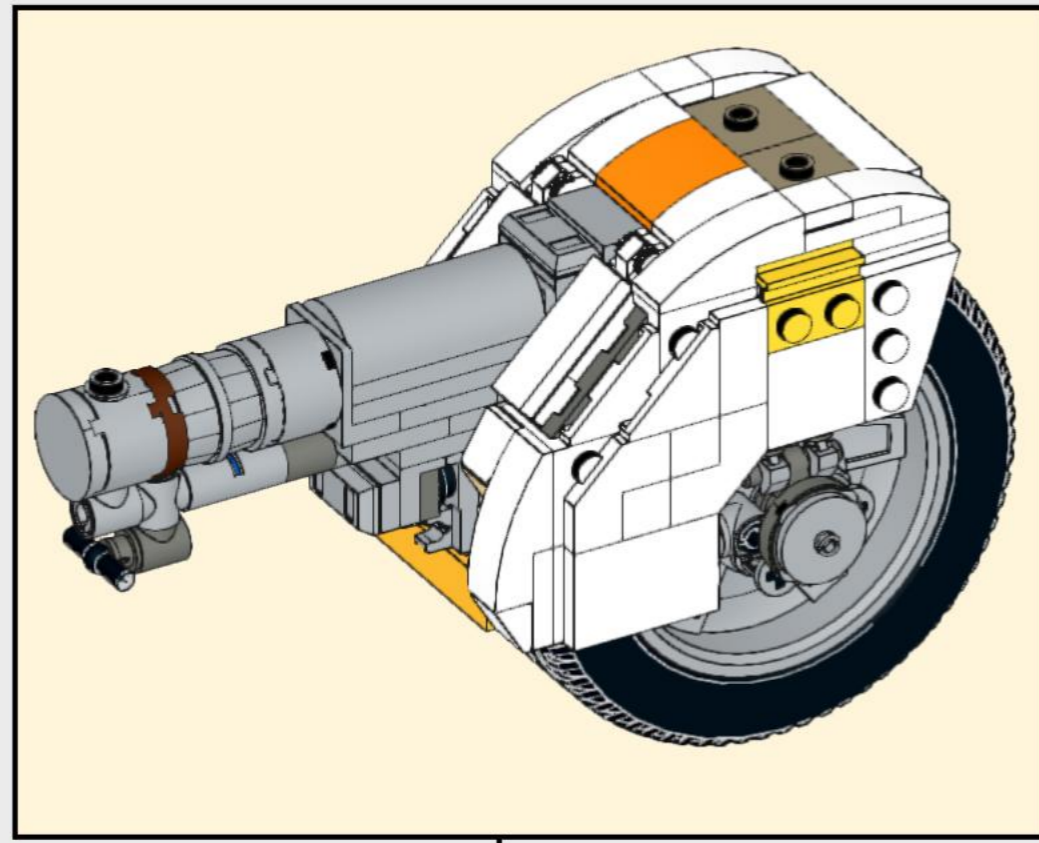
17



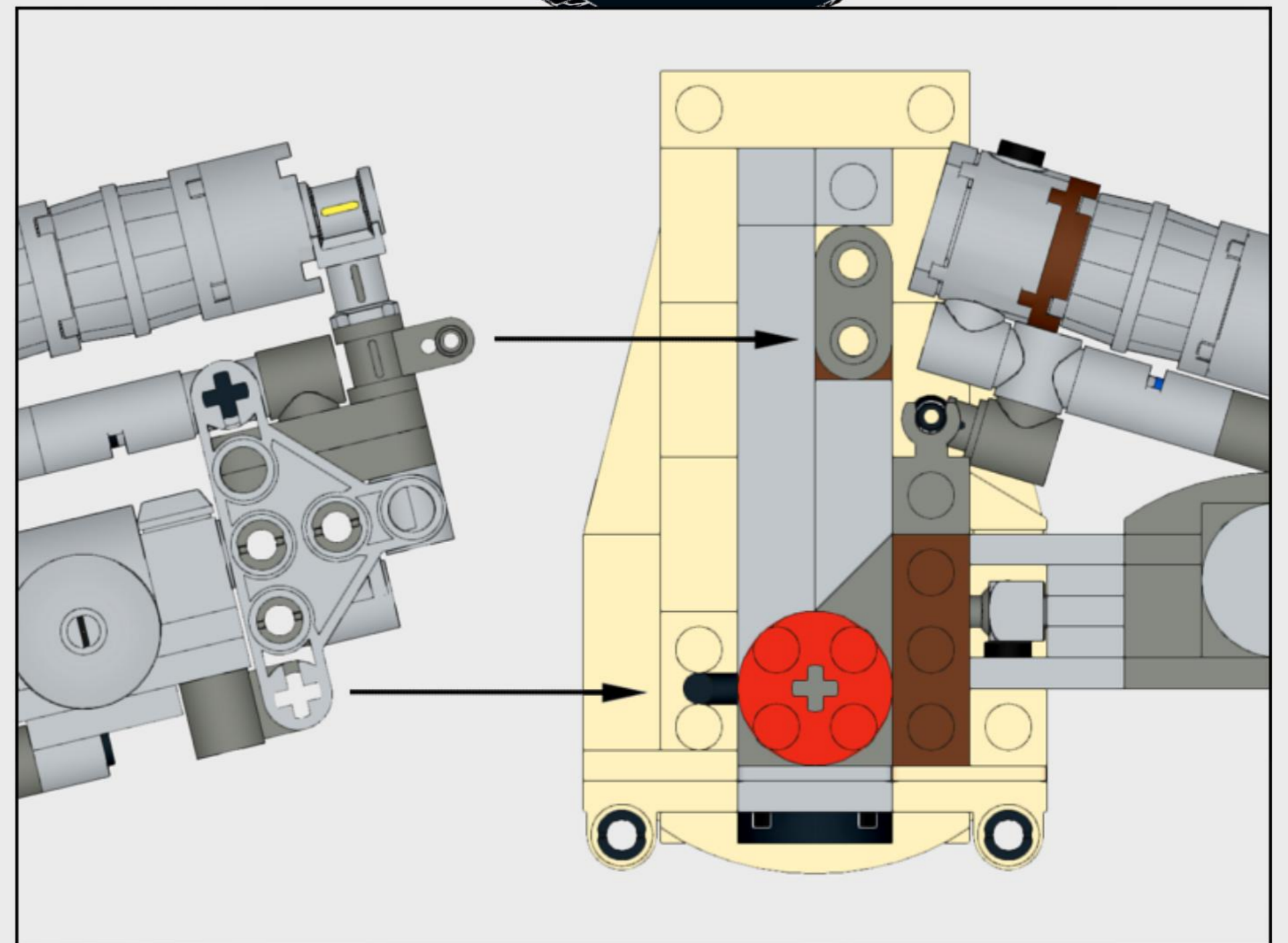
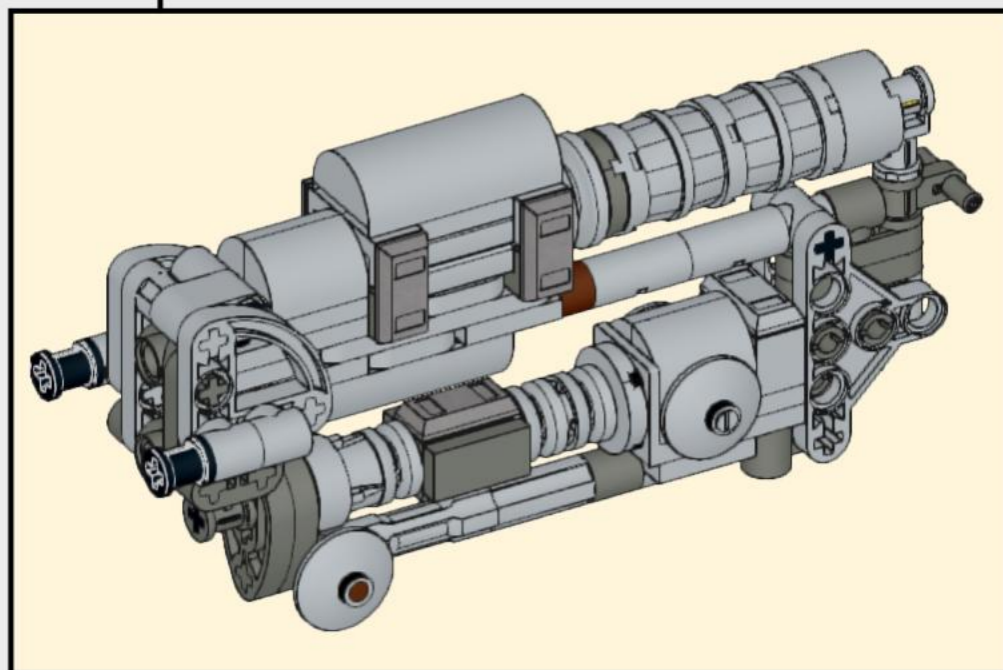
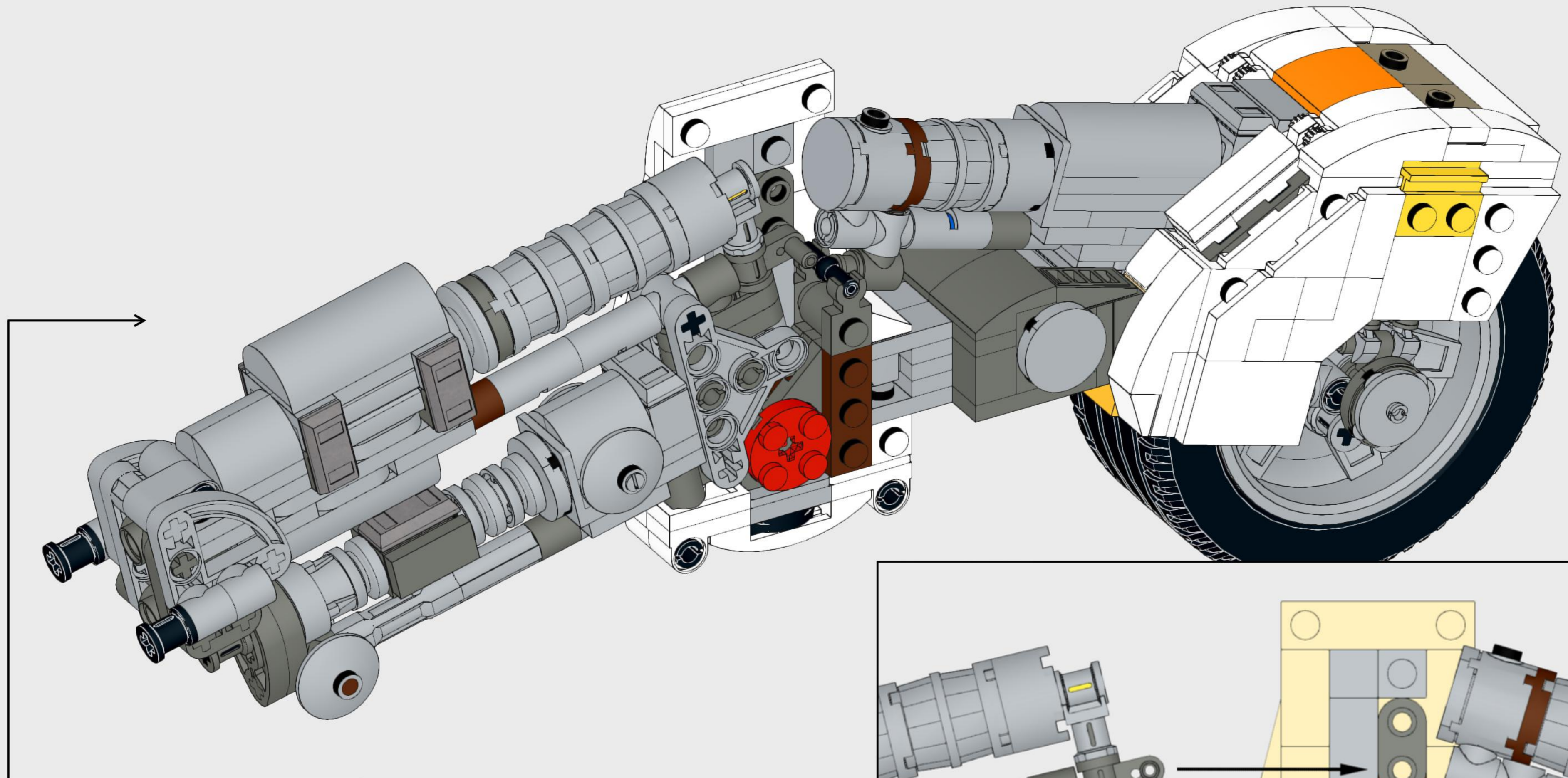
18



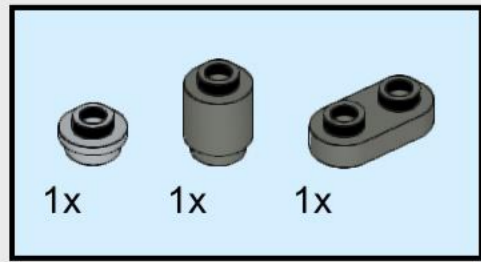
19



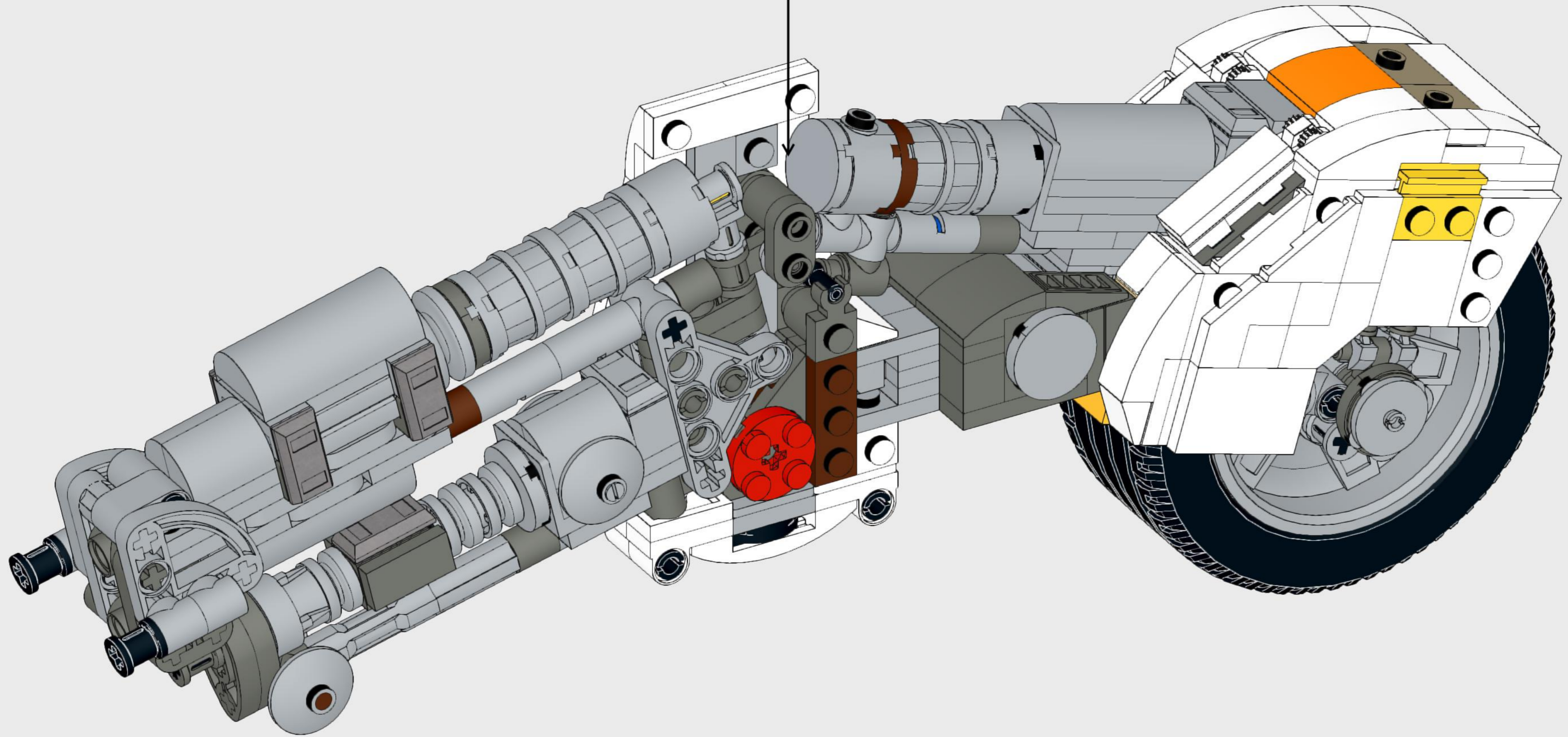
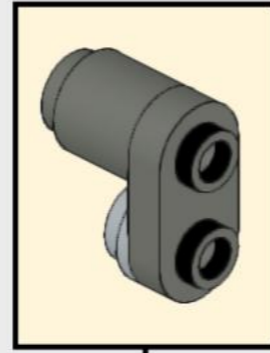
Attach rear wheel by first snapping bar and clips together at base of wheel. Then rotate the top down to clip the black bar into place.

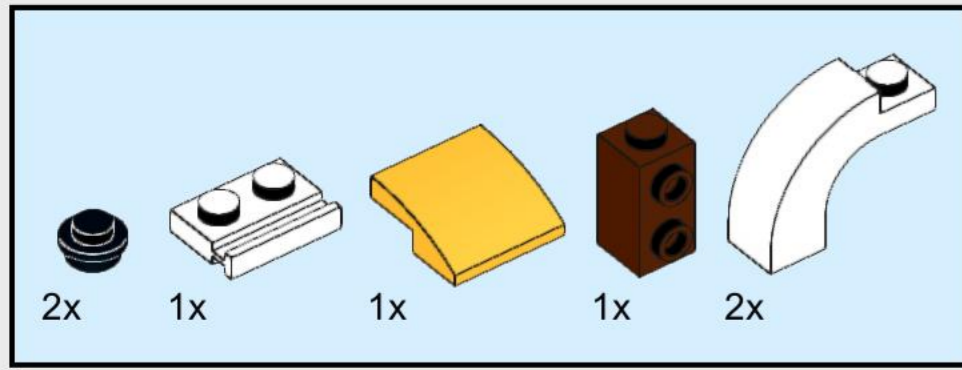


Slide bars into corresponding holes as shown.

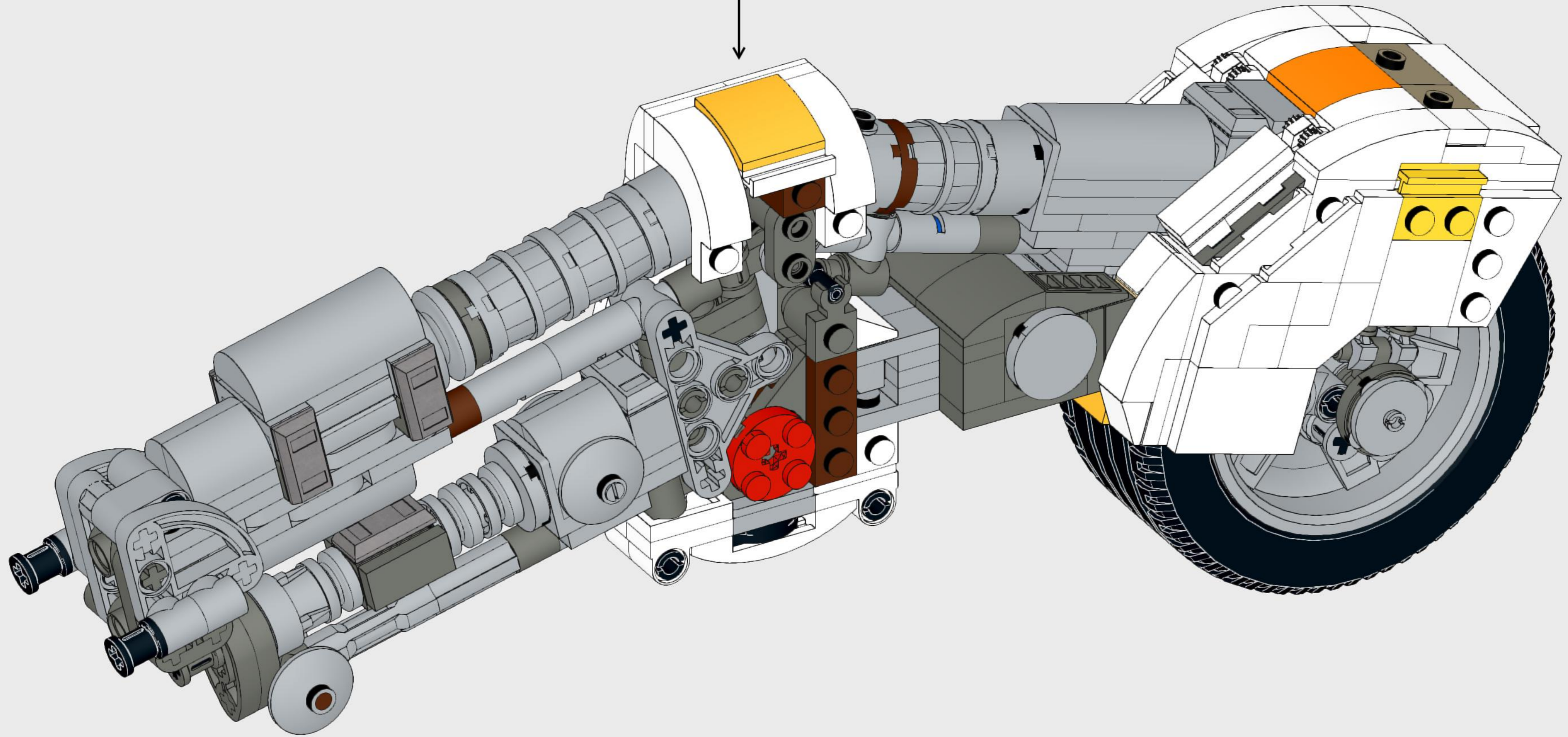
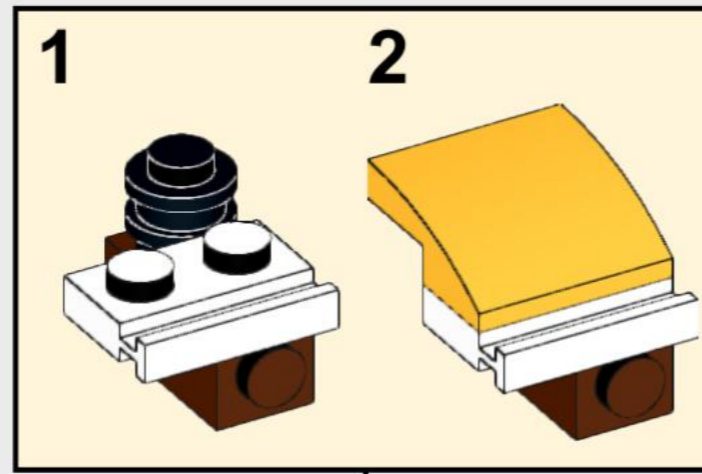


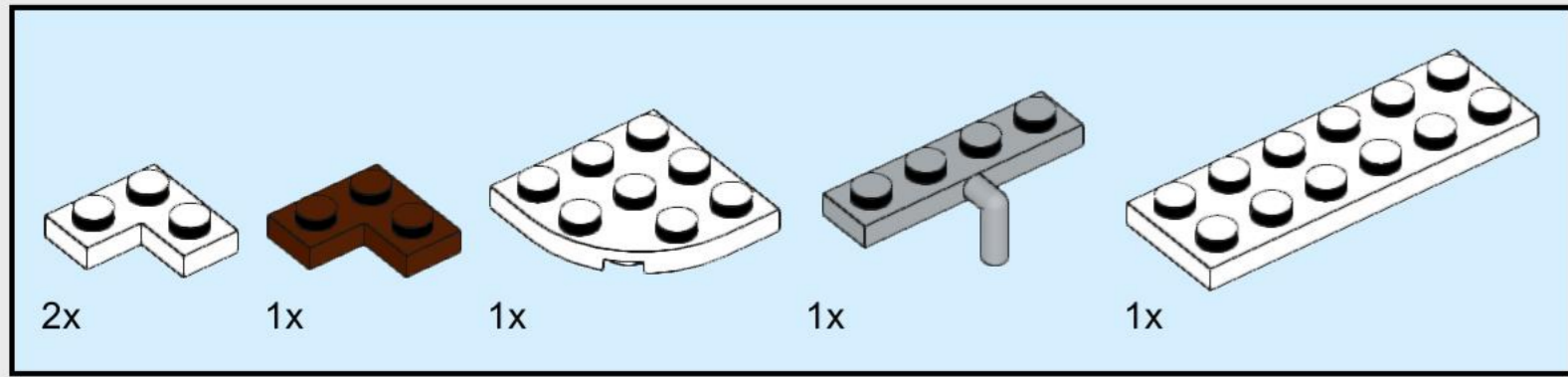
21



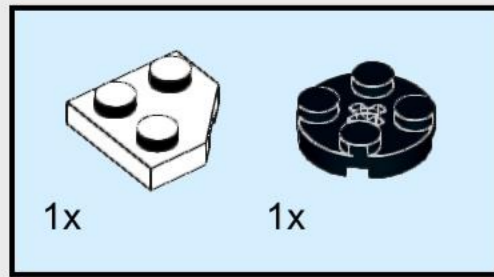
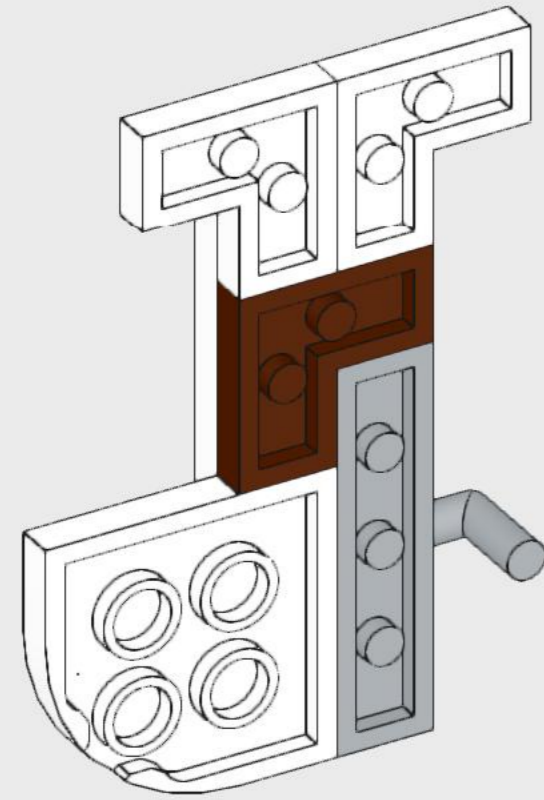


22

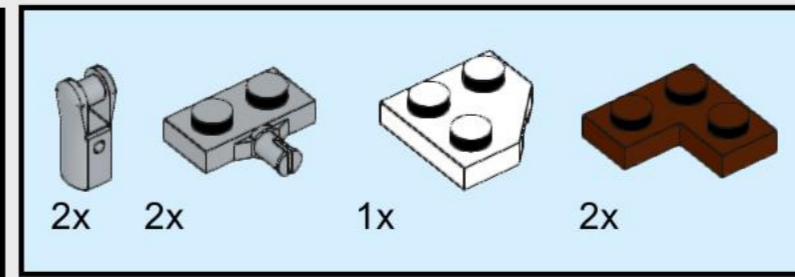
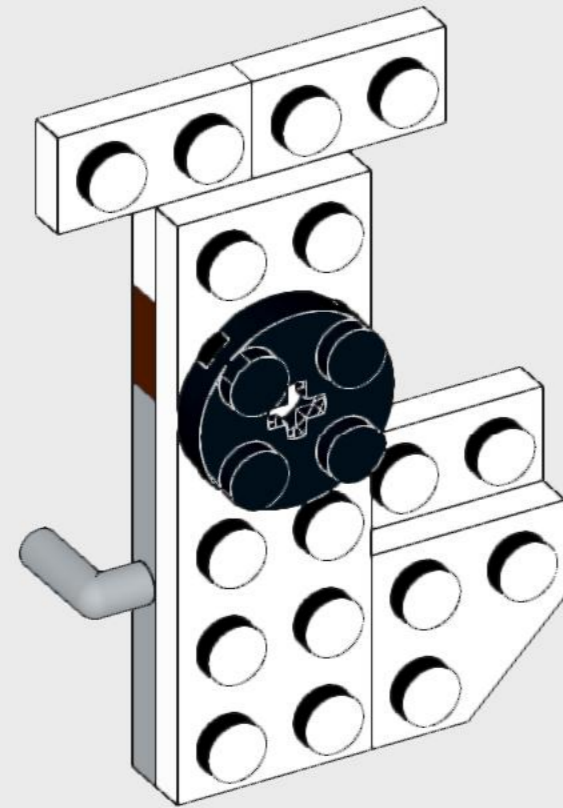




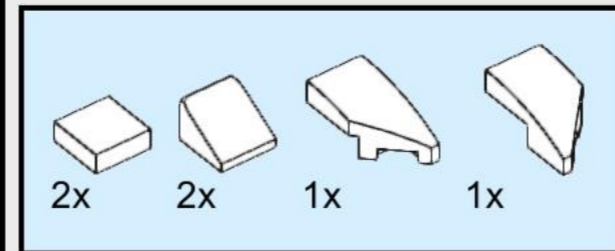
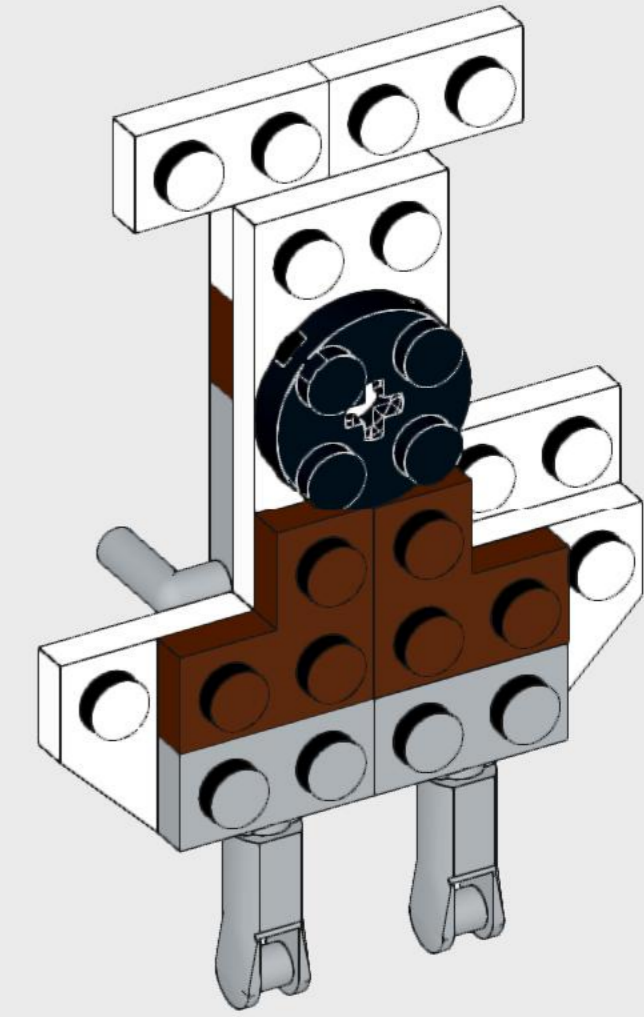
23



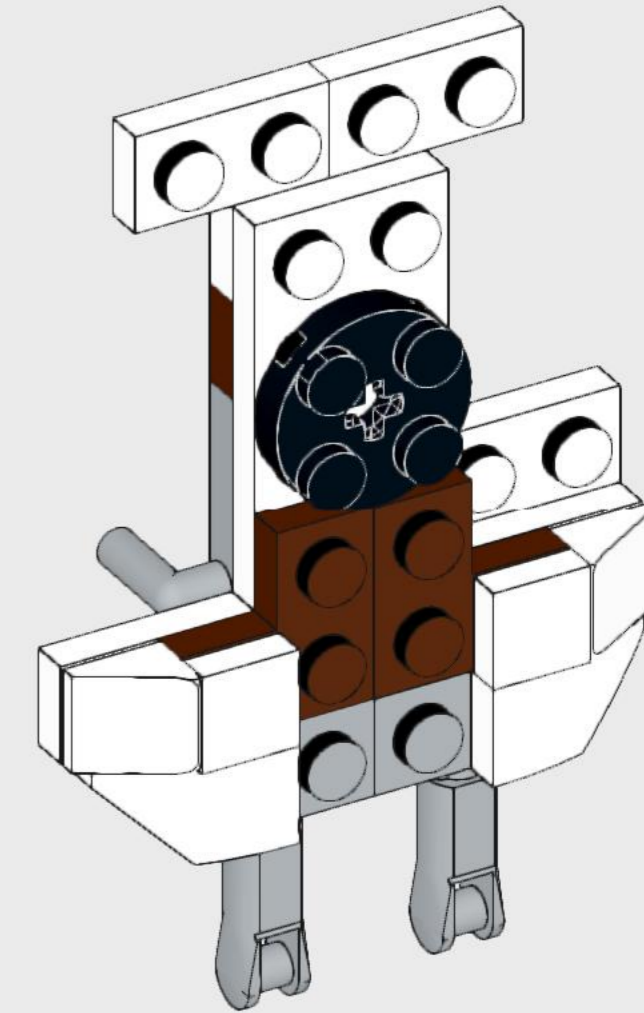
24 

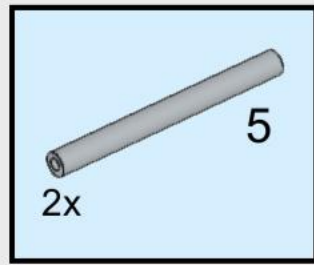


25

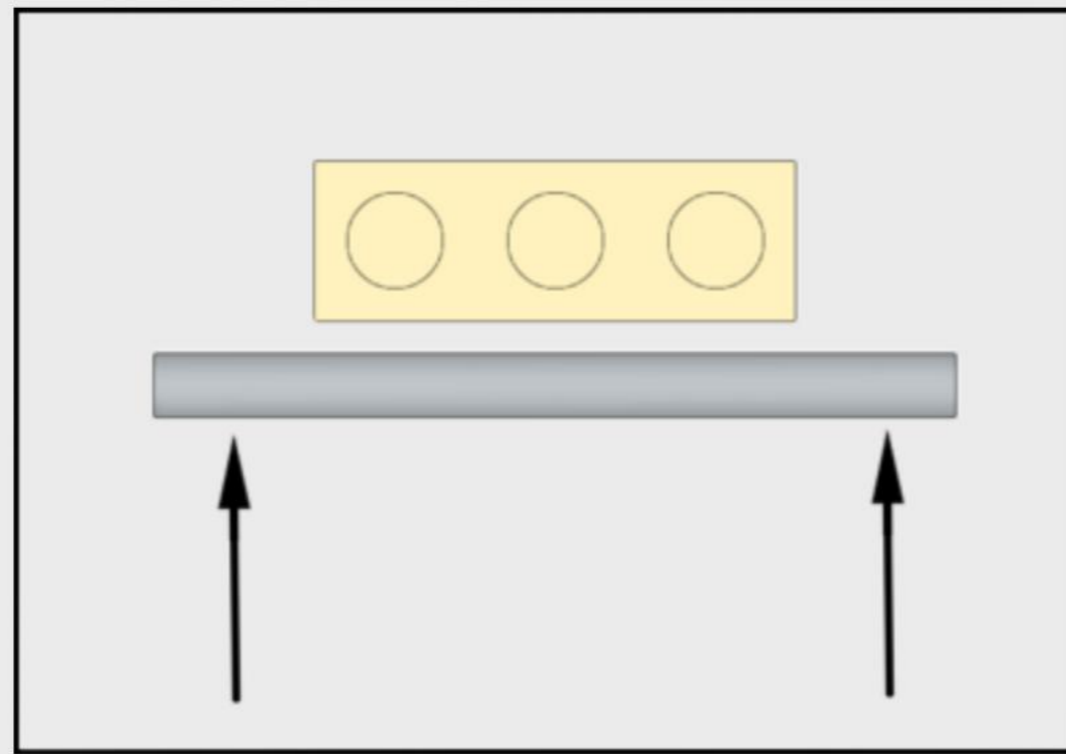


26

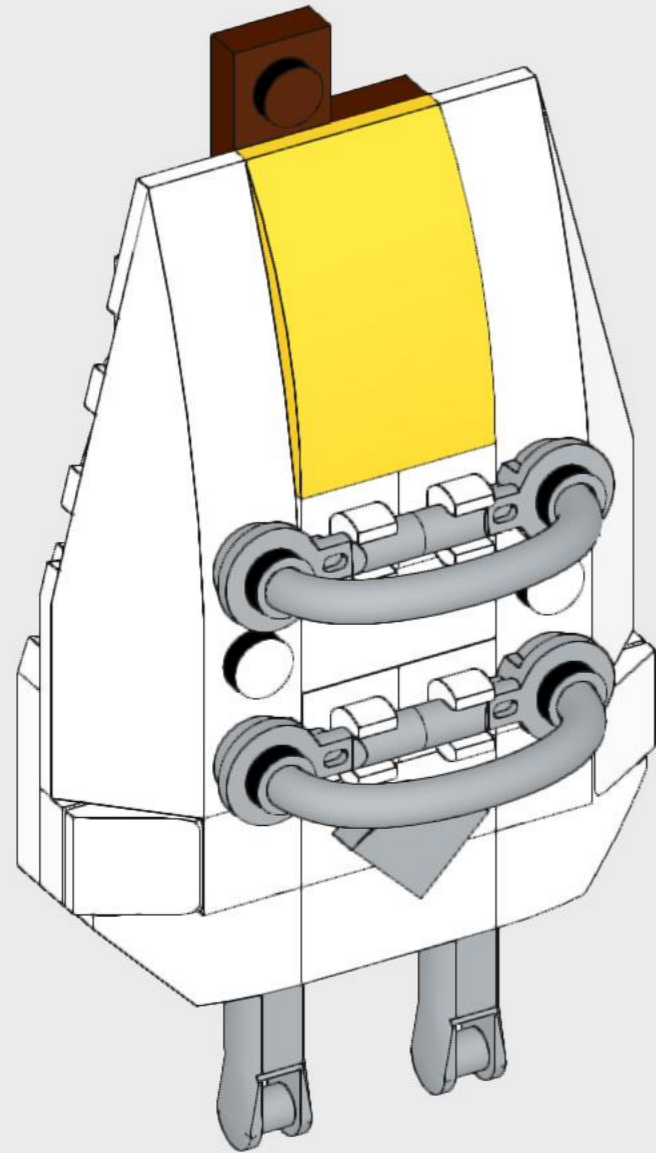




31

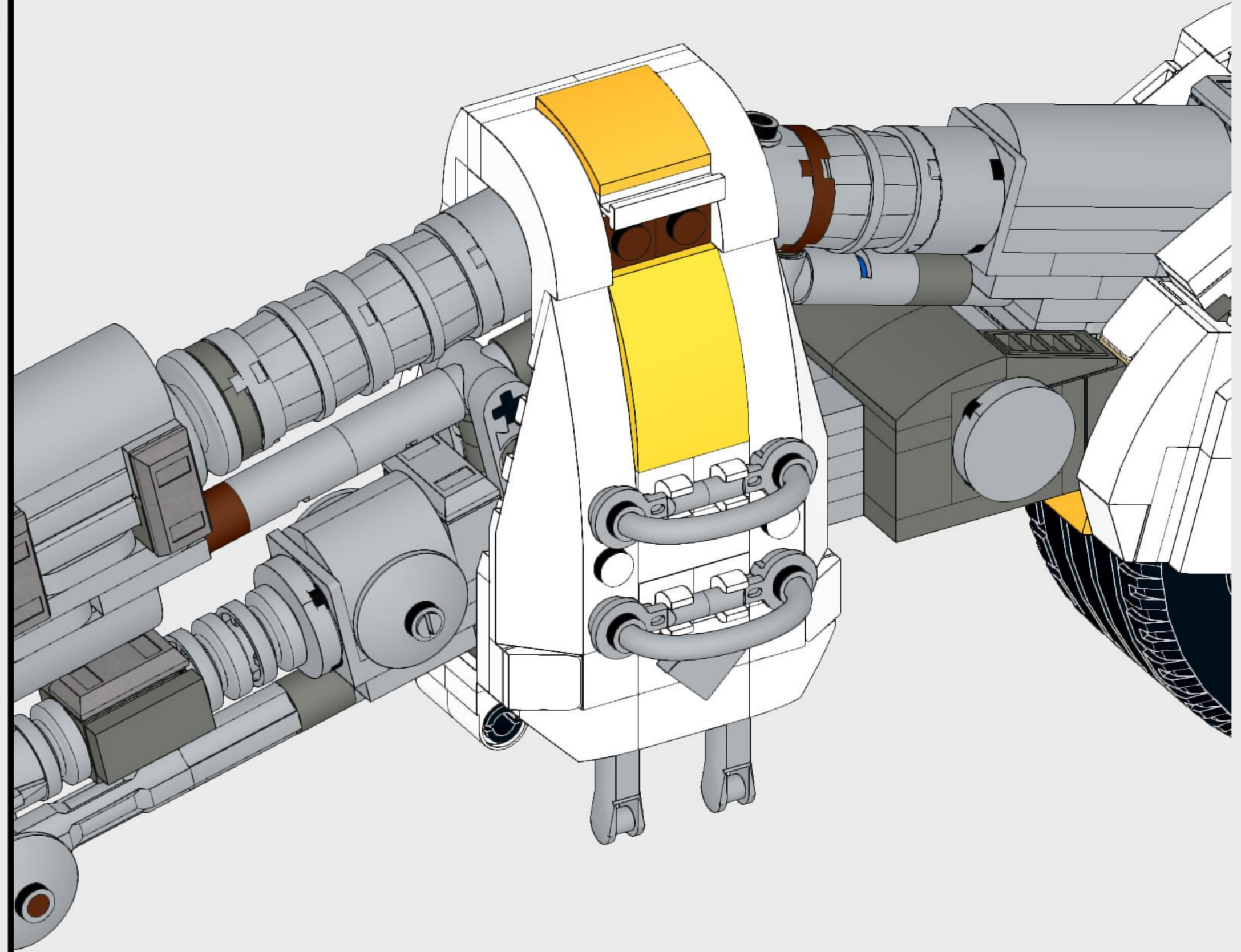


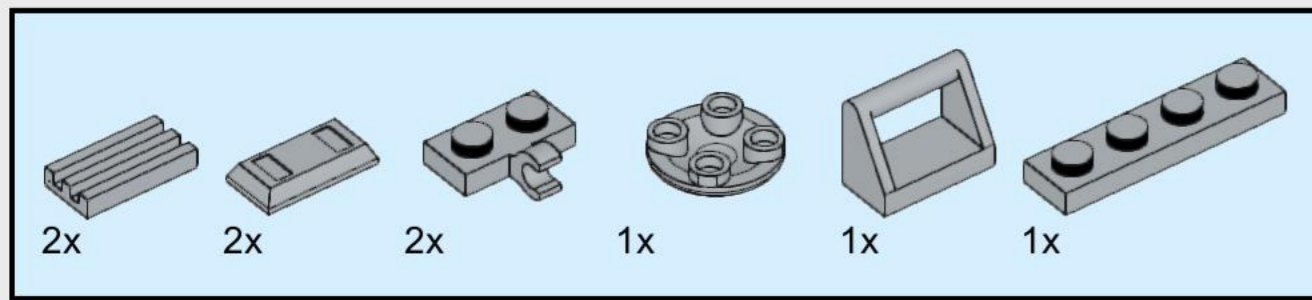
Press 5-long rigid hoses against the corners of a 3-long plate to crease/pinch the hose at a 90 degree angle. Then insert into hollow studs.



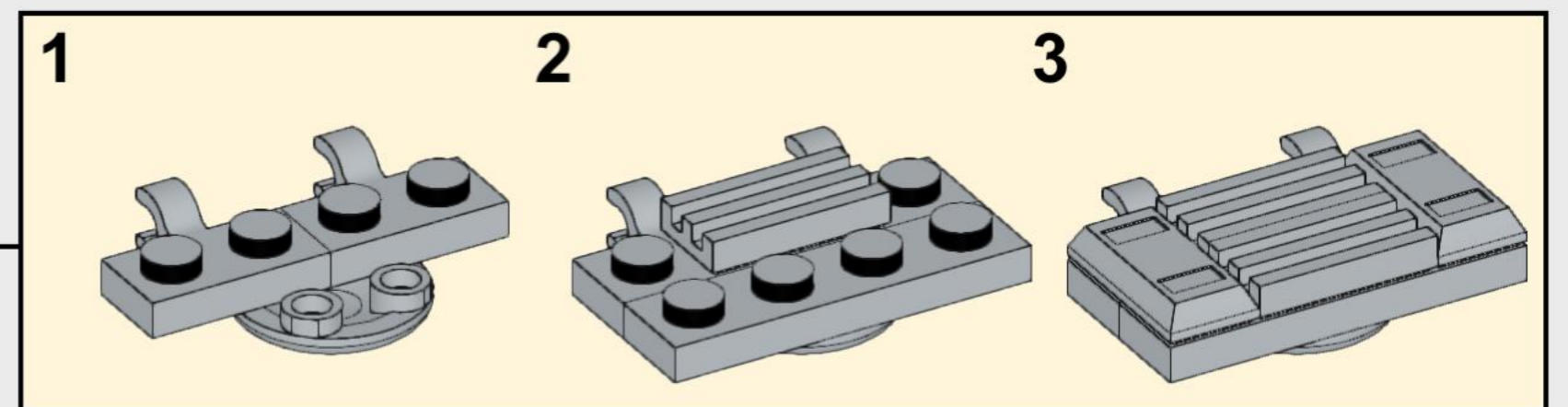
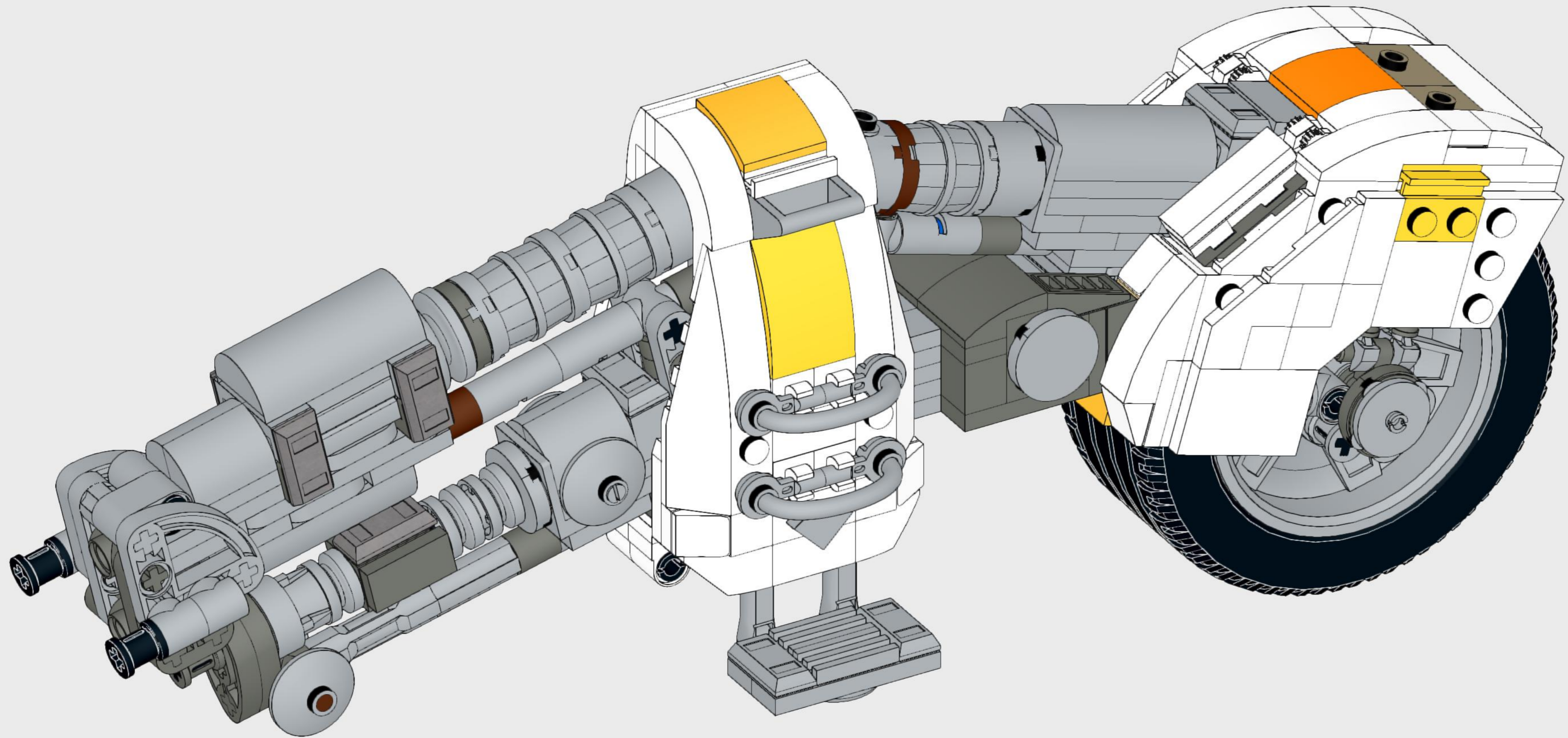
32

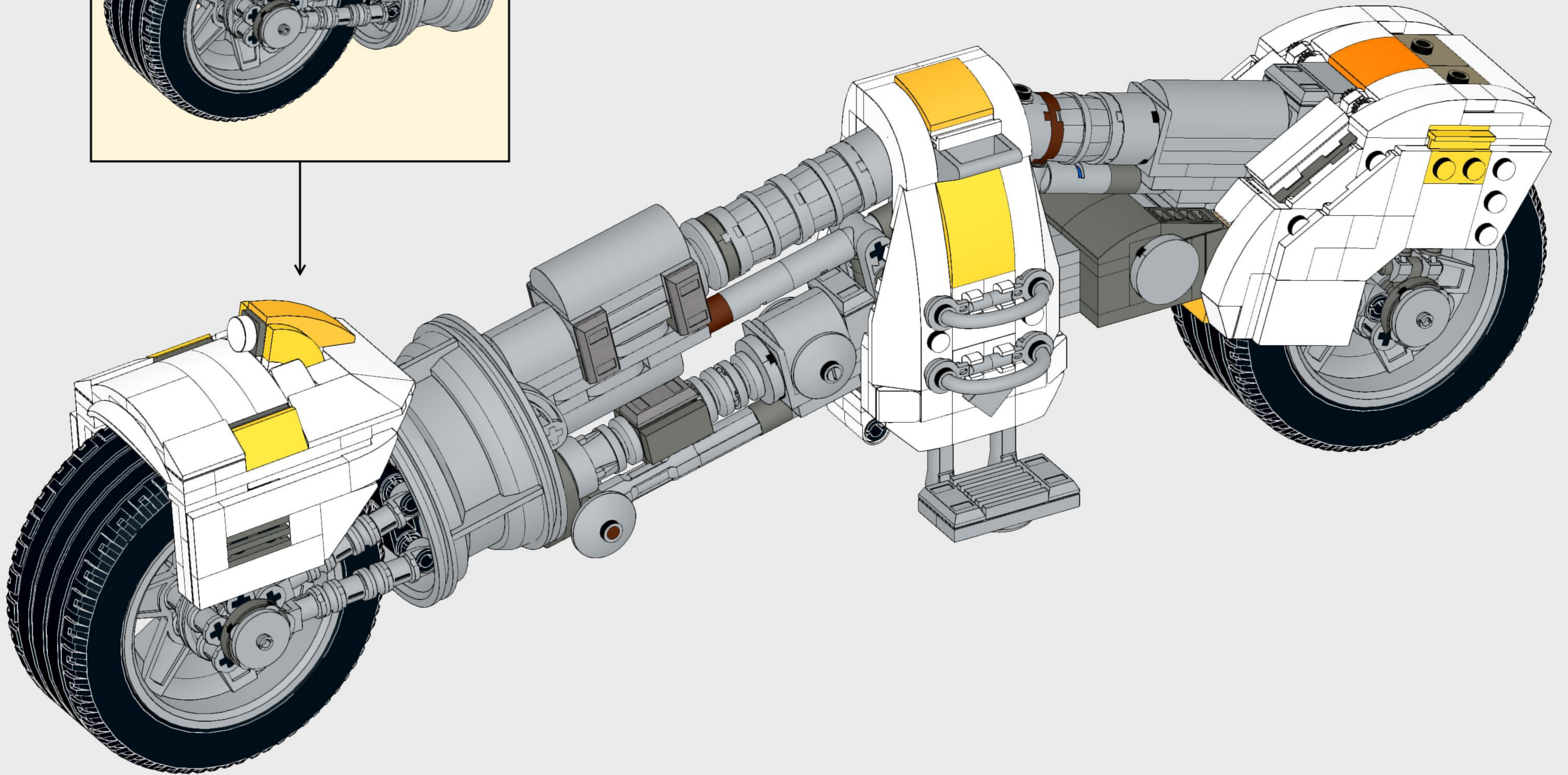
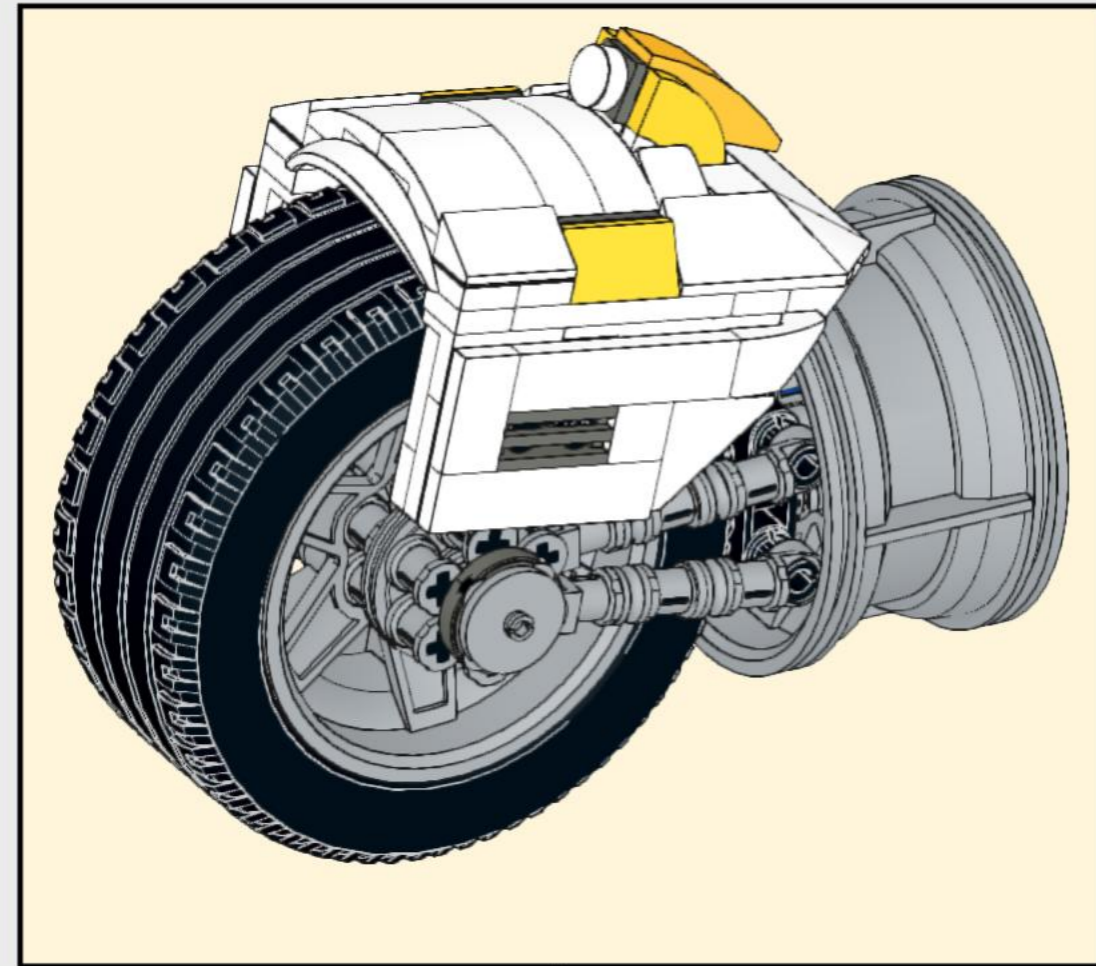
Note that this section will fit somewhat tight when placed, due to the grey arms putting pressure on the arched bricks.

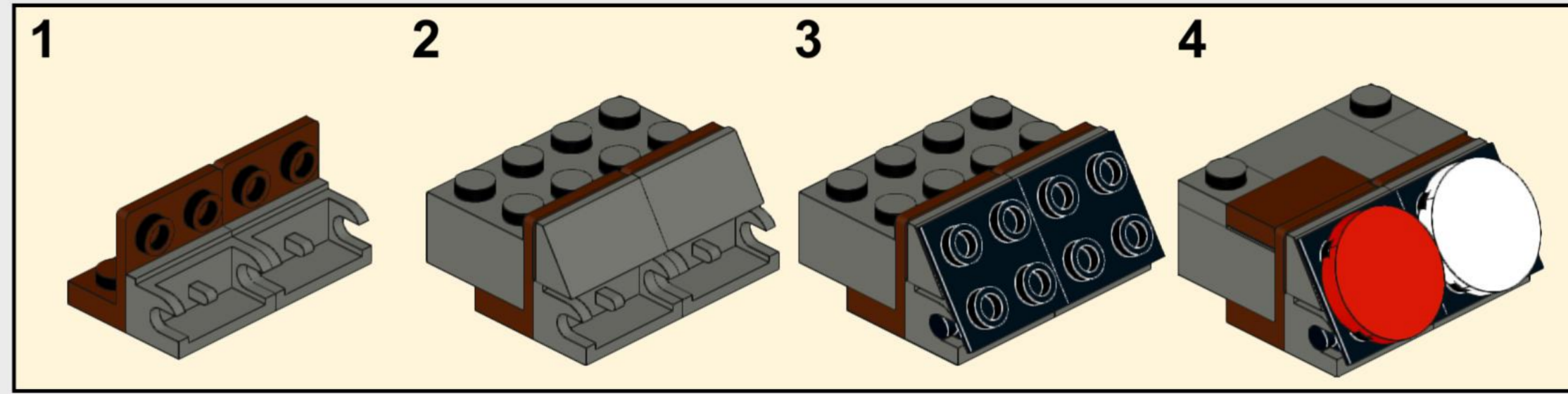
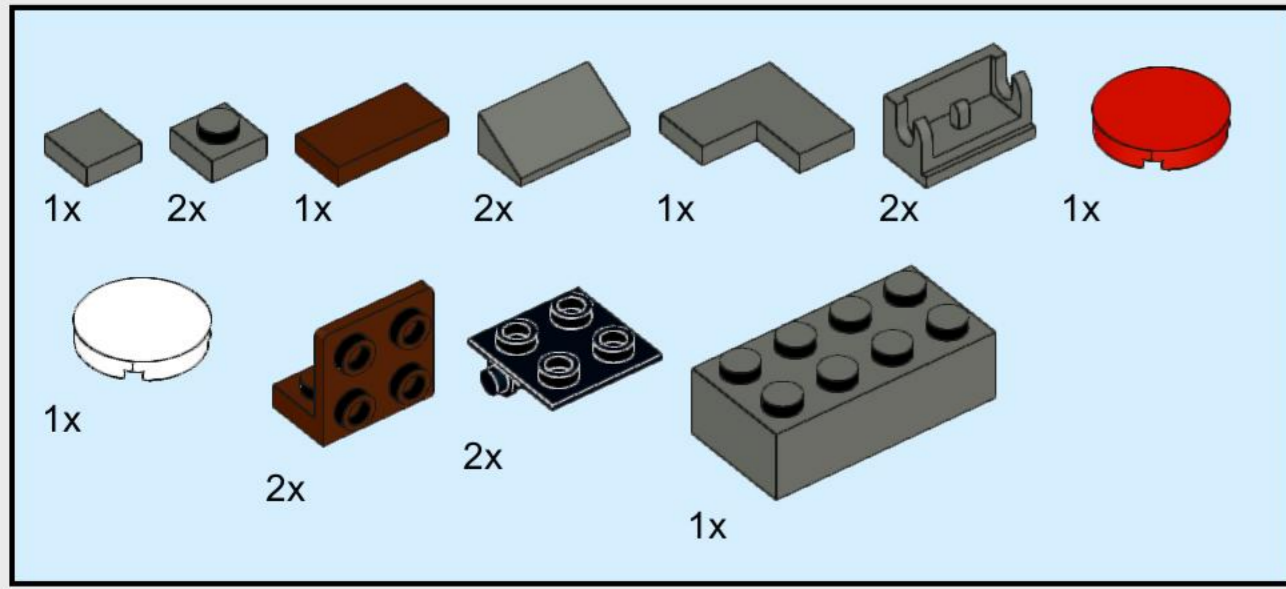




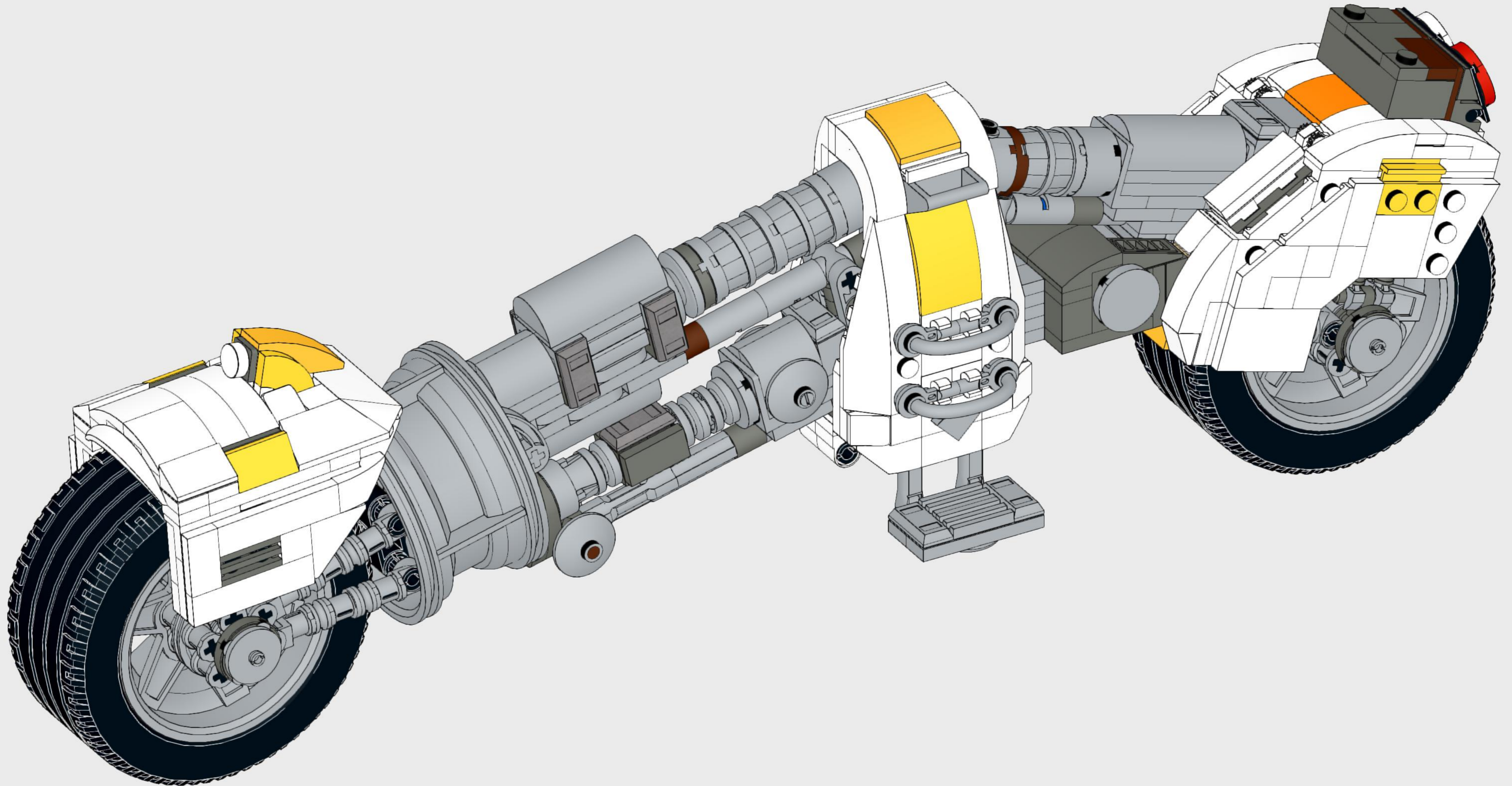
33

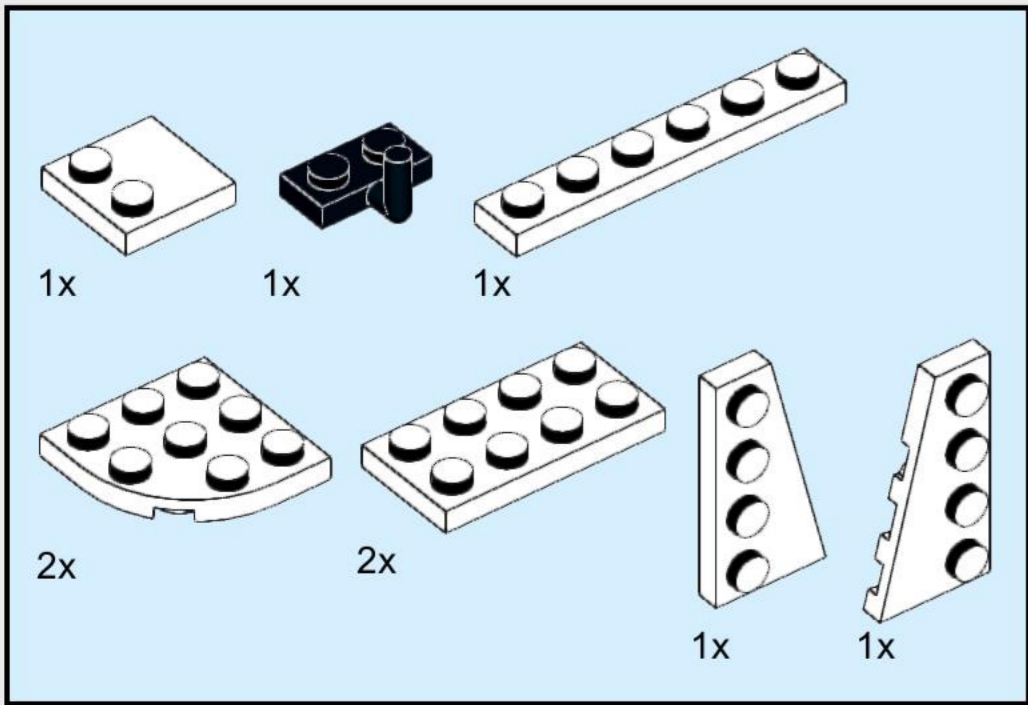
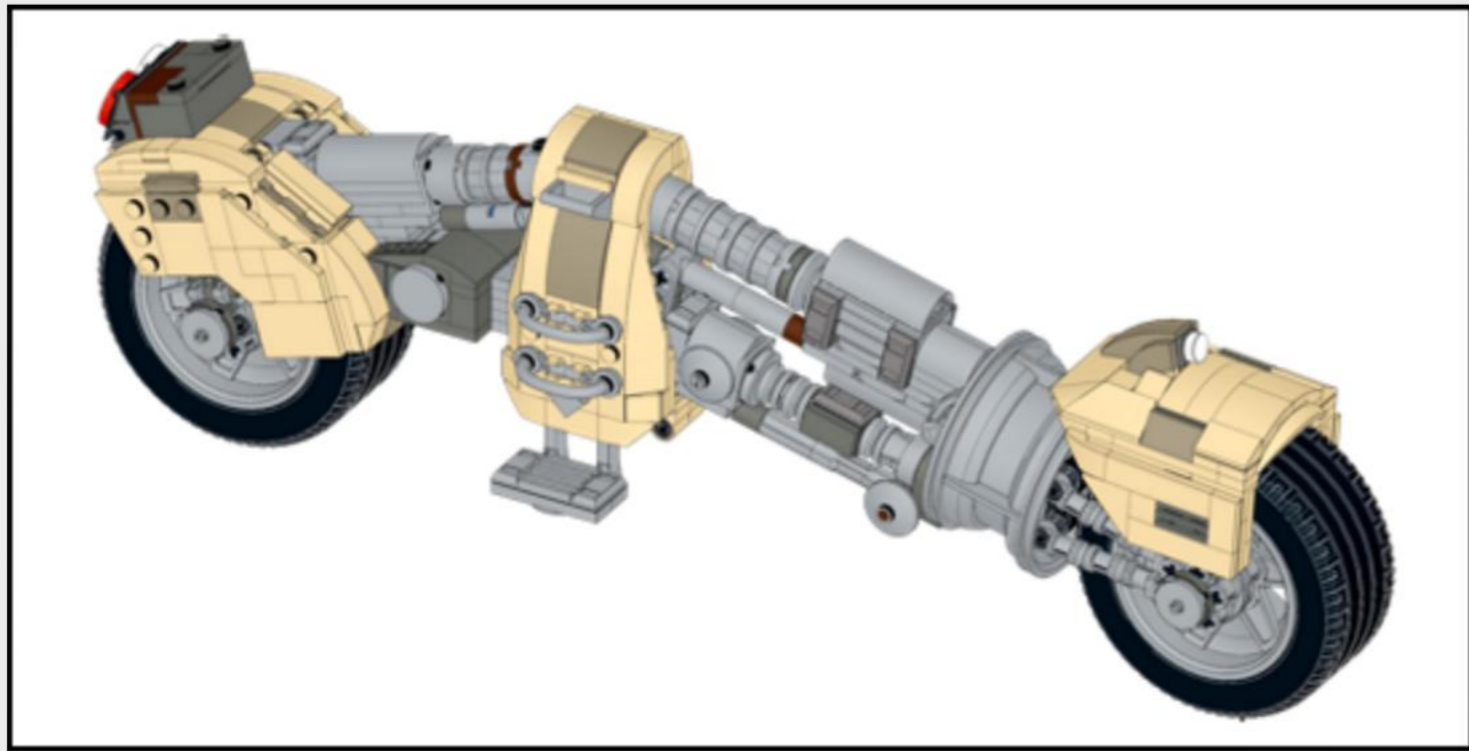




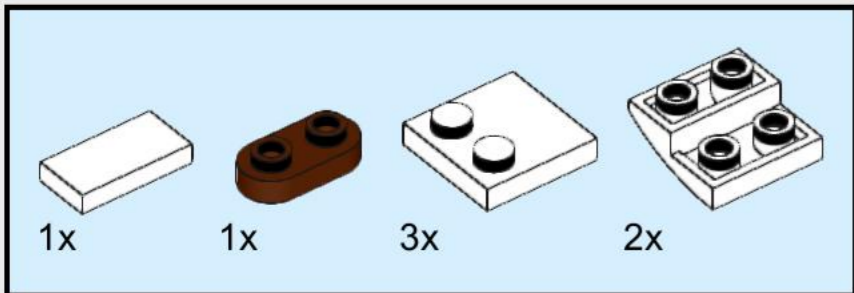


35

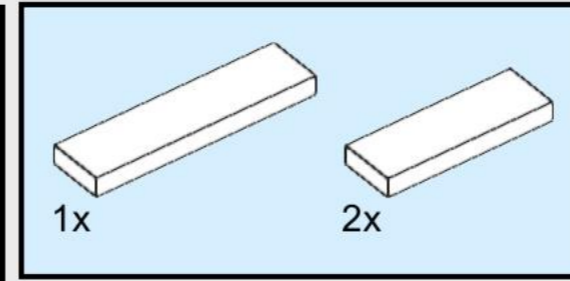
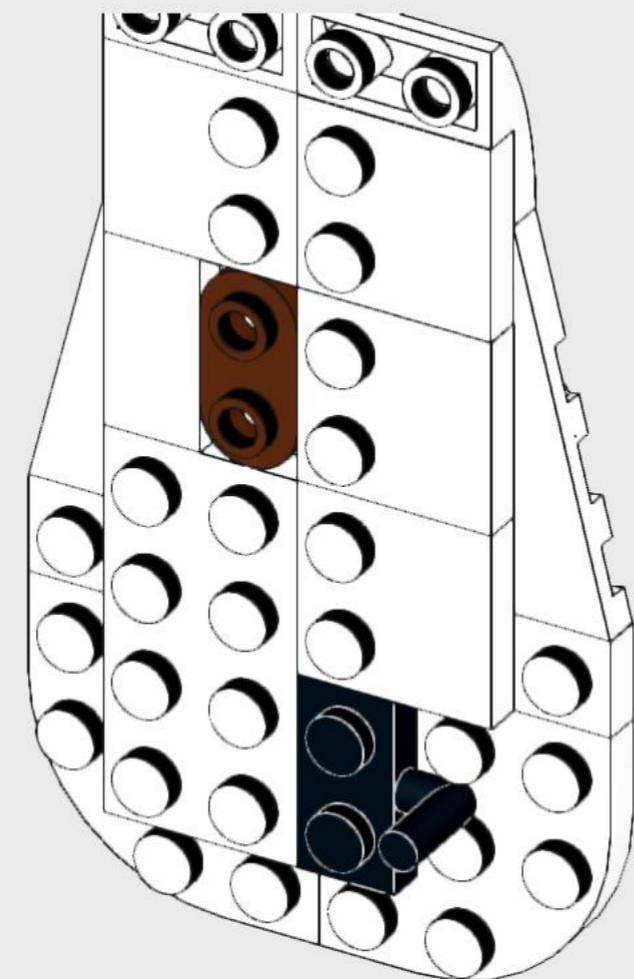
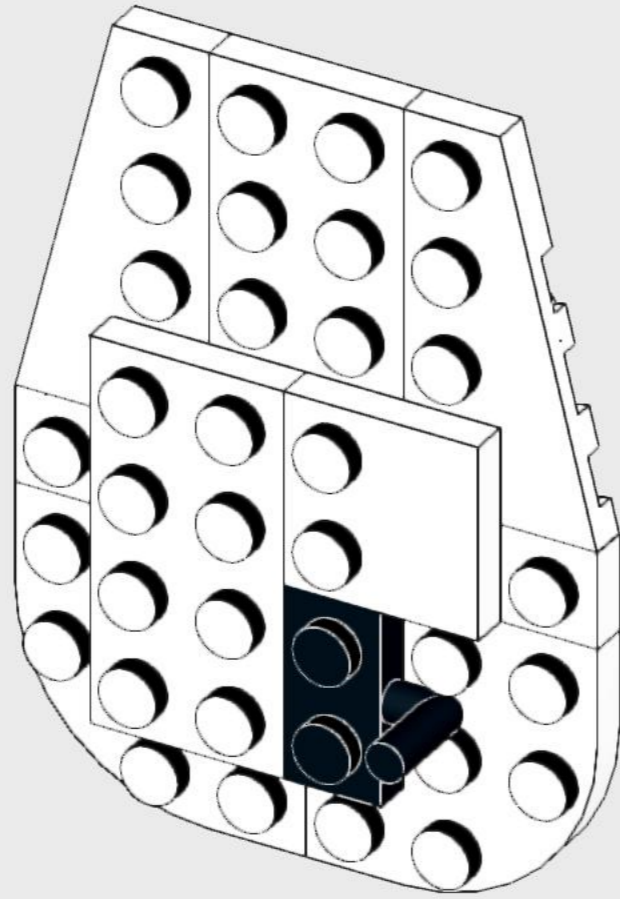




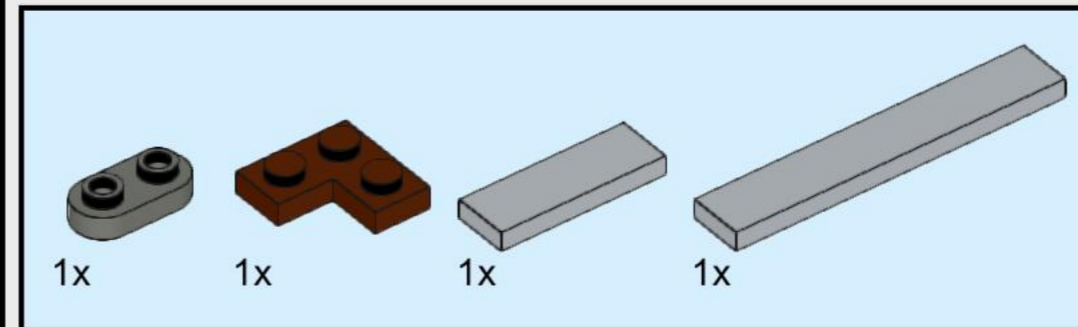
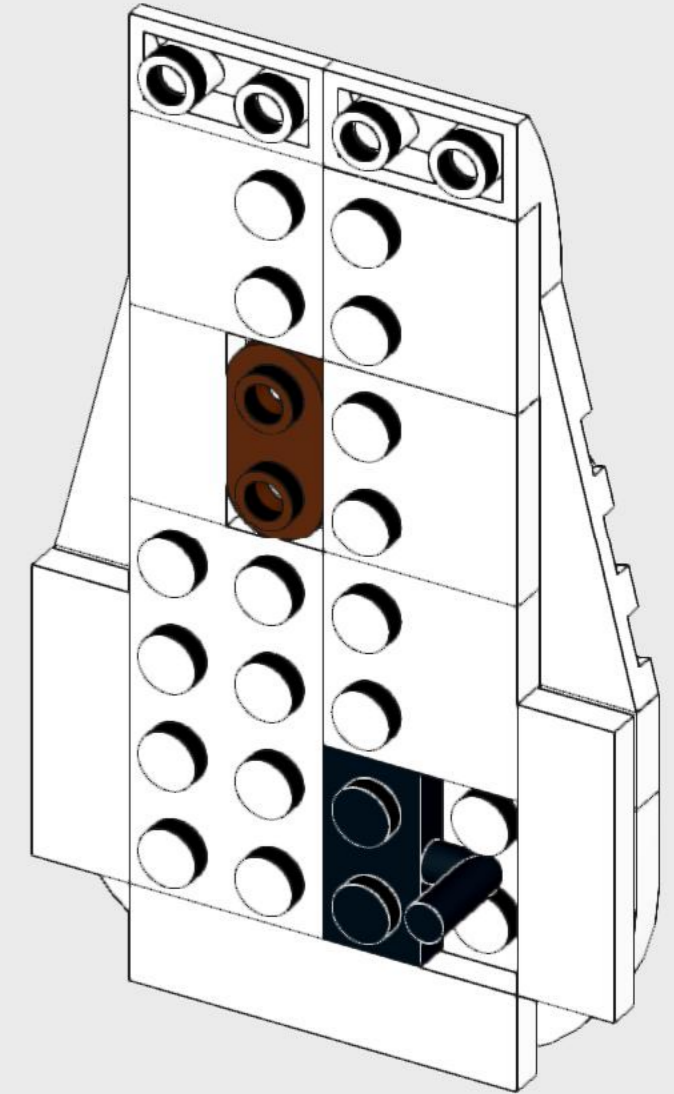
1



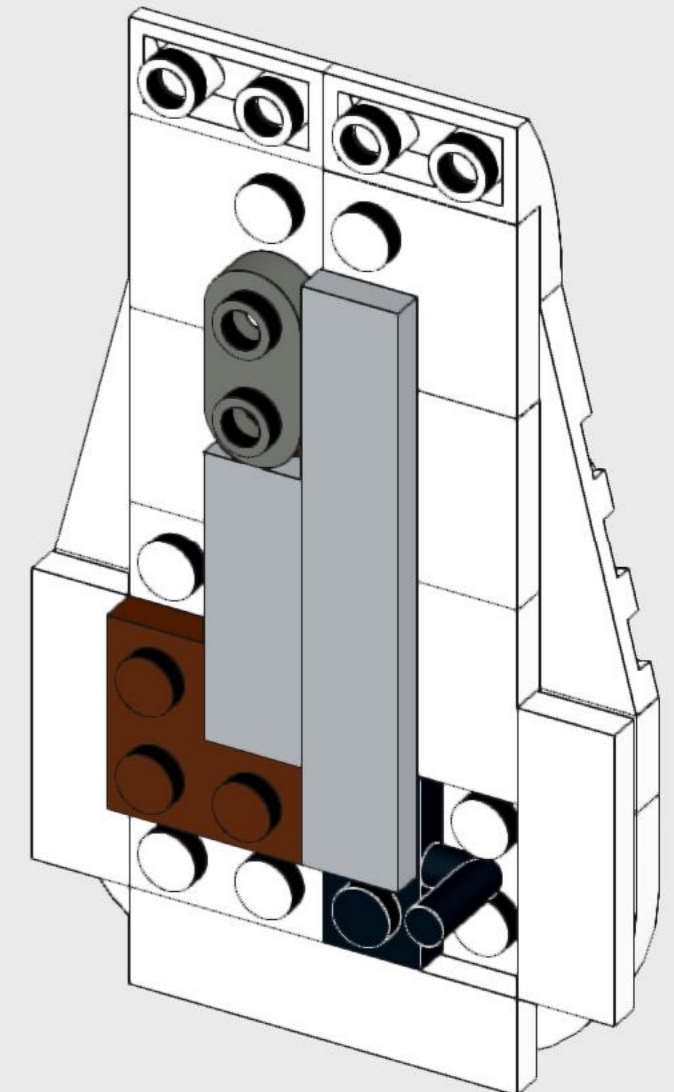
2

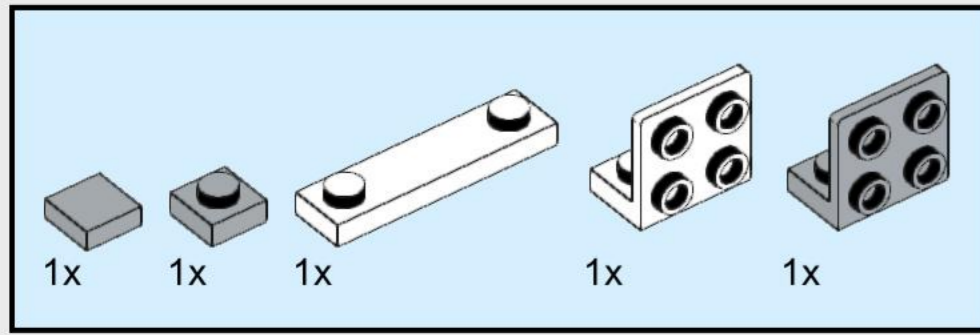


3

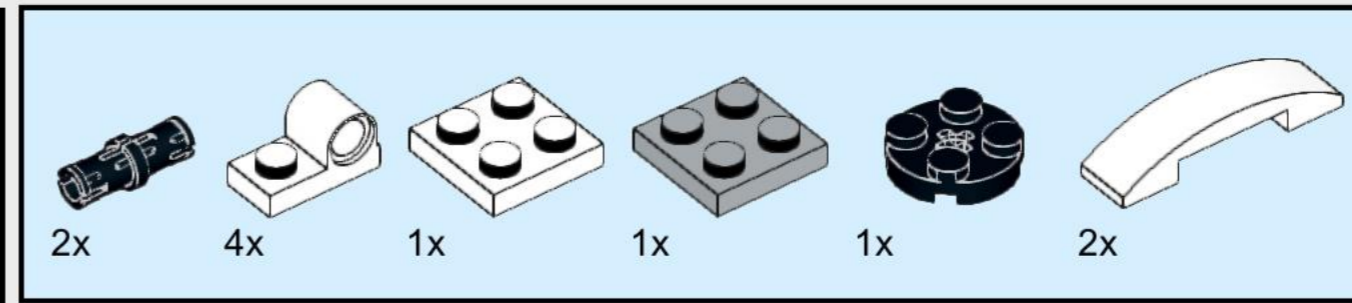
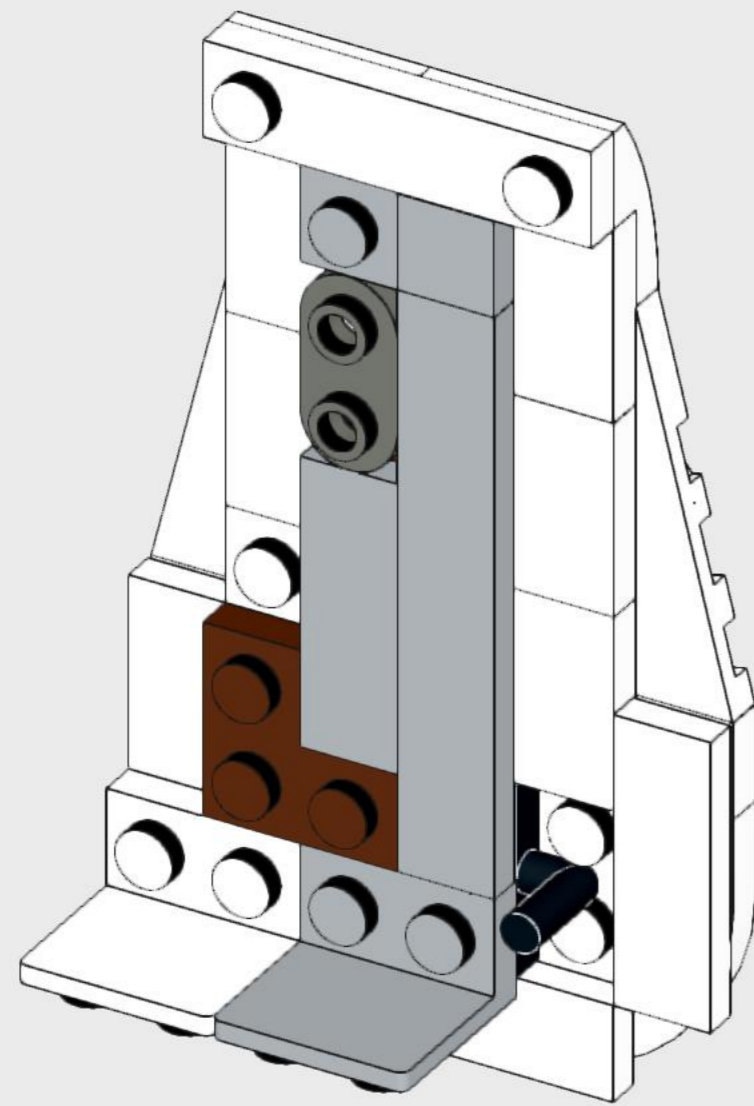


4

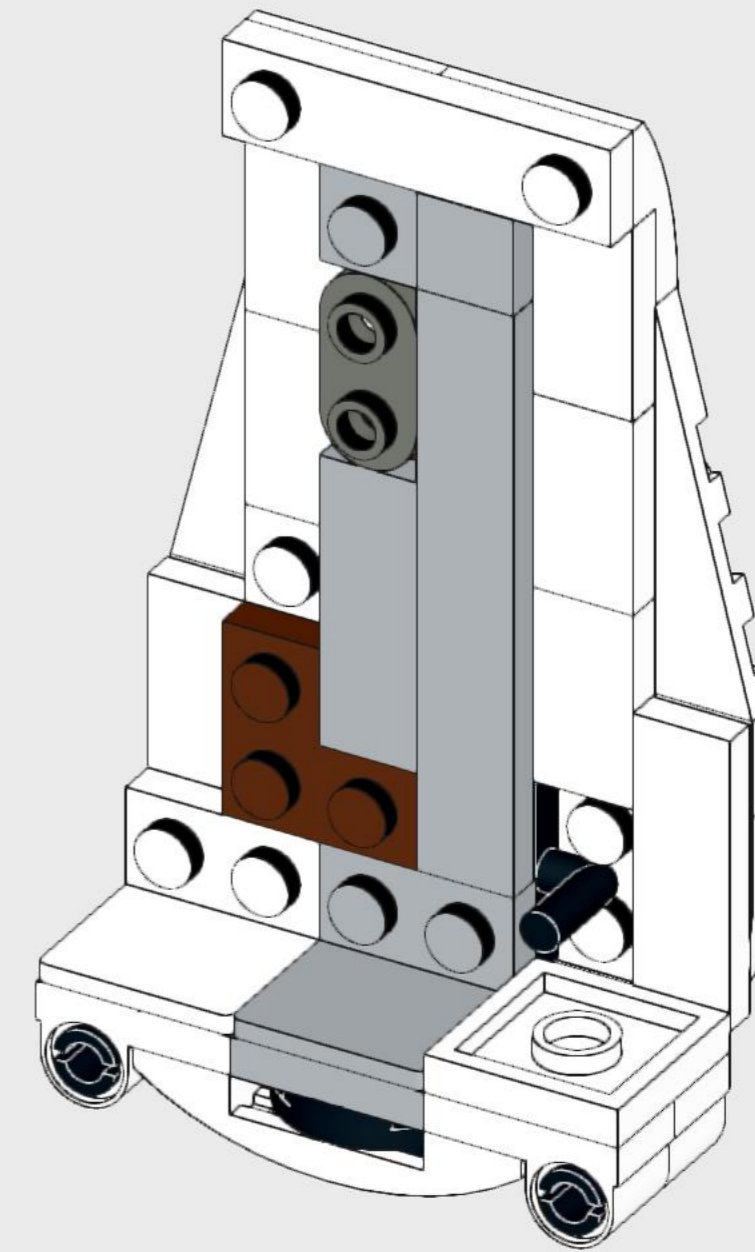
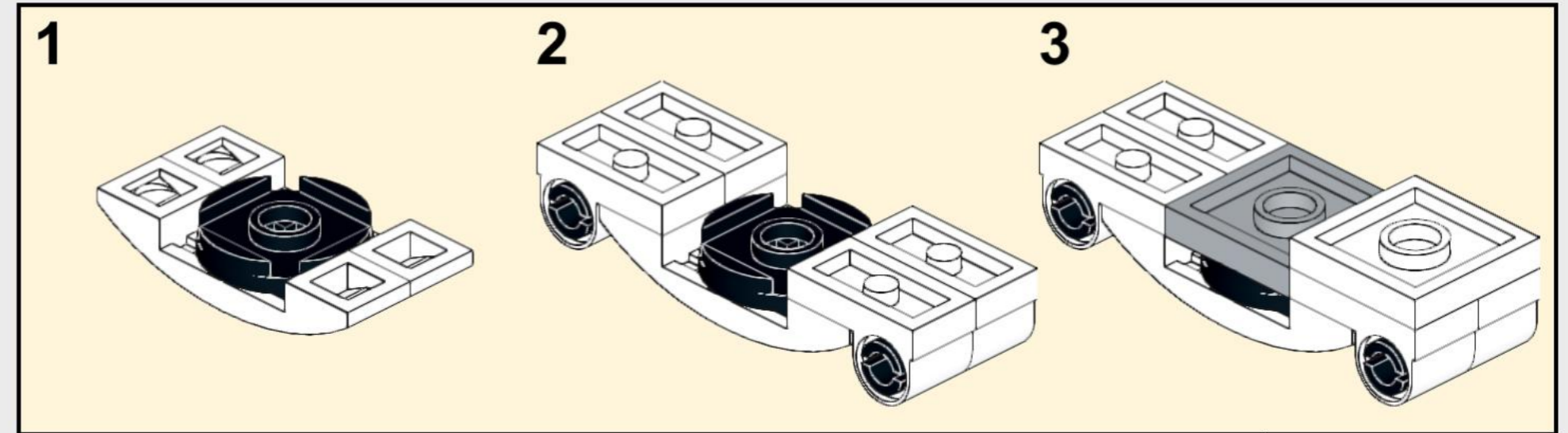


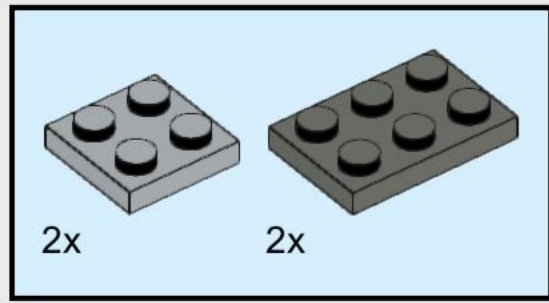


5

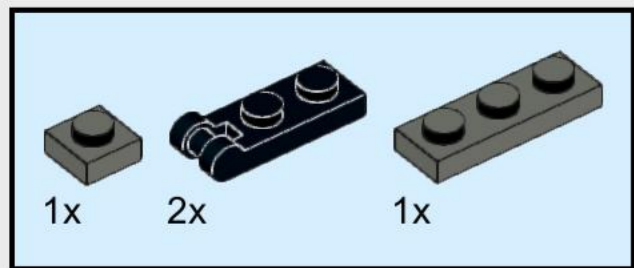
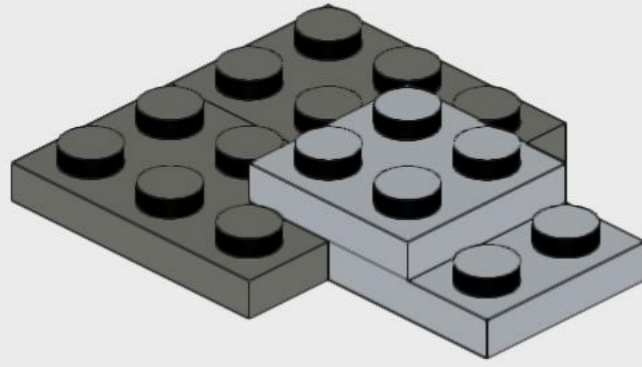


6

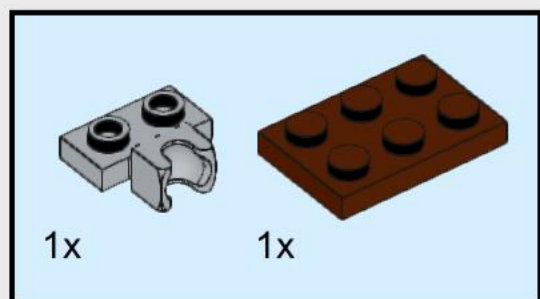
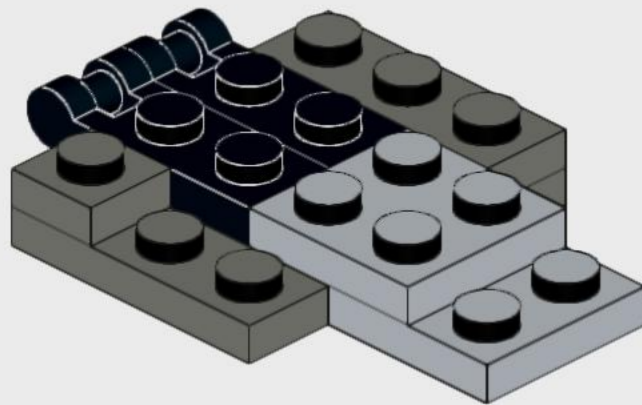




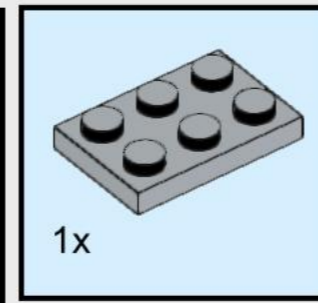
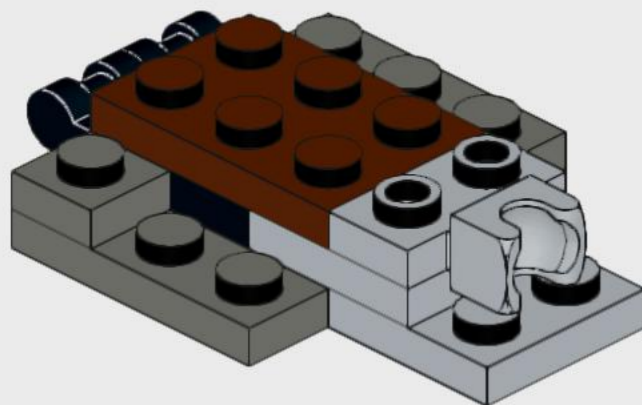
7



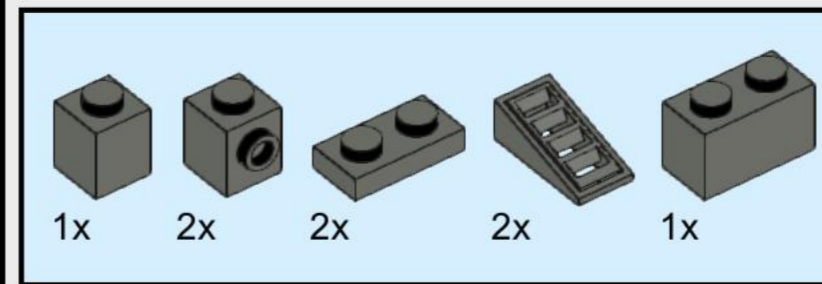
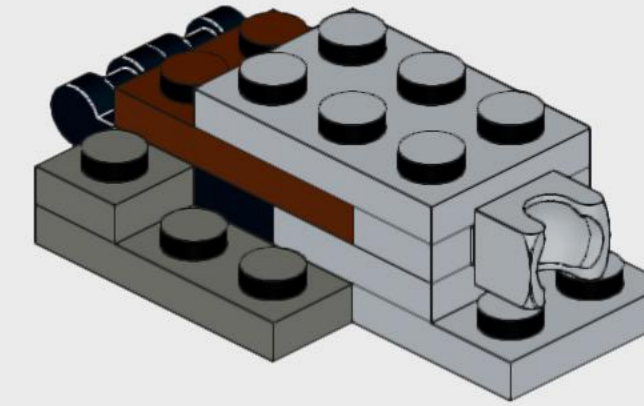
8



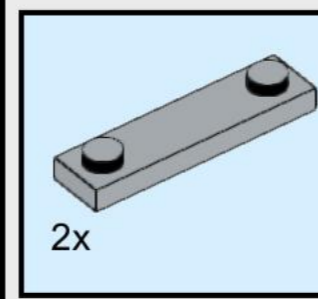
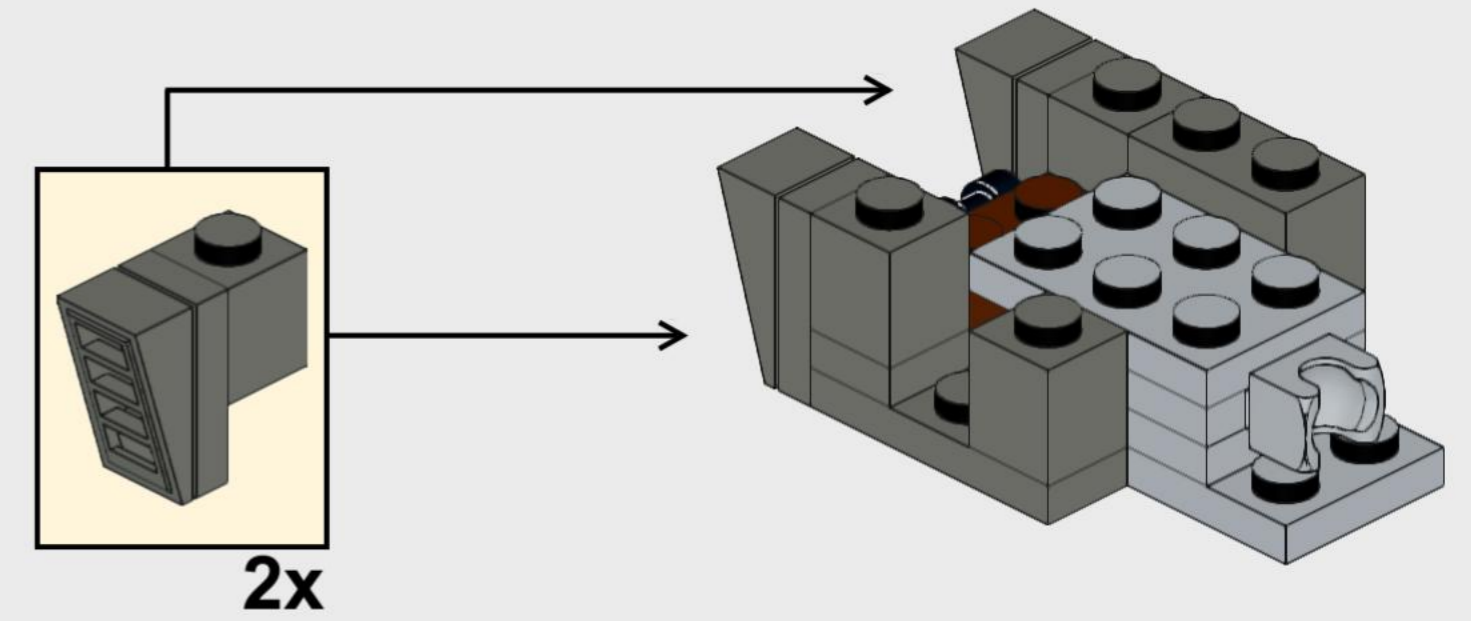
9



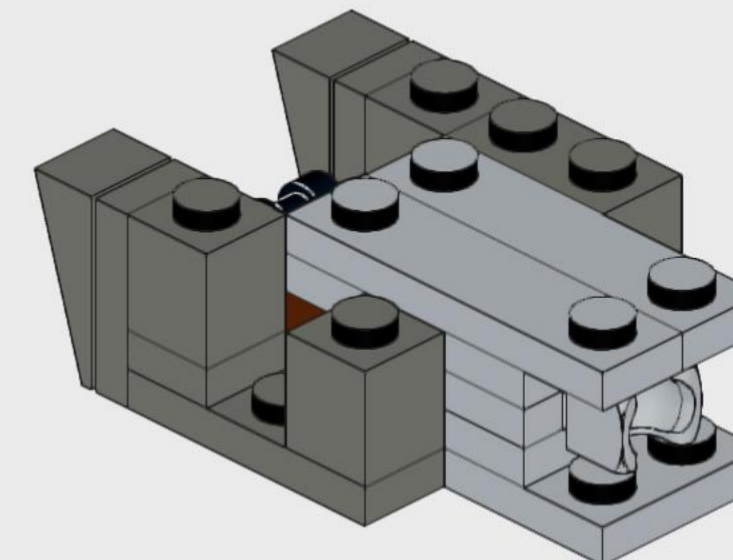
10

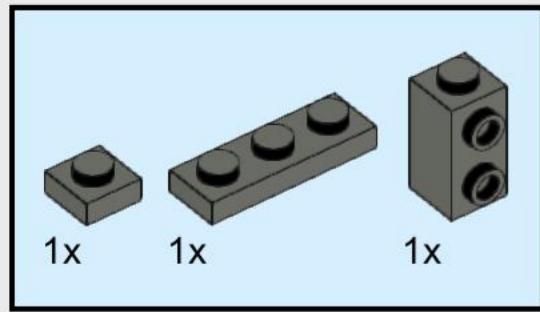


11

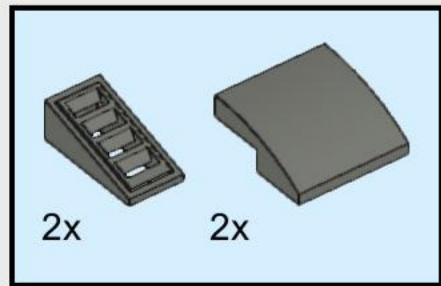
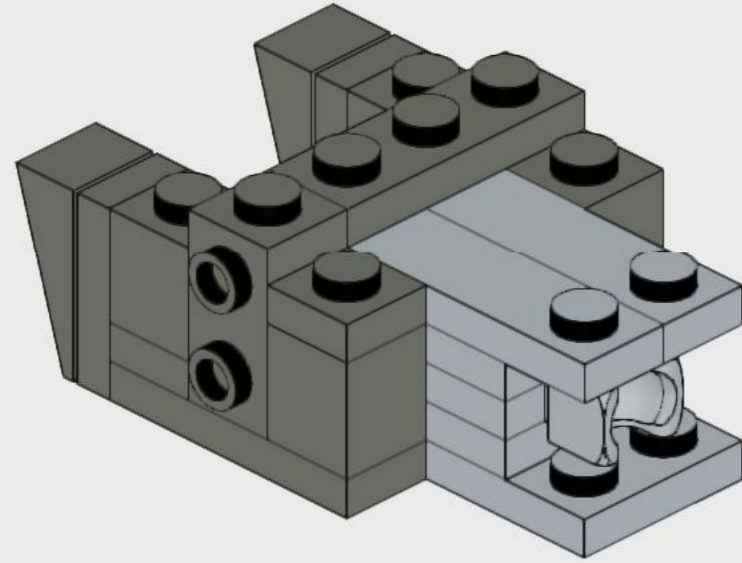


12

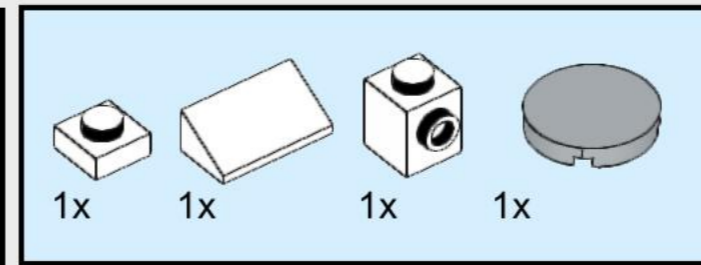
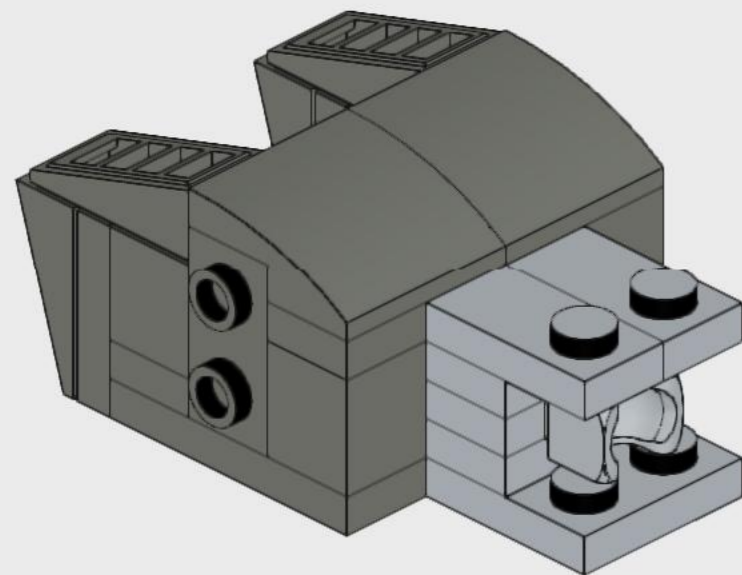




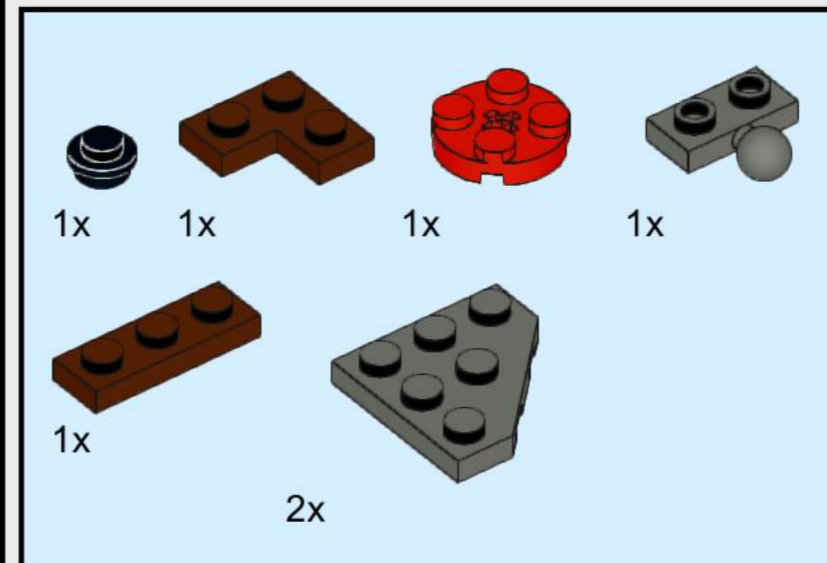
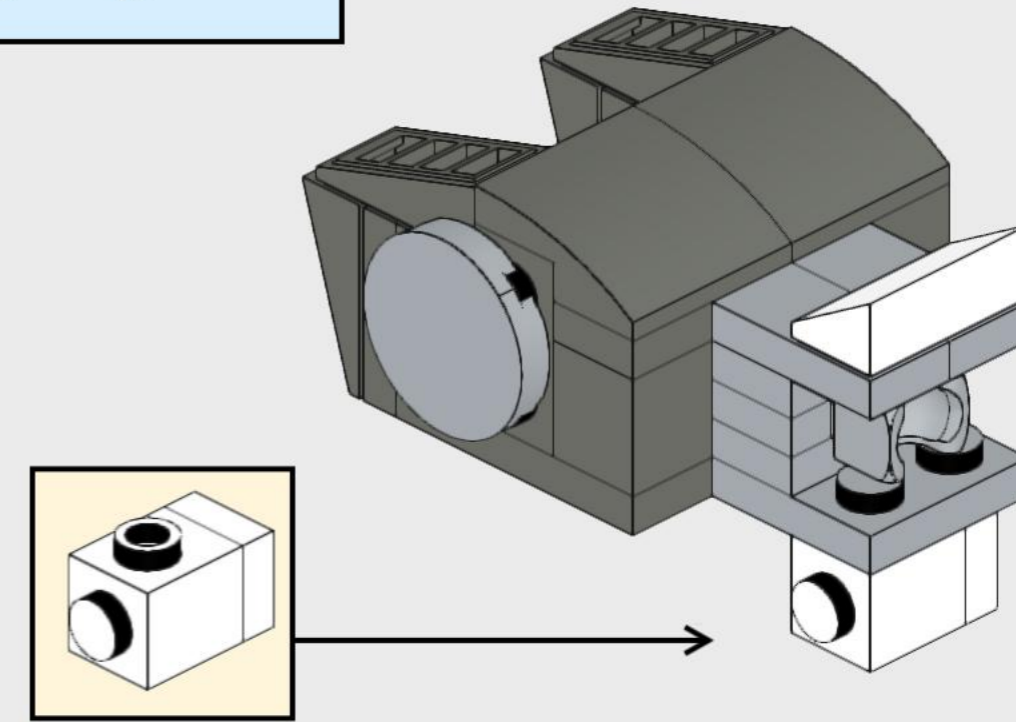
13



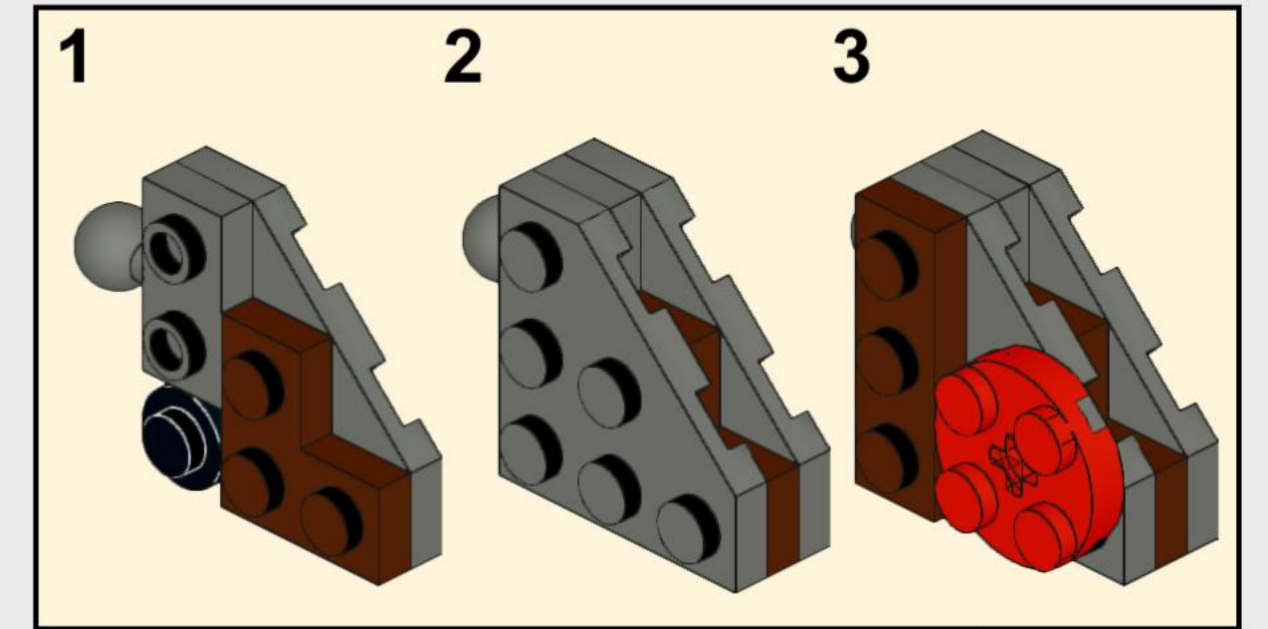
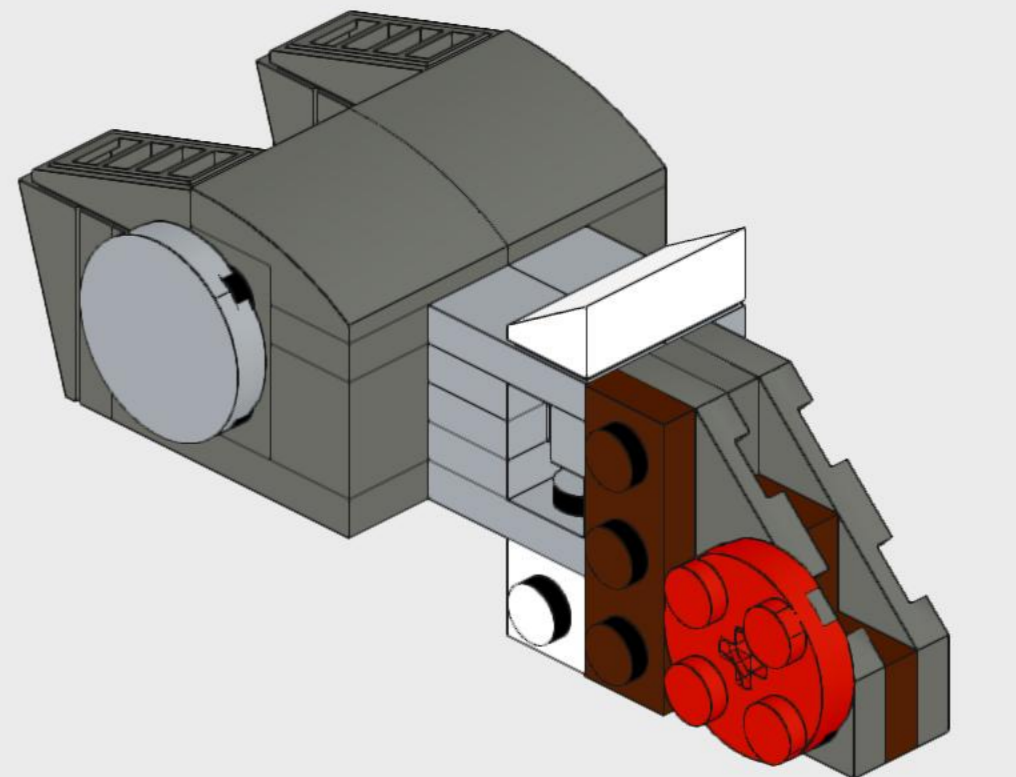
14



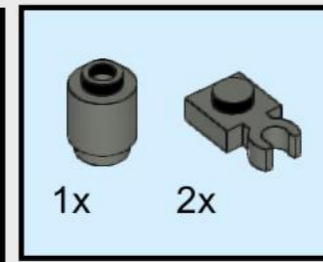
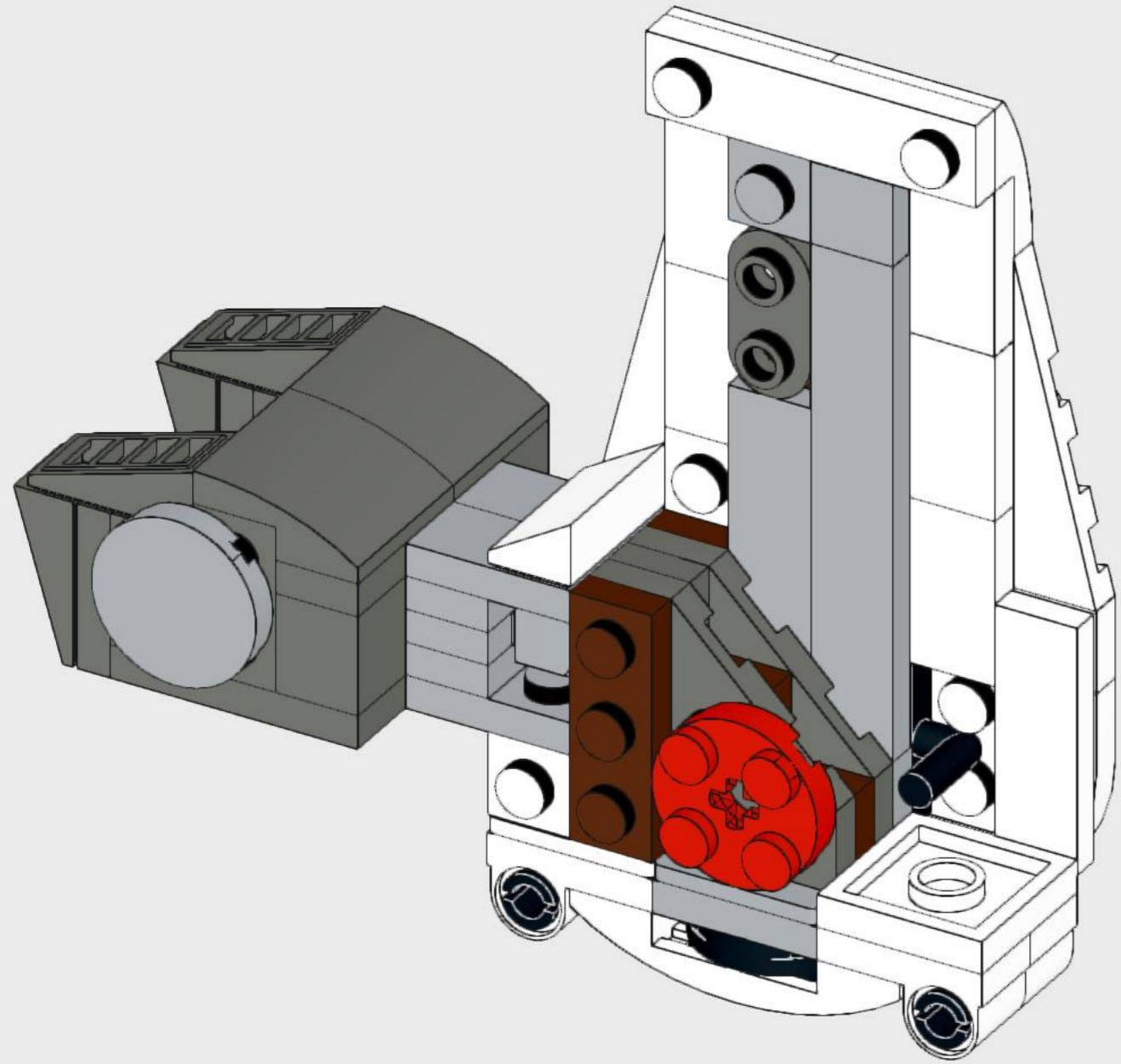
15



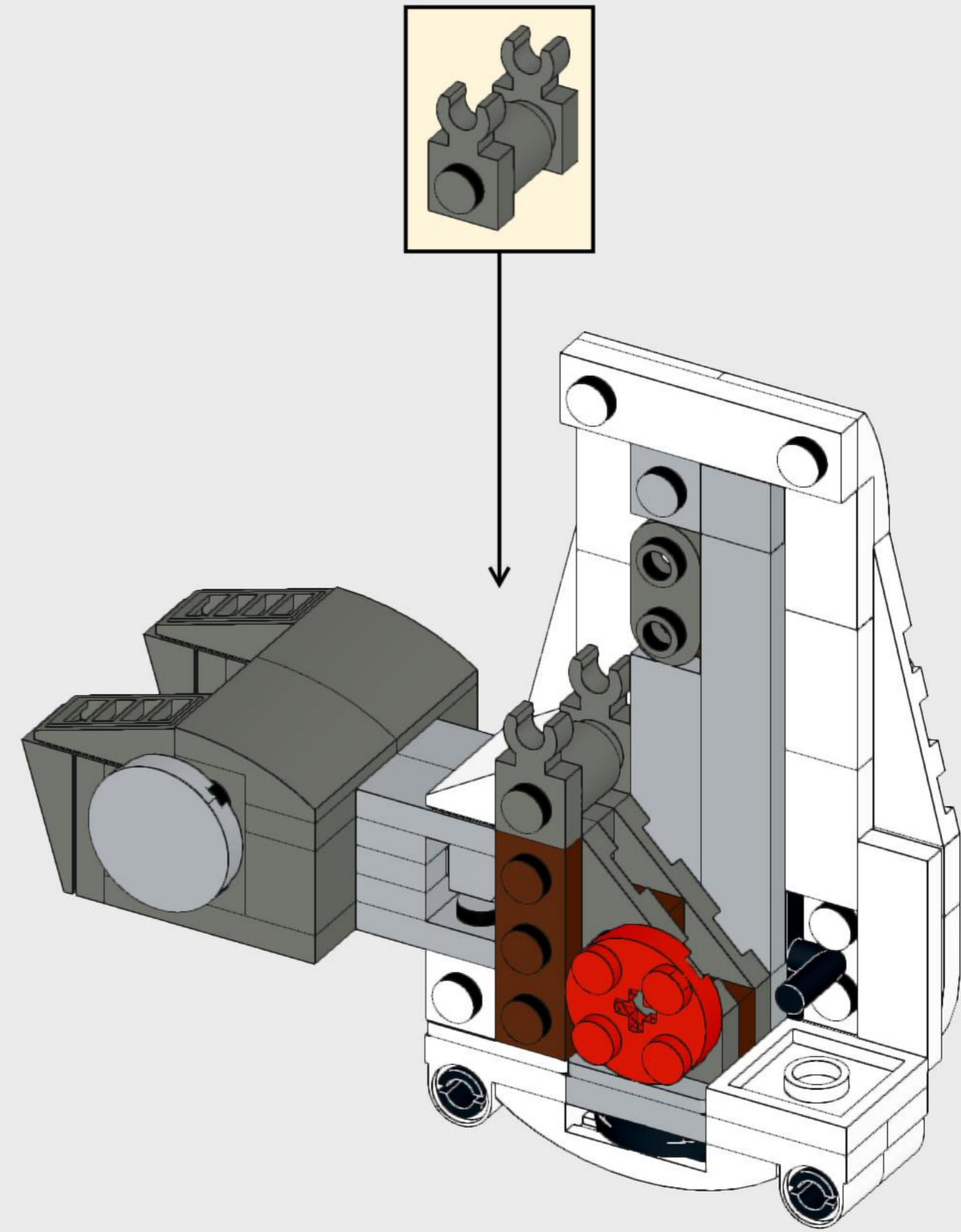
16



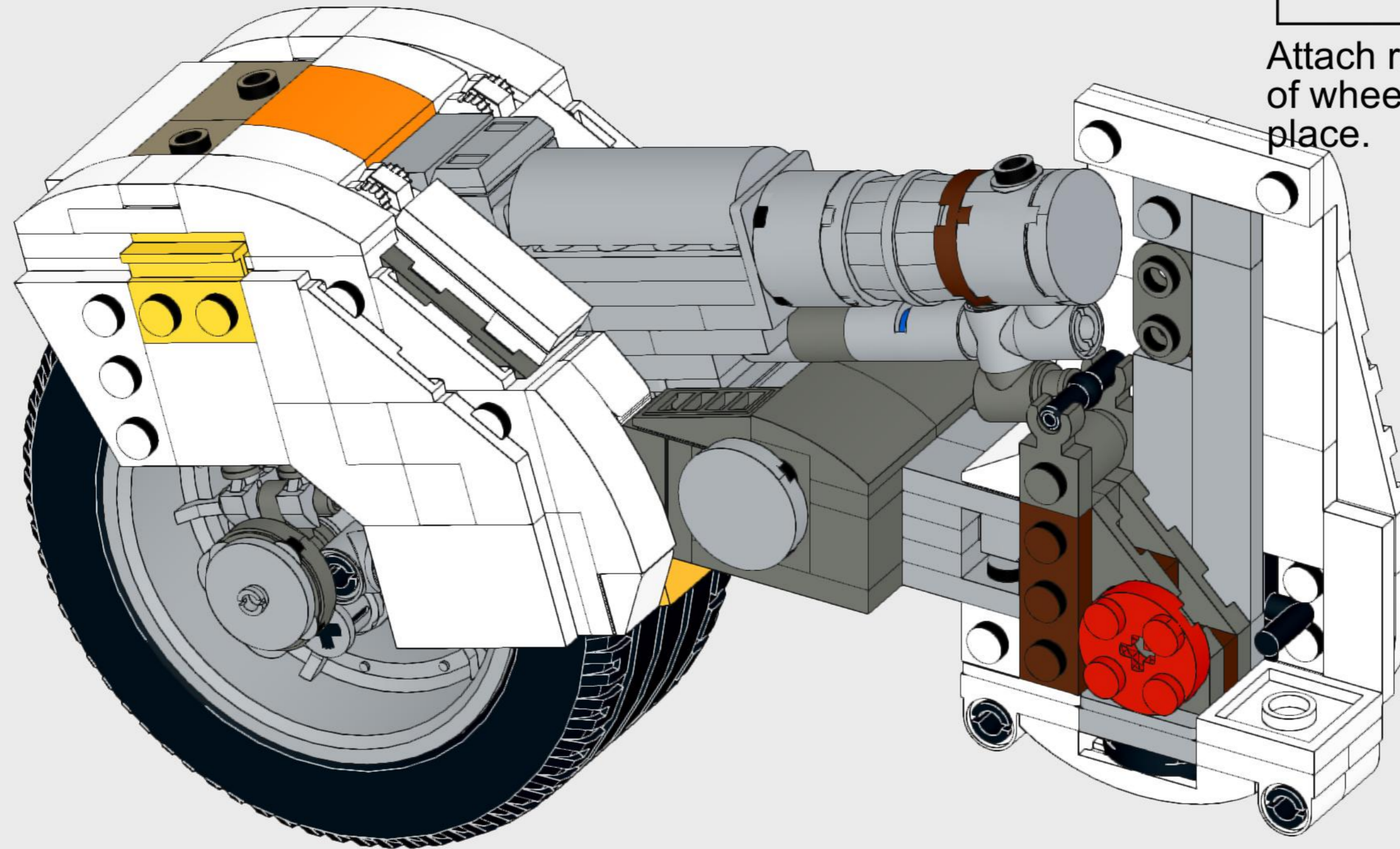
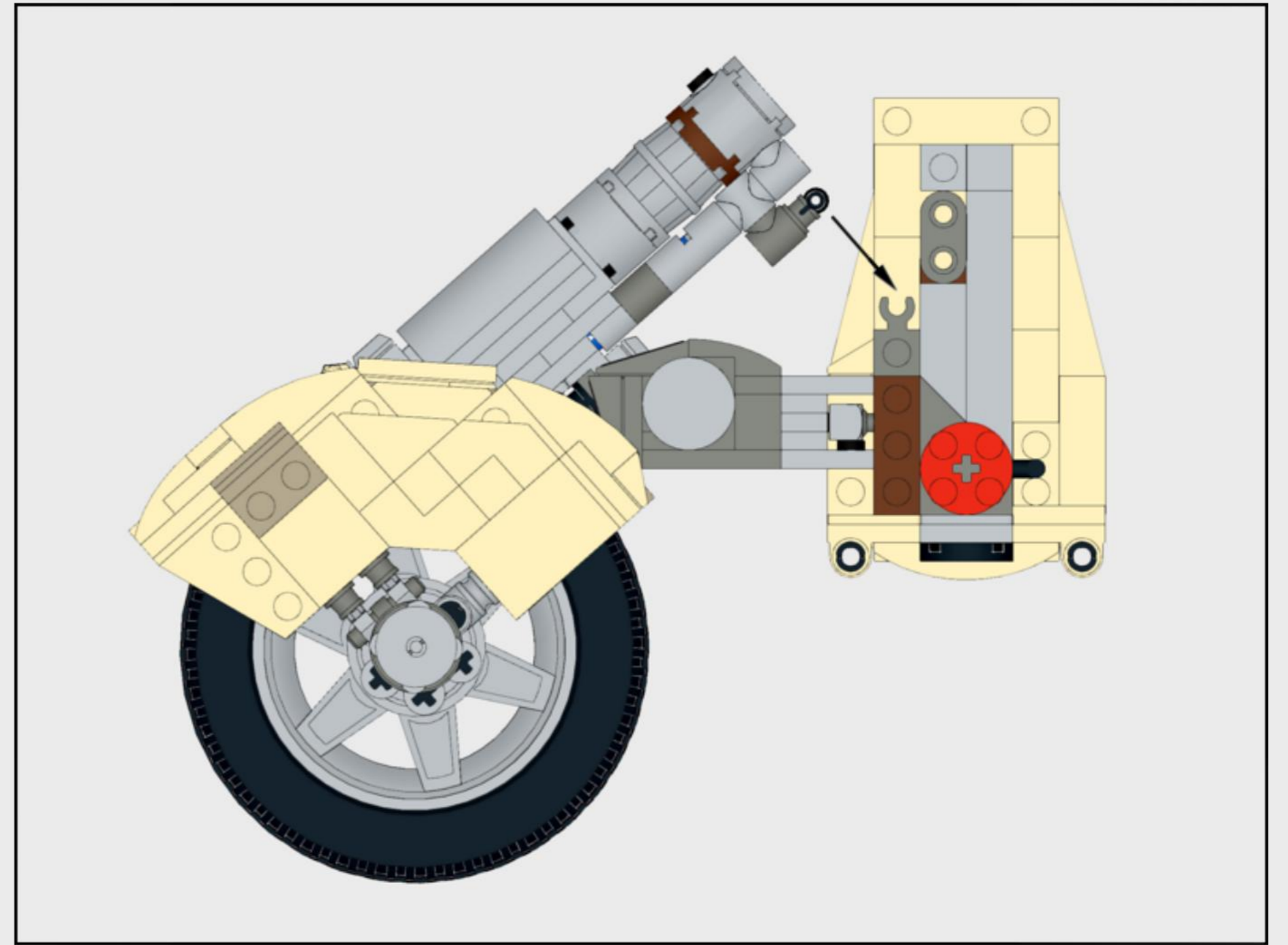
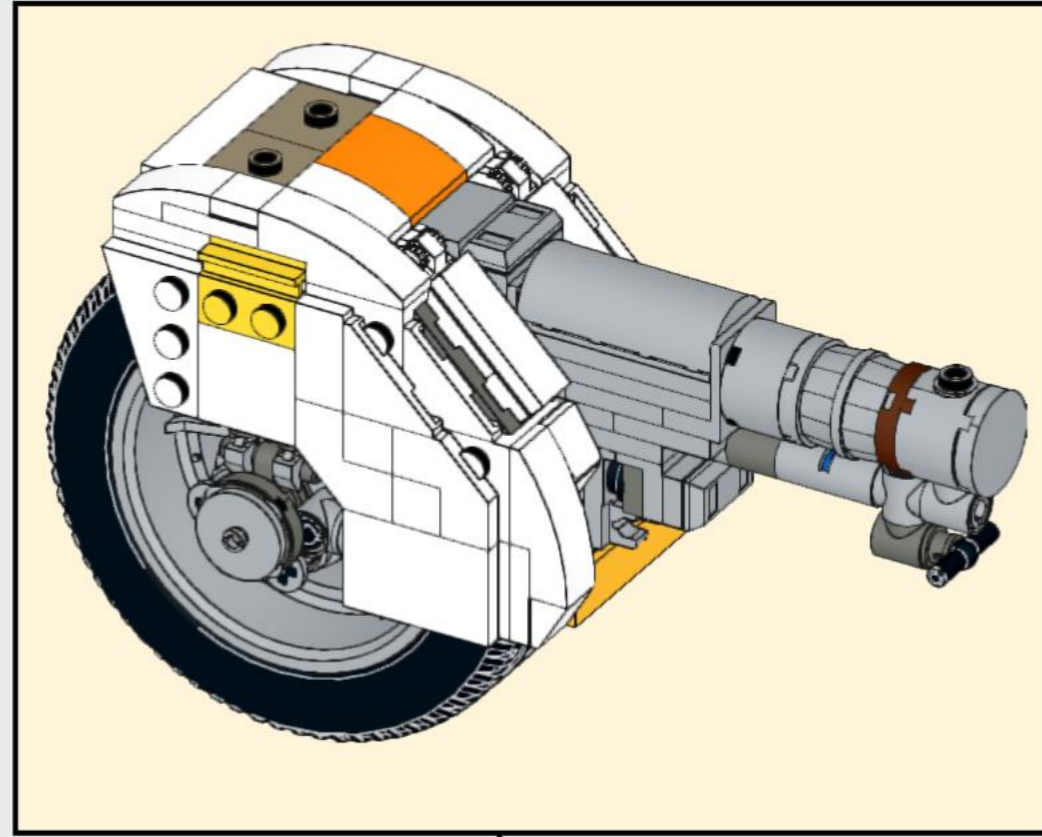
17



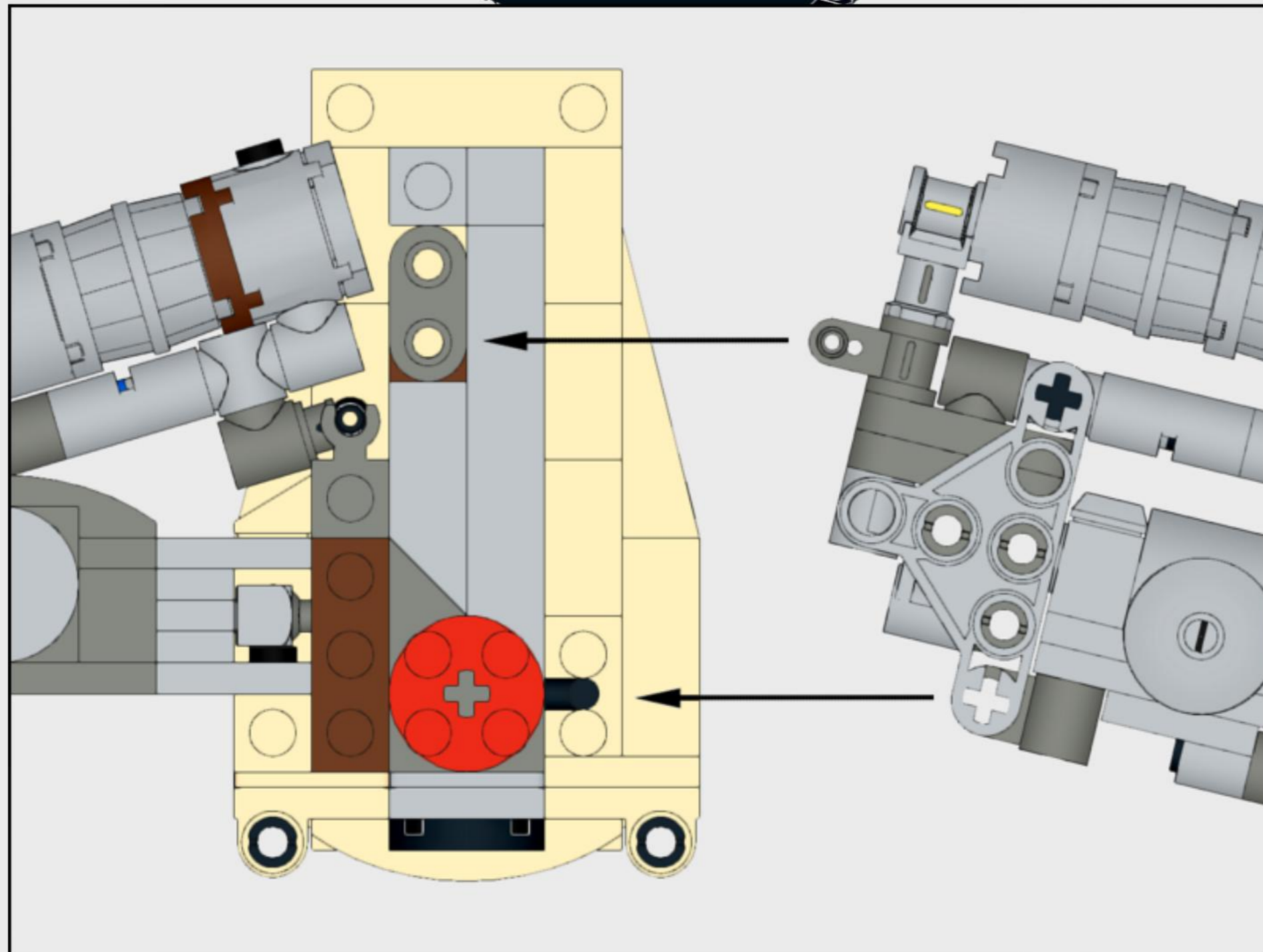
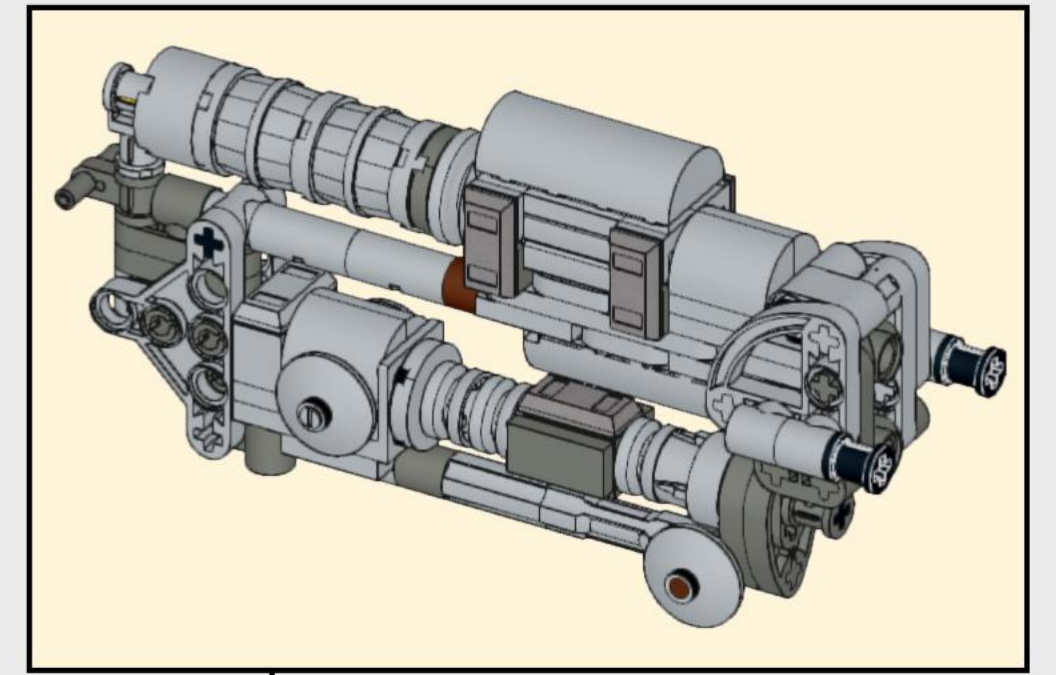
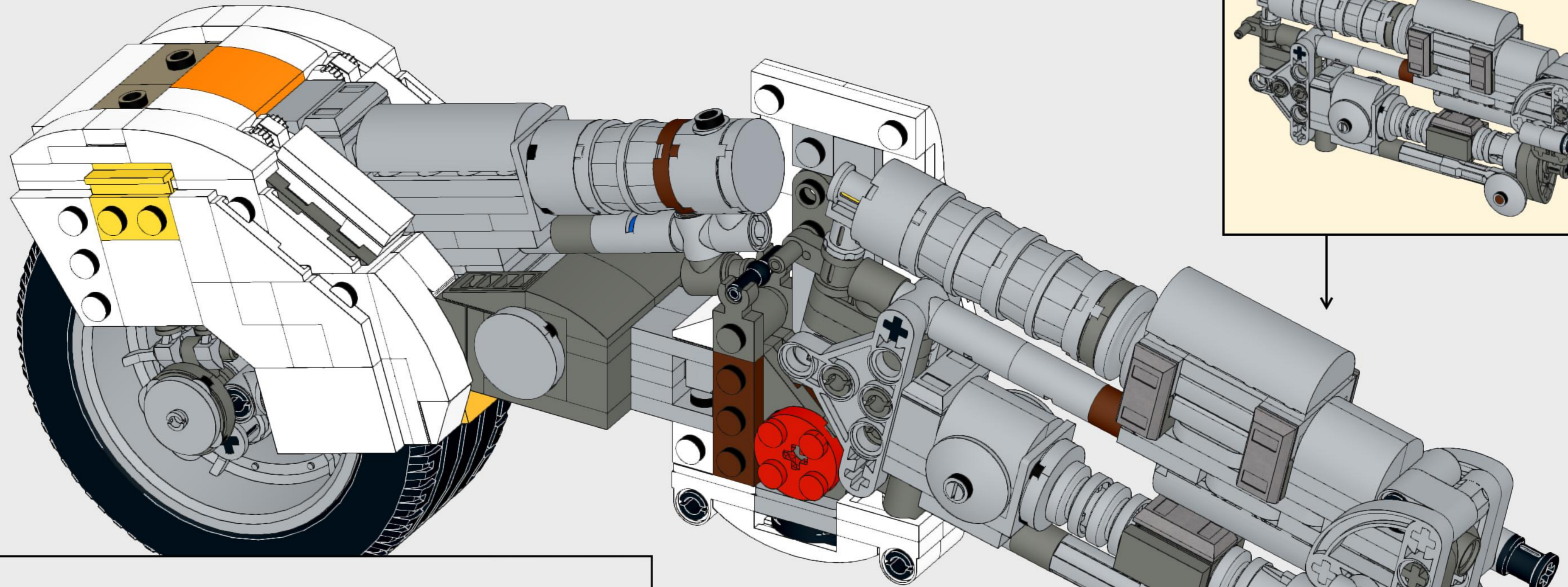
18



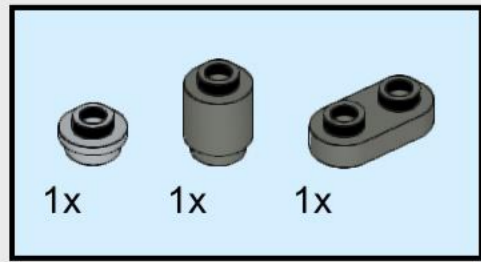
19



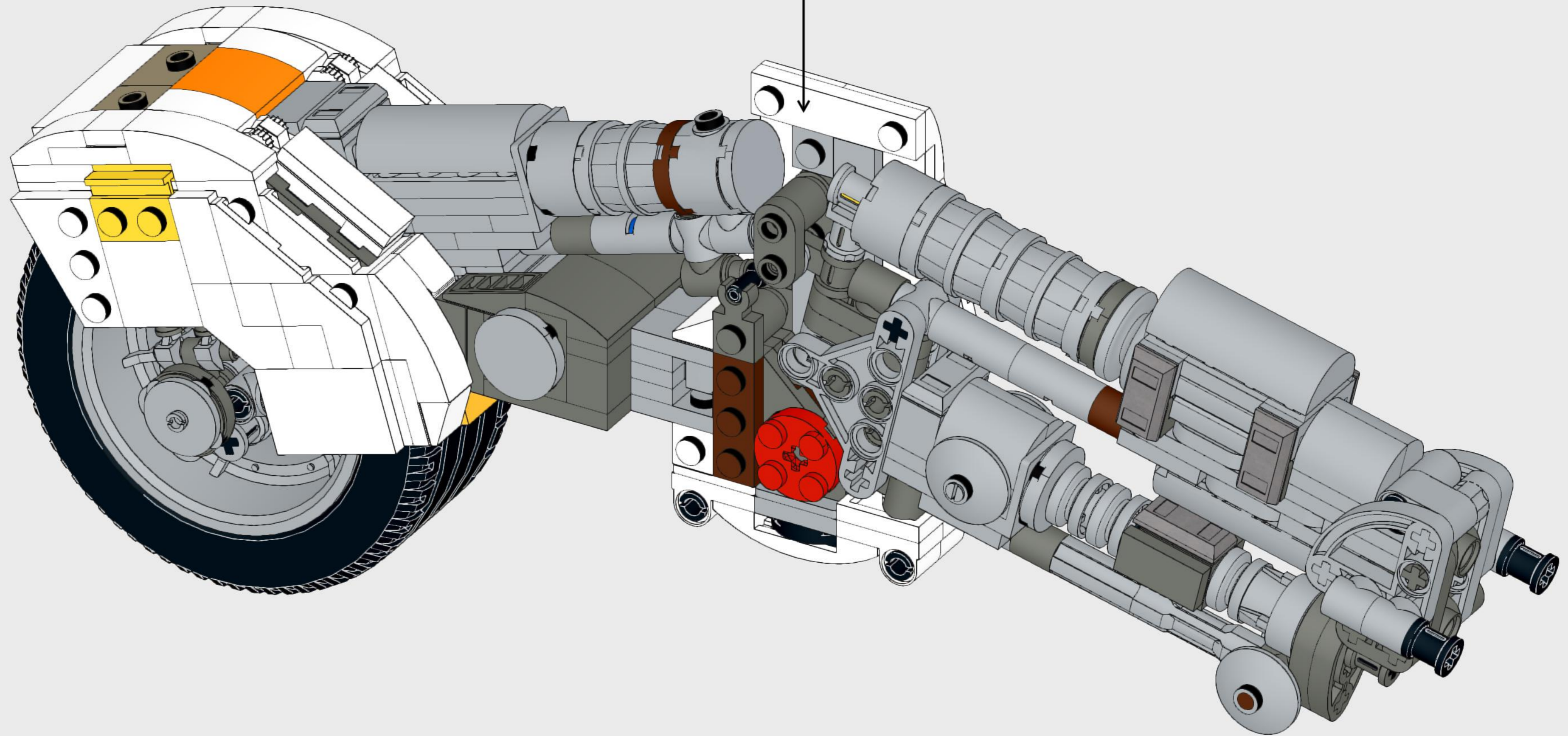
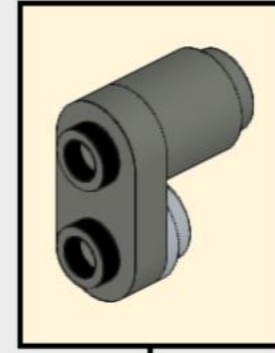
Attach rear wheel by first snapping bar and clips together at base of wheel. Then rotate the top down to clip the black bar into place.

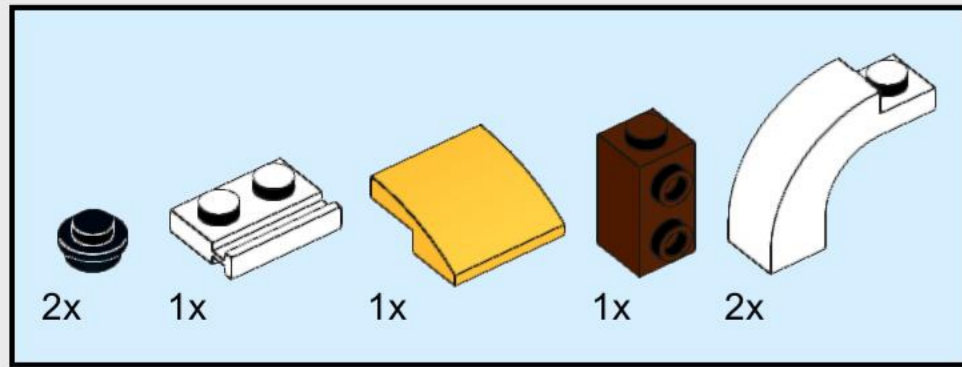


Slide bars into corresponding holes as shown.

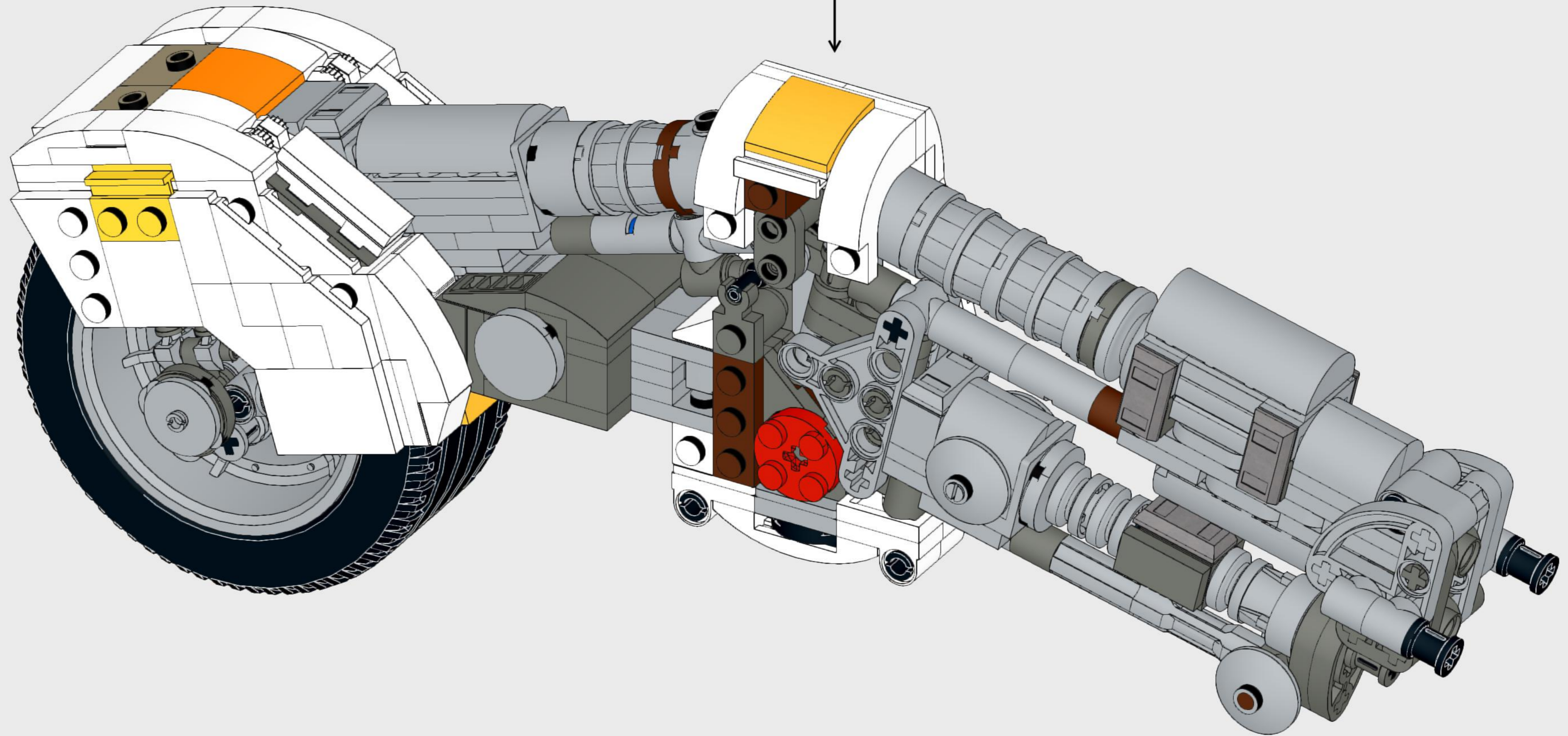
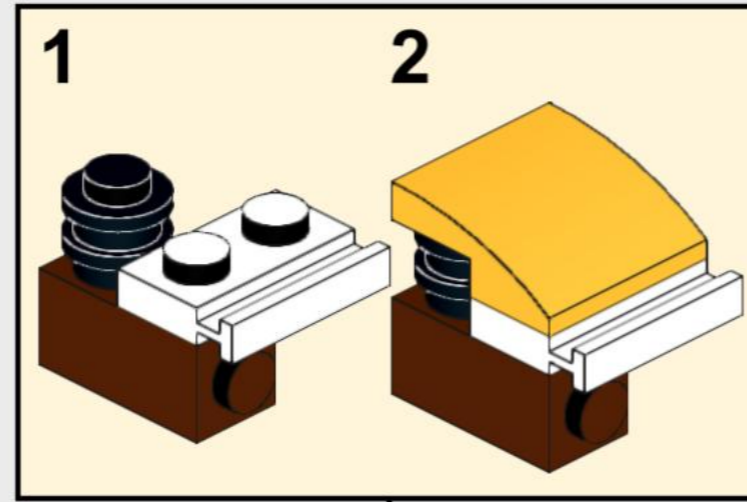


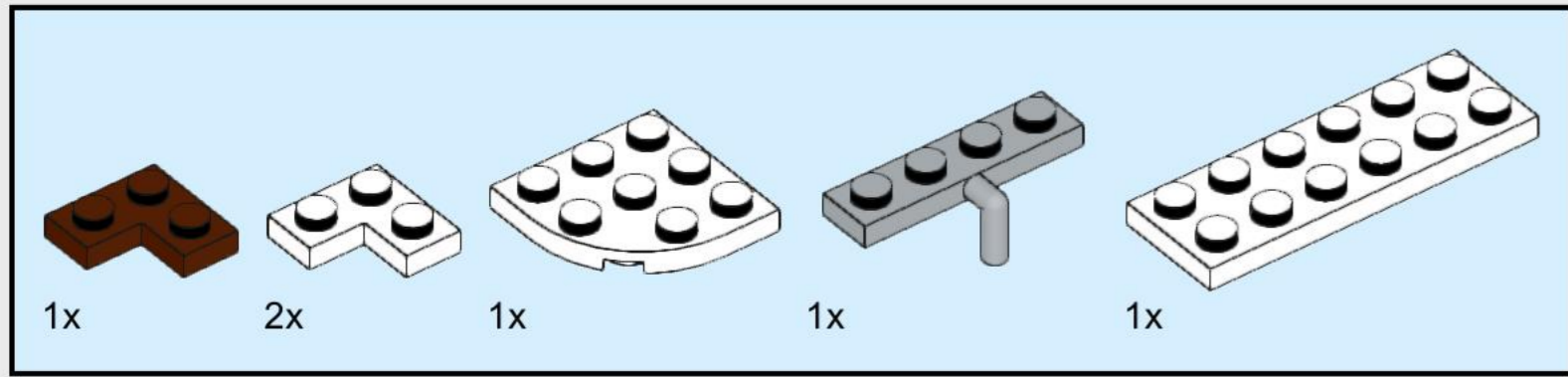
21



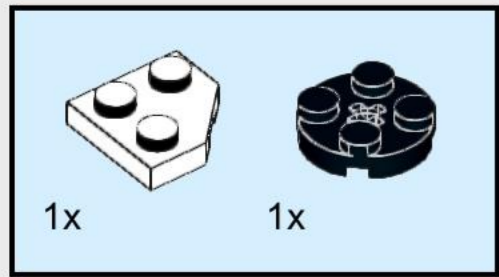
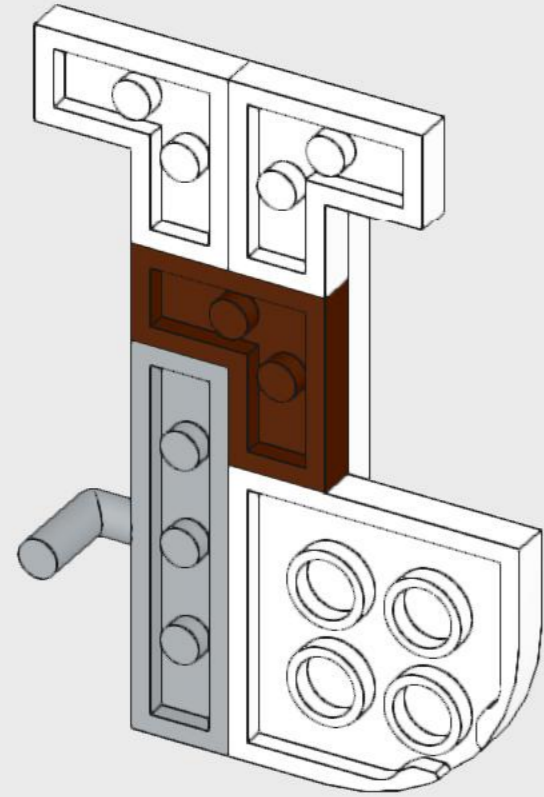


22

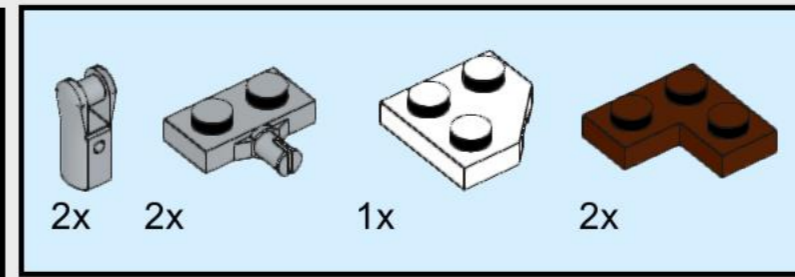
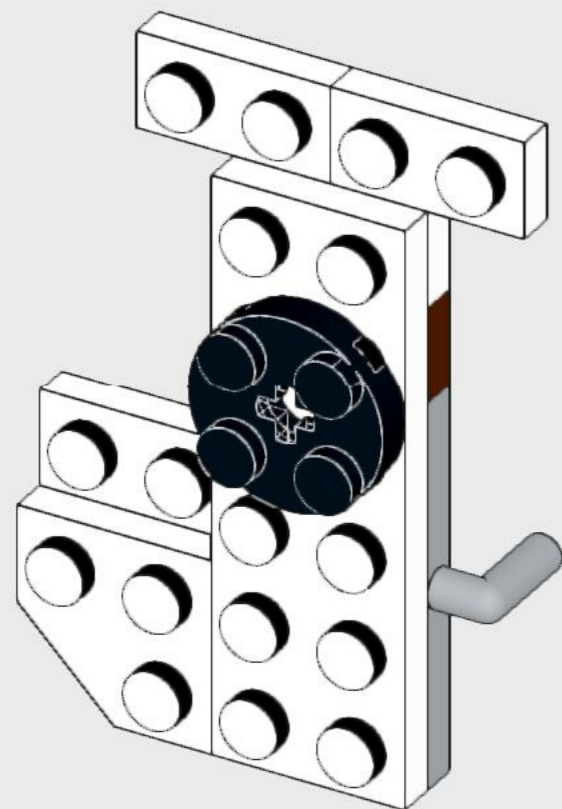




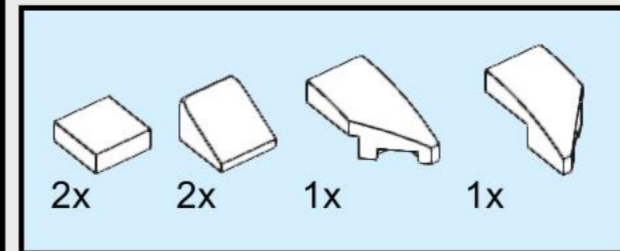
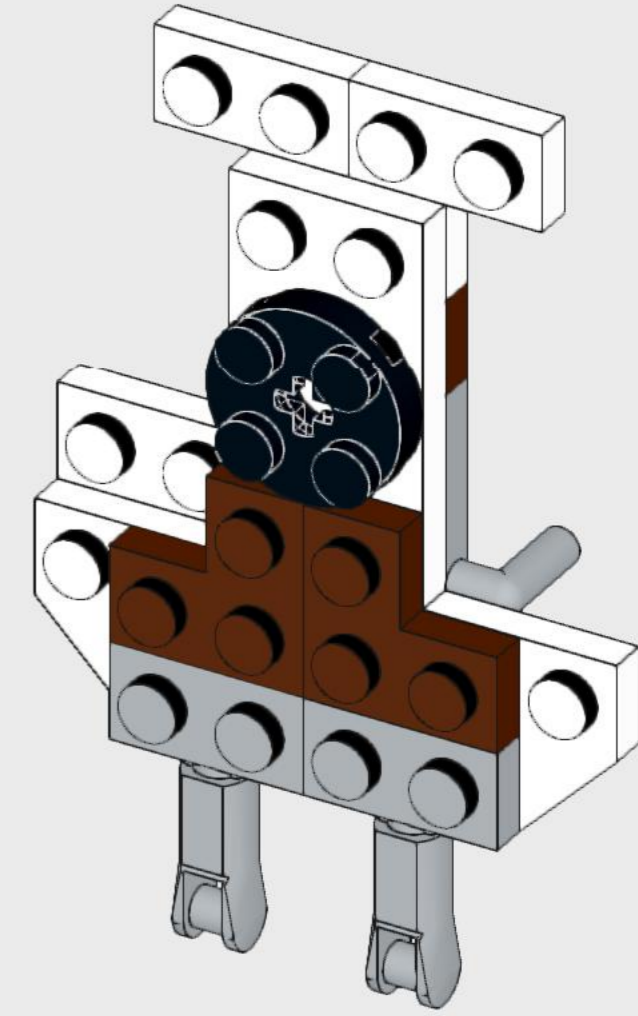
23



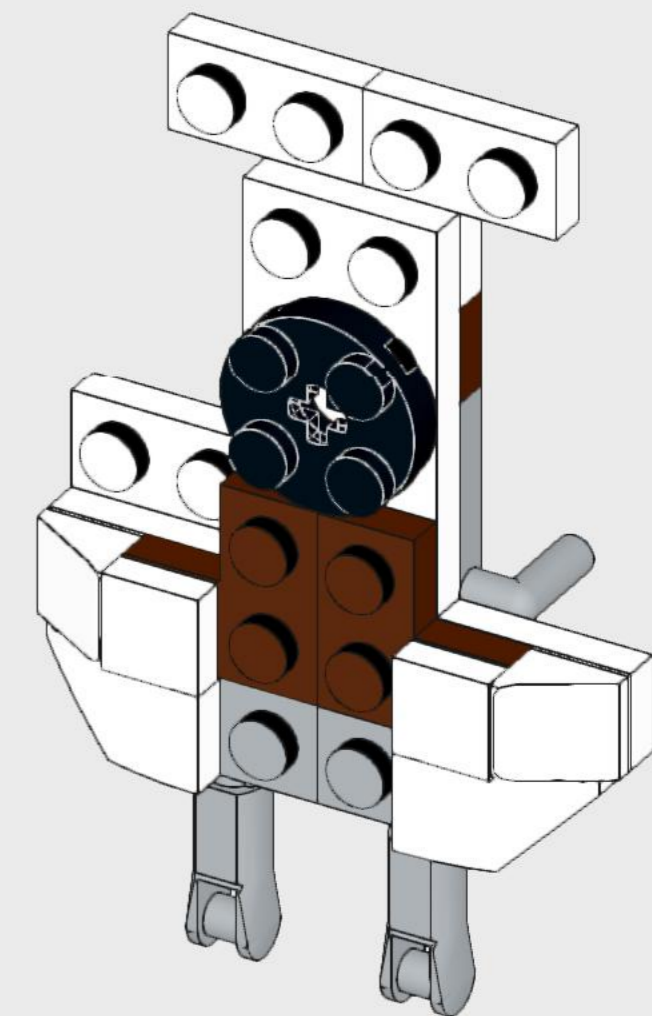
24 

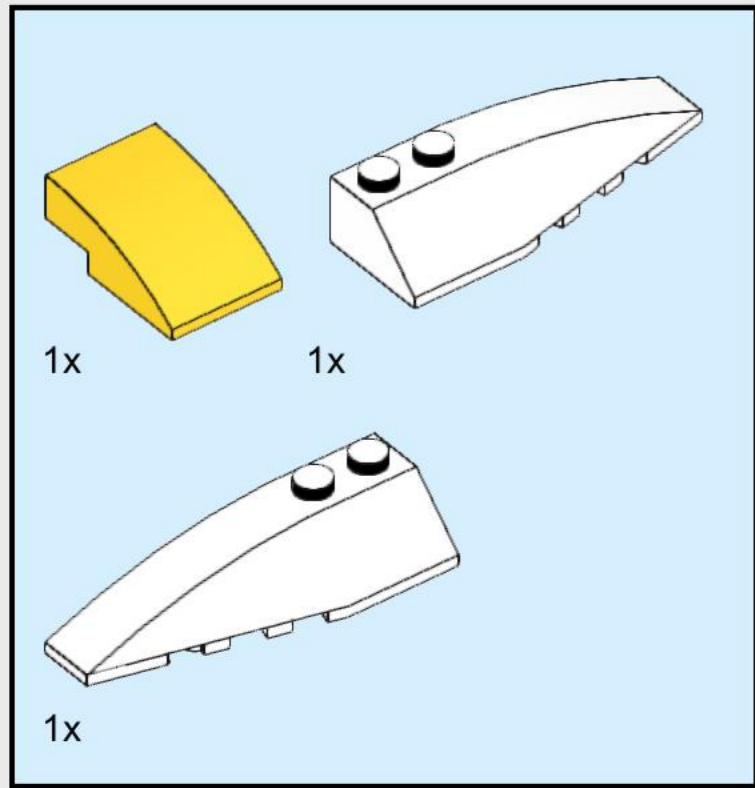


25

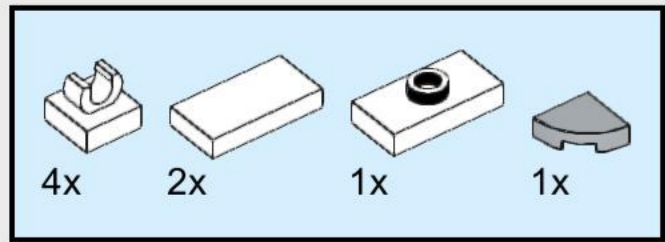
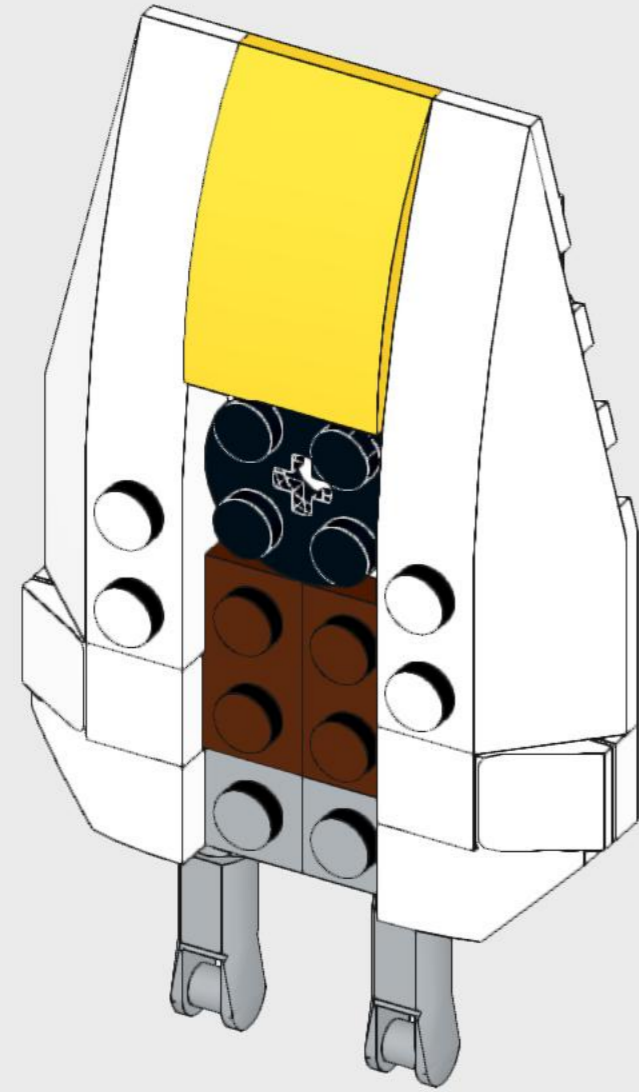


26

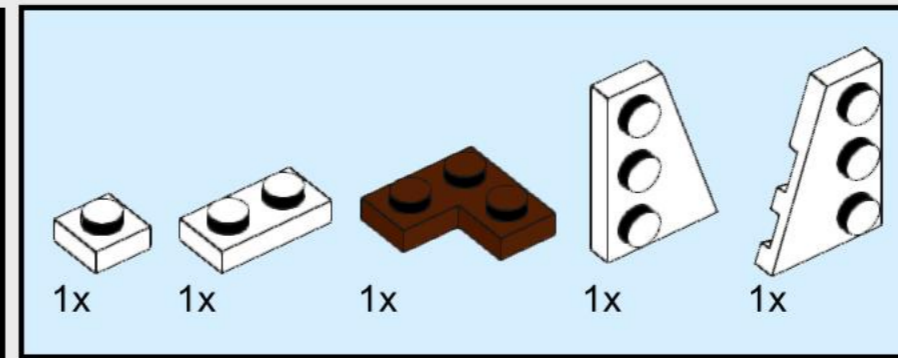
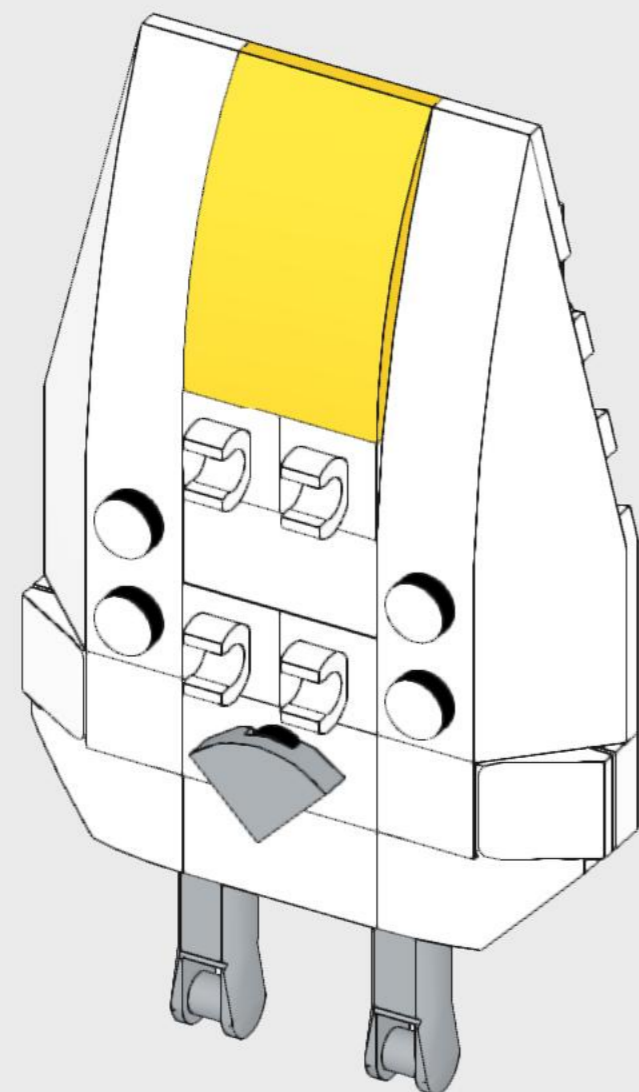




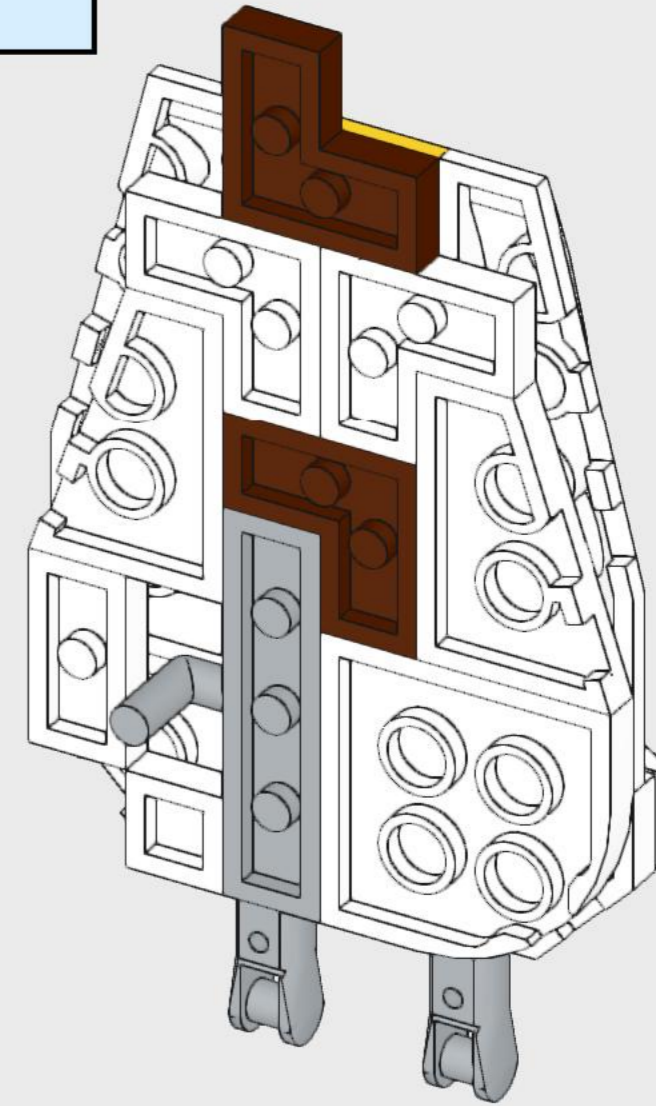
27



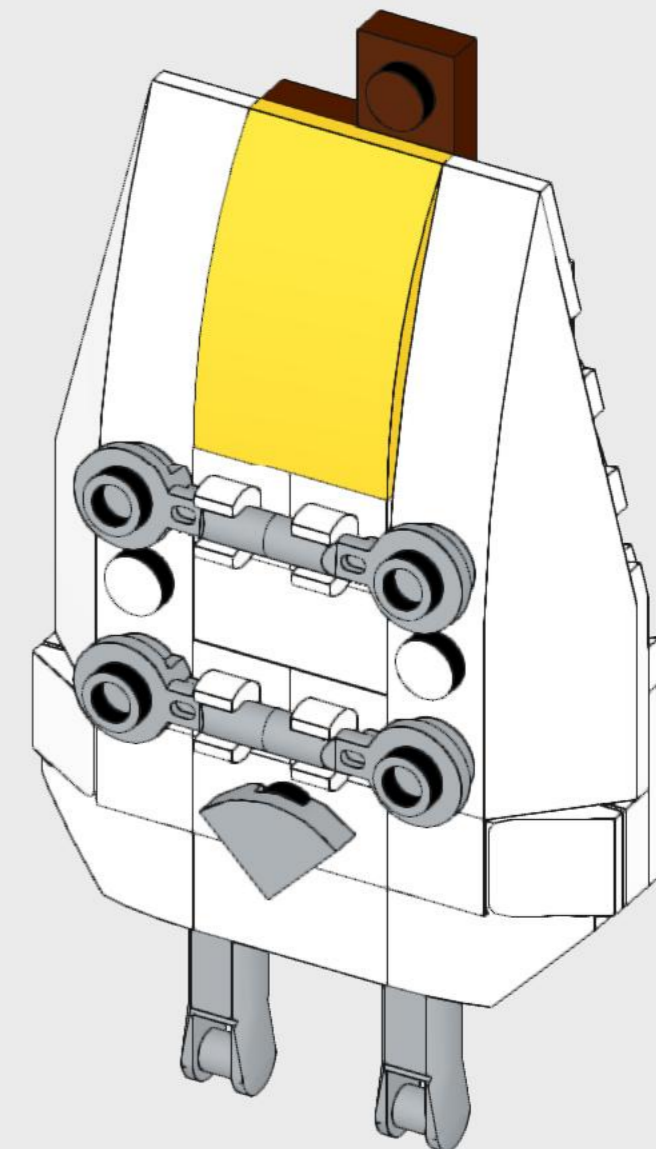
28

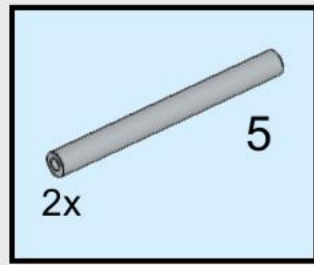


29

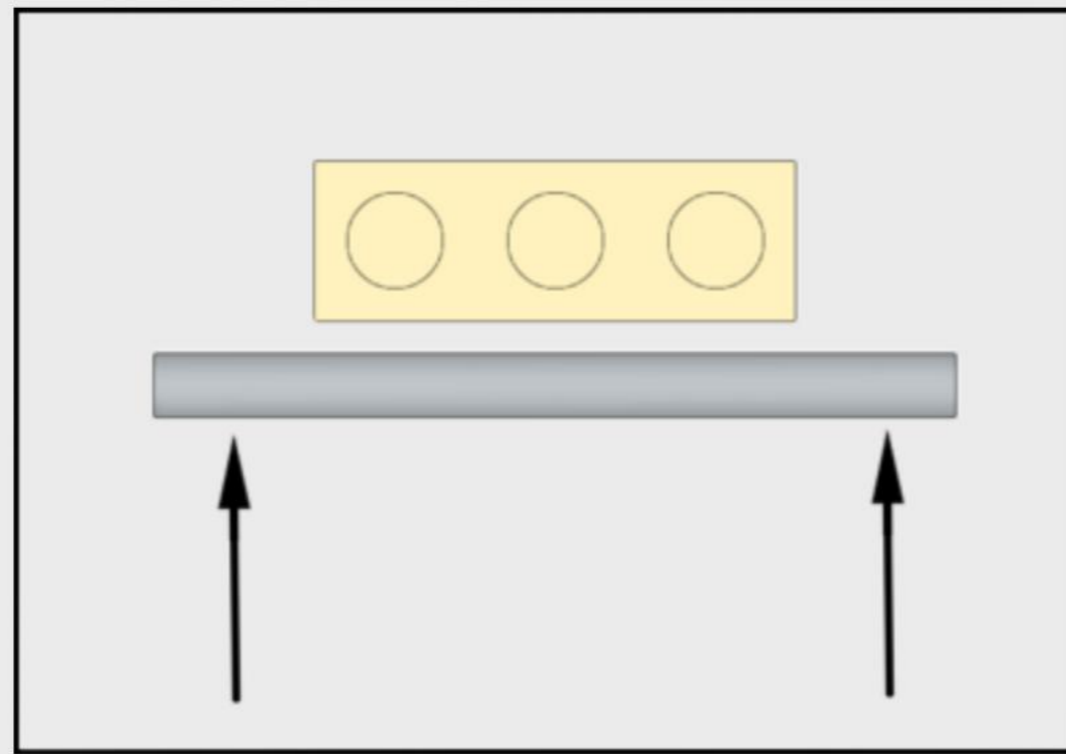


30

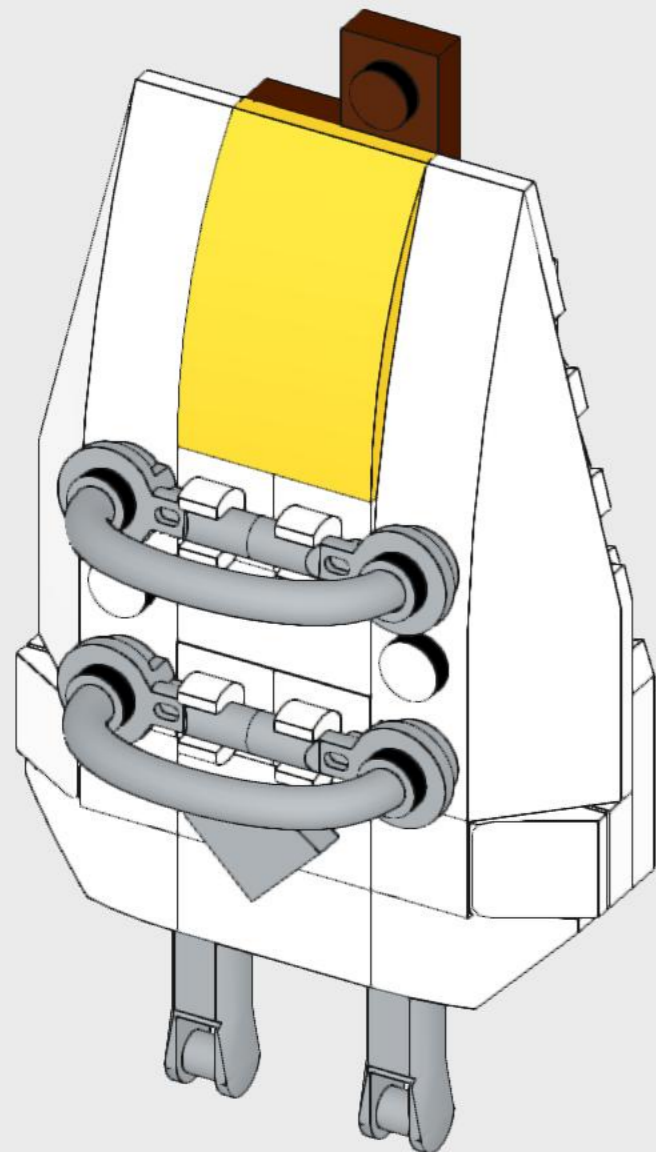




31

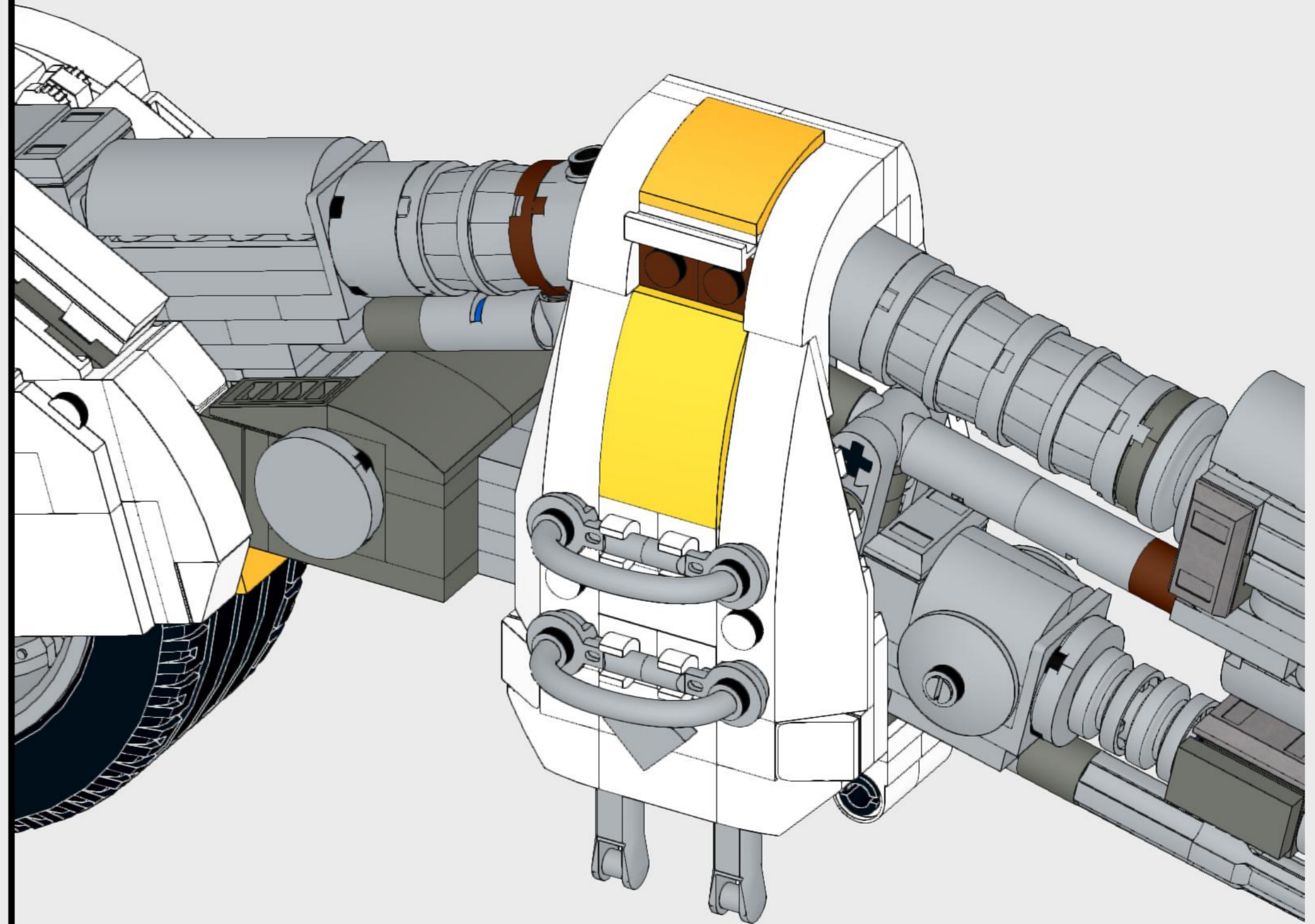


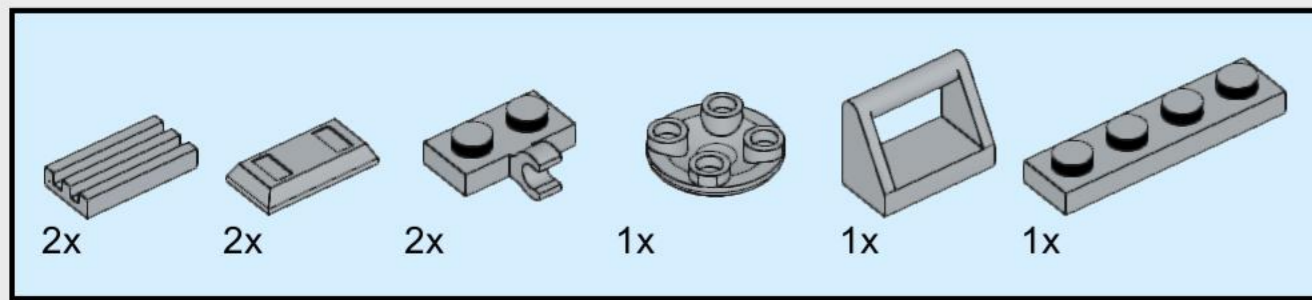
Press 5-long rigid hoses against the corners of a 3-long plate to crease/pinch the hose at a 90 degree angle. Then insert into hollow studs.



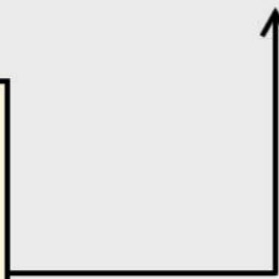
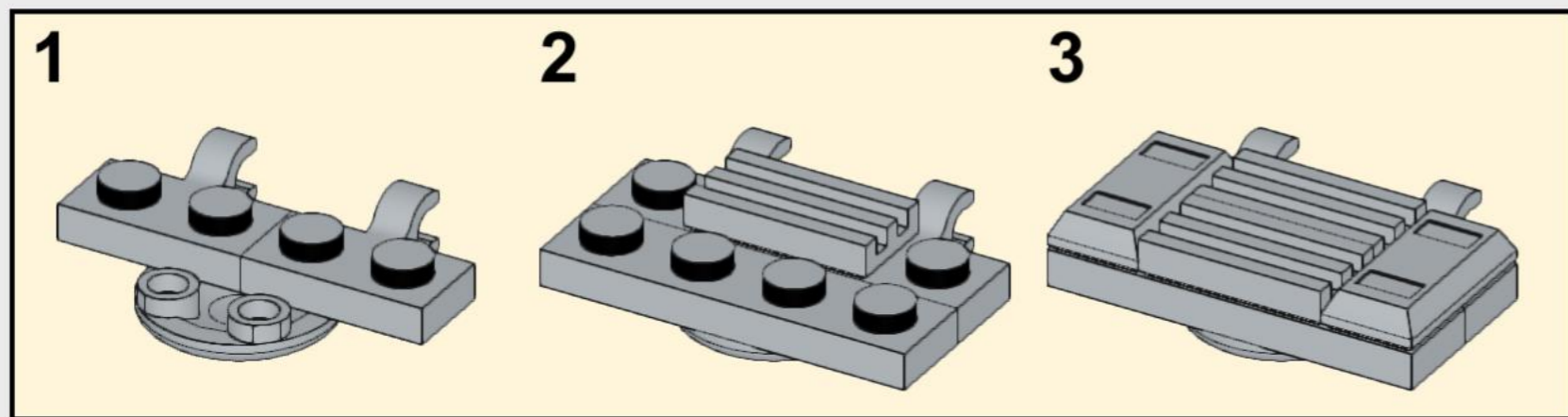
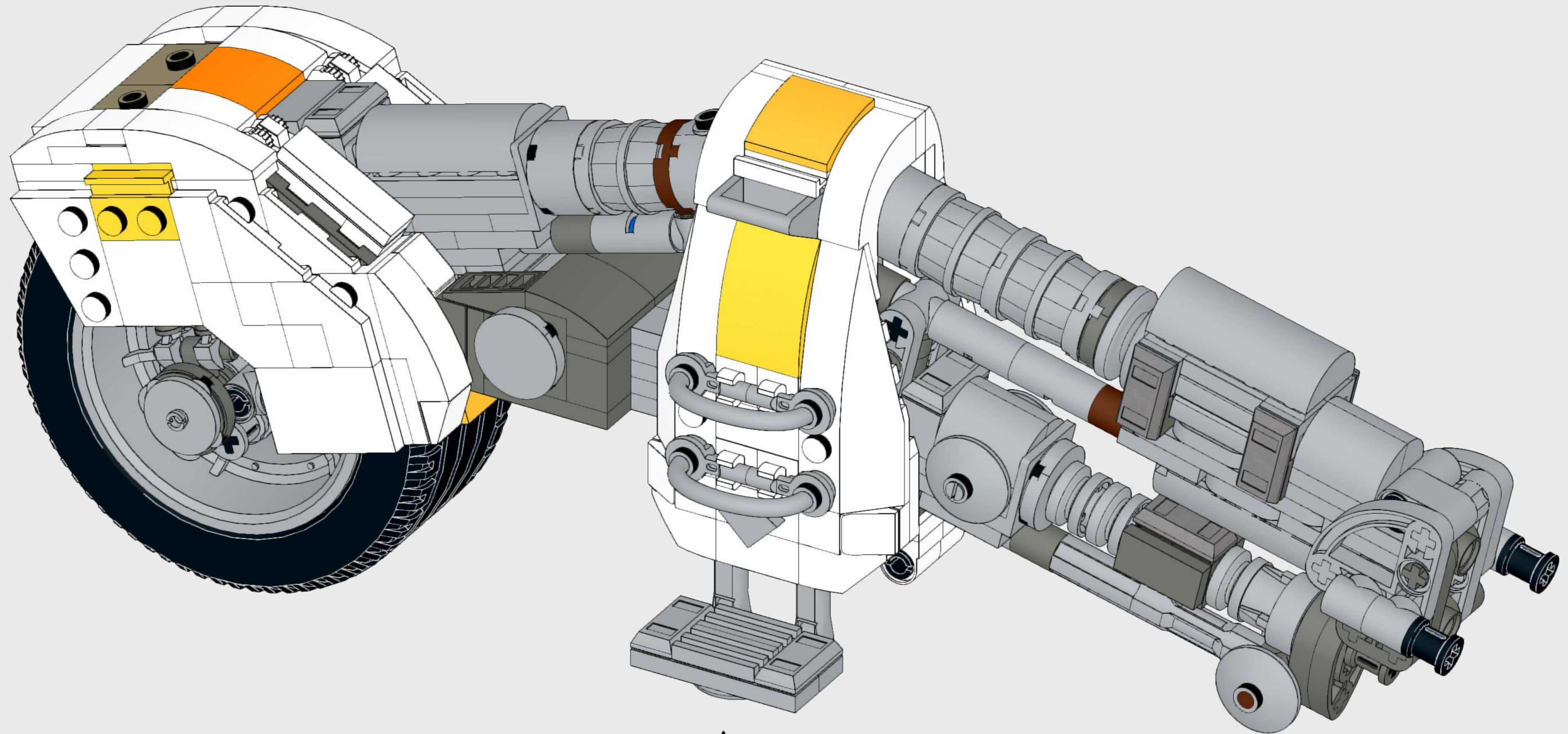
32

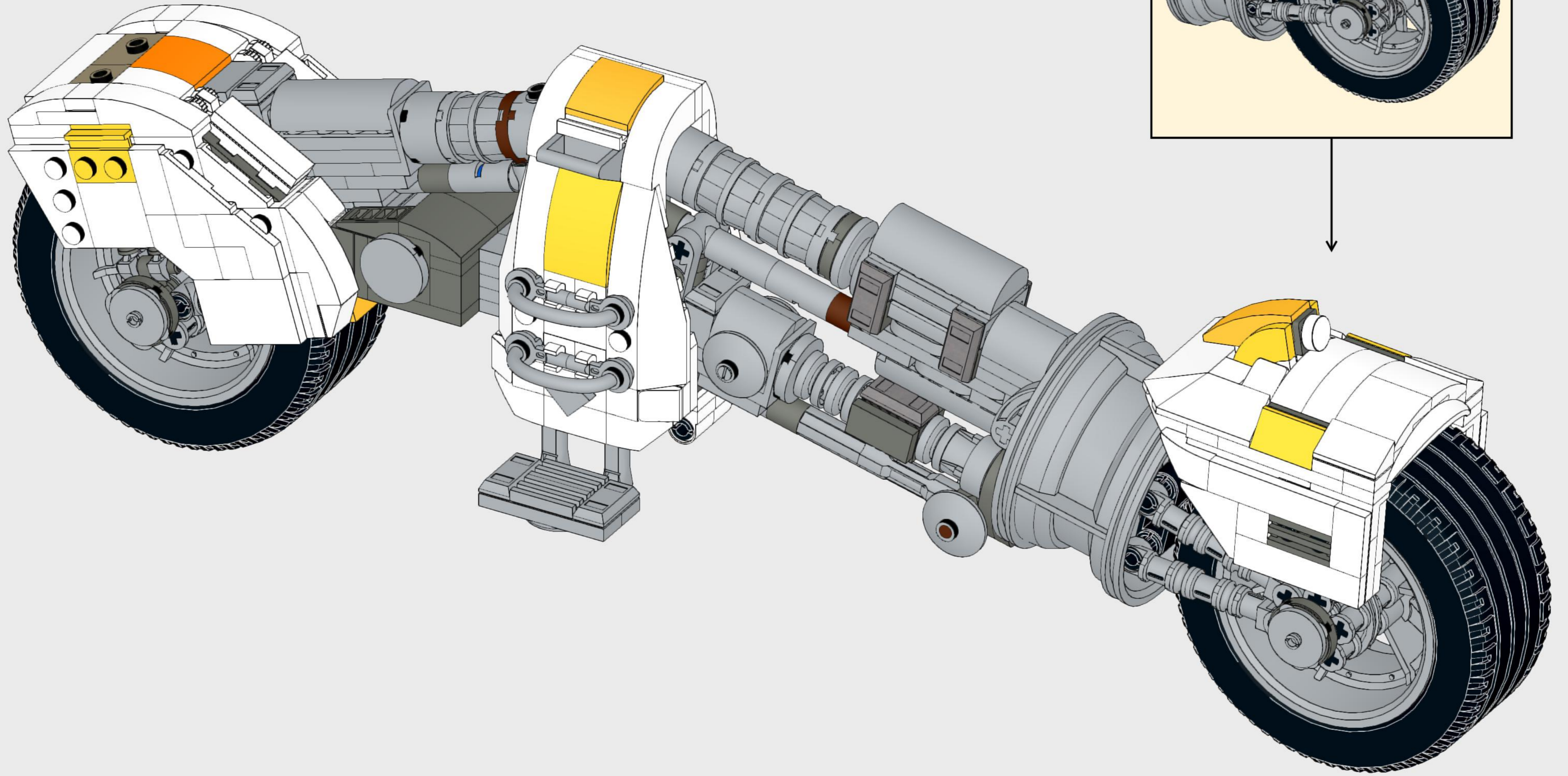
Note that this section will fit somewhat tight when placed, due to the grey arms putting pressure on the arched bricks.

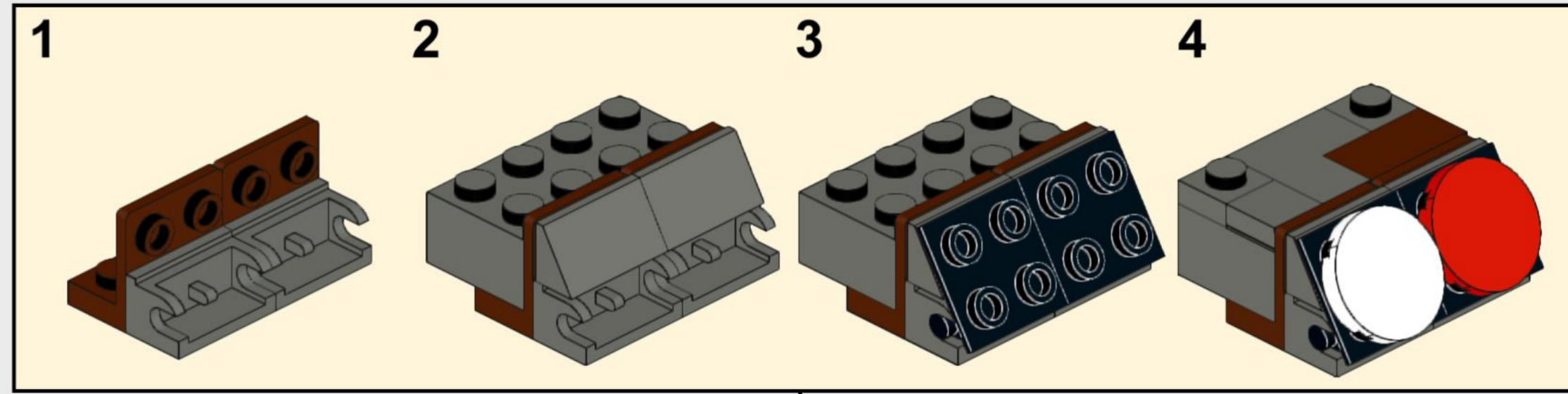
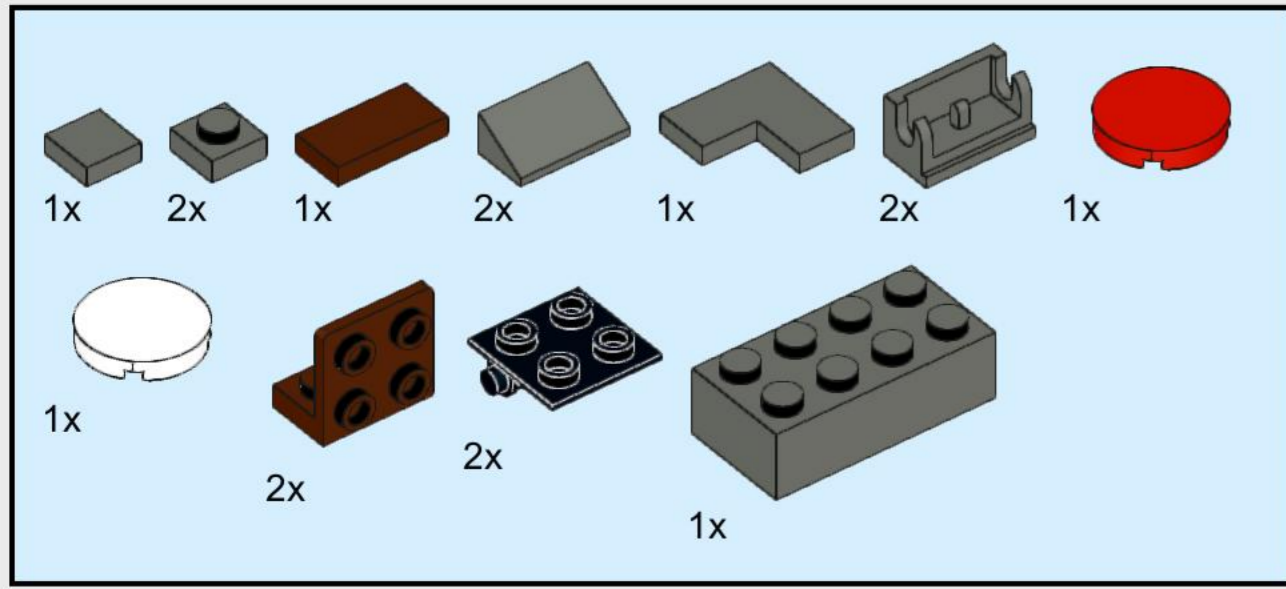




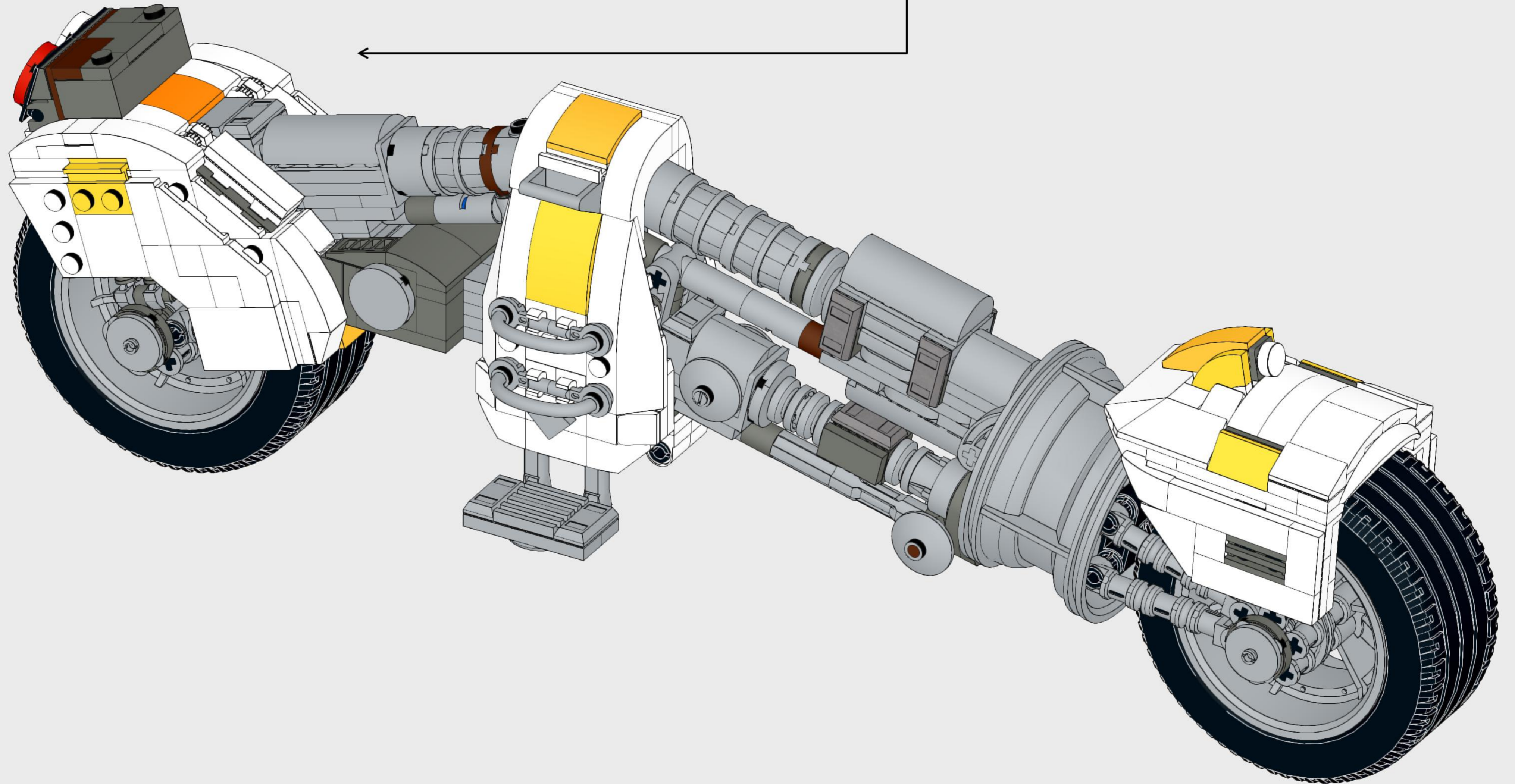
33

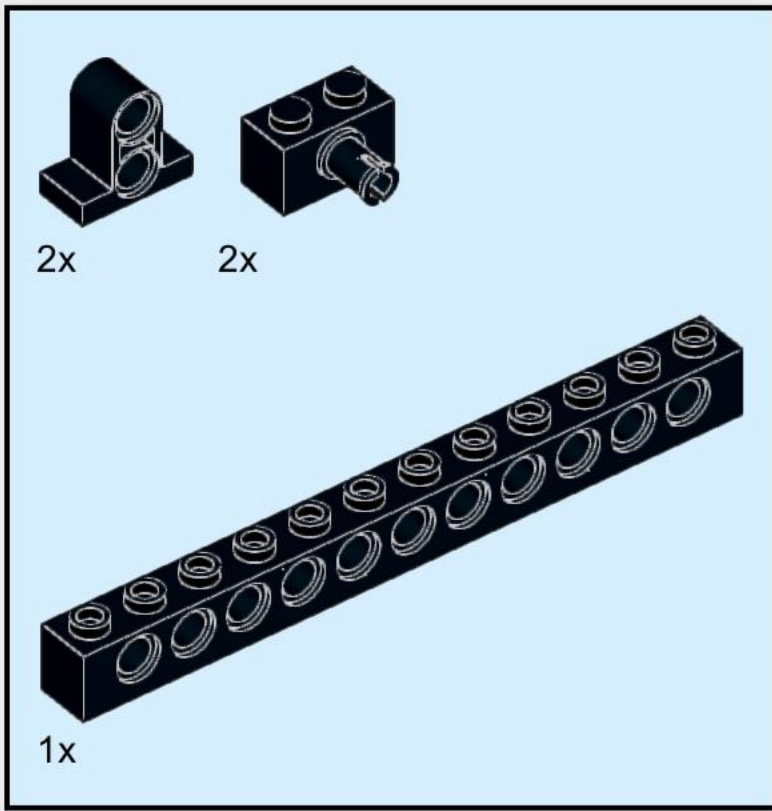
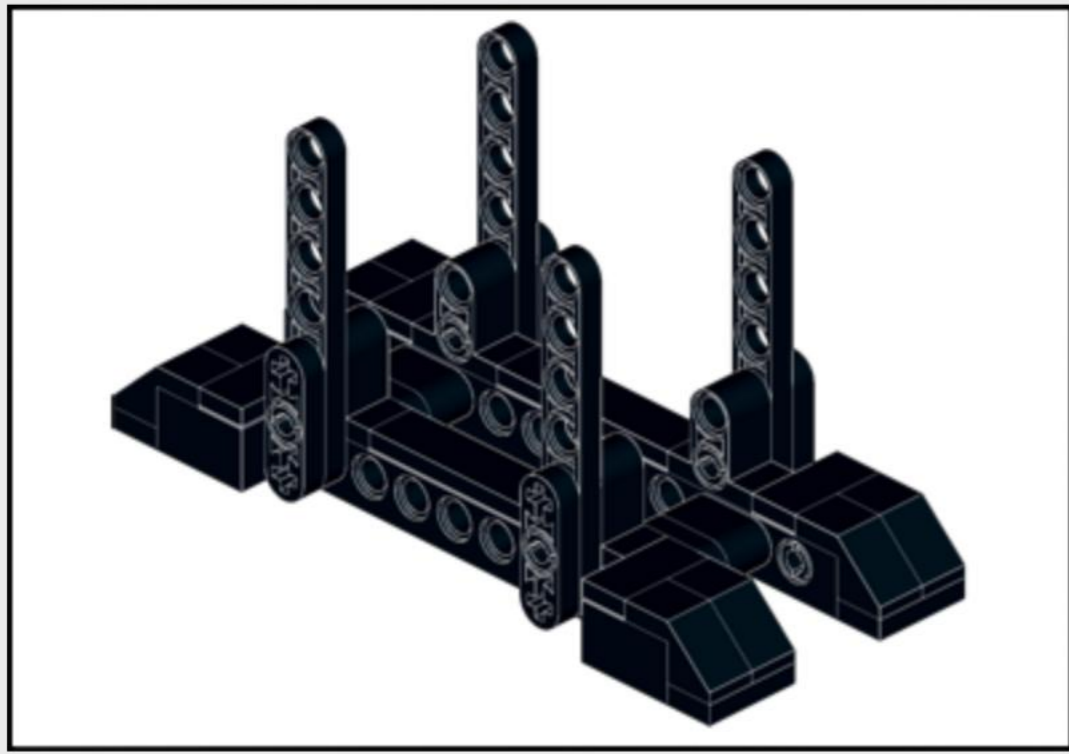




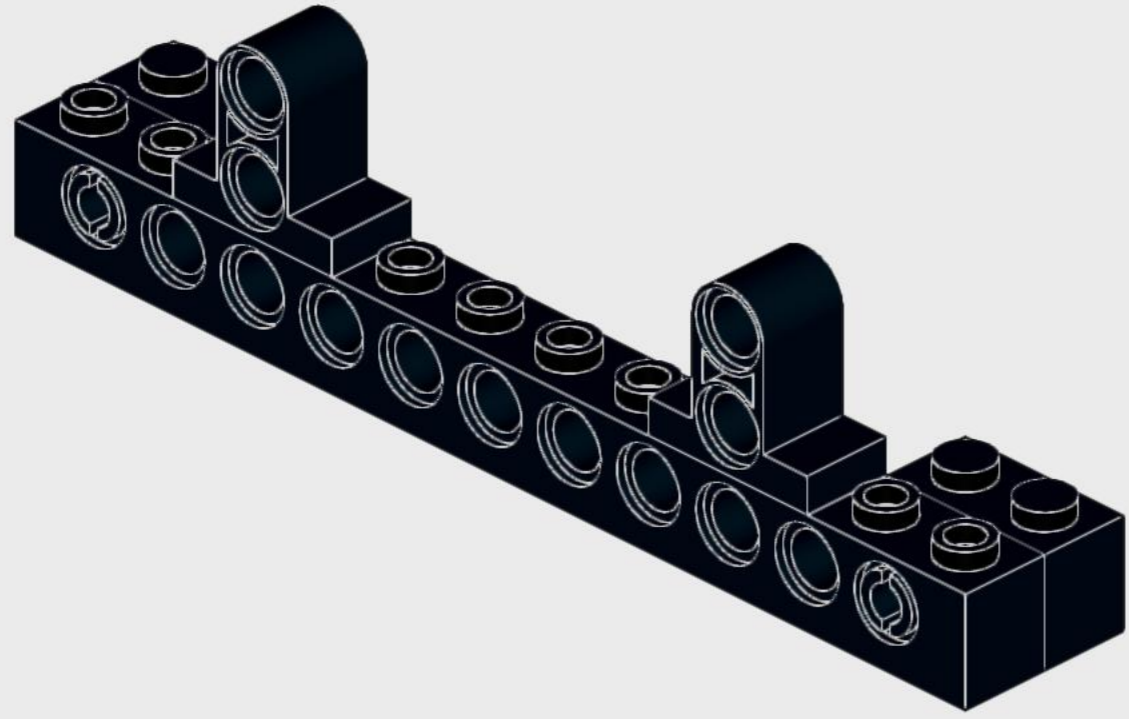


35

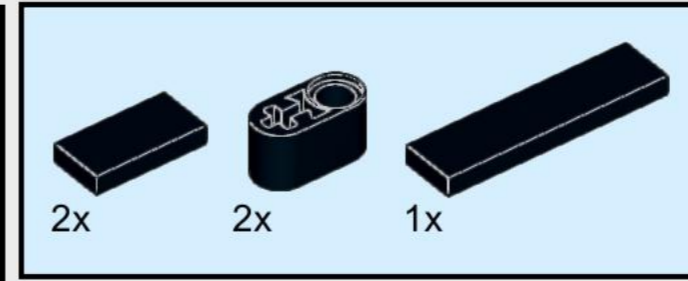
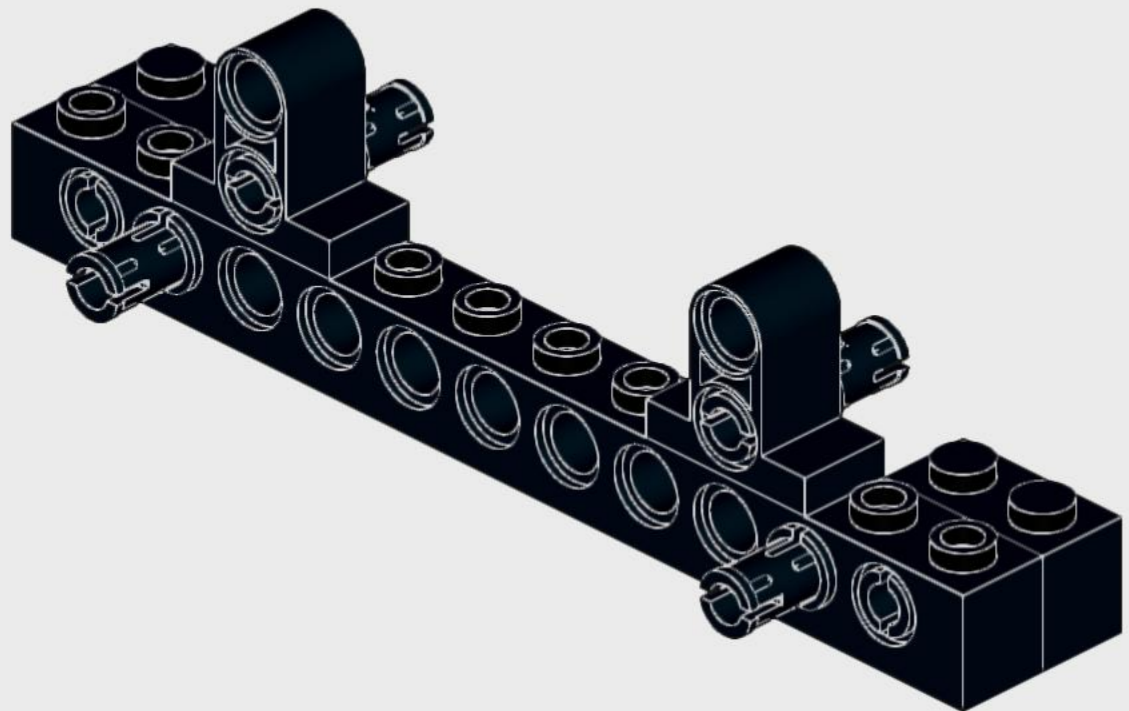




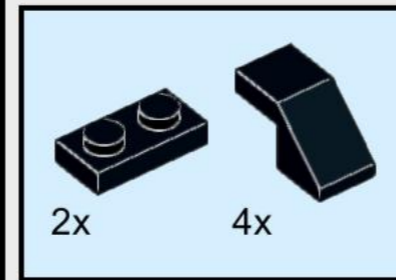
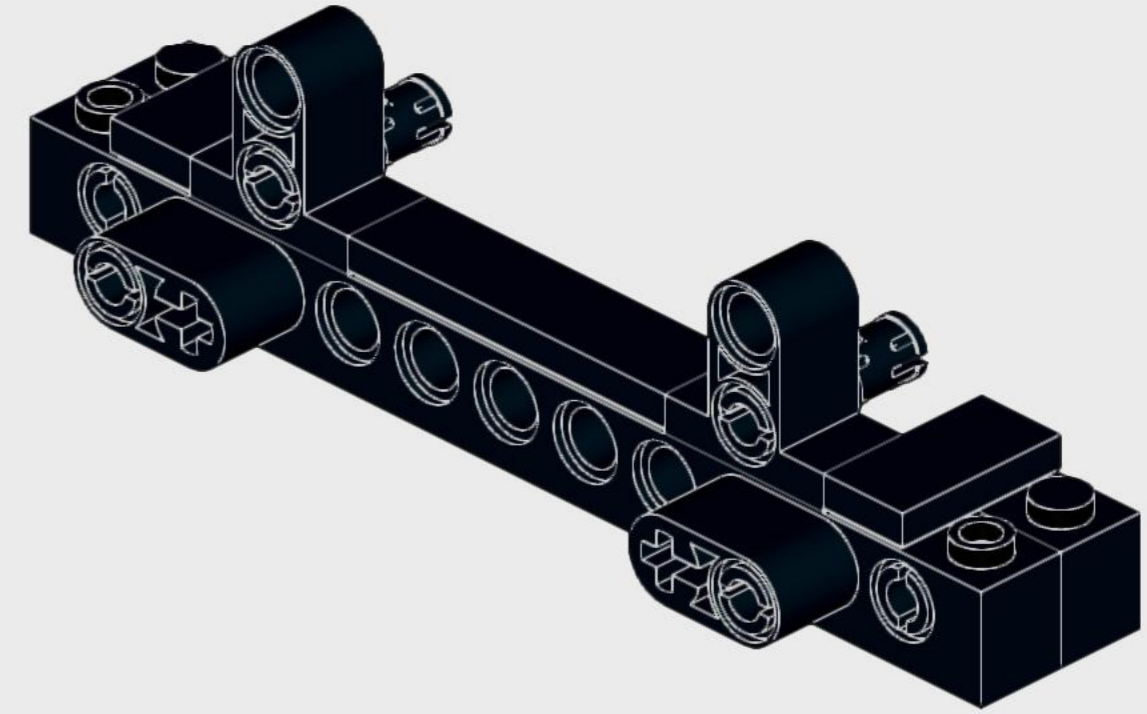
1



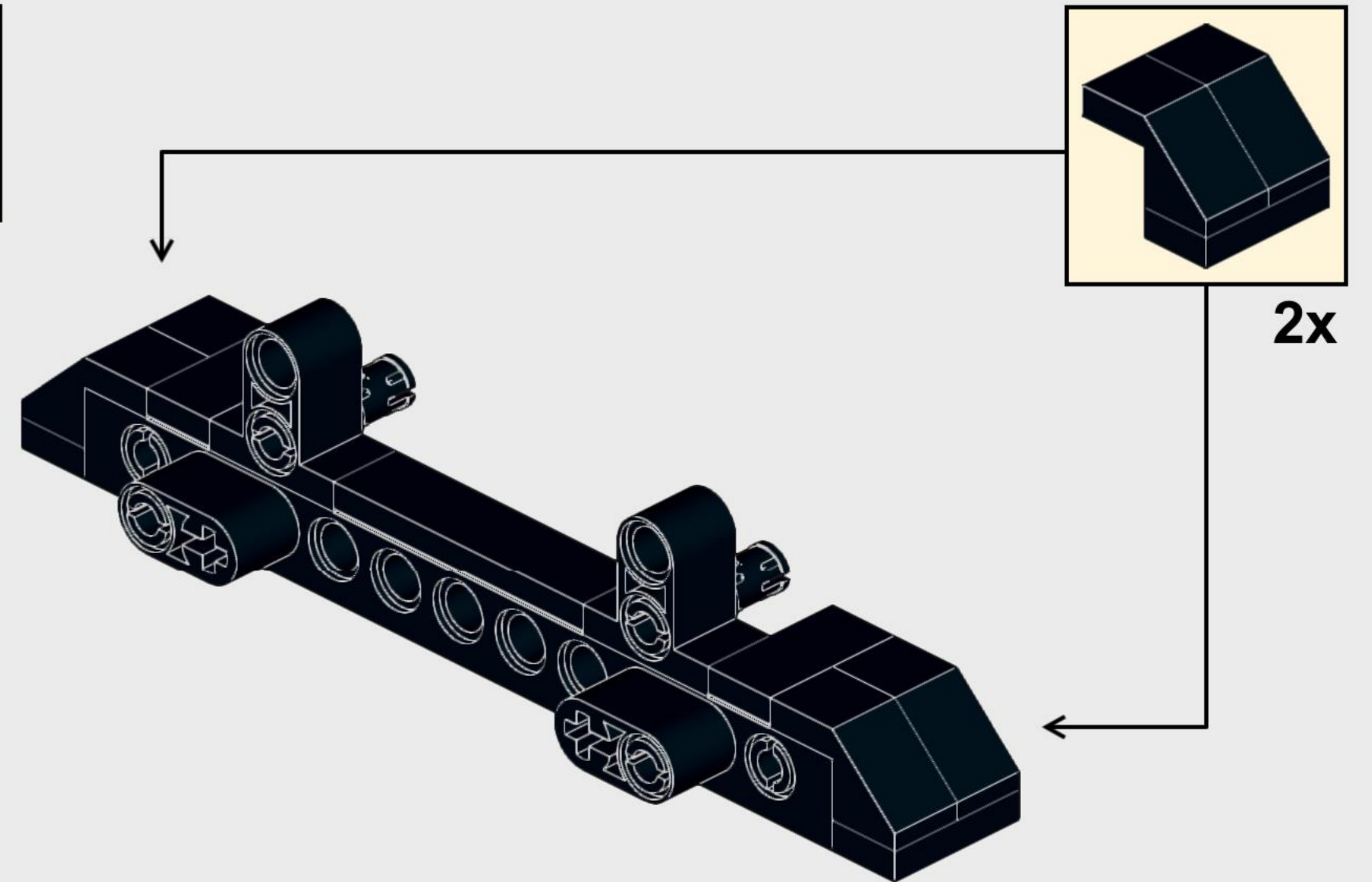
2

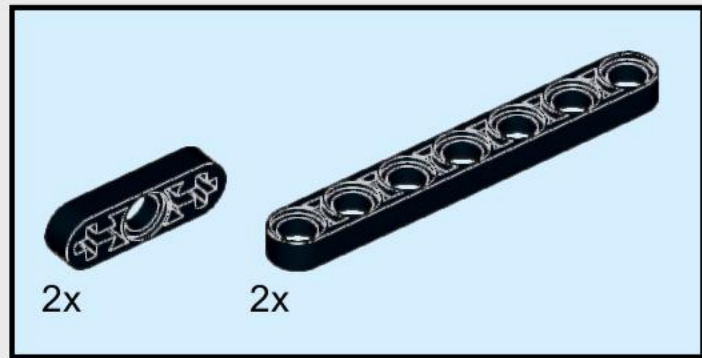


3

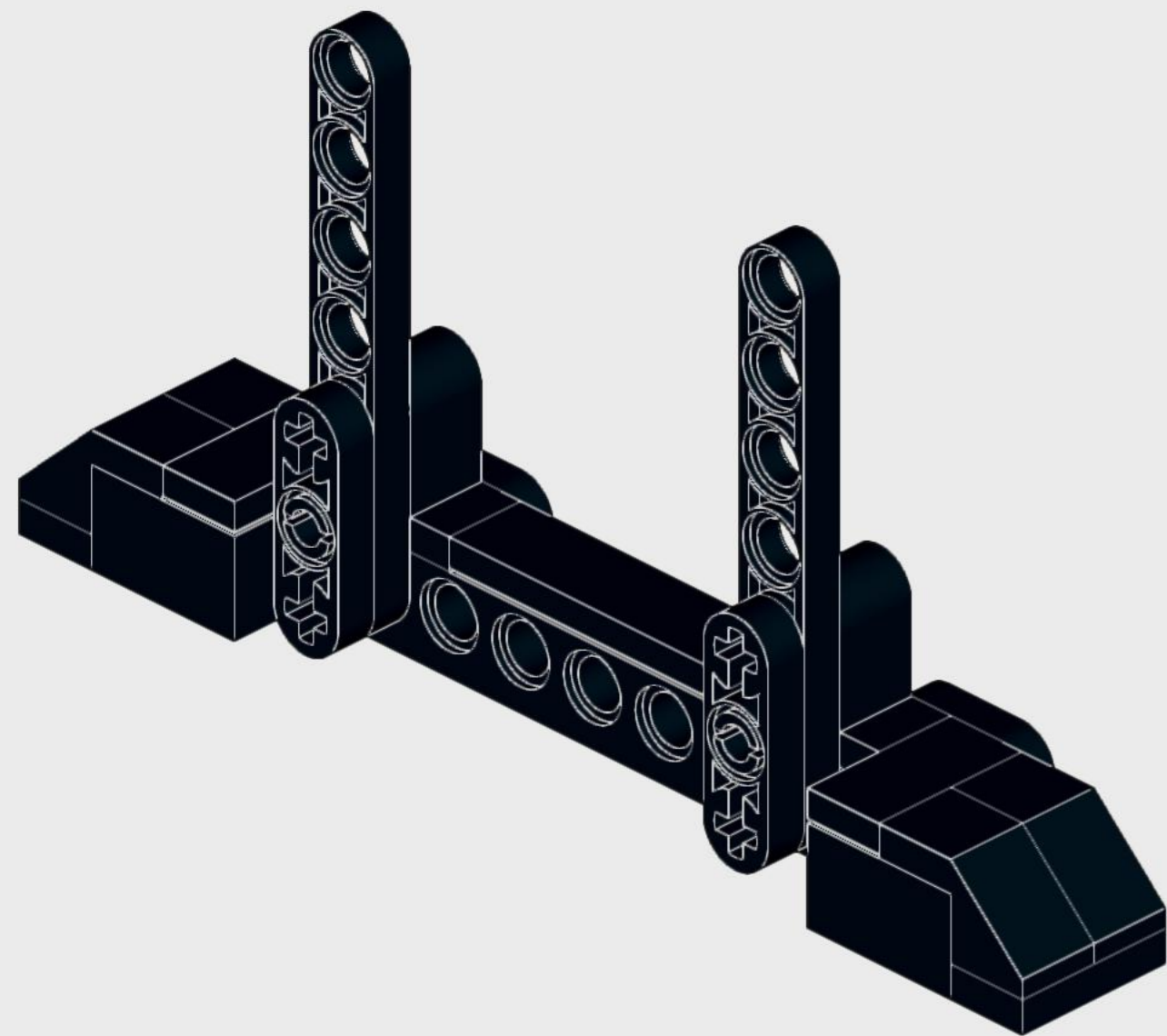


4



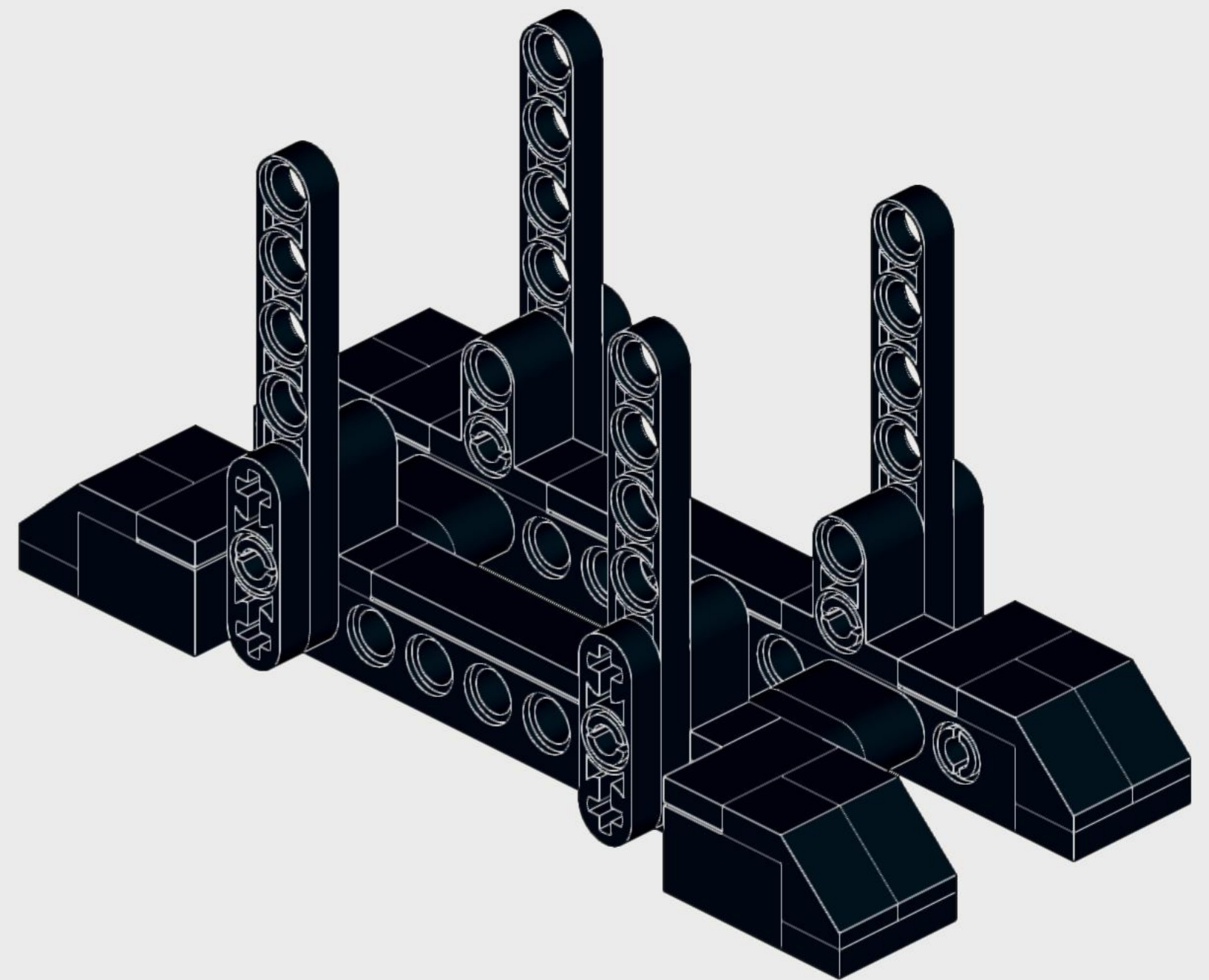


5 

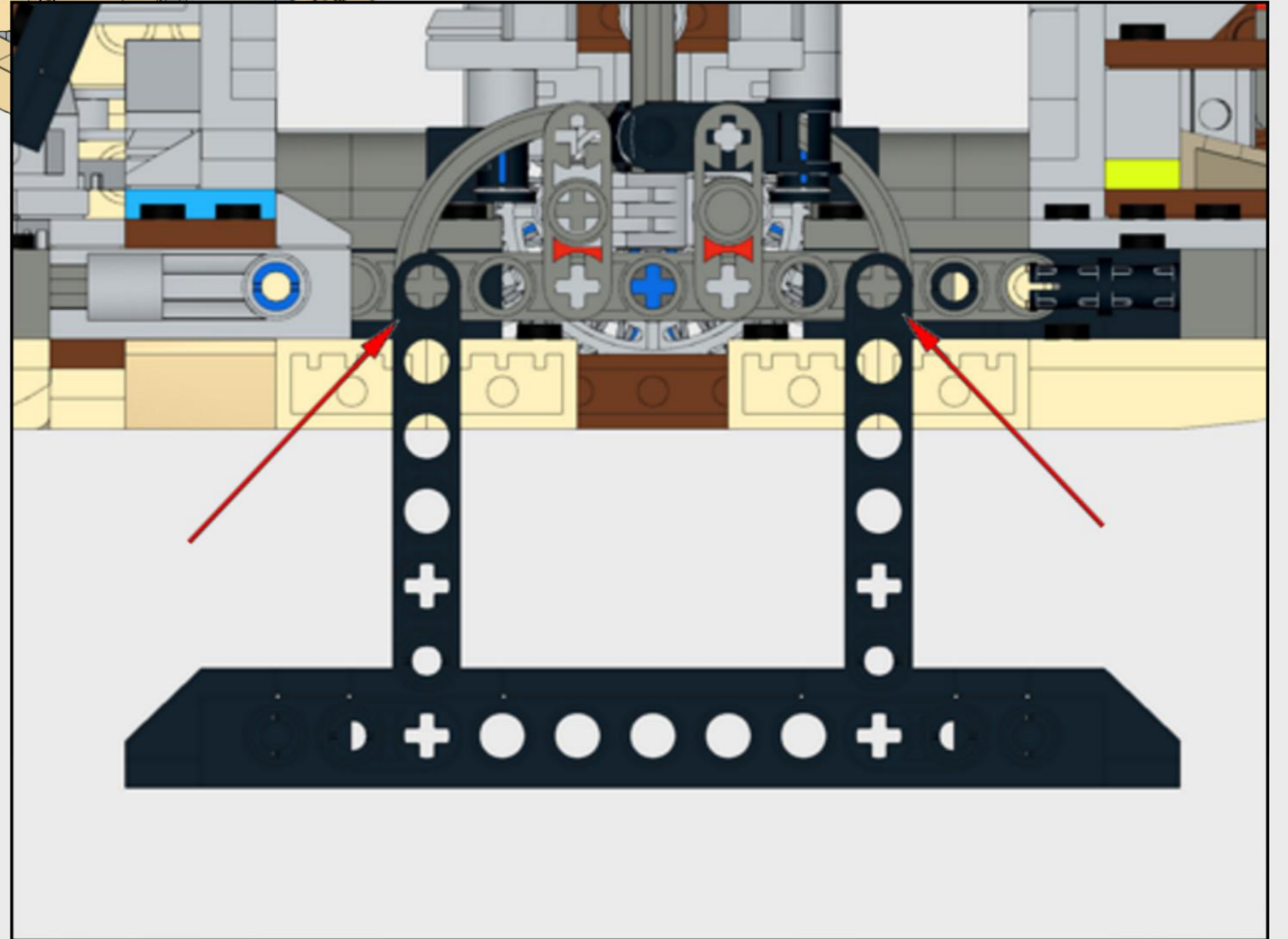
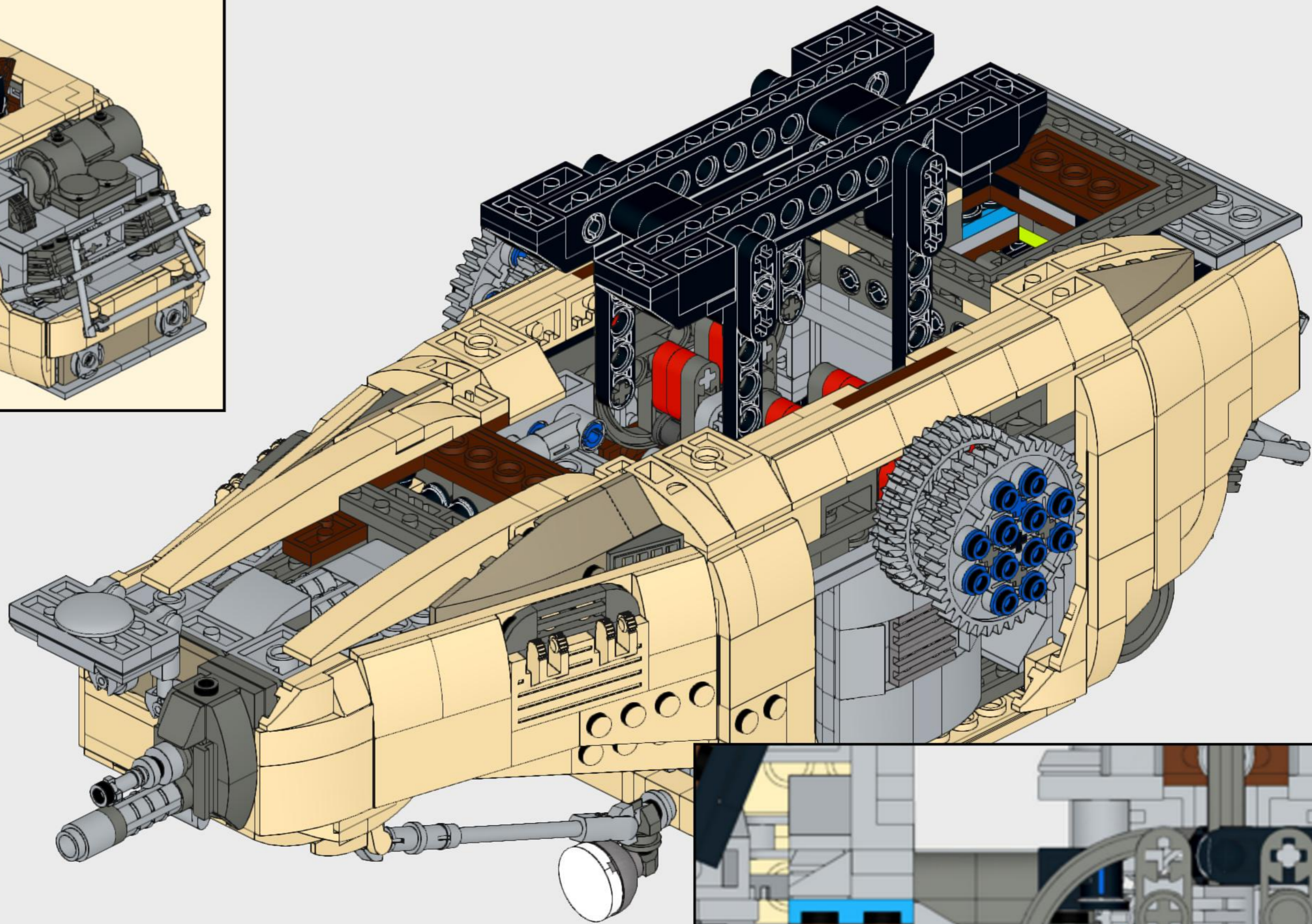
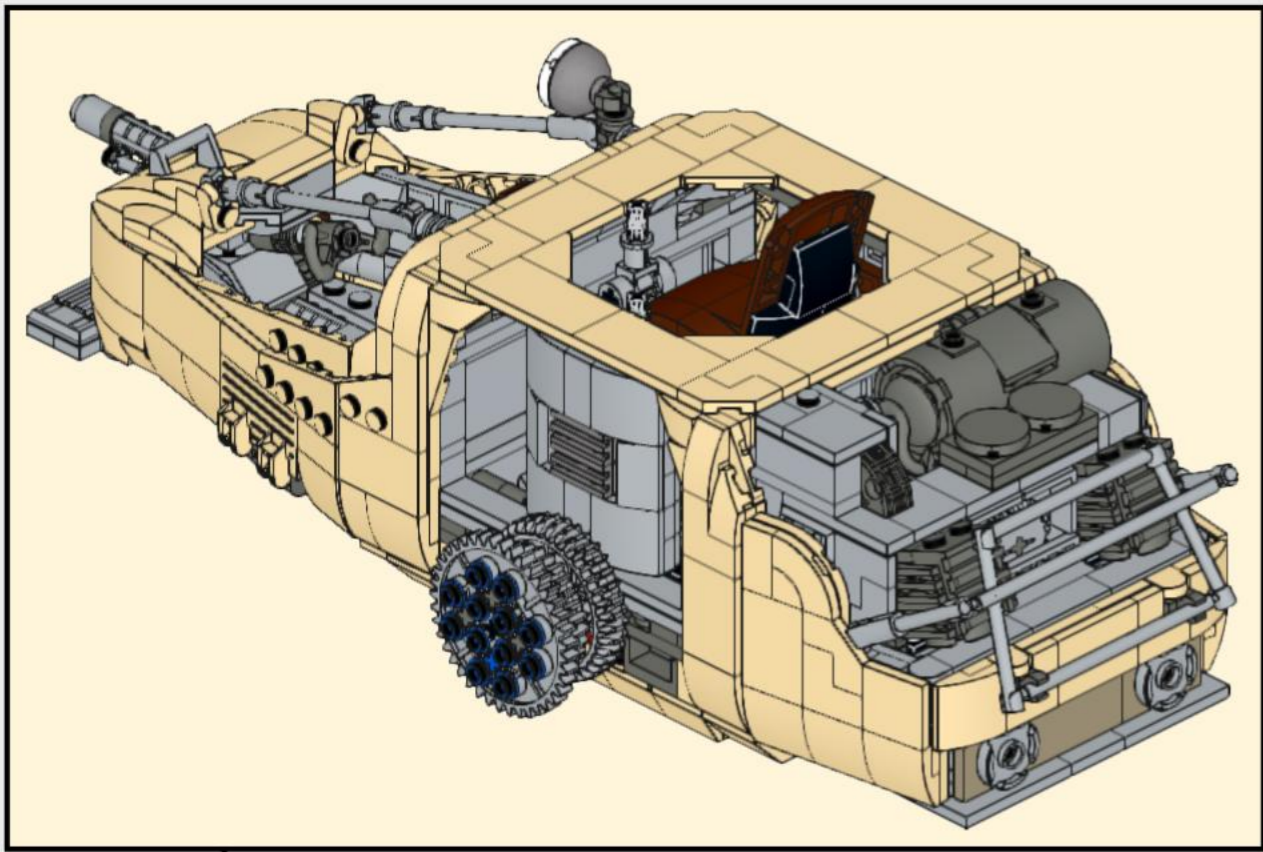


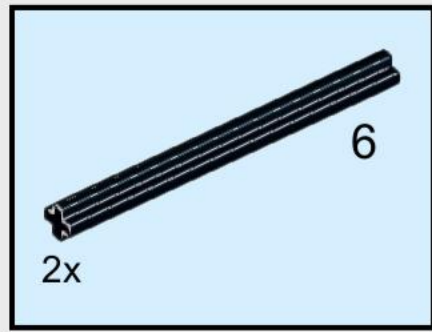
x2

6

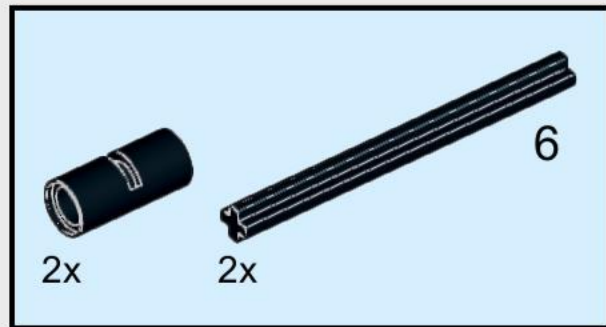
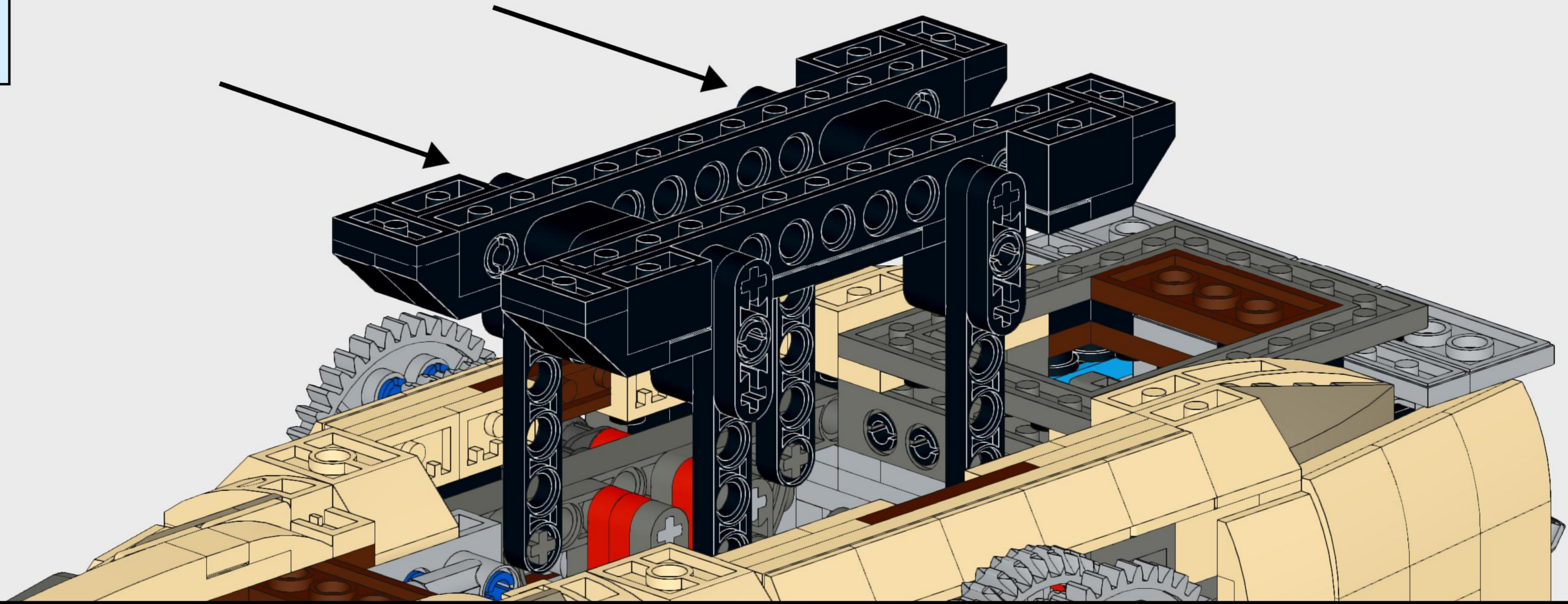


7

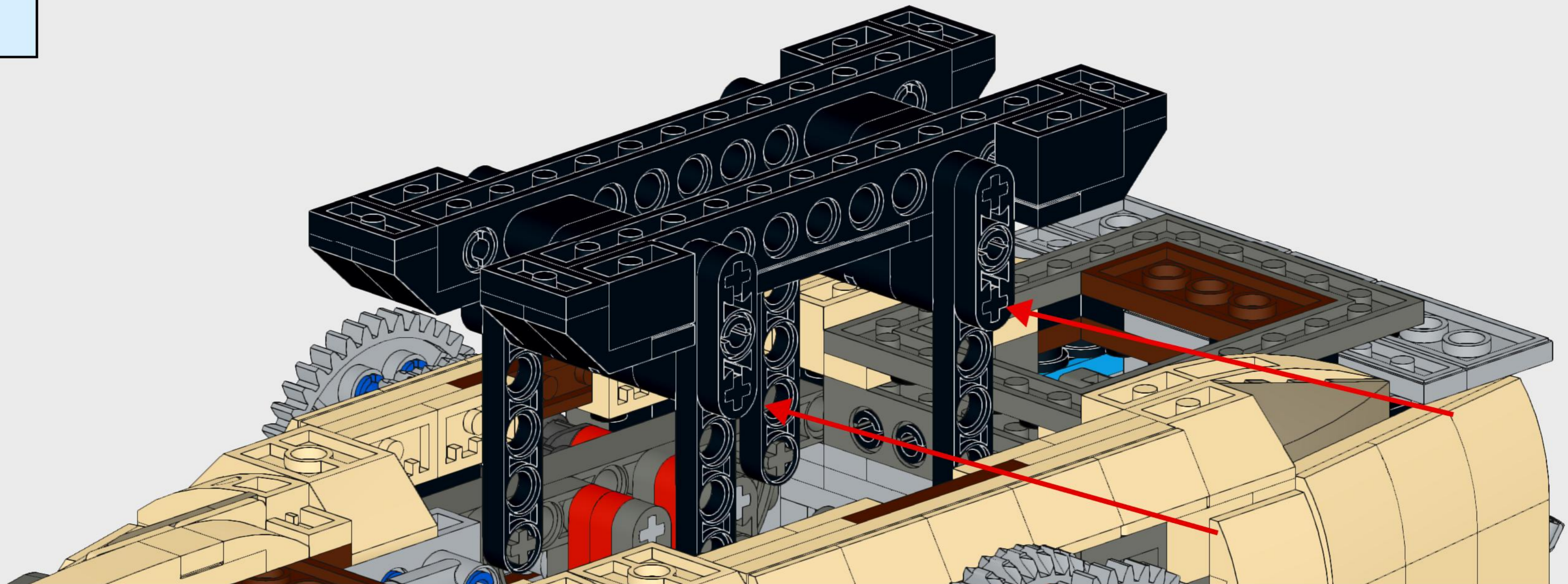


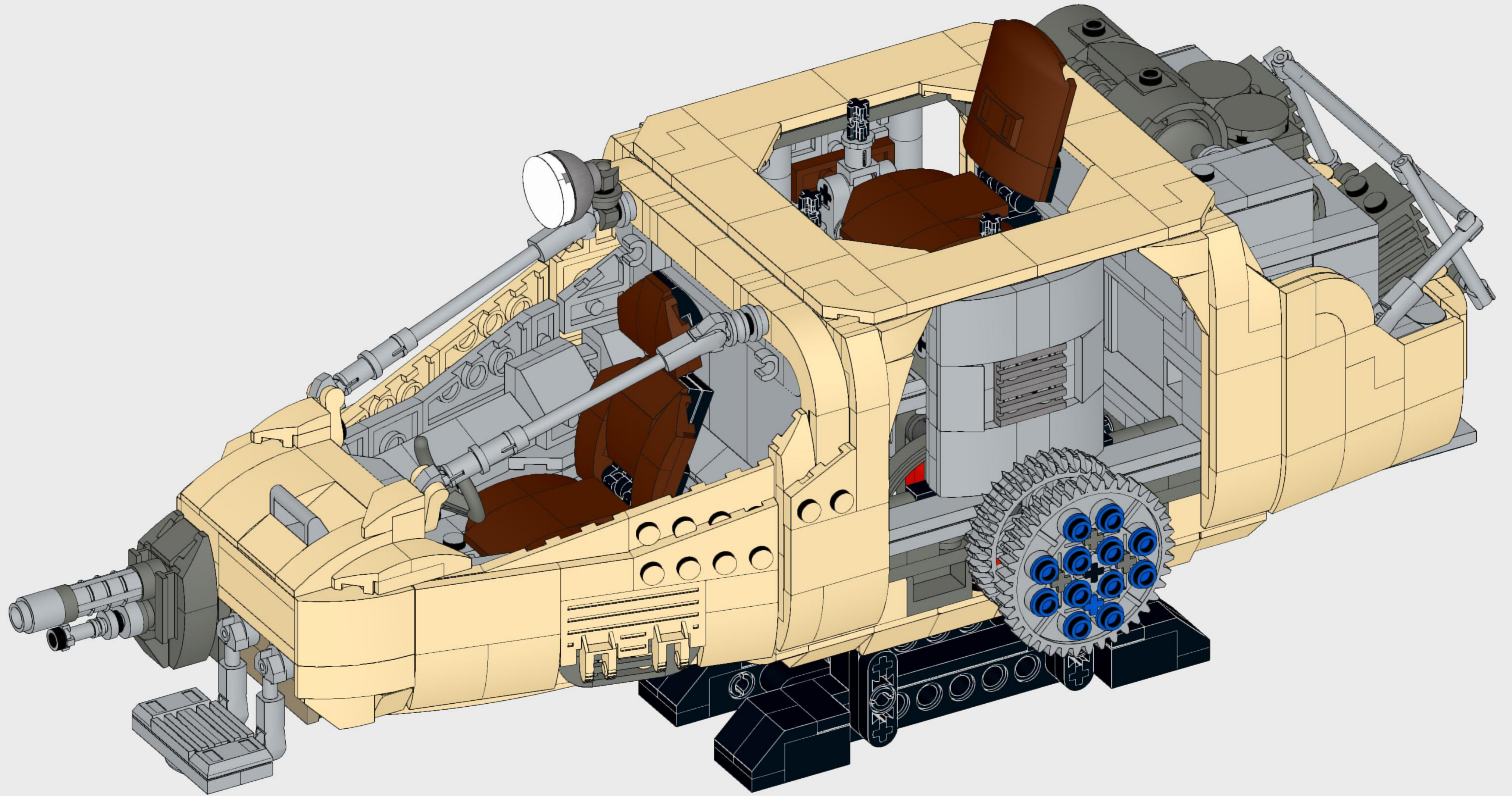


8

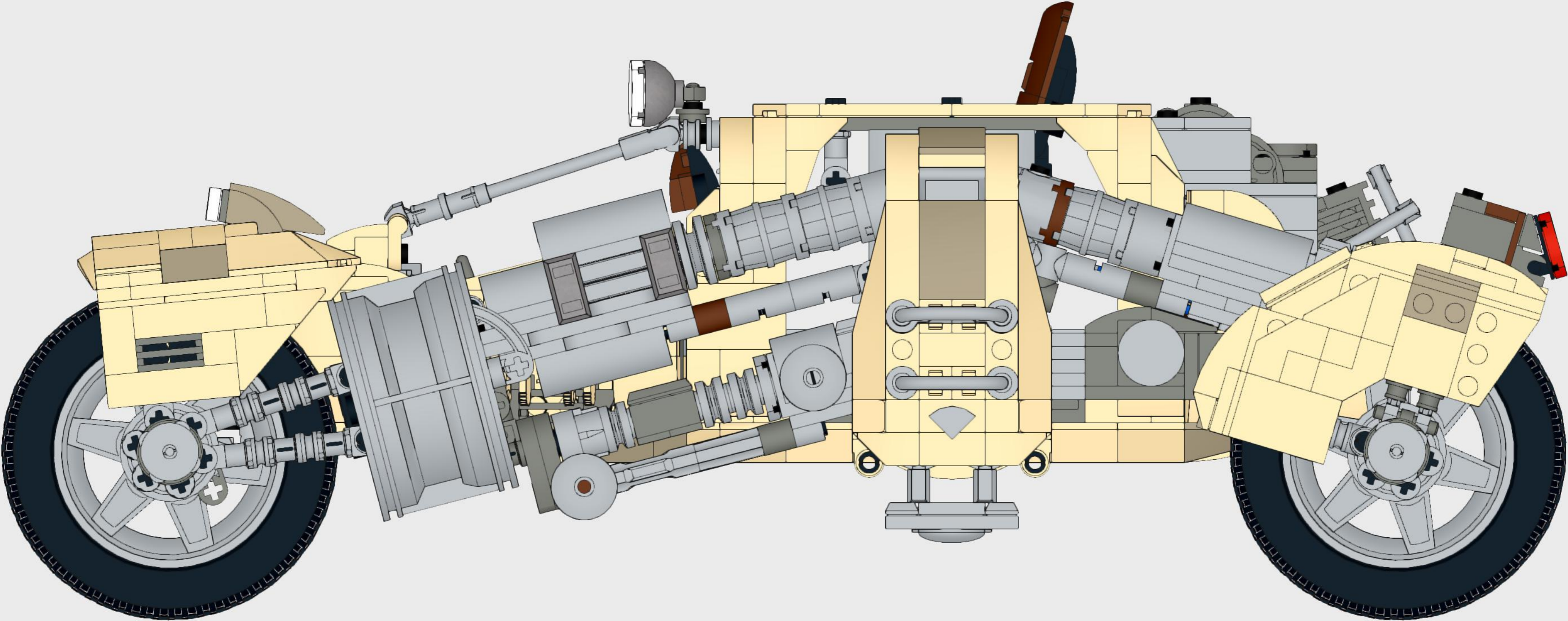
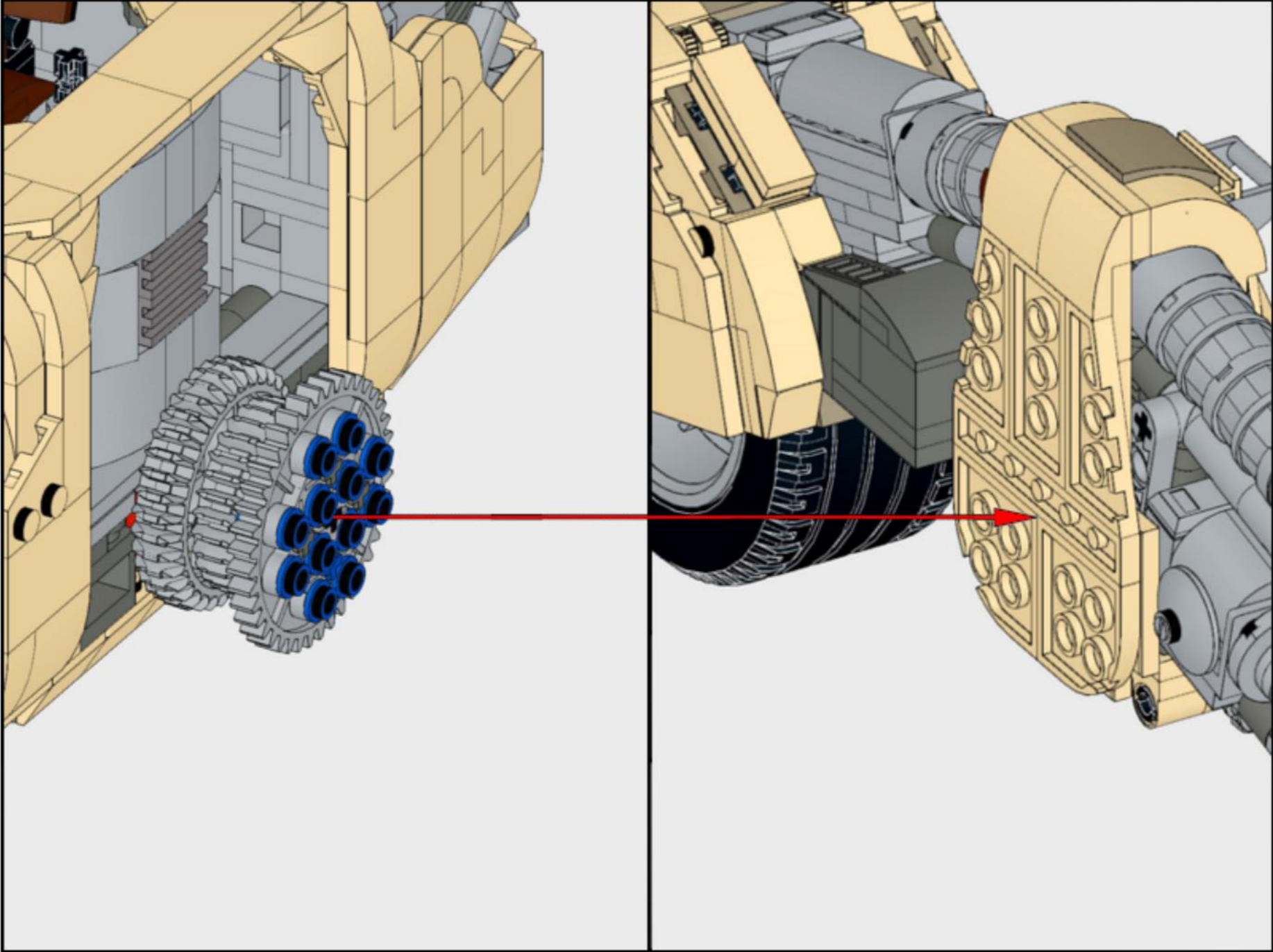


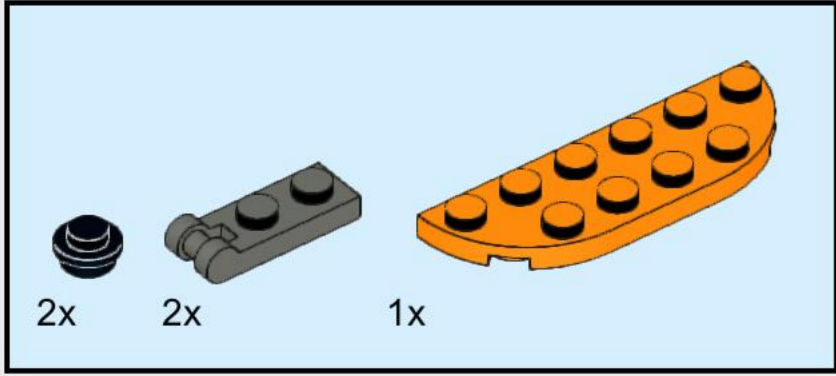
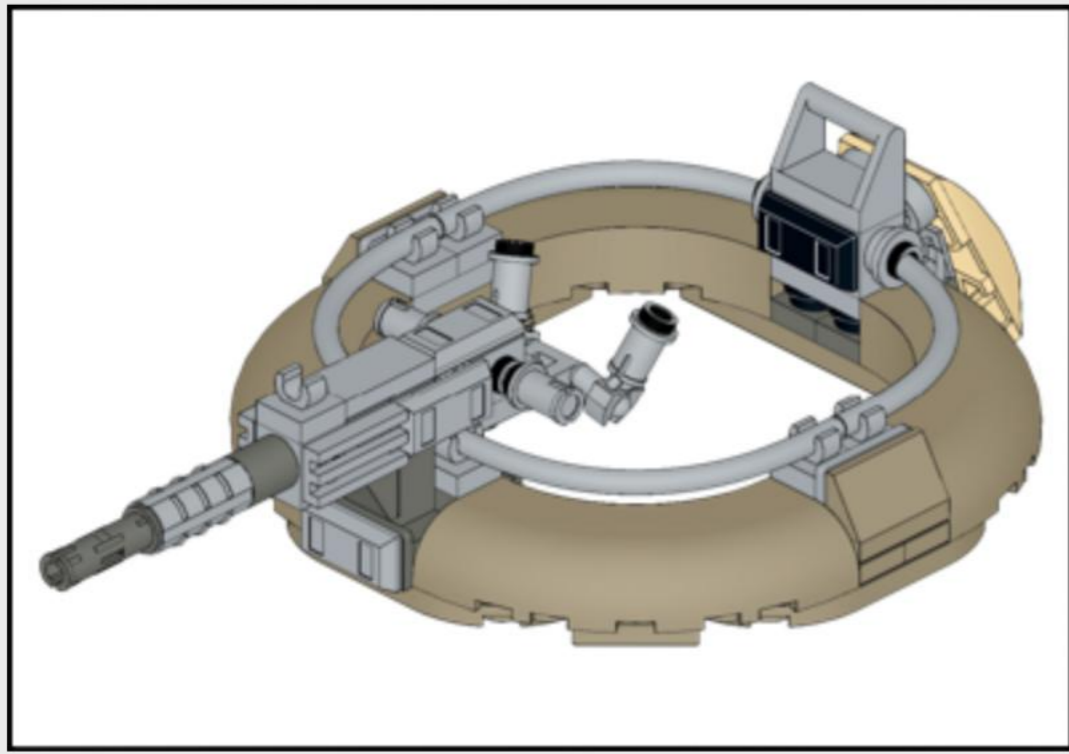
9



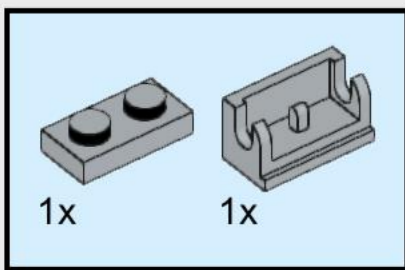
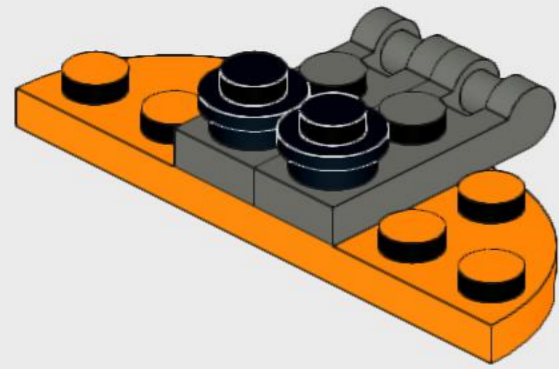


Side Attach

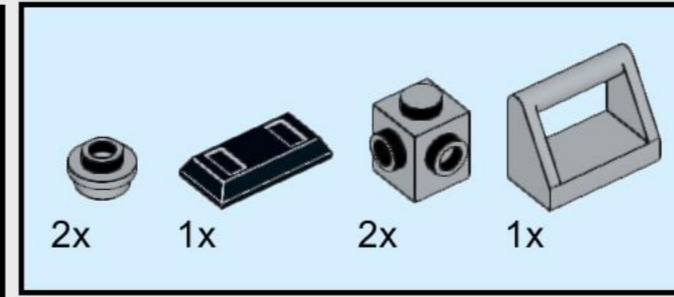
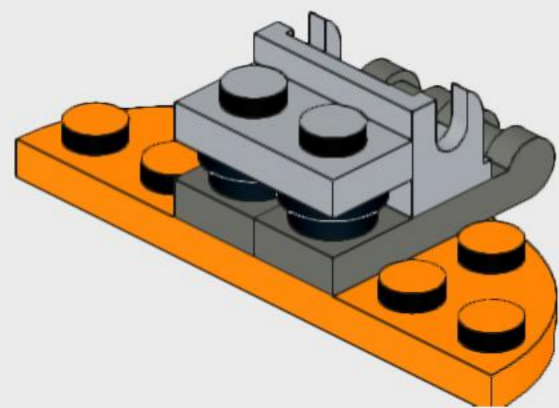




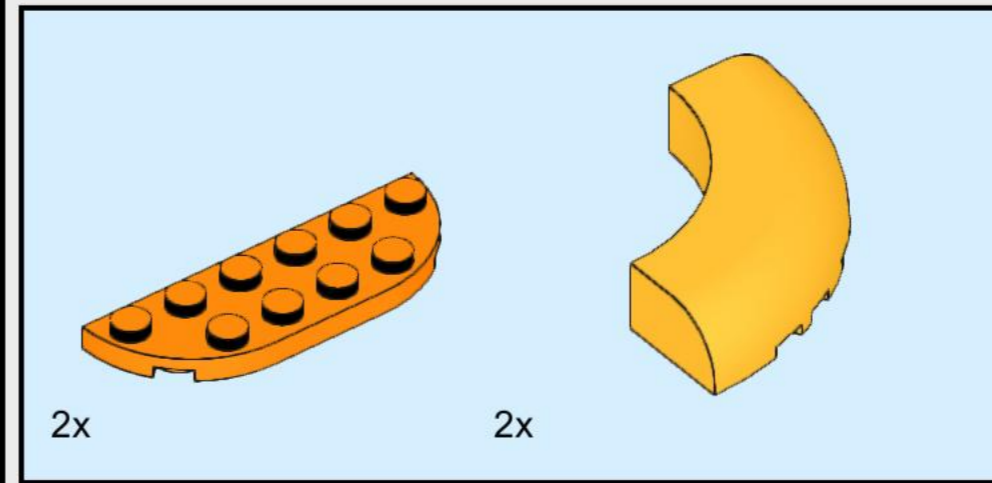
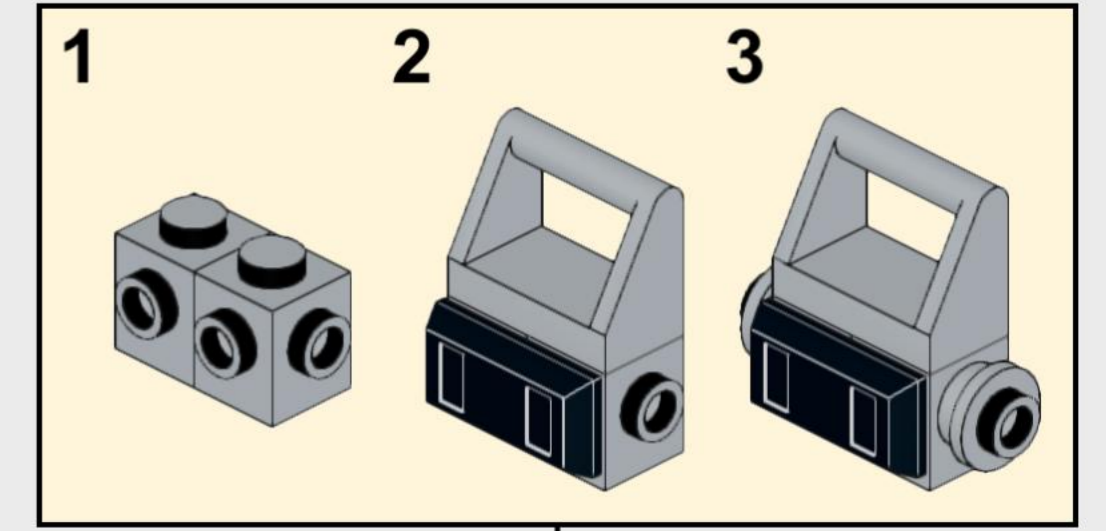
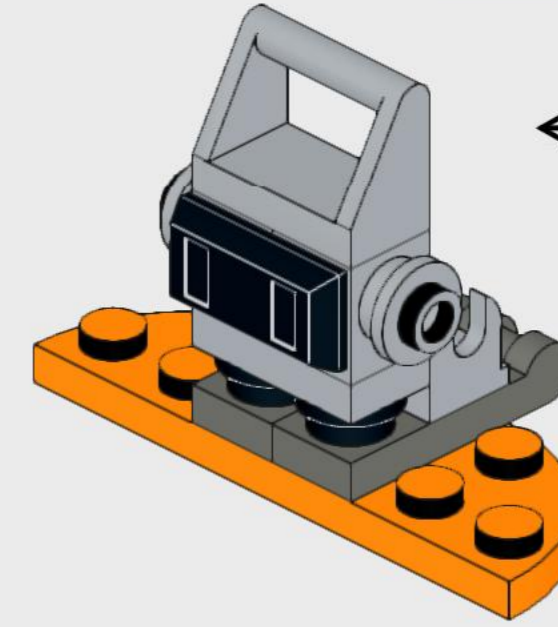
1



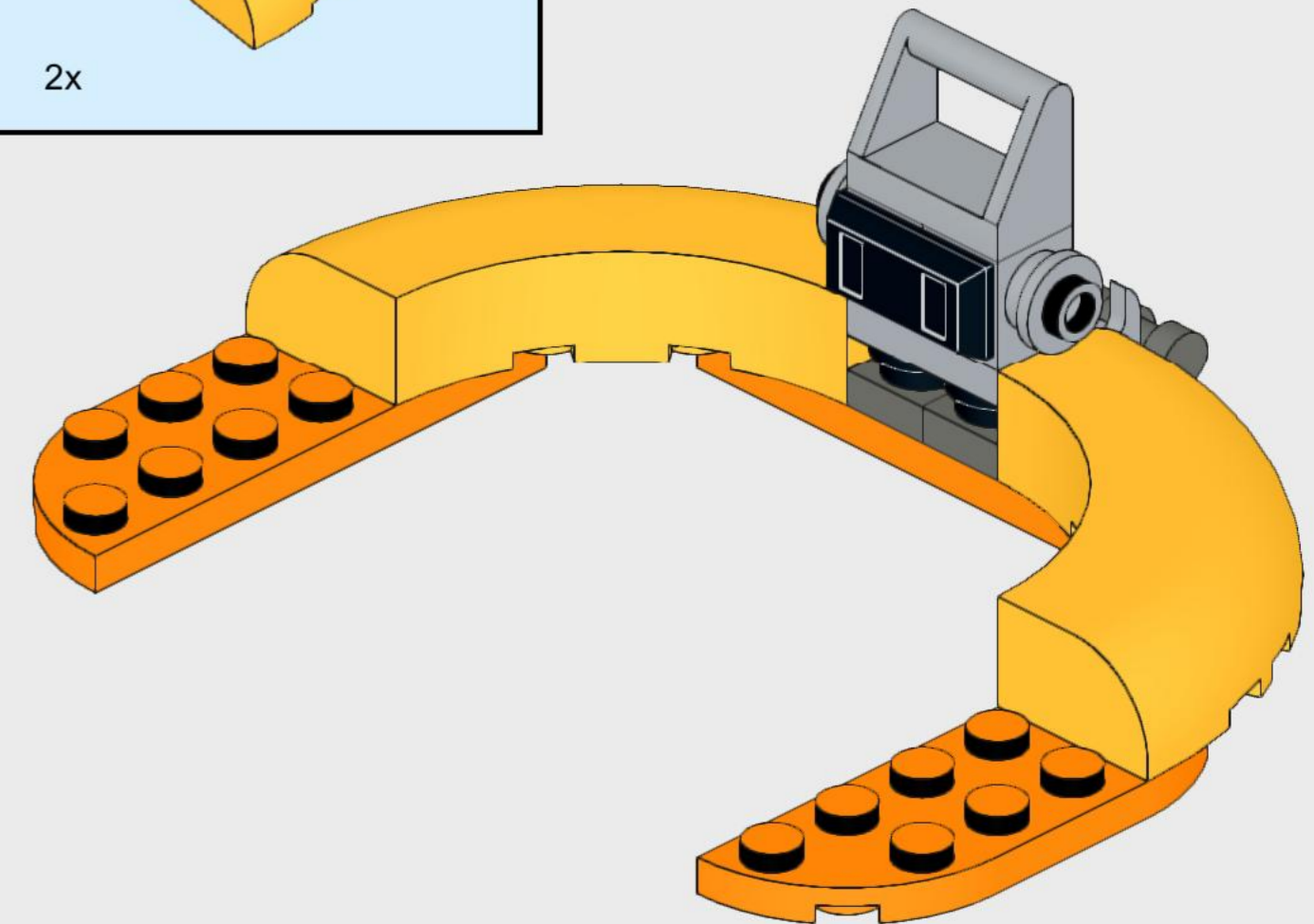
2

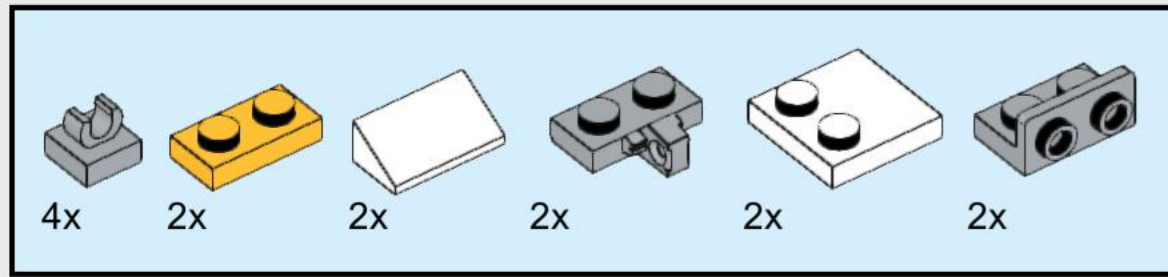


3

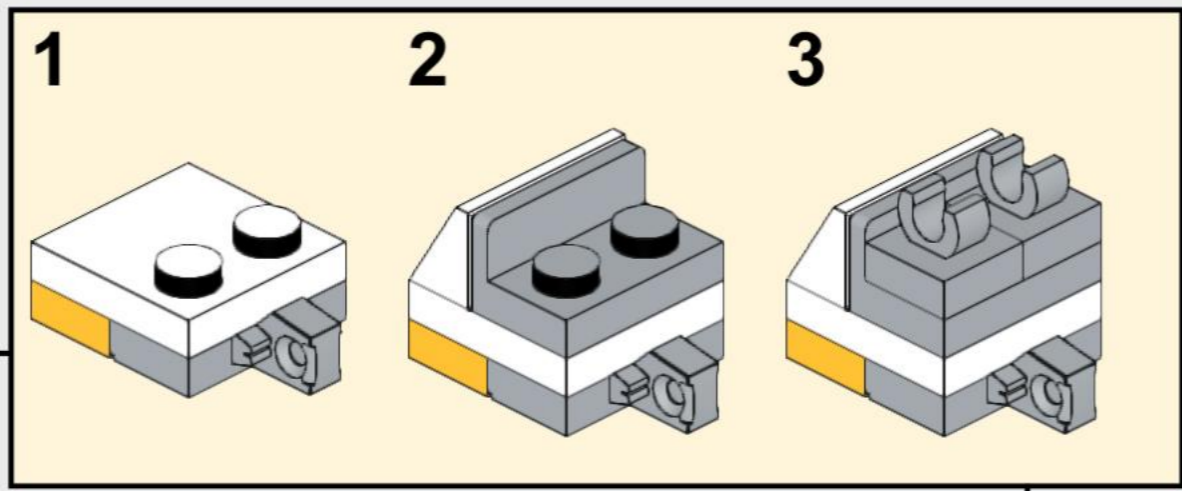


4

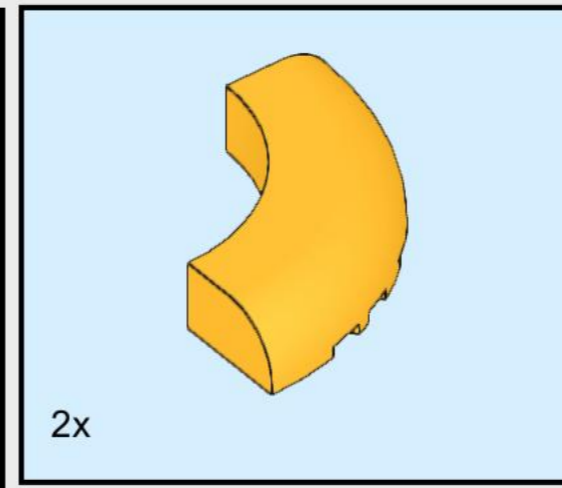
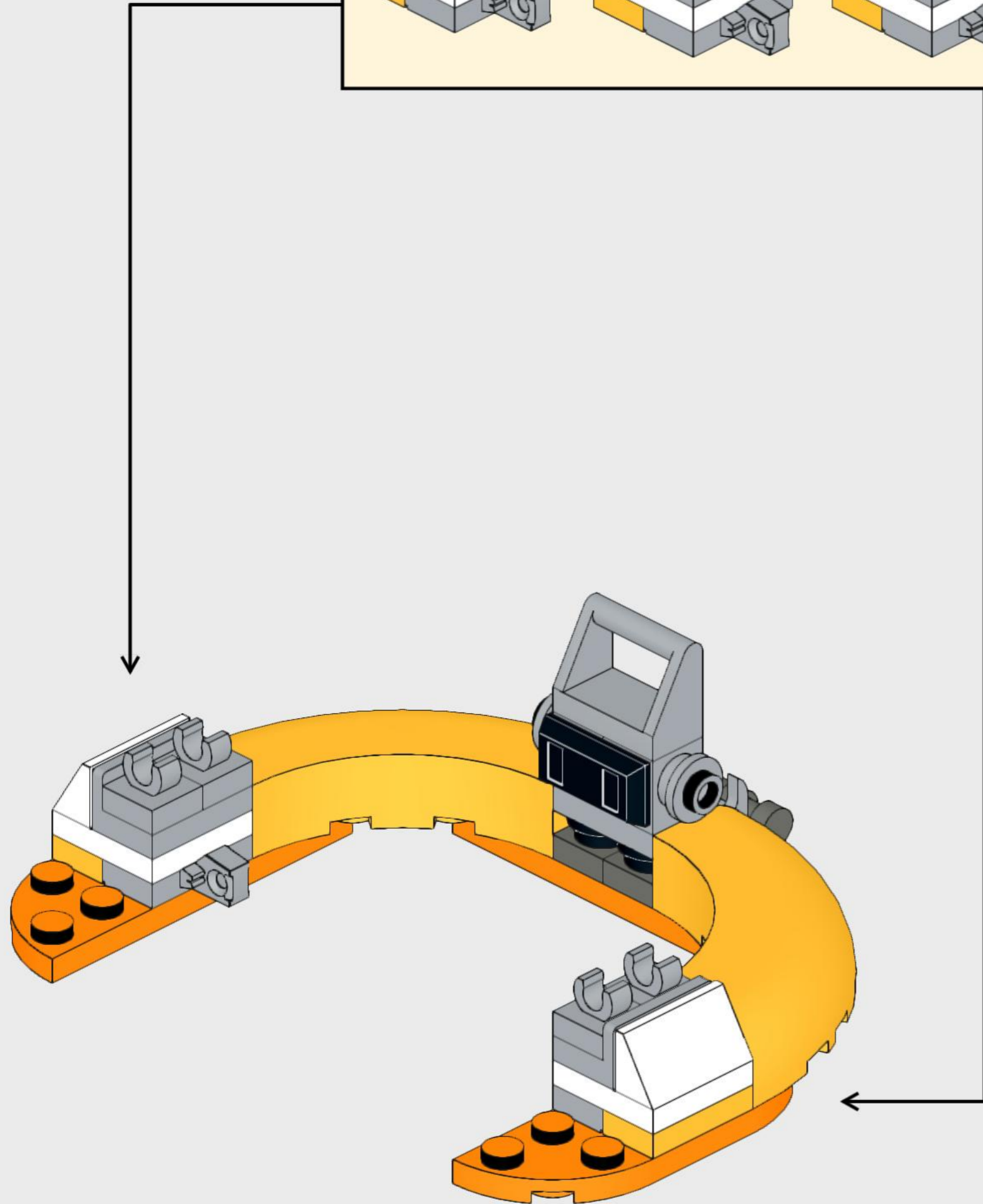




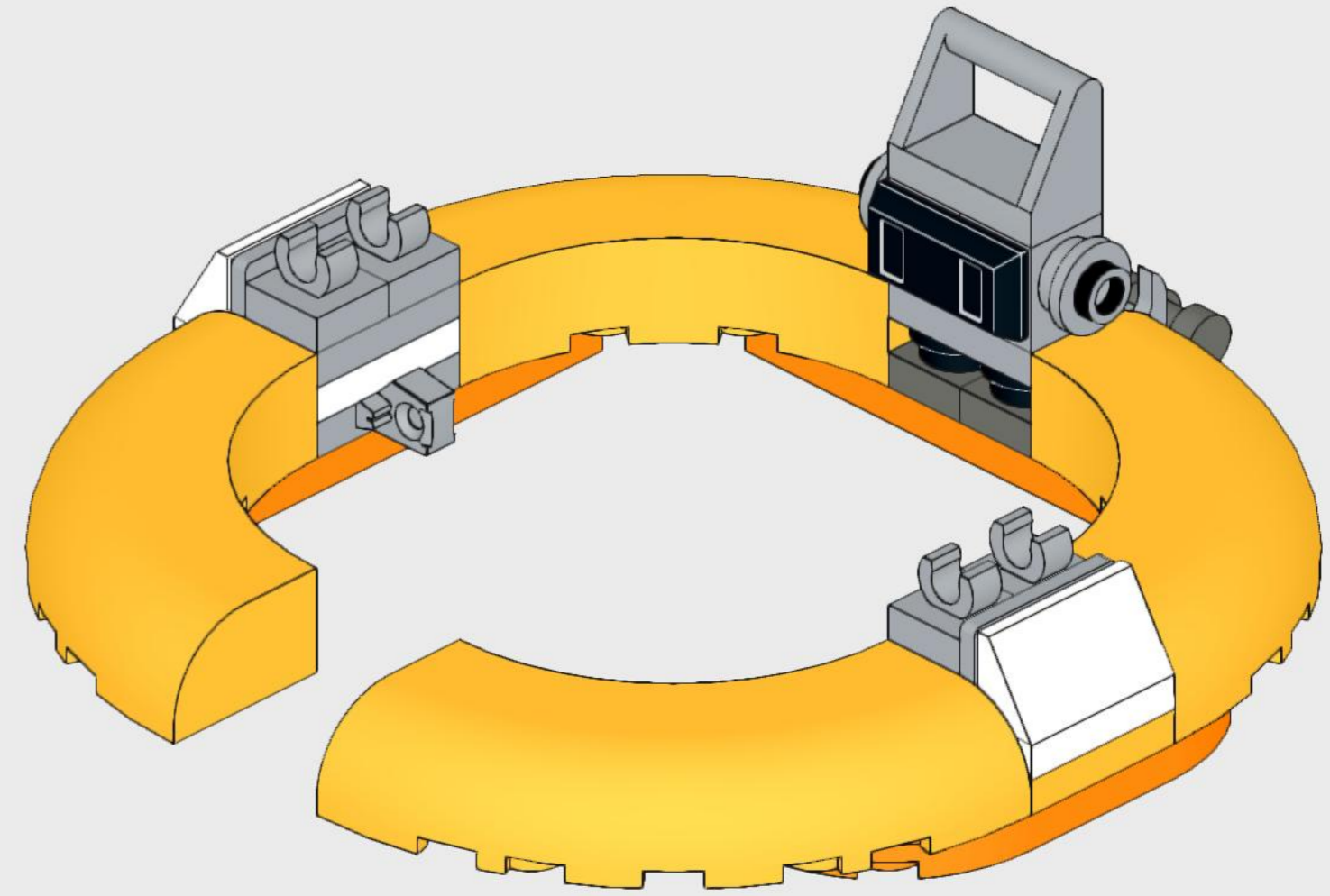
5

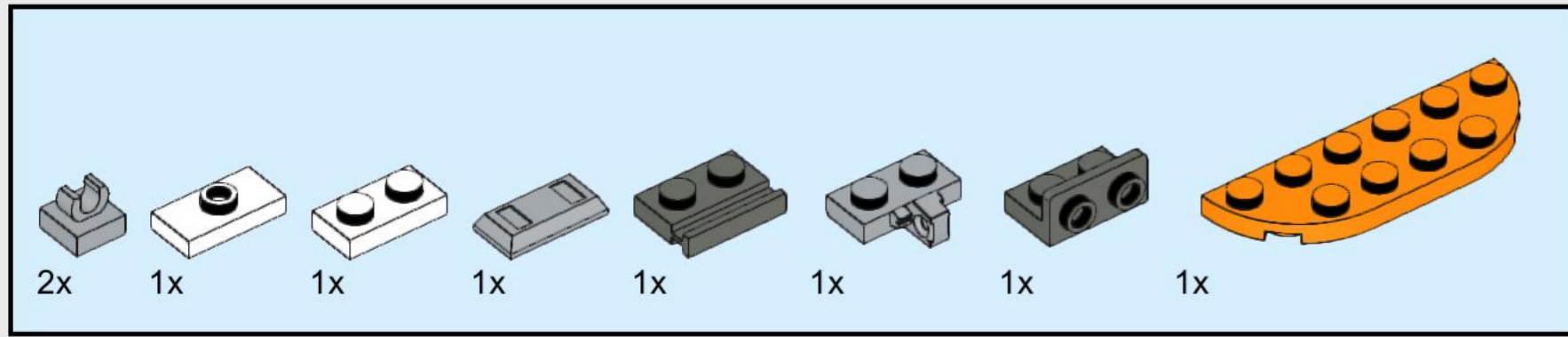


2x

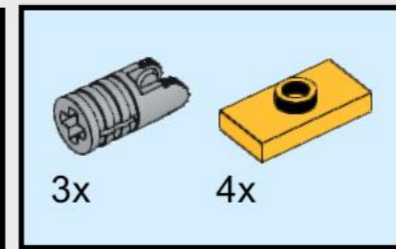
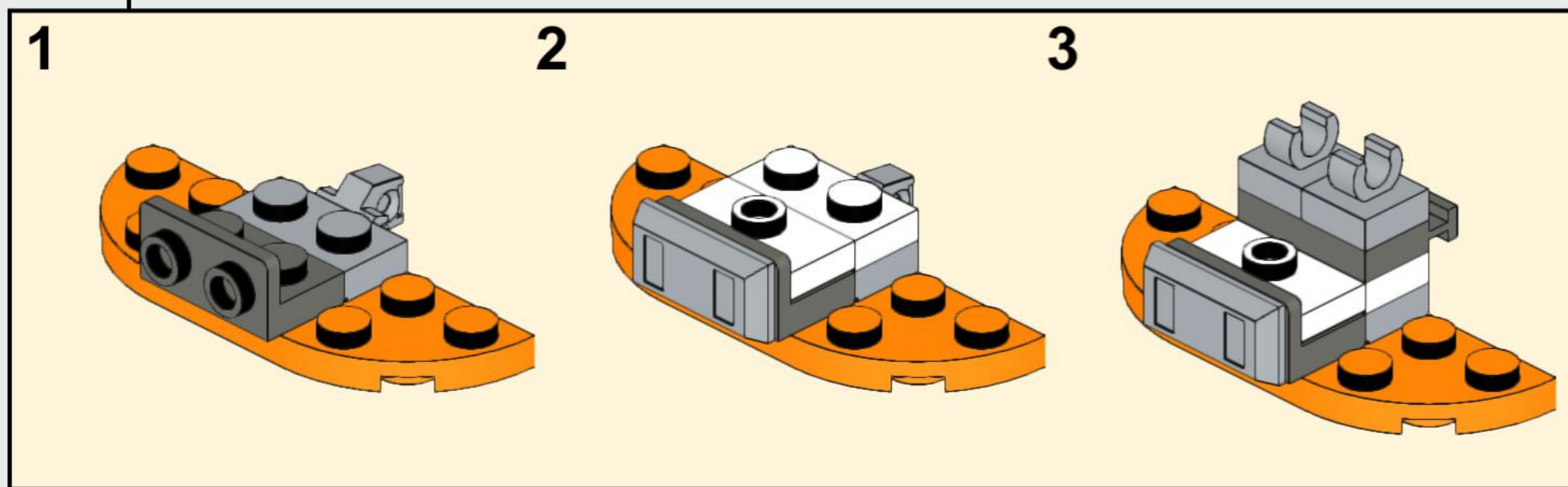
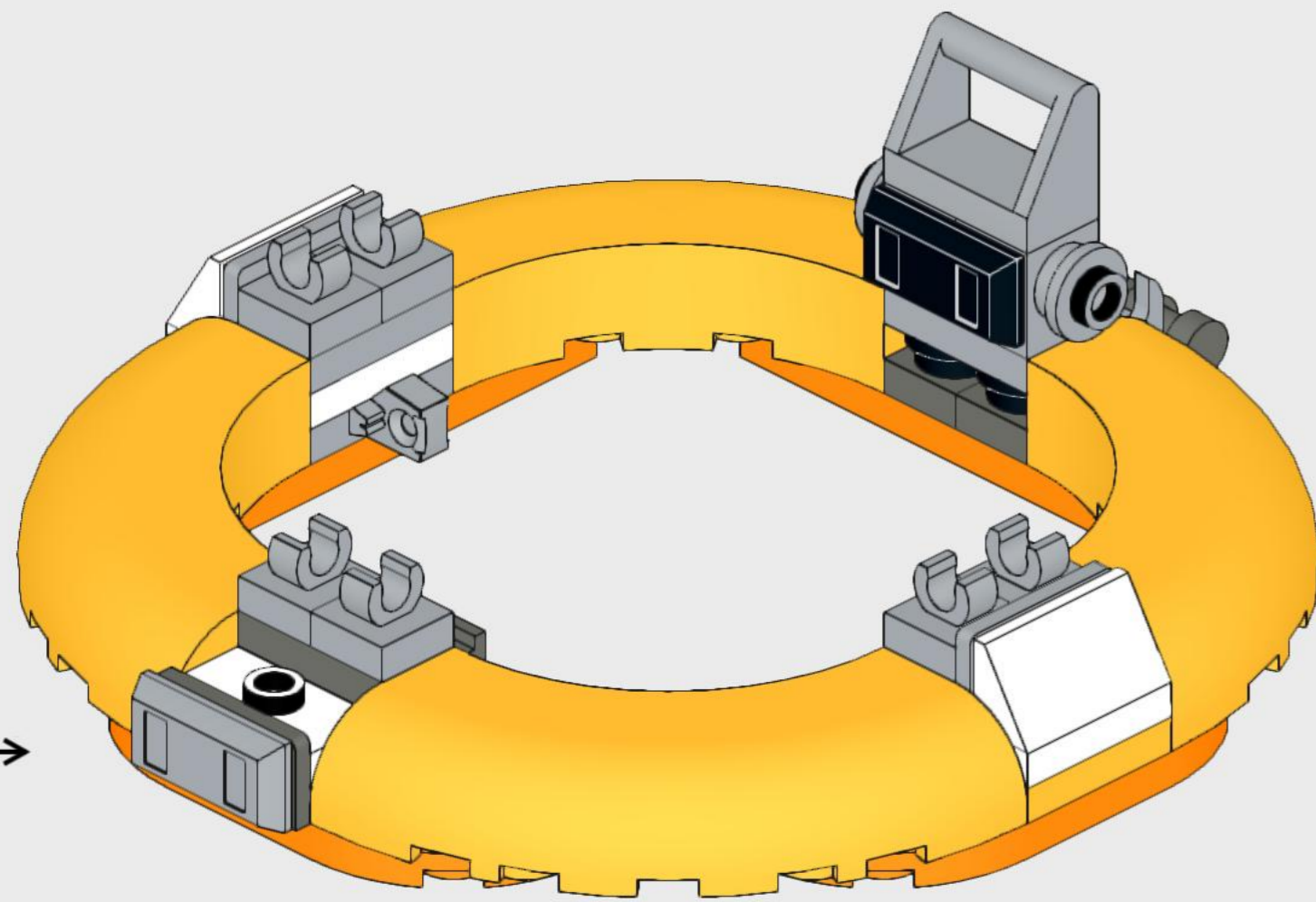


6

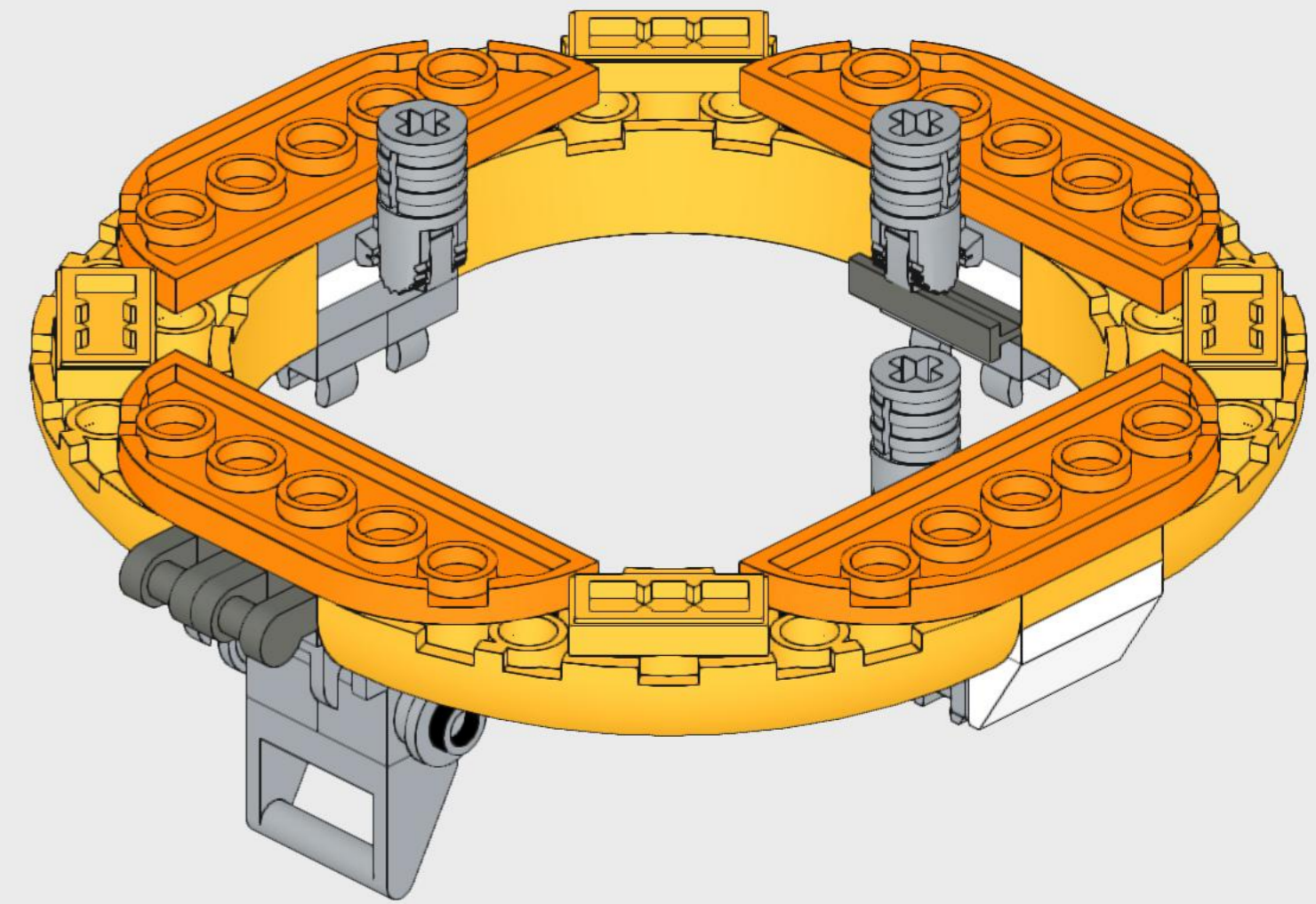


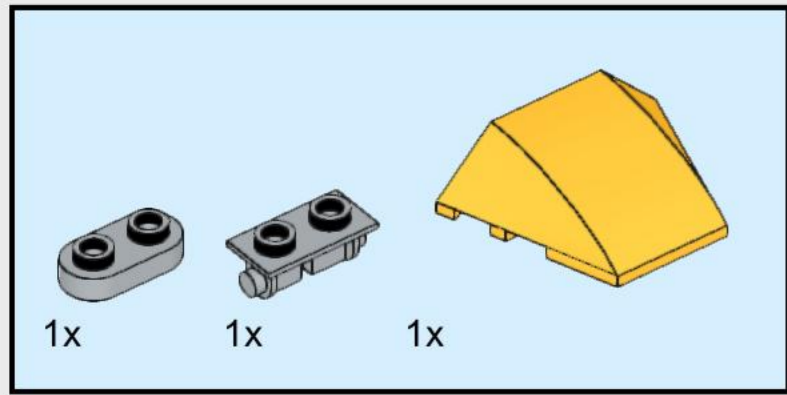


7

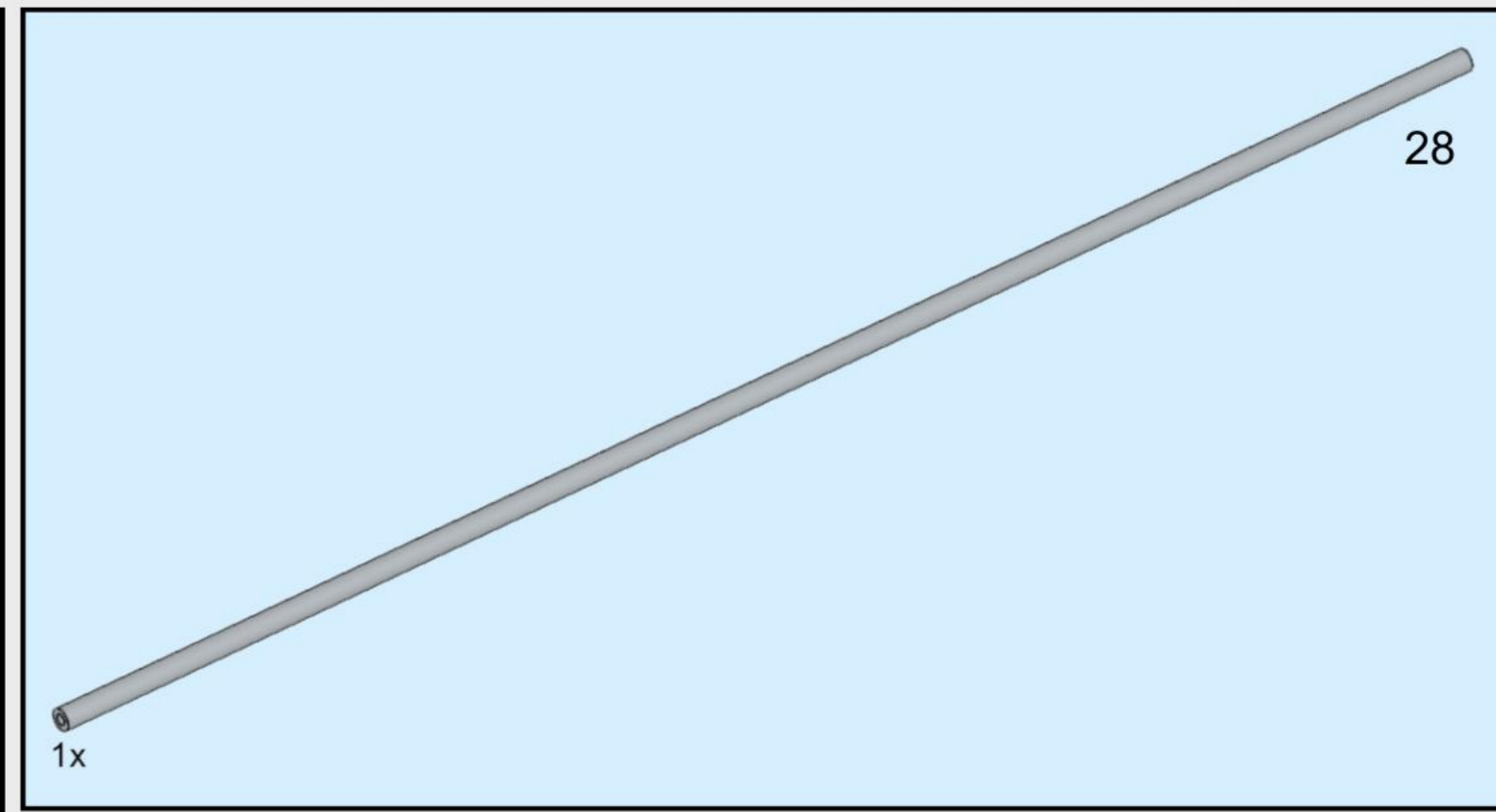
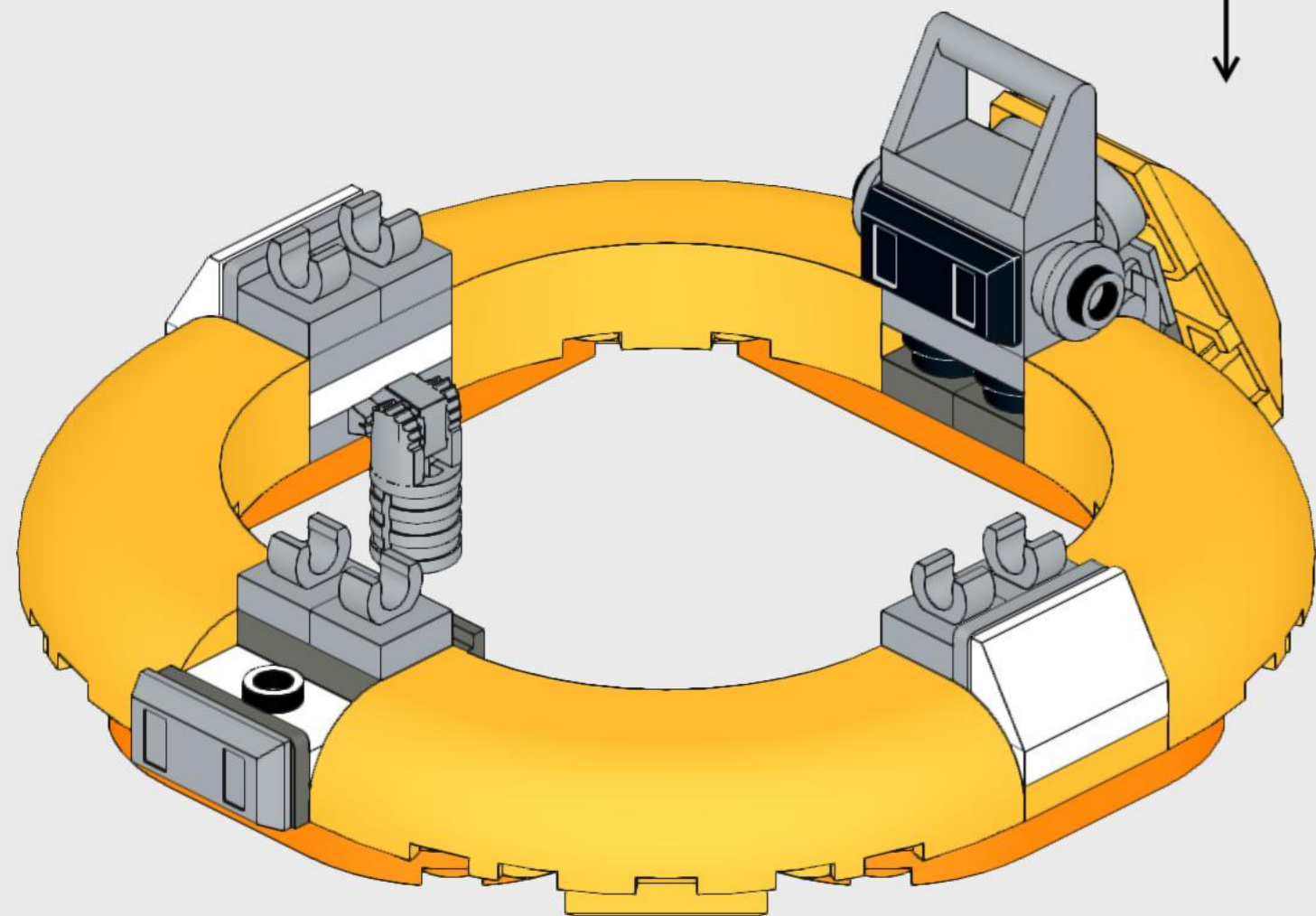
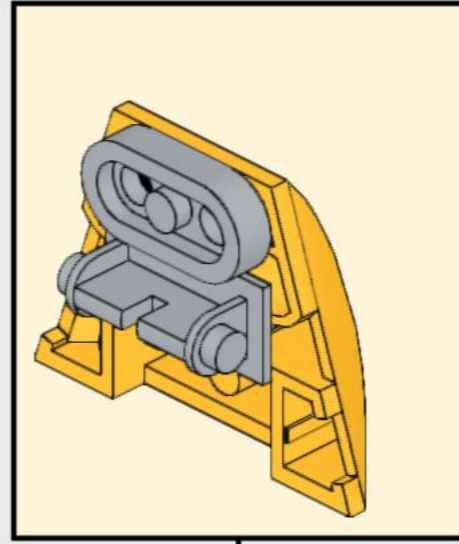


8

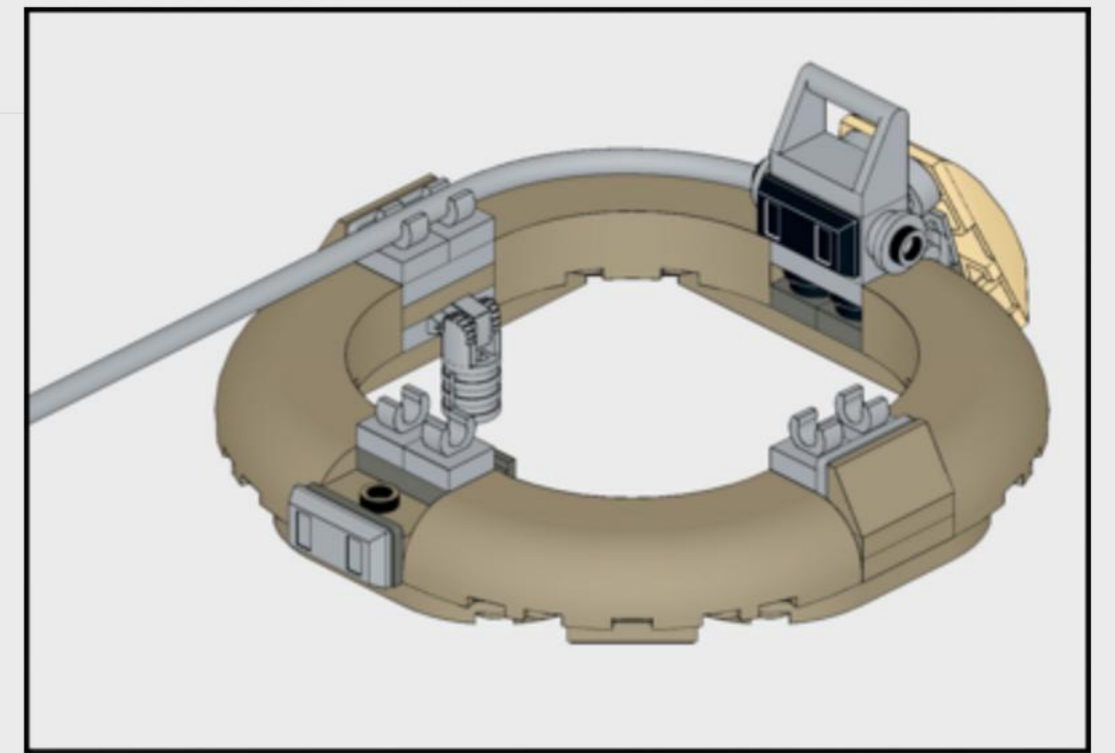




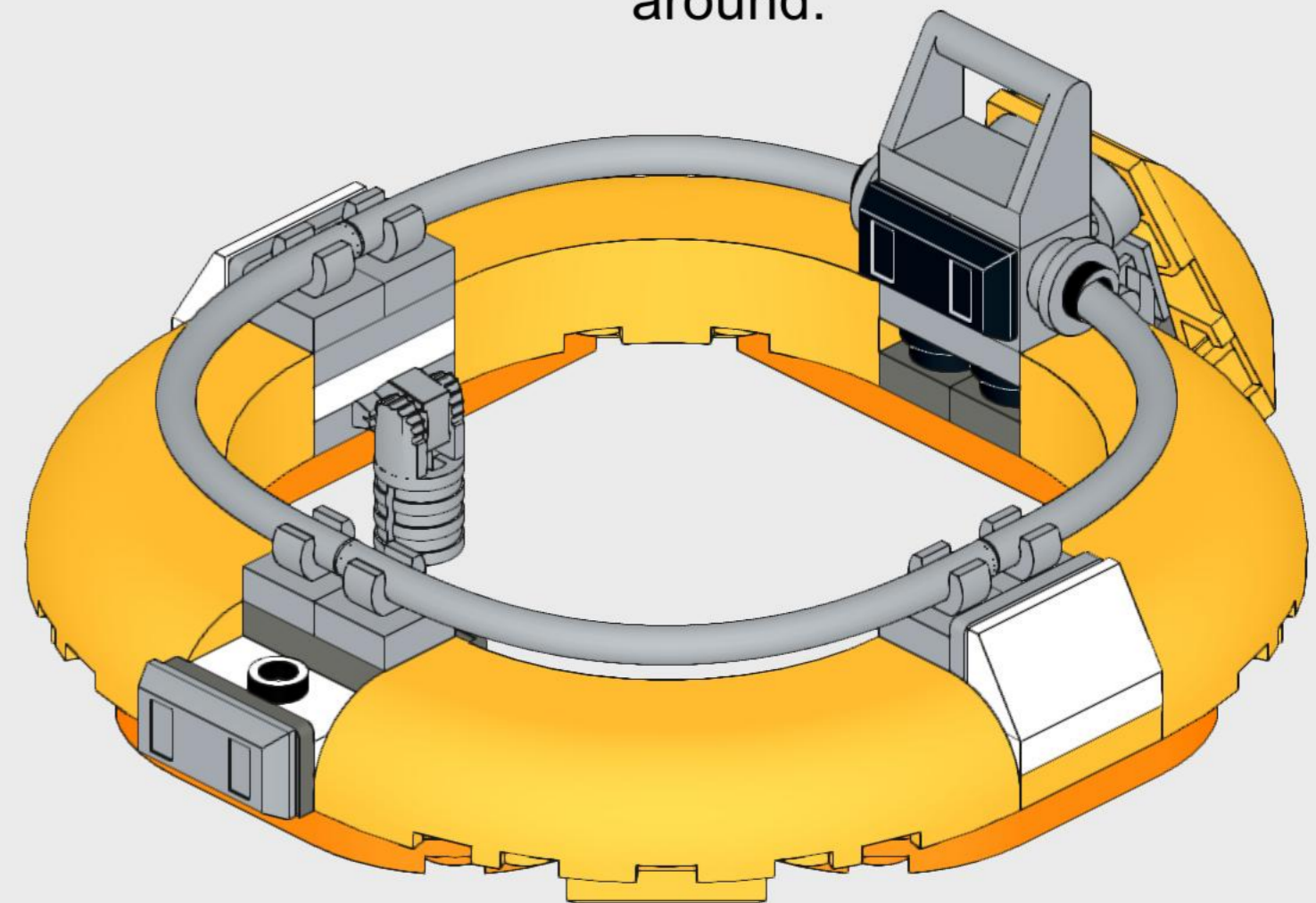
9

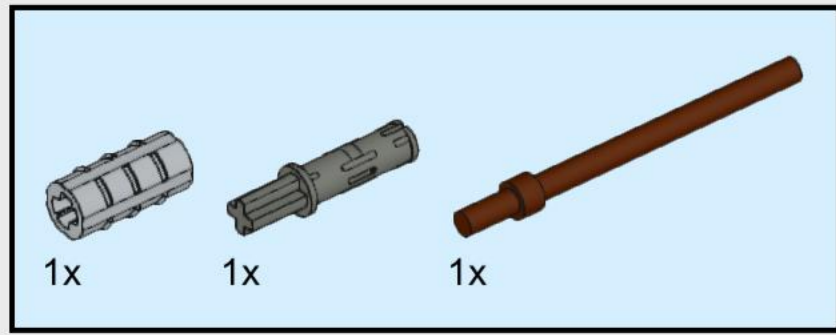


10

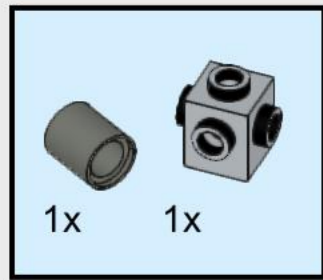
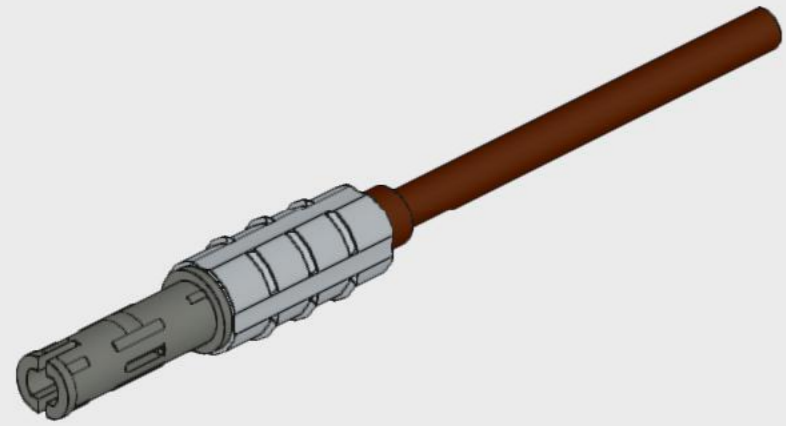


Insert 28-stud-length rigid hose into hollow stud in back, then wrap around.

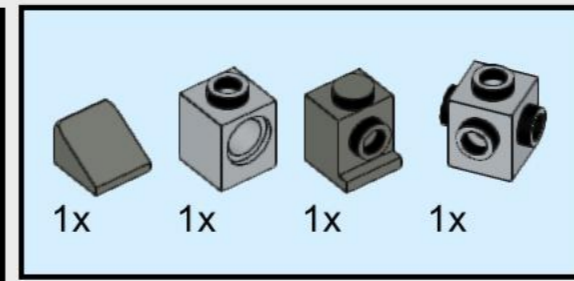
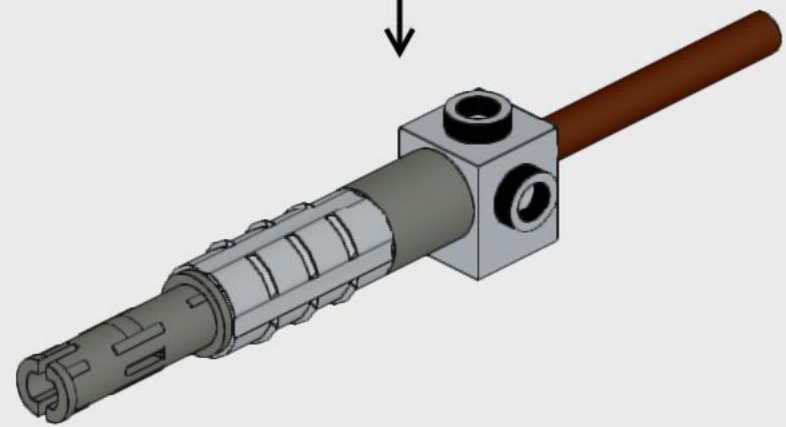
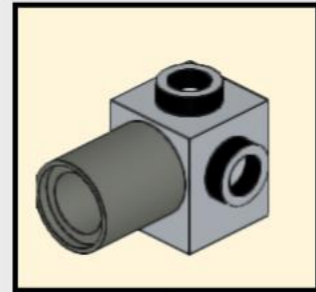




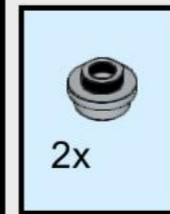
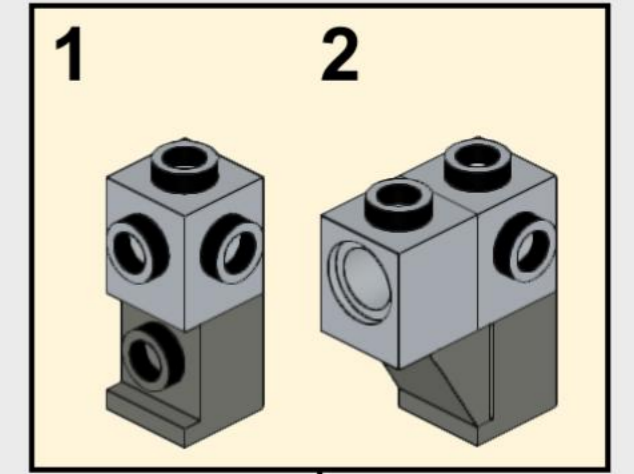
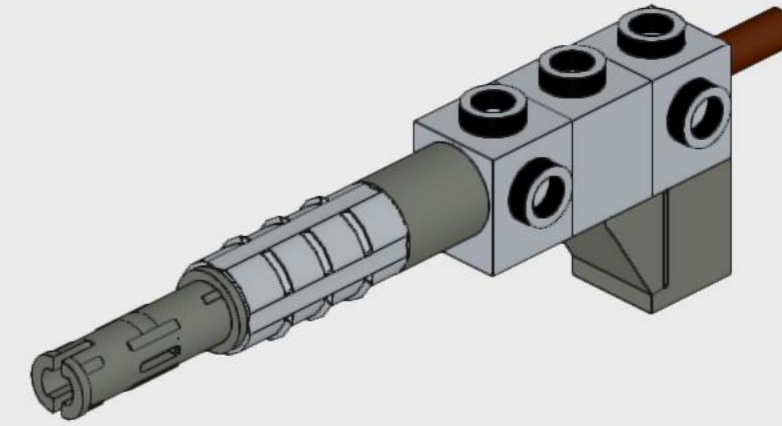
11



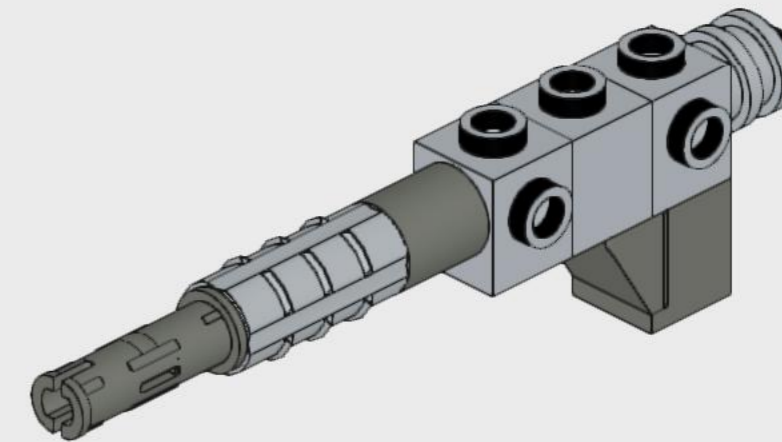
12

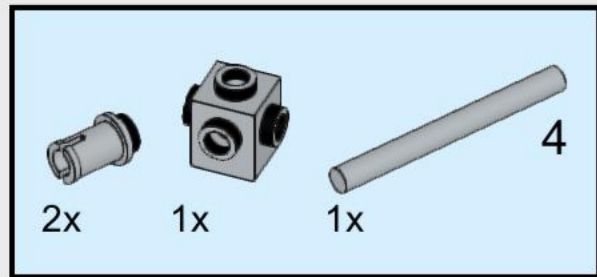


13

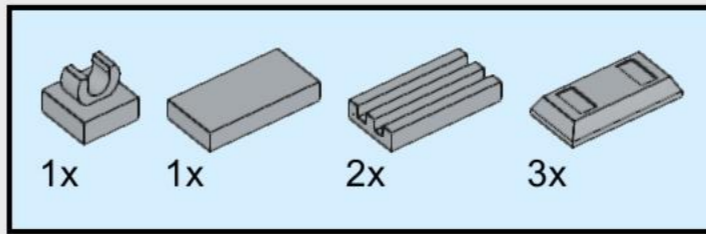
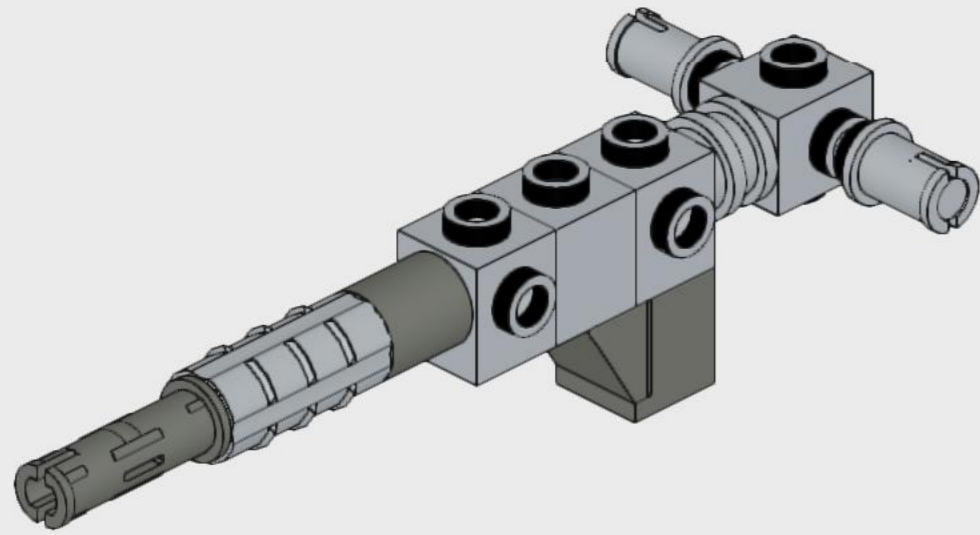
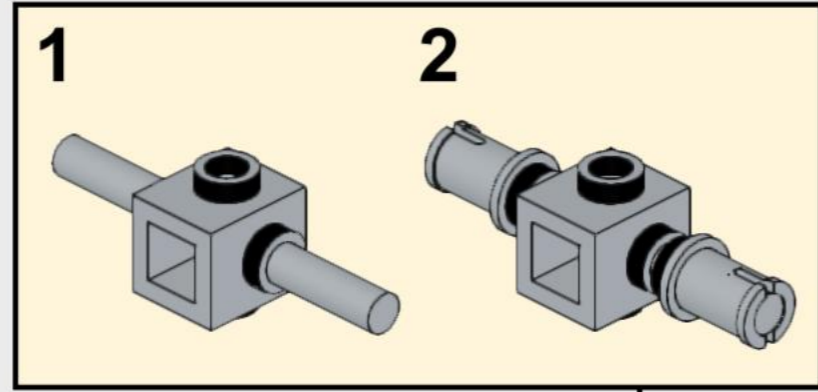


14

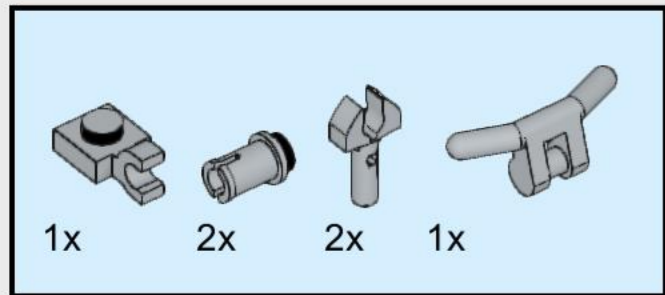
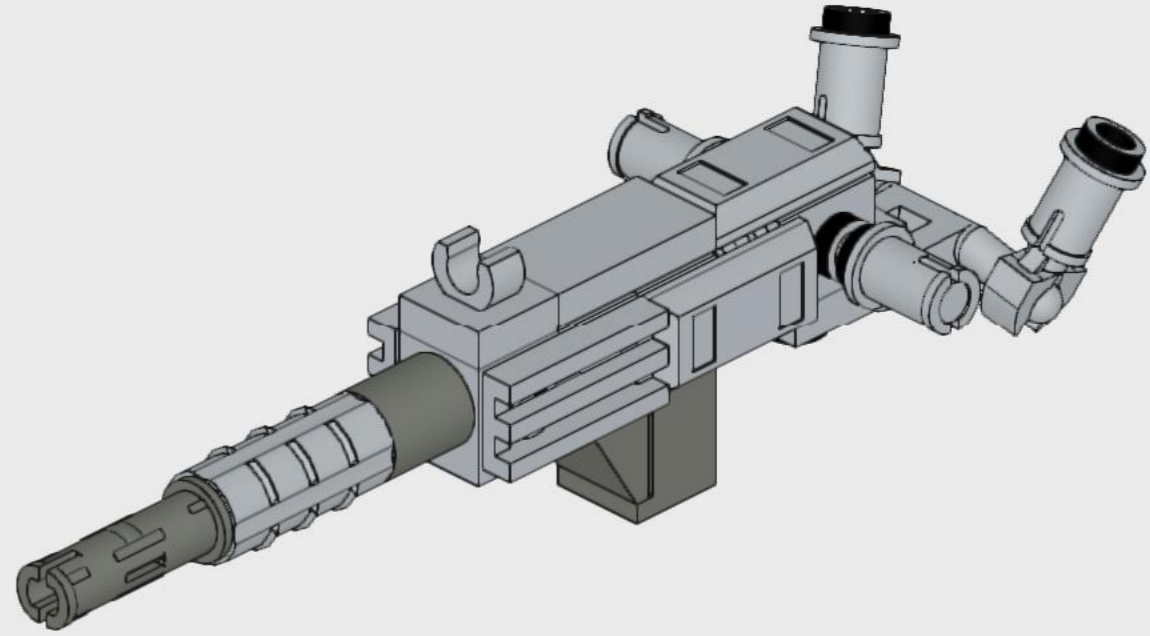




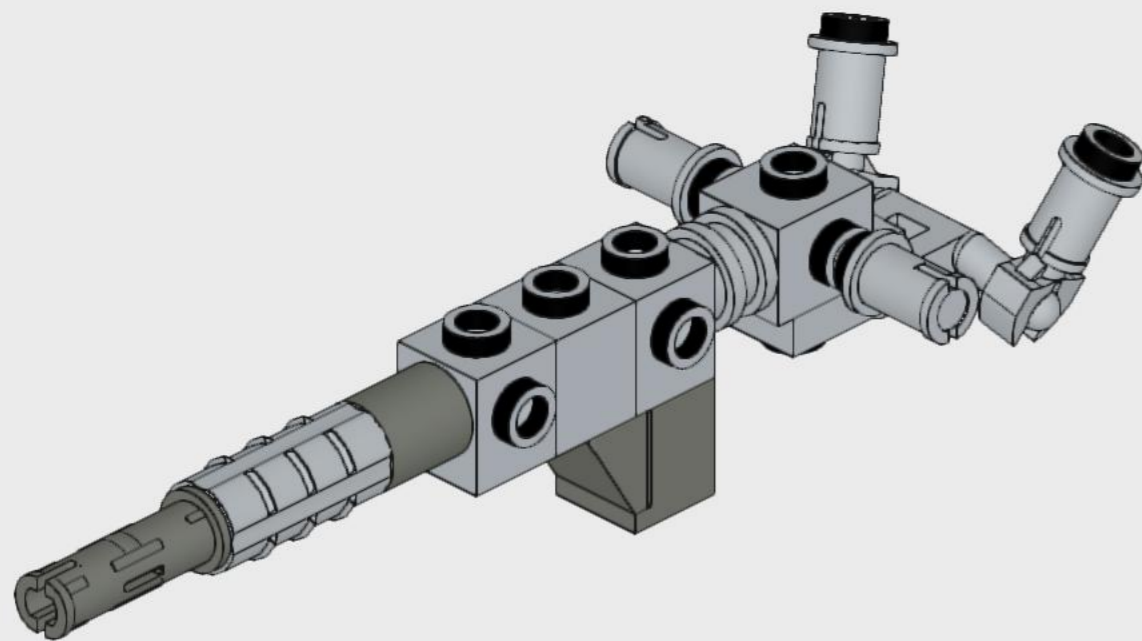
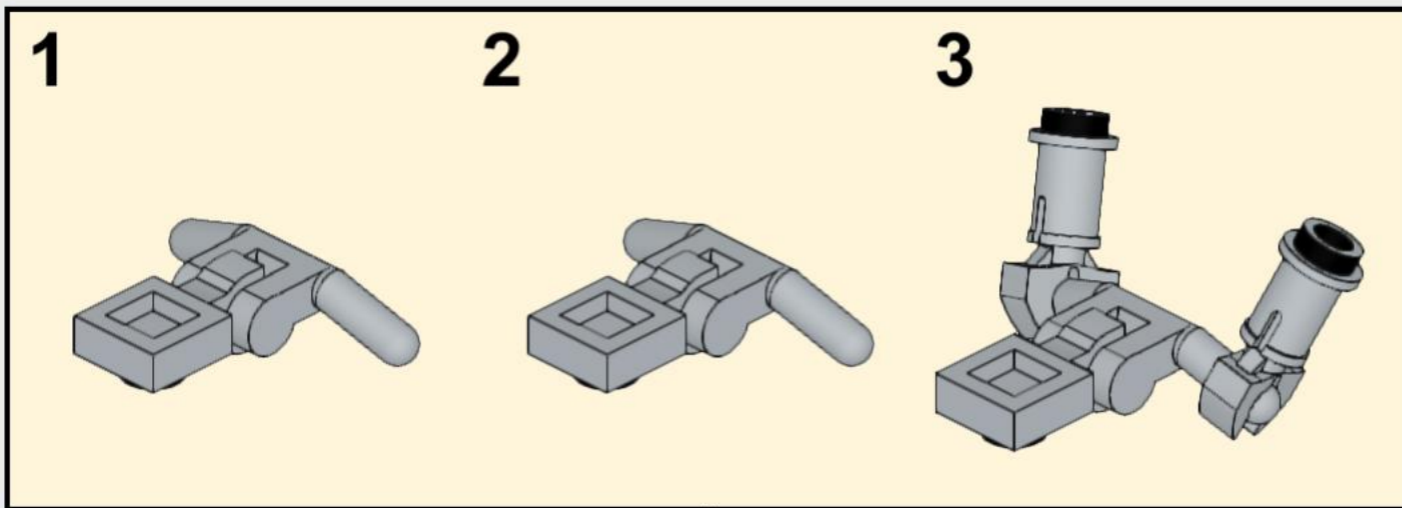
15



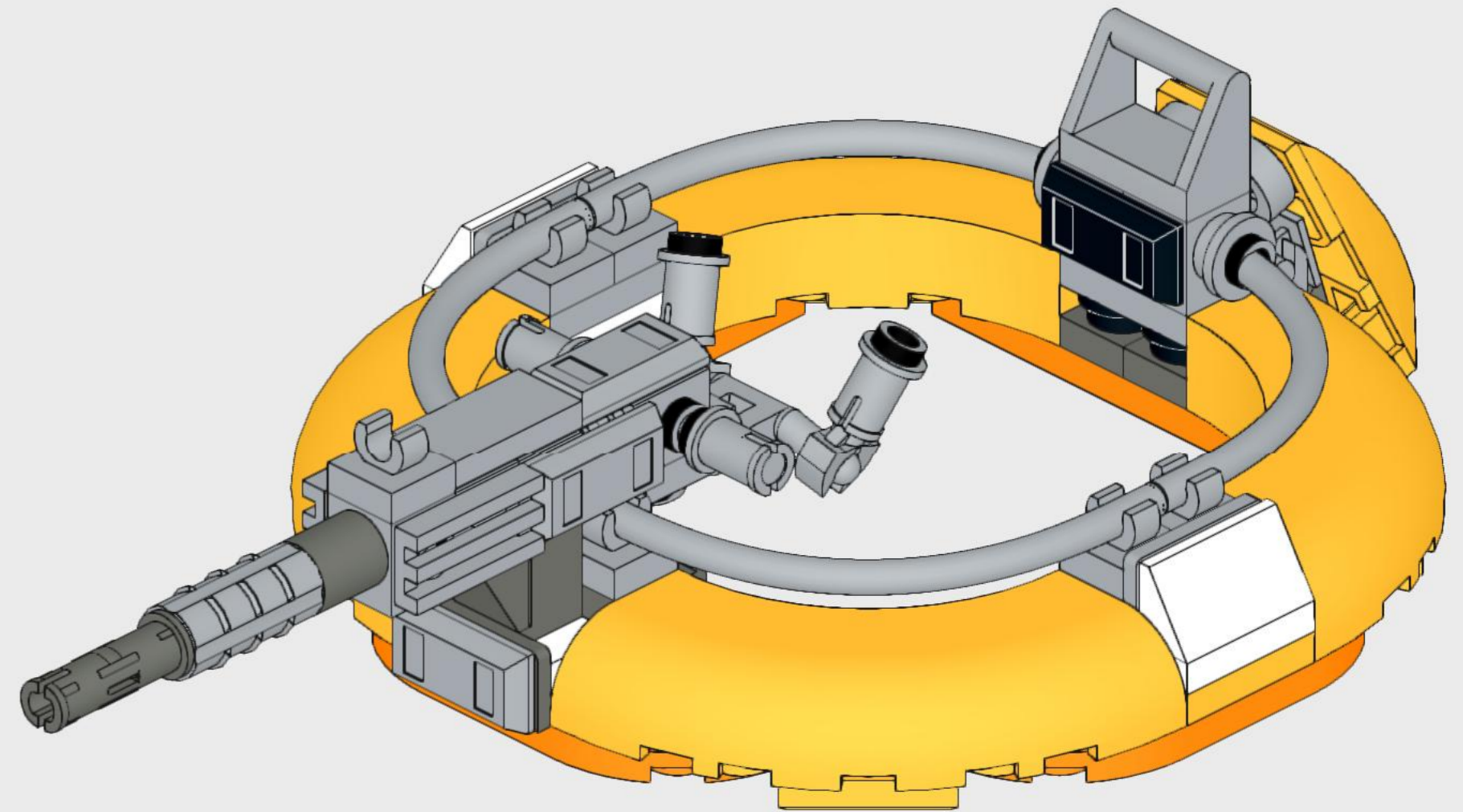
17

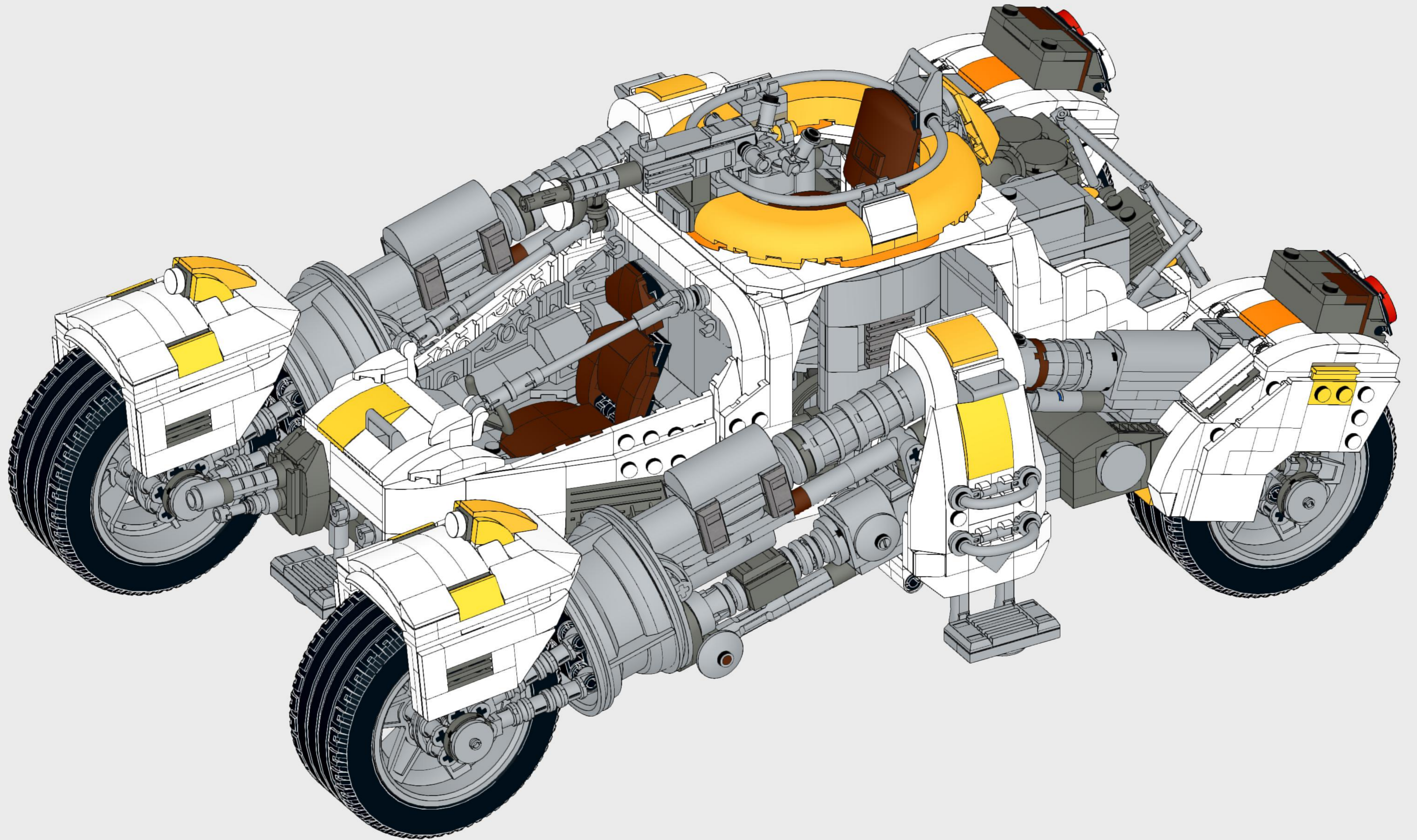


16



18





- 46x 4073, 11
- 2x 62462, 11
- 1x 53585, 11
- 4x 92280, 11
- 11x 32062, 11
- 2x 26047, 11
- 5x 24201, 11
- 1x 99563, 11
- 5x 3023, 11
- 4x 11402a, 11
- 4x 3069b, 11
- 42x 2780, 11
- 4x 60483, 11
- 4x 15573, 11

- 7x 4032, 11
- 4x 6632, 11
- 4x 88072, 11
- 2x 15068, 11
- 8x 2420, 11
- 1x 11203, 11
- 10x 60478, 11
- 4x 6134, 11
- 4x 32530, 11
- 3x 32803, 11

- 2x 3710, 11
- 2x 39793, 11
- 1x 11833, 11
- 25x 3706, 11
- 2x 3894, 11
- 14x 3705, 11
- 2x 4095, 11
- 4x 32065, 11

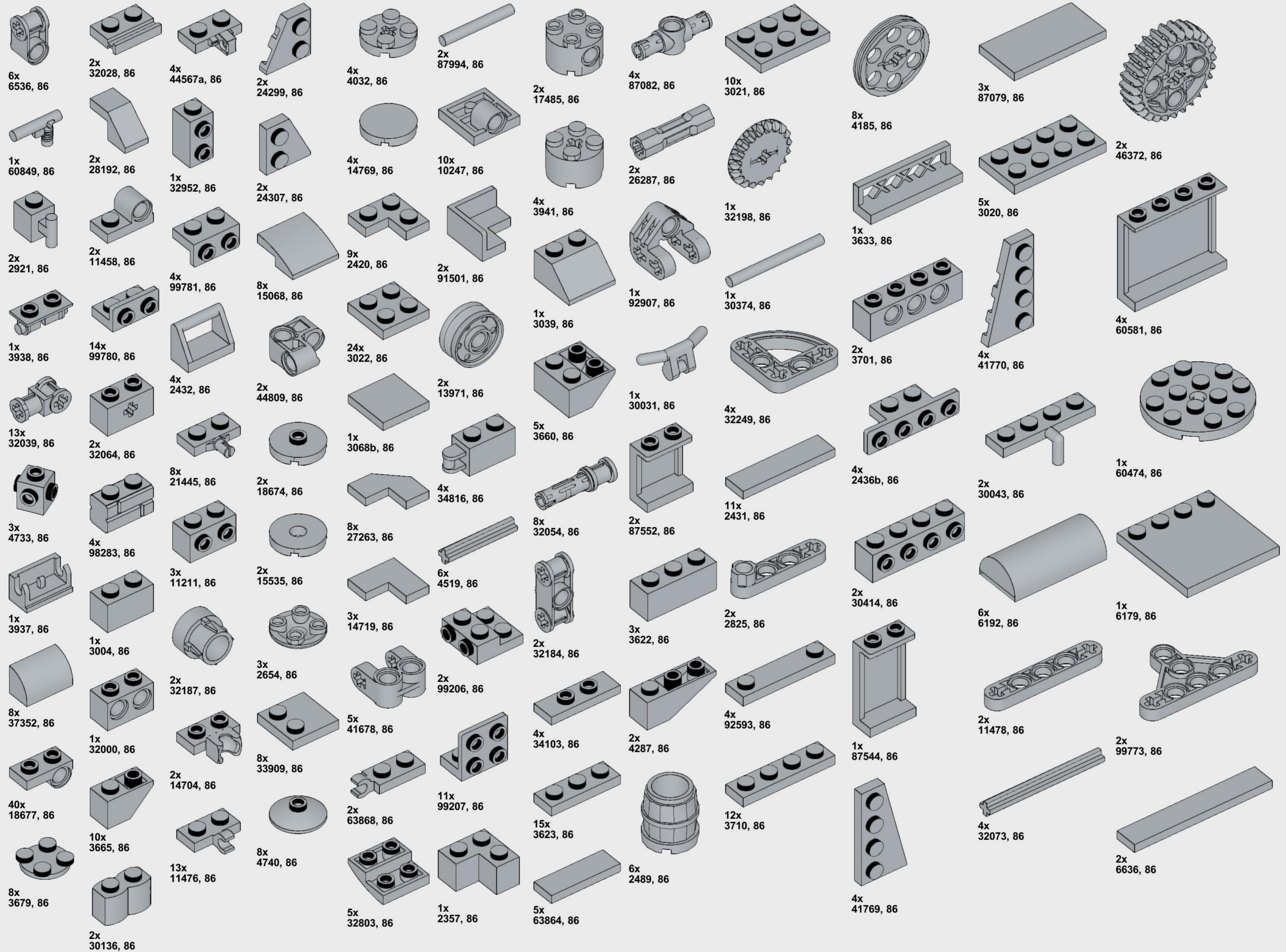
- 2x 32555, 11
- 1x 3034, 11
- 2x 3895, 11
- 4x 2997, 11
- 4x 25269, 85
- 2x 3070b, 85
- 8x 3024, 85
- 5x 4073, 85
- 1x 85861, 85
- 5x 18654, 85
- 5x 54200, 85

- 2x 3034, 11
- 2x 3895, 11
- 4x 2997, 11
- 4x 25269, 85
- 2x 3070b, 85
- 8x 3024, 85
- 5x 4073, 85
- 1x 85861, 85
- 5x 18654, 85
- 5x 54200, 85

- 2x 3034, 11
- 2x 3895, 11
- 4x 2997, 11
- 4x 25269, 85
- 2x 3070b, 85
- 8x 3024, 85
- 5x 4073, 85
- 1x 85861, 85
- 5x 18654, 85
- 5x 54200, 85



- 2x 20482, 85
- 4x 48729b, 85
- 6x 15100, 85
- 4x 15712, 85
- 1x 30553, 85
- 12x 61409, 85
- 16x 32002, 85
- 8x 41677, 85
- 2x 11477, 85
- 4x 3062b, 85
- 1x 29120, 85
- 4x 30383, 85
- 2x 3005, 85
- 1x 29119, 85
- 4x 4733, 85
- 1x 6541, 85
- 9x 3023, 85
- 4x 3937, 85
- 4x 4070, 85
- 5x 15573, 85
- 4x 23969, 85
- 16x 36840, 85
- 10x 3069b, 85
- 4x 32028, 85
- 4x 4085d, 85
- 14x 2412b, 85
- 5x 32028, 85
- 3x 61252, 85
- 5x 35480, 85
- 14x 11458, 85
- 4x 87087, 85
- 4x 85984, 85
- 10x 32000, 85



6x
6536, 86

2x
32028, 86

4x
44567a, 86

2x
24299, 86

4x
4032, 86

2x
87994, 86

2x
17485, 86

4x
87082, 86

10x
3021, 86

3x
87079, 86

2x
46372, 86

1x
60849, 86

2x
28192, 86

1x
32952, 86

2x
24307, 86

4x
14769, 86

10x
10247, 86

4x
3941, 86

2x
26287, 86

1x
32198, 86

8x
4185, 86

5x
3020, 86

2x
2921, 86

2x
11458, 86

4x
99781, 86

8x
15068, 86

9x
2420, 86

2x
91501, 86

4x
3941, 86

1x
92907, 86

1x
30374, 86

1x
3633, 86

5x
3020, 86

1x
3938, 86

14x
99780, 86

4x
99781, 86

8x
15068, 86

24x
3022, 86

2x
91501, 86

1x
3039, 86

1x
92907, 86

1x
30374, 86

2x
3701, 86

4x
41770, 86

4x
60581, 86

13x
32039, 86

2x
32064, 86

4x
2432, 86

2x
44809, 86

24x
3022, 86

2x
13971, 86

1x
3039, 86

1x
92907, 86

1x
30374, 86

2x
3701, 86

4x
41770, 86

1x
60474, 86

3x
4733, 86

4x
98283, 86

8x
21445, 86

2x
18674, 86

1x
3068b, 86

2x
13971, 86

5x
3660, 86

1x
30031, 86

4x
32249, 86

4x
2436b, 86

2x
30043, 86

1x
60474, 86

1x
3937, 86

1x
3004, 86

8x
21445, 86

2x
18674, 86

1x
3068b, 86

2x
13971, 86

5x
3660, 86

1x
30031, 86

4x
32249, 86

4x
2436b, 86

2x
30043, 86

1x
60474, 86

8x
37352, 86

1x
32000, 86

3x
11211, 86

2x
15535, 86

8x
27263, 86

6x
4519, 86

8x
32054, 86

2x
87552, 86

11x
2431, 86

4x
2436b, 86

2x
30043, 86

1x
6179, 86

40x
18677, 86

10x
3665, 86

2x
32187, 86

3x
2654, 86

3x
14719, 86

6x
4519, 86

8x
32054, 86

2x
87552, 86

11x
2431, 86

4x
2436b, 86

2x
30043, 86

1x
6179, 86

8x
3679, 86

2x
30136, 86

2x
14704, 86

8x
4740, 86

5x
41678, 86

2x
99206, 86

4x
34103, 86

2x
4287, 86

4x
92593, 86

2x
11478, 86

2x
99773, 86

2x
99773, 86

5x
32803, 86

2x
30136, 86

13x
11476, 86

8x
4740, 86

5x
41678, 86

2x
99206, 86

4x
34103, 86

2x
4287, 86

4x
92593, 86

2x
11478, 86

2x
99773, 86

2x
99773, 86

5x
32803, 86

2x
30136, 86

13x
11476, 86

8x
4740, 86

5x
41678, 86

2x
99206, 86

4x
34103, 86

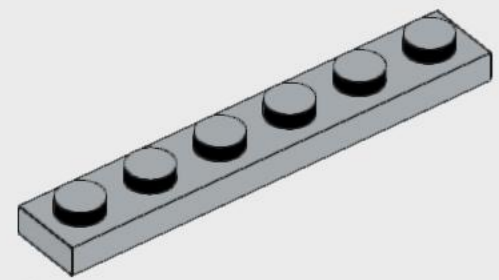
2x
4287, 86

4x
92593, 86

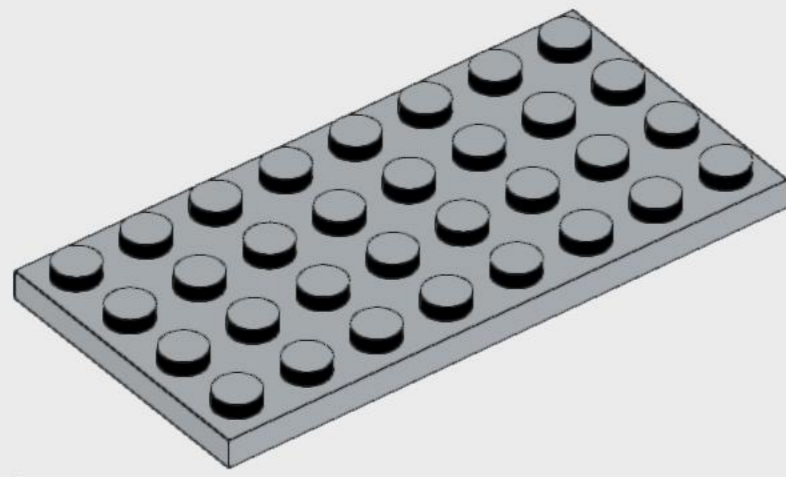
2x
11478, 86

2x
99773, 86

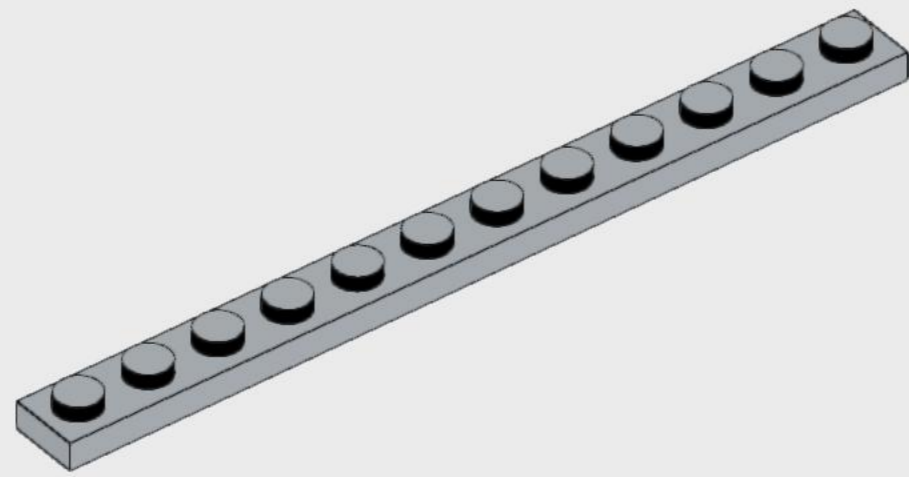
2x
99773, 86



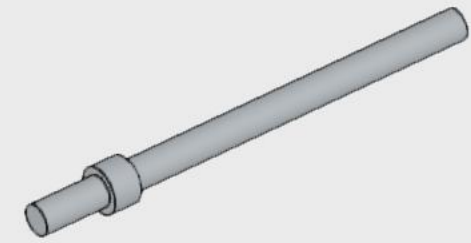
5x
3666, 86



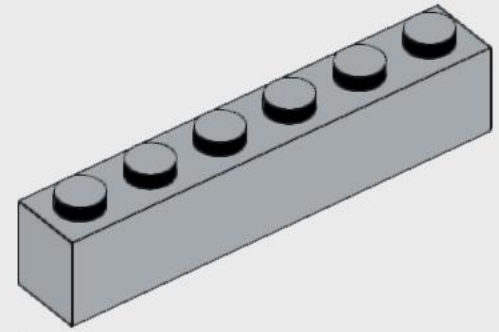
1x
3035, 86



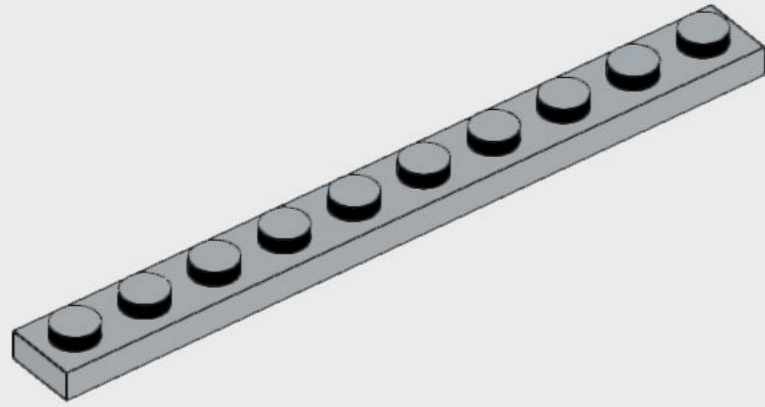
1x
60479, 86



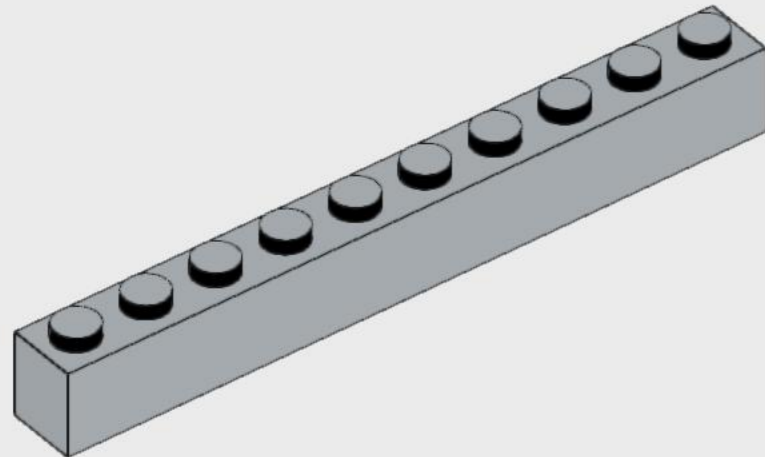
2x
63965, 86



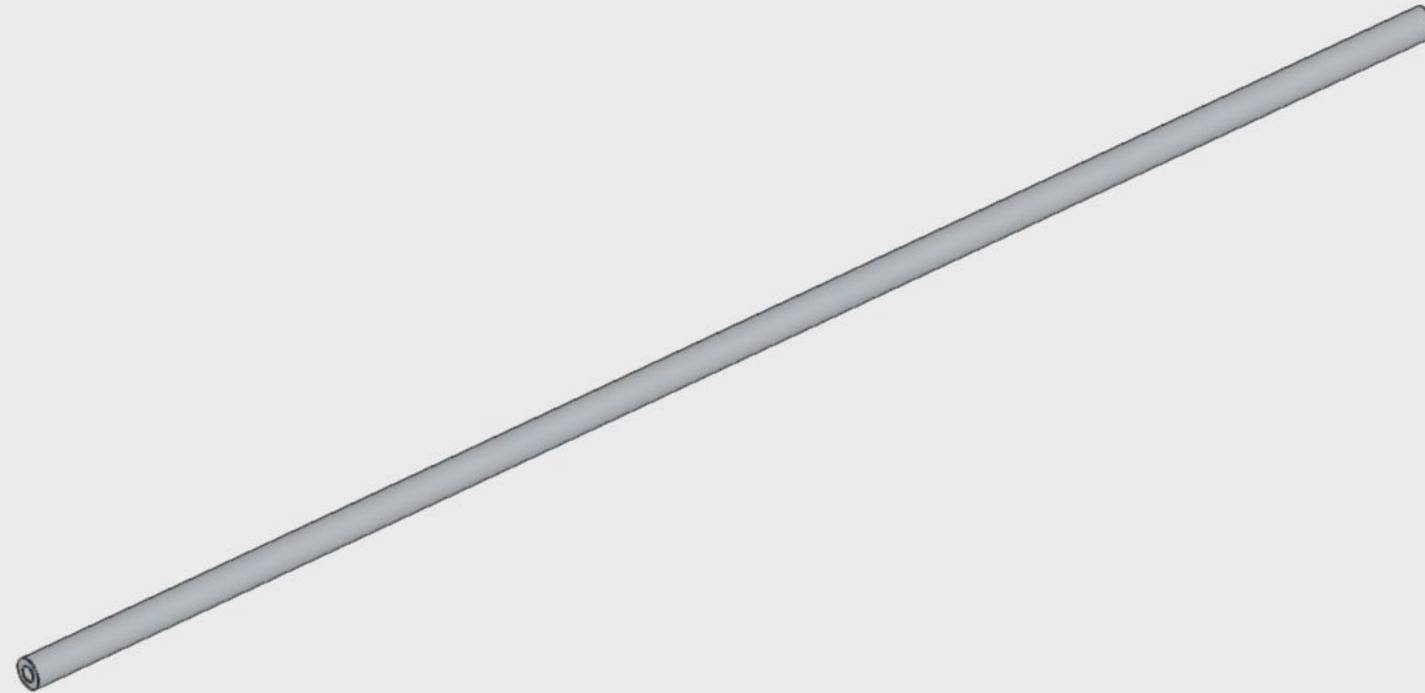
1x
3009, 86



1x
4477, 86

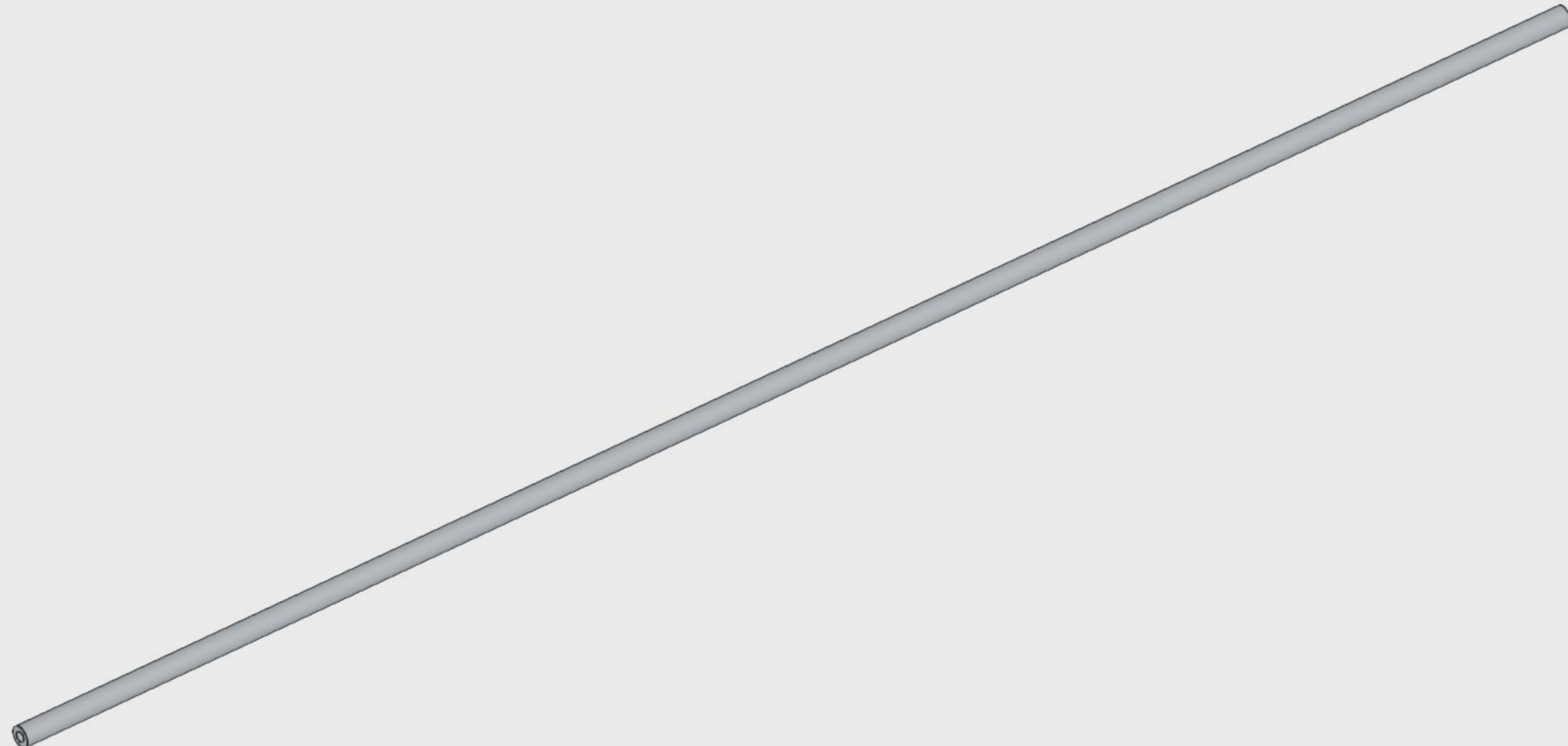


1x
6111, 86



3x
75c20, 86

3x
75c20, 86



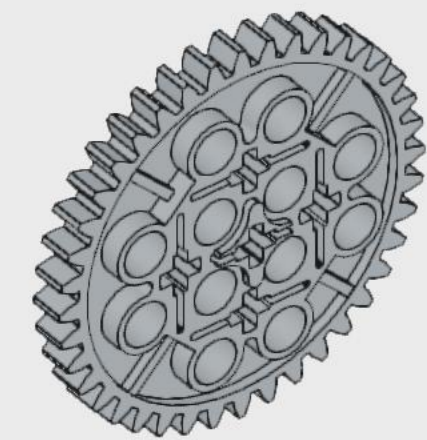
1x
75c32, 86



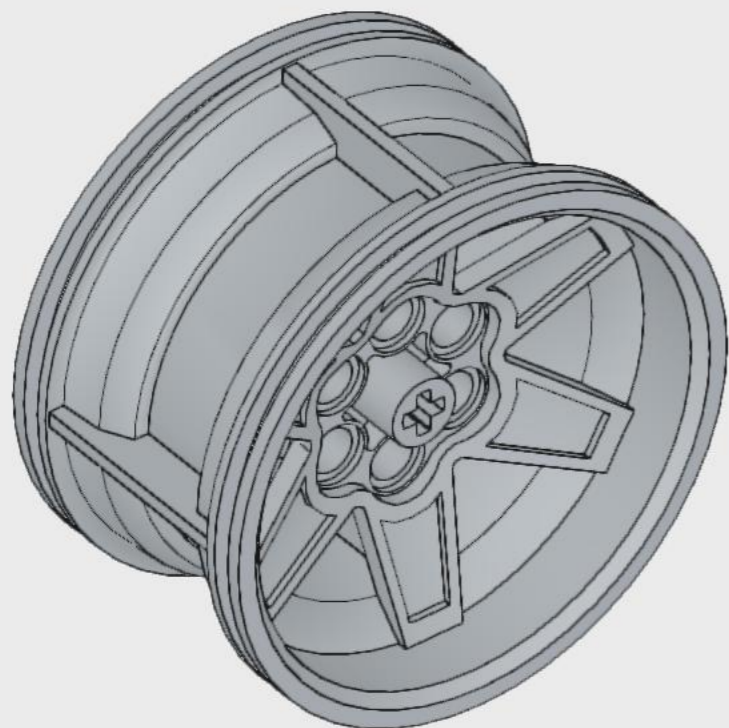
2x
98138, 1



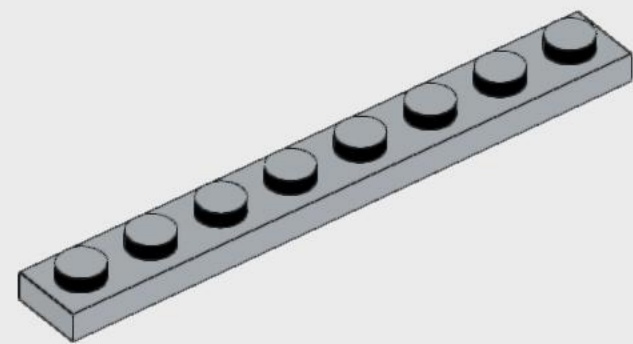
2x
32498, 86



2x
3649, 86



6x
15038, 86



1x
3460, 86



26x
3070b, 1



4x
15573, 1



6x
25269, 1



16x
11477, 1



41x
3024, 1



20x
85984, 1



22x
54200, 1



8x
11458, 1



8x
15712, 1



4x
36841, 1



2x
32028, 1



8x
87087, 1



16x
35787, 1



2x
26047, 1



8x
99781, 1



23x
3069b, 1



2x
11211, 1



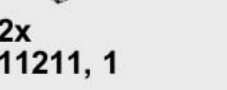
14x
29120, 1



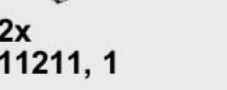
2x
32952, 1



14x
29119, 1

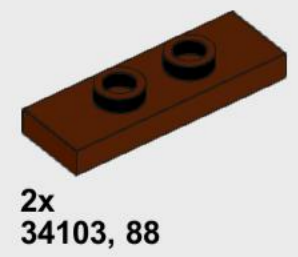


15x
3023, 1

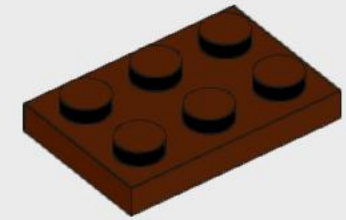


6x
2420, 1





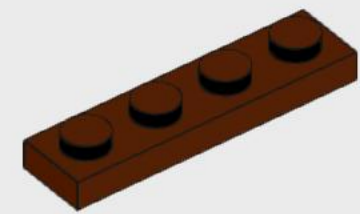
2x
34103, 88



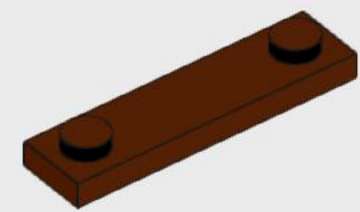
10x
3021, 88



4x
30374, 88



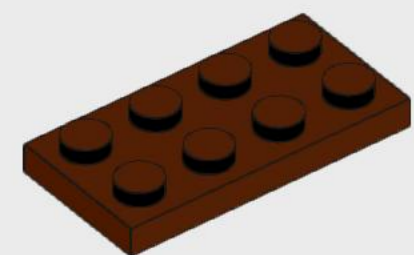
7x
3710, 88



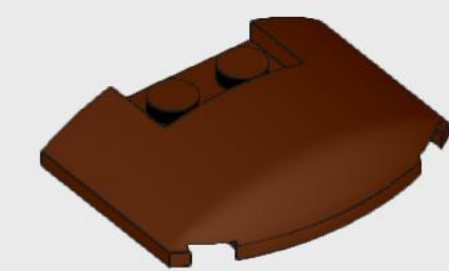
4x
41740, 88



2x
30357, 88



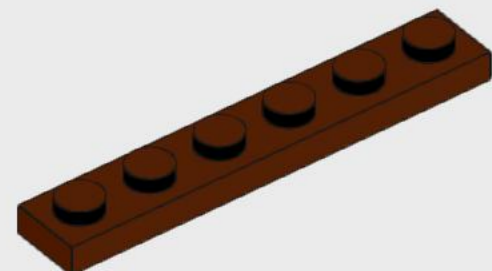
4x
3020, 88



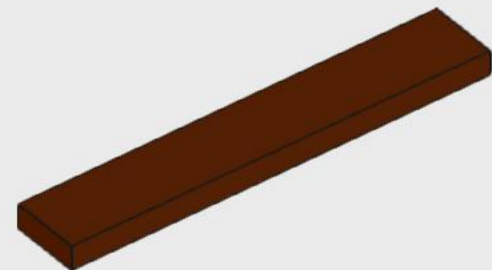
1x
93604, 88



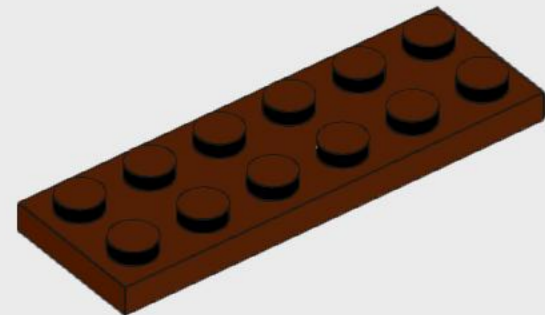
1x
63965, 88



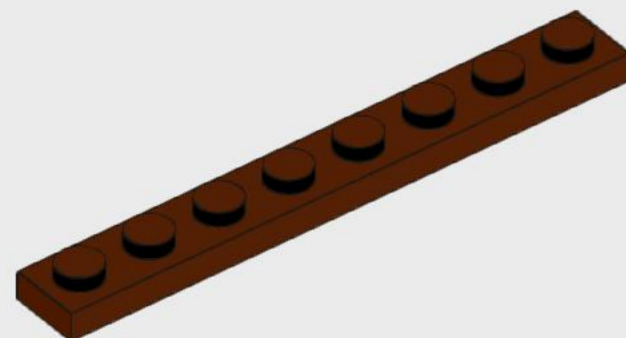
3x
3666, 88



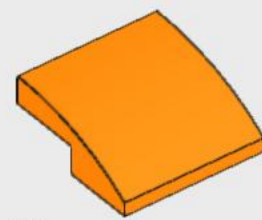
1x
6636, 88



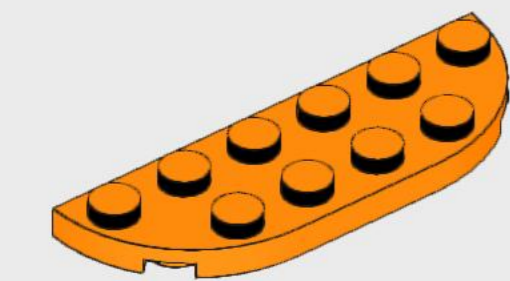
1x
3795, 88



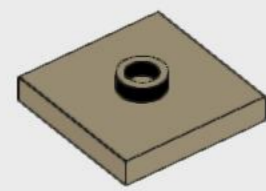
1x
3460, 88



2x
15068, 4



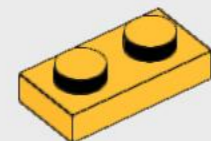
4x
18980, 4



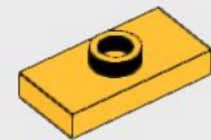
4x
87580, 69



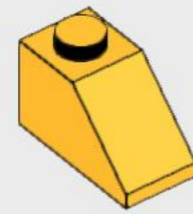
2x
24246, 110



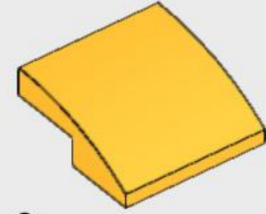
2x
3023, 110



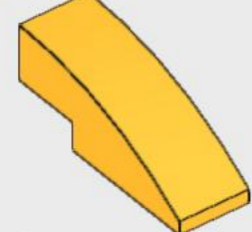
4x
15573, 110



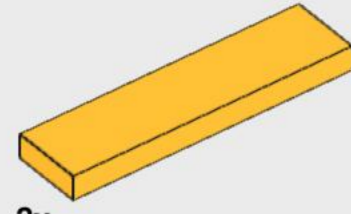
2x
3040, 110



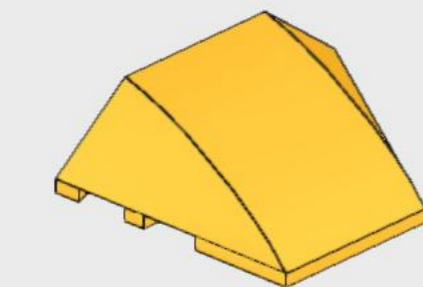
2x
15068, 110



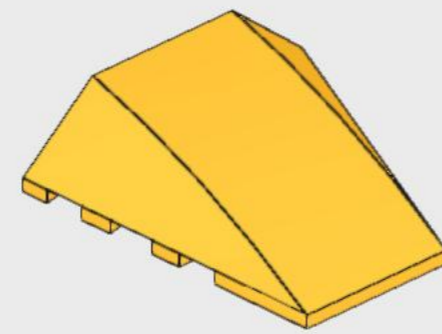
2x
50950, 110



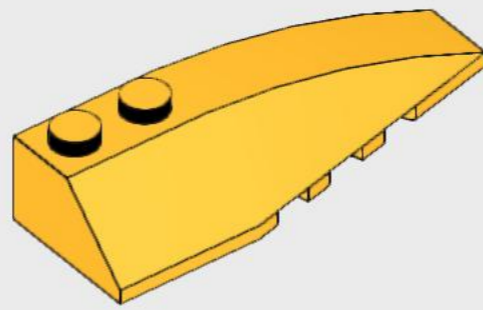
2x
2431, 110



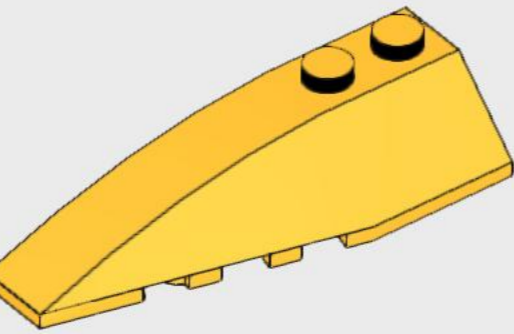
1x
64225, 110



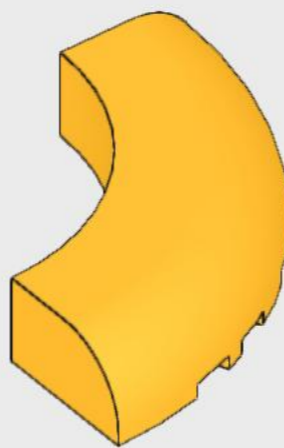
2x
47753, 110



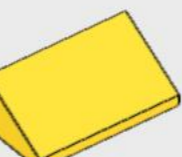
1x
41747, 110



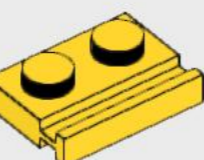
1x
41748, 110



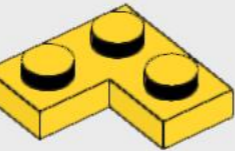
4x
24599, 110



4x
85984, 3



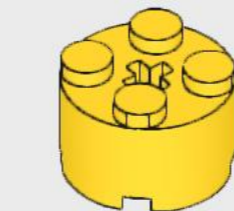
4x
32028, 3



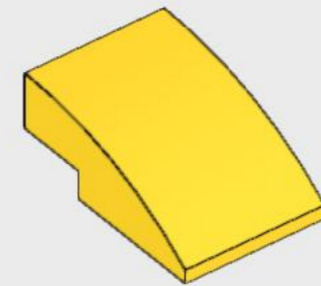
4x
2420, 3



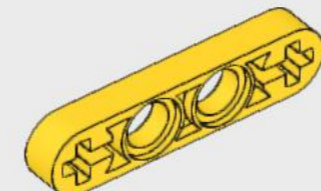
4x
27925, 3



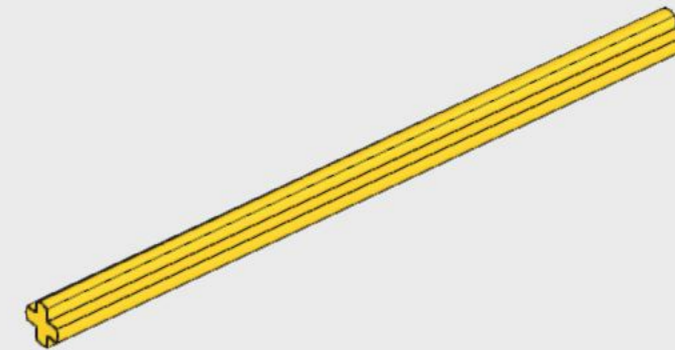
2x
3941, 3



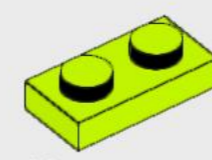
3x
24309, 3



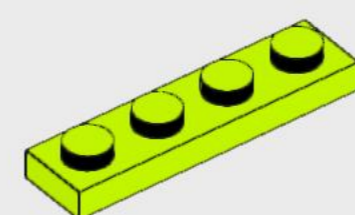
1x
32449, 3



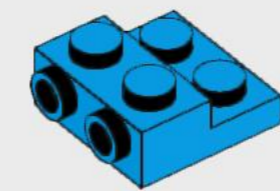
2x
60485, 3



11x
3023, 34



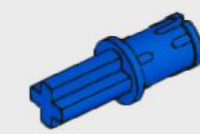
4x
3710, 34



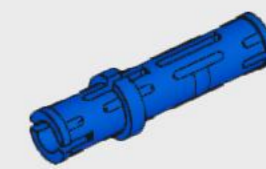
6x
99206, 153



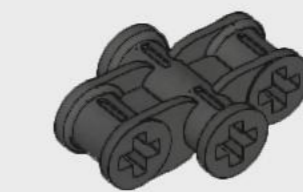
44x
4274, 7



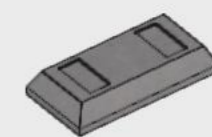
20x
43093, 7



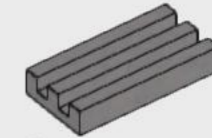
12x
6558, 7



6x
11272, 77



10x
99563, 95



4x
2412b, 95



1x
15395, 95