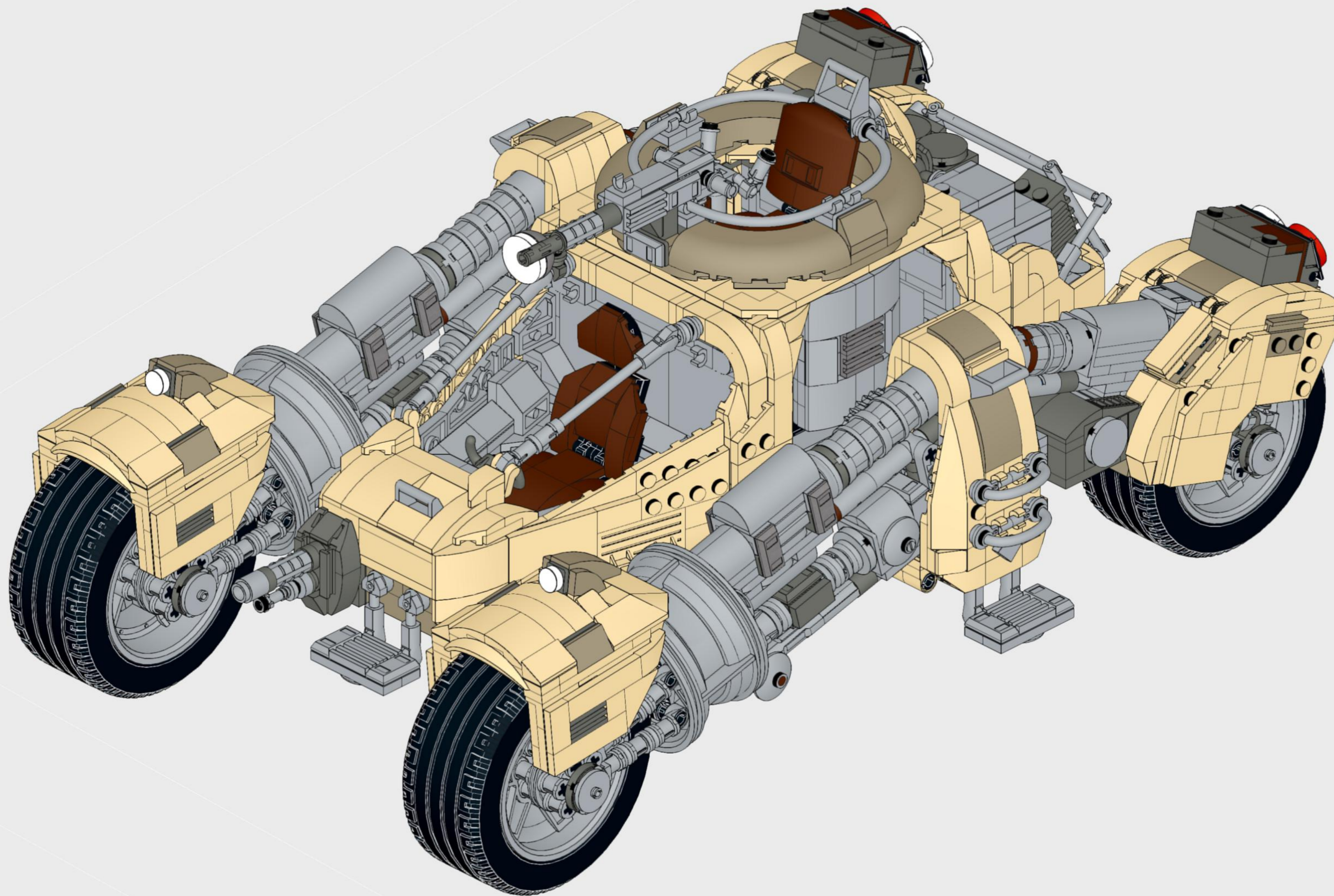


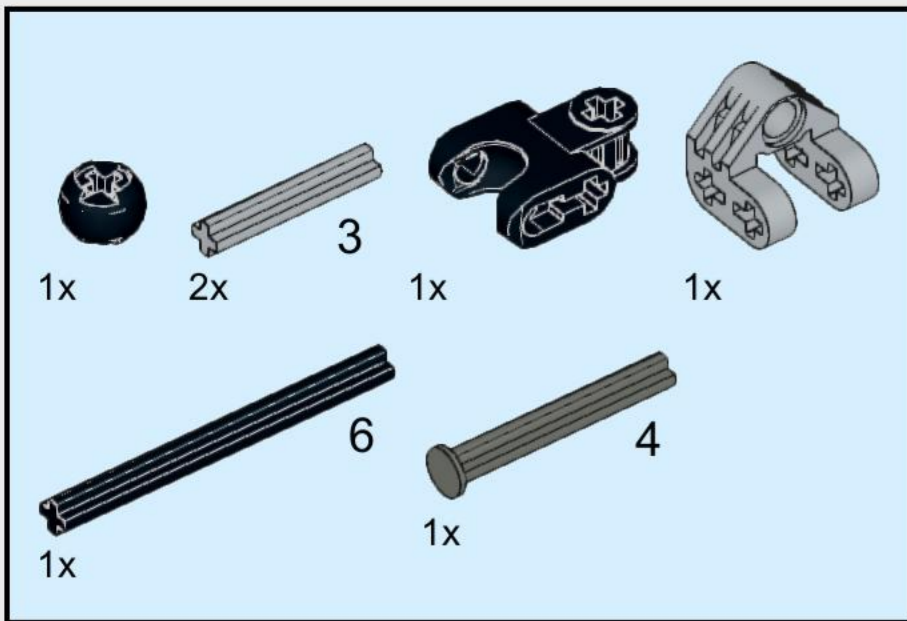
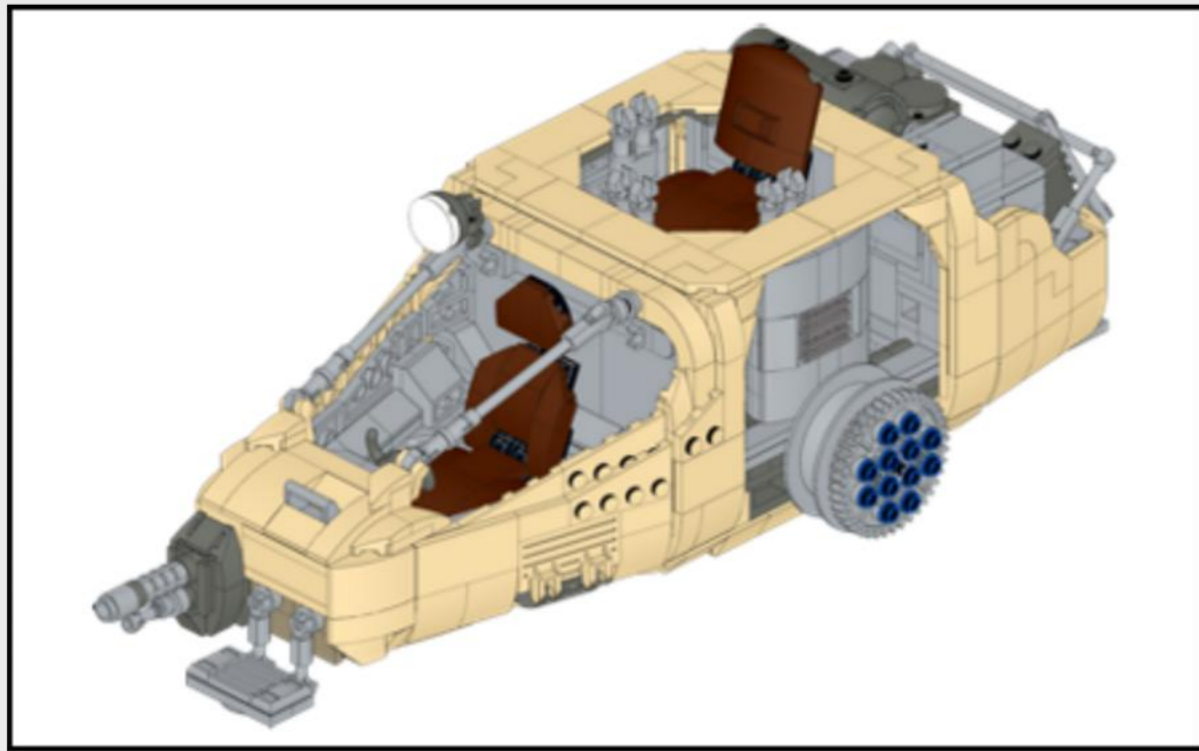
# BORDERLANDS

## Outrunner

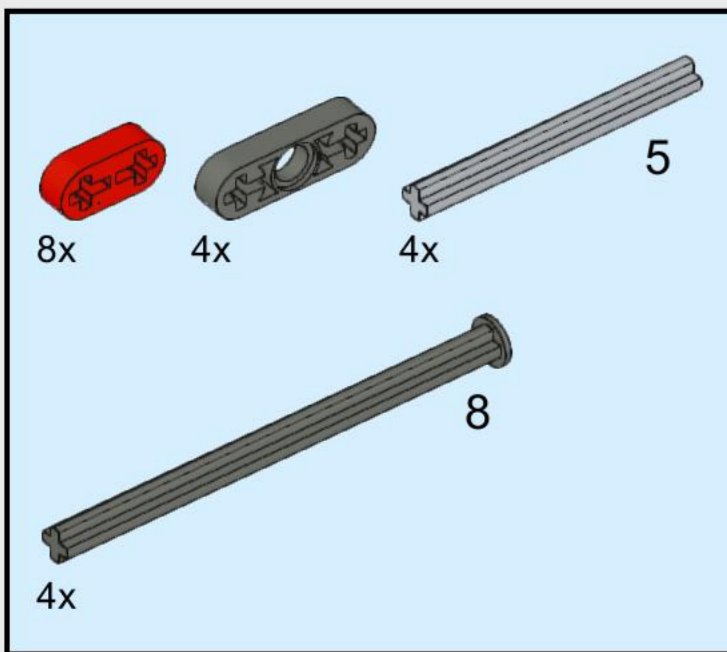


2540 Lego pcs

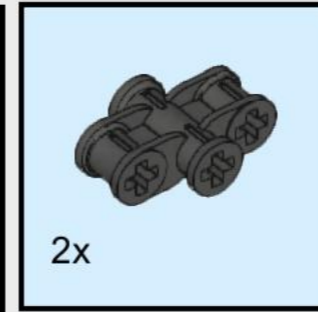
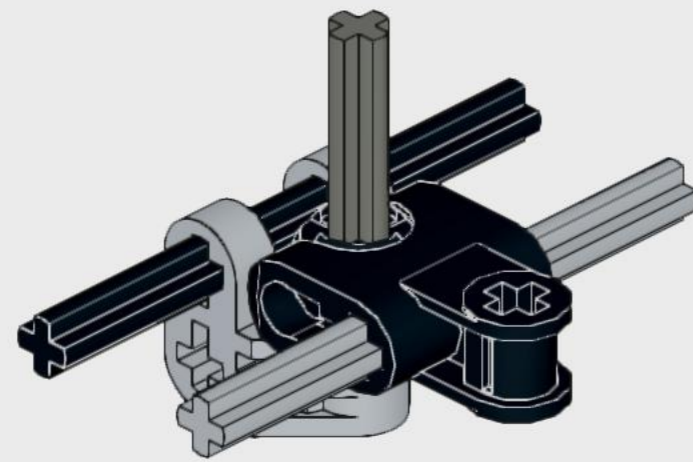
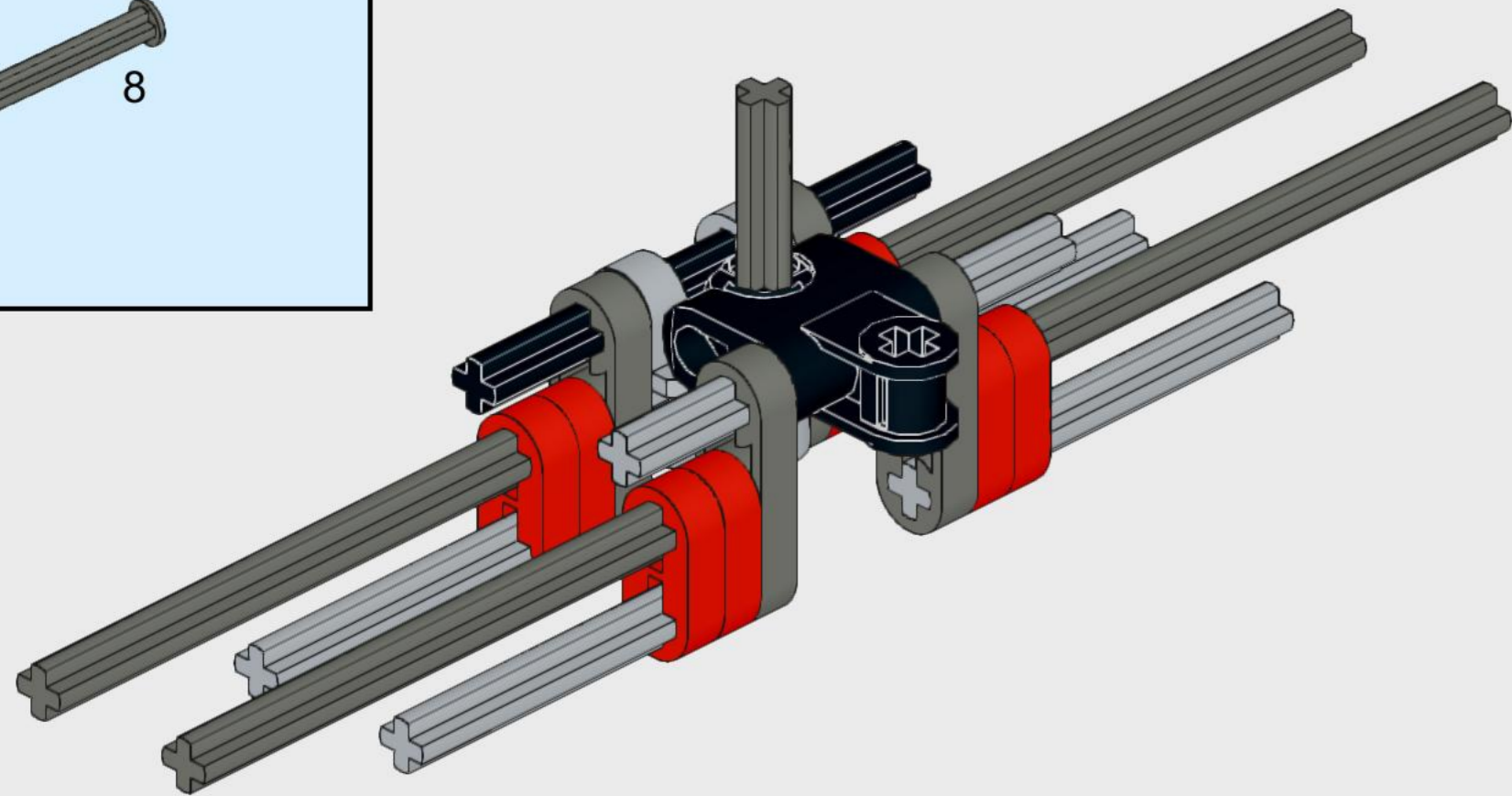
Model by Kevin Hansen  
©2020 HansenBricks.com



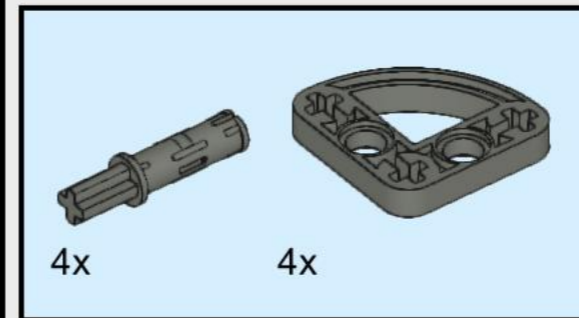
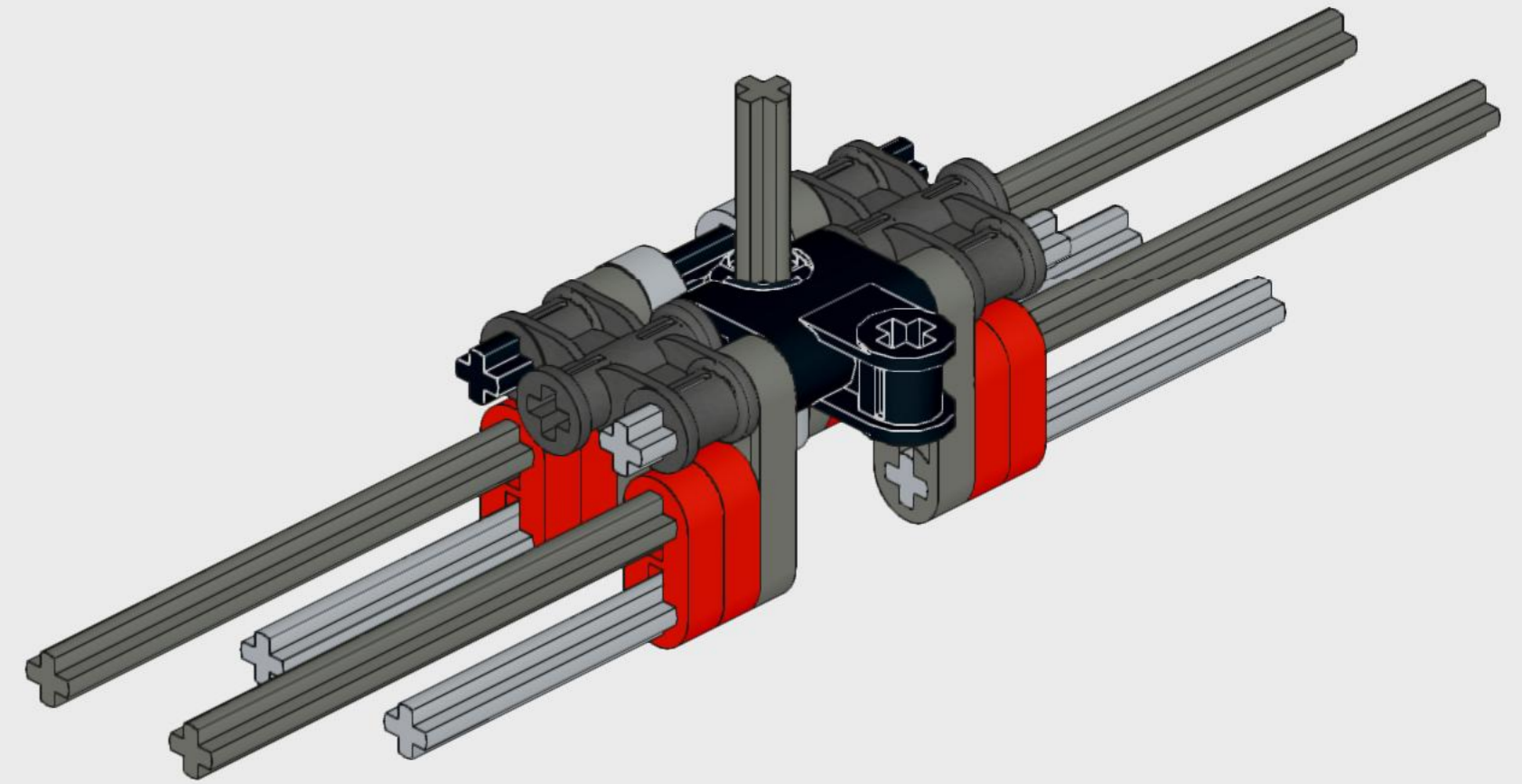
1



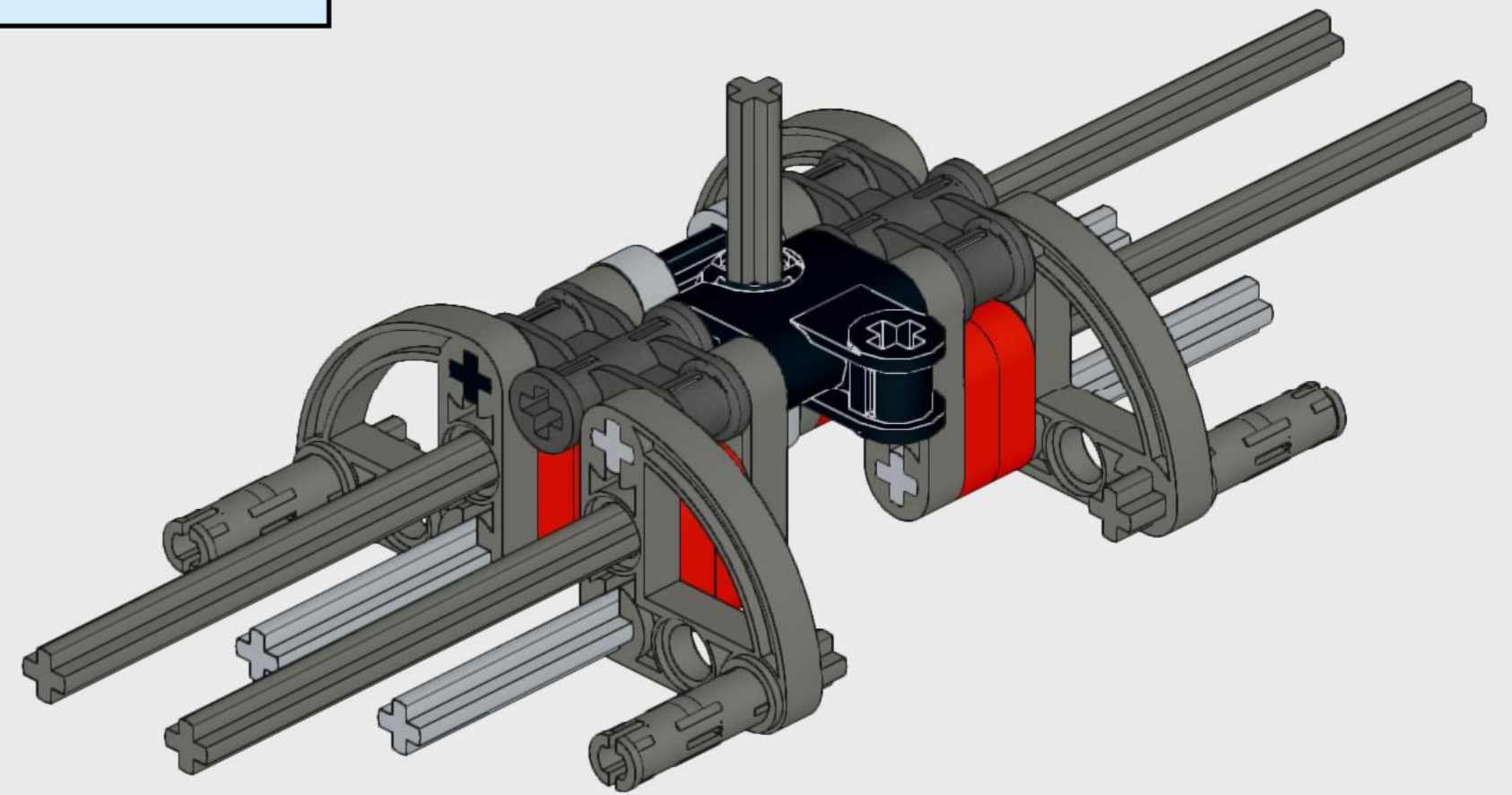
2

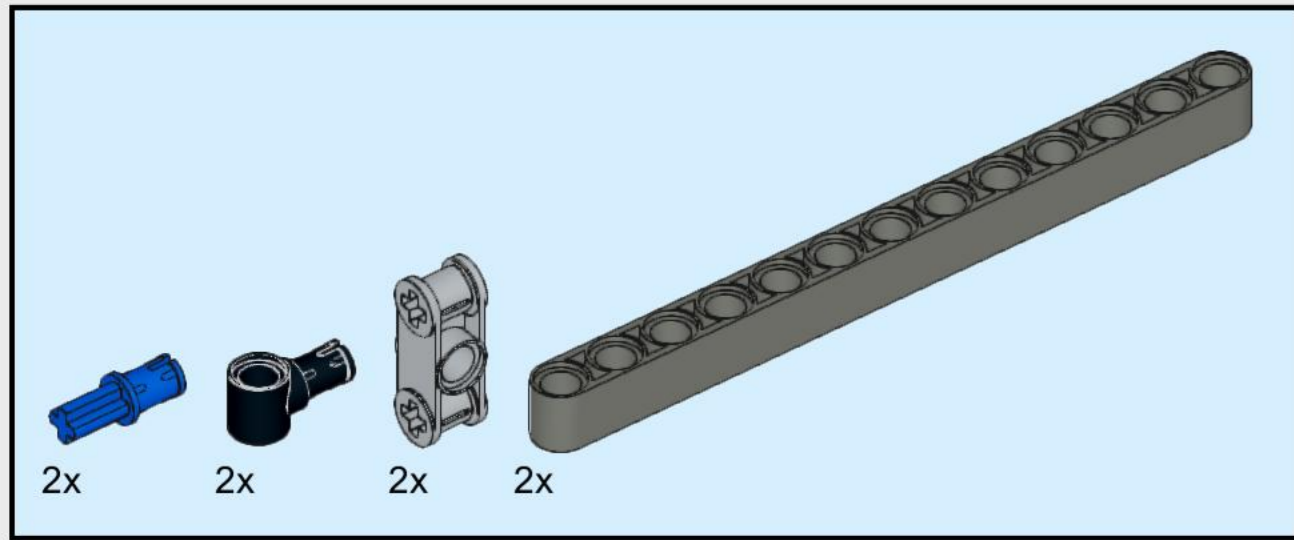


3

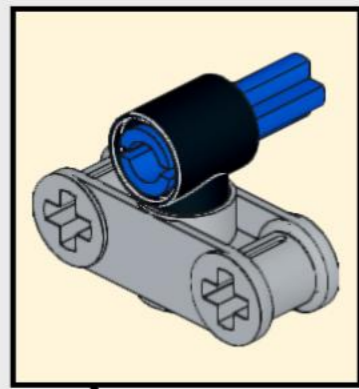
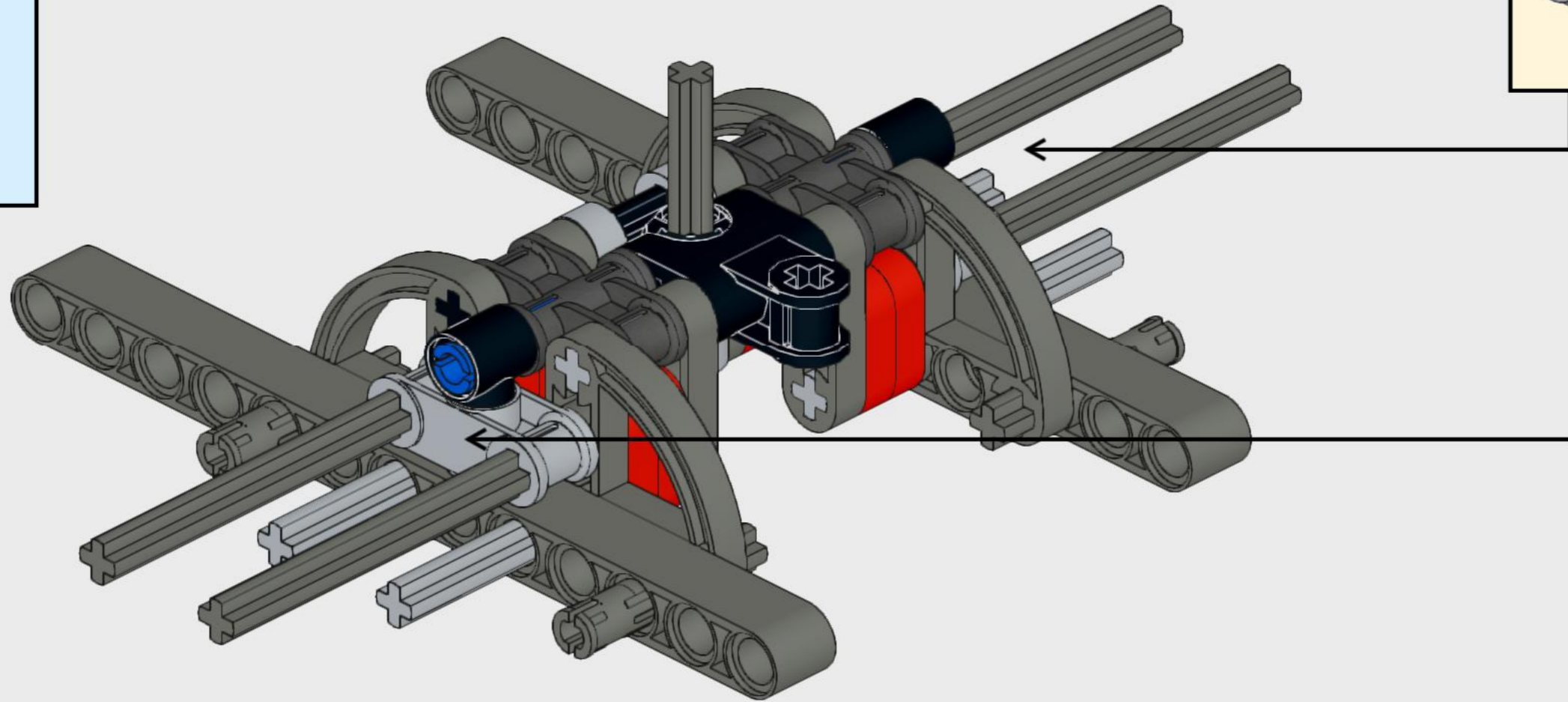


4

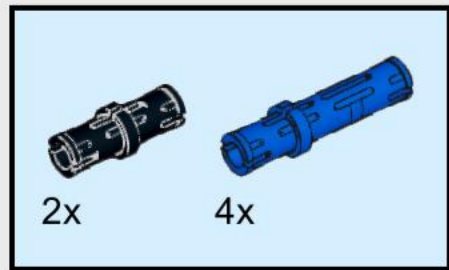




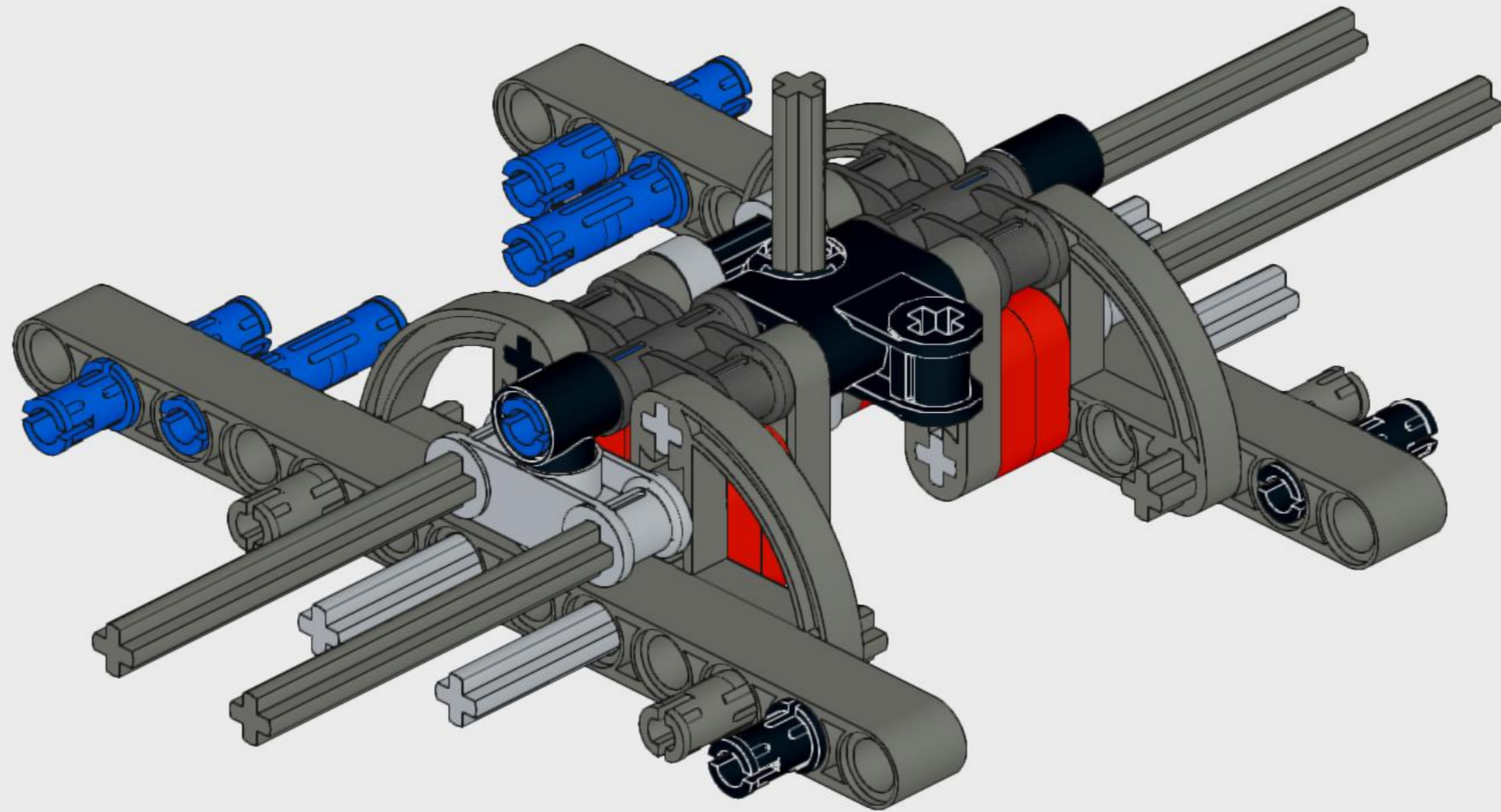
5

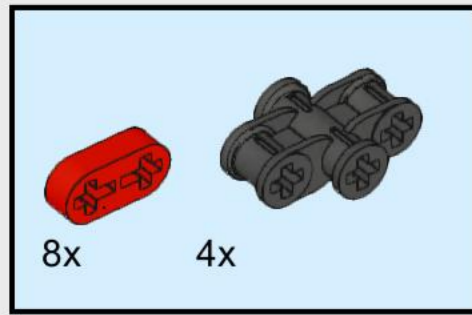


2x

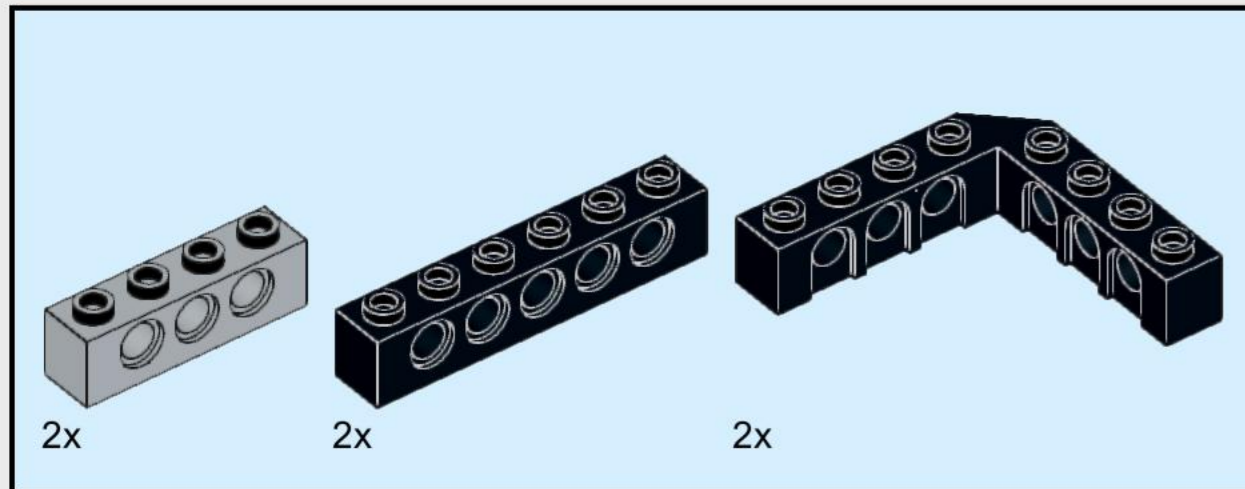
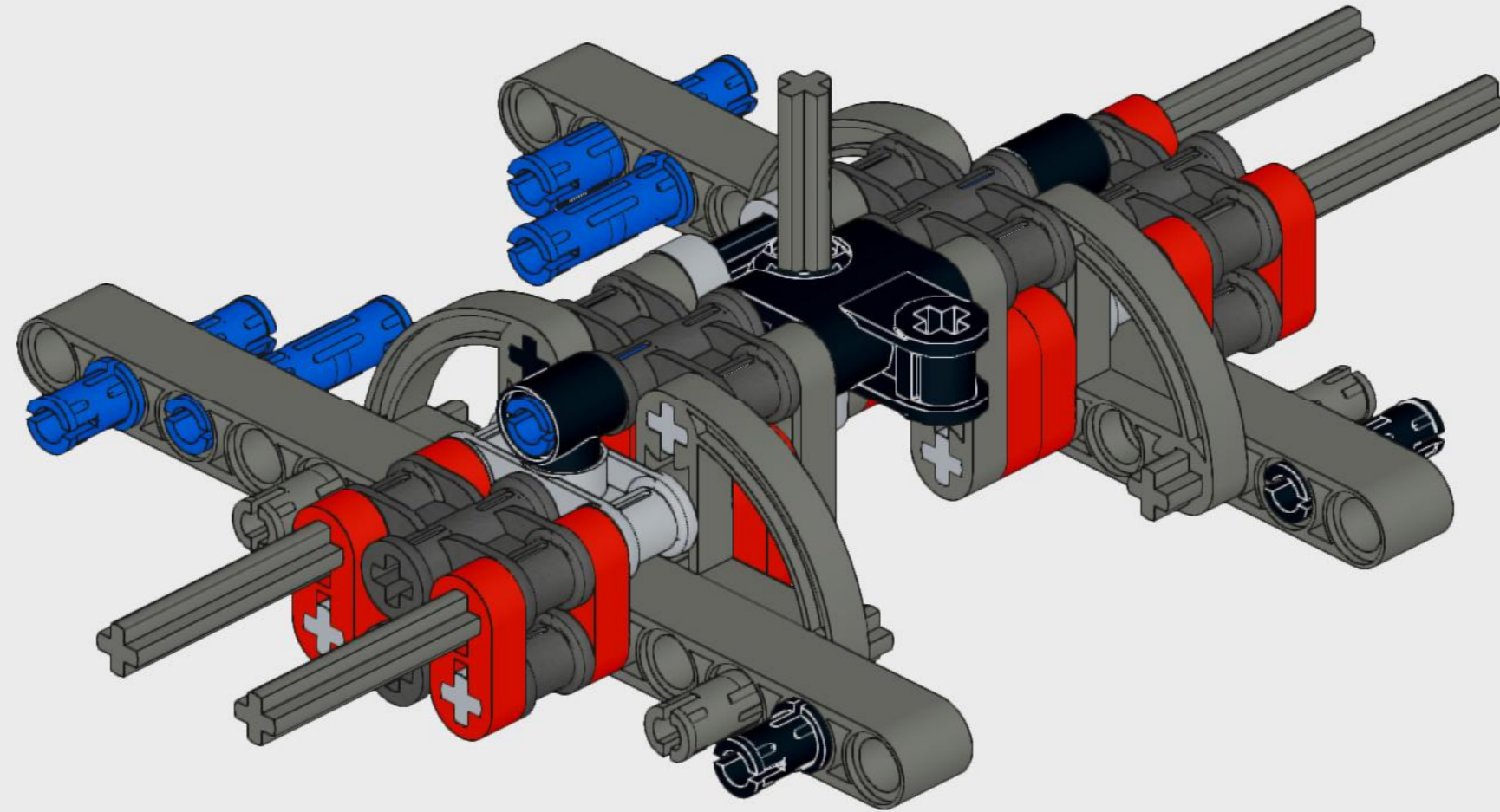


6

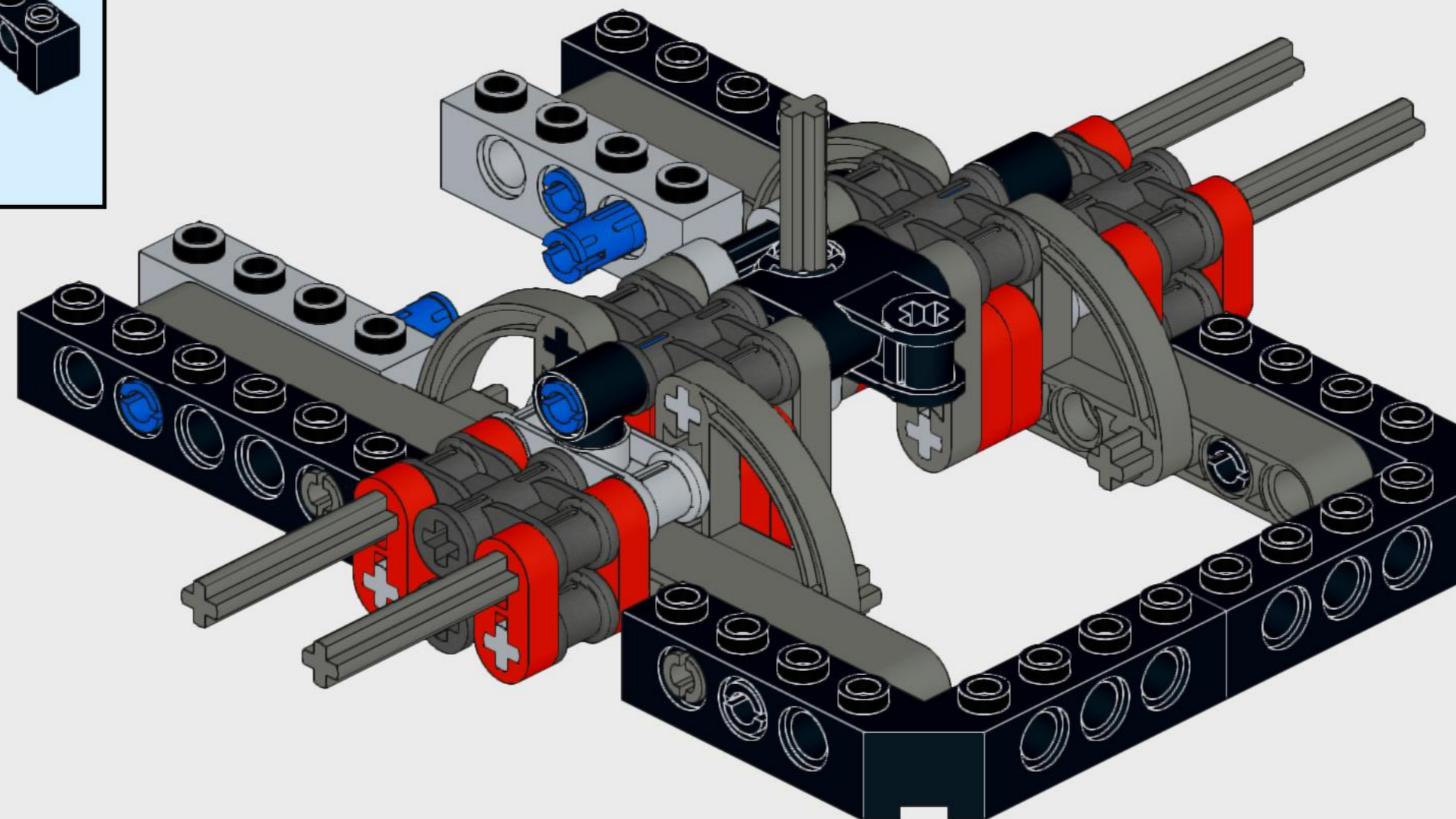


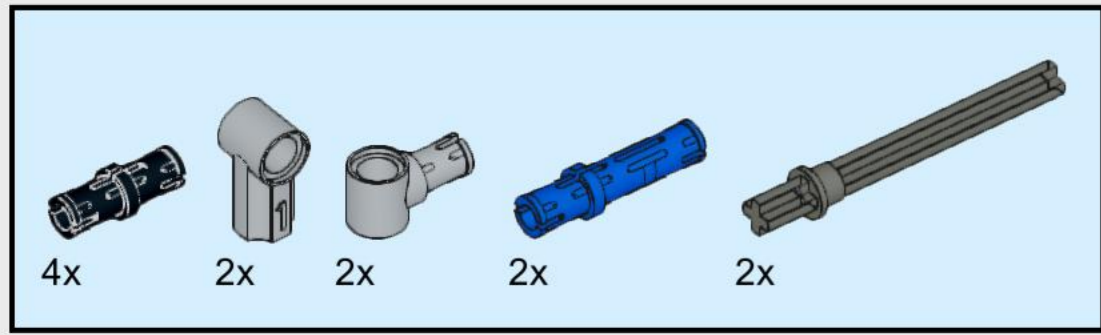


7

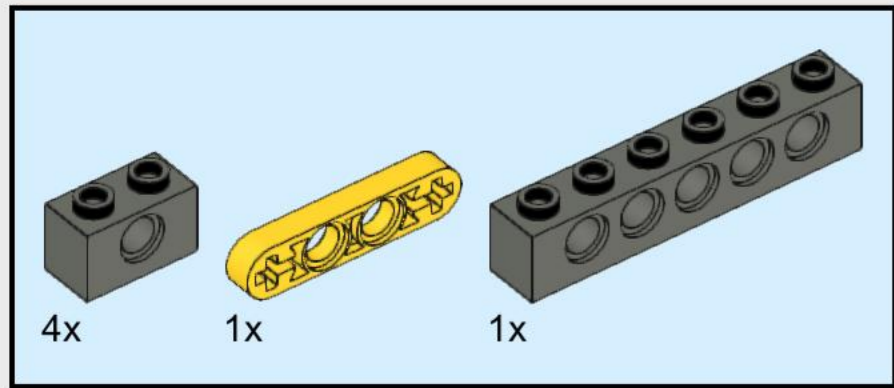
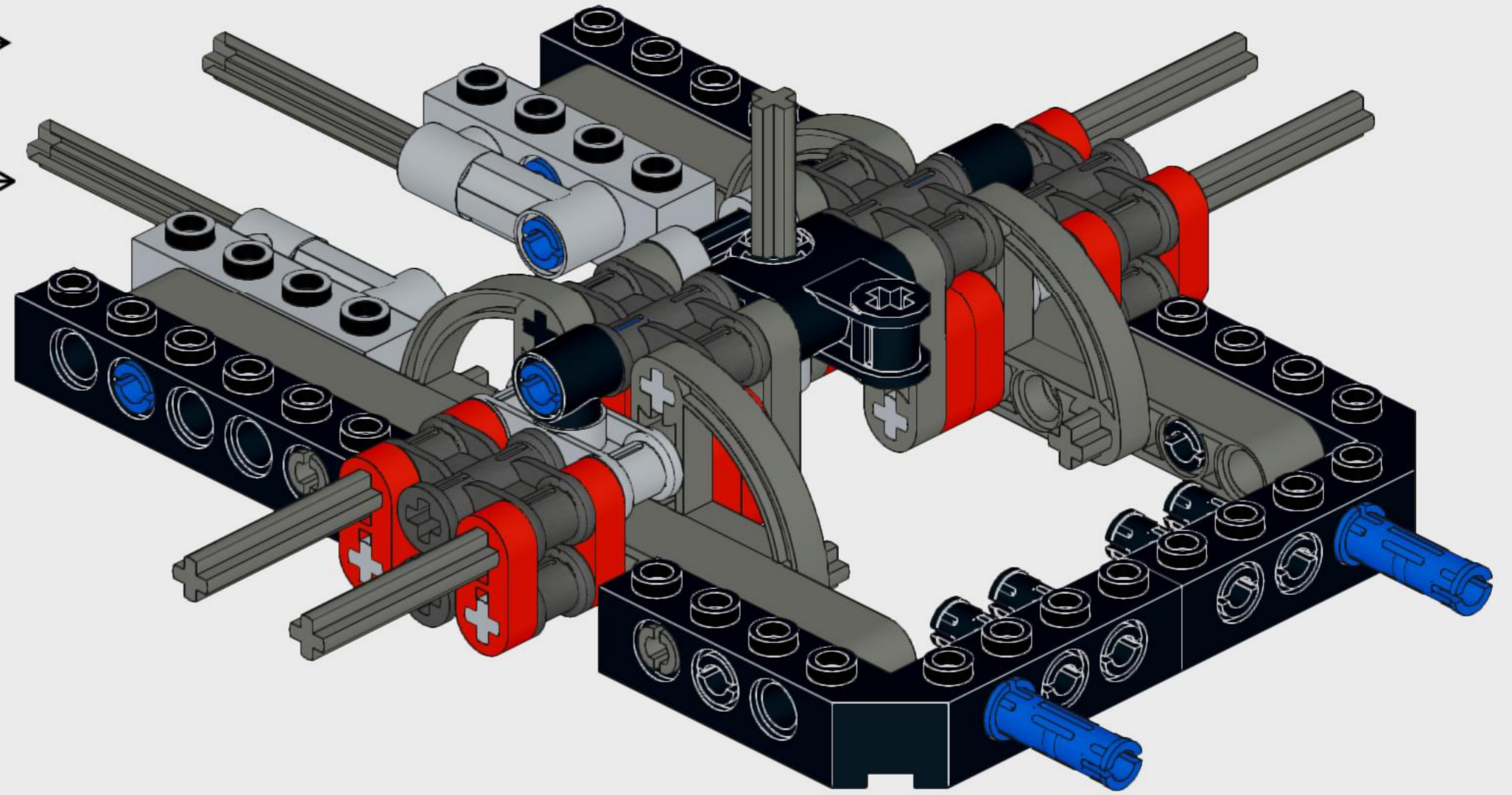
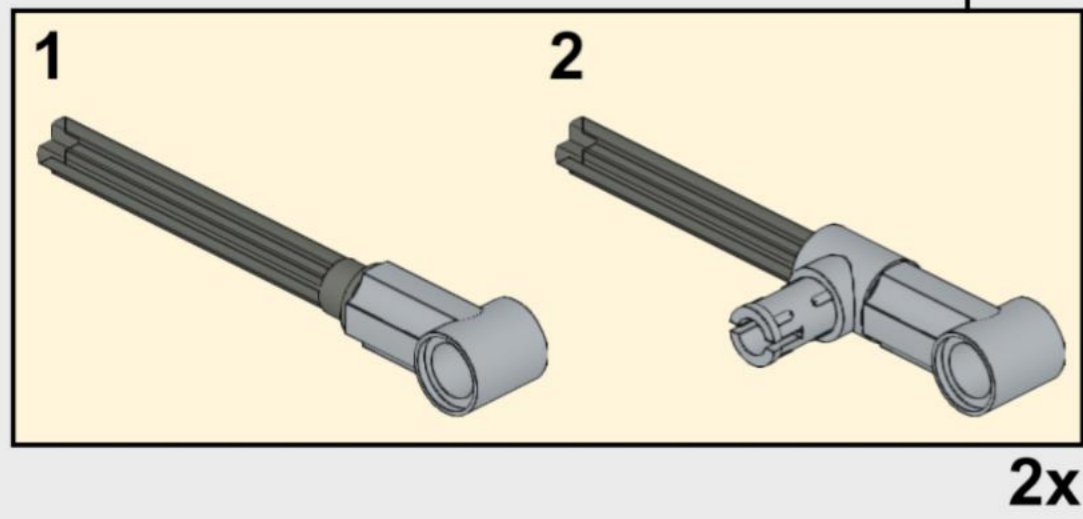


8

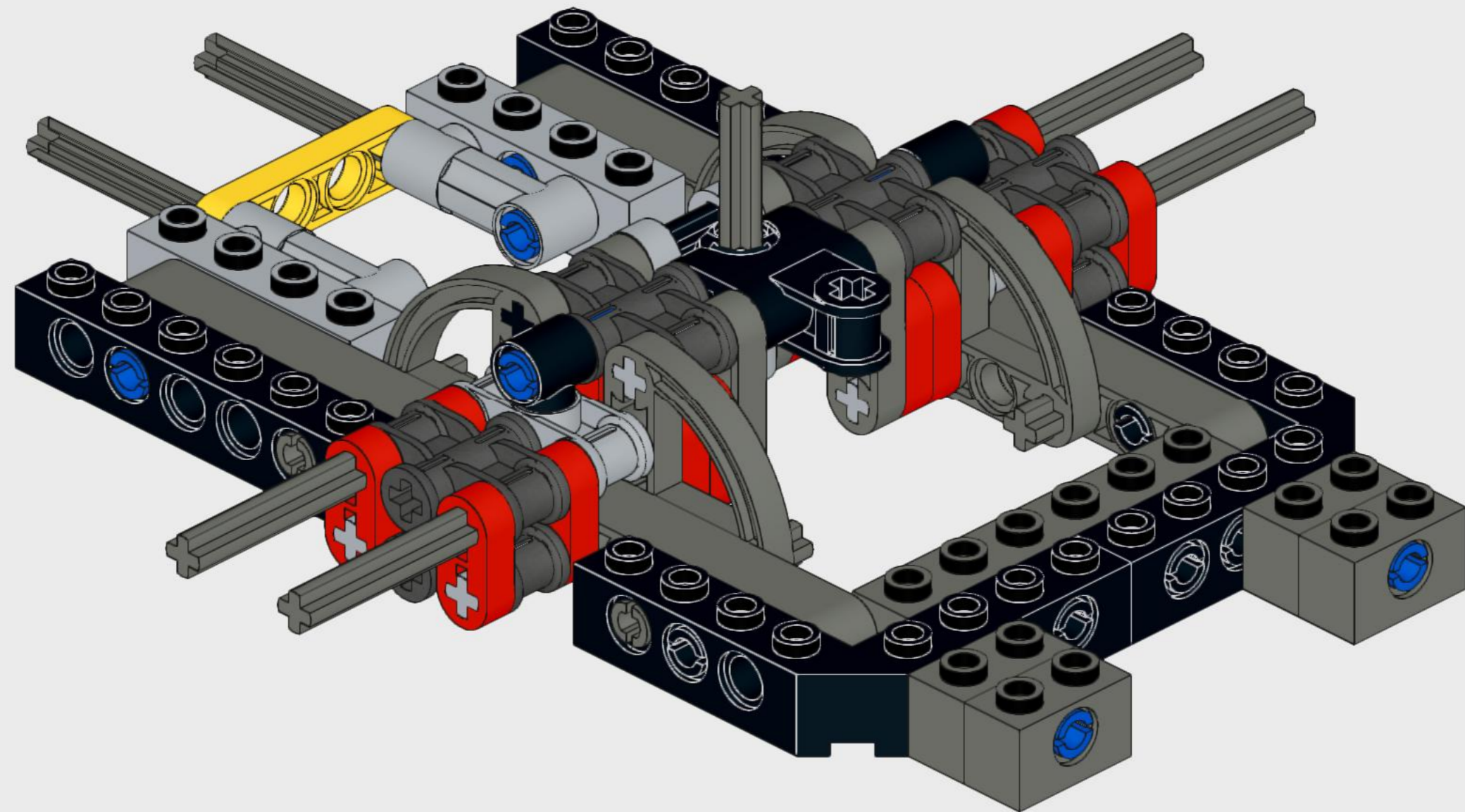


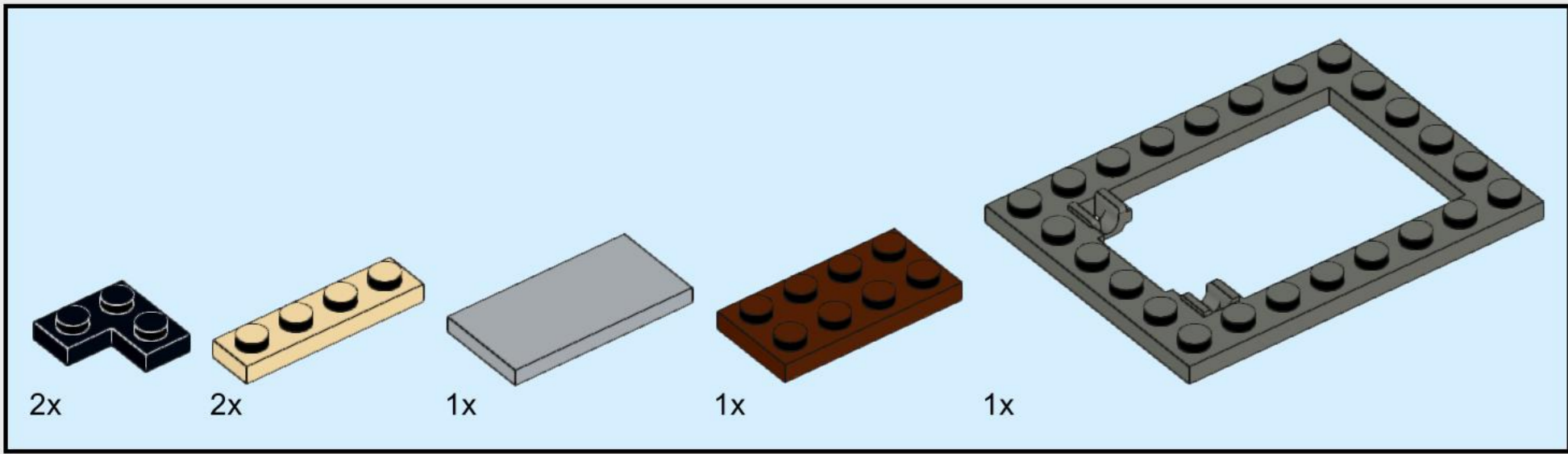


9

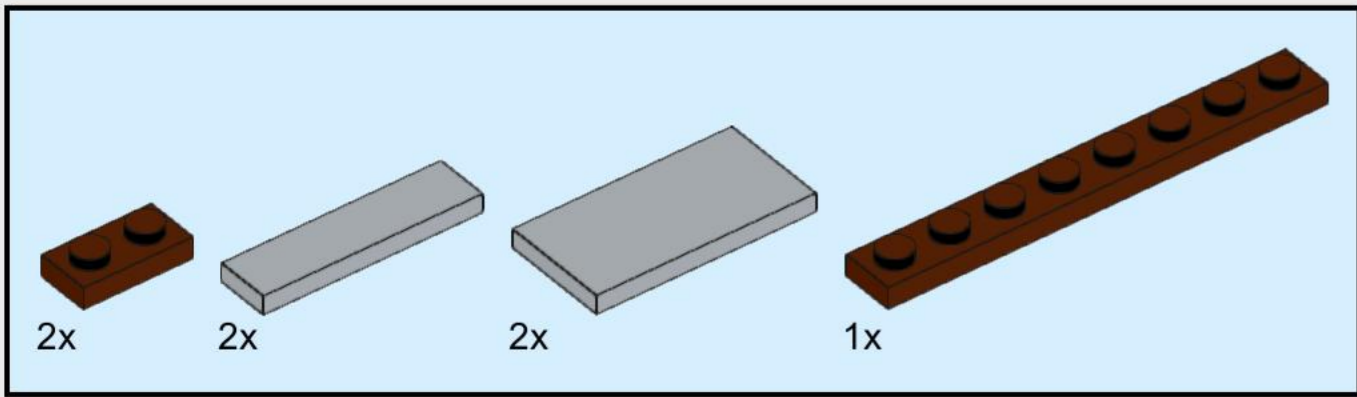
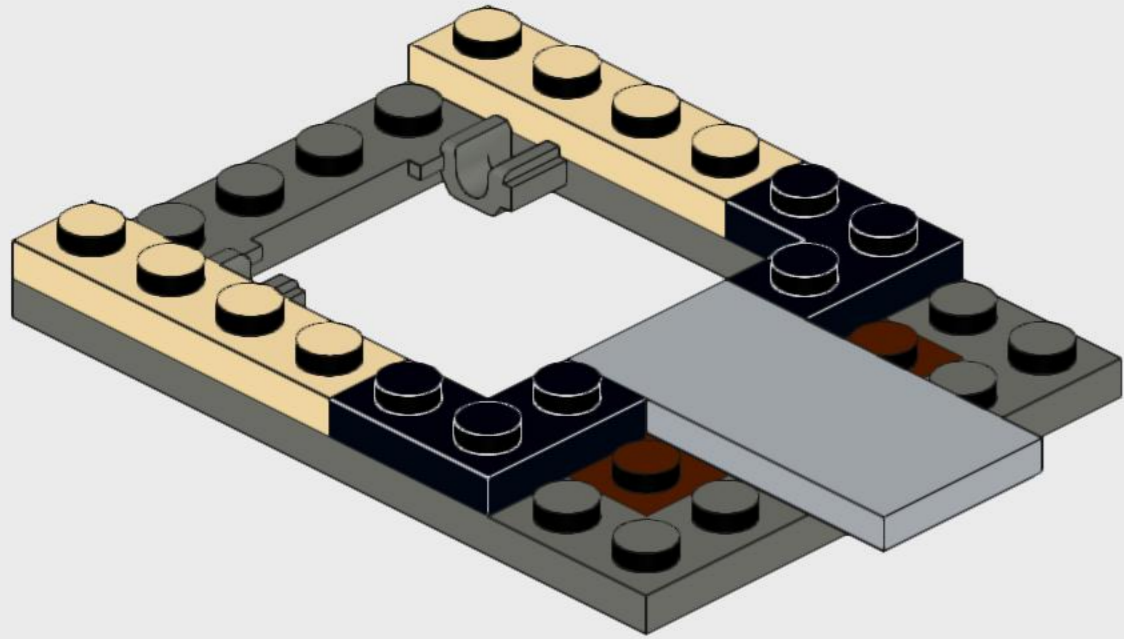


10

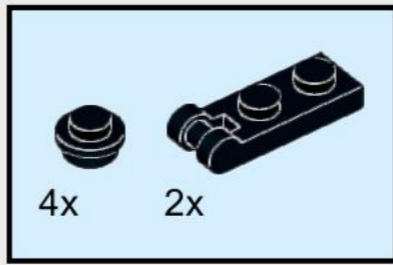
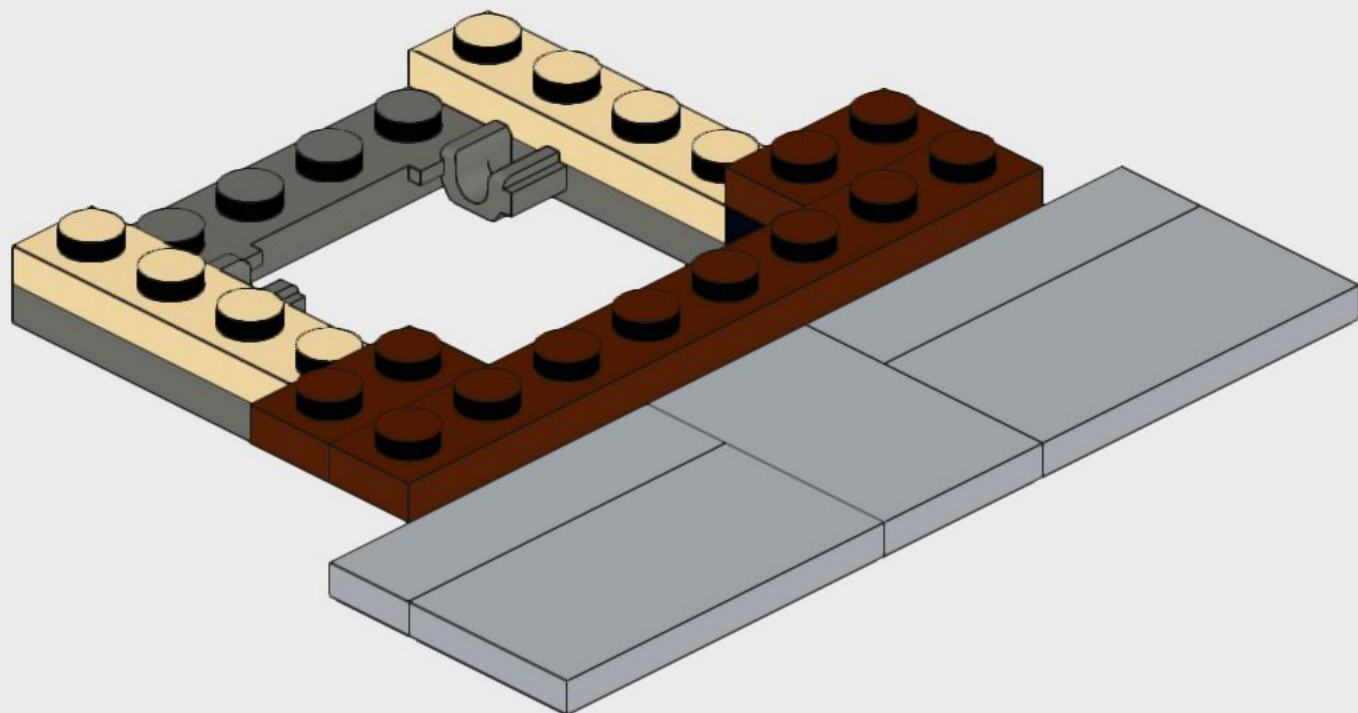




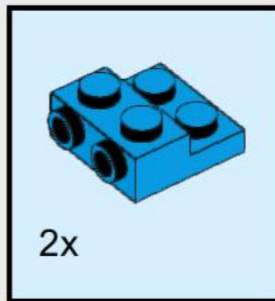
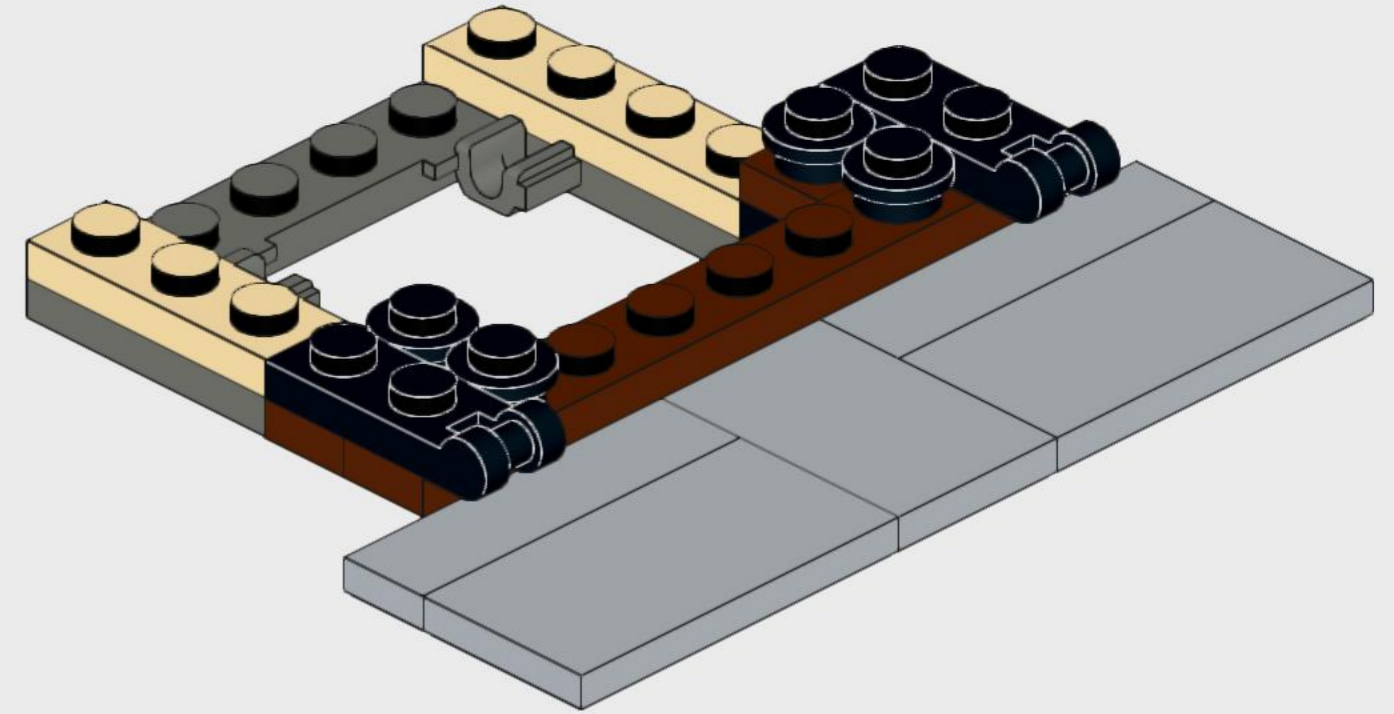
11



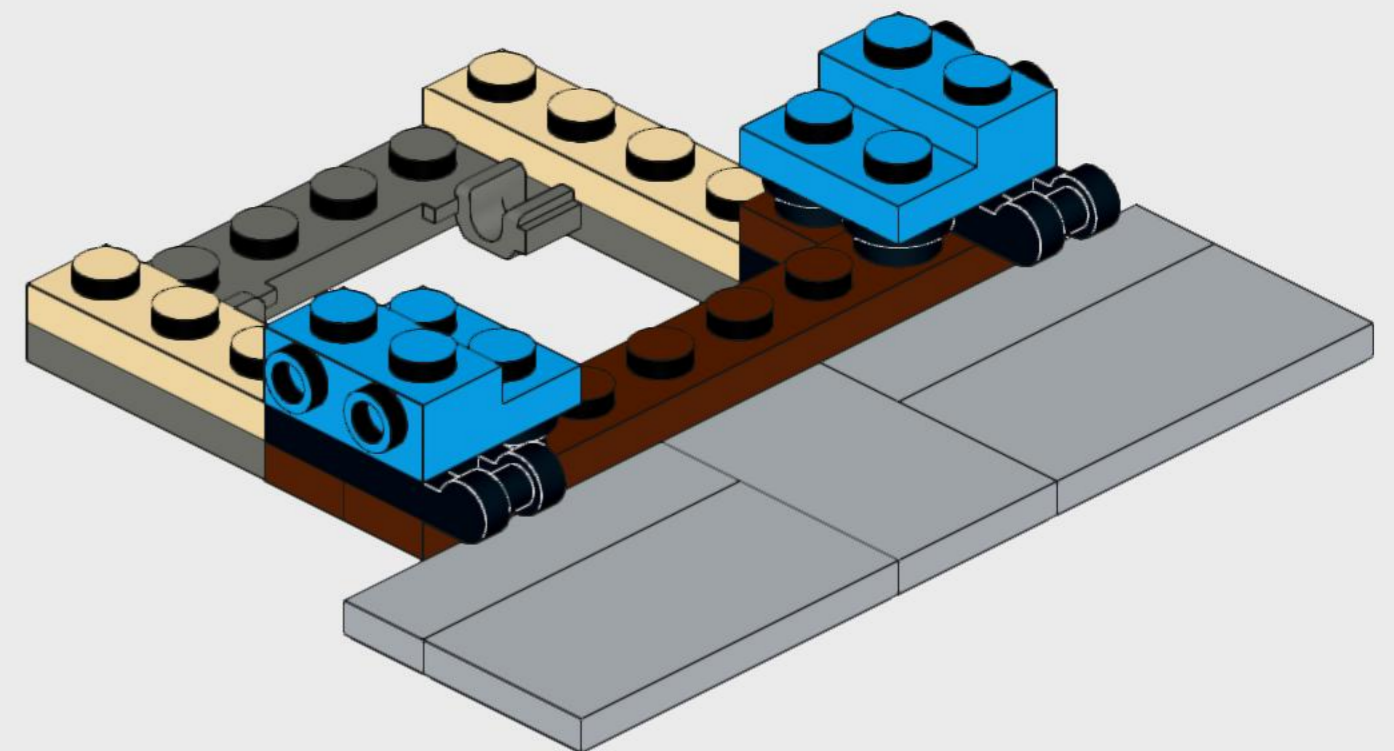
12



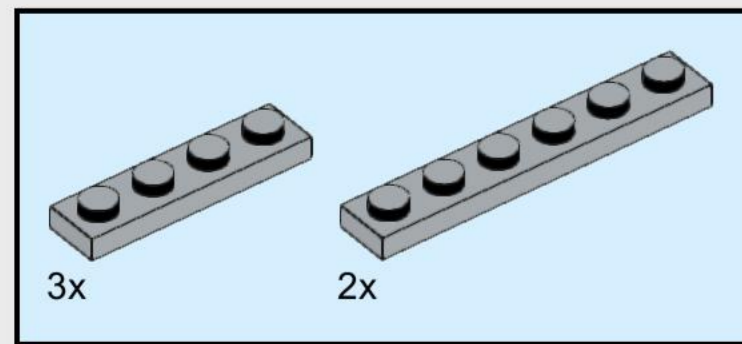
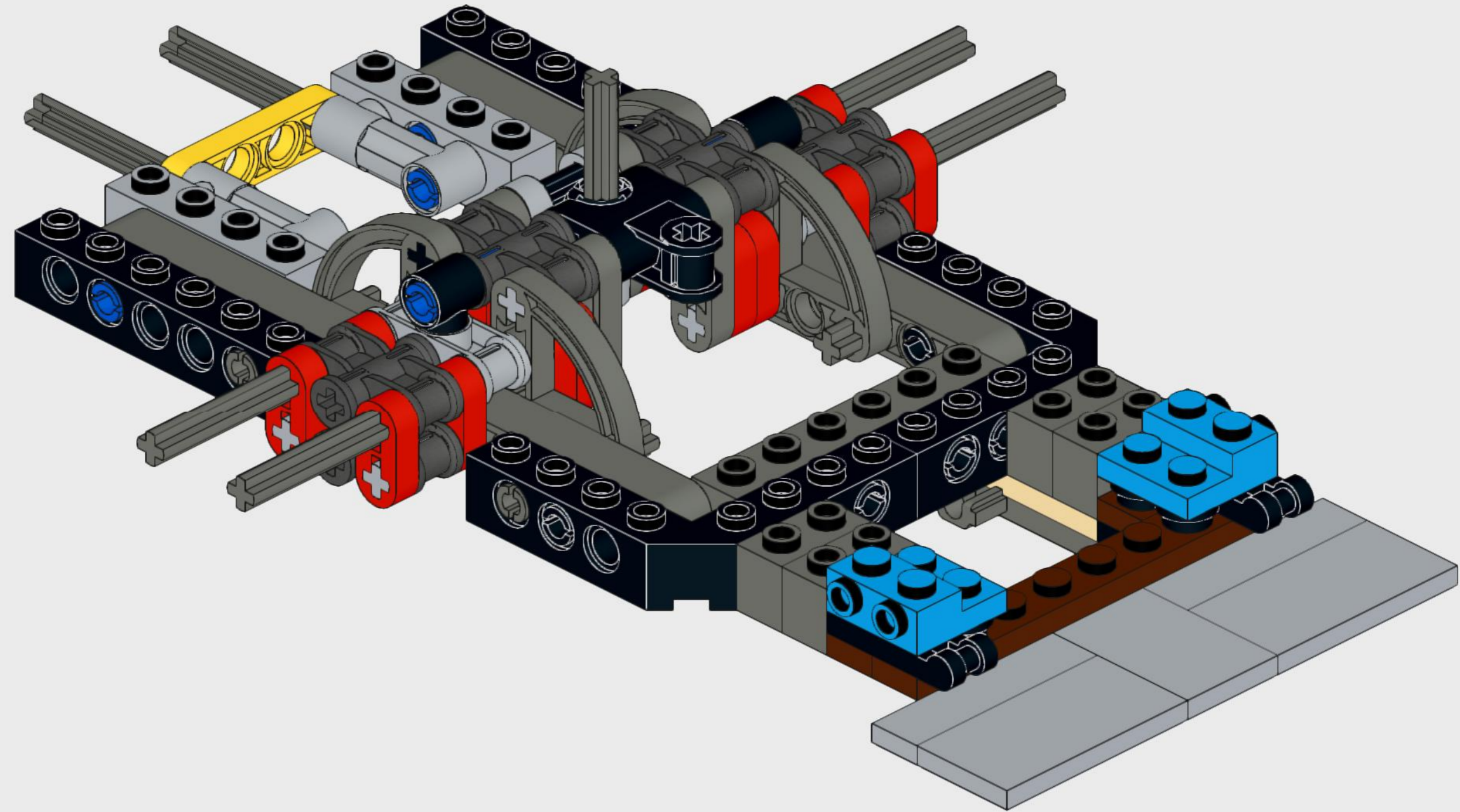
13



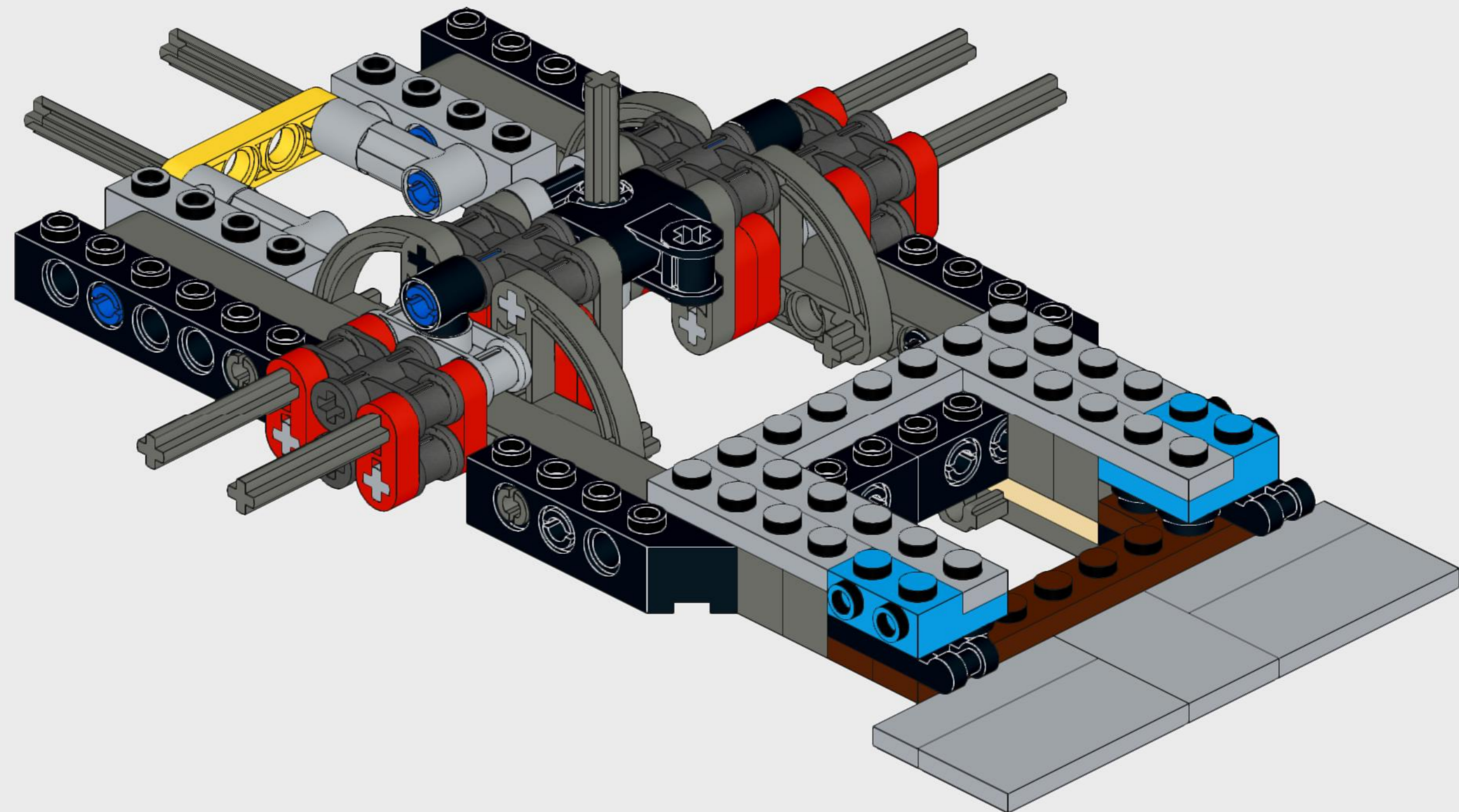
14

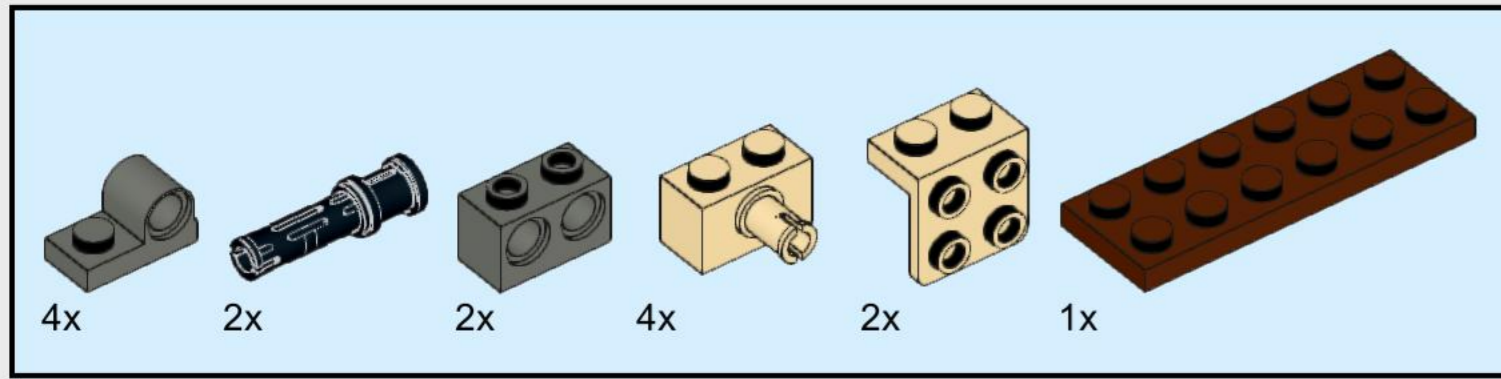


15

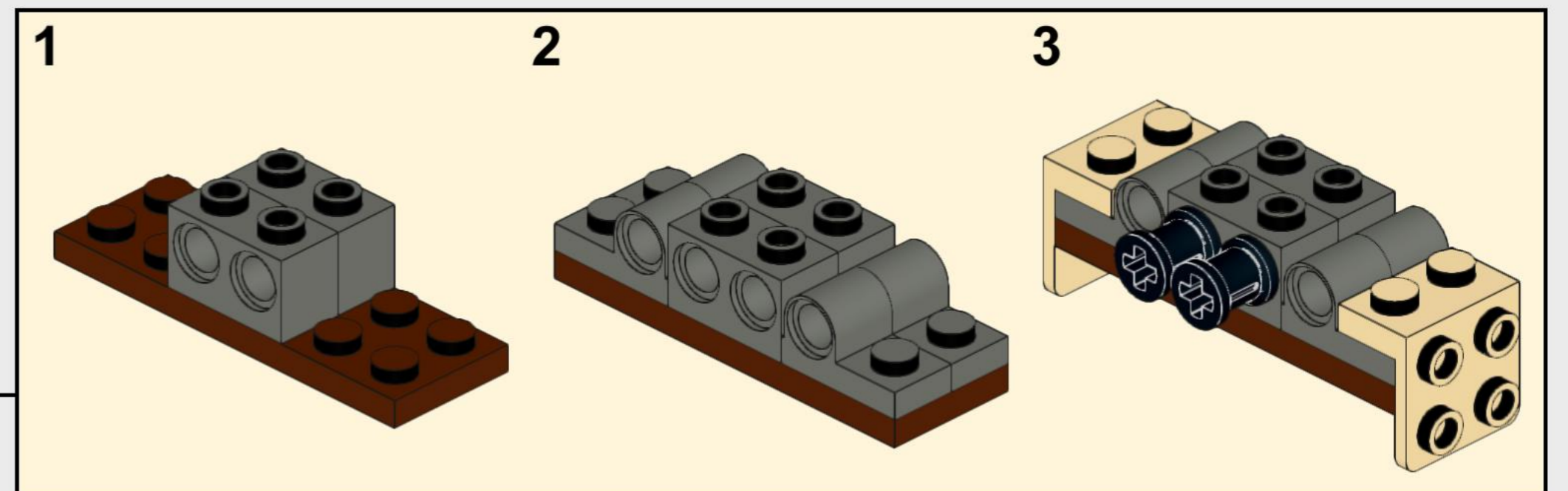
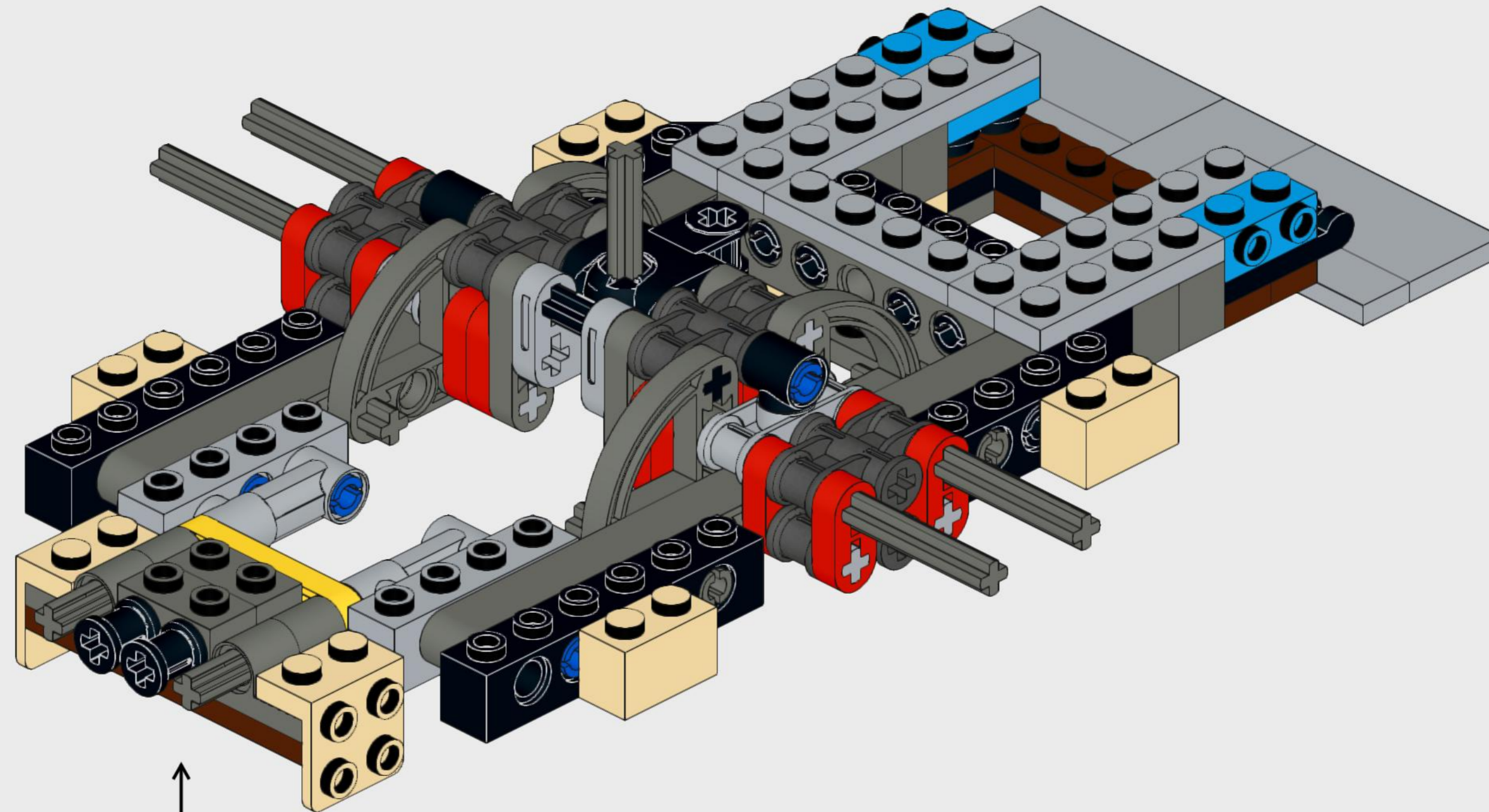


16

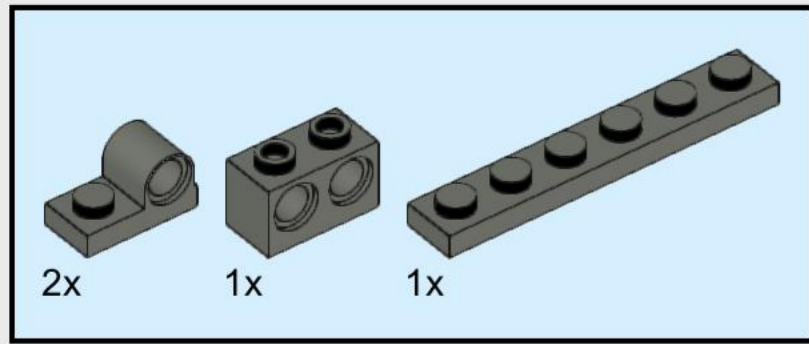




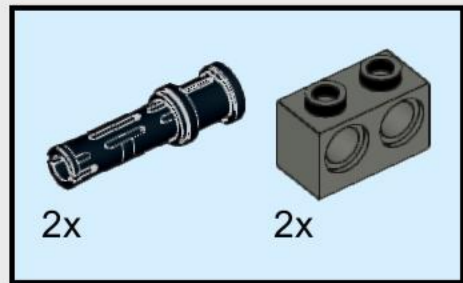
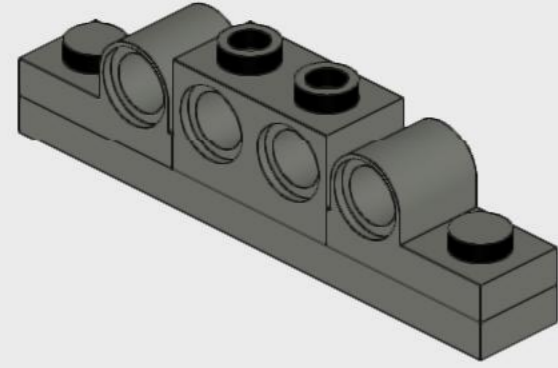
17 



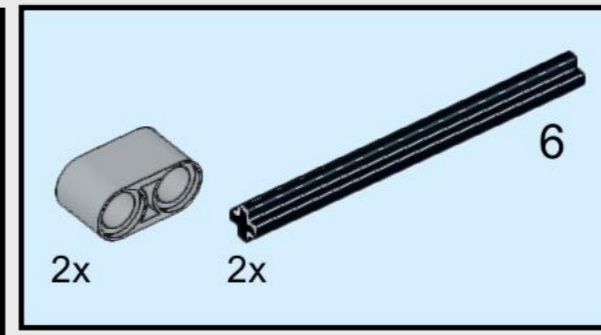
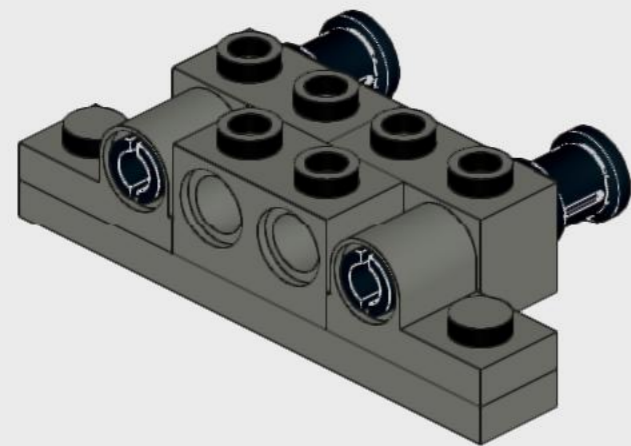




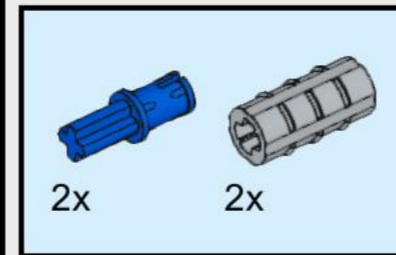
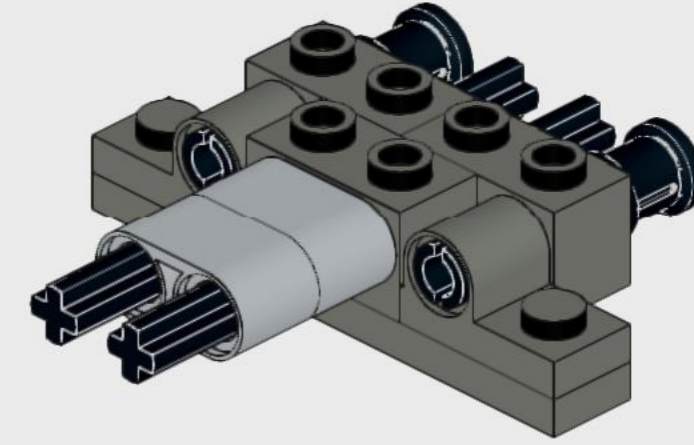
18



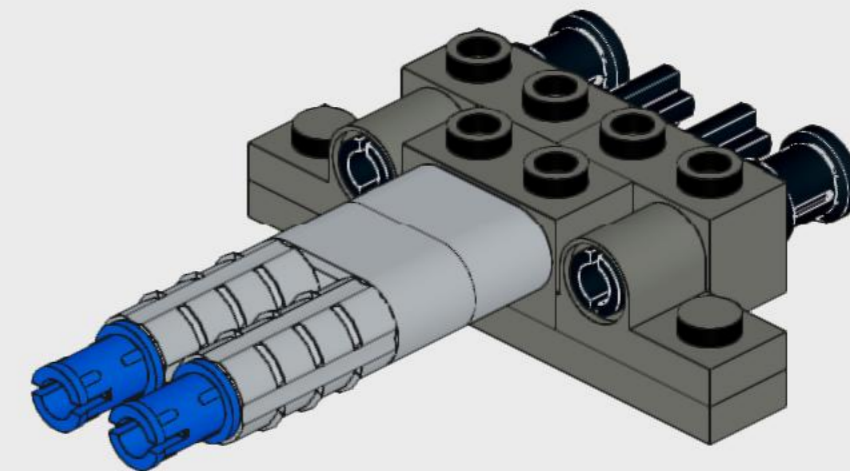
19

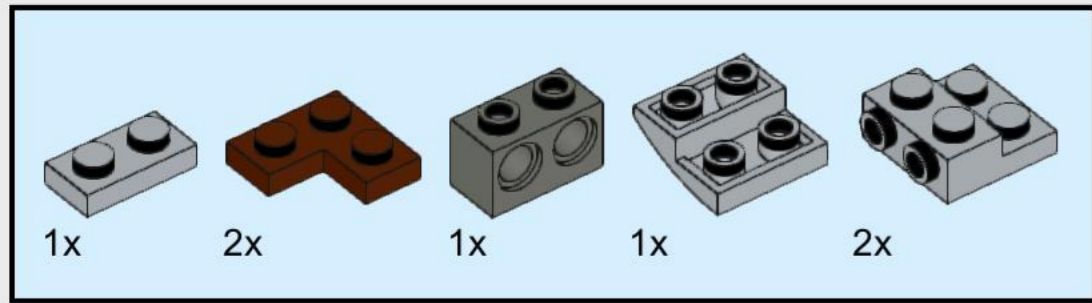


20

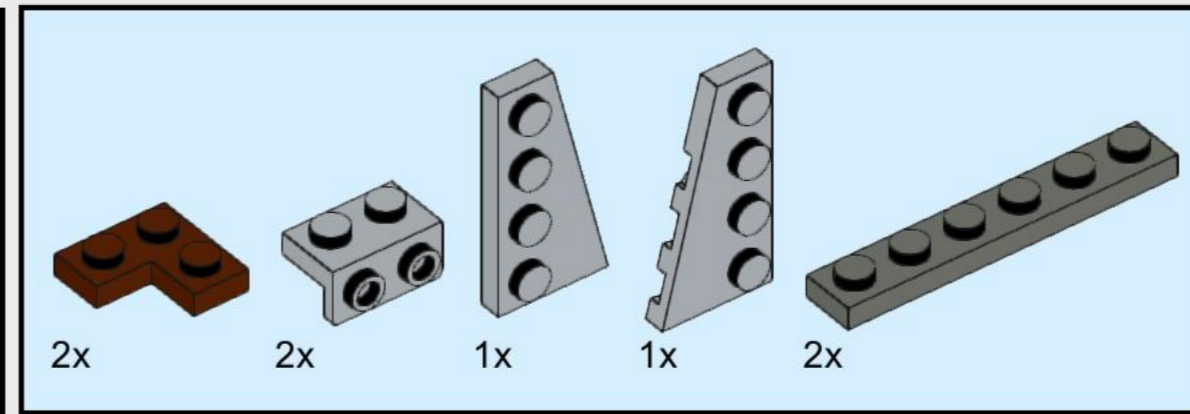
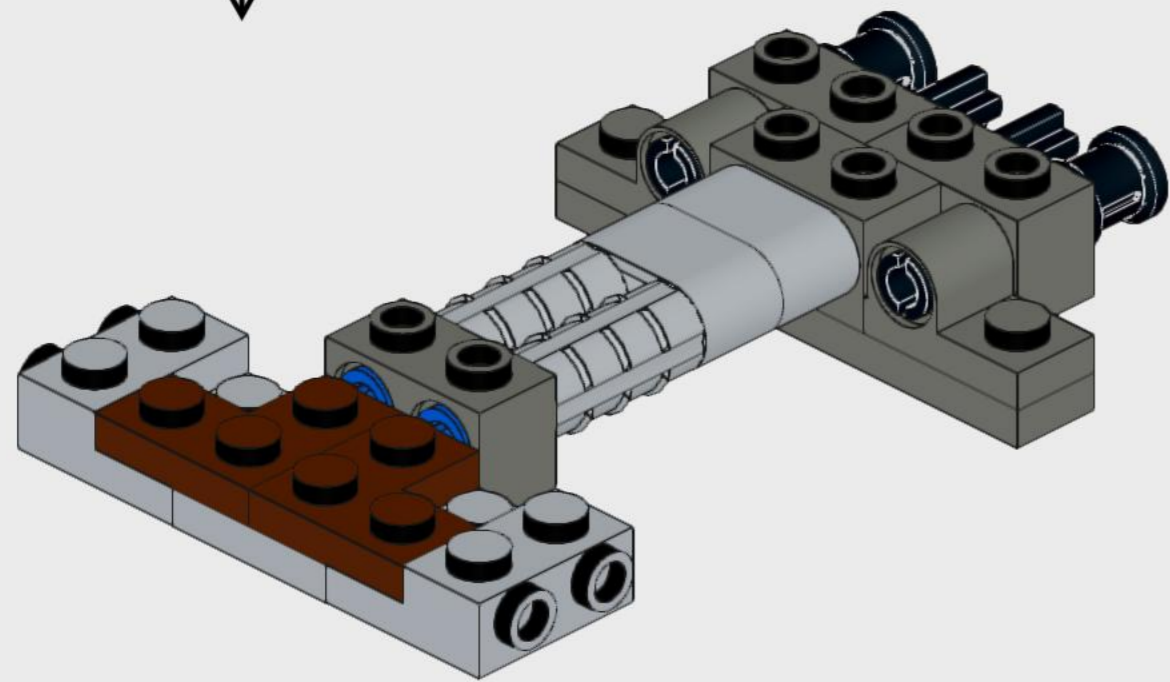
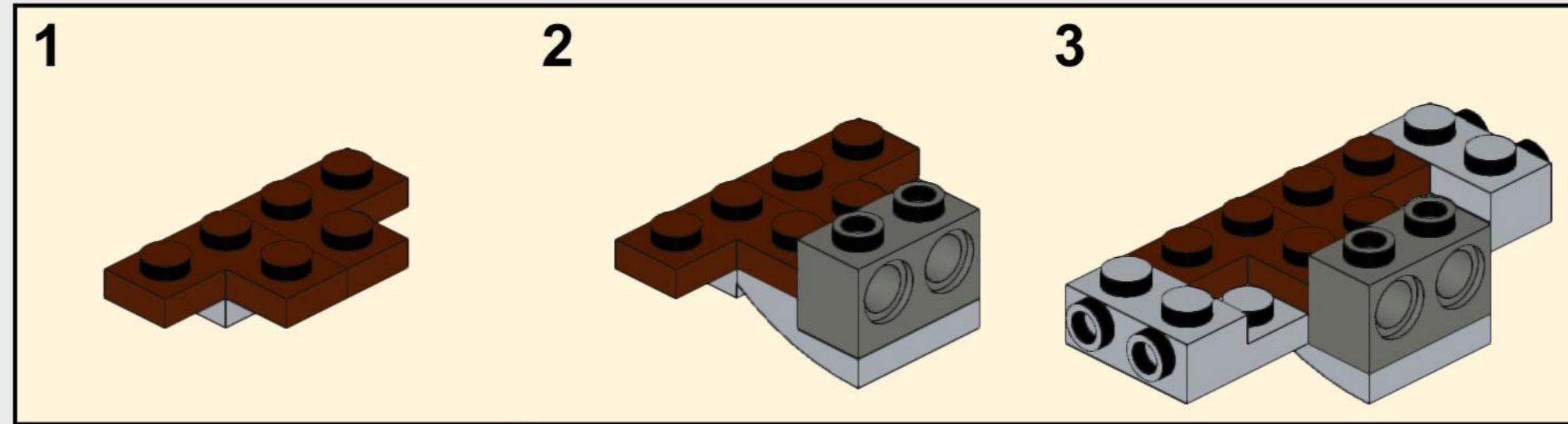


21

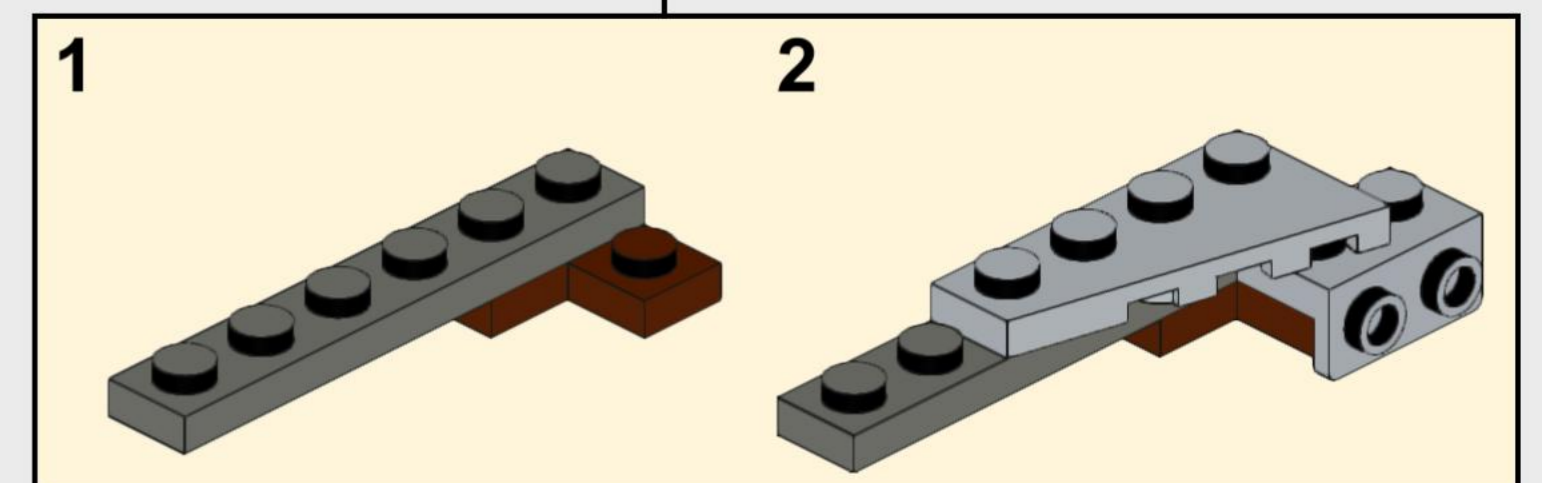
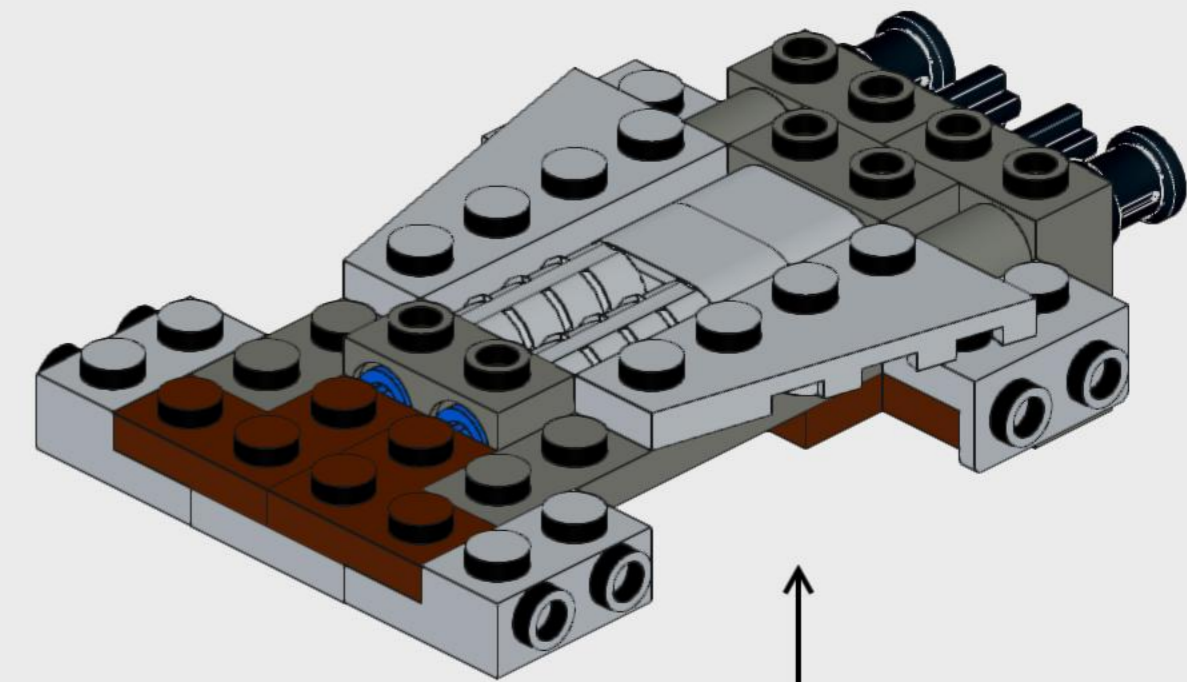
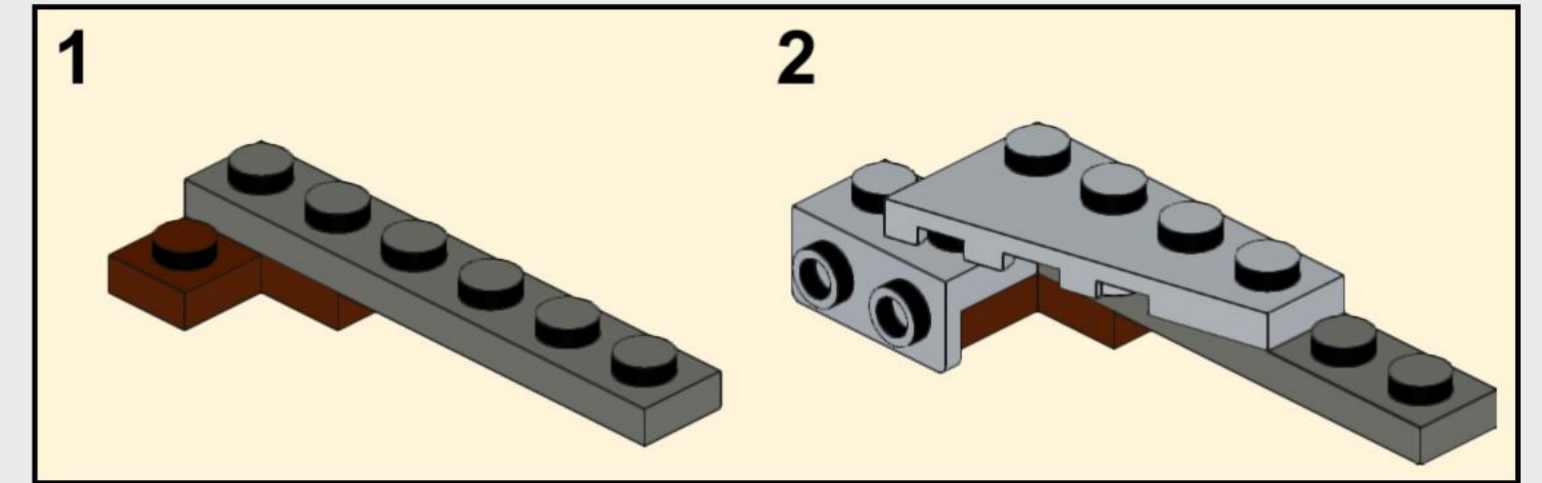


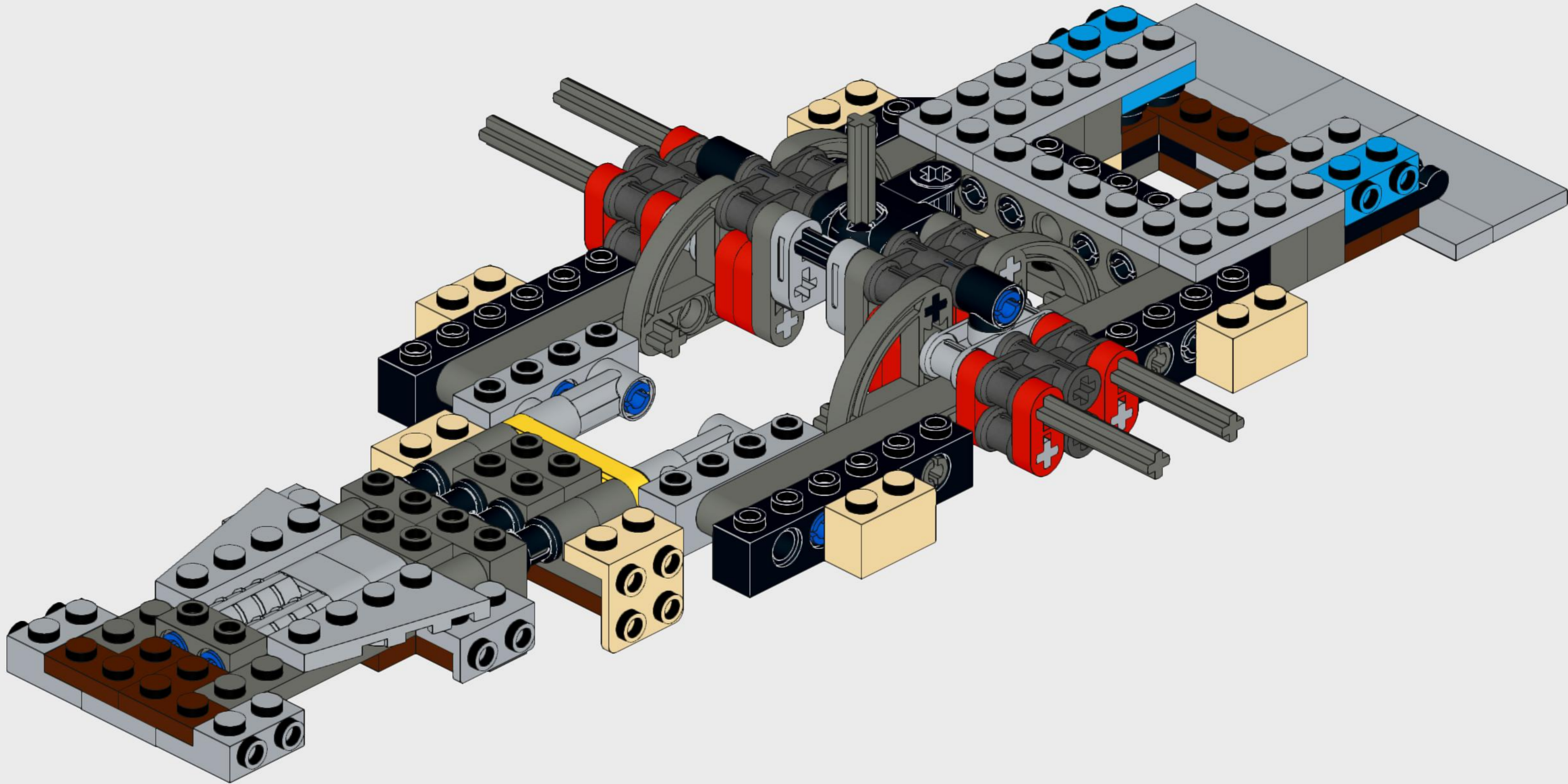


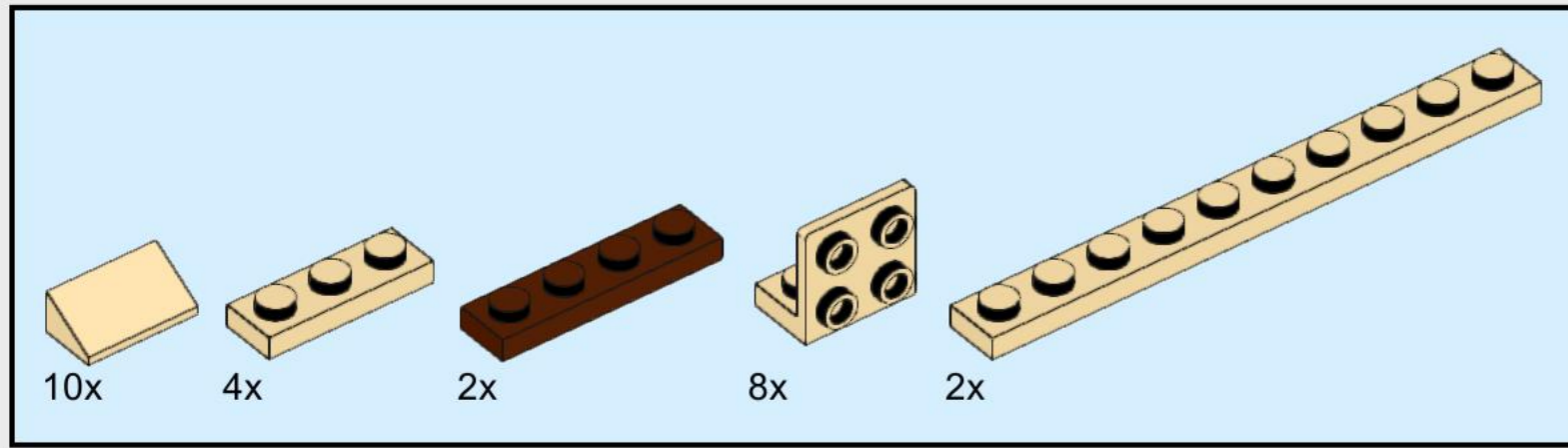
22



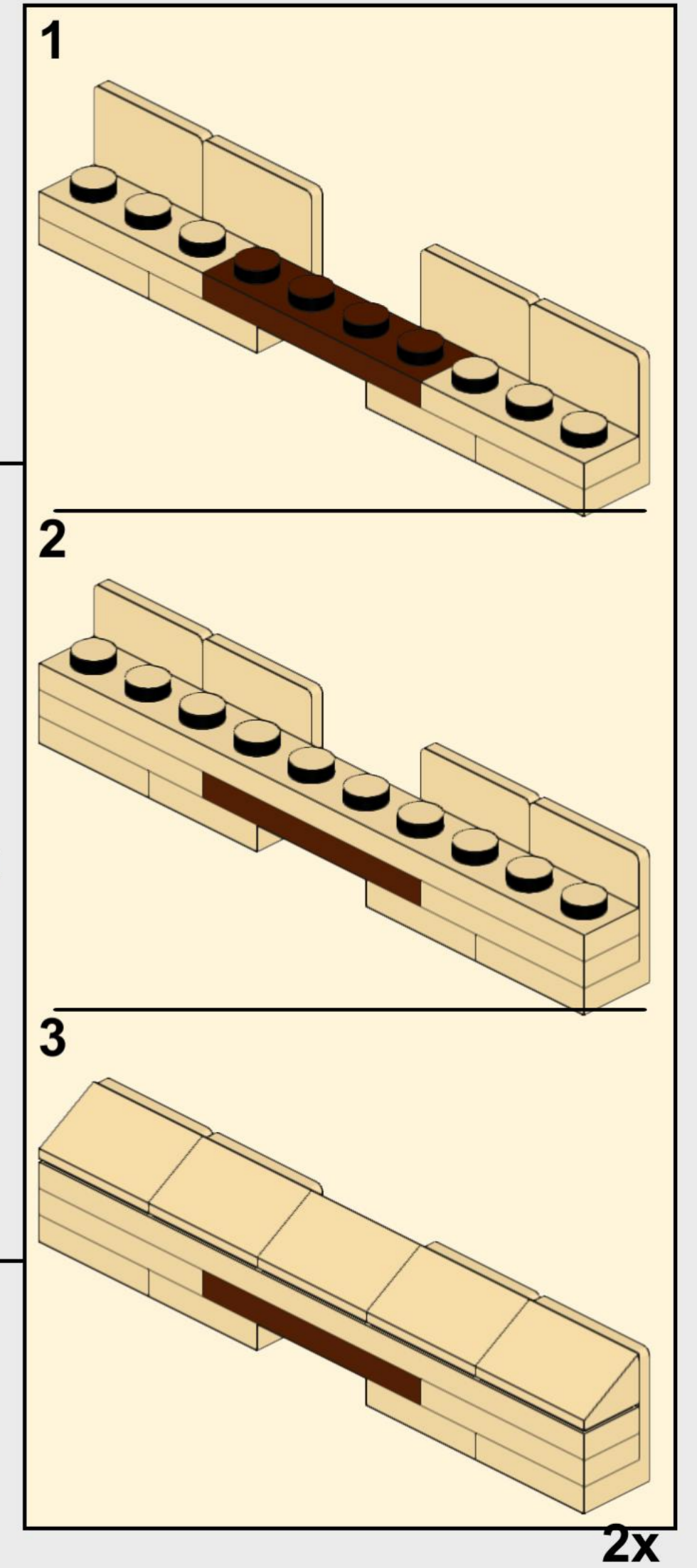
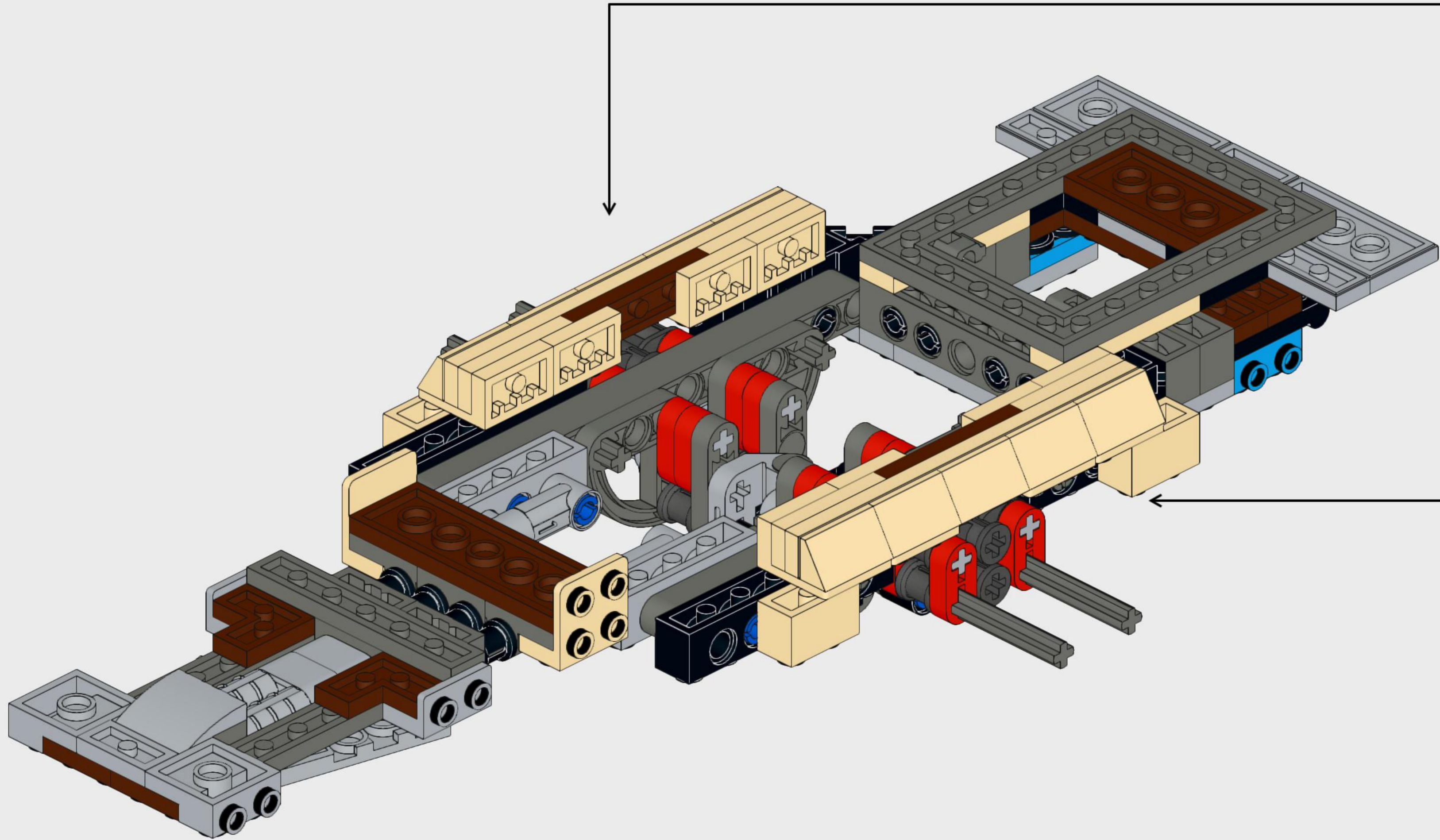
23

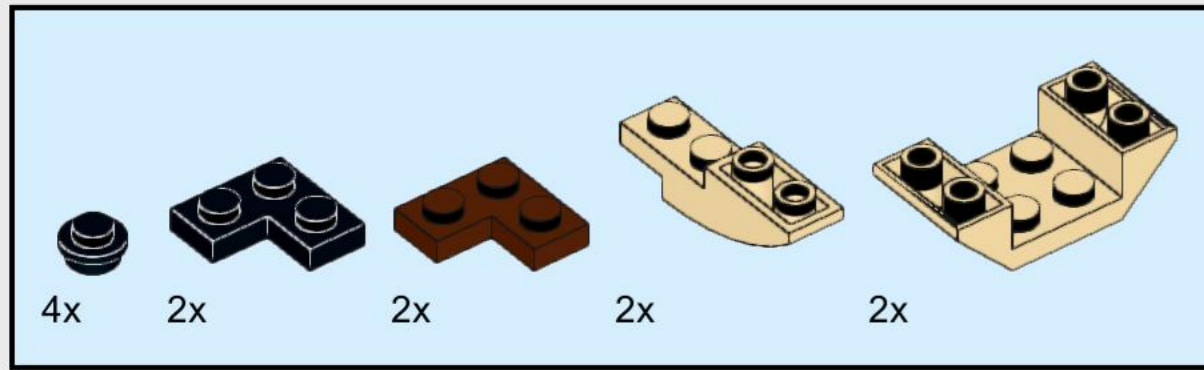




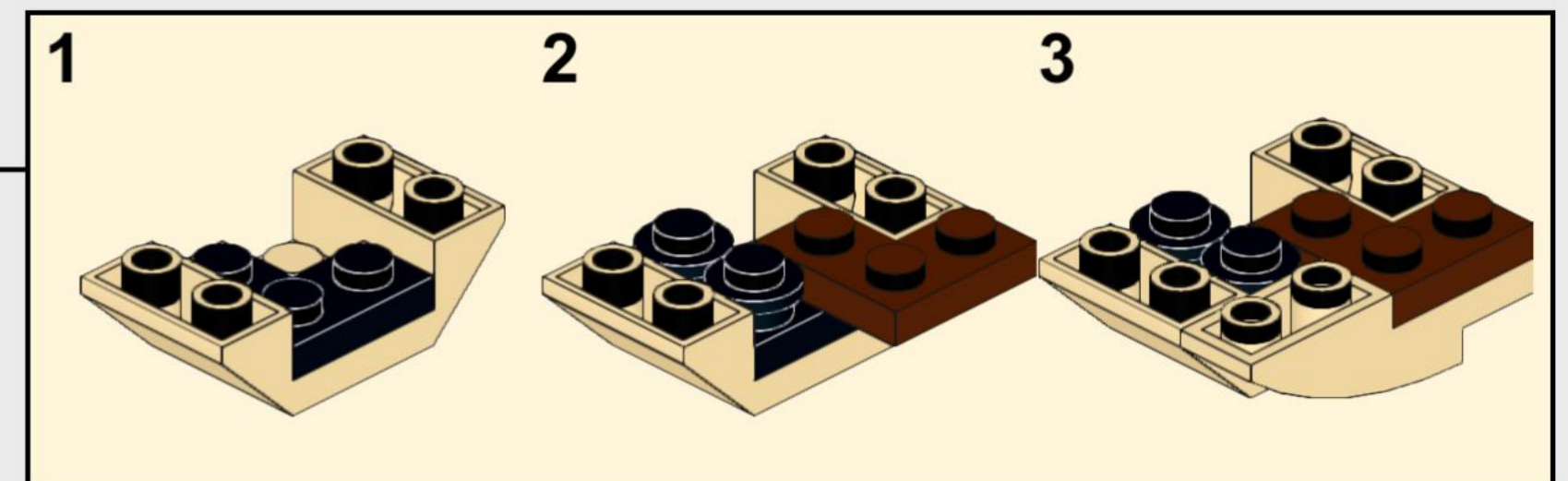
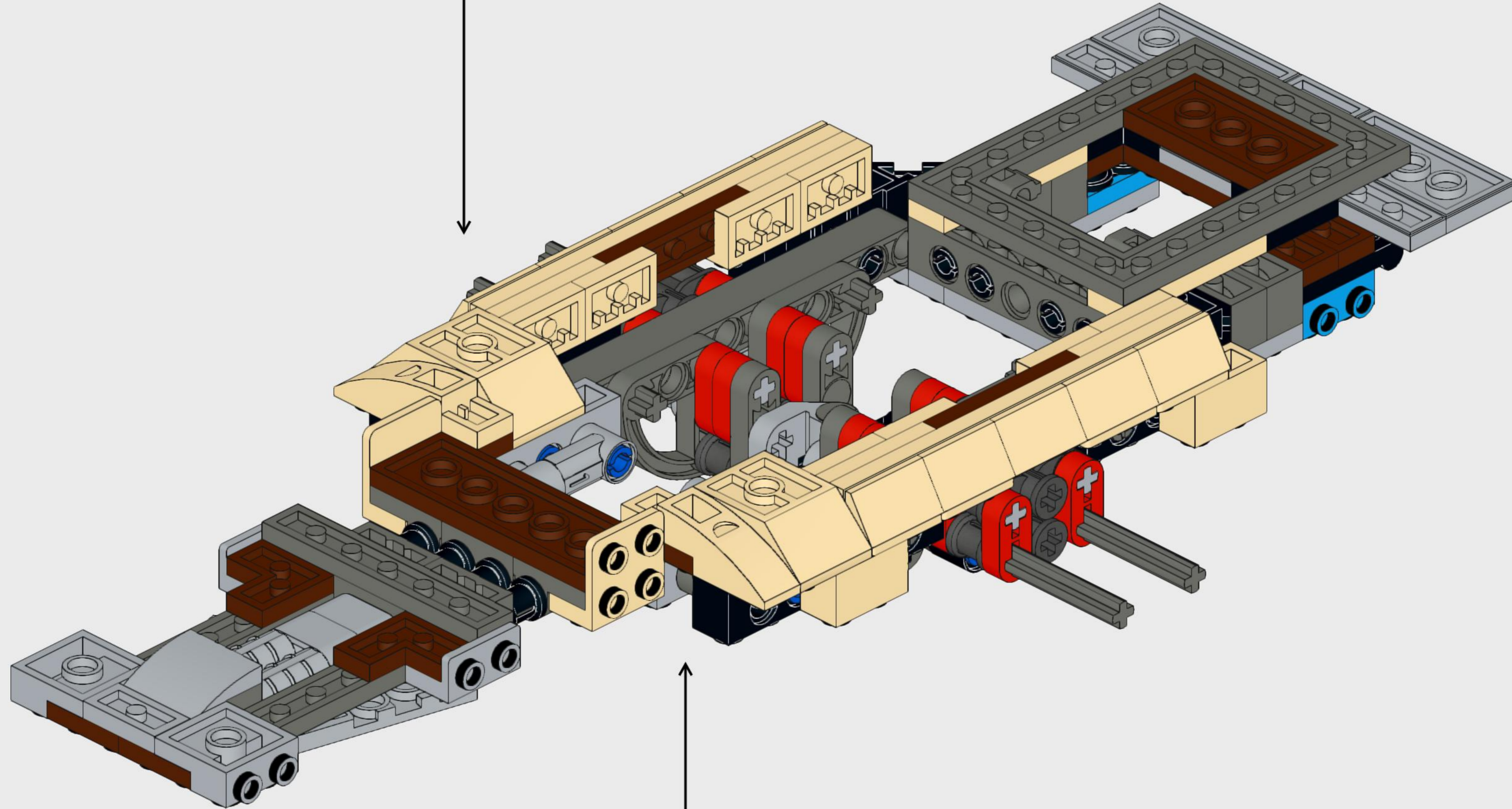
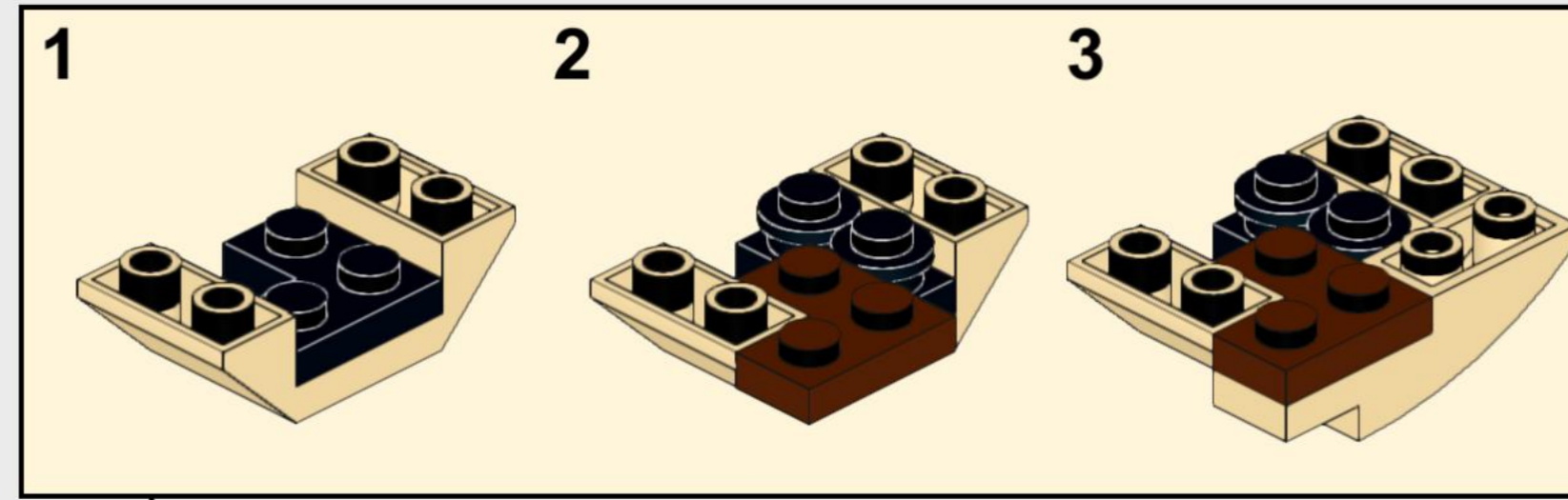


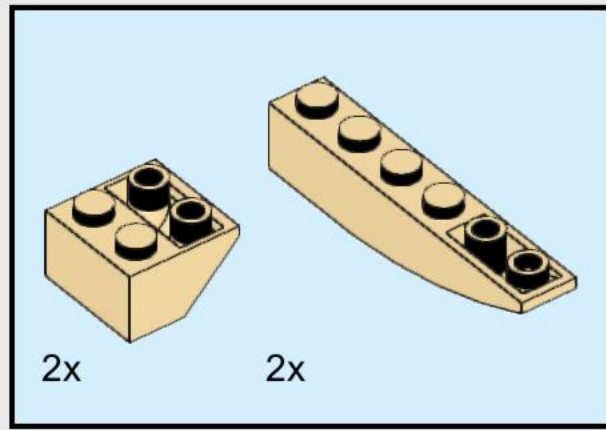
25 



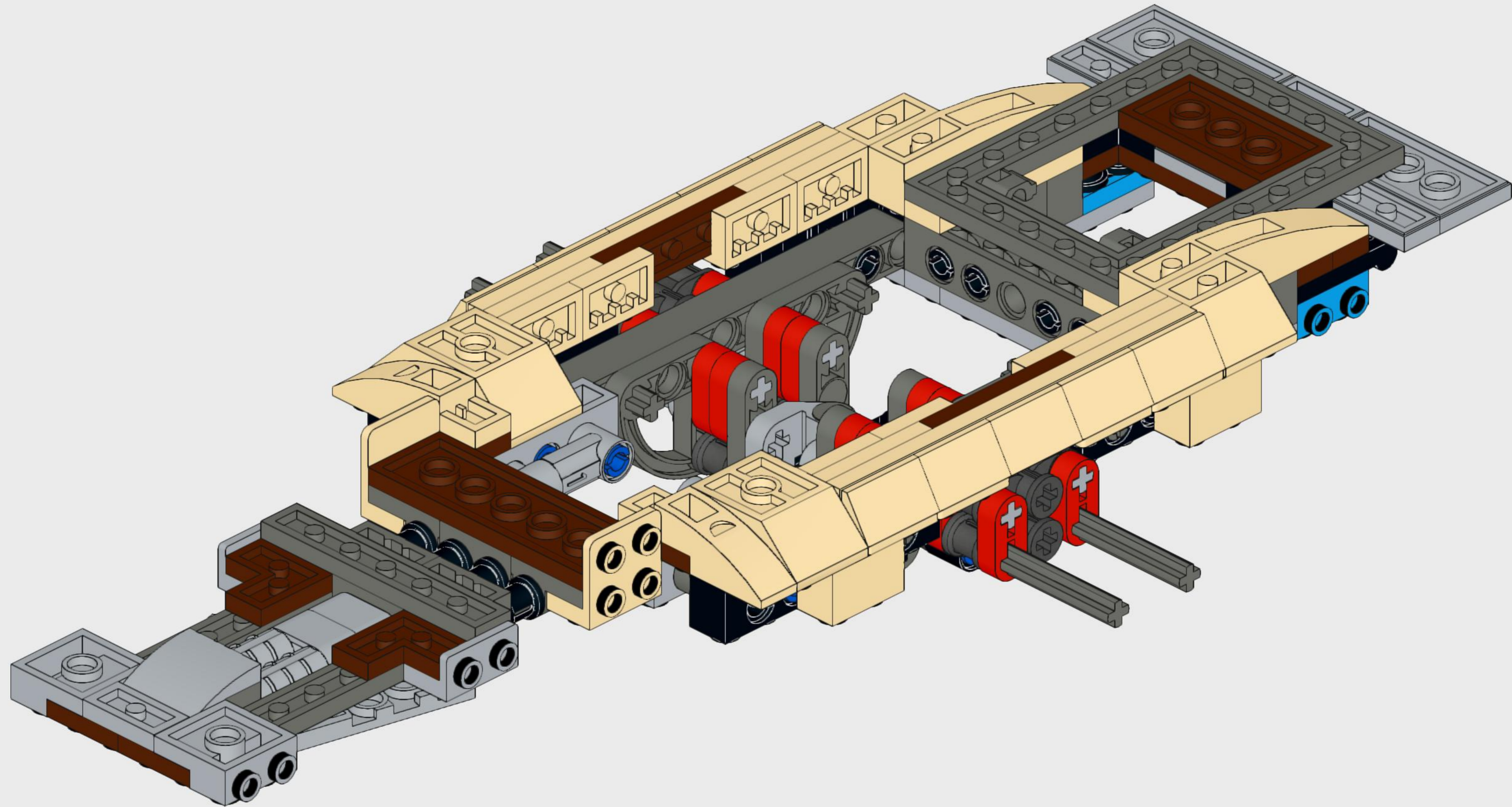


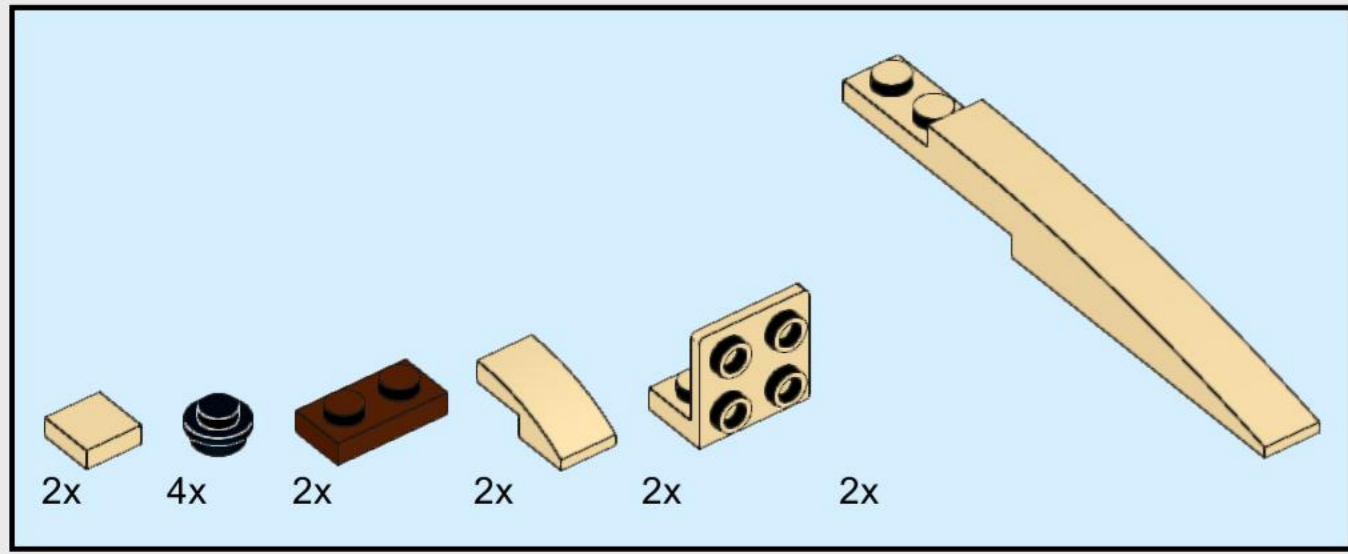
26



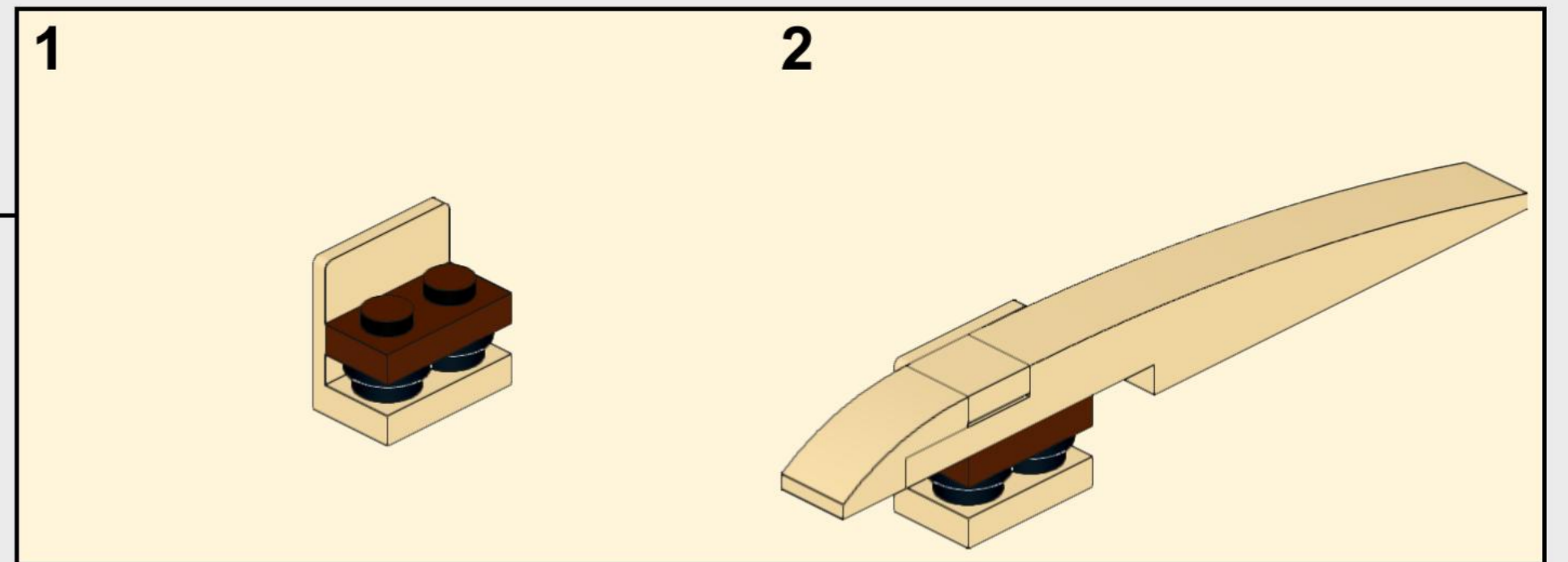
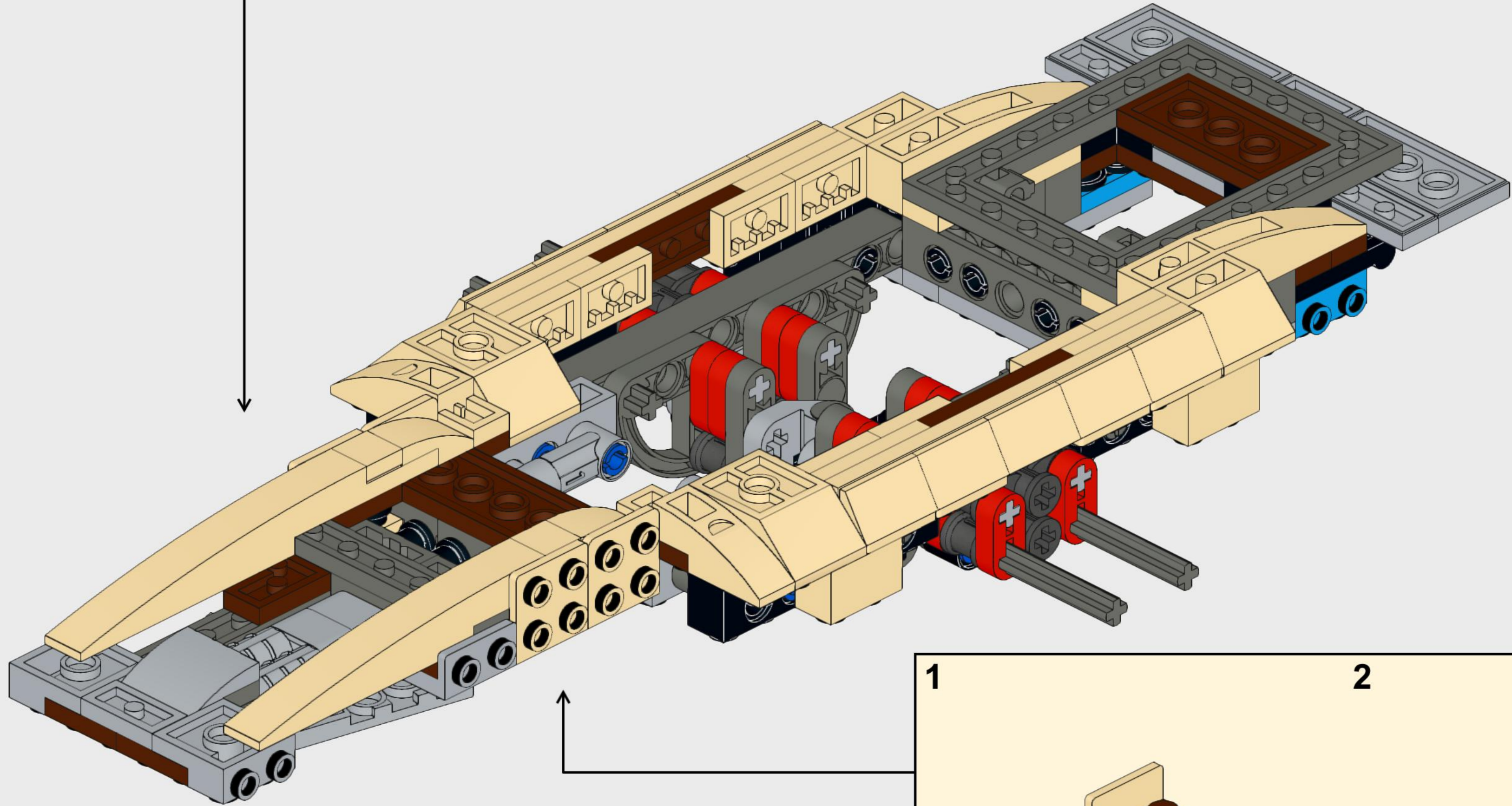
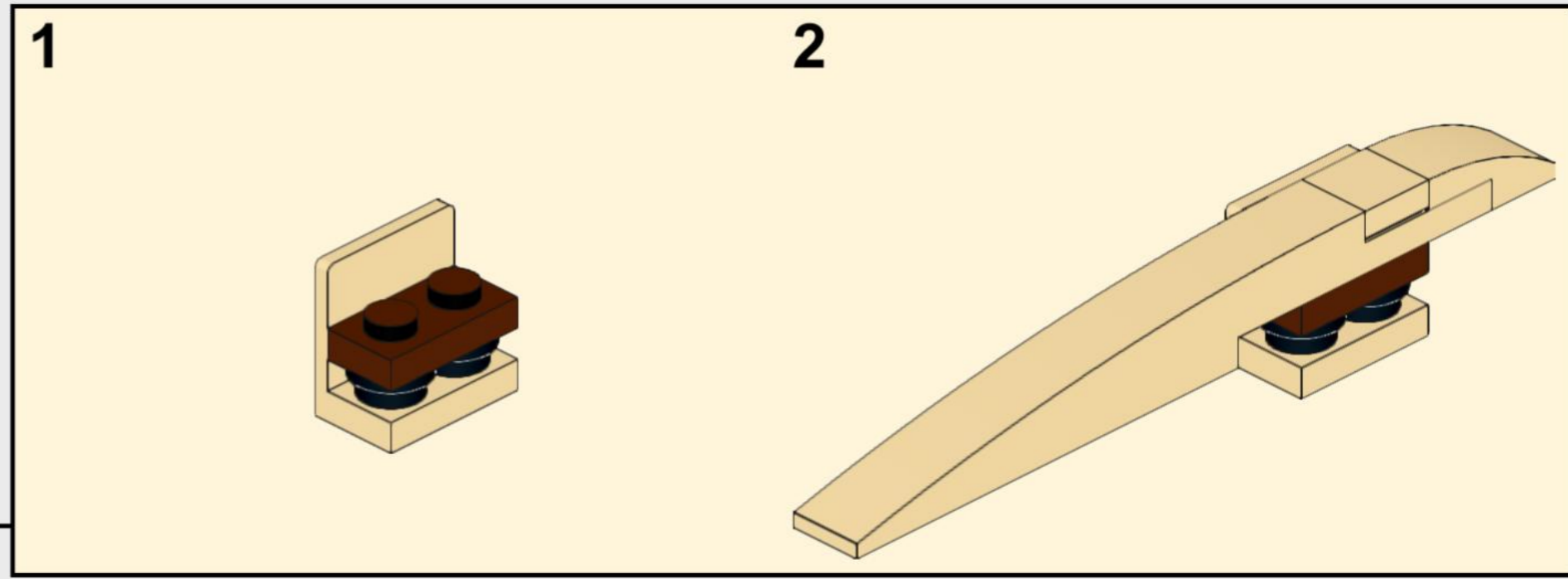


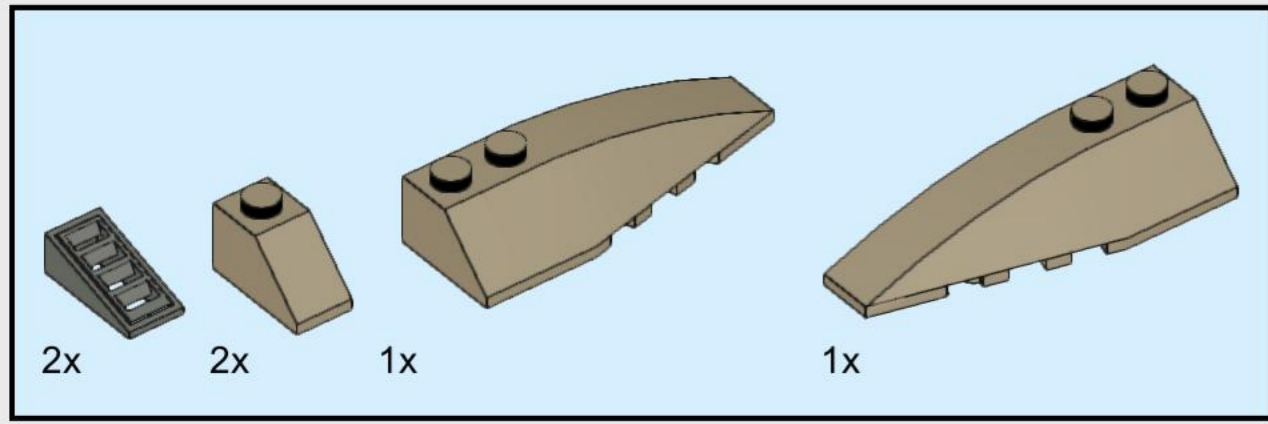
27



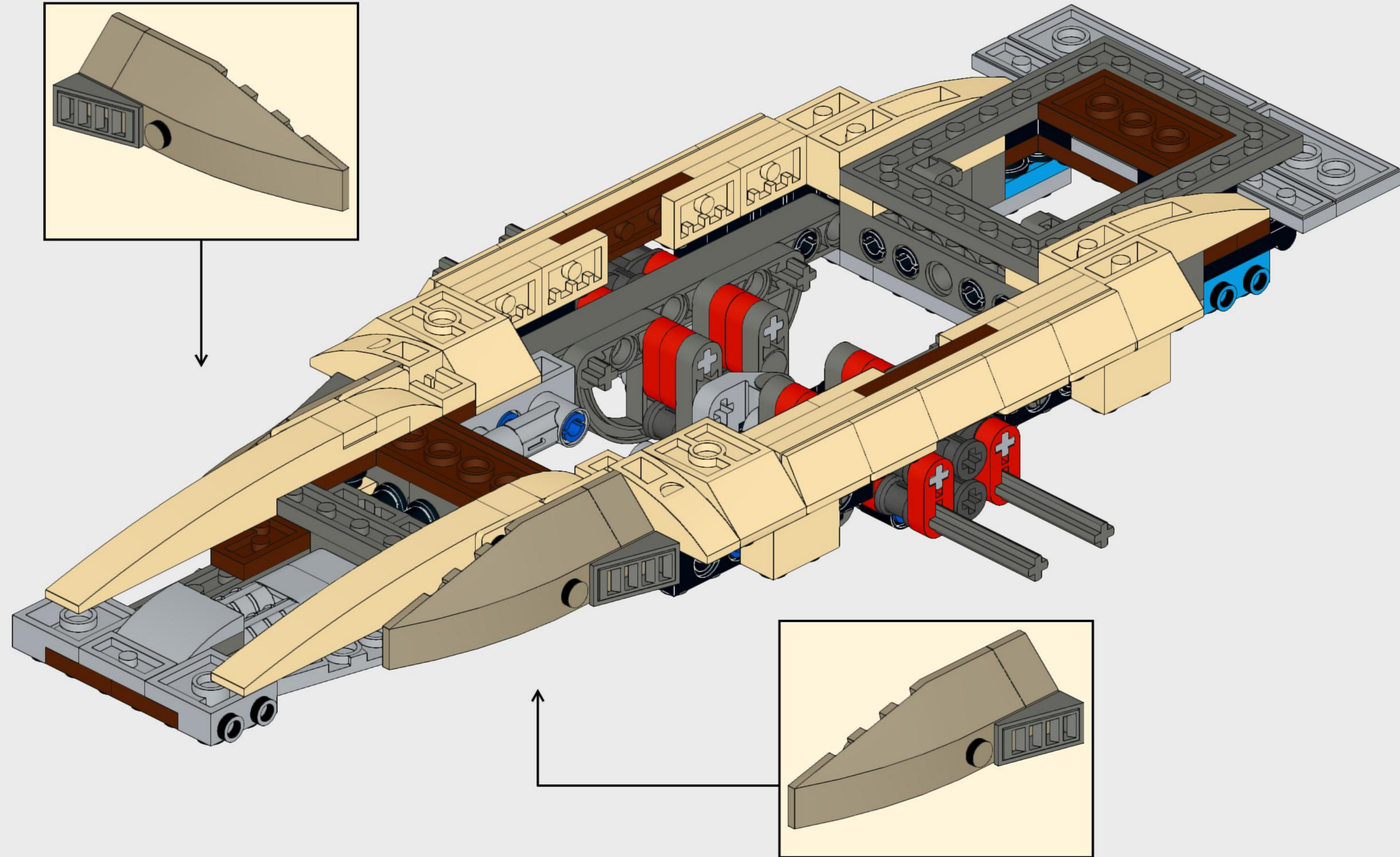


28

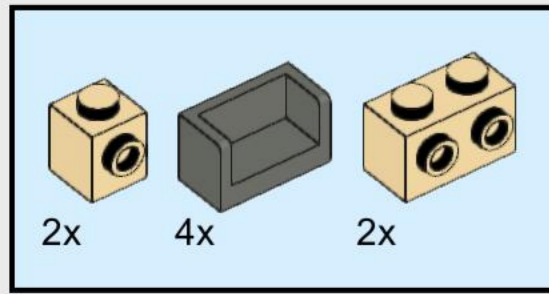




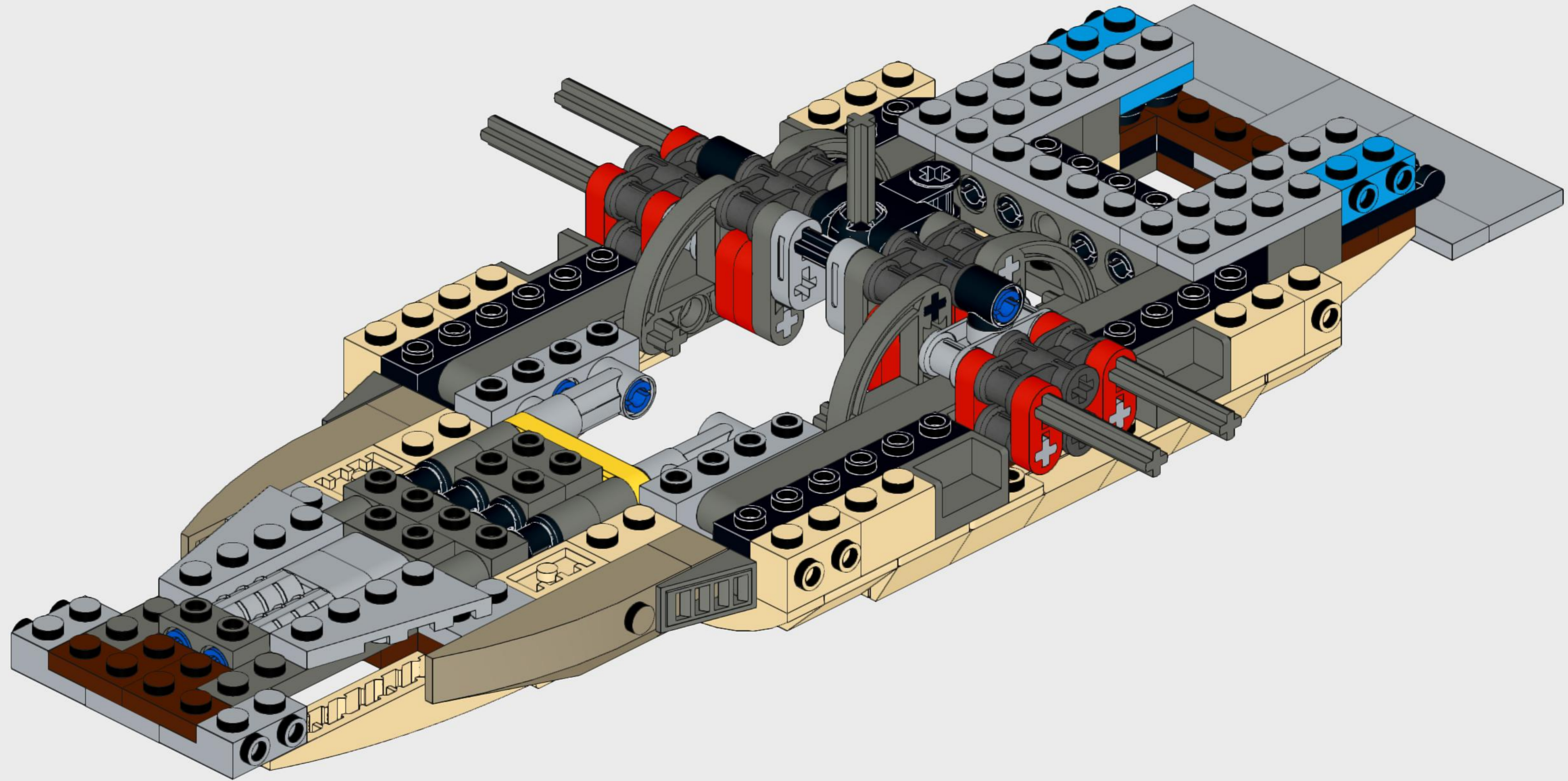
29

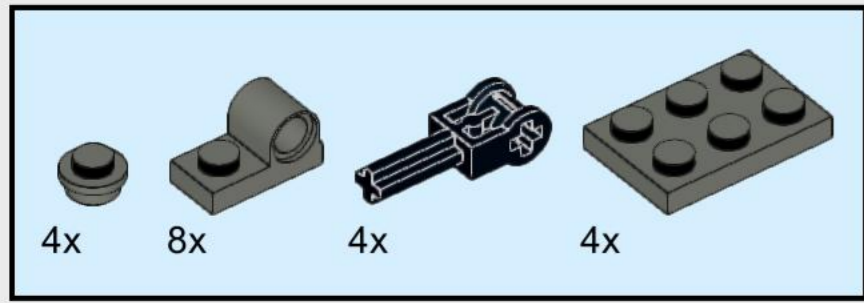




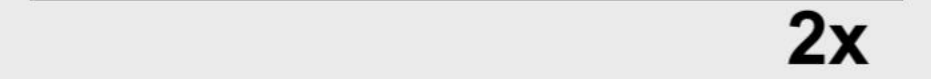
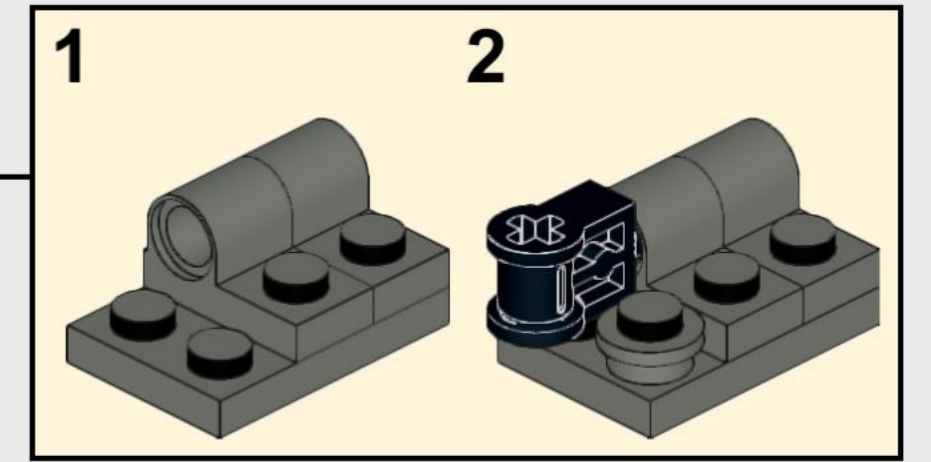


30 

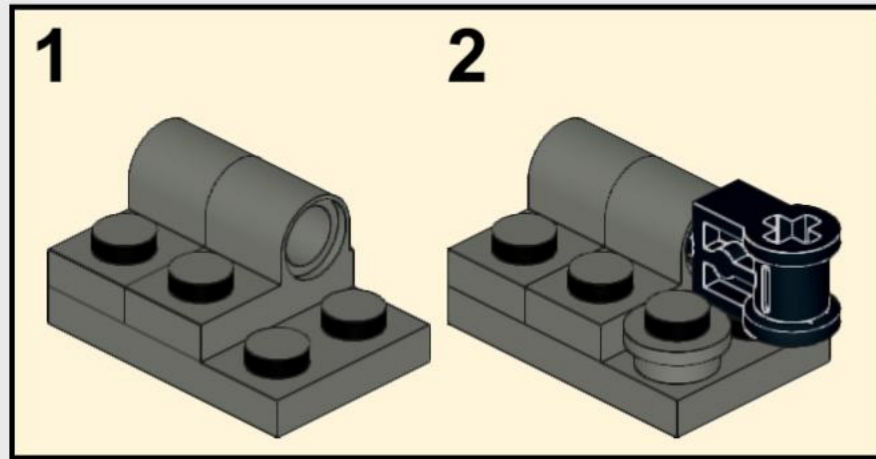




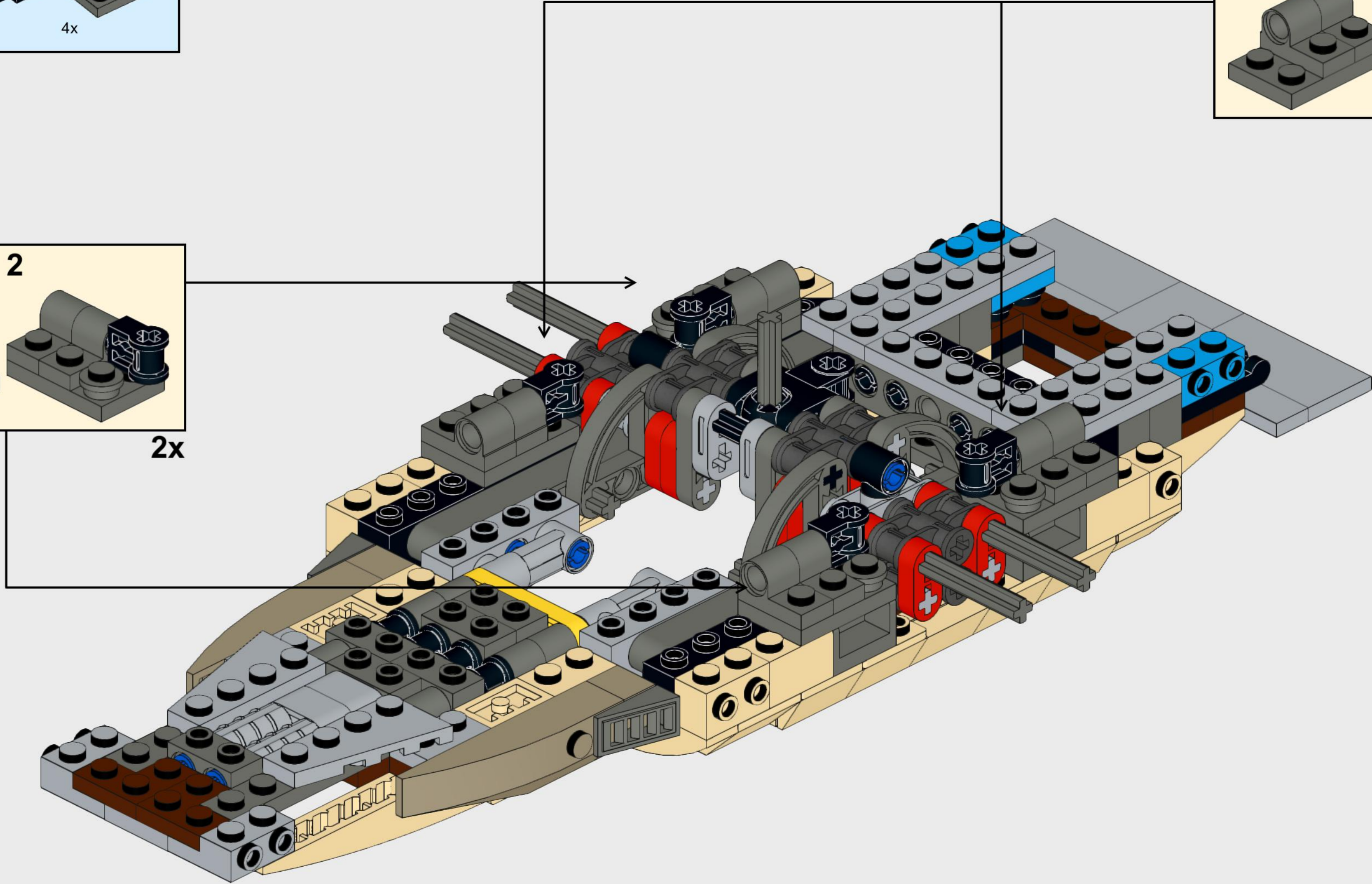
31

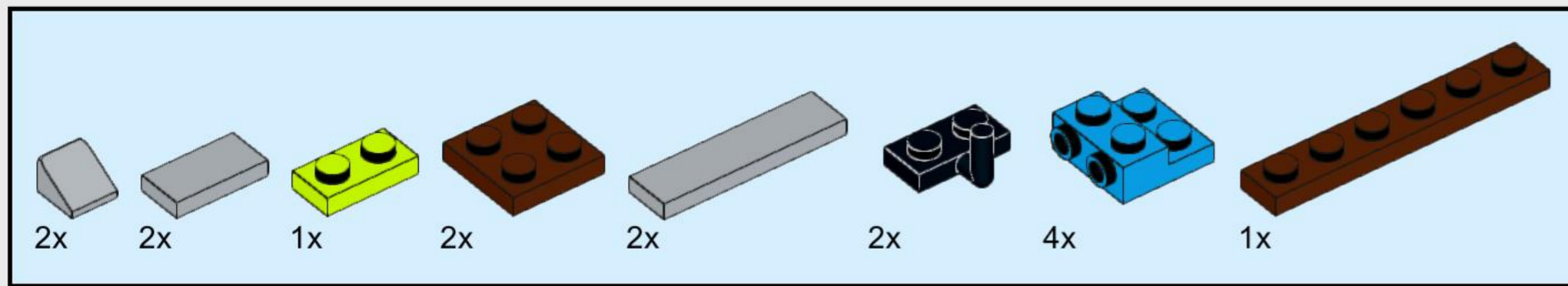


2x

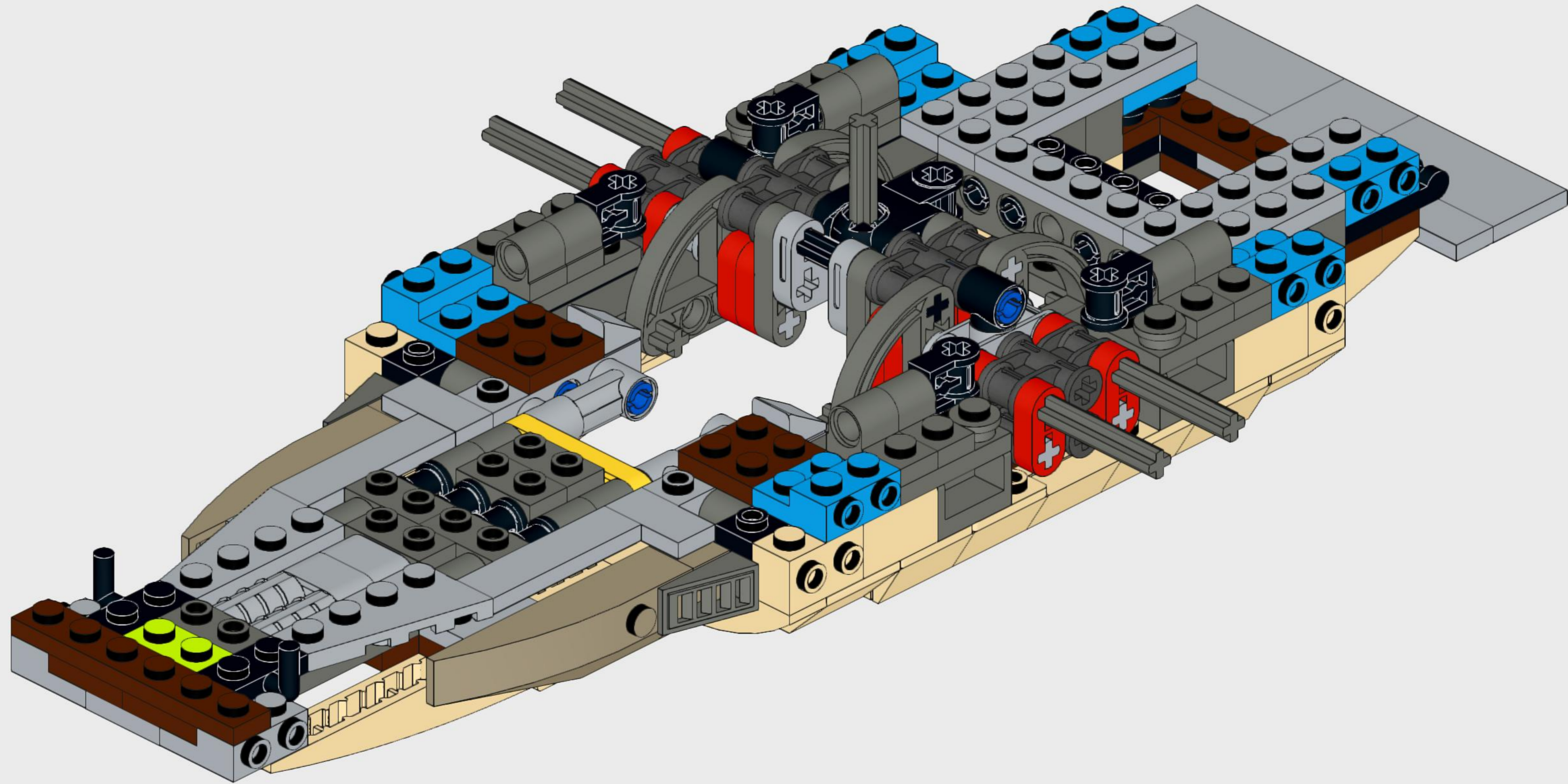


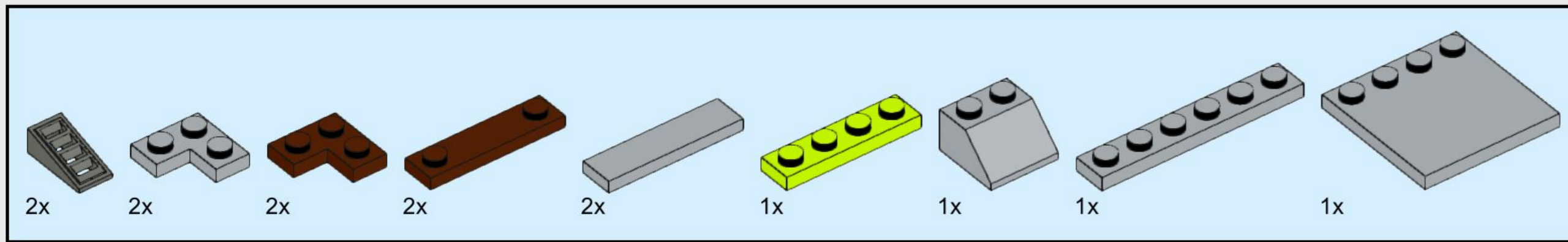
2x



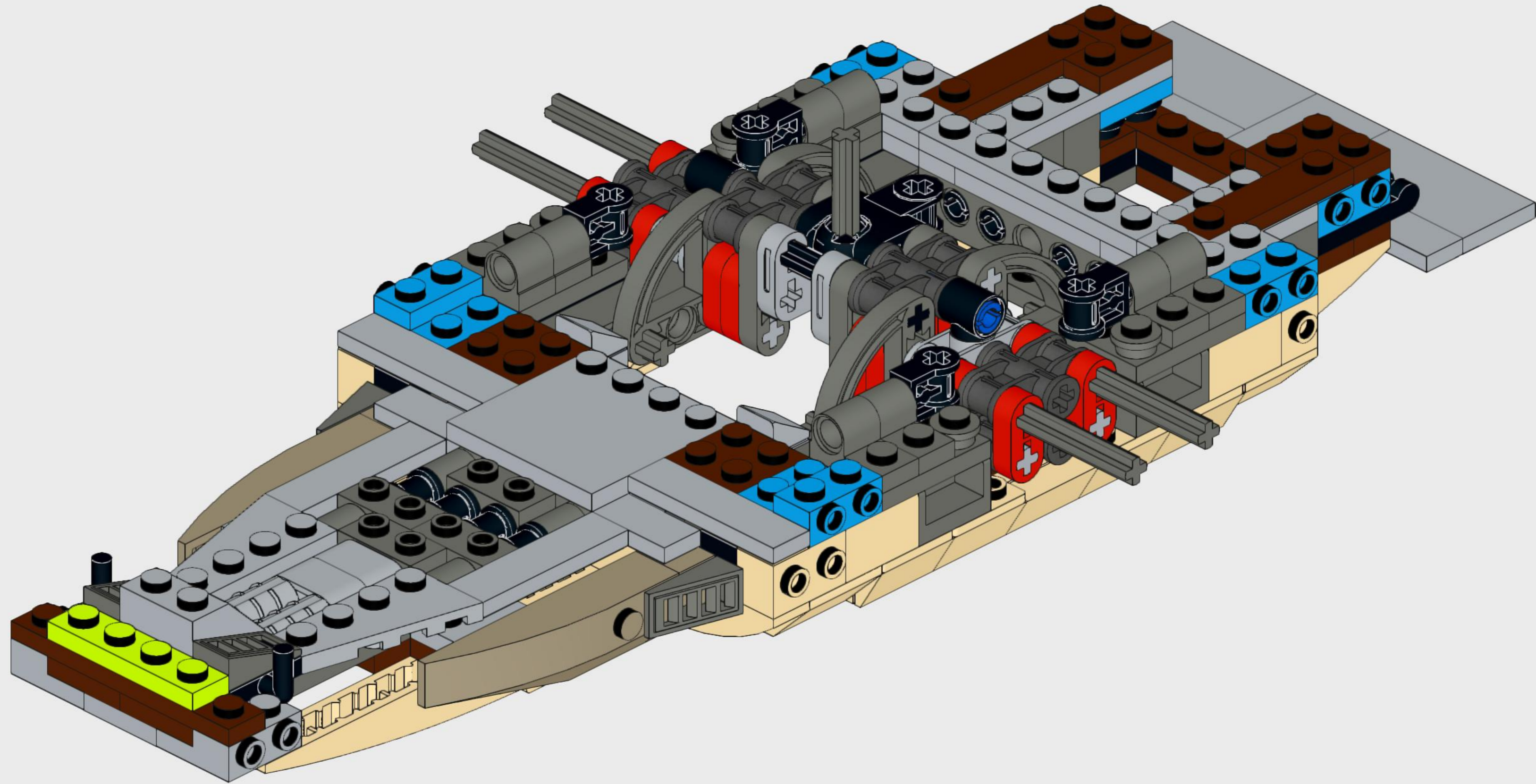


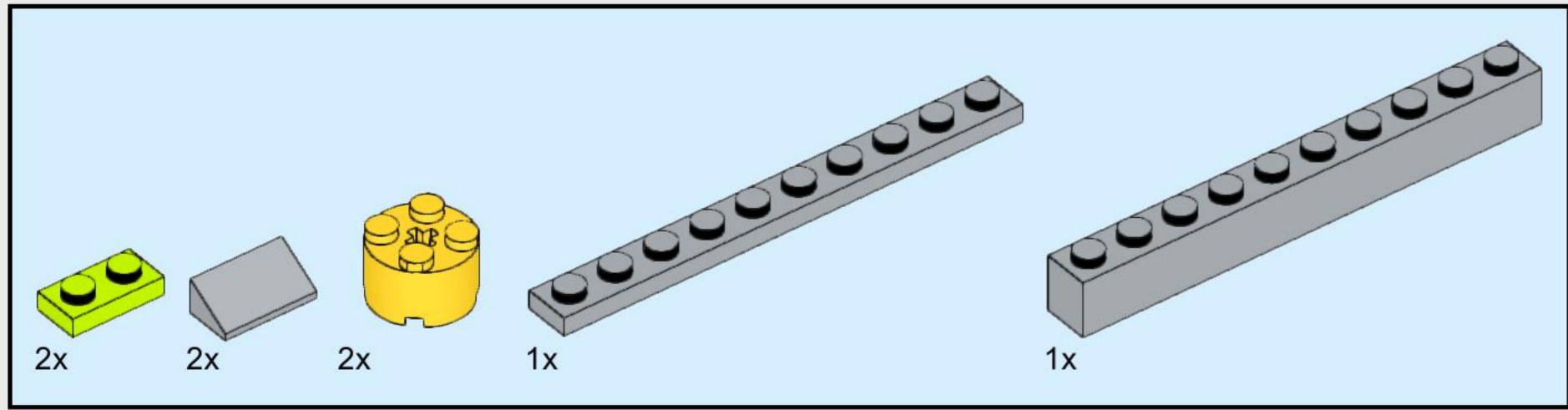
32



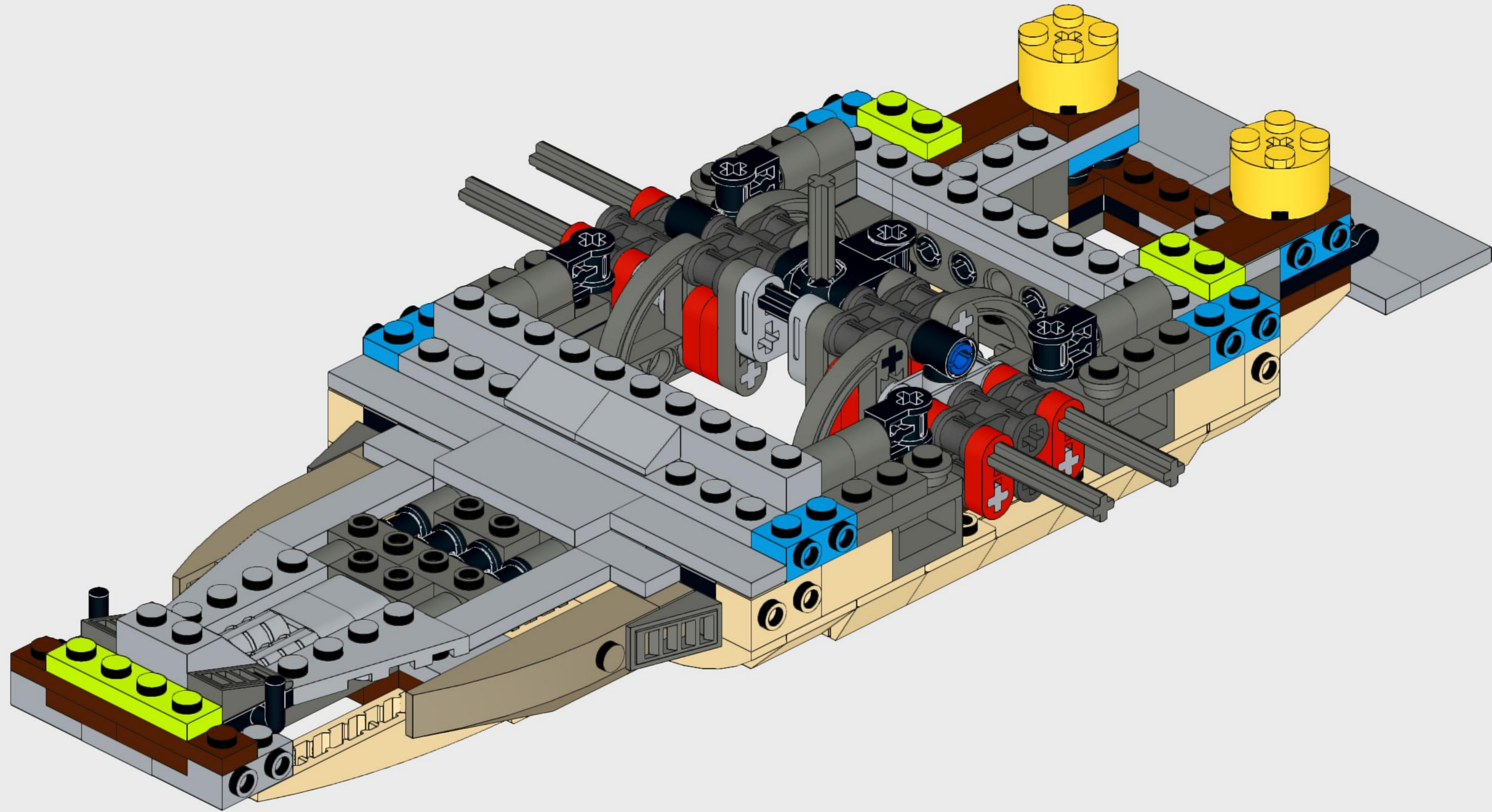


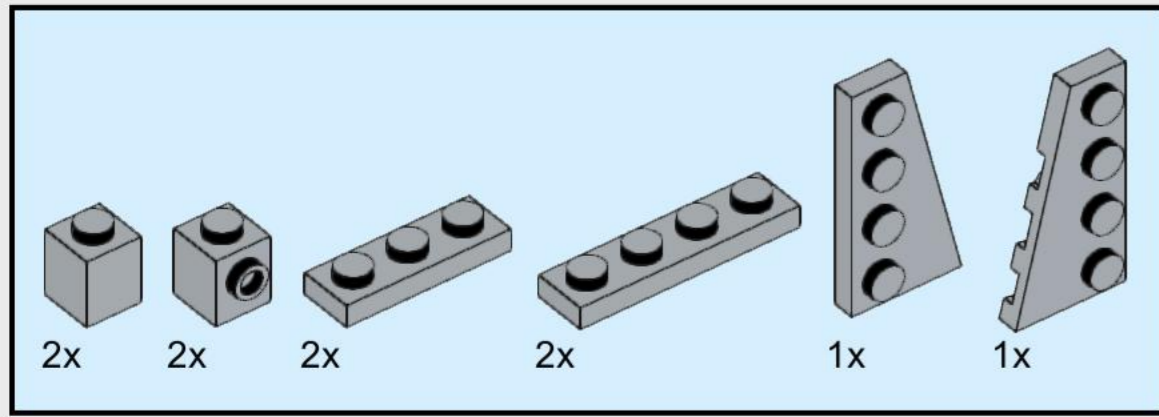
33



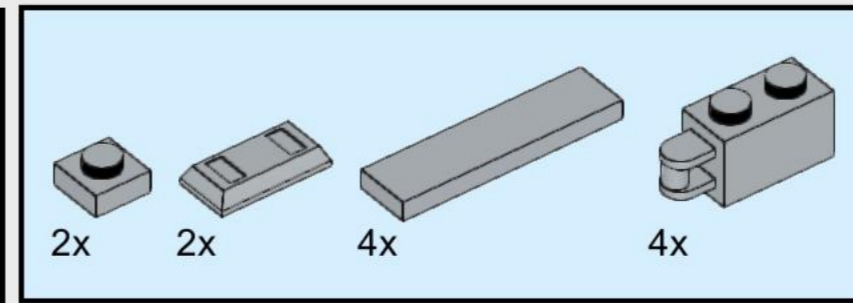
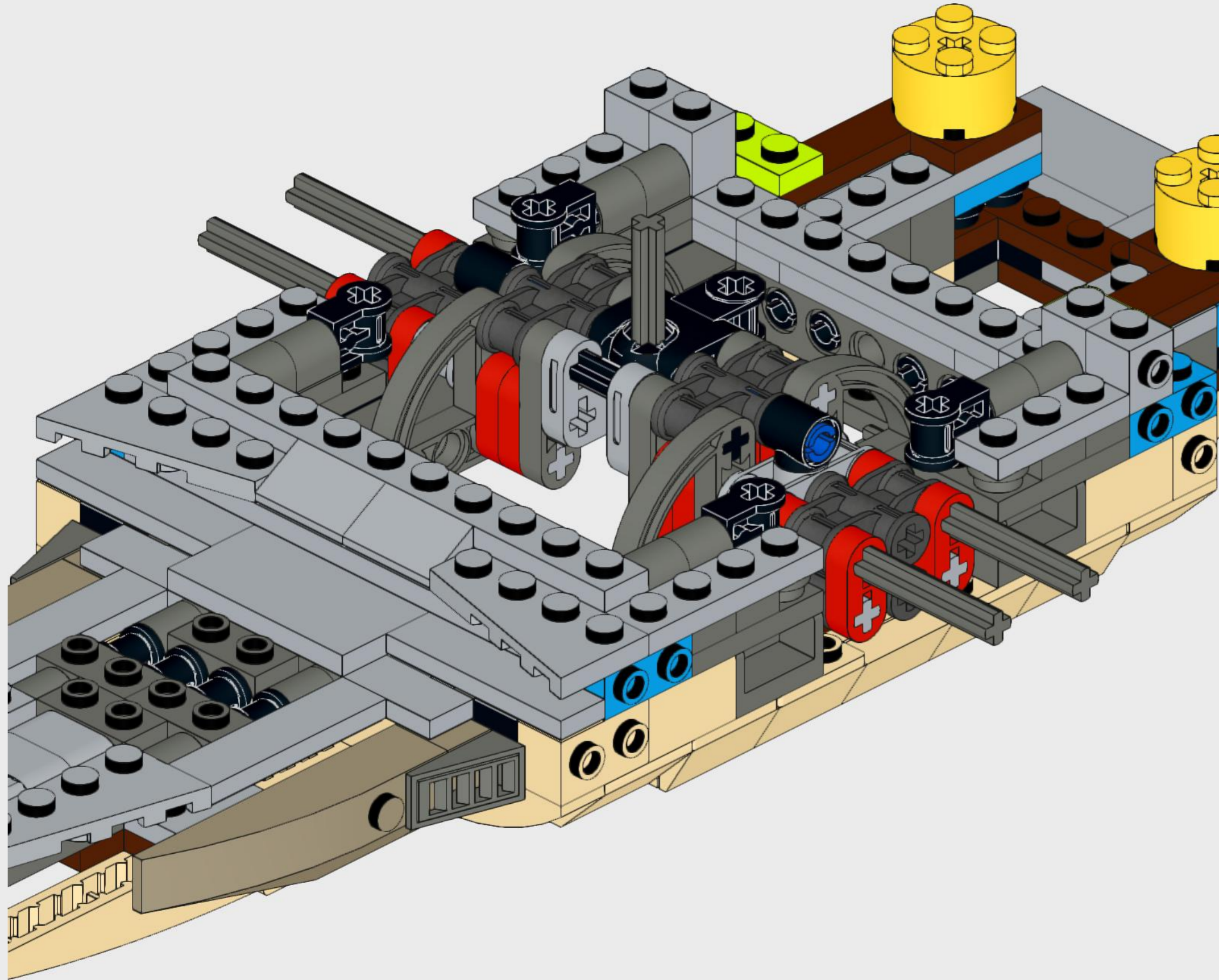


34

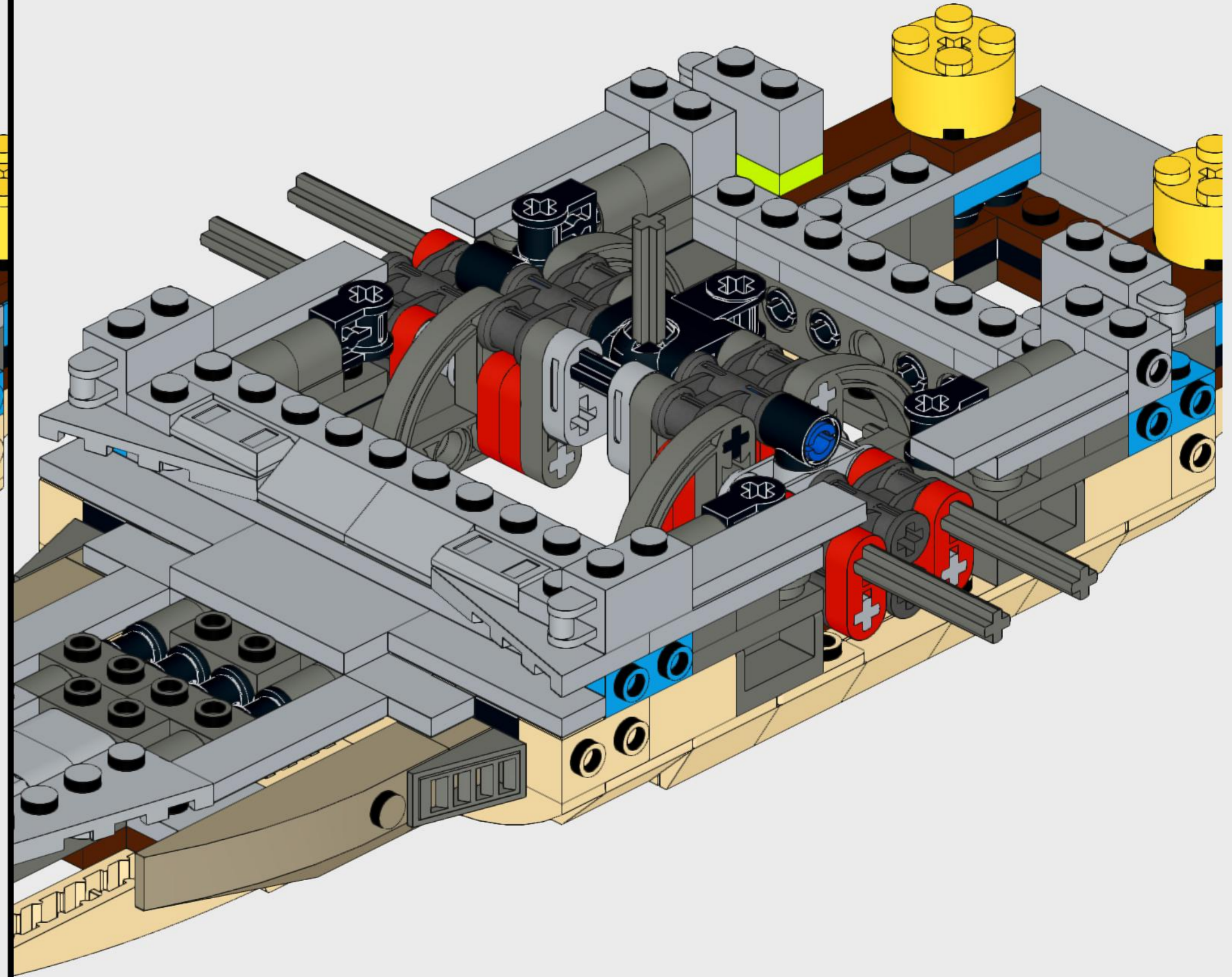


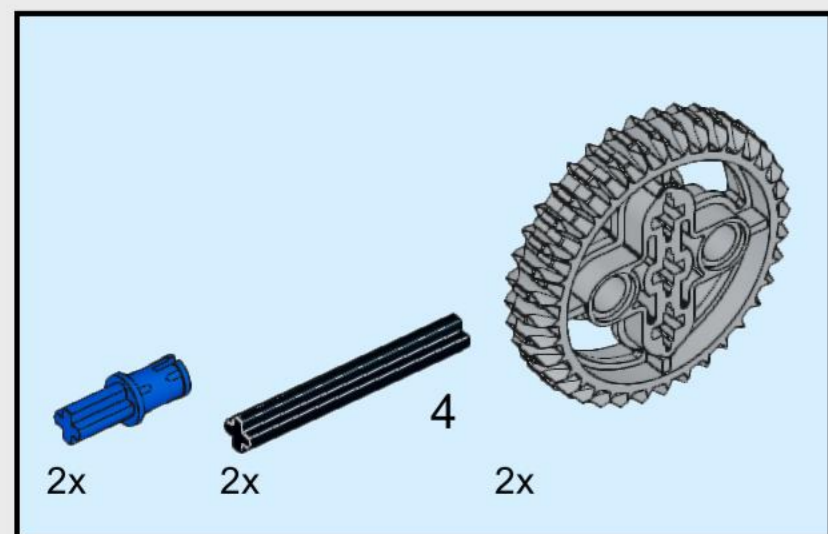


35

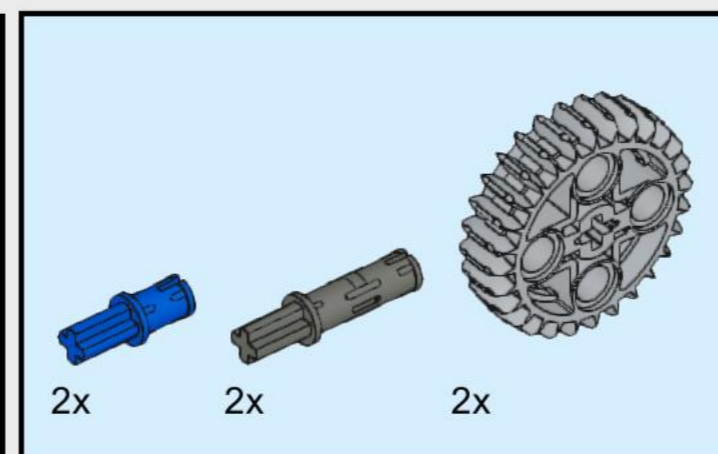
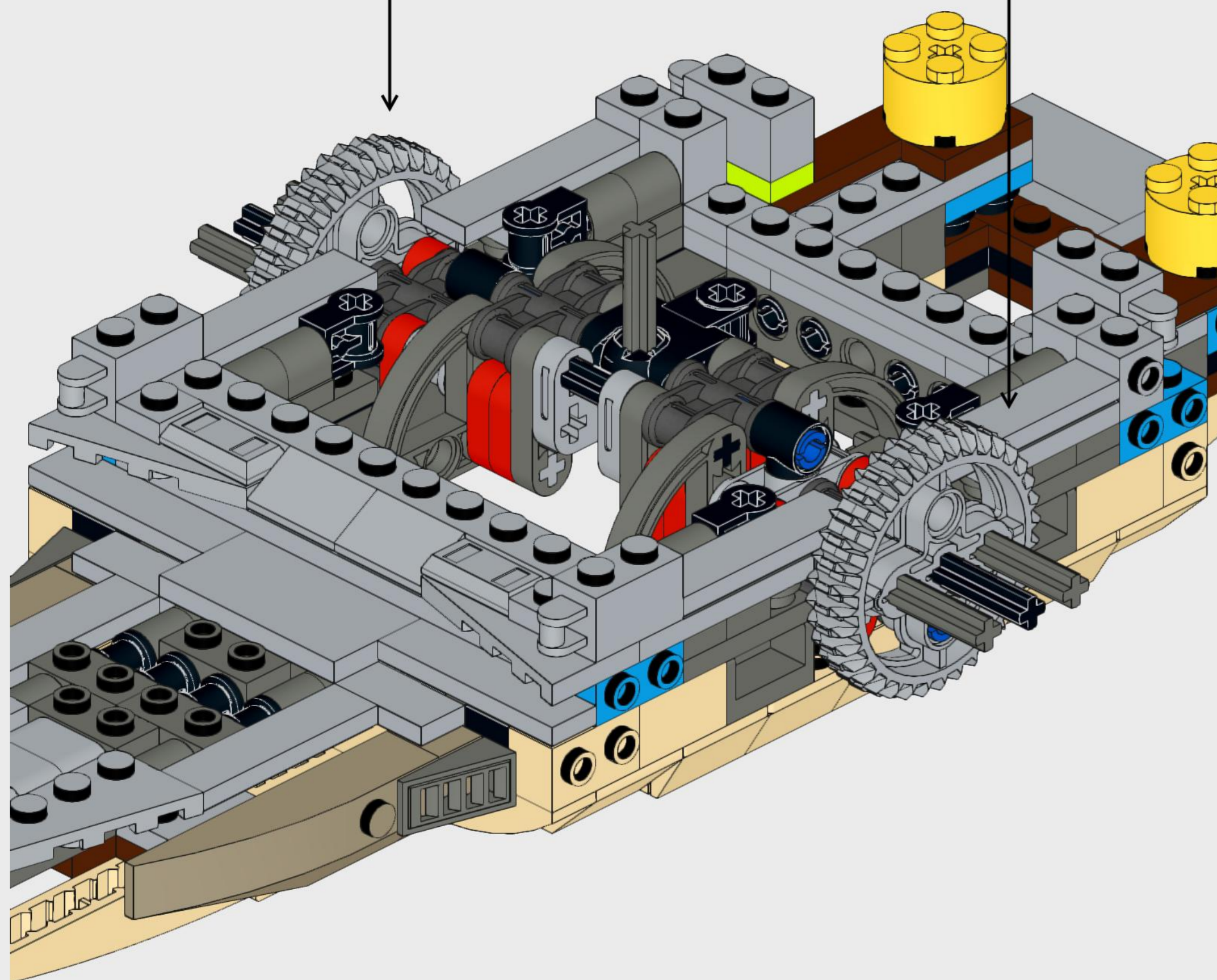
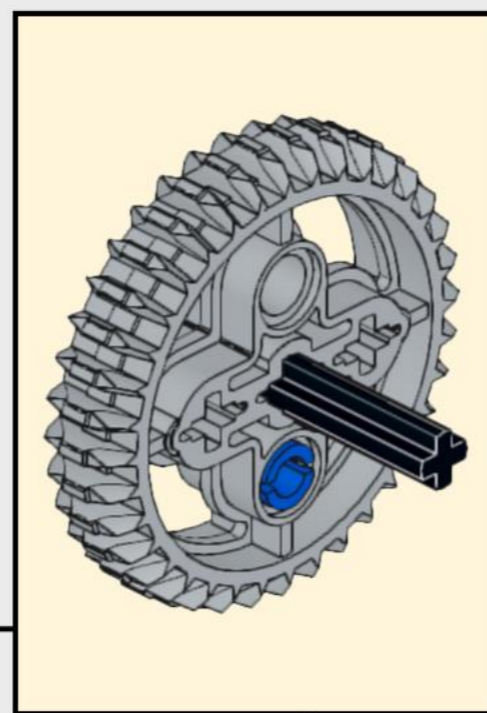


36

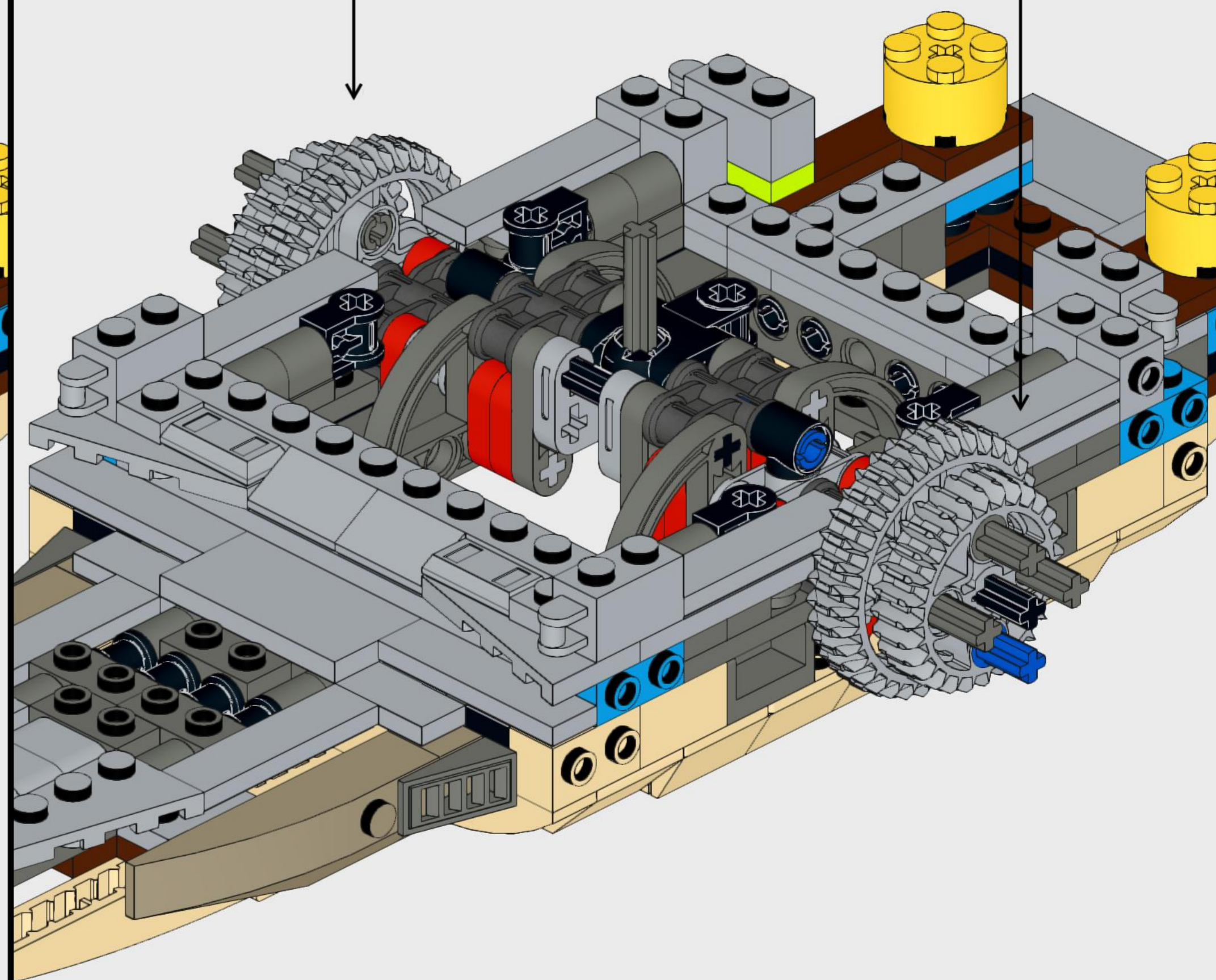
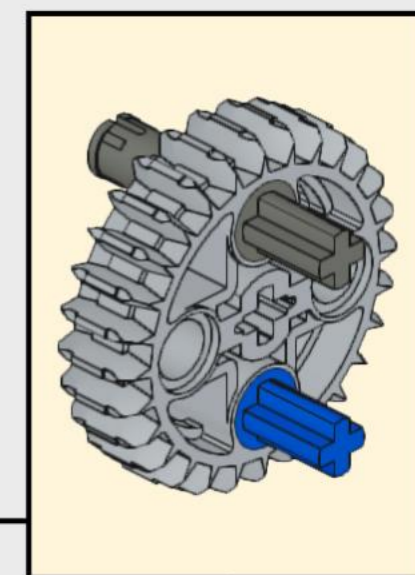


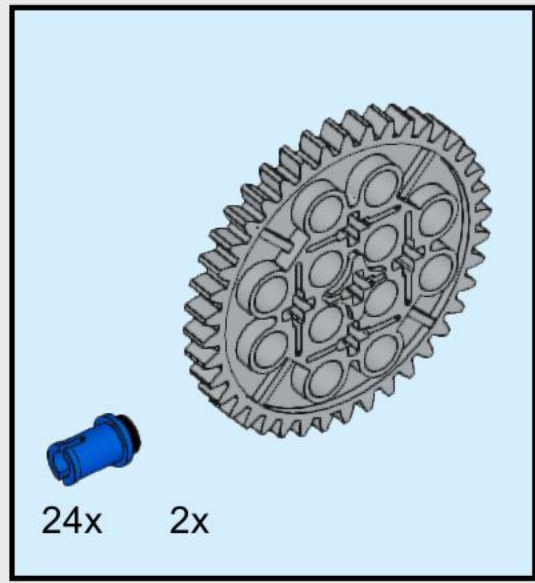


37

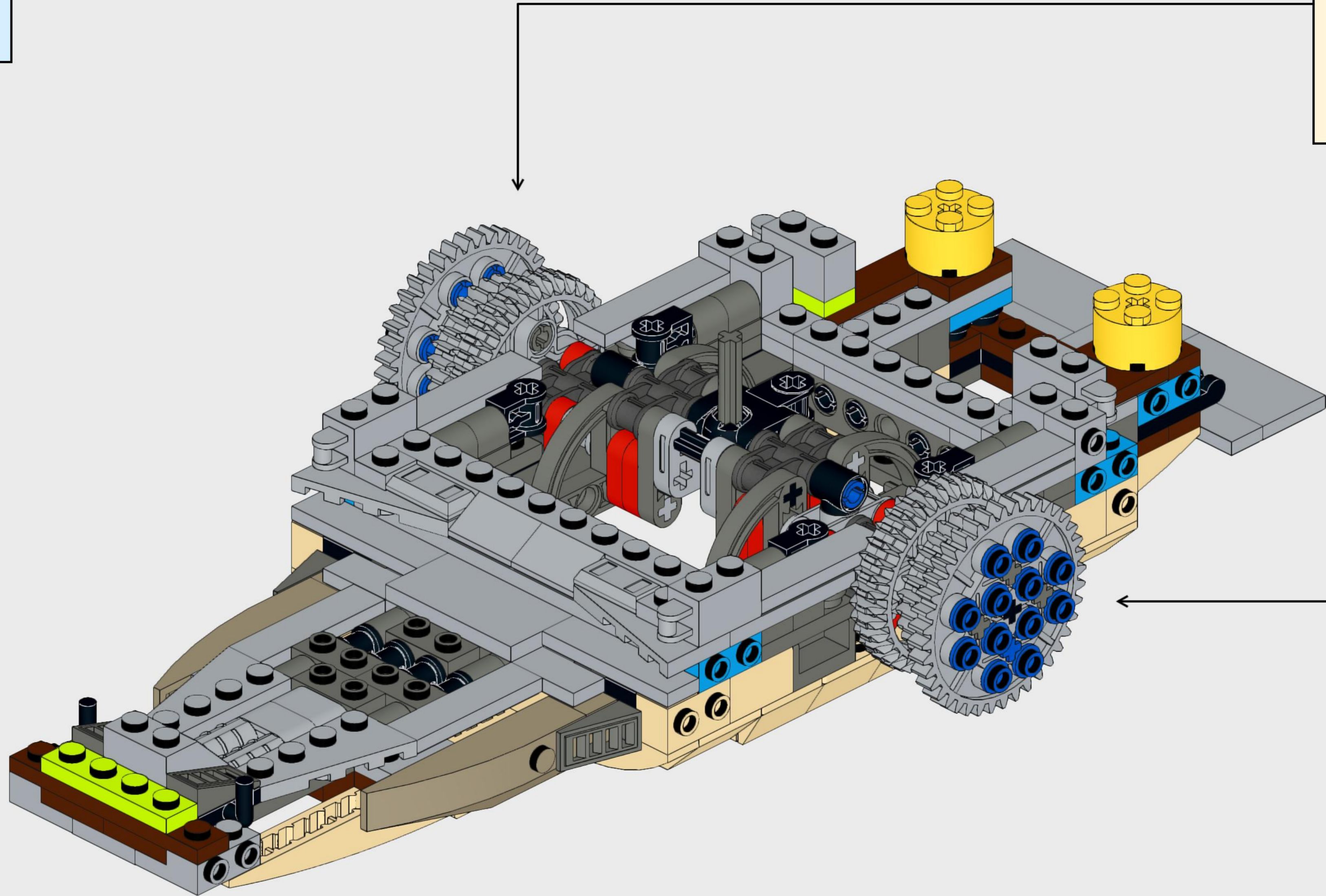
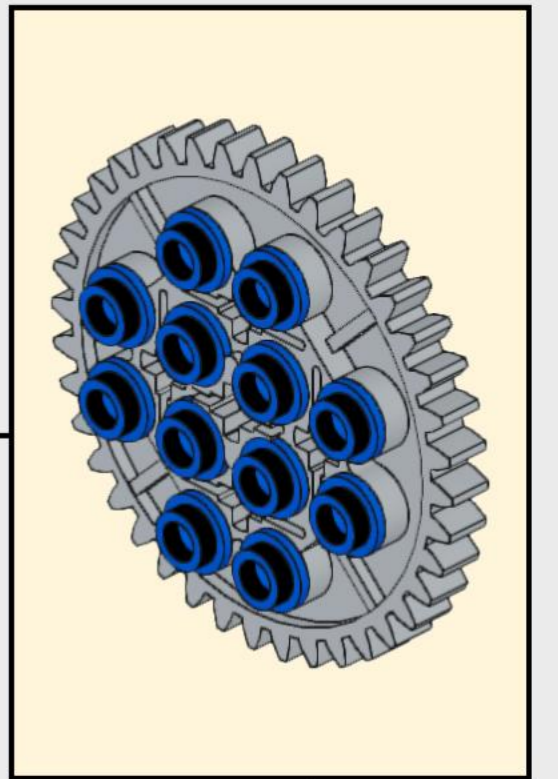


38

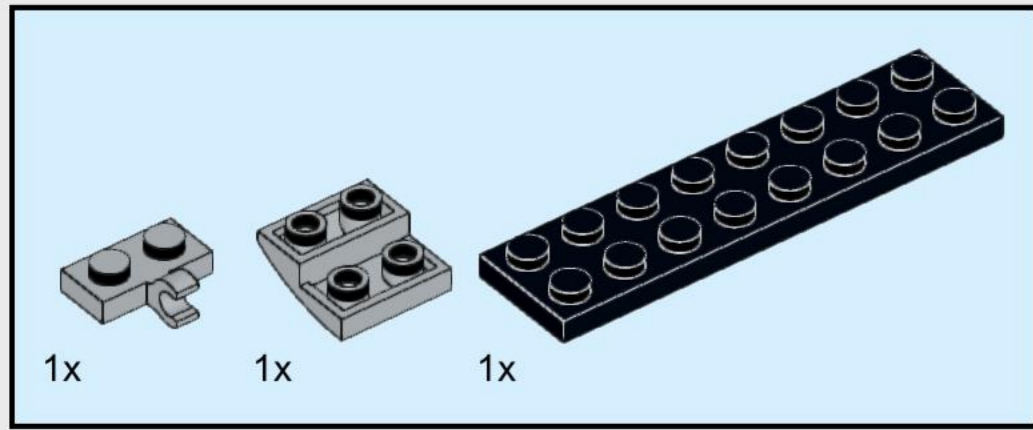




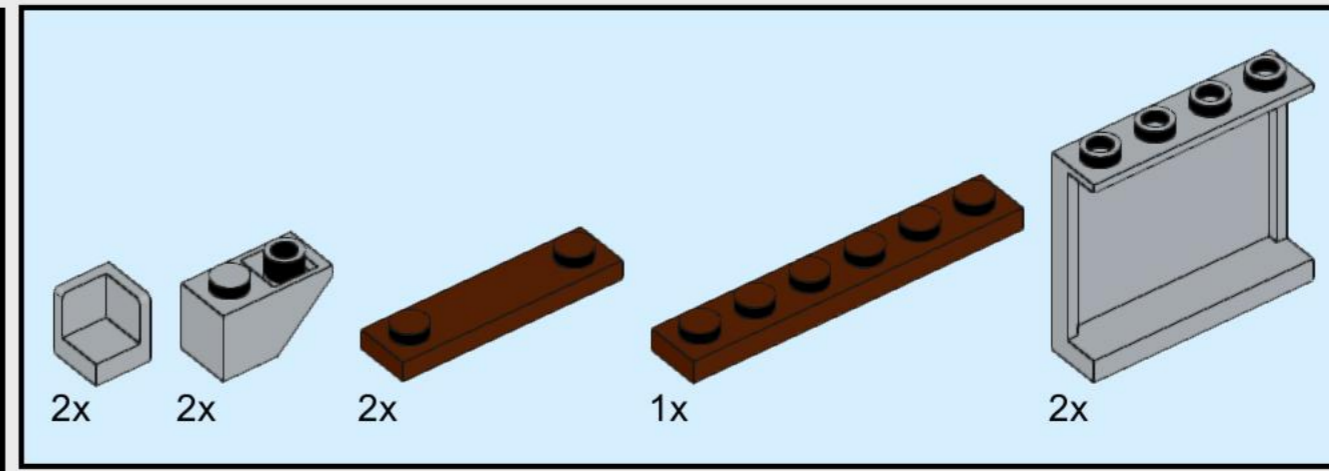
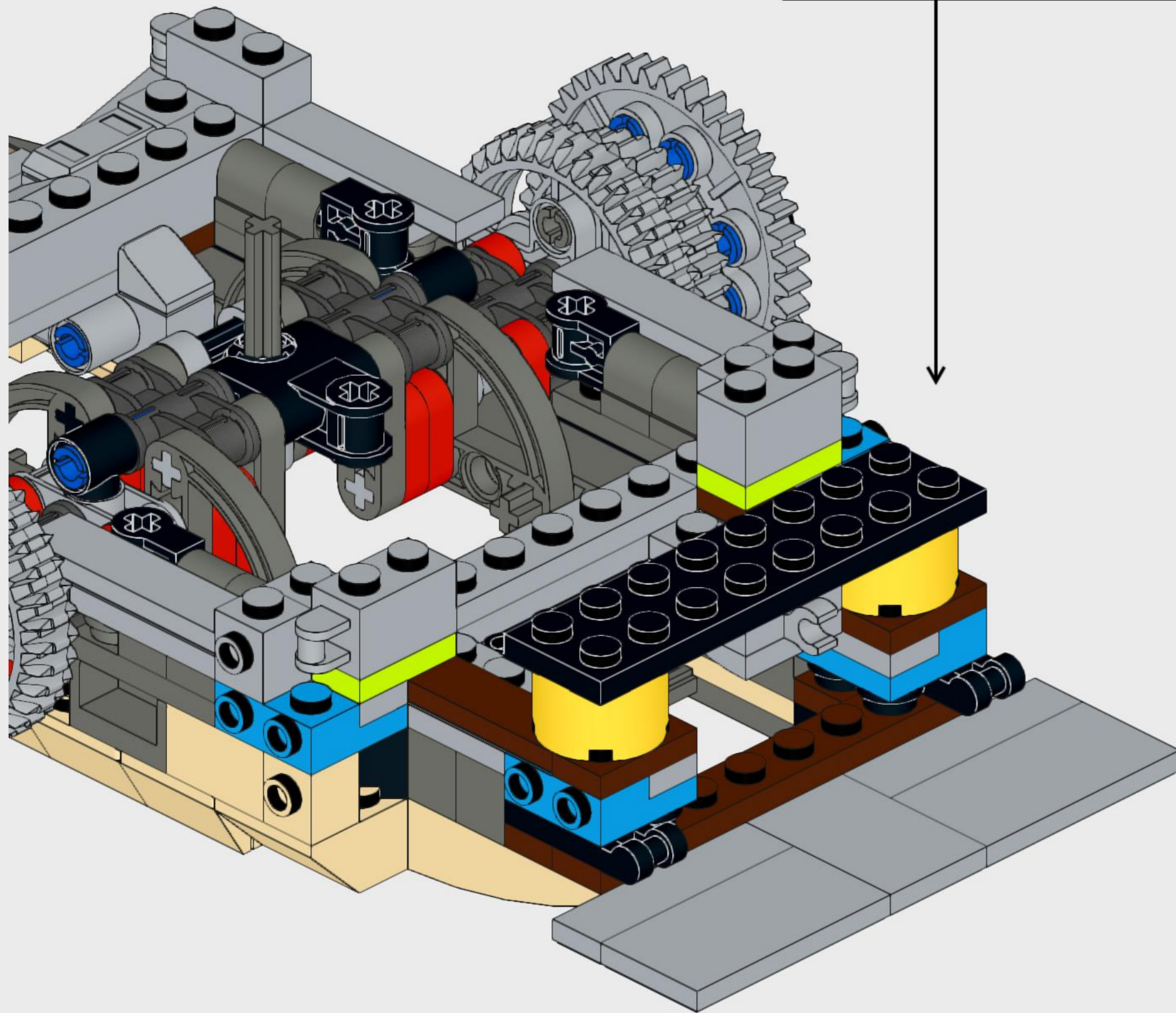
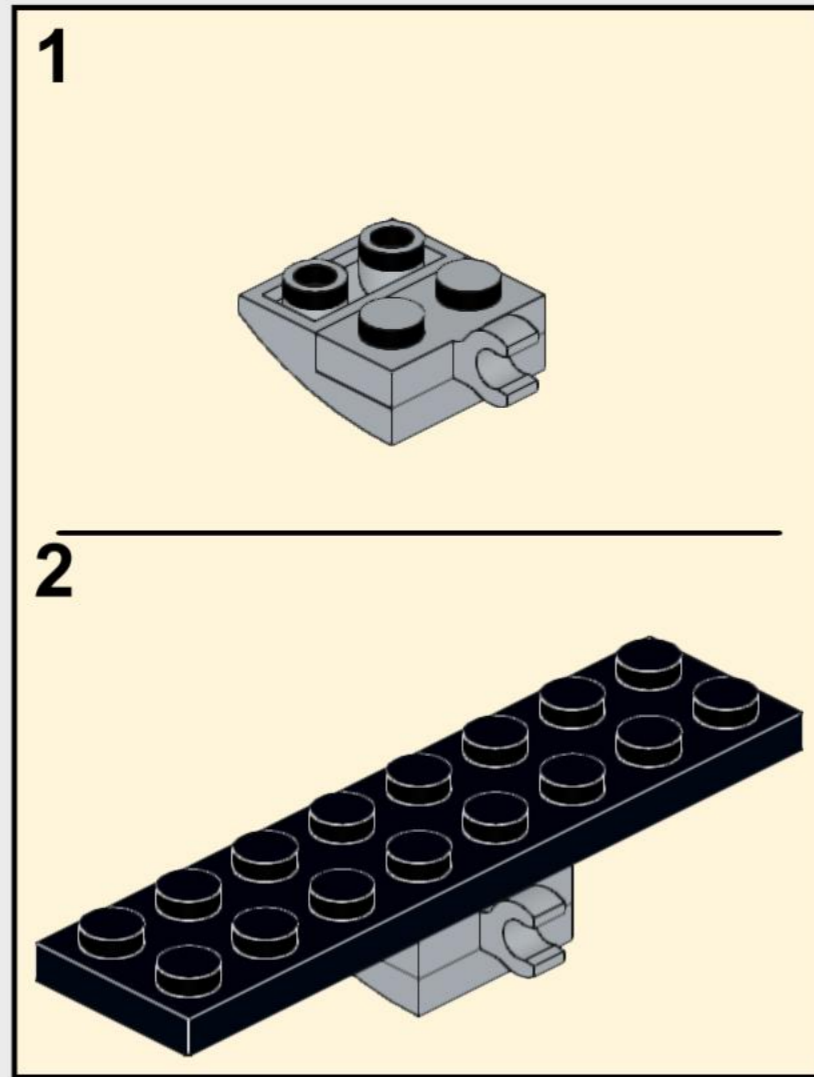
39



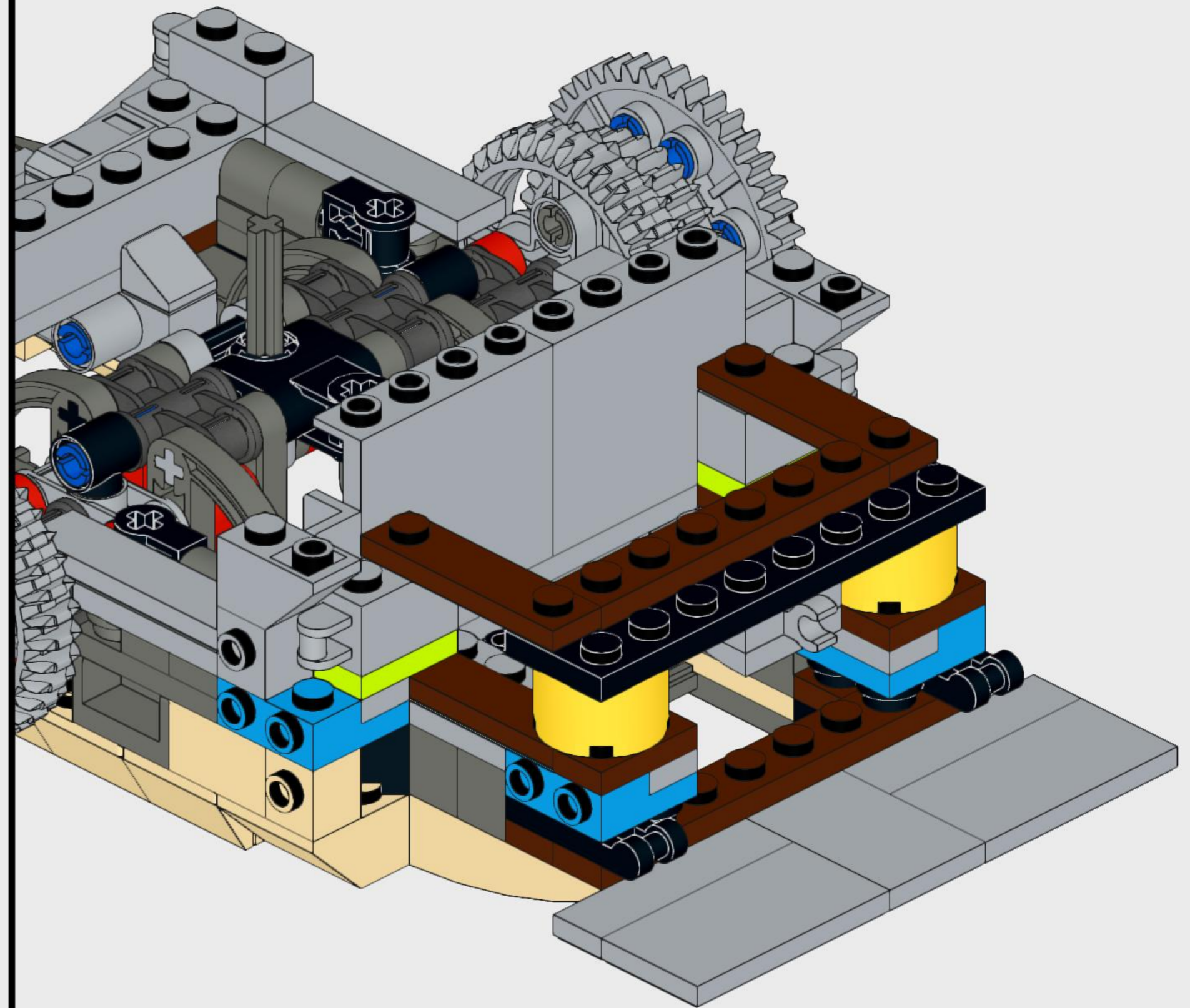


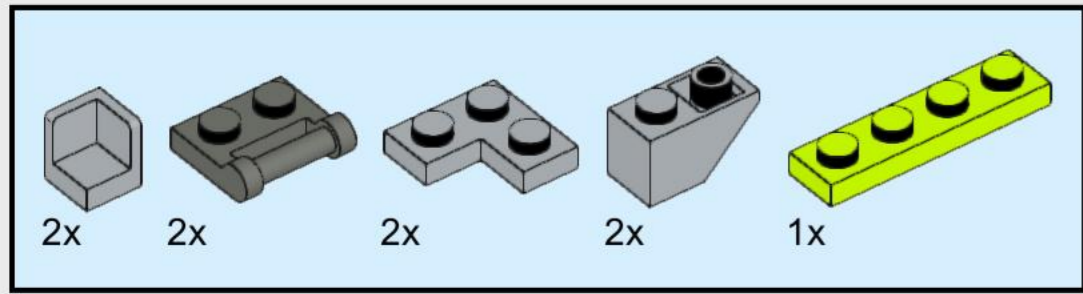


40 

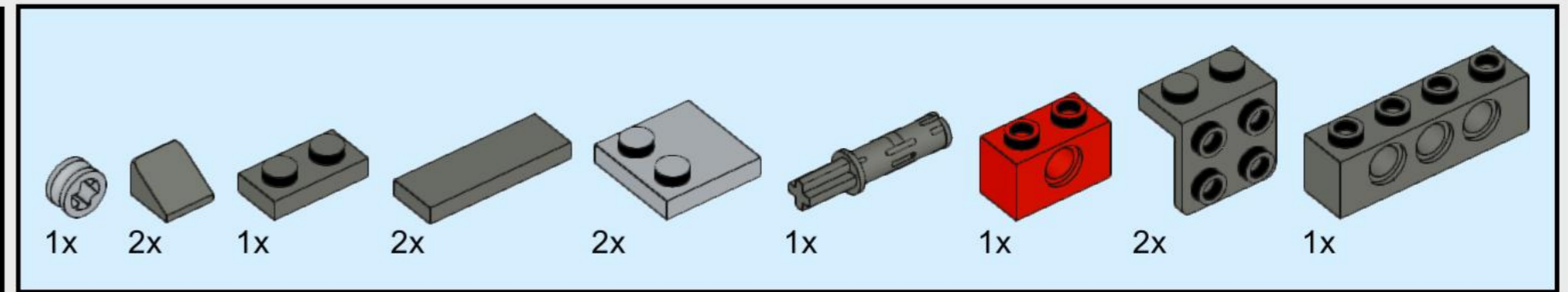
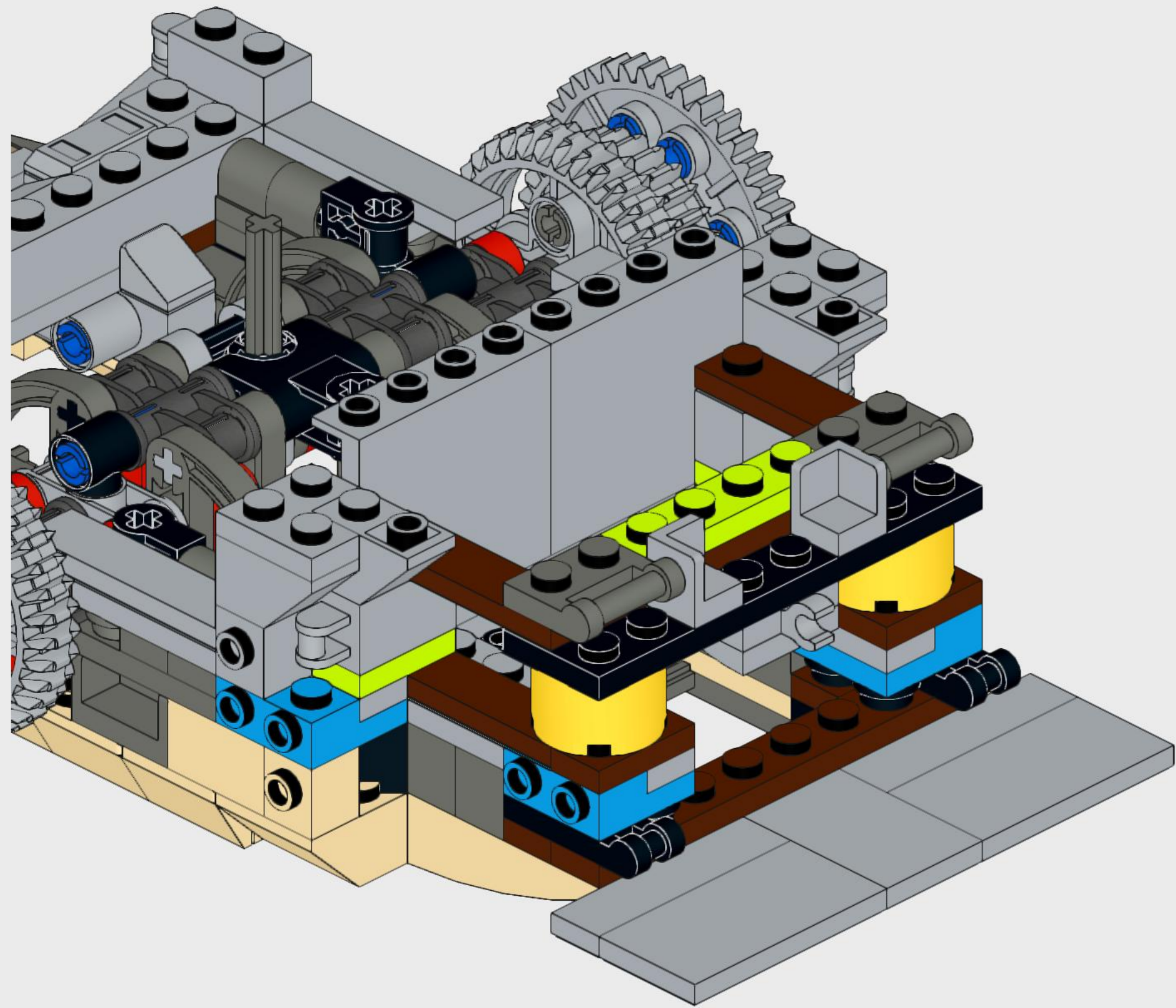


41

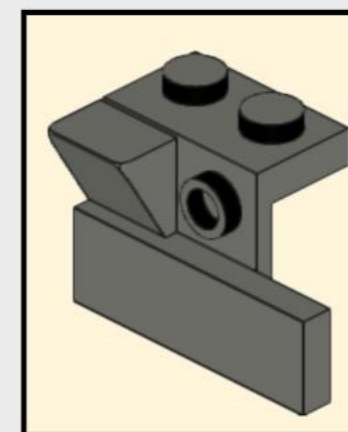
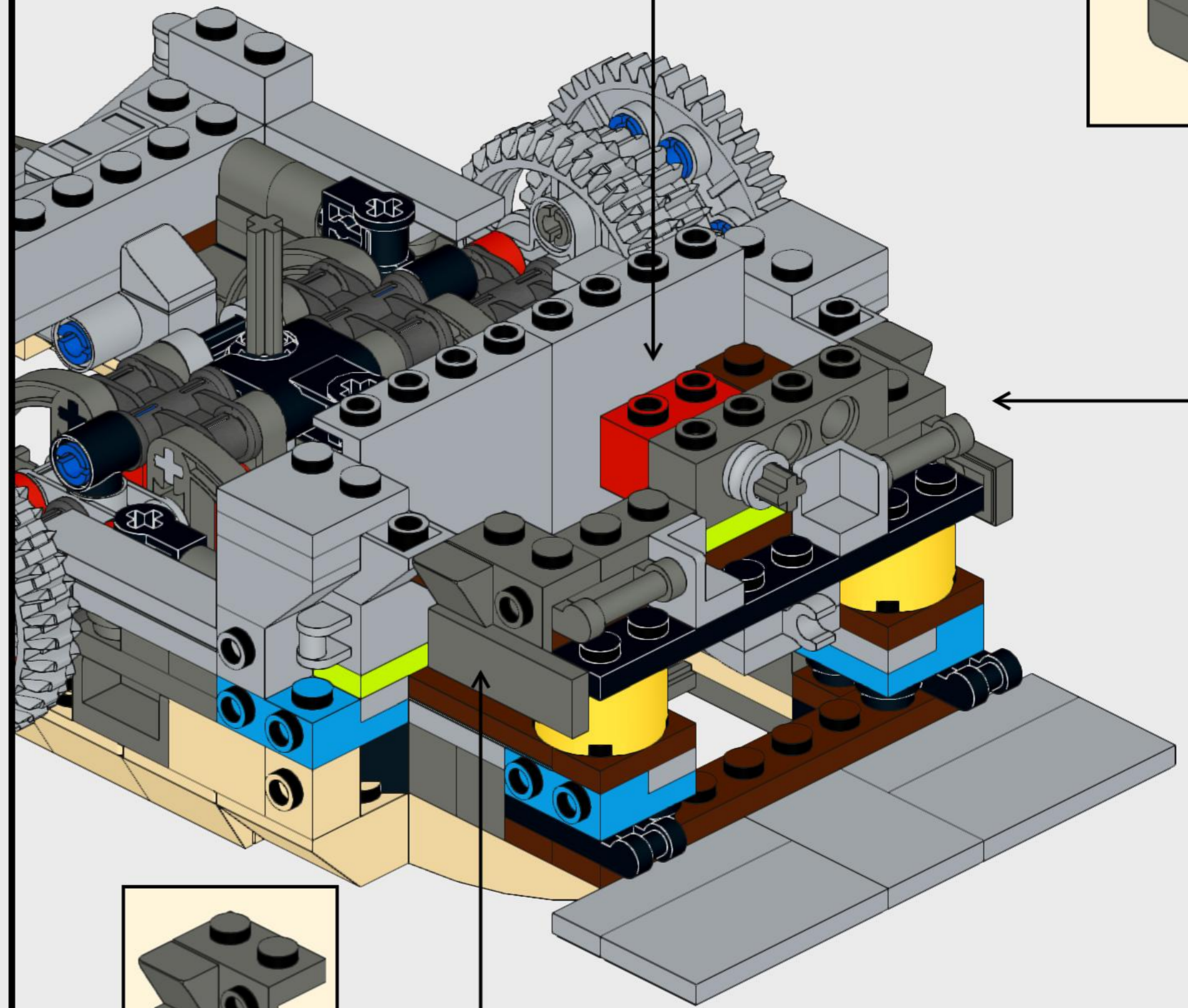
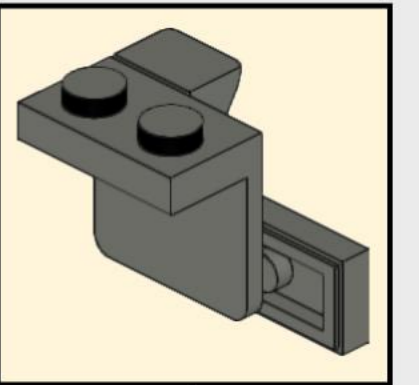
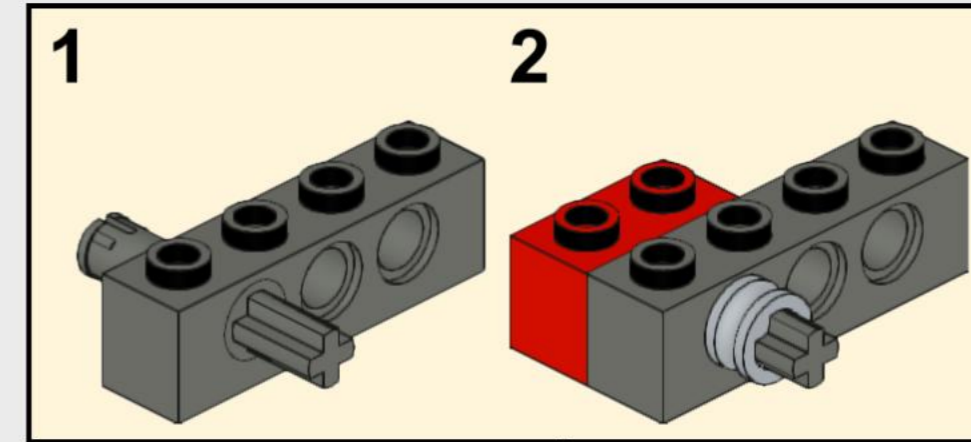


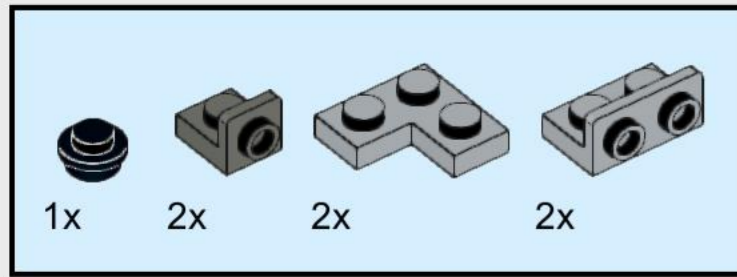


42

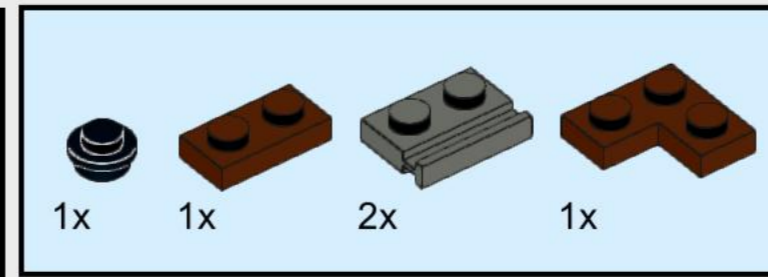
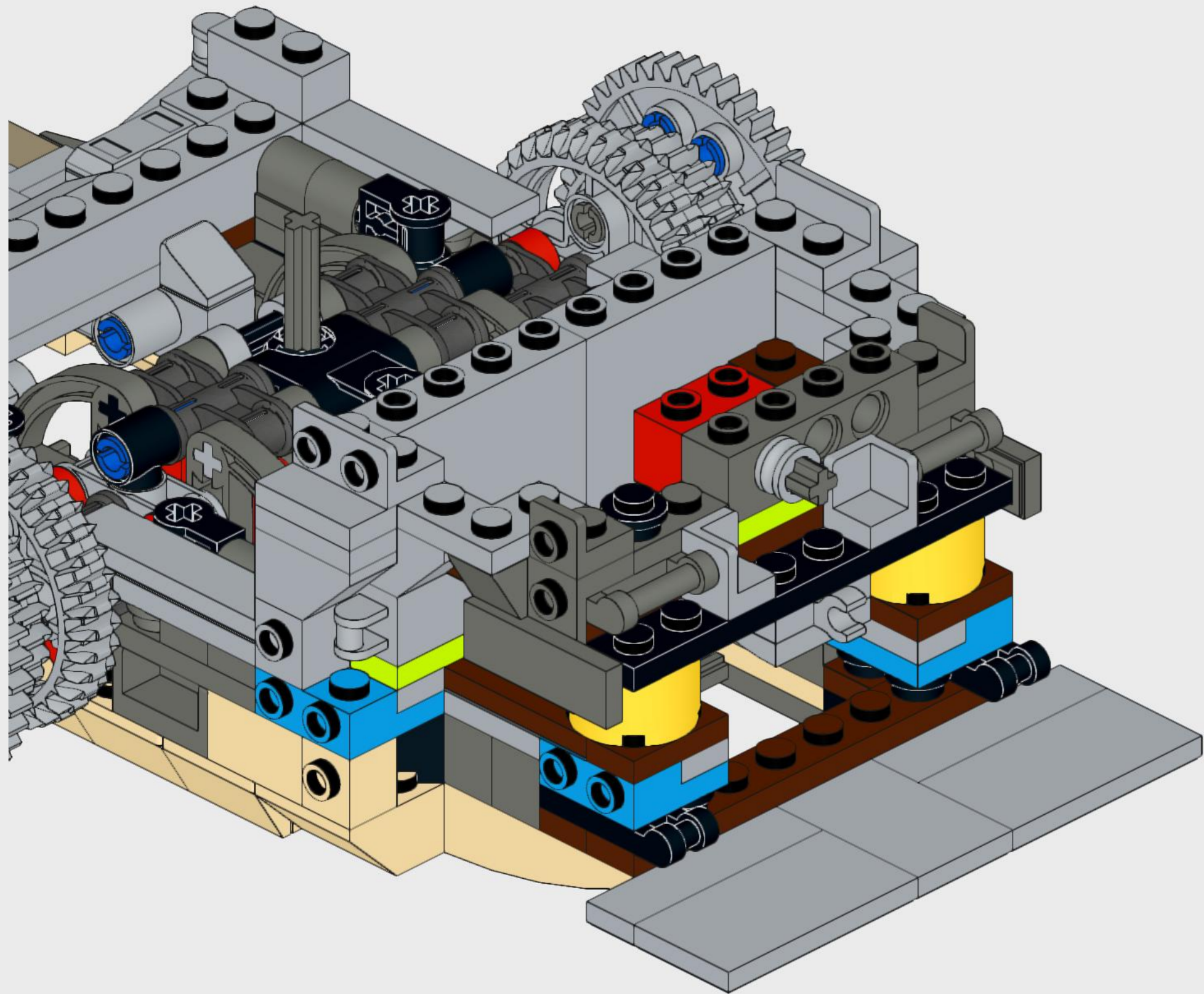


43

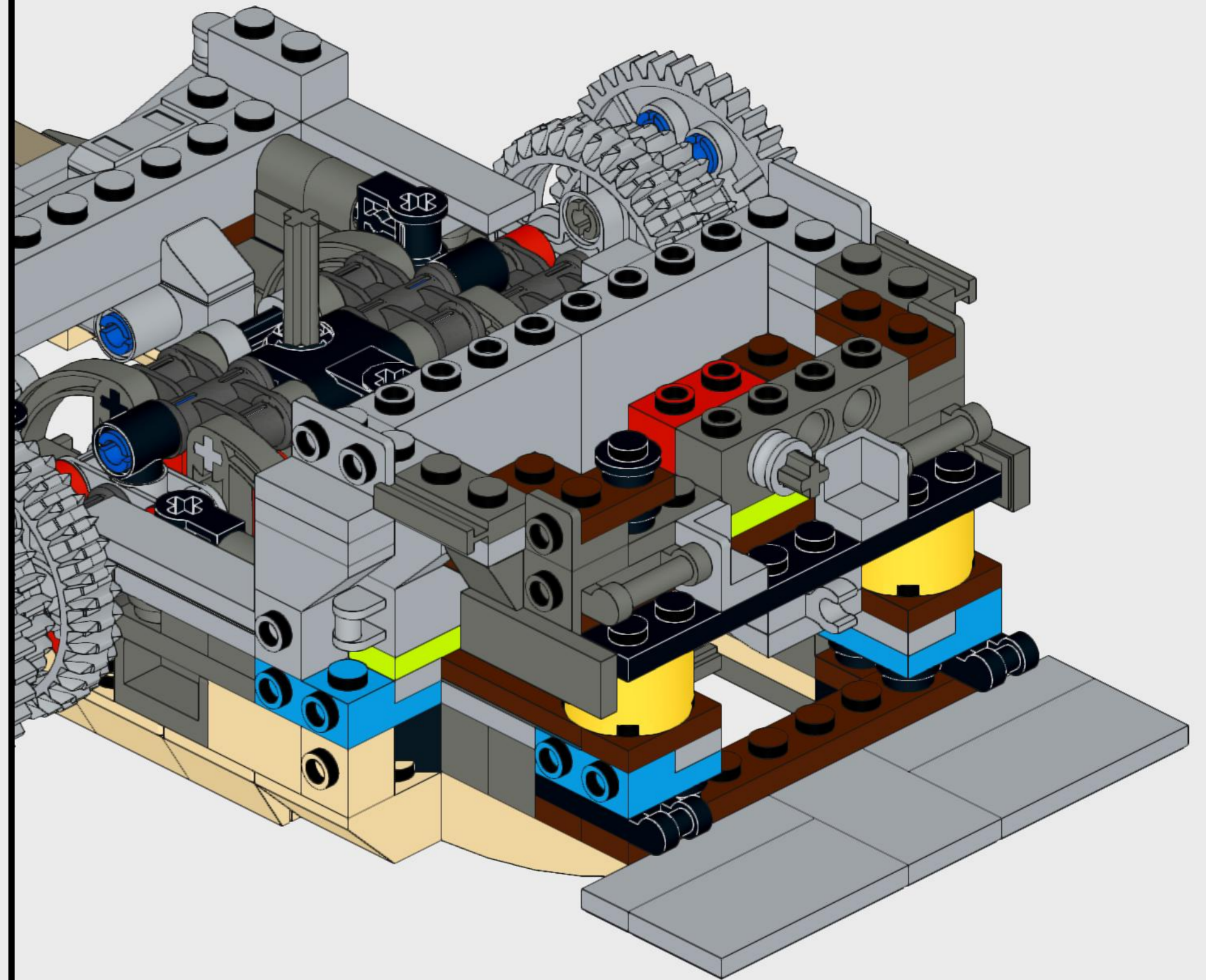


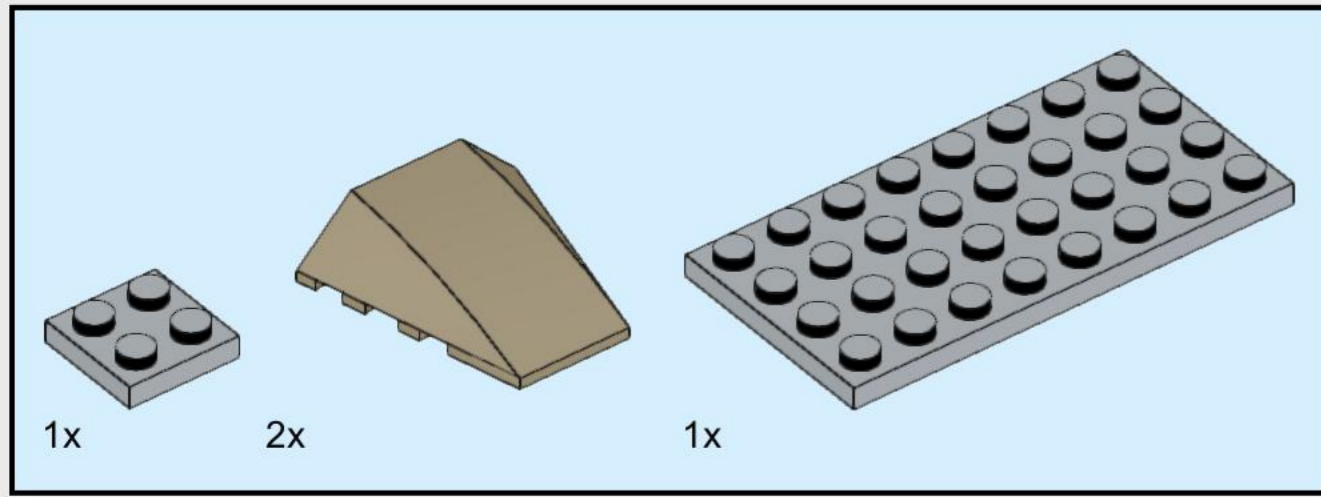


44

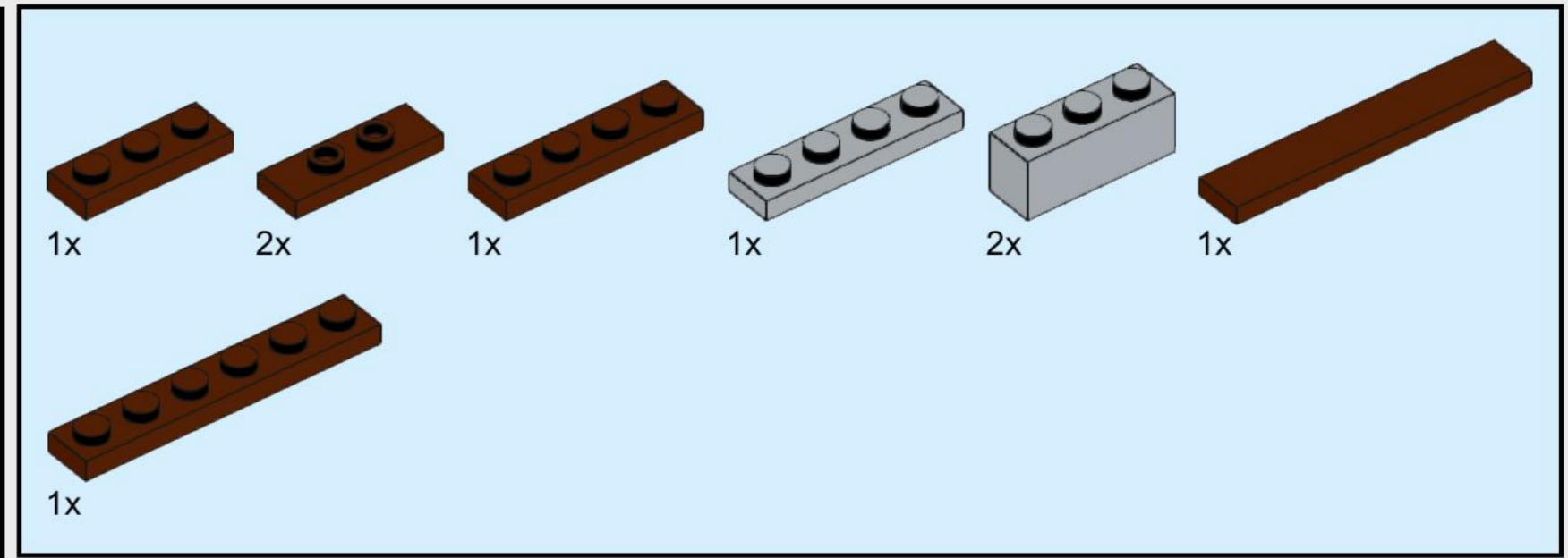
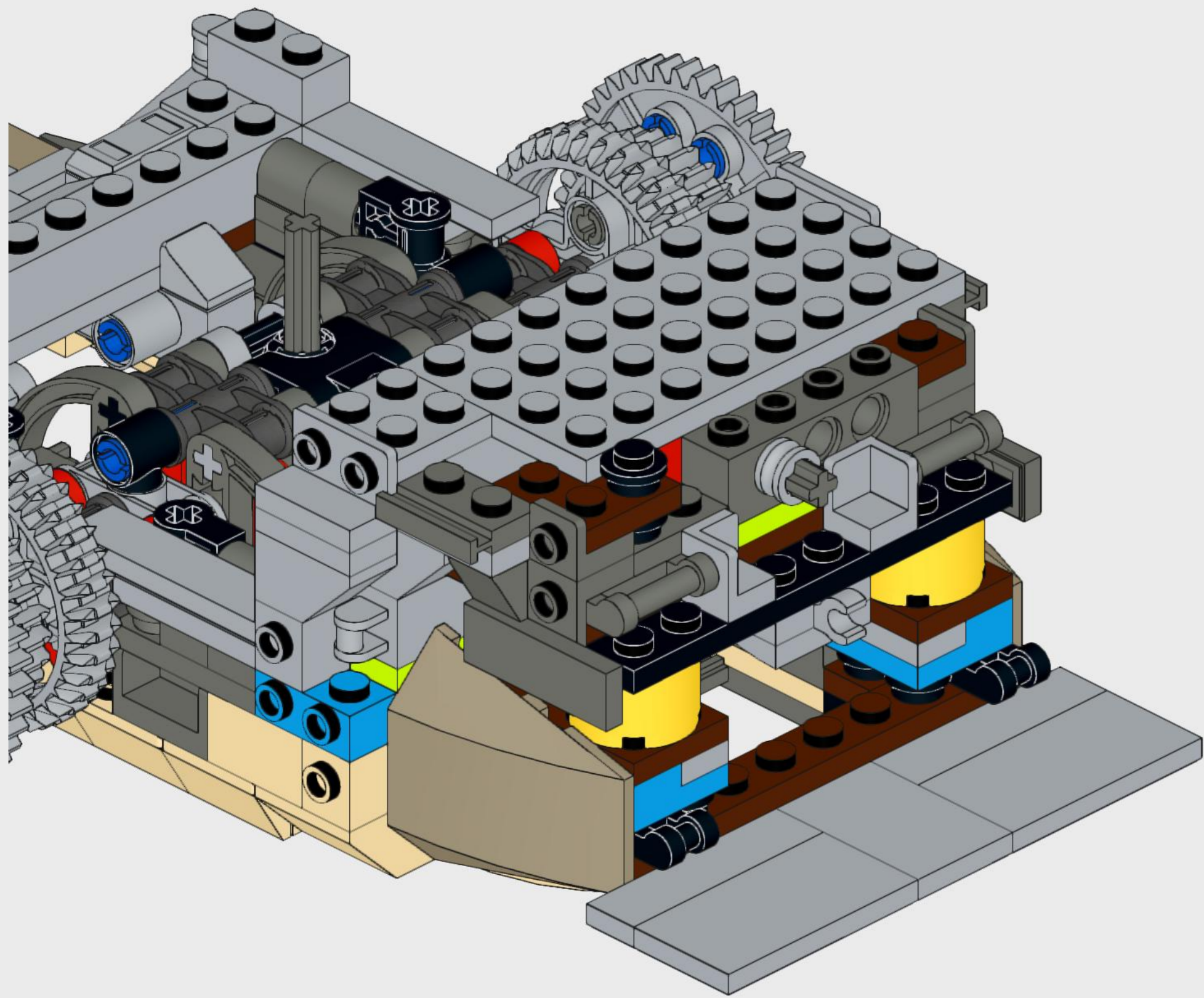


45

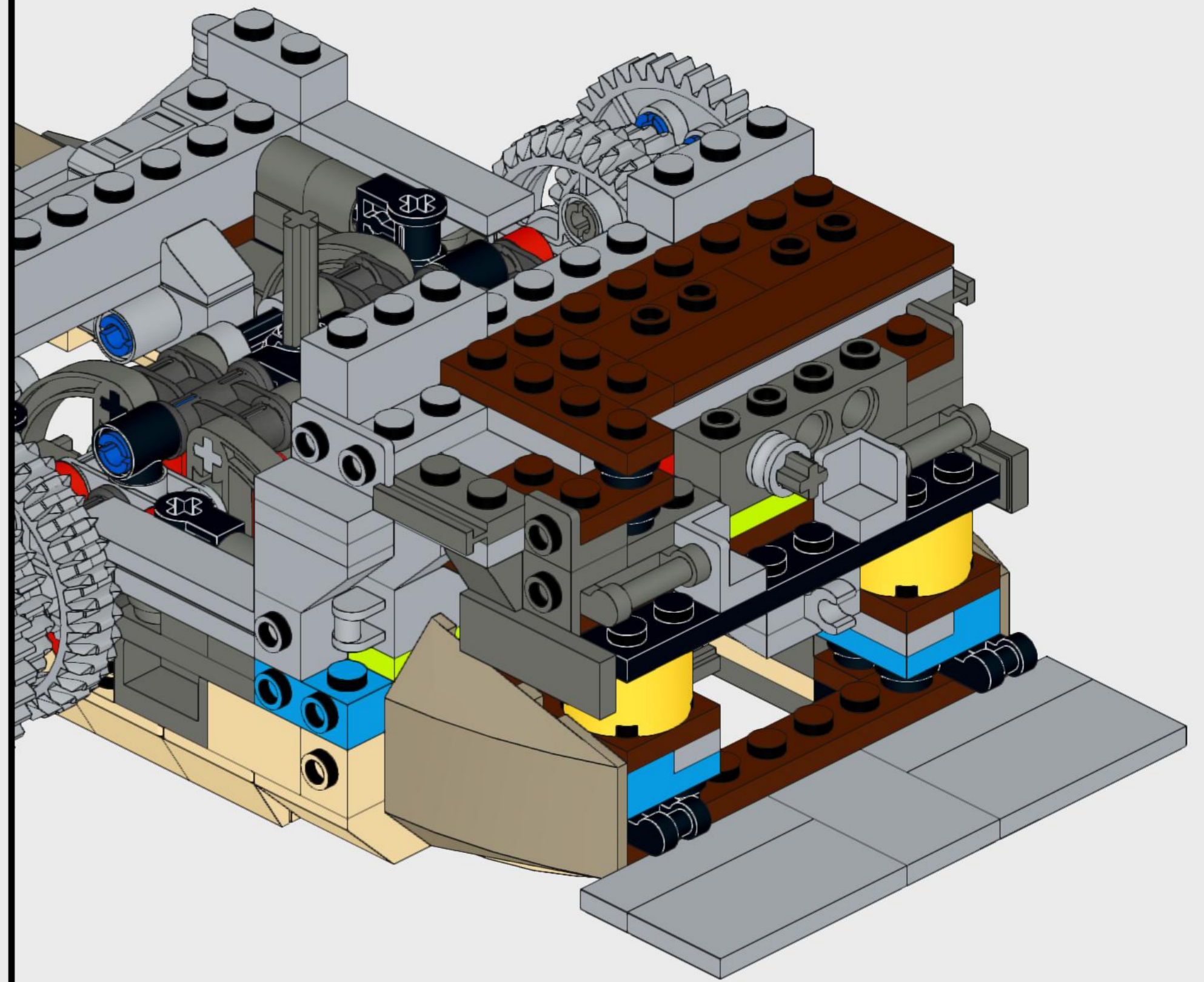


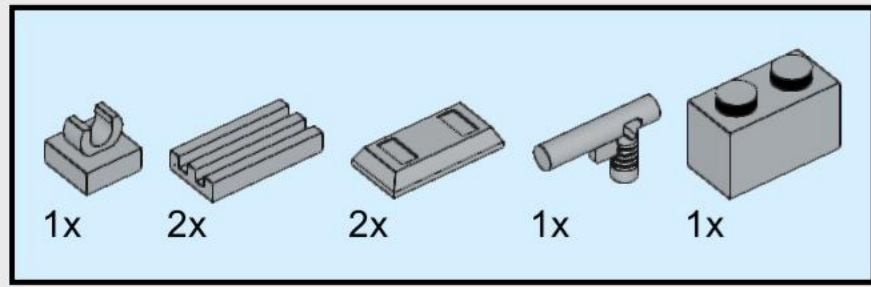


46

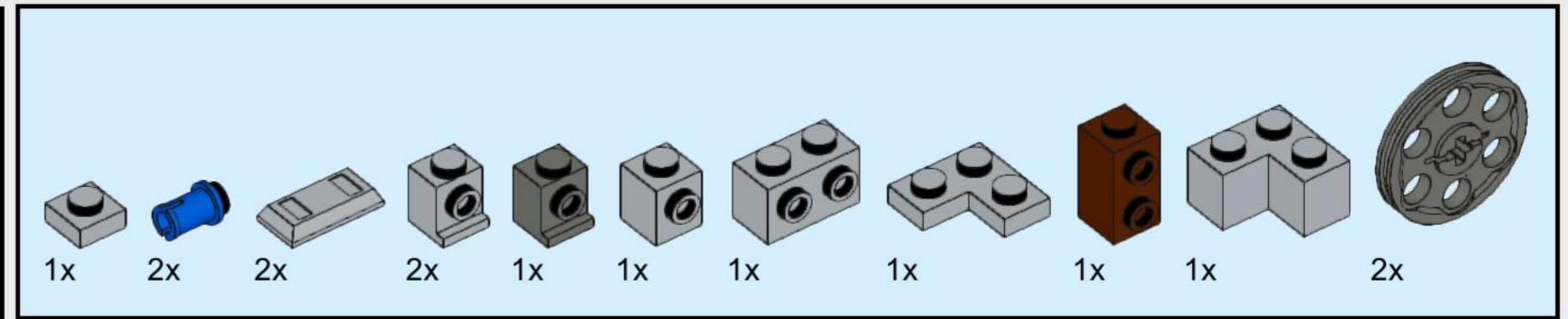
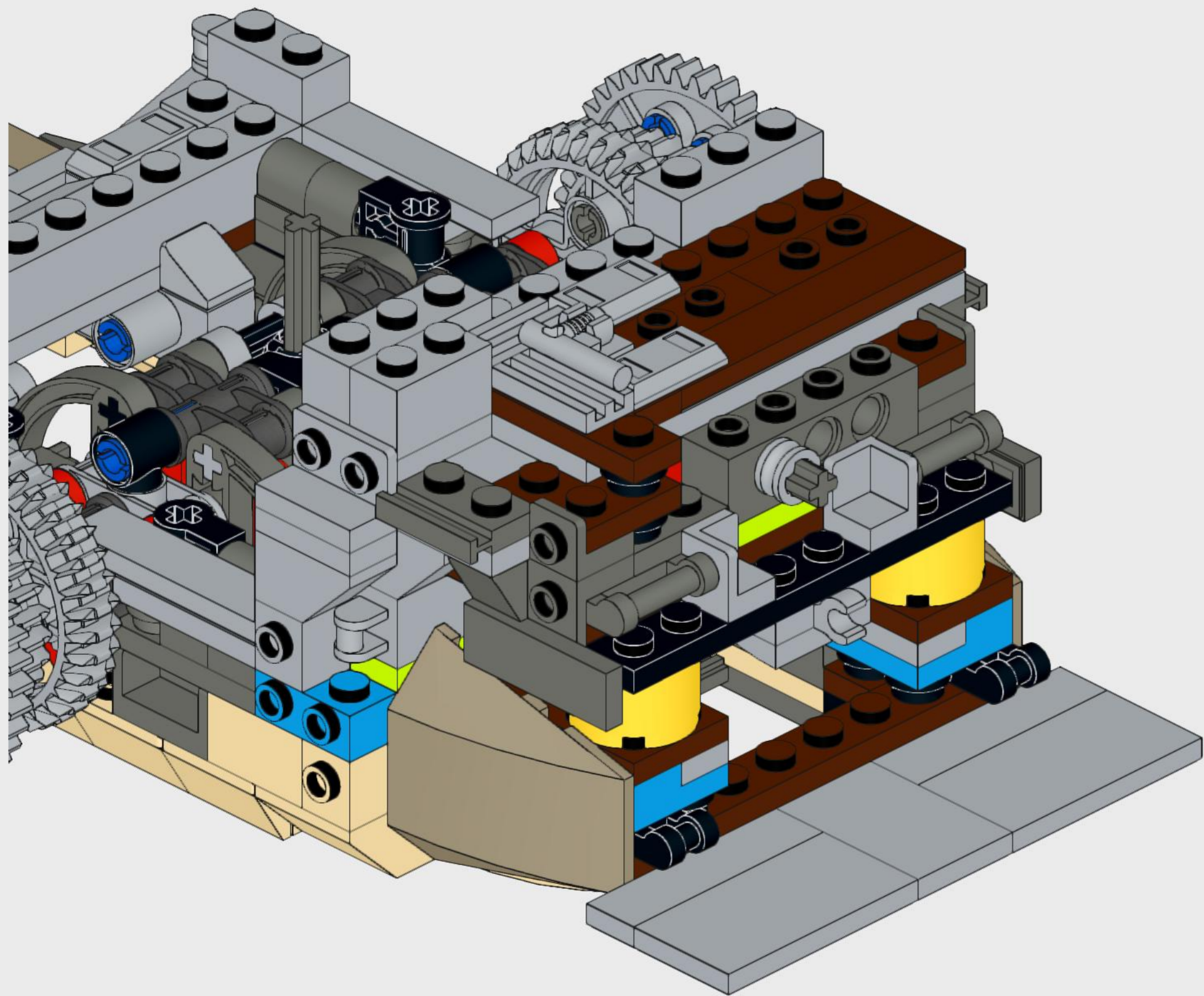


47

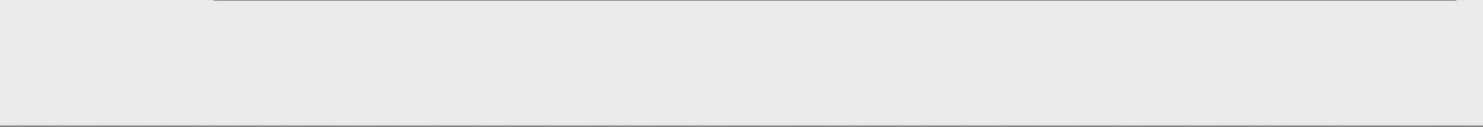
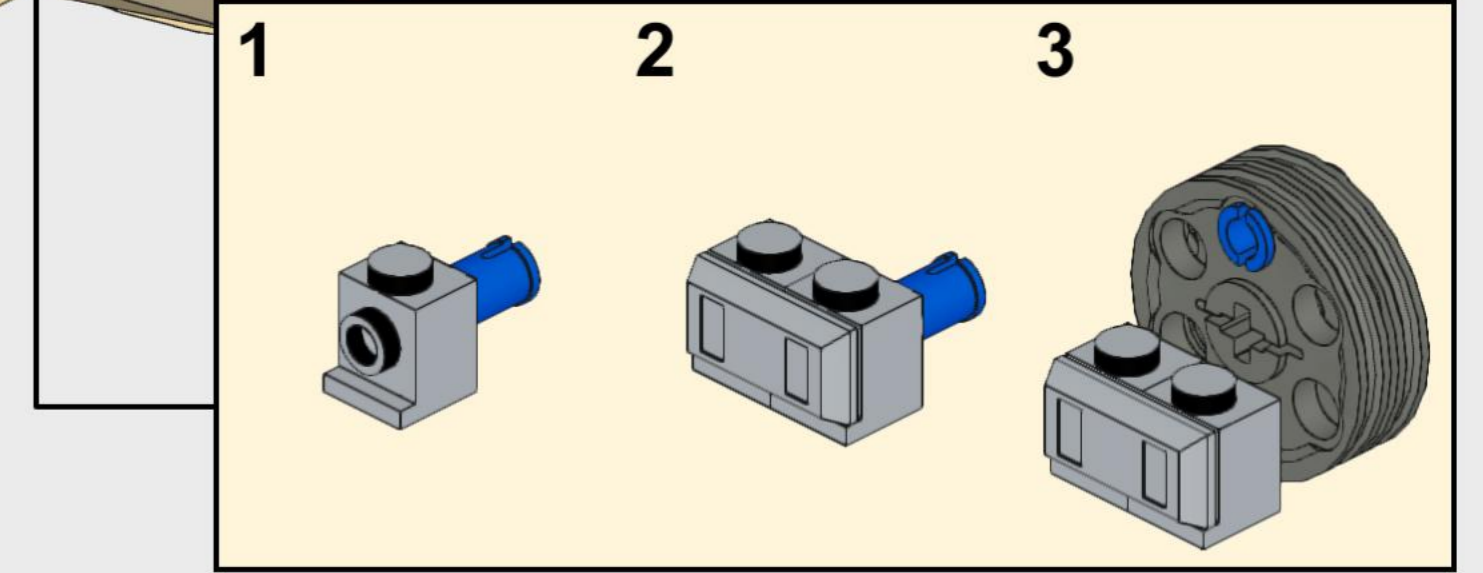
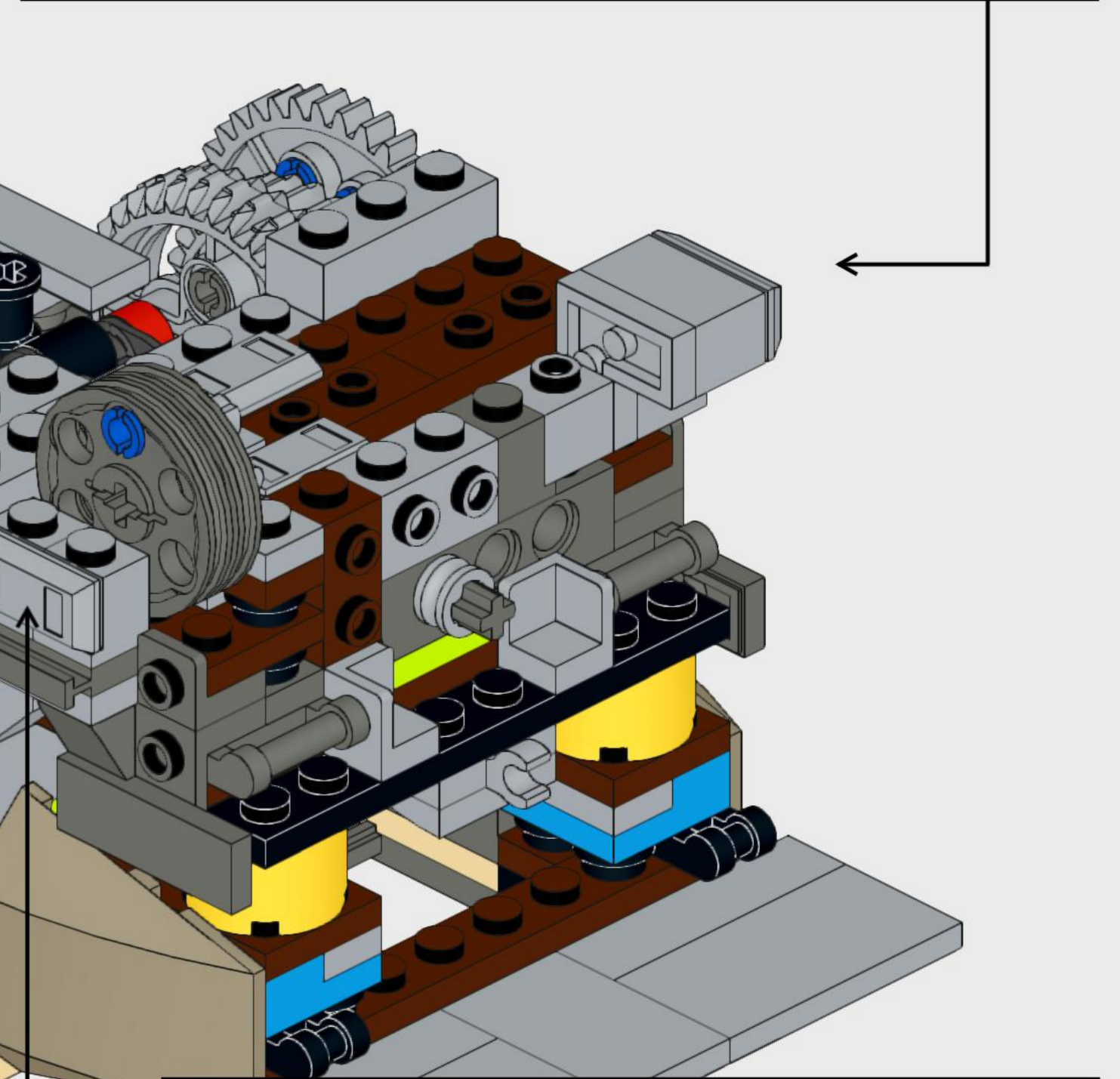
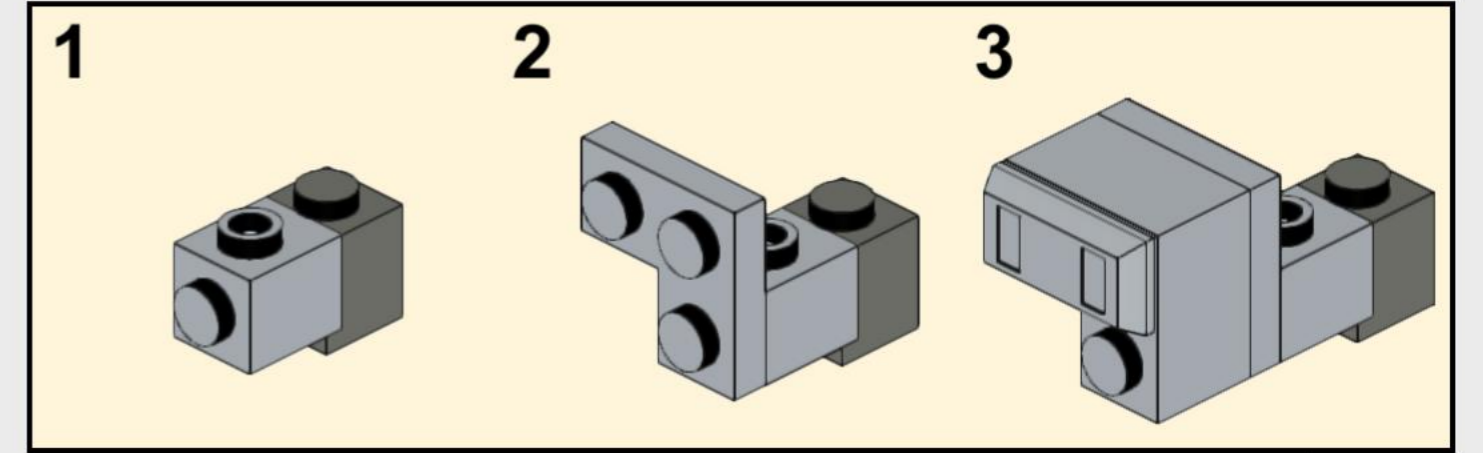


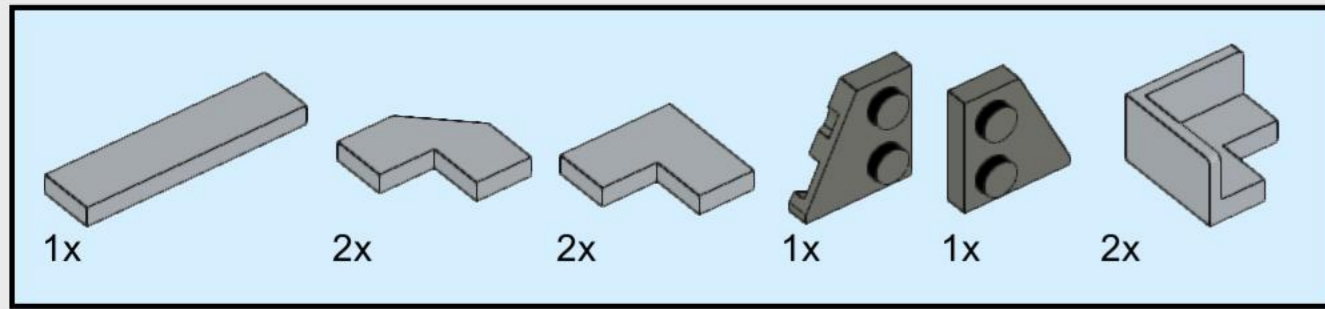


48

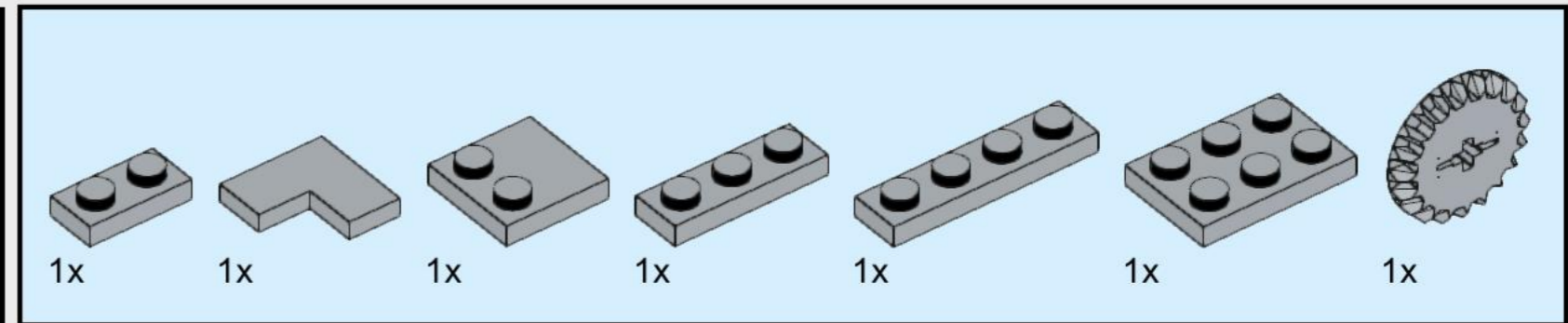
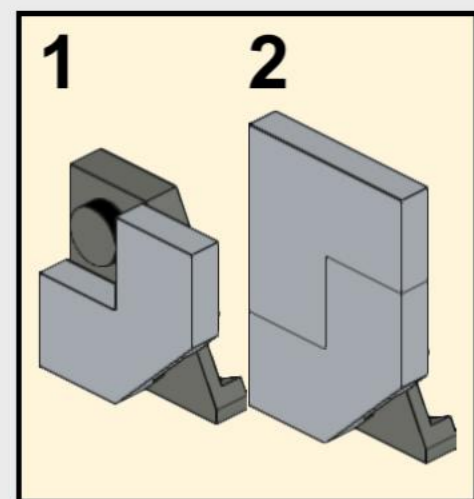
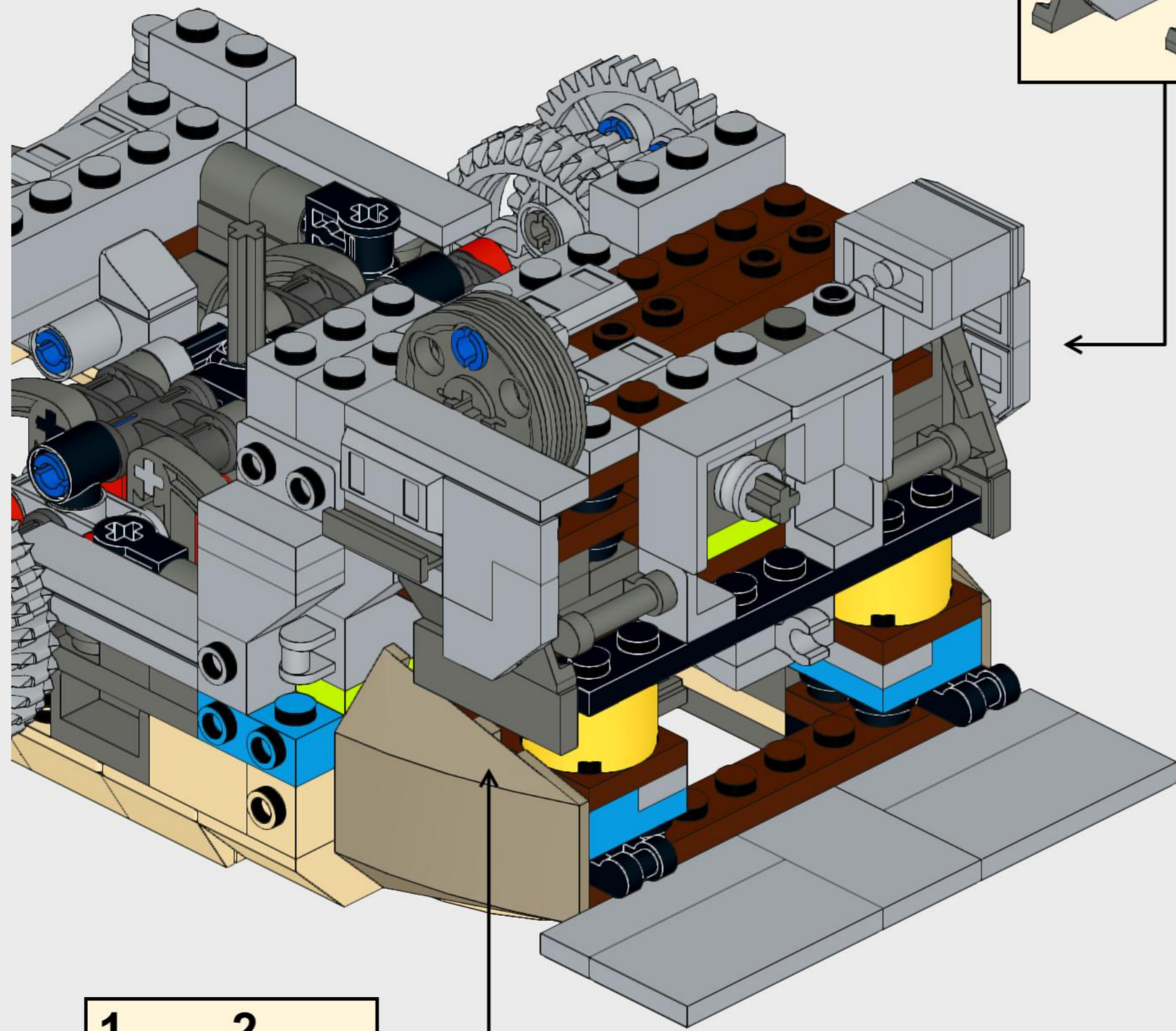


49

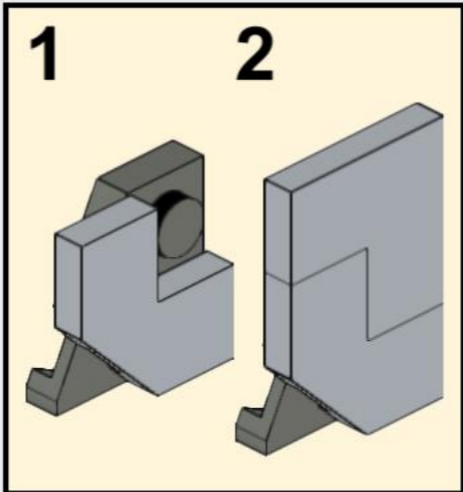
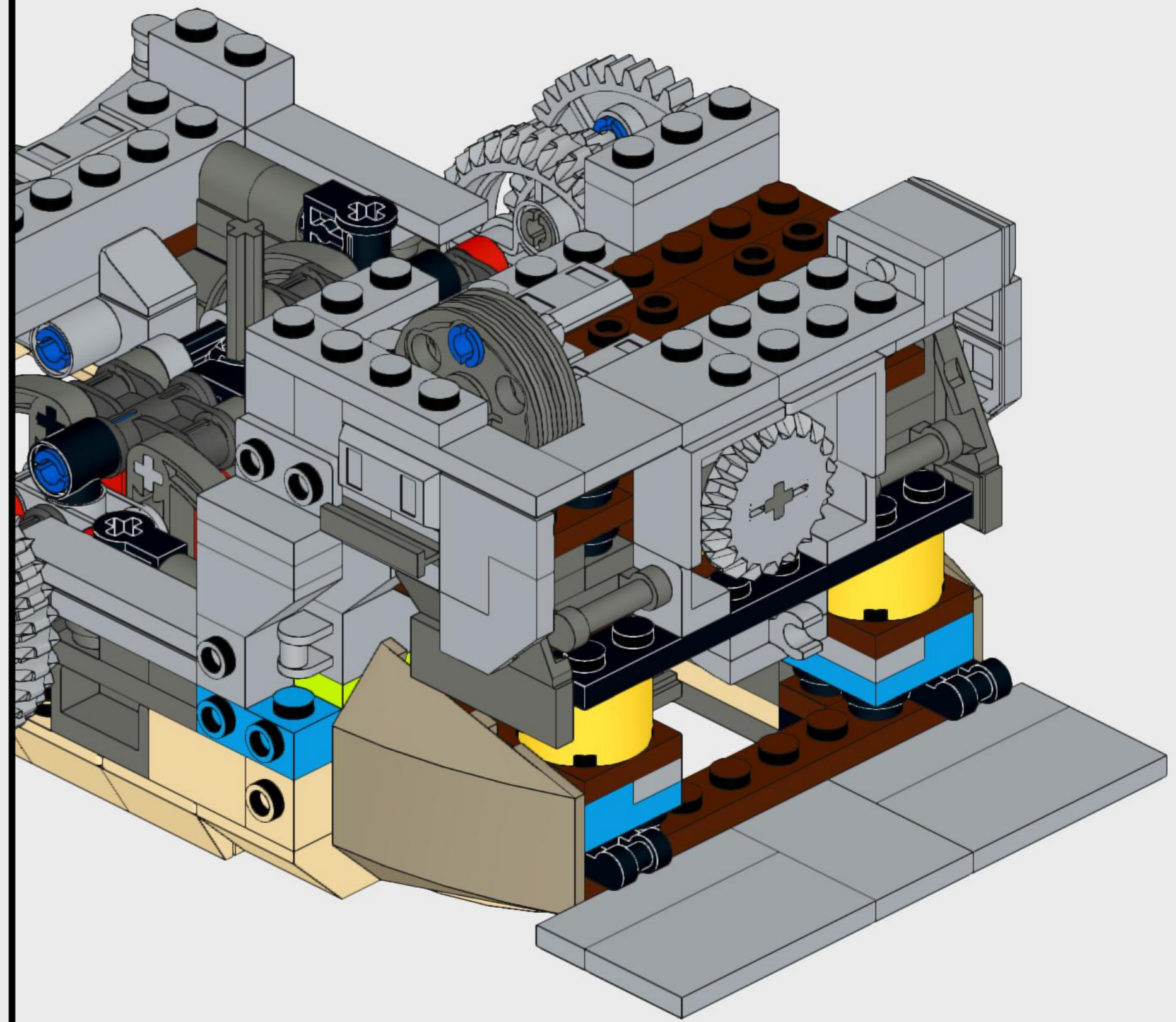


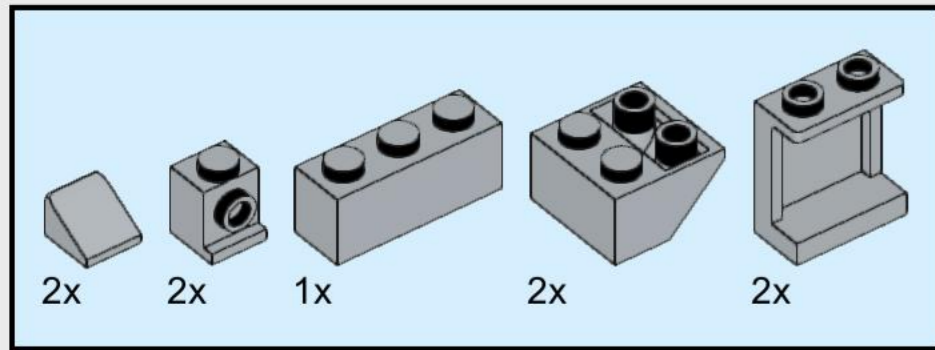


50

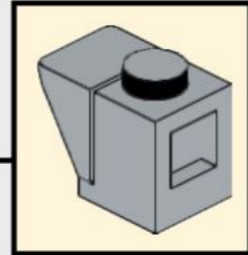


51

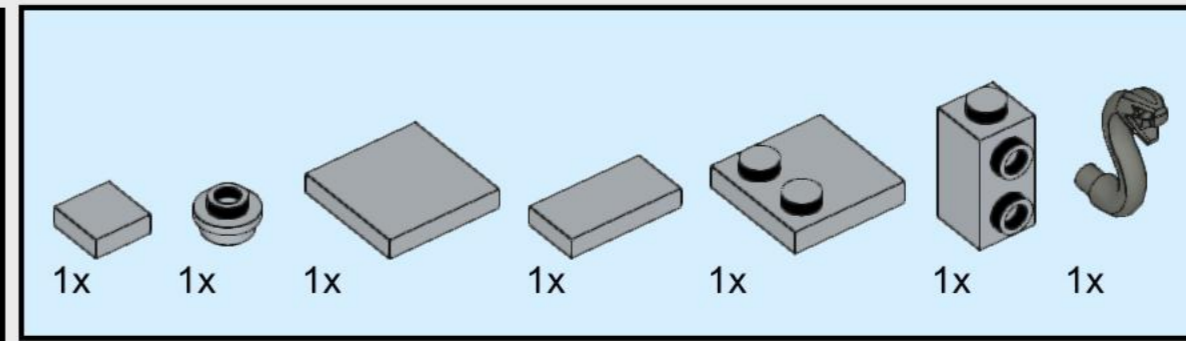
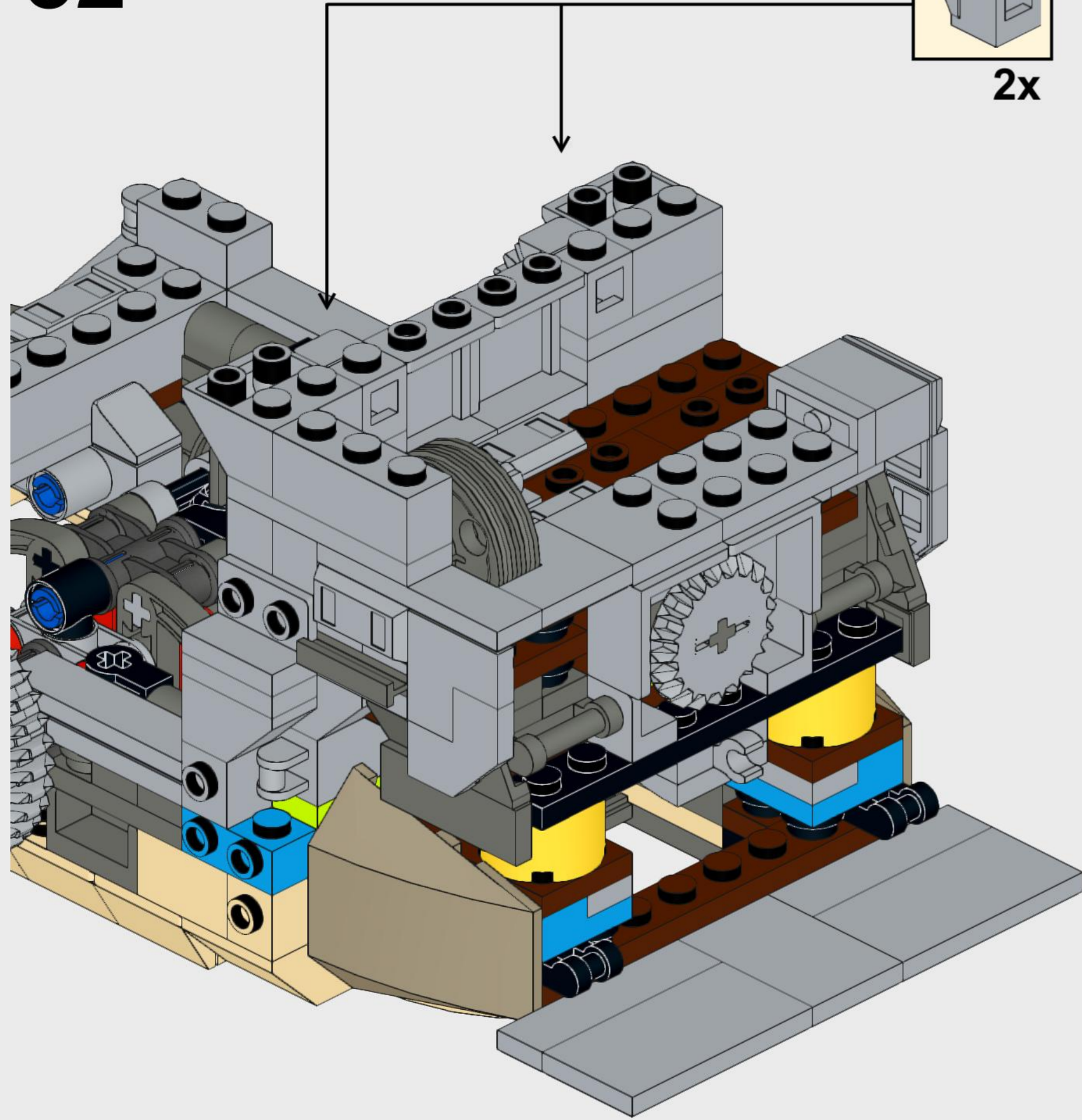




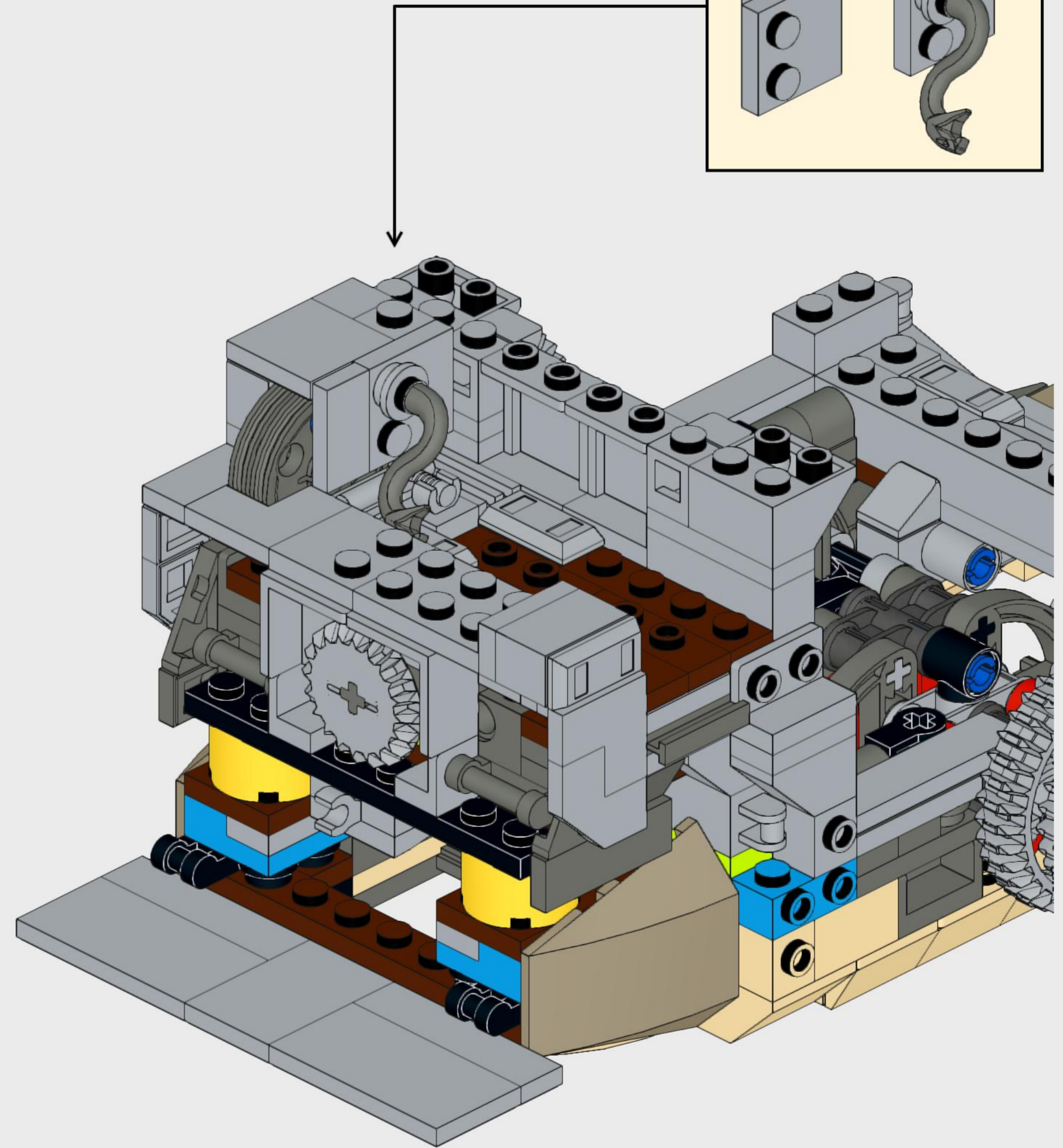
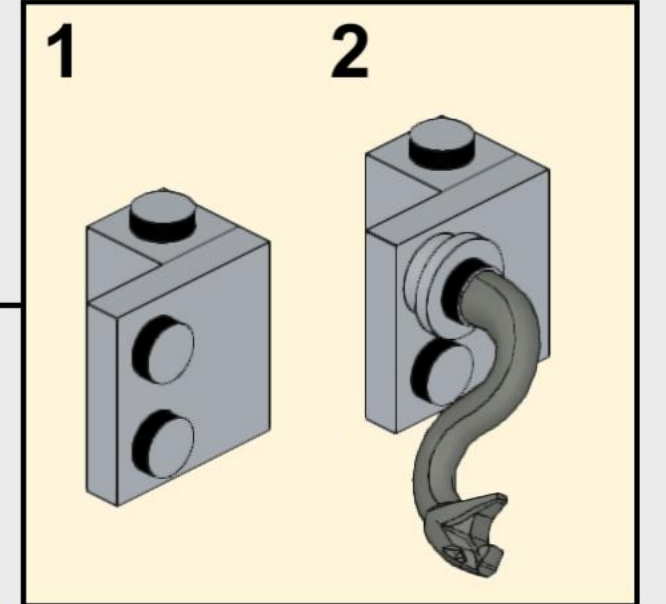
52

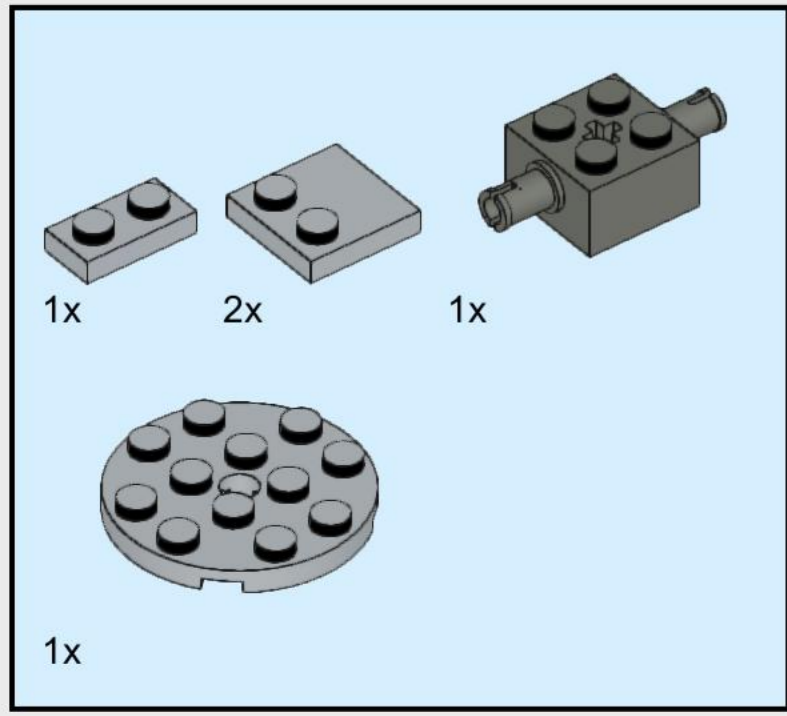


2x

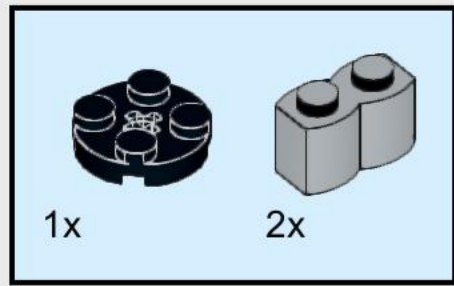
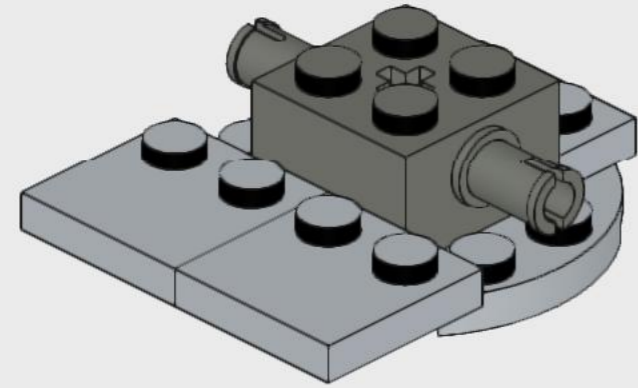


53

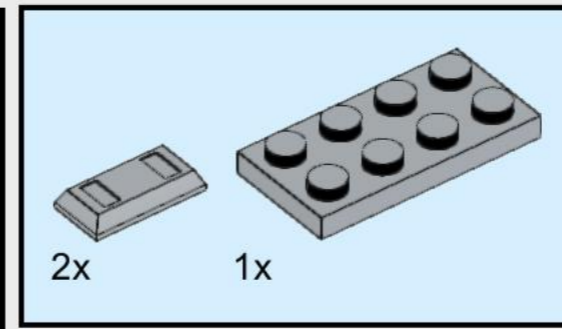
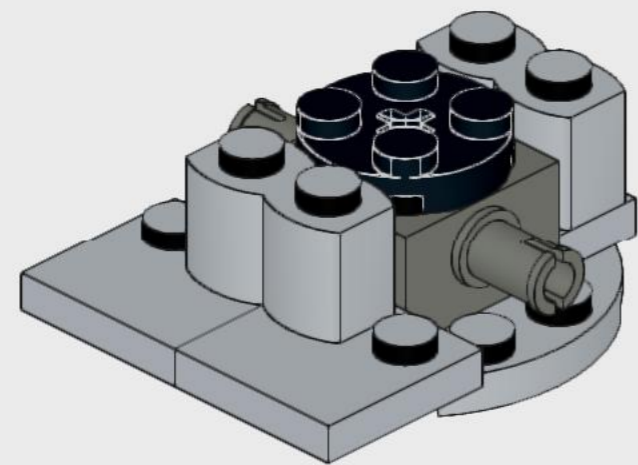




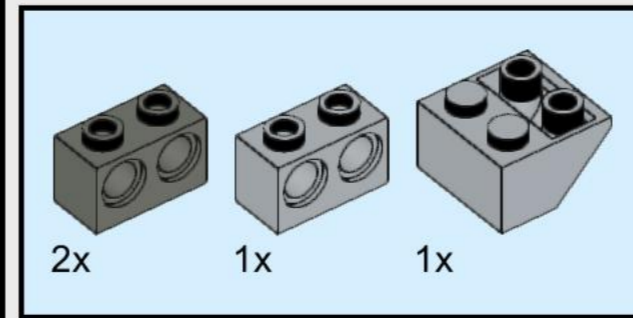
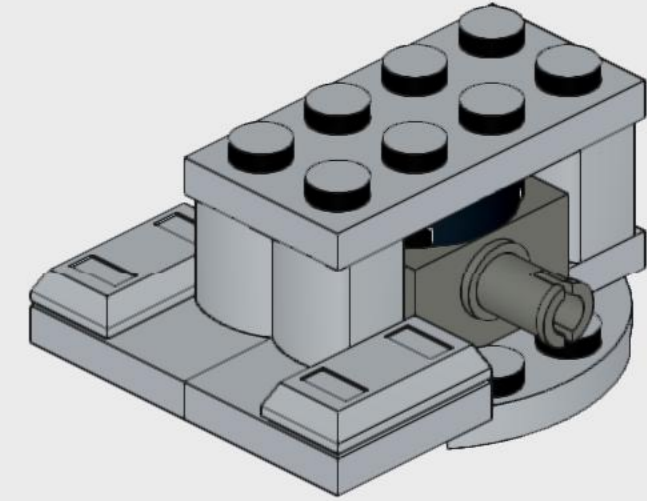
54



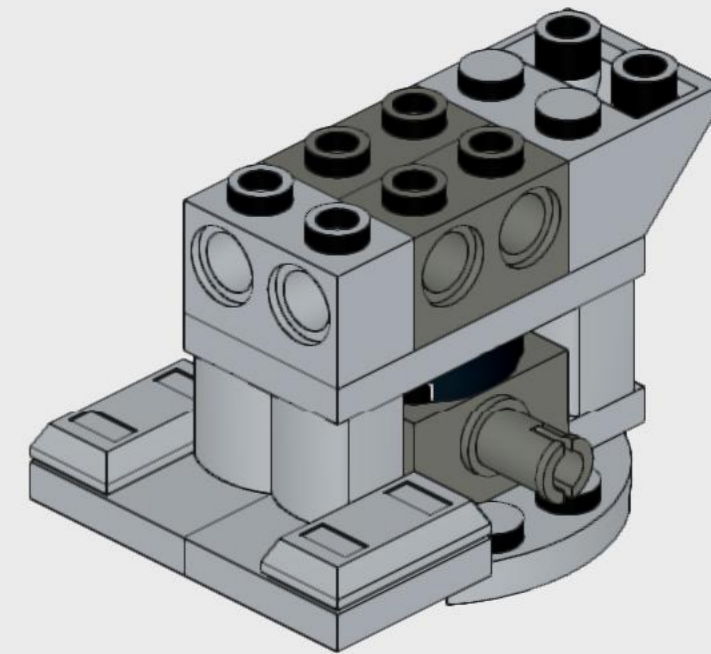
55



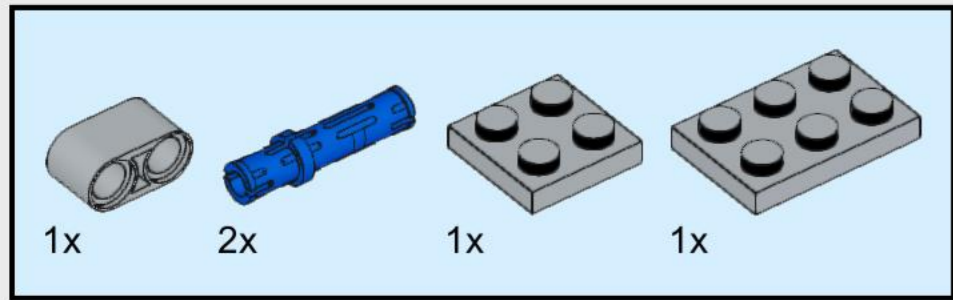
56



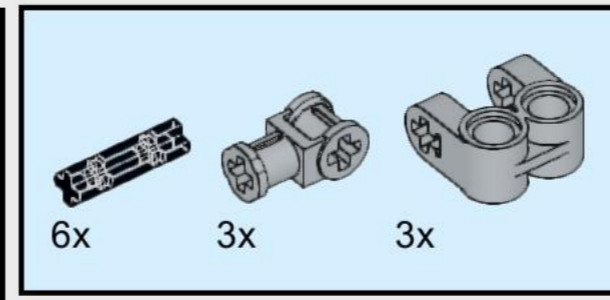
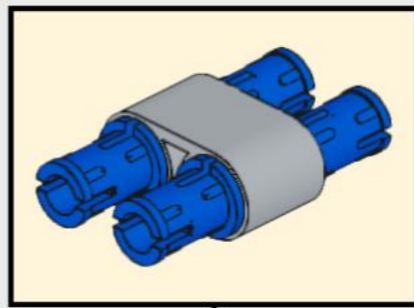
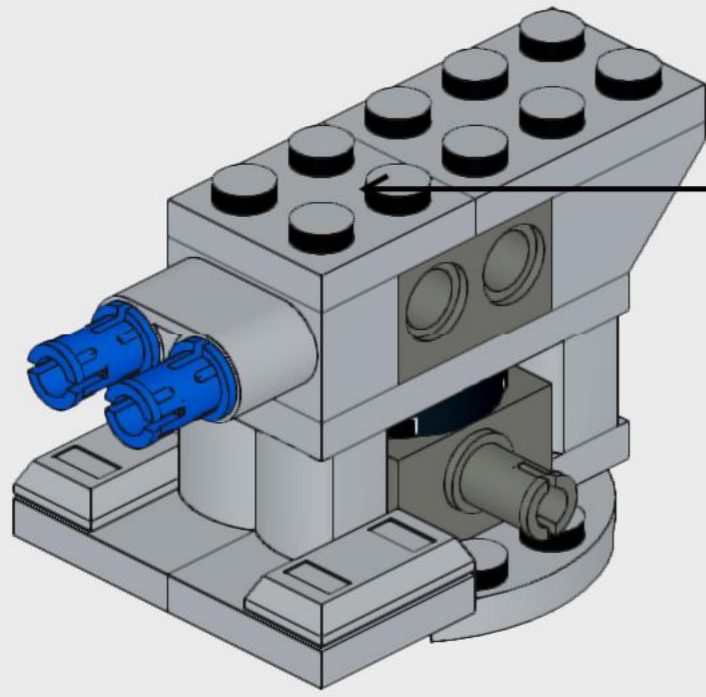
57



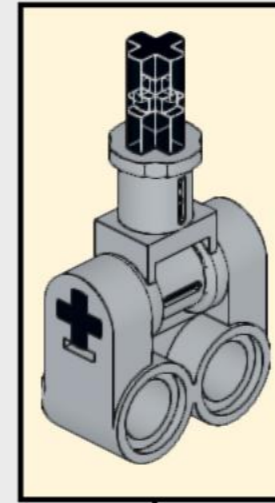




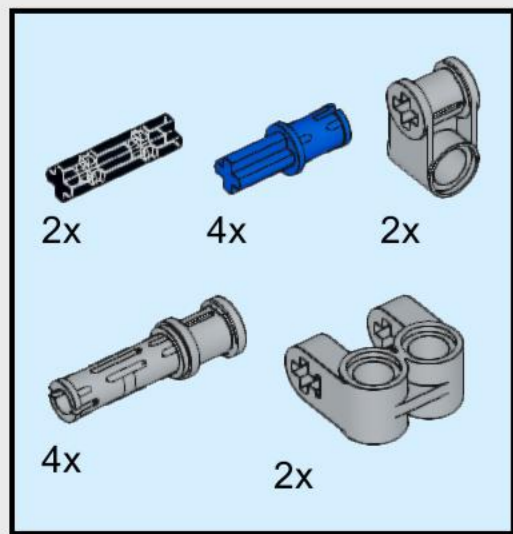
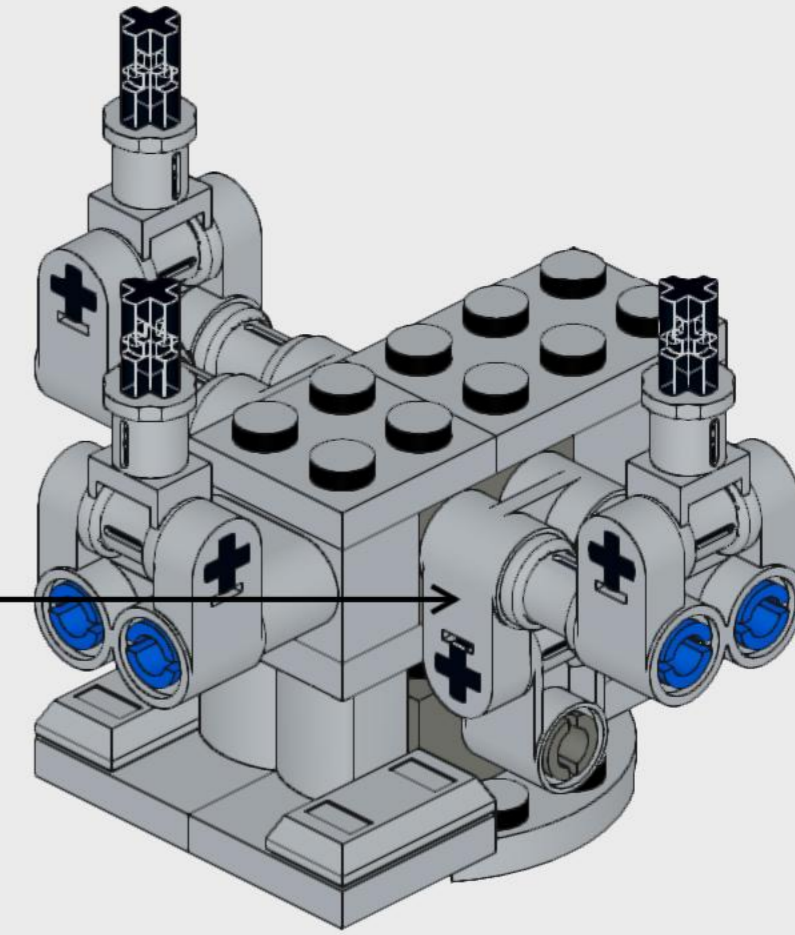
58



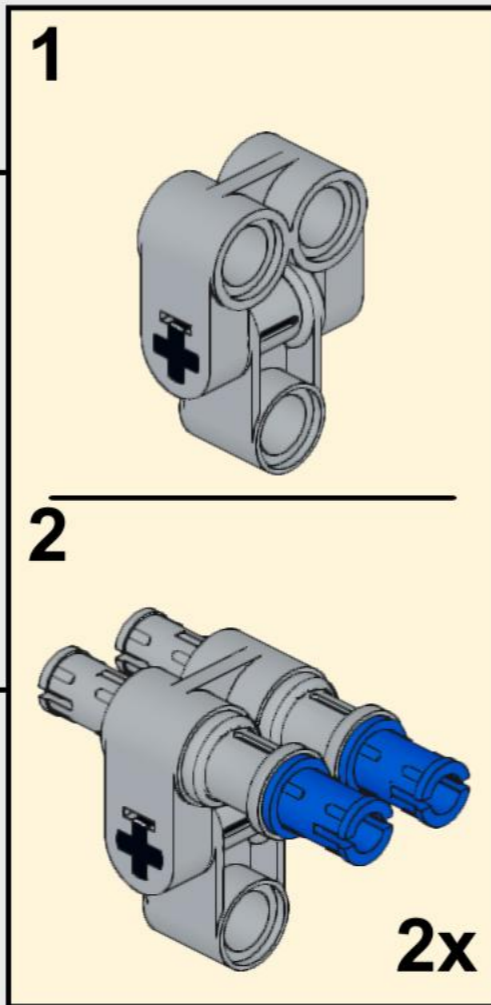
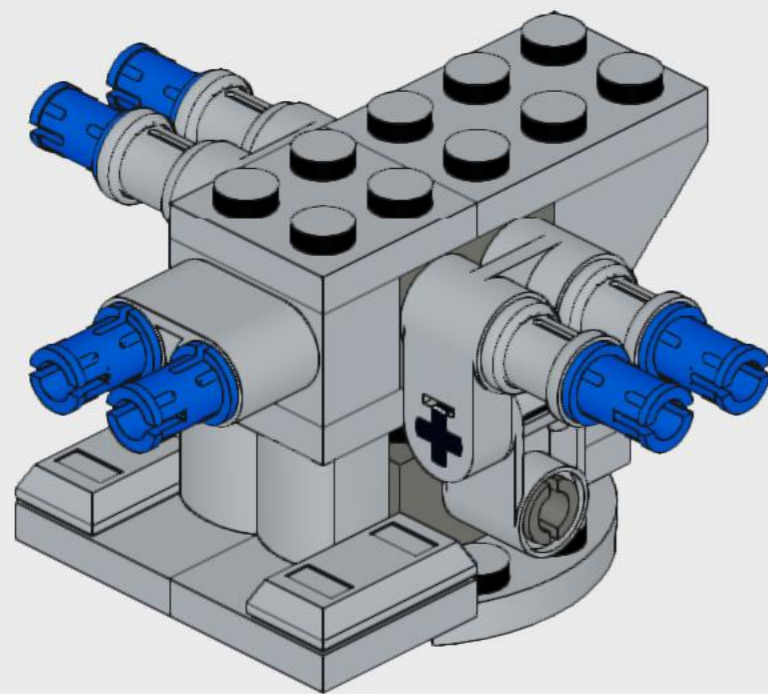
60



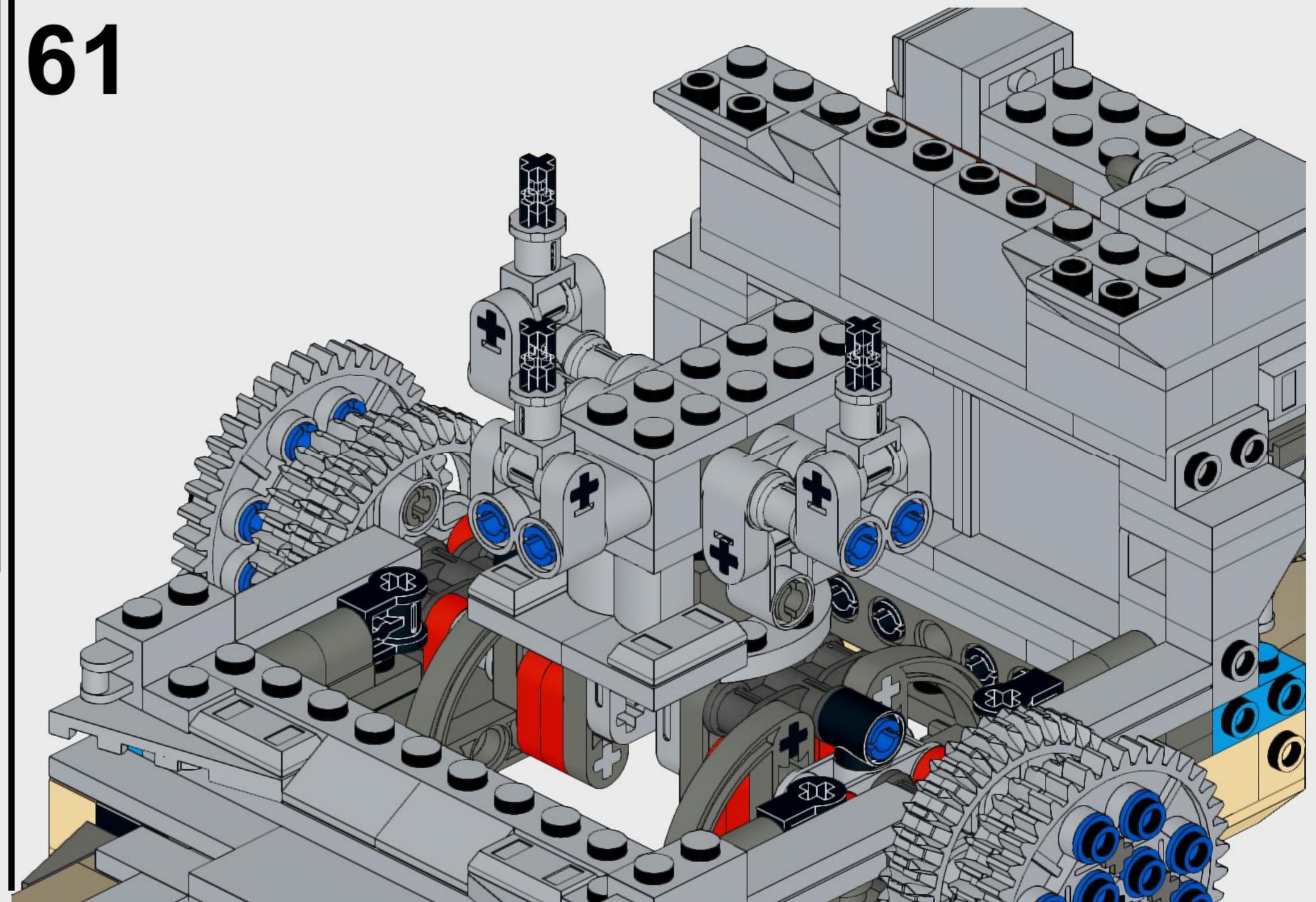
3x

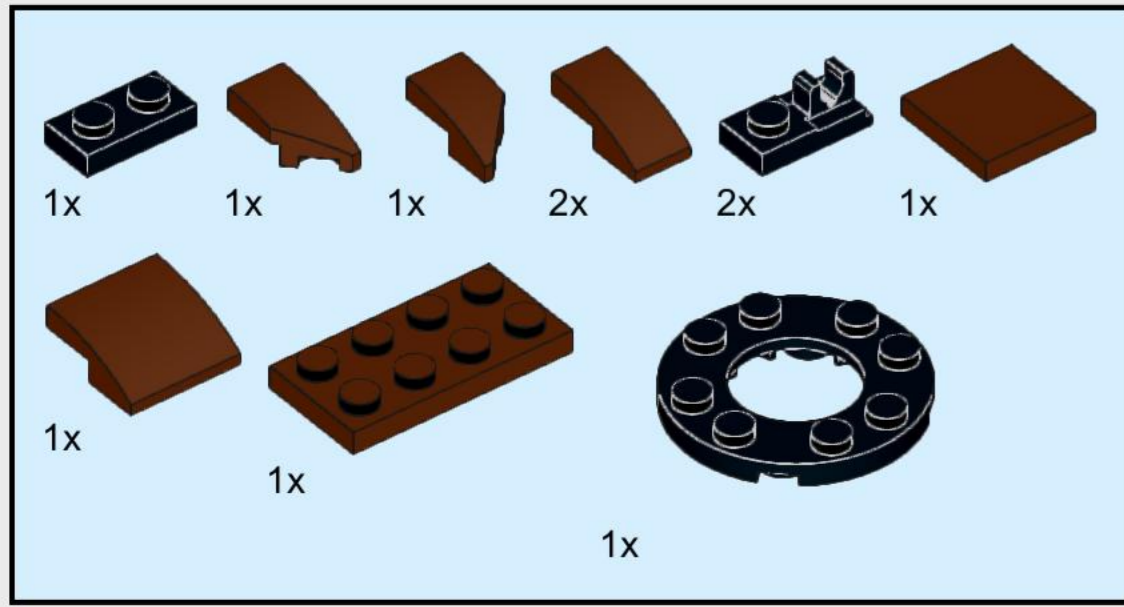


59

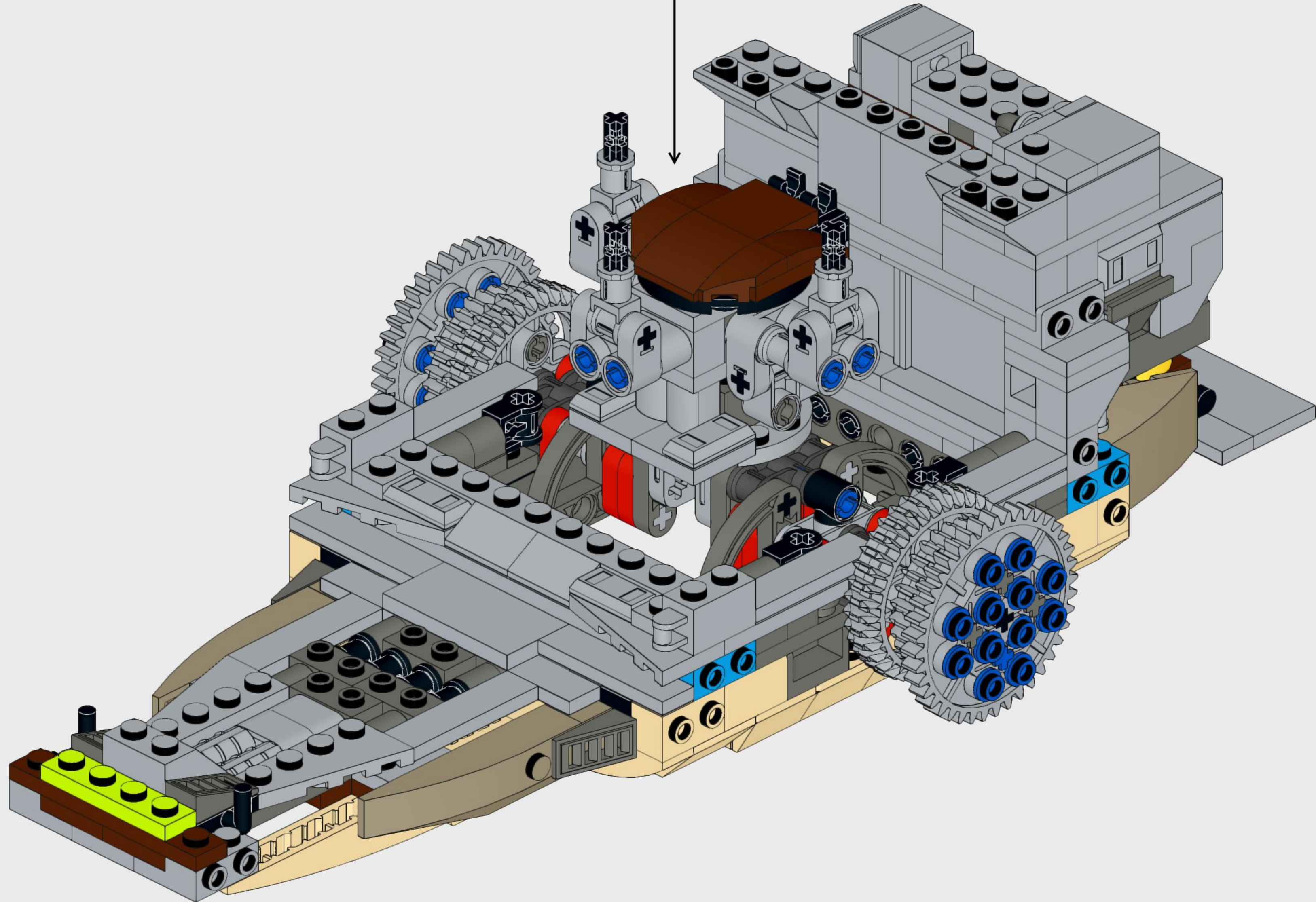
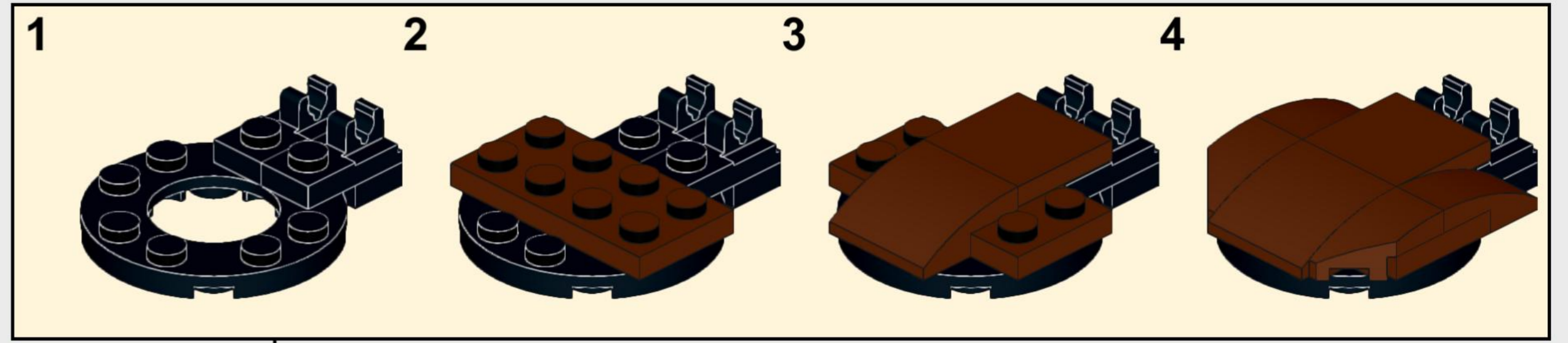


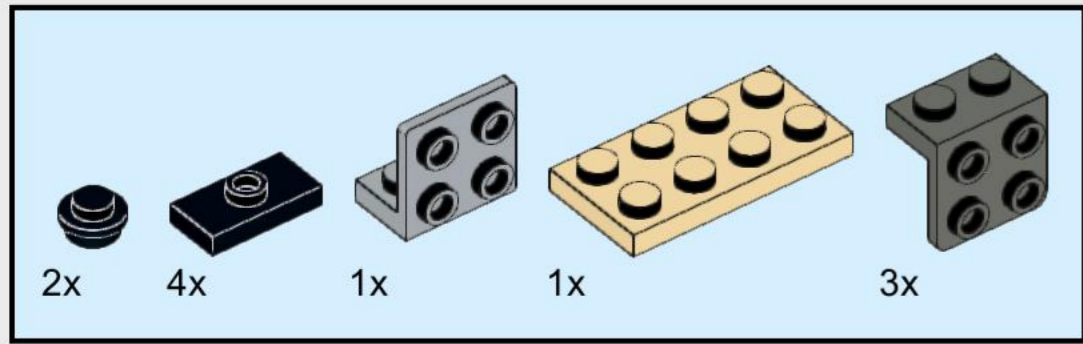
61



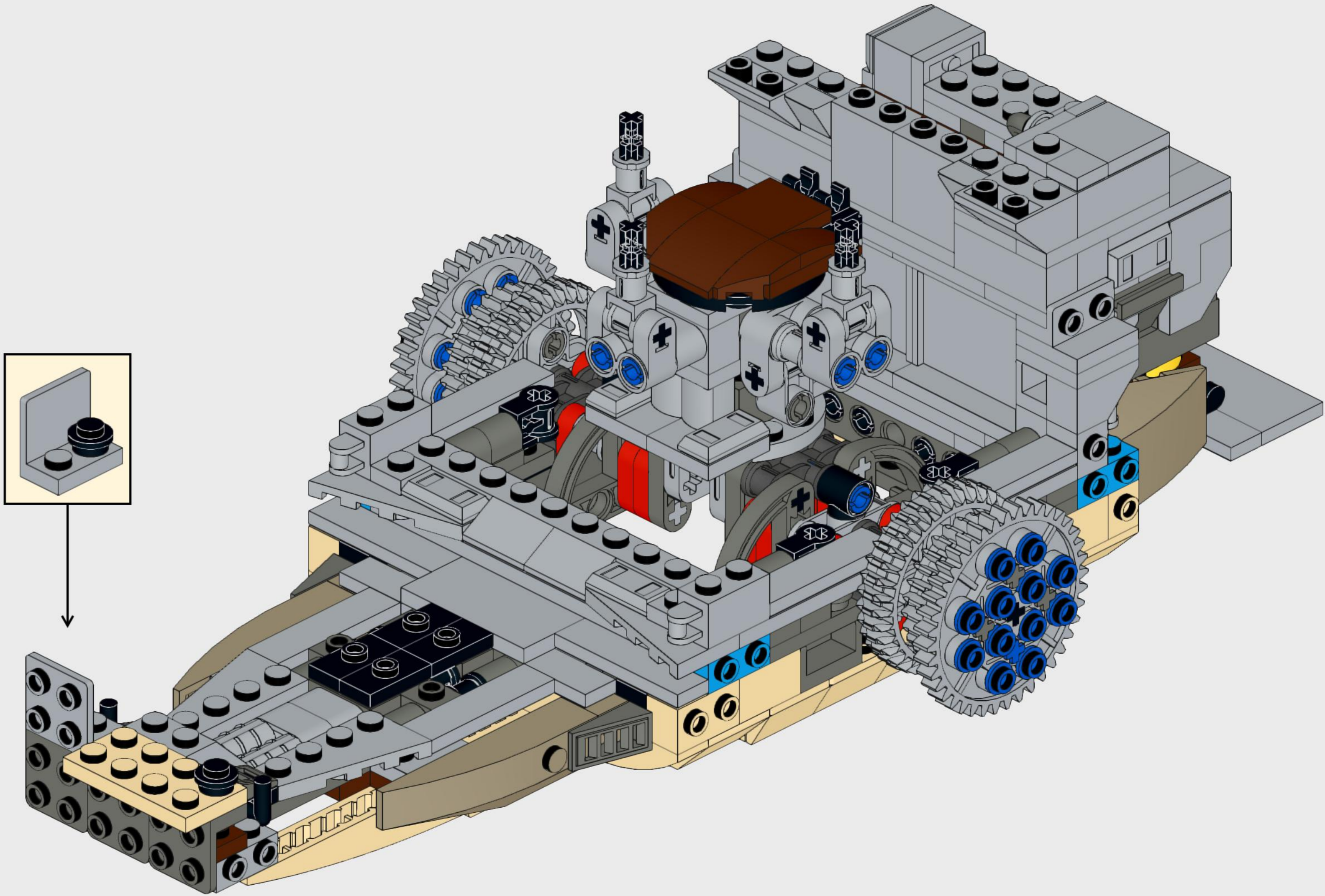


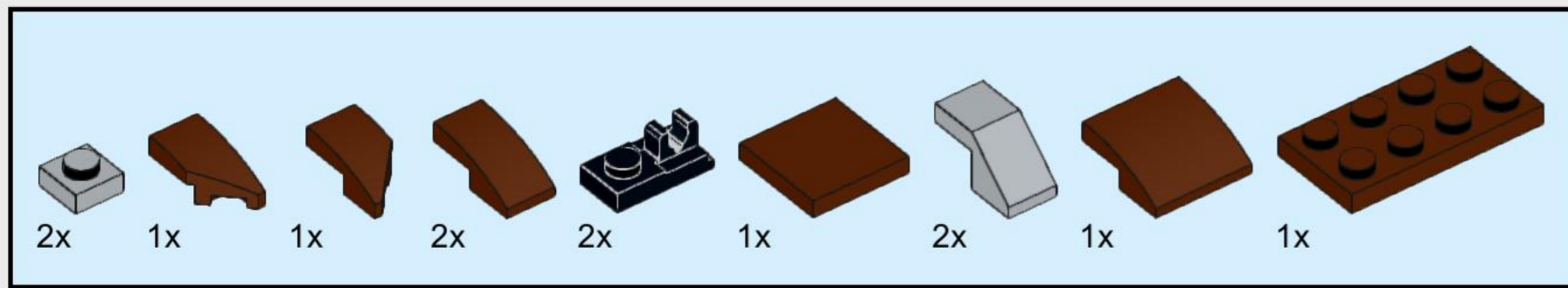
62



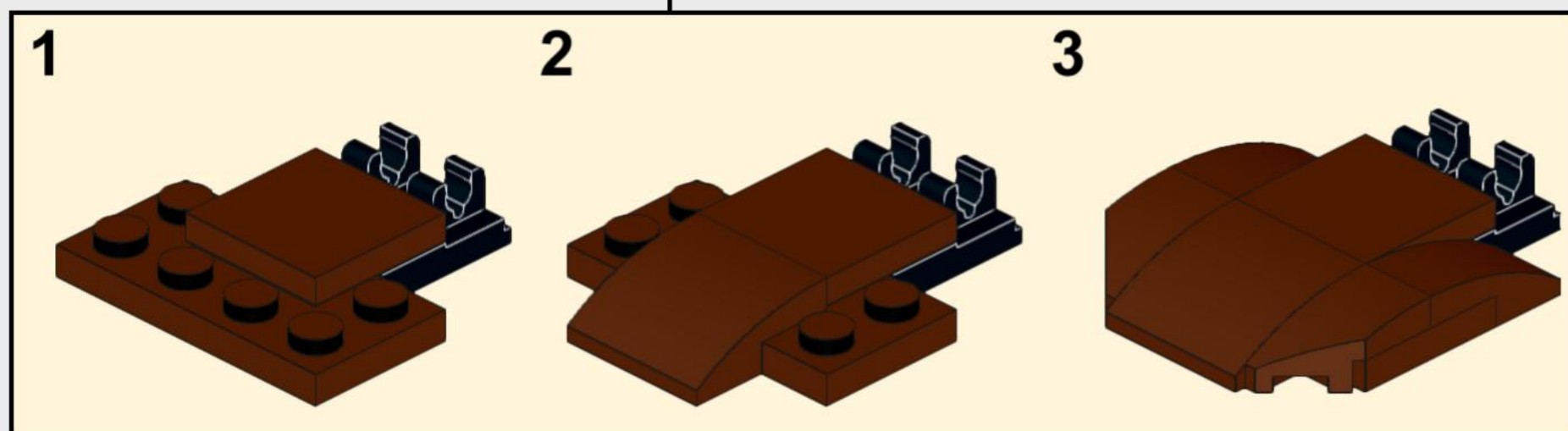
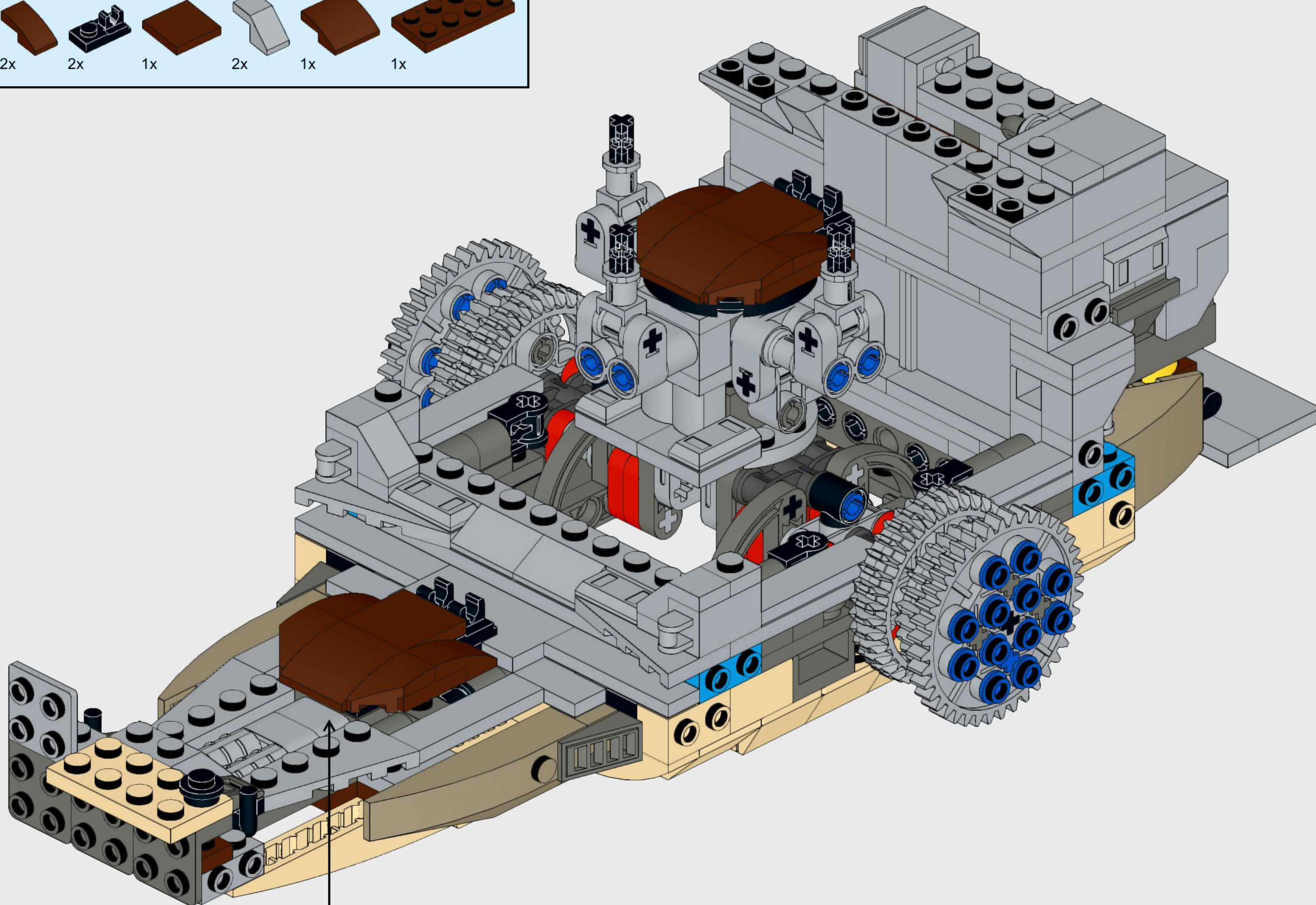


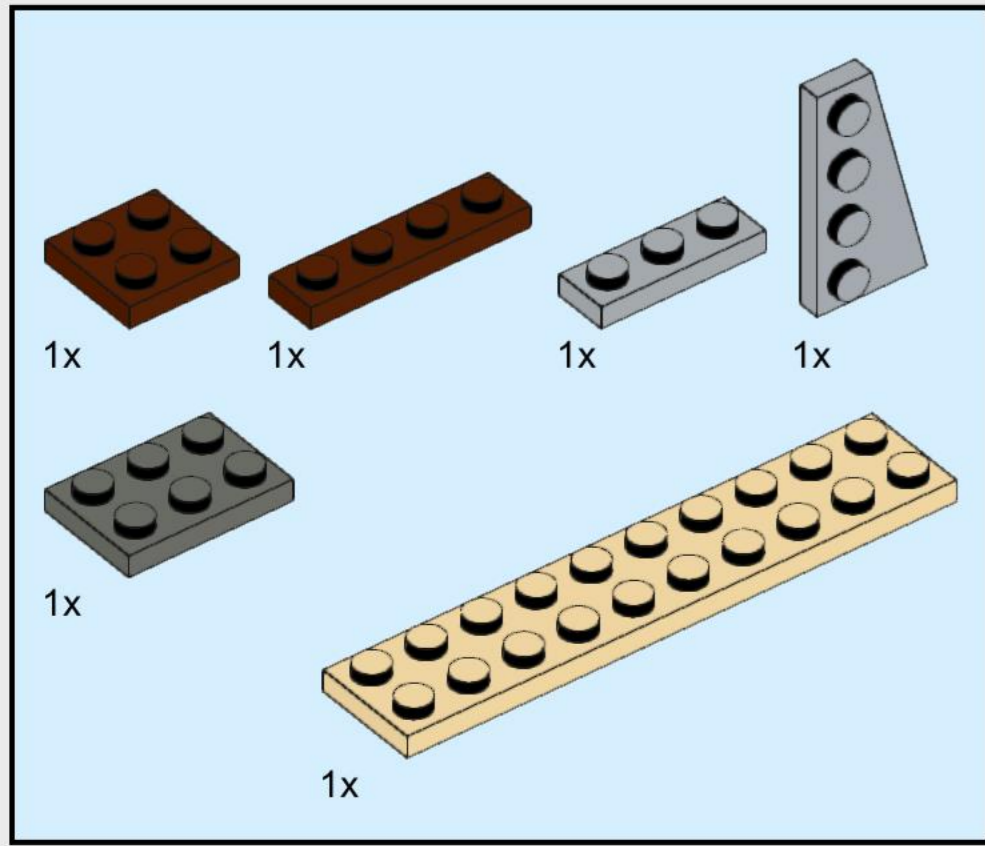
63



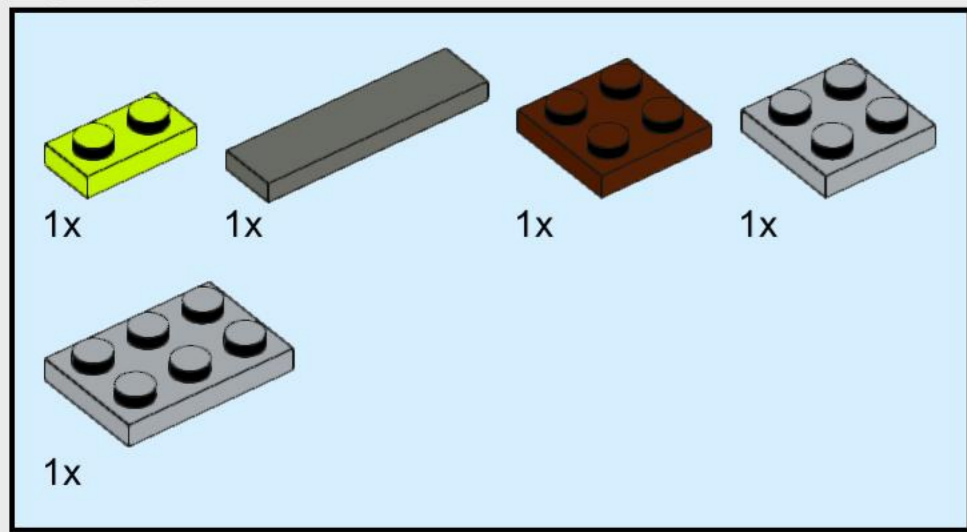


64

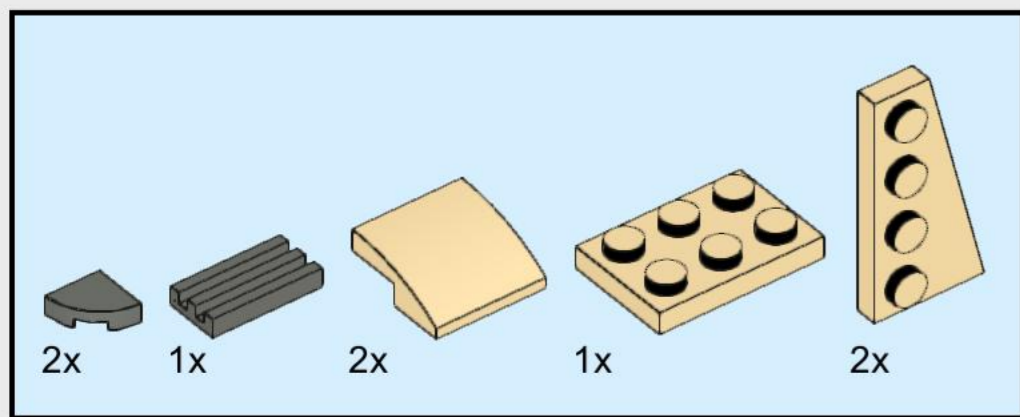




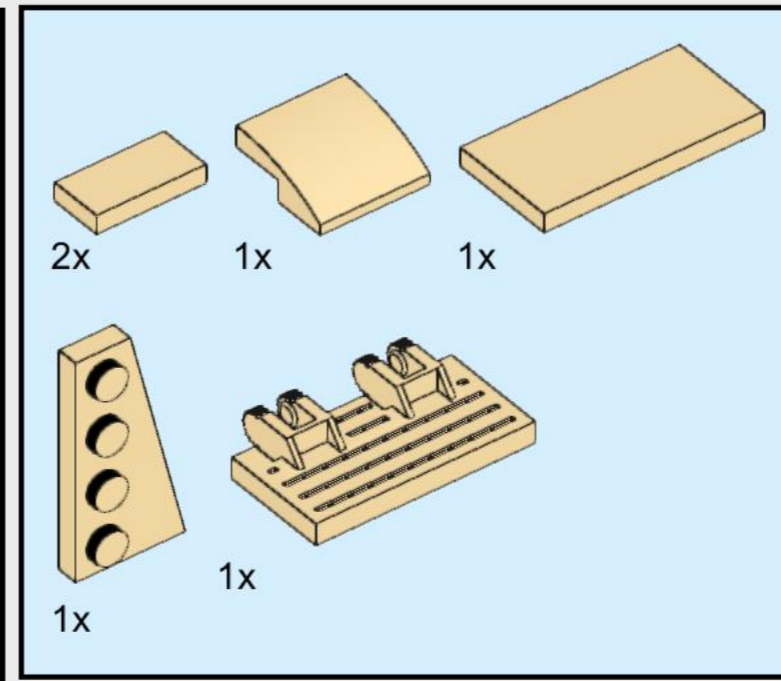
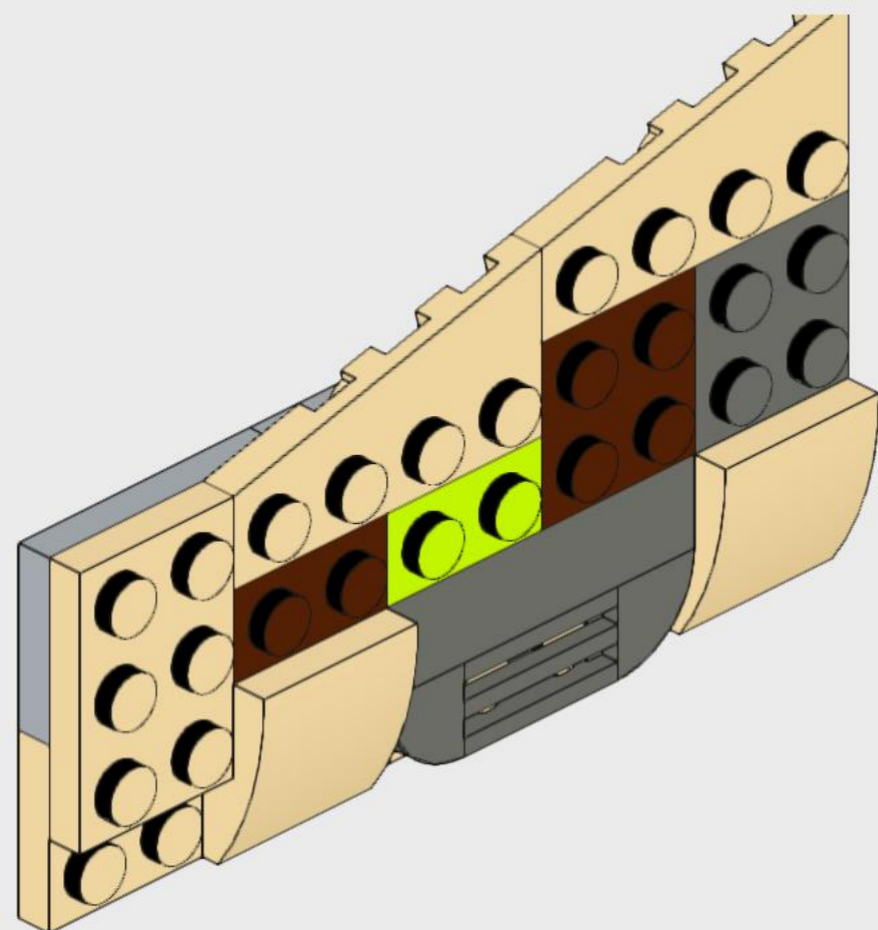
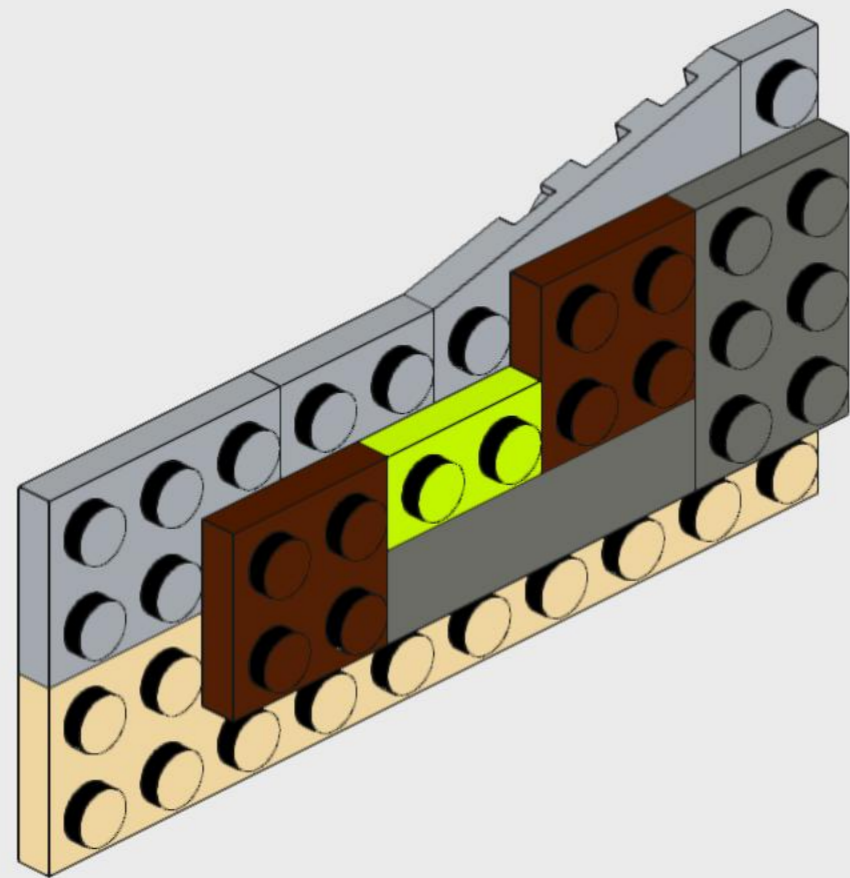
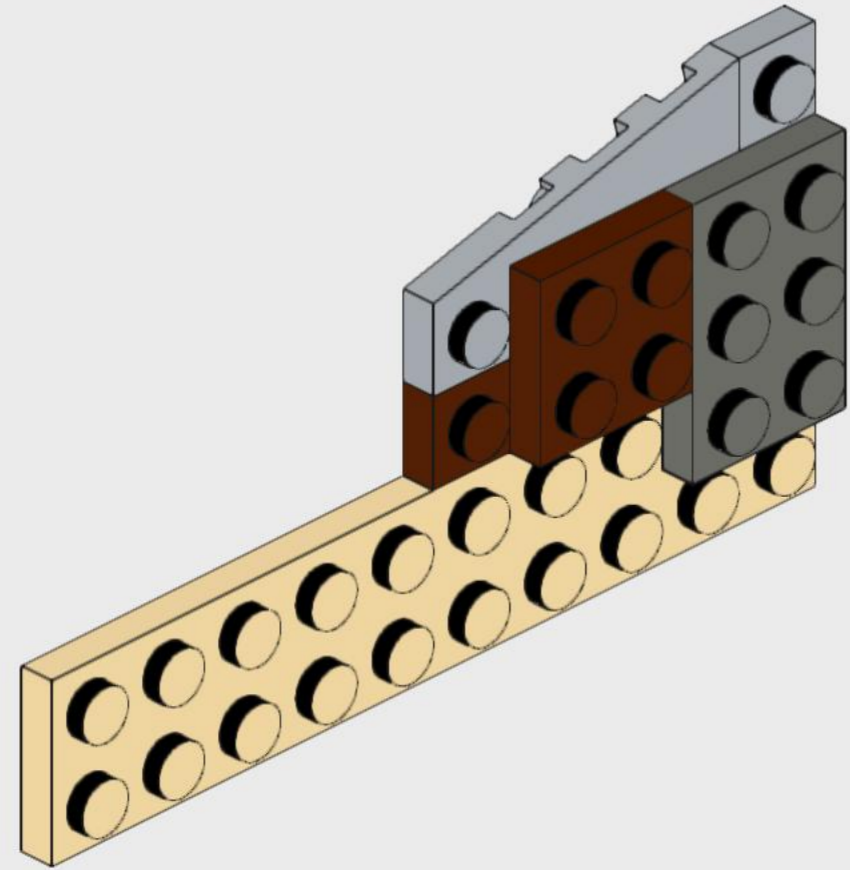
65



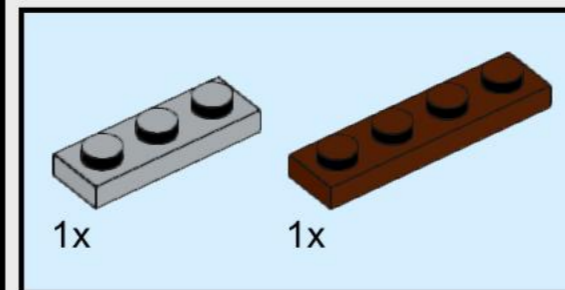
66



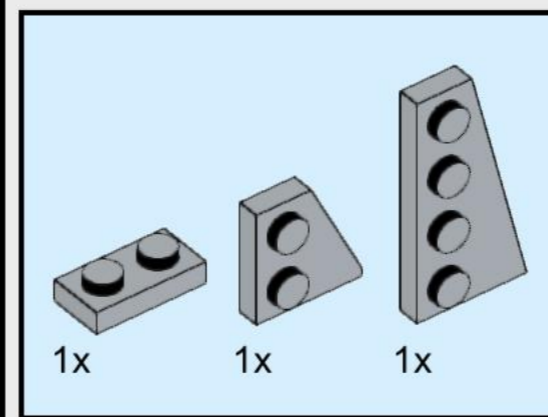
67



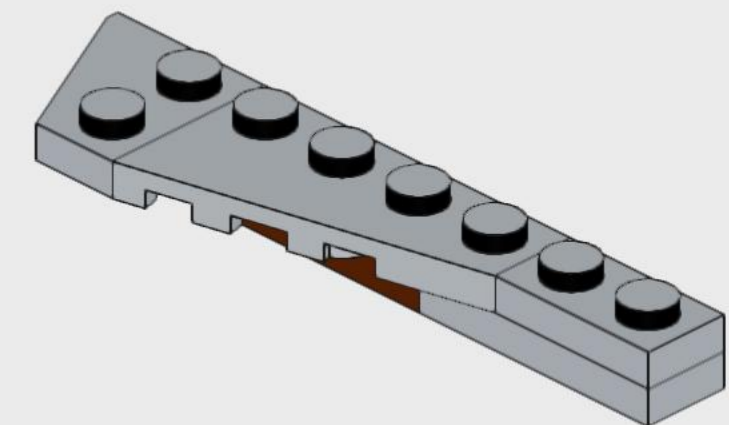
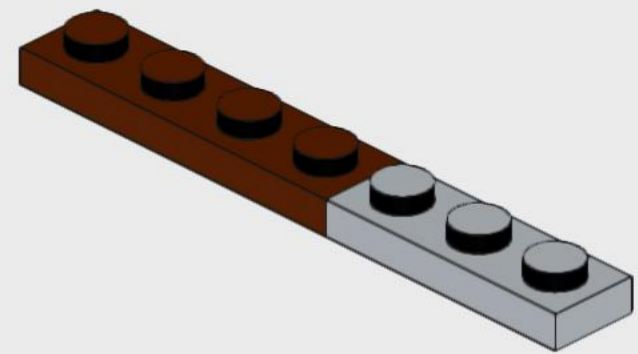
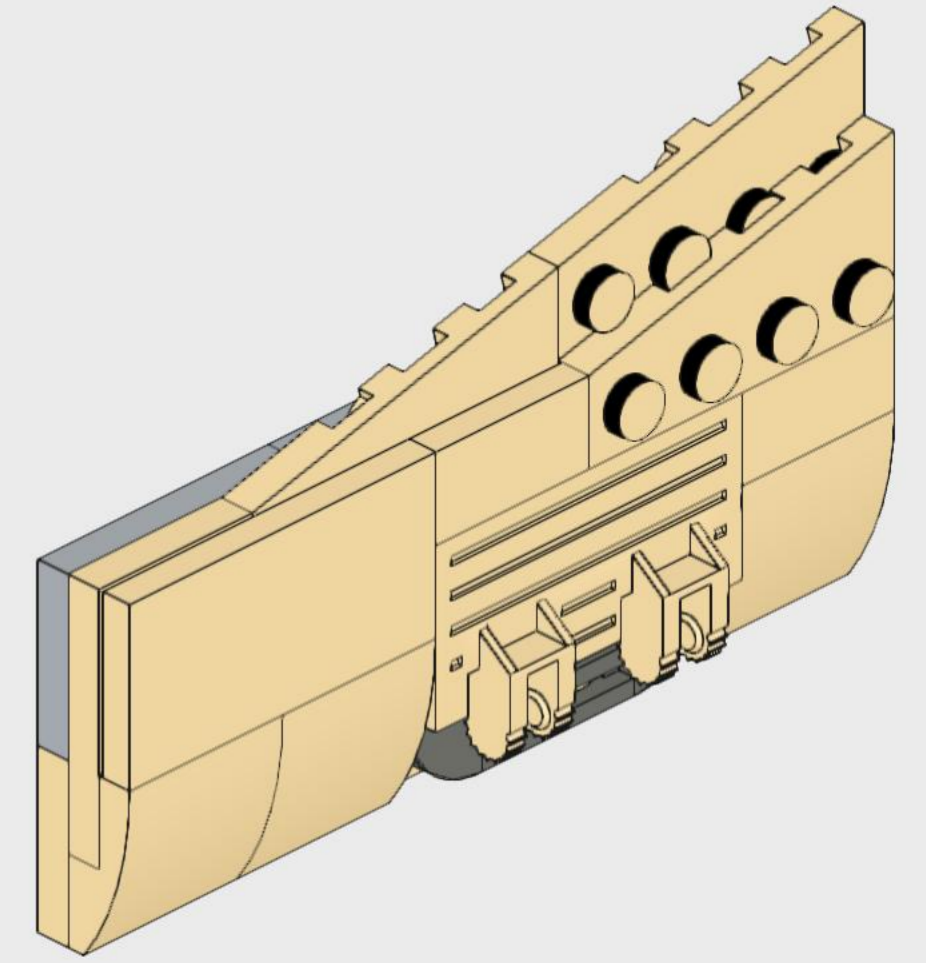
68

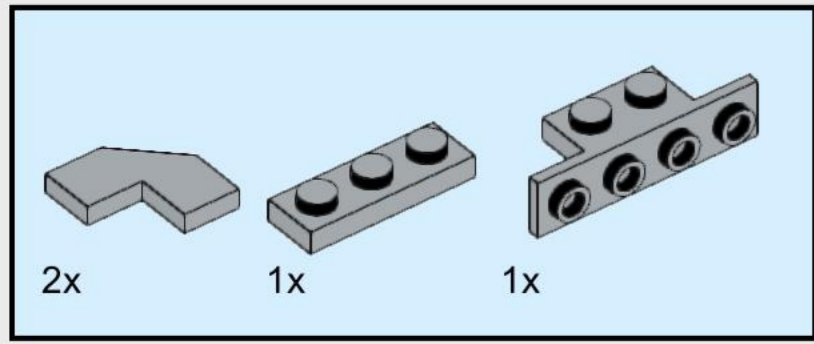


69

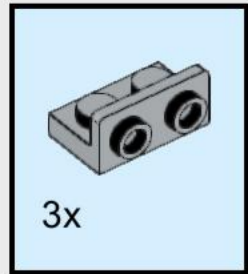
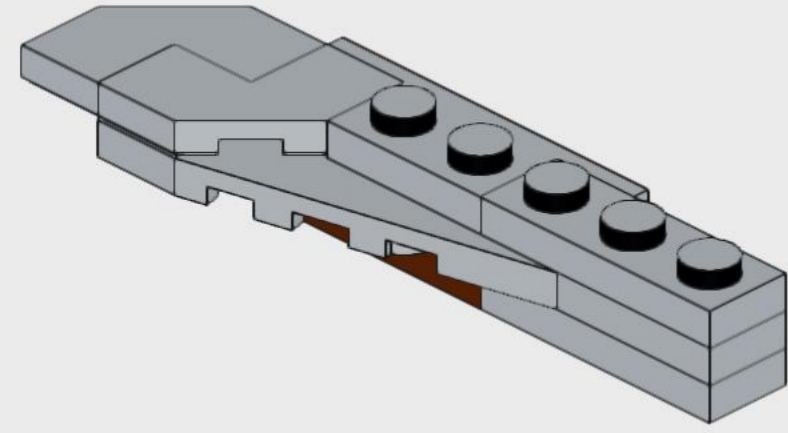


70

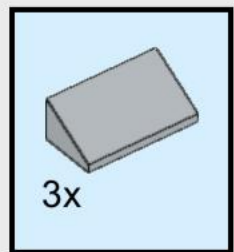
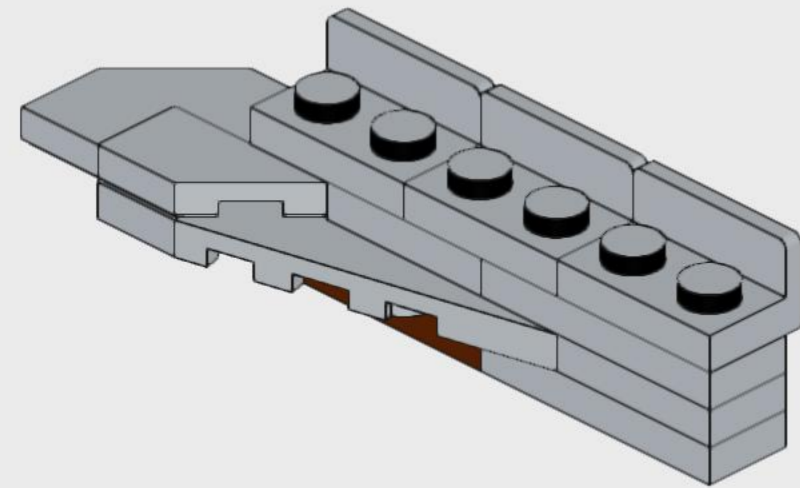




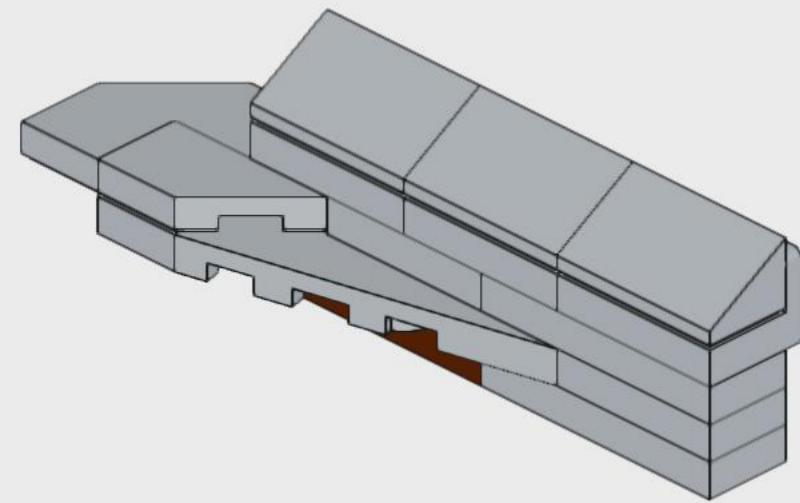
71



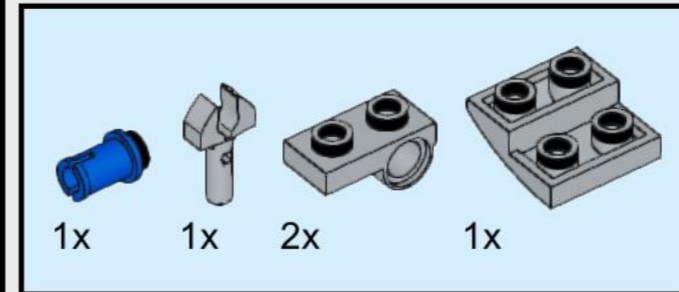
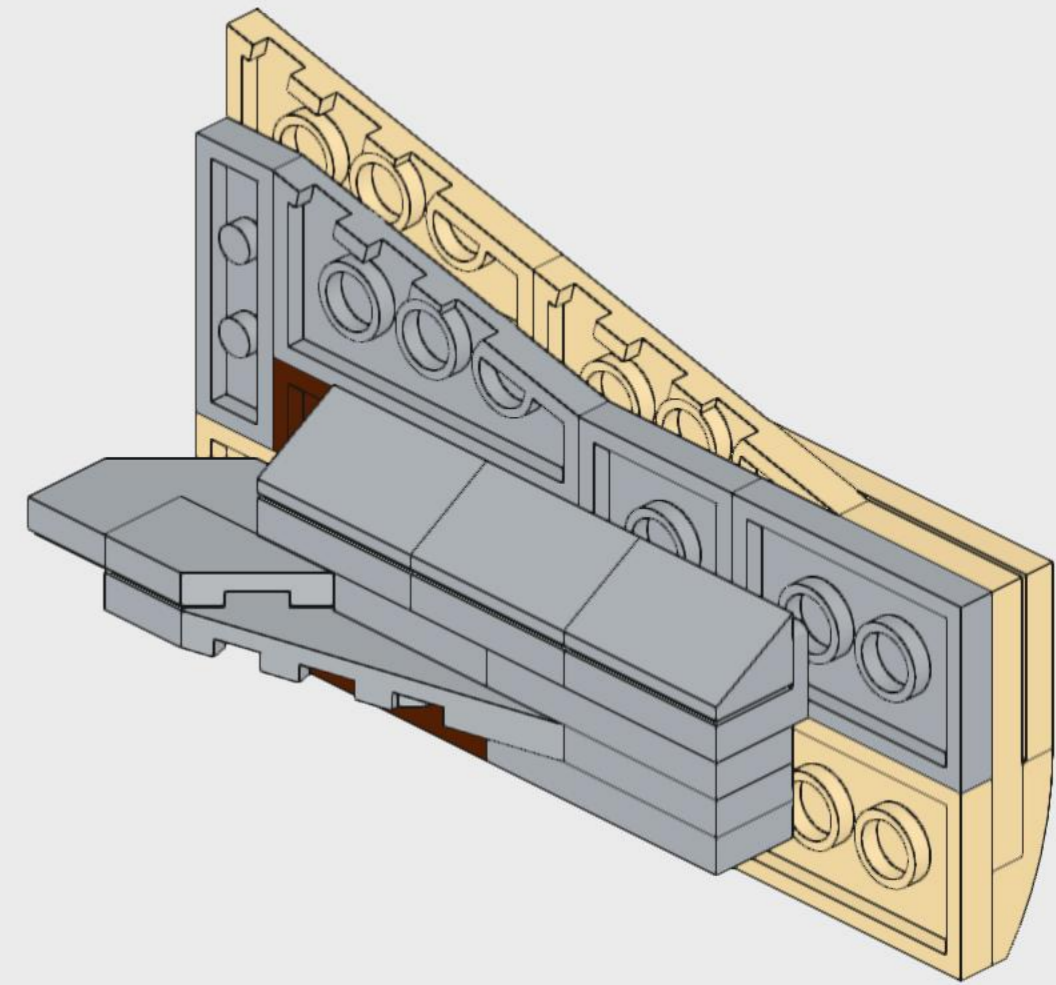
72



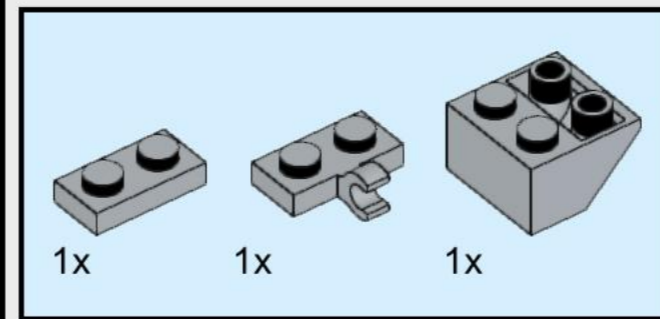
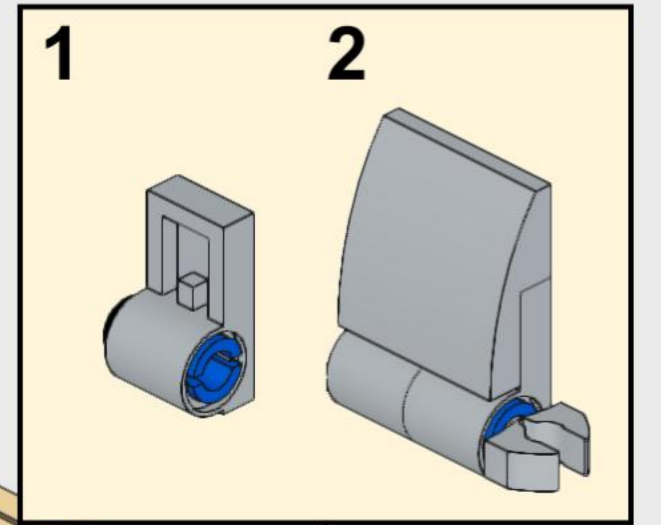
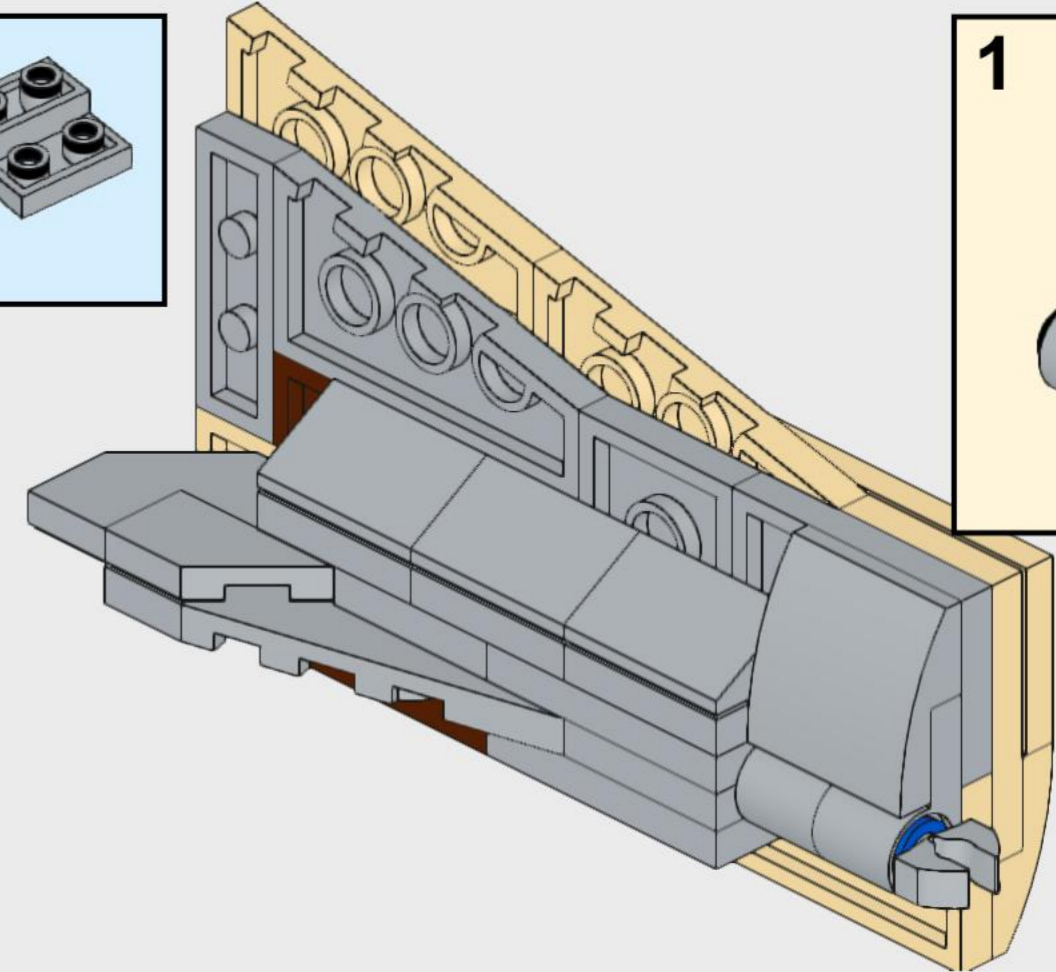
73



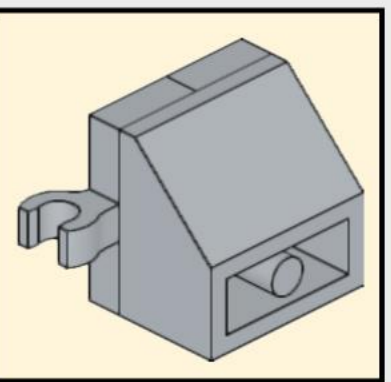
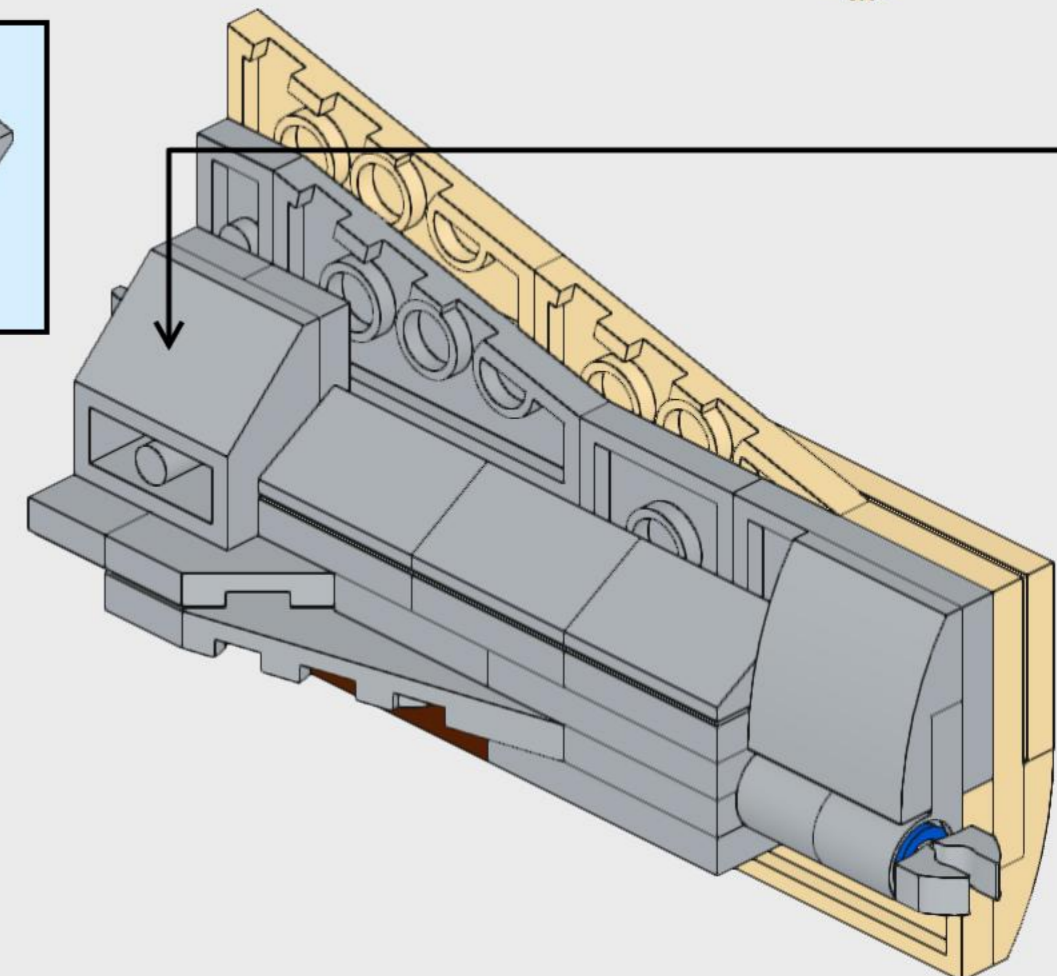
74

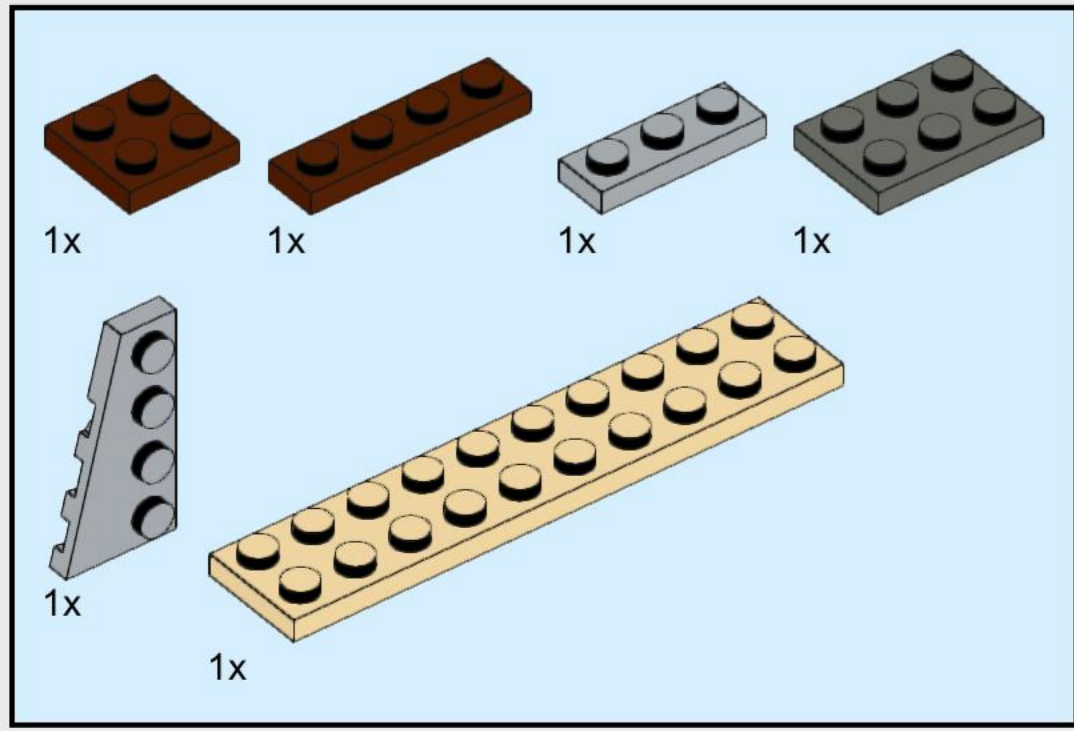


75

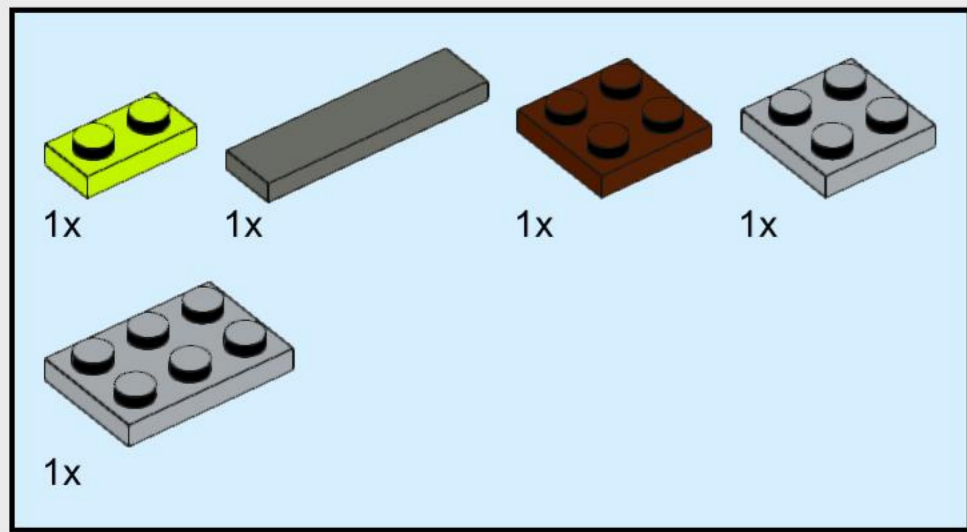
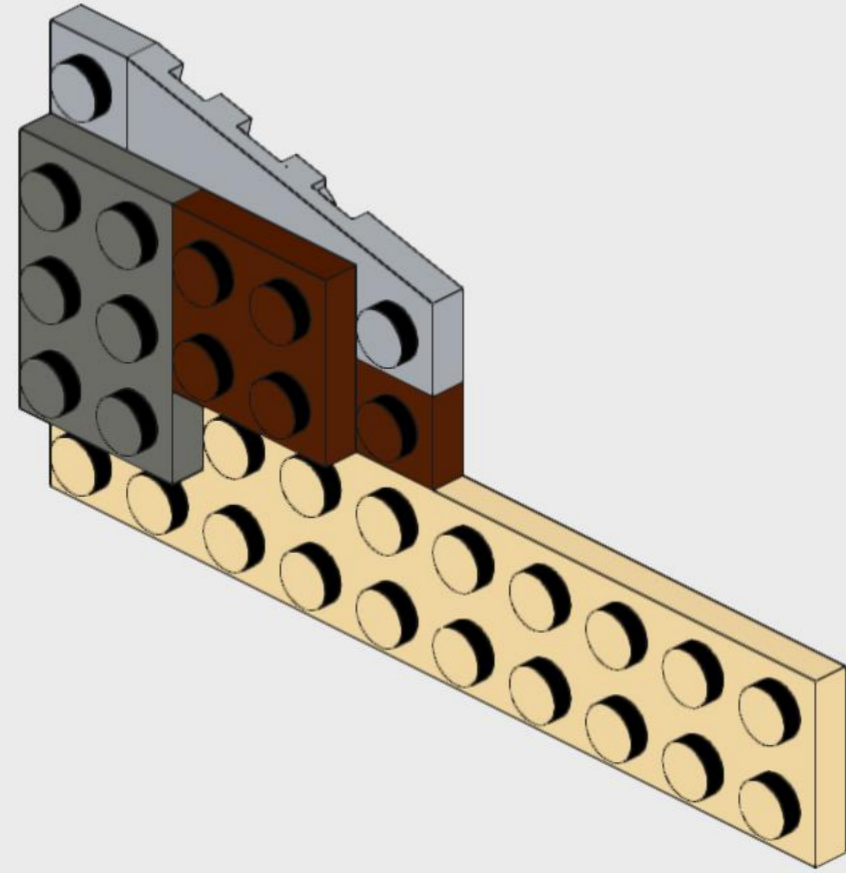


76

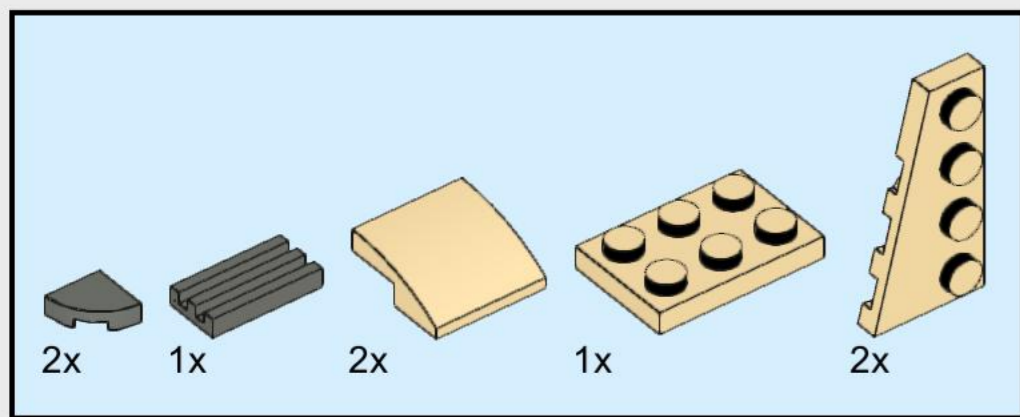
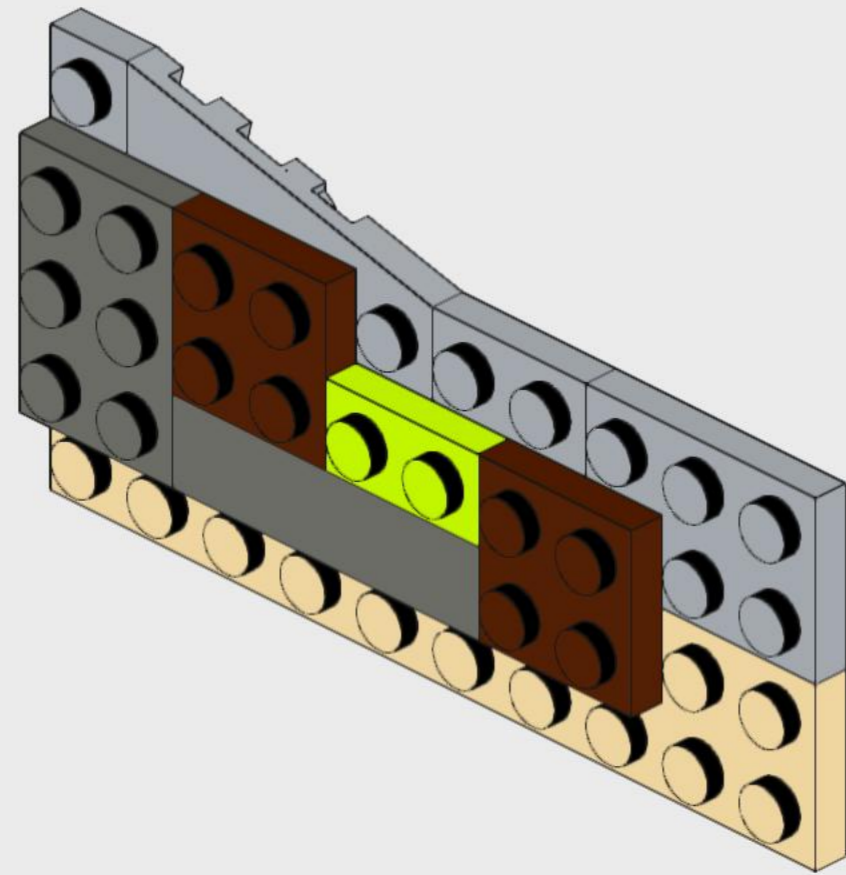




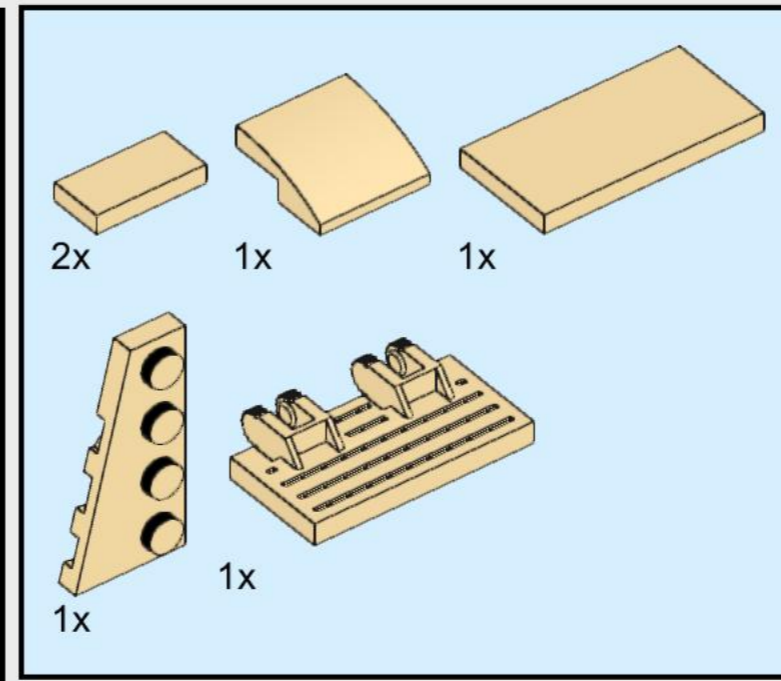
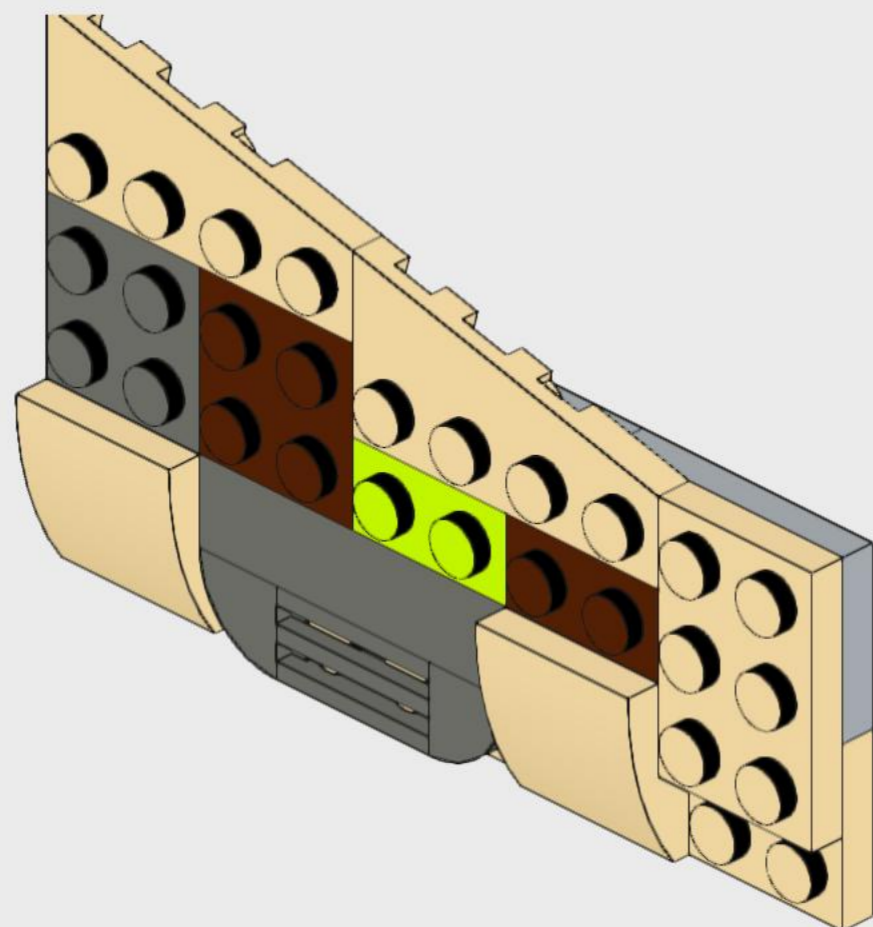
77



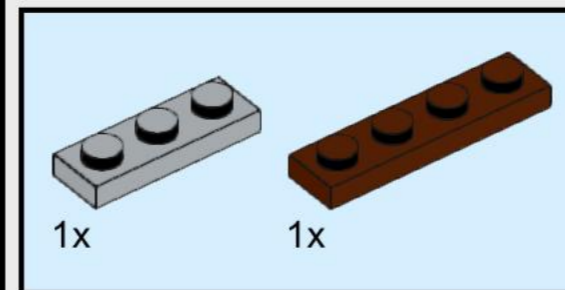
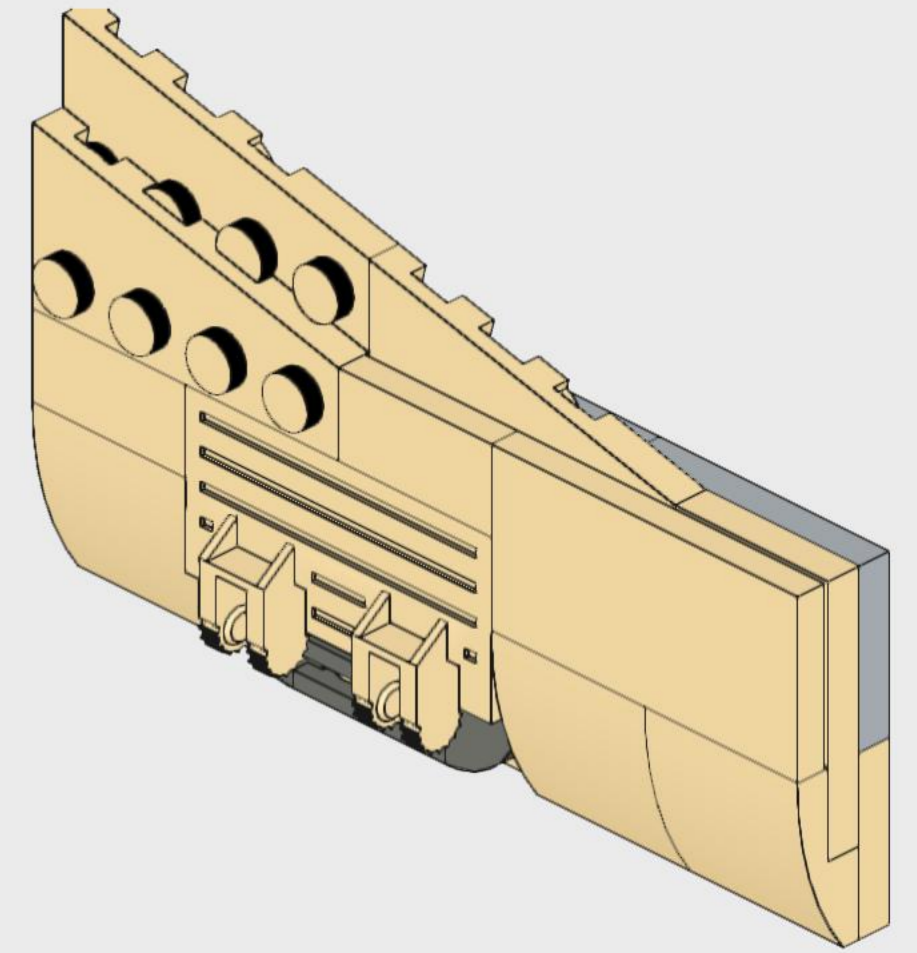
78



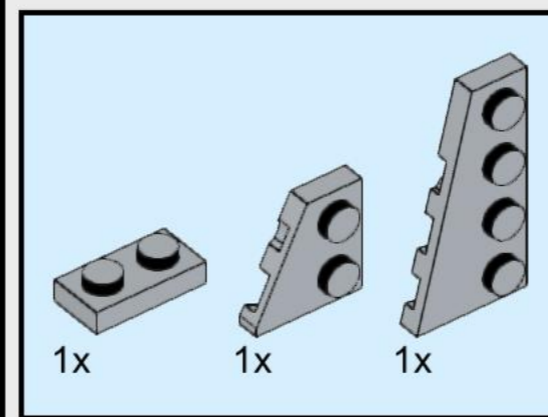
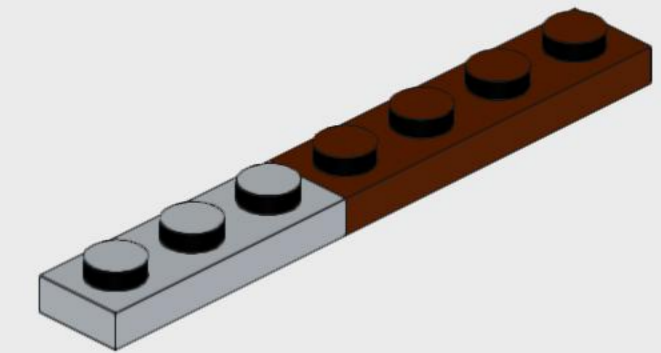
79



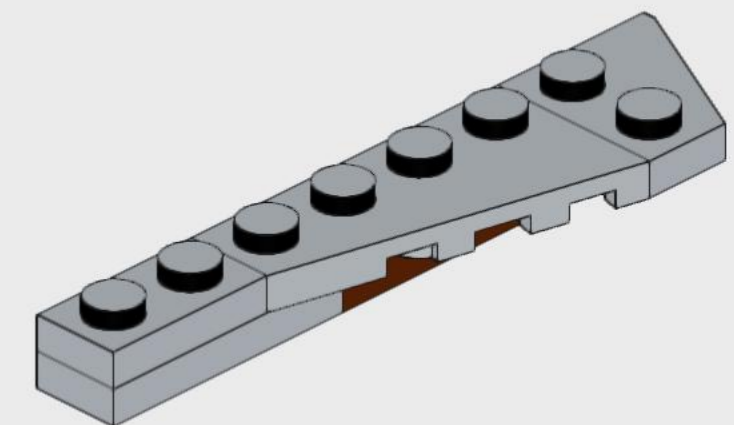
80

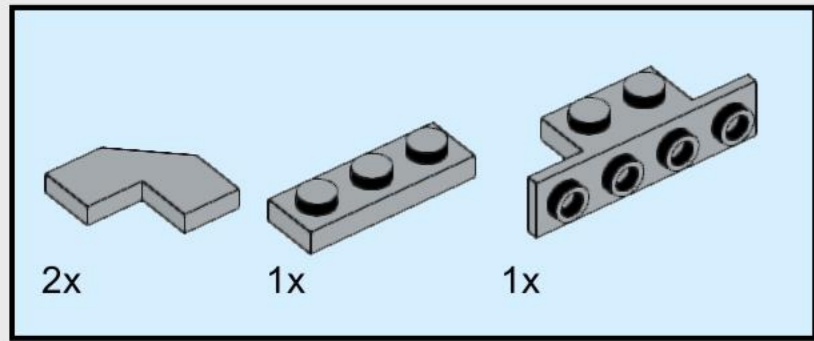


81

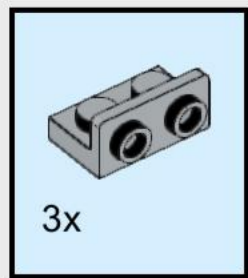
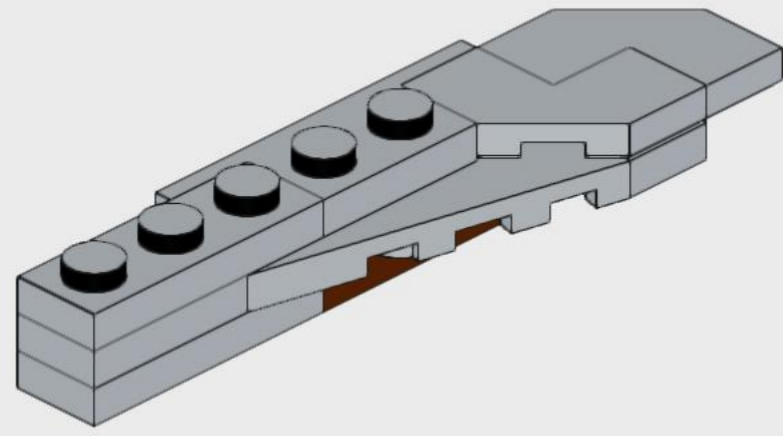


82

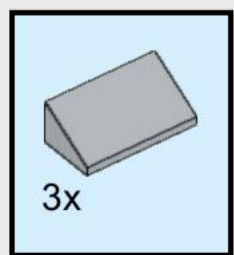
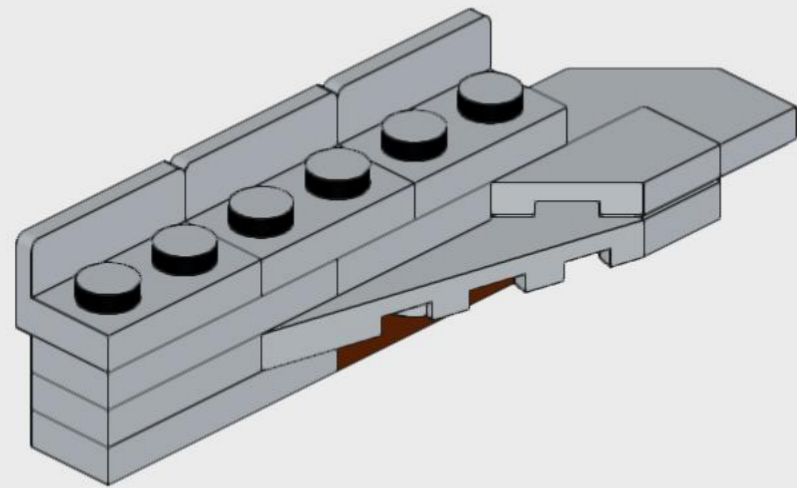




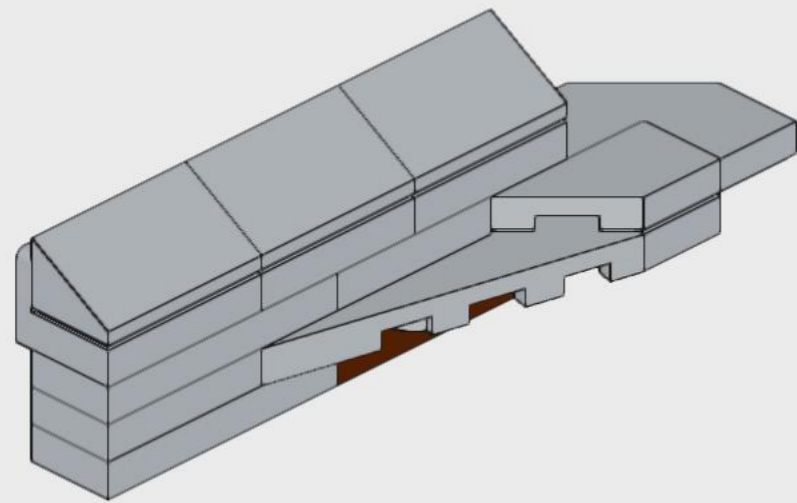
83



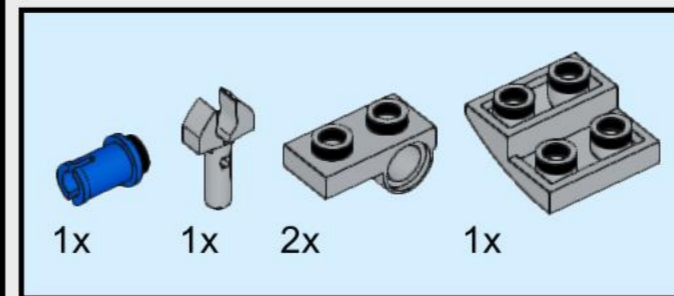
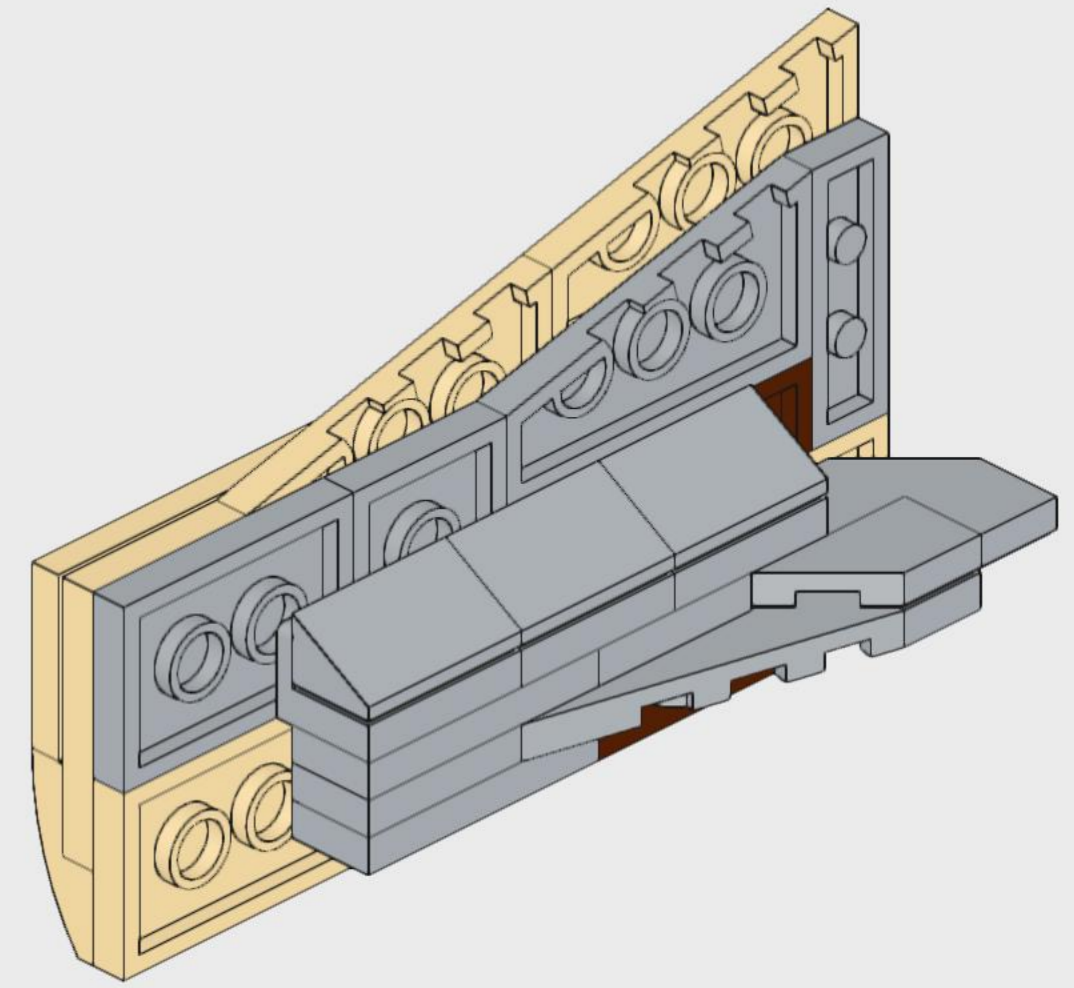
84



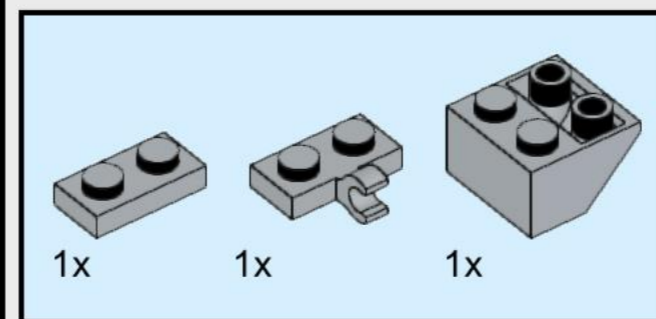
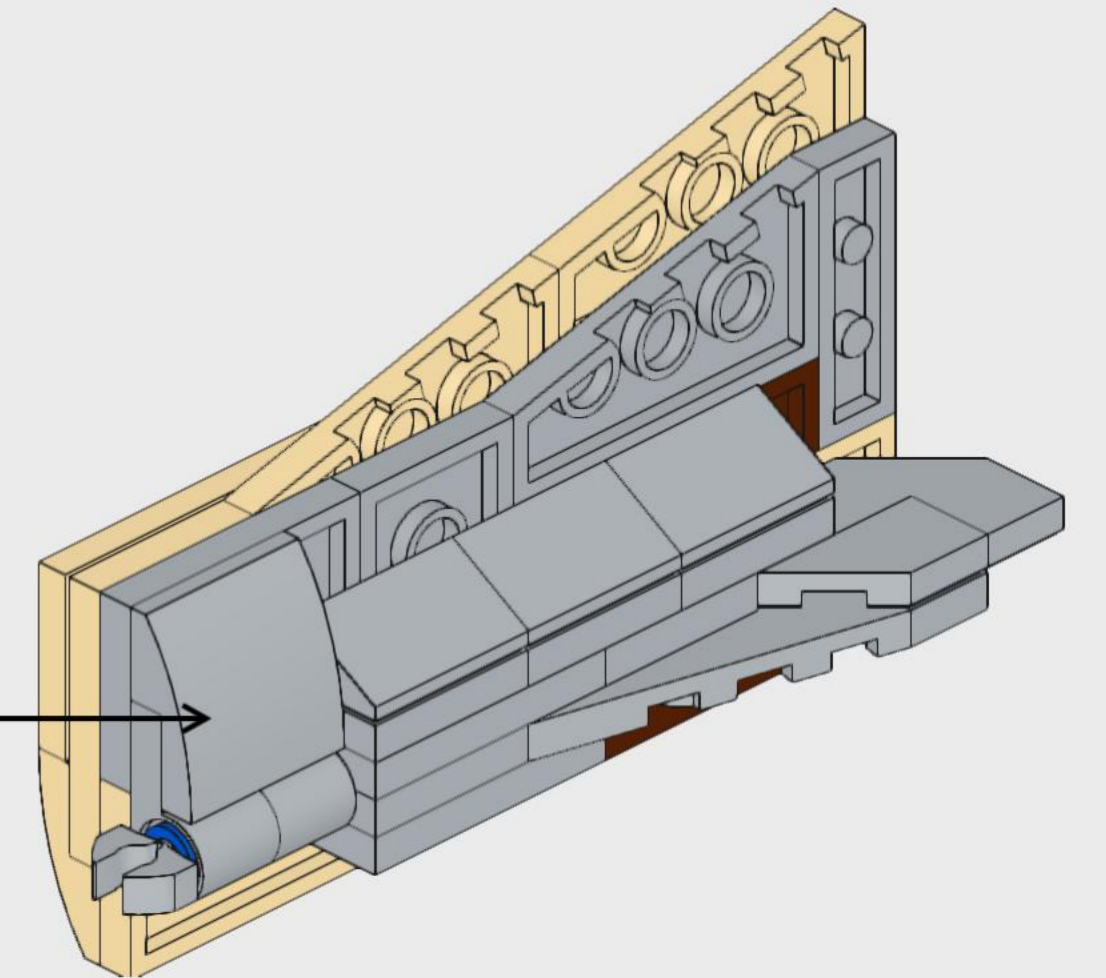
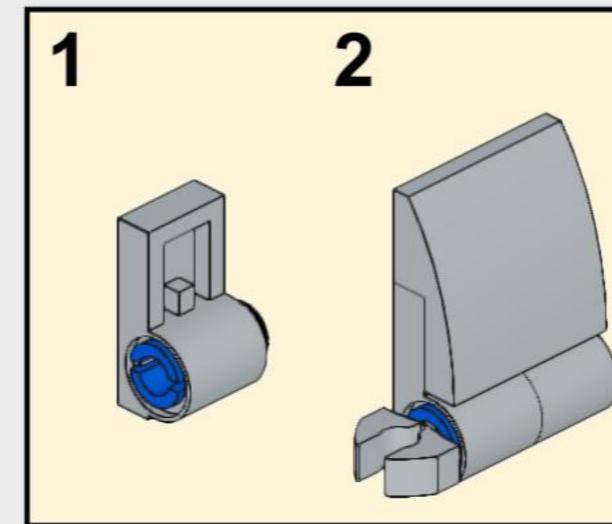
85



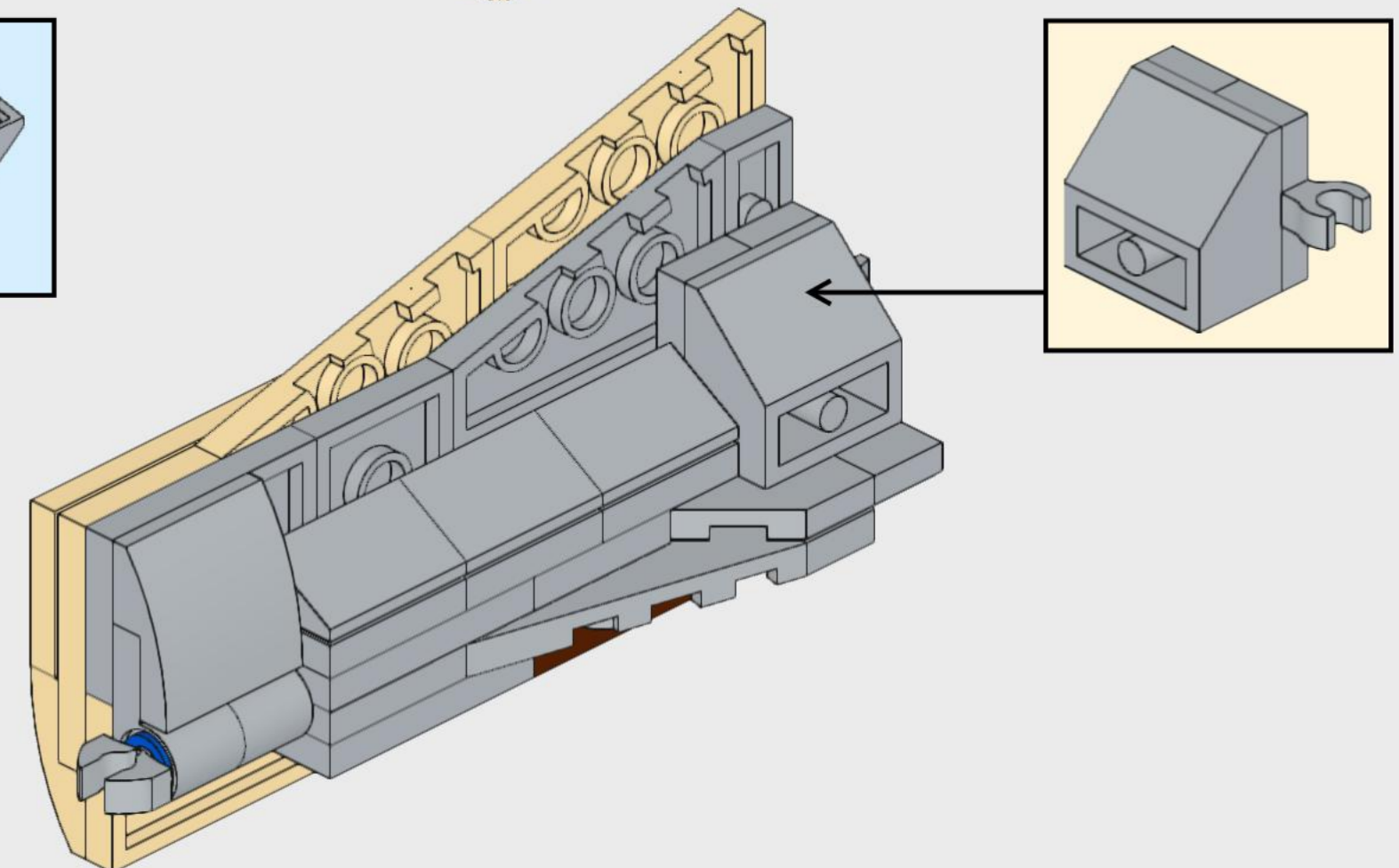
86



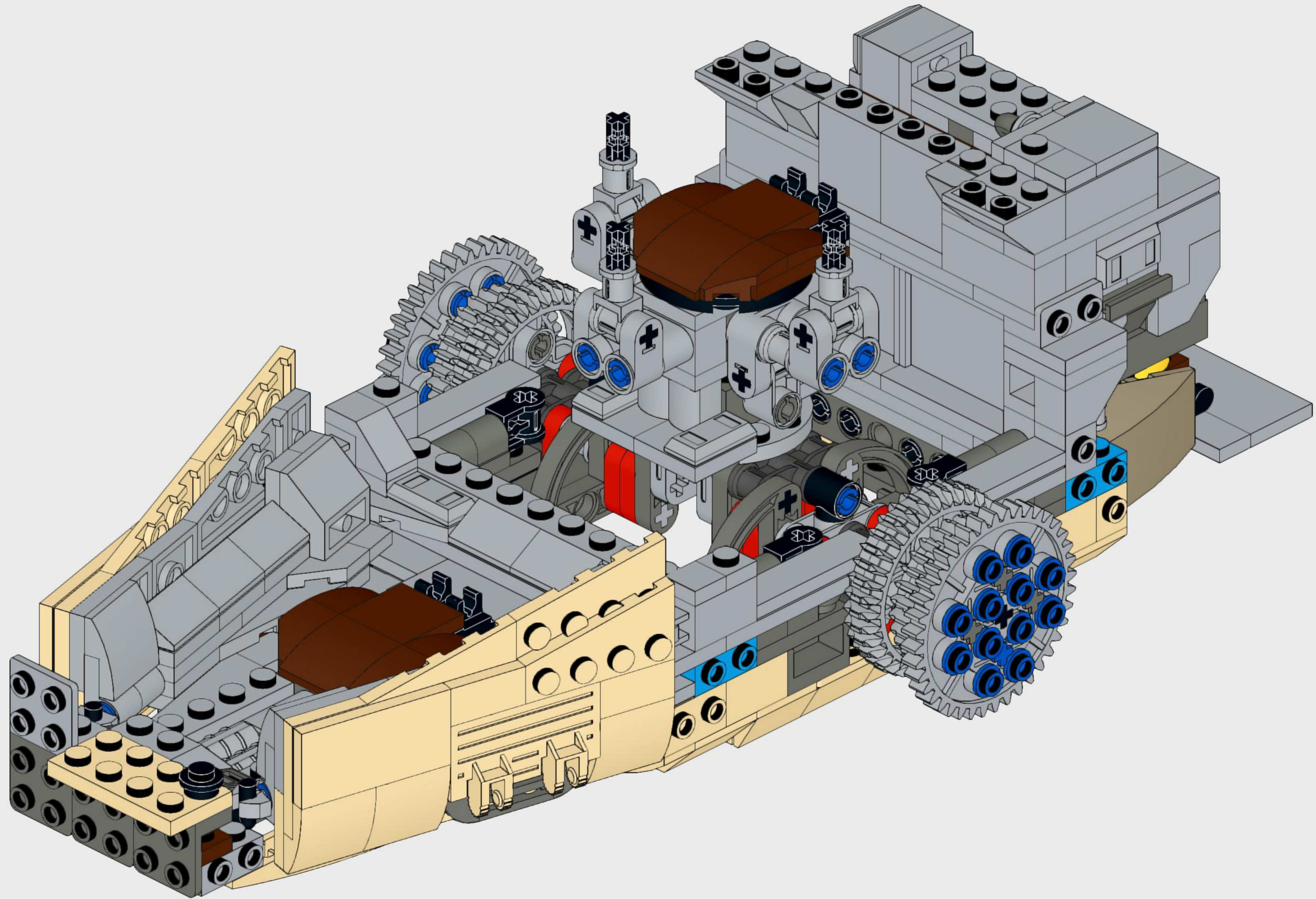
87

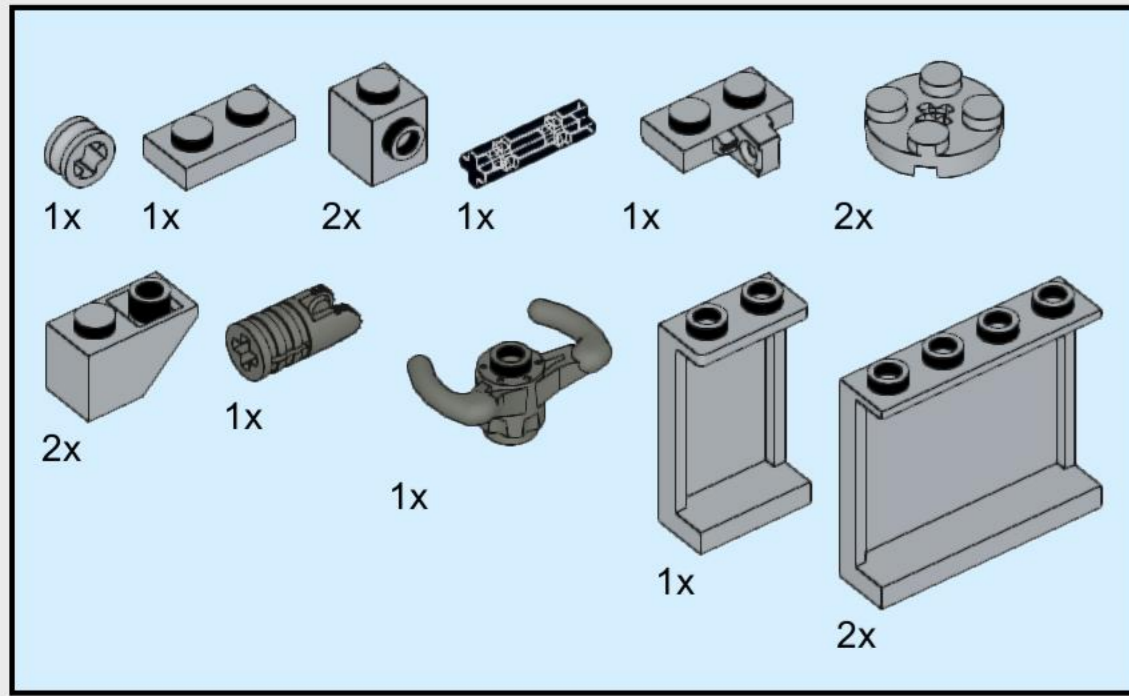


88

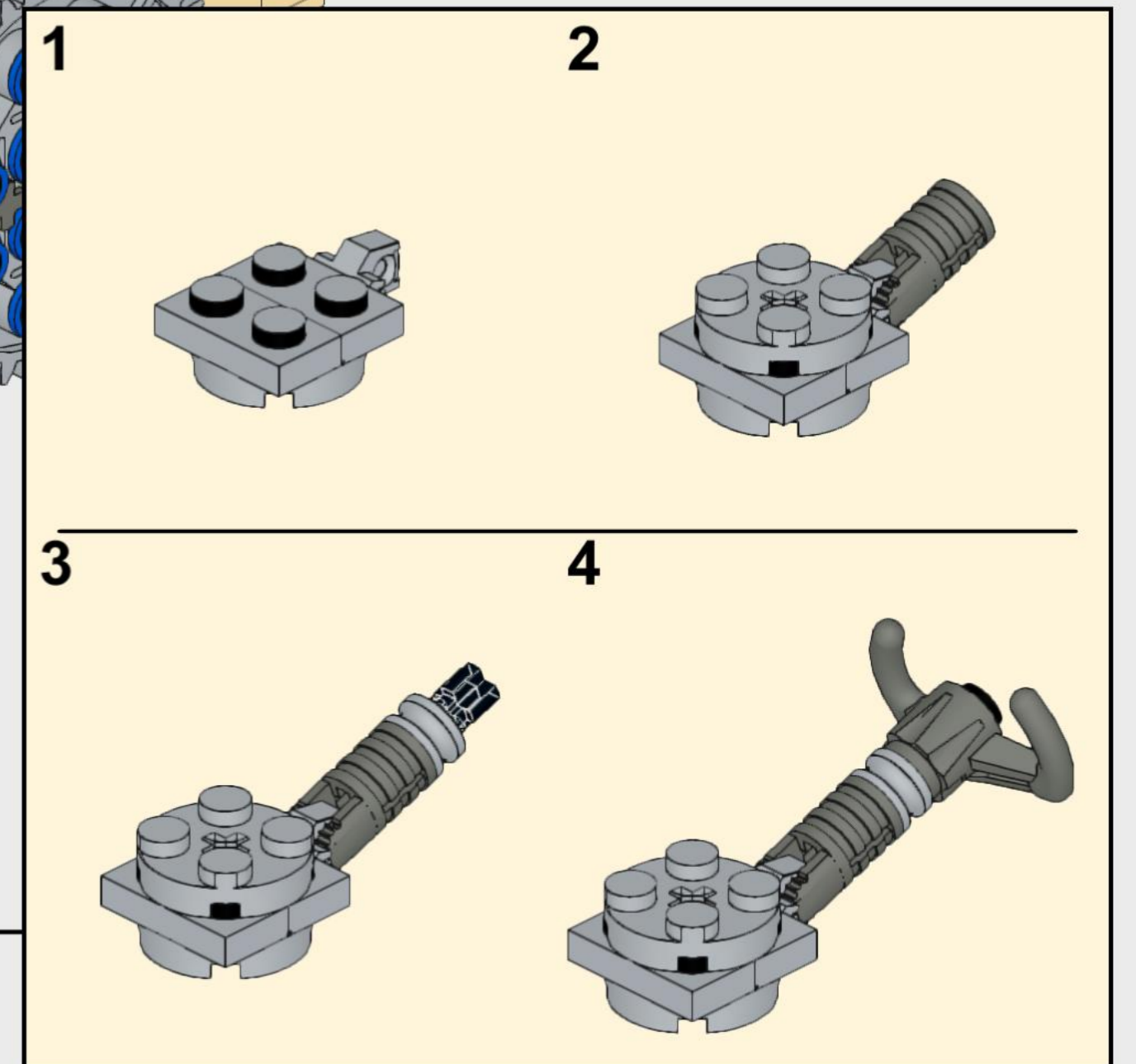
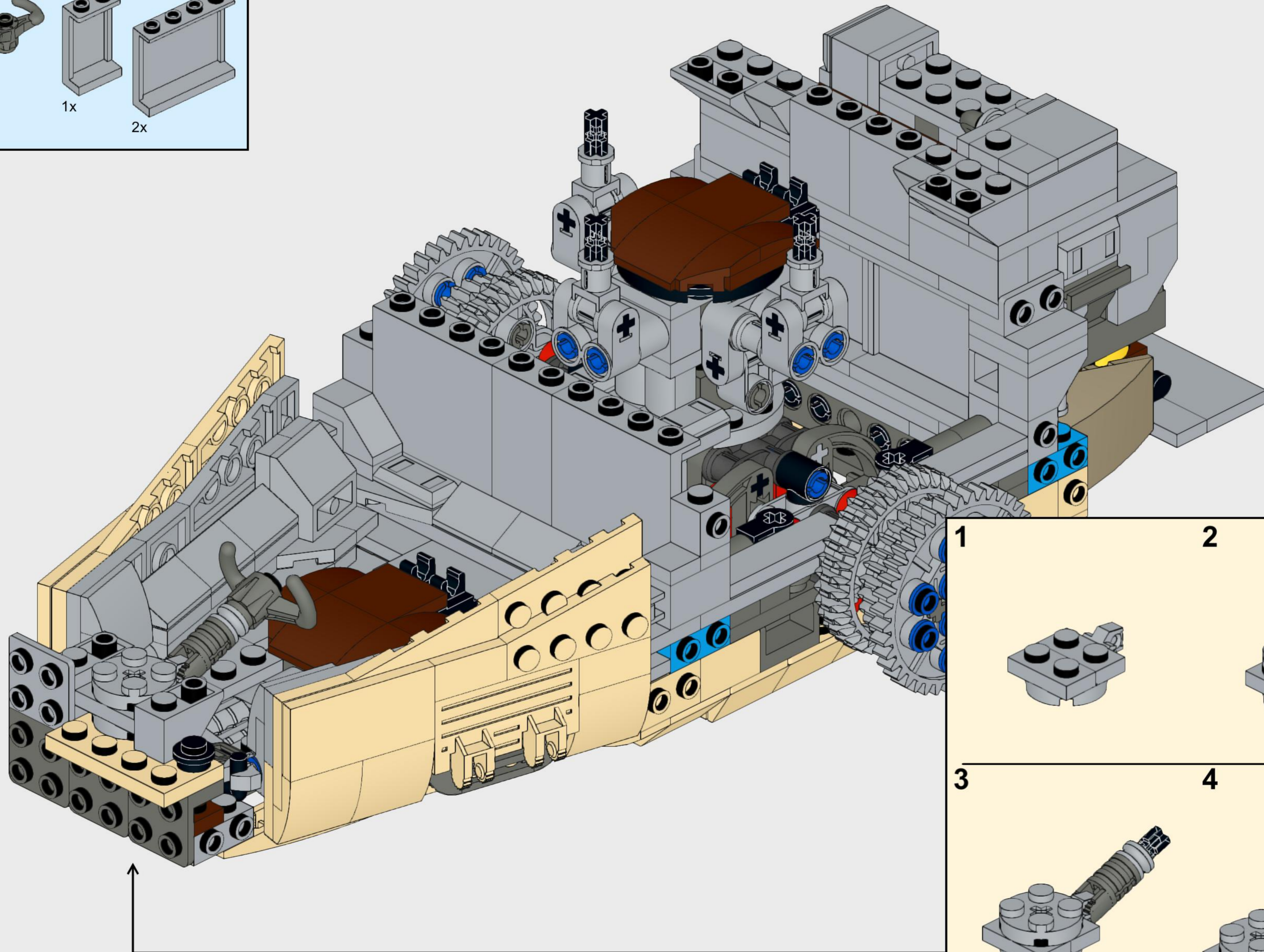


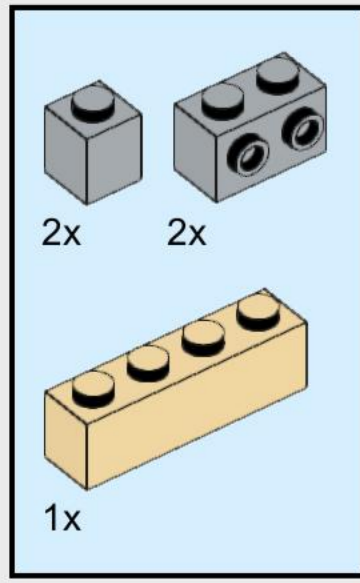




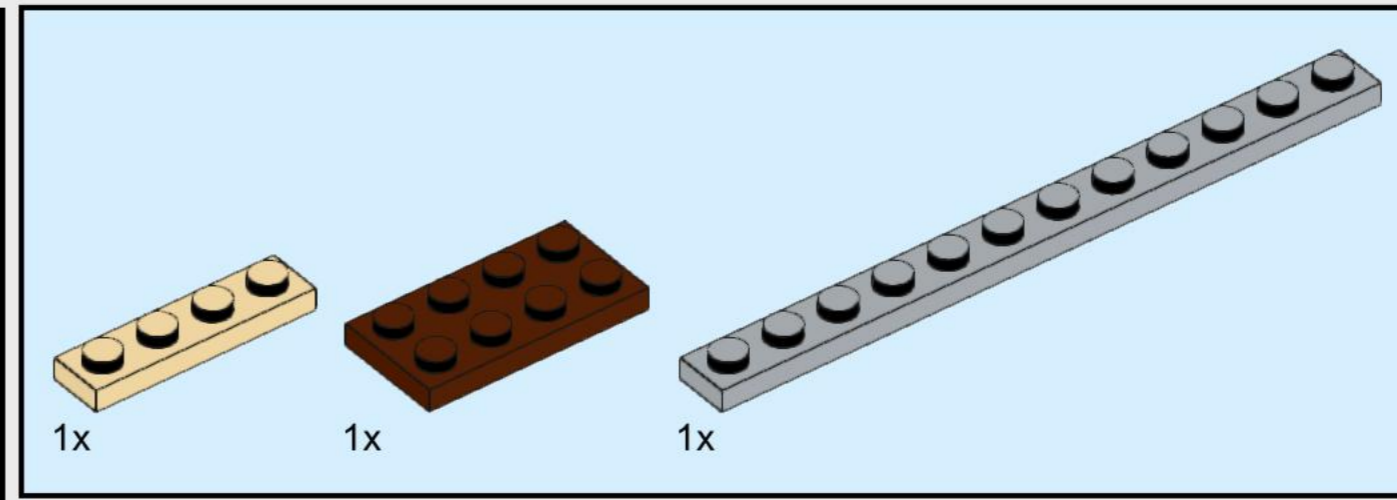
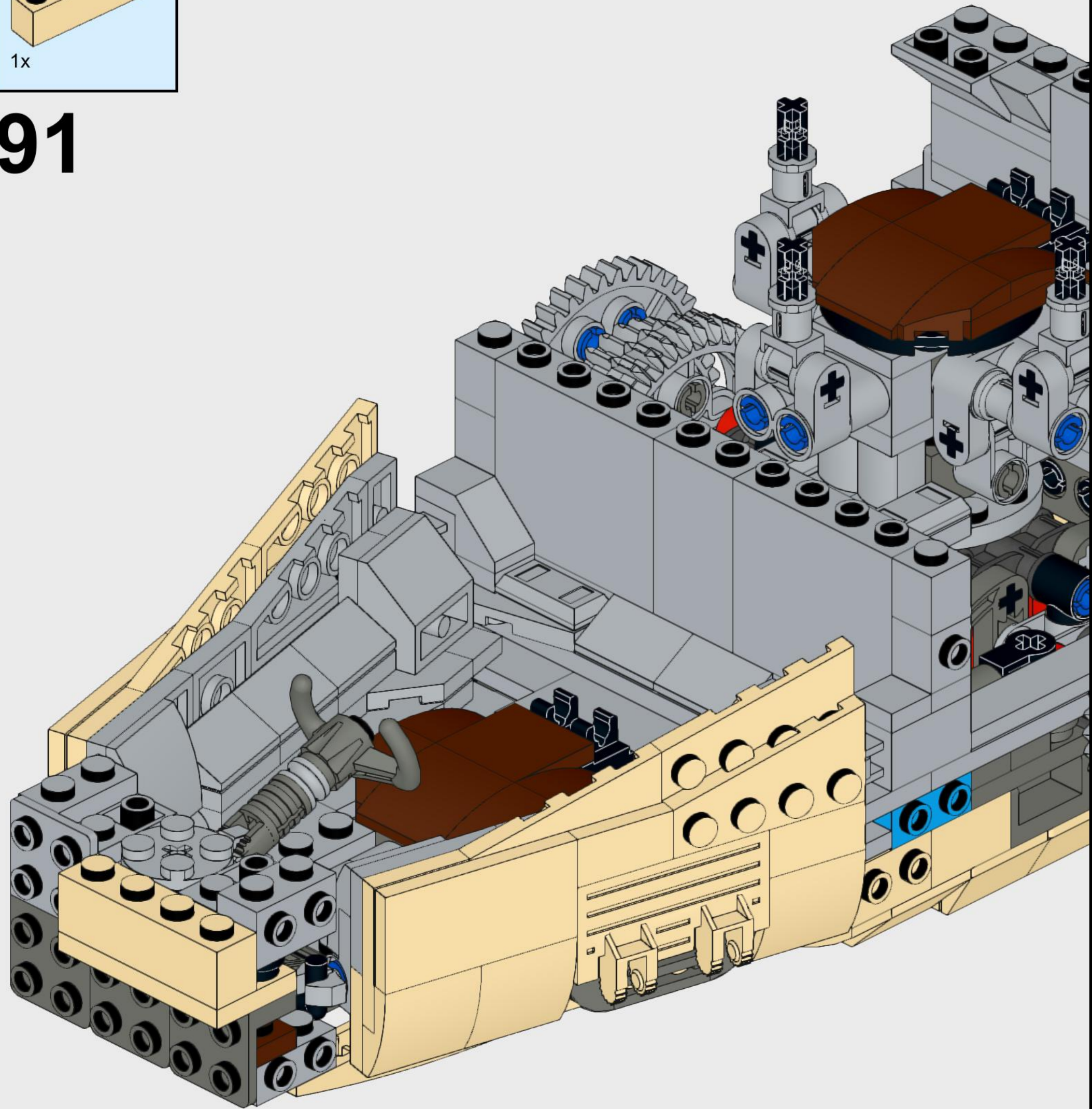


90

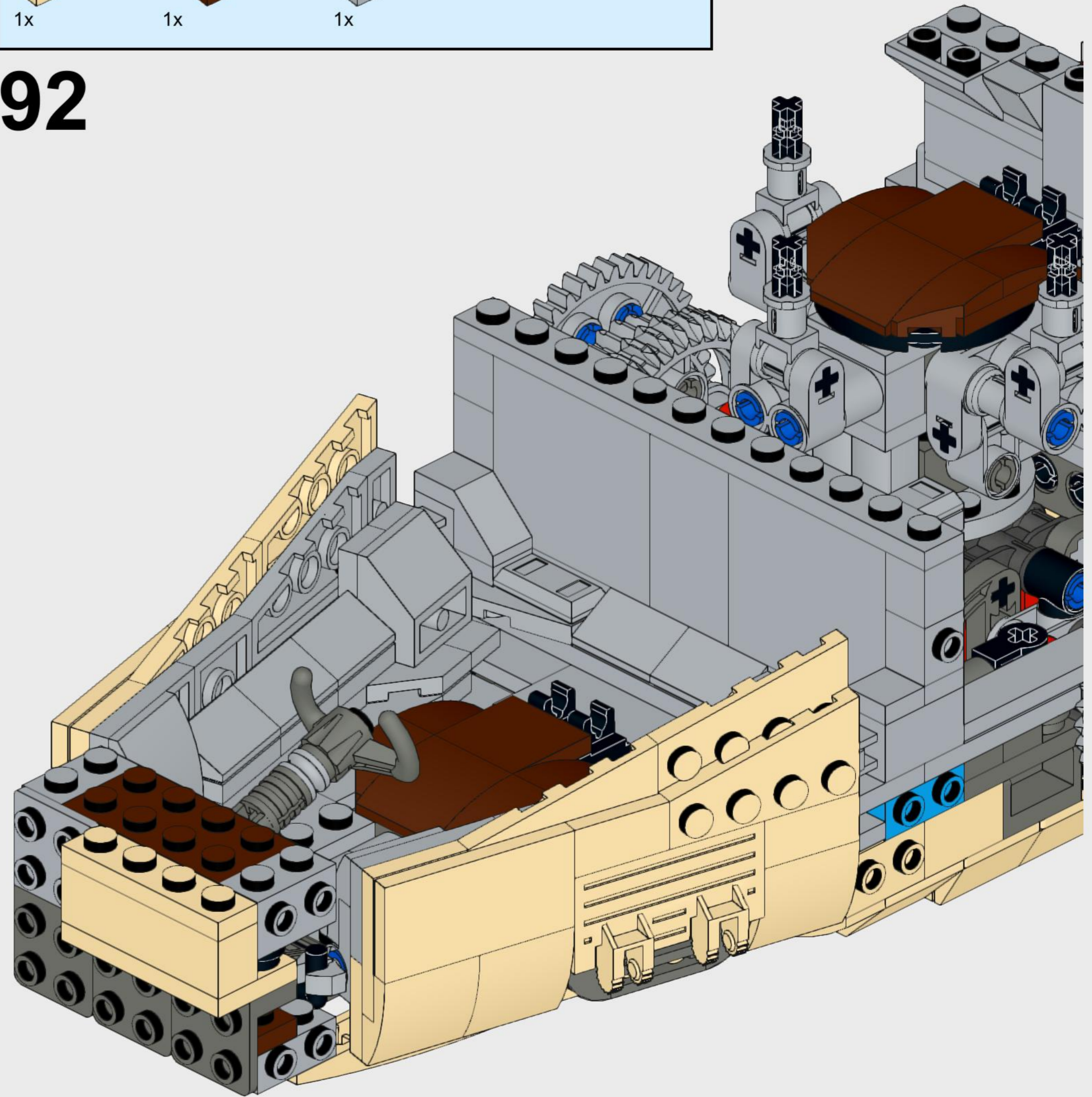


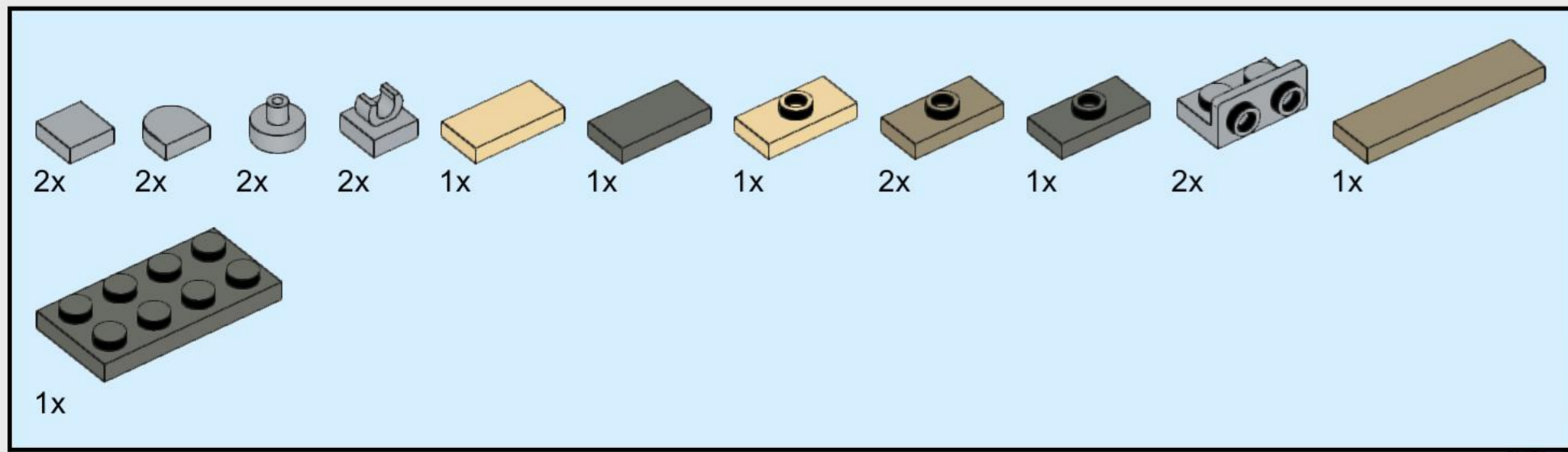


91

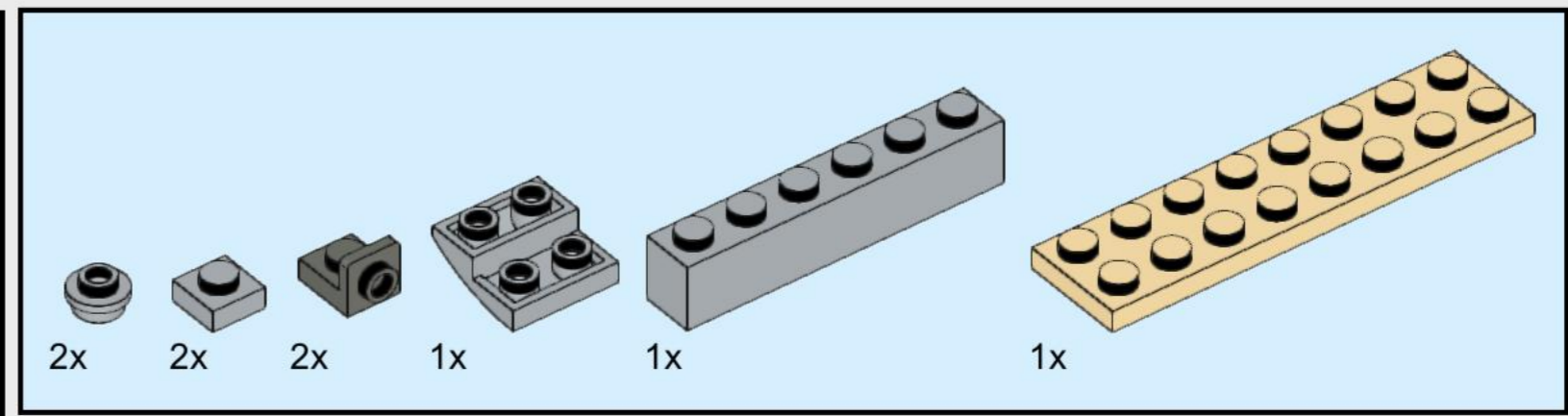
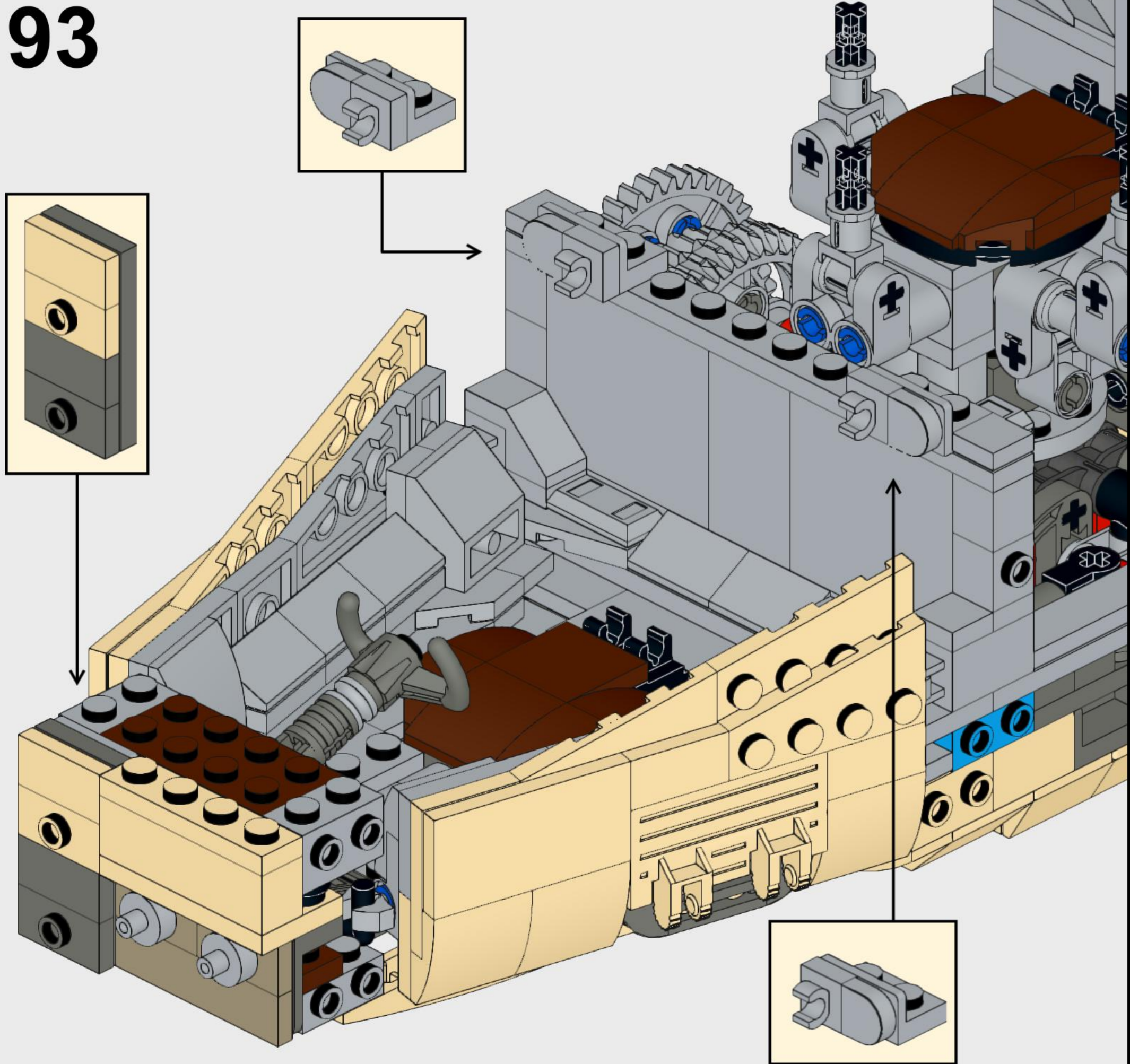


92

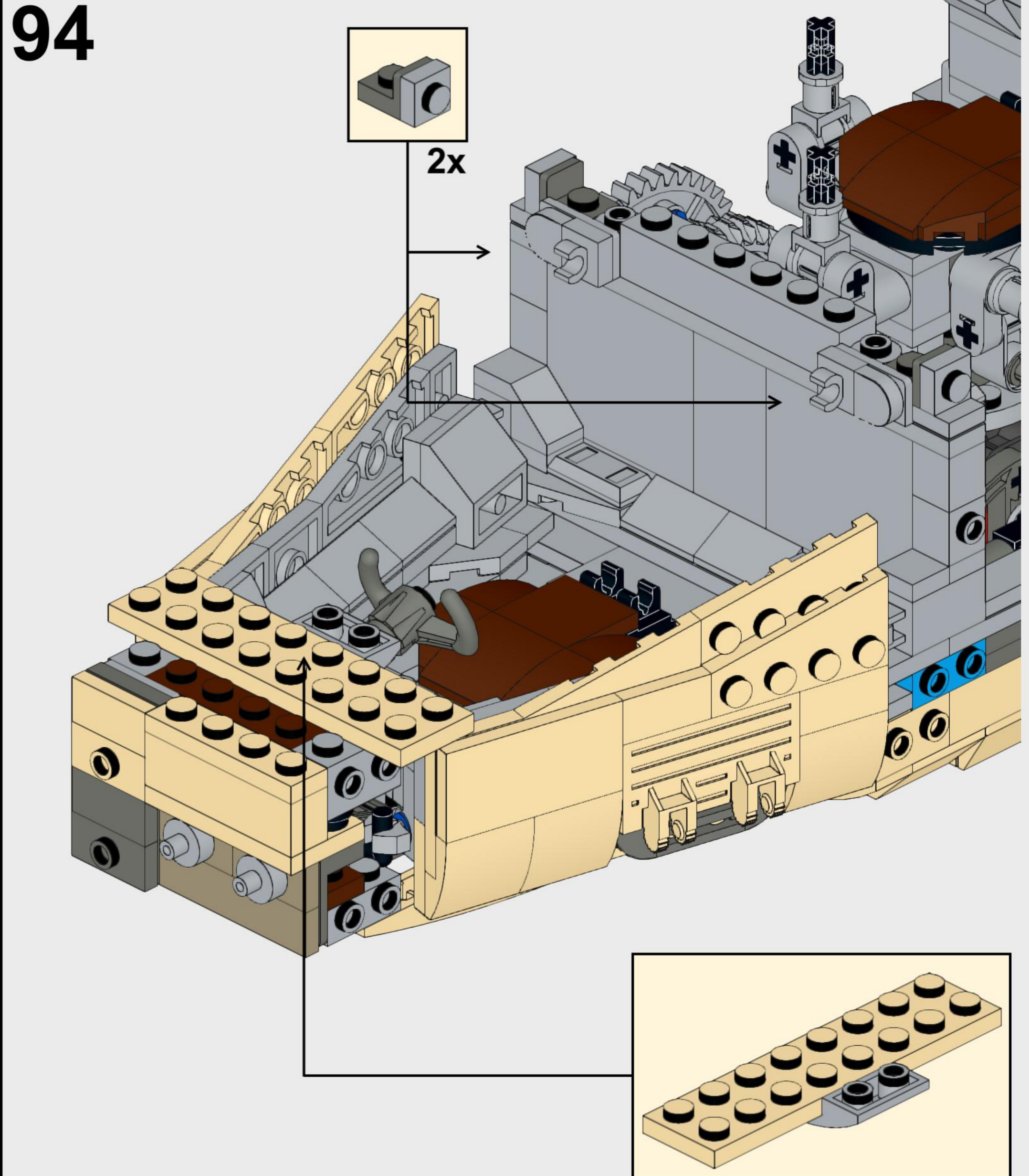


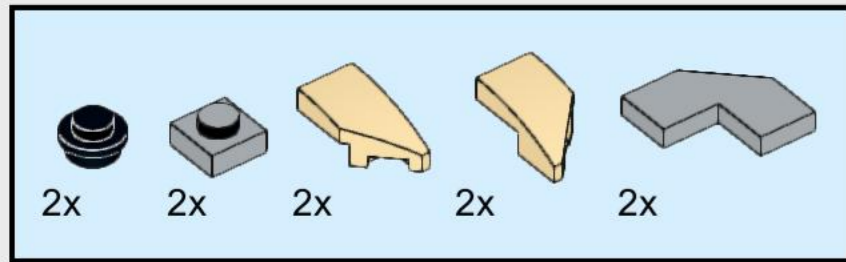


93

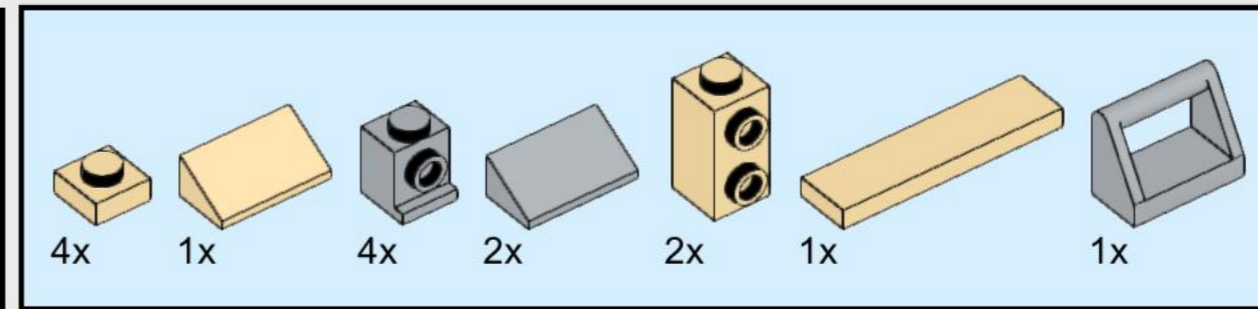
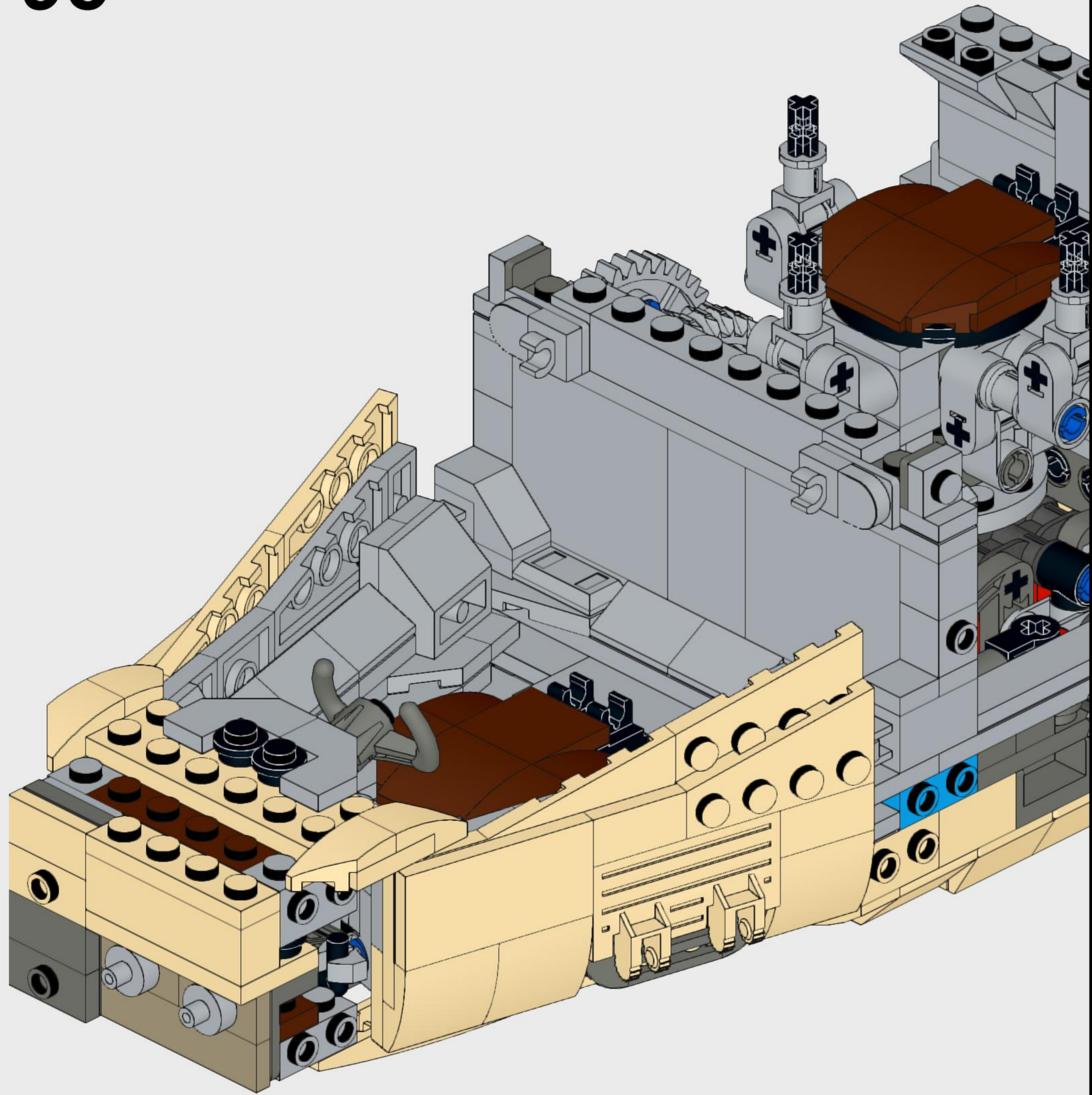


94

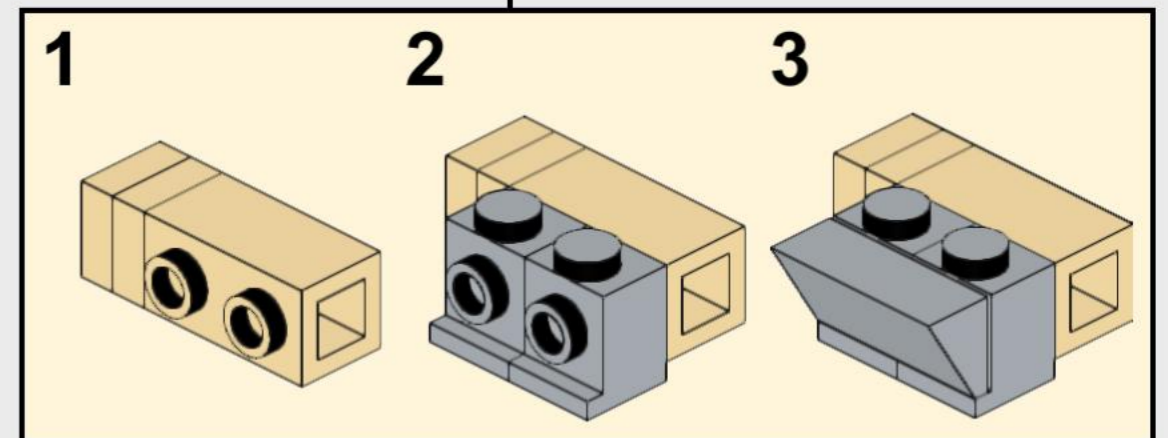
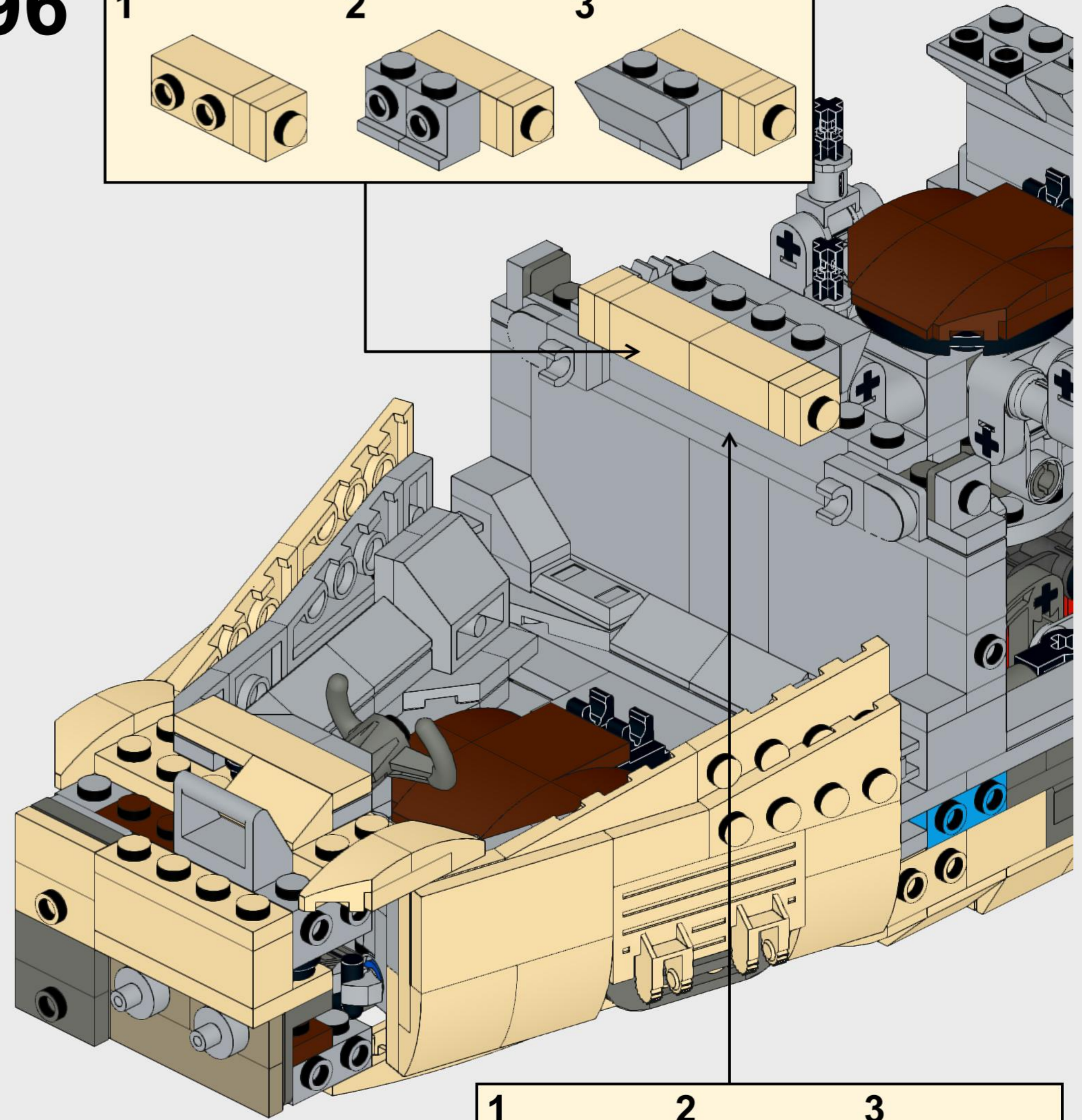
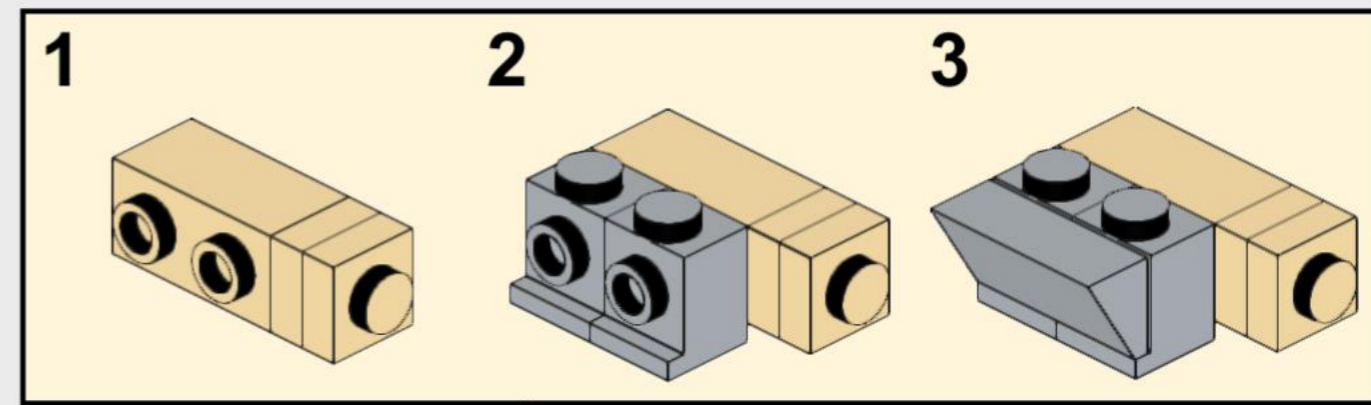


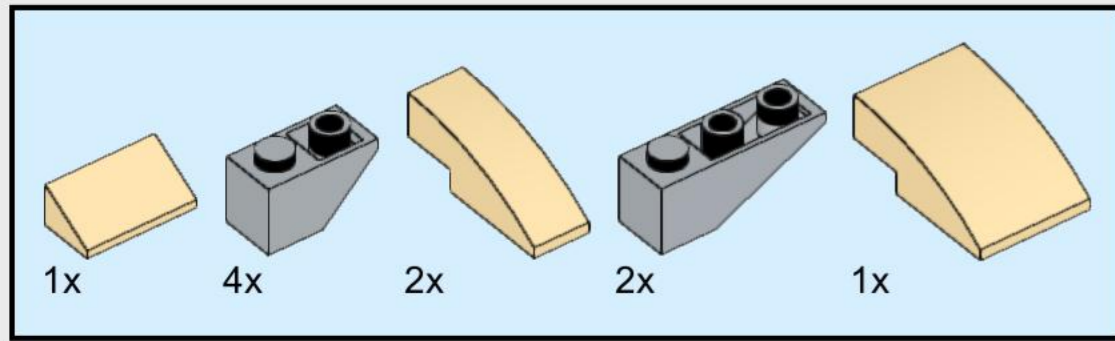


95

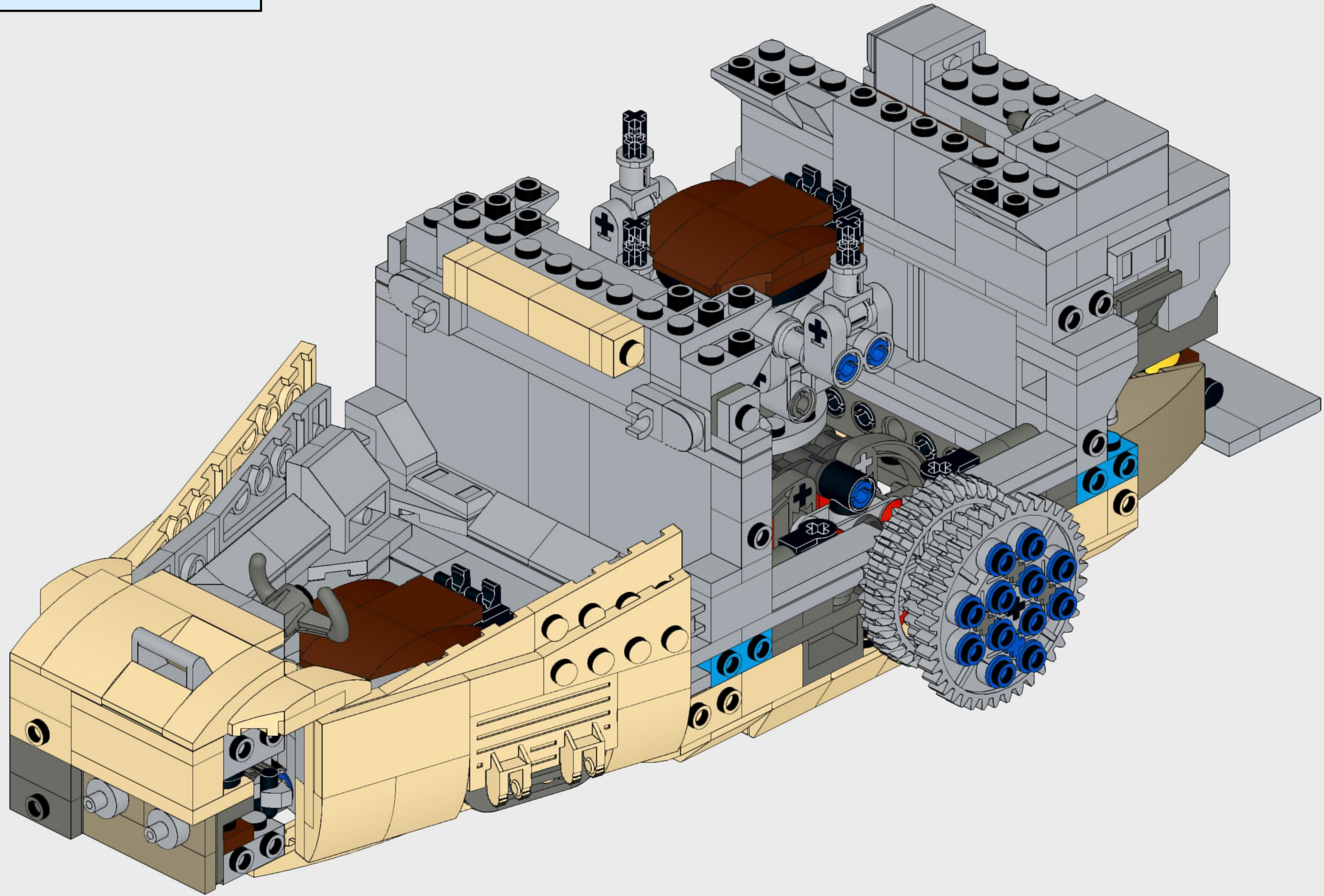


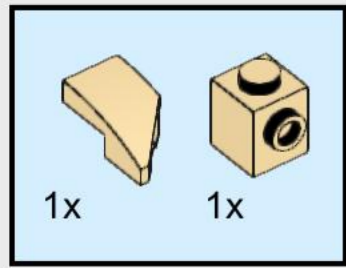
96



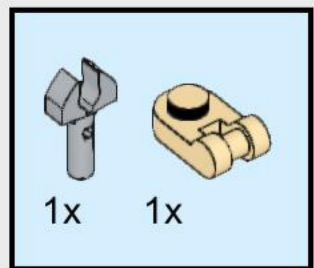
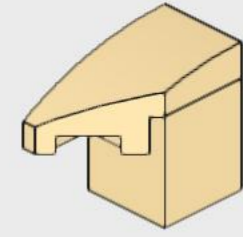


97

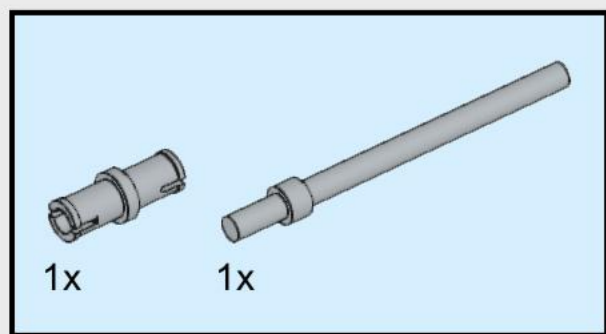
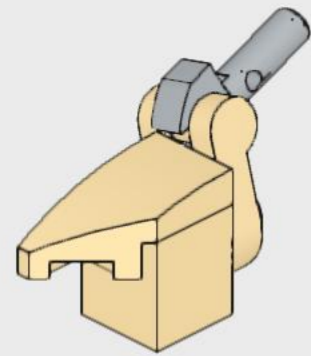




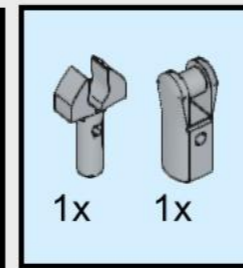
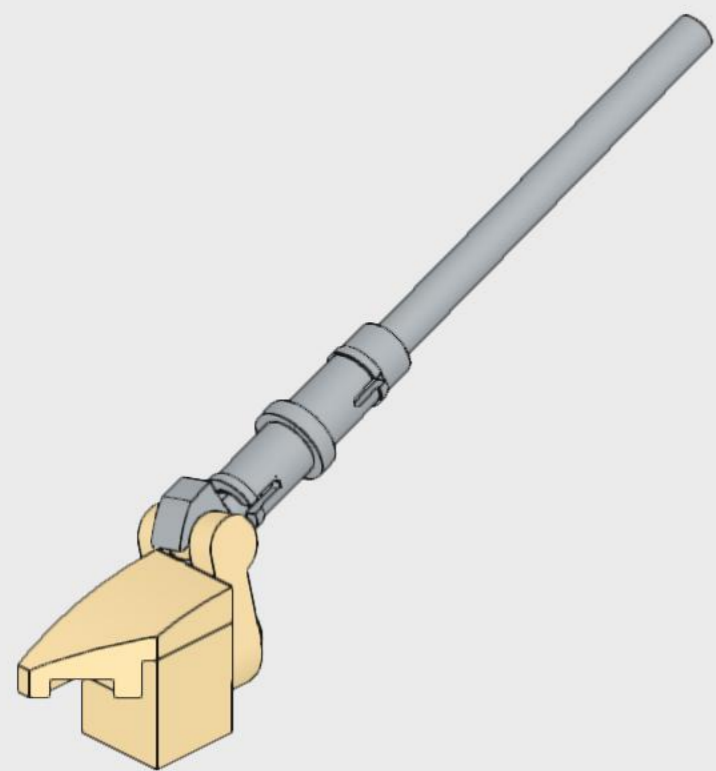
98



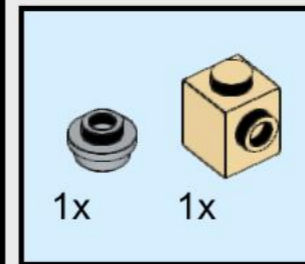
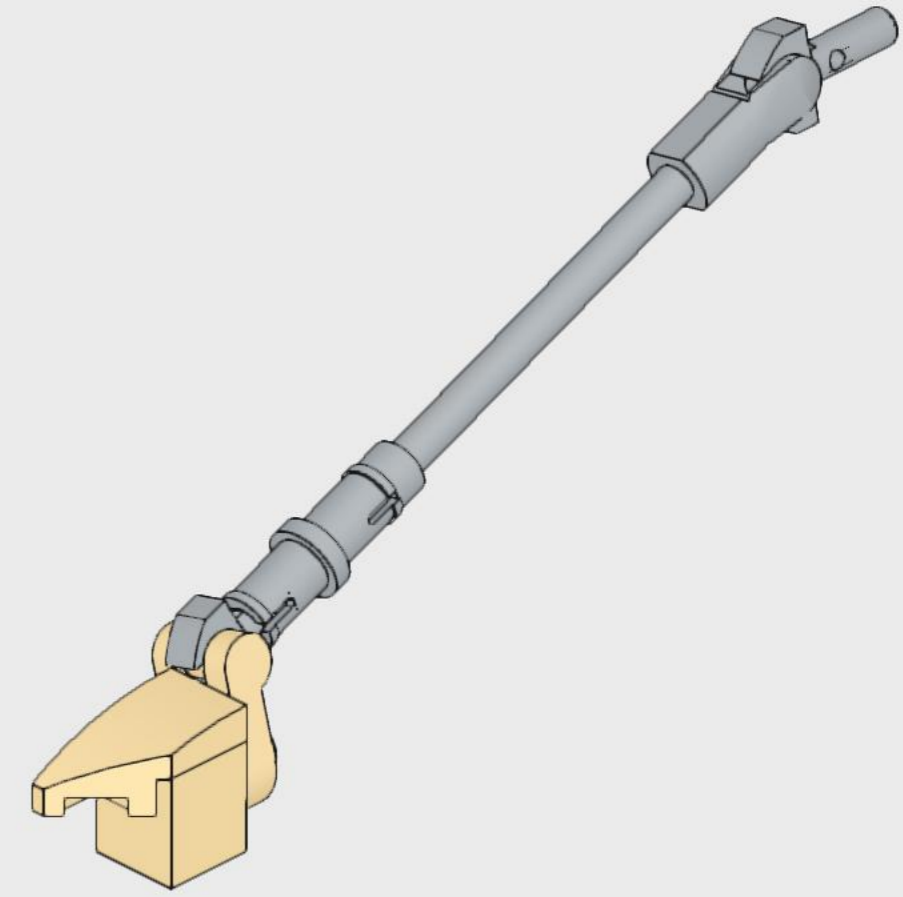
99



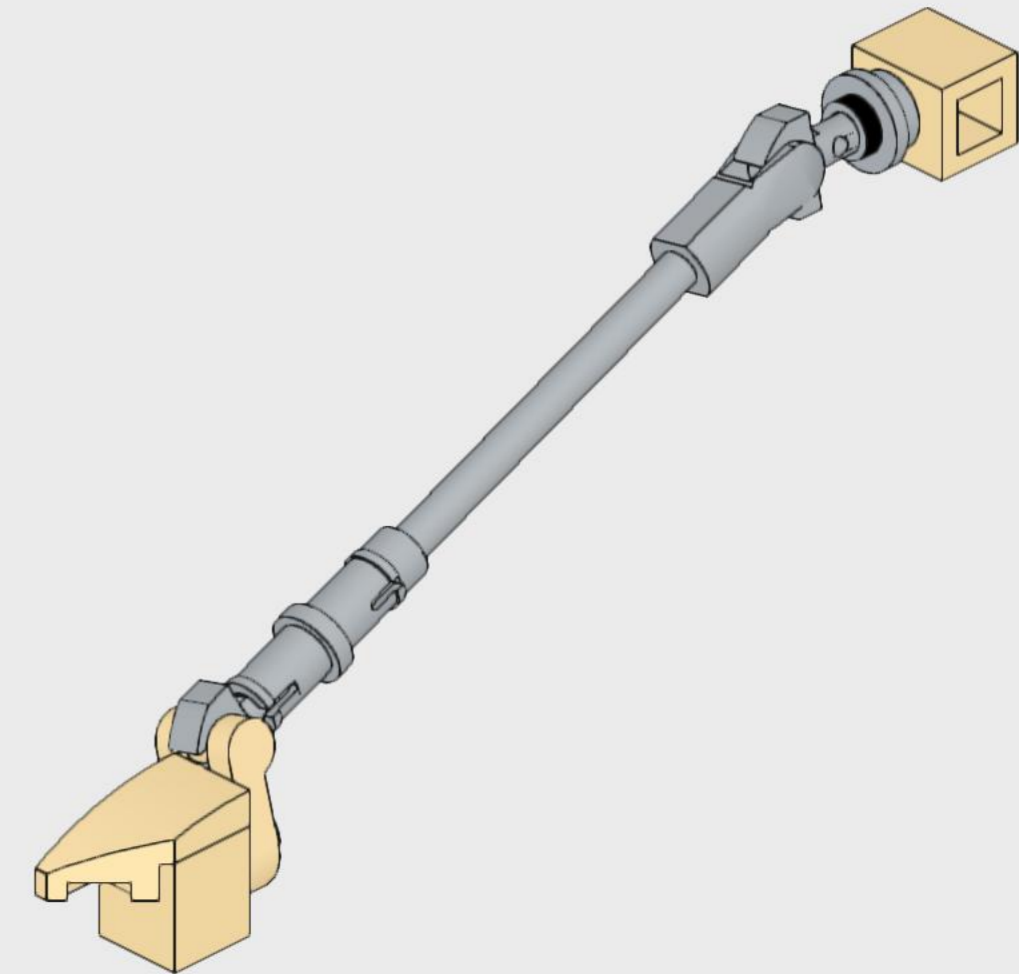
100



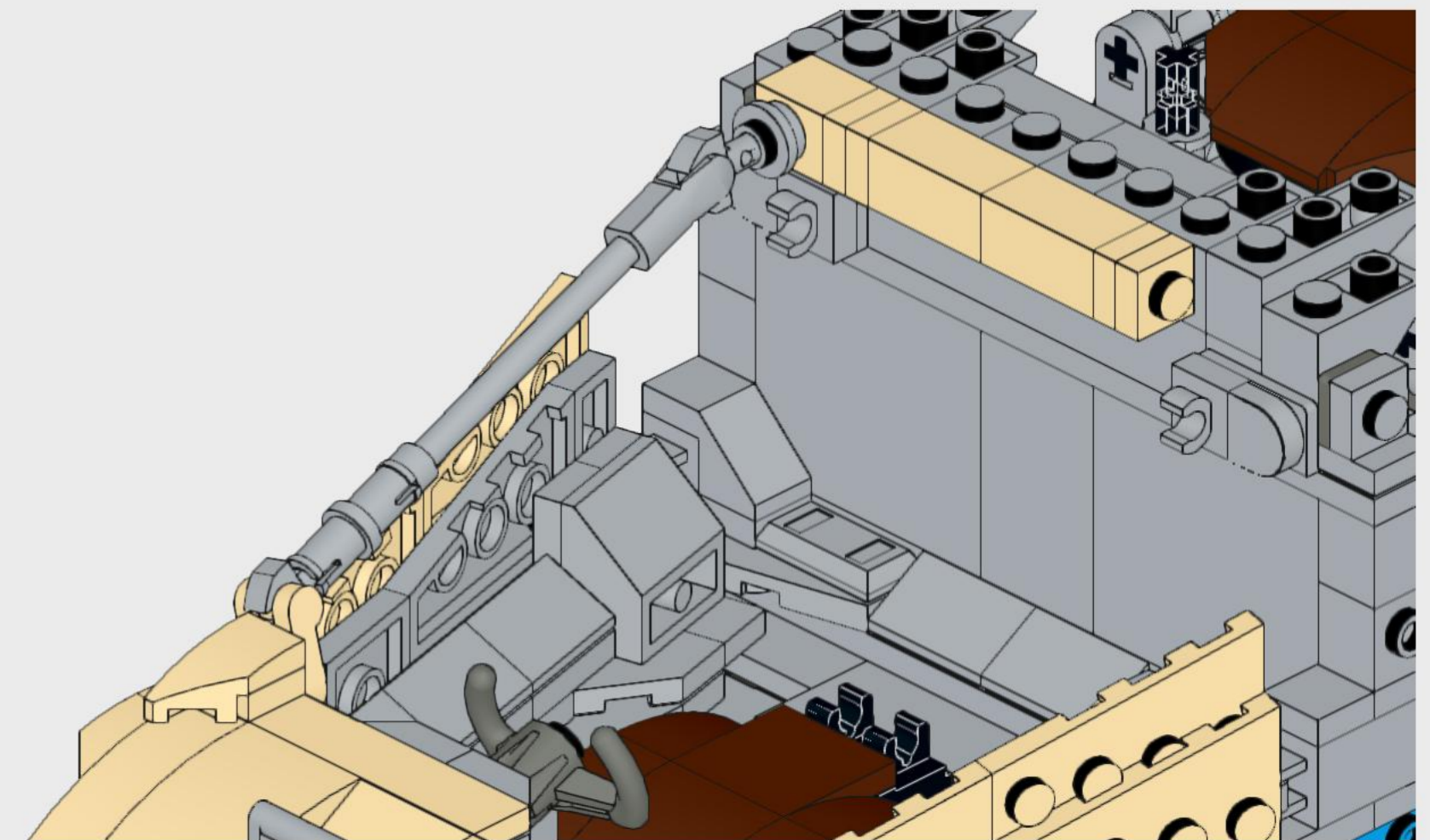
101

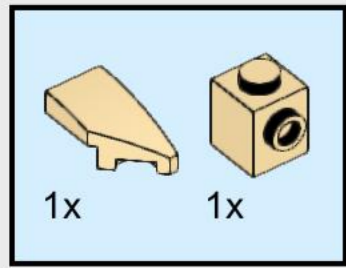


102

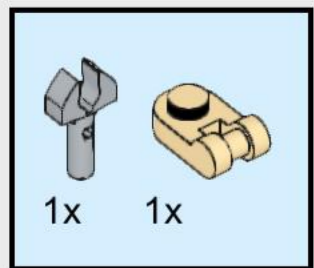
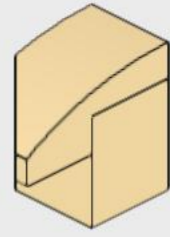


103

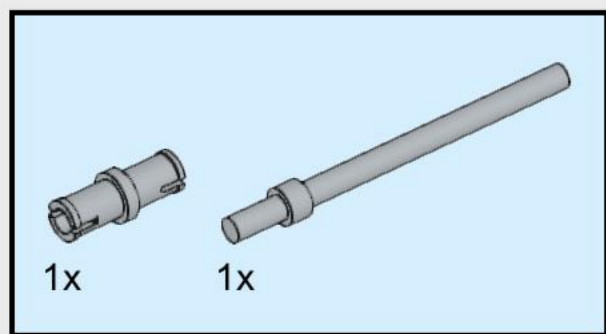
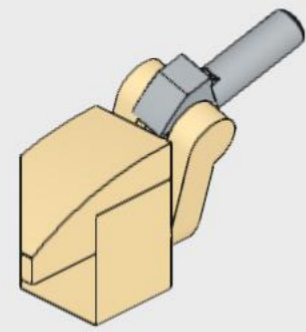




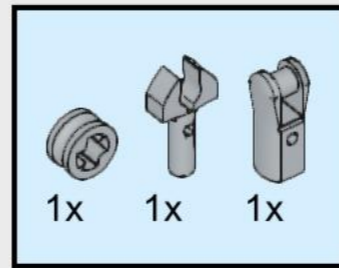
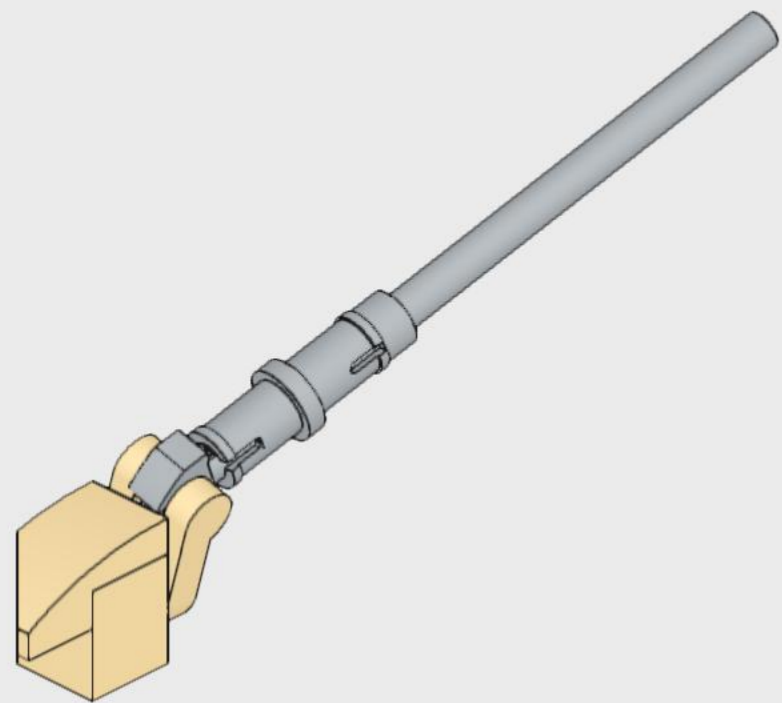
104



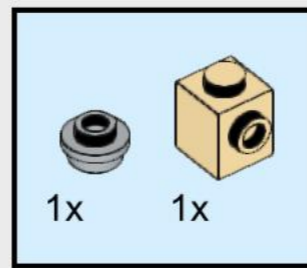
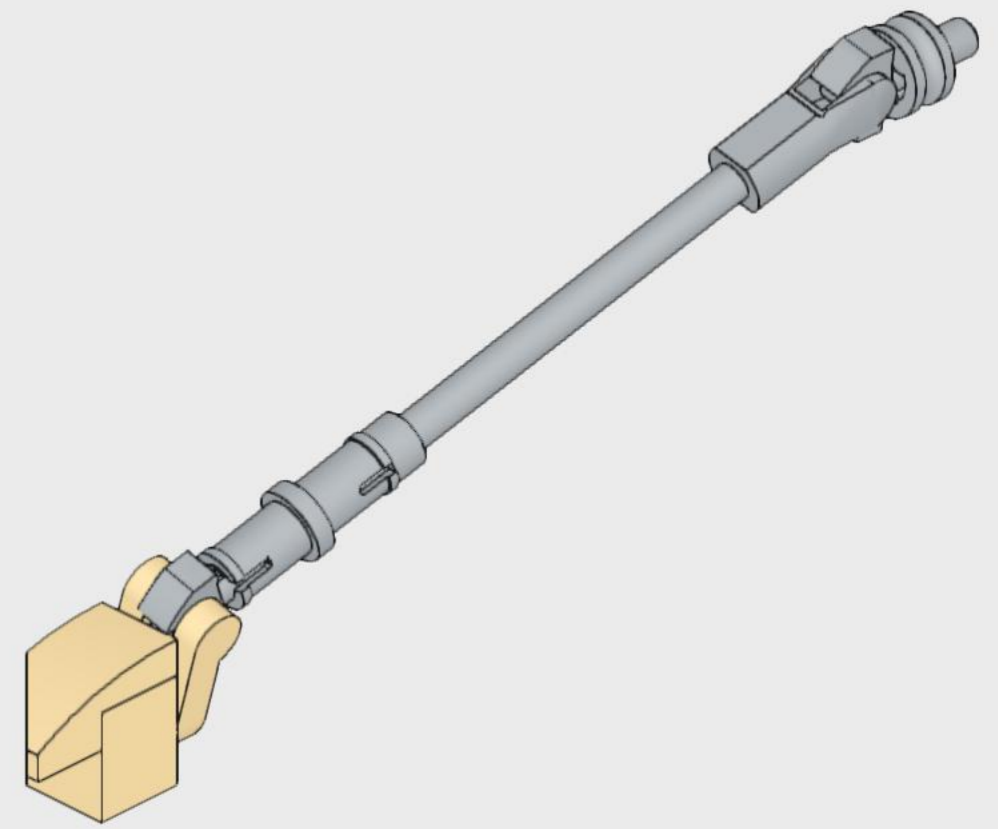
105



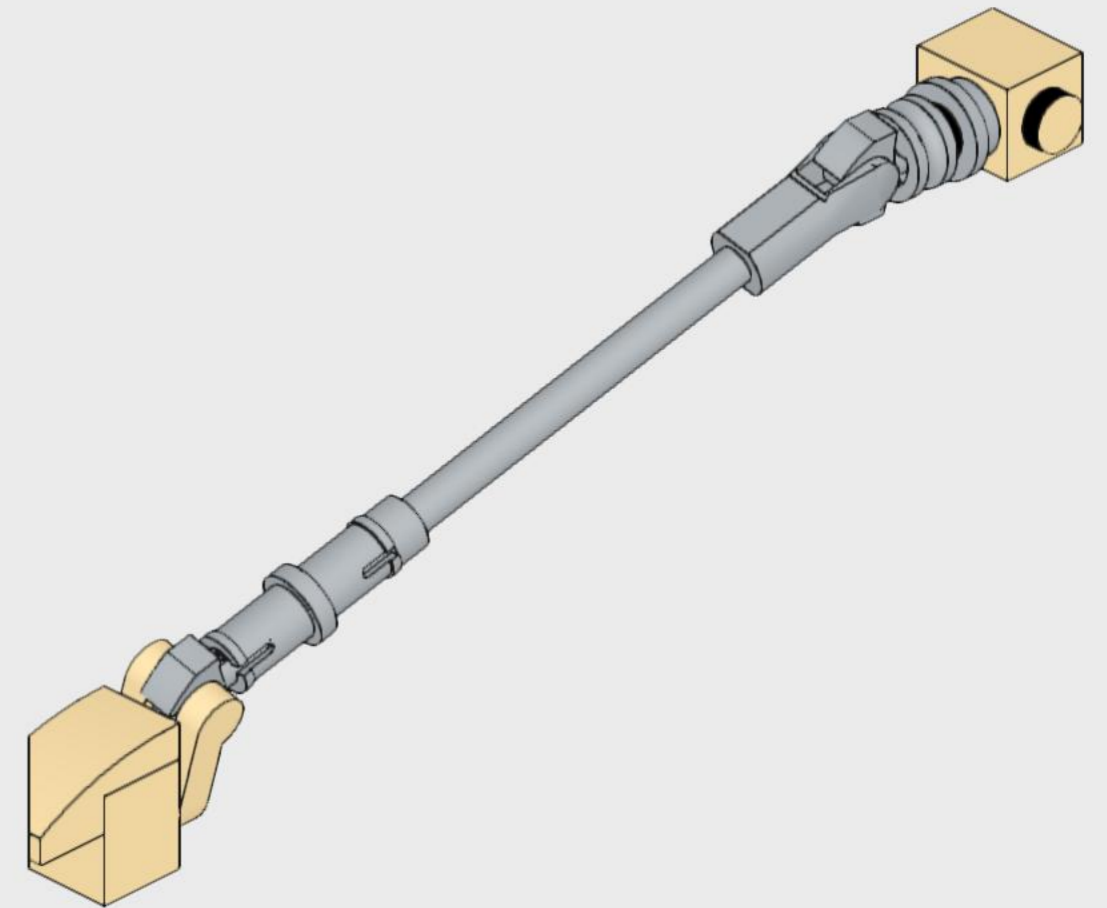
106



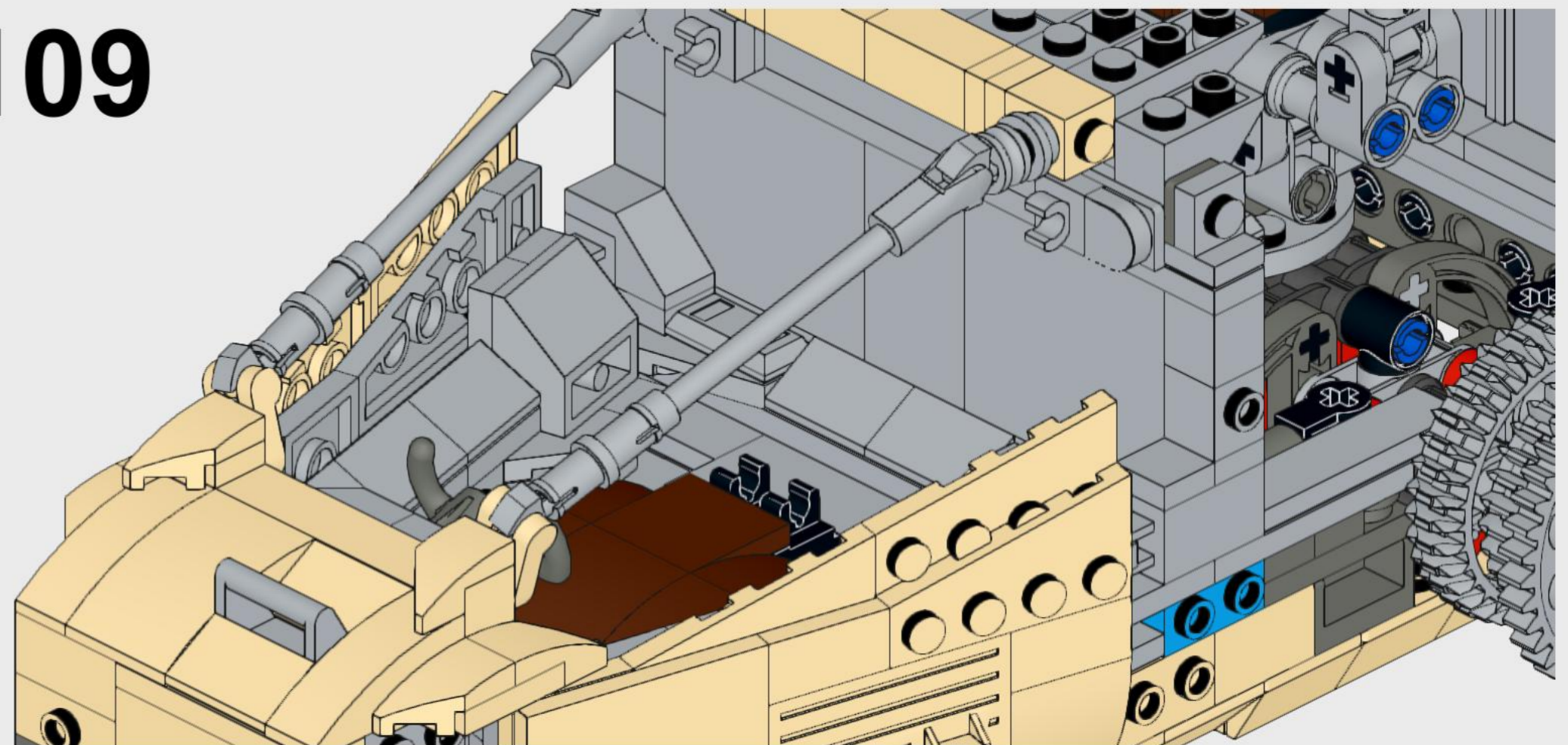
107



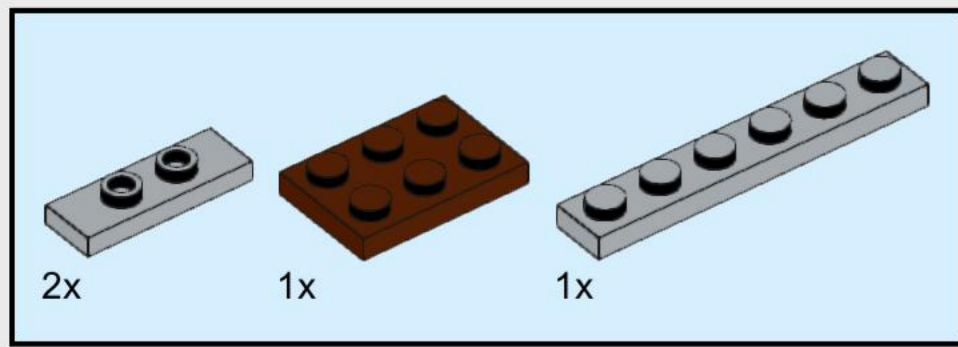
108



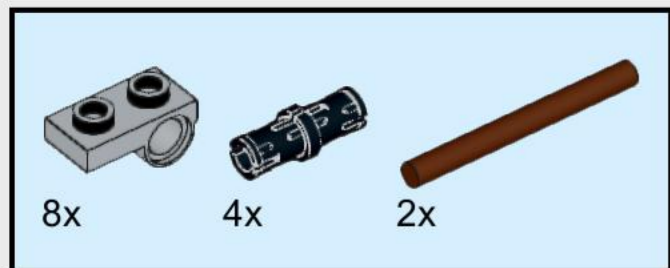
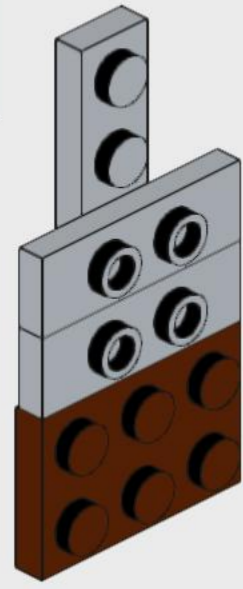
109



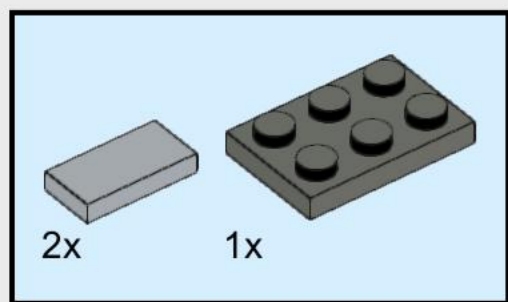
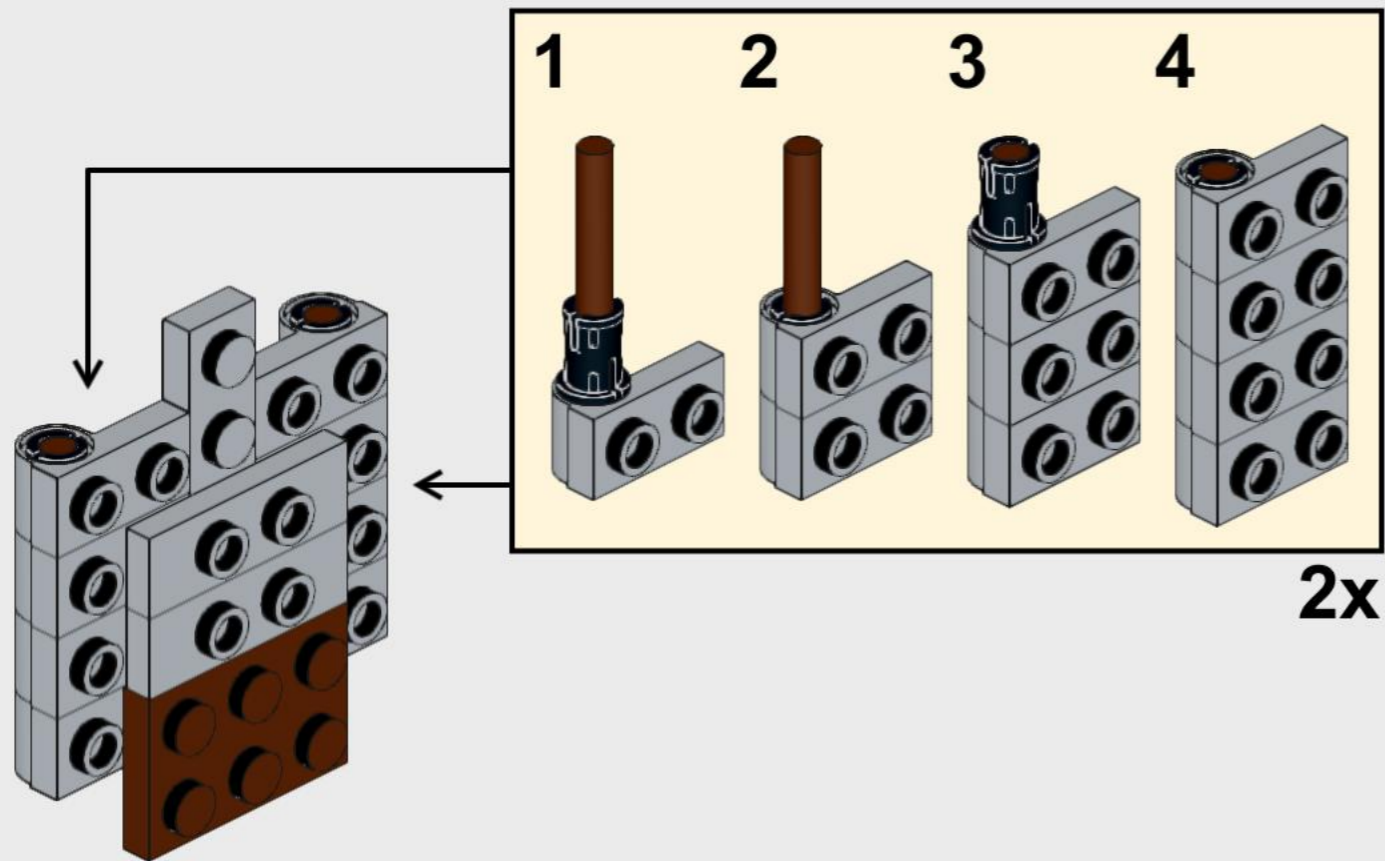




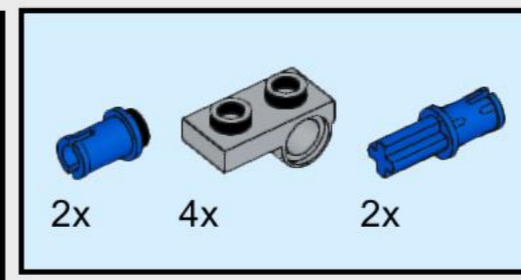
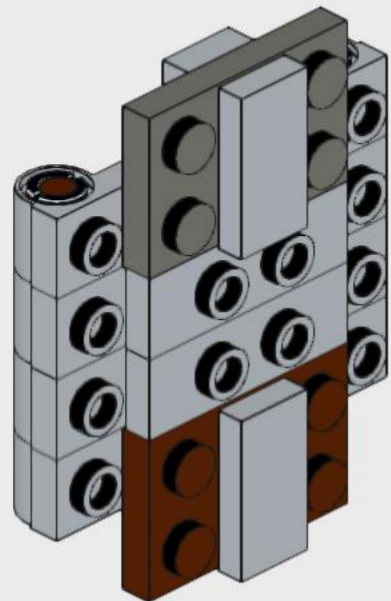
110



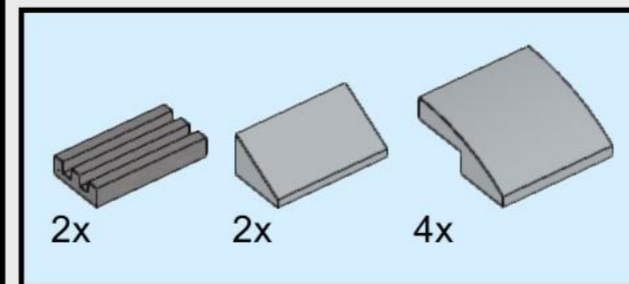
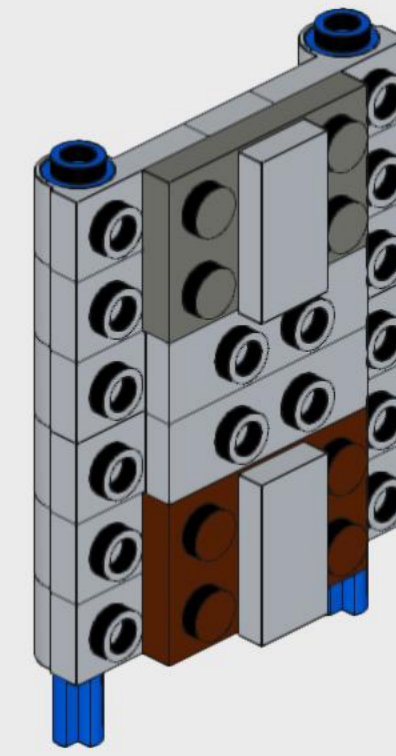
111



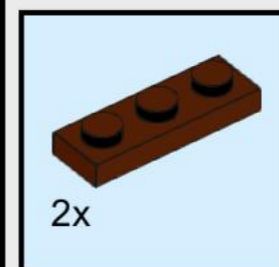
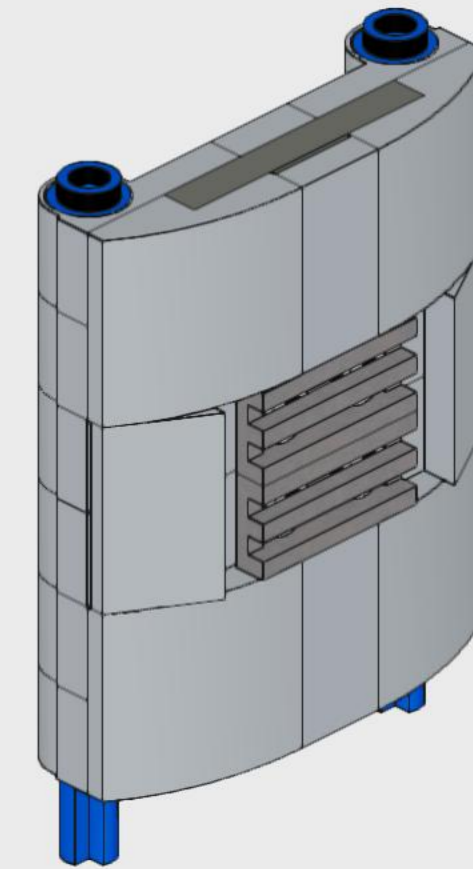
112



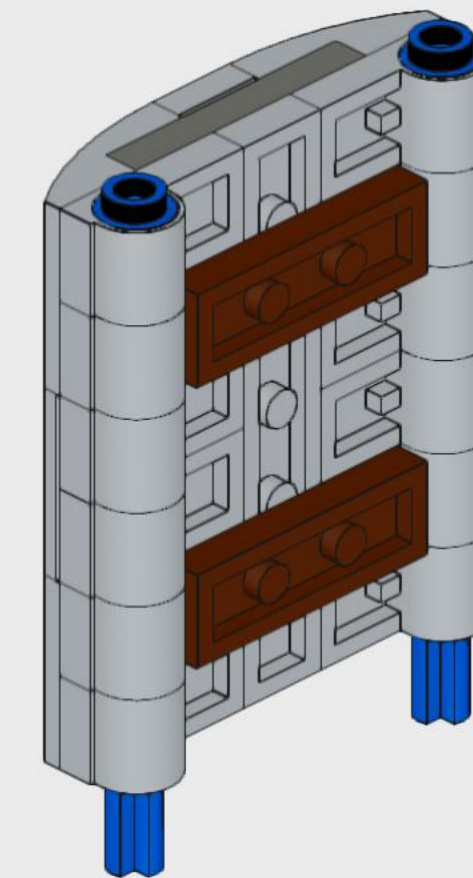
113

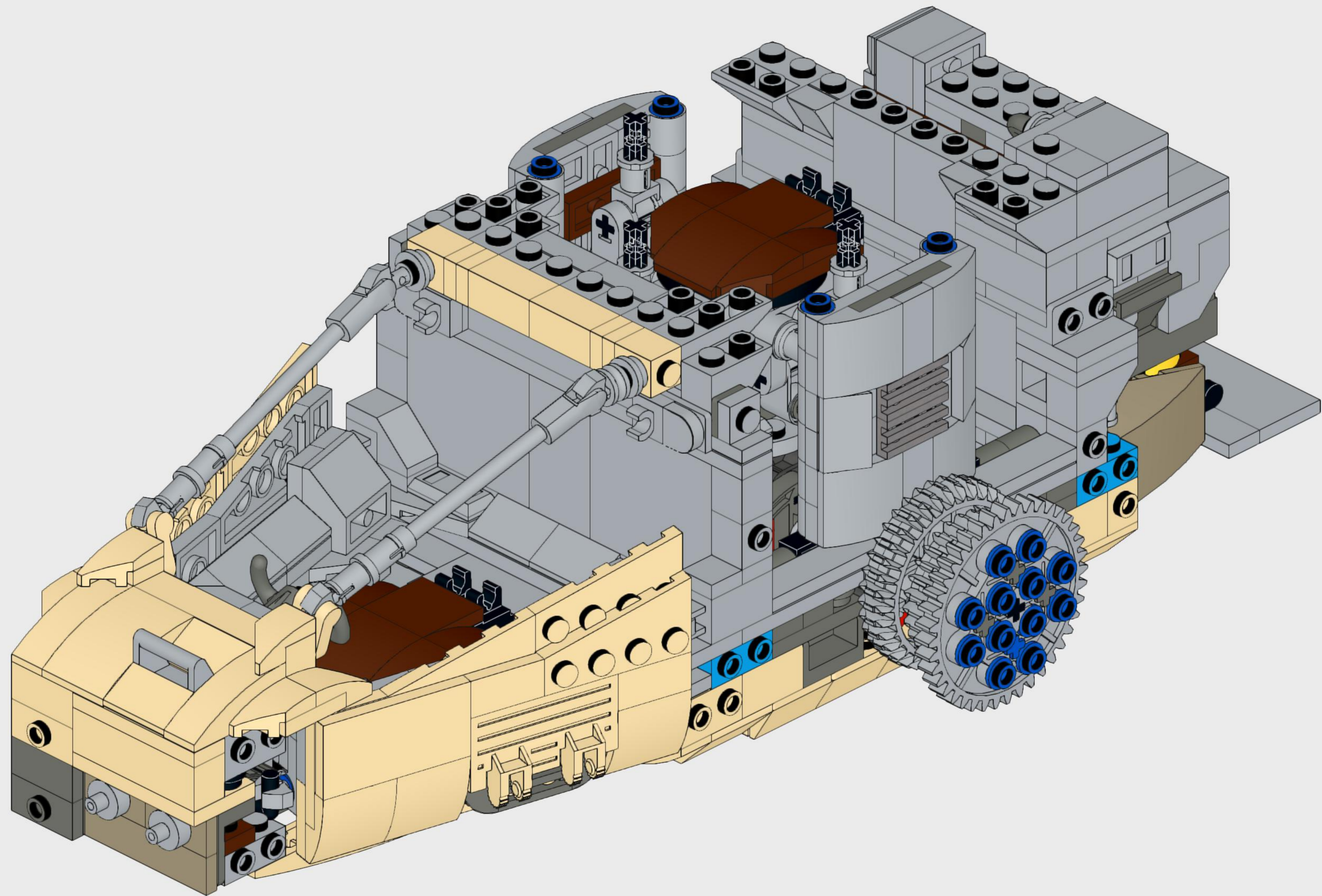


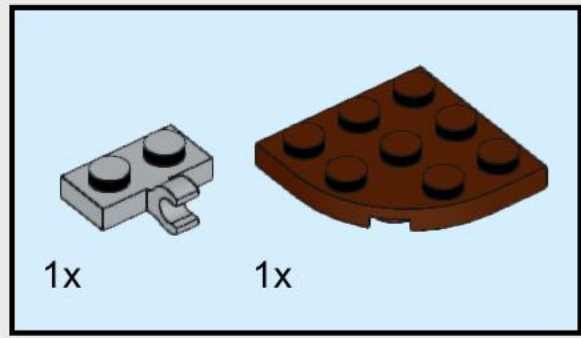
114



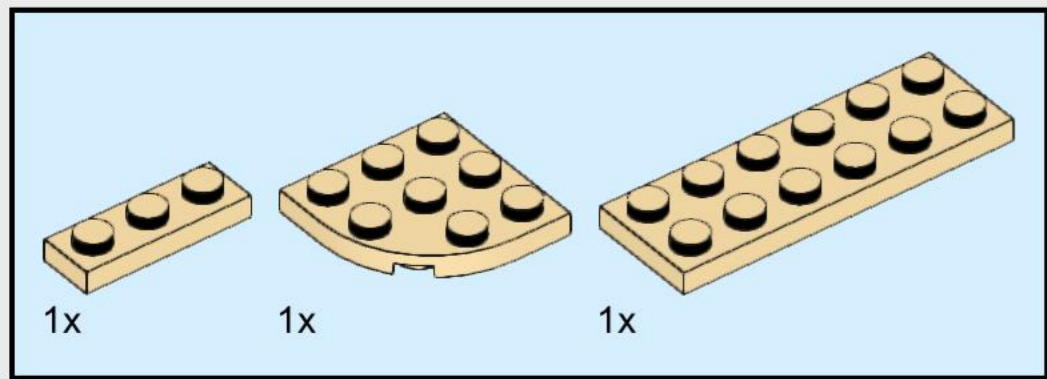
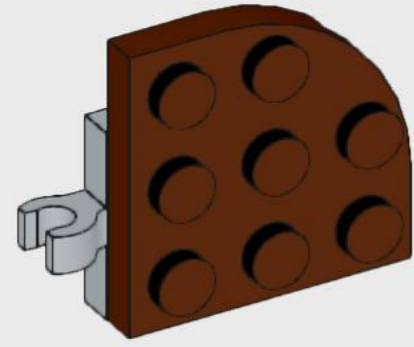
115



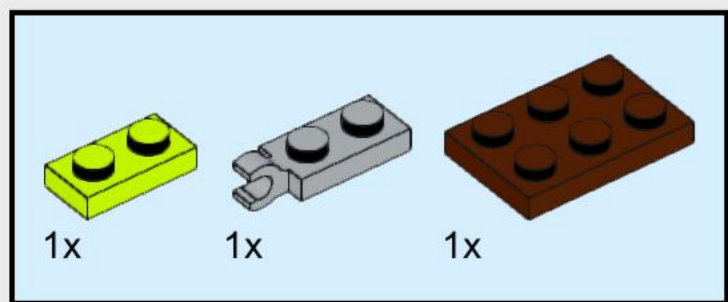
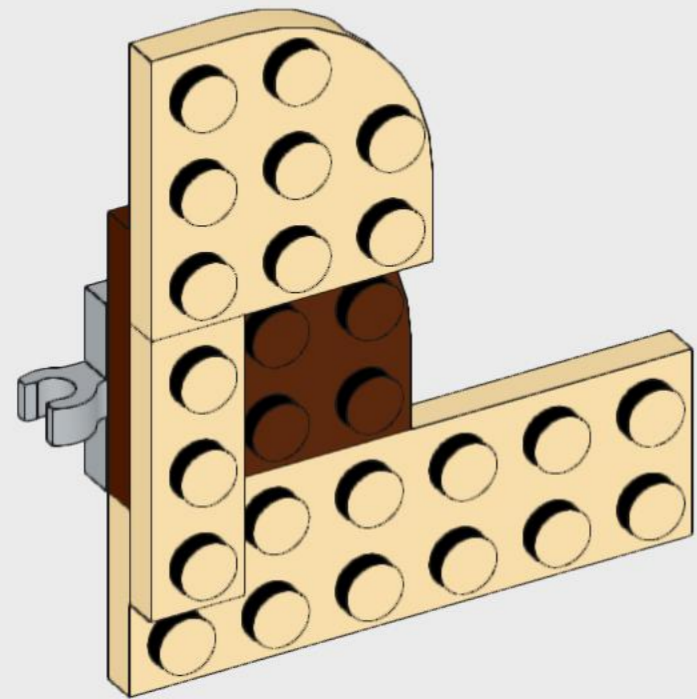




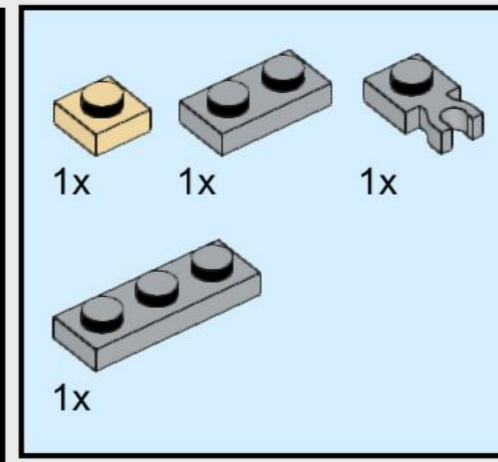
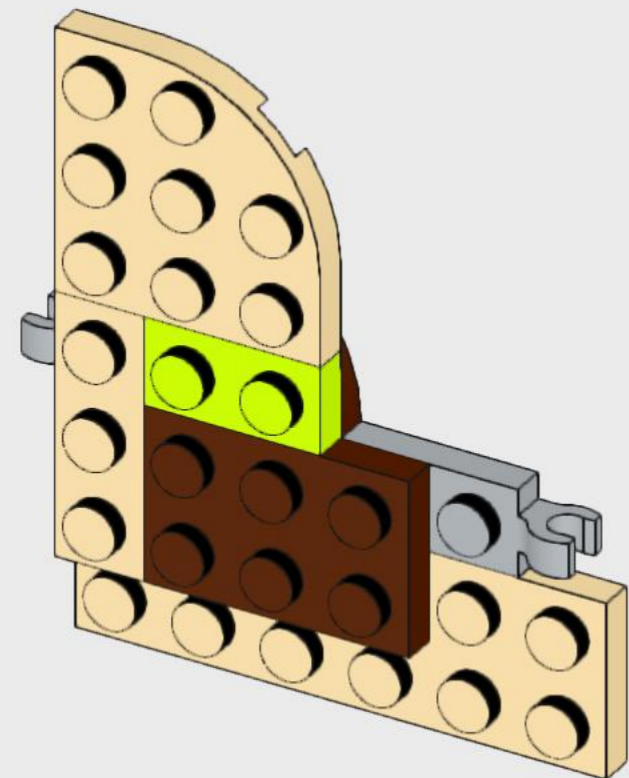
117



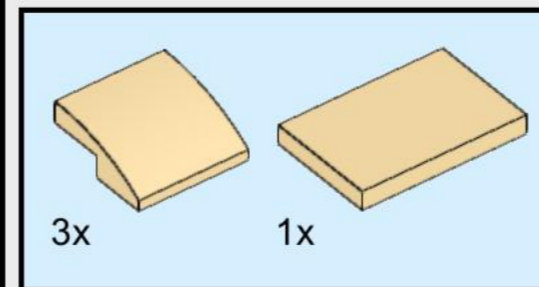
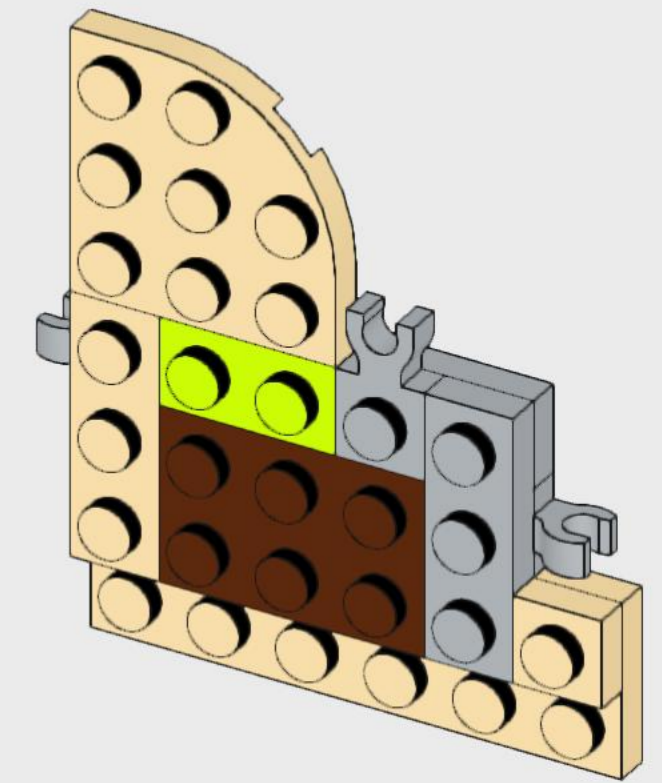
118



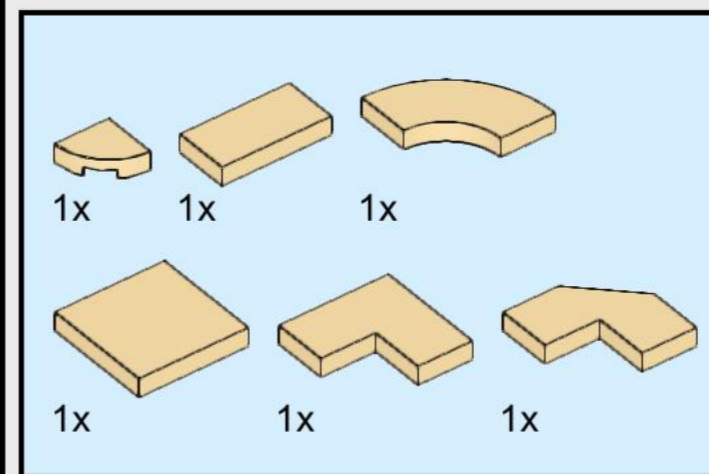
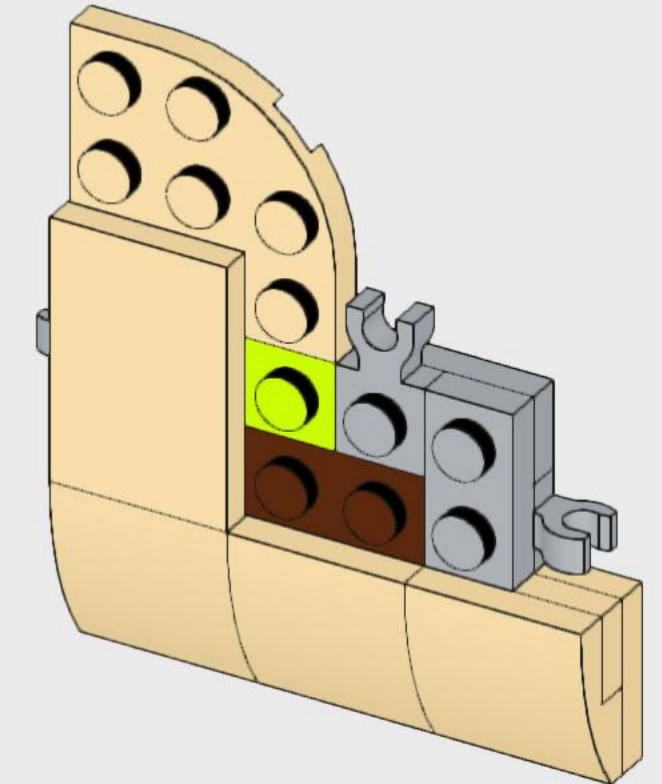
119 



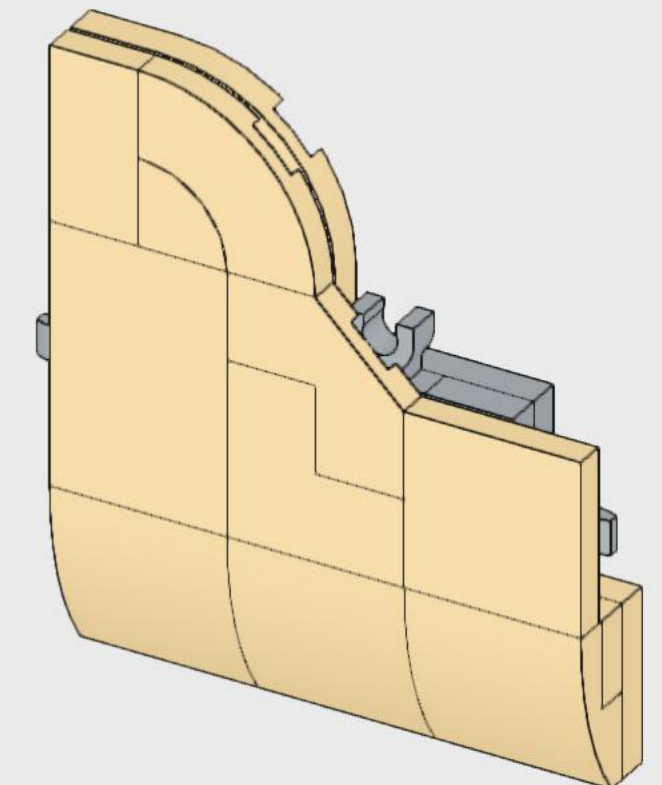
120

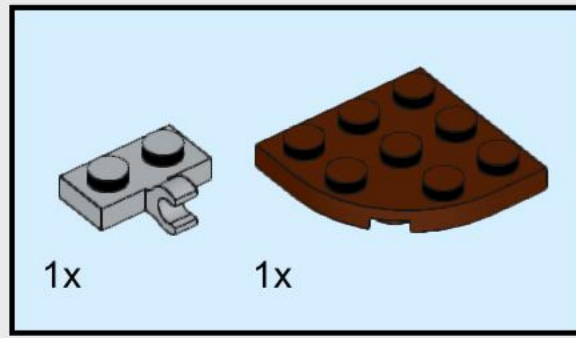


121

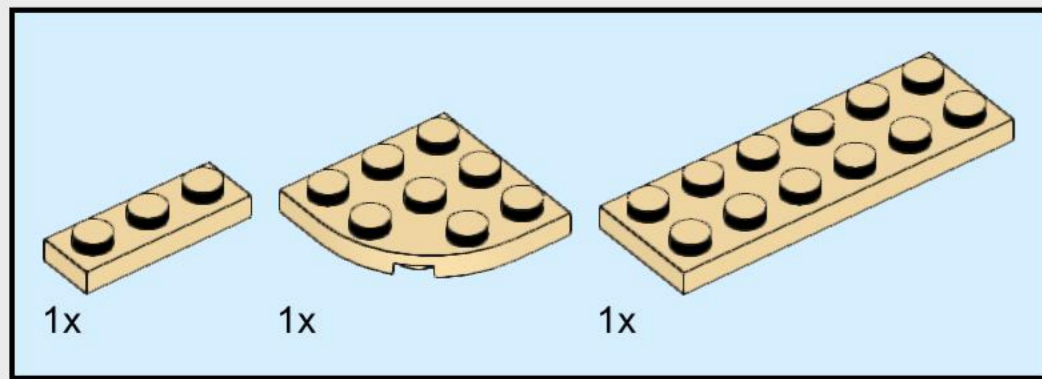
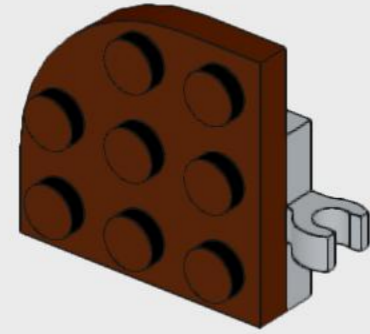


122

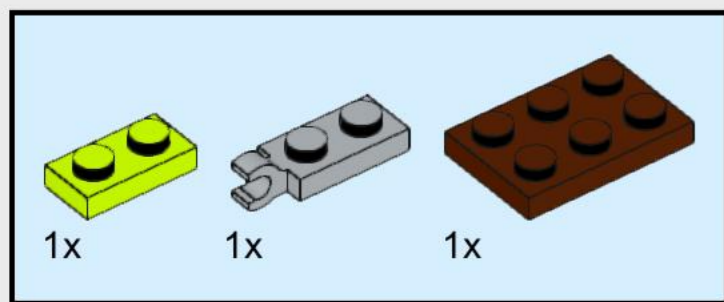
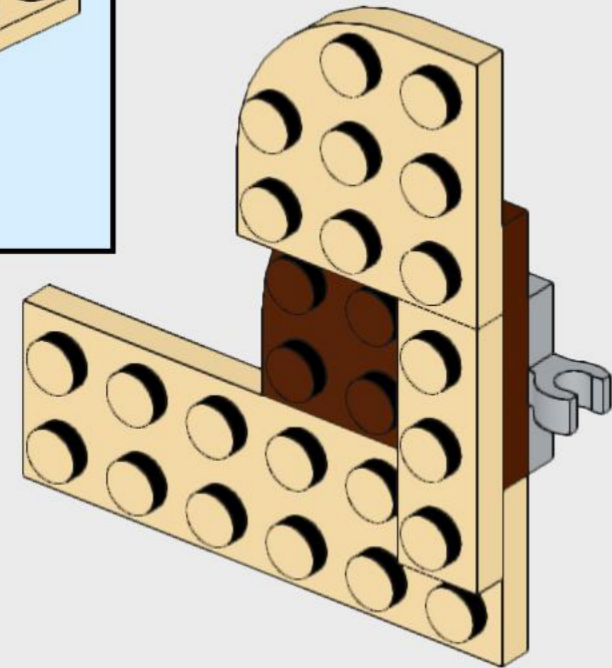




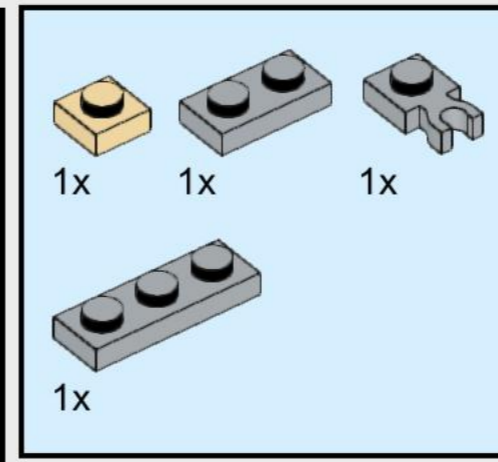
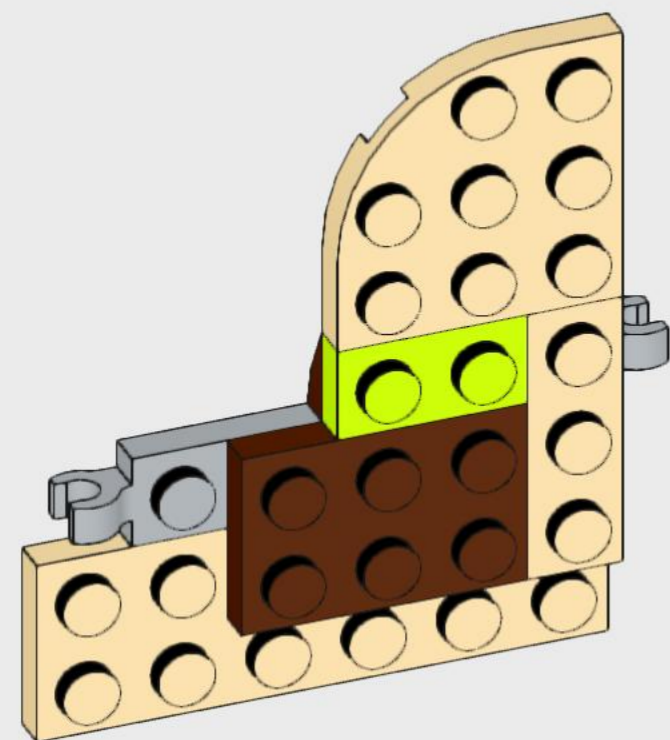
123



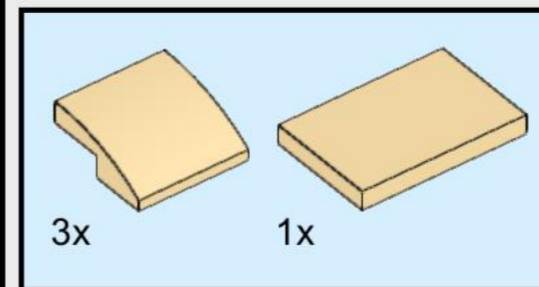
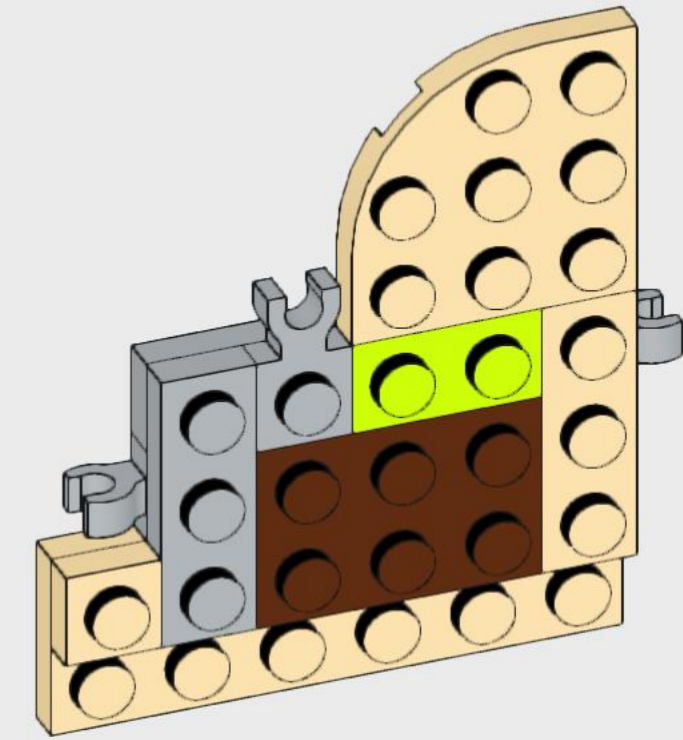
124



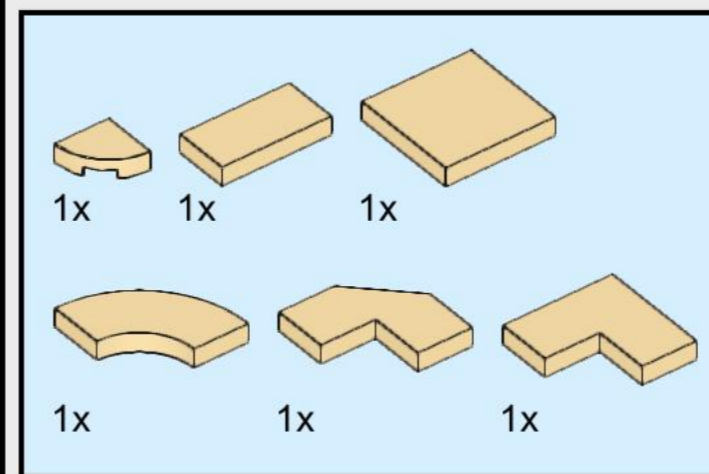
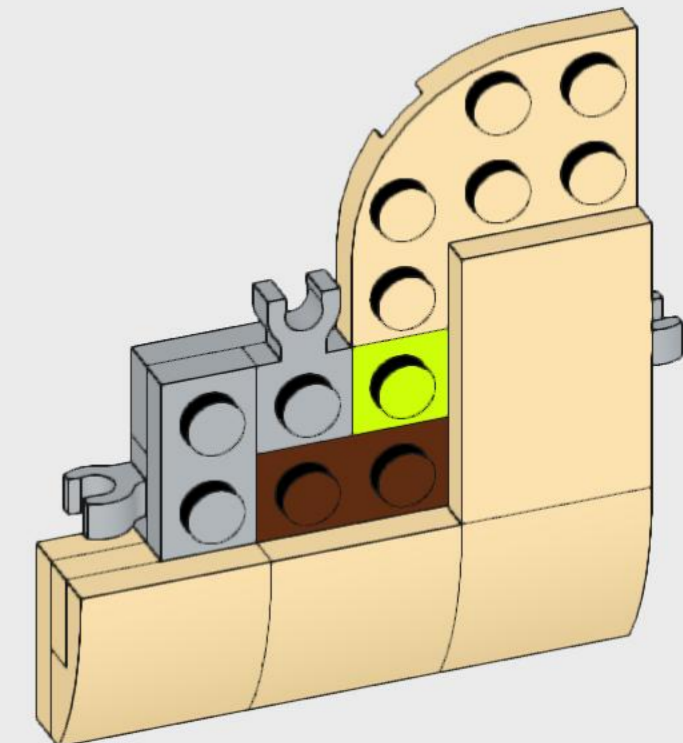
125 



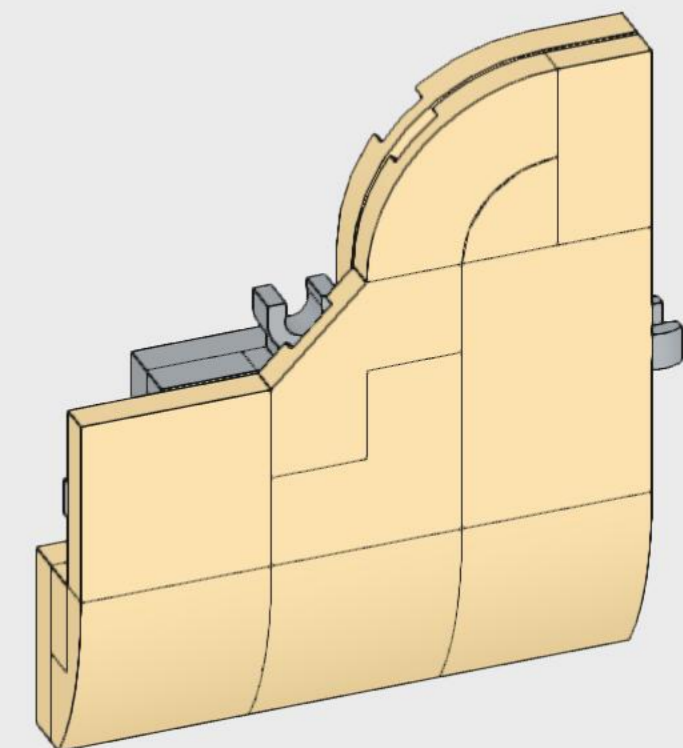
126

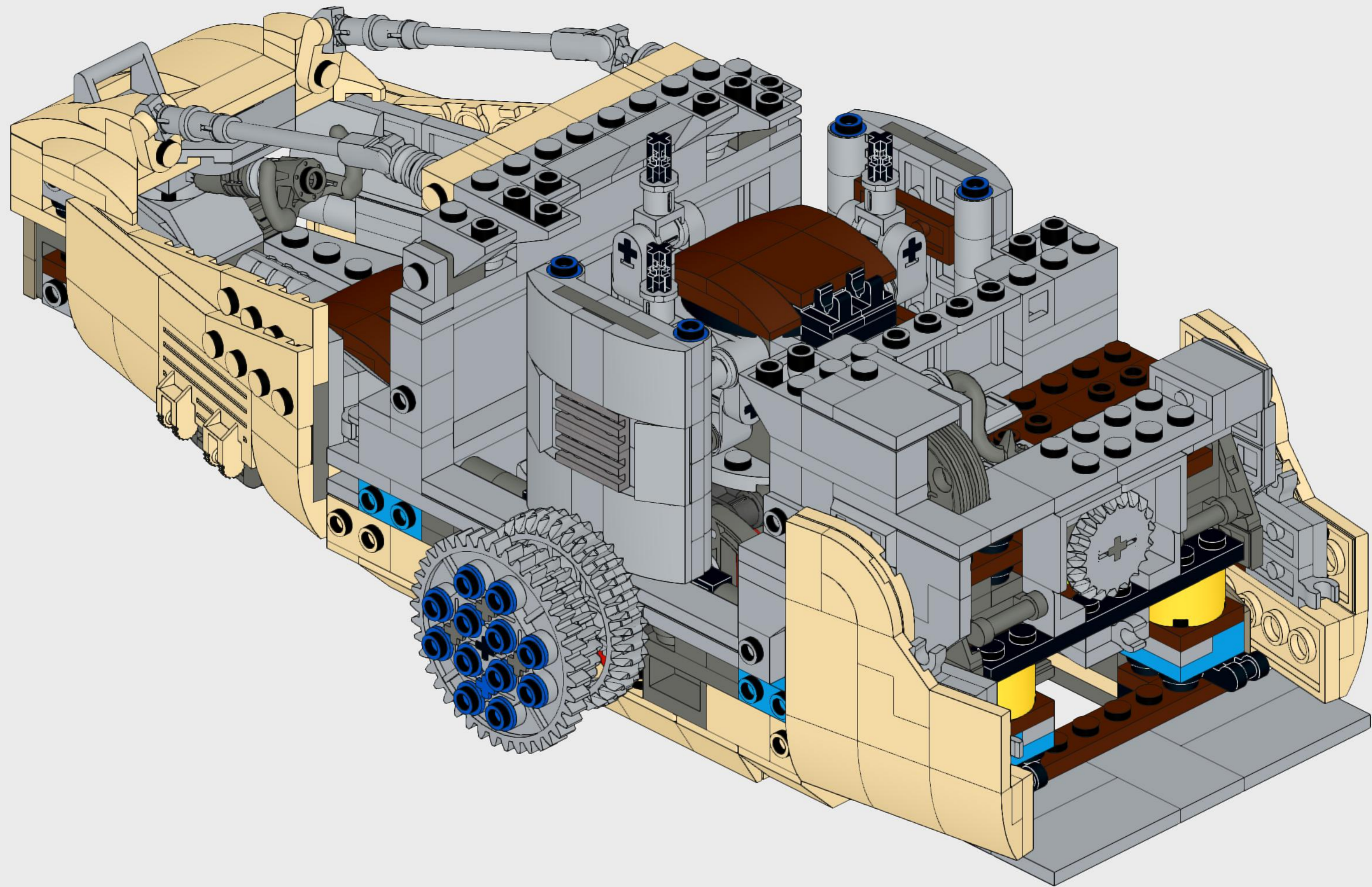


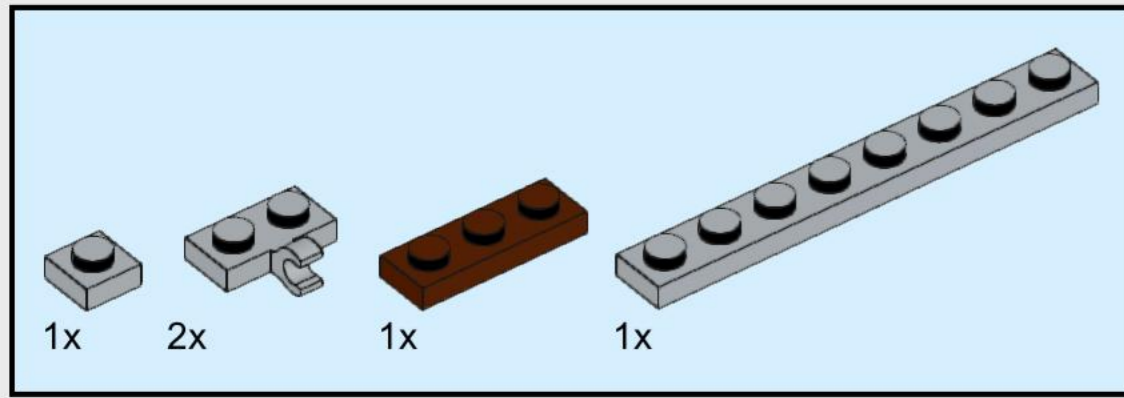
127



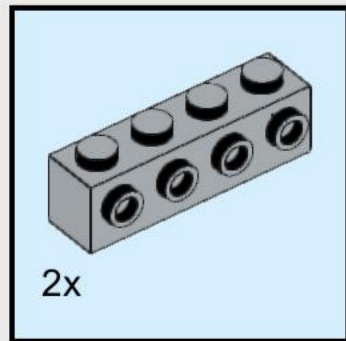
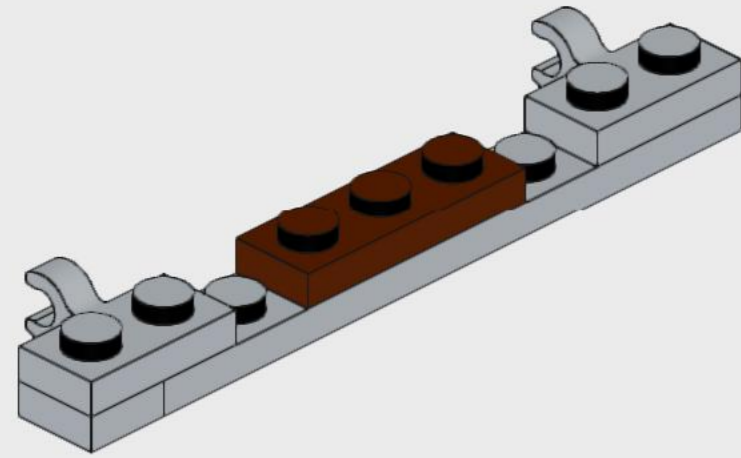
128



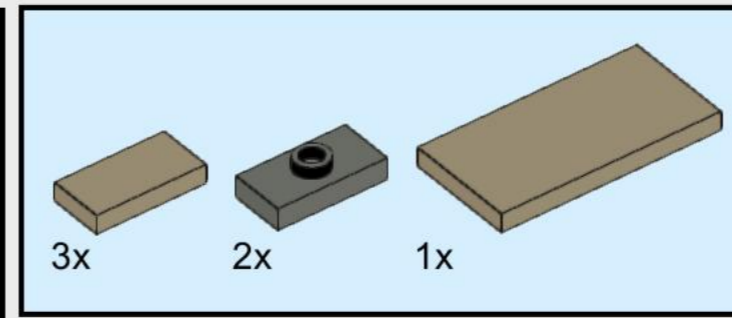
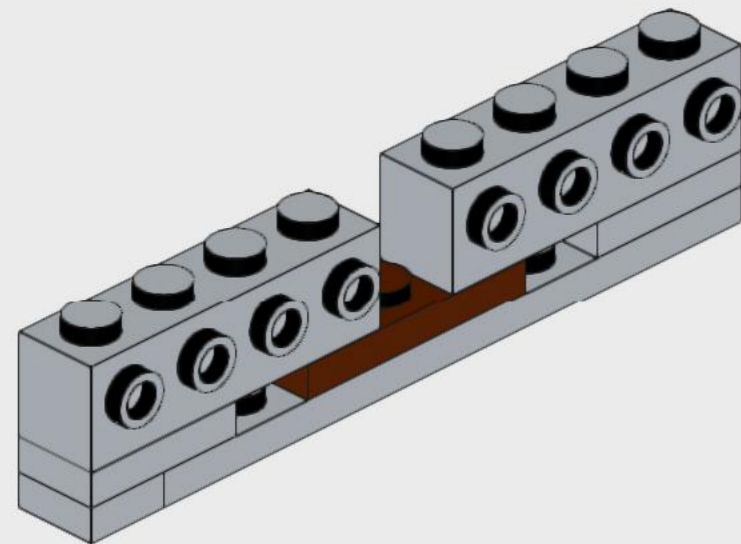




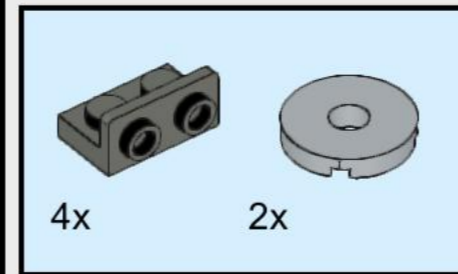
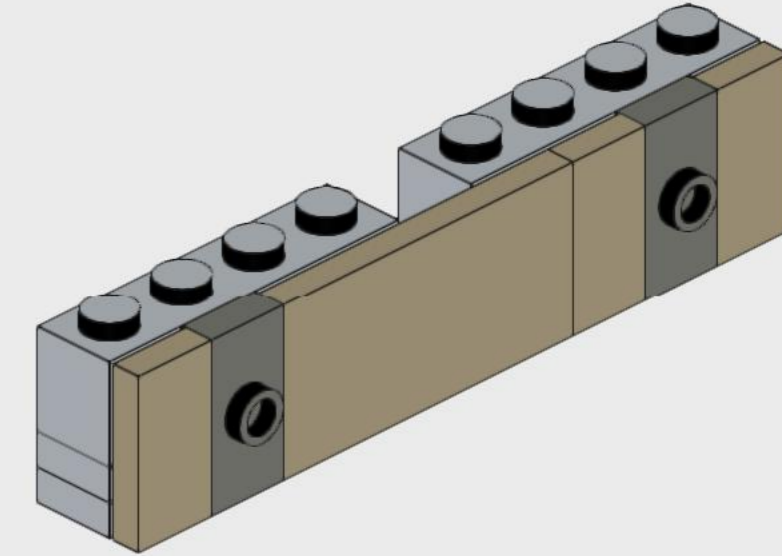
130



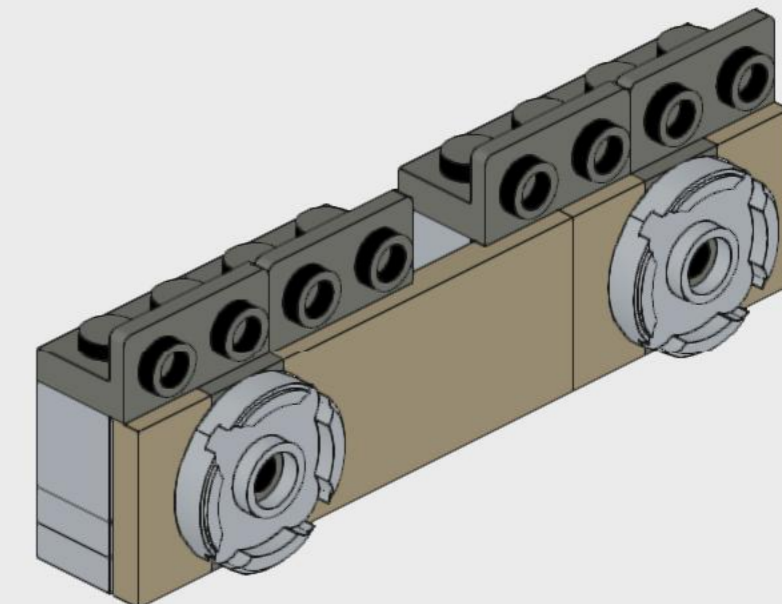
131

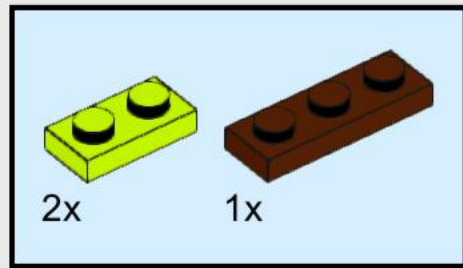


132

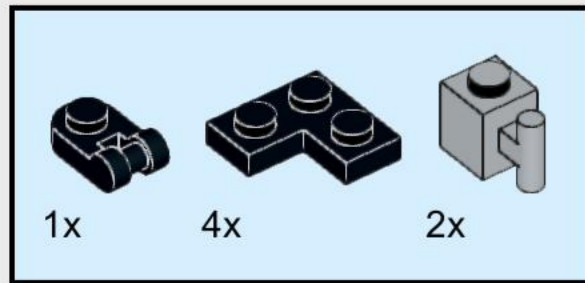
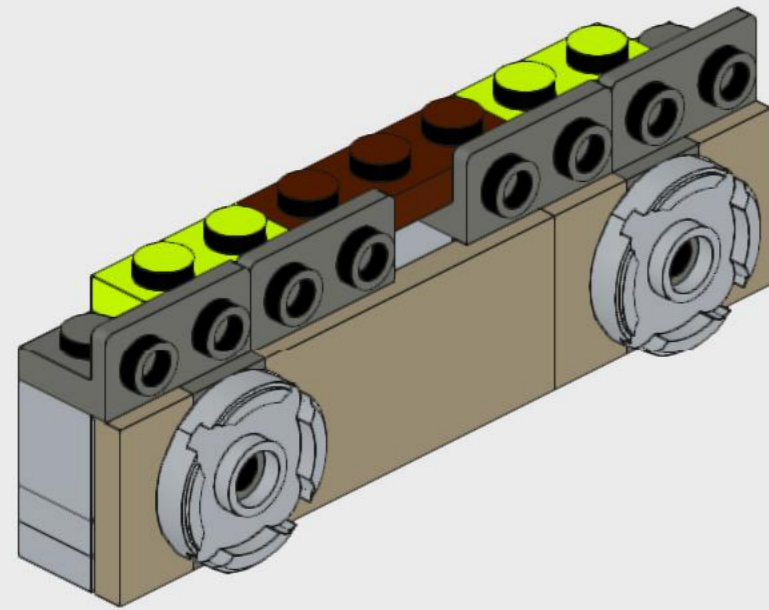


133

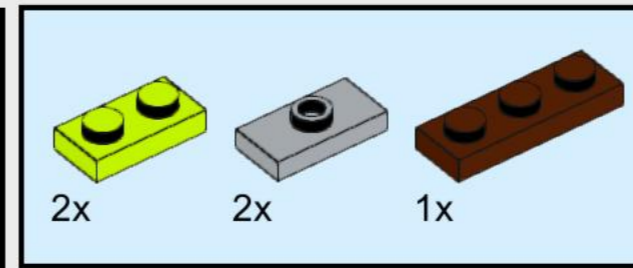
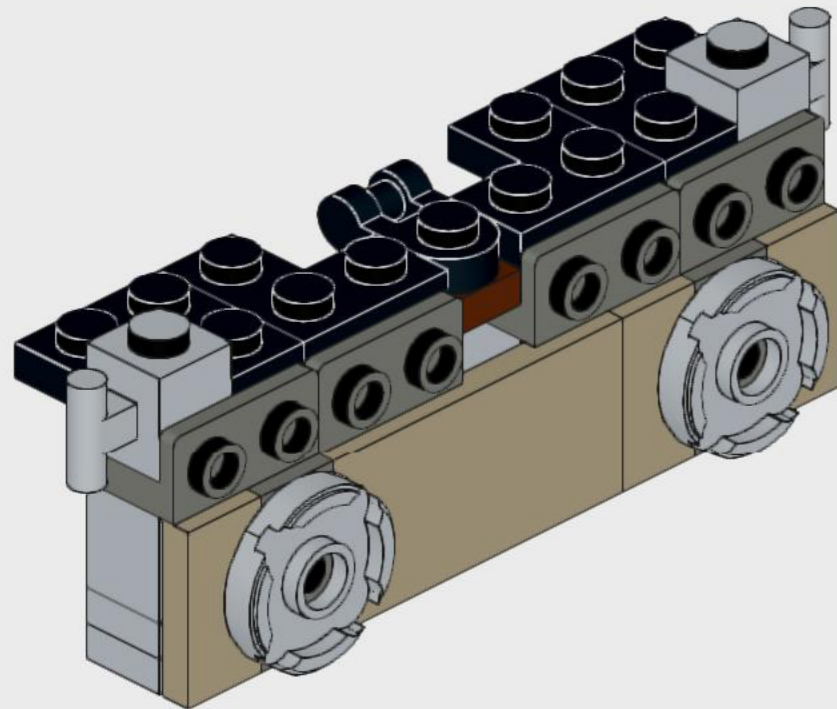




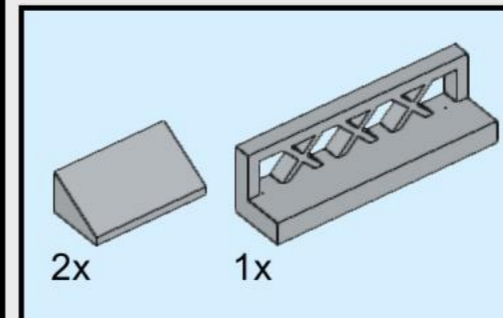
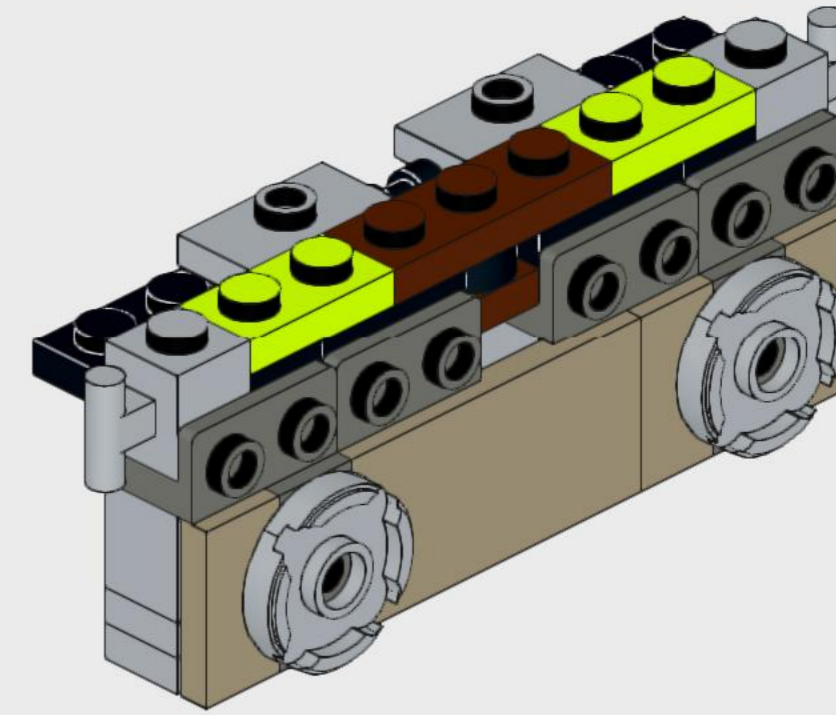
134



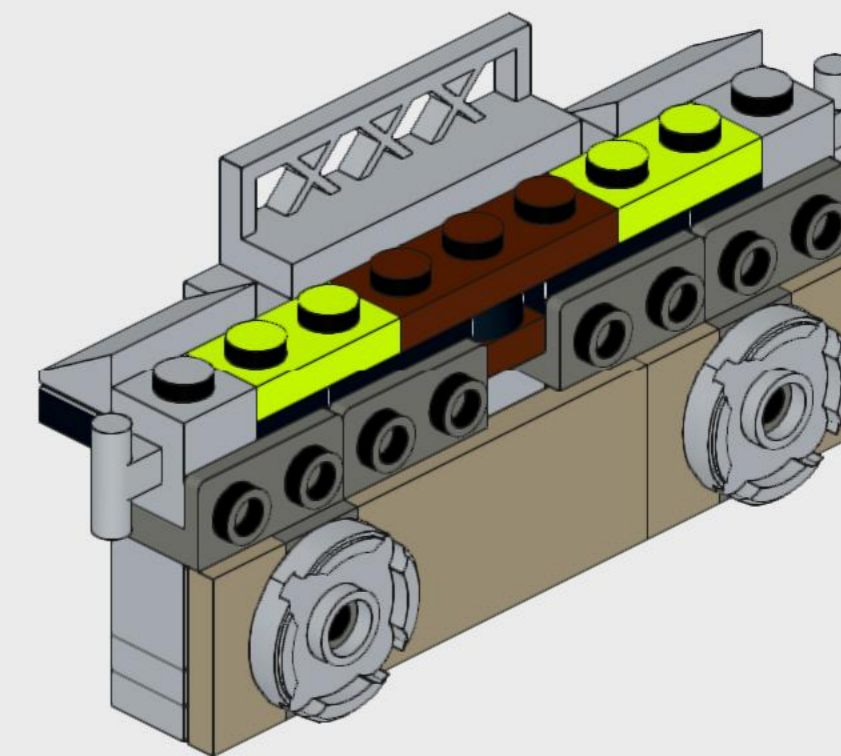
135

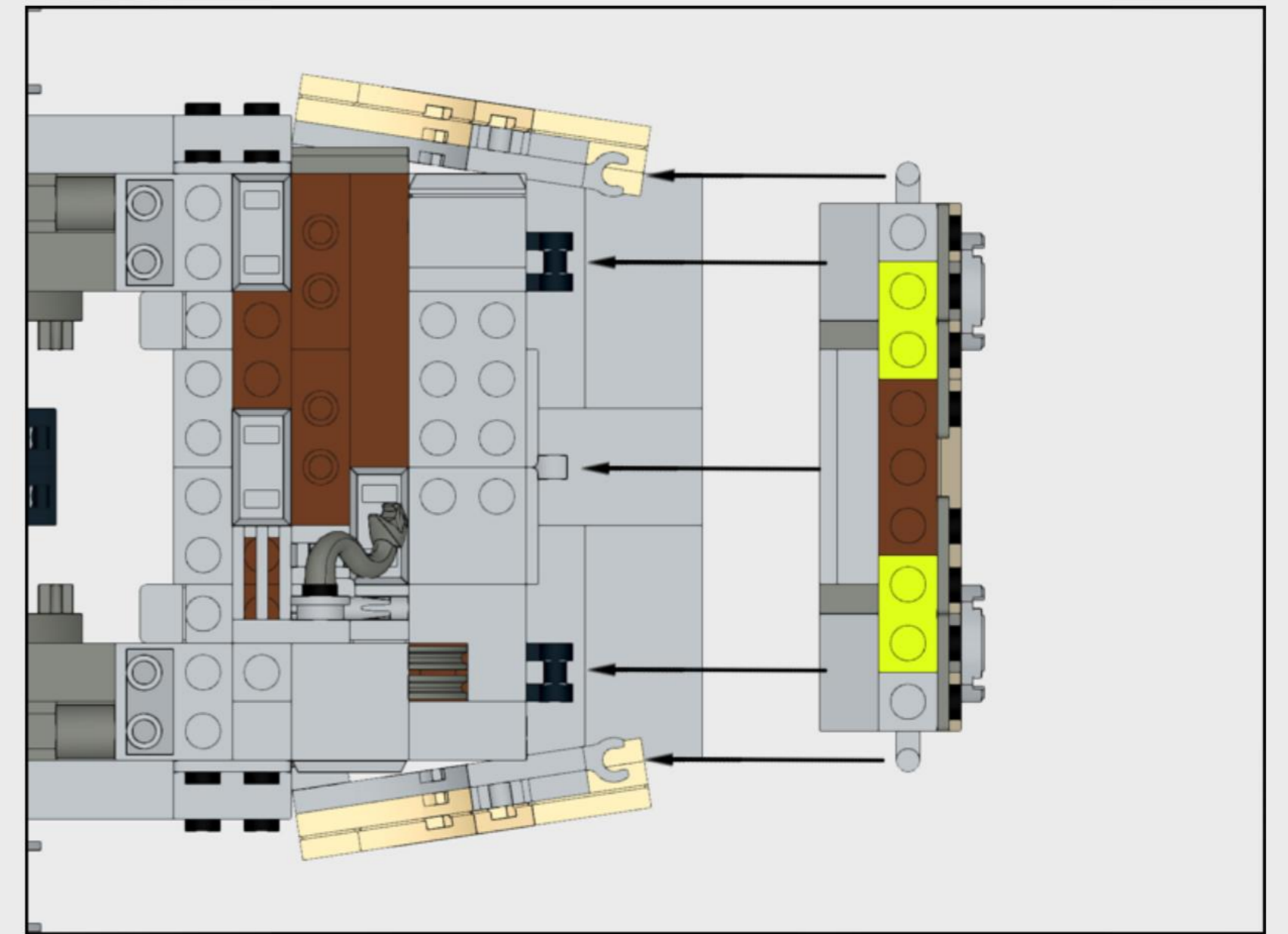
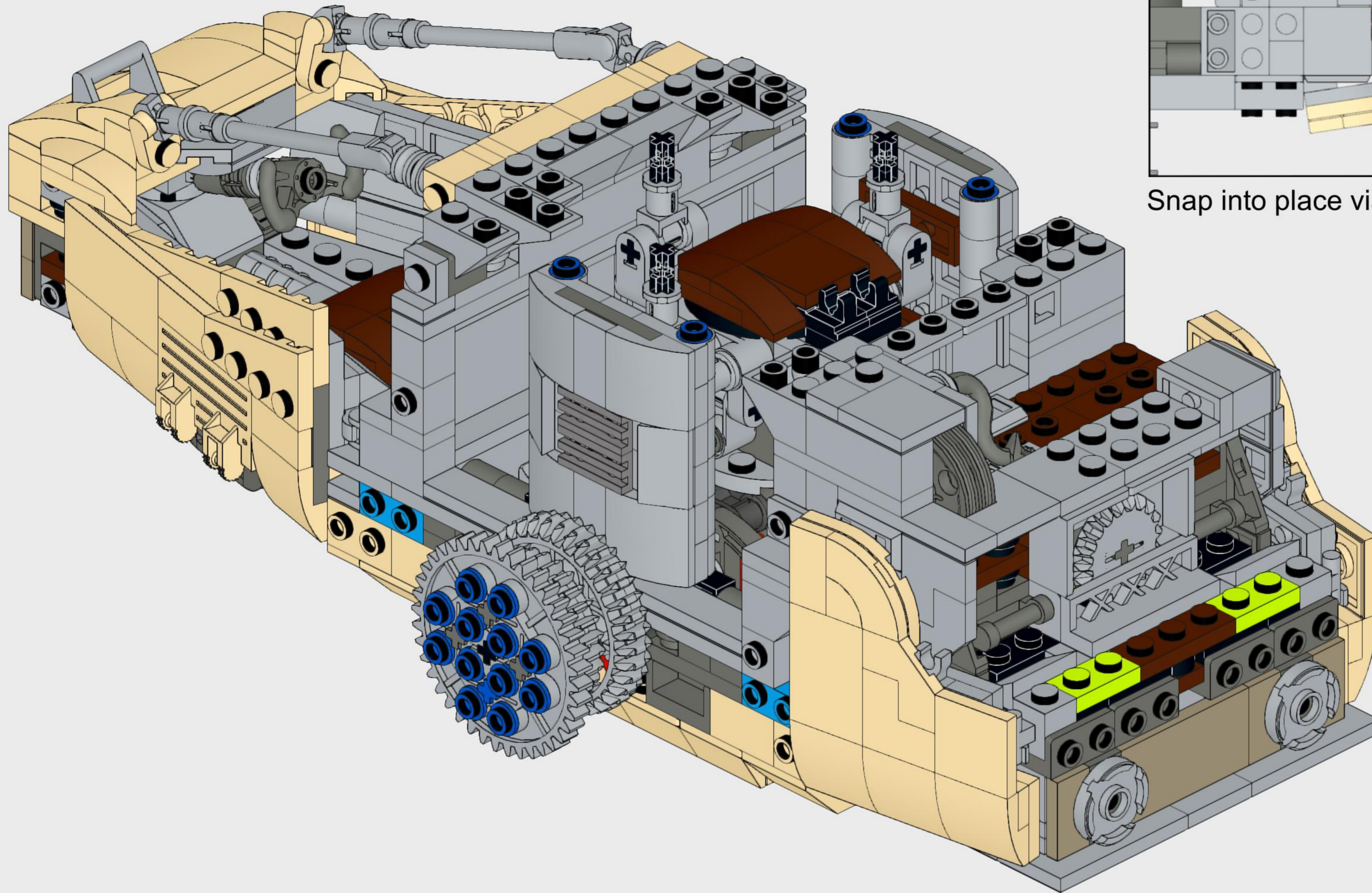


136



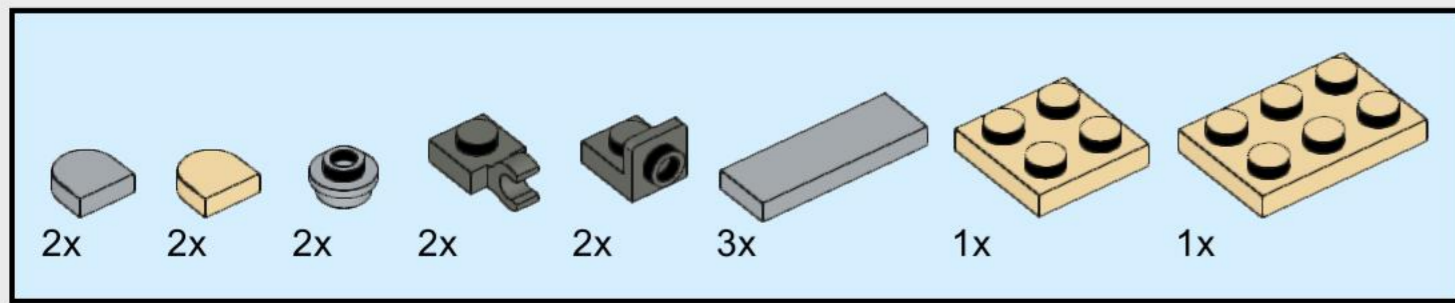
137



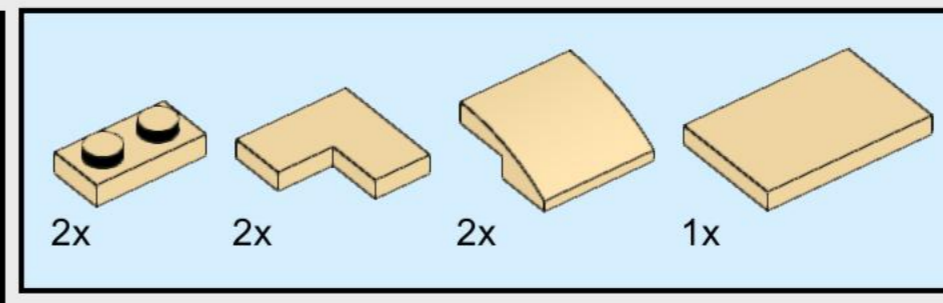
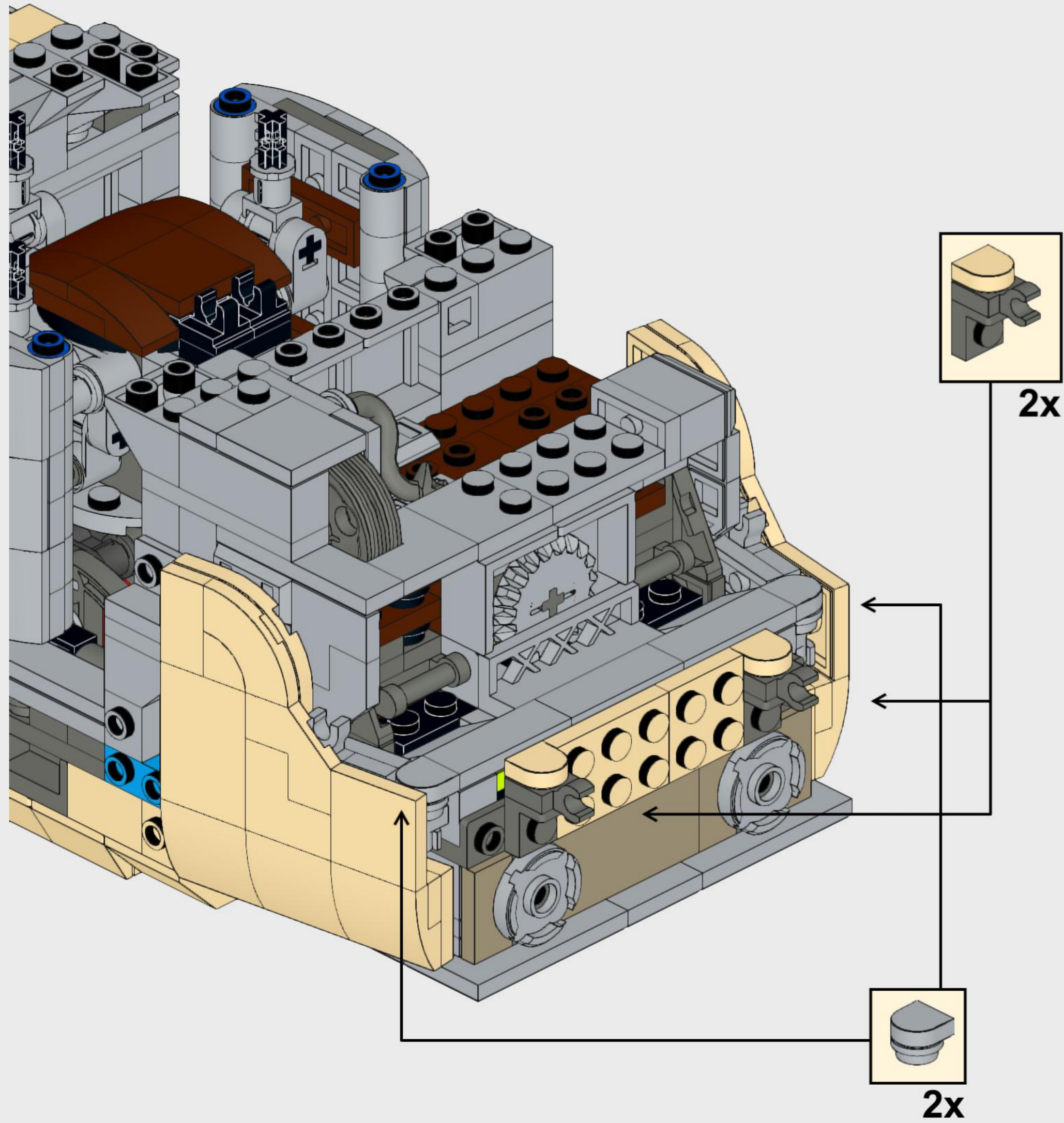


Snap into place via five clip points.

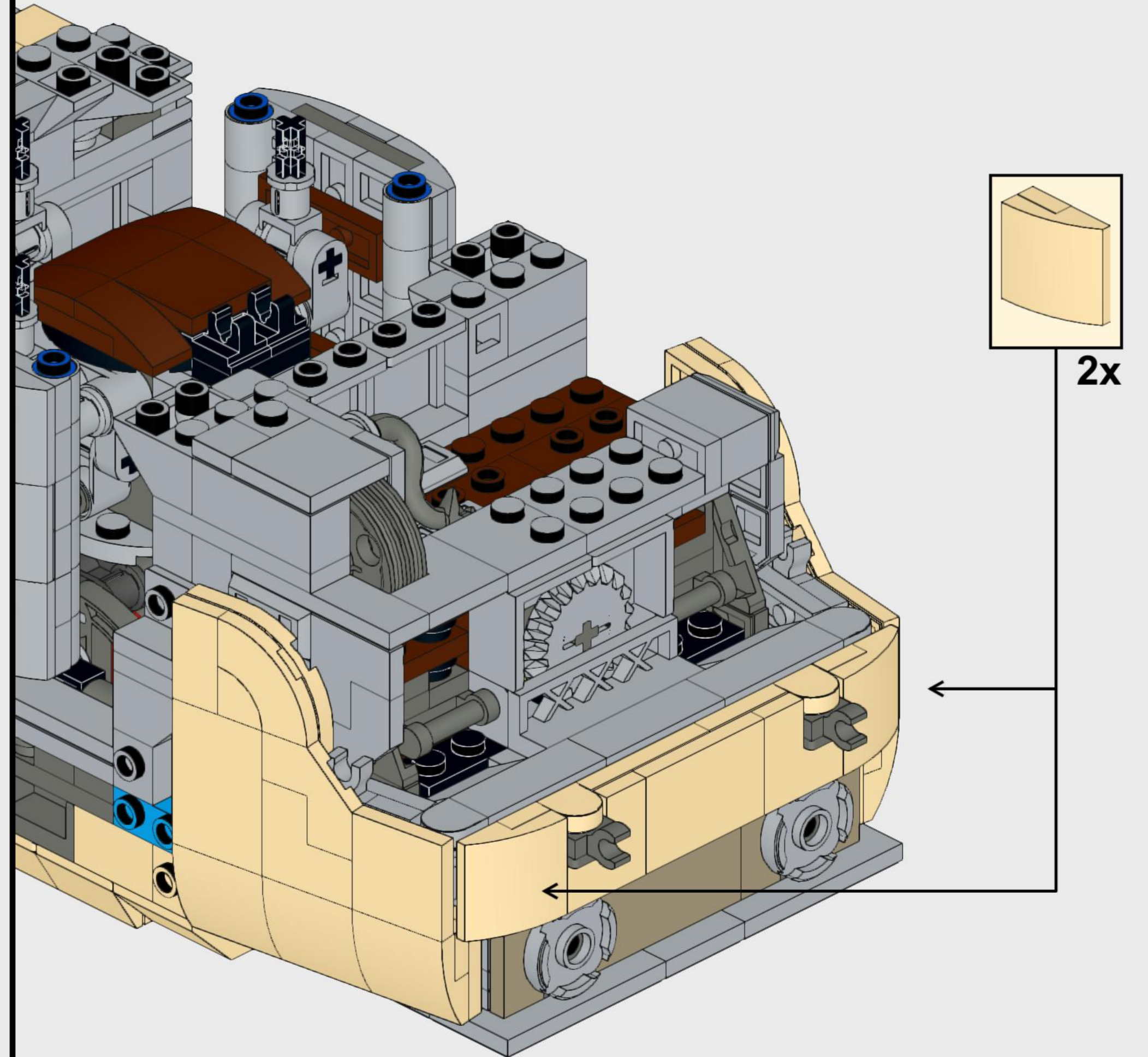


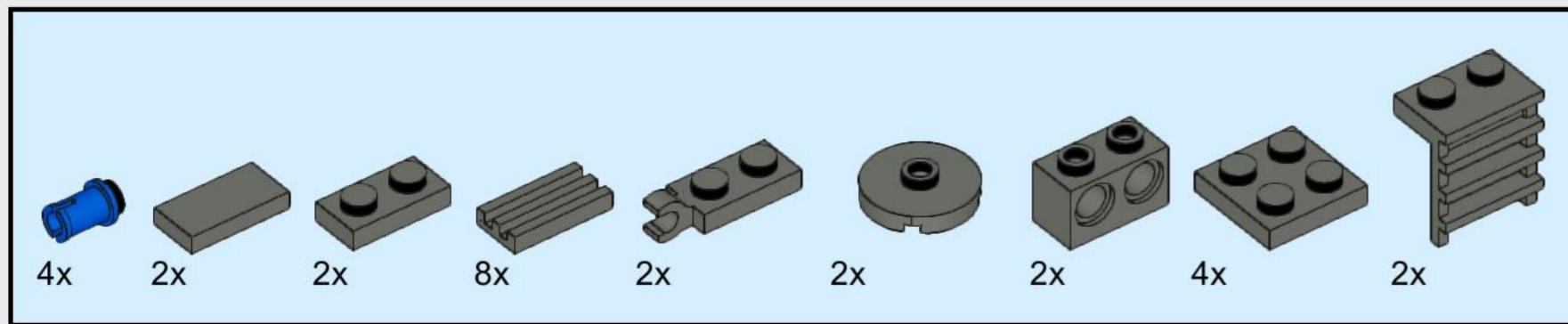


139

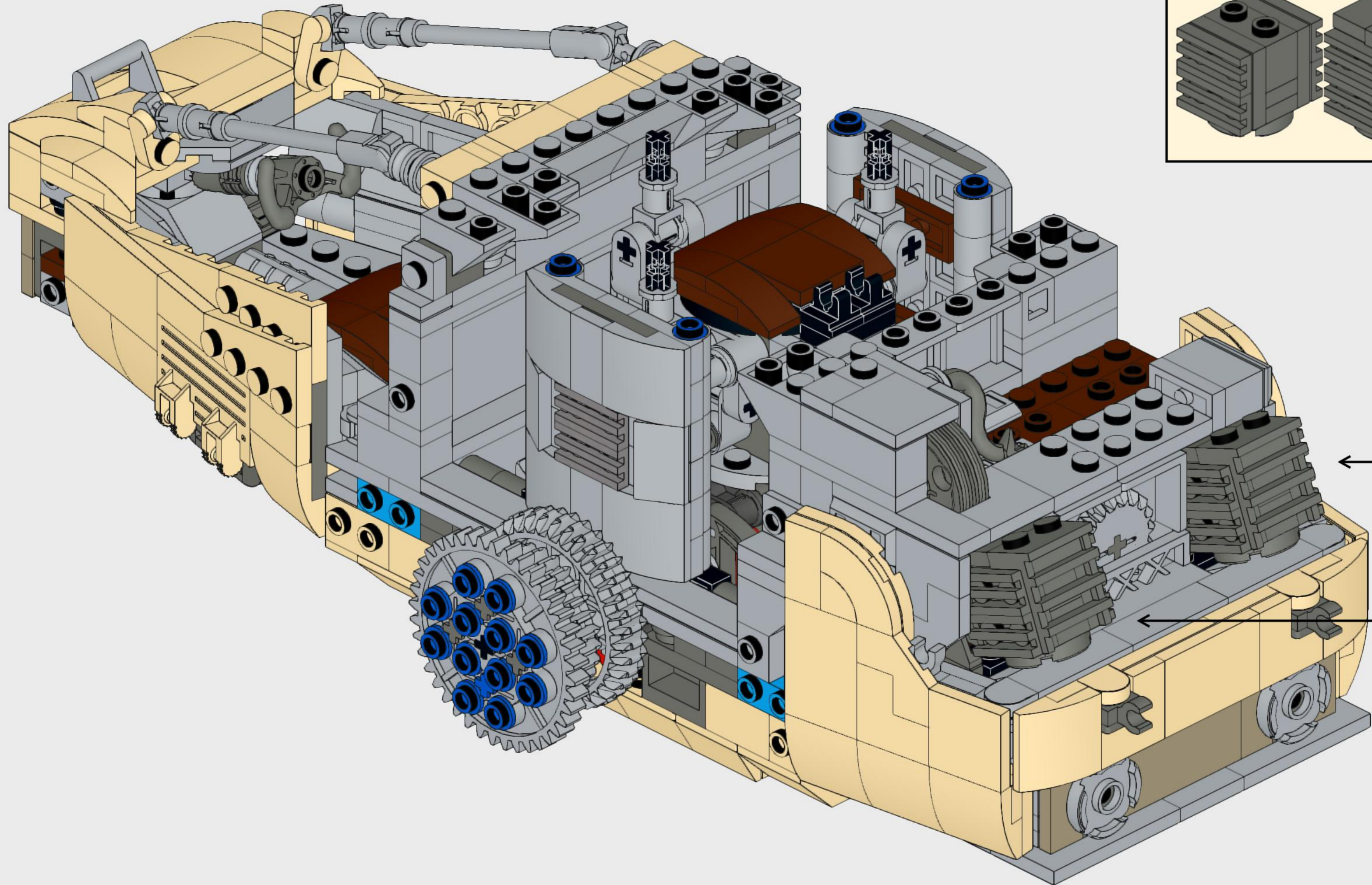
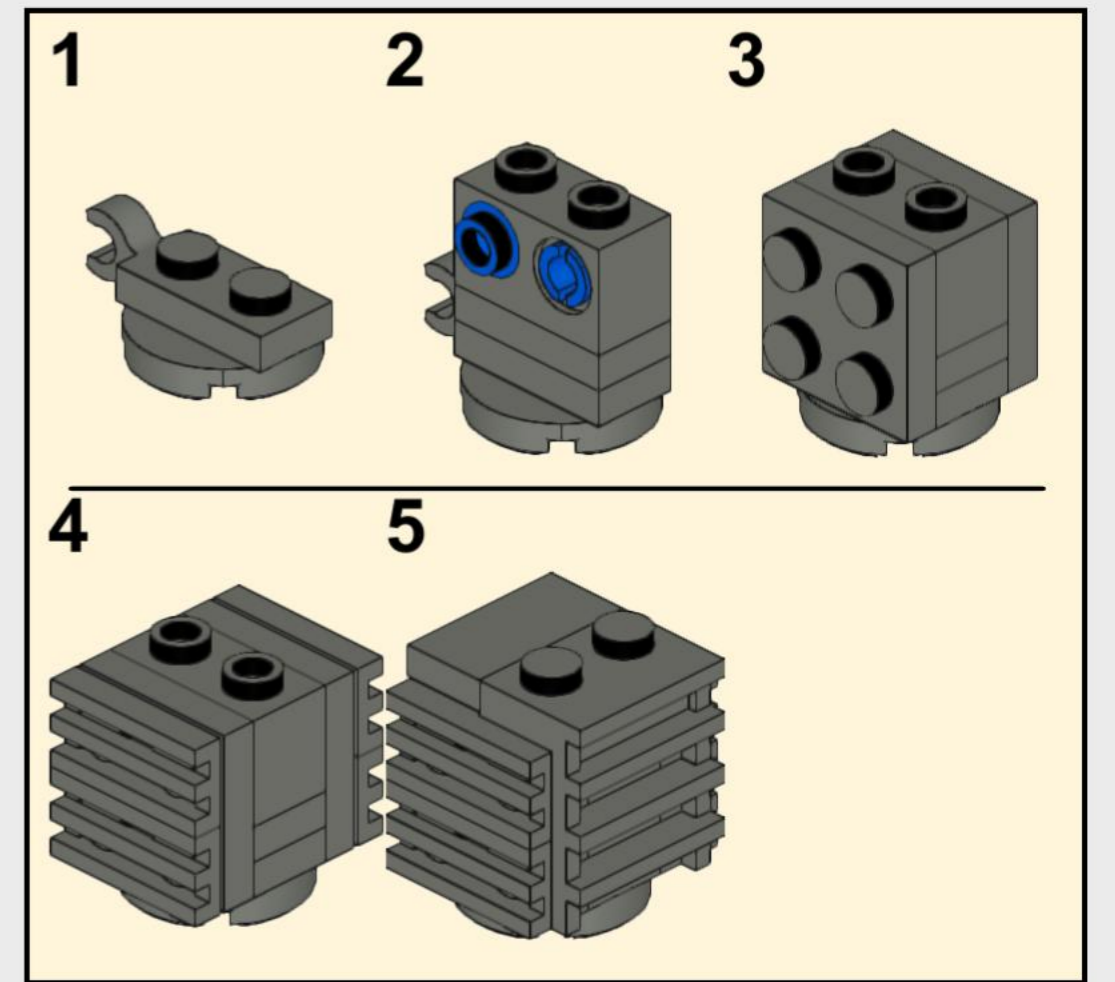


140

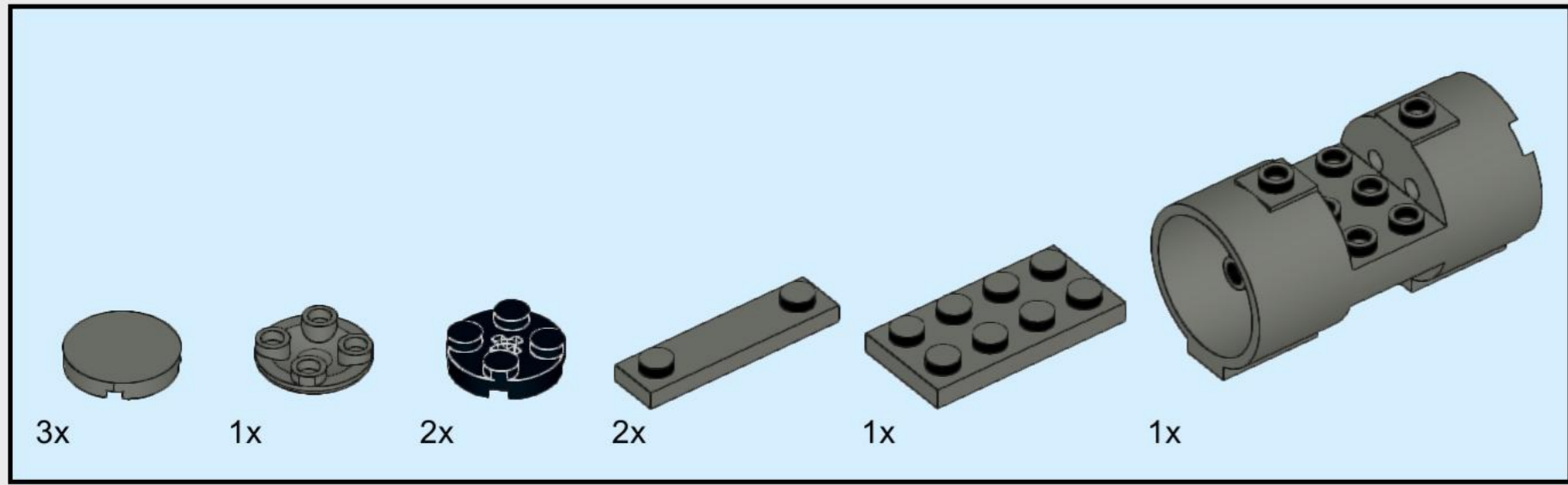




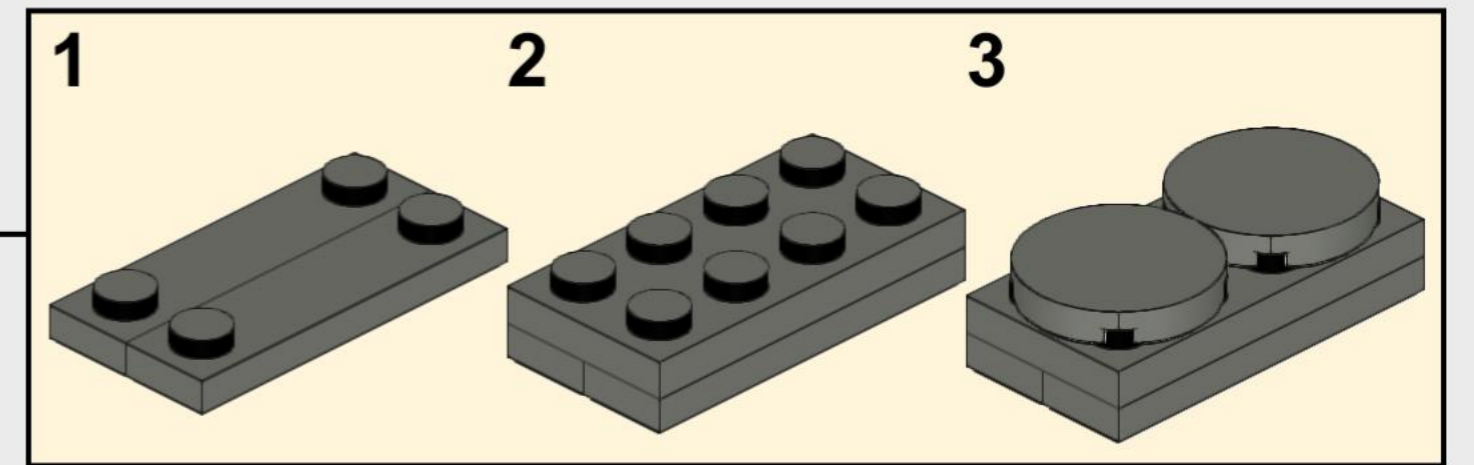
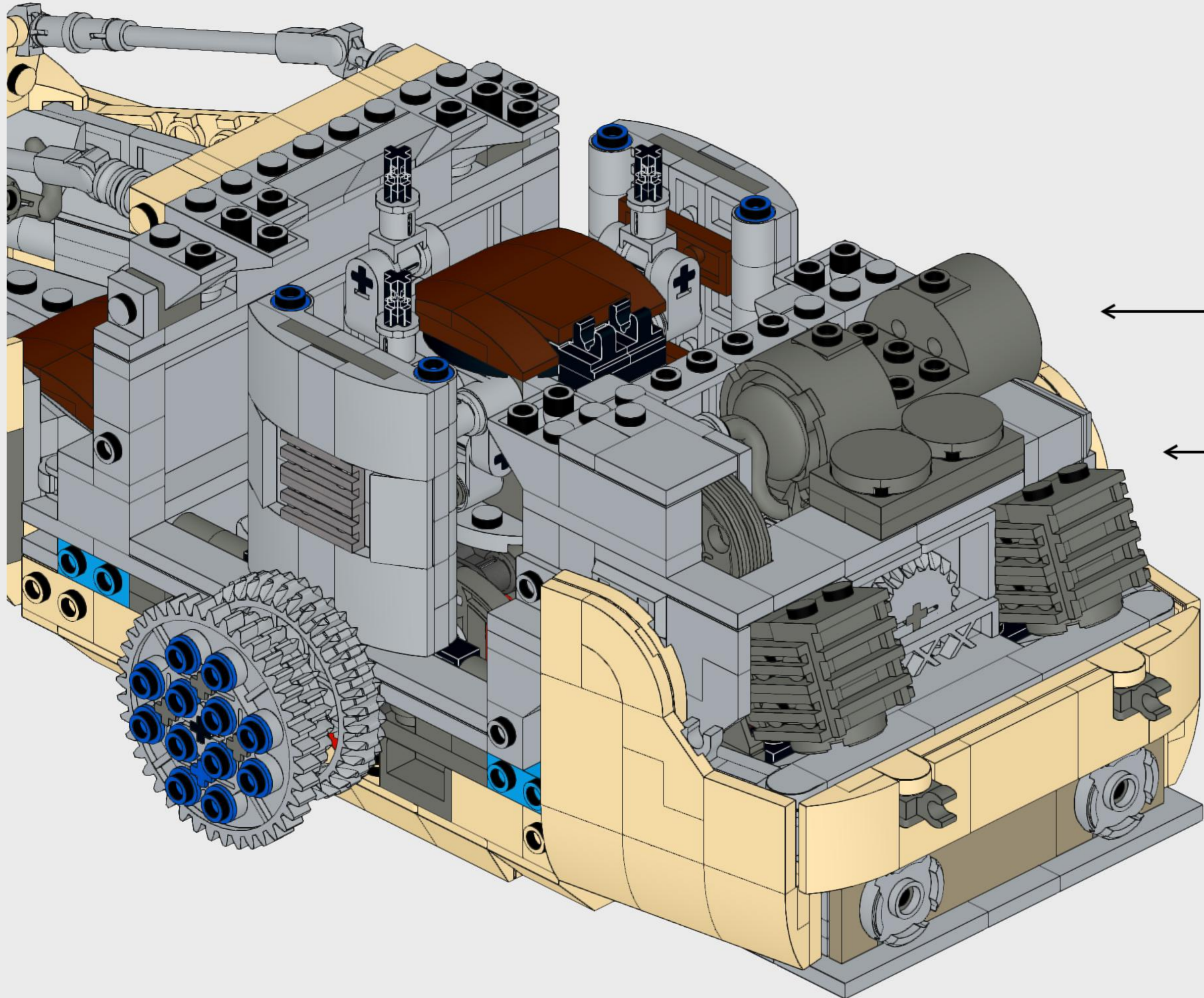
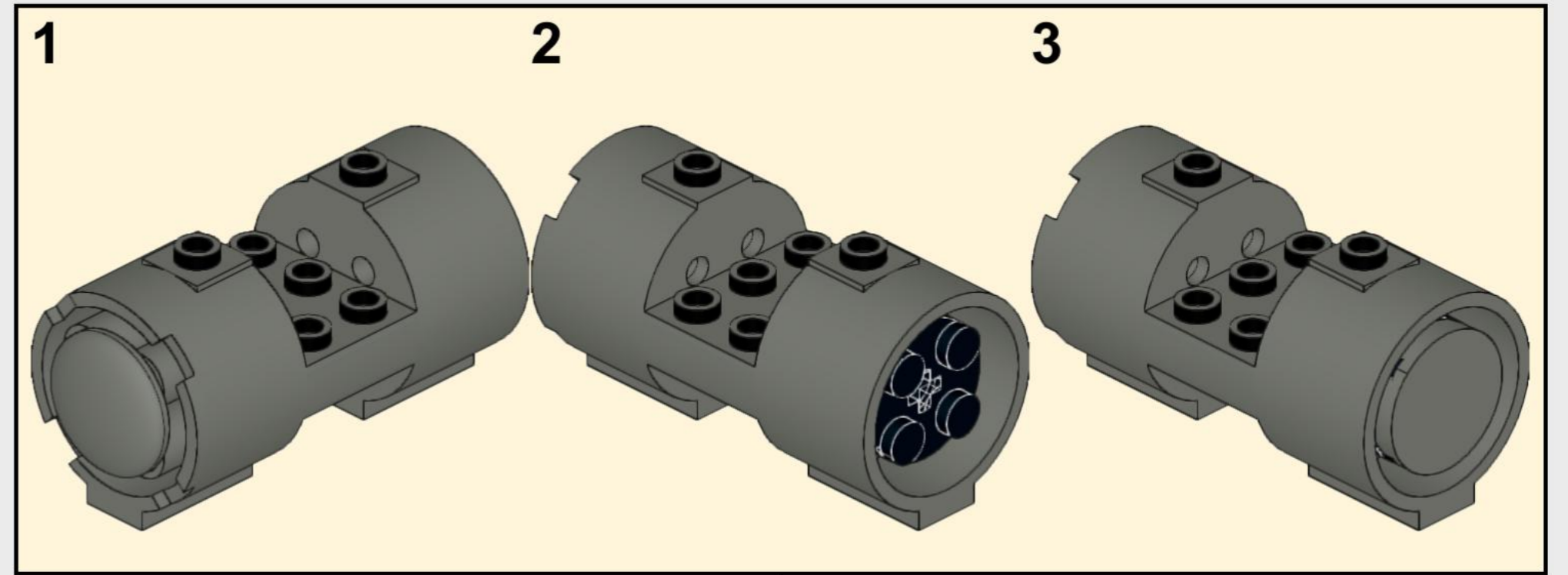
141



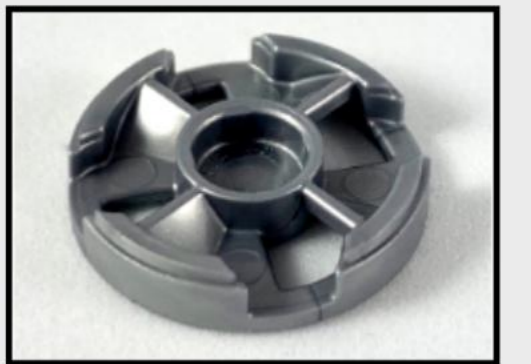
2x

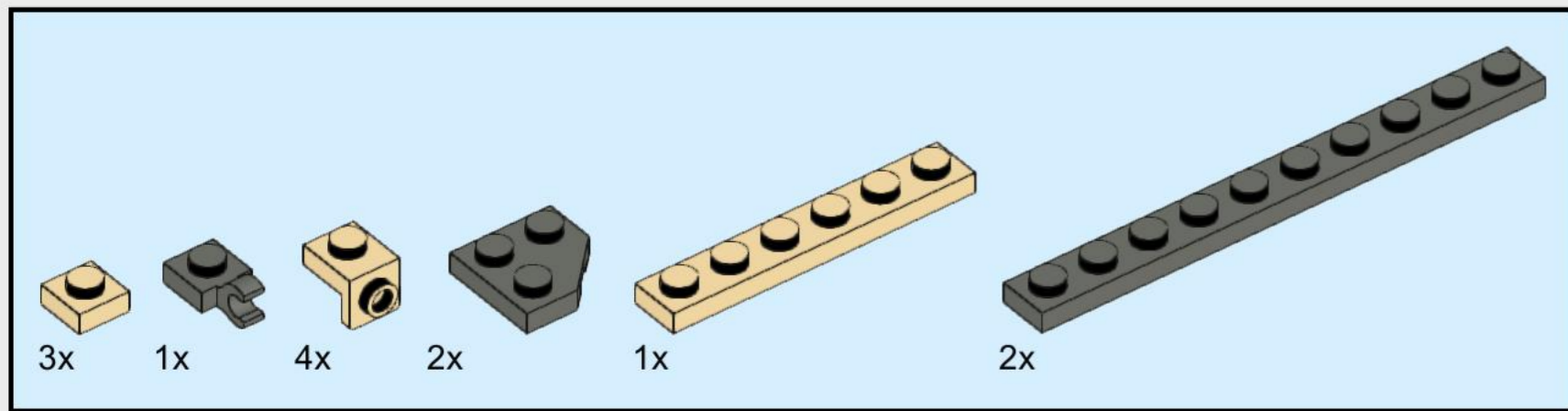


142

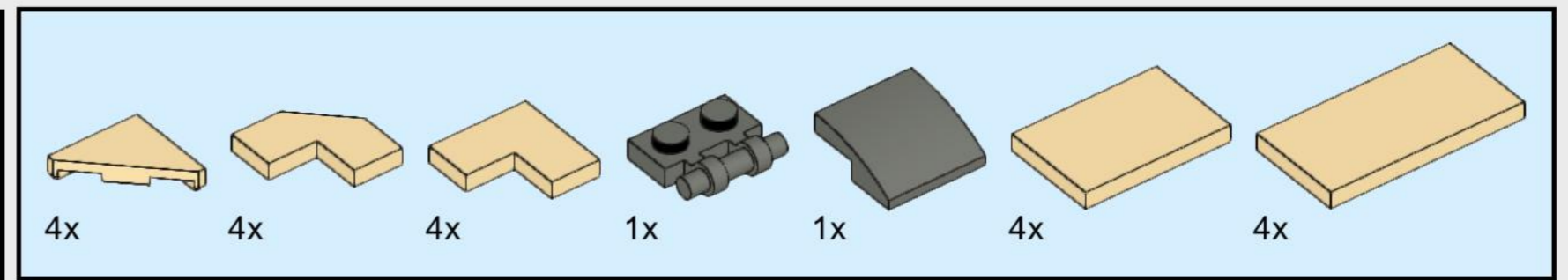
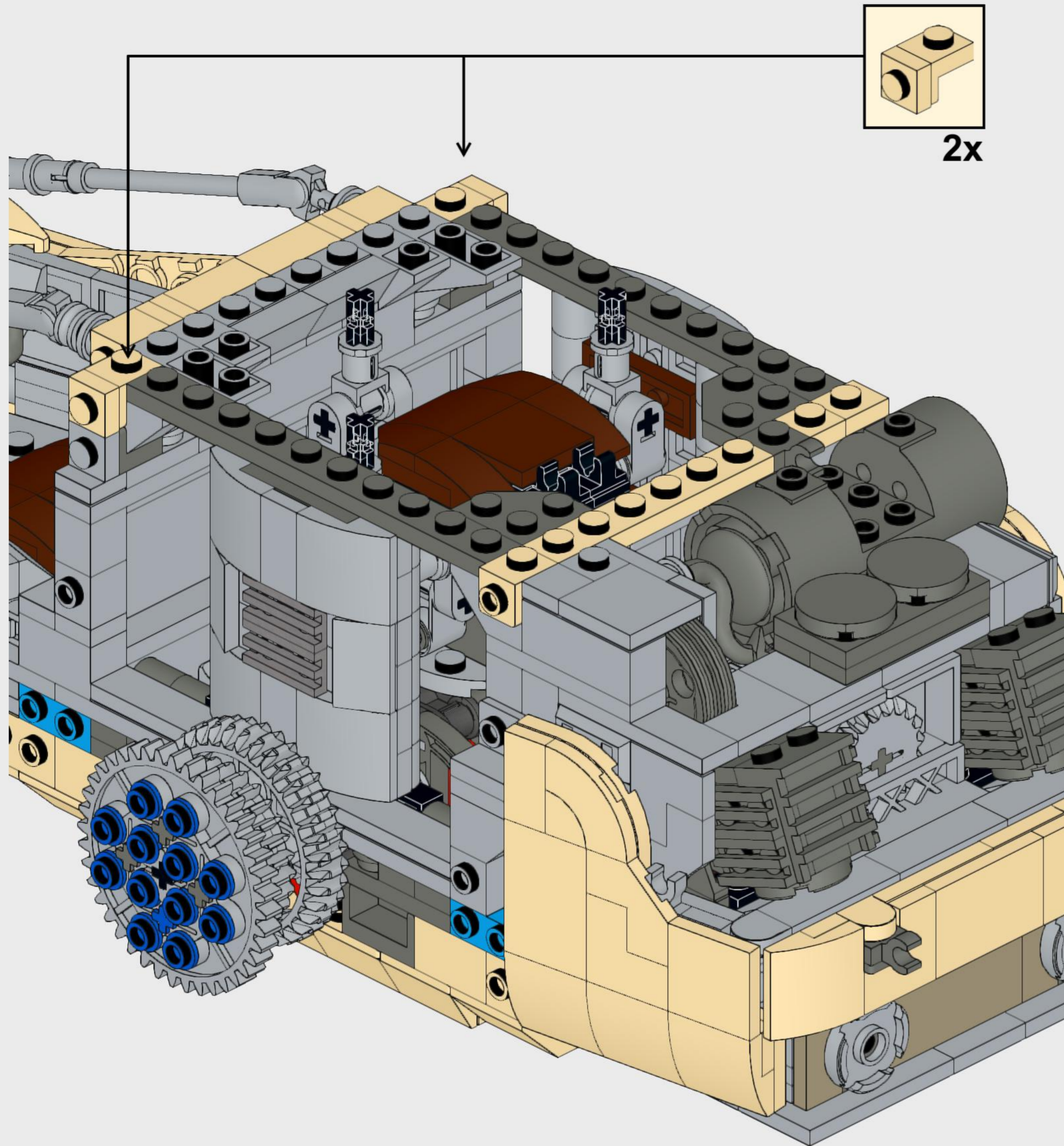


Use Weapon Disk in place of flat tiles.

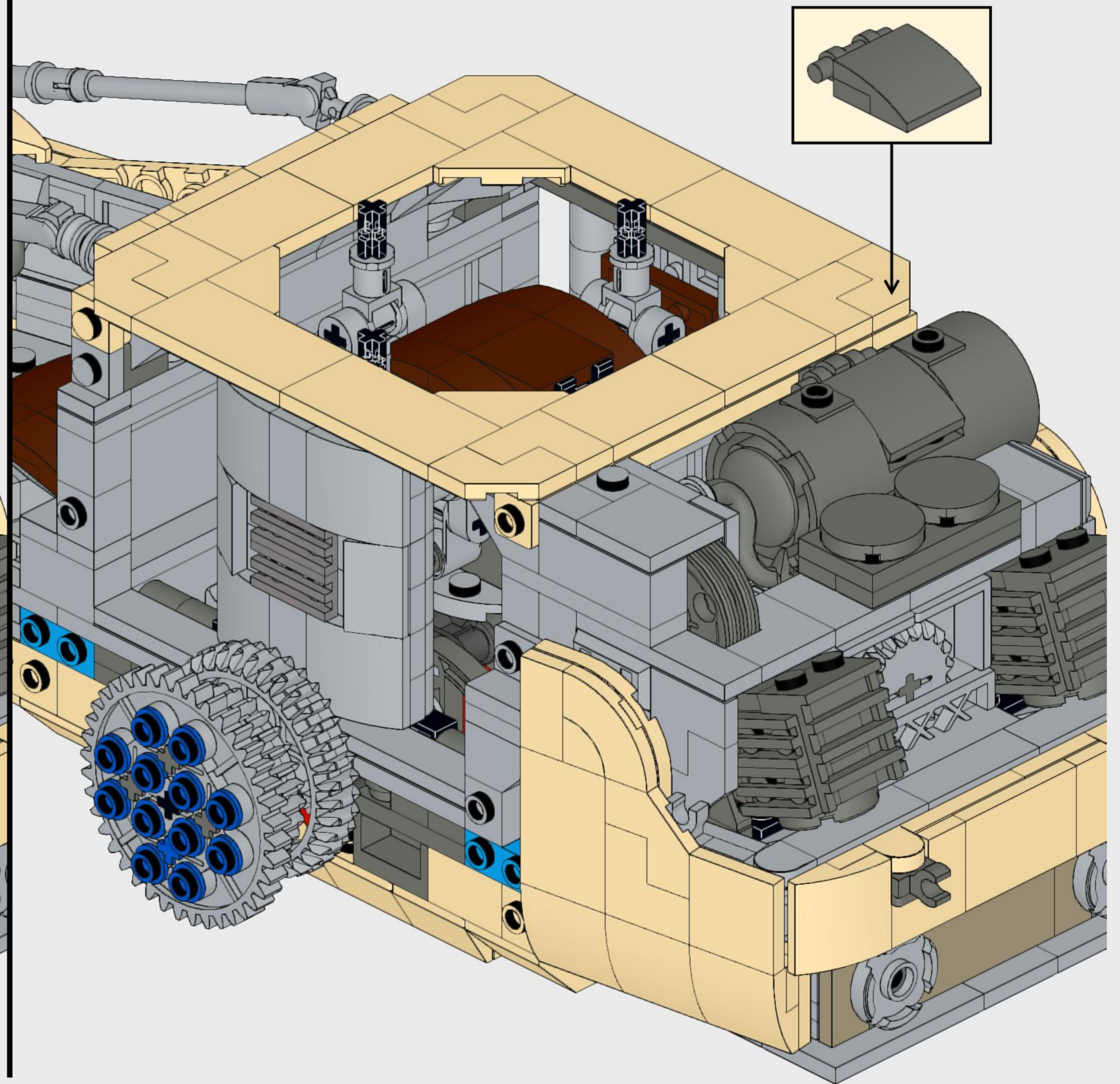


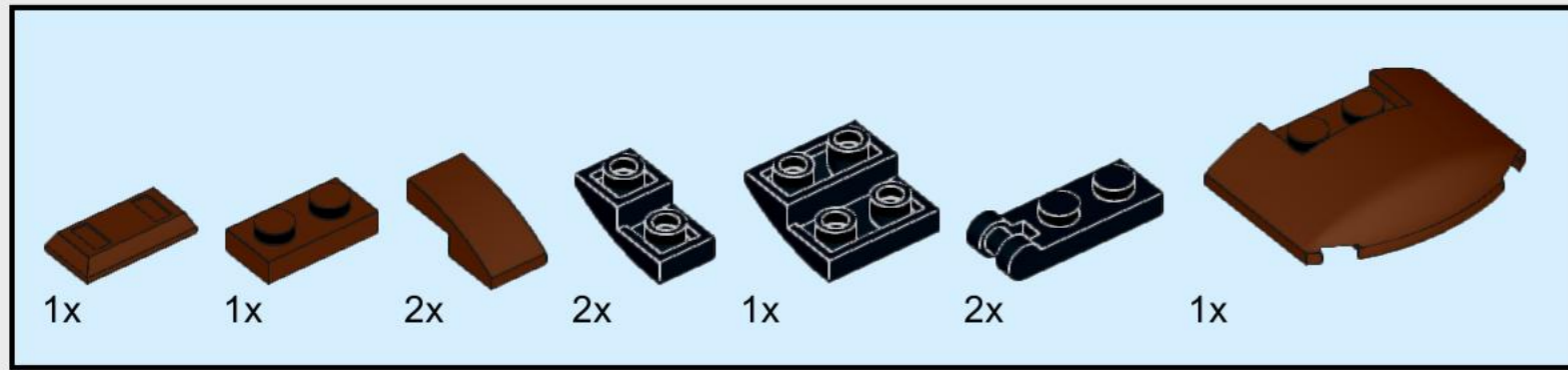


143

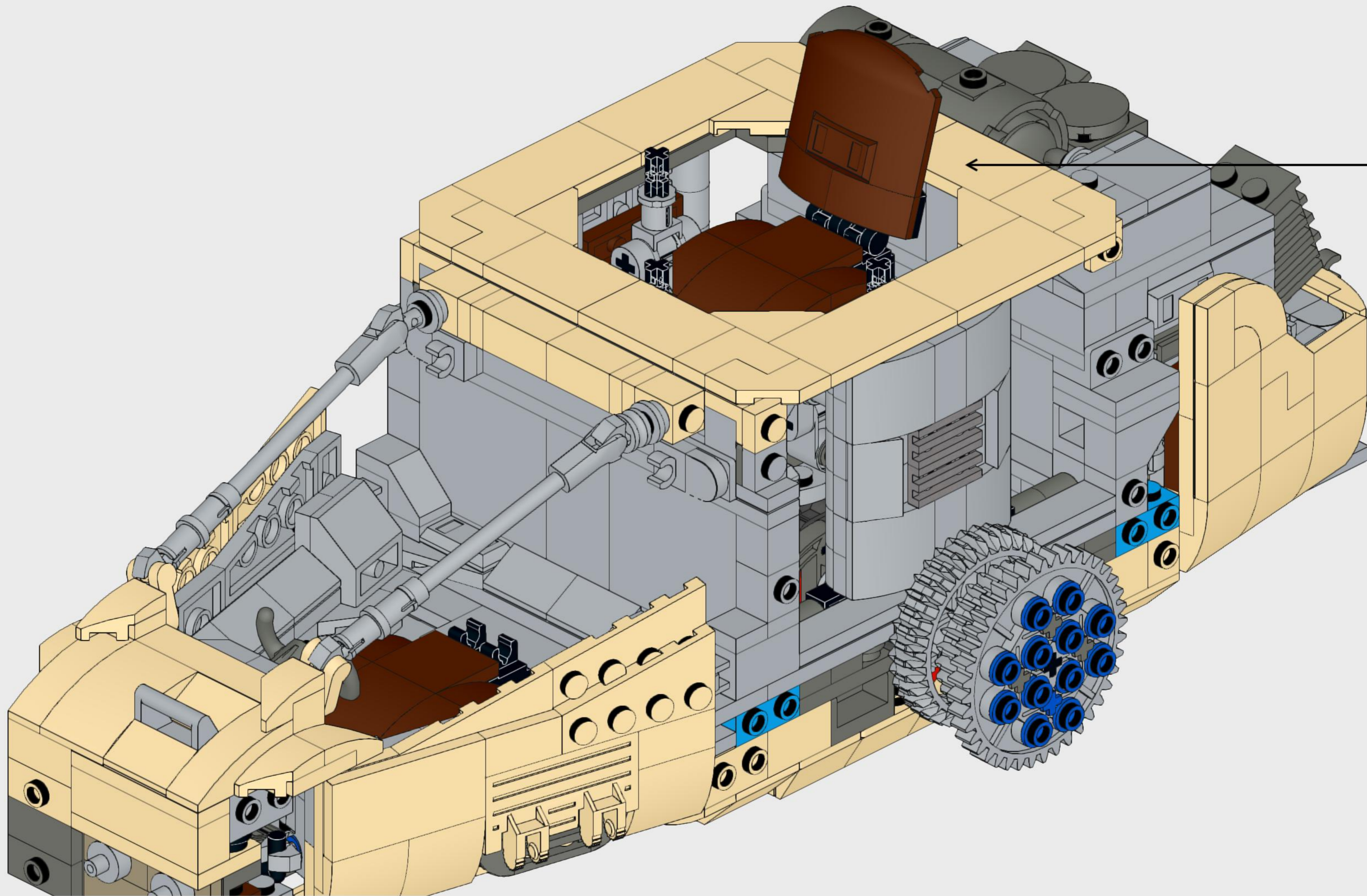
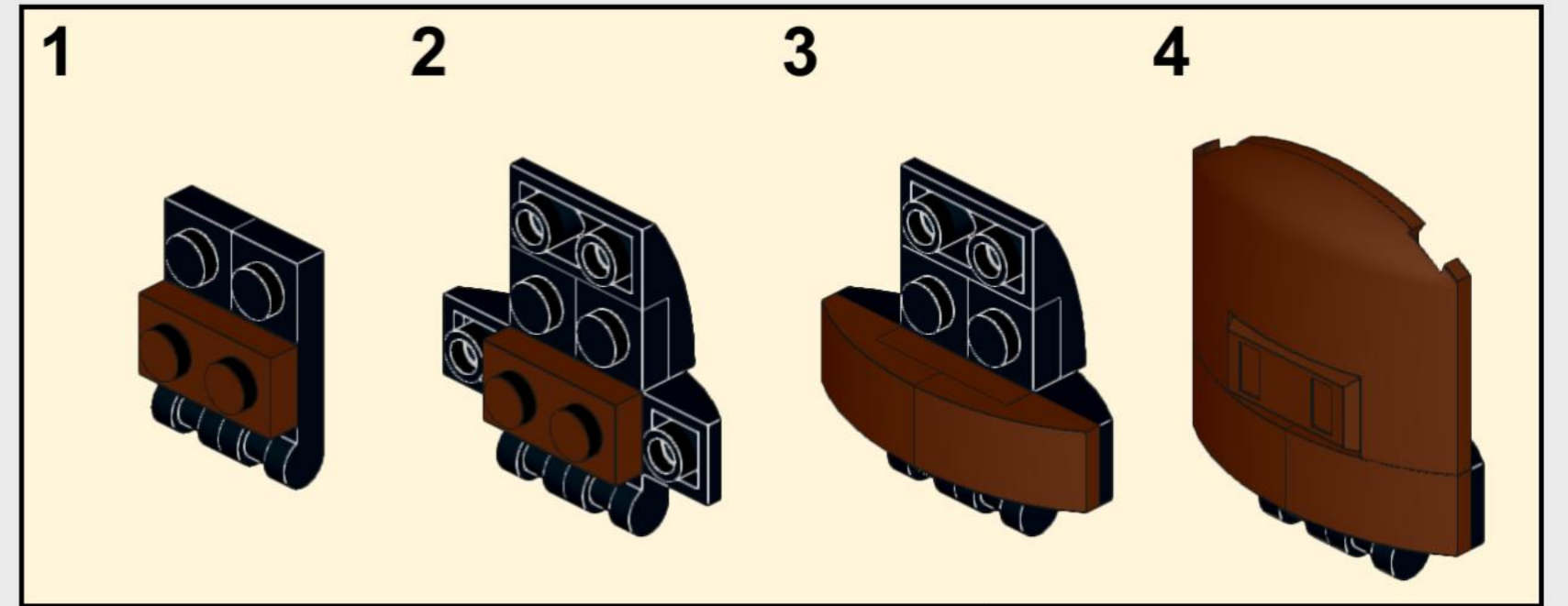


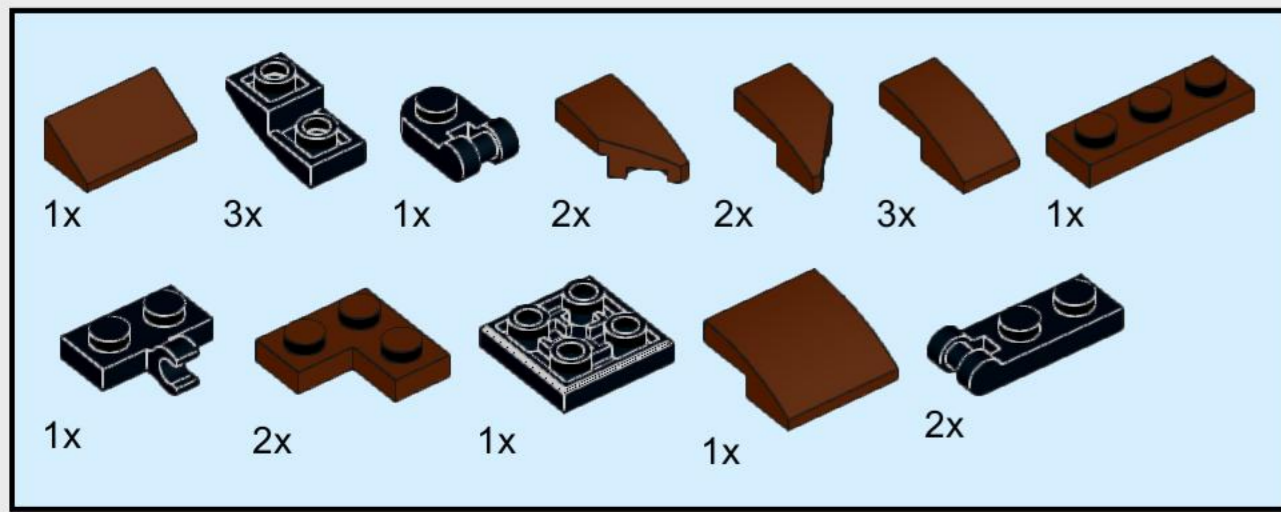
144



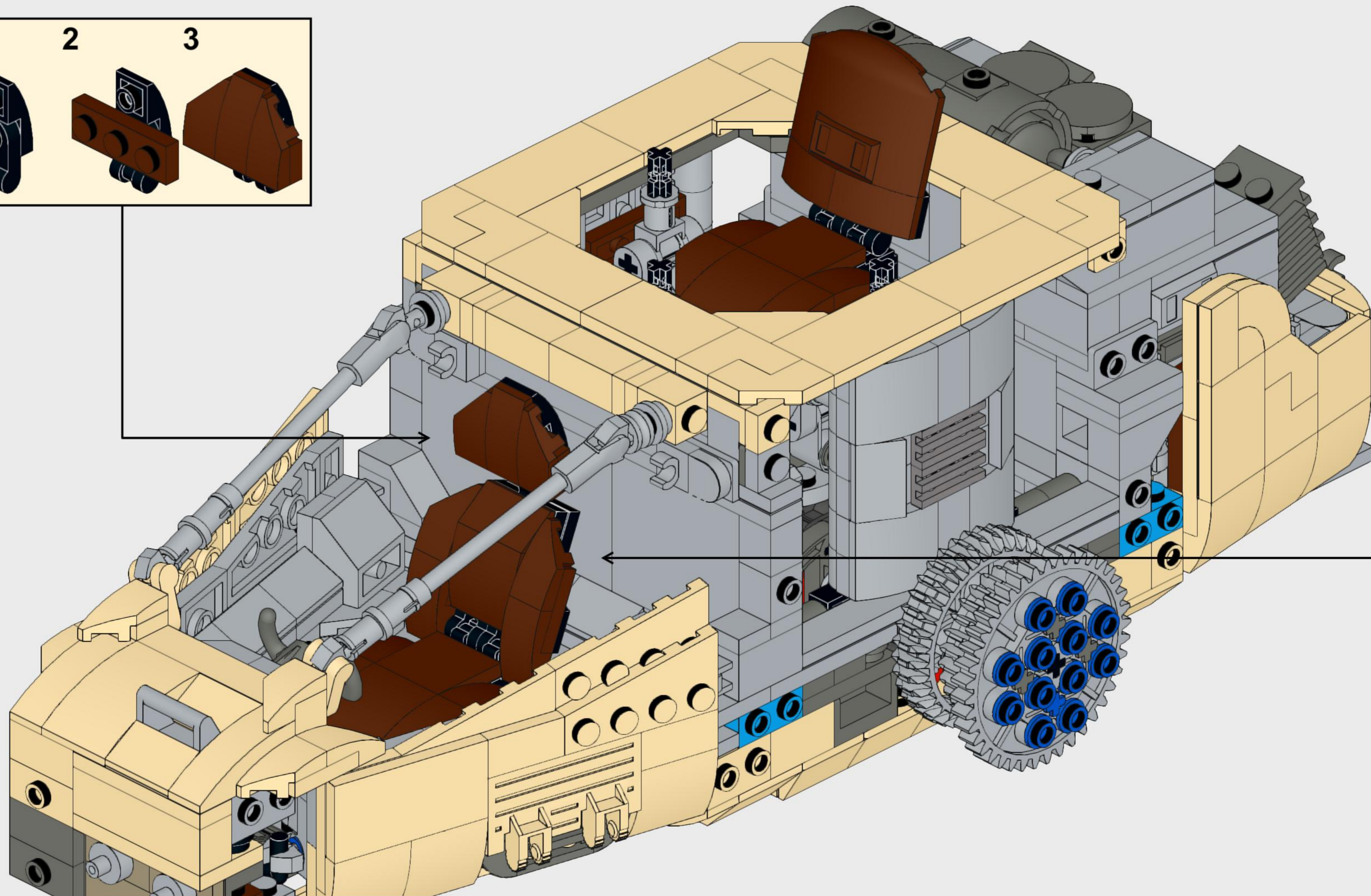
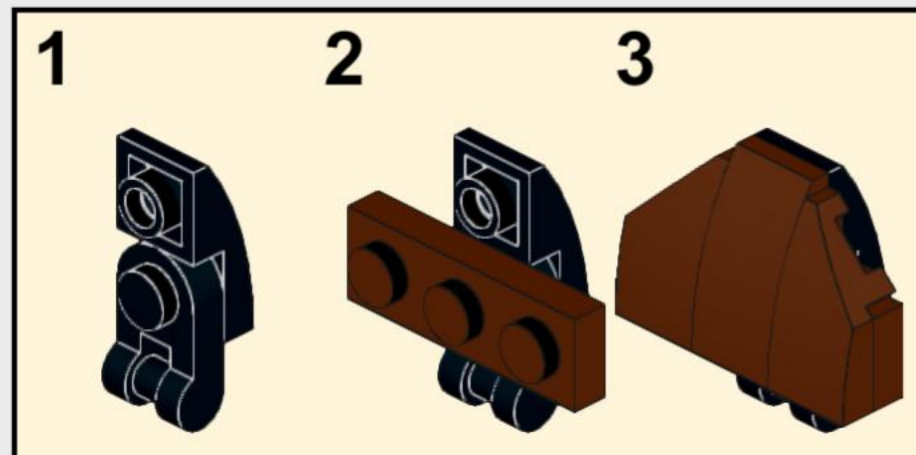
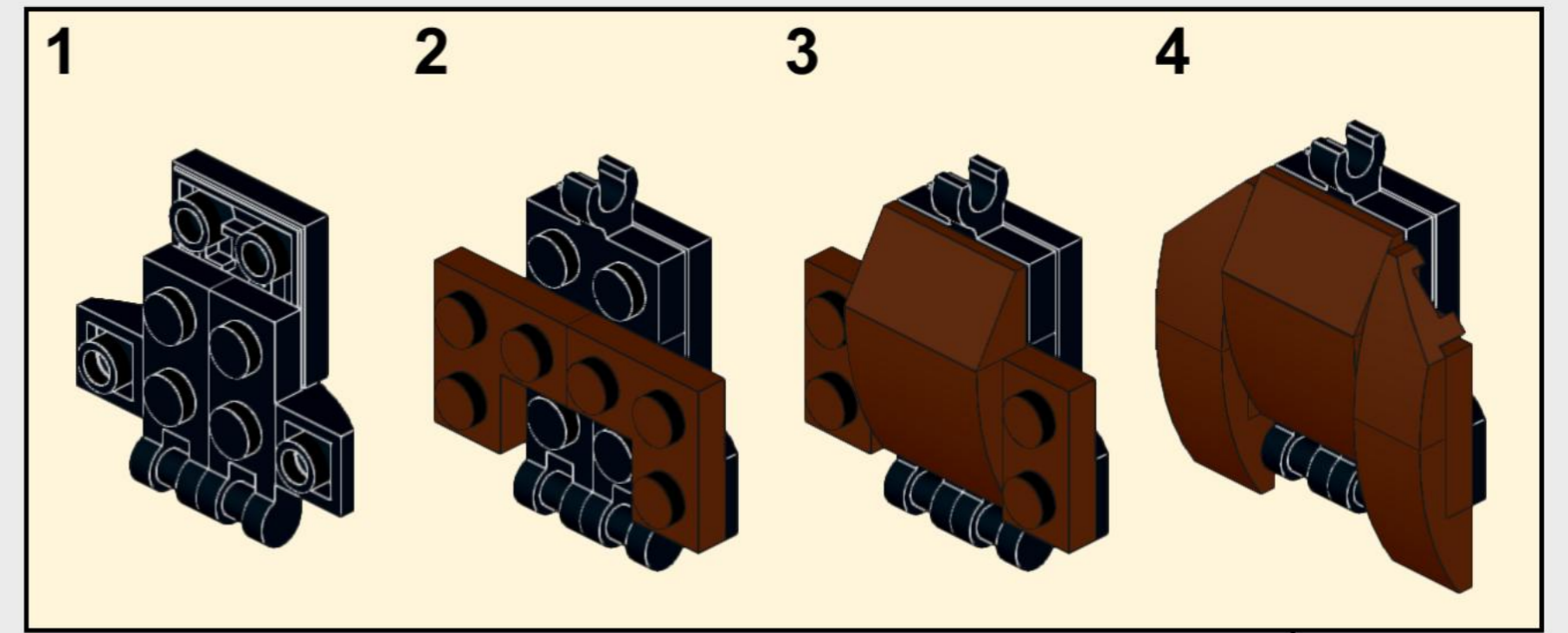


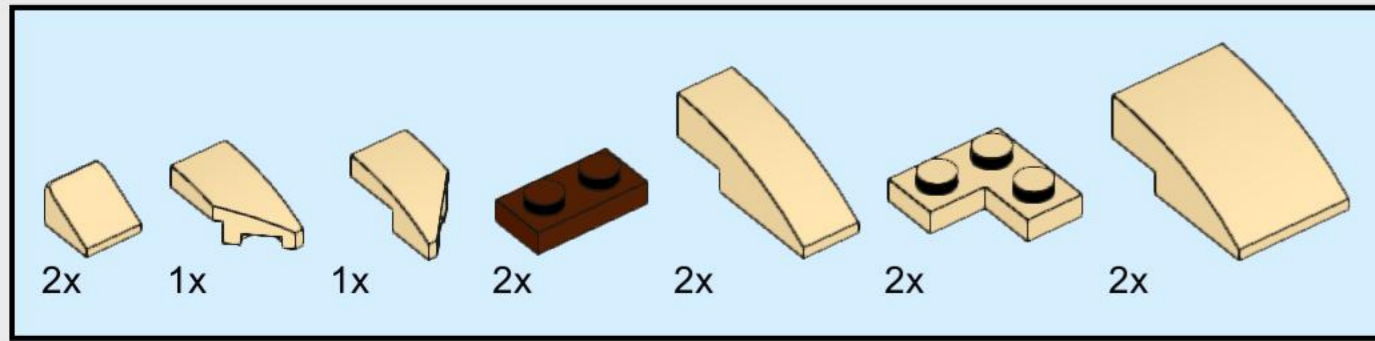
145



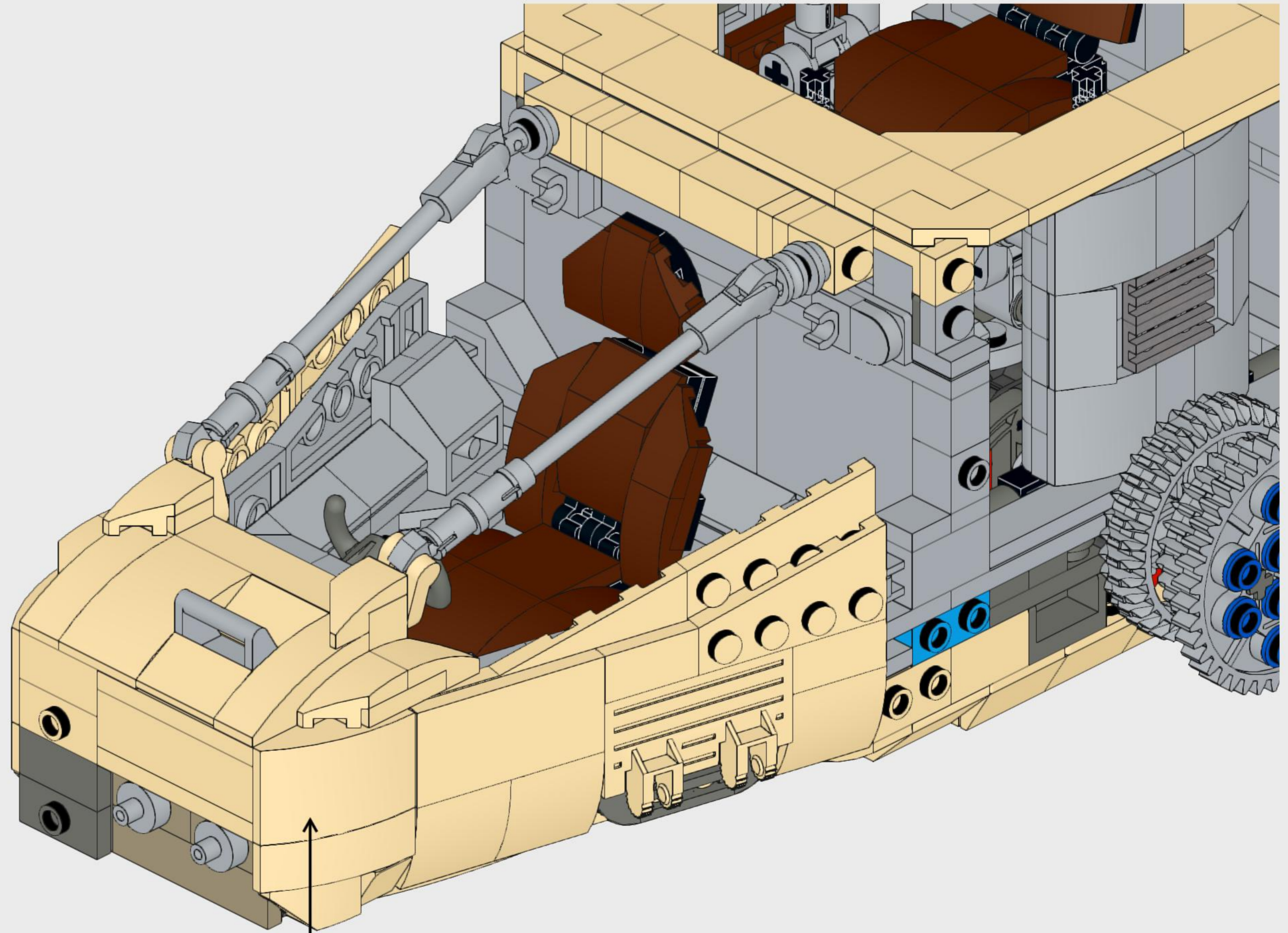
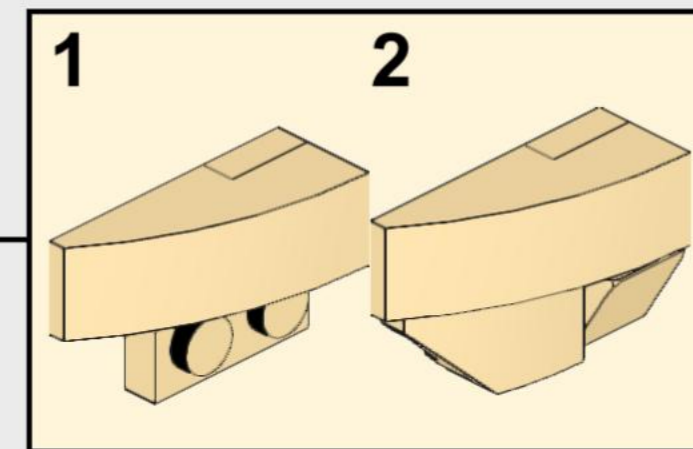
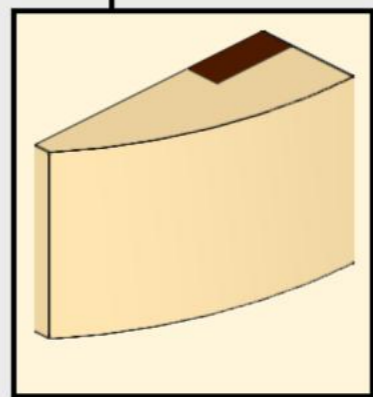
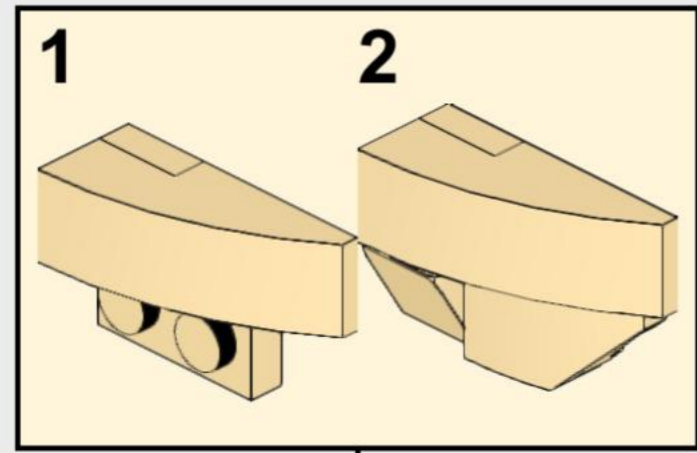


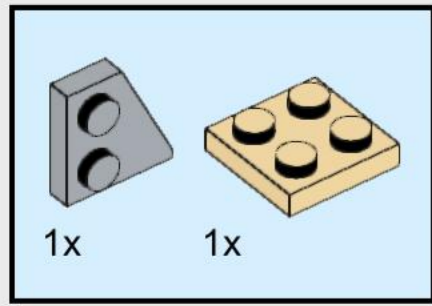
146



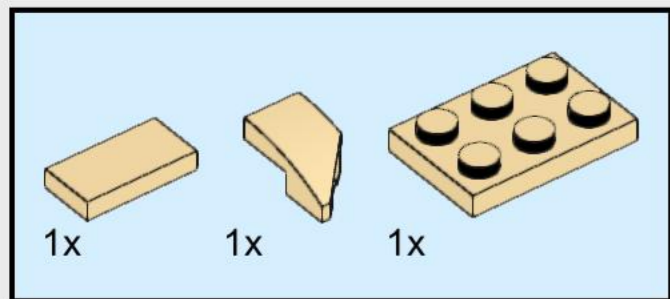
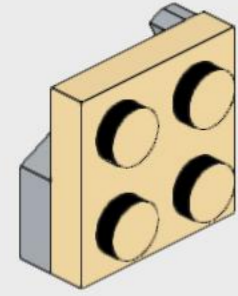


147

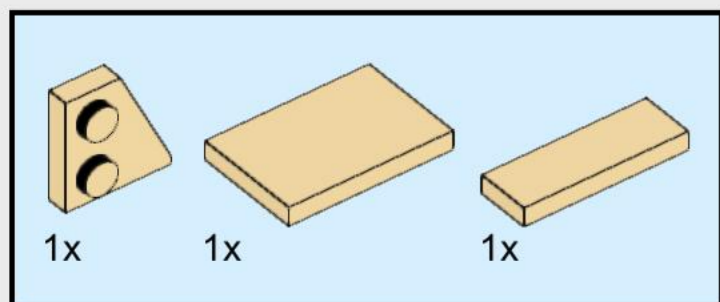
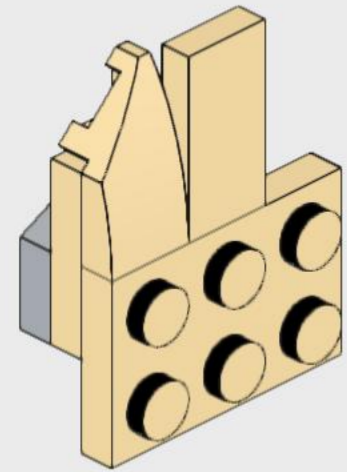




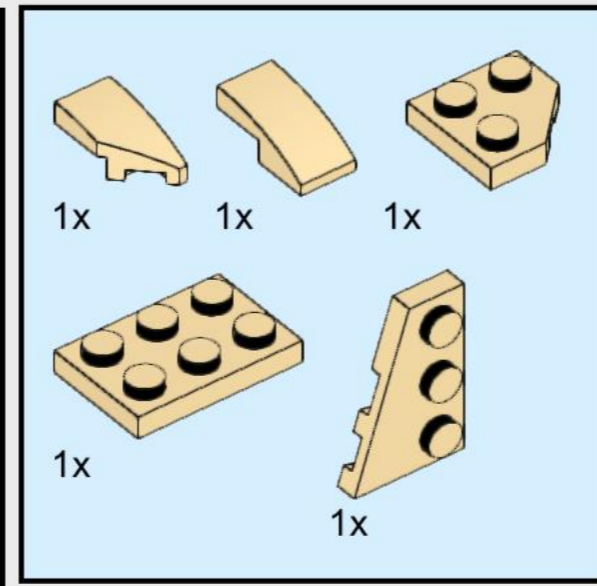
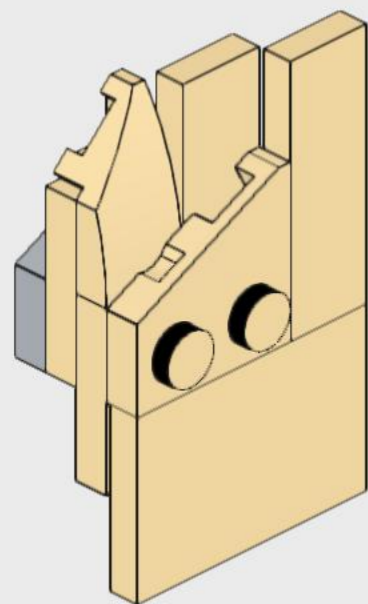
148



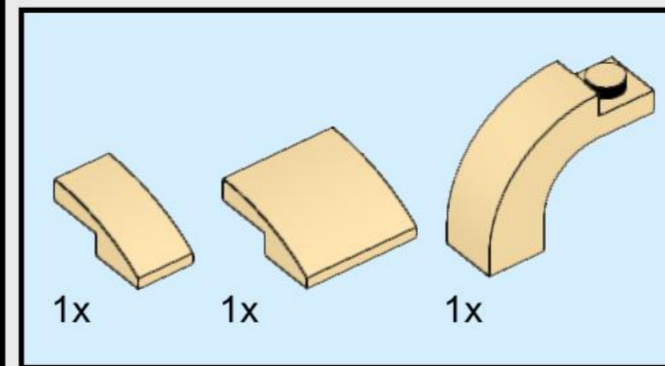
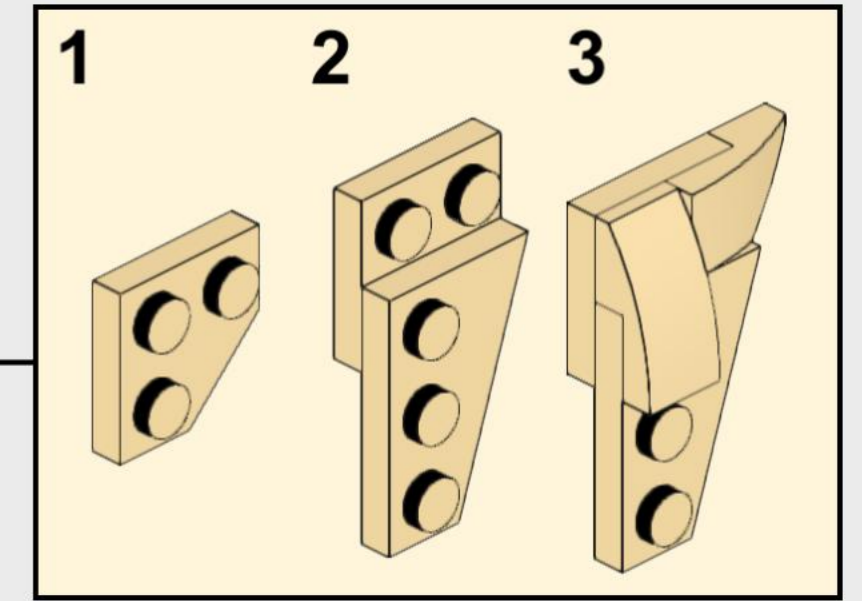
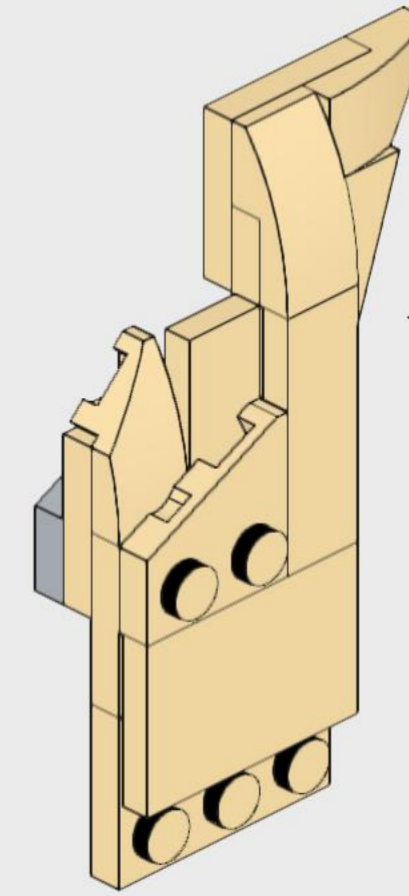
149



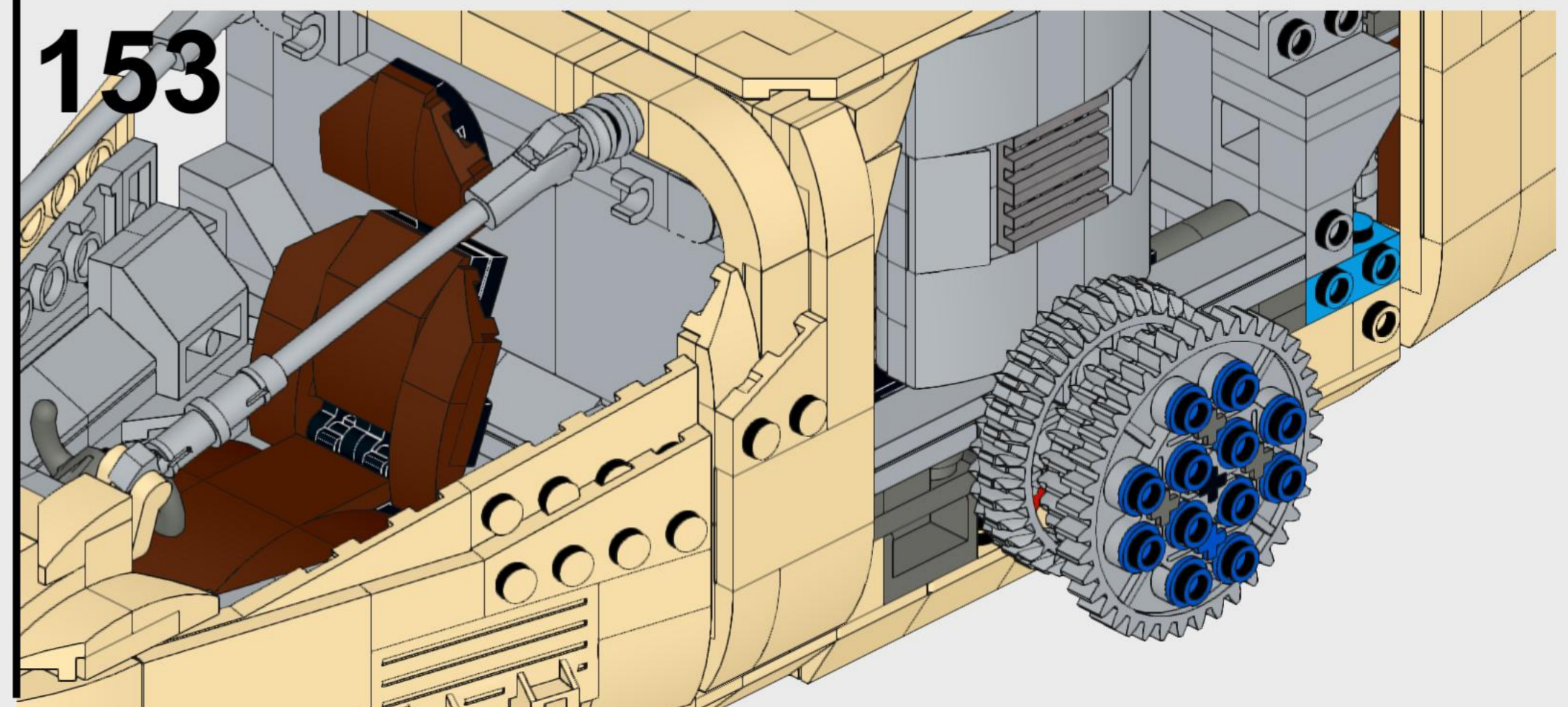
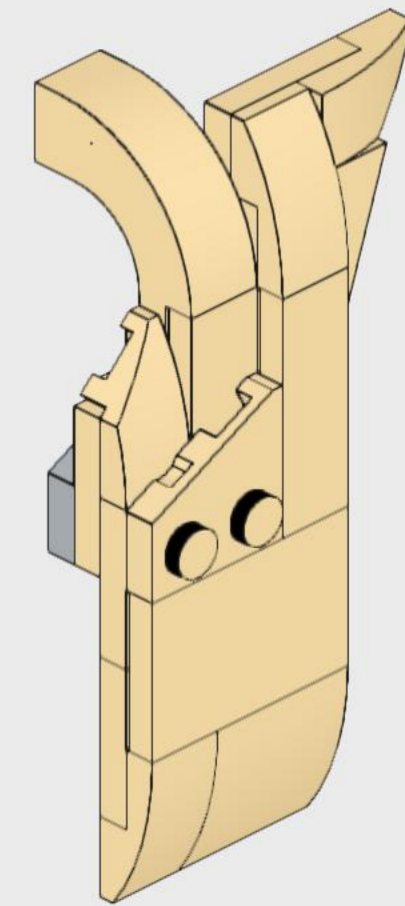
150



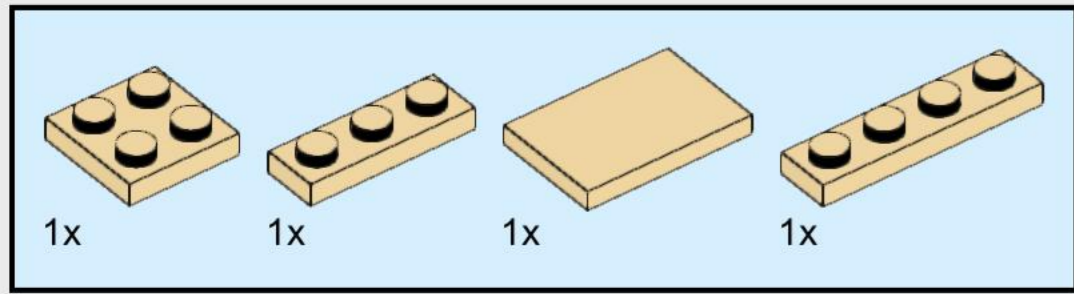
151



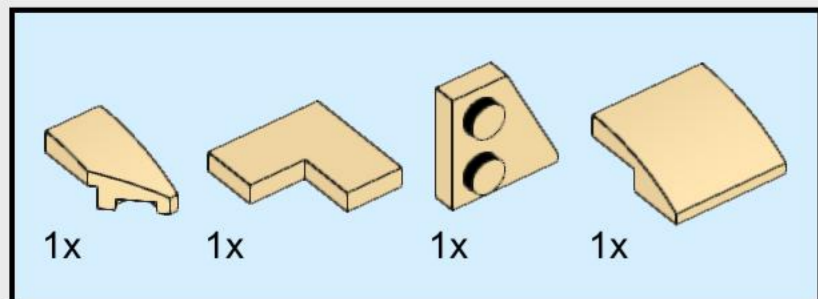
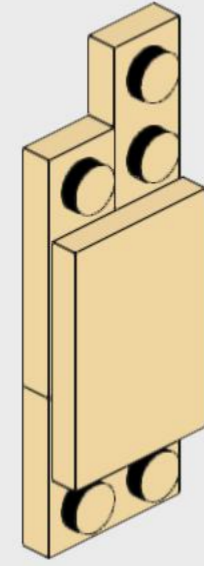
152



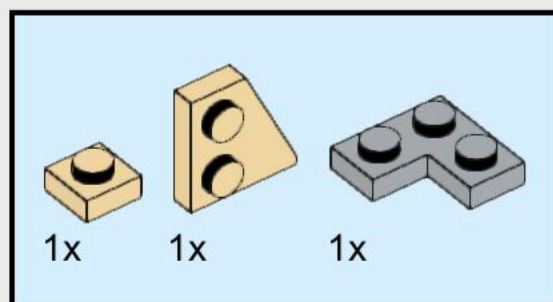
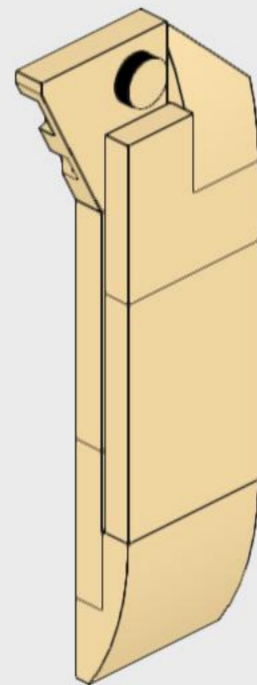




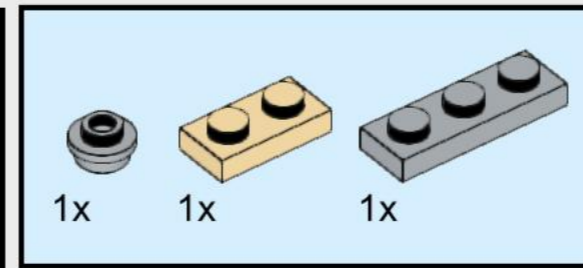
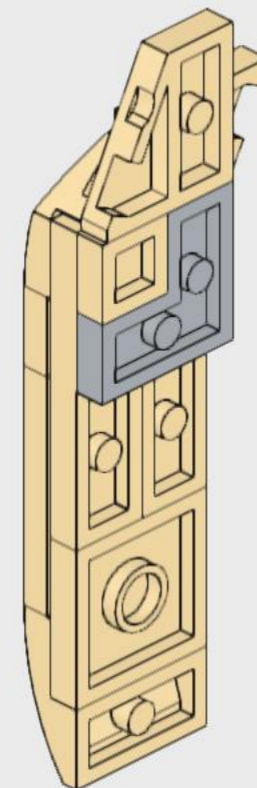
154



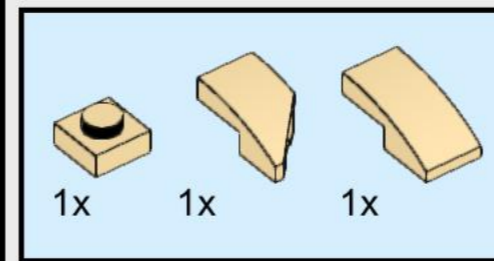
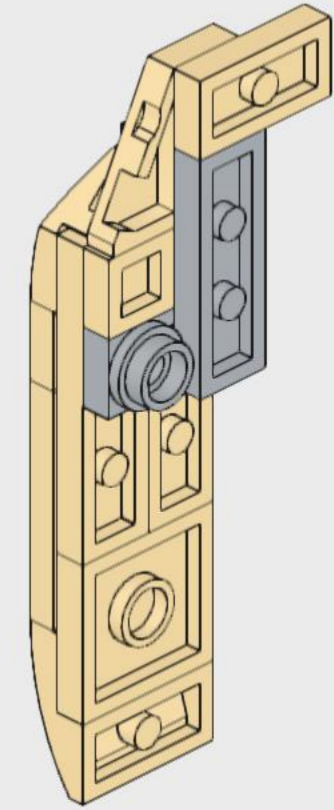
155



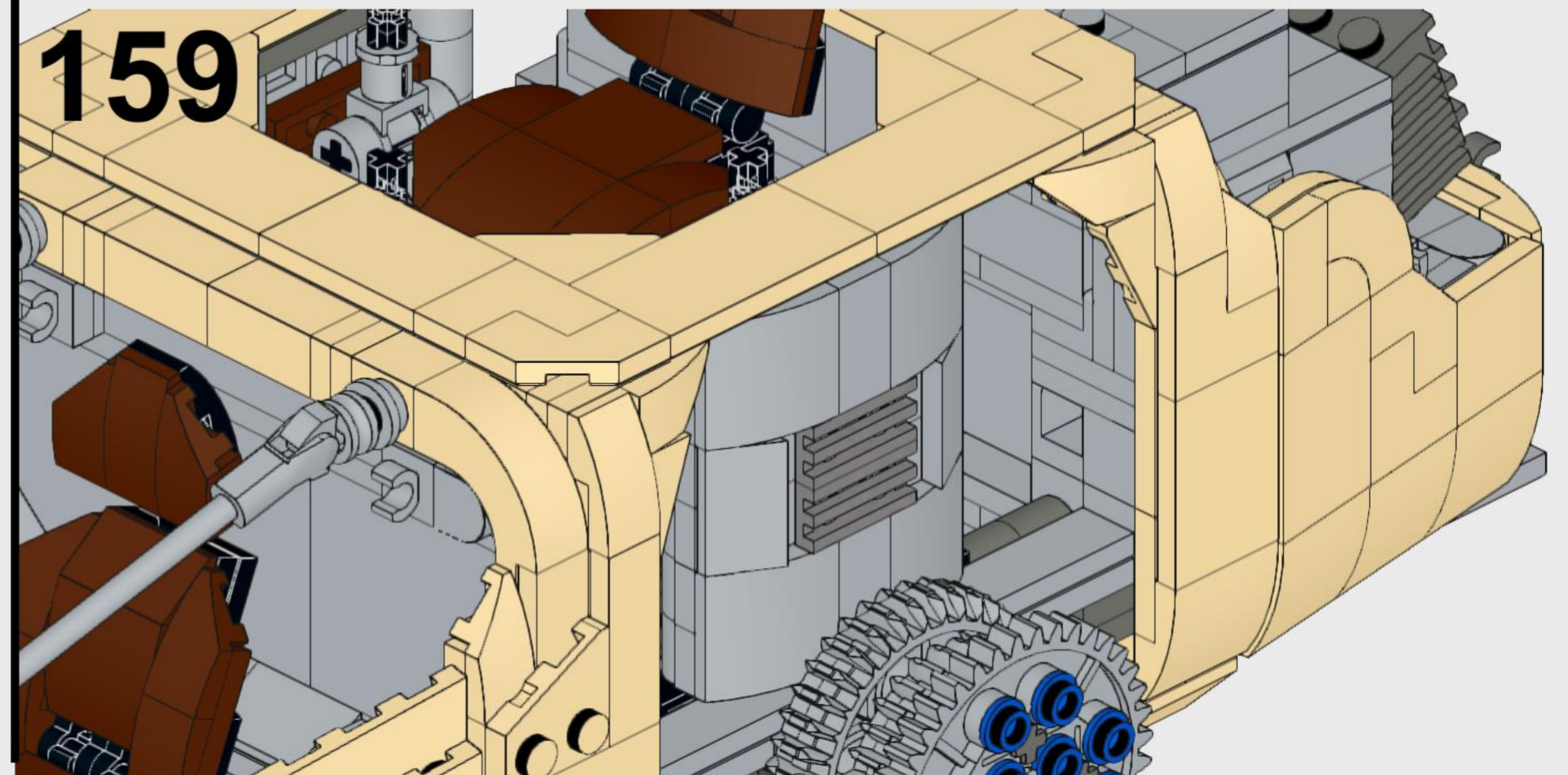
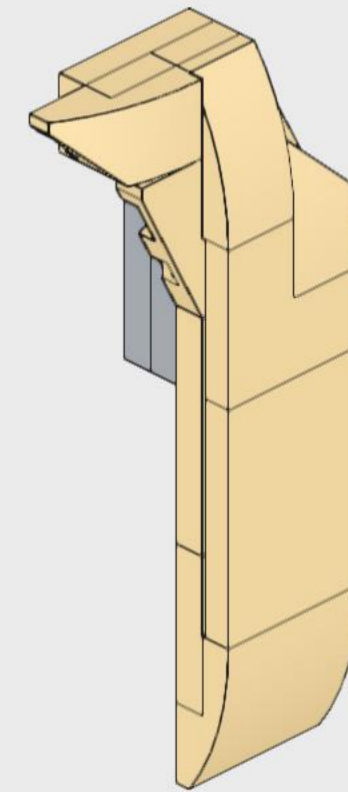
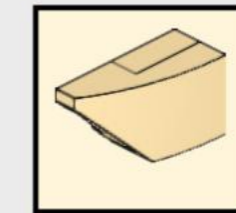
156



157

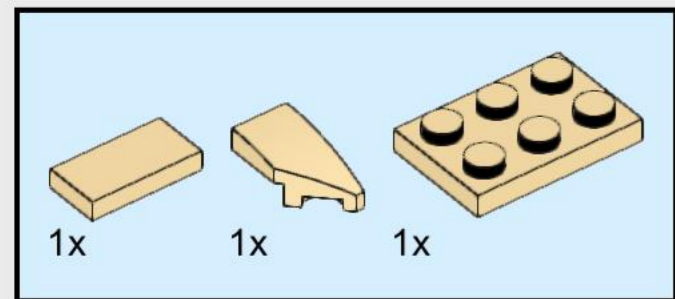
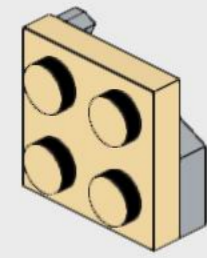
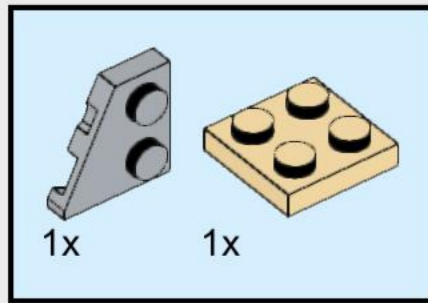


158

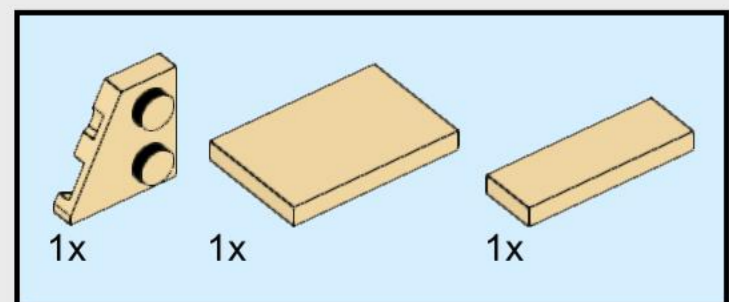
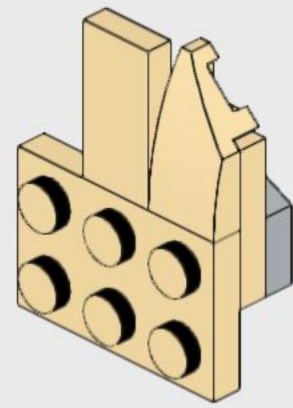


159

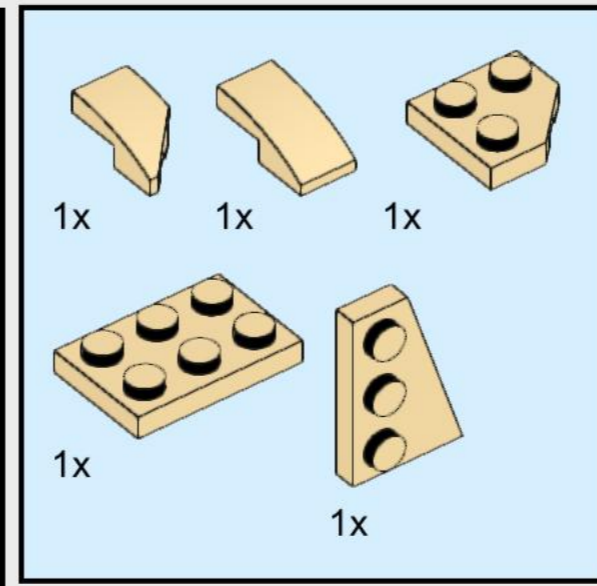
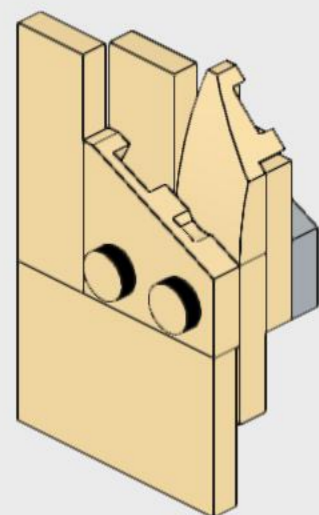
# 160



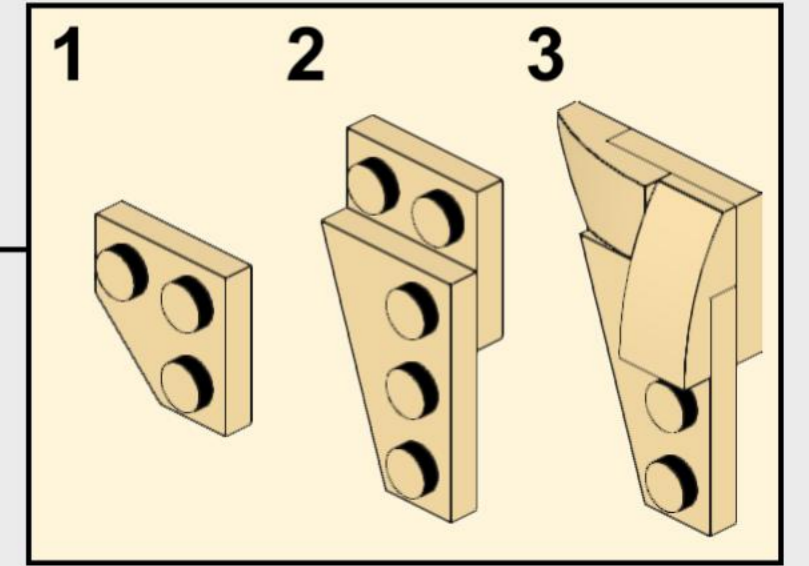
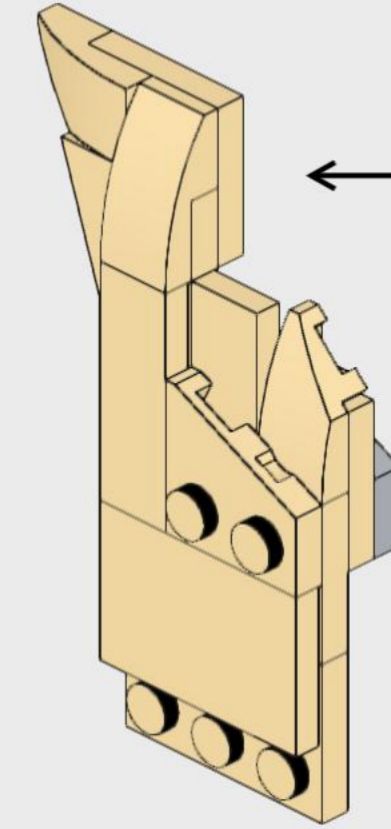
# 161



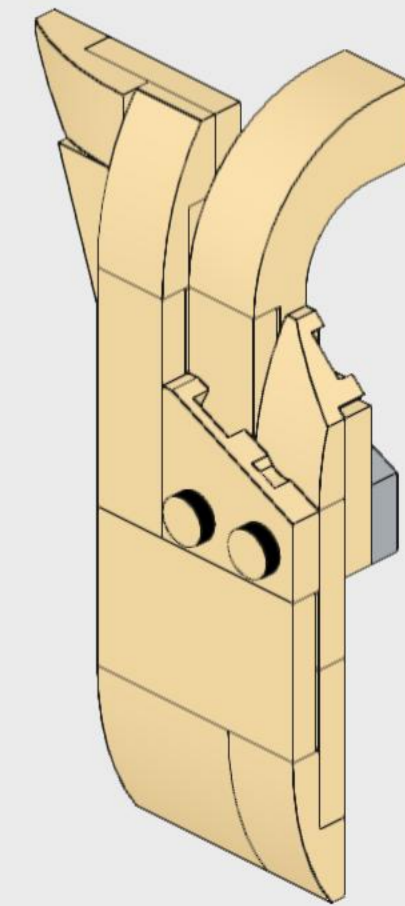
# 162



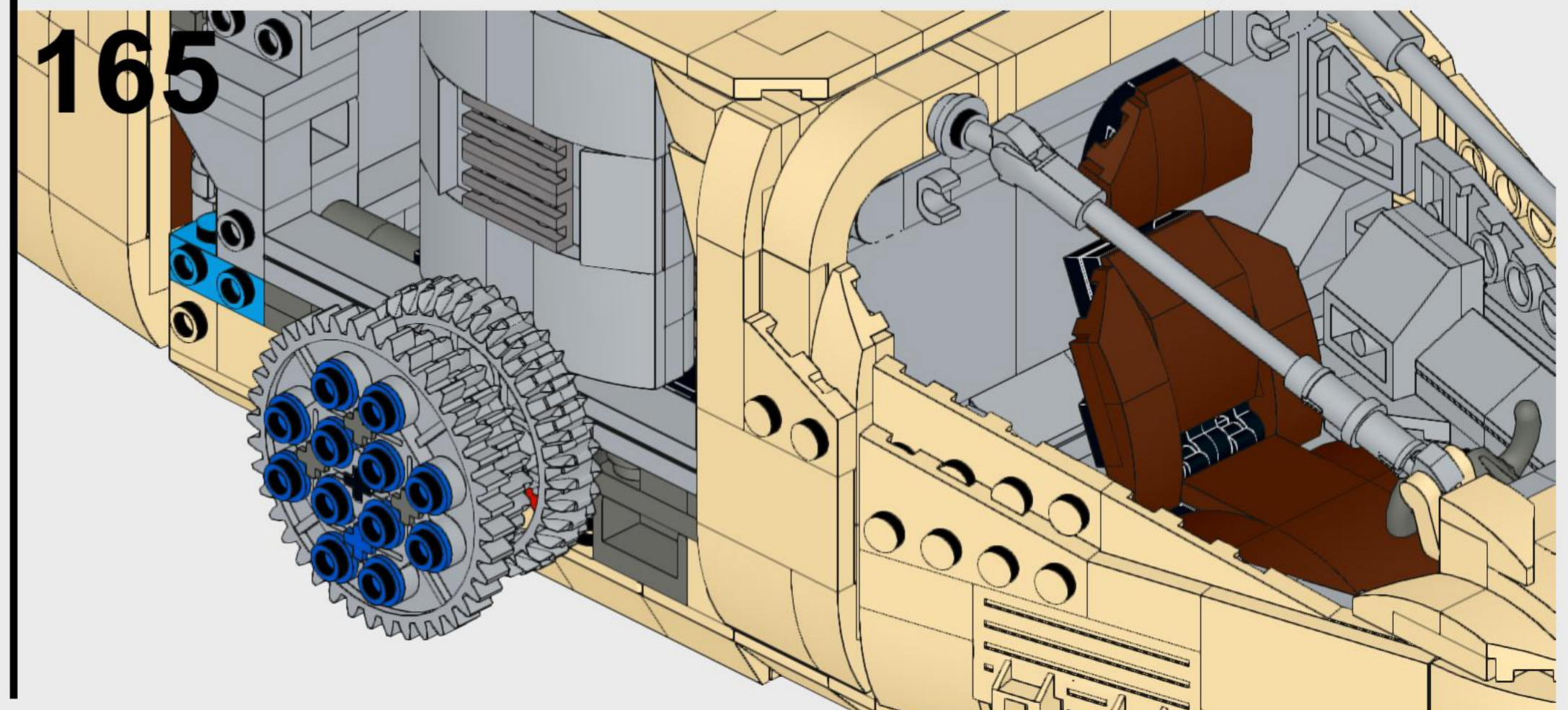
# 163

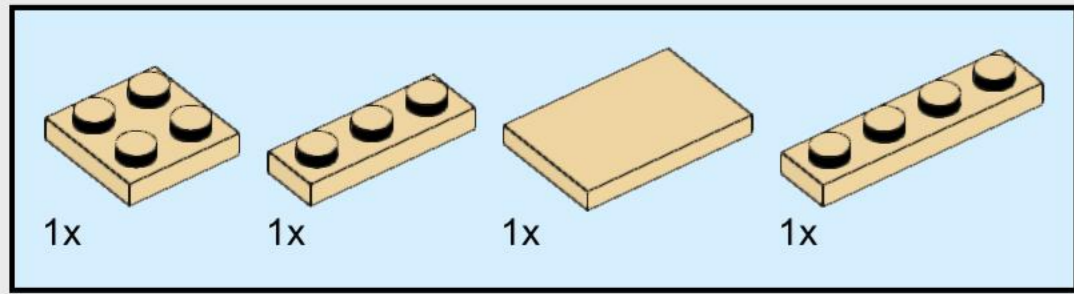


# 164

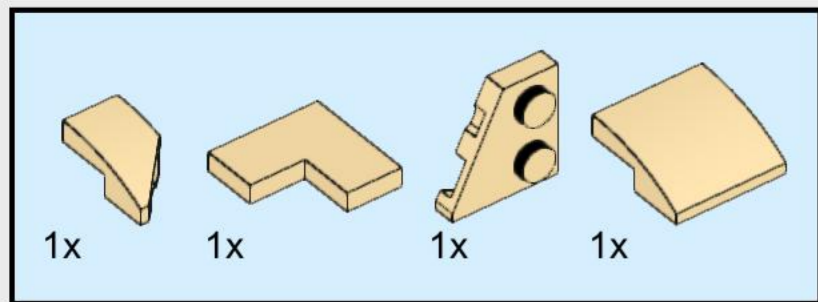
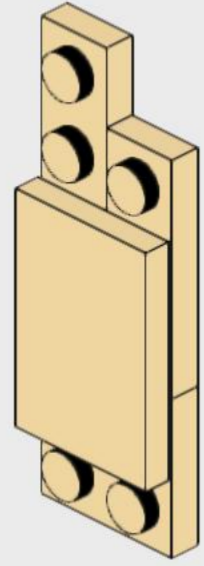


# 165

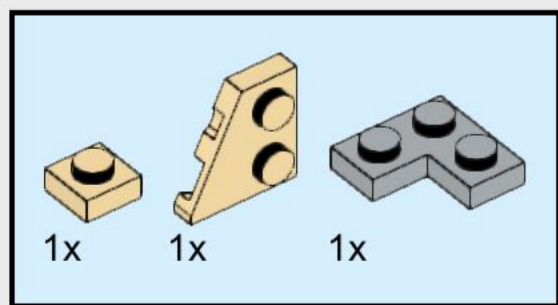
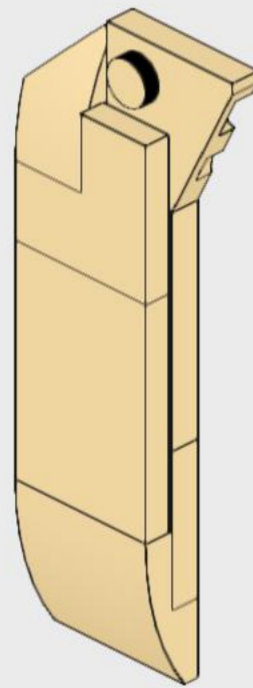




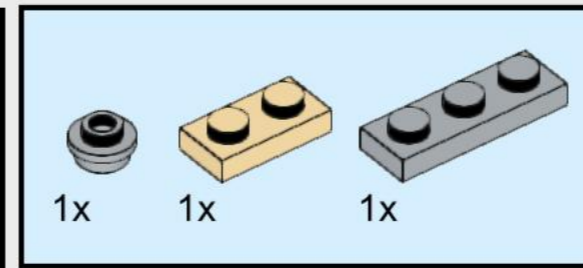
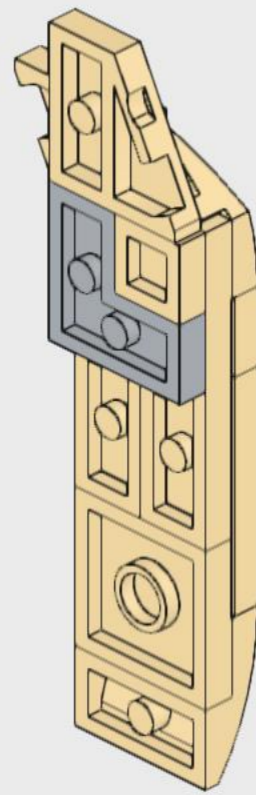
166



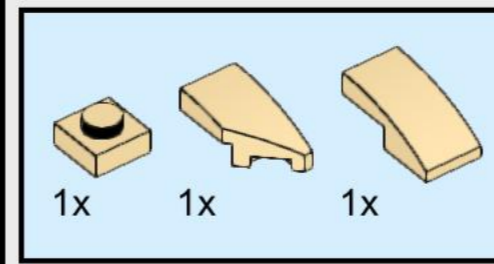
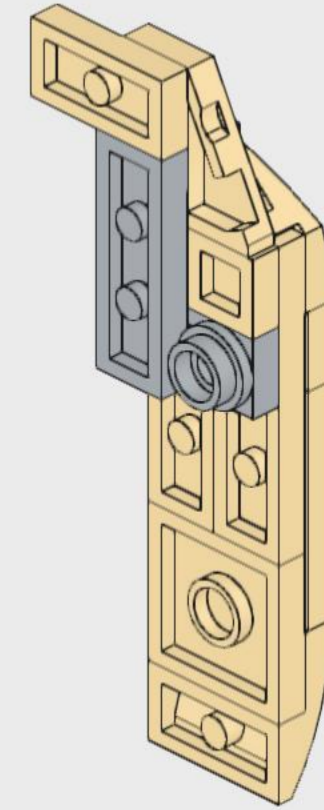
167



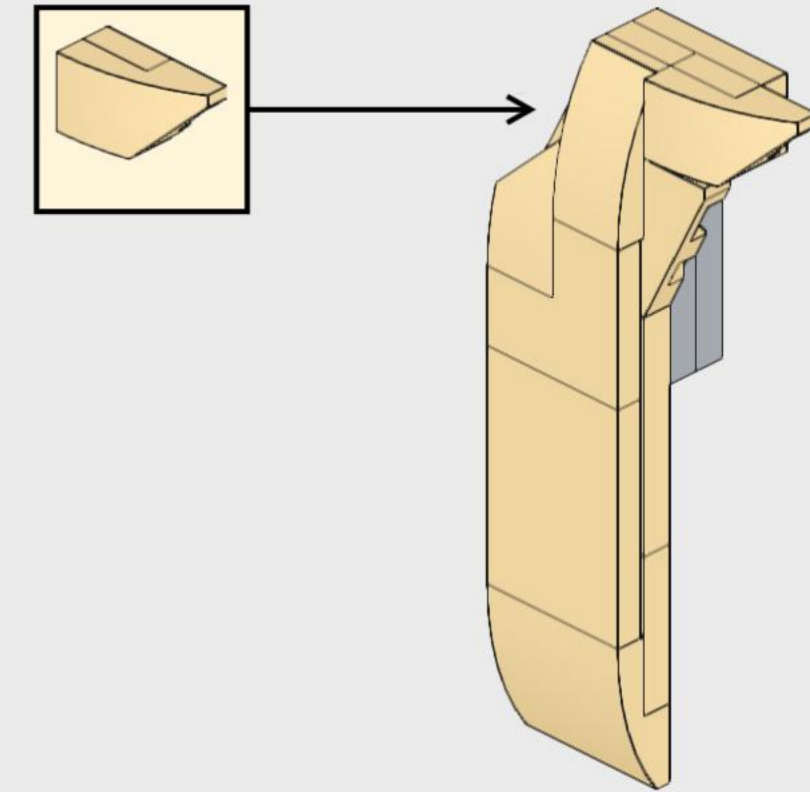
168



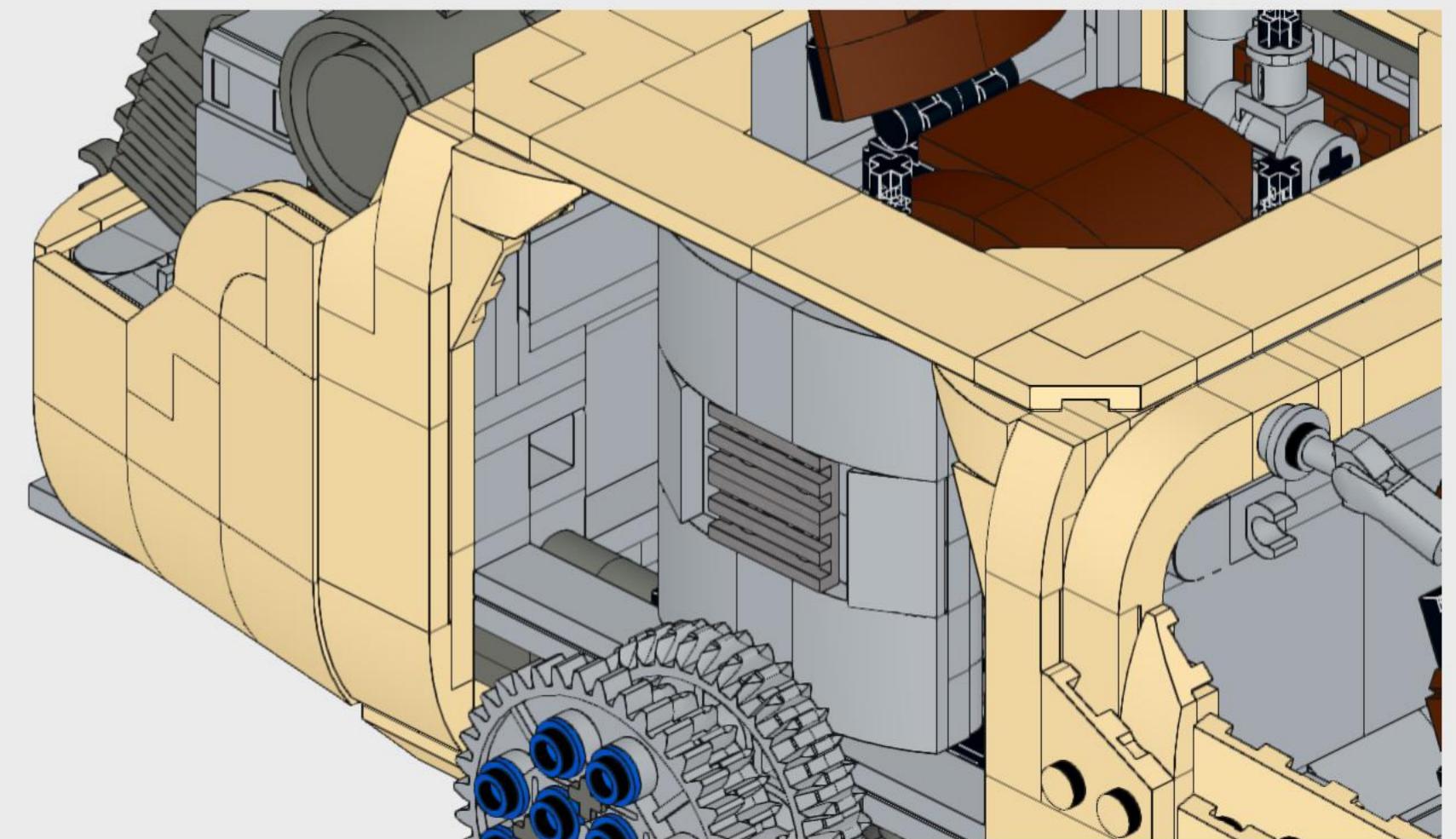
169

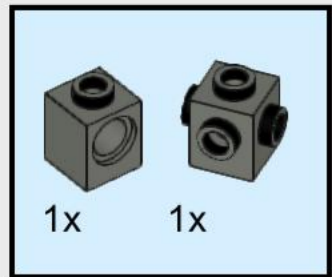


170

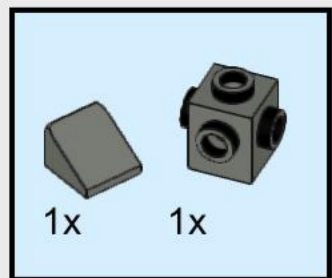
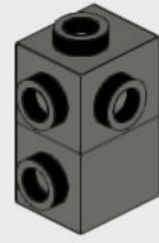


171

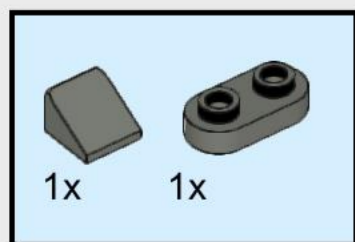
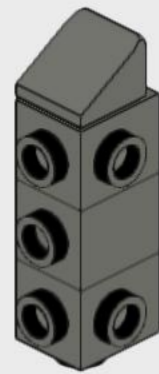




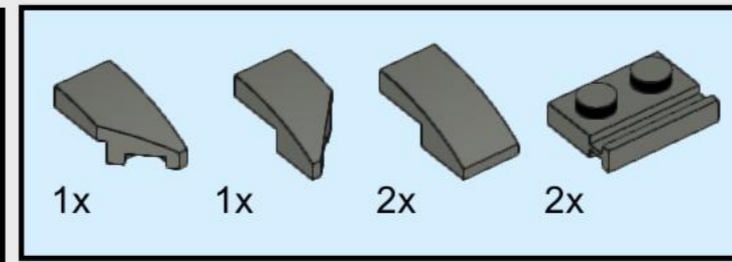
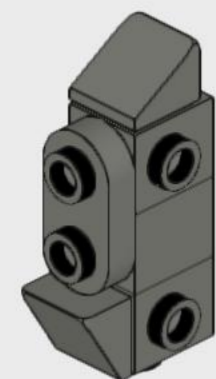
172



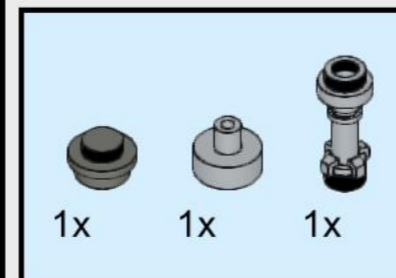
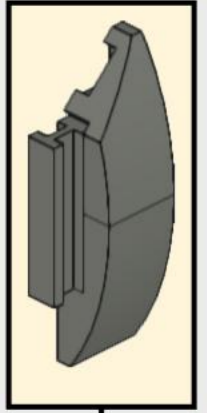
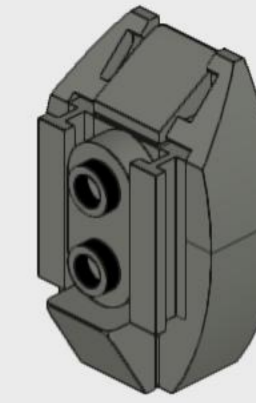
173



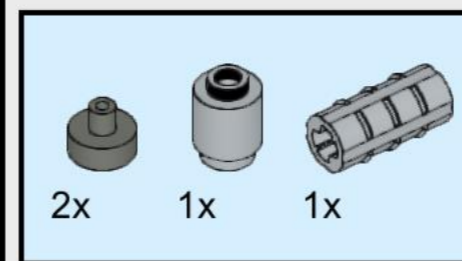
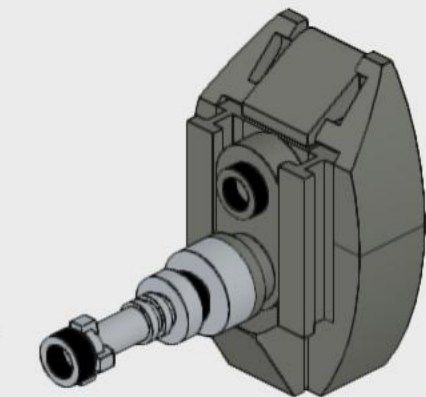
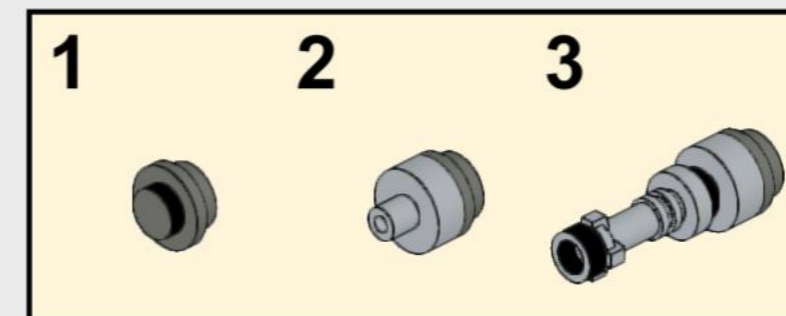
174



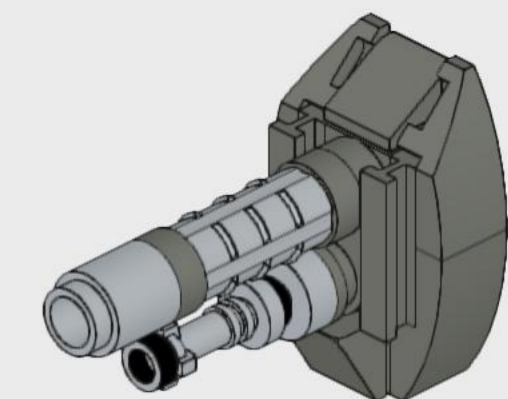
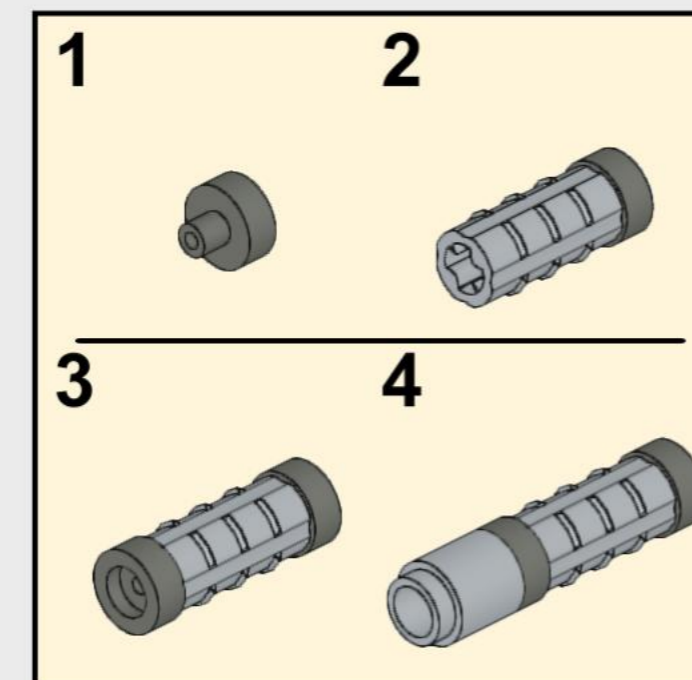
175

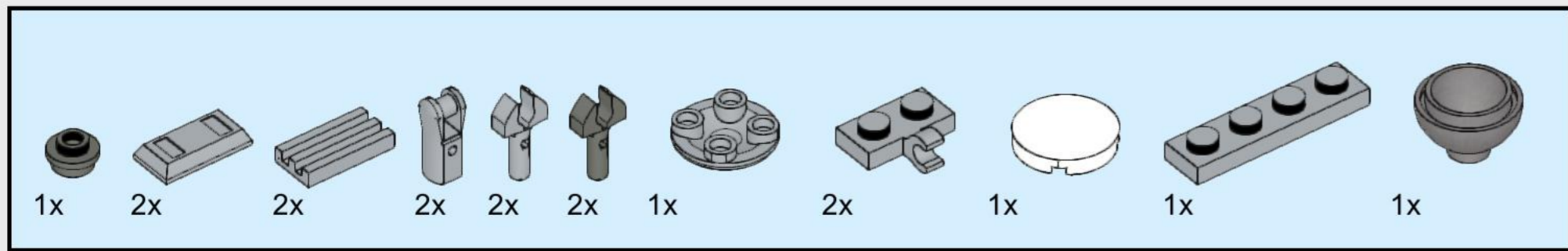


176

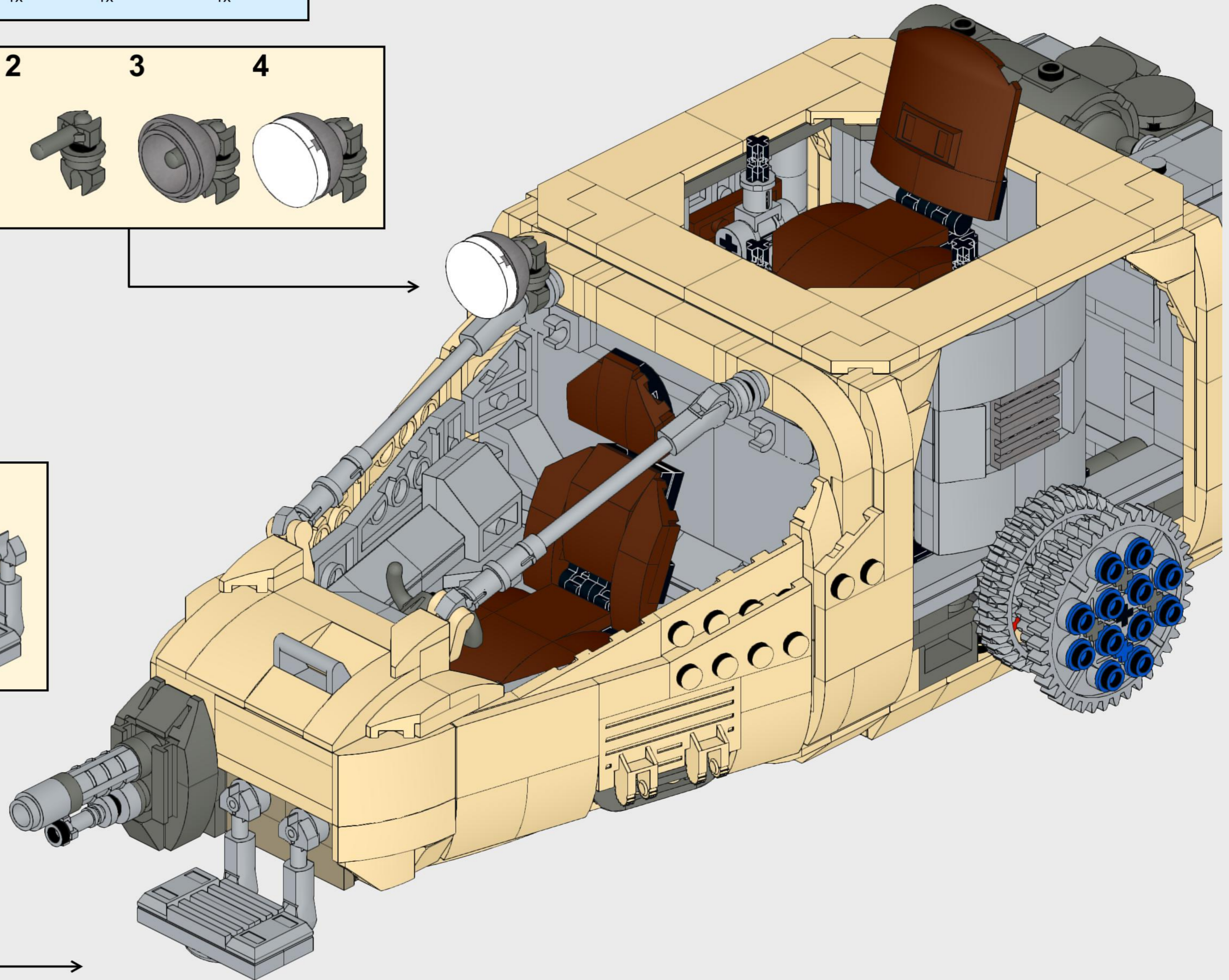
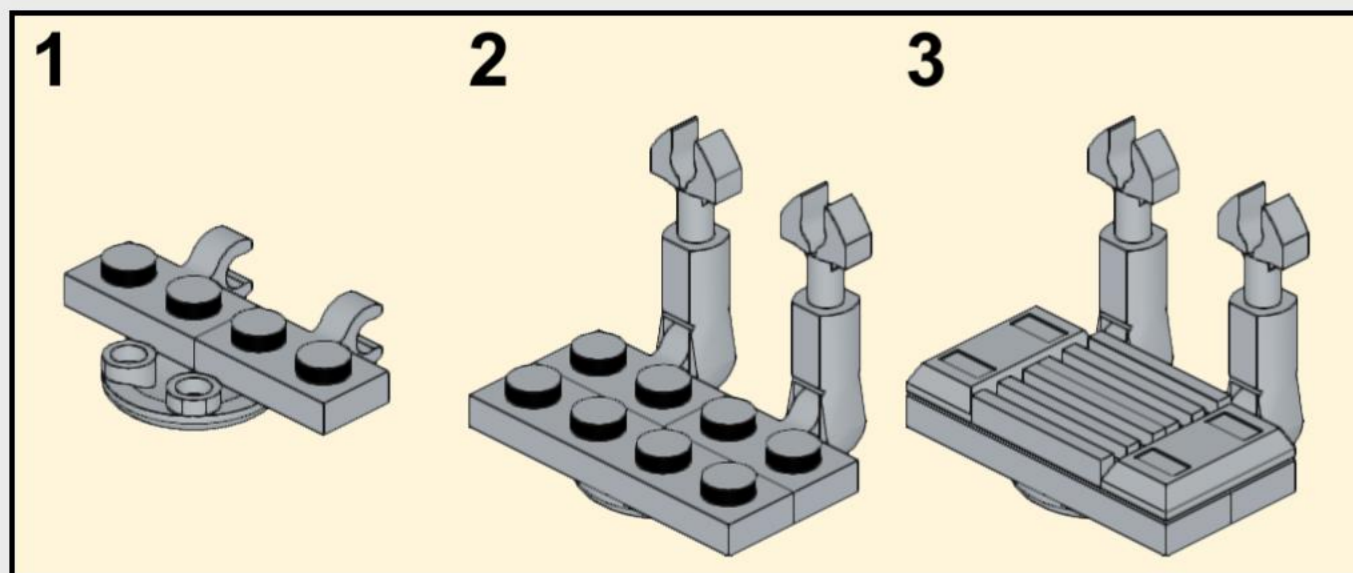
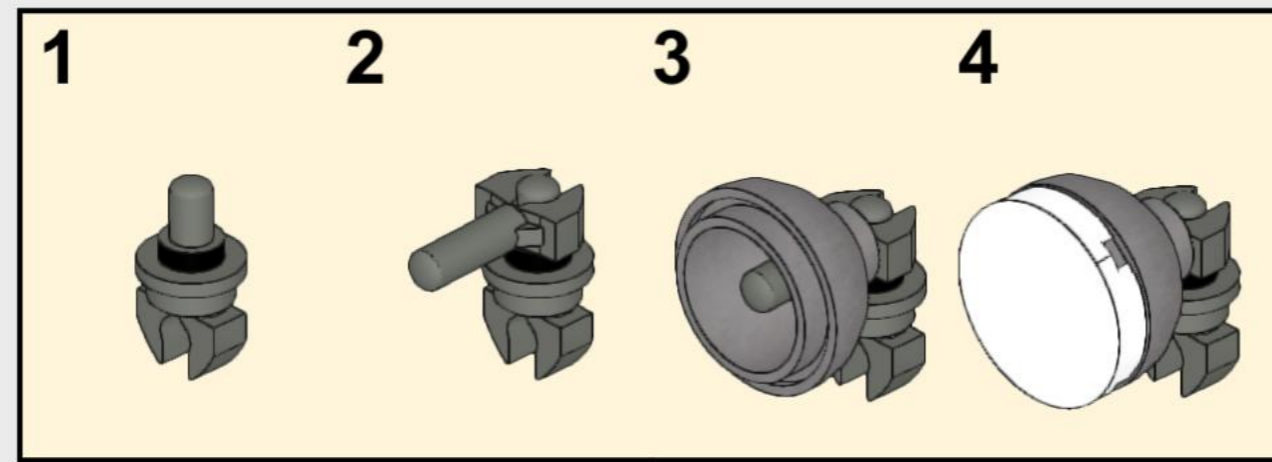


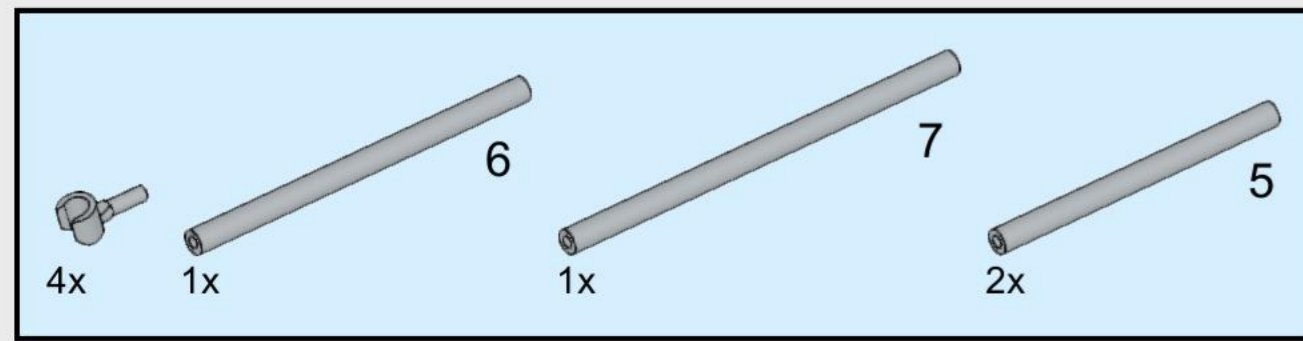
177



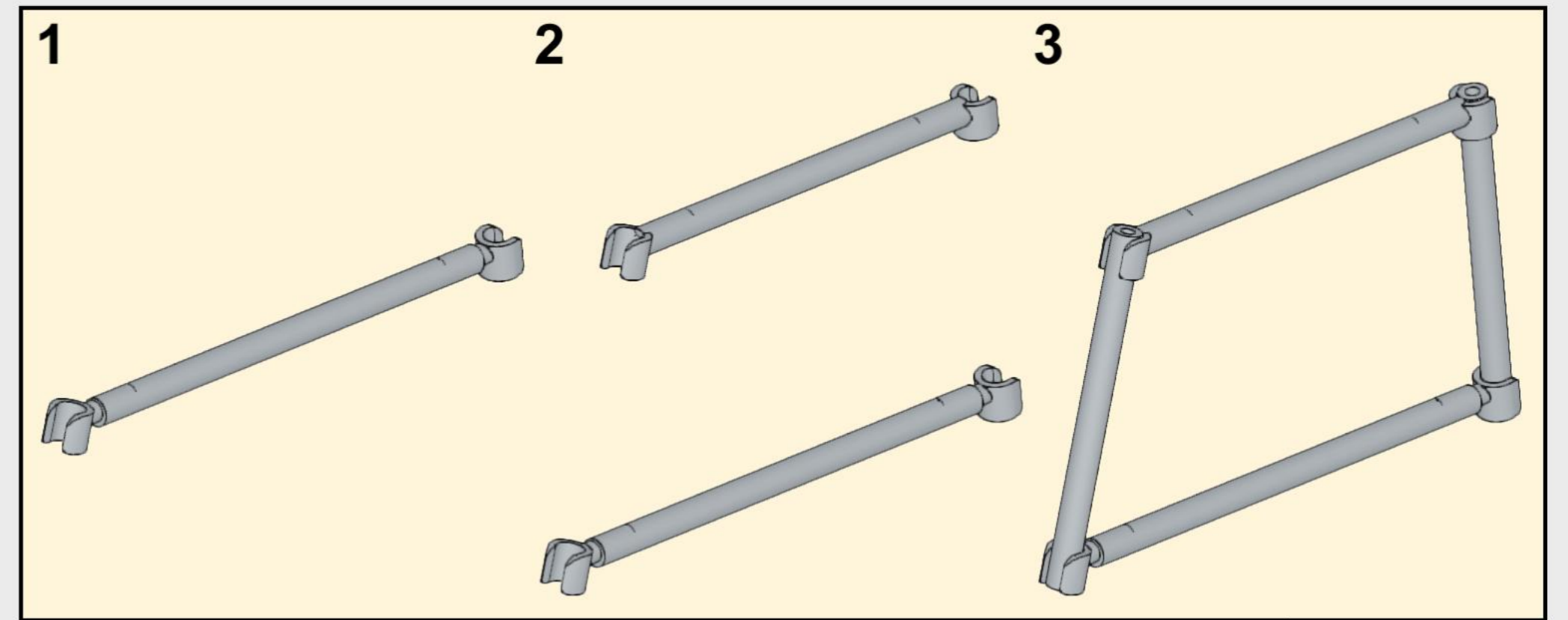
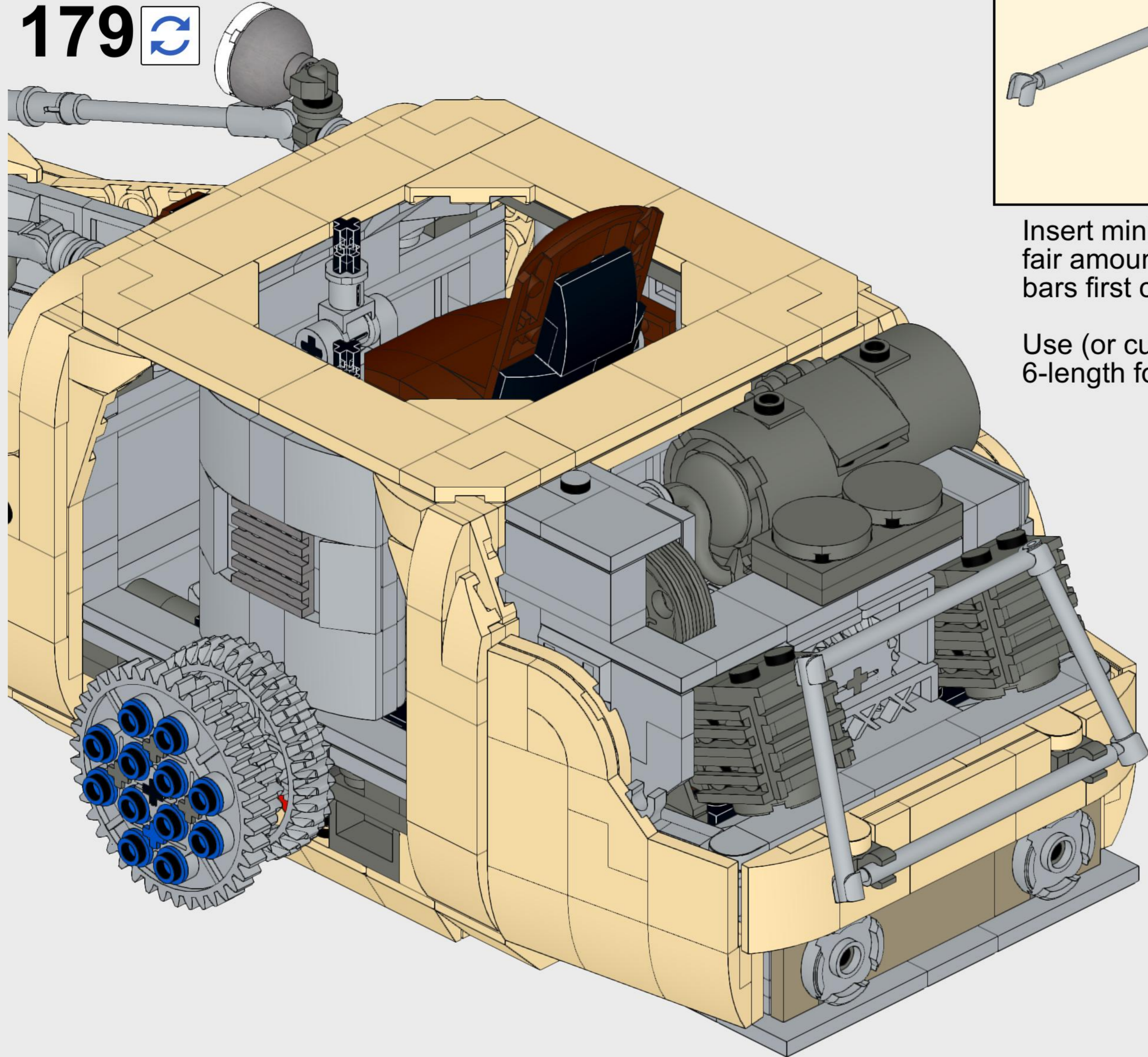


178





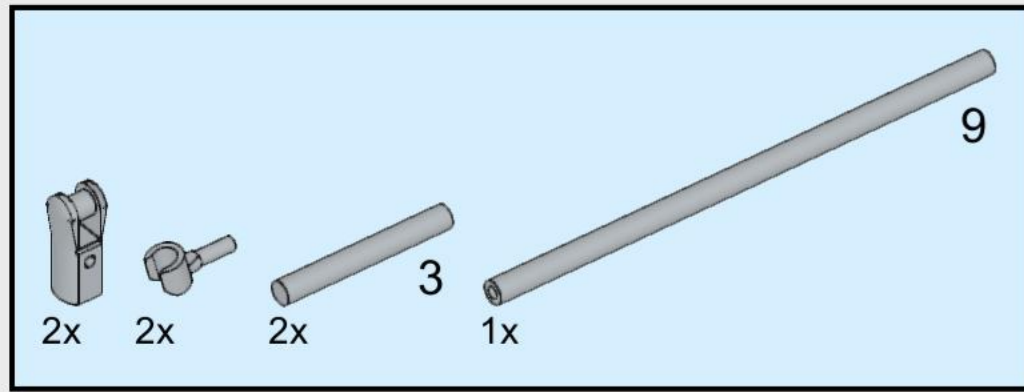
179



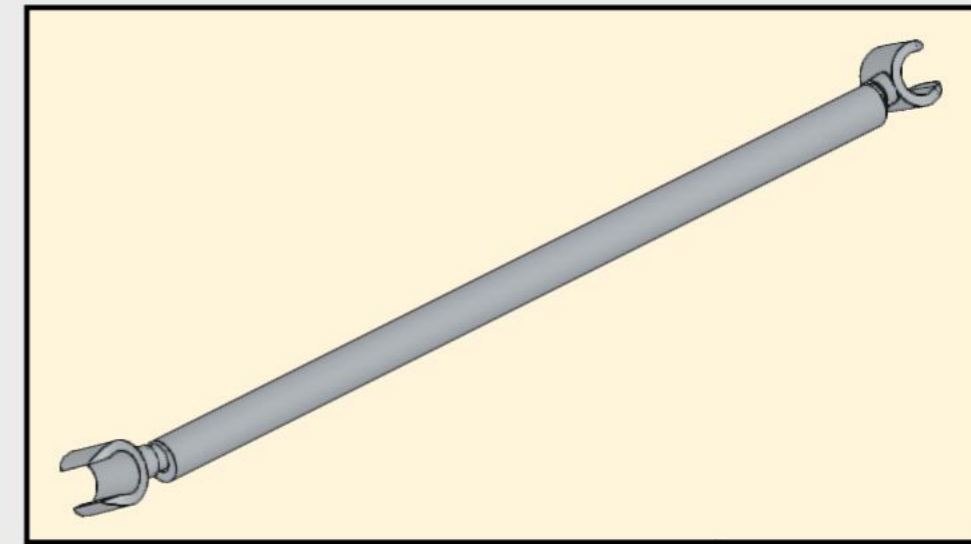
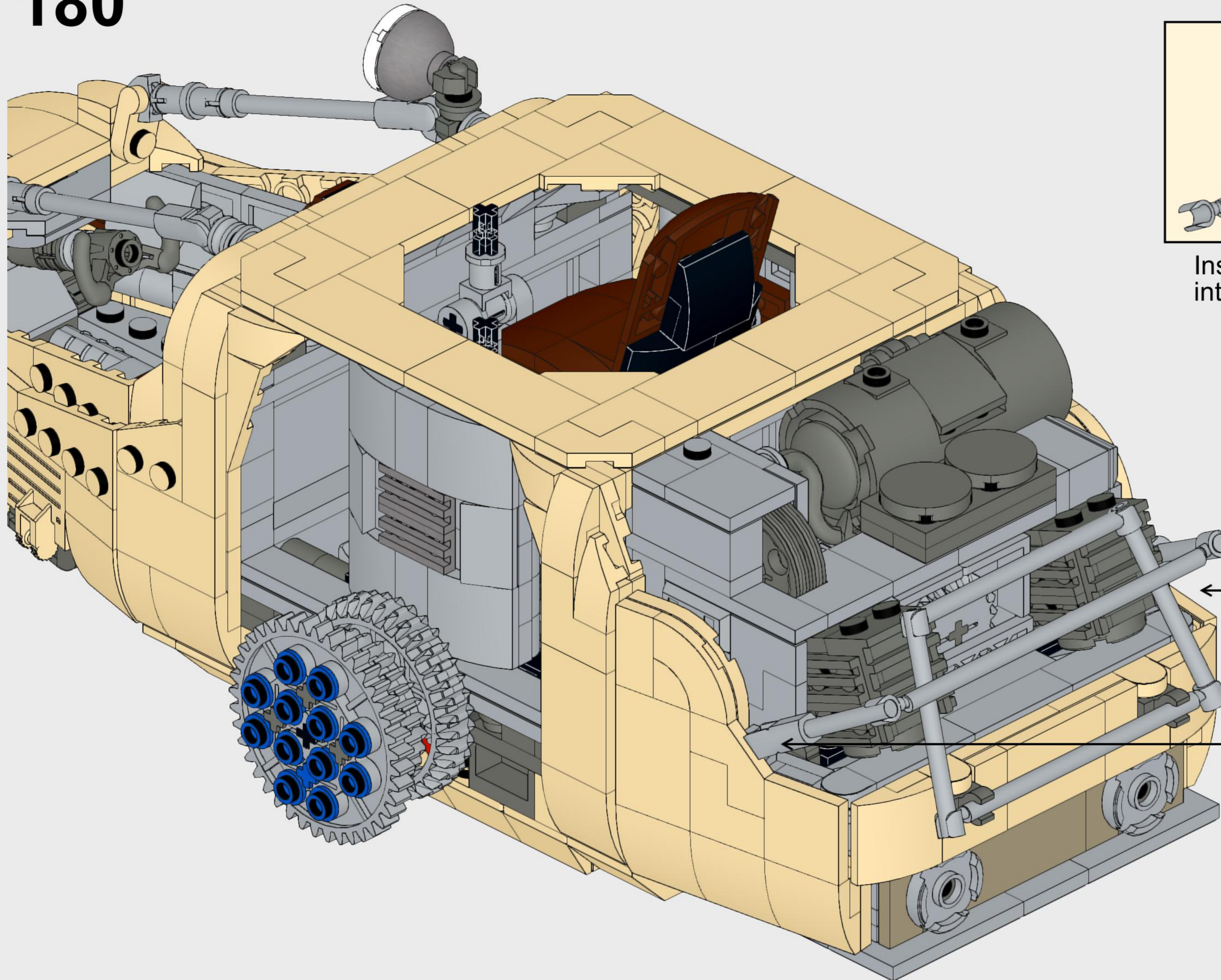
Insert minifig hands into rigid hoses. This can take a fair amount of pressure, so clipping the hands onto bars first can help get leverage needed to insert them.

Use (or cut) a 7-stud-length piece for the bottom, a 6-length for the top and 5-lengths for the sides.

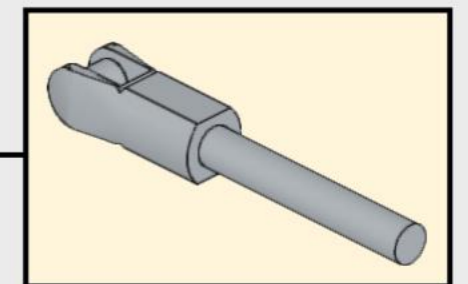




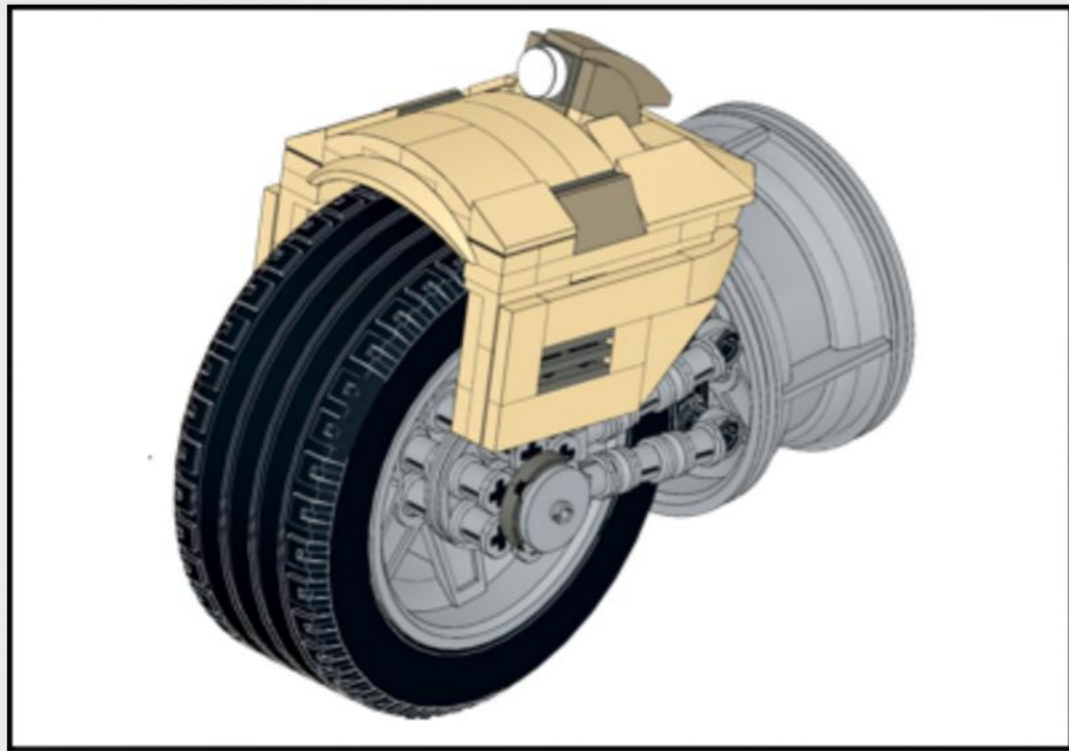
180



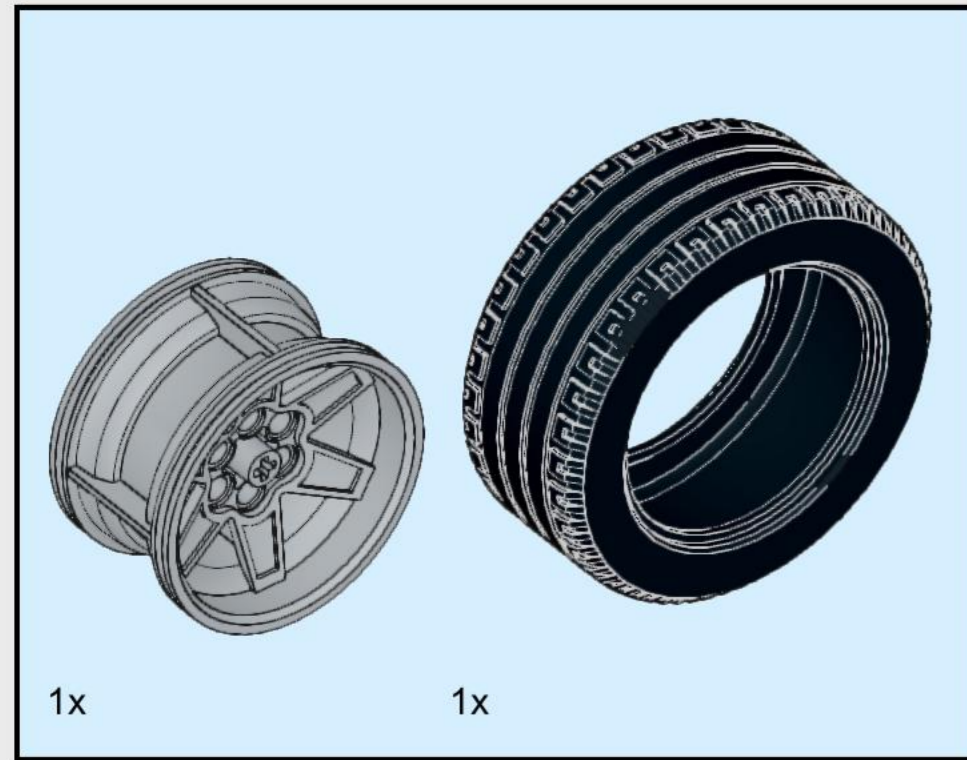
Insert minifig hands  
into 9-length hose



2x

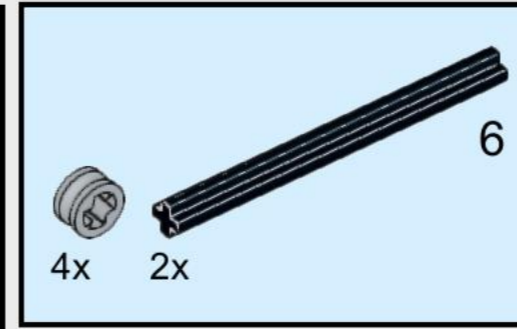


2x



Reverse wheel on second build of this model, so that left/right front wheels will be symmetrically mirrored when the full model is constructed.

1

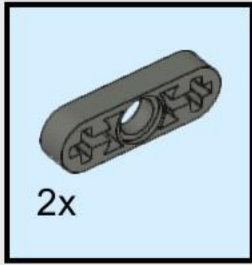


2

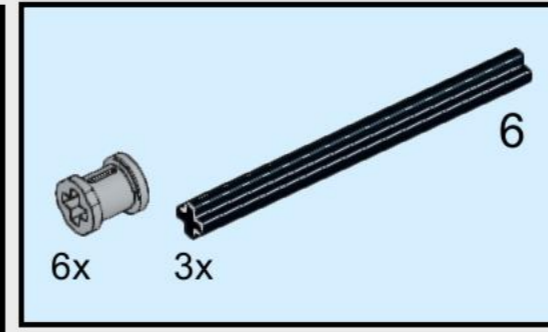
Wheel build is symmetrical. Add same pieces to reverse side per step.





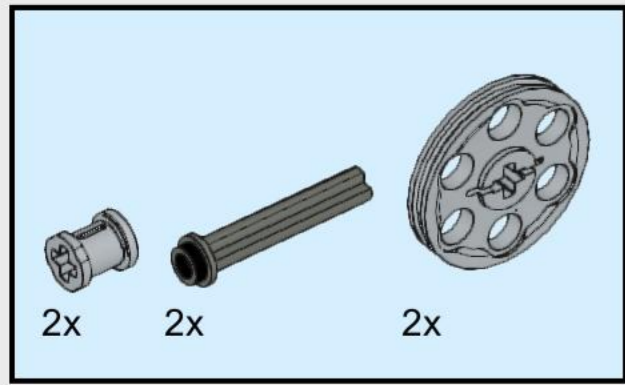


3

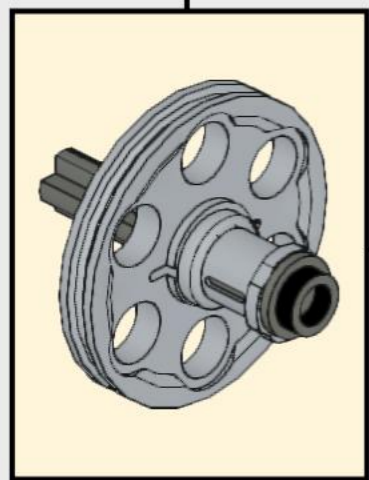


4

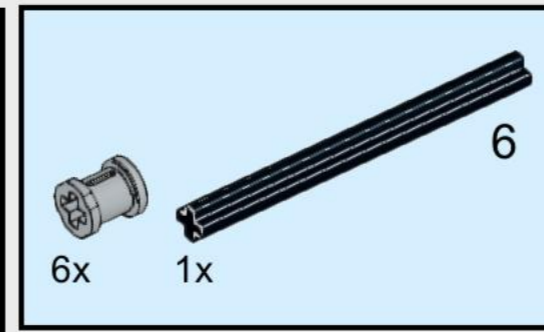




5

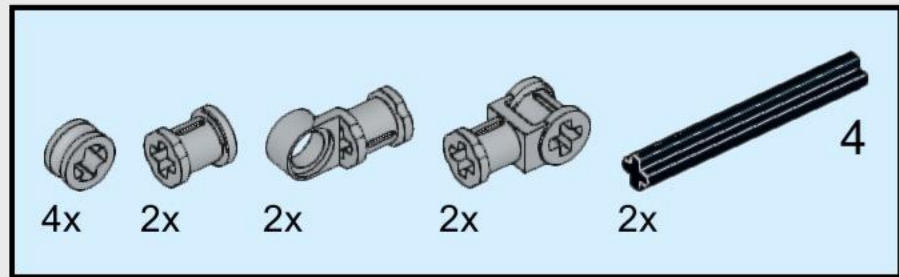


2x

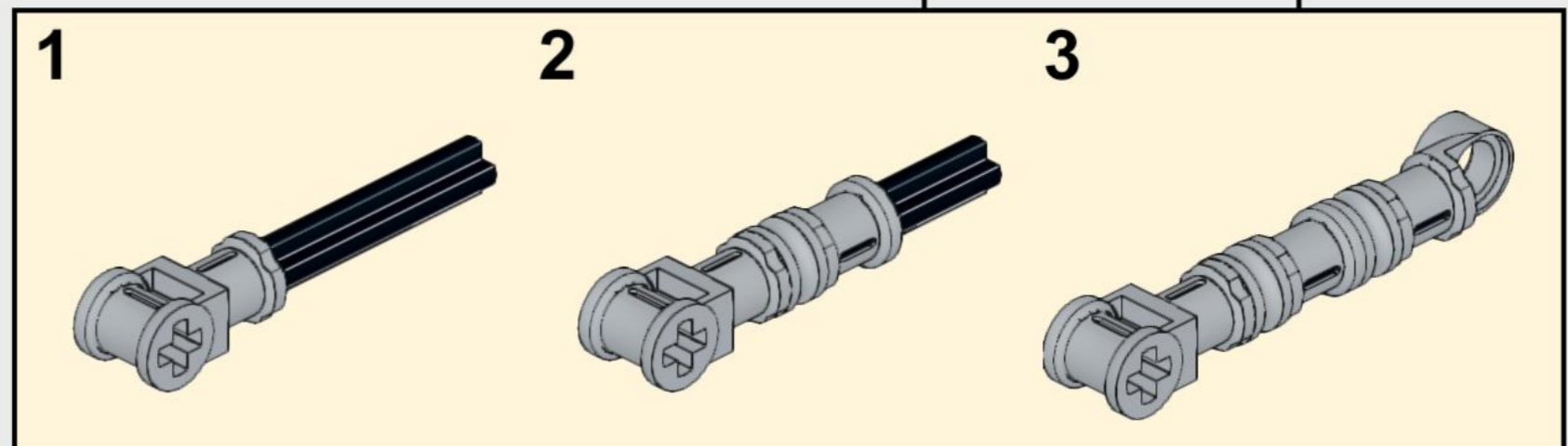
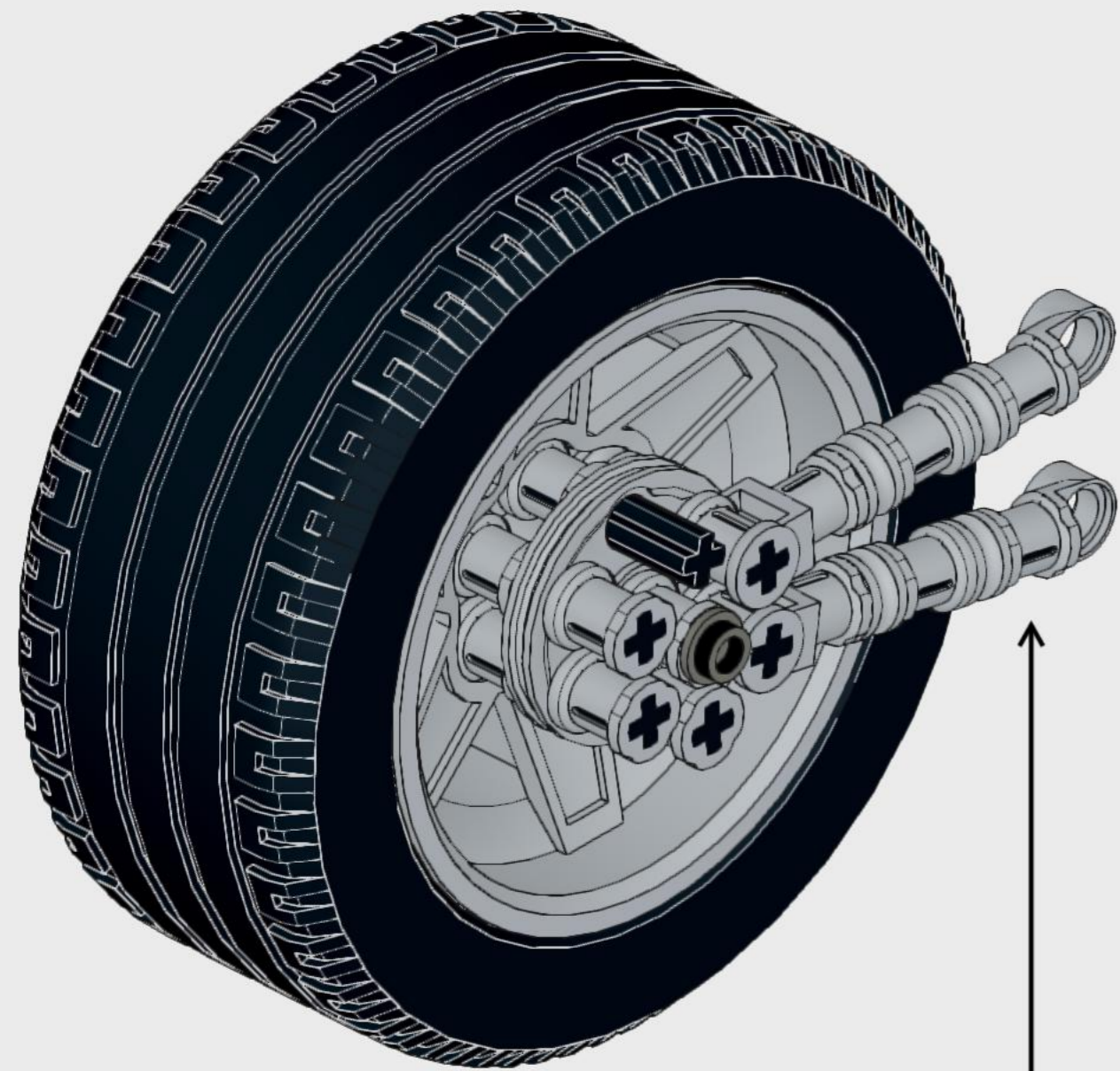


6

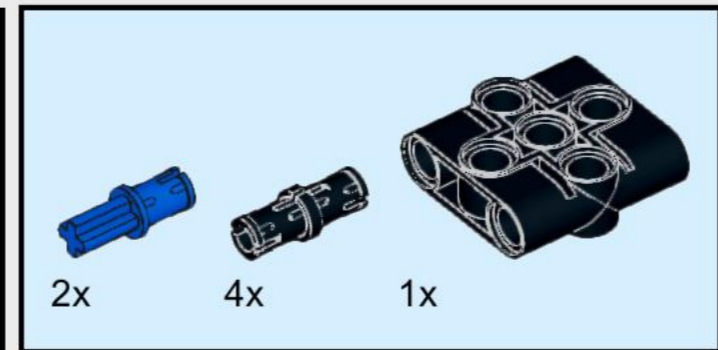




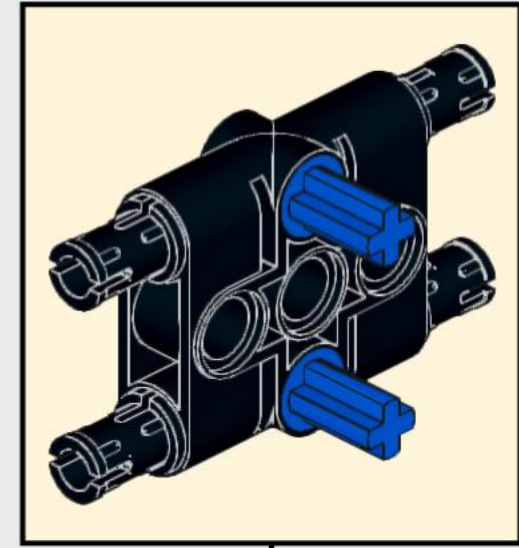
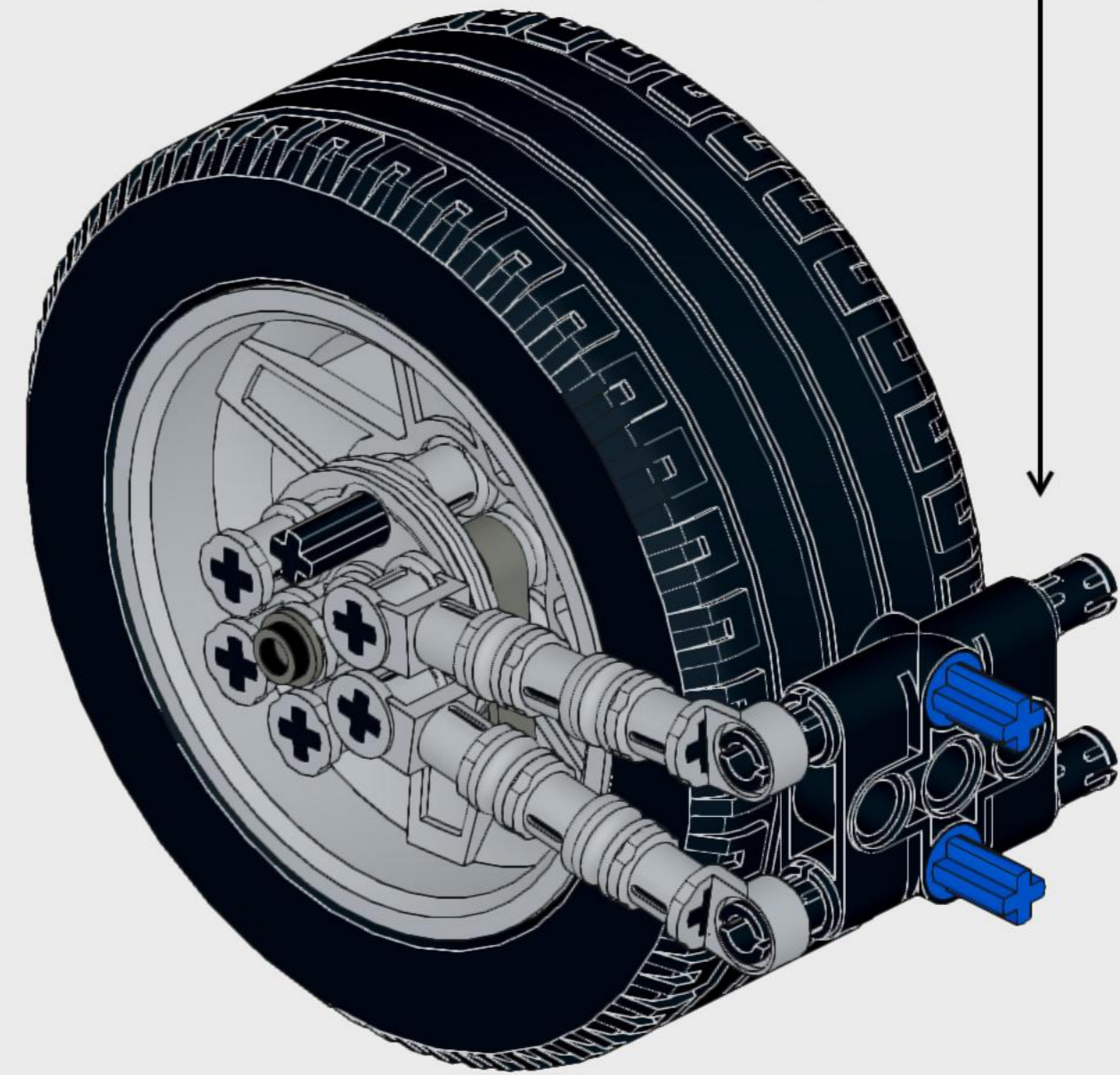
7

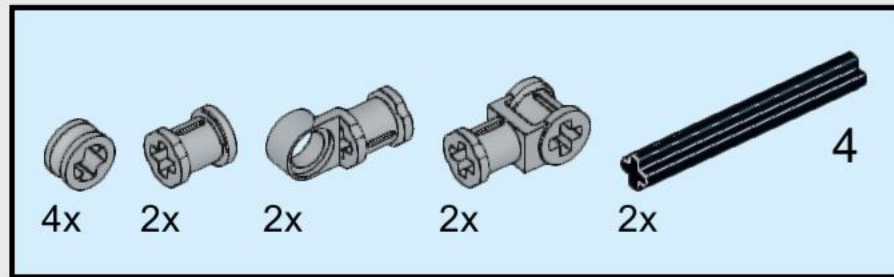


2x

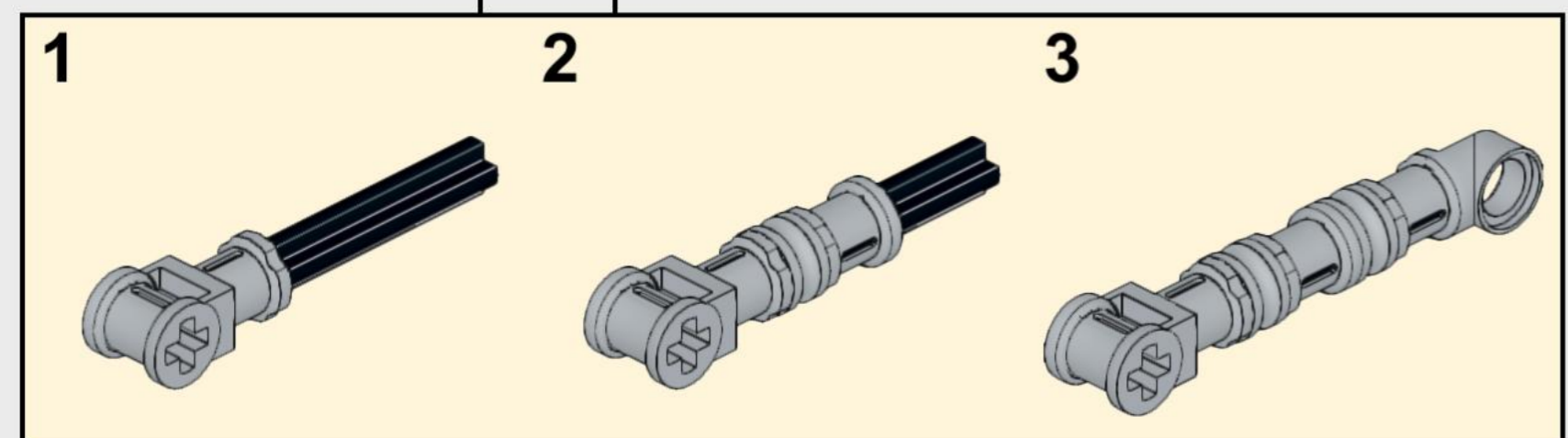
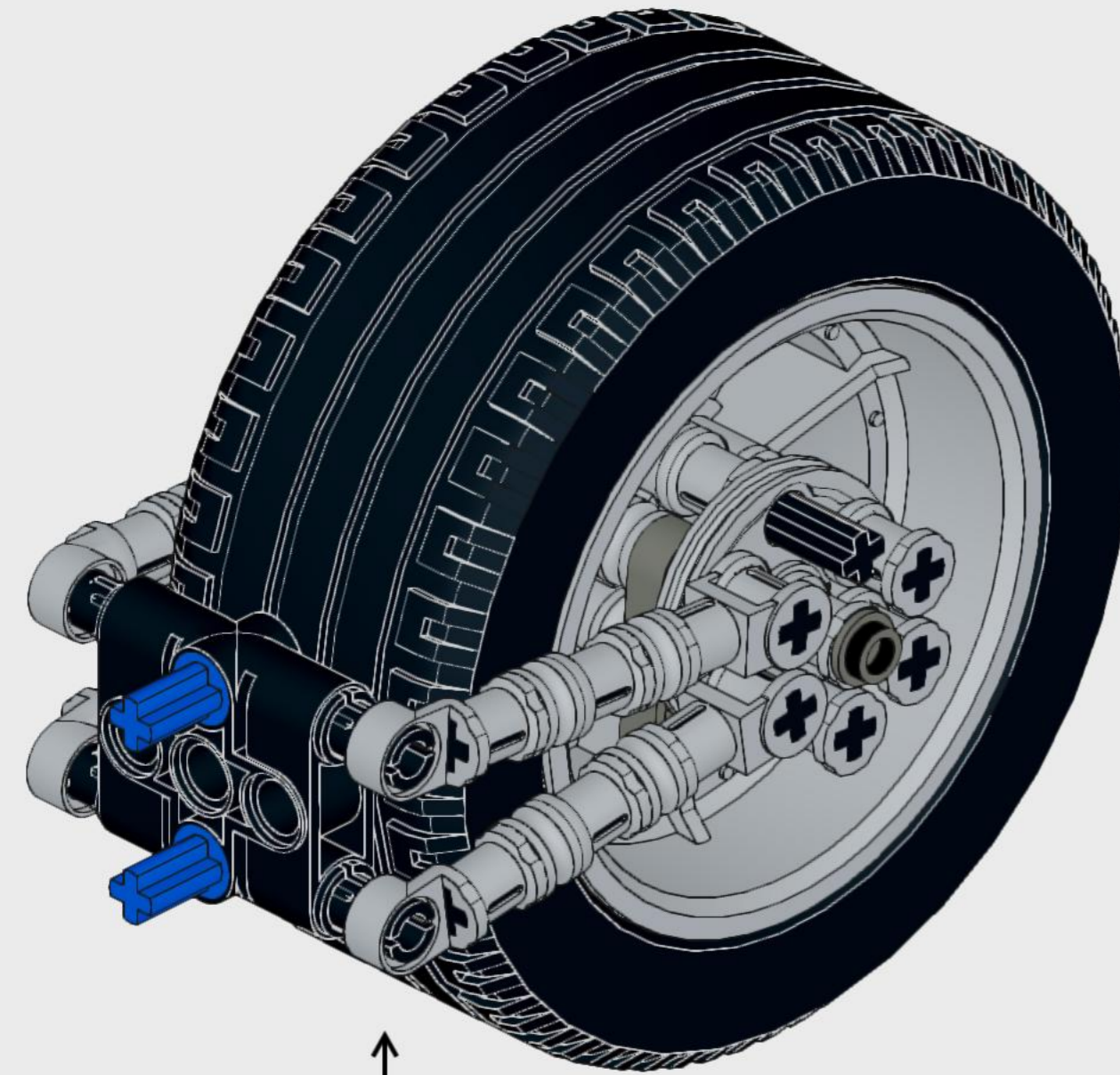


8 

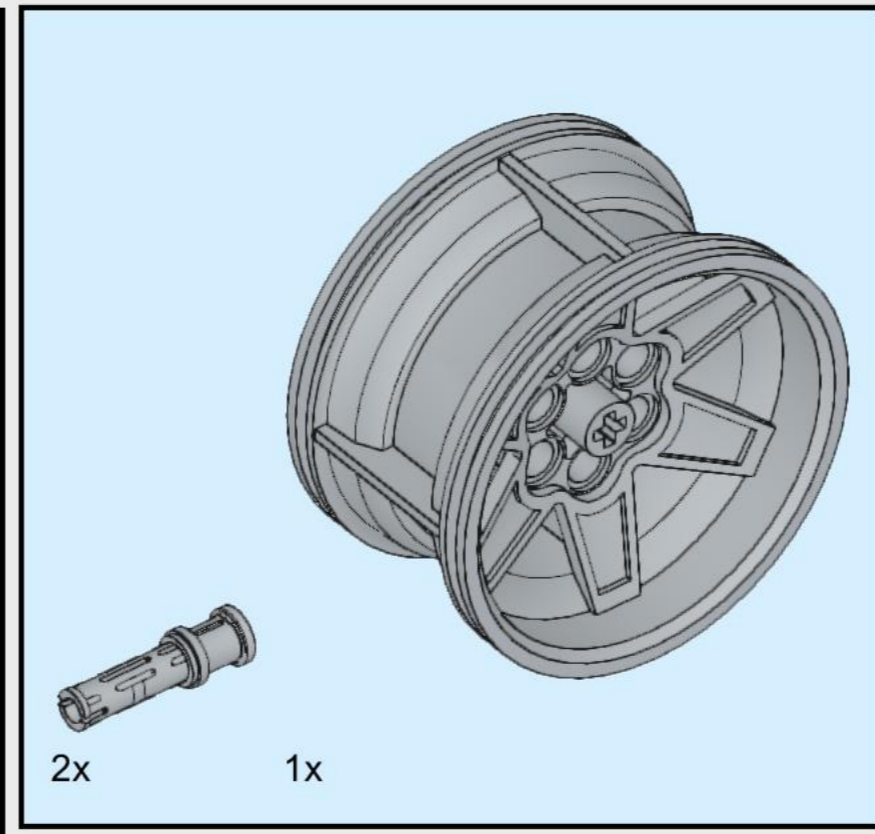




9

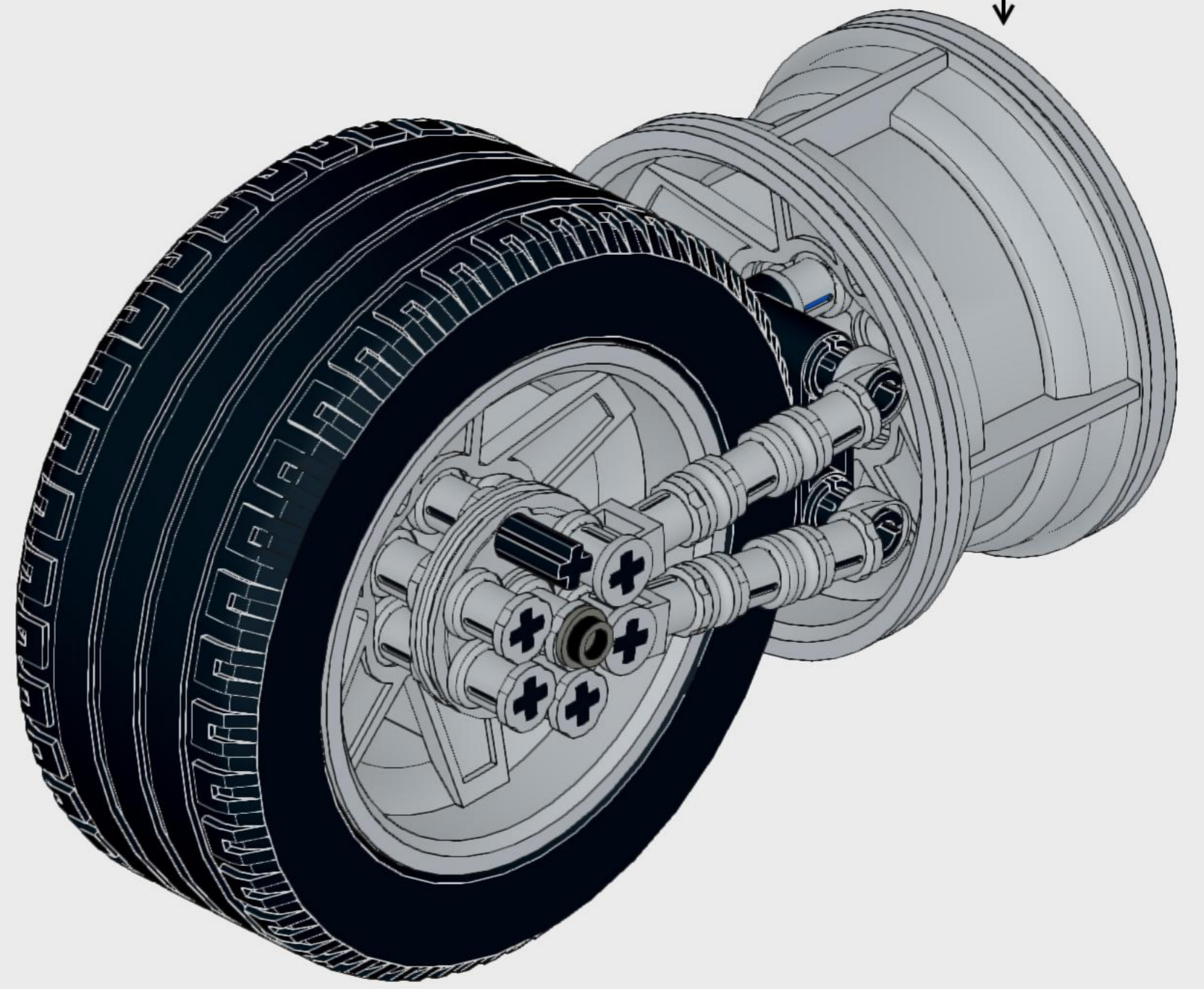
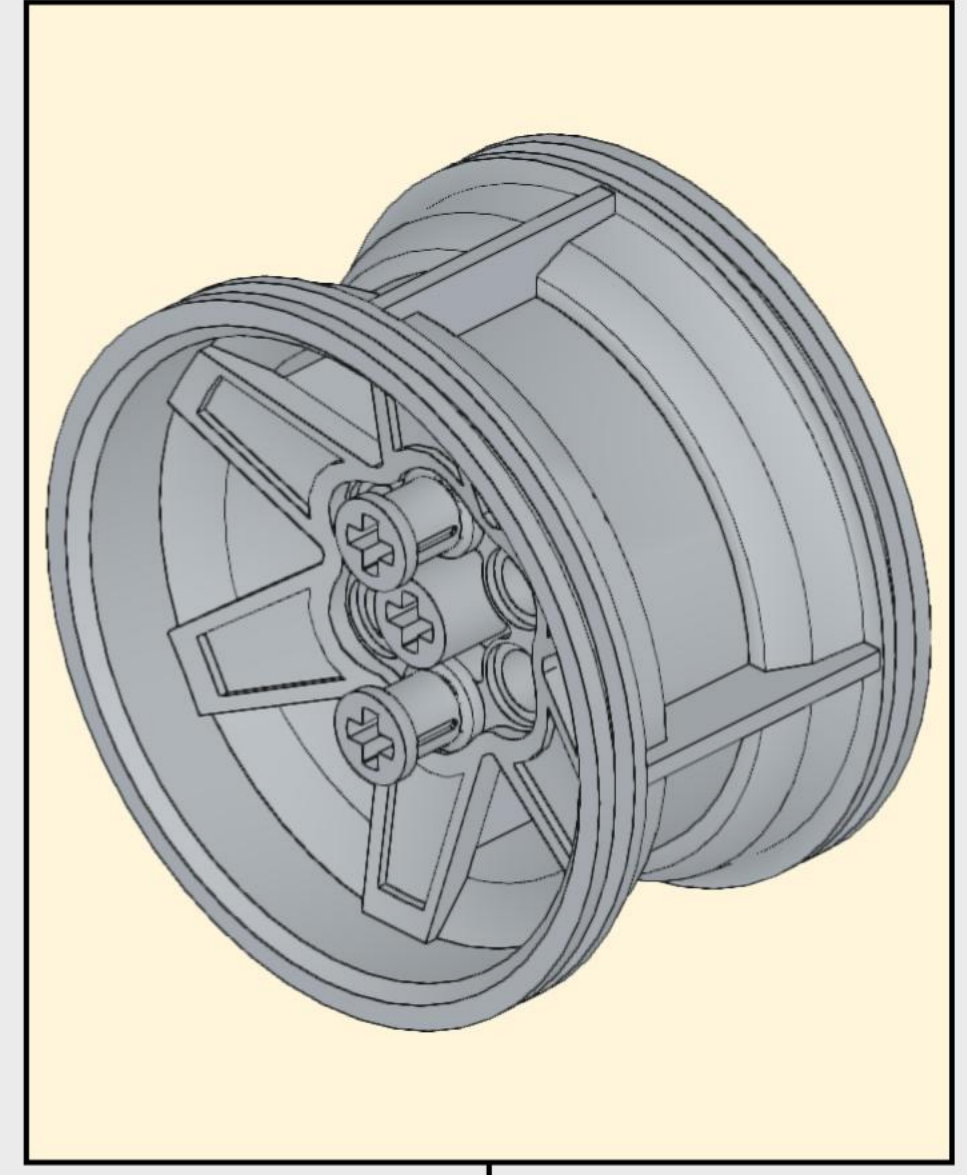


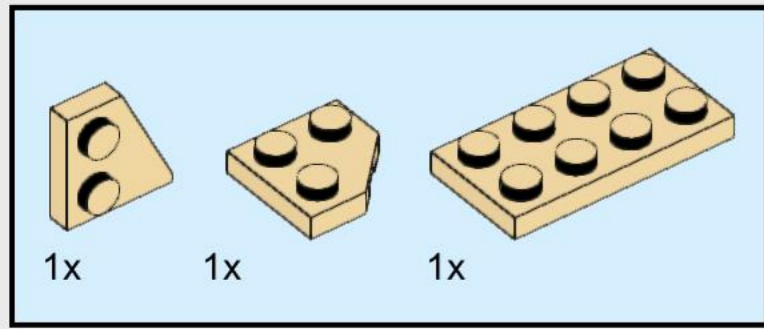
2x



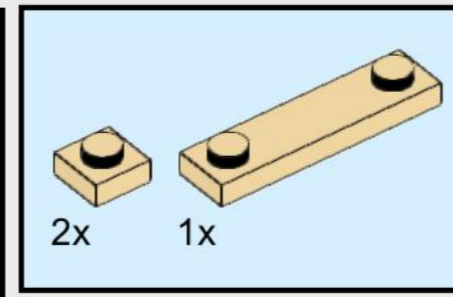
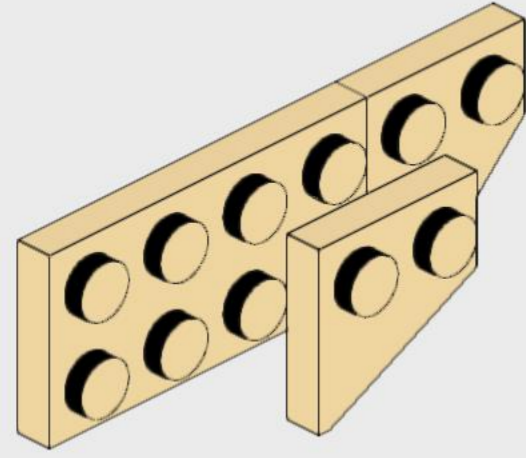
10

Ensure wheel interior matches instruction. Interior of wheel is different on each side.

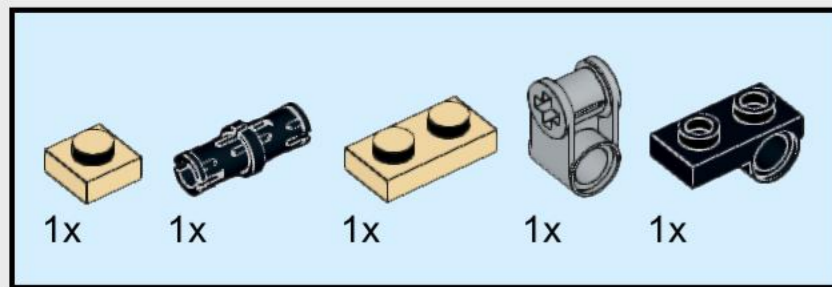
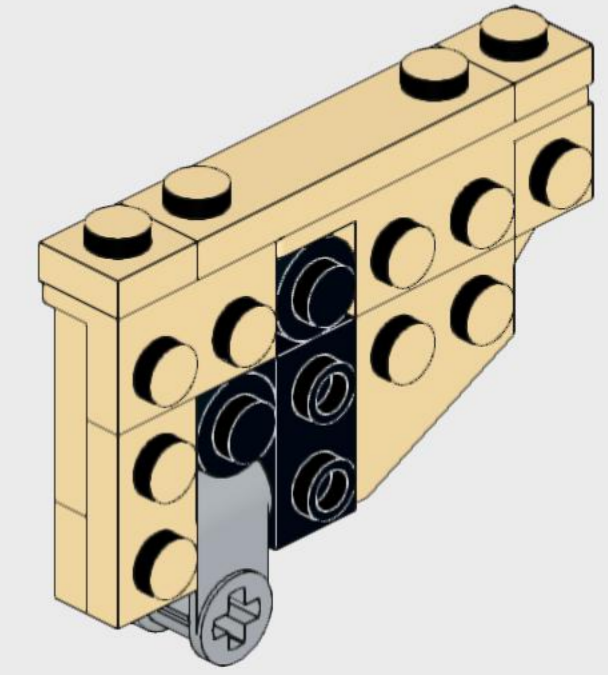




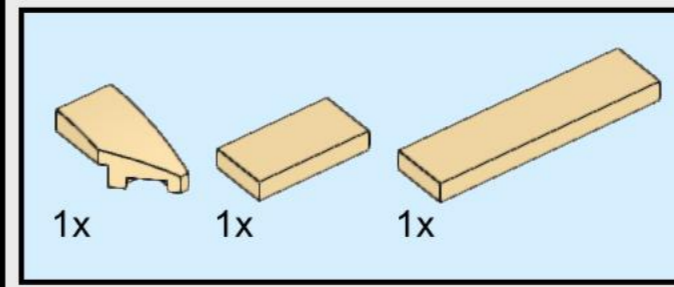
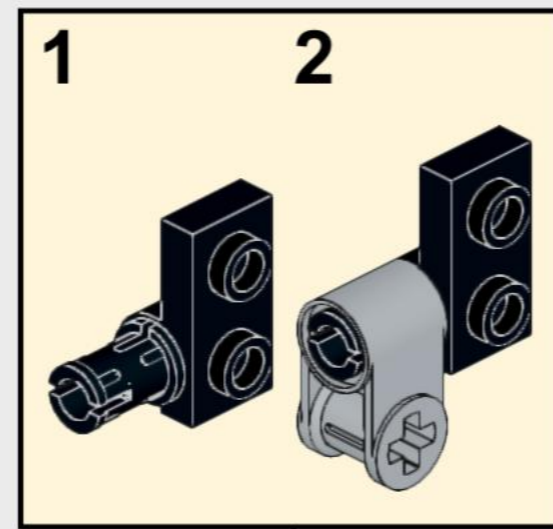
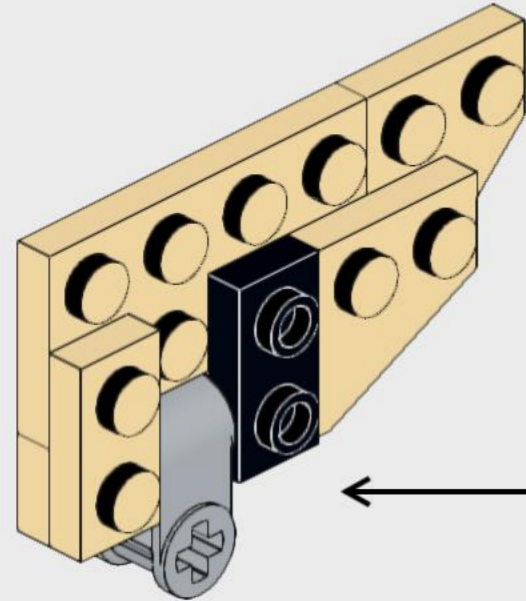
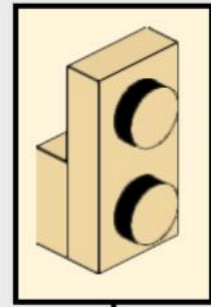
11



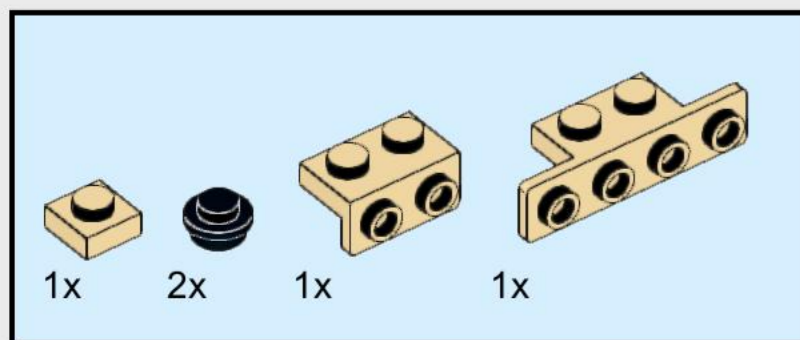
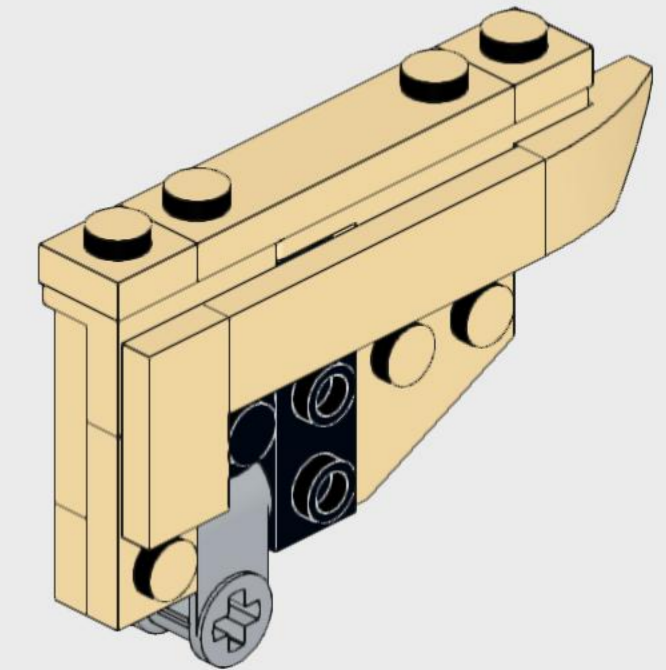
14



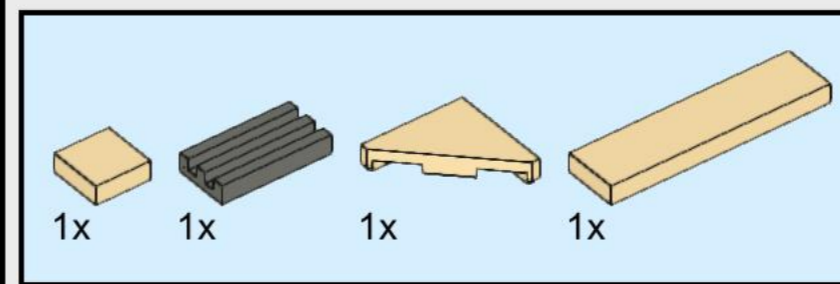
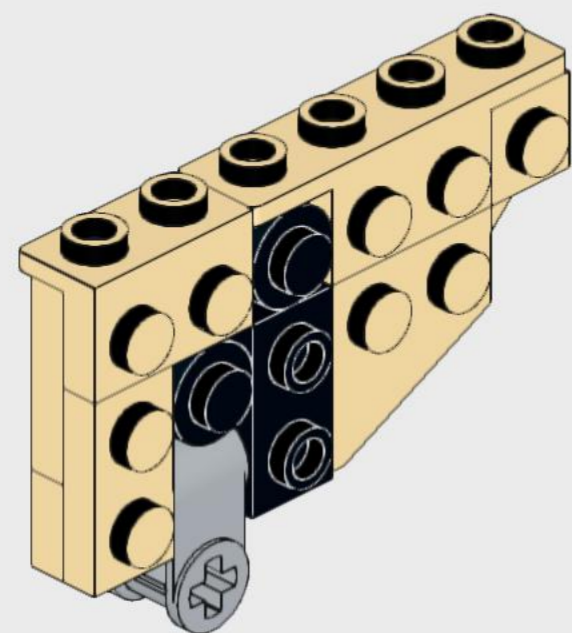
12



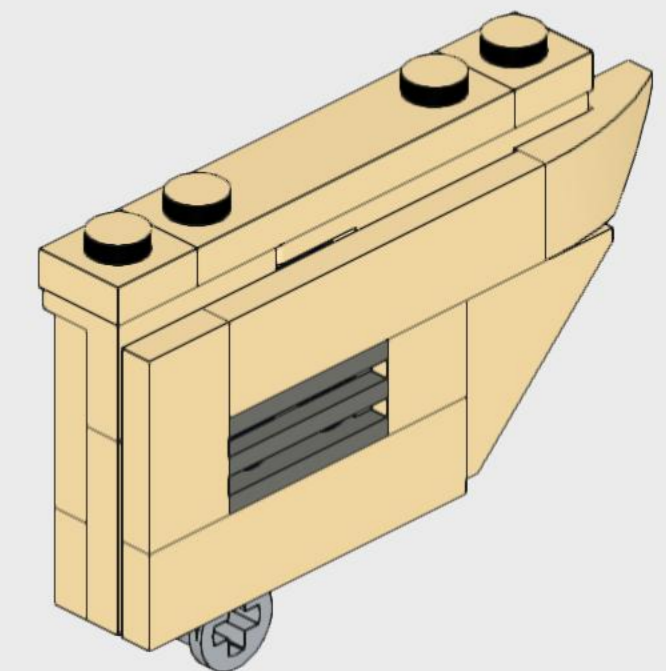
15

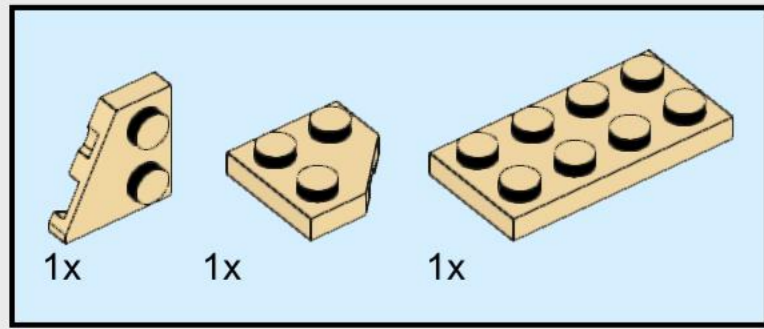


13

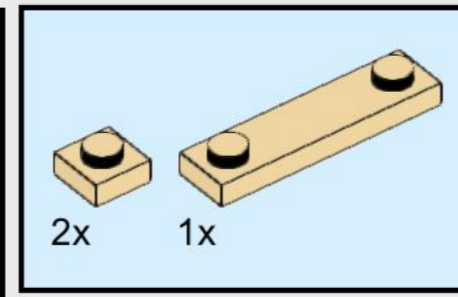
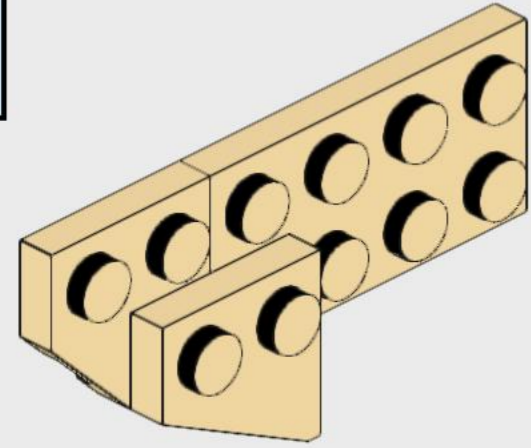


16

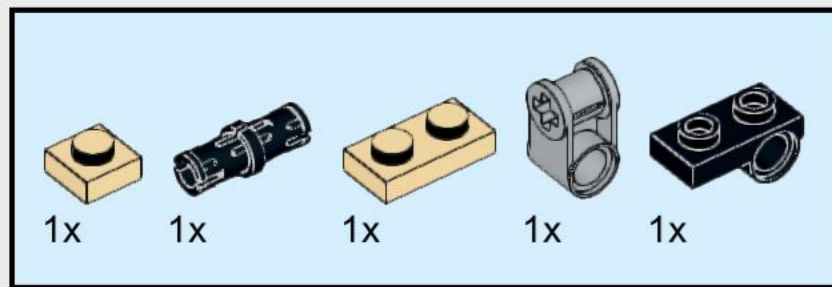
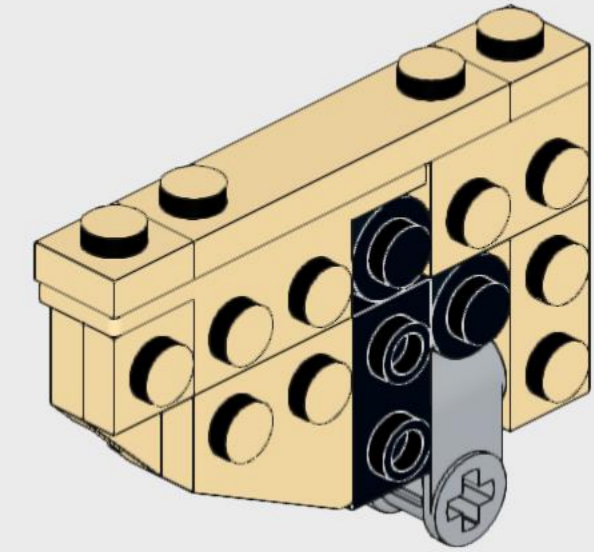




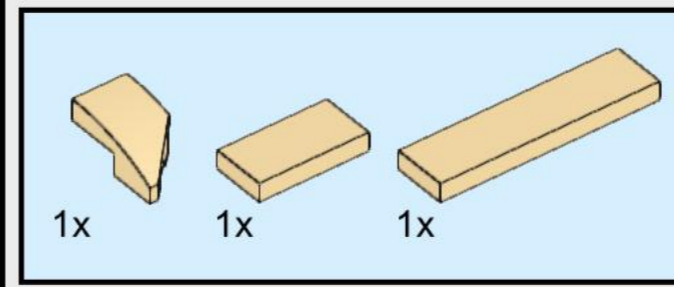
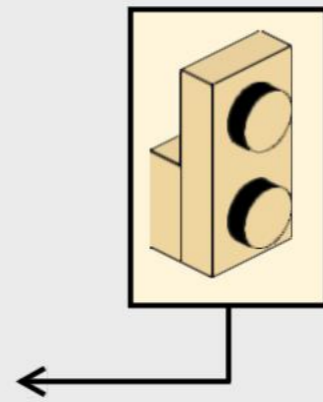
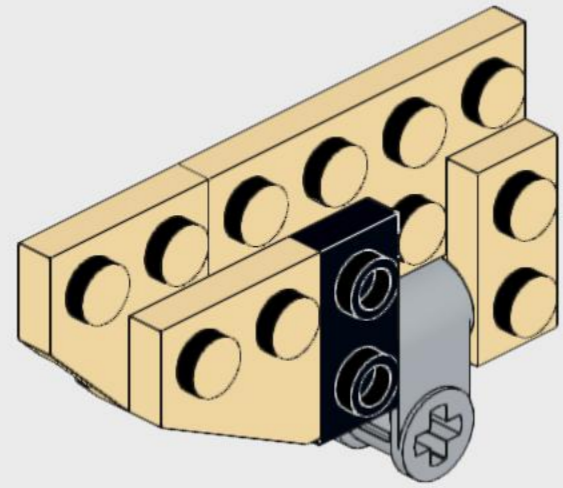
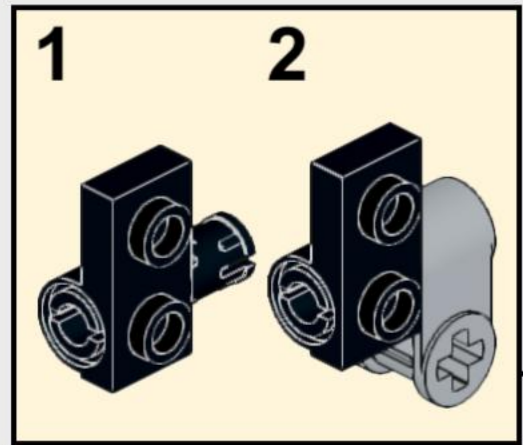
17



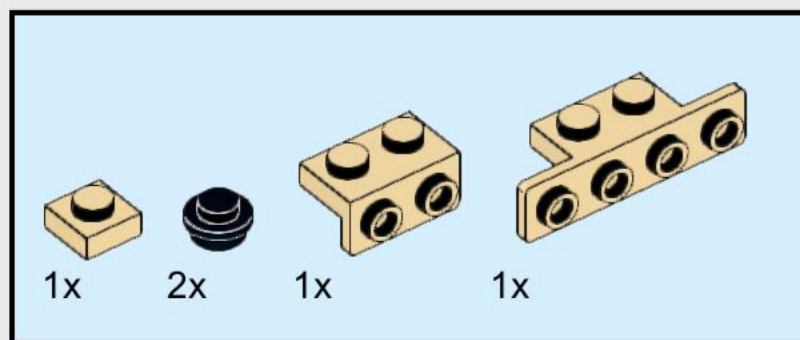
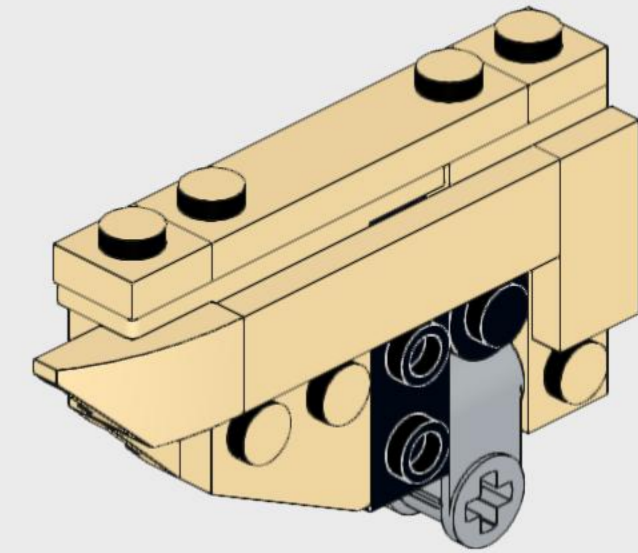
20



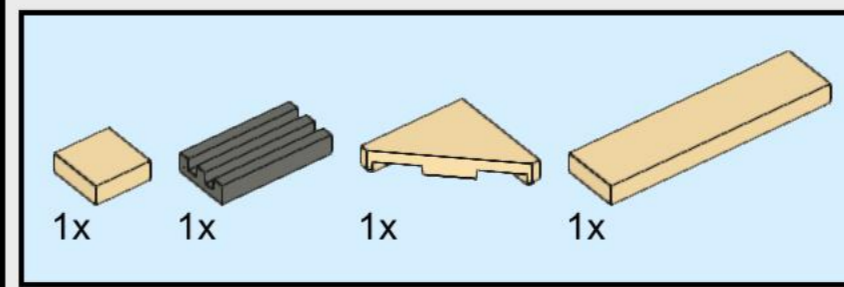
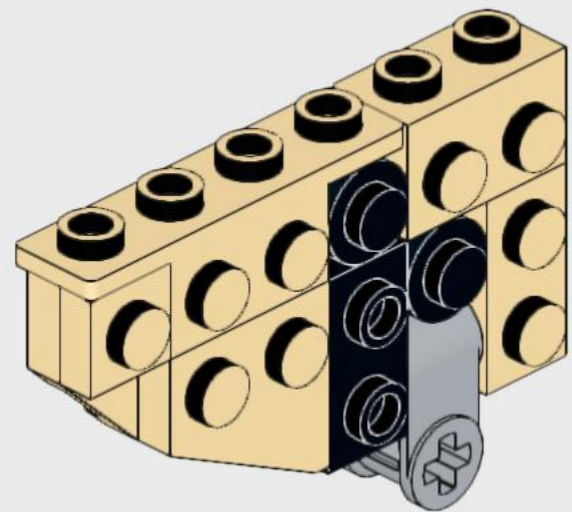
18



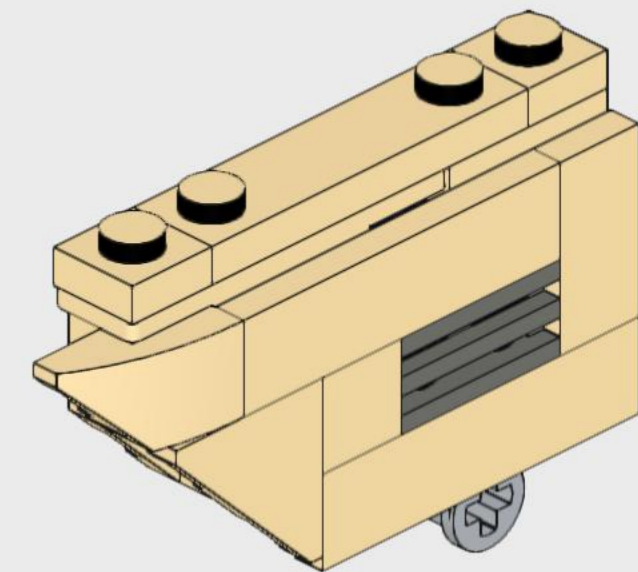
21



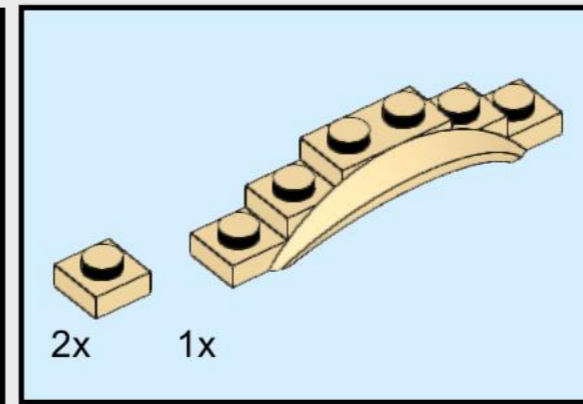
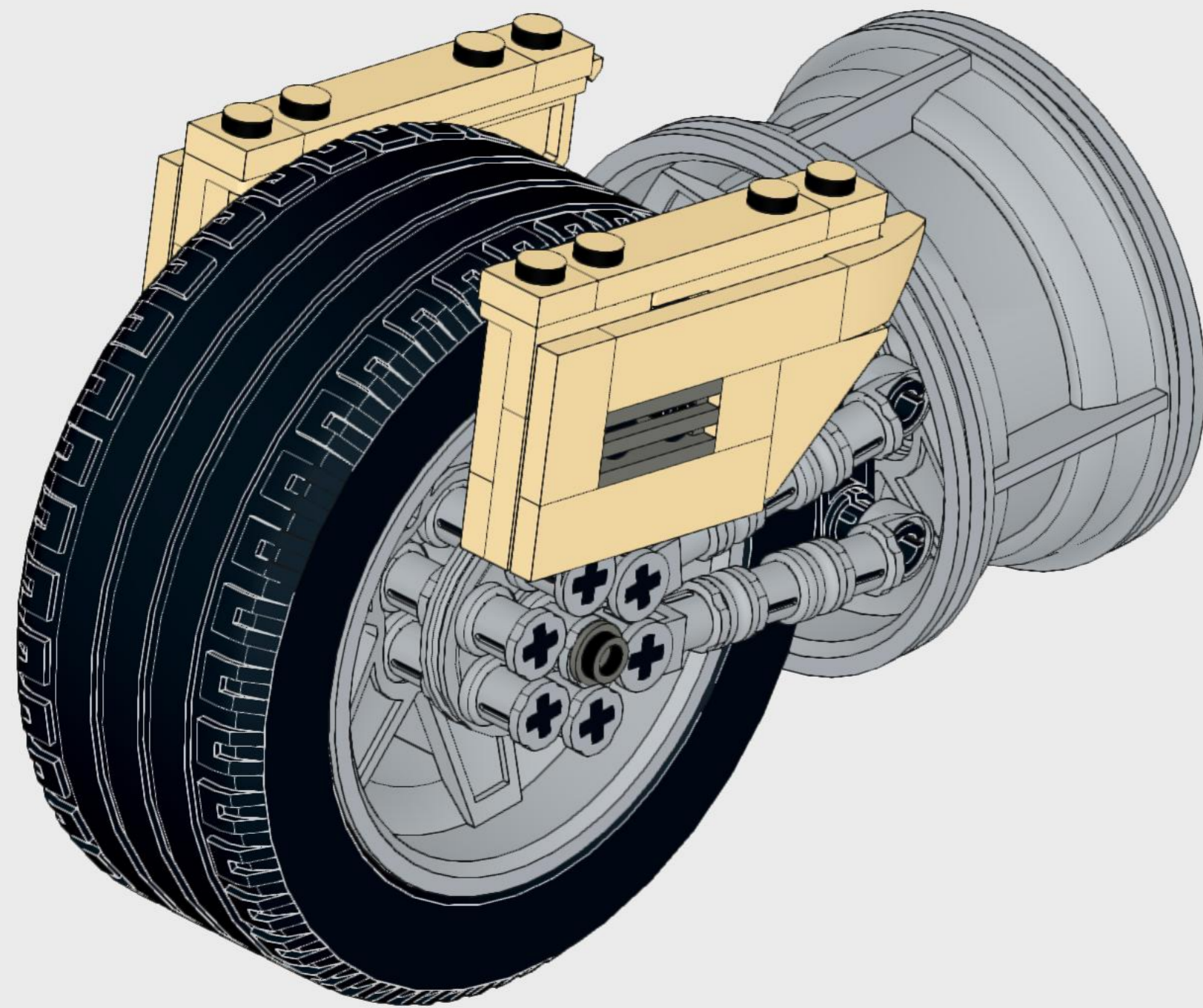
19



22

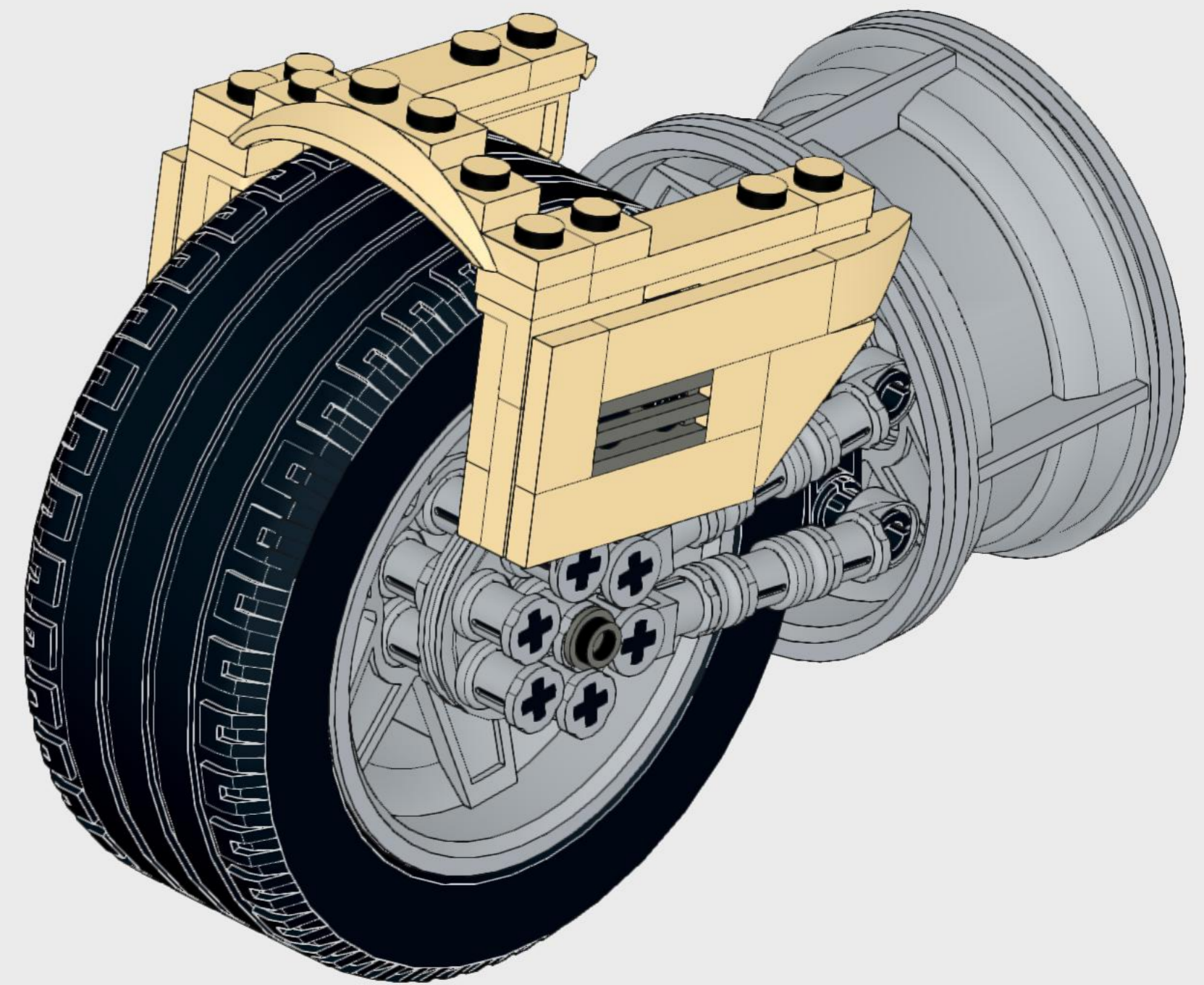


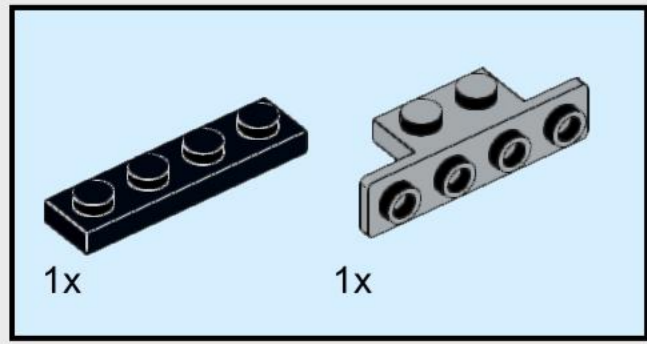
# 23



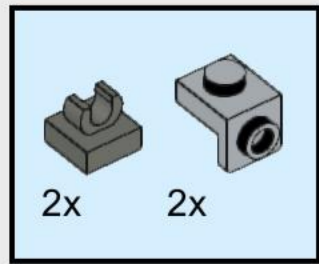
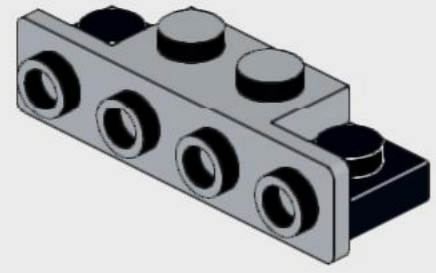
Push sides against wheel to be able to add arch piece on top. The rubber wheels fit a bit tight, but will easily deform slightly when pressure is added.

# 24

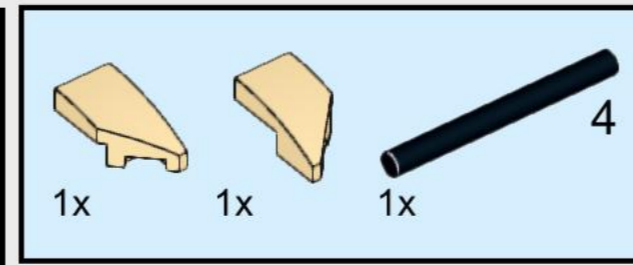
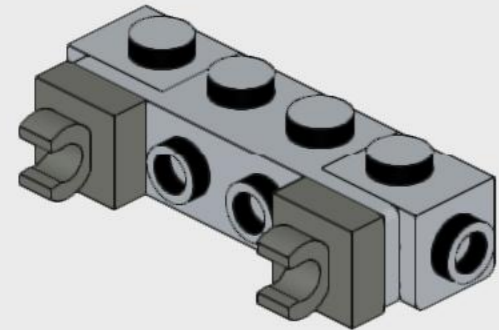




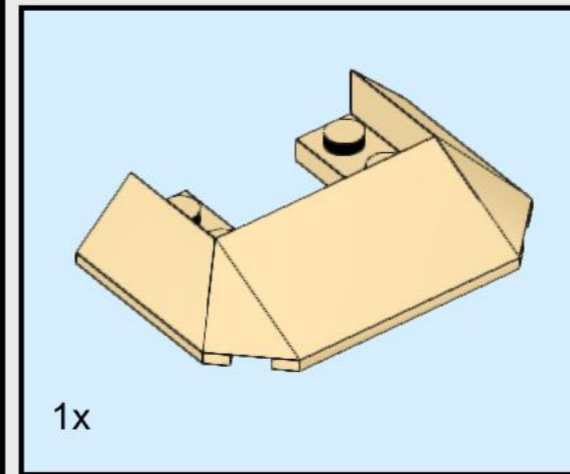
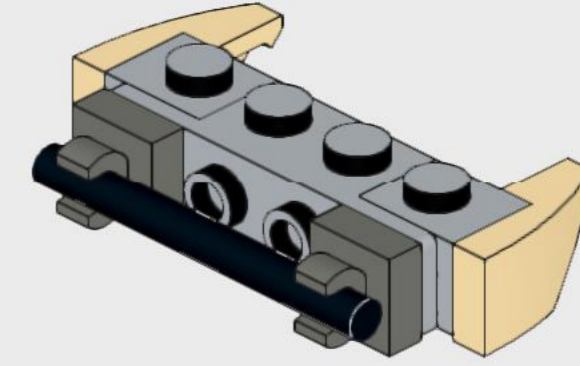
25



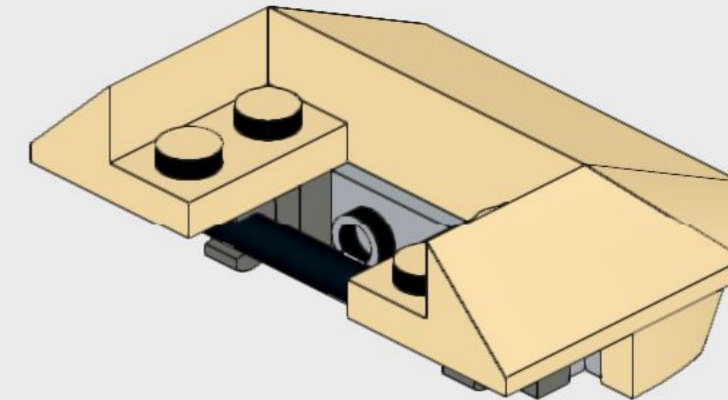
26



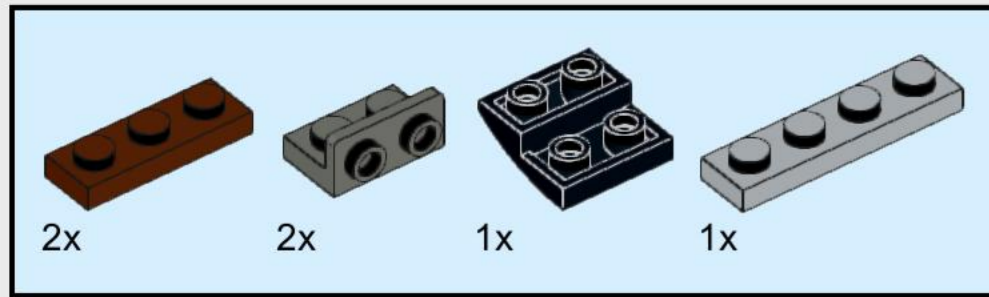
27



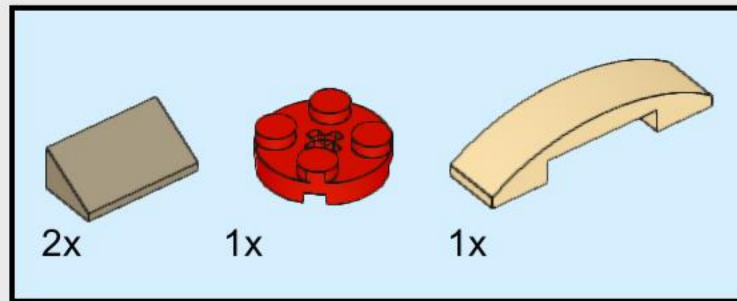
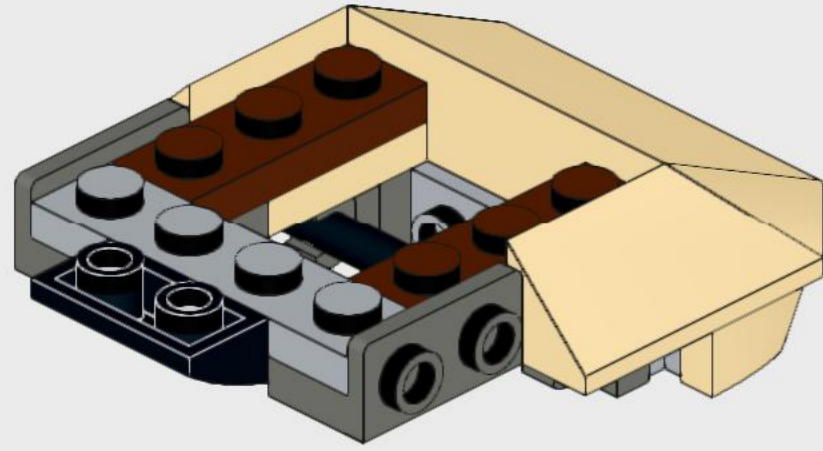
28



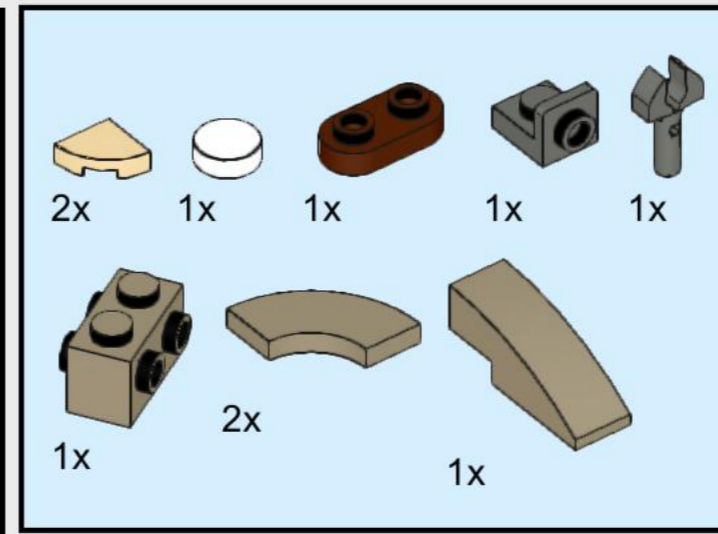
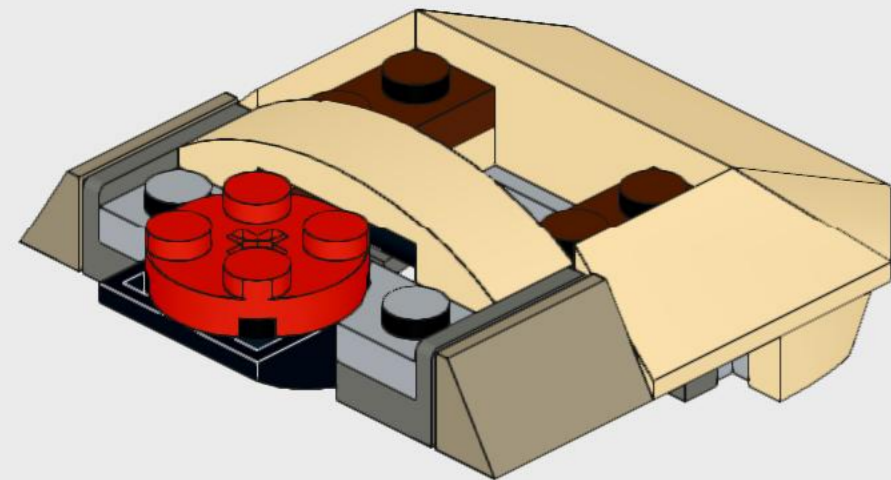




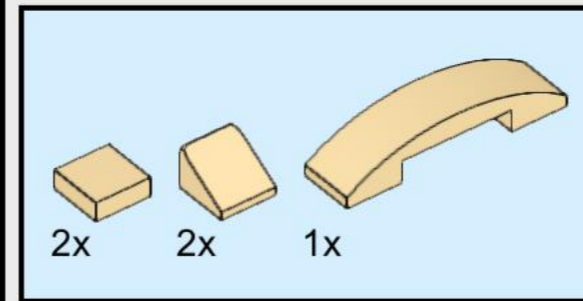
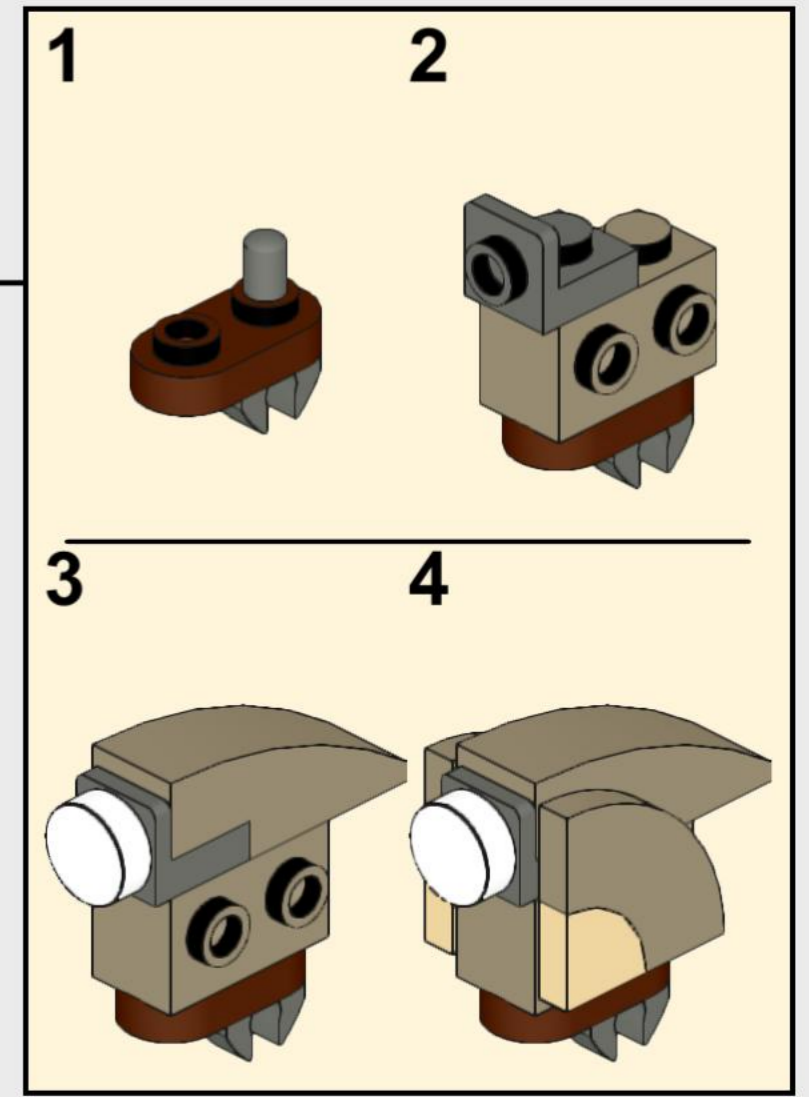
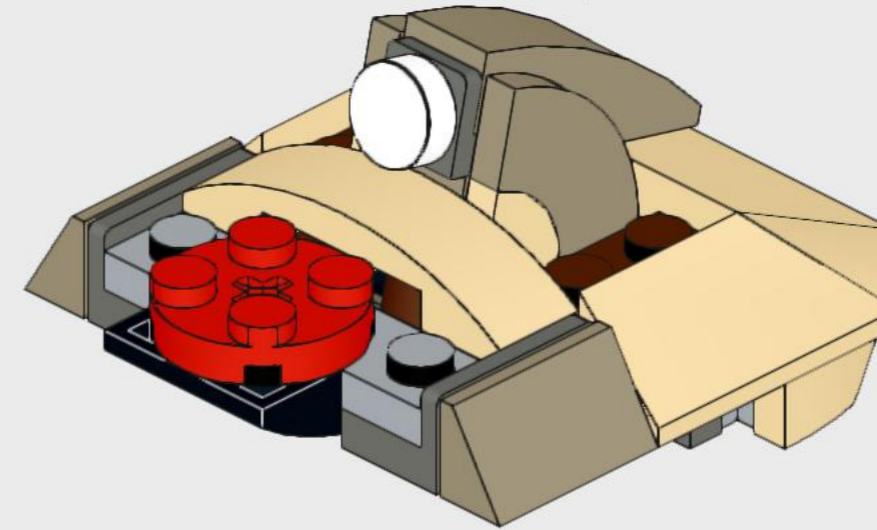
29



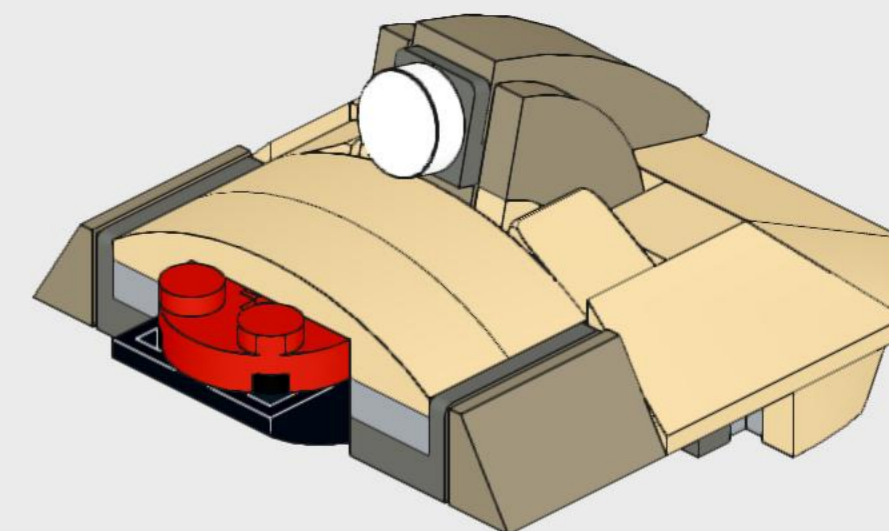
30



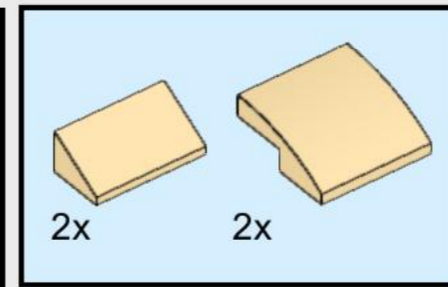
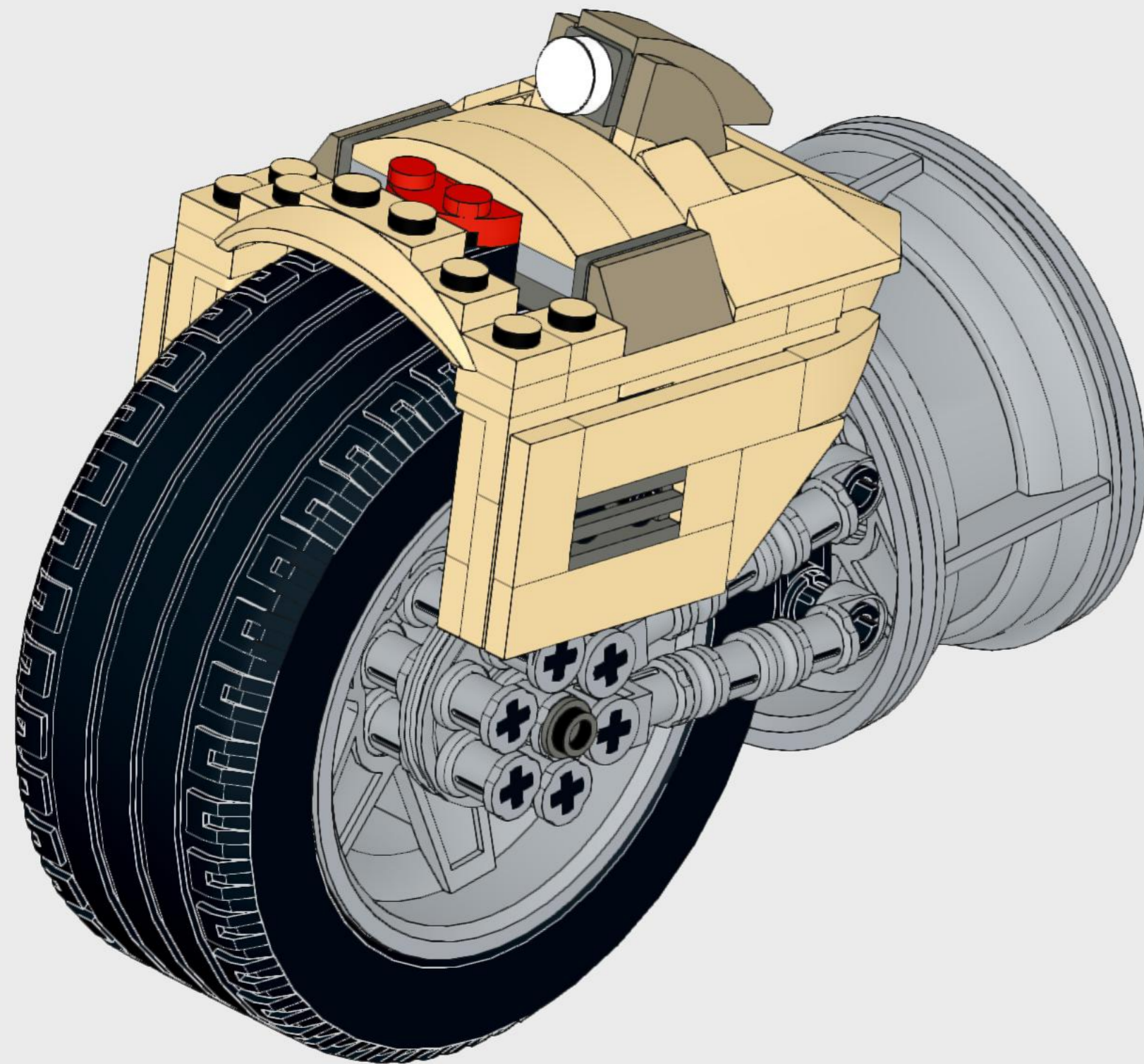
31



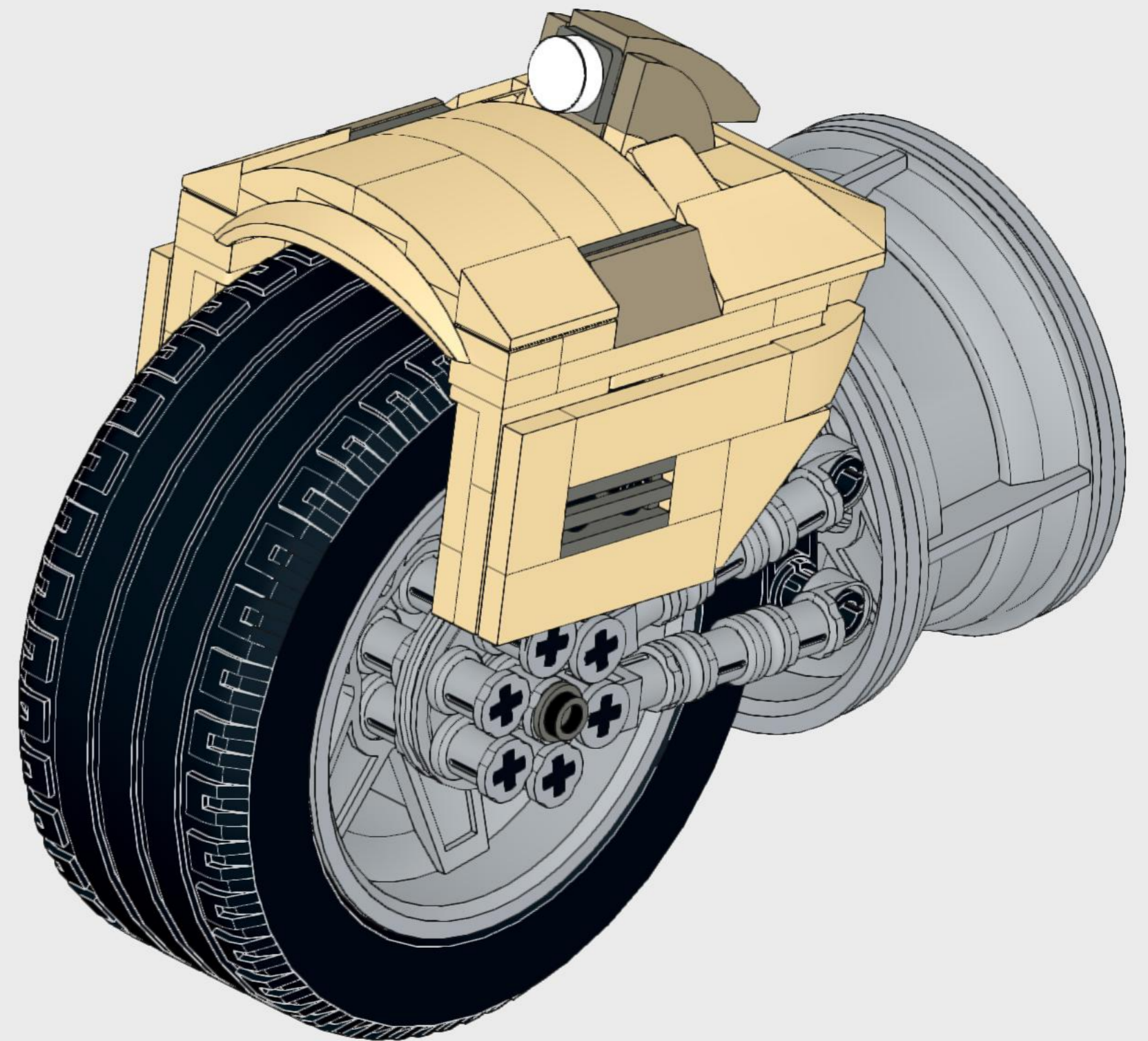
32

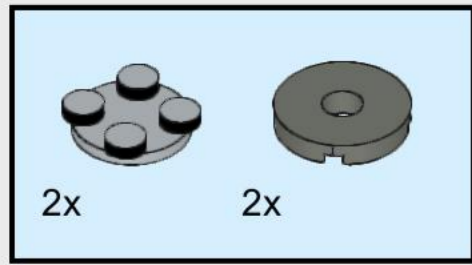


33

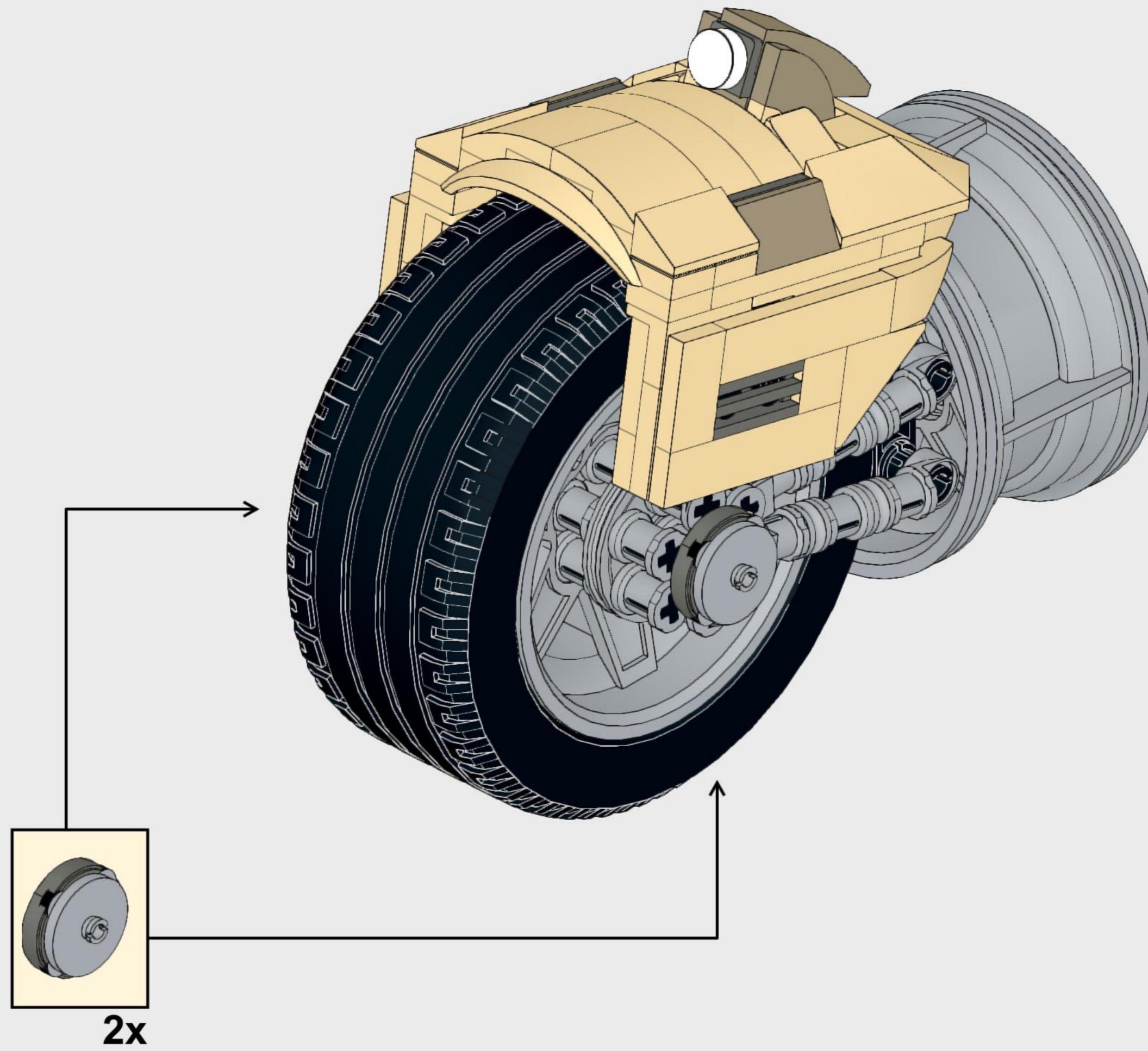


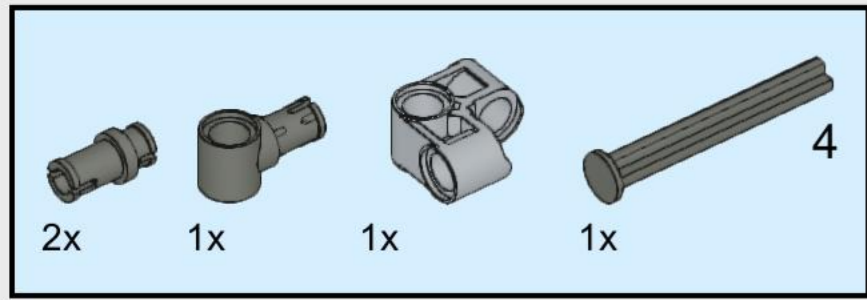
34



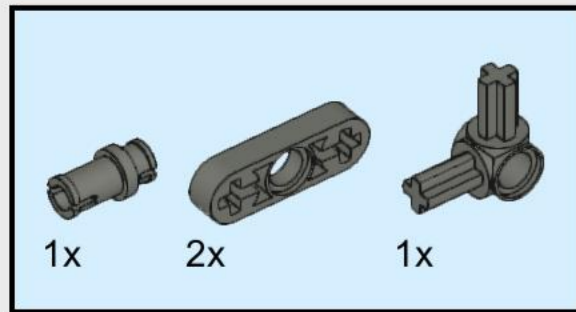
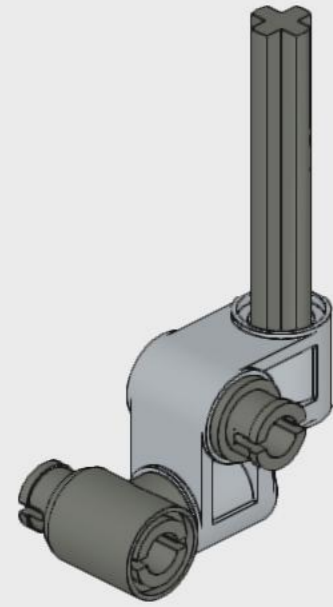


**35**

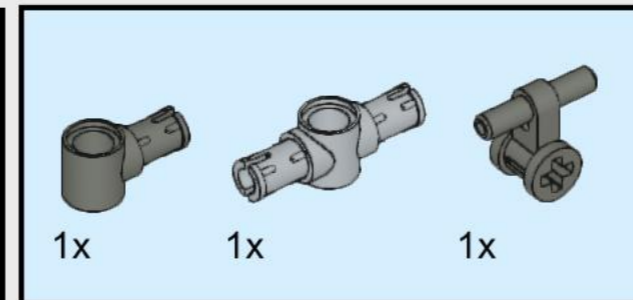
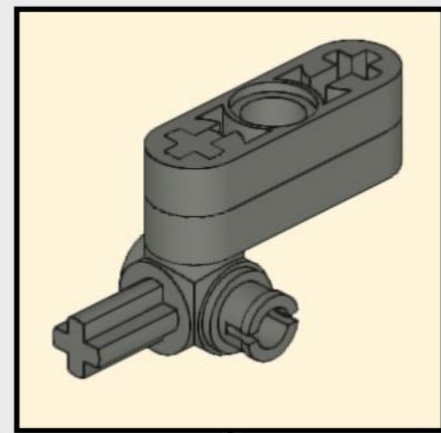
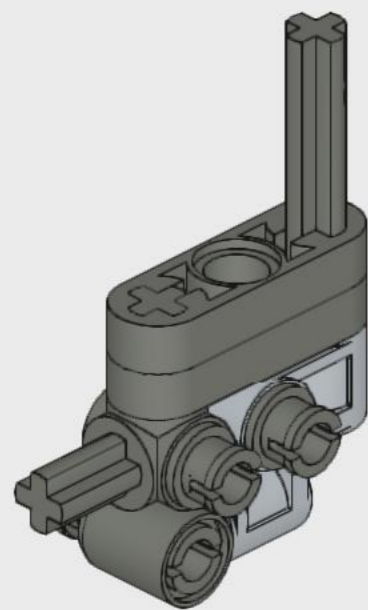




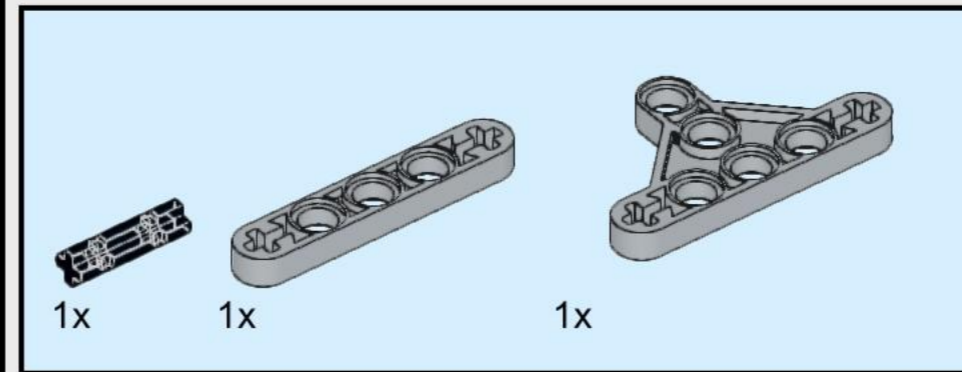
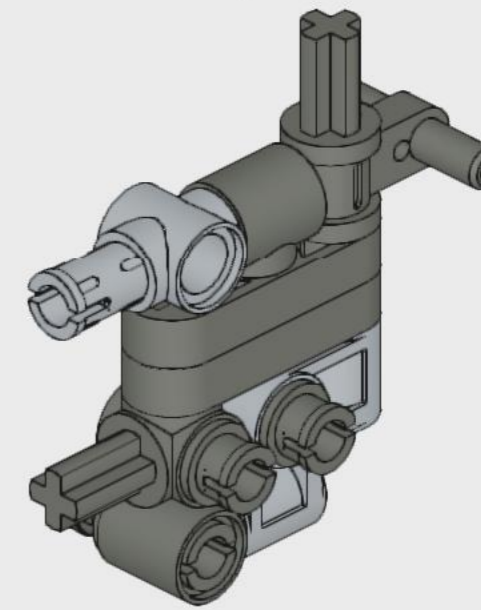
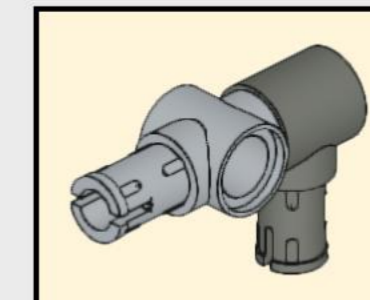
1



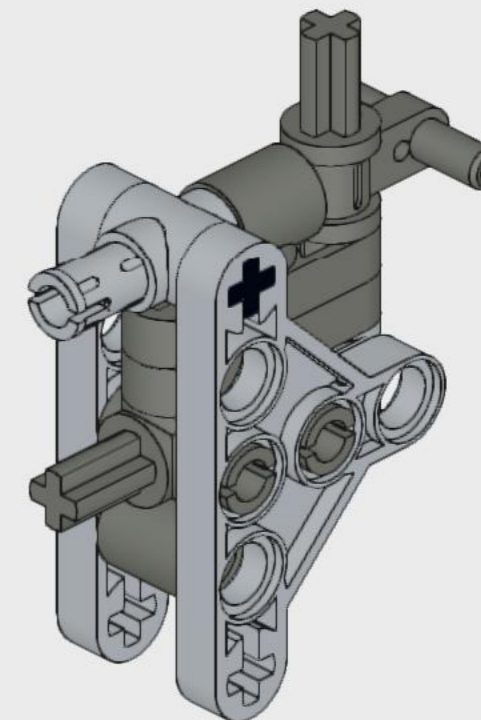
2

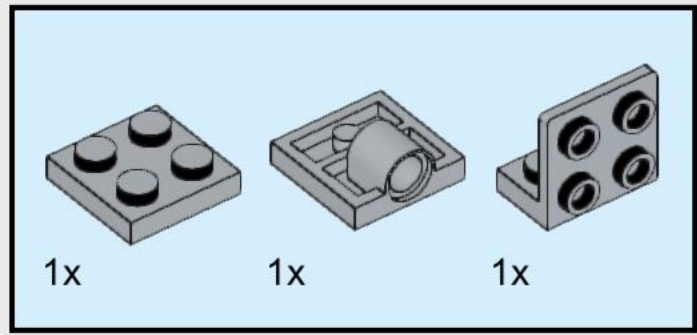


3

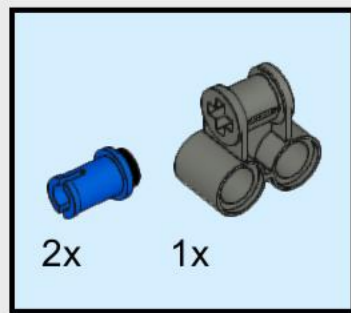
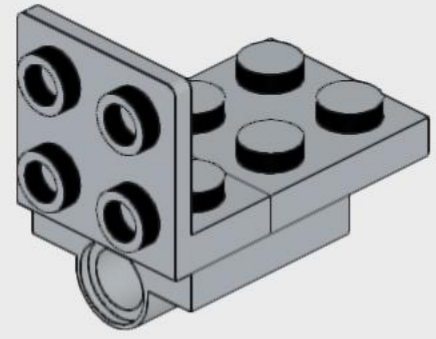


4

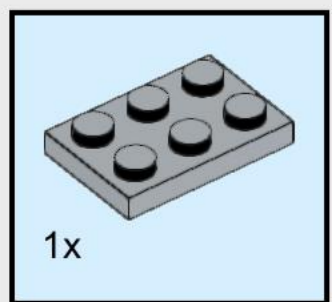
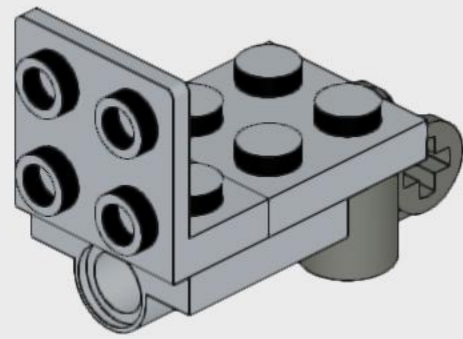




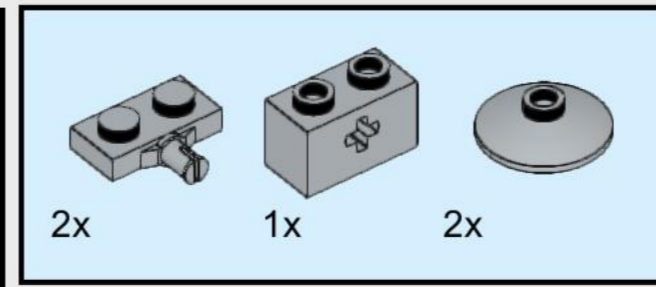
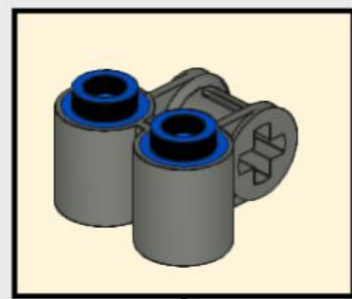
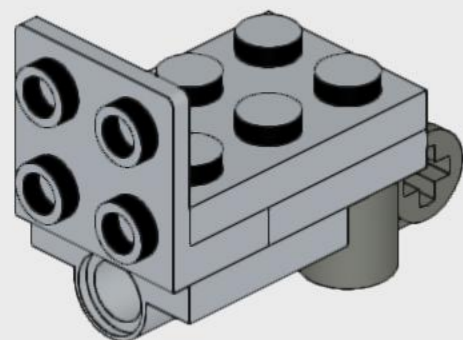
5



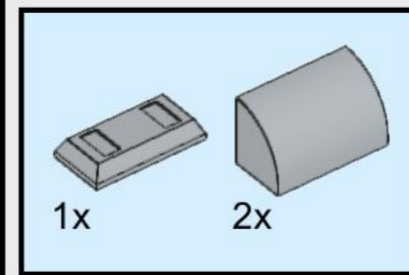
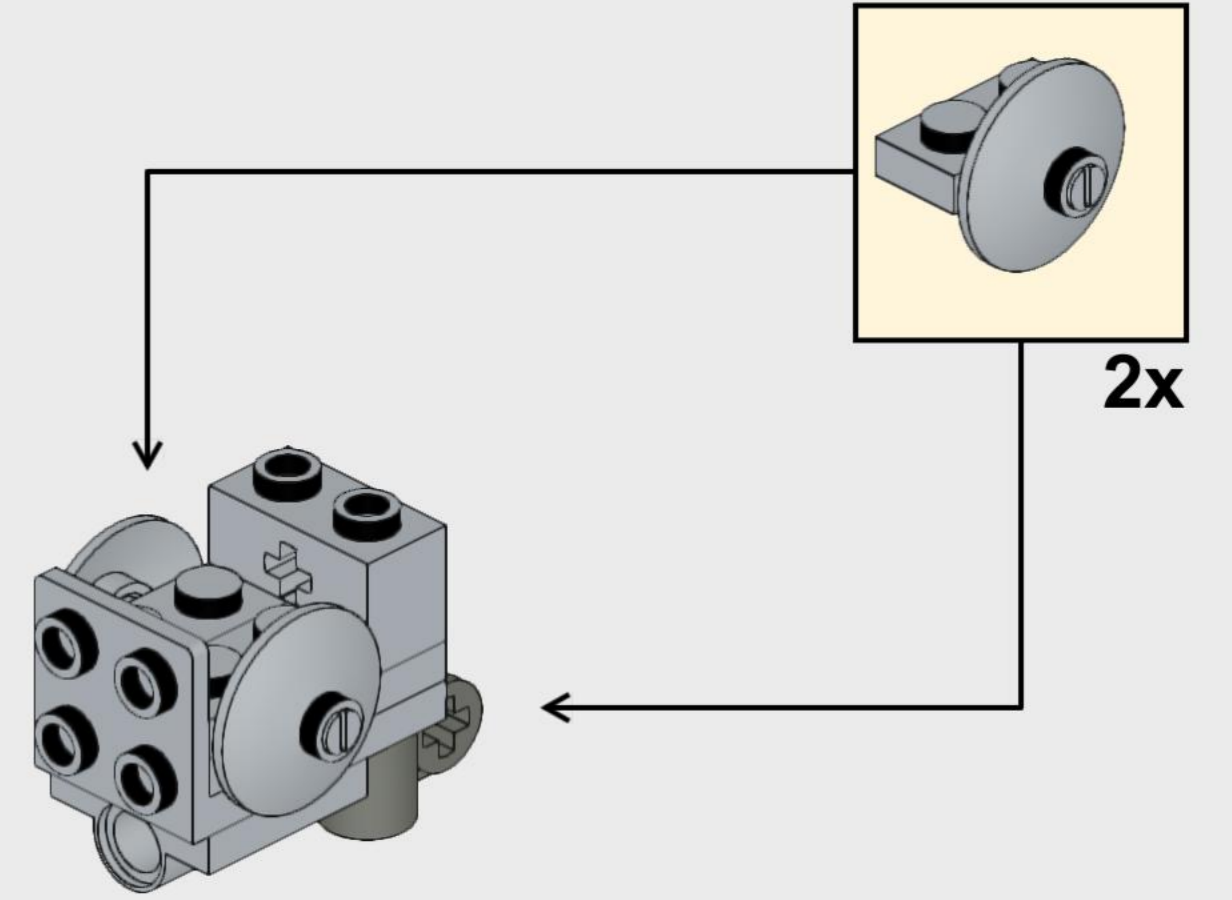
6



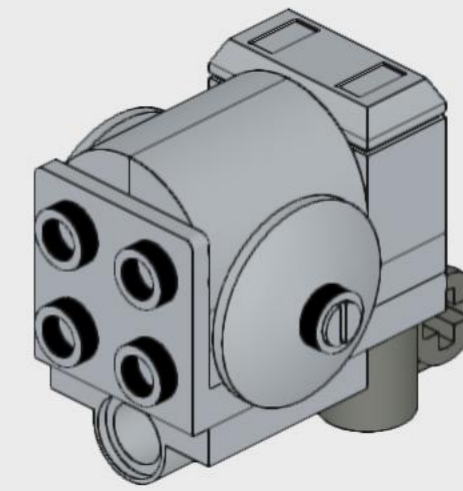
7



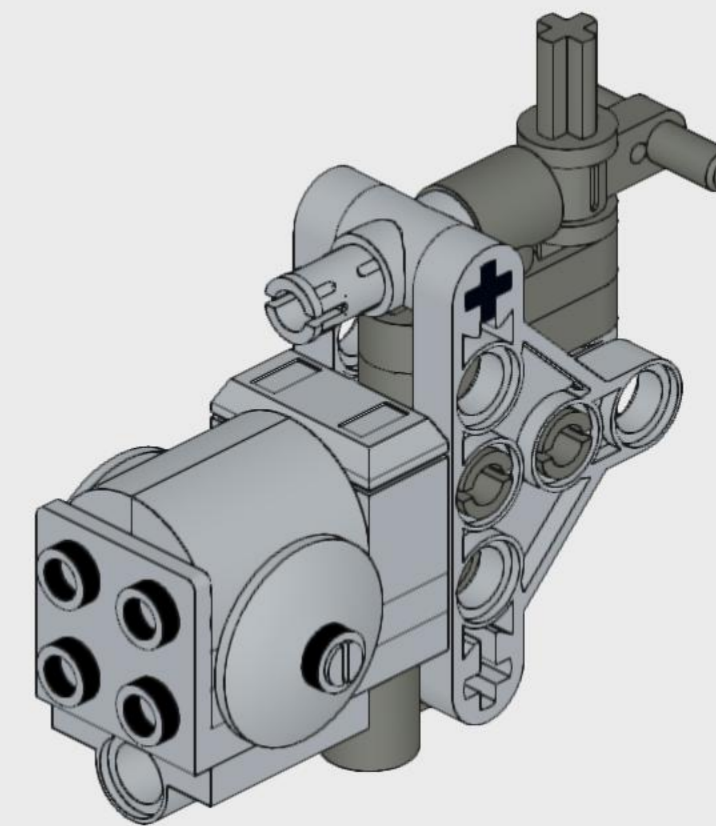
8

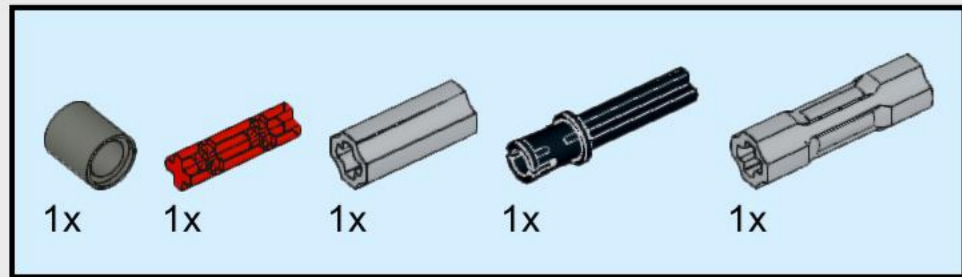


9

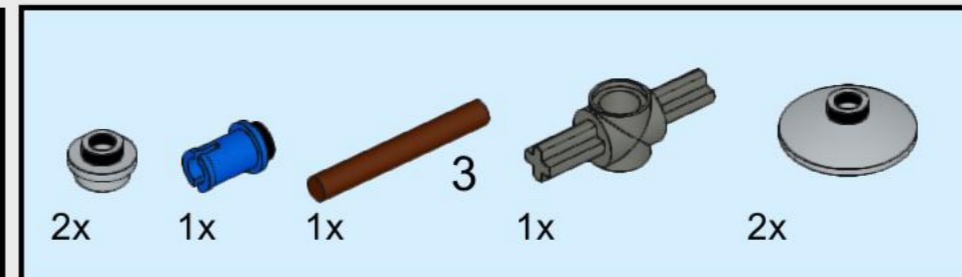
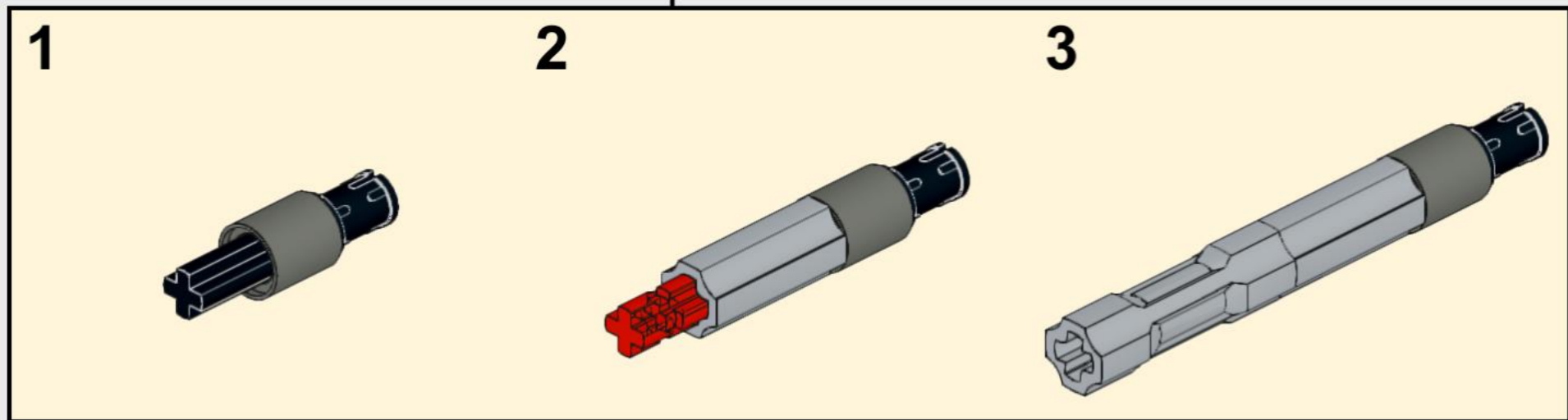
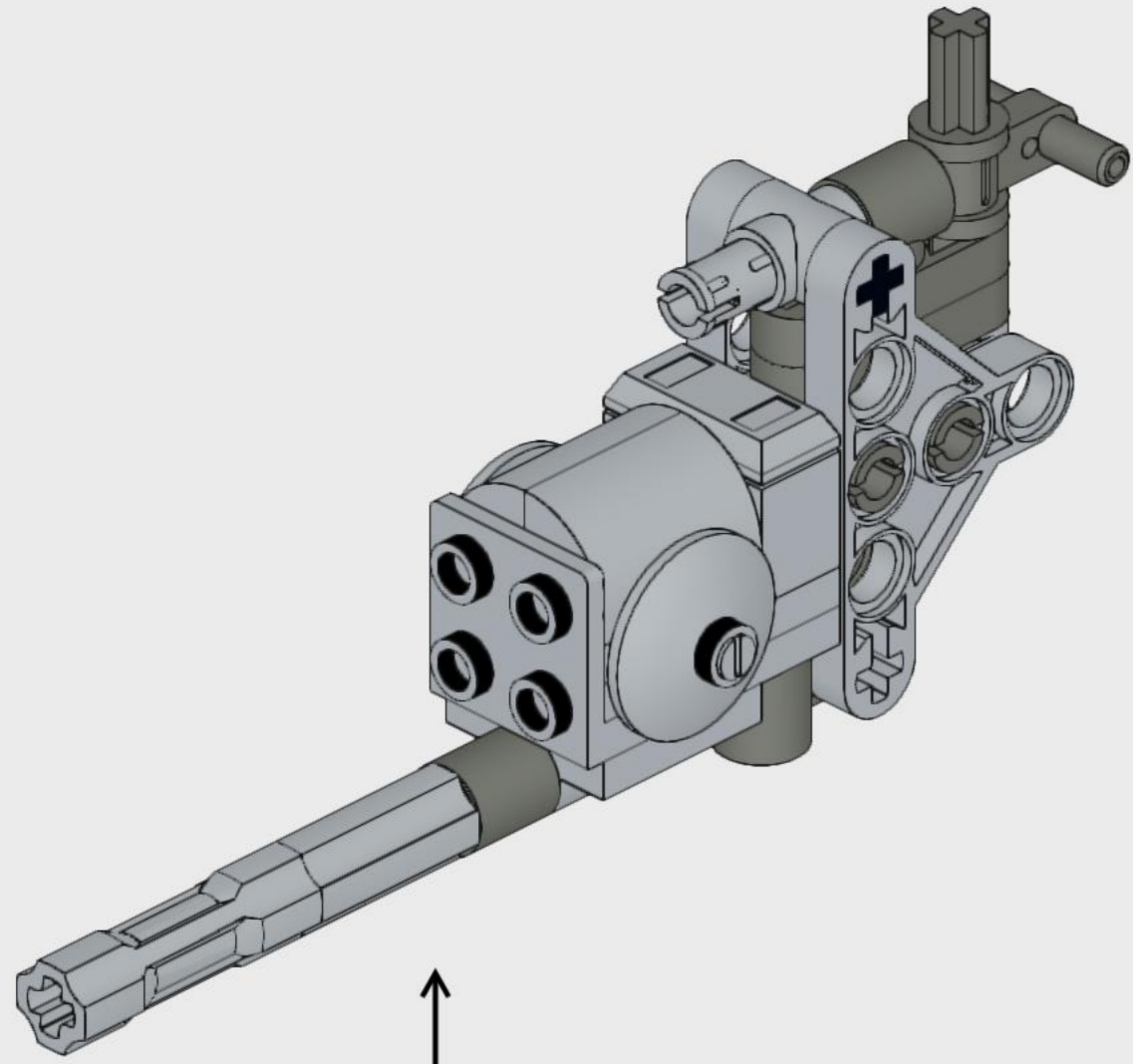


10

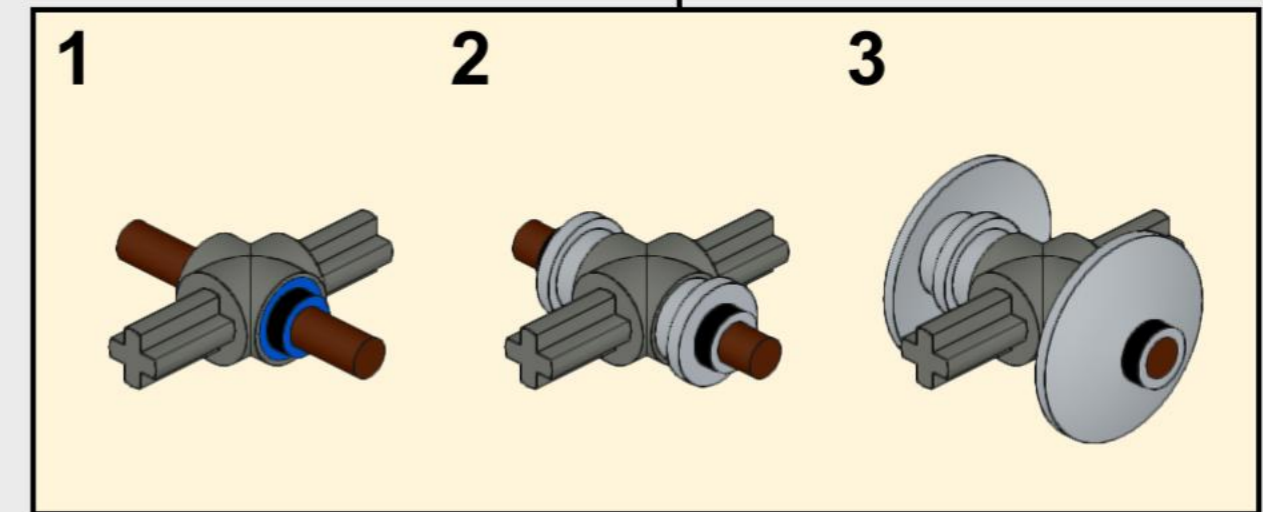
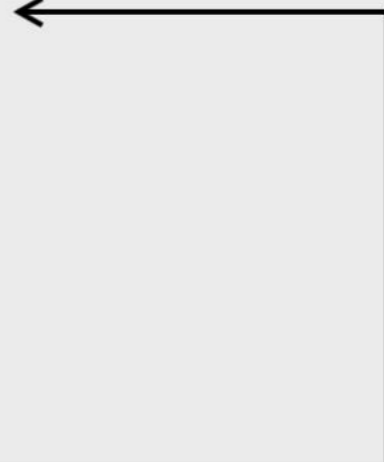
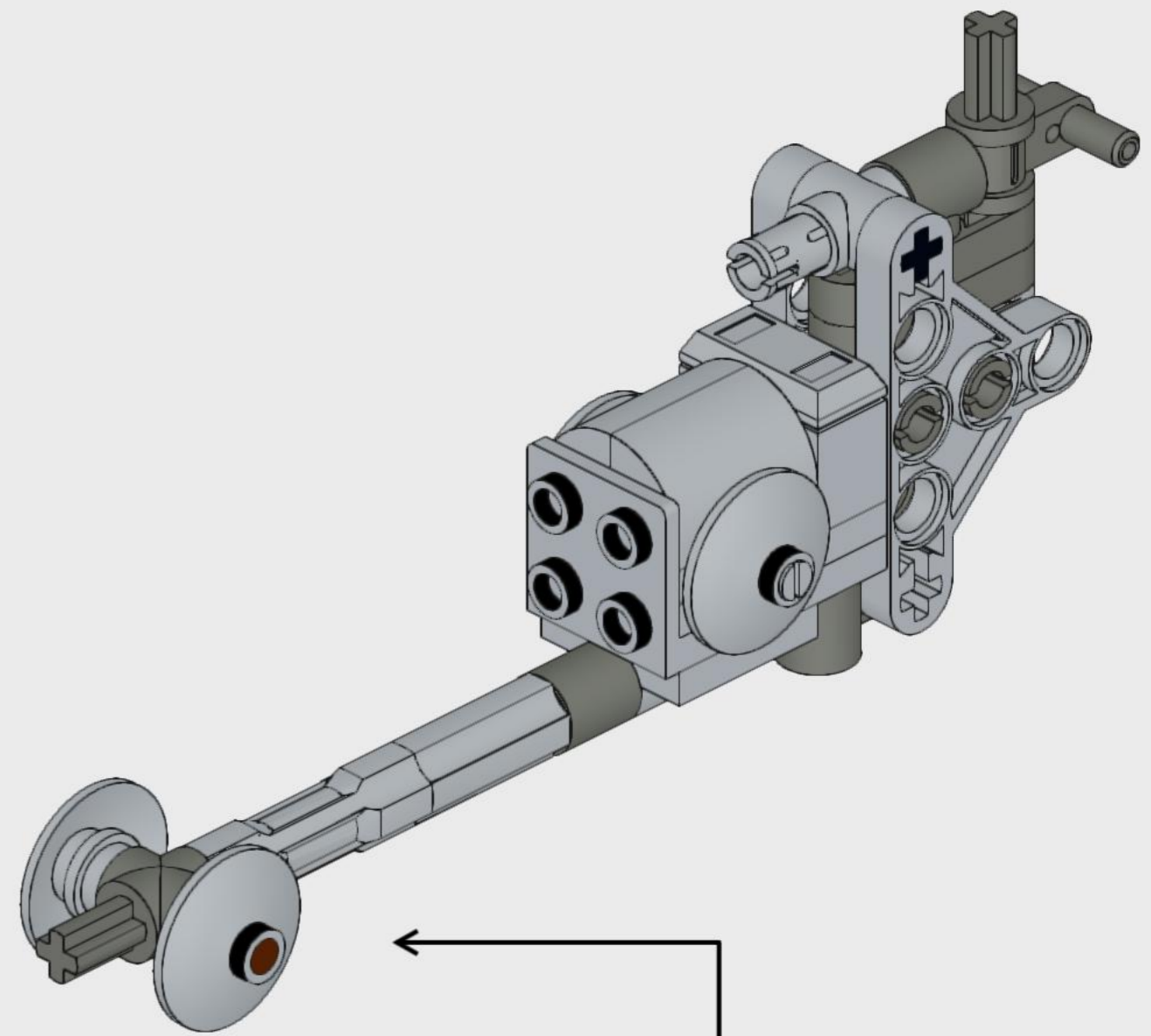


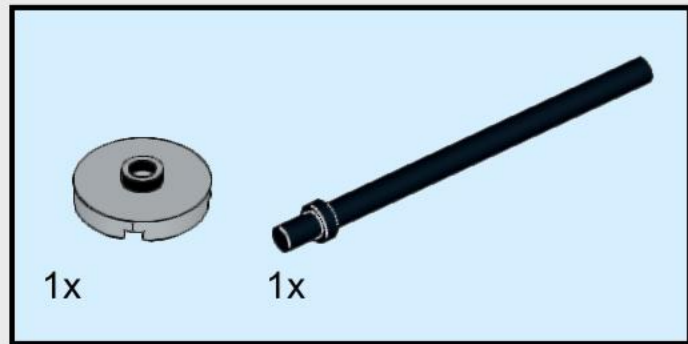


11

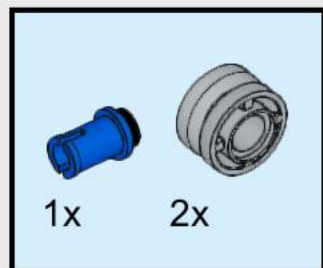
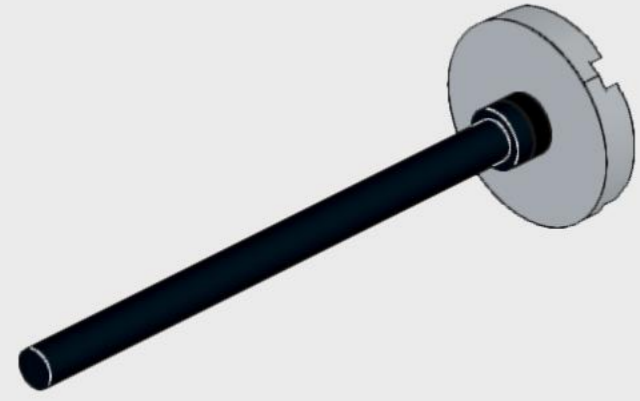


12

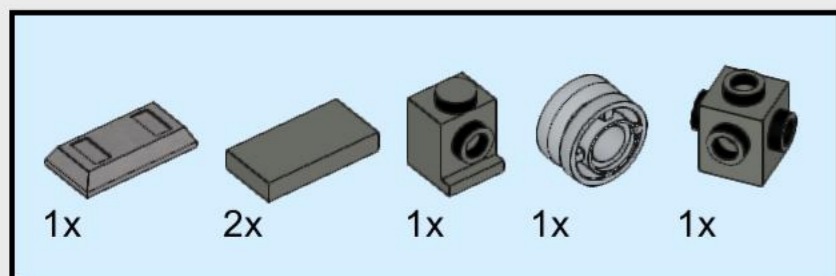
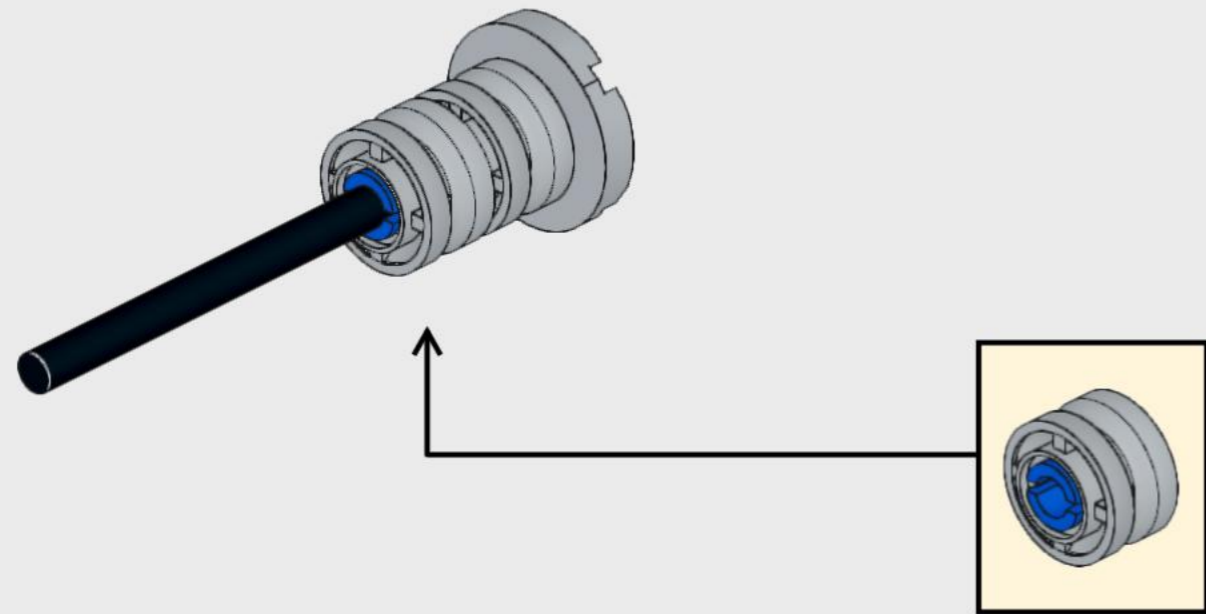




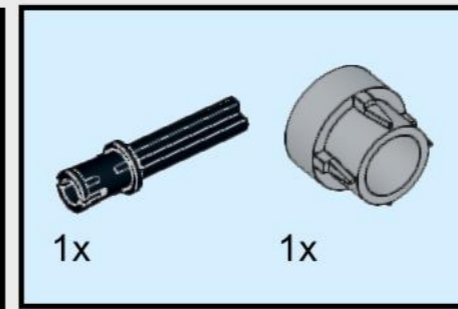
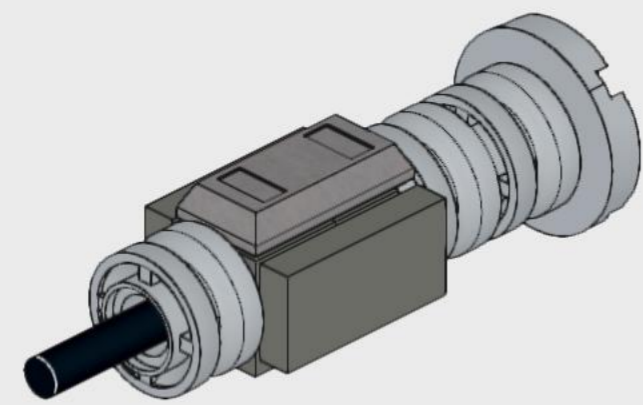
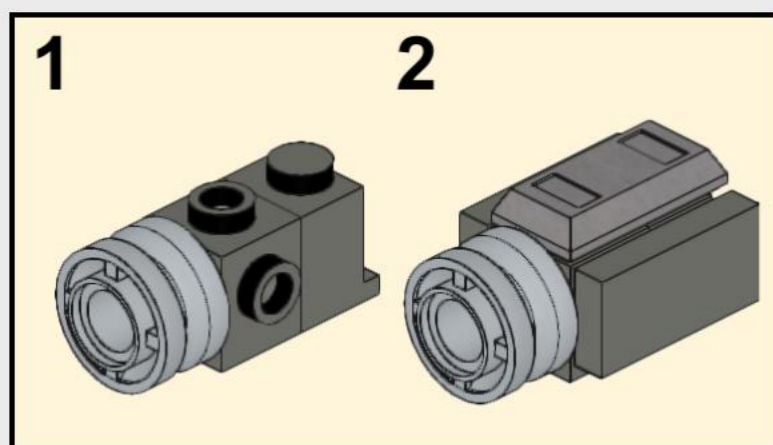
13



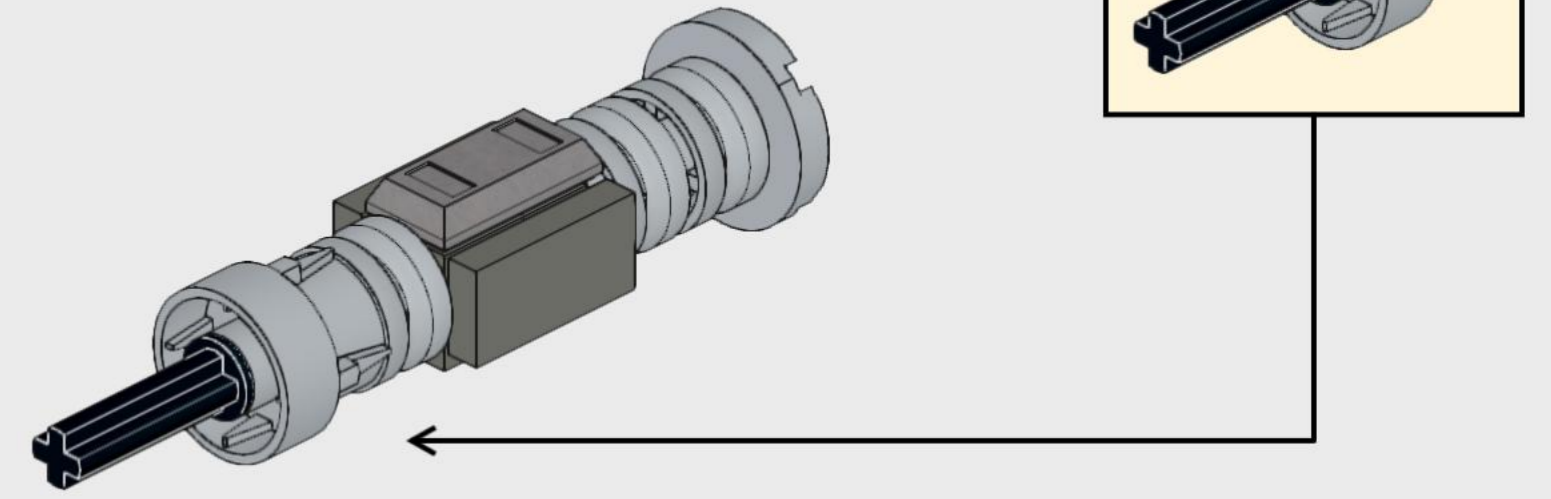
14



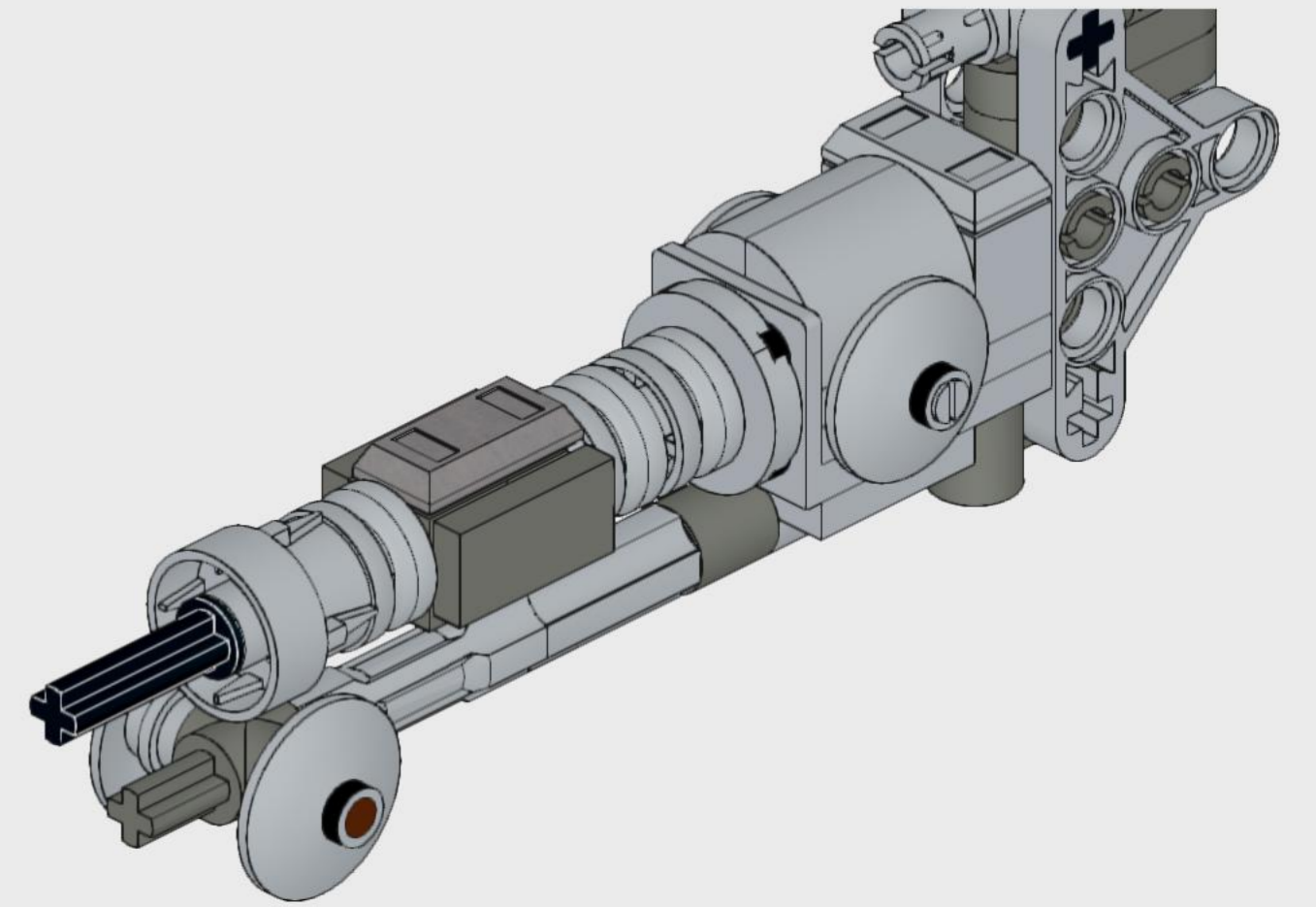
15



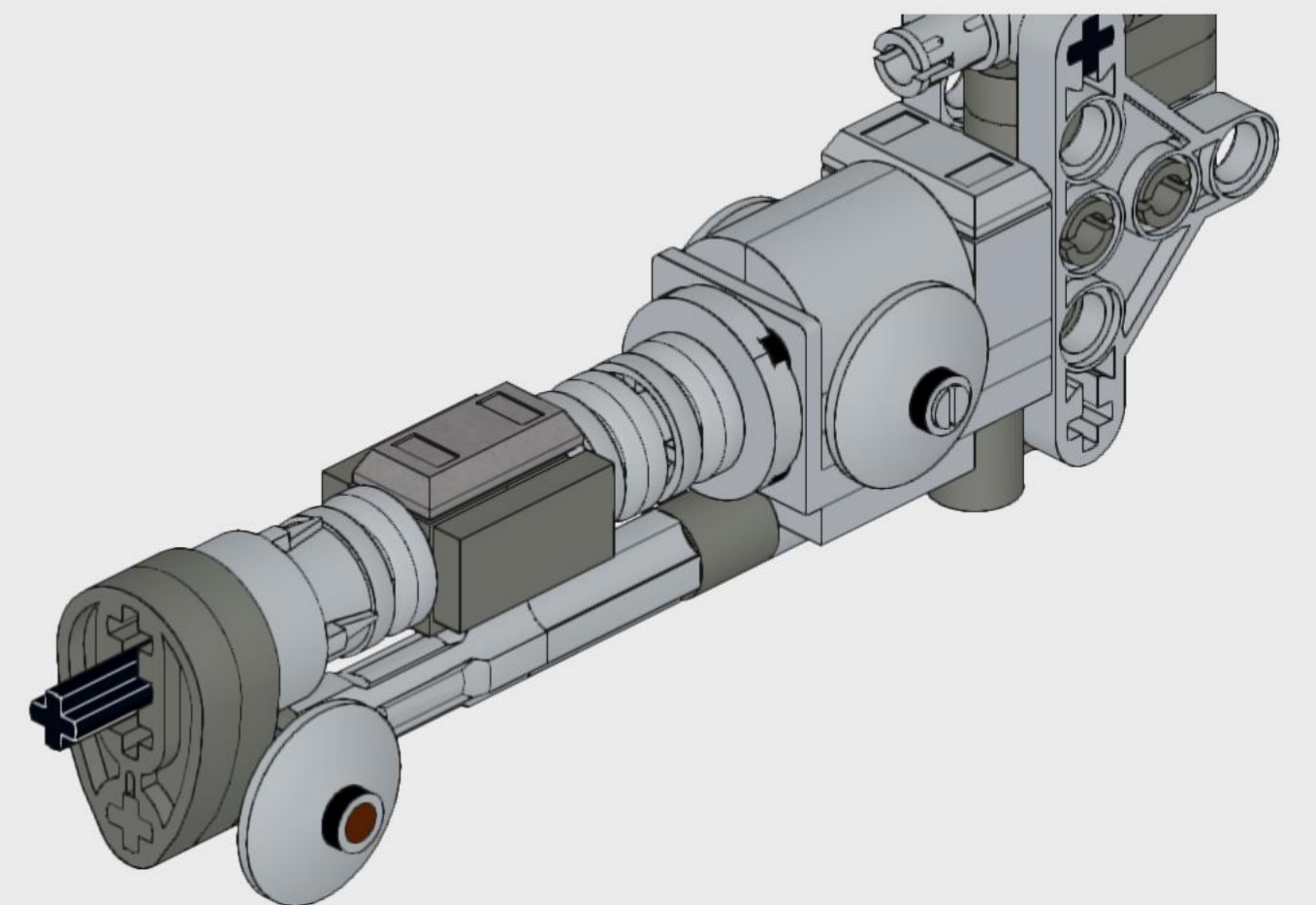
16

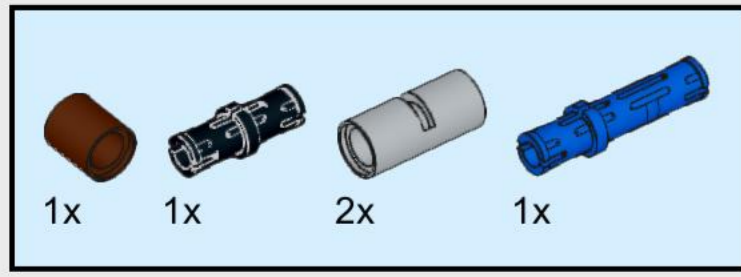


17

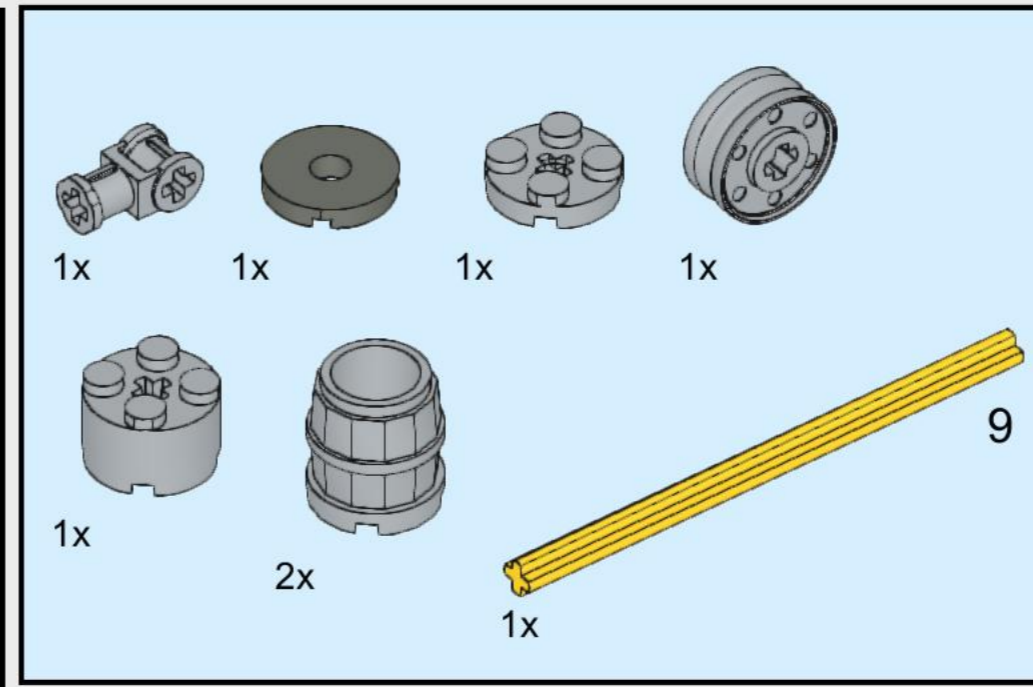
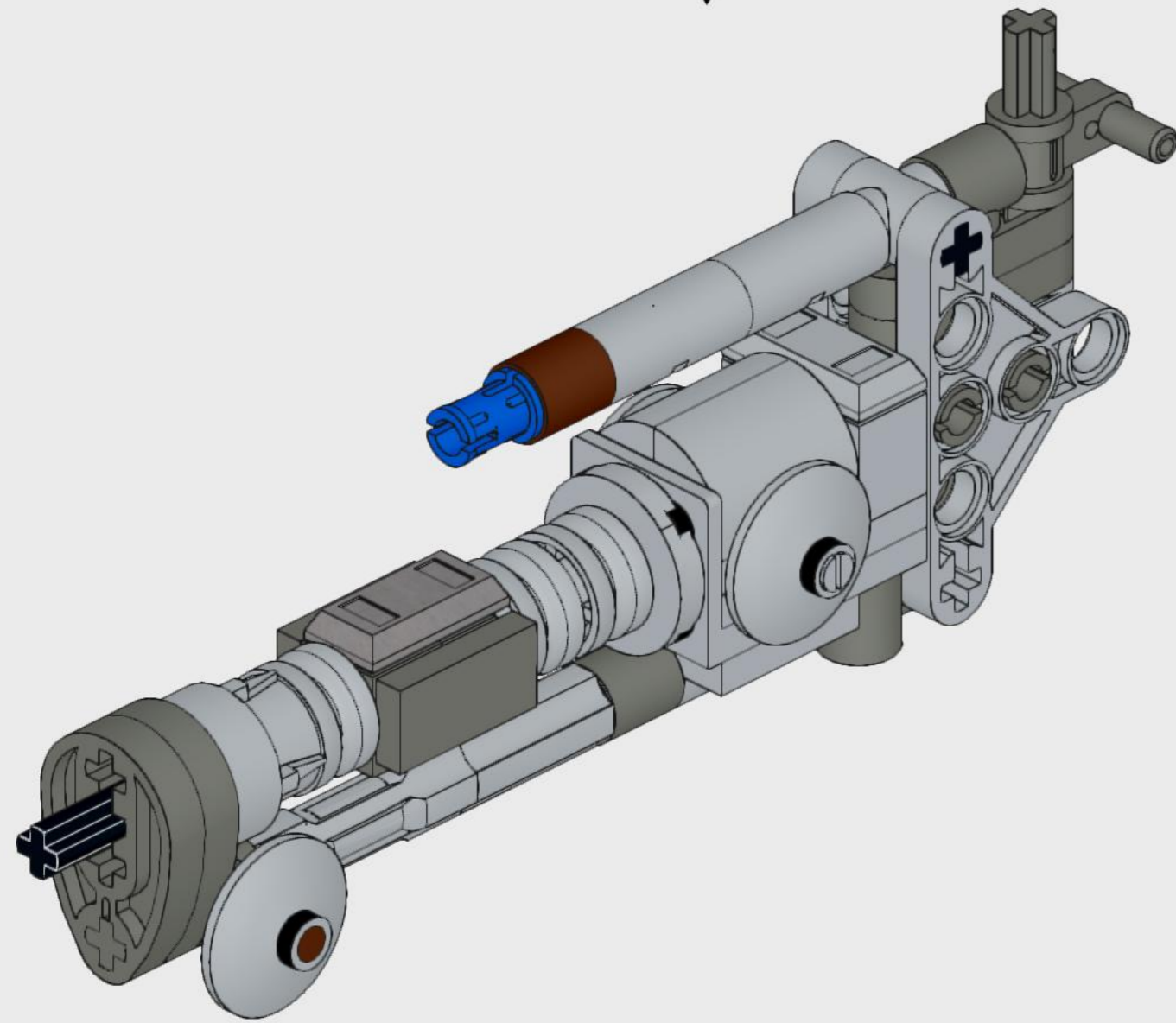
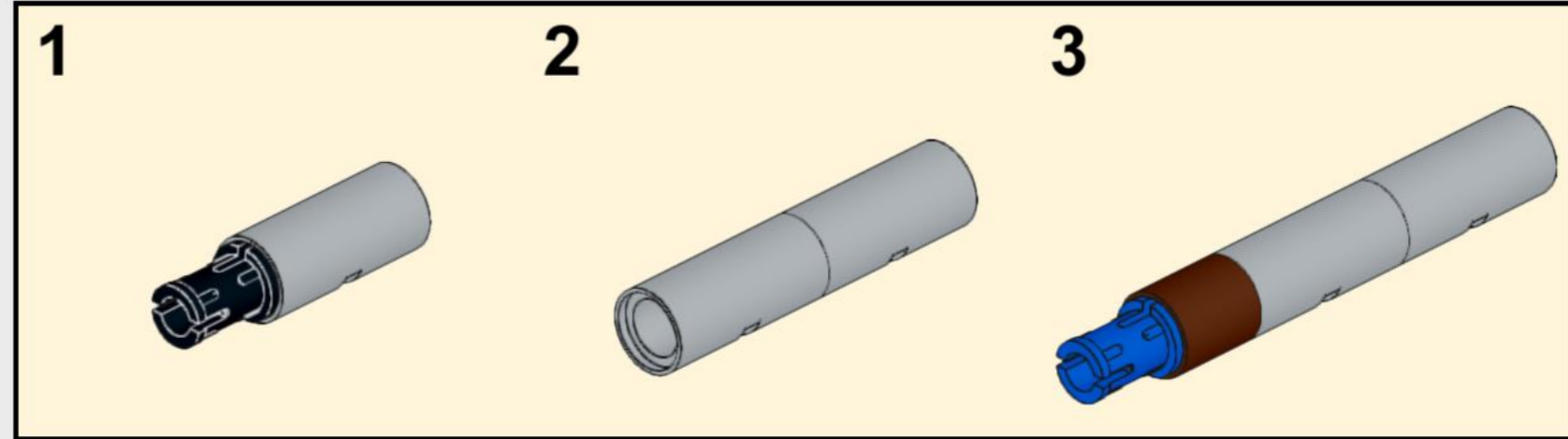


18

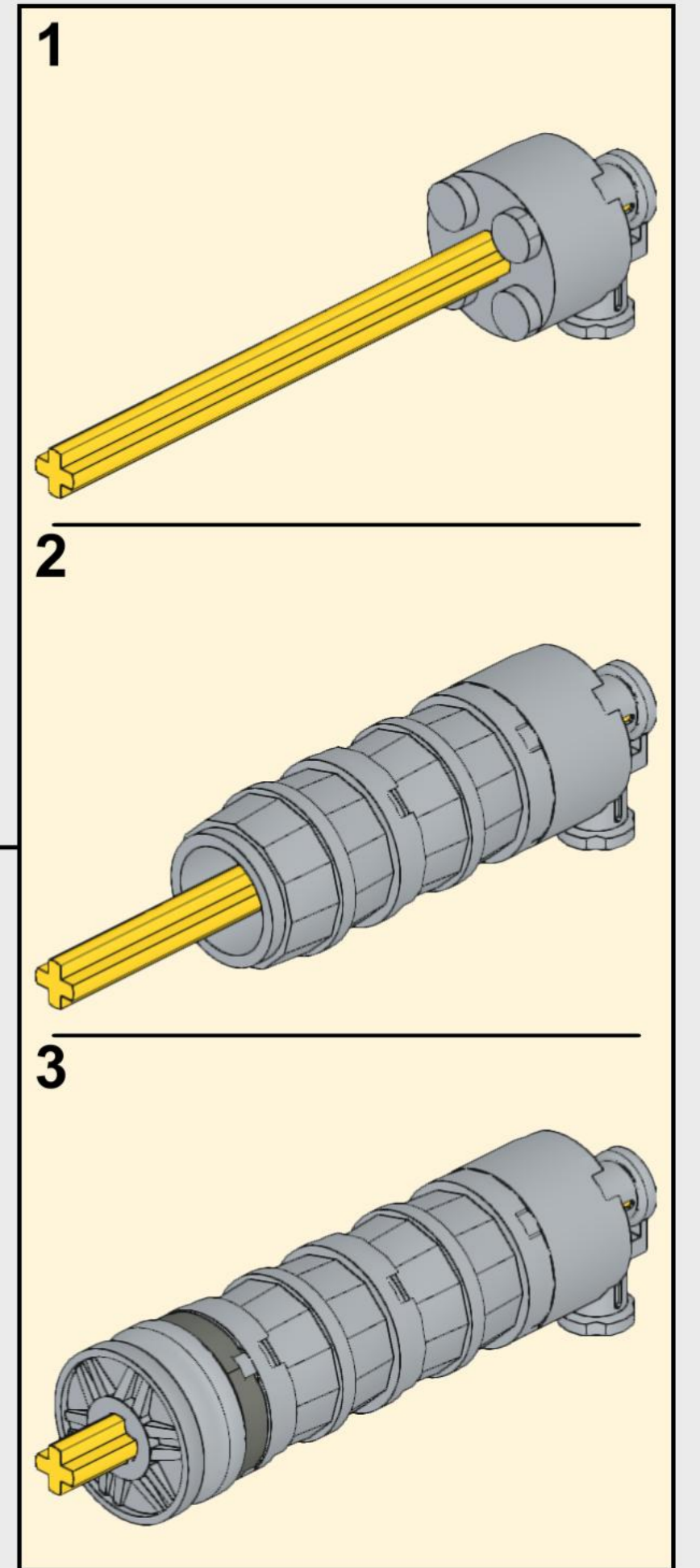
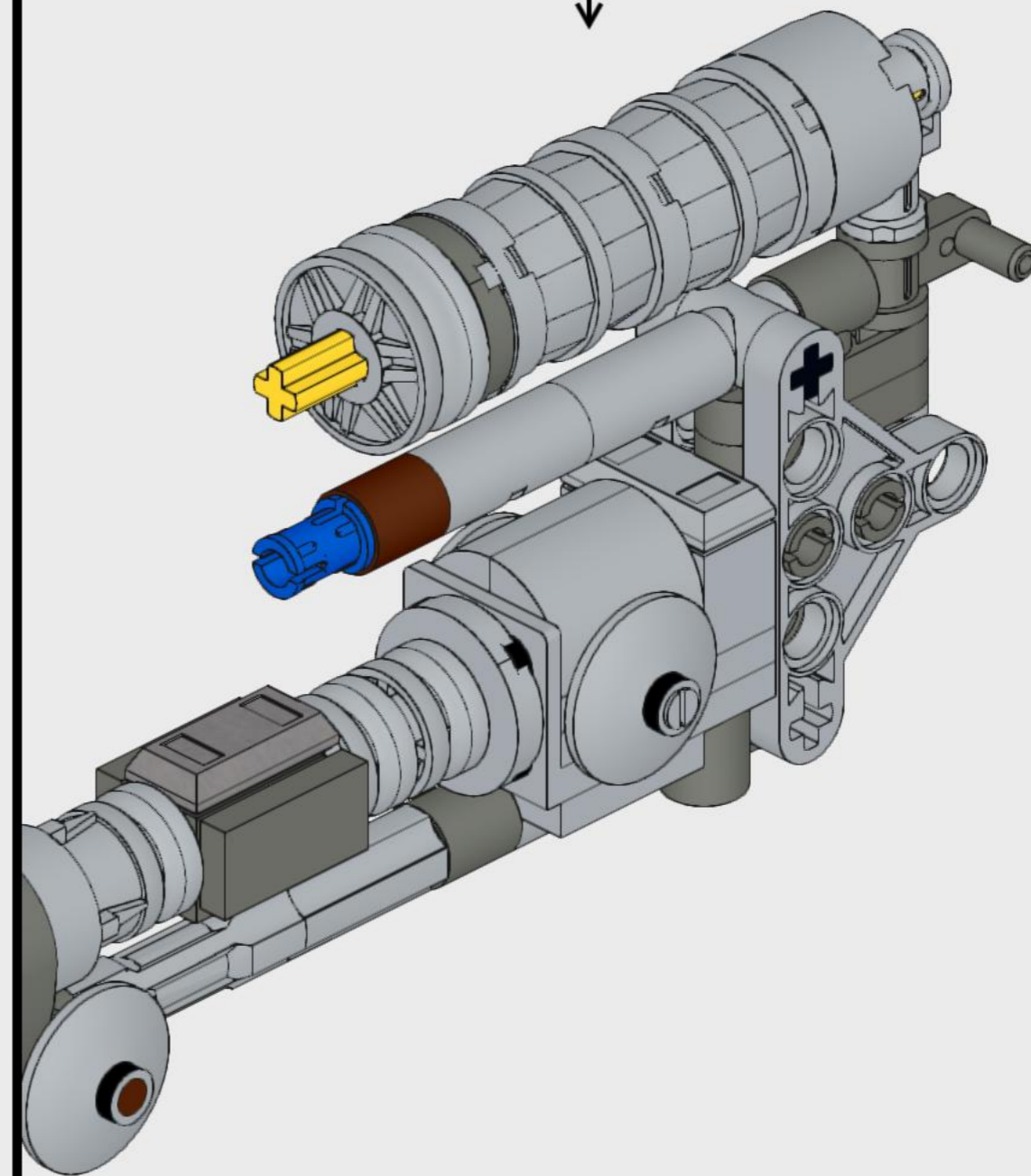
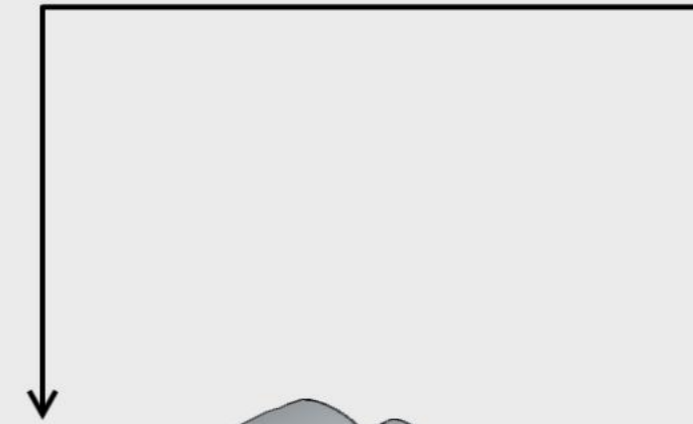




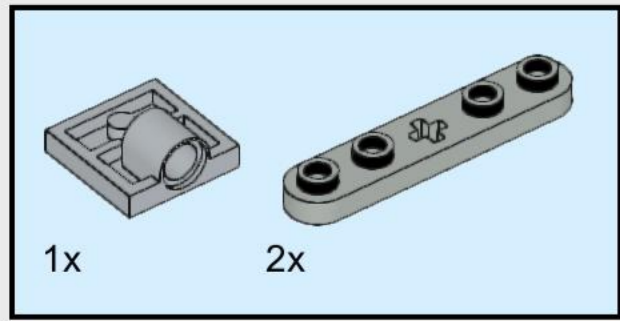
19



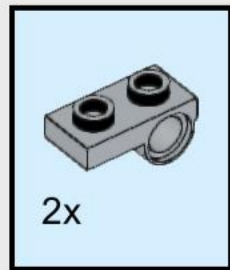
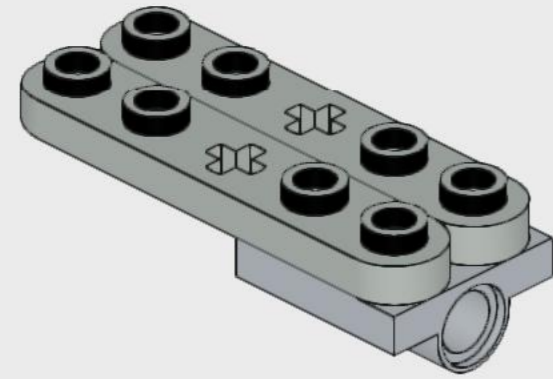
20



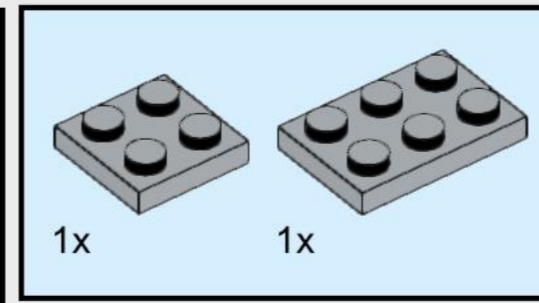
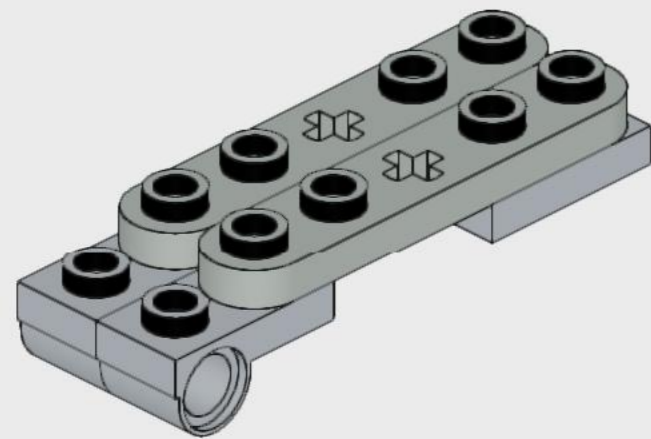




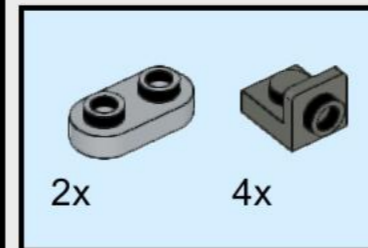
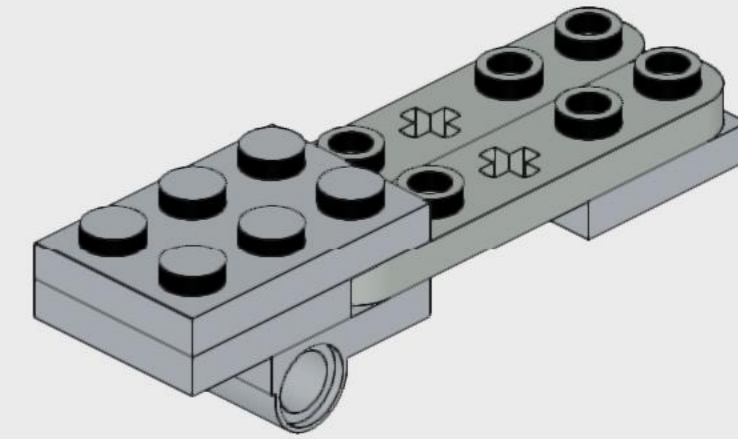
21



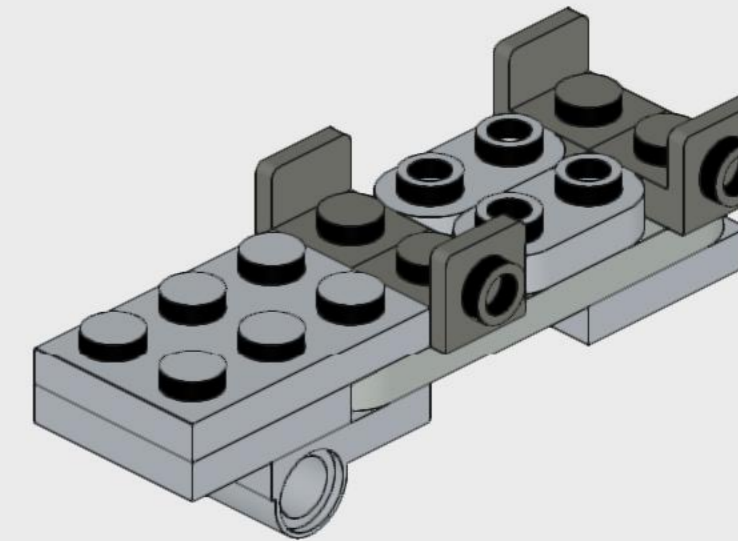
22 

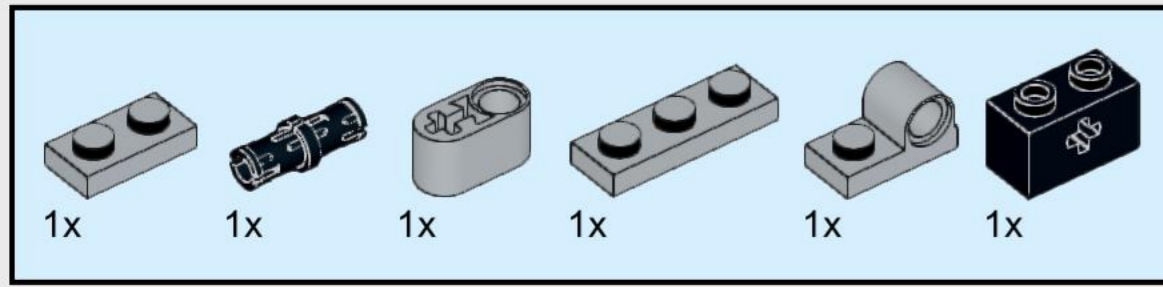


23

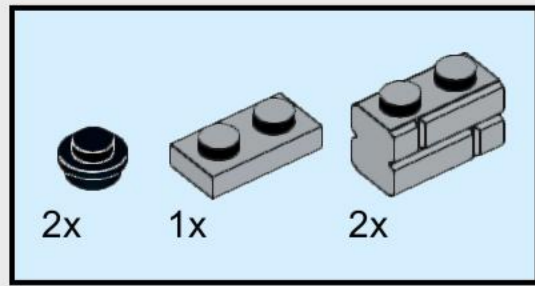
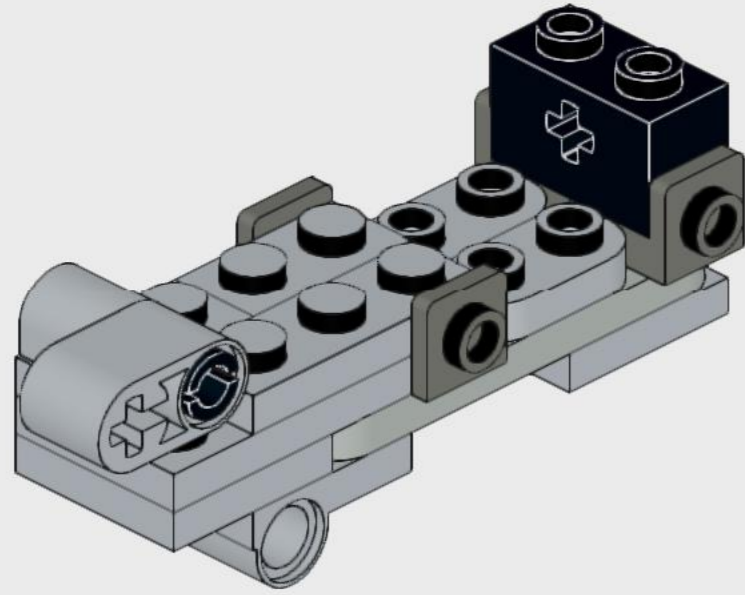
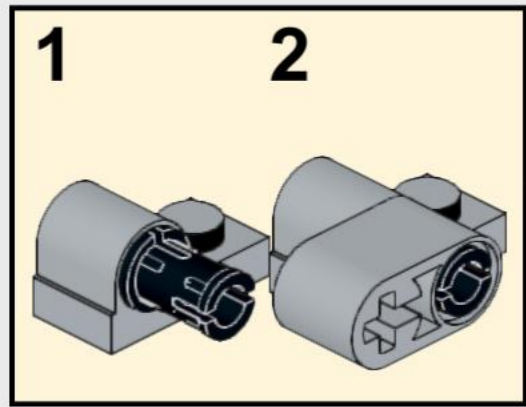


24

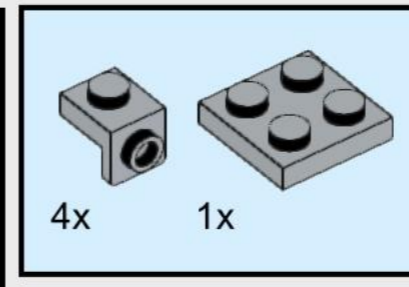
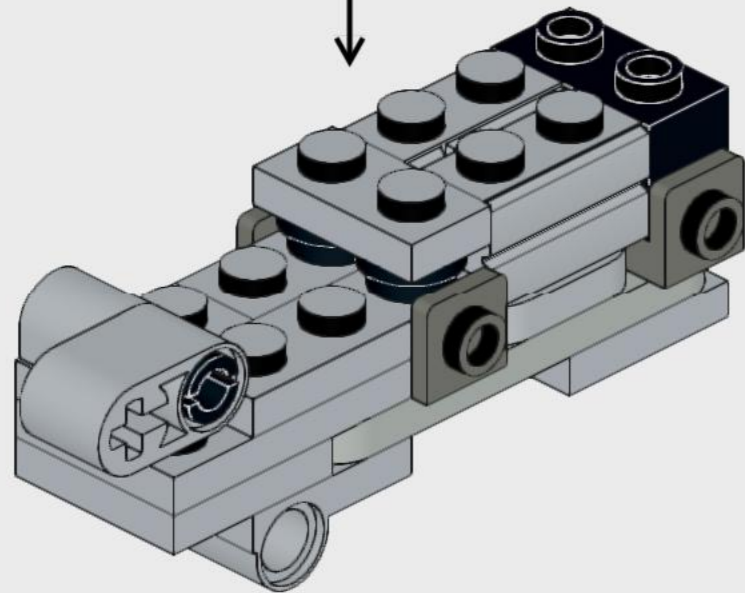
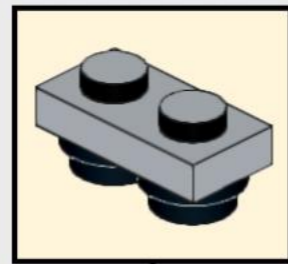




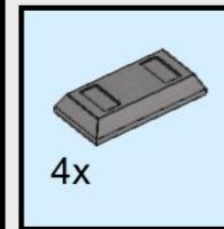
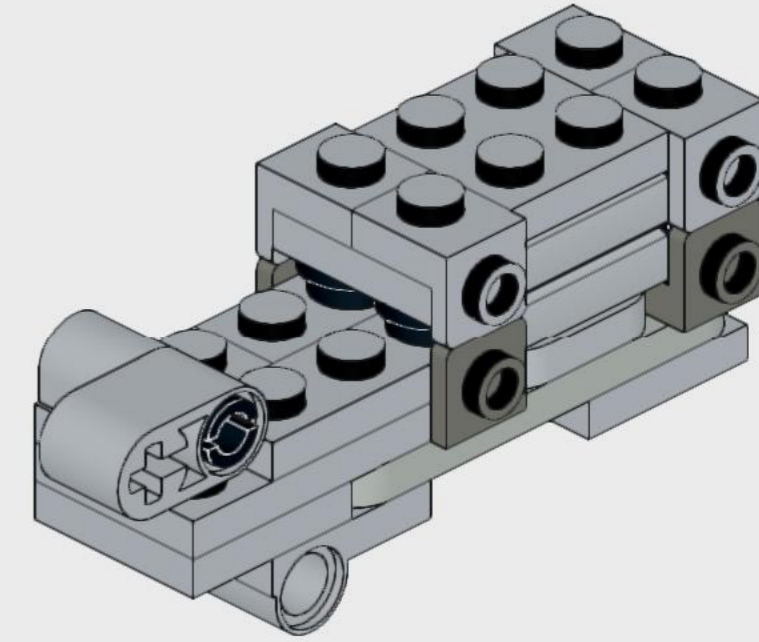
25



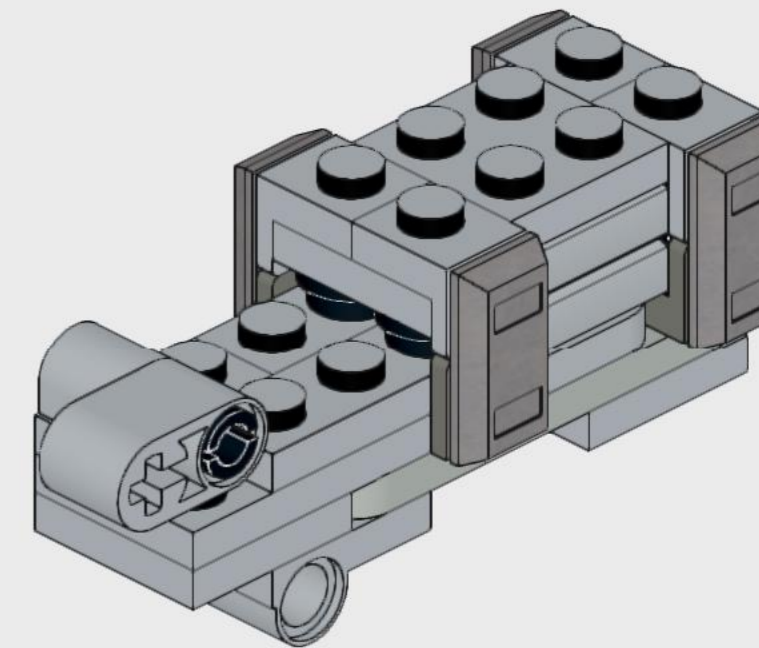
26

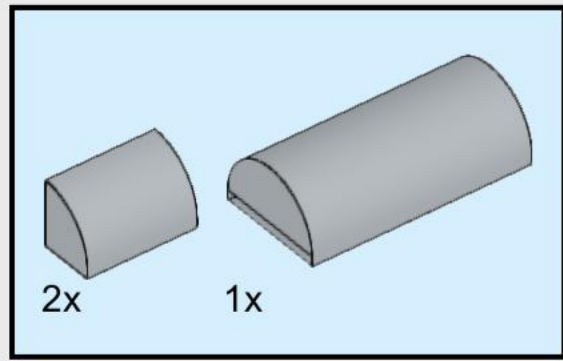


27

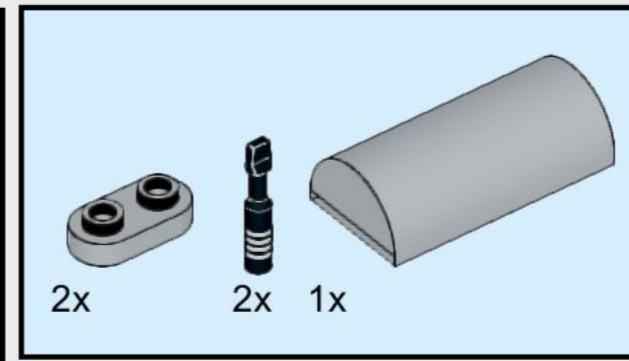
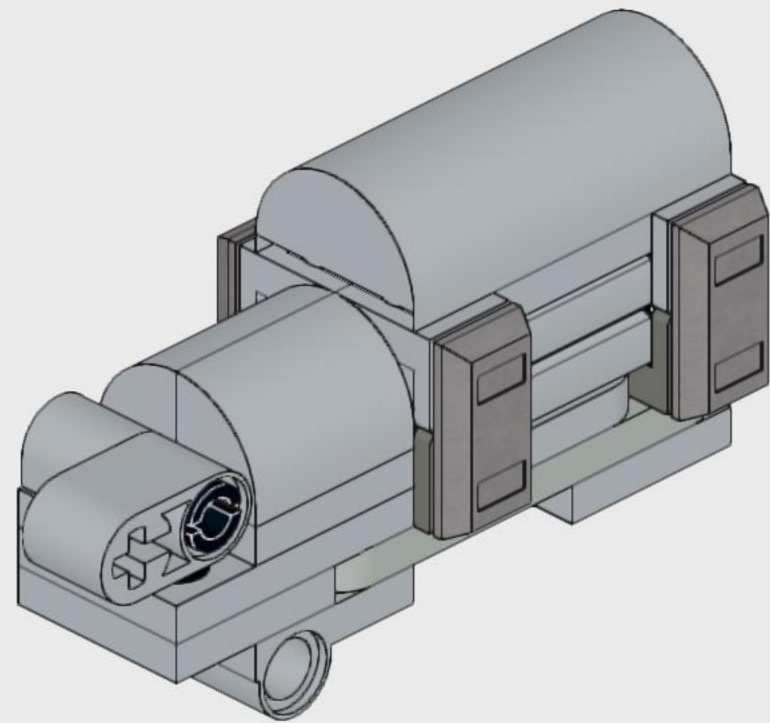


28



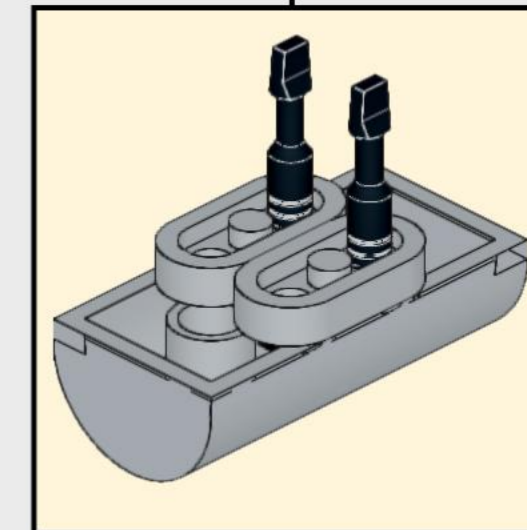
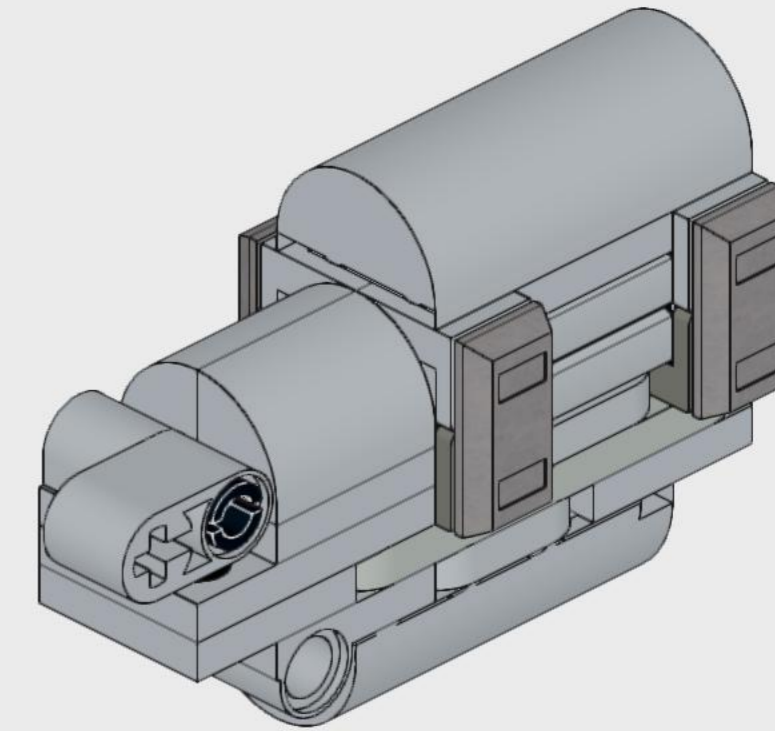


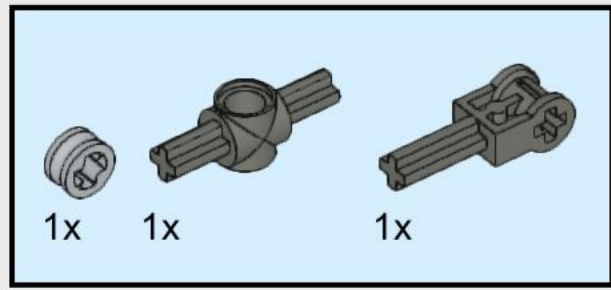
29



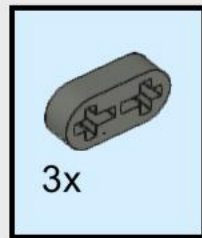
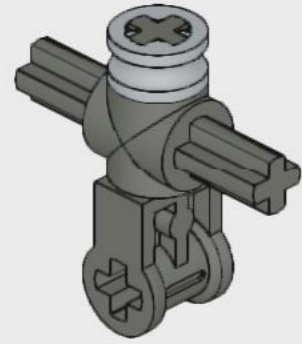
30

Alternatively, 2-stud-long rigid hose pieces can be substituted for black screw-drivers, which are a rare part.

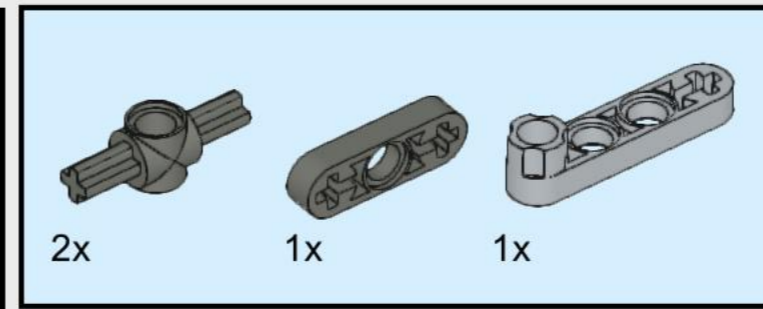
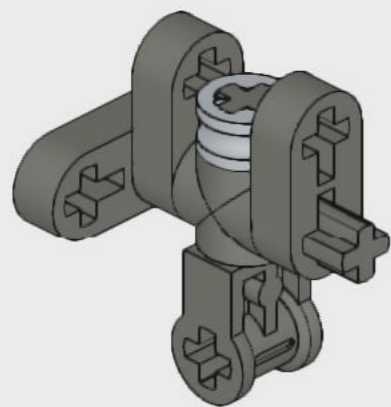




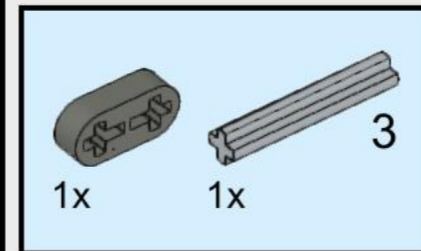
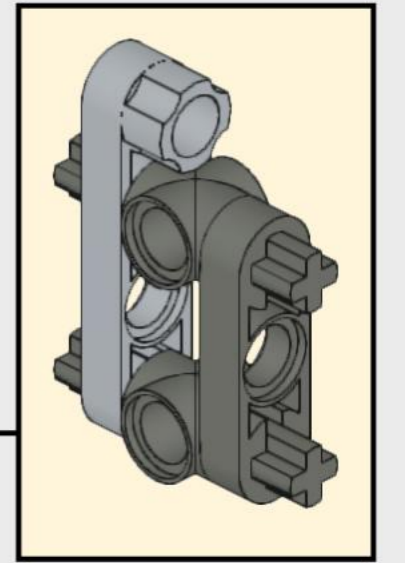
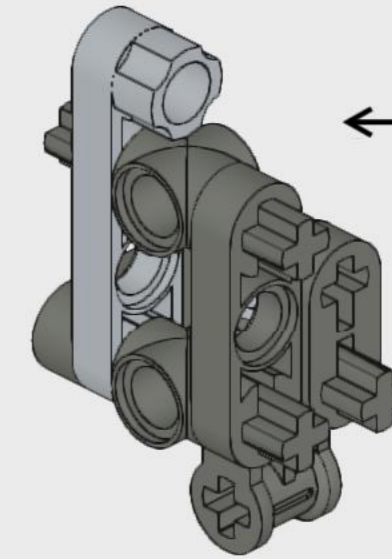
31



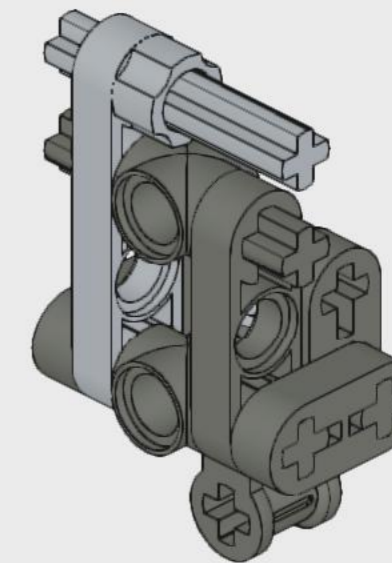
32



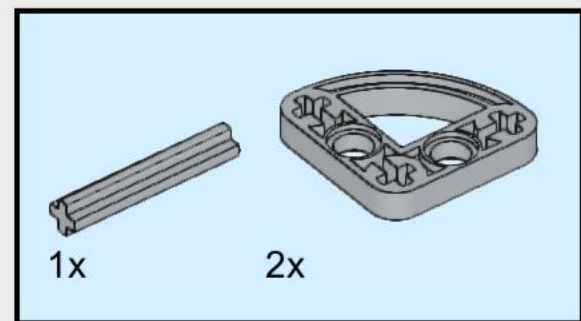
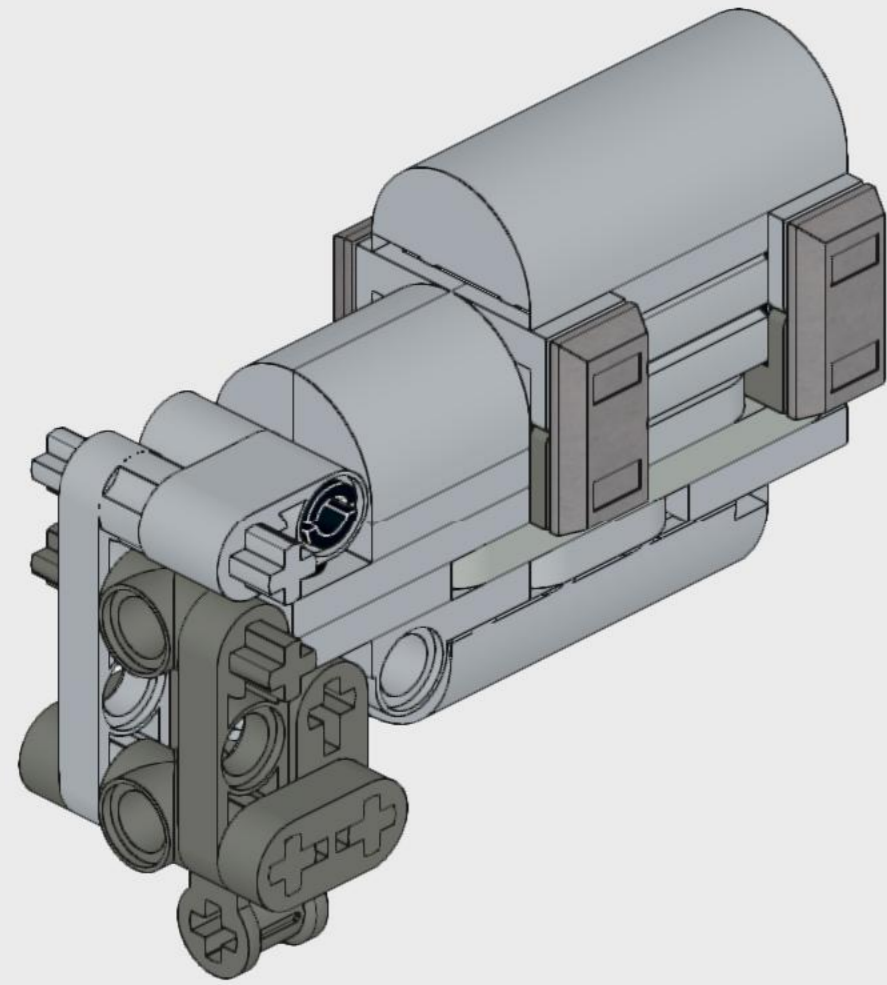
33



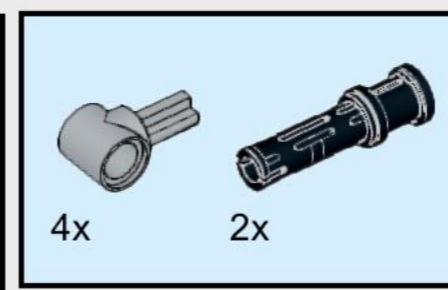
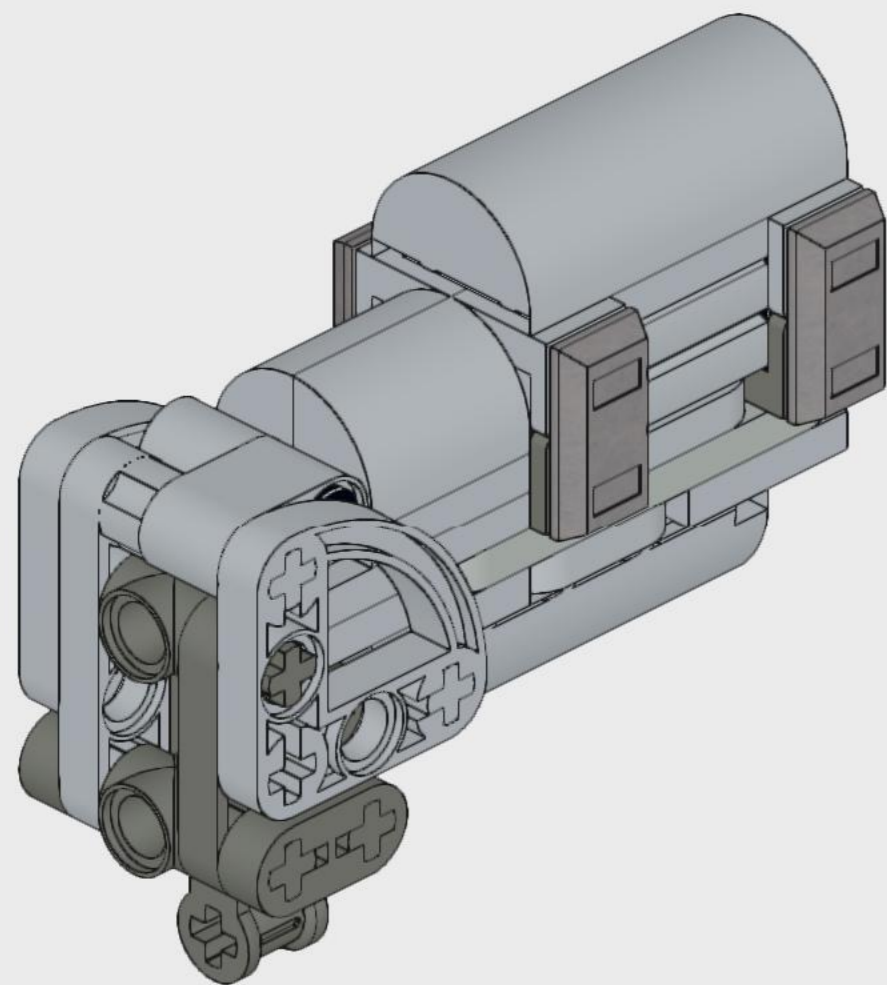
34



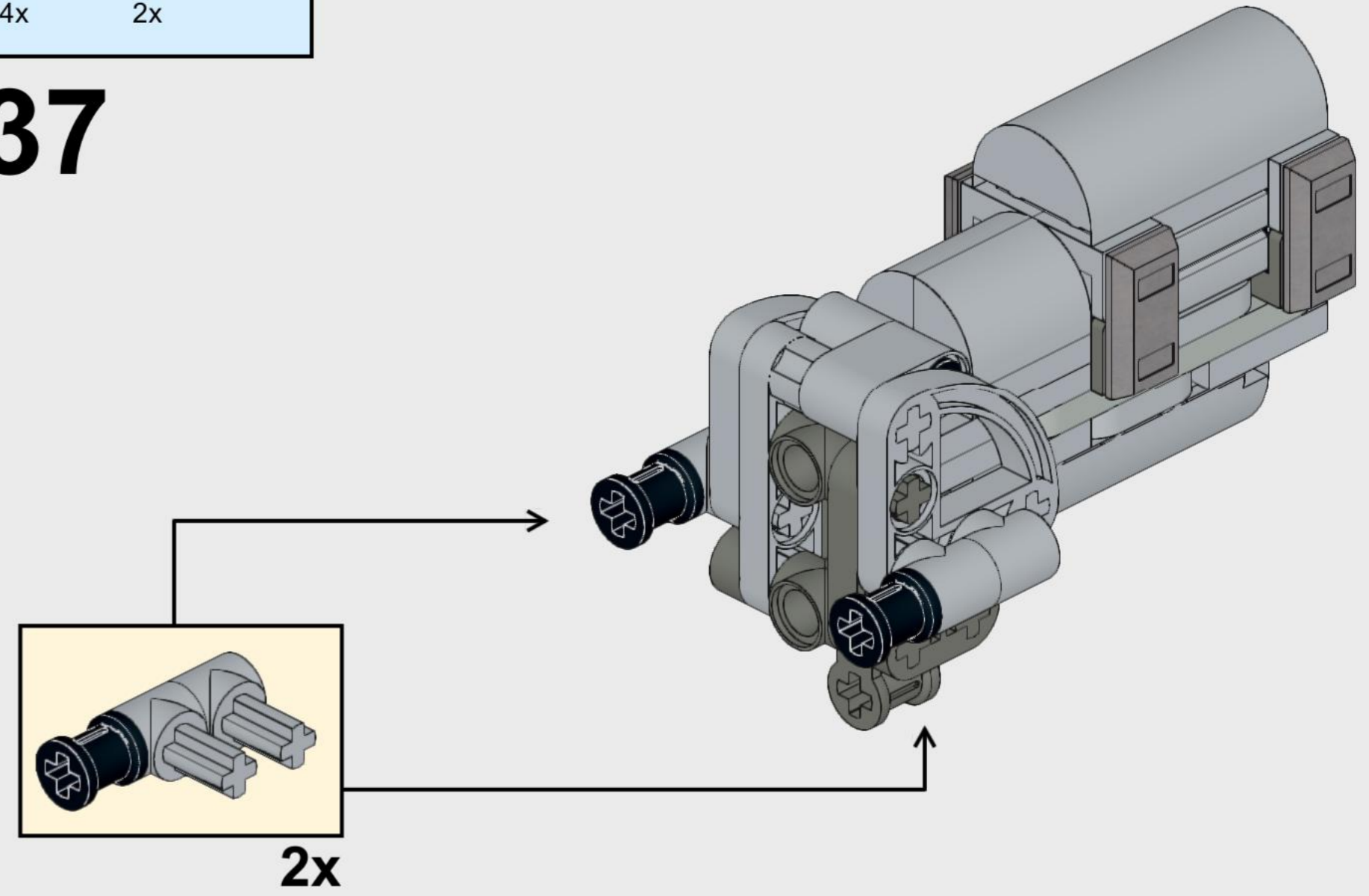
35



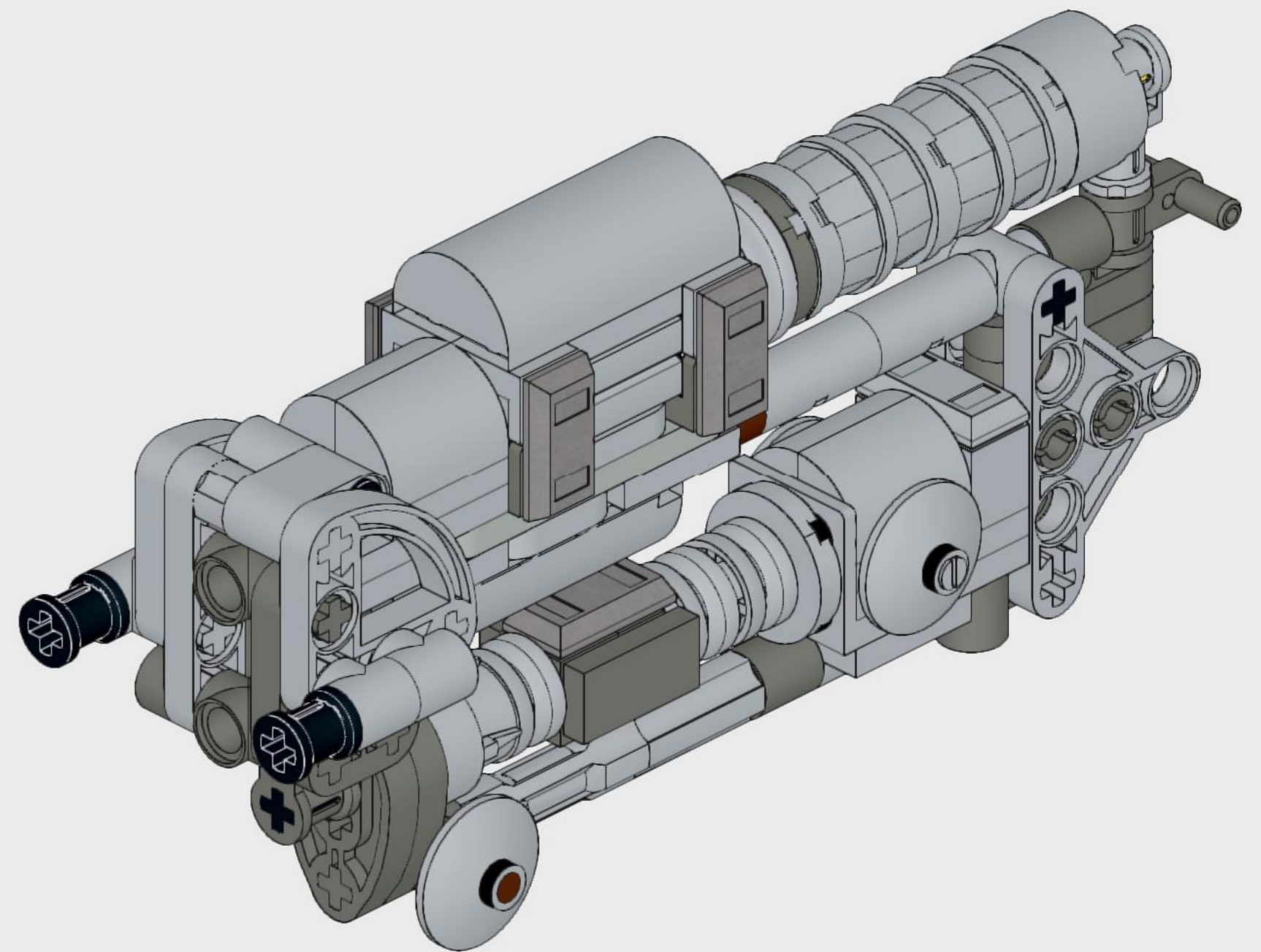
36

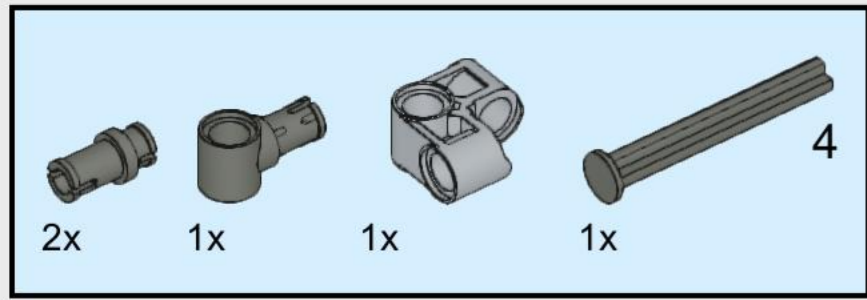


37

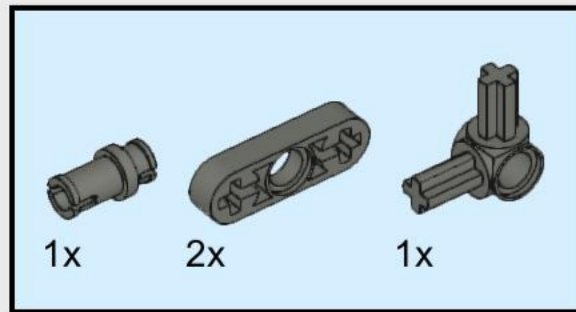
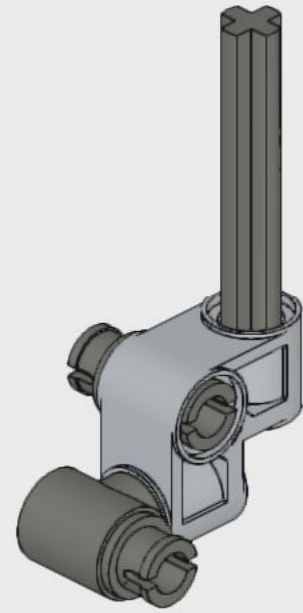


38

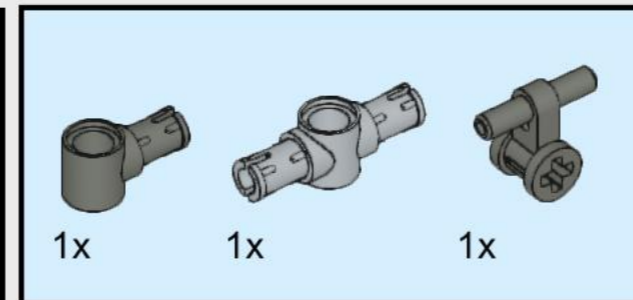
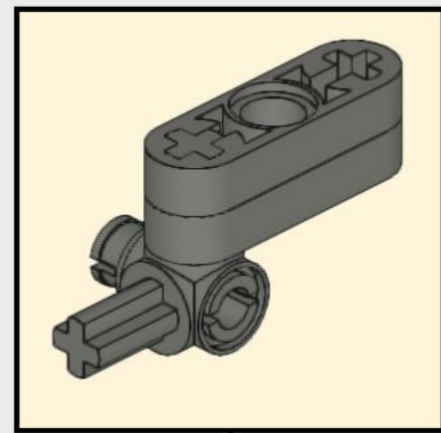
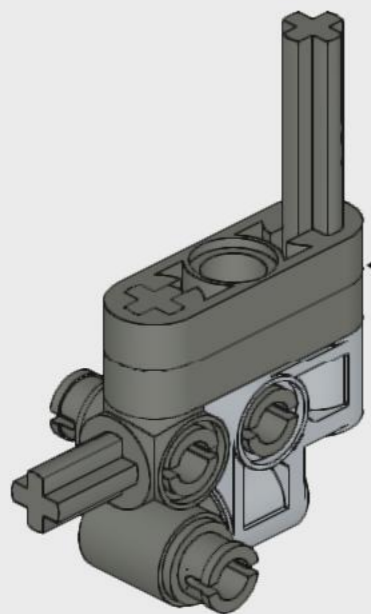




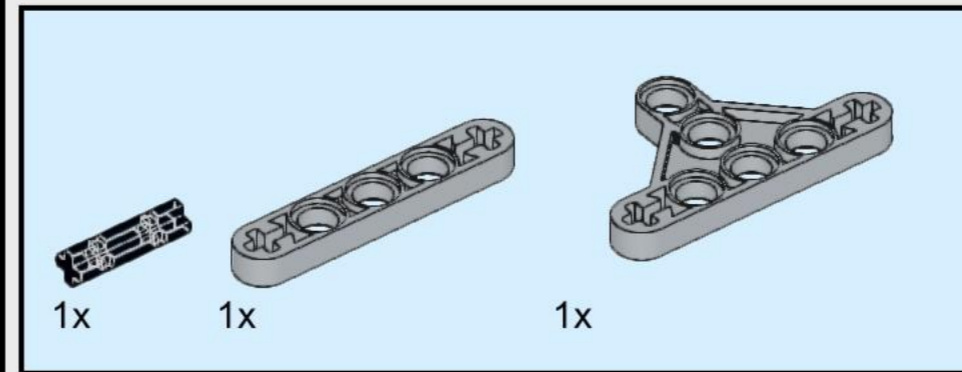
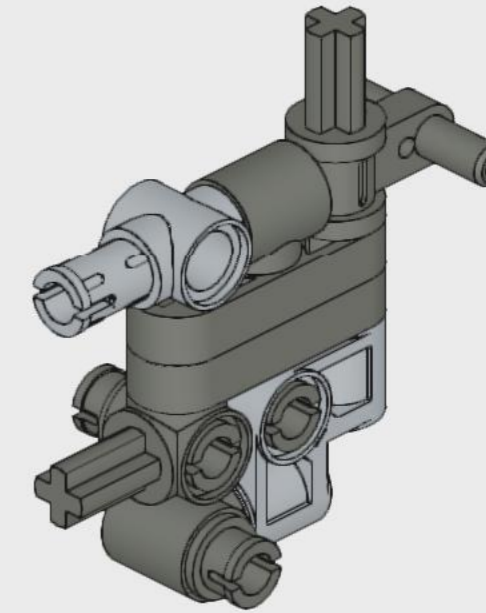
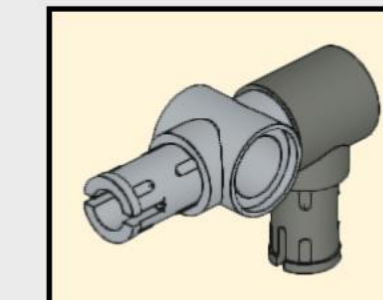
1



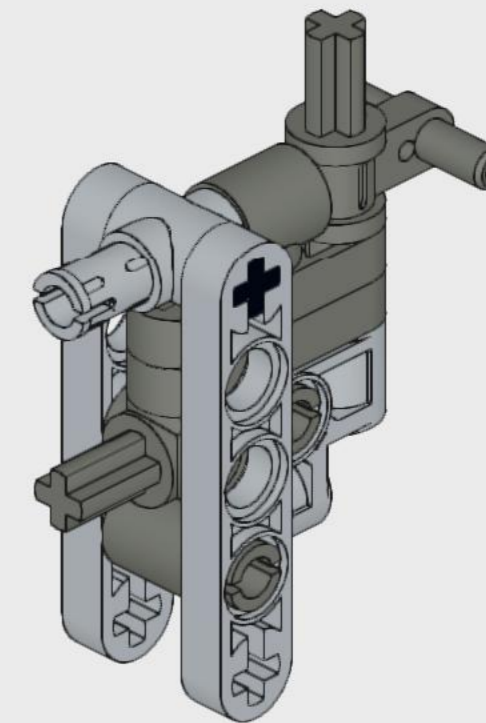
2

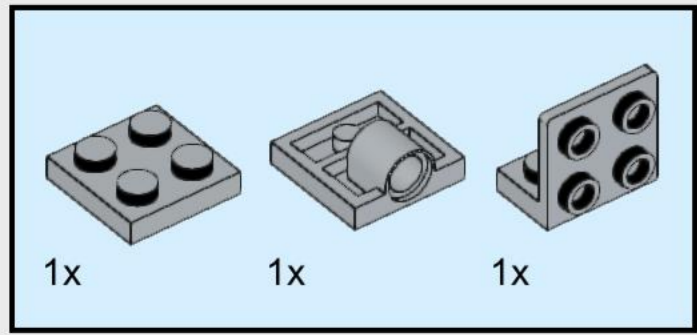


3

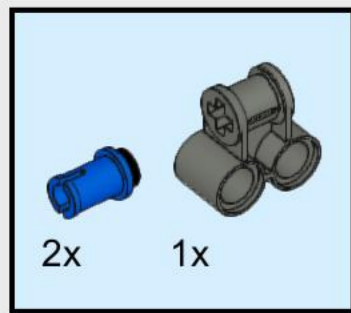
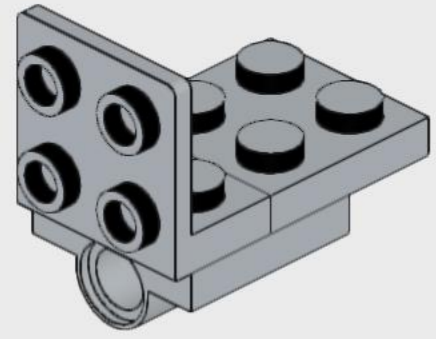


4

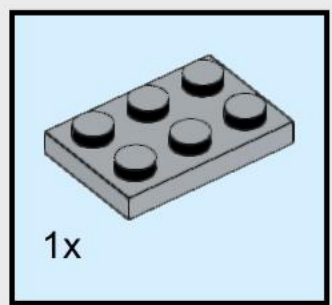
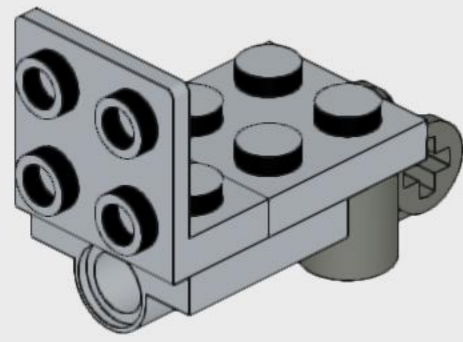




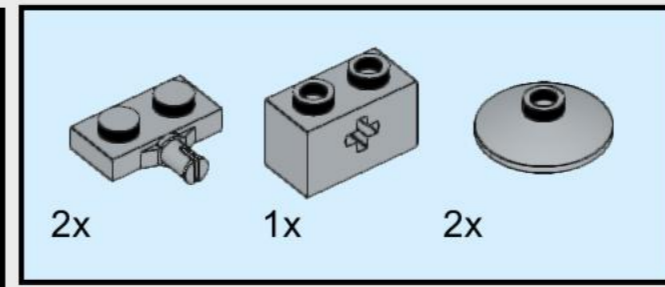
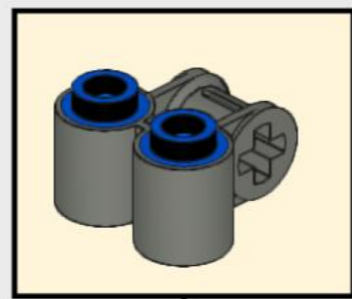
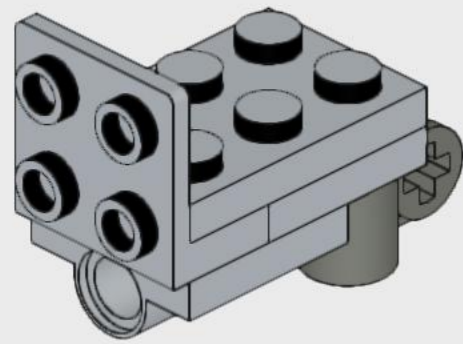
5



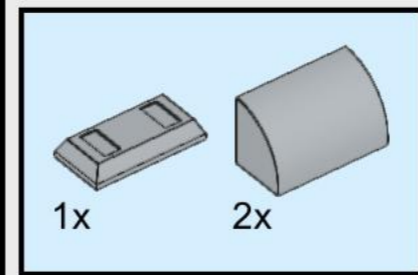
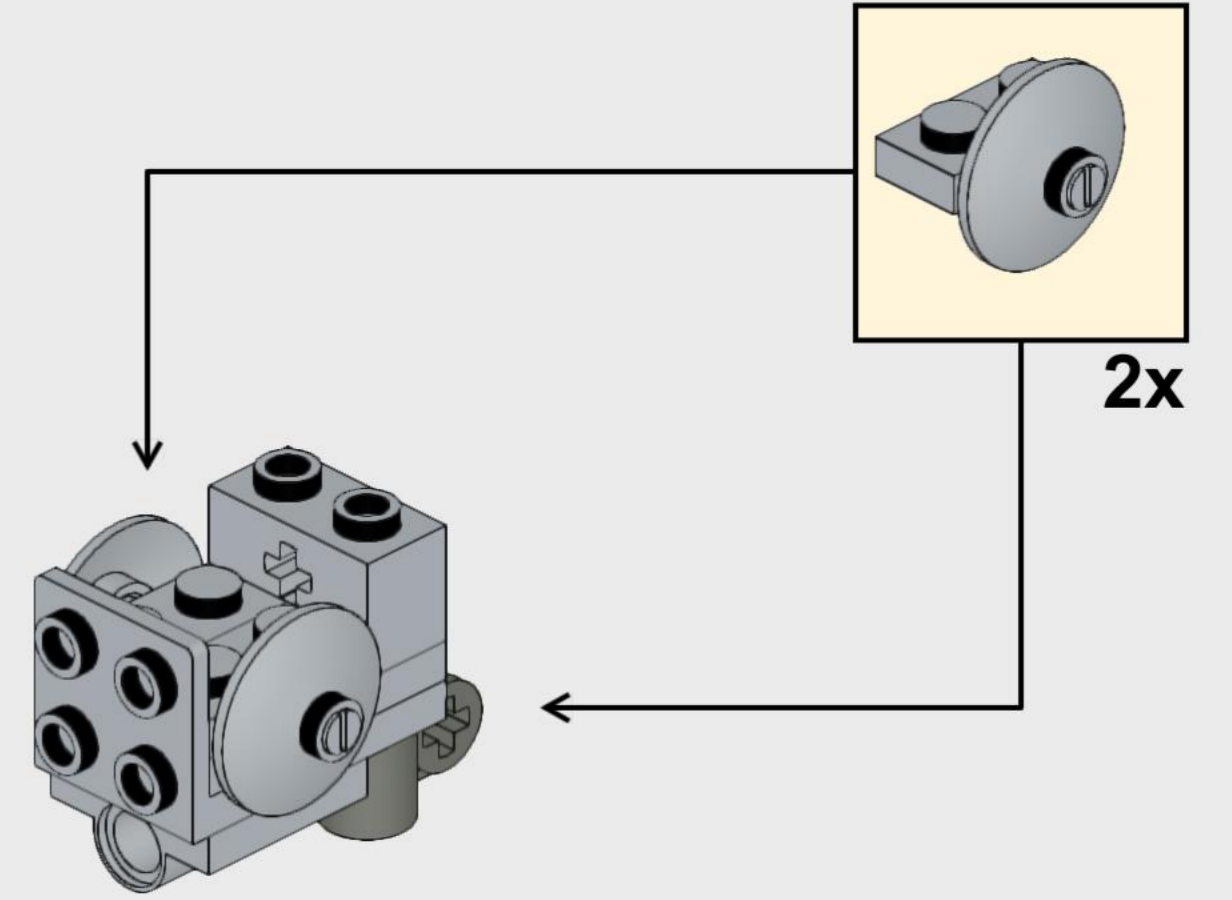
6



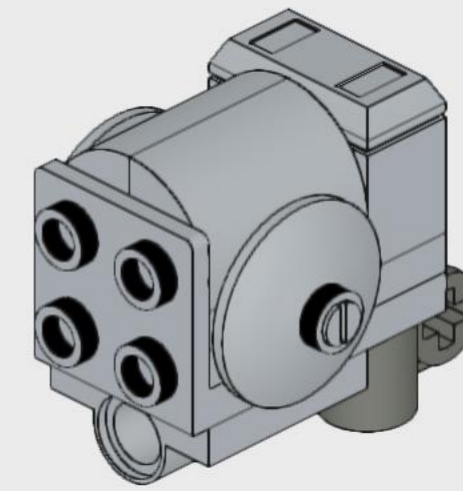
7



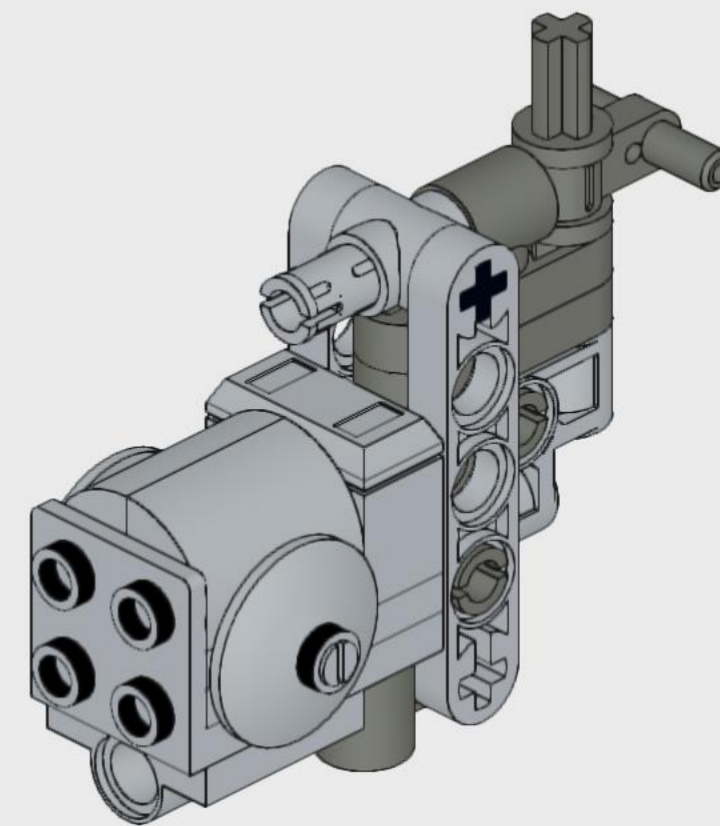
8

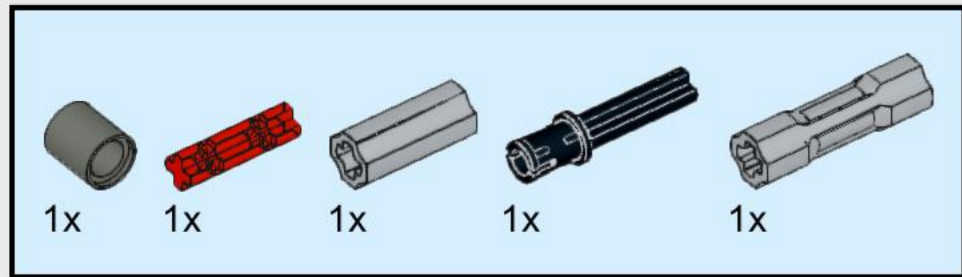


9

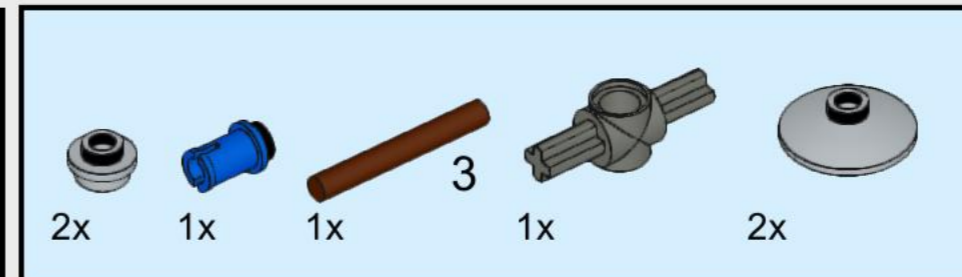
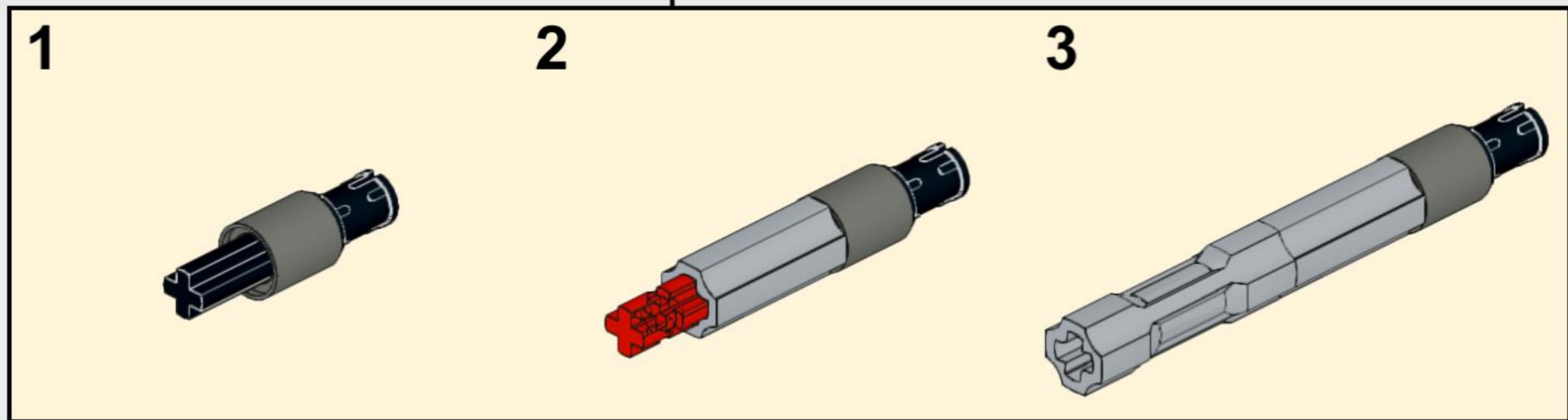
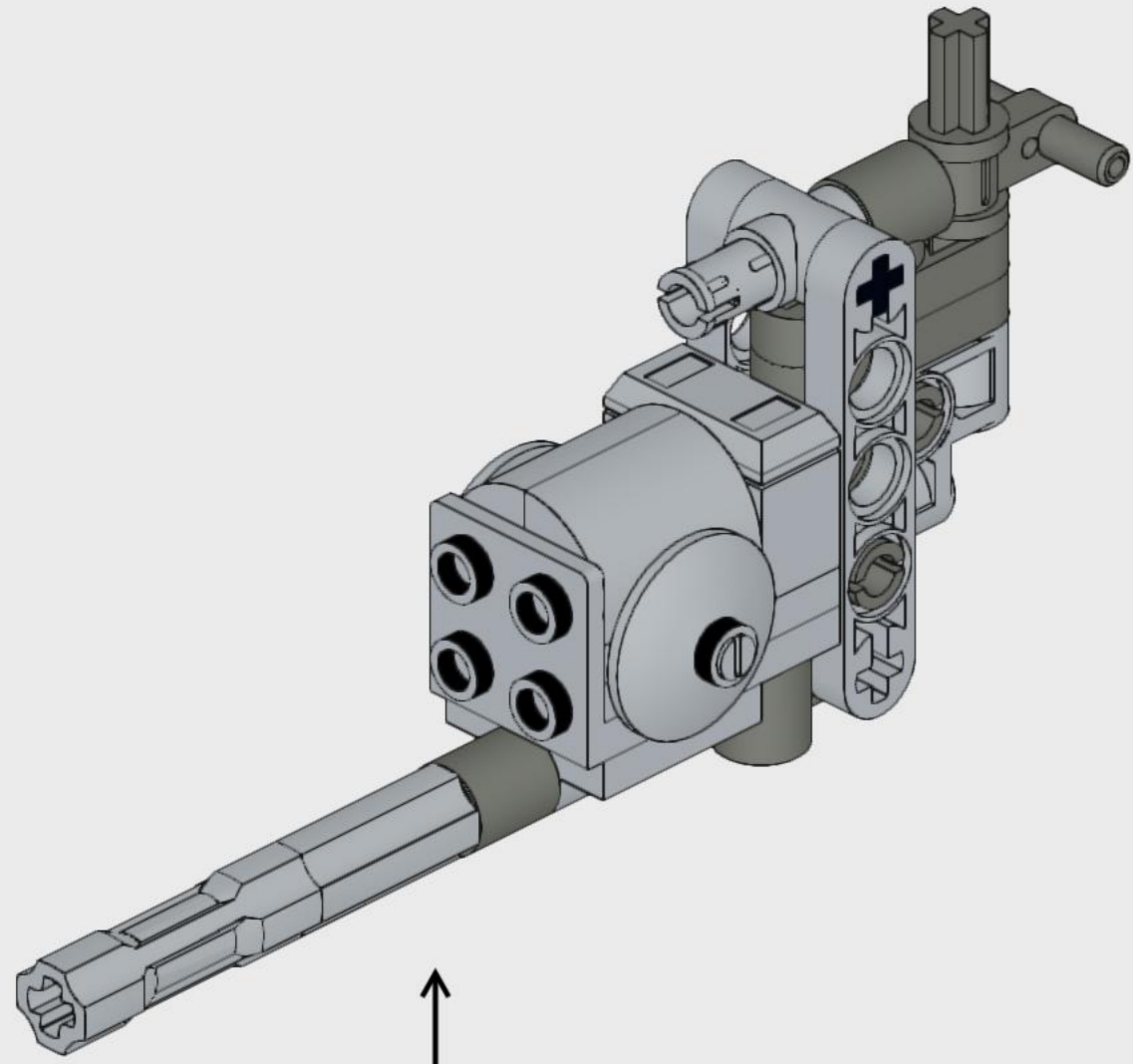


10

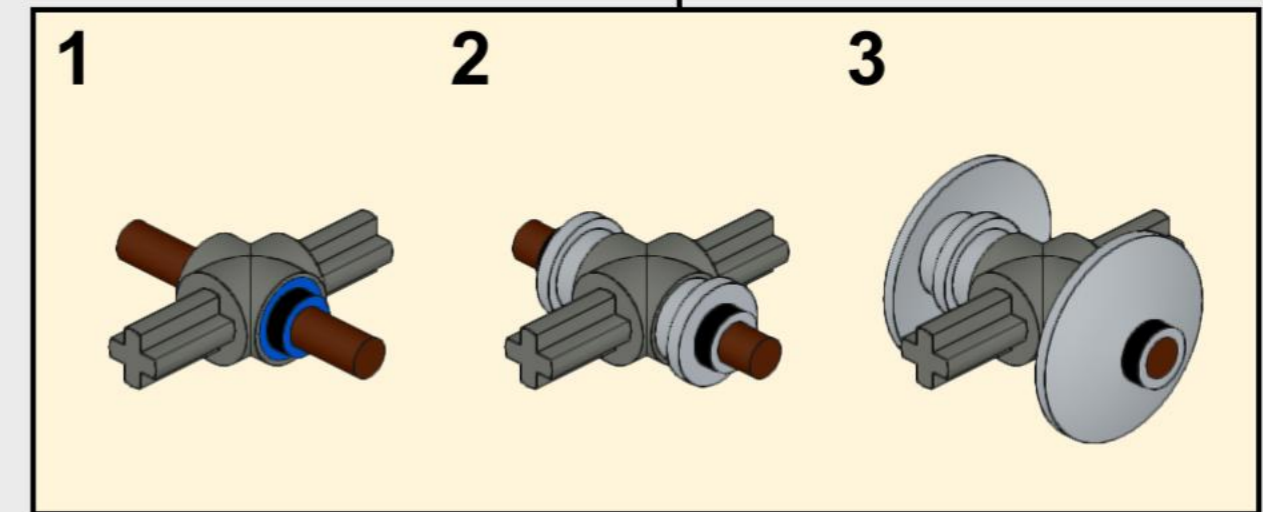
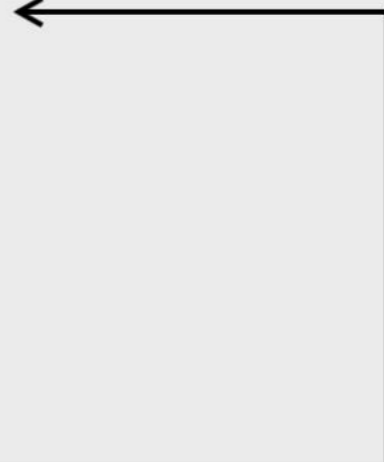
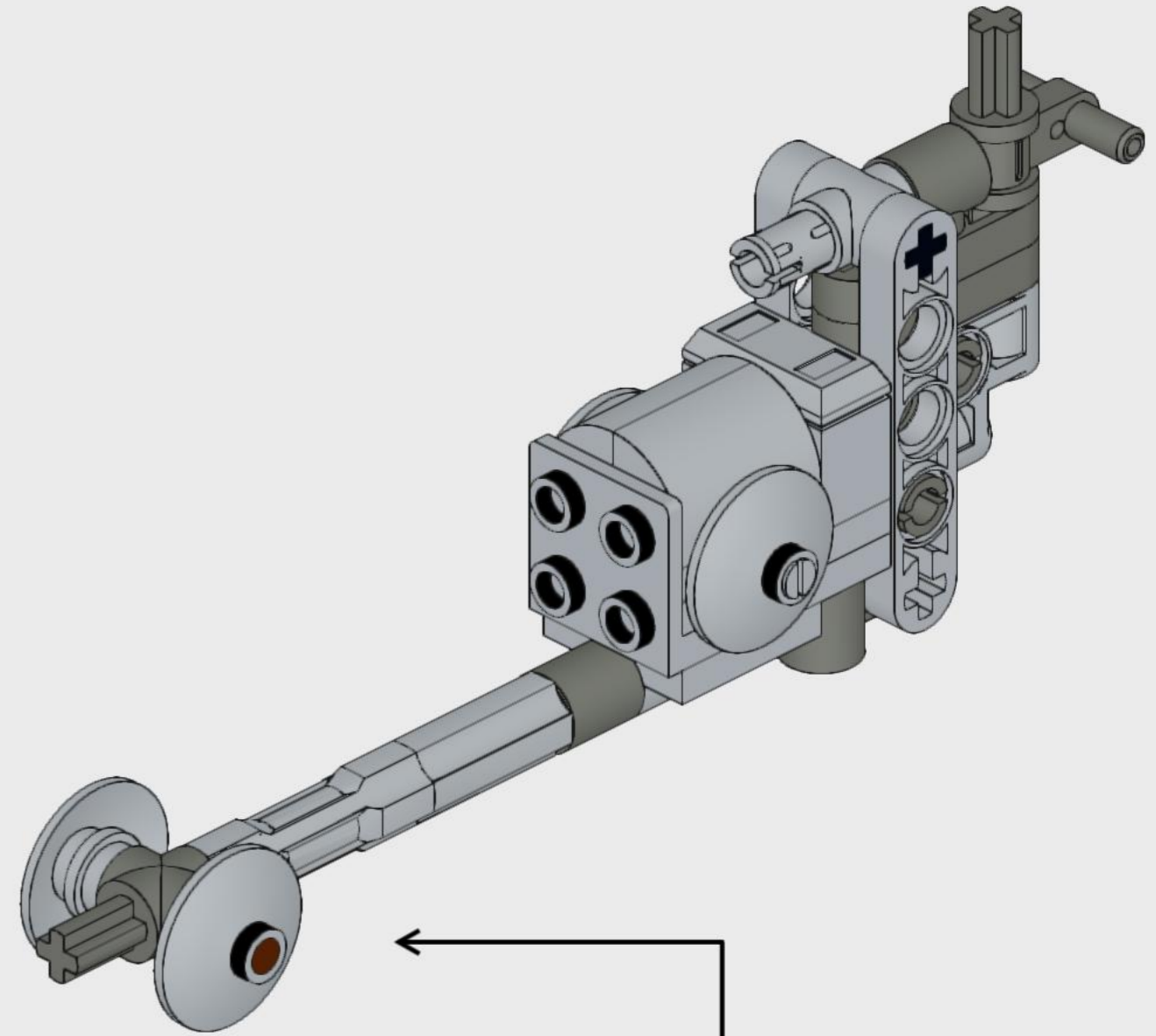




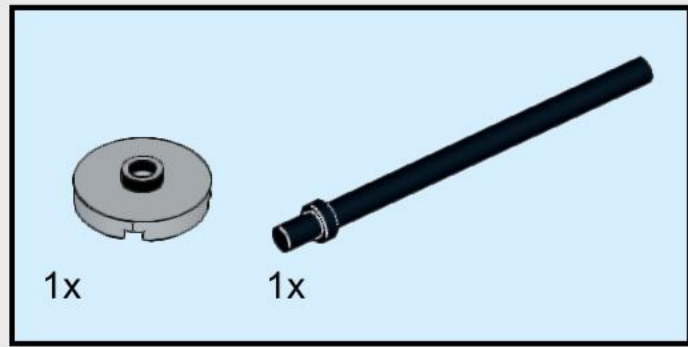
11



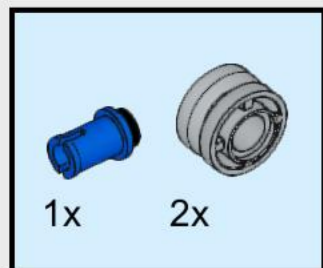
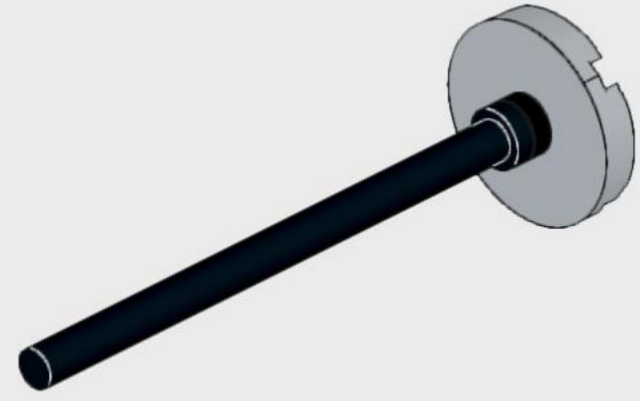
12



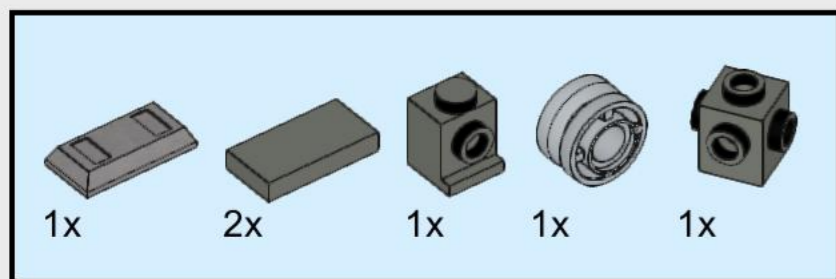
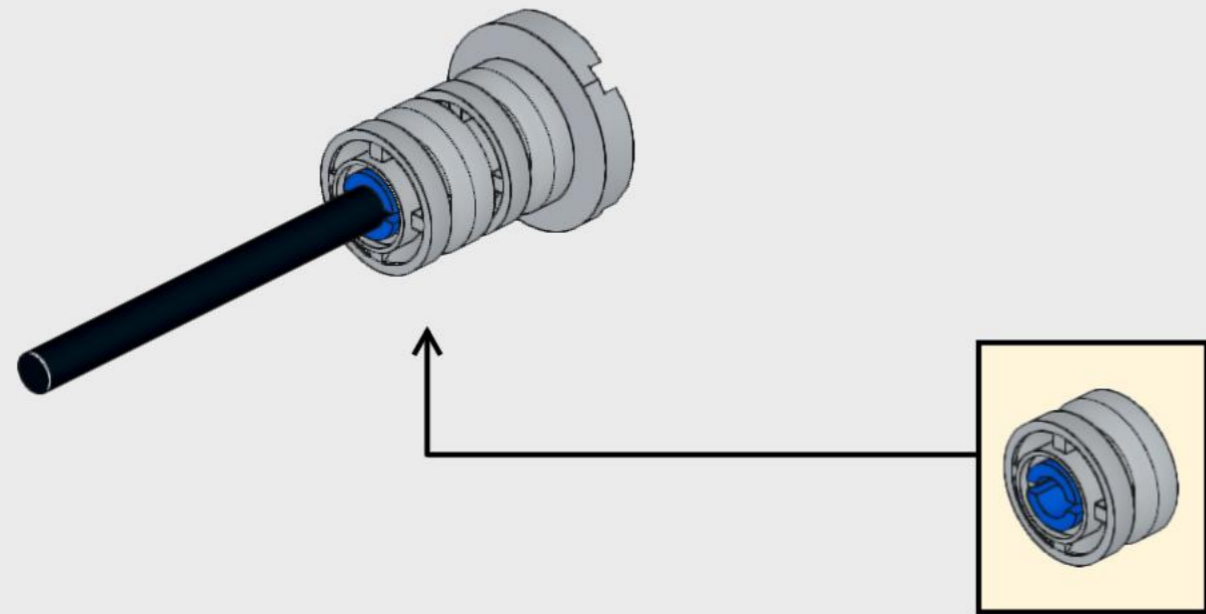




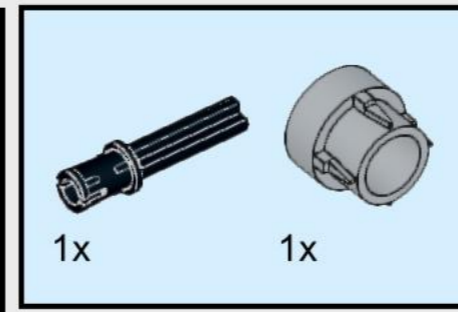
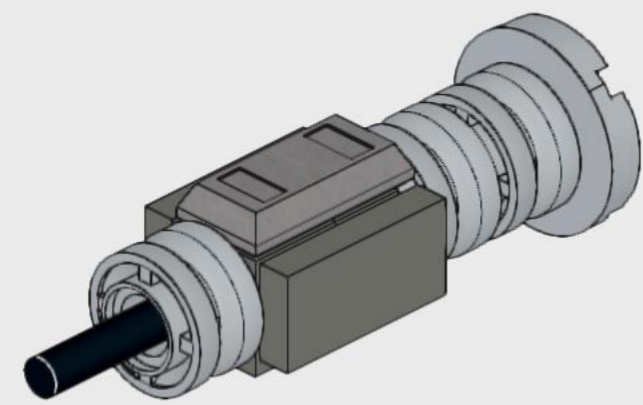
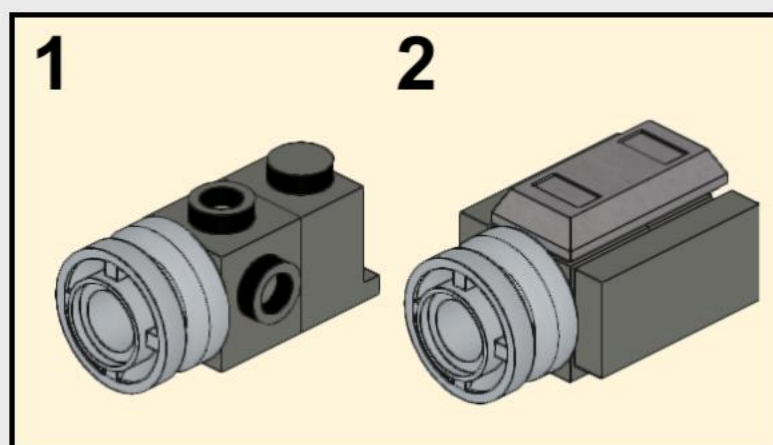
13



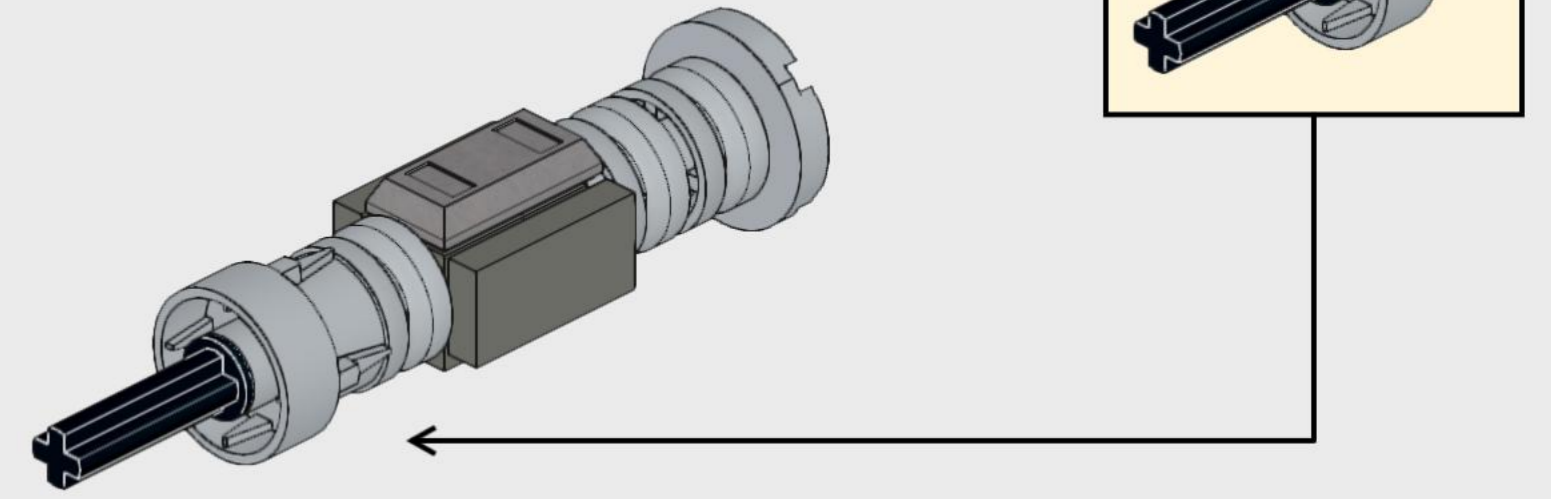
14



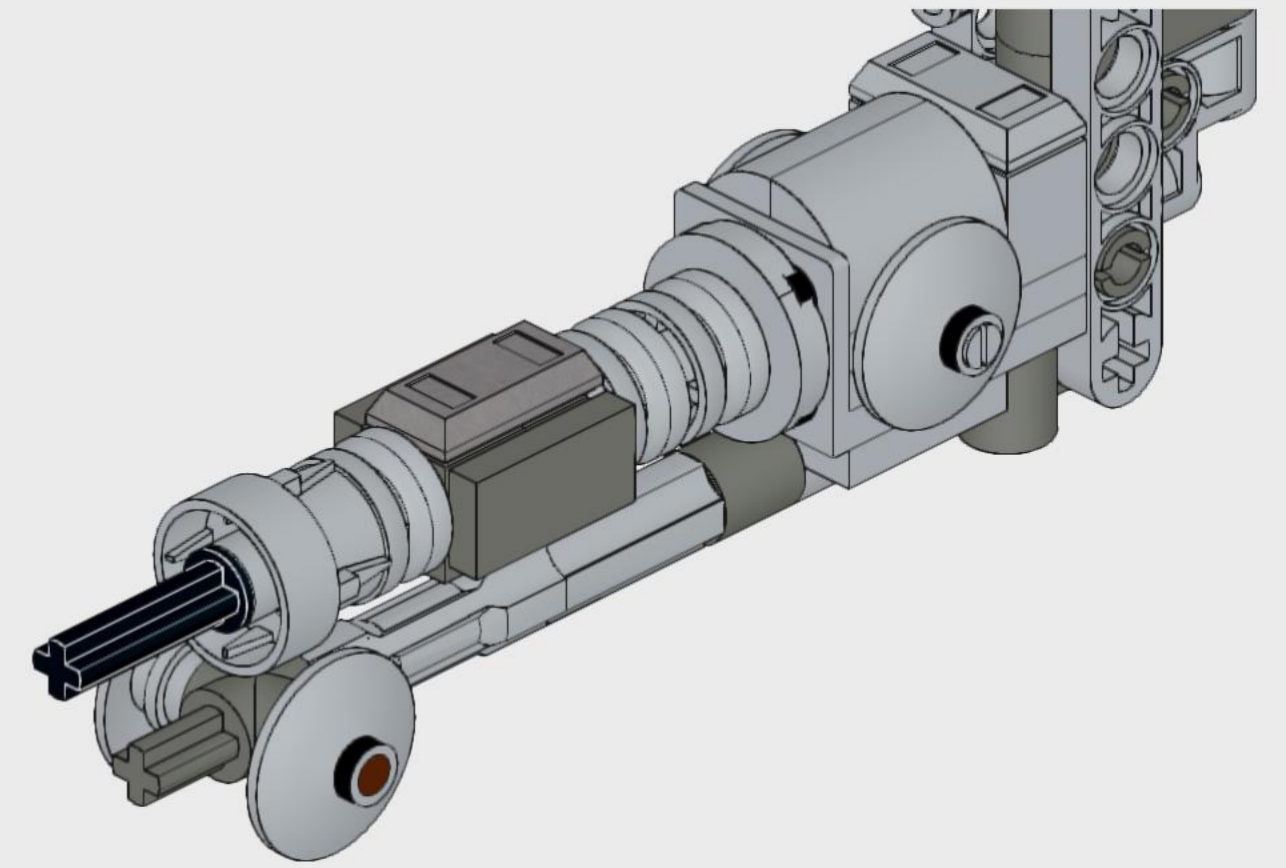
15



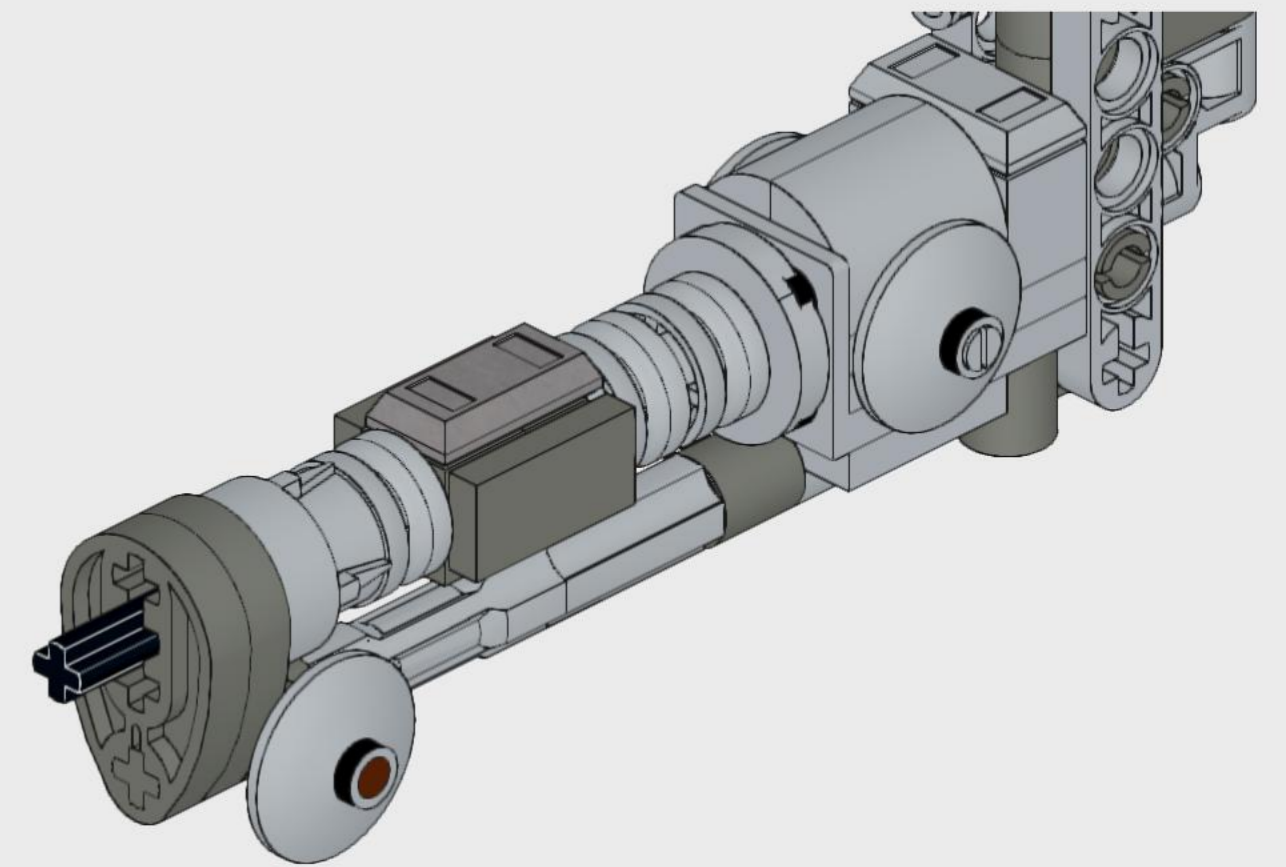
16

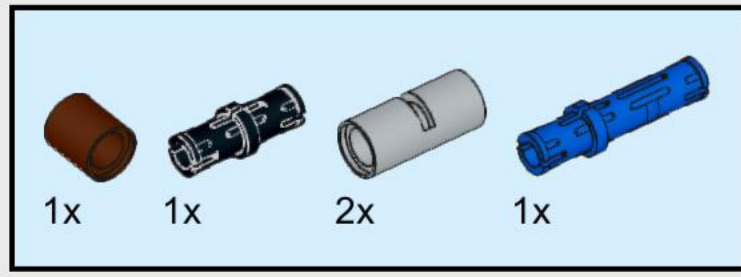


17

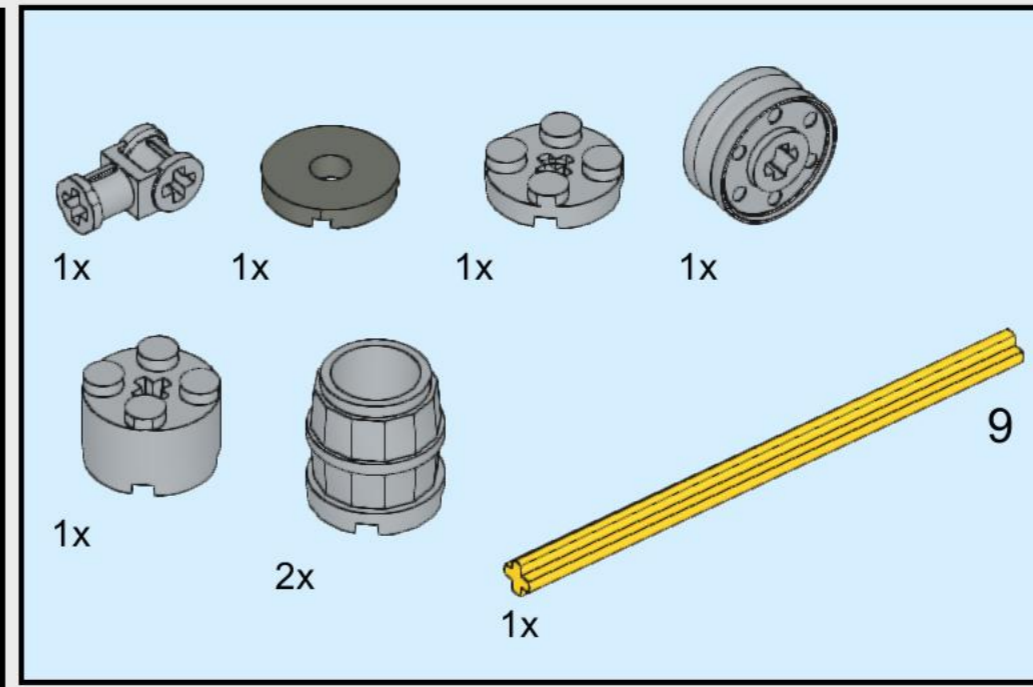
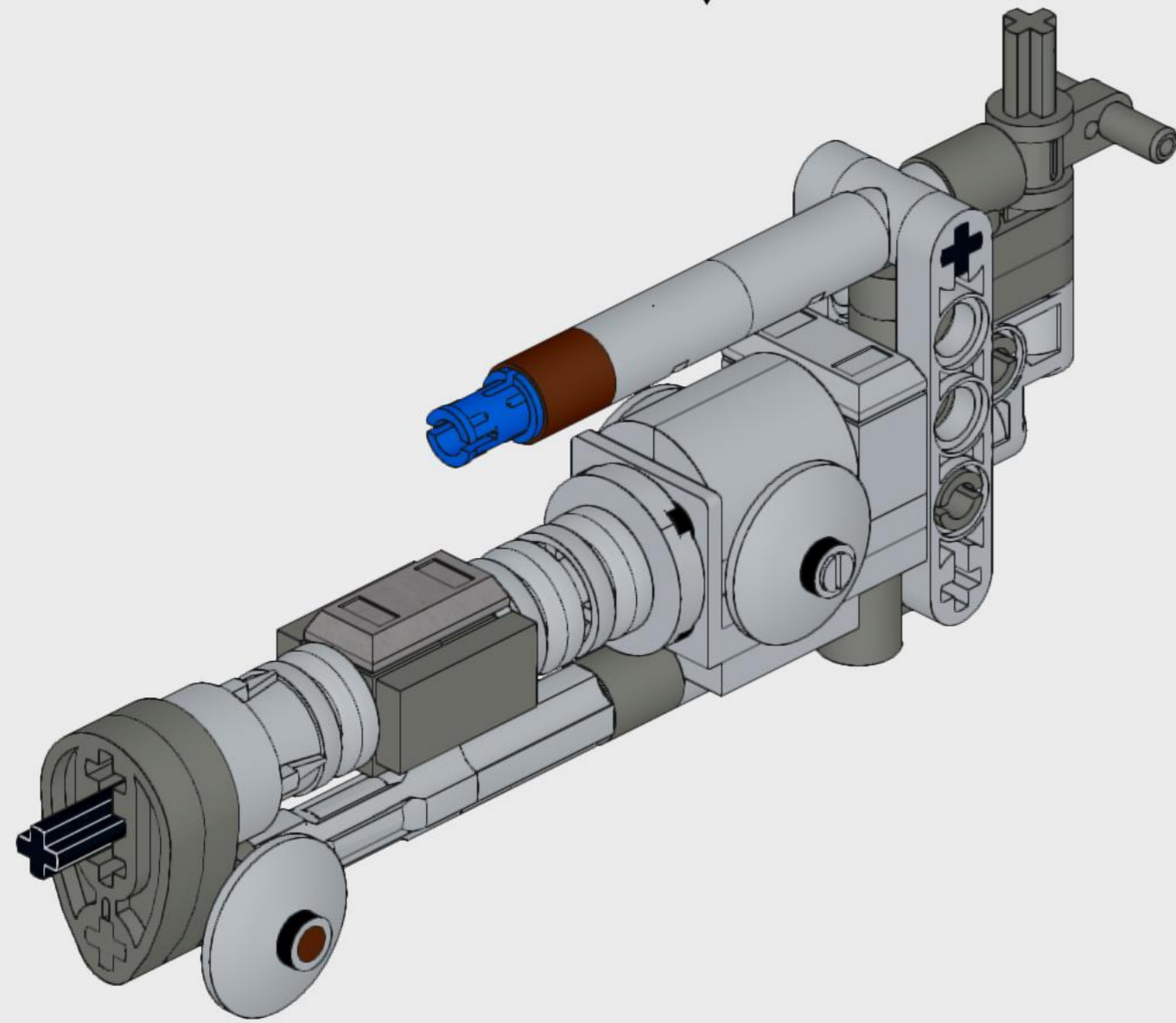
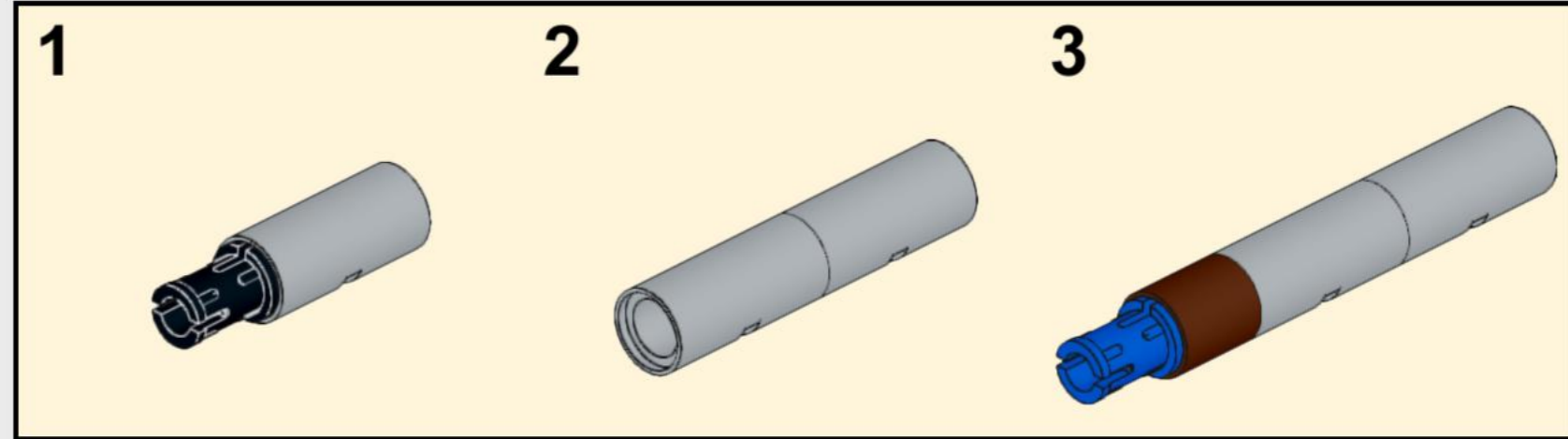


18

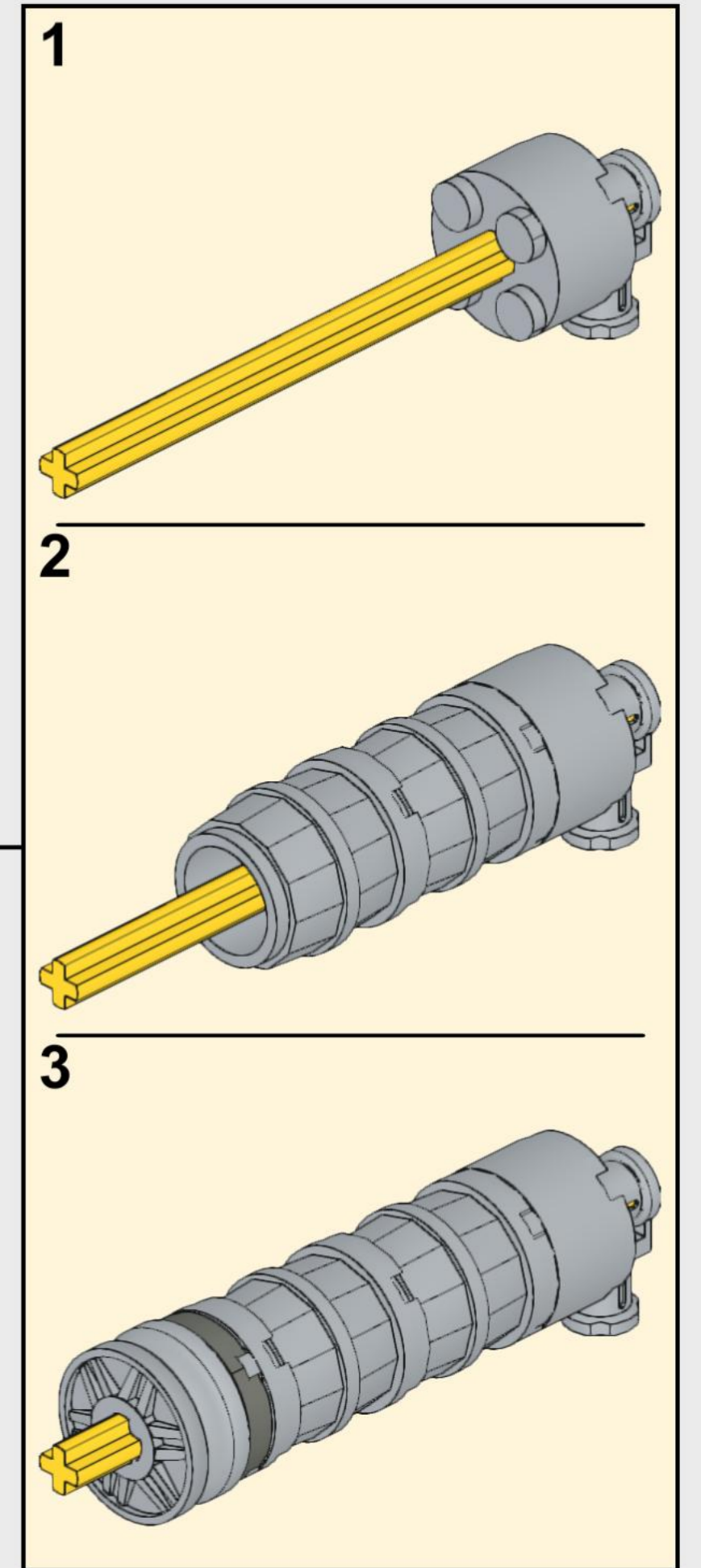
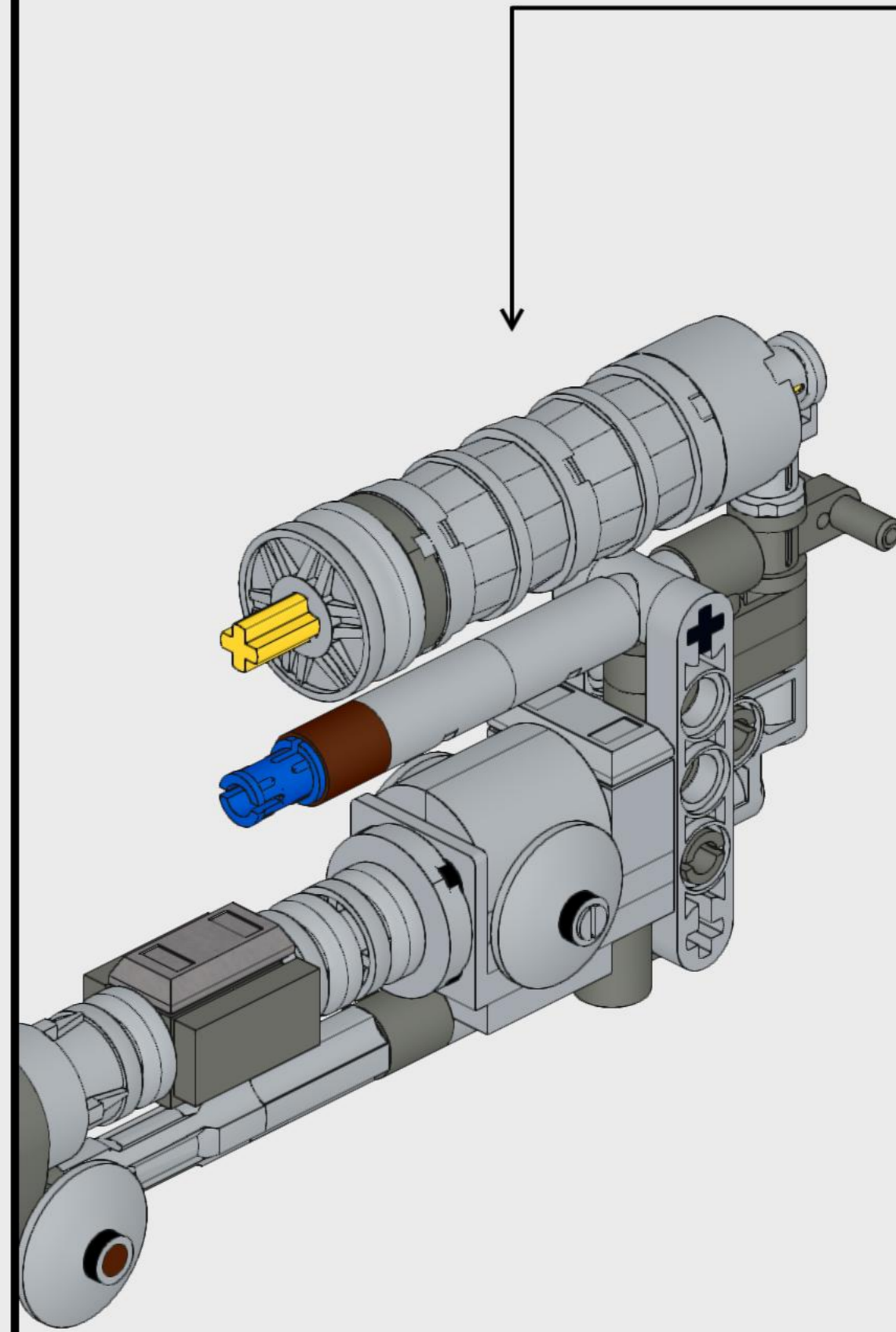


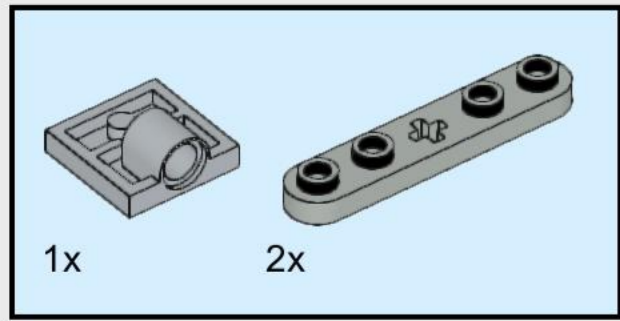


19

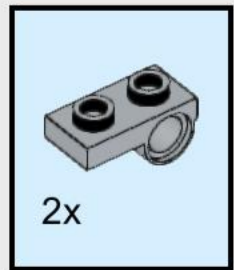
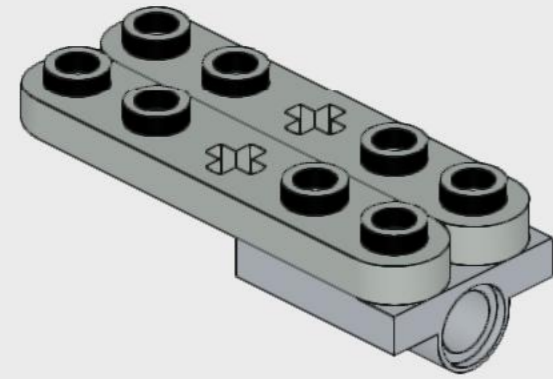


20

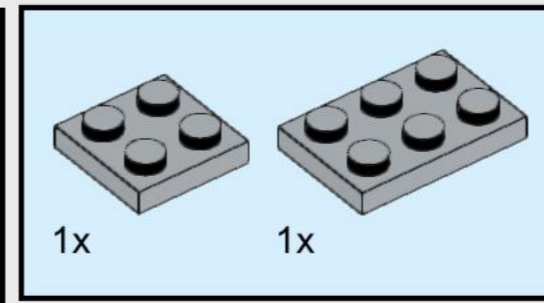
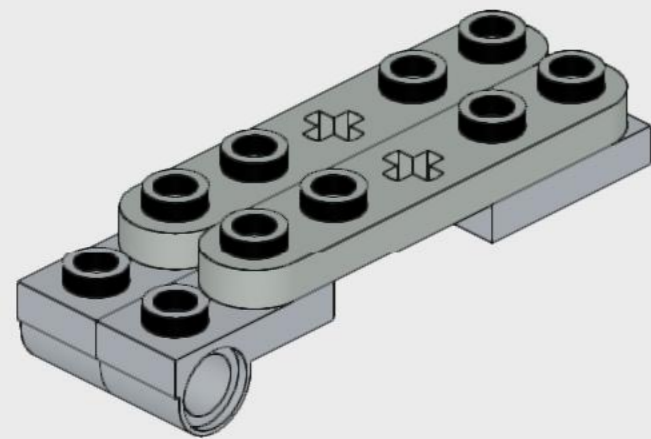




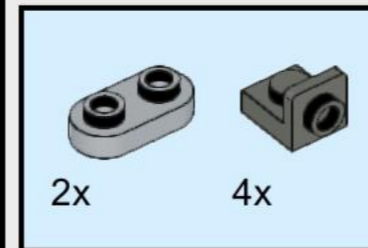
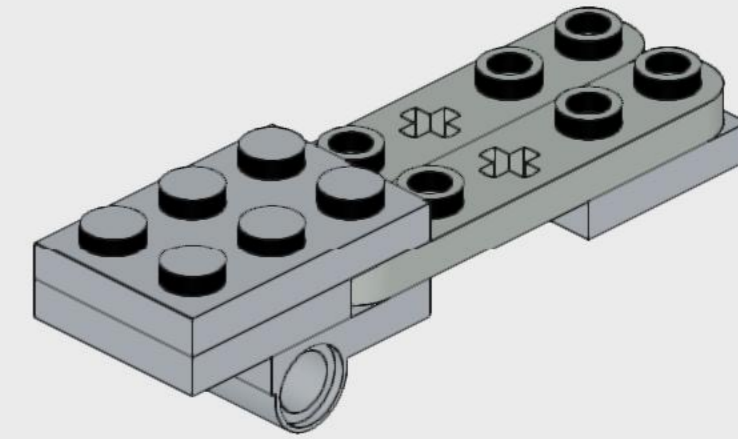
21



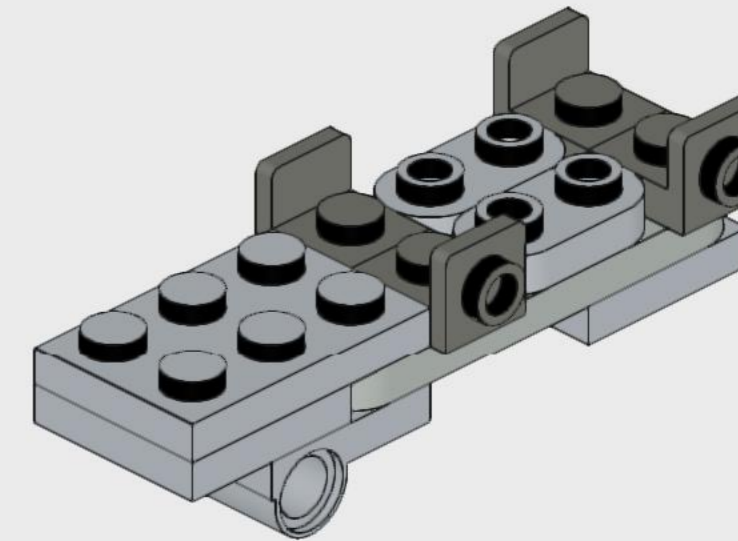
22 

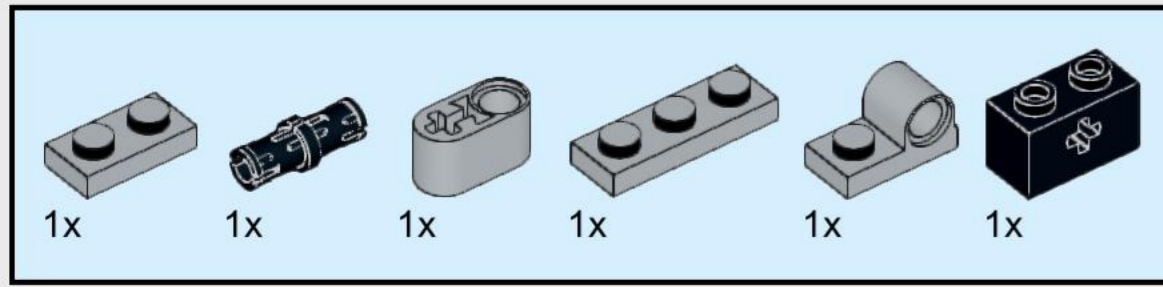


23

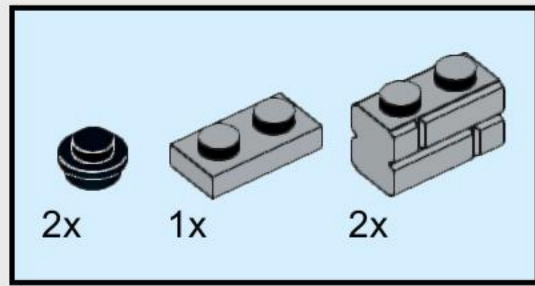
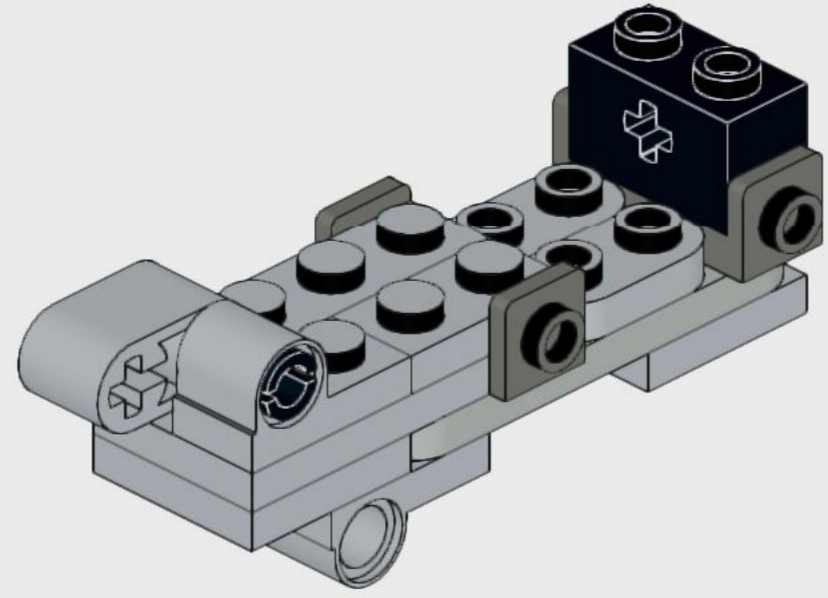
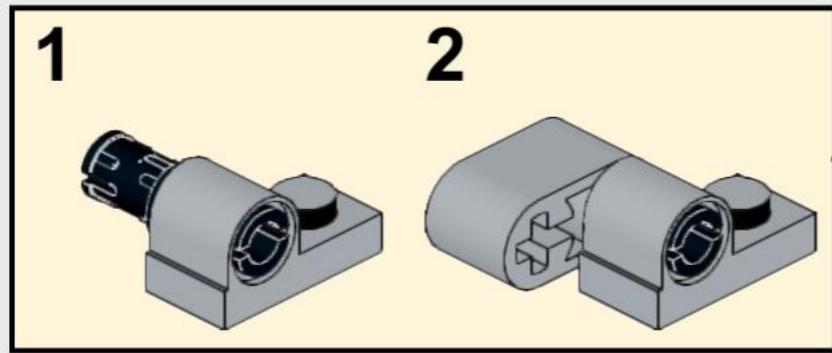


24

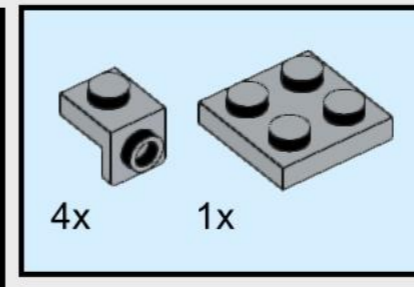
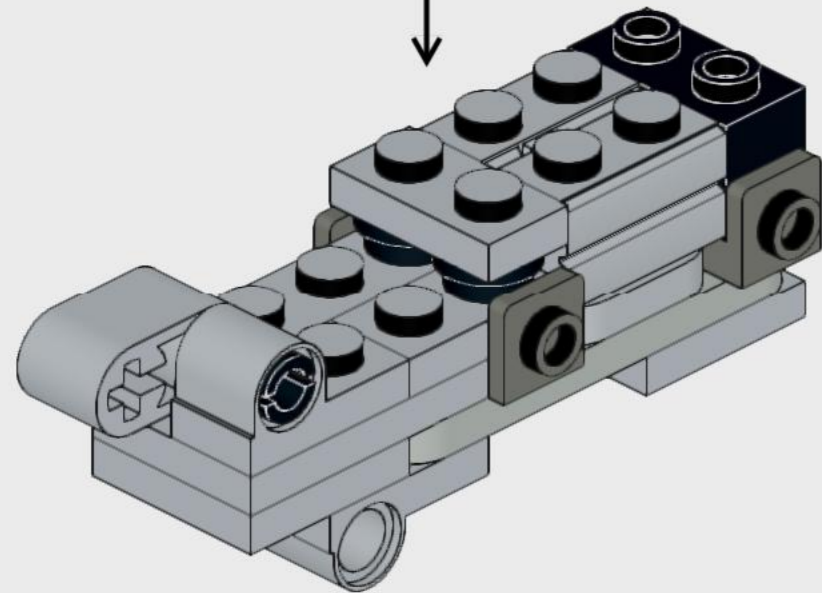
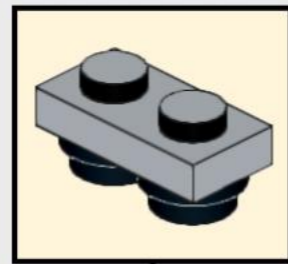




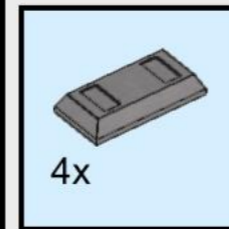
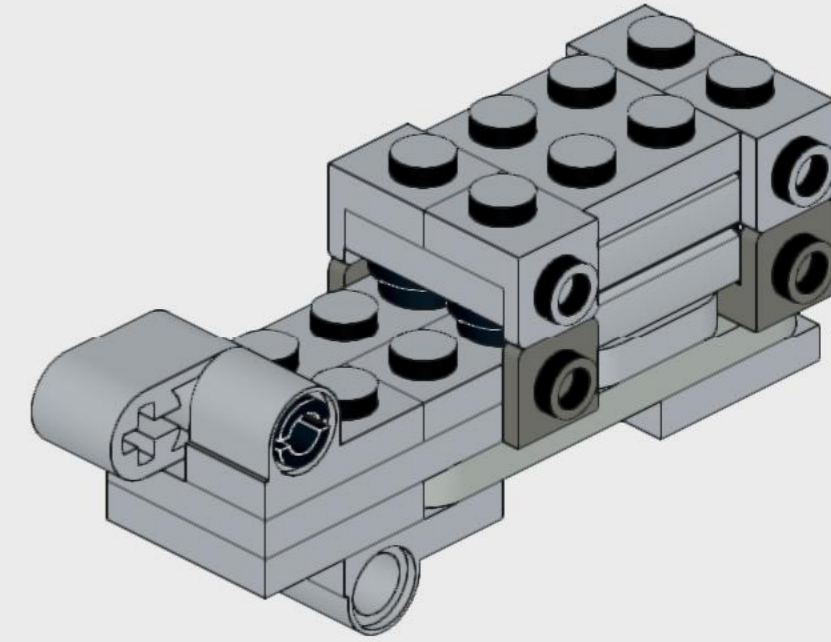
25



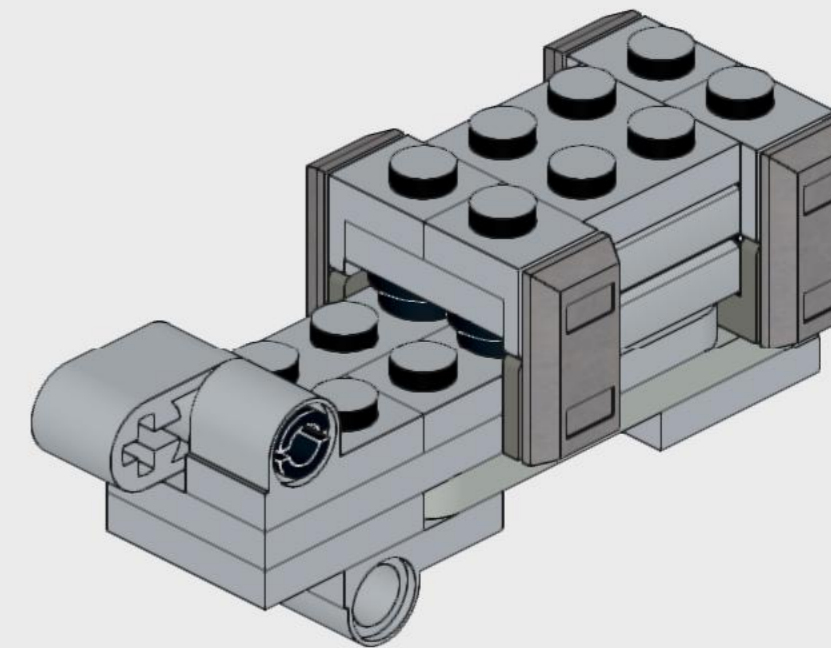
26

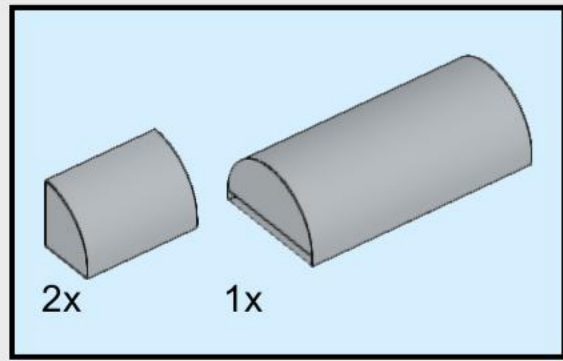


27

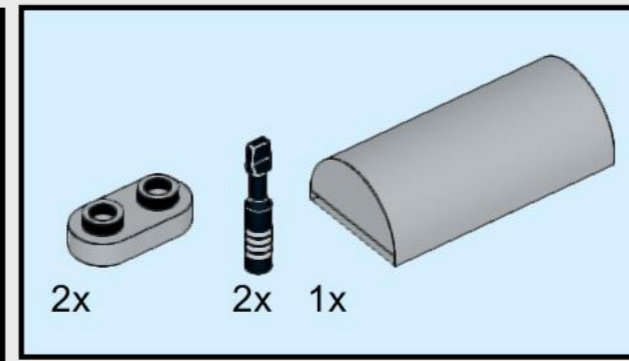
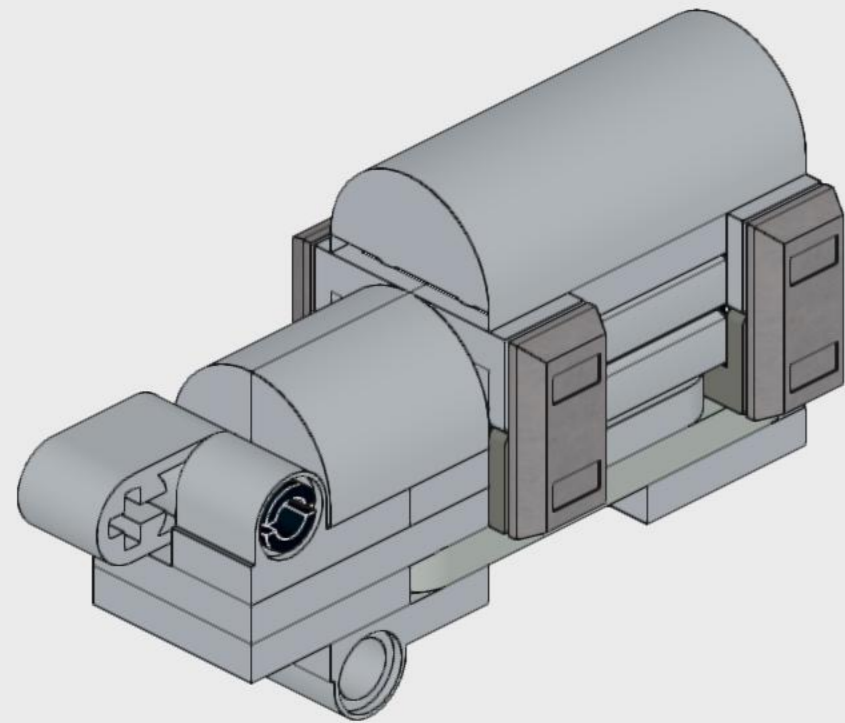


28



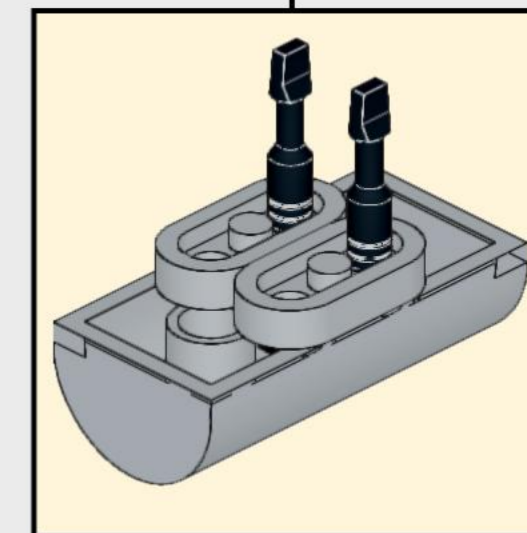
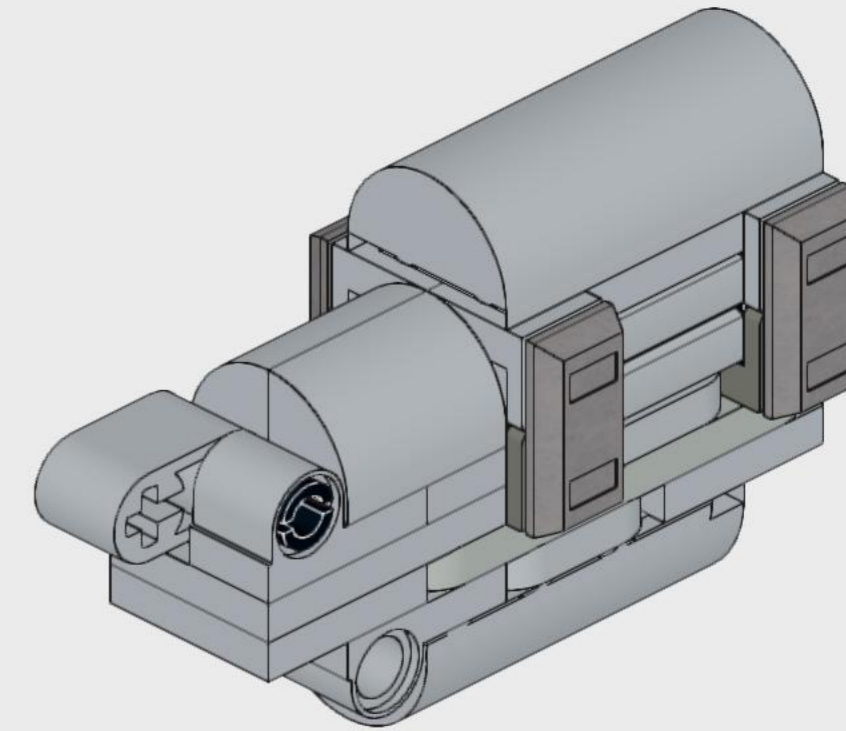


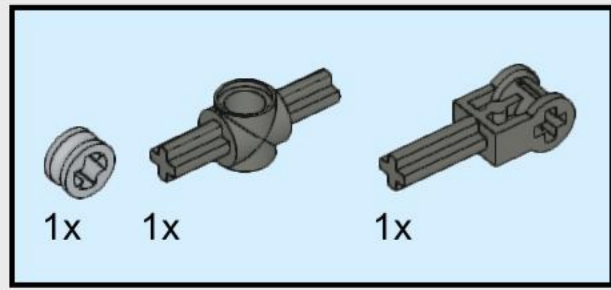
29



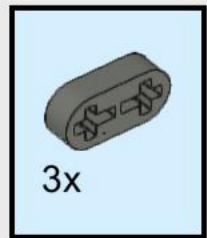
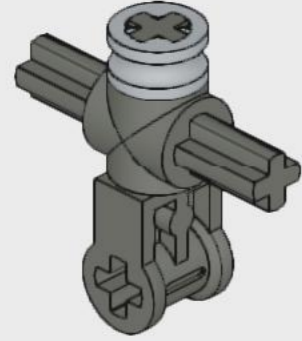
30

Alternatively, 2-stud-long rigid hose pieces can be substituted for black screw-drivers, which are a rare part.

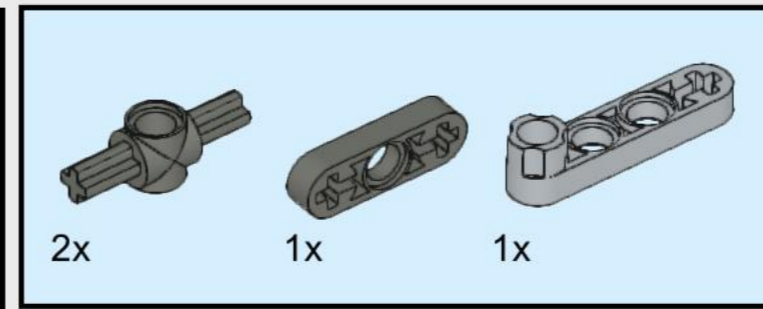
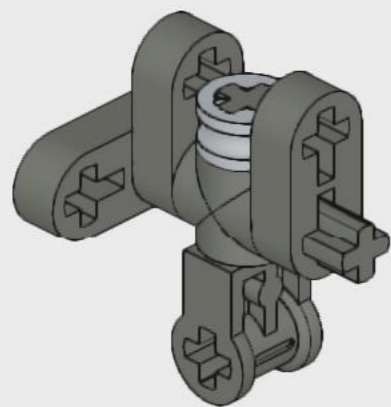




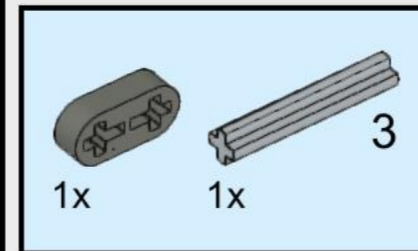
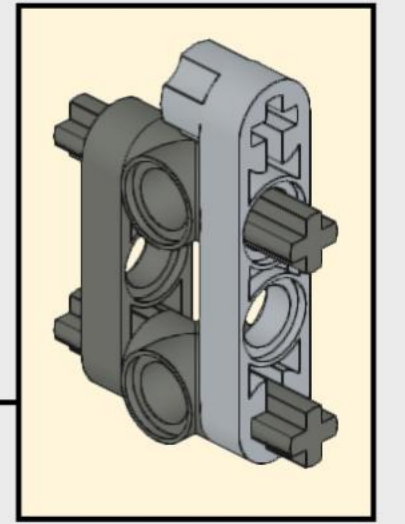
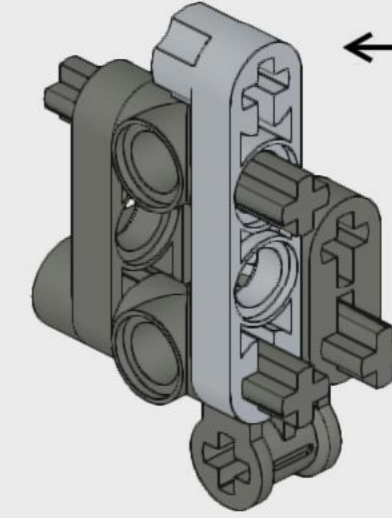
31



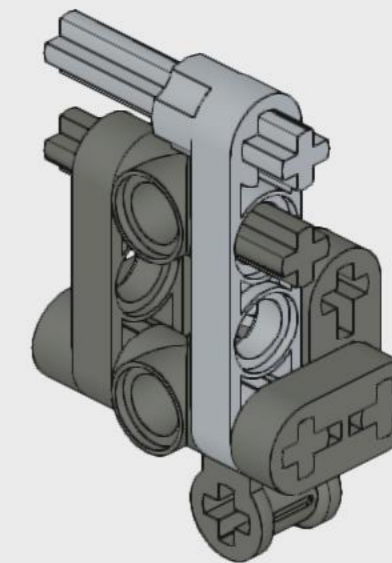
32



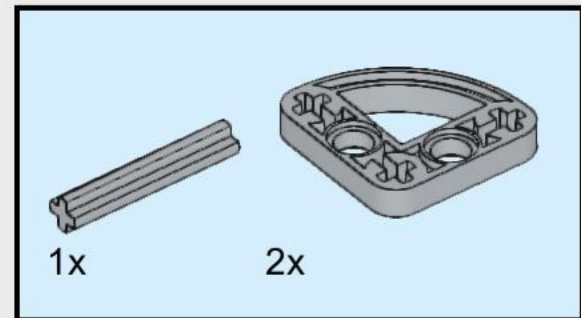
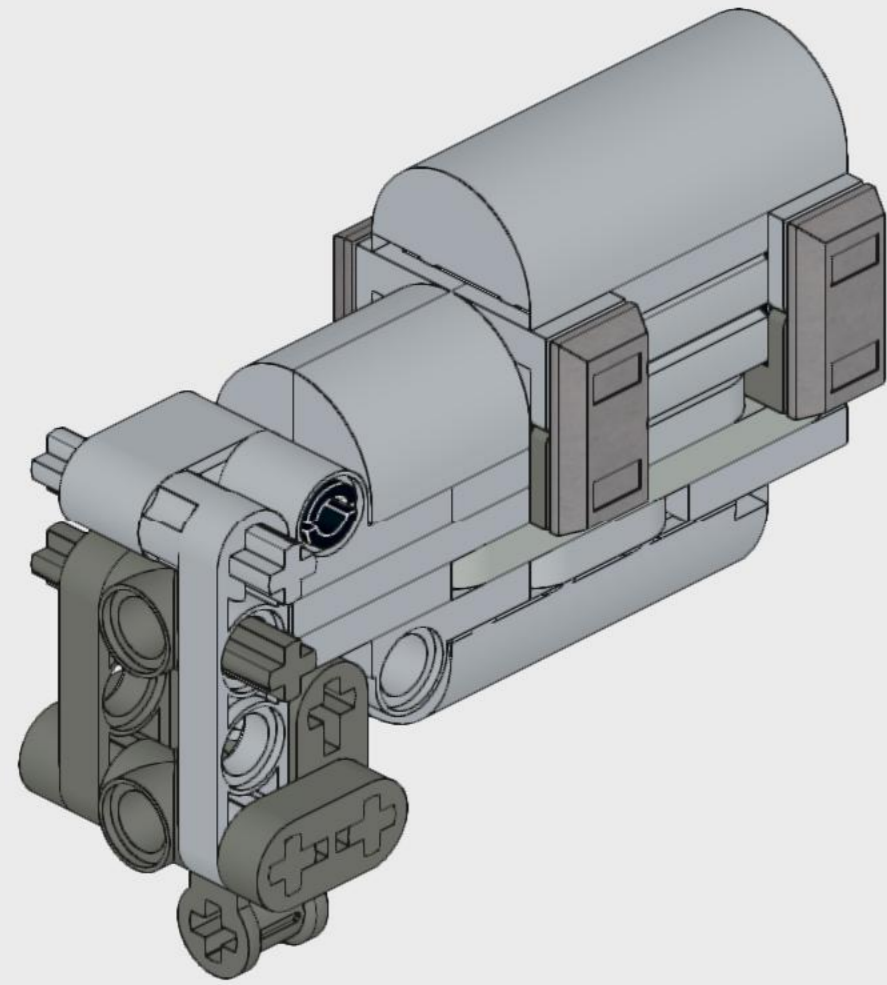
33



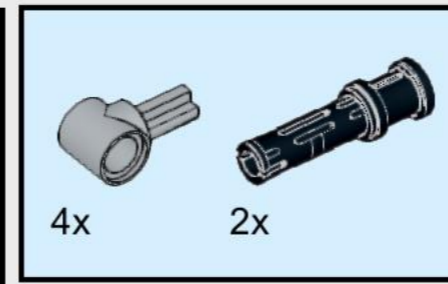
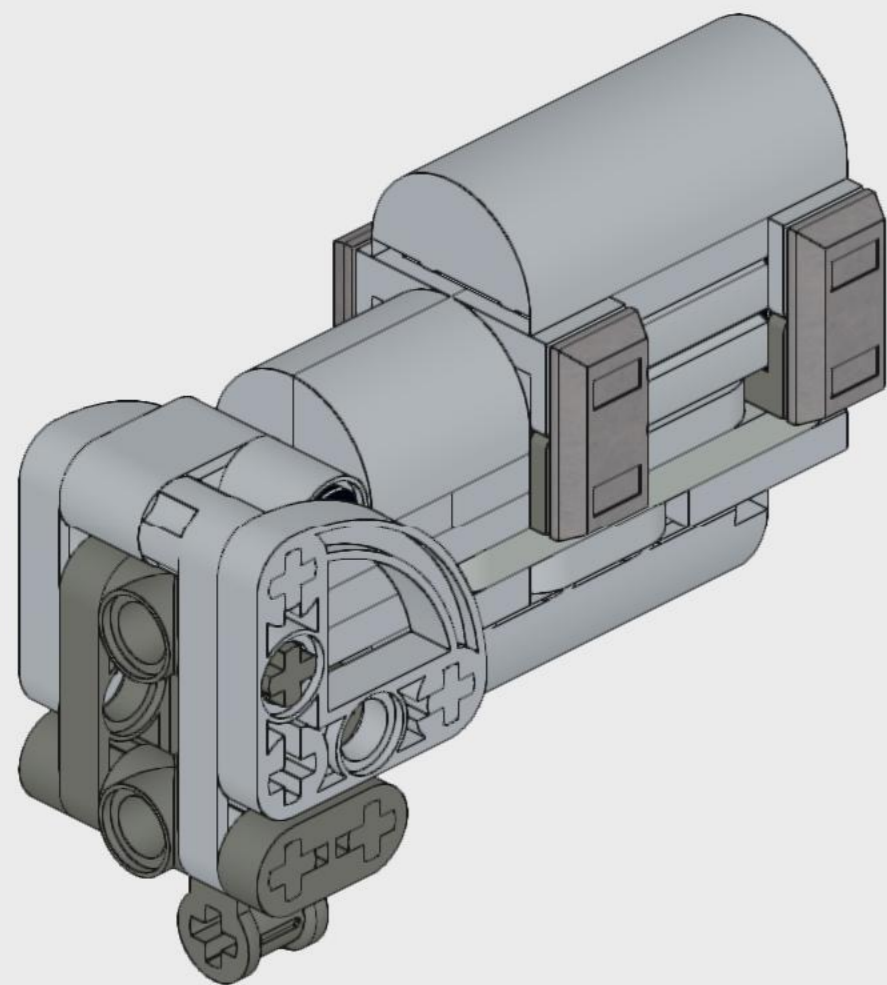
34



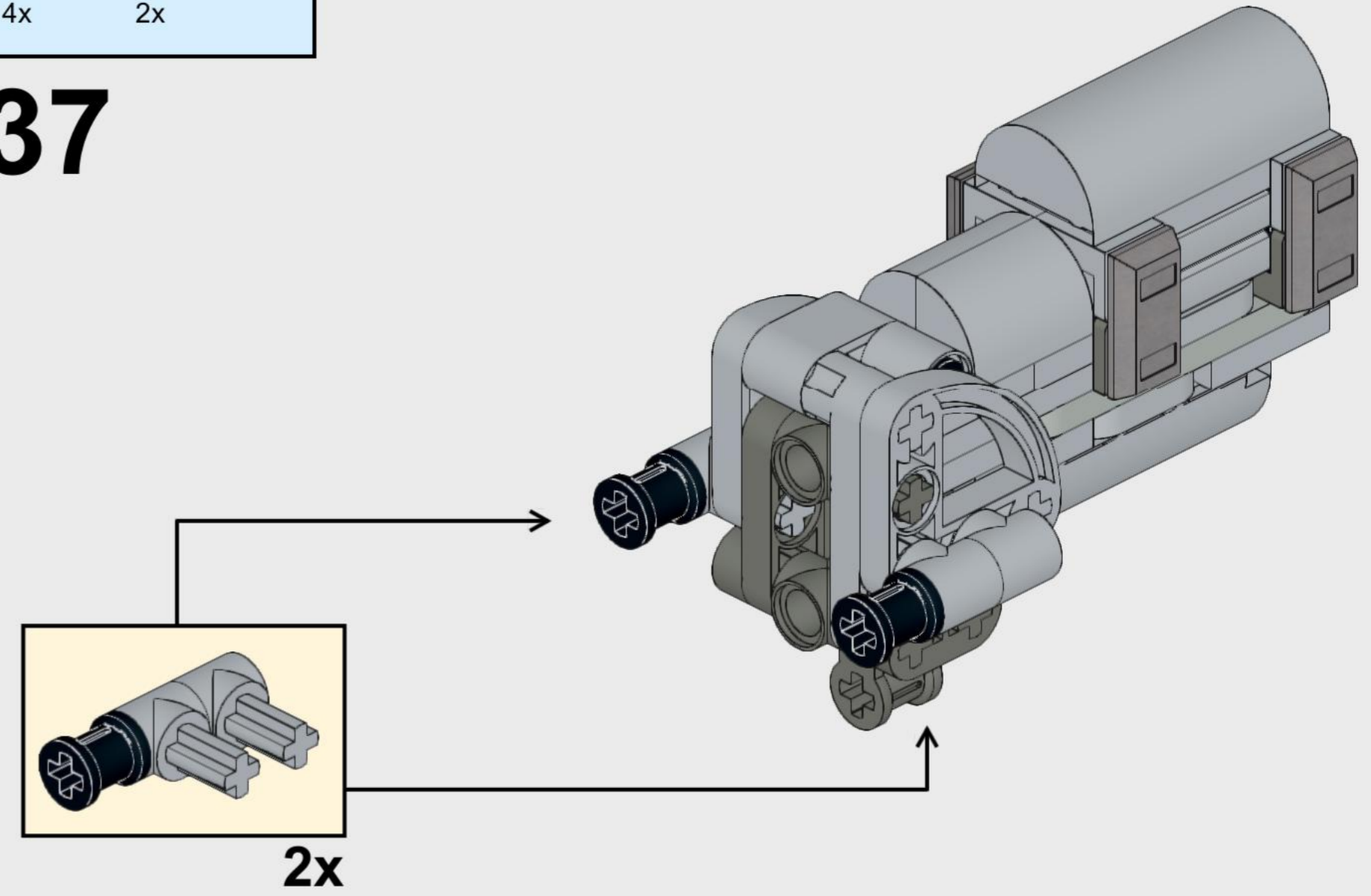
35



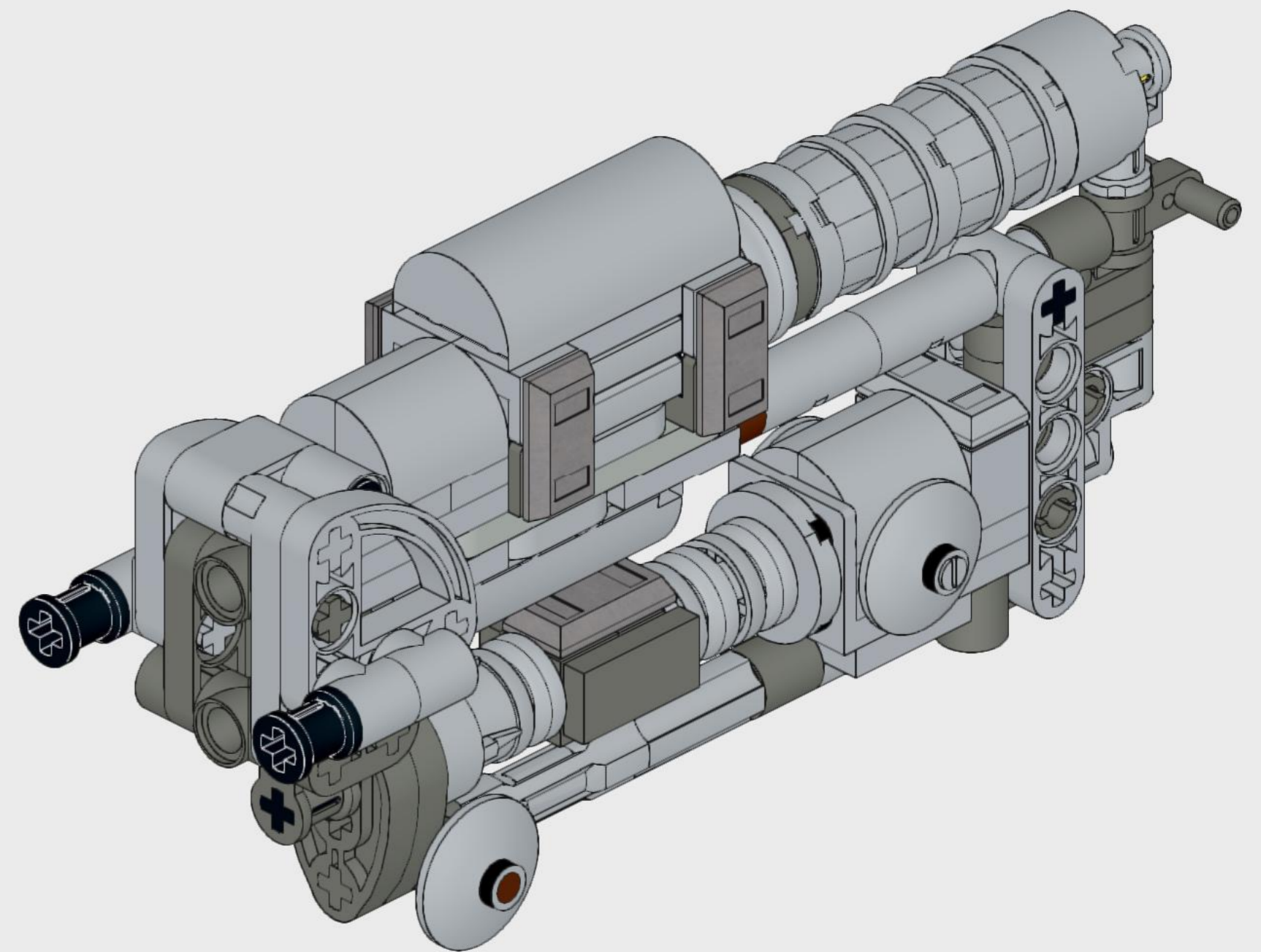
36

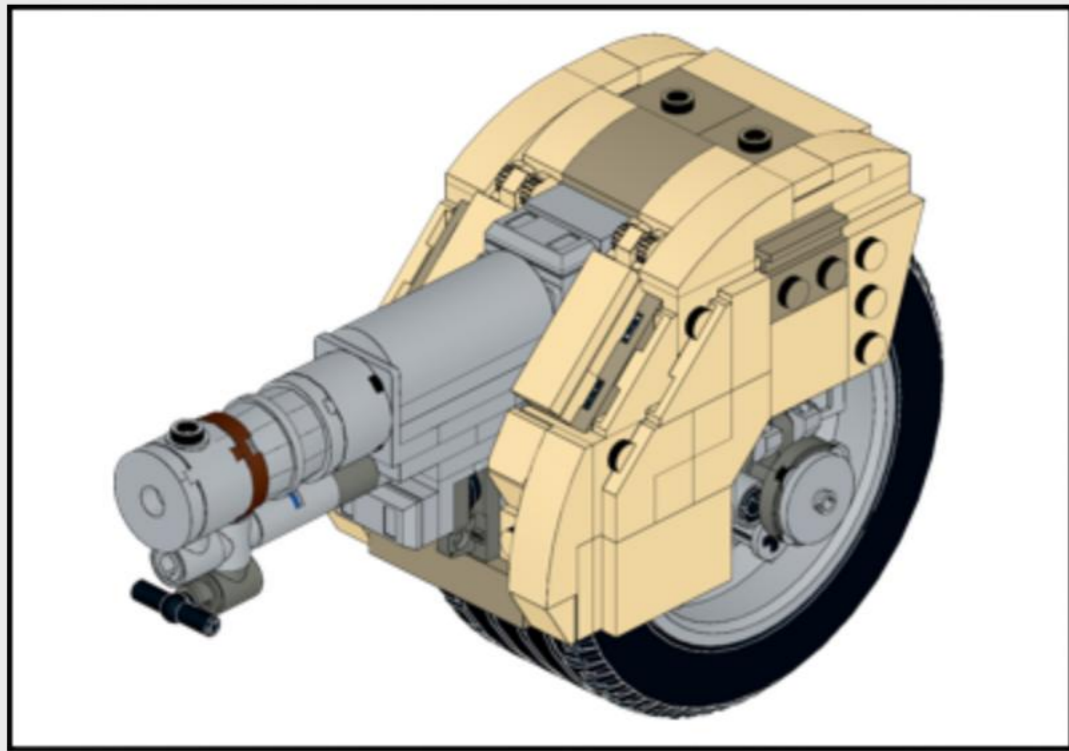


37

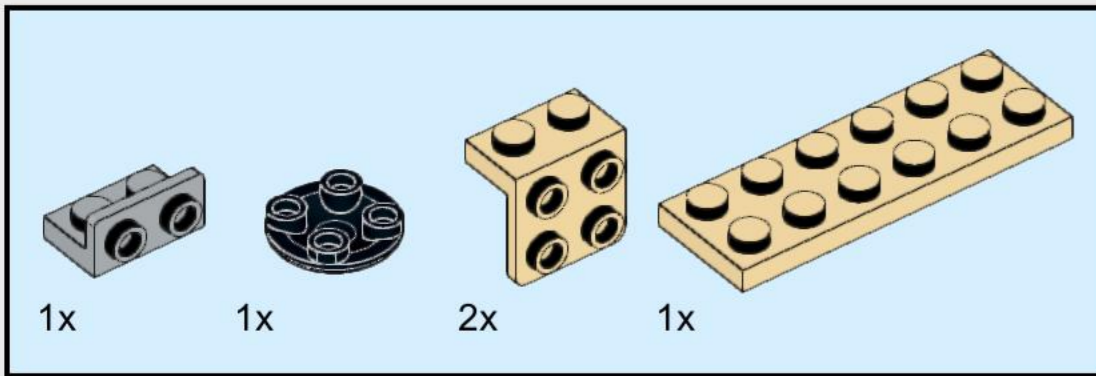


38

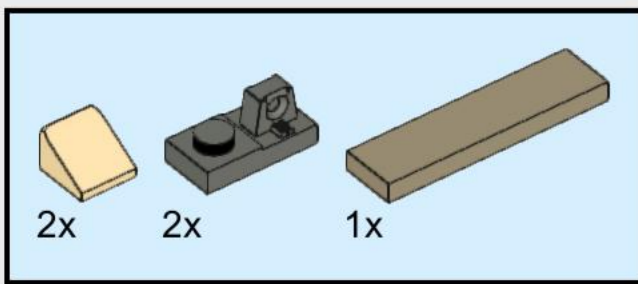
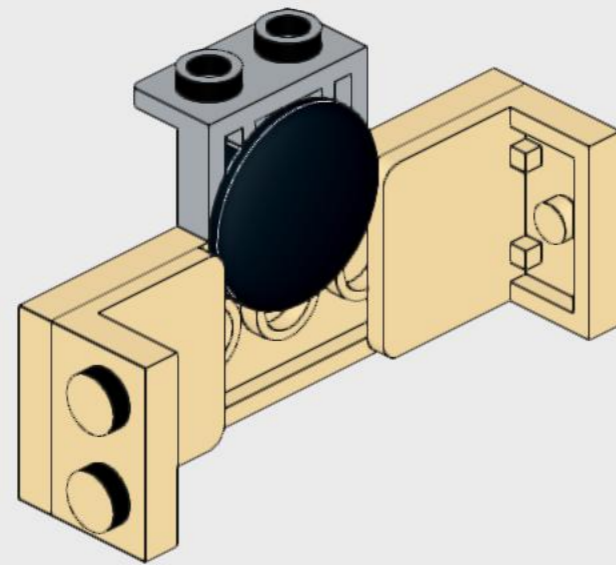




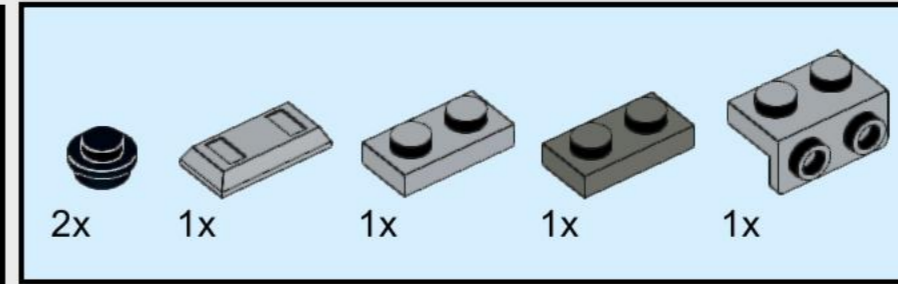
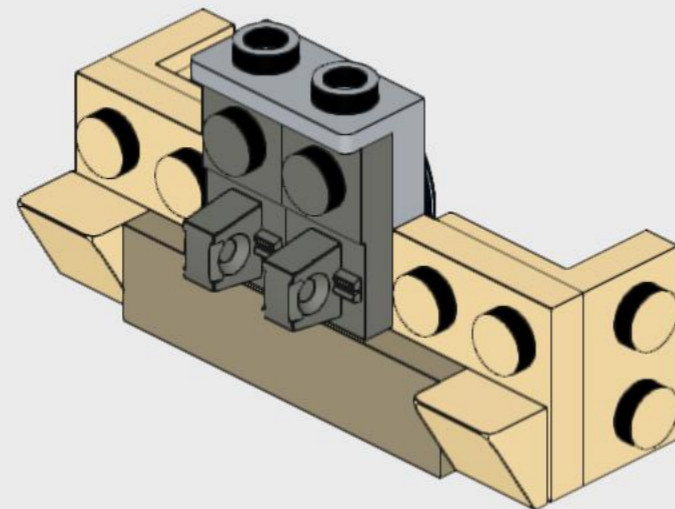
2x



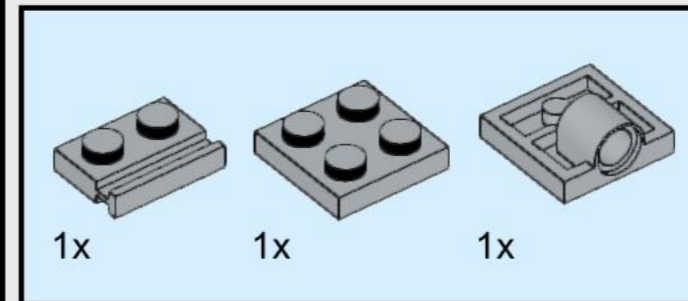
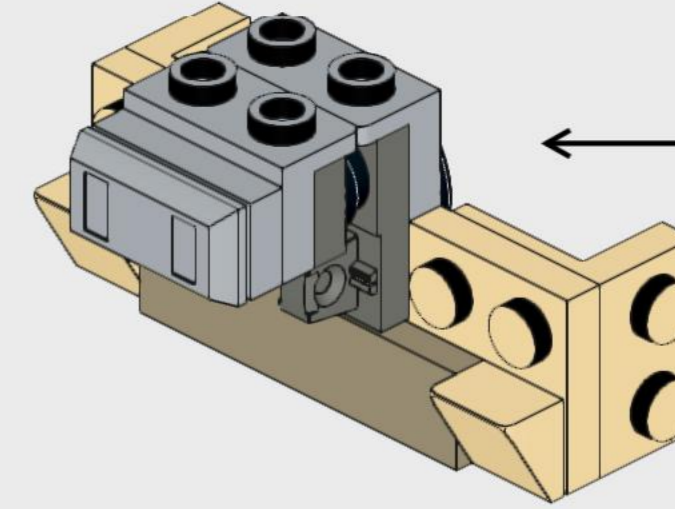
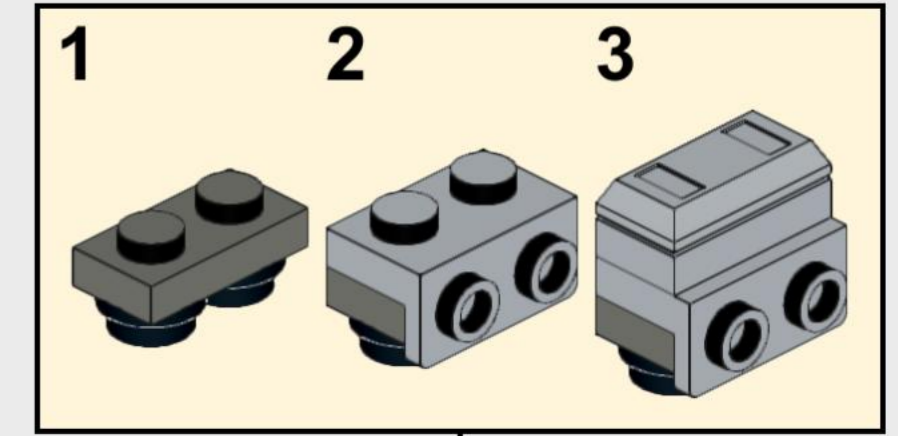
1



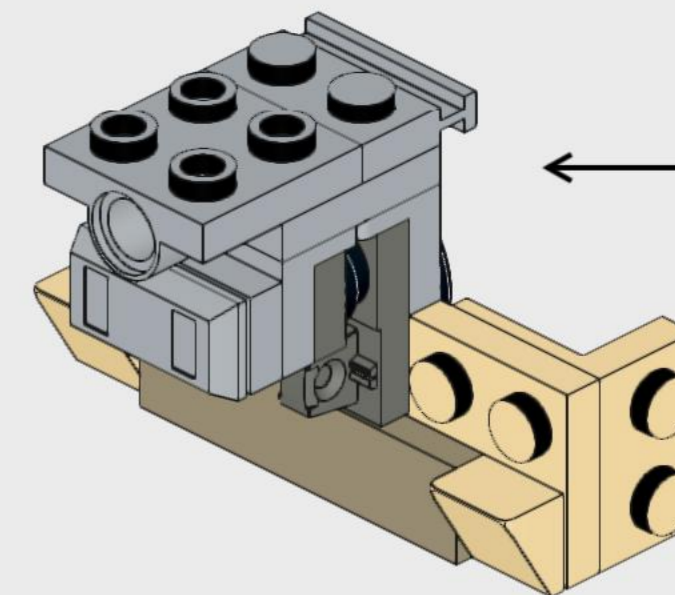
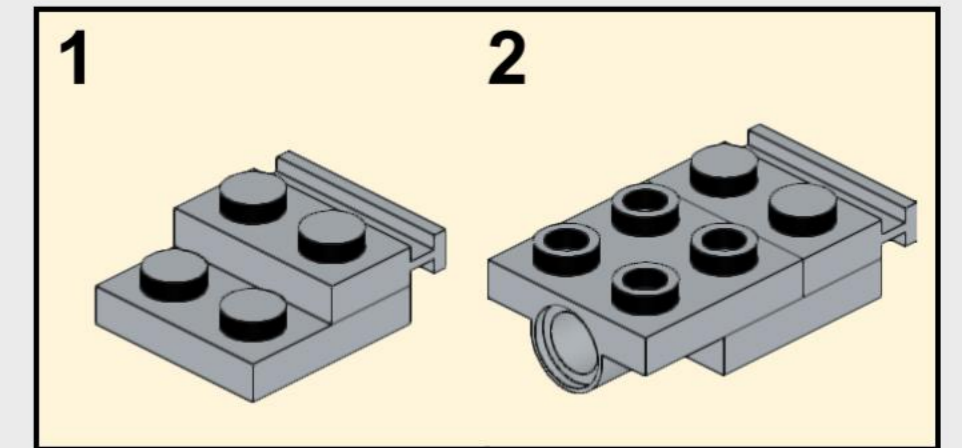
2



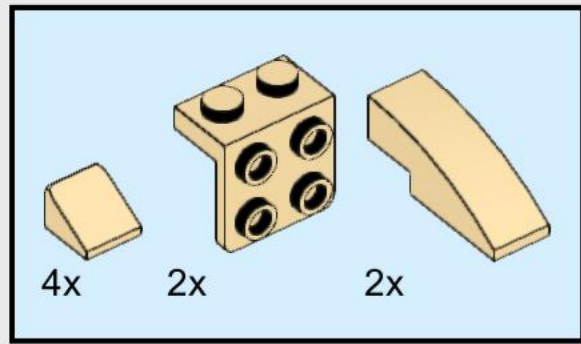
3



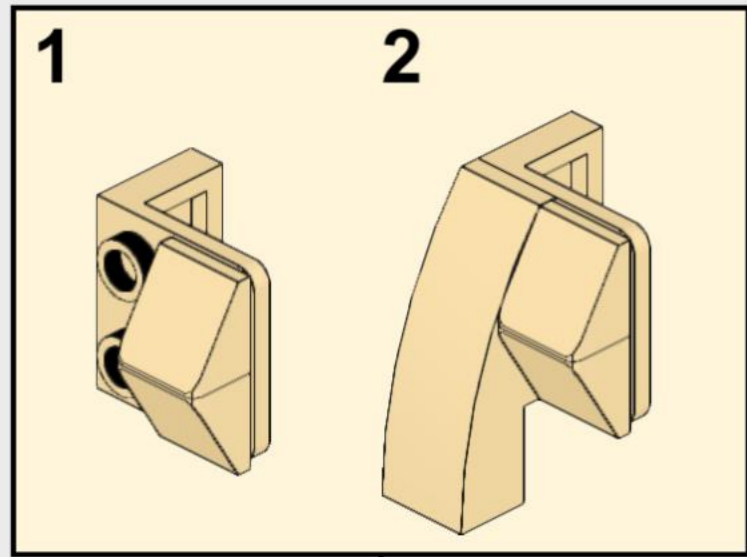
4



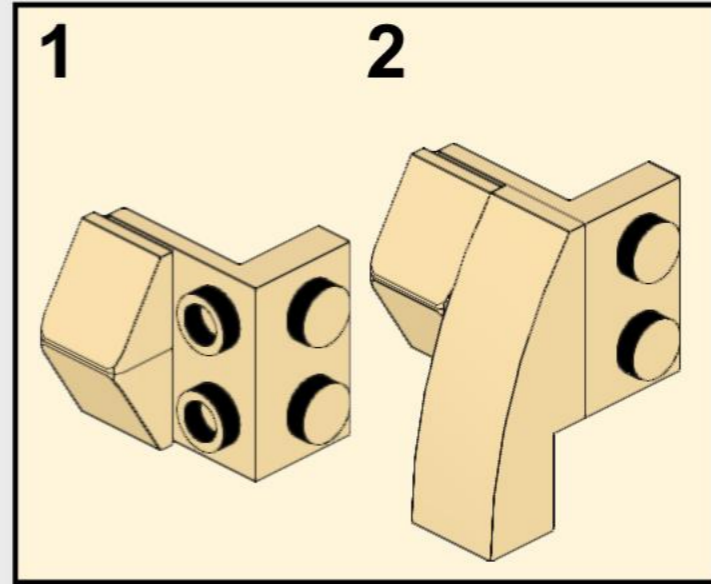
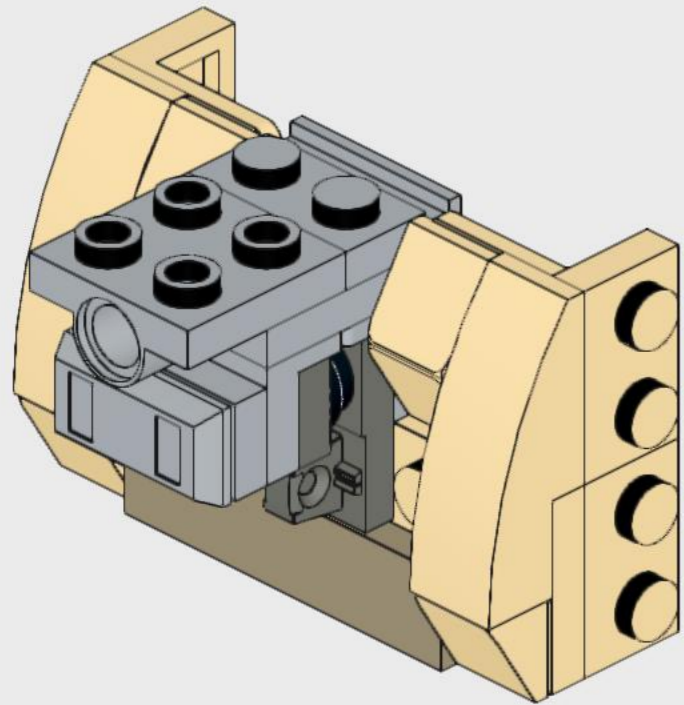
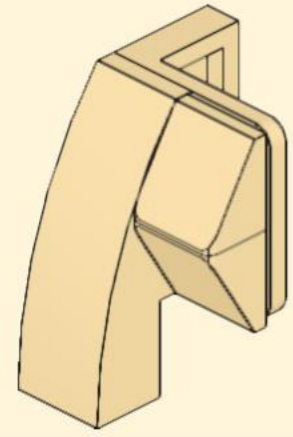




5

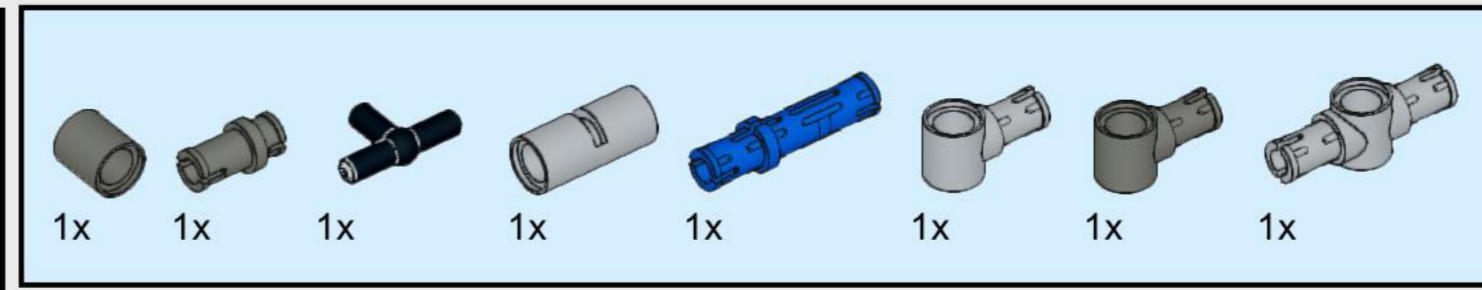
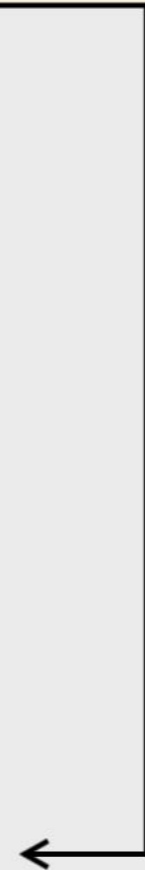
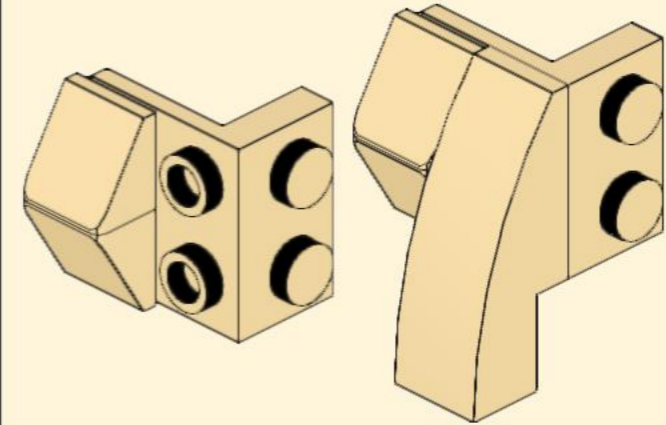


2

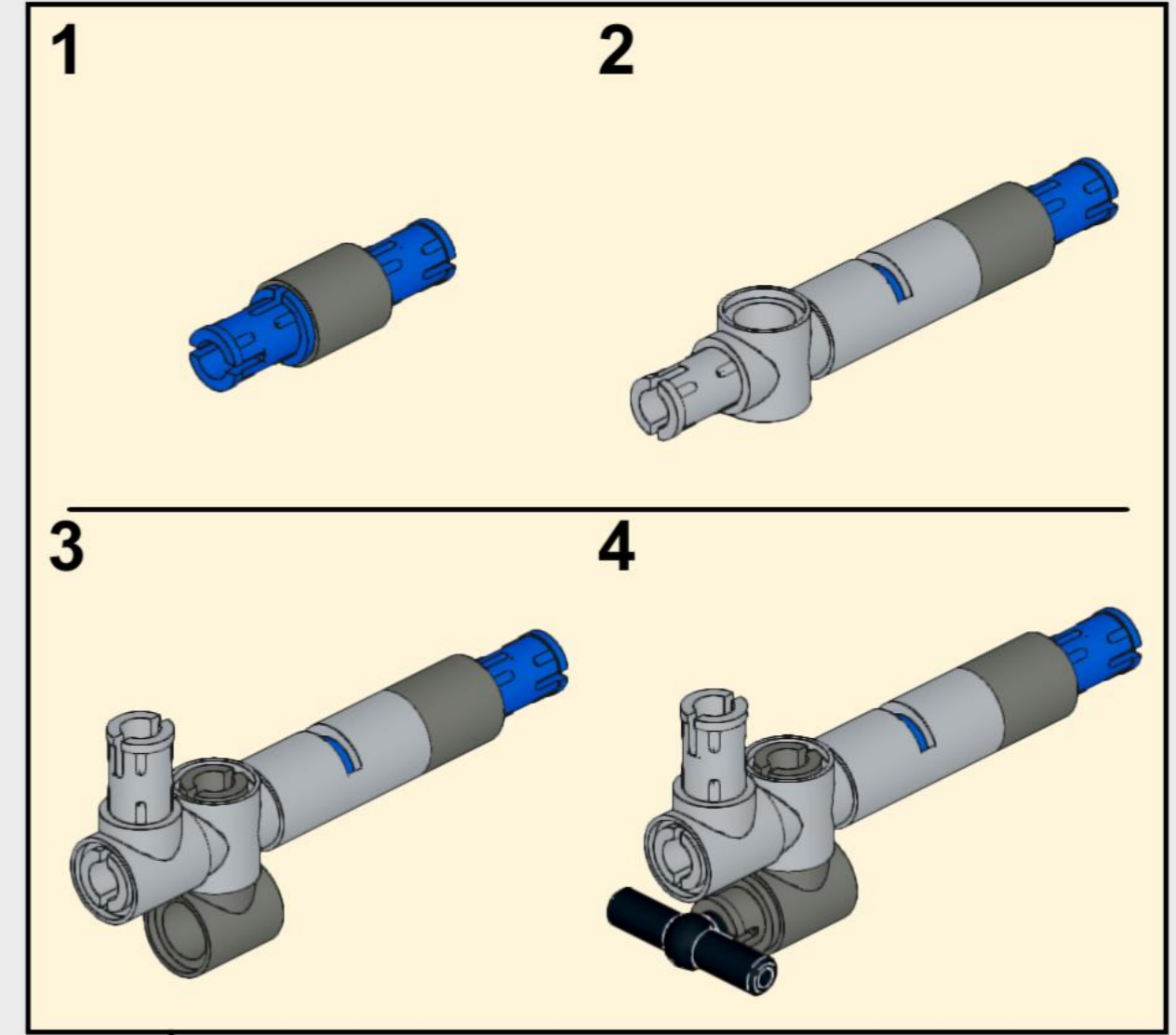


1

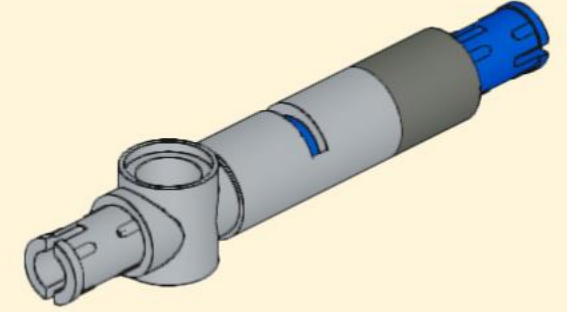
2



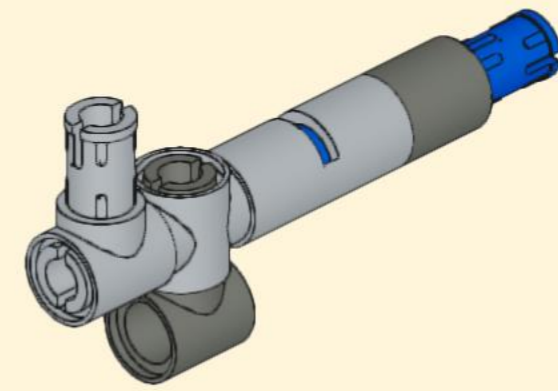
6



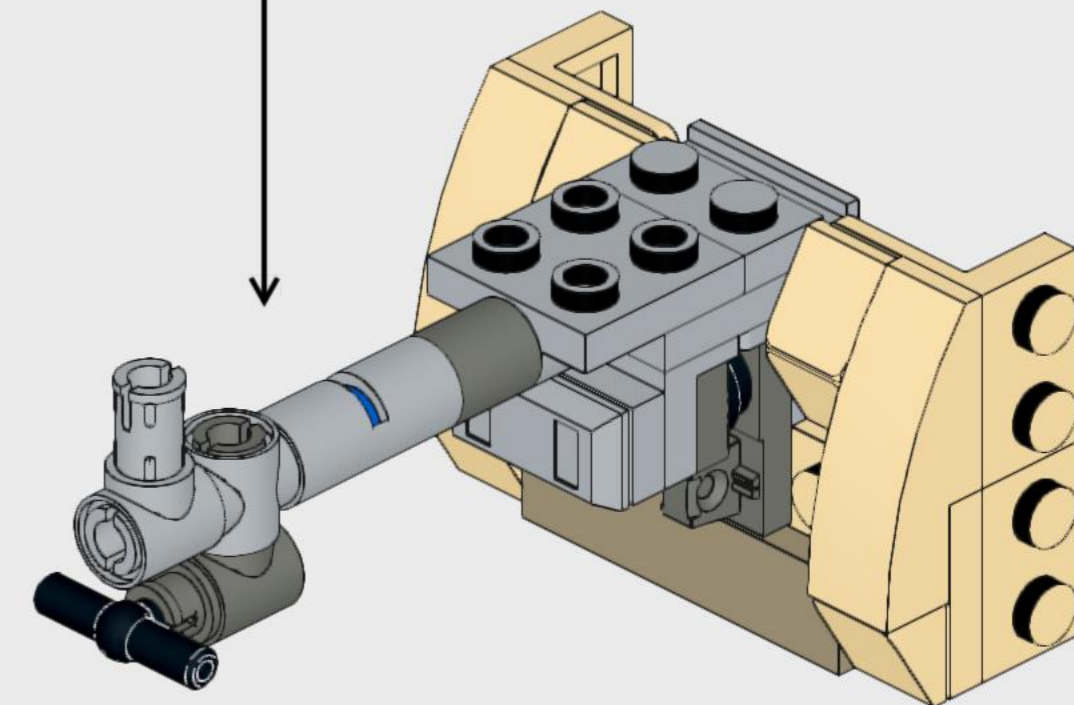
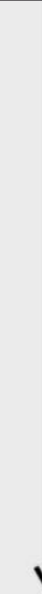
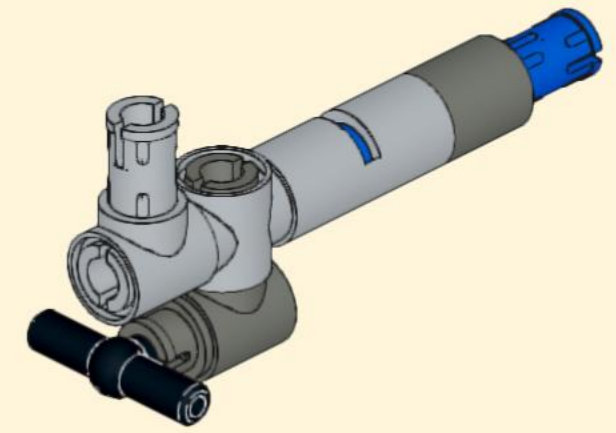
2

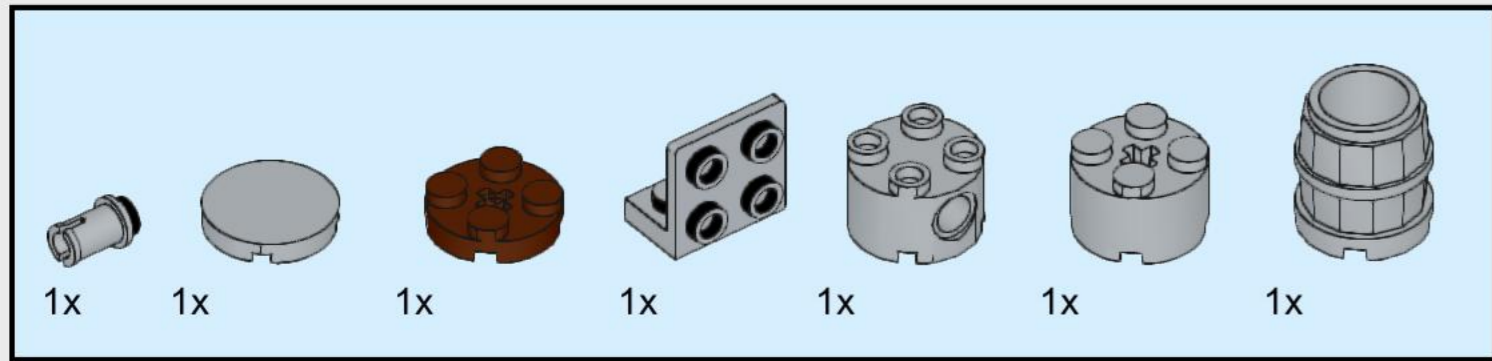


3

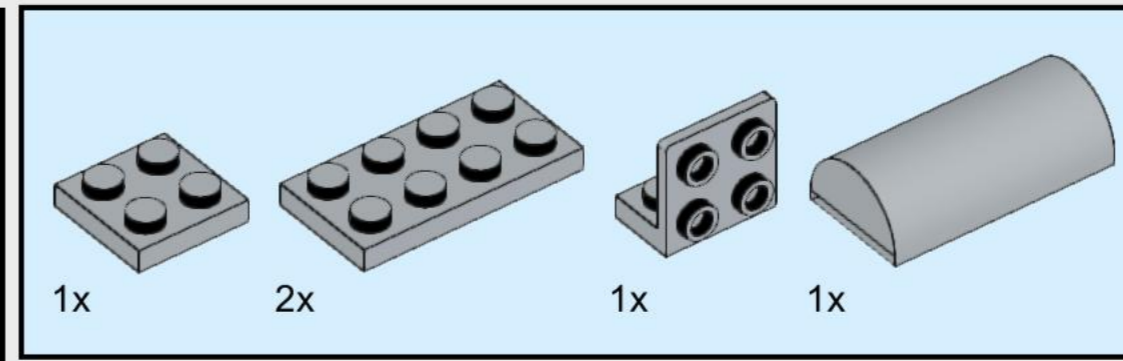
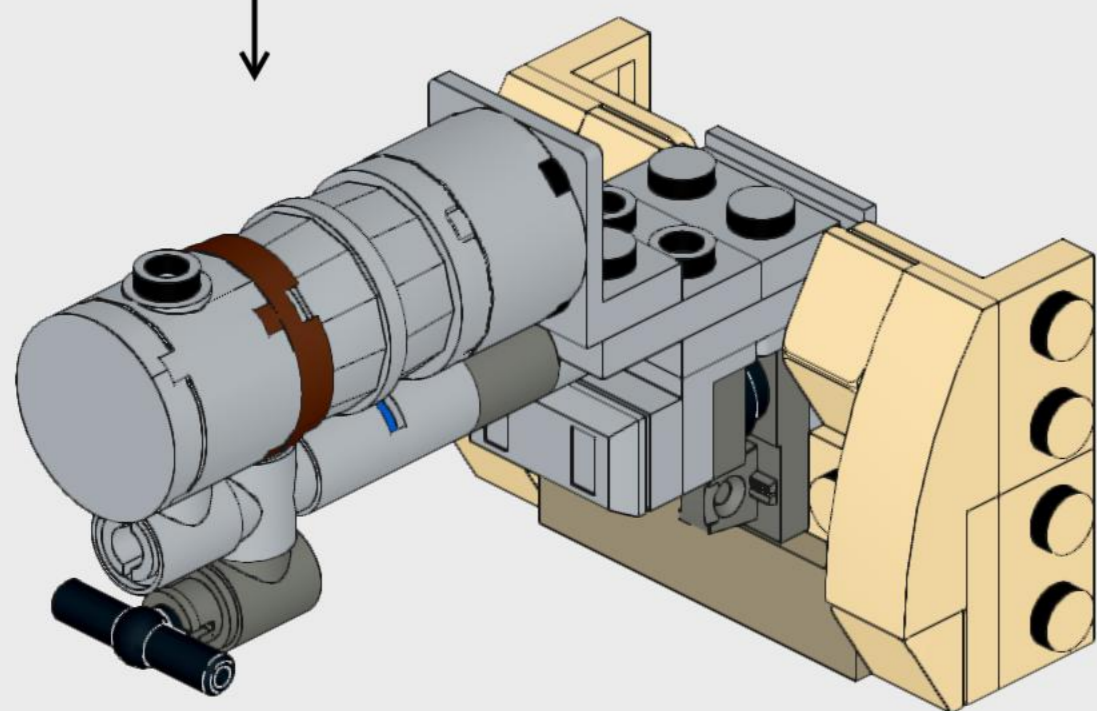
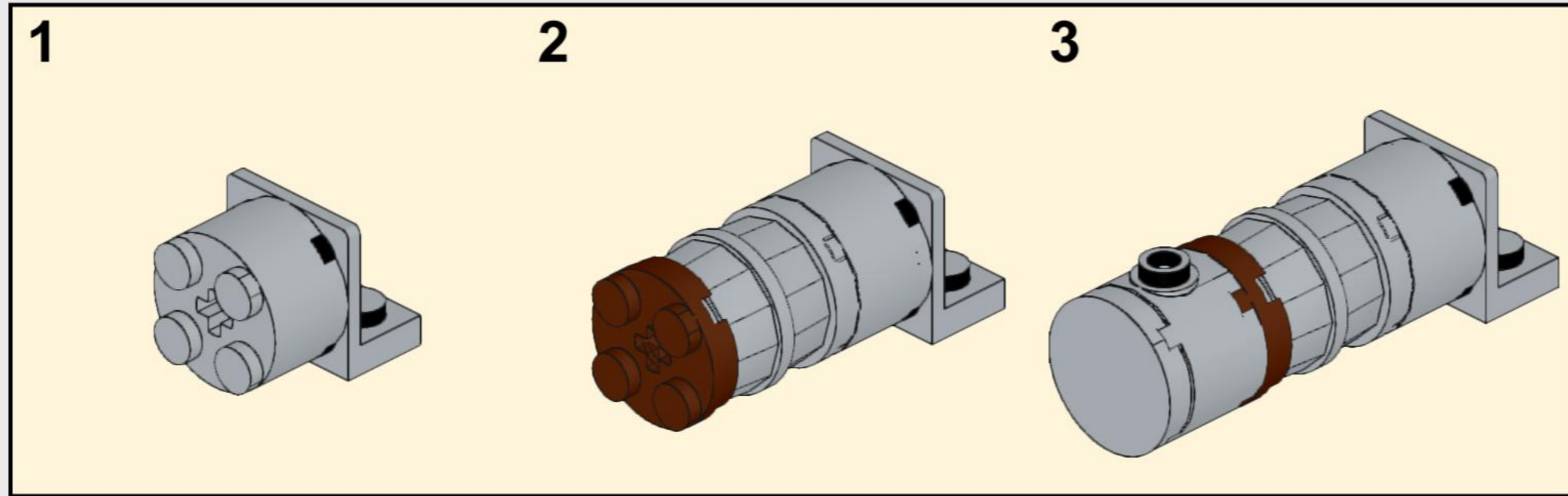


4

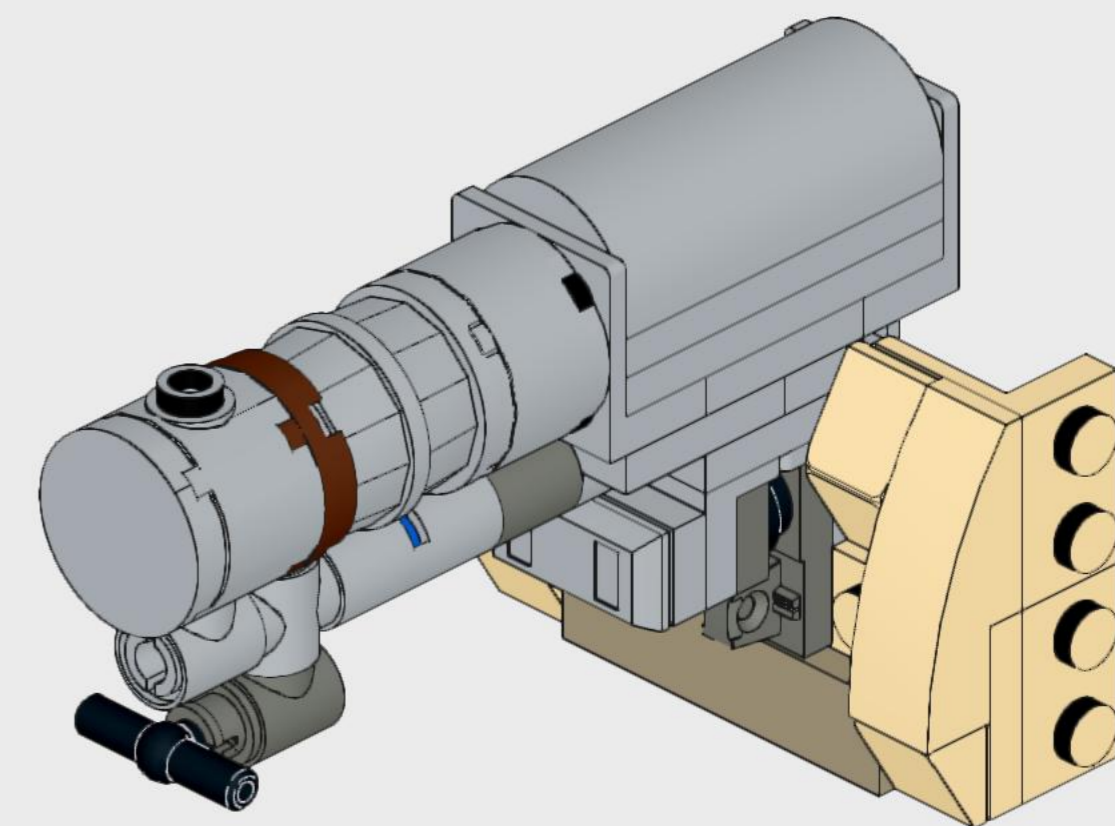
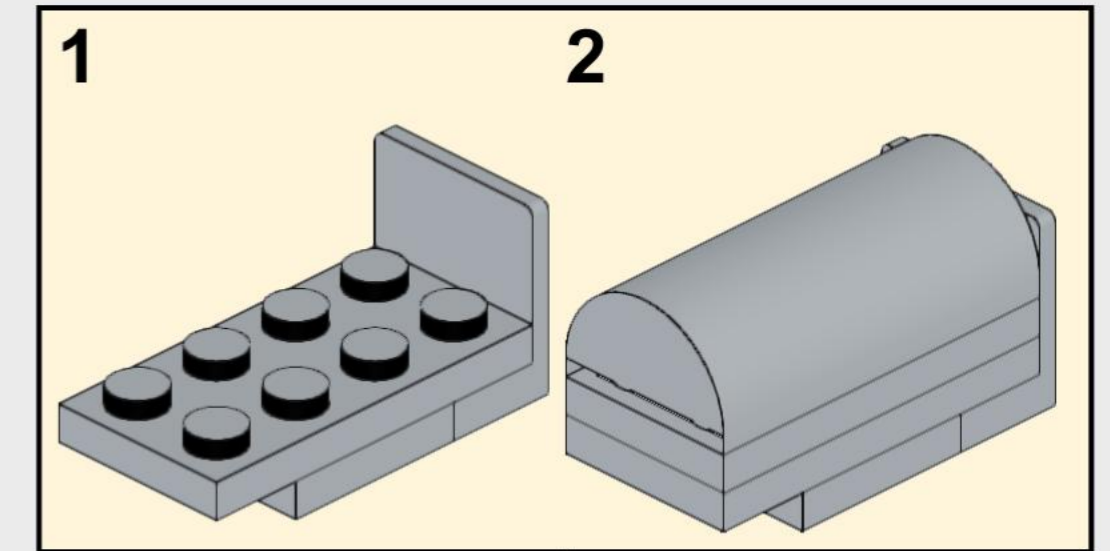


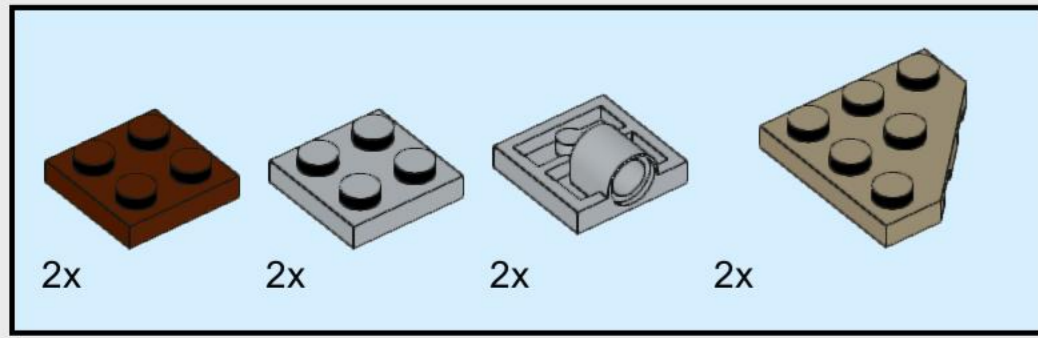


7

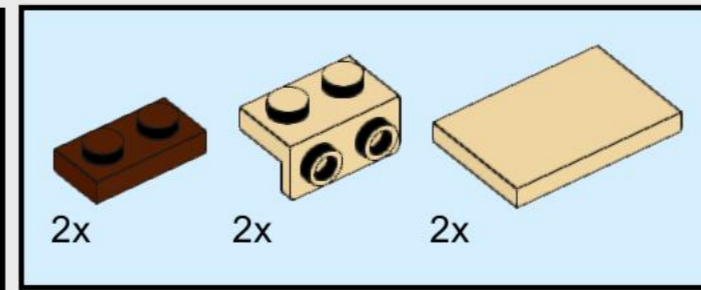
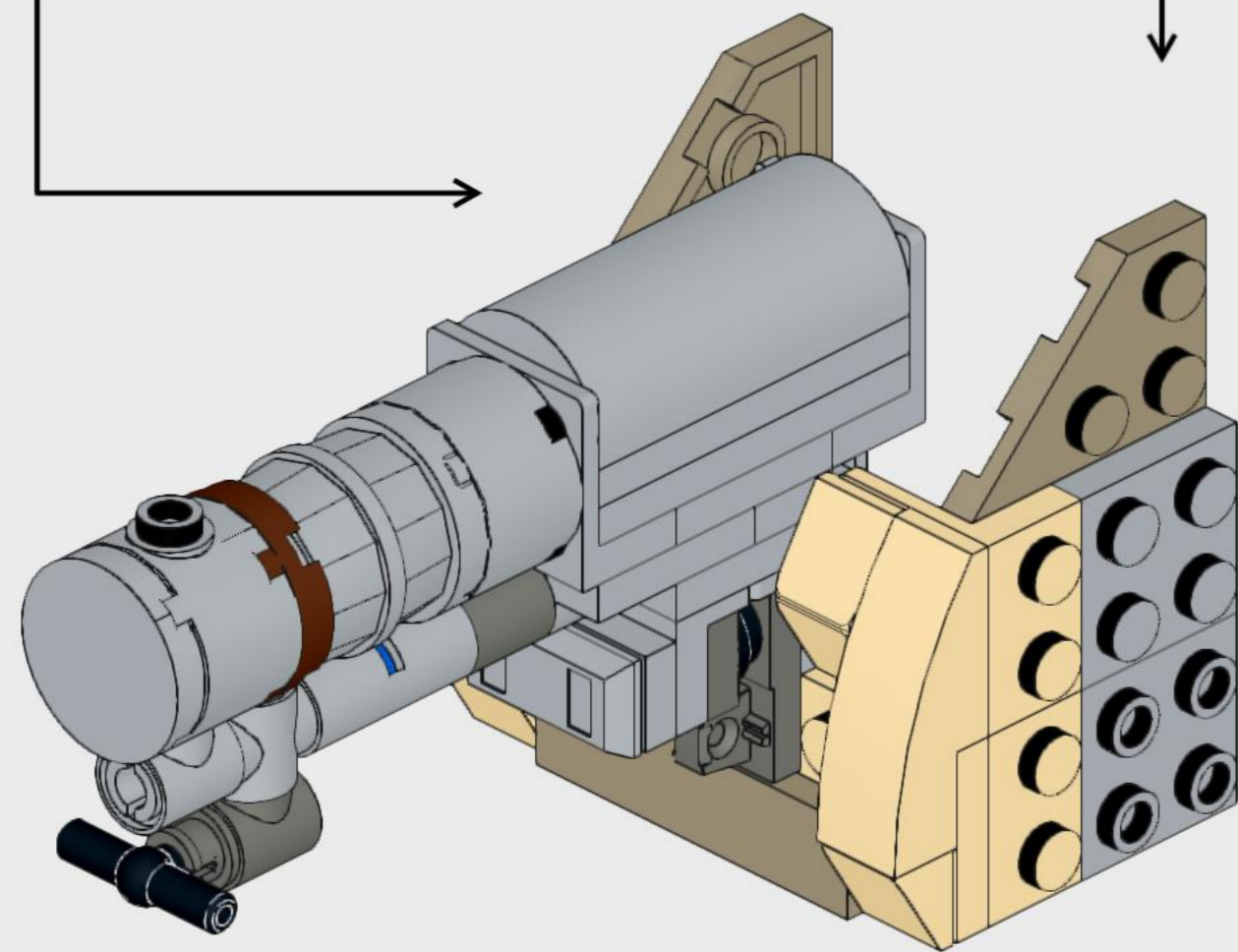
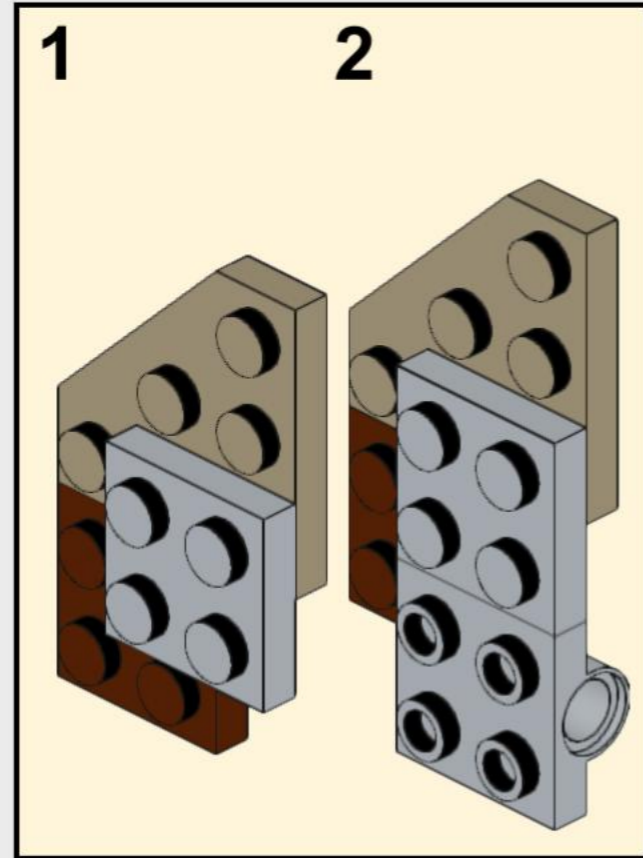
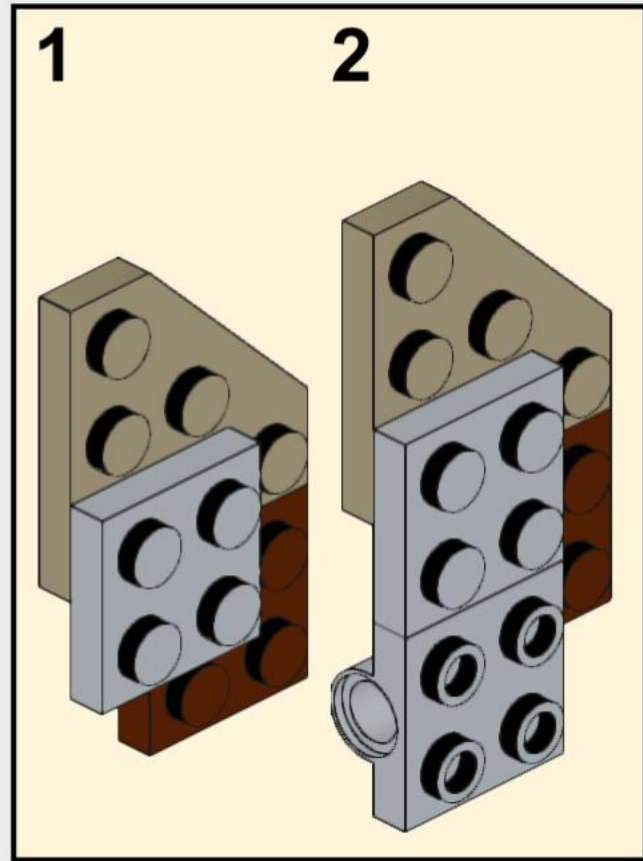


8

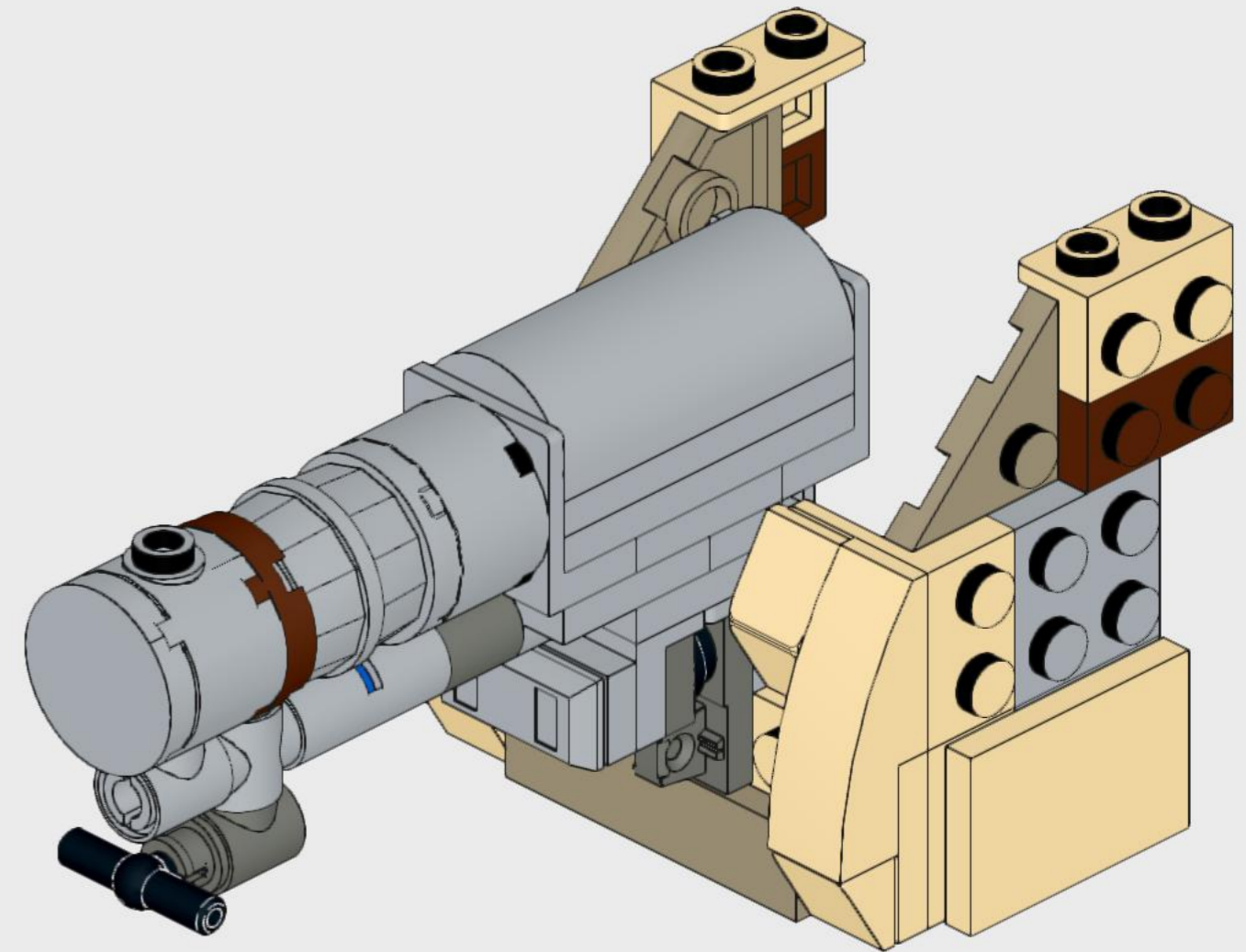


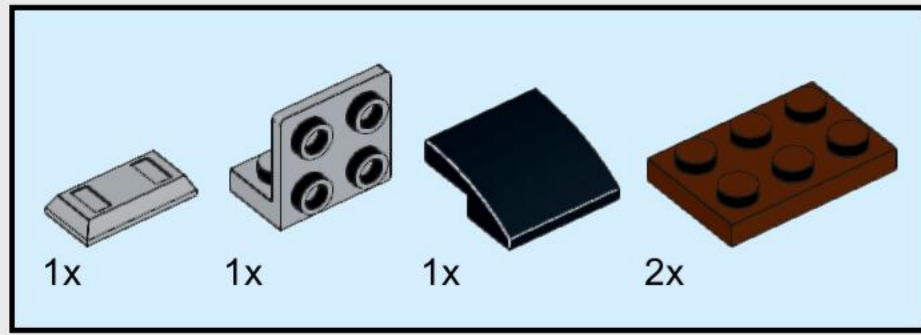


9

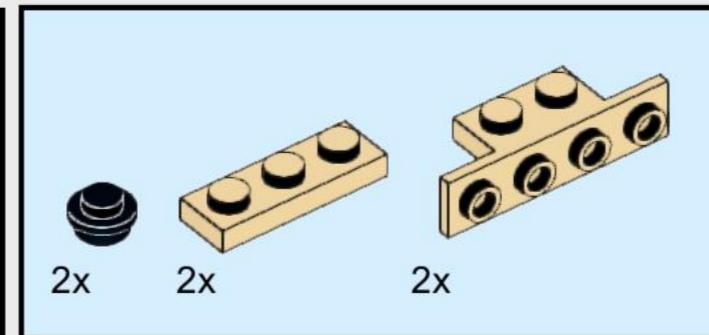
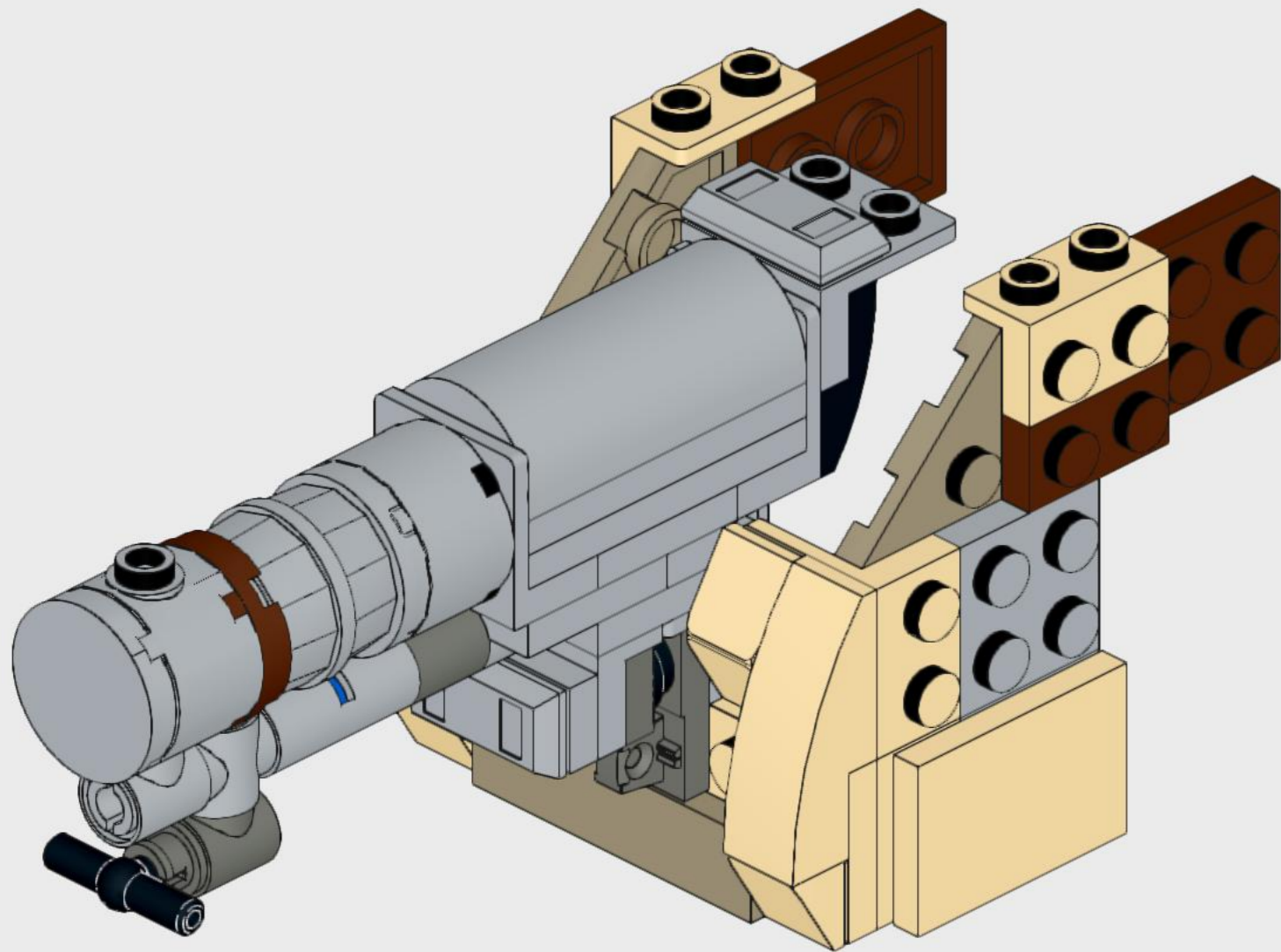
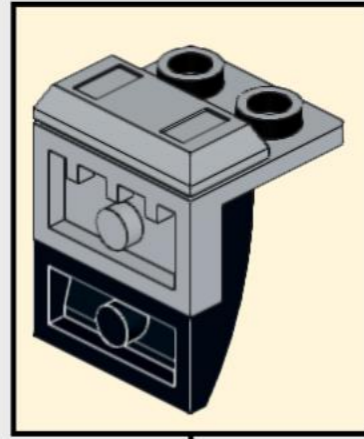


10

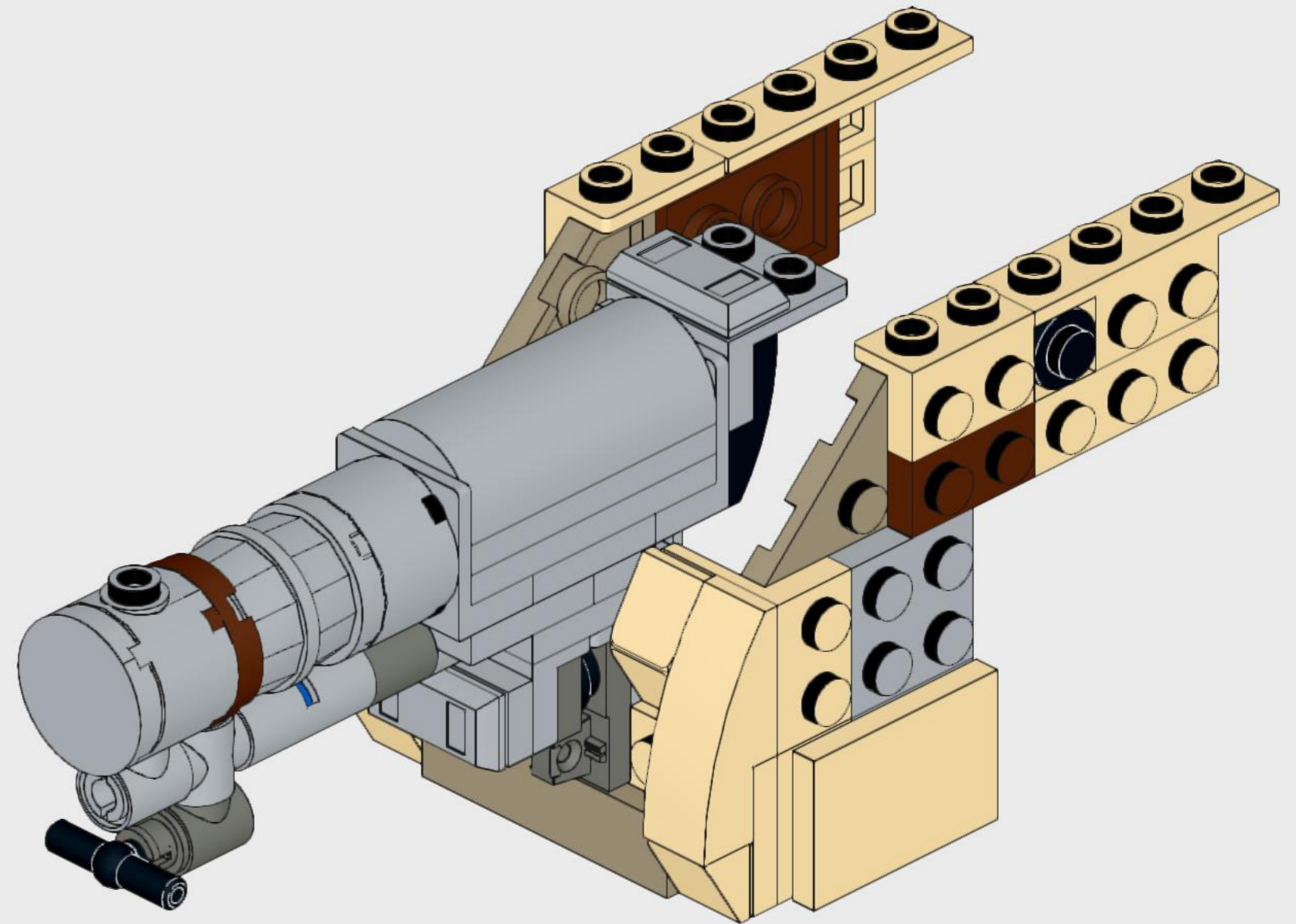


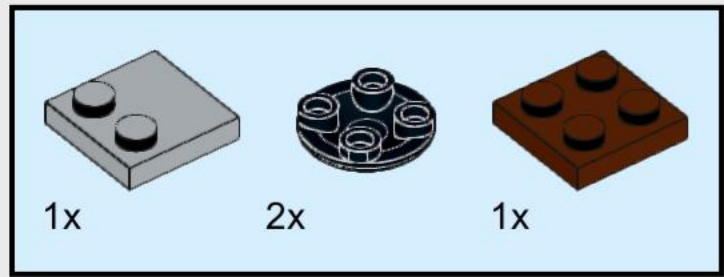


11

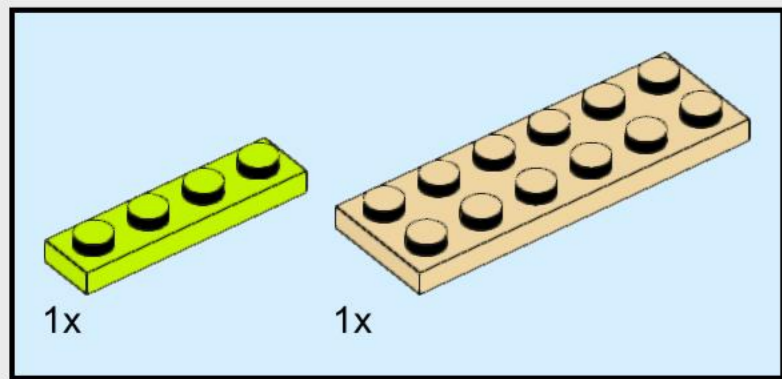
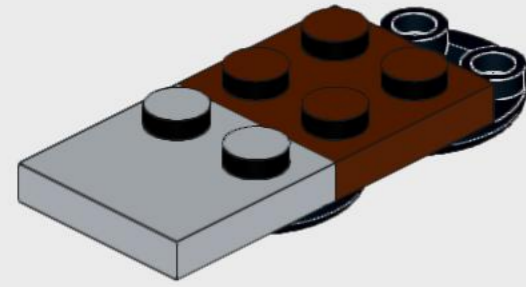


12

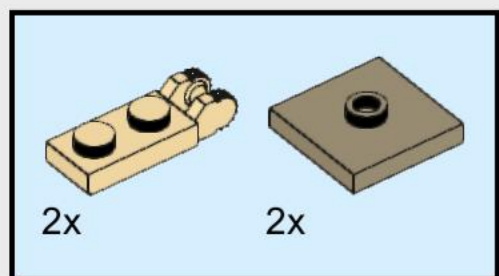
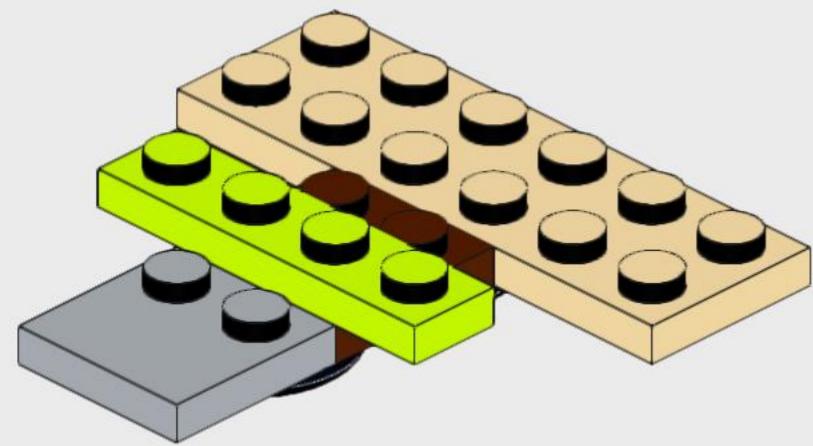




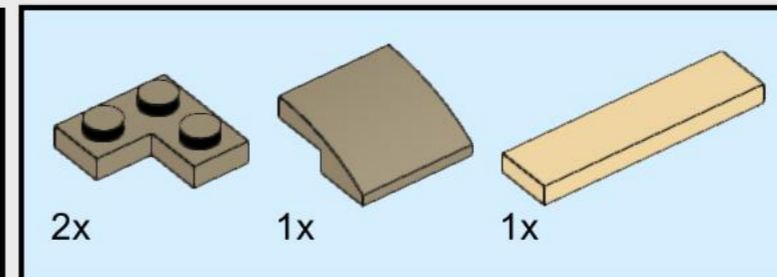
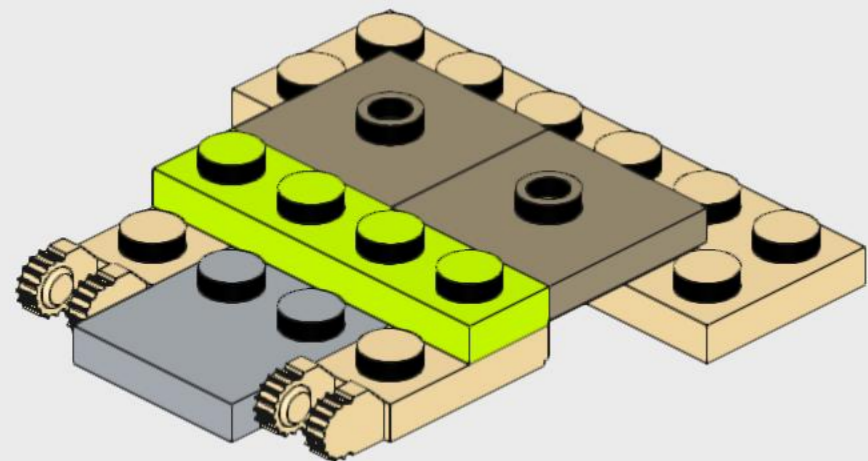
13



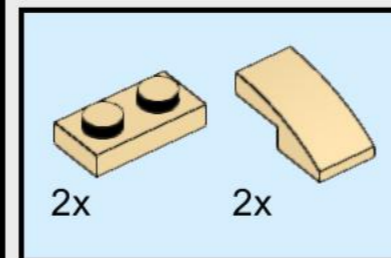
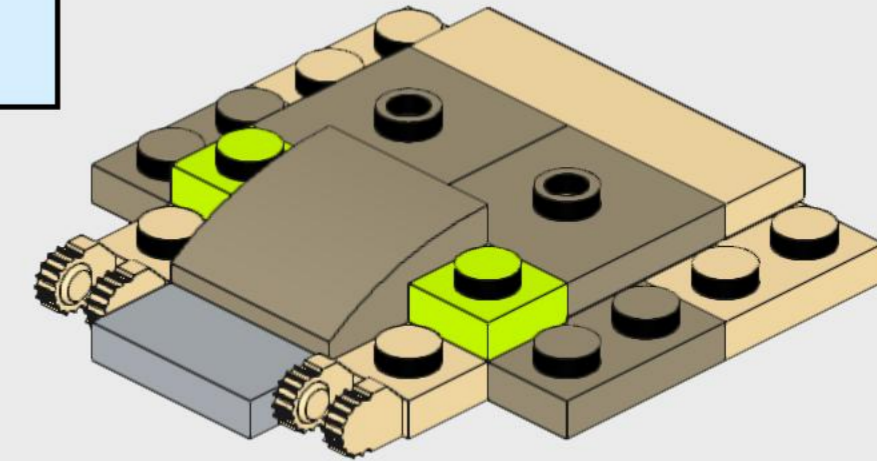
14



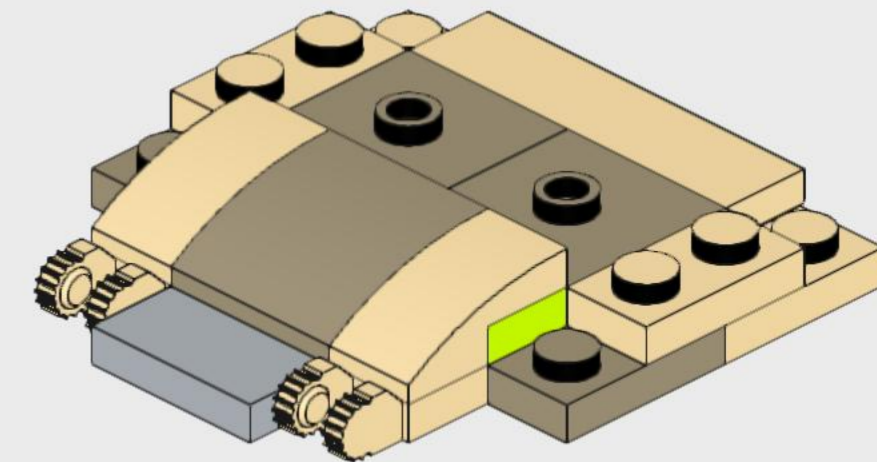
15



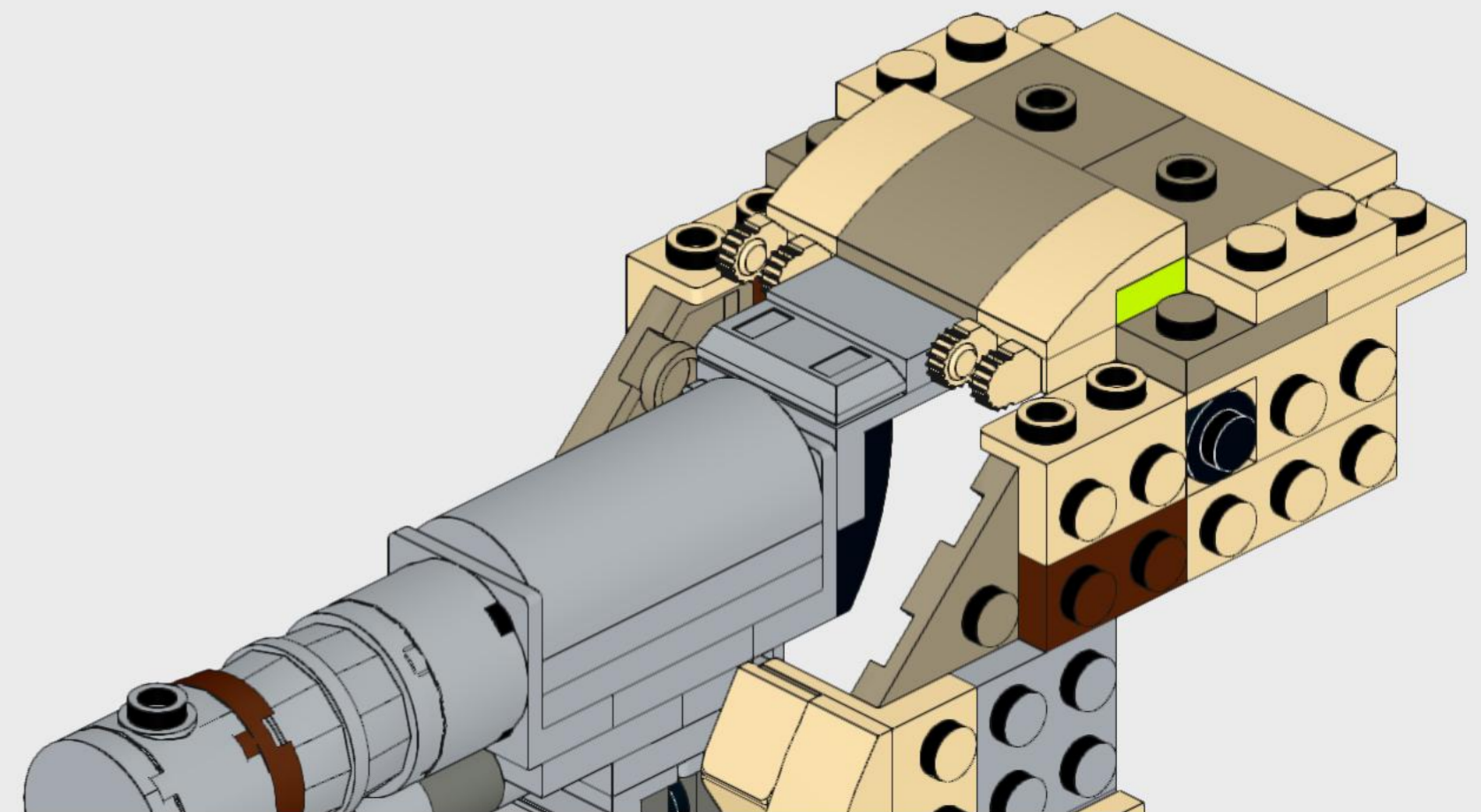
16

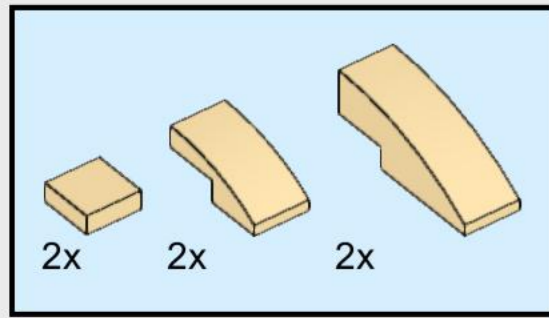


17

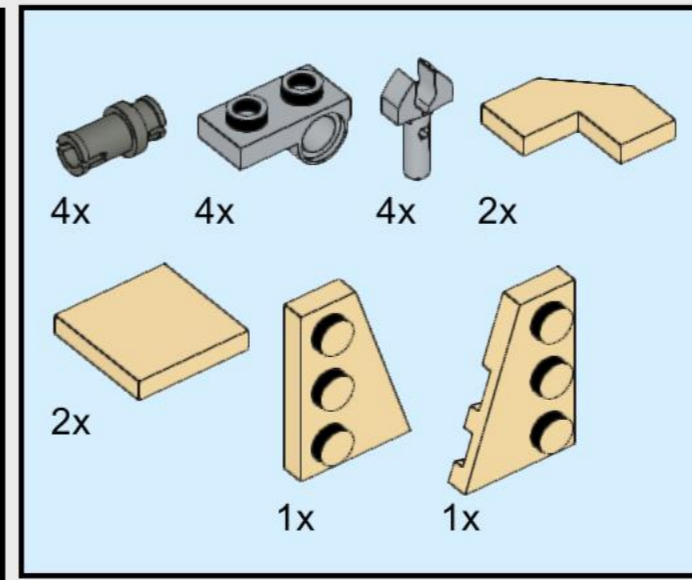
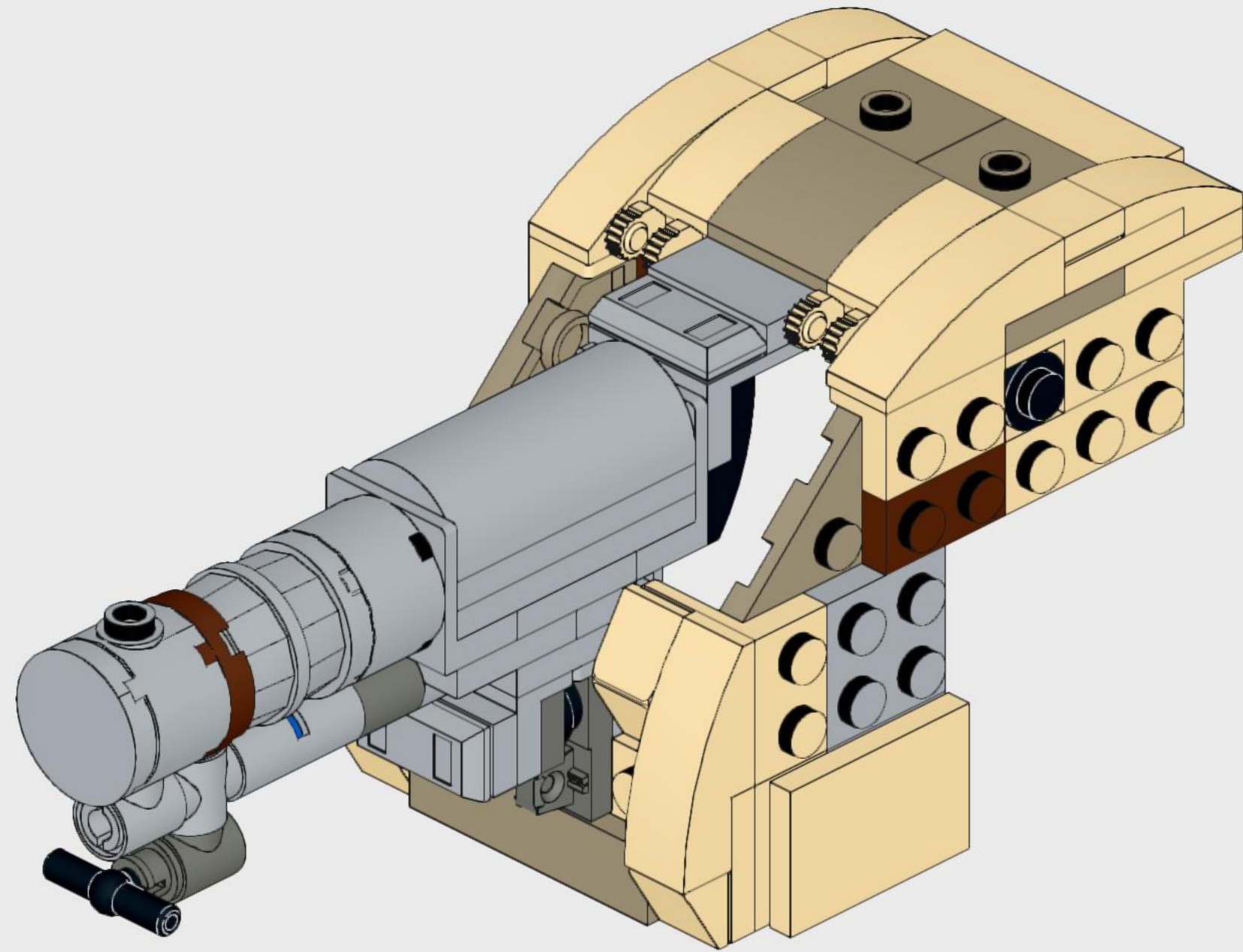


18

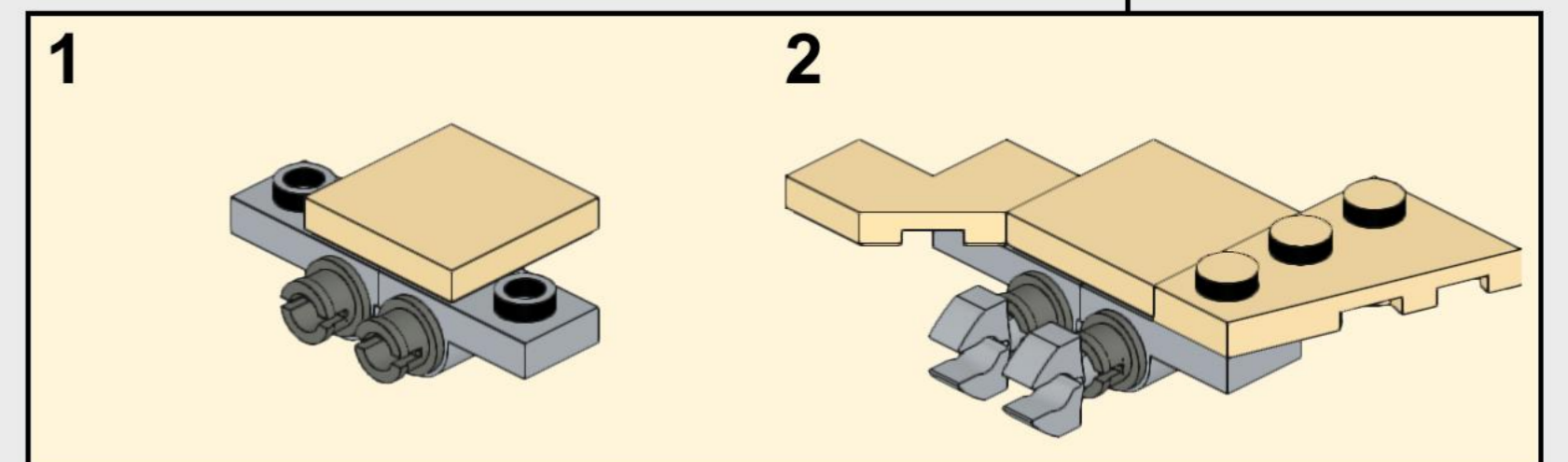
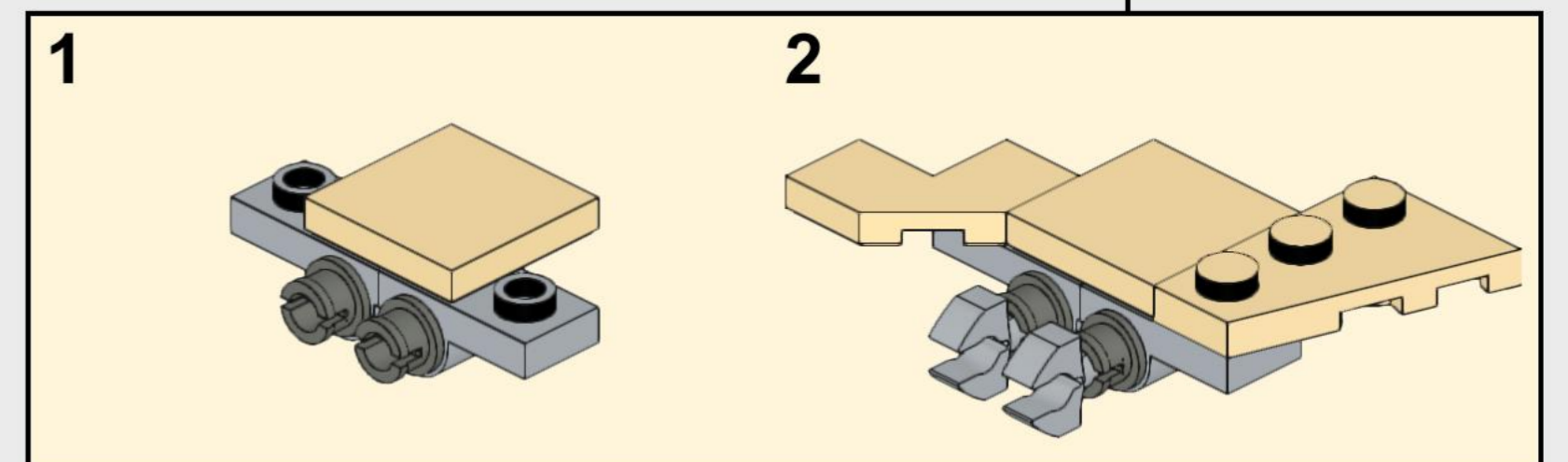
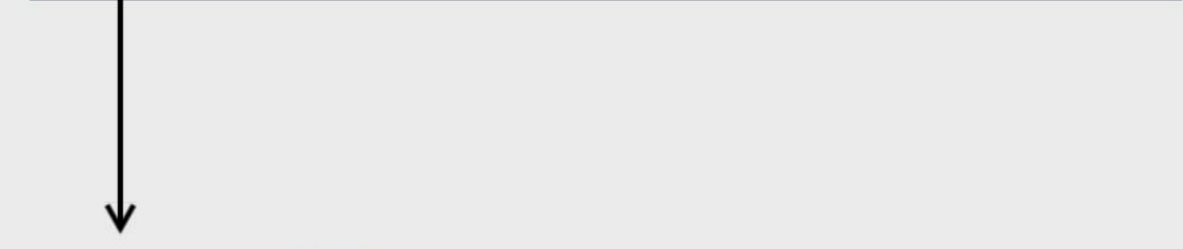
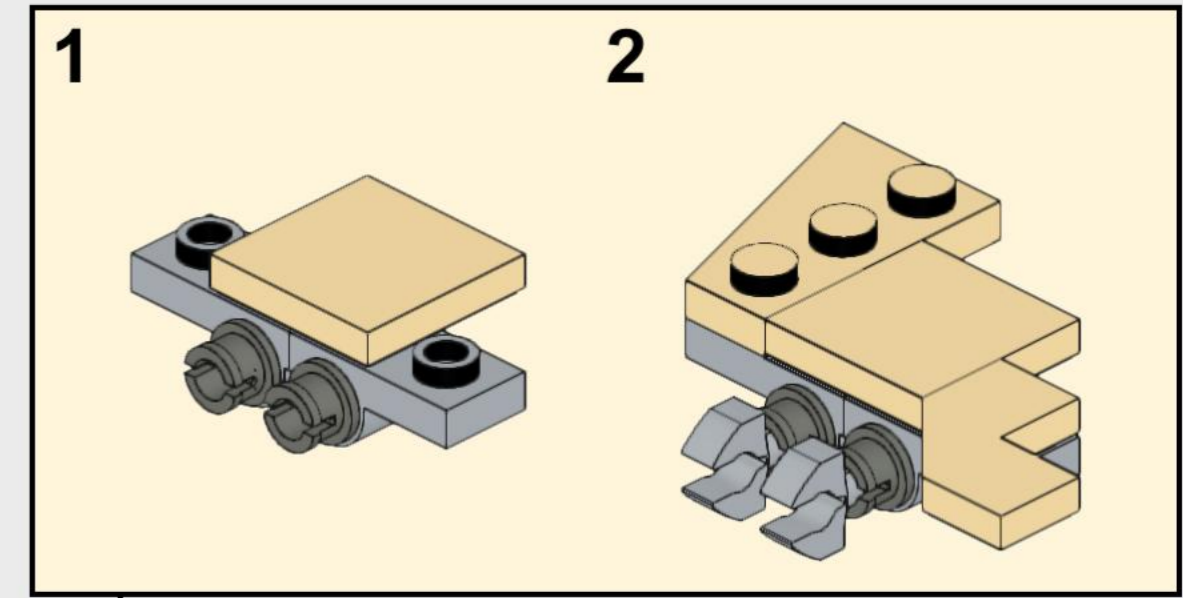
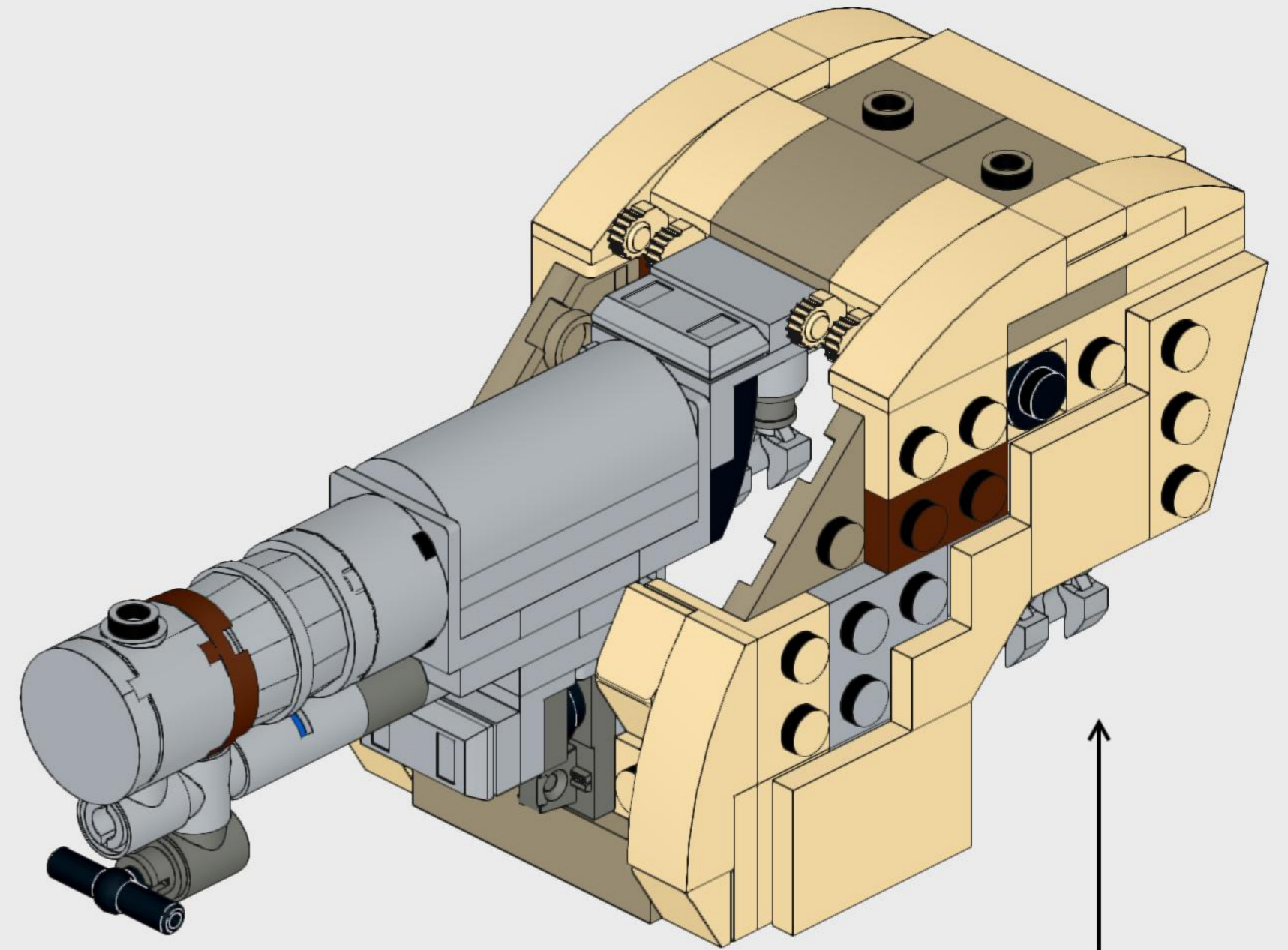




19

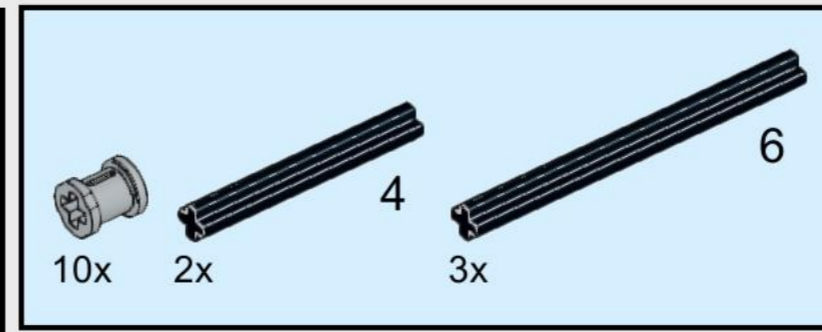


20



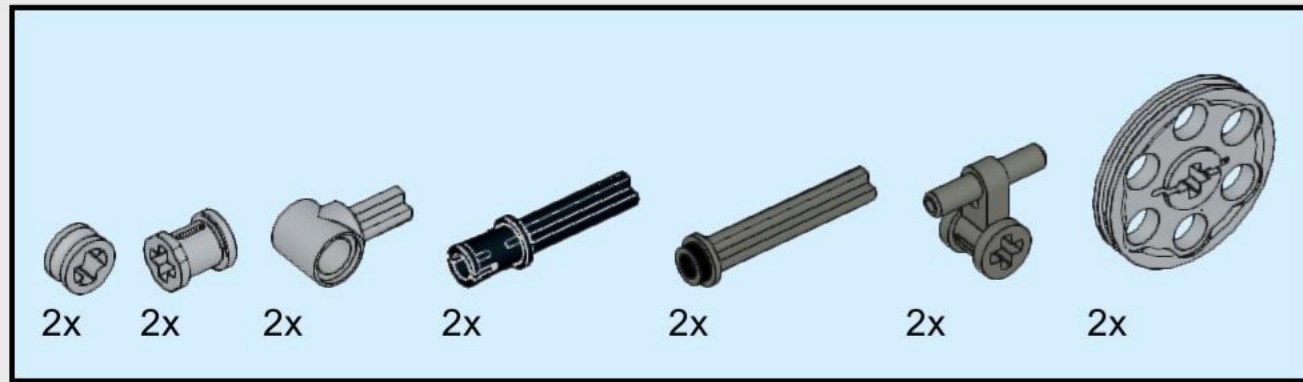


21

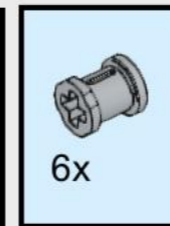
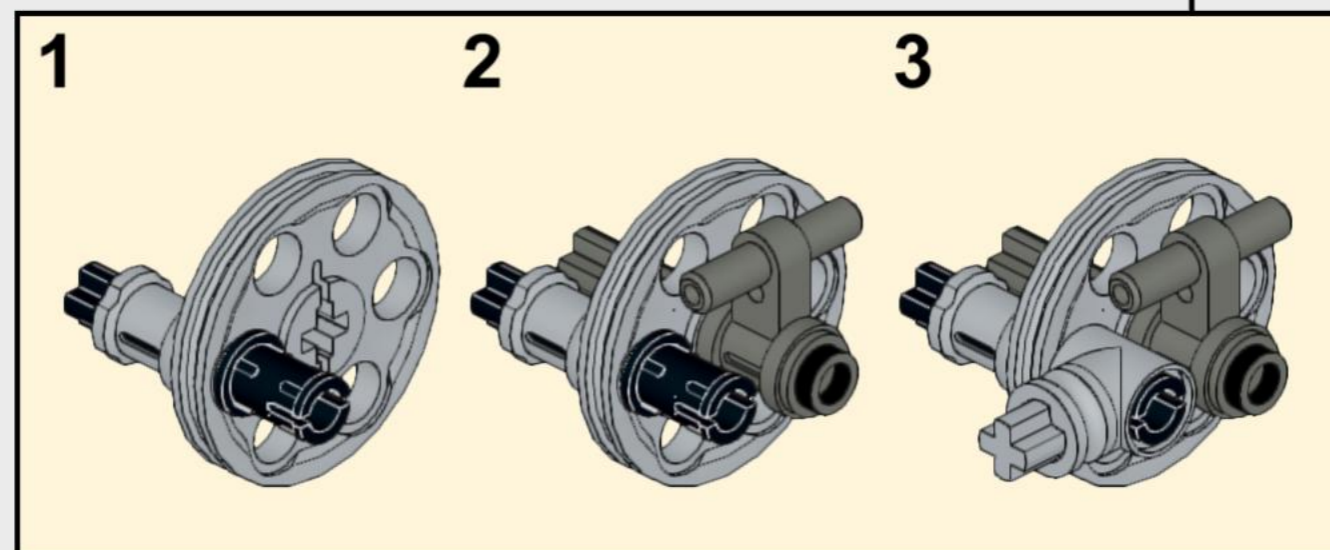
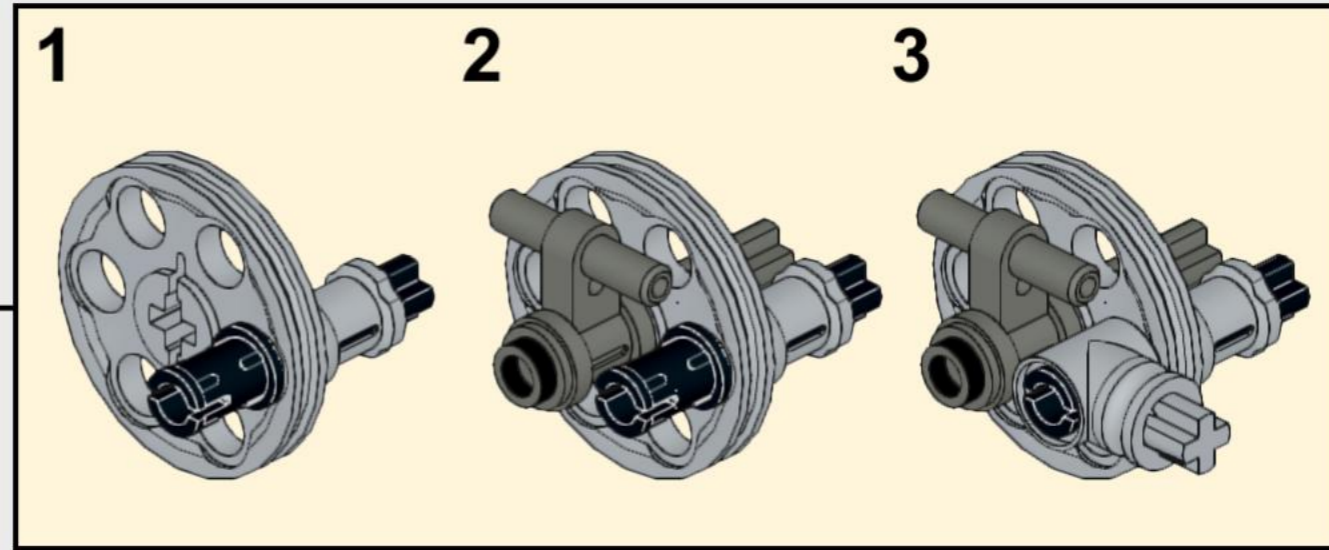


22





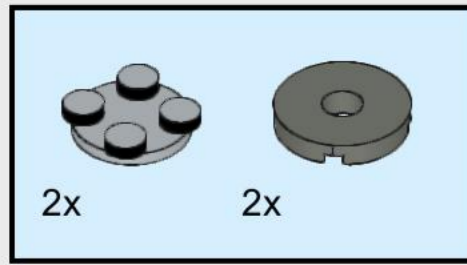
23



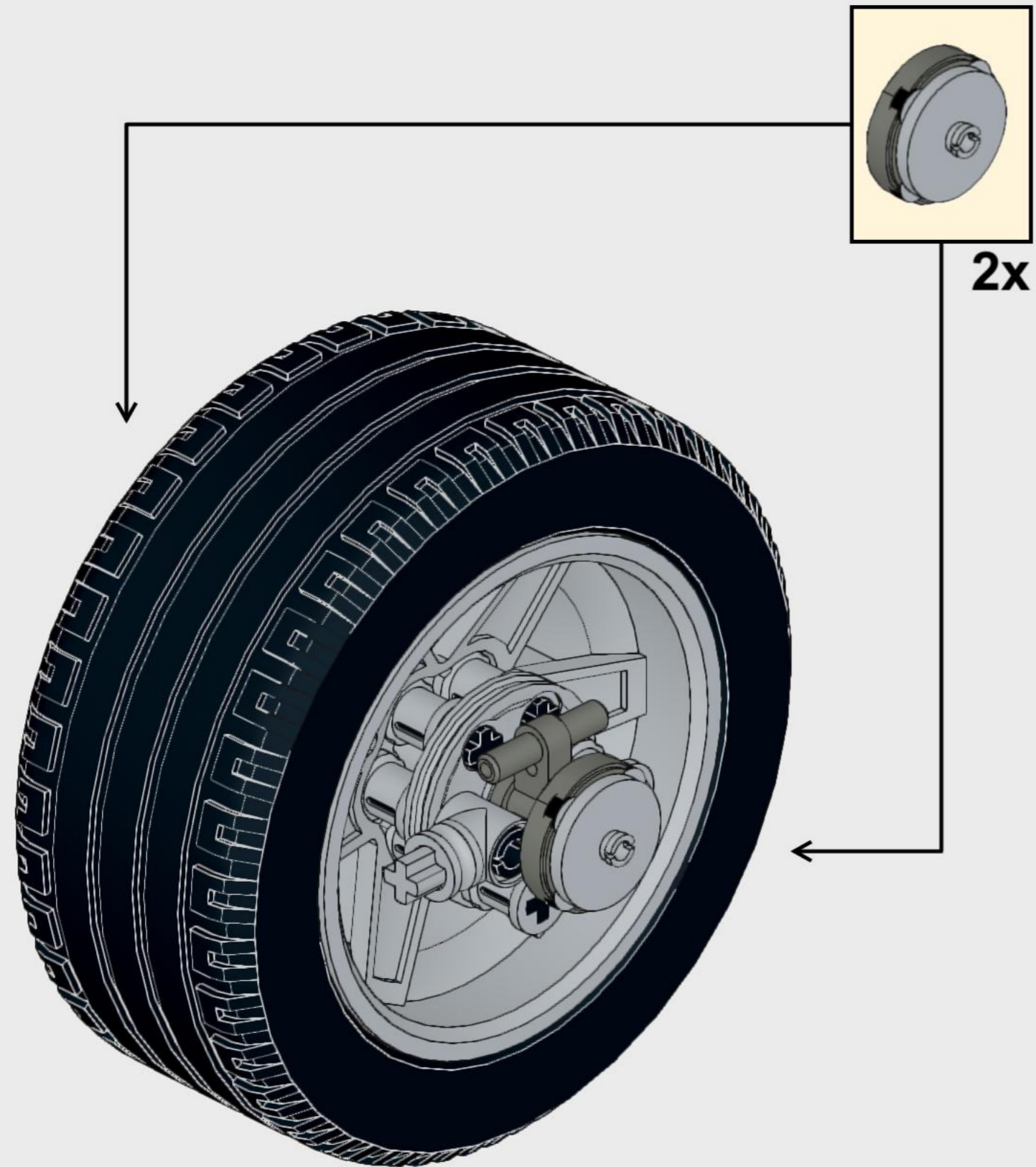
24







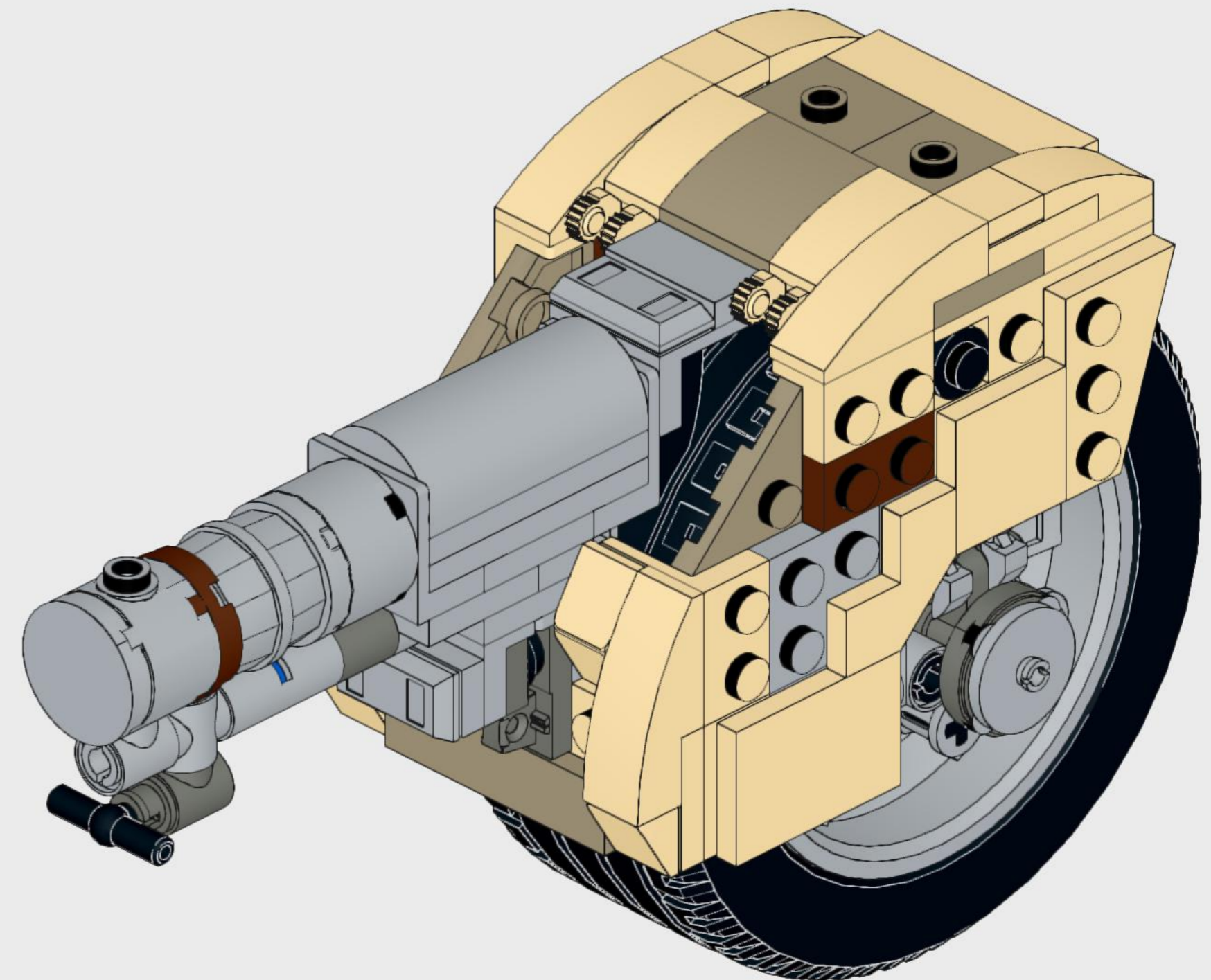
25

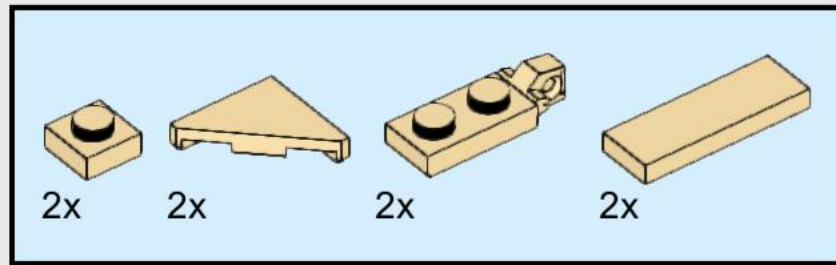


26 Inserting the wheel into the housing can be a bit tricky, as the wheel will fit very tightly against the sides until it is fully in place.

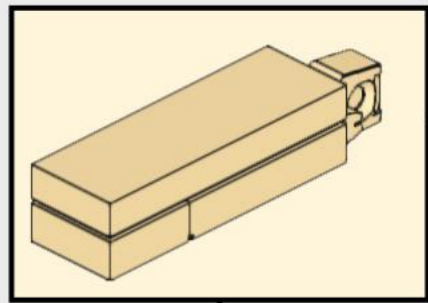
For the easiest attach, first line up the small light grey axle with its corresponding pin hole. While ensuring that the pin stays in its hole, snap the wheel's dark grey bars up into the light grey clips.

Once in place the wheel will be snug and unable to turn, since the housing structure puts pressure on the center top of the tire.

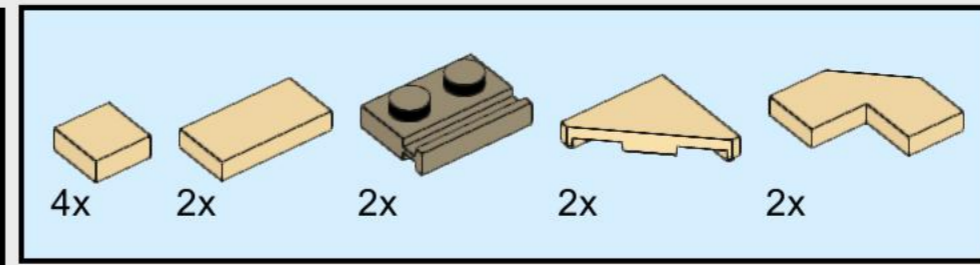
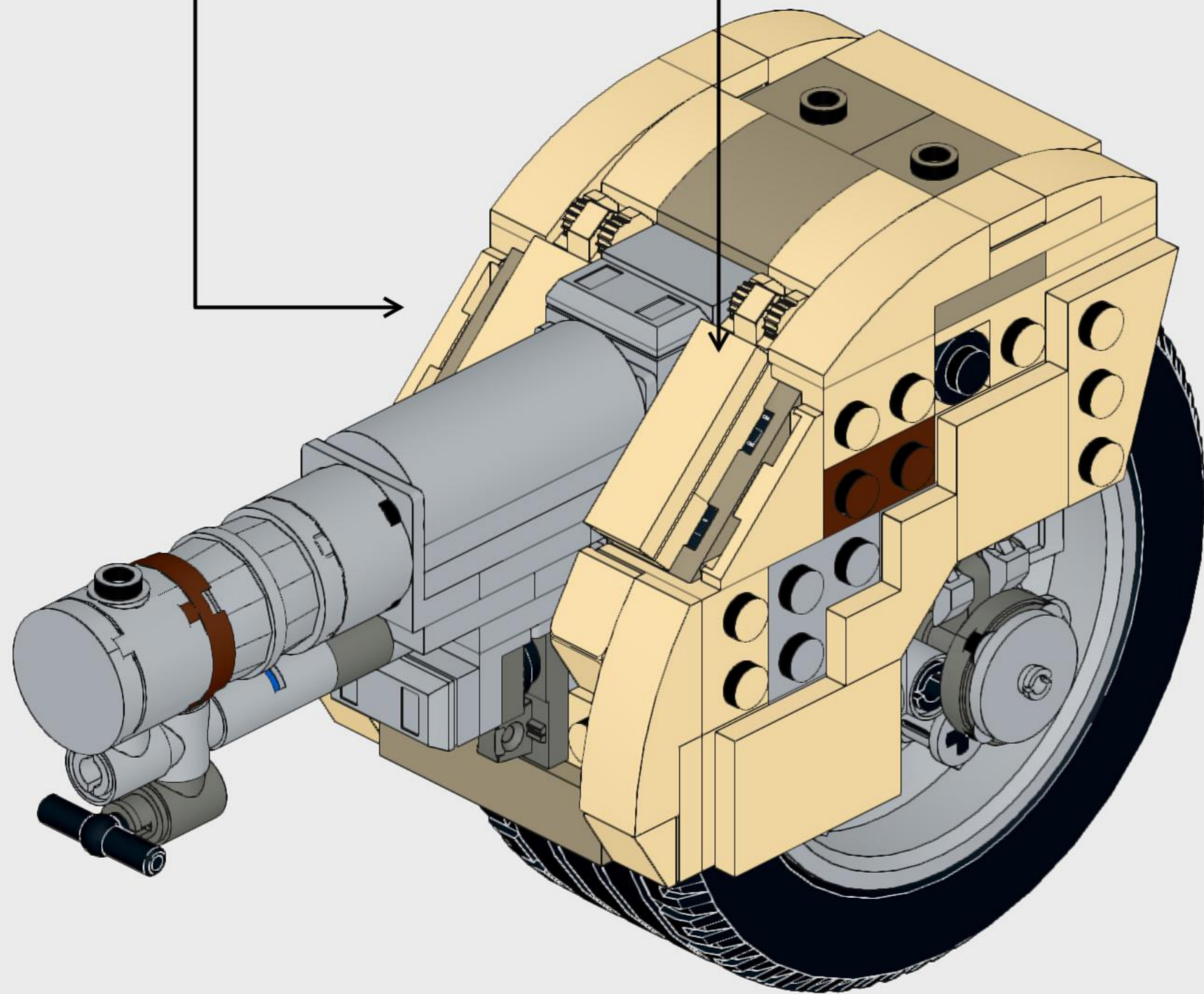




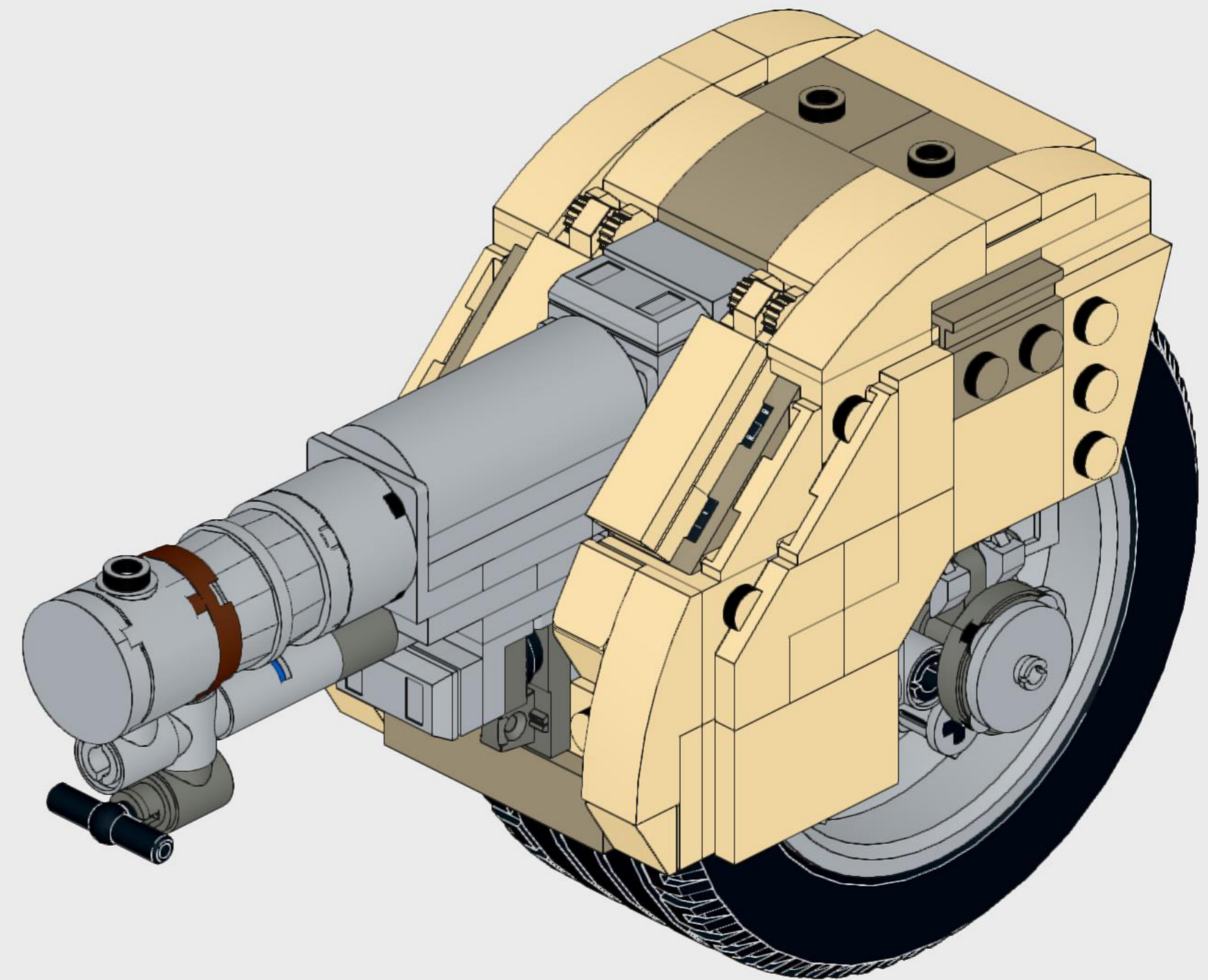
27

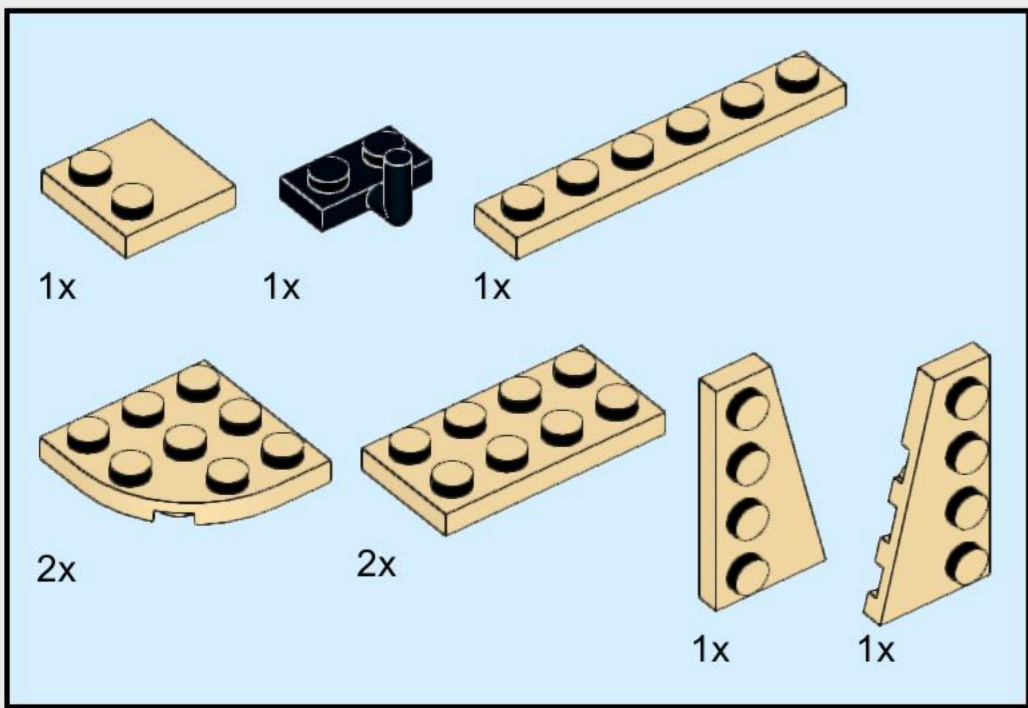
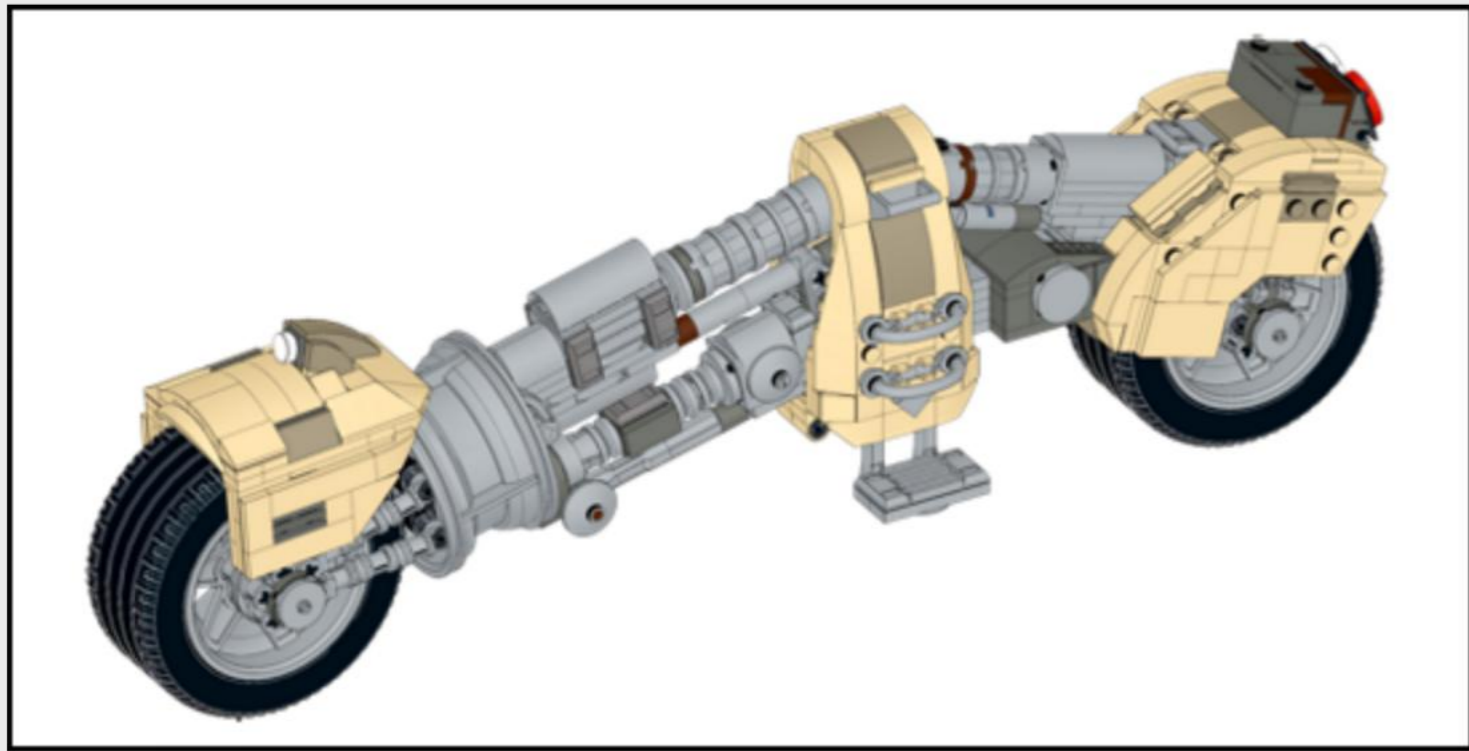


2x

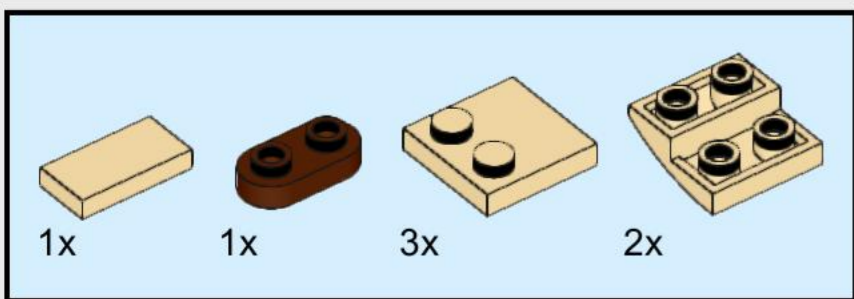


28

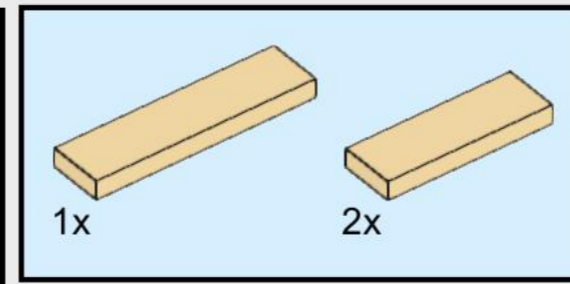
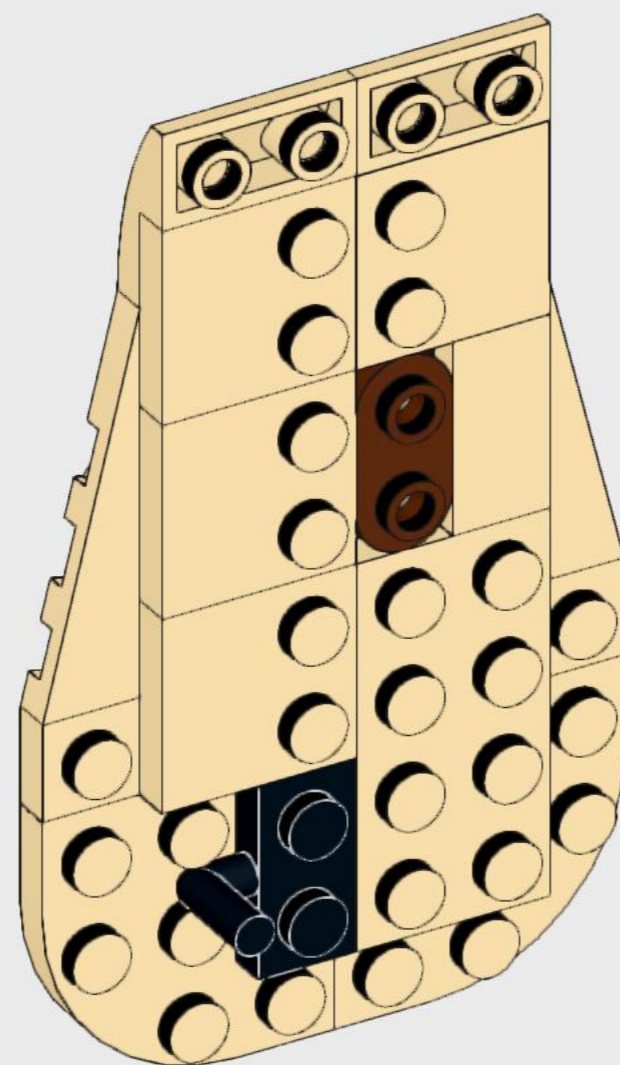
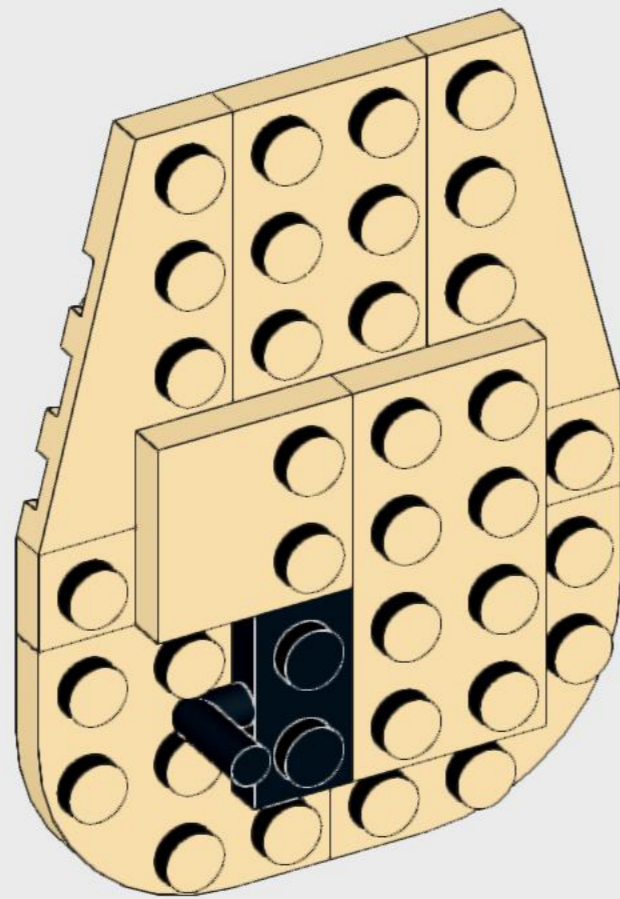




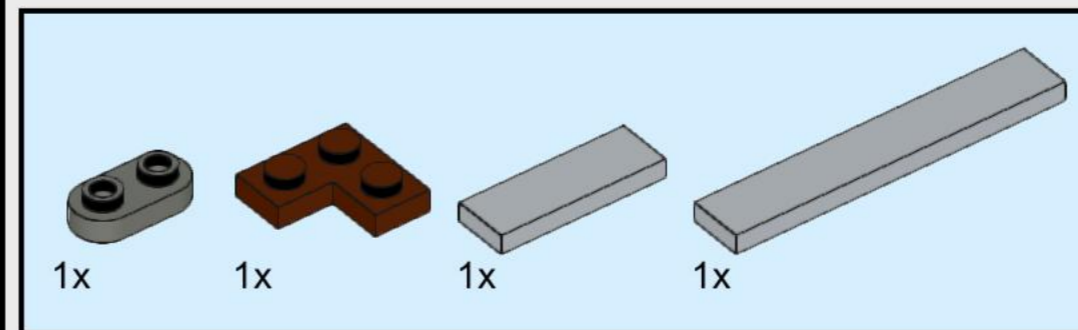
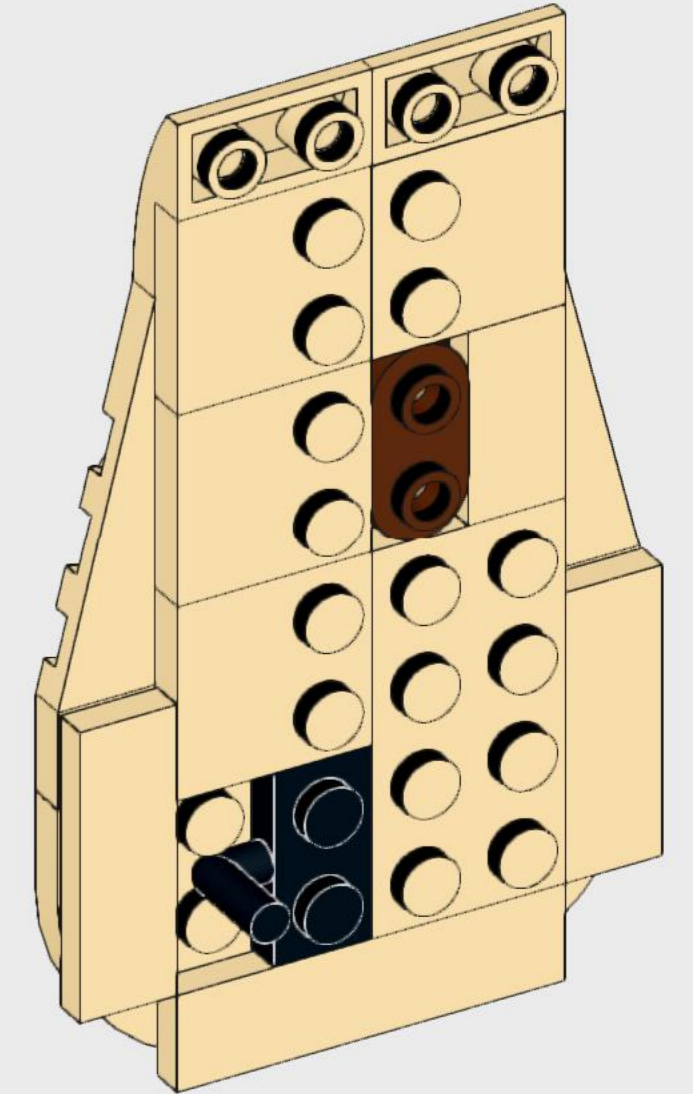
1



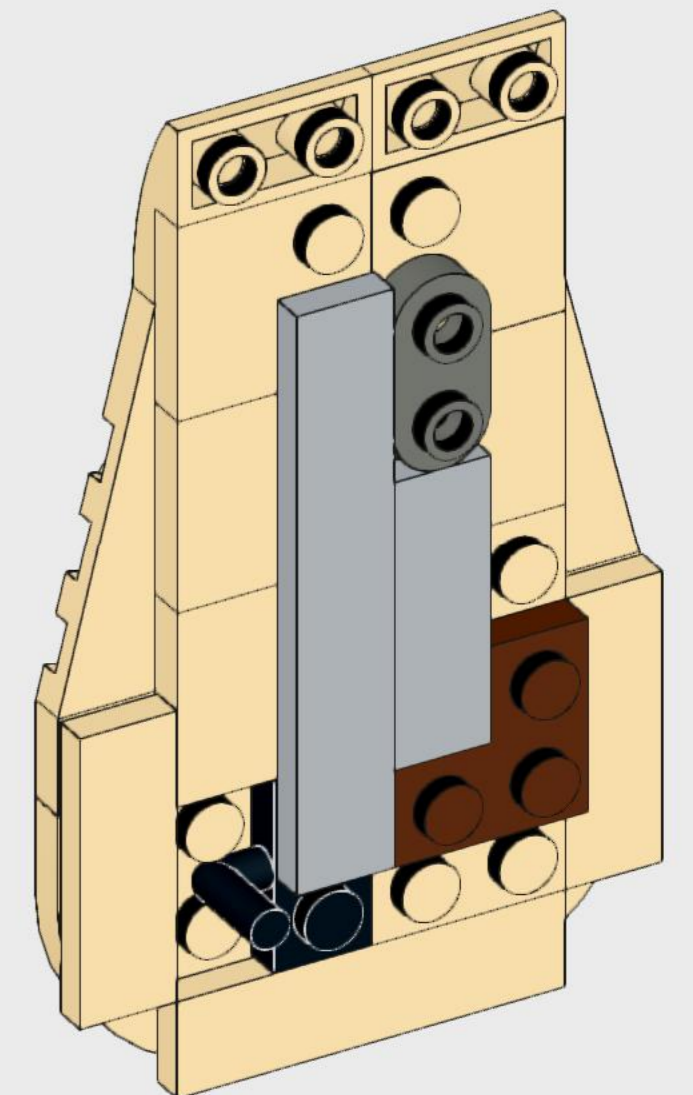
2

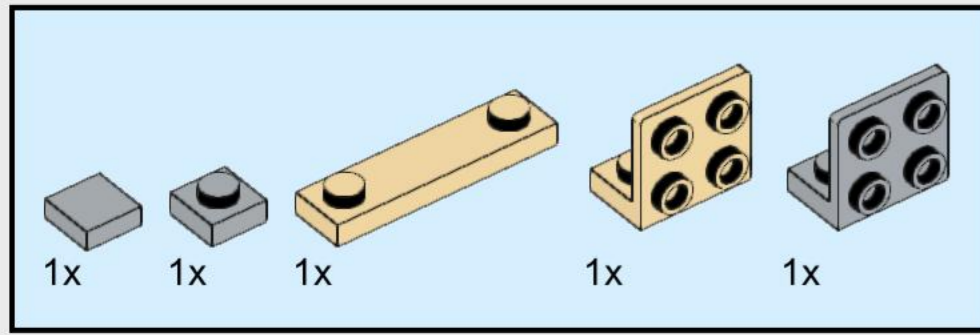


3

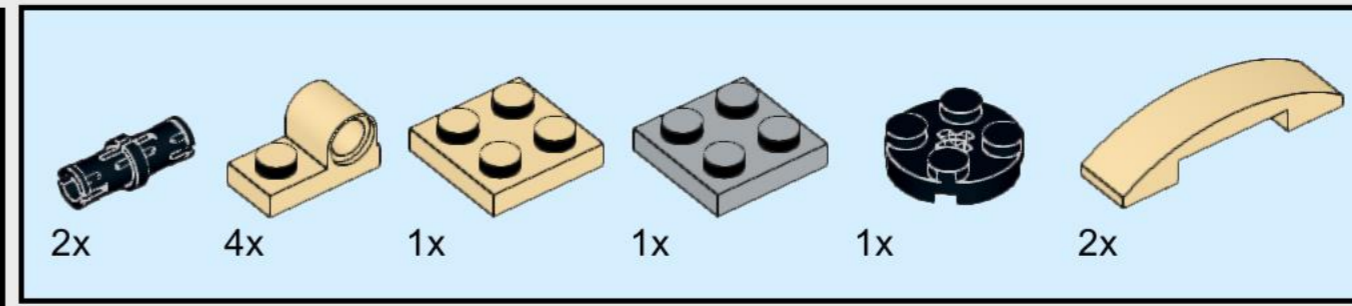
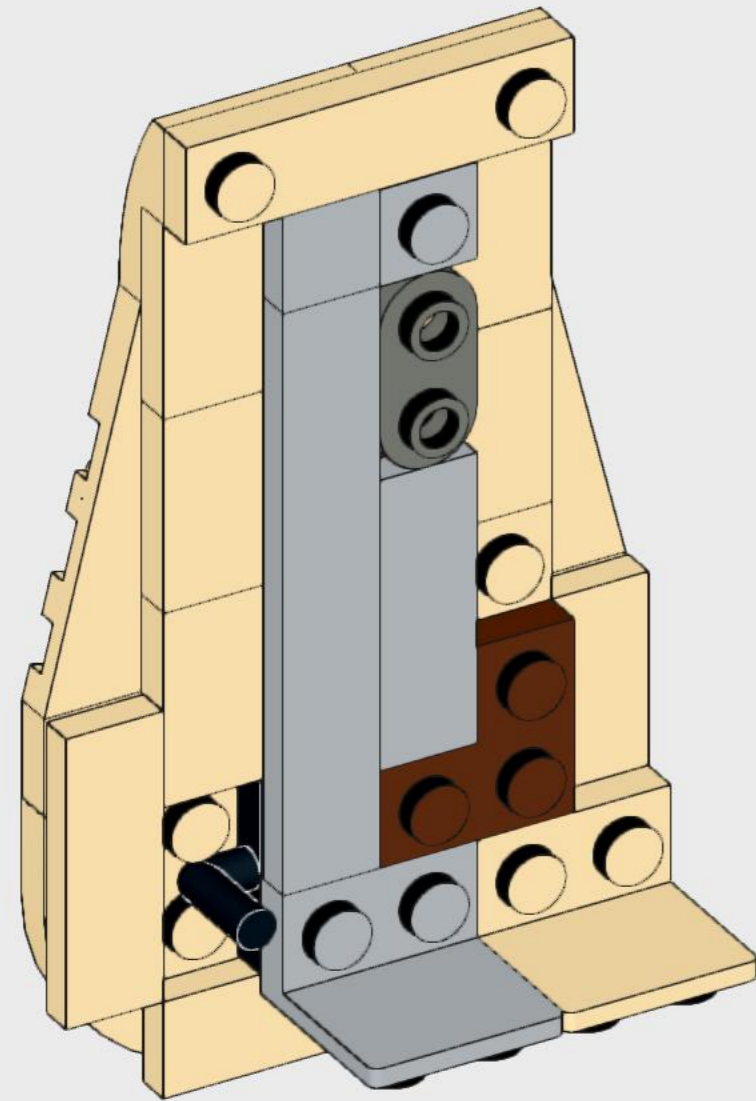


4

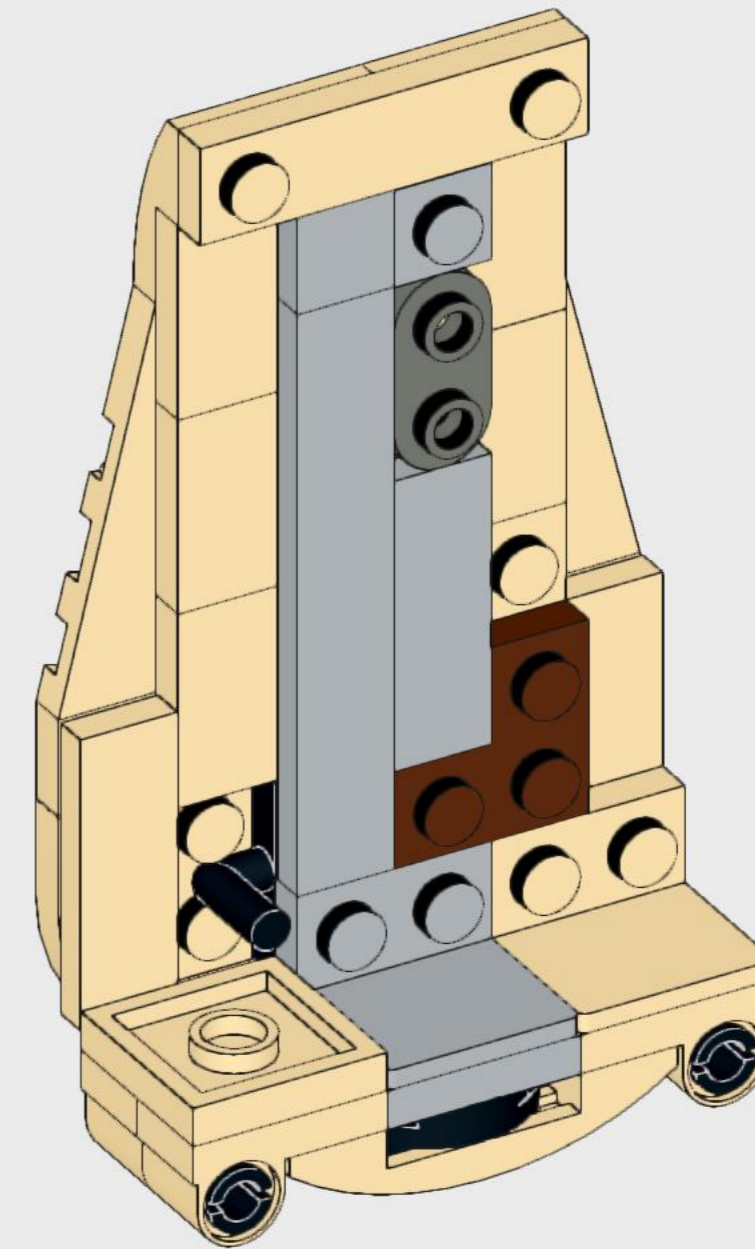
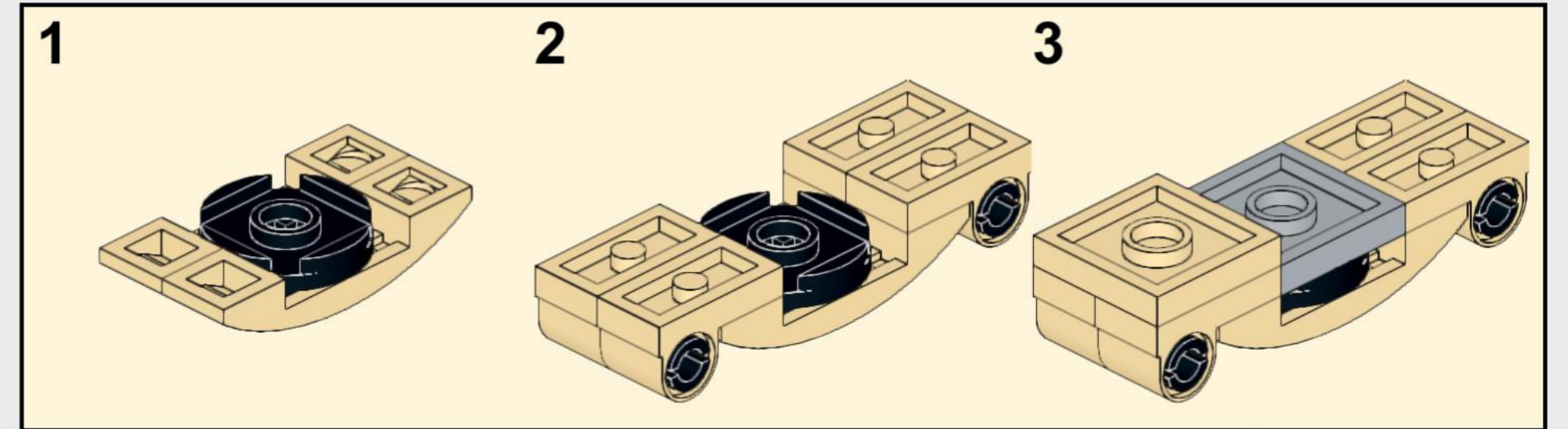


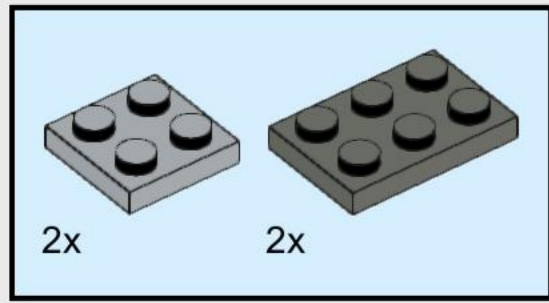


5

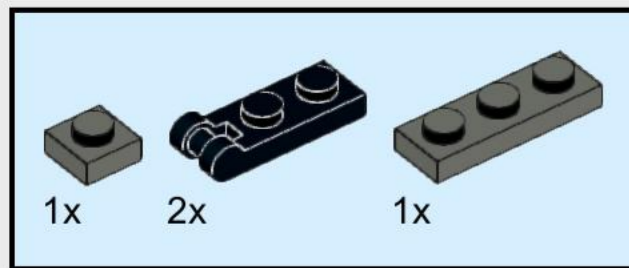
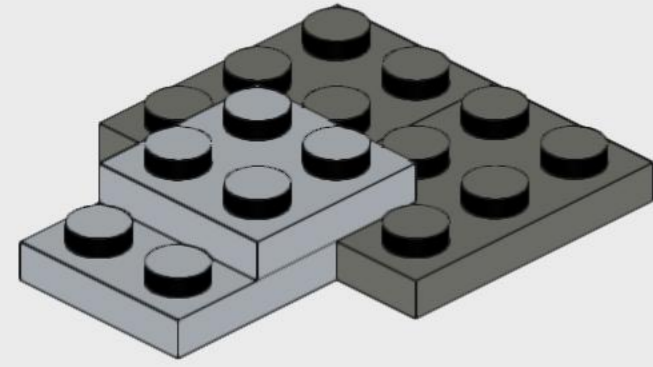


6

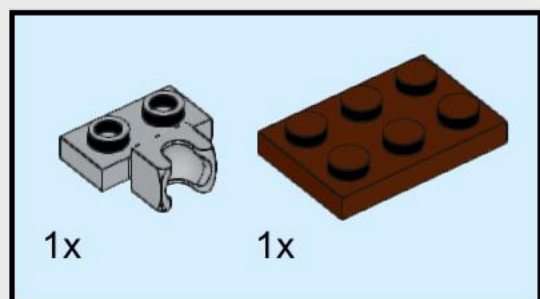
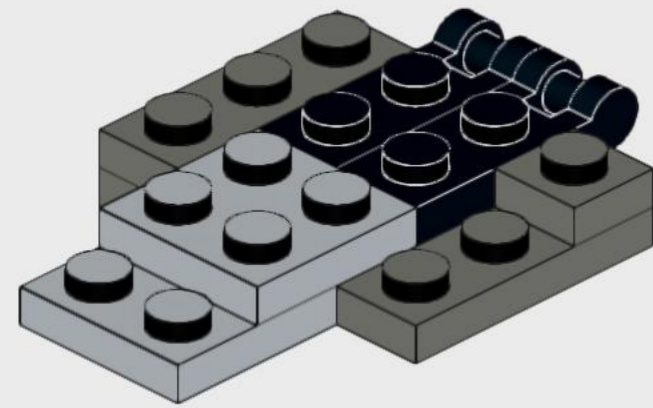




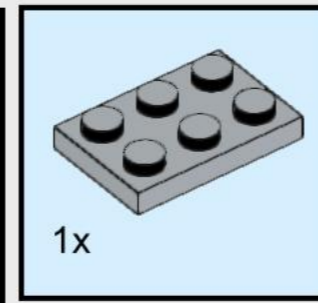
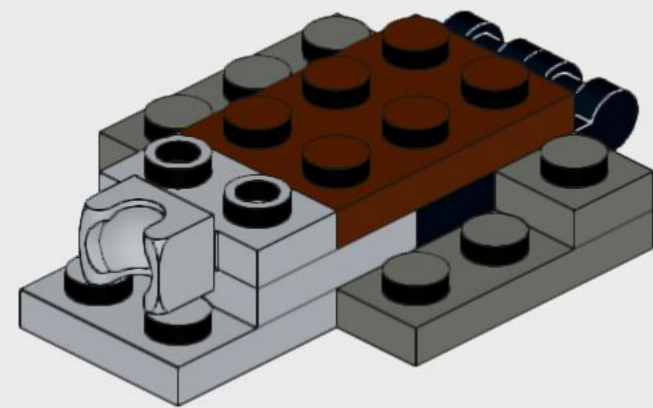
7



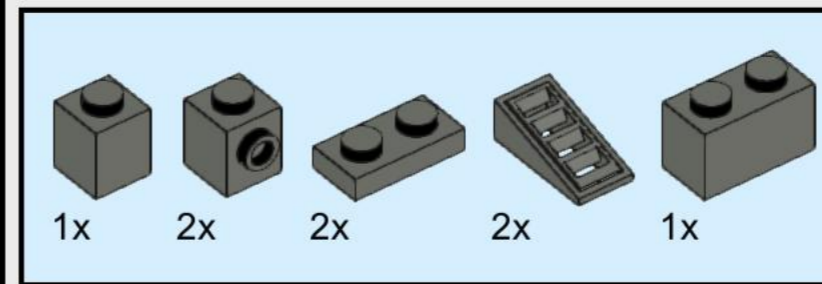
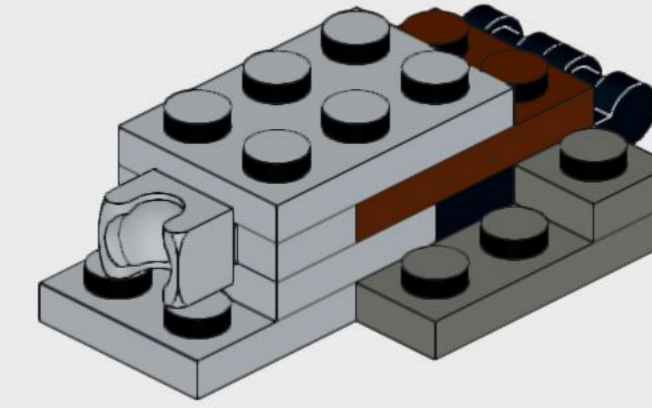
8



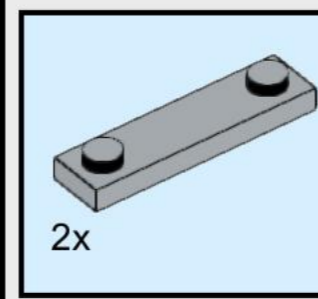
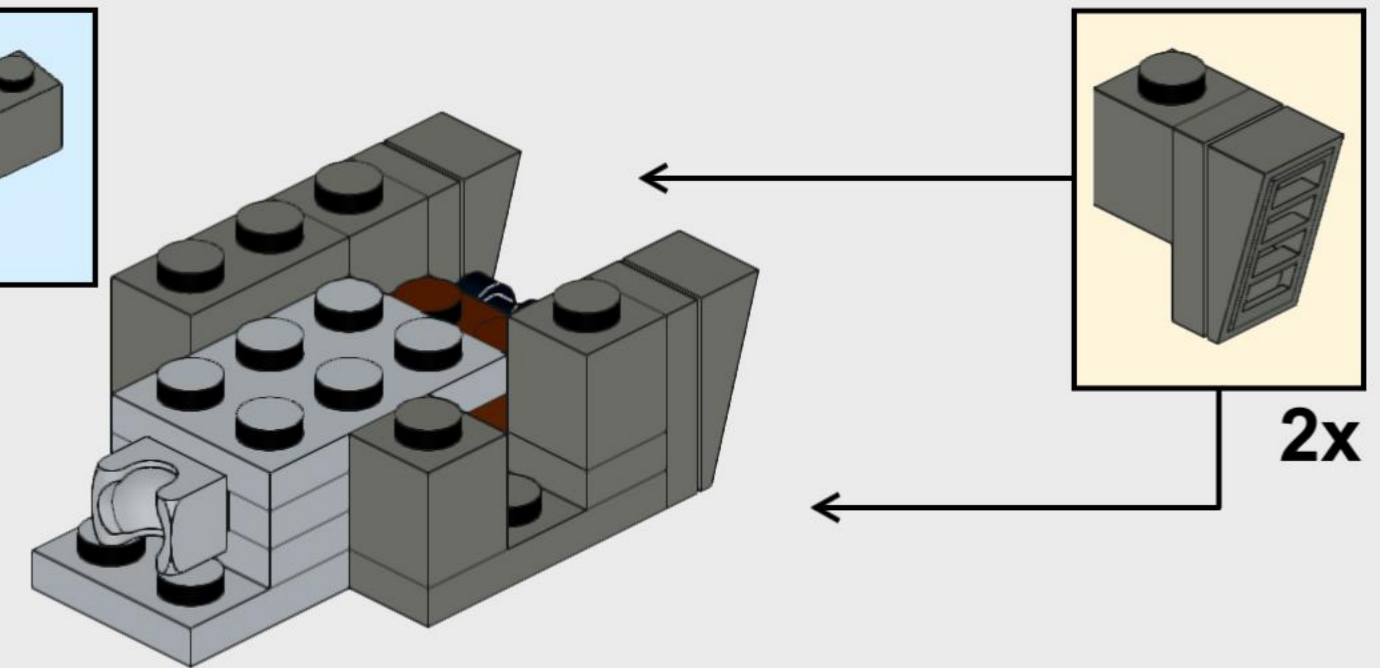
9



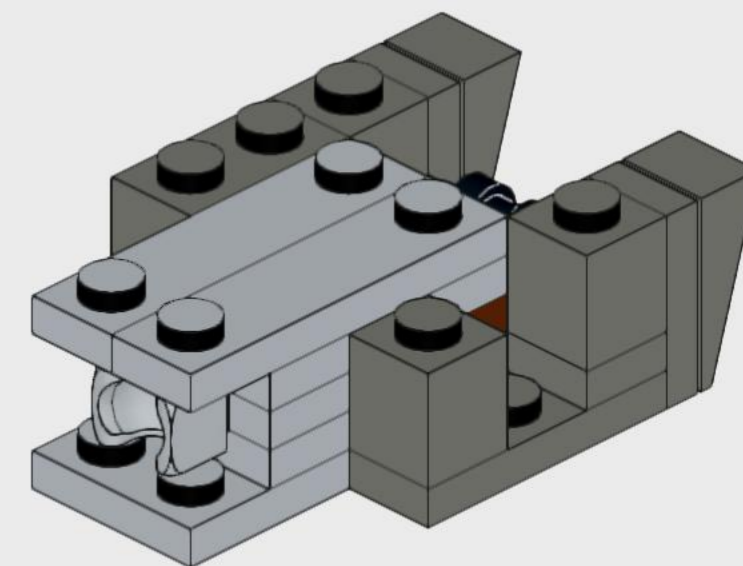
10

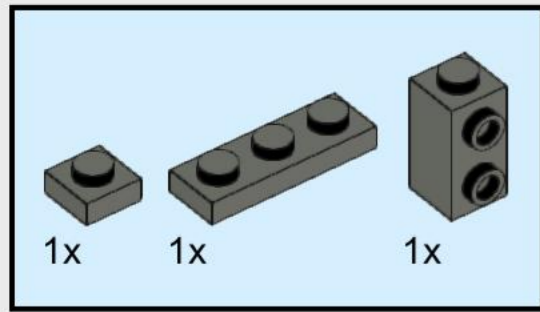


11

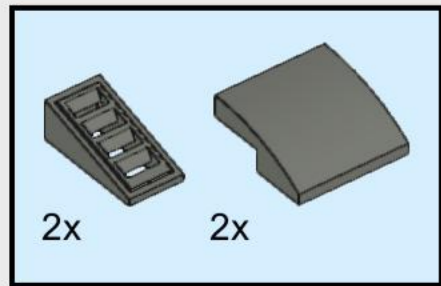
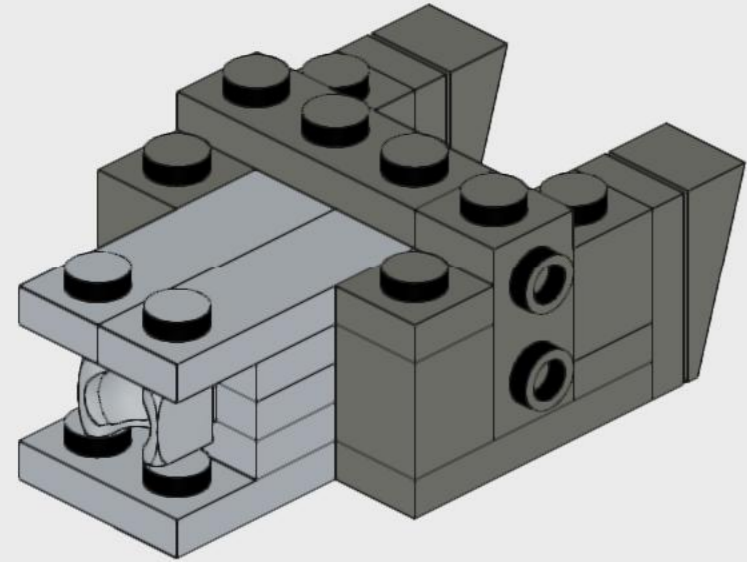


12

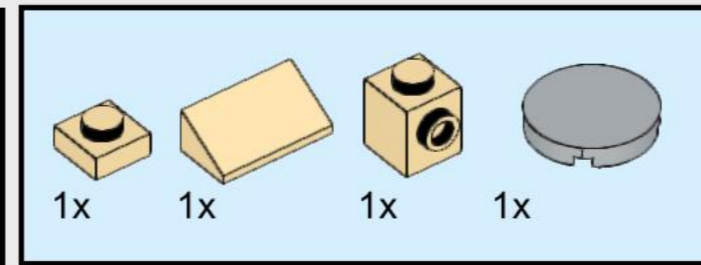
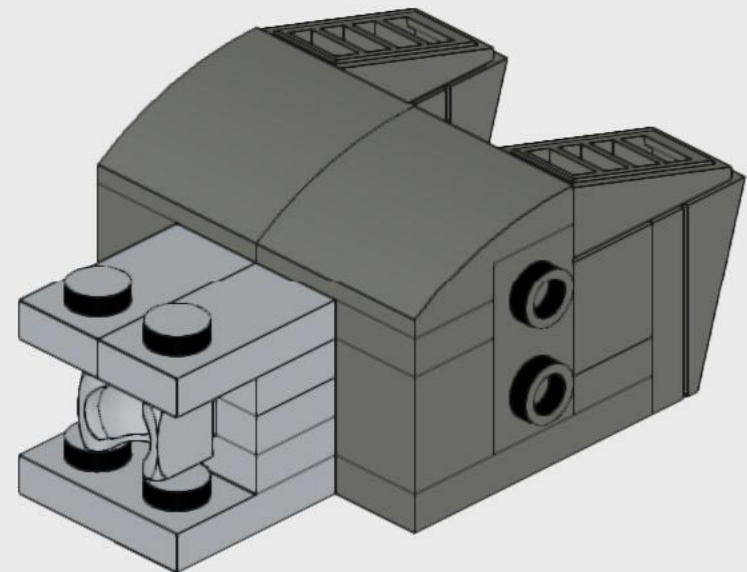




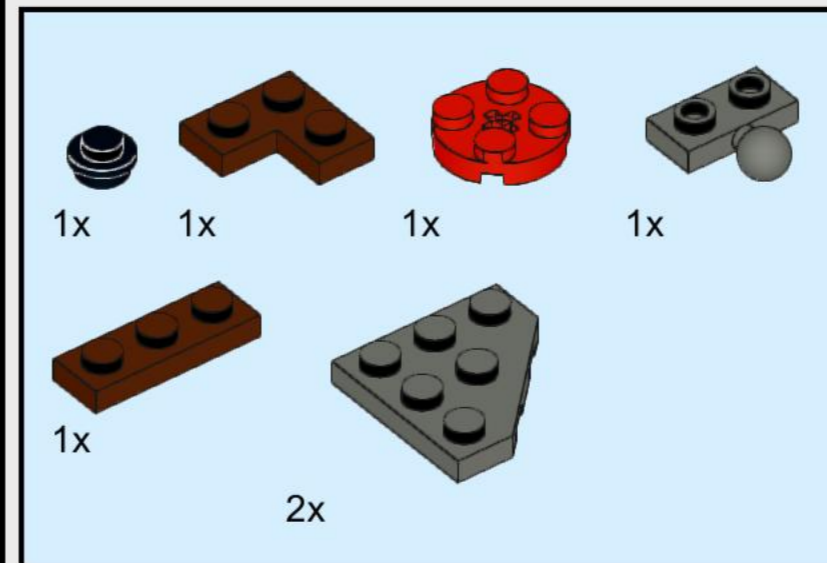
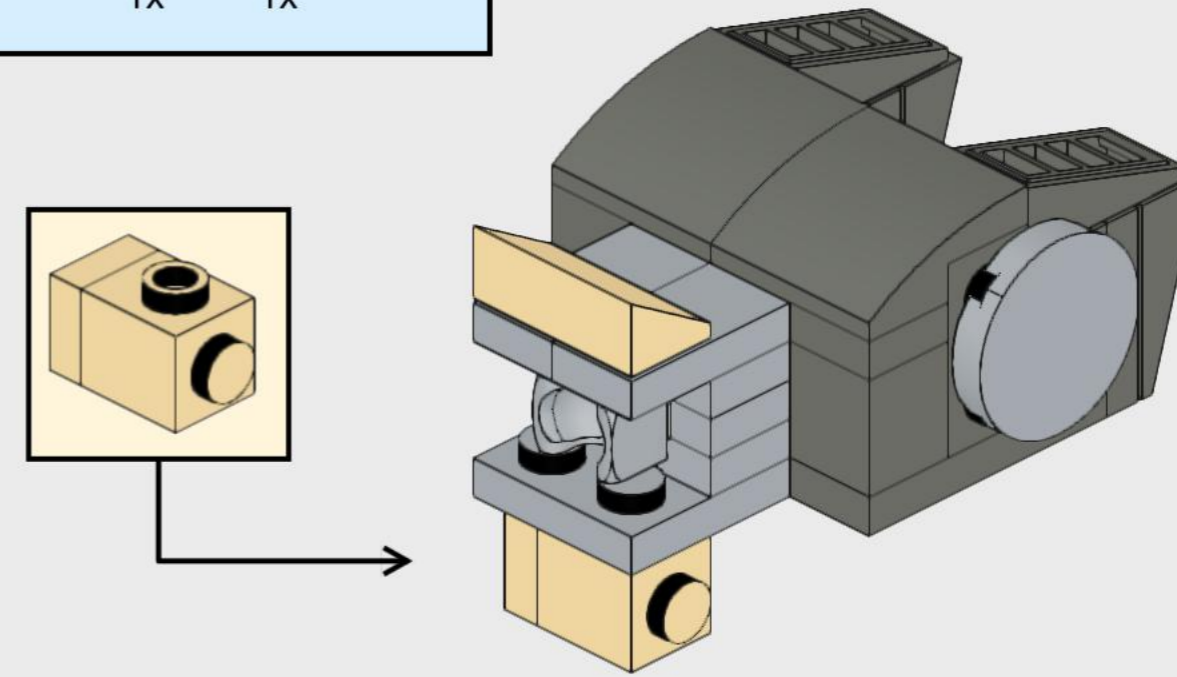
13



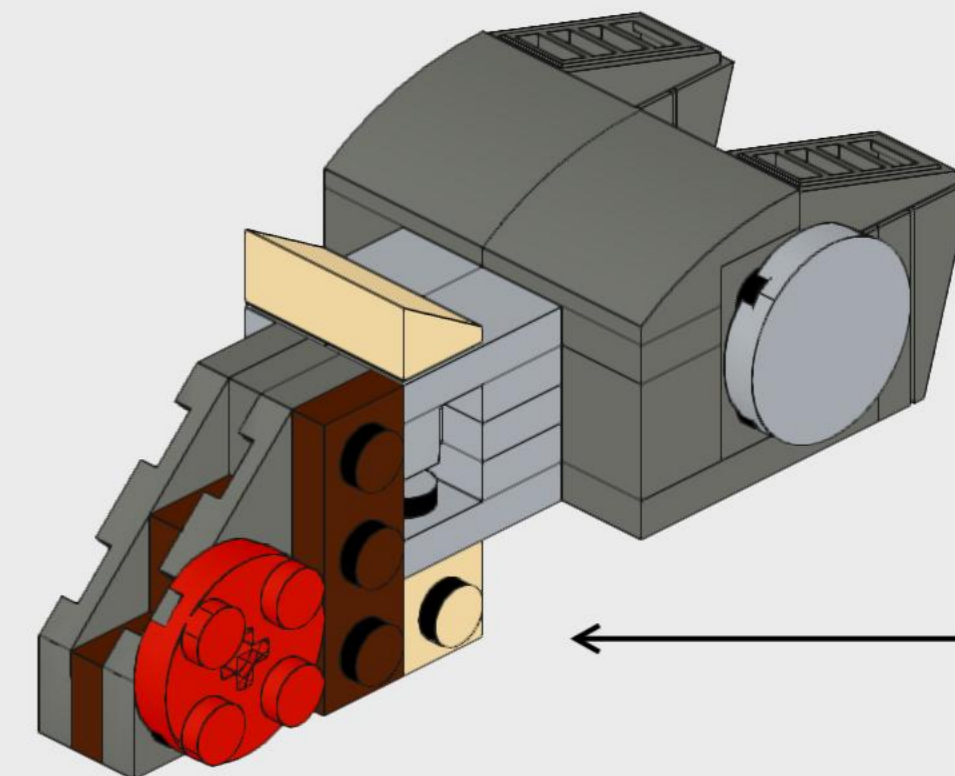
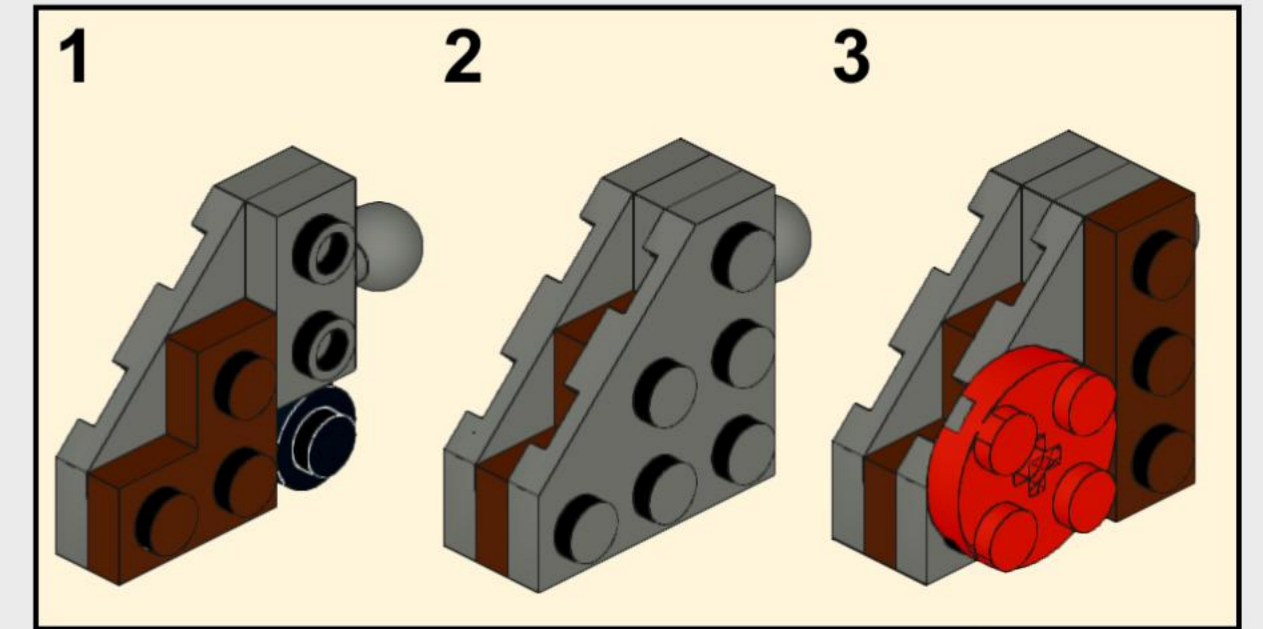
14



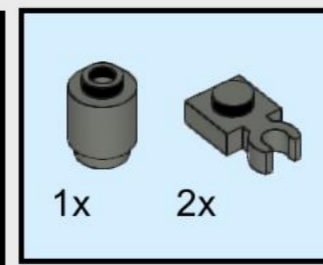
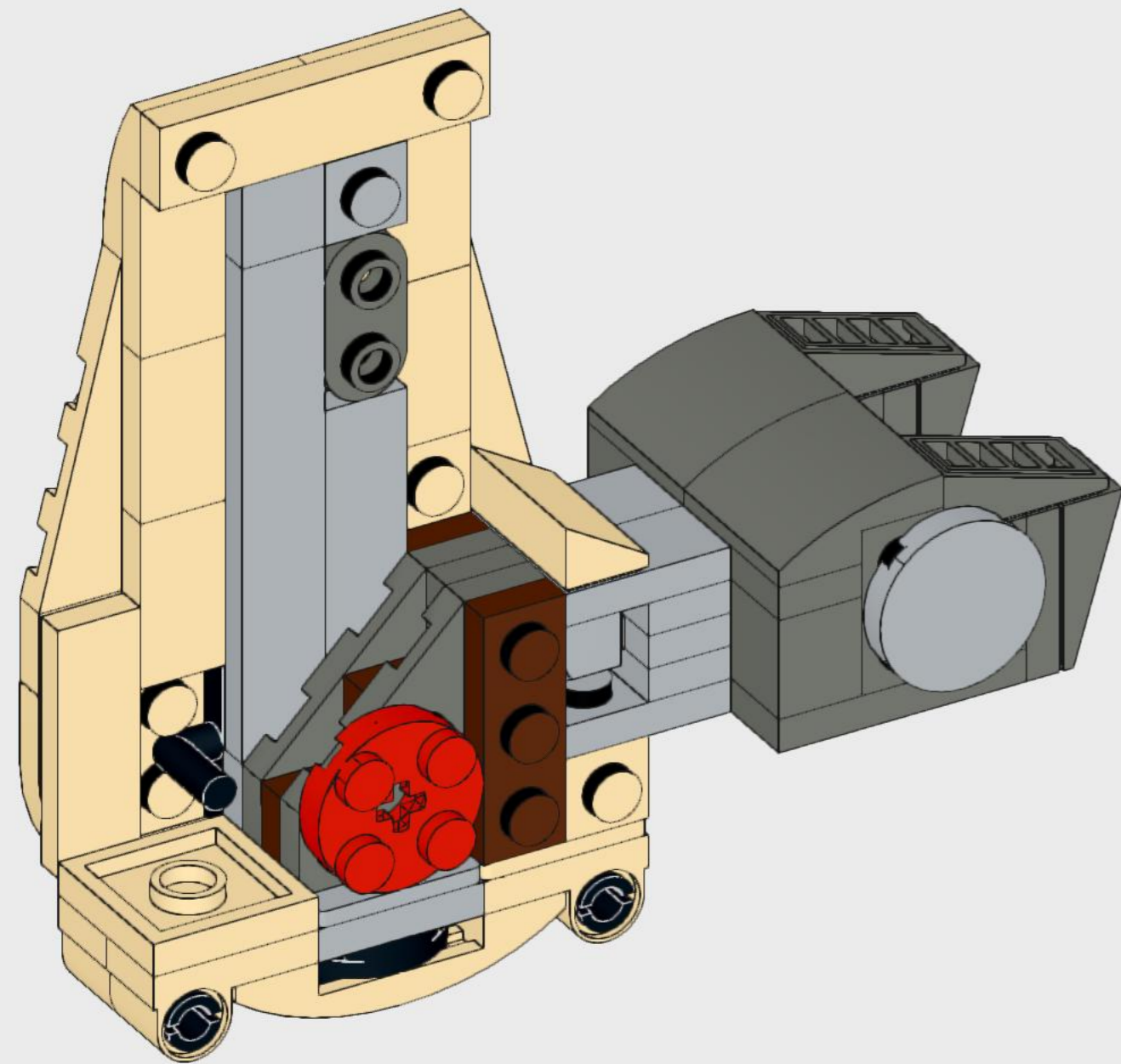
15



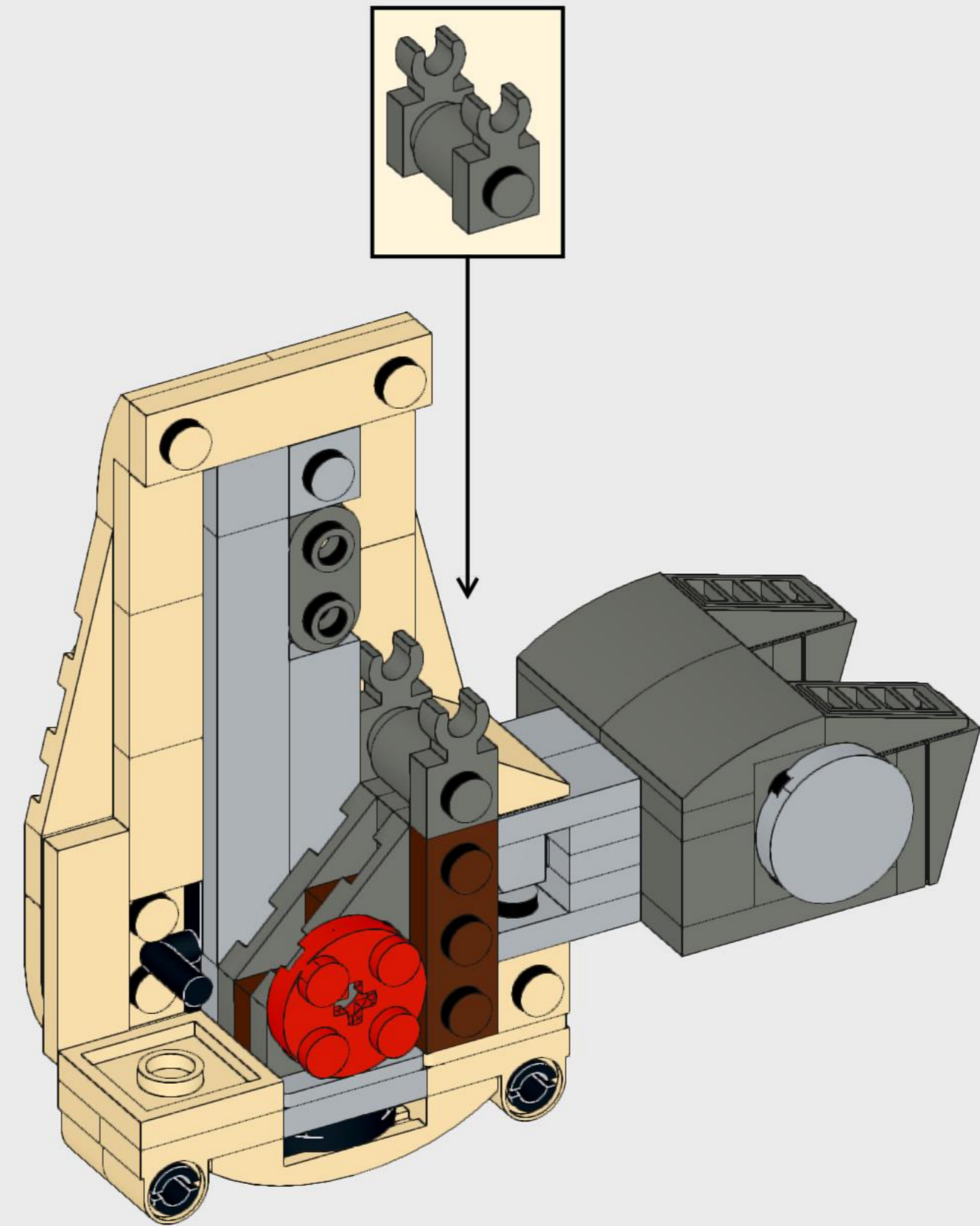
16



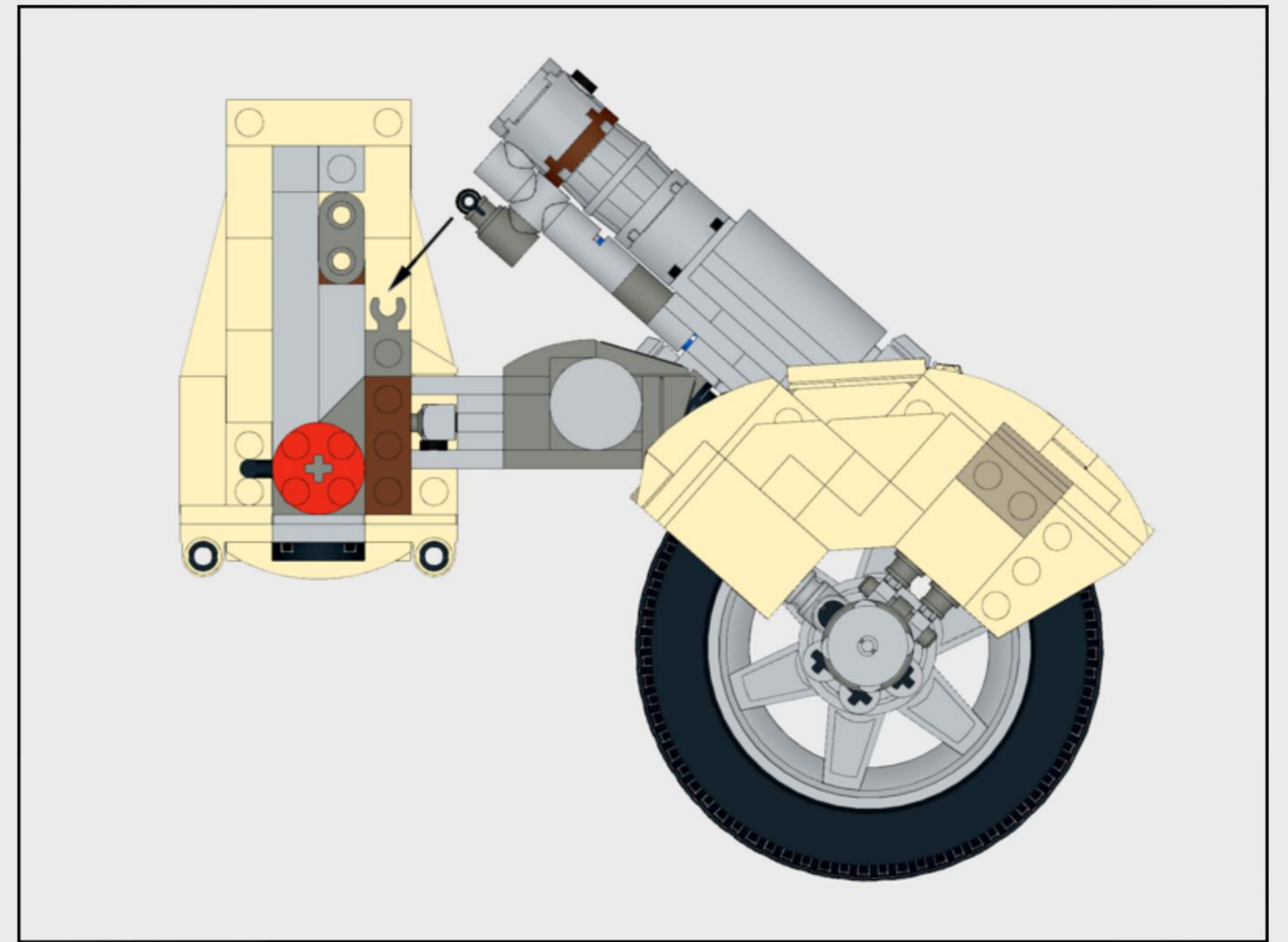
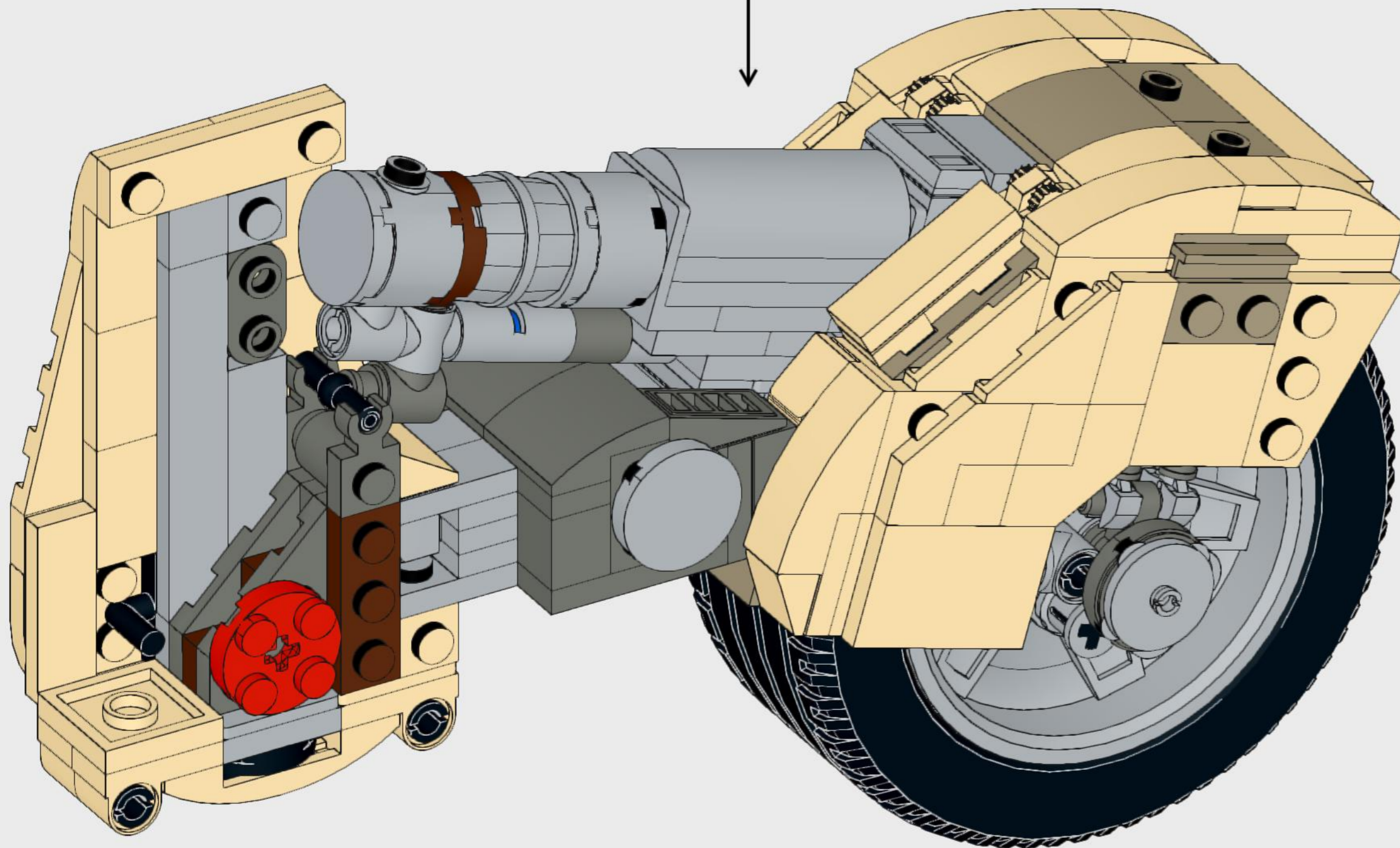
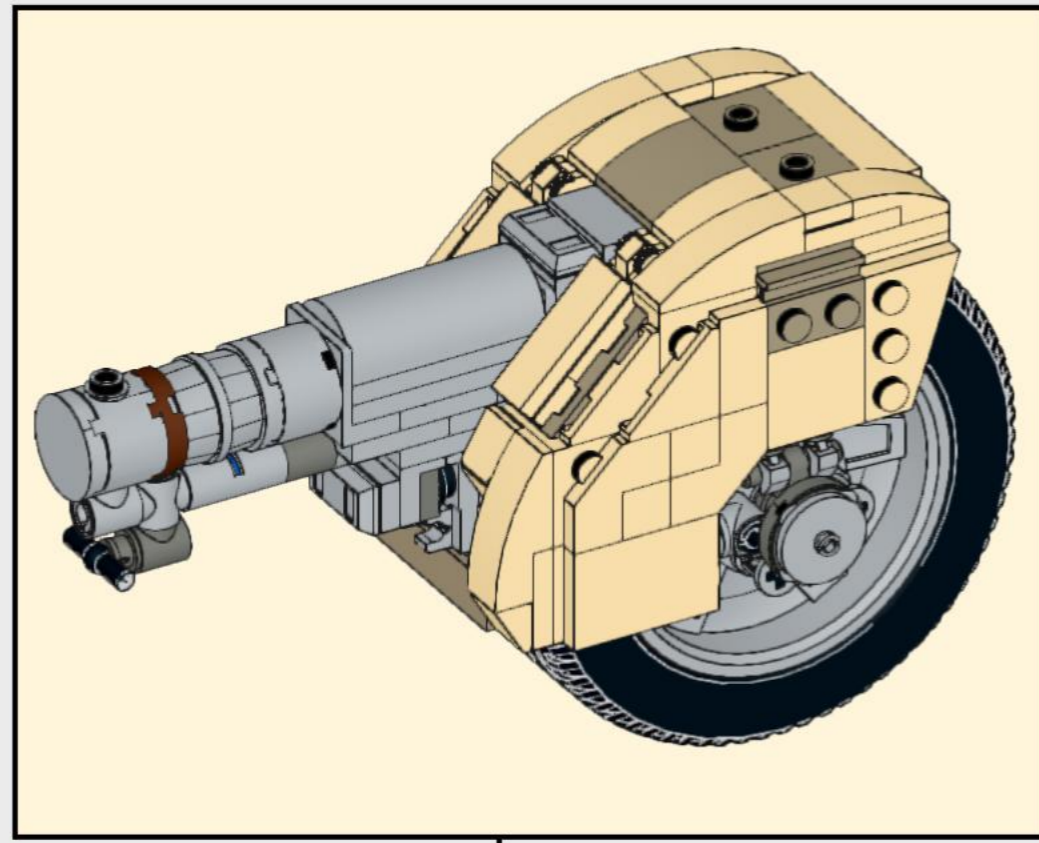
17



18

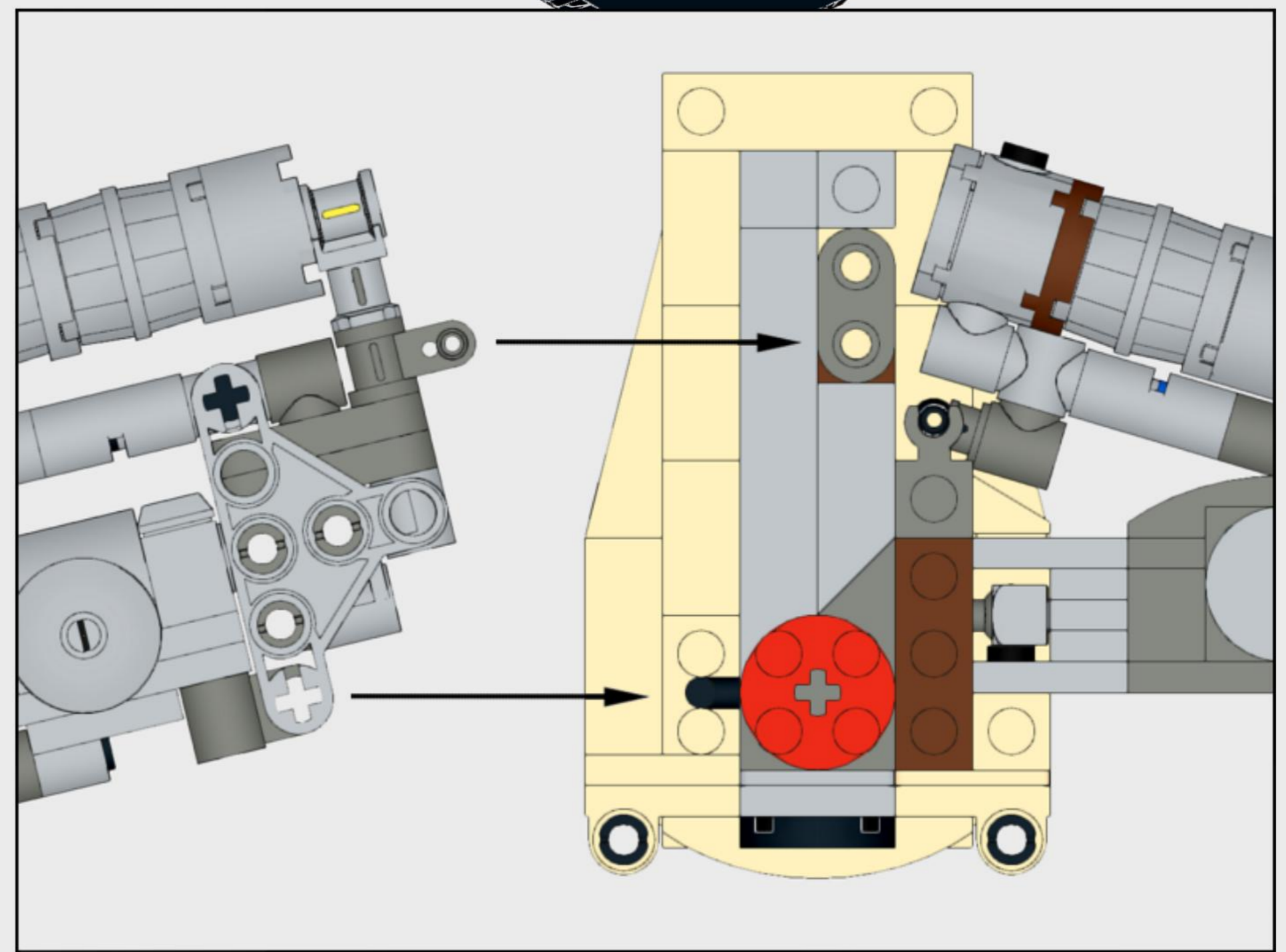
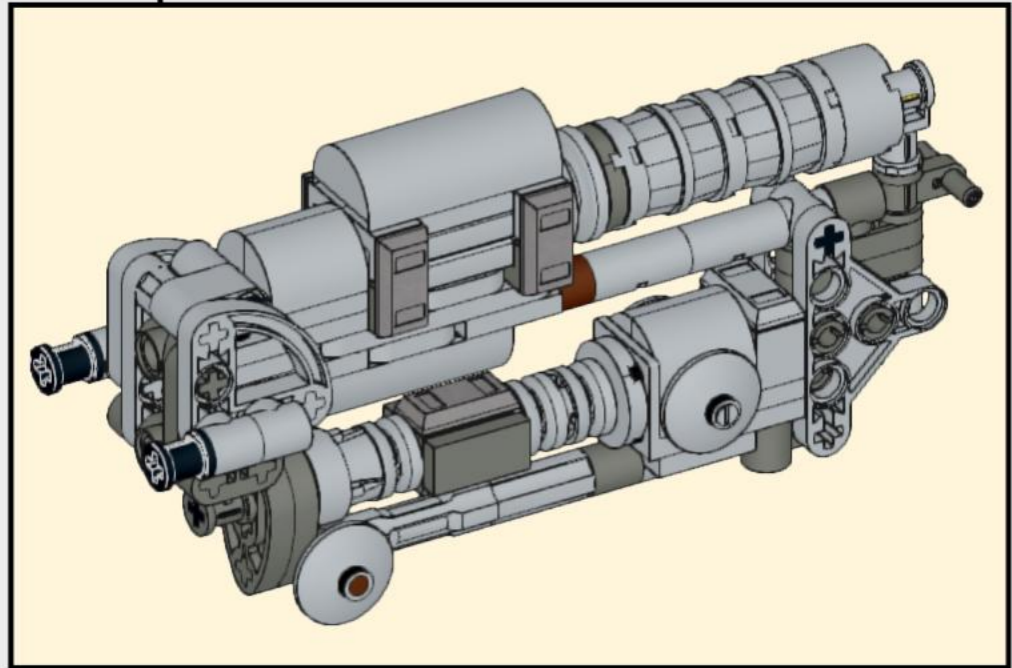
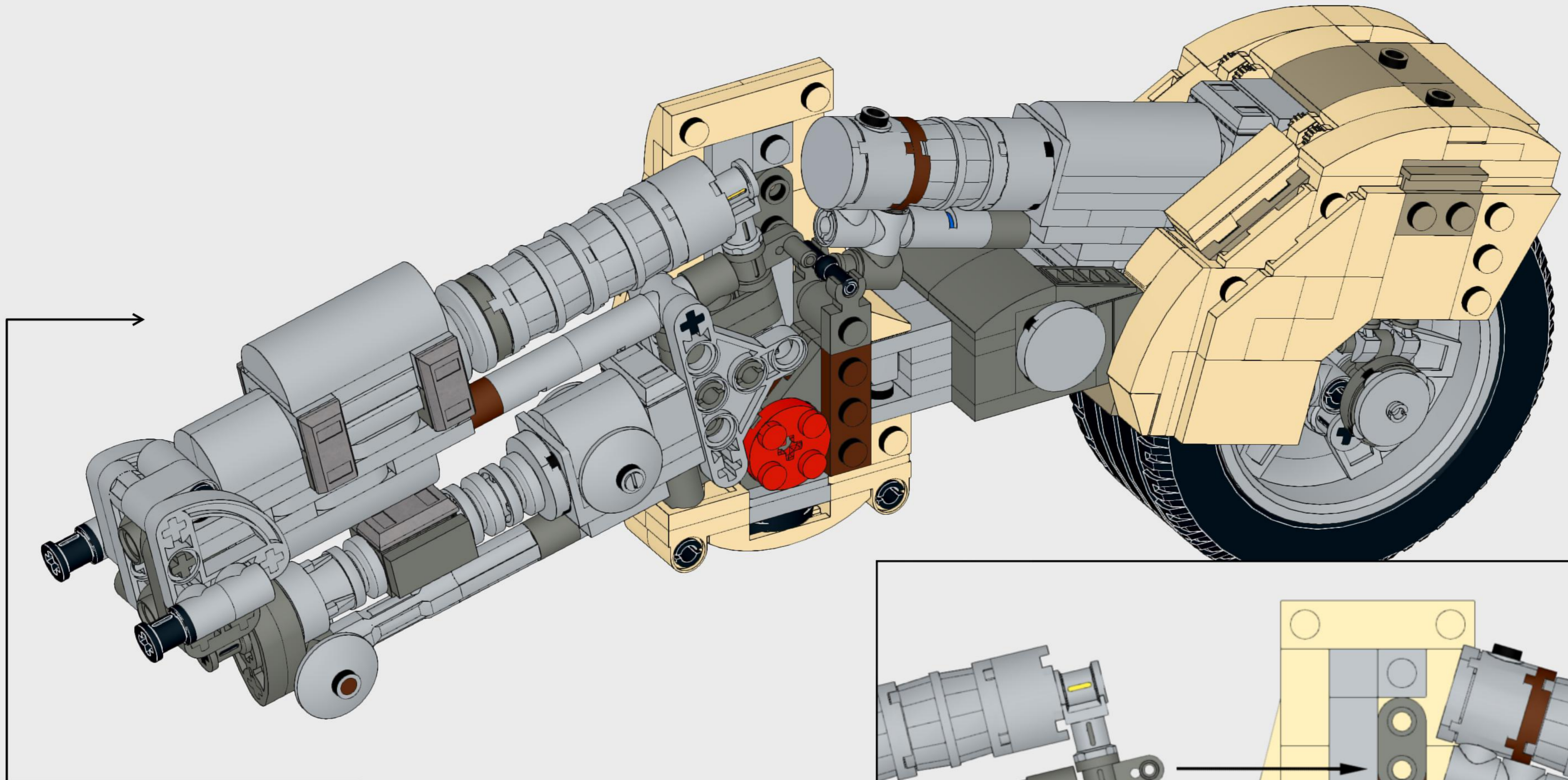


19

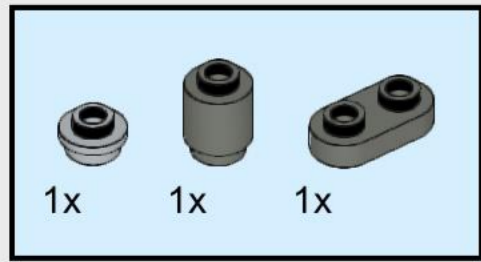


Attach rear wheel by first snapping bar and clips together at base of wheel. Then rotate the top down to clip the black bar into place.

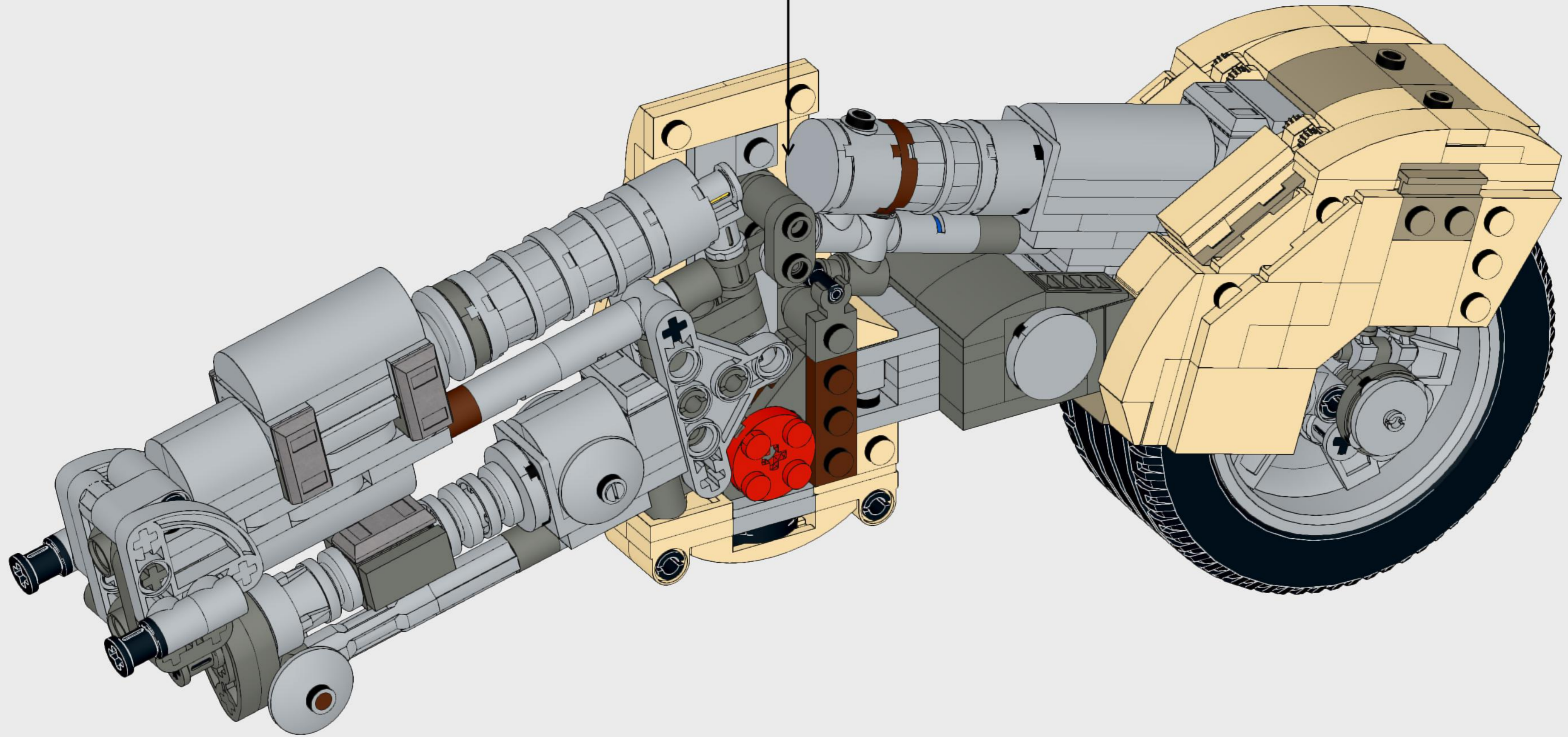
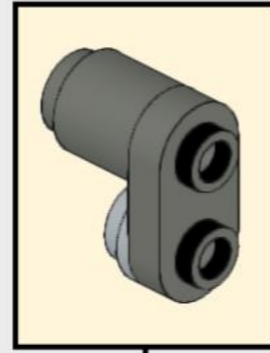


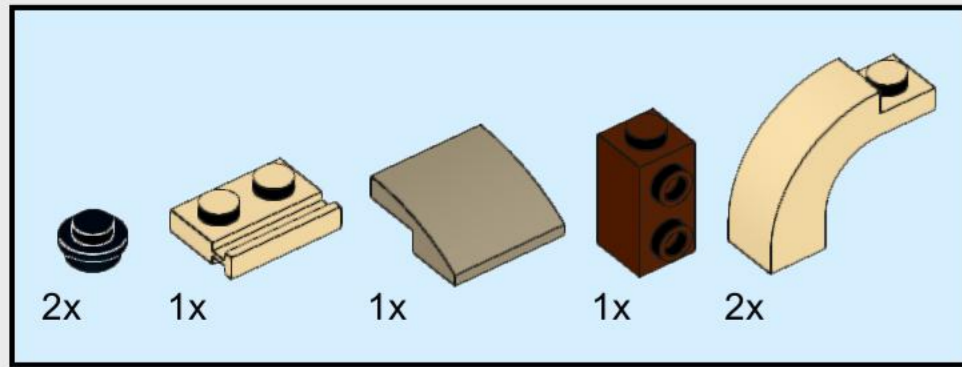


Slide bars into corresponding holes as shown.

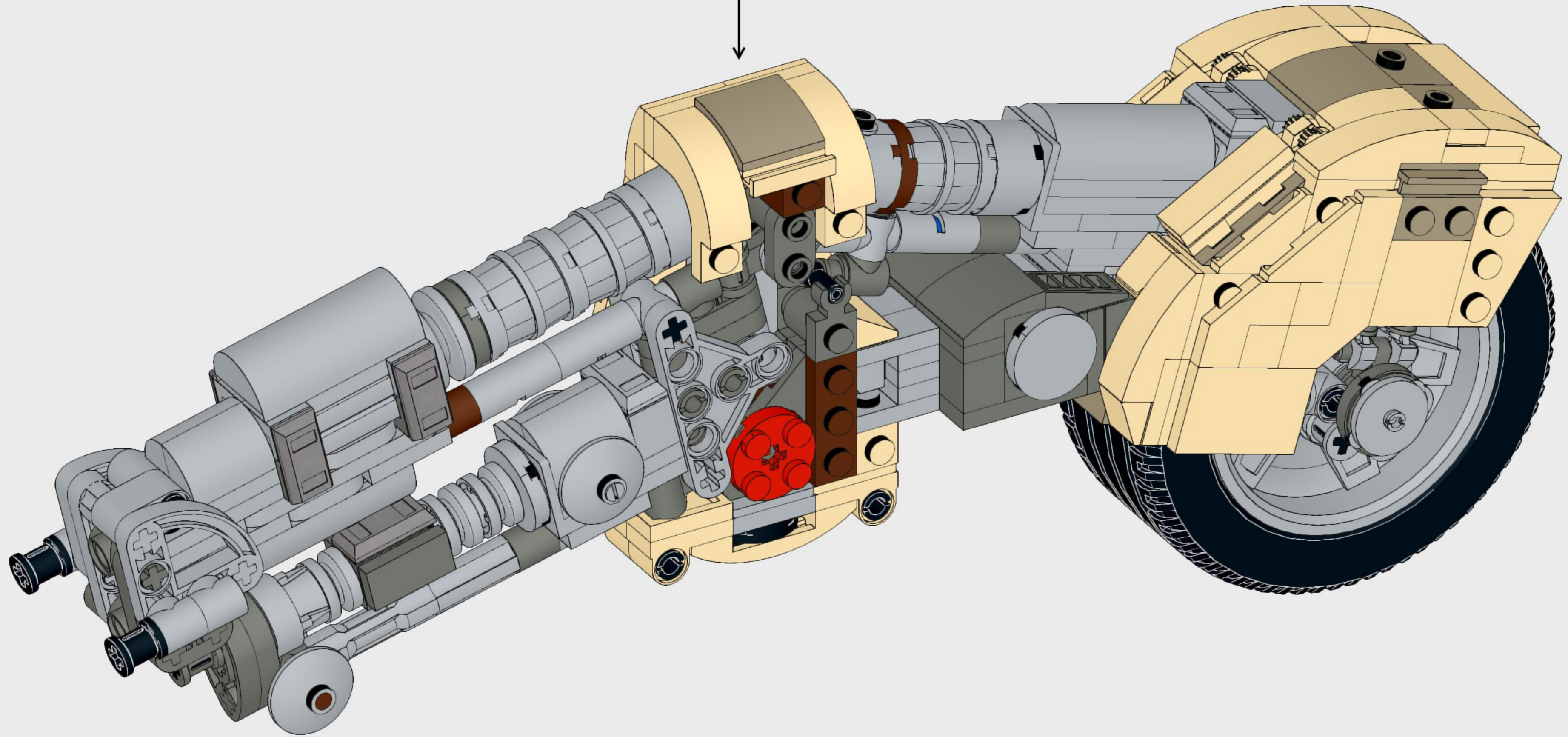
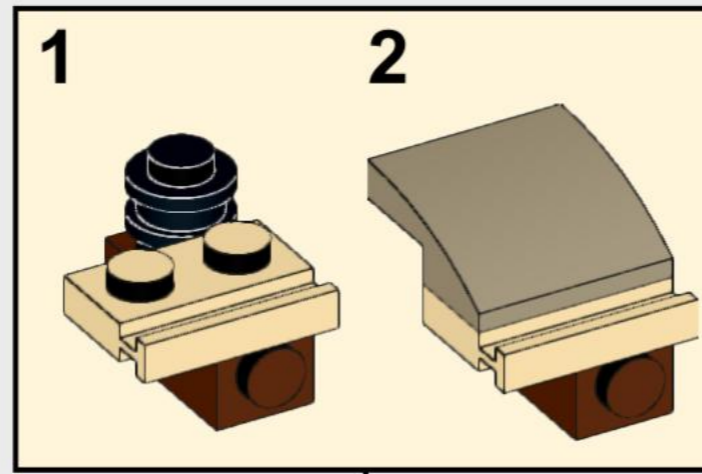


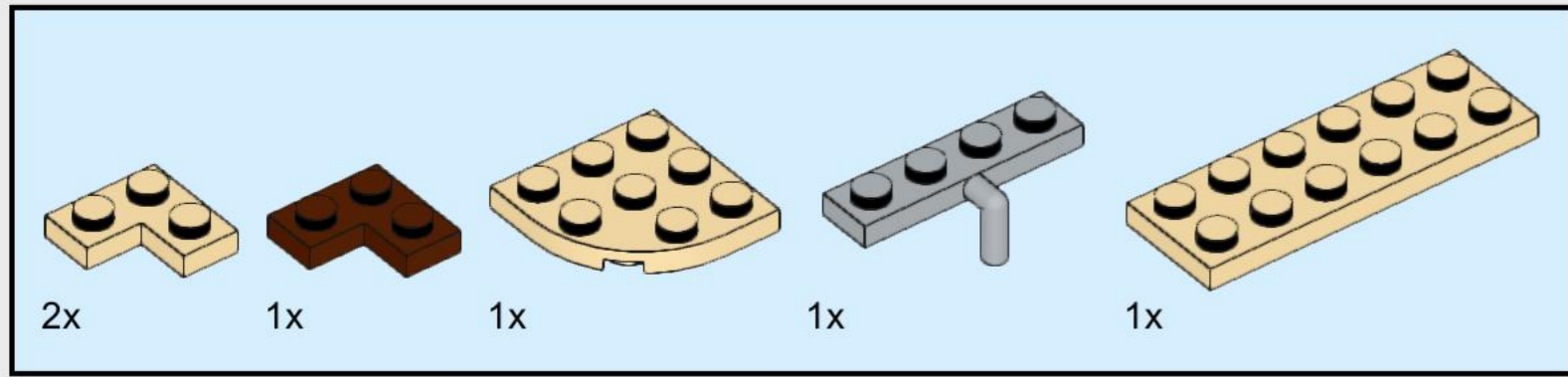
21



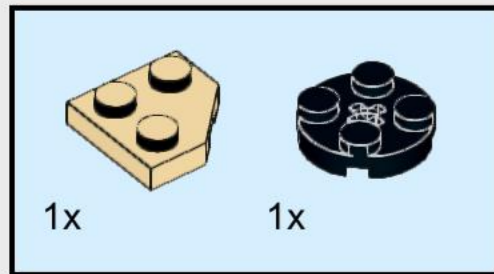
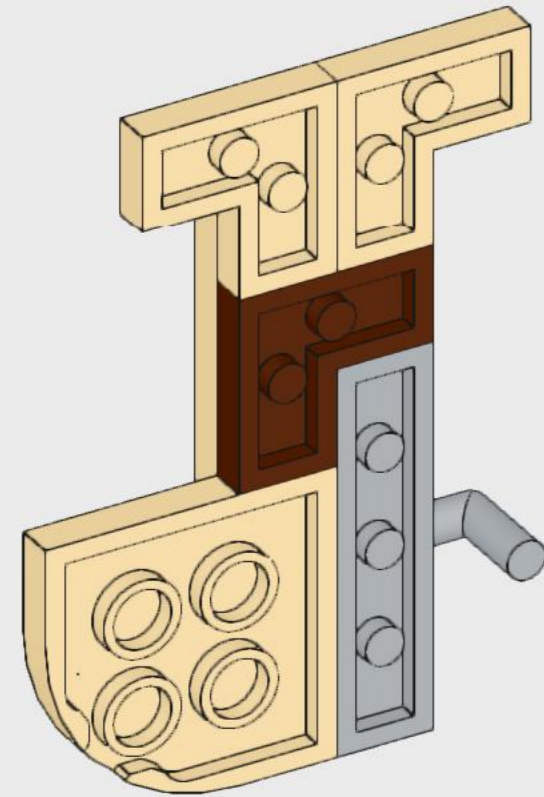


22

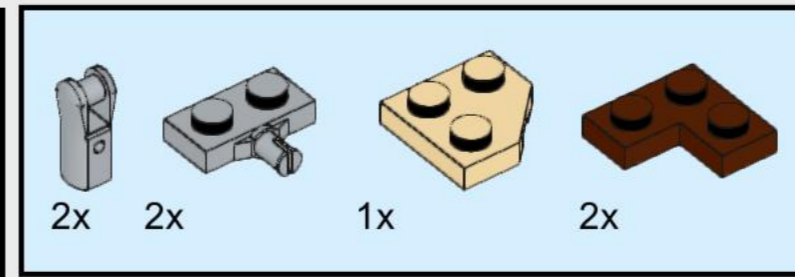
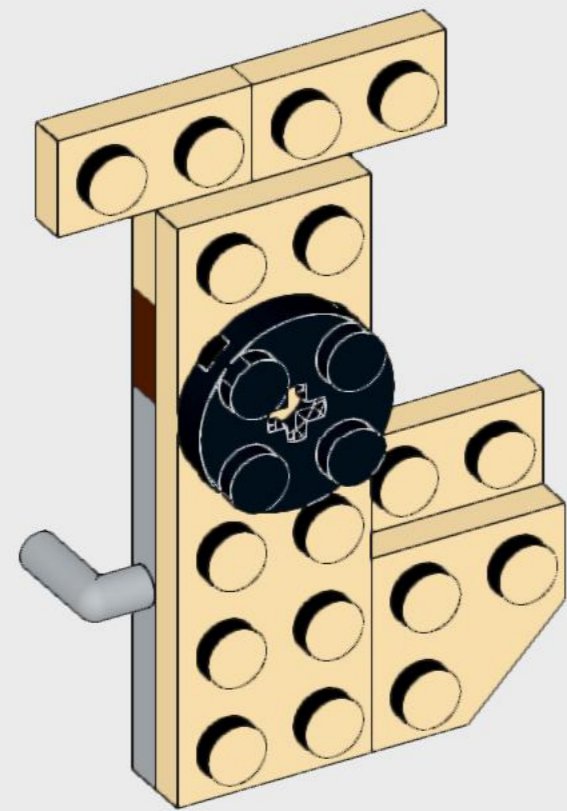




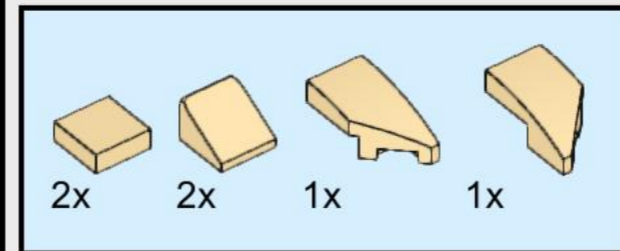
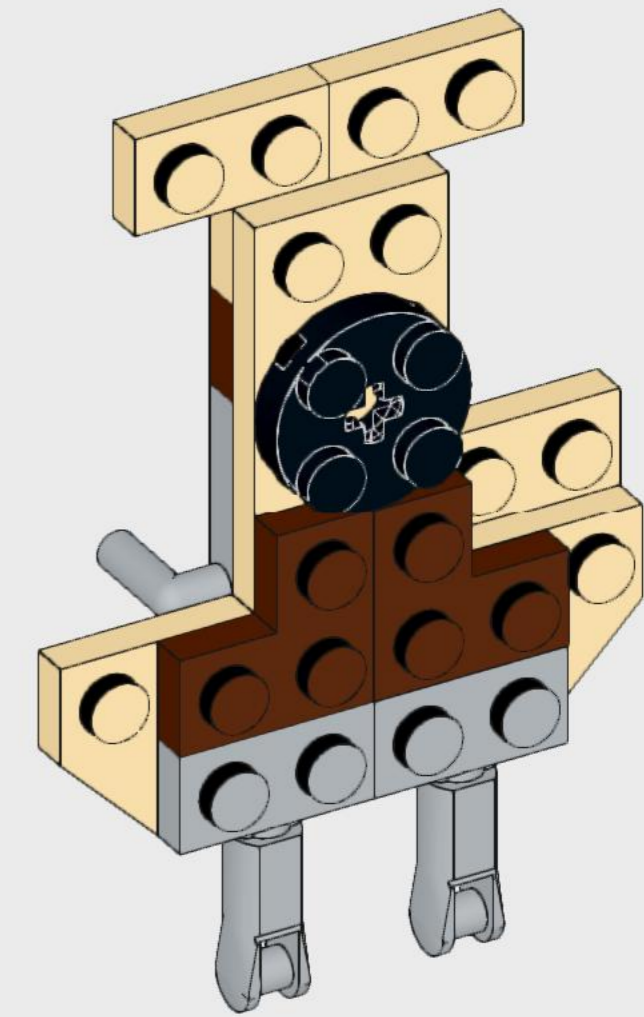
23



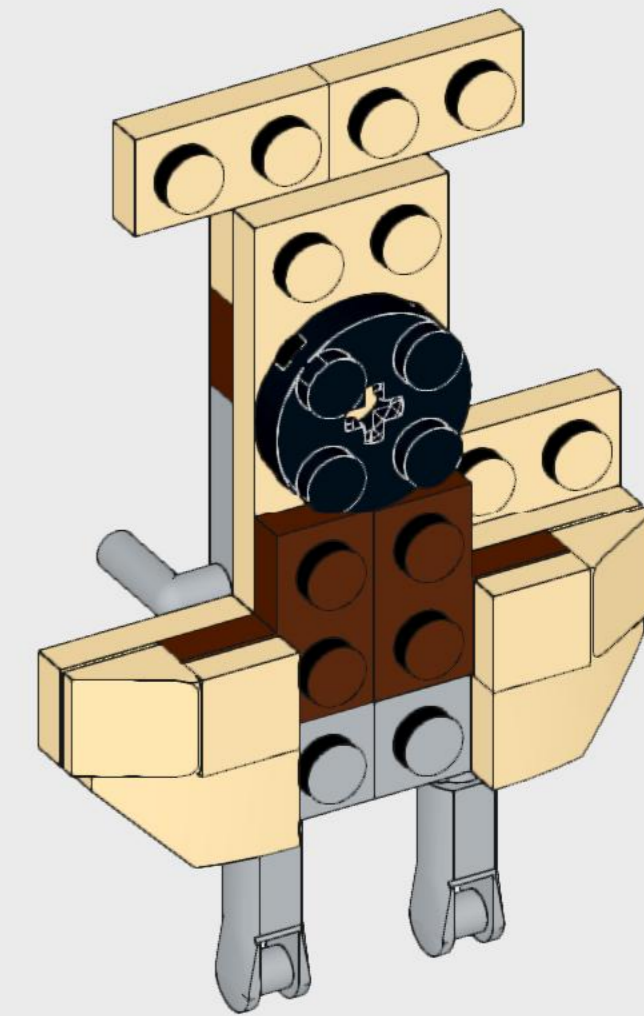
24 

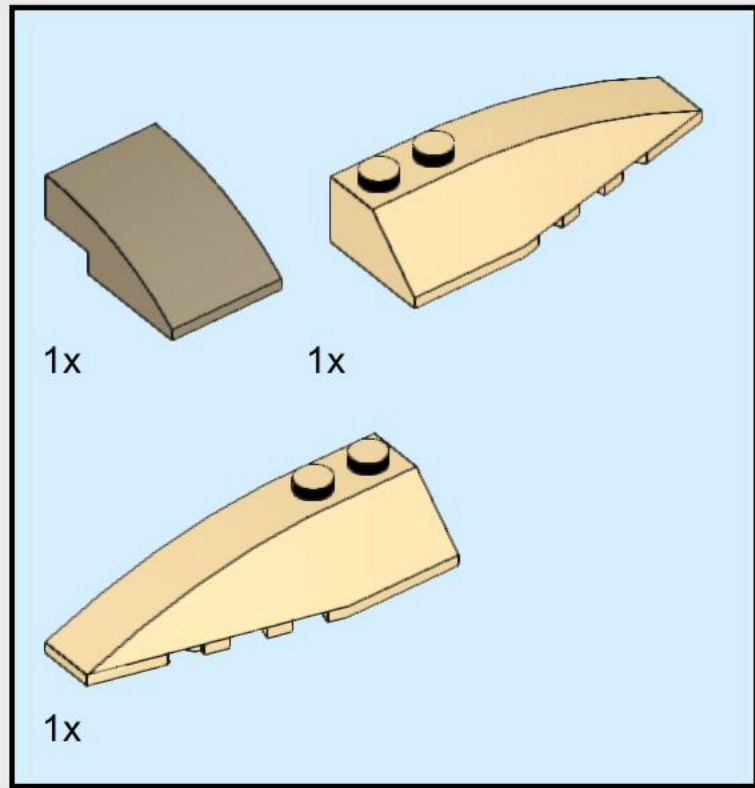


25

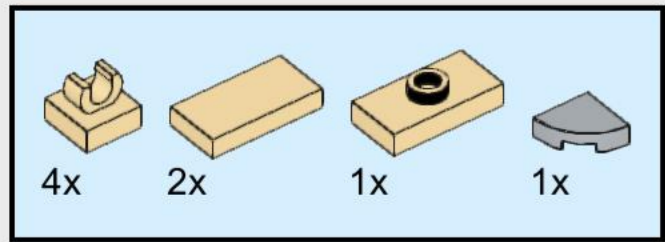
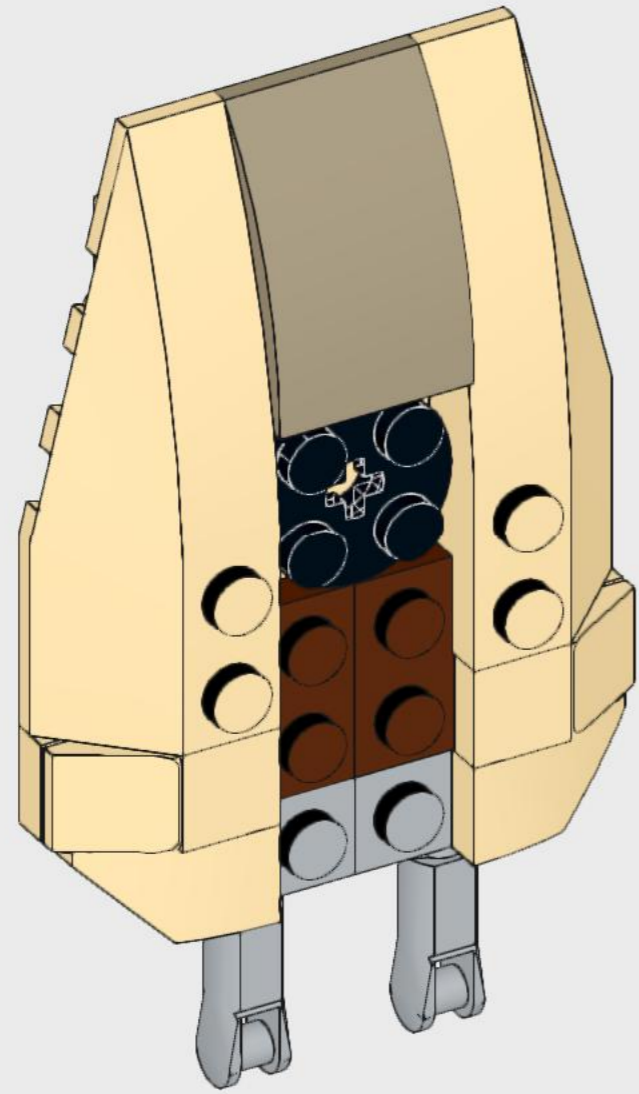


26

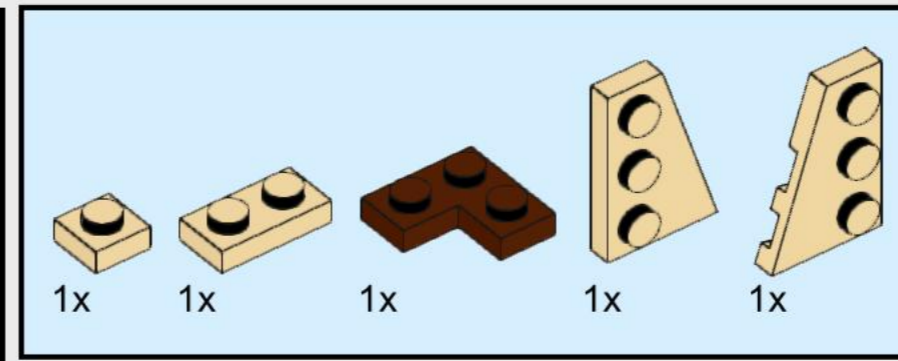
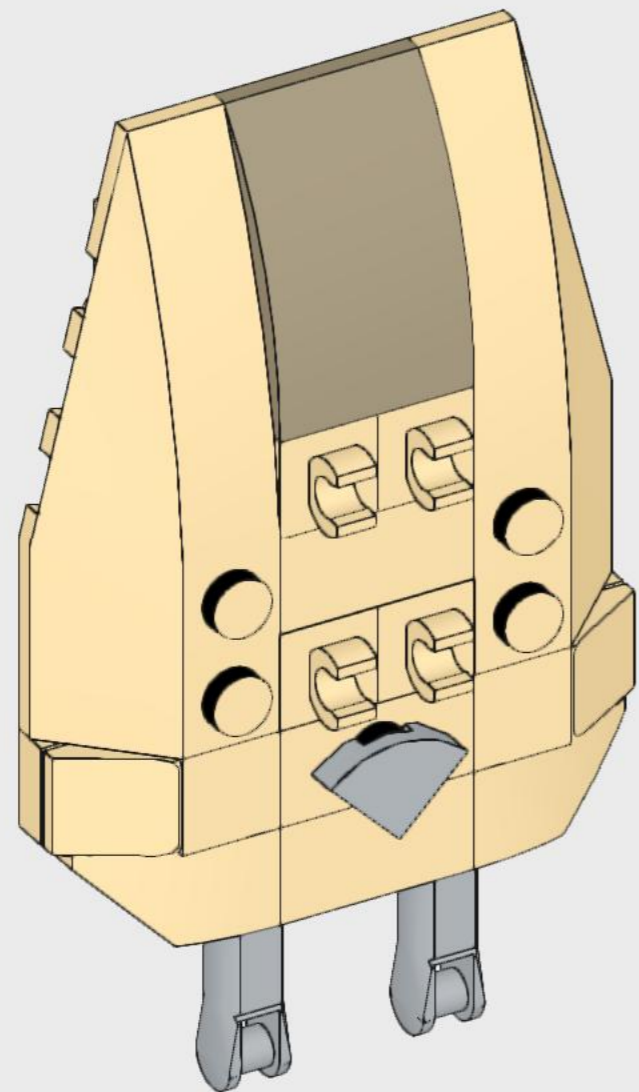




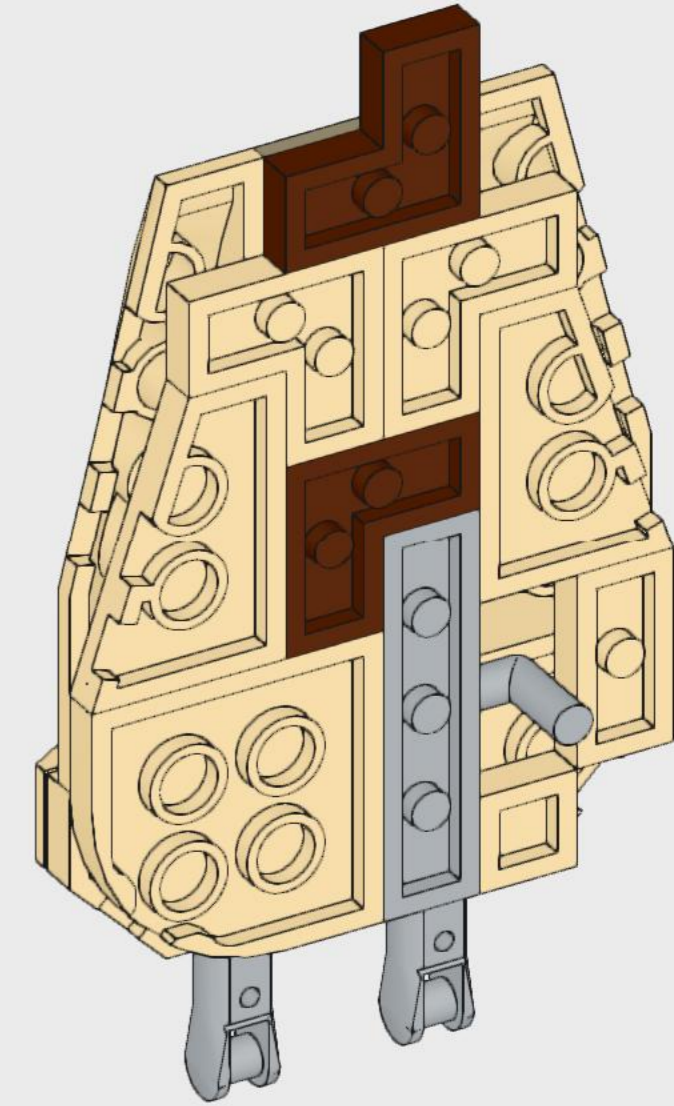
27



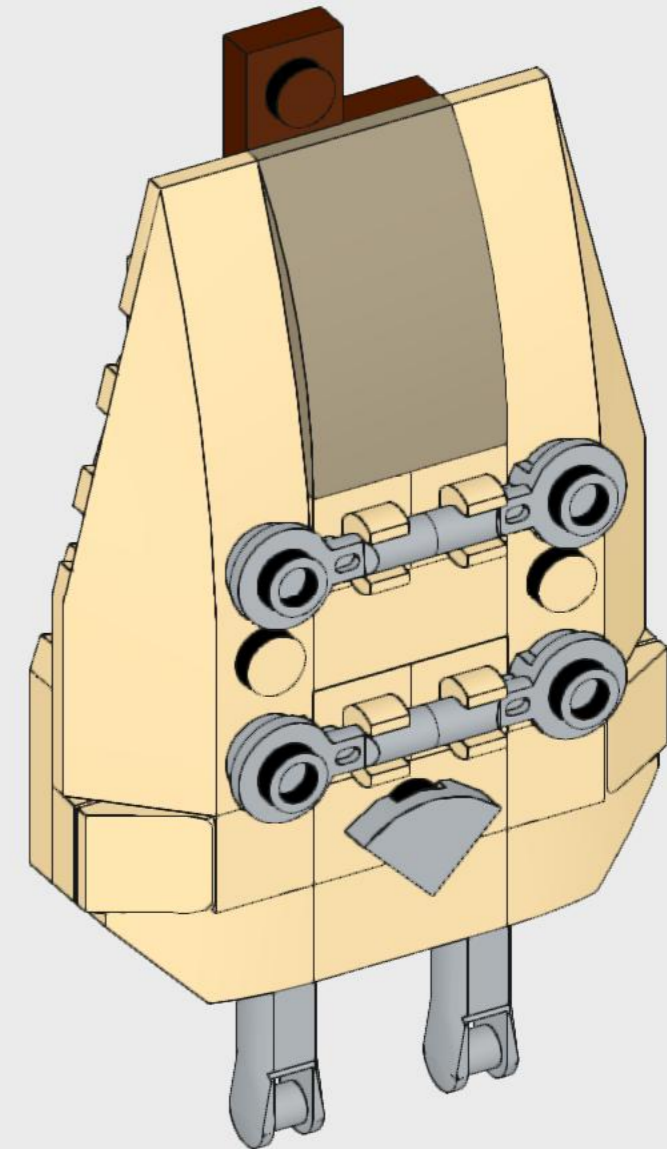
28

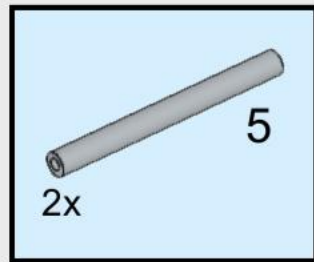


29

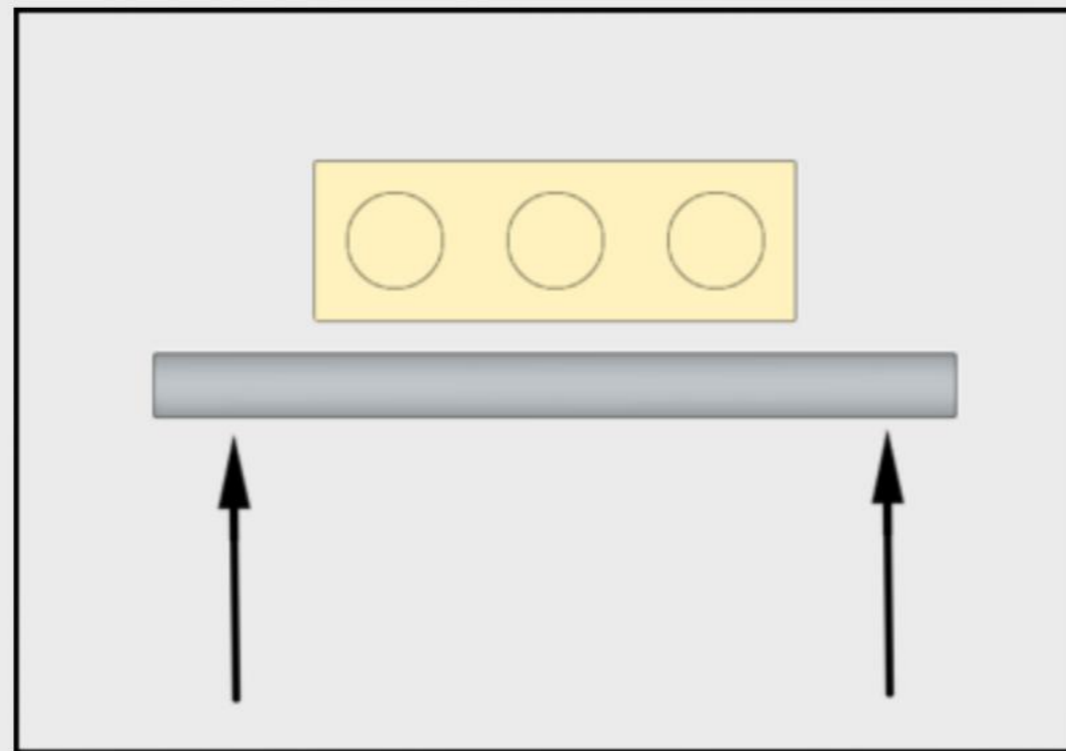


30

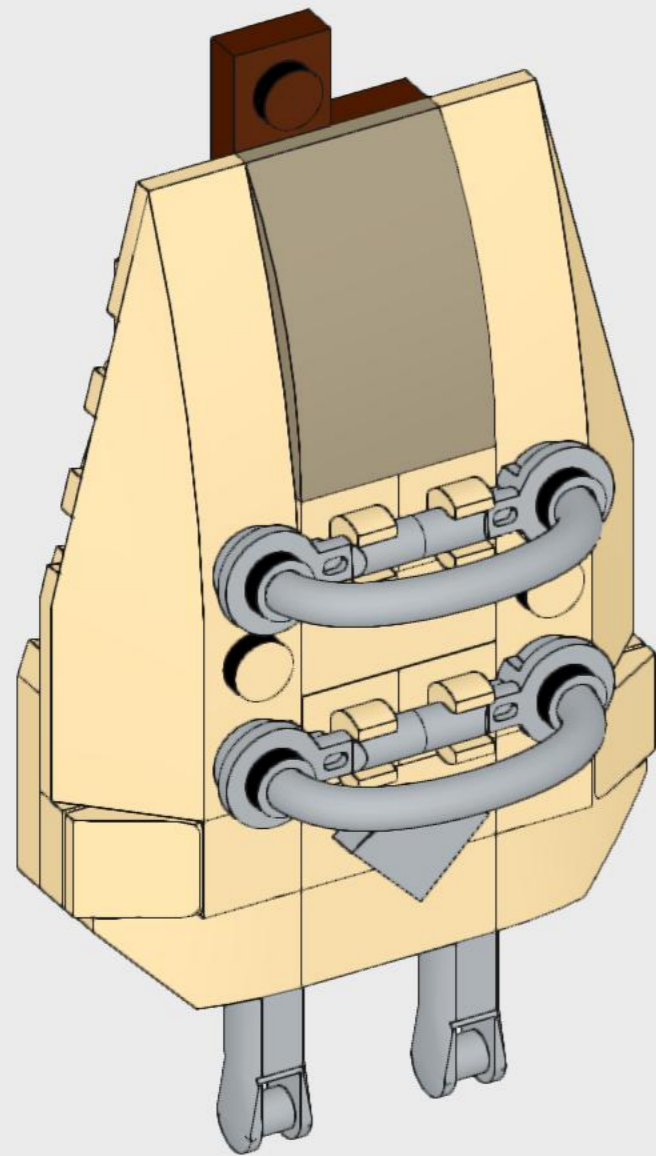




31

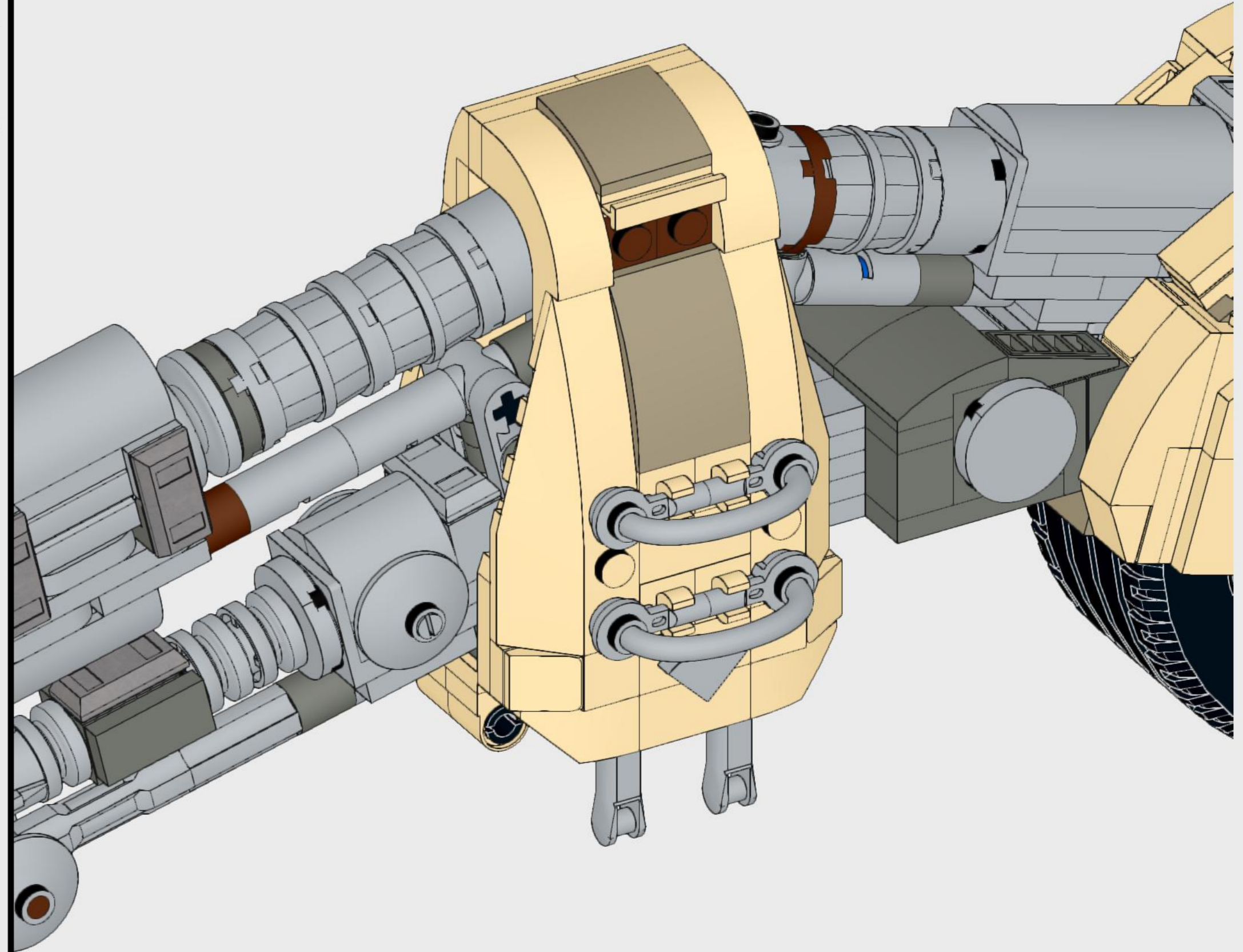


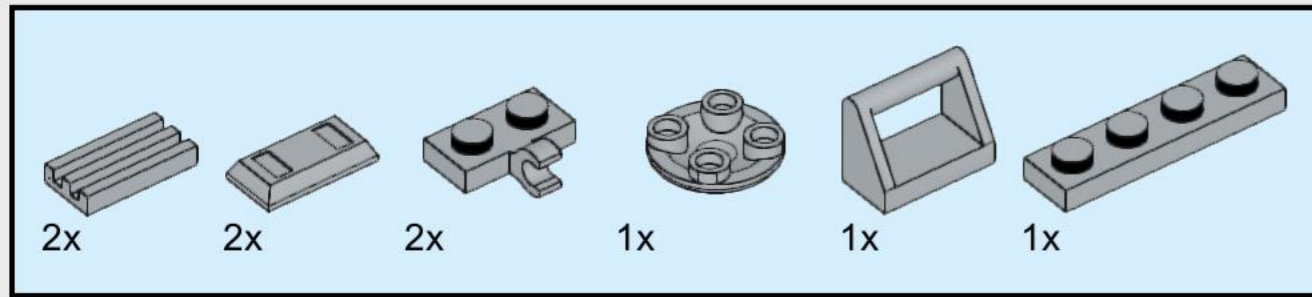
Press 5-long rigid hoses against the corners of a 3-long plate to crease/pinch the hose at a 90 degree angle. Then insert into hollow studs.



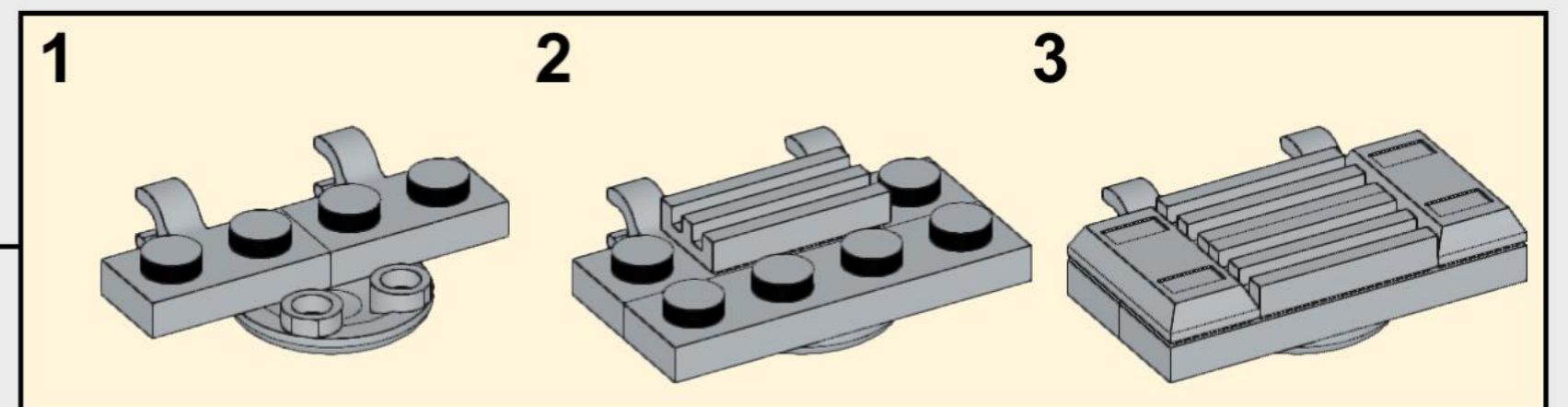
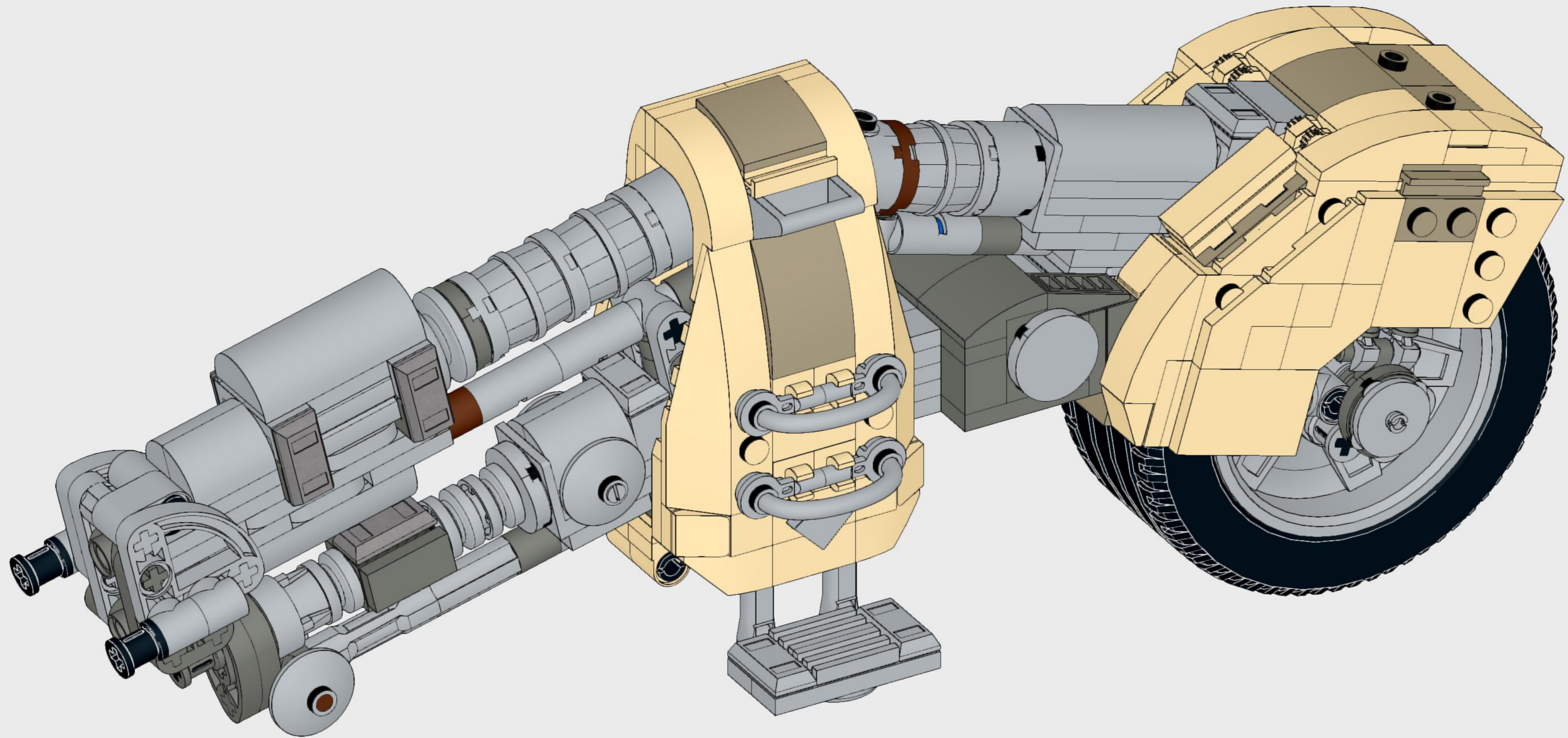
32

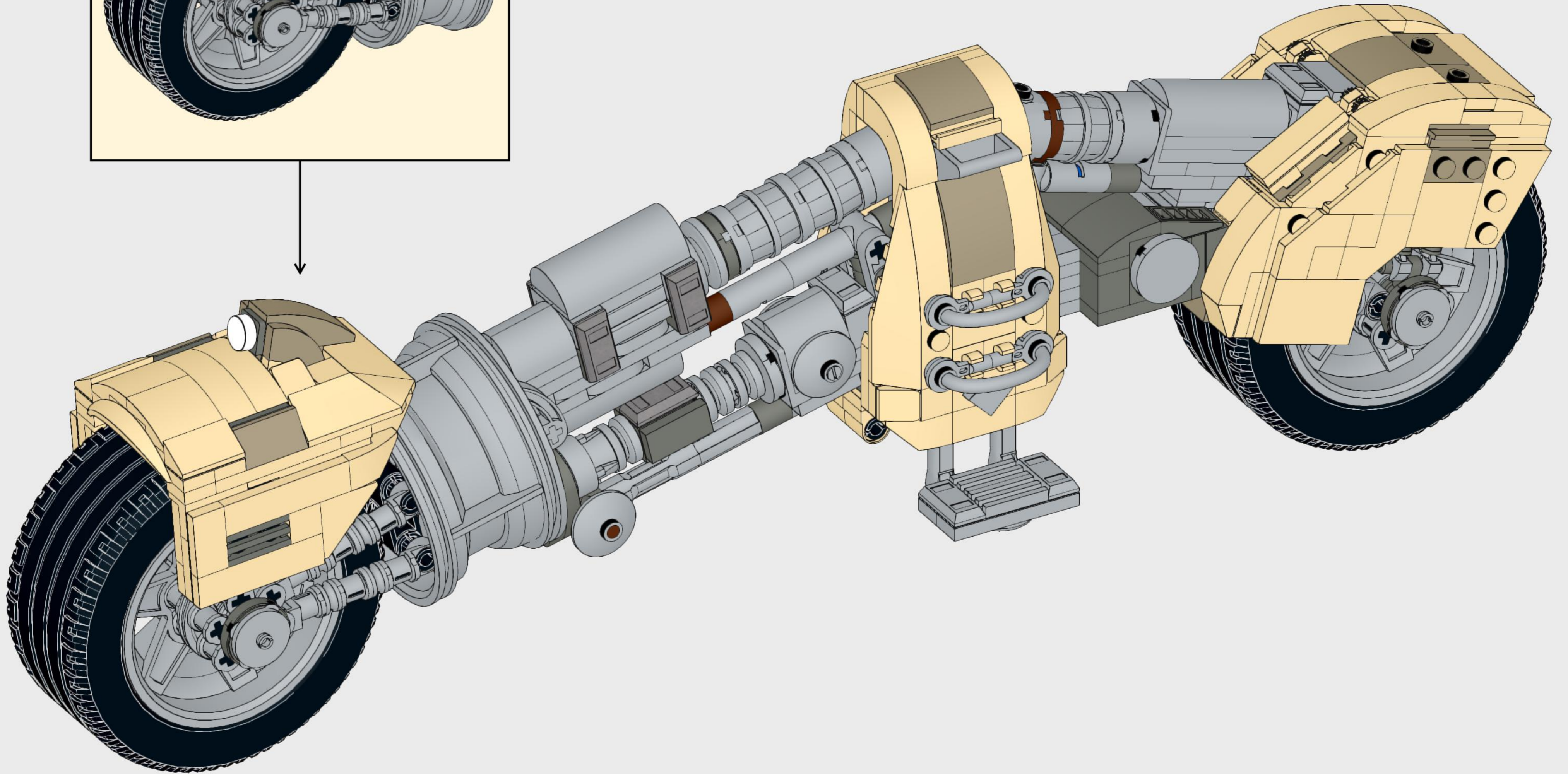
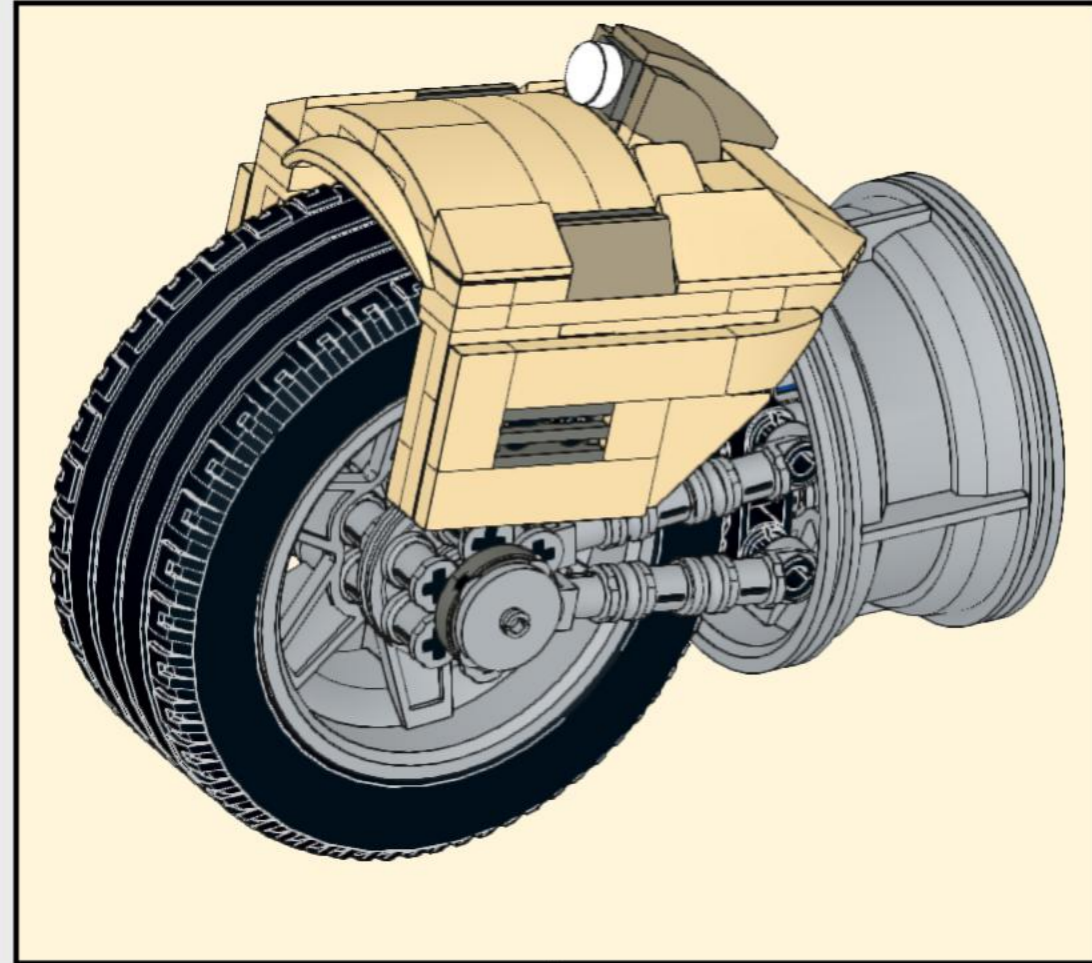
Note that this section will fit somewhat tight when placed, due to the grey arms putting pressure on the arched bricks.



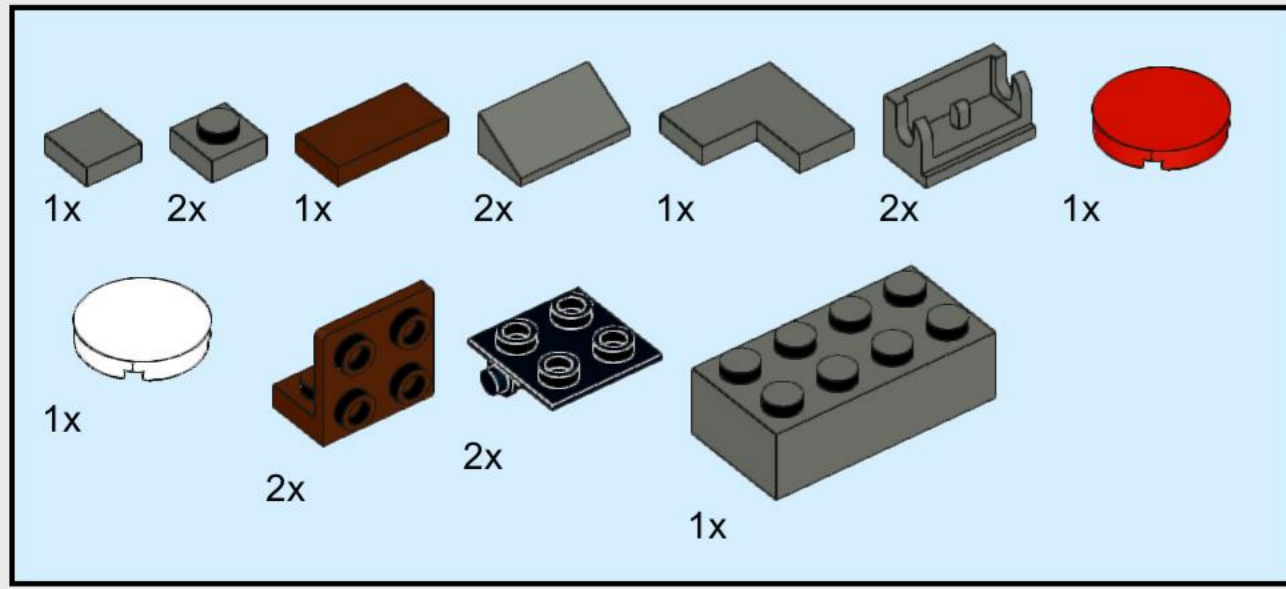


33

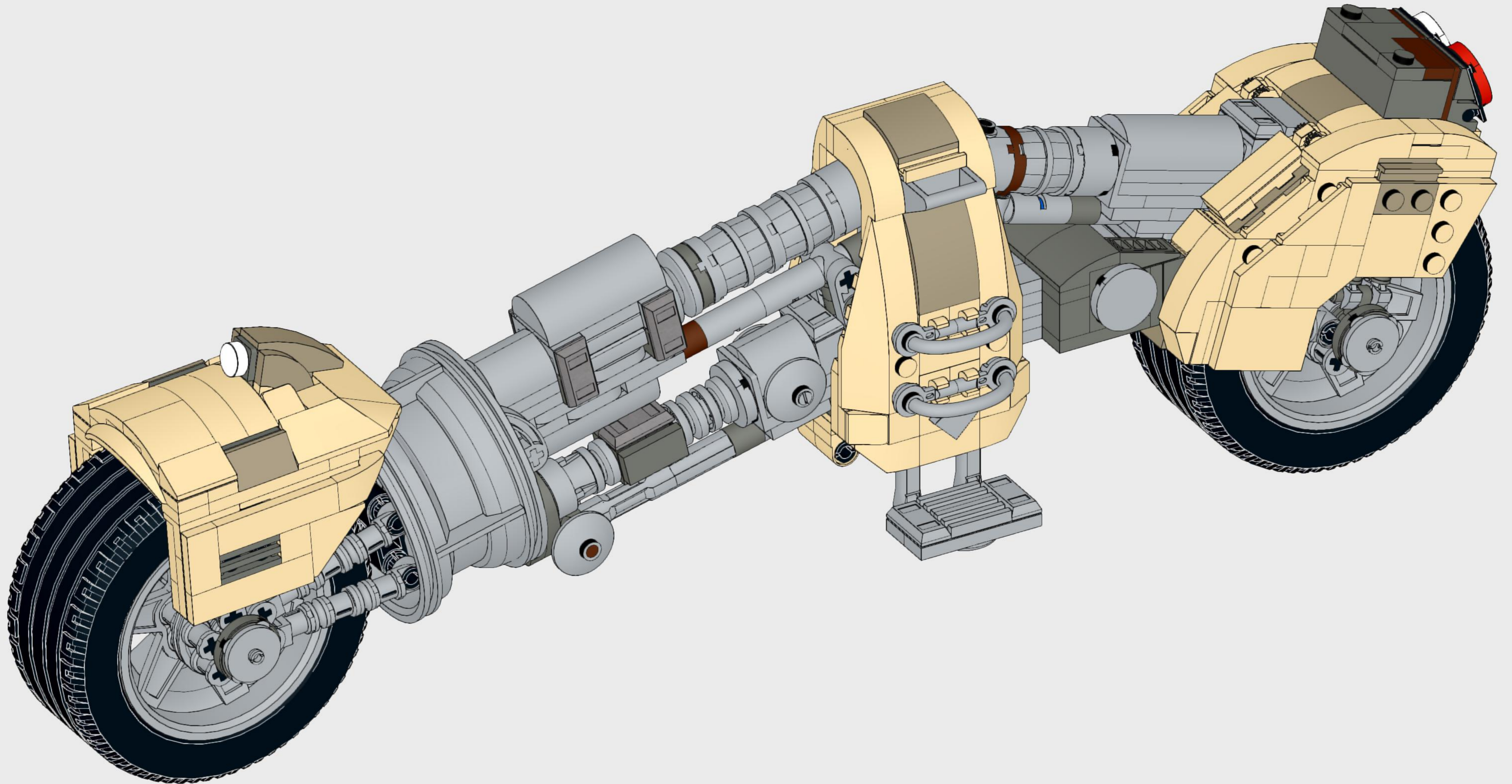
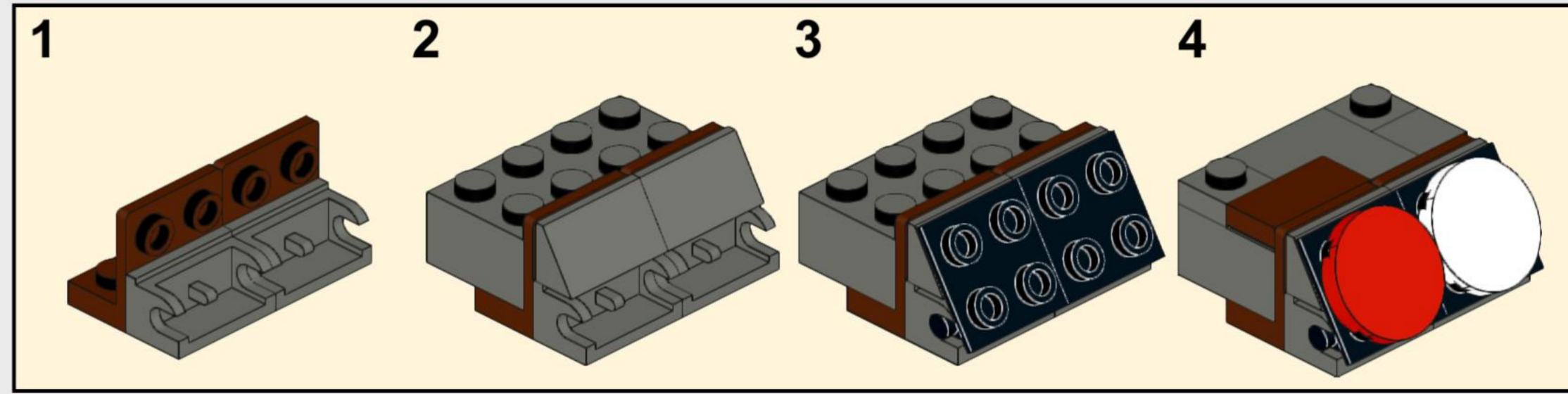


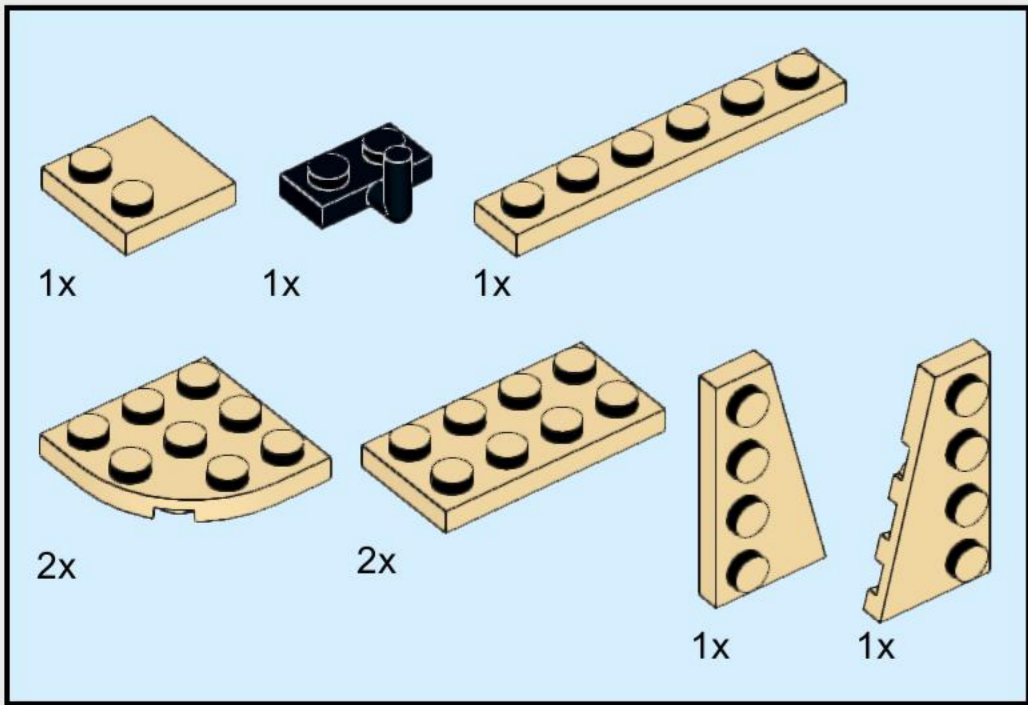
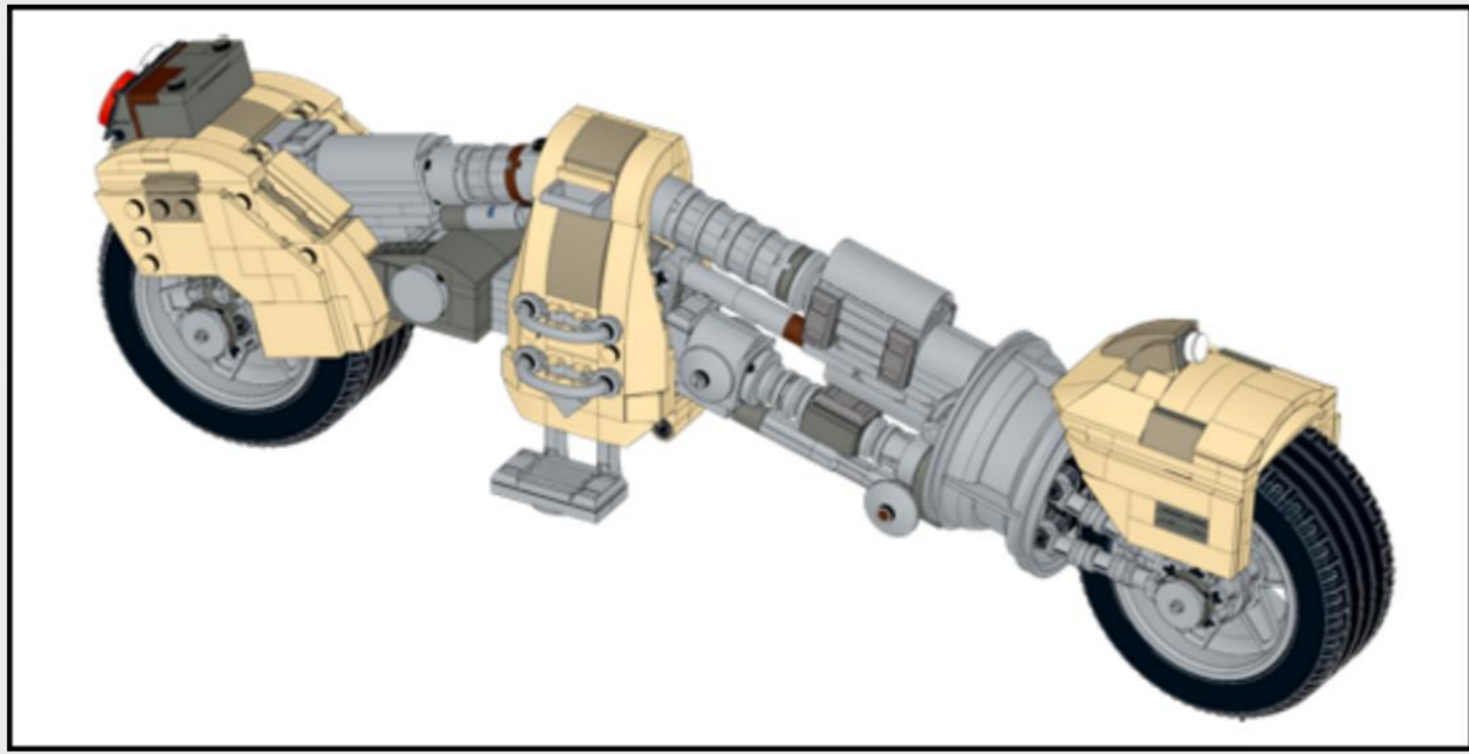




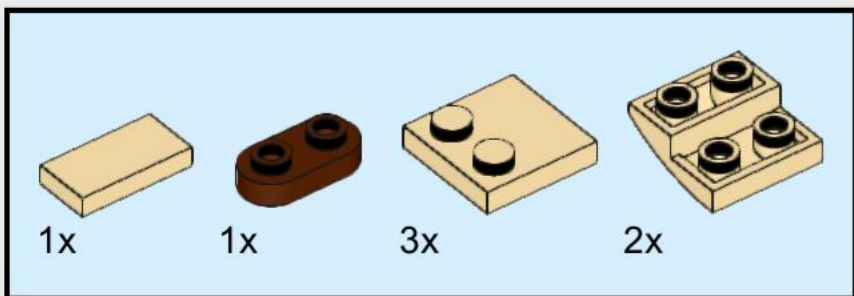


35

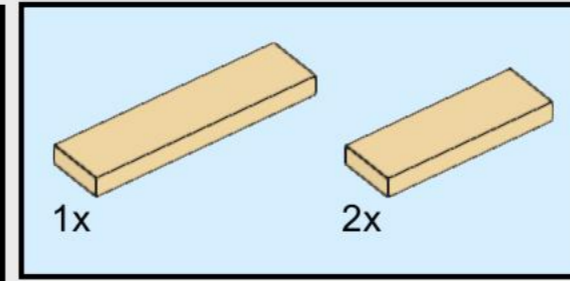
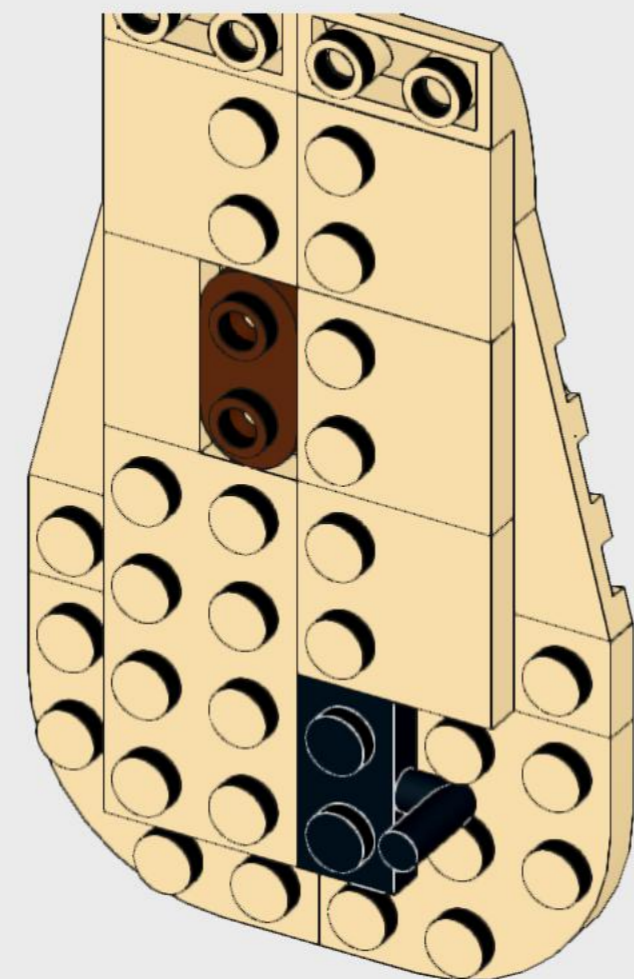
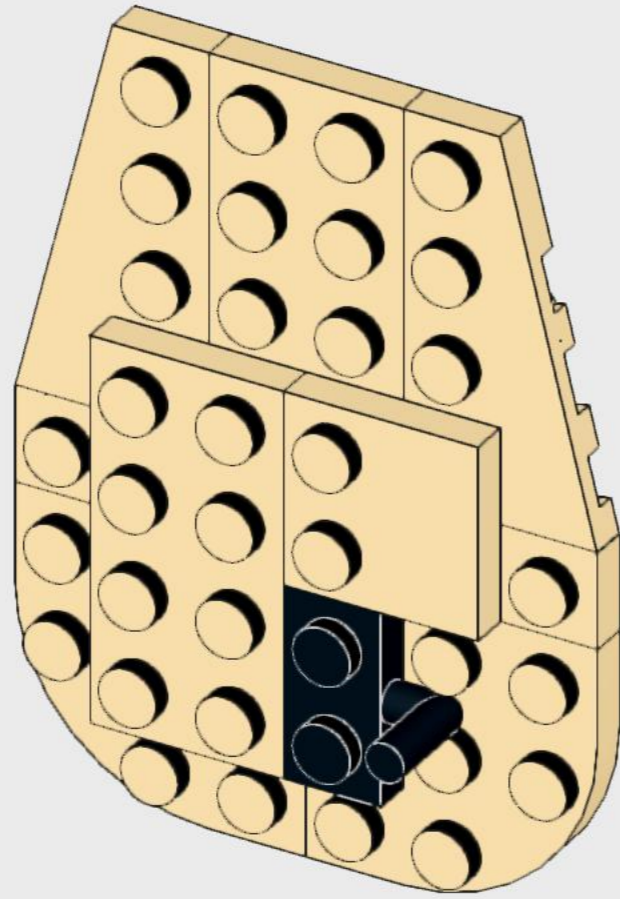




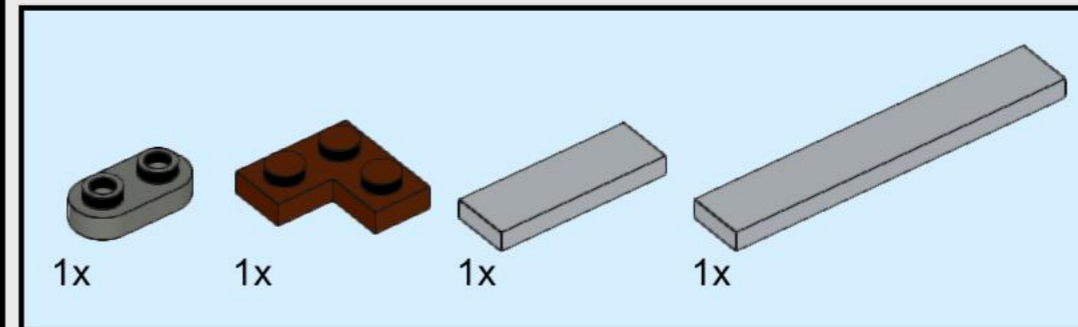
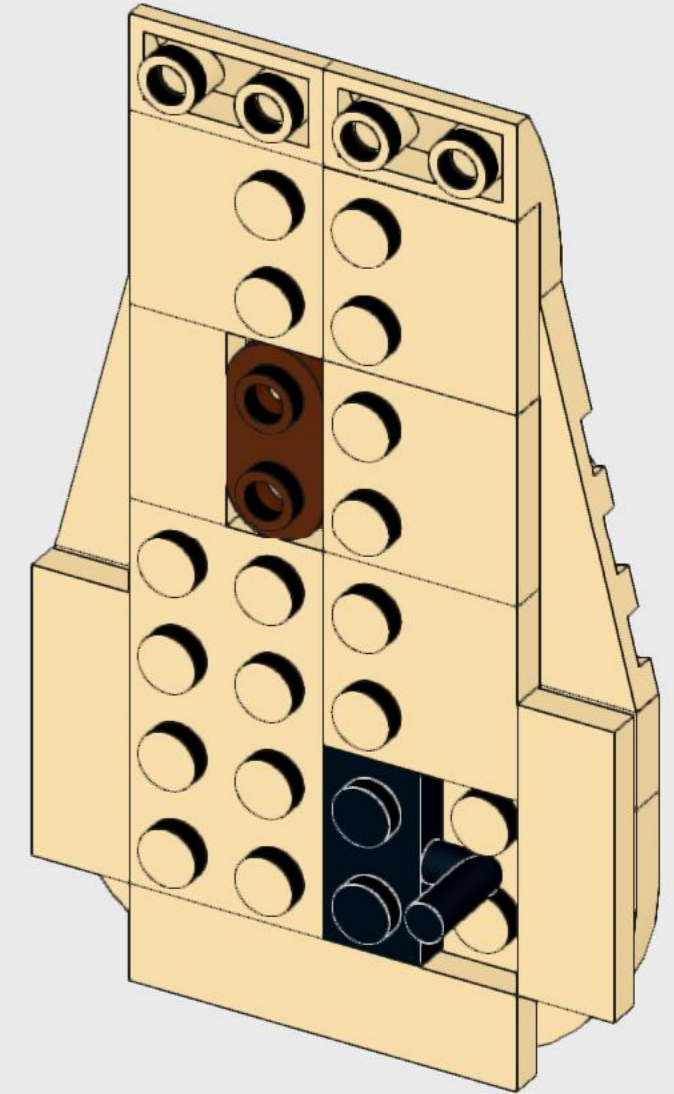
1



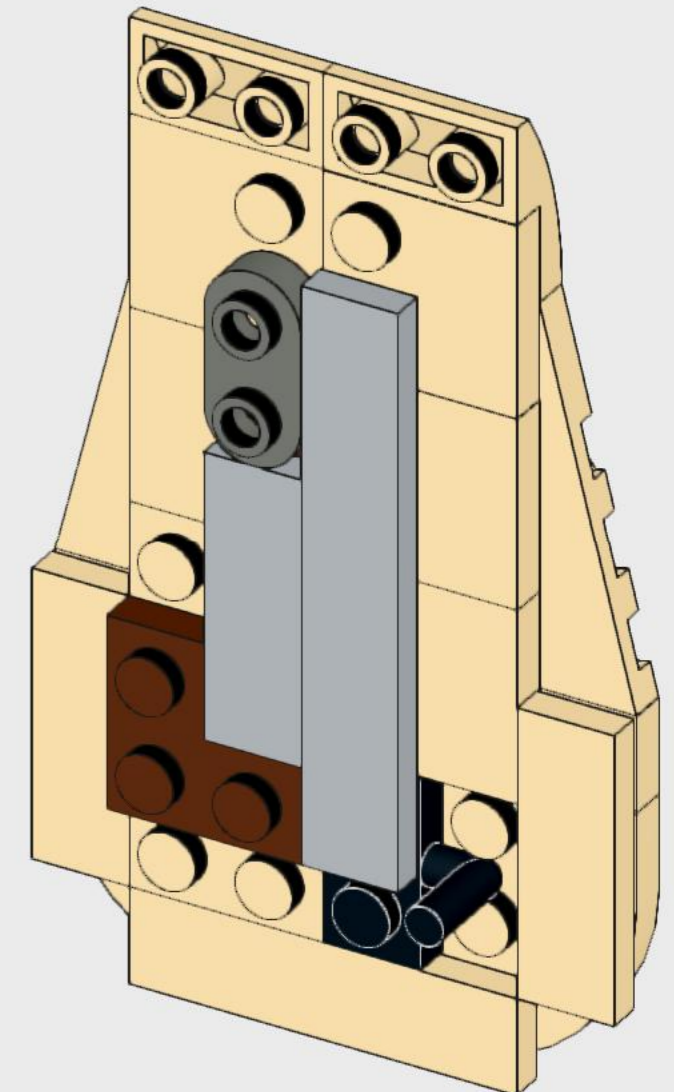
2

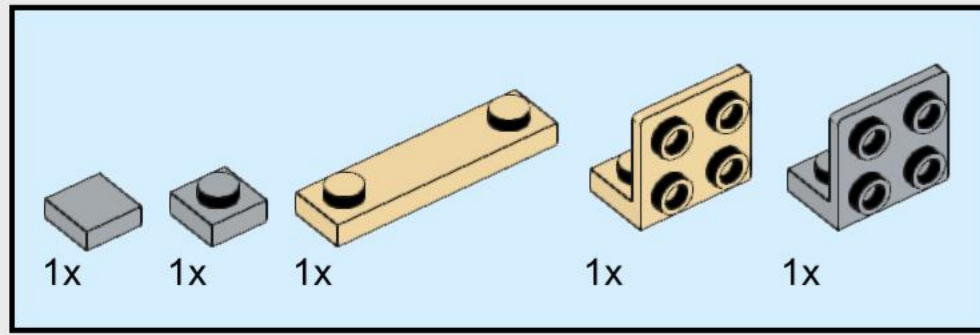


3

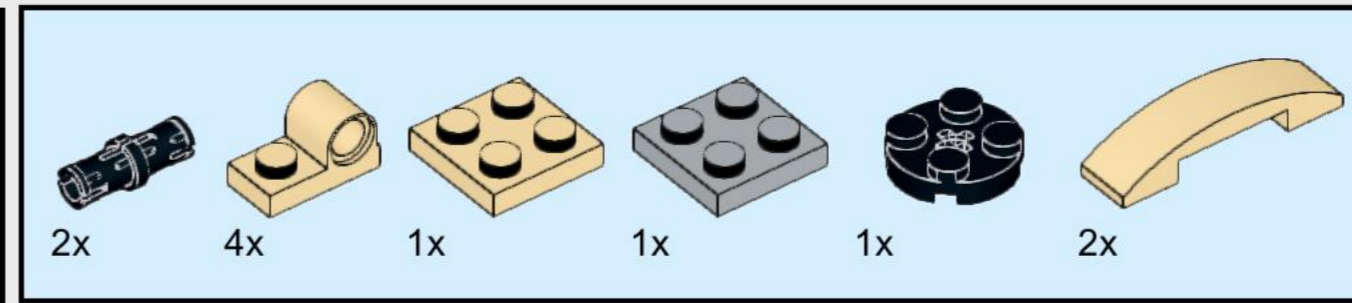
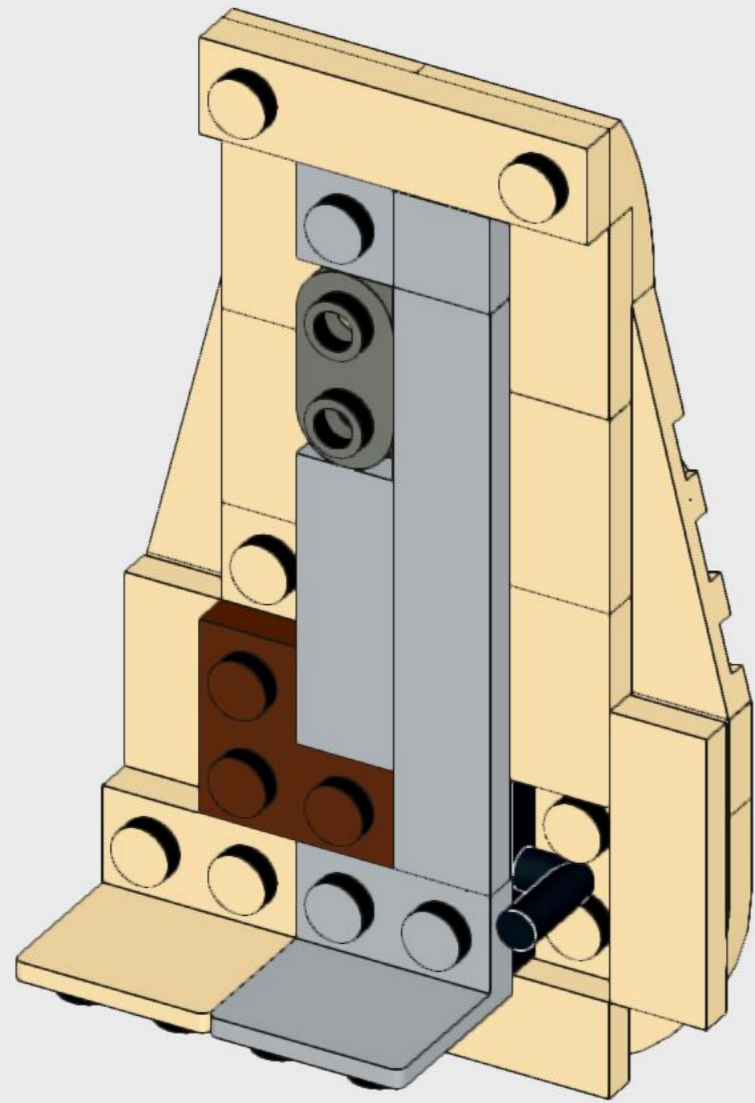


4

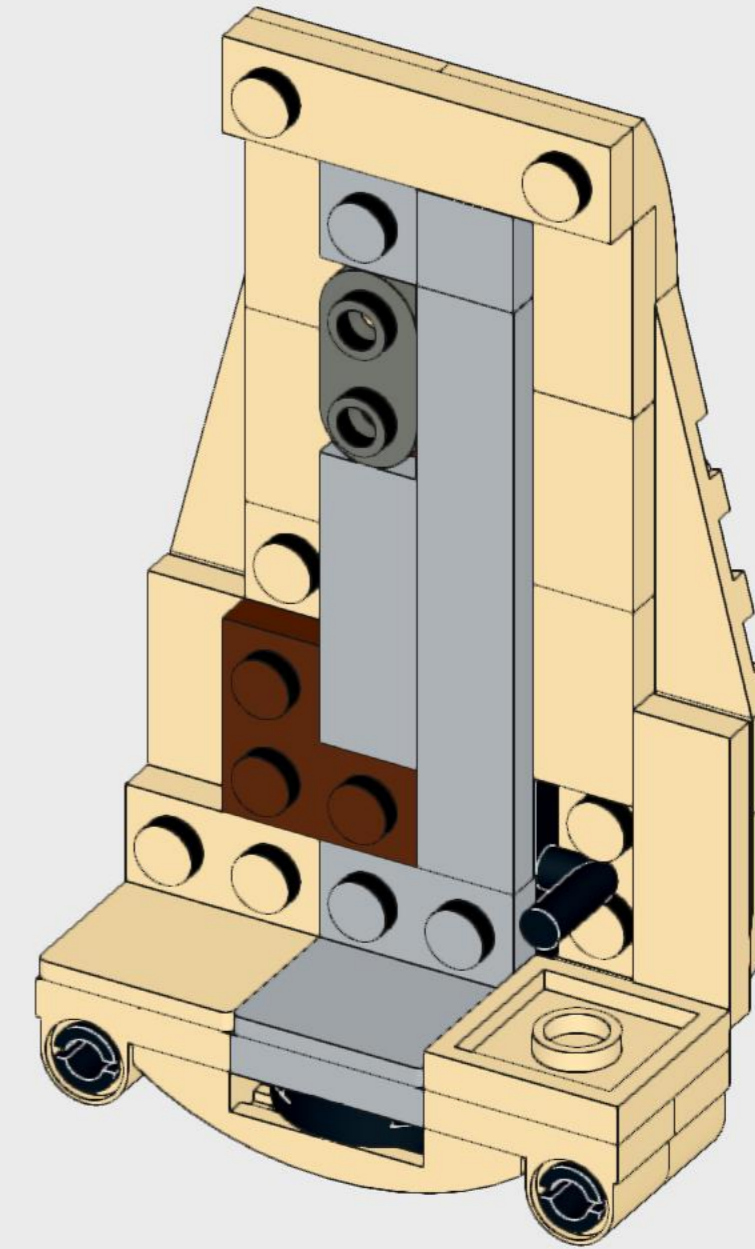
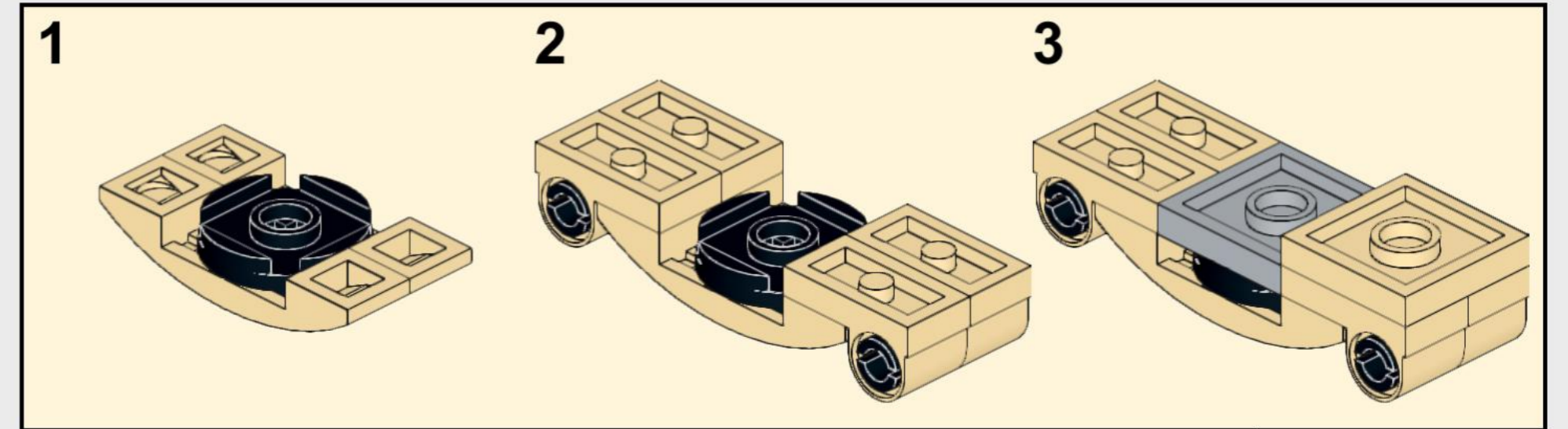


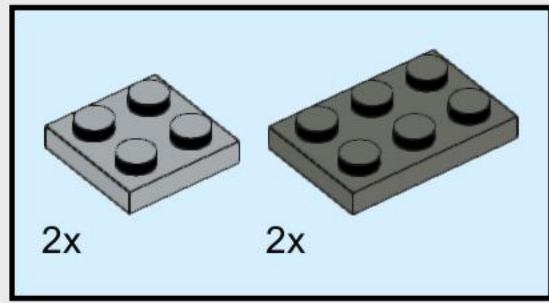


5

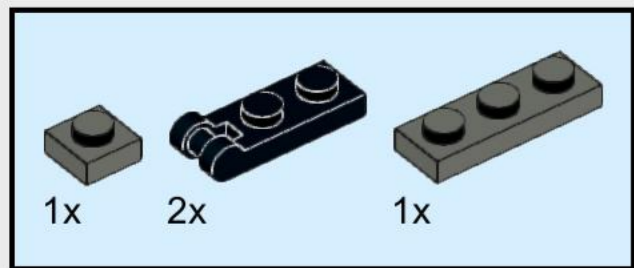
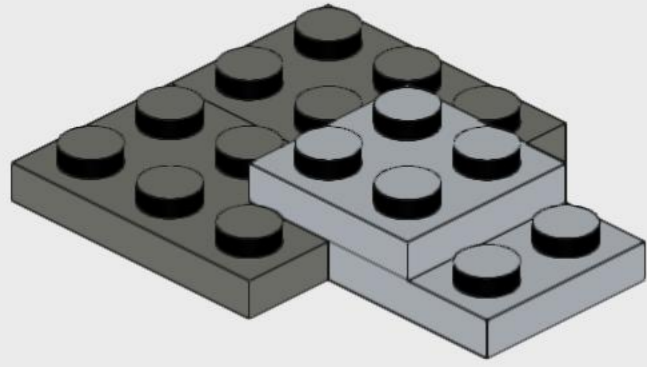


6

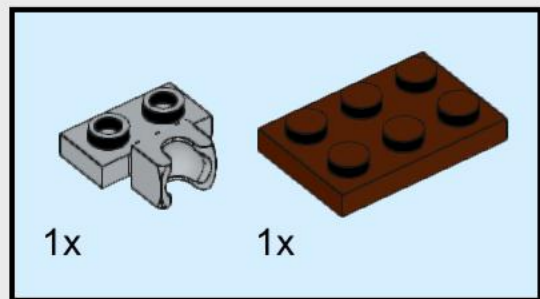
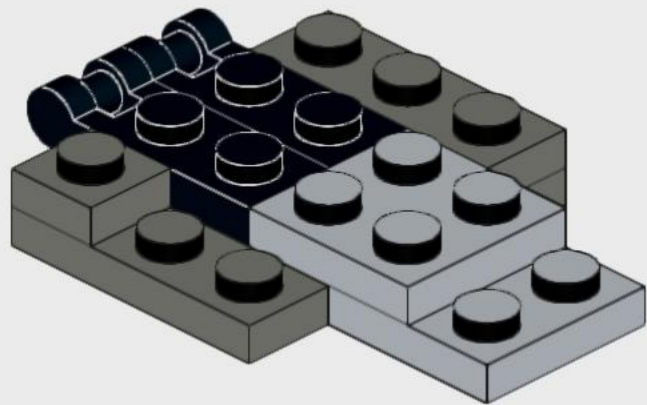




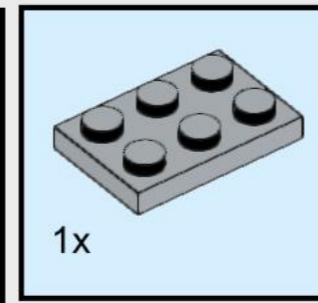
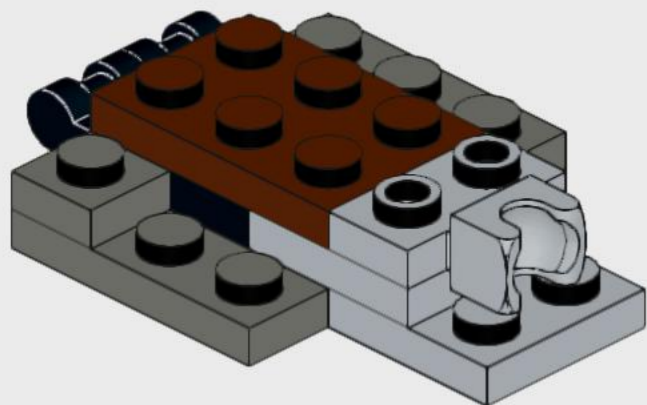
7



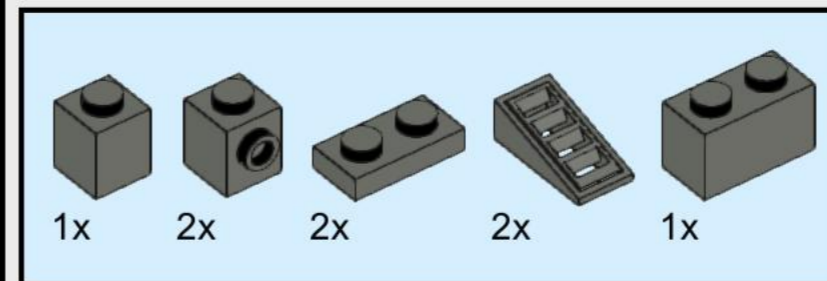
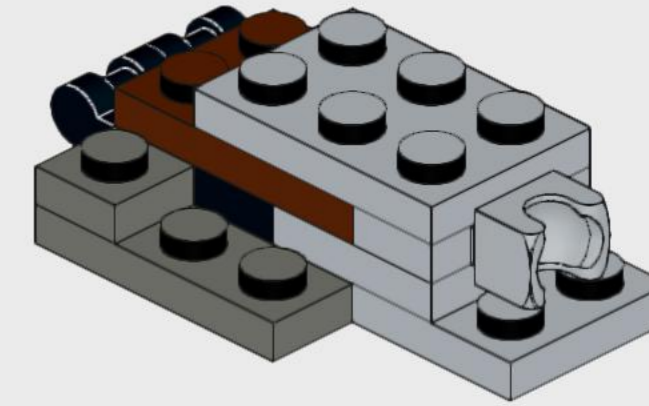
8



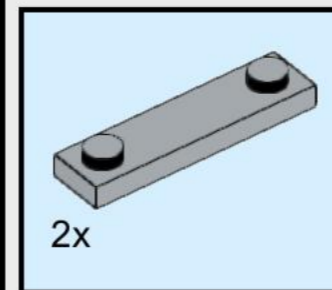
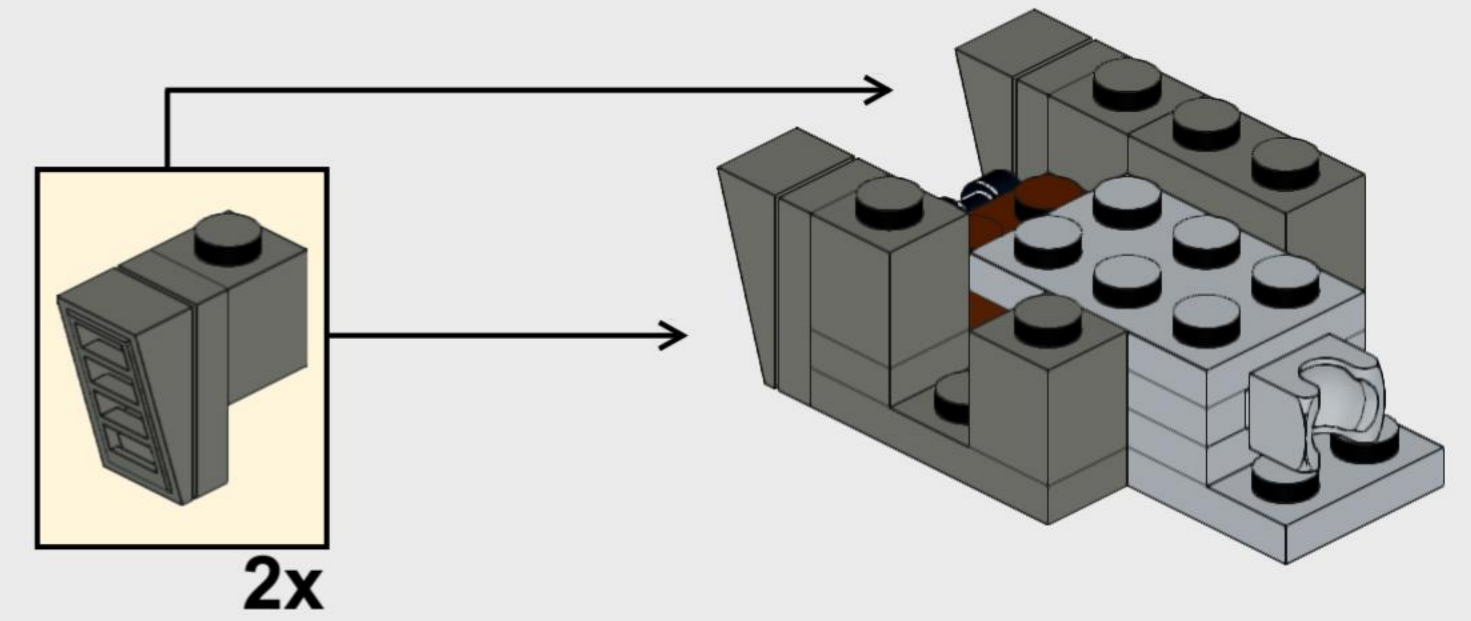
9



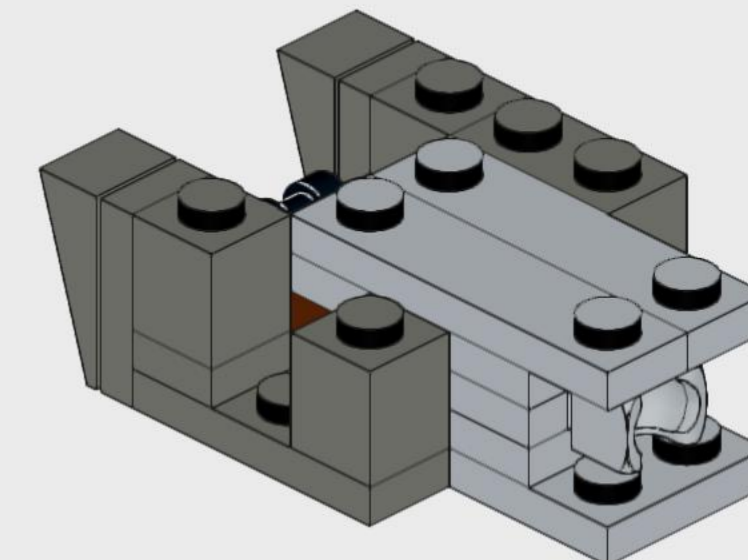
10

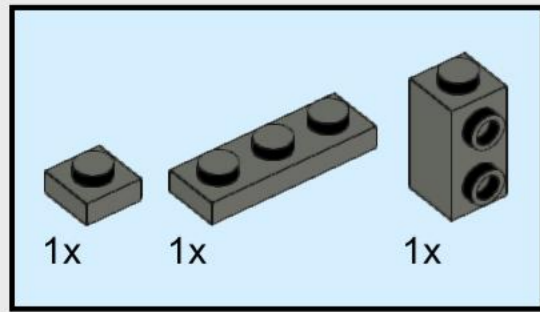


11

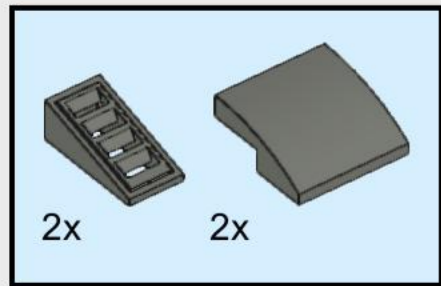
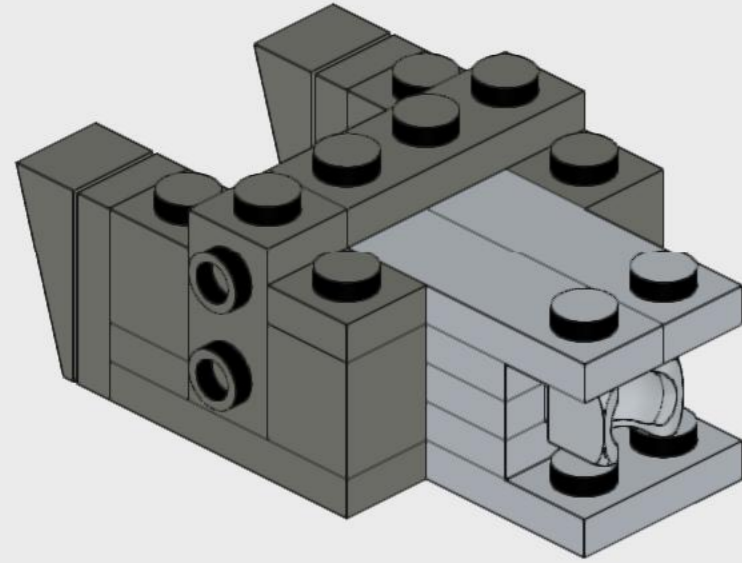


12

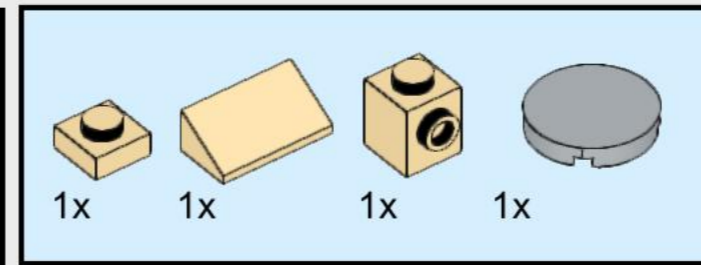
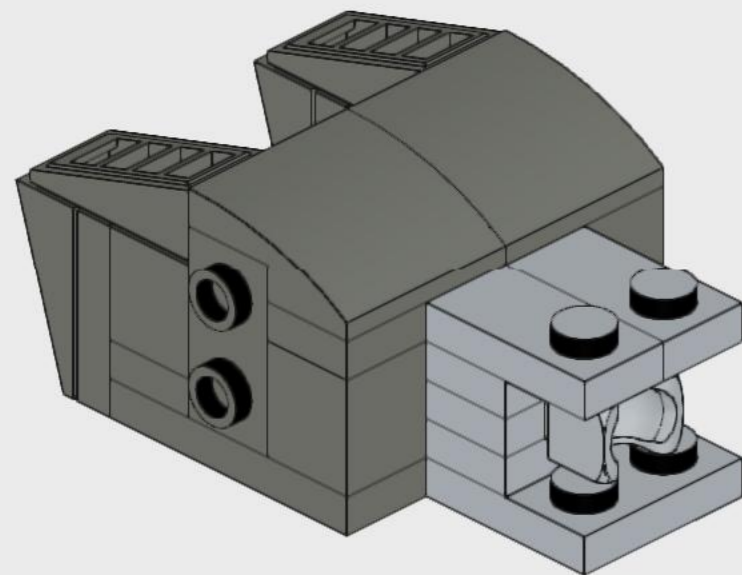




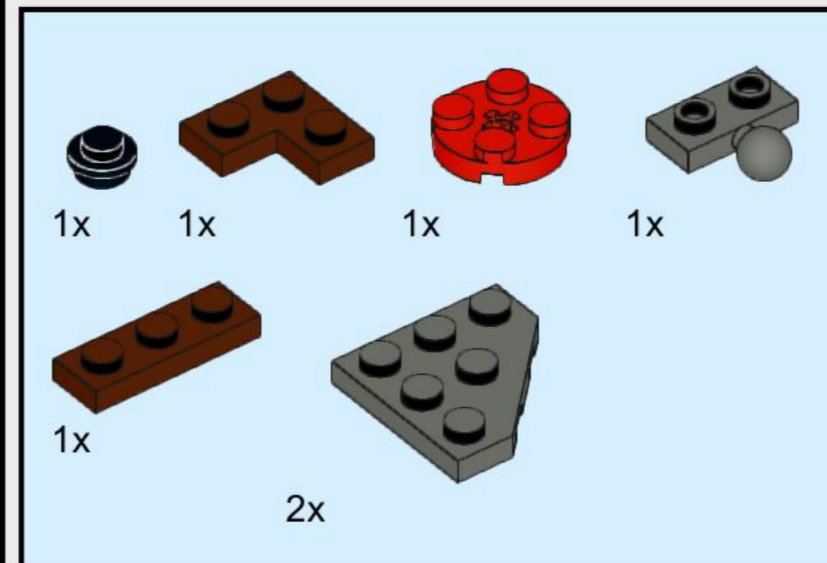
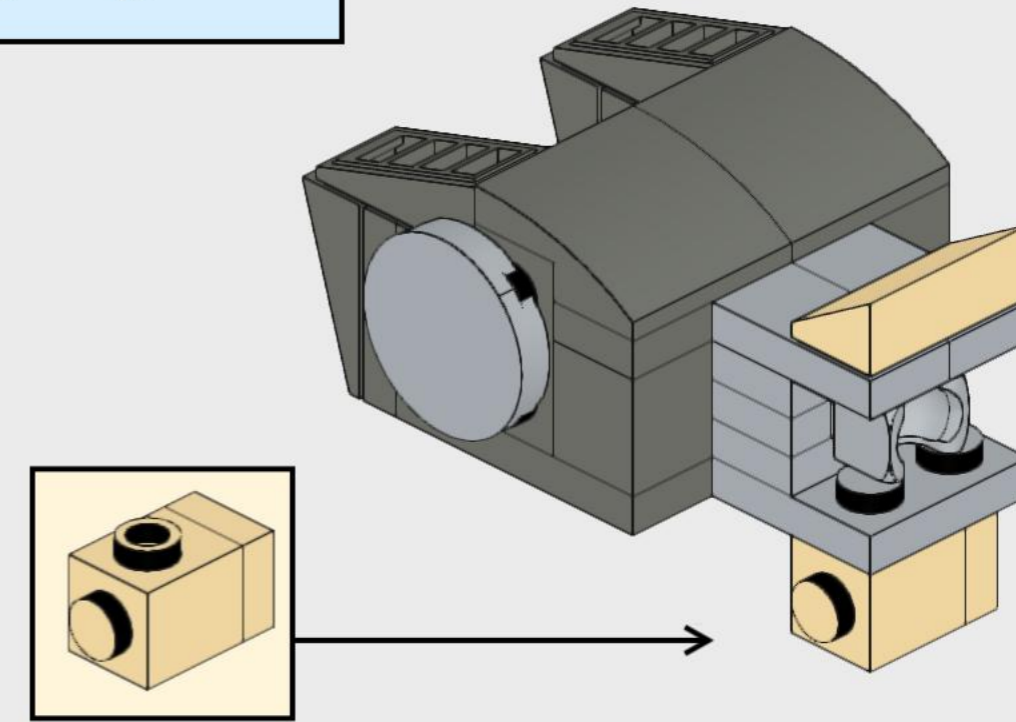
13



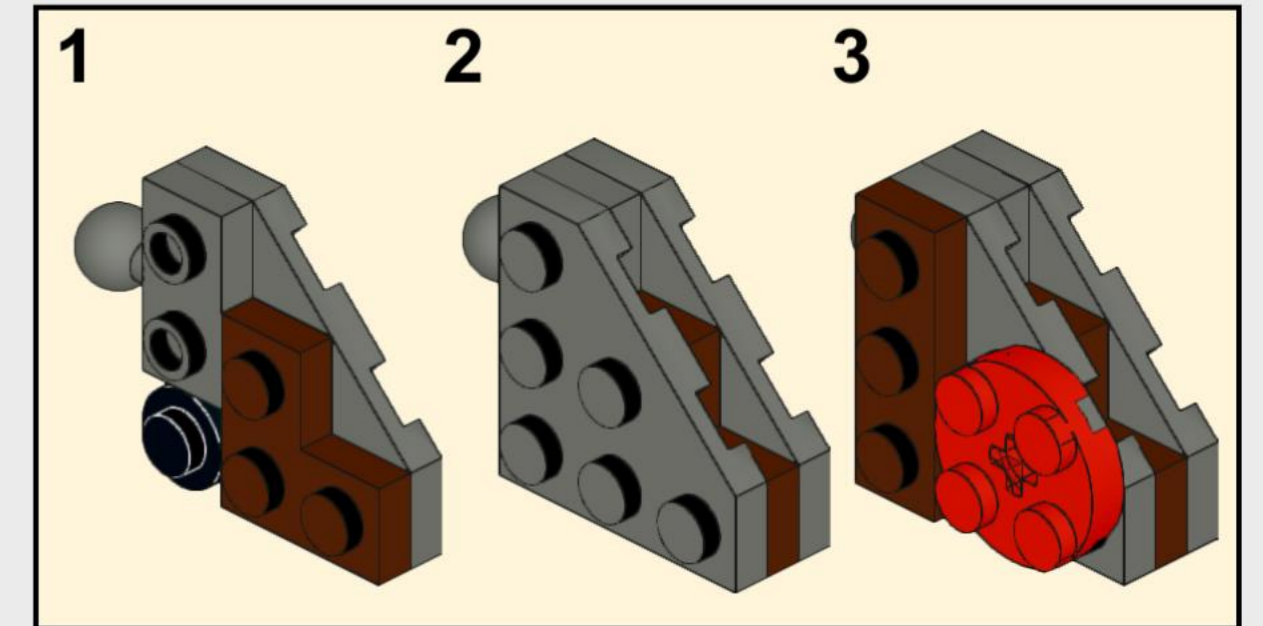
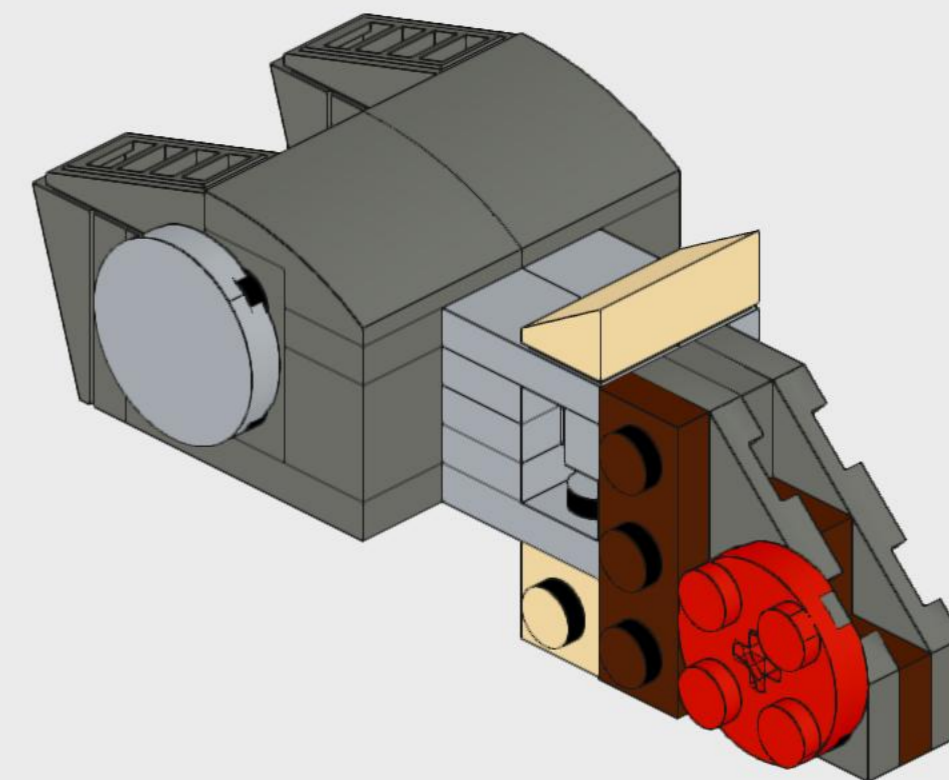
14



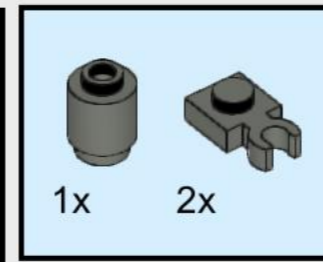
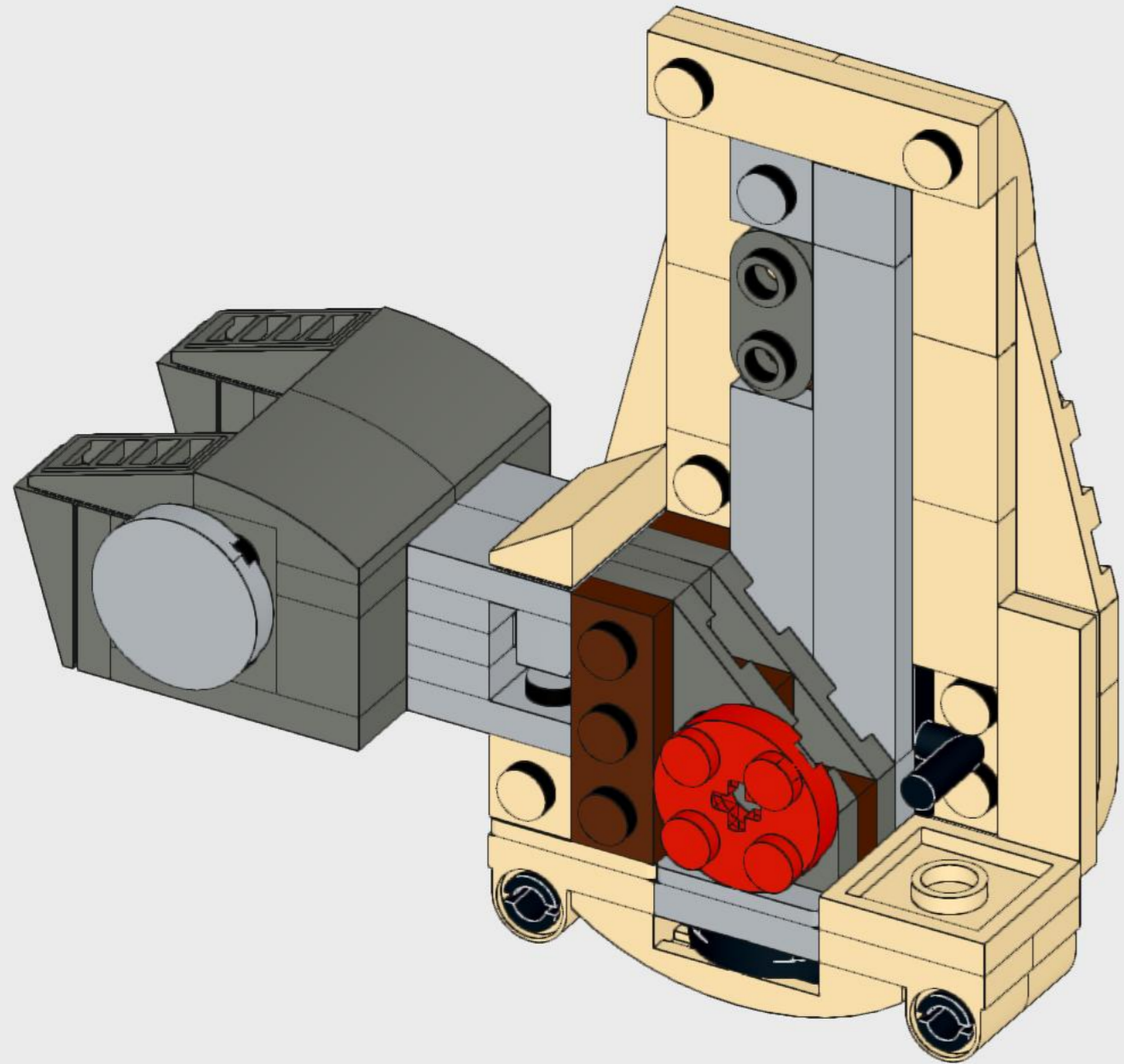
15



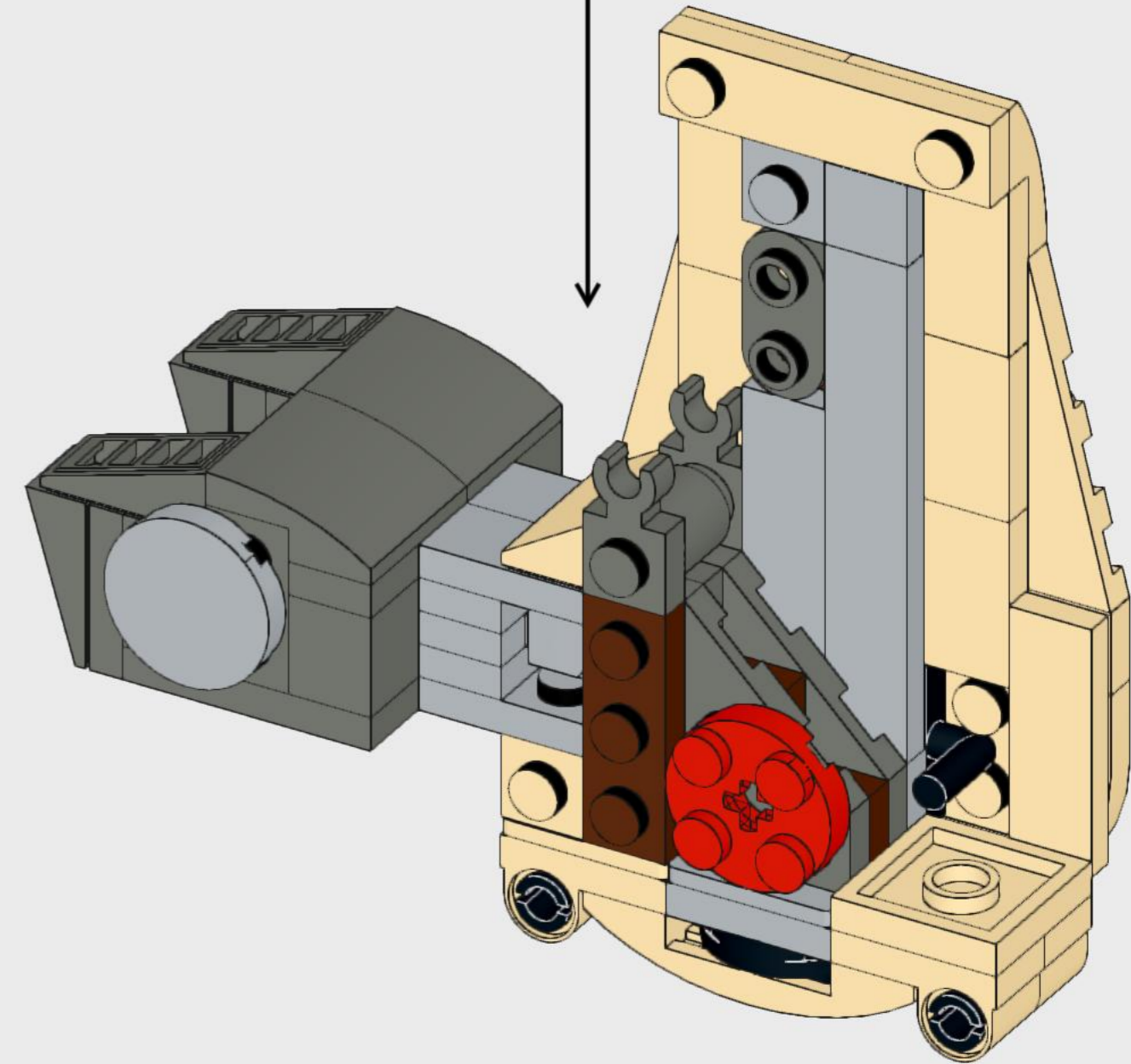
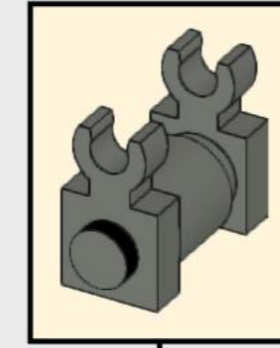
16



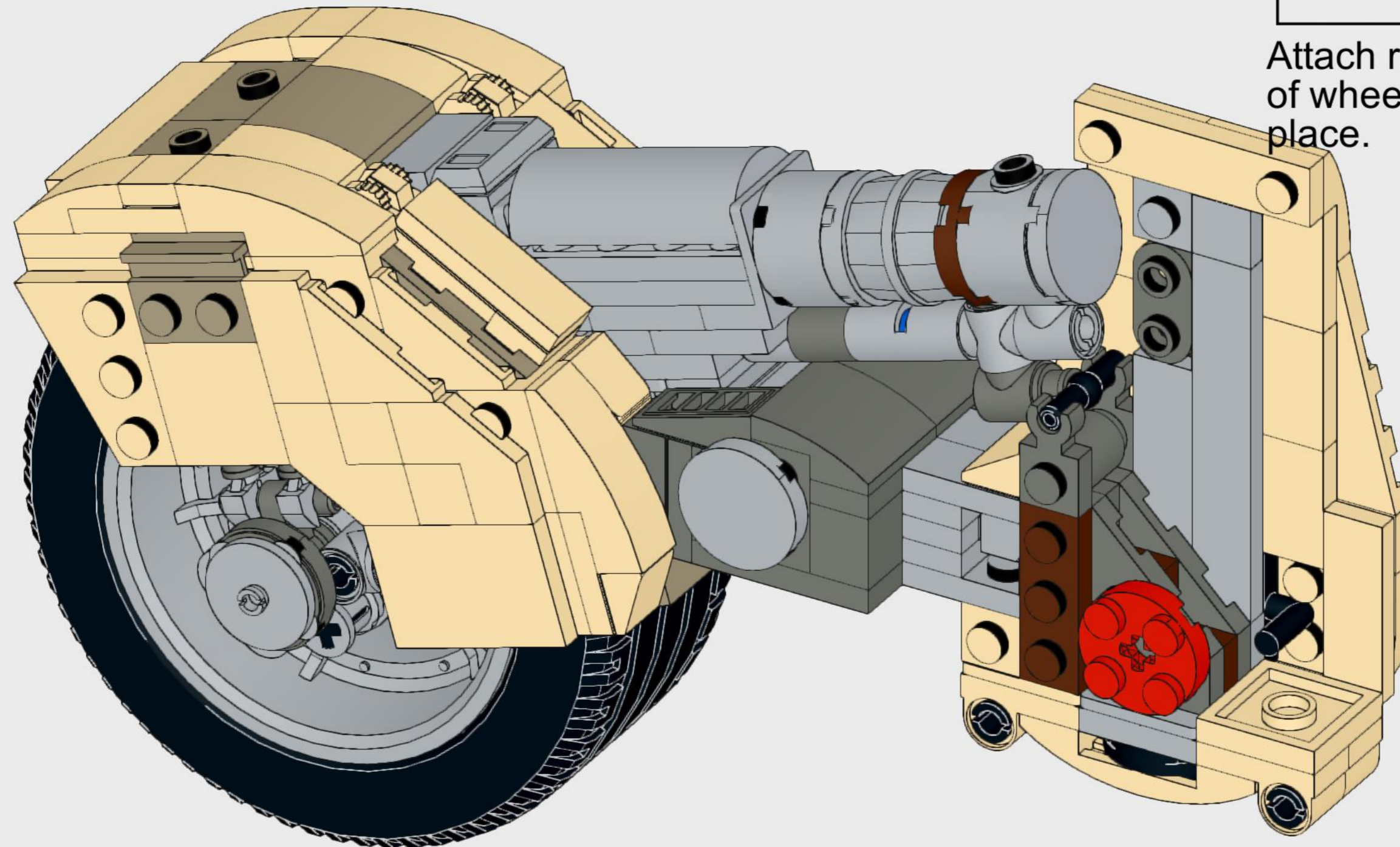
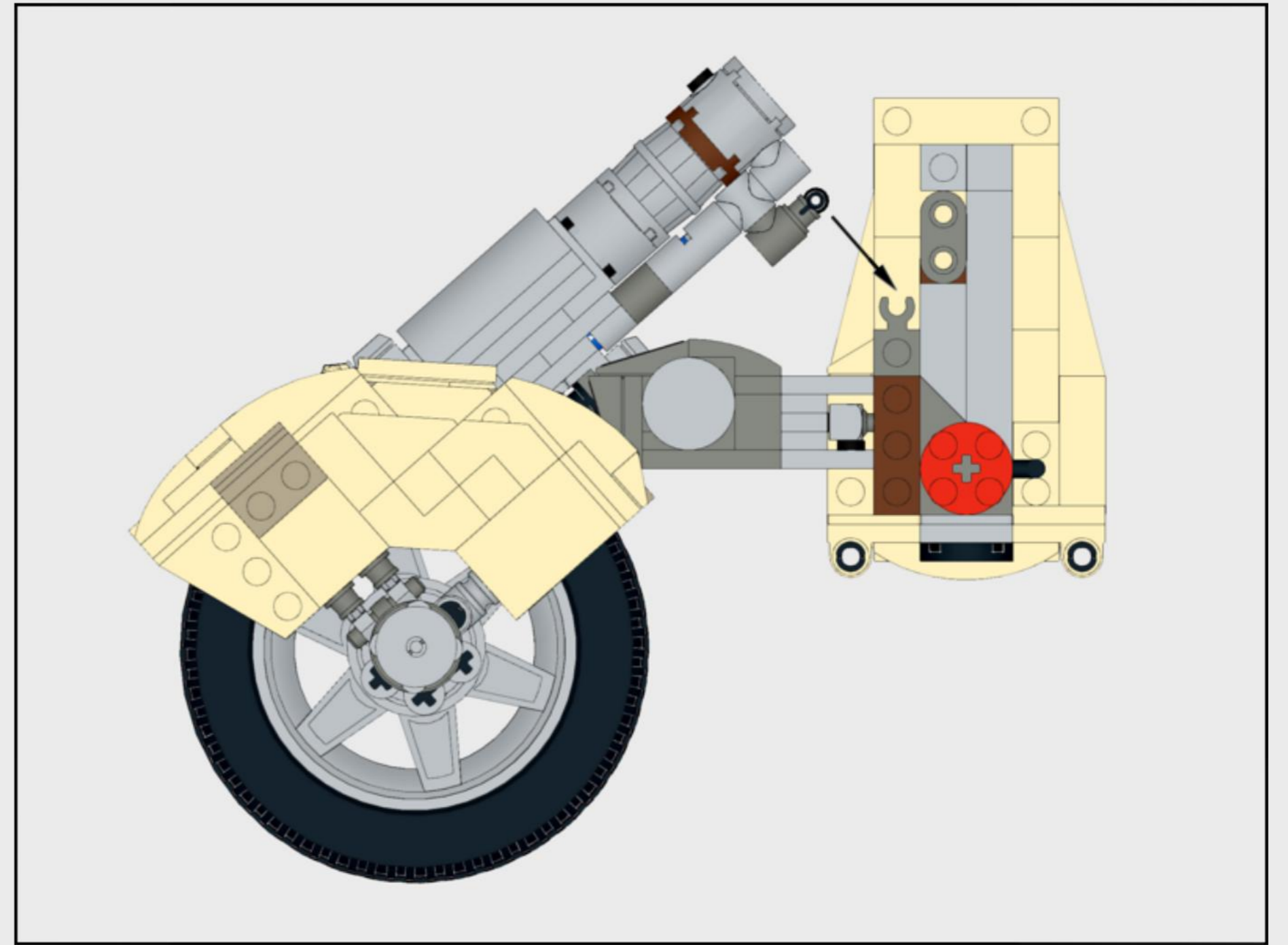
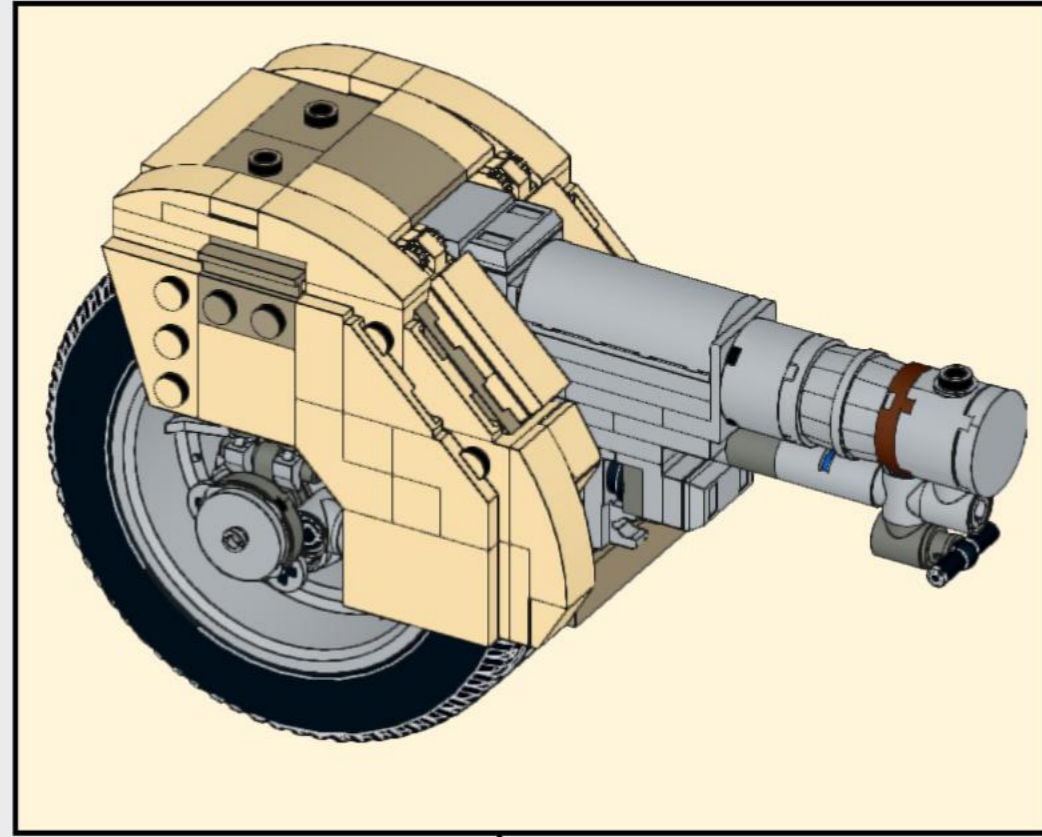
17



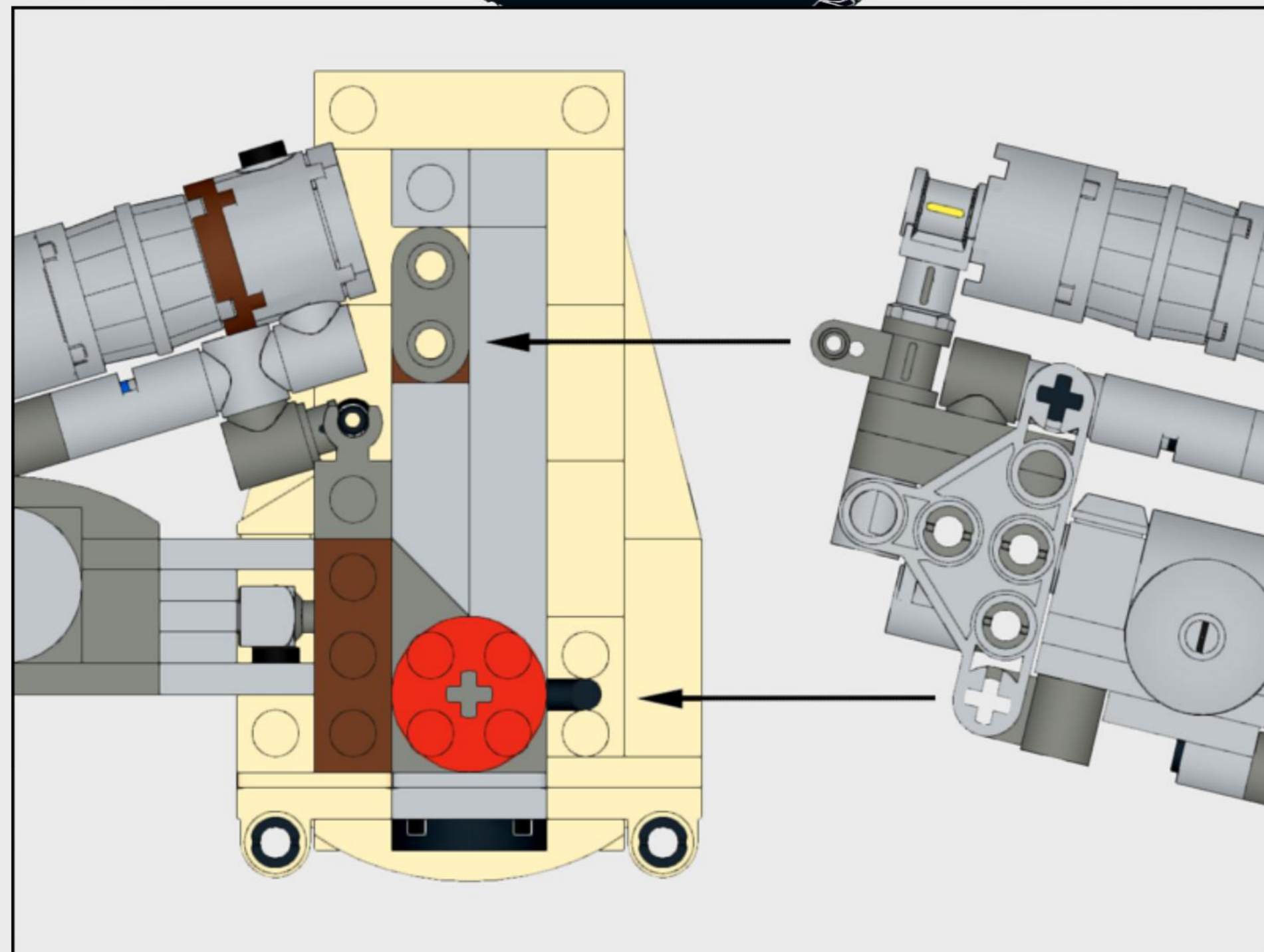
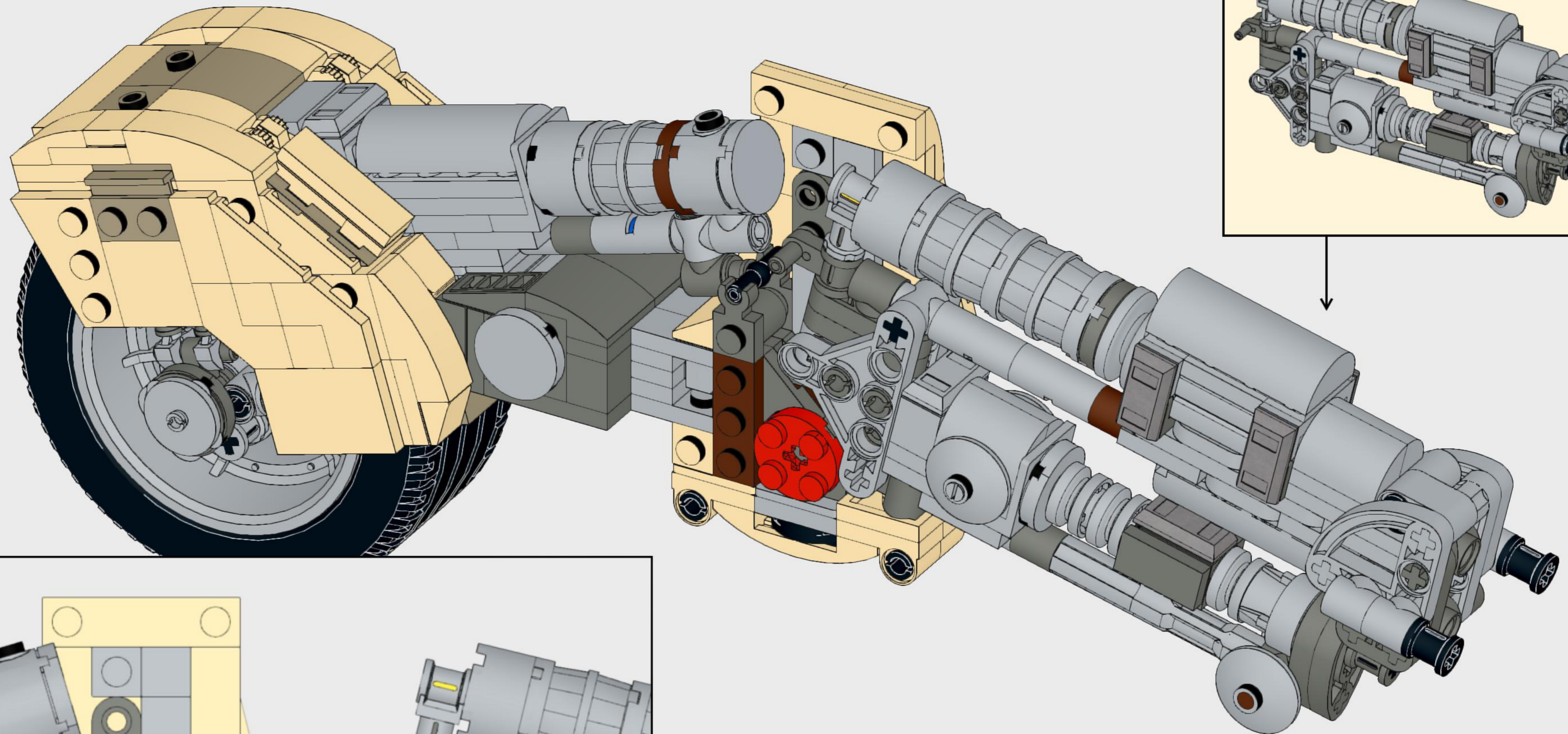
18



19

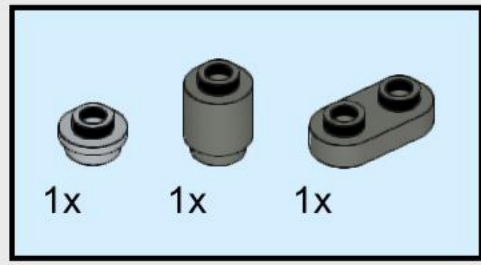


Attach rear wheel by first snapping bar and clips together at base of wheel. Then rotate the top down to clip the black bar into place.

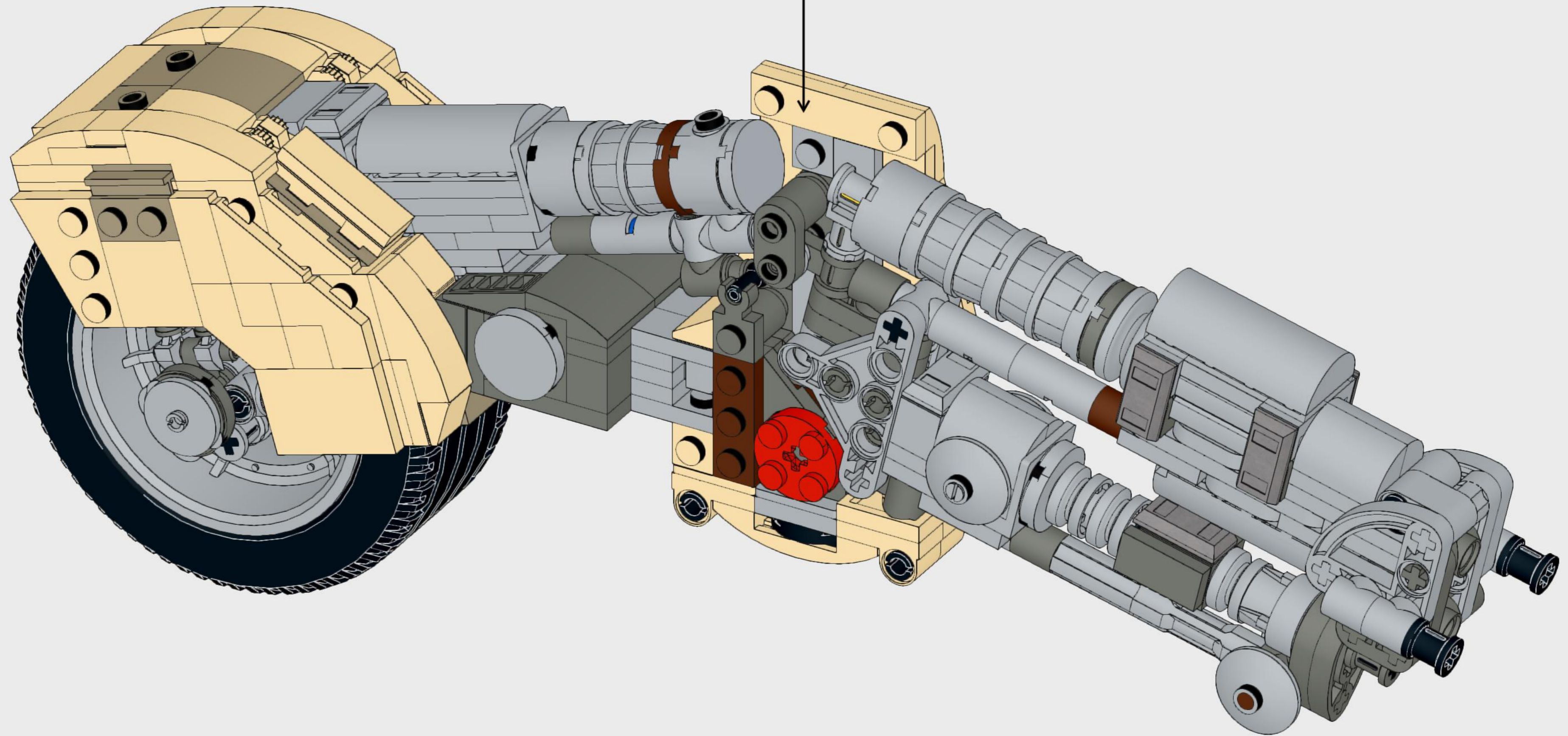
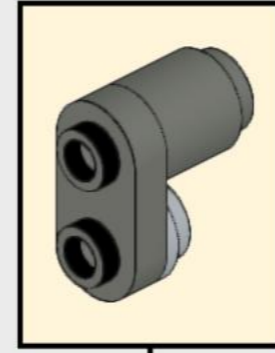


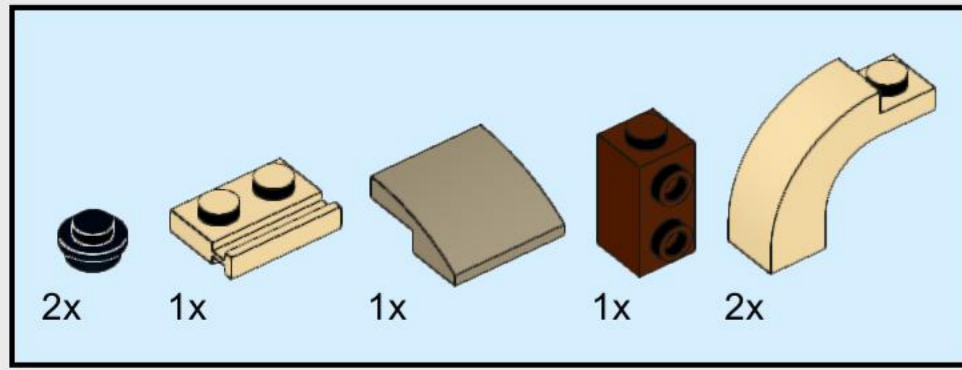
Slide bars into corresponding holes as shown.



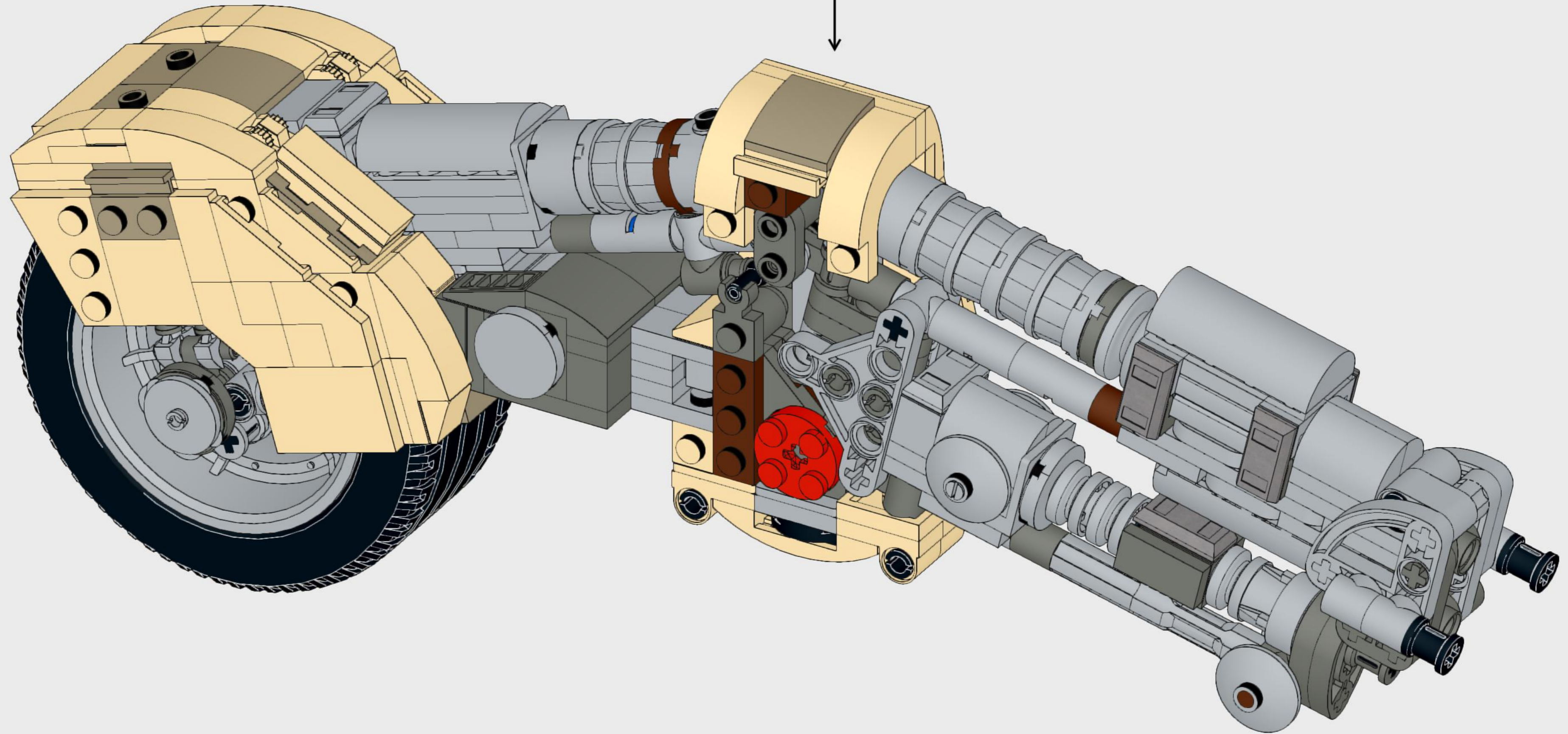
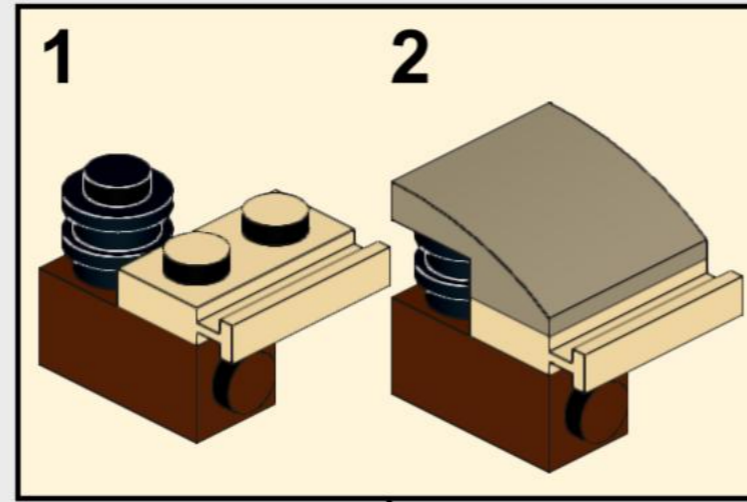


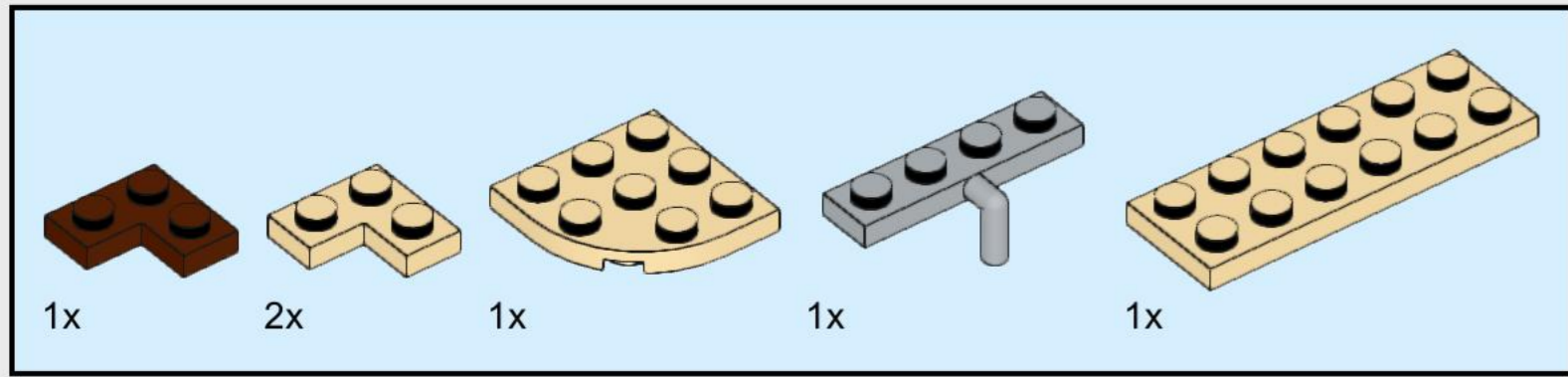
21



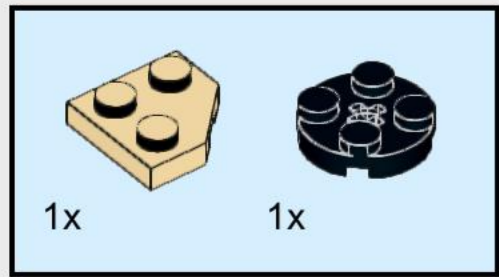
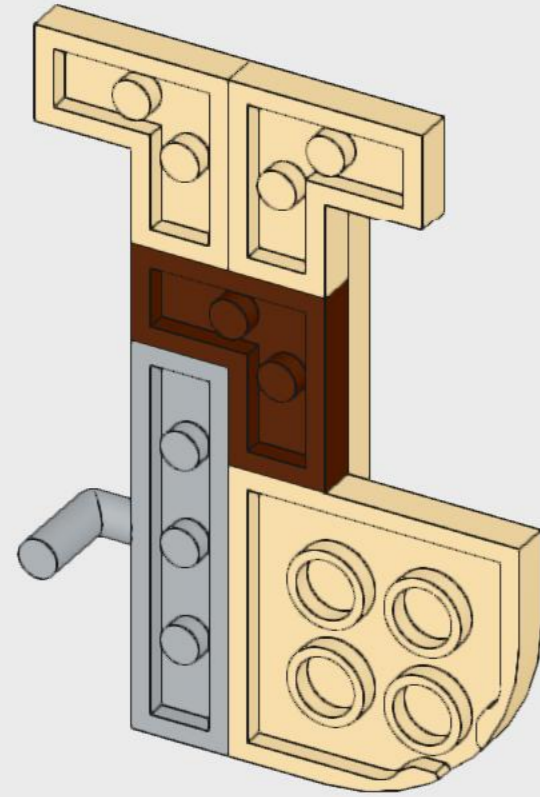


22

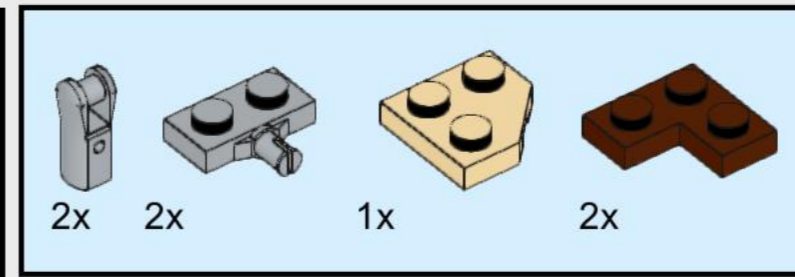
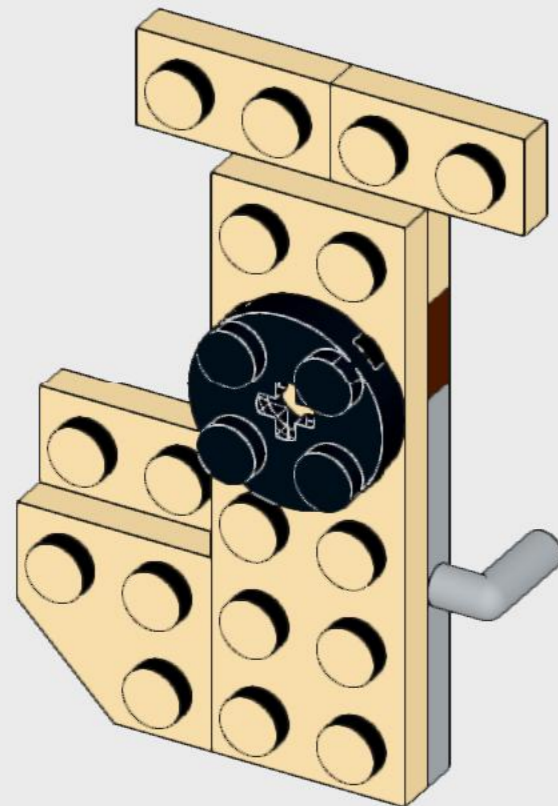




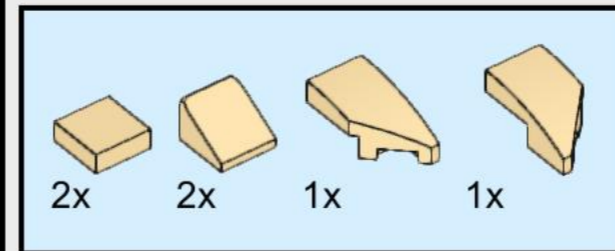
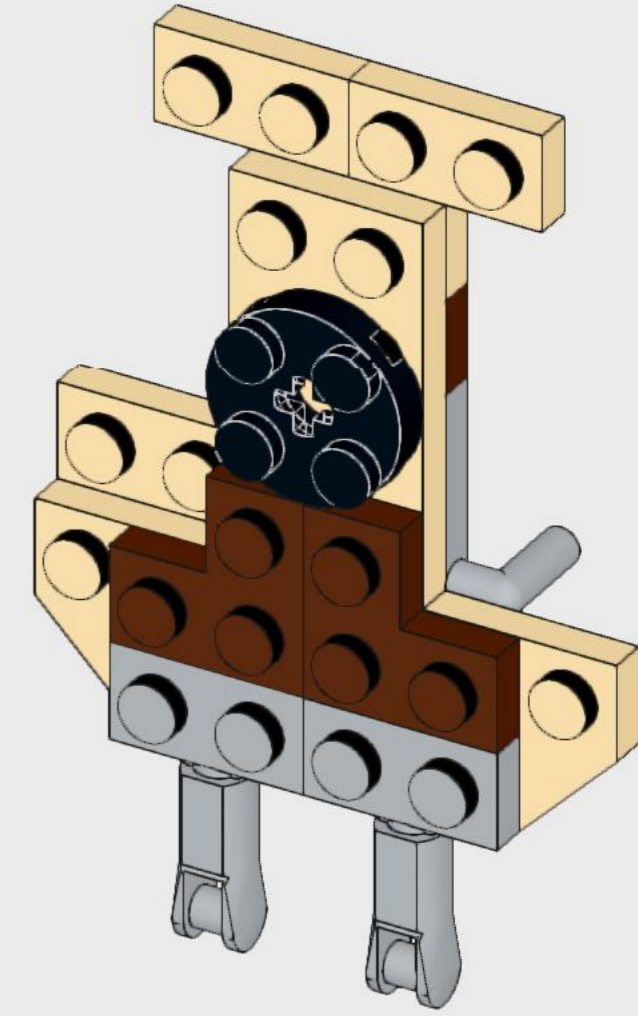
23



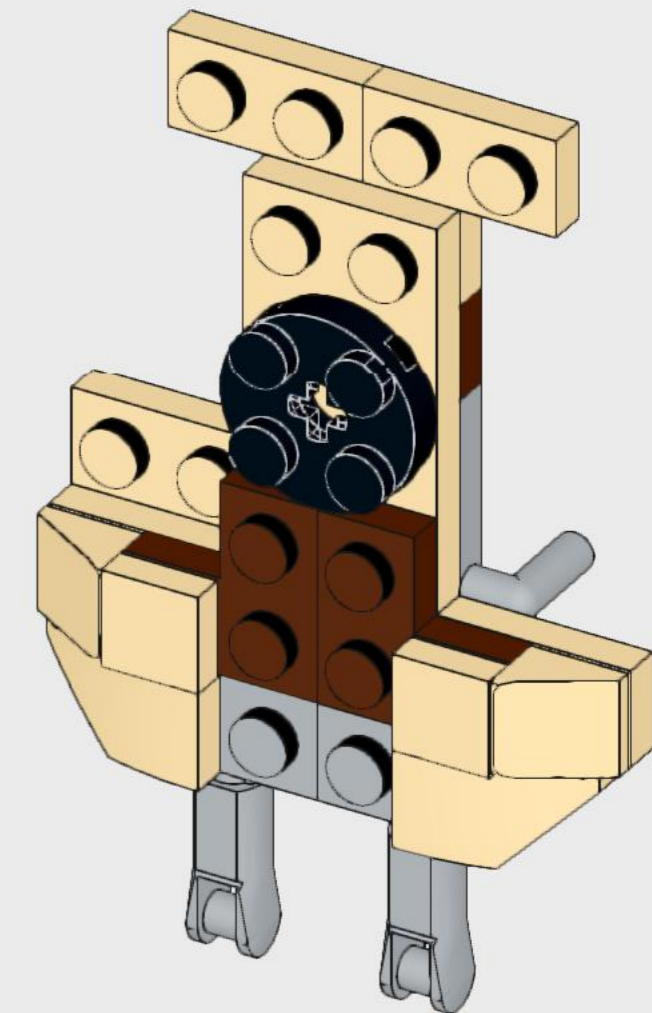
24 

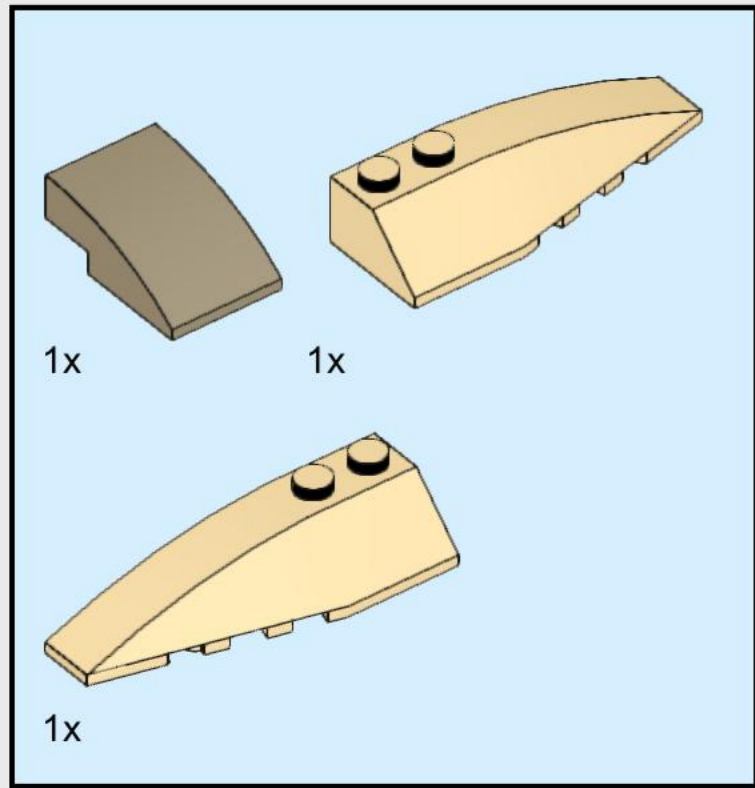


25

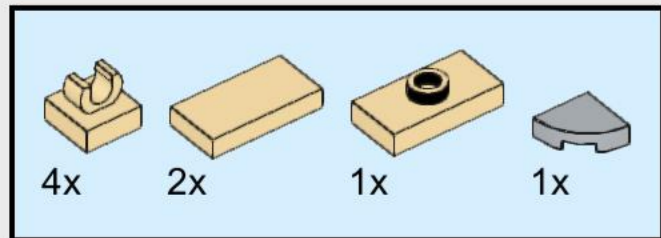
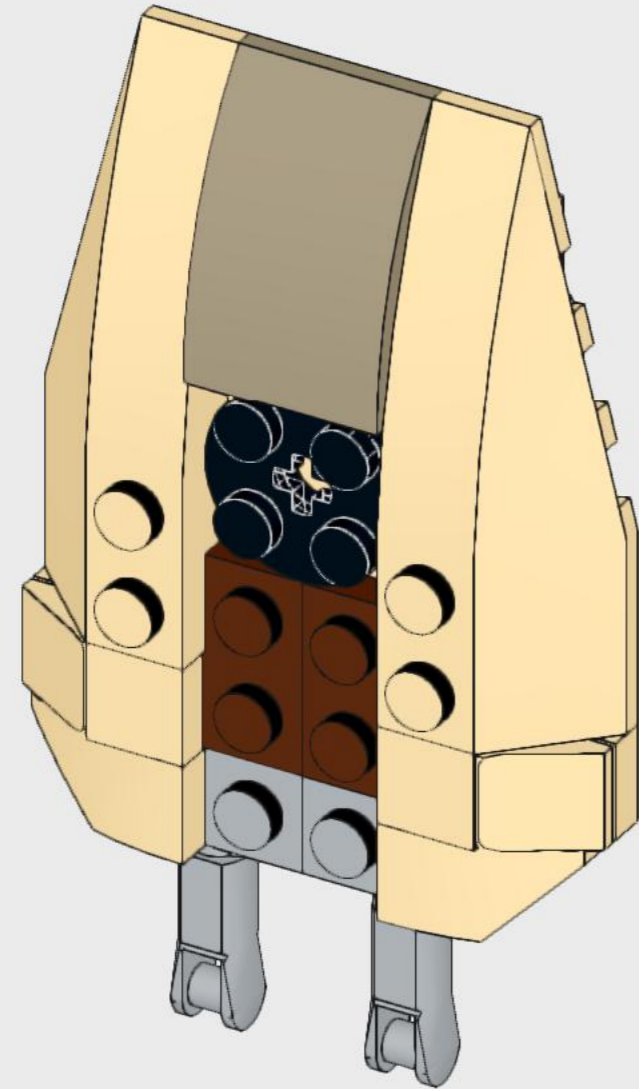


26

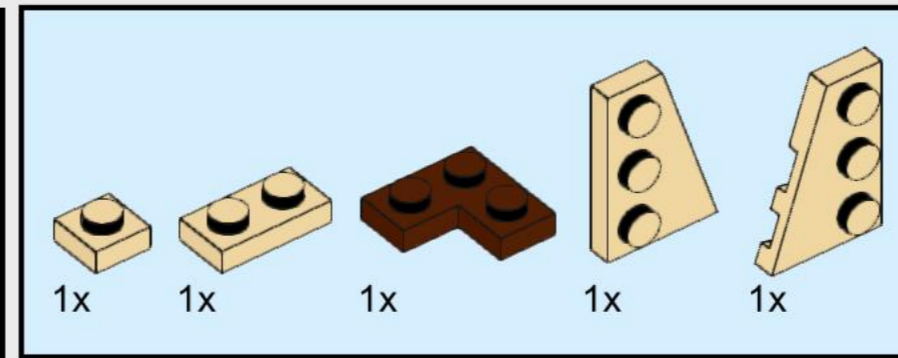
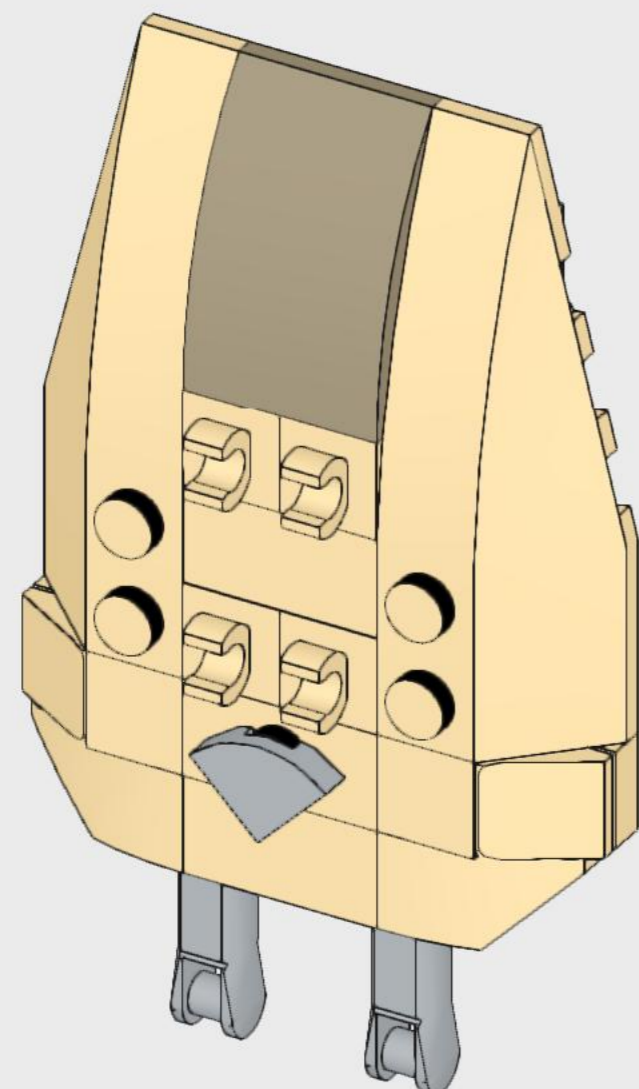




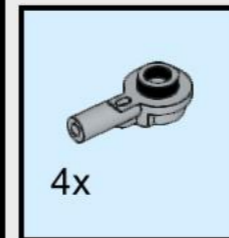
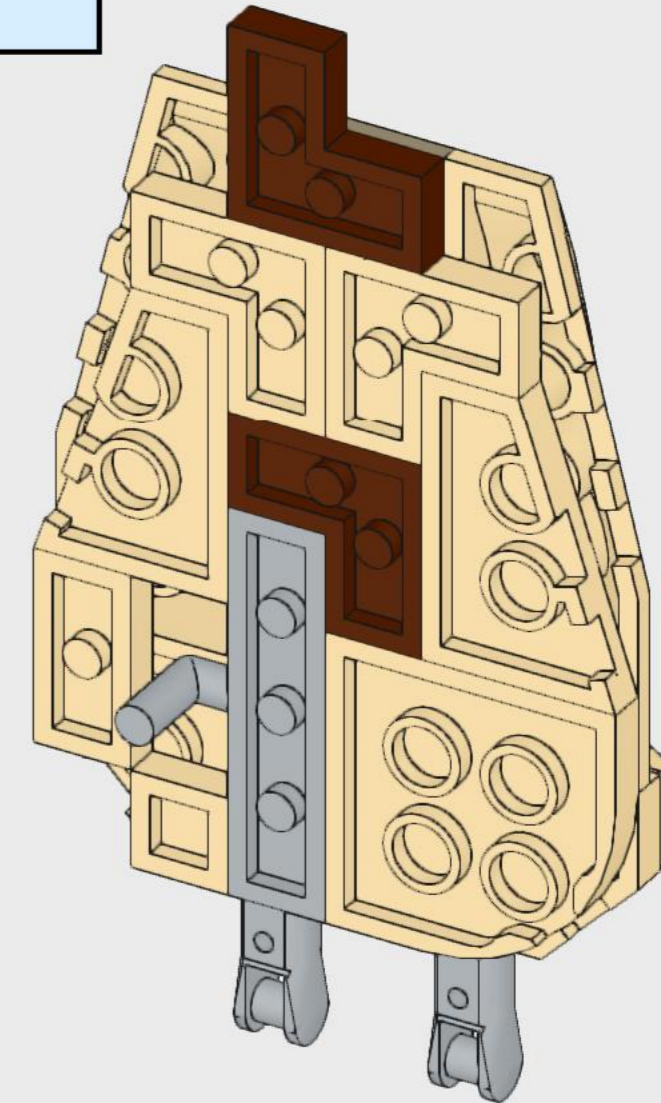
27



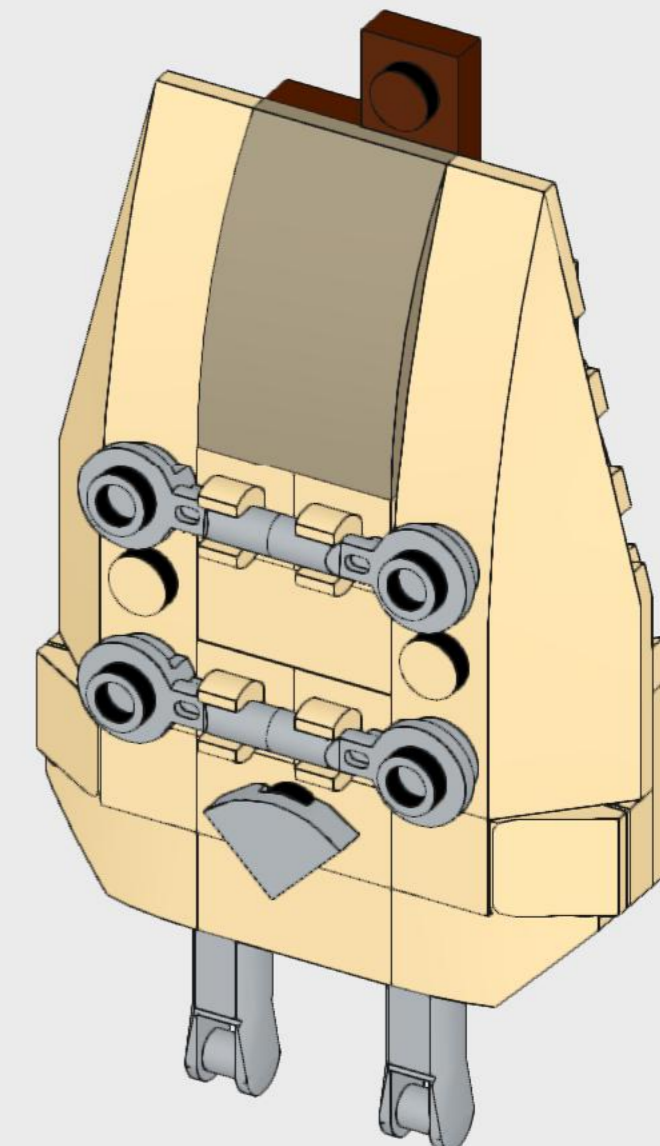
28

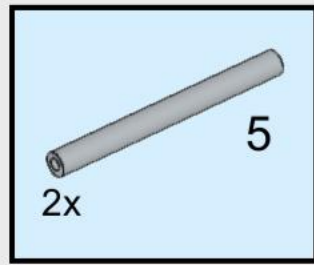


29

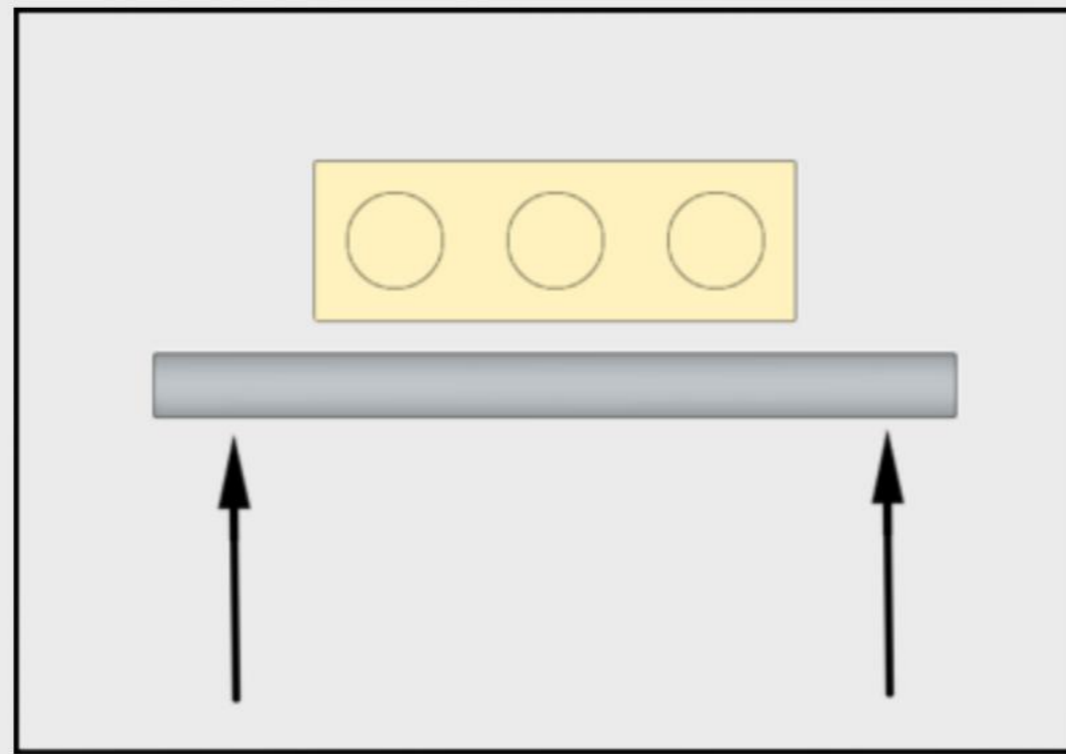


30

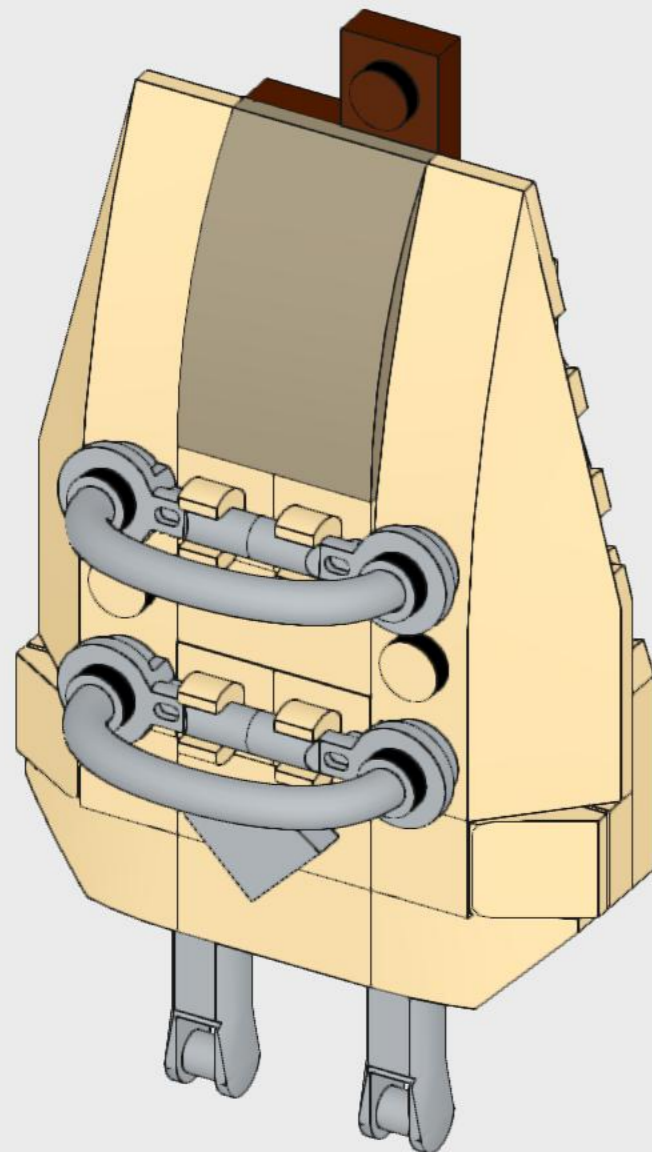




31

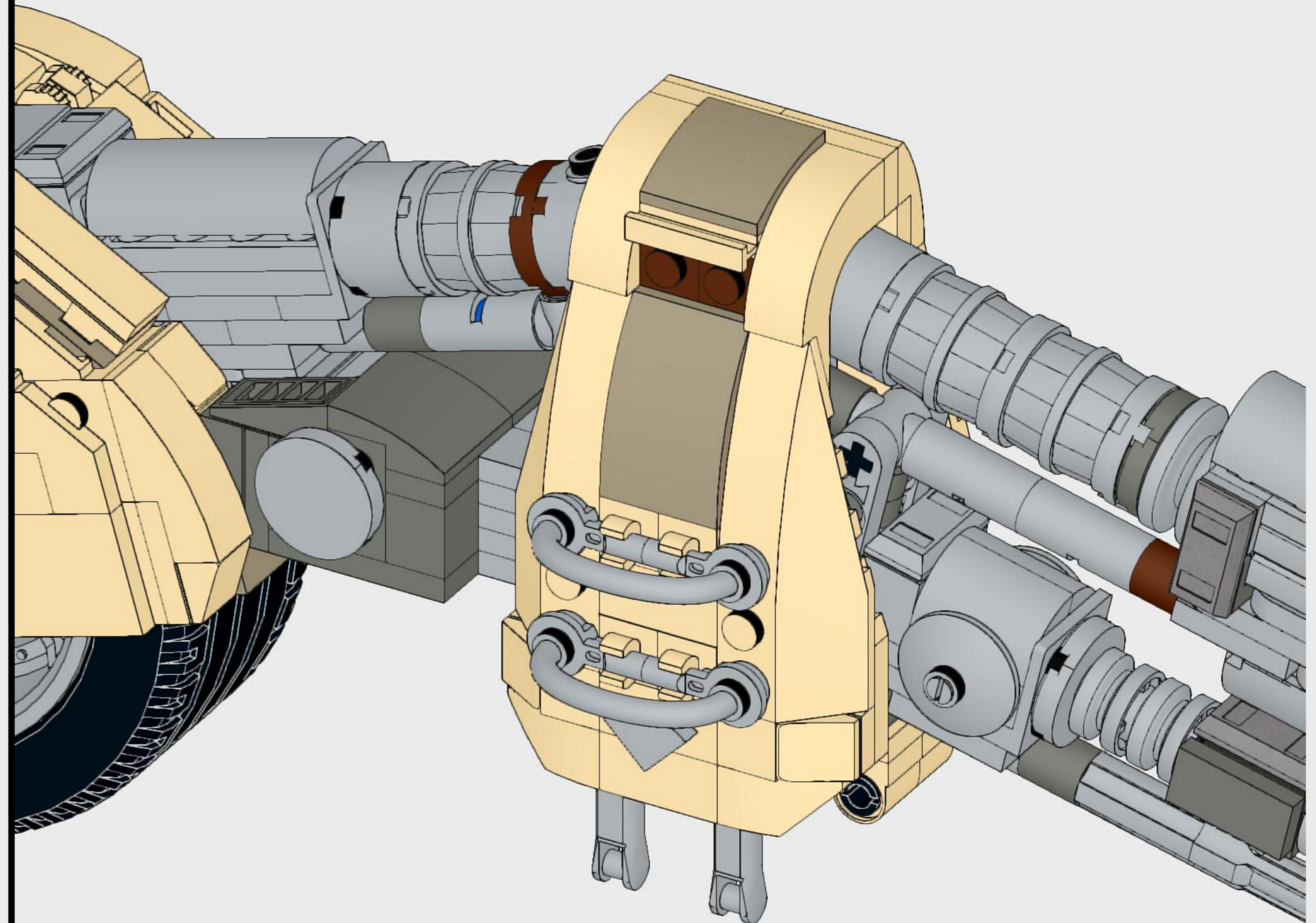


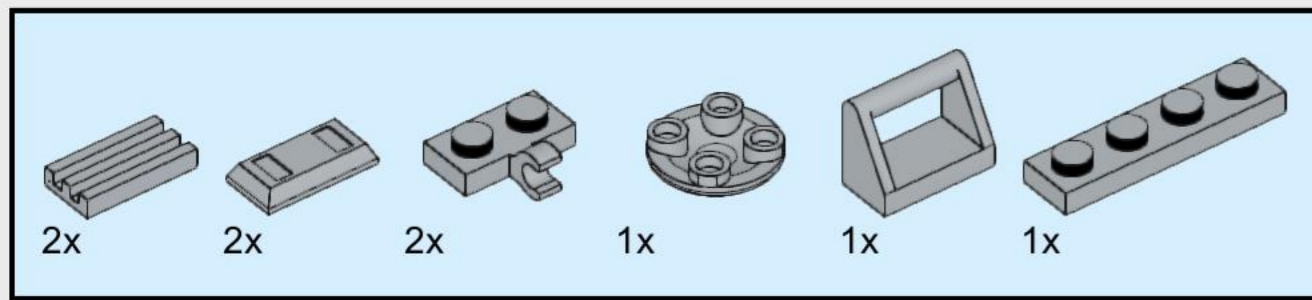
Press 5-long rigid hoses against the corners of a 3-long plate to crease/pinch the hose at a 90 degree angle. Then insert into hollow studs.



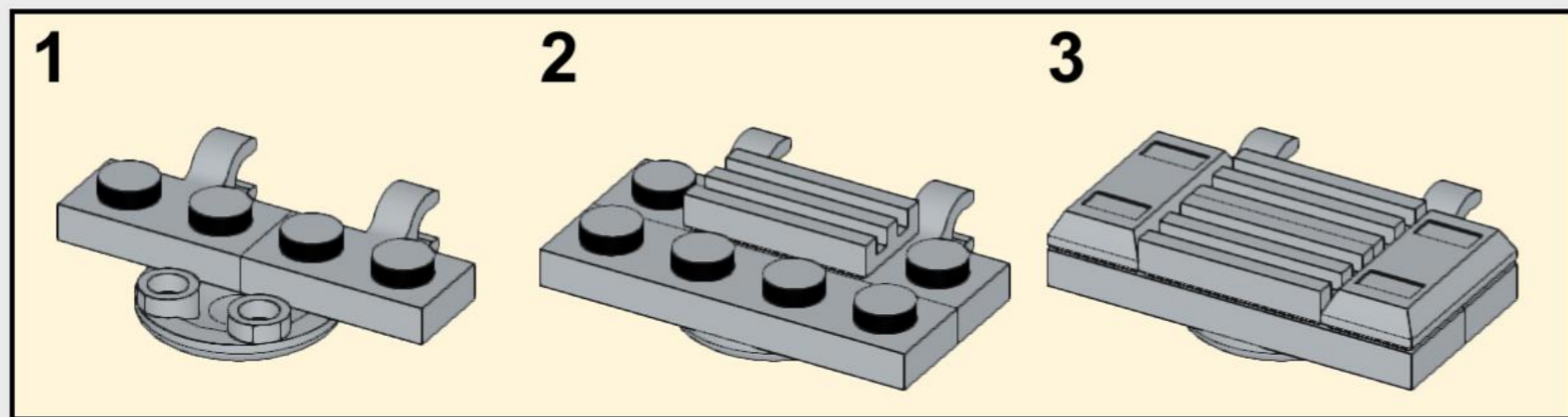
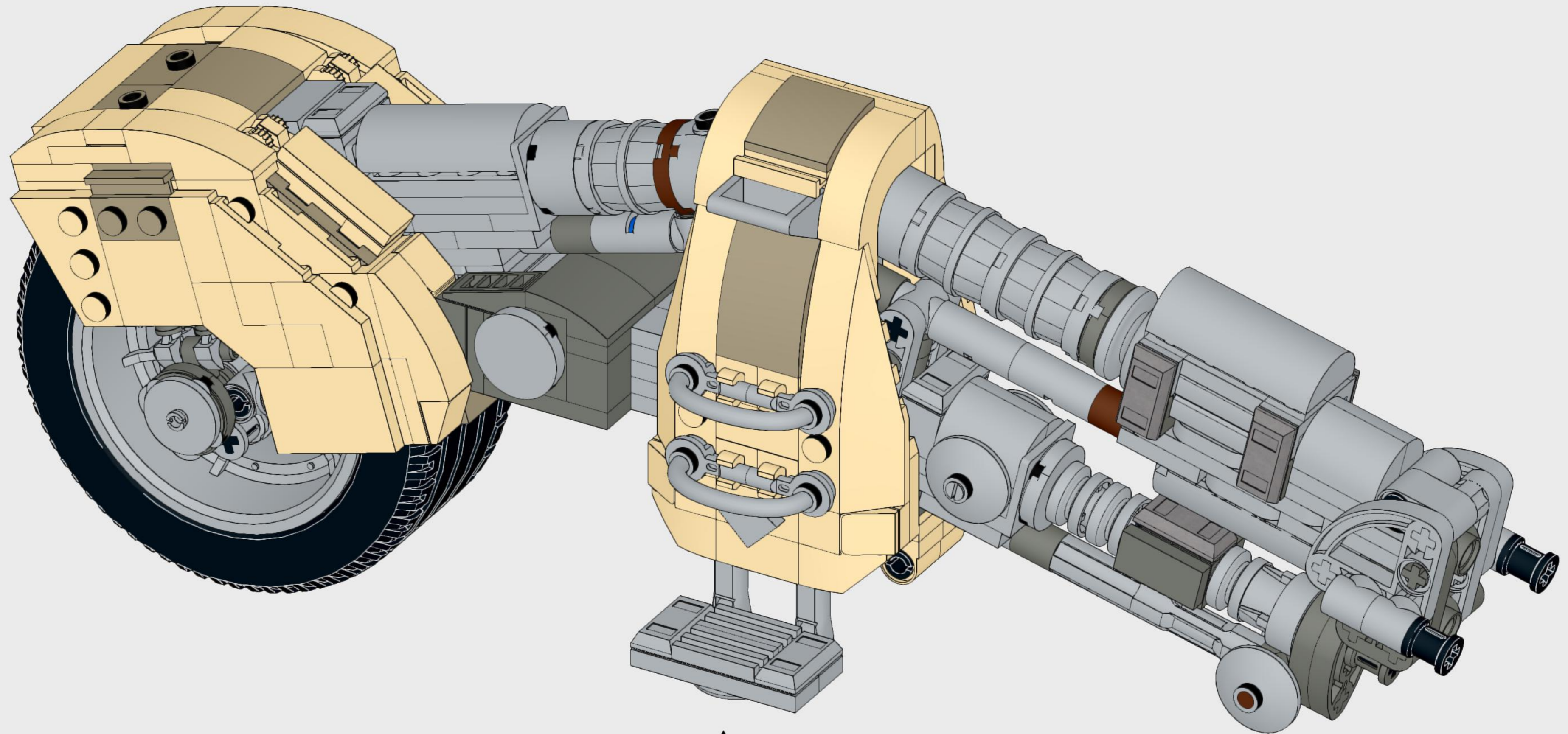
32

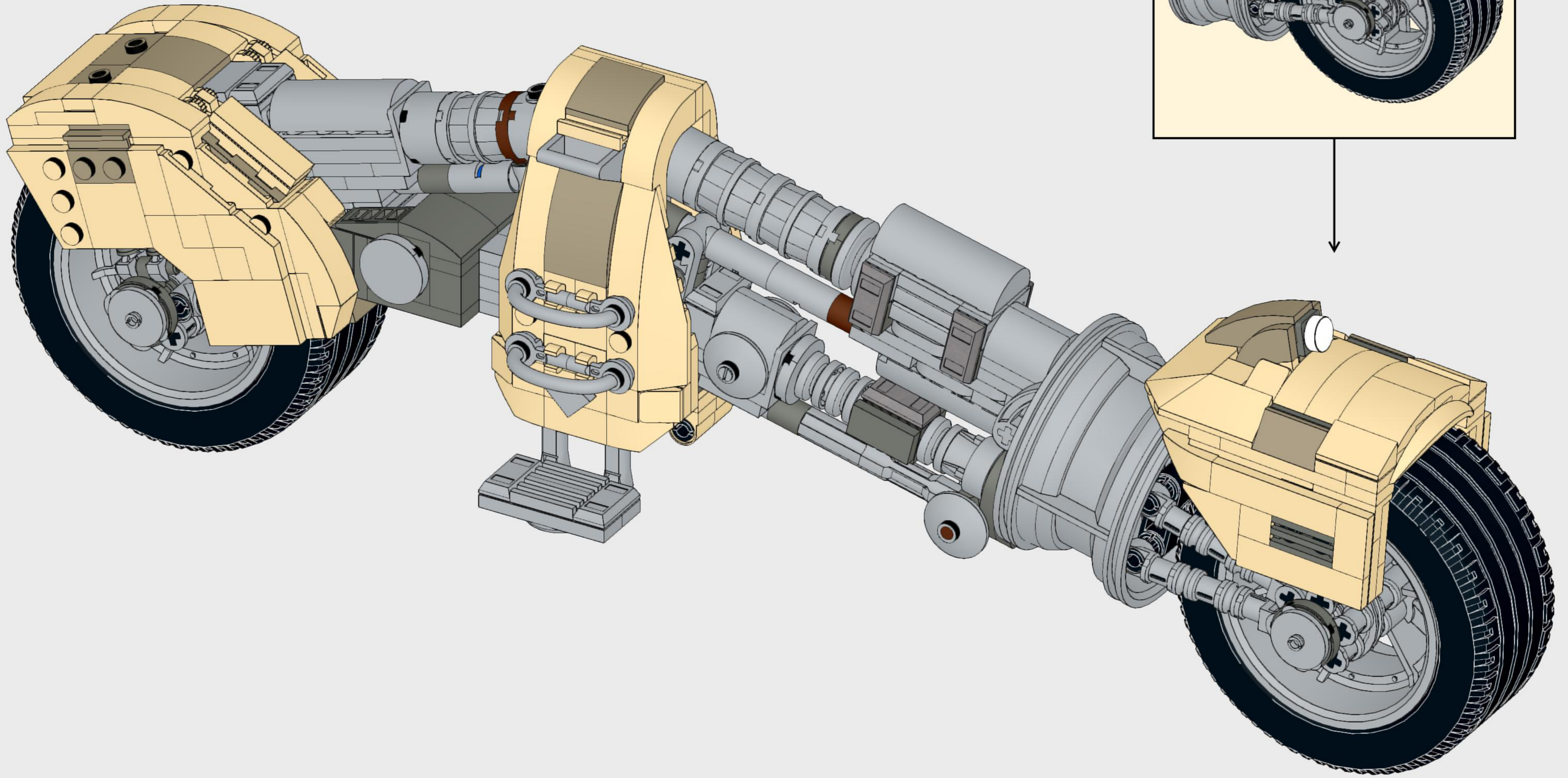
Note that this section will fit somewhat tight when placed, due to the grey arms putting pressure on the arched bricks.

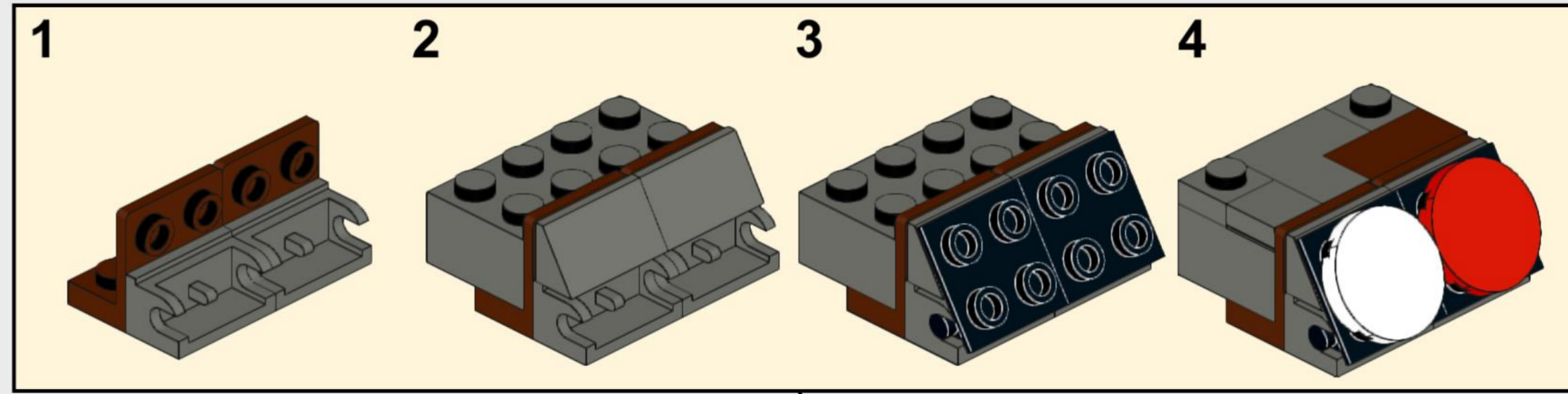
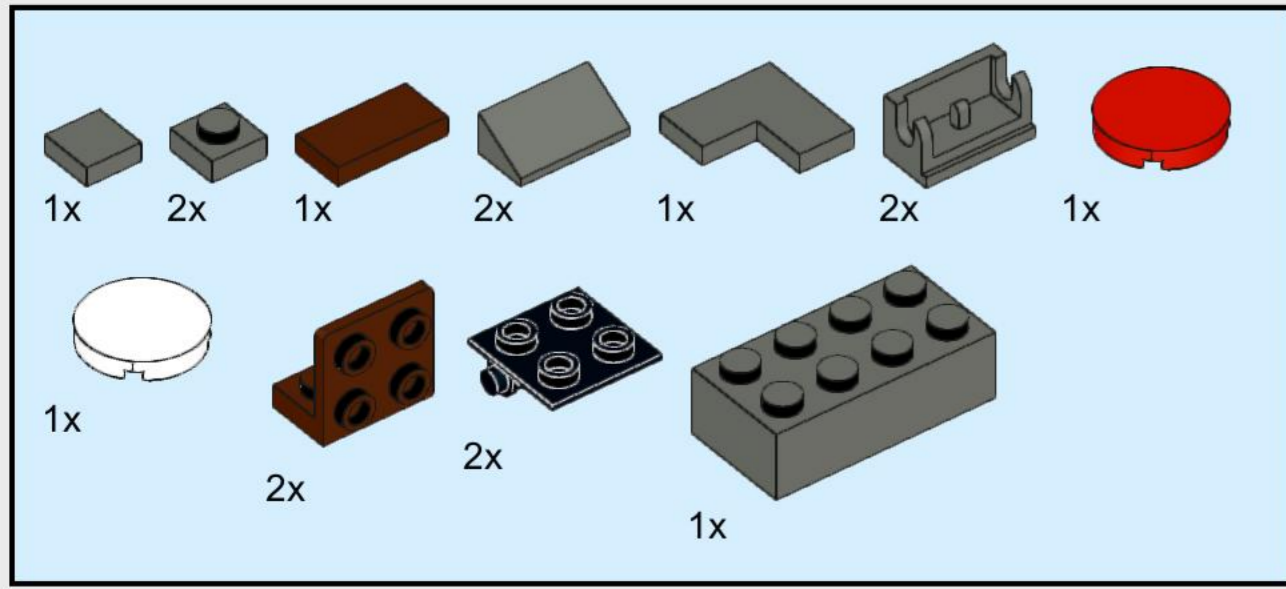




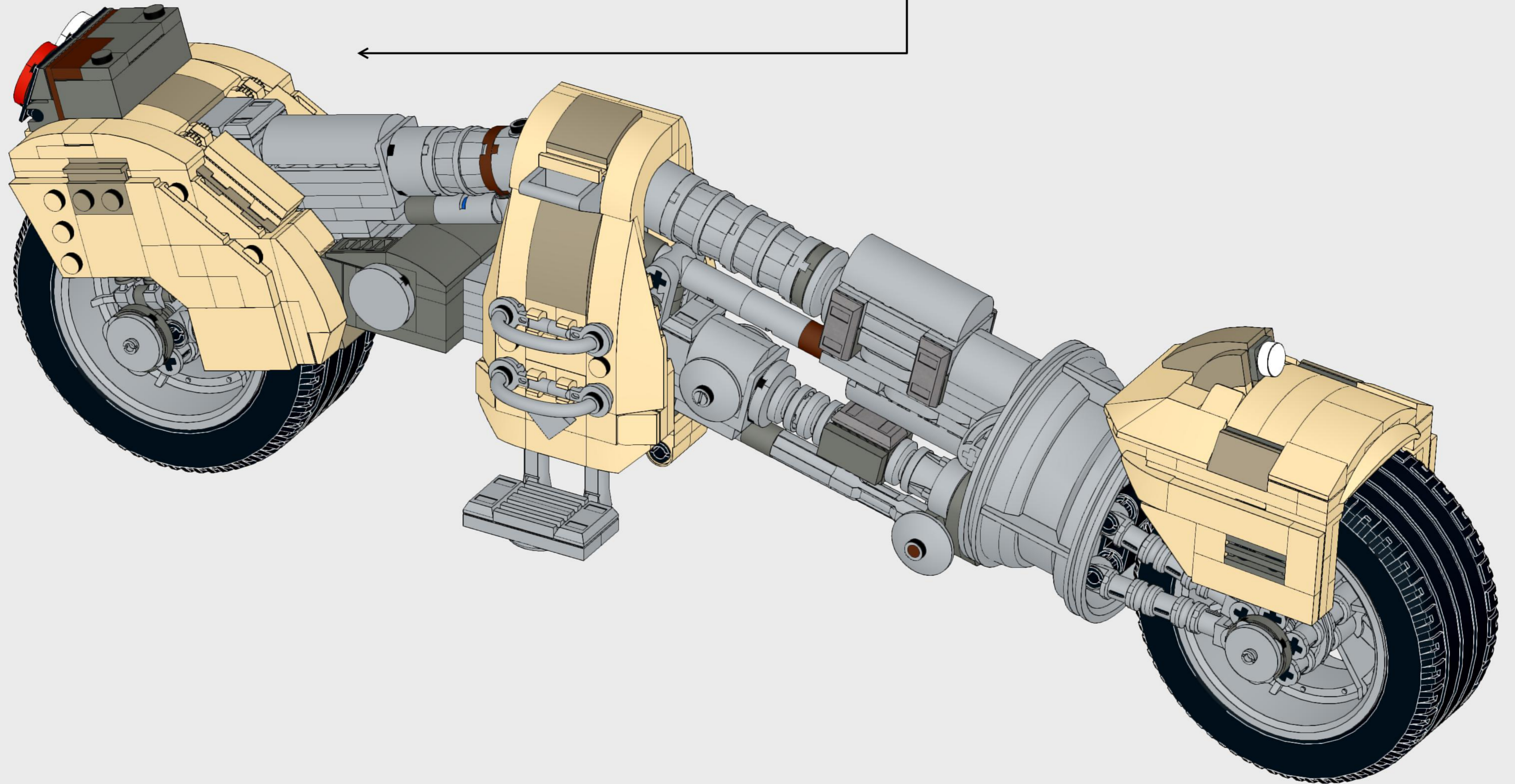
33



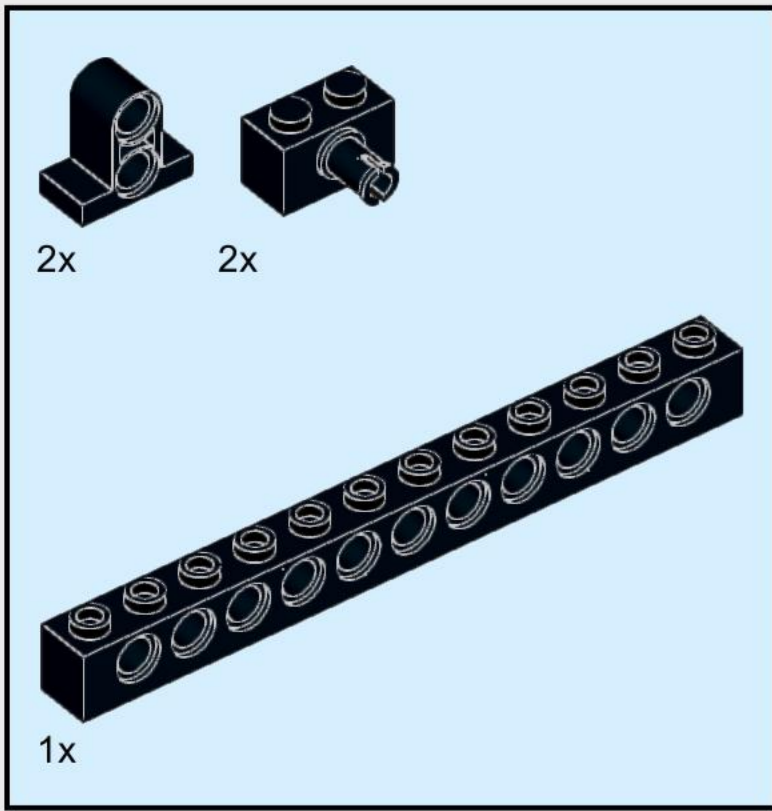
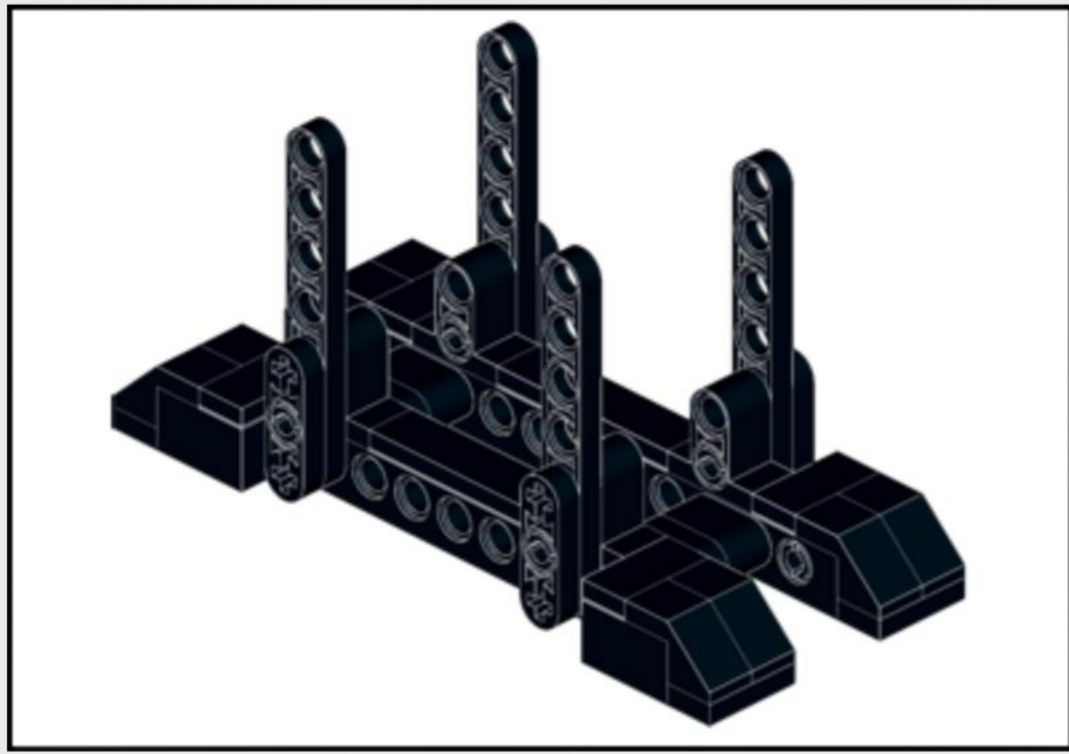




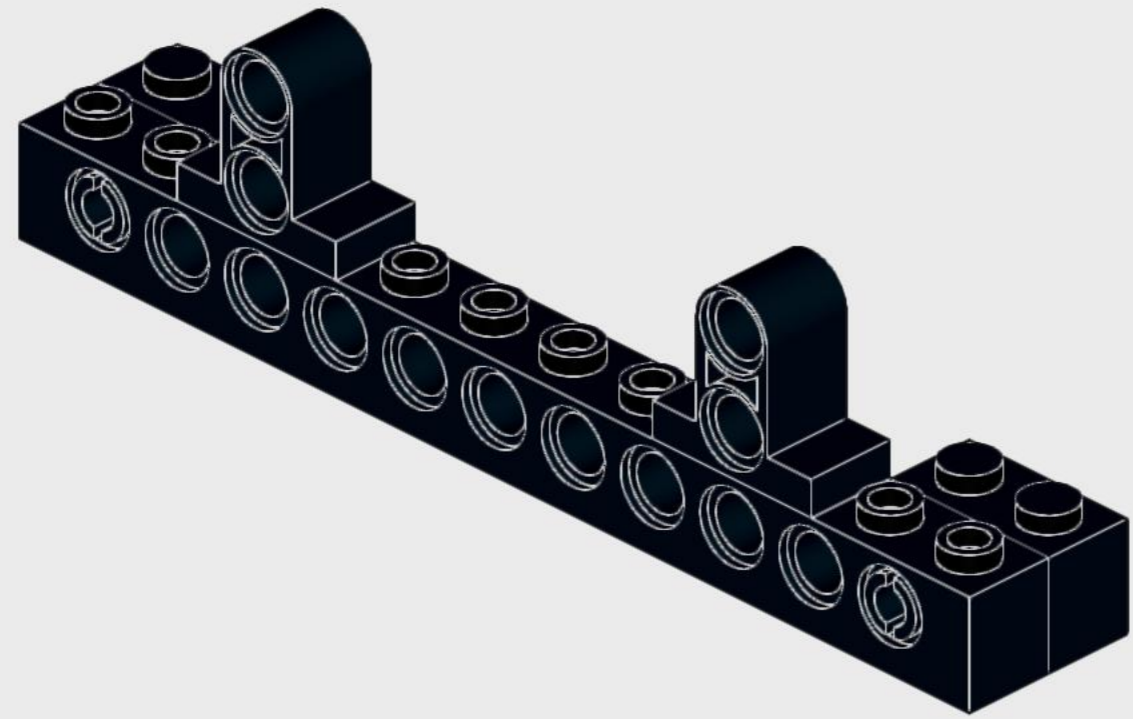
35



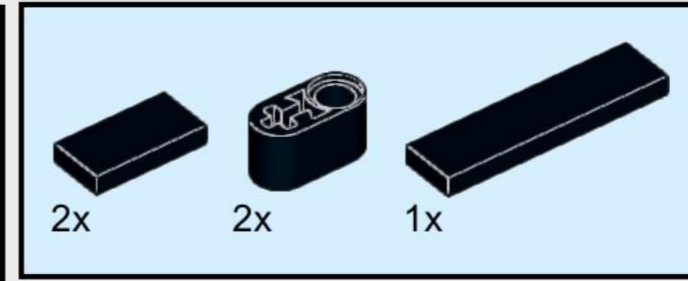
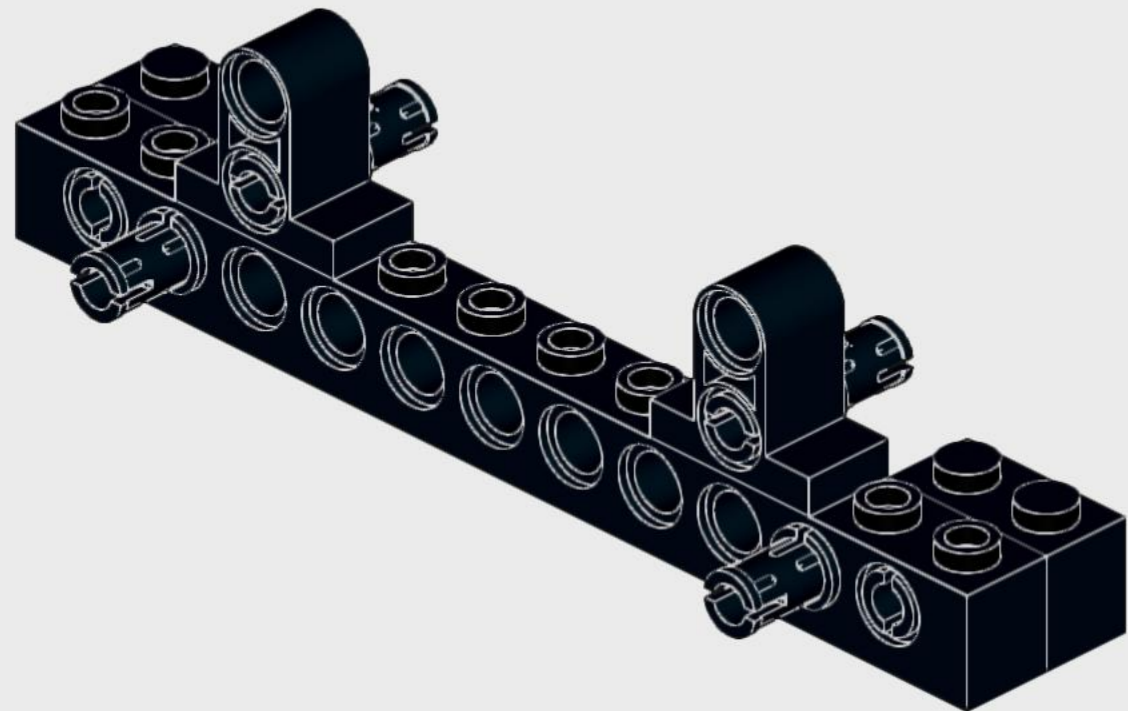




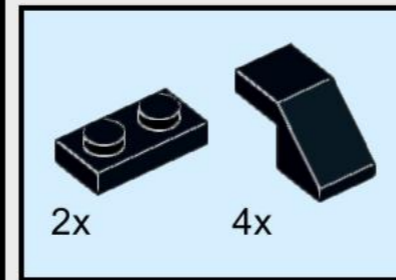
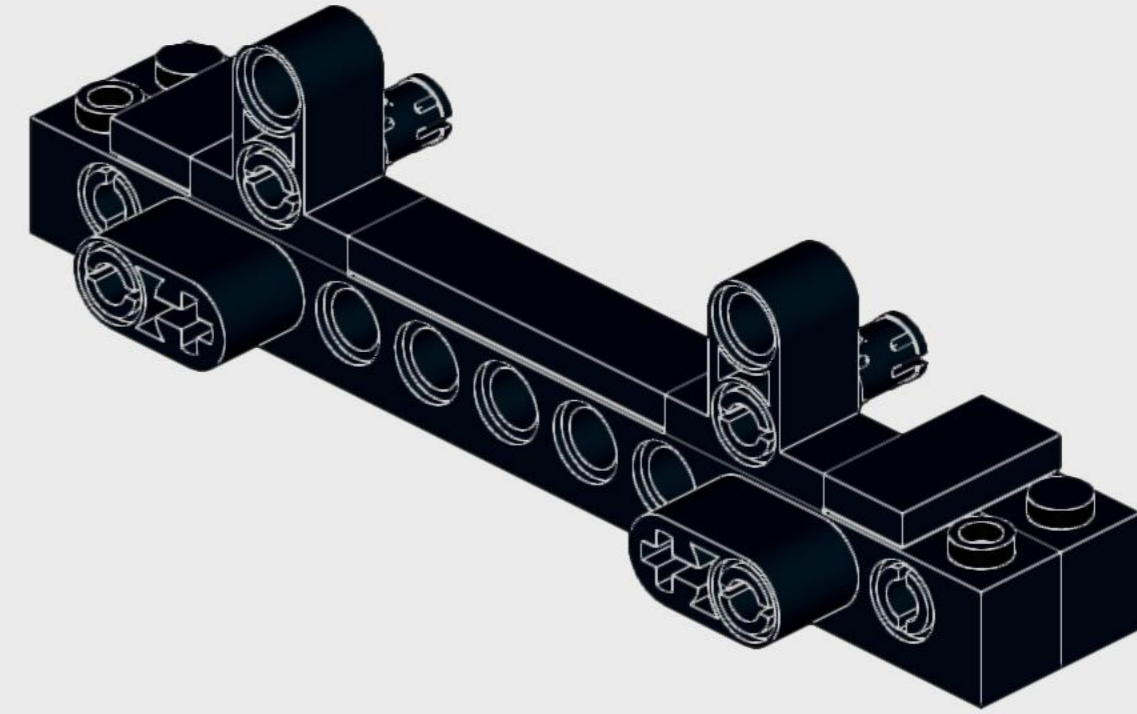
1



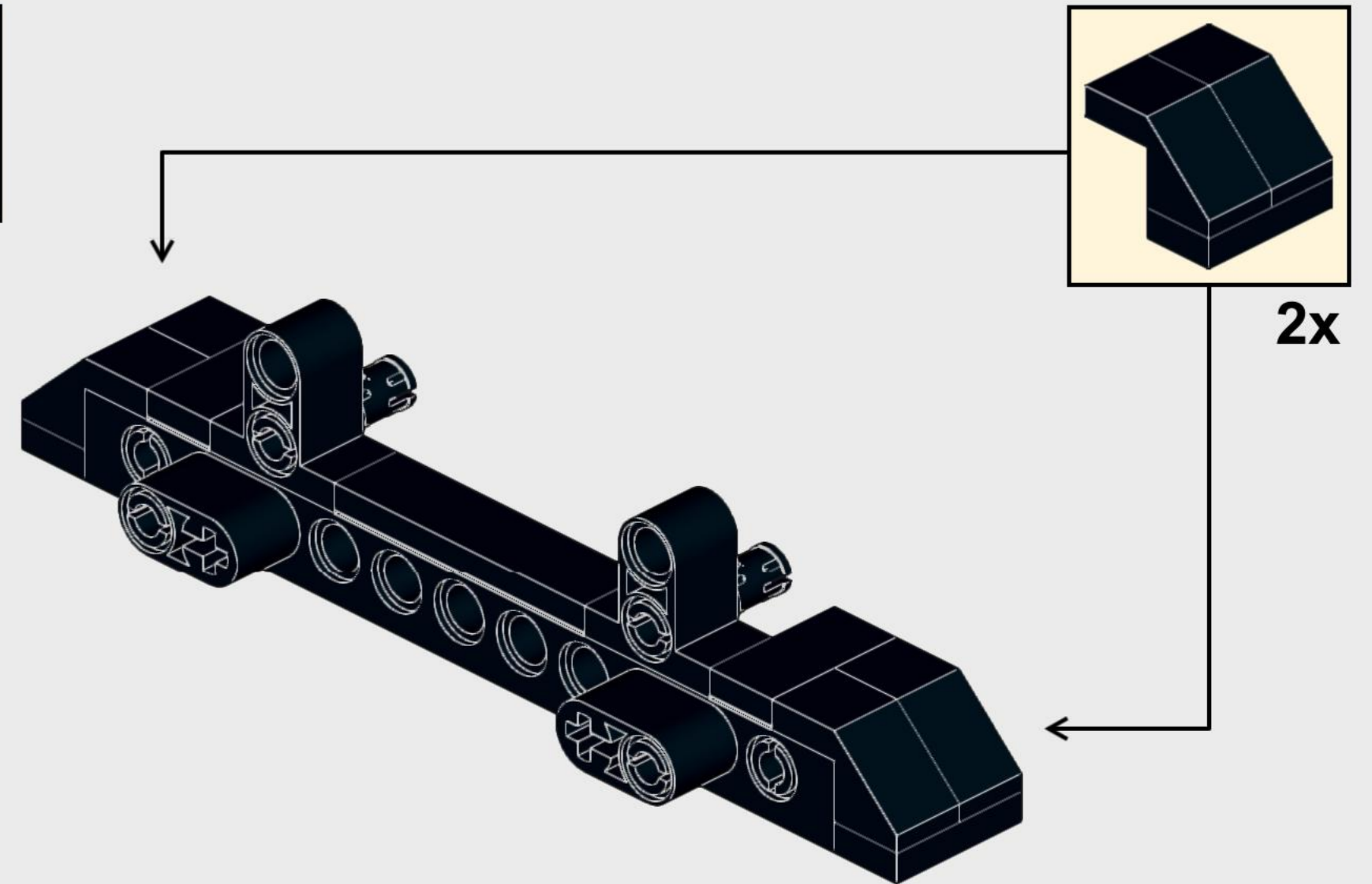
2

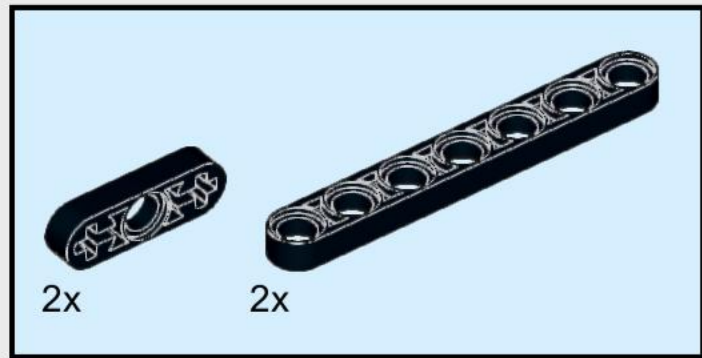


3

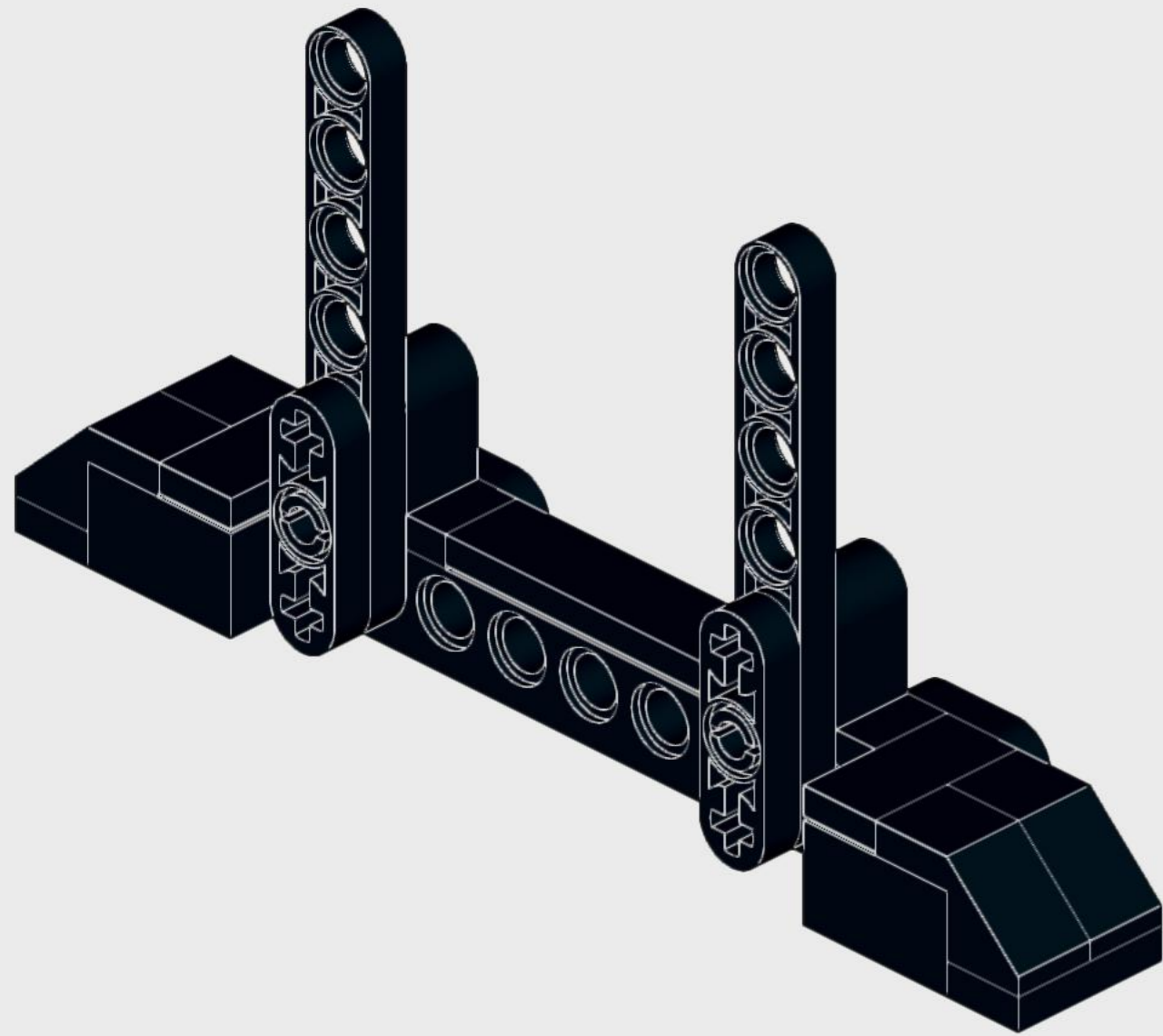


4



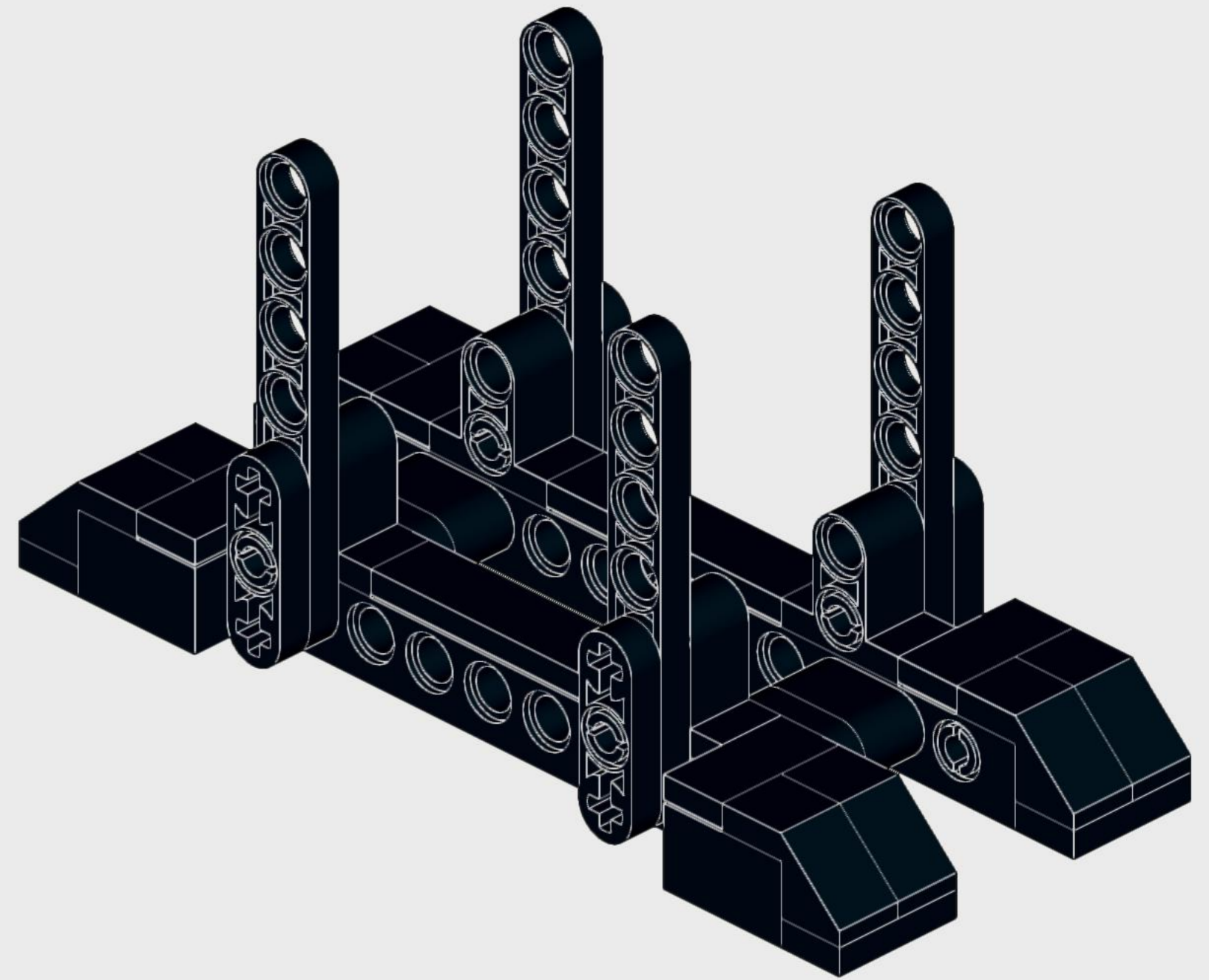


**5** 

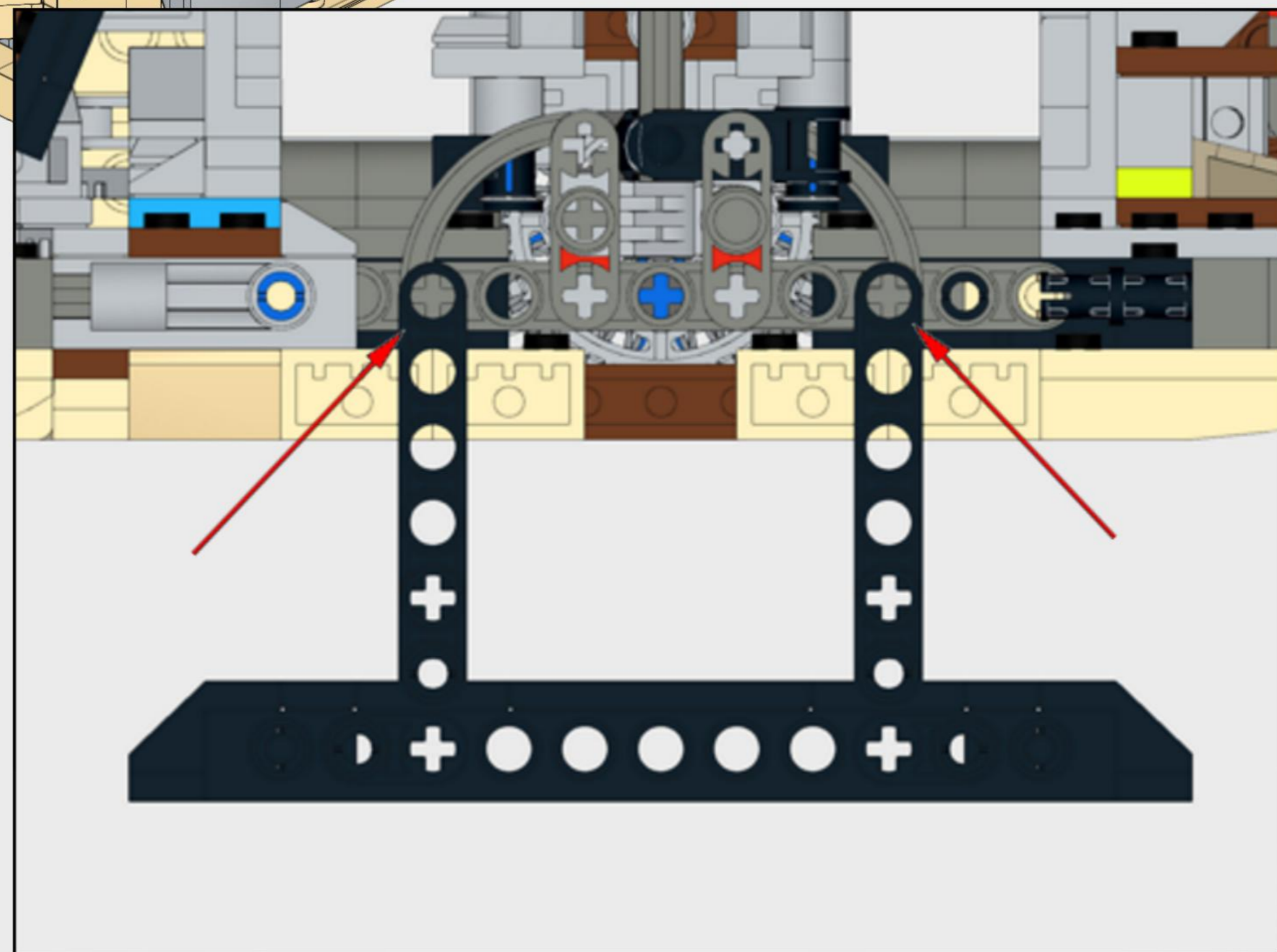
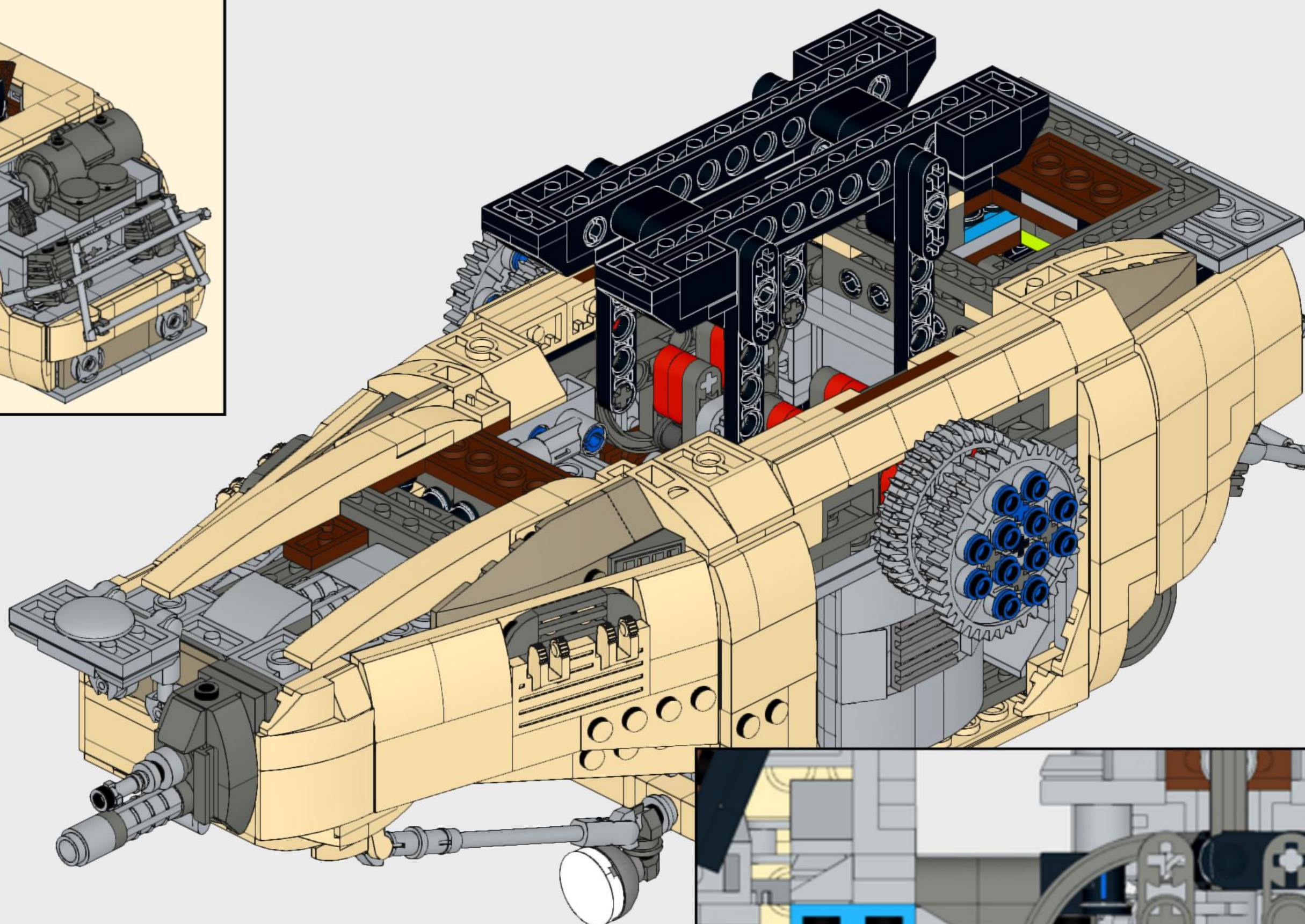
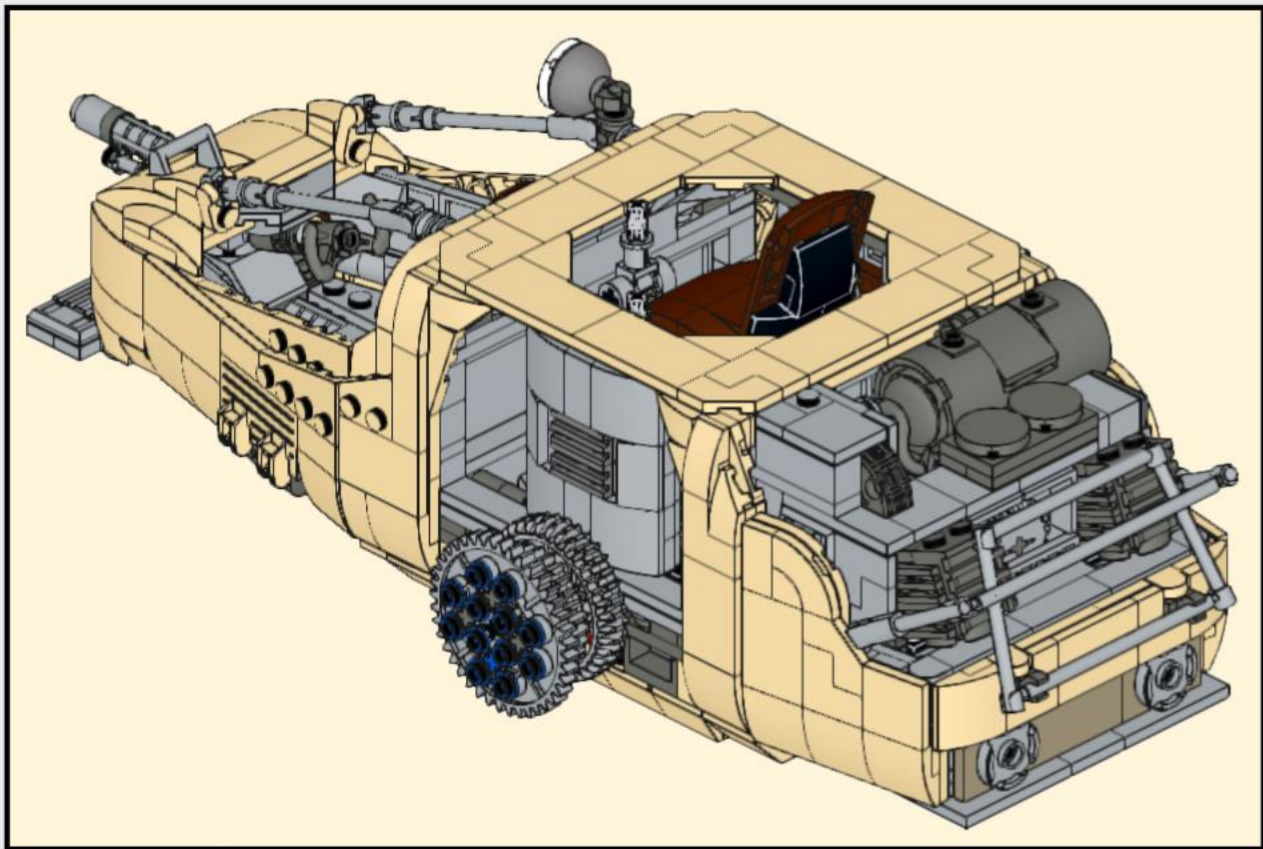


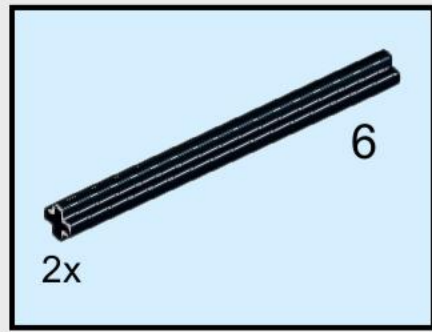
**x2**

**6**

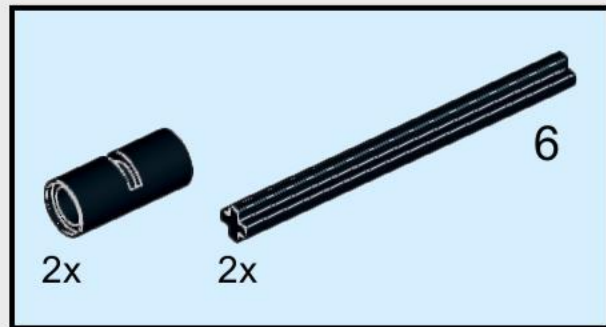
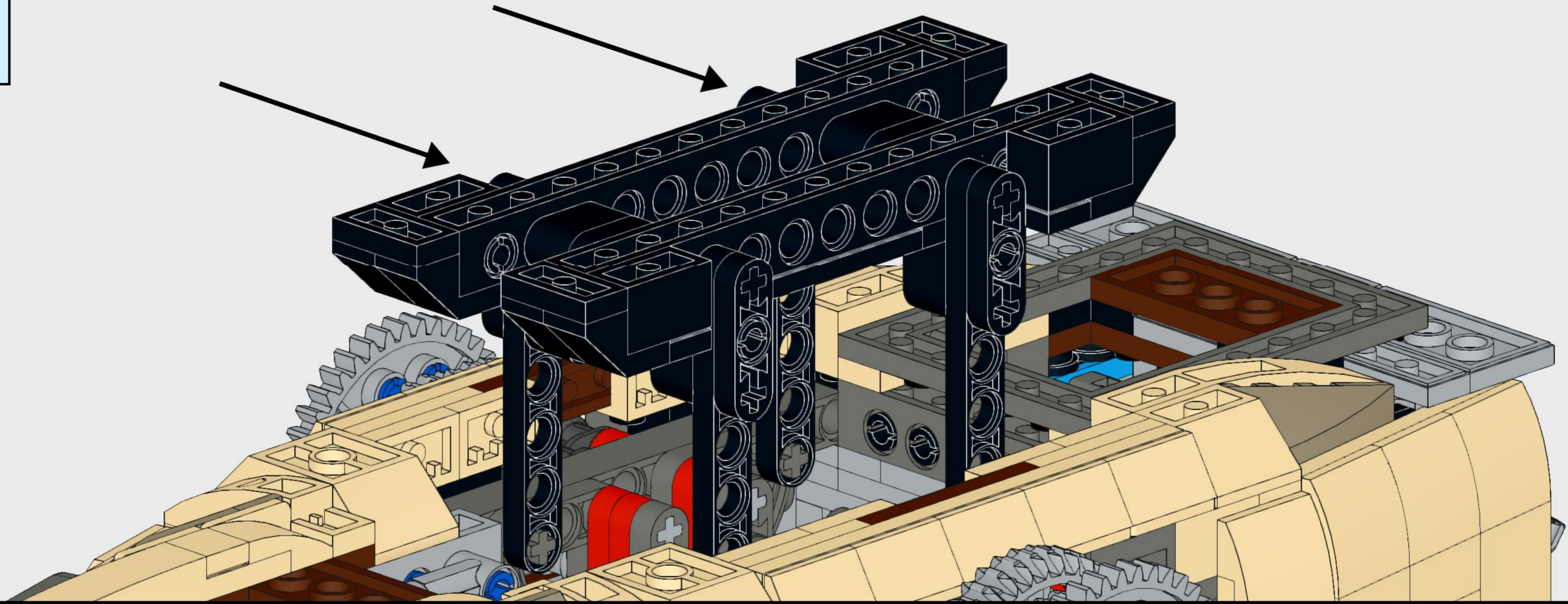


7

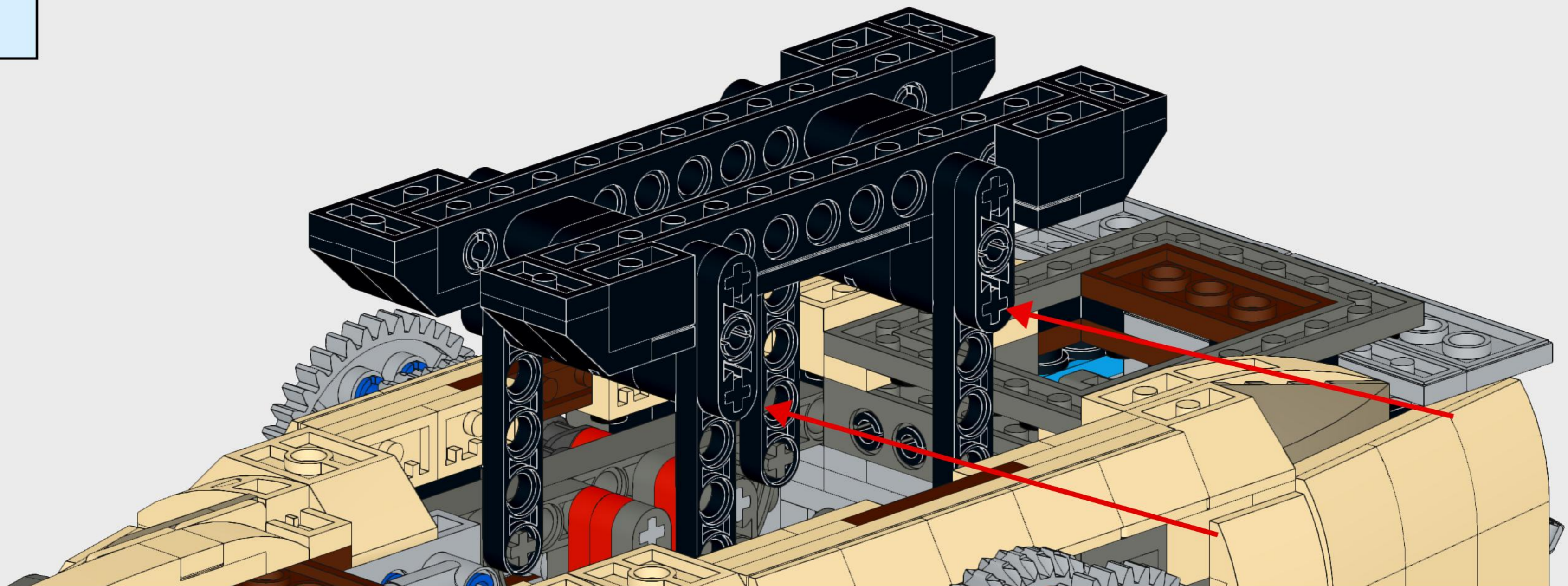


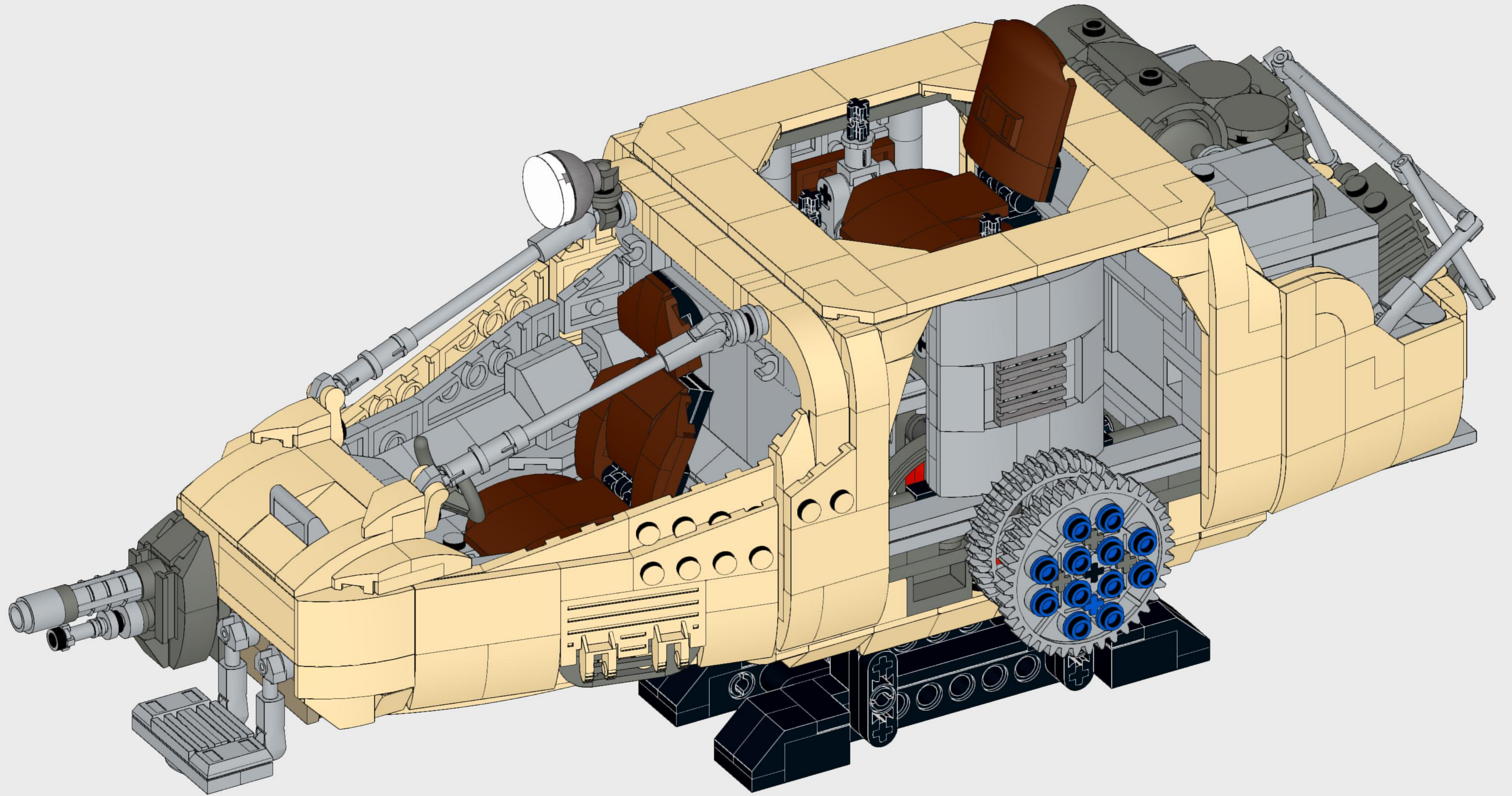


8

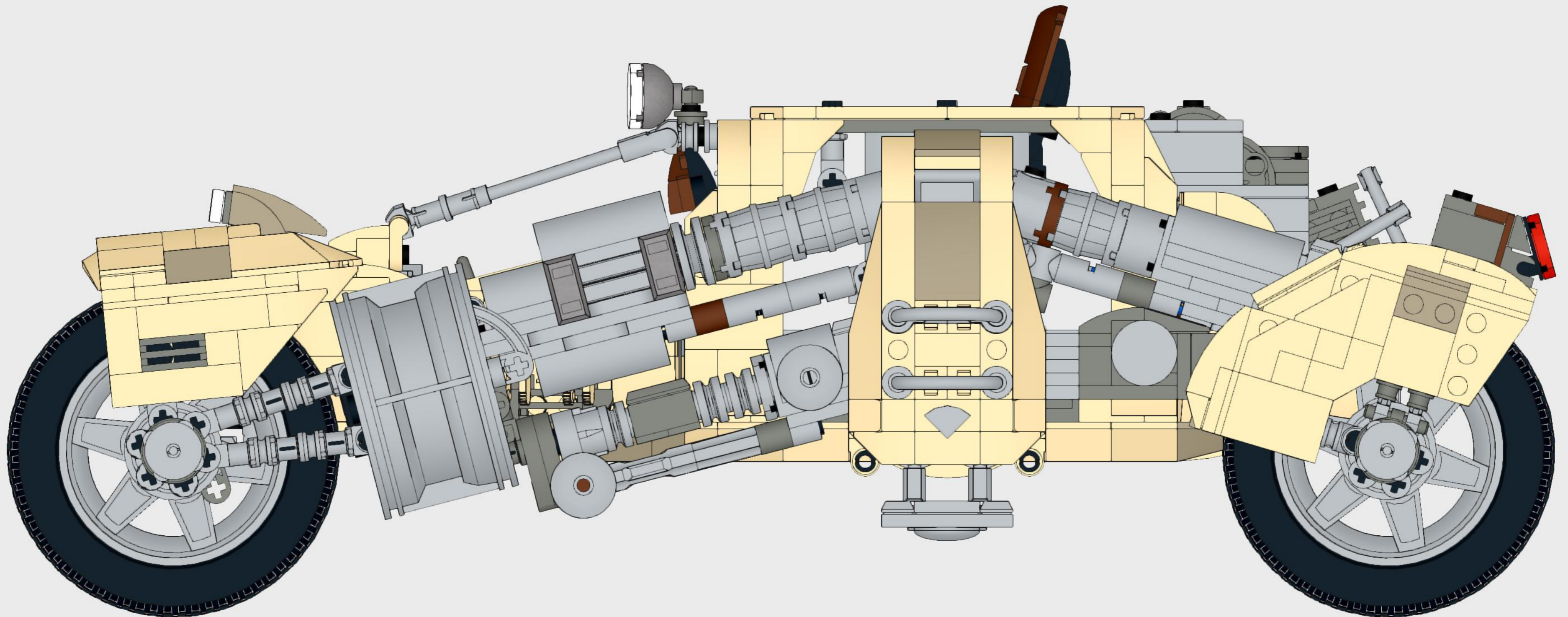
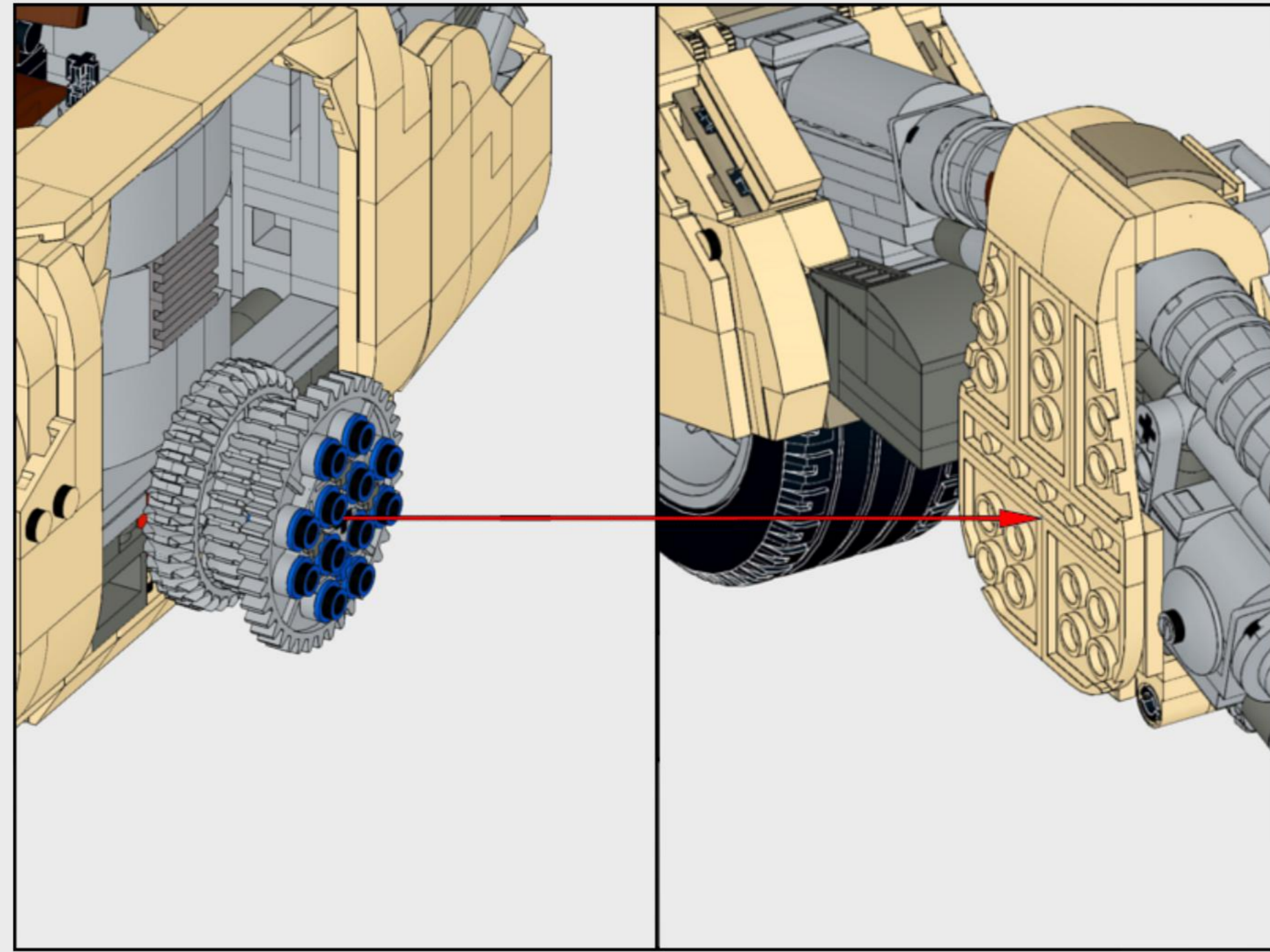


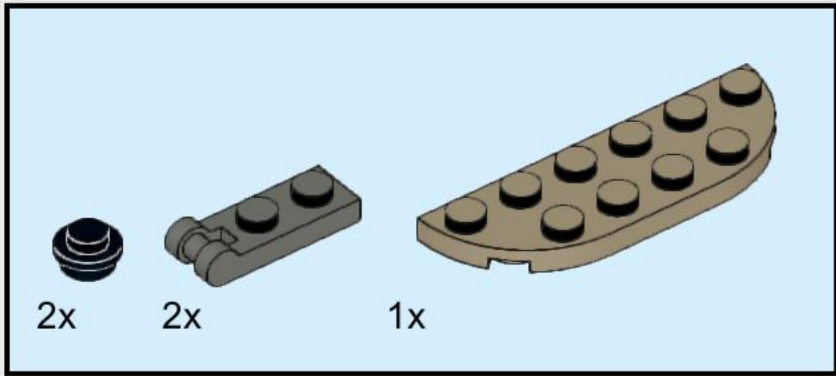
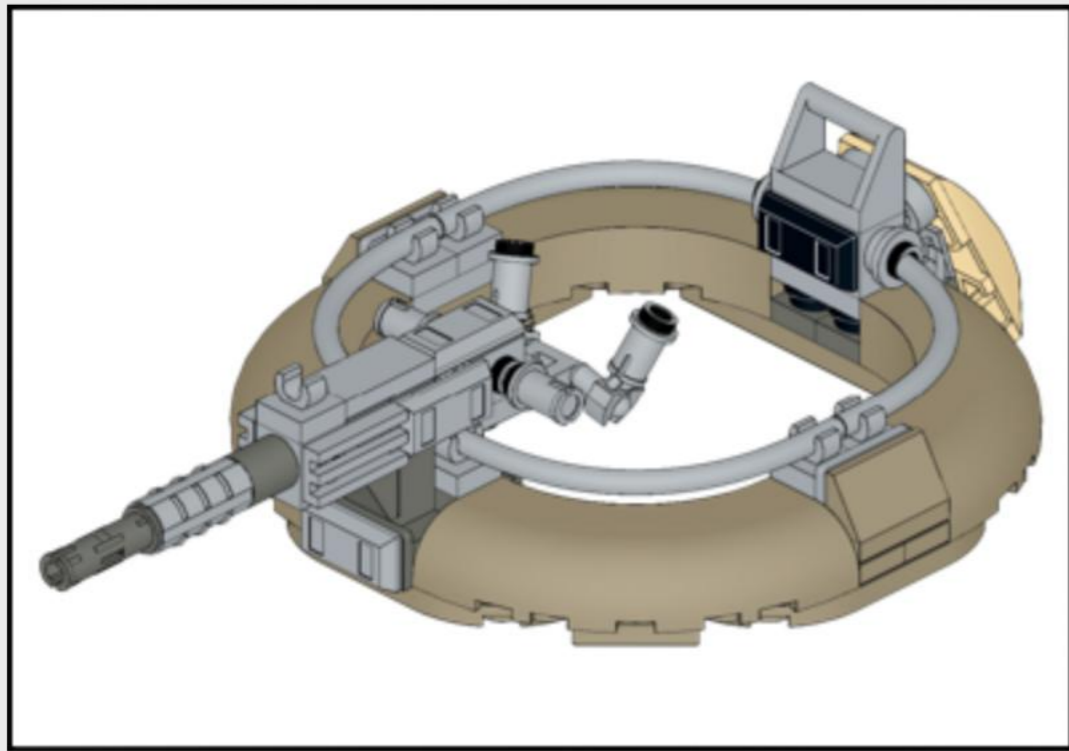
9



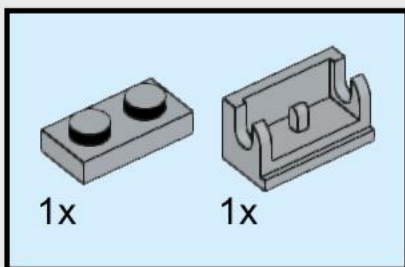
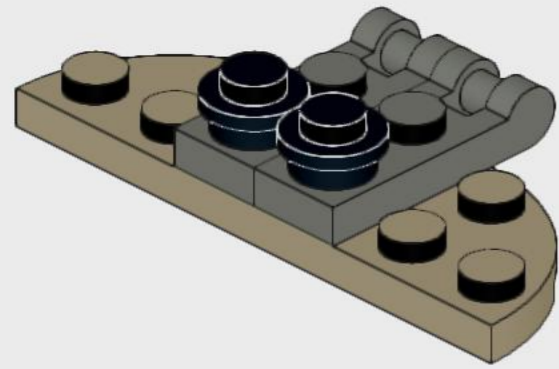


# Side Attach

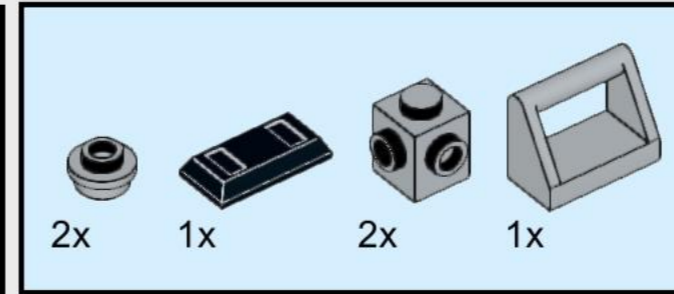
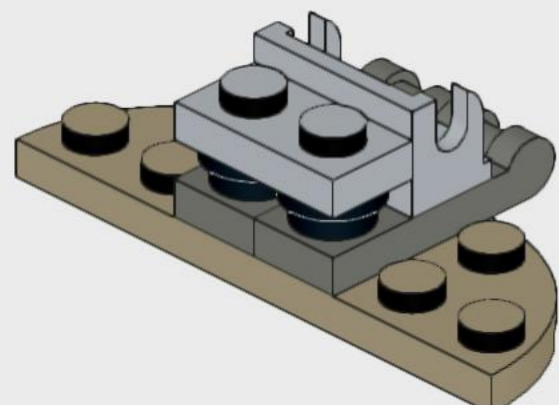




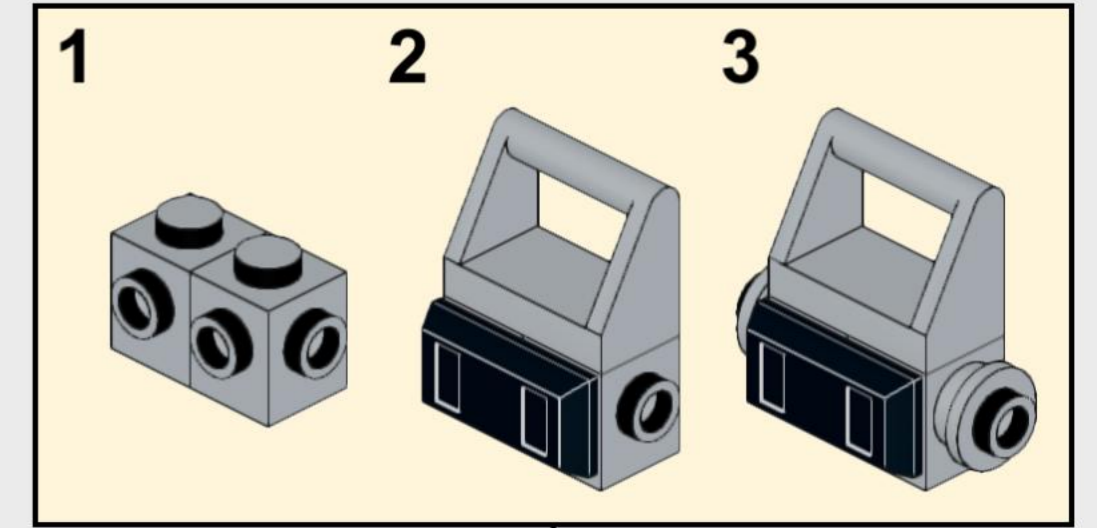
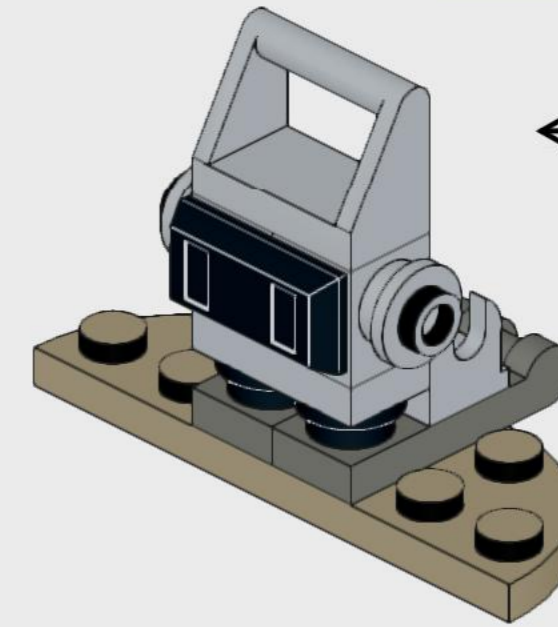
1



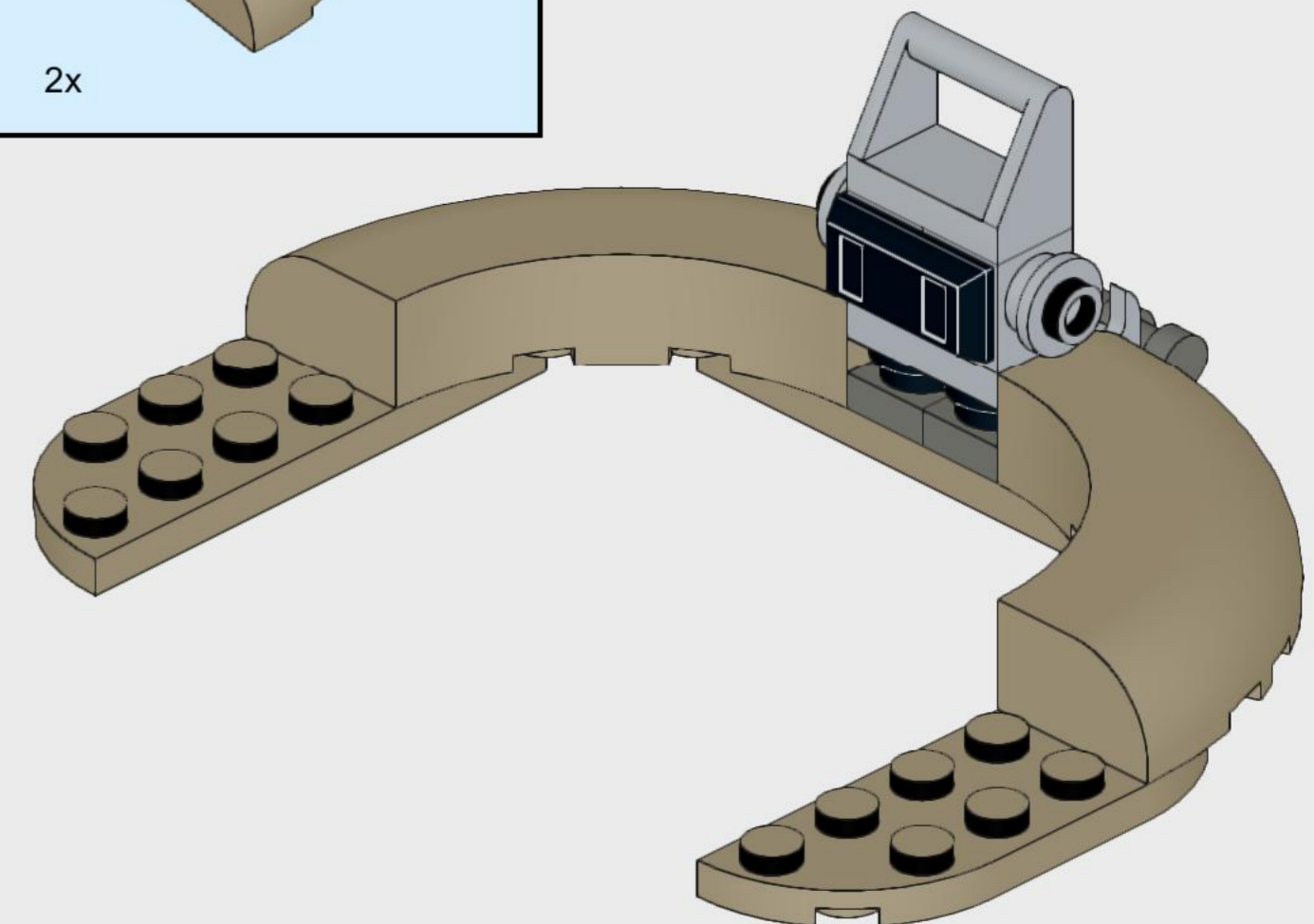
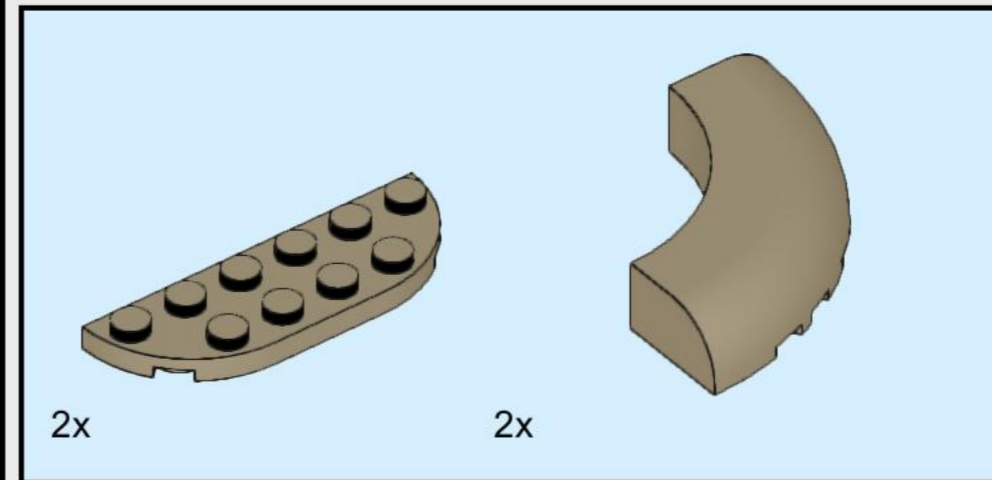
2

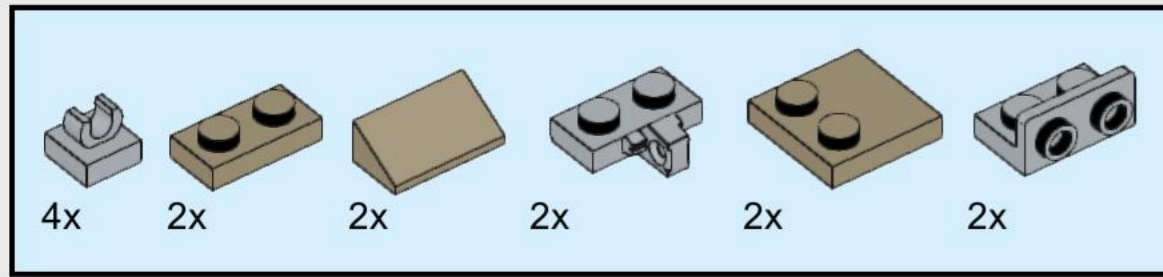


3

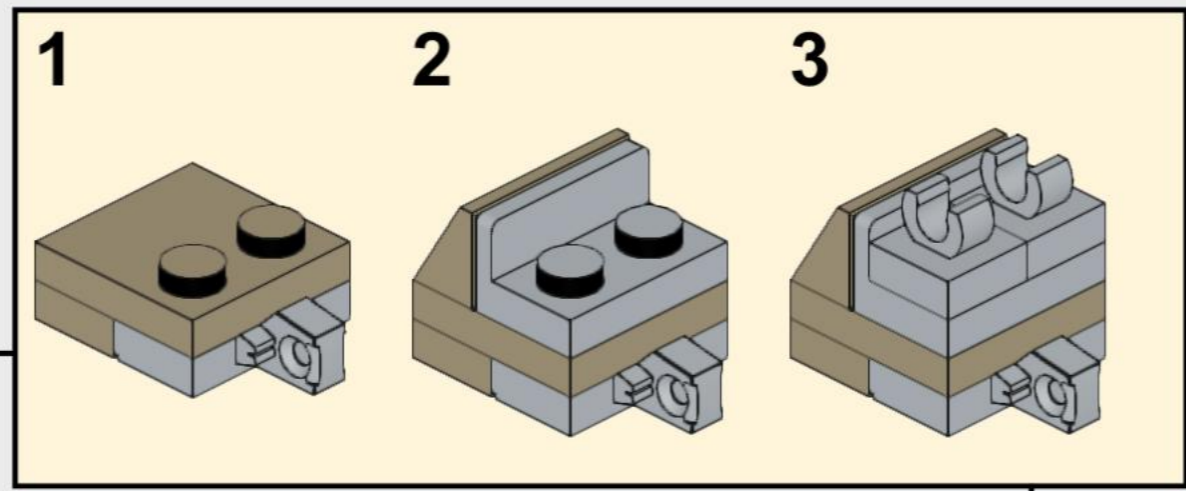


4

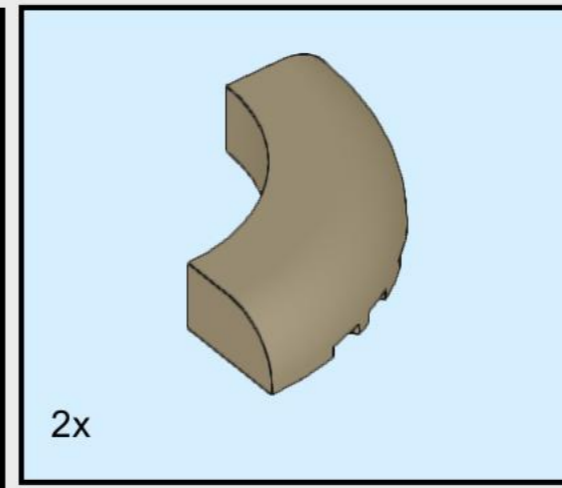
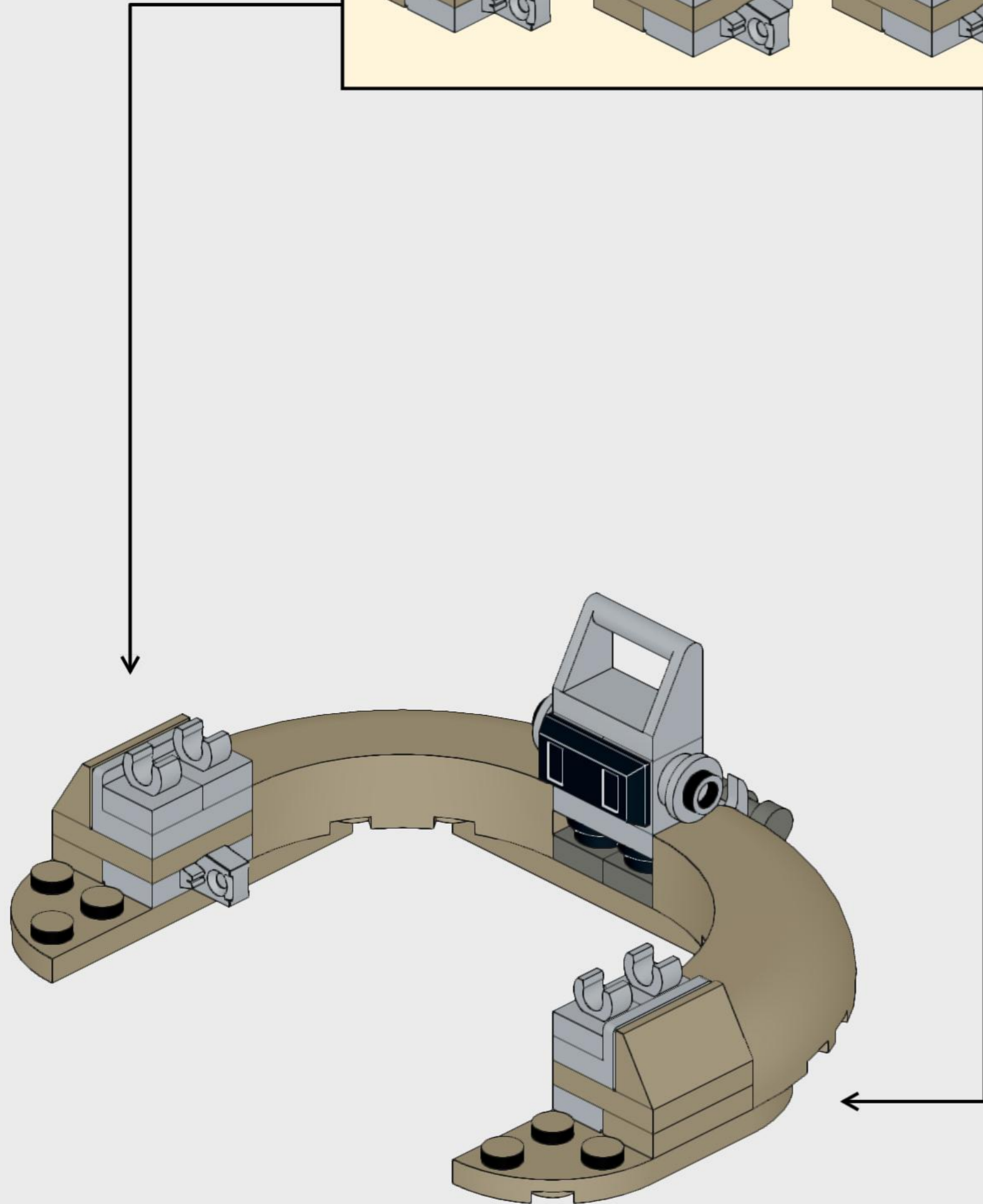




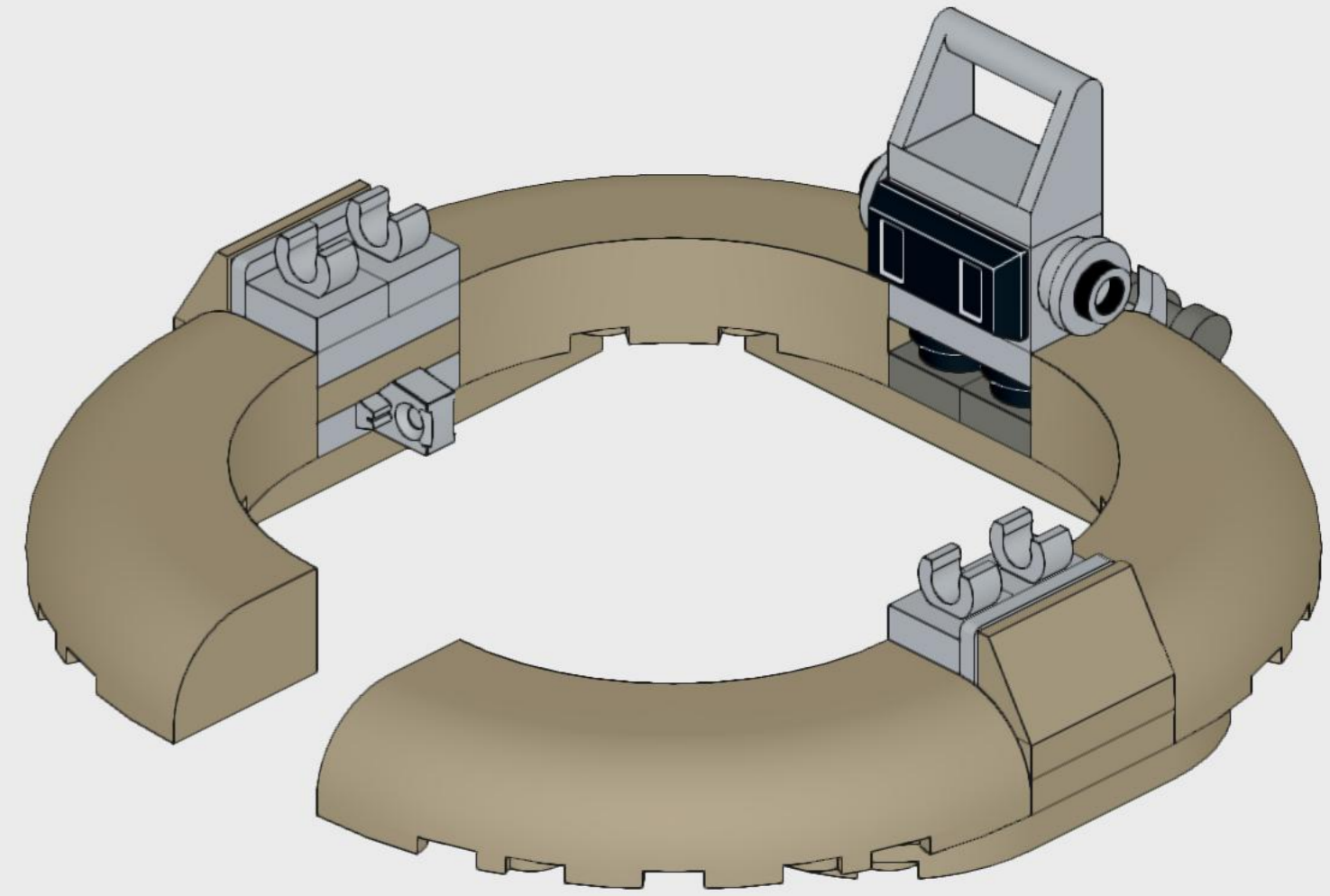
5



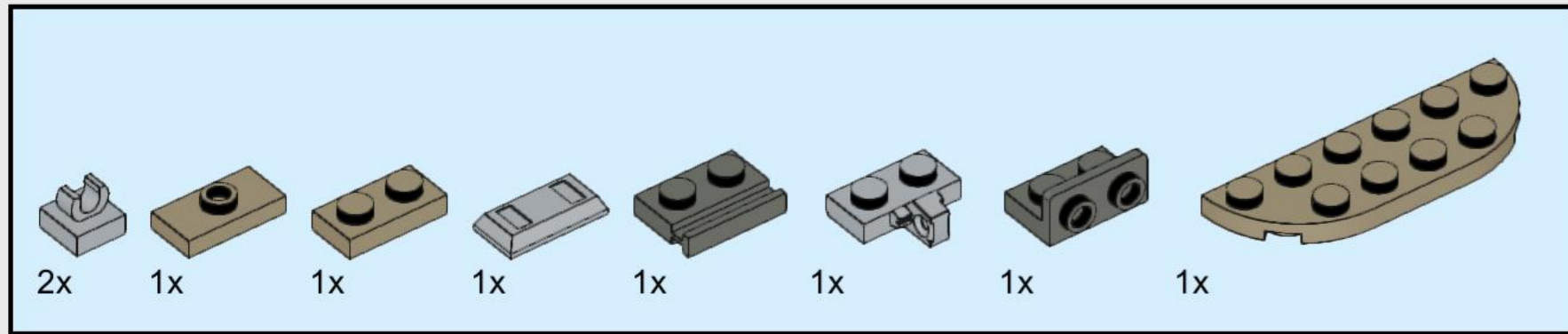
2x



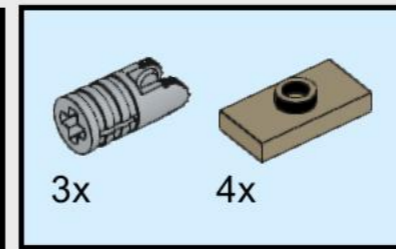
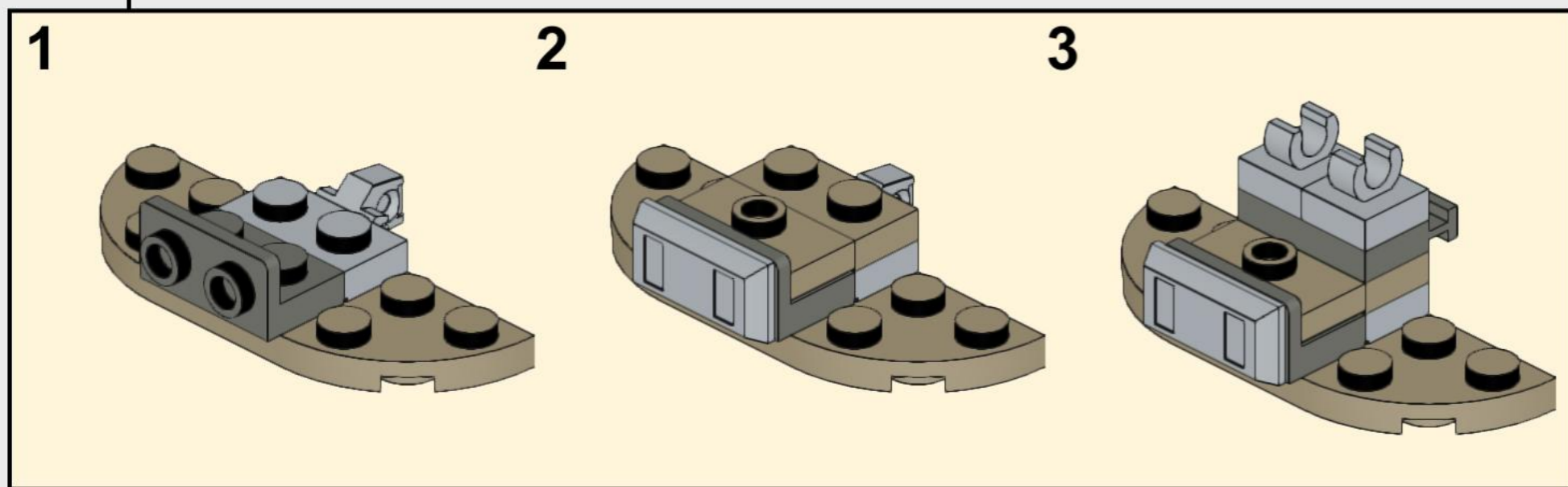
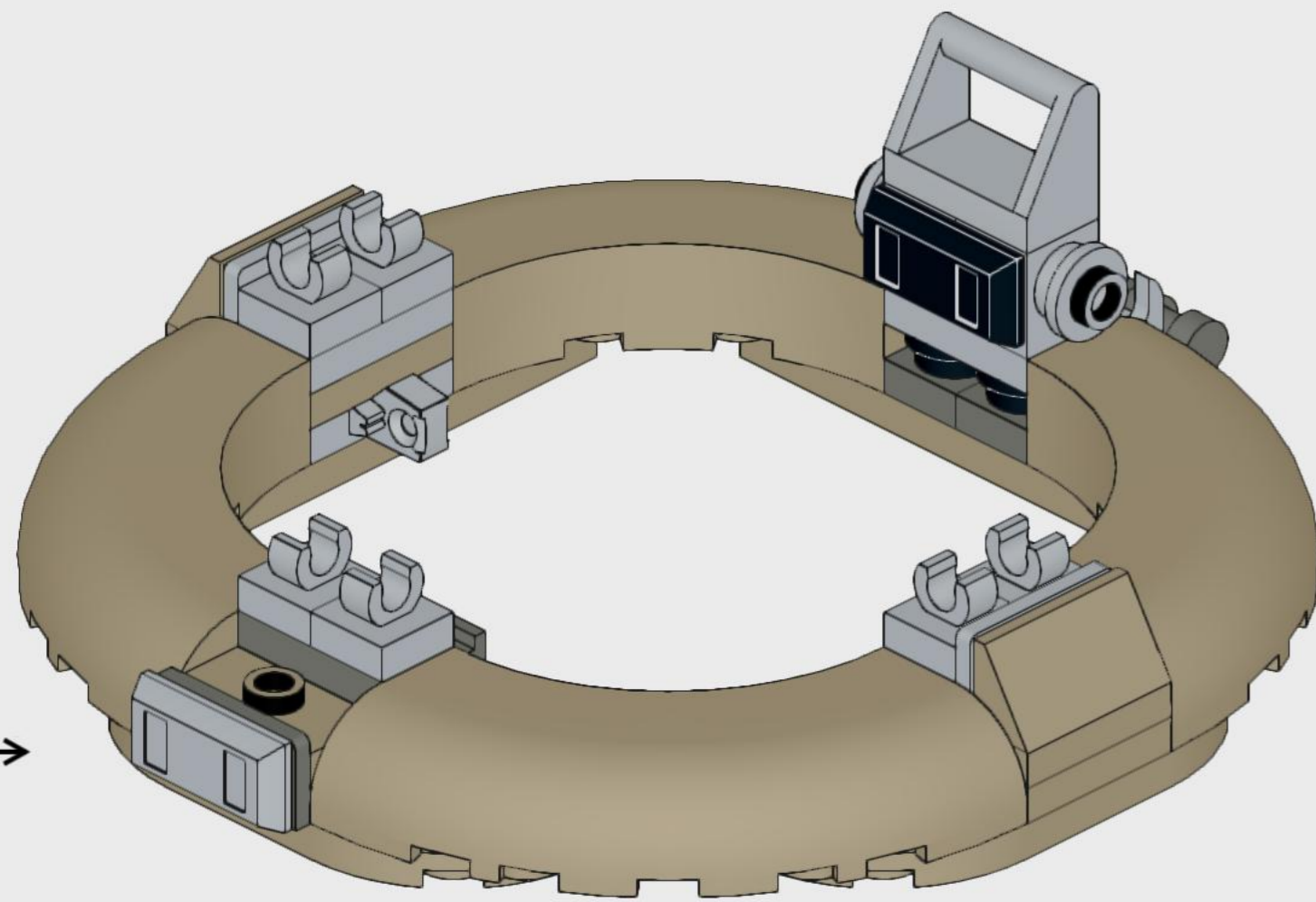
6



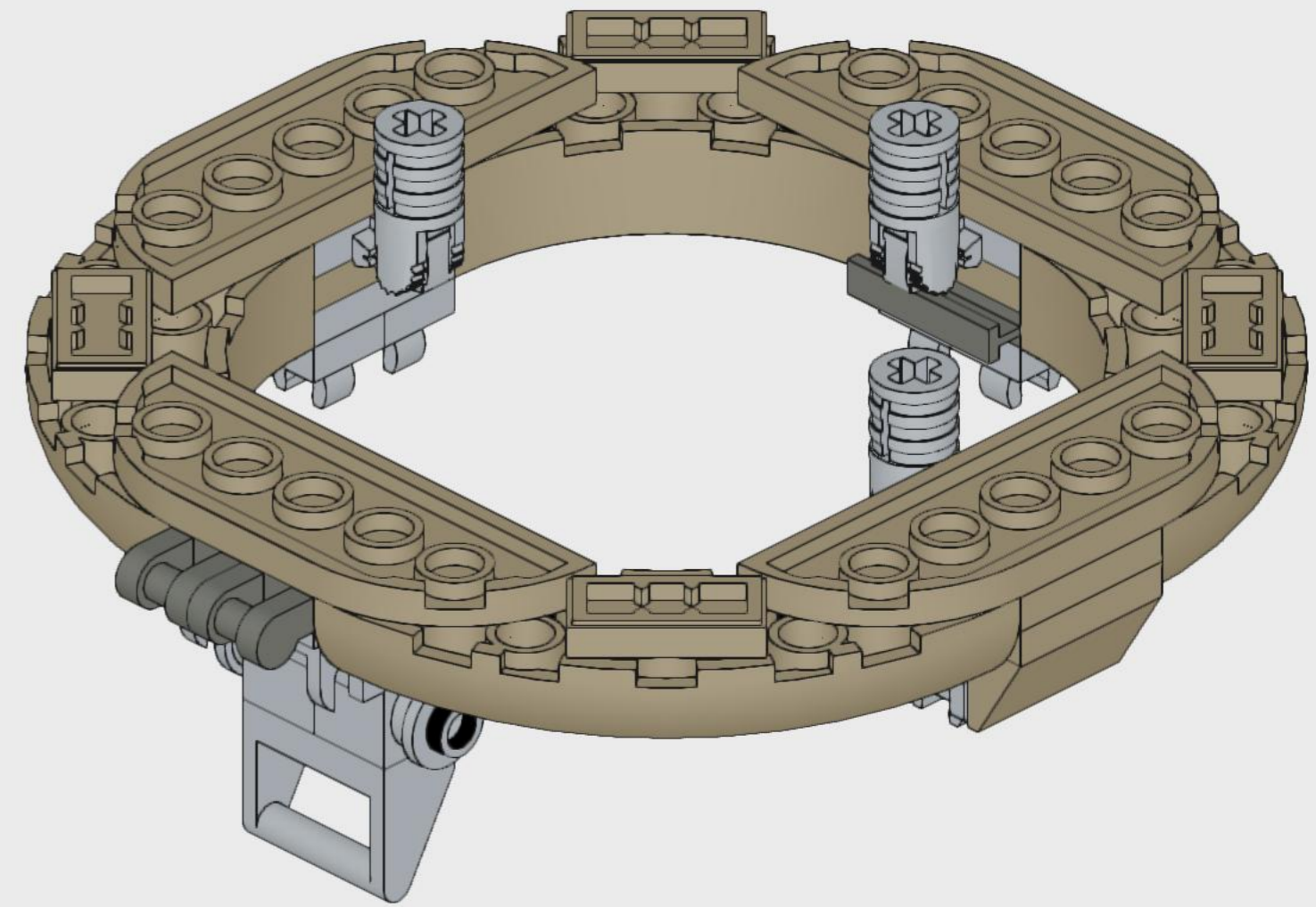


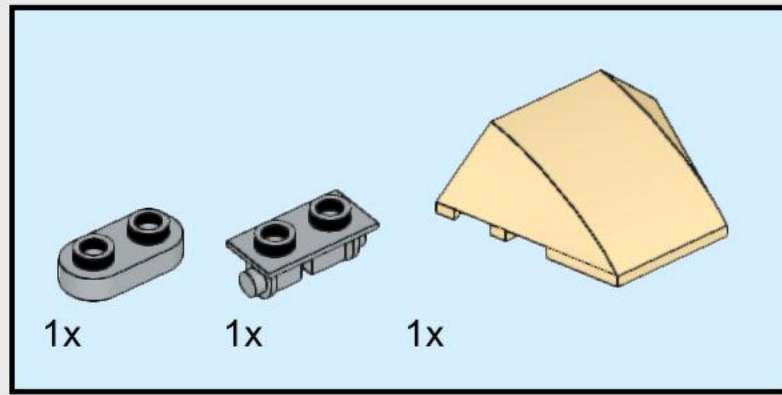


7

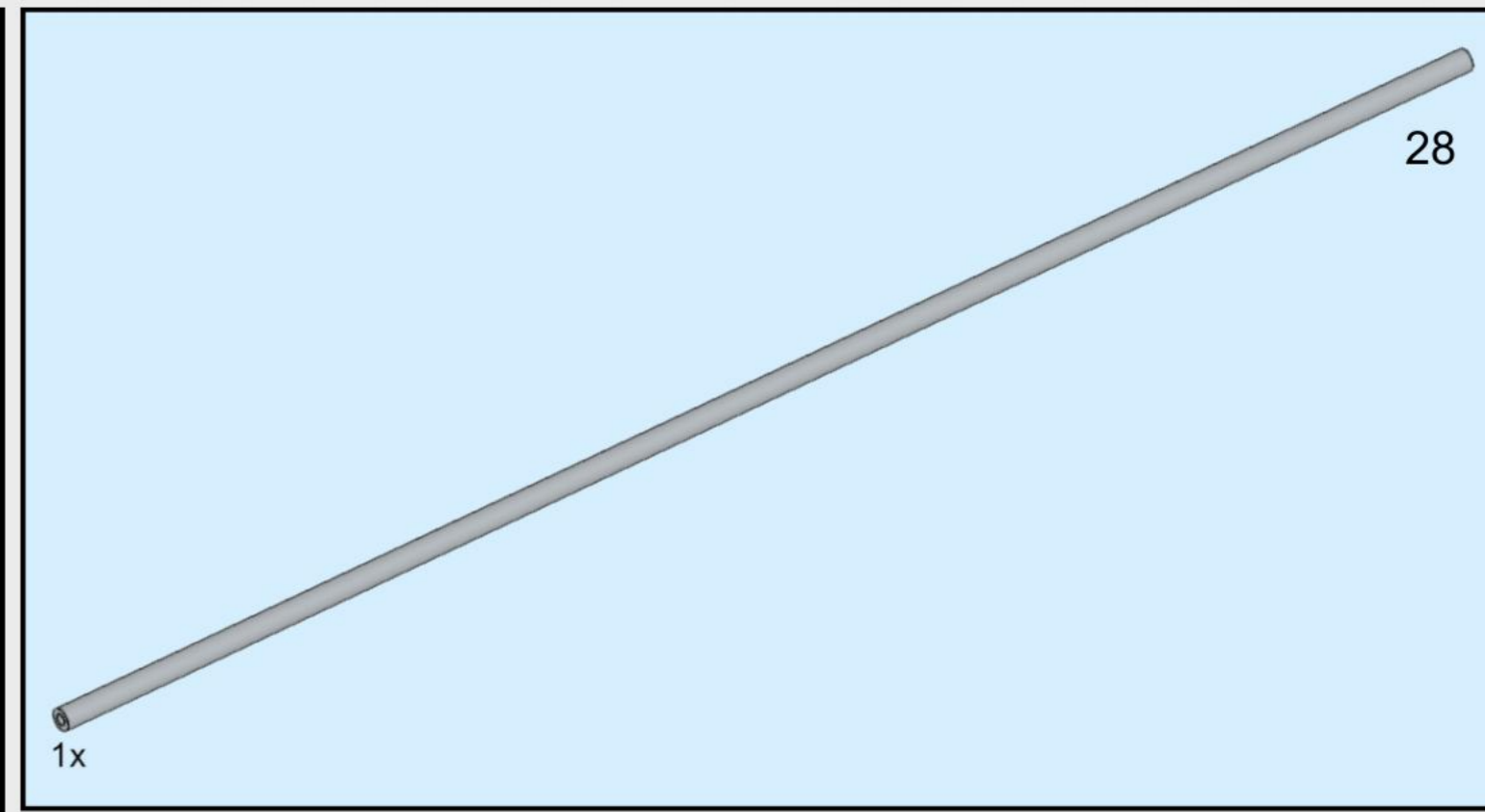
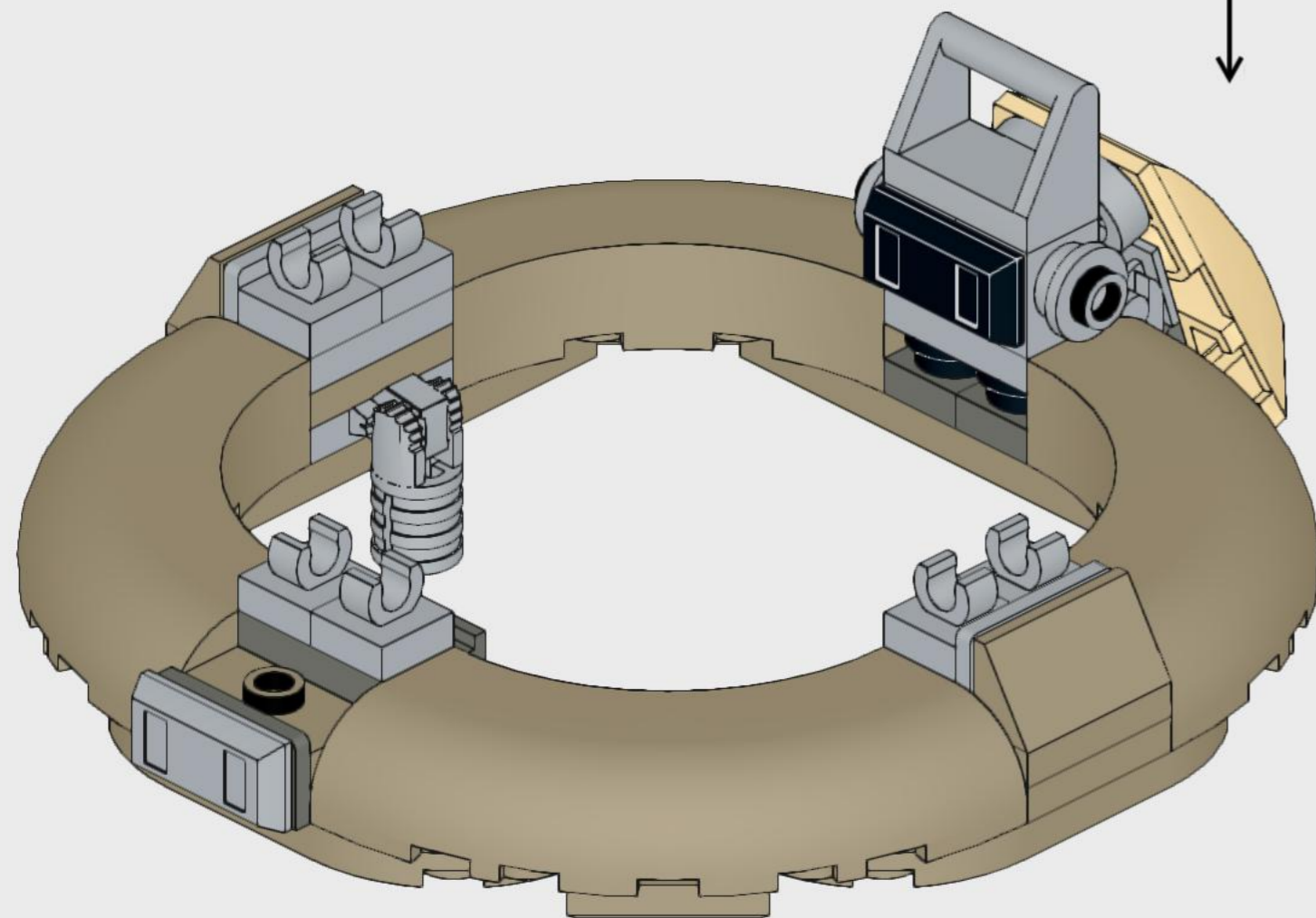
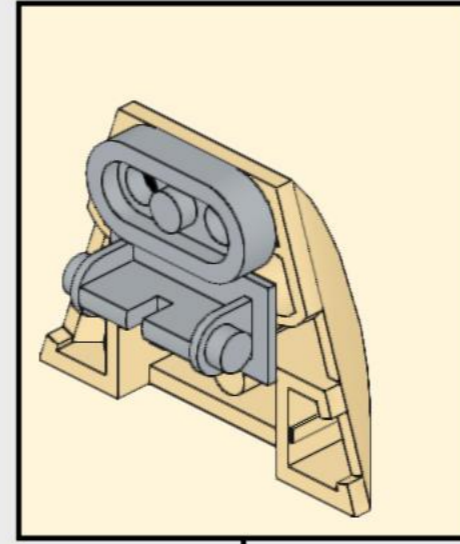


8

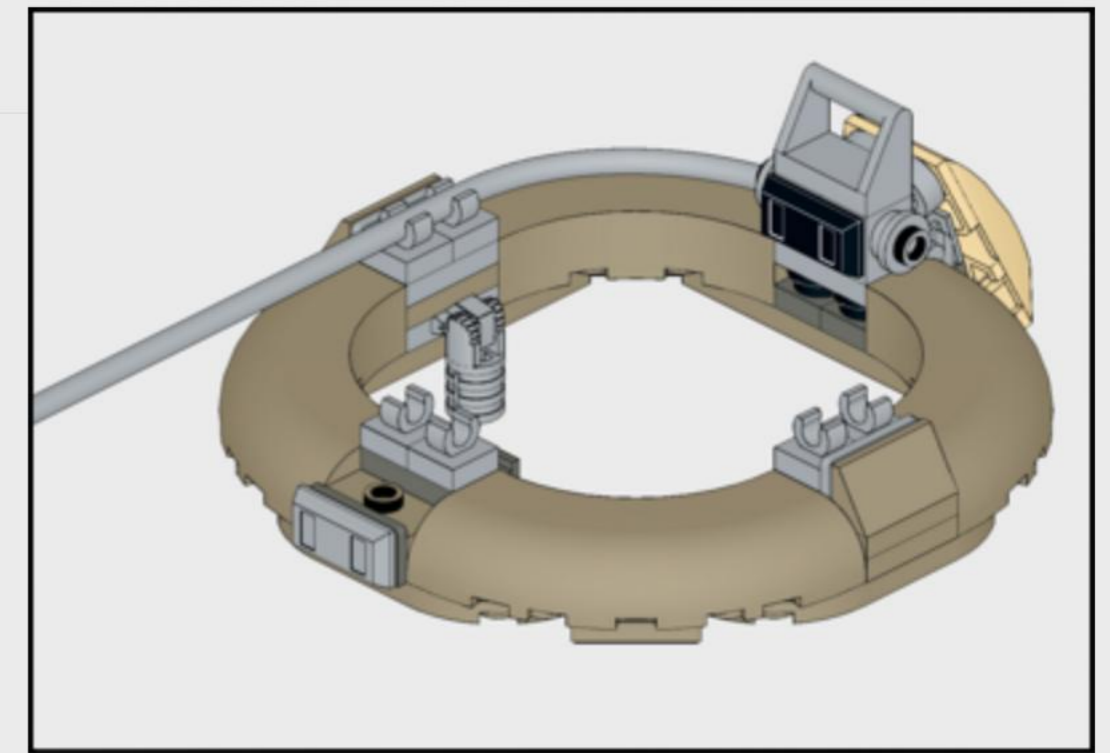




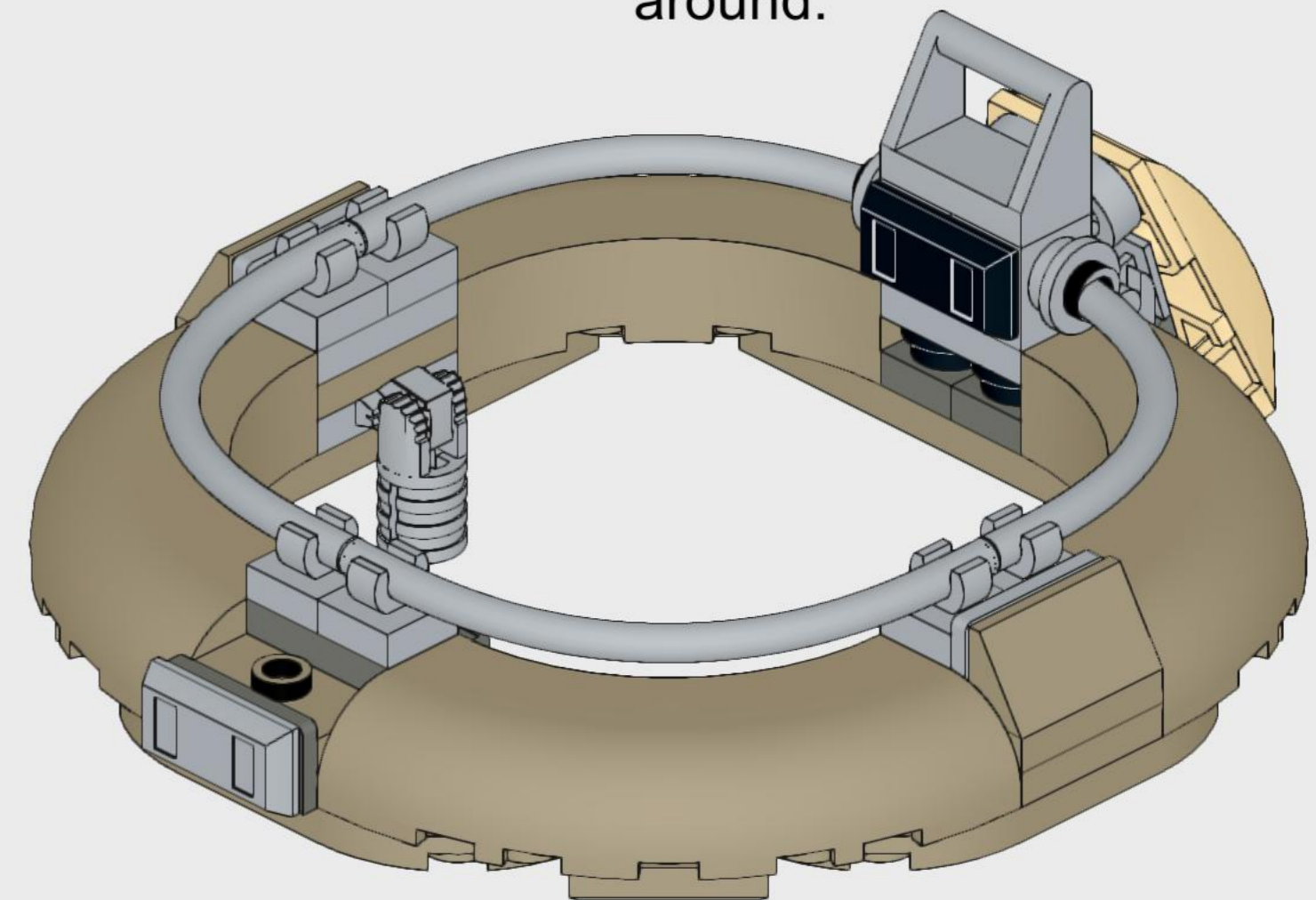
9

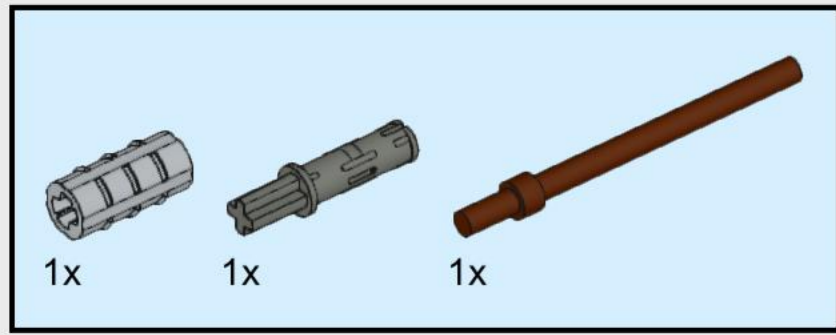


10

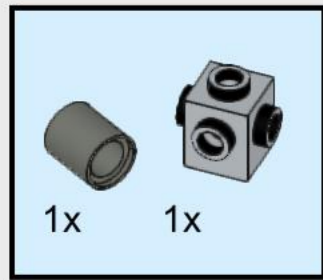
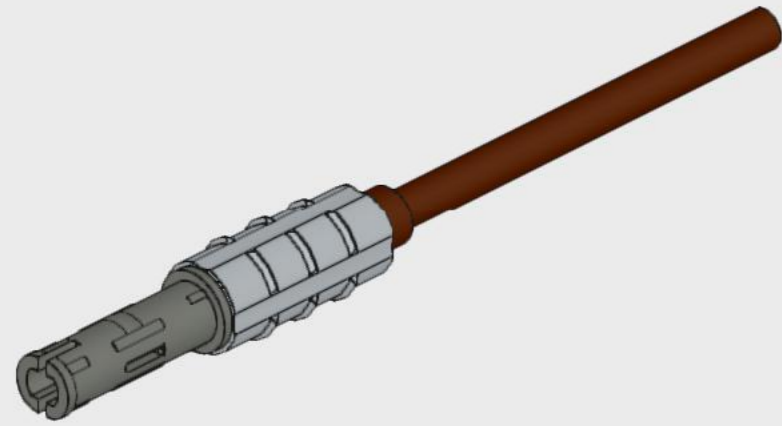


Insert 28-stud-length rigid hose into hollow stud in back, then wrap around.

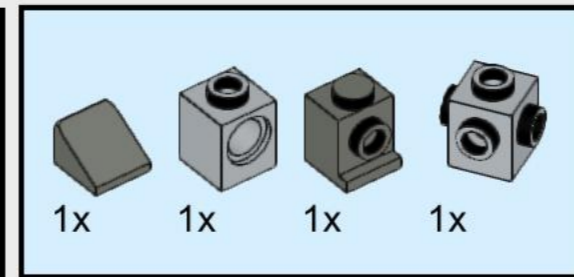
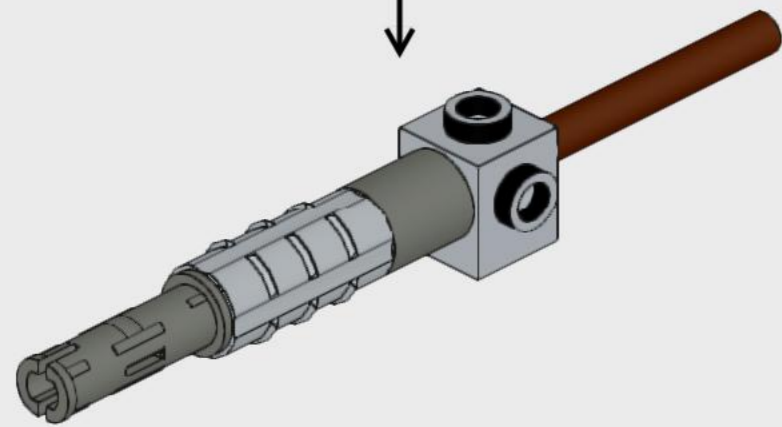
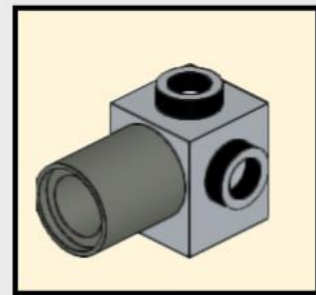




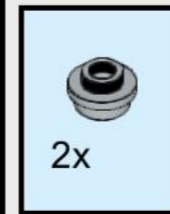
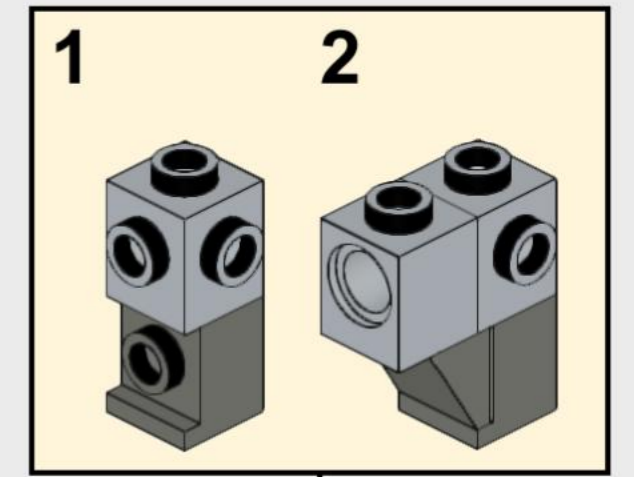
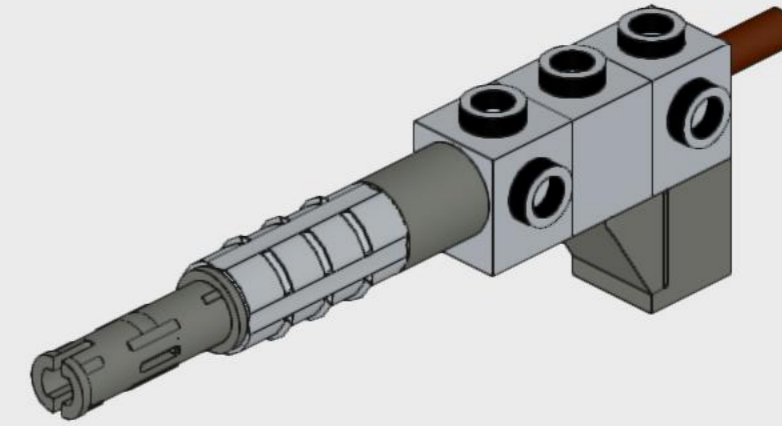
11



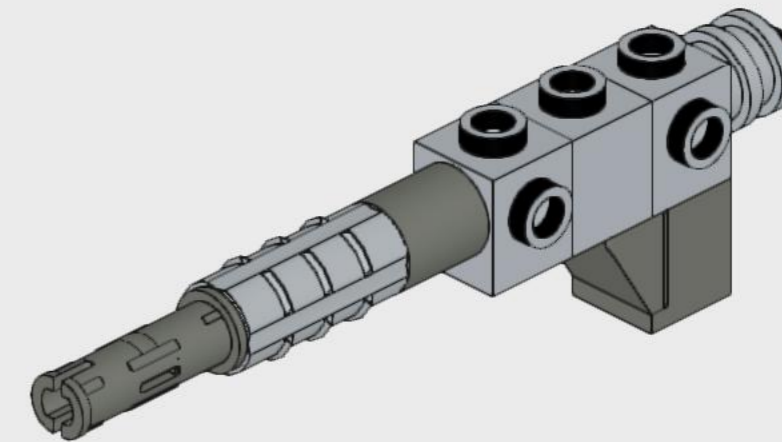
12

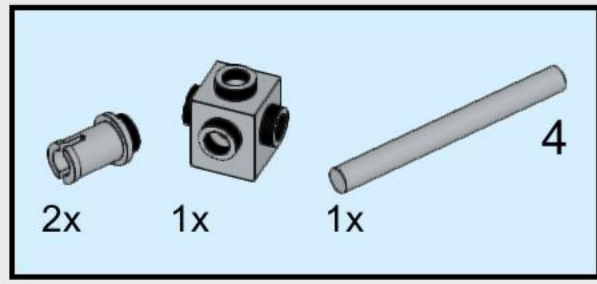


13

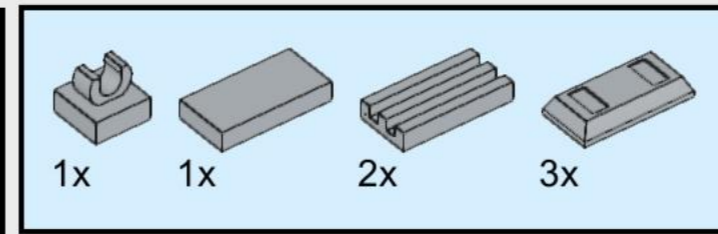
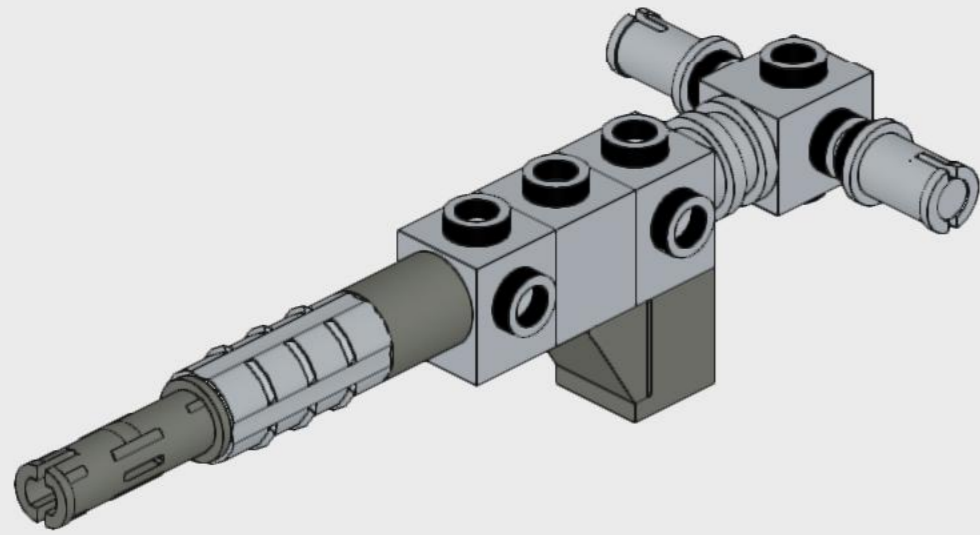
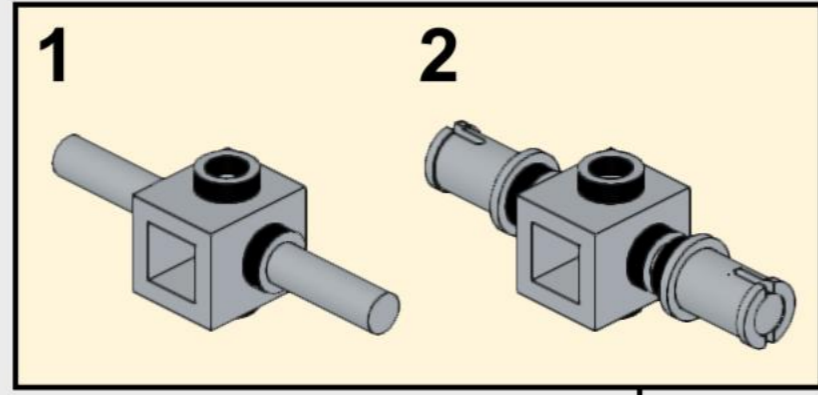


14

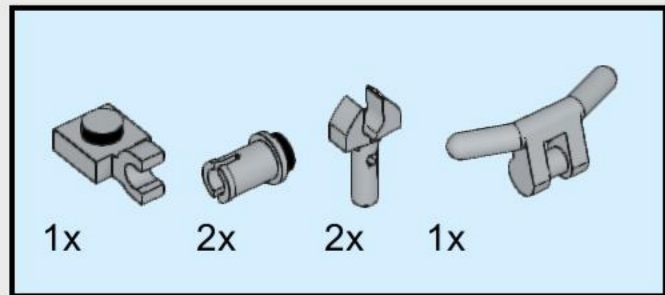
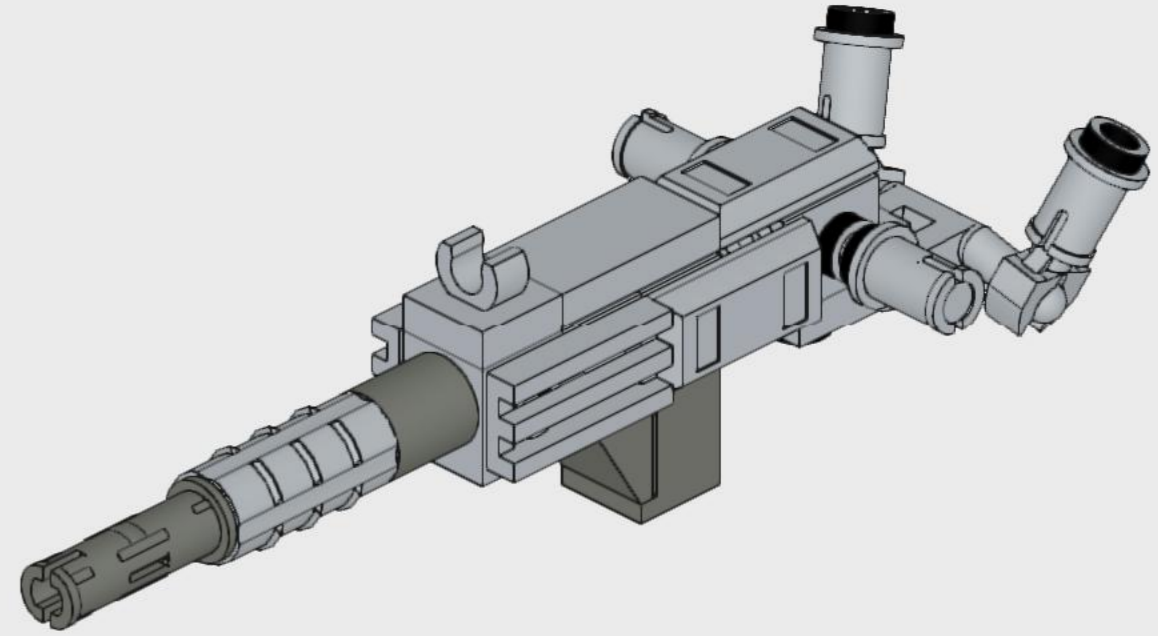




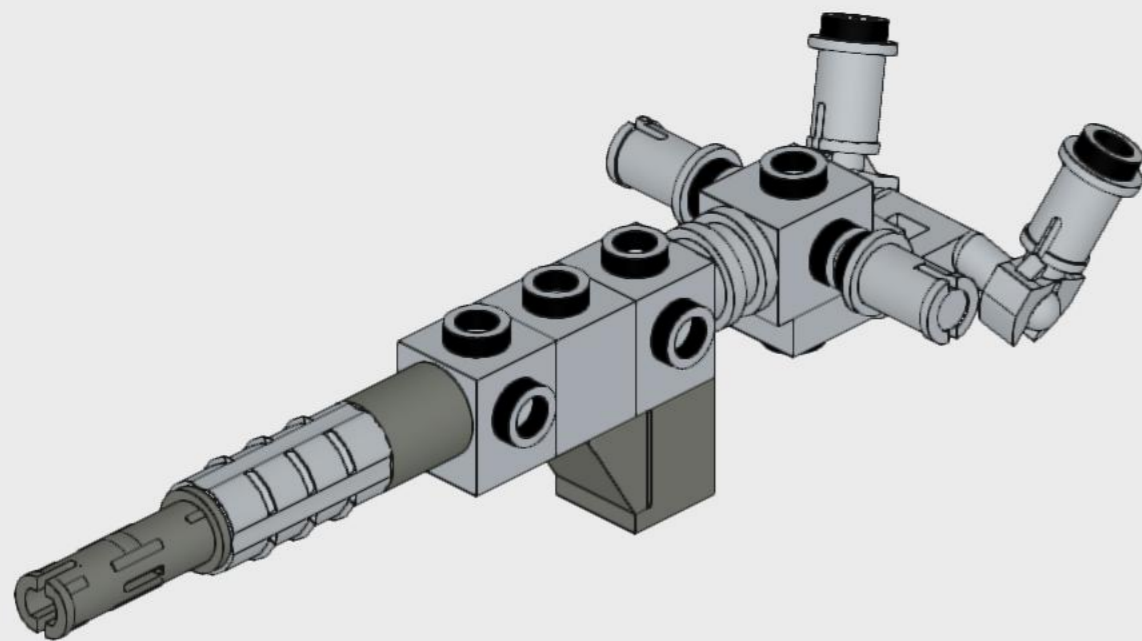
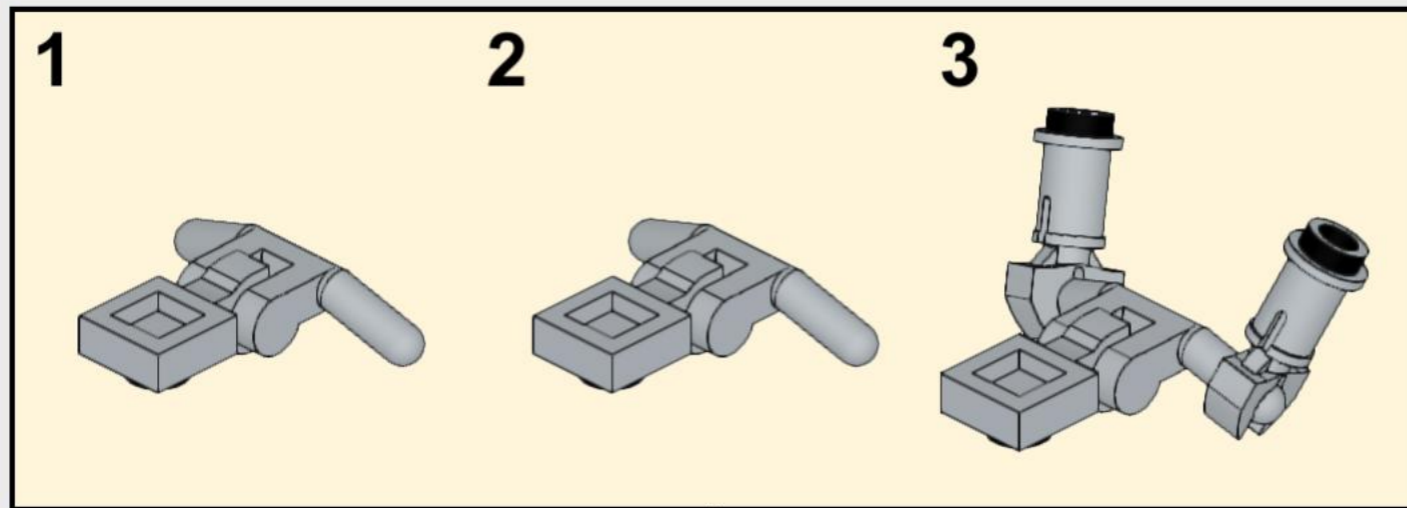
15



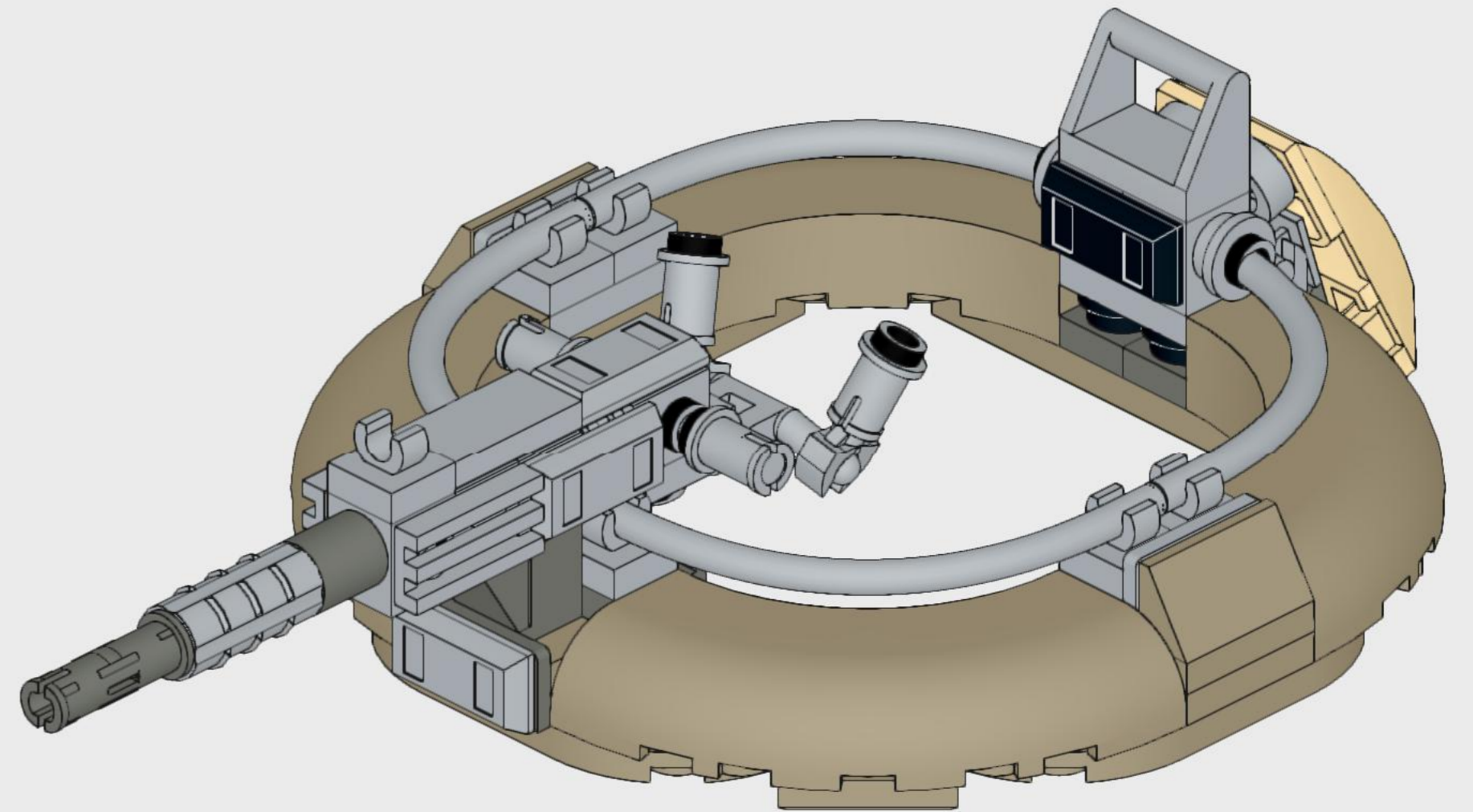
17

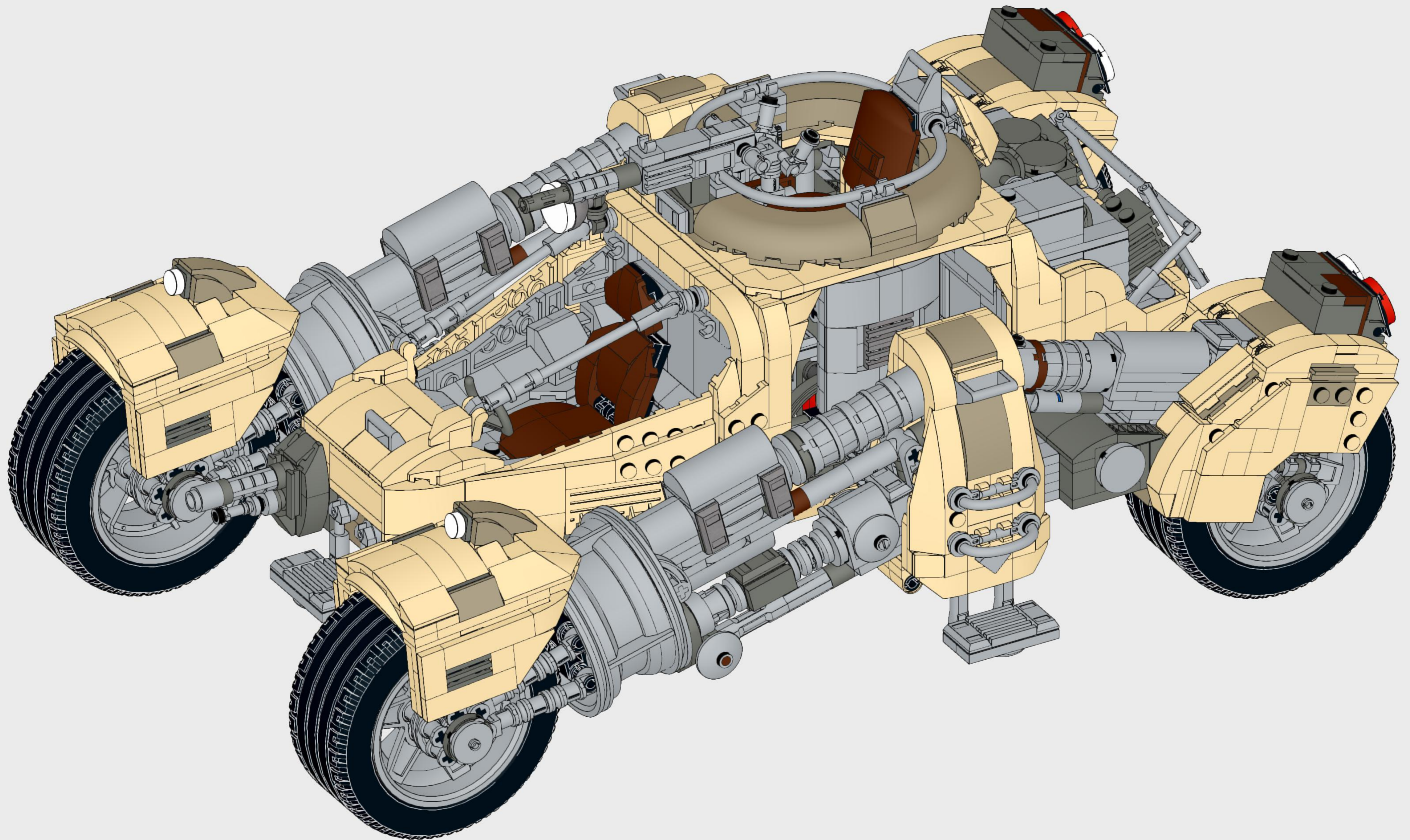


16



18







46x  
4073, 11

4x  
60483, 11

8x  
2420, 11

4x  
6632, 11

2x  
2431, 11

2x  
32555, 11

5x  
54200, 85

8x  
41677, 85

4x  
85984, 85

1x  
53585, 11

2x  
15100, 11

4x  
88072, 11

4x  
2458, 11

2x  
39793, 11

1x  
3034, 11

4x  
15712, 85

1x  
30553, 85

6x  
15100, 85

11x  
32062, 11

4x  
92280, 11

1x  
11203, 11

4x  
6553, 11

1x  
11833, 11

4x  
2997, 11

16x  
32002, 85

4x  
48729b, 85

12x  
61409, 85

2x  
26047, 11

2x  
4697b, 11

4x  
32530, 11

8x  
18651, 11

25x  
3706, 11

2x  
3895, 11

16x  
36840, 85

7x  
3069b, 85

4x  
4733, 85

4x  
15573, 11

5x  
24201, 11

2x  
15068, 11

8x  
32054, 11

2x  
3894, 11

2x  
3070b, 85

2x  
3005, 85

1x  
29120, 85

4x  
30383, 85

42x  
2780, 11

4x  
18677, 11

6x  
2654, 11

1x  
93571, 11

2x  
4095, 11

4x  
25269, 85

1x  
6541, 85

14x  
2412b, 85

4x  
3937, 85

5x  
3023, 11

8x  
28192, 11

4x  
6134, 11

2x  
30374, 11

8x  
3024, 85

1x  
85861, 85

4x  
3062b, 85

5x  
35480, 85

5x  
32028, 85

1x  
99563, 11

4x  
3069b, 11

10x  
60478, 11

14x  
3705, 11

4x  
3024, 85

1x  
85861, 85

4x  
4070, 85

1x  
29119, 85

4x  
23969, 85

4x  
11402a, 11

2x  
32064, 11

4x  
6134, 11

2x  
30374, 11

8x  
3024, 85

1x  
85861, 85

4x  
4085d, 85

9x  
3023, 85

4x  
23969, 85

4x  
11402a, 11

1x  
11476, 11

10x  
60478, 11

14x  
3705, 11

4x  
3024, 85

1x  
85861, 85

4x  
4085d, 85

9x  
3023, 85

4x  
23969, 85

2x  
62462, 11

7x  
4032, 11

3x  
32803, 11

2x  
3710, 11

4x  
32065, 11

2x  
20482, 85

4x  
87087, 85

3x  
15573, 85

14x  
11458, 85

2x  
62462, 11

7x  
4032, 11

3x  
32803, 11

2x  
3710, 11

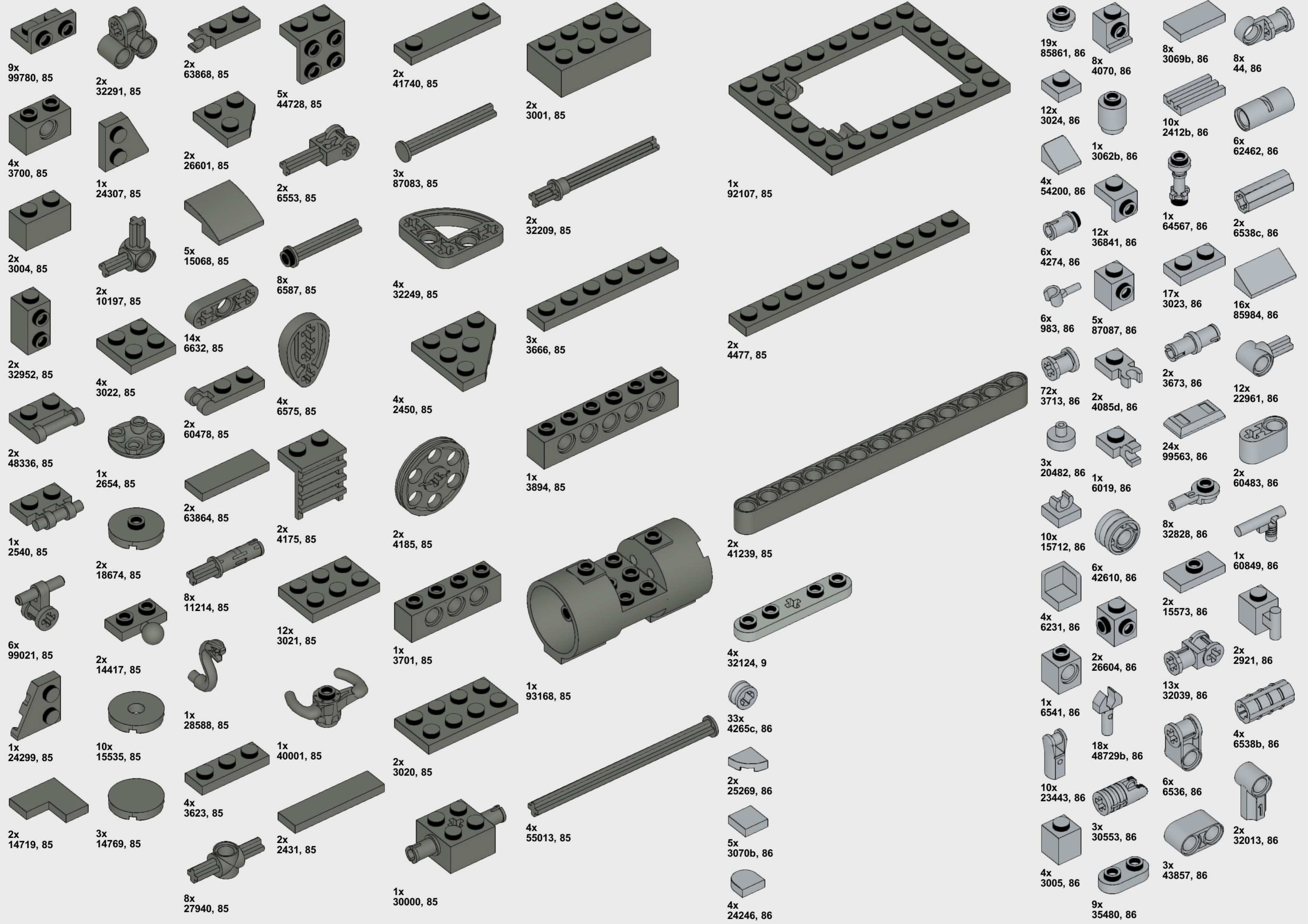
4x  
32065, 11

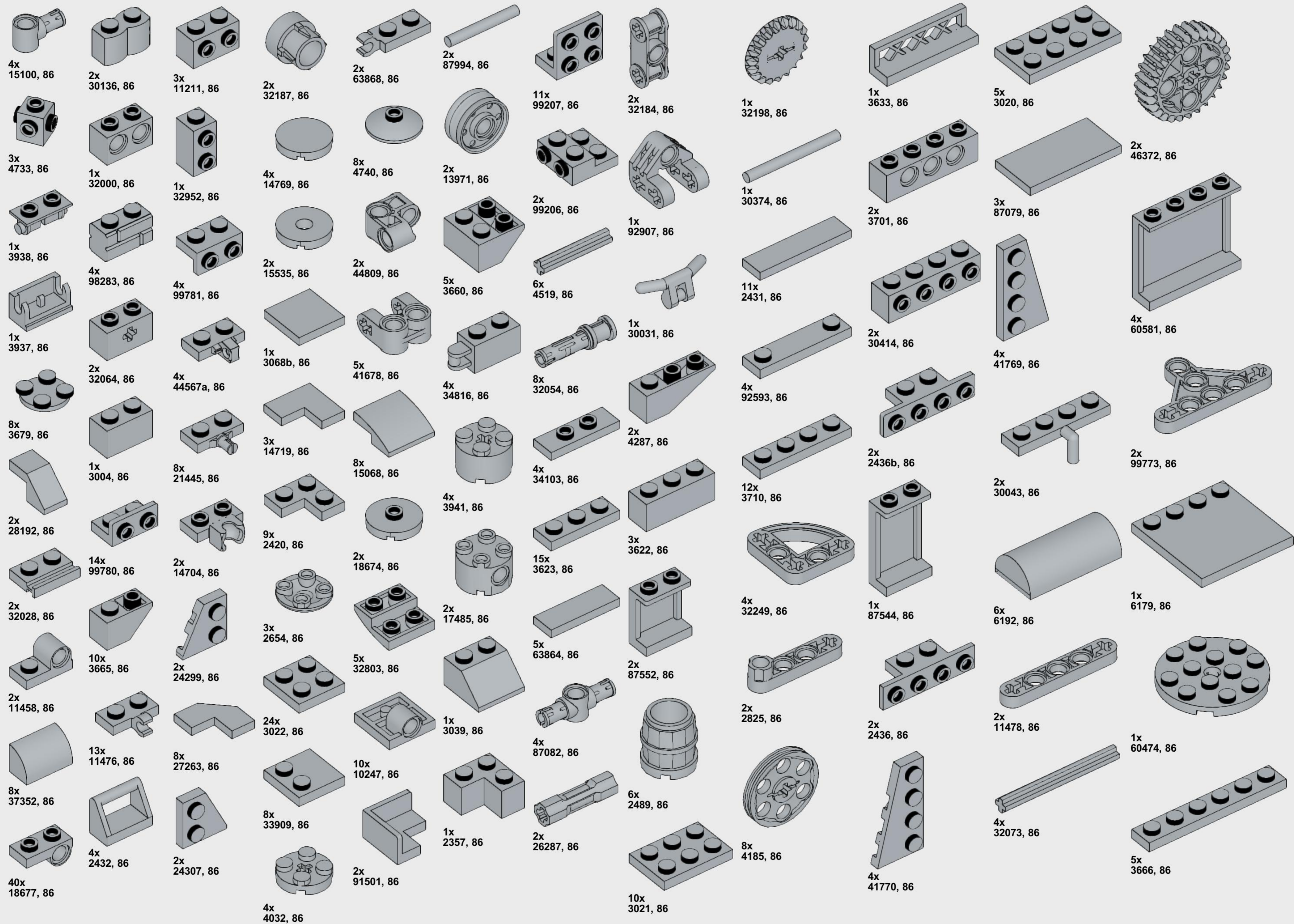
2x  
20482, 85

3x  
61252, 85

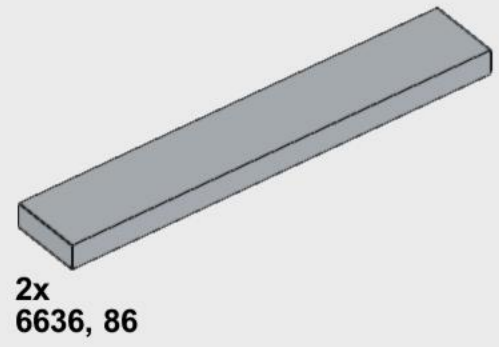
2x  
11477, 85

10x  
32000, 85

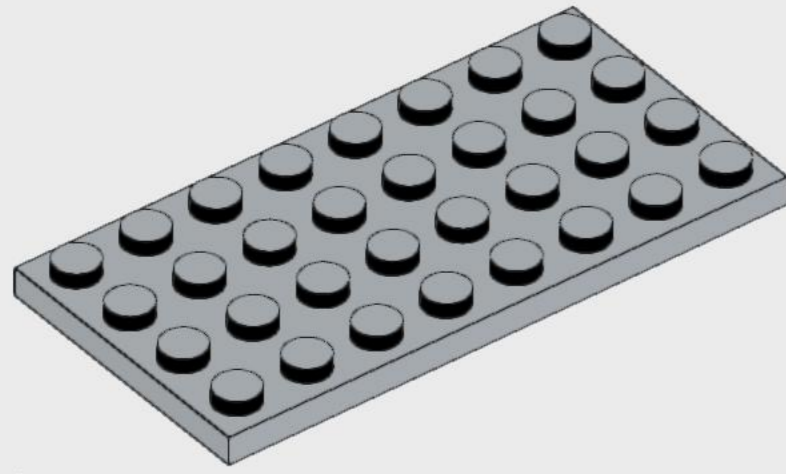




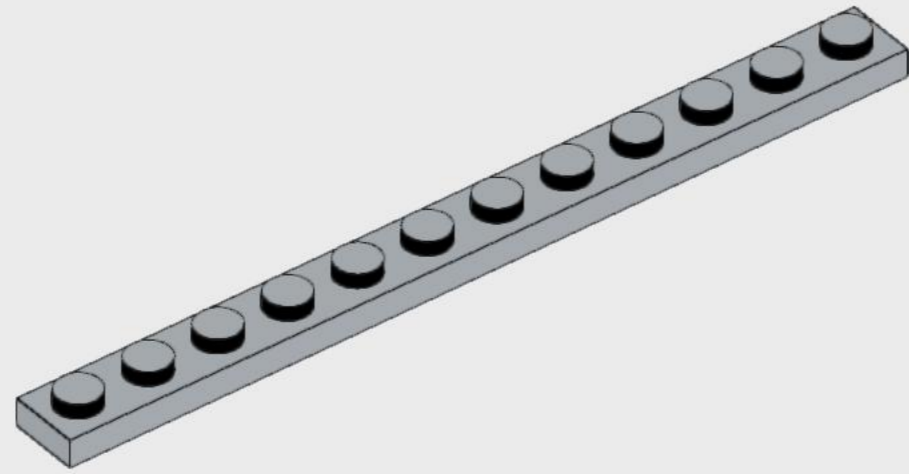




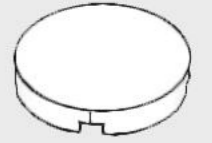
2x  
6636, 86



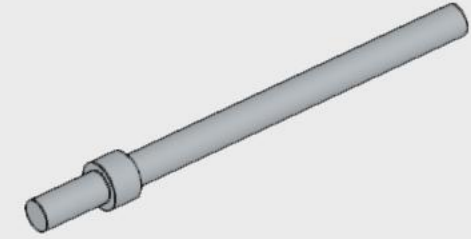
1x  
3035, 86



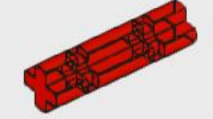
1x  
60479, 86



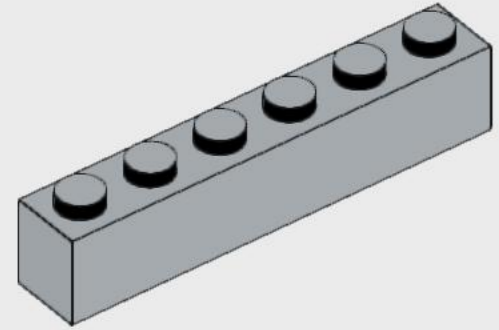
3x  
14769, 1



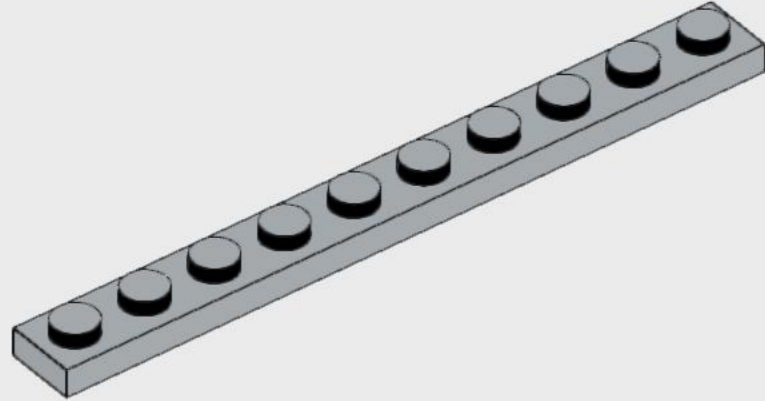
2x  
63965, 86



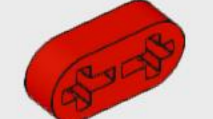
2x  
32062, 5



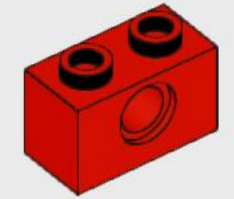
1x  
3009, 86



1x  
4477, 86



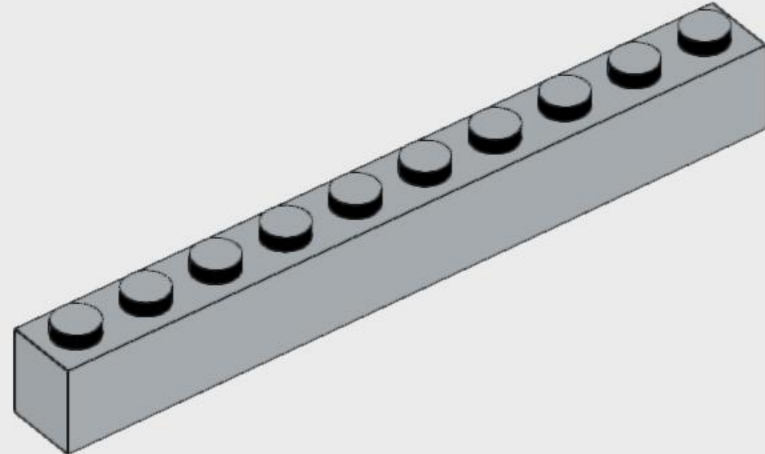
16x  
41677, 5



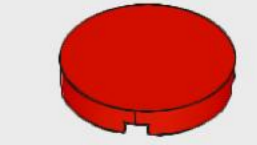
1x  
3700, 5



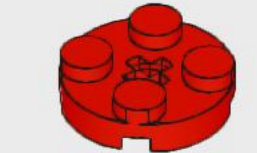
2x  
32498, 86



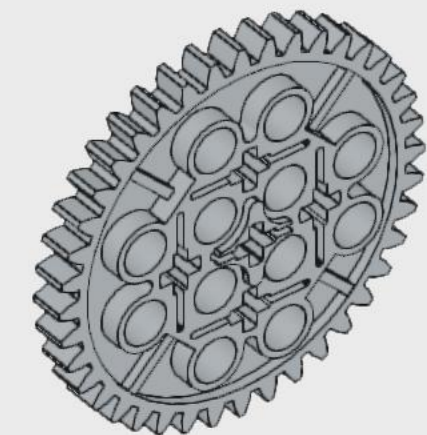
1x  
6111, 86



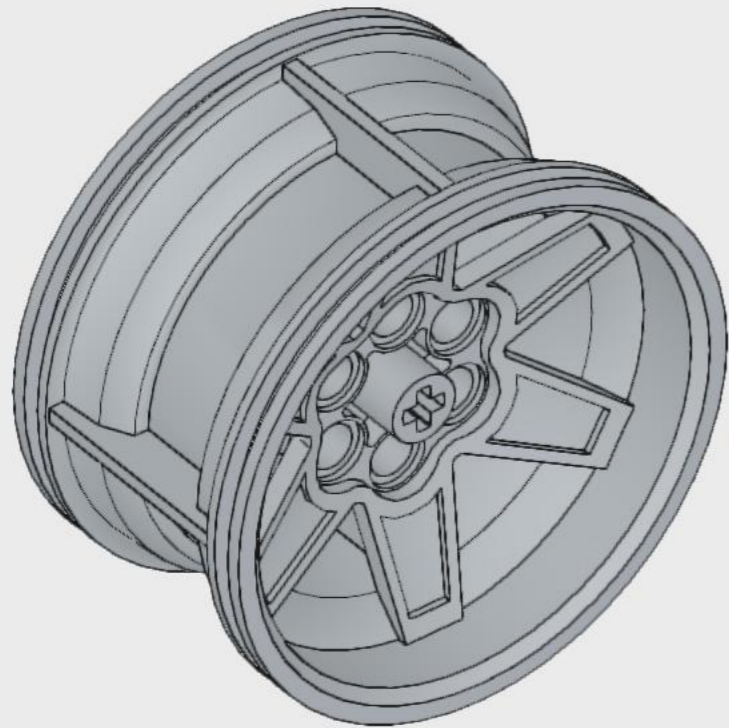
2x  
14769, 5



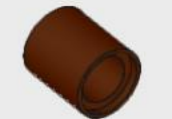
4x  
4032, 5



2x  
3649, 86



6x  
15038, 86



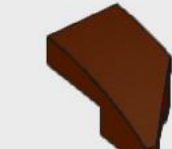
2x  
18654, 88



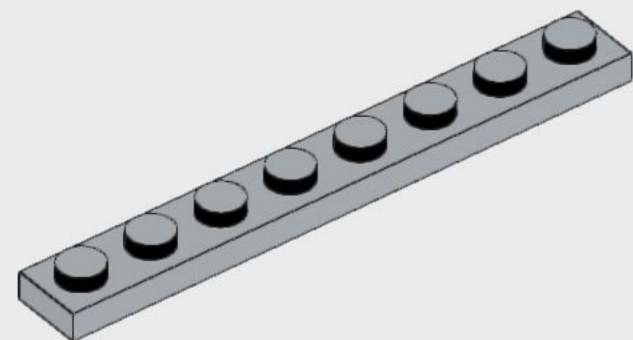
1x  
99563, 88



4x  
29119, 88



4x  
29120, 88



1x  
3460, 86



3x  
75c20, 86

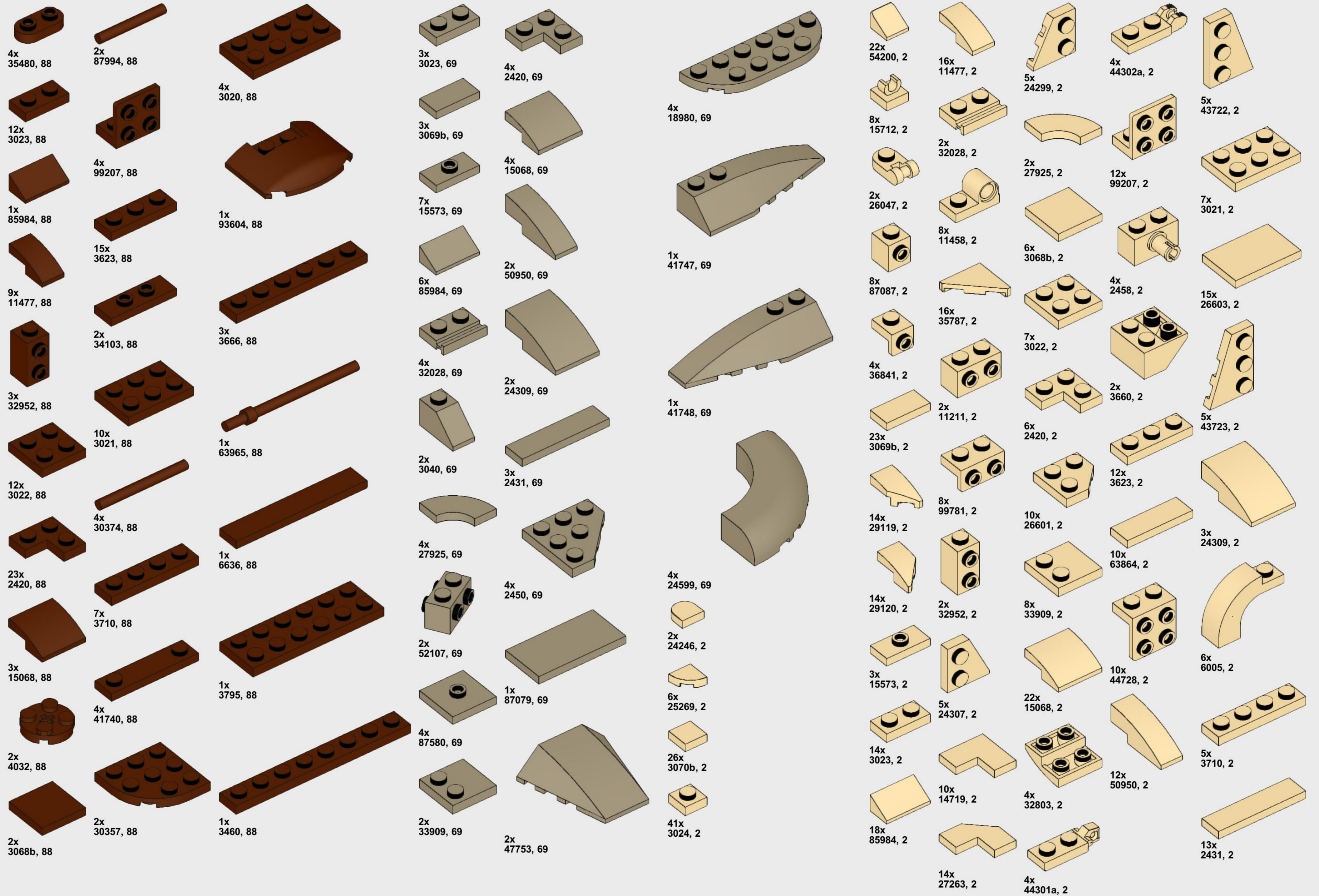
1x  
75c32, 86

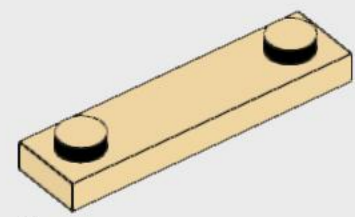


2x  
98138, 1

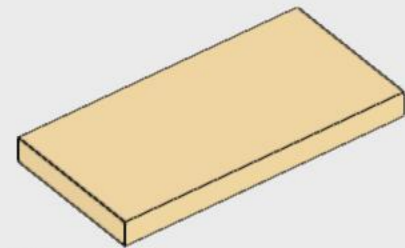


2x  
3069b, 88

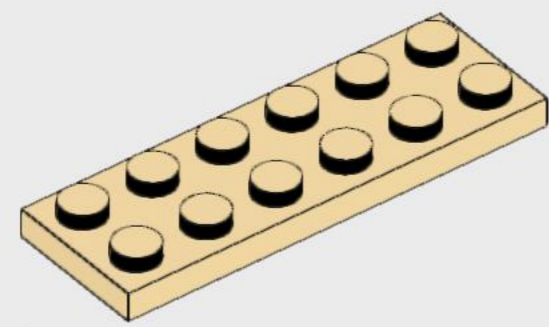




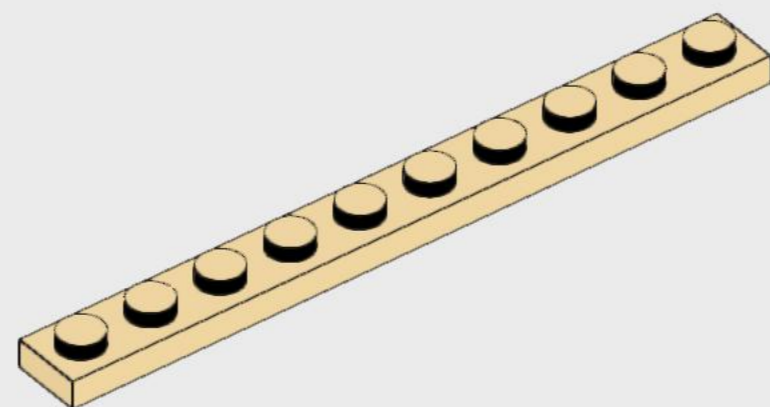
6x  
92593, 2



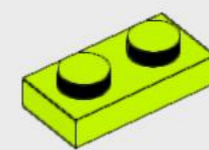
6x  
87079, 2



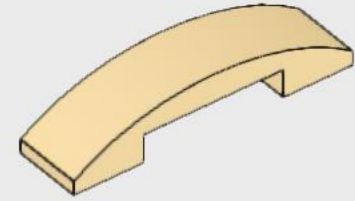
8x  
3795, 2



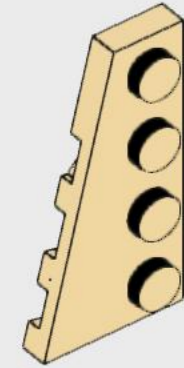
2x  
4477, 2



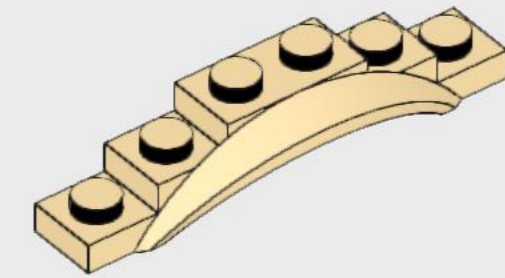
11x  
3023, 34



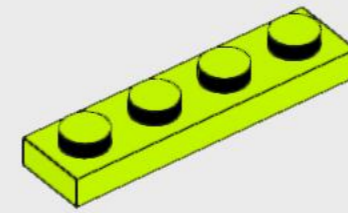
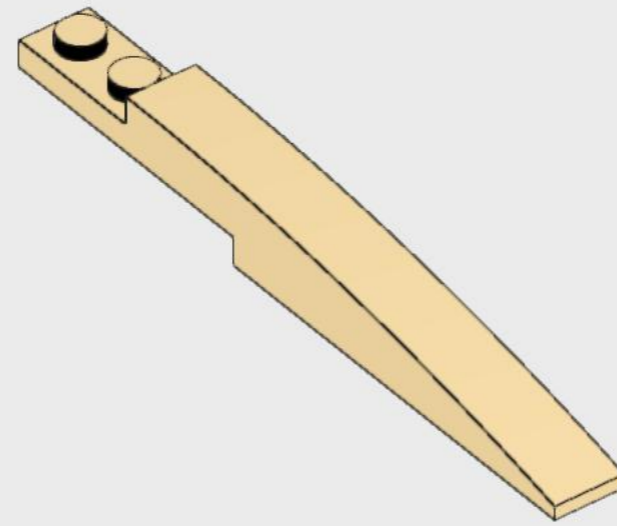
8x  
93273, 2



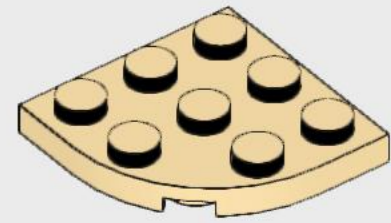
5x  
41770, 2



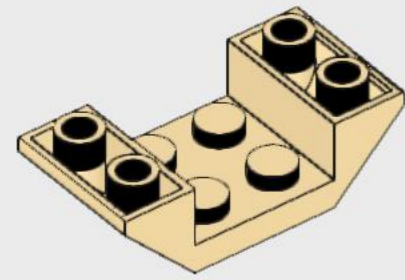
2x  
62361, 2



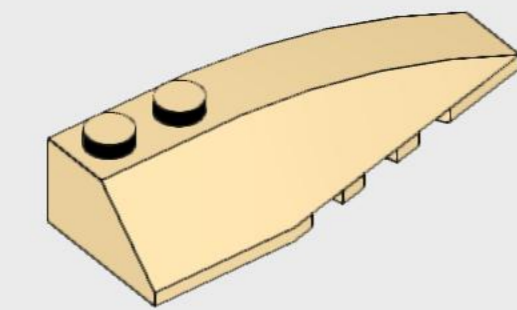
4x  
3710, 34



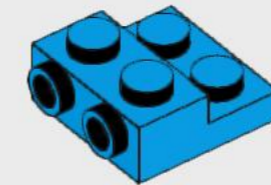
8x  
30357, 2



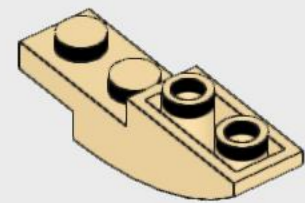
2x  
4871, 2



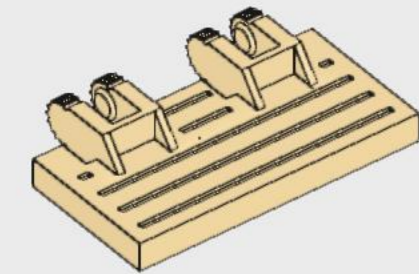
2x  
85970, 2



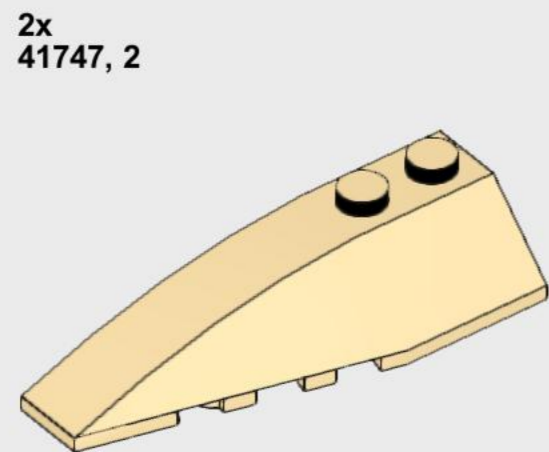
6x  
99206, 153



2x  
13547, 2



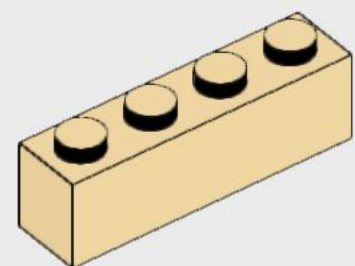
2x  
44569, 2



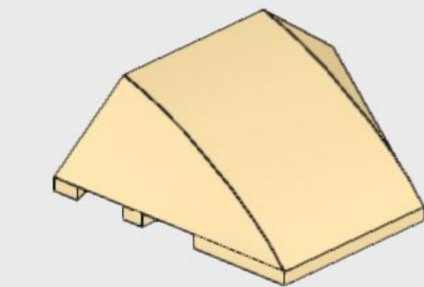
2x  
4274, 7



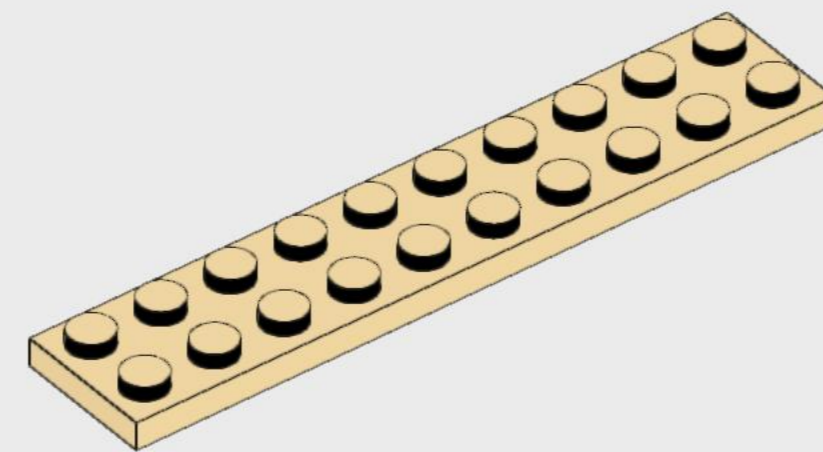
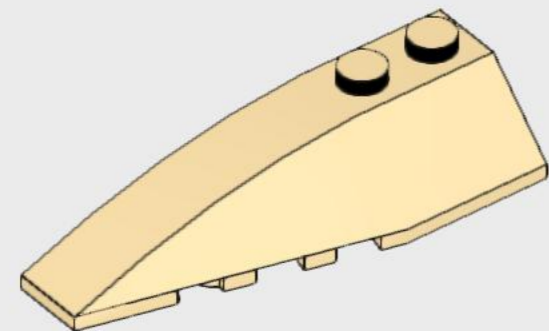
44x  
43093, 7



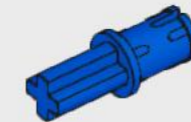
1x  
3010, 2



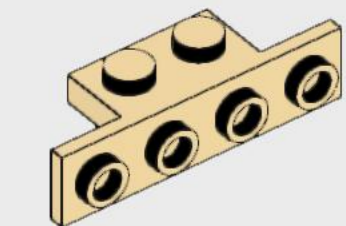
1x  
64225, 2



20x  
4274, 7



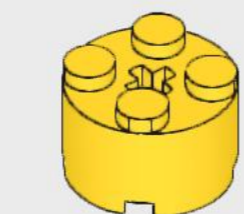
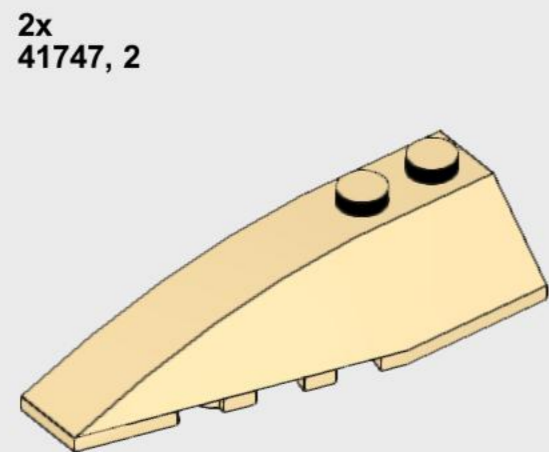
12x  
6558, 7



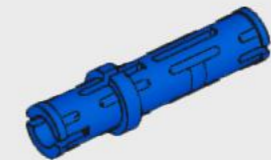
2x  
3832, 2



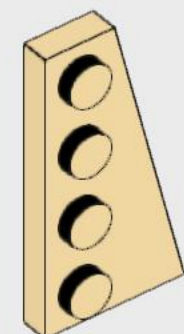
2x  
41747, 2



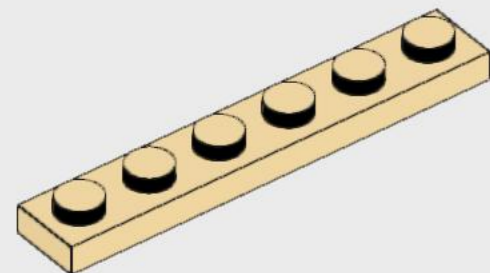
2x  
43093, 7



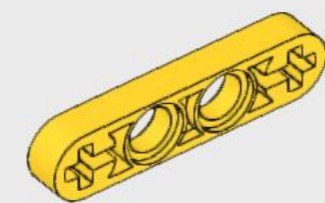
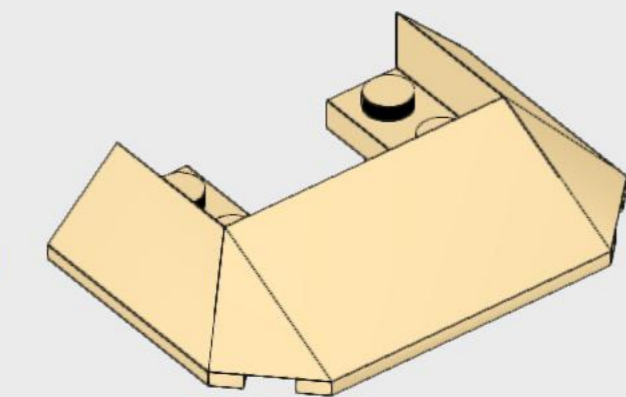
6x  
11272, 77



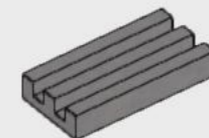
2x  
3941, 3



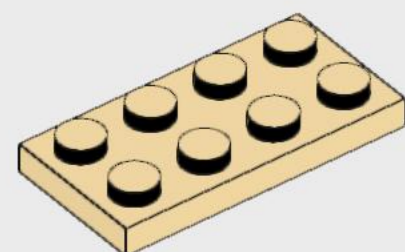
1x  
32449, 3



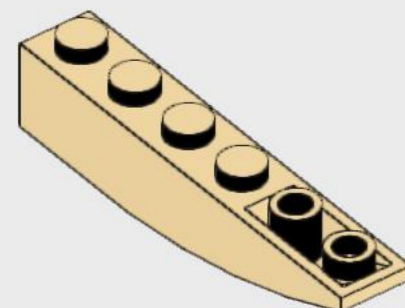
4x  
2412b, 95



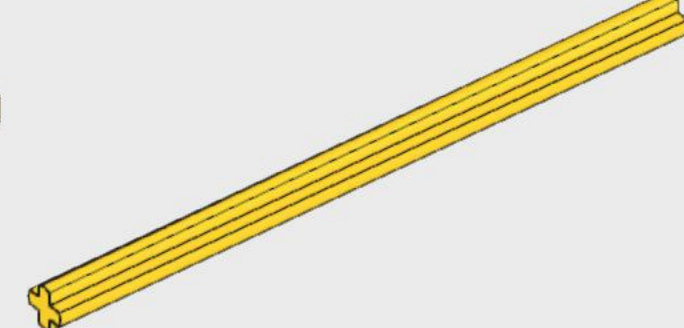
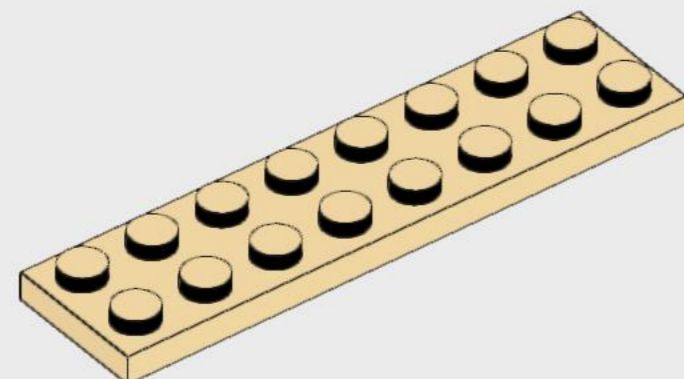
10x  
99563, 95



2x  
13269, 2



1x  
32449, 3



1x  
3020, 2



1x  
15395, 95