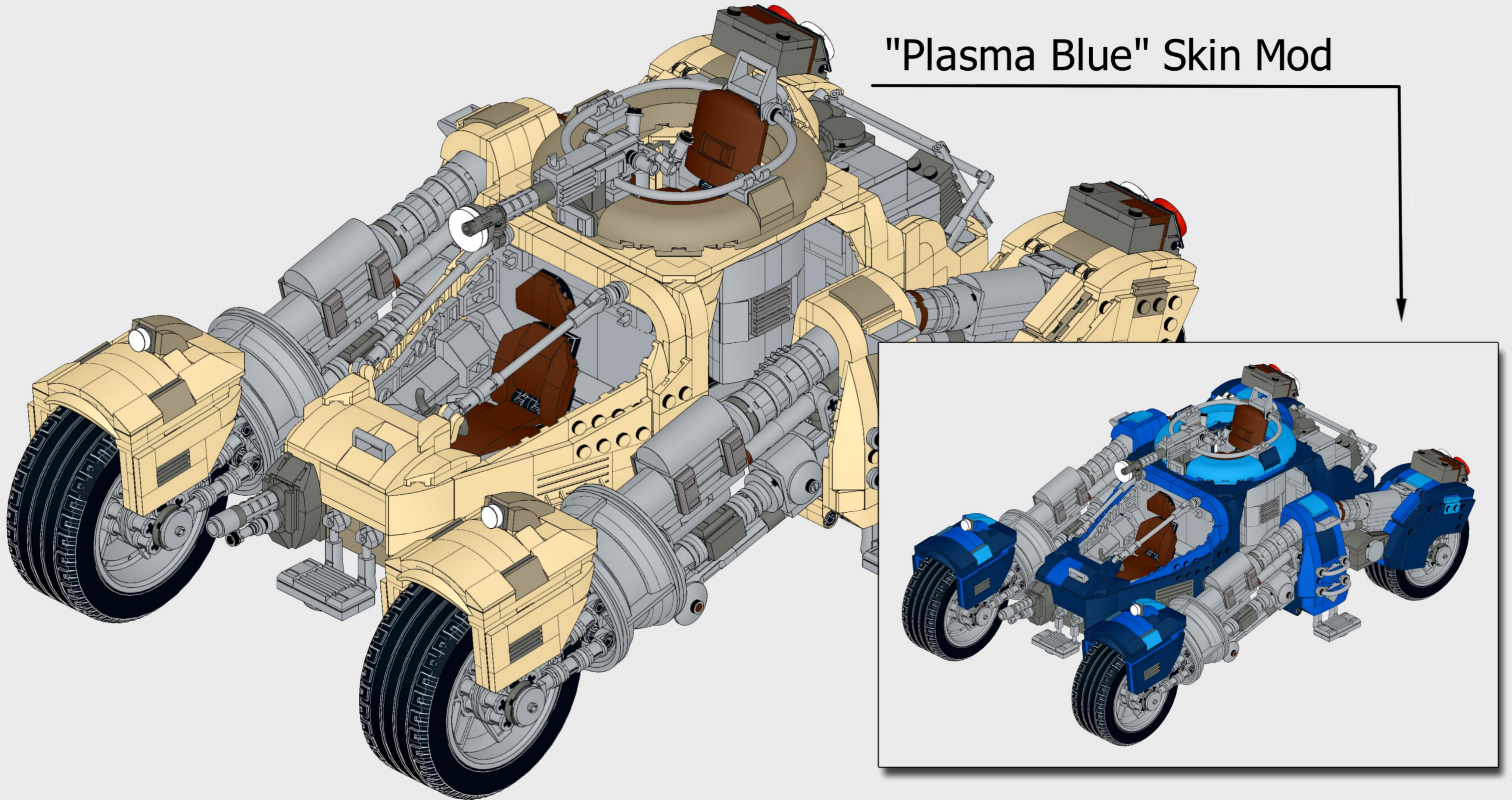


# BORDERLANDS

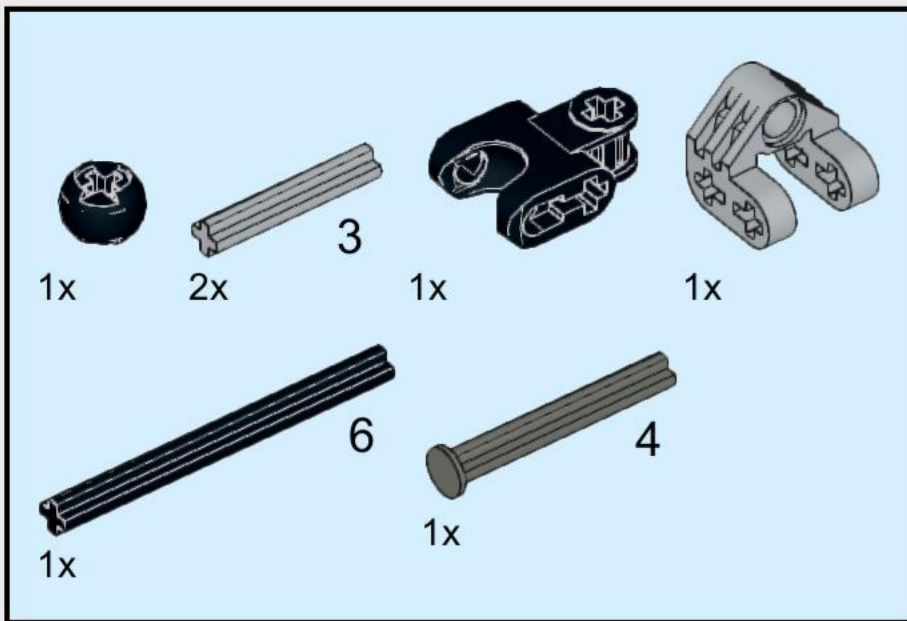
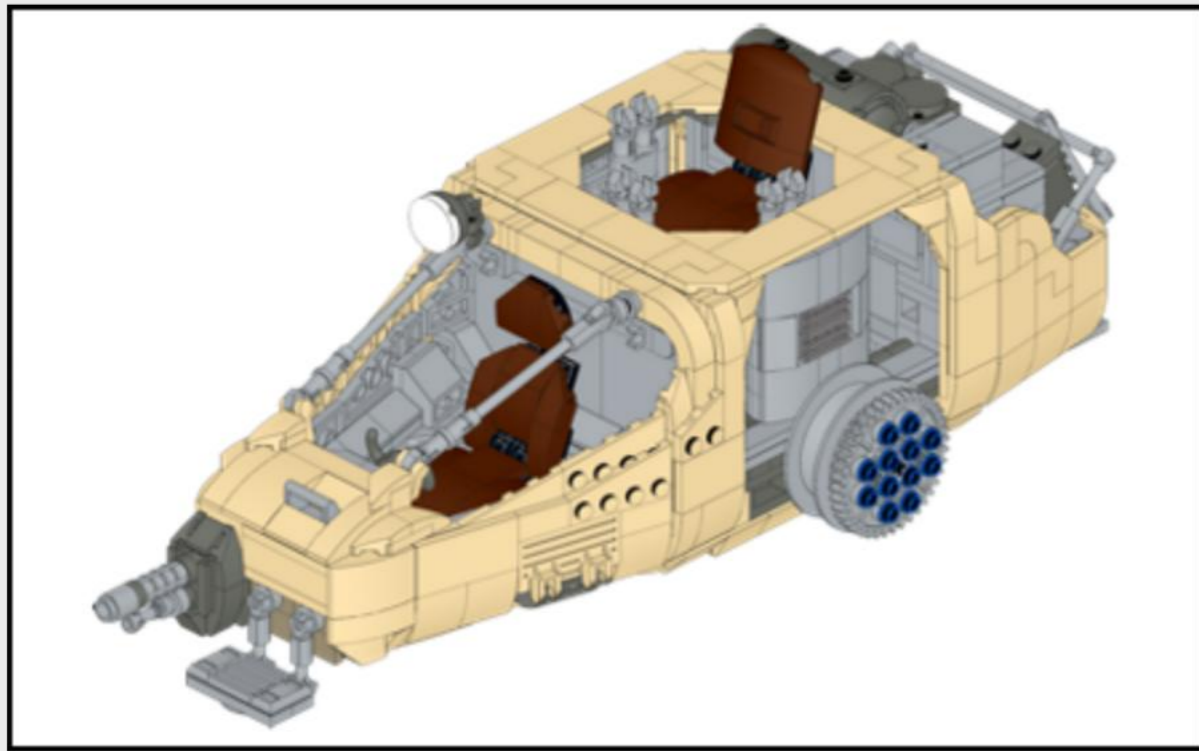
## Outrunner

"Plasma Blue" Skin Mod

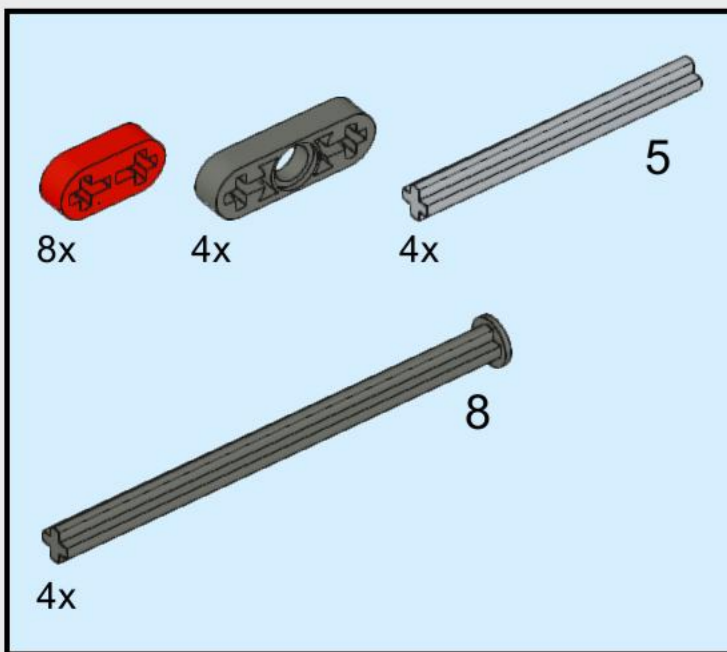


2540 Lego pcs

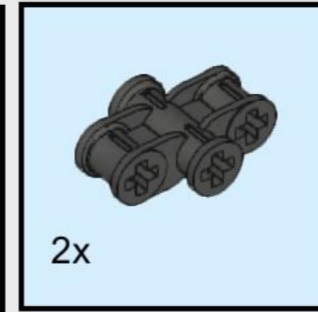
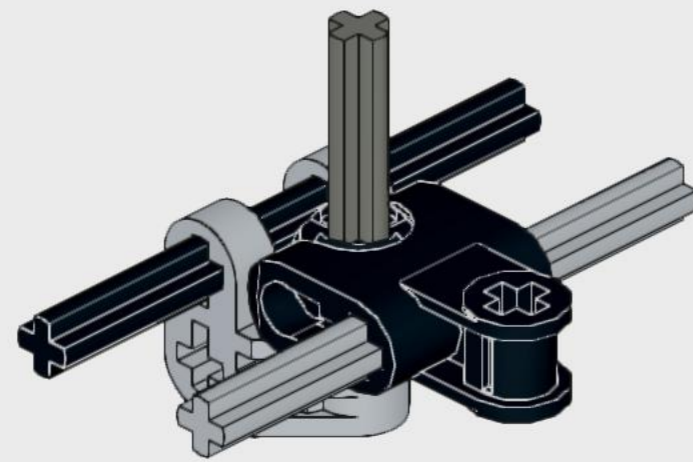
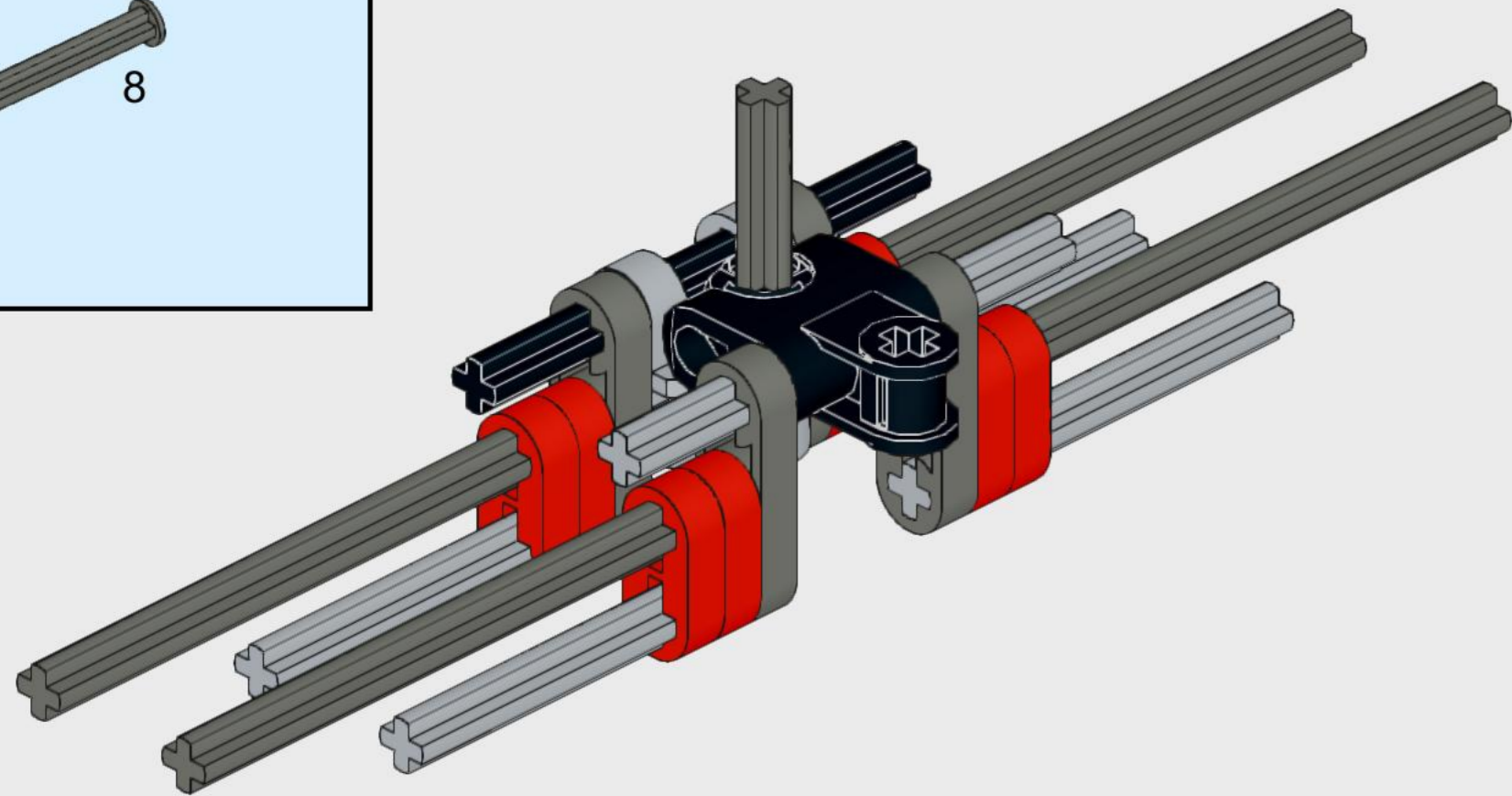
Model by Kevin Hansen  
©2020 HansenBricks.com



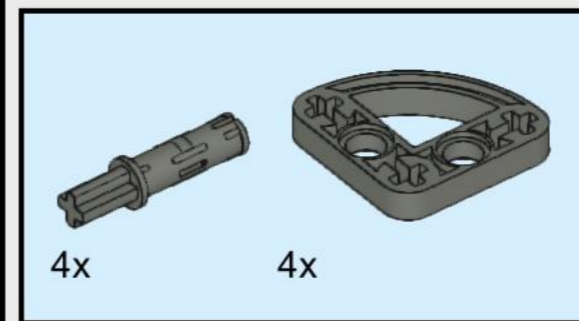
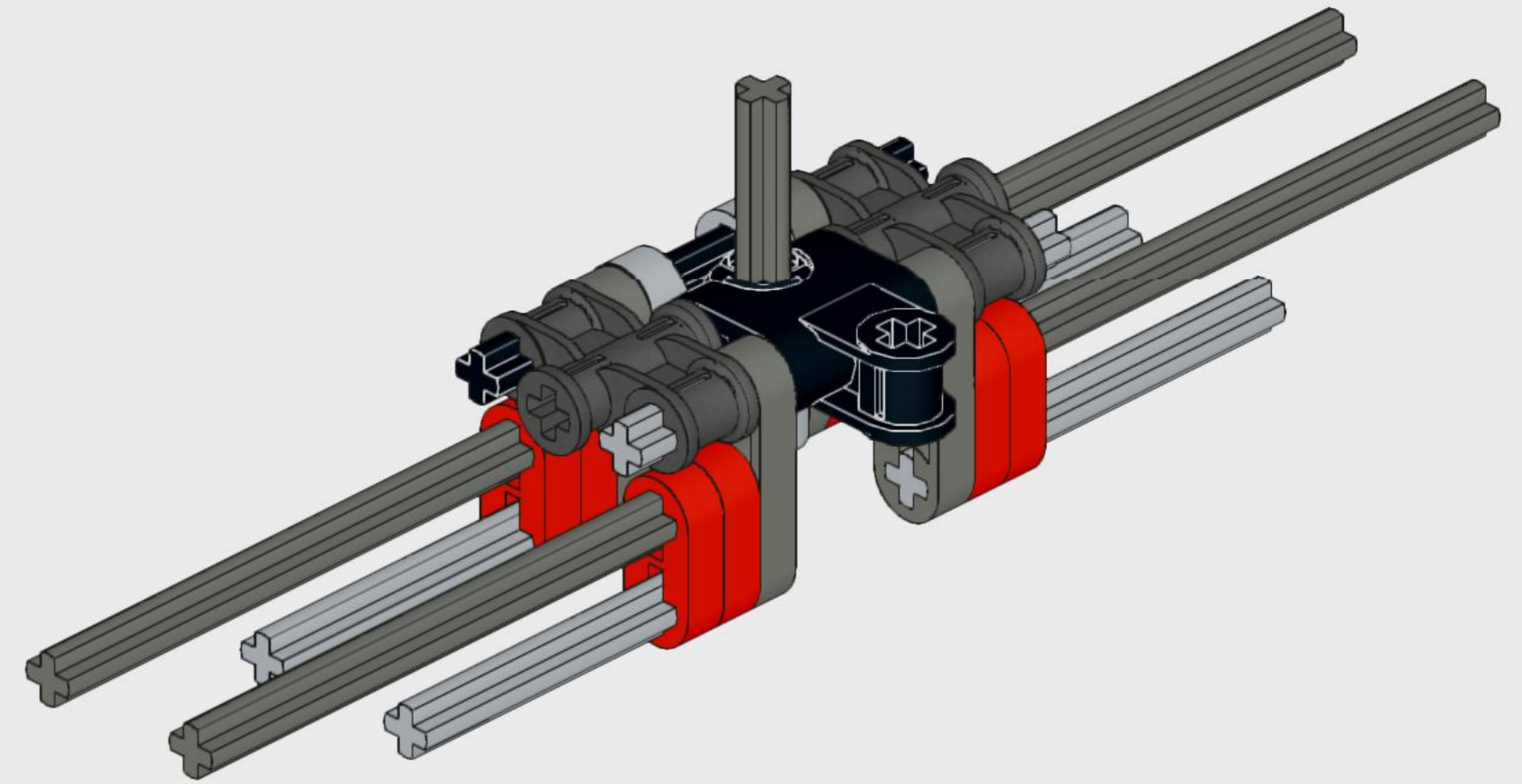
1



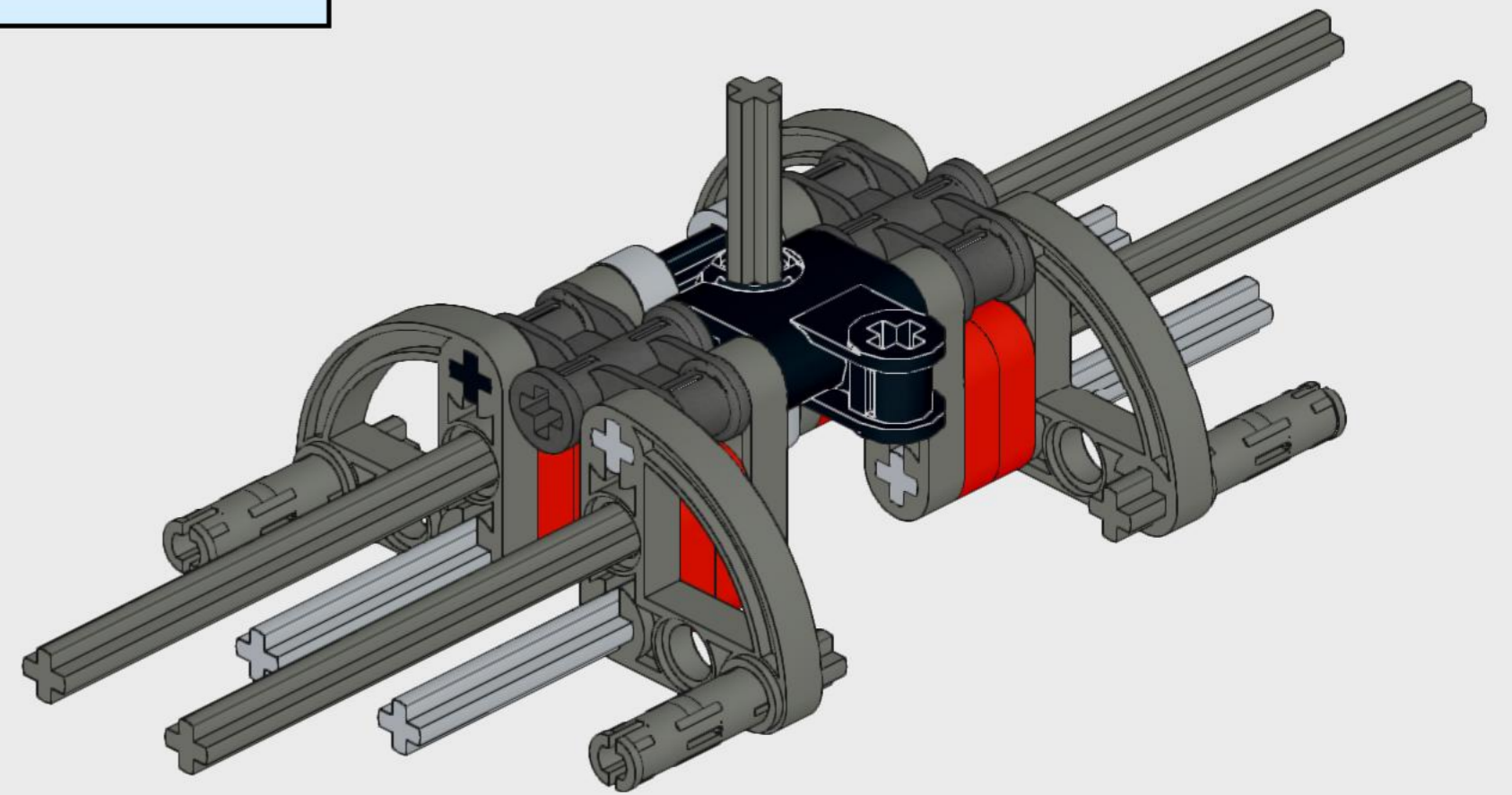
2

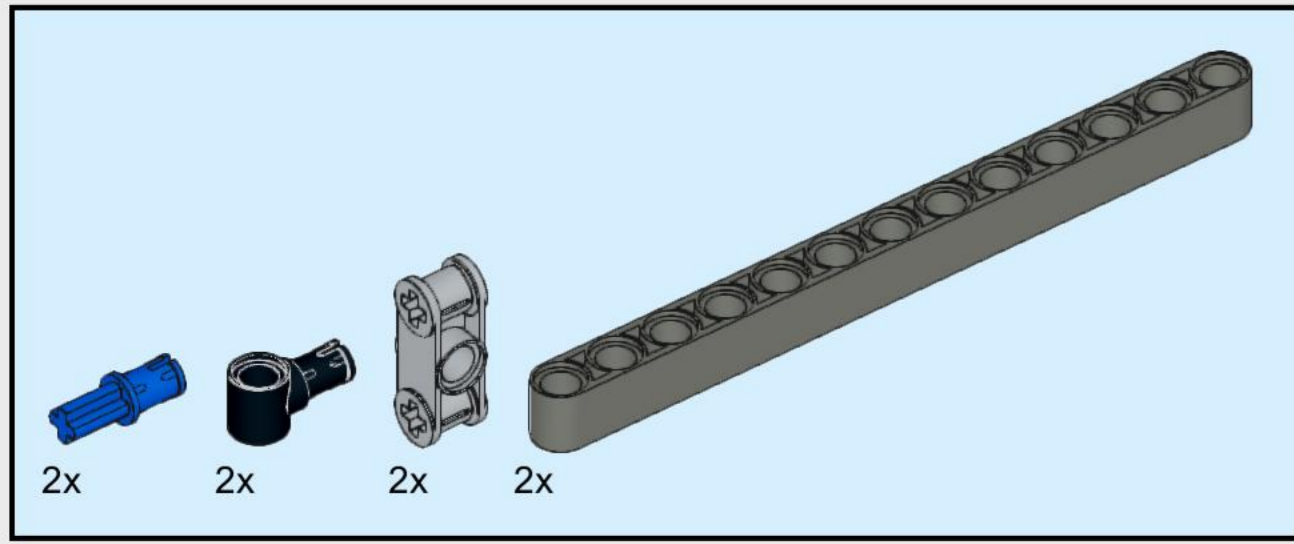


3

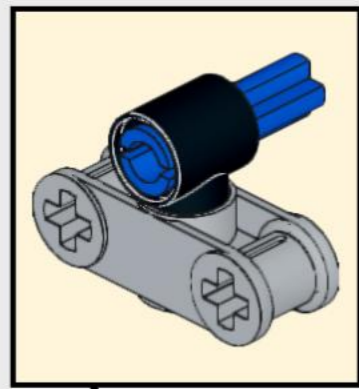
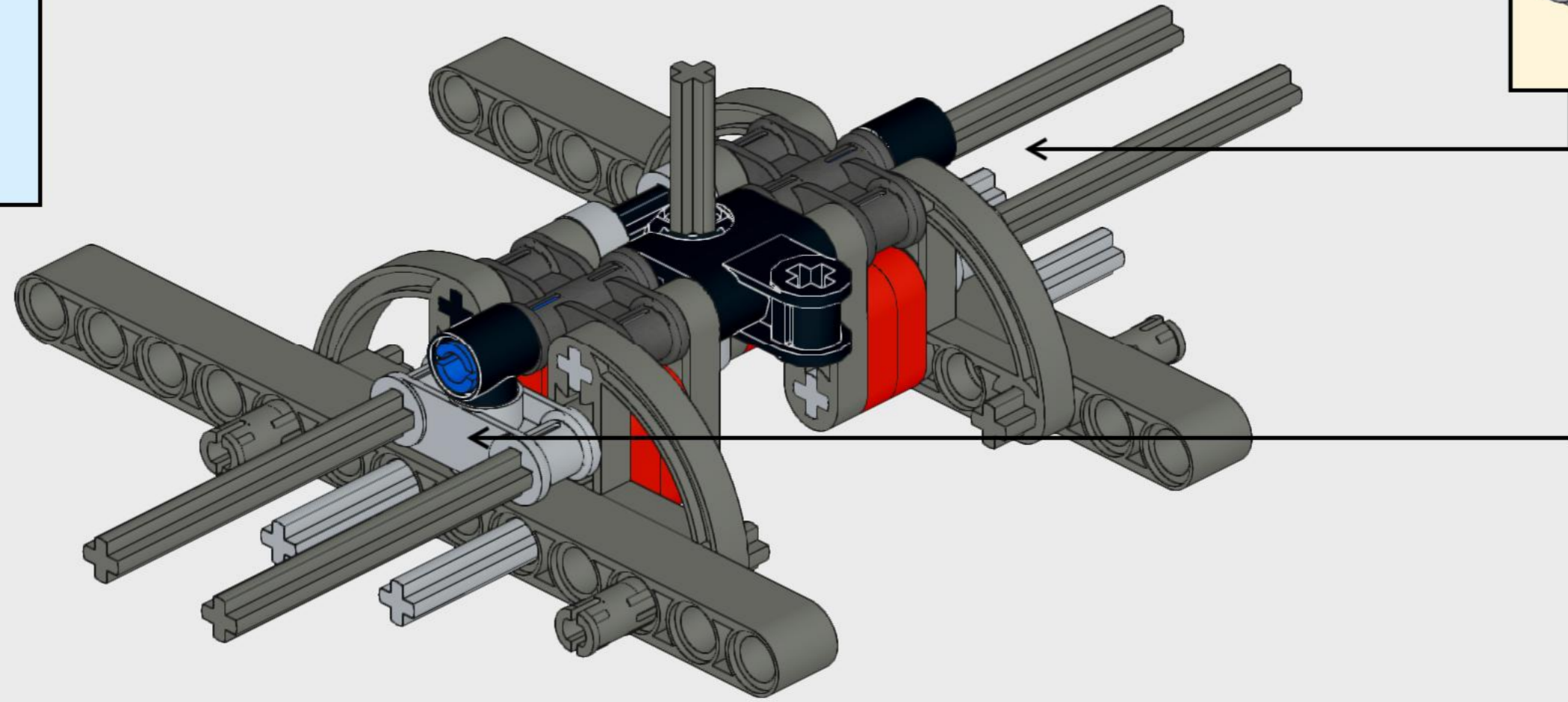


4

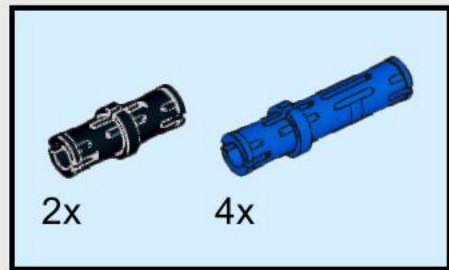




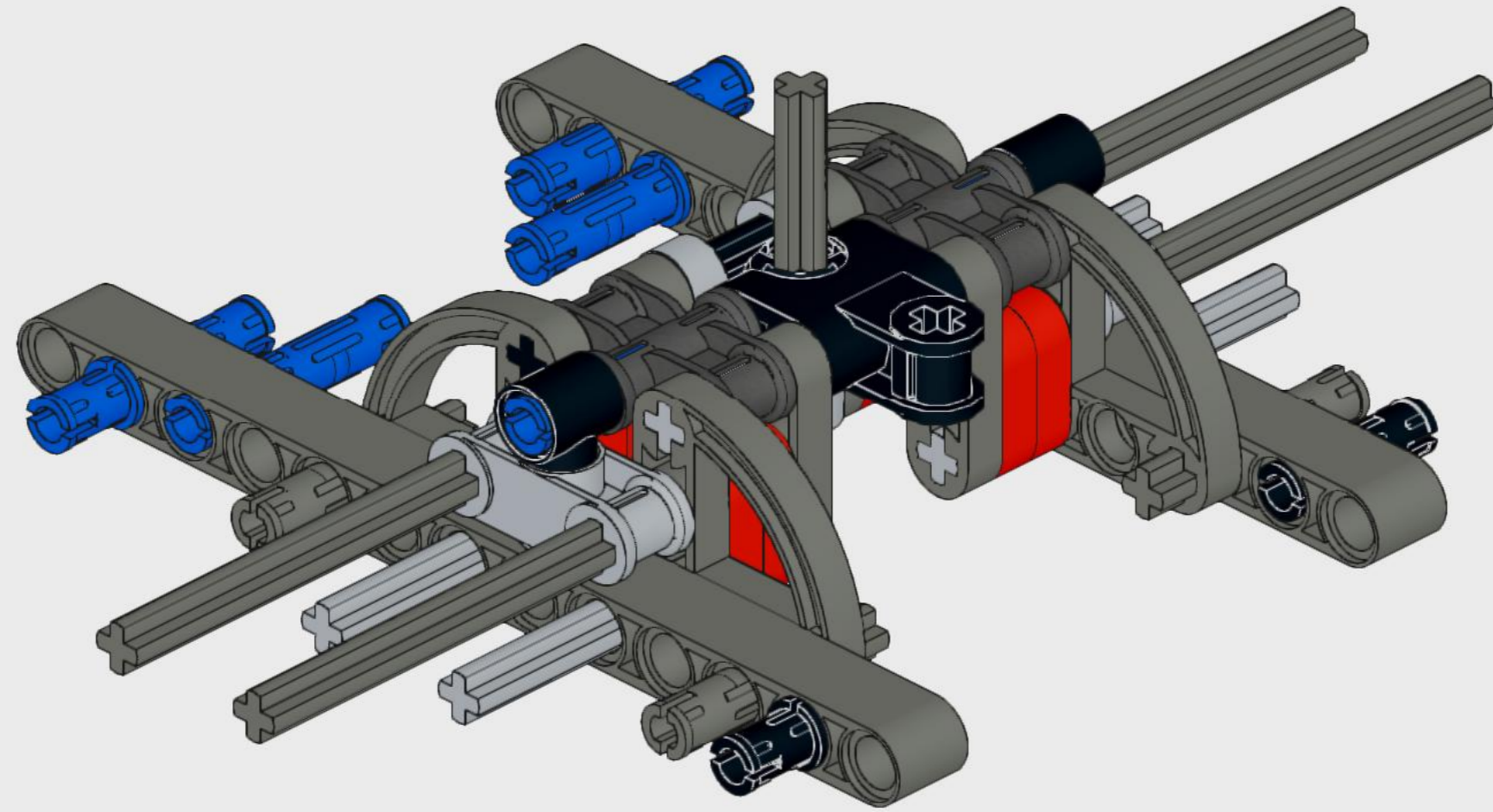
5

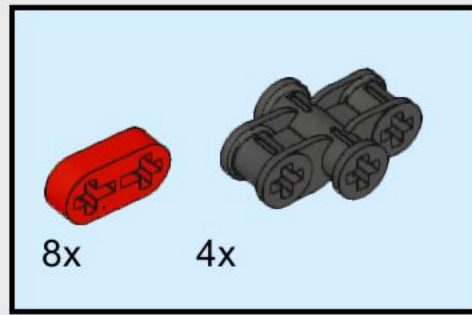


2x

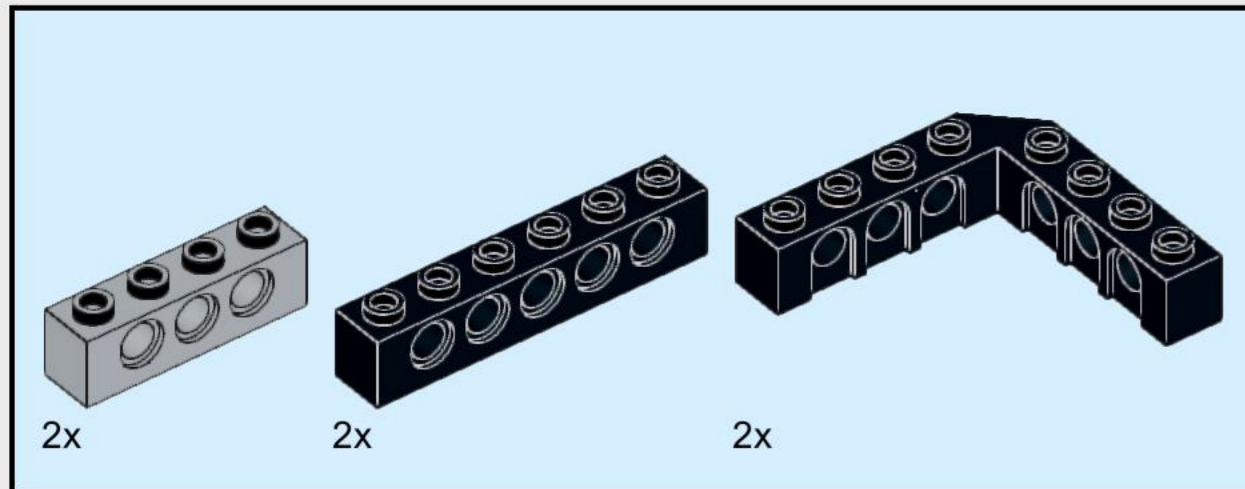
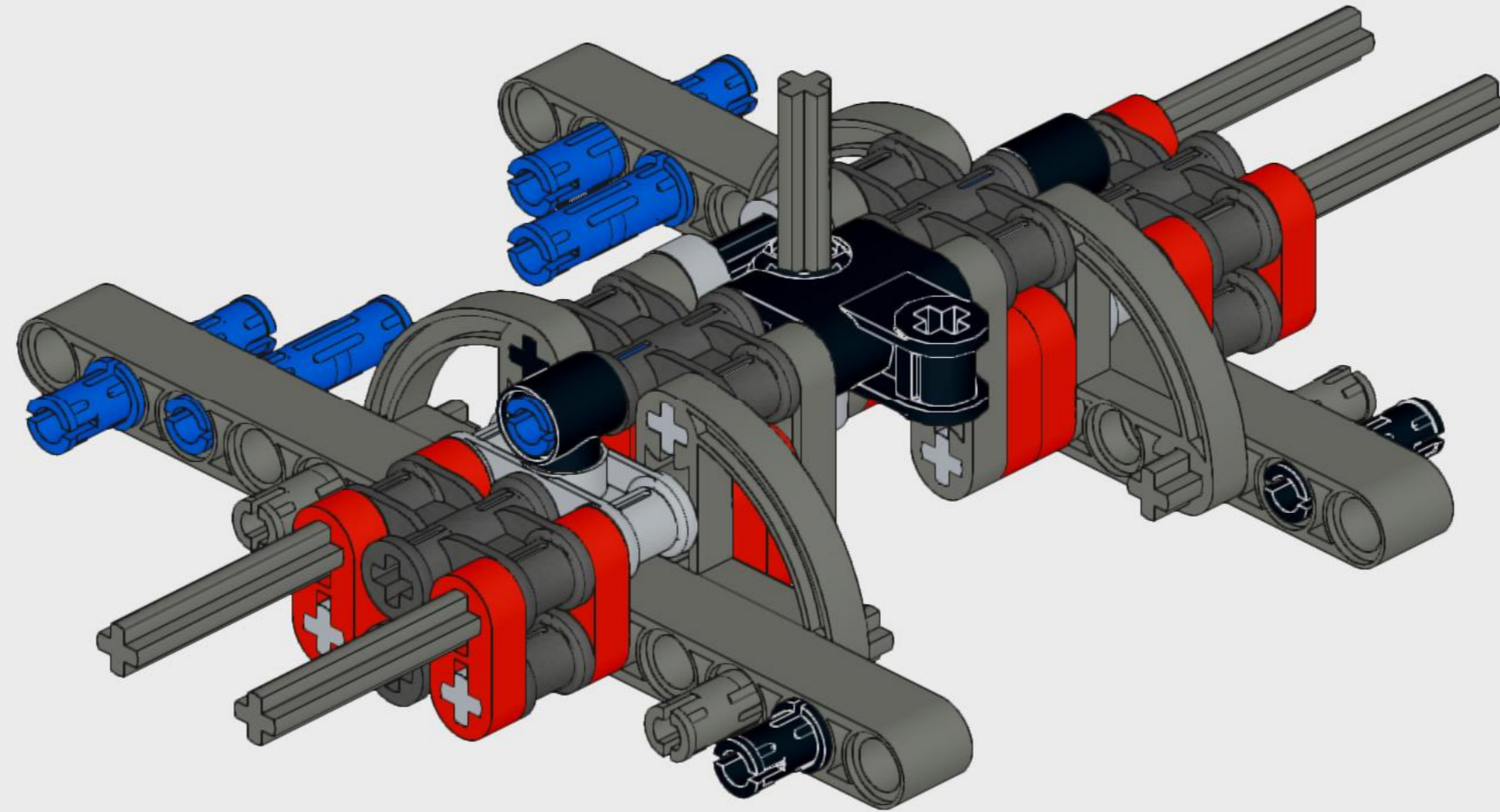


6

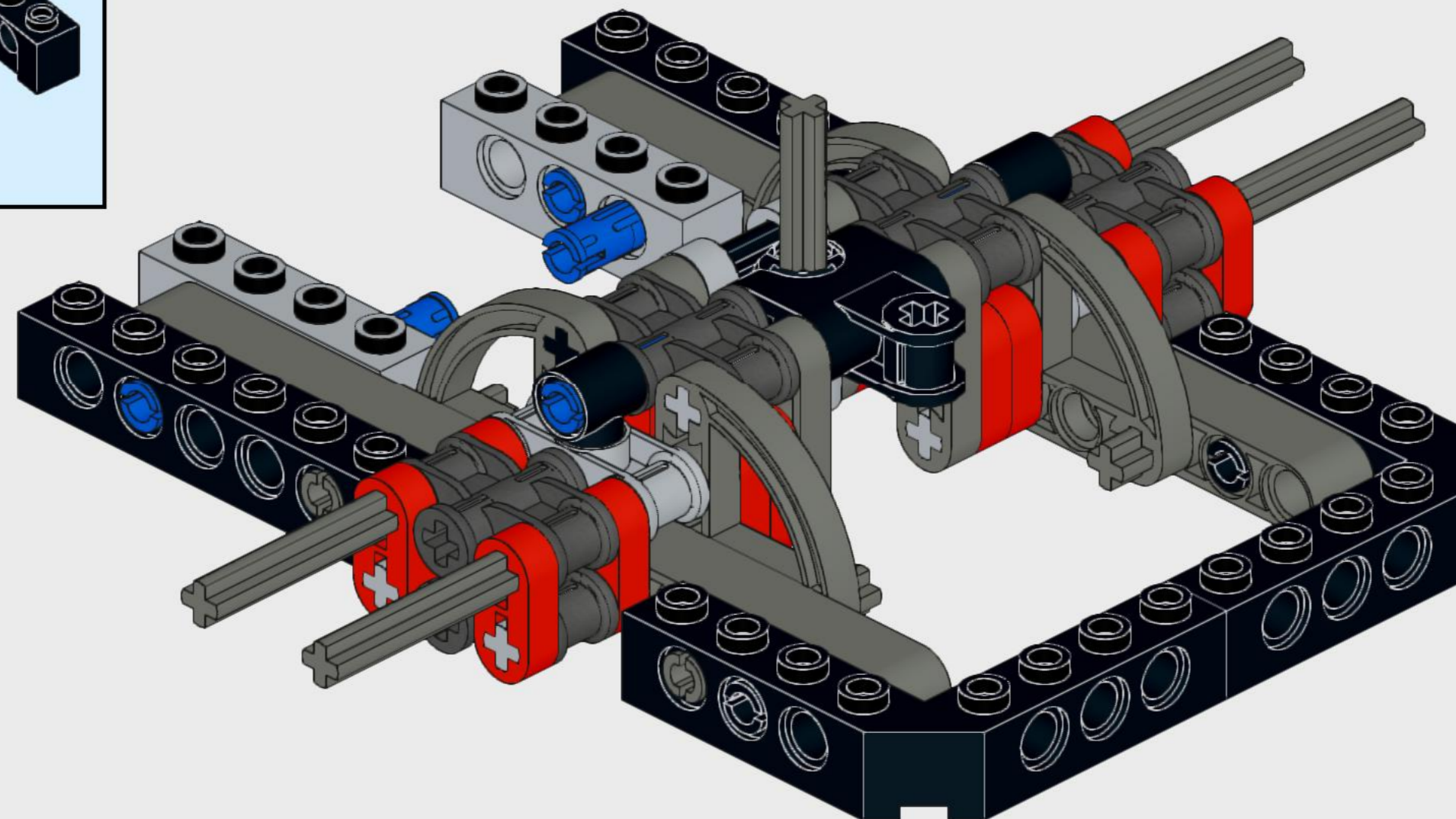


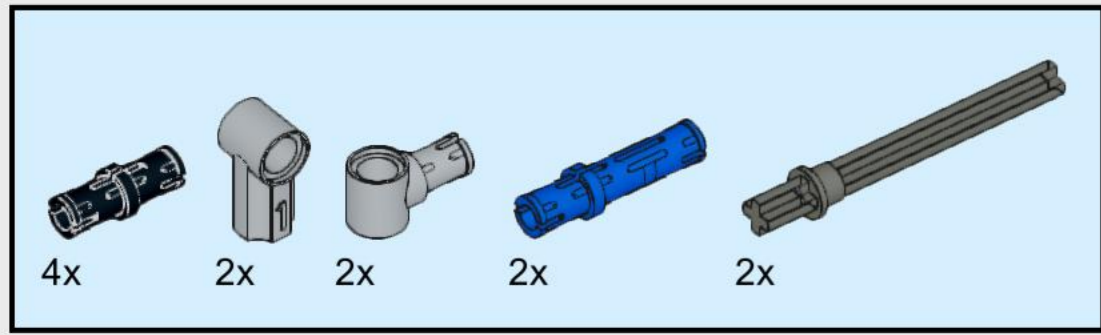


7

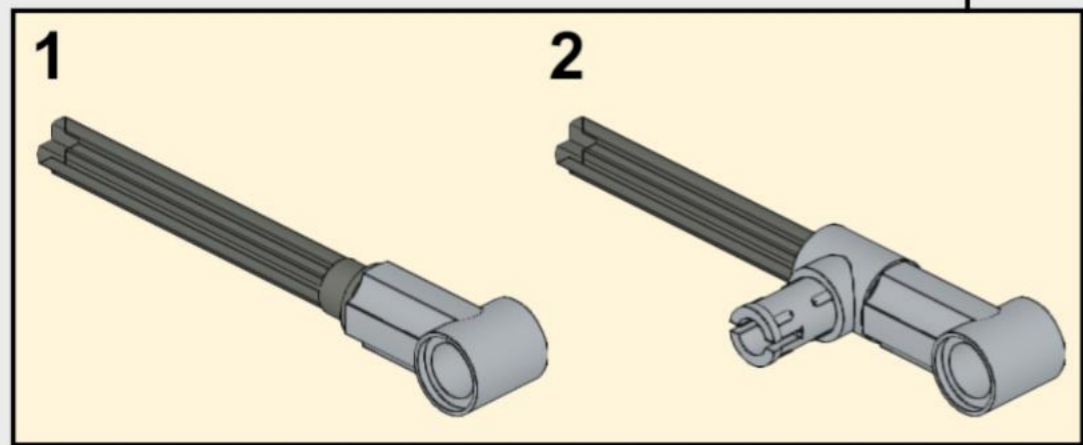


8

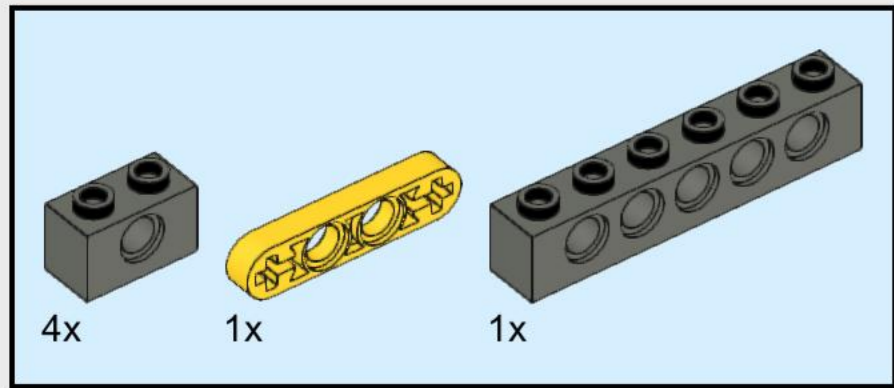
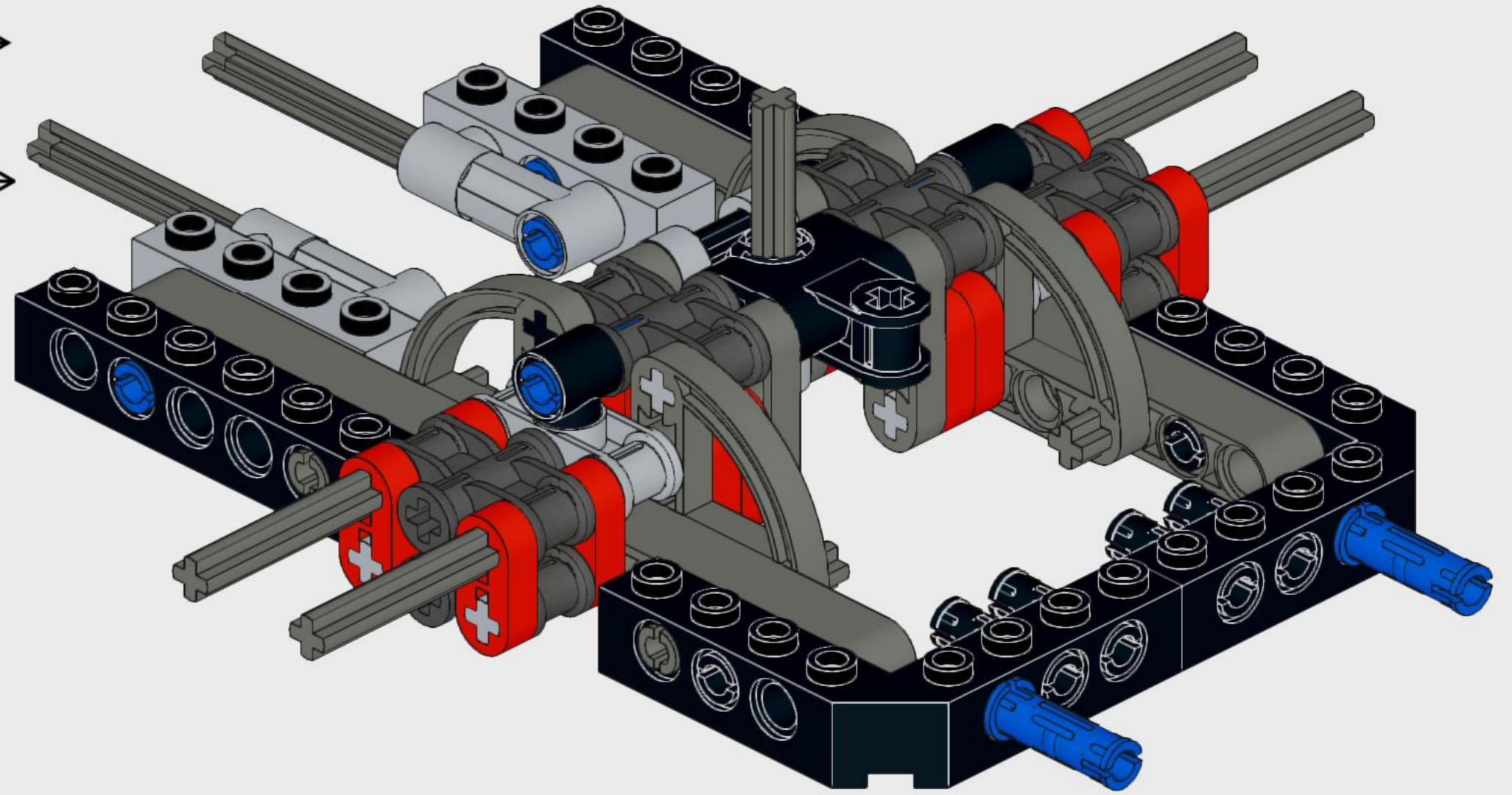




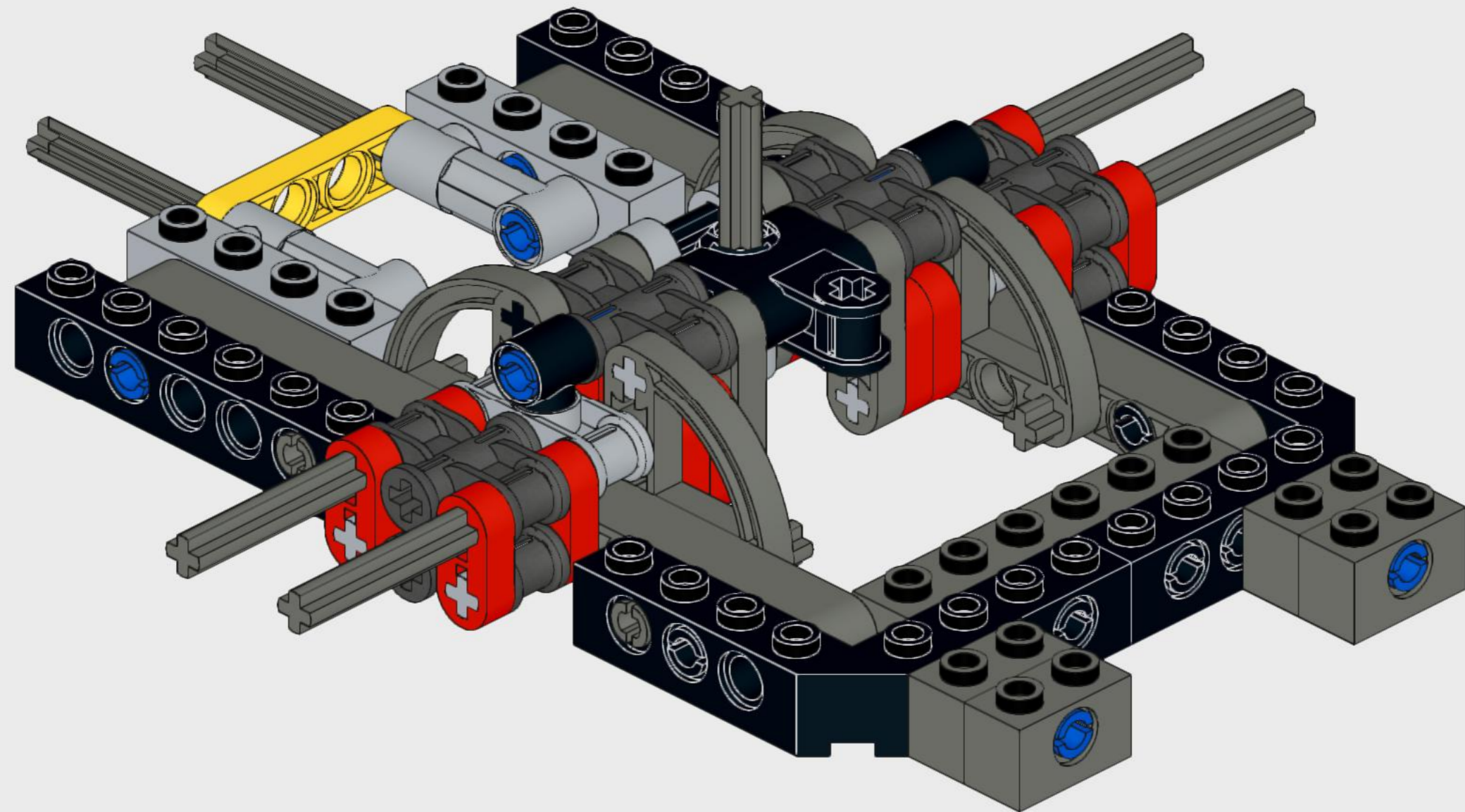
9

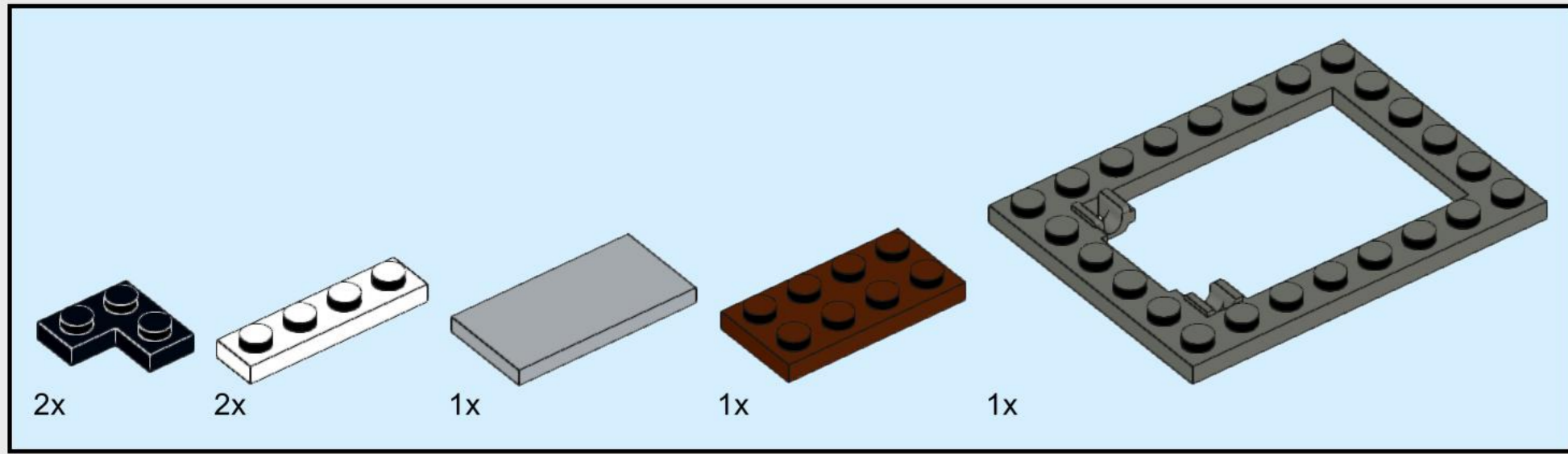


2x

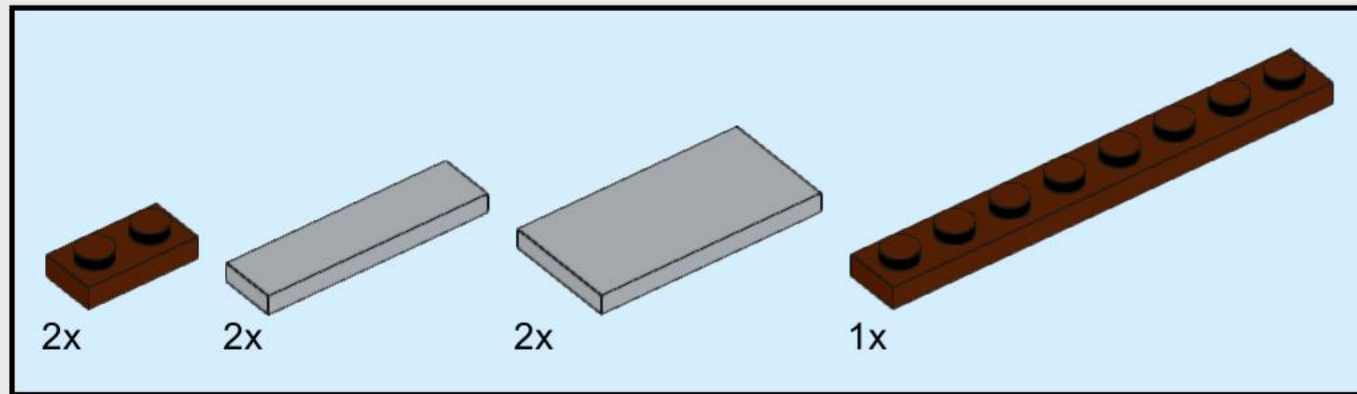
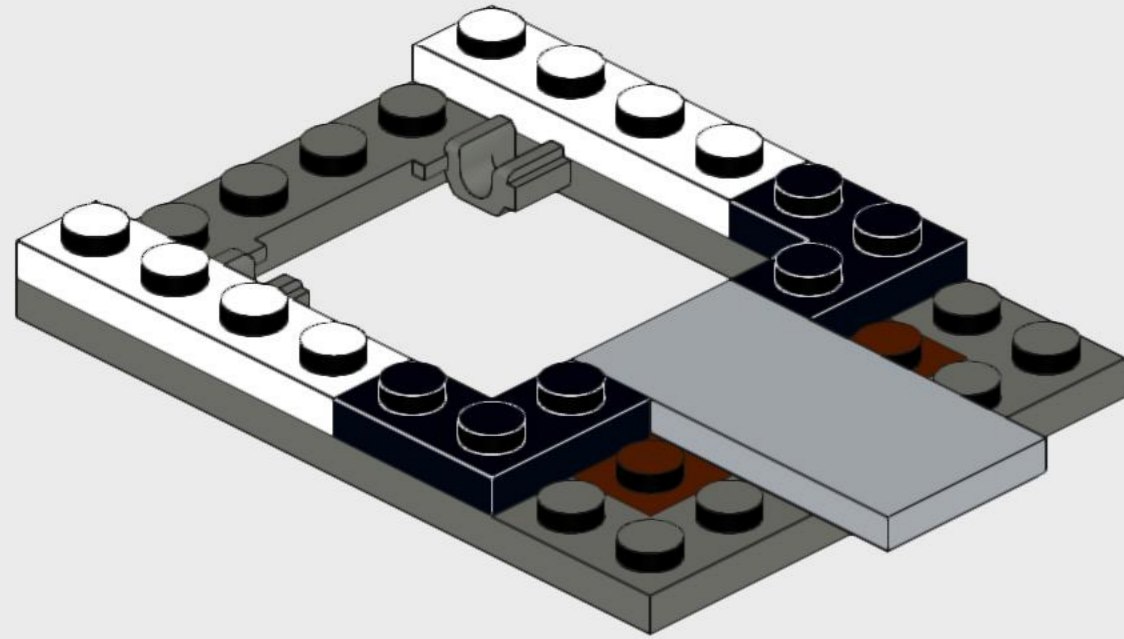


10

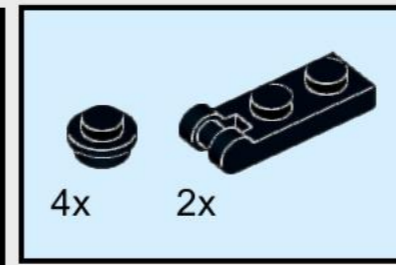
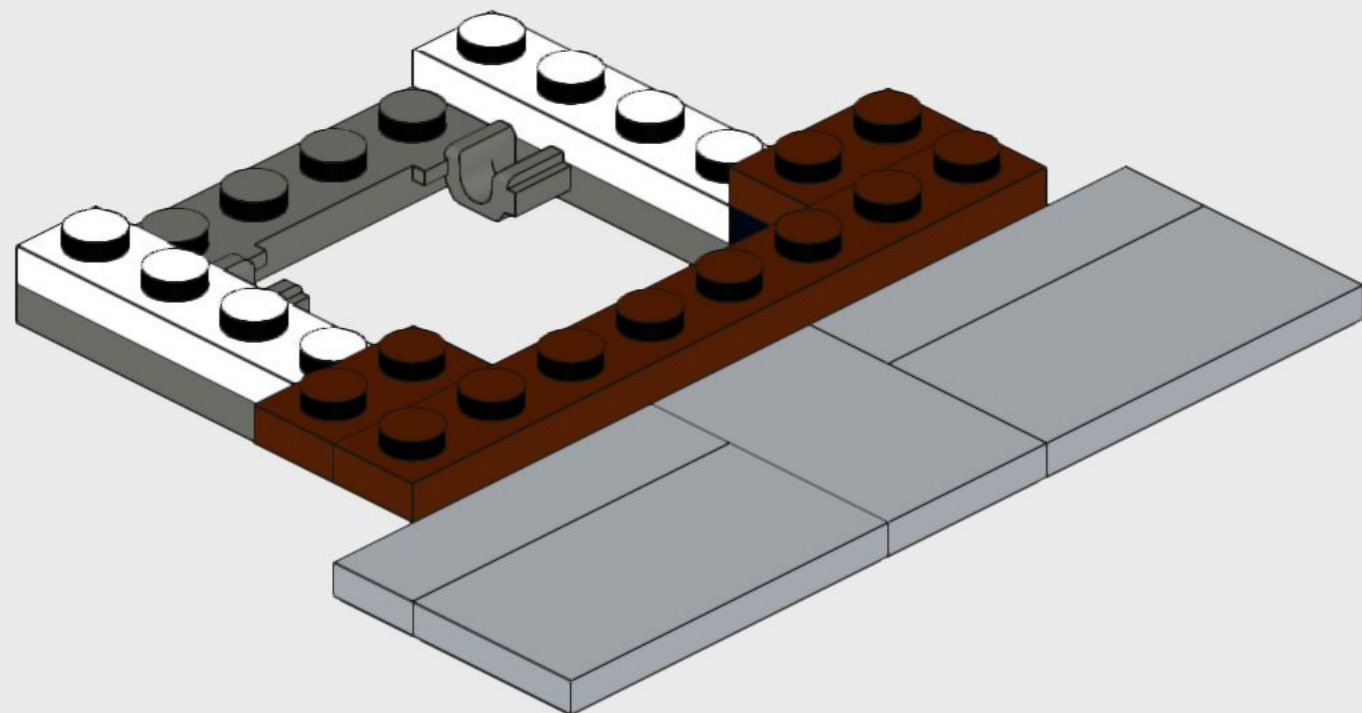




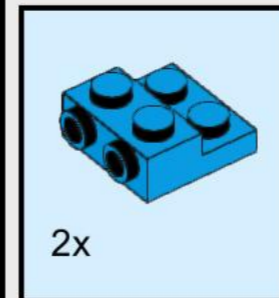
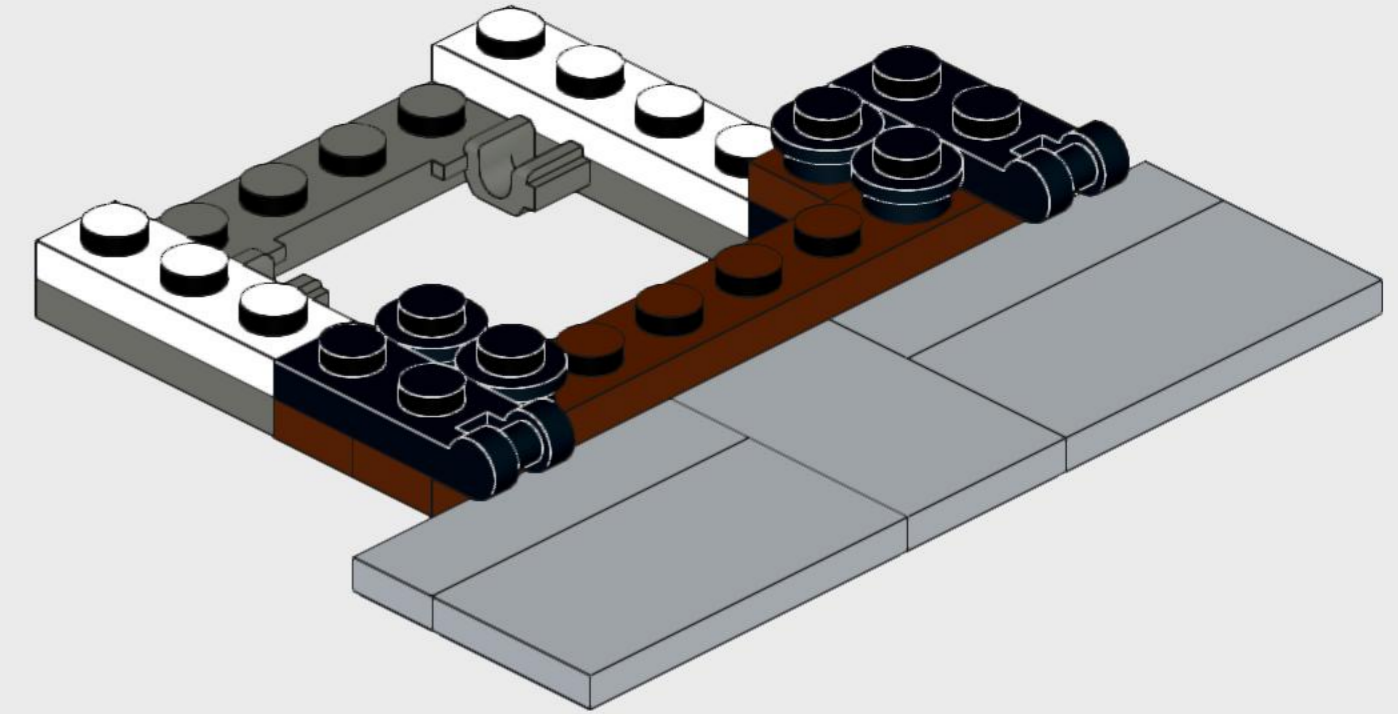
11



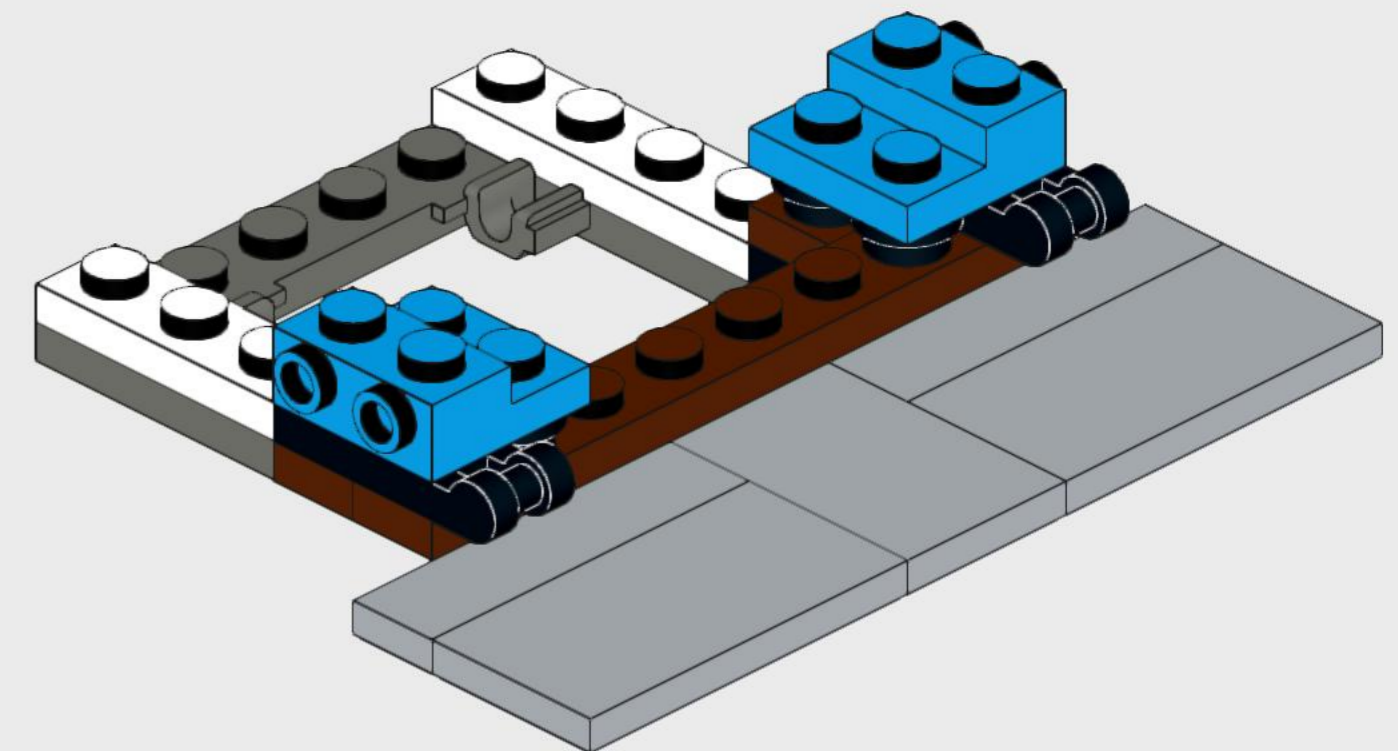
12



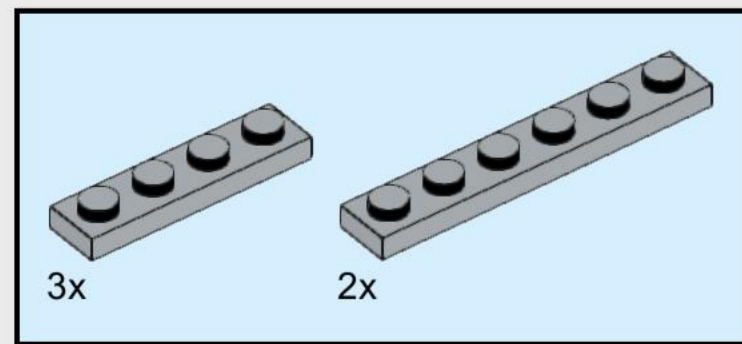
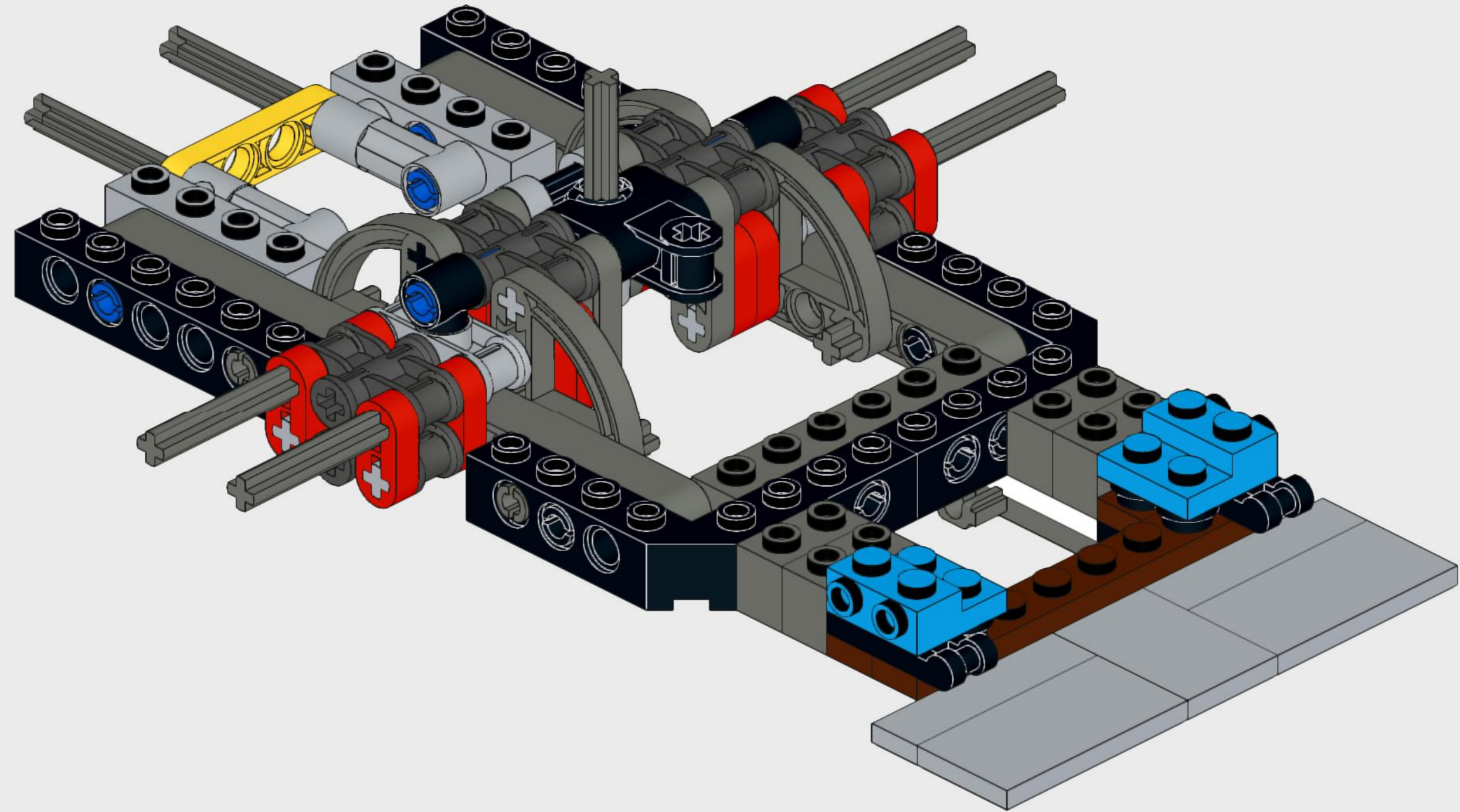
13



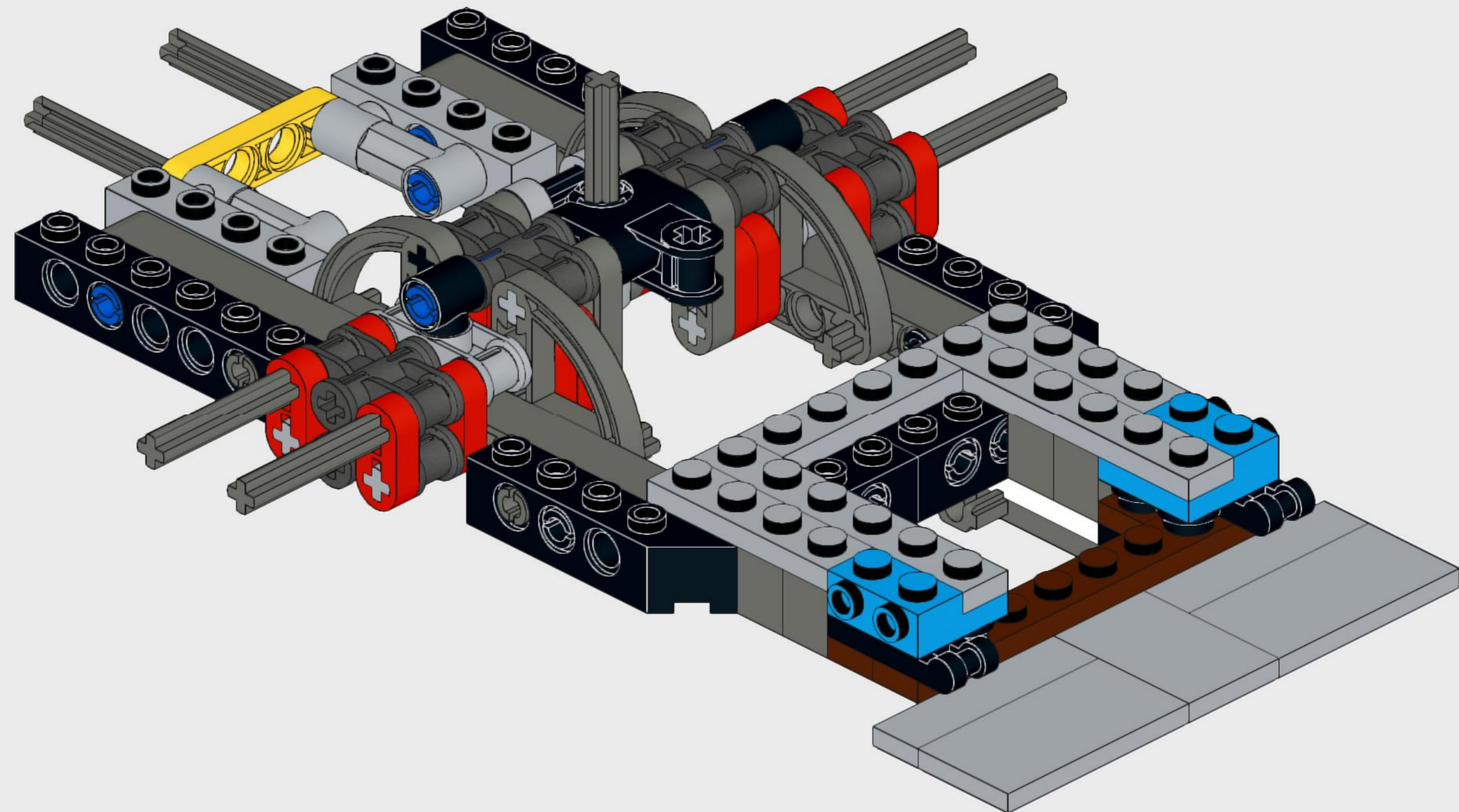
14

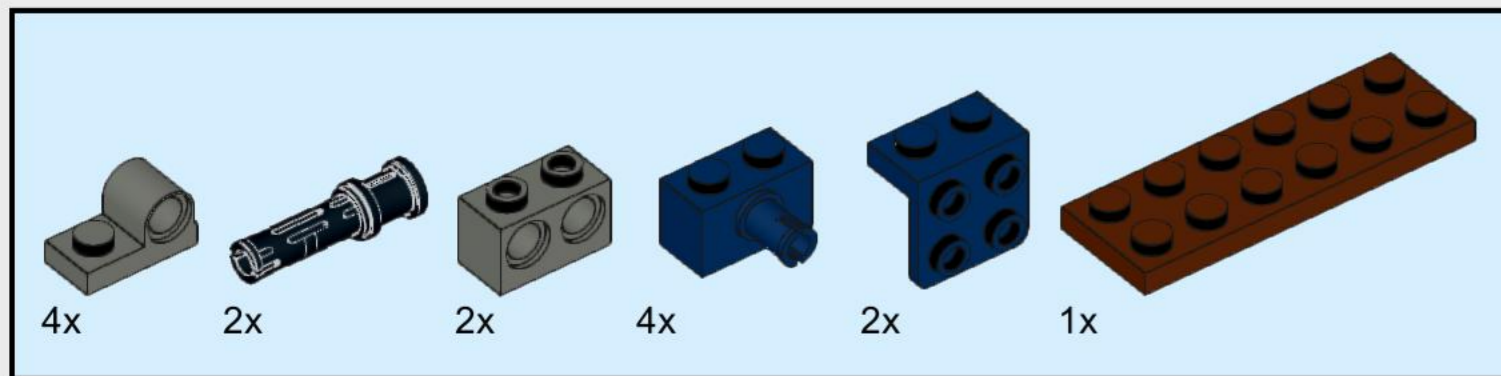


15



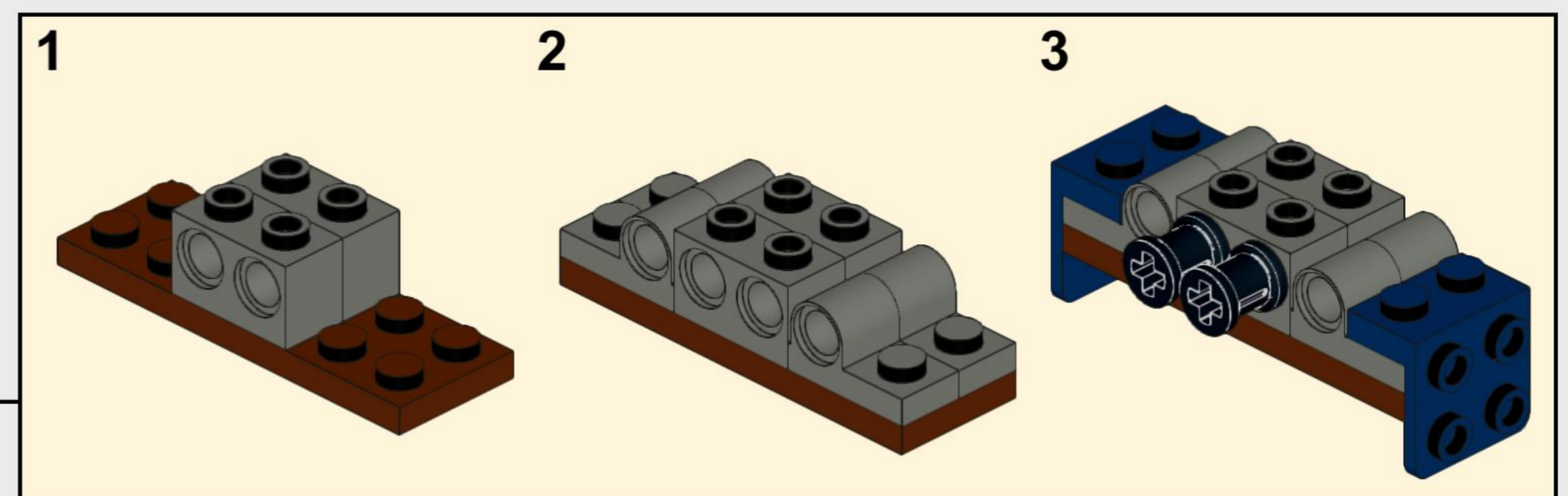
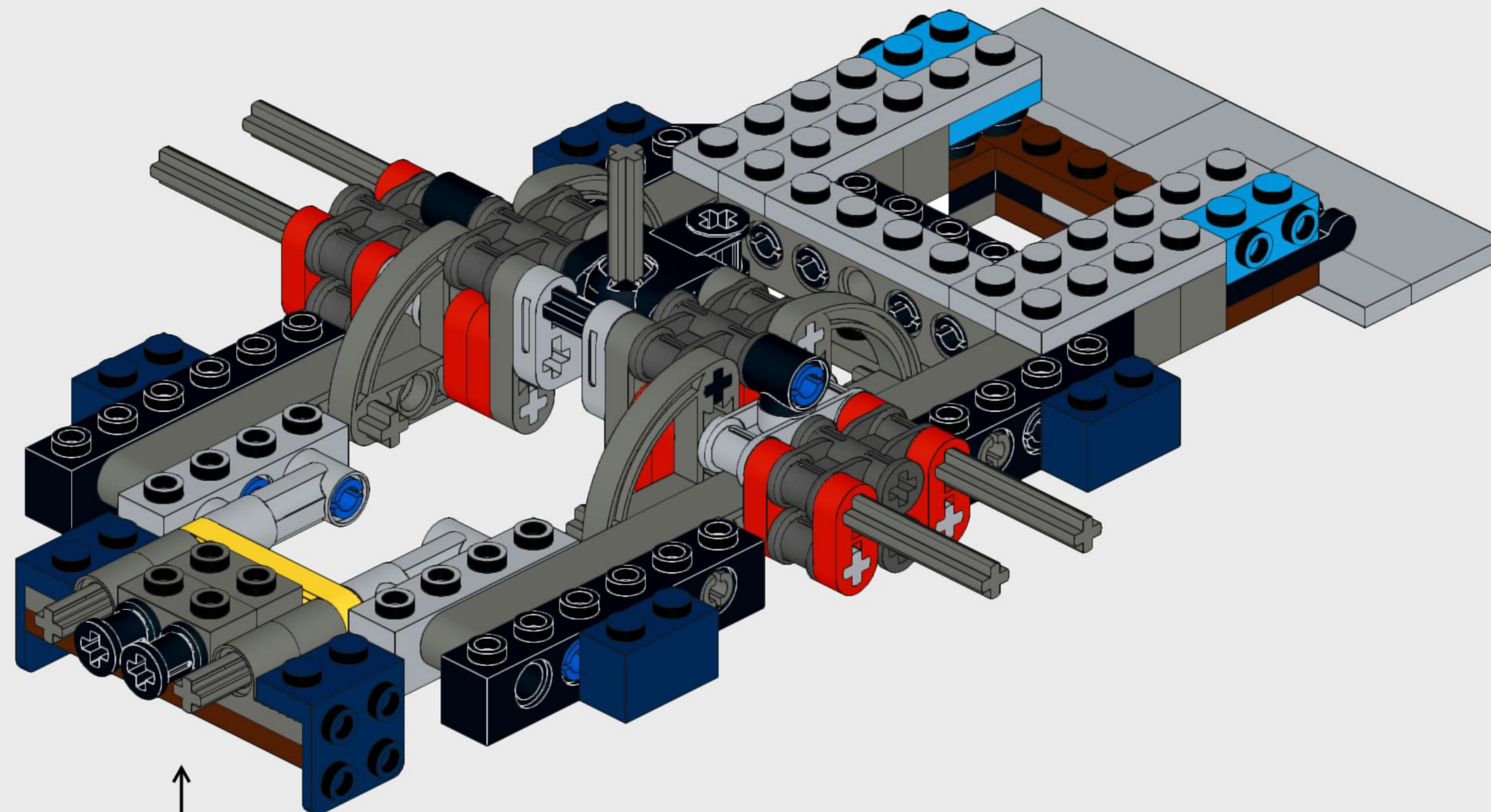
16



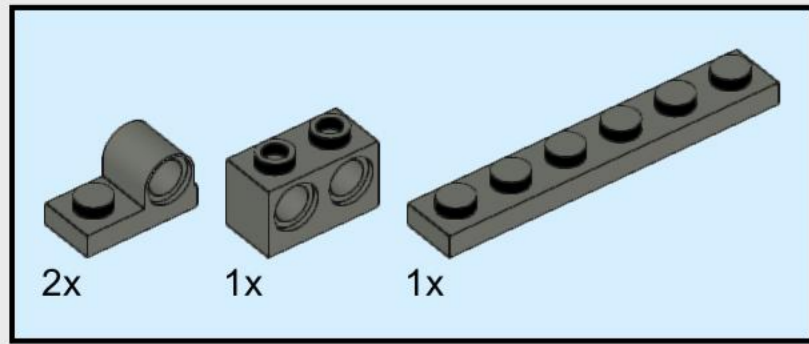


Dark Blue "1x2 Brick with Pin" is not produced unfortunately. Replace with standard 1x2 Brick.

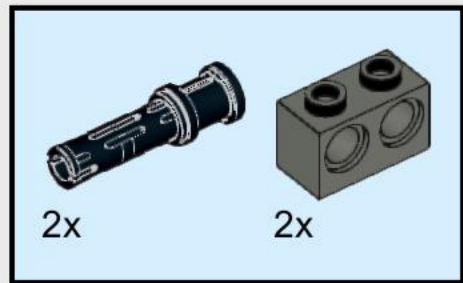
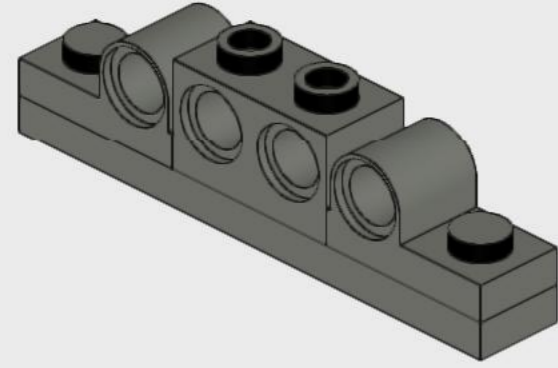
17 



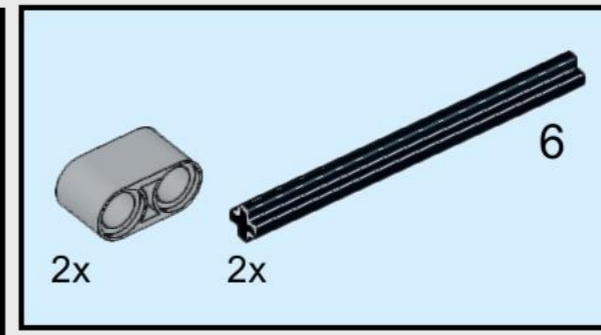
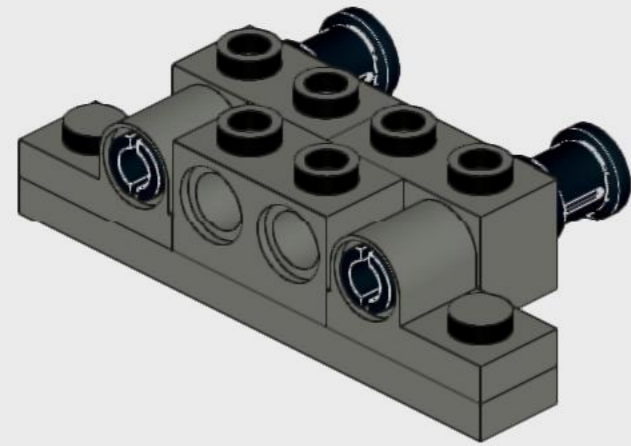




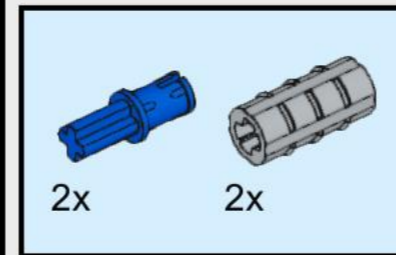
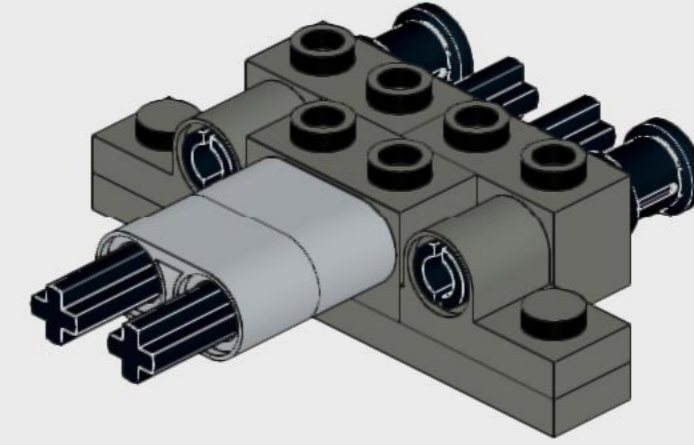
18



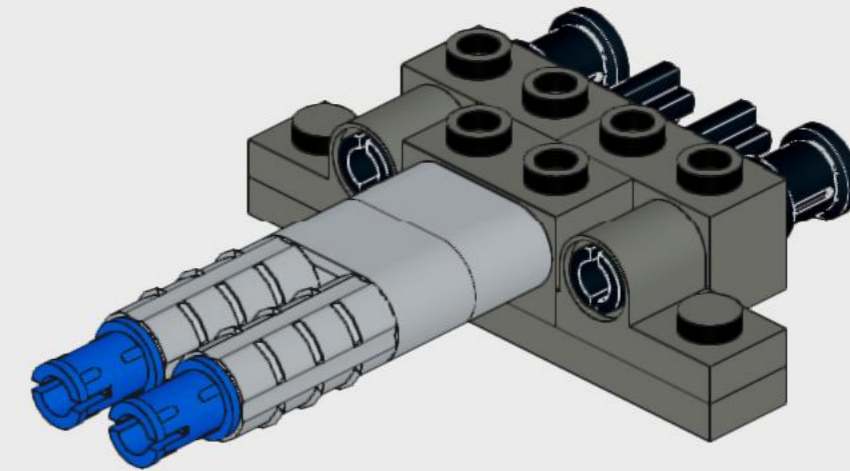
19

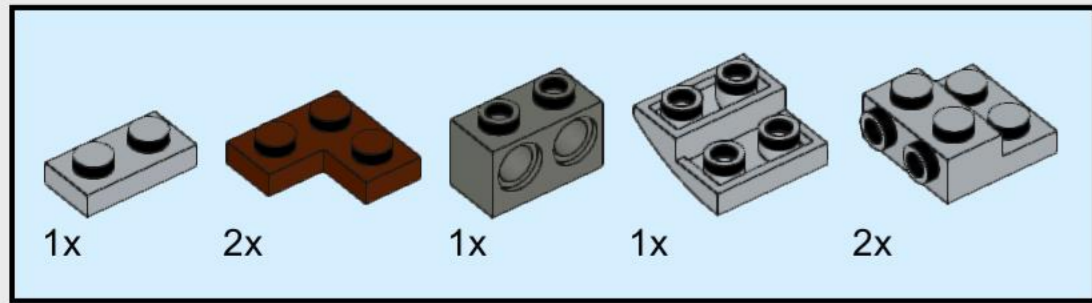


20

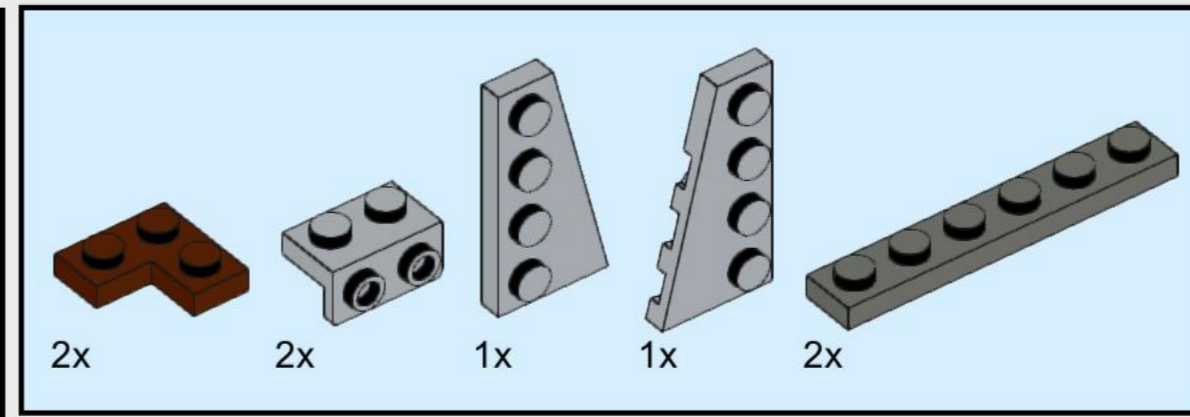
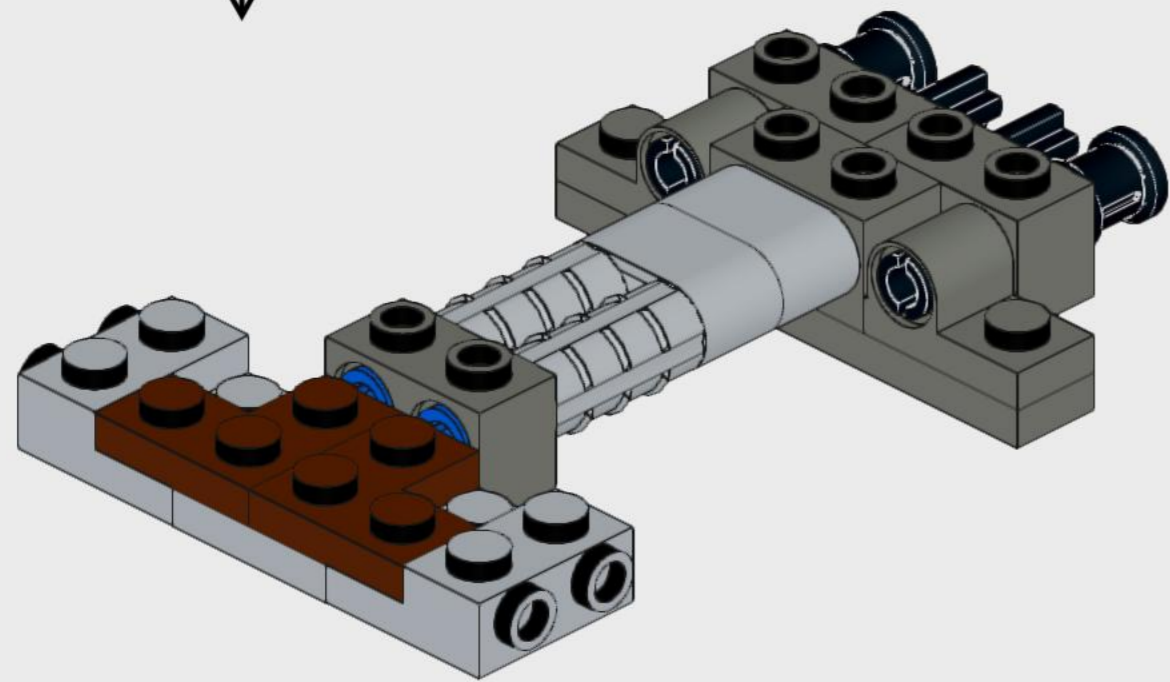
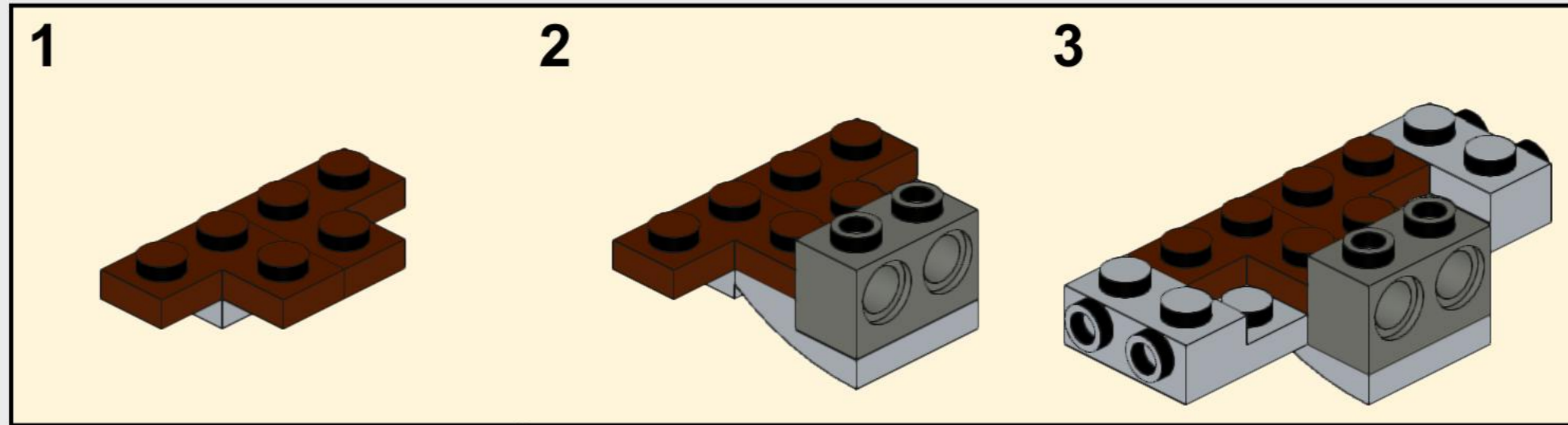


21

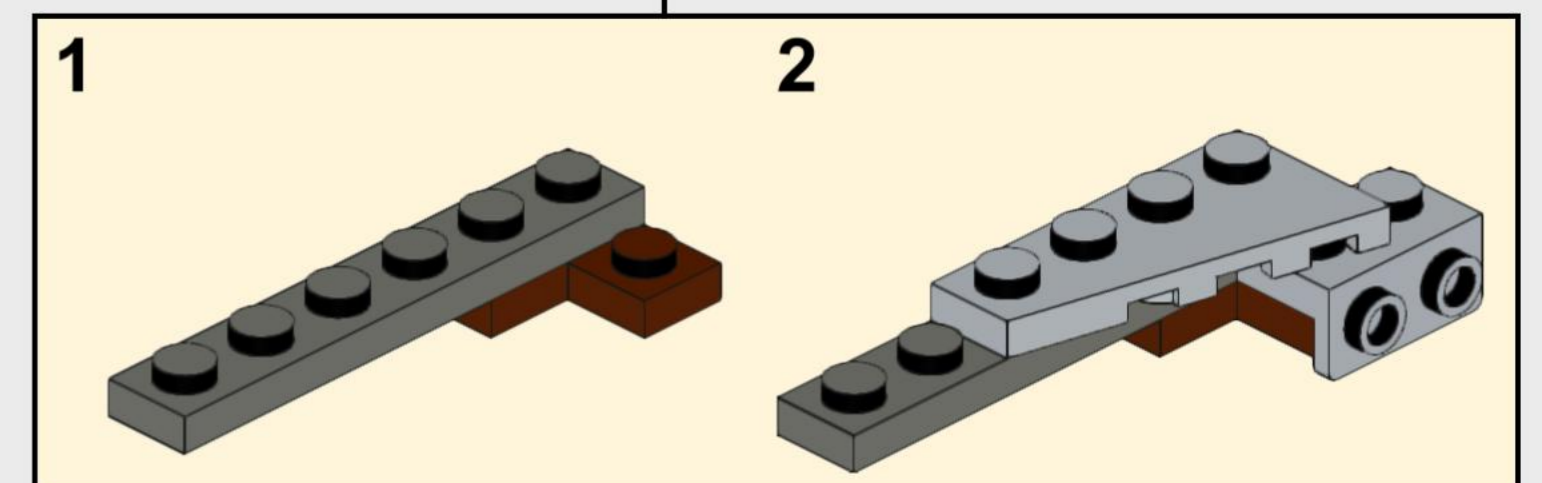
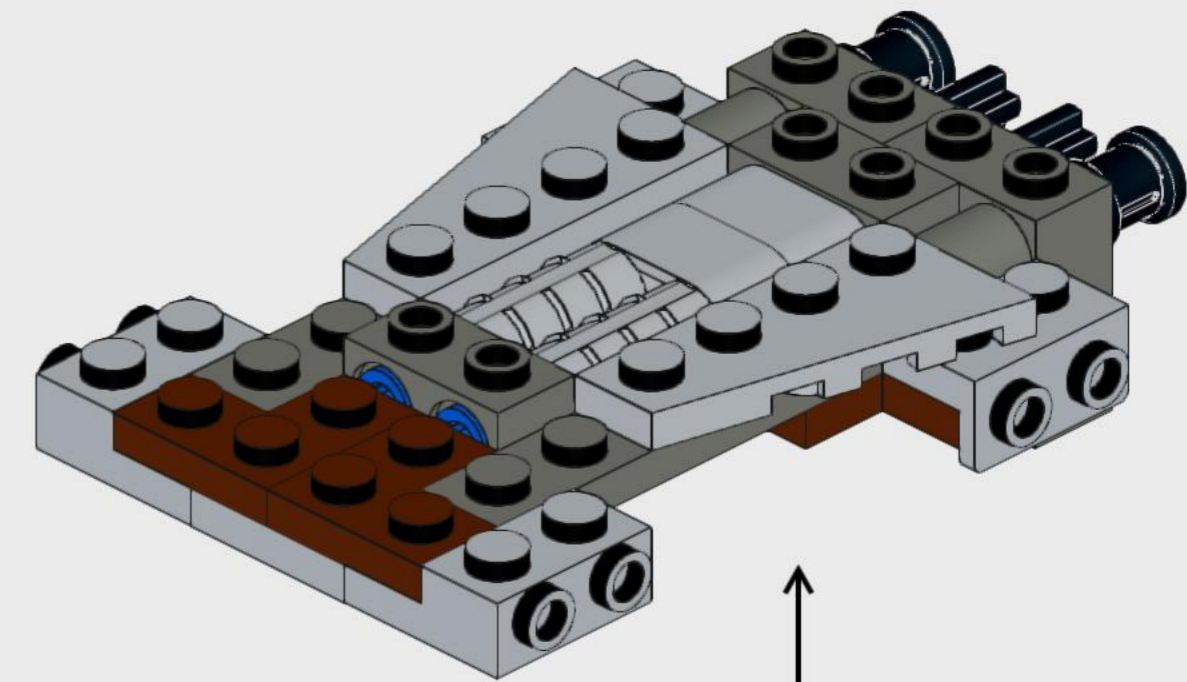
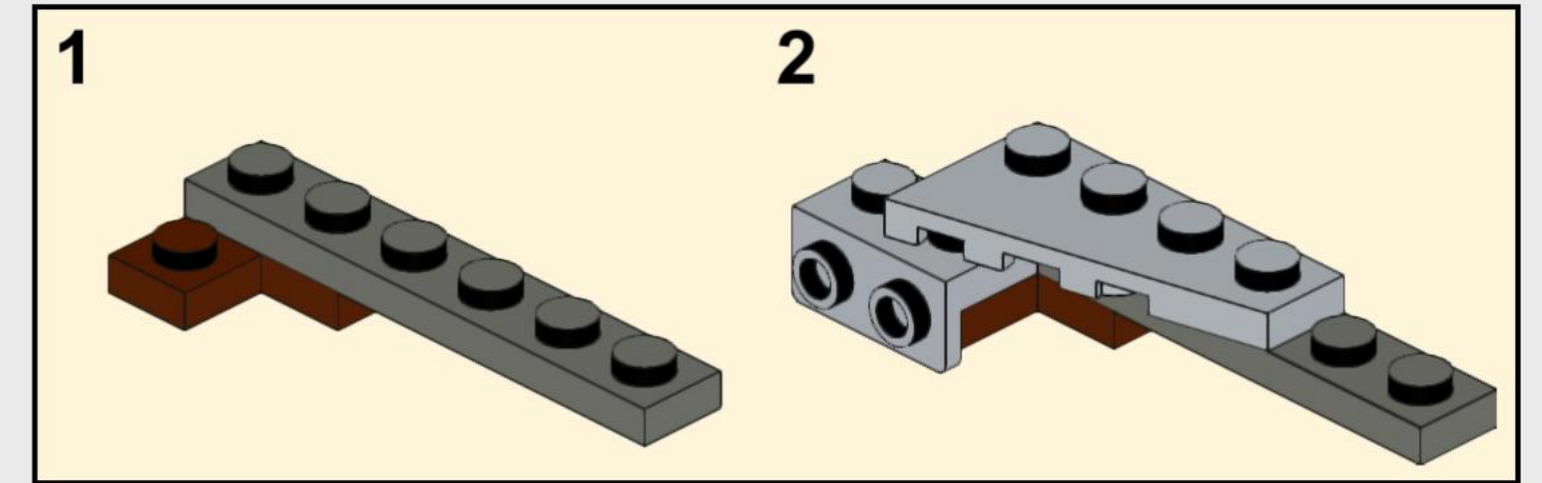


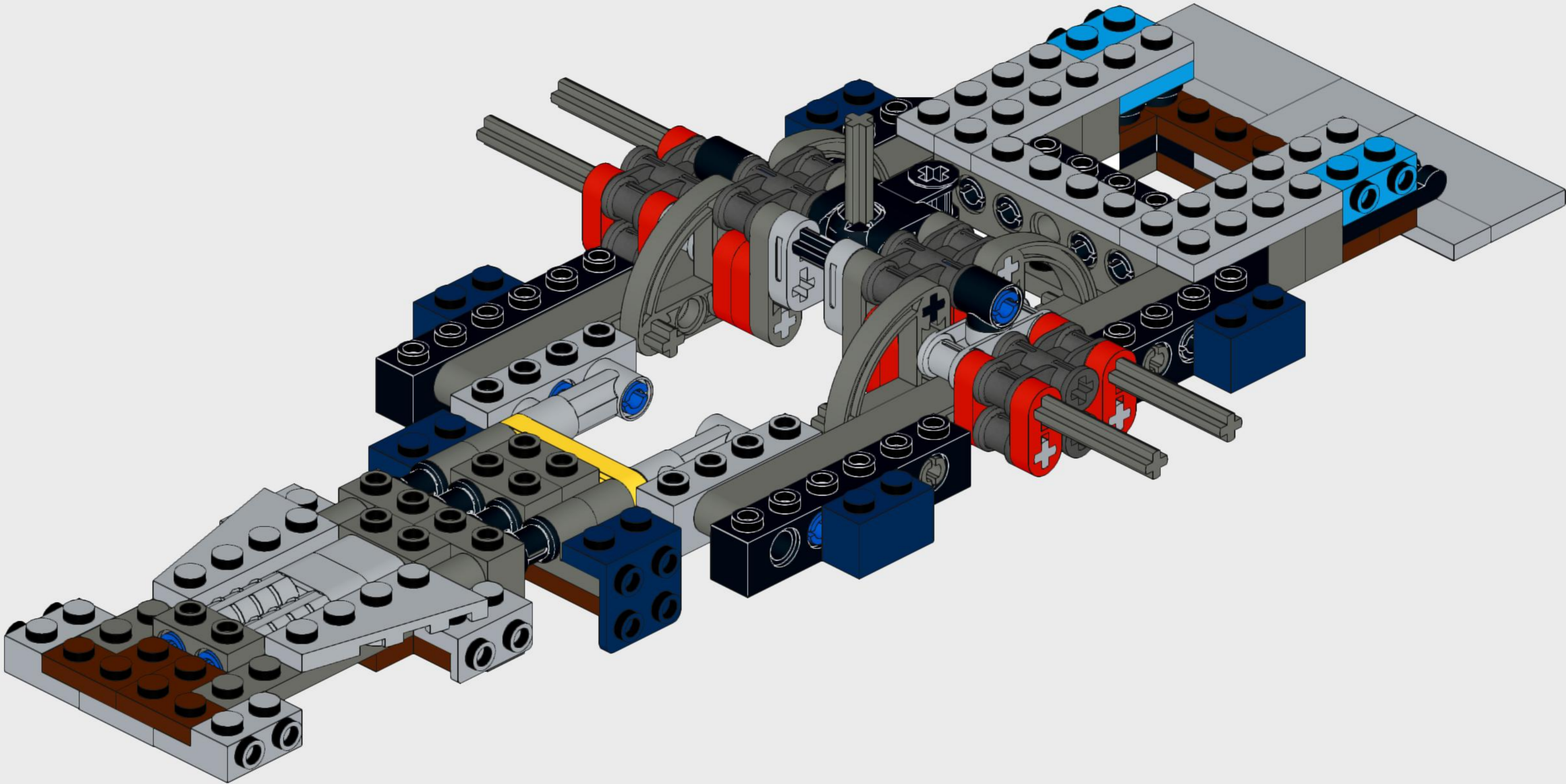


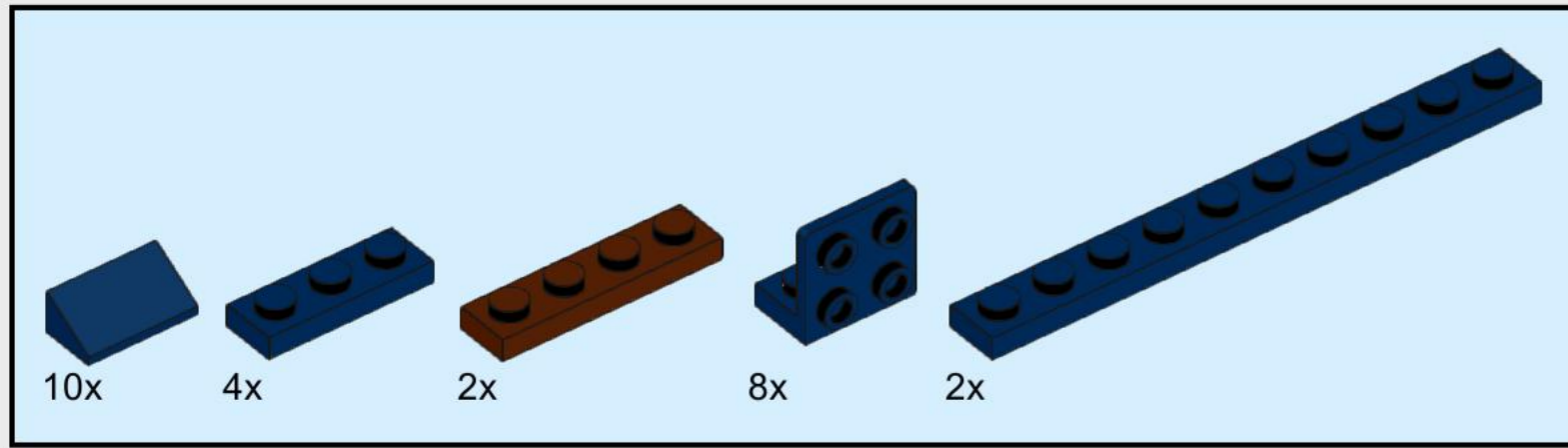
22



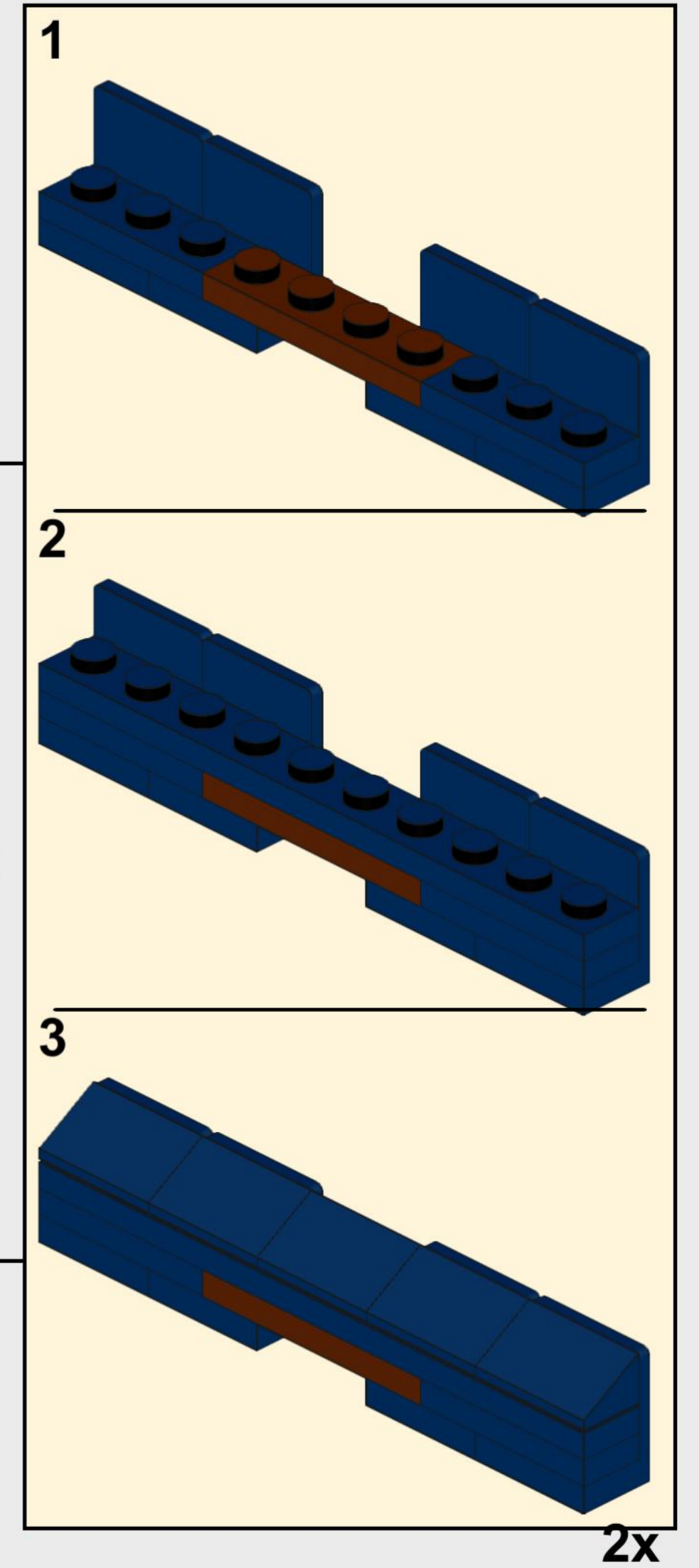
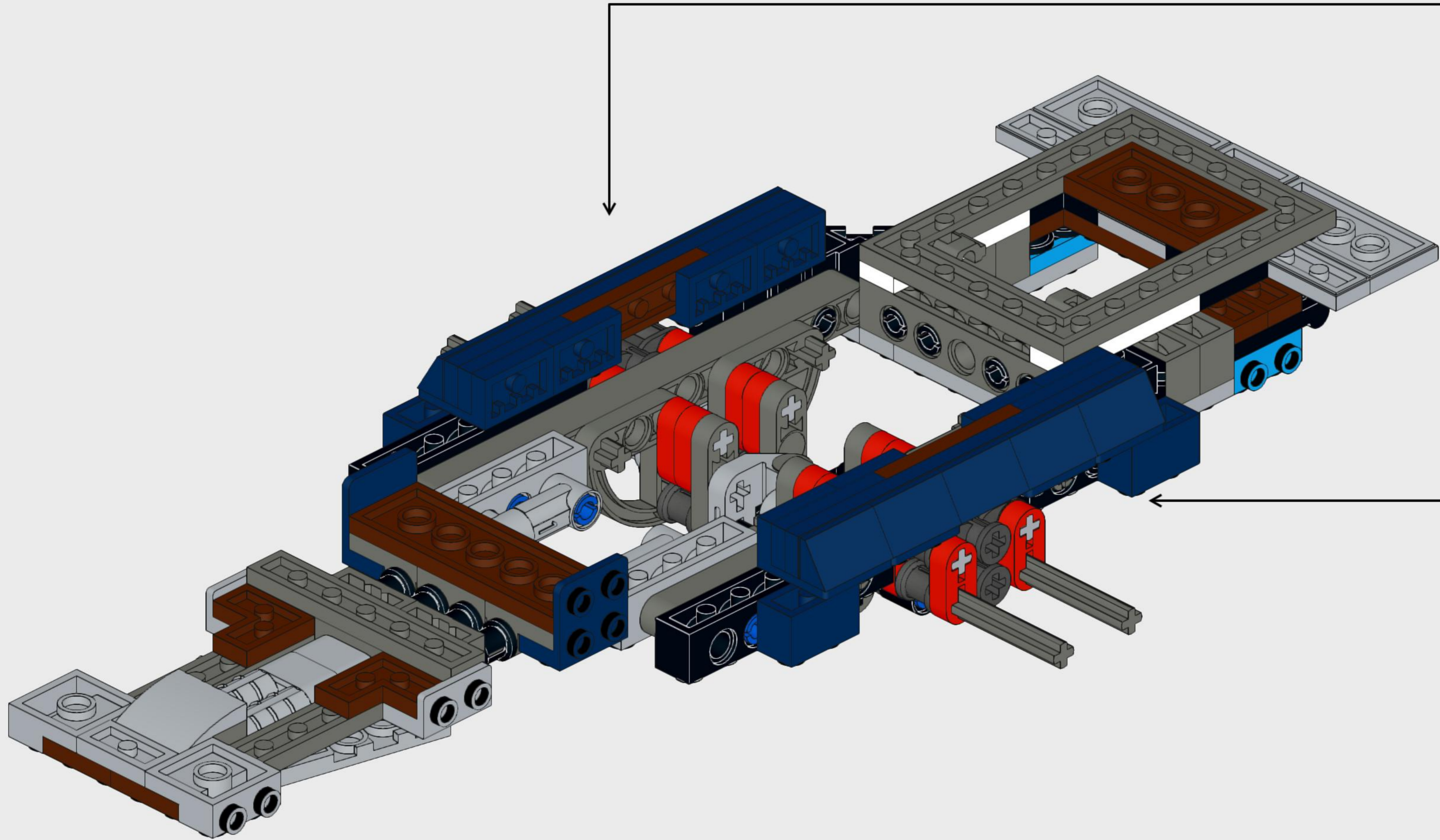
23

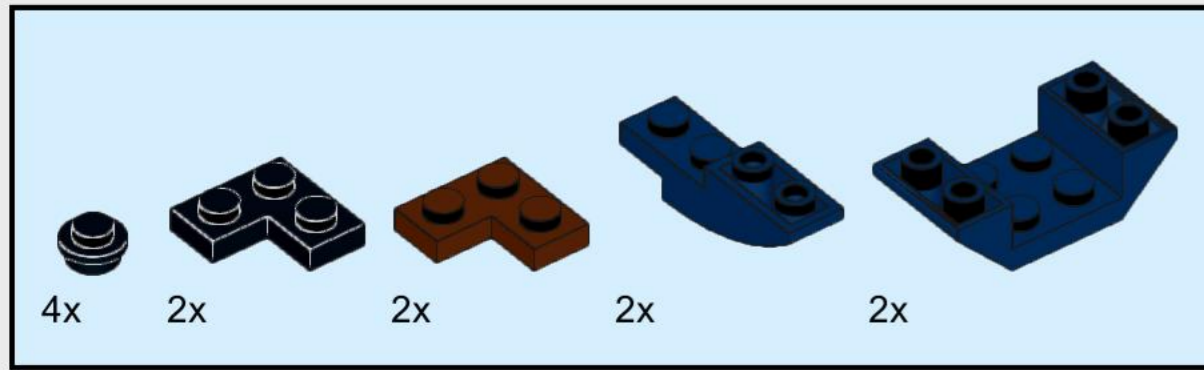




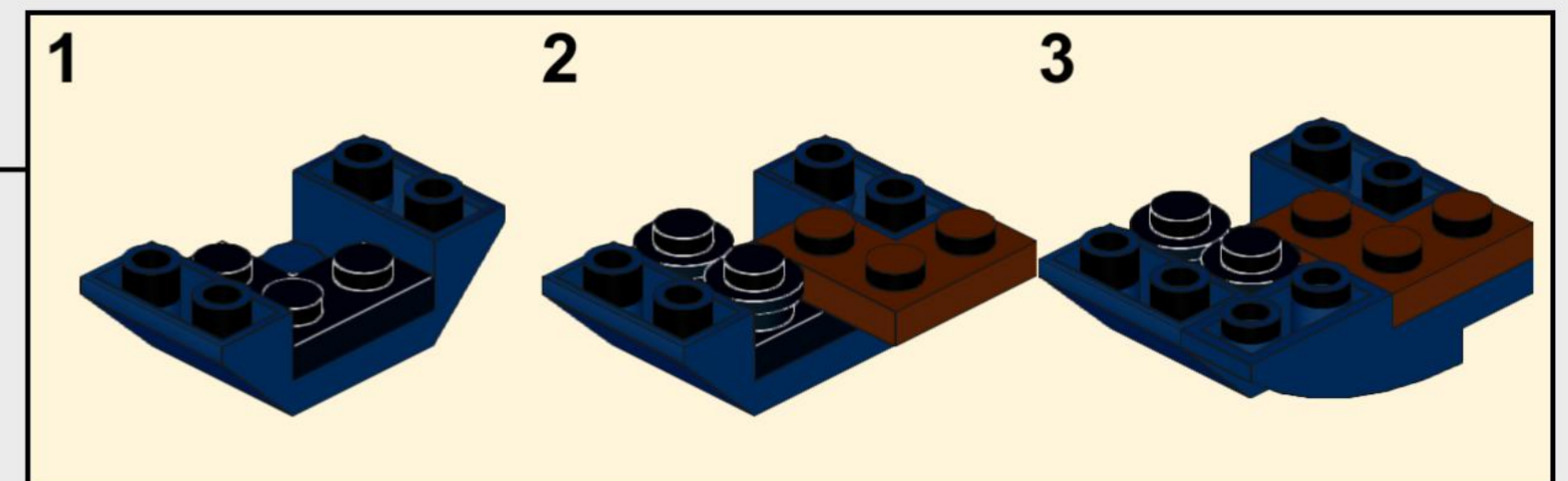
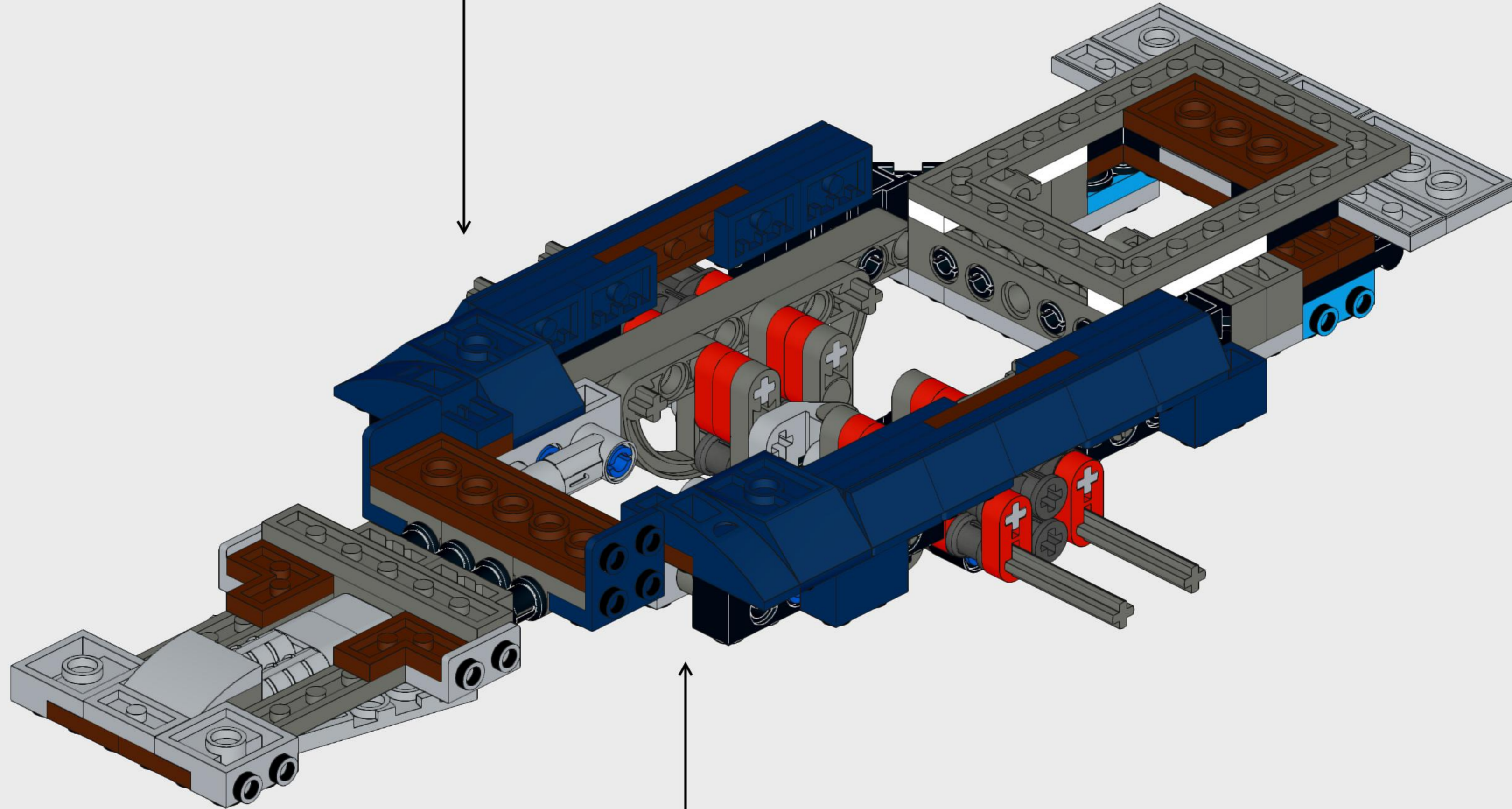
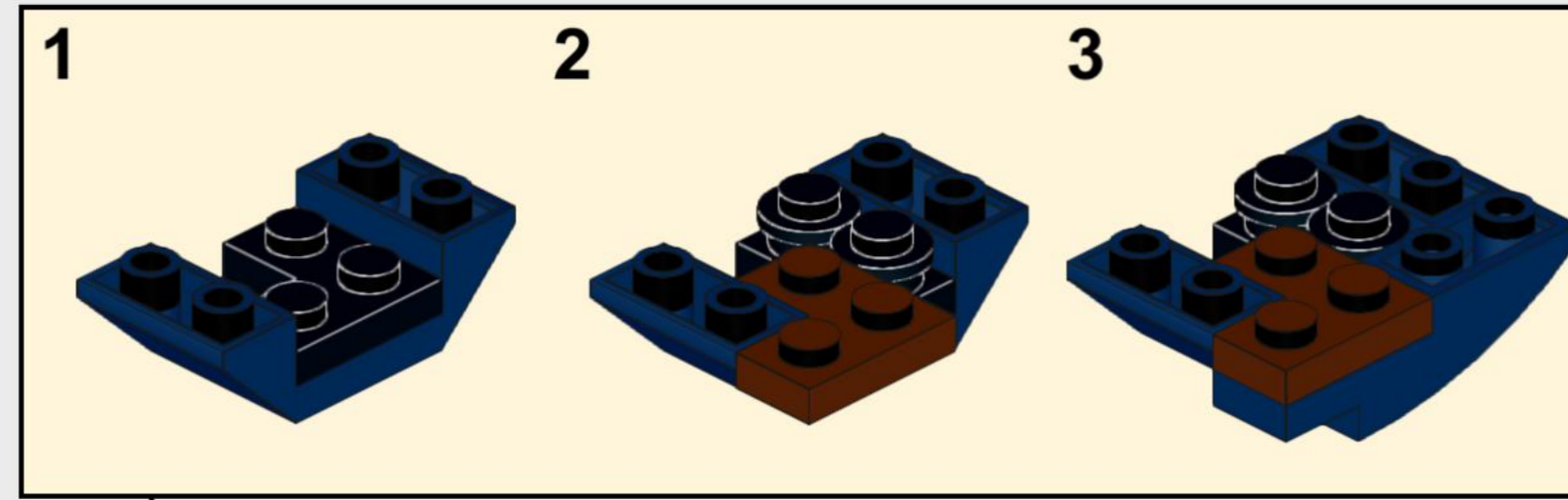


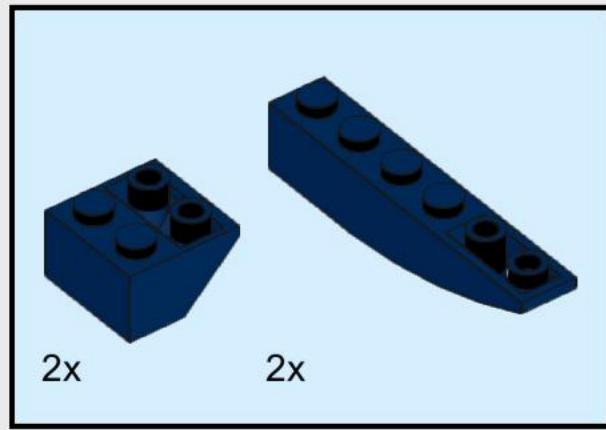
25 



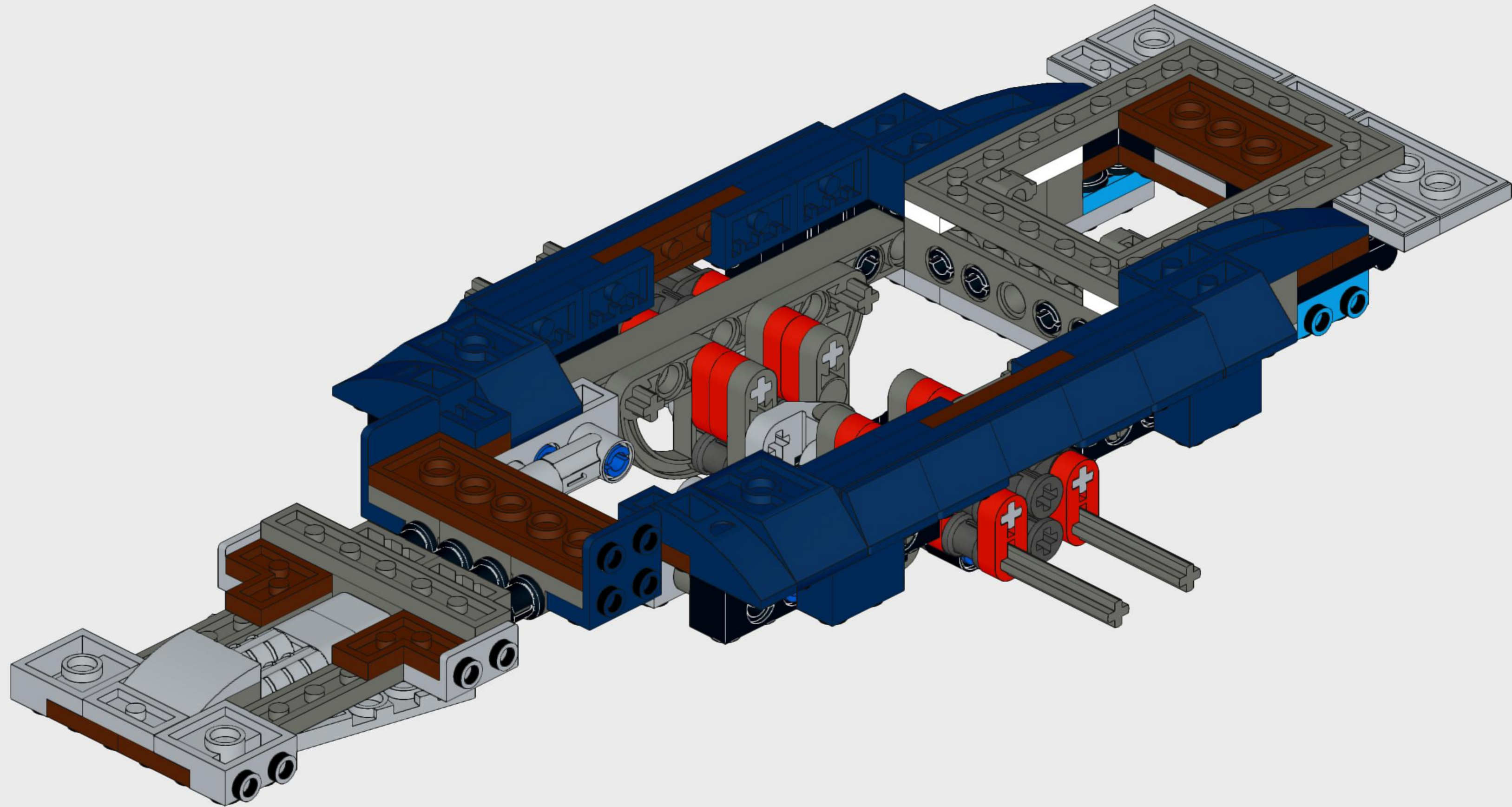


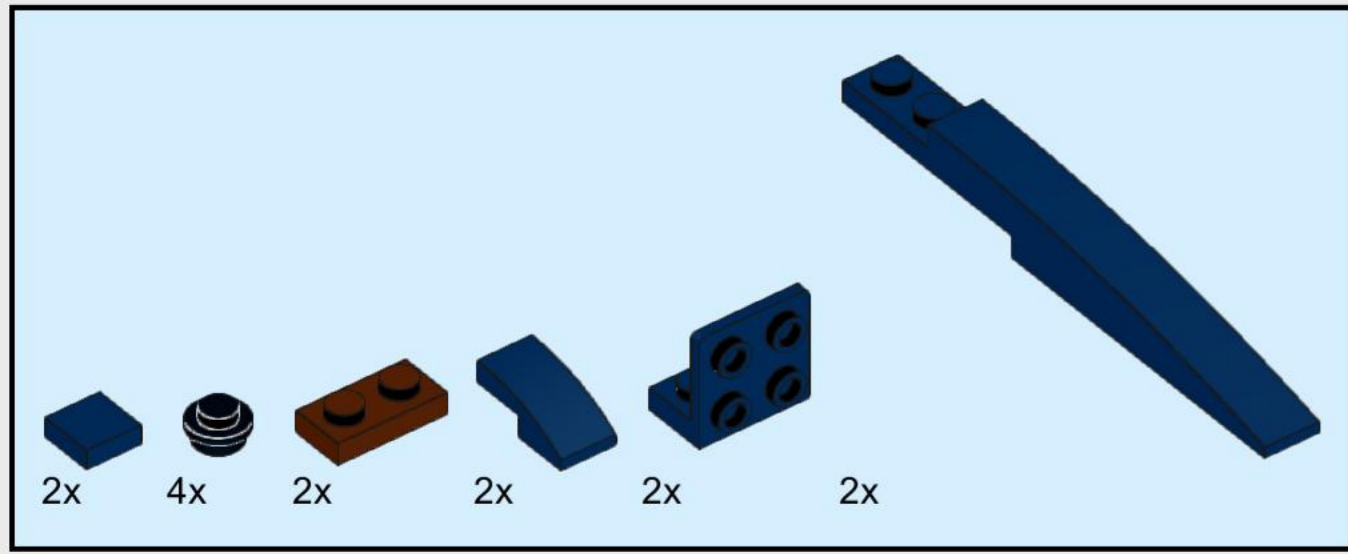
26



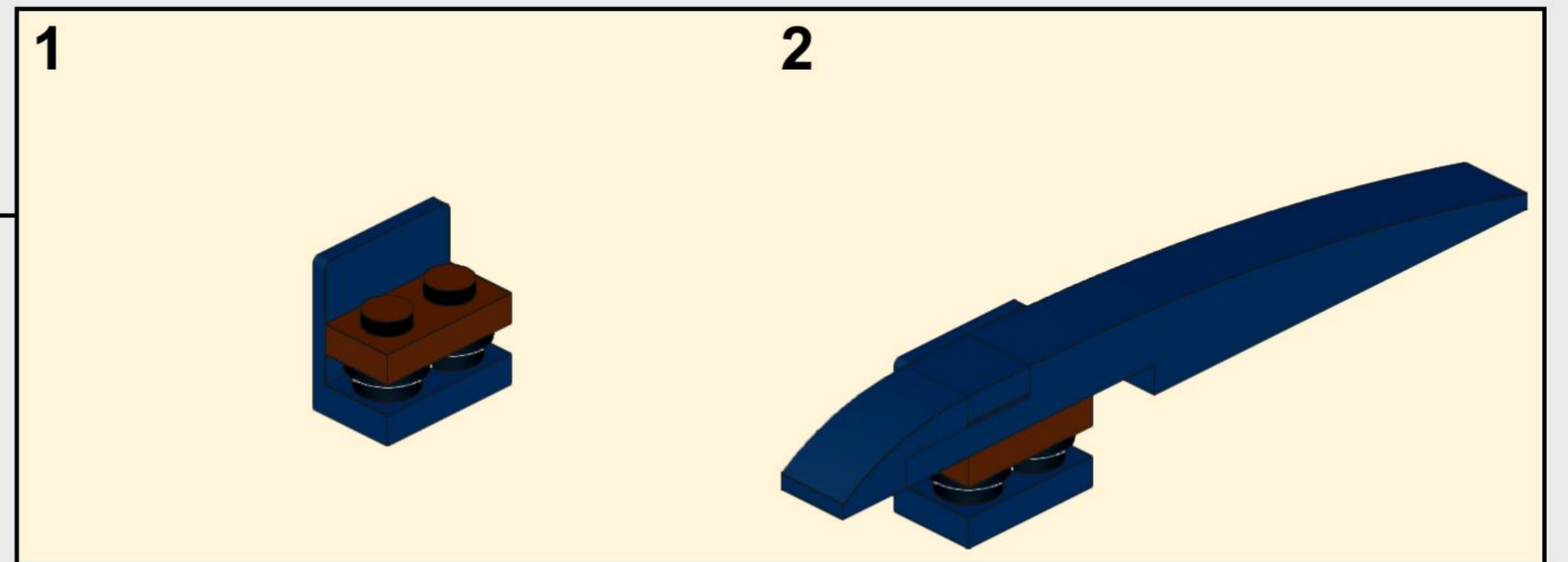
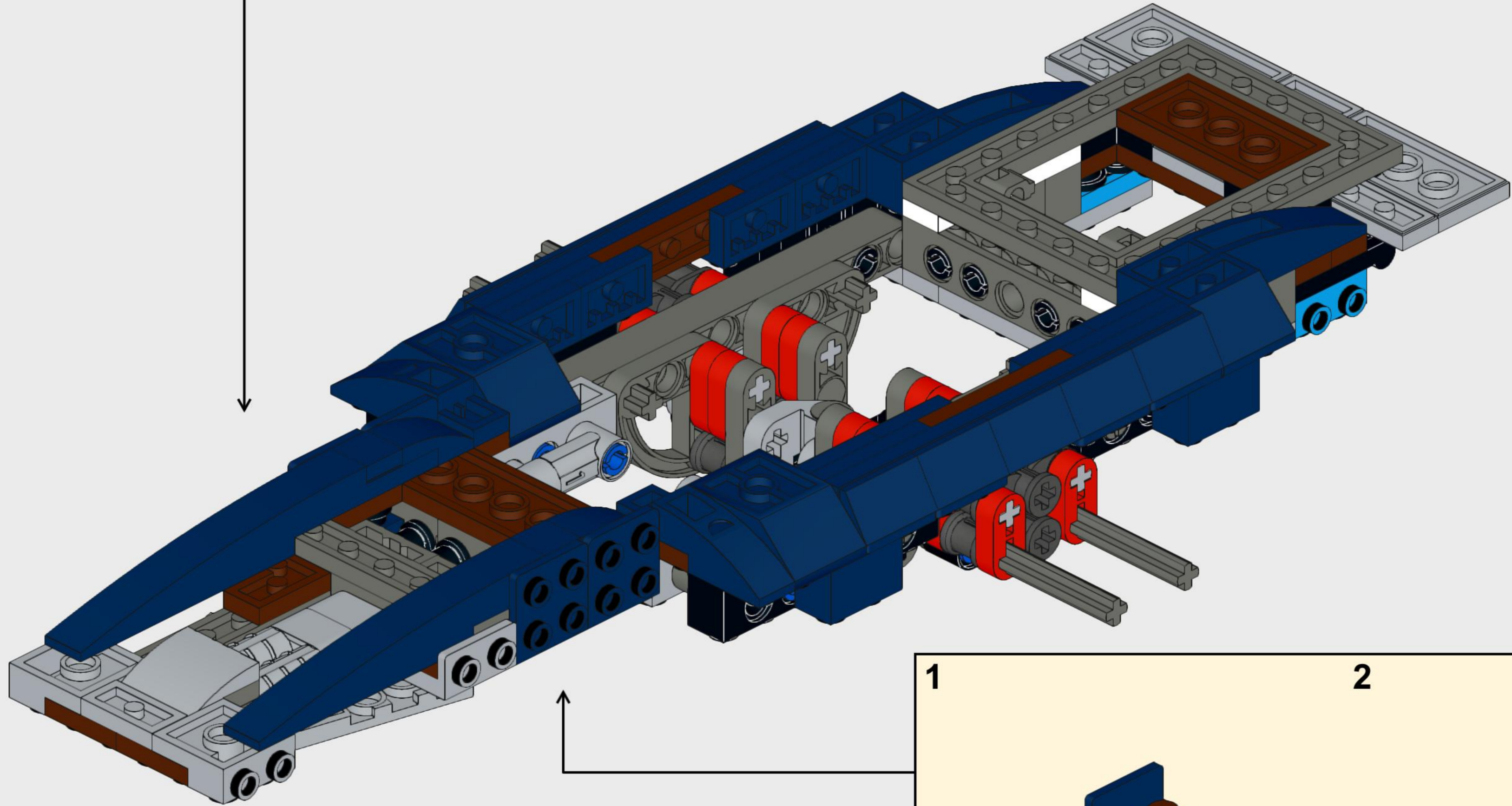
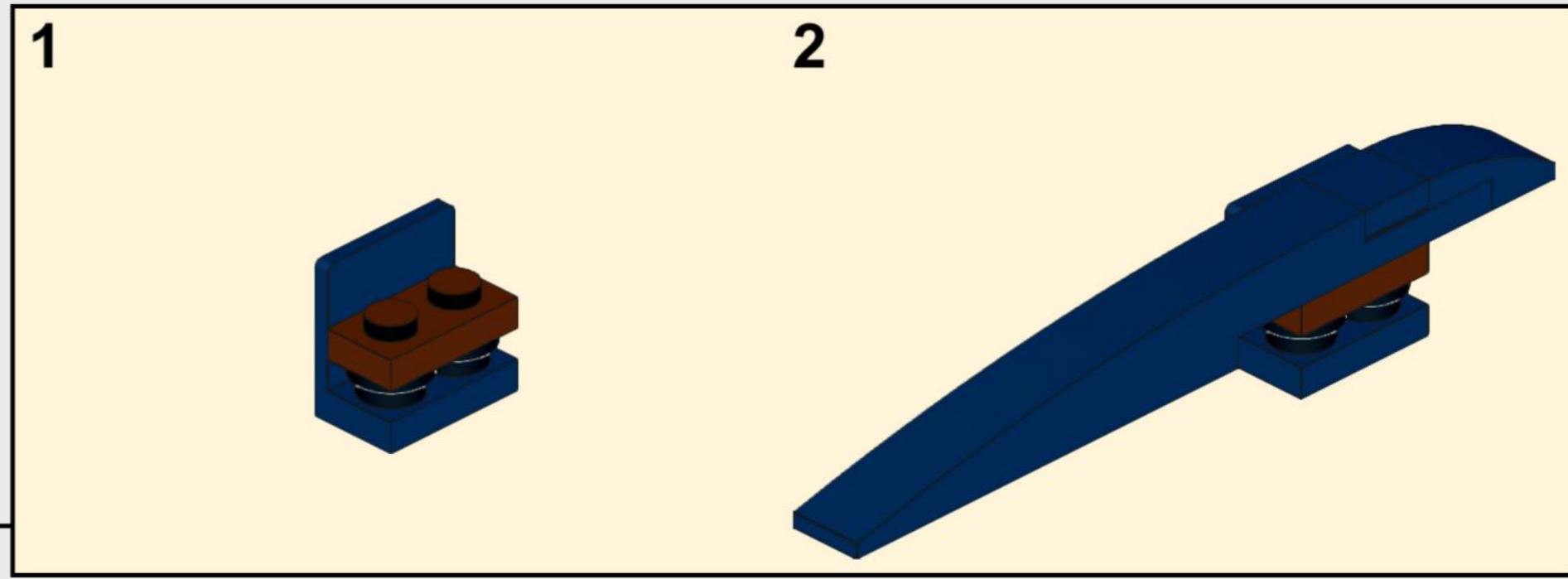


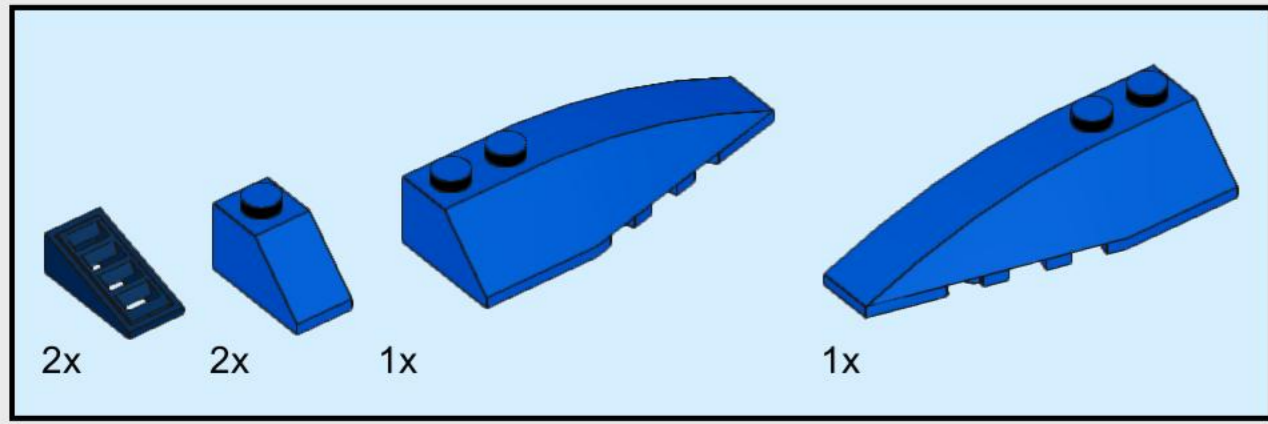
27



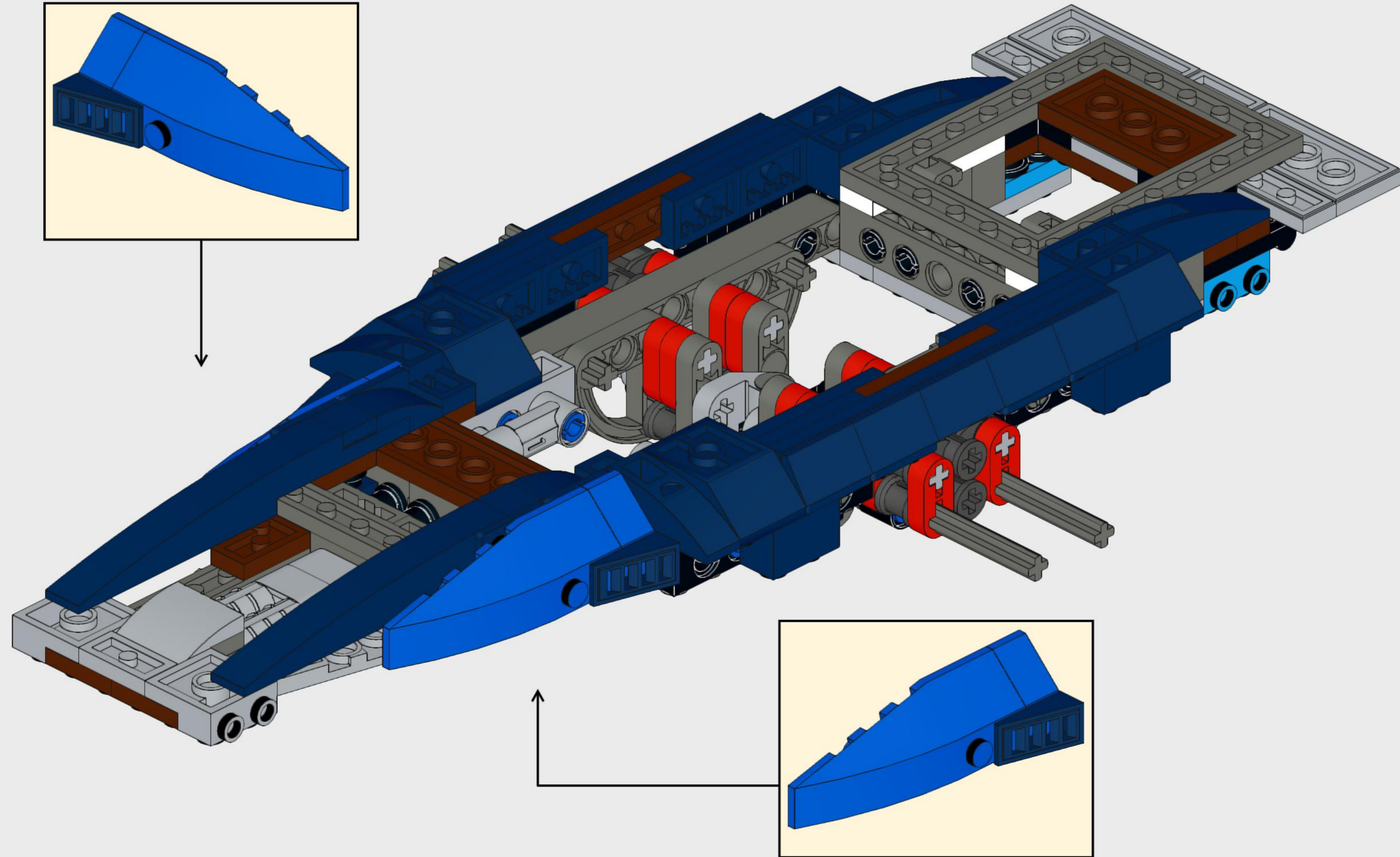


28

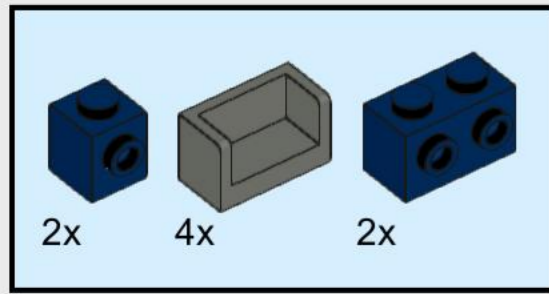




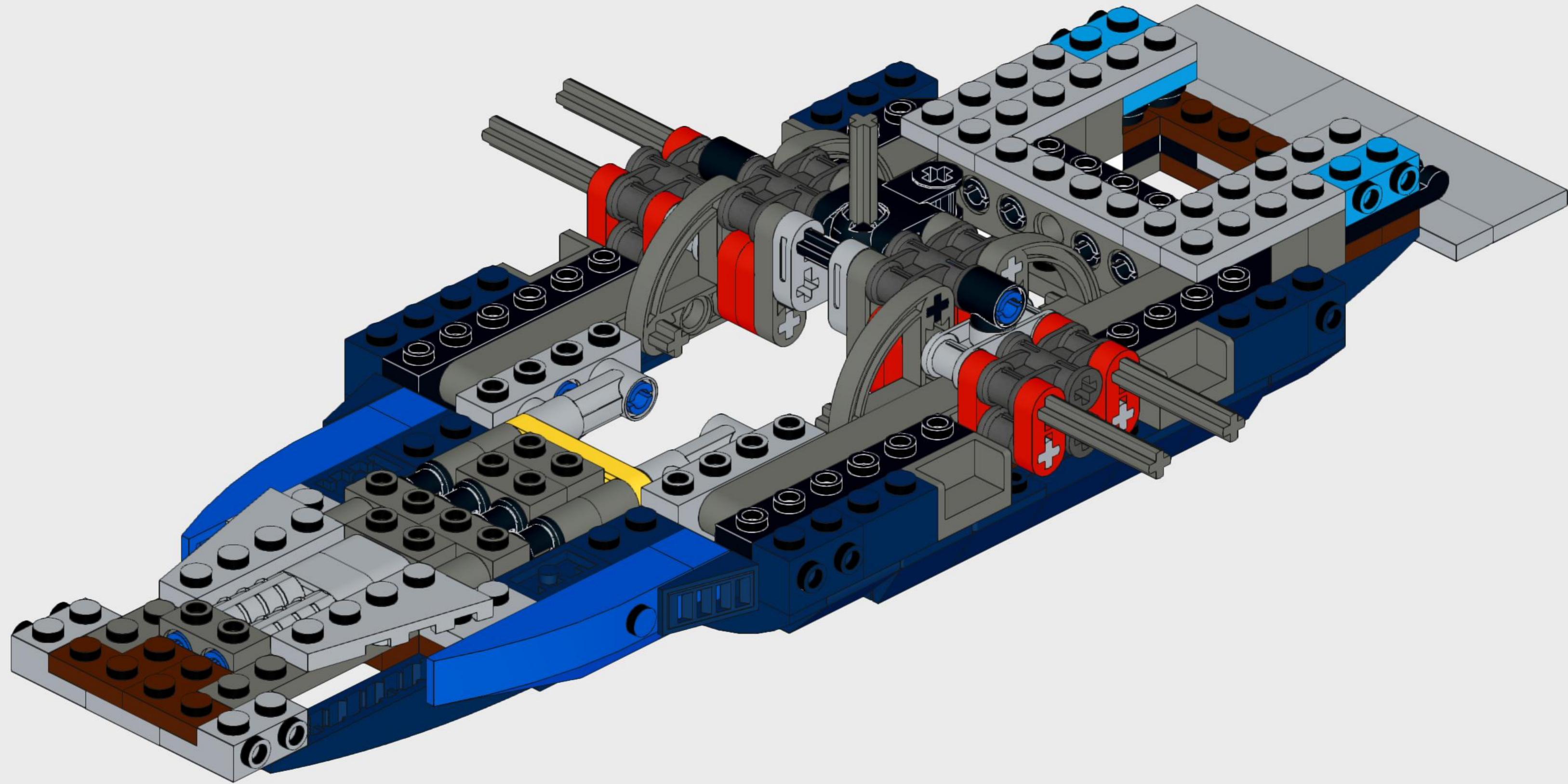
29

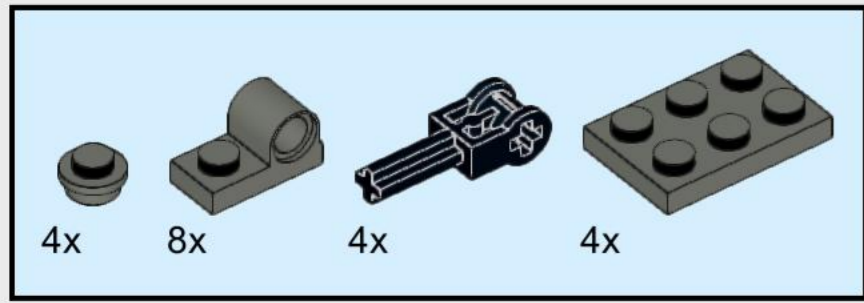




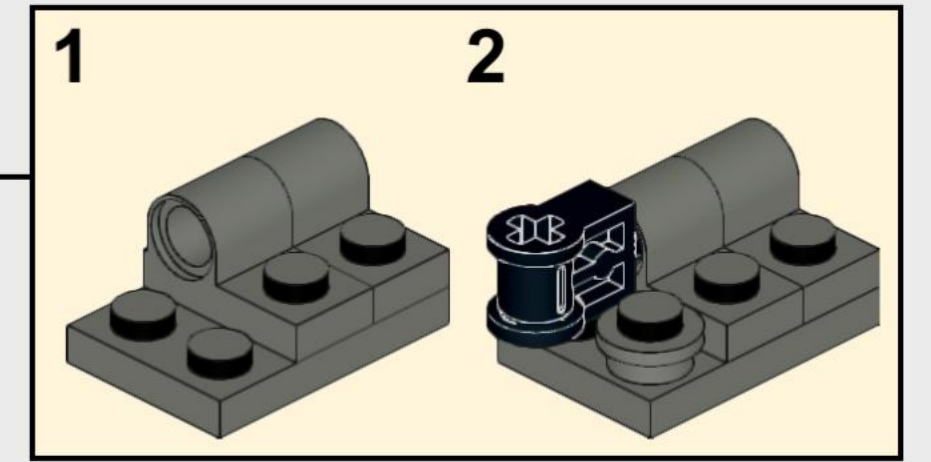


30 





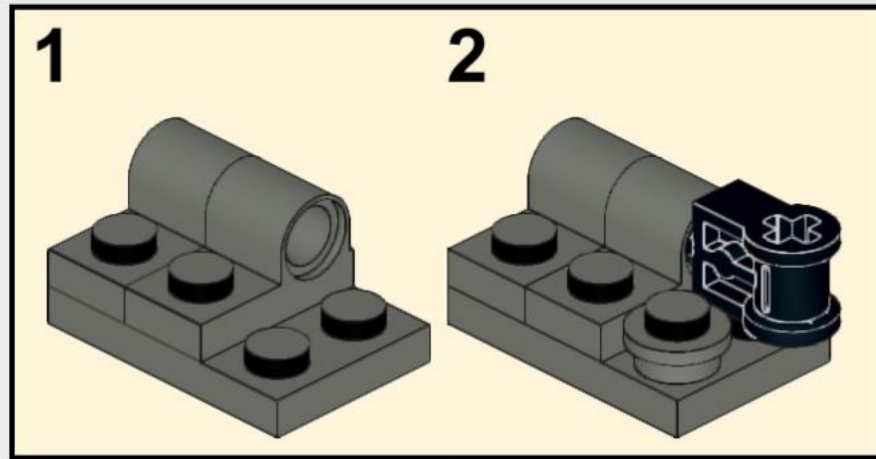
31



1

2

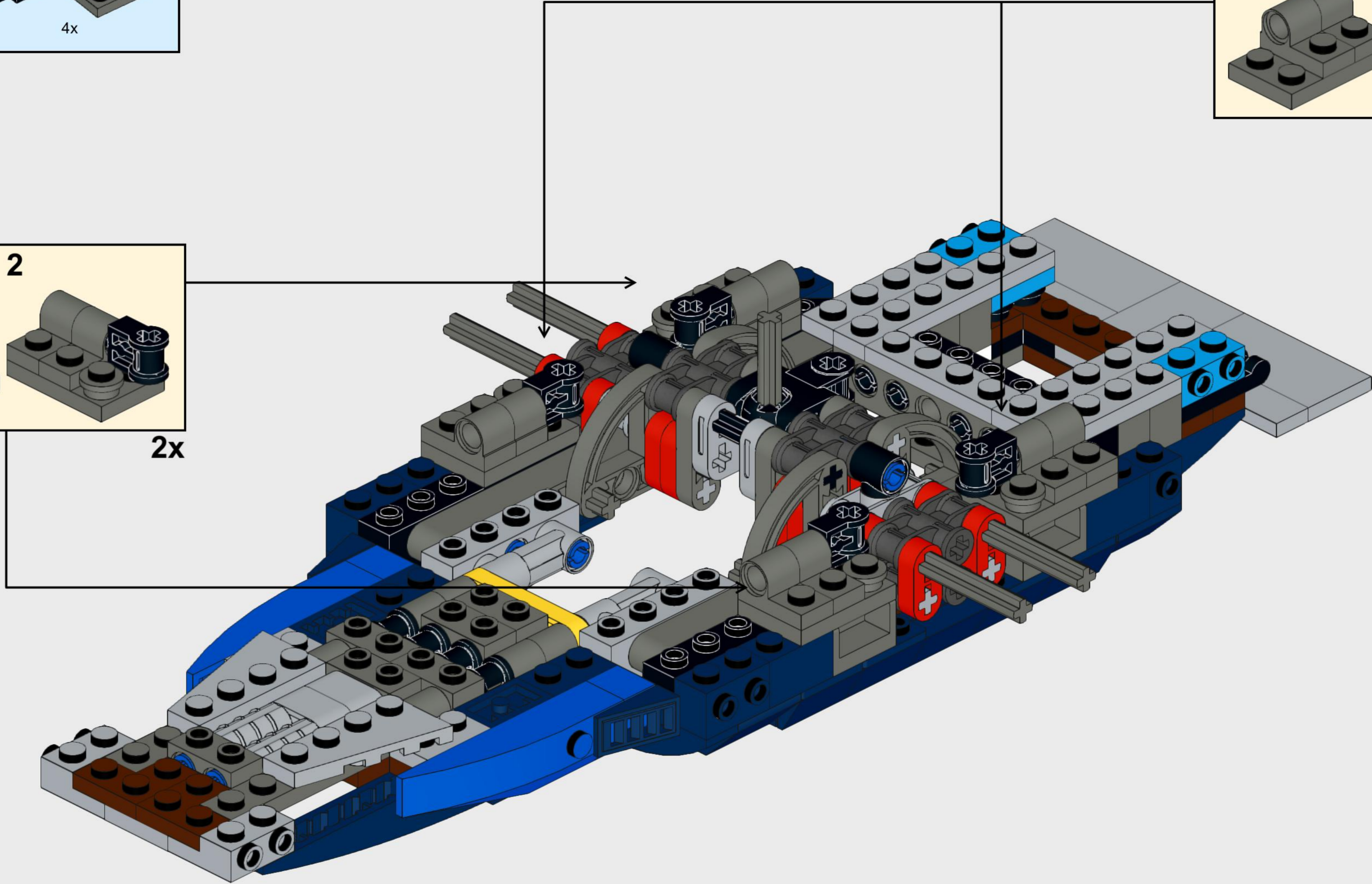
2x

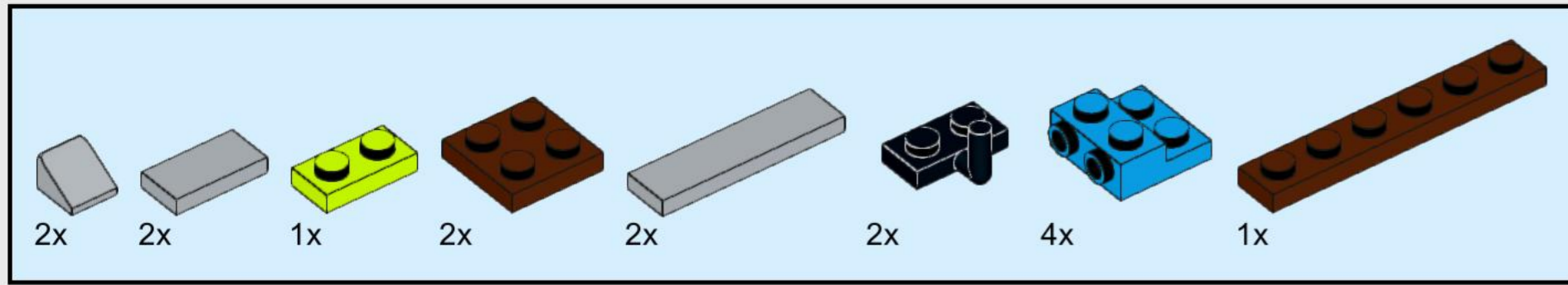


1

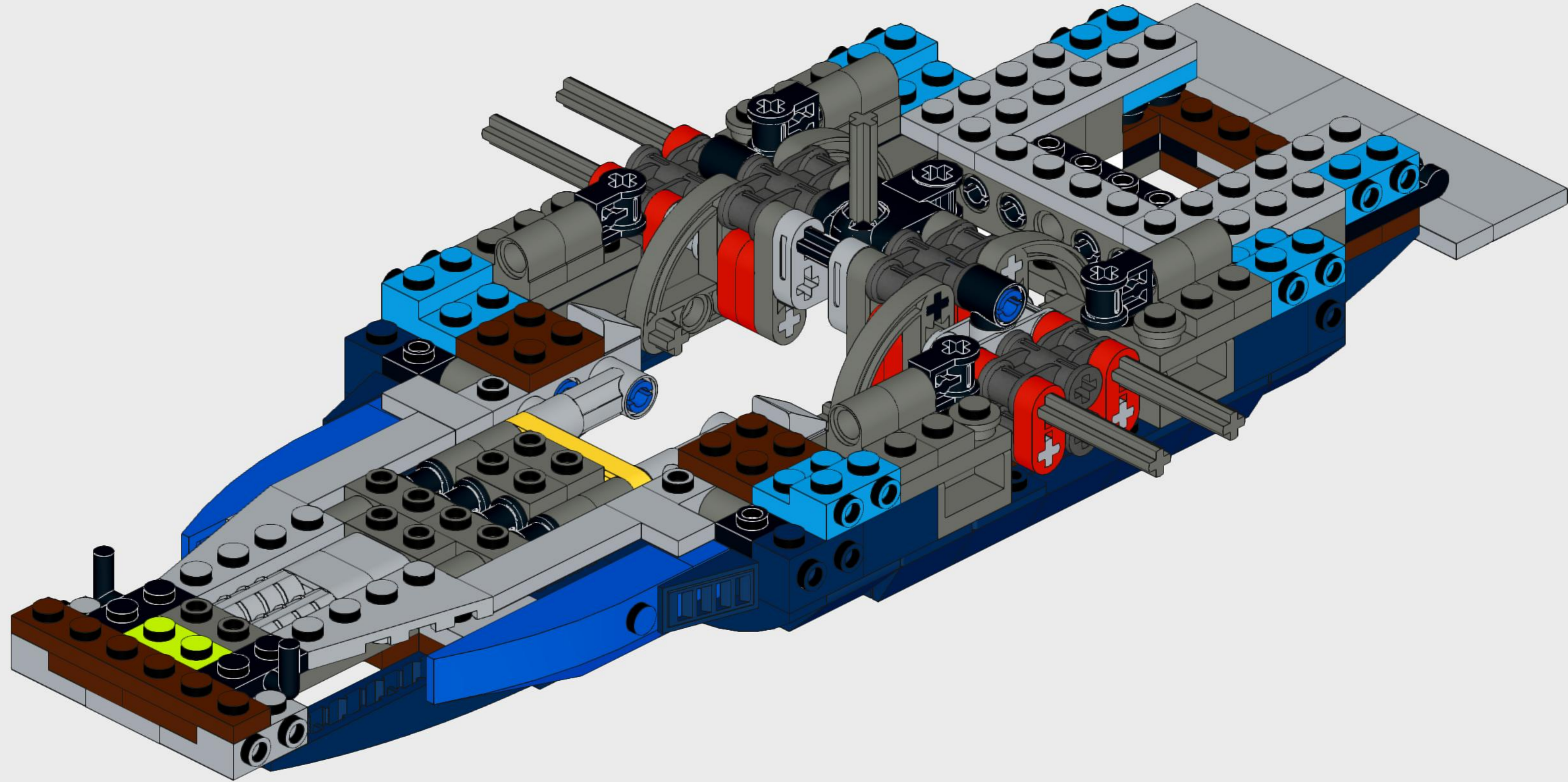
2

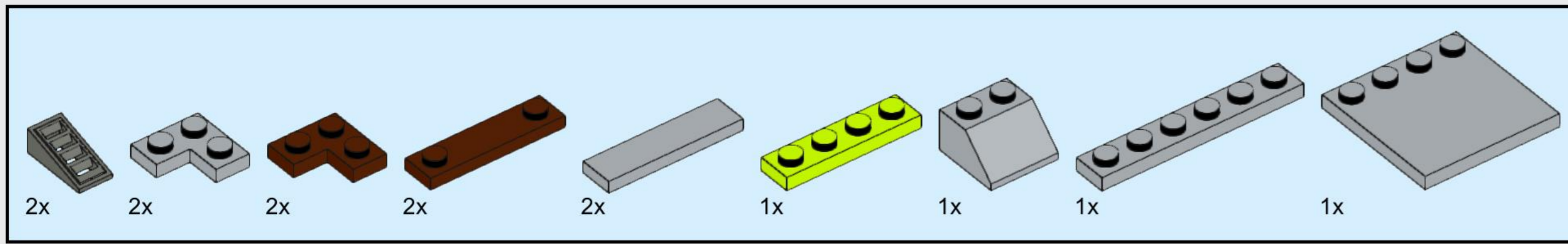
2x



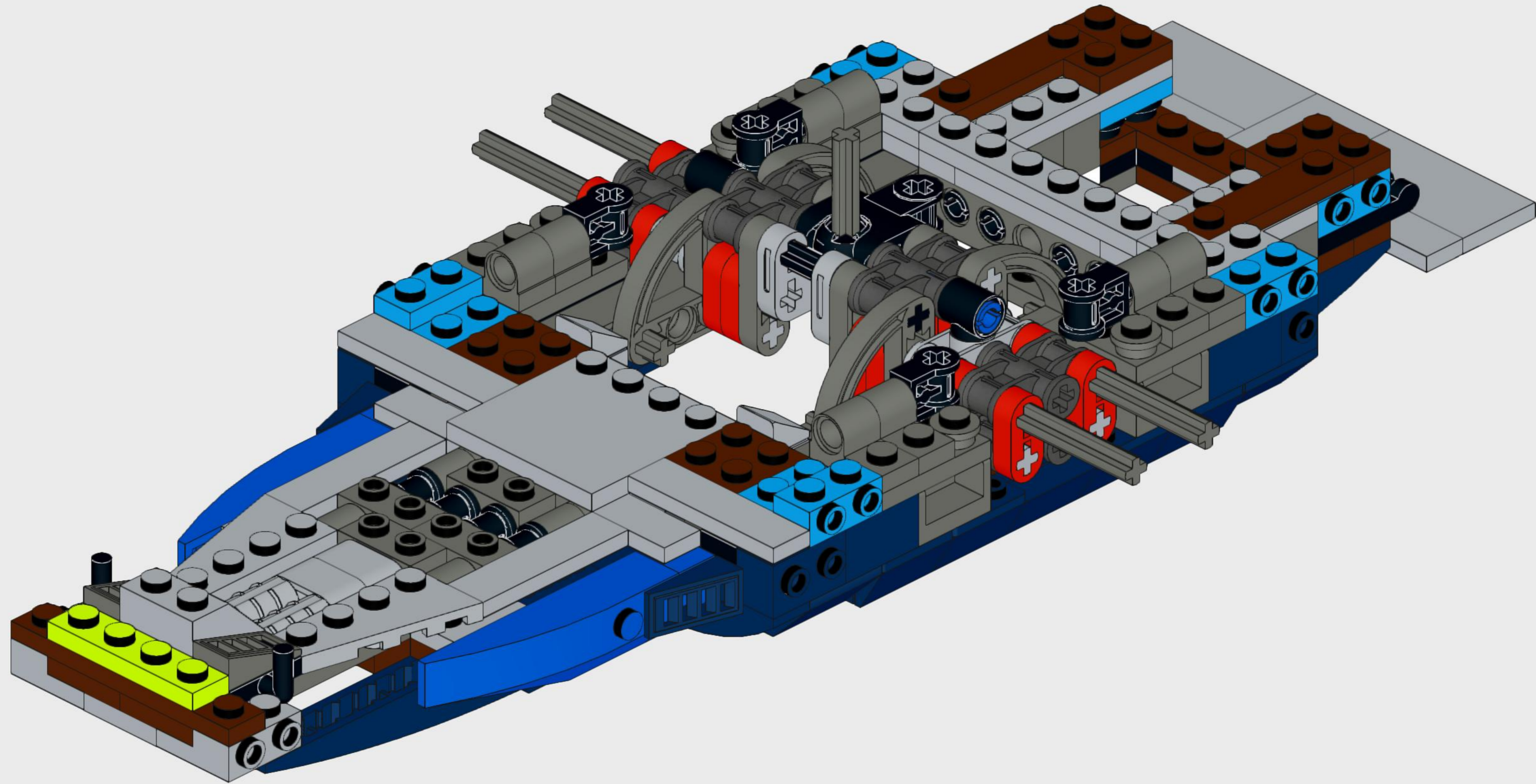


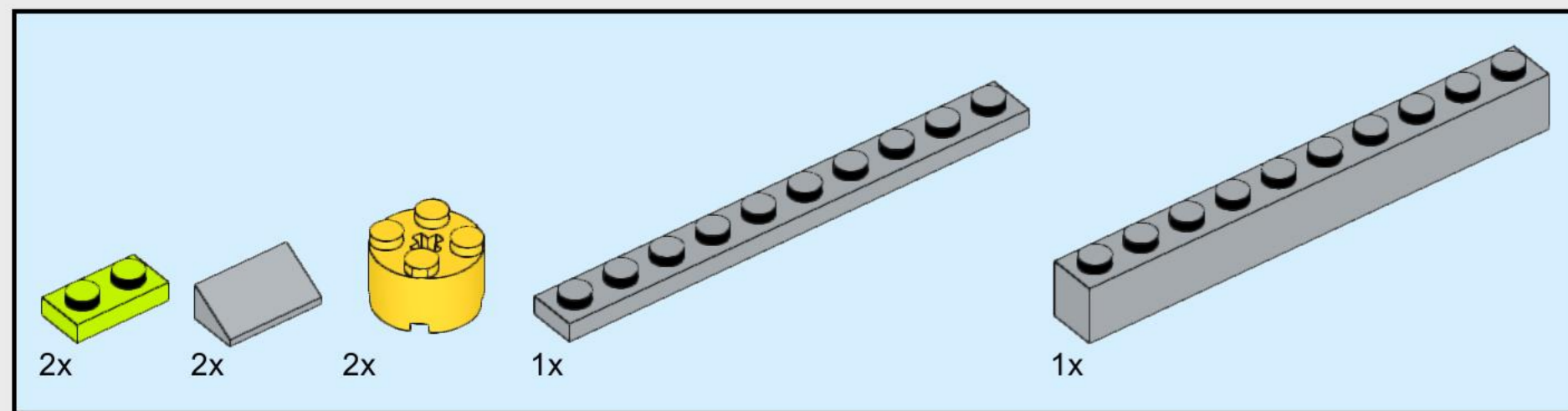
32



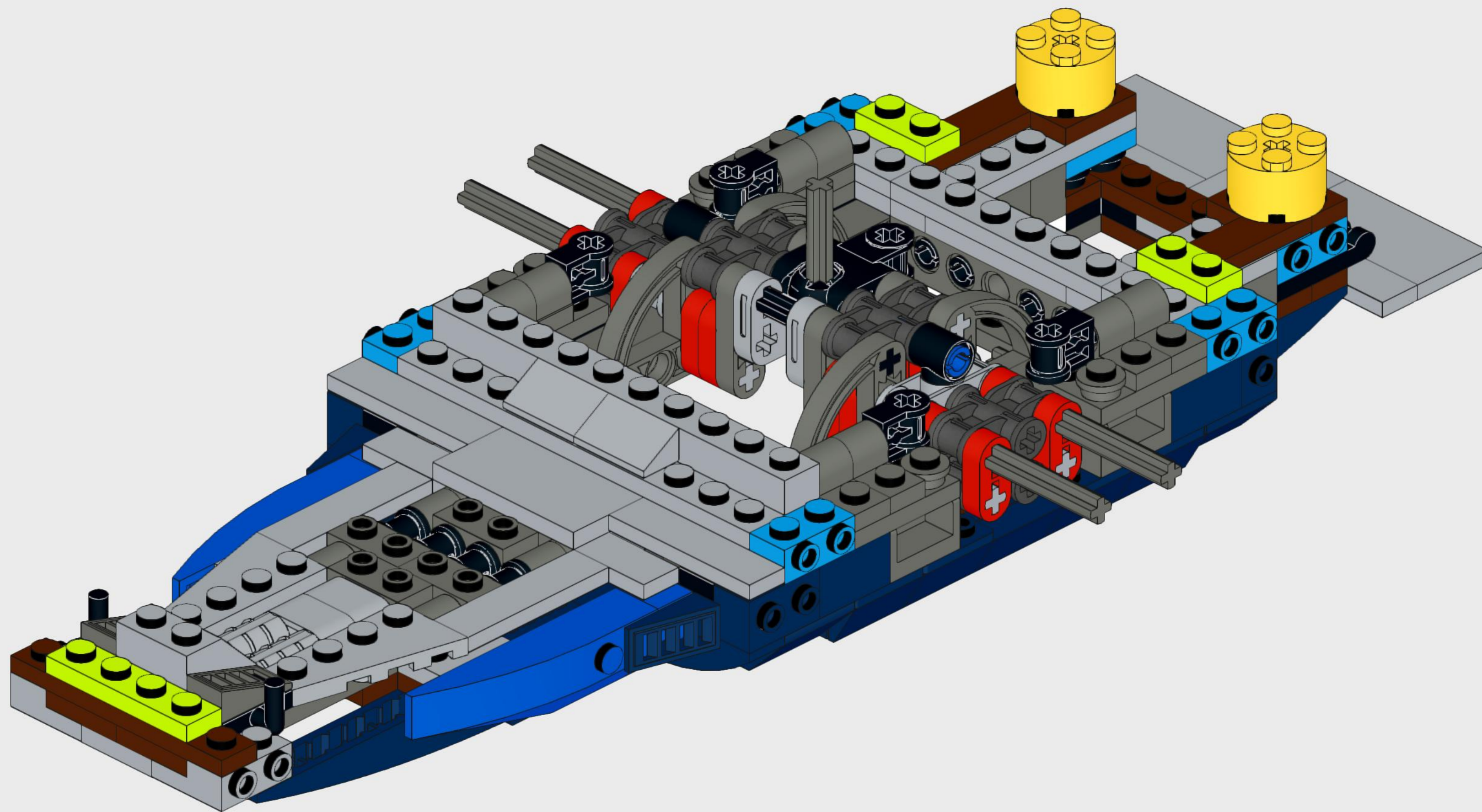


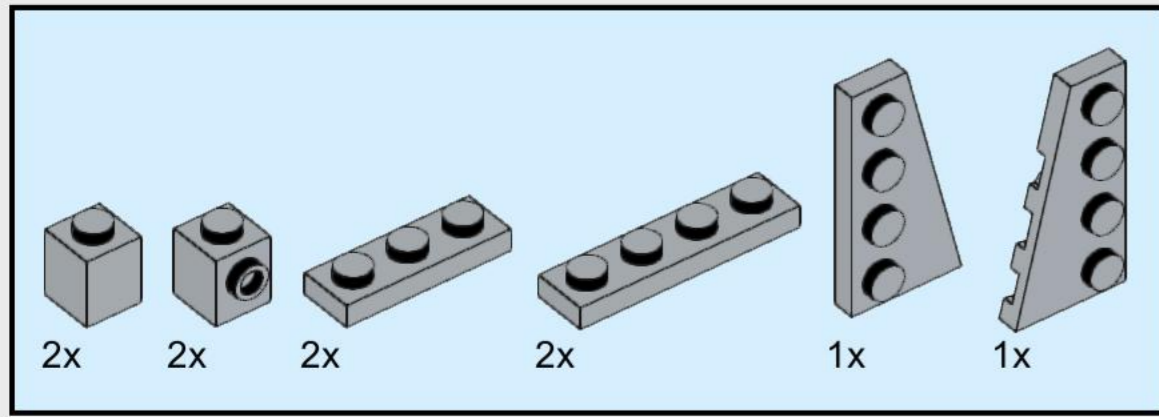
33



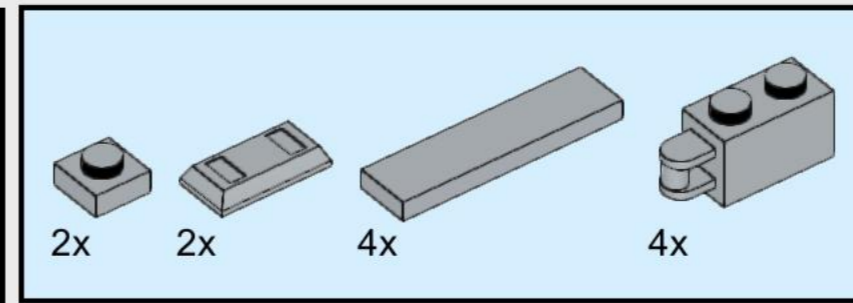
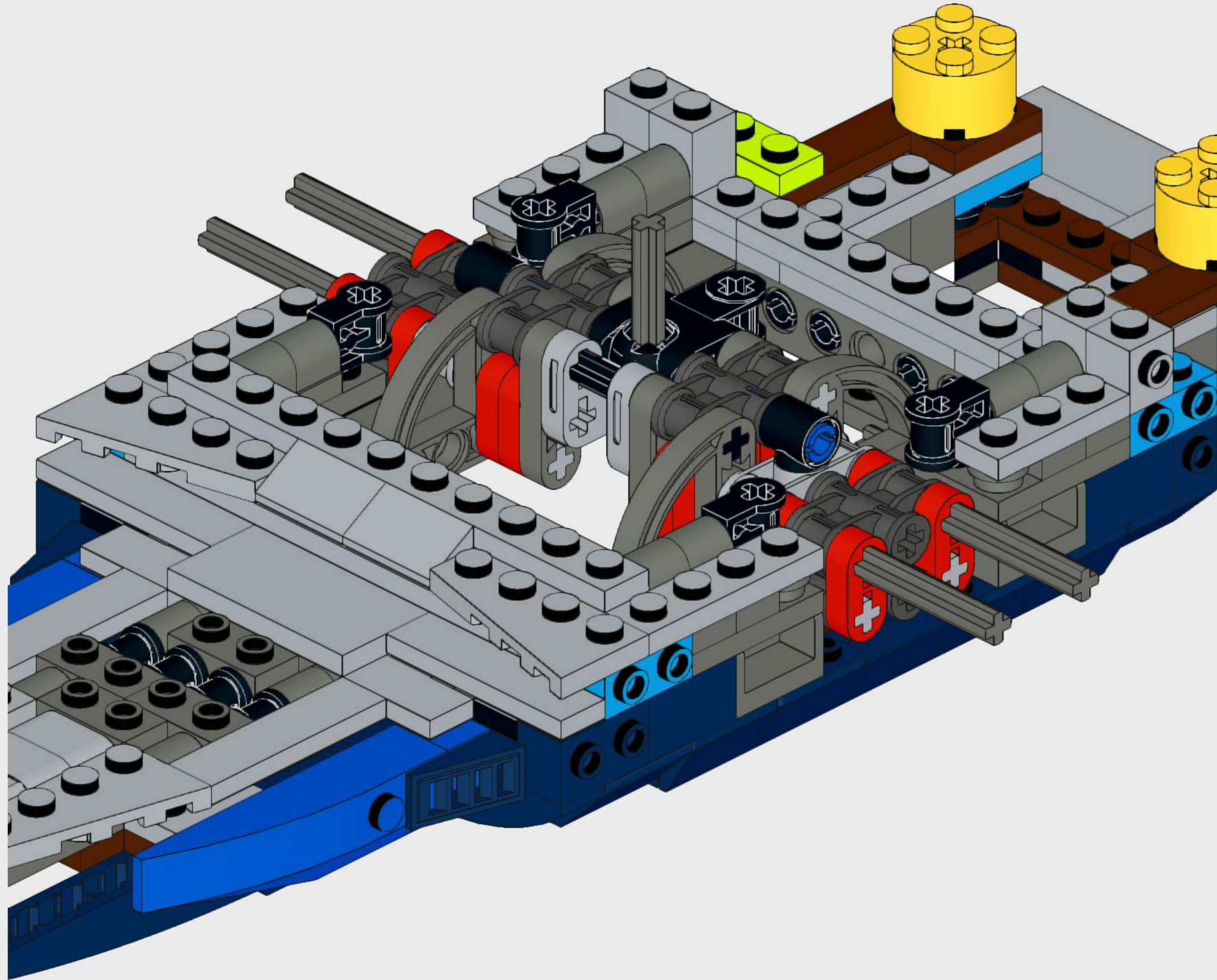


34

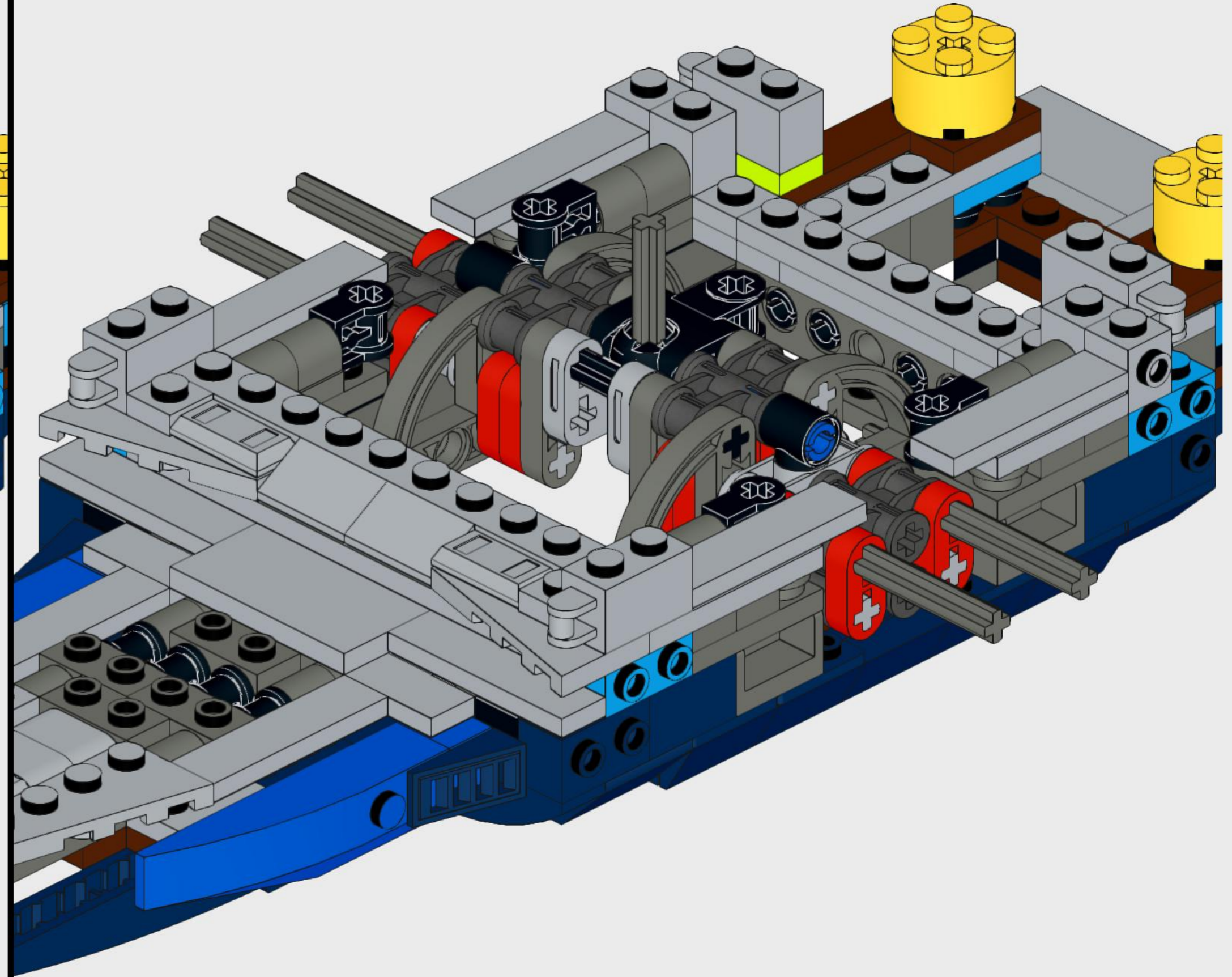


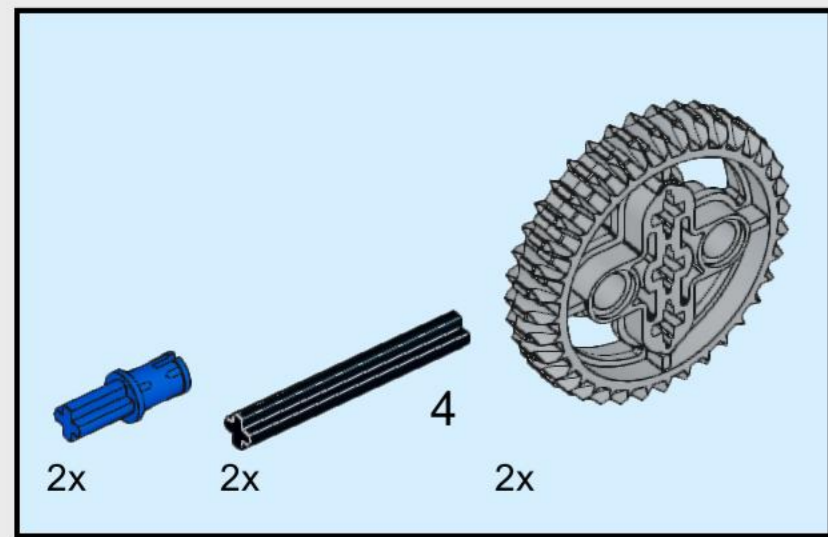


35

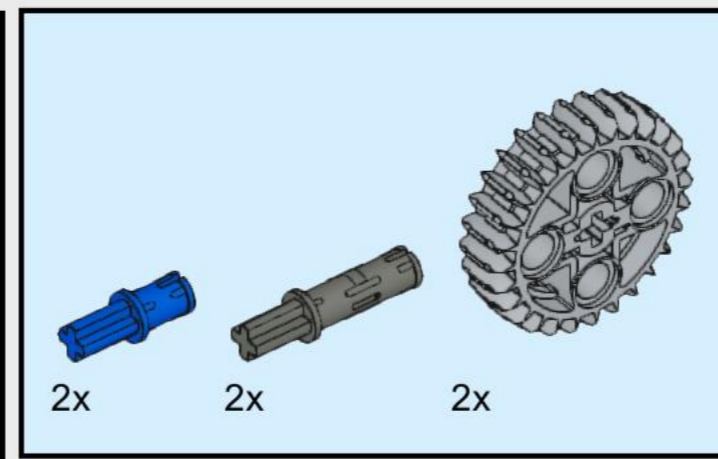
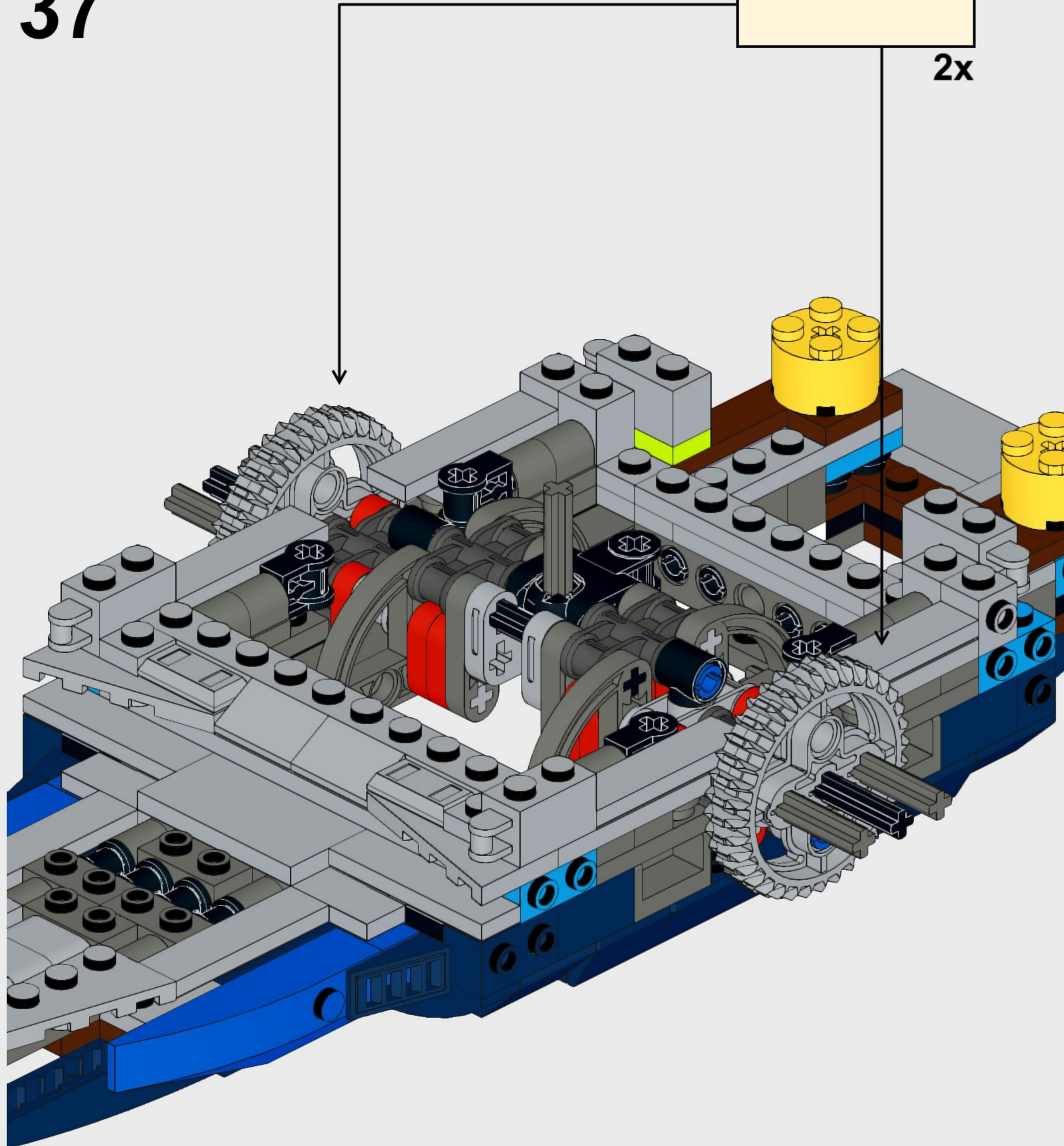
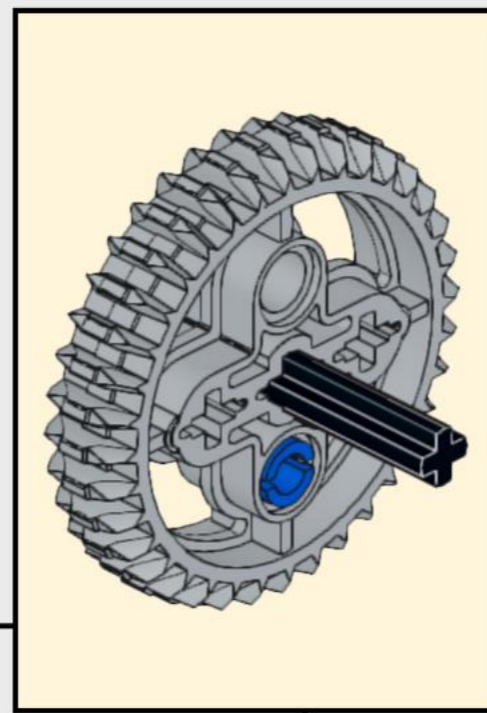


36

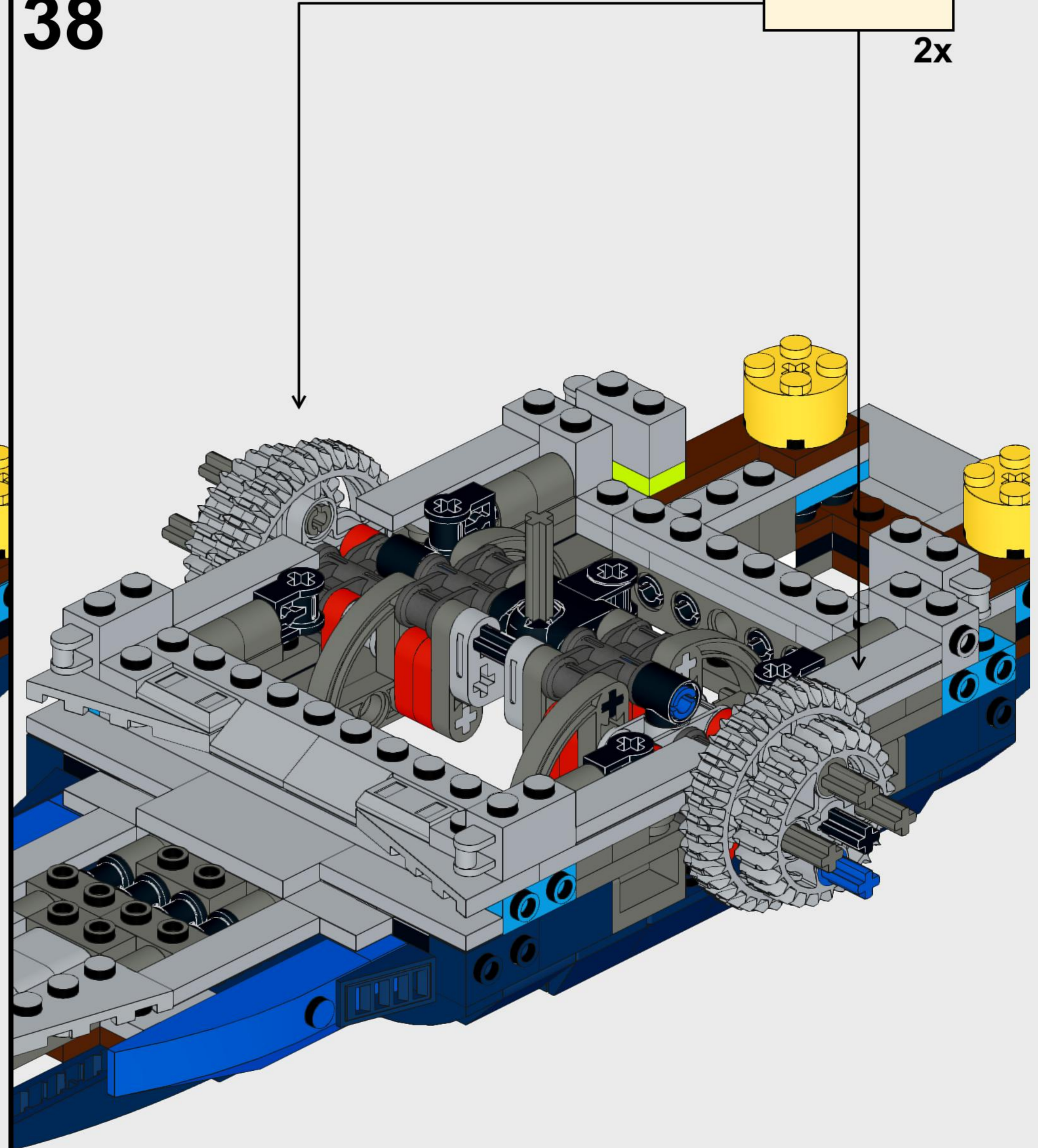
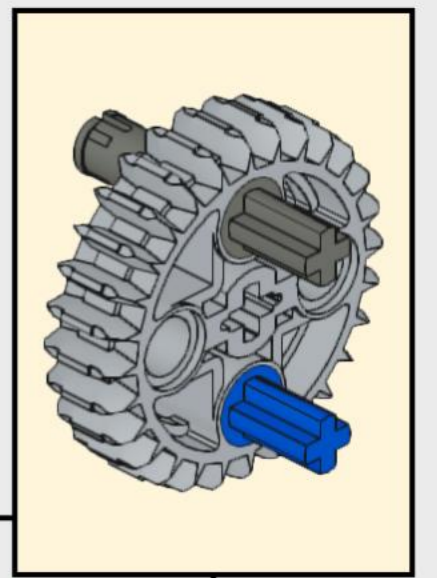


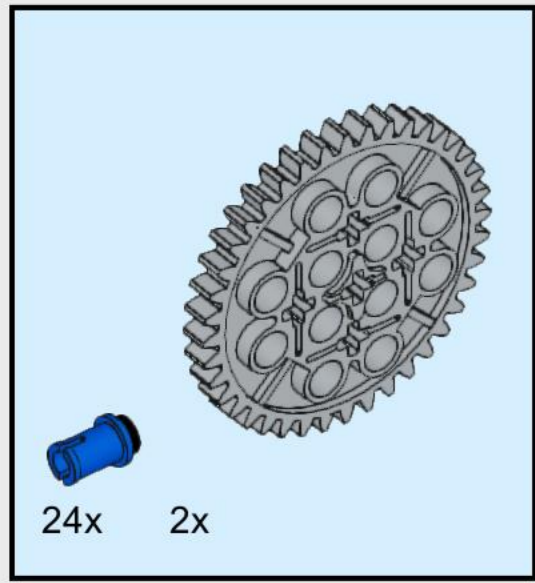


37

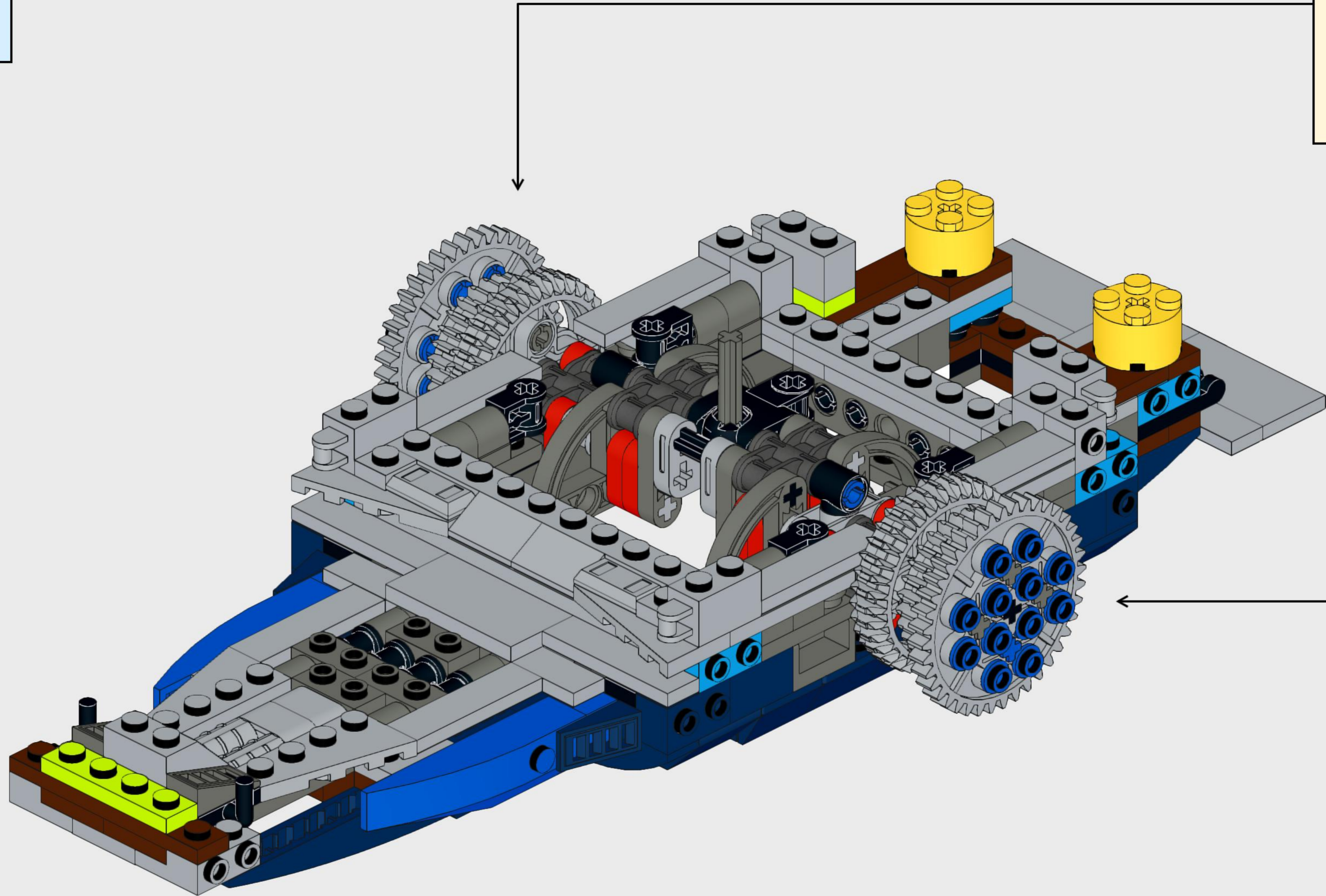
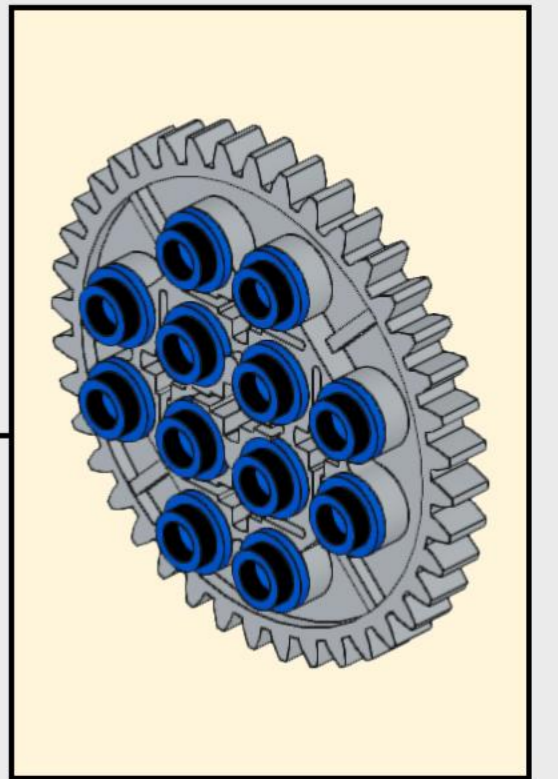


38

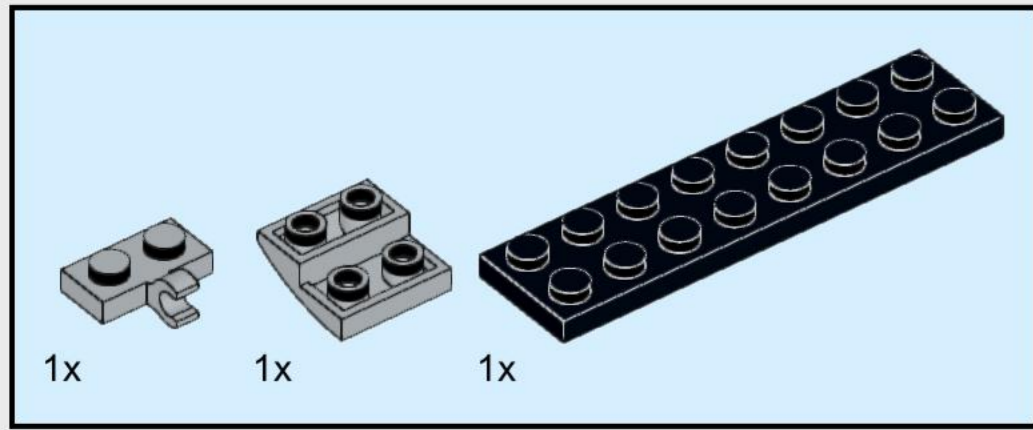




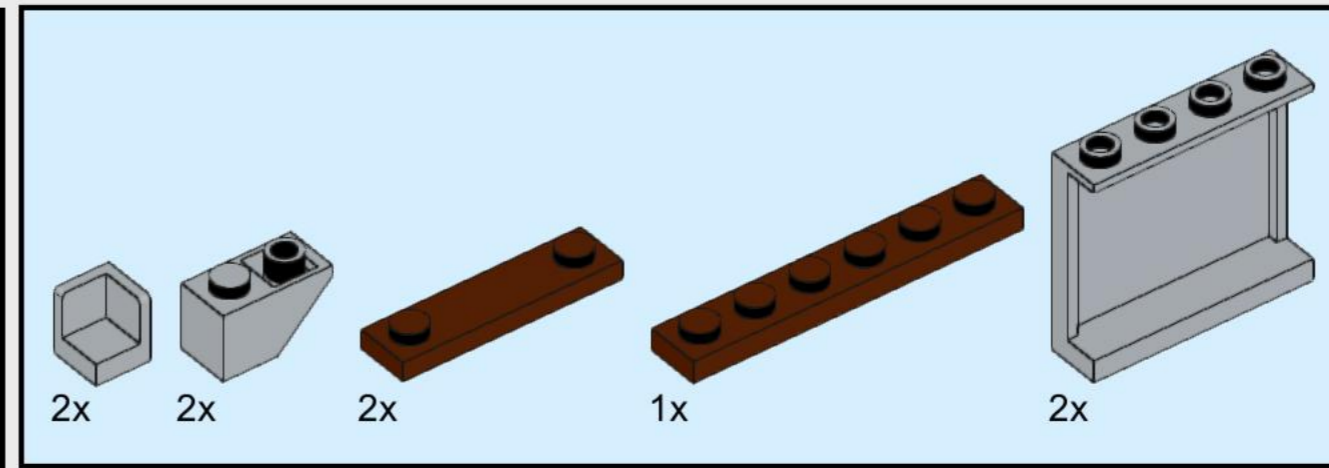
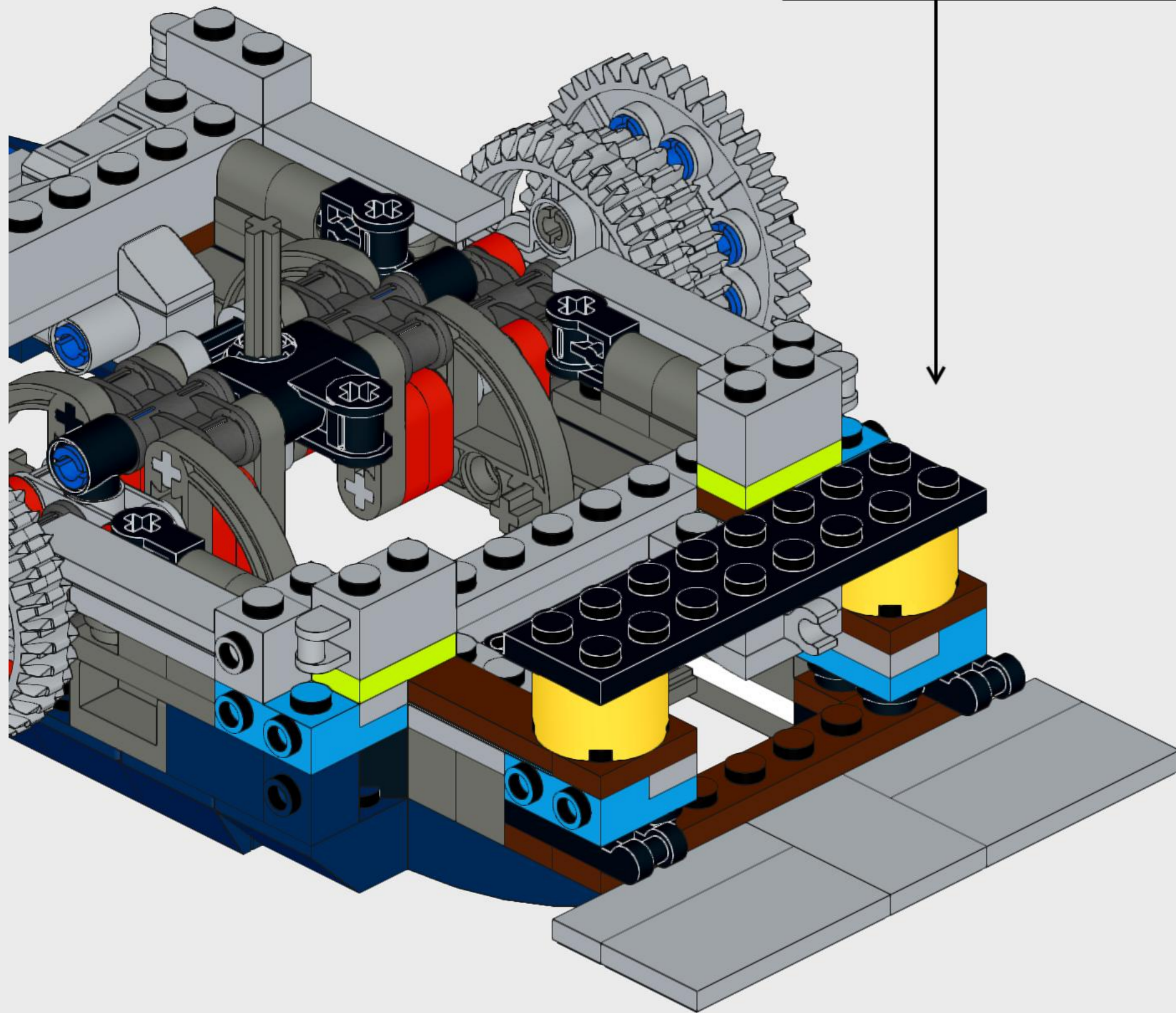
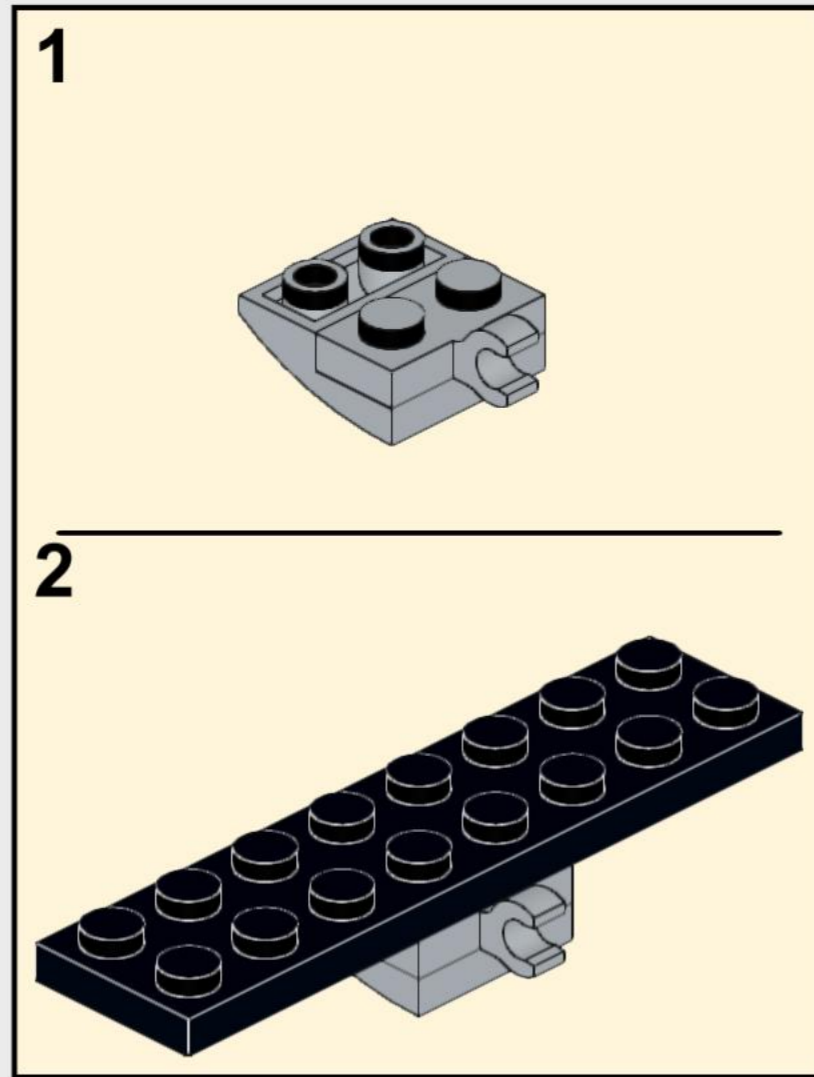
39



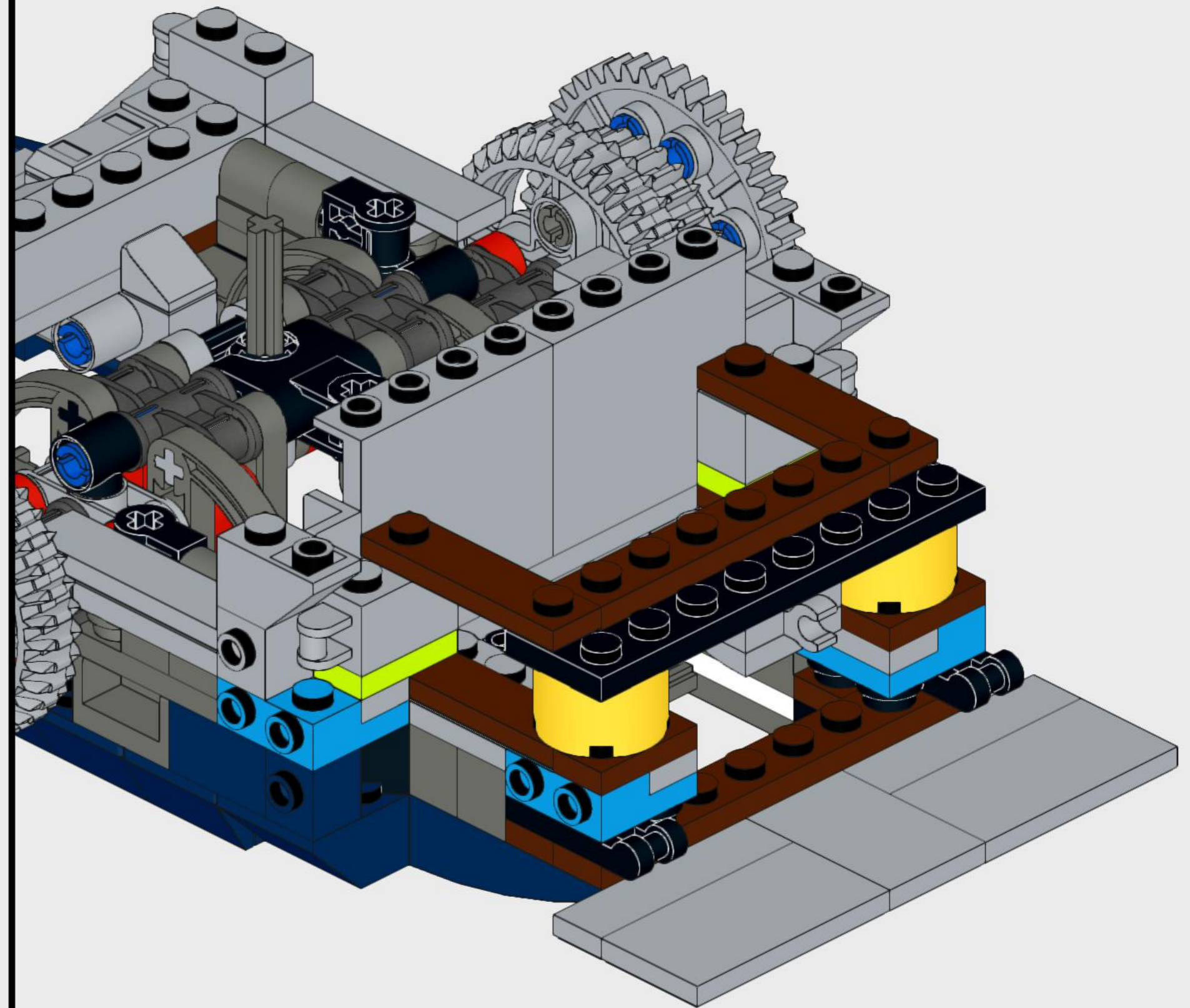


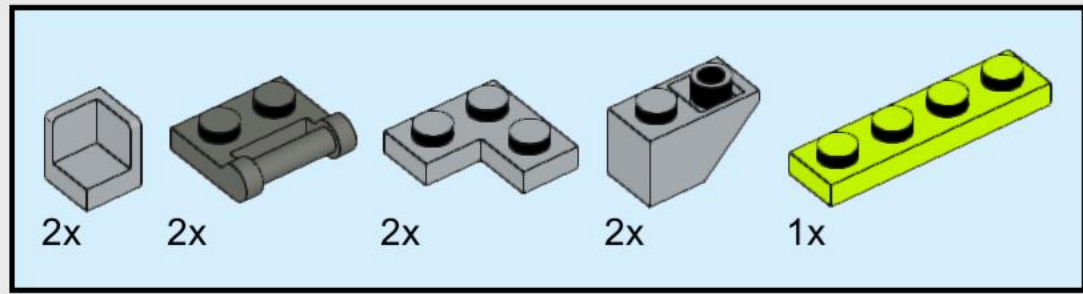


40

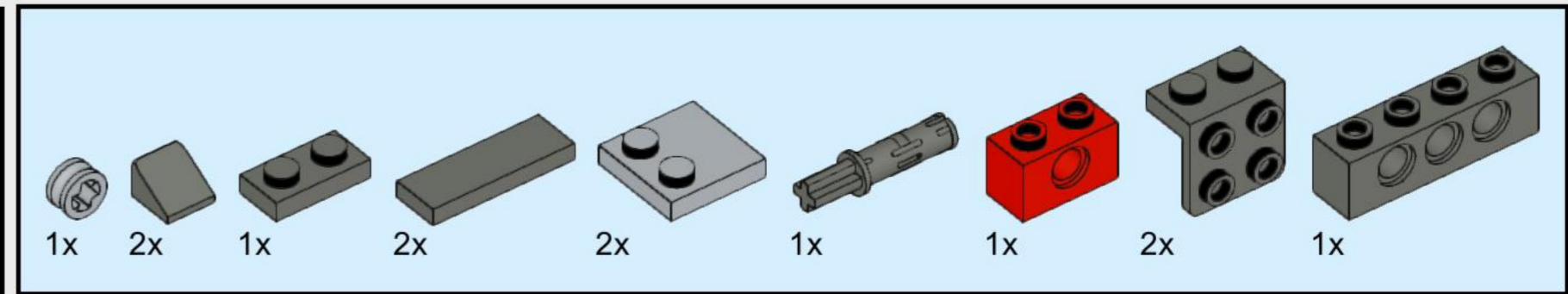
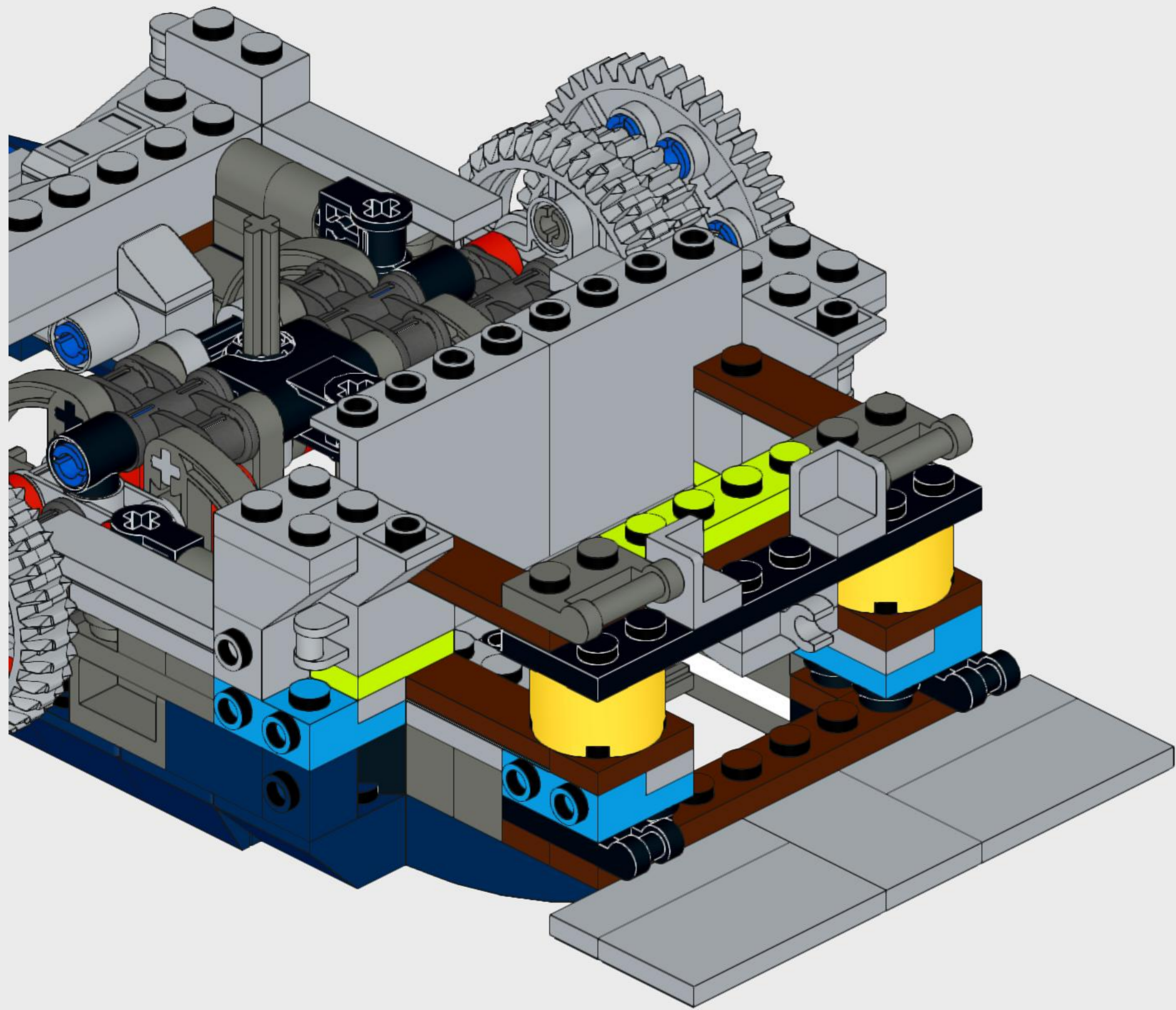


41

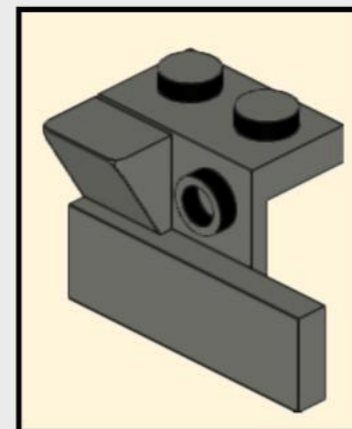
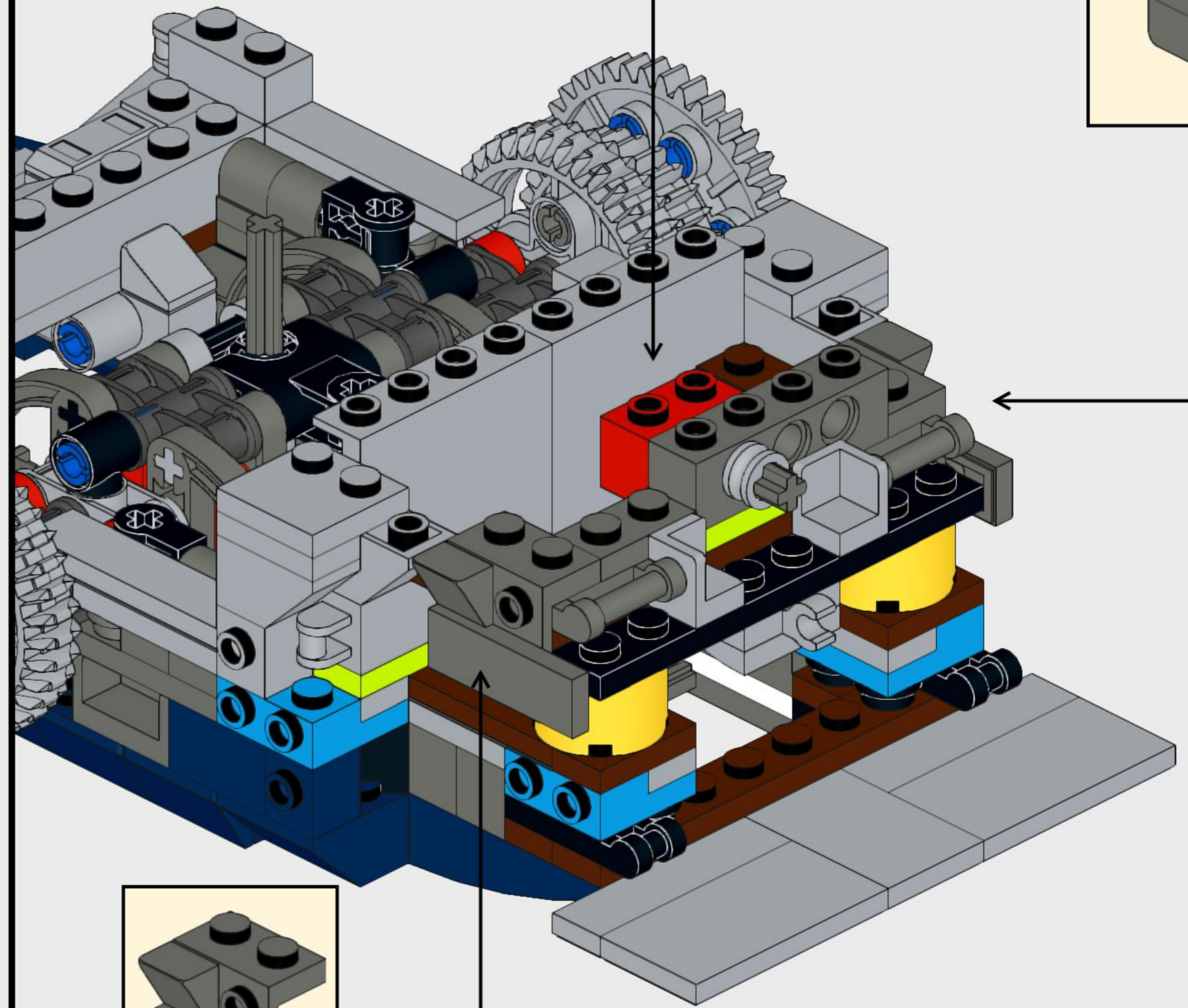
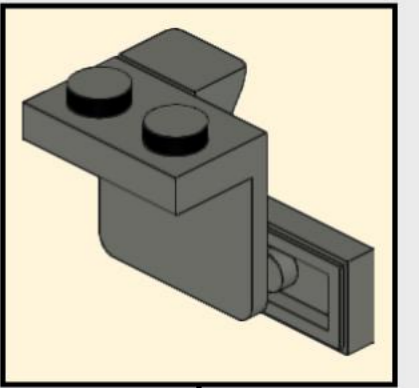
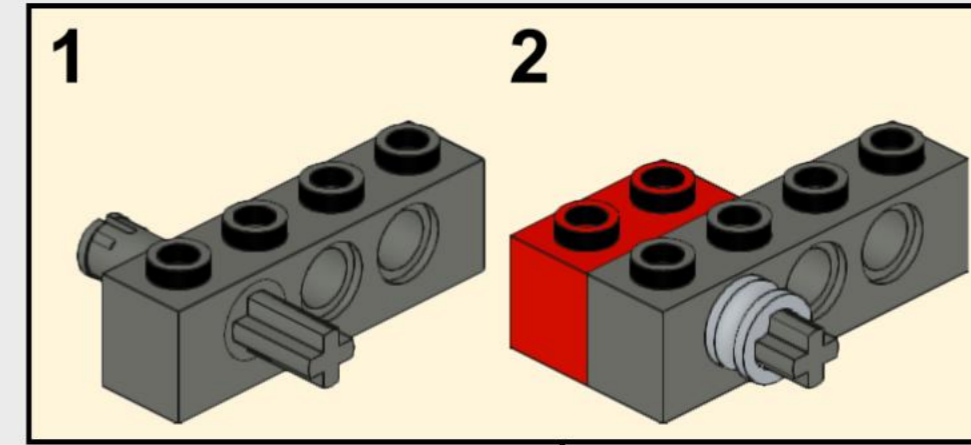


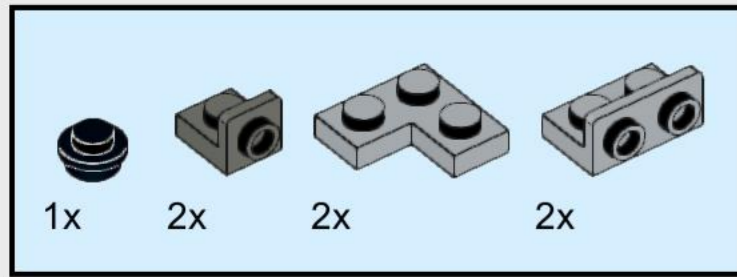


42

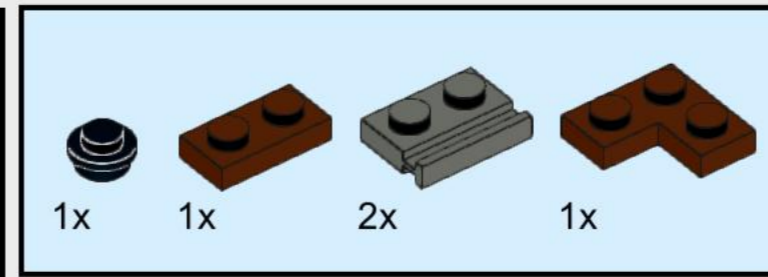
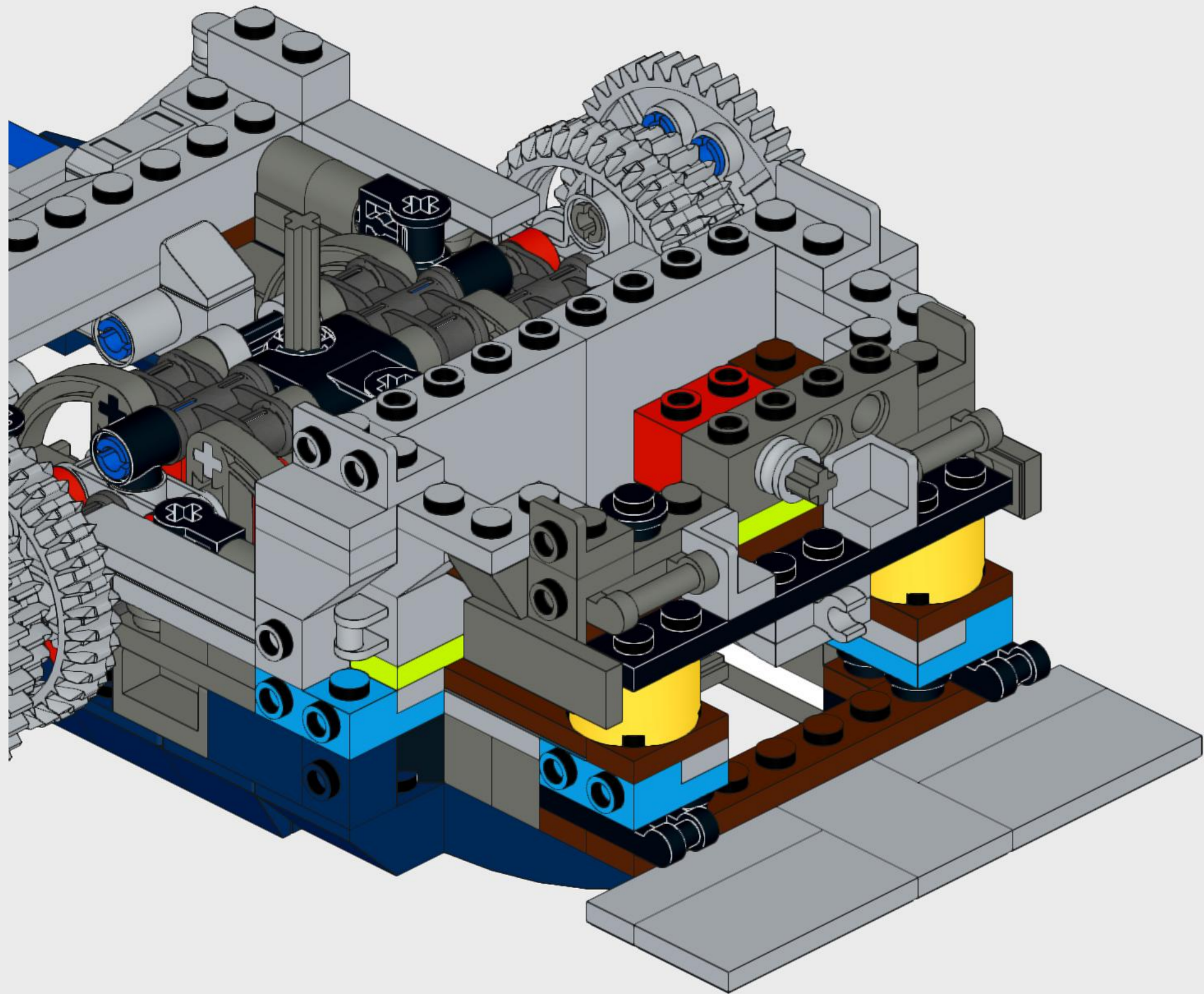


43

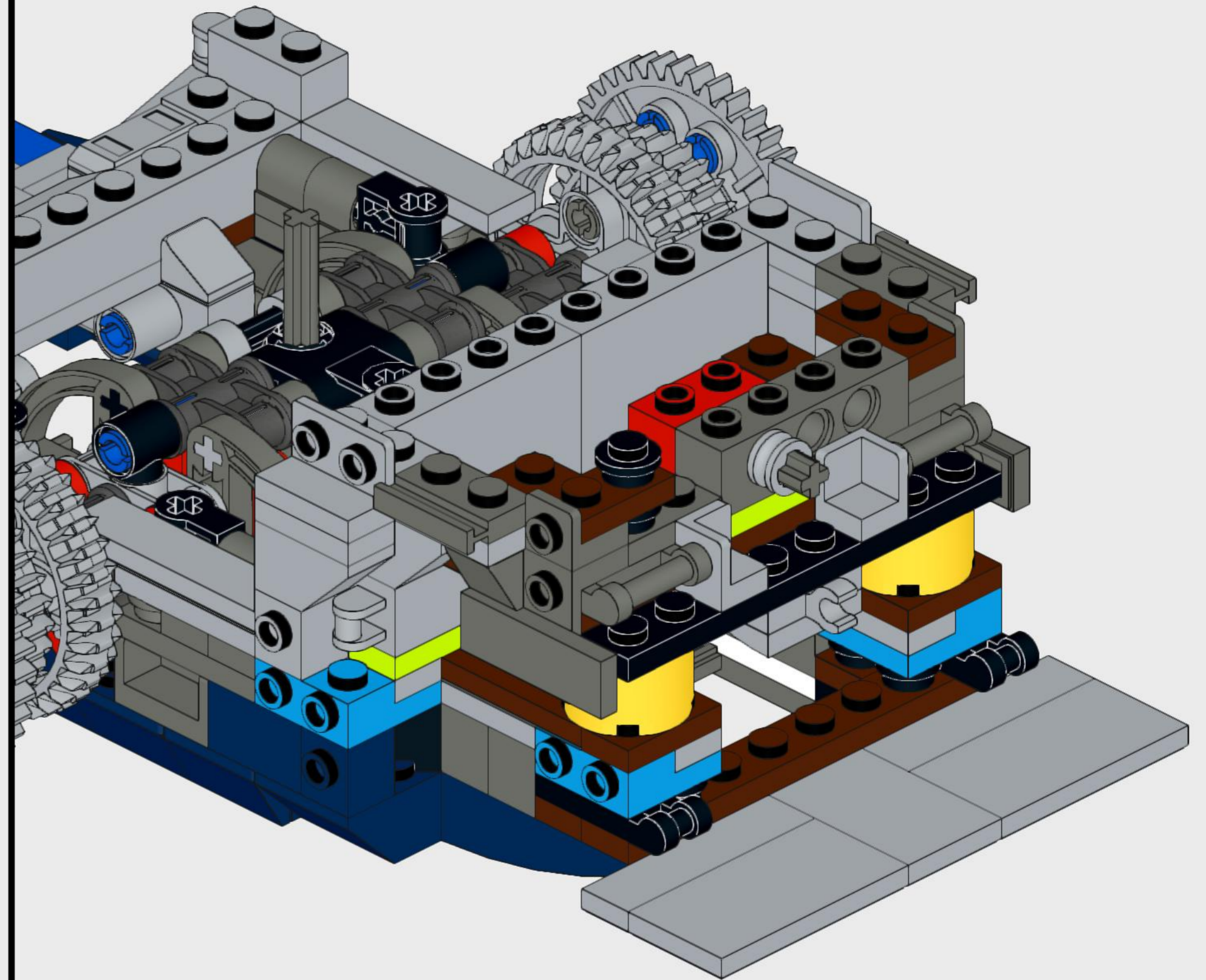


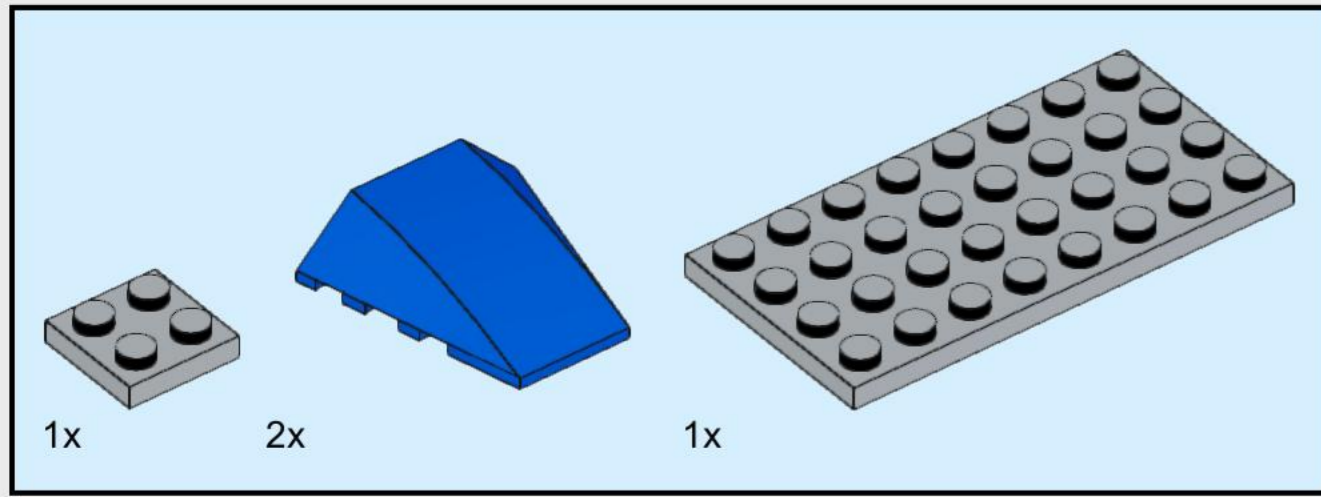


44

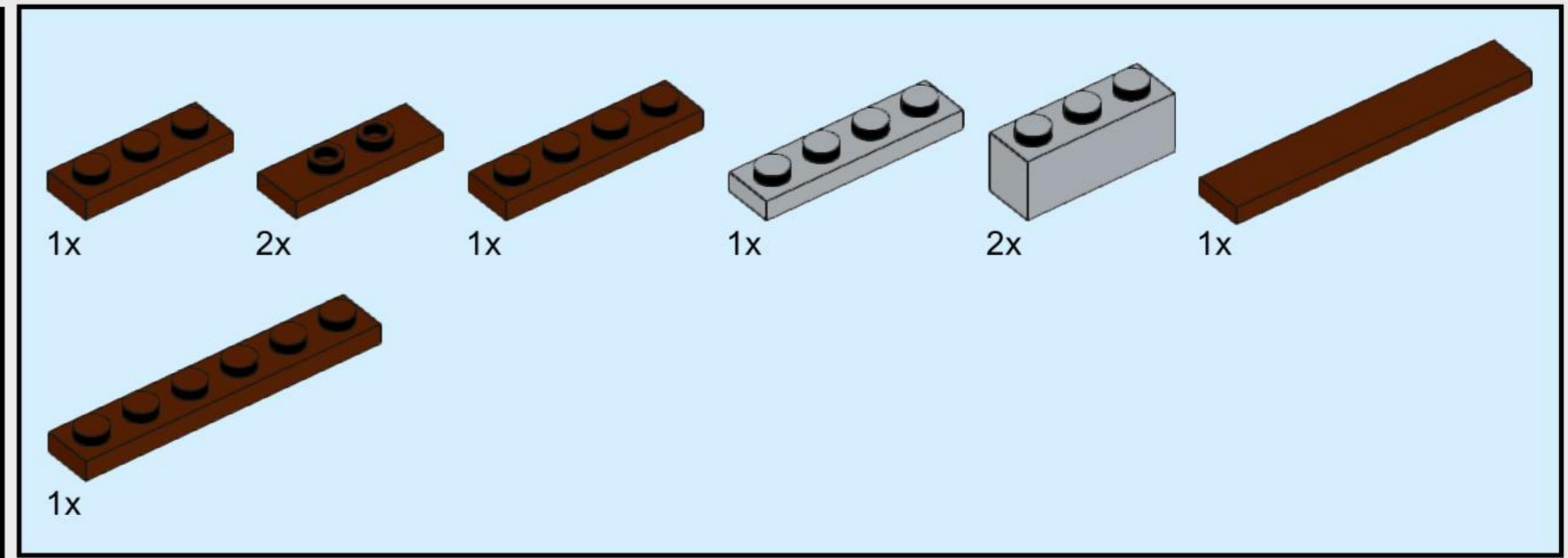
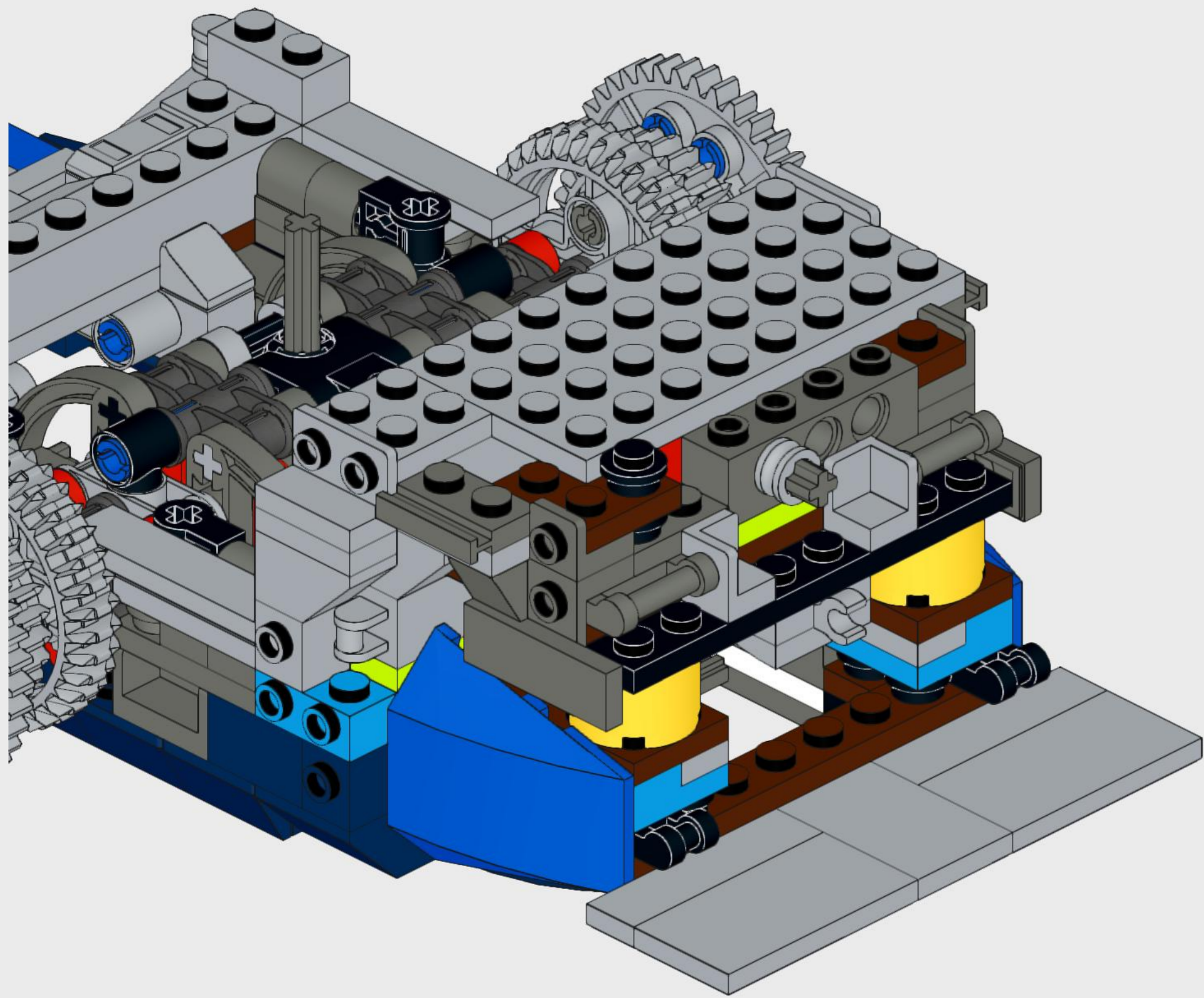


45

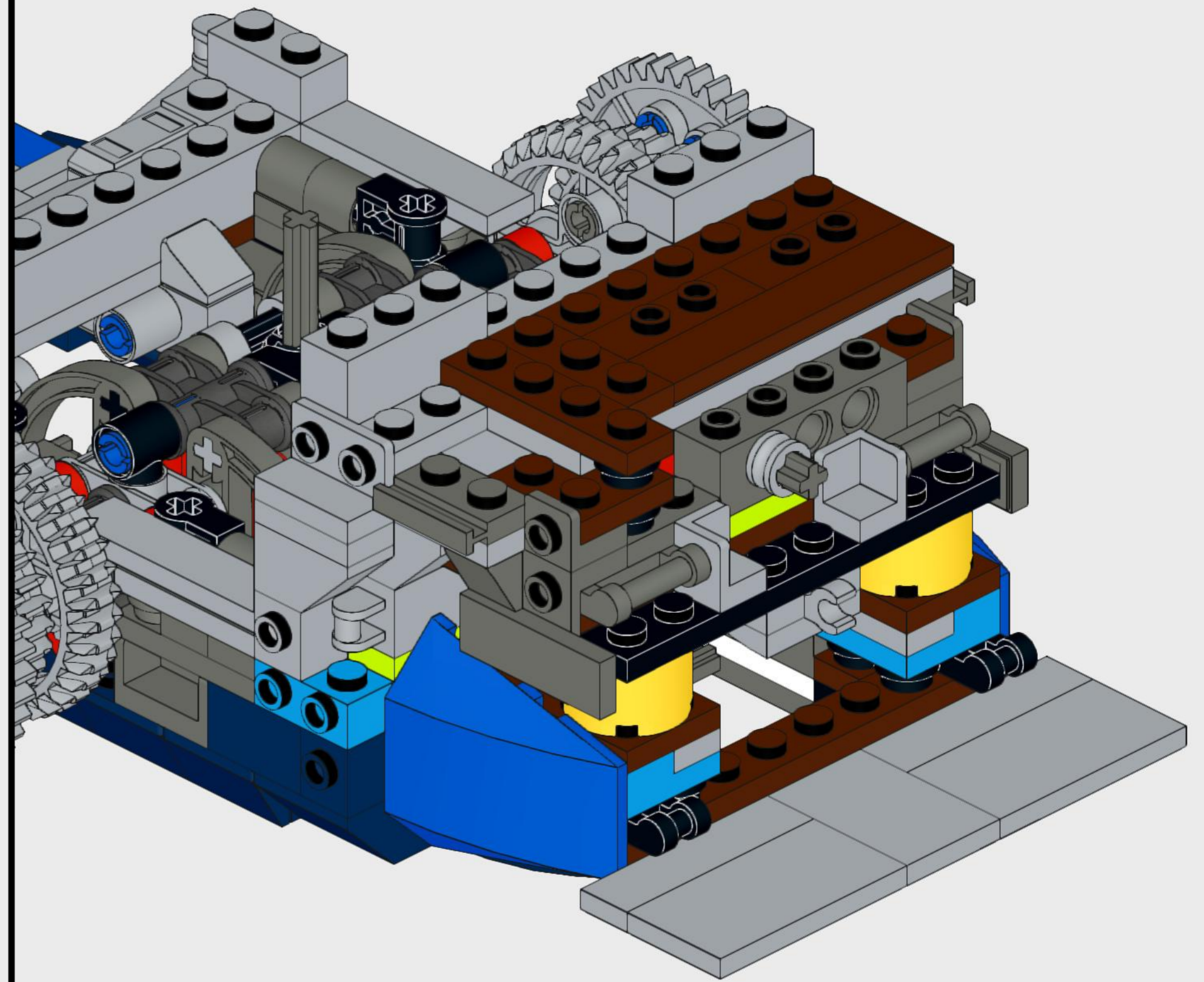


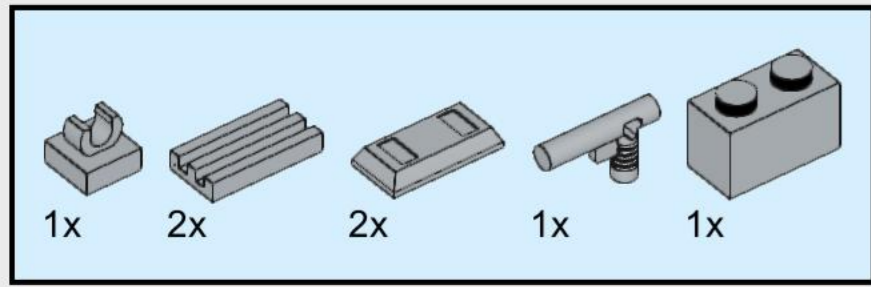


46

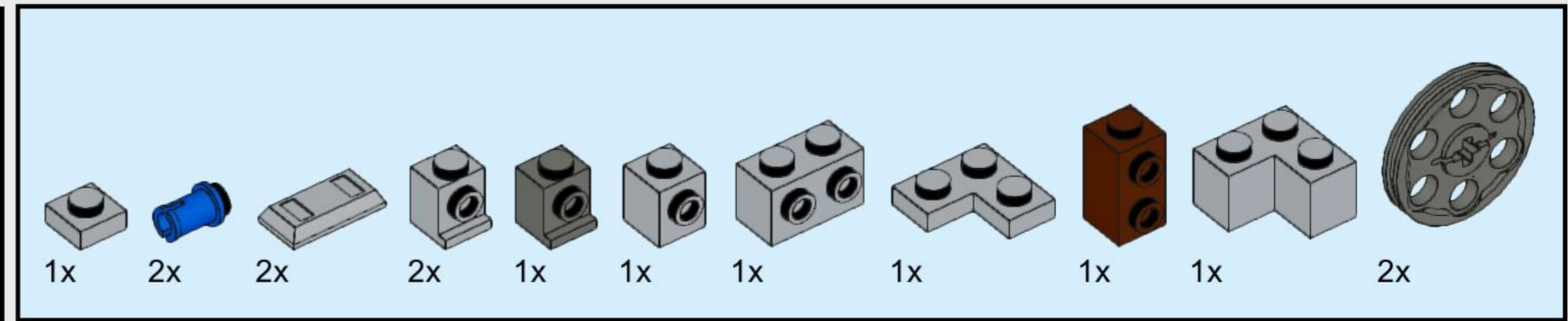
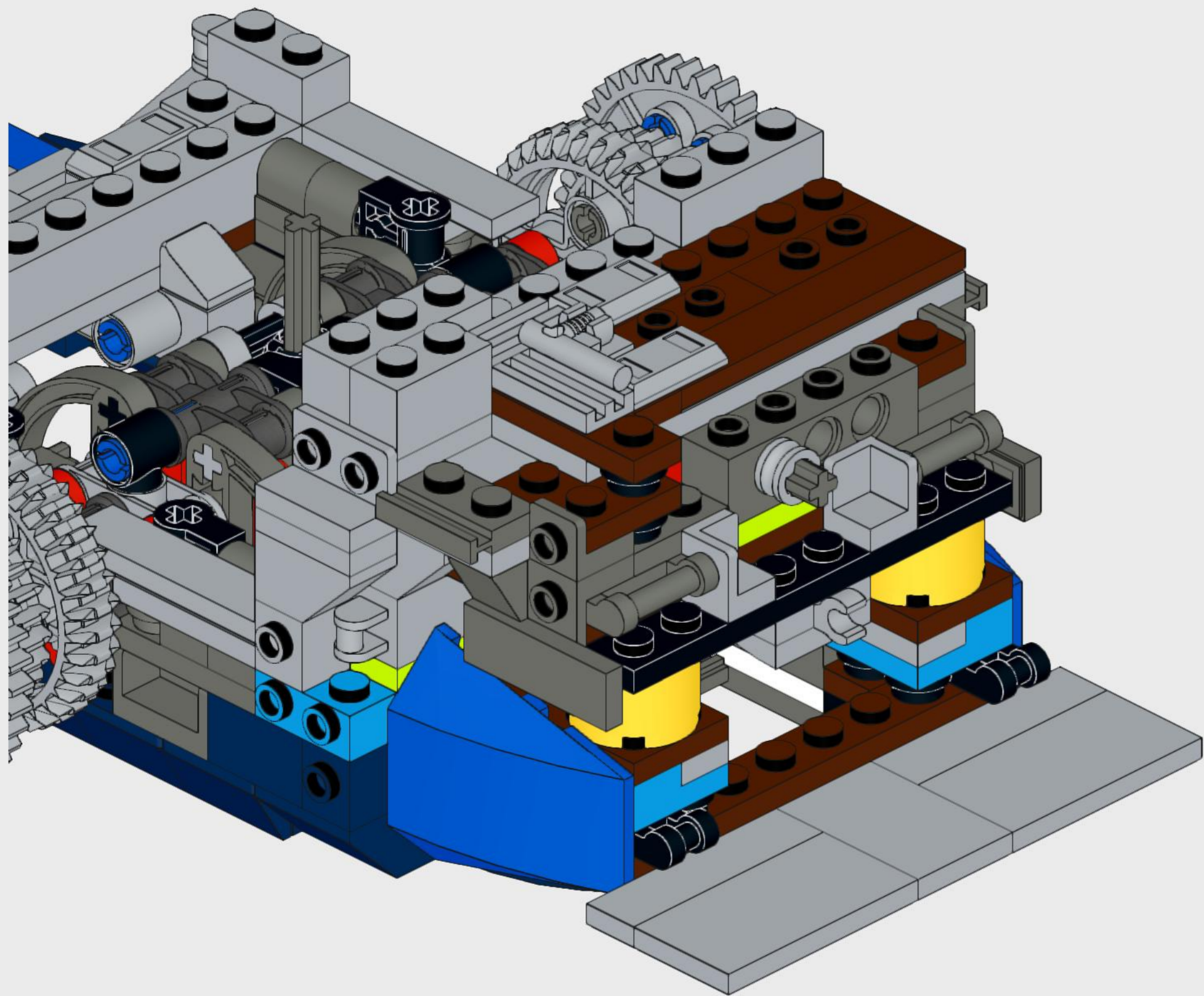


47

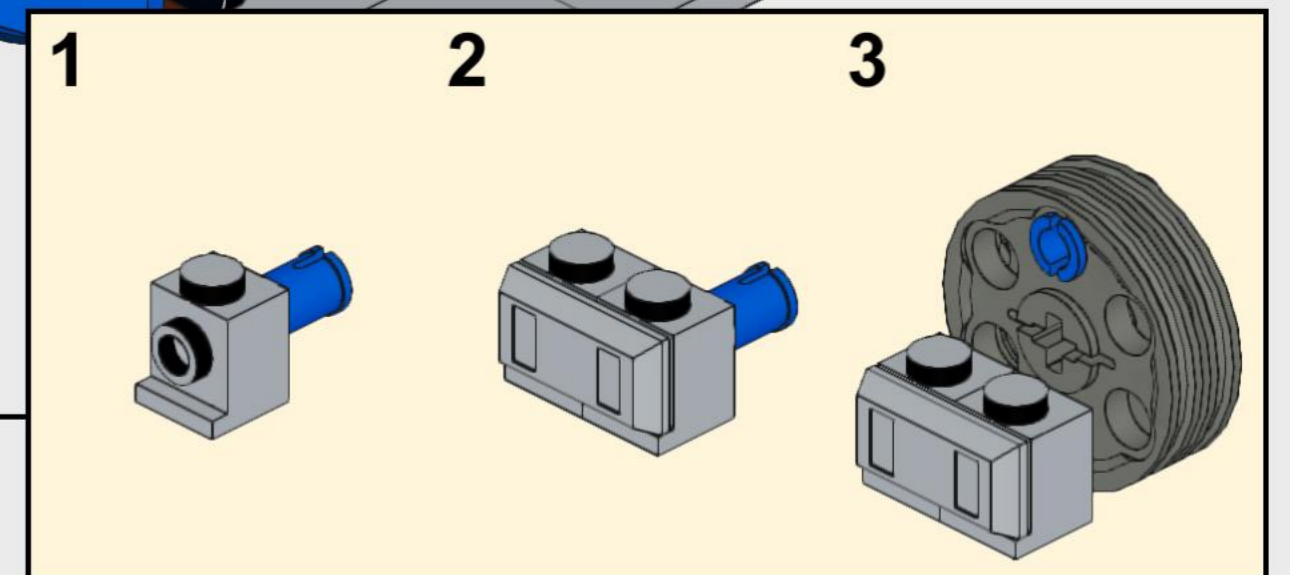
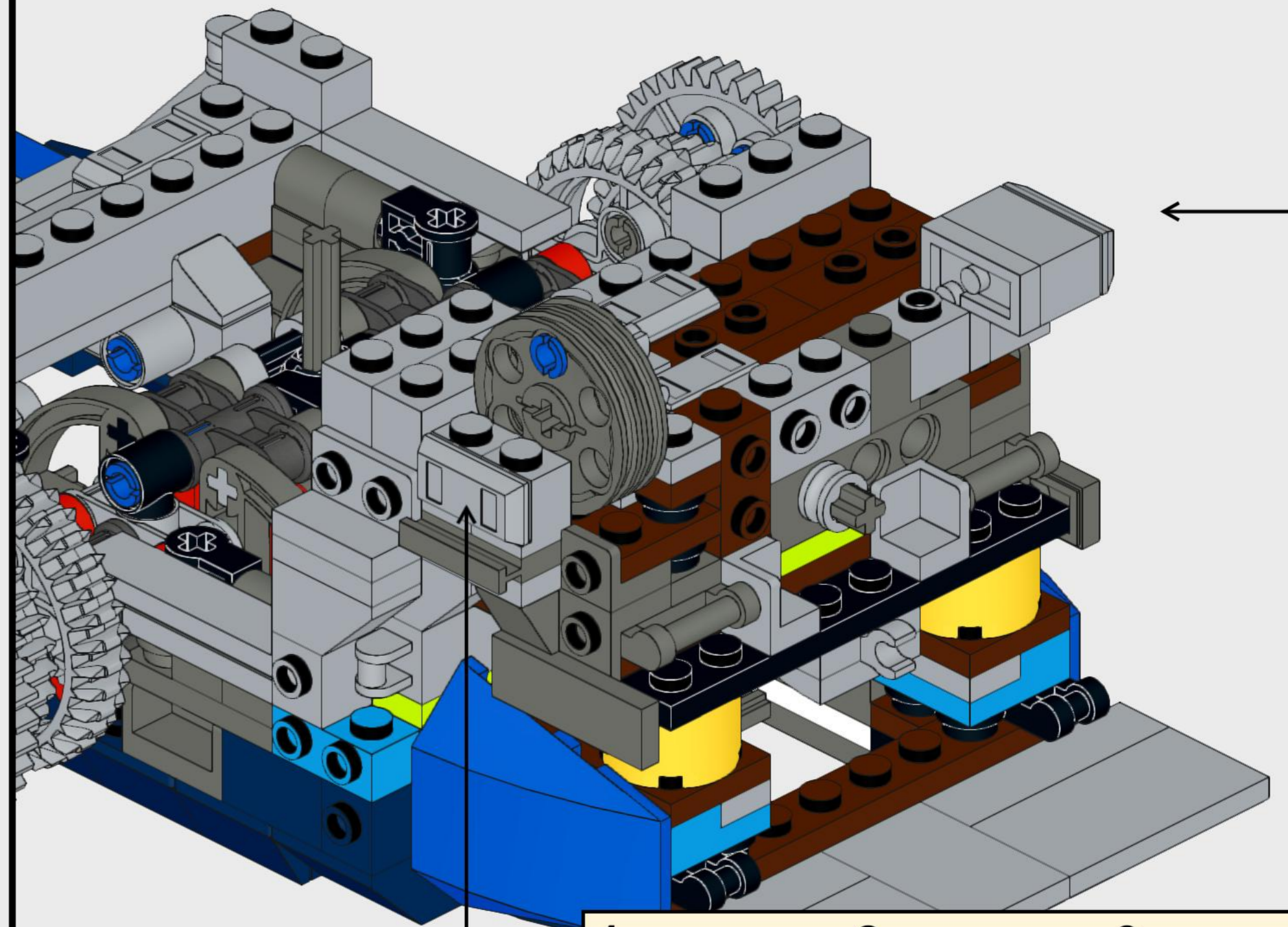
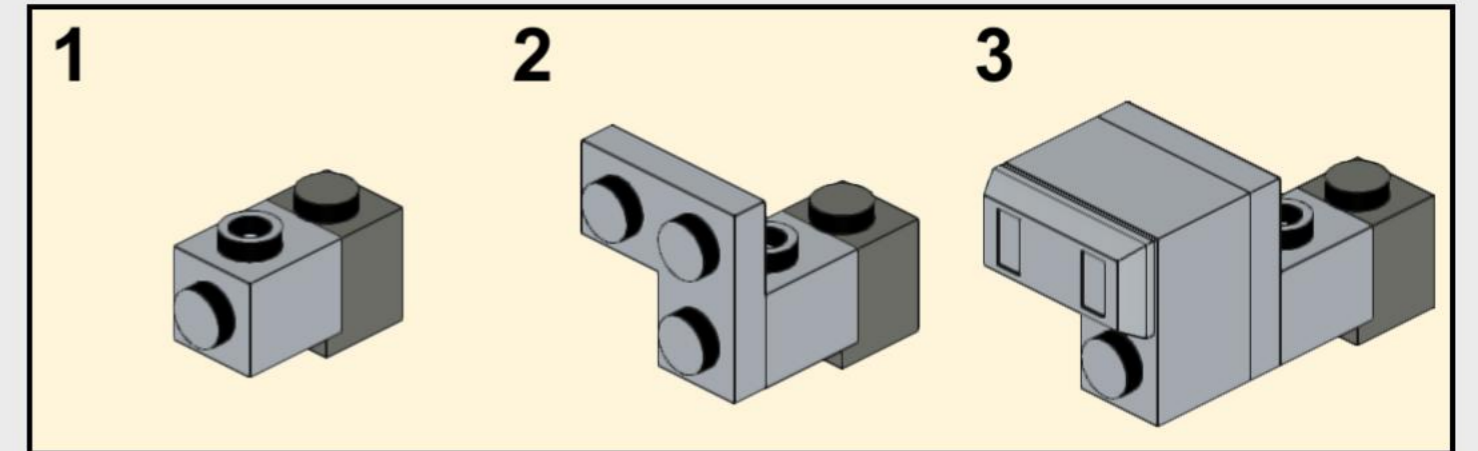


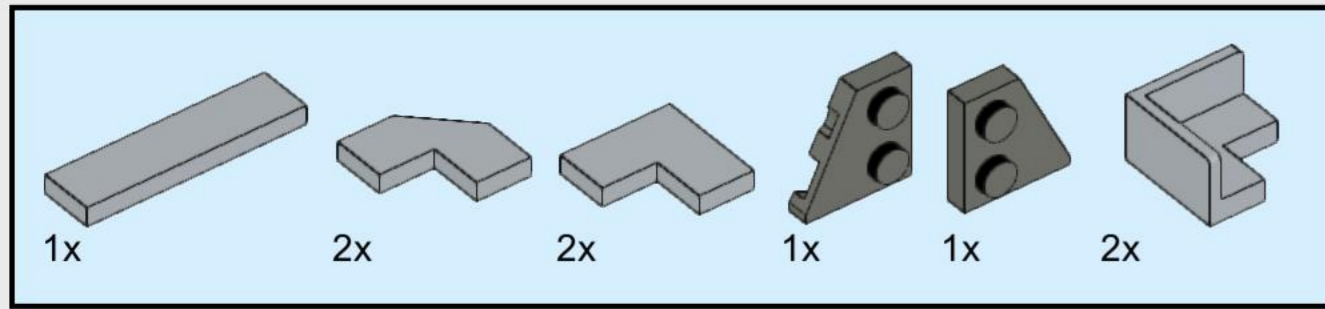


48

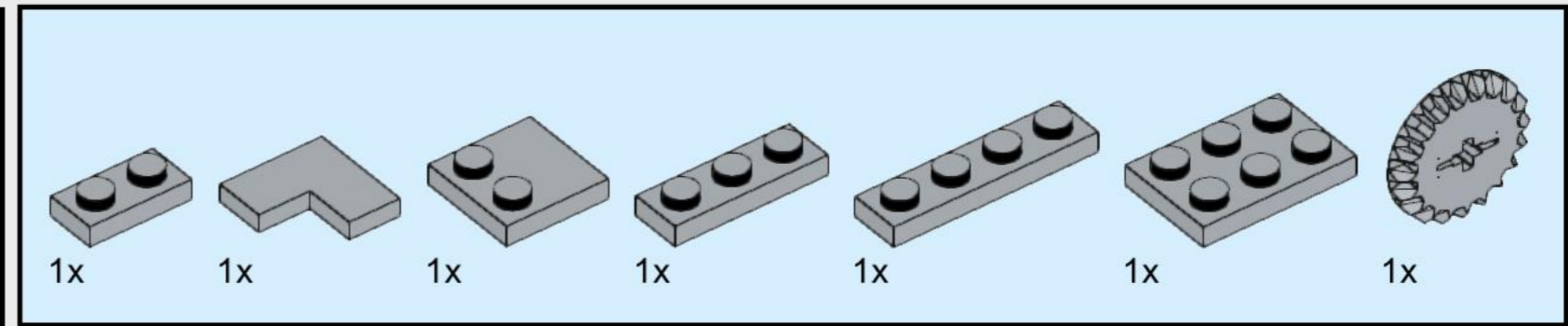
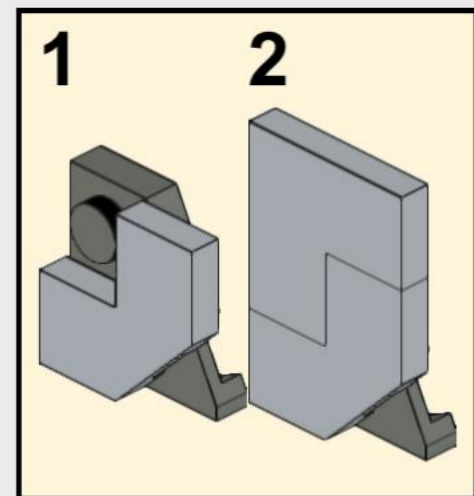
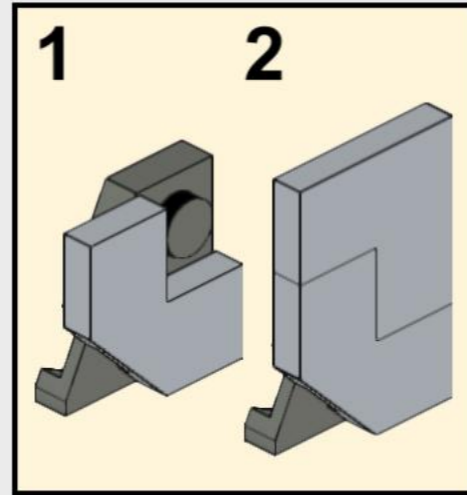
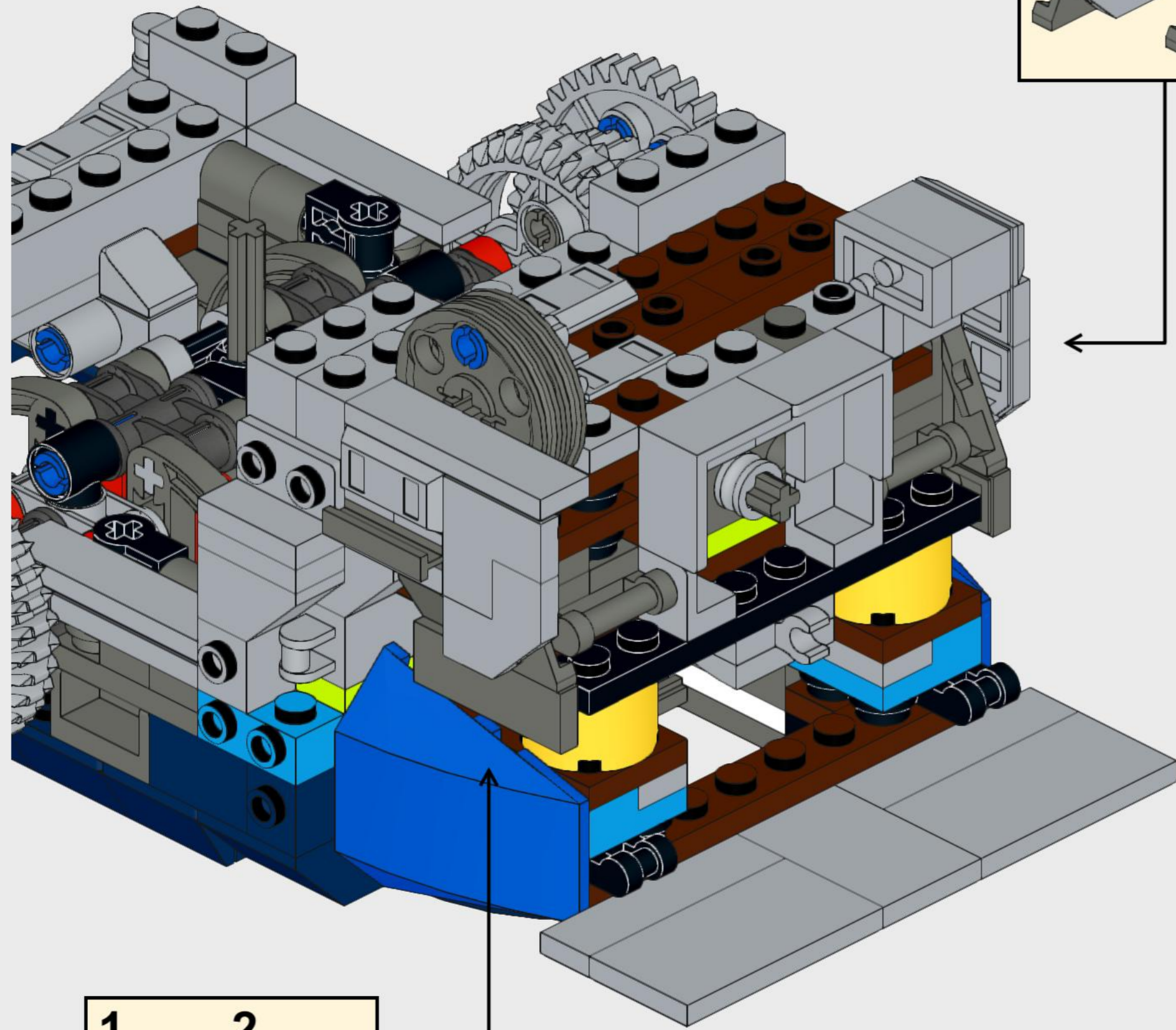


49

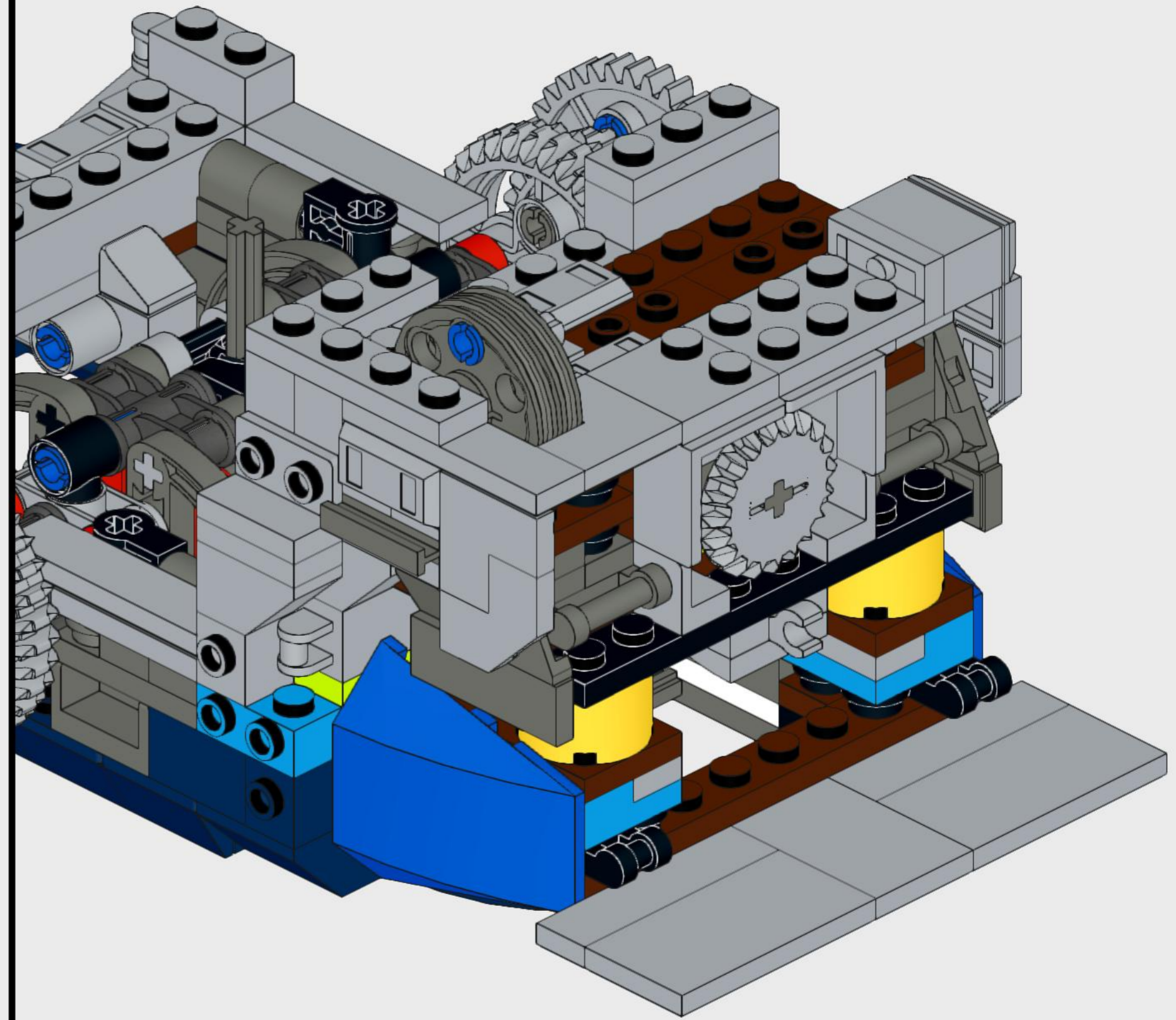


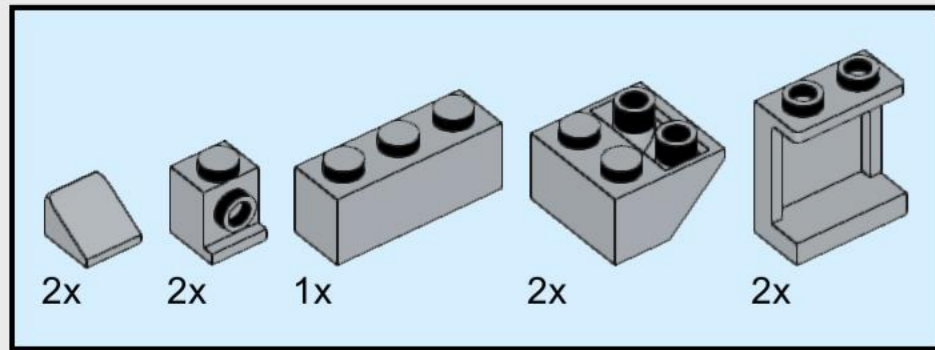


50

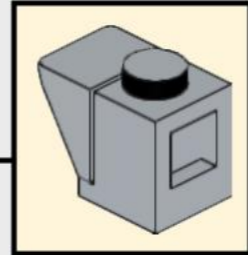


51

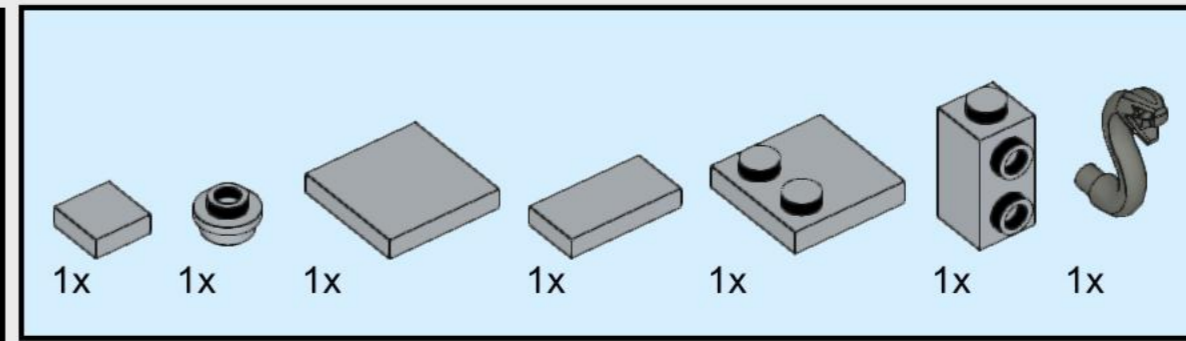
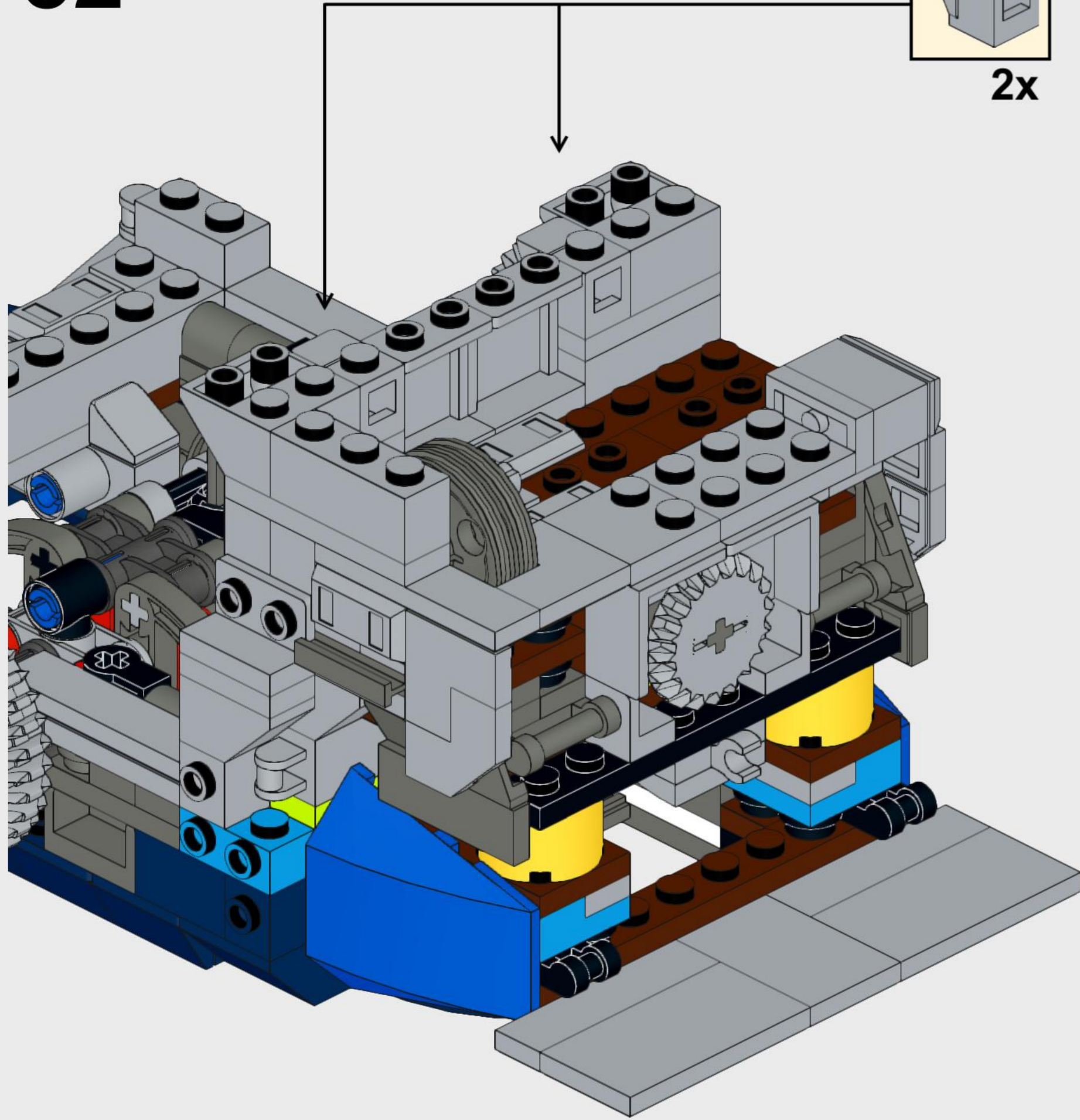




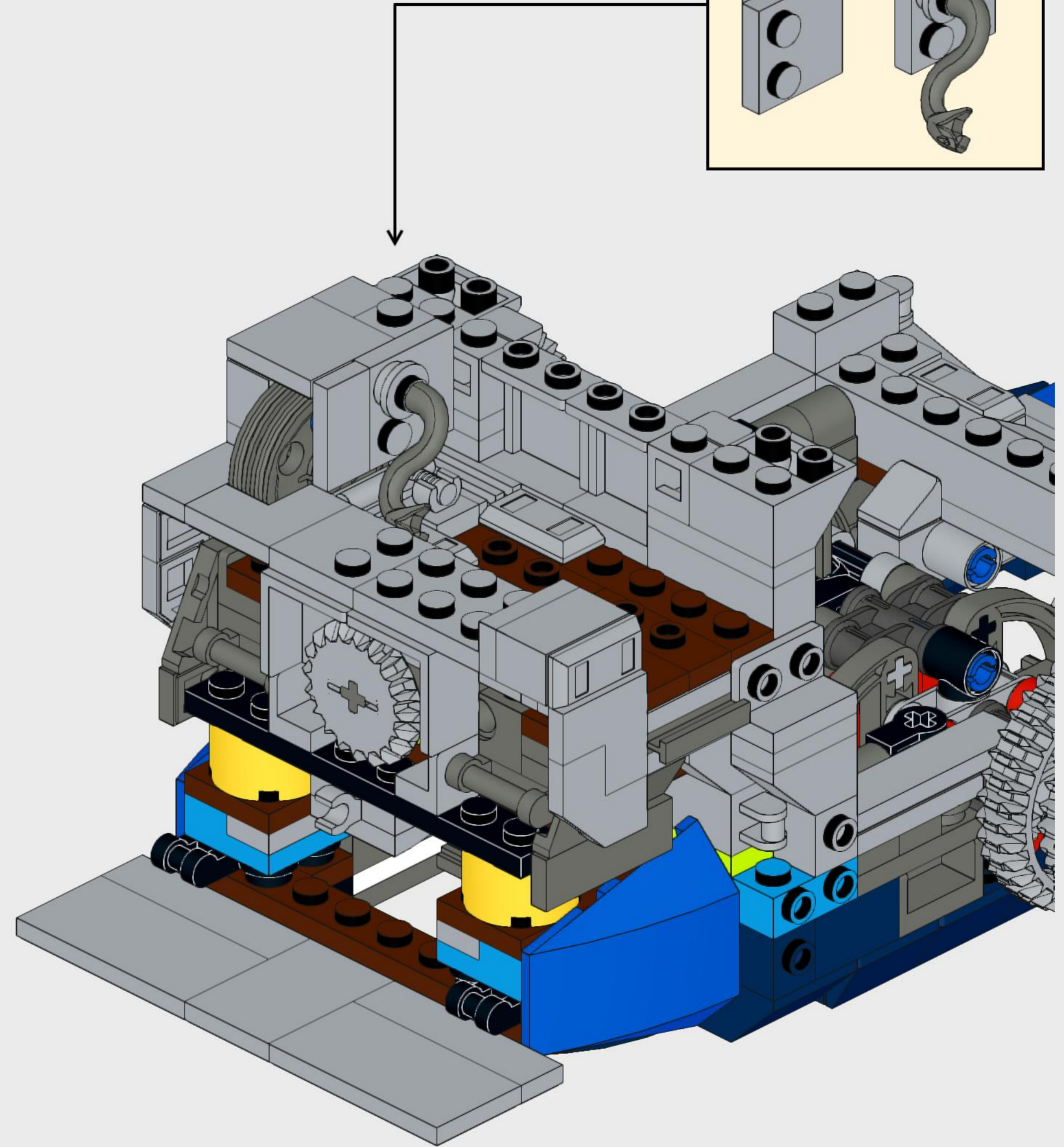
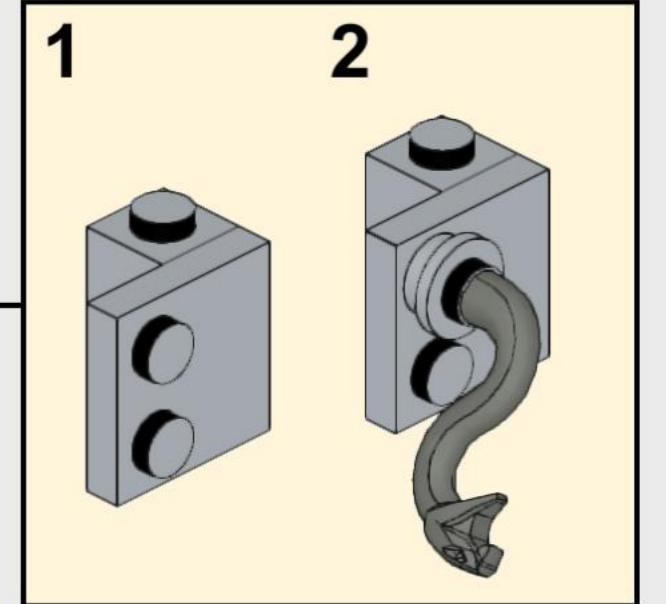
52

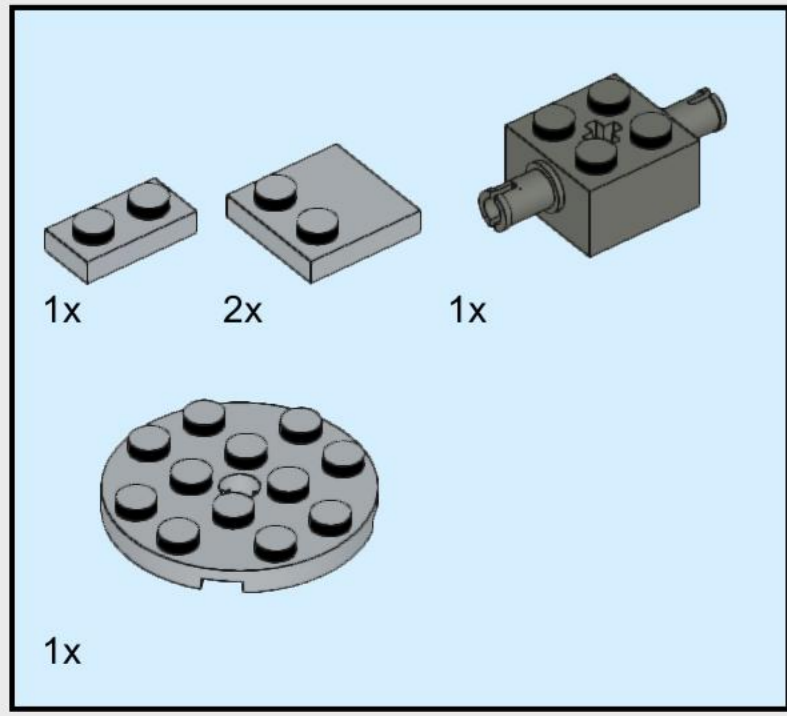


2x

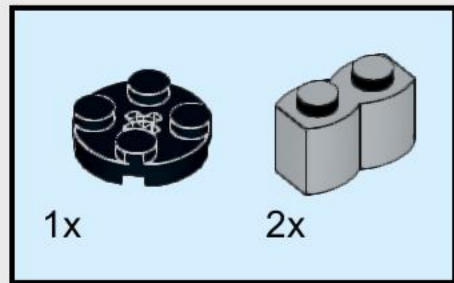
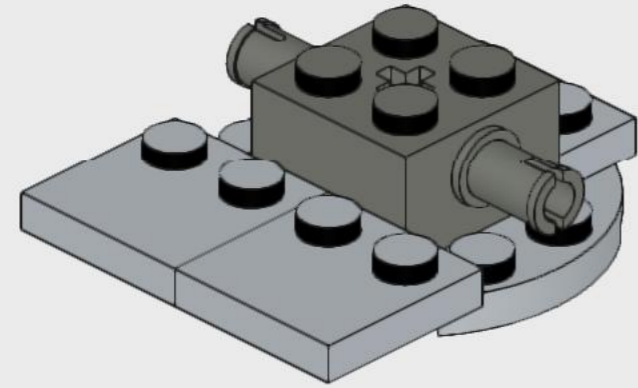


53

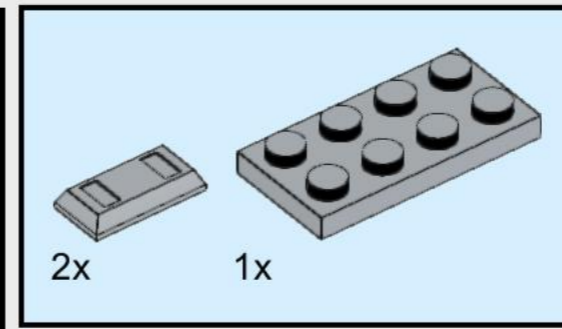
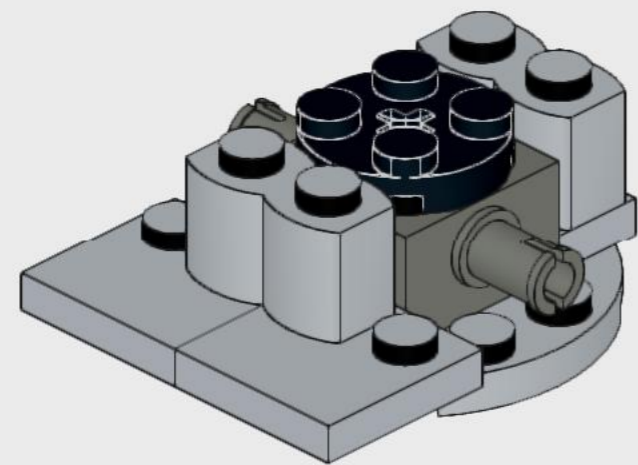




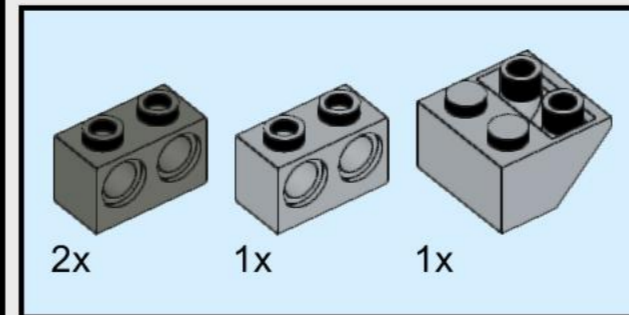
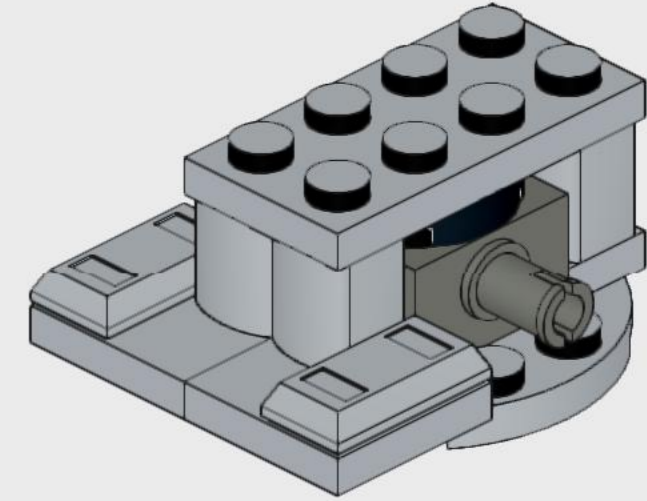
54



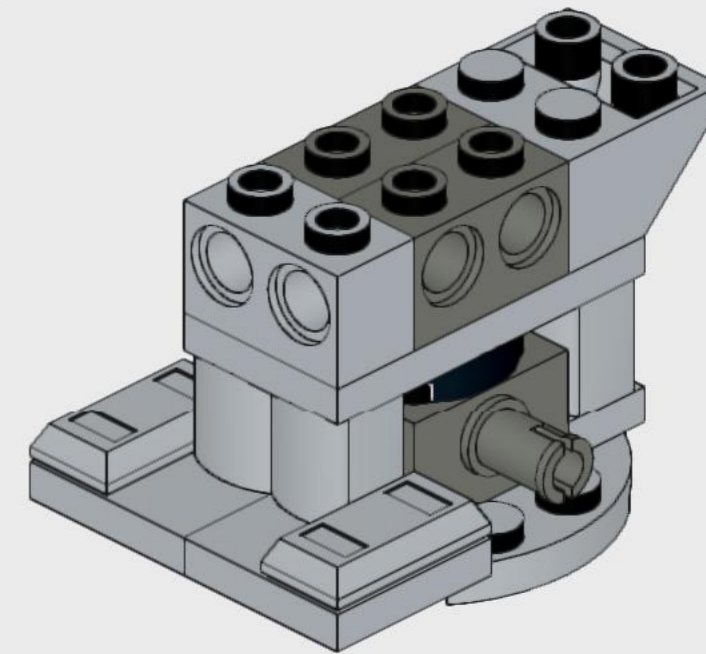
55



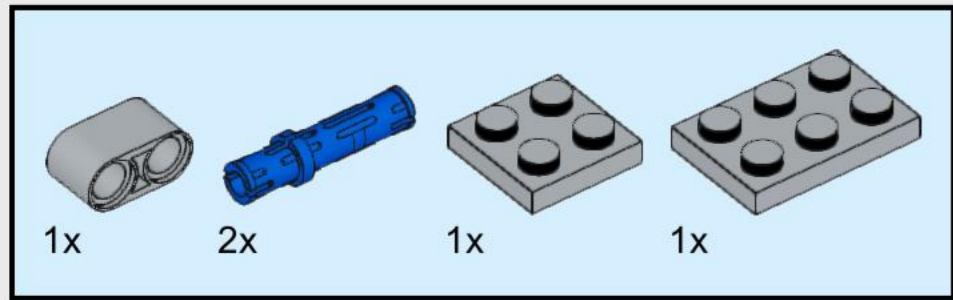
56



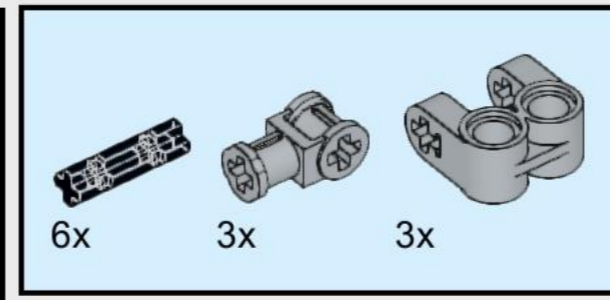
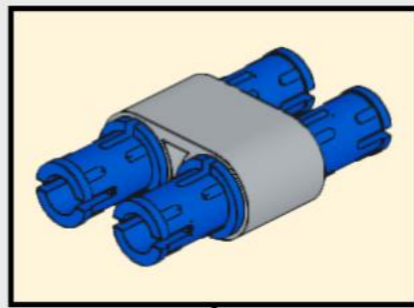
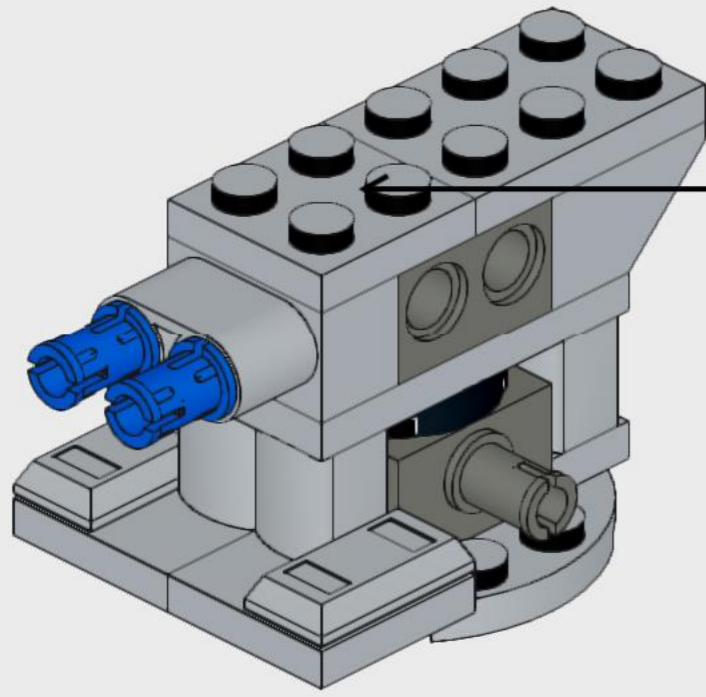
57



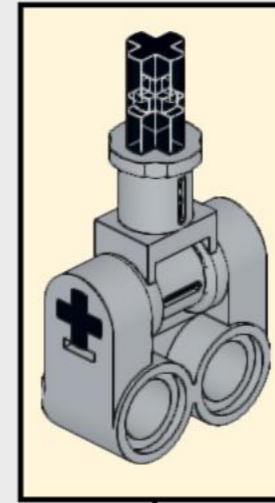




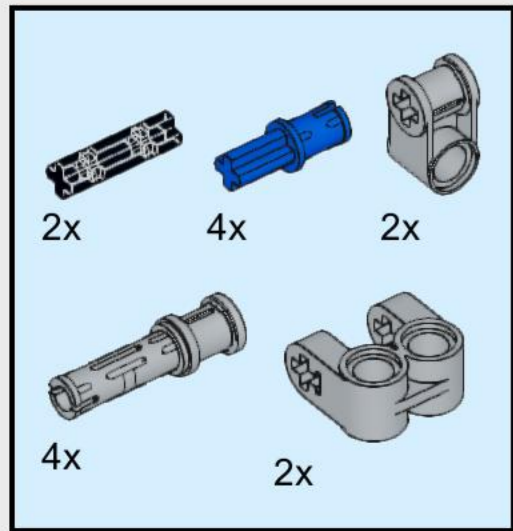
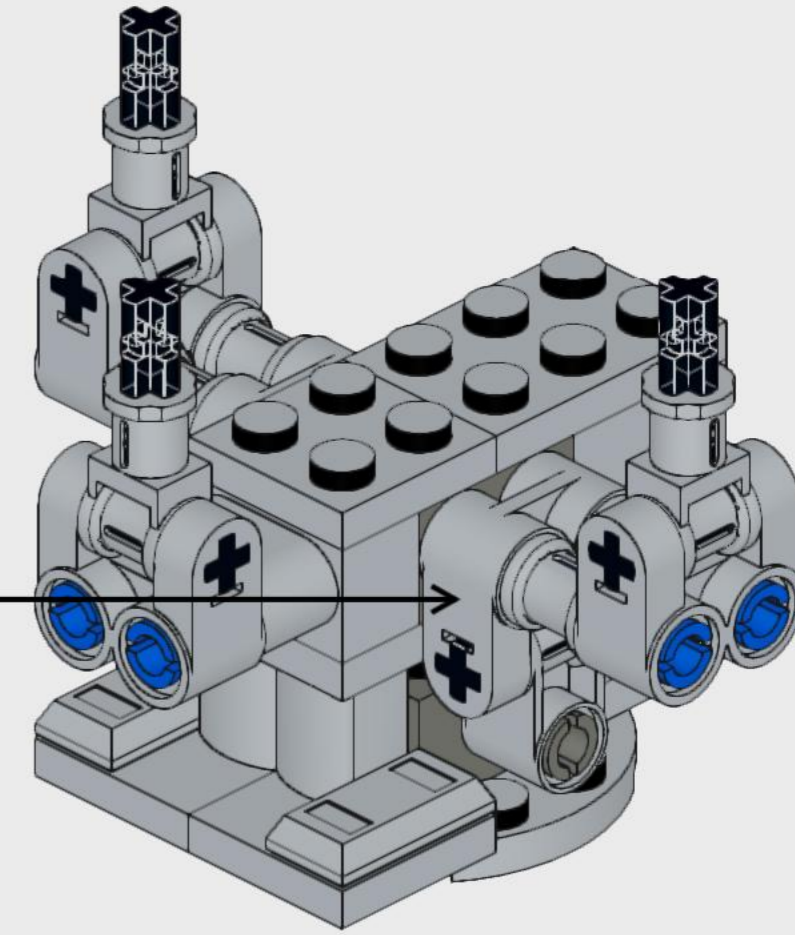
58



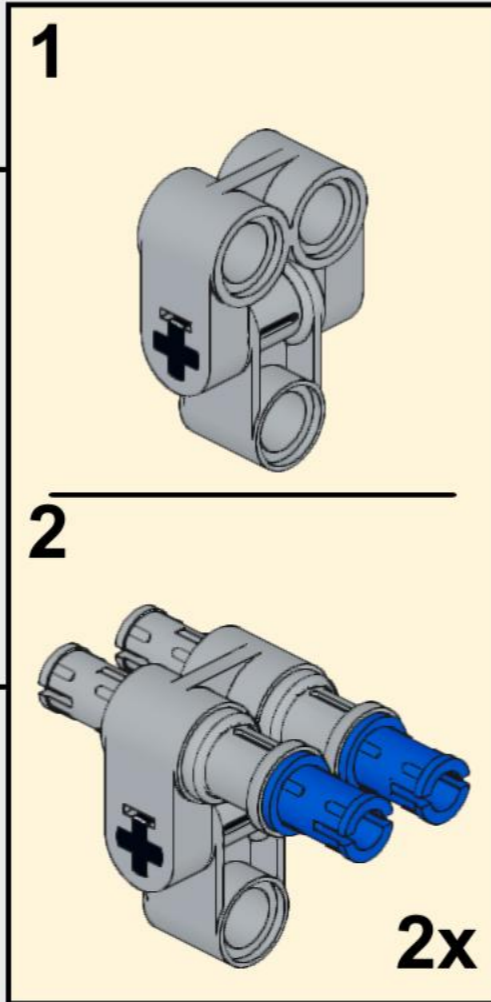
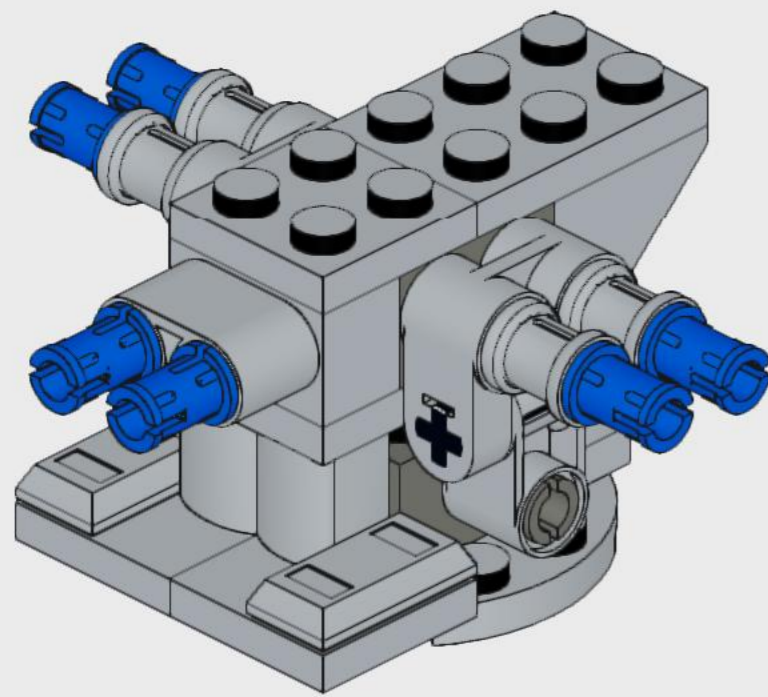
60



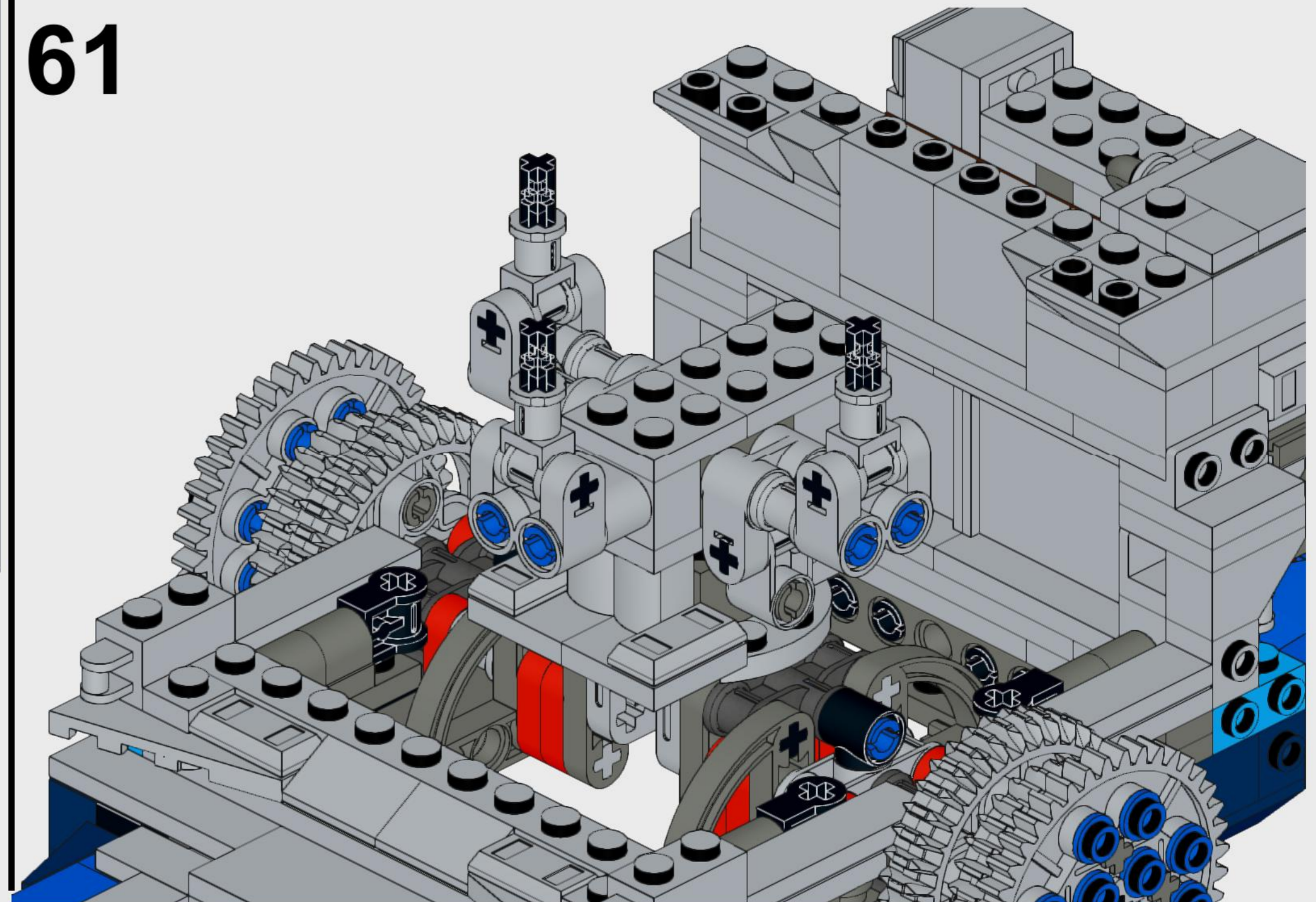
3x

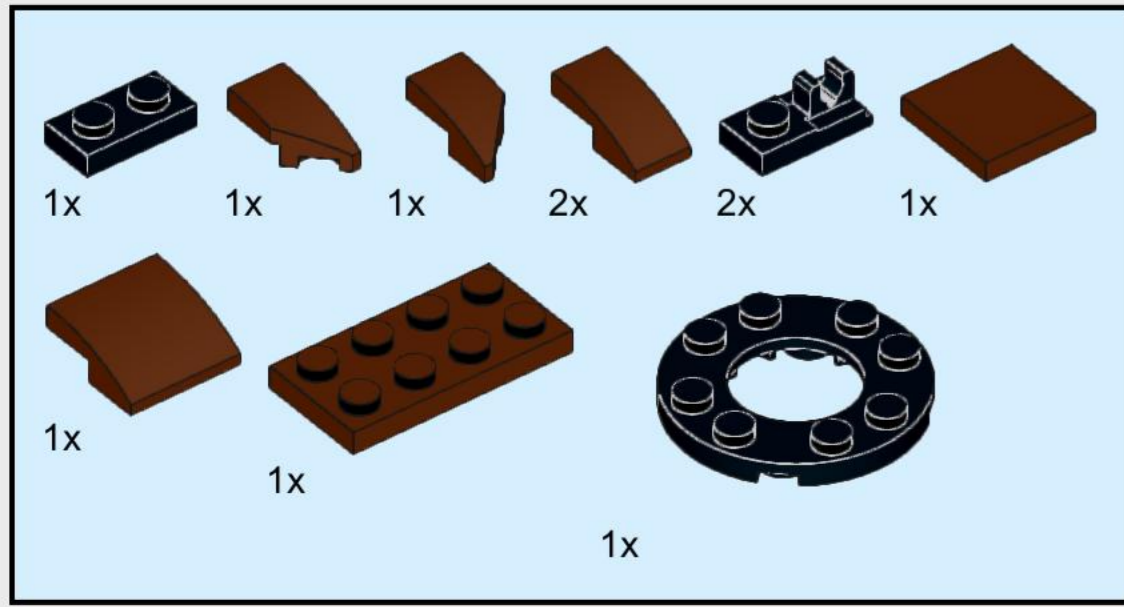


59

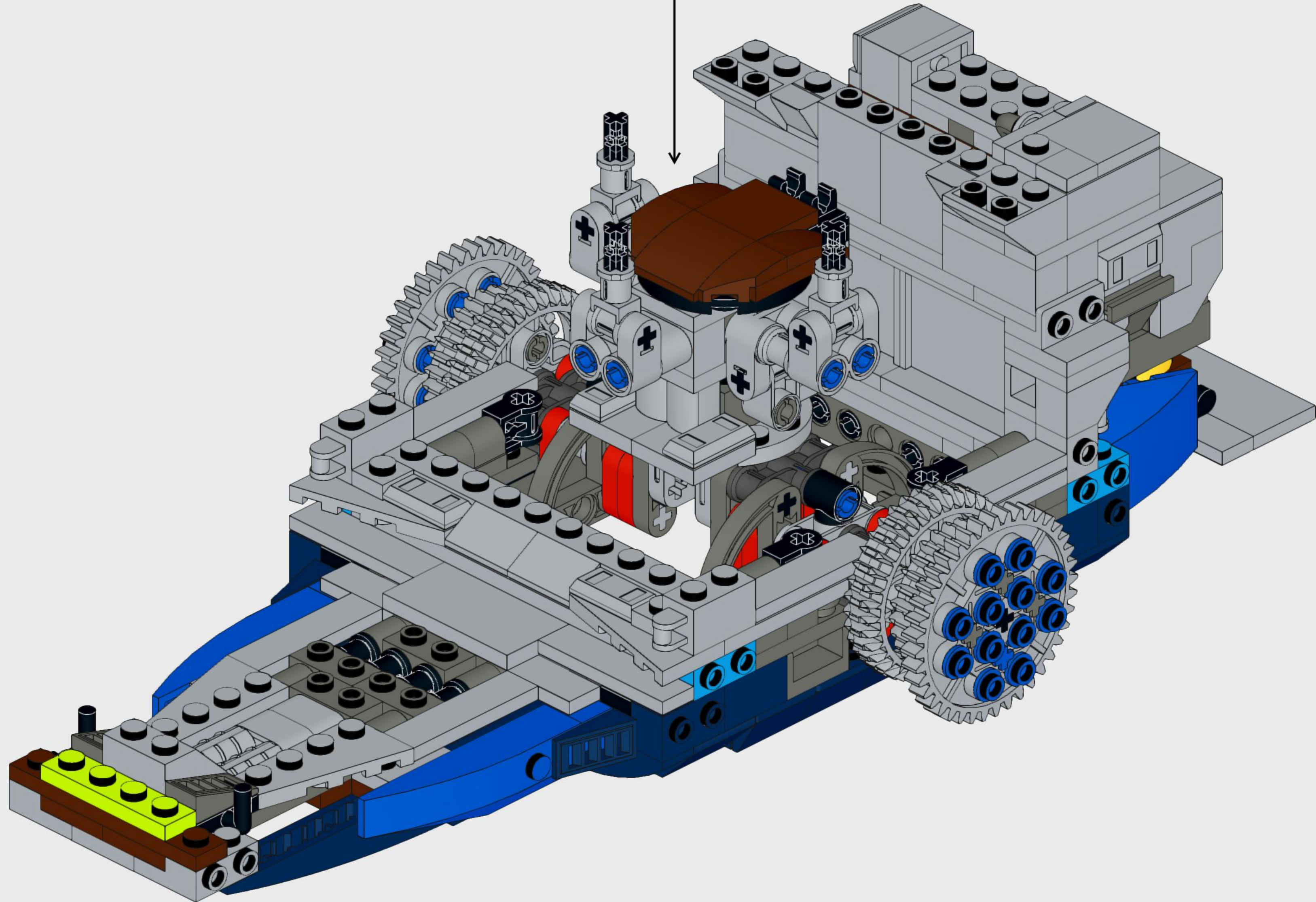
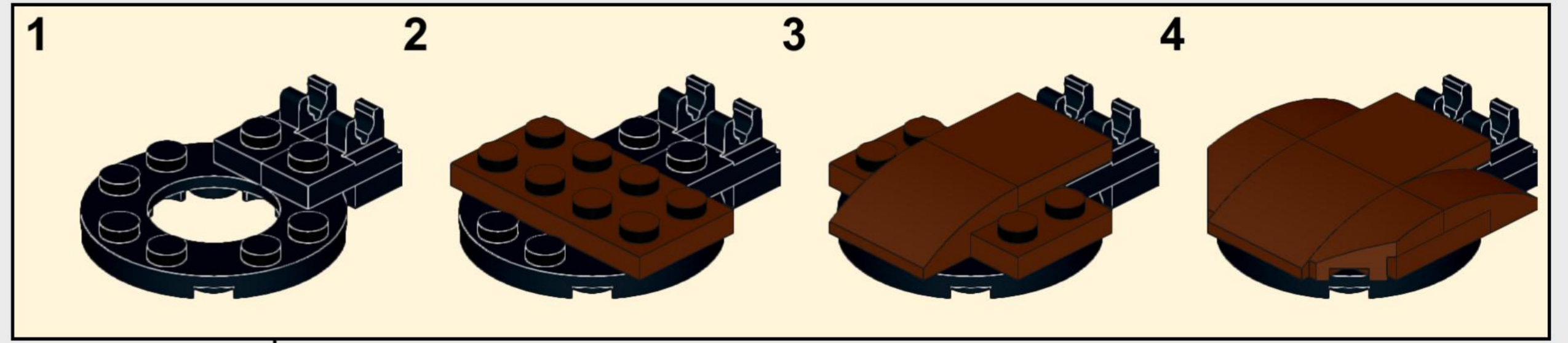


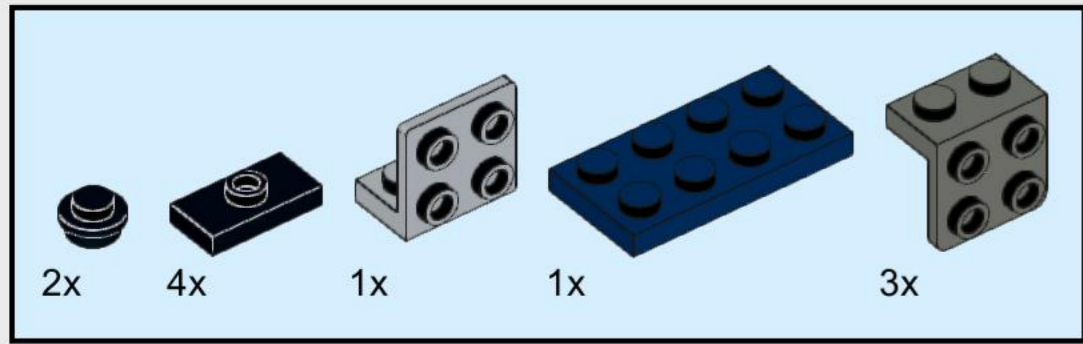
61



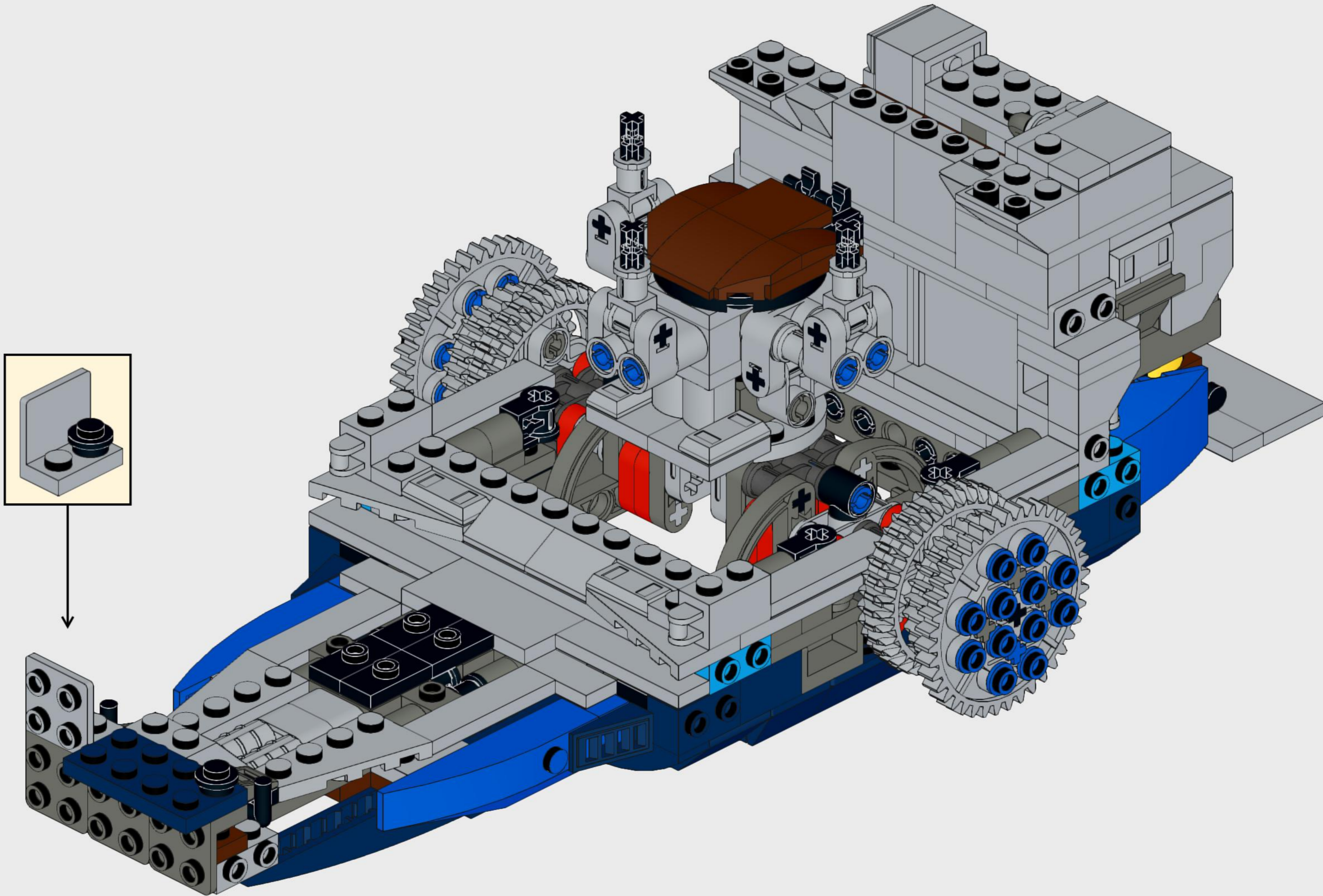


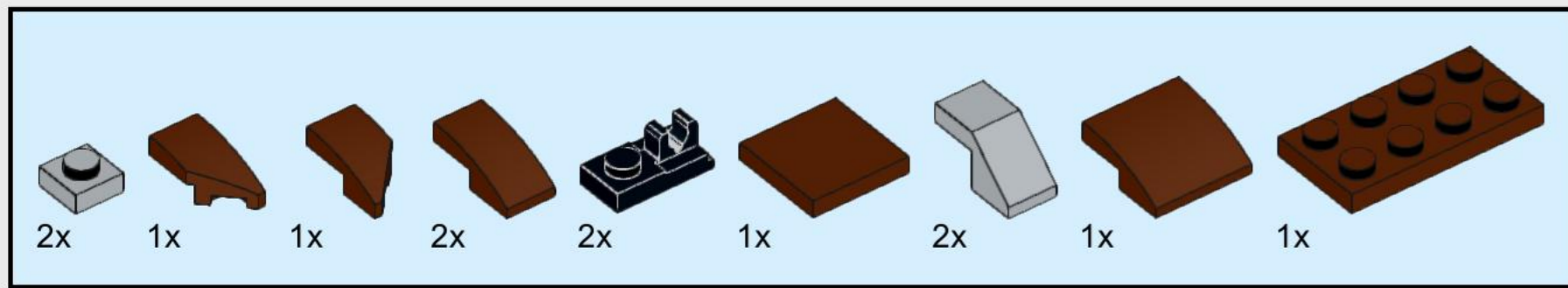
62



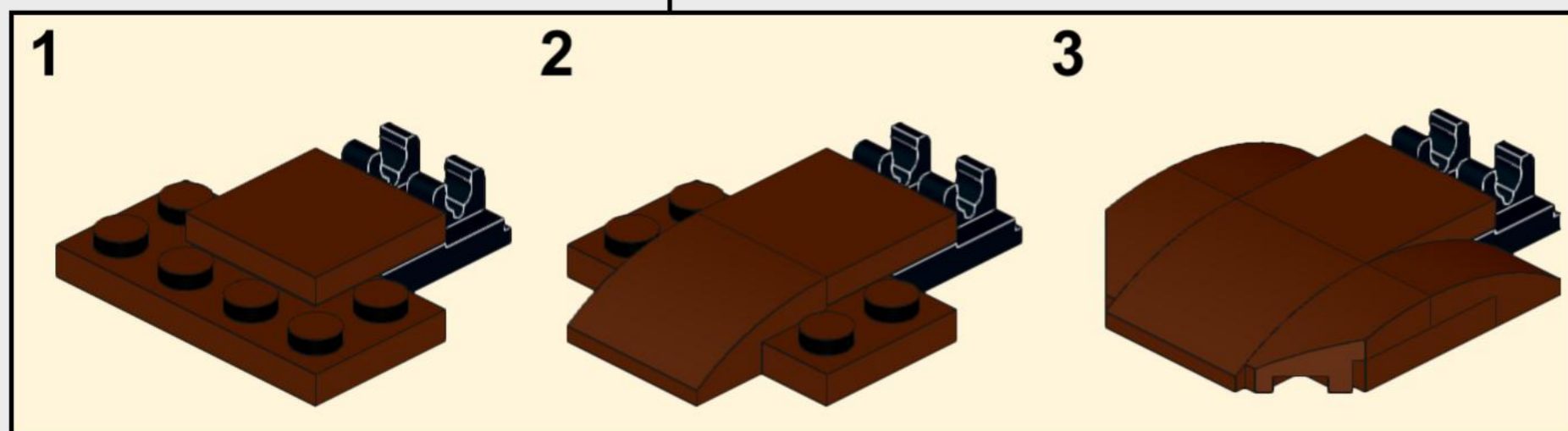
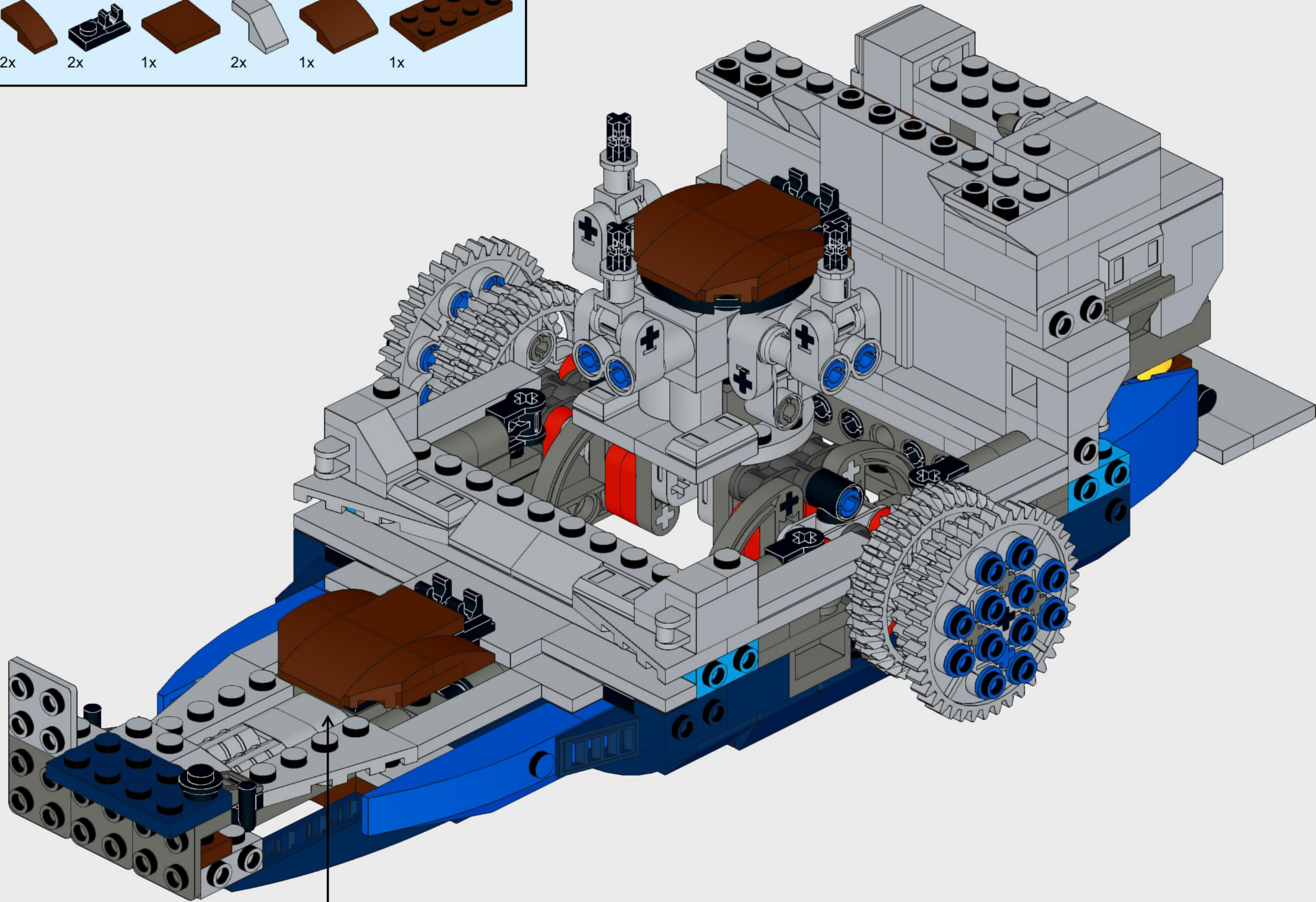


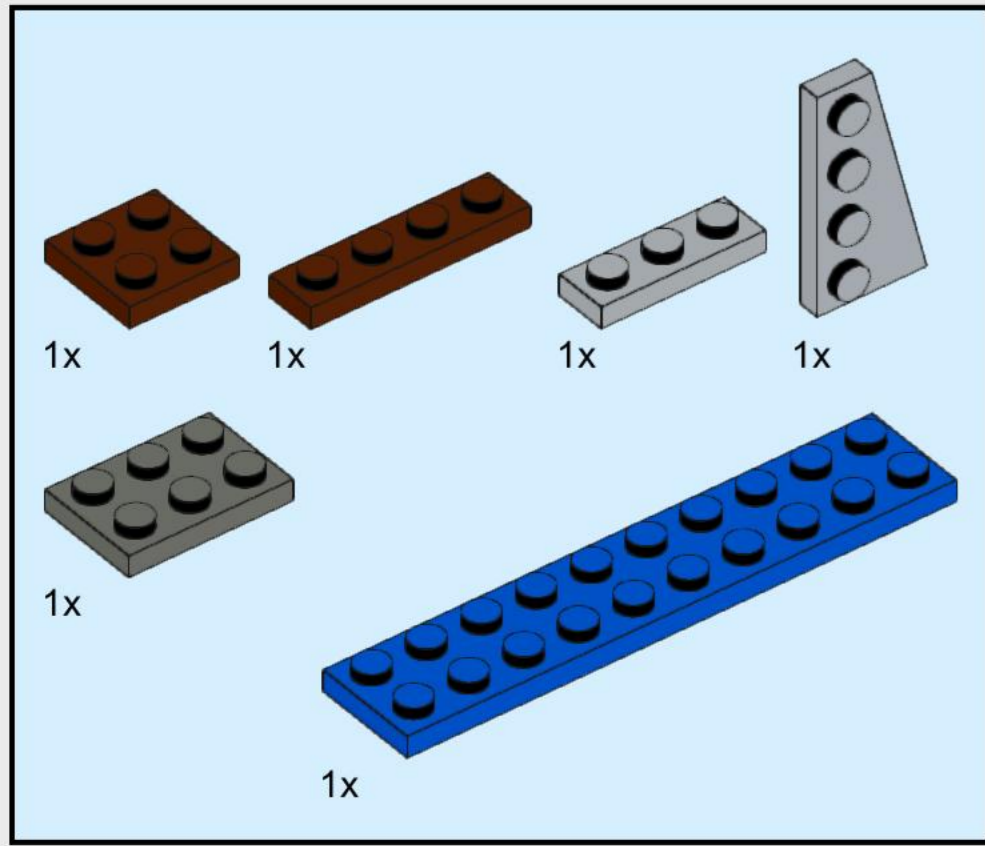
63



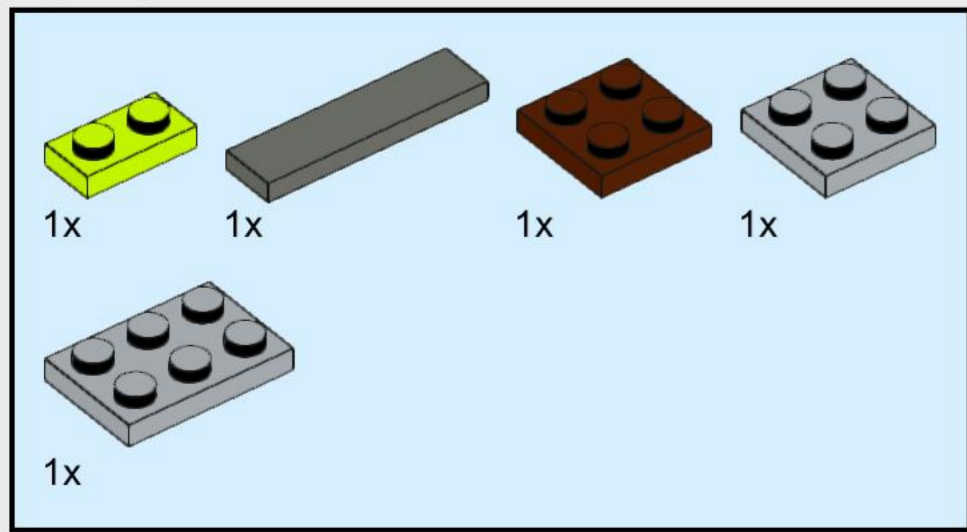


64

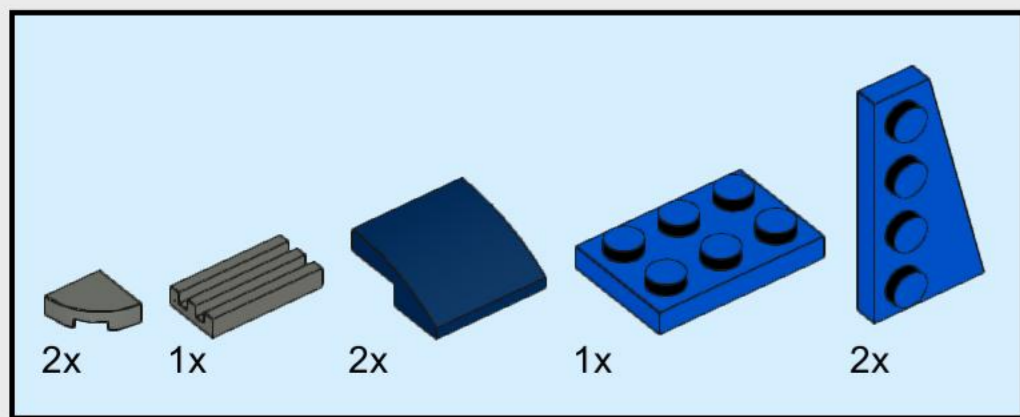




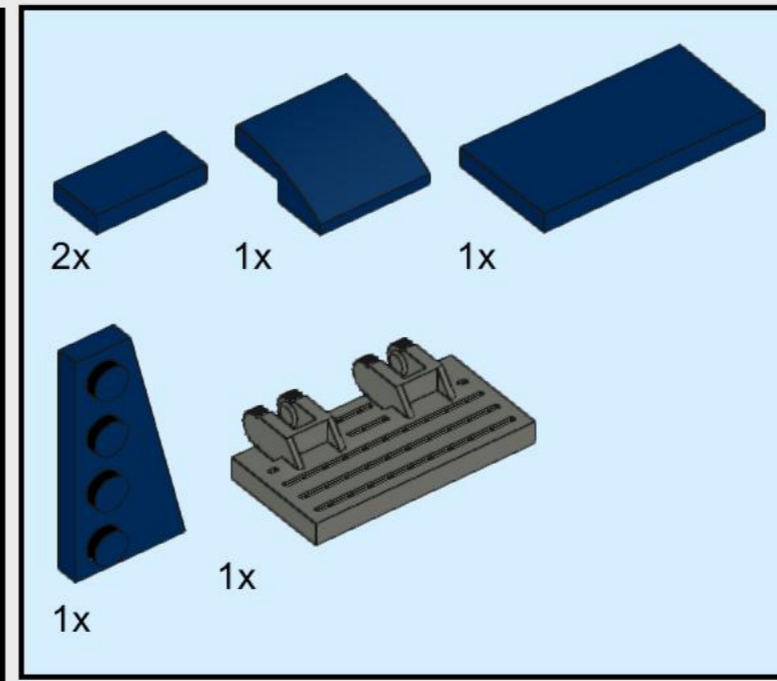
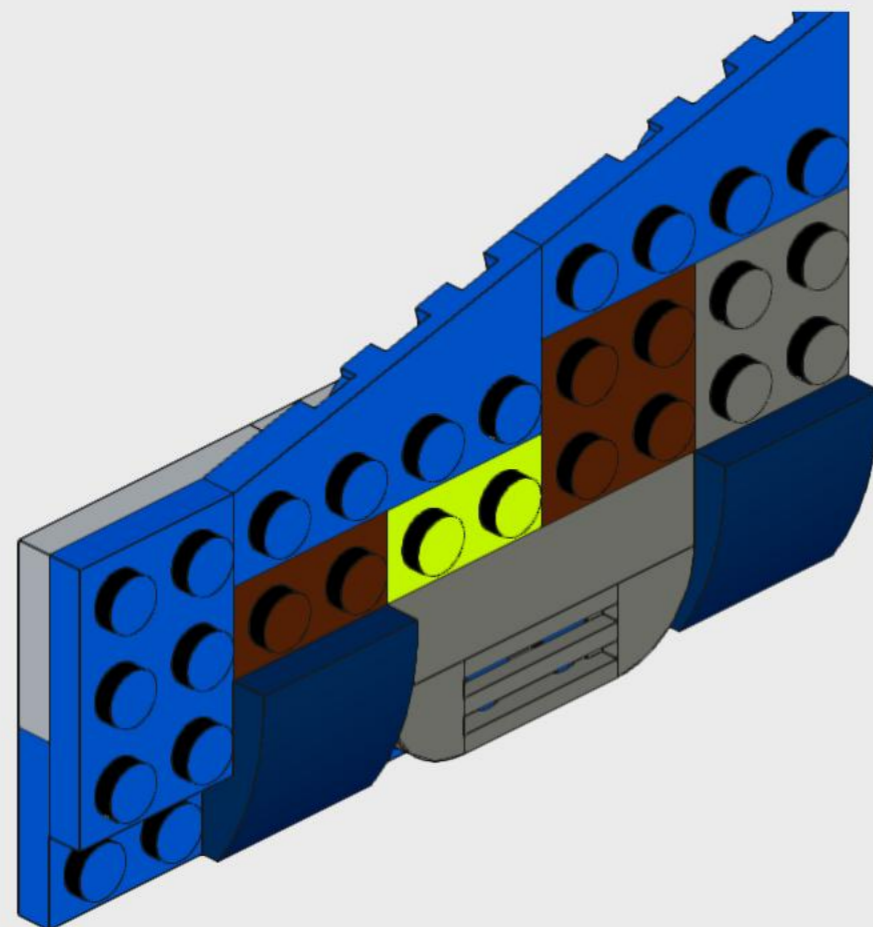
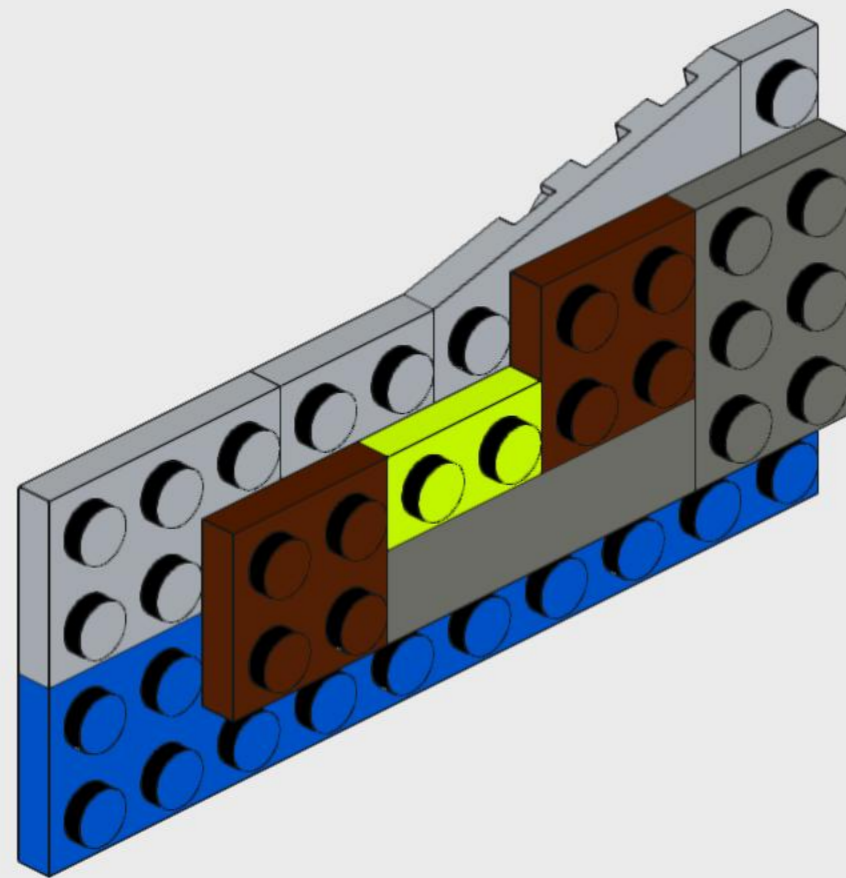
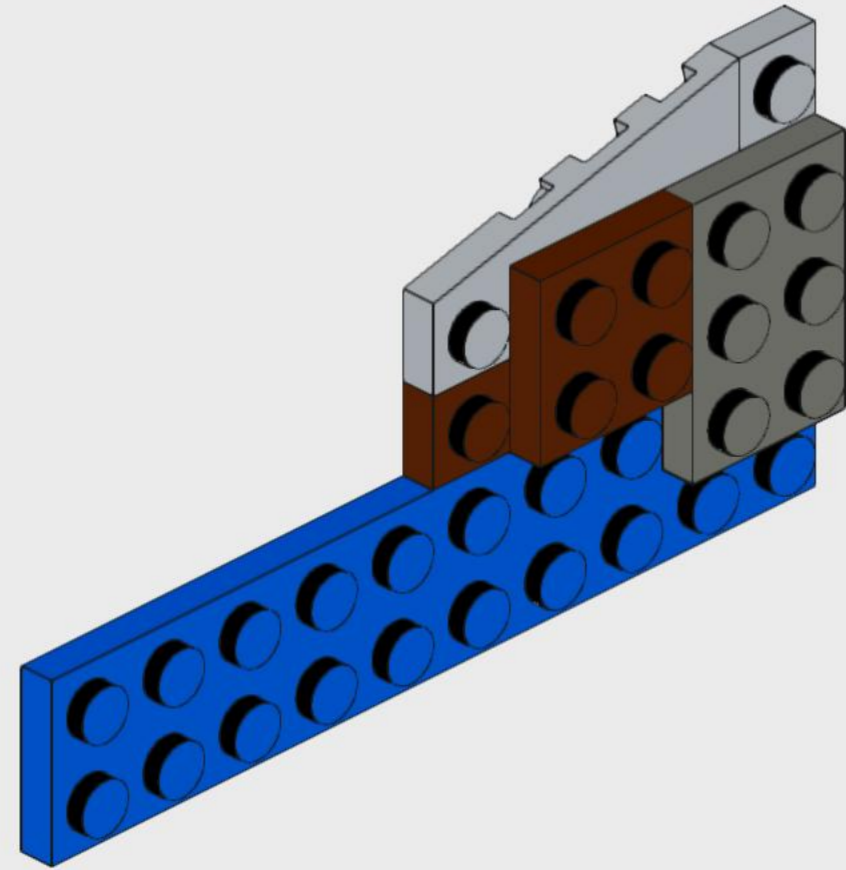
65



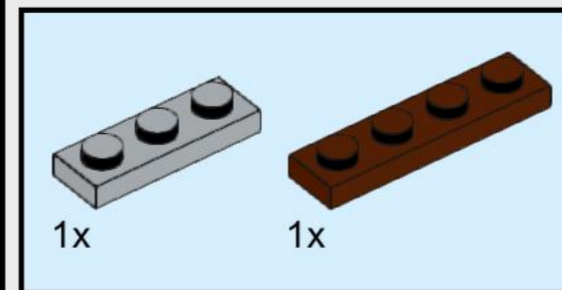
66



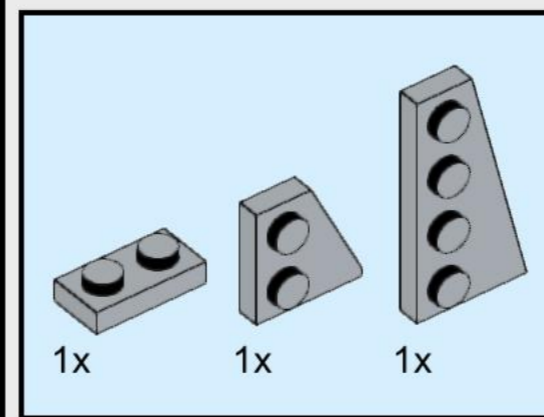
67



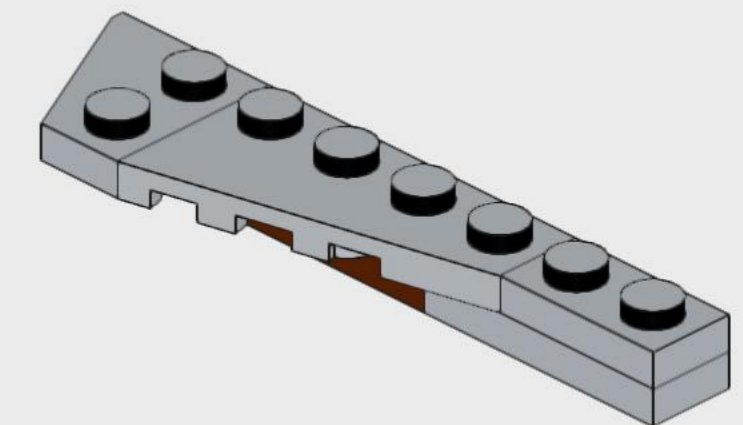
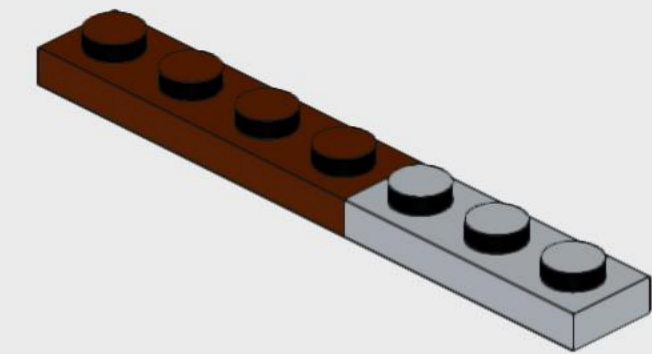
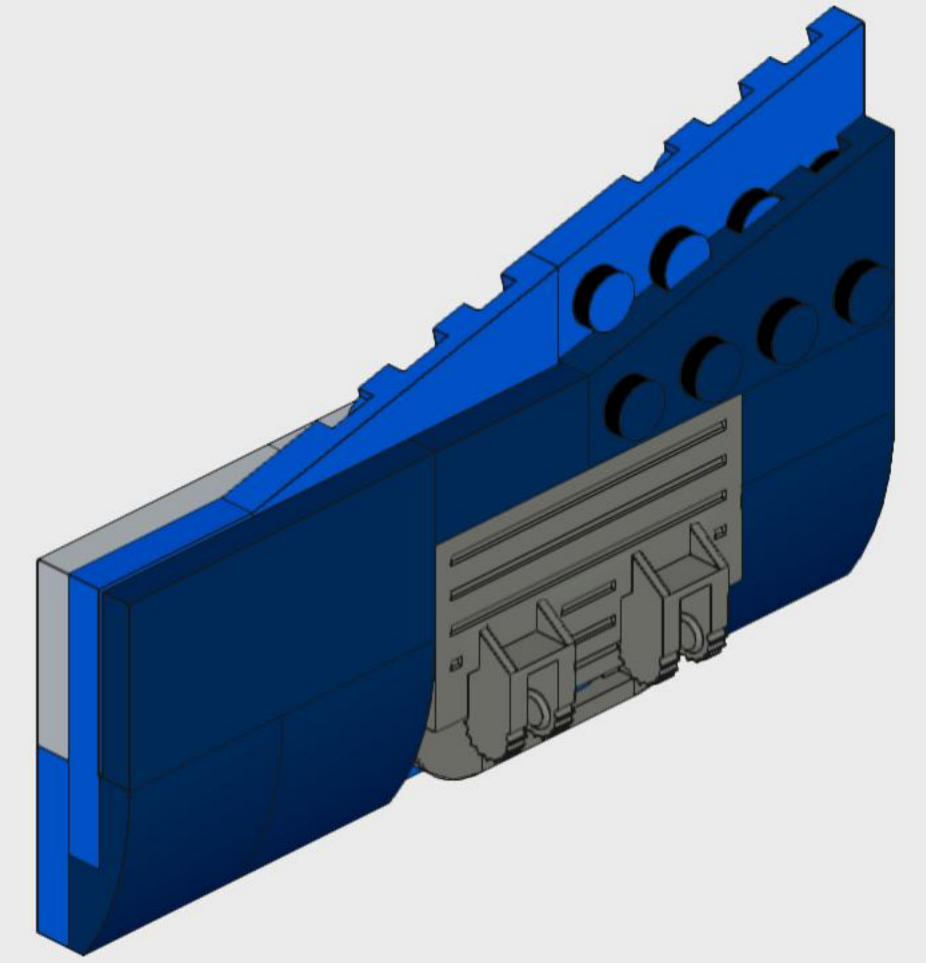
68

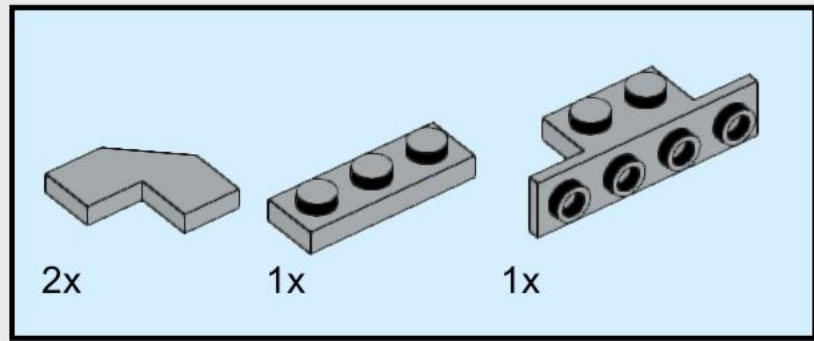


69

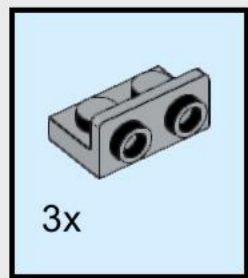
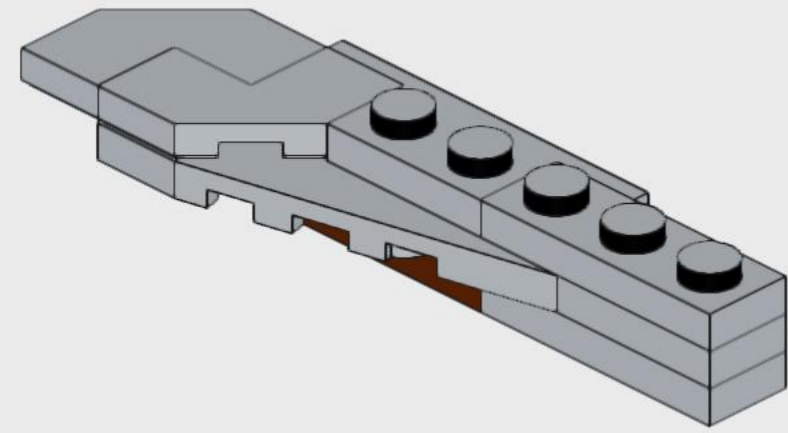


70

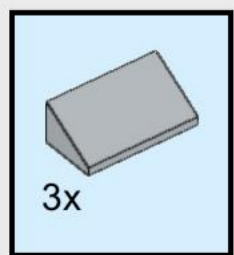
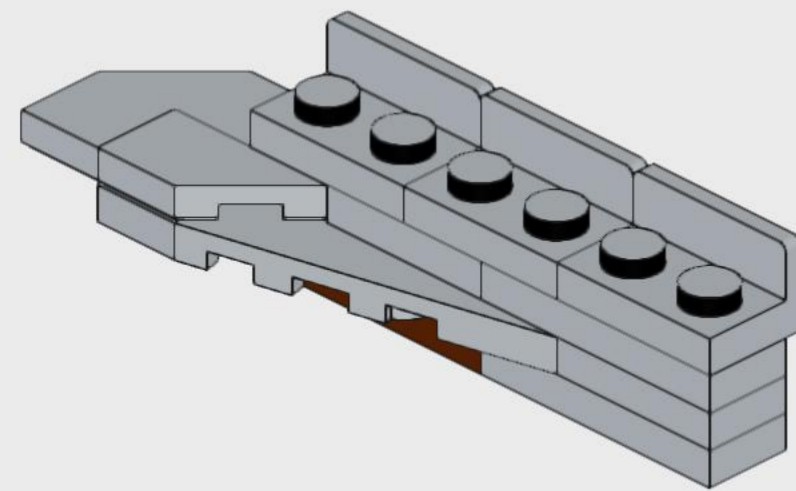




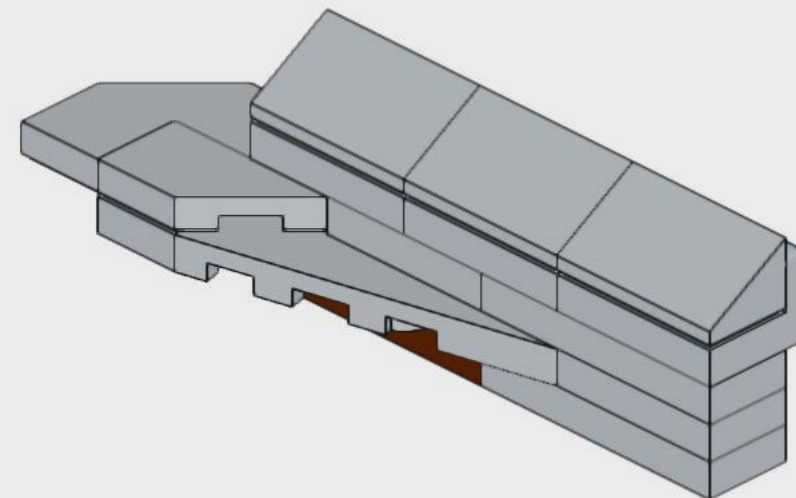
71



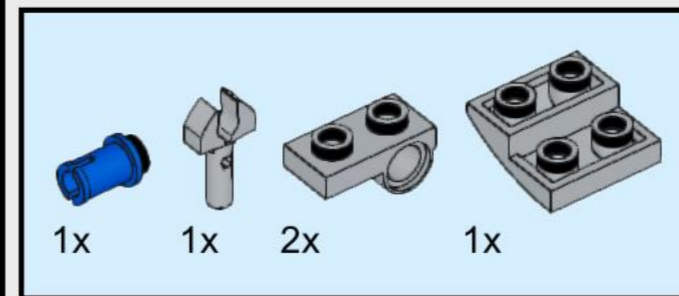
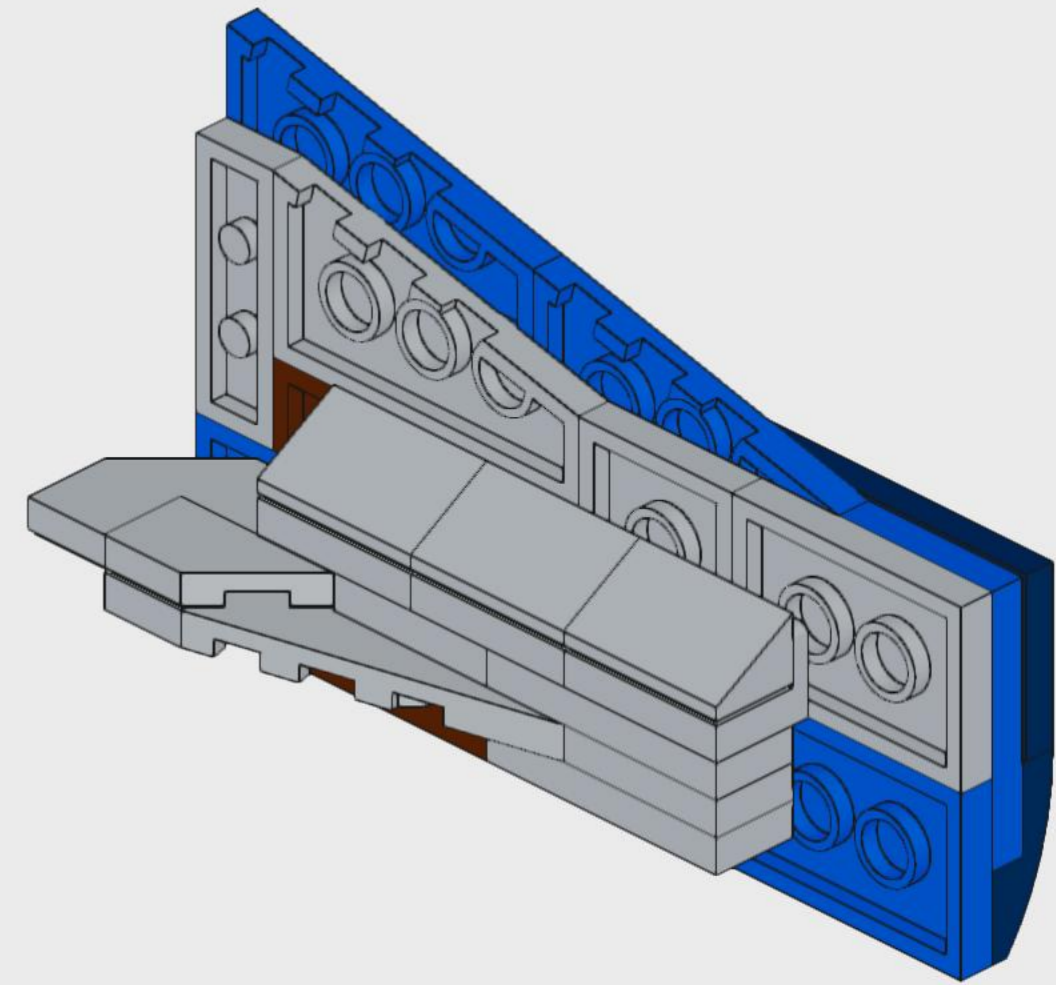
72



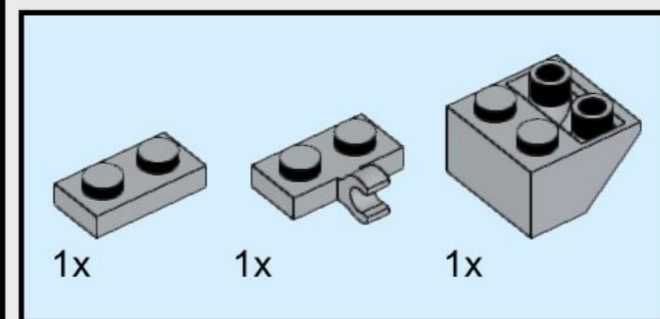
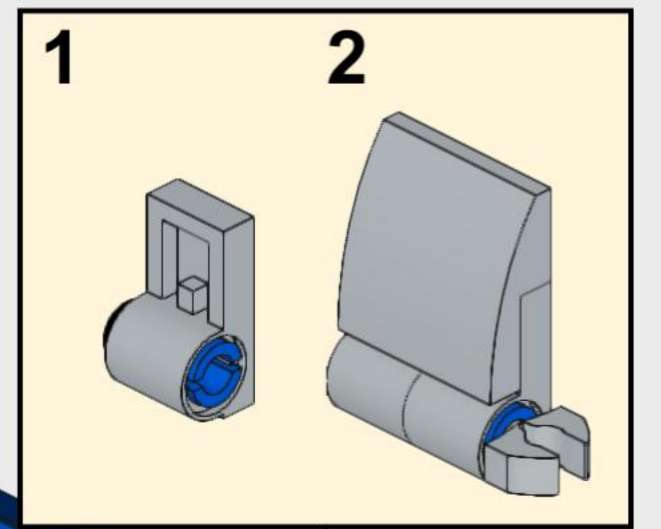
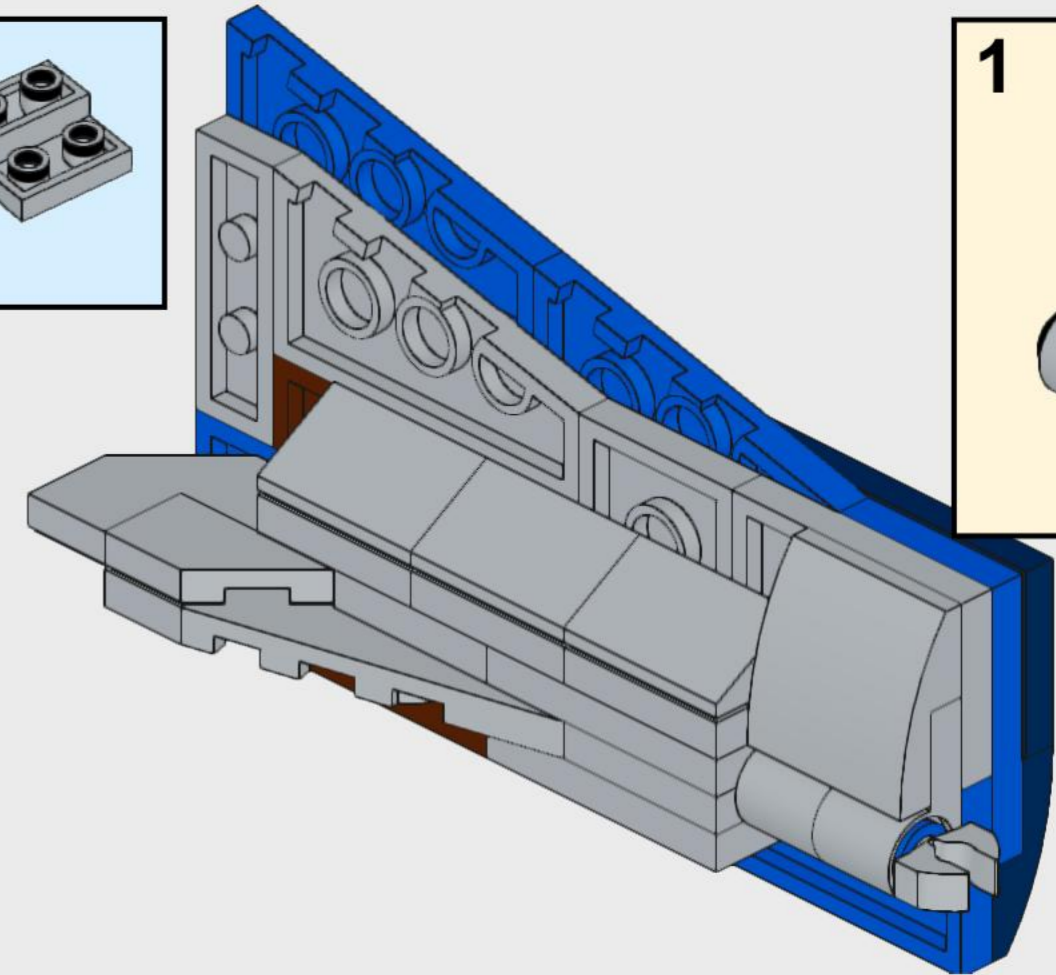
73



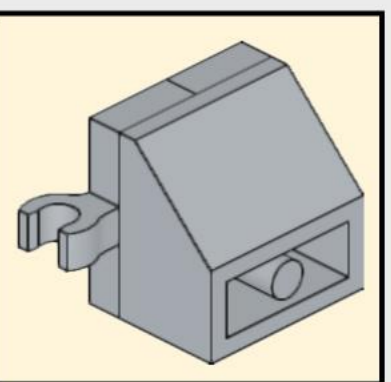
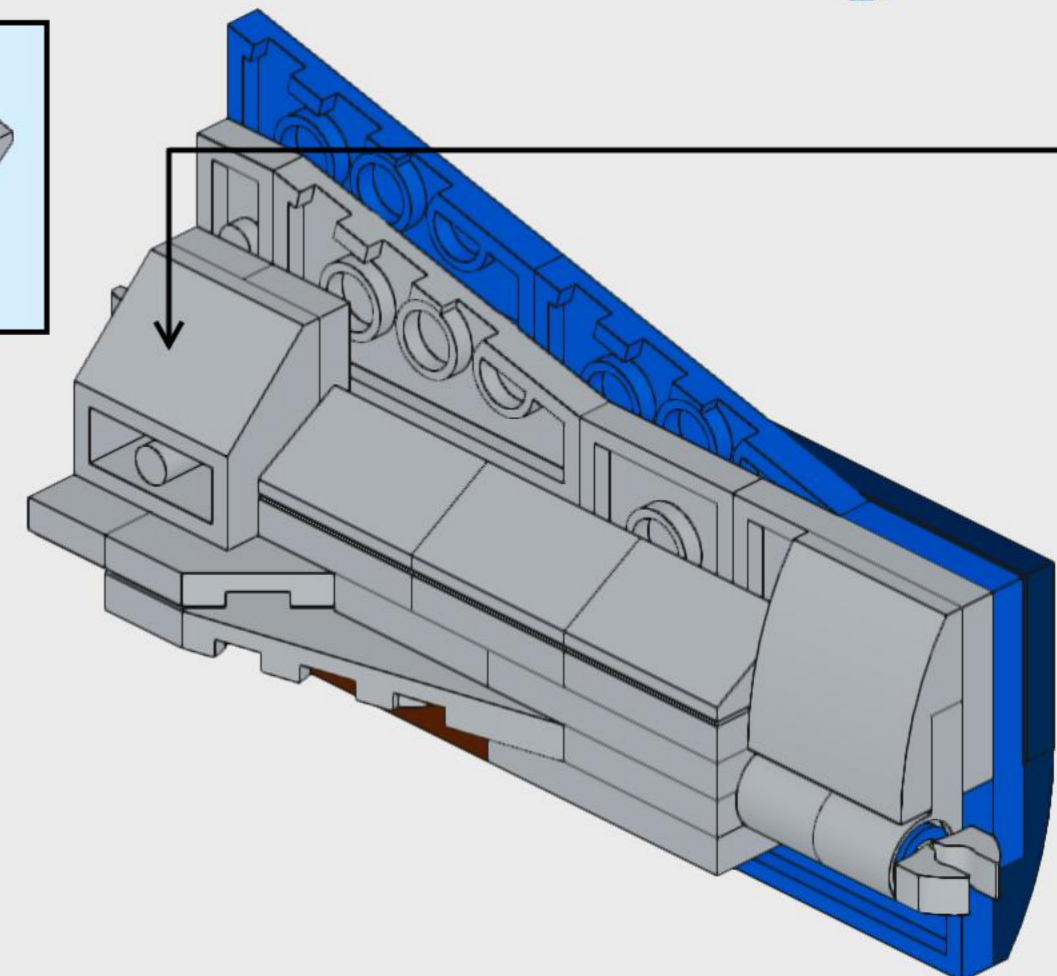
74

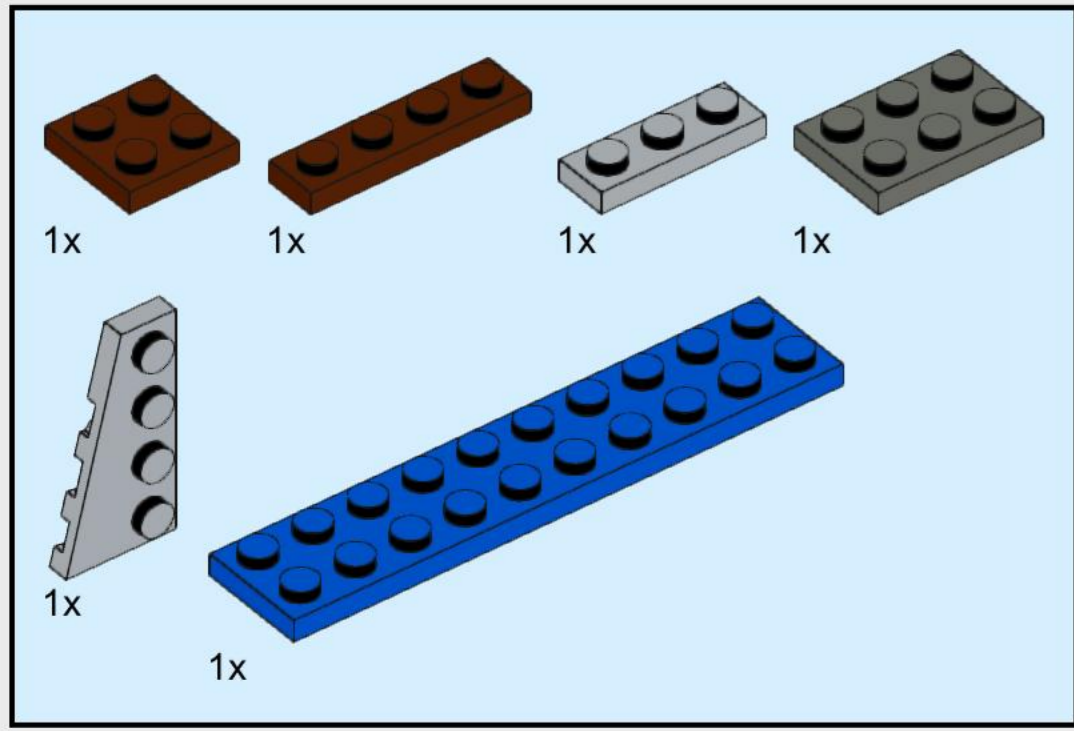


75

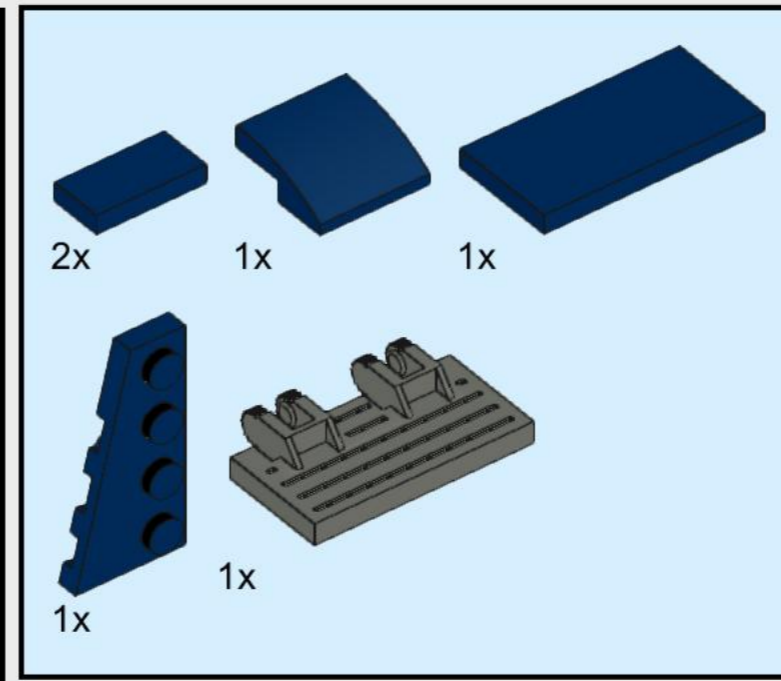
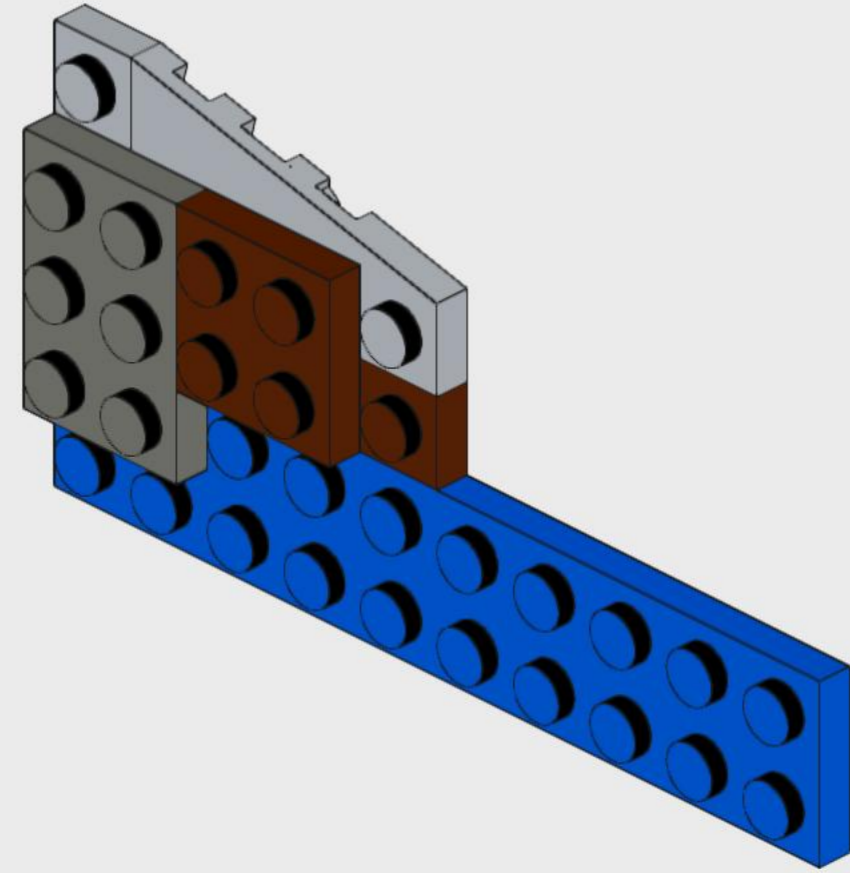


76

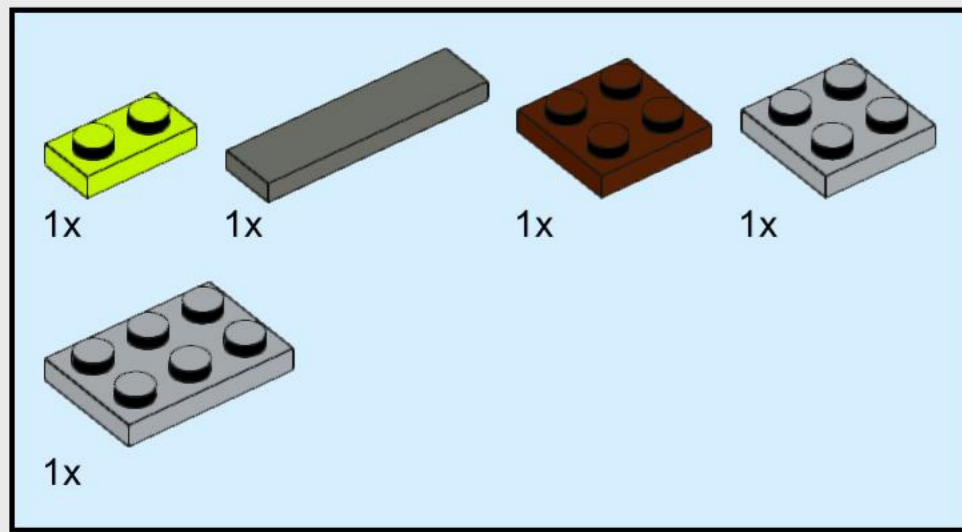
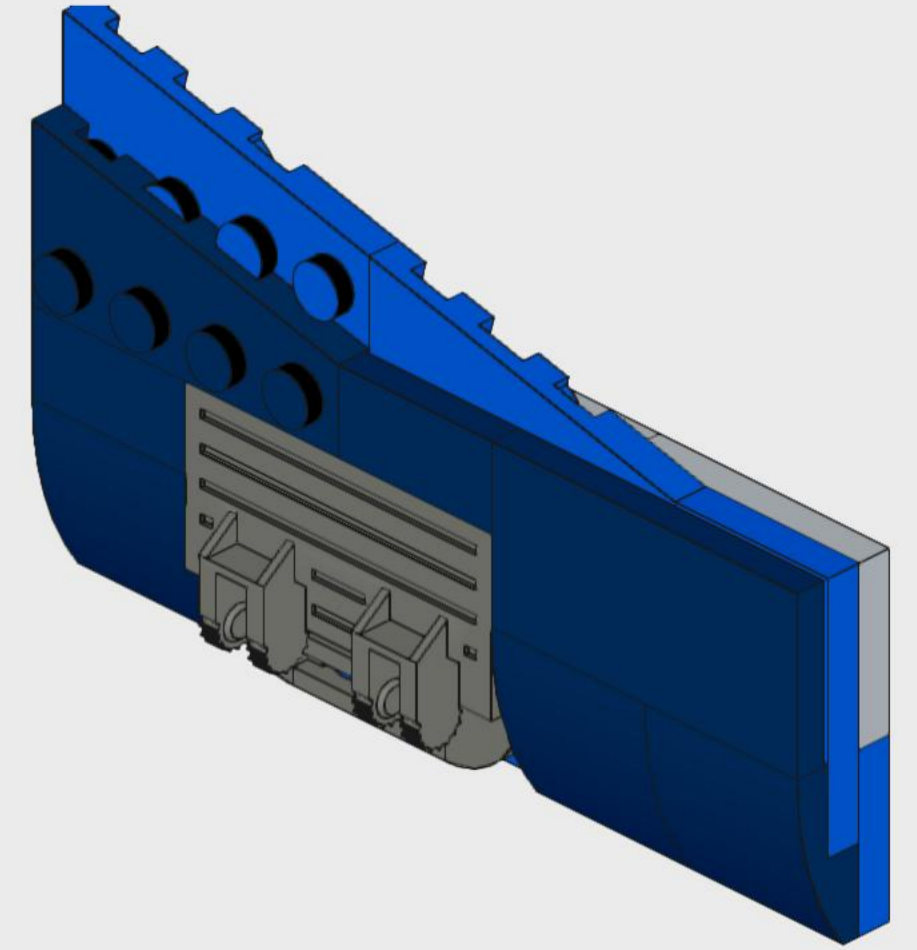




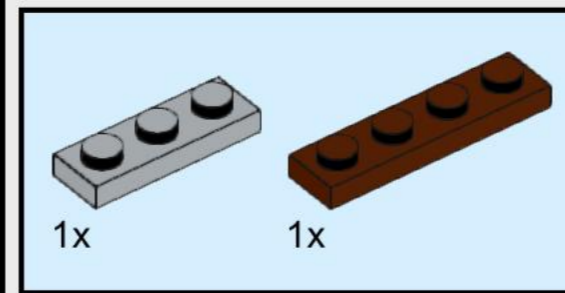
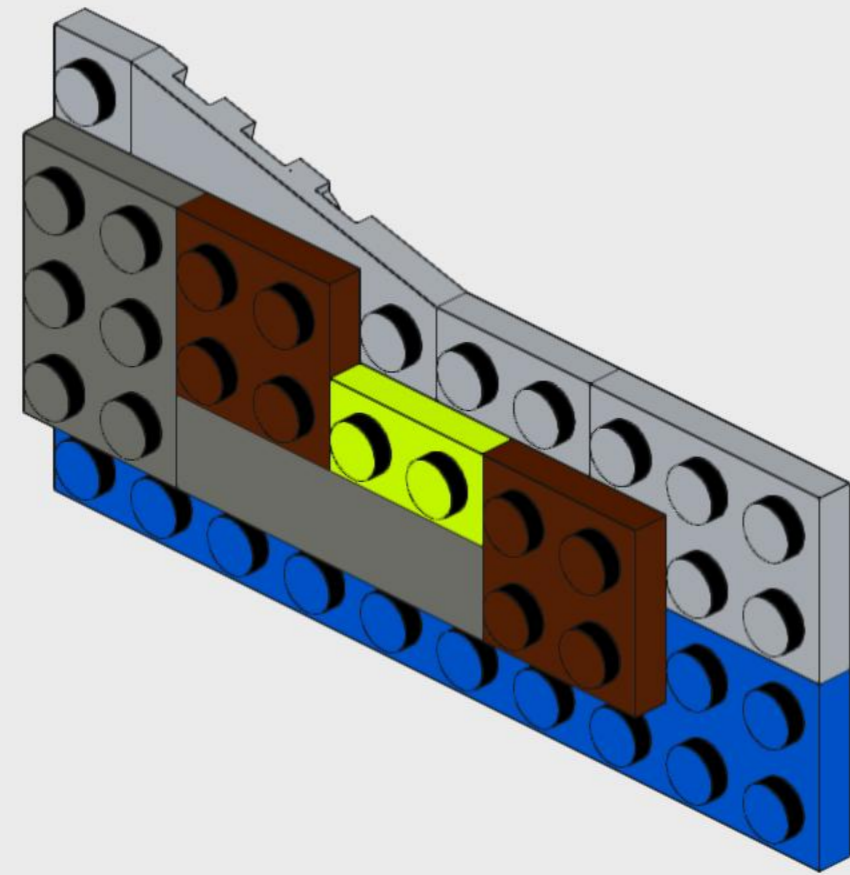
77



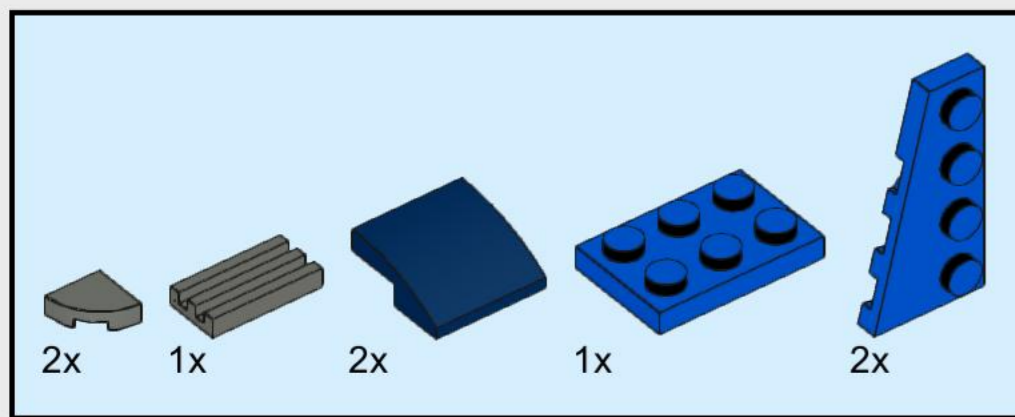
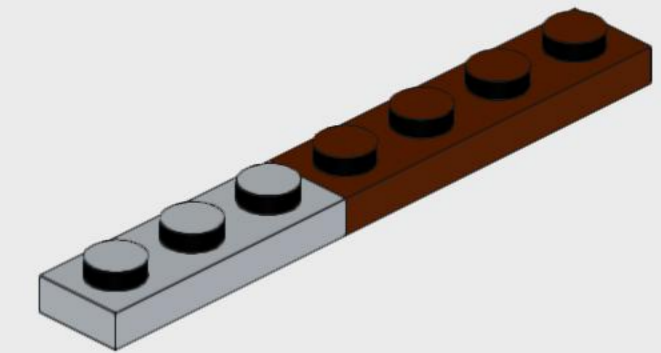
80



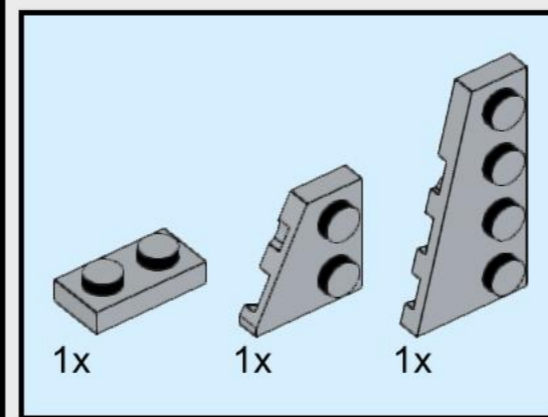
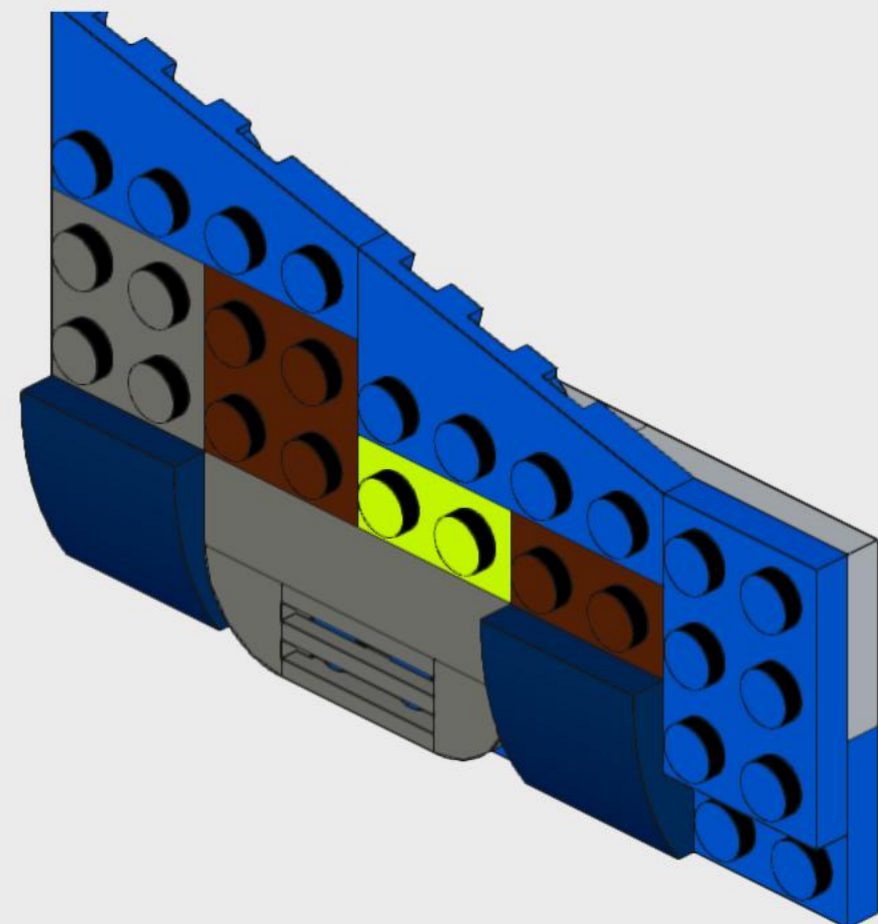
78



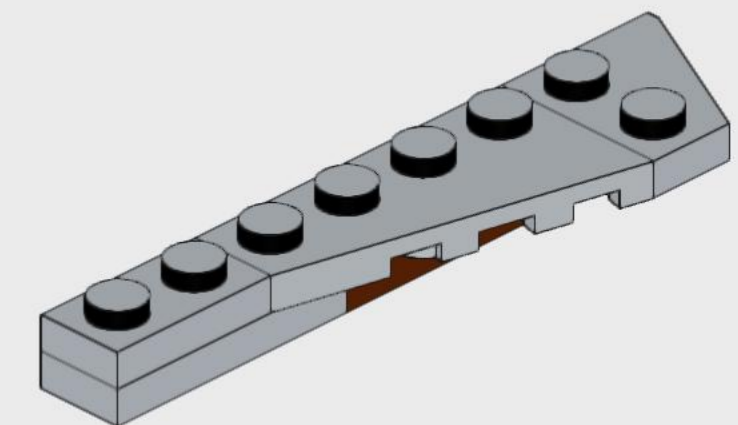
81

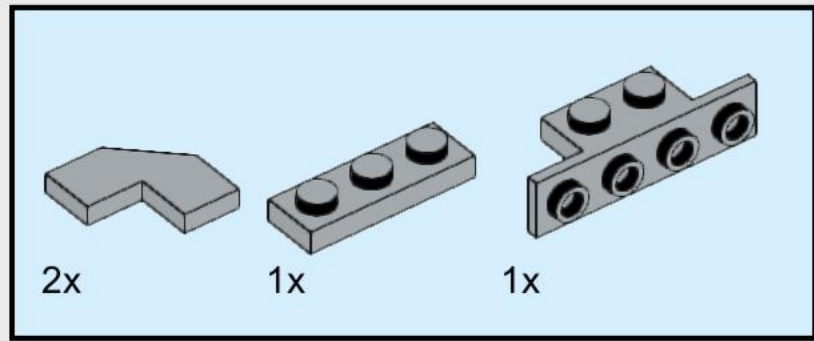


79

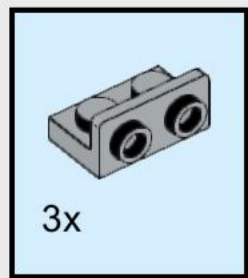
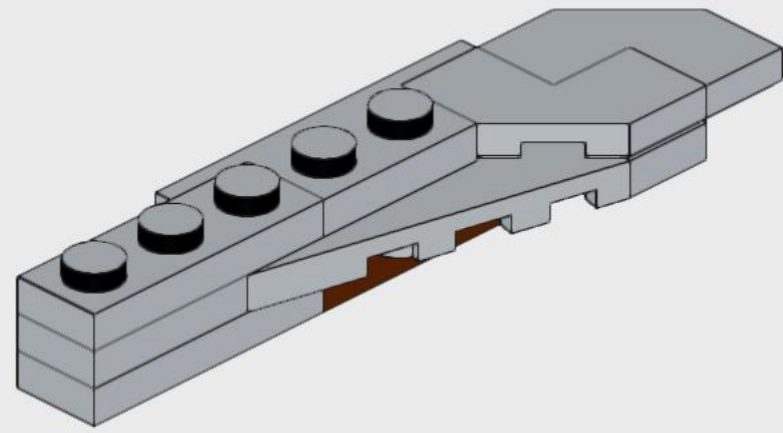


82

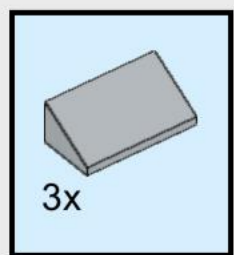
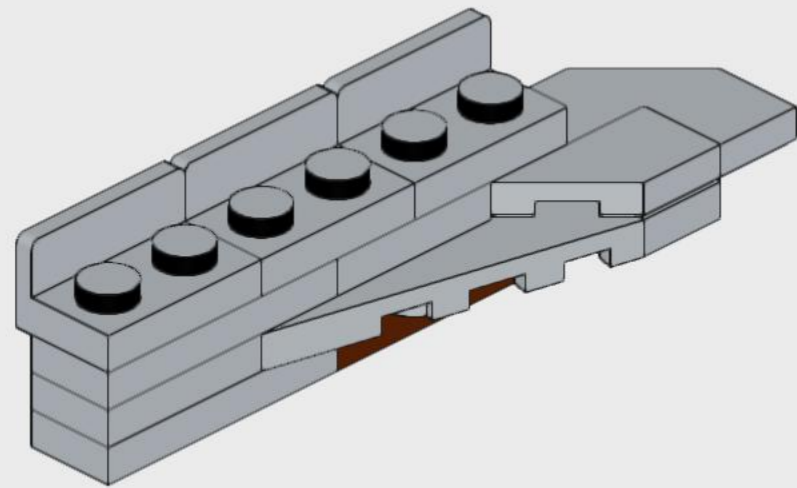




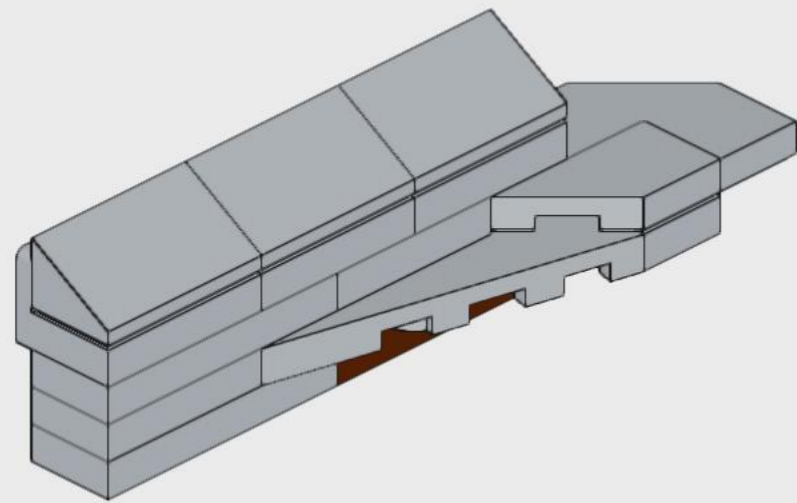
83



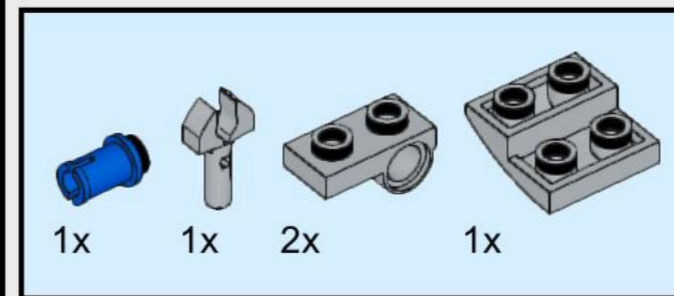
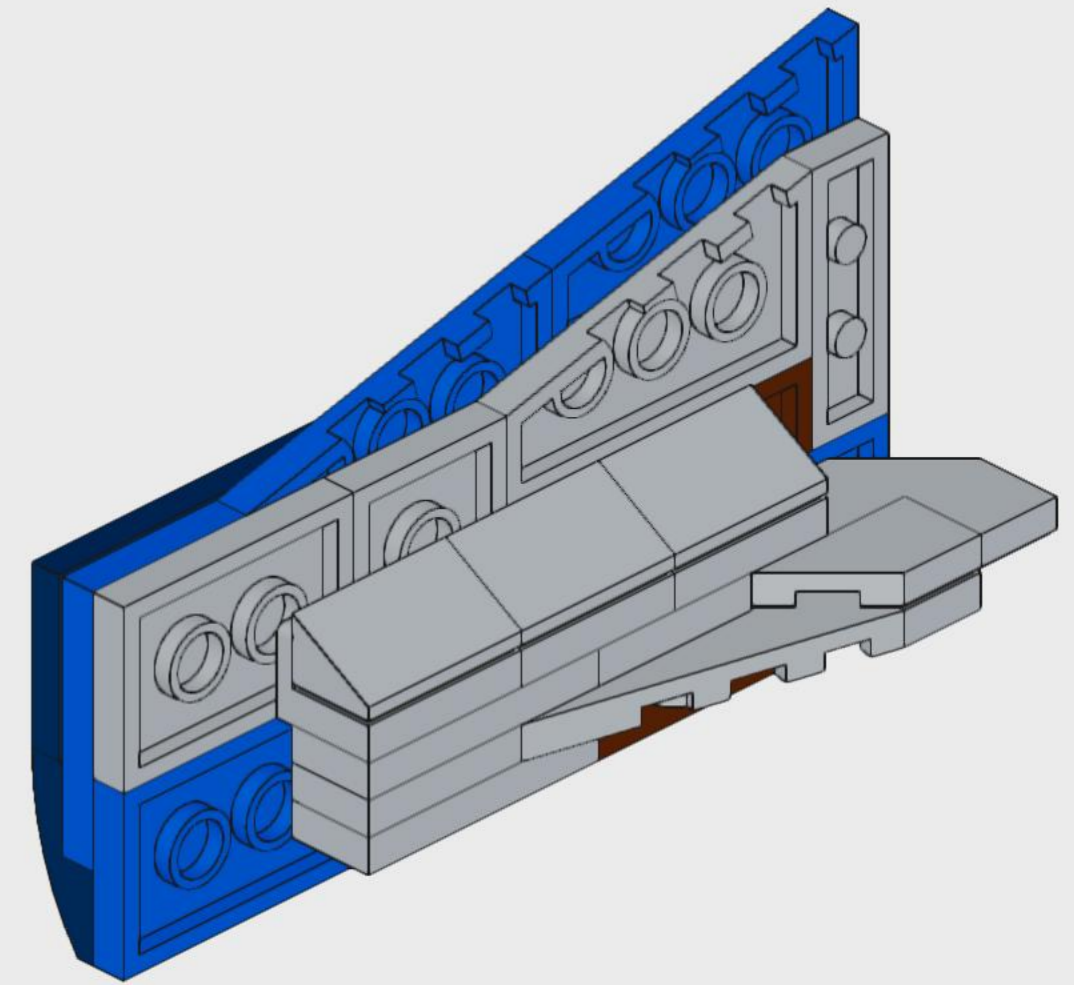
84



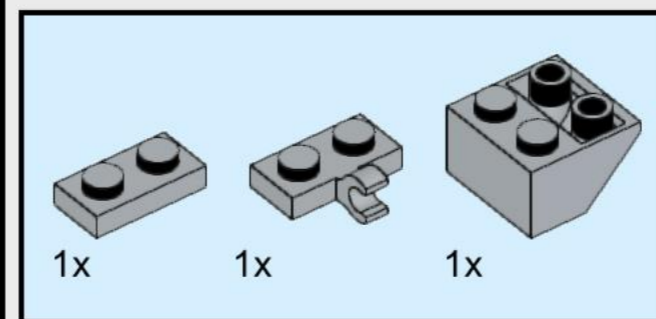
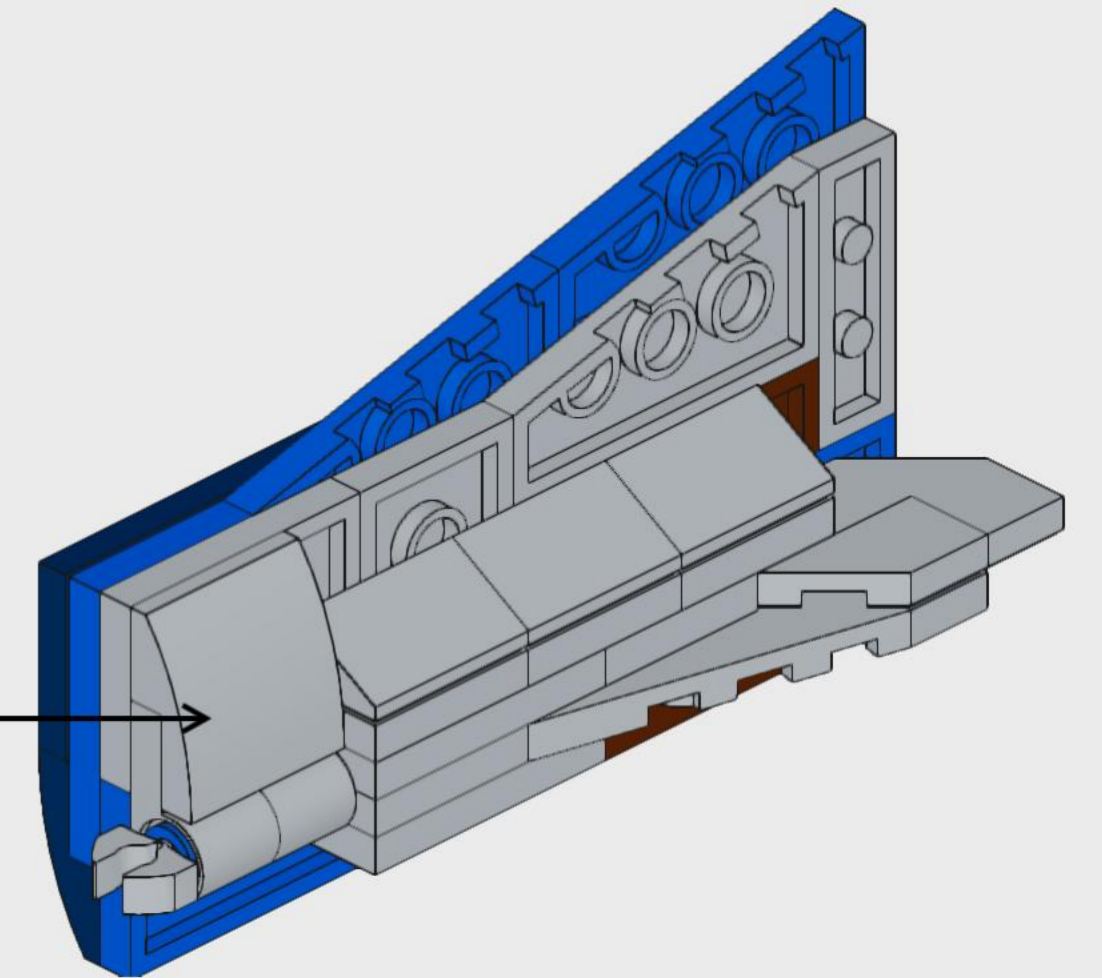
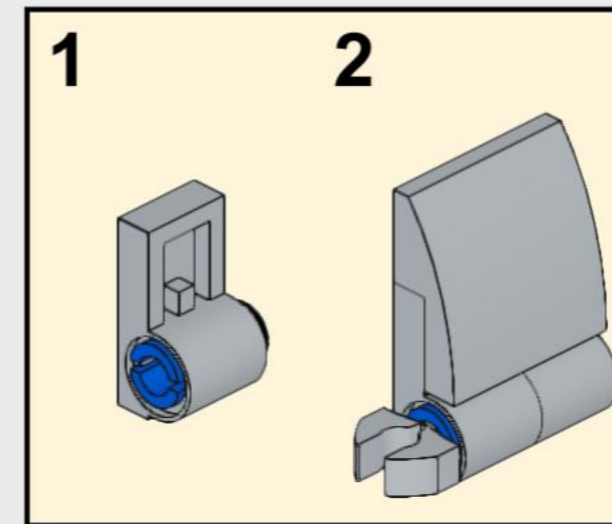
85



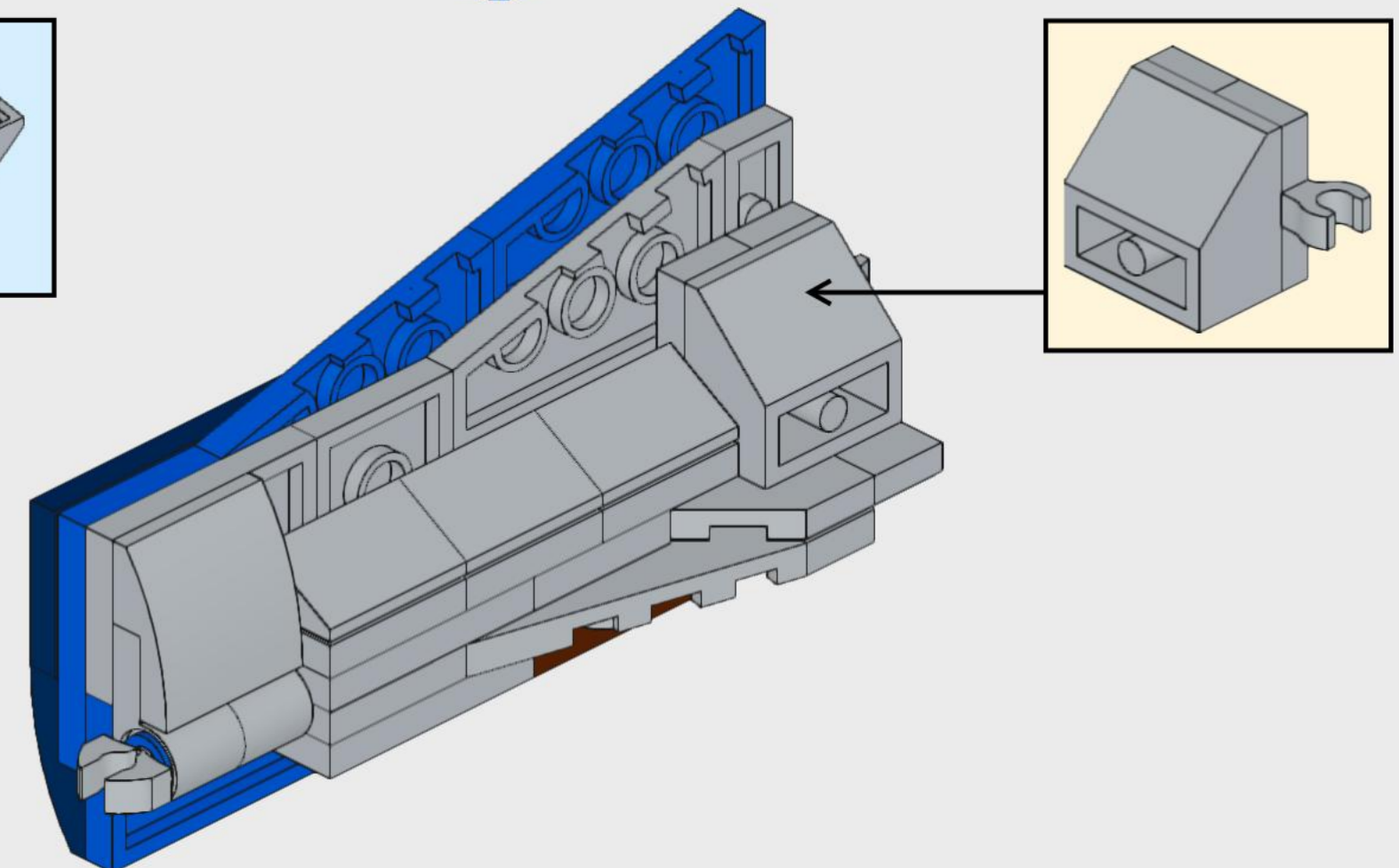
86



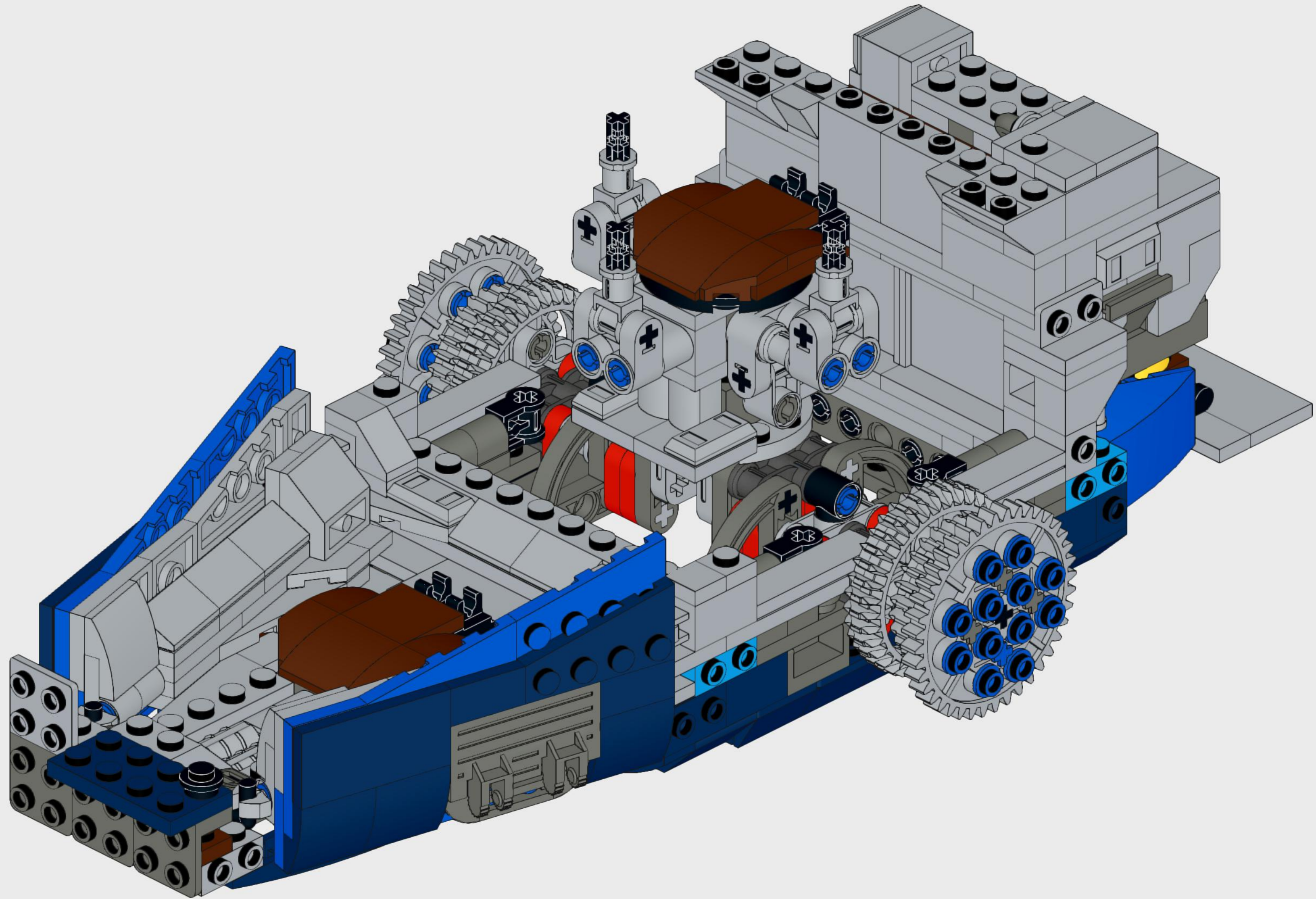
87

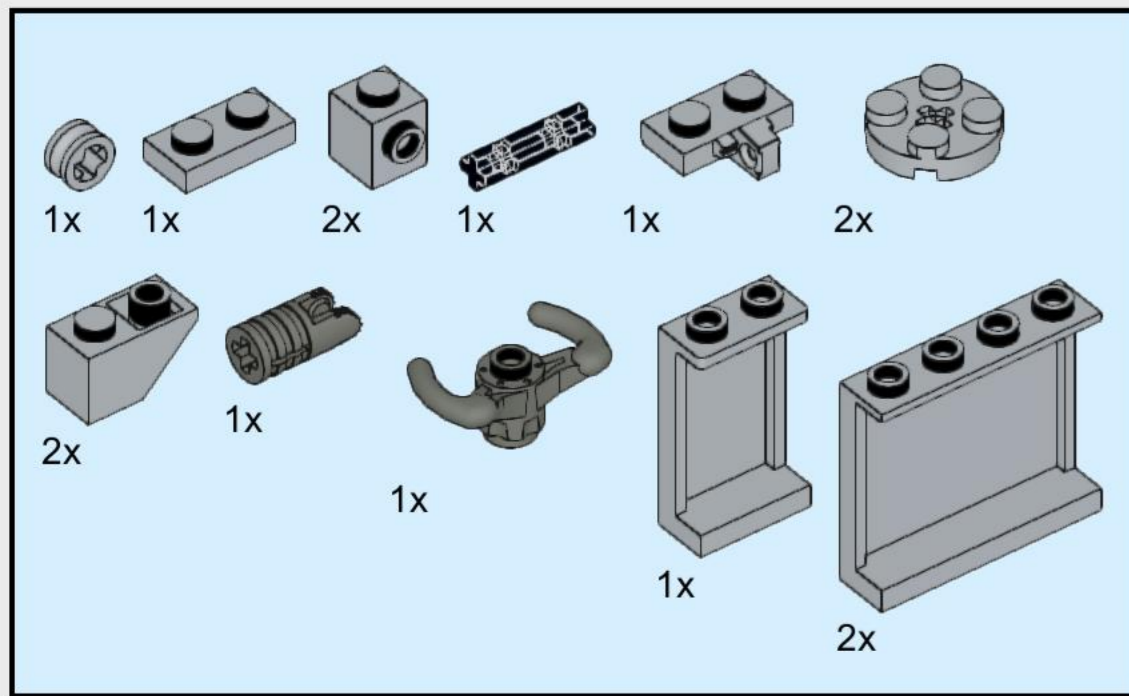


88

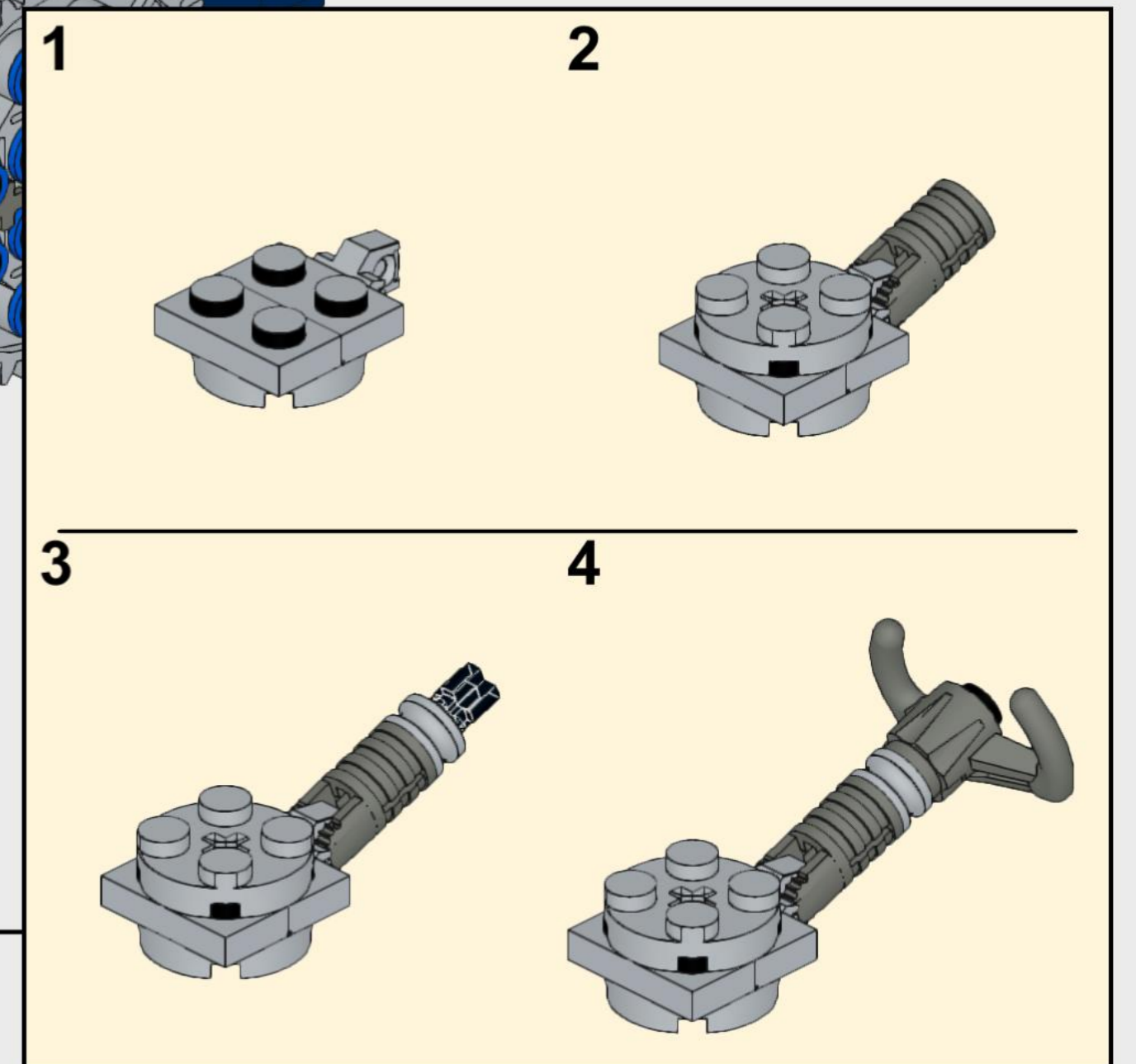
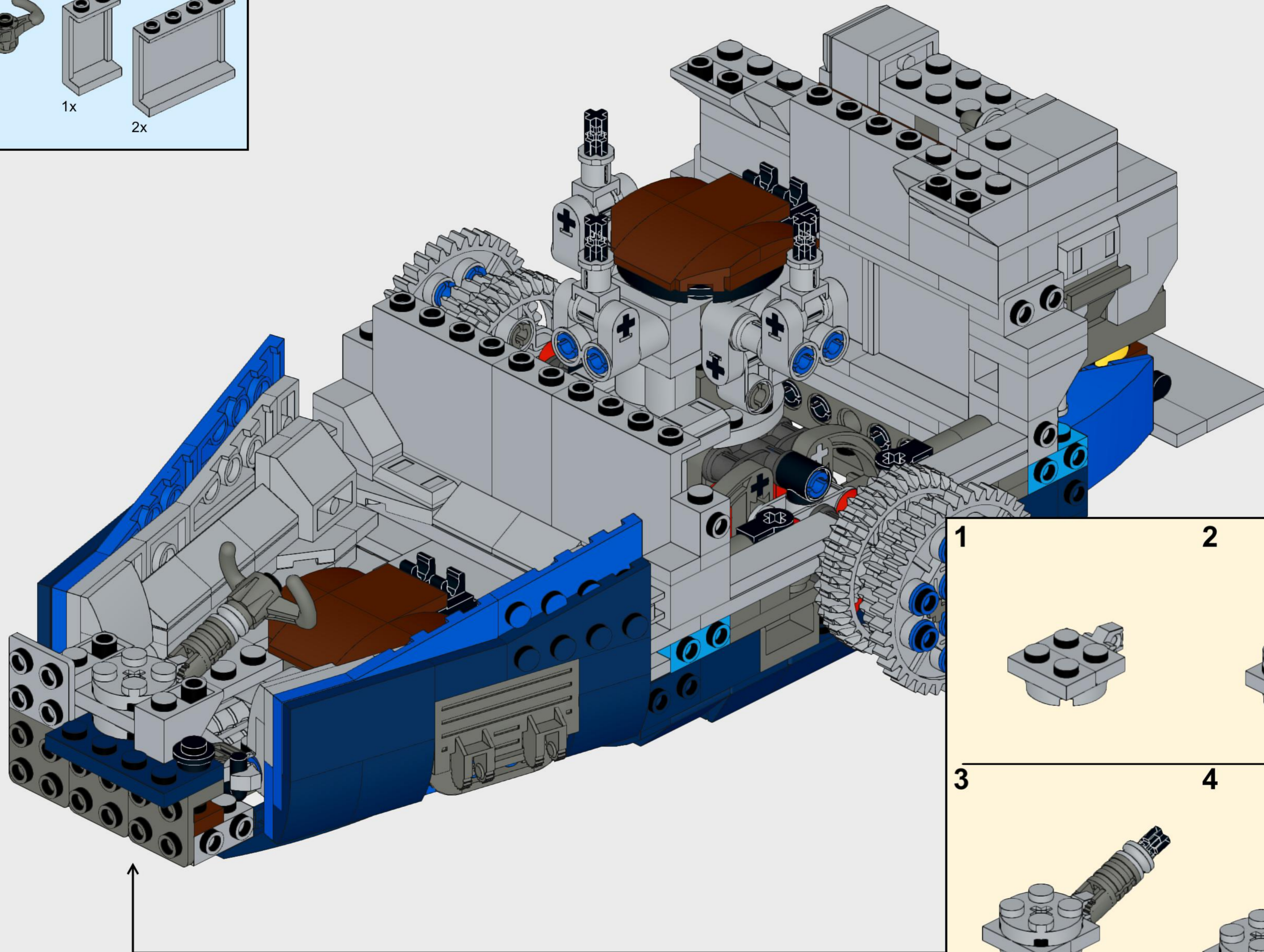


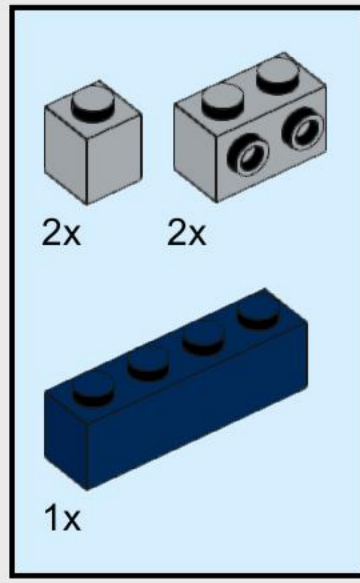




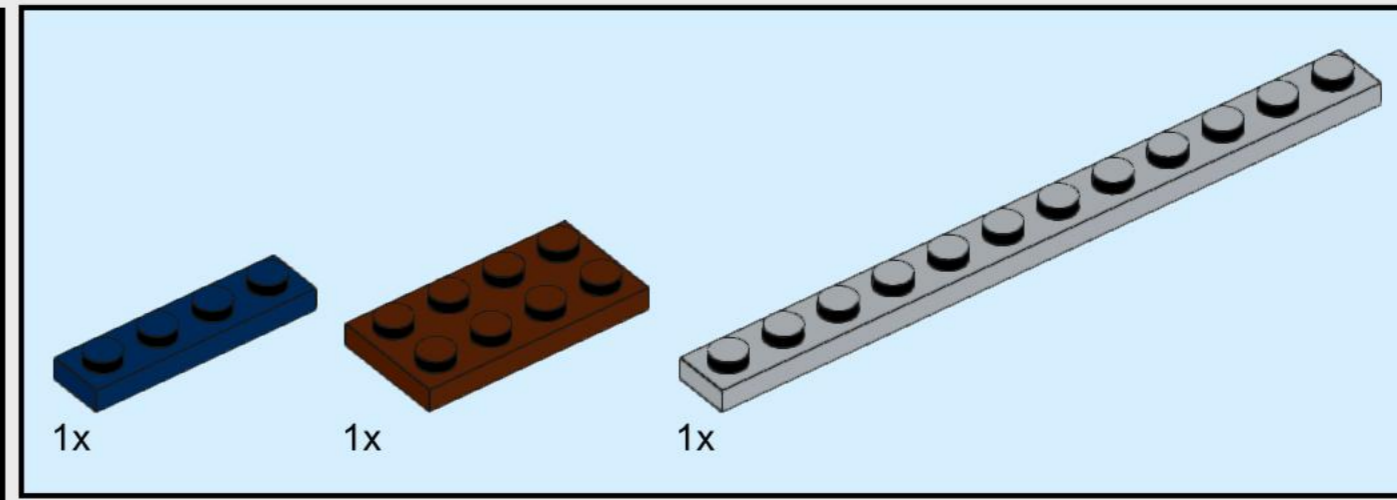
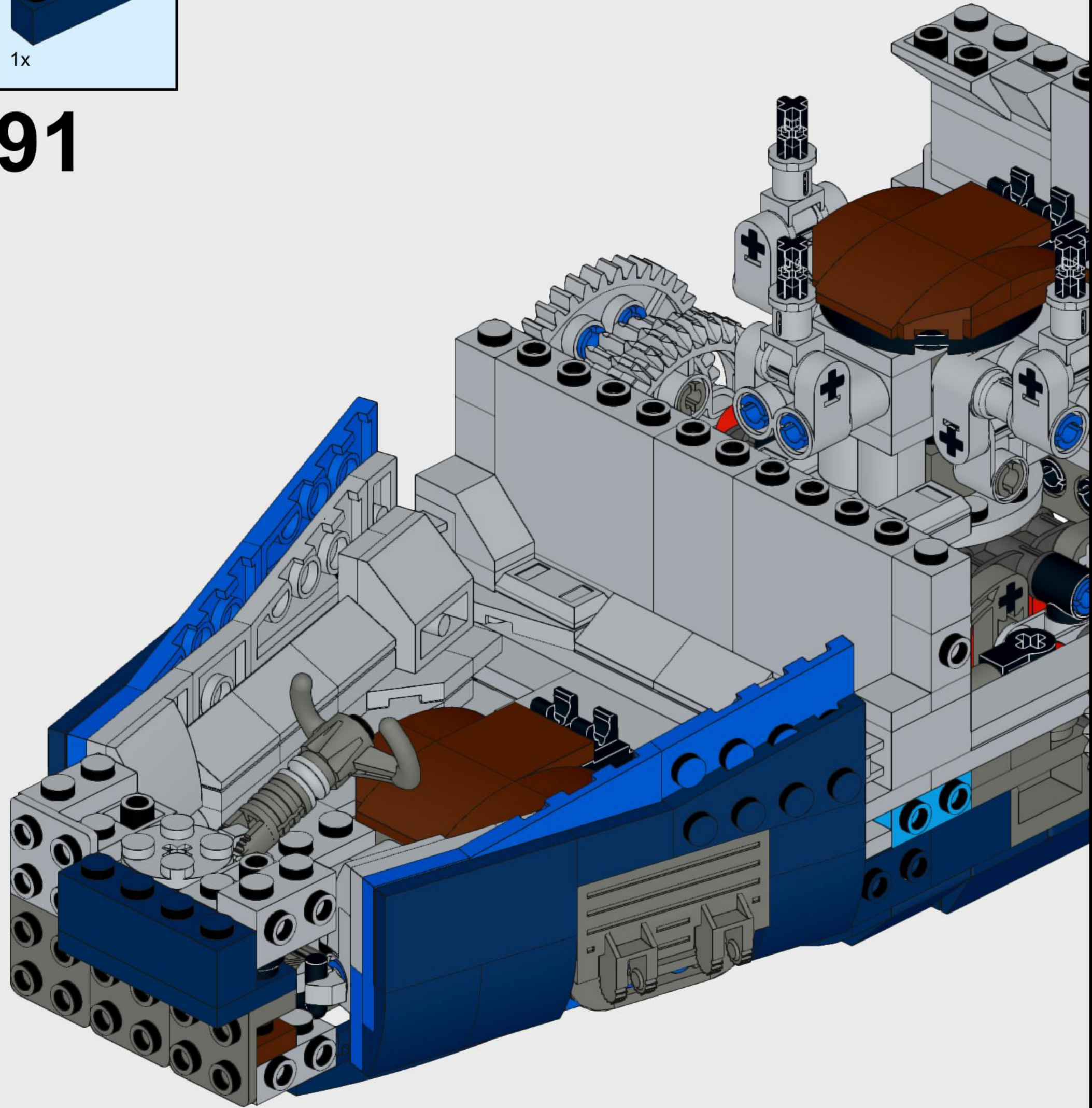


90

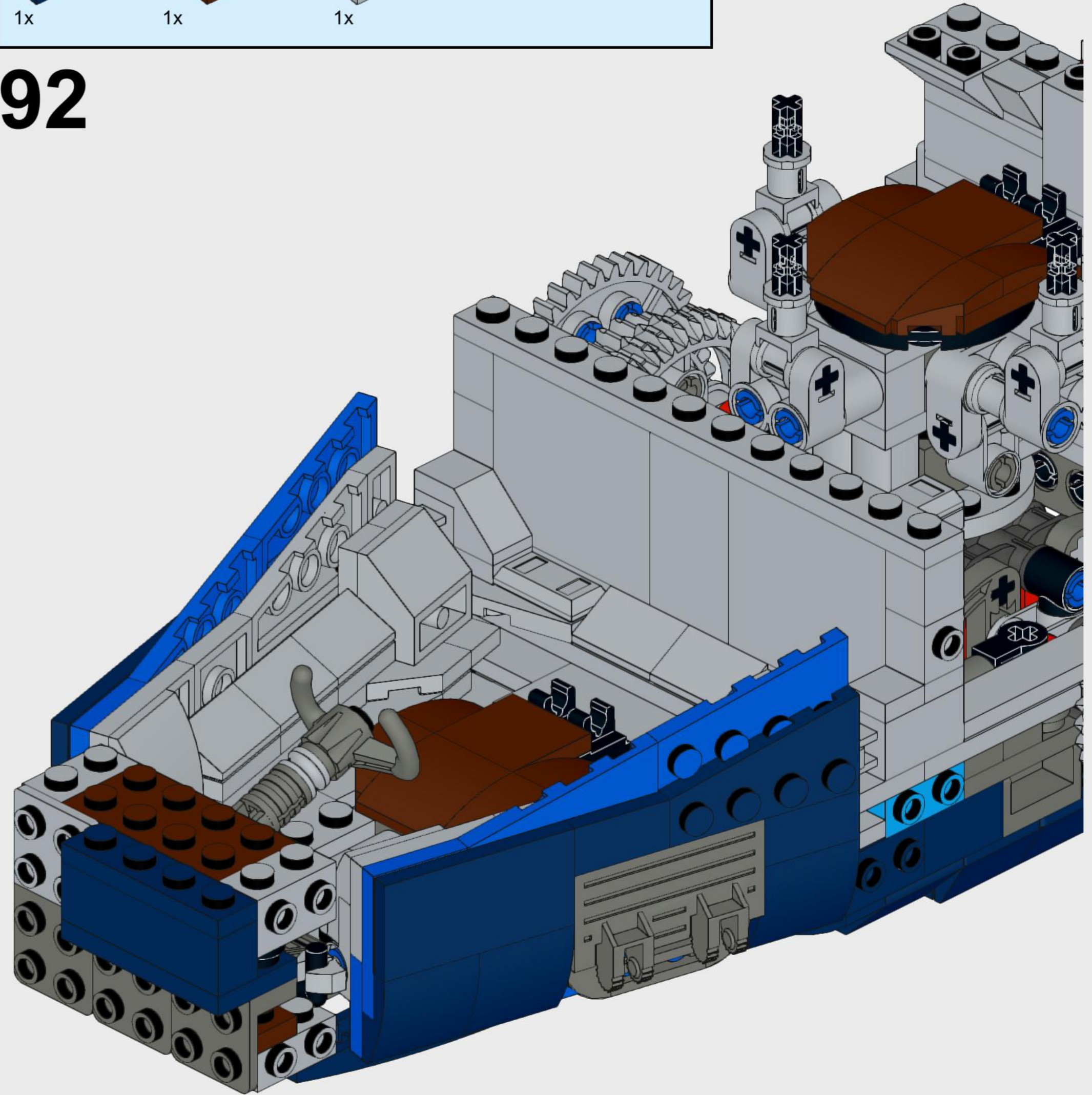


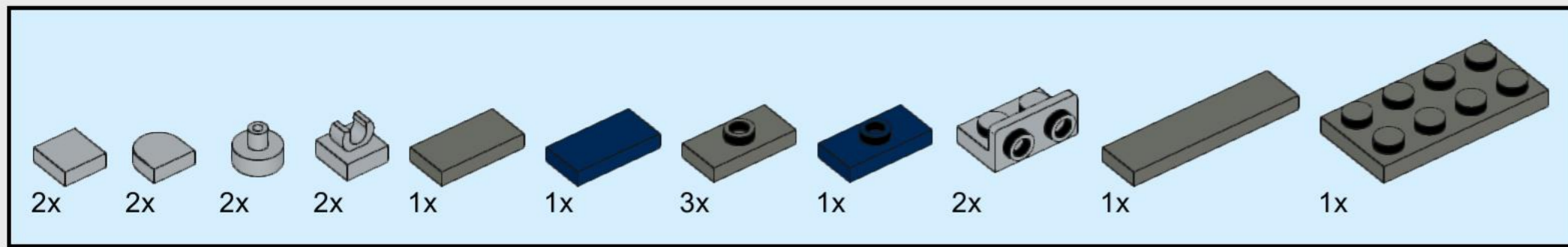


91

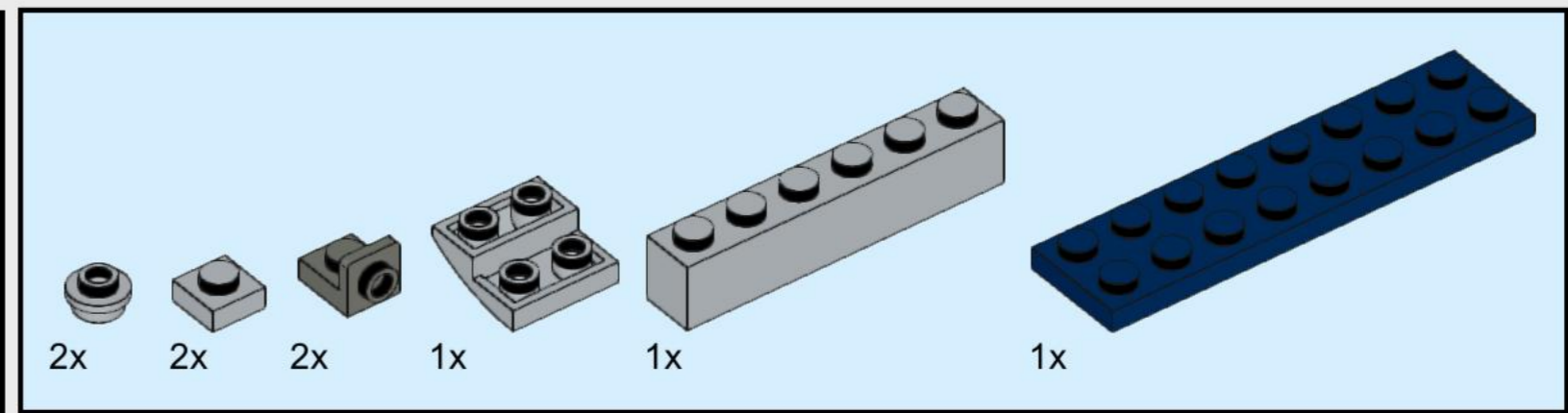
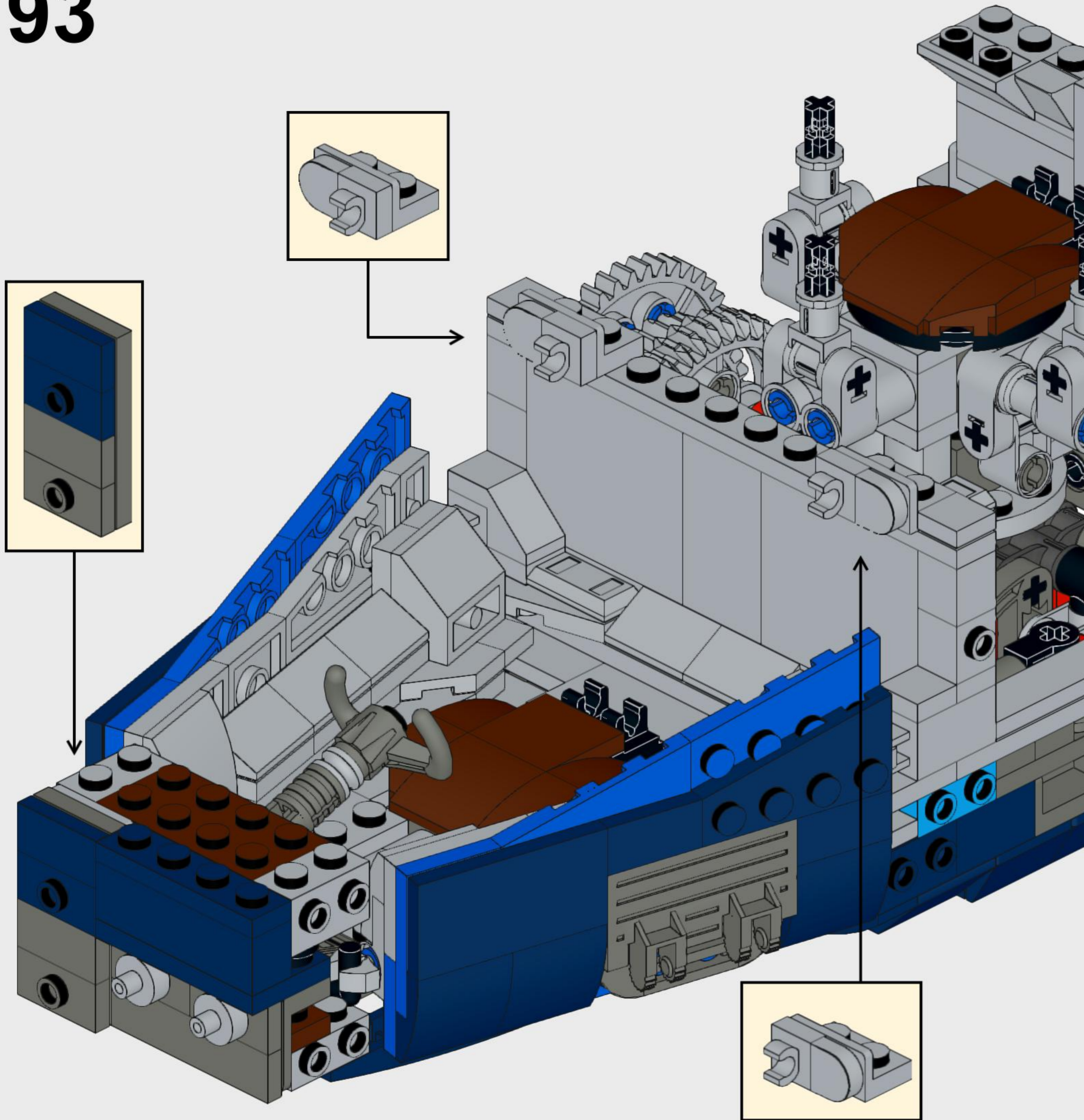


92

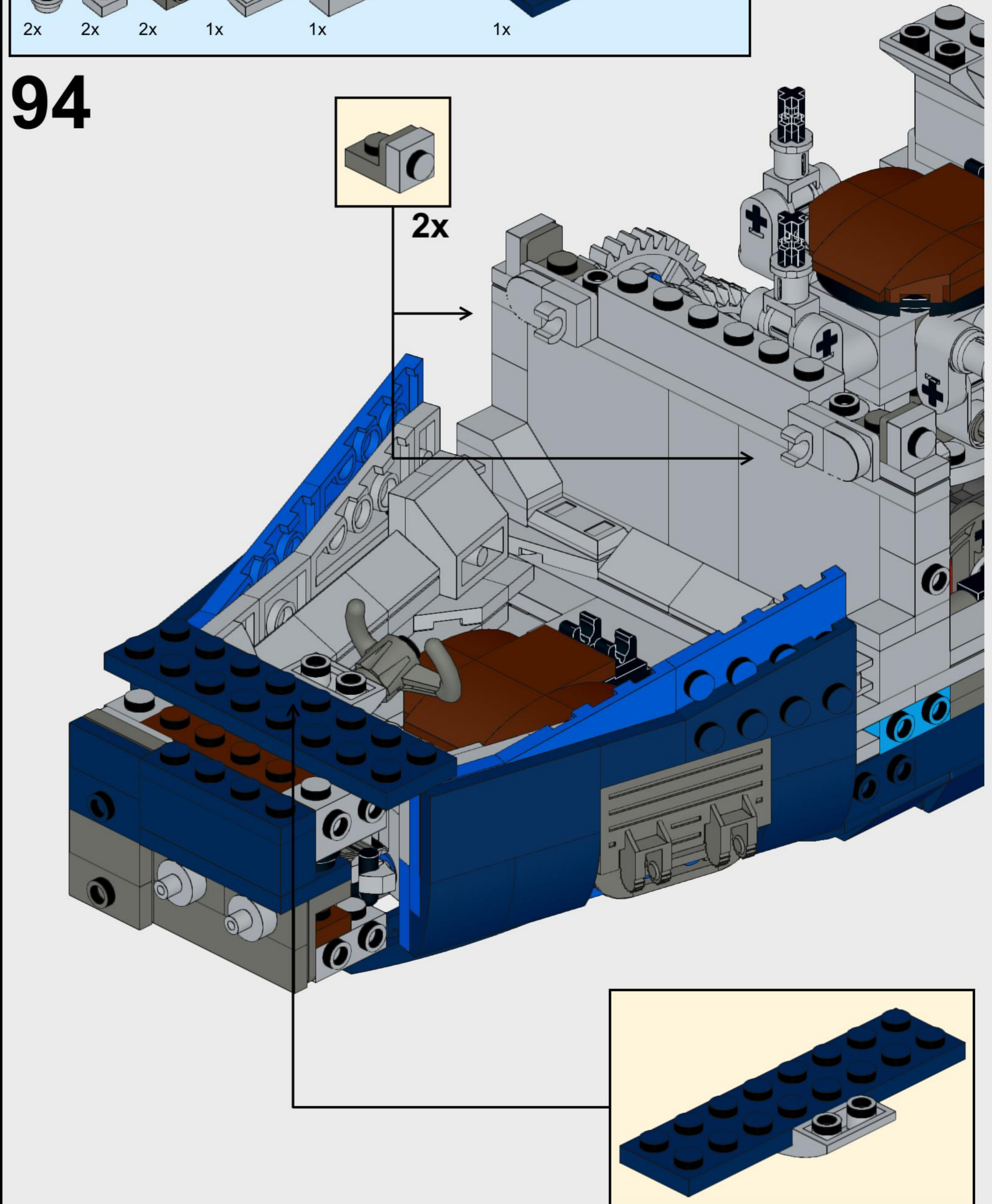


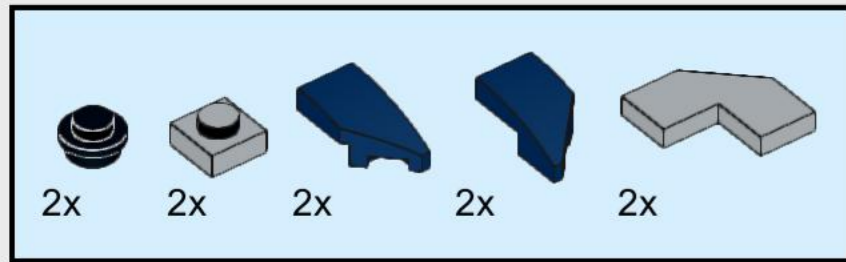


93

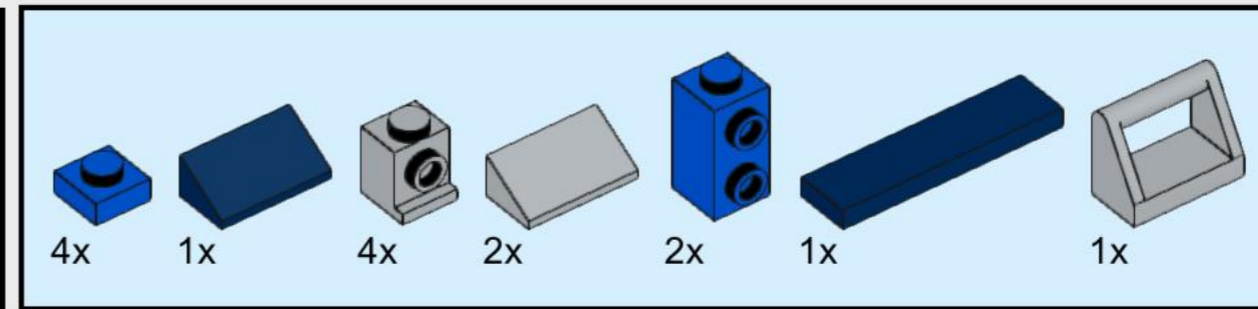
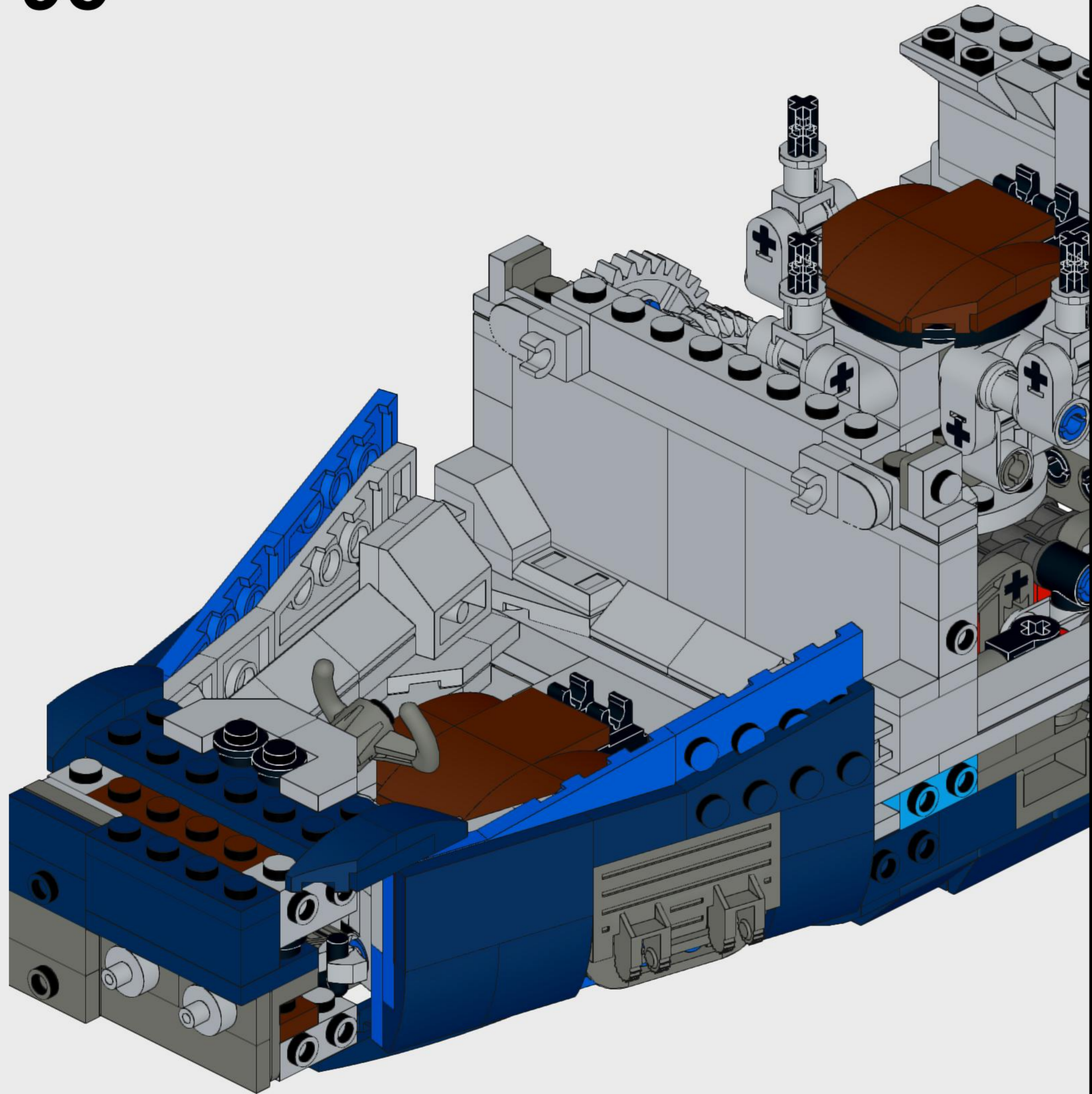


94

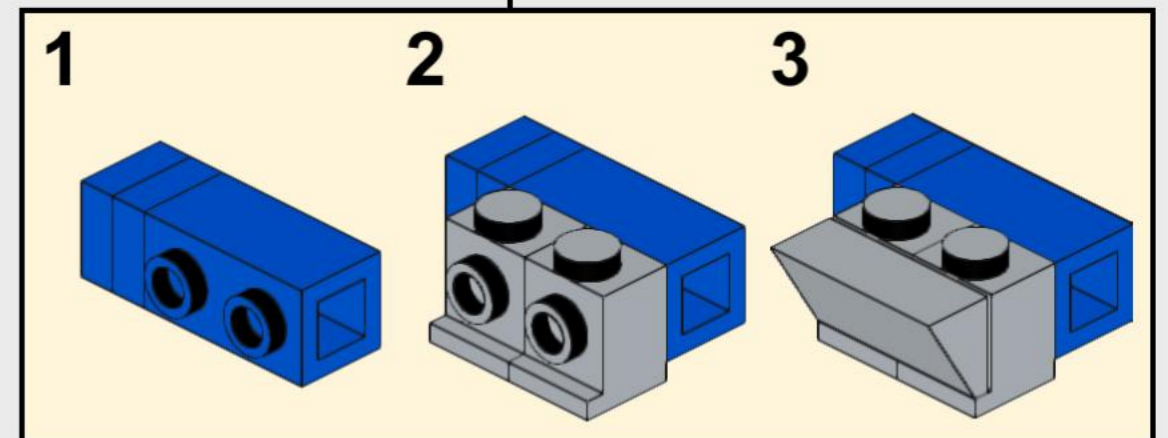
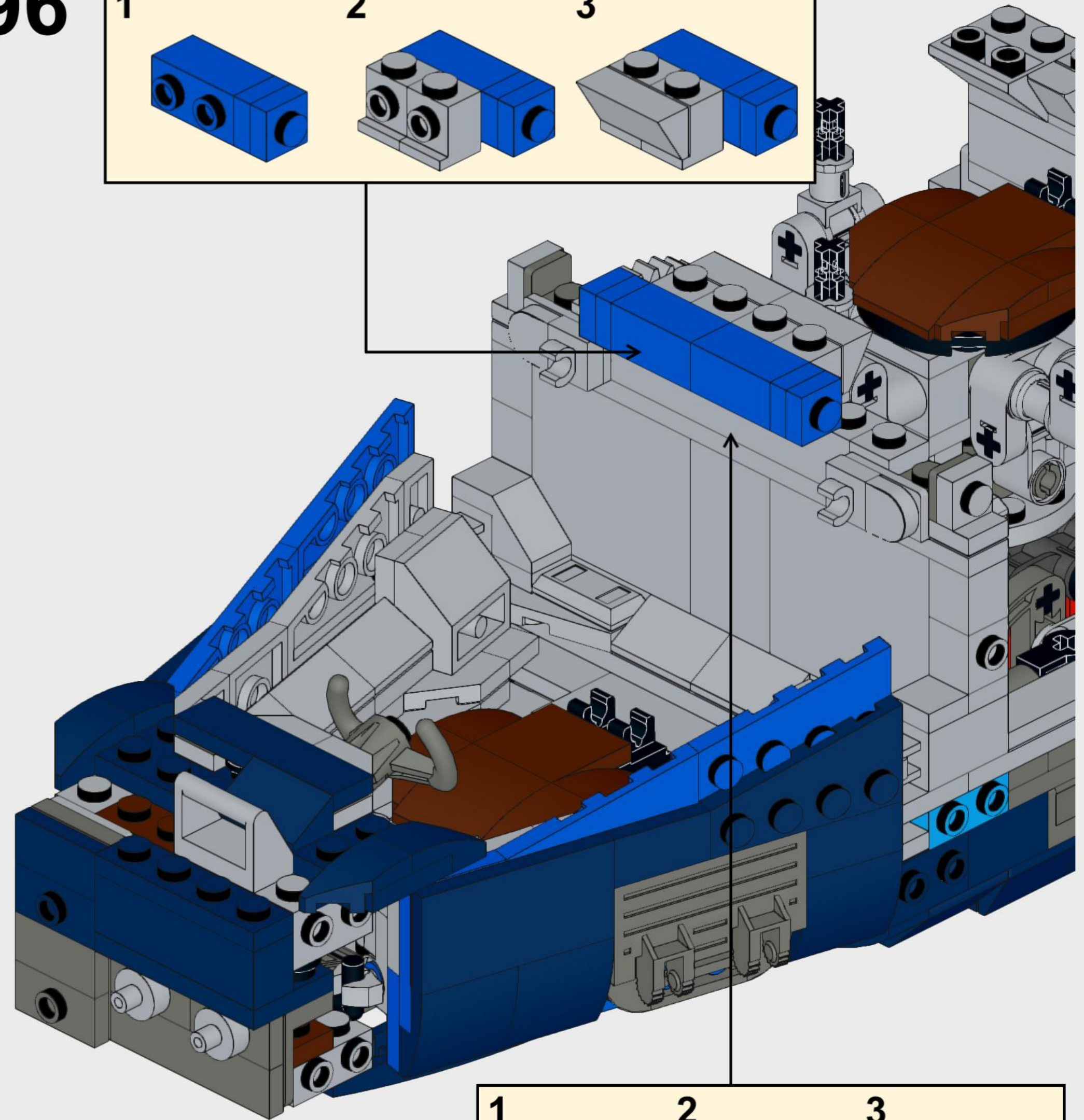
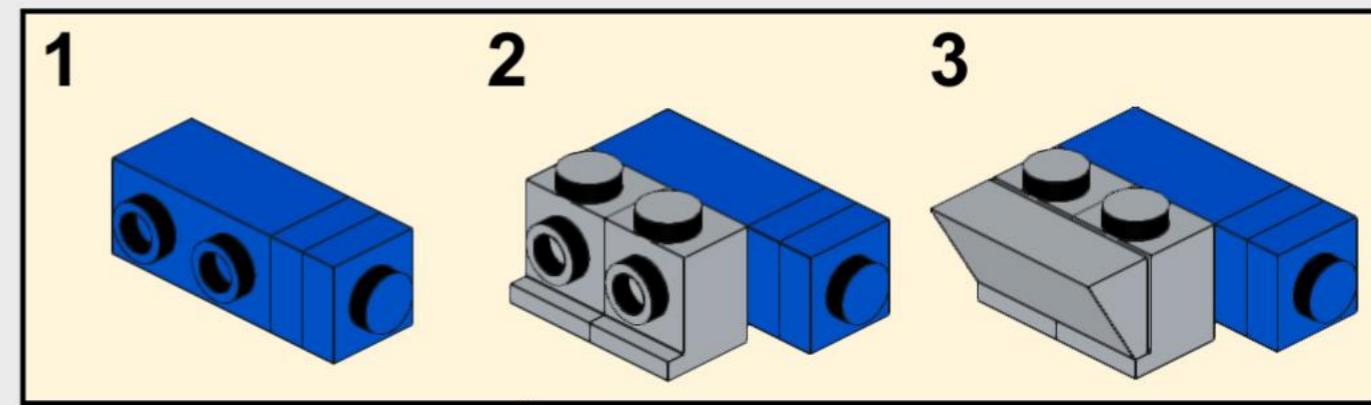


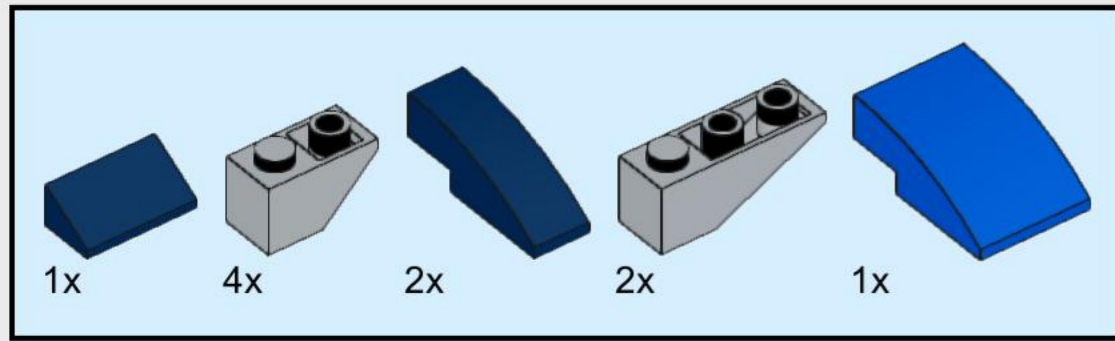


95

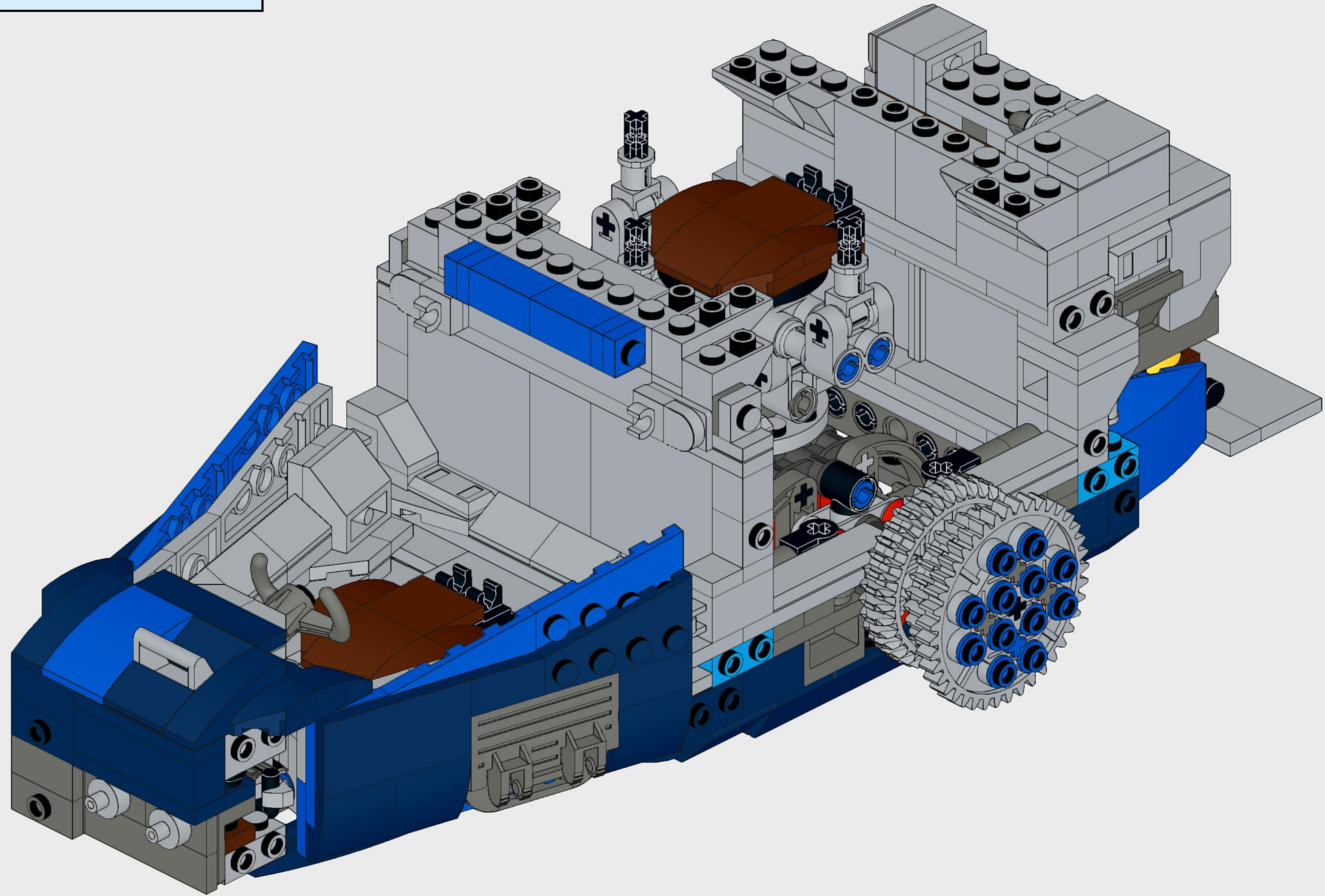


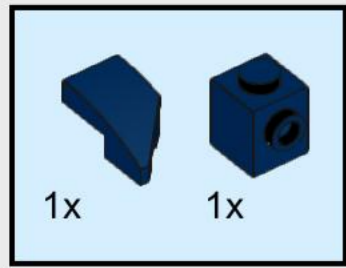
96



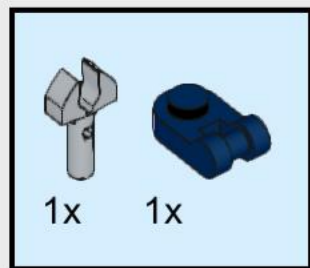


97

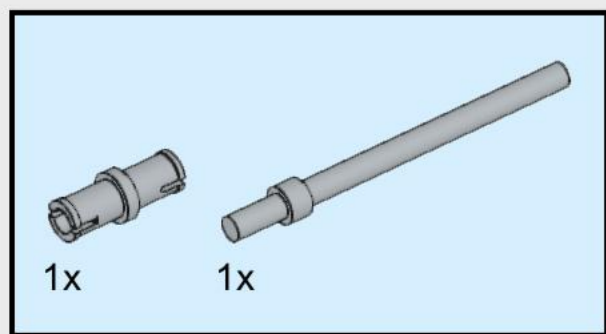
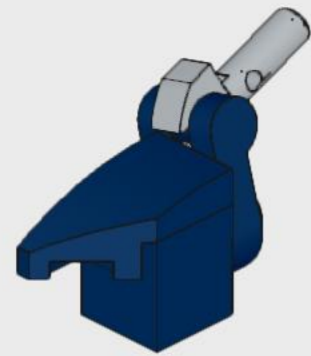




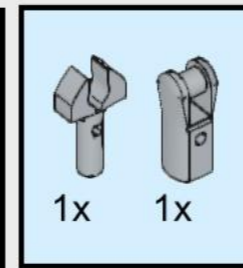
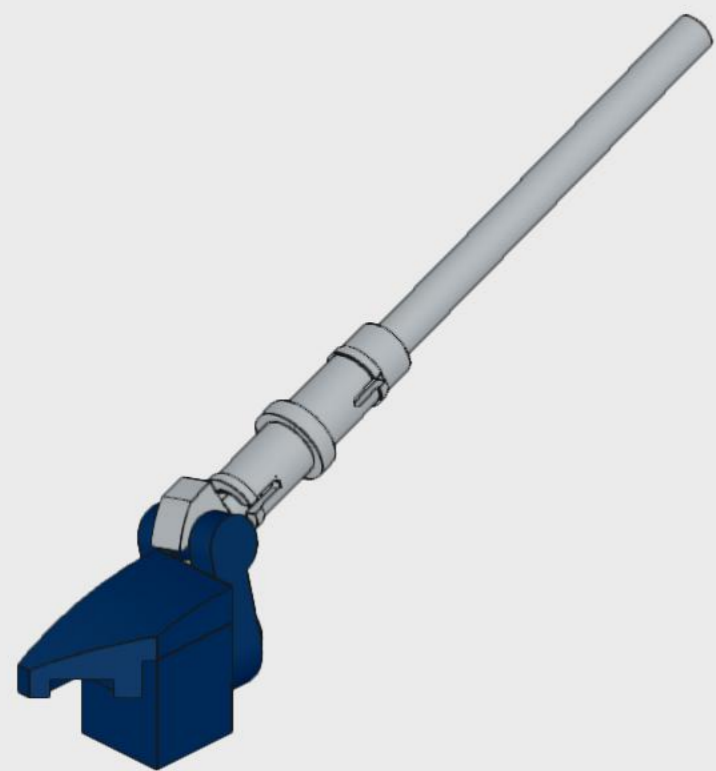
98



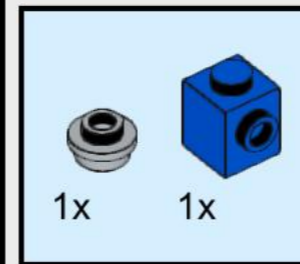
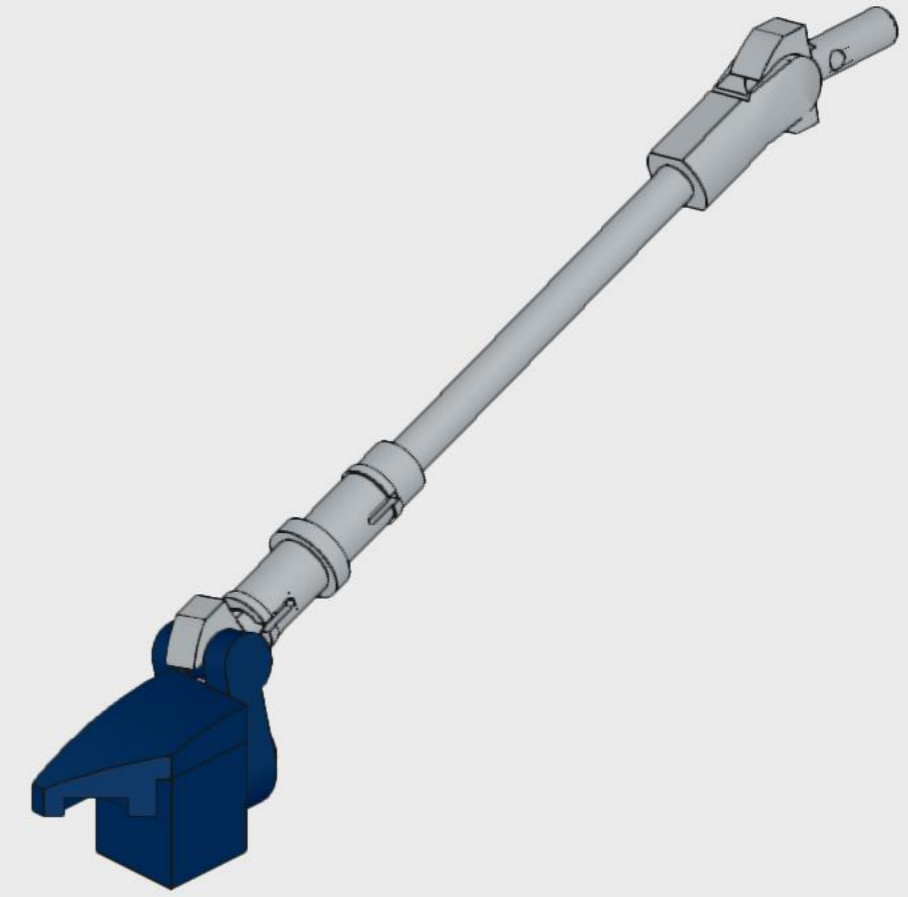
99



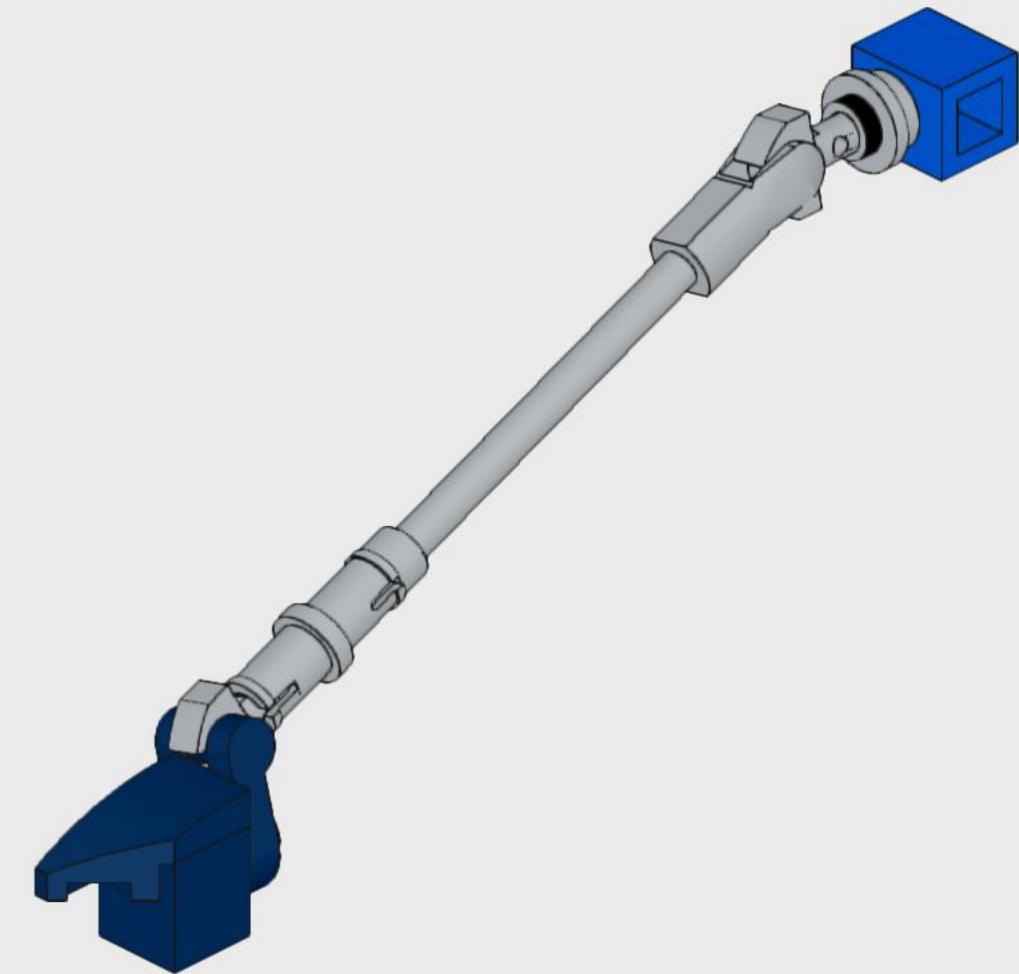
100



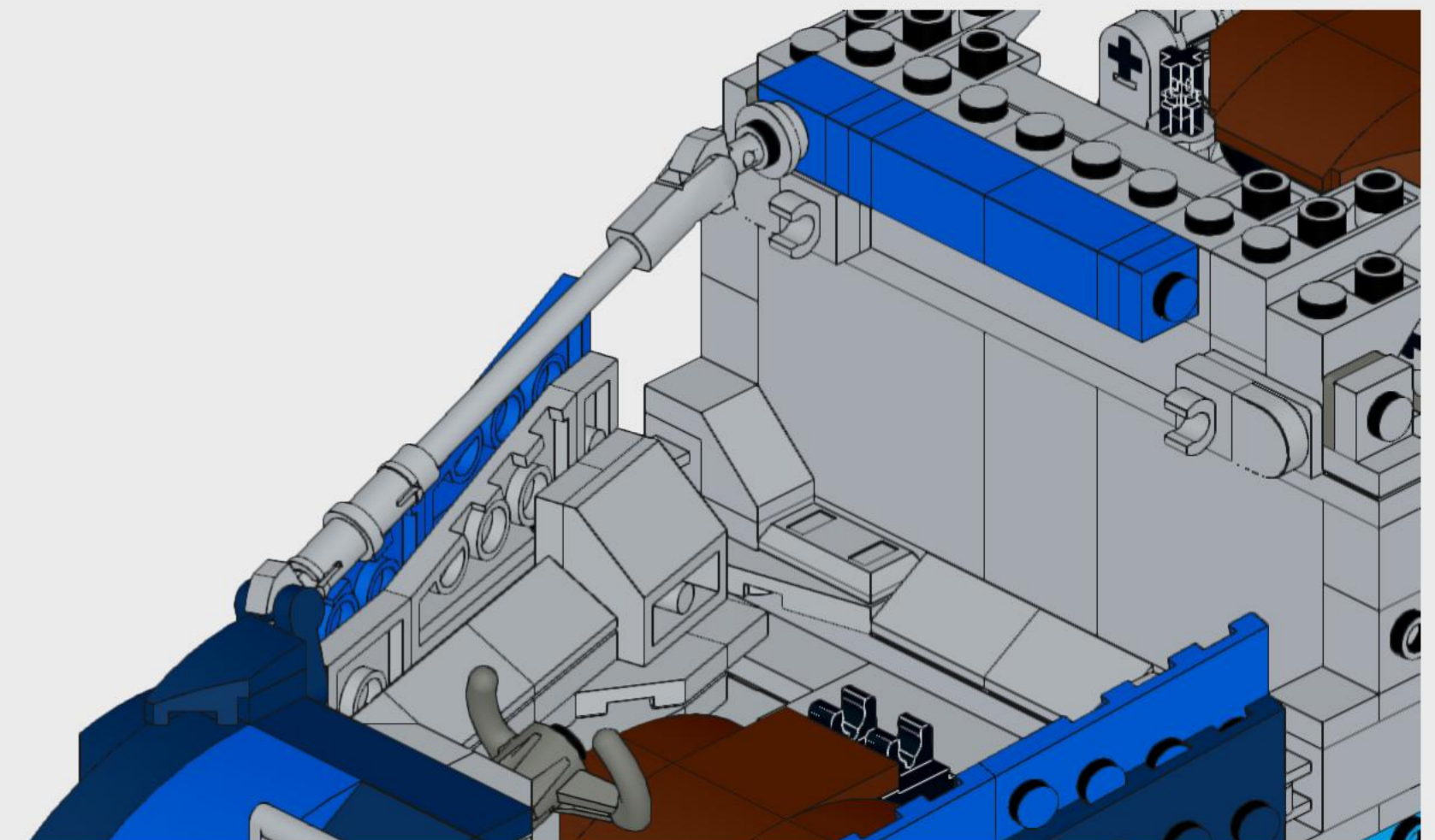
101

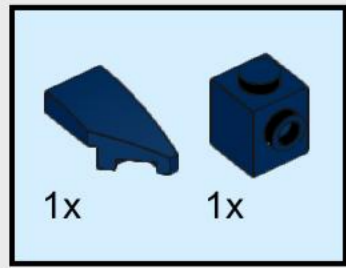


102

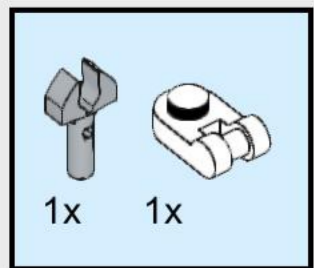


103

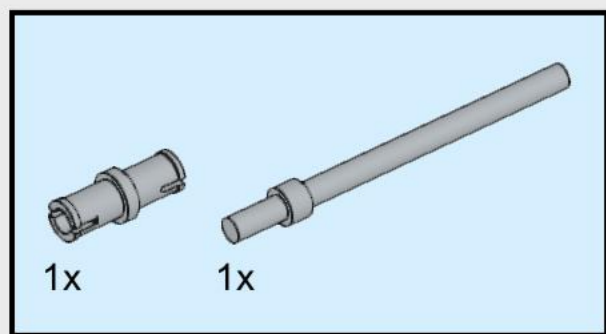
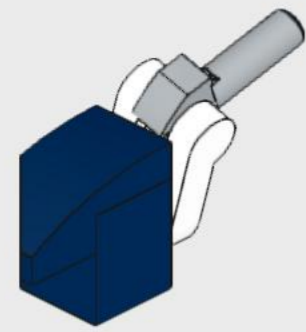




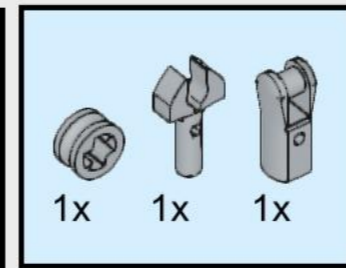
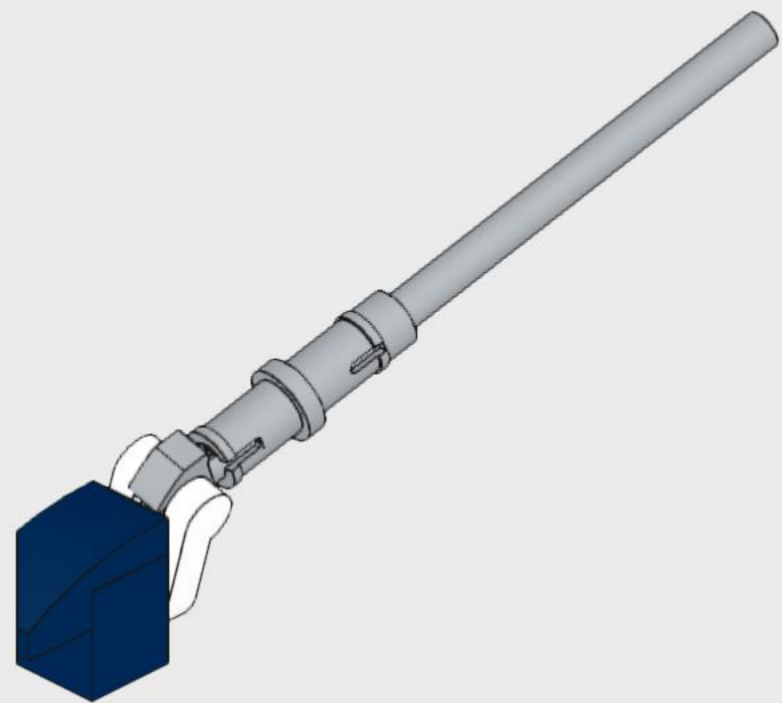
104



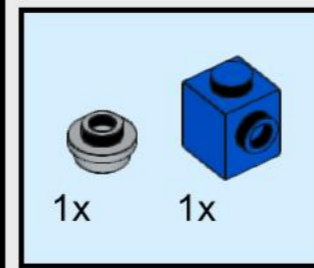
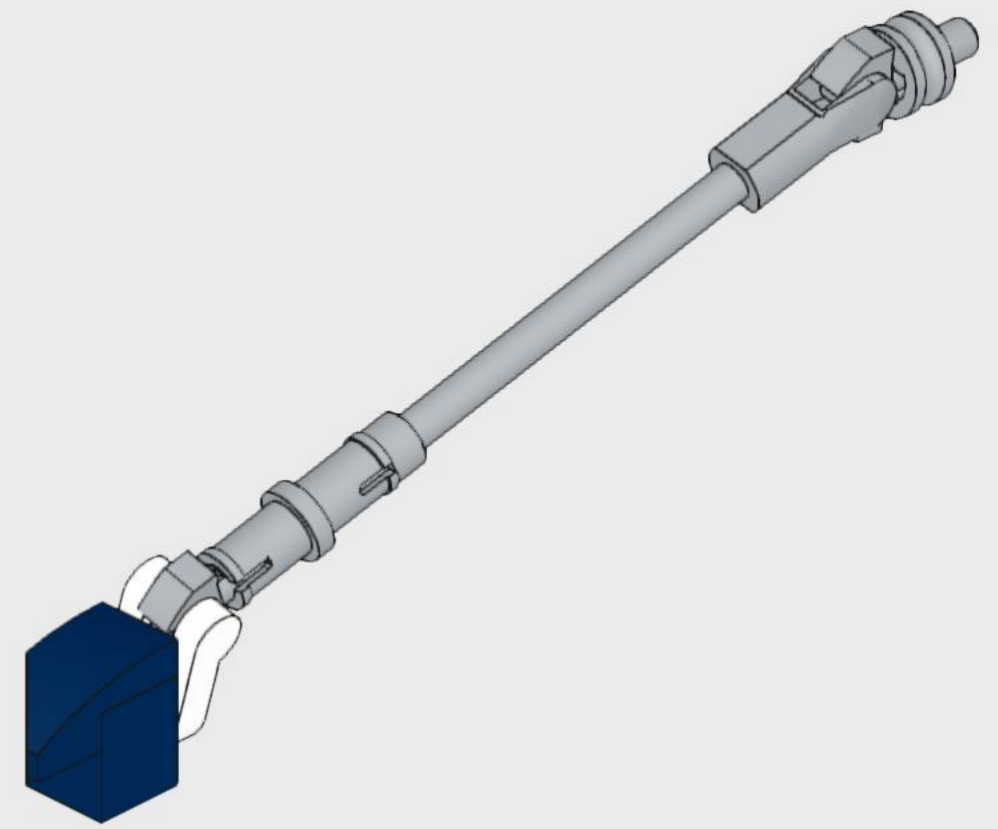
105



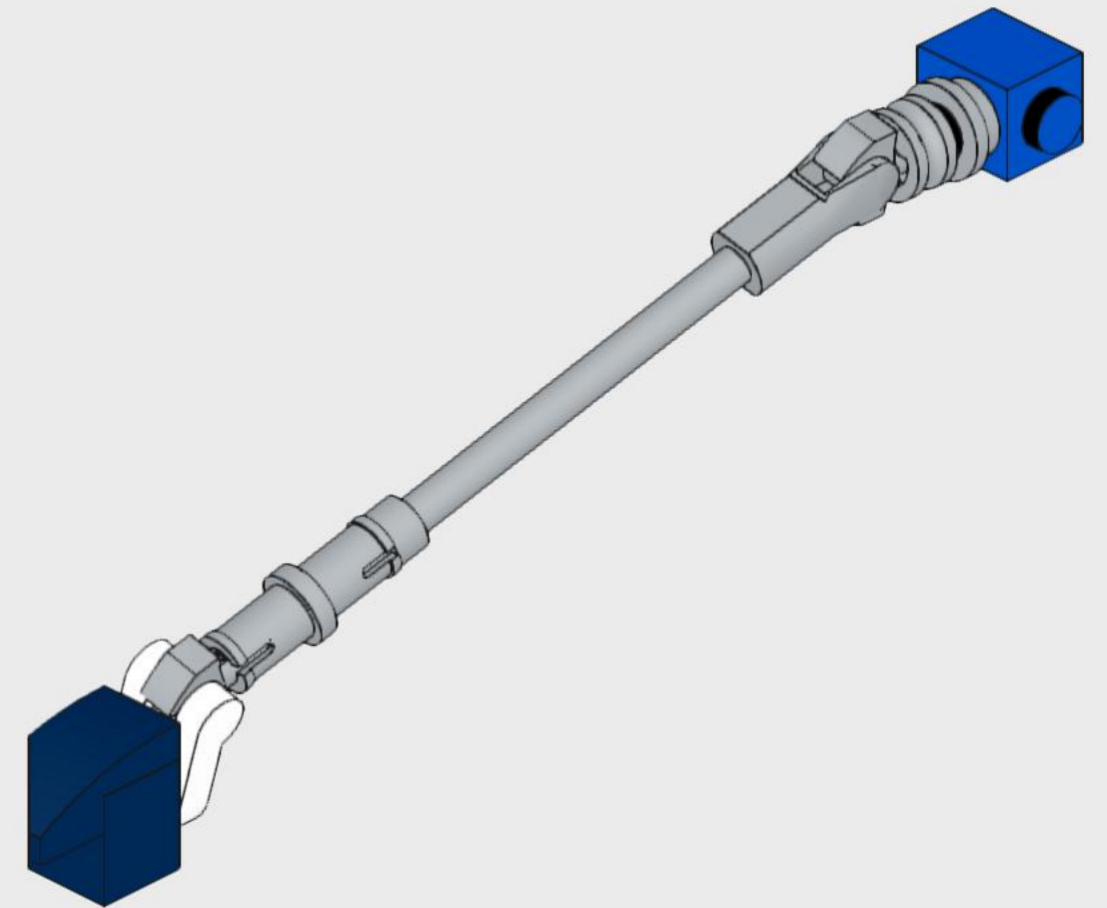
106



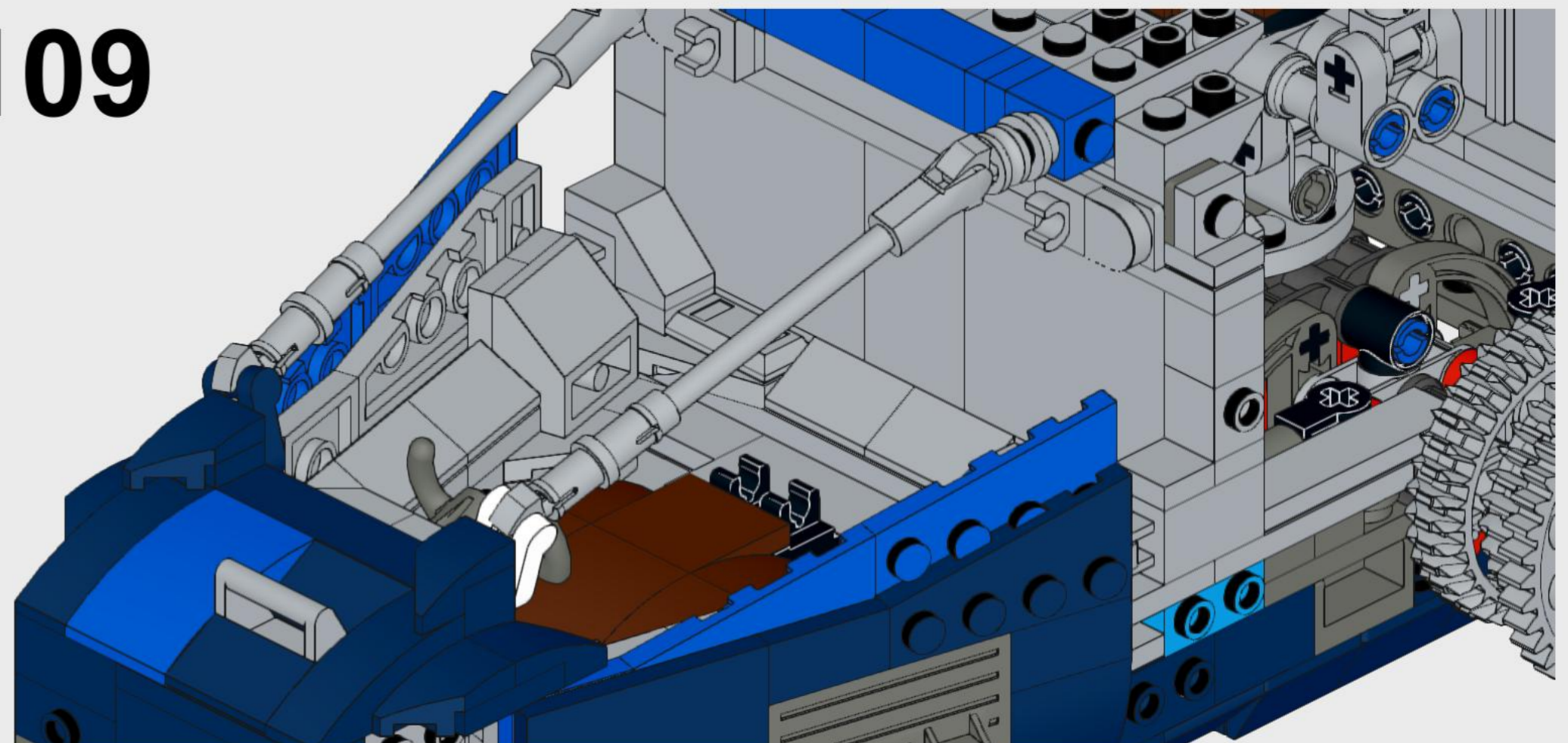
107



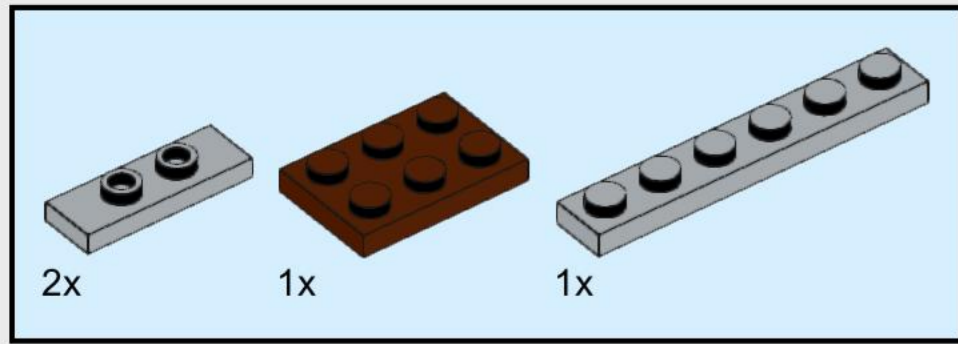
108



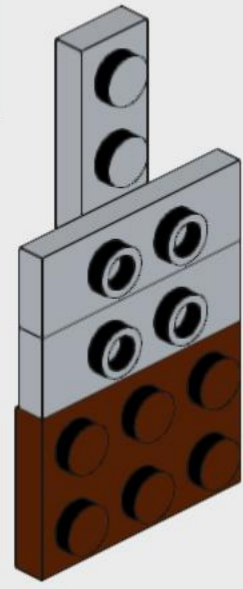
109



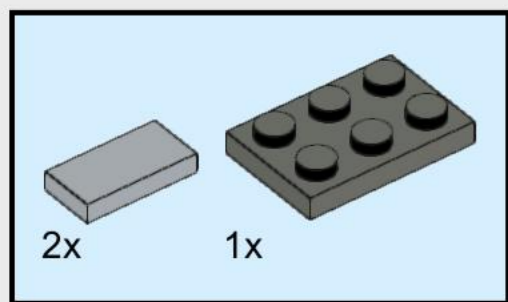
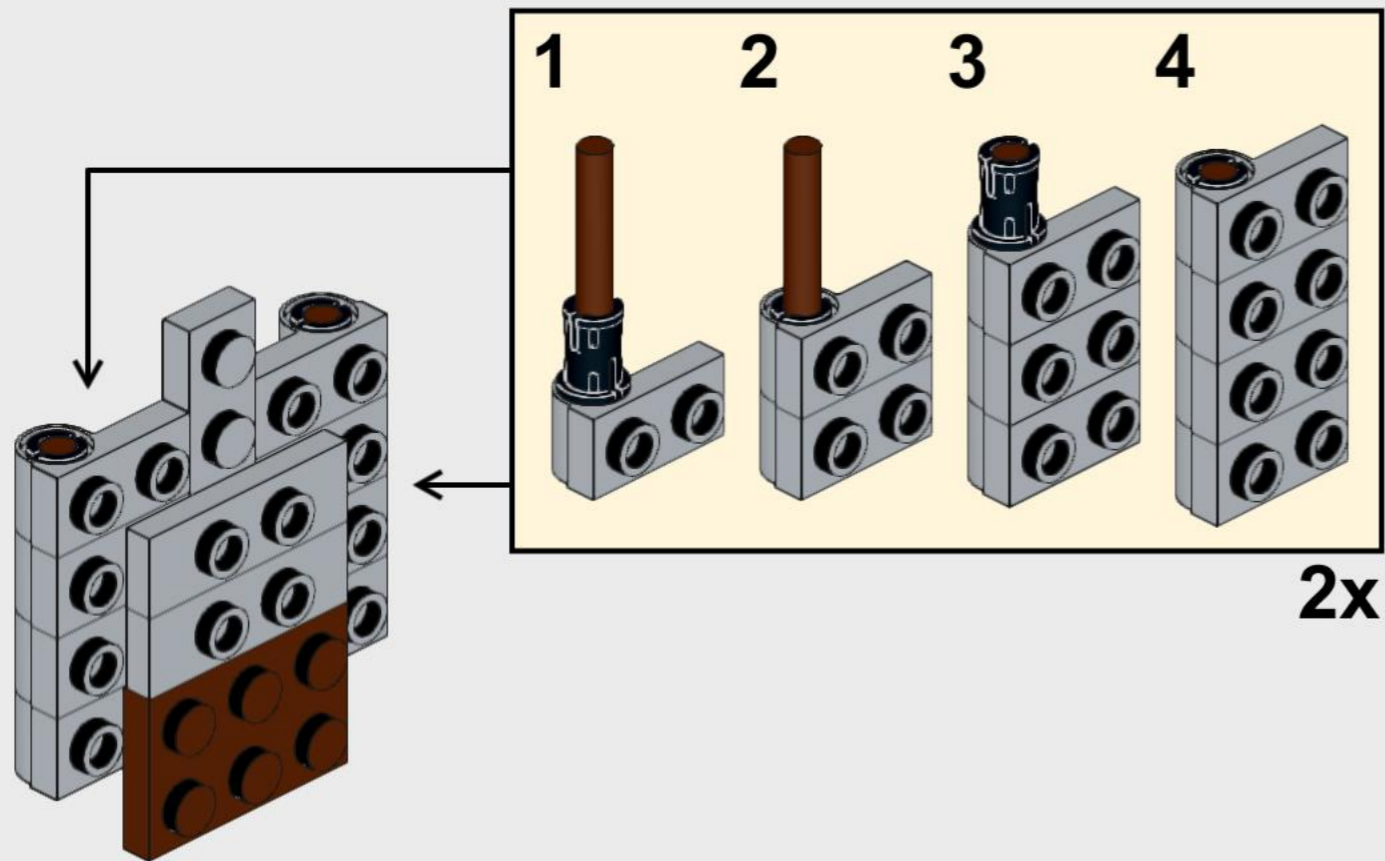




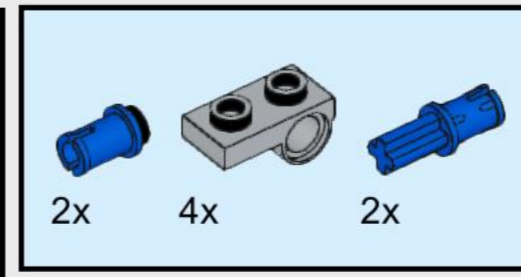
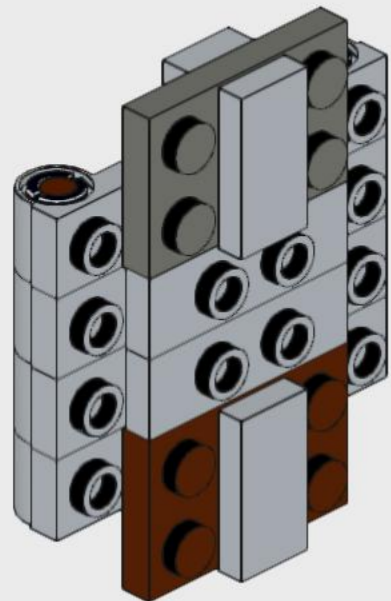
110



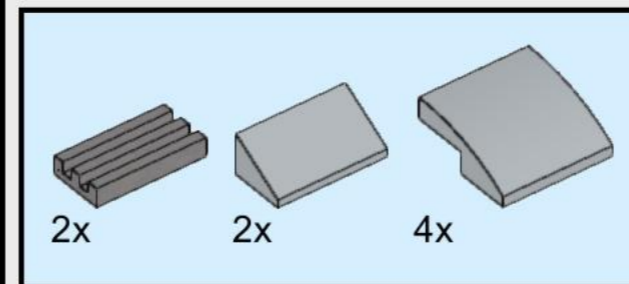
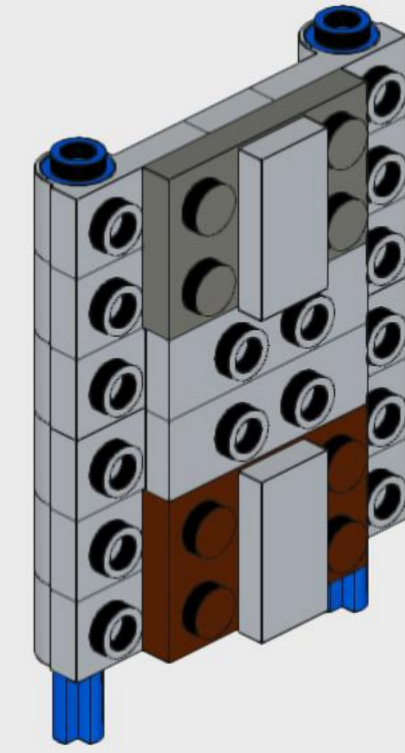
111



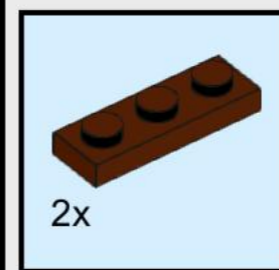
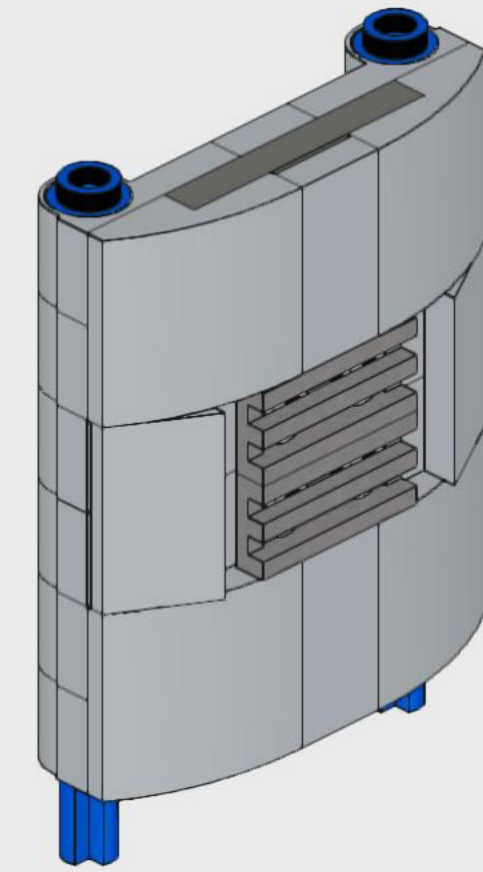
112



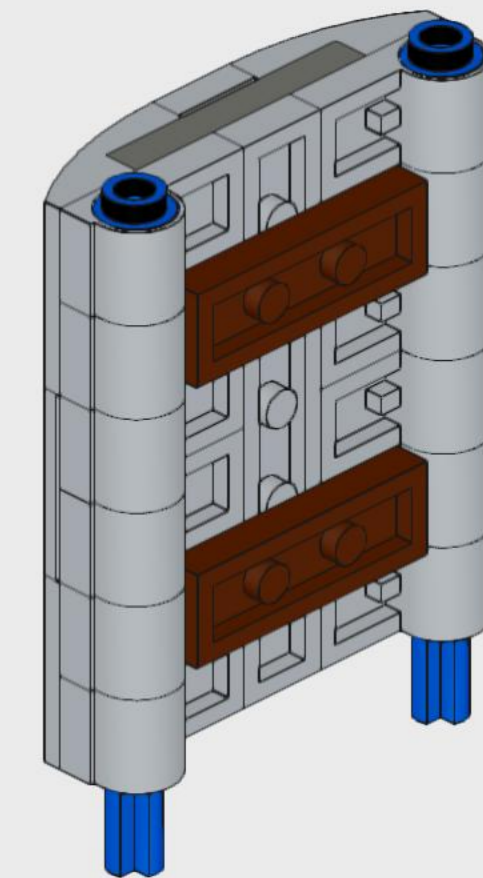
113

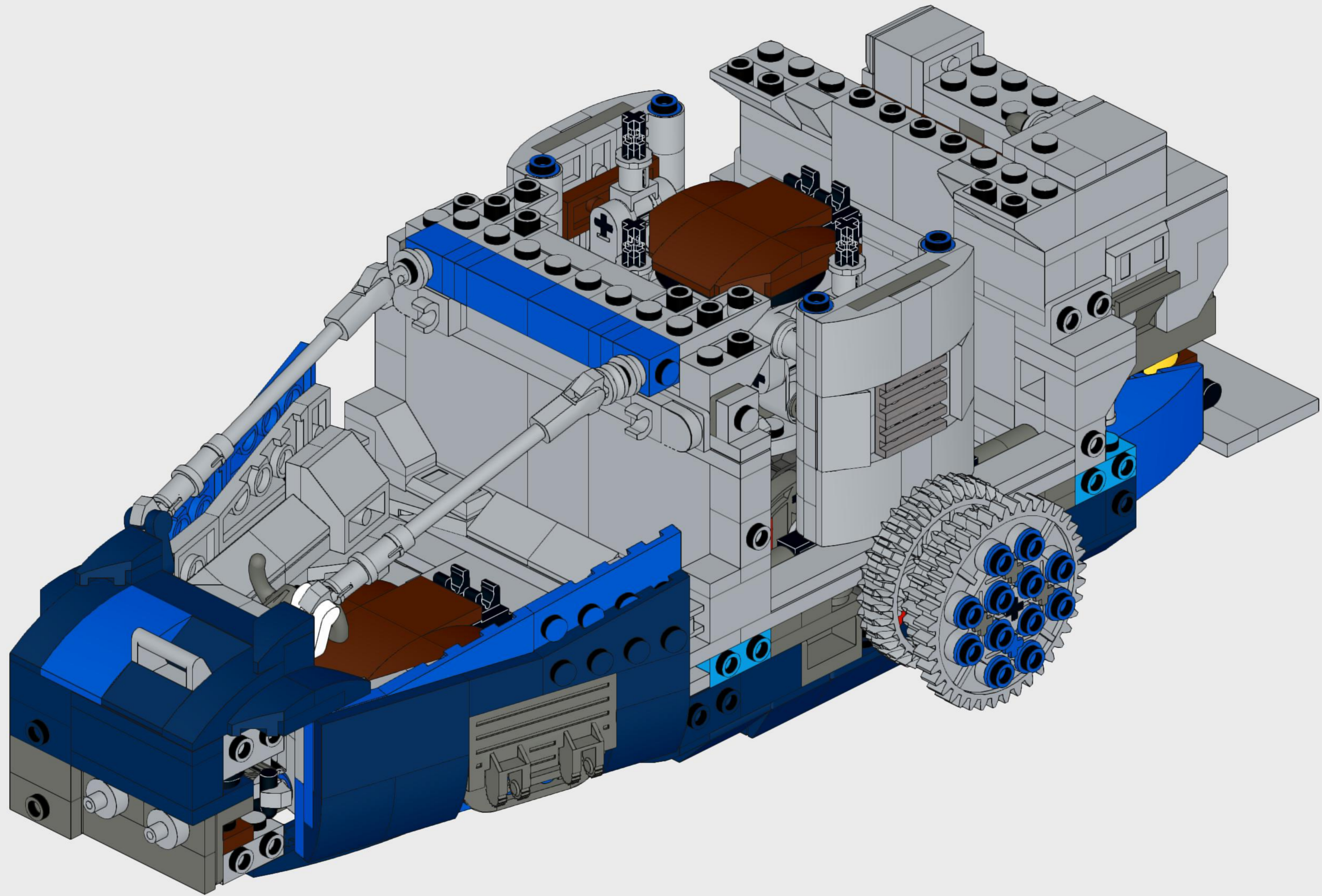


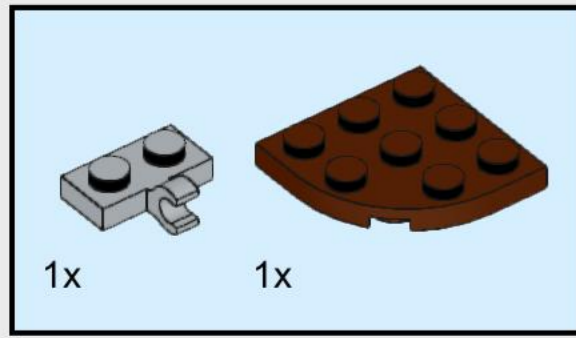
114



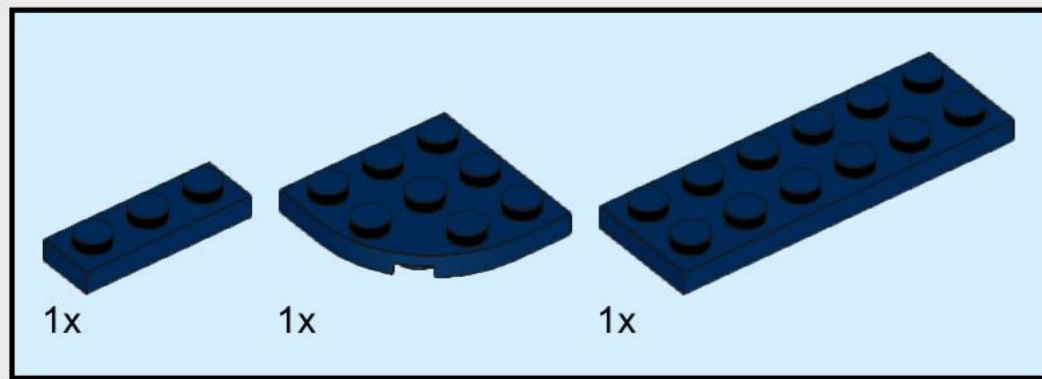
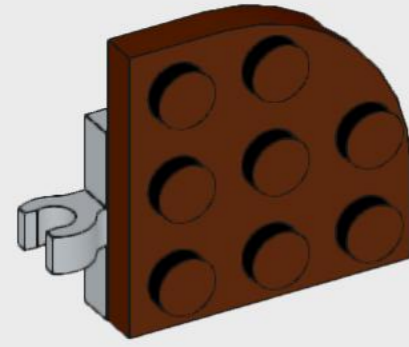
115



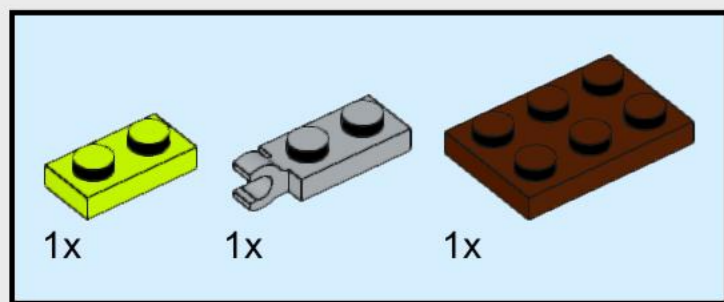
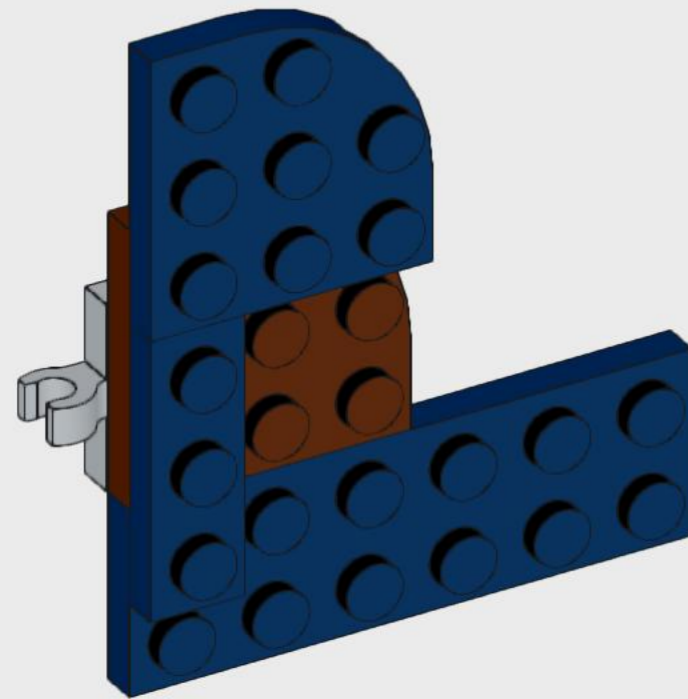




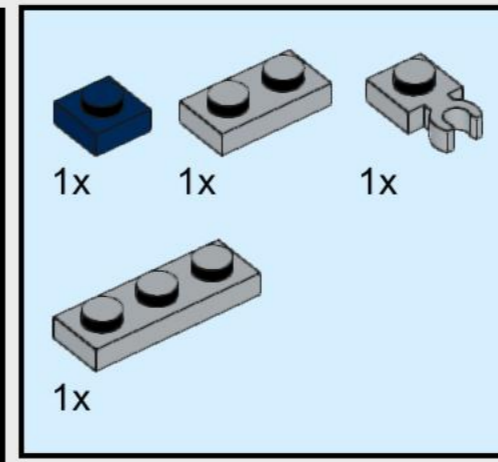
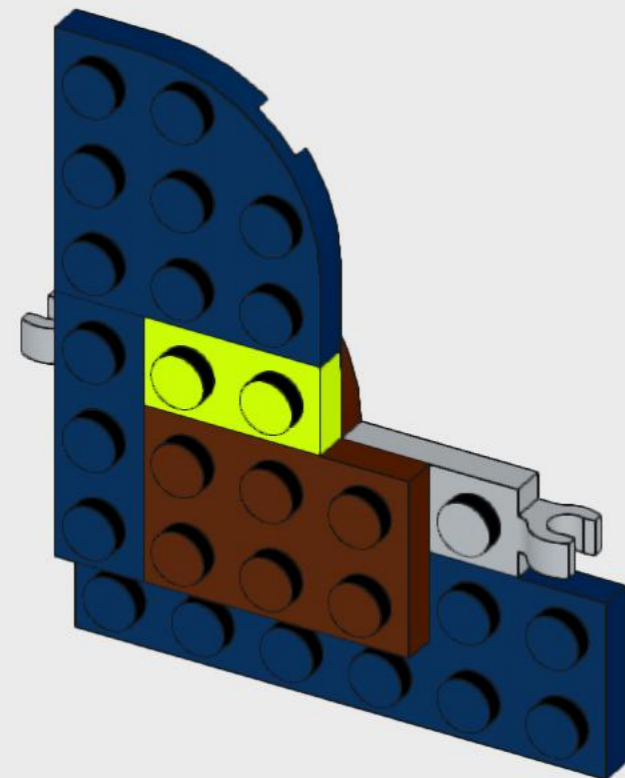
117



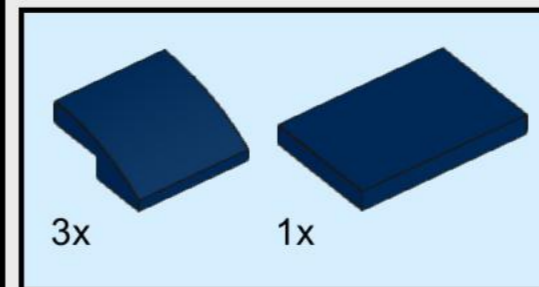
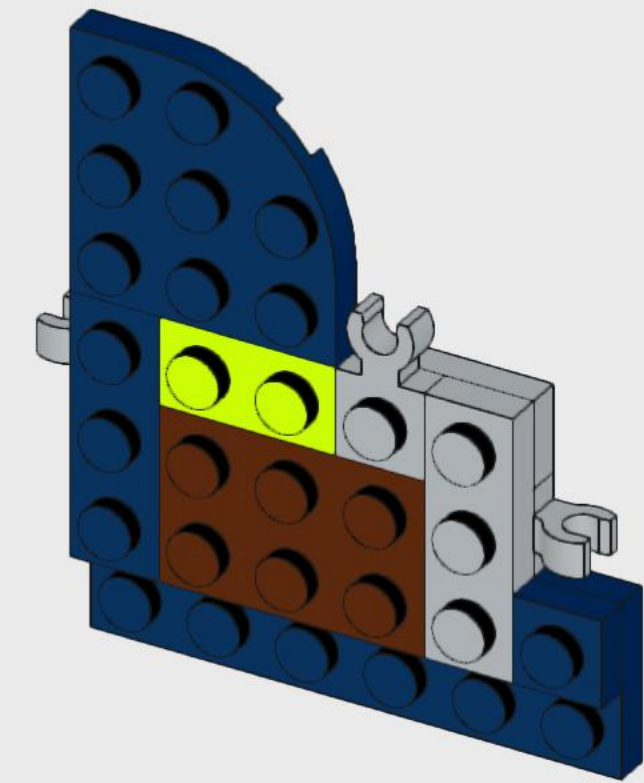
118



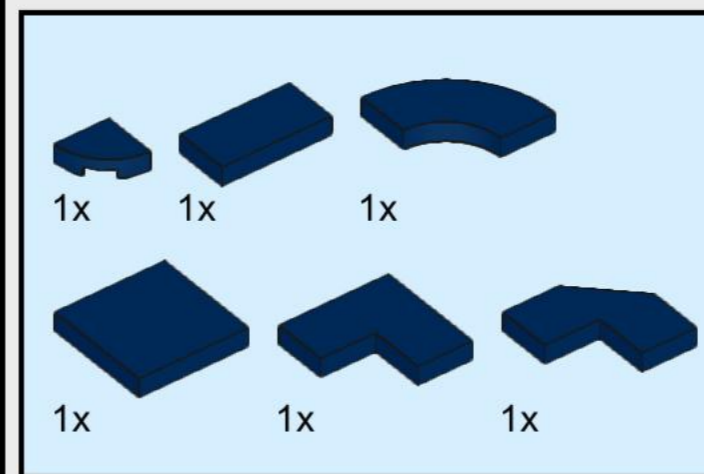
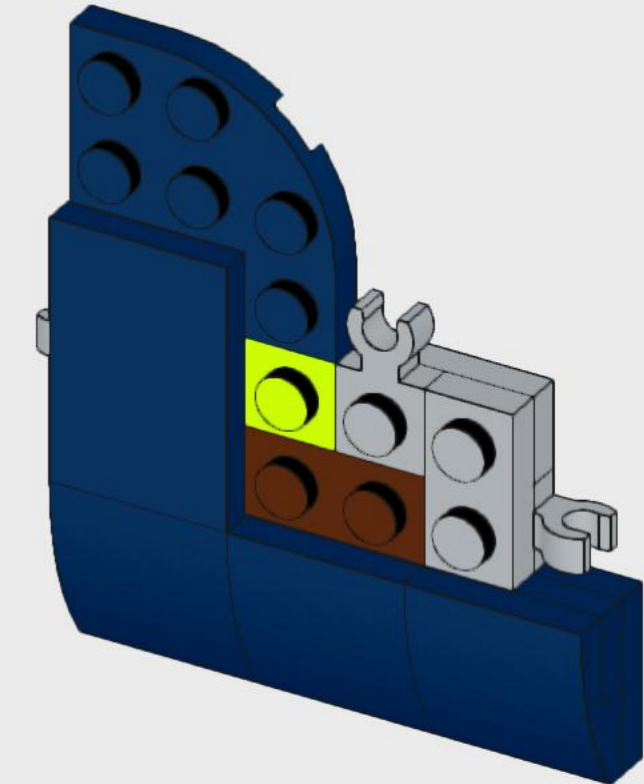
119 



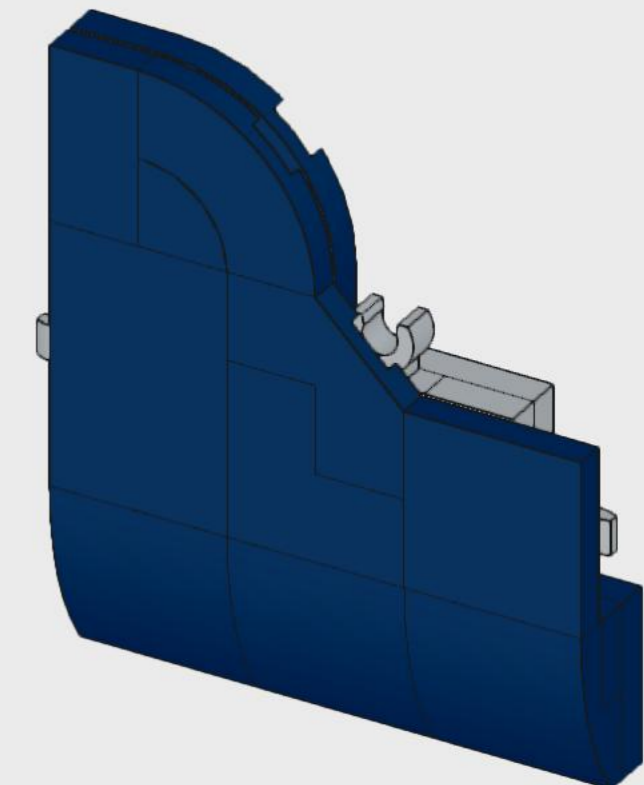
120

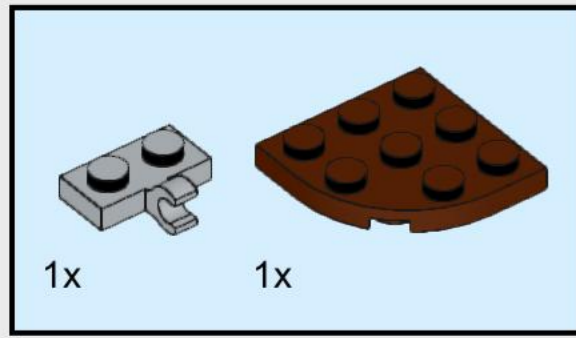


121

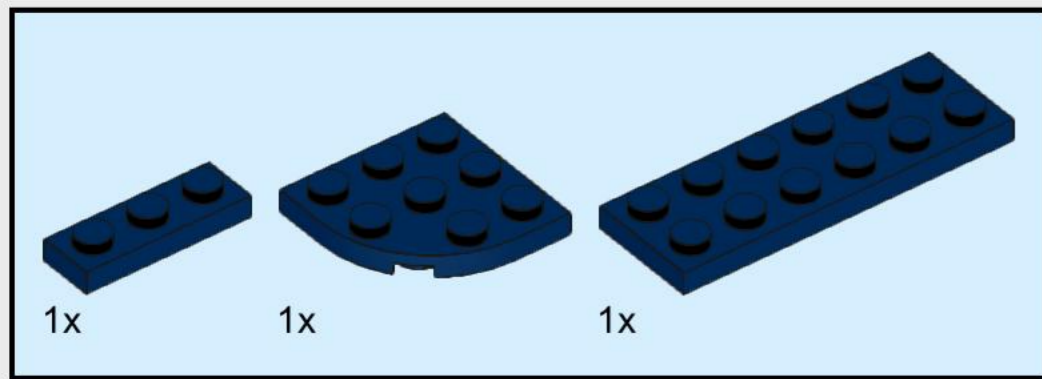
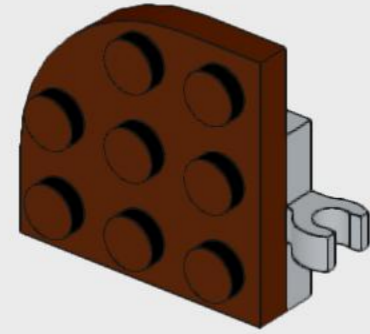


122

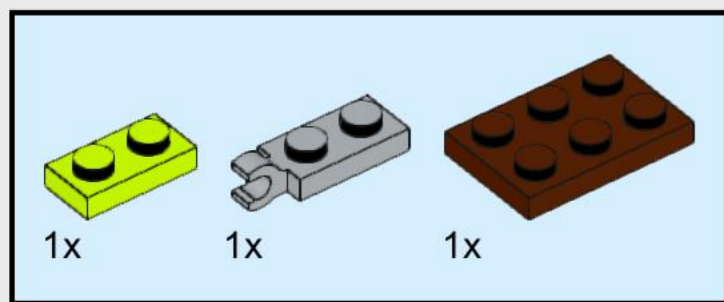
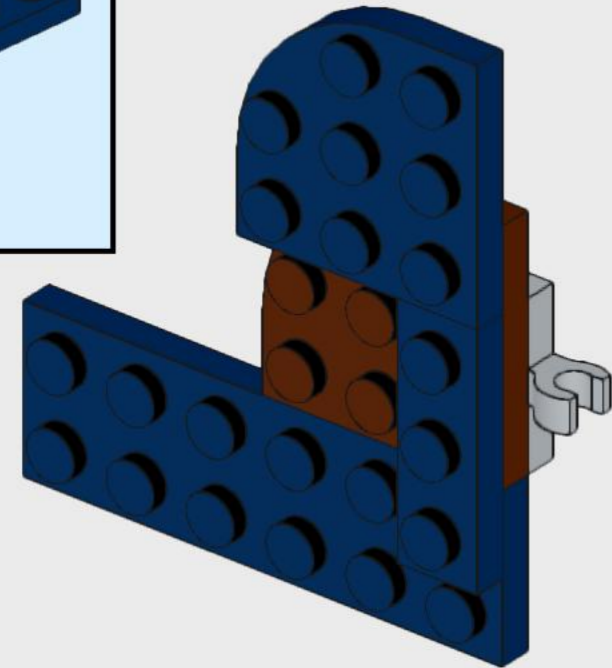




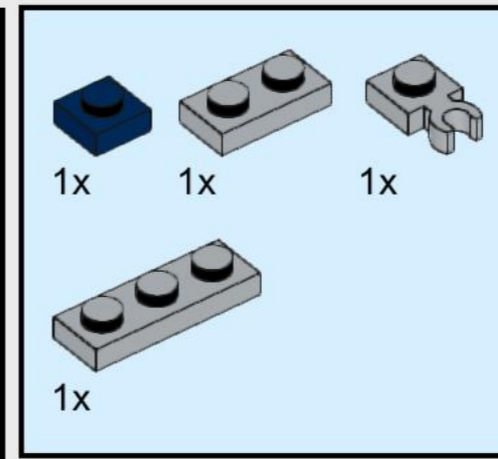
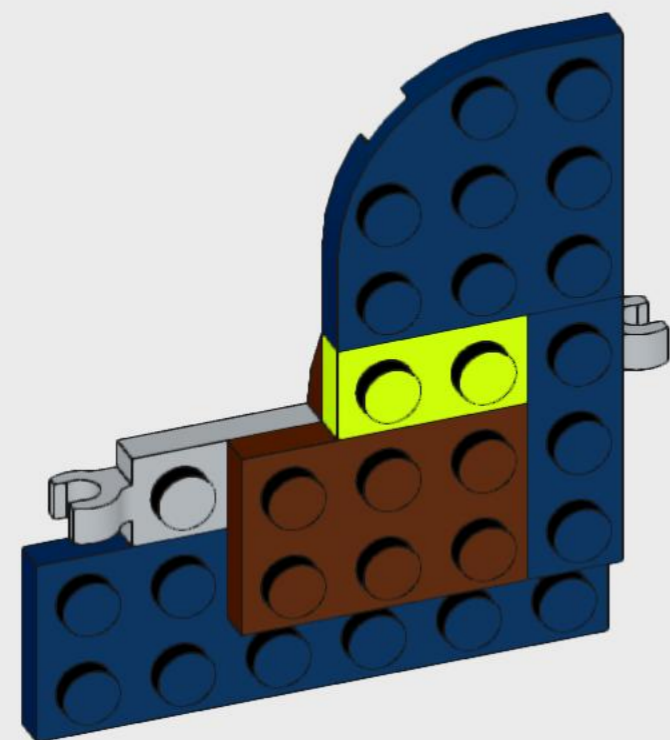
123



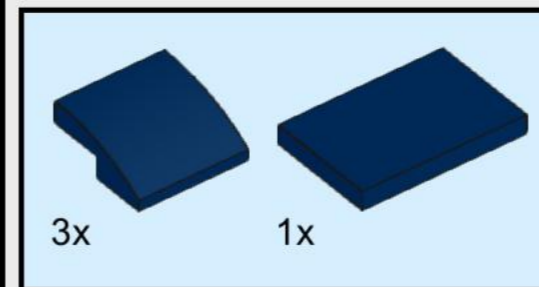
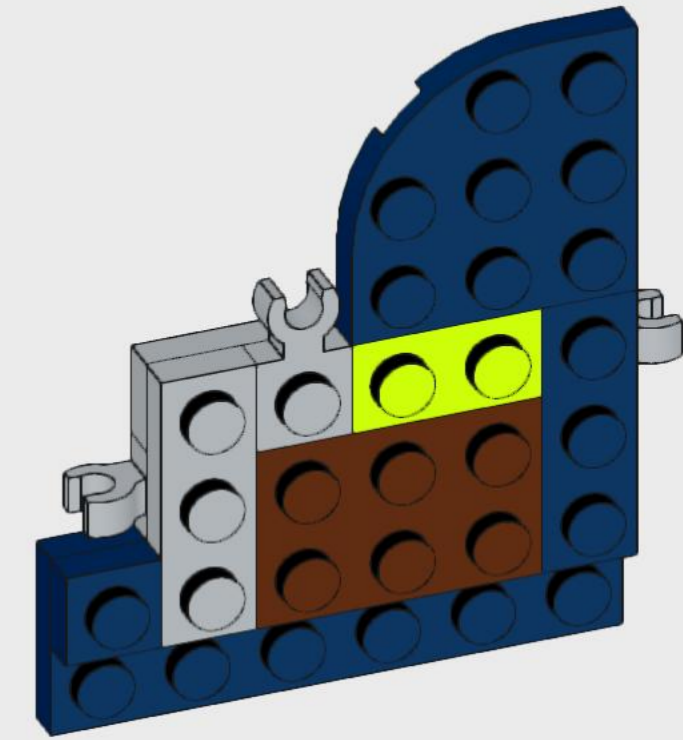
124



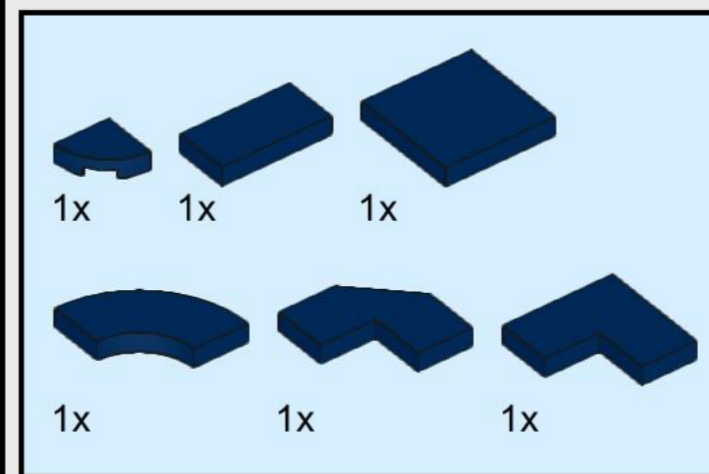
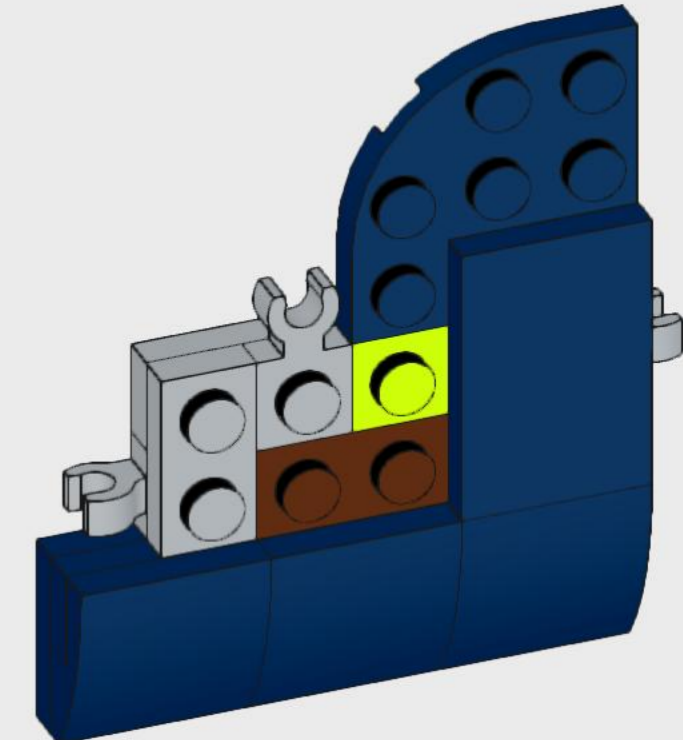
125 



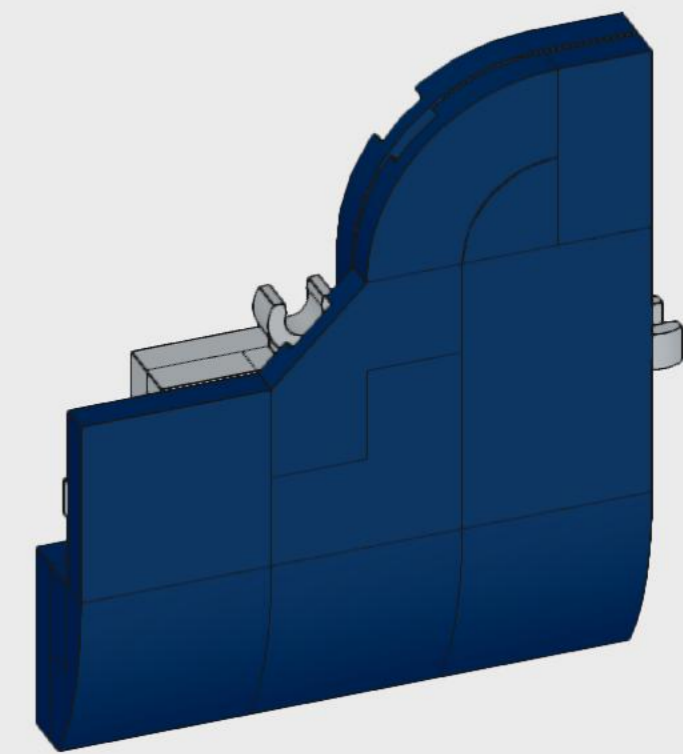
126

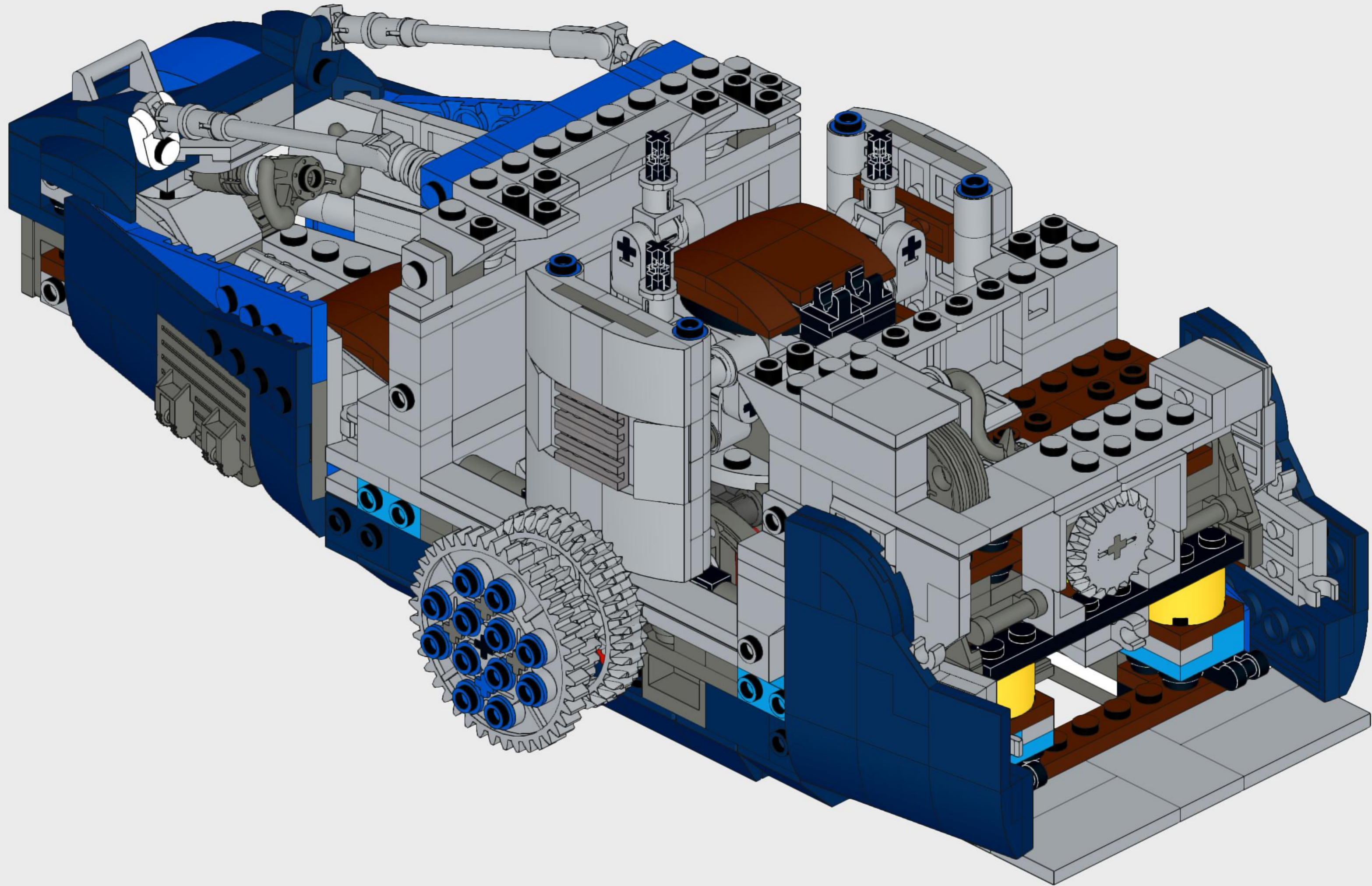


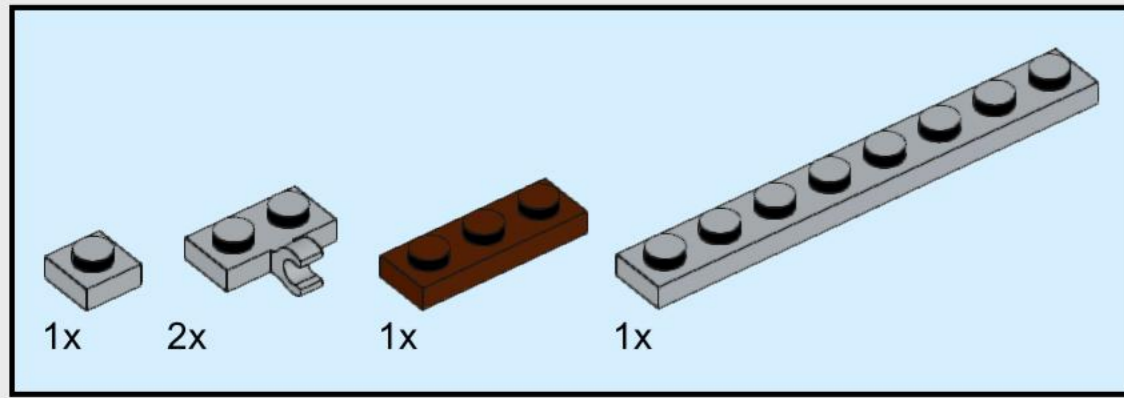
127



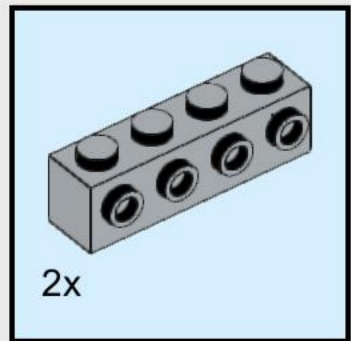
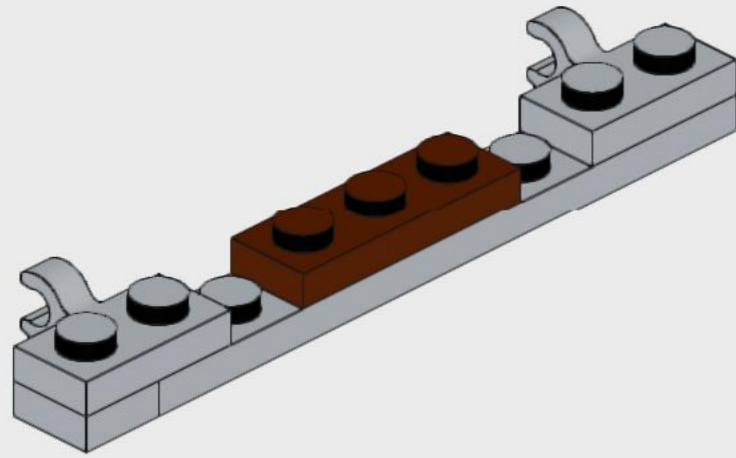
128



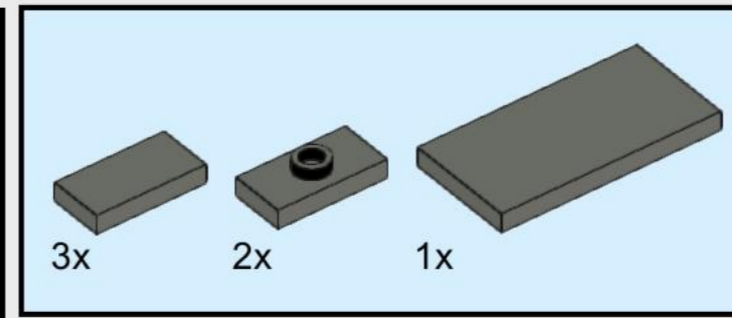
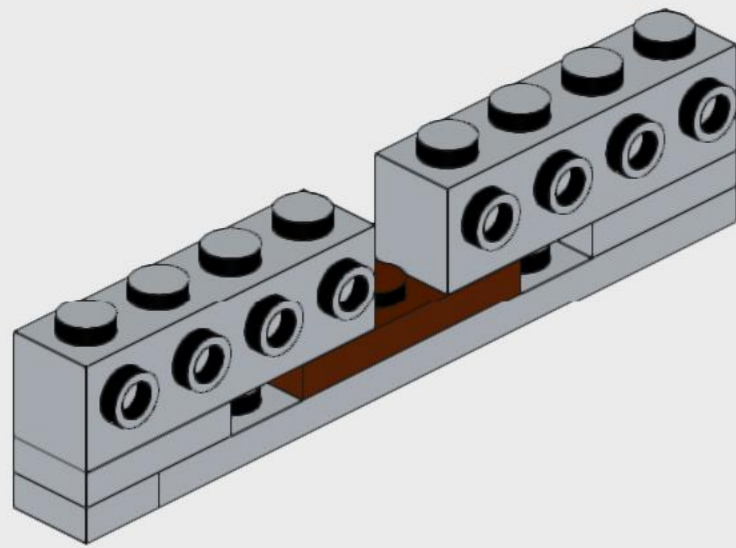




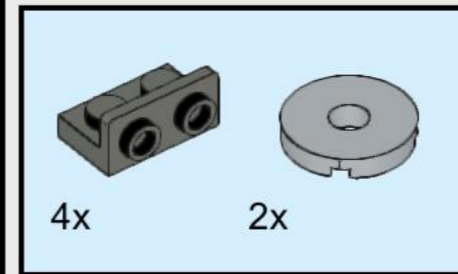
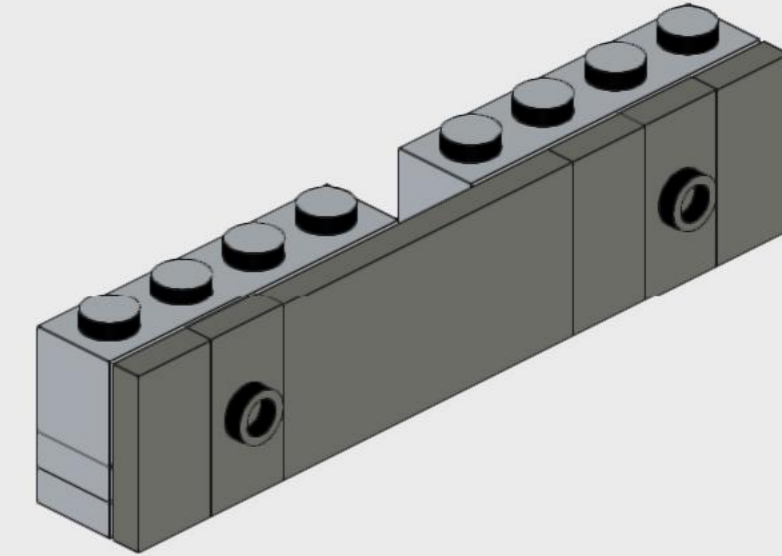
130



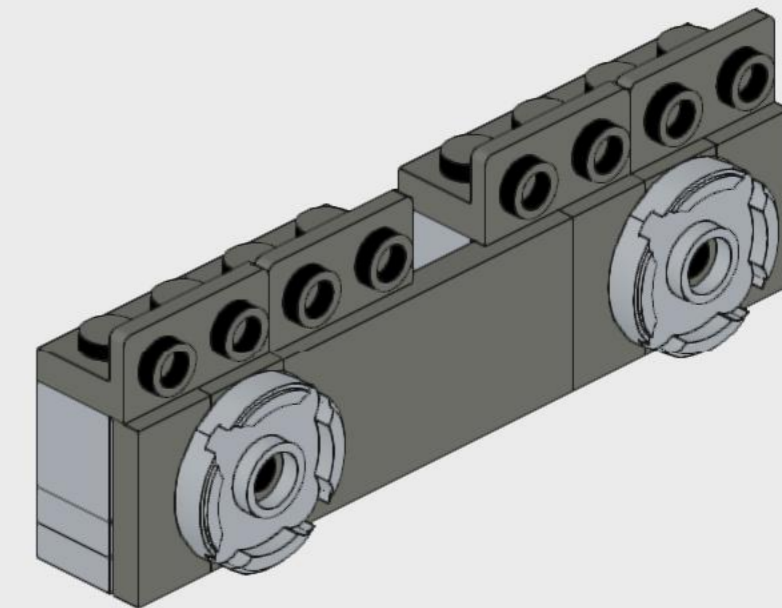
131

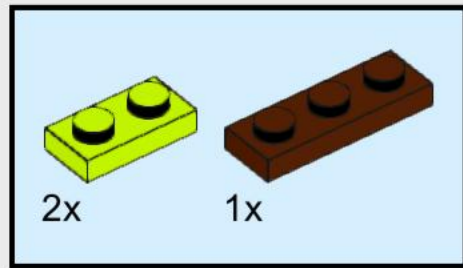


132

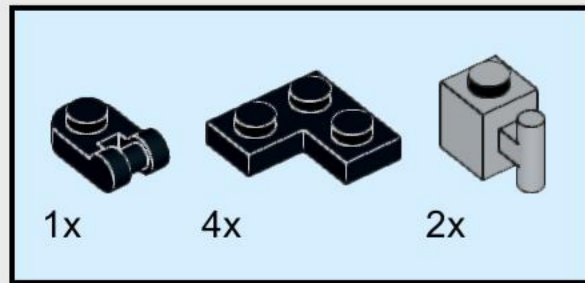
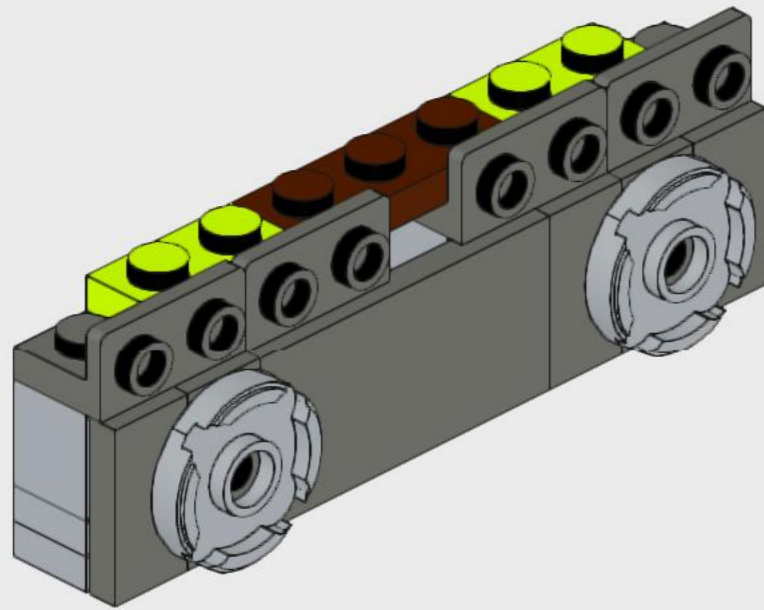


133

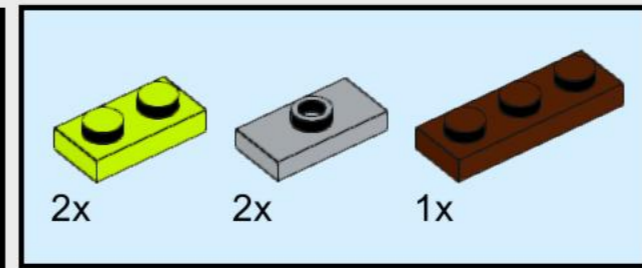
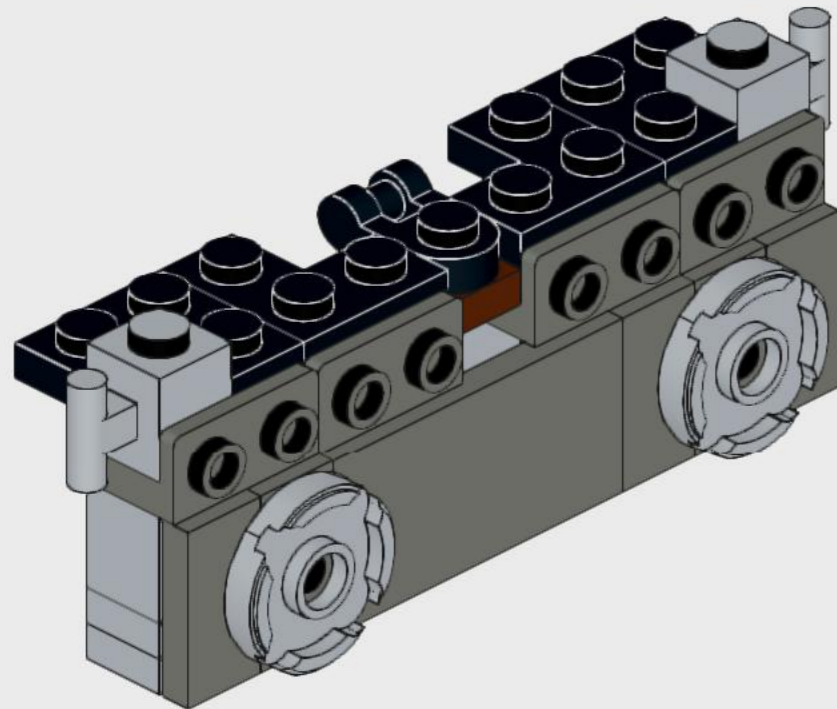




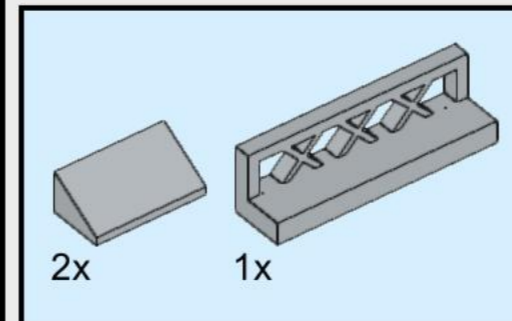
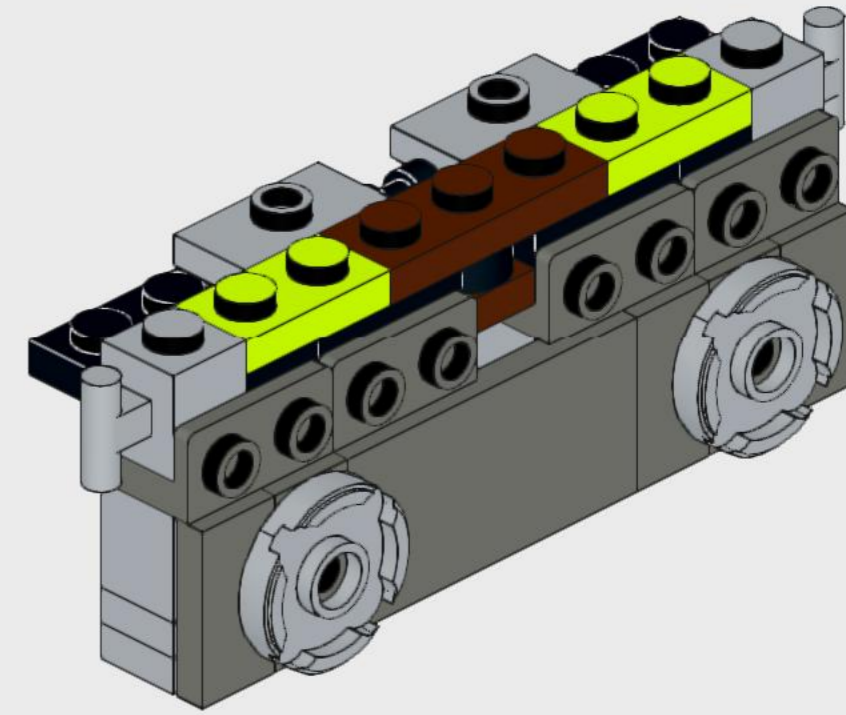
134



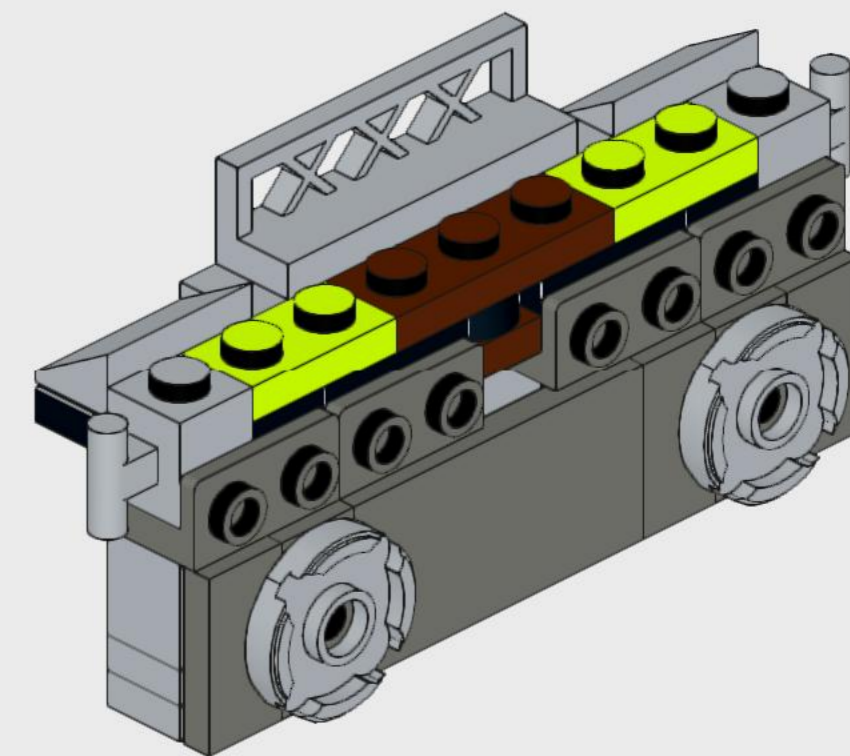
135

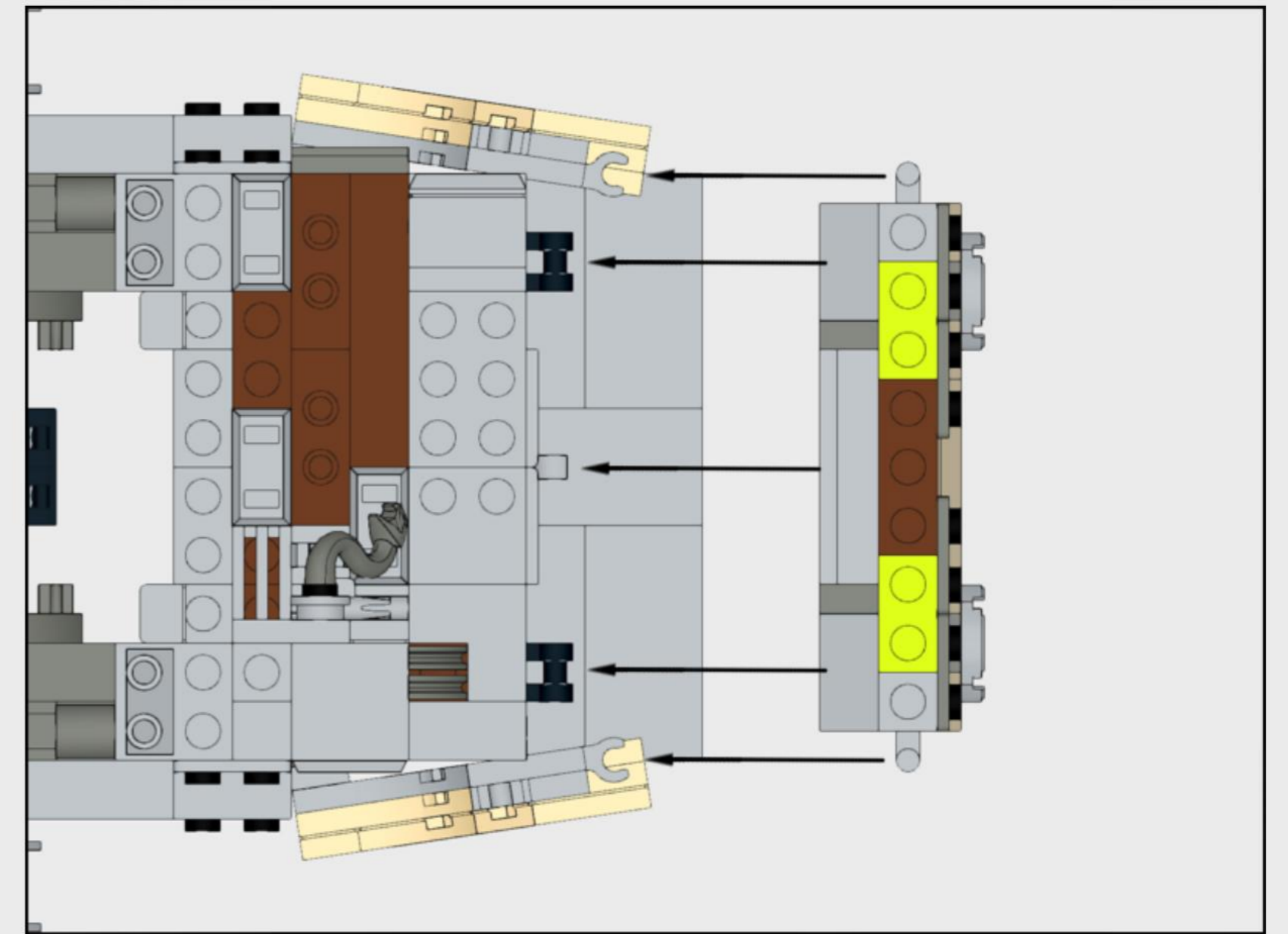
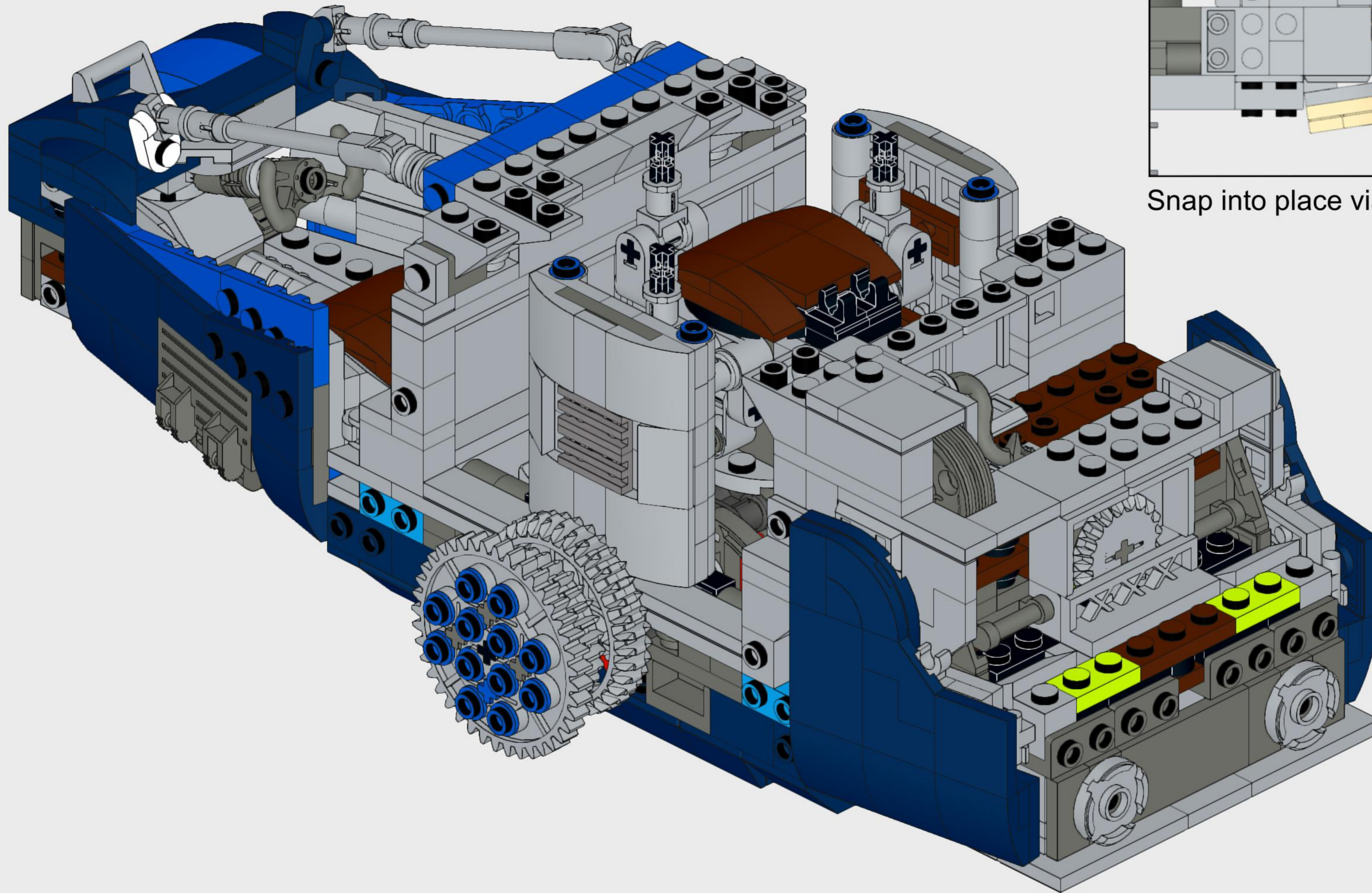


136



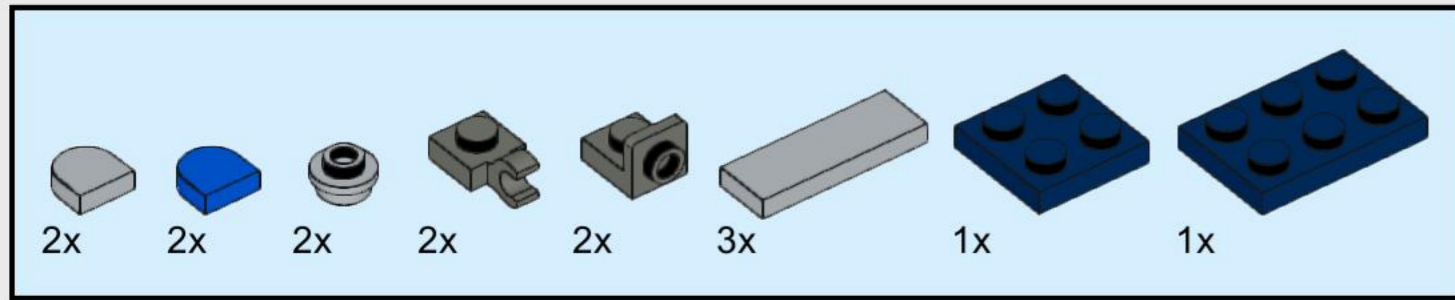
137



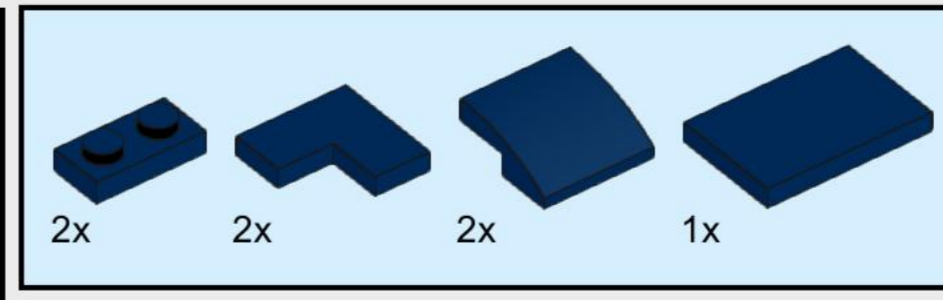
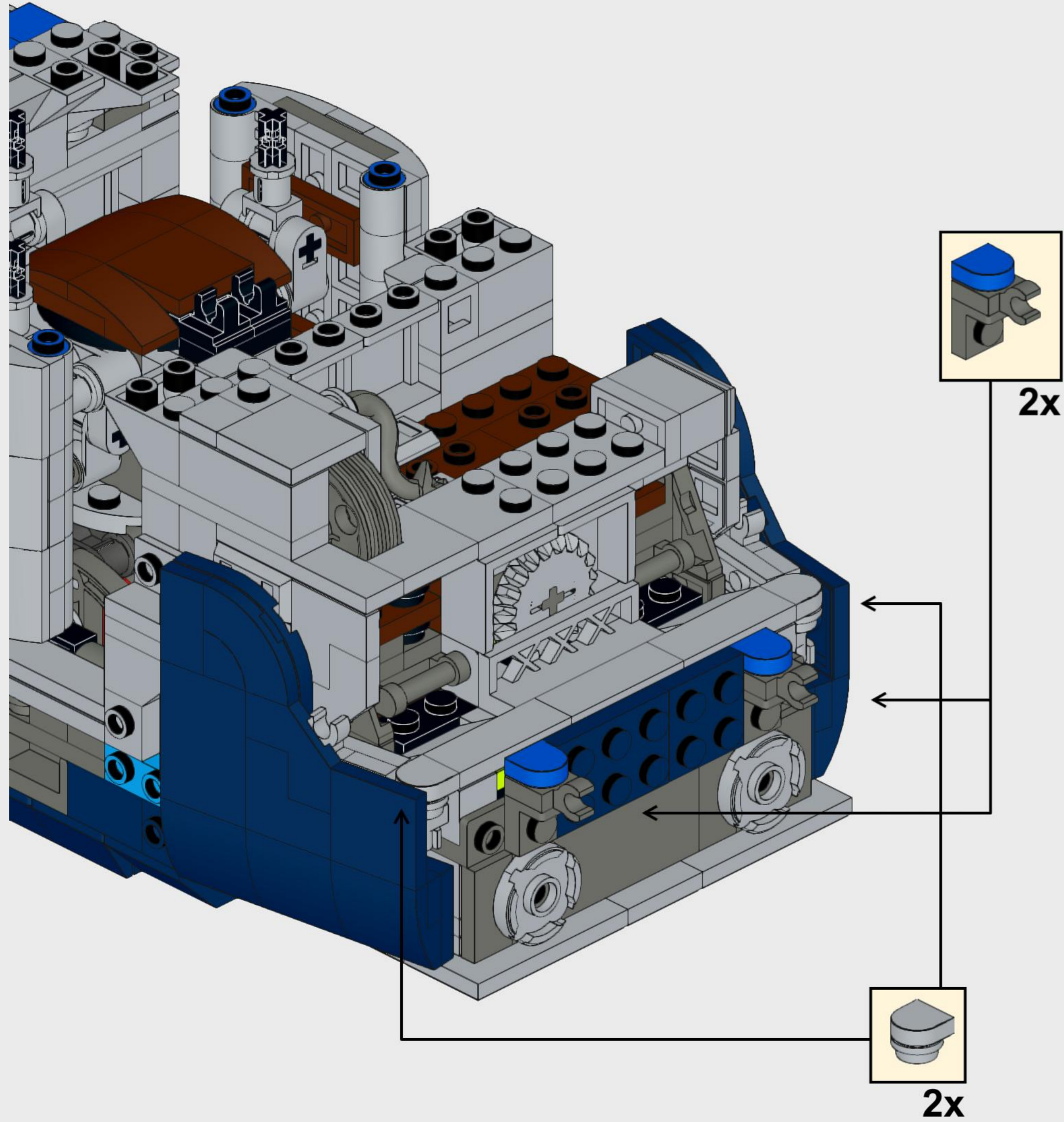


Snap into place via five clip points.

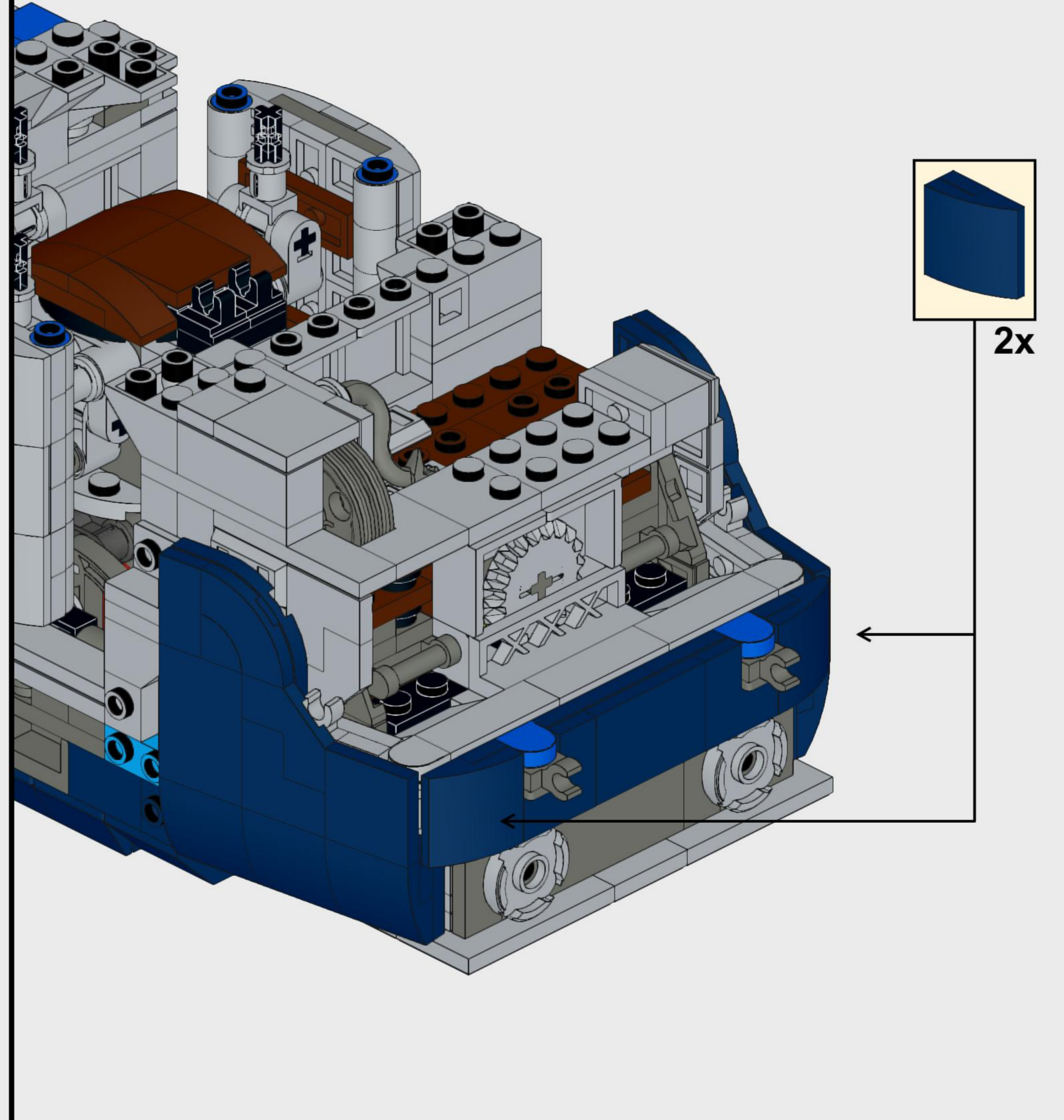


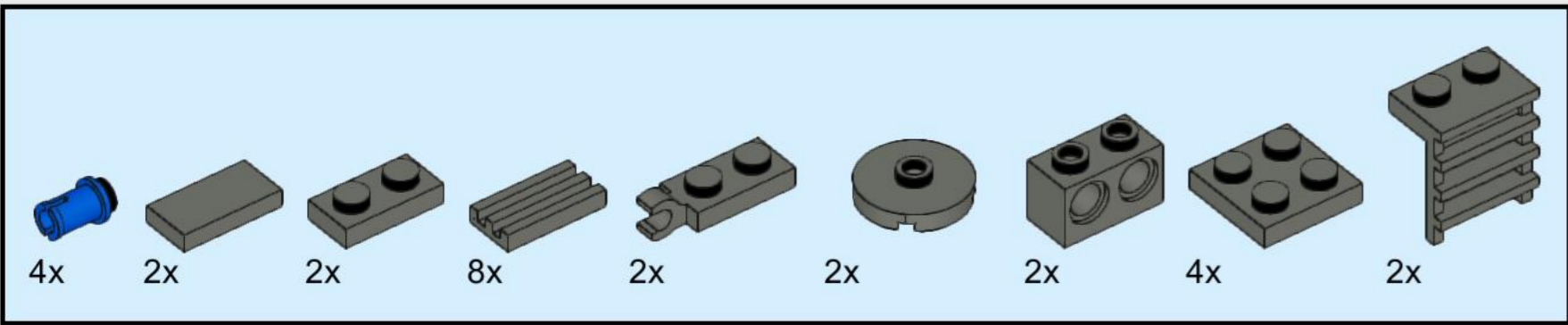


139

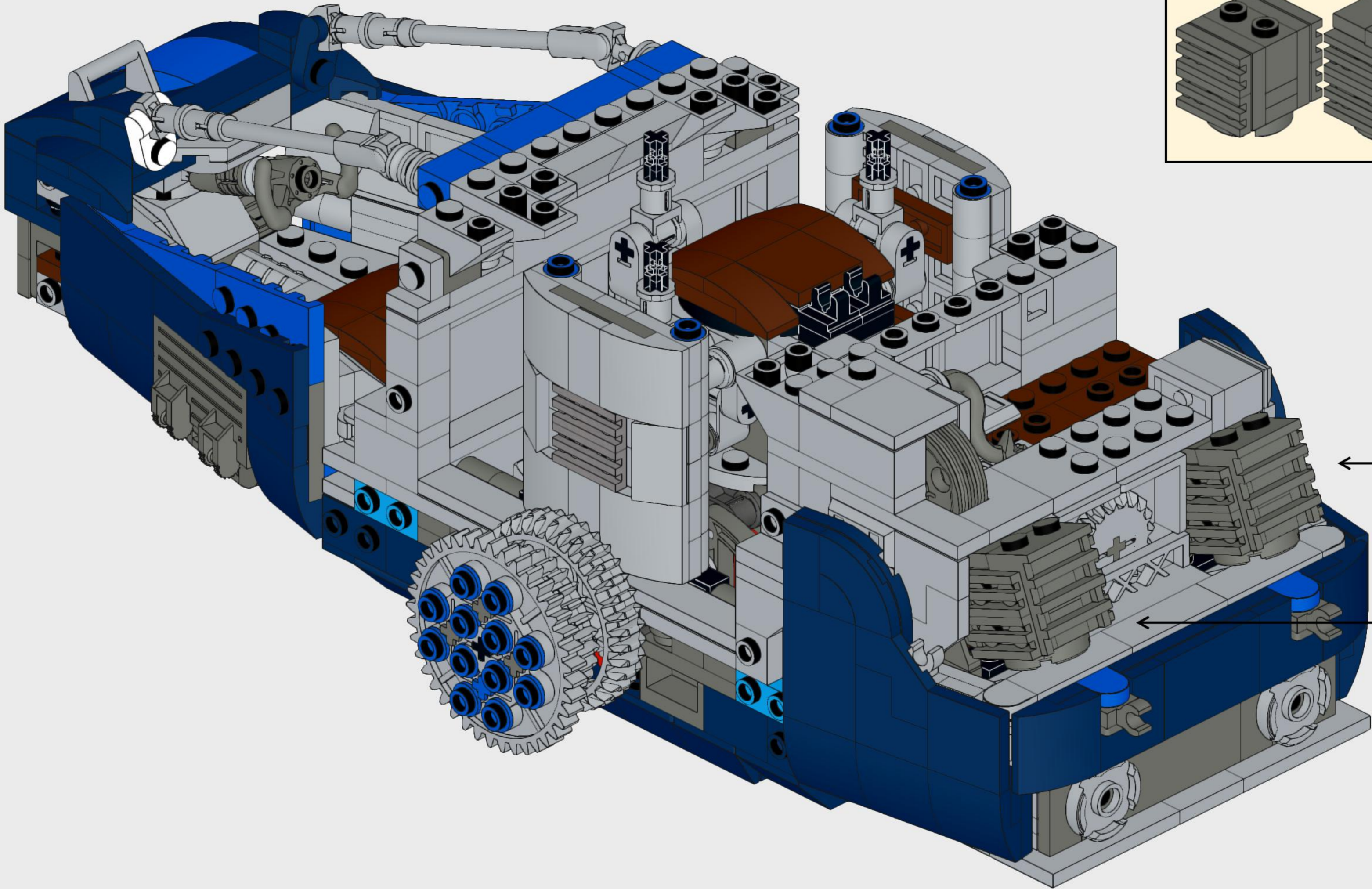
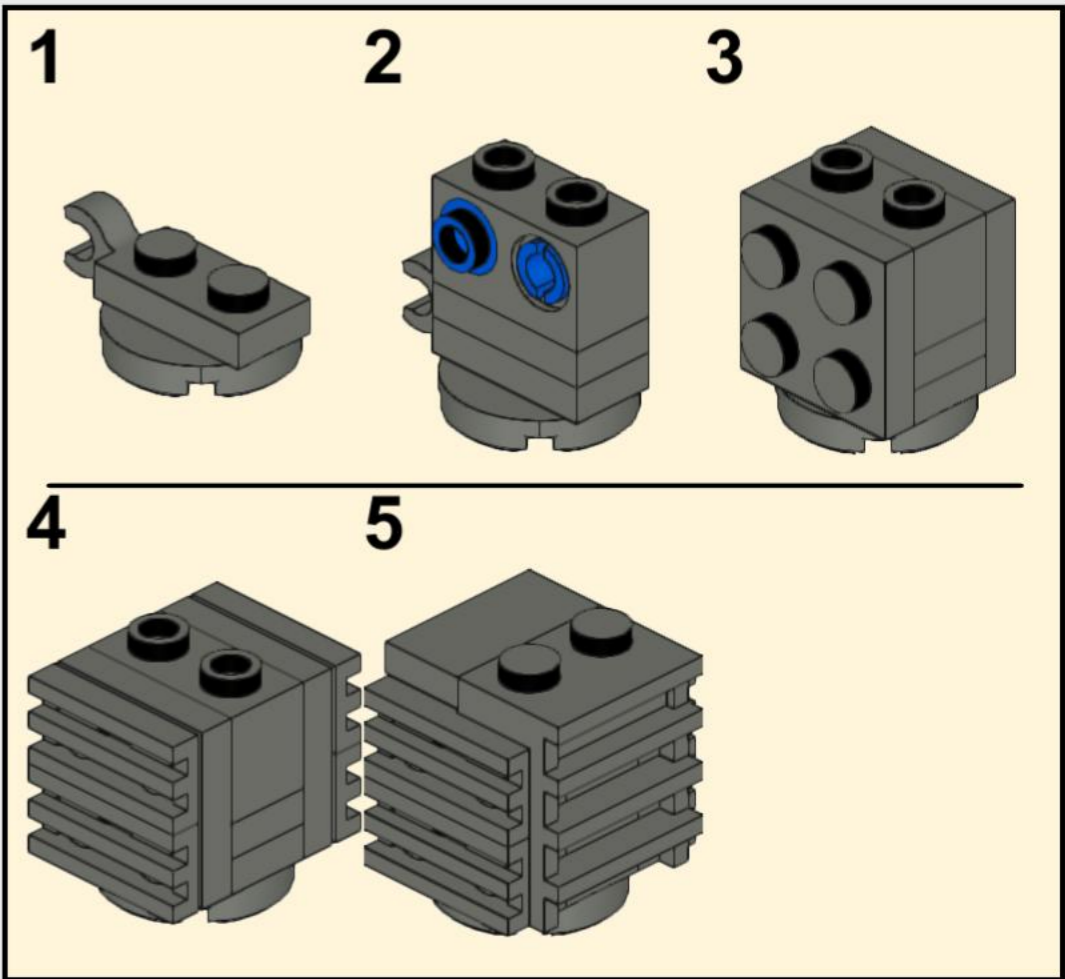


140

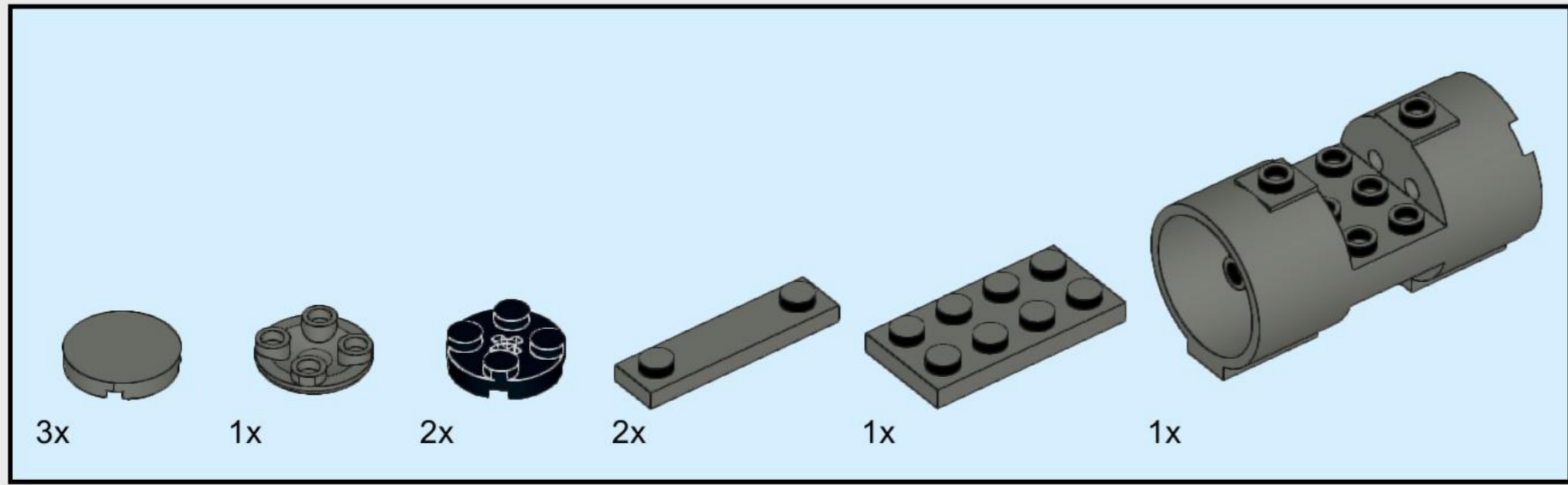




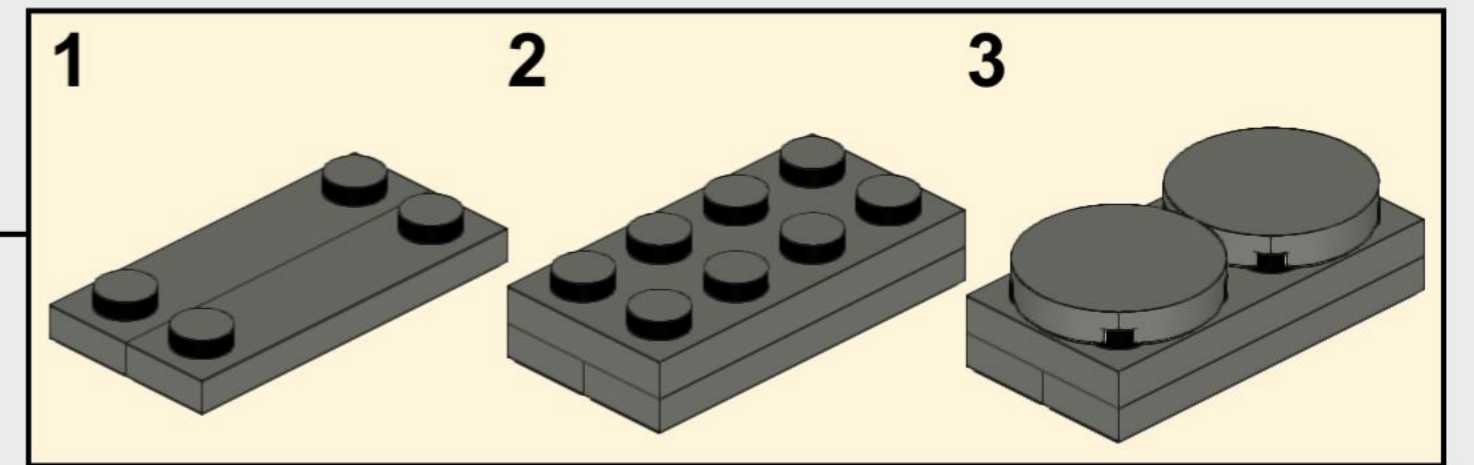
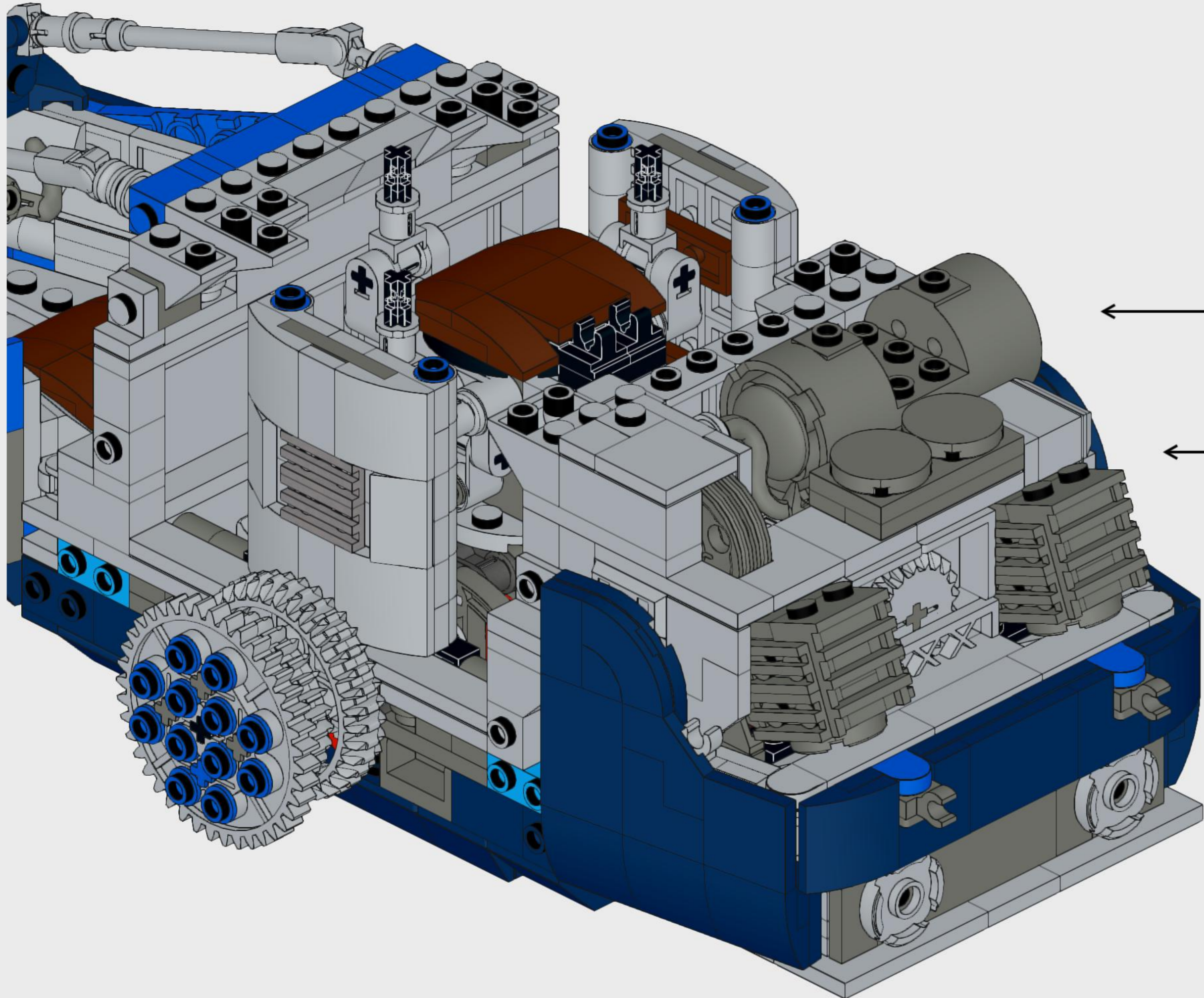
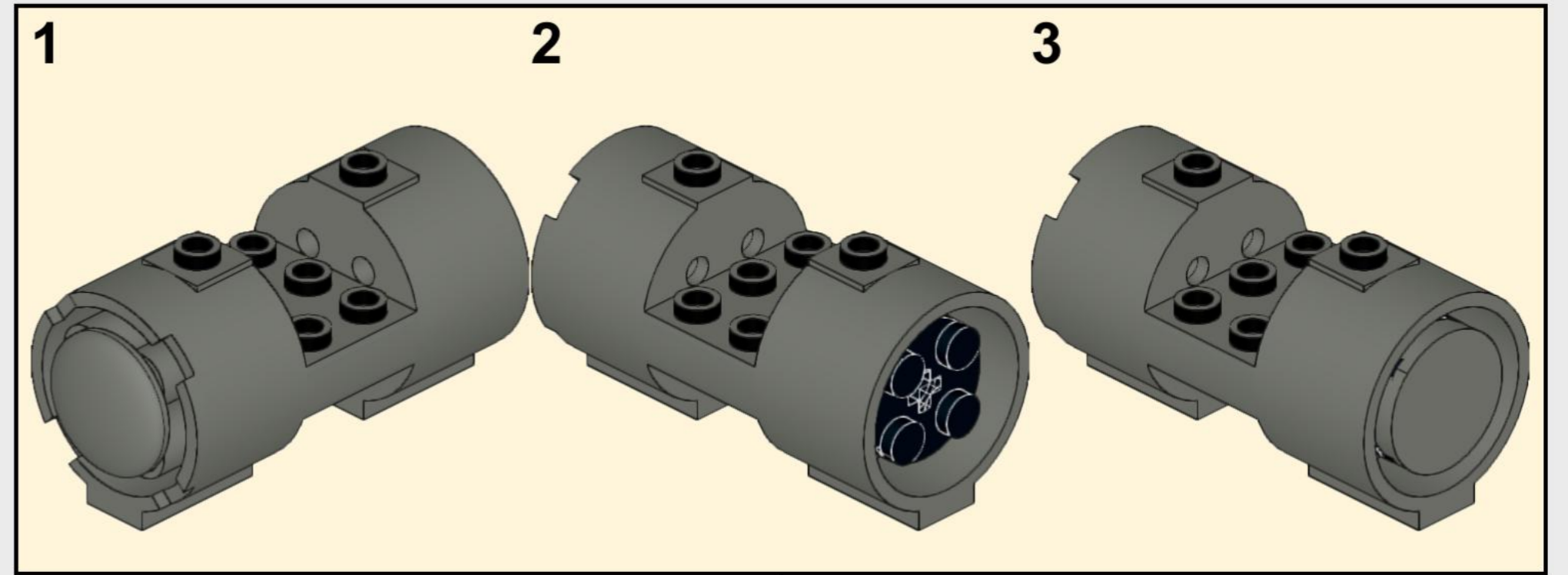
141



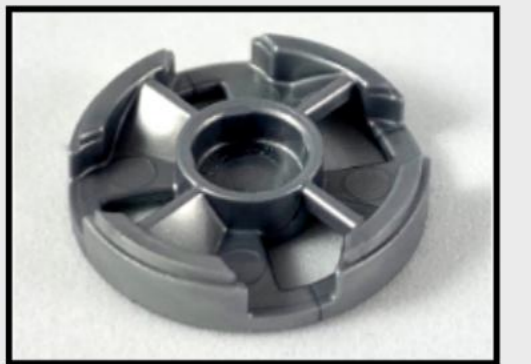
2x

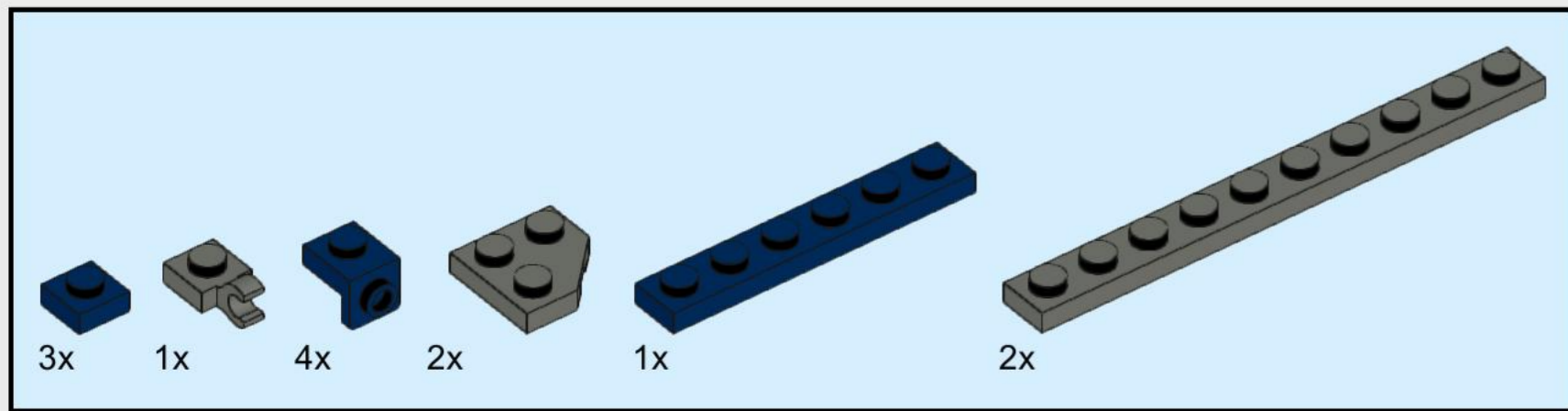


142

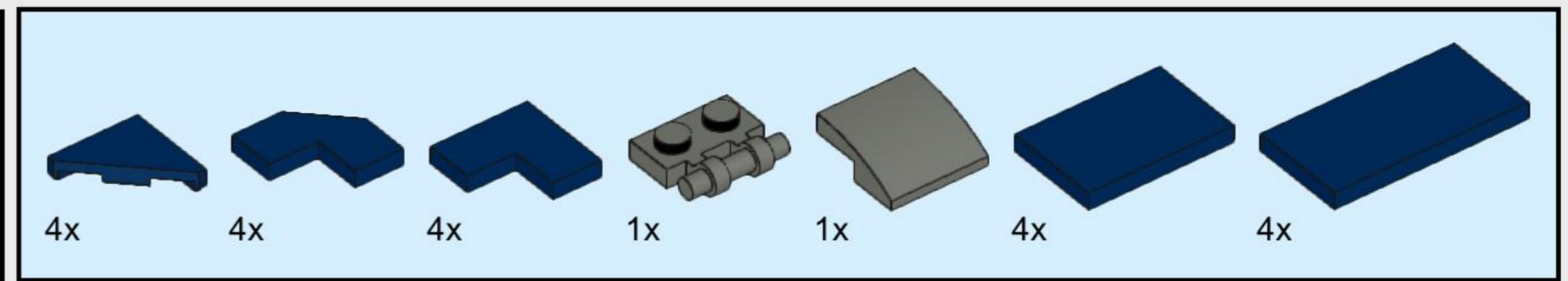
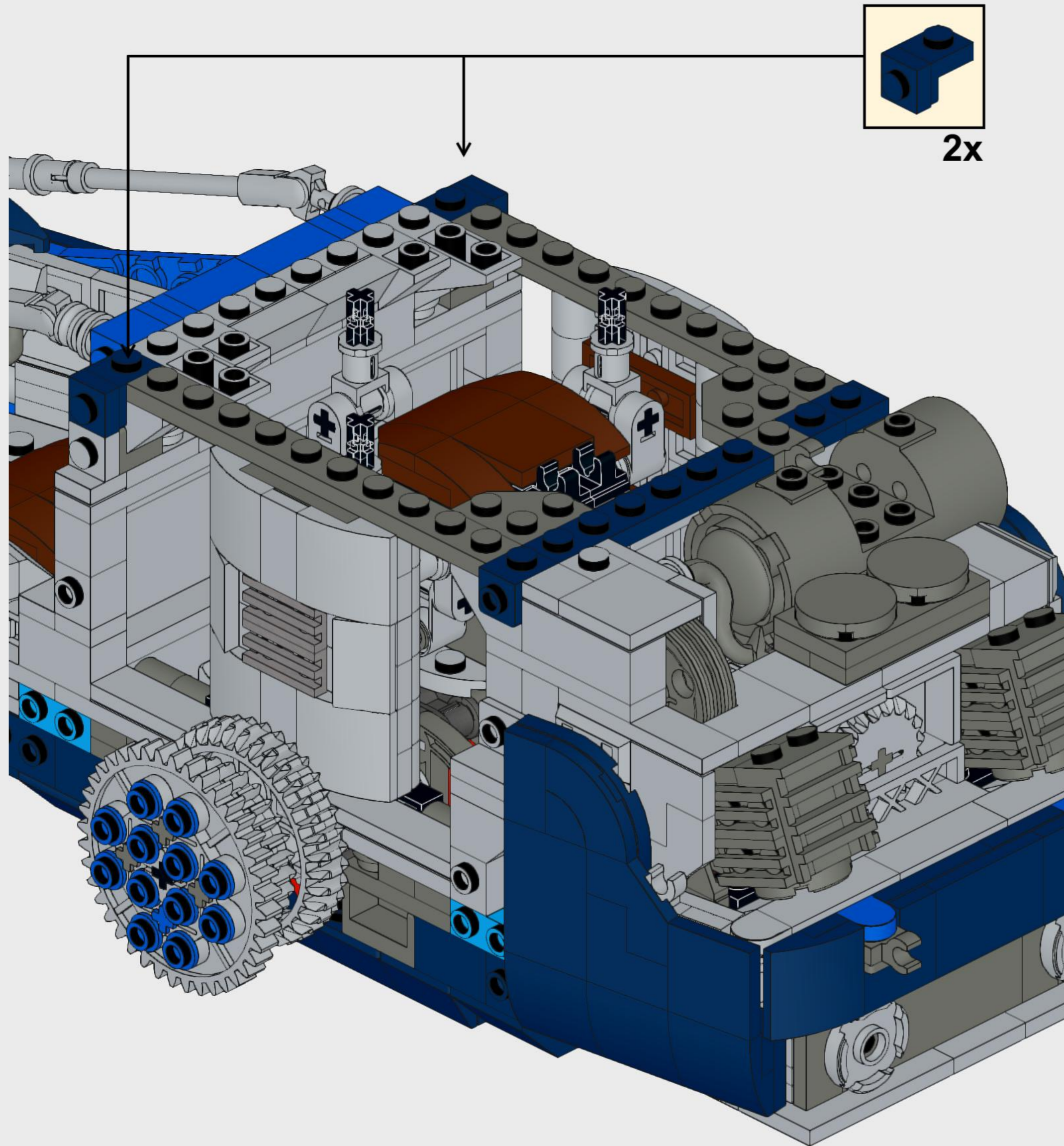


Use Weapon Disk in place of flat tiles.

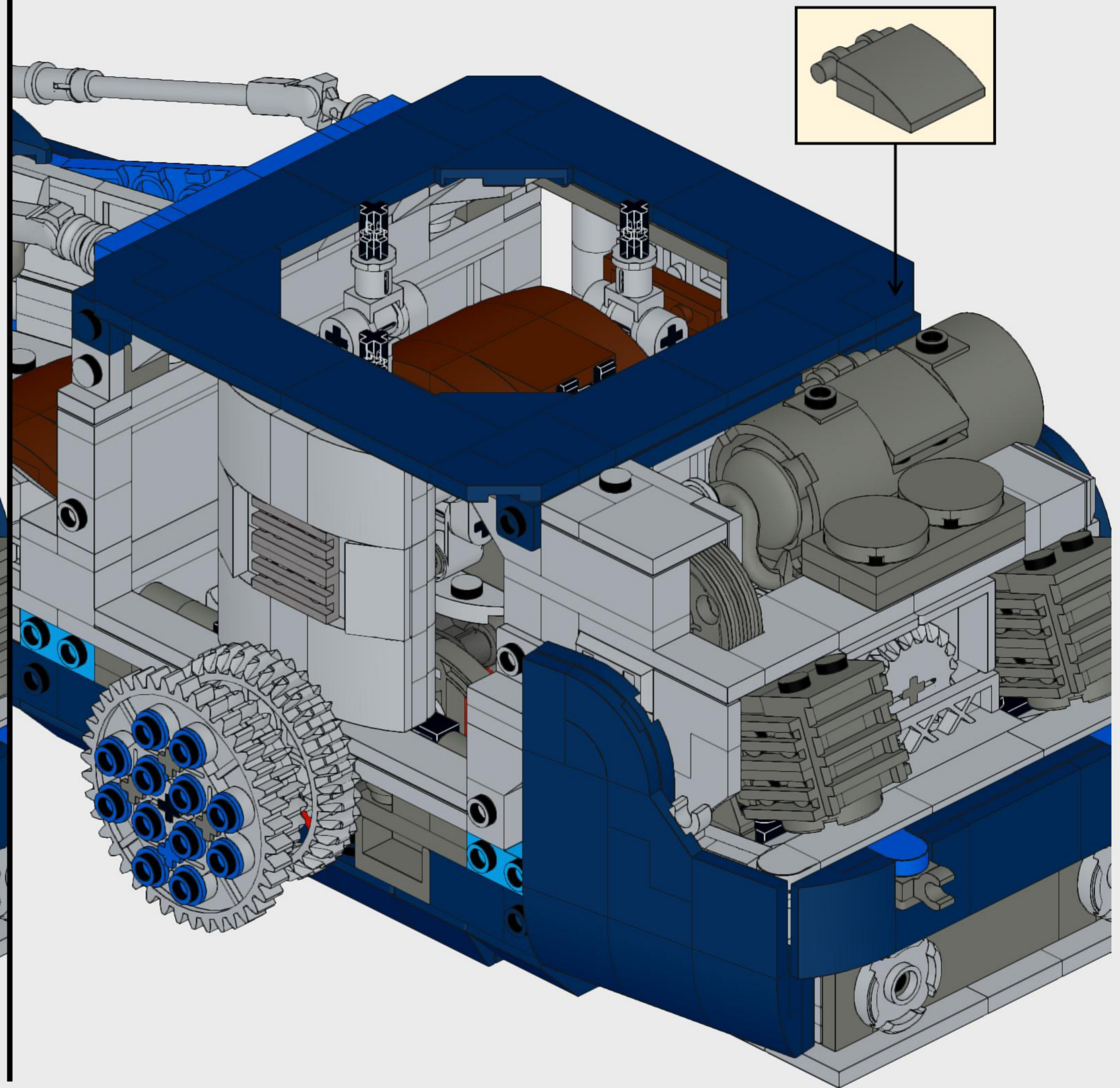


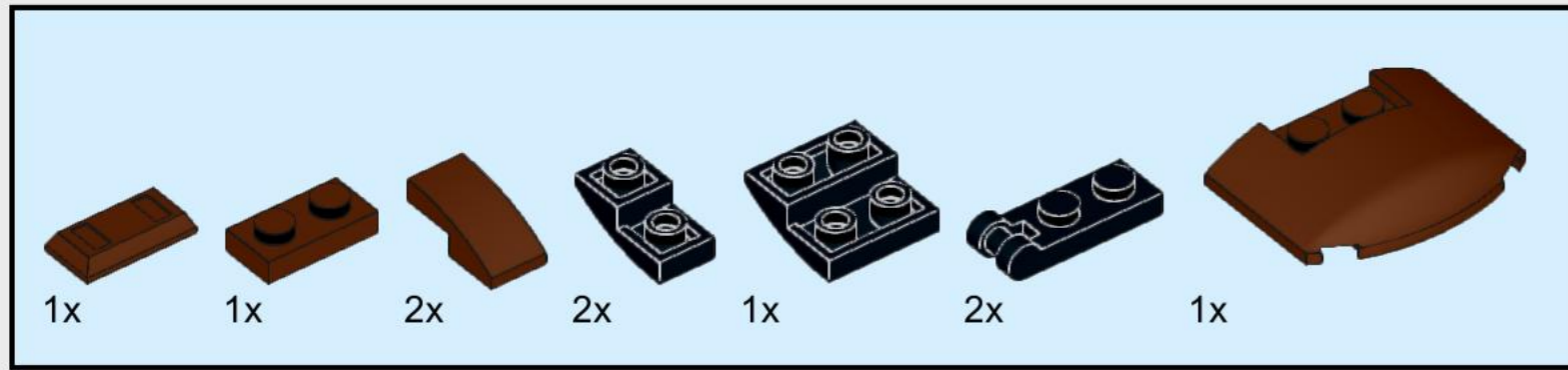


143

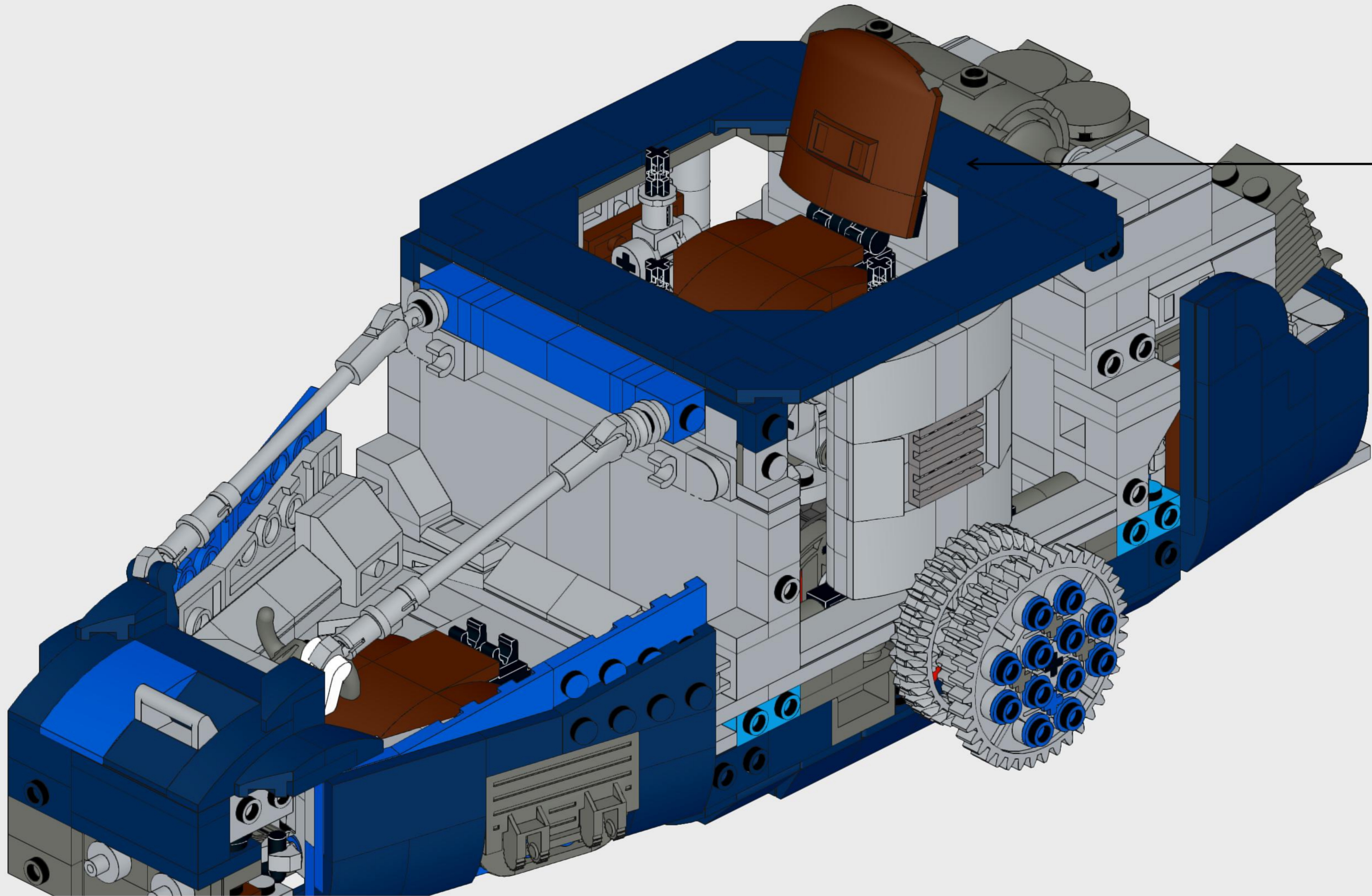
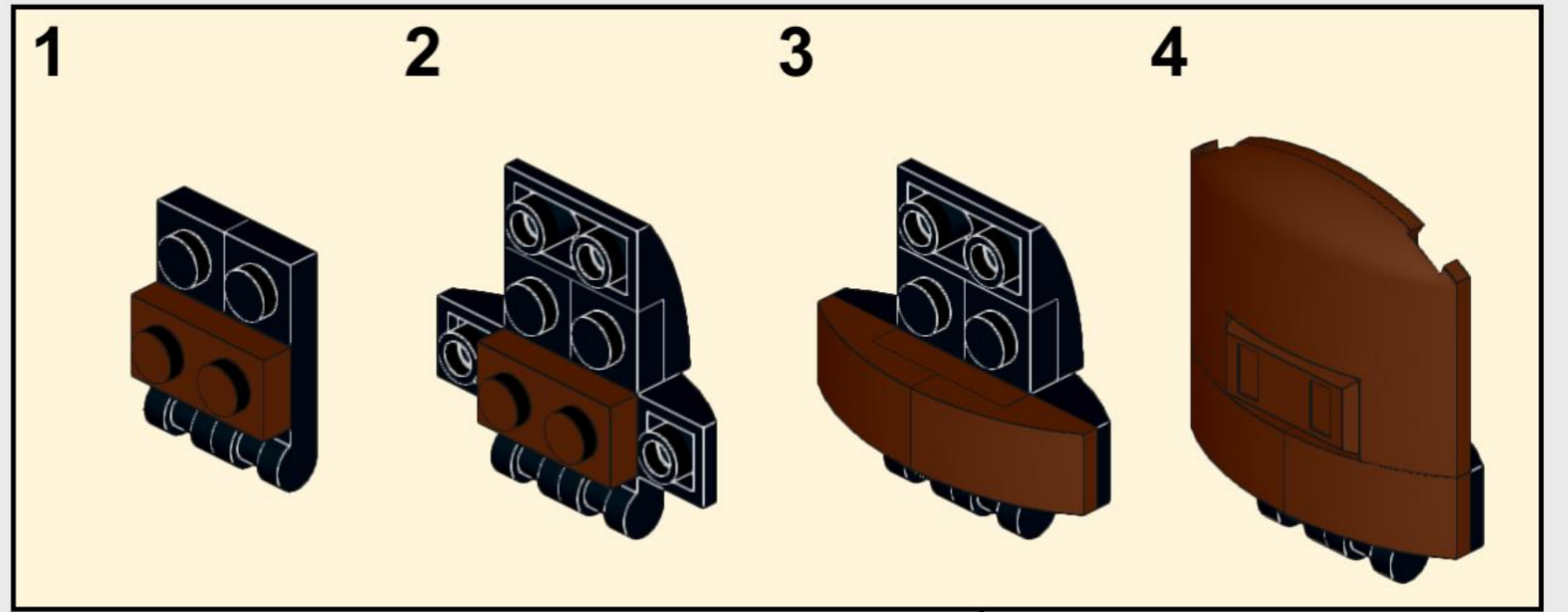


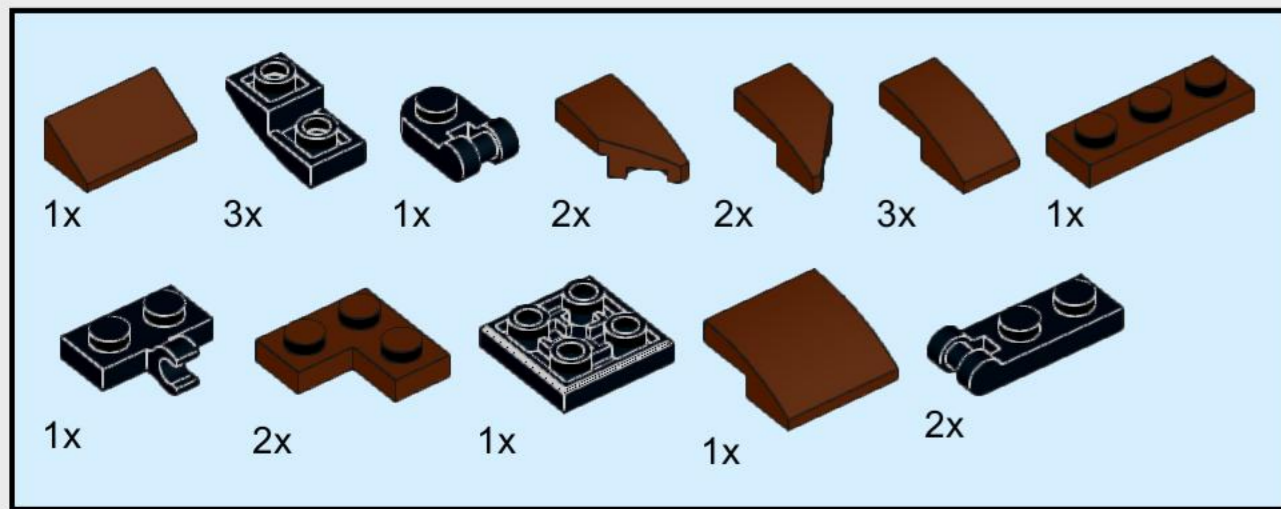
144



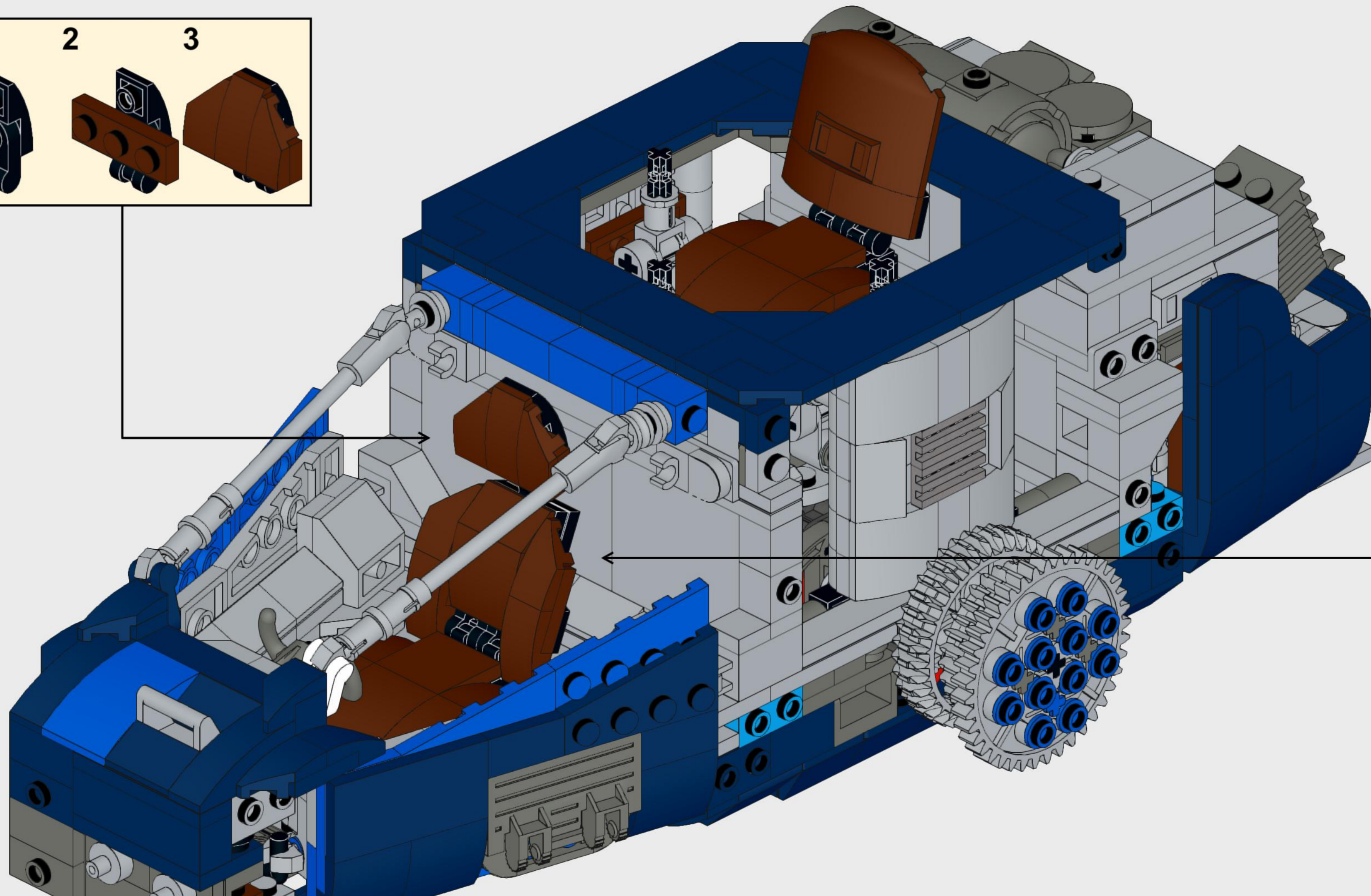
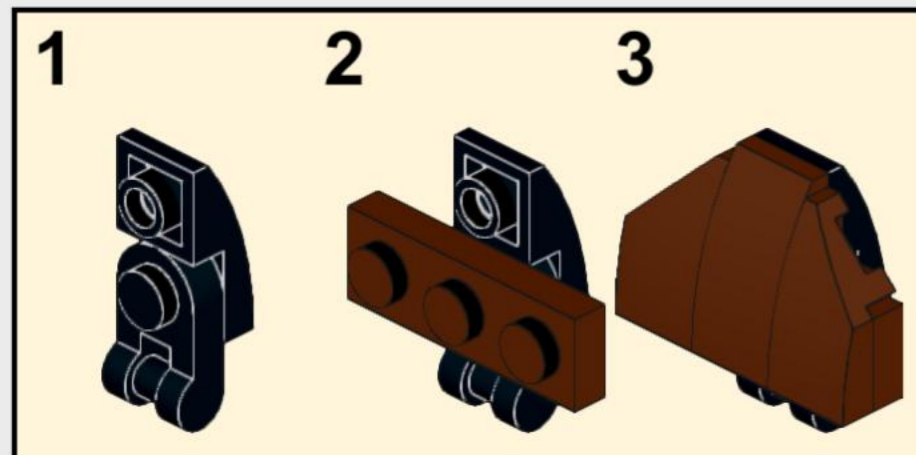
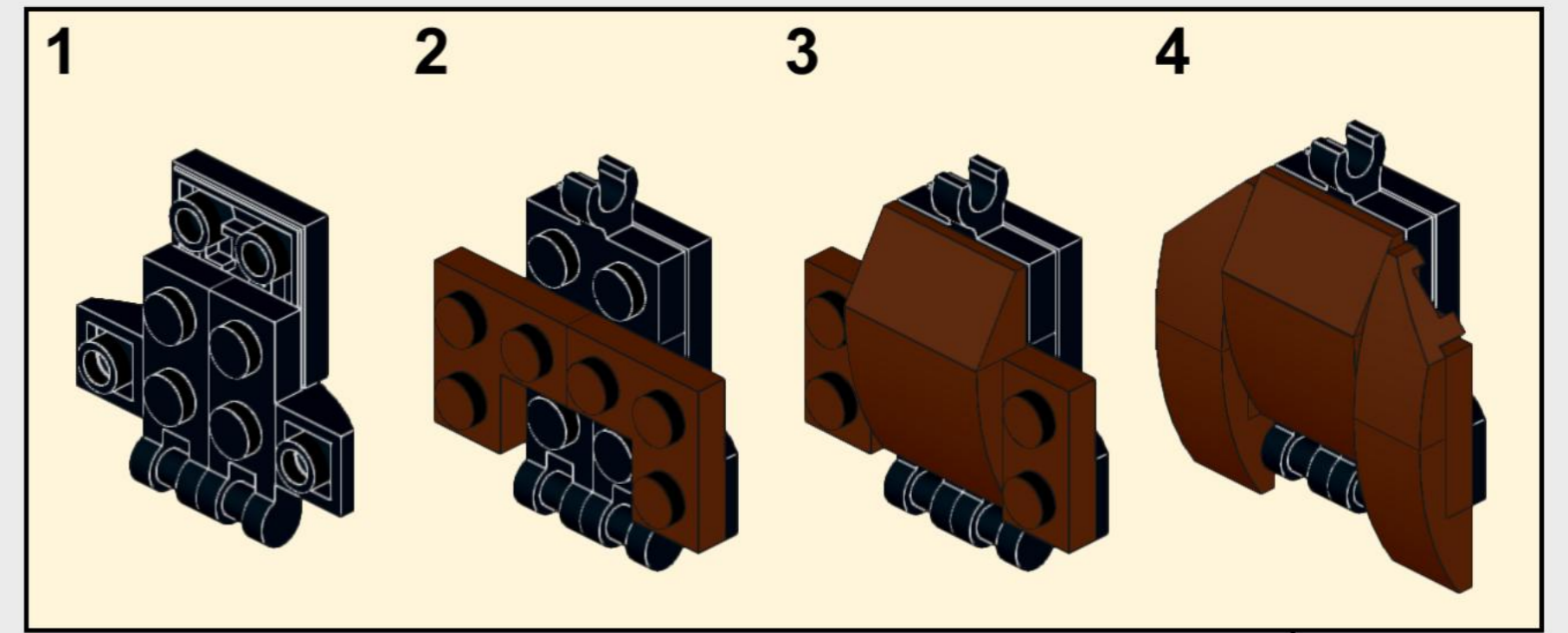


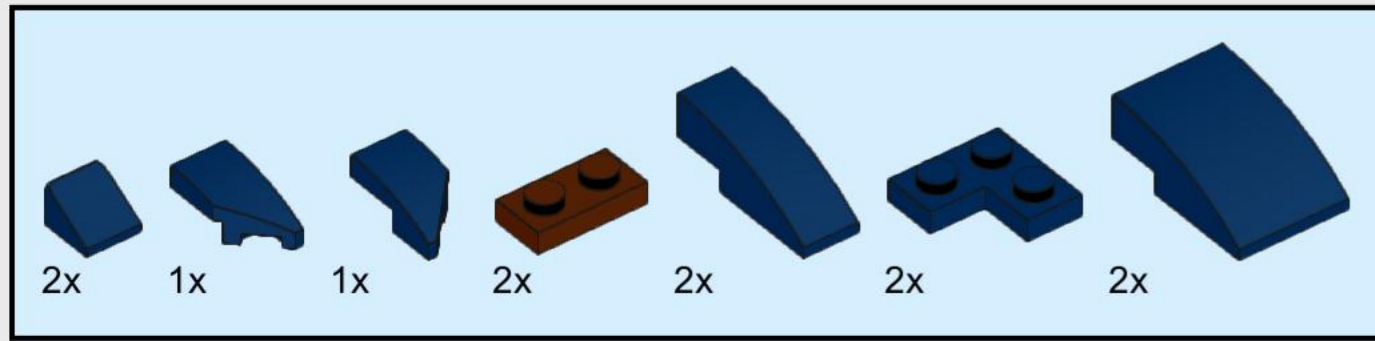
145 



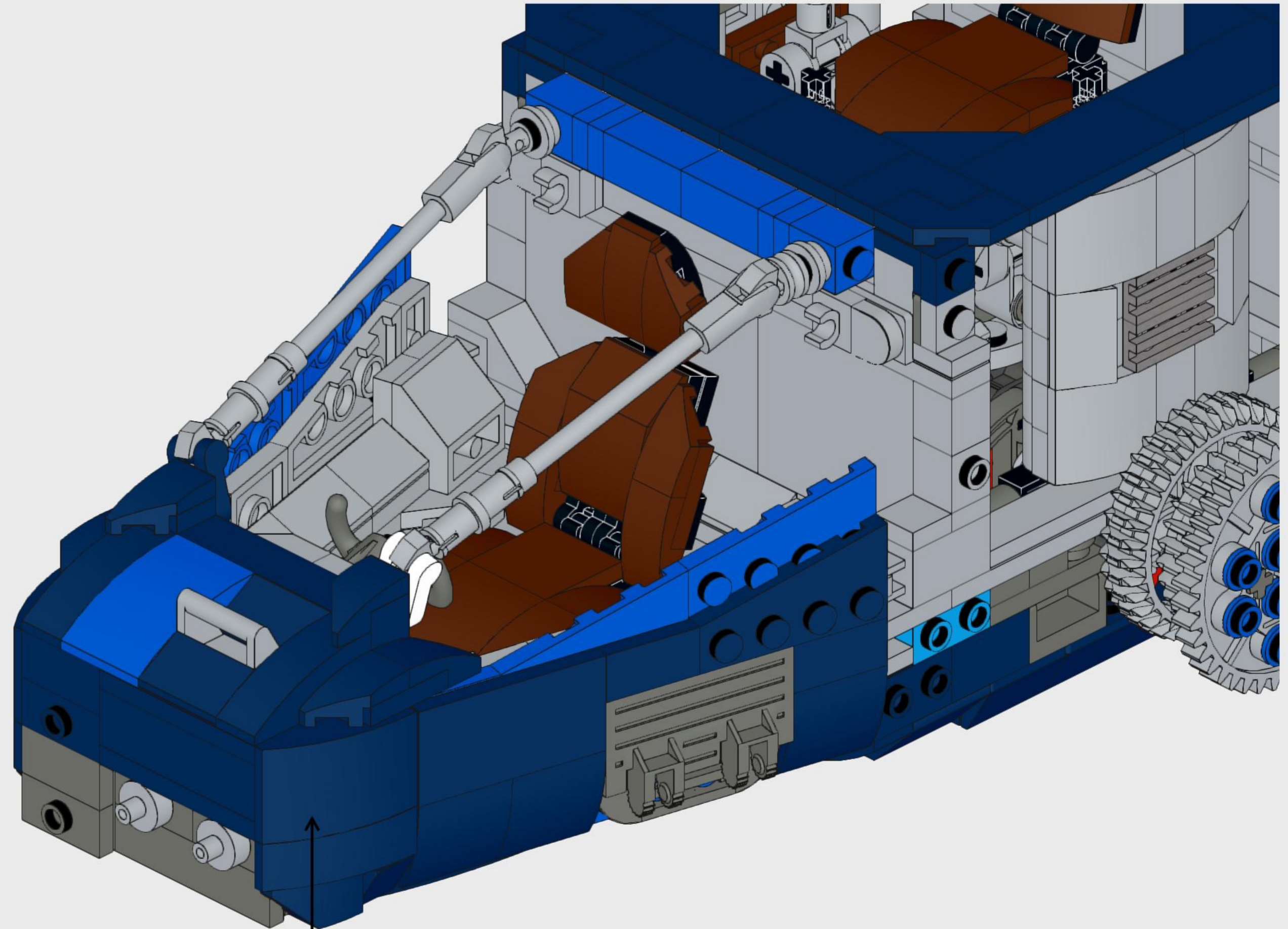
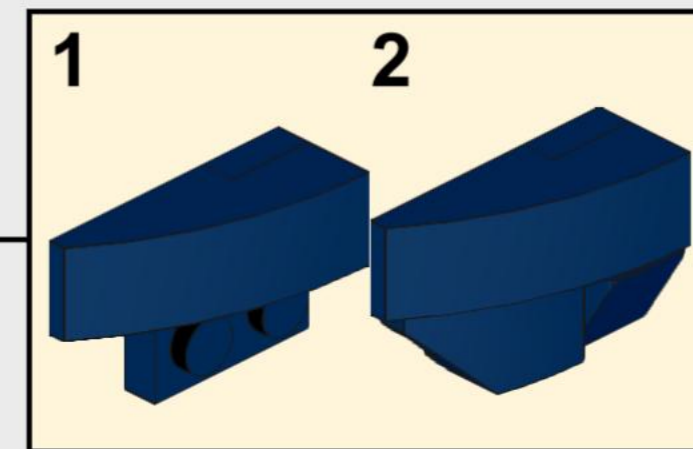
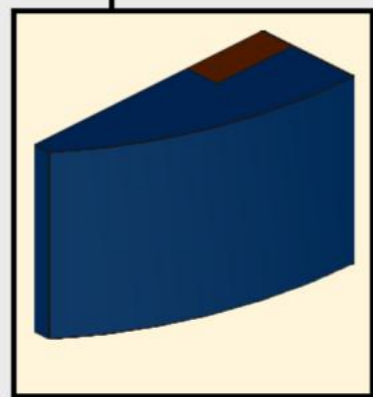
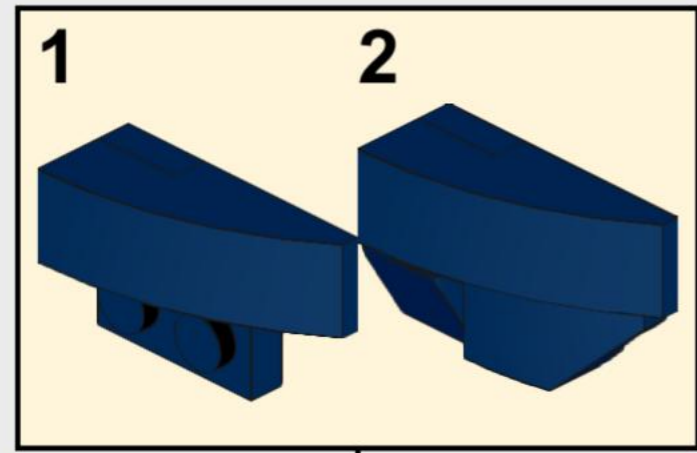


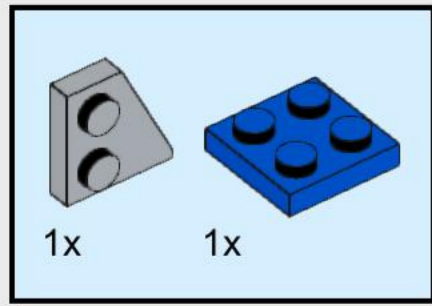
146



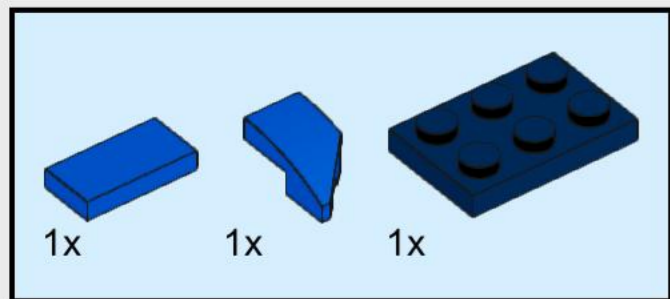
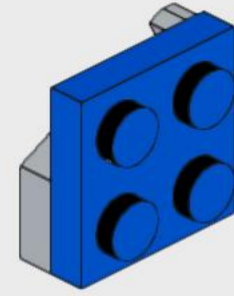


147

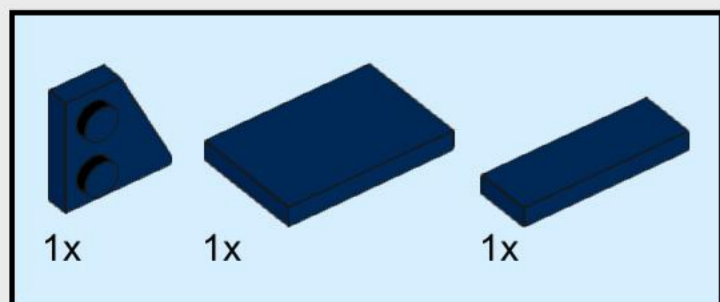
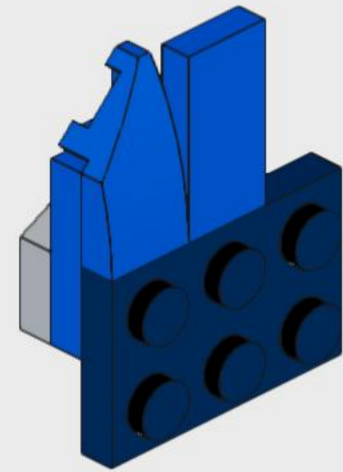




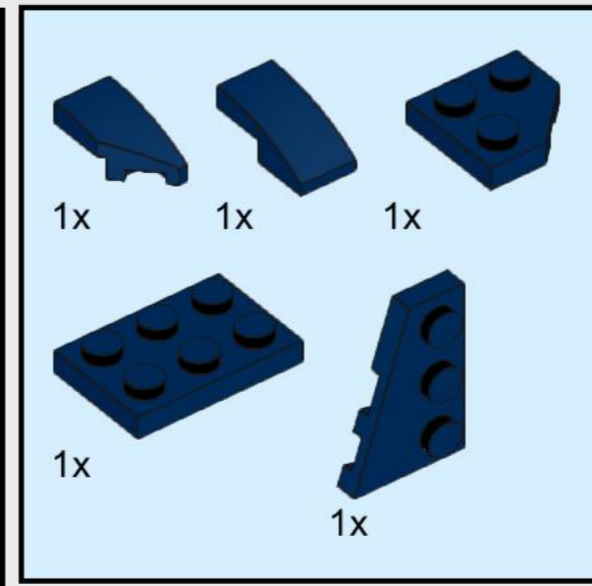
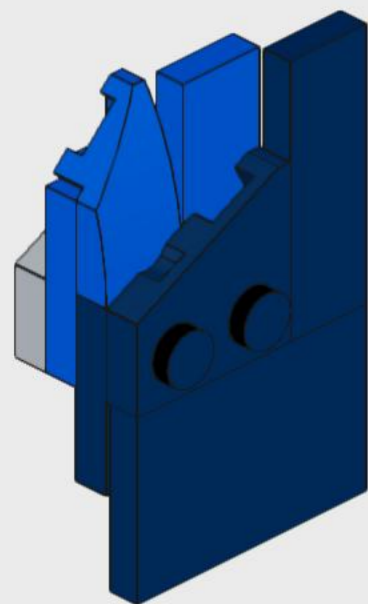
148



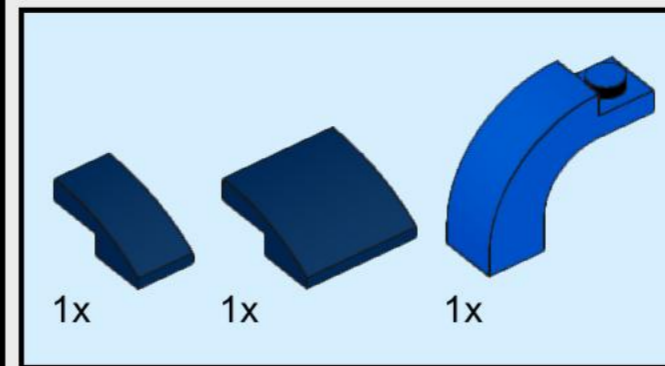
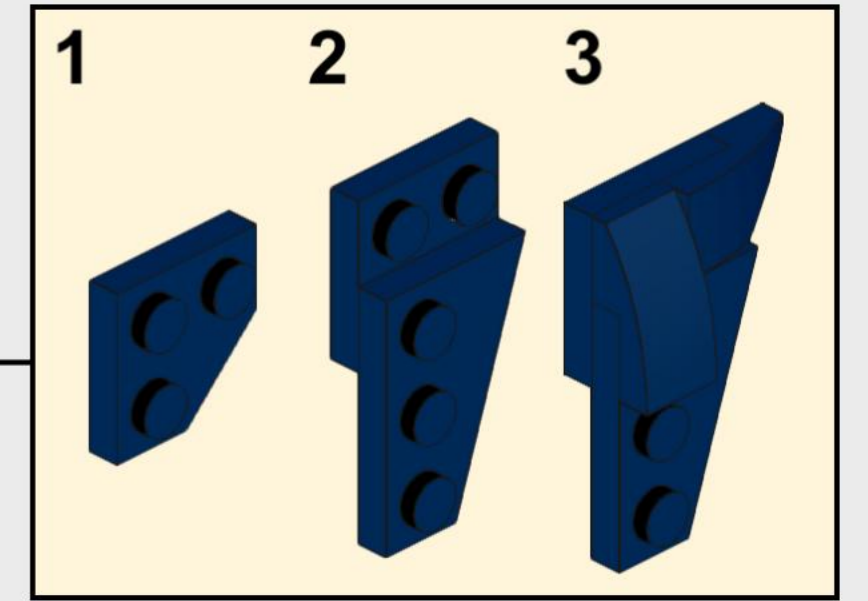
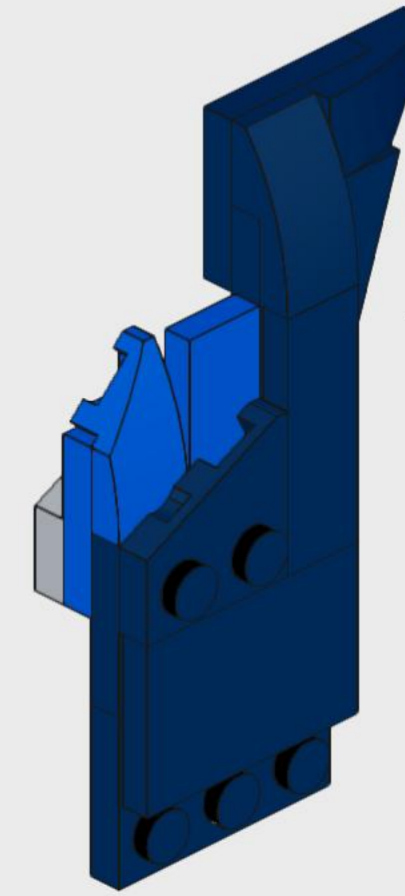
149



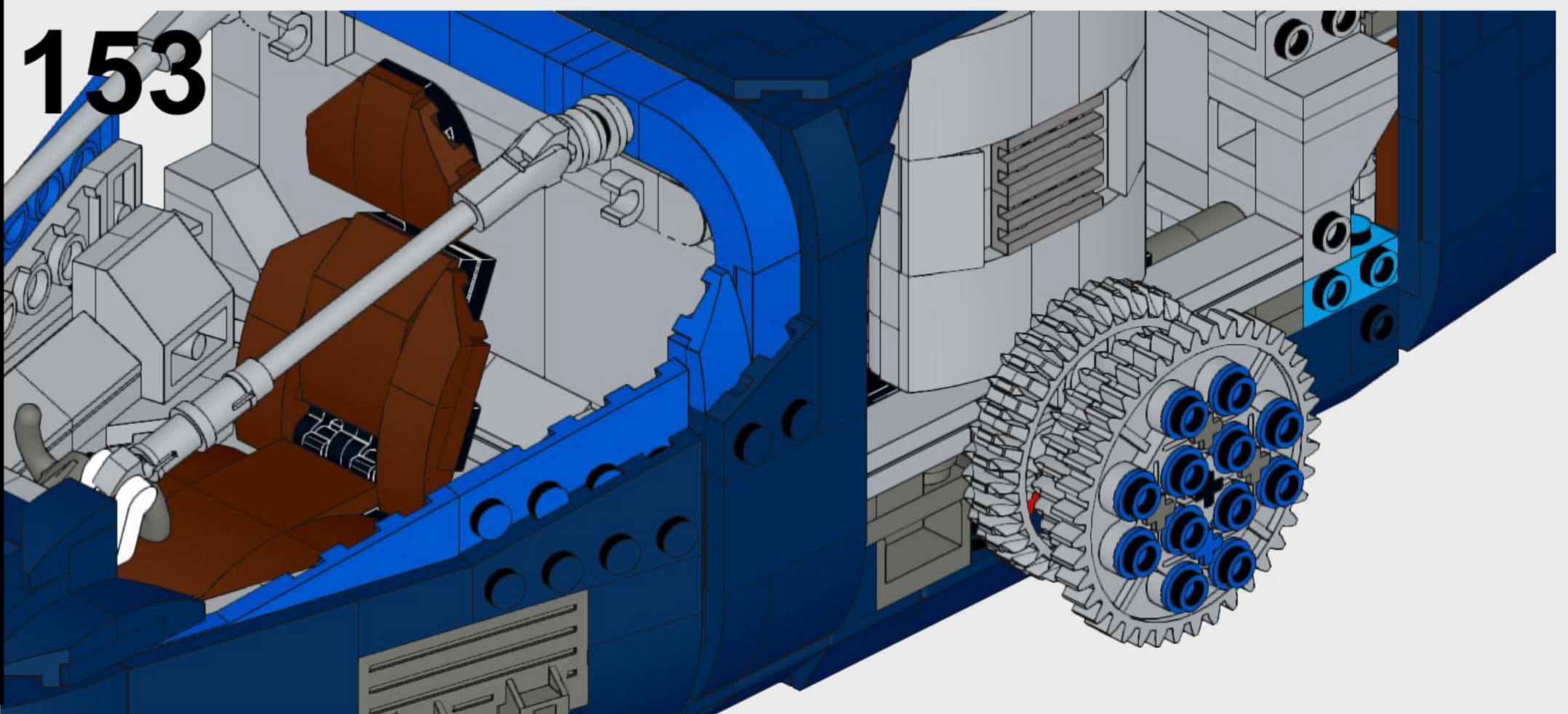
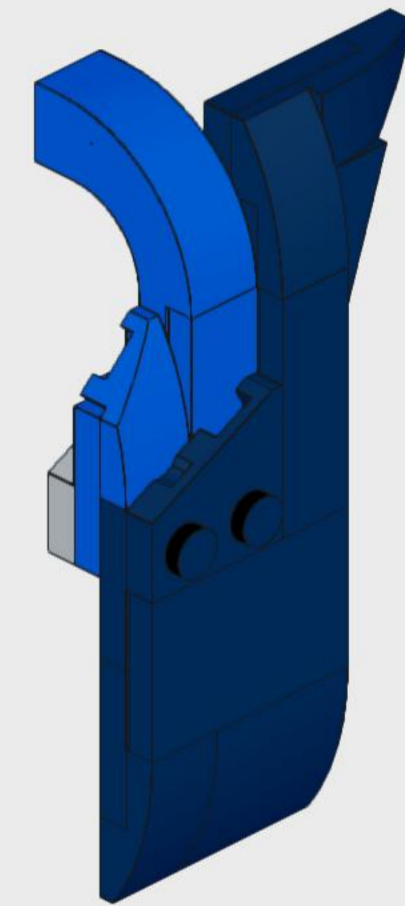
150



151

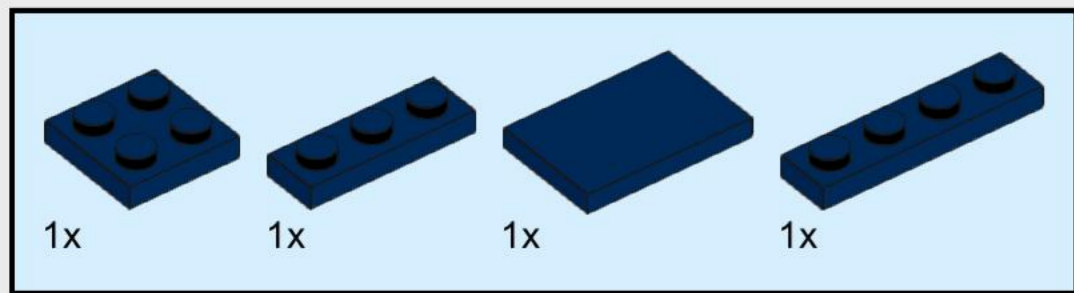


152

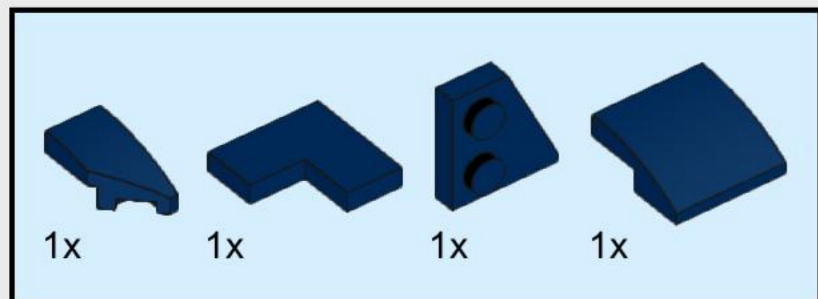


153

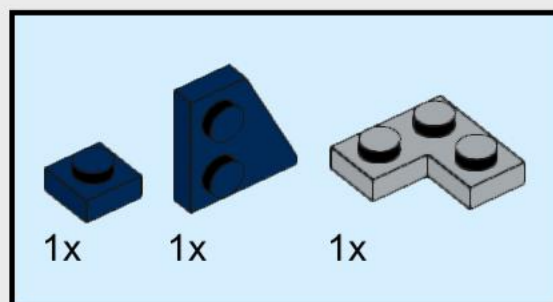




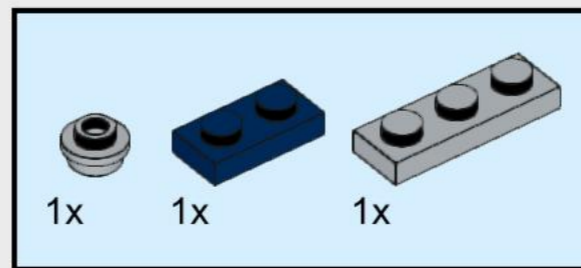
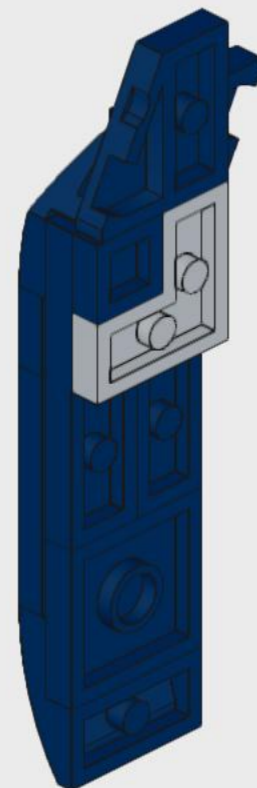
154



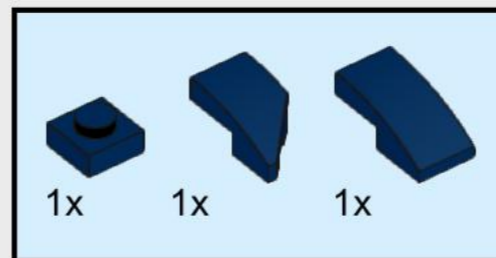
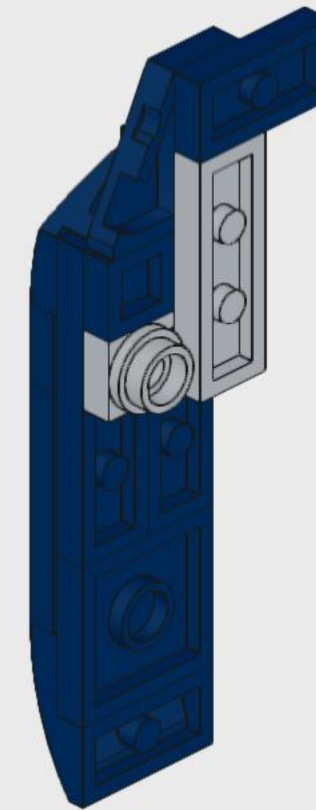
155



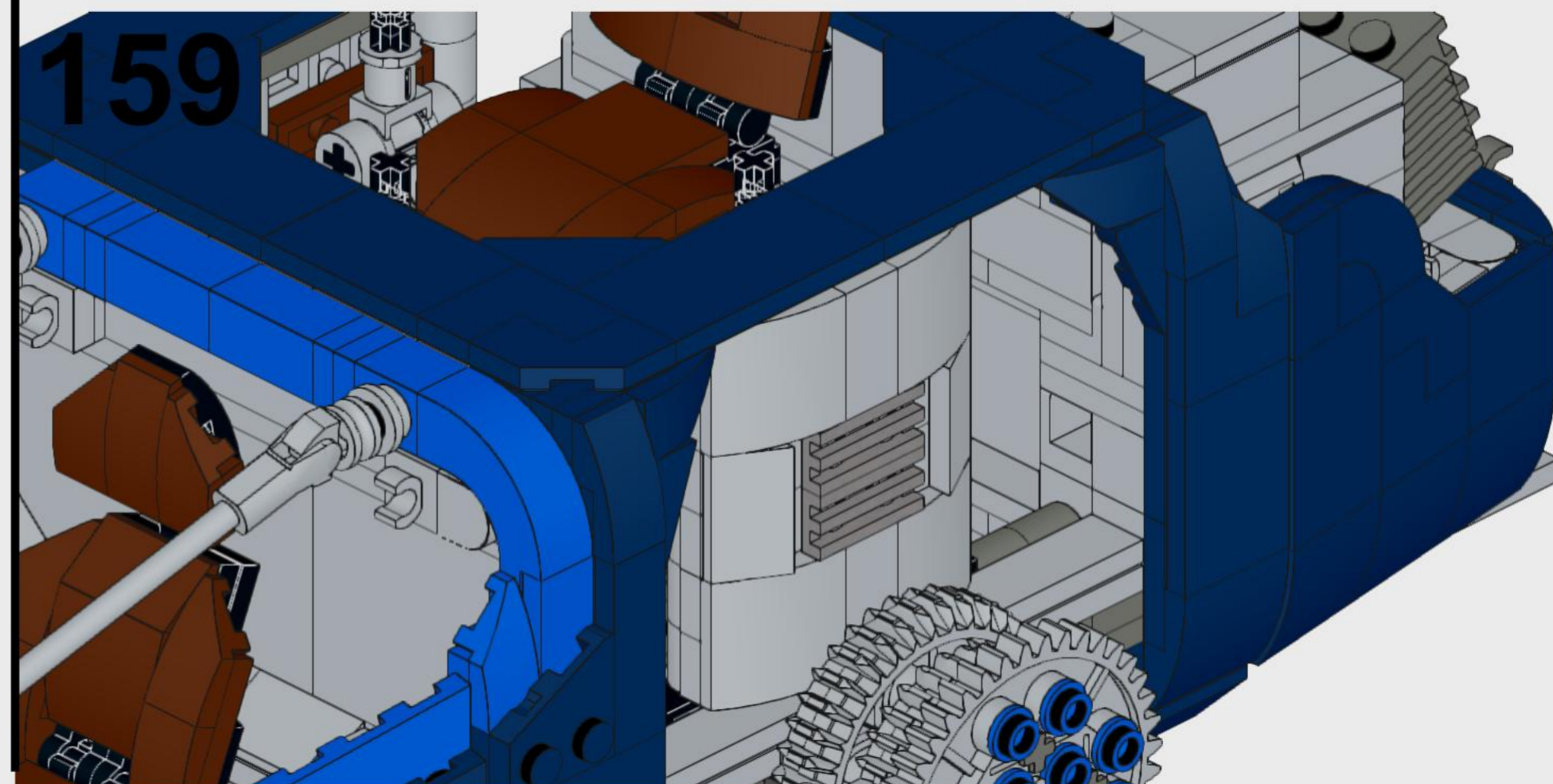
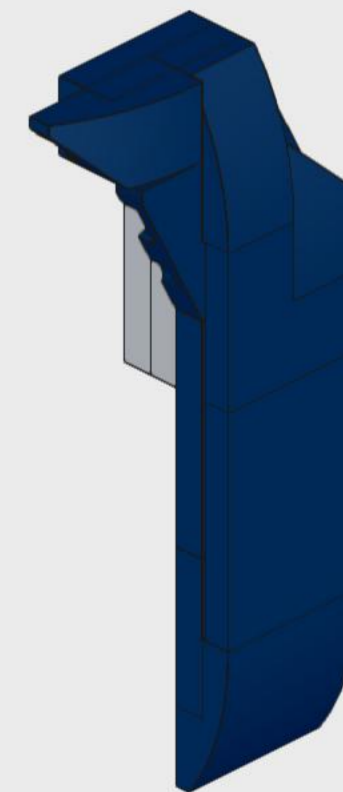
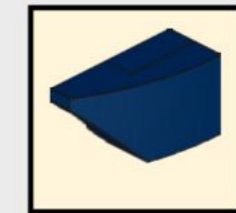
156



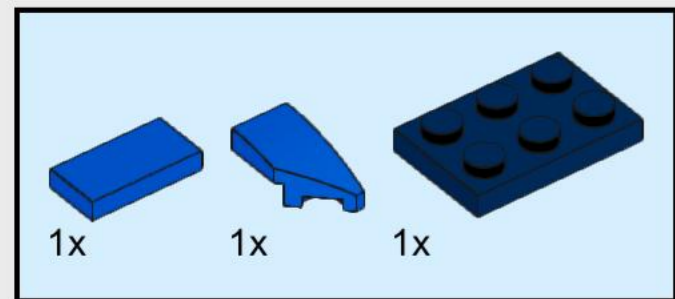
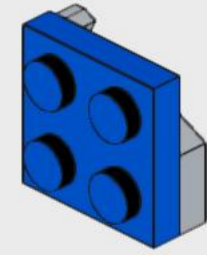
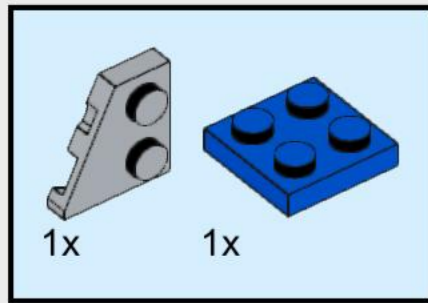
157



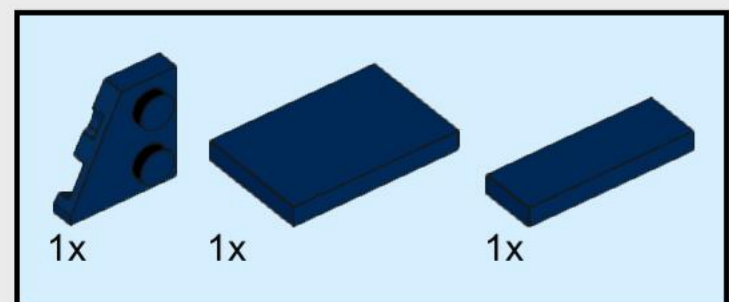
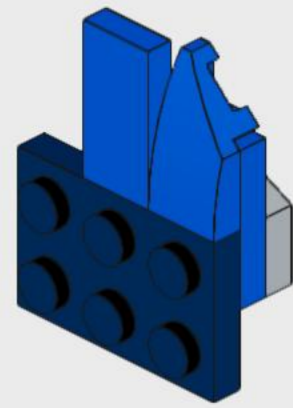
158



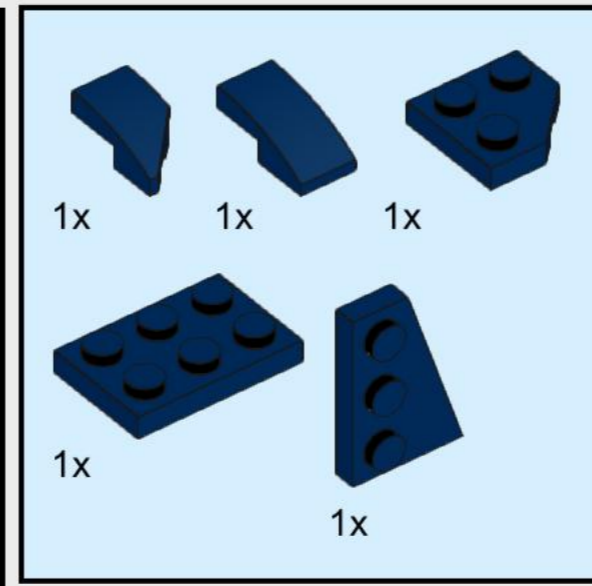
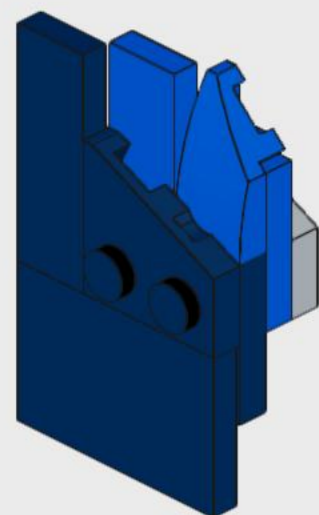
160



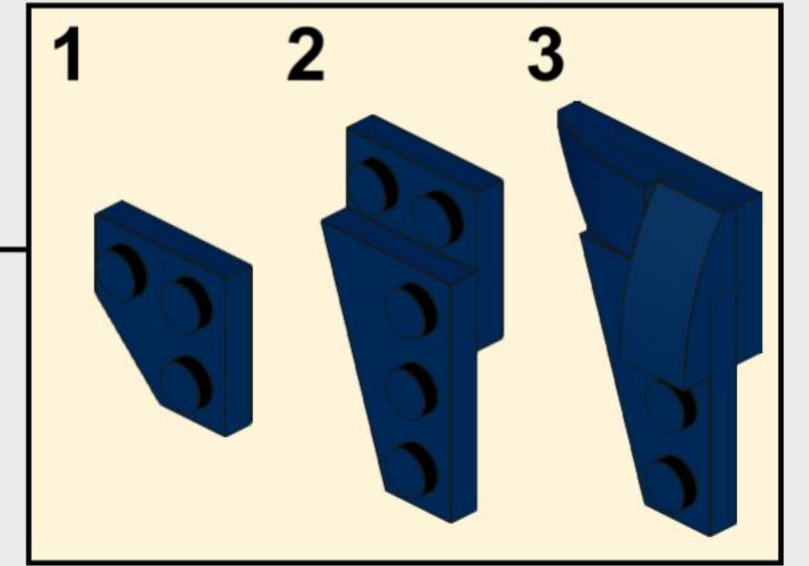
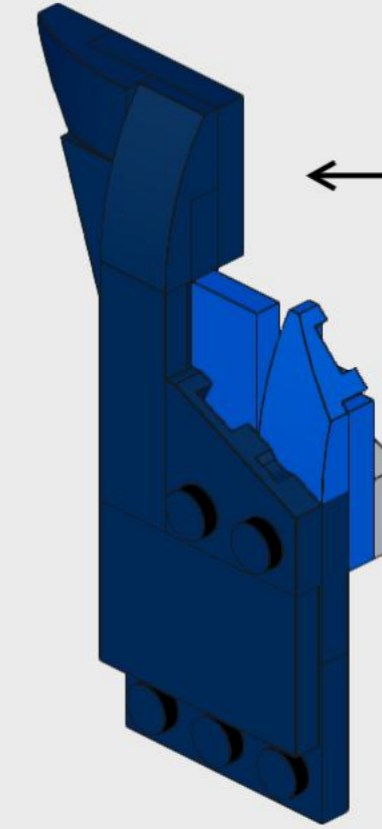
161



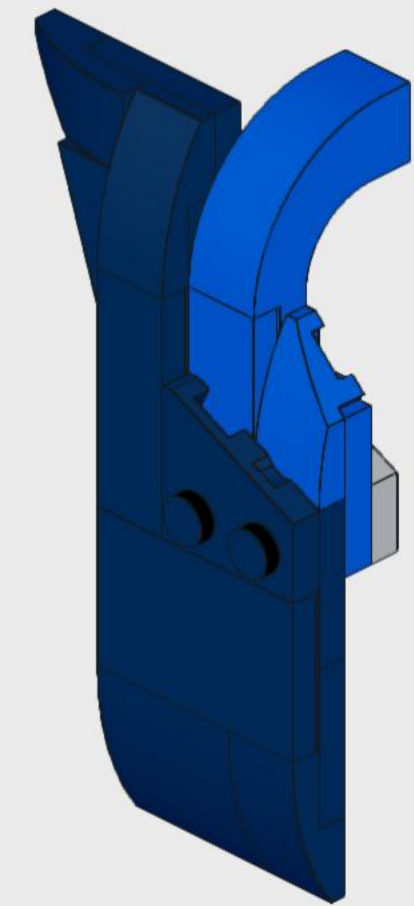
162



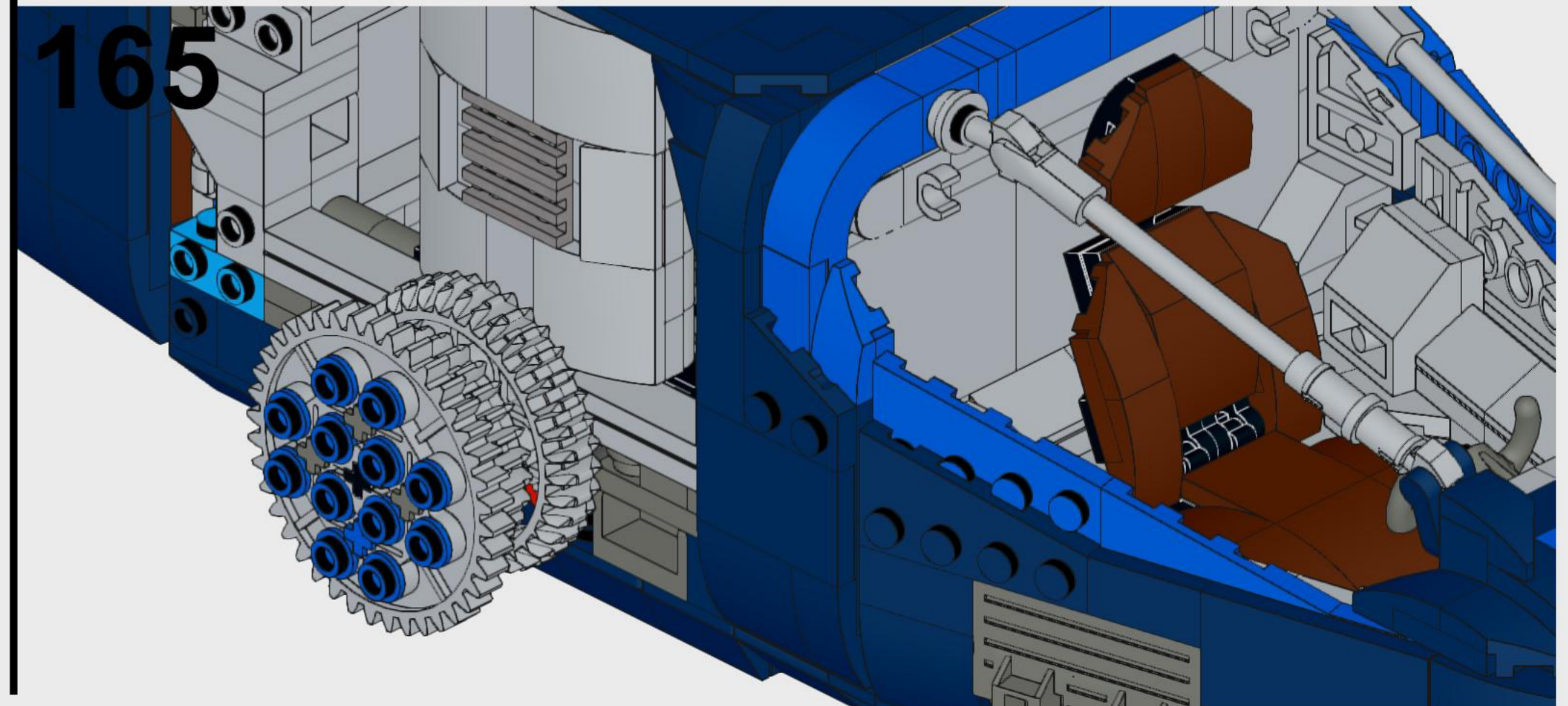
163

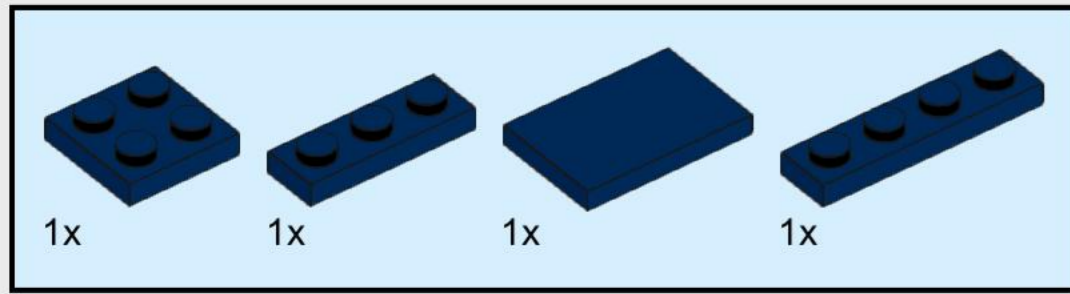


164

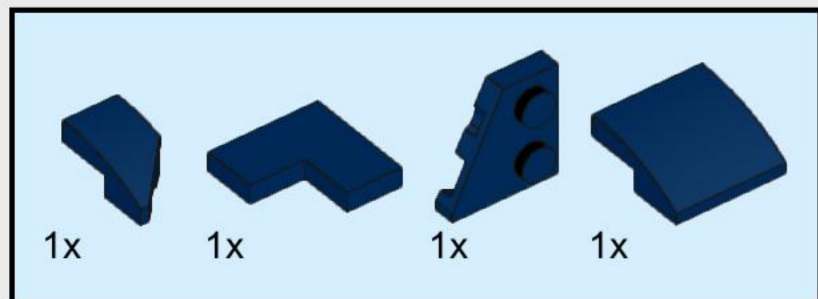


165

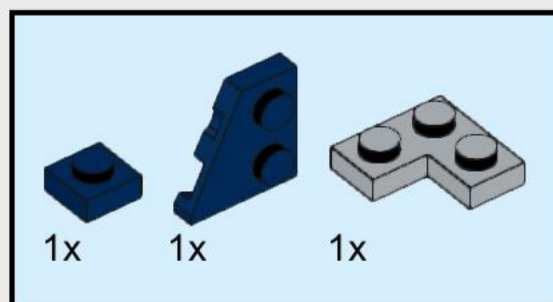
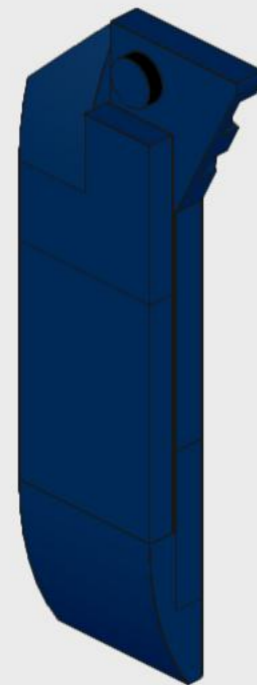




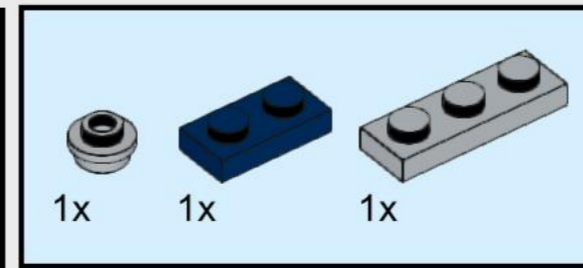
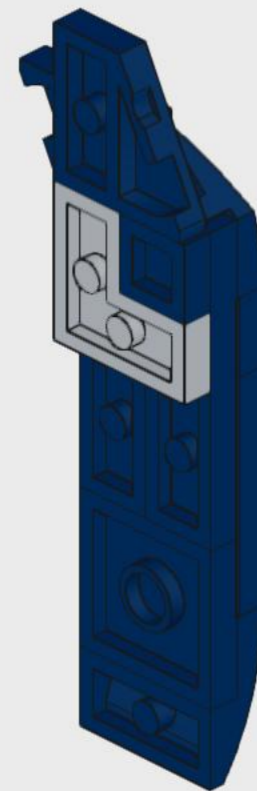
166



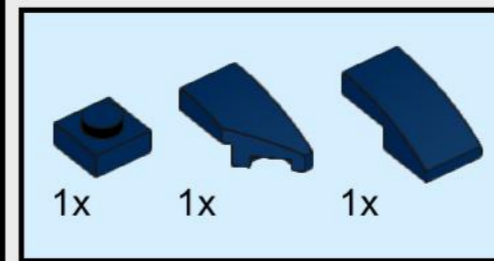
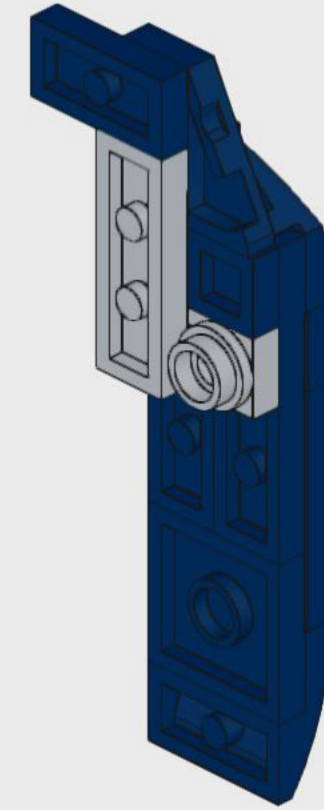
167



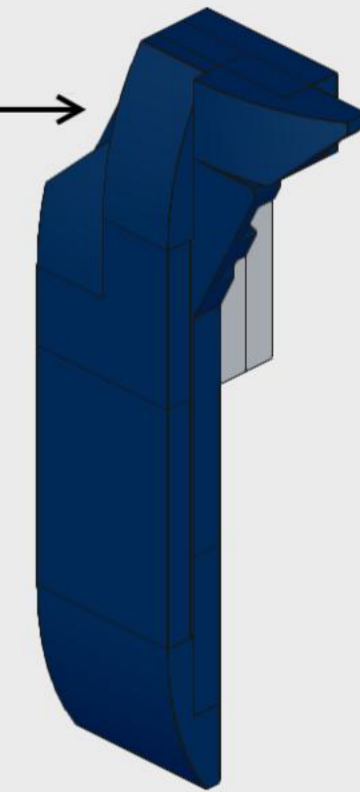
168



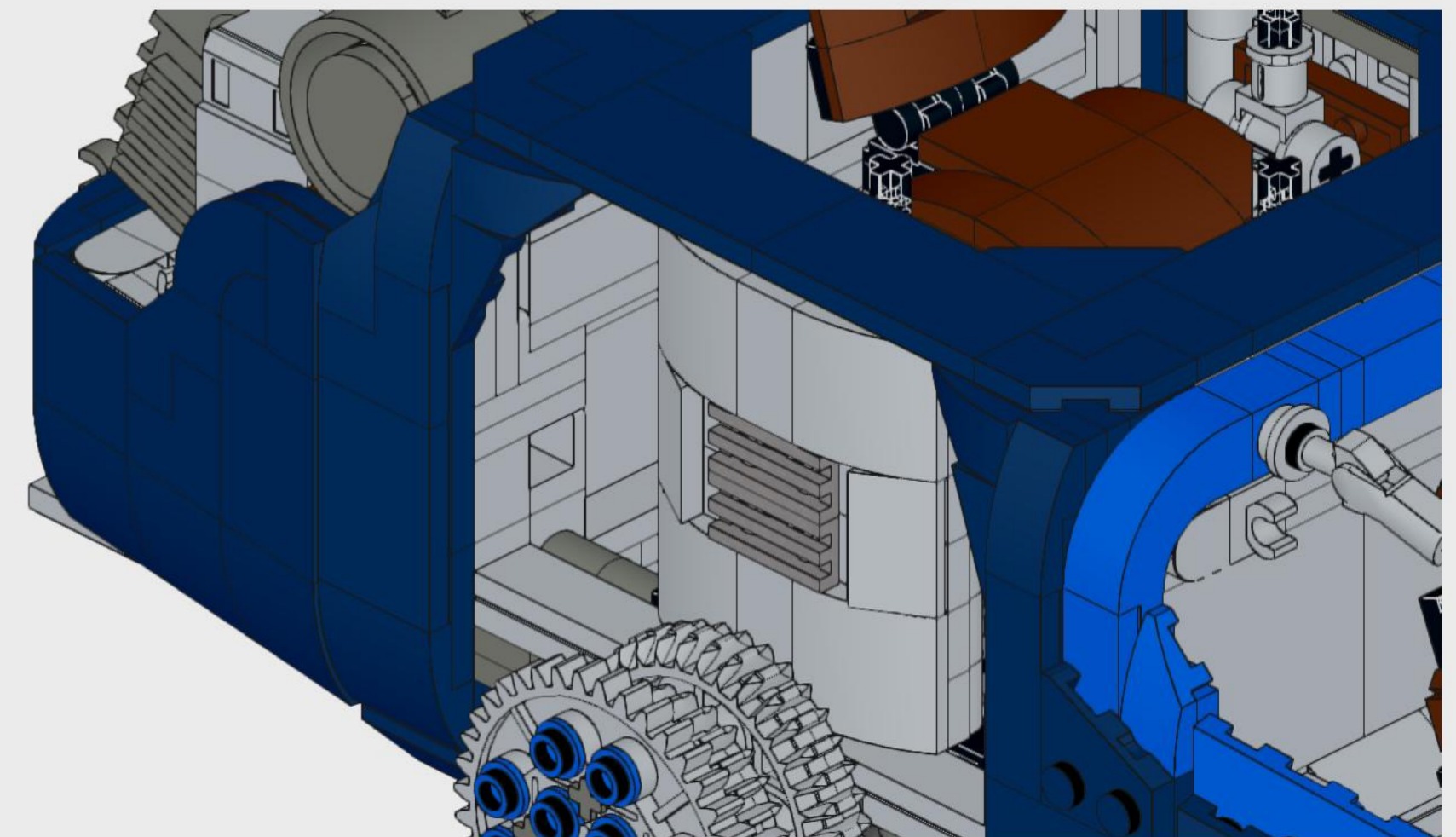
169

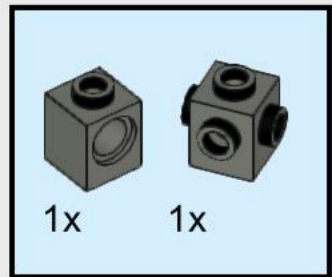


170

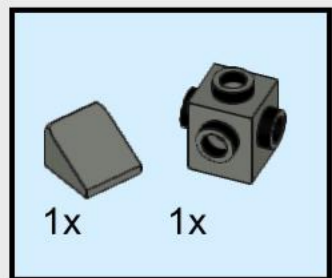
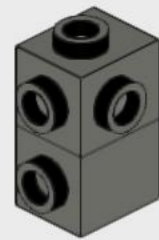


171

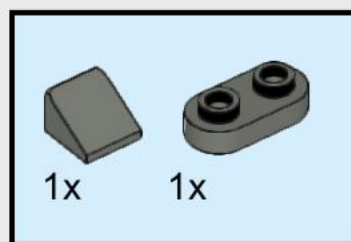
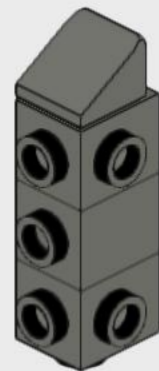




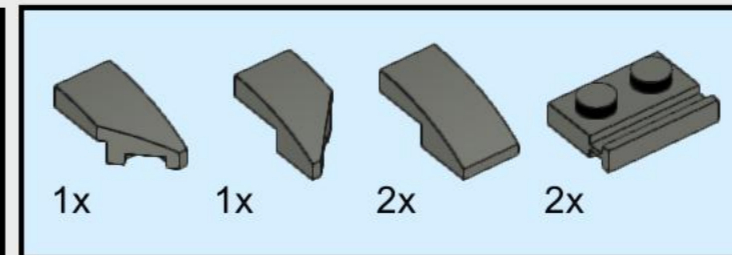
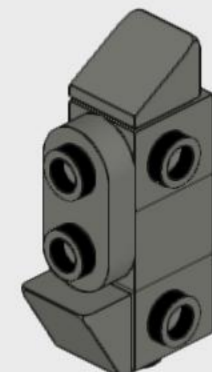
172



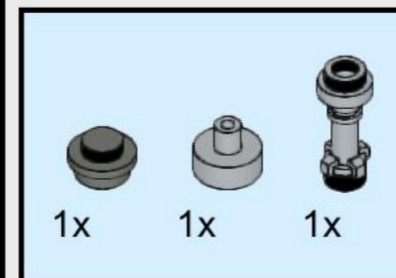
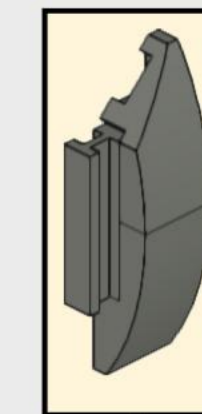
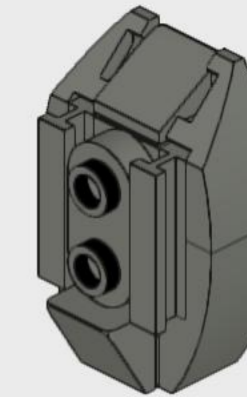
173



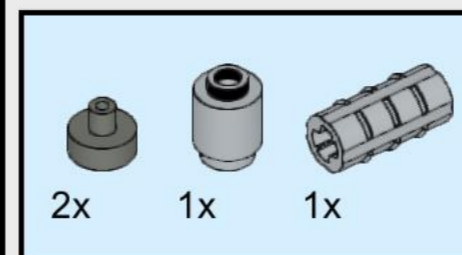
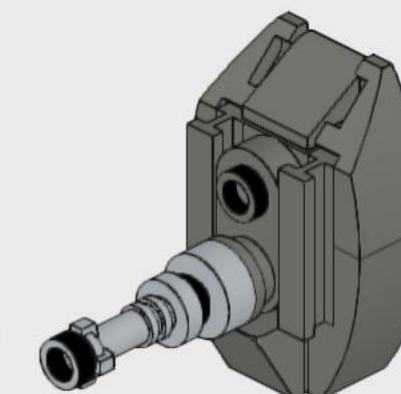
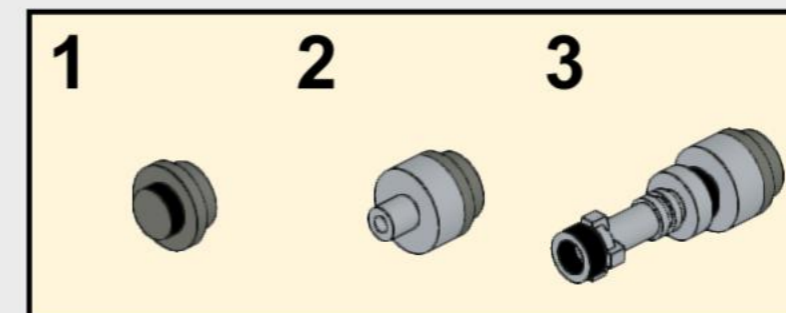
174



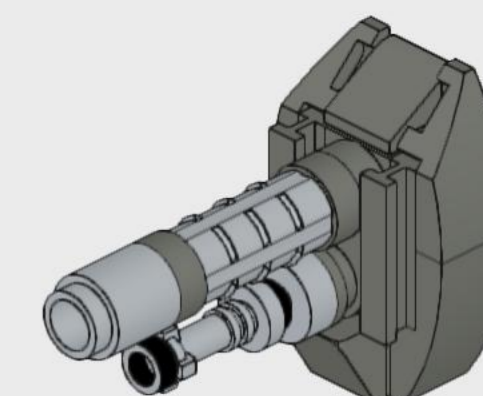
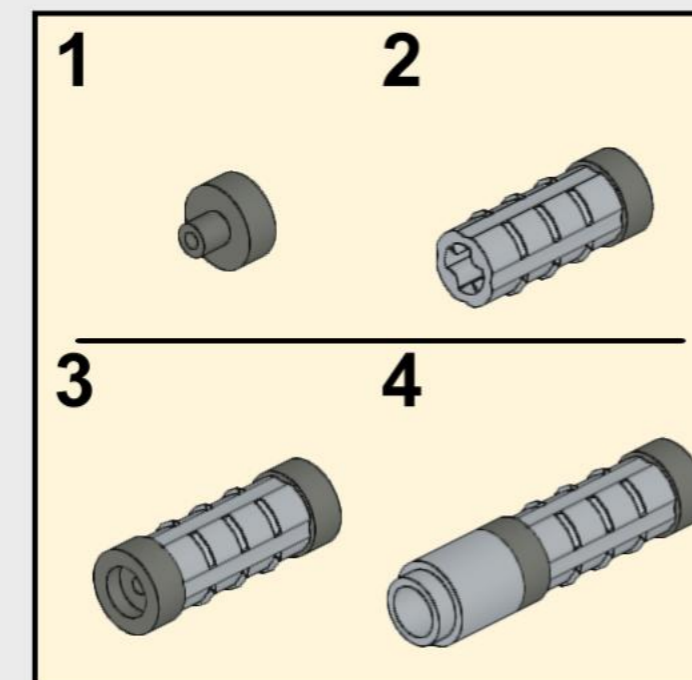
175

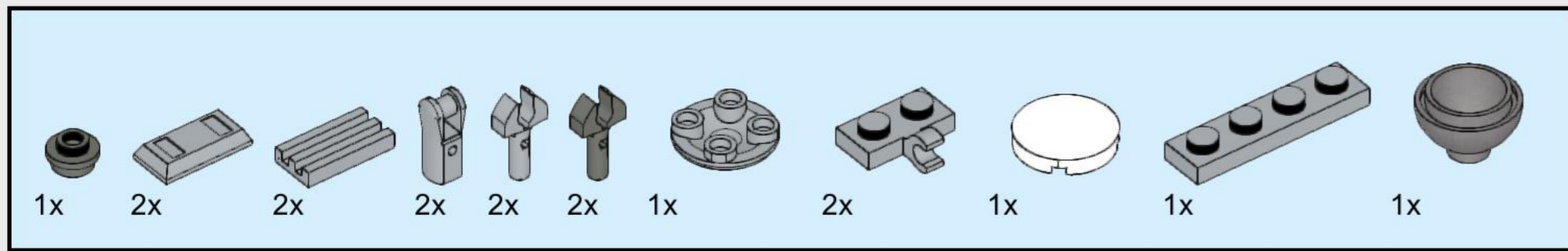


176

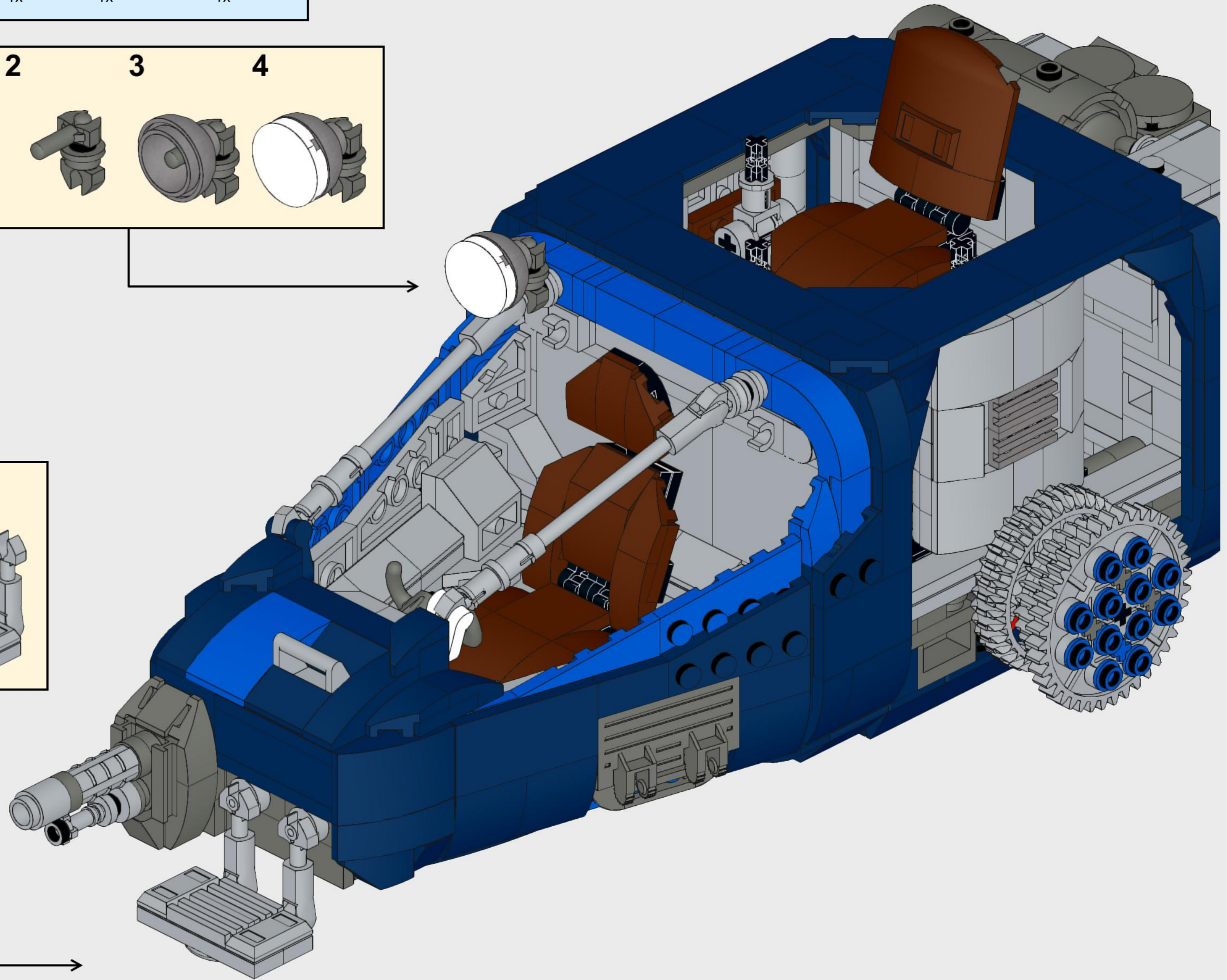
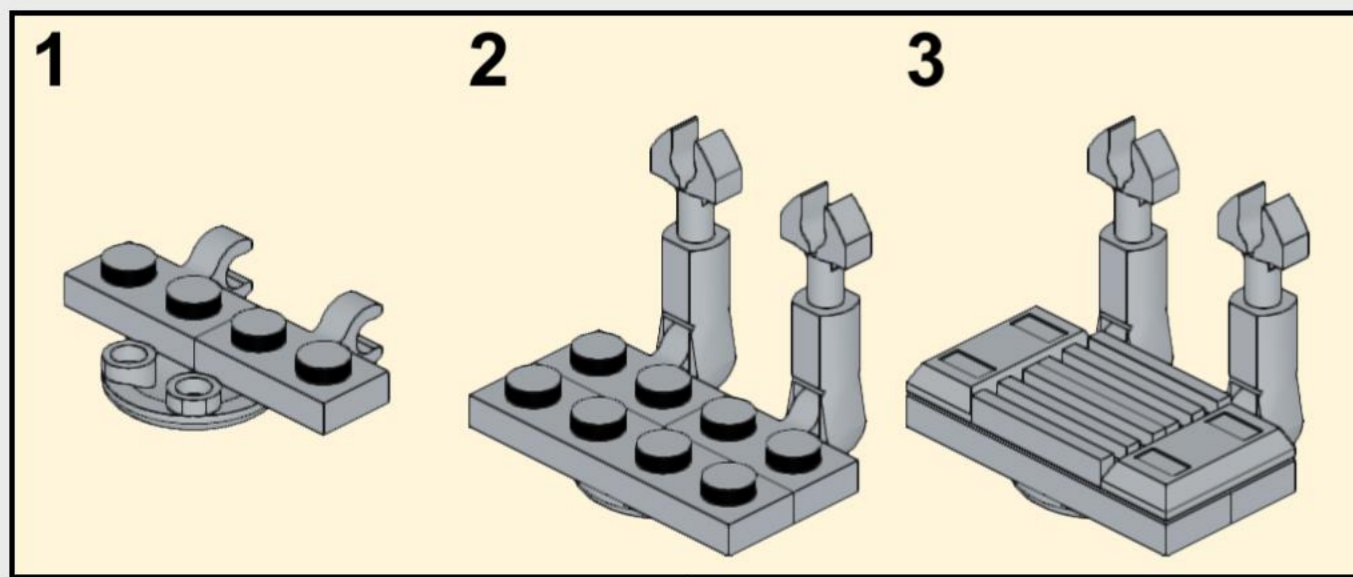
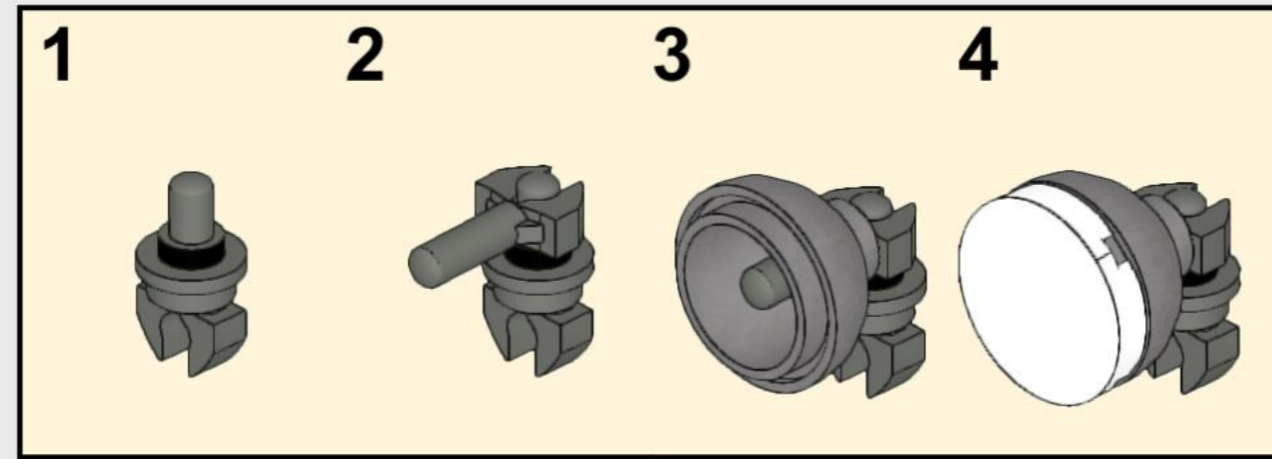


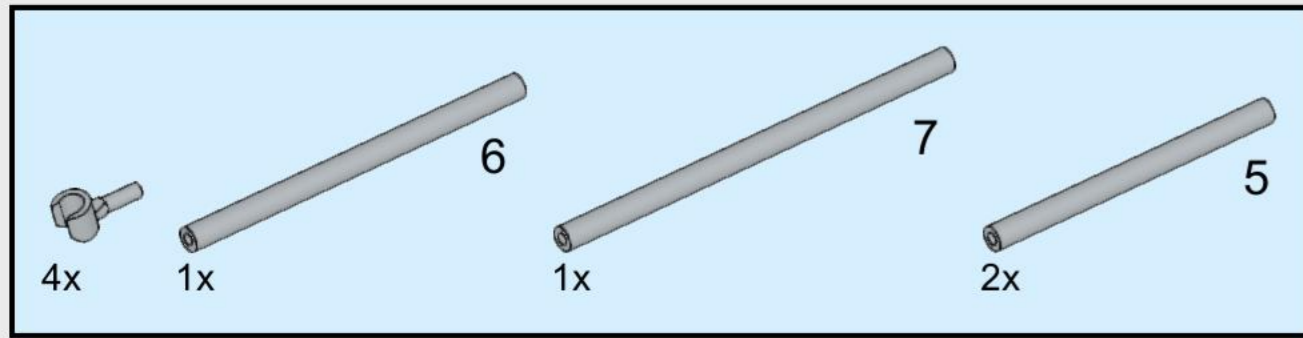
177



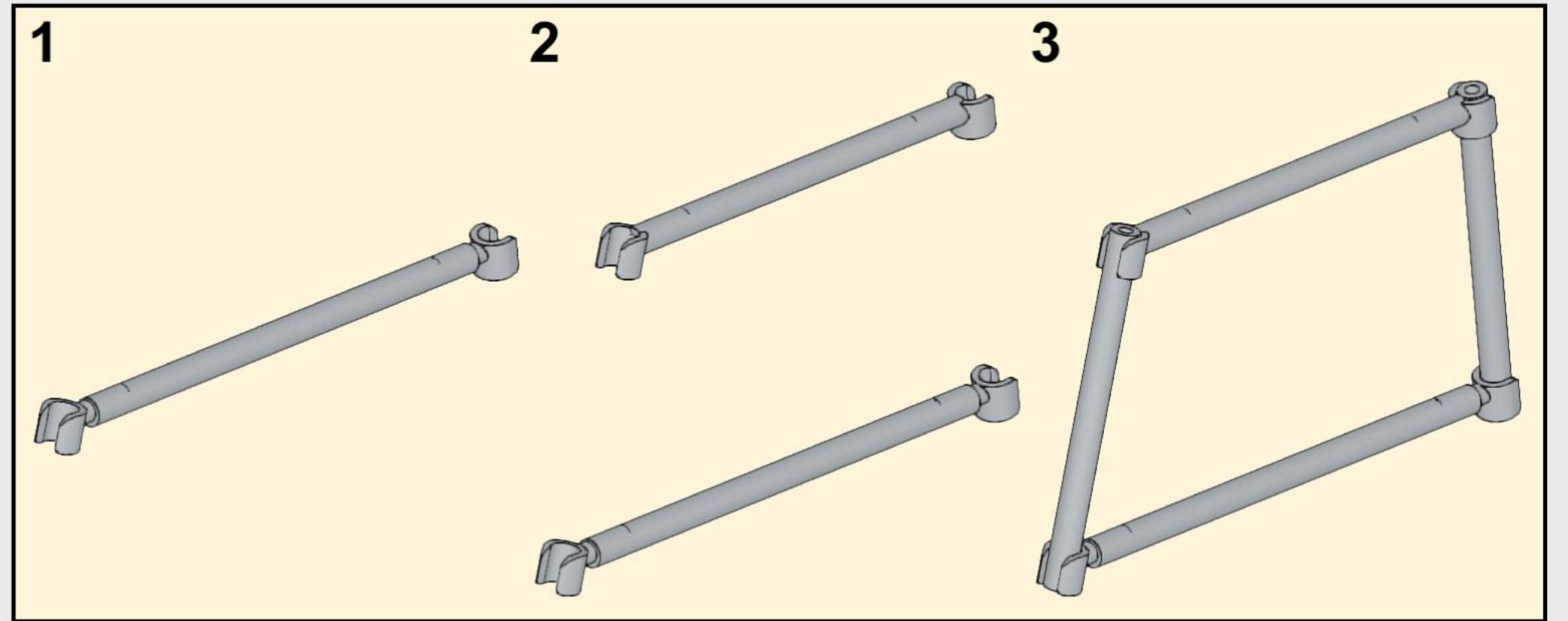
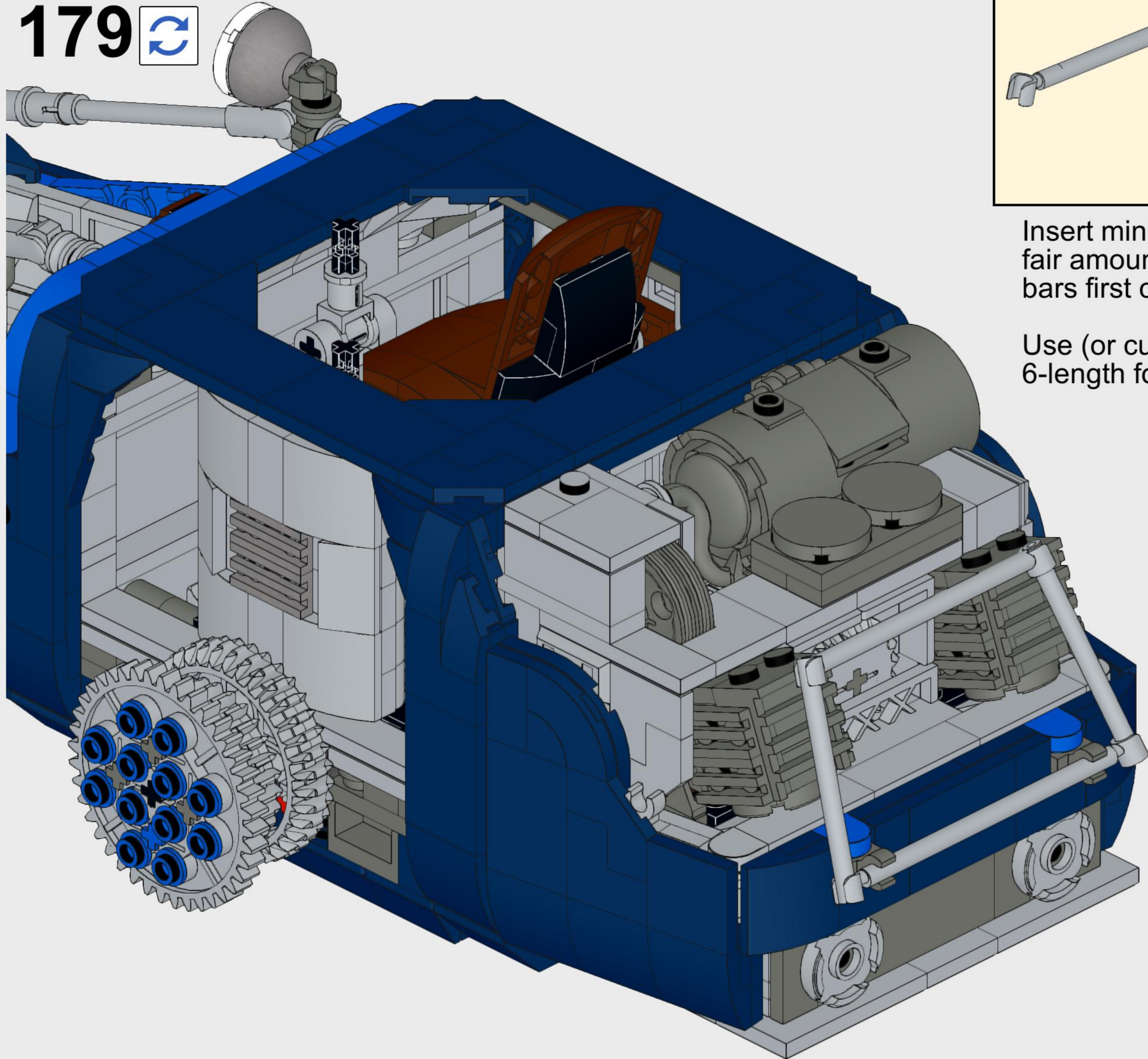


178





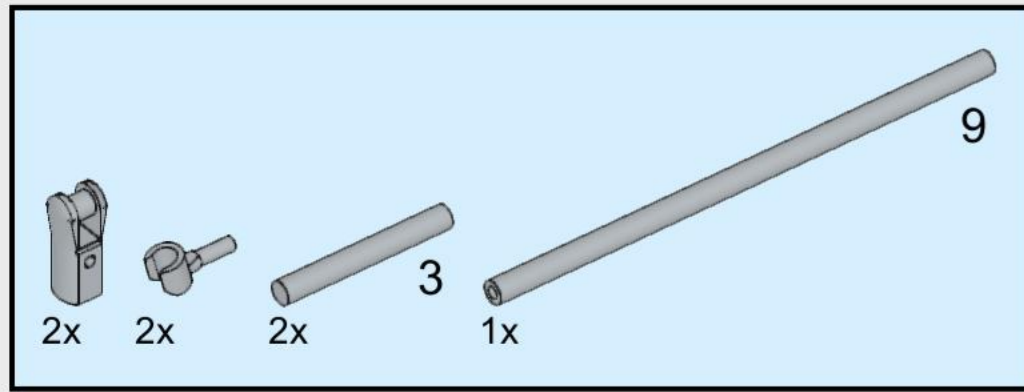
179



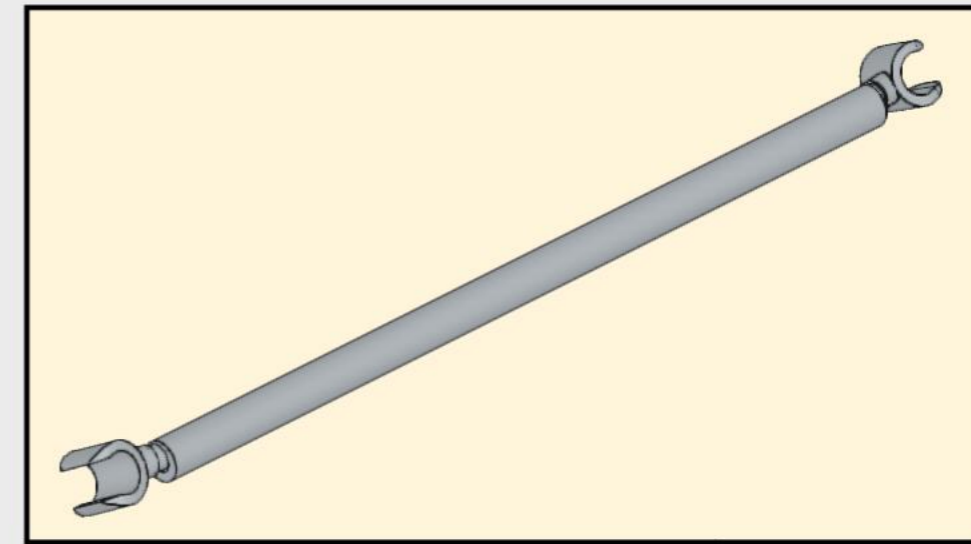
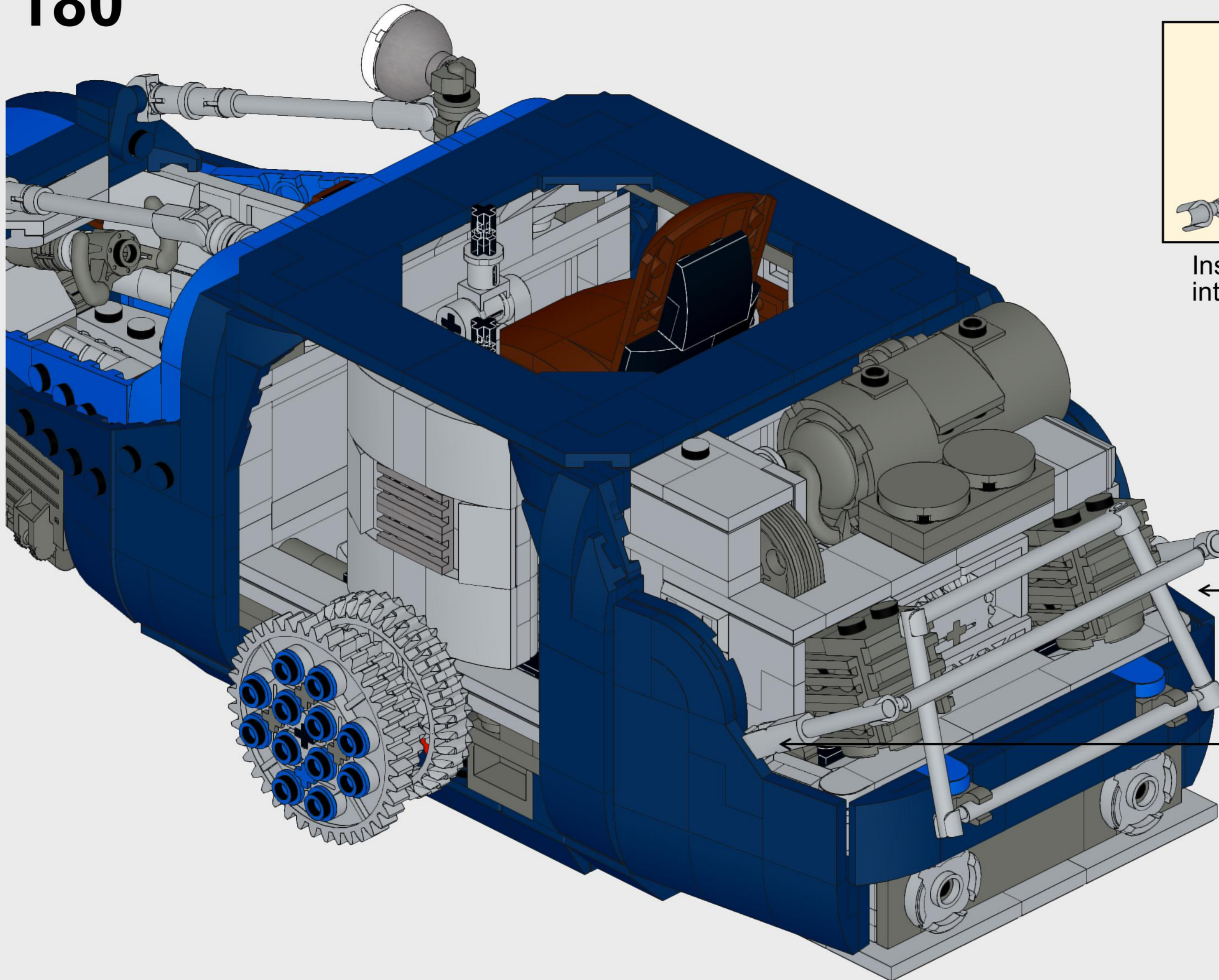
Insert minifig hands into rigid hoses. This can take a fair amount of pressure, so clipping the hands onto bars first can help get leverage needed to insert them.

Use (or cut) a 7-stud-length piece for the bottom, a 6-length for the top and 5-lengths for the sides.

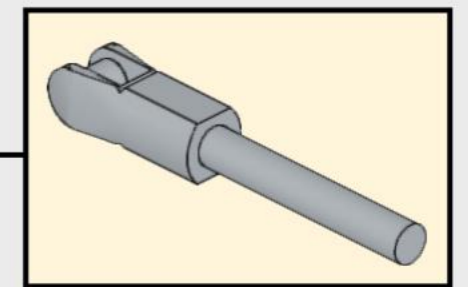




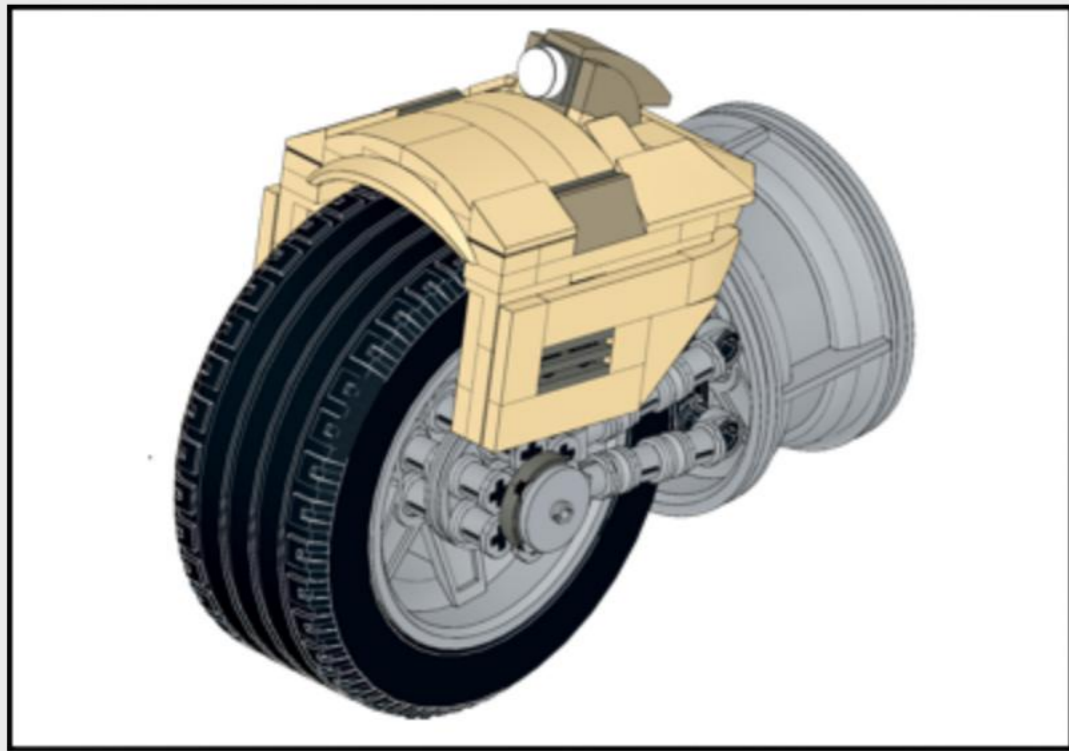
180



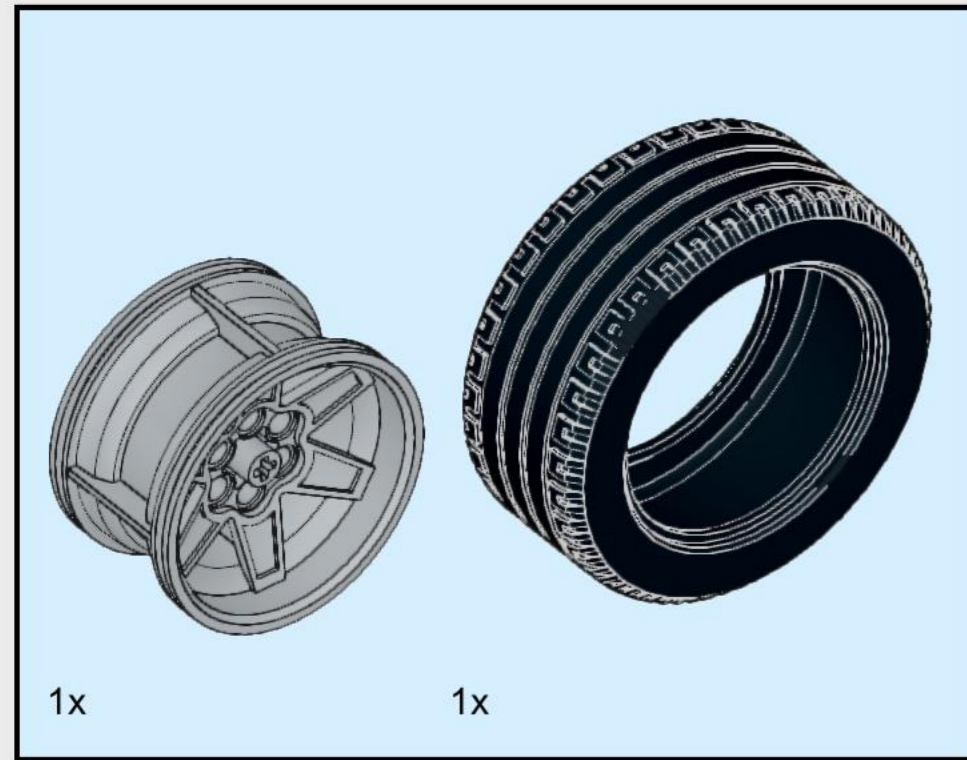
Insert minifig hands  
into 9-length hose



2x

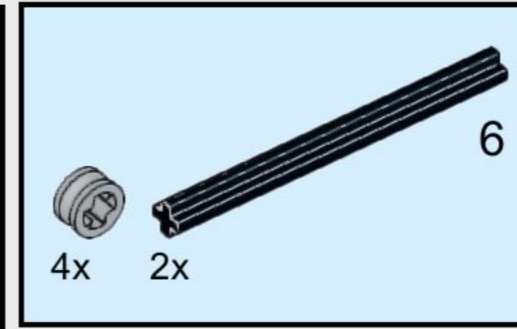


2x



Reverse wheel on second build of this model, so that left/right front wheels will be symmetrically mirrored when the full model is constructed.

1

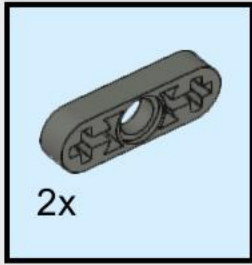


2

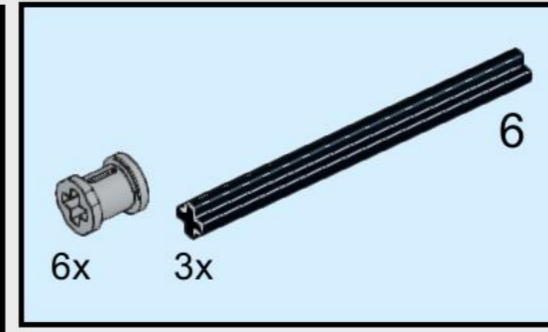
Wheel build is symmetrical. Add same pieces to reverse side per step.





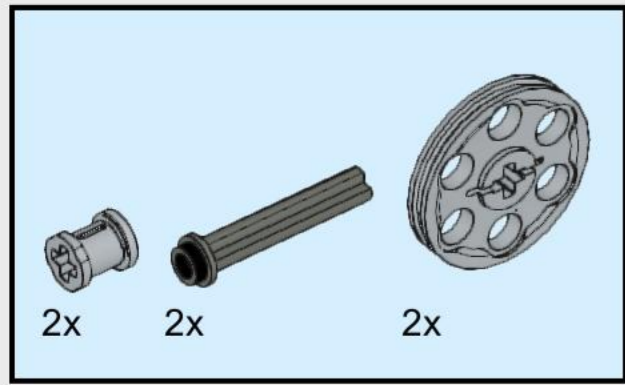


3

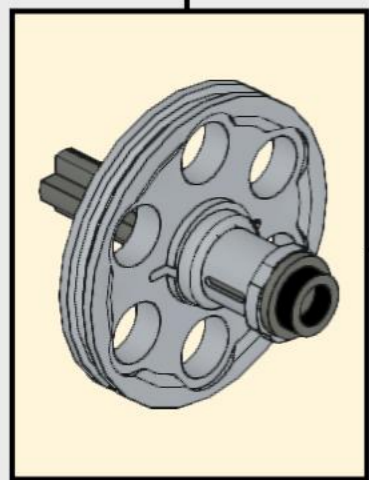


4

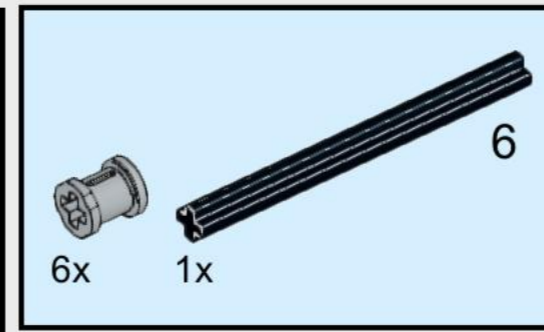




5

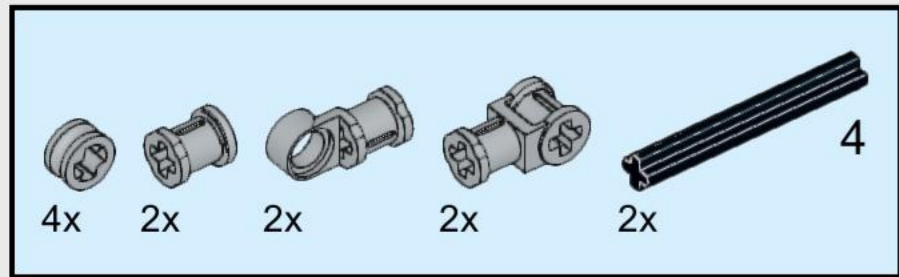


2x

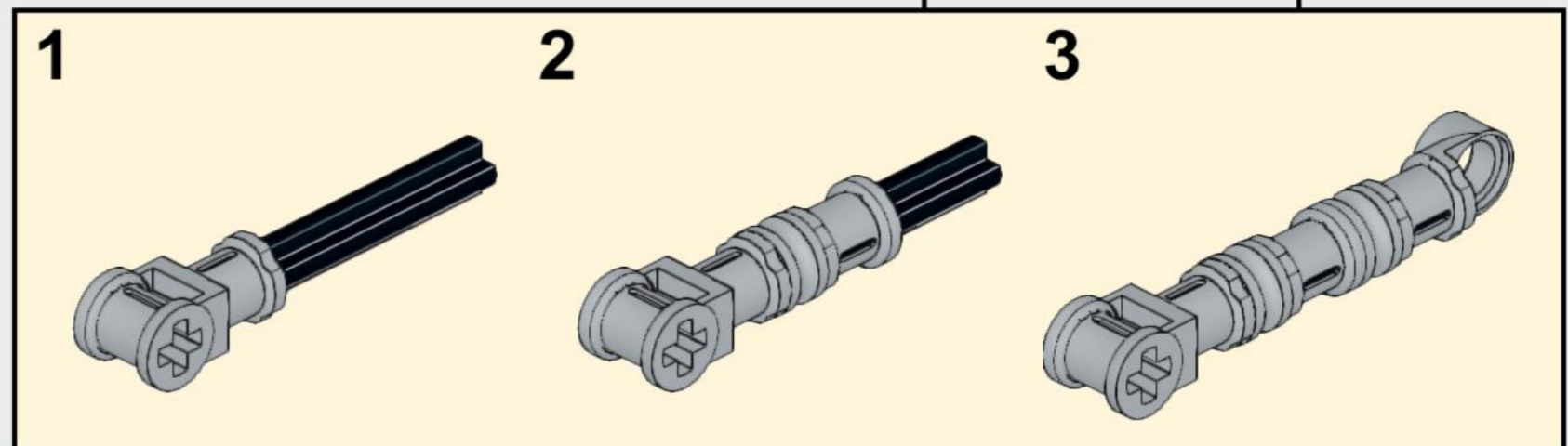
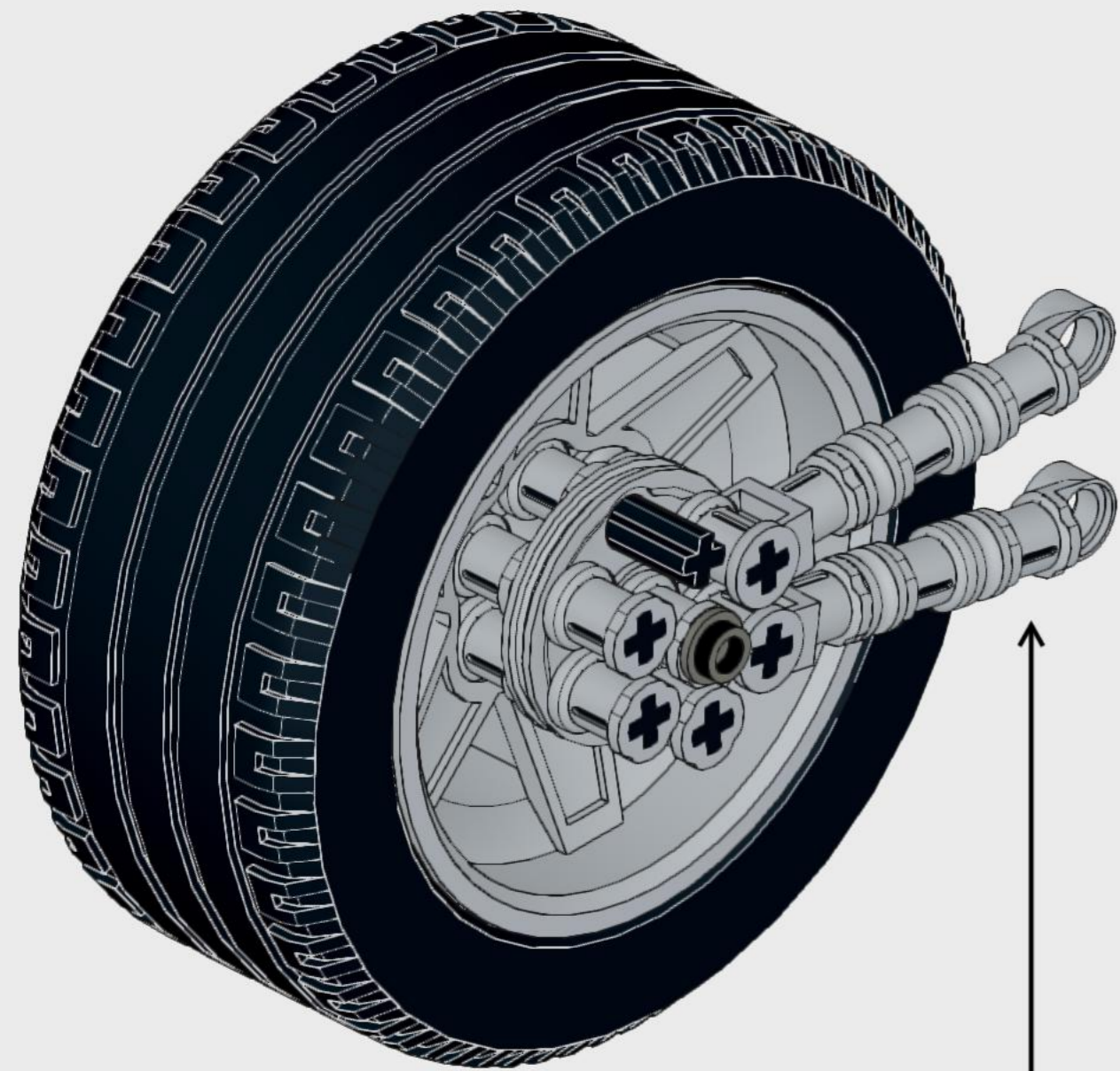


6

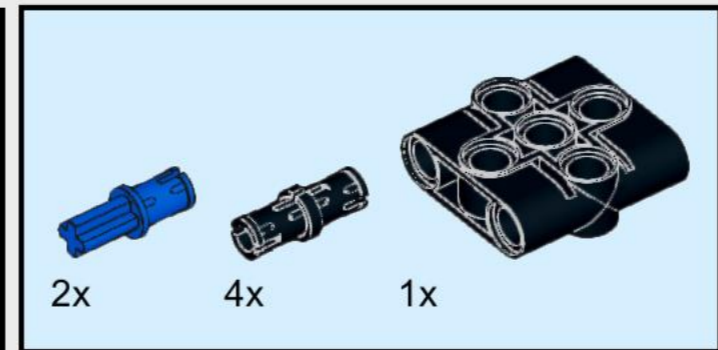




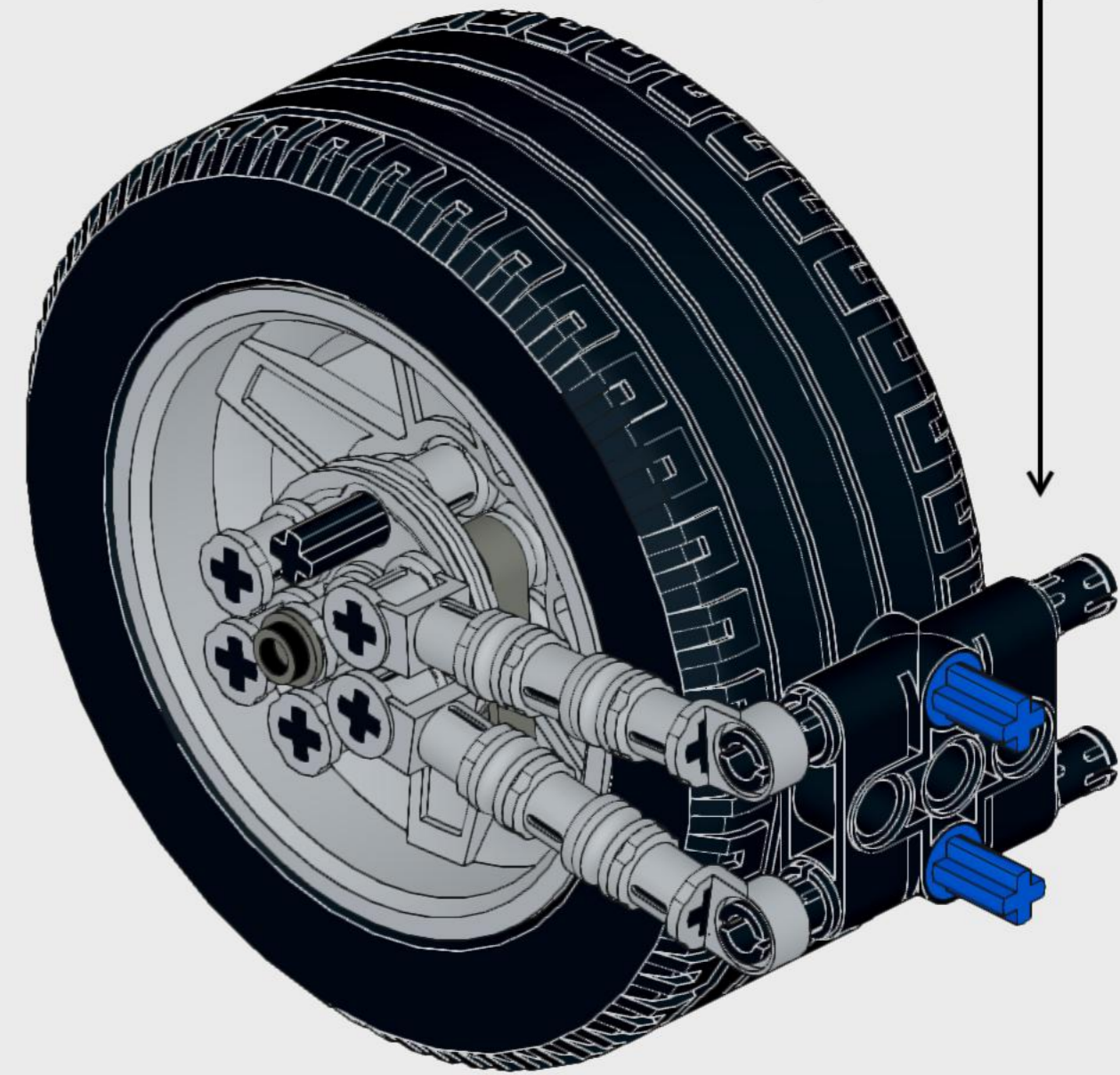
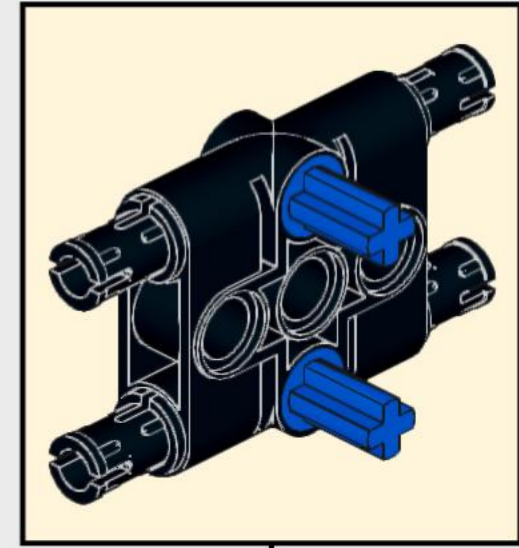
7

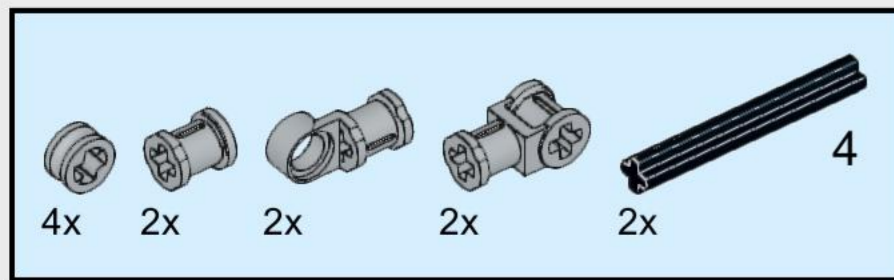


2x

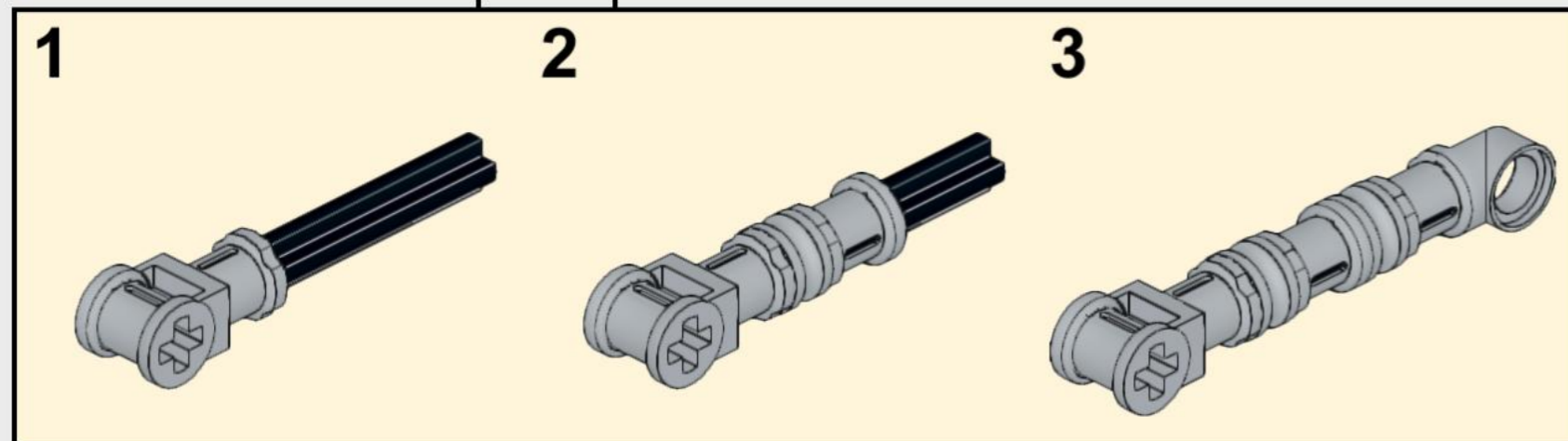
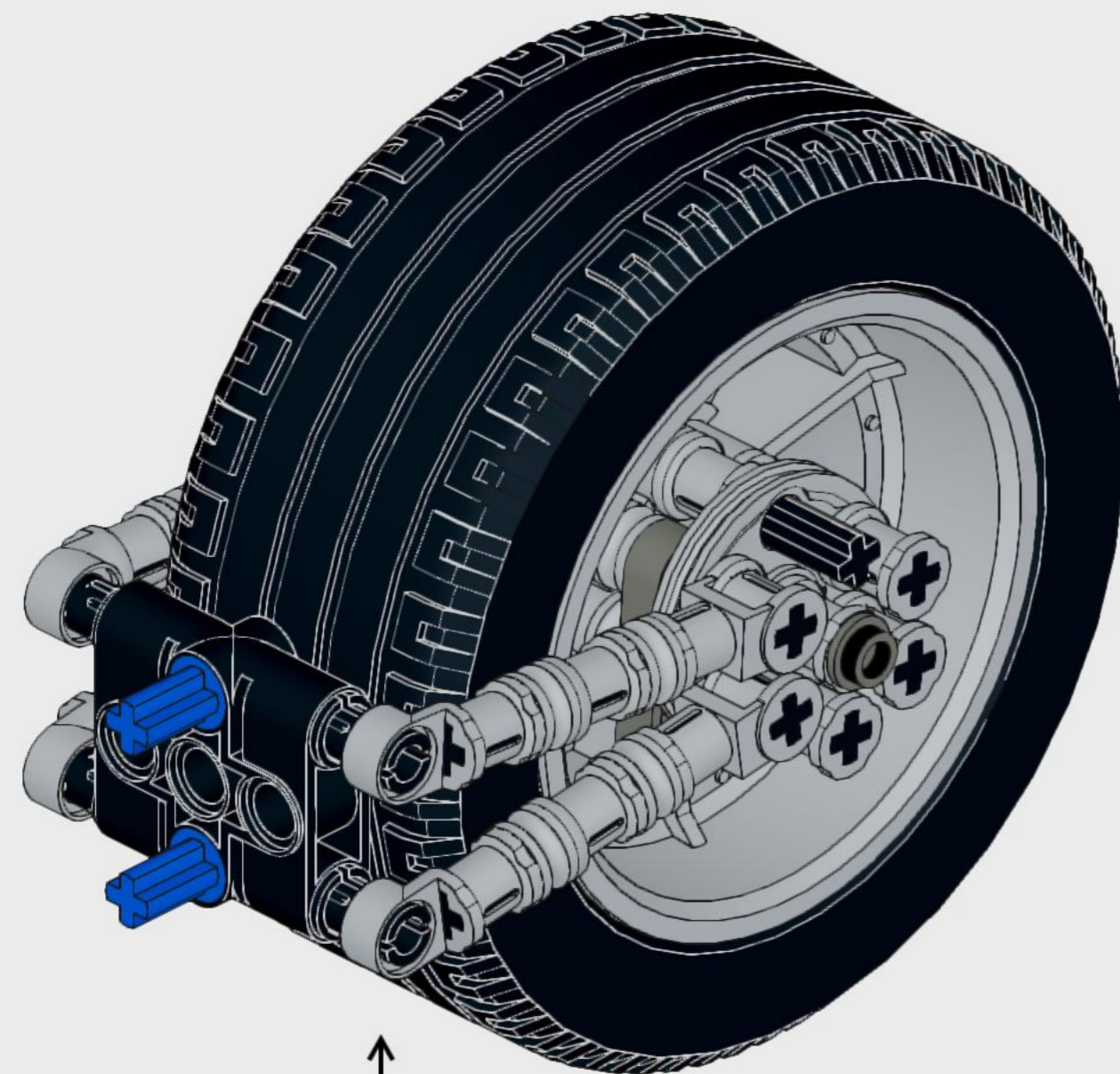


8 

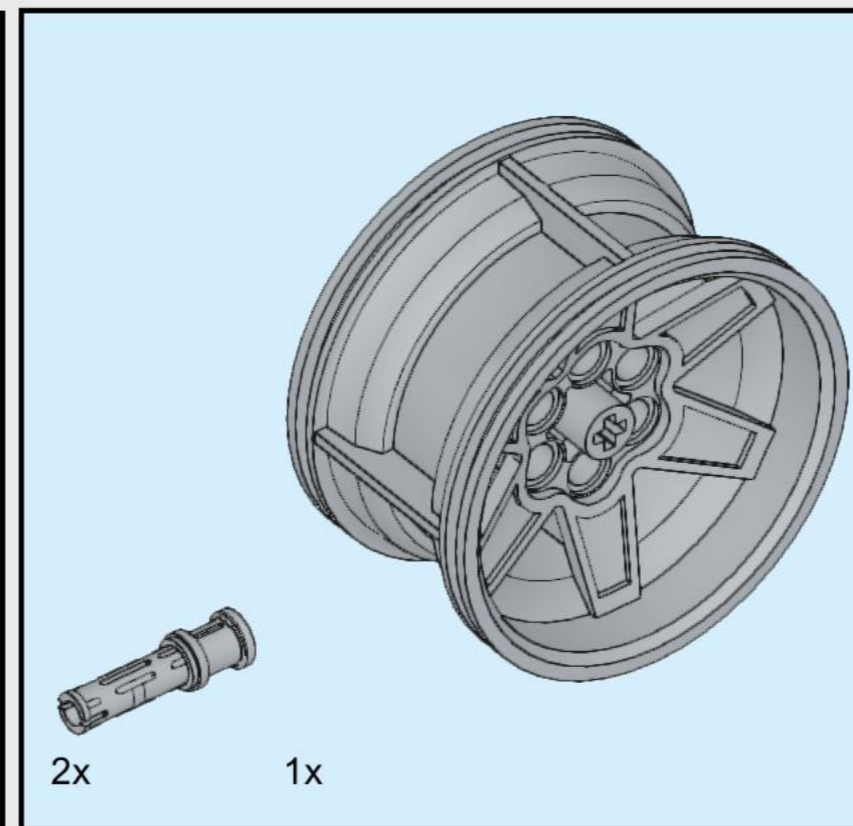




9

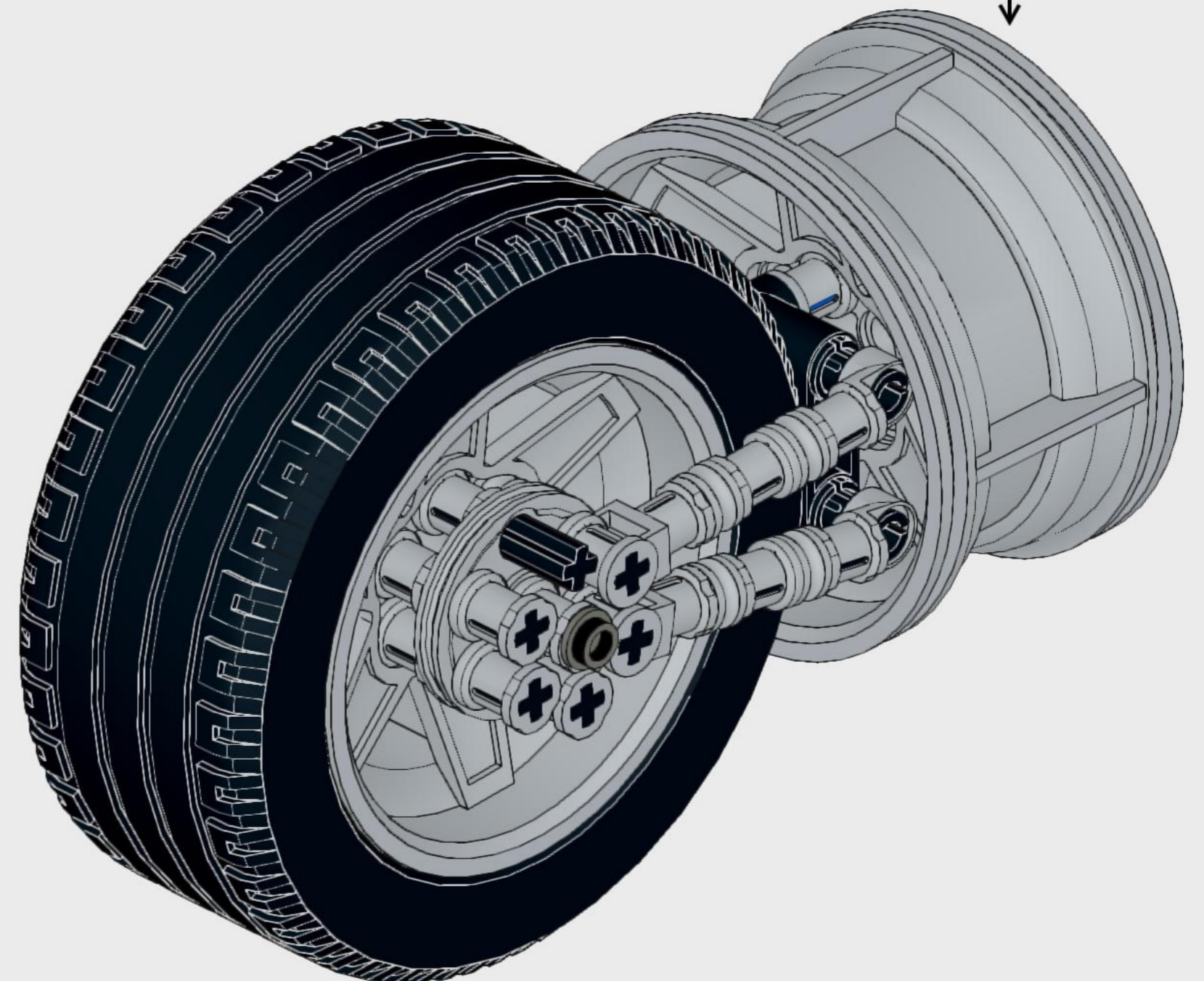
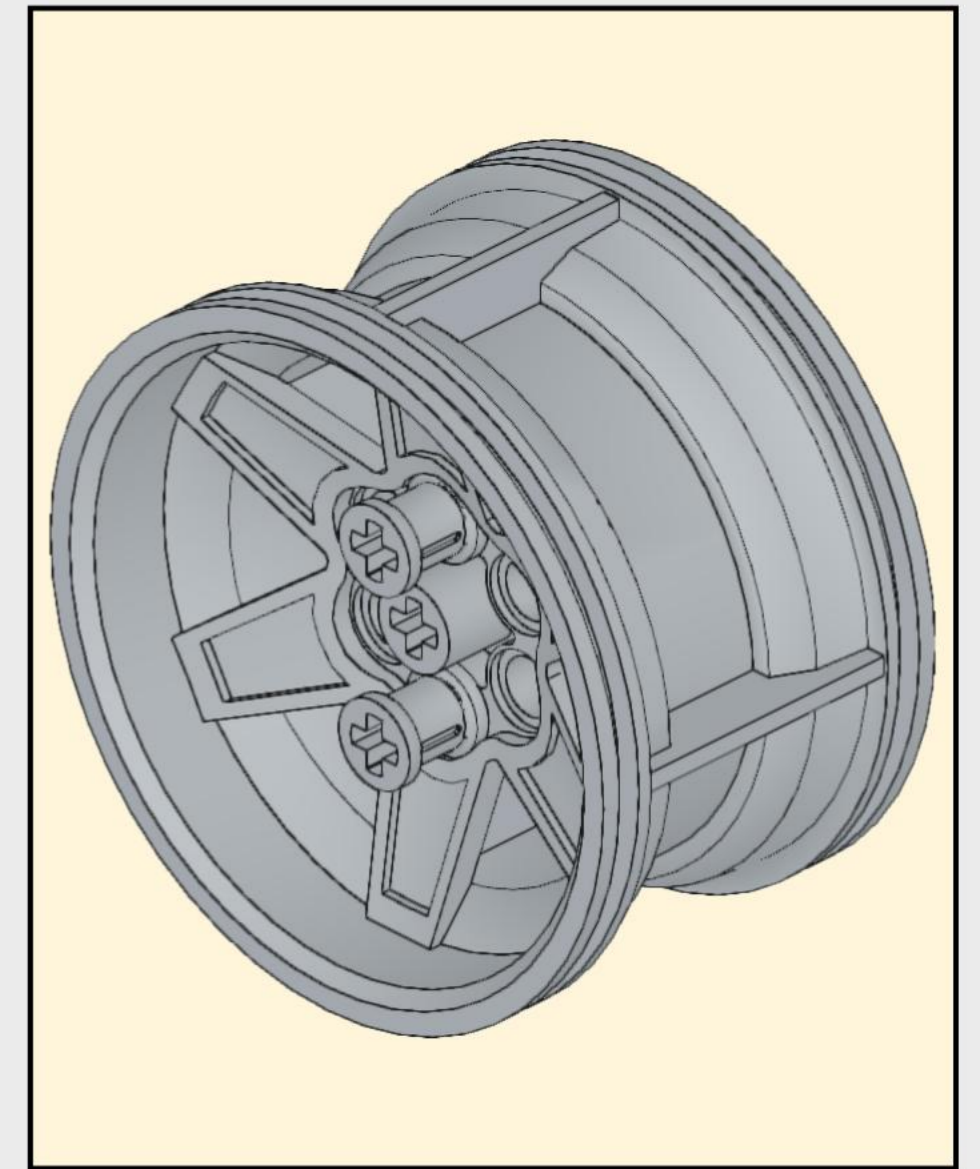


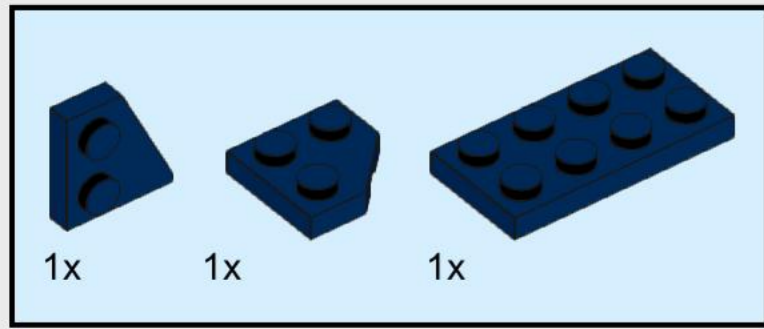
2x



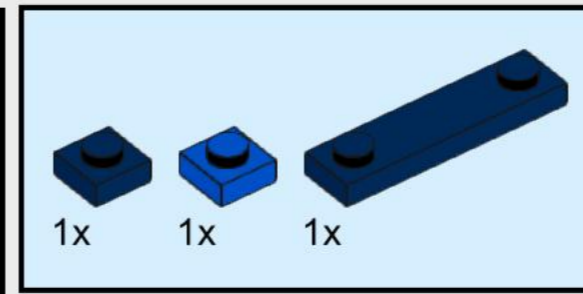
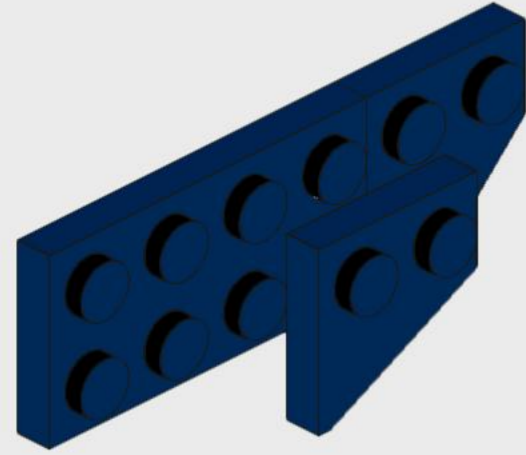
10

Ensure wheel interior matches instruction. Interior of wheel is different on each side.

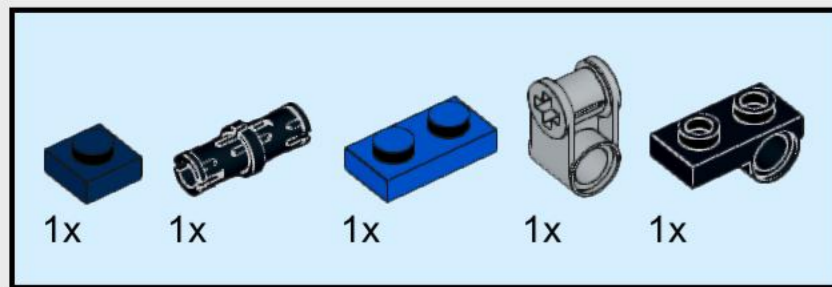
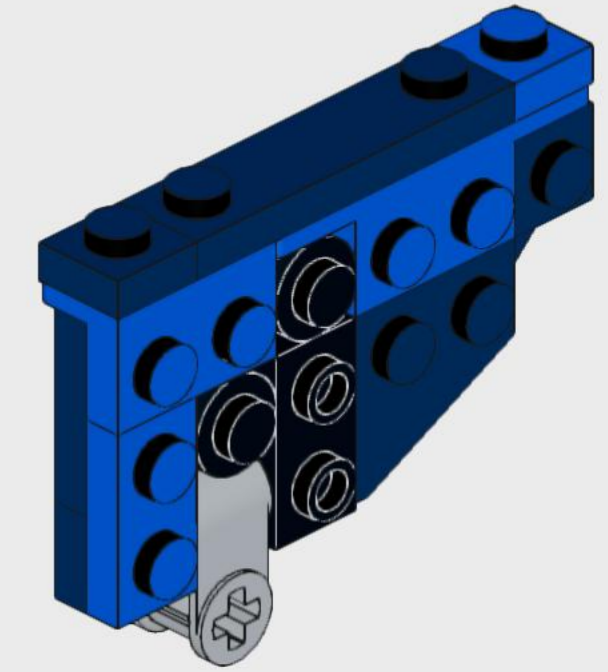




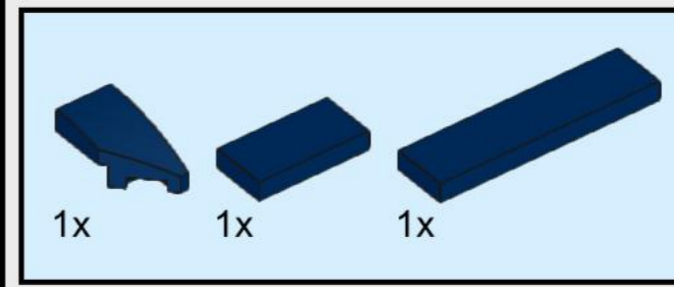
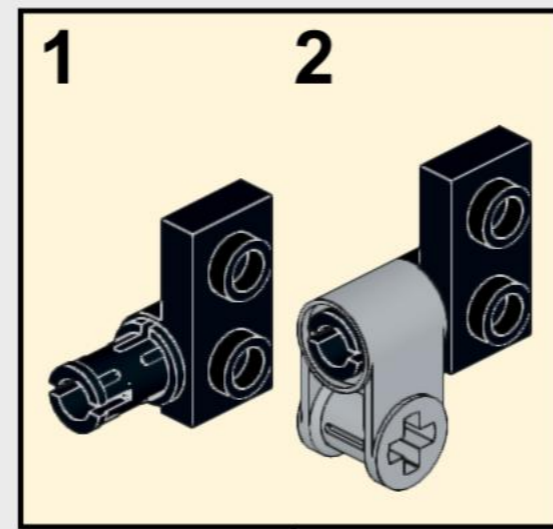
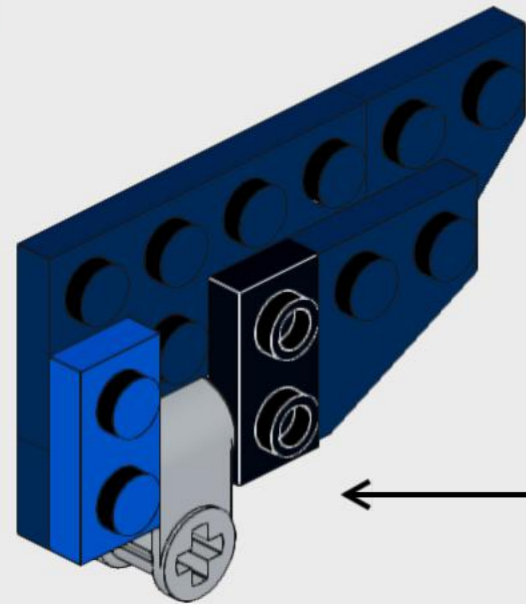
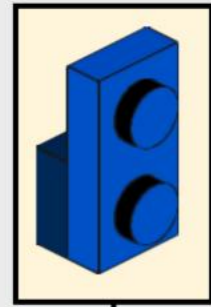
11



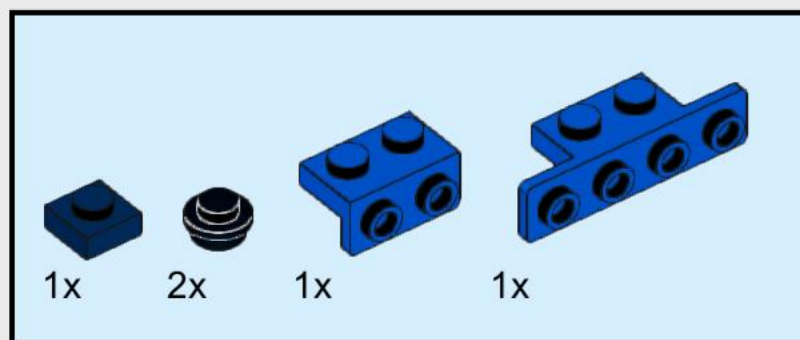
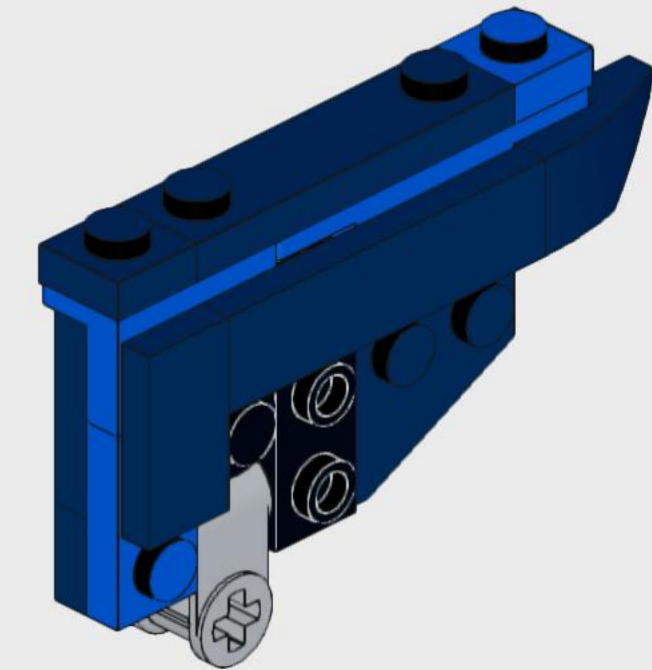
14



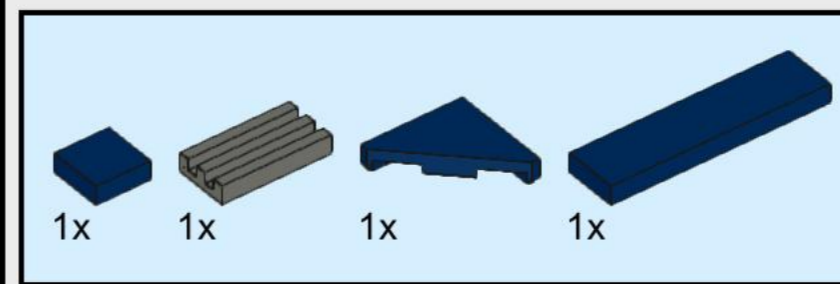
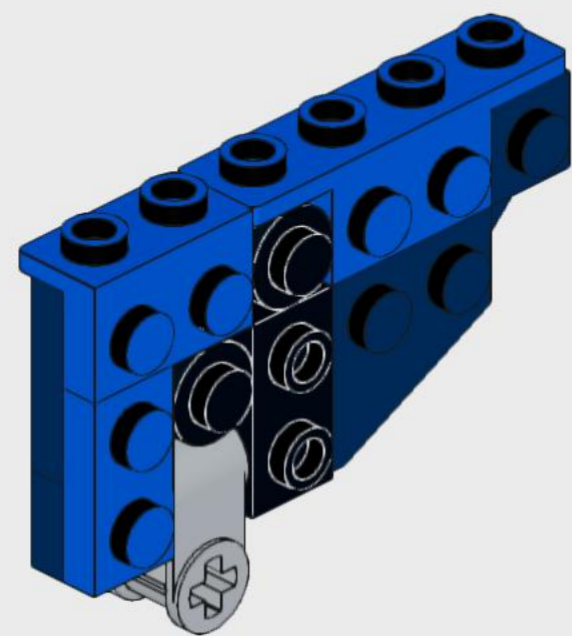
12



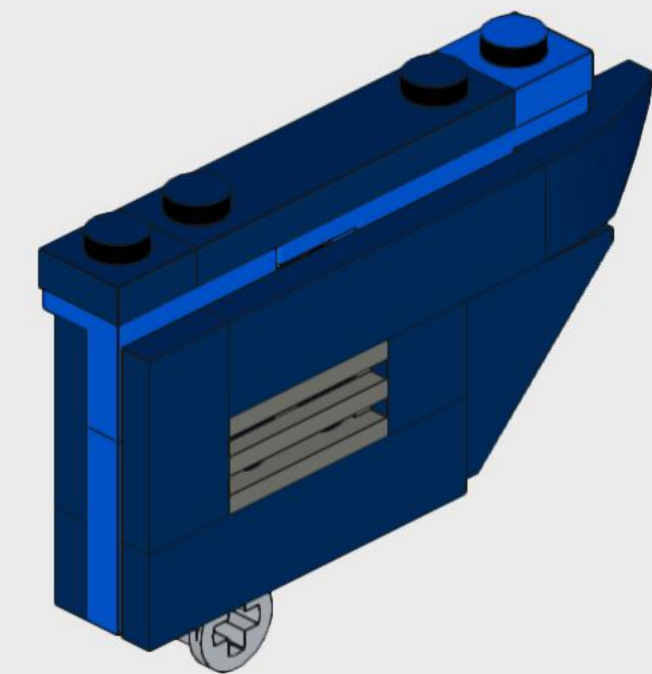
15

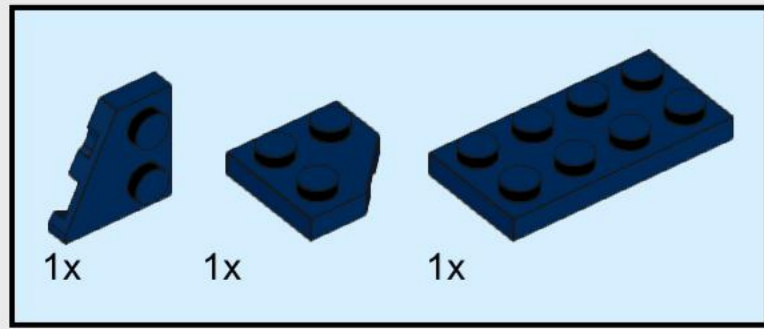


13

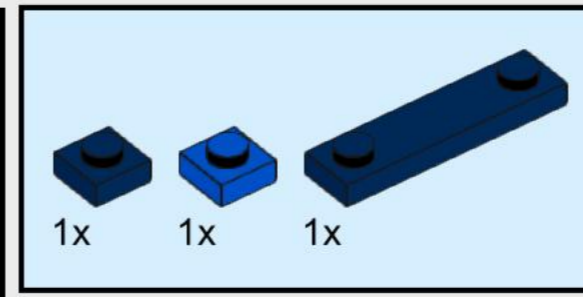
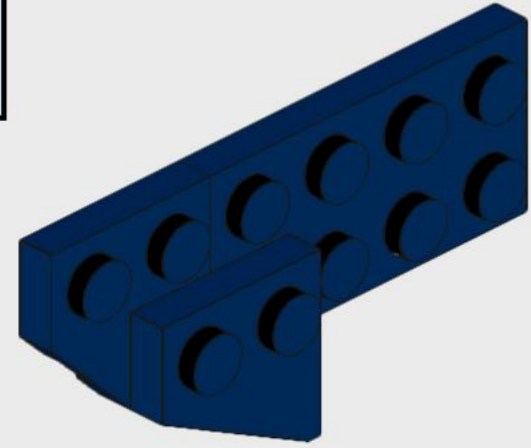


16

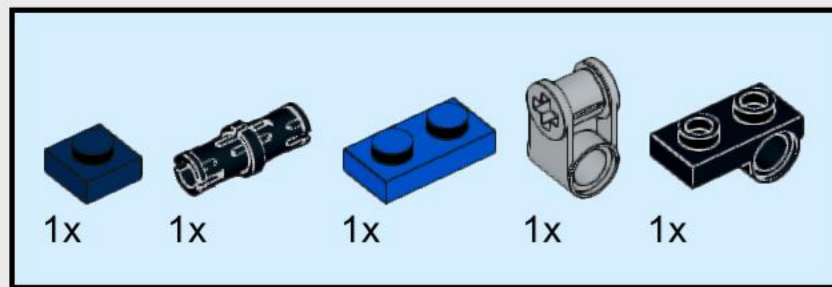
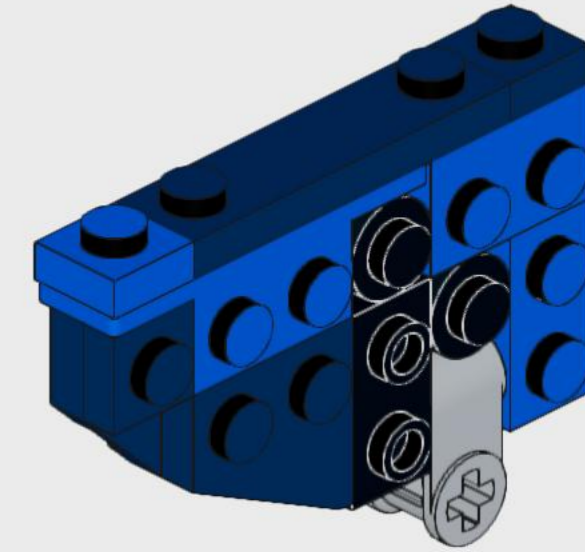




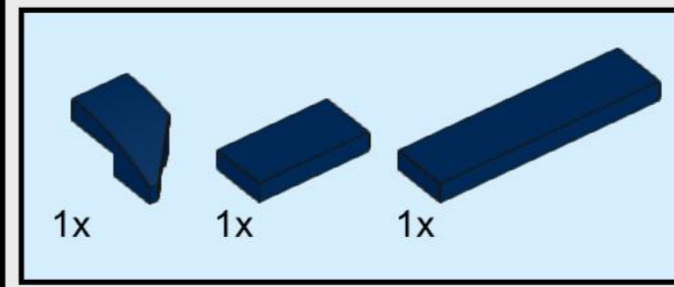
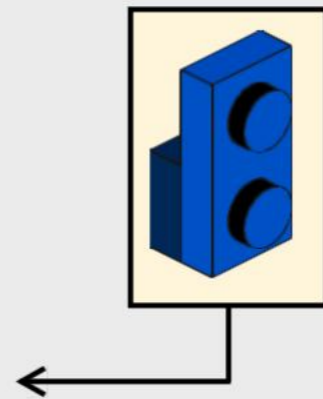
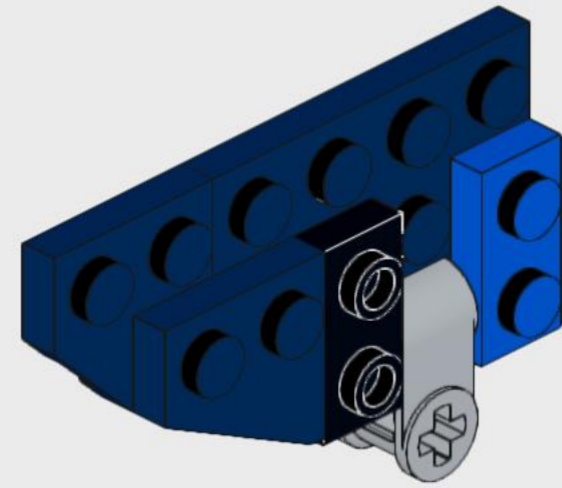
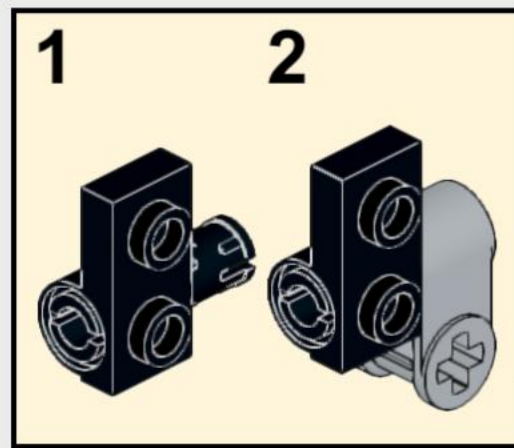
17



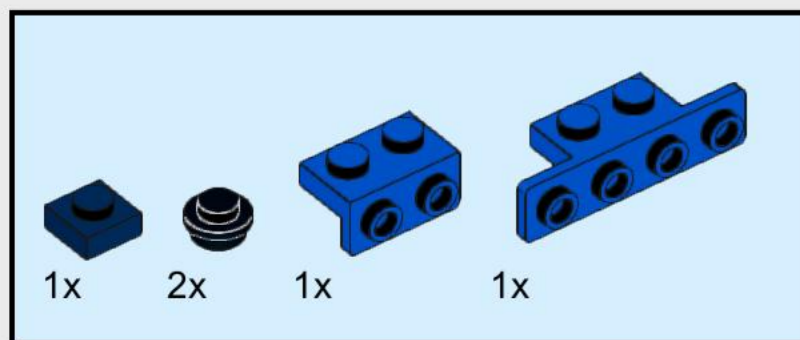
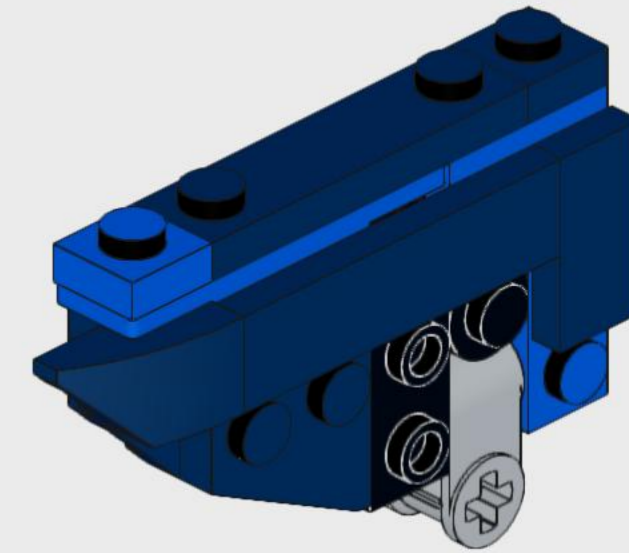
20



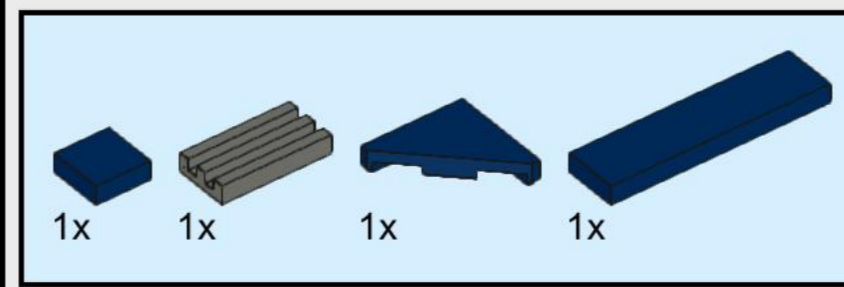
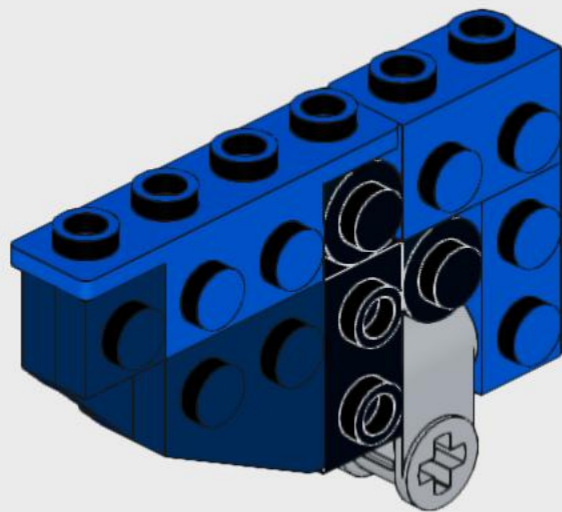
18



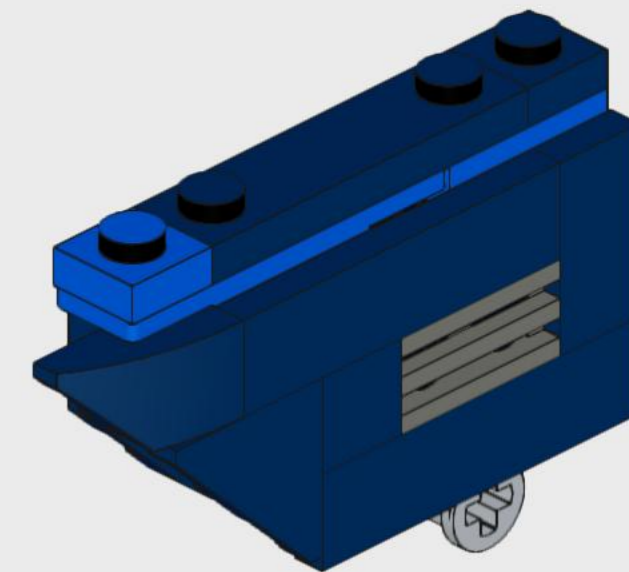
21



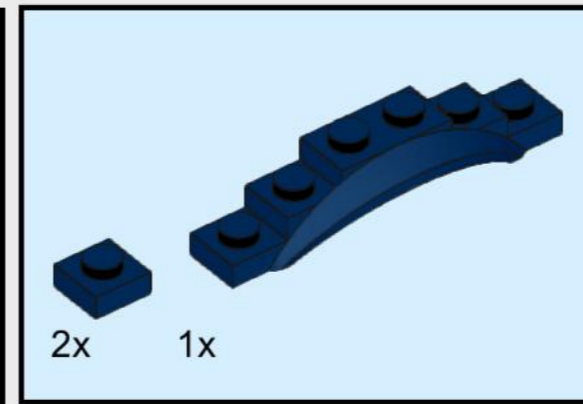
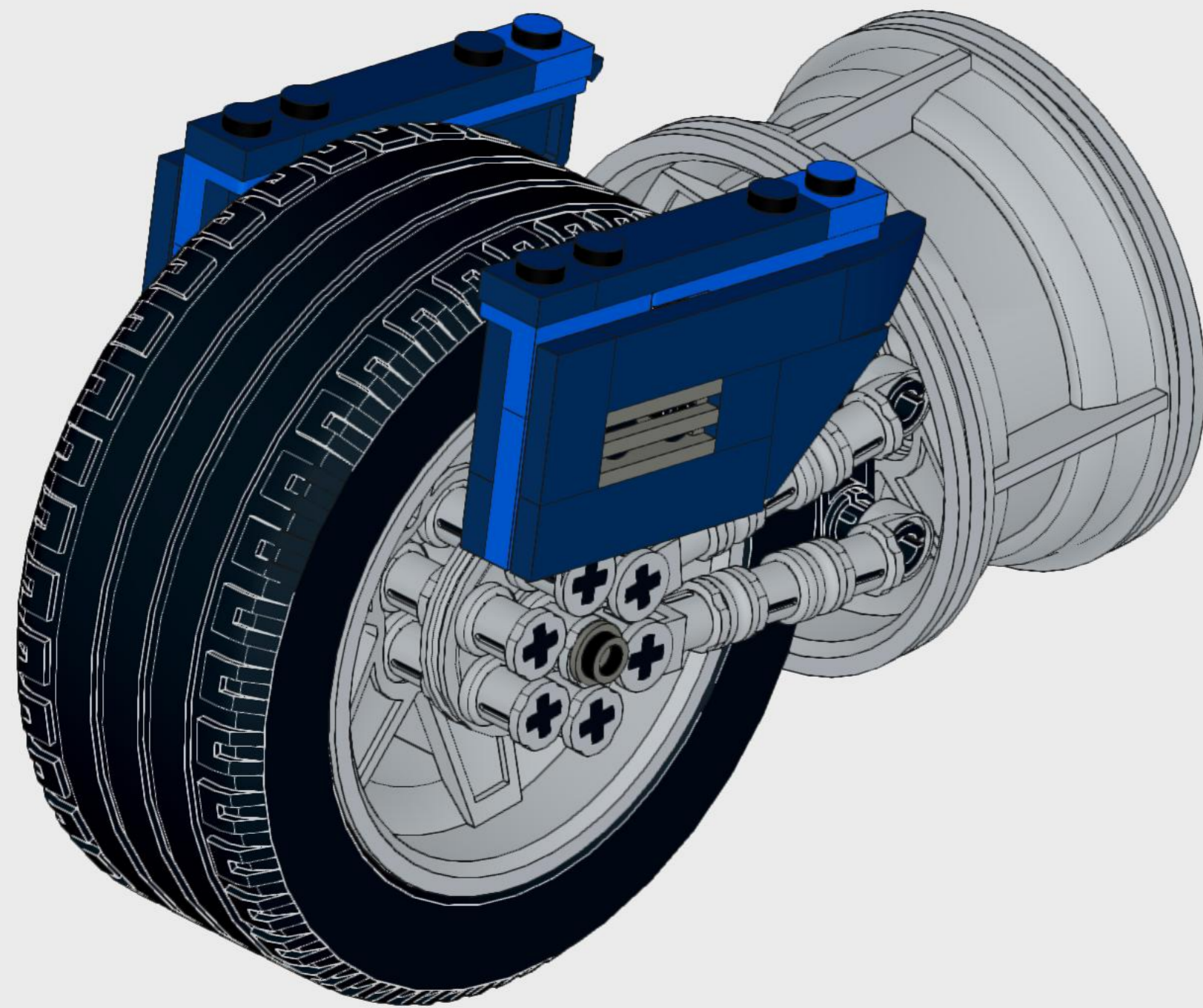
19



22

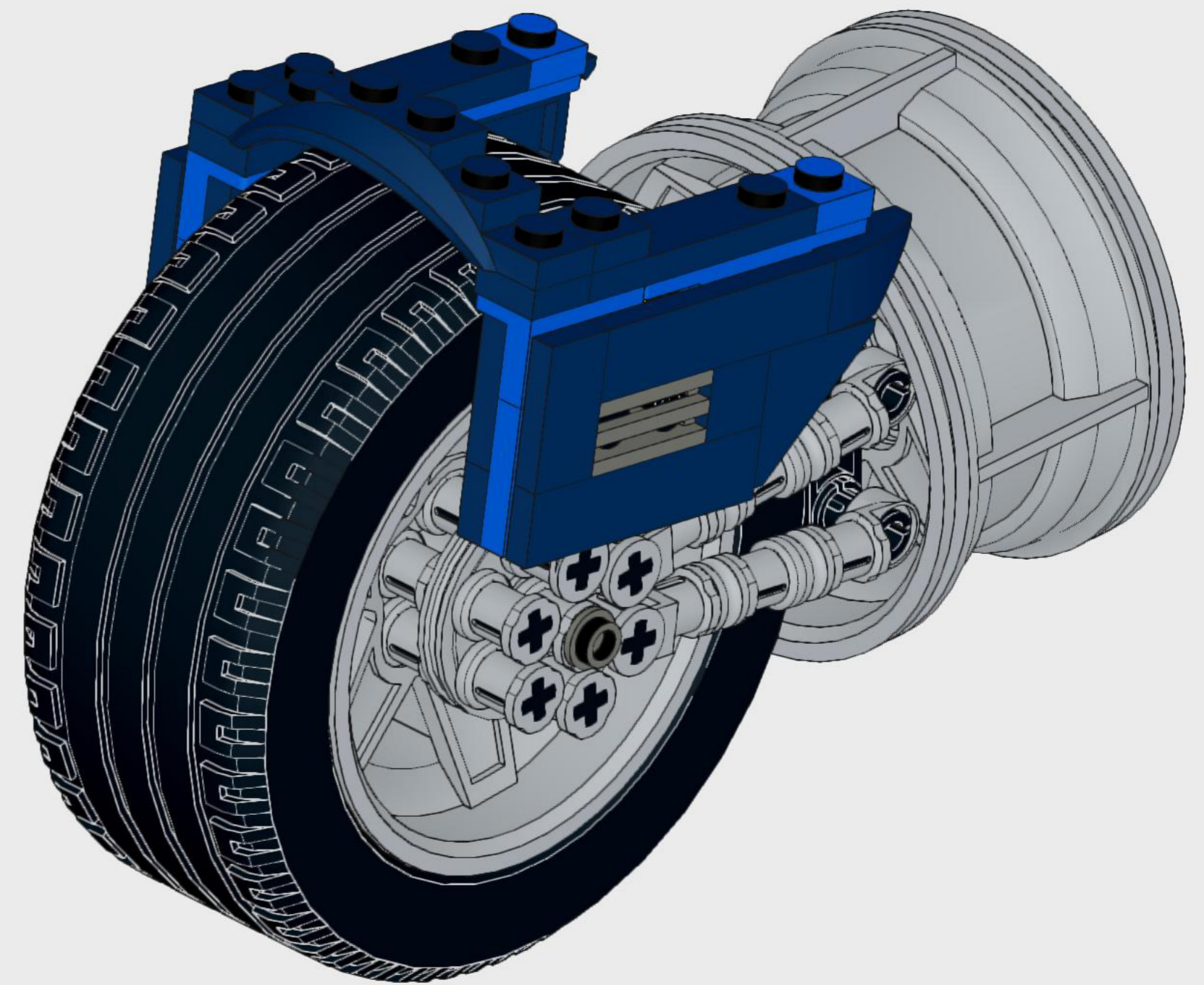


# 23



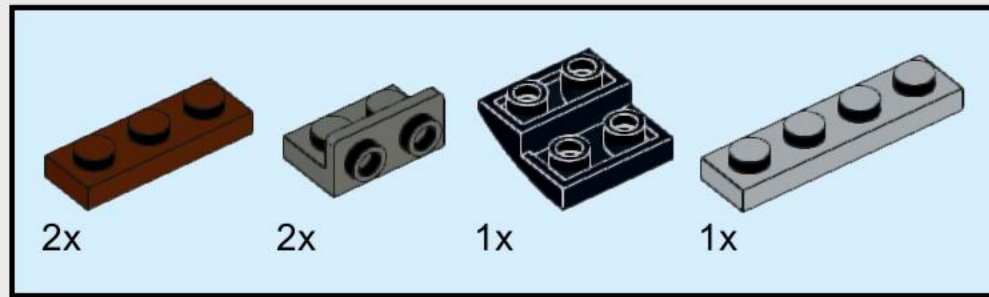
Push sides against wheel to be able to add arch piece on top. The rubber wheels fit a bit tight, but will easily deform slightly when pressure is added.

# 24

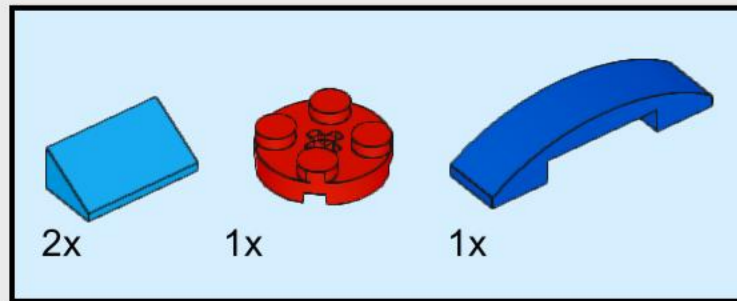
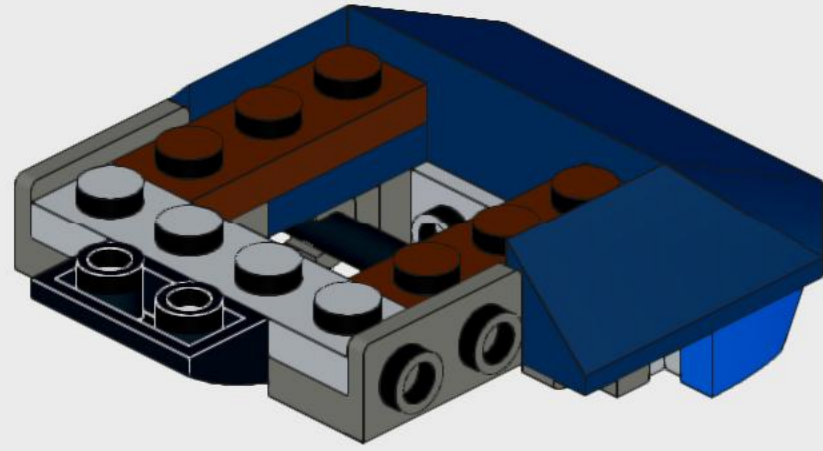




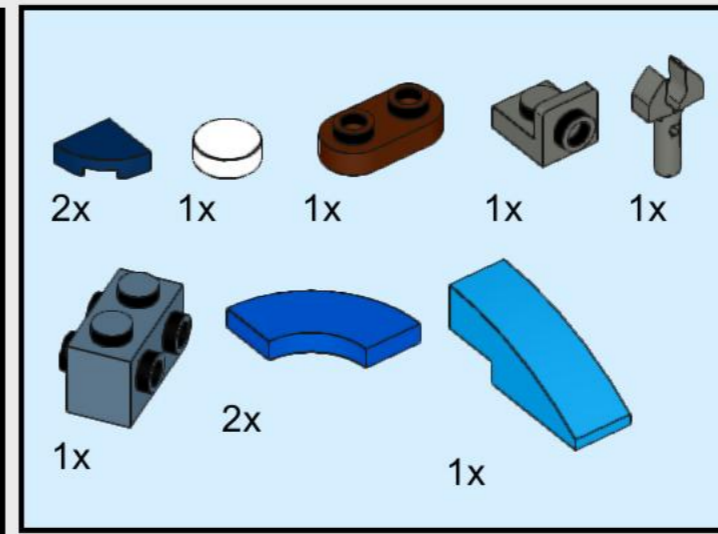
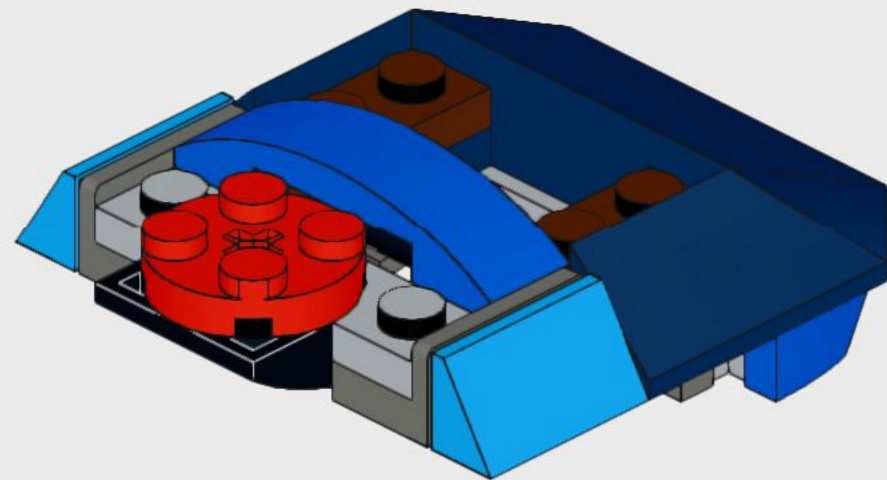




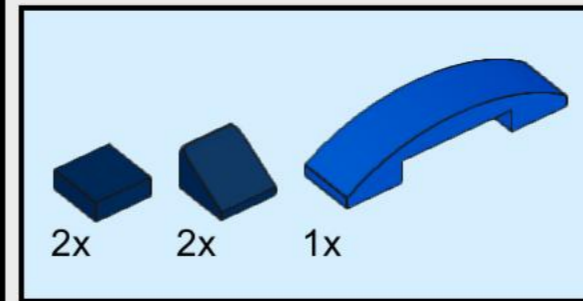
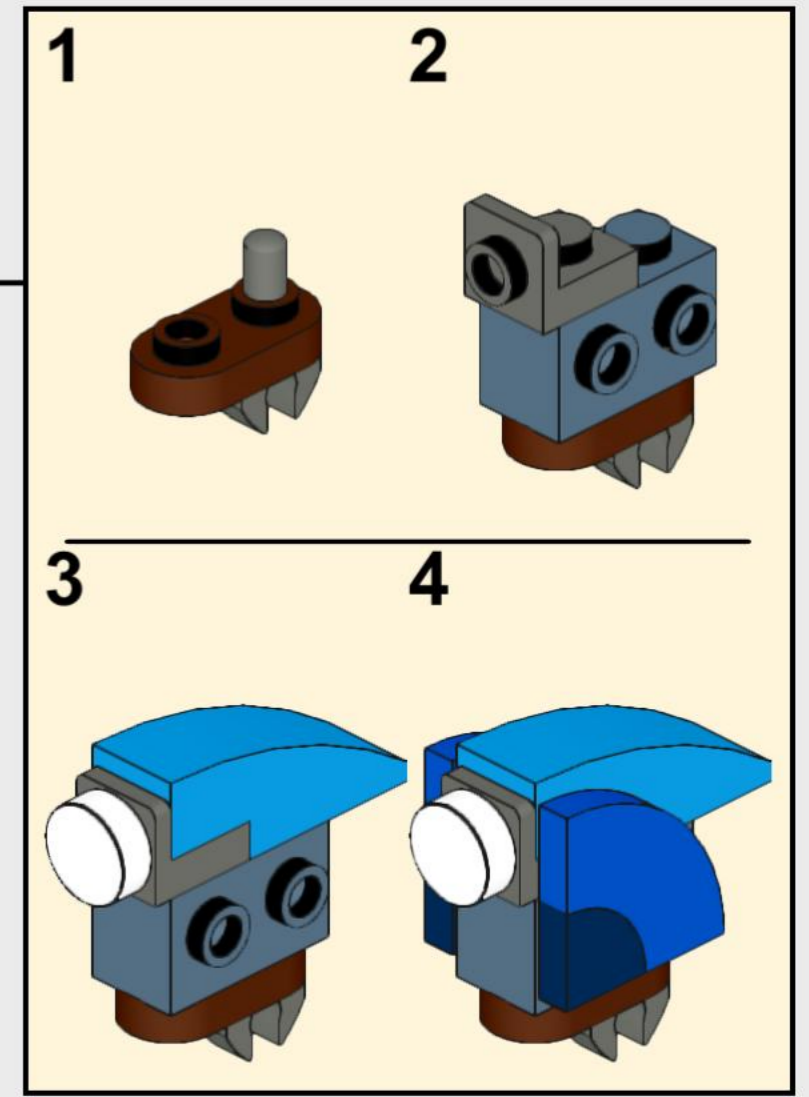
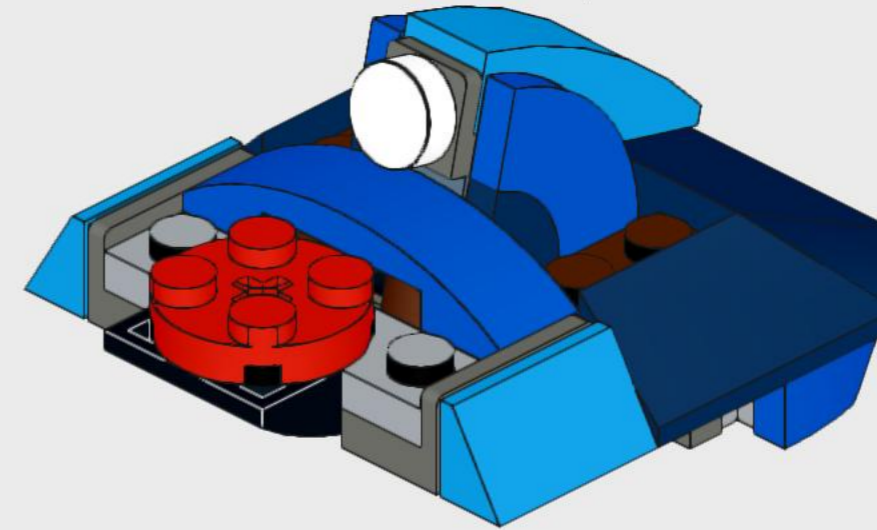
29



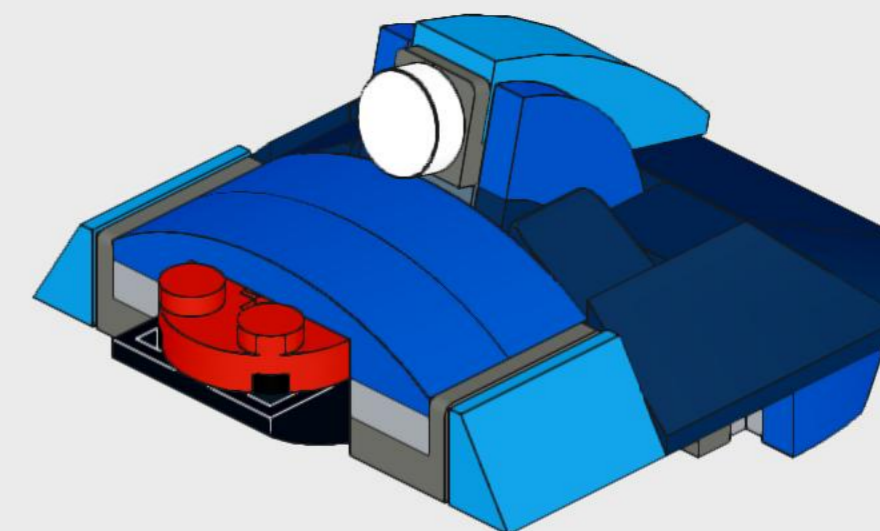
30



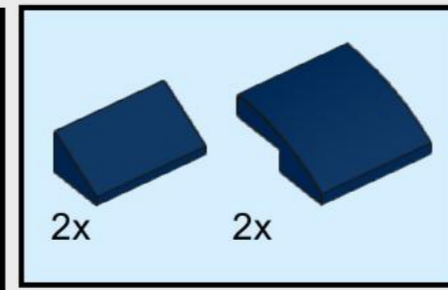
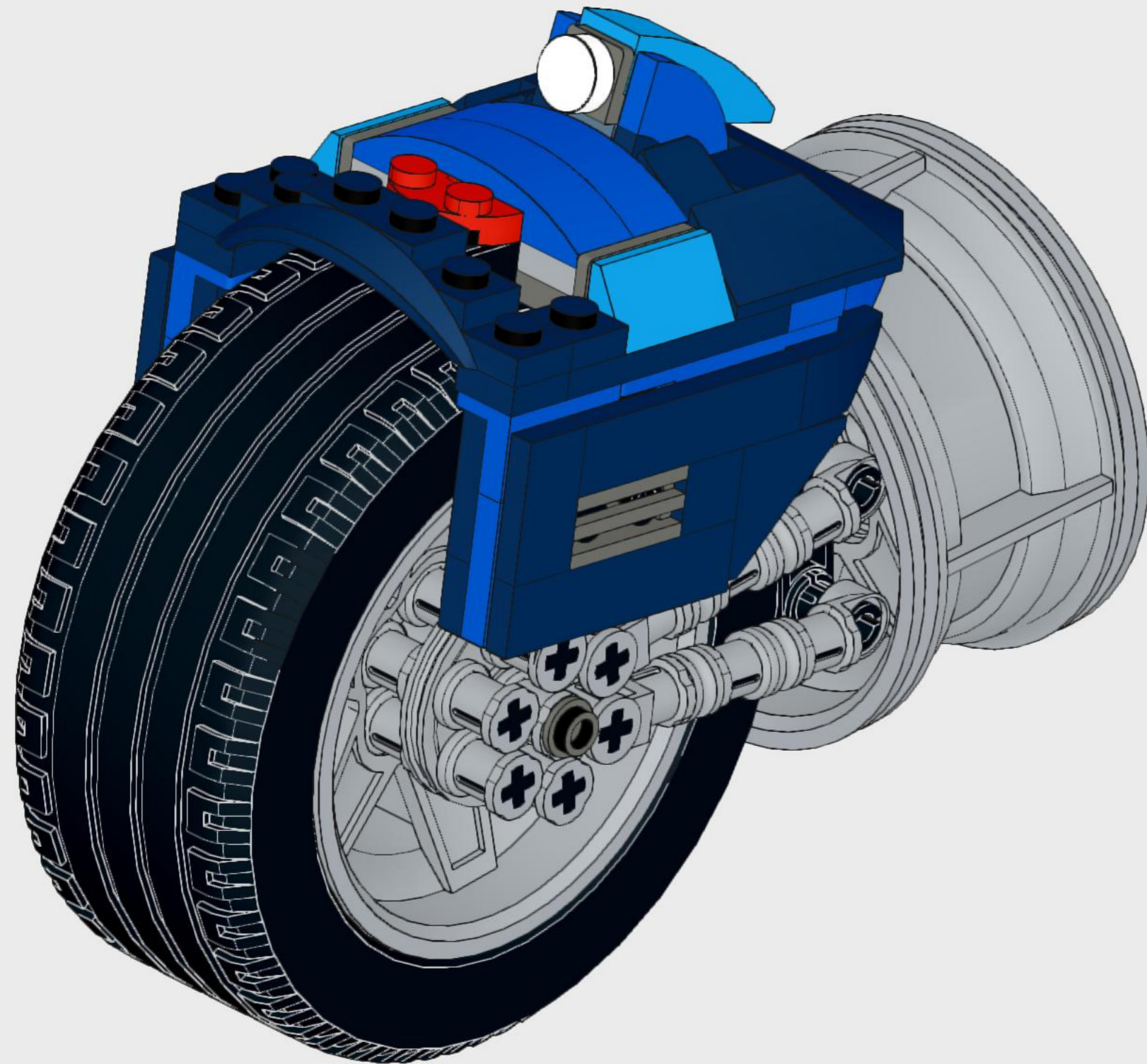
31



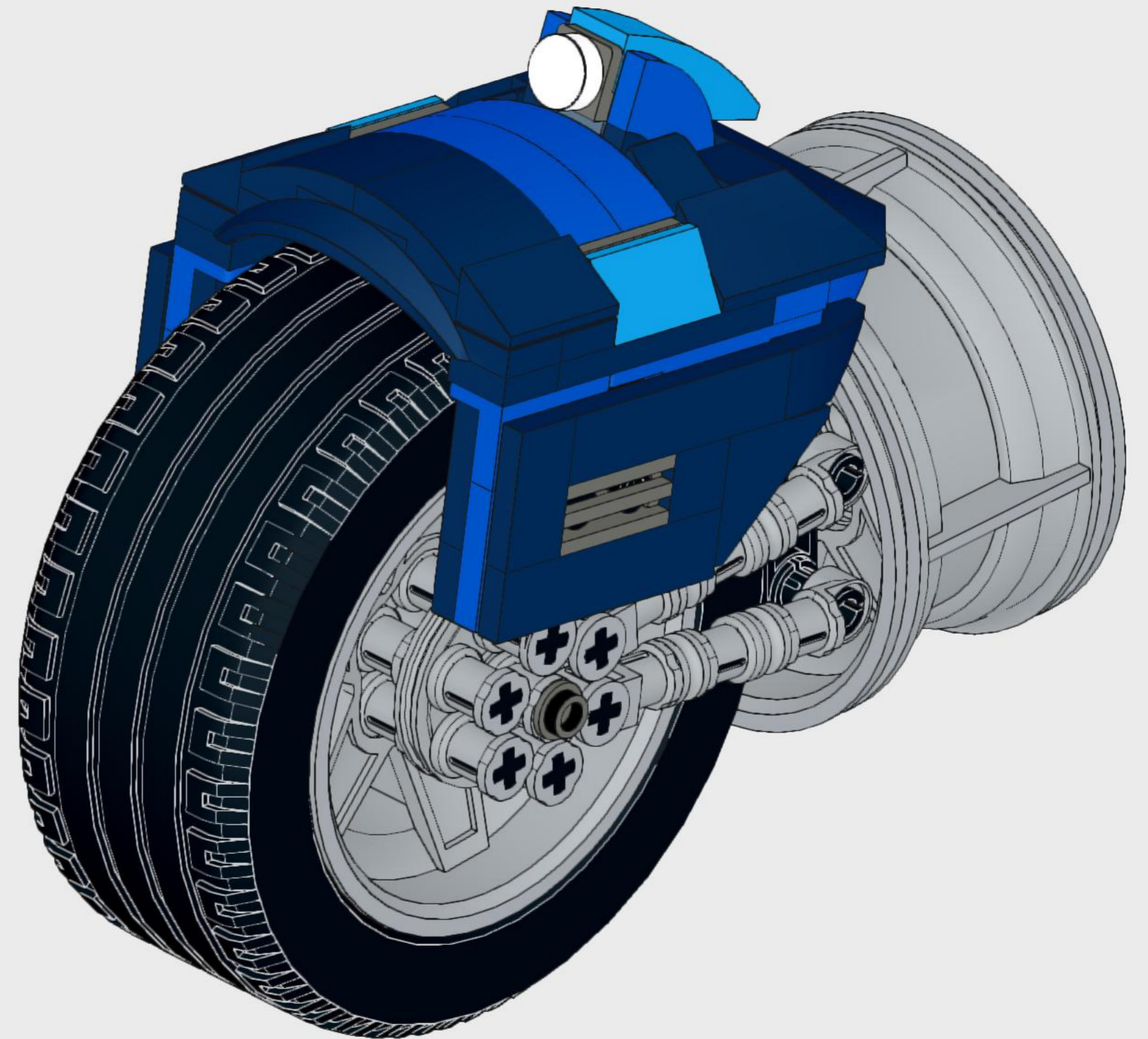
32

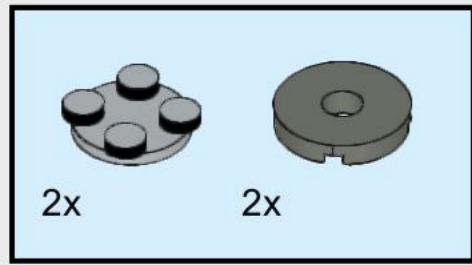


33

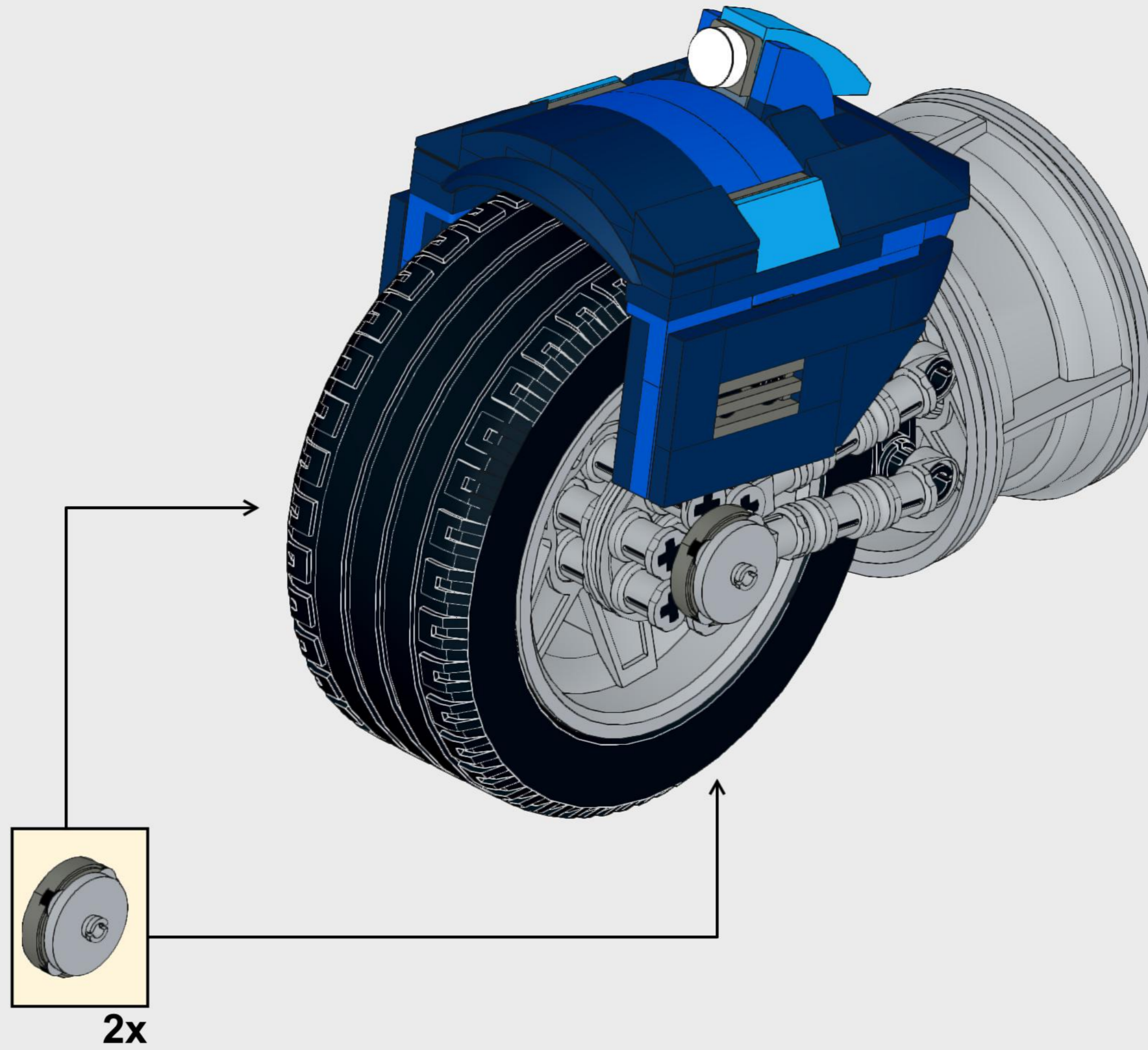


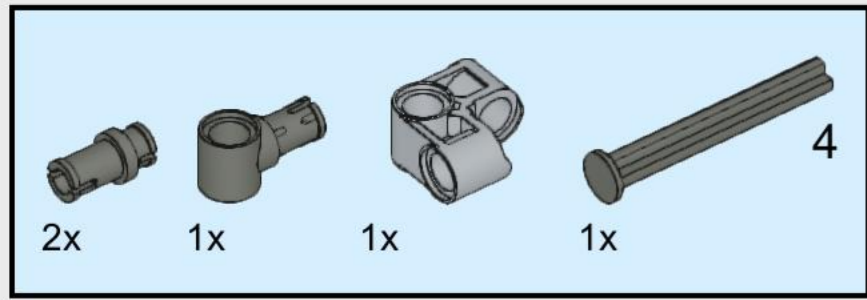
34



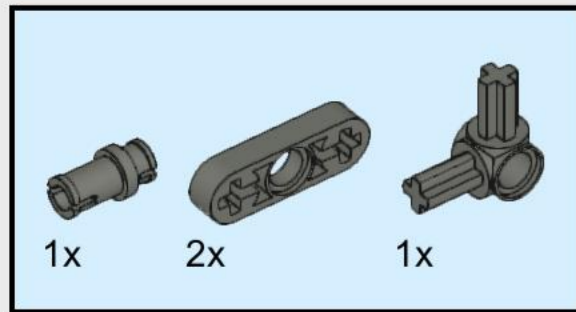
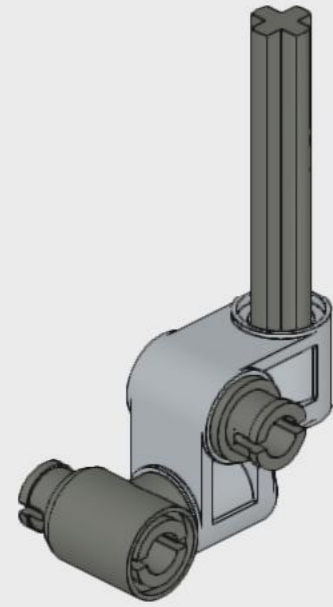


35

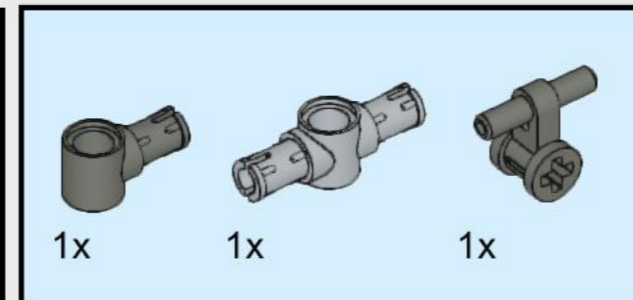
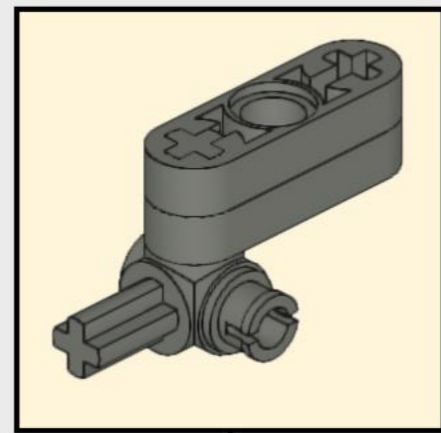
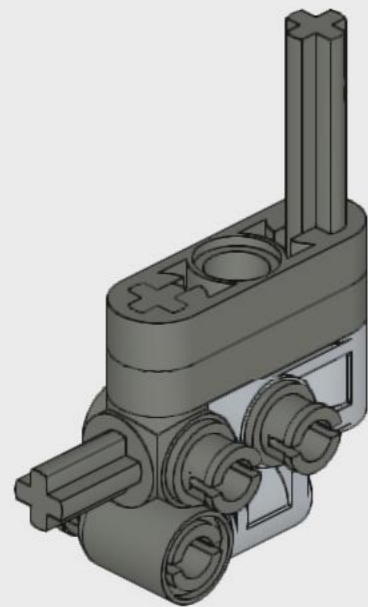




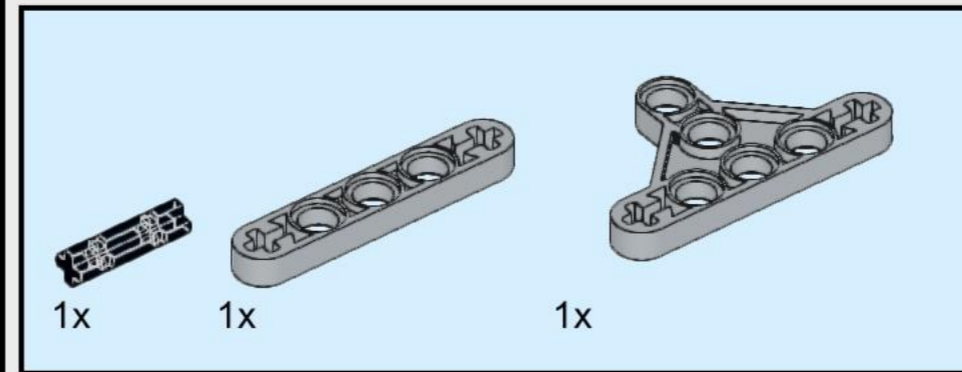
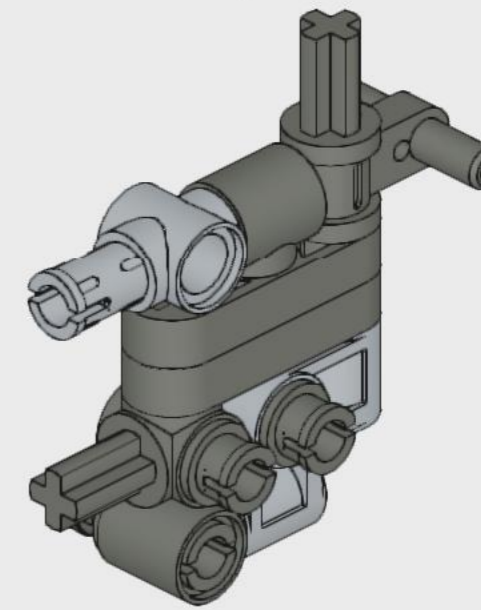
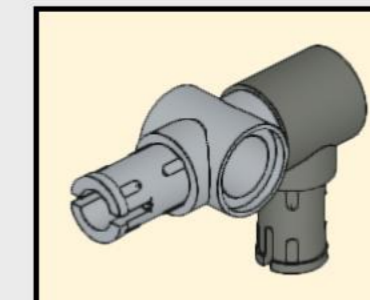
1



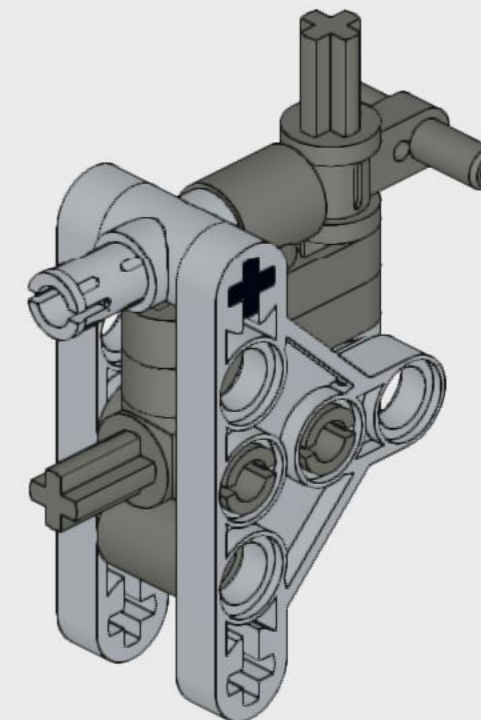
2

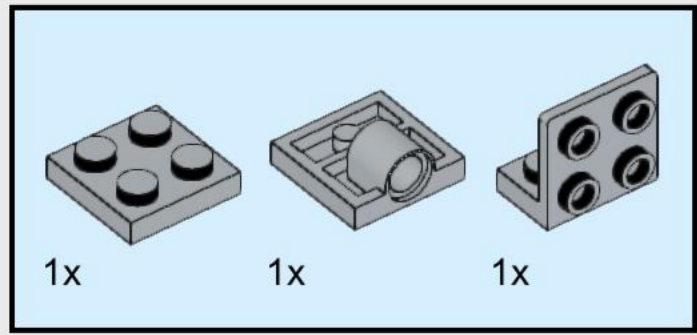


3

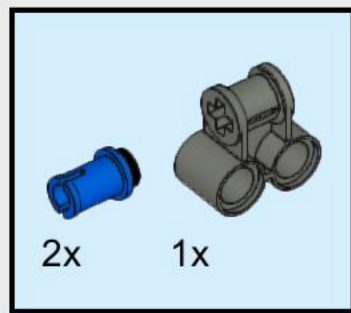
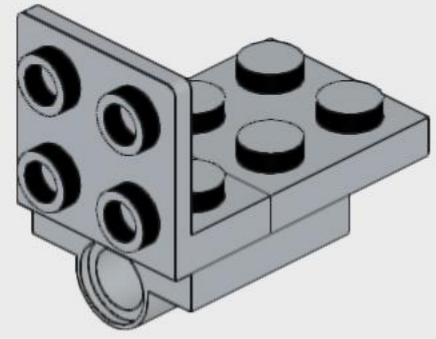


4

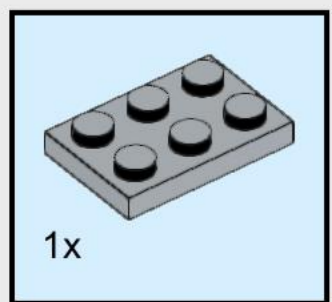
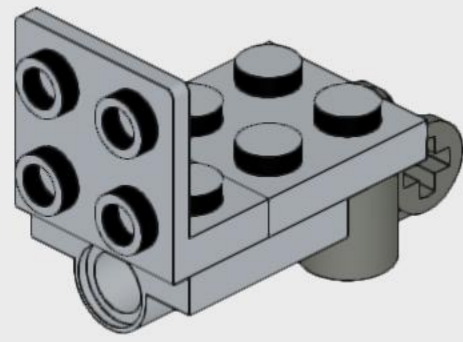




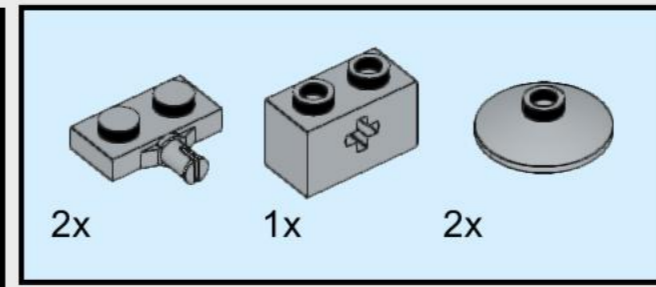
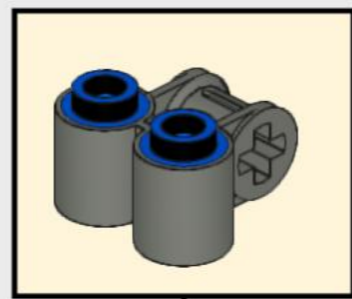
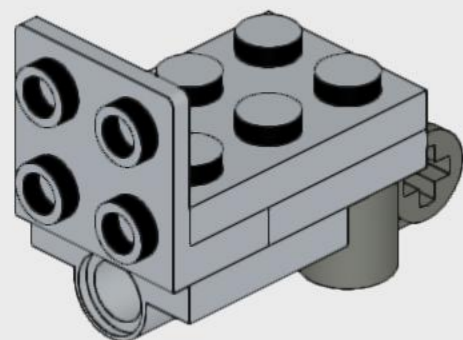
5



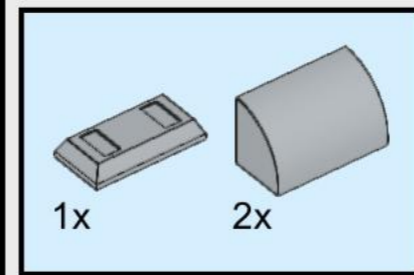
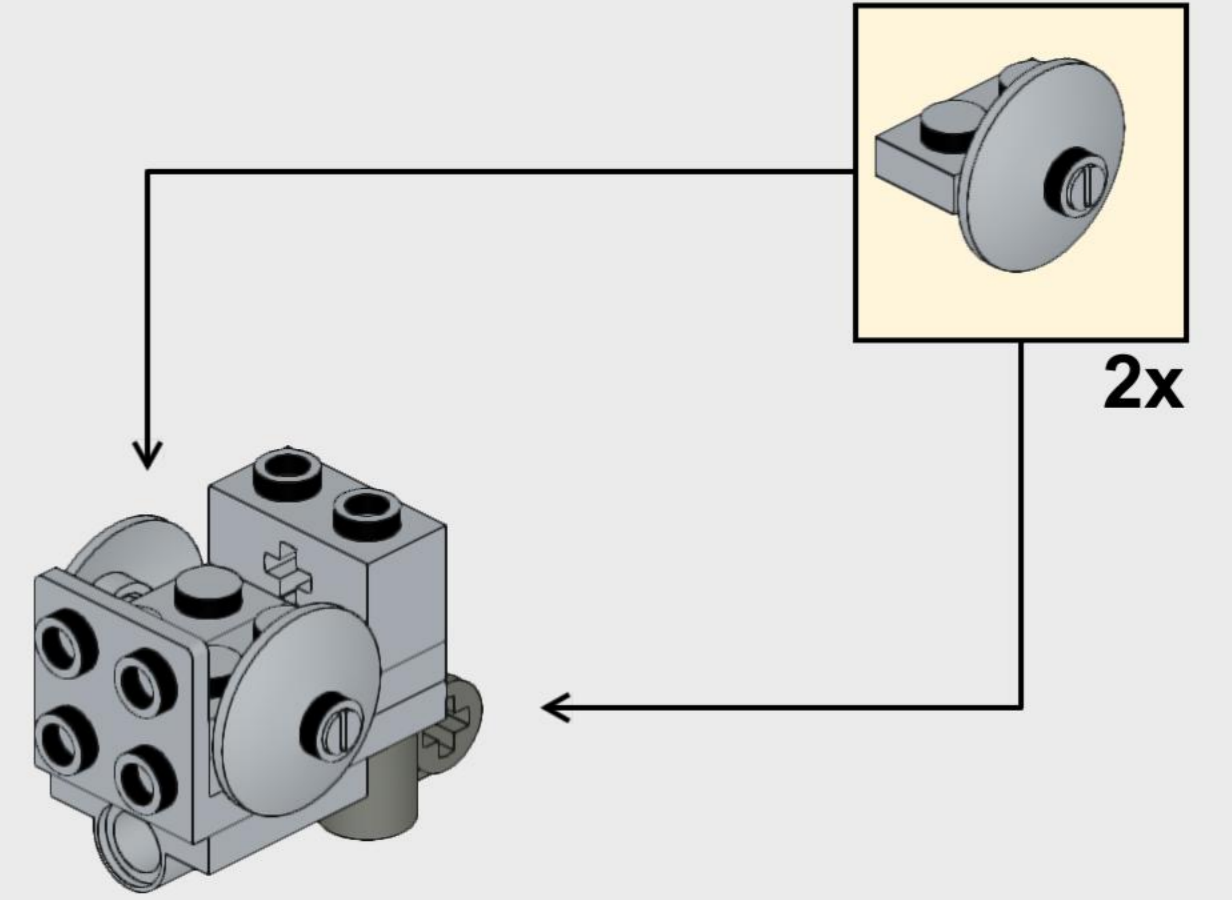
6



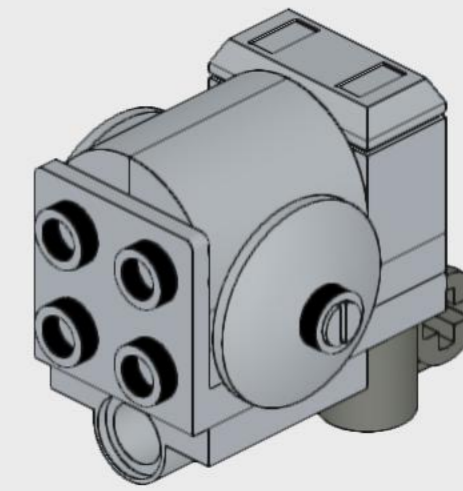
7



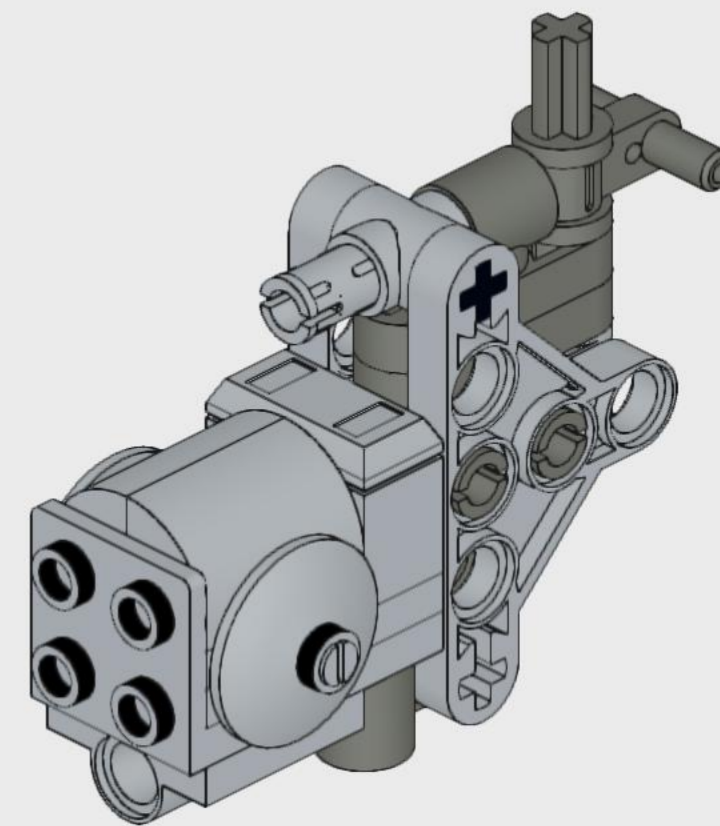
8

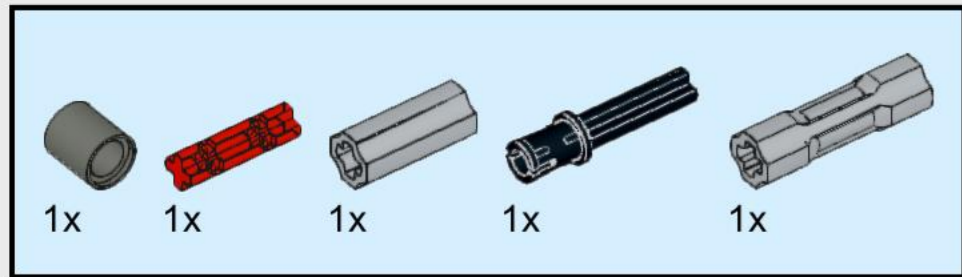


9

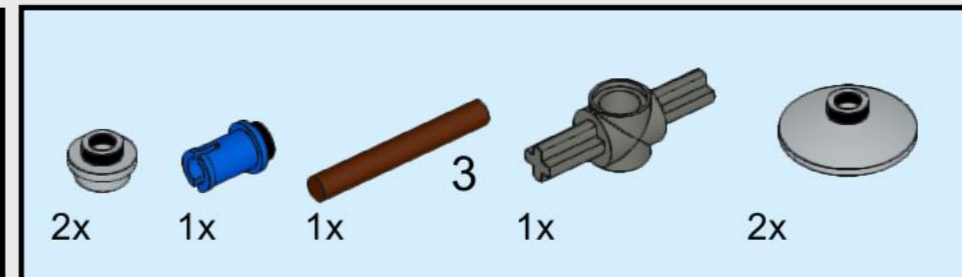
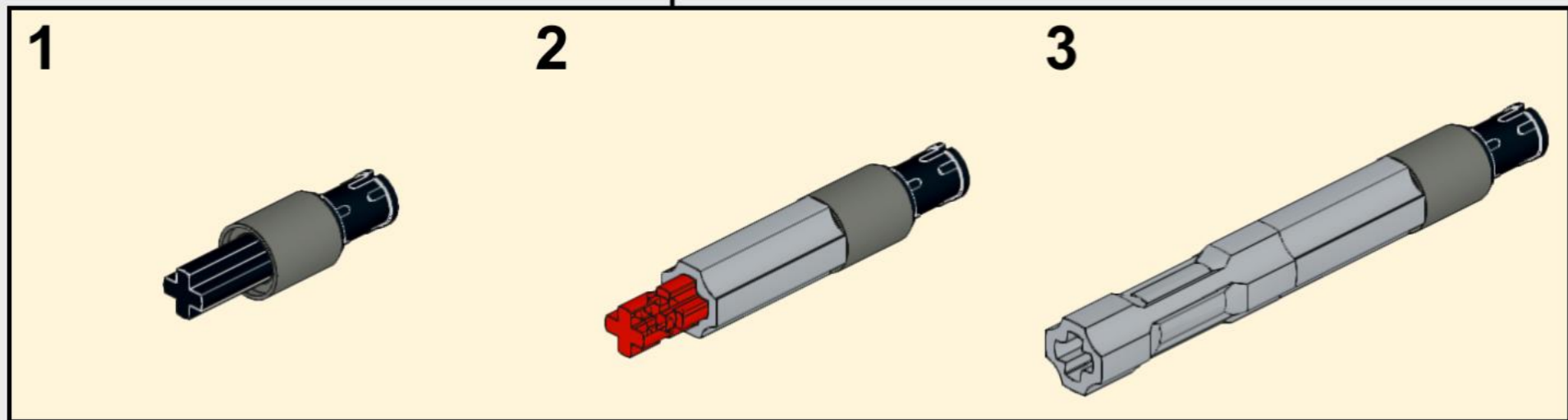
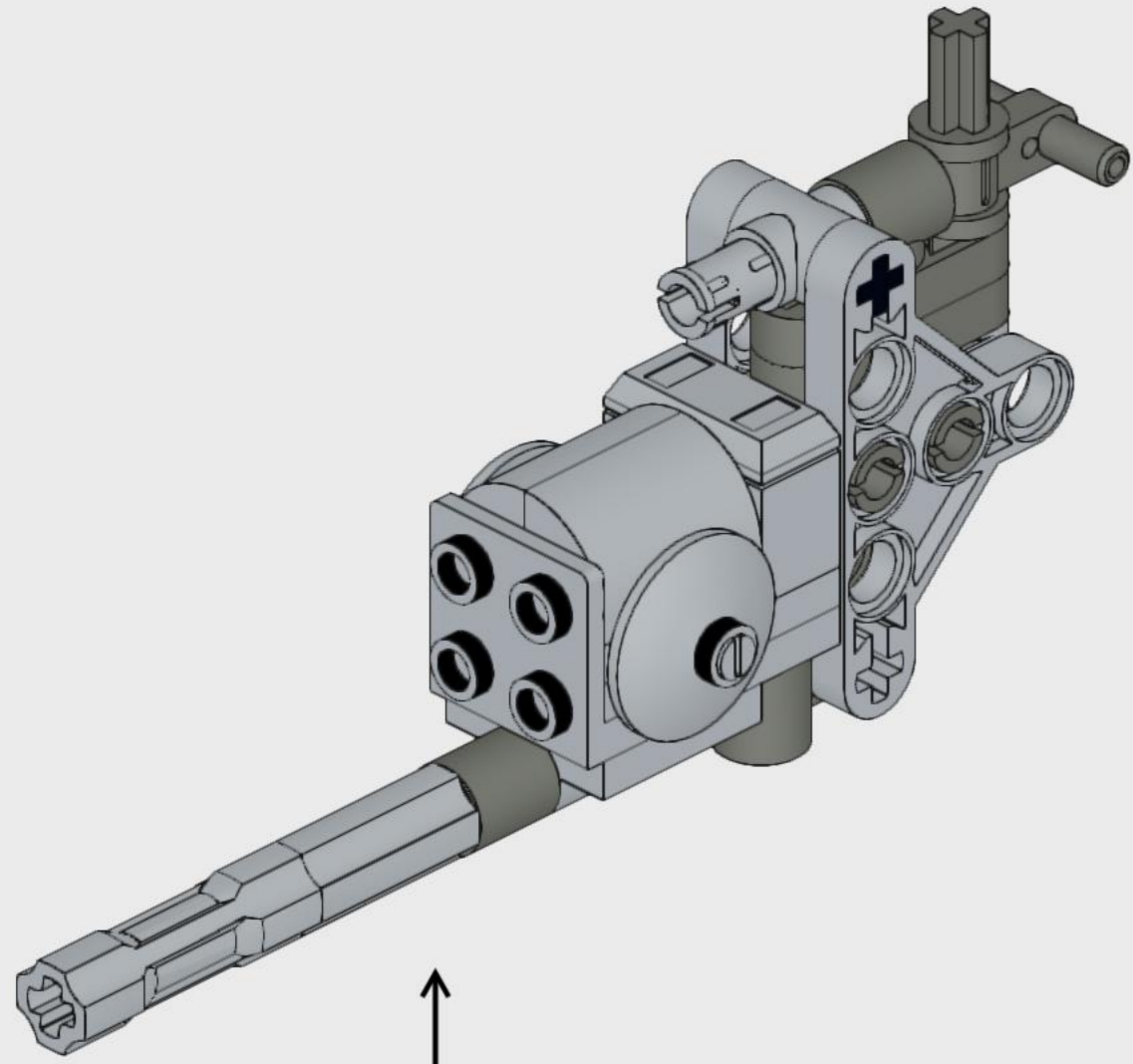


10

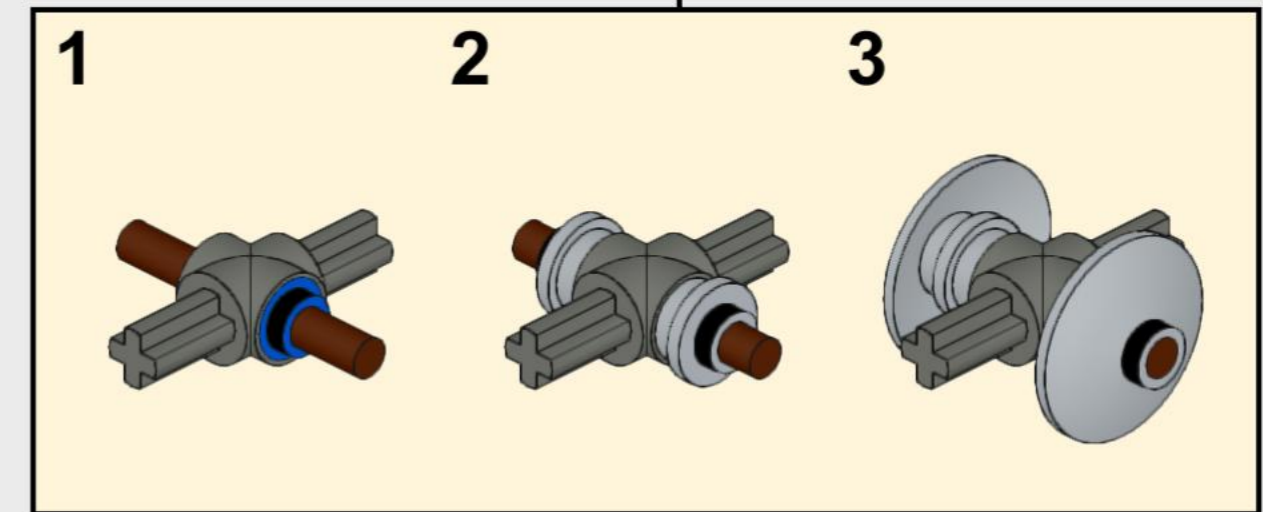
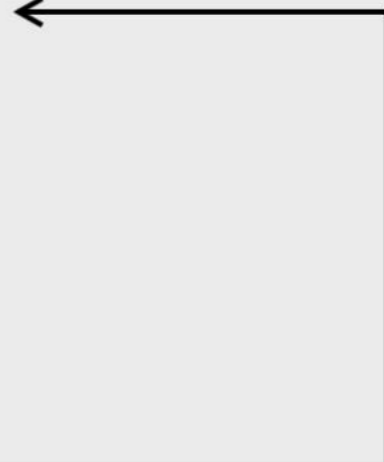
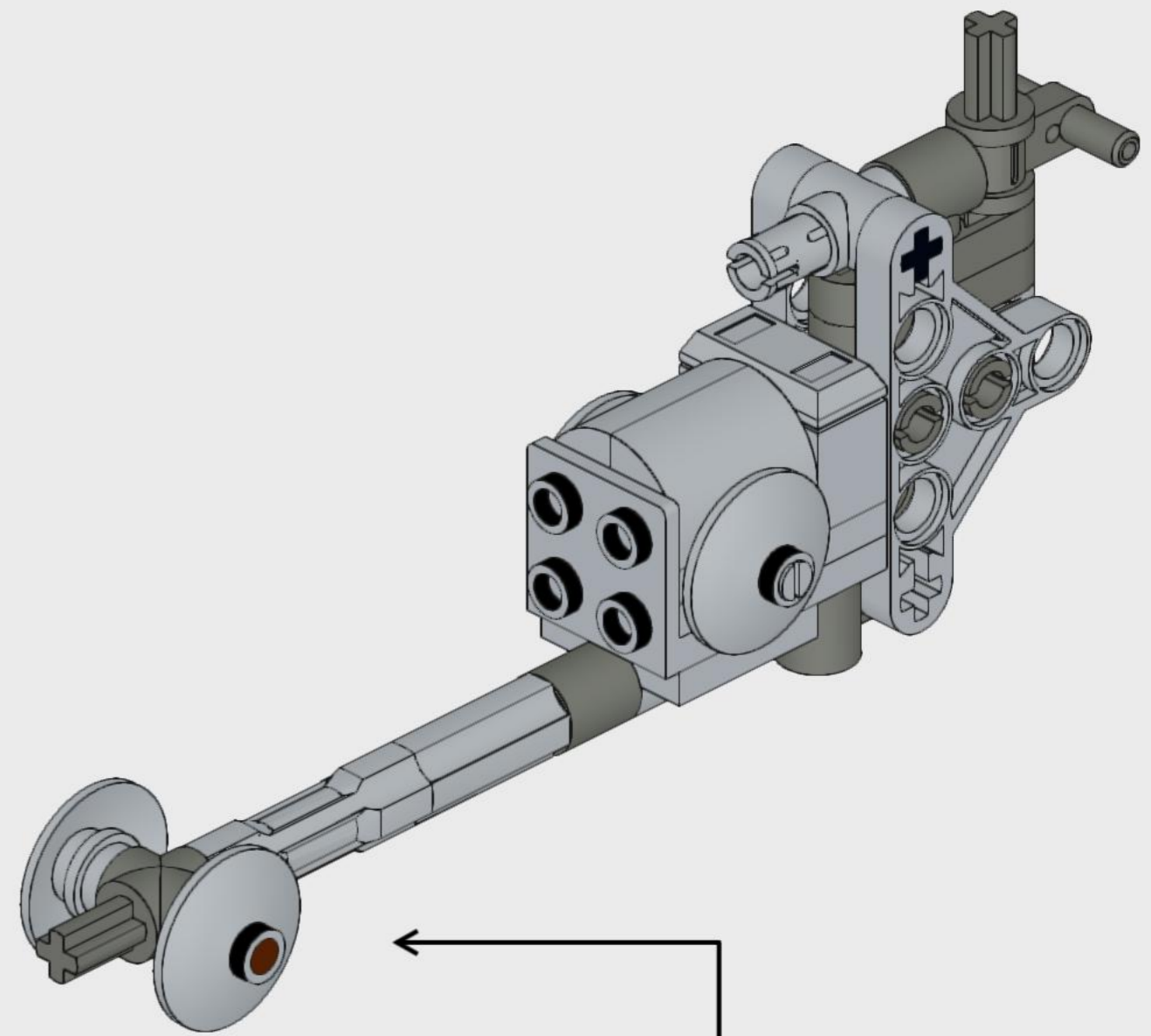


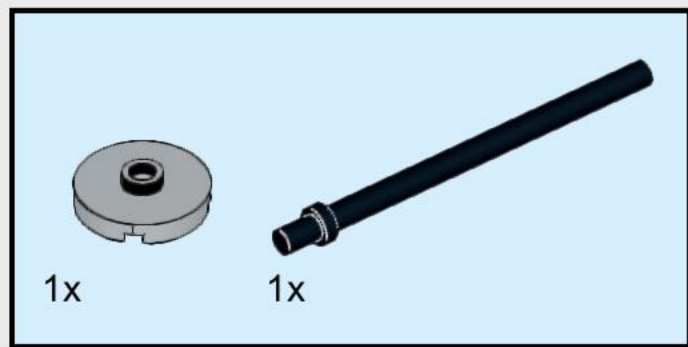


11

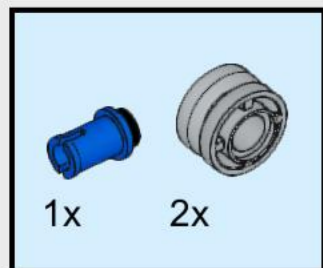
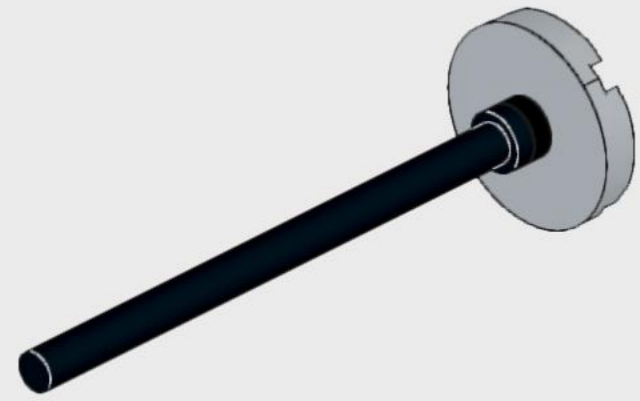


12

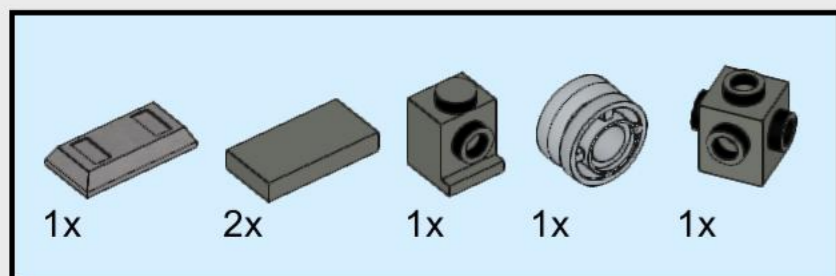
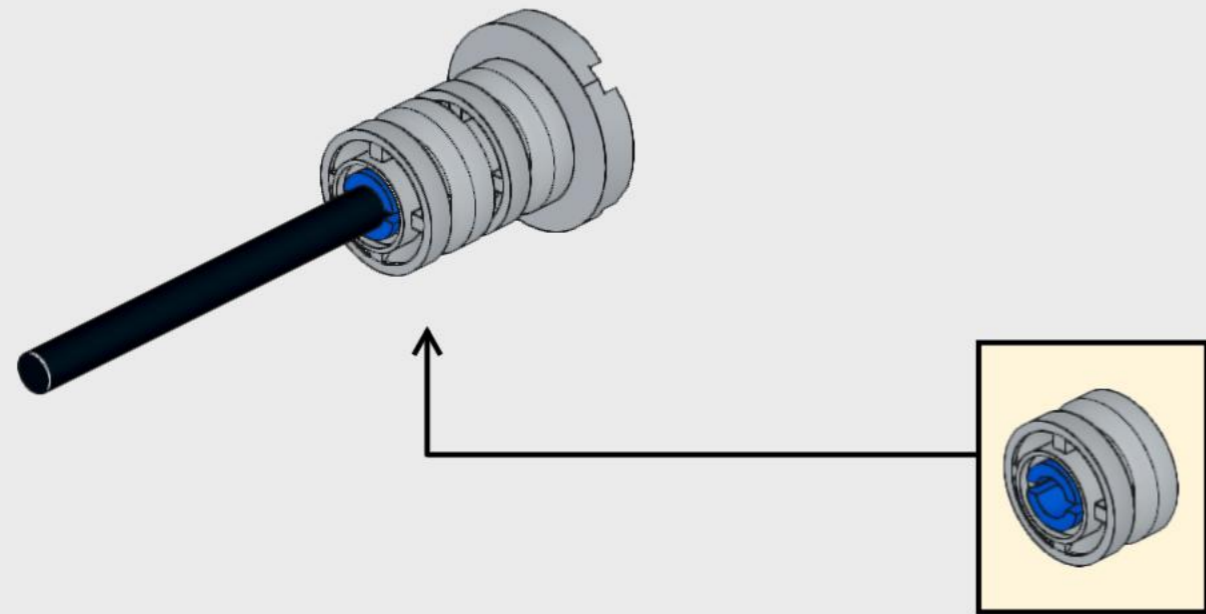




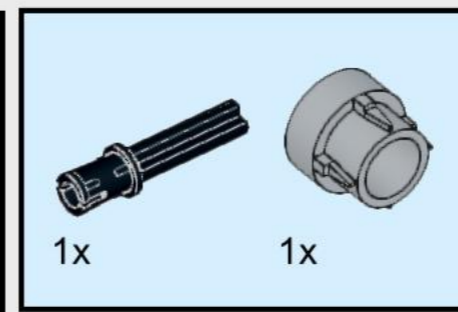
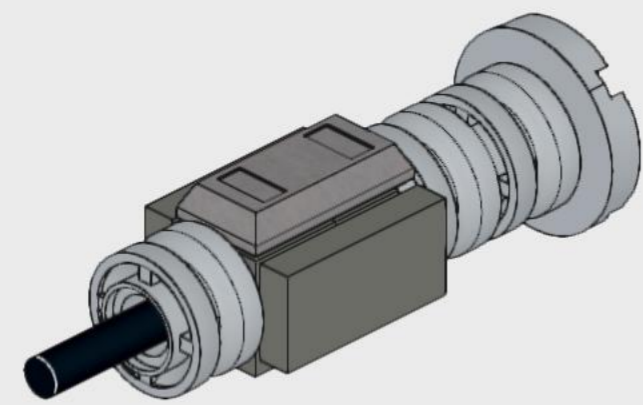
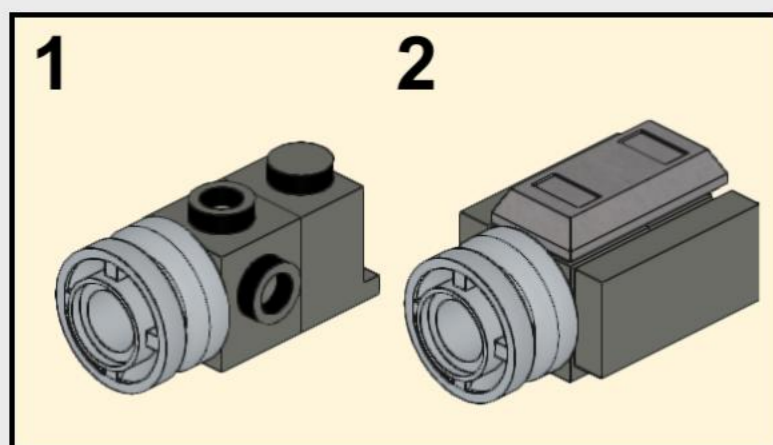
13



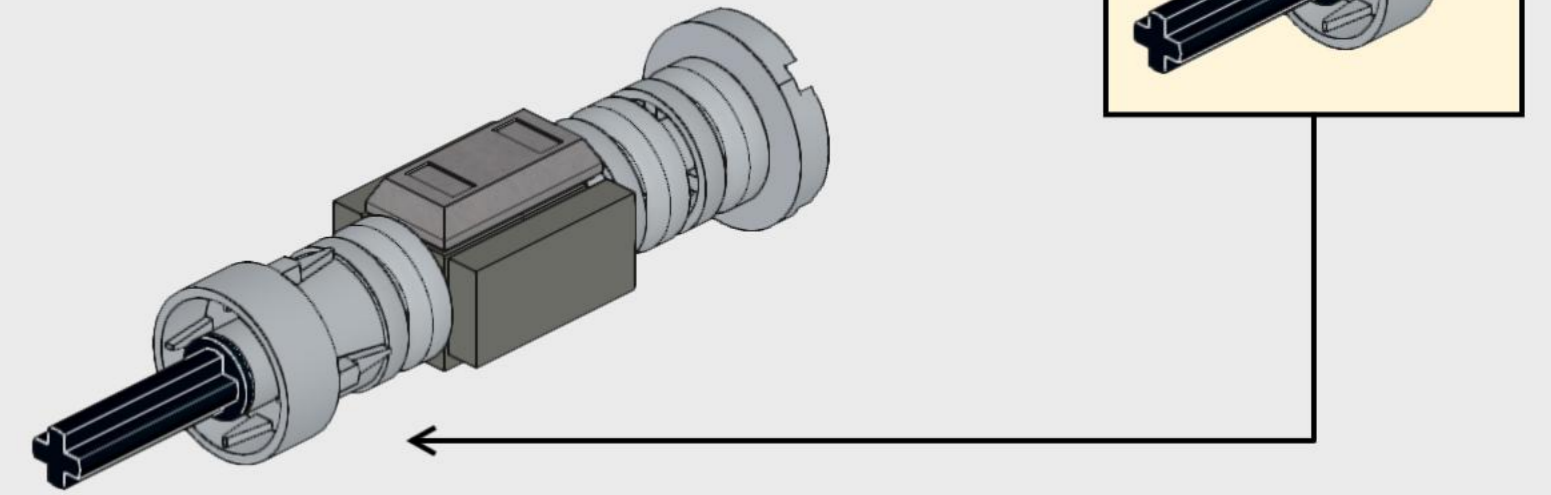
14



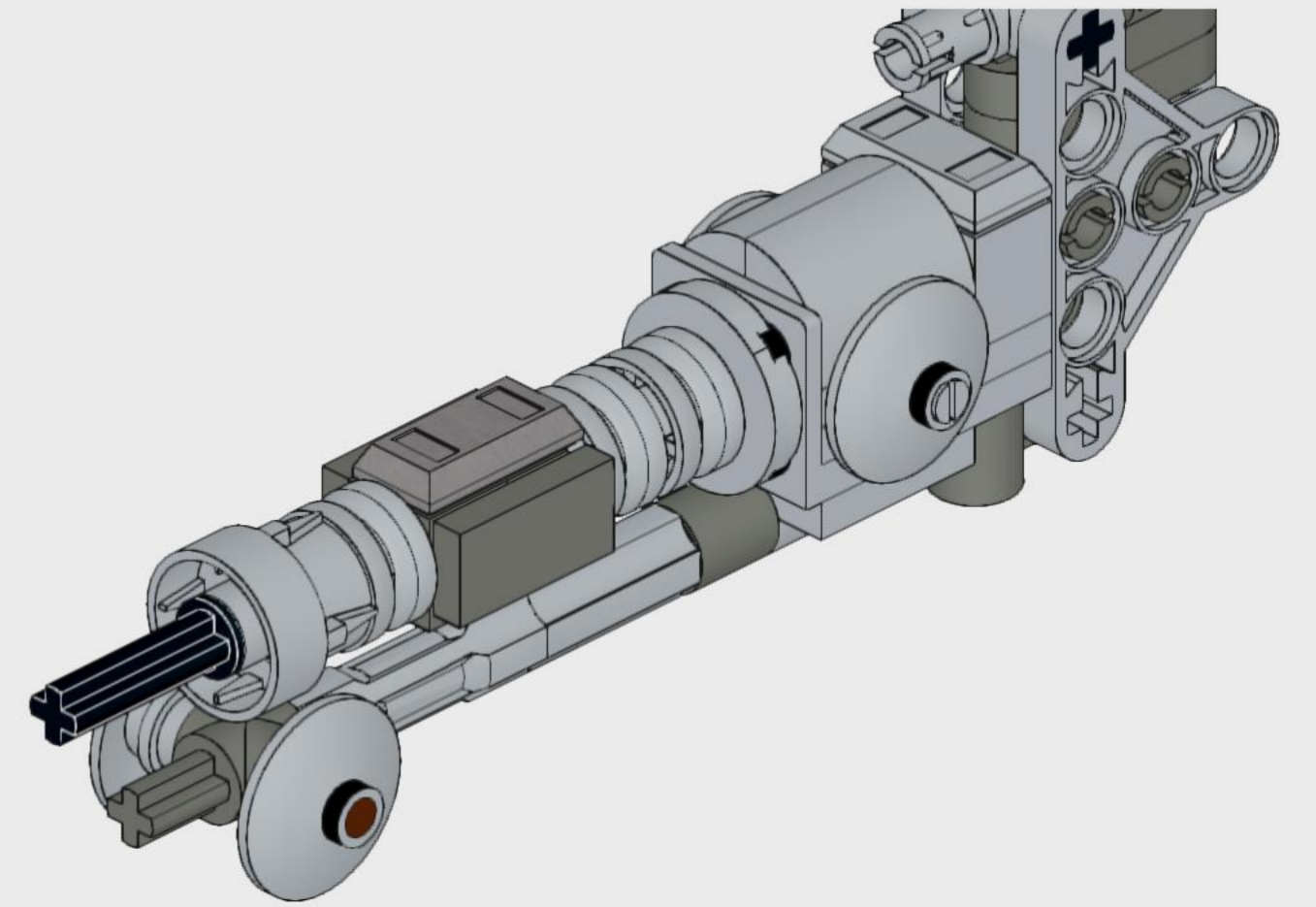
15



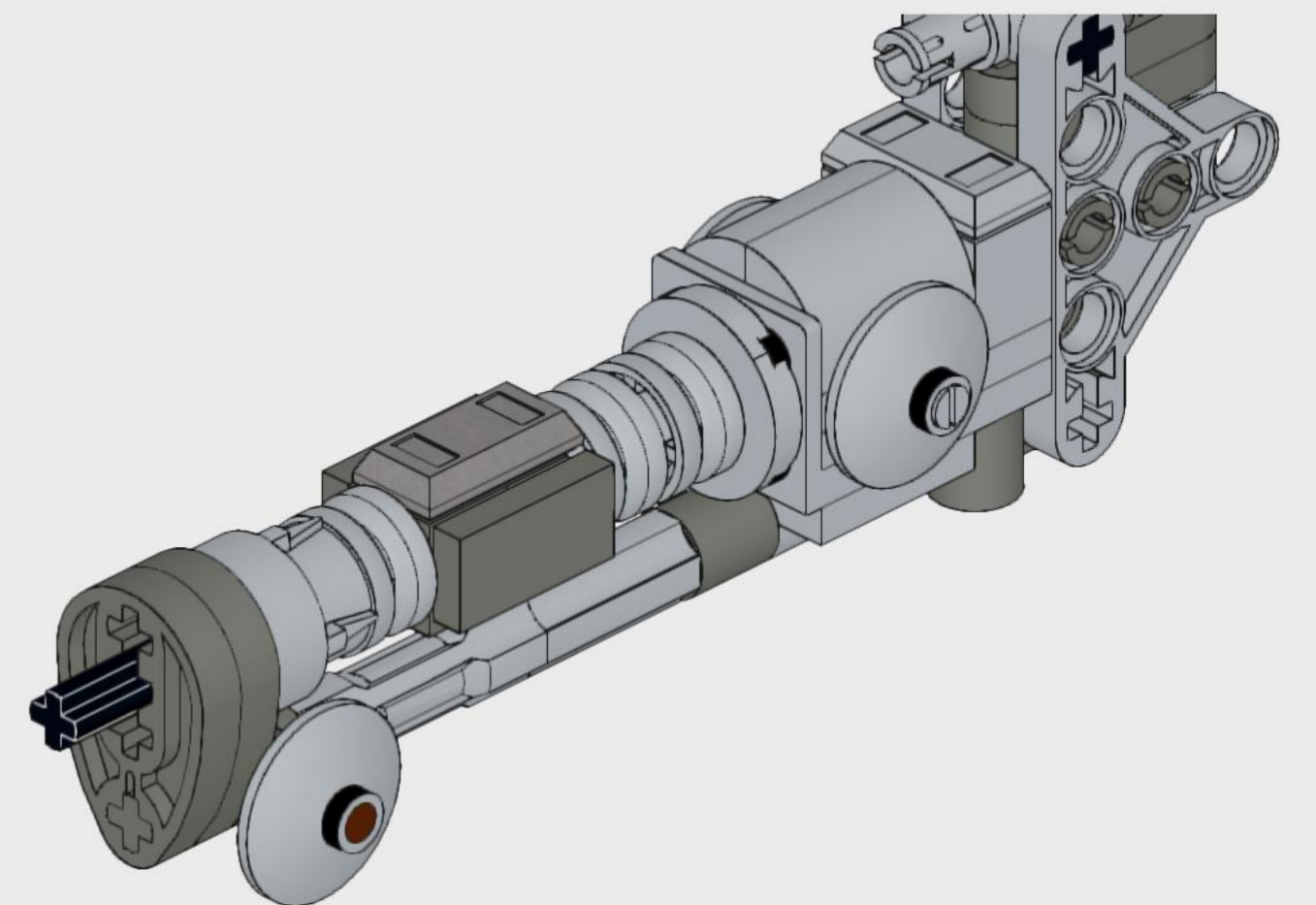
16

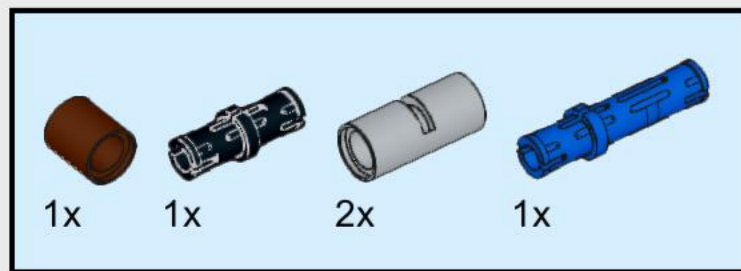


17

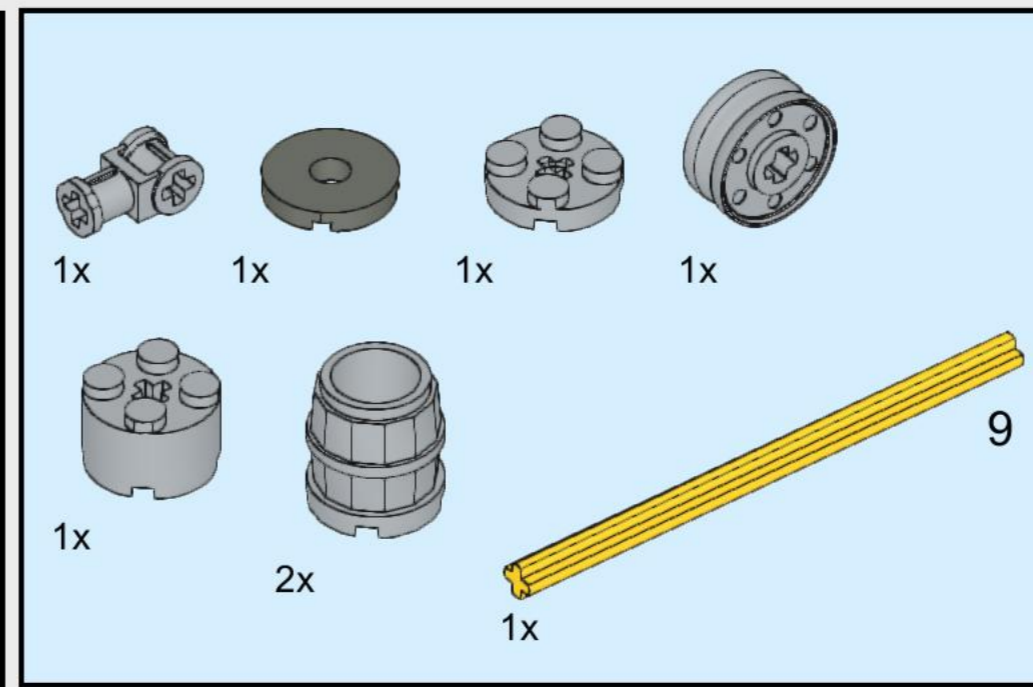
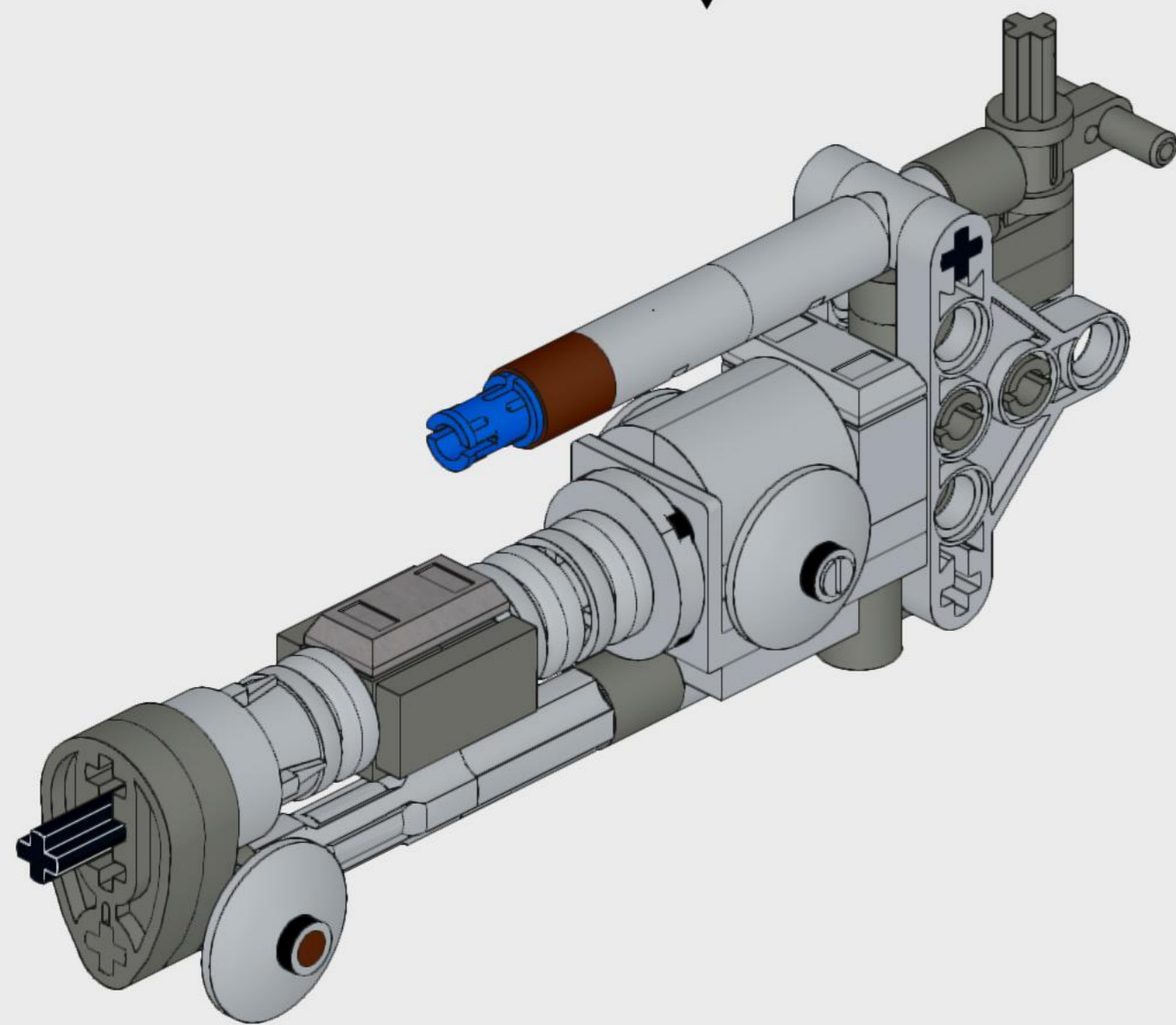
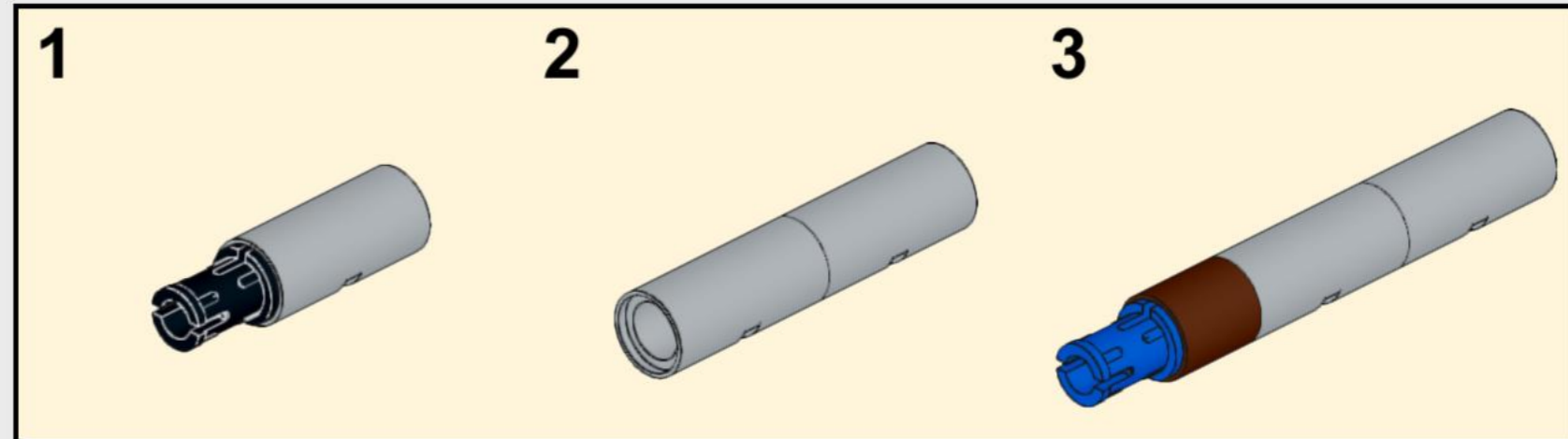


18

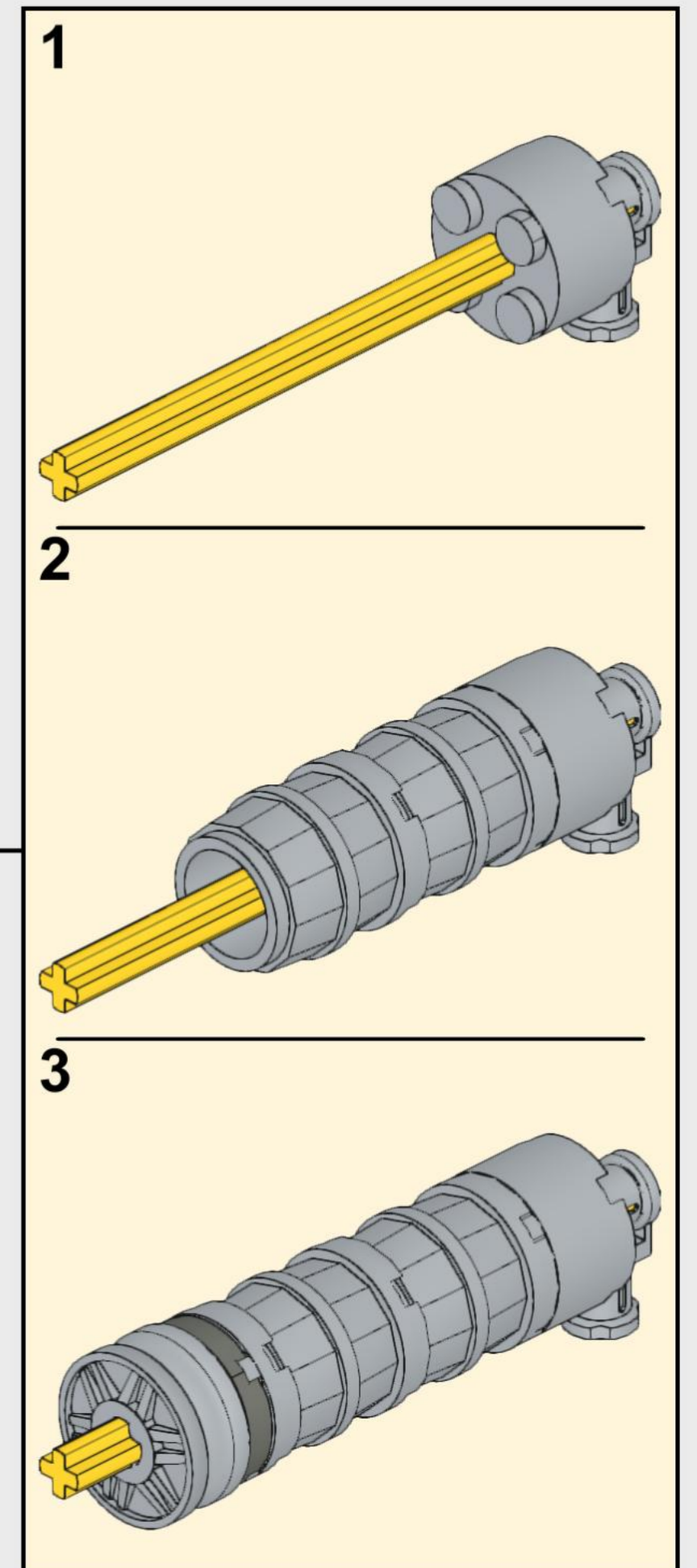
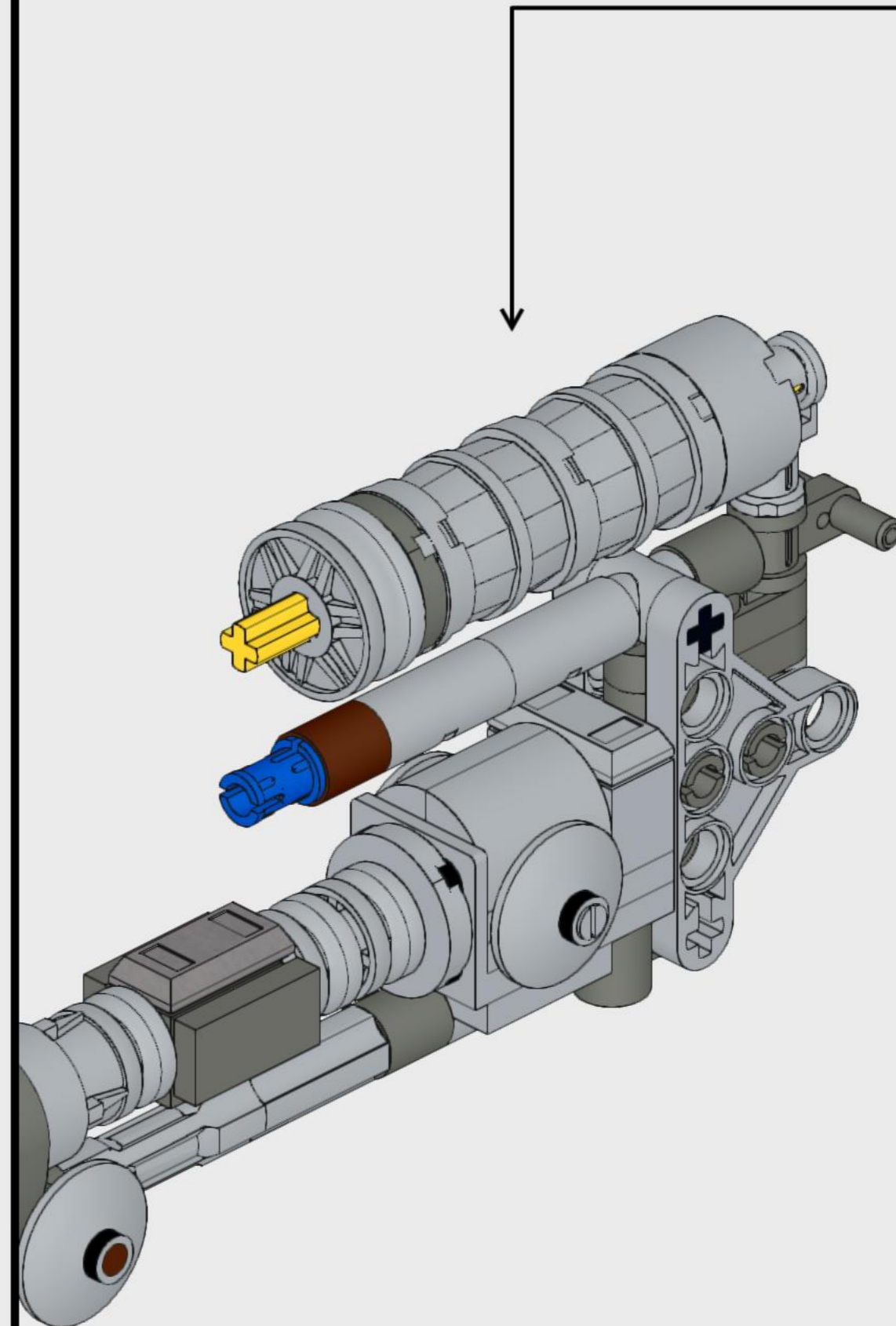




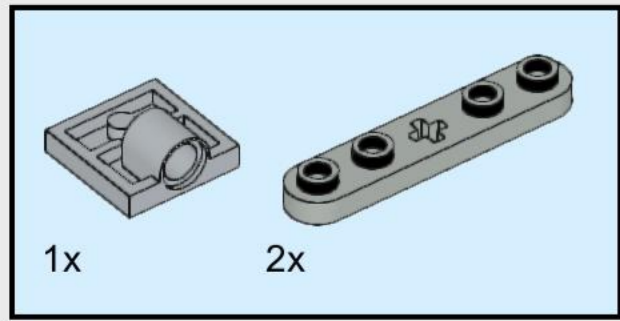
19



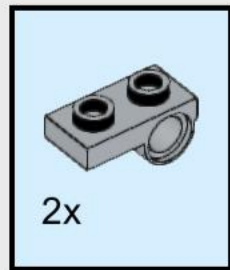
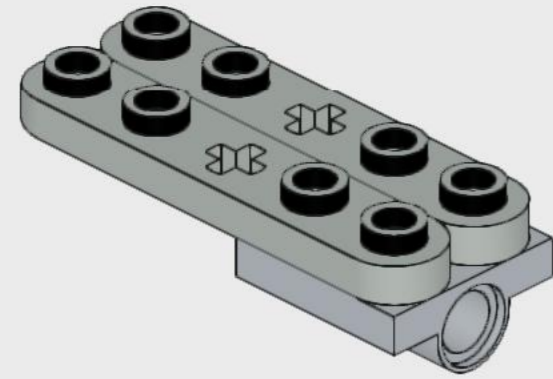
20



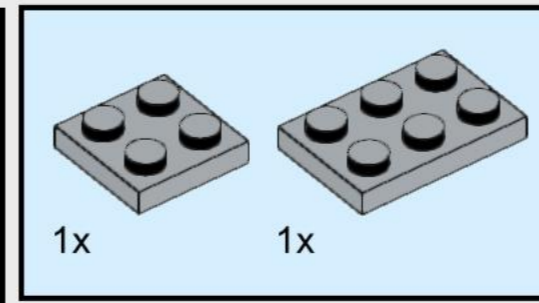
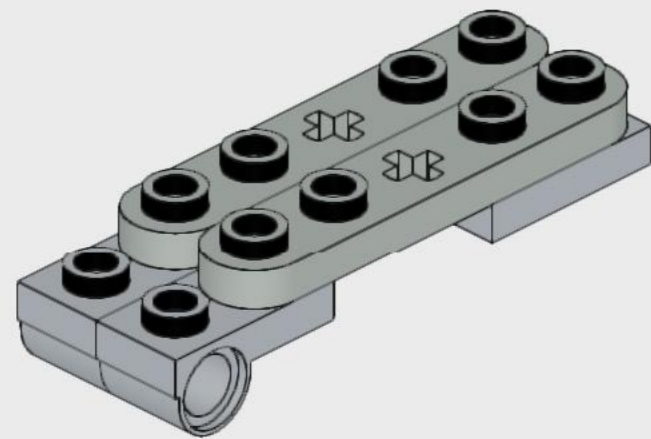




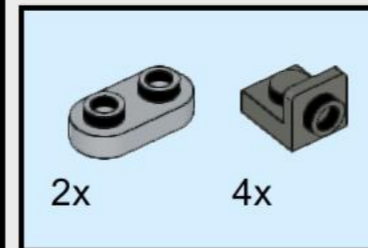
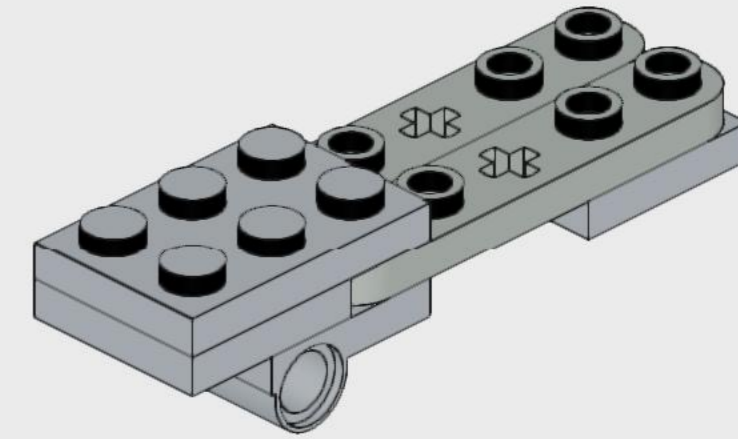
21



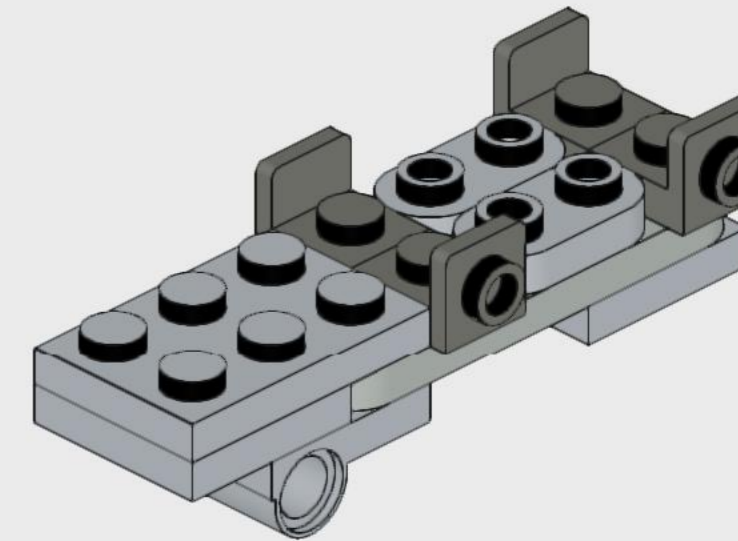
22 

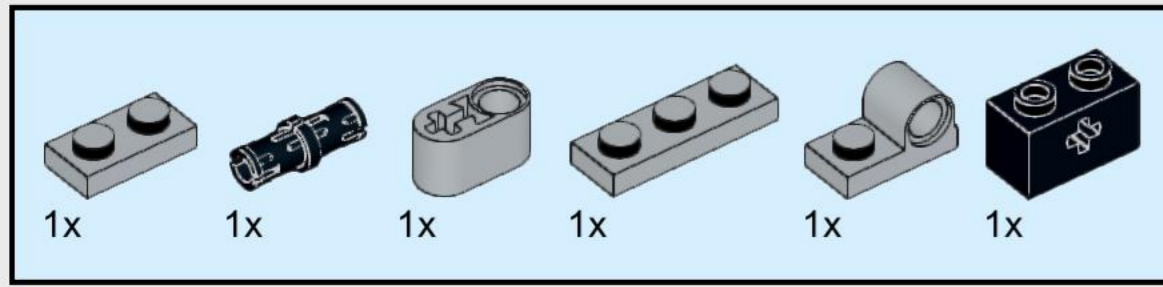


23

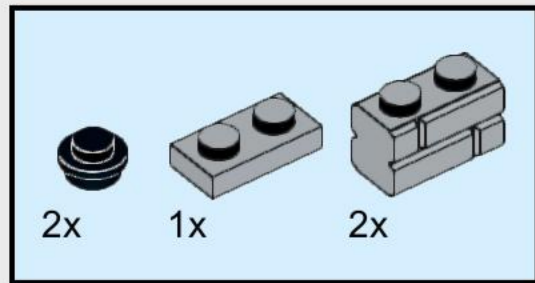
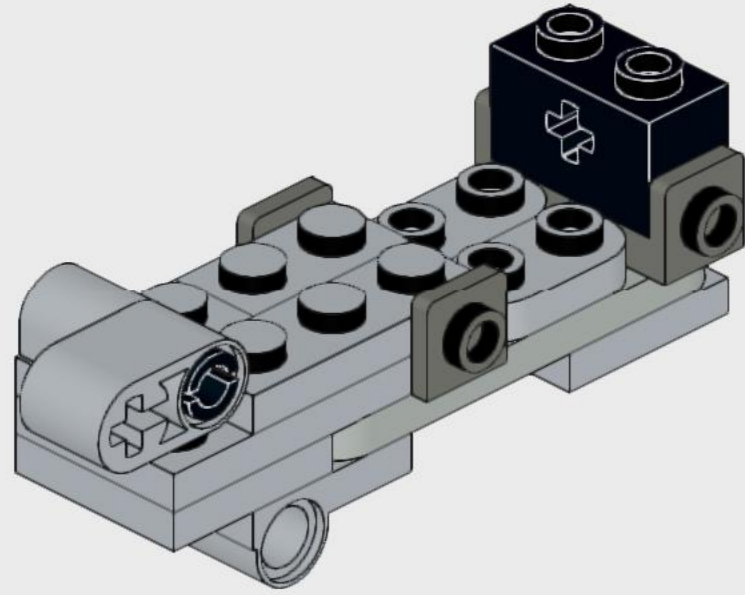
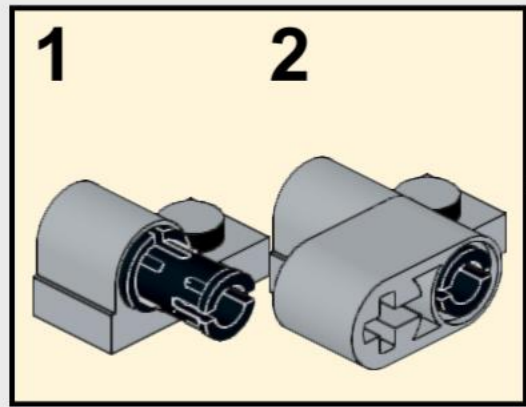


24

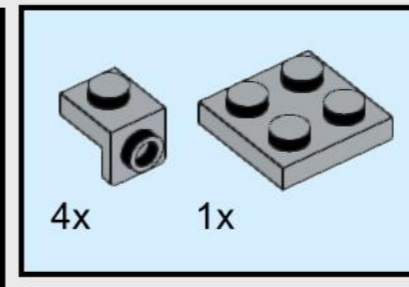
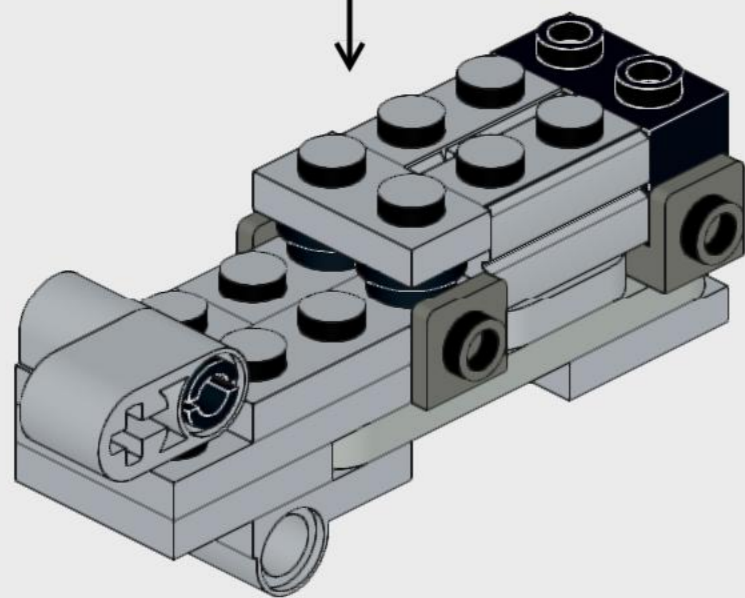
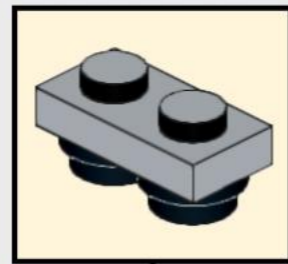




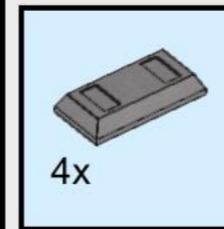
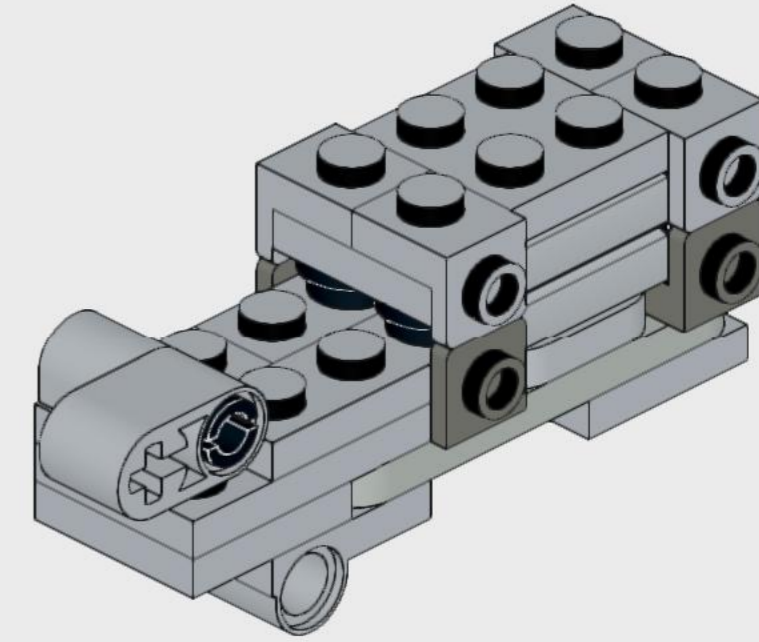
25



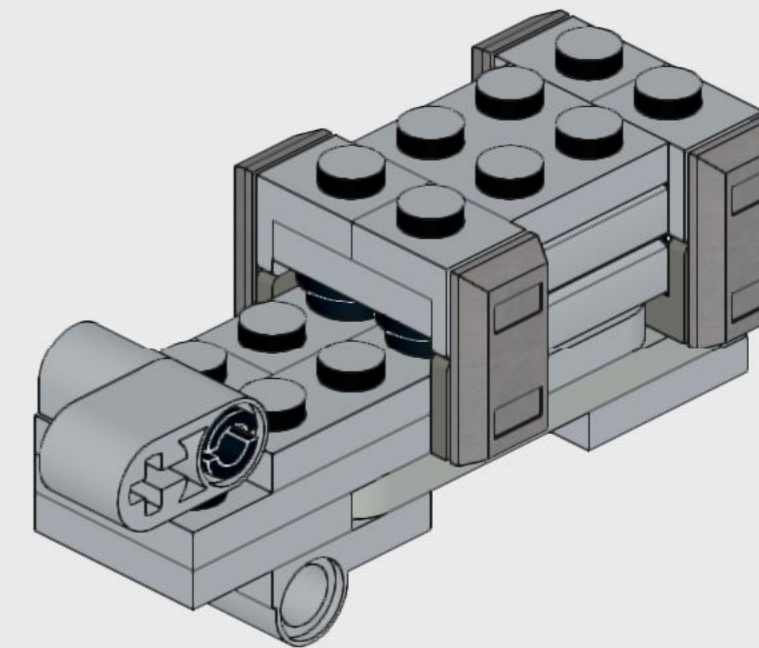
26

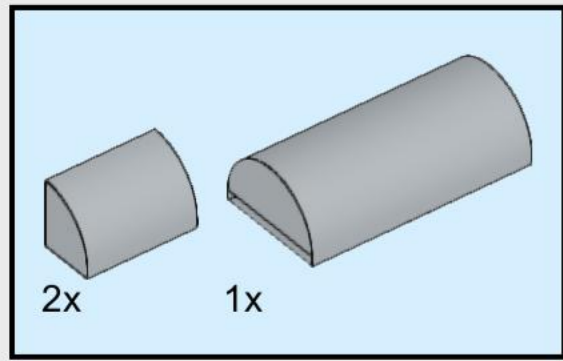


27

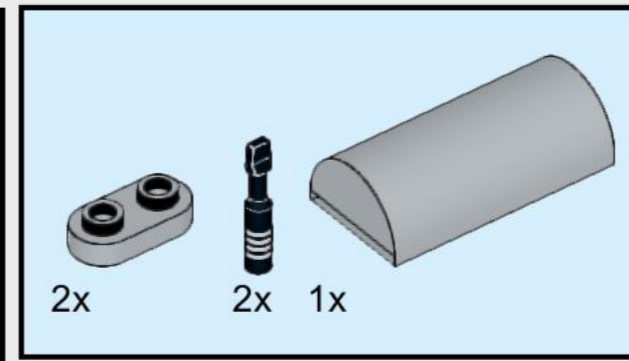
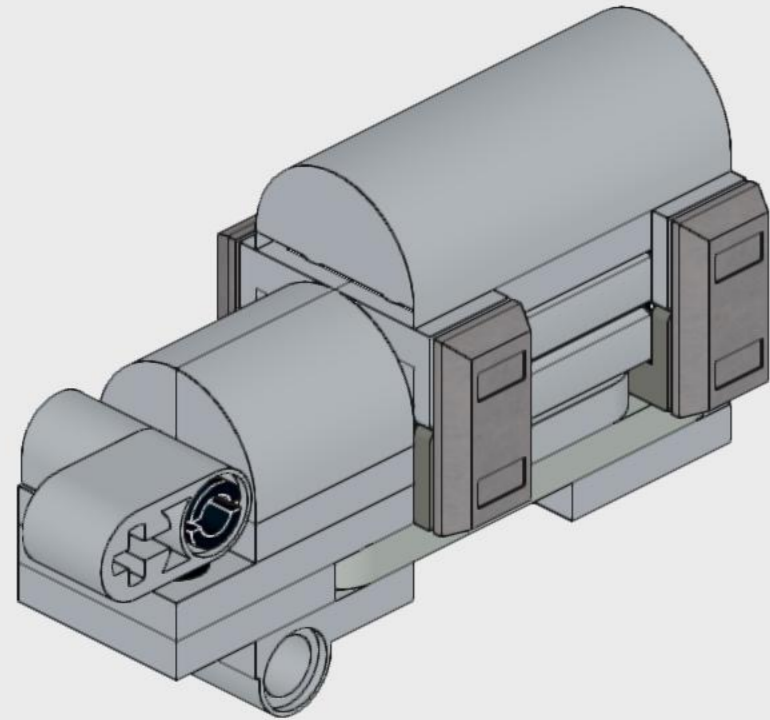


28



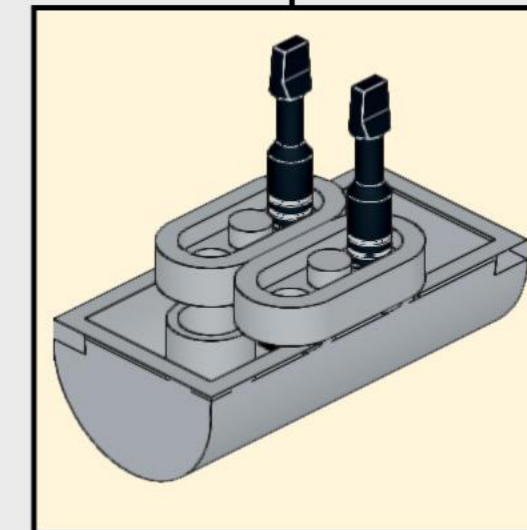
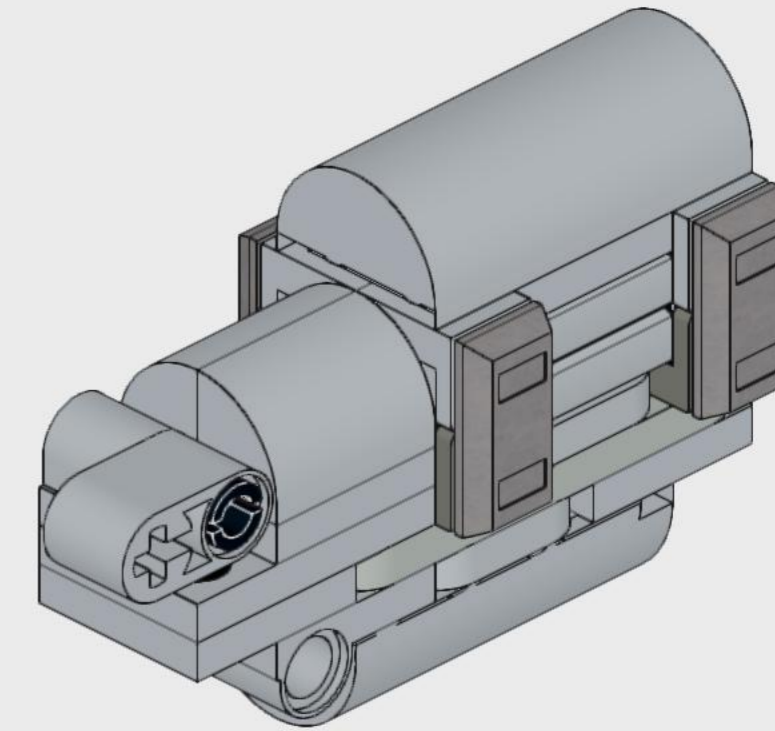


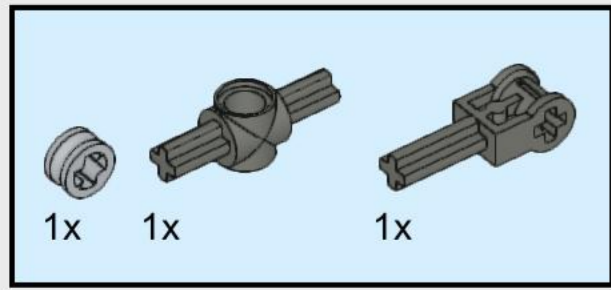
29



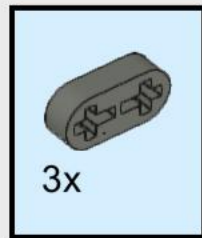
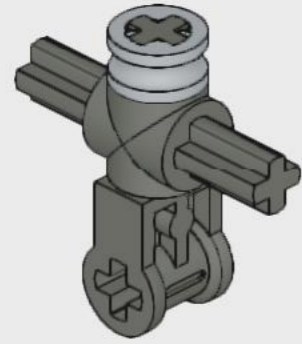
30

Alternatively, 2-stud-long rigid hose pieces can be substituted for black screw-drivers, which are a rare part.

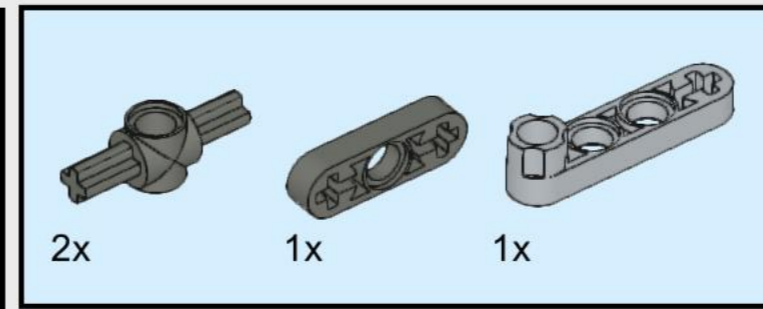
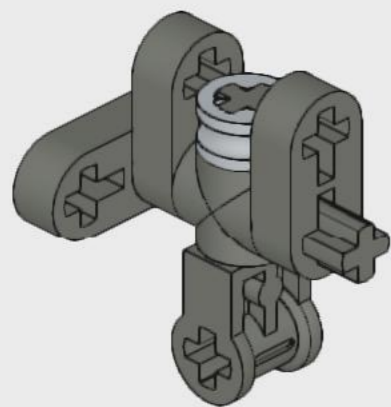




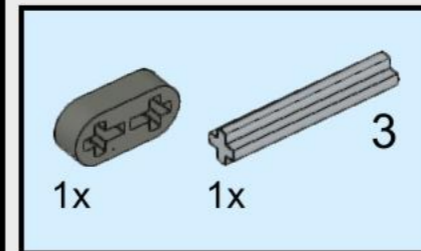
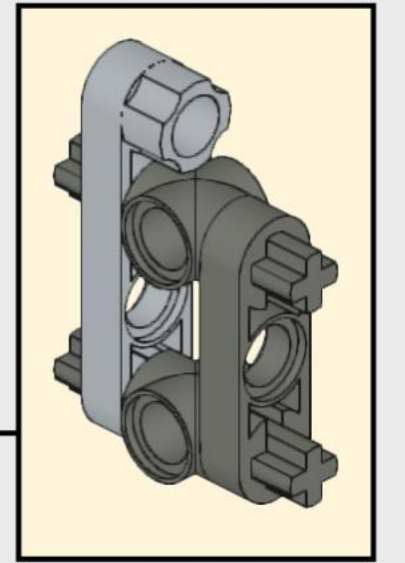
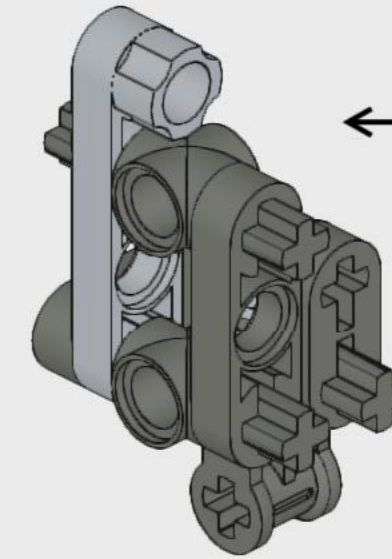
31



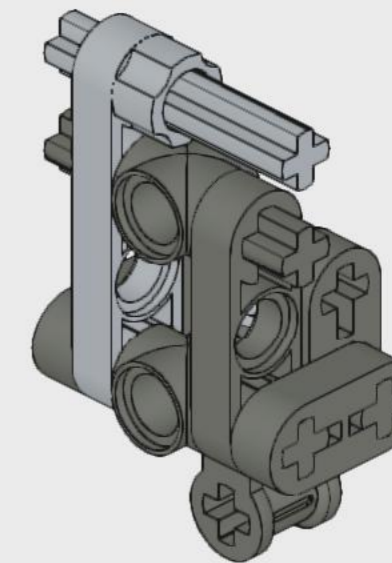
32



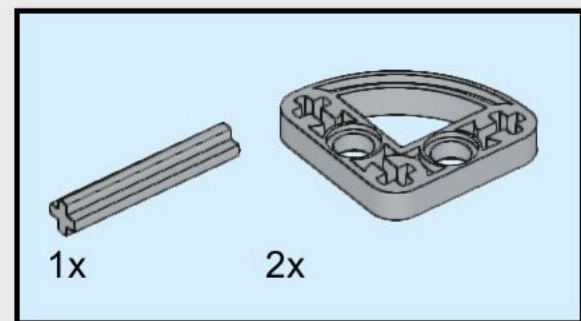
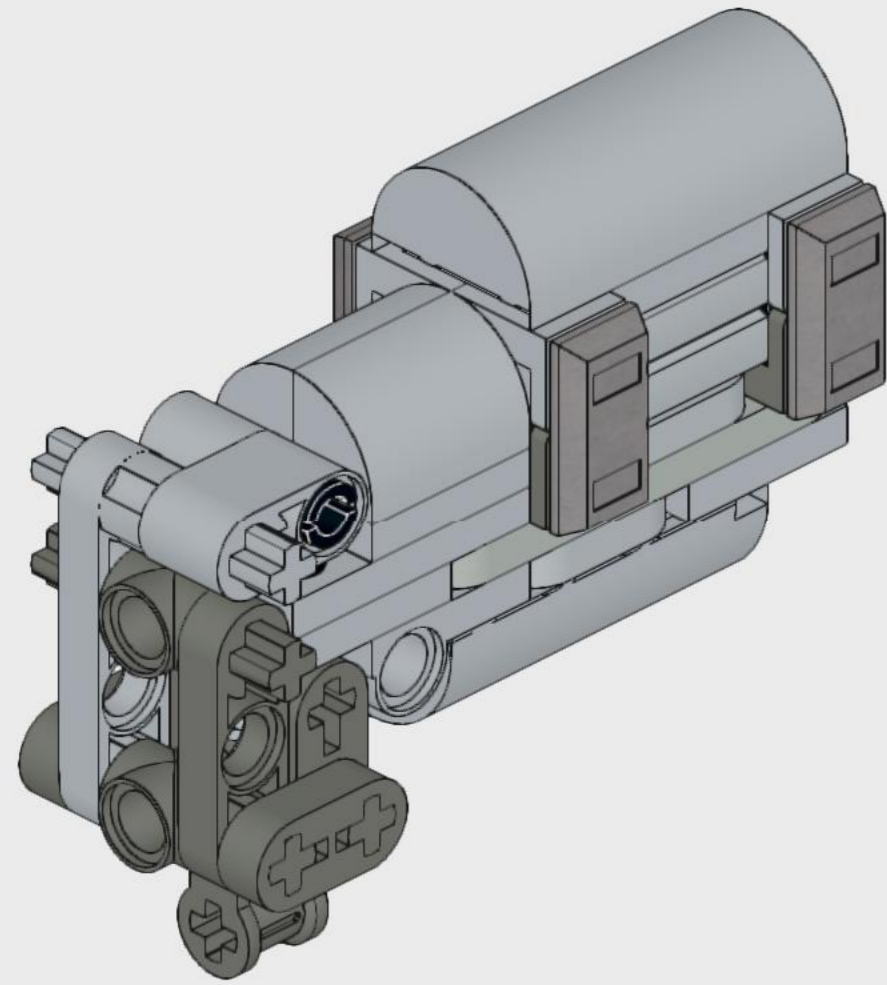
33



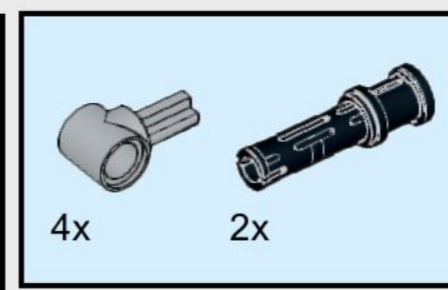
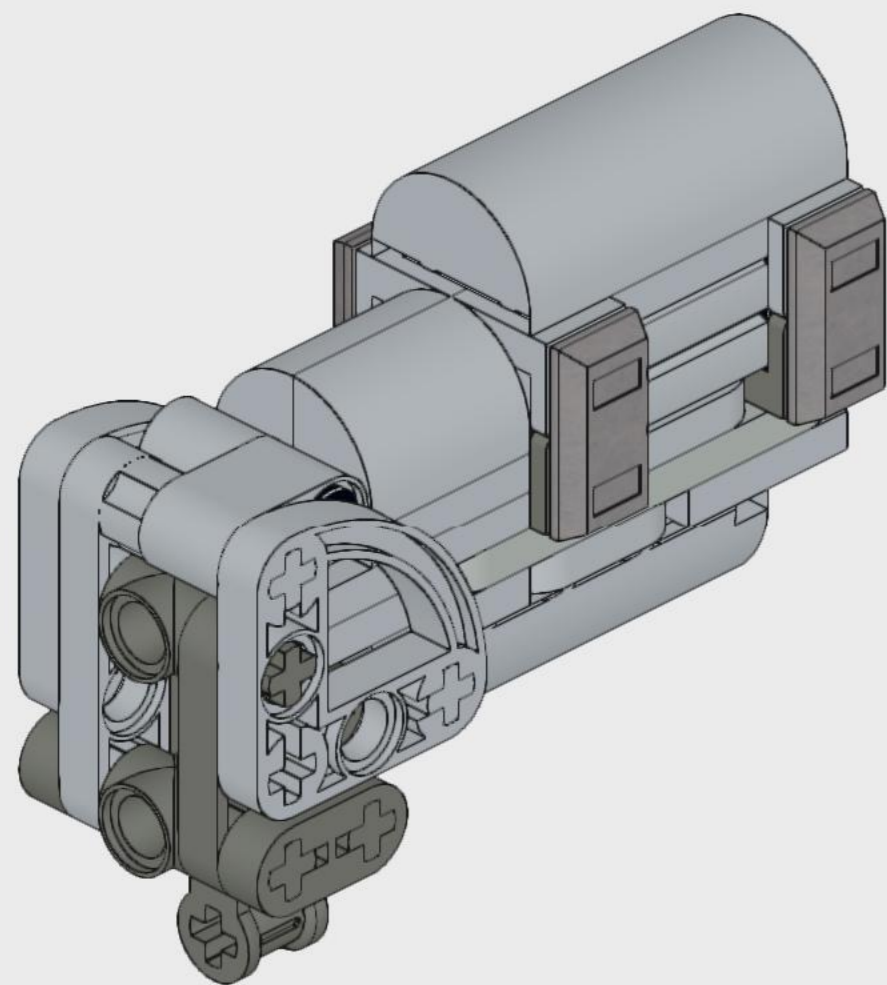
34



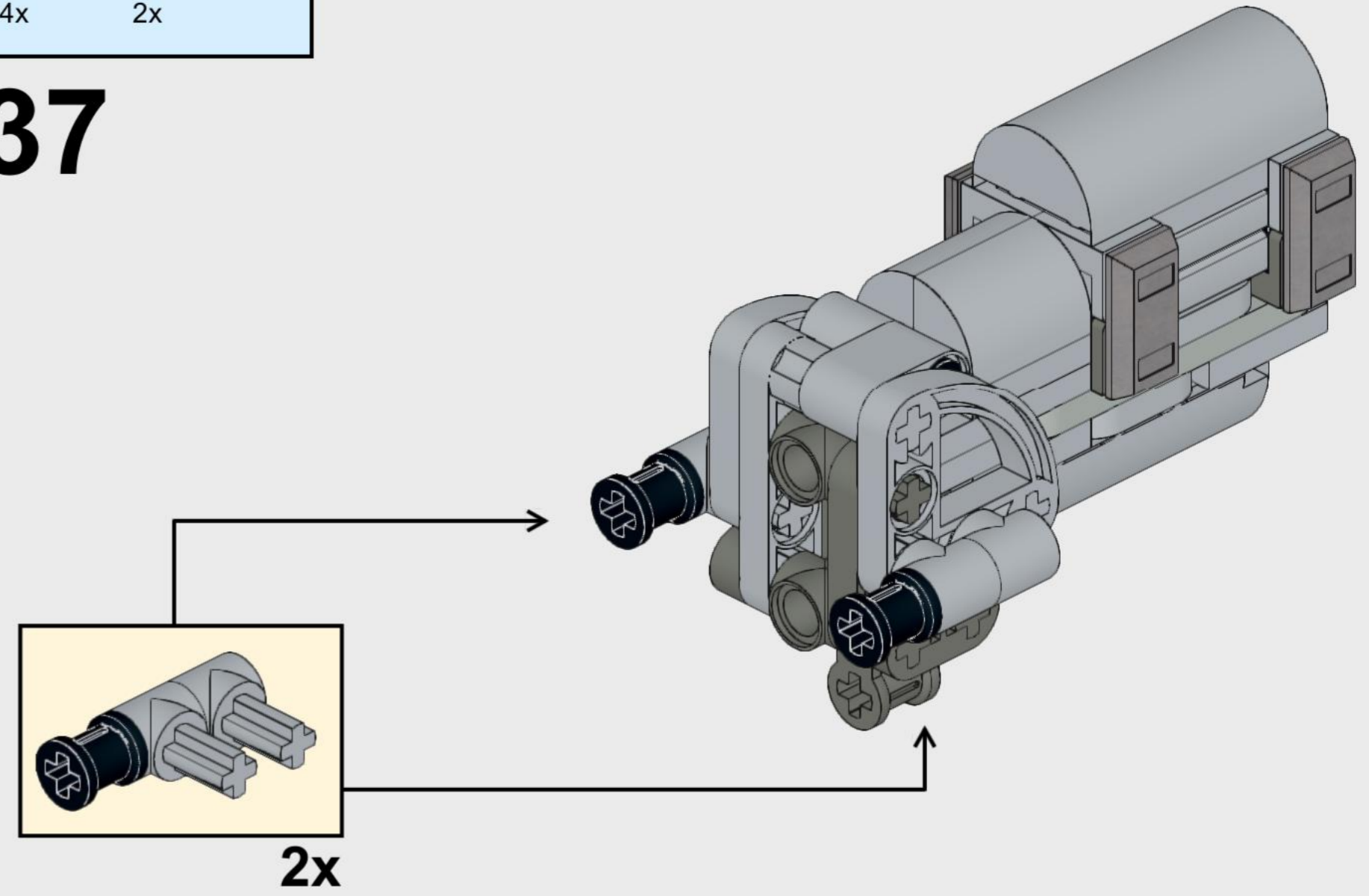
35



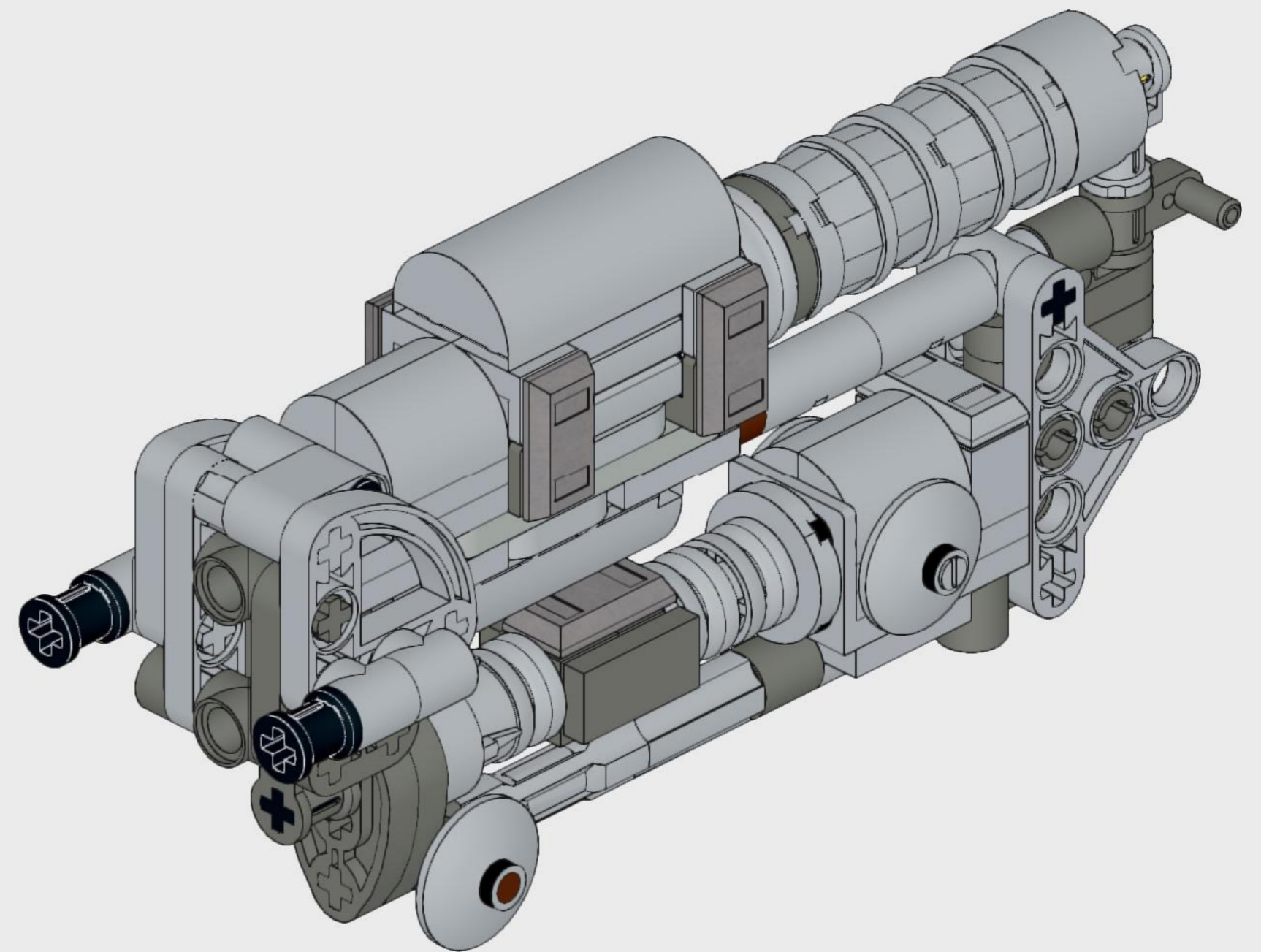
36

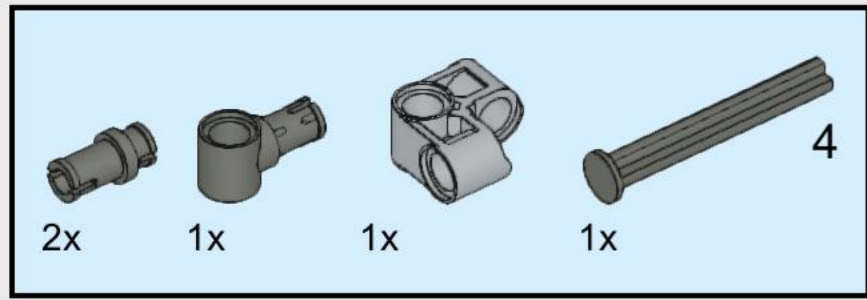


37

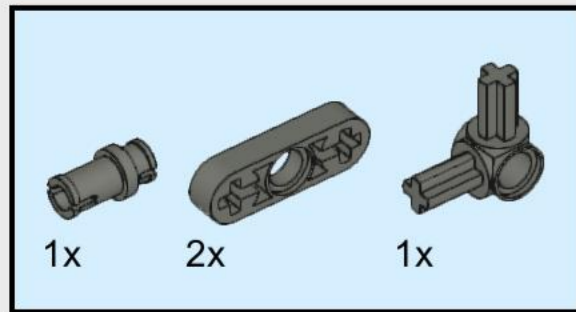
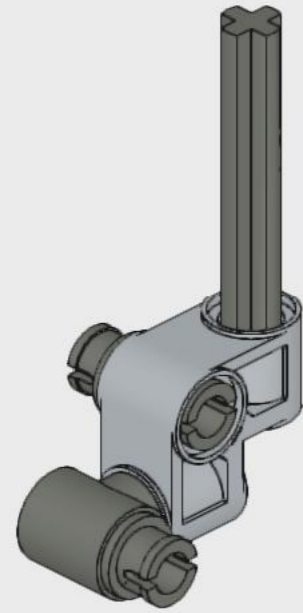


38

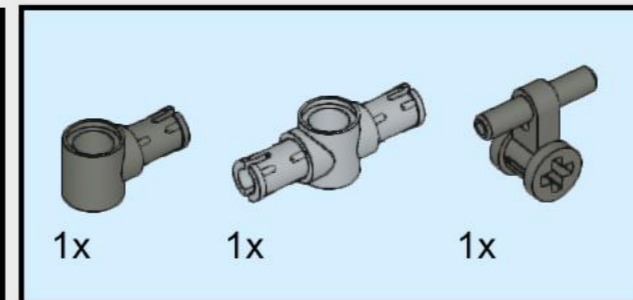
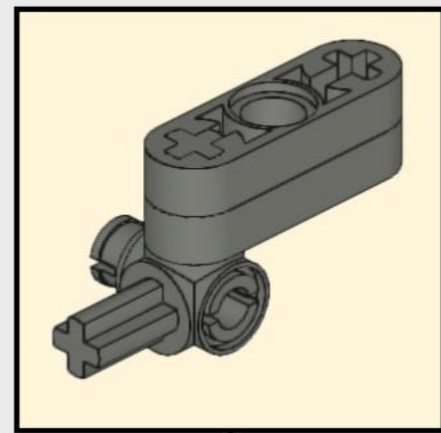
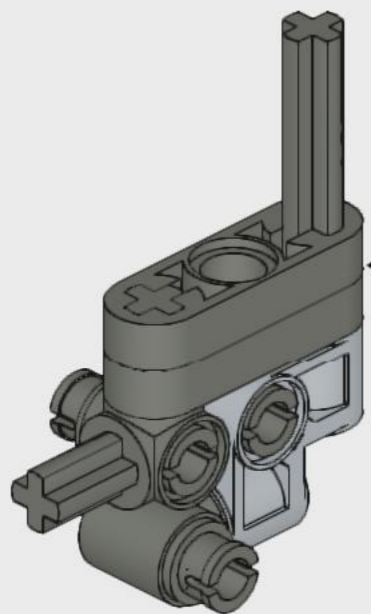




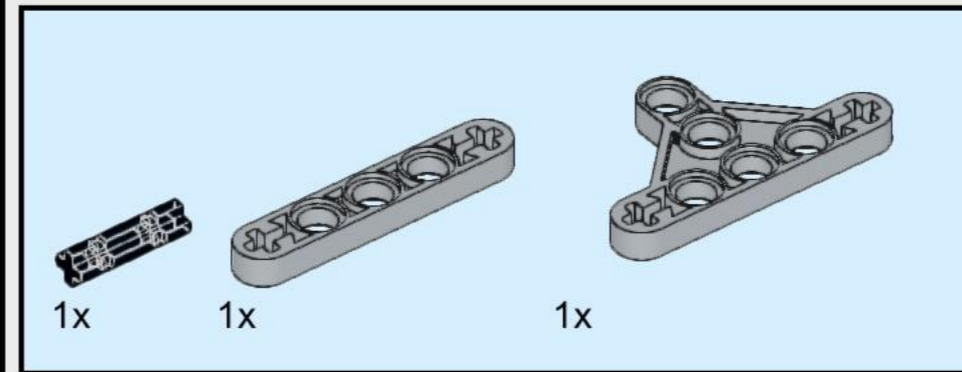
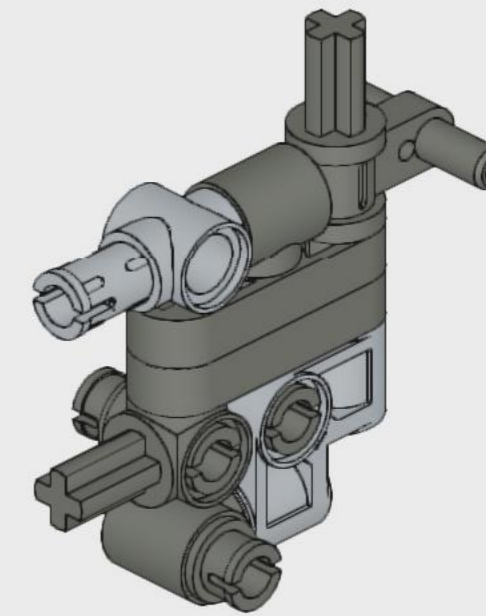
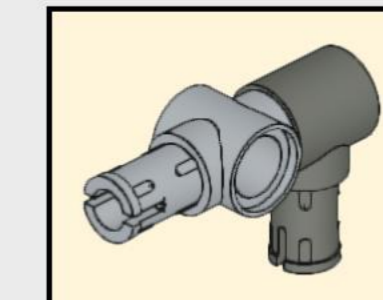
1



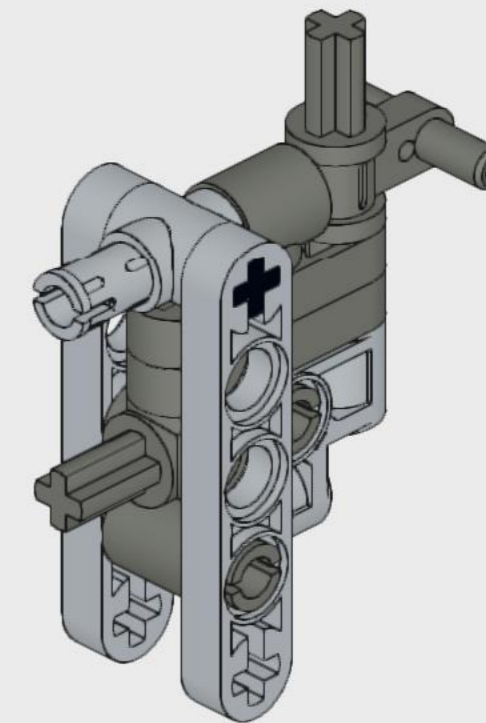
2

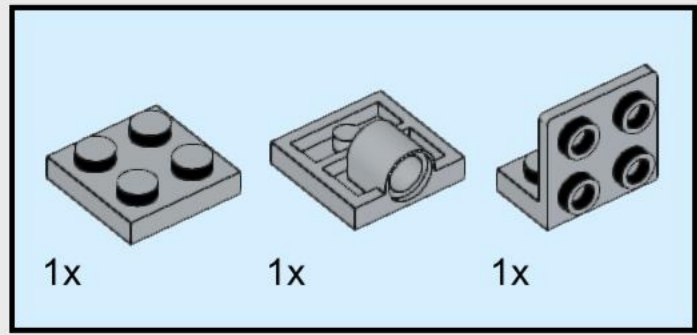


3

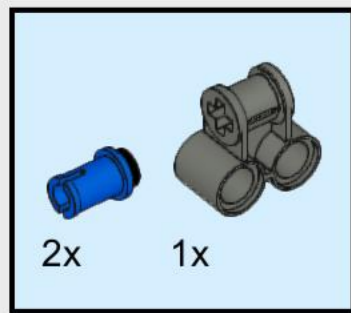
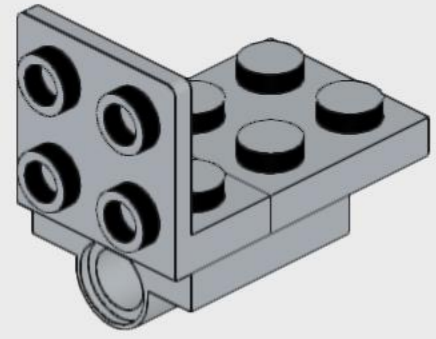


4

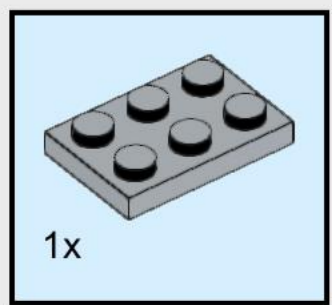
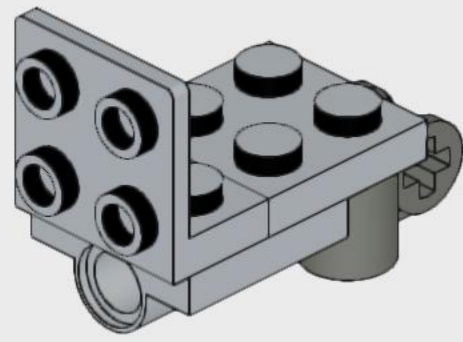




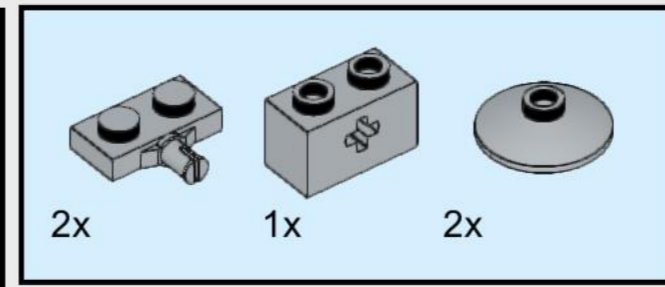
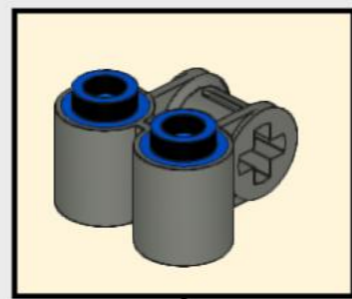
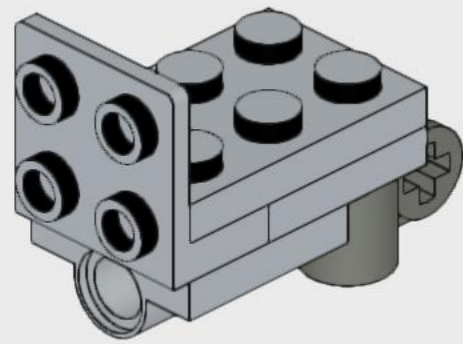
5



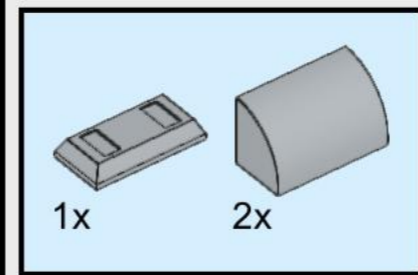
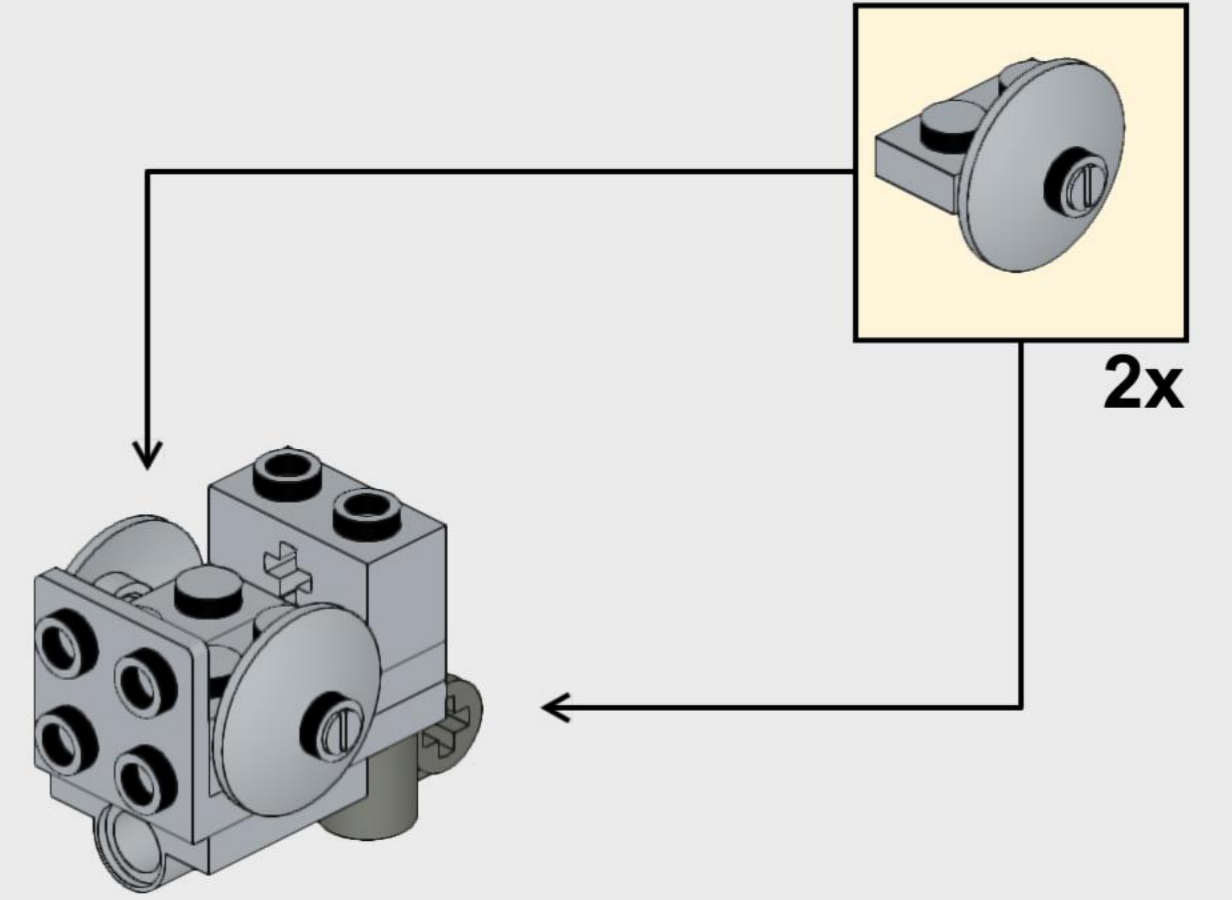
6



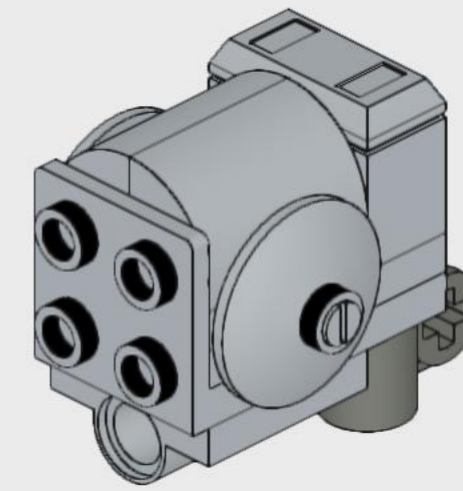
7



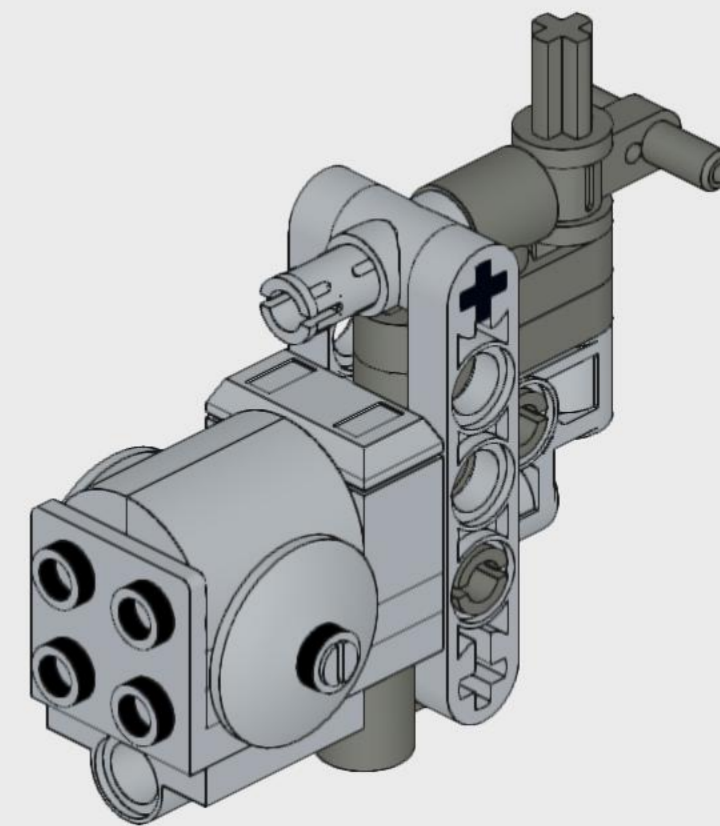
8

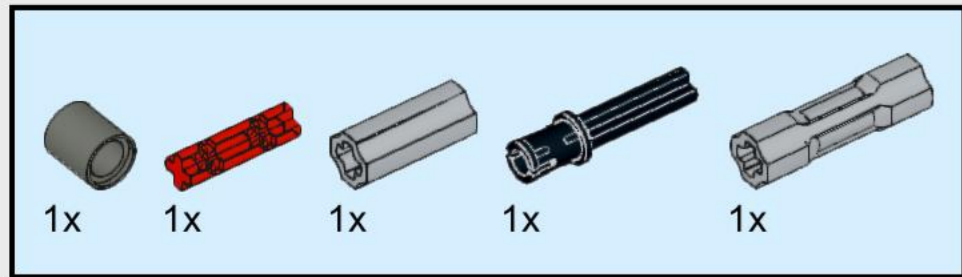


9

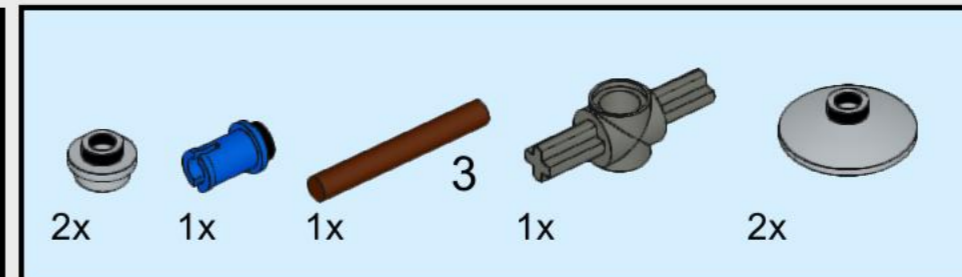
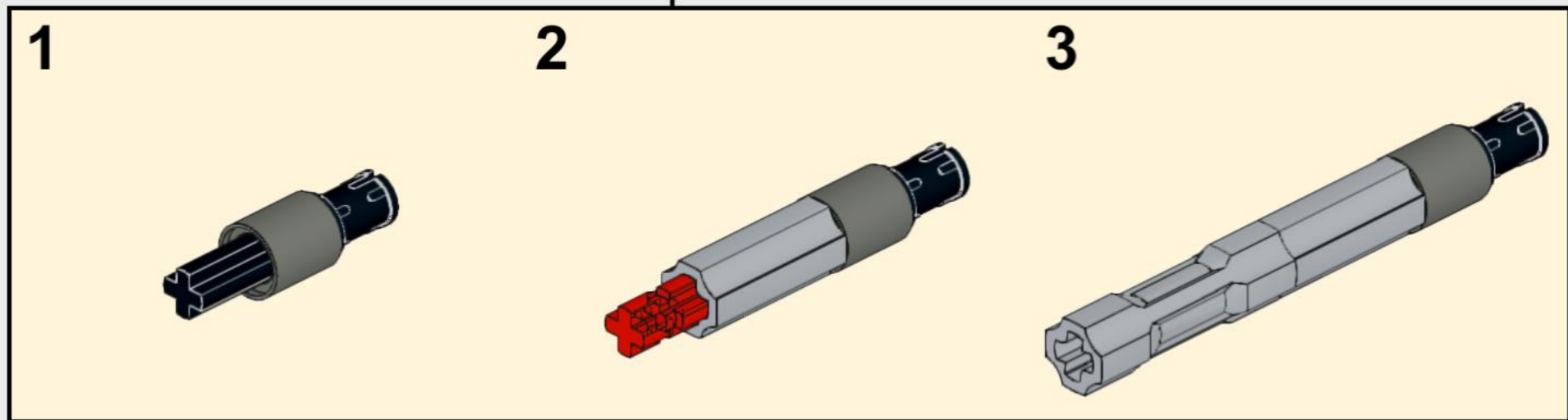
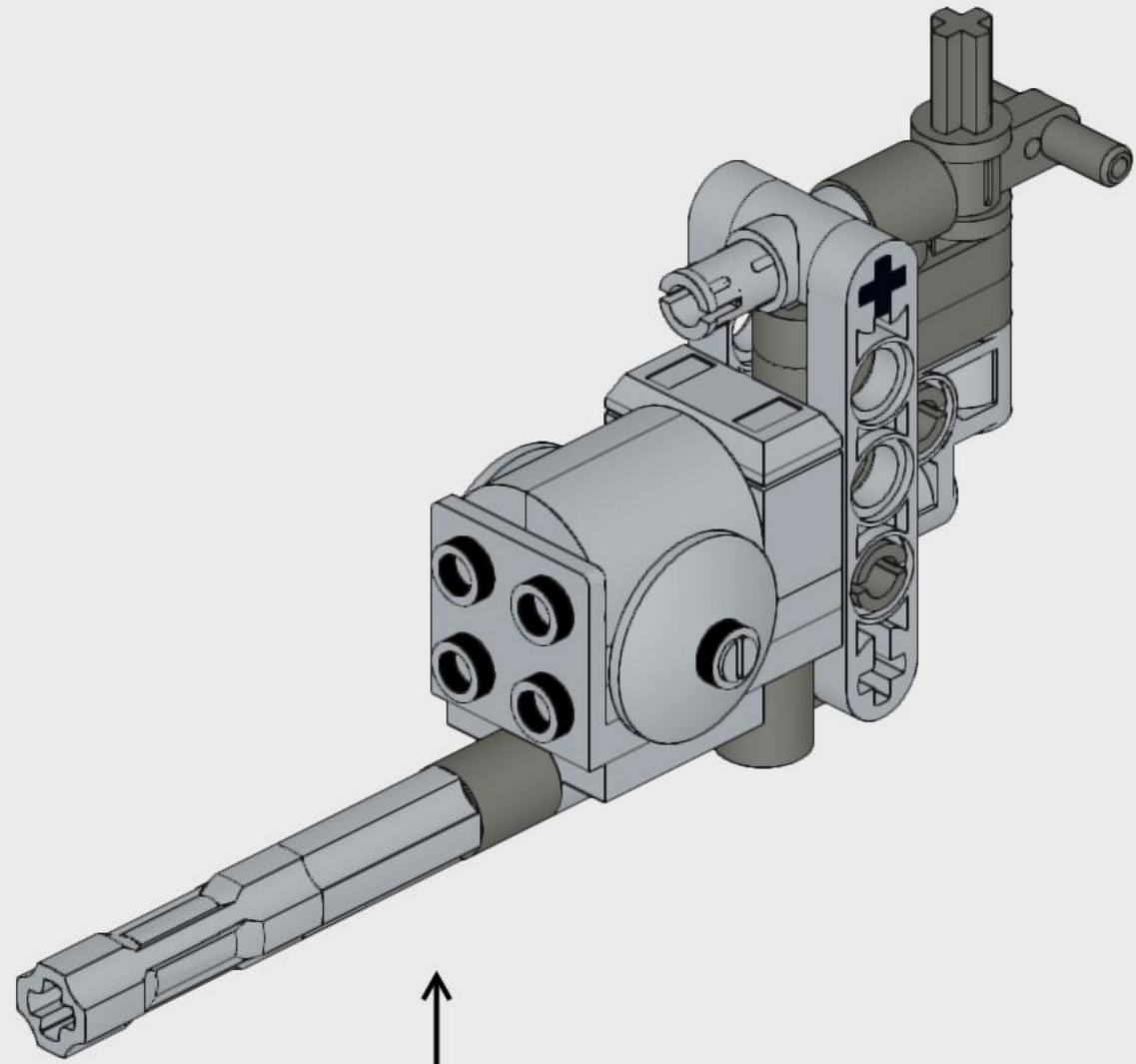


10

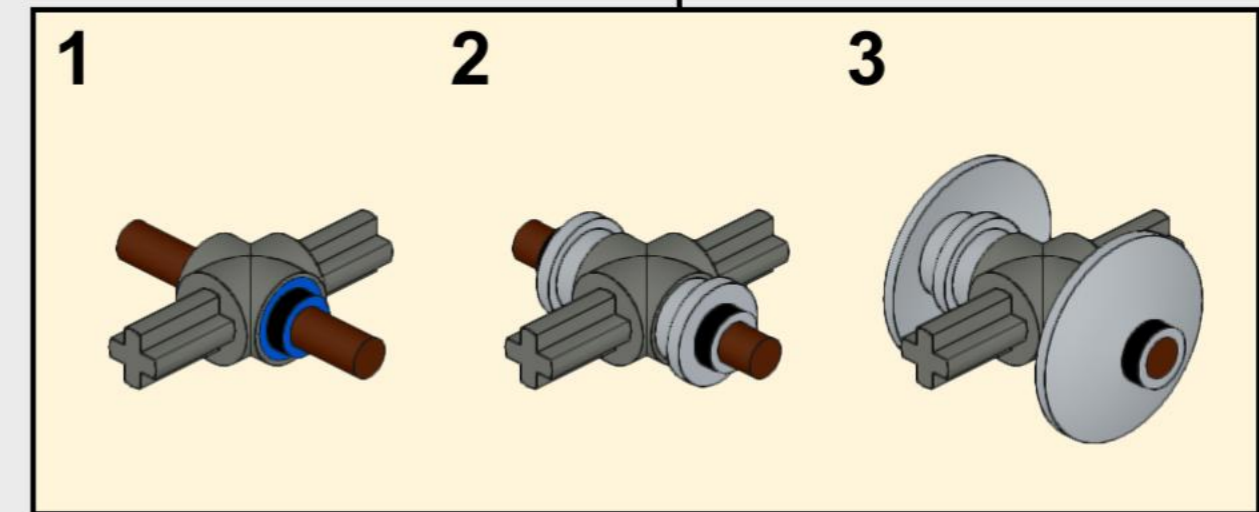
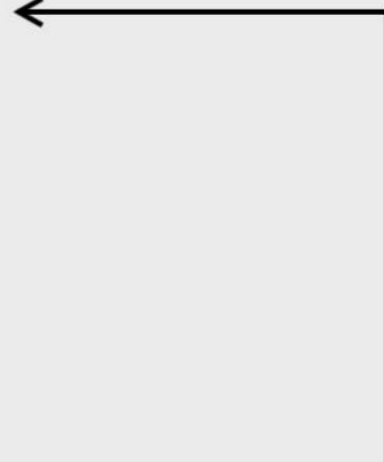
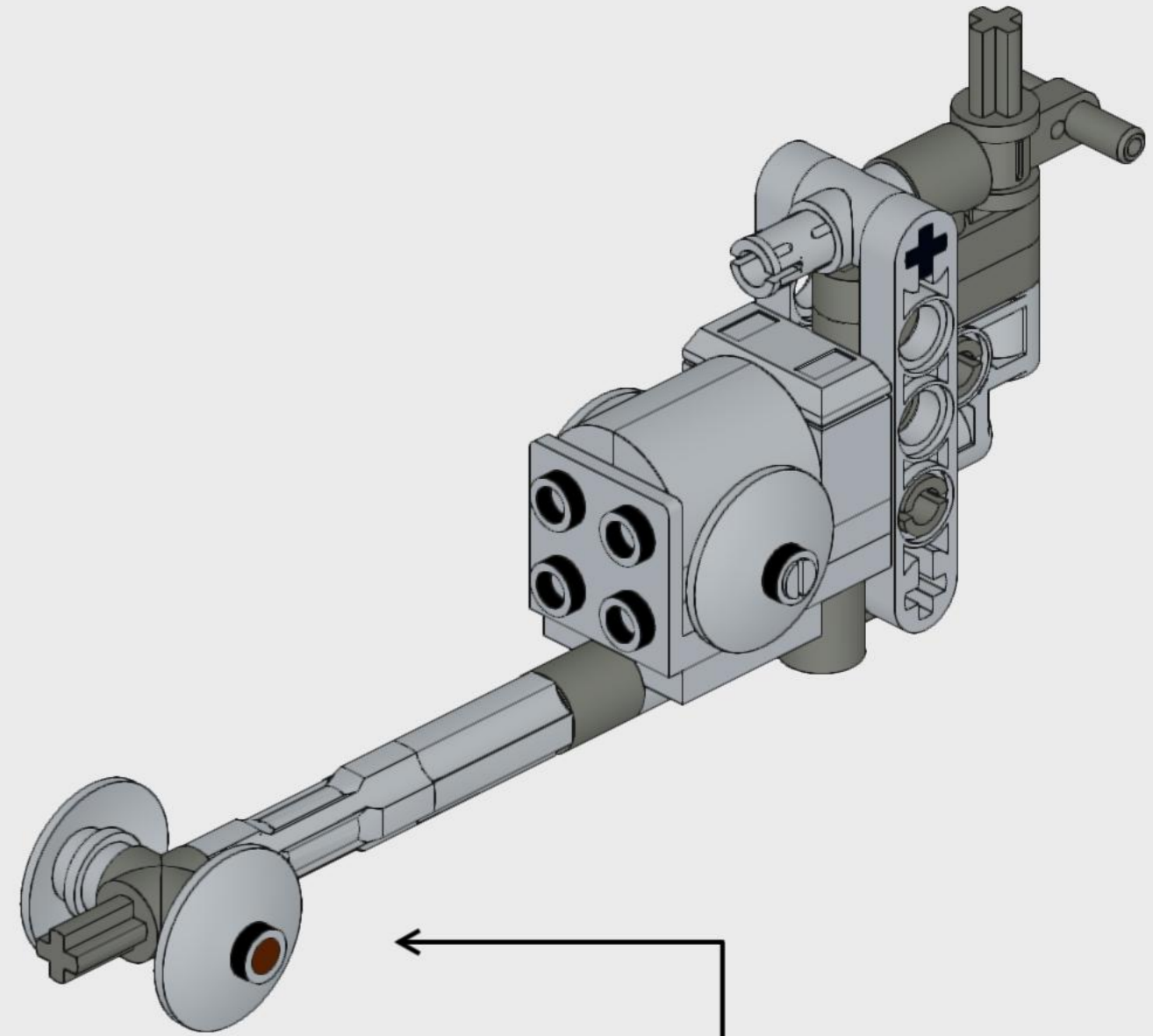




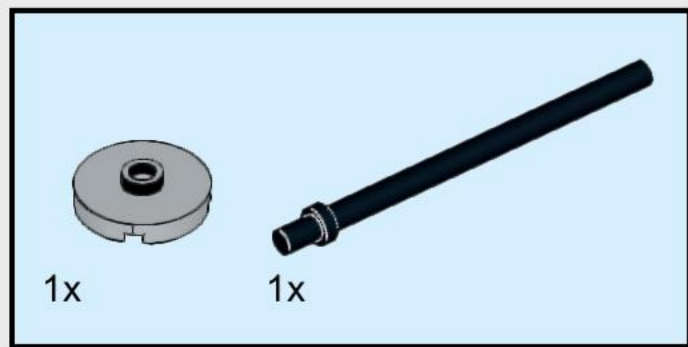
11



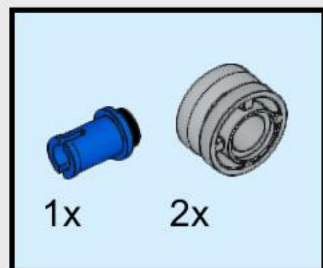
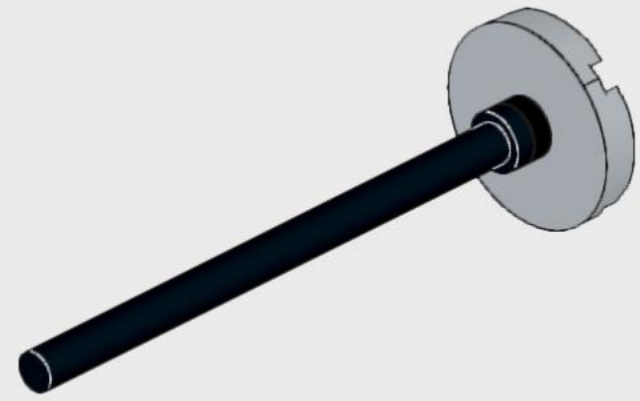
12



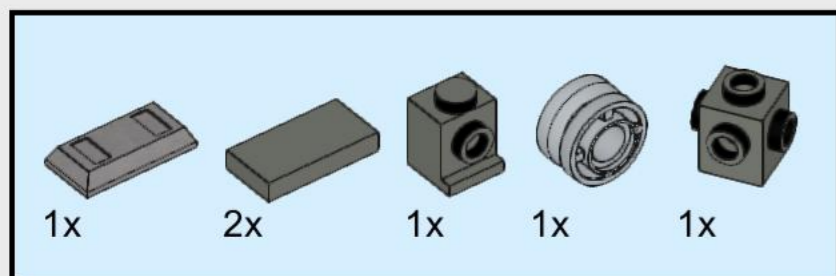
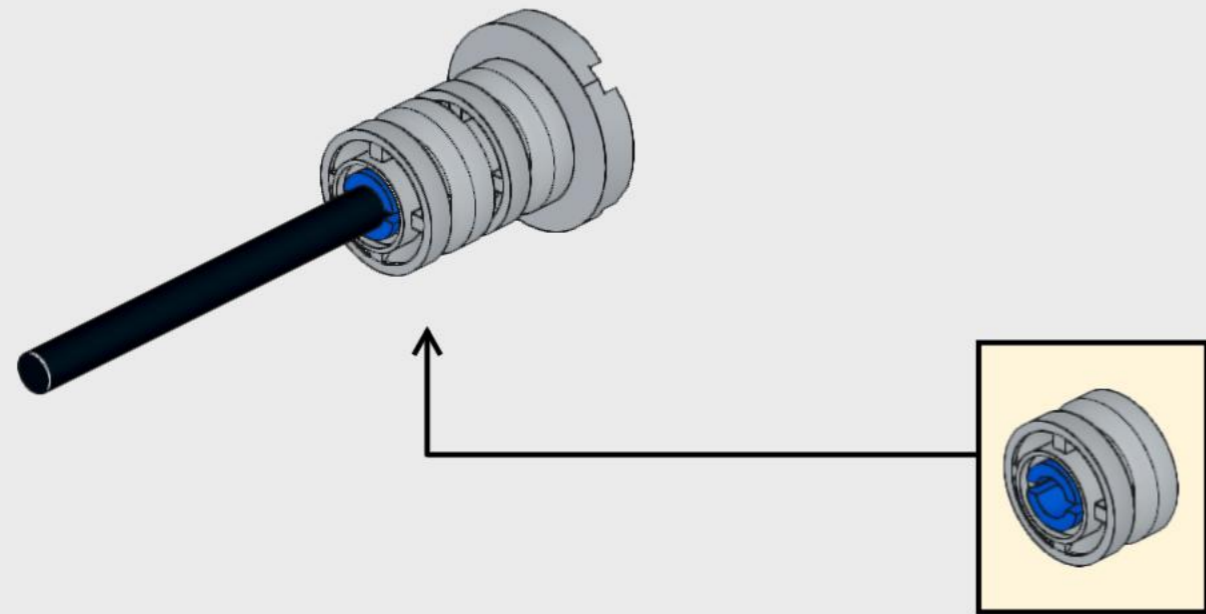




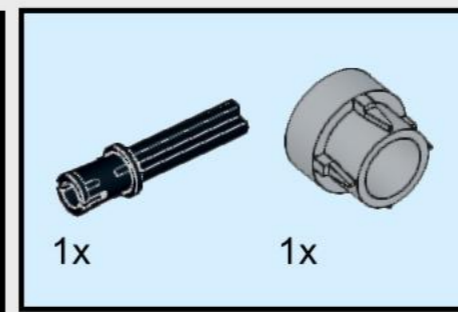
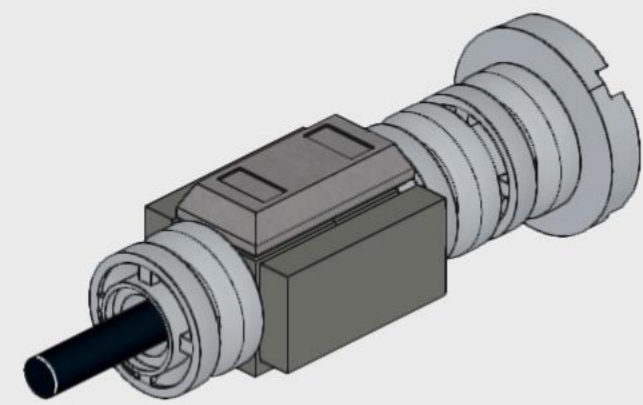
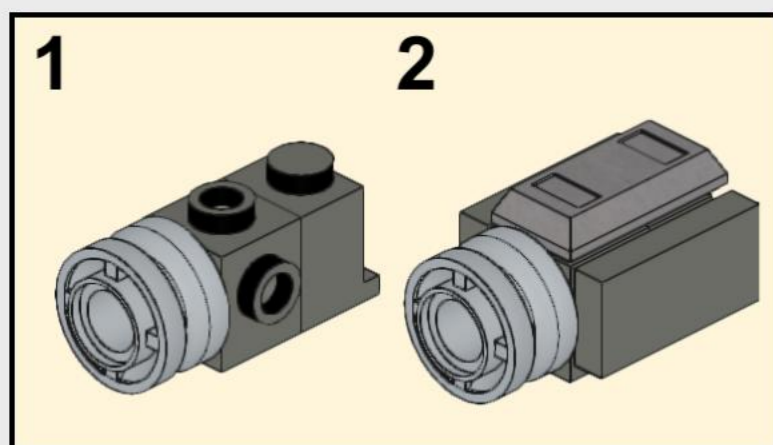
13



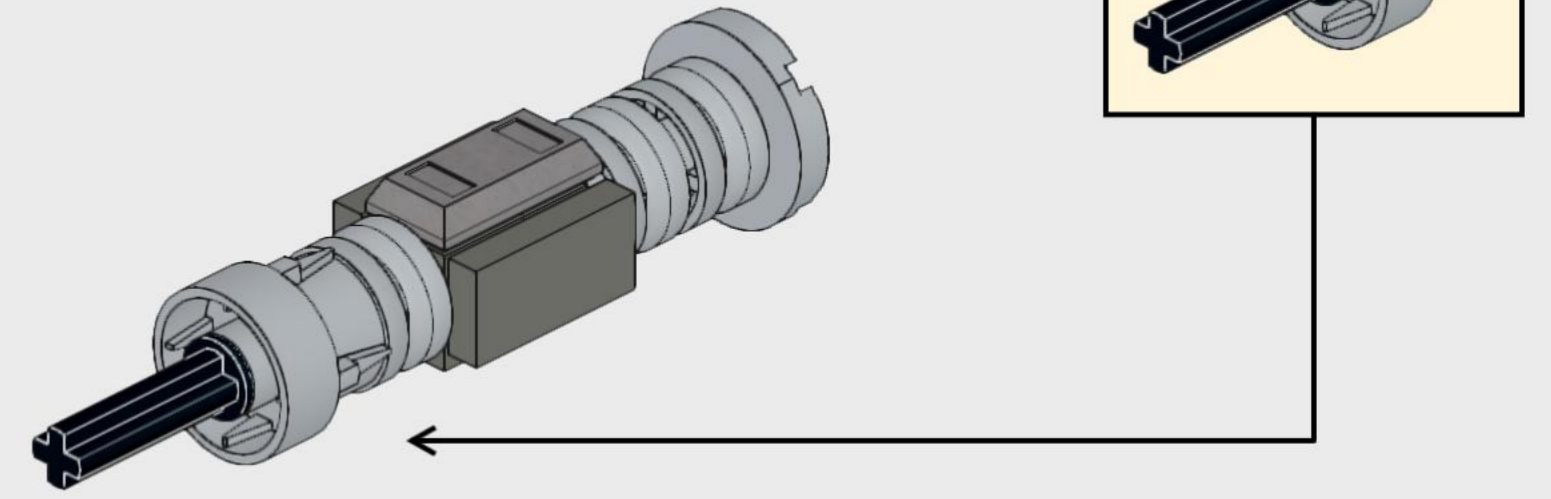
14



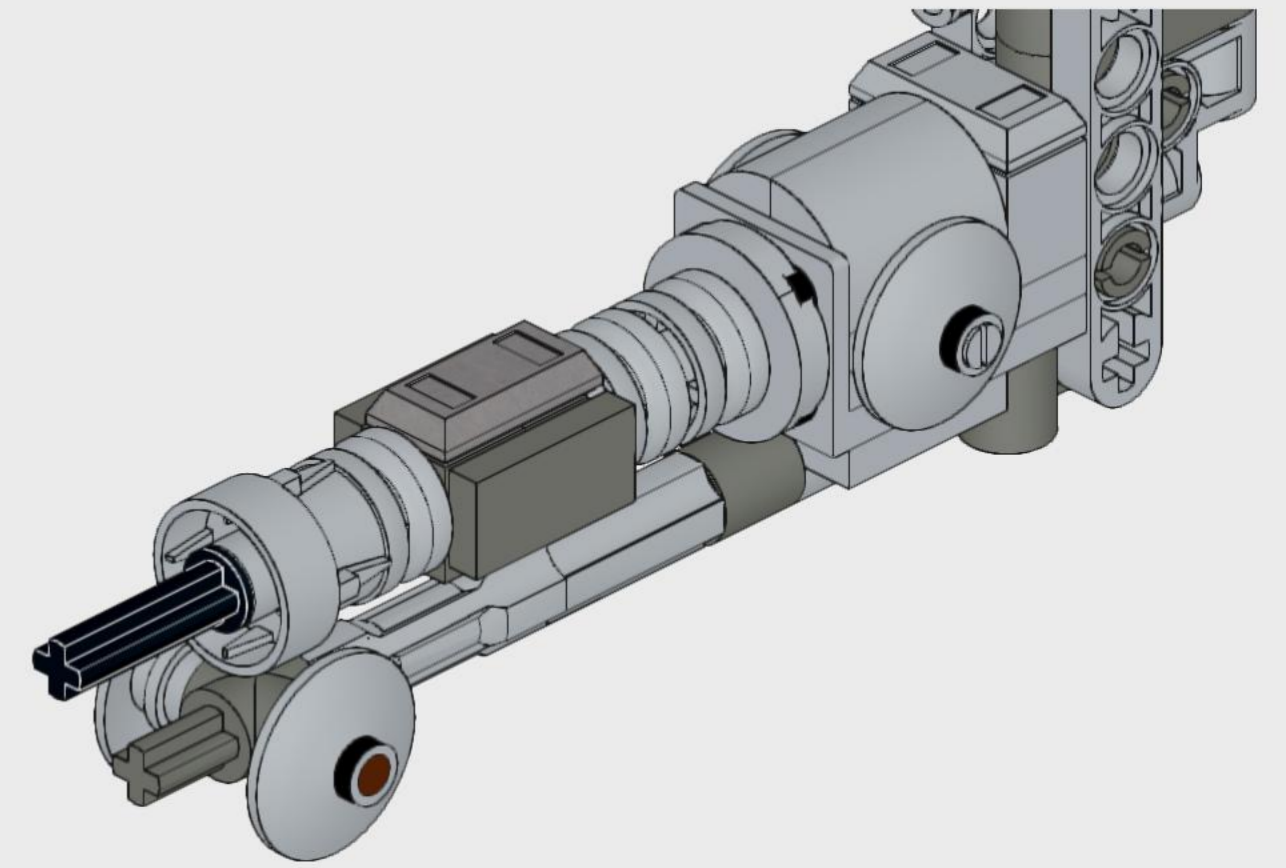
15



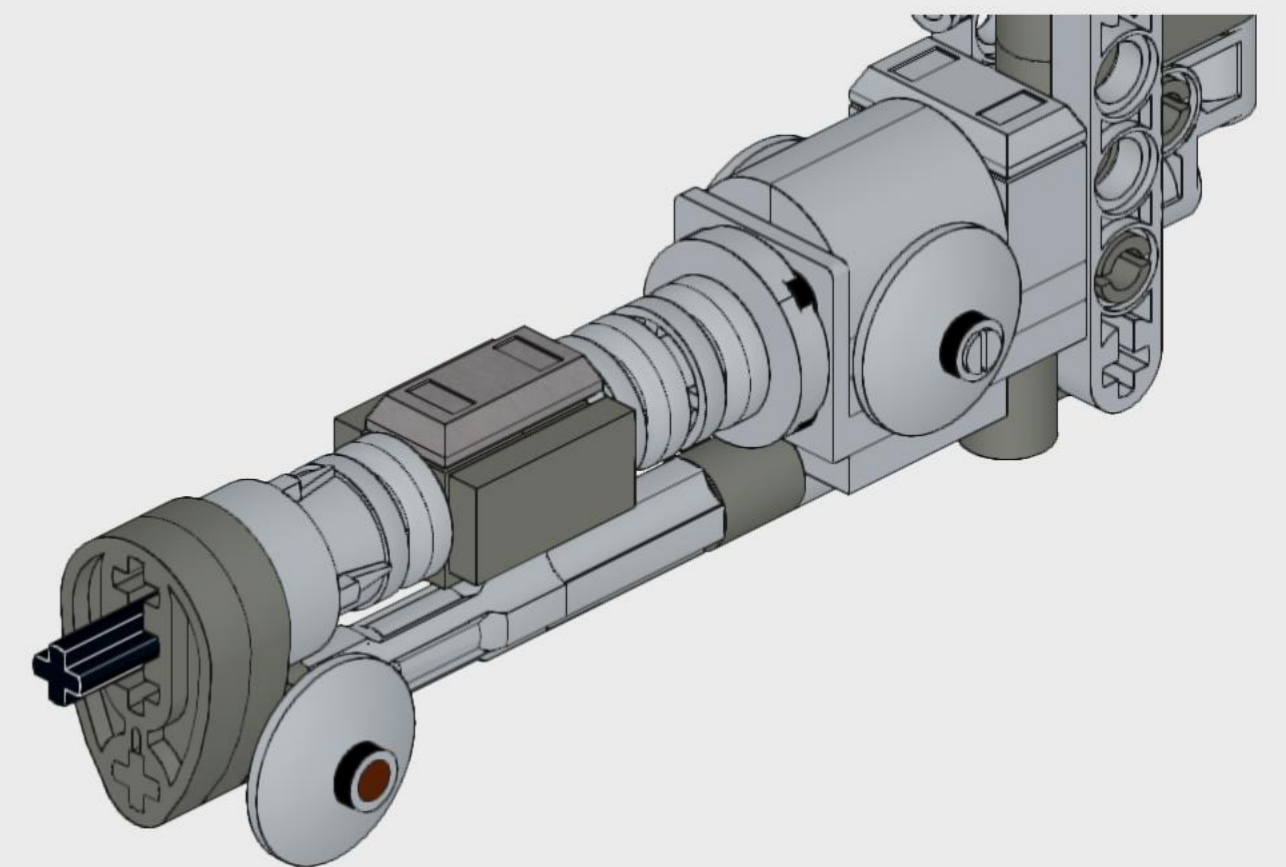
16

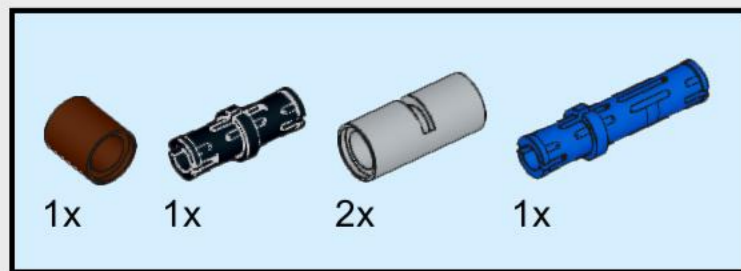


17

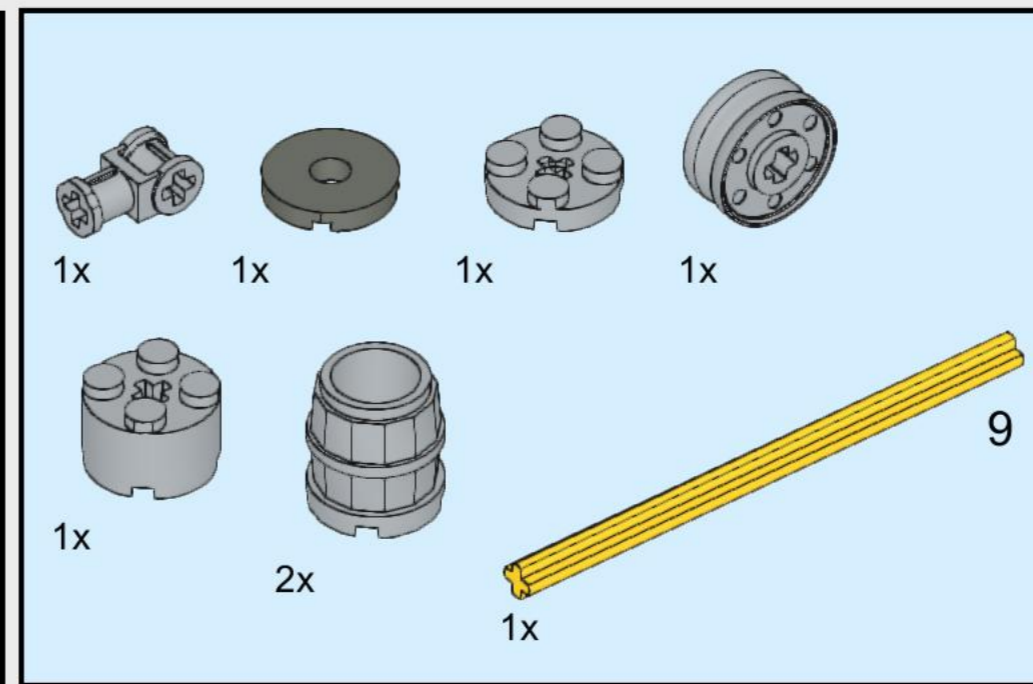
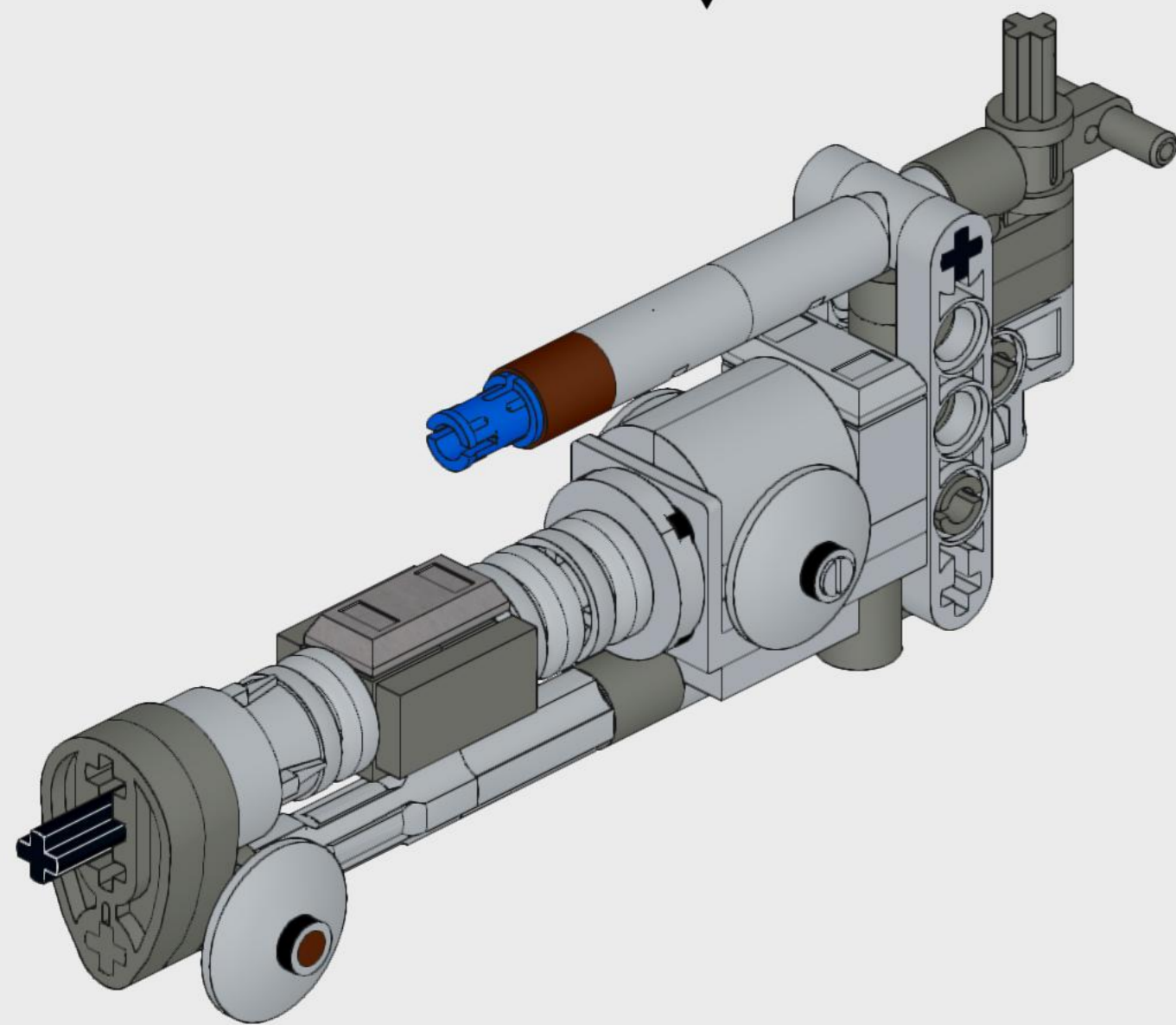
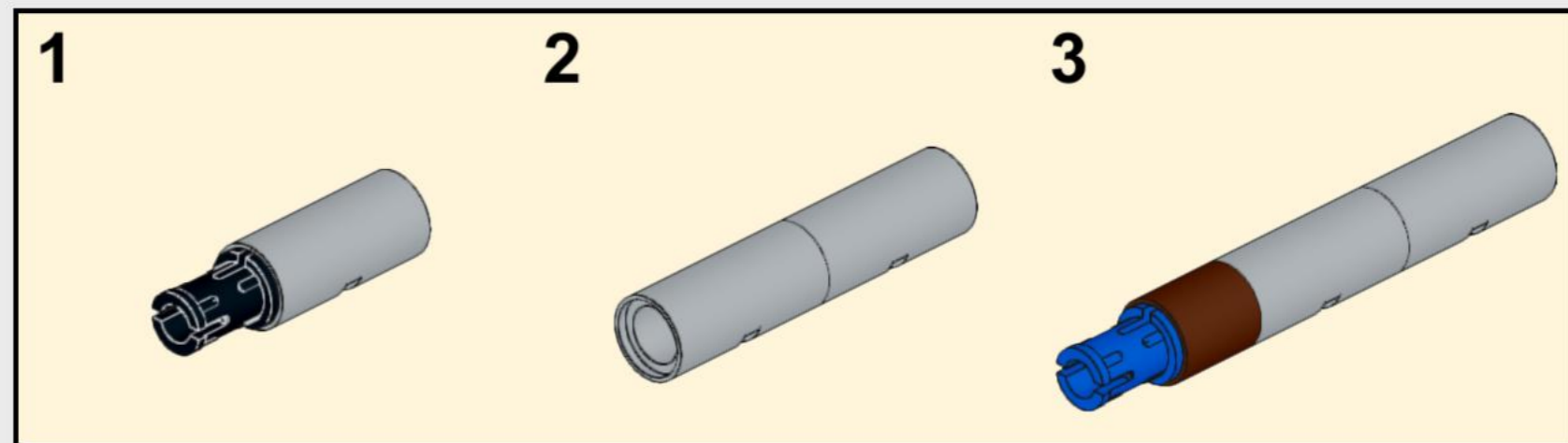


18

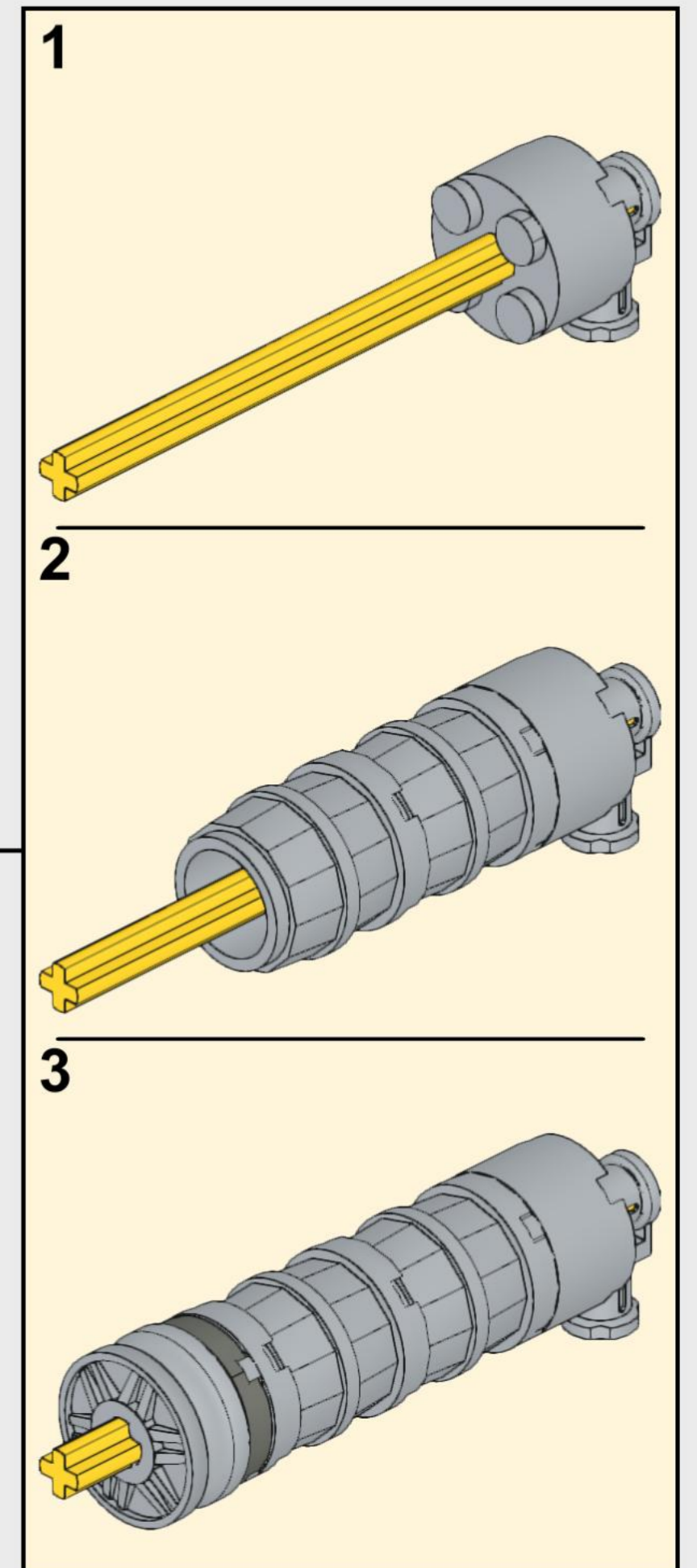
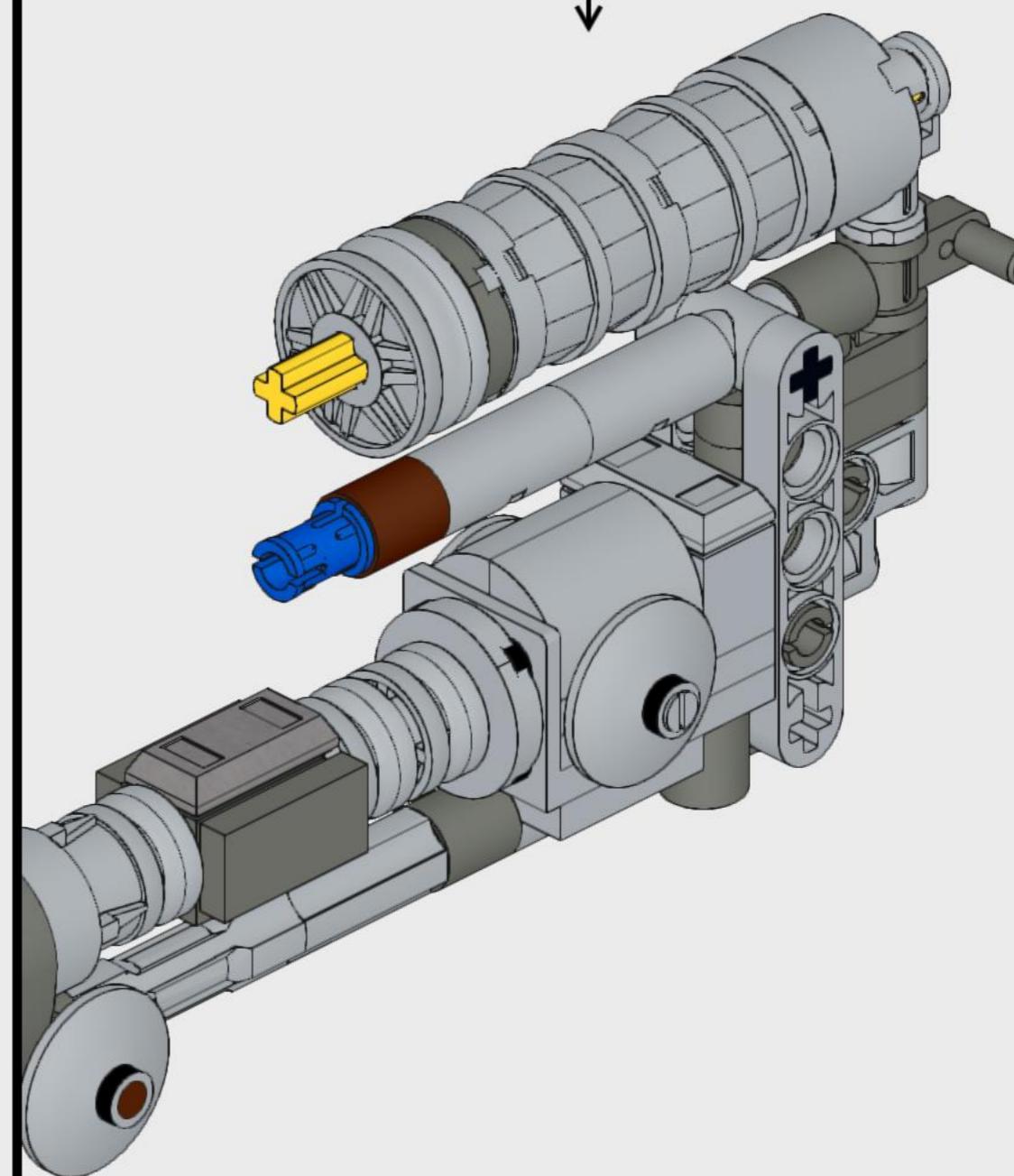
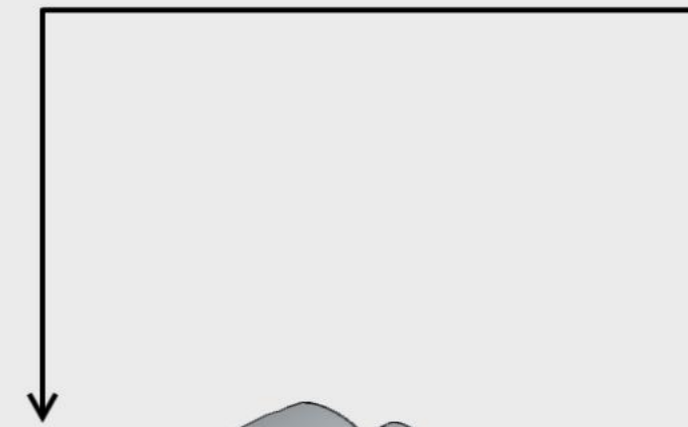


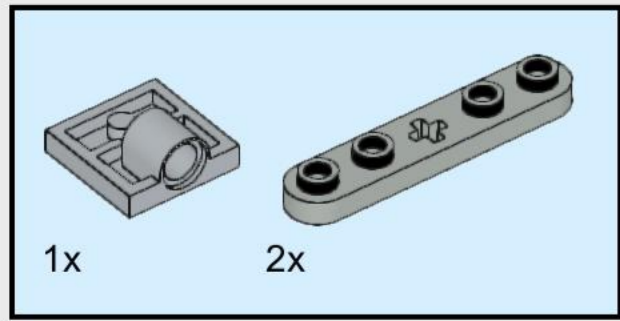


19

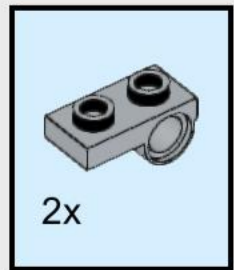
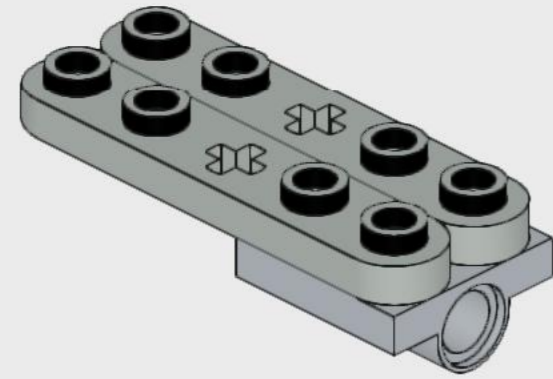


20

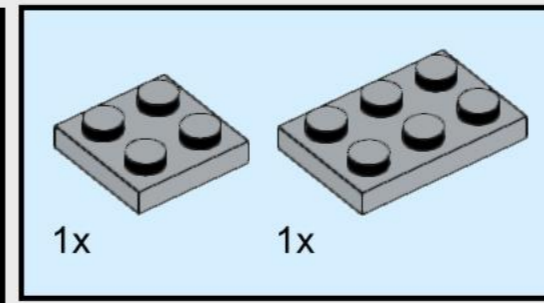
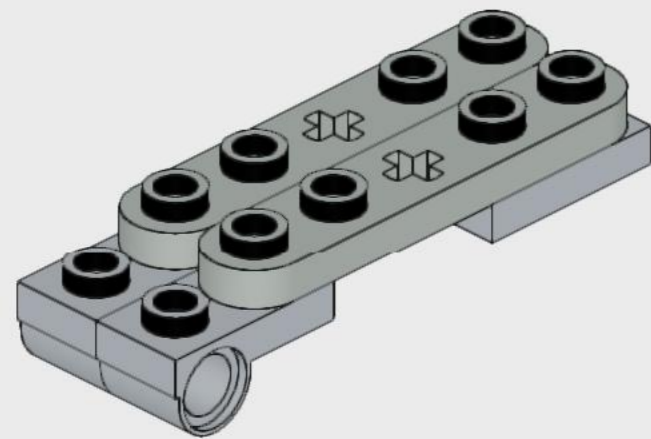




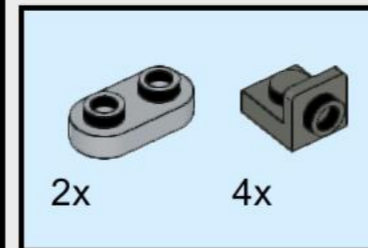
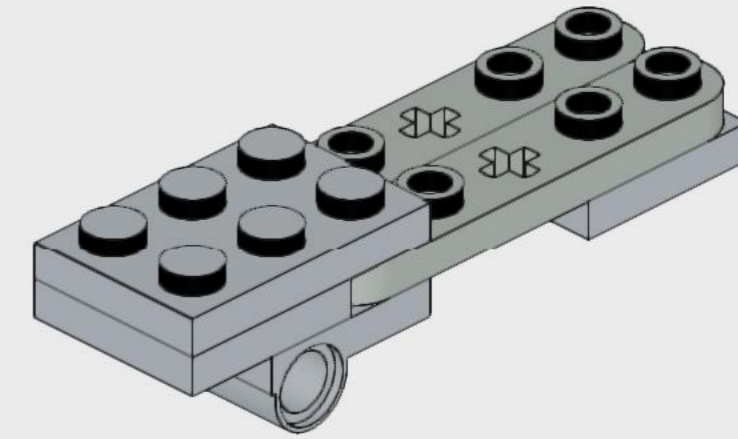
21



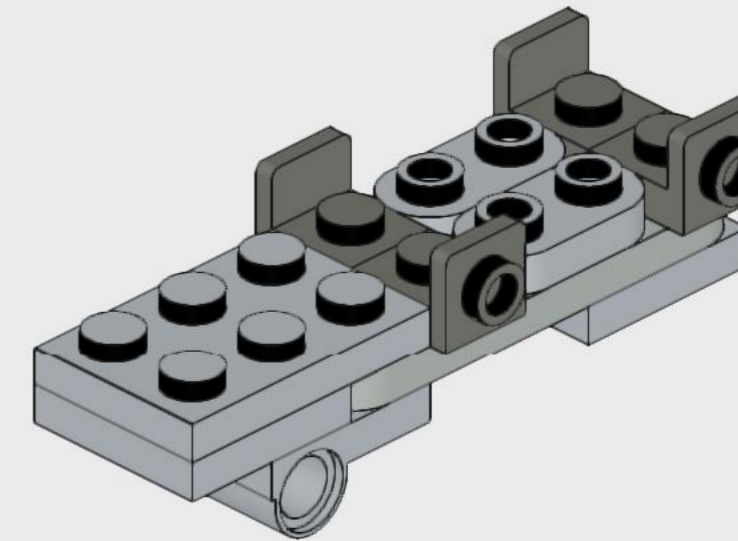
22 

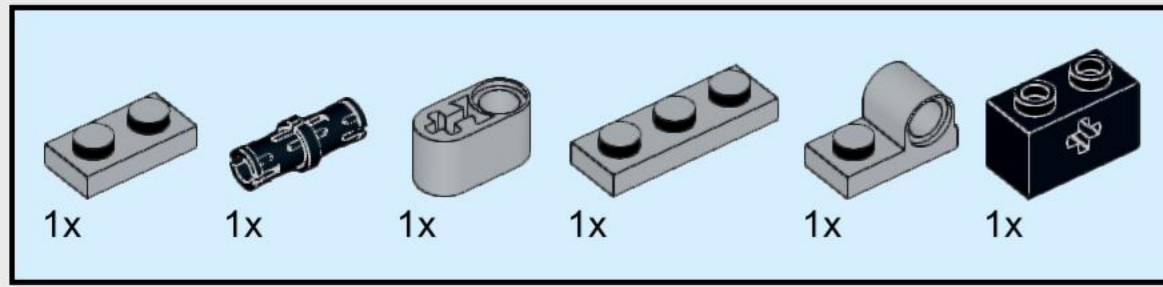


23

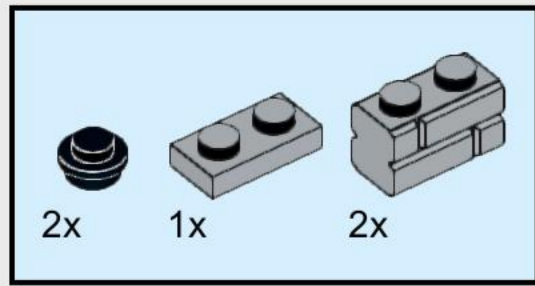
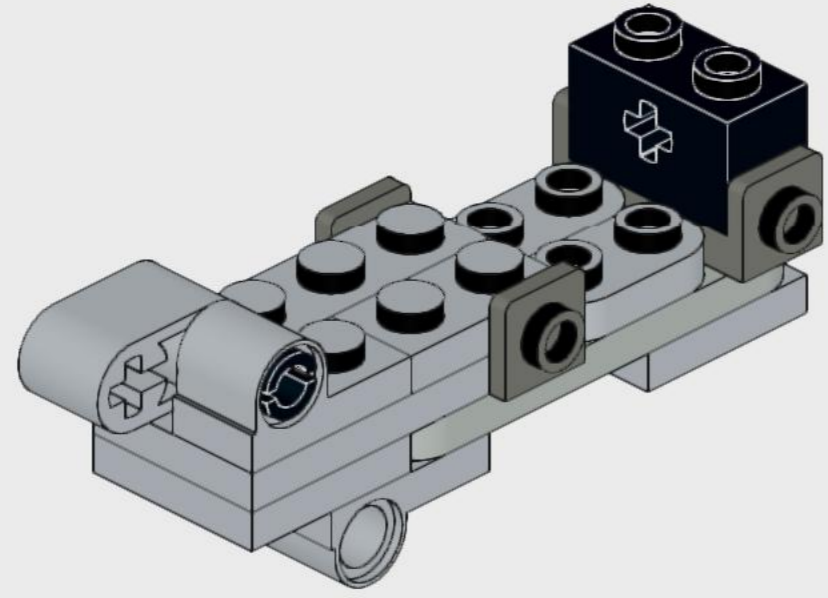
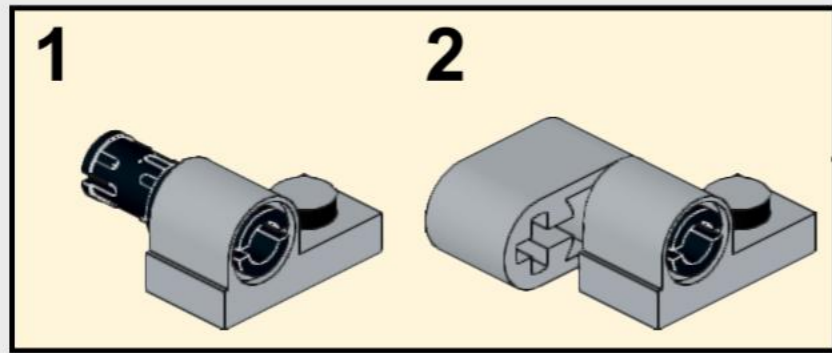


24

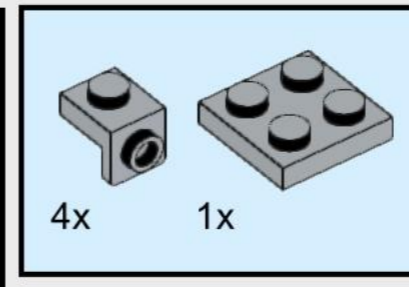
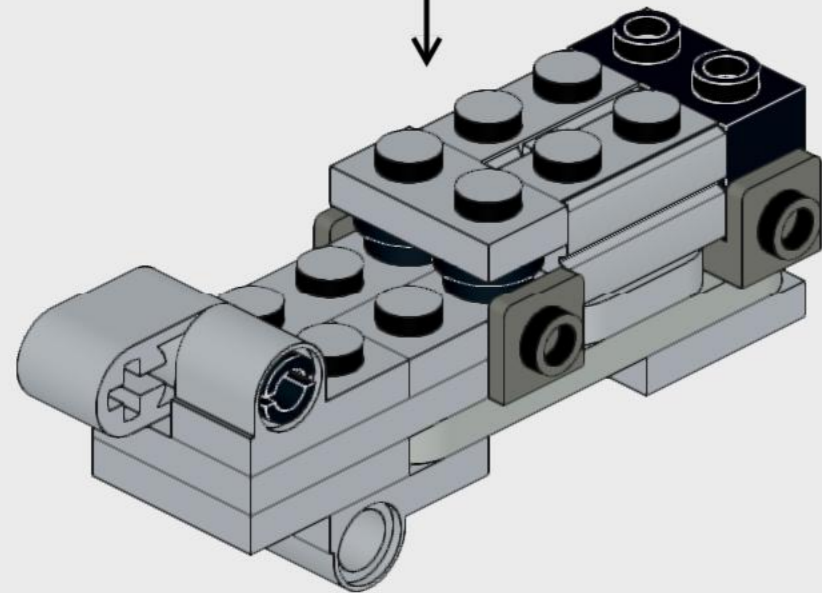
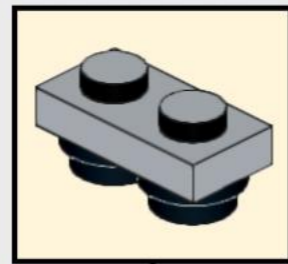




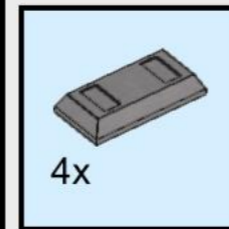
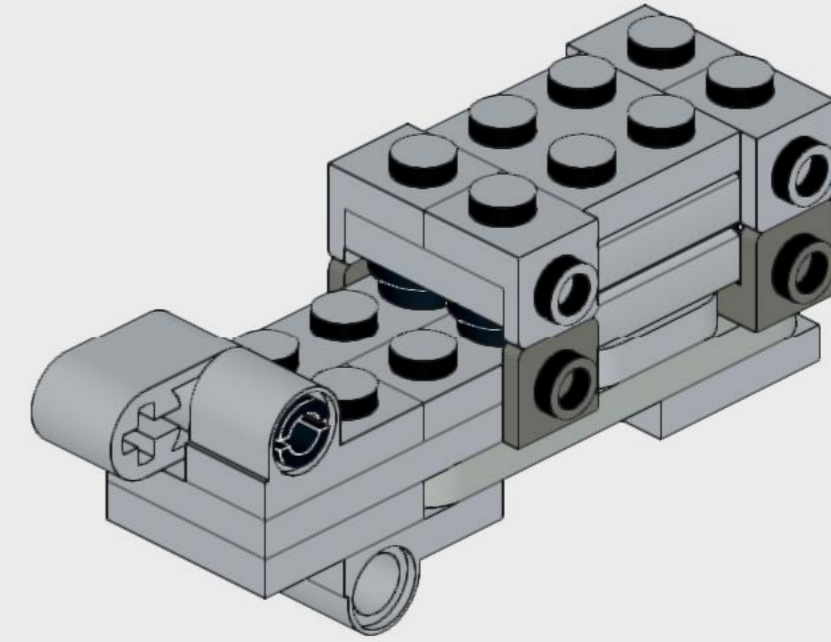
25



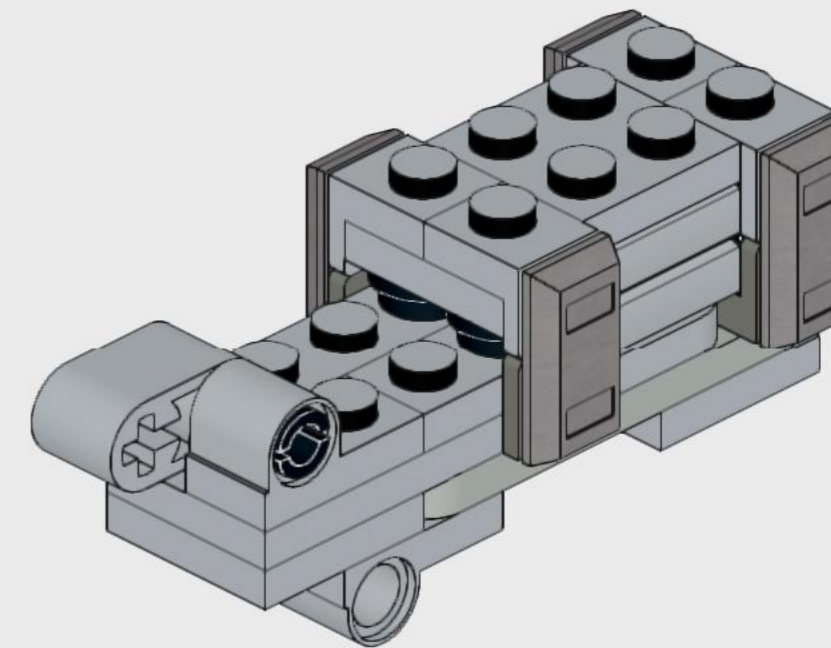
26

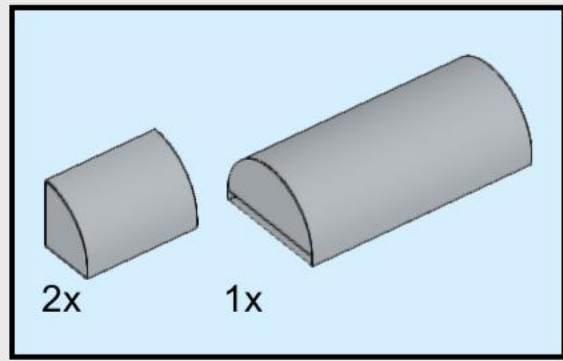


27

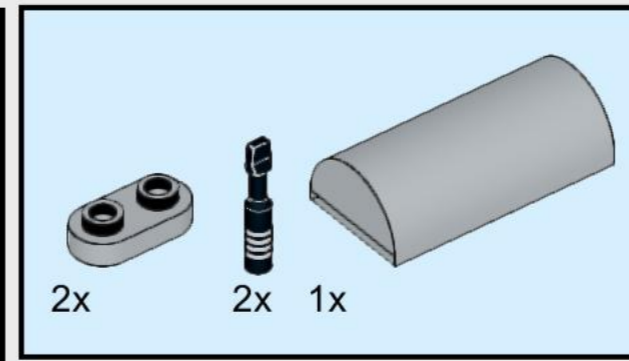
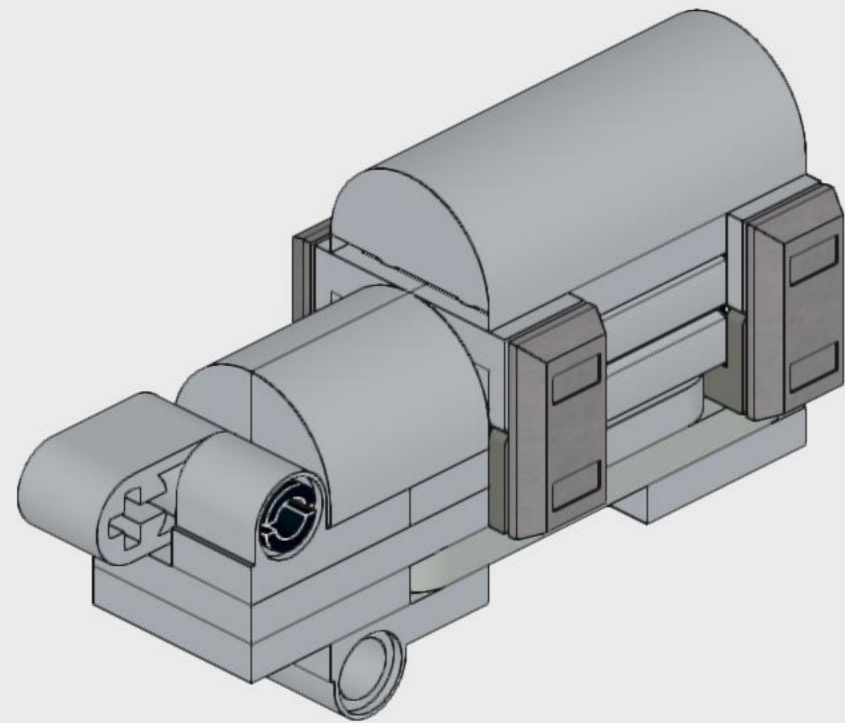


28



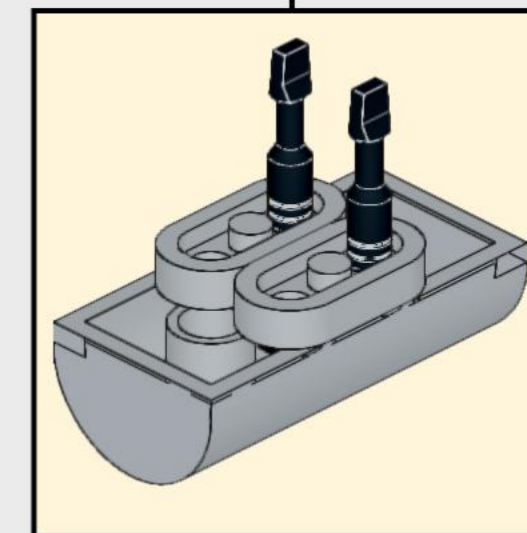
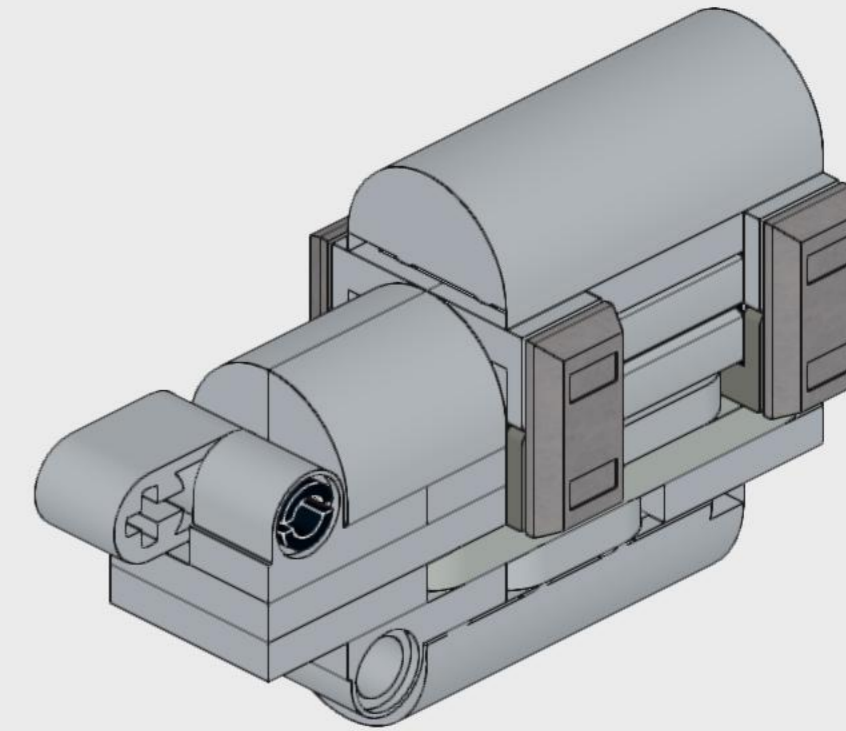


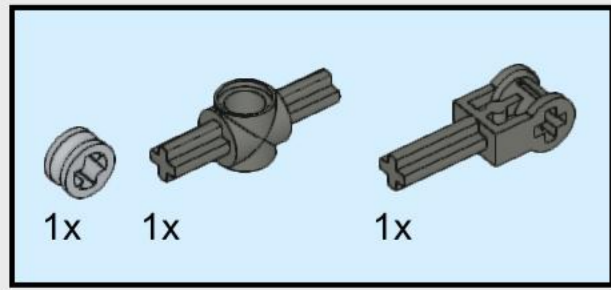
29



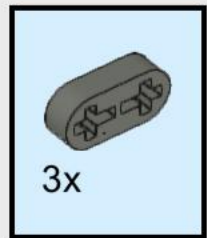
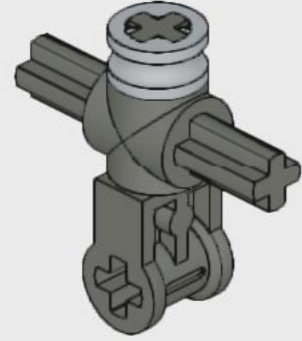
30

Alternatively, 2-stud-long rigid hose pieces can be substituted for black screw-drivers, which are a rare part.

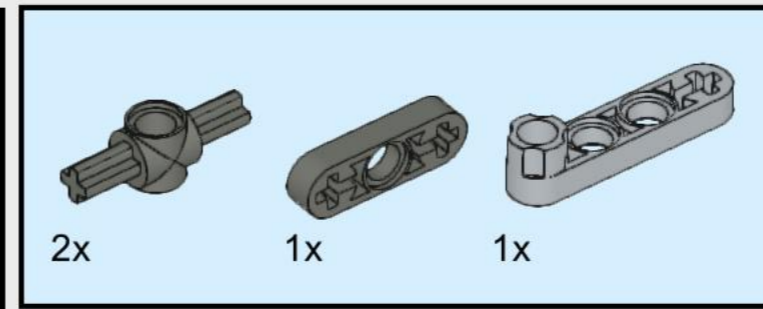
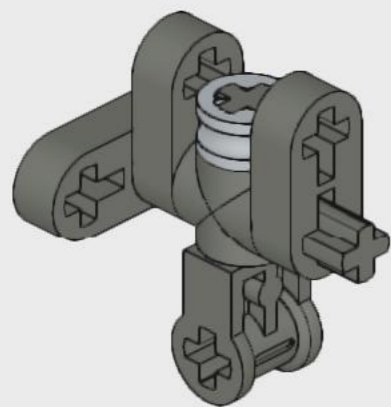




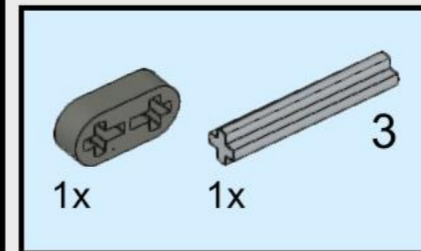
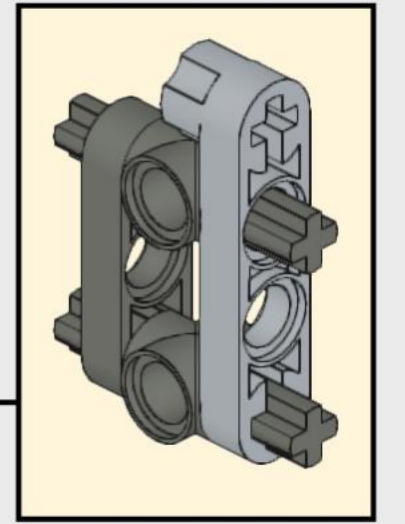
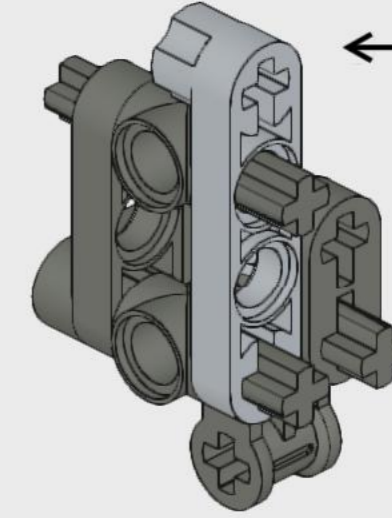
31



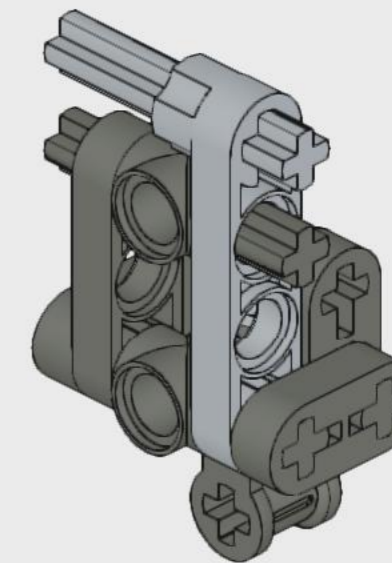
32



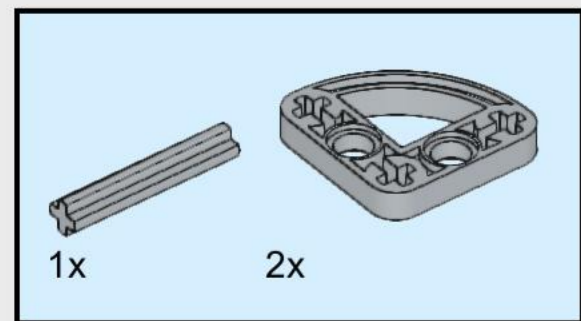
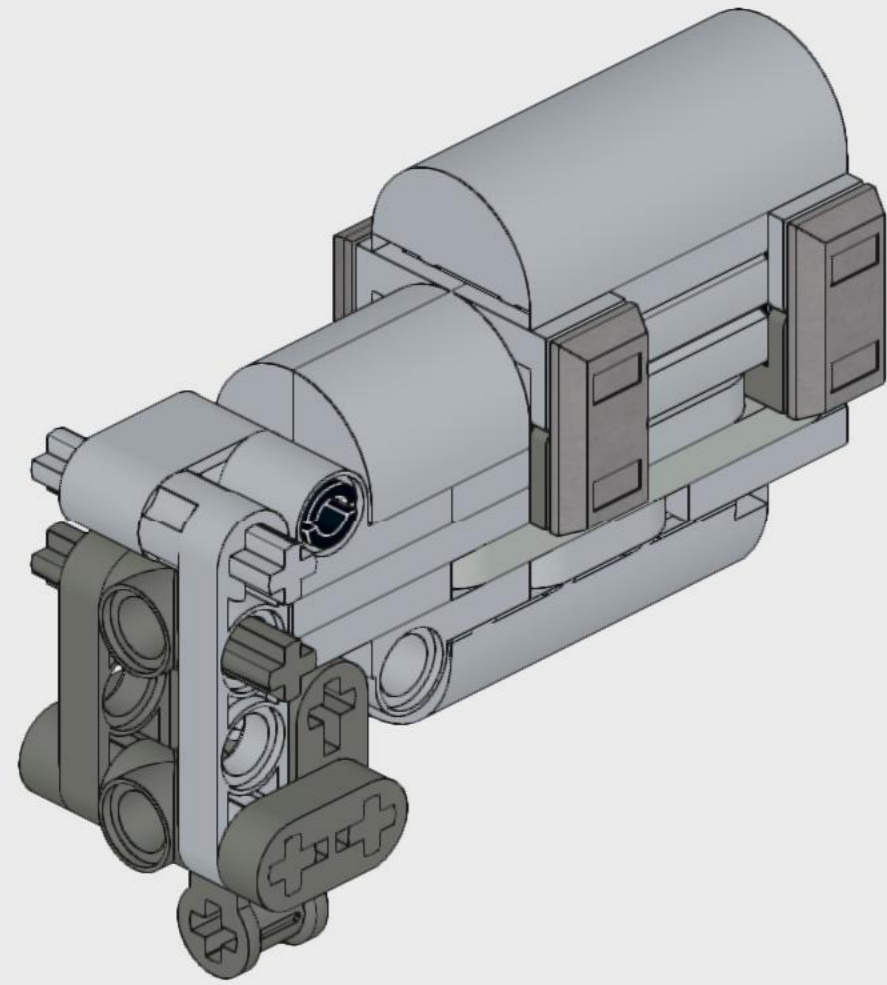
33



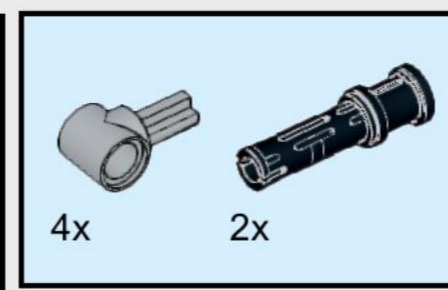
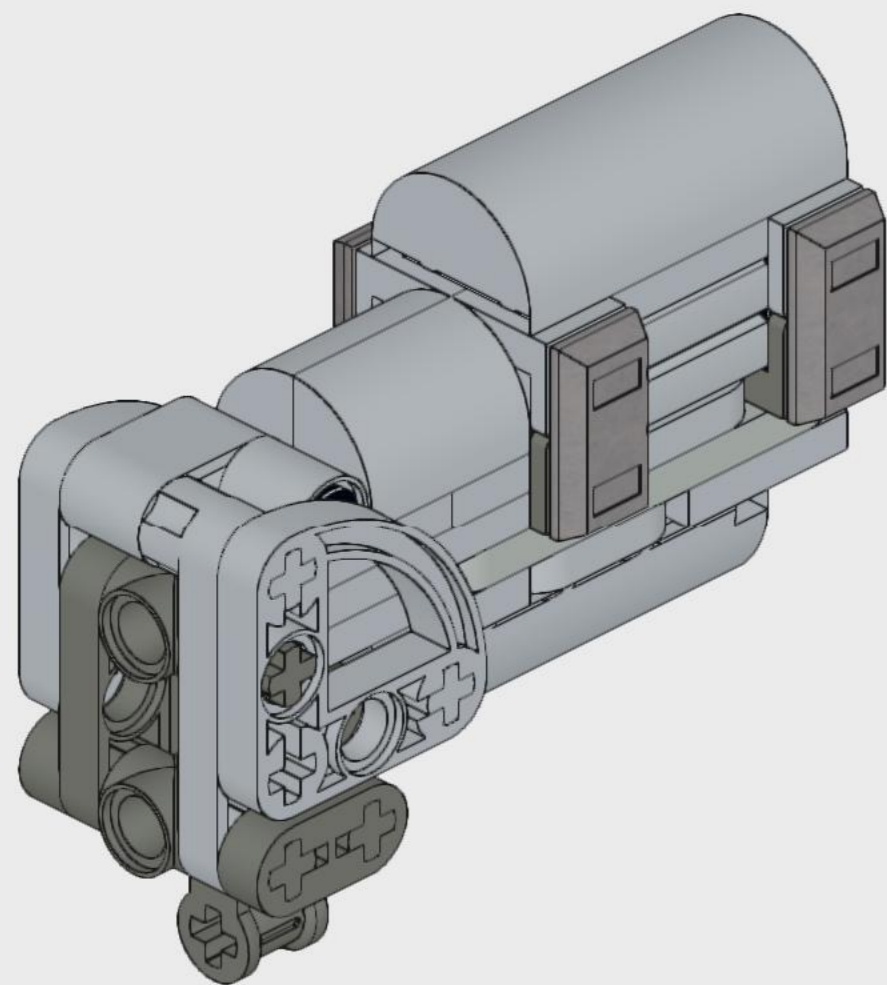
34



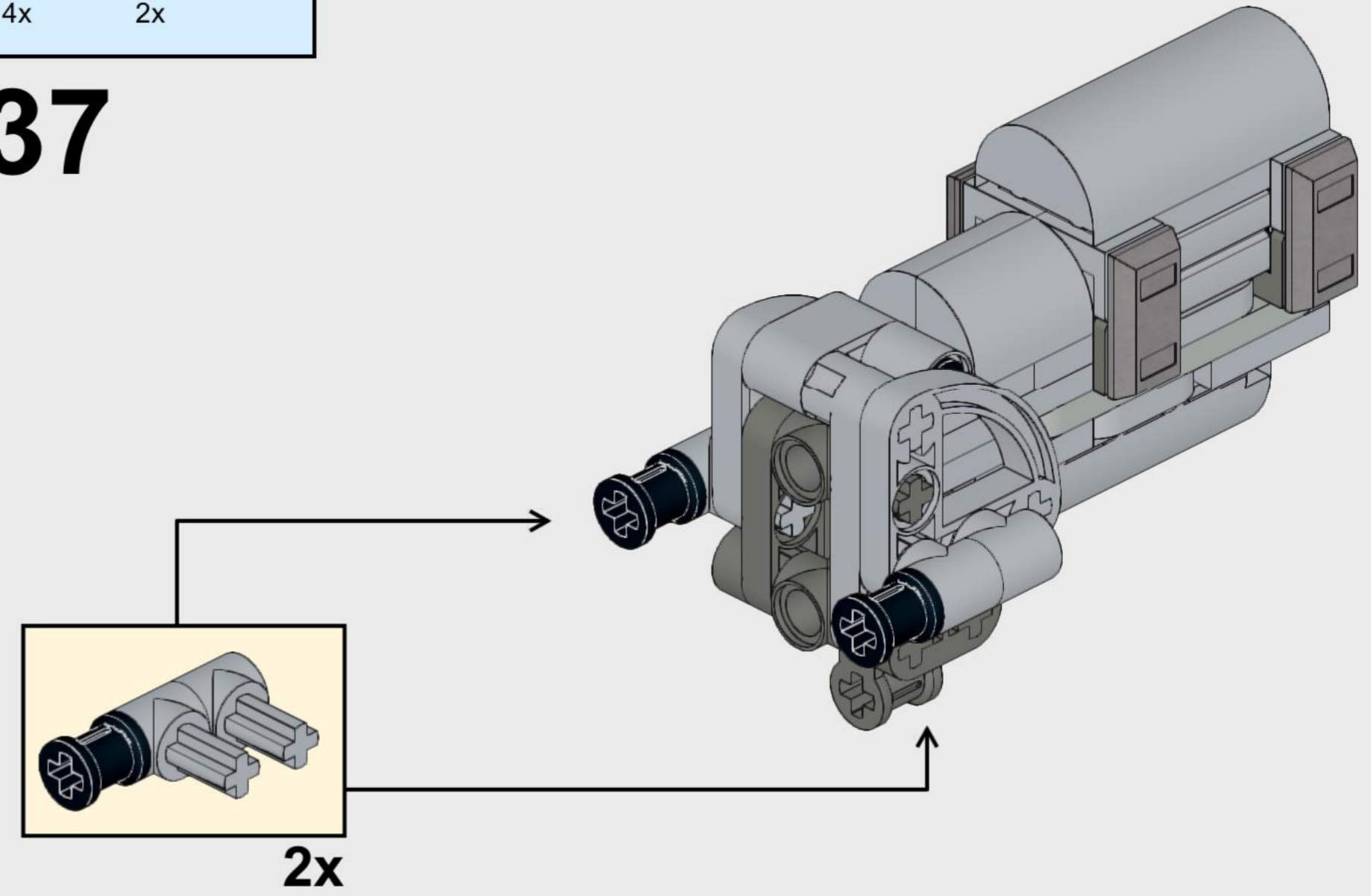
35



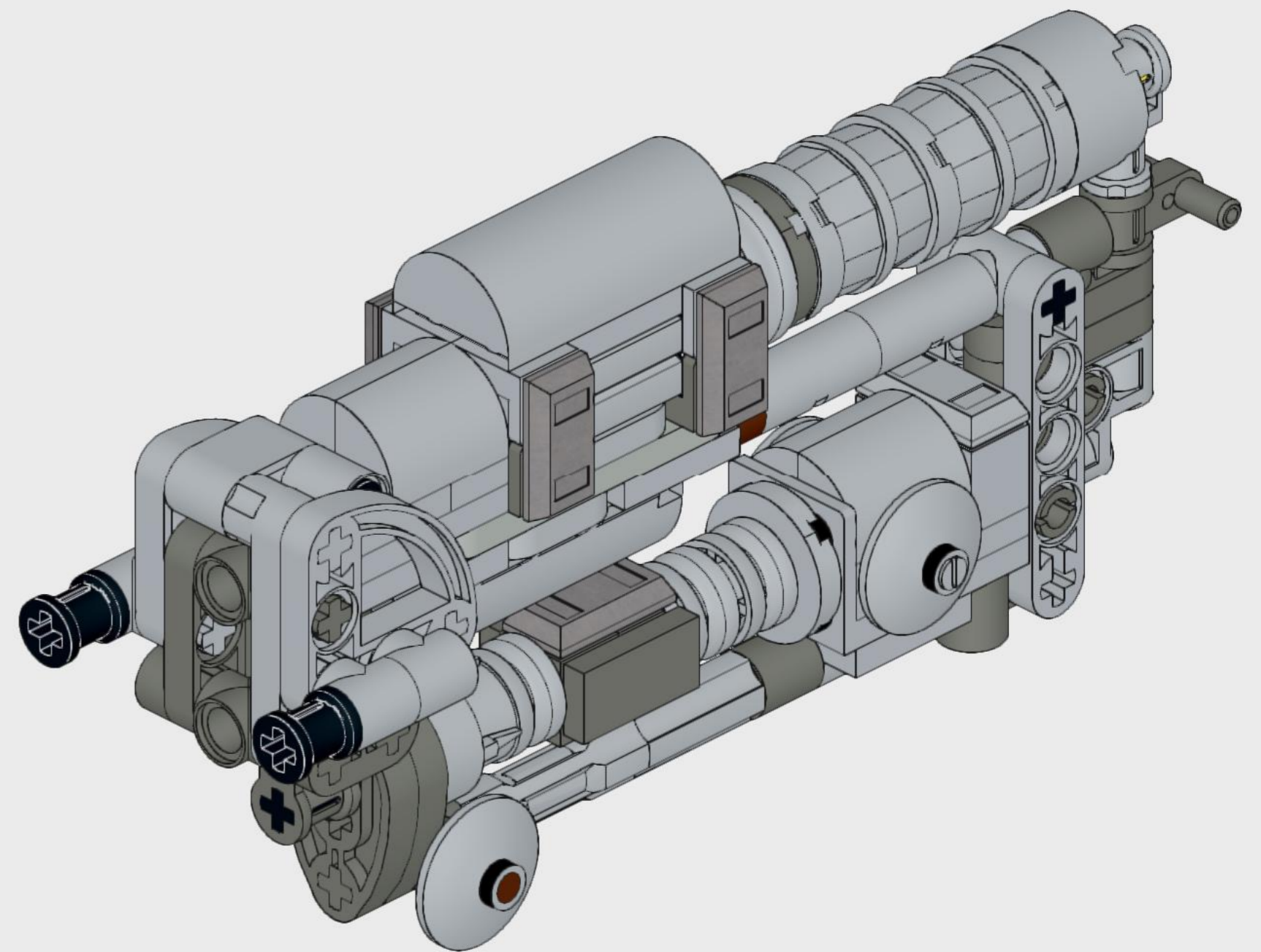
36

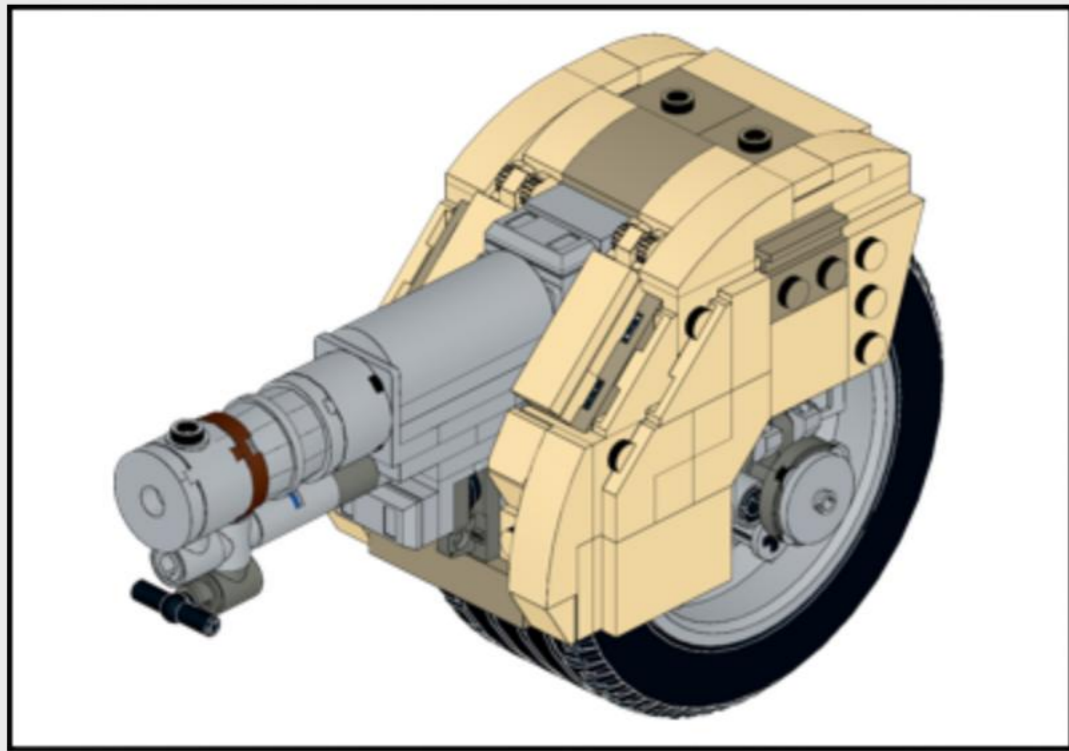


37

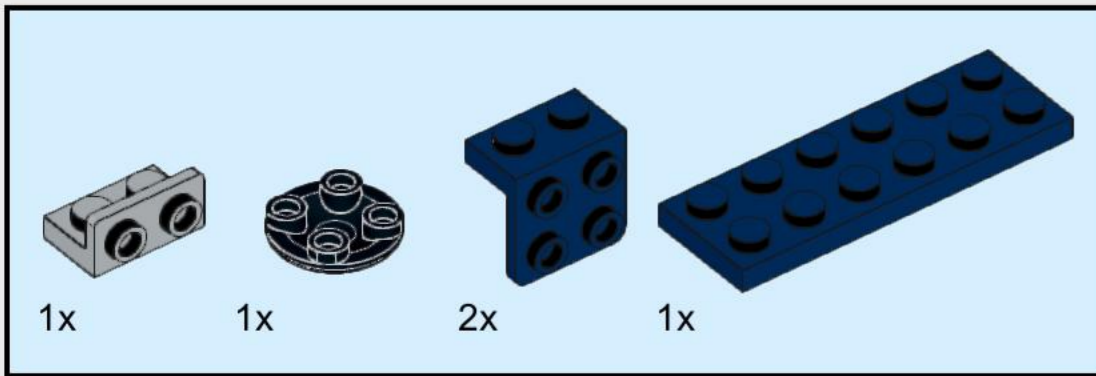


38

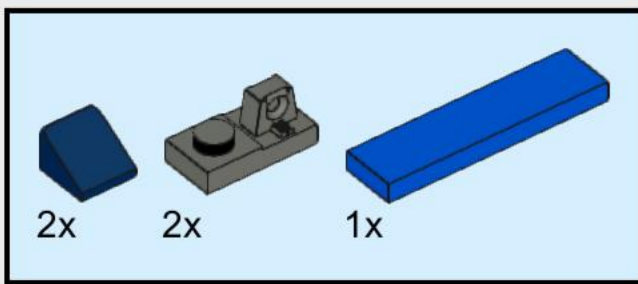
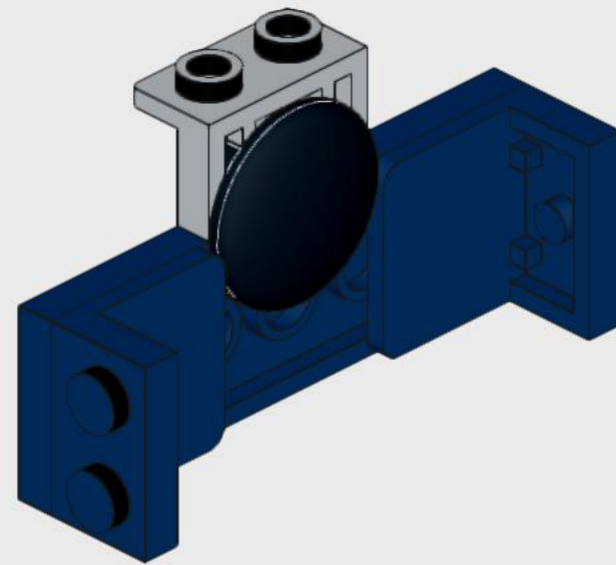




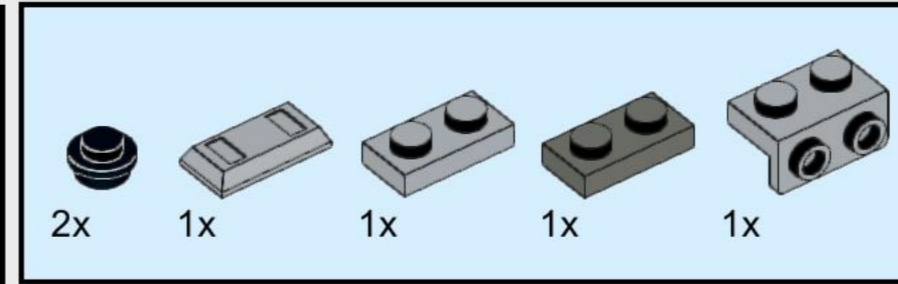
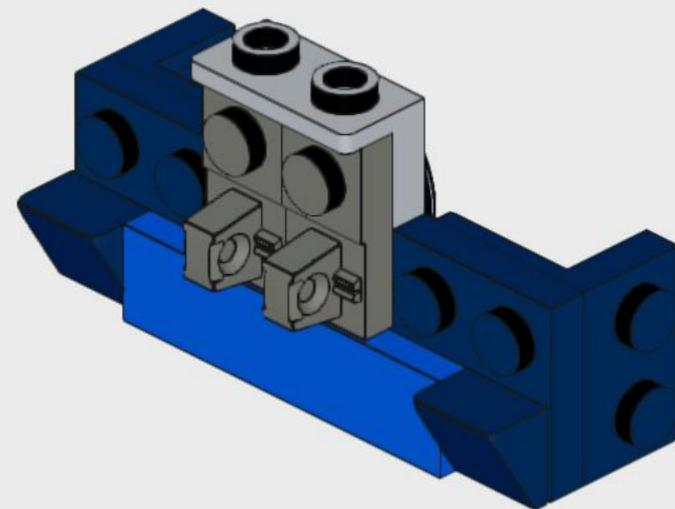
2x



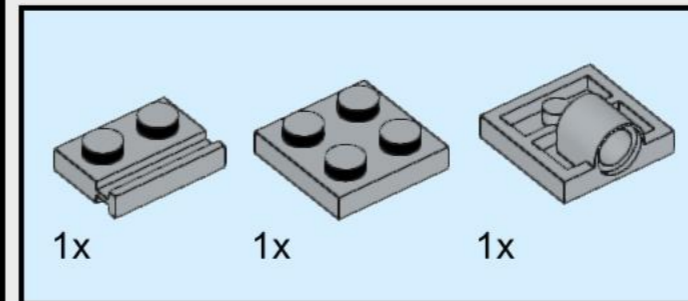
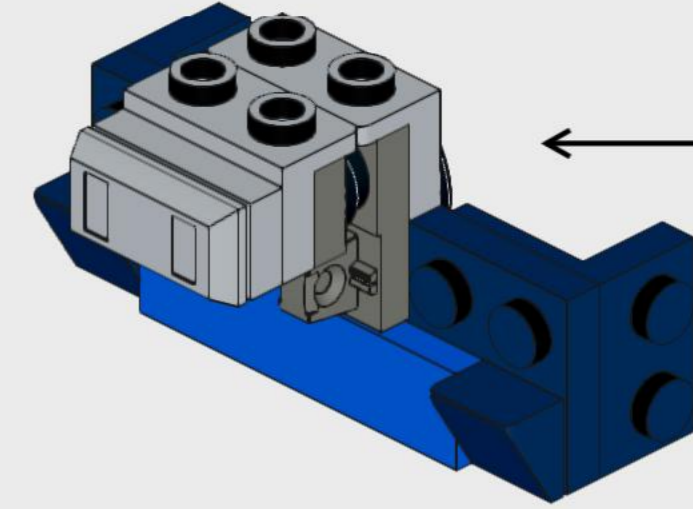
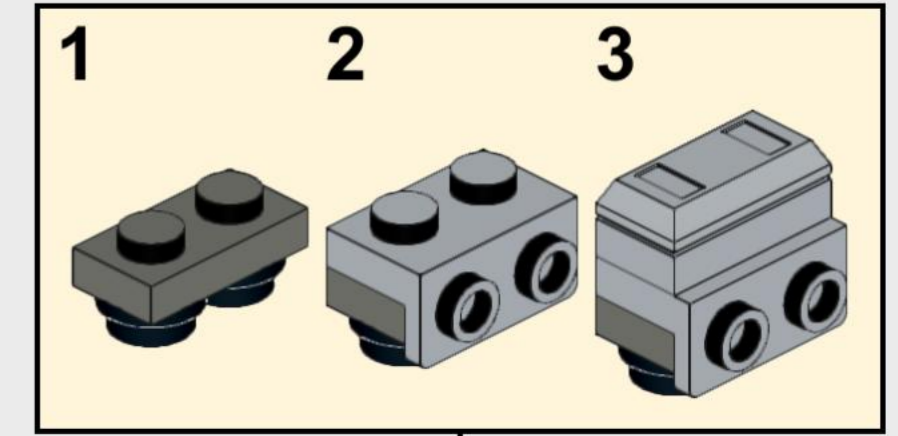
1



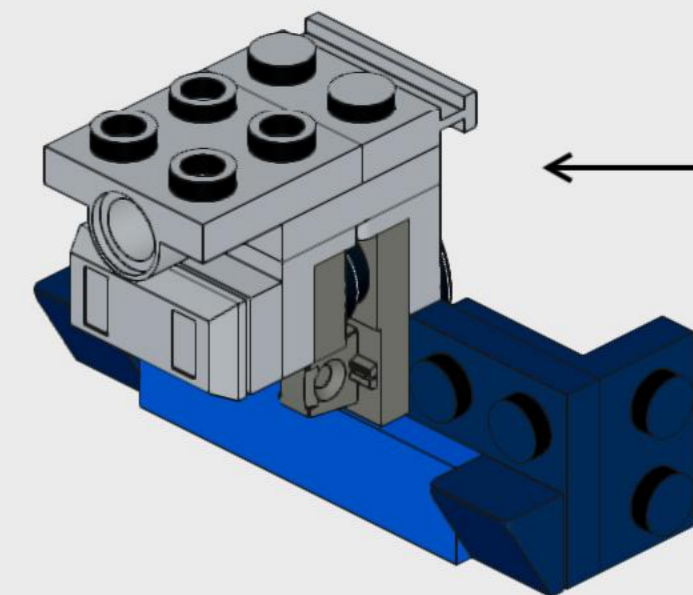
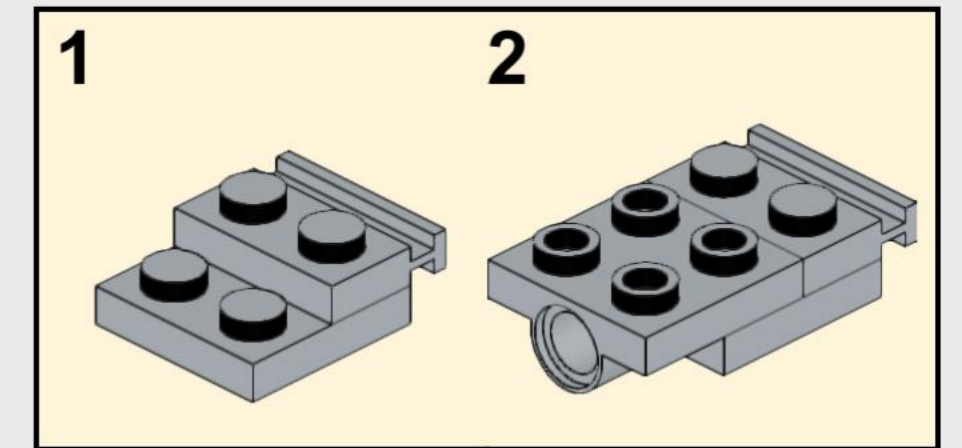
2



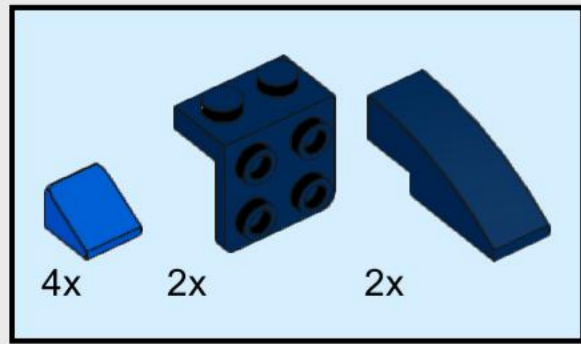
3



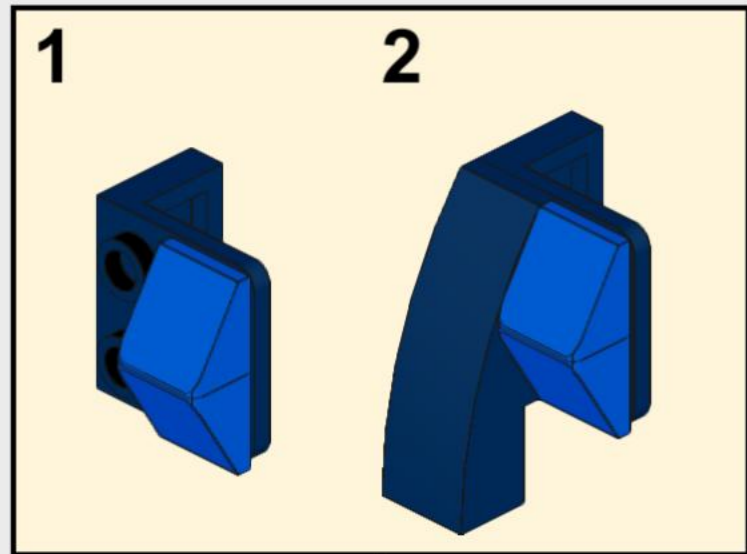
4



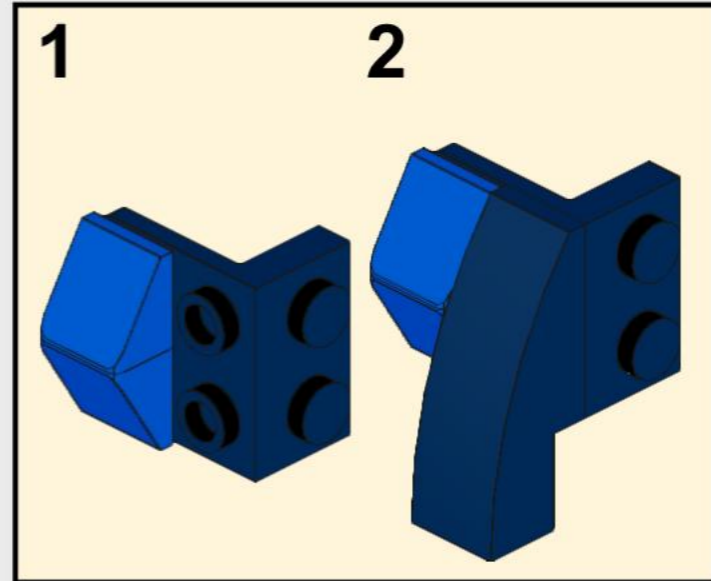




5

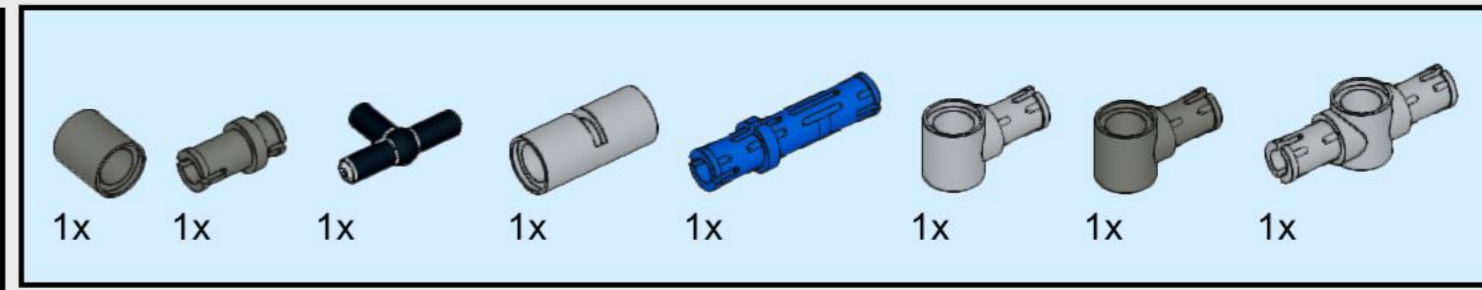
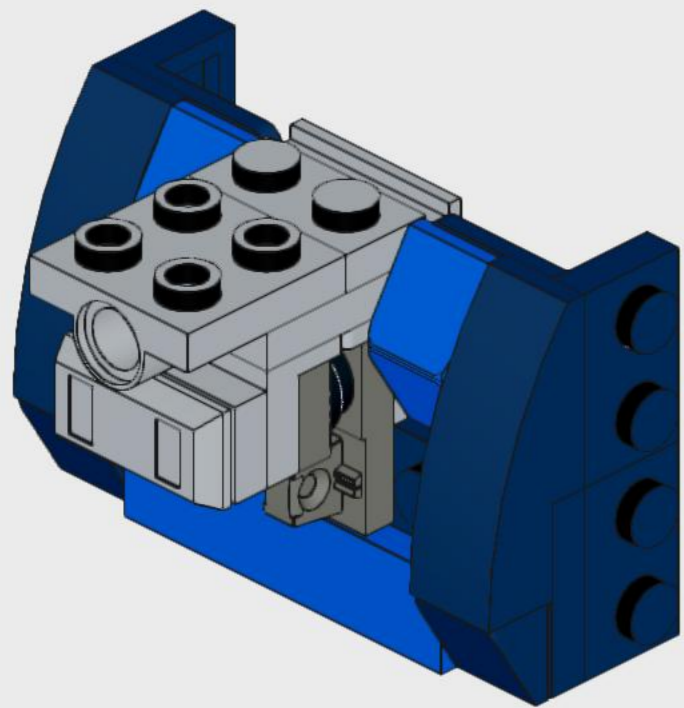
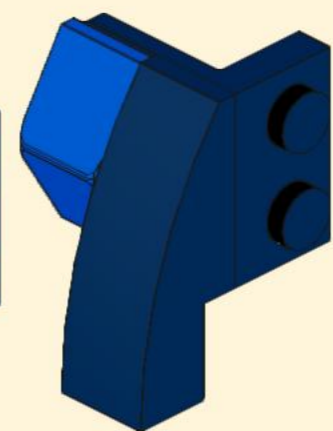


2

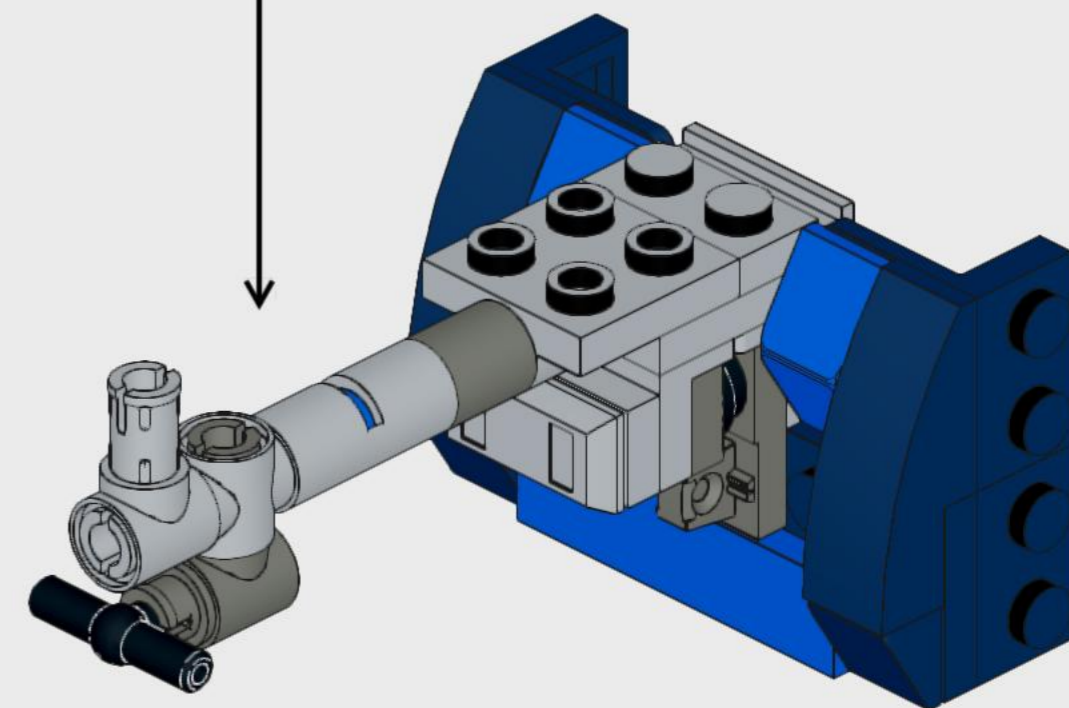
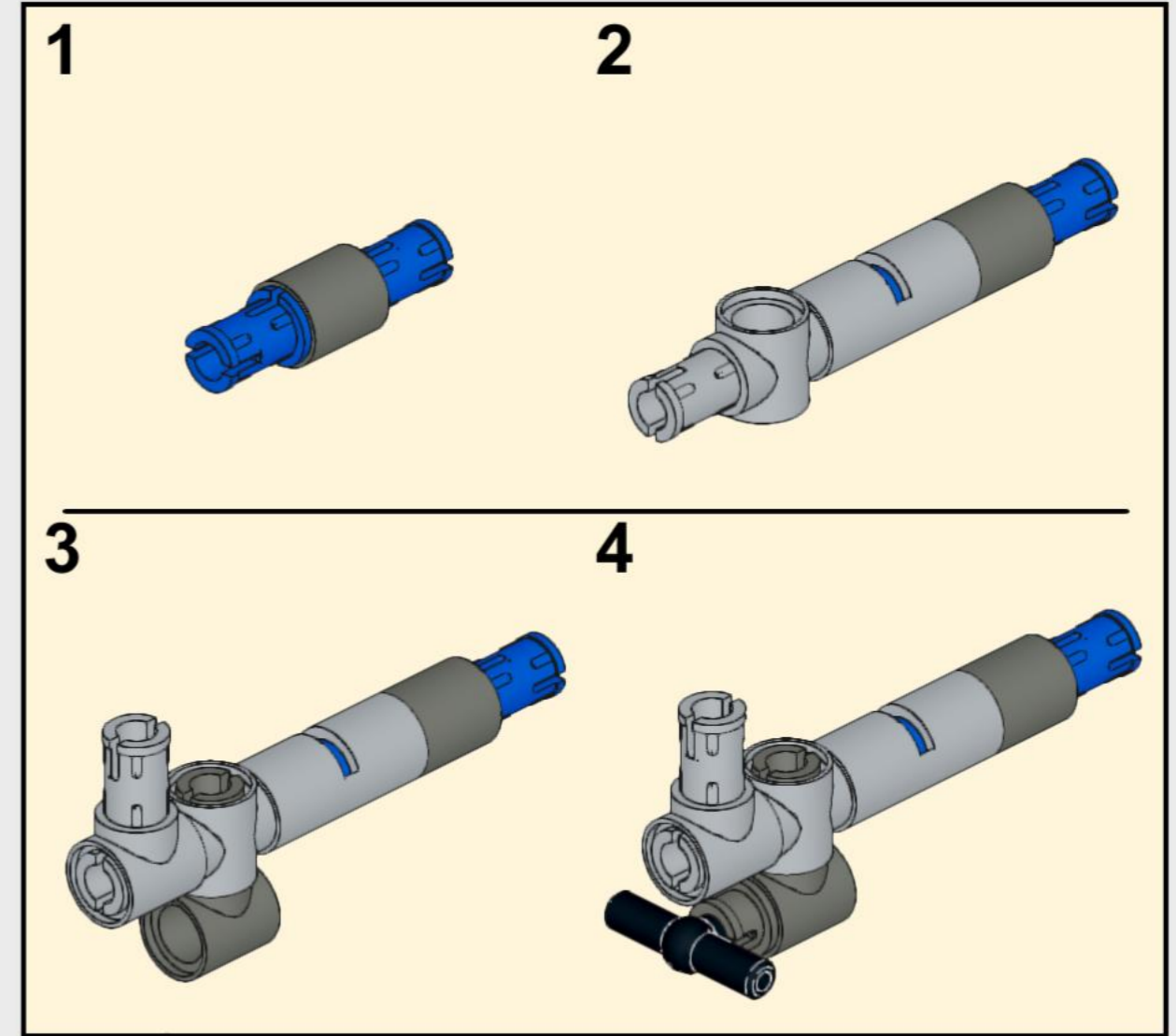


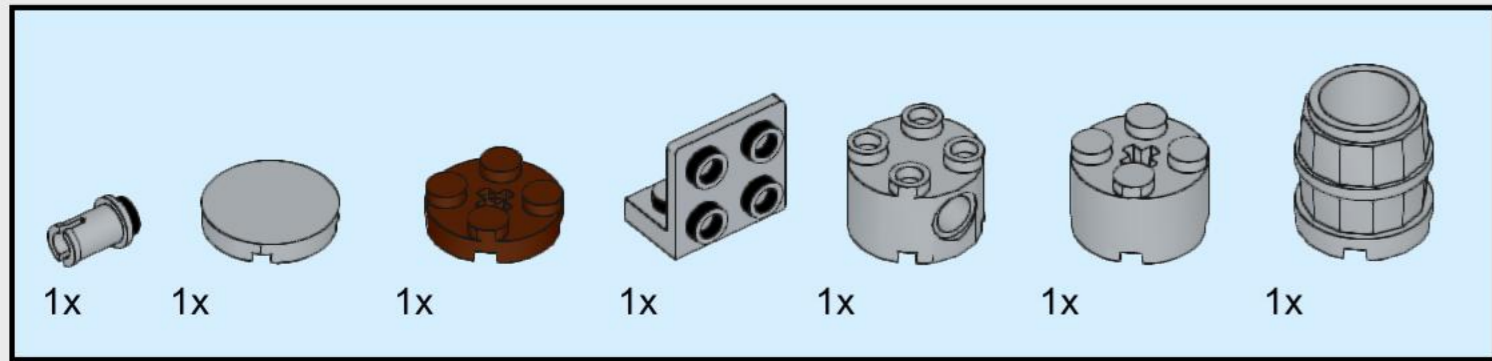
2

2

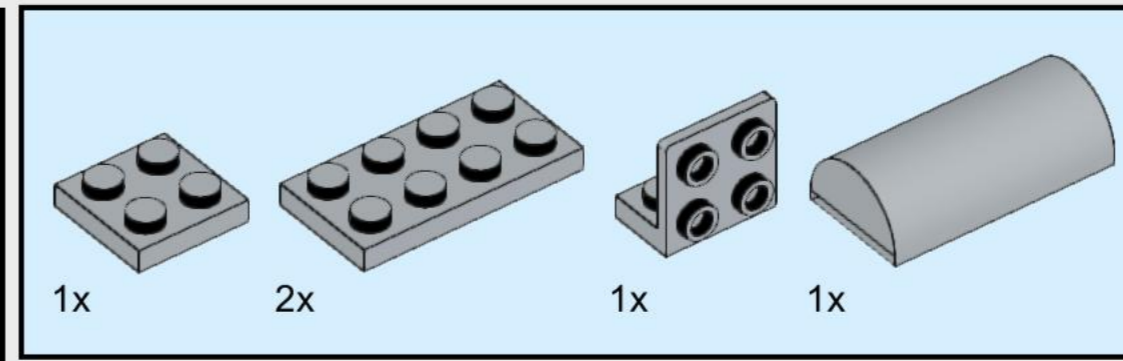
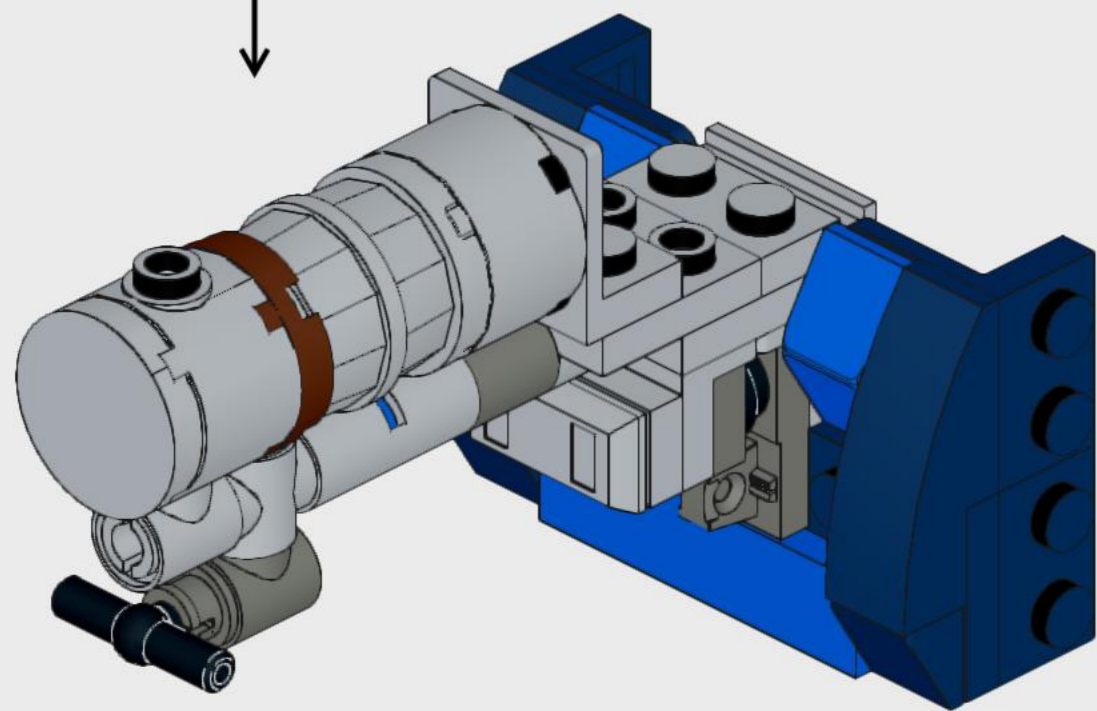
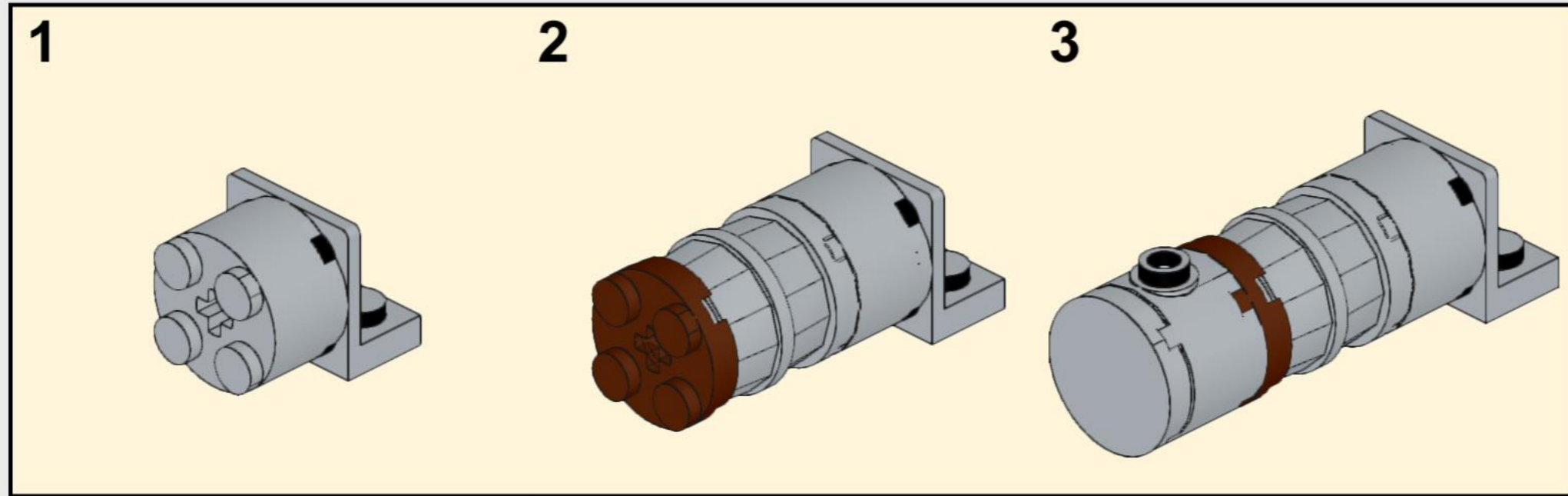


6

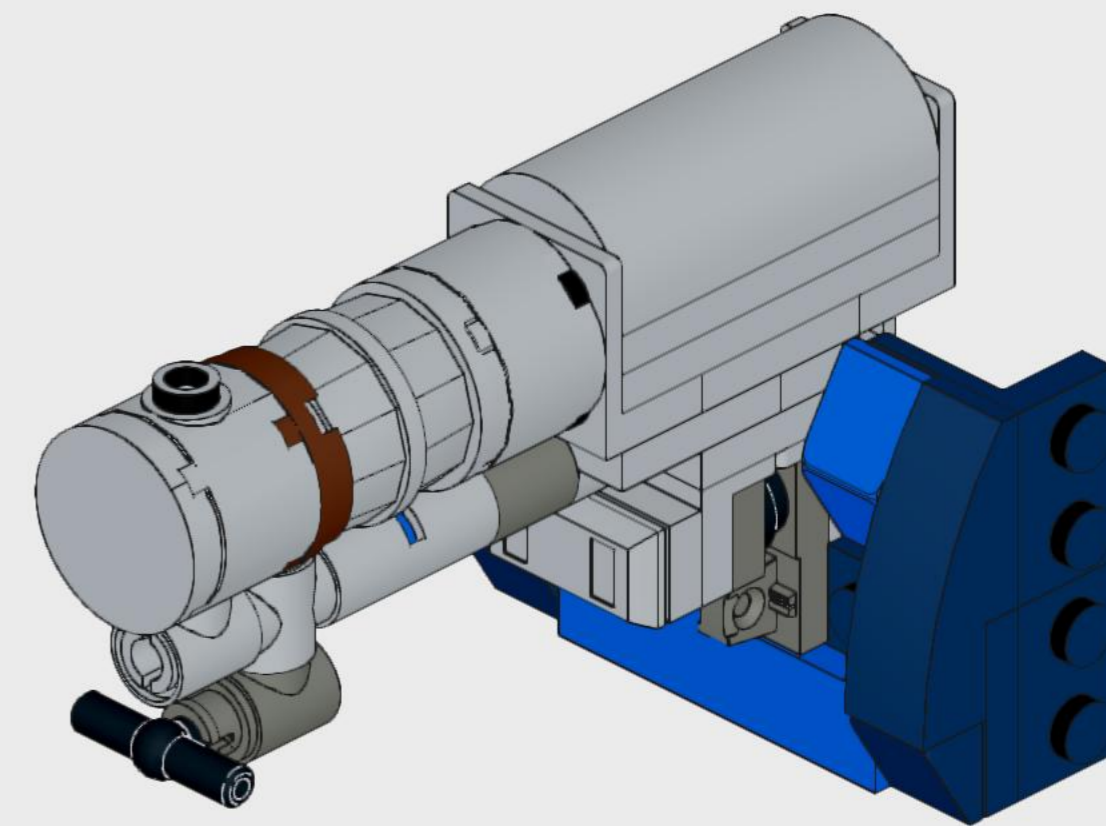
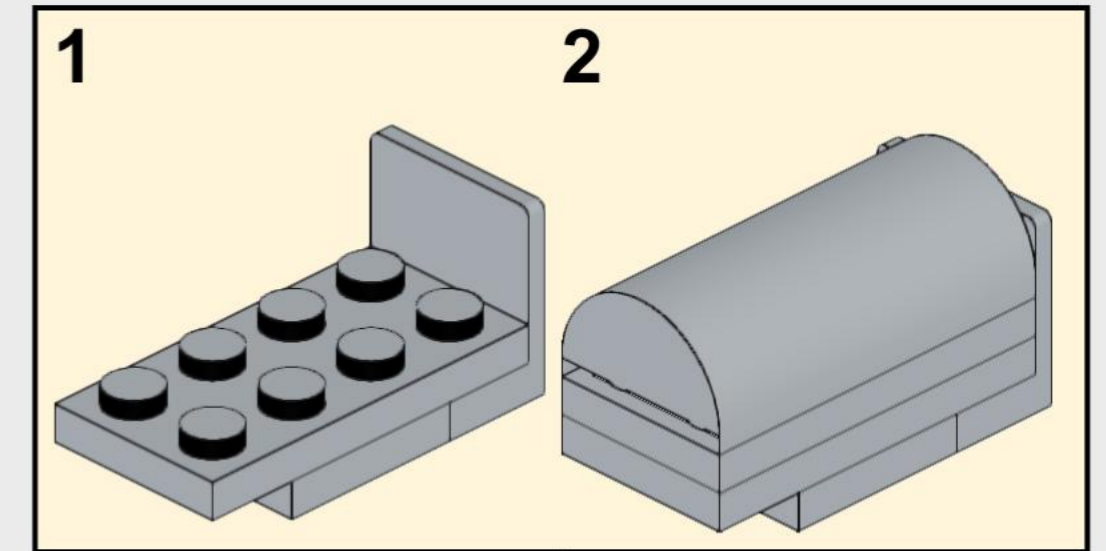


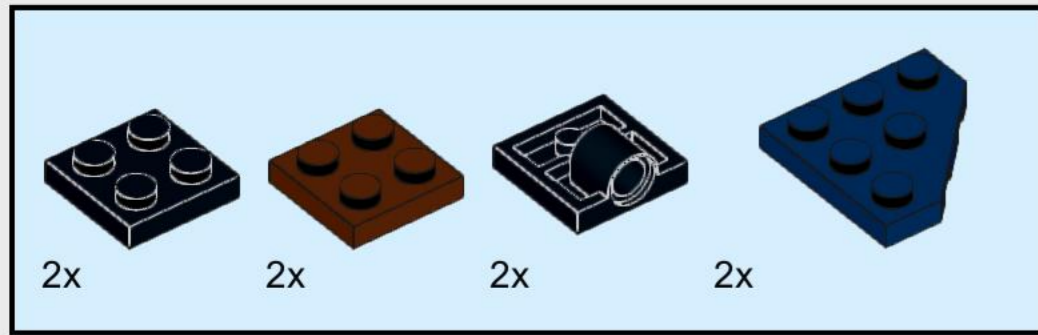


7

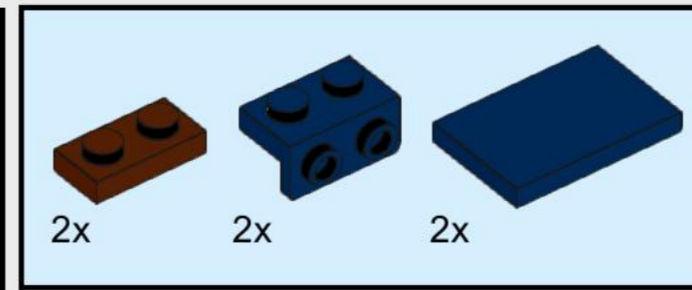
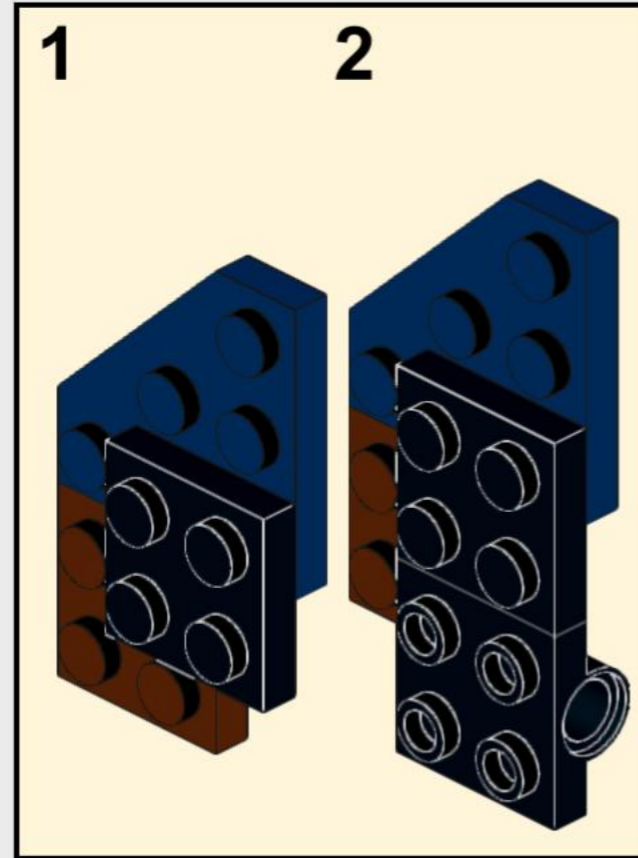
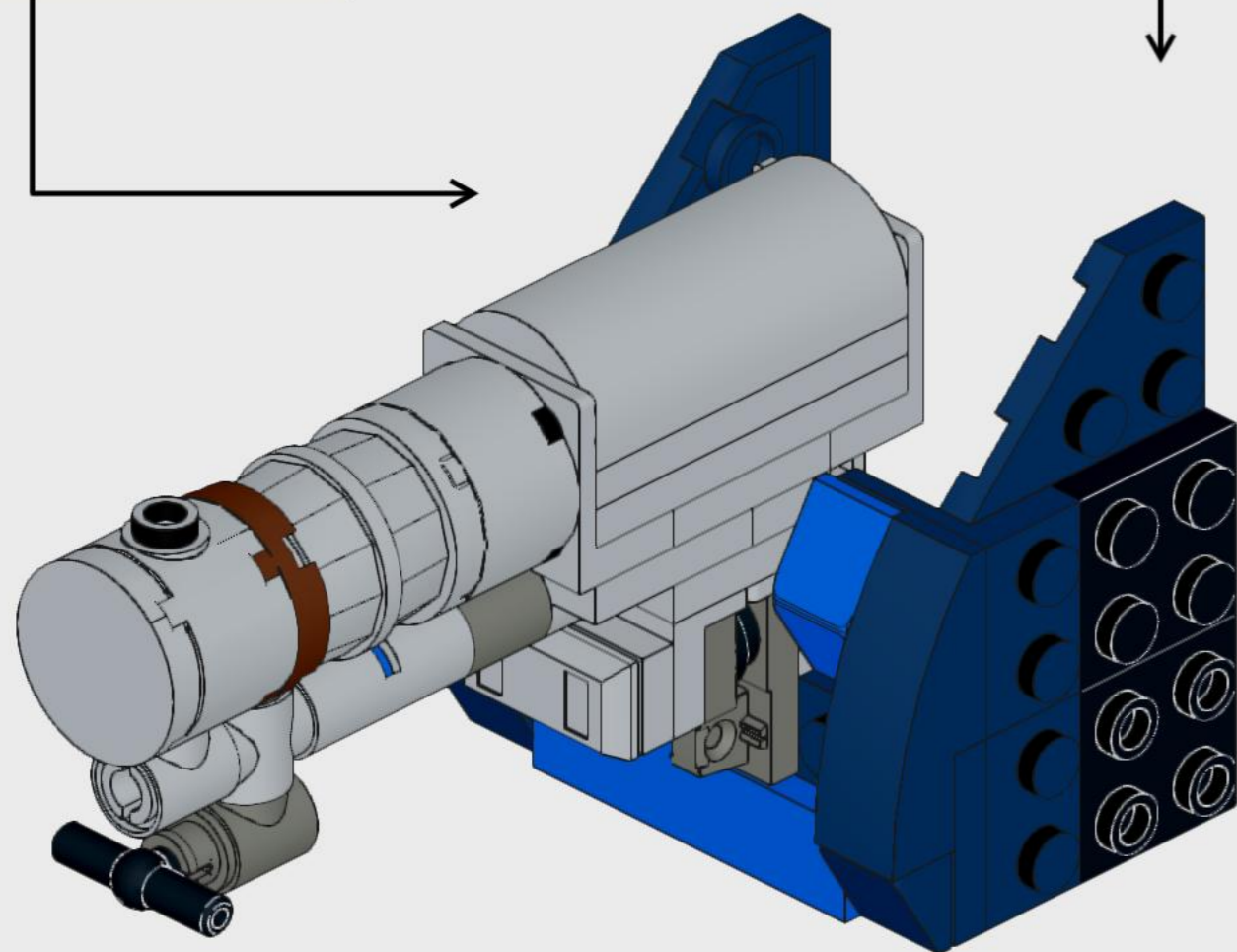
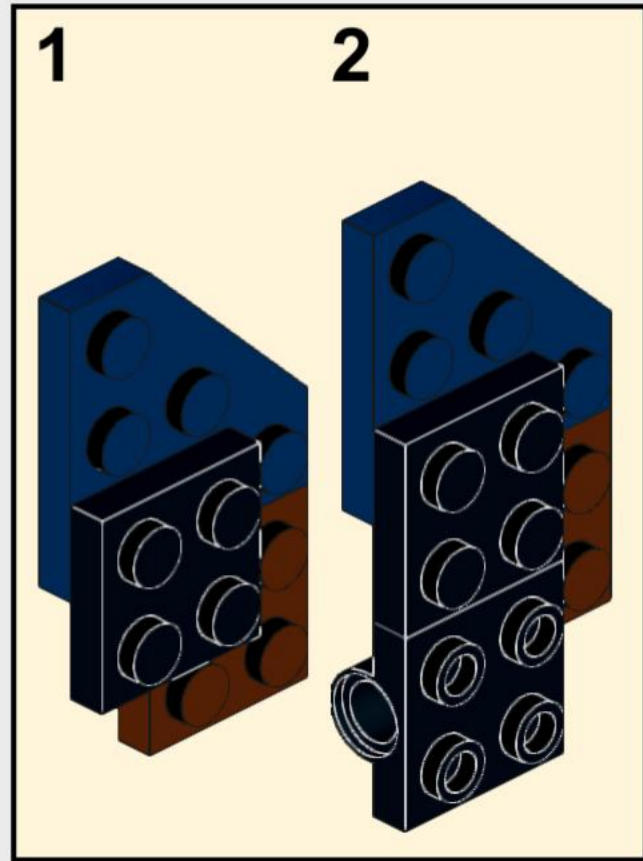


8



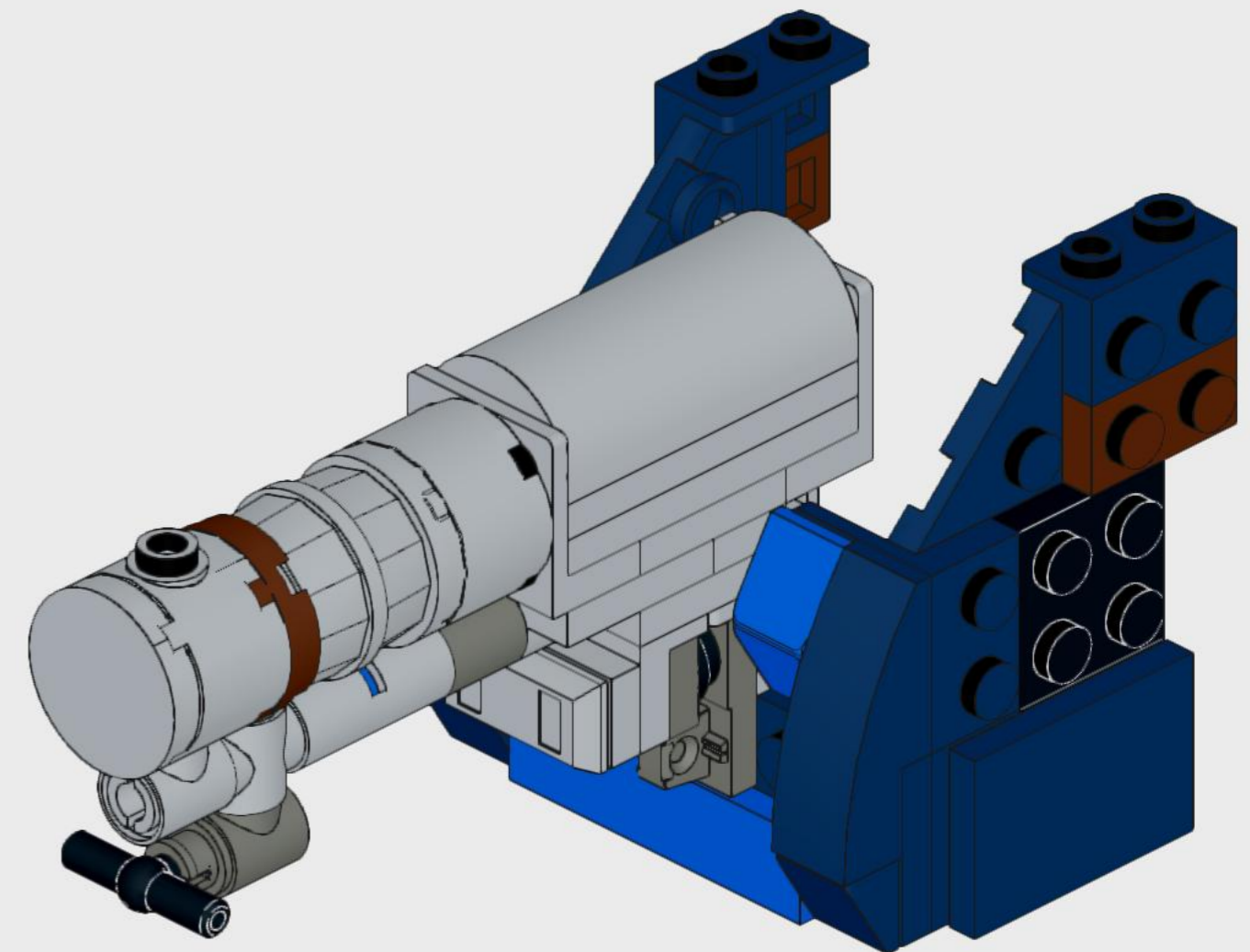


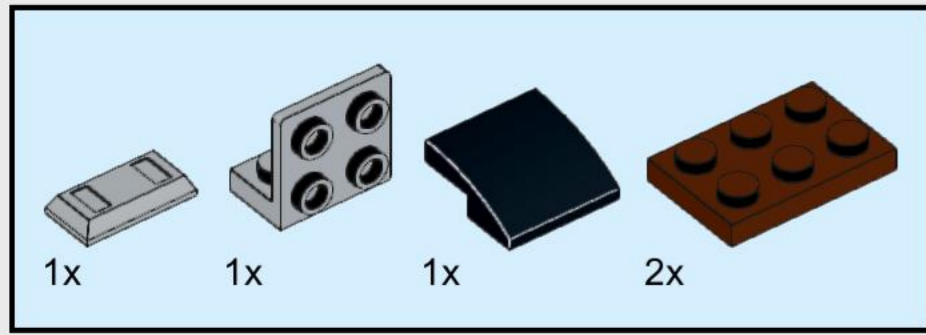
9



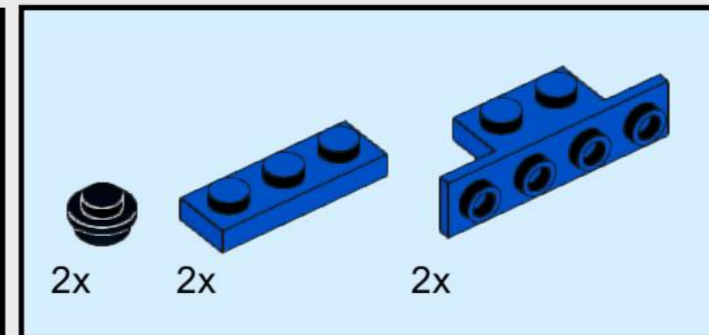
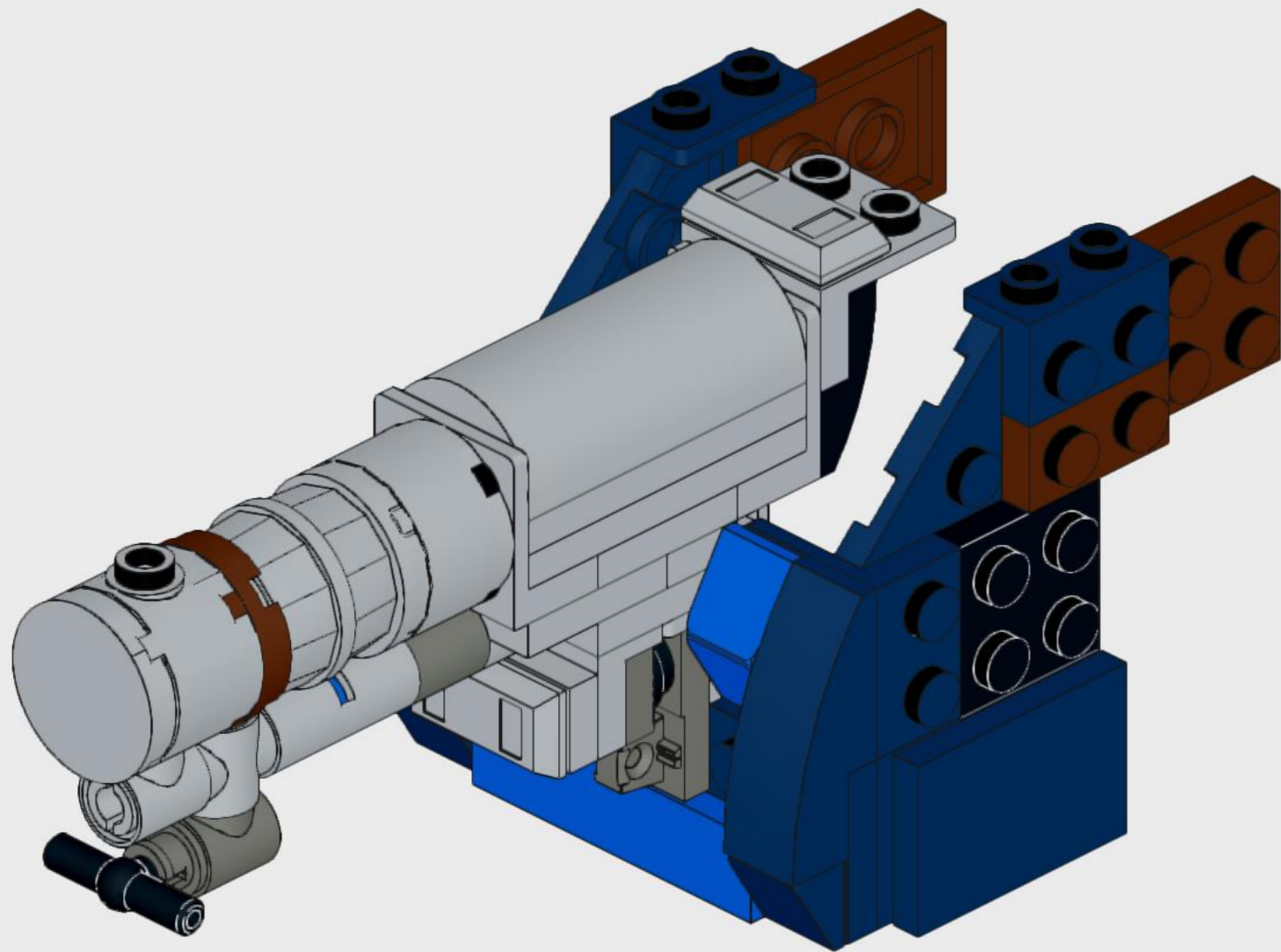
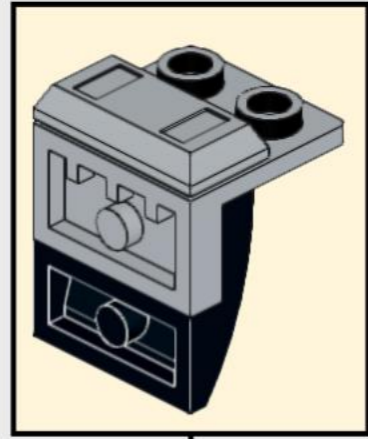
10

Dark Blue "1x2 Bracket" is not produced.  
Use 2 "1x1 Brackets" instead.

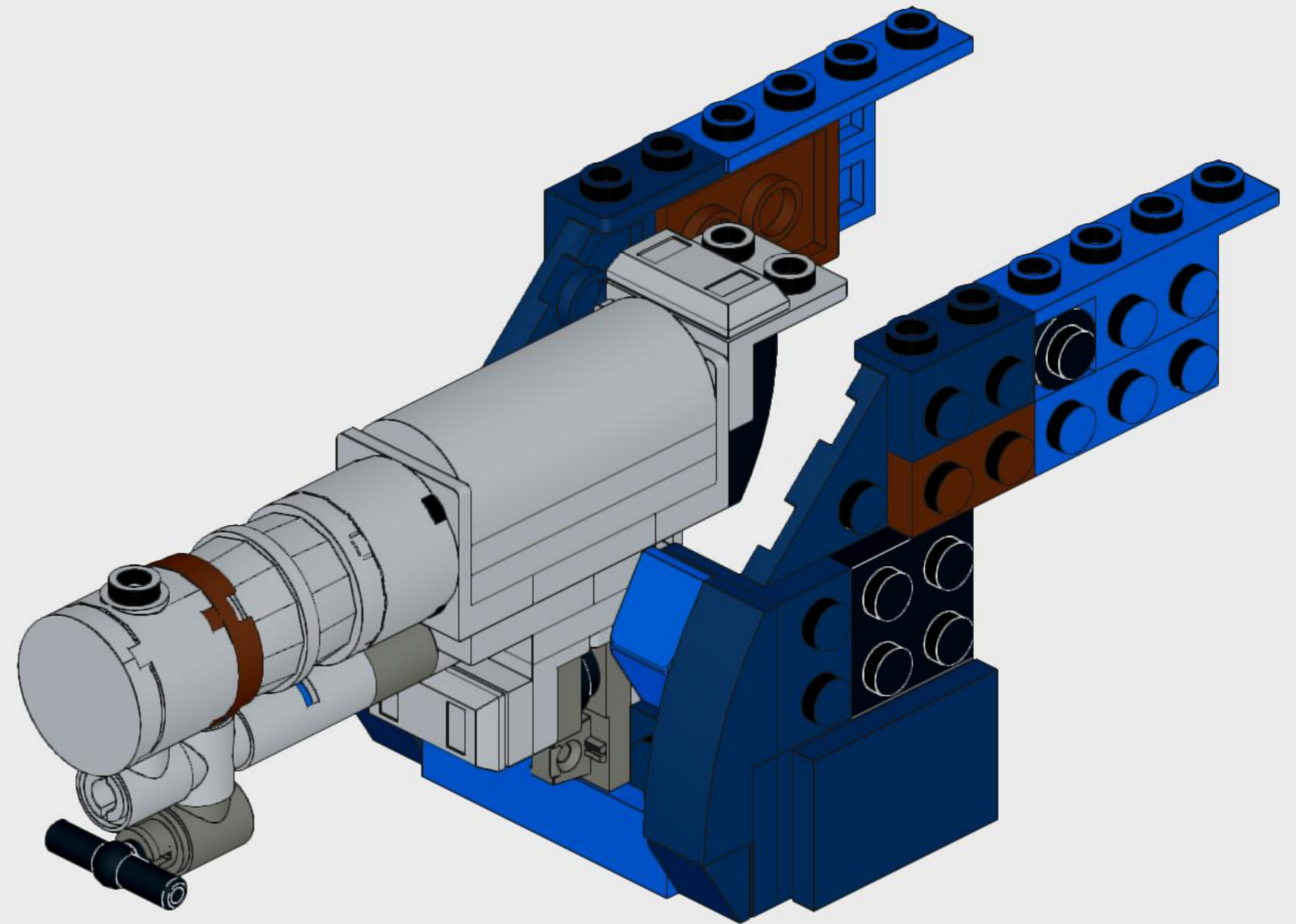


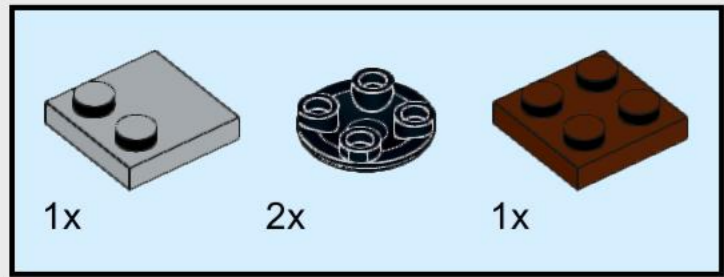


11

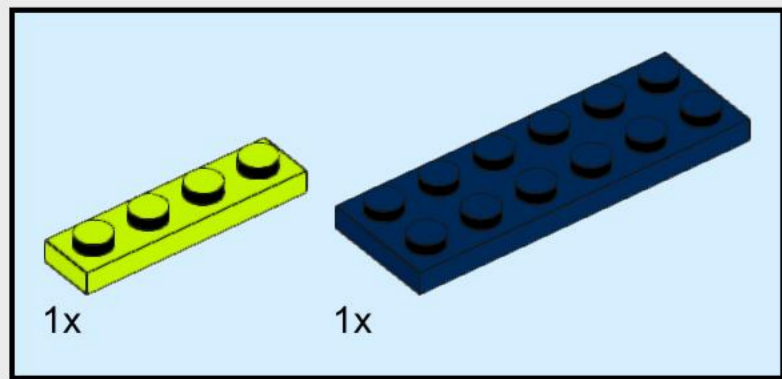
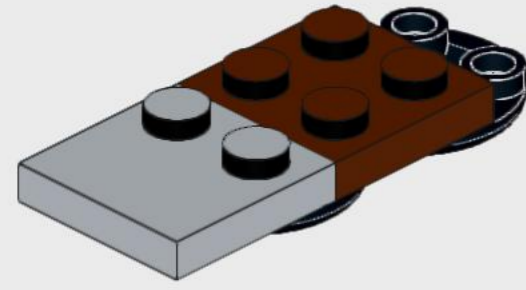


12

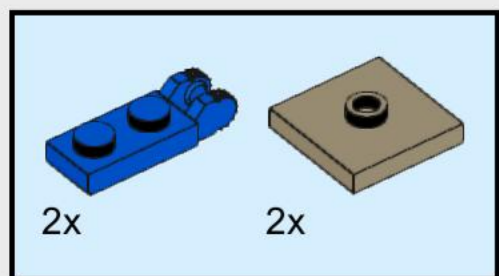
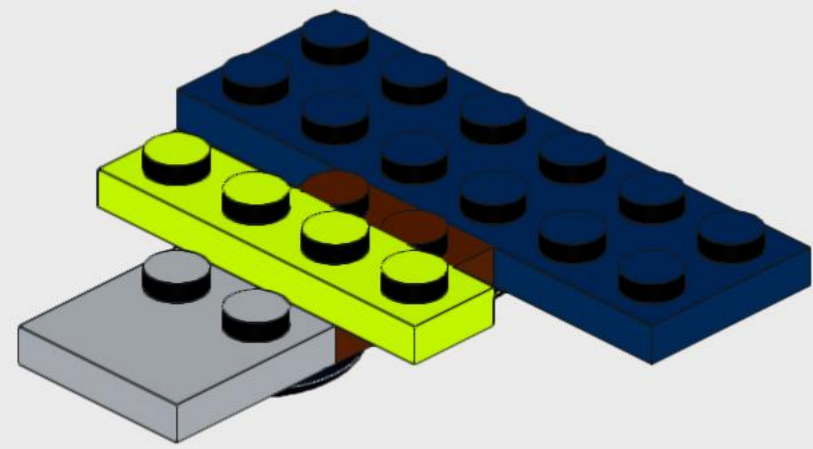




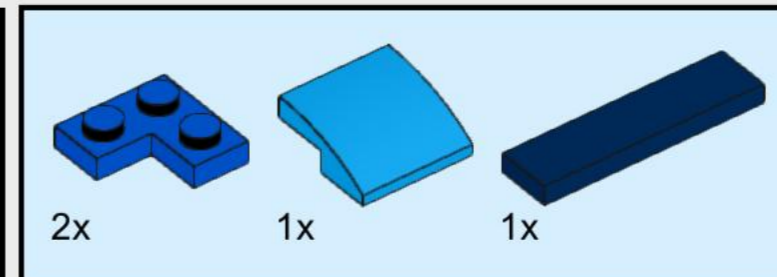
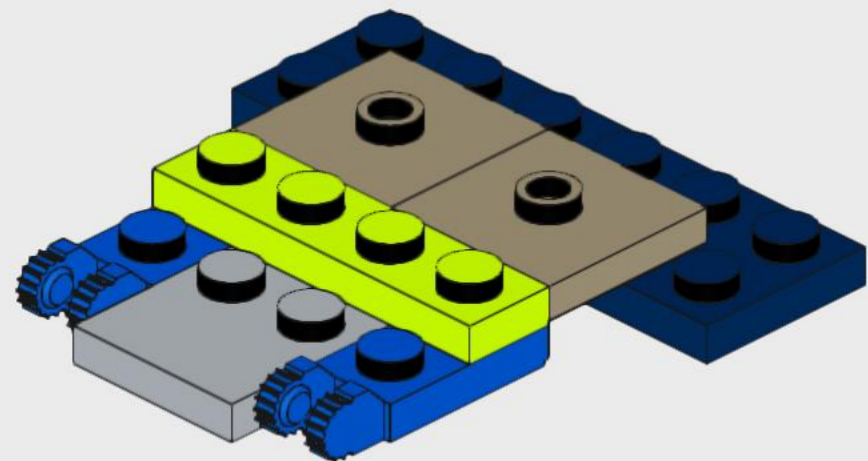
13



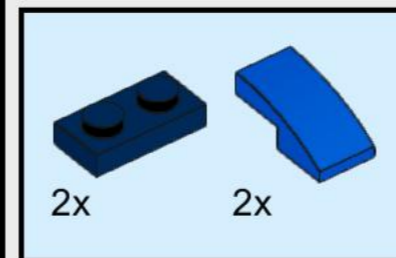
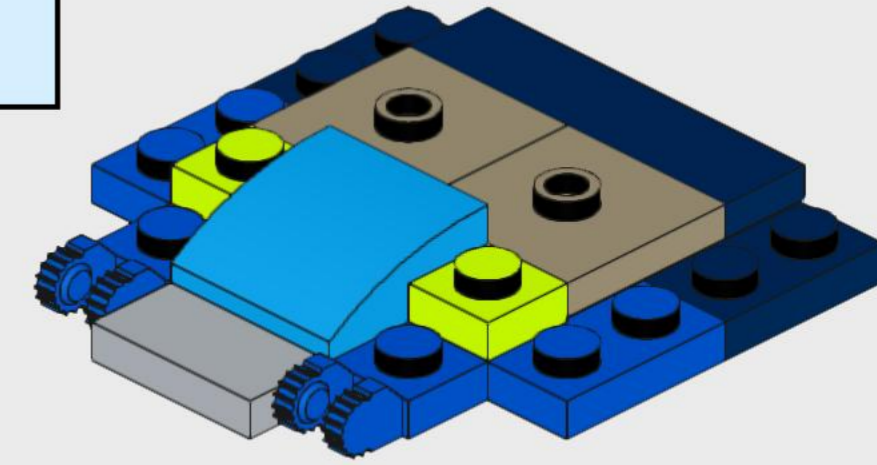
14



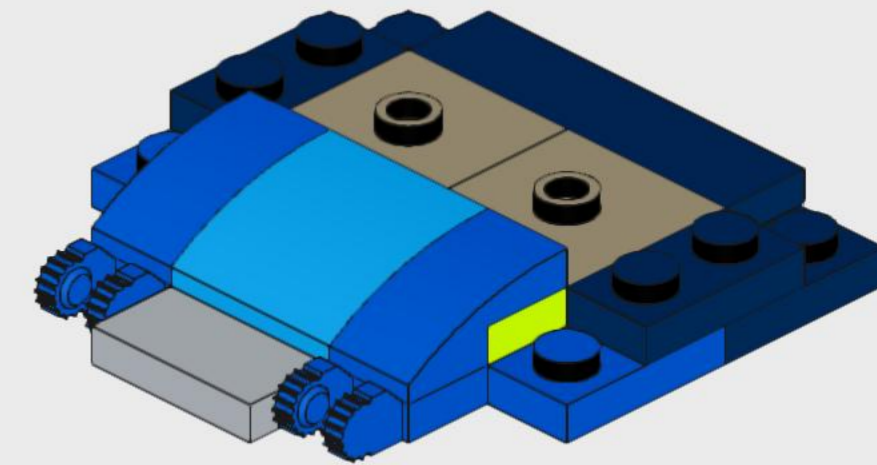
15



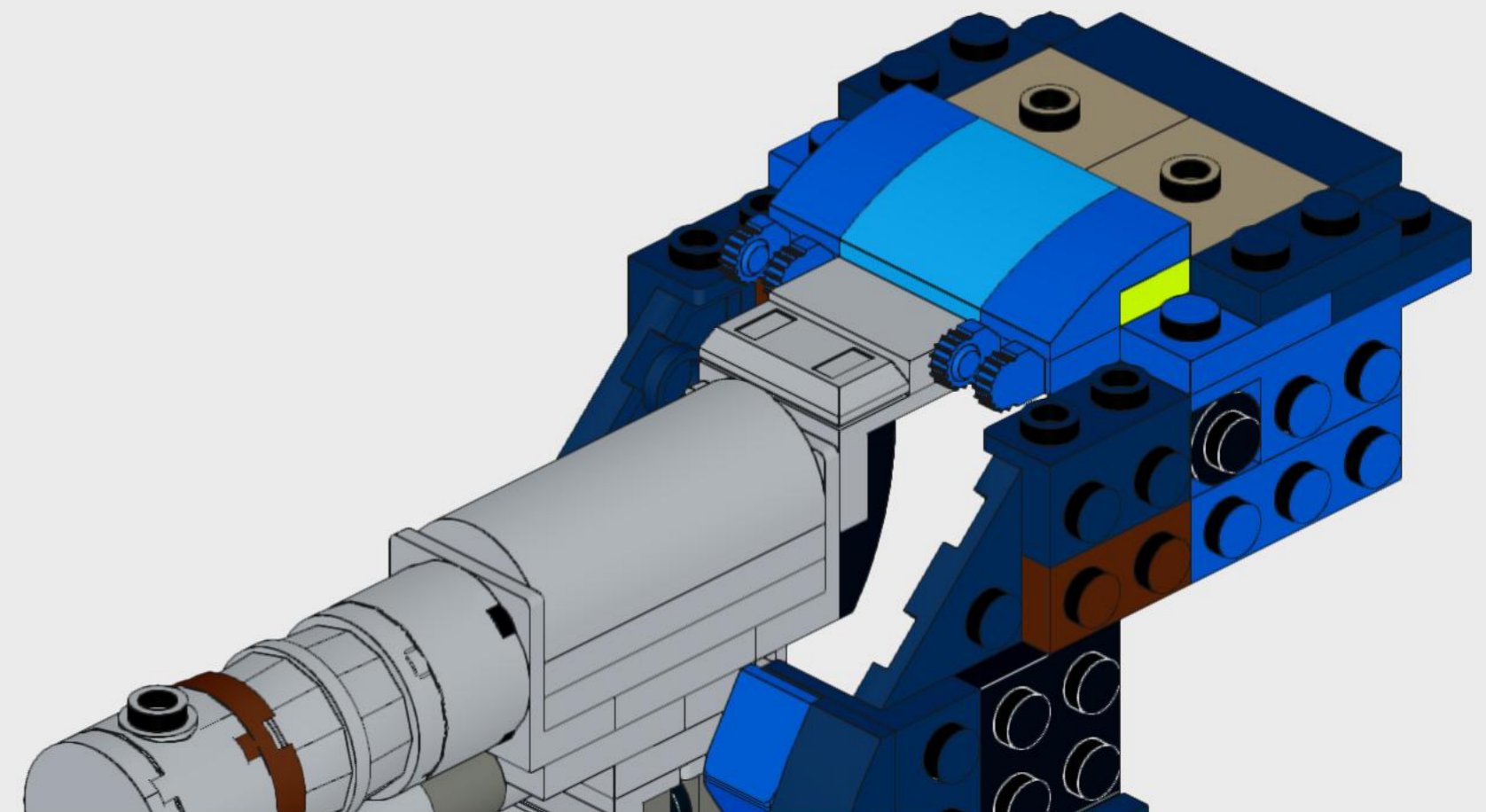
16

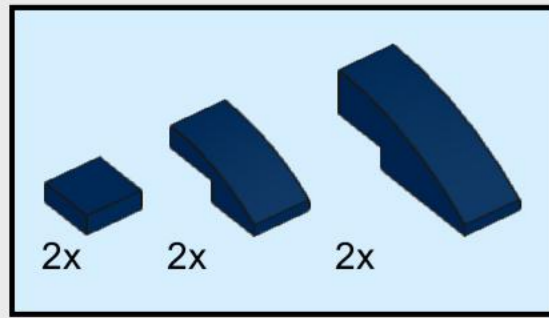


17

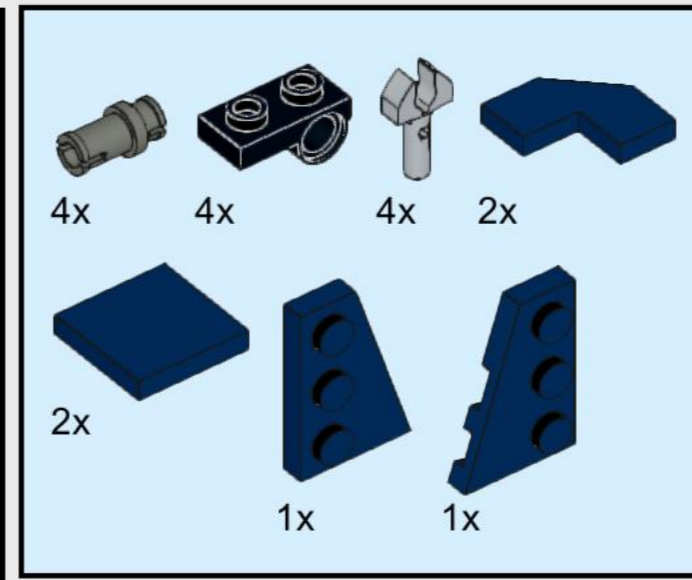
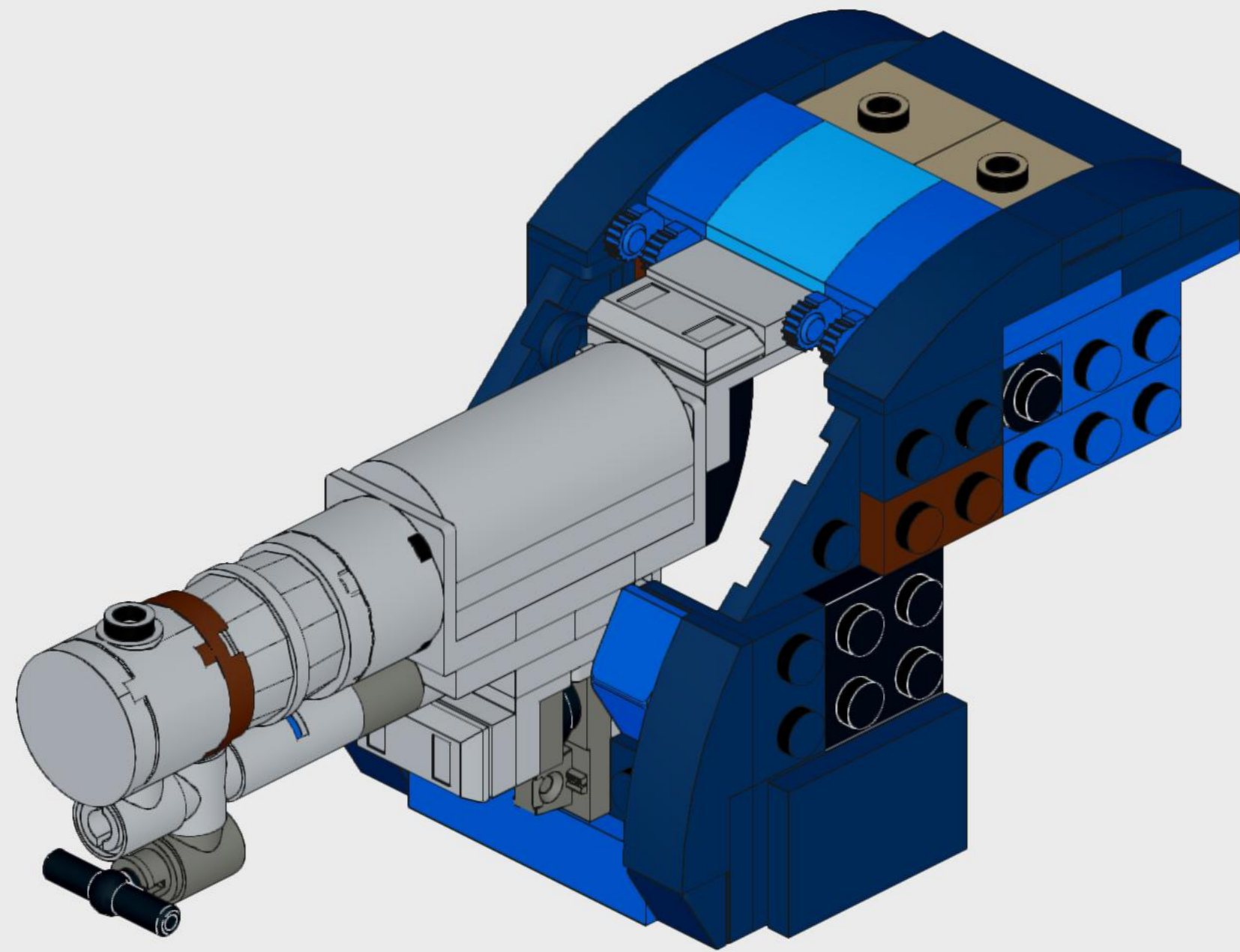


18

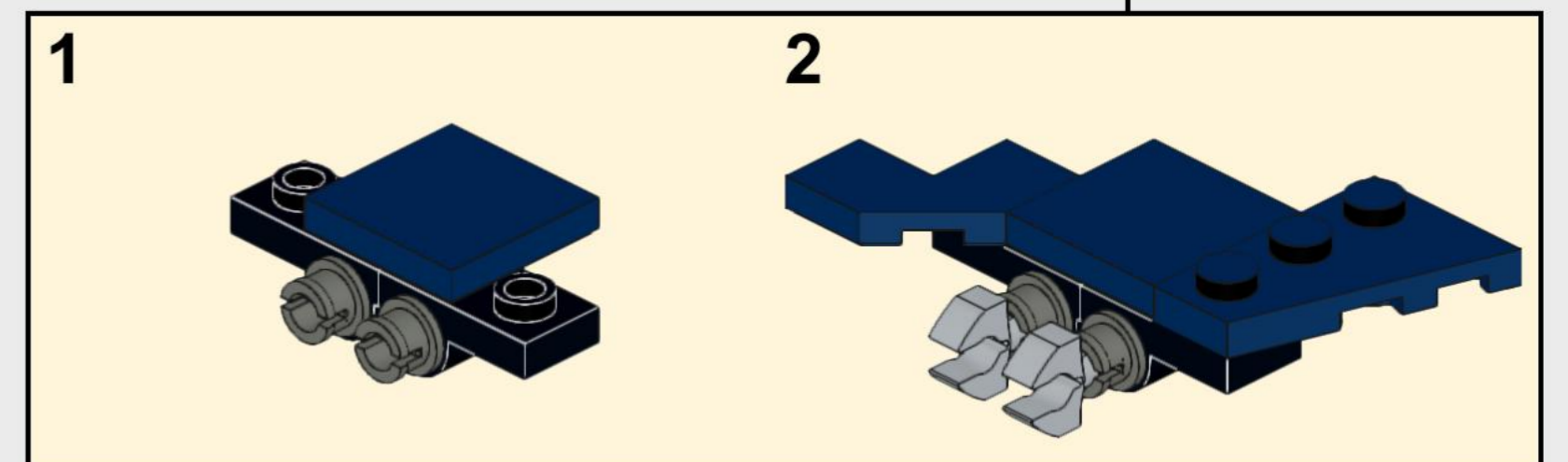
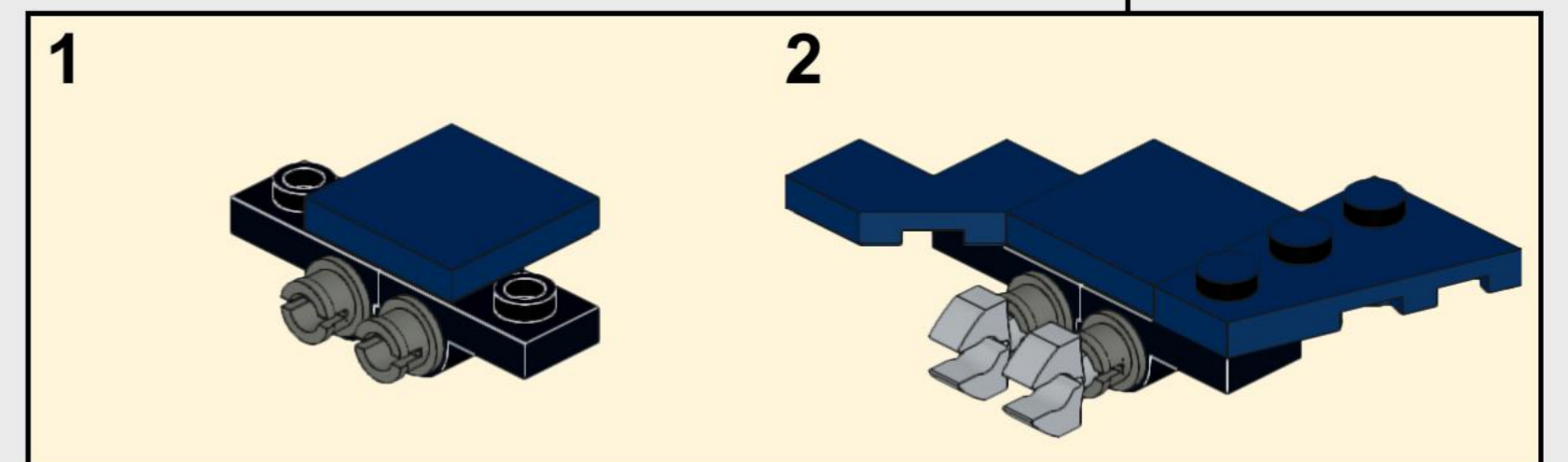
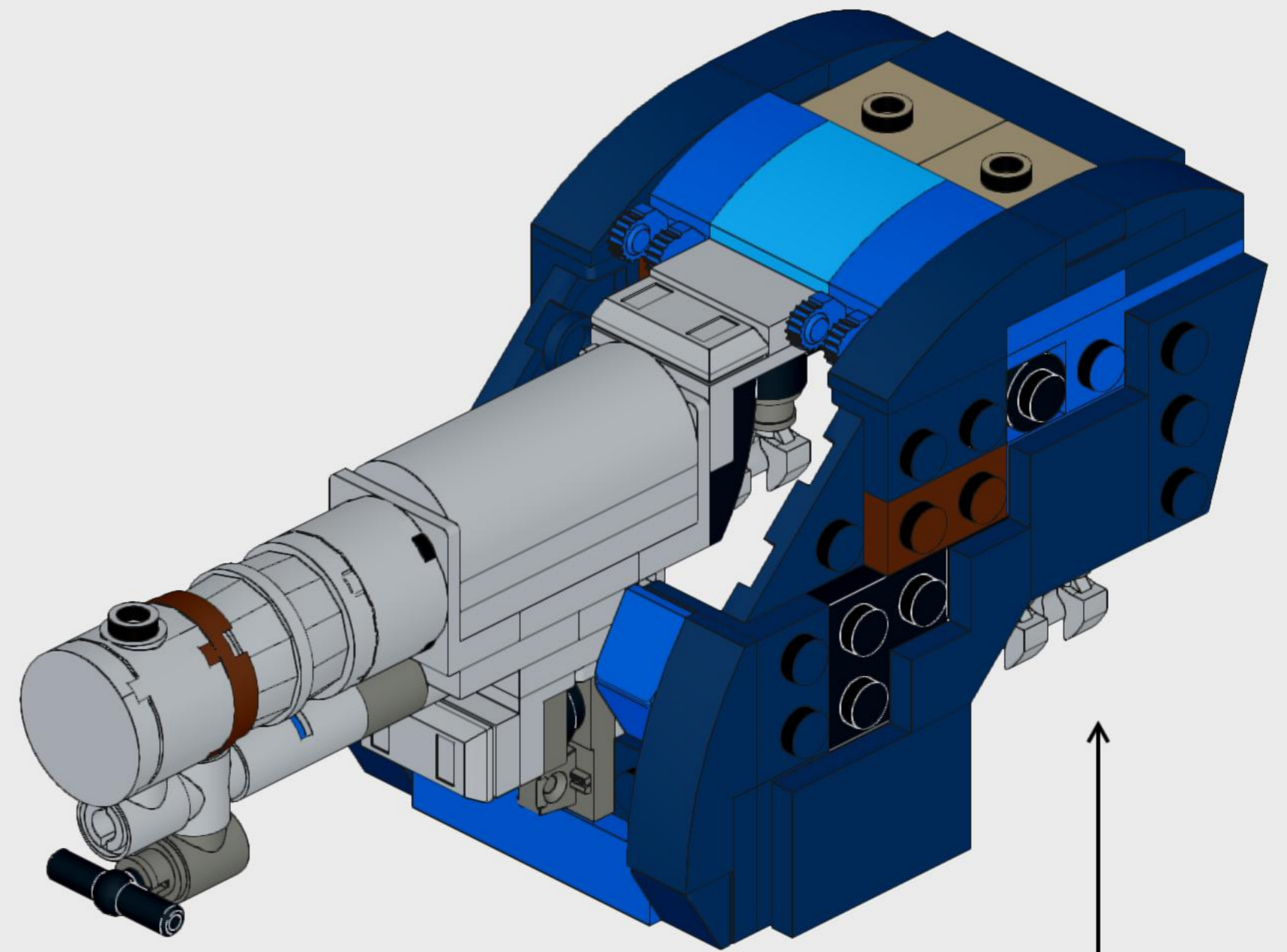
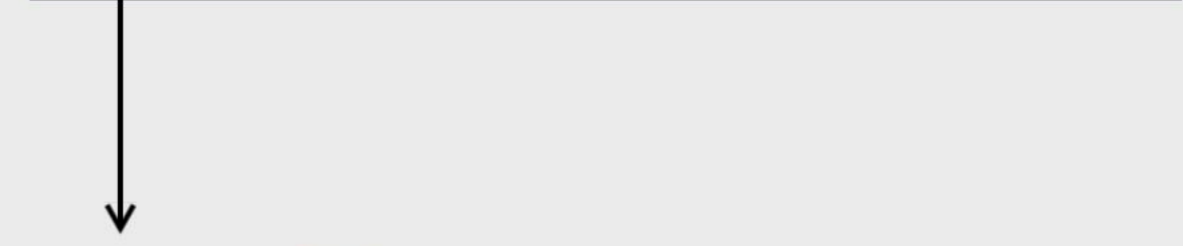
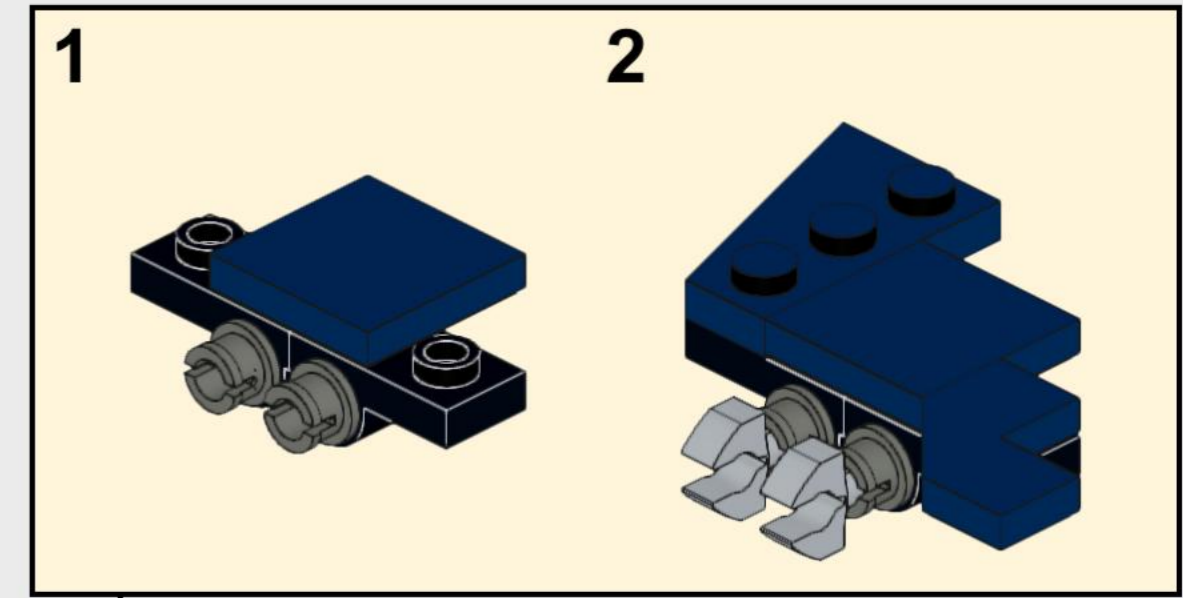


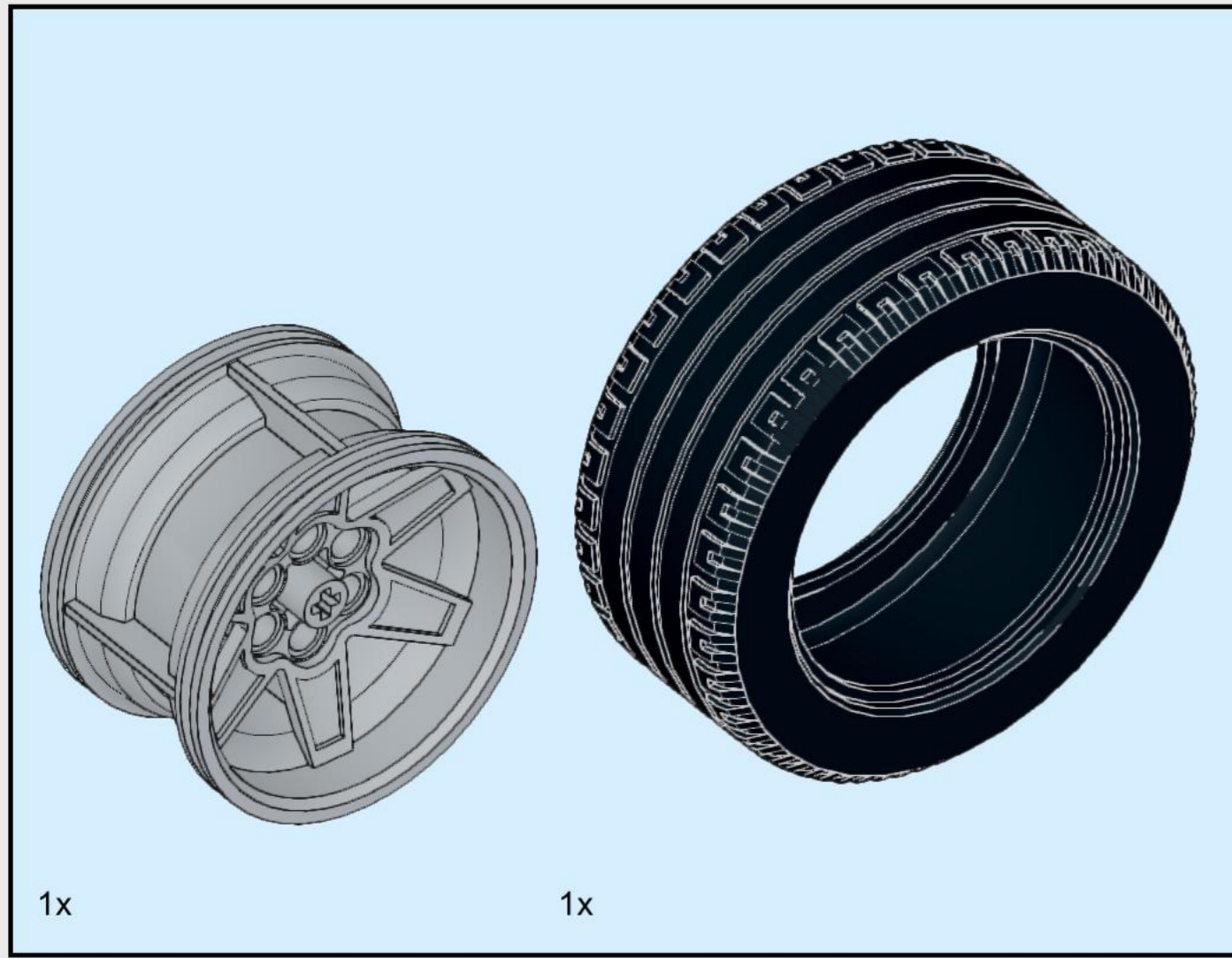


19

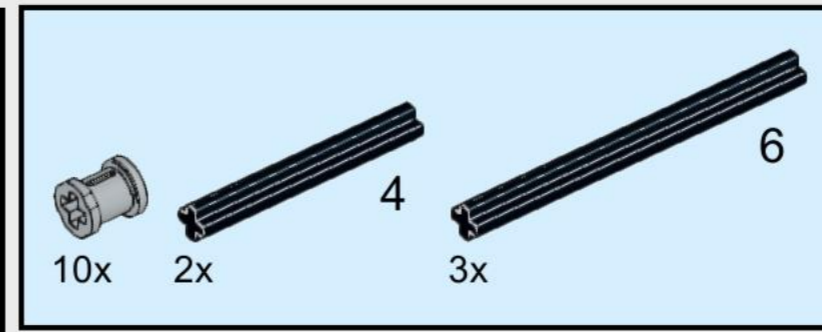


20



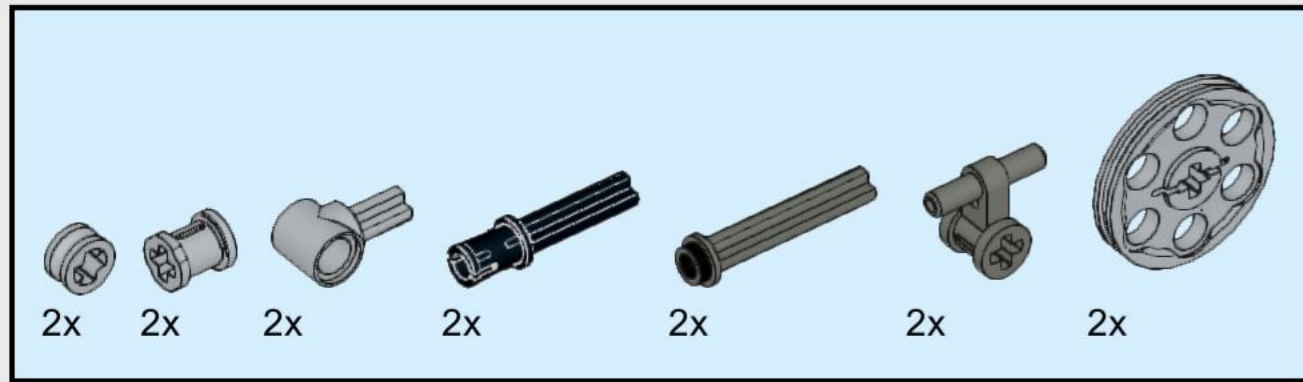


21

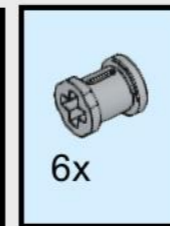
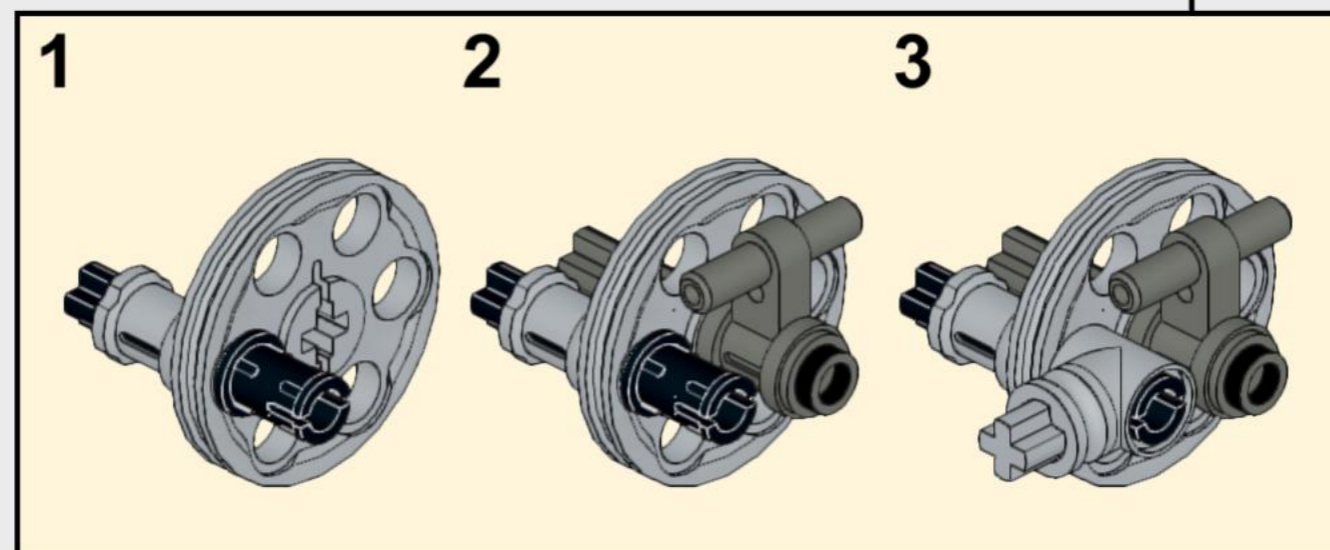
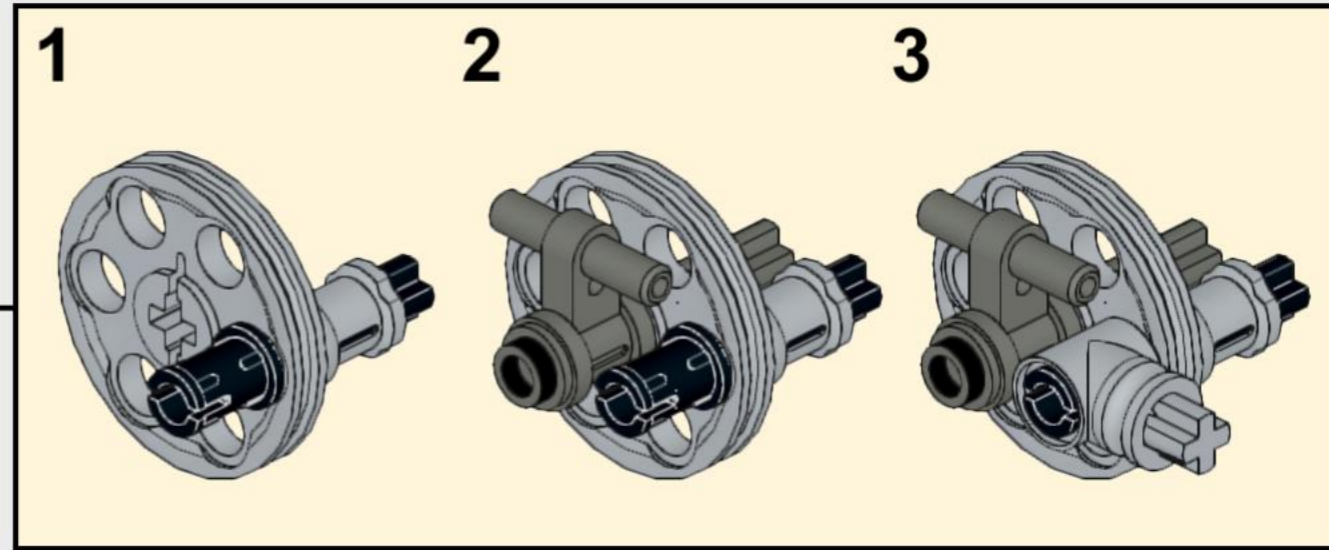


22





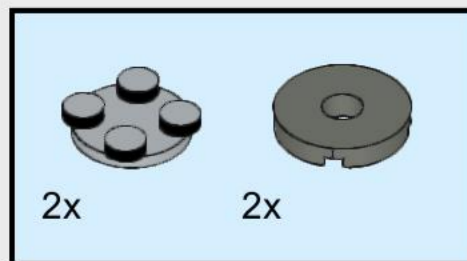
23



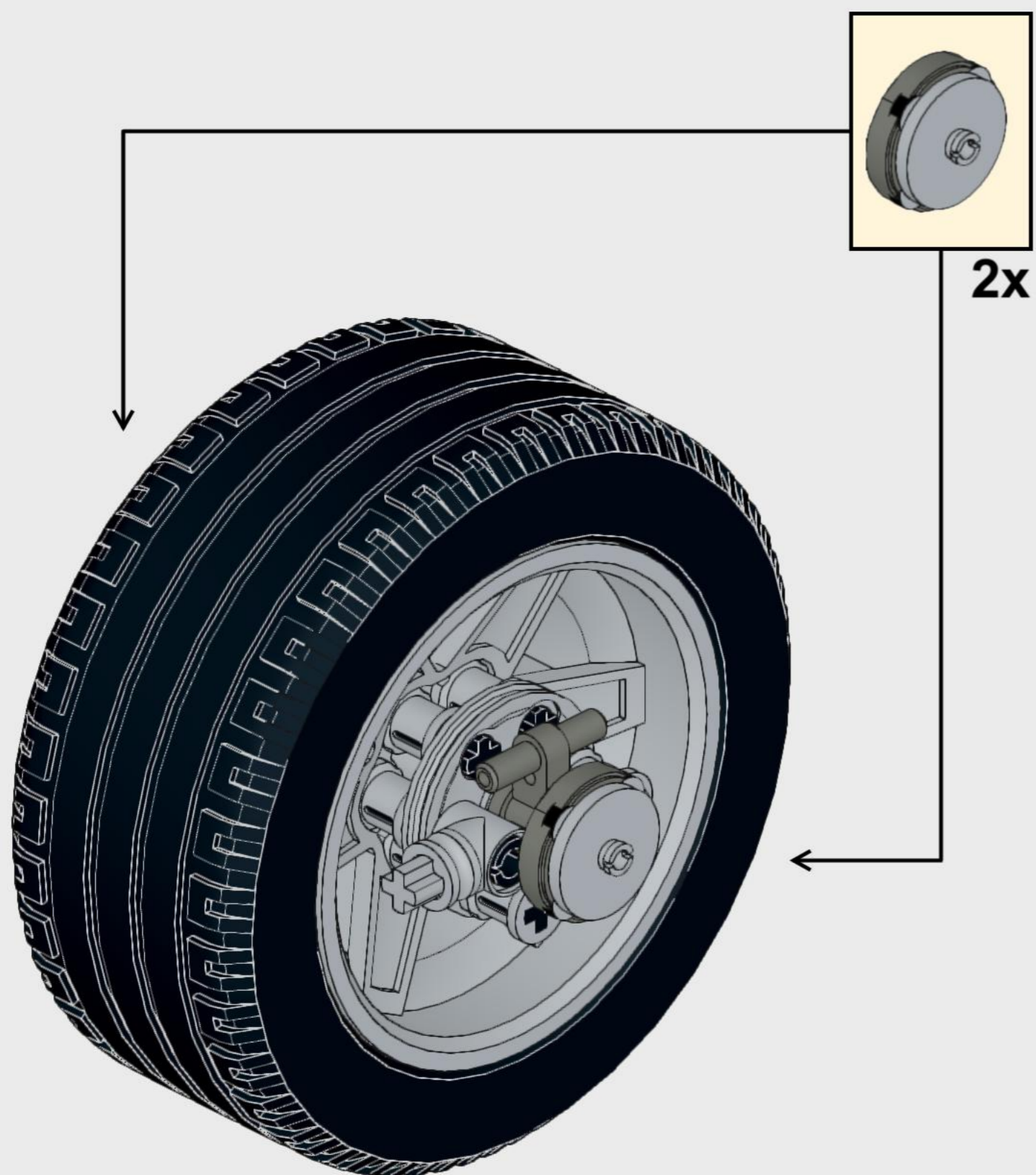
24







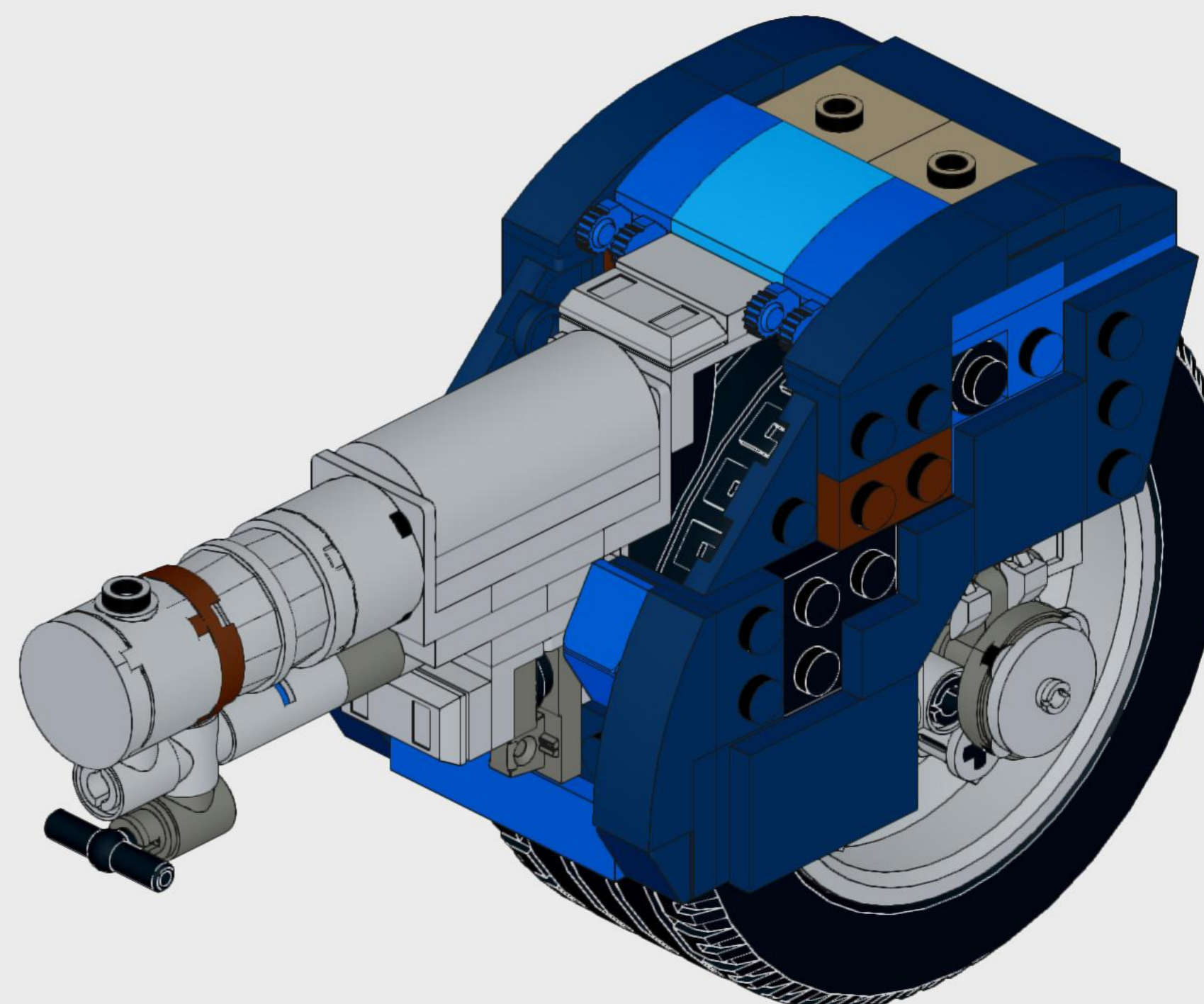
25

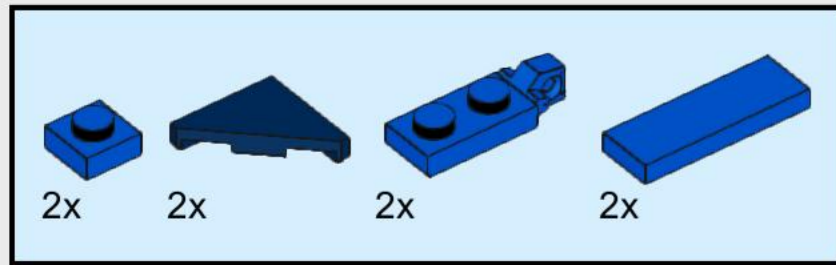


26 Inserting the wheel into the housing can be a bit tricky, as the wheel will fit very tightly against the sides until it is fully in place.

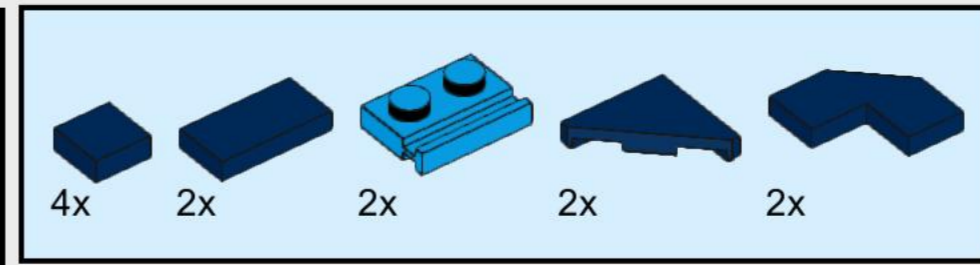
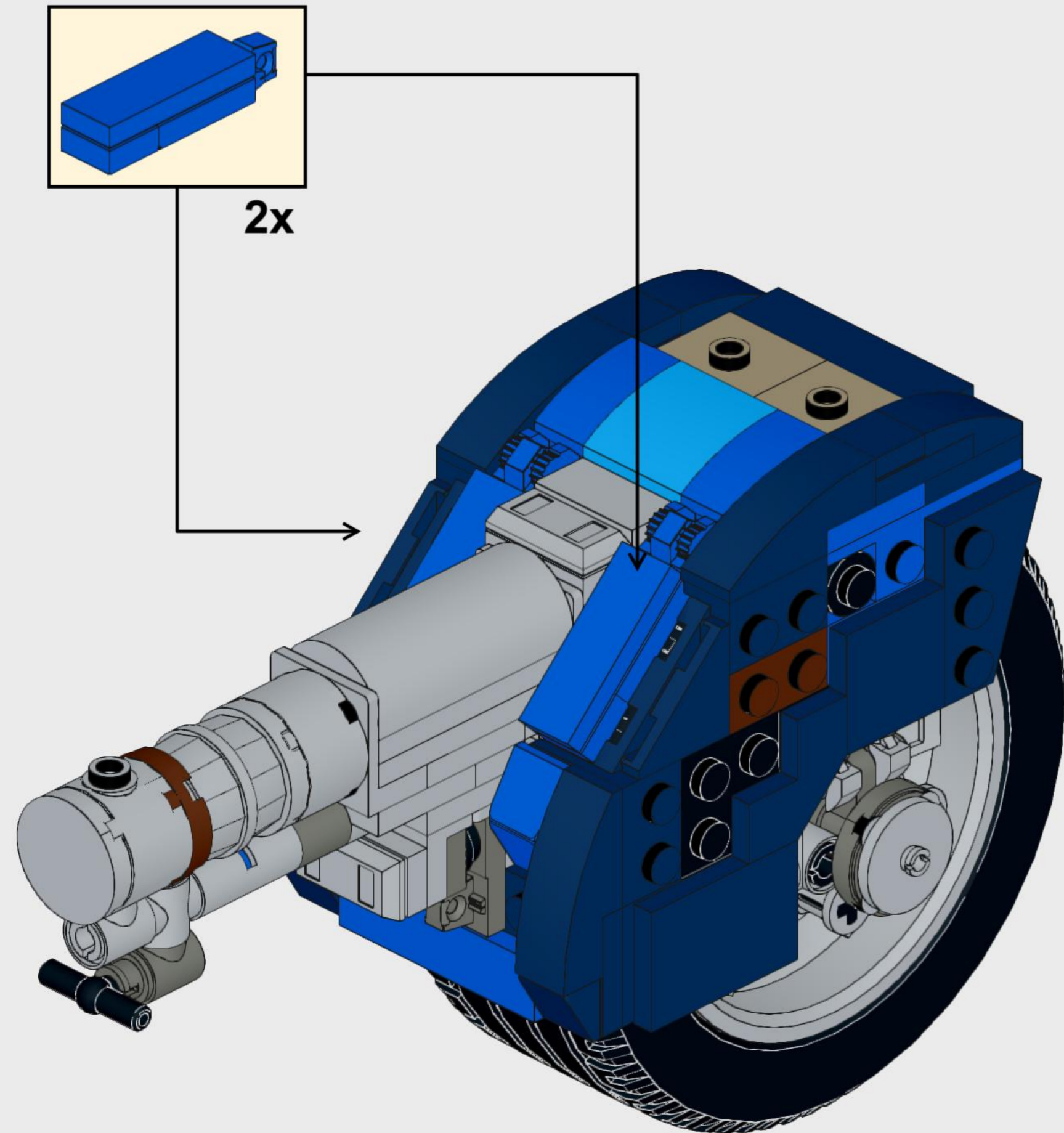
For the easiest attach, first line up the small light grey axle with its corresponding pin hole. While ensuring that the pin stays in its hole, snap the wheel's dark grey bars up into the light grey clips.

Once in place the wheel will be snug and unable to turn, since the housing structure puts pressure on the center top of the tire.

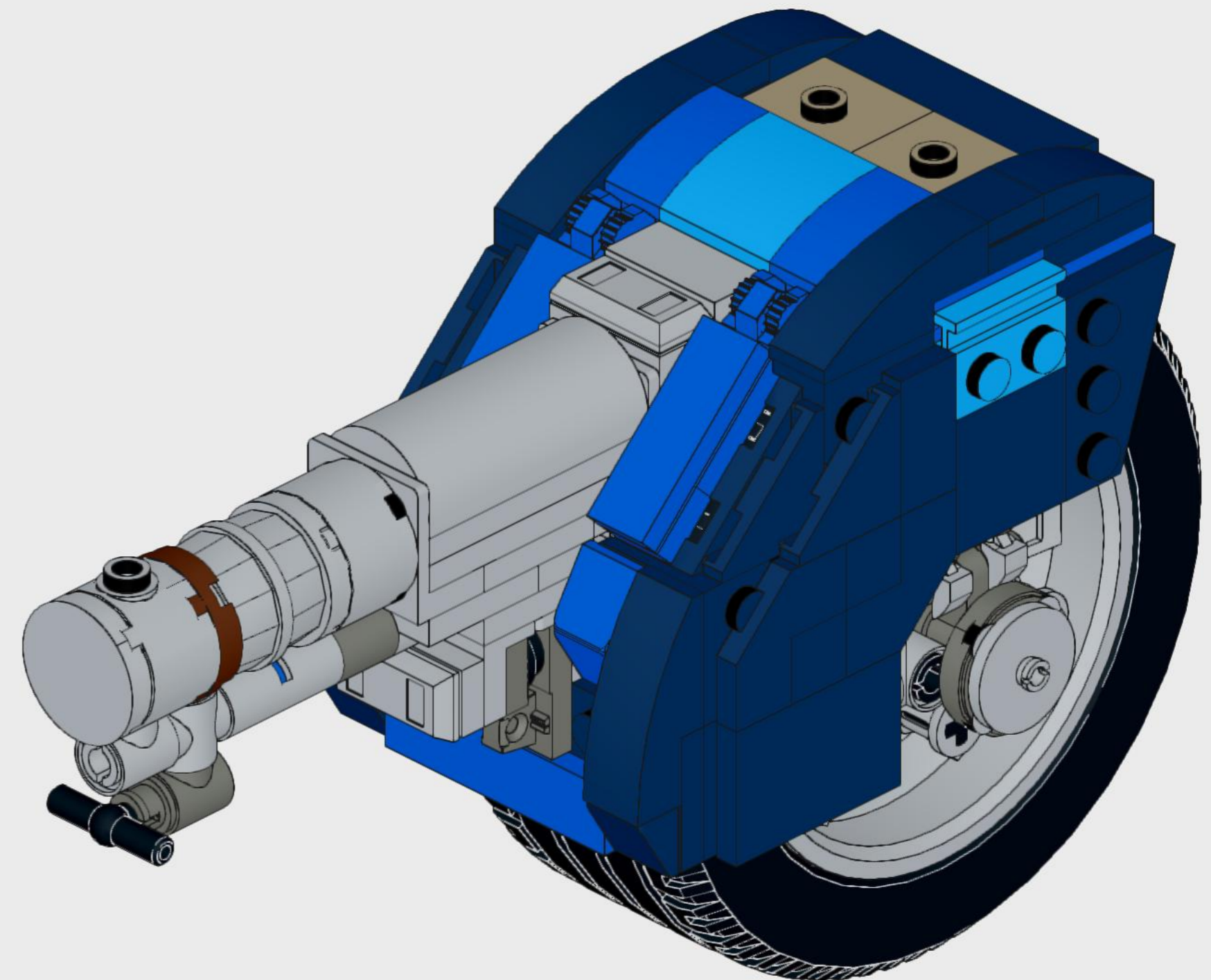


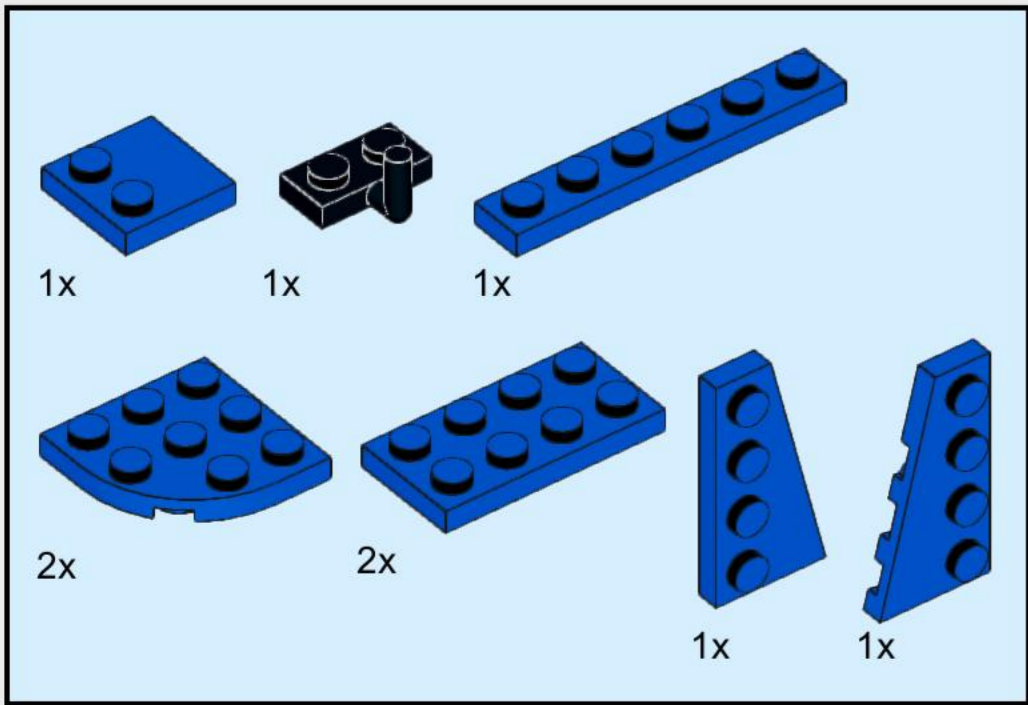
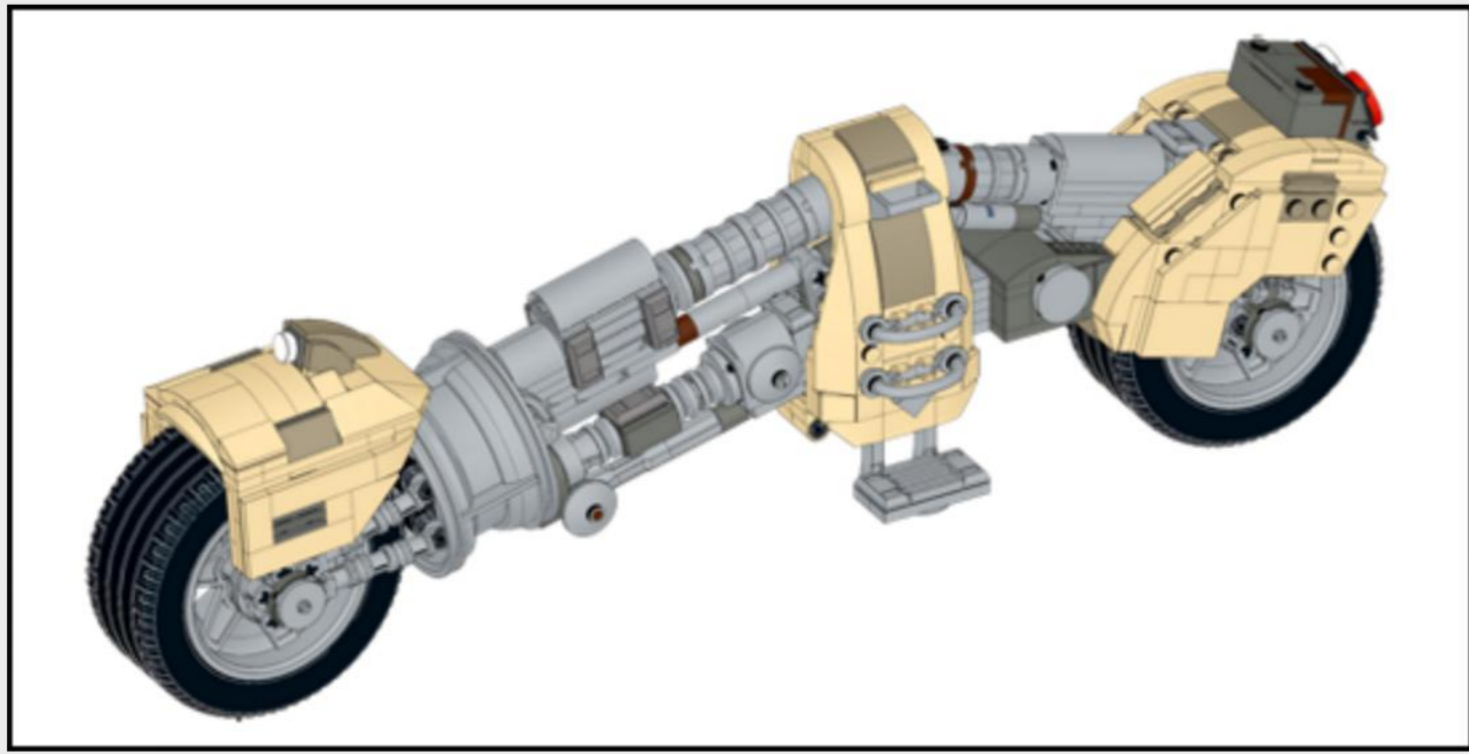


27

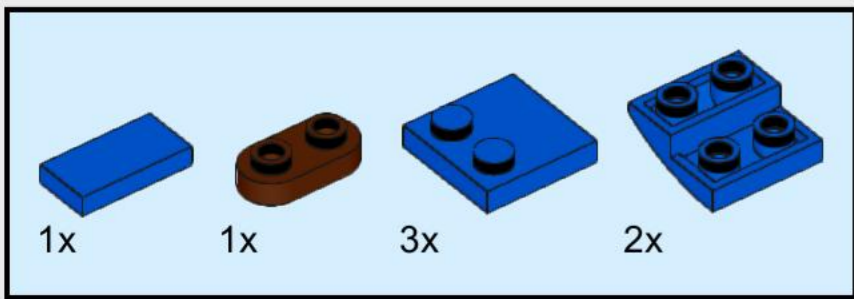


28

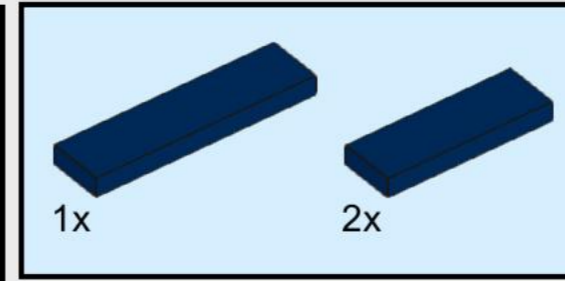
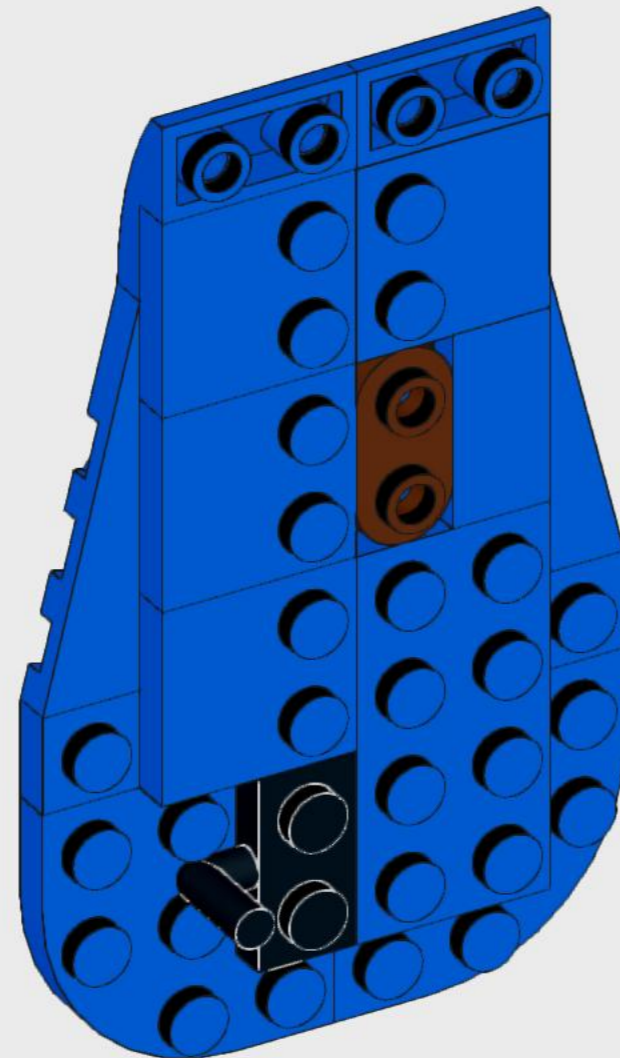
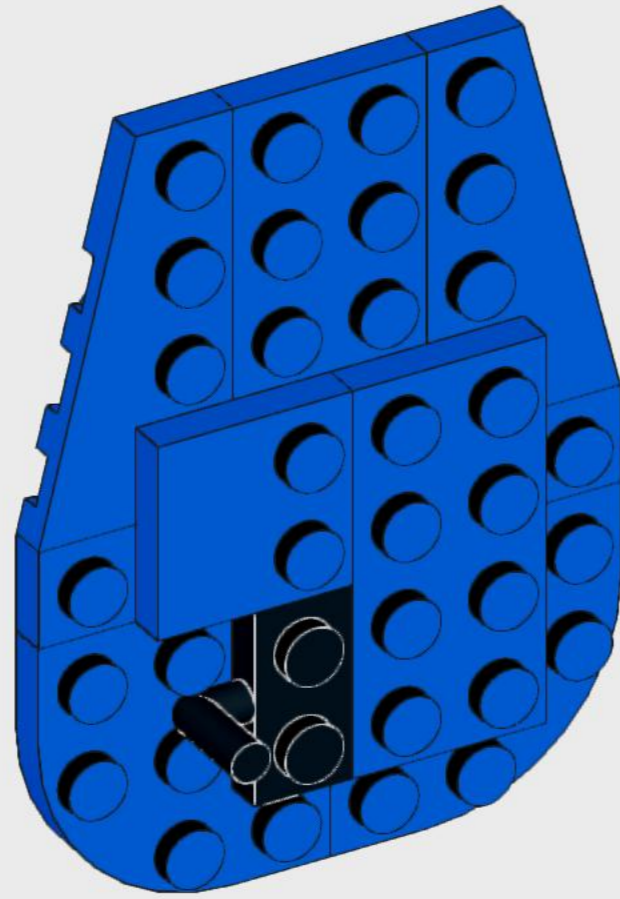




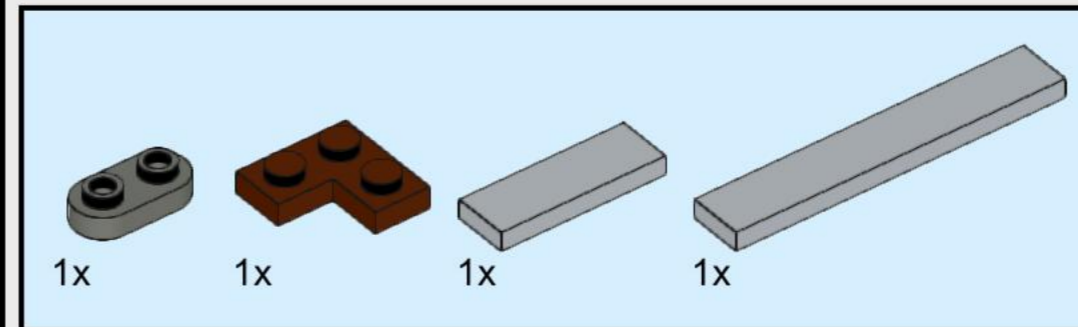
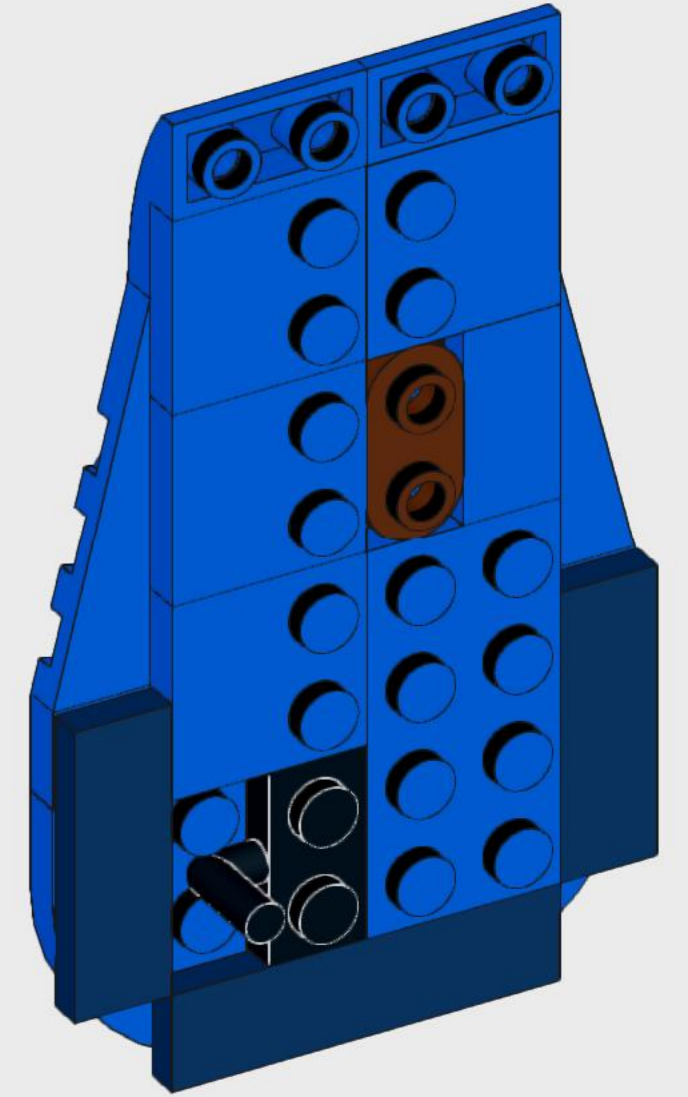
1



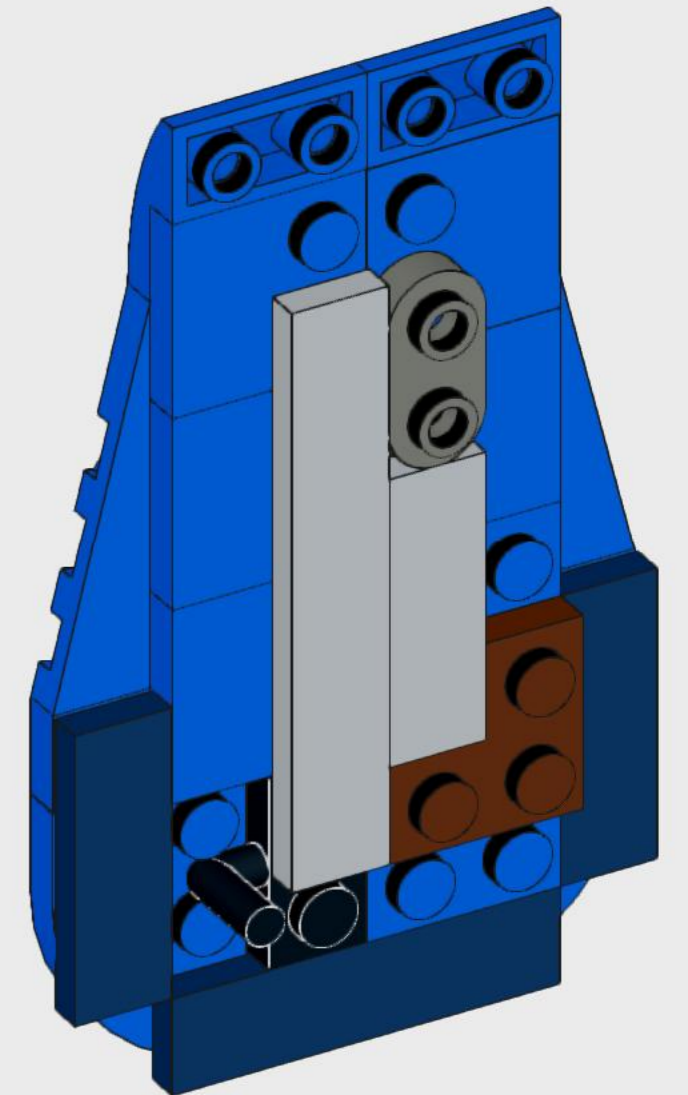
2

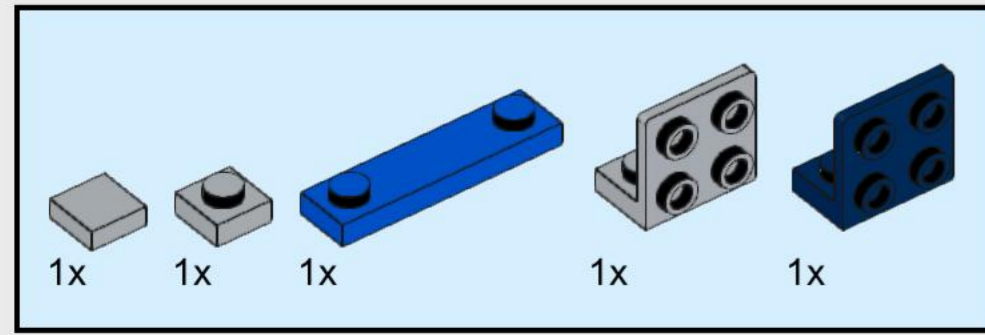


3



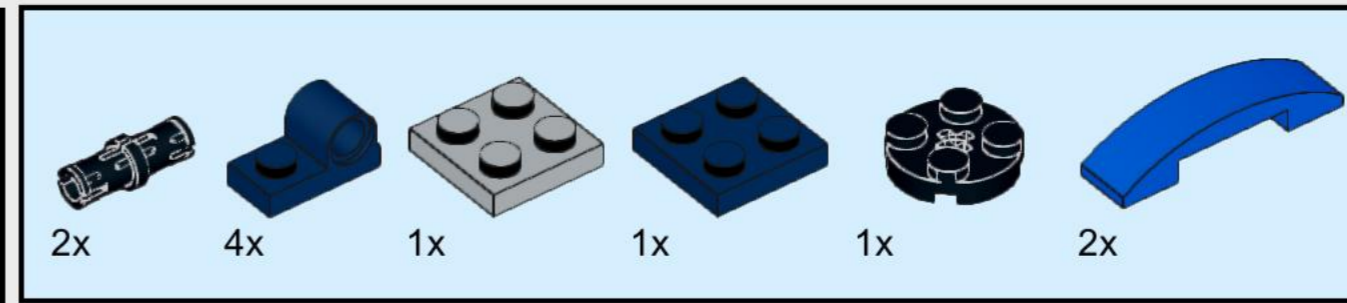
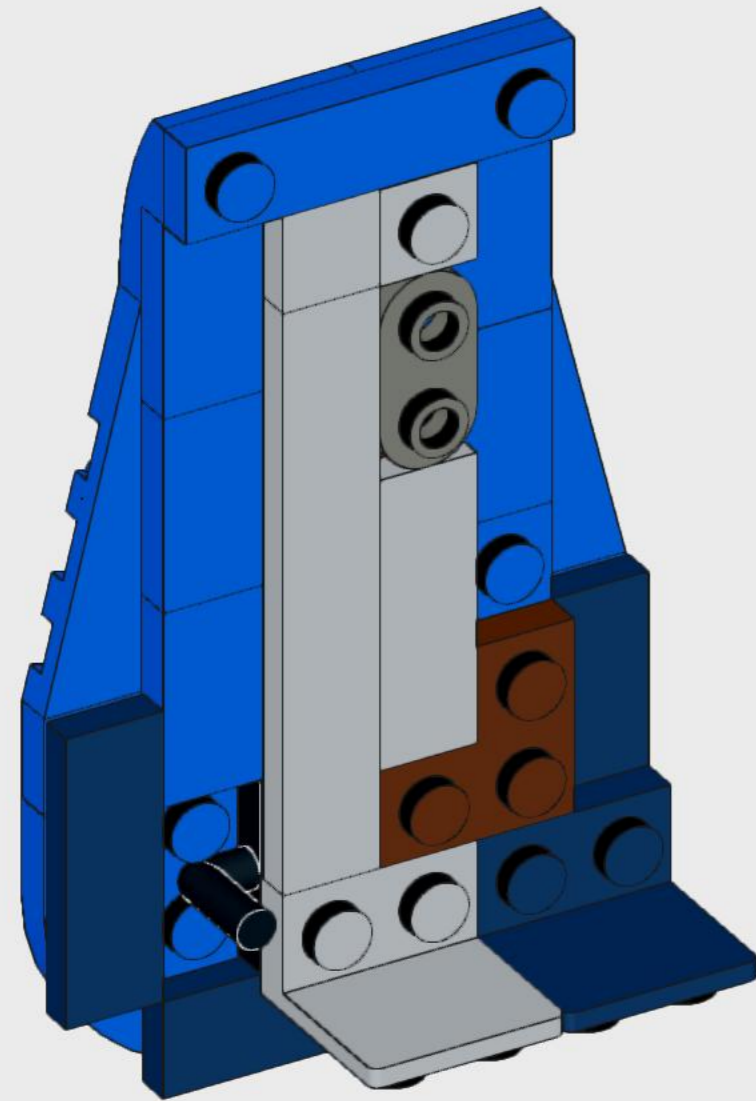
4



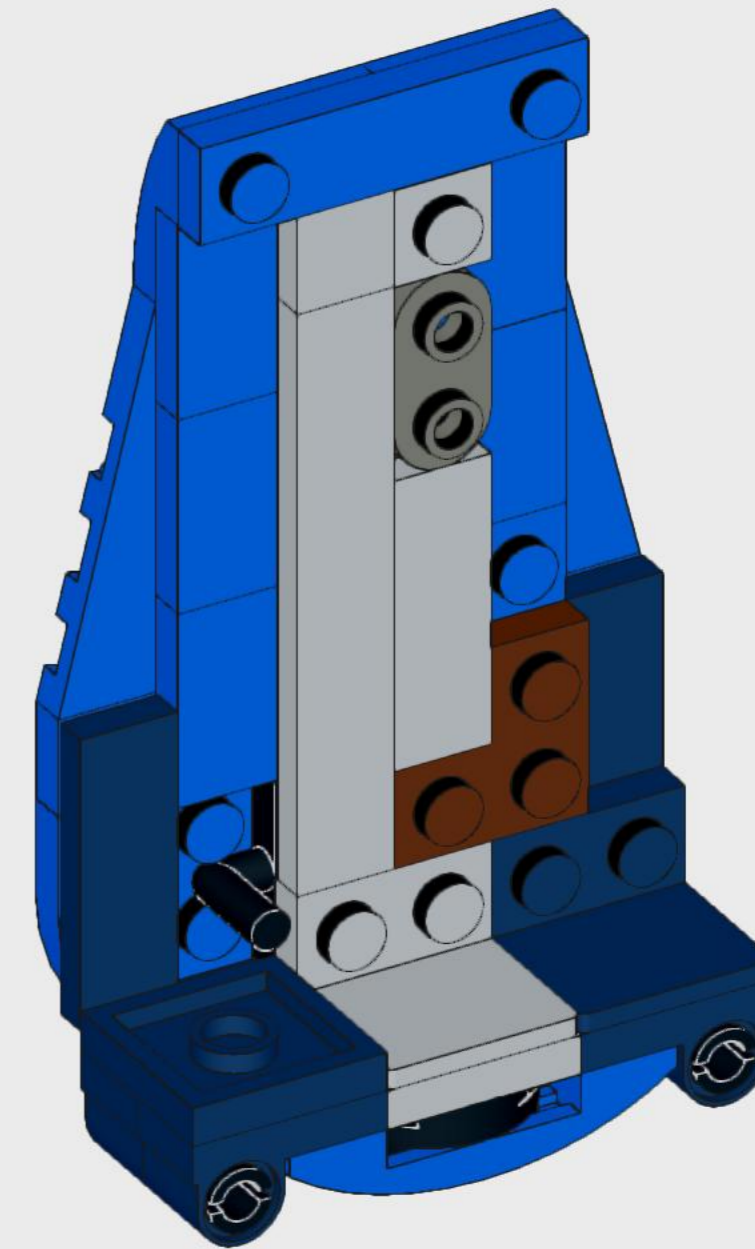
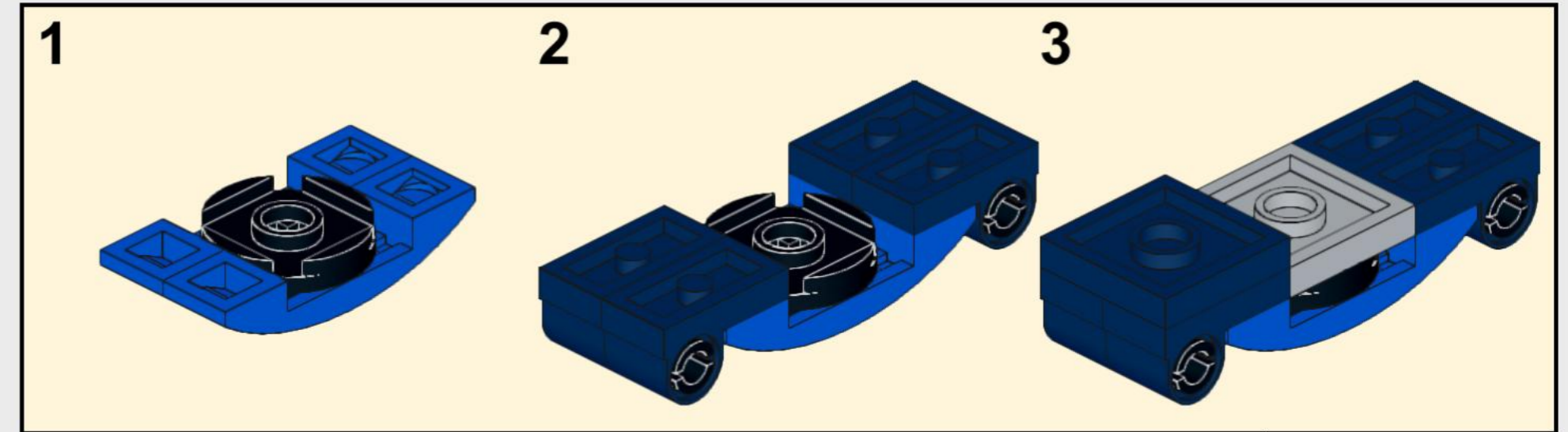


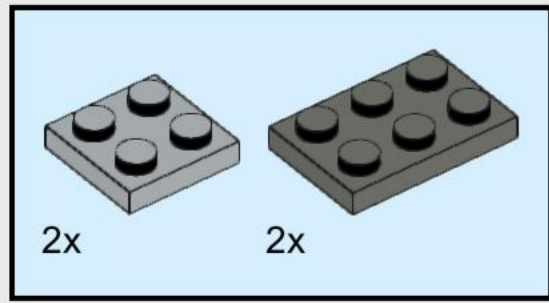
Blue "1x4 plate with 2 studs" isn't produced. Use 1x1 plates and 1x2 tile instead.

5

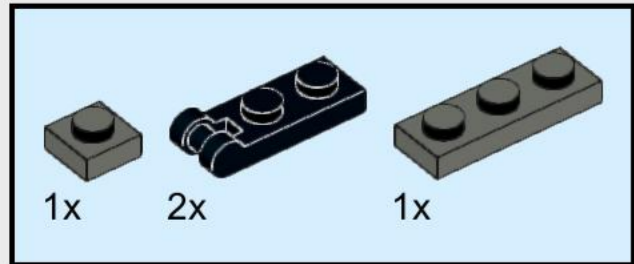
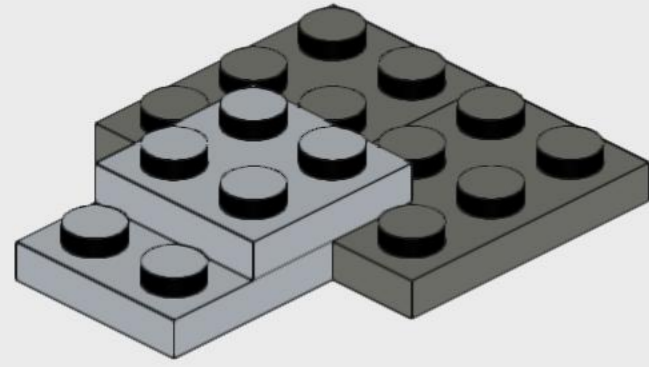


6

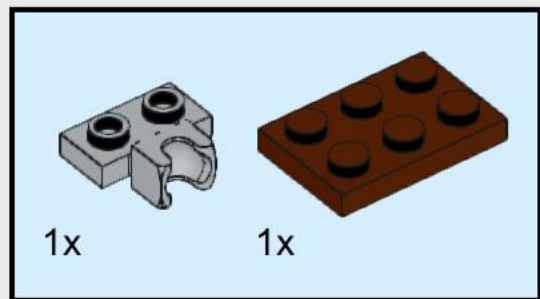
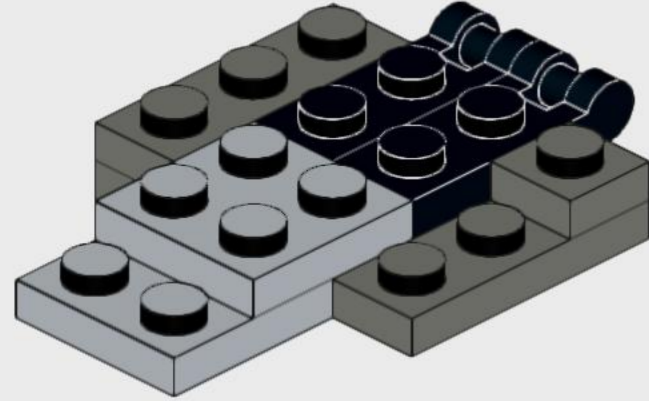




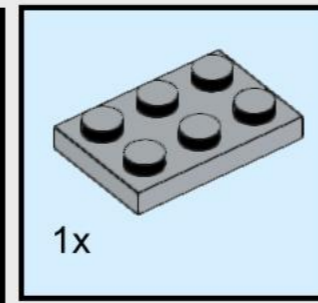
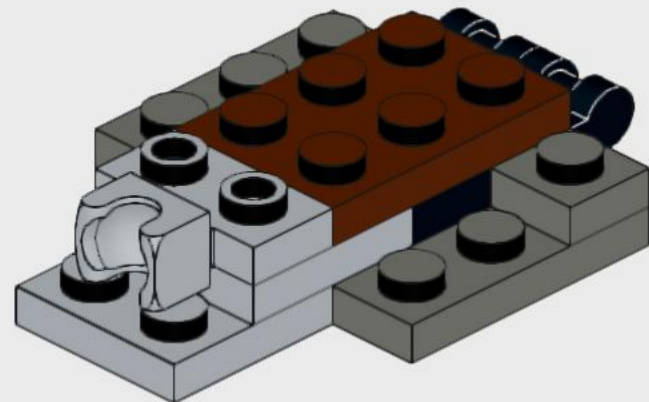
7



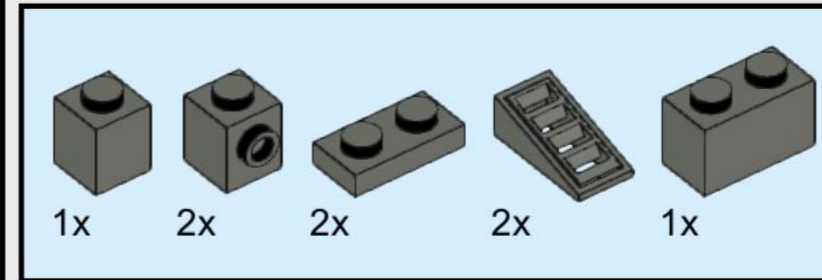
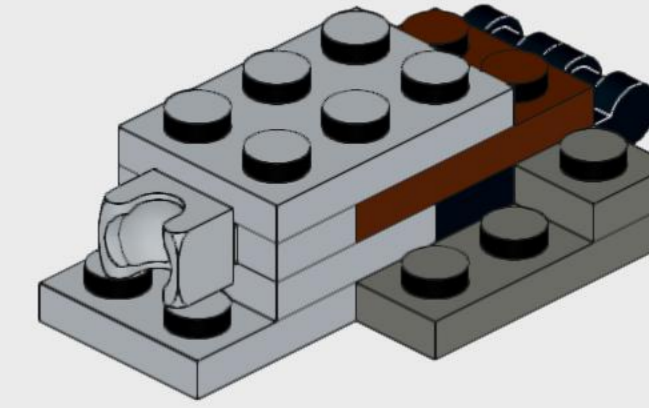
8



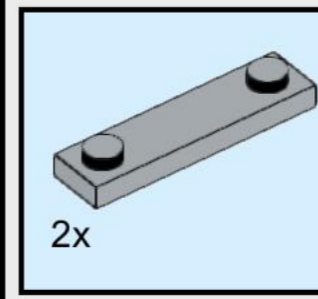
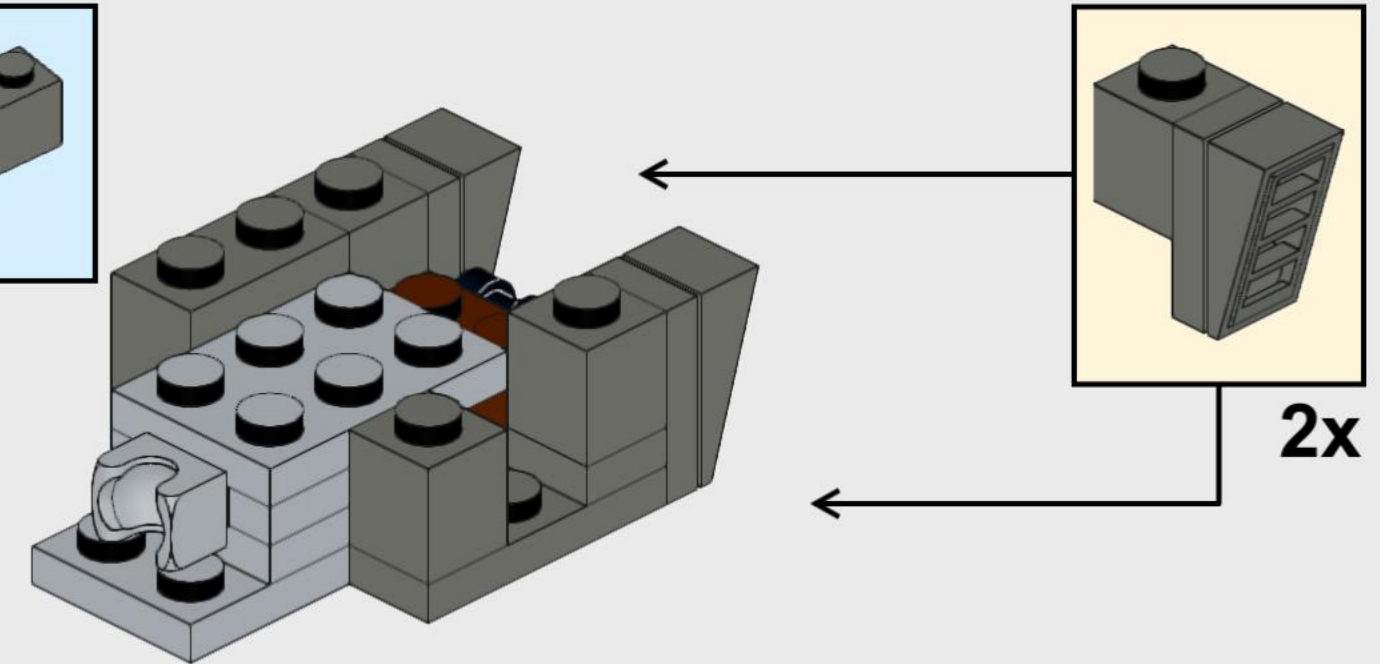
9



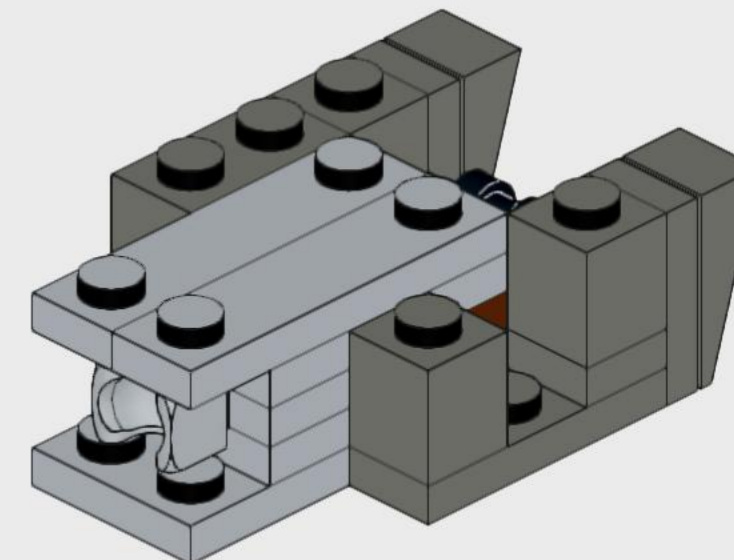
10

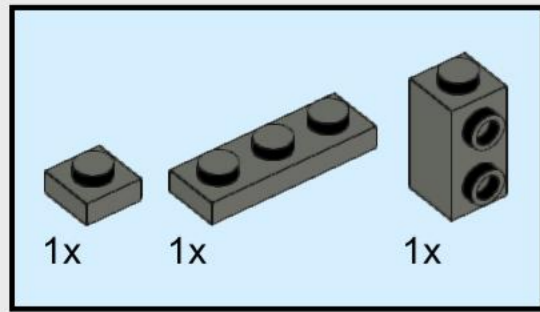


11

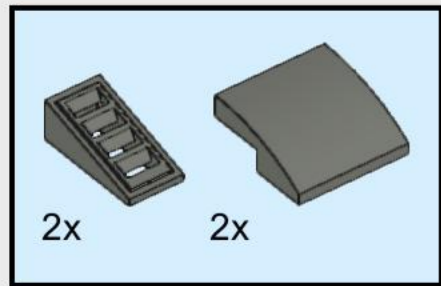
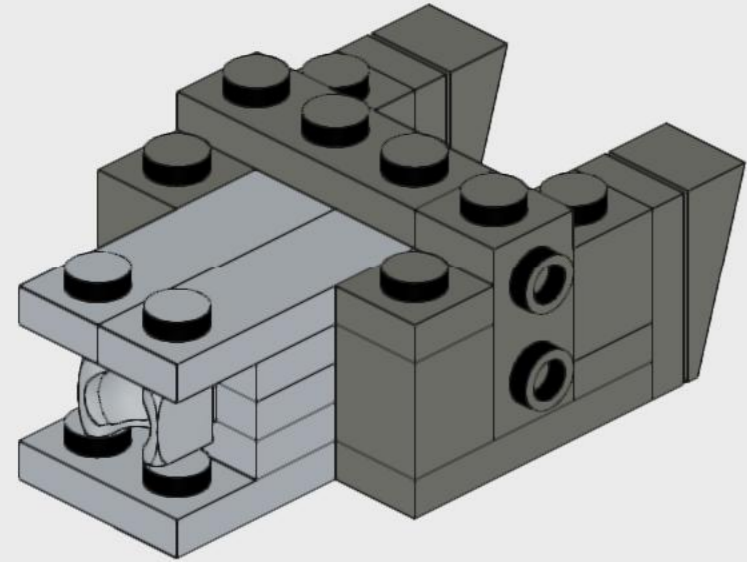


12

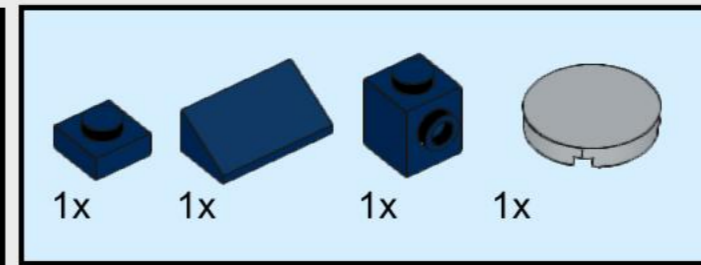
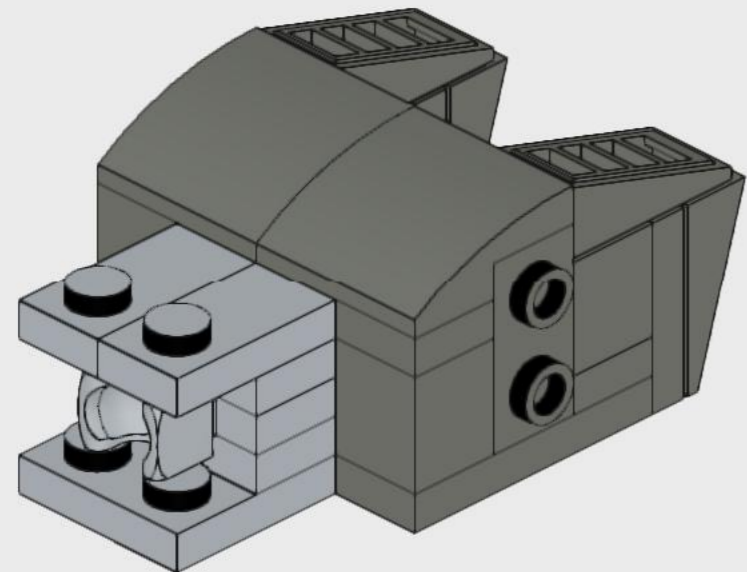




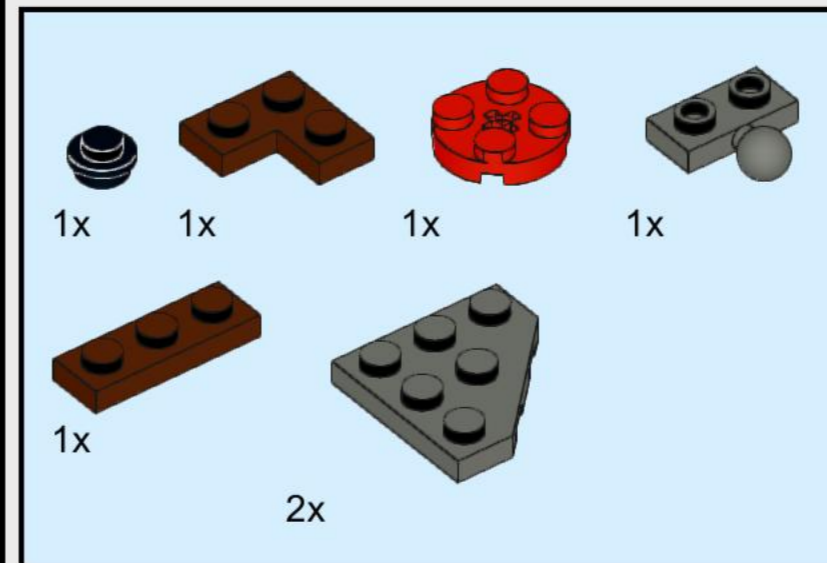
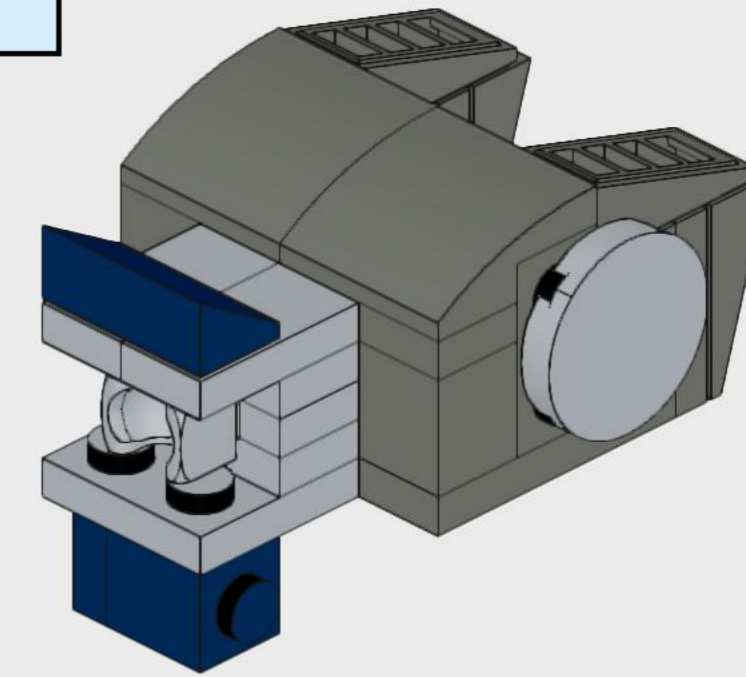
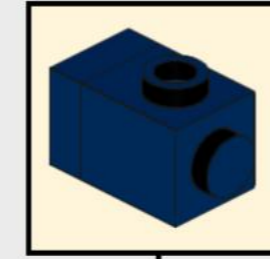
13



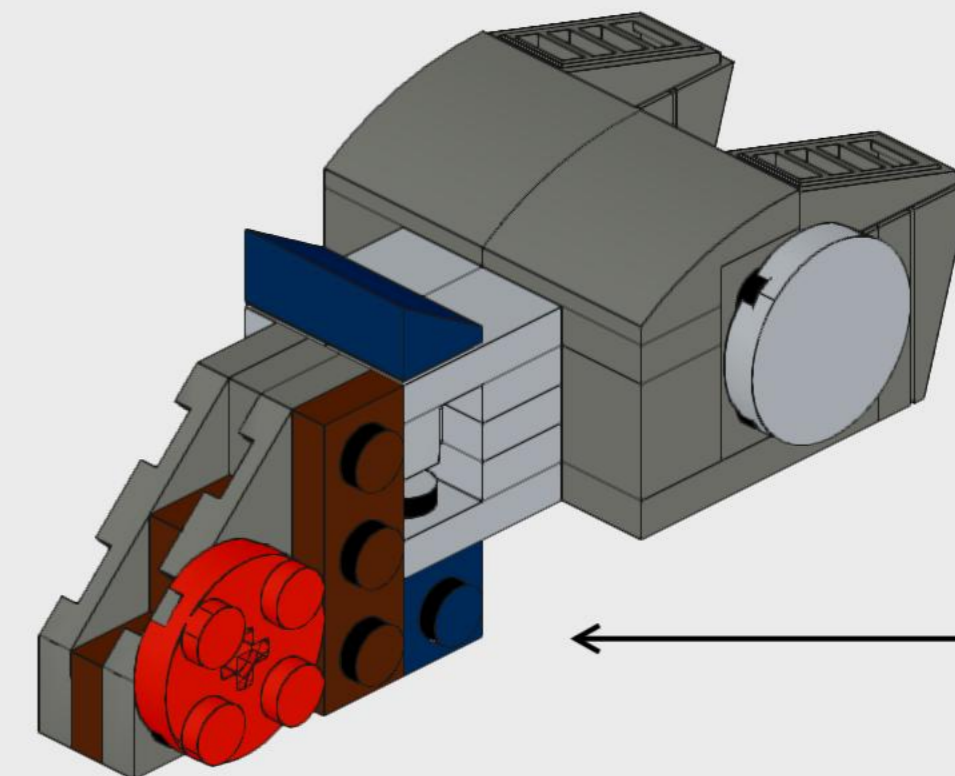
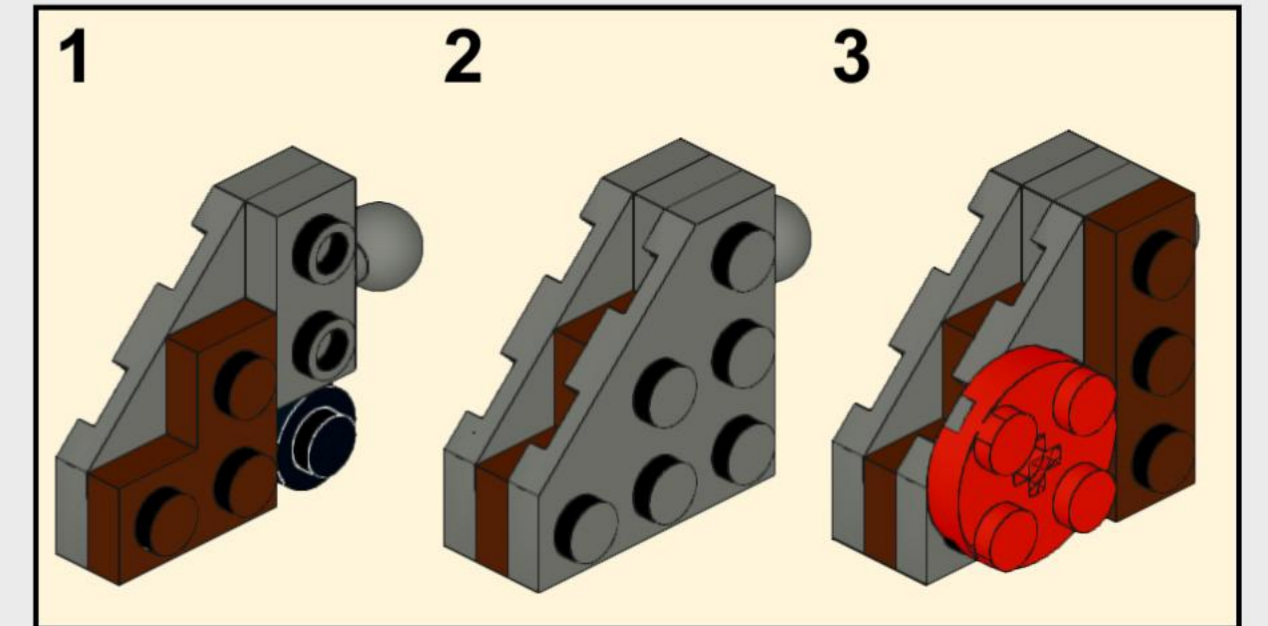
14



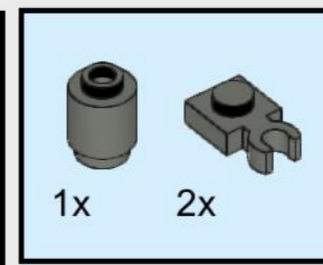
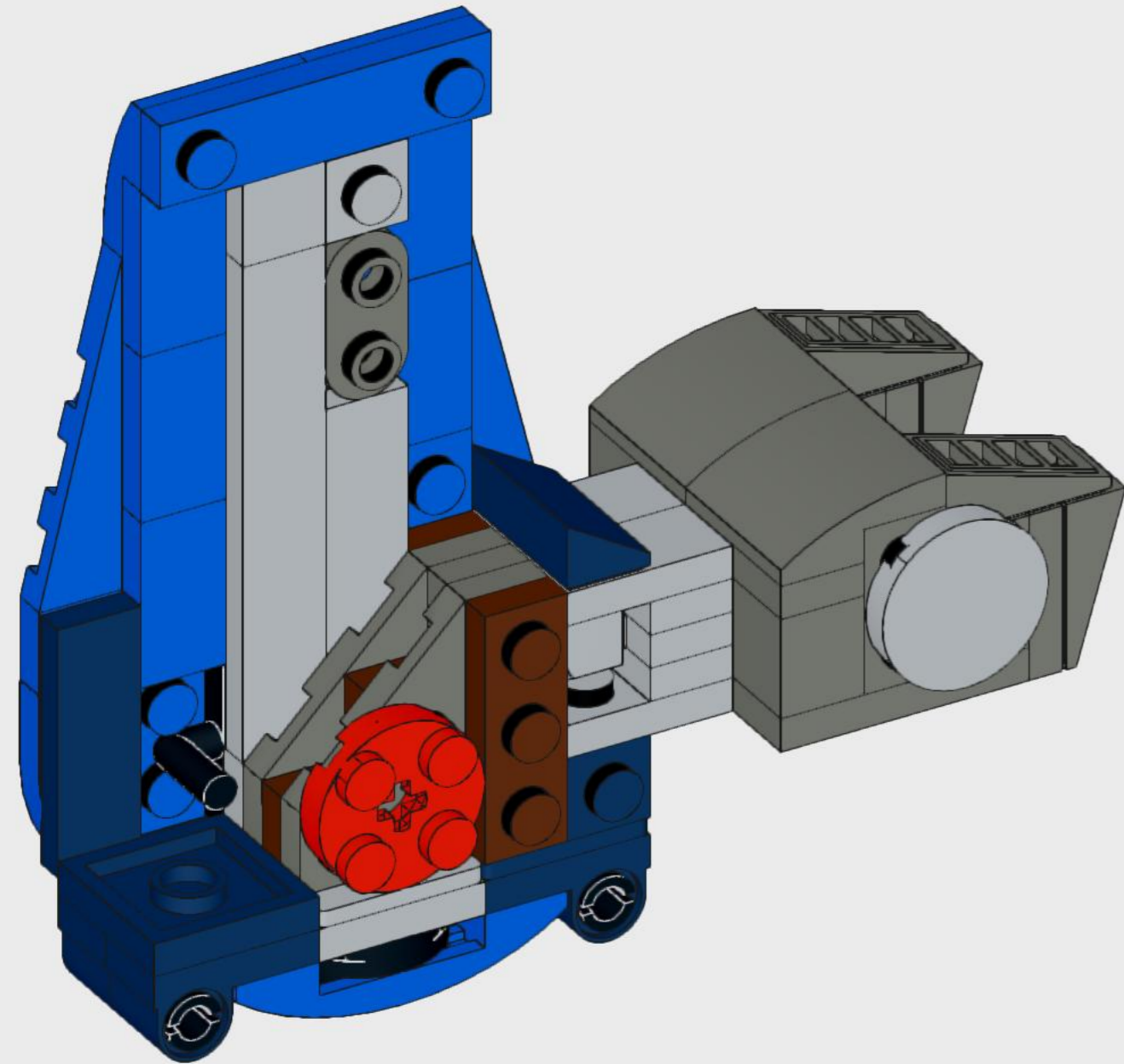
15



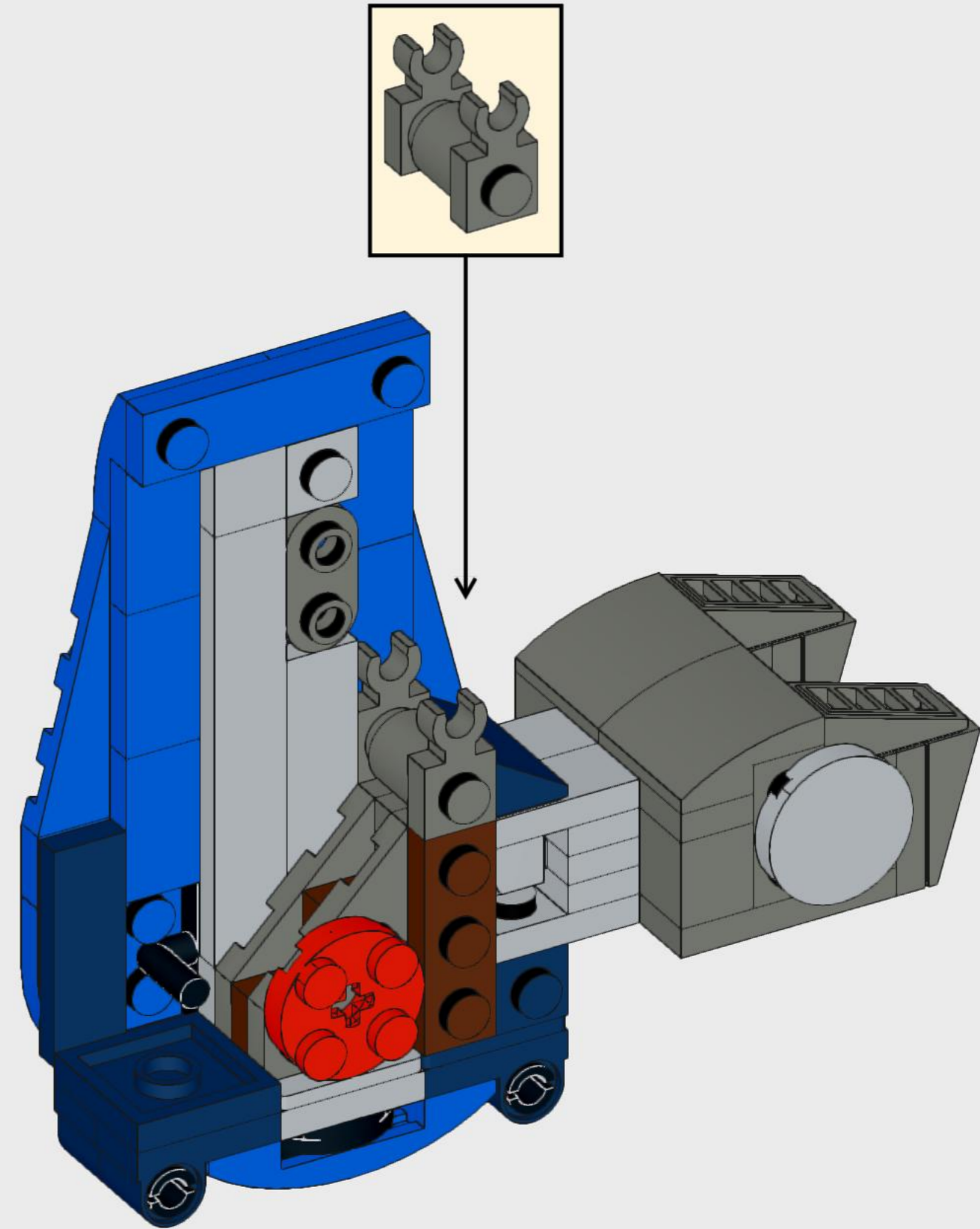
16



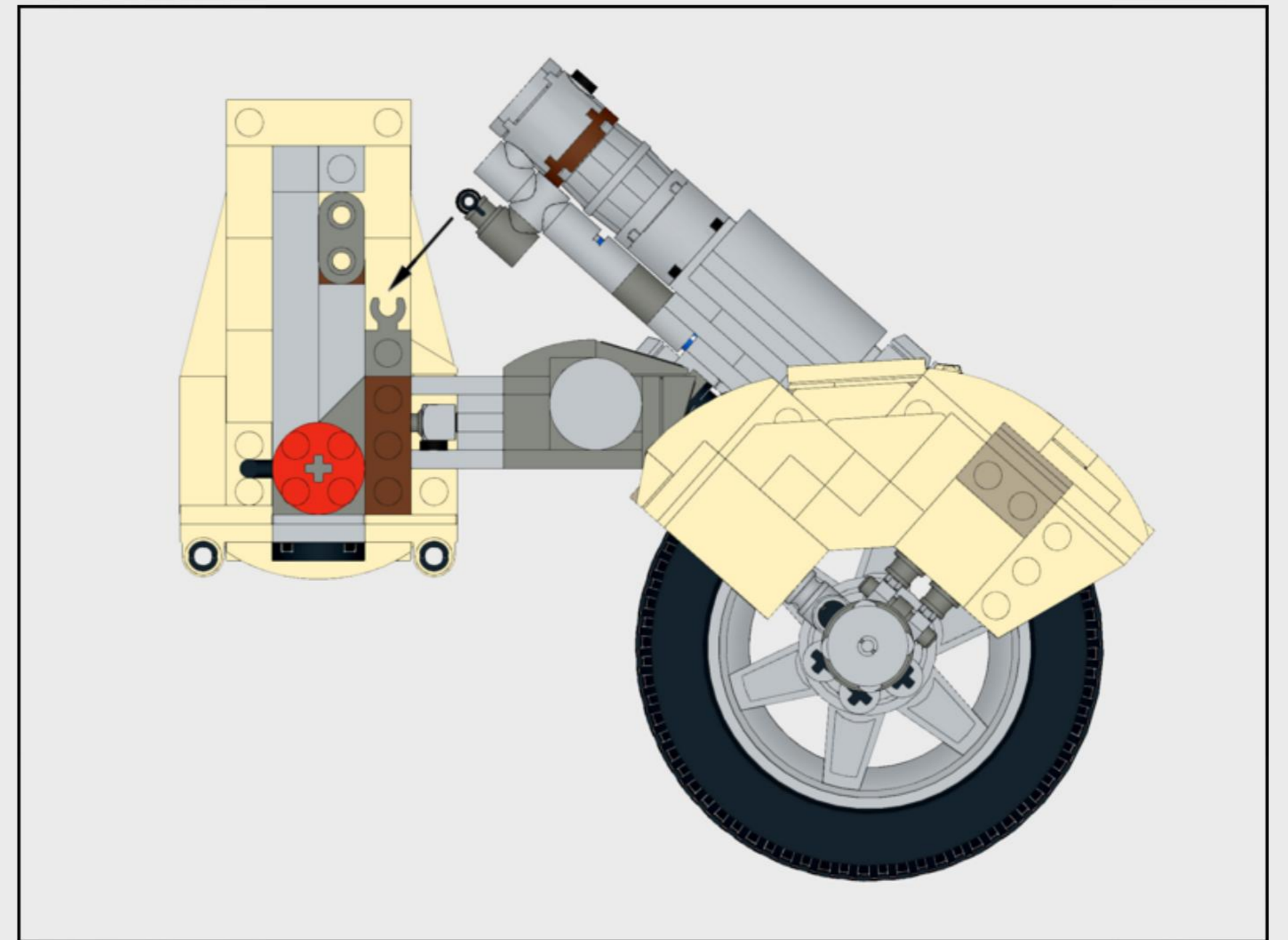
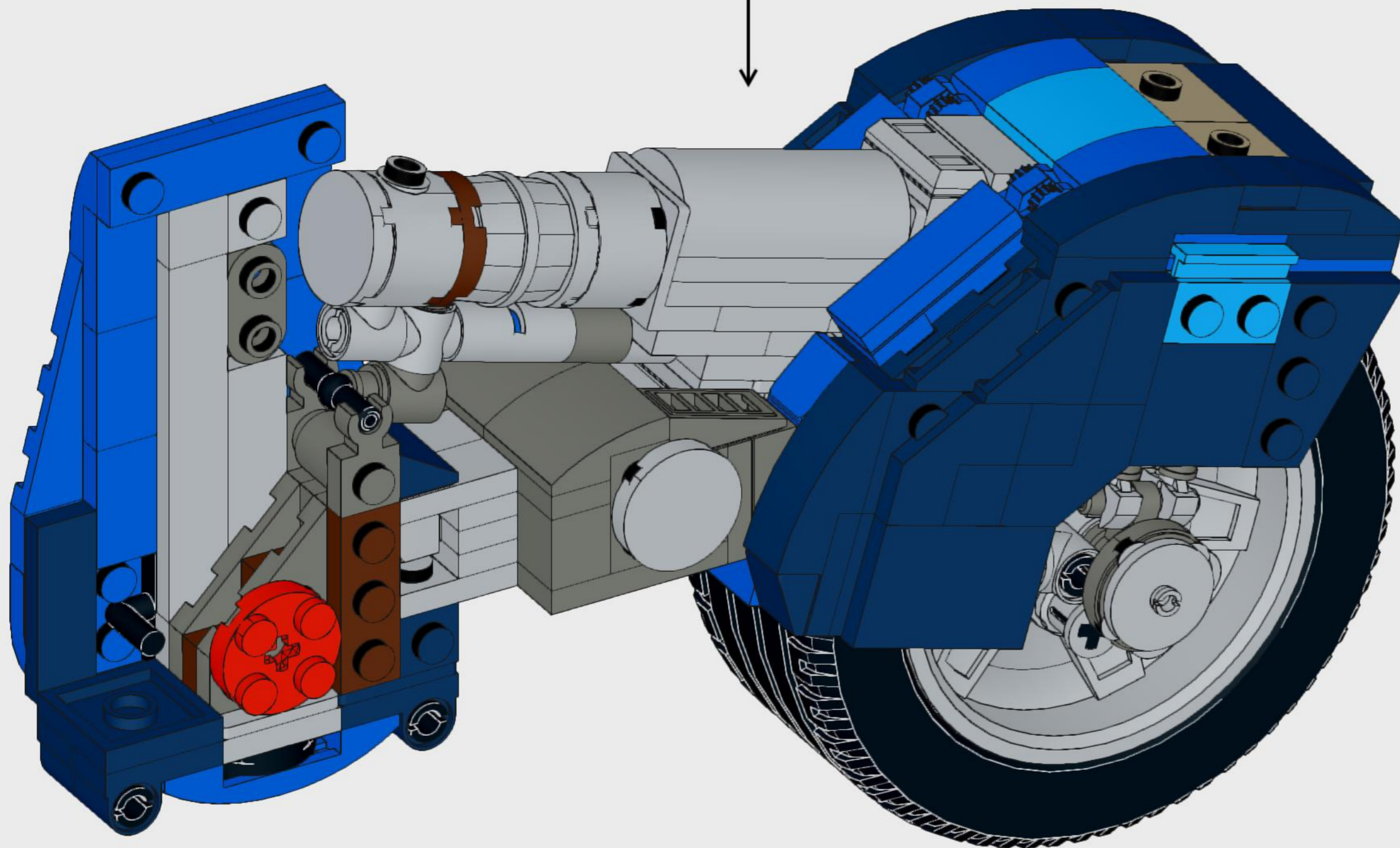
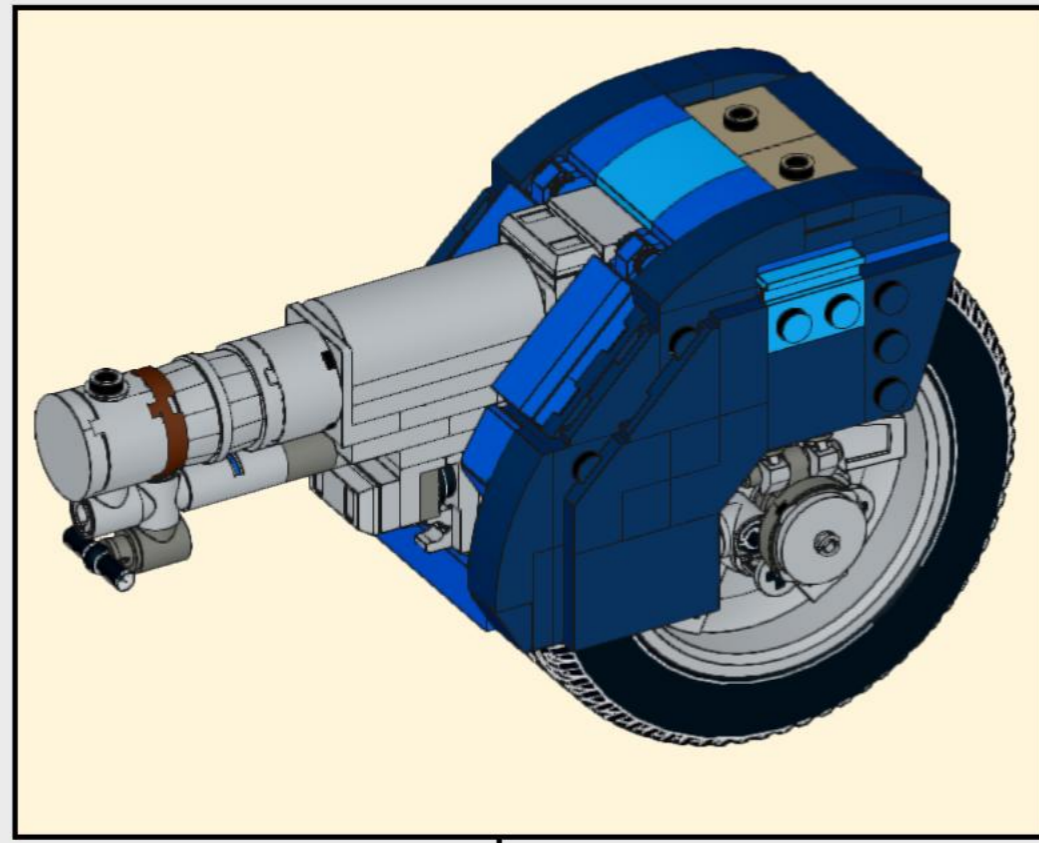
17



18

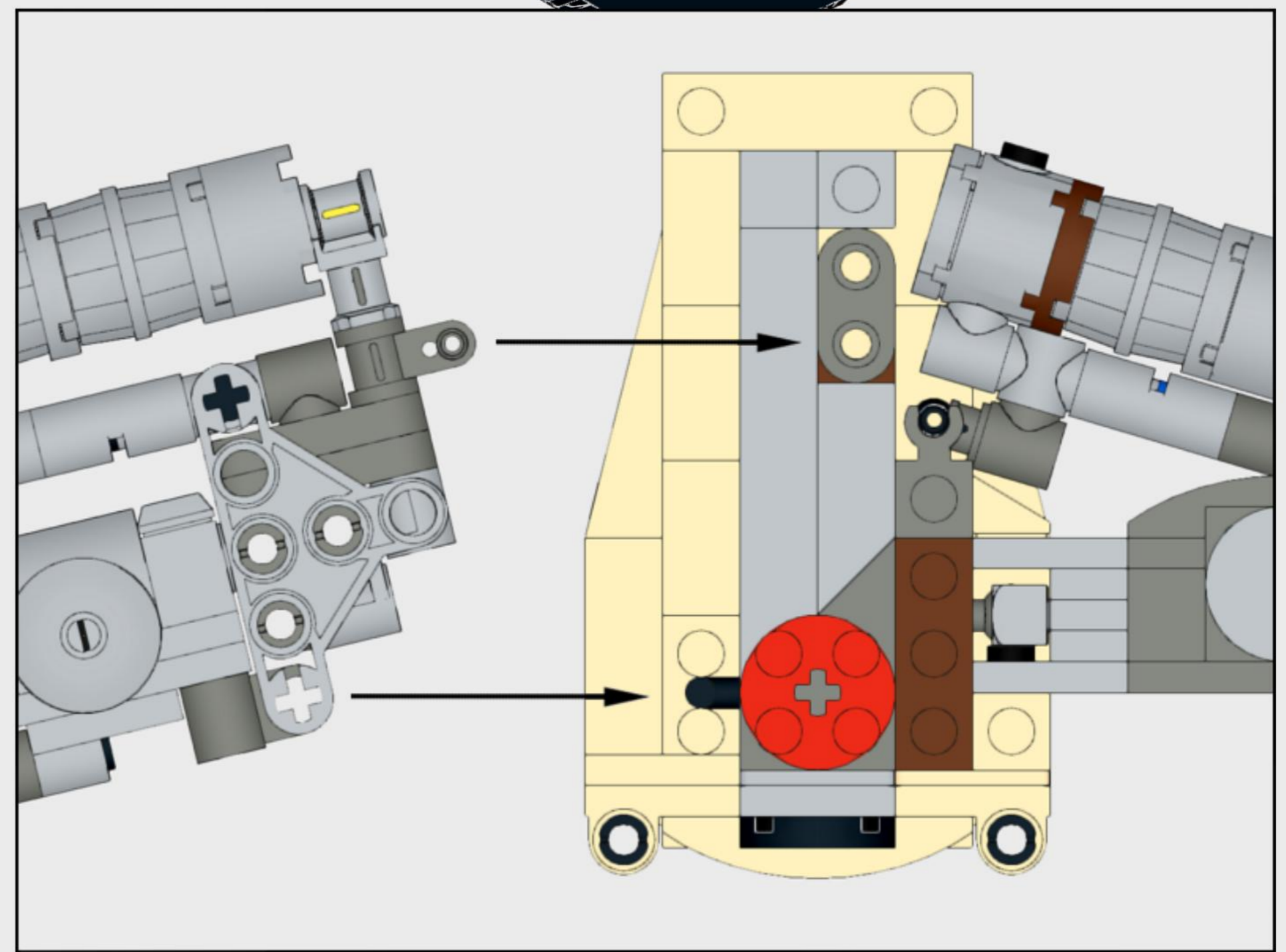
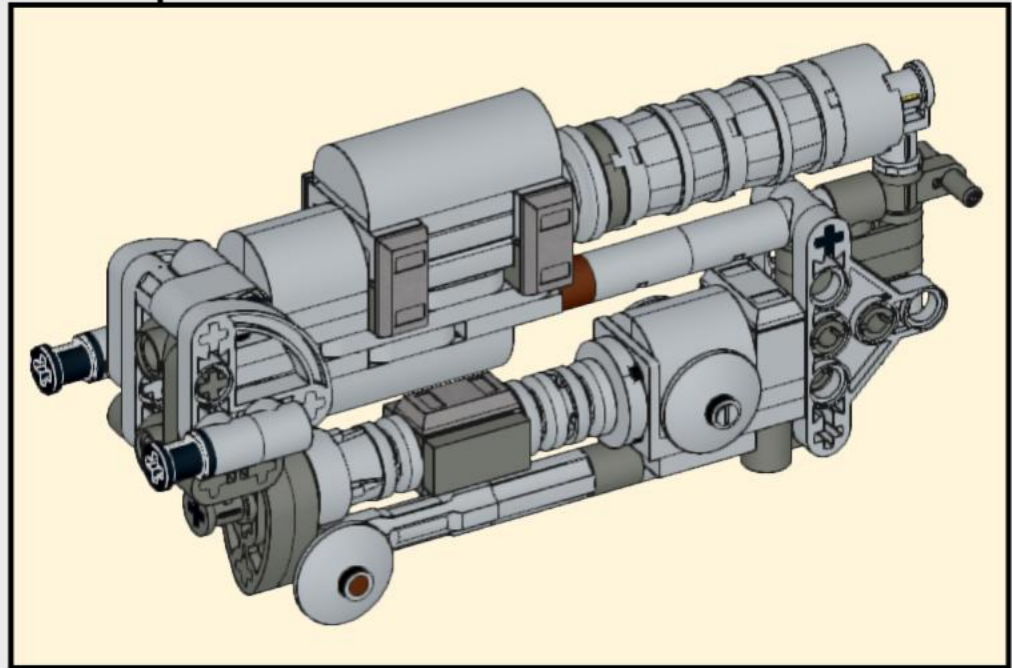
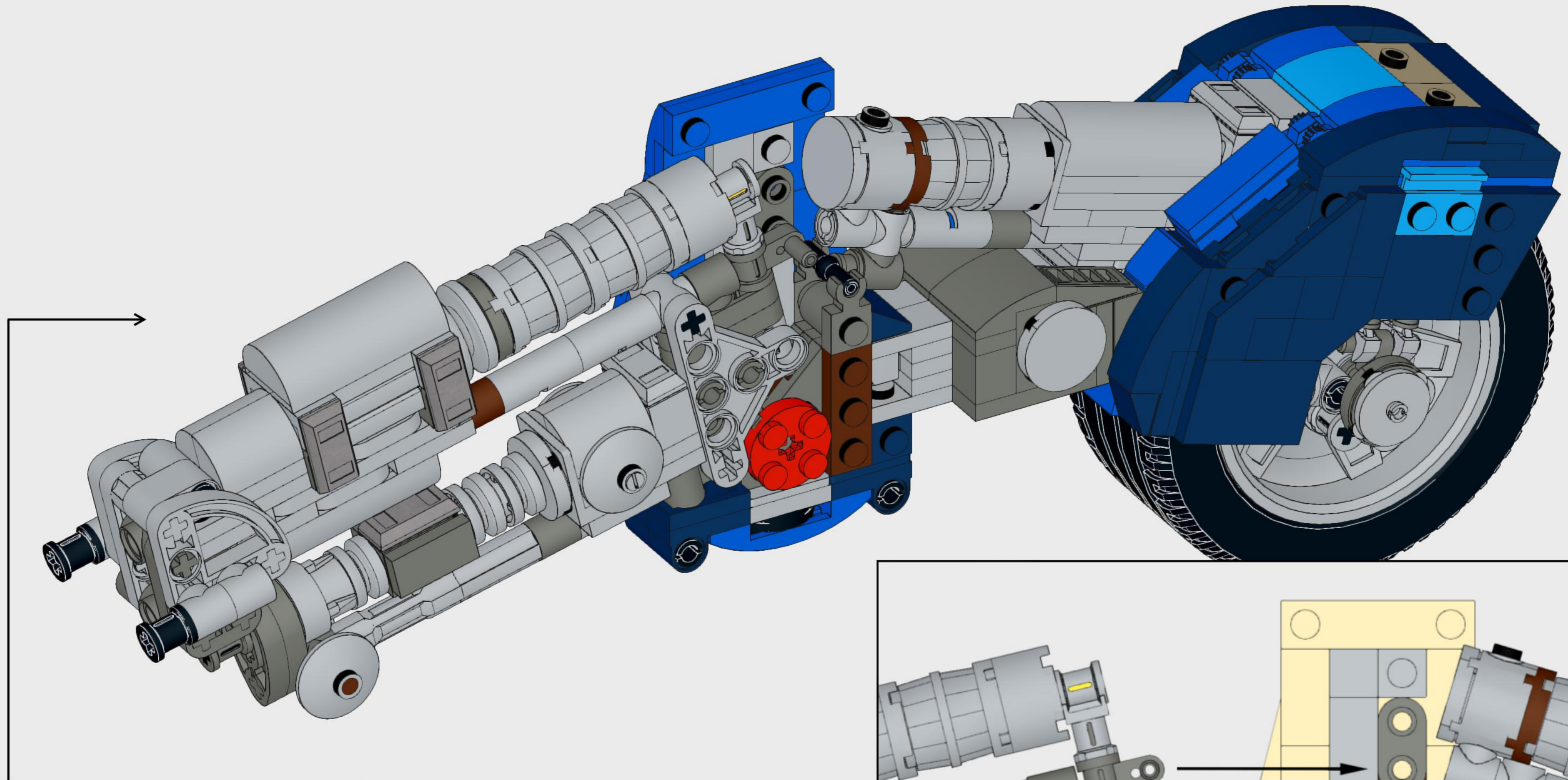


19

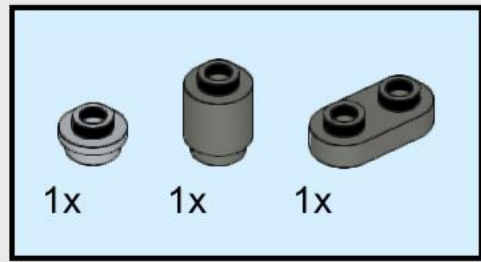


Attach rear wheel by first snapping bar and clips together at base of wheel. Then rotate the top down to clip the black bar into place.

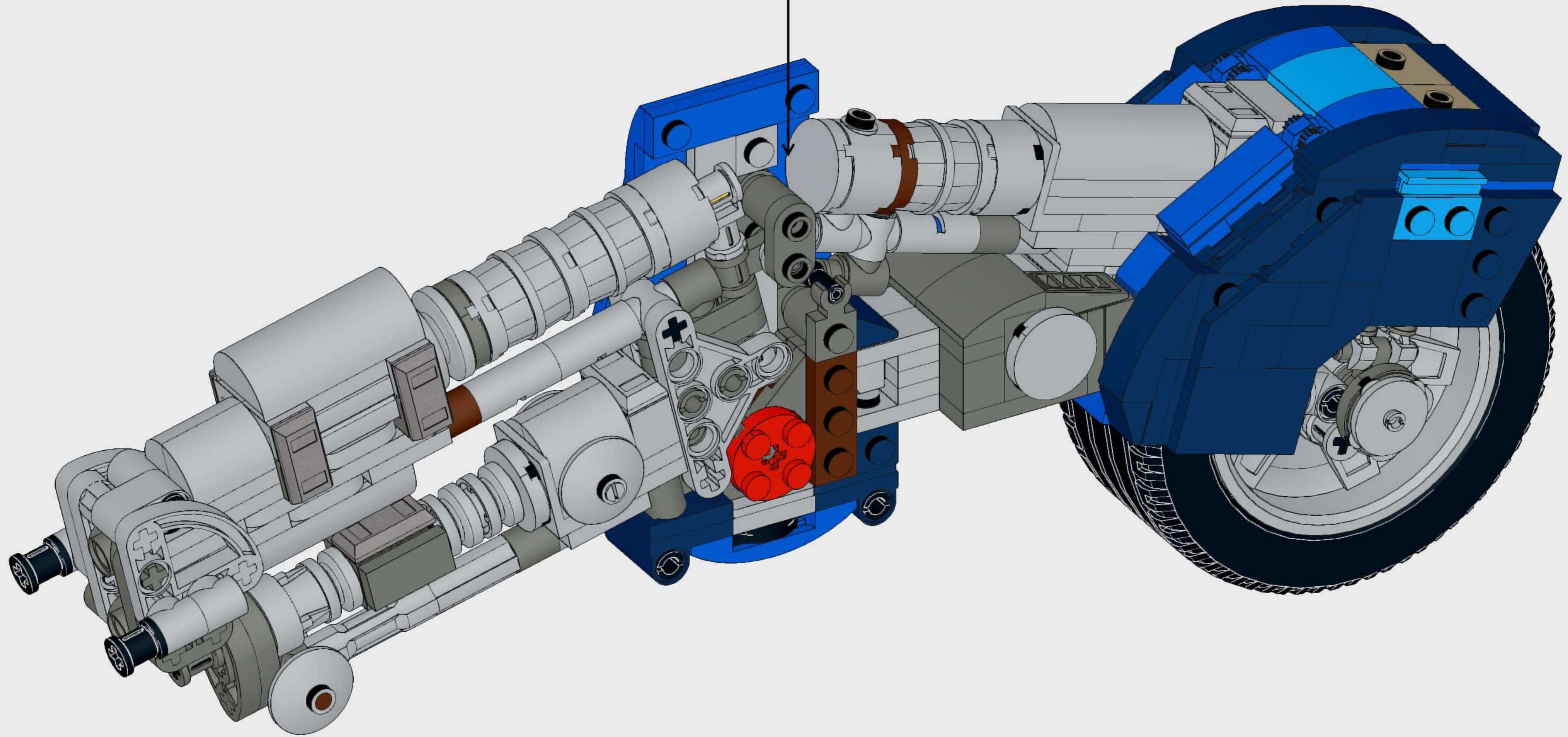
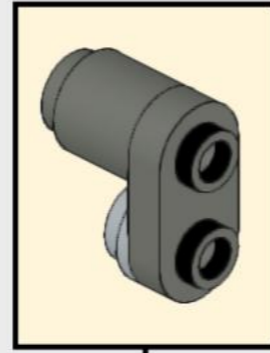


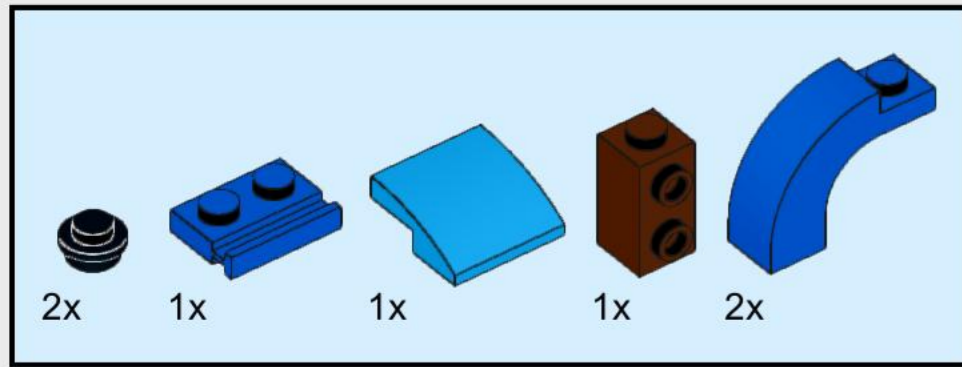


Slide bars into corresponding holes as shown.

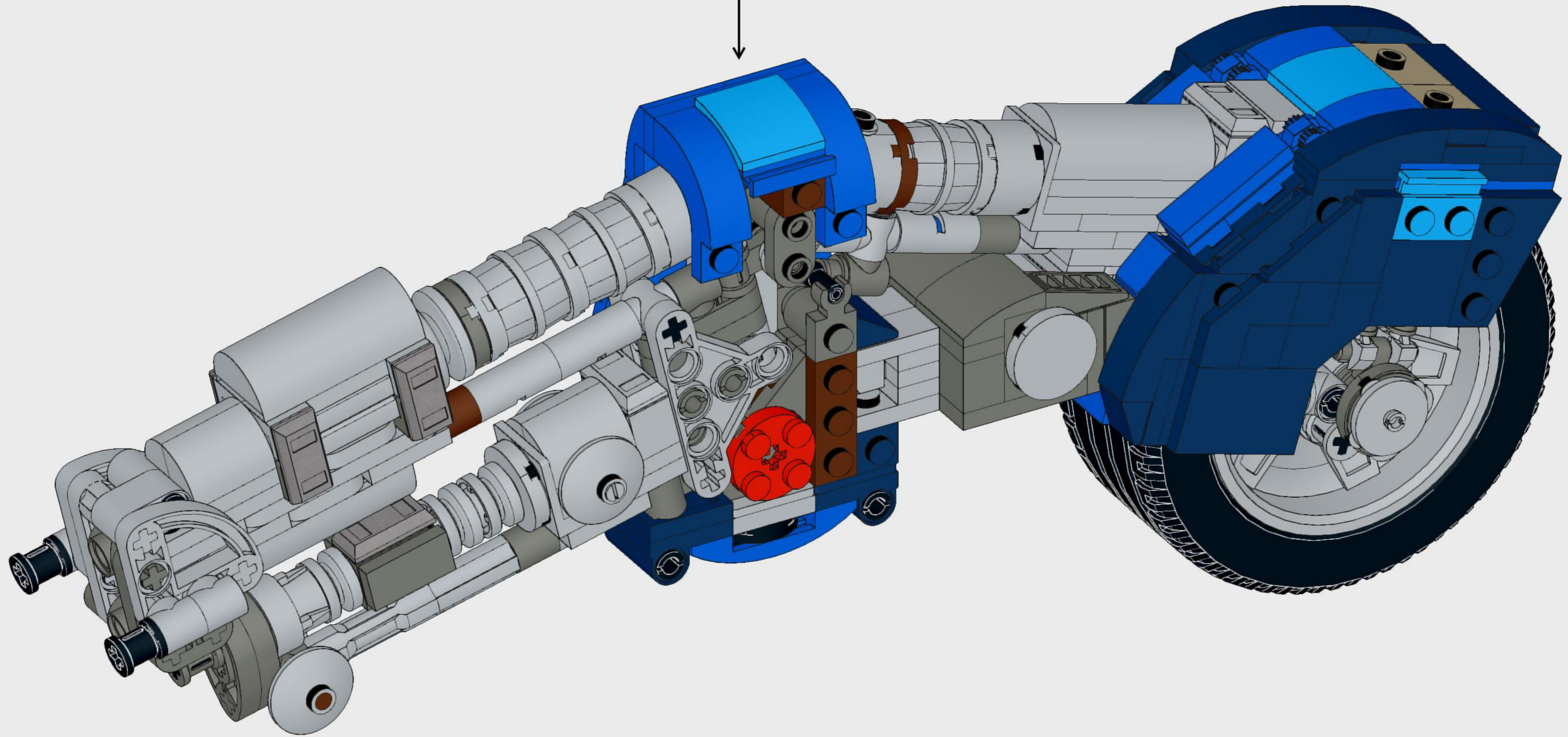
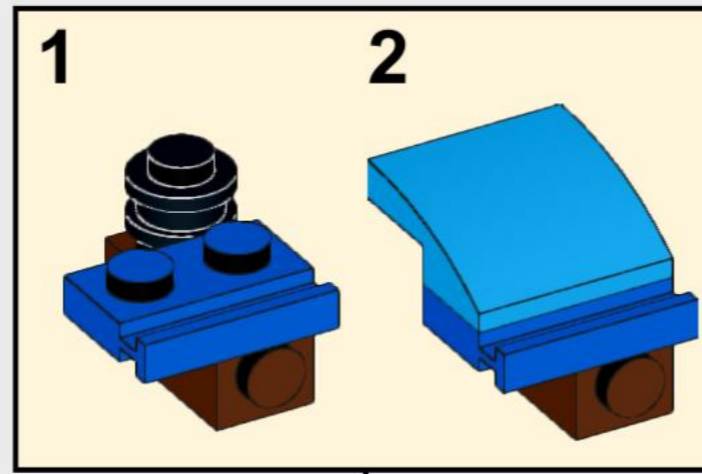


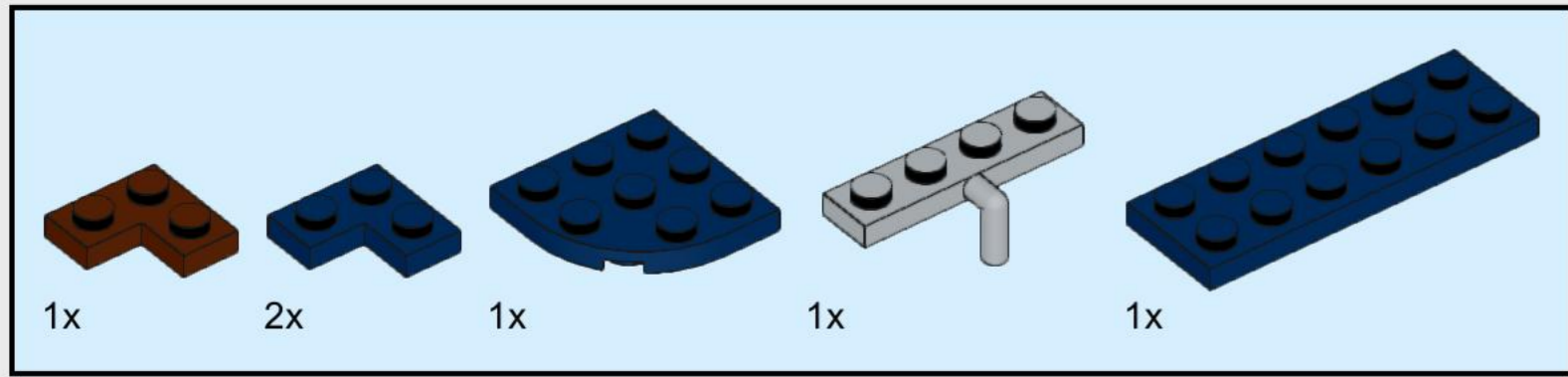
21



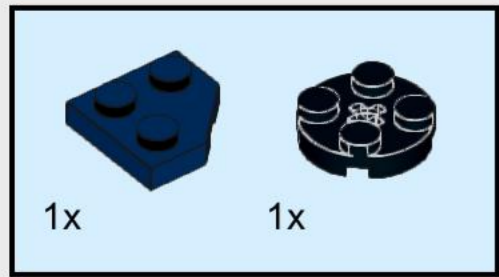
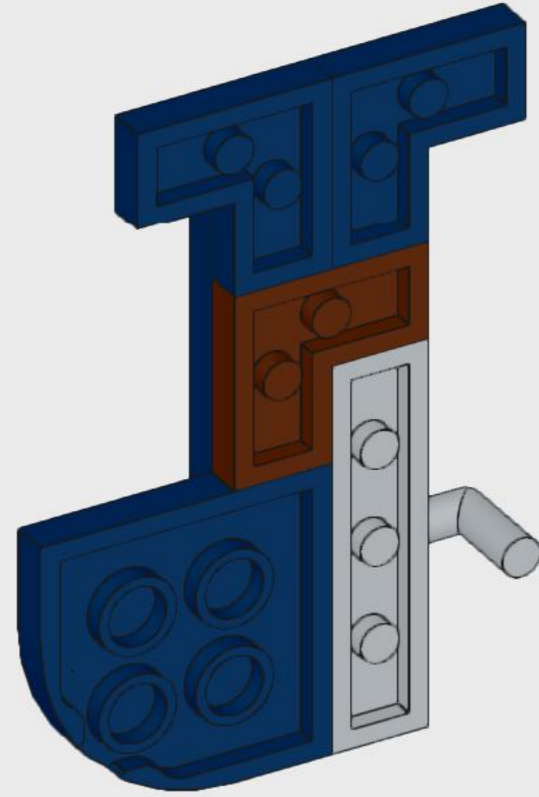


22

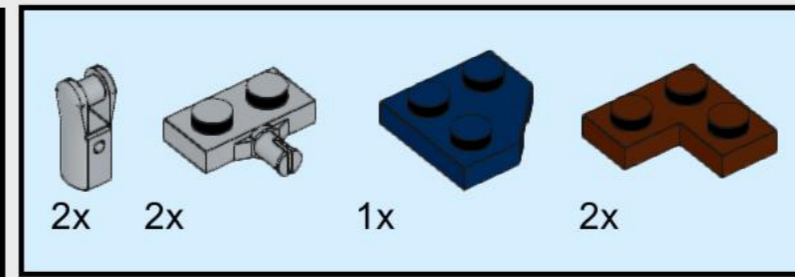
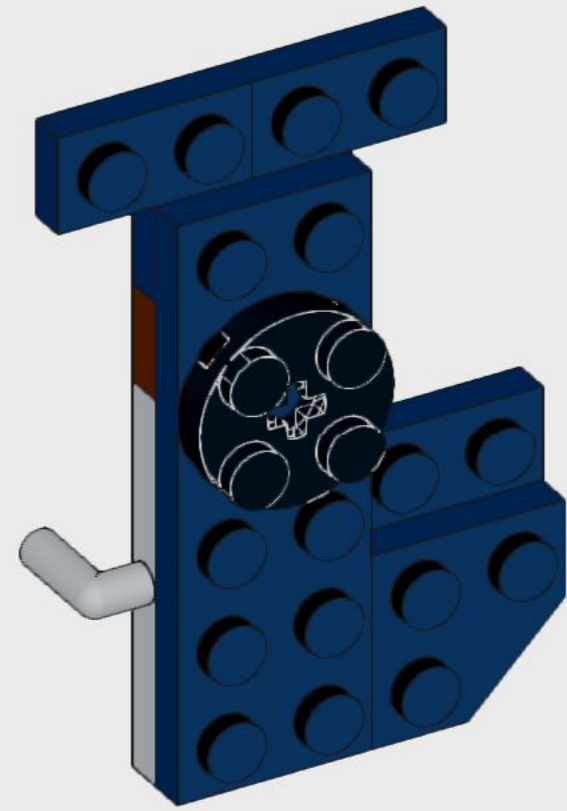




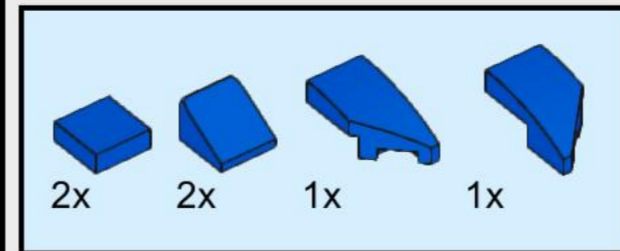
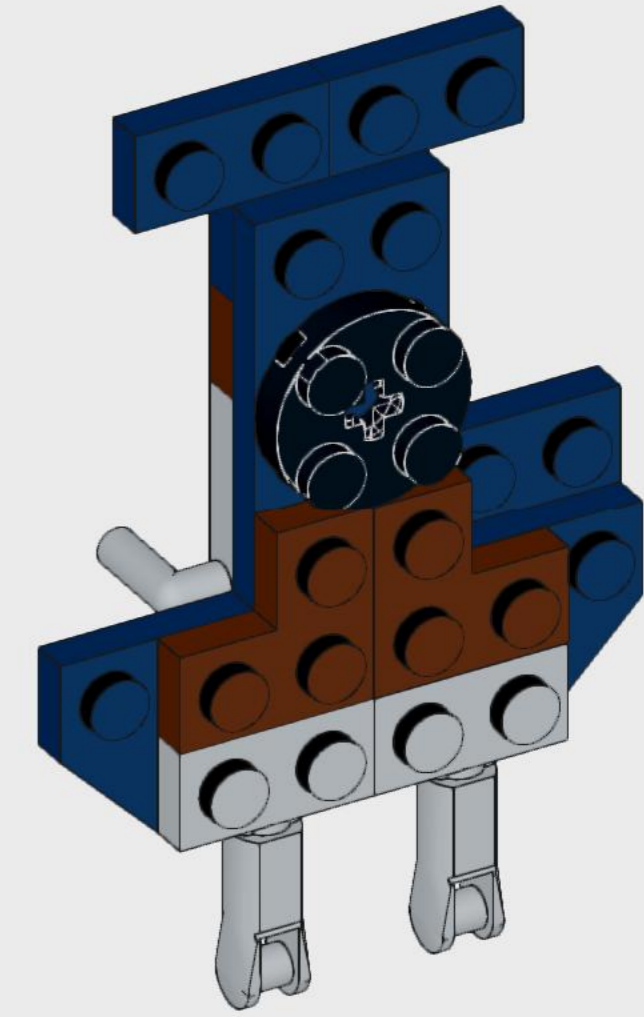
23



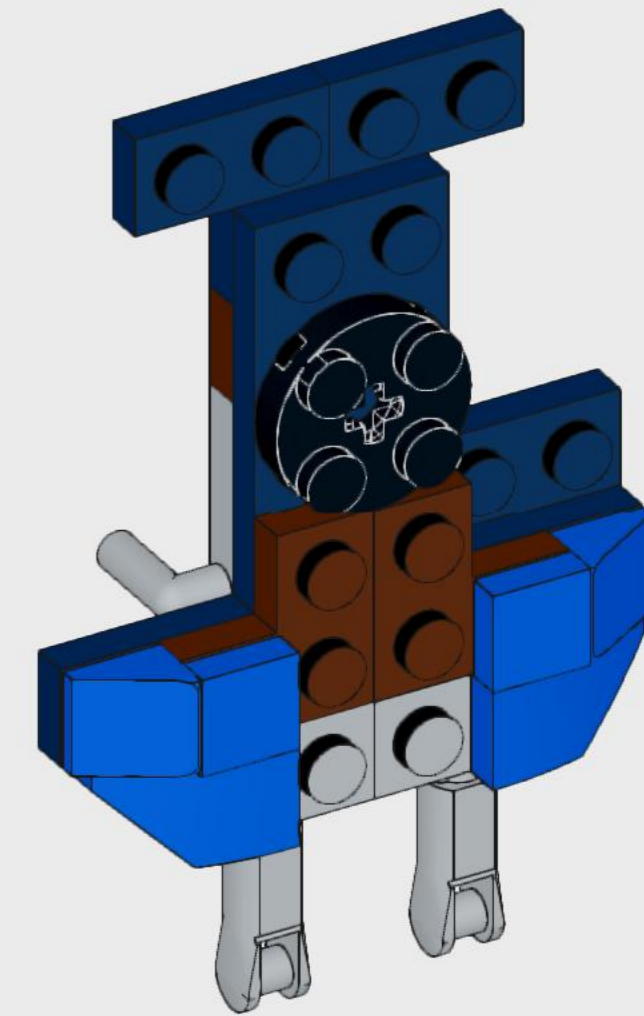
24 

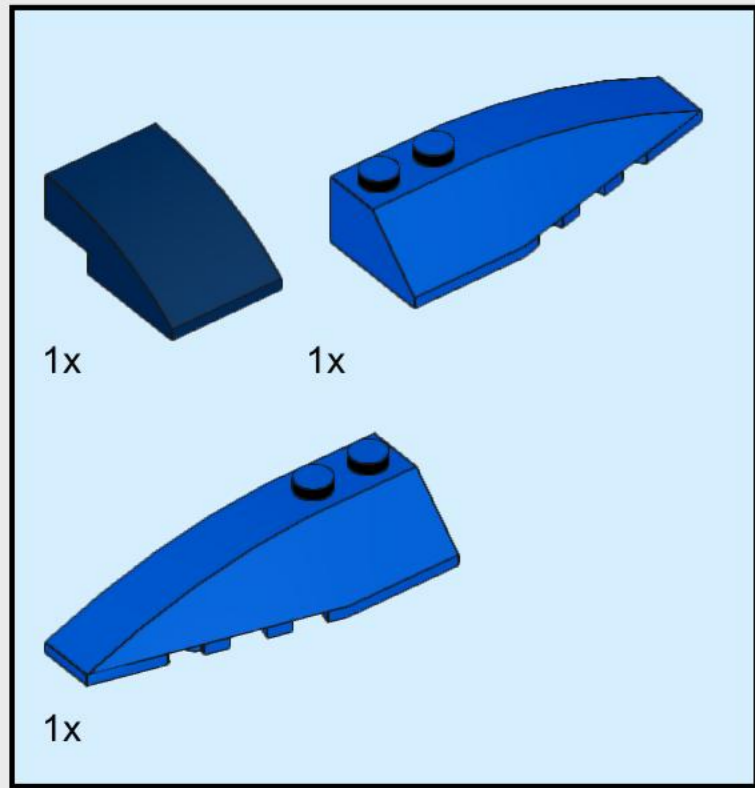


25

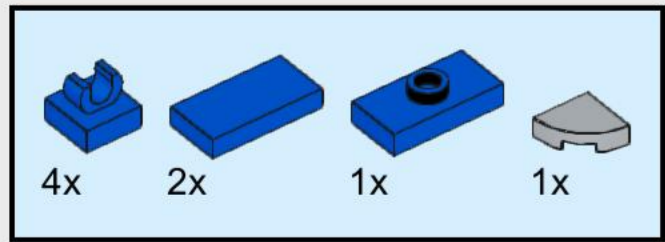
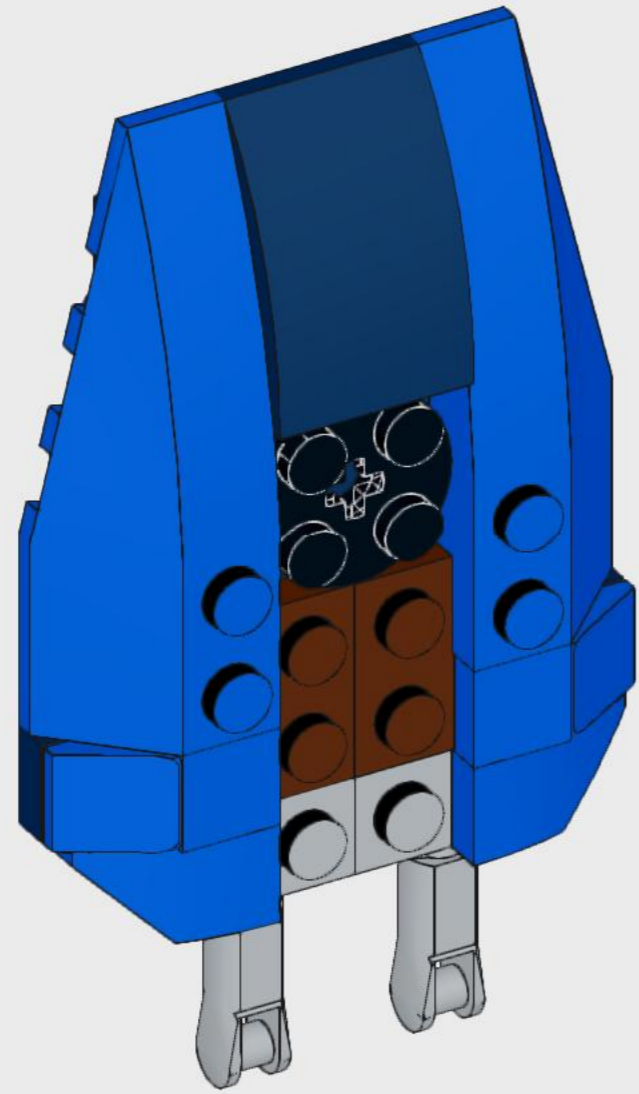


26

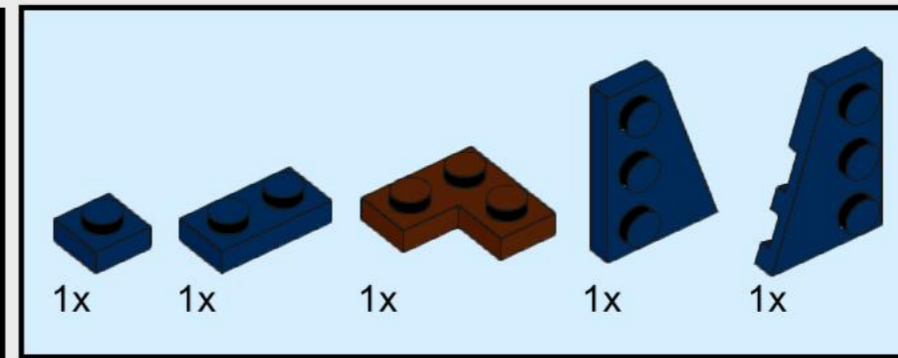
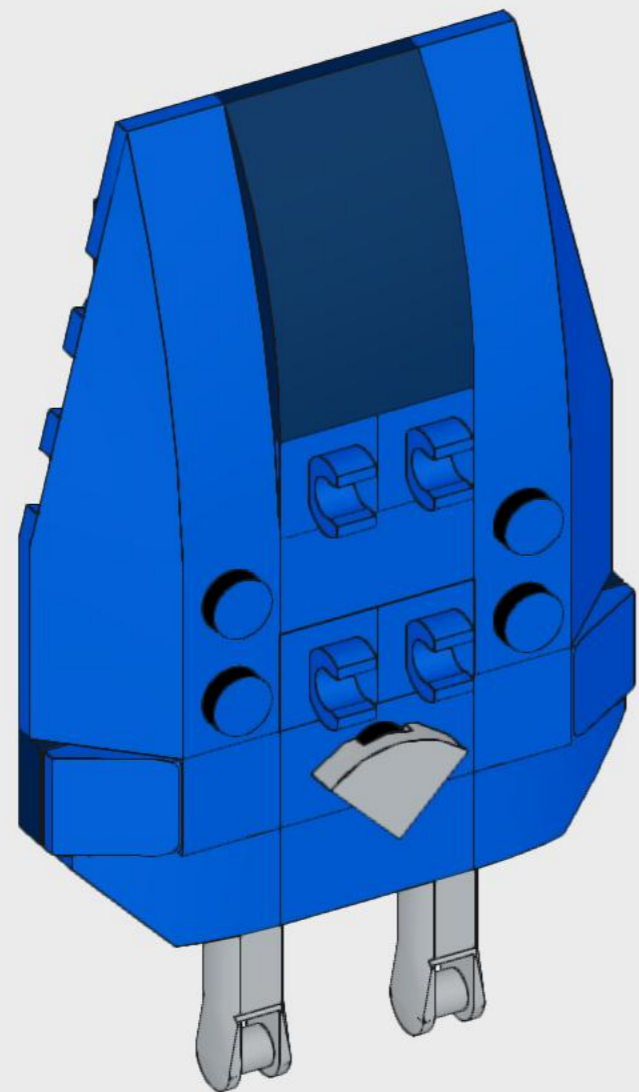




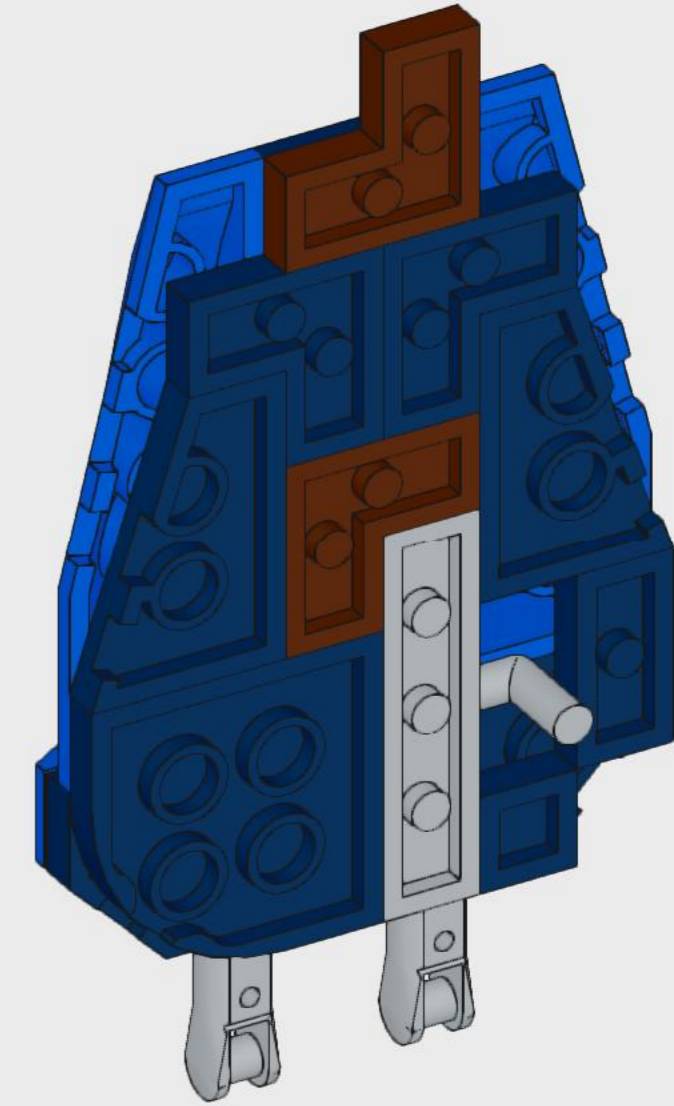
27



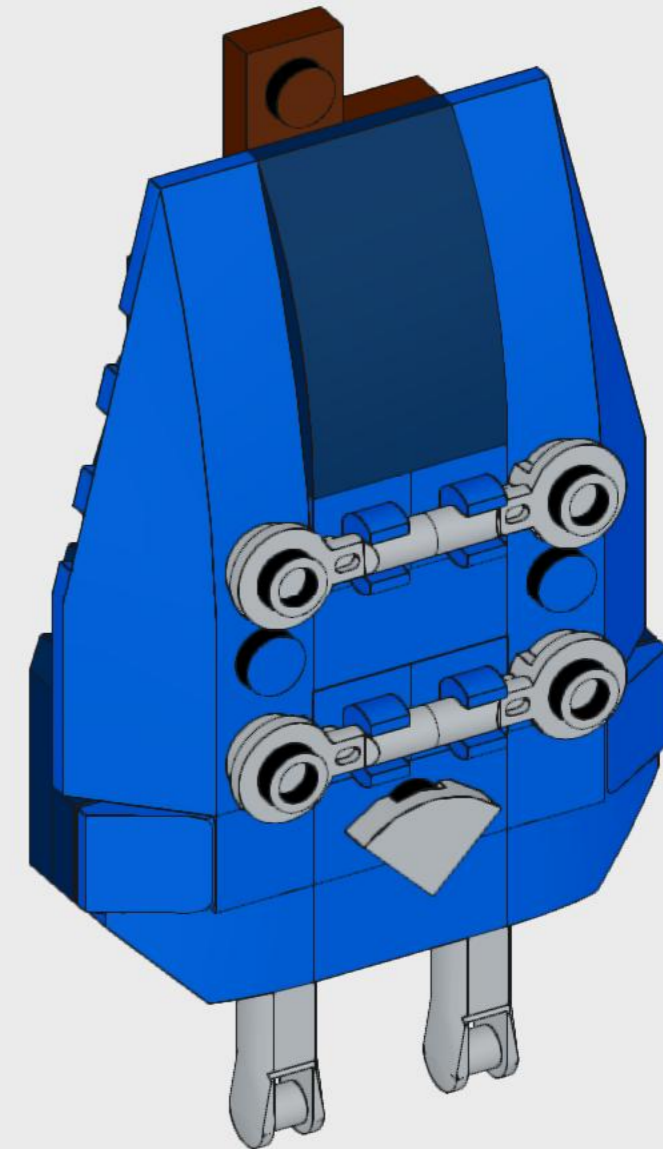
28

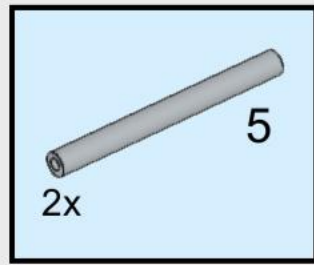


29

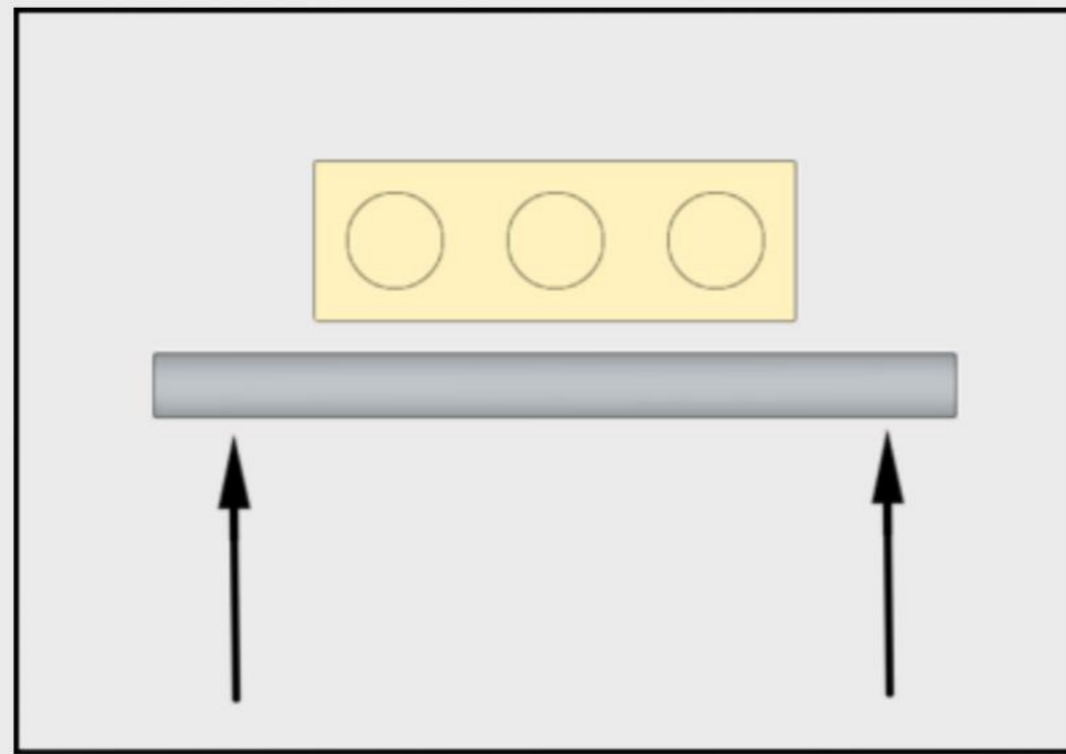


30

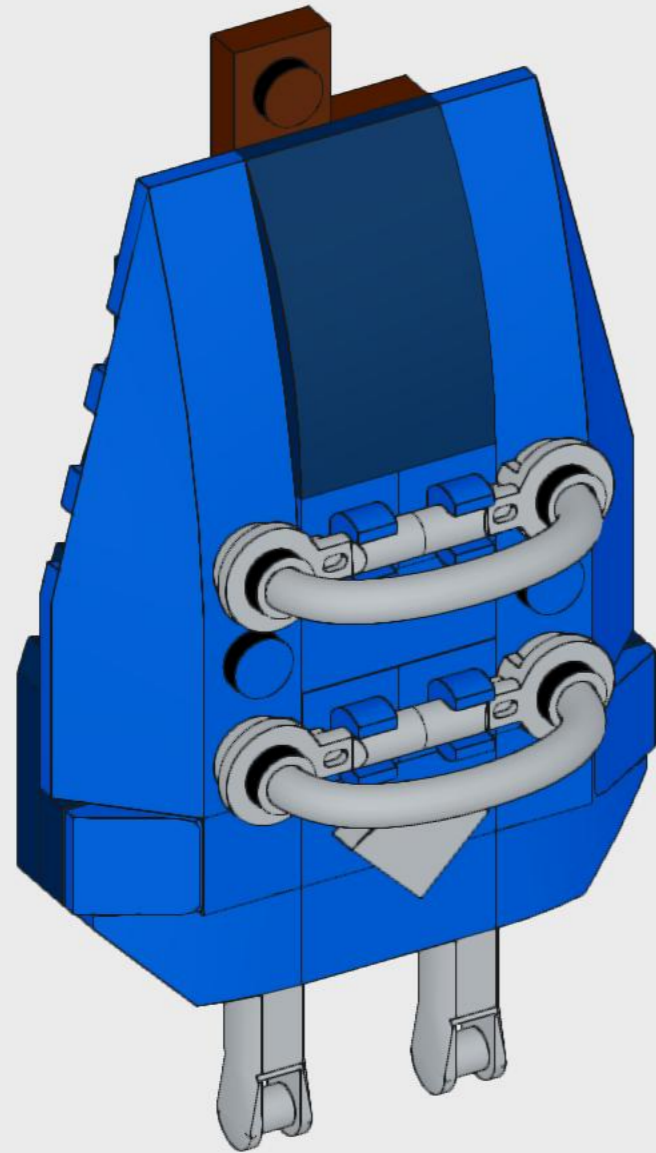




31

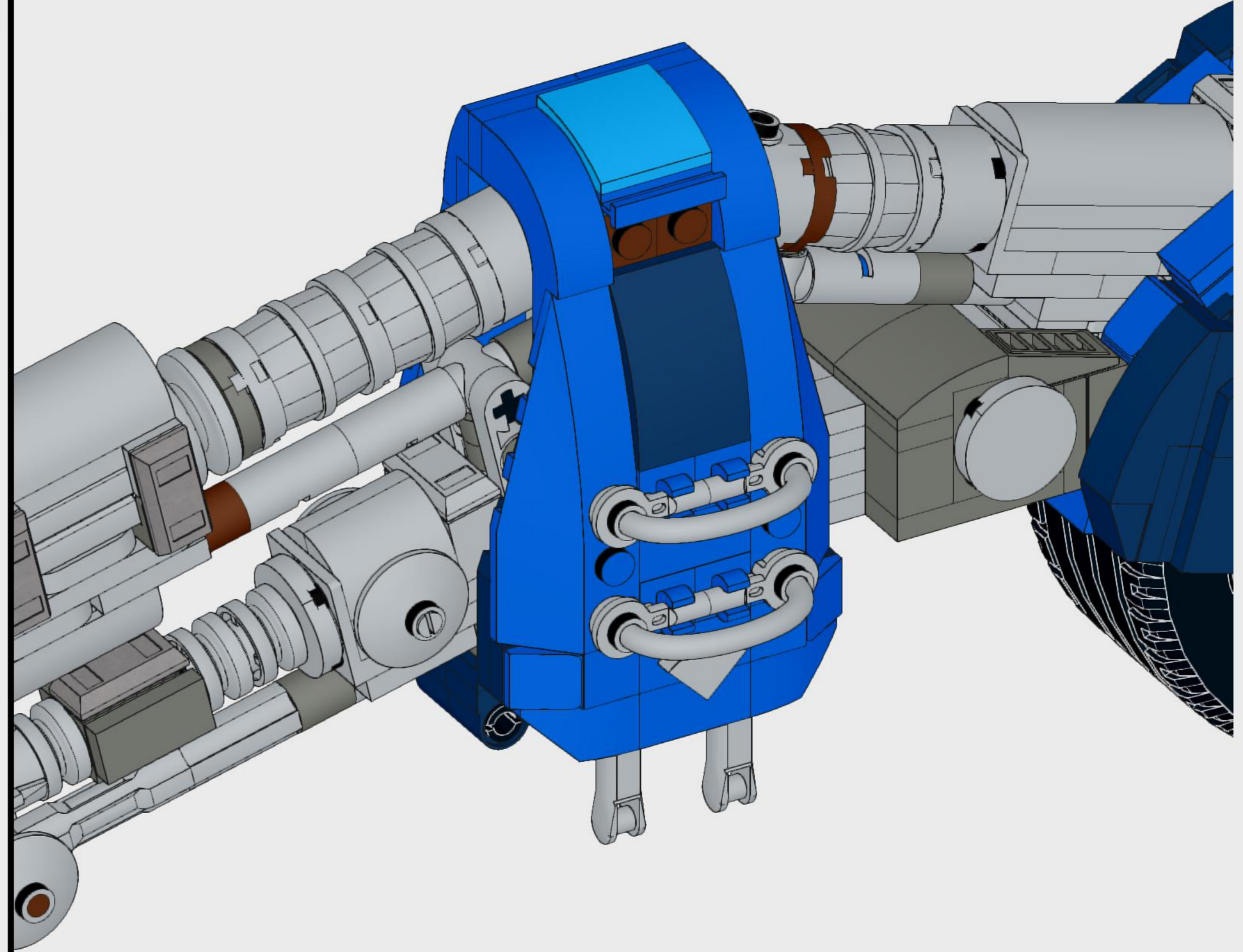


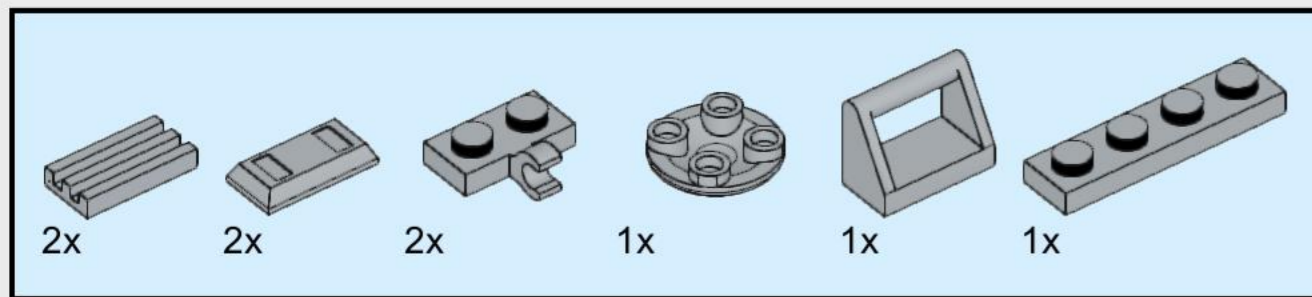
Press 5-long rigid hoses against the corners of a 3-long plate to crease/pinch the hose at a 90 degree angle. Then insert into hollow studs.



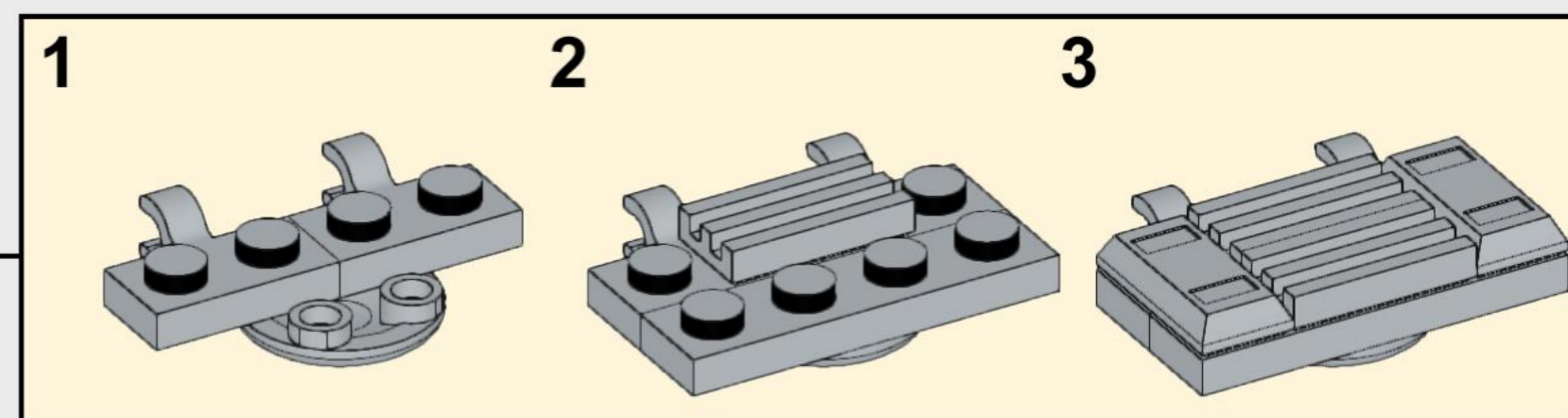
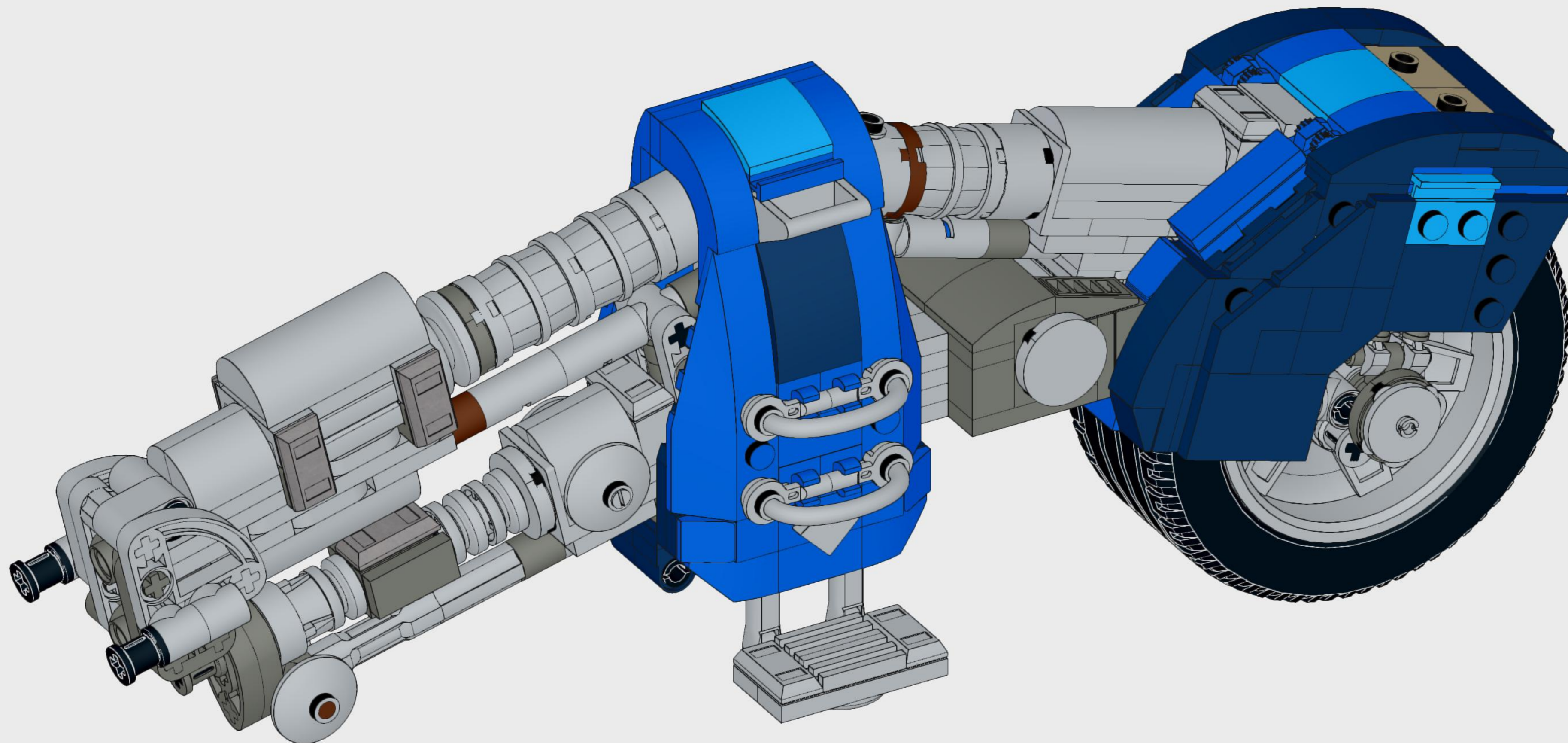
32

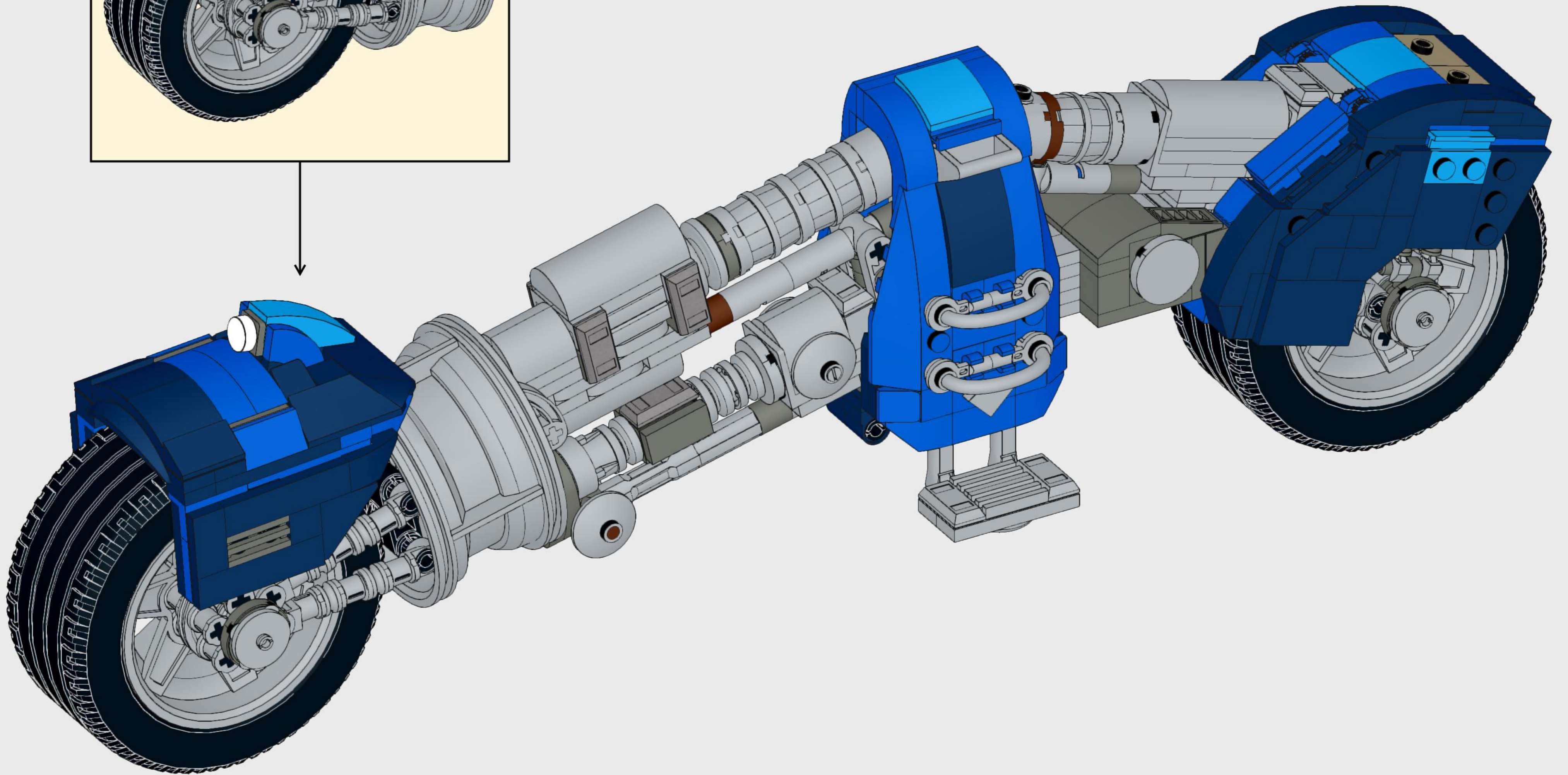
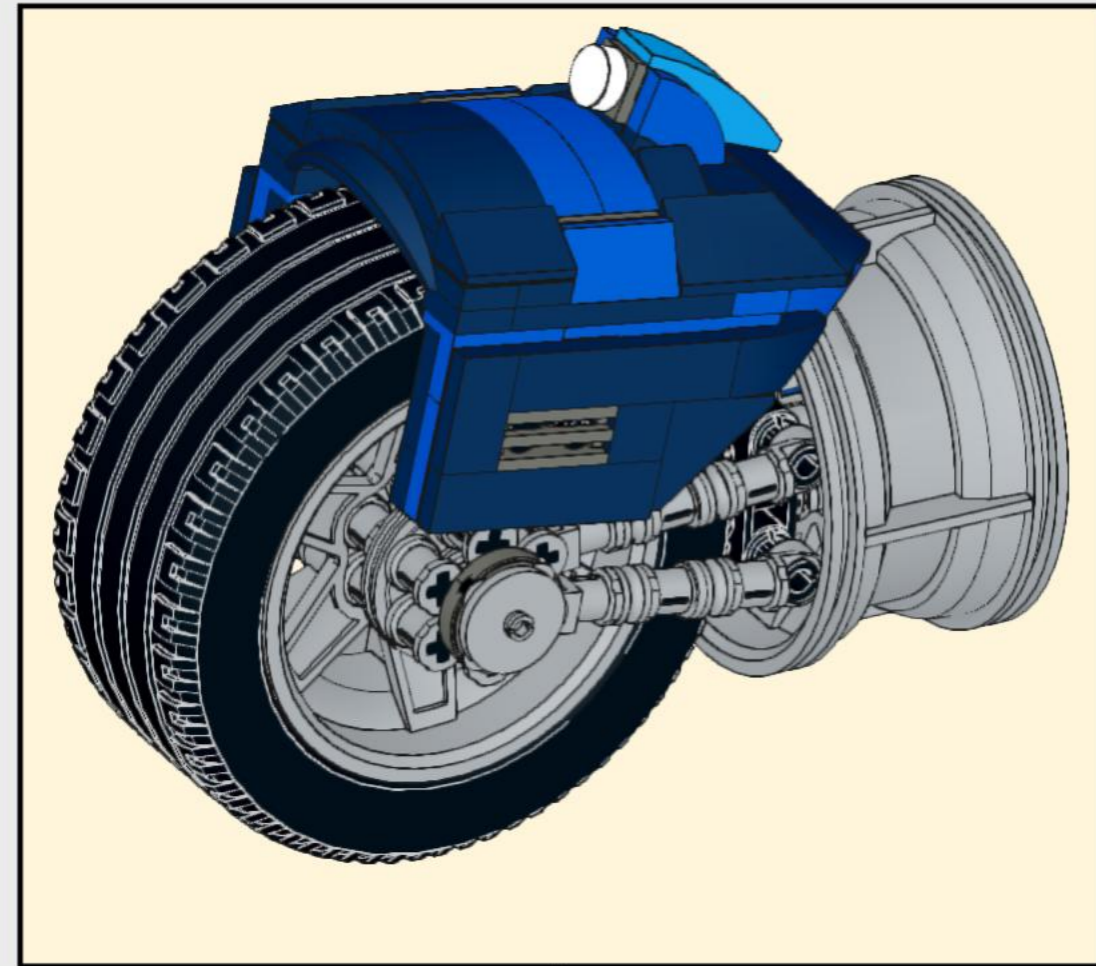
Note that this section will fit somewhat tight when placed, due to the grey arms putting pressure on the arched bricks.



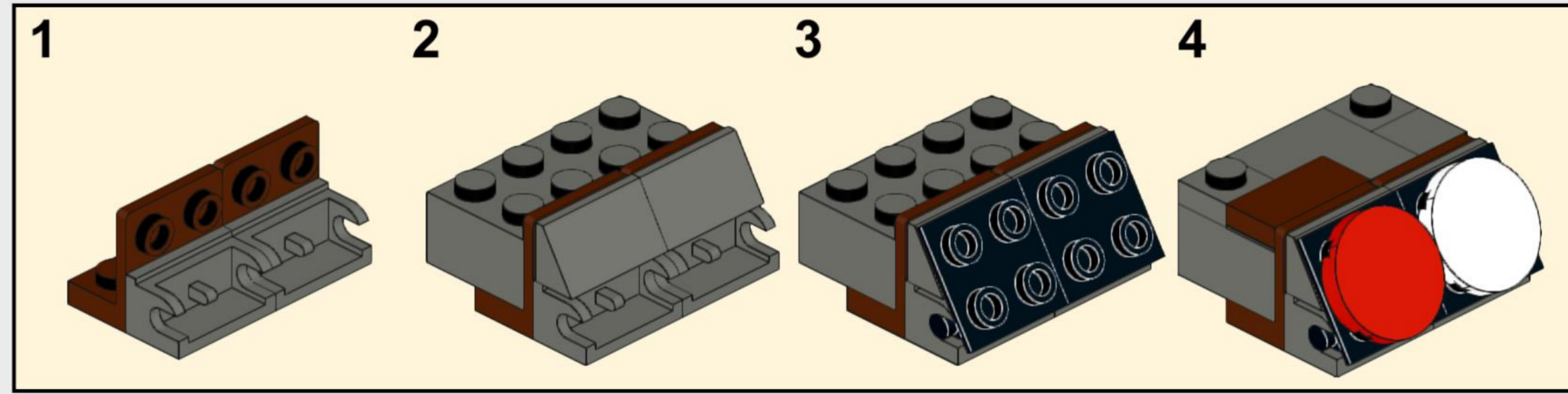
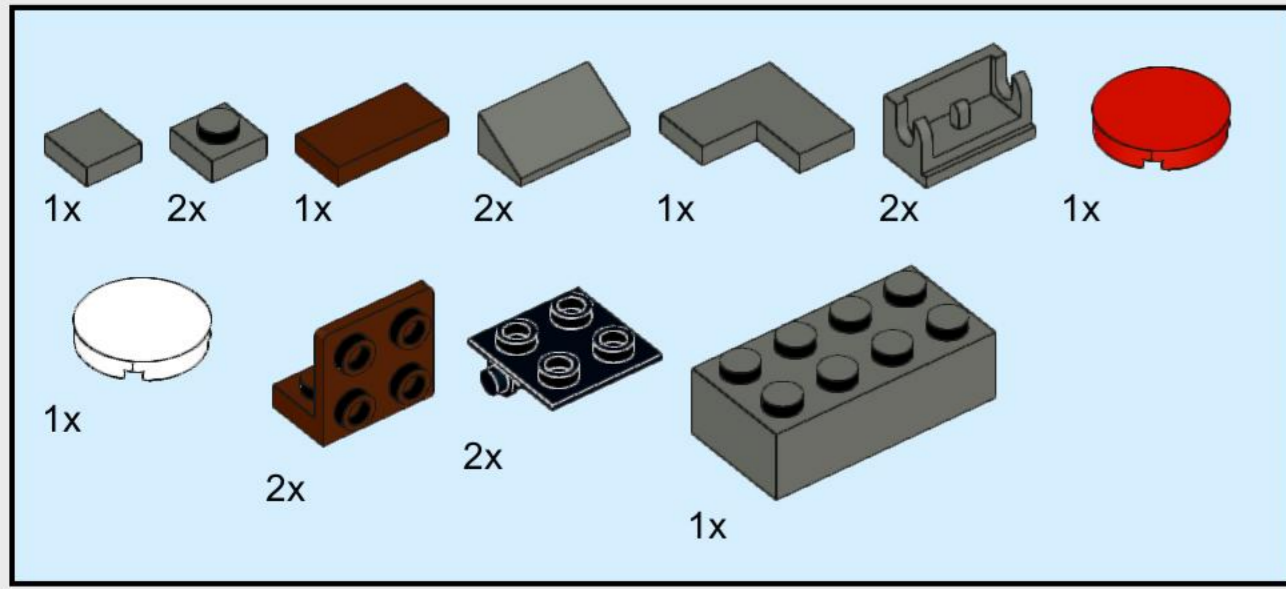


33

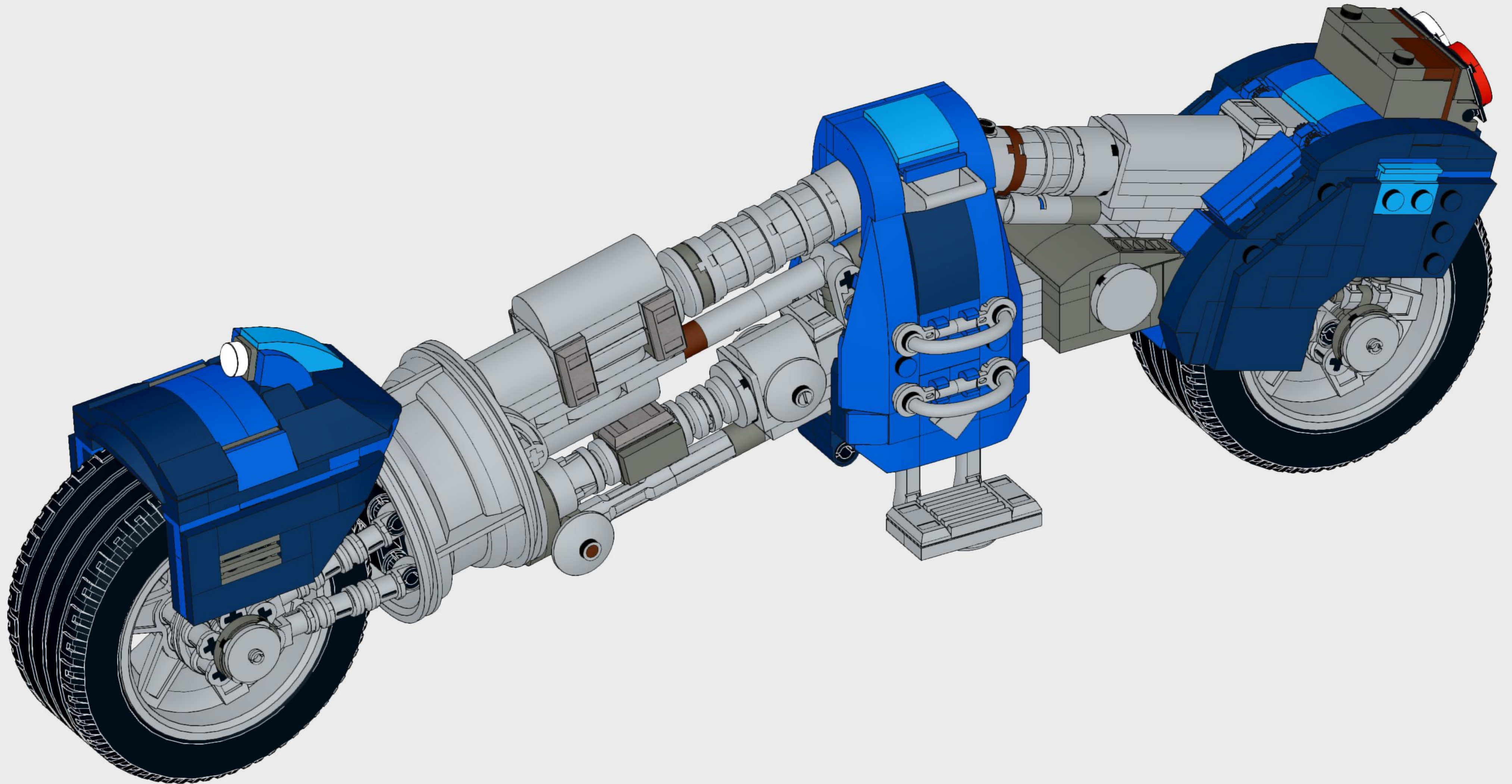


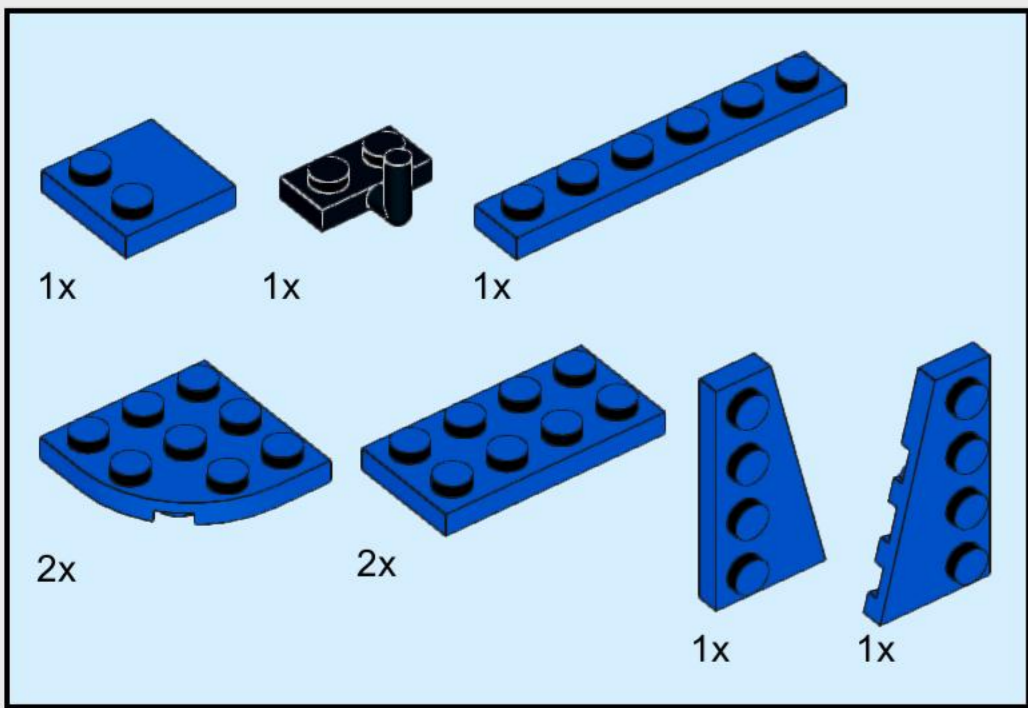
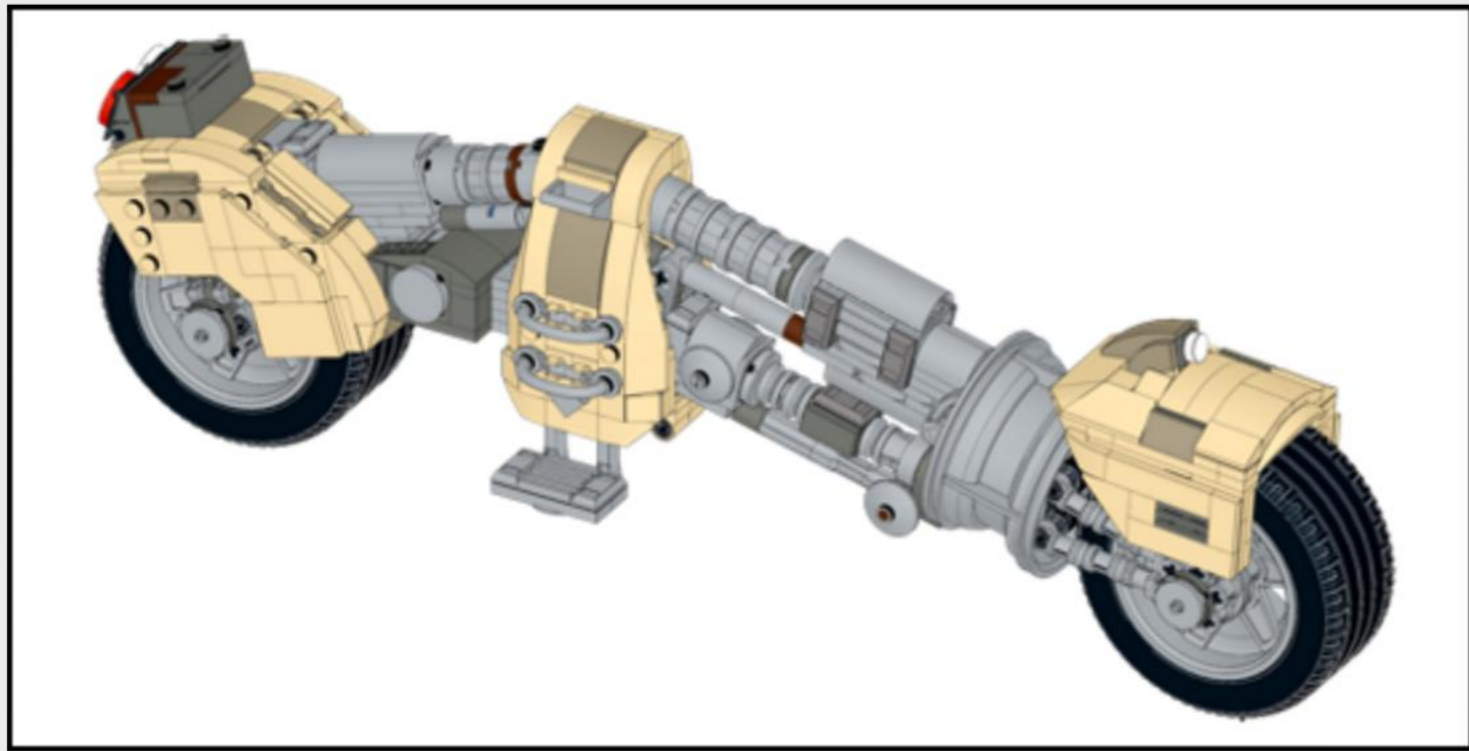




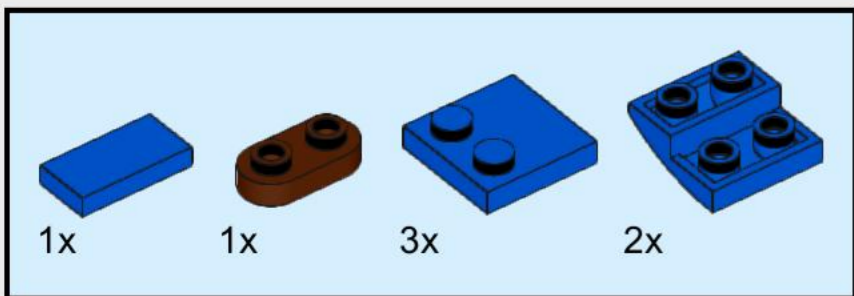


35

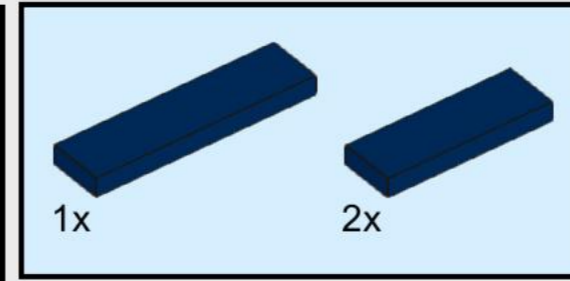
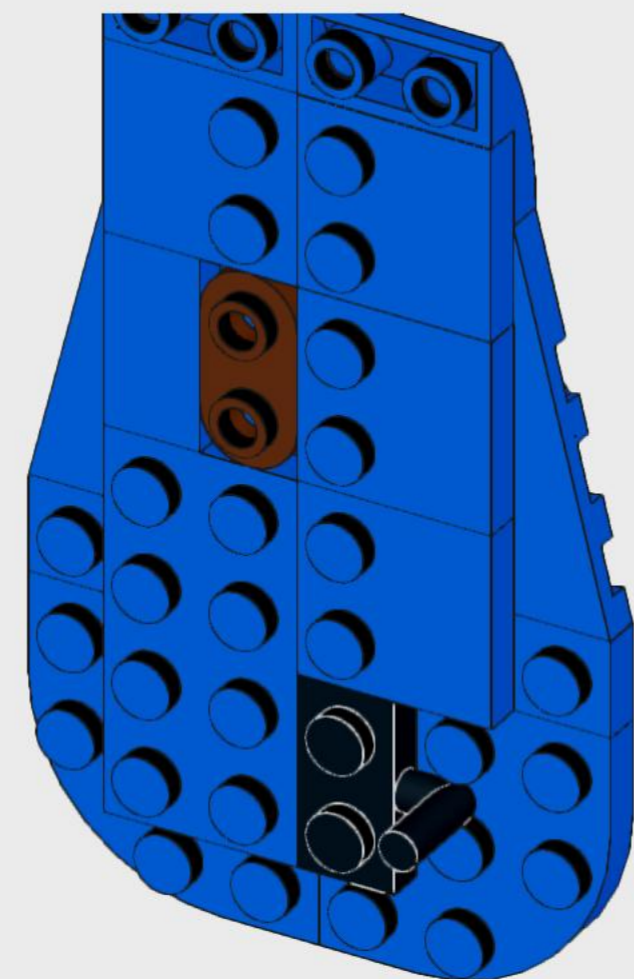
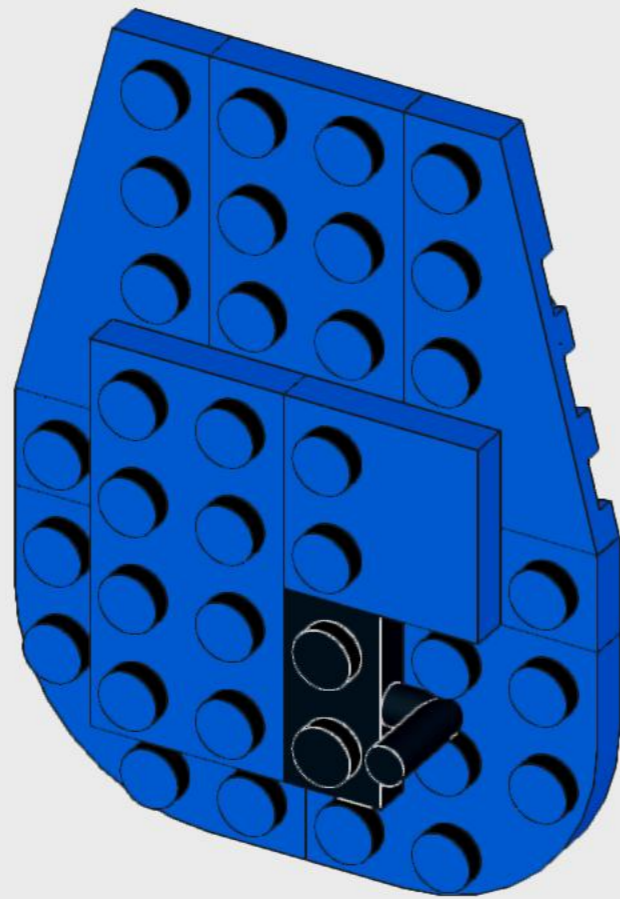




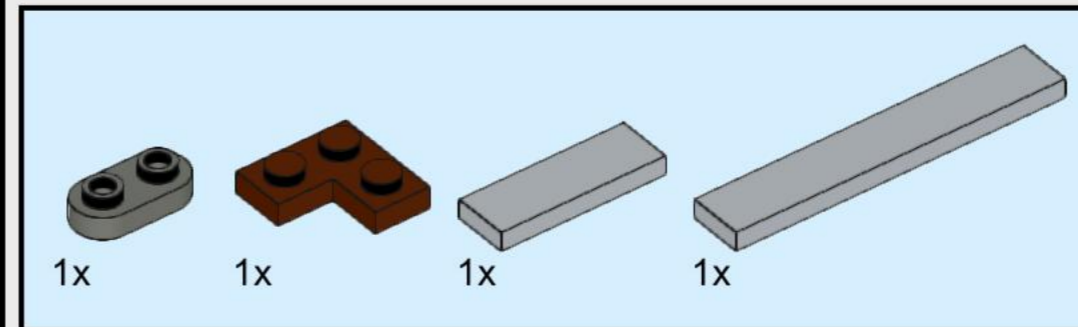
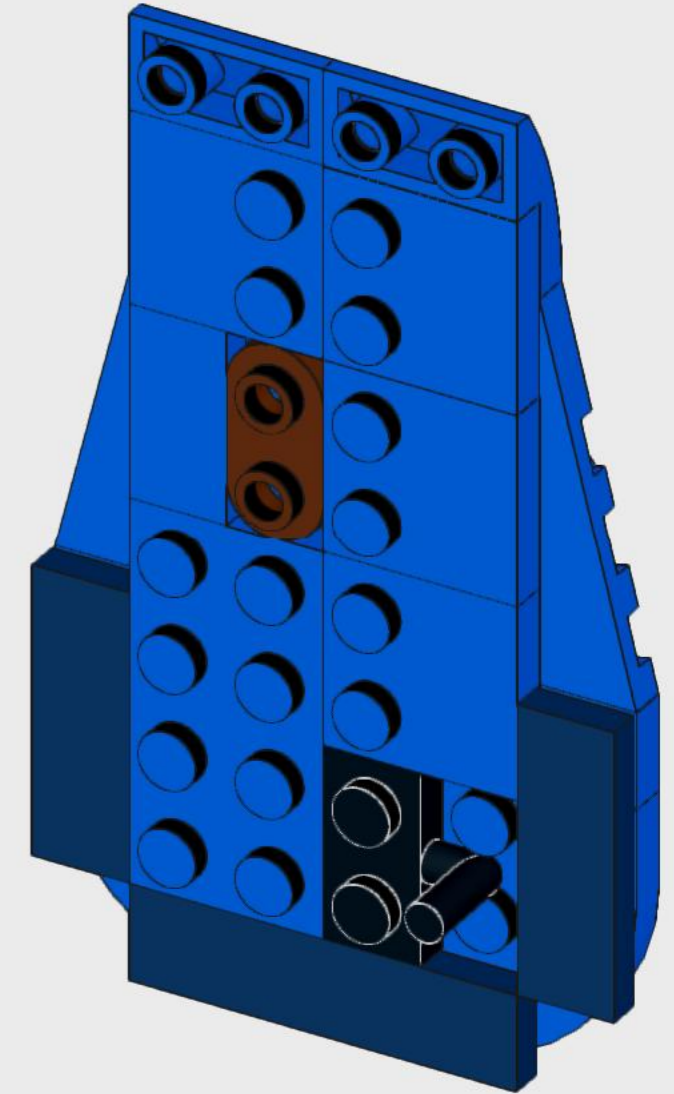
1



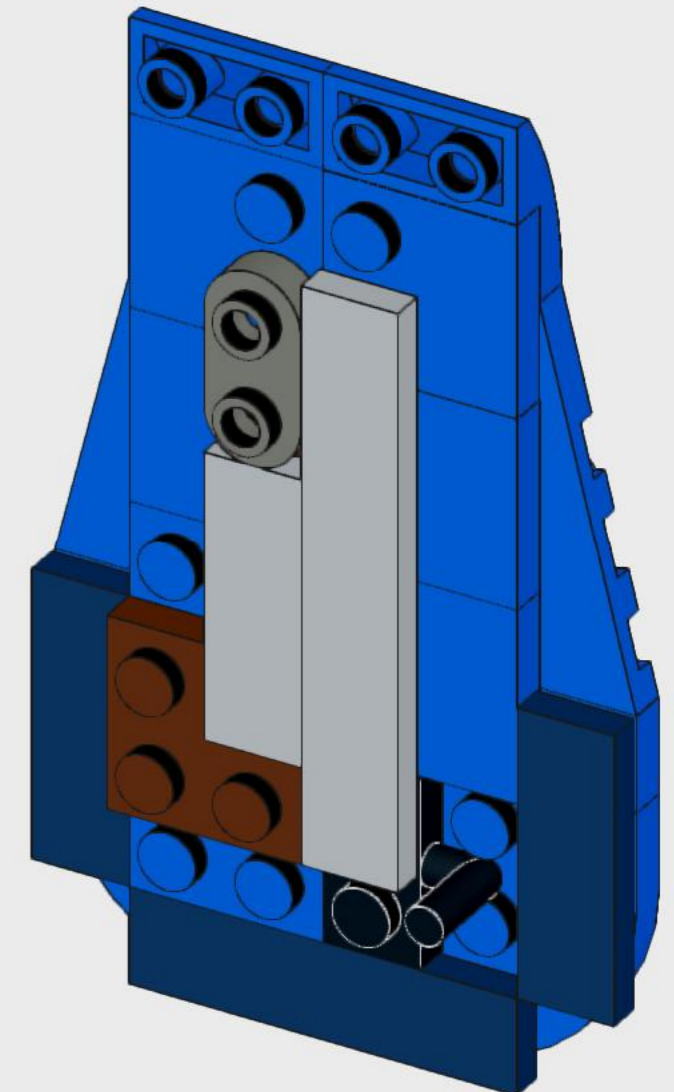
2

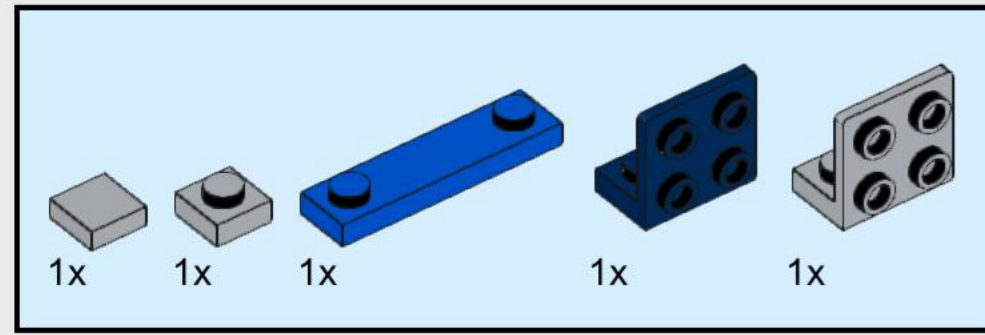


3



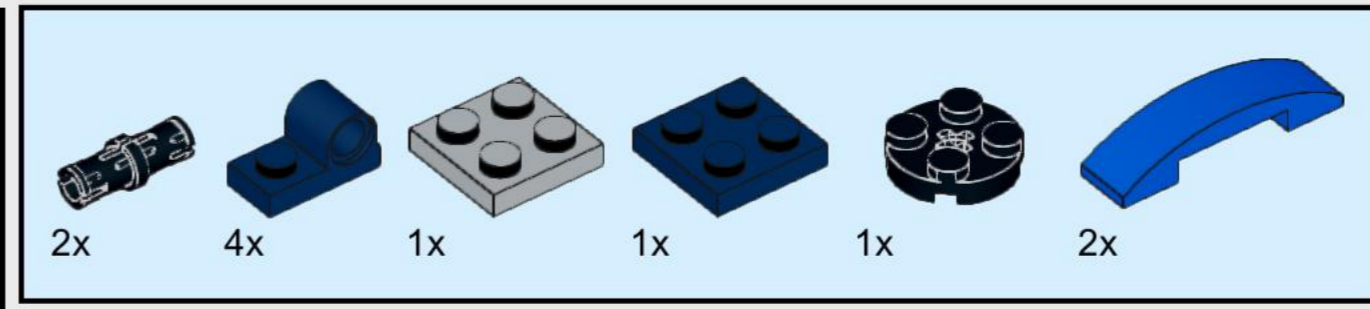
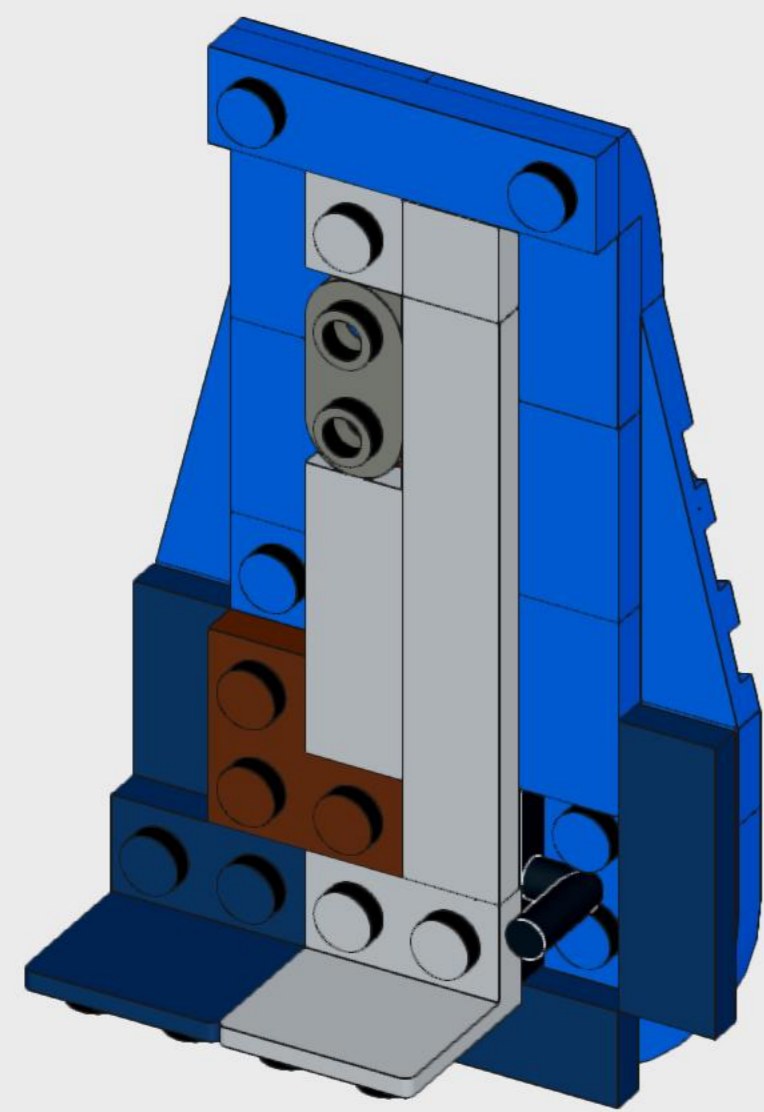
4



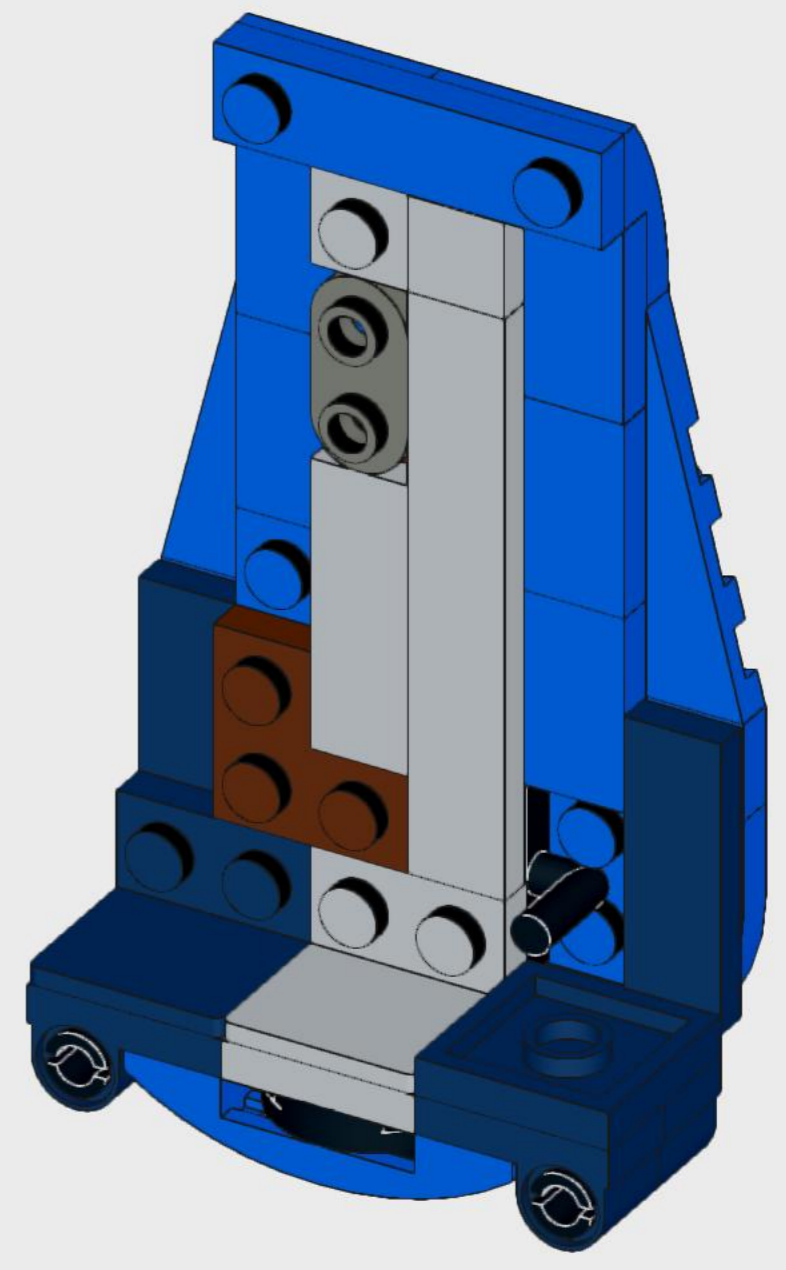
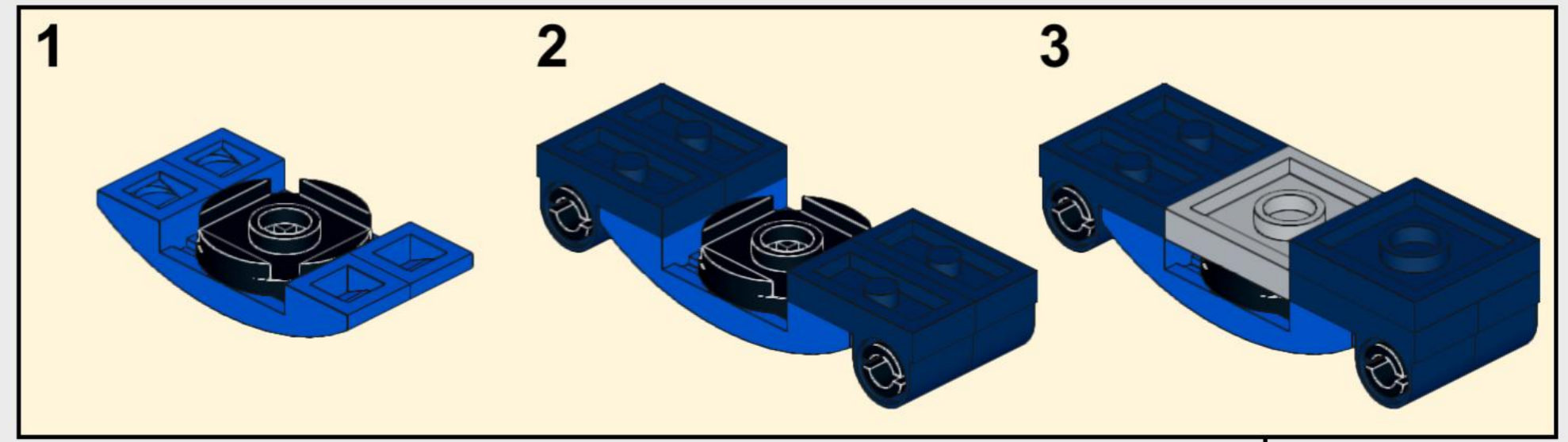


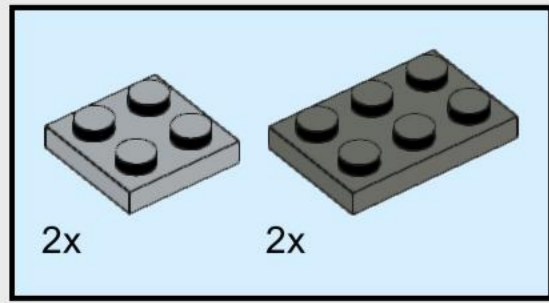
Blue "1x4 plate with 2 studs" isn't produced. Use 1x1 plates and 1x2 tile instead.

# 5

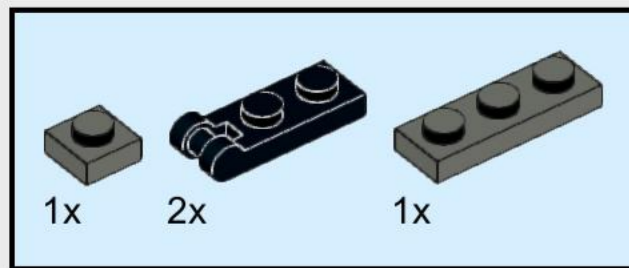
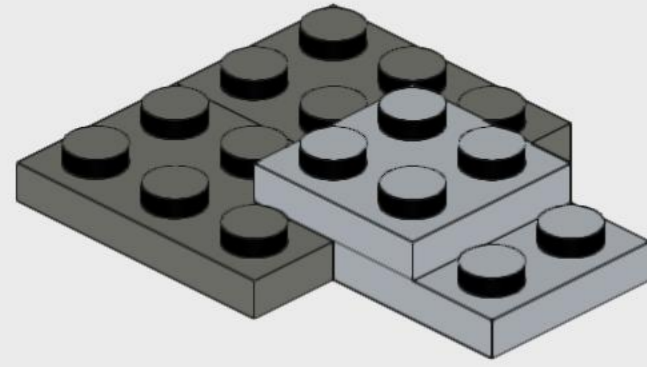


# 6

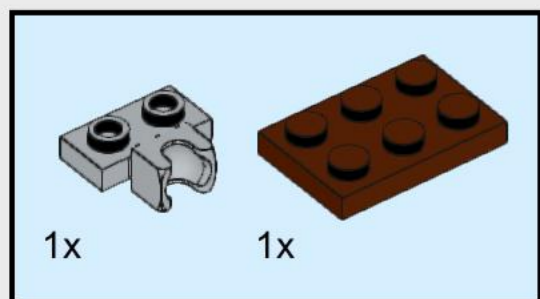
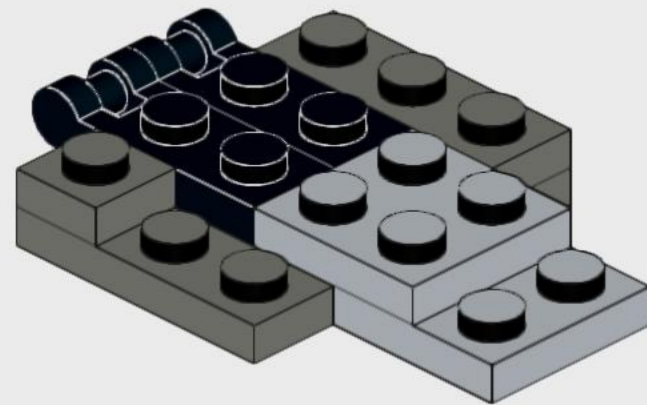




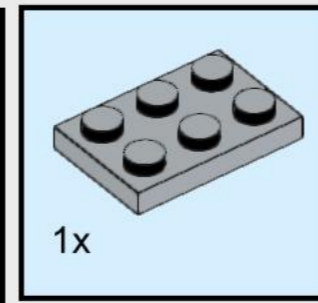
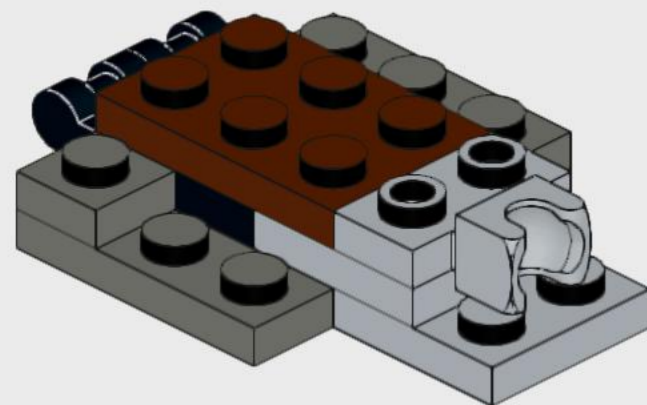
7



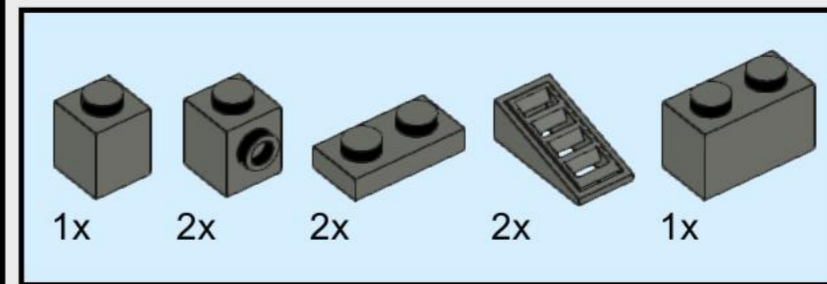
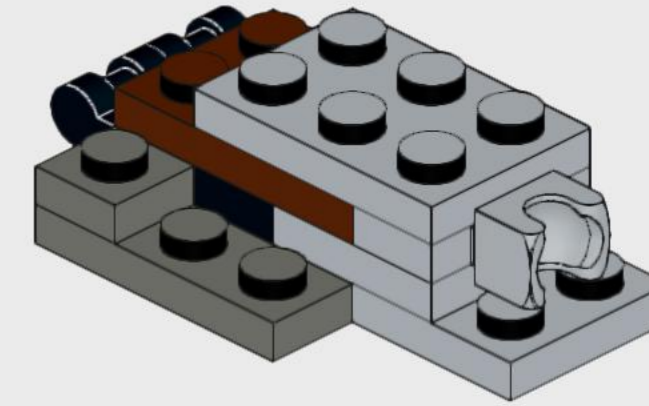
8



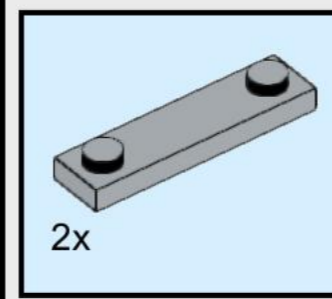
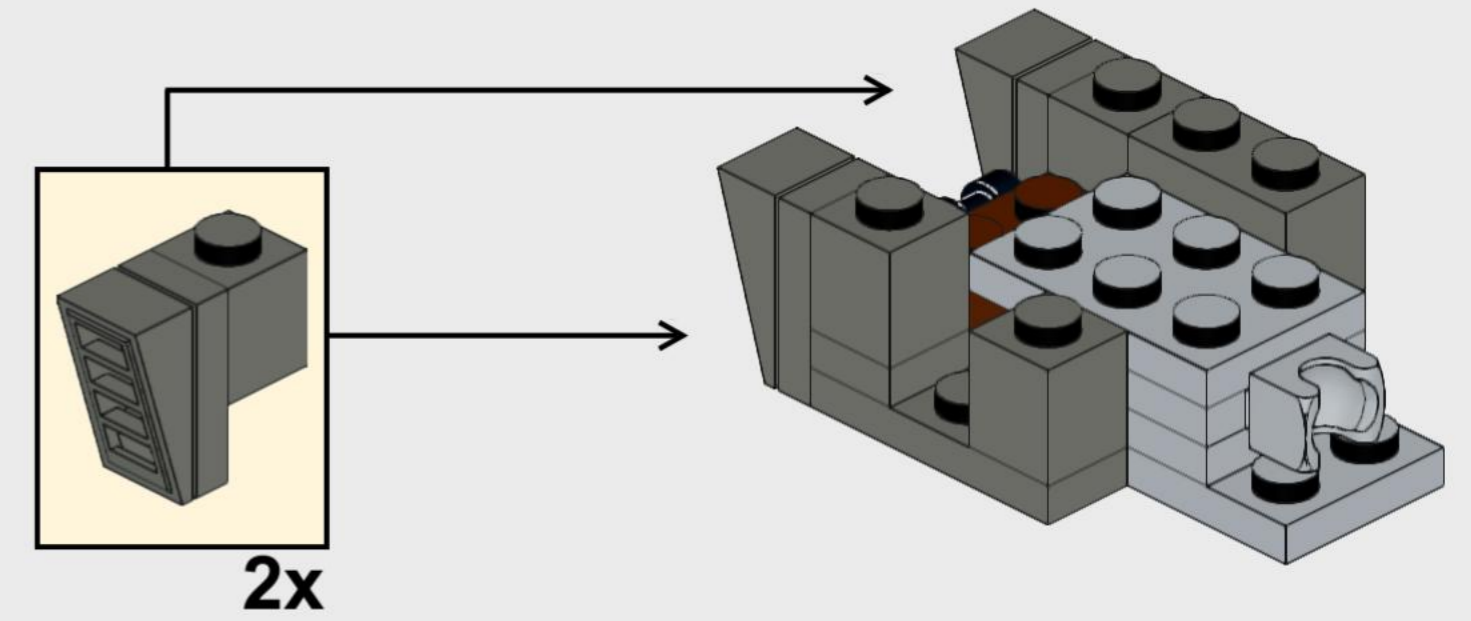
9



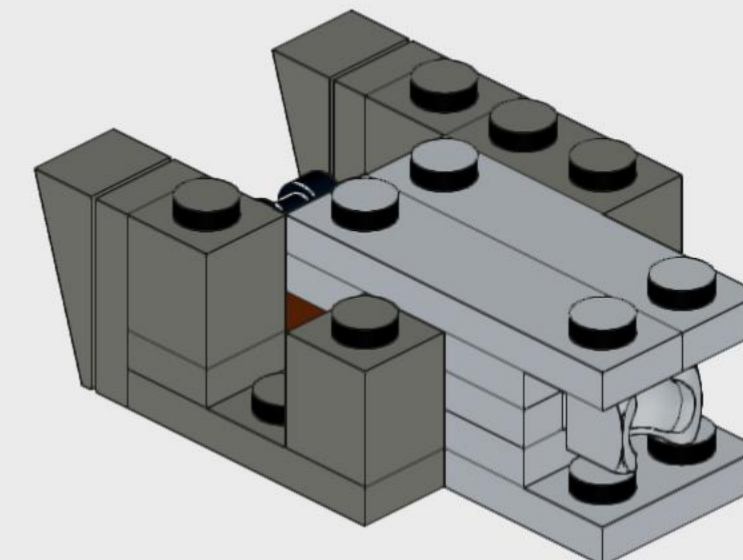
10

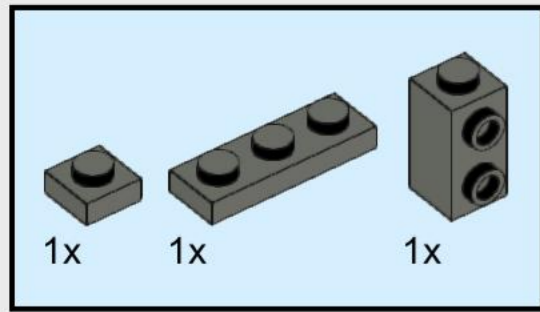


11

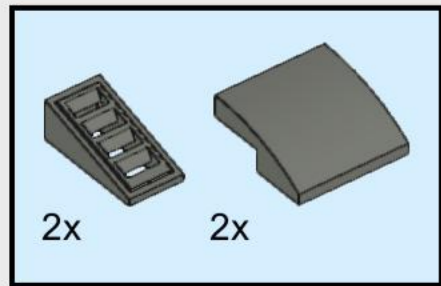
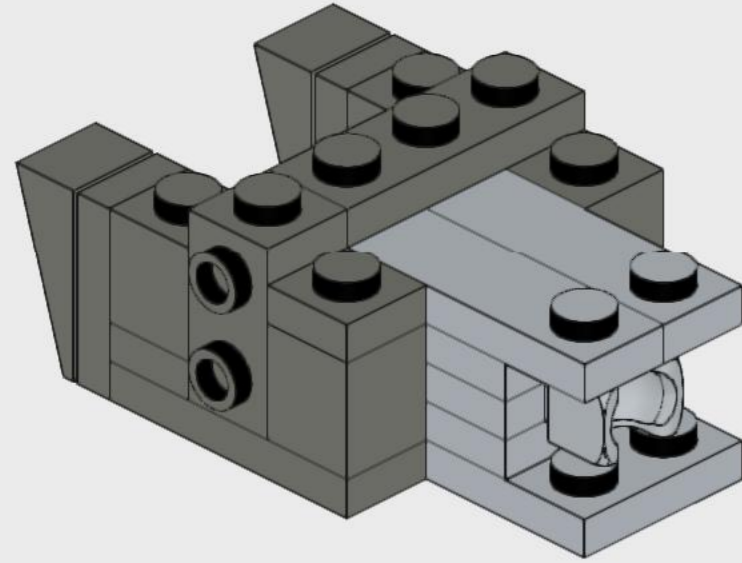


12

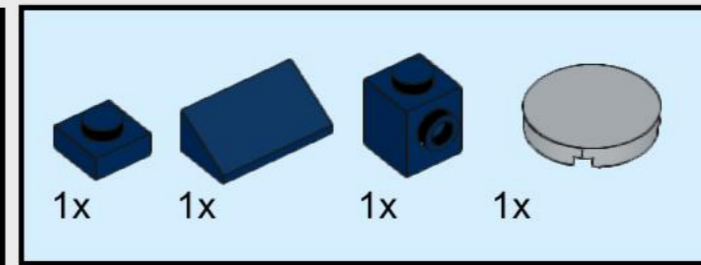
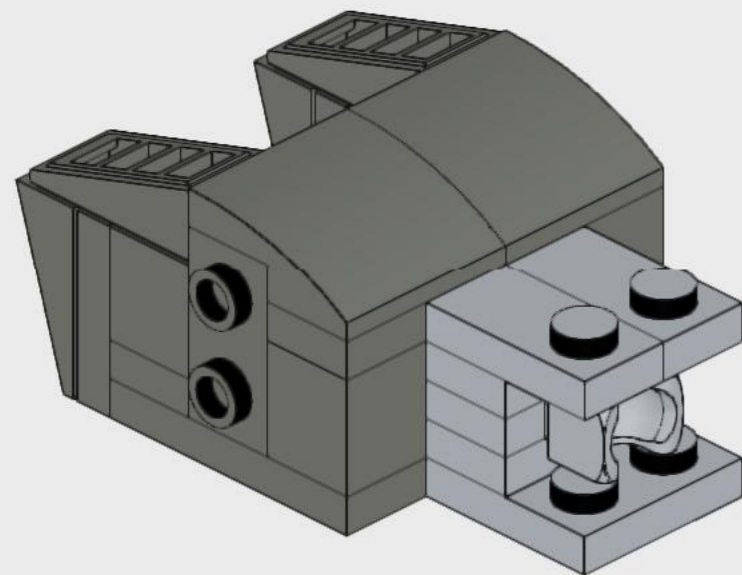




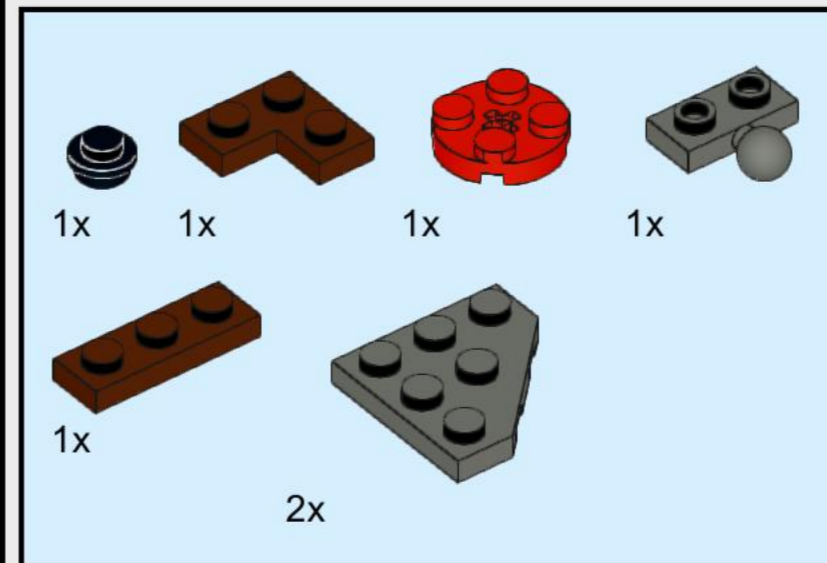
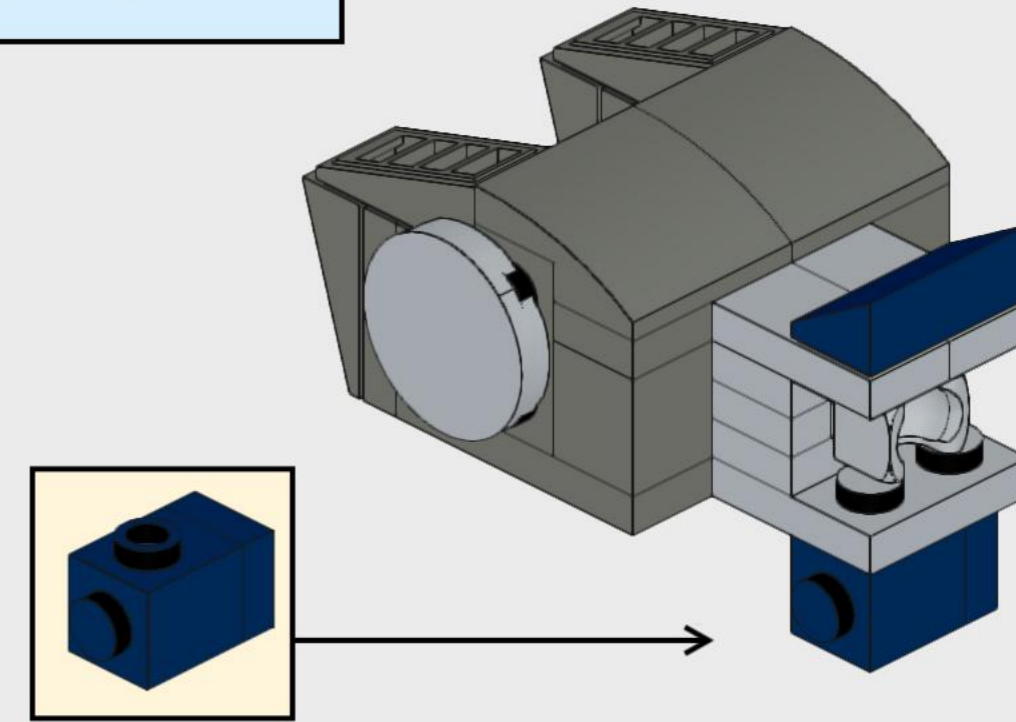
13



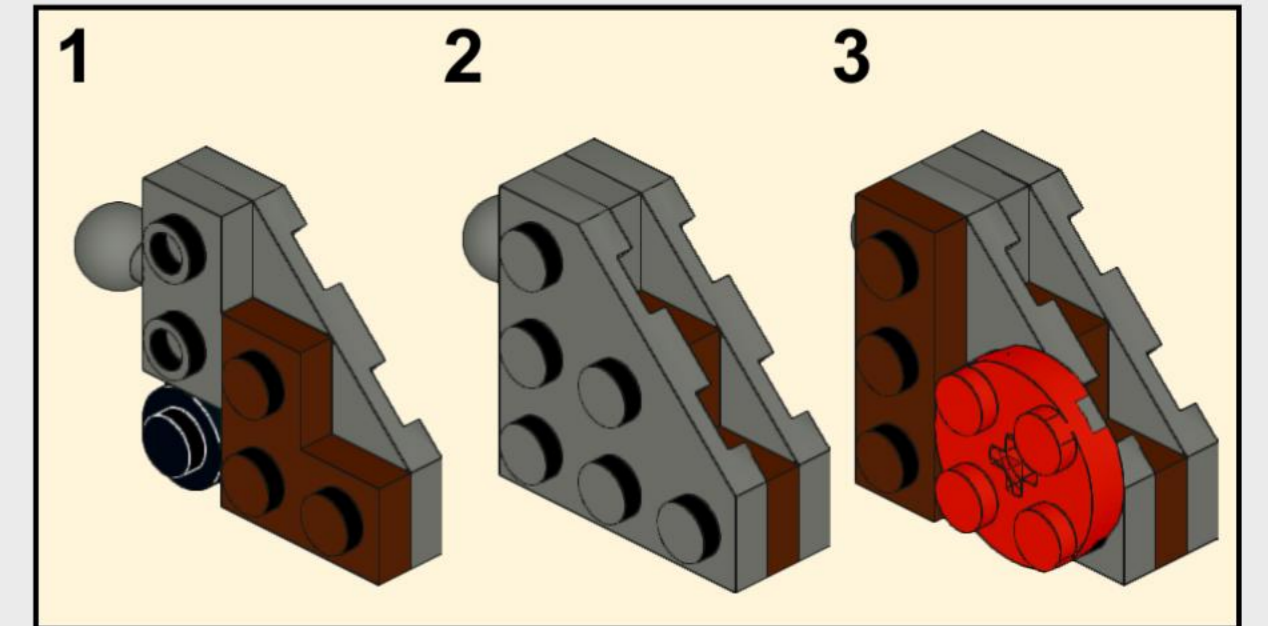
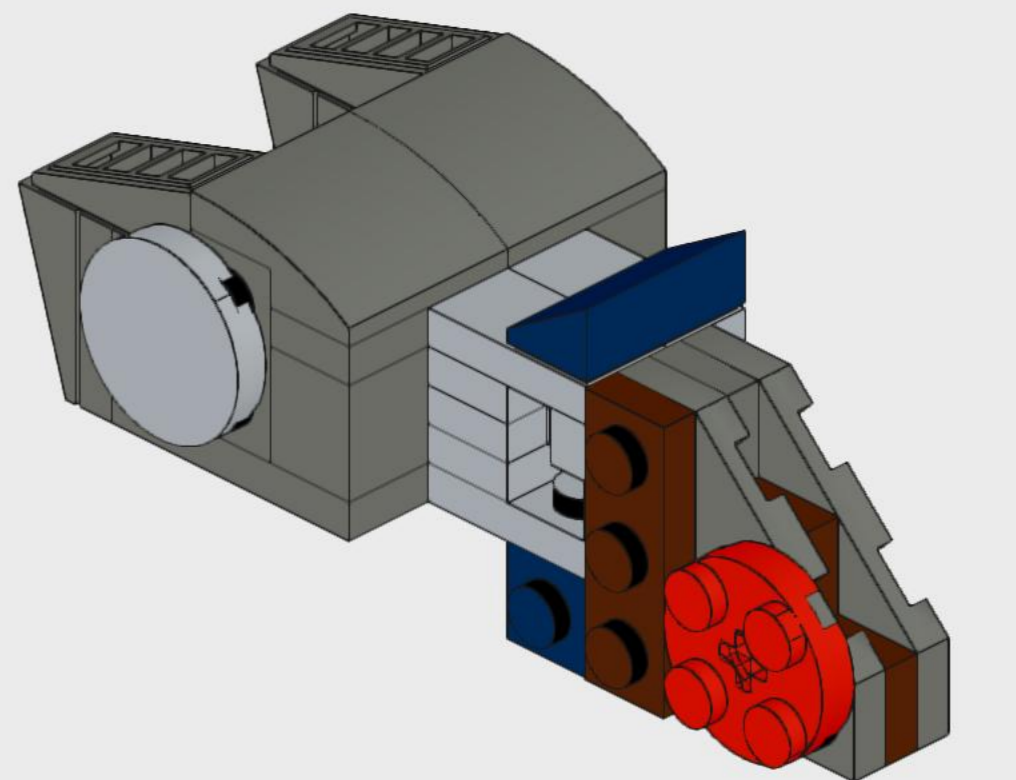
14



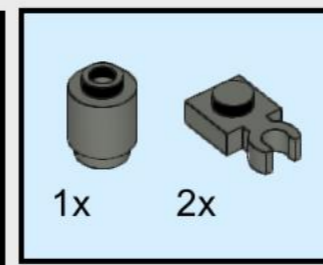
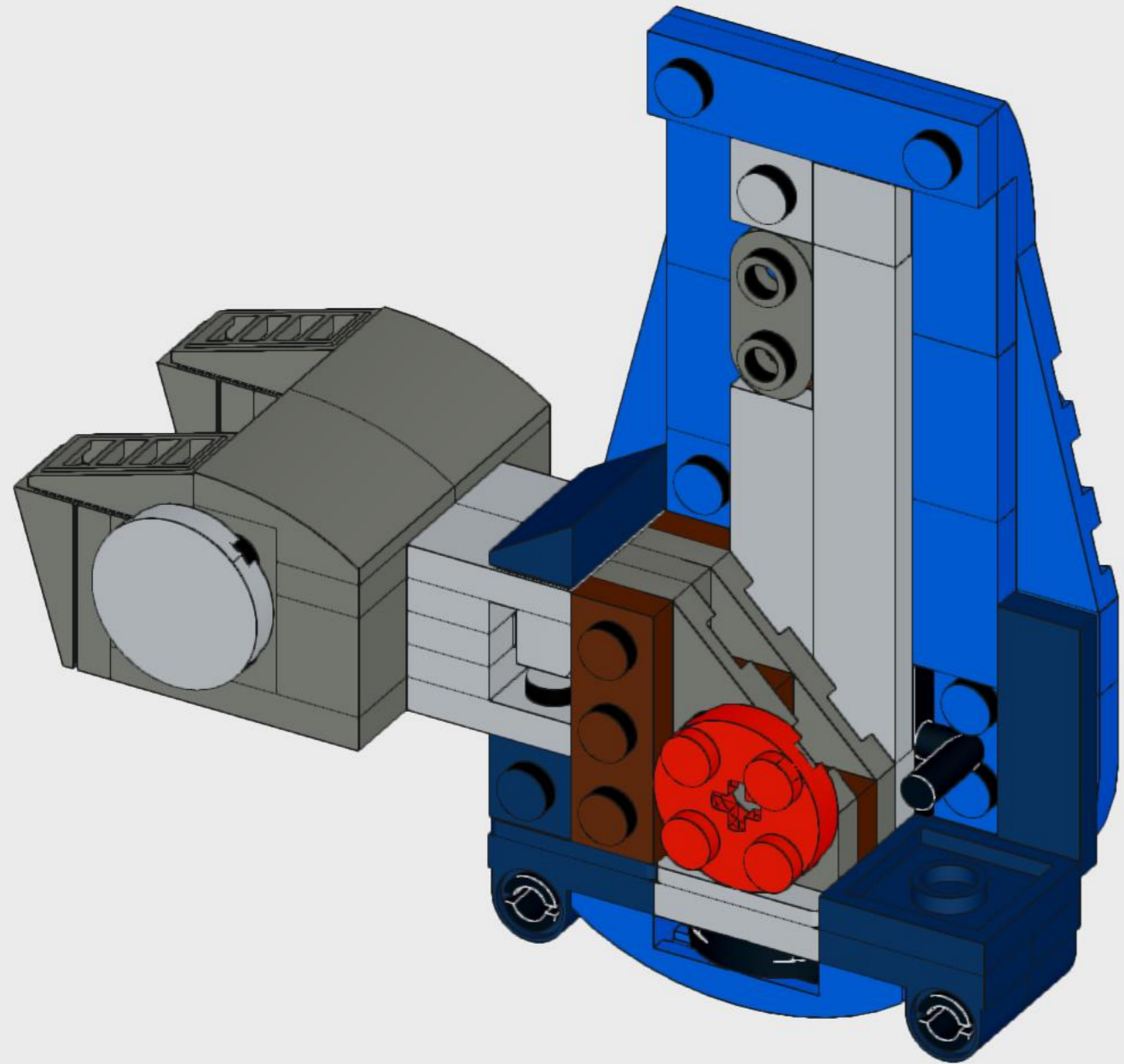
15



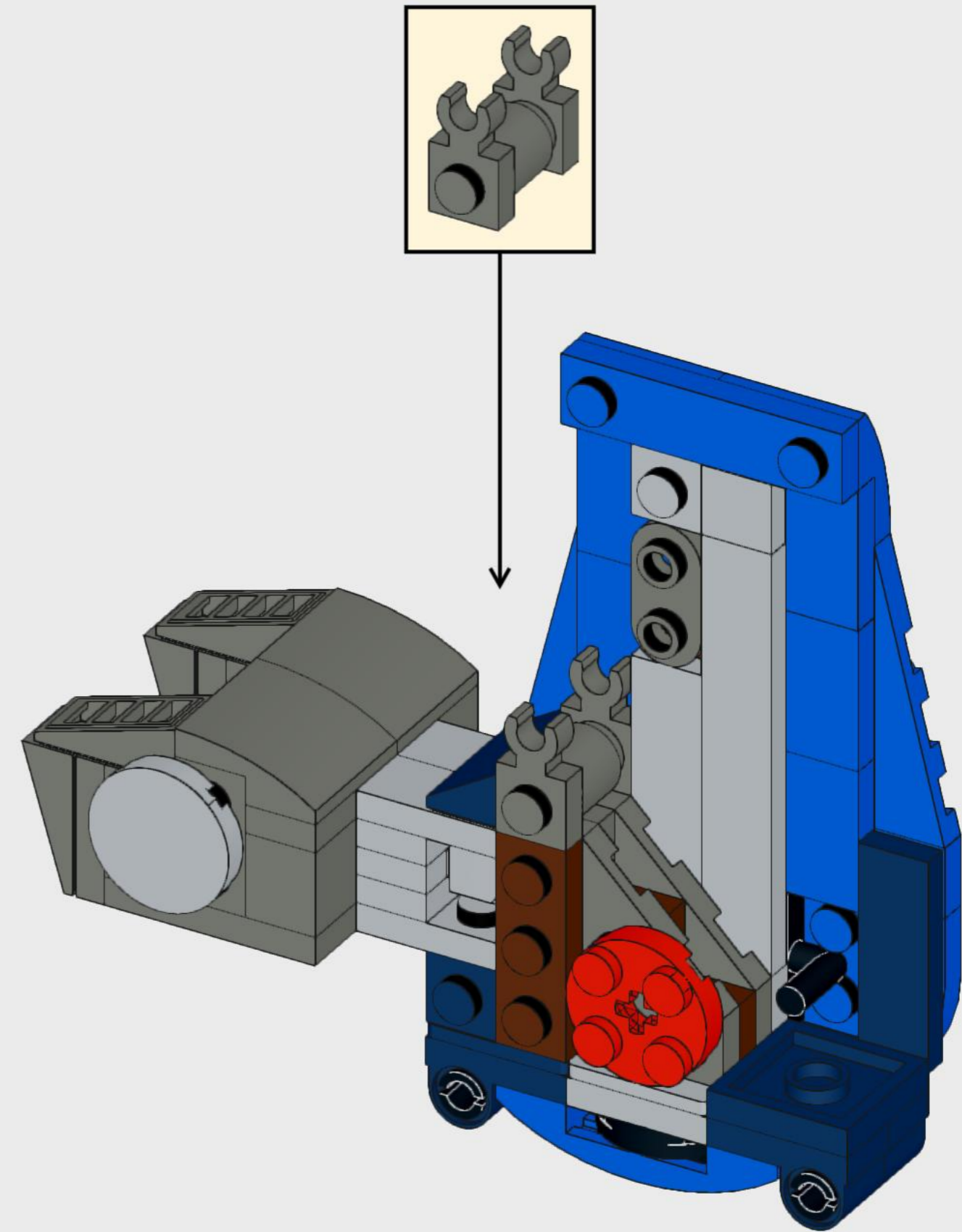
16



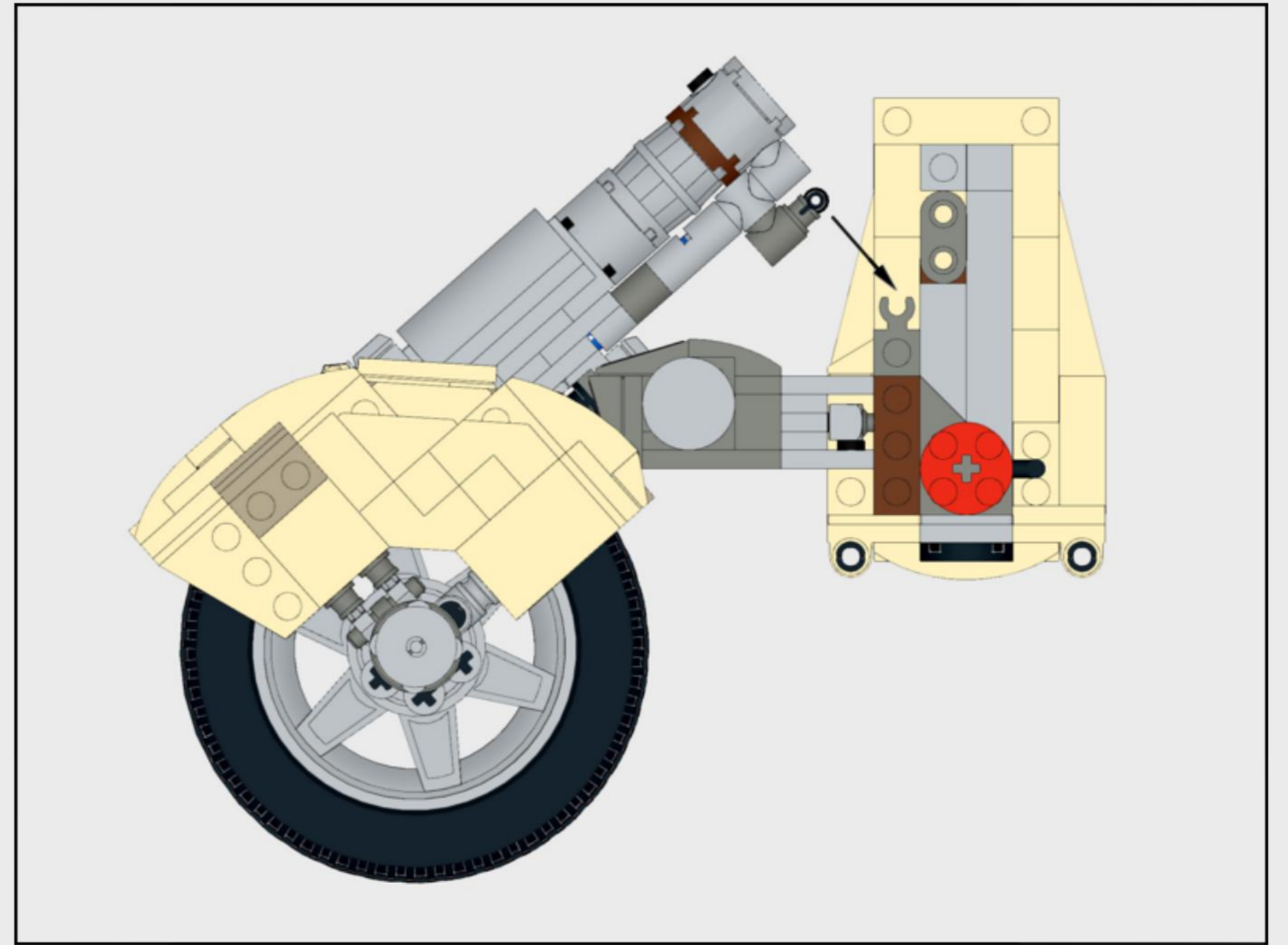
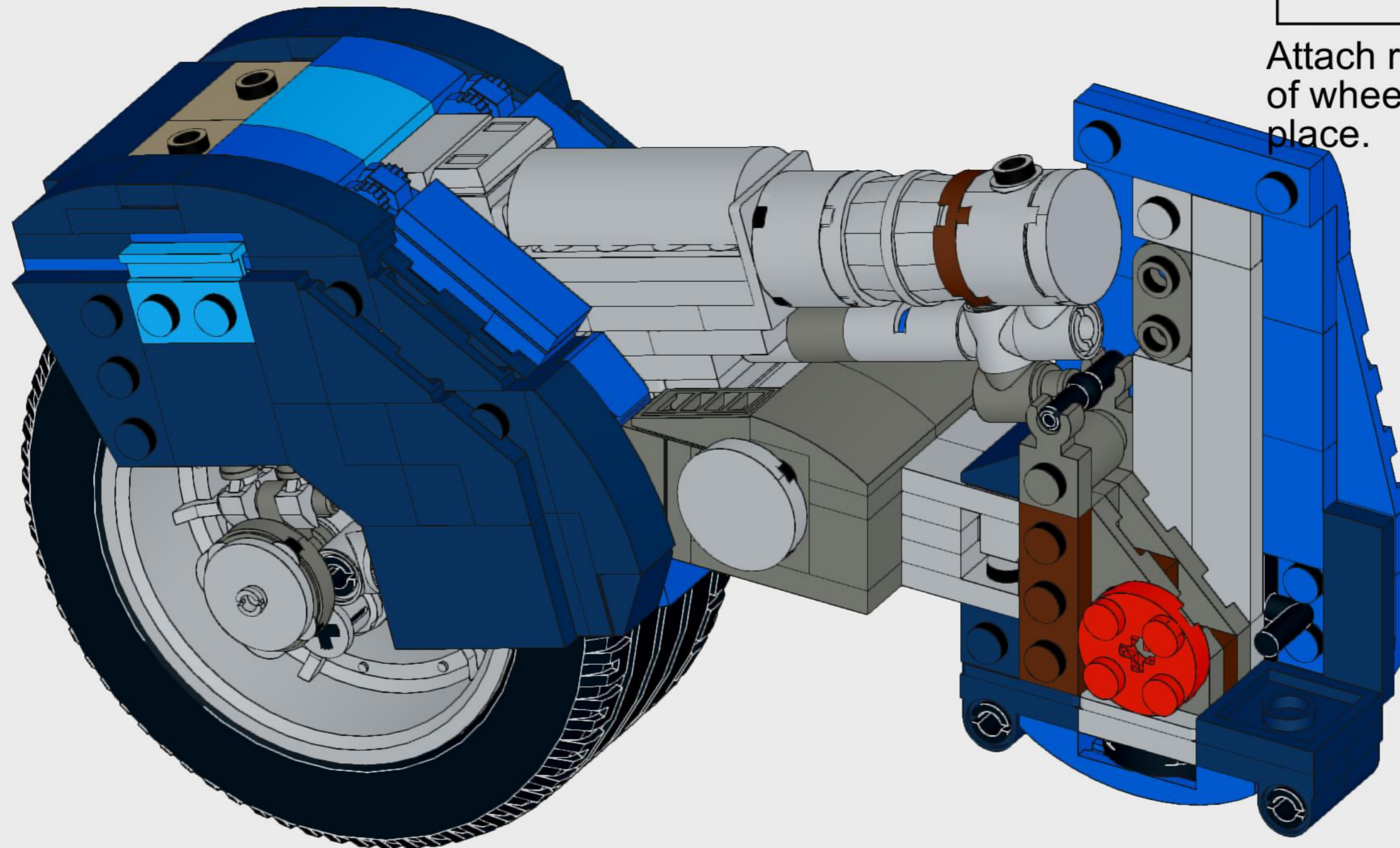
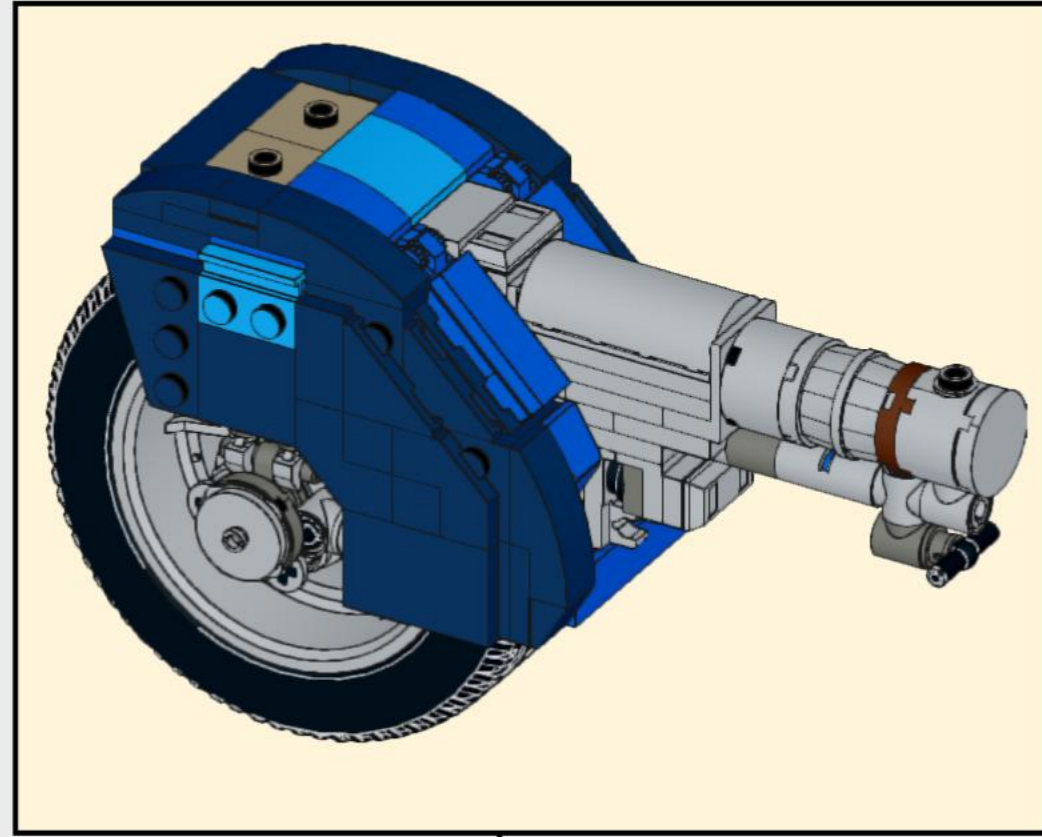
17



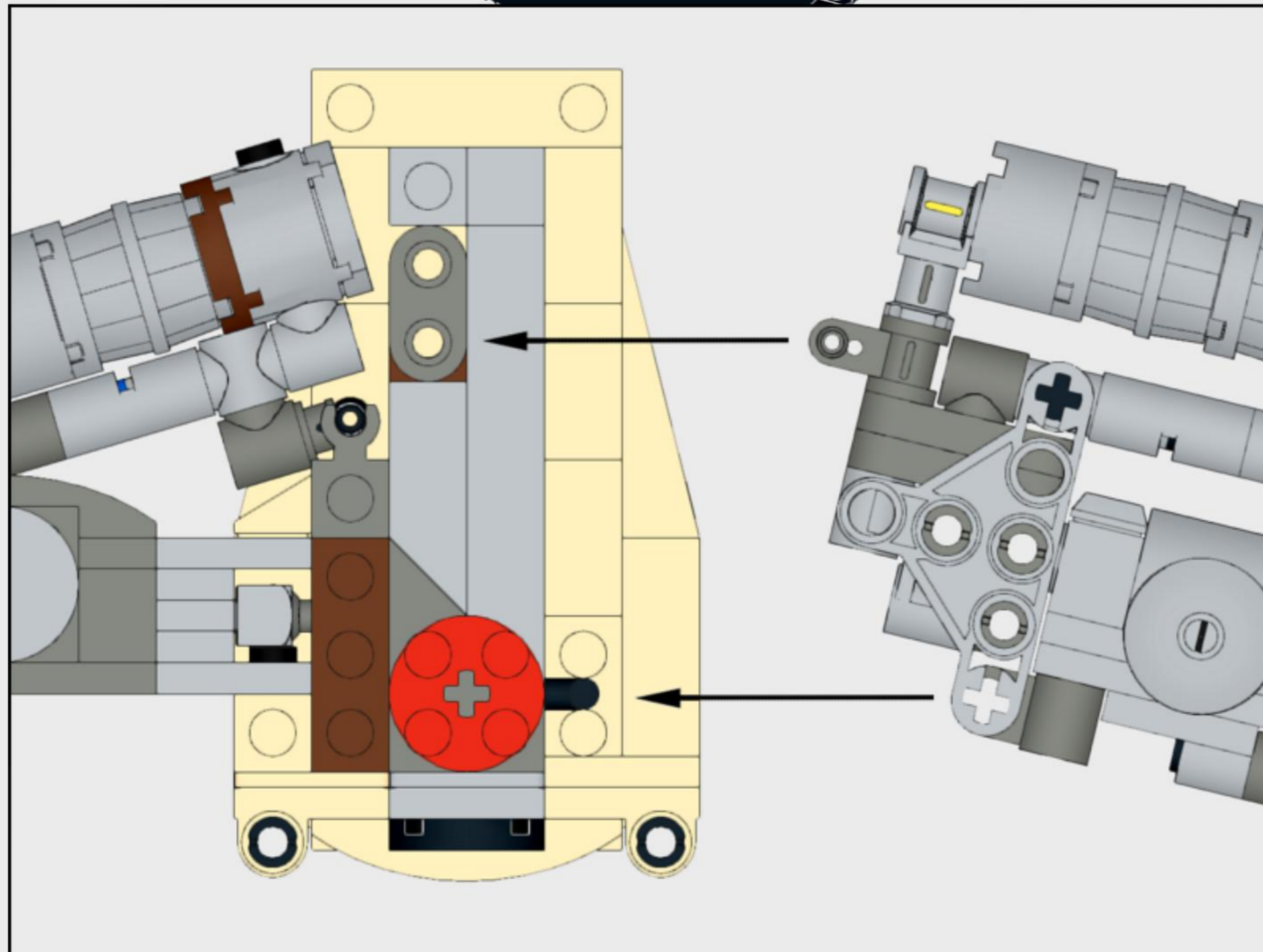
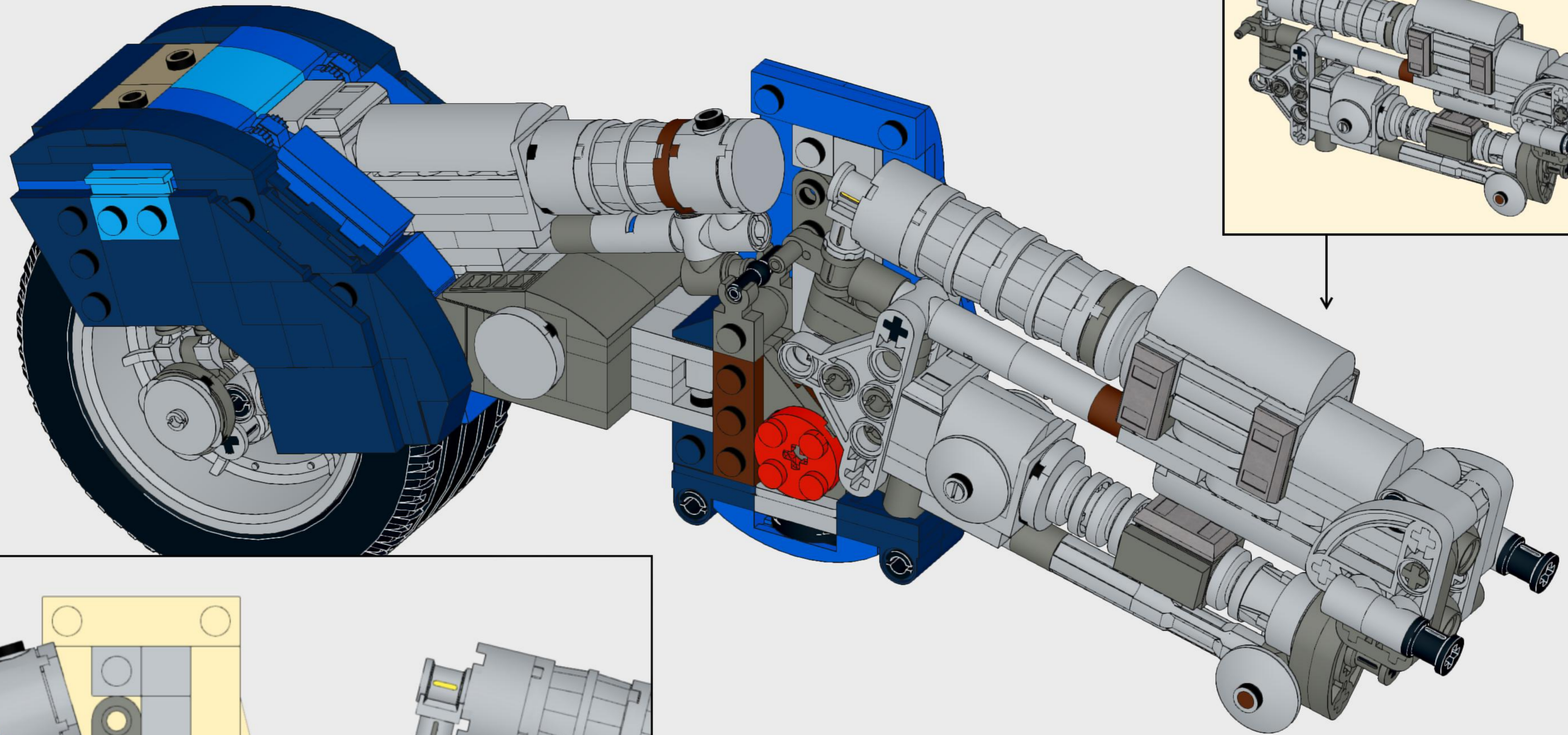
18



19

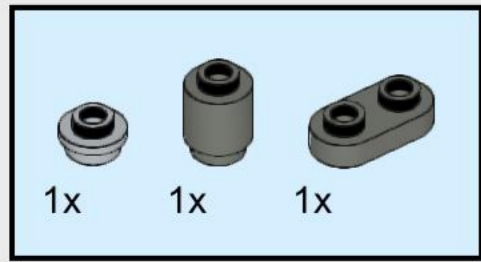


Attach rear wheel by first snapping bar and clips together at base of wheel. Then rotate the top down to clip the black bar into place.

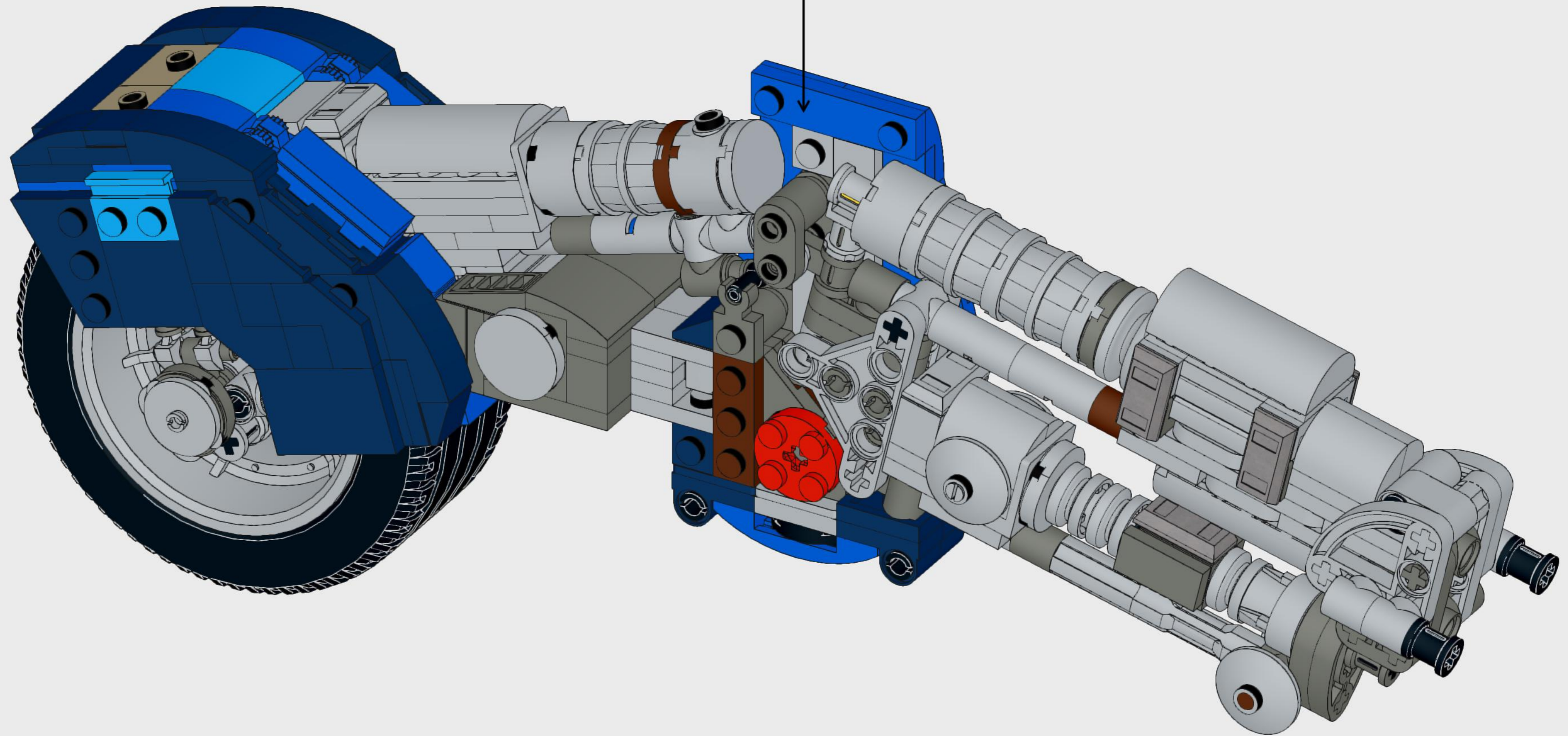
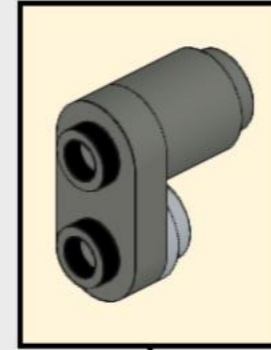


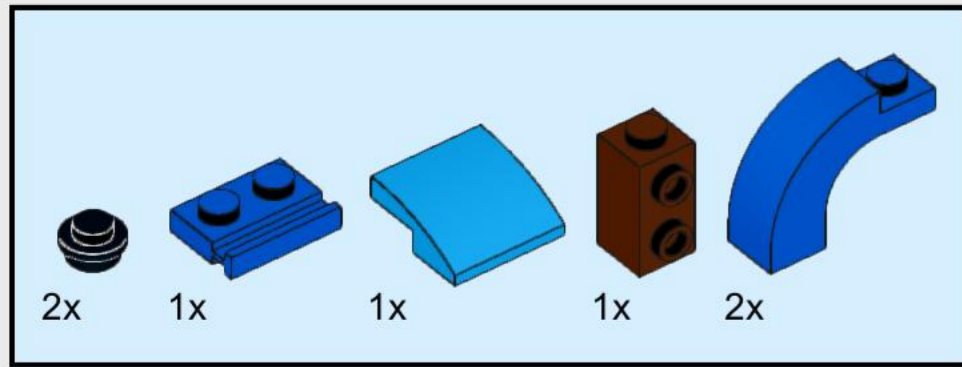
Slide bars into corresponding holes as shown.



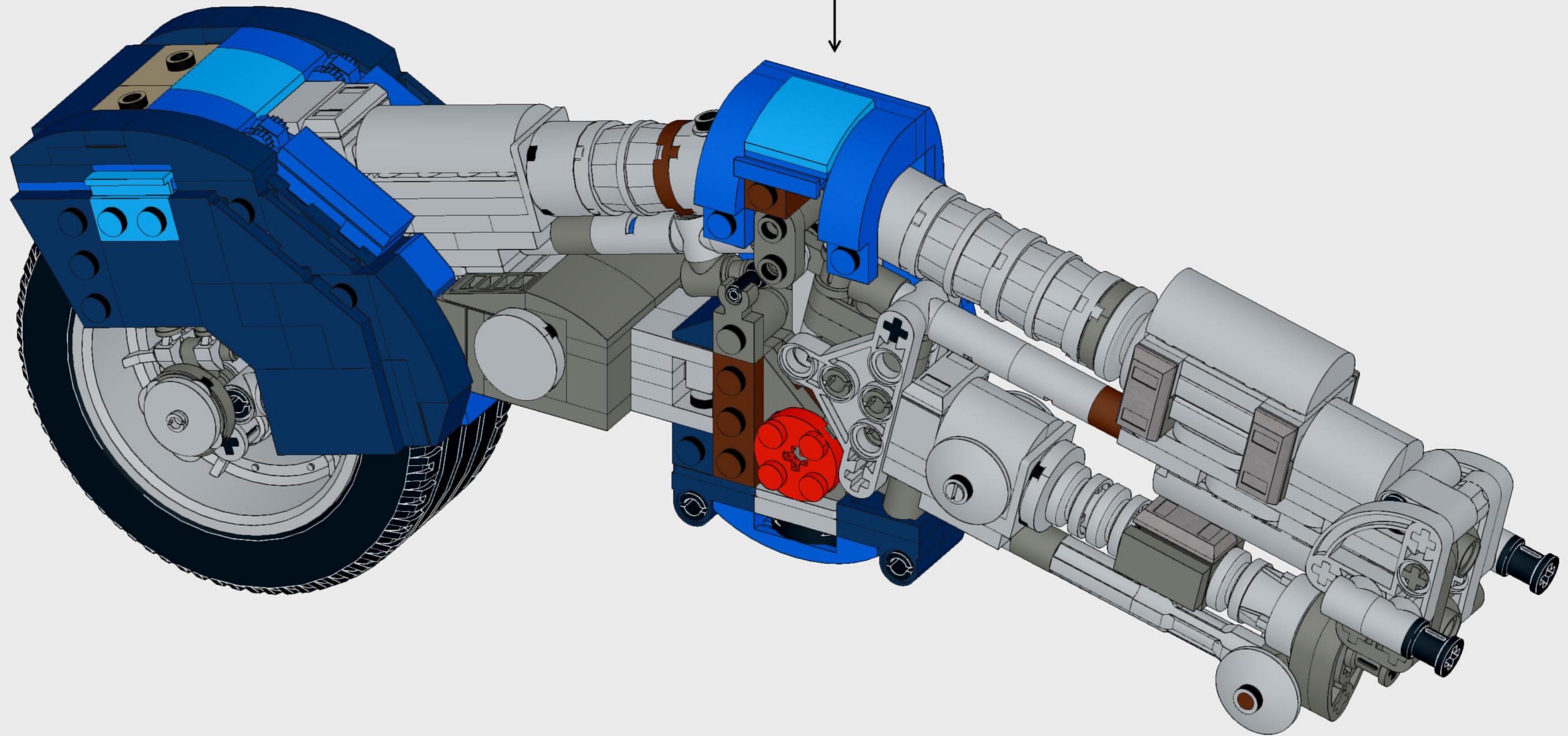
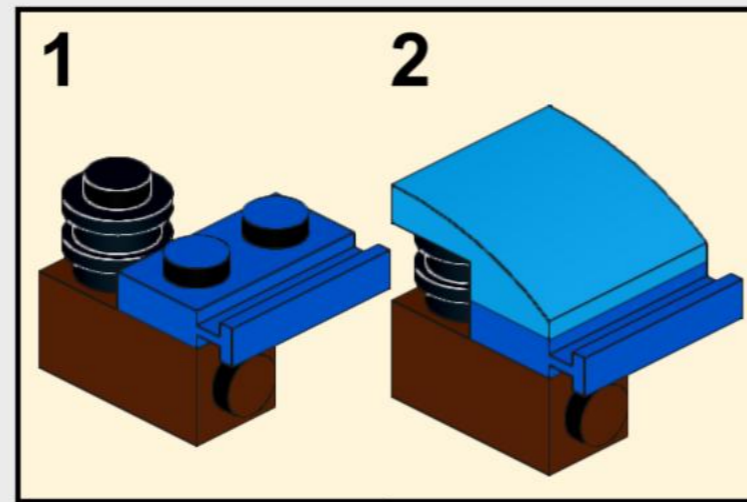


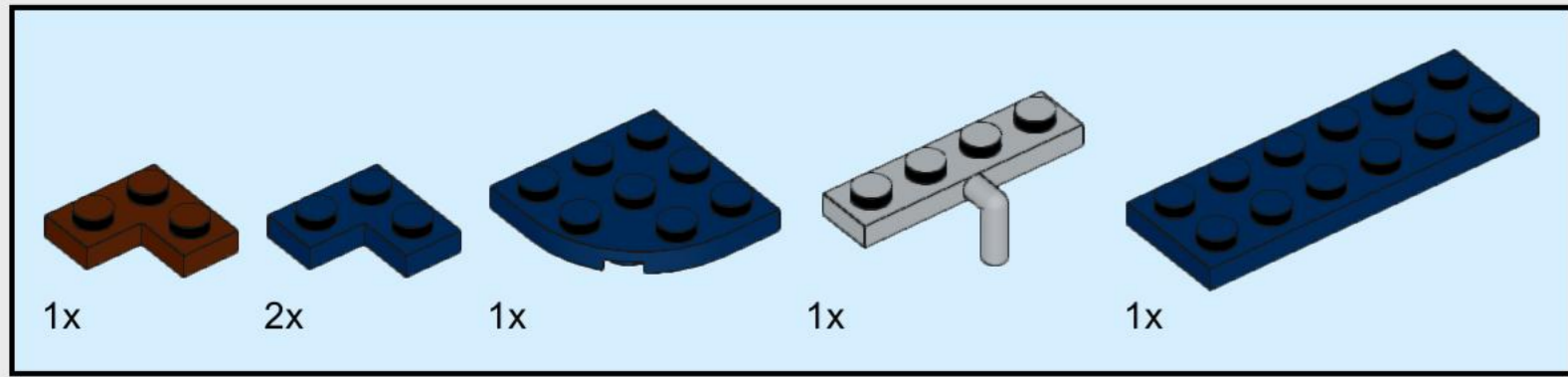
21



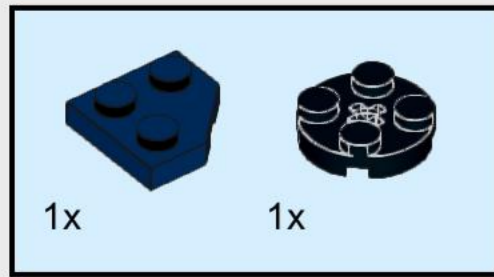
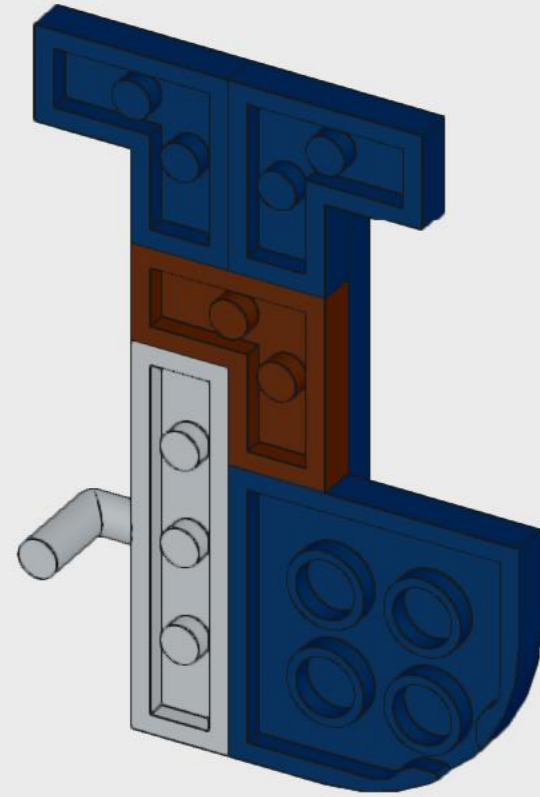


22

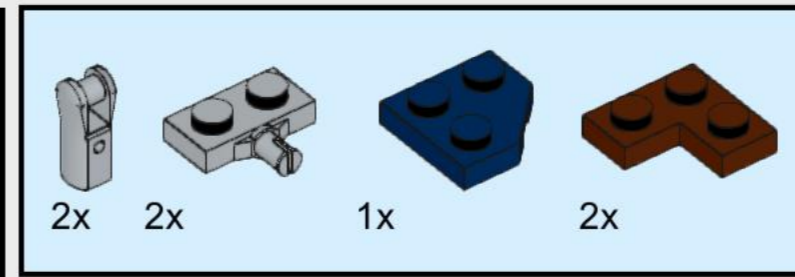
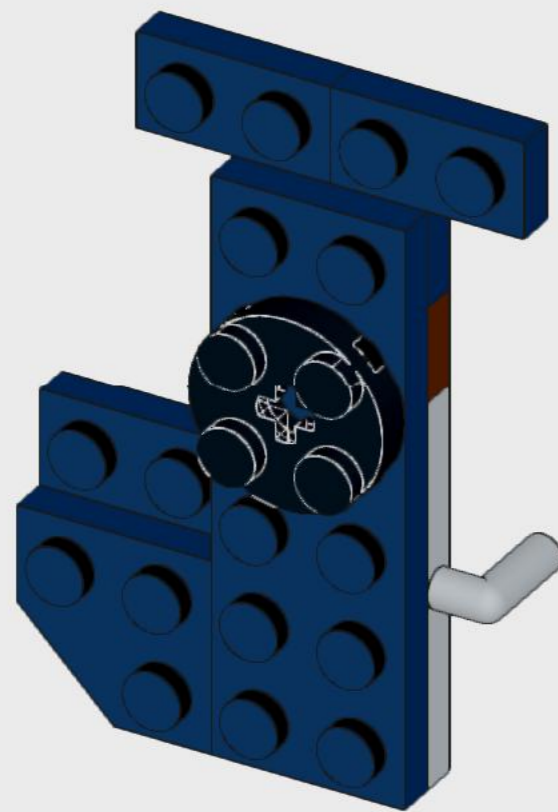




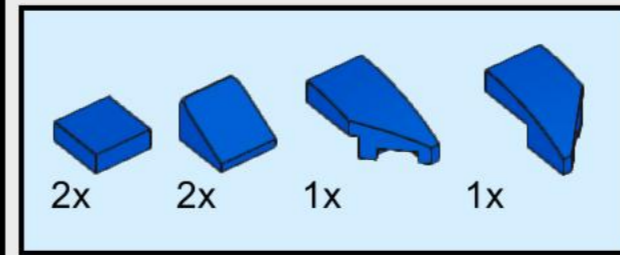
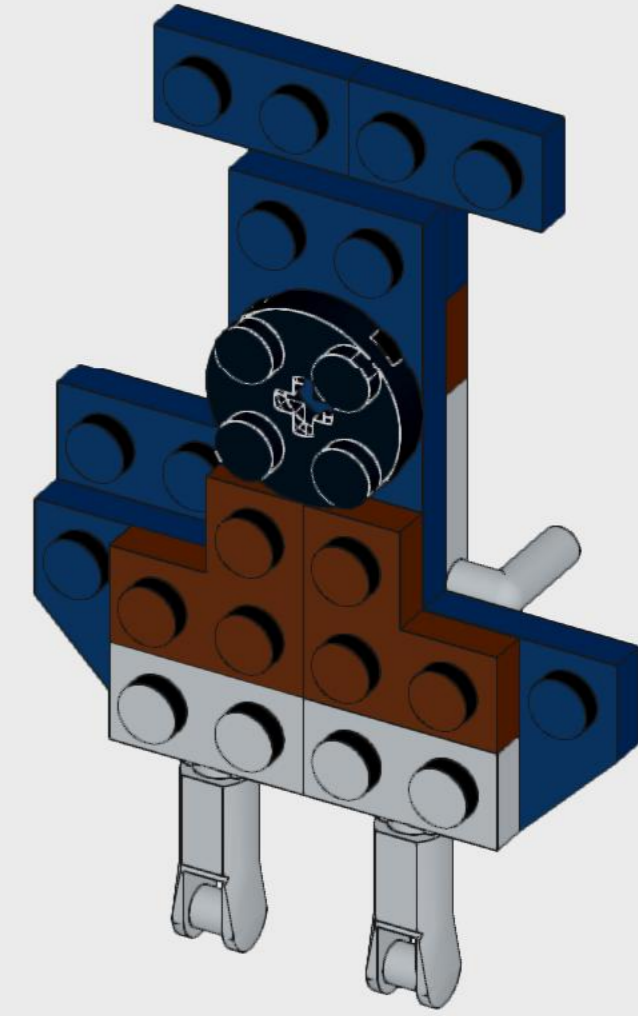
23



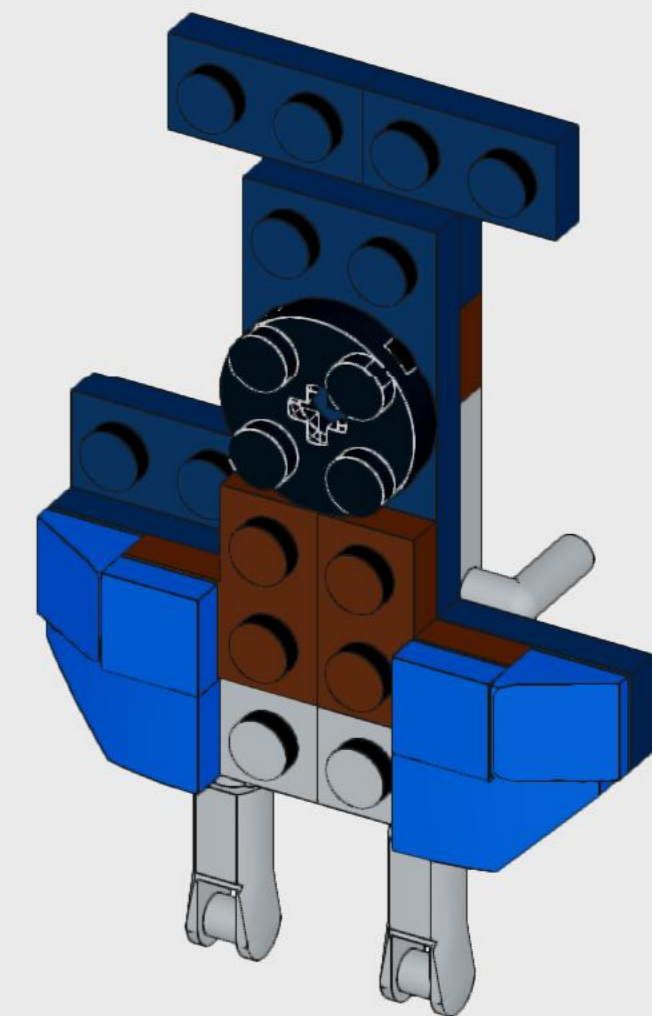
24 

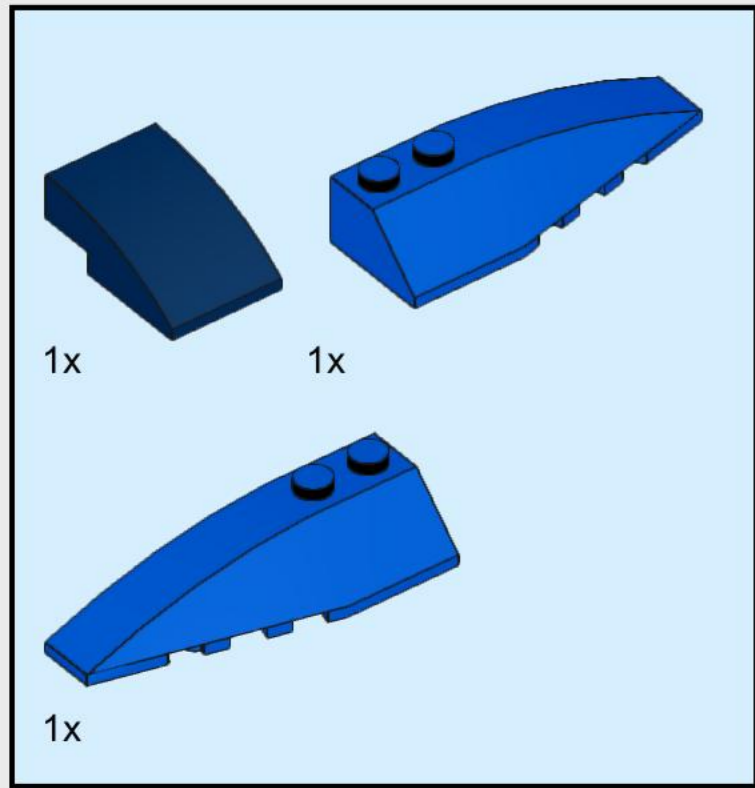


25

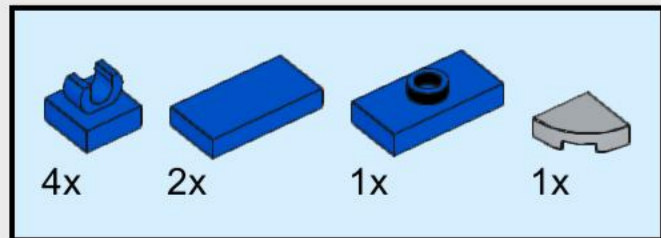
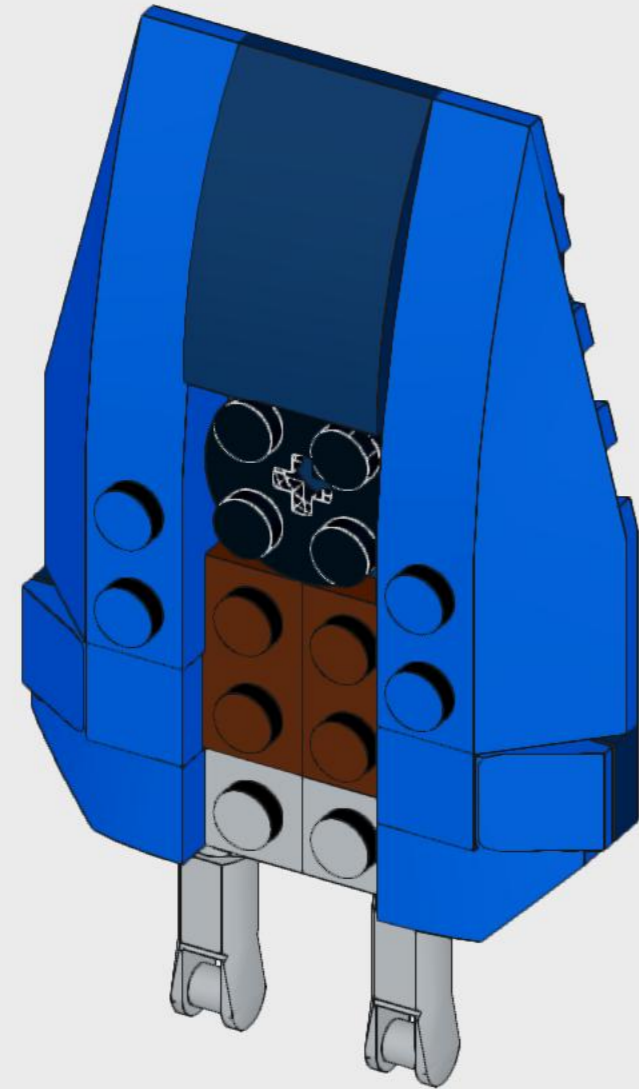


26

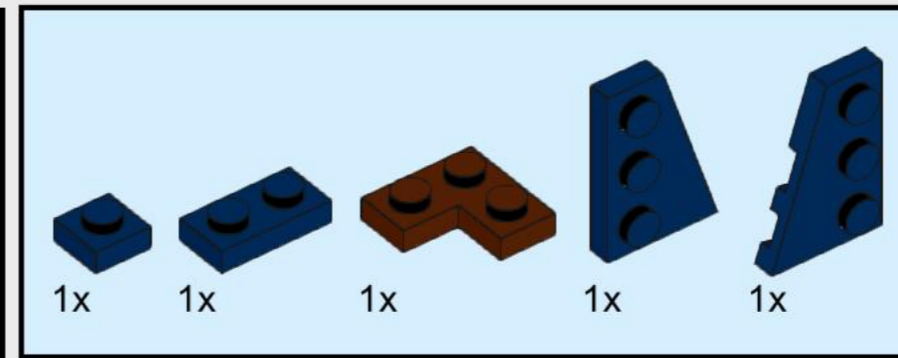
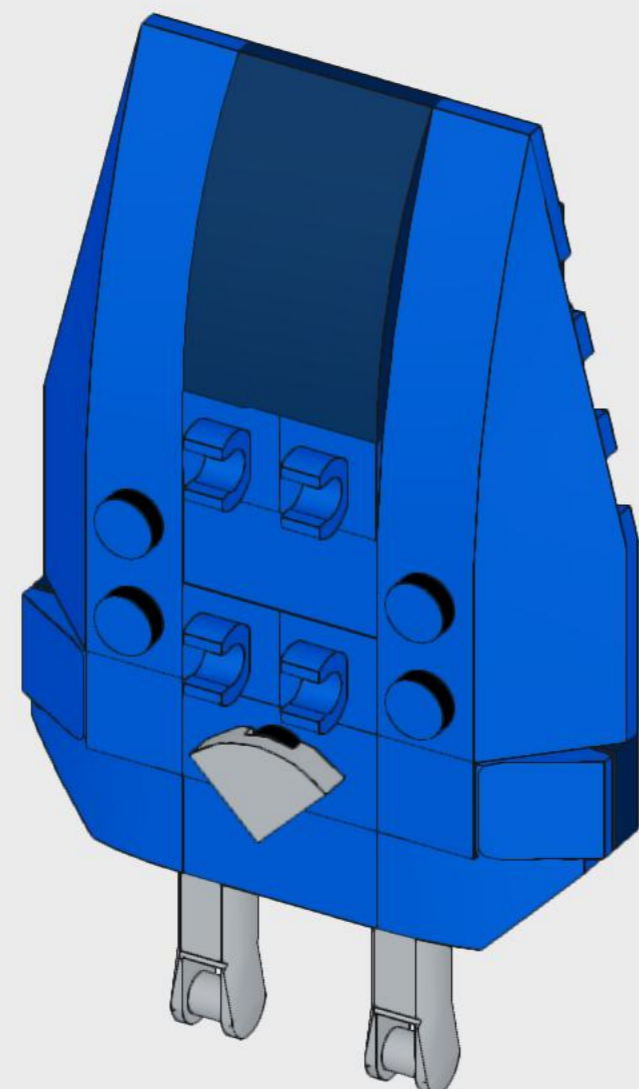




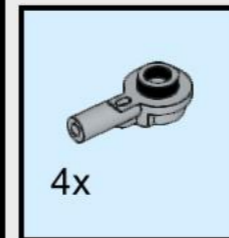
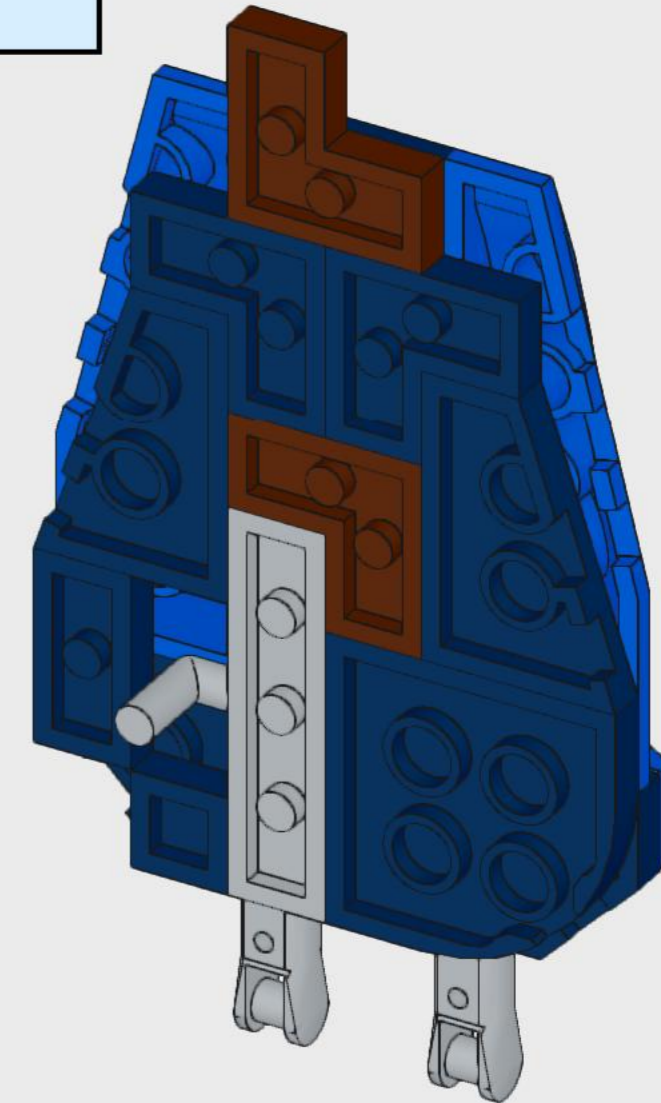
27



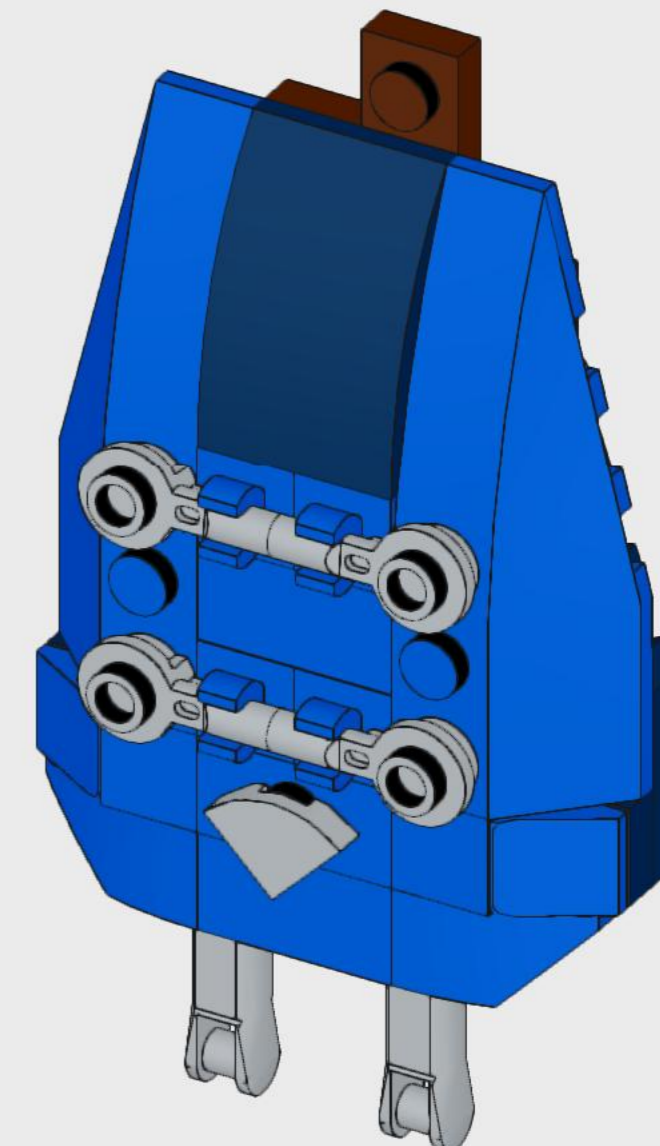
28

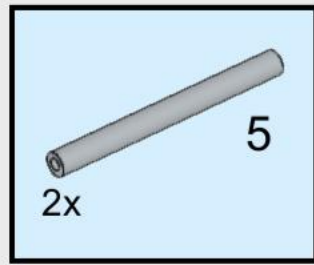


29 

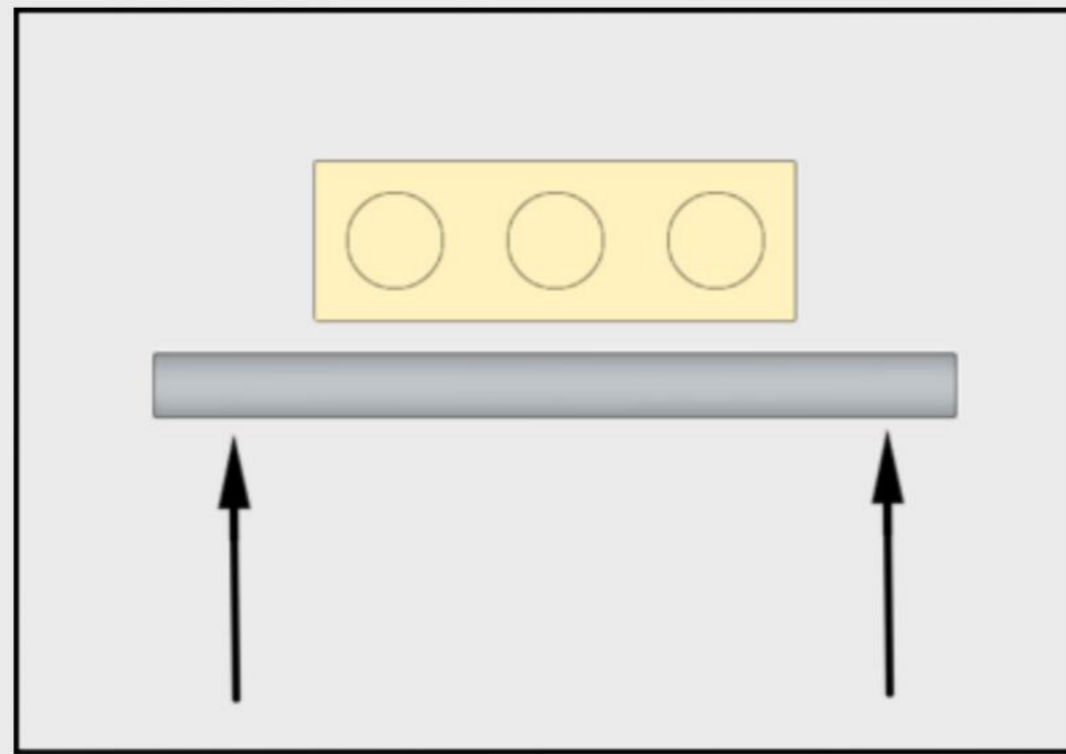


30 

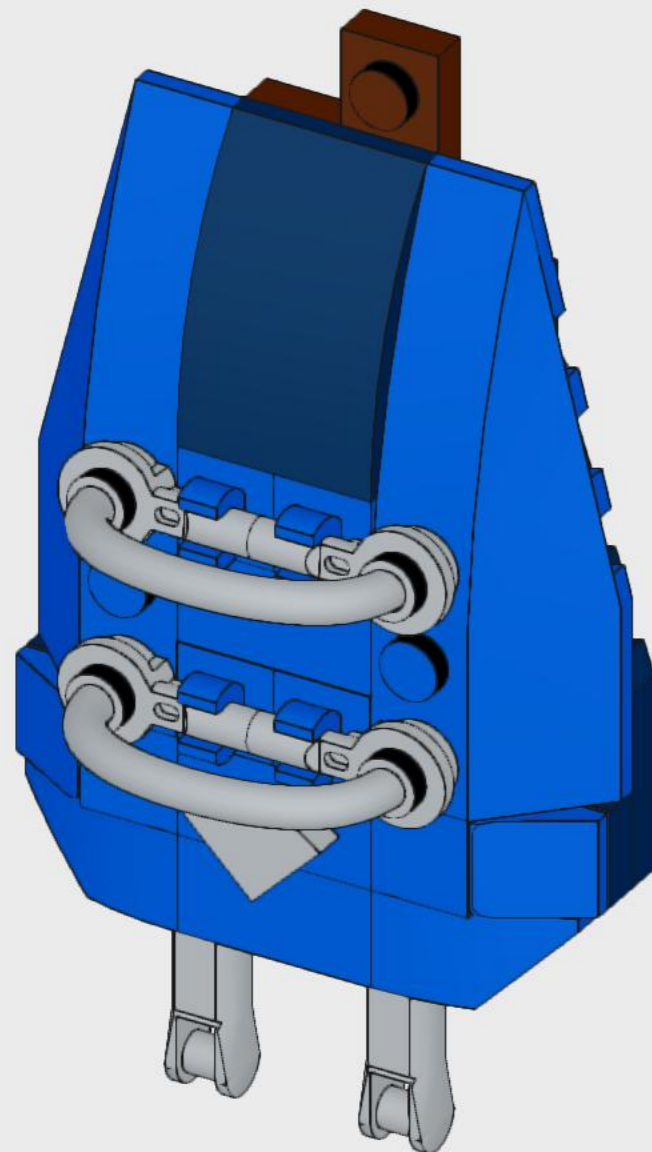




31

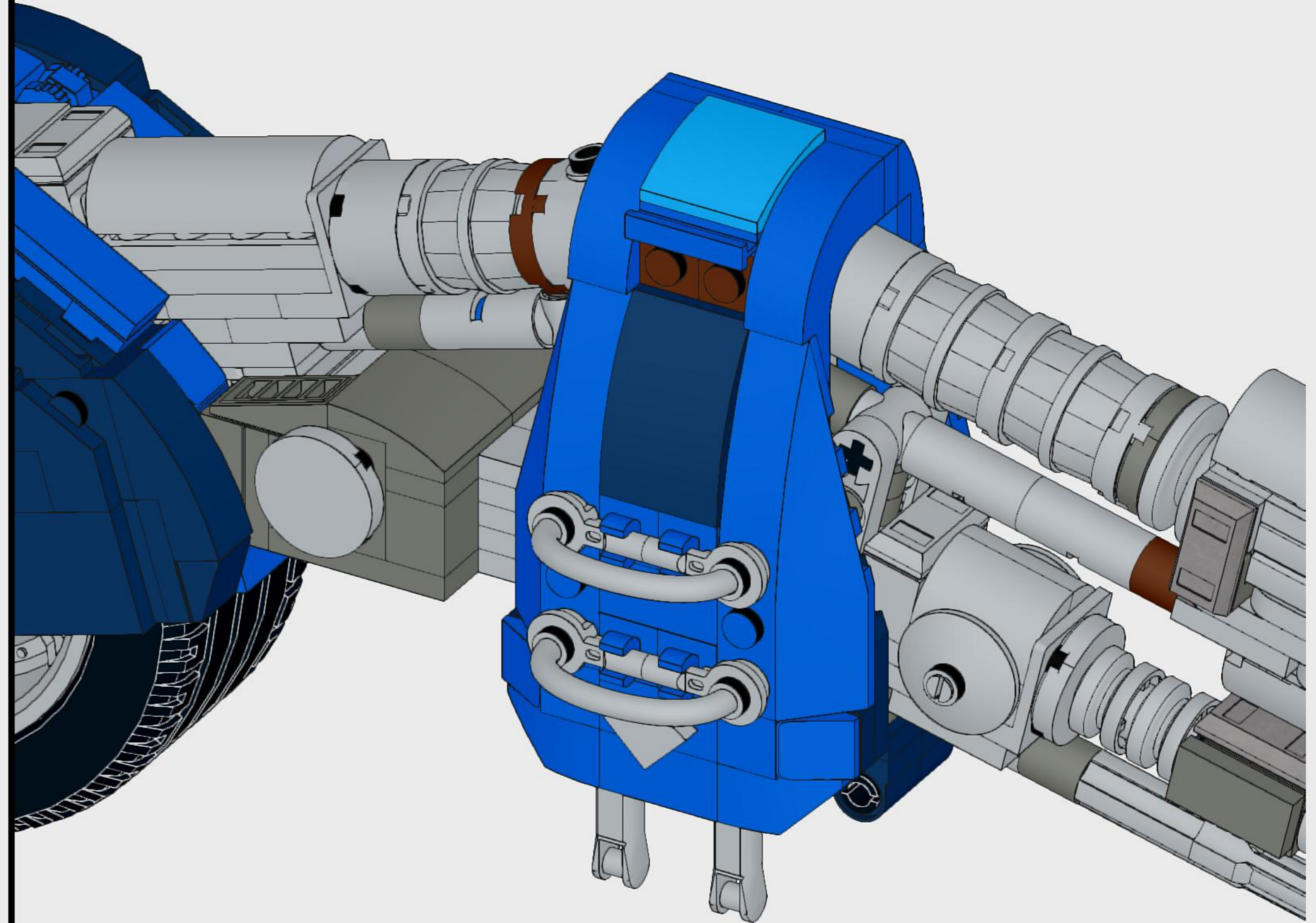


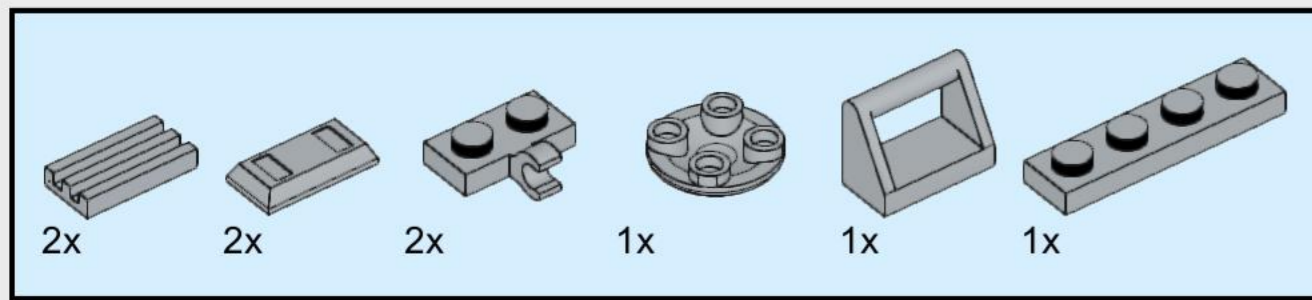
Press 5-long rigid hoses against the corners of a 3-long plate to crease/pinch the hose at a 90 degree angle. Then insert into hollow studs.



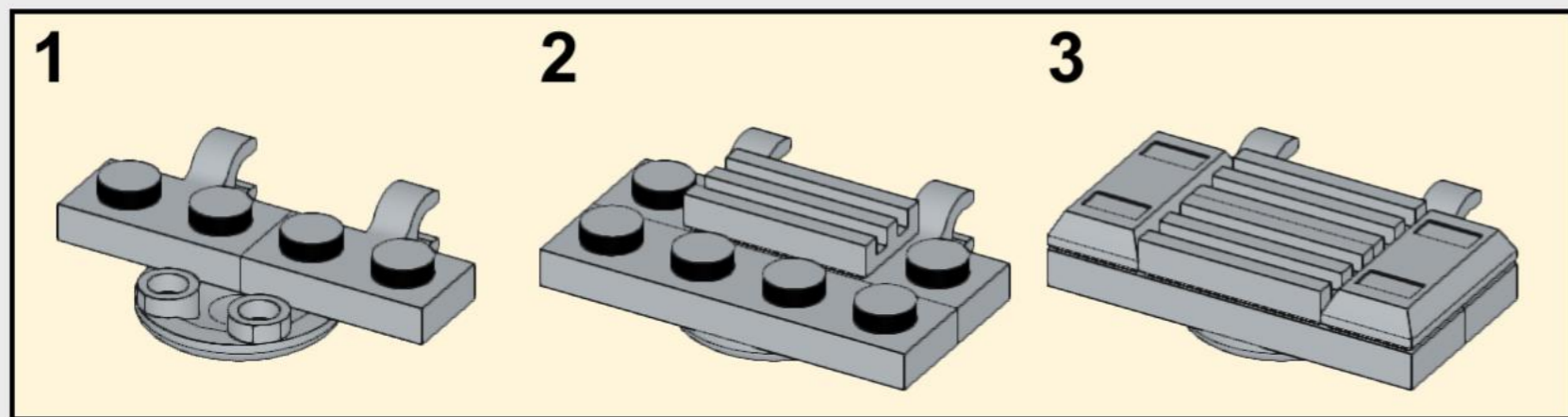
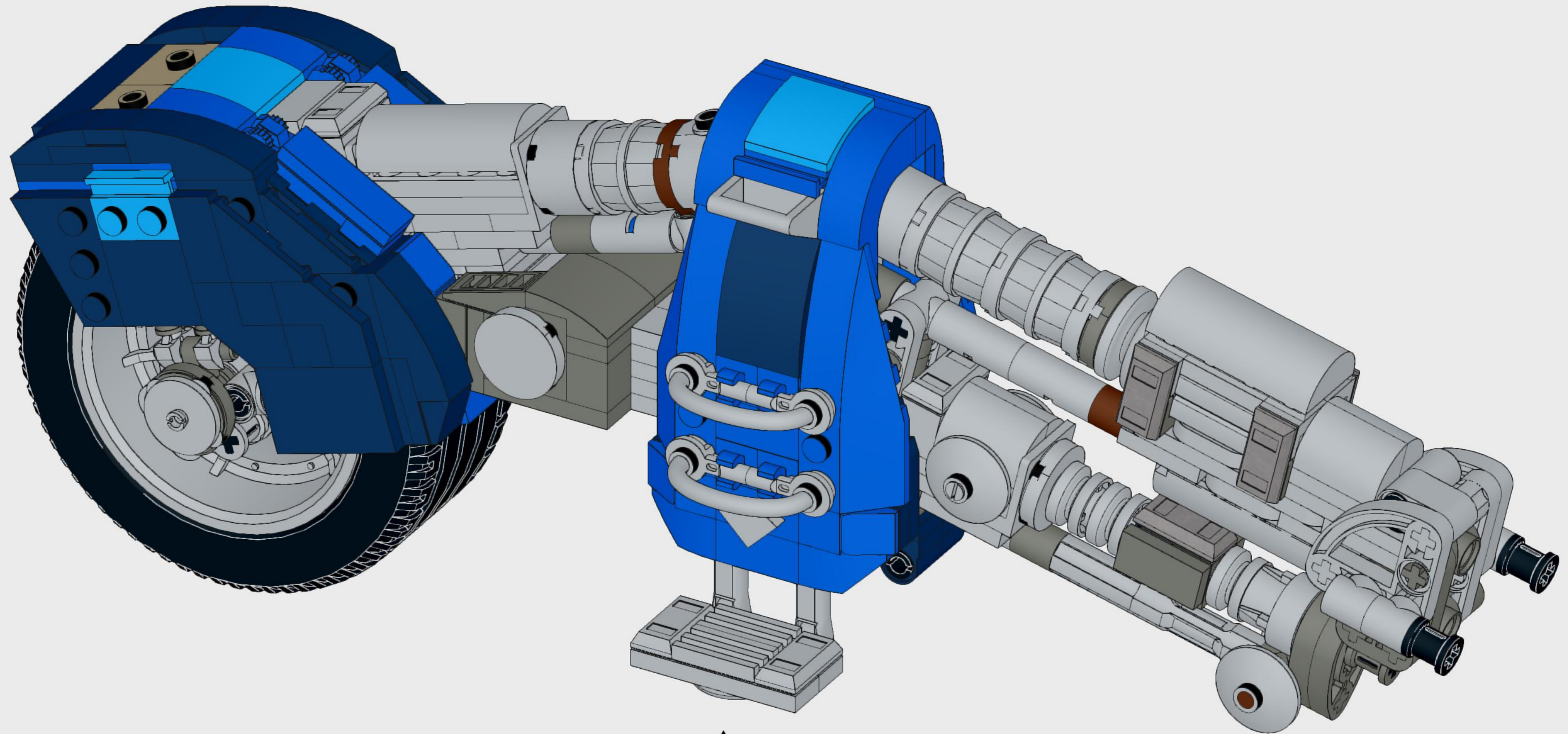
32

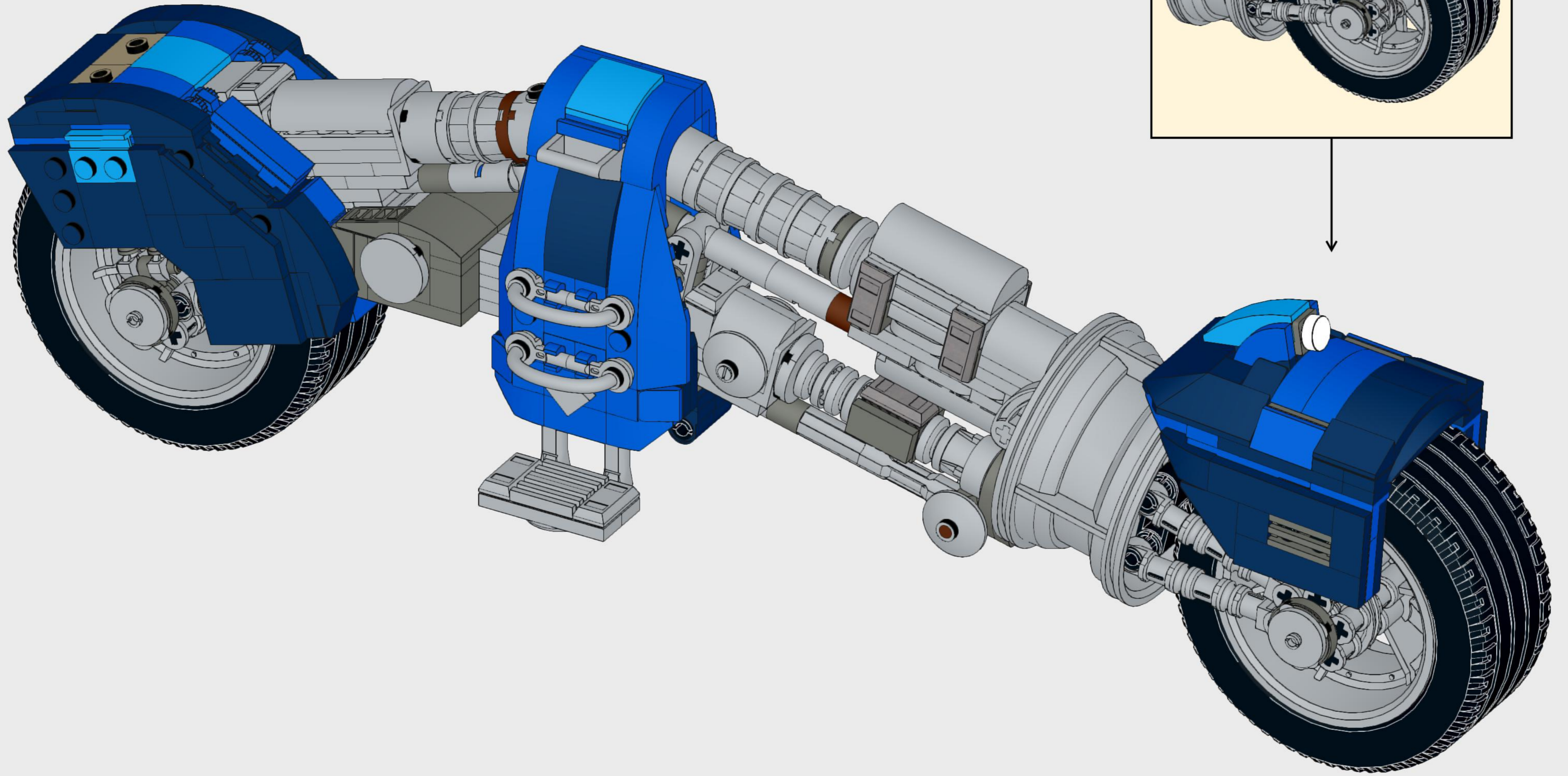
Note that this section will fit somewhat tight when placed, due to the grey arms putting pressure on the arched bricks.

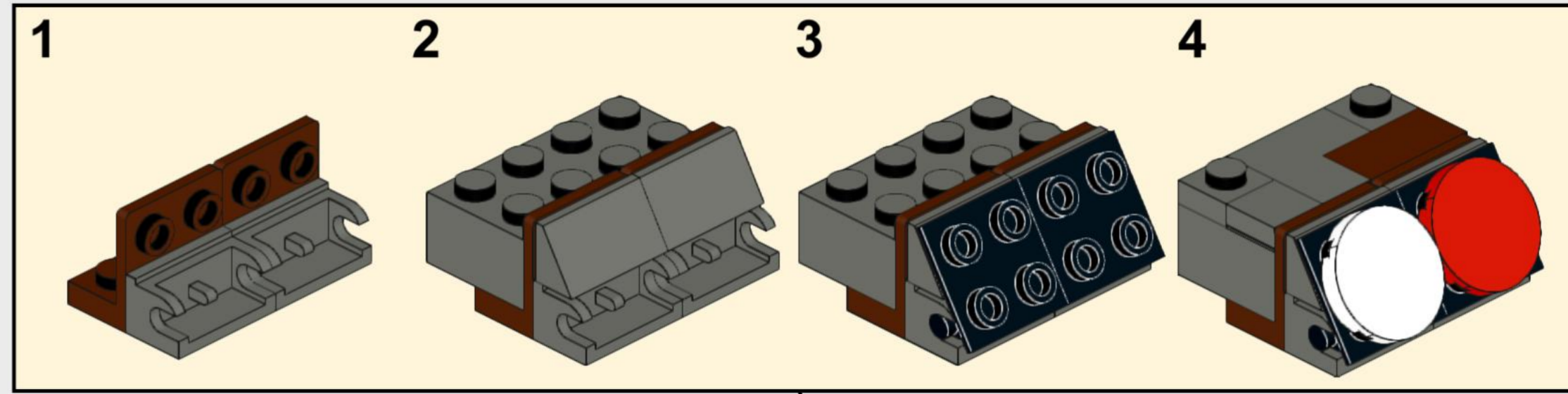
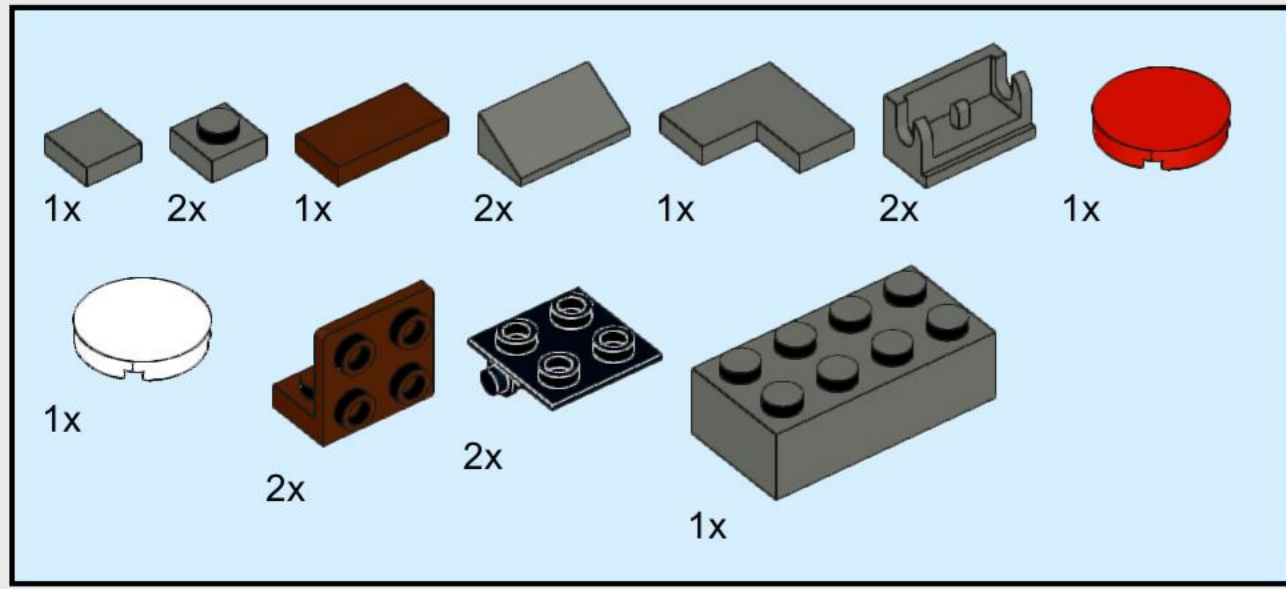




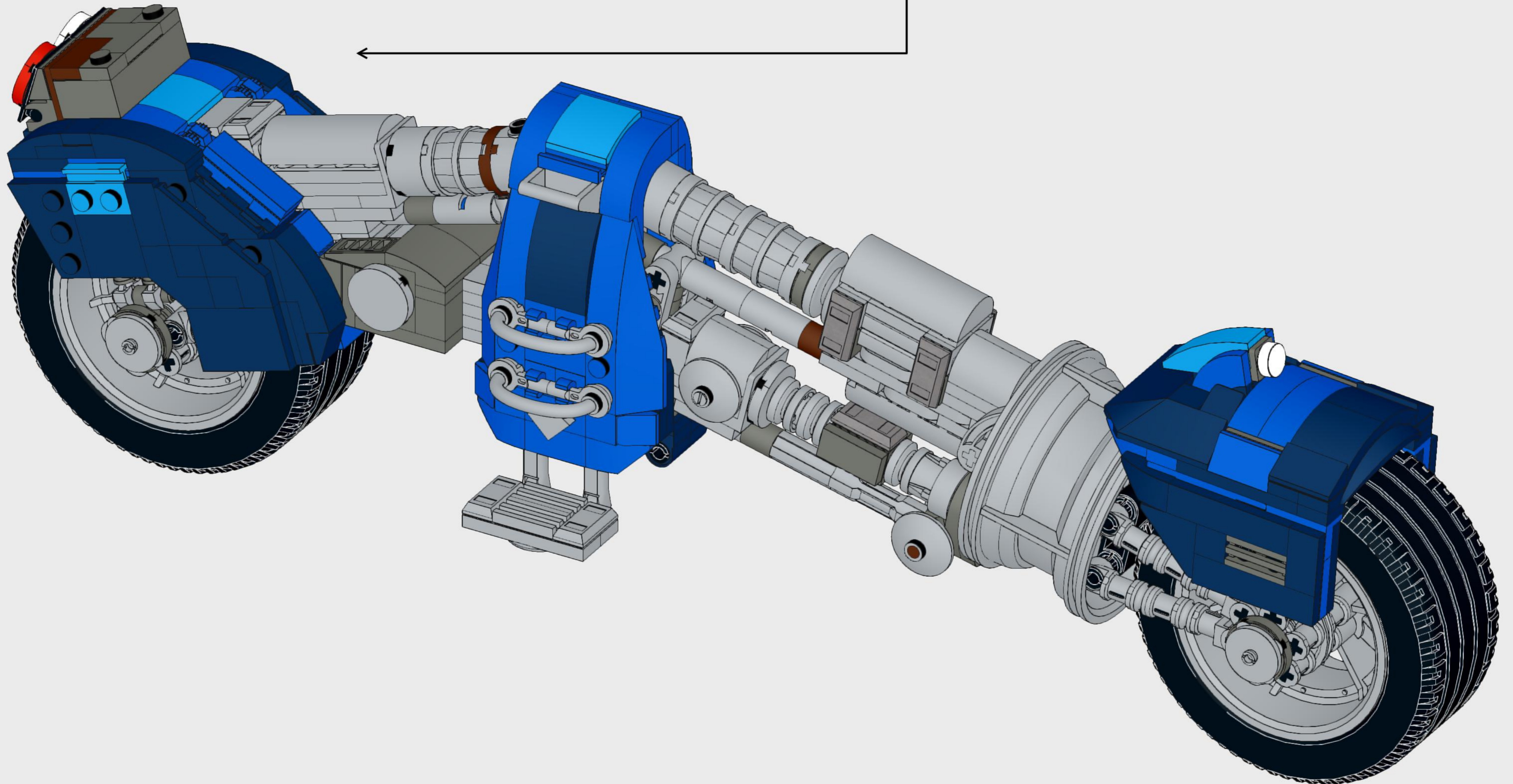
33



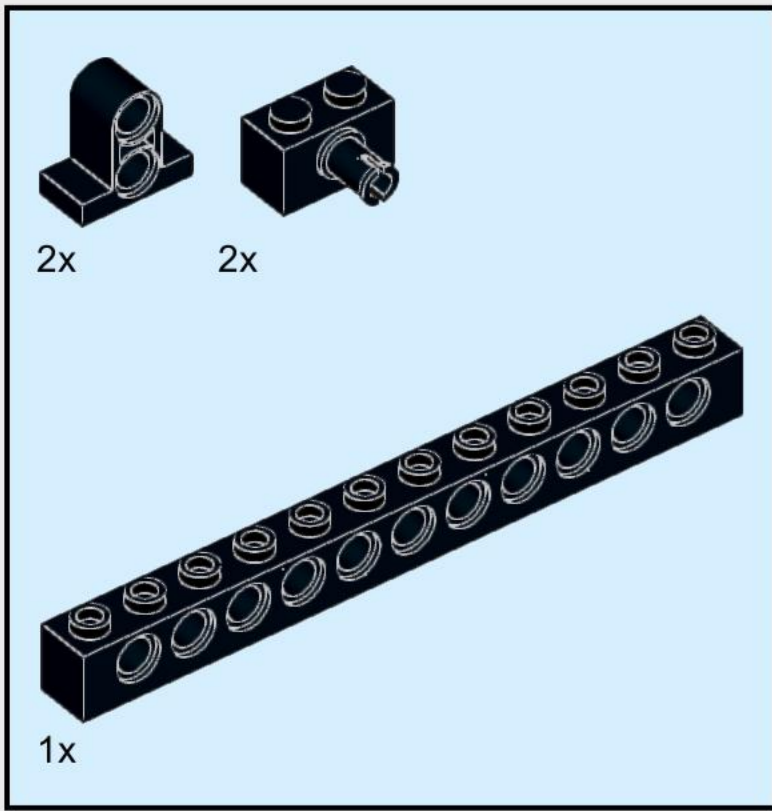
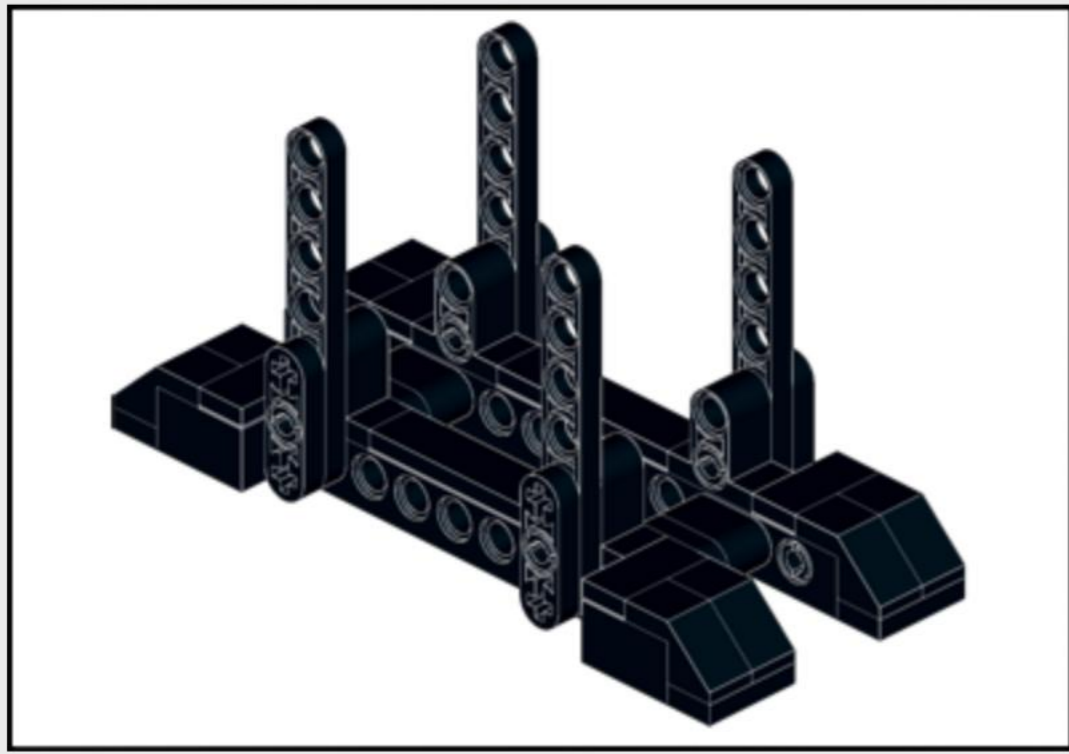




35



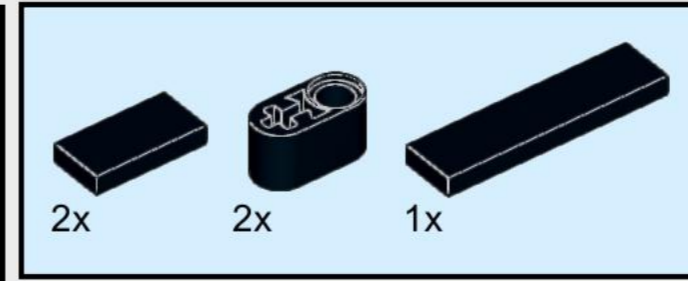
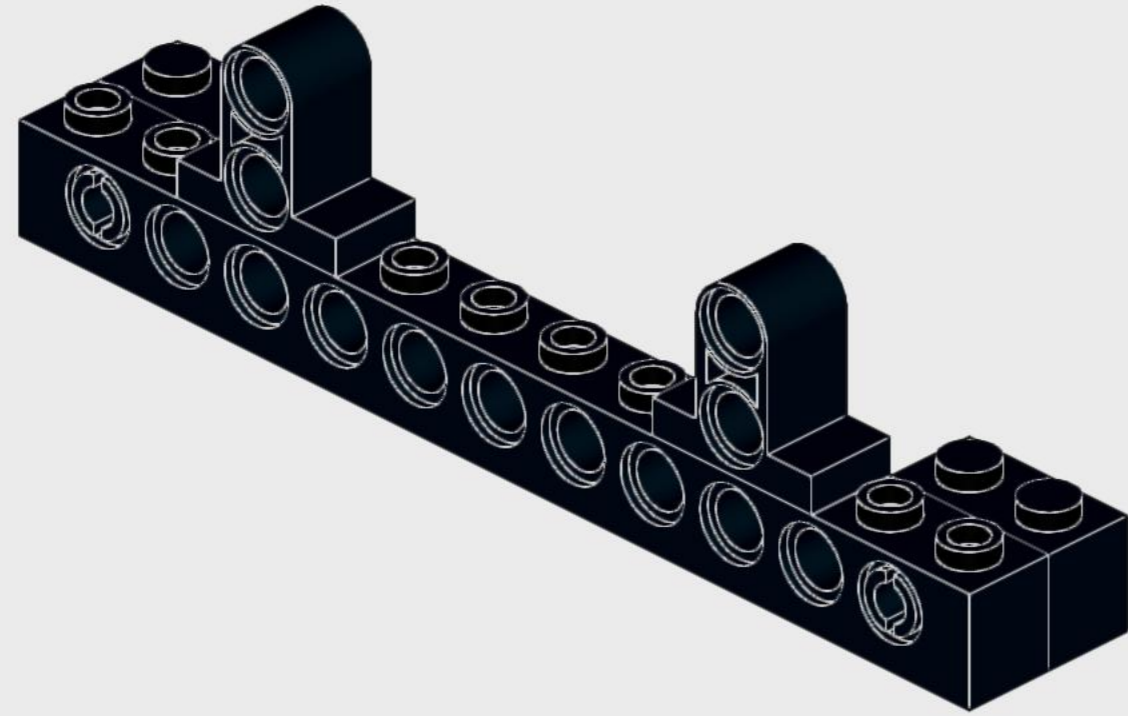
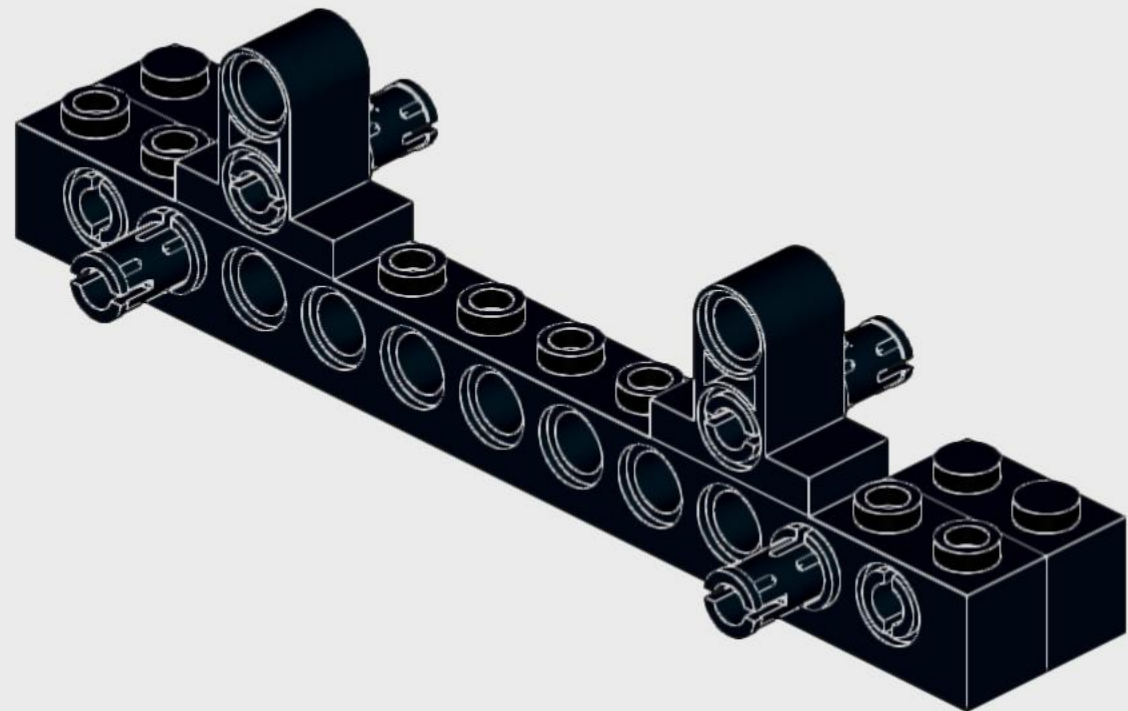




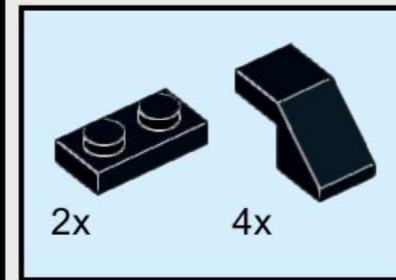
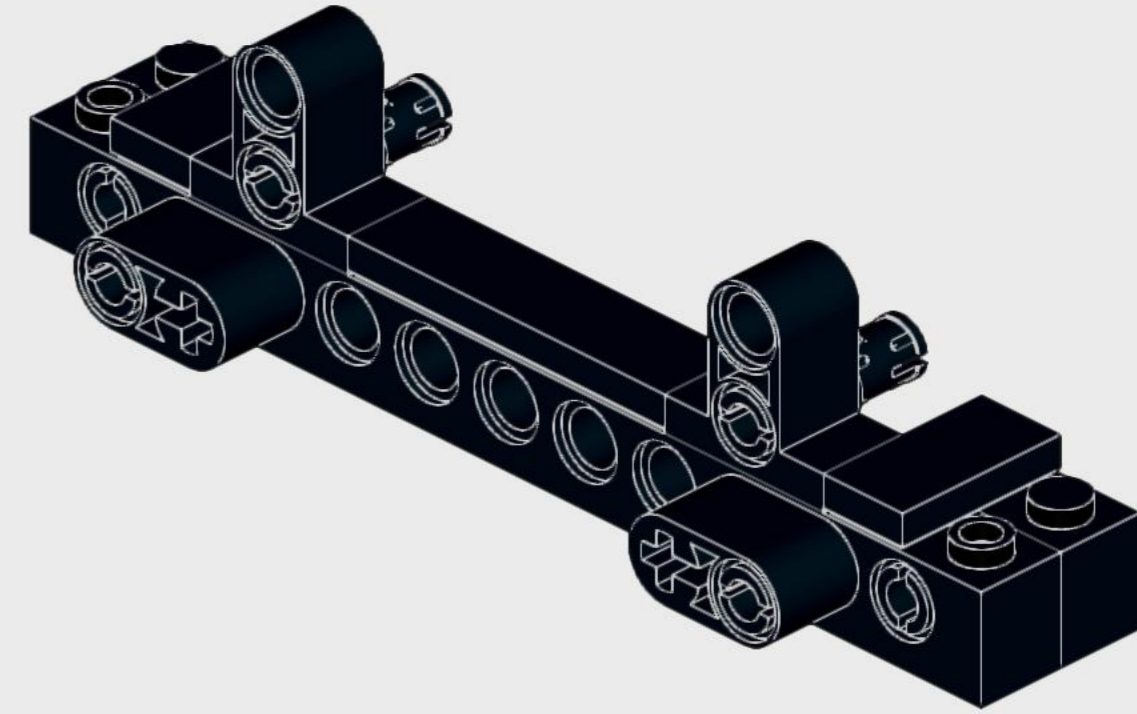
1



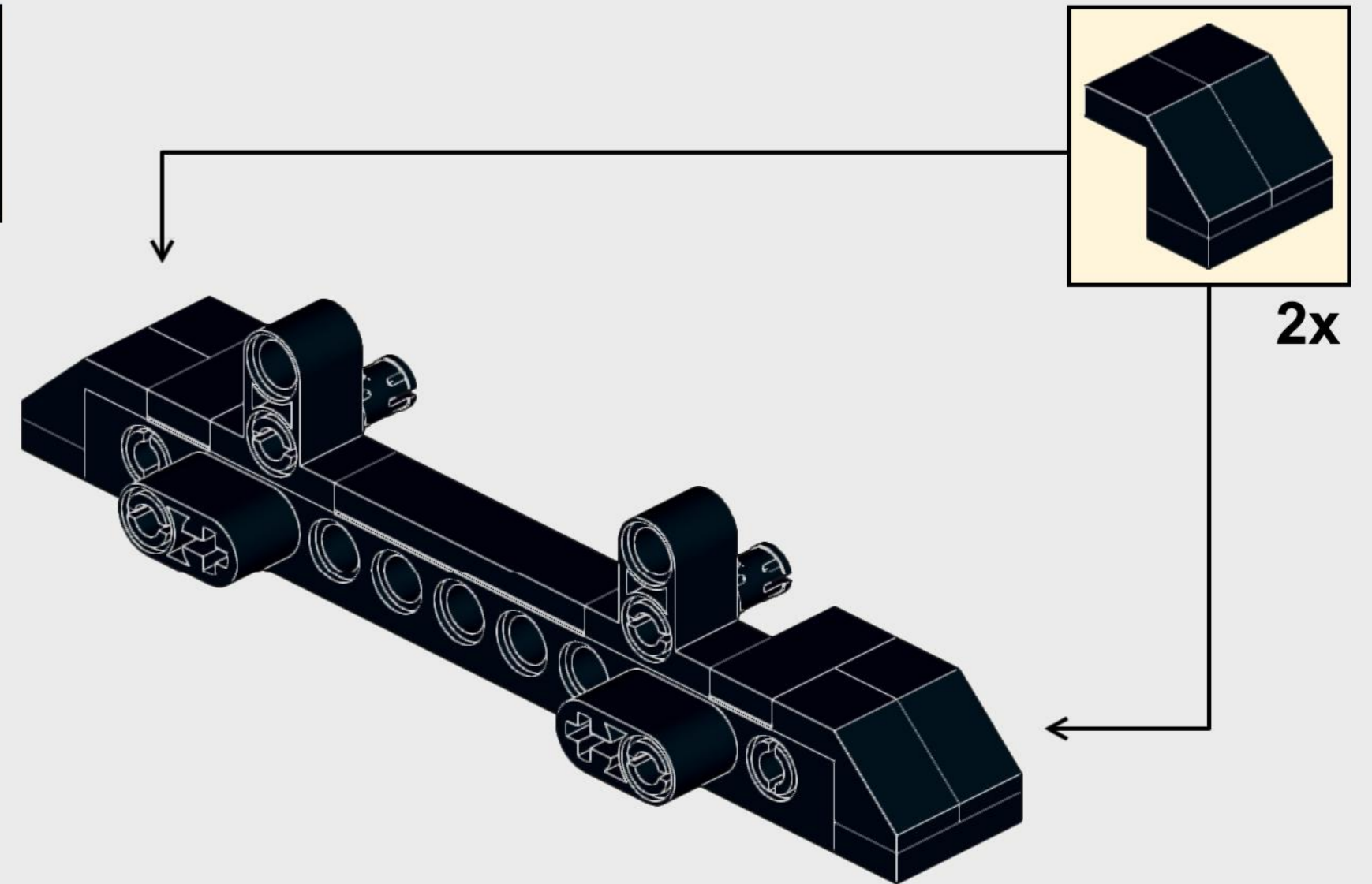
2



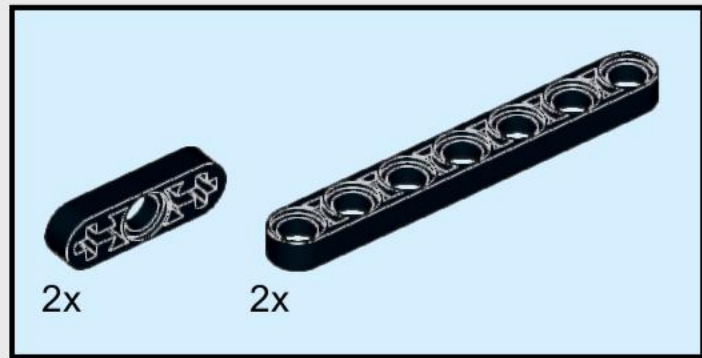
3



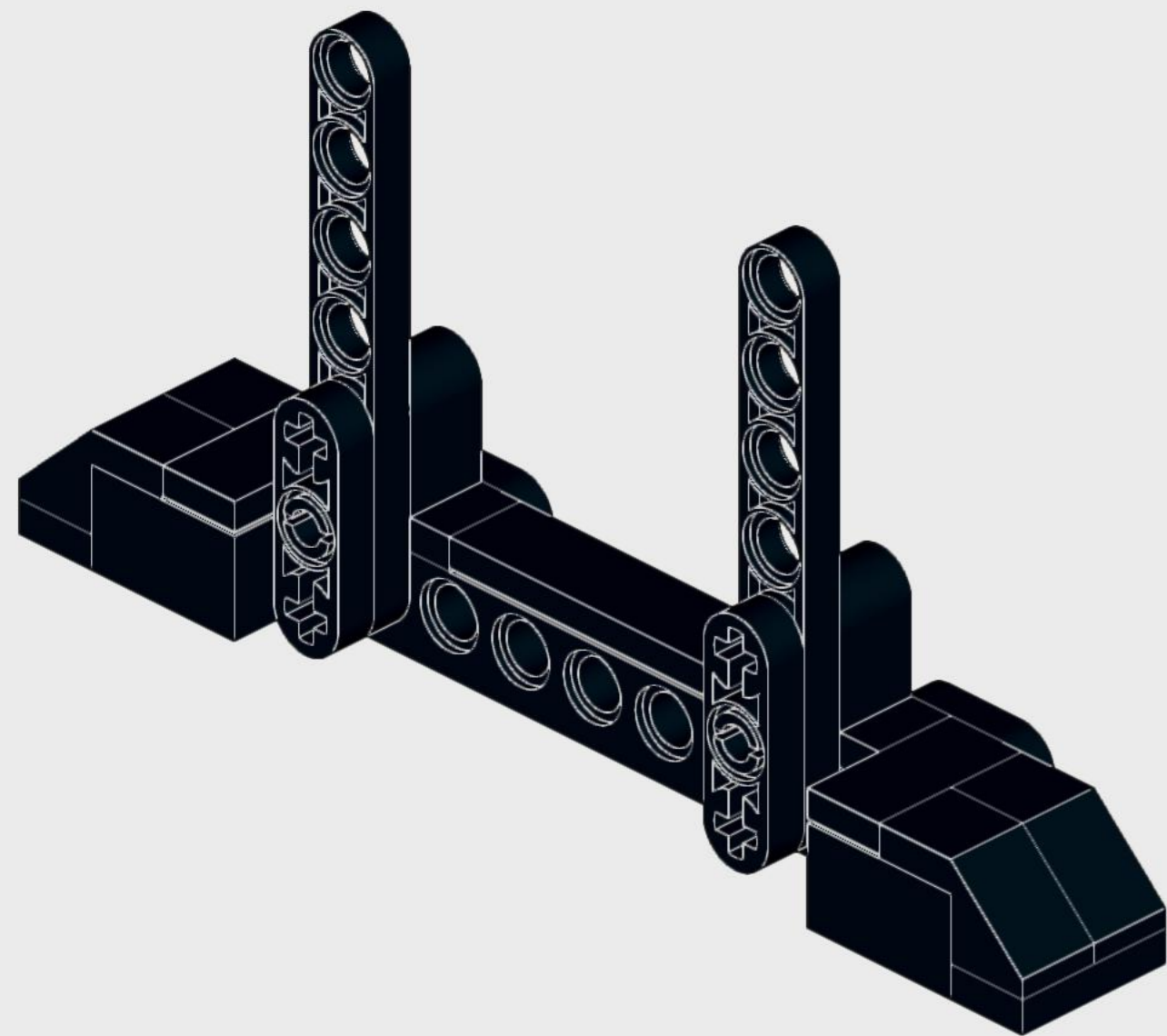
4



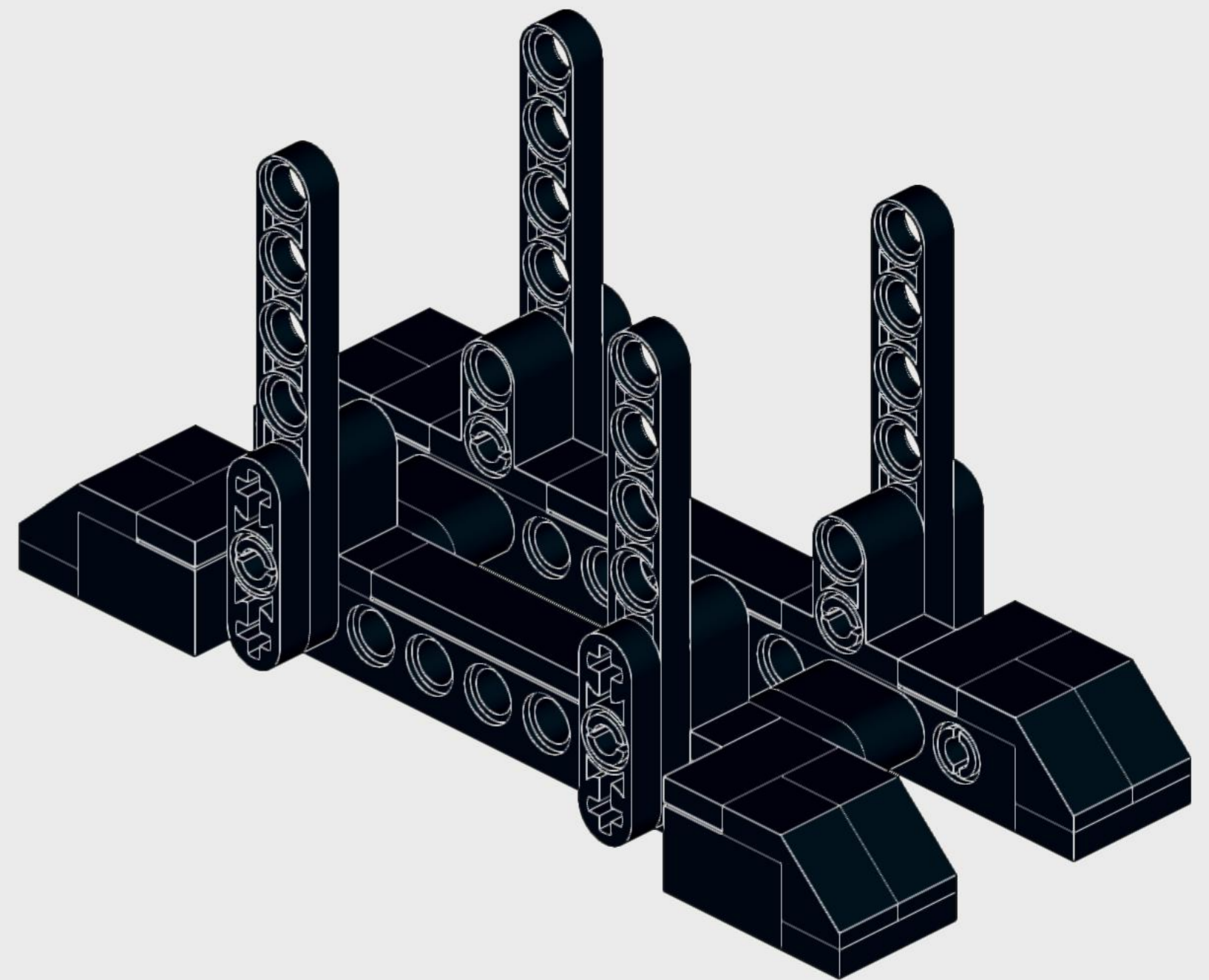
2x



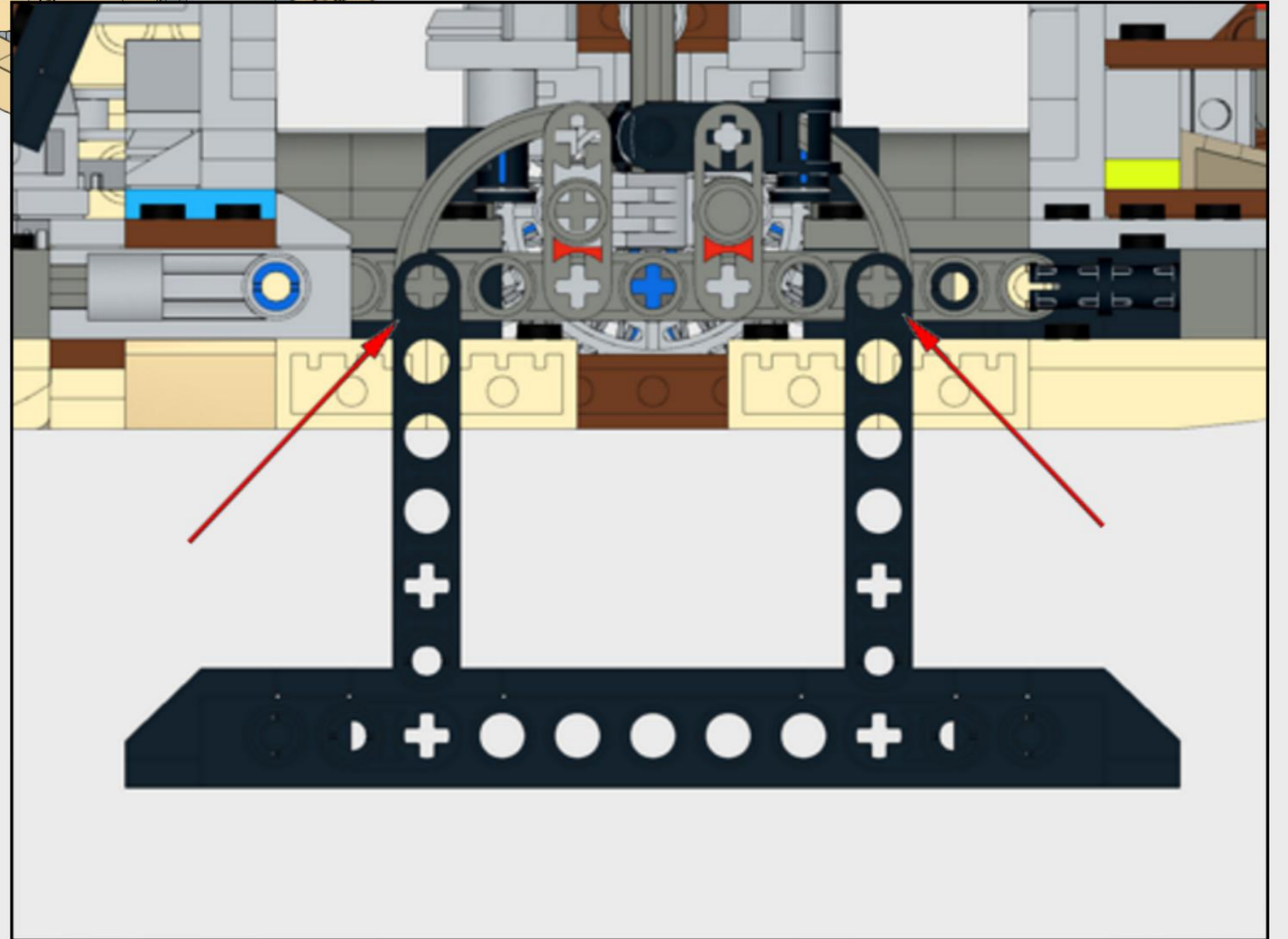
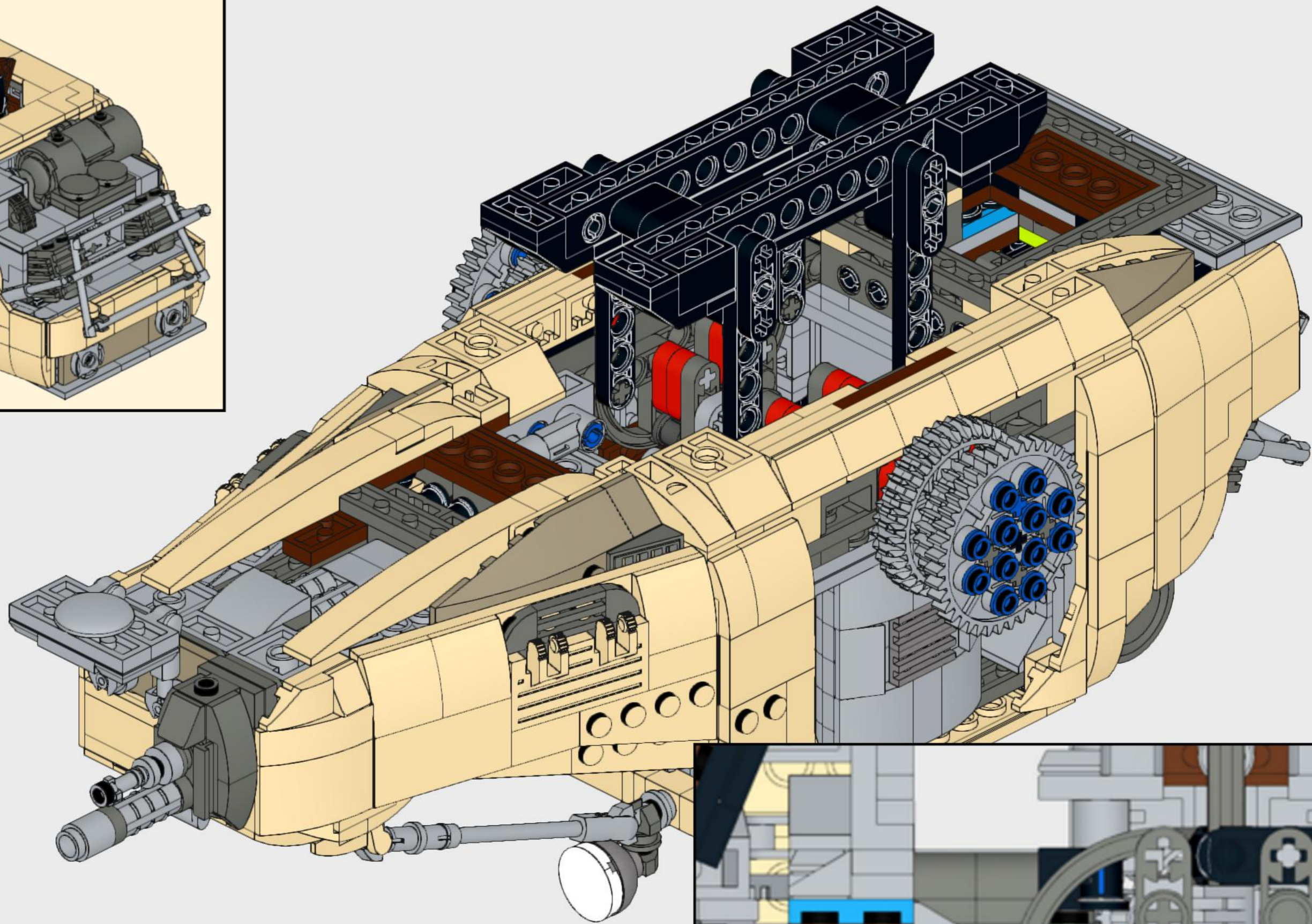
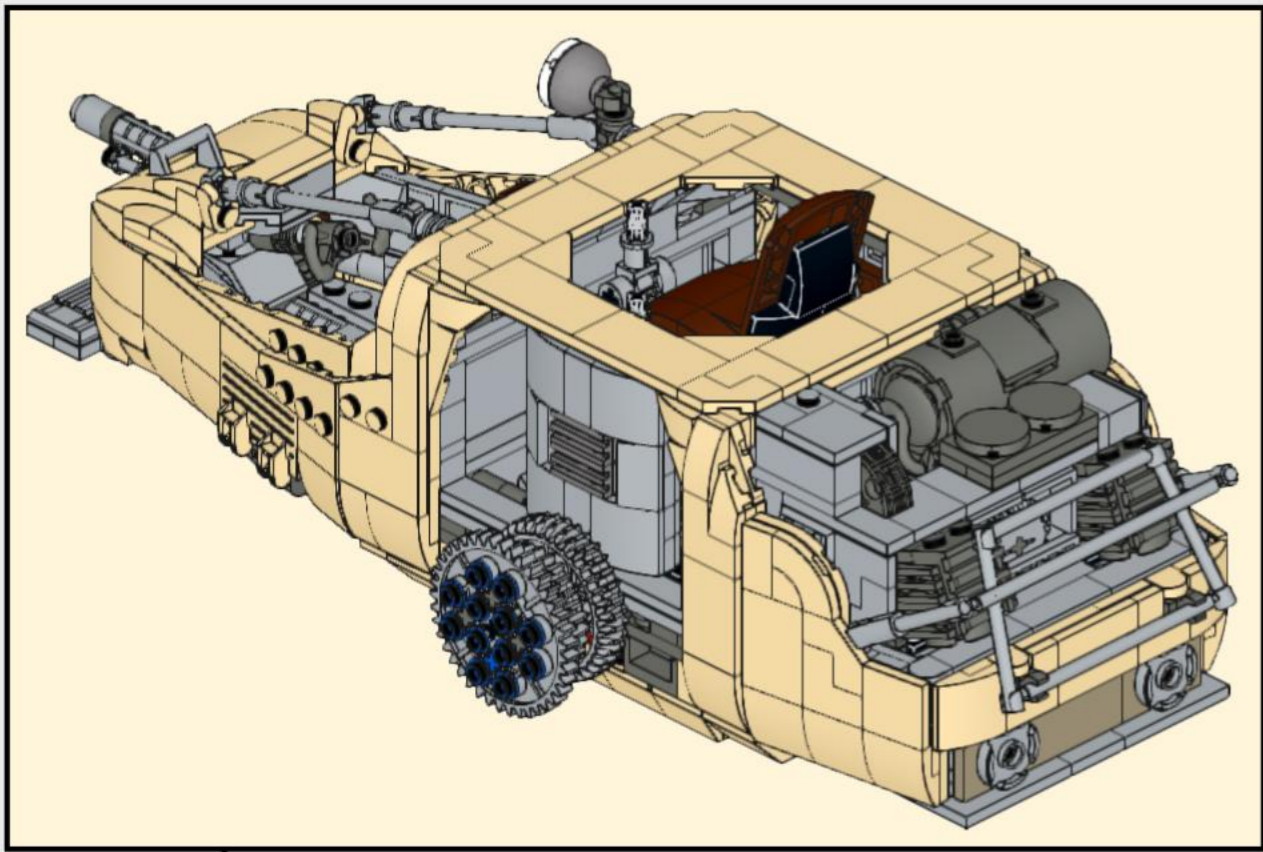
5 

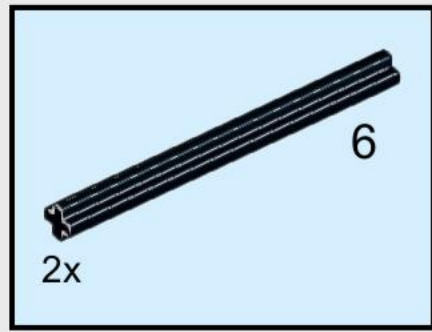


6

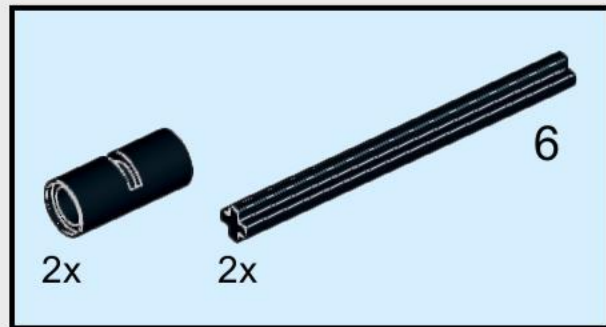
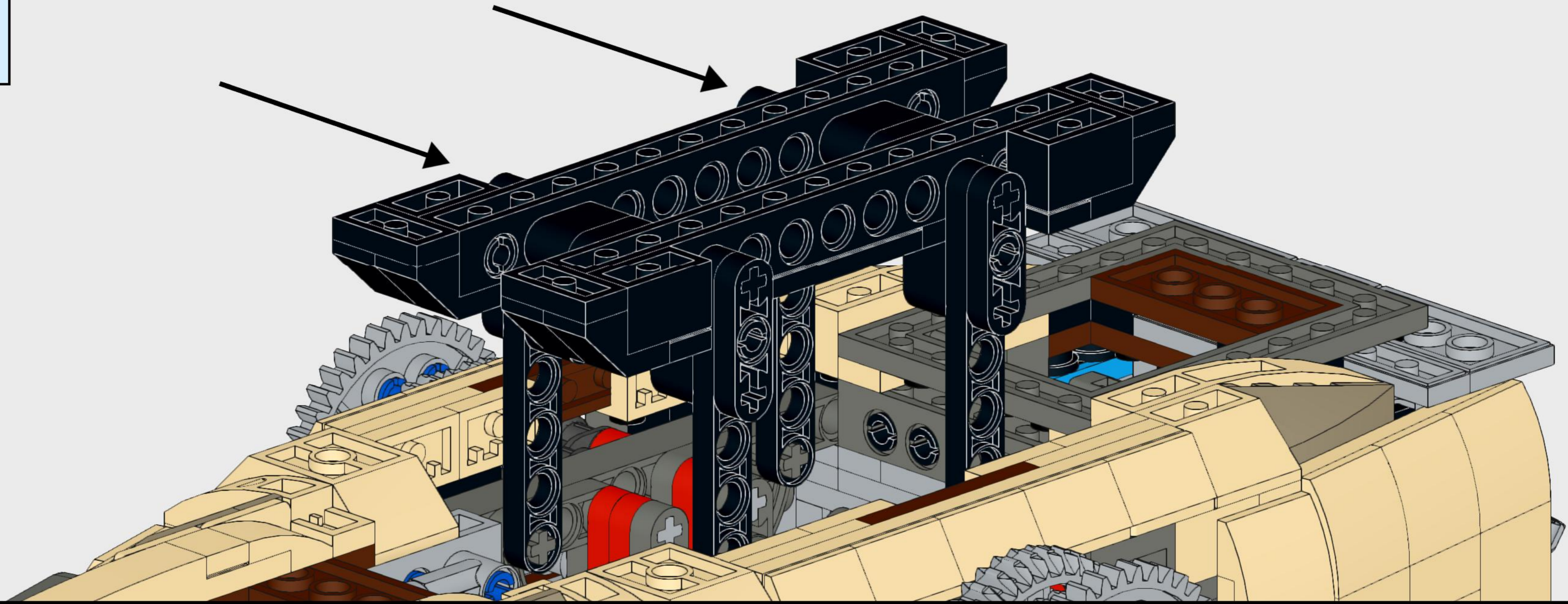


7

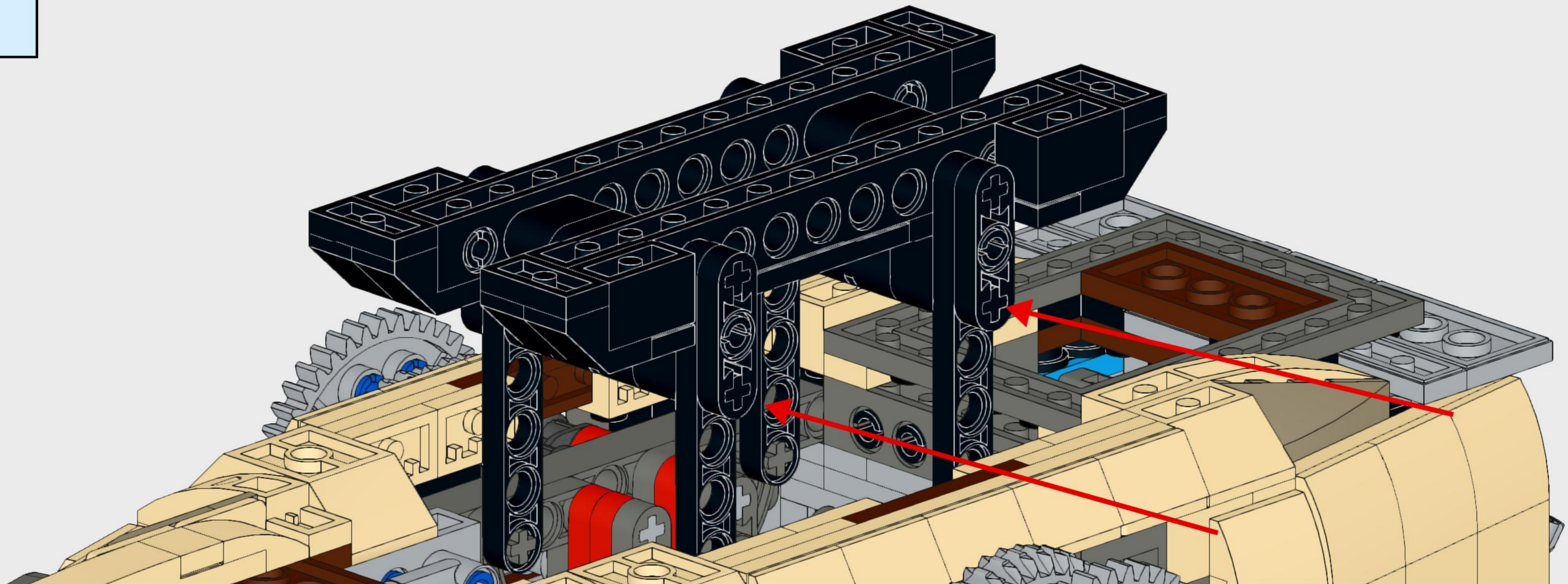


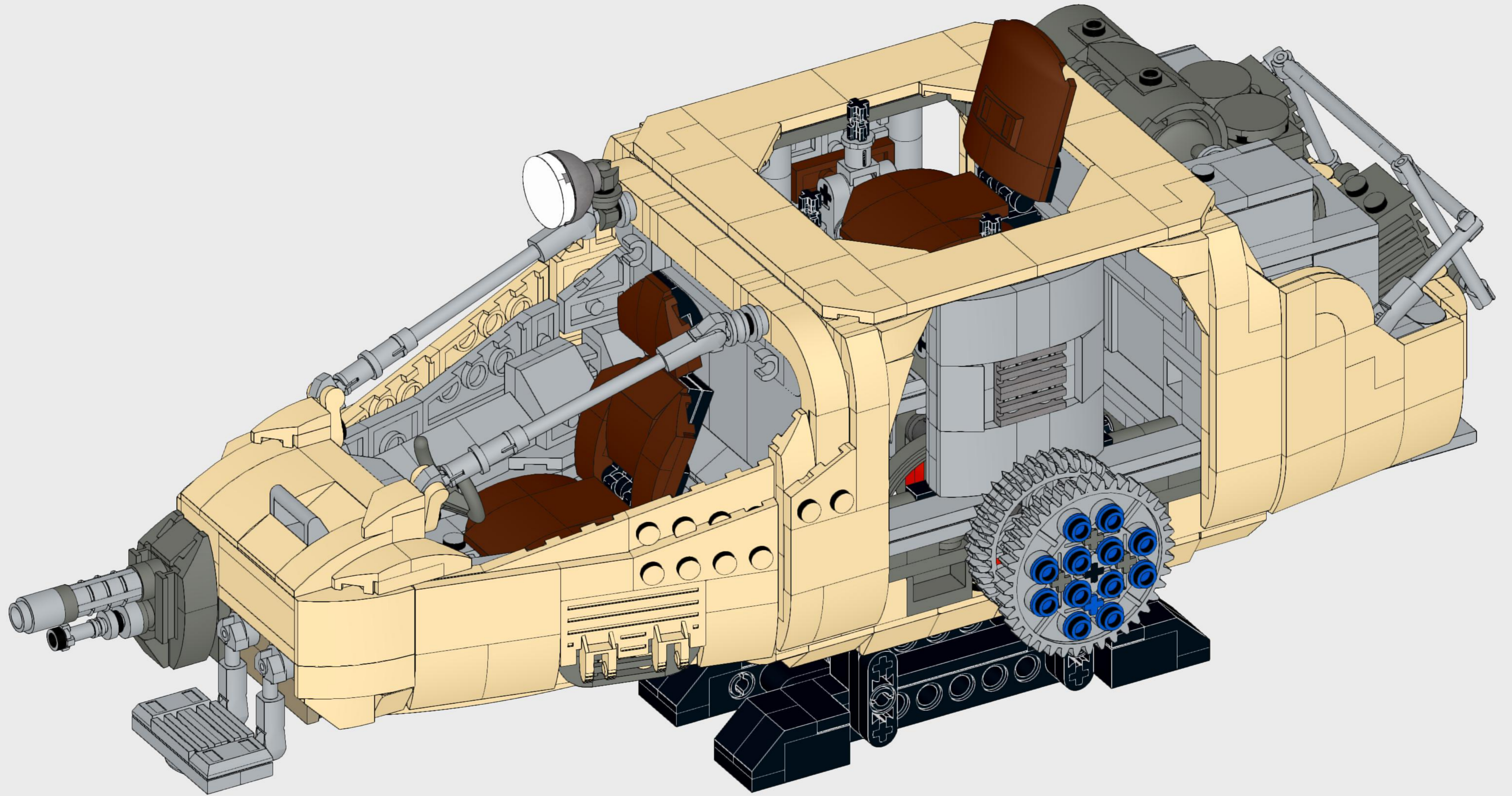


8

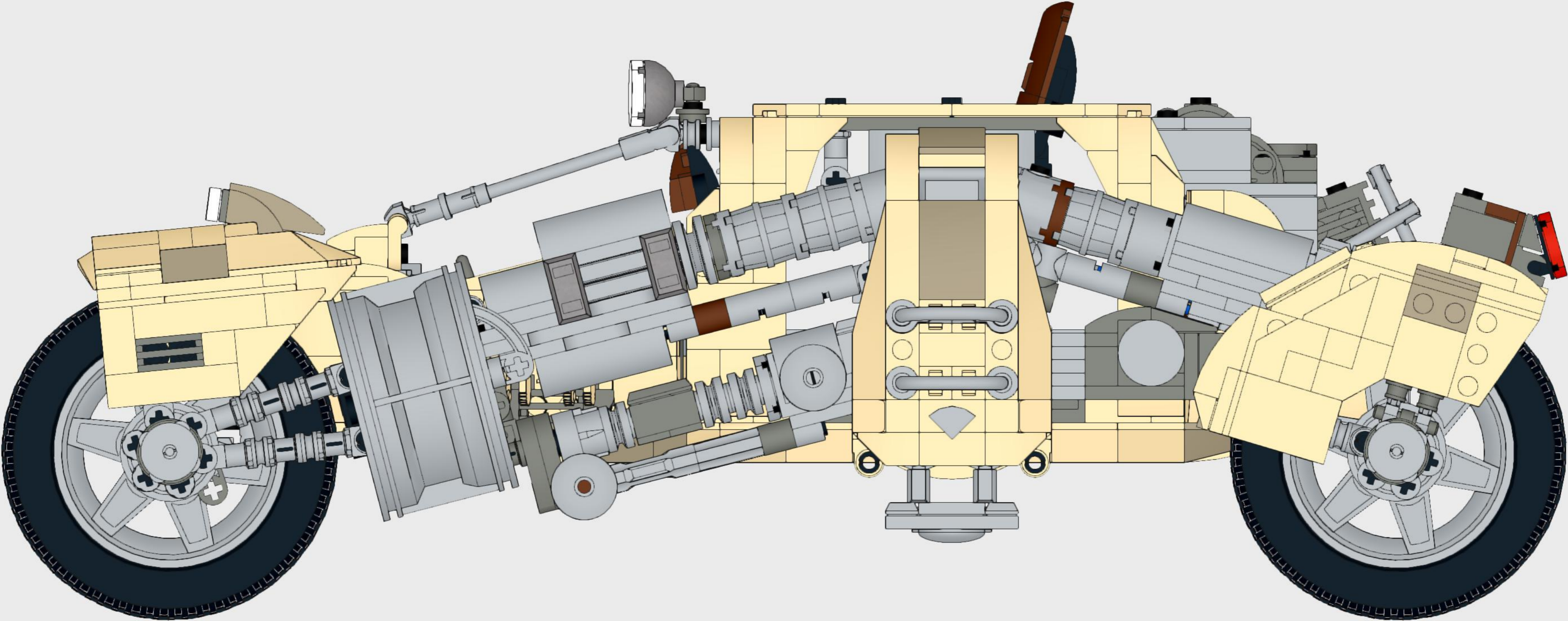
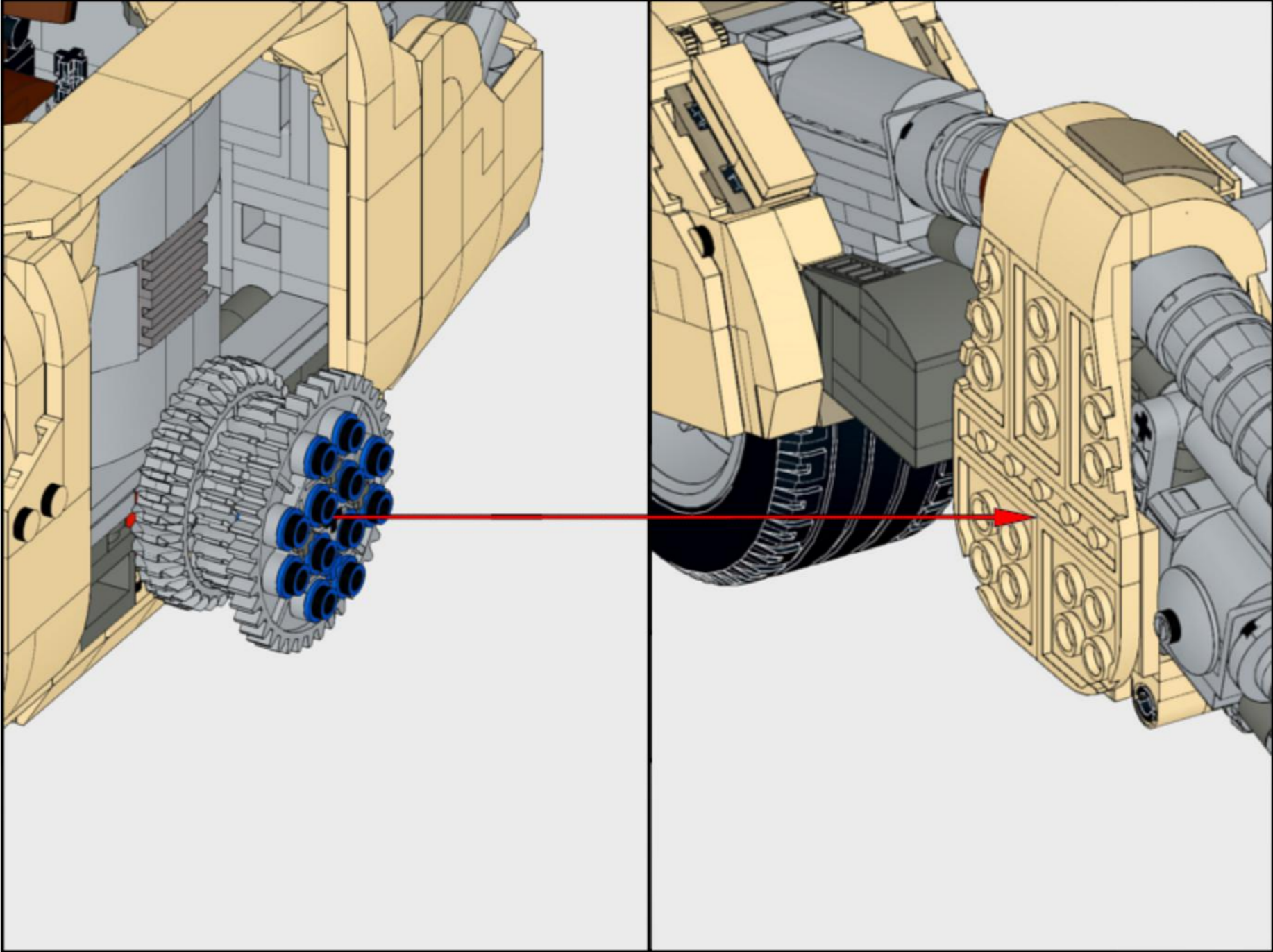


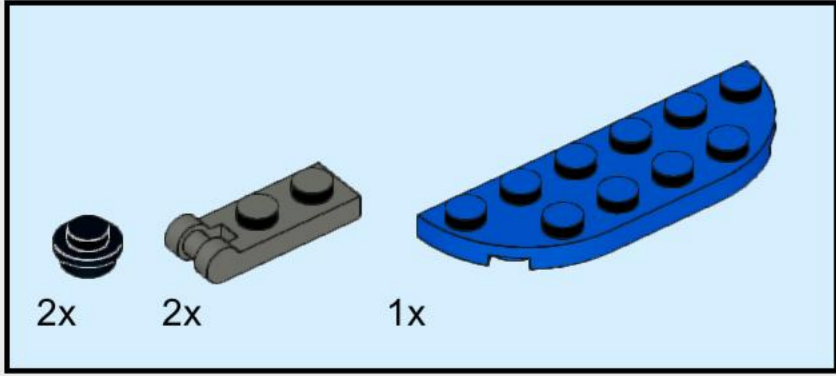
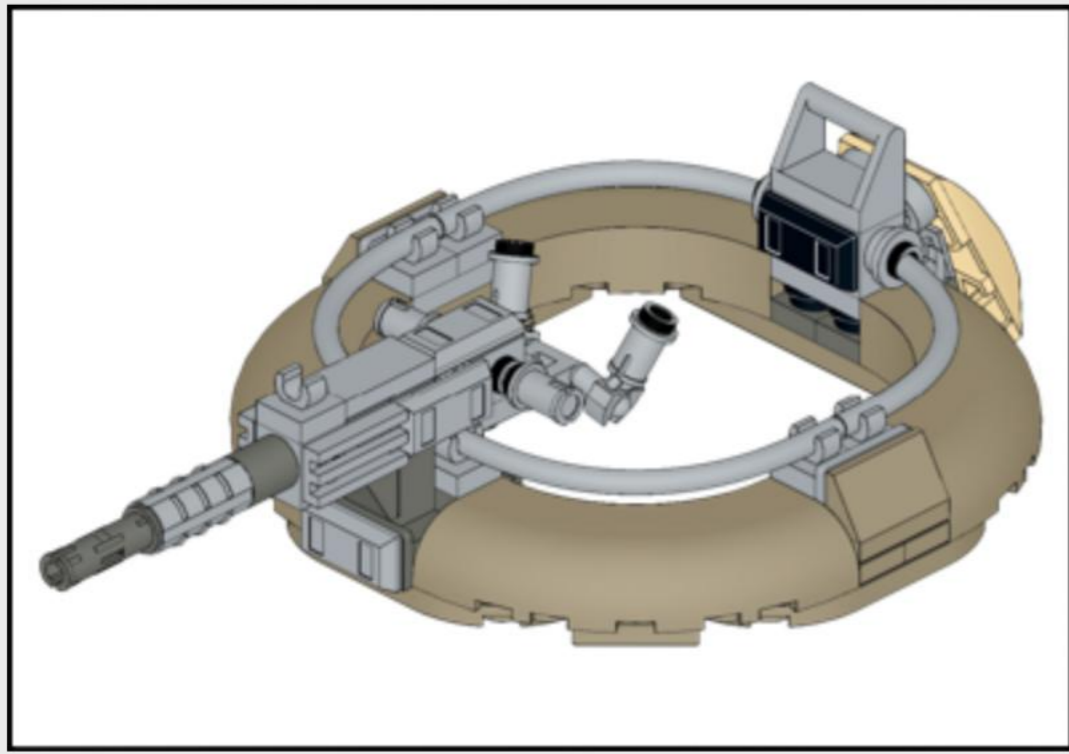
9



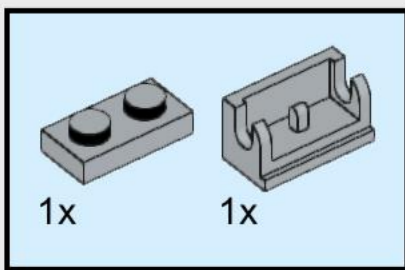
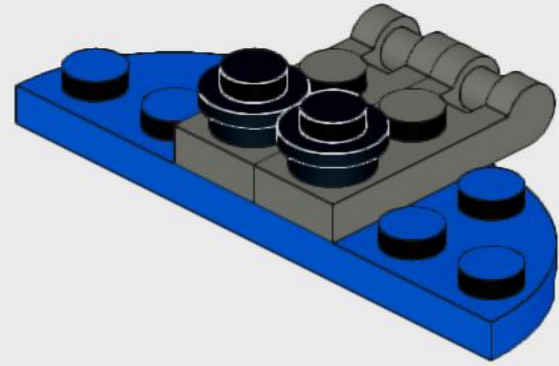


# Side Attach

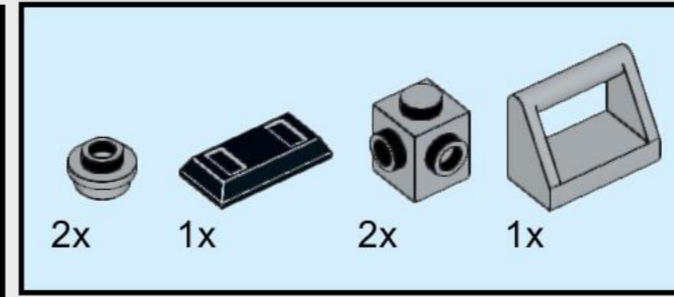
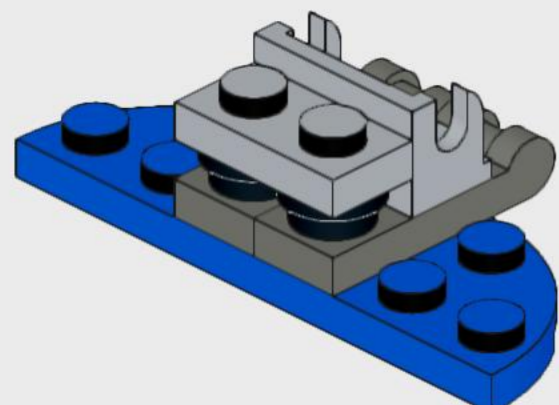




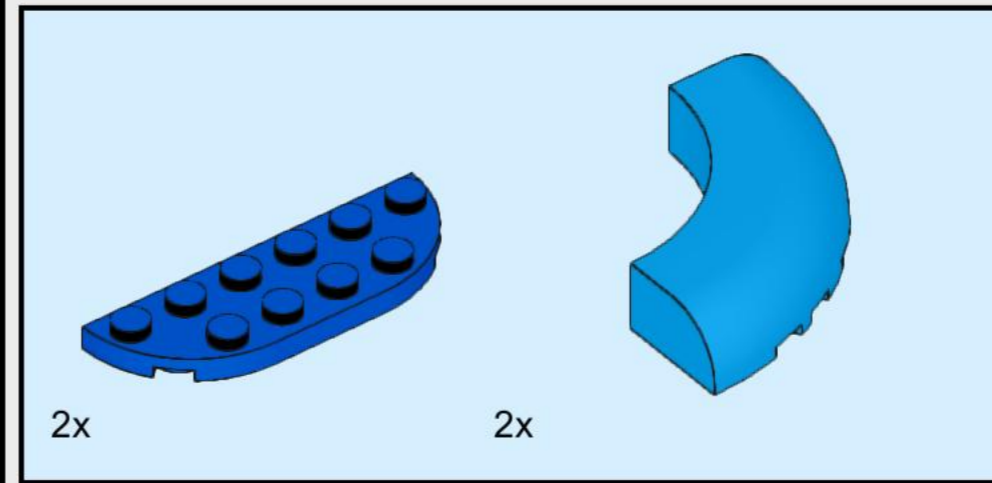
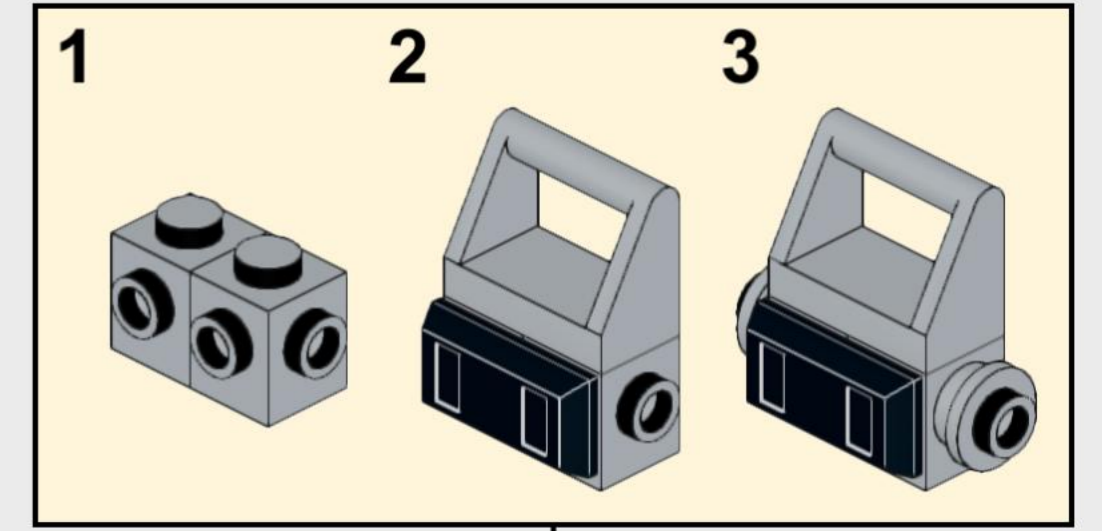
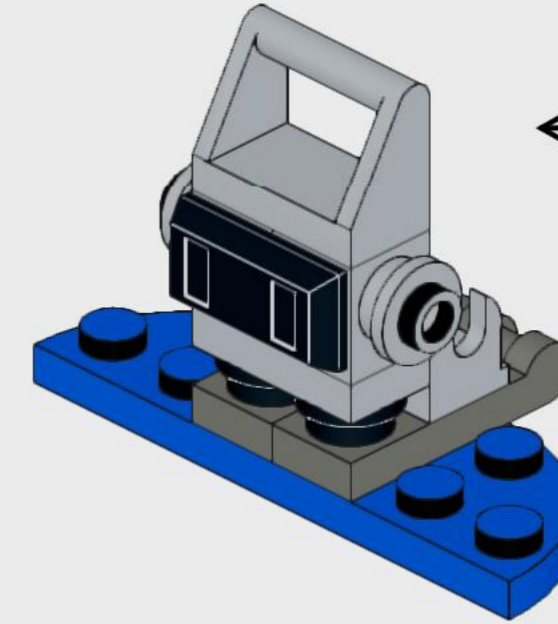
1



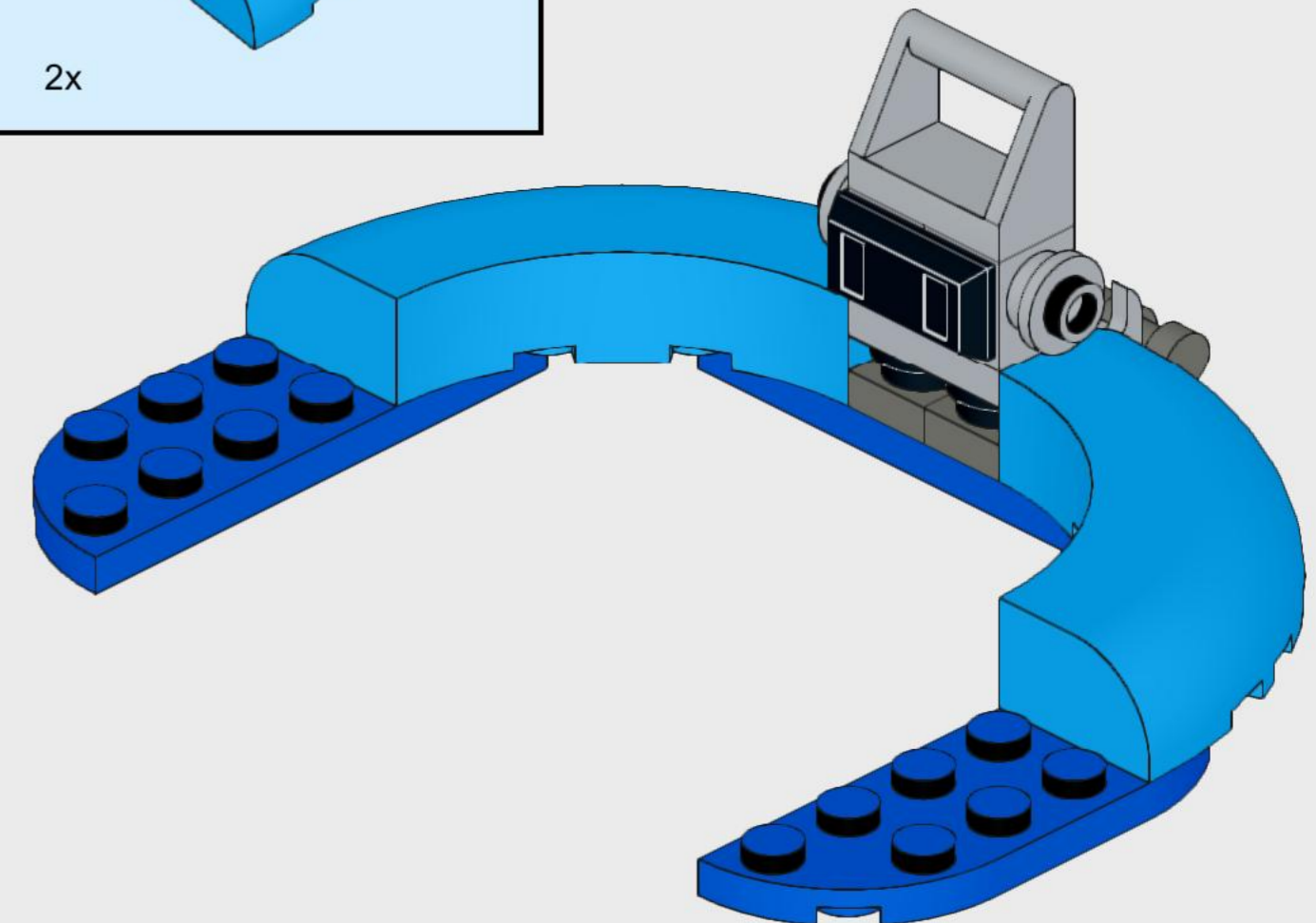
2

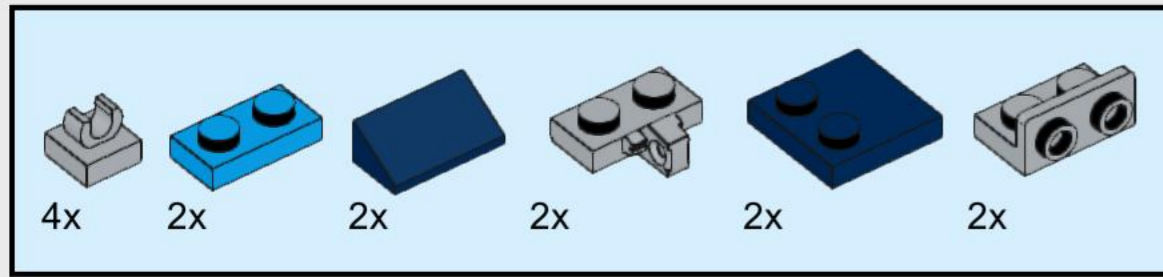


3

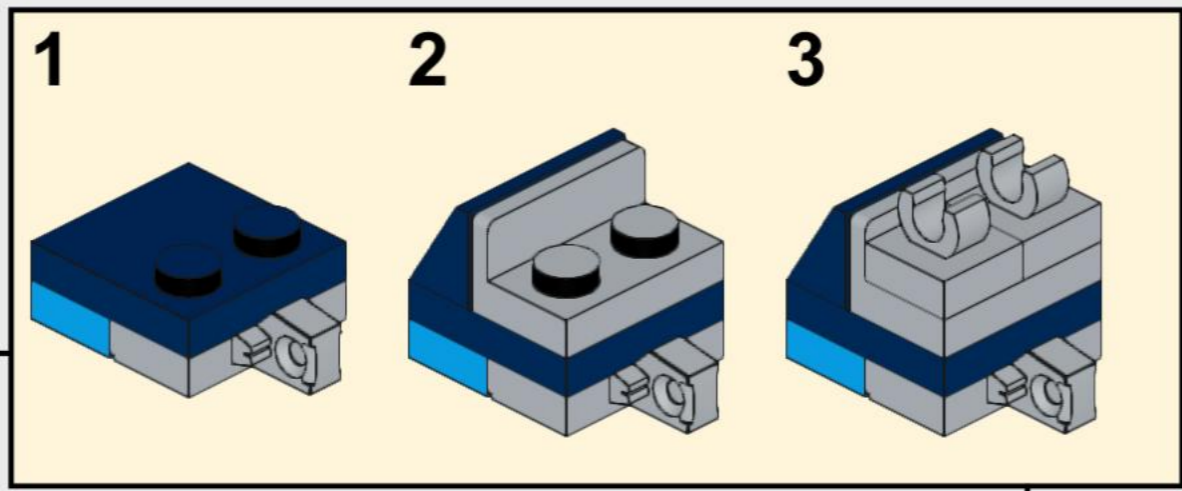


4

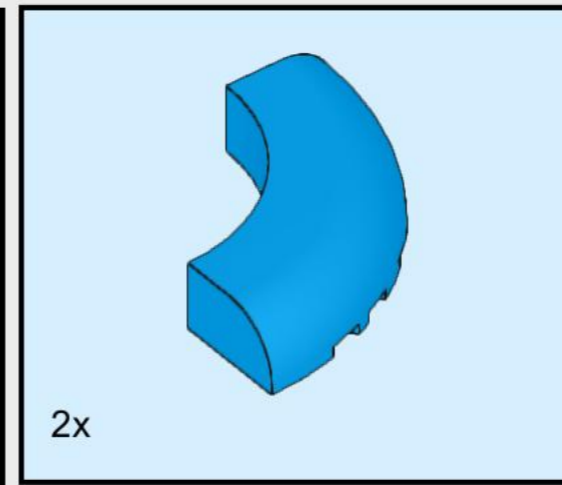
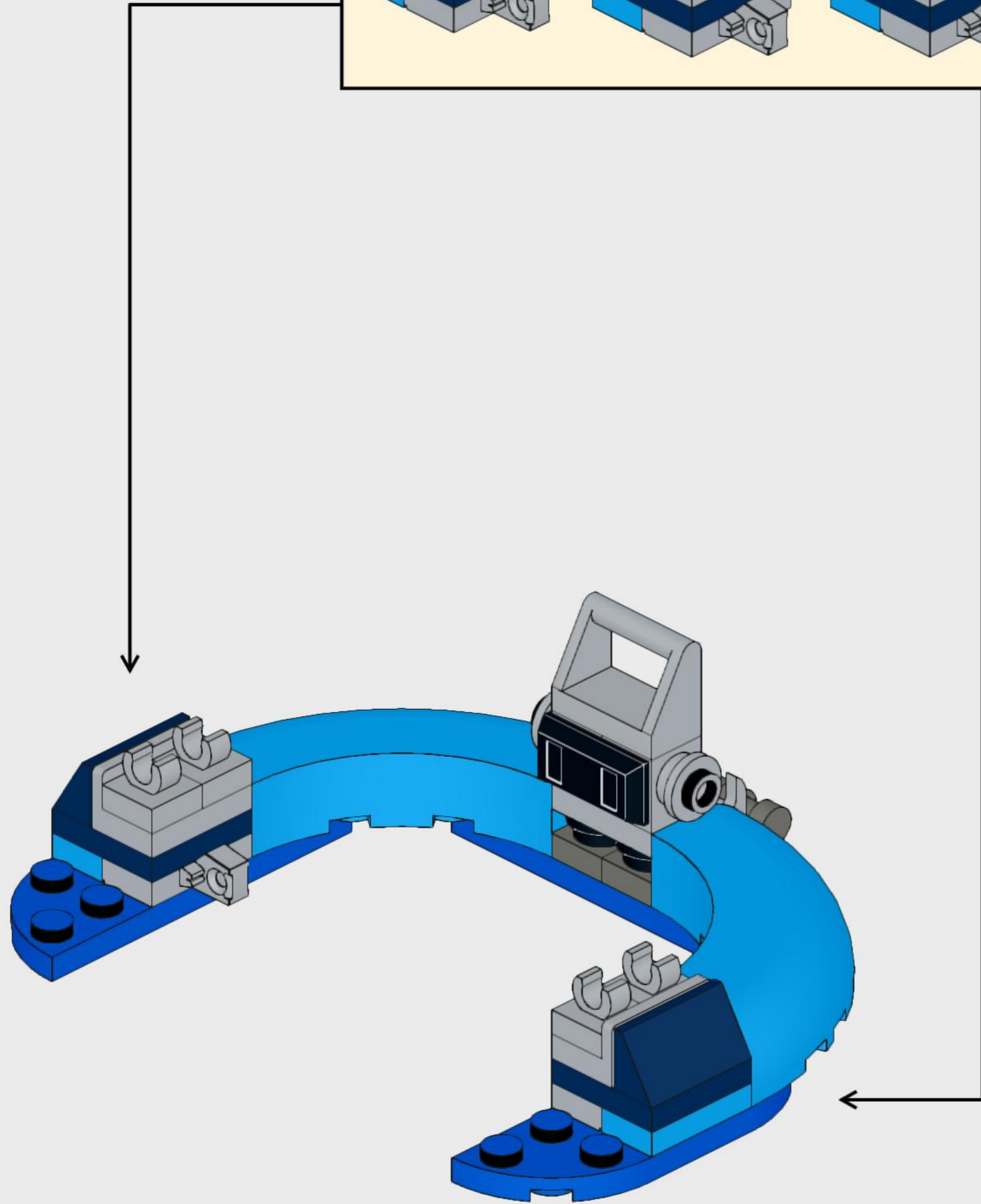




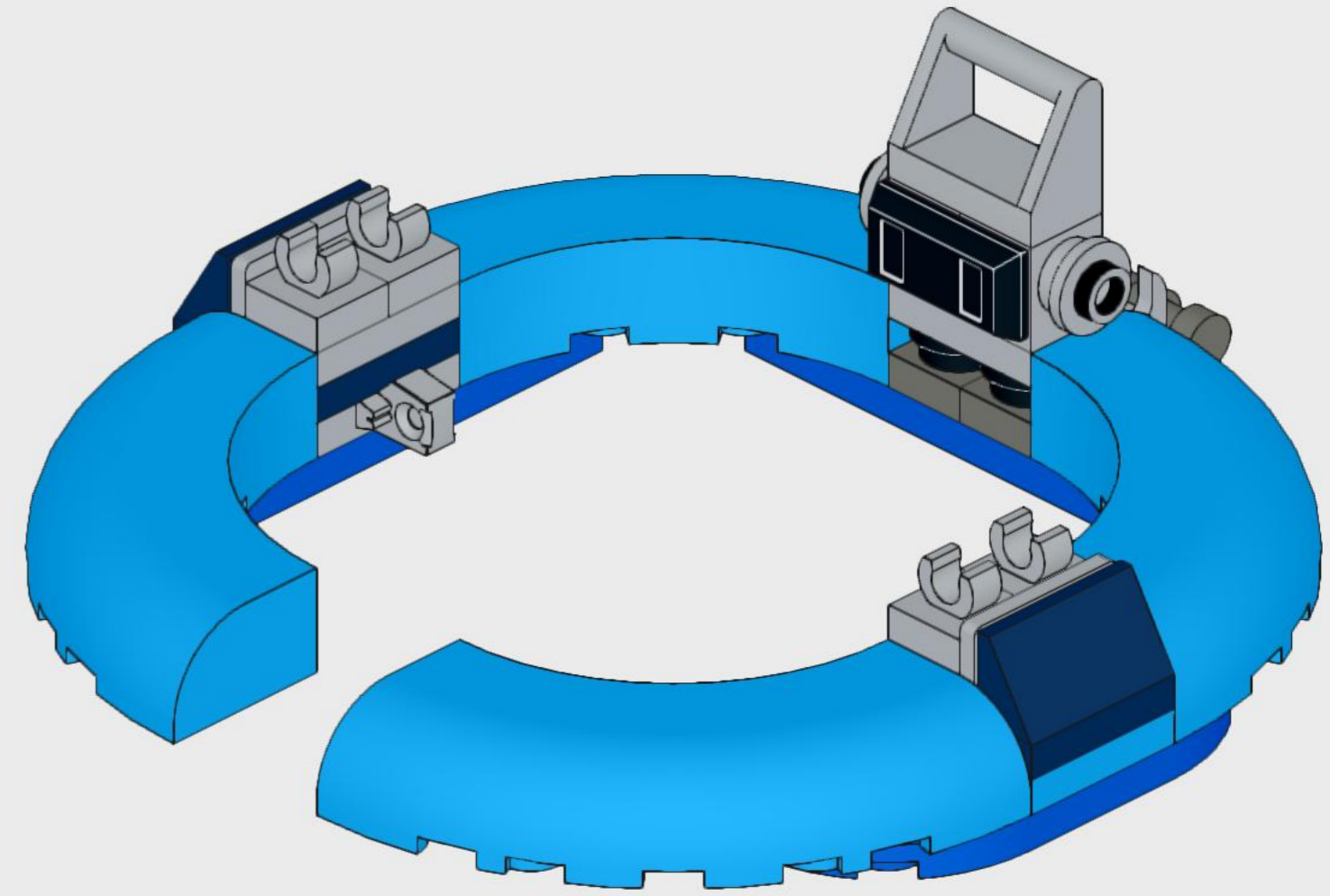
5



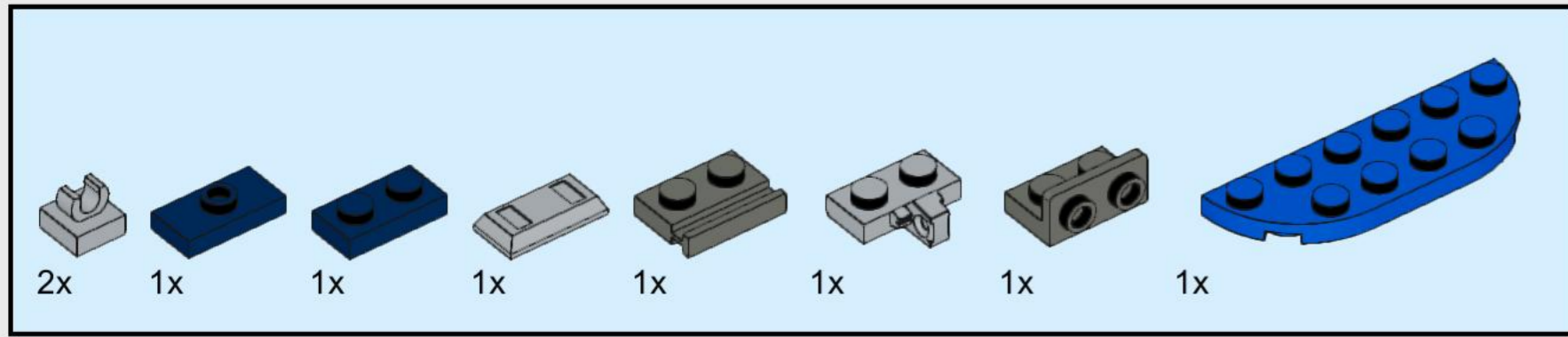
2x



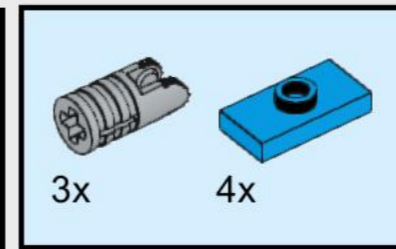
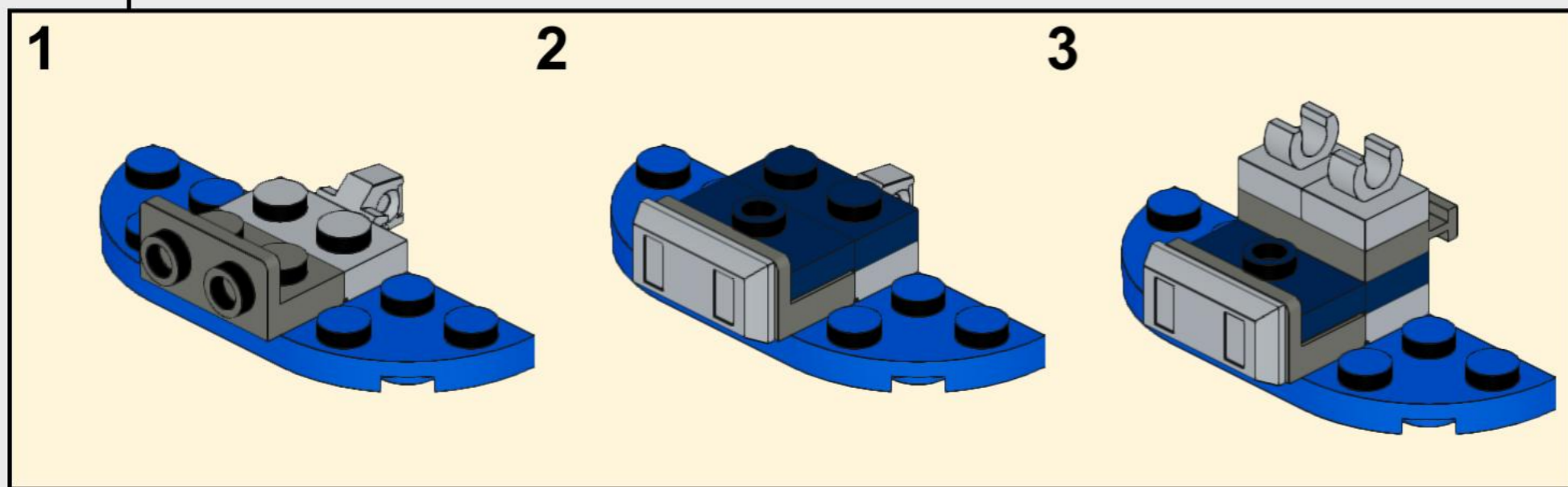
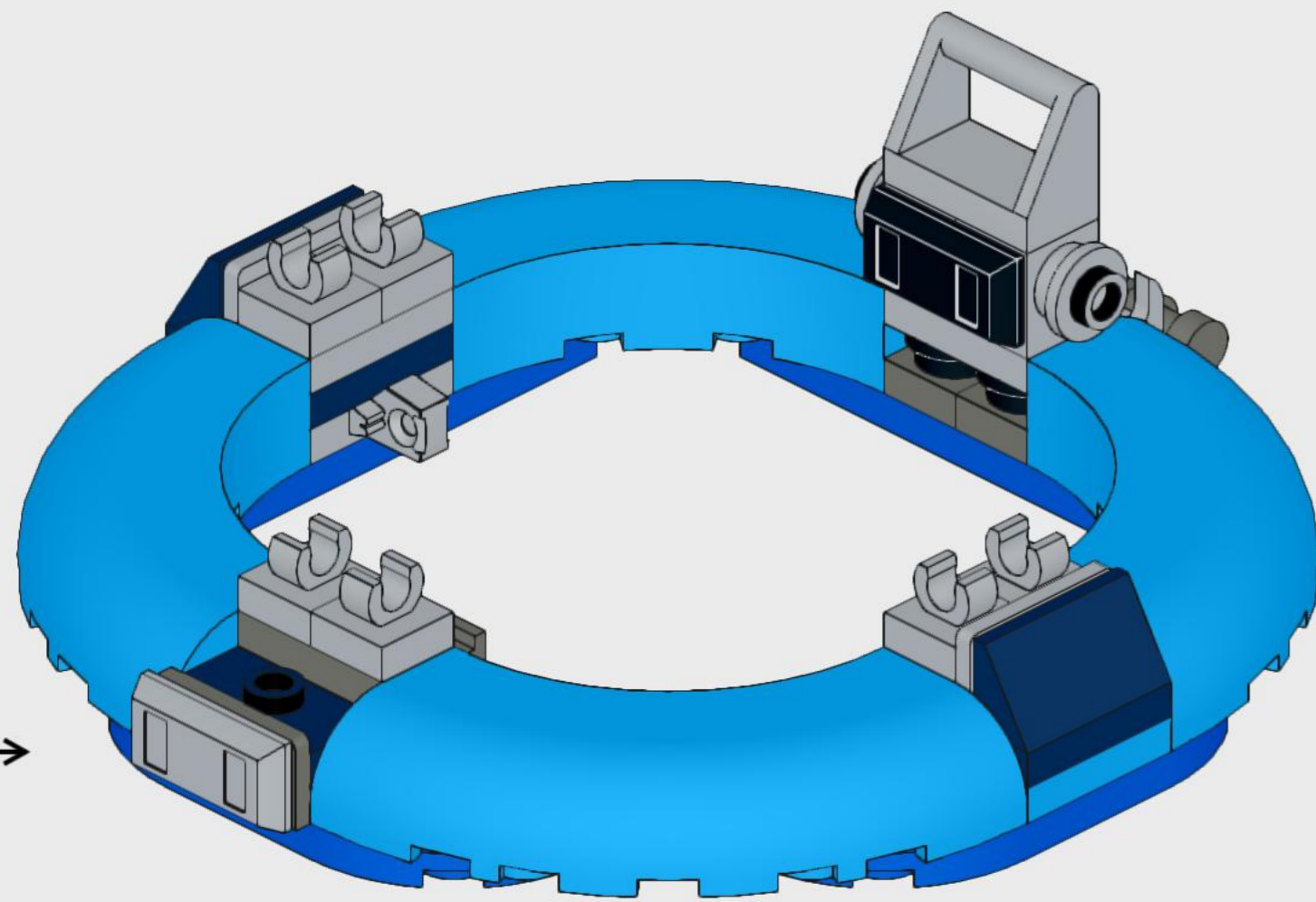
6



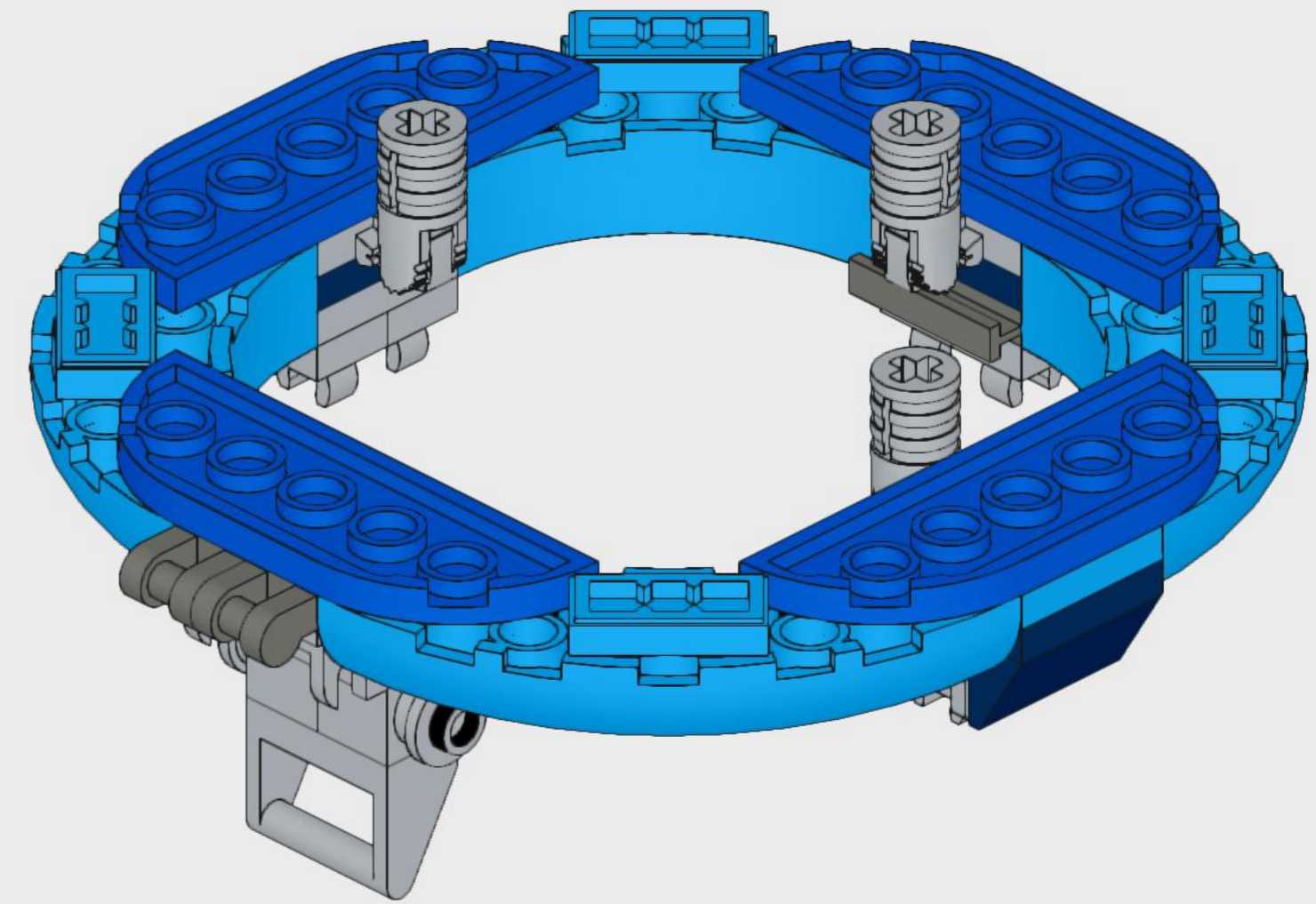


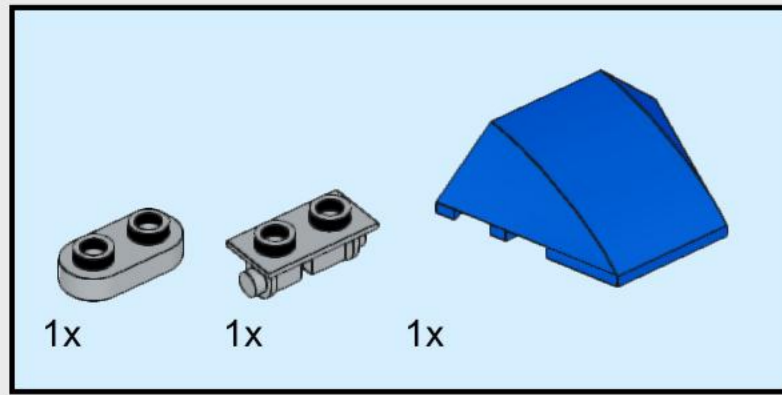


7

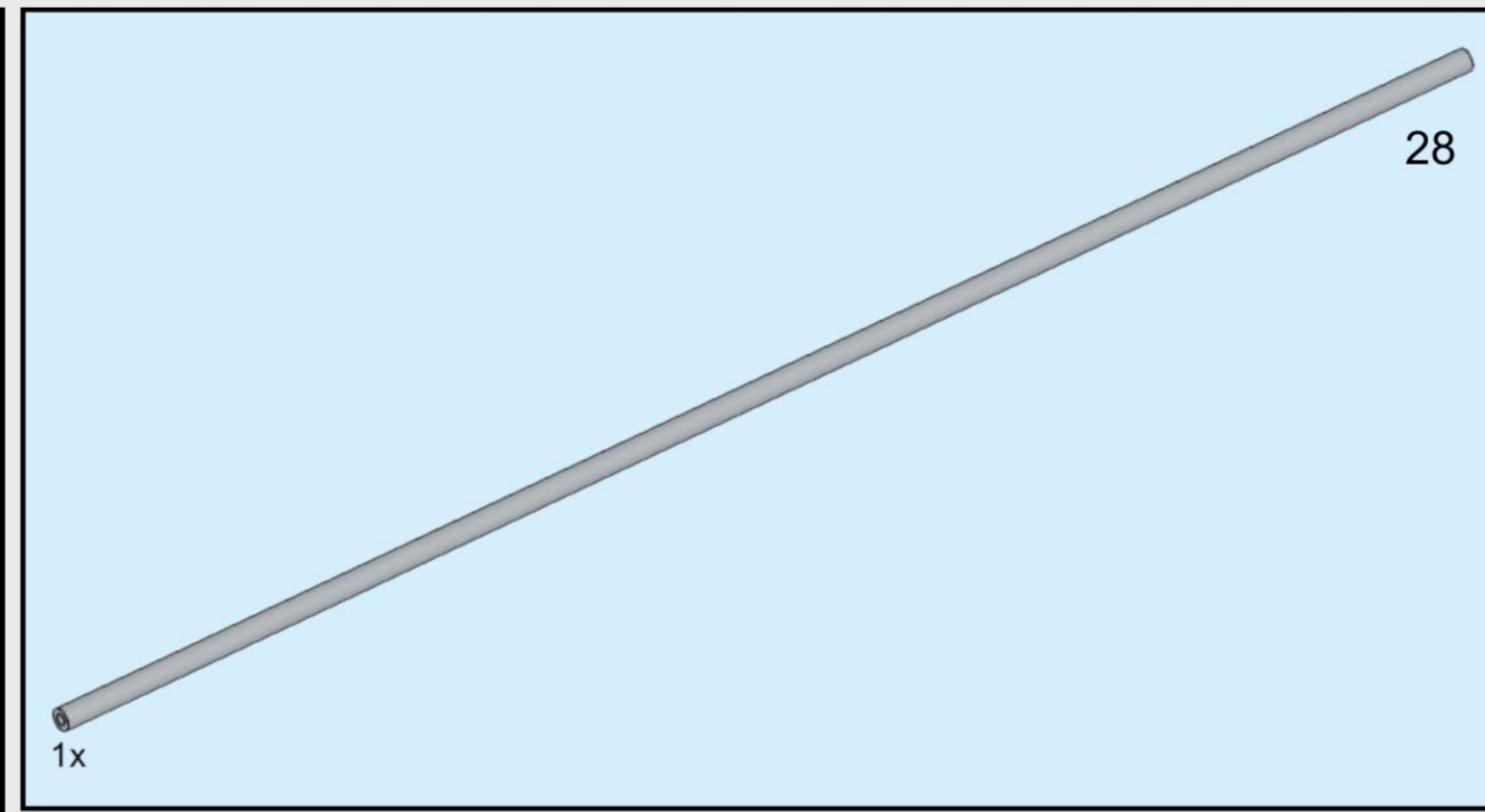
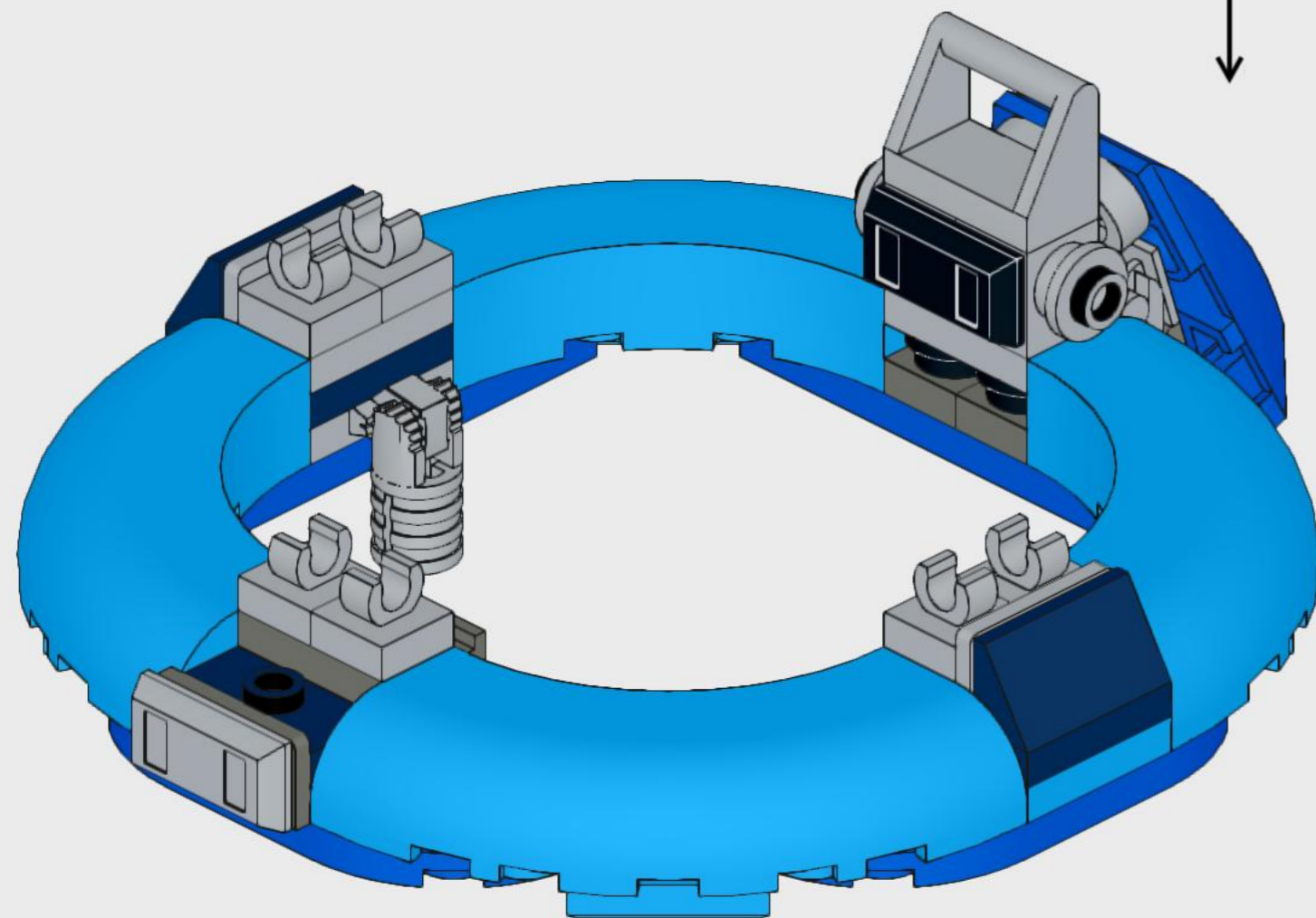
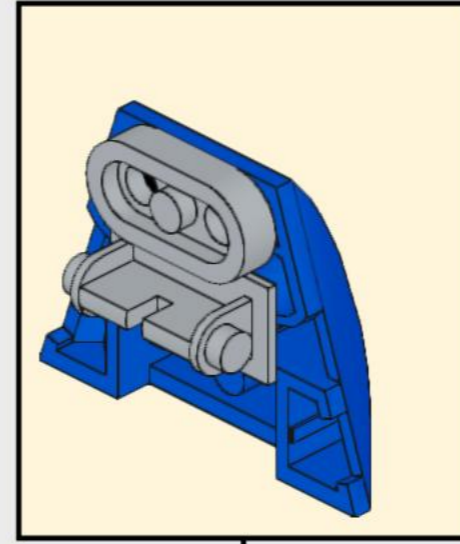


8

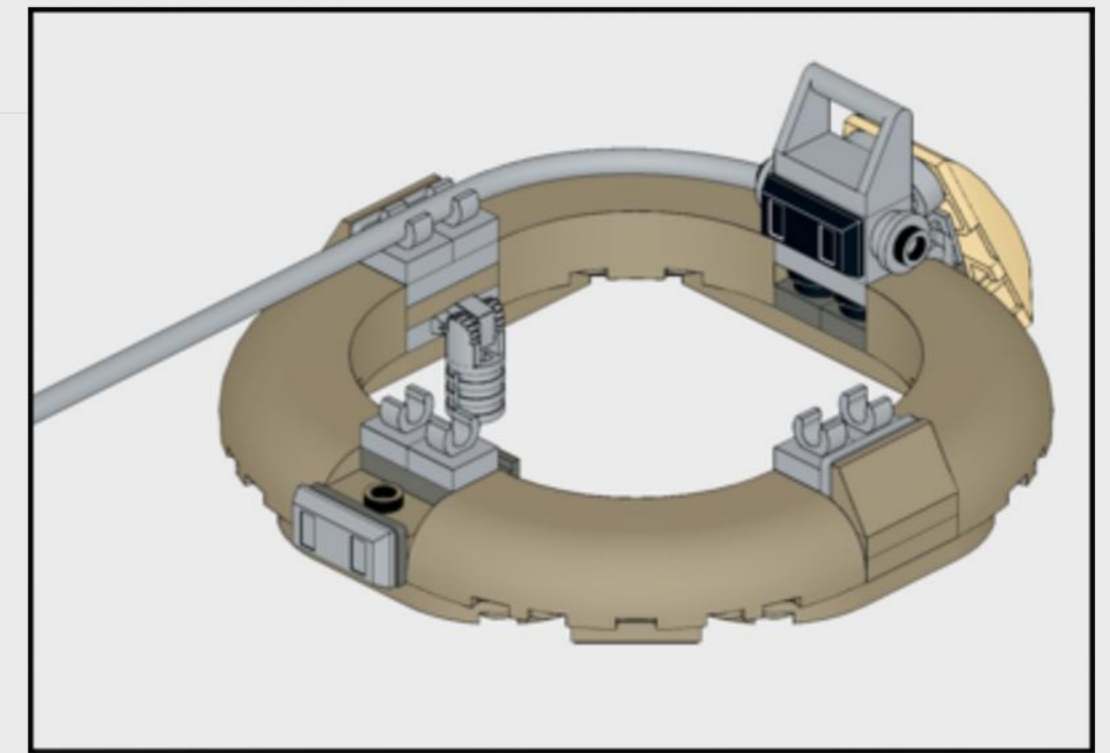




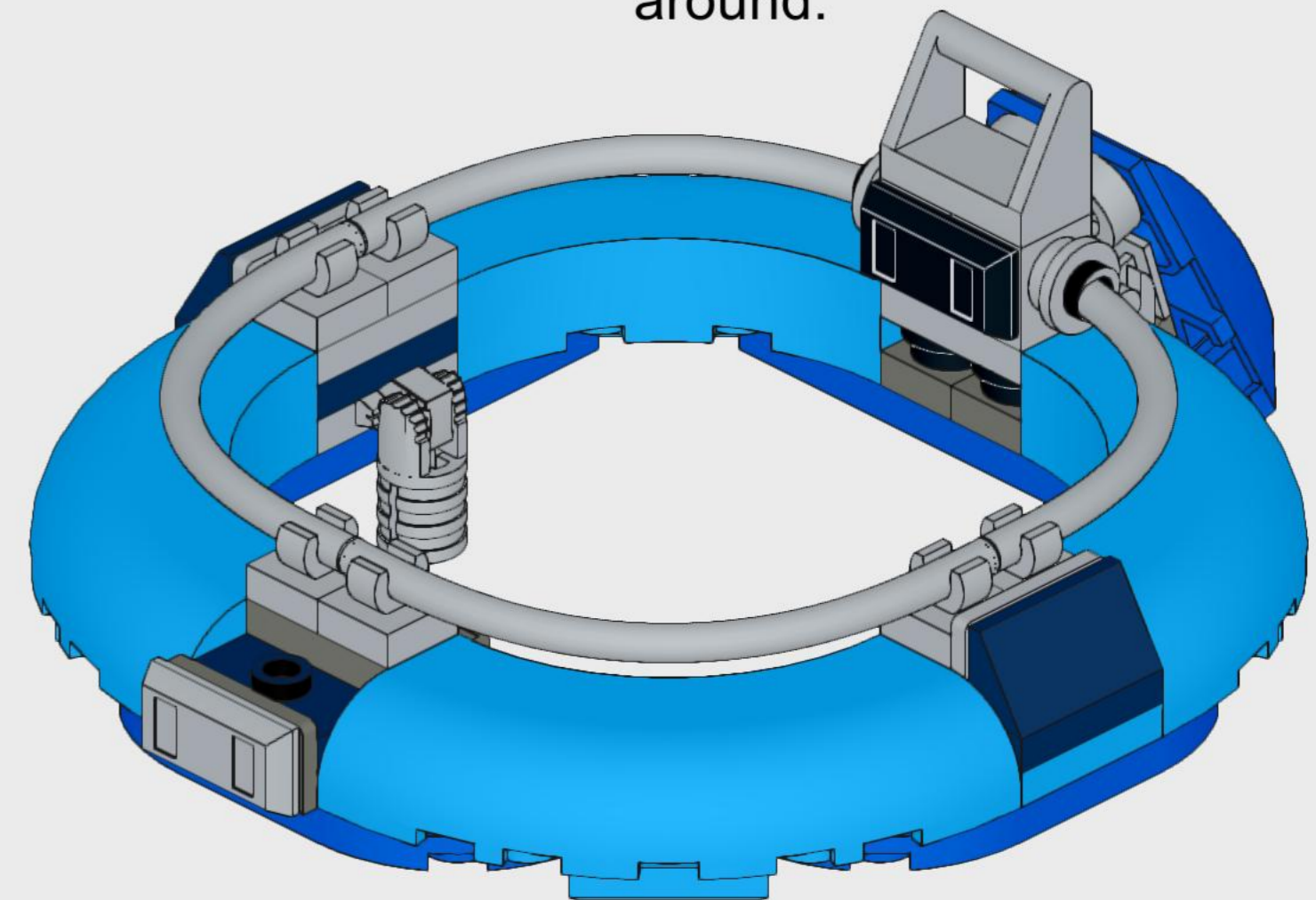
9

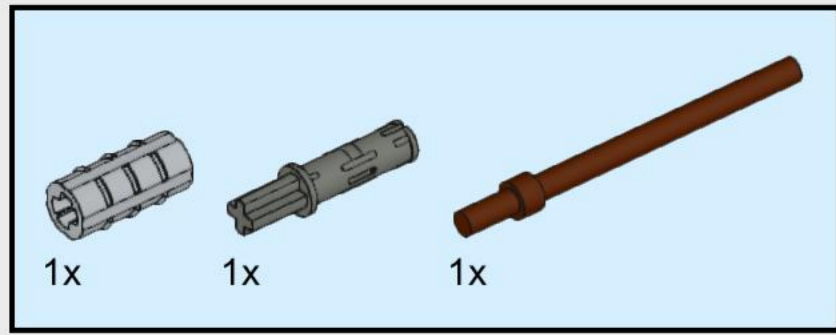


10

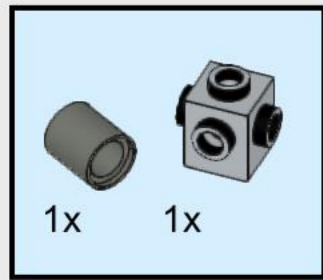
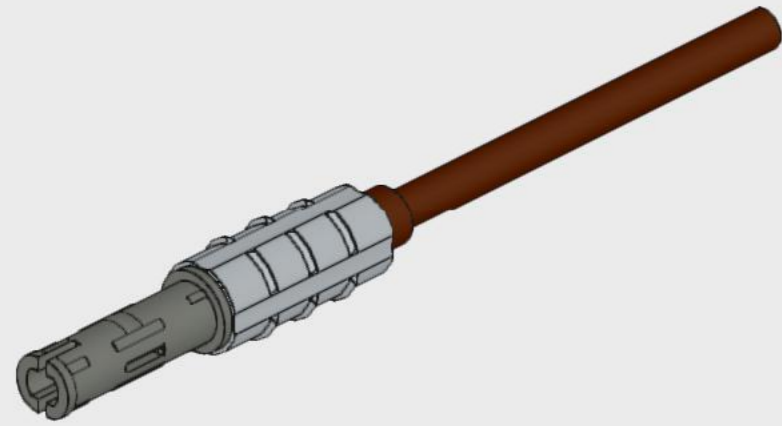


Insert 28-stud-length rigid hose into hollow stud in back, then wrap around.

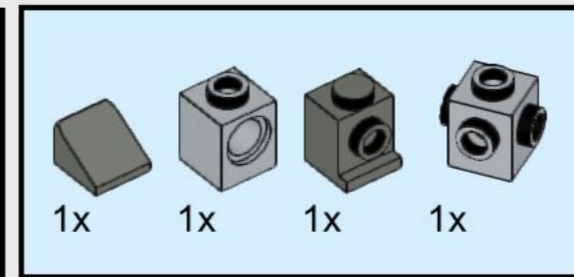
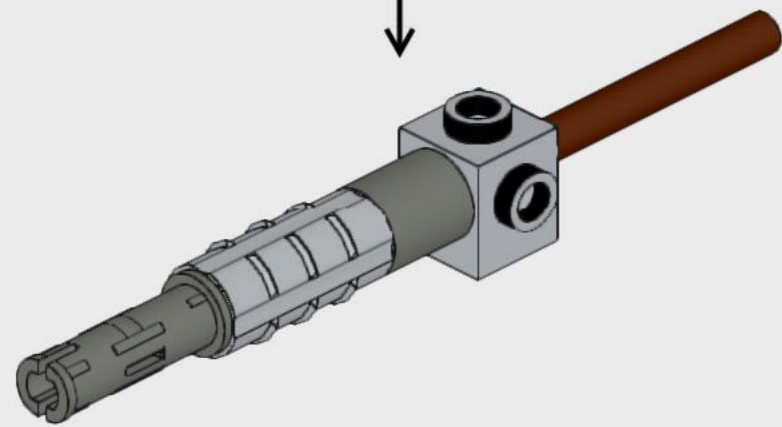
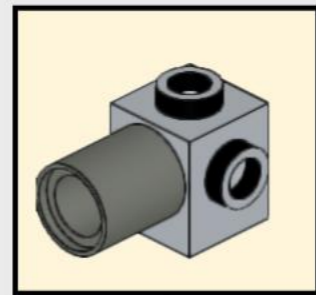




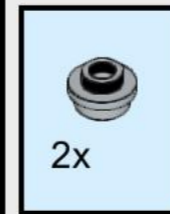
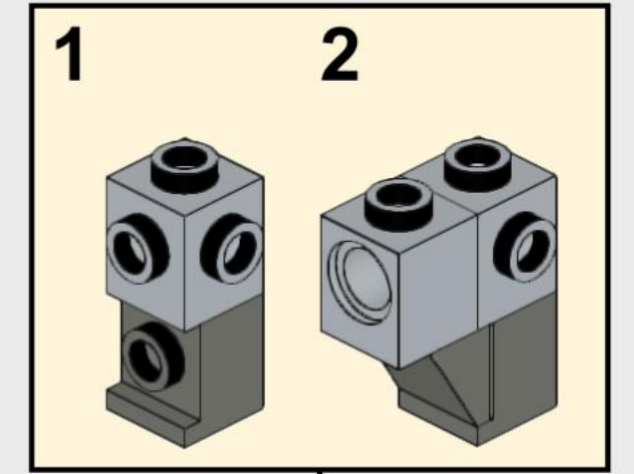
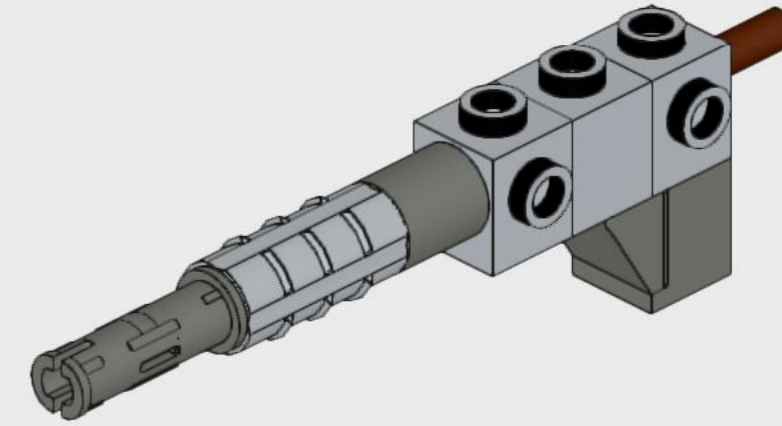
11



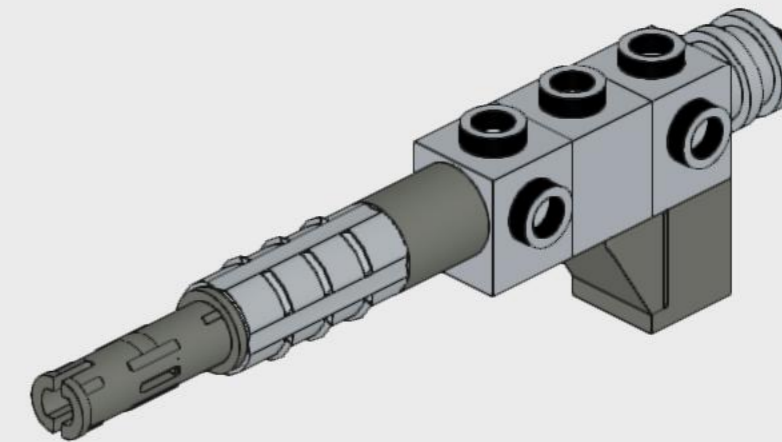
12

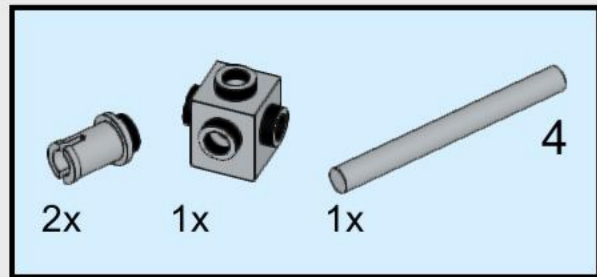


13

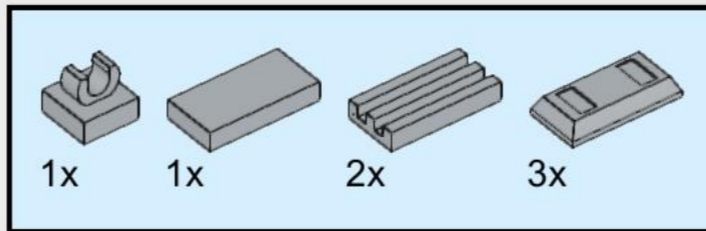
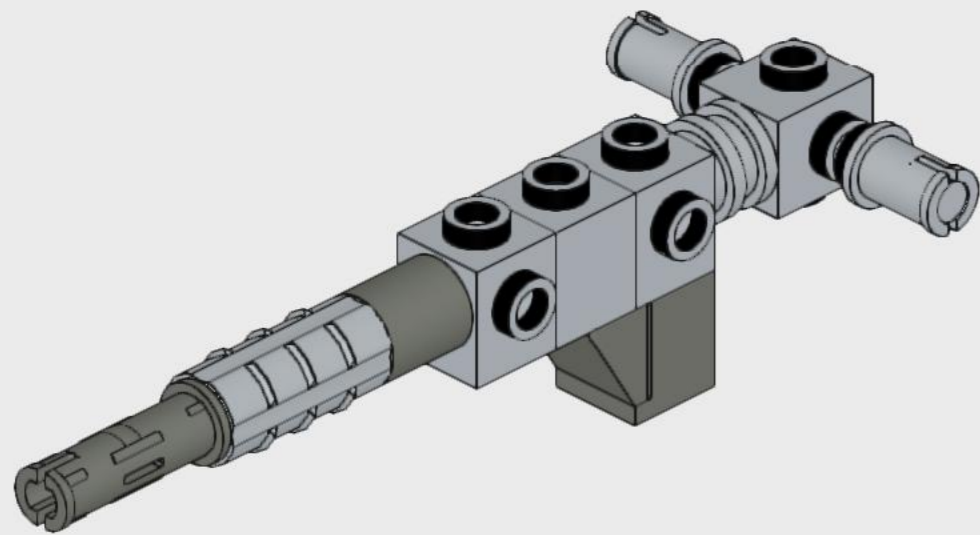
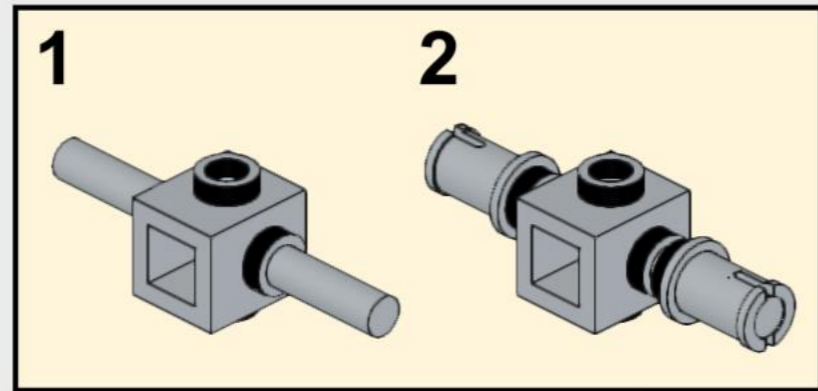


14

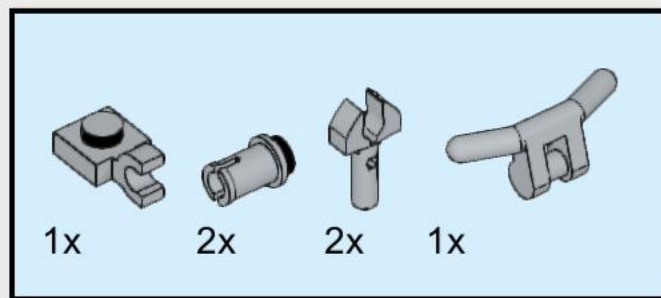
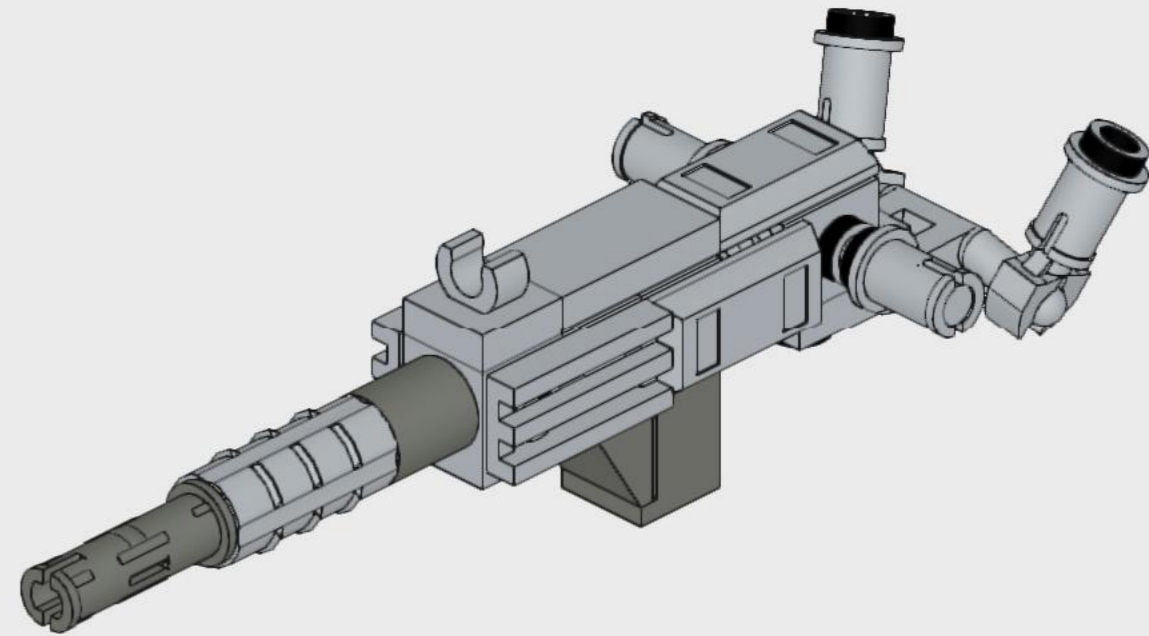




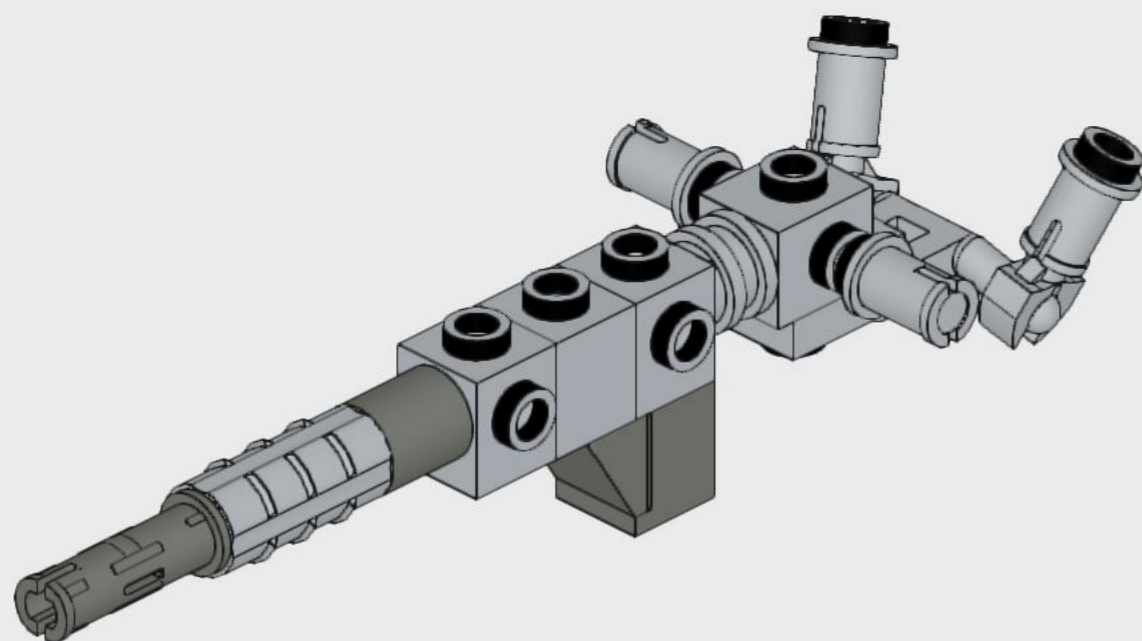
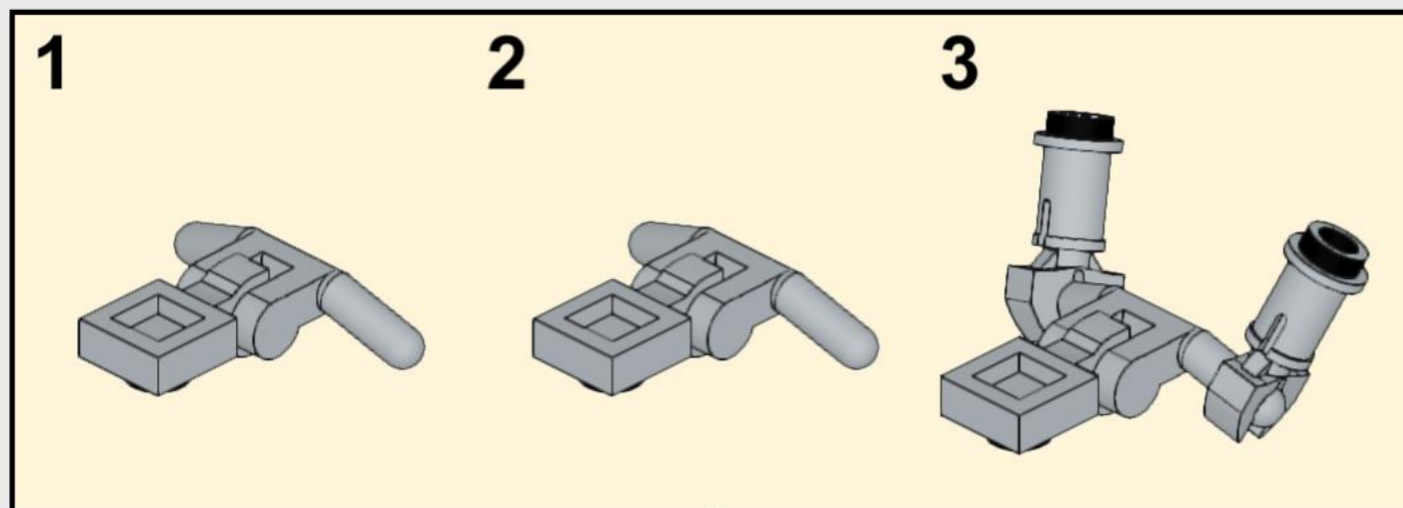
15



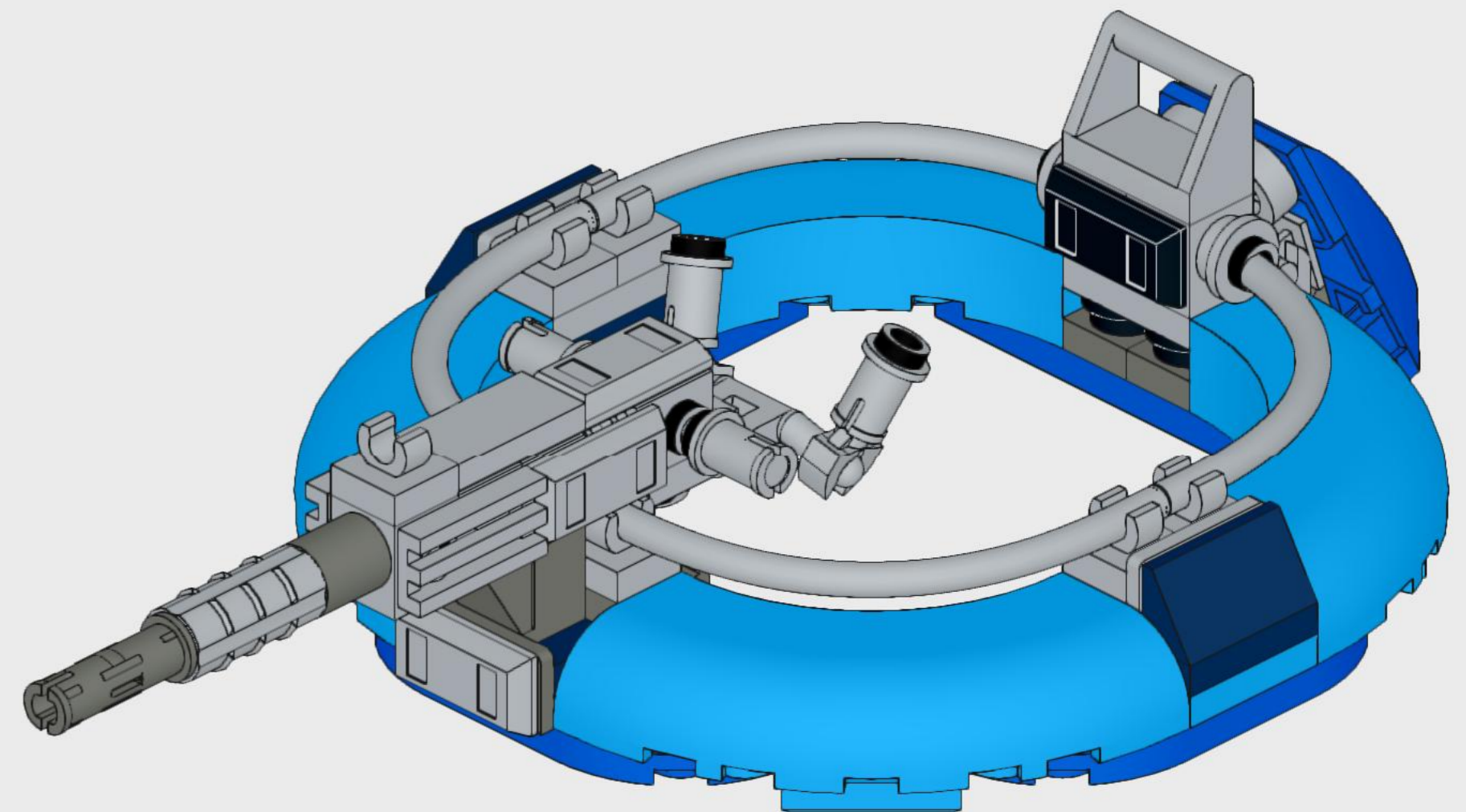
17

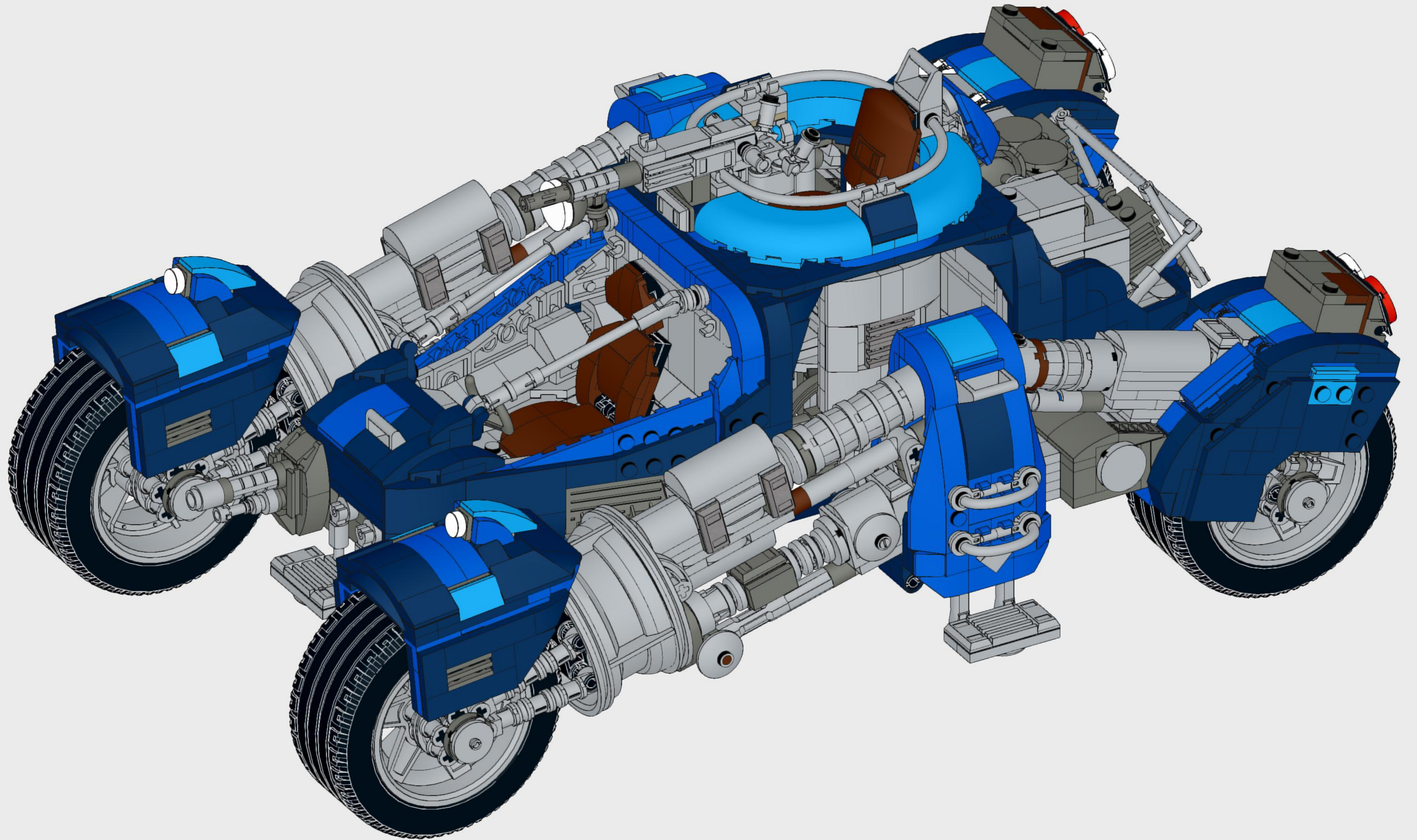


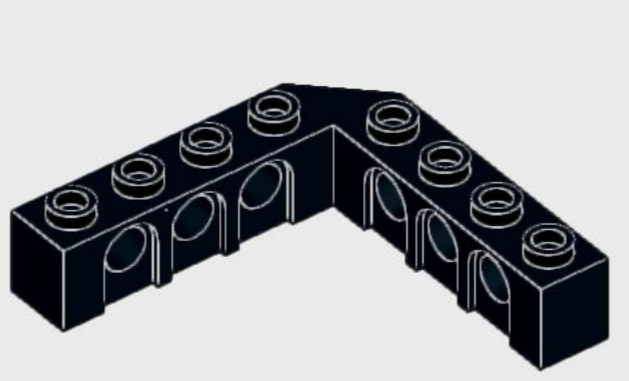
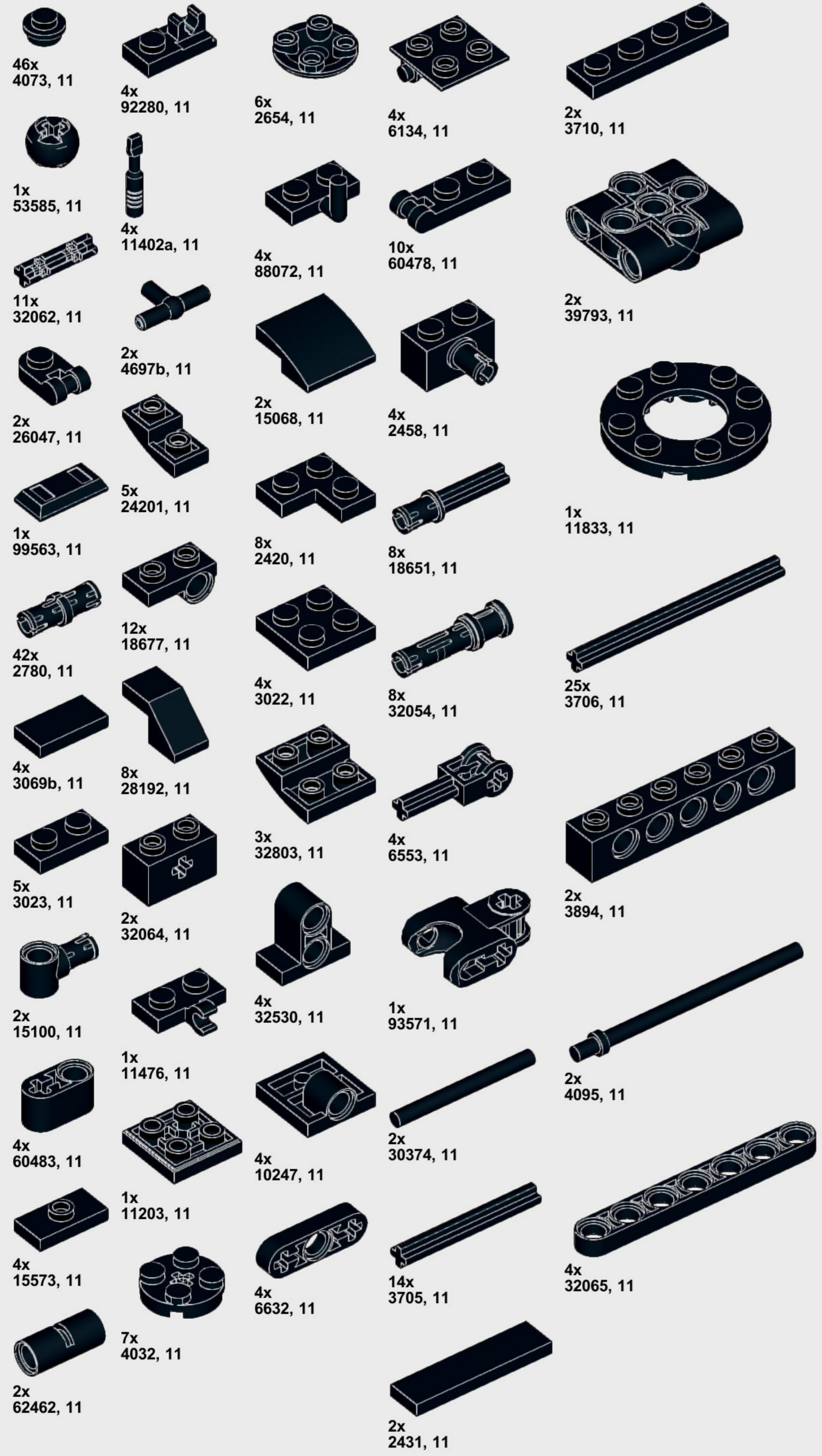
16



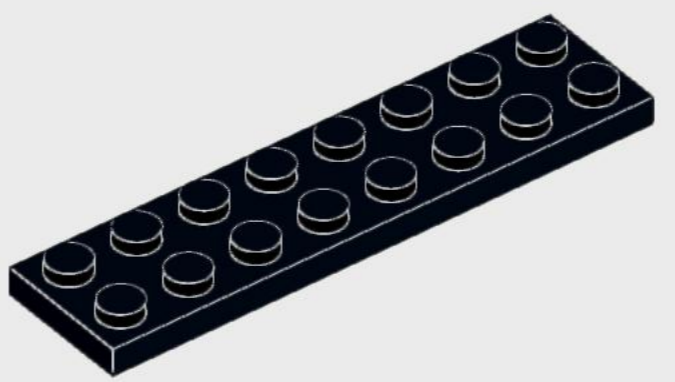
18







2x 32555, 11



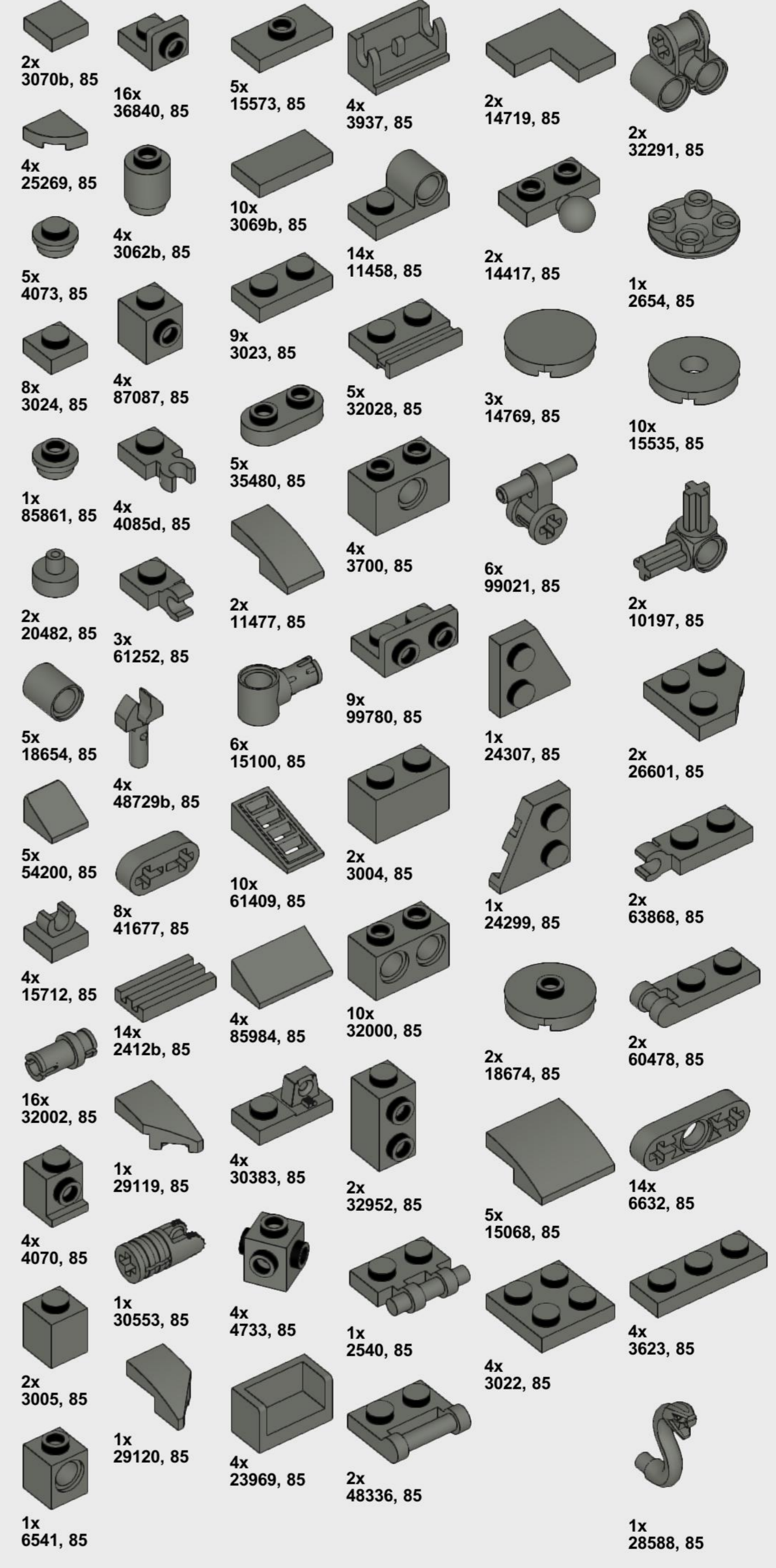
1x 3034, 11

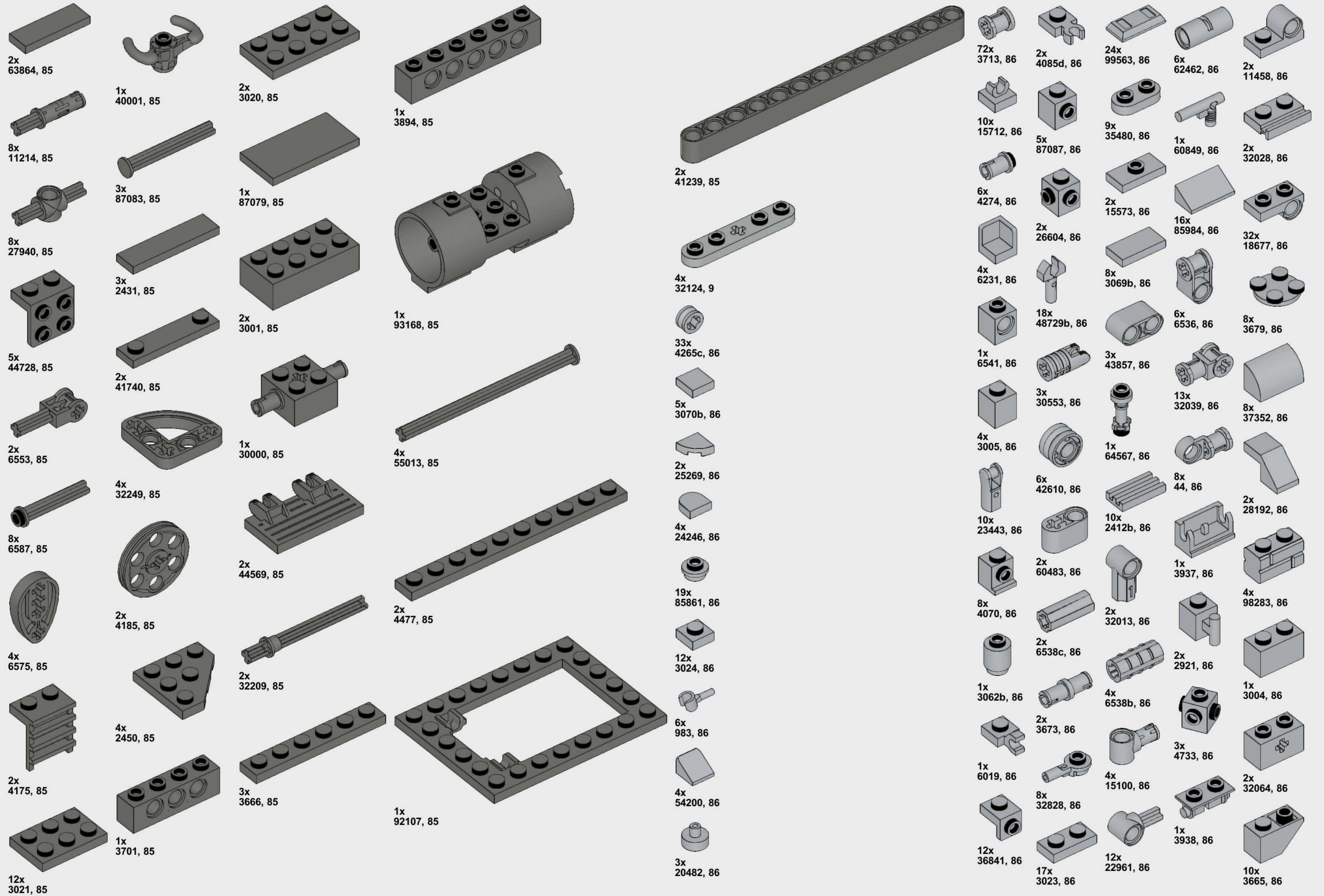


2x 3895, 11



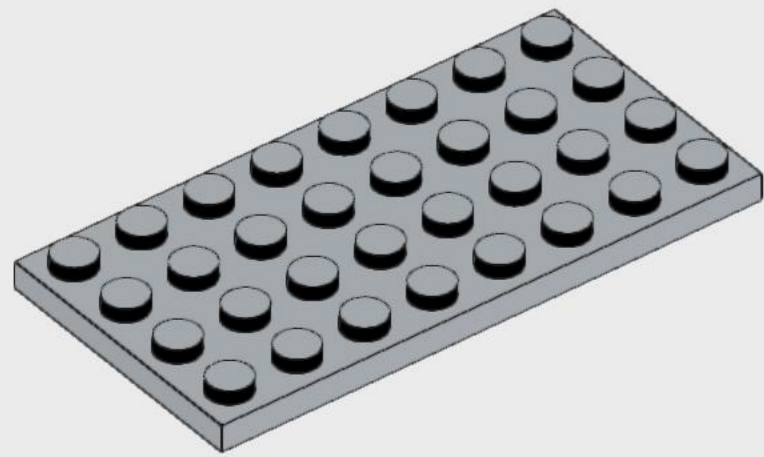
4x 2997, 11



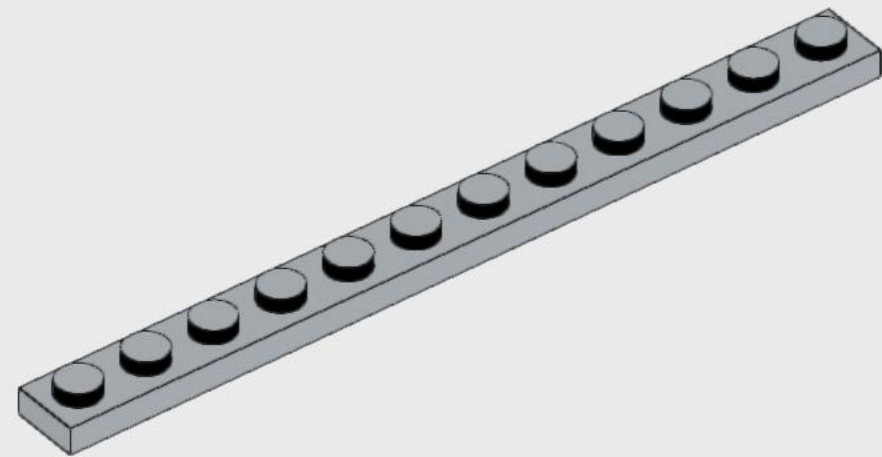




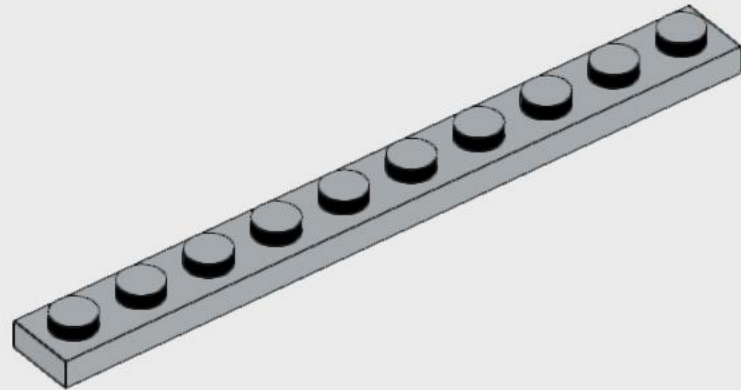




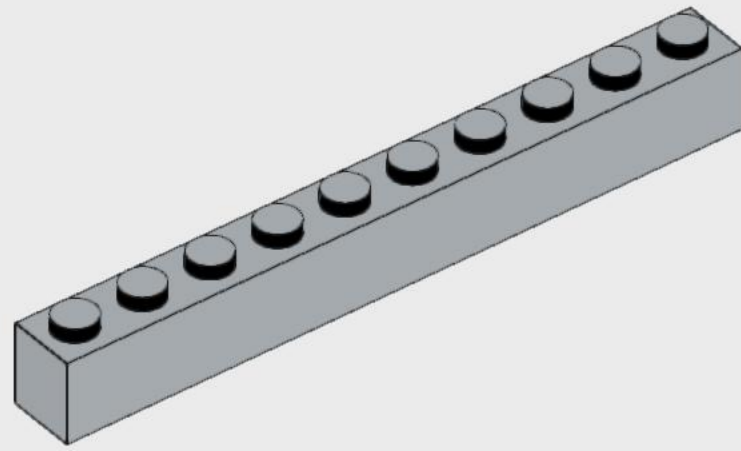
1x  
3035, 86



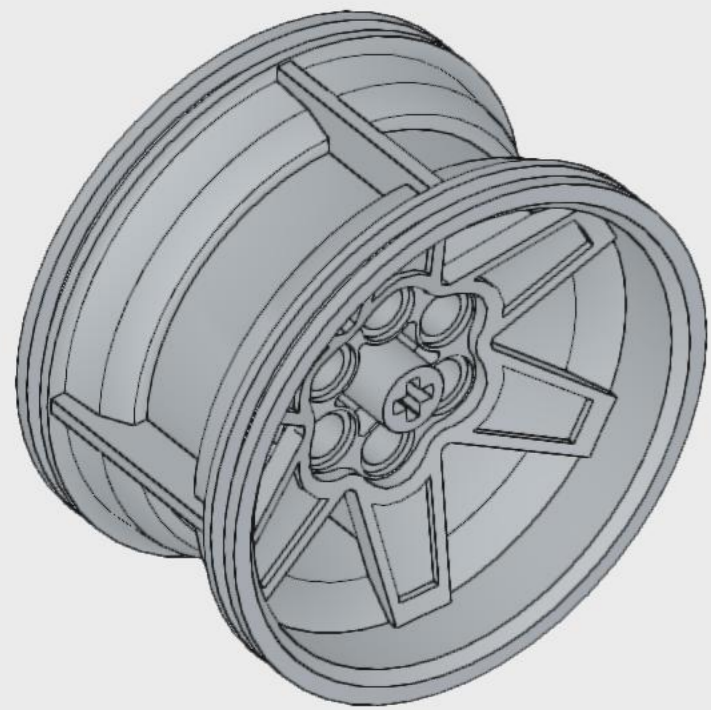
1x  
60479, 86



1x  
4477, 86



1x  
6111, 86



6x  
15038, 86

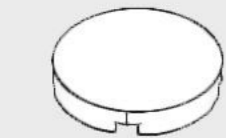


3x  
75c20, 86

1x  
75c32, 86



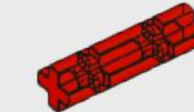
2x  
98138, 1



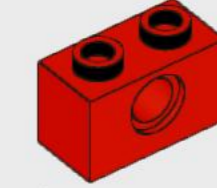
3x  
14769, 1



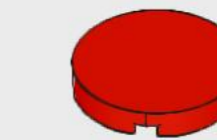
16x  
41677, 5



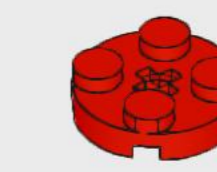
2x  
32062, 5



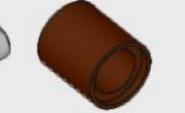
1x  
3700, 5



2x  
14769, 5



4x  
4032, 5



2x  
18654, 88



2x  
3069b, 88



1x  
99563, 88



4x  
29119, 88



4x  
29120, 88



12x  
3023, 88



4x  
35480, 88



9x  
11477, 88



1x  
85984, 88



3x  
32952, 88



12x  
3022, 88



2x  
3068b, 88



3x  
15068, 88



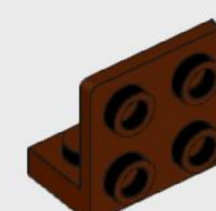
23x  
2420, 88



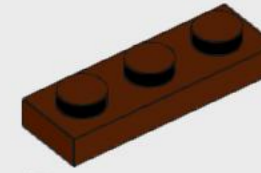
2x  
4032, 88



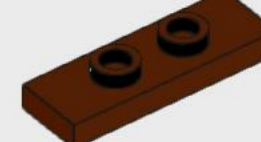
2x  
87994, 88



4x  
99207, 88



15x  
3623, 88



2x  
34103, 88



10x  
3021, 88



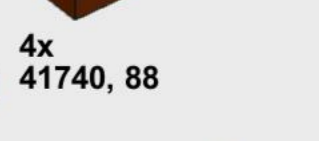
4x  
30374, 88



7x  
3710, 88



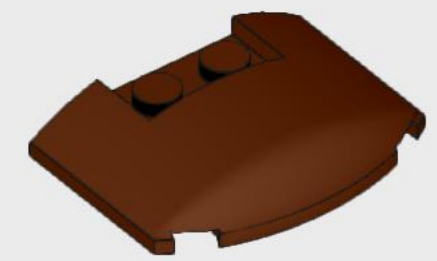
4x  
41740, 88



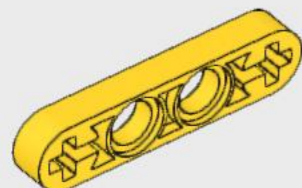
2x  
30357, 88



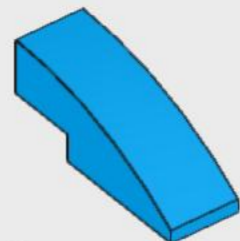
4x  
3020, 88



1x 93604, 88



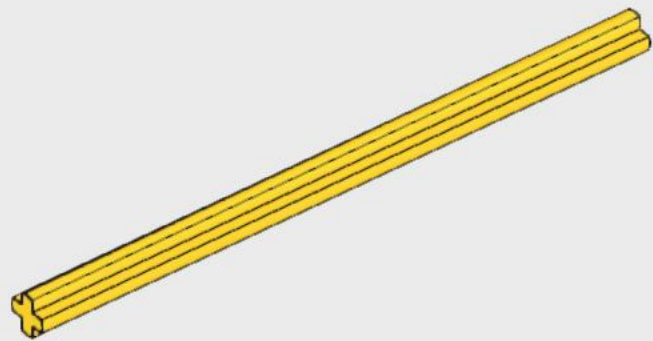
1x 32449, 3



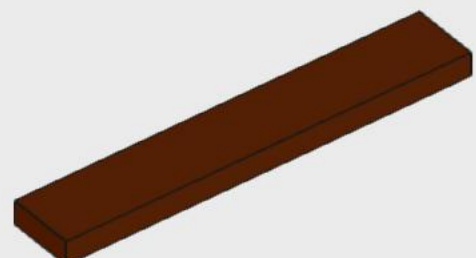
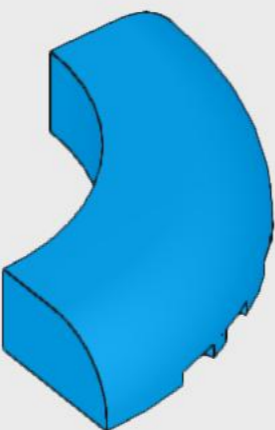
2x 50950, 153



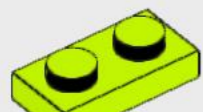
1x 63965, 88



2x 60485, 3



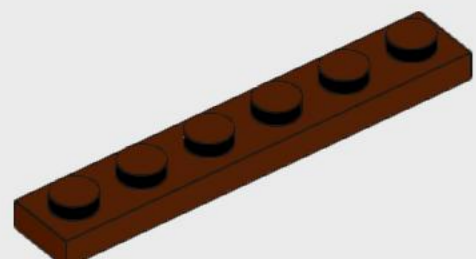
1x 6636, 88



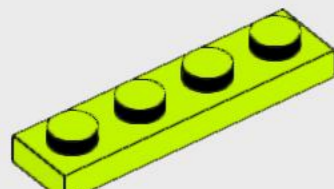
11x 3023, 34



4x 24599, 153



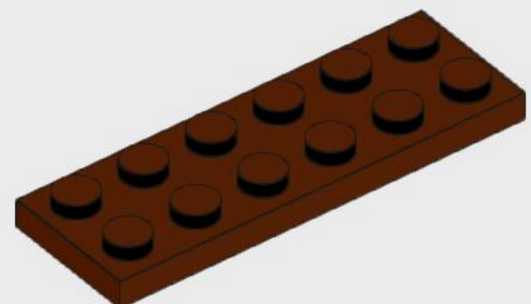
3x 3666, 88



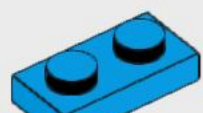
4x 3710, 34



2x 52107, 55



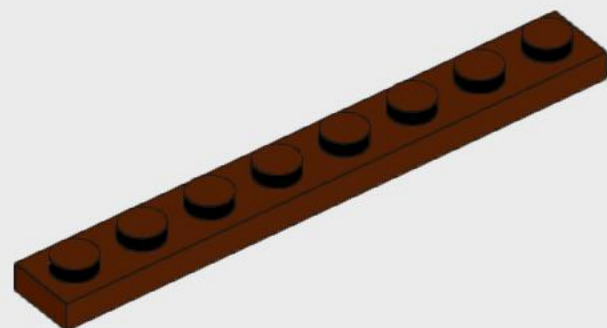
1x 3795, 88



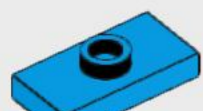
2x 3023, 153



6x 25269, 63



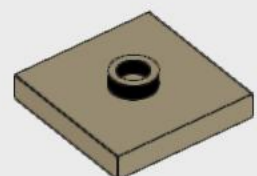
1x 3460, 88



4x 15573, 153



22x 3070b, 63



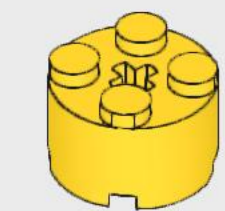
4x 87580, 69



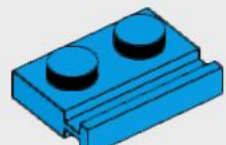
4x 85984, 153



29x 3024, 63



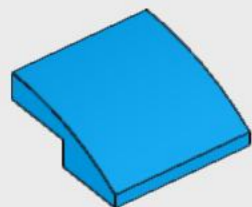
2x 3941, 3



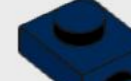
4x 32028, 153



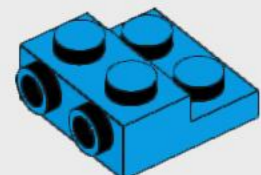
10x 54200, 63



4x 15068, 153



12x 36841, 63



6x 99206, 153



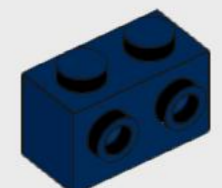
2x 26047, 63



6x 87087, 63



9x 29119, 63



2x 11211, 63



5x 24307, 63



5x 43722, 63



2x 13547, 63



1x 3666, 63



9x 29120, 63



2x 27925, 63



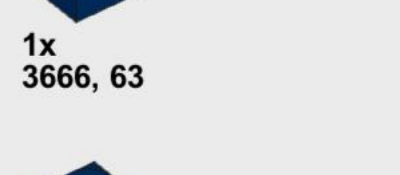
22x 15068, 63



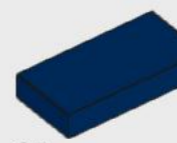
15x 26603, 63



1x 3010, 63



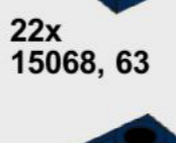
2x 42023, 63



15x 3069b, 63



14x 27263, 63



2x 3660, 63



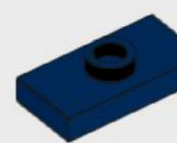
5x 43723, 63



1x 41769, 63



8x 3795, 63



2x 15573, 63



10x 14719, 63



6x 63864, 63



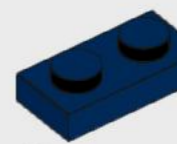
5x 3710, 63



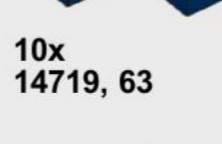
5x 3020, 63



2x 62361, 63



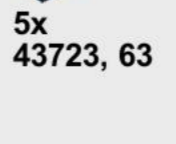
11x 3023, 63



6x 2420, 63



12x 99207, 63



4x 92593, 63



1x 41770, 63



2x 13269, 63



12x 11477, 63



5x 3022, 63



8x 3623, 63



13x 2431, 63



6x 87079, 63



1x 3034, 63



2x 61409, 63



10x 26601, 63



10x 44728, 63



4x 30357, 63



2x 4871, 63



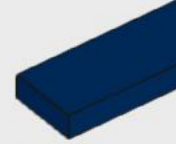
20x 85984, 63



2x 33909, 63



6x 3068b, 63



4x 2450, 63



2x 4871, 63



8x 11458, 63



2x 33909, 63



20x 50950, 63



4x 2450, 63



2x 4871, 63



16x 35787, 63



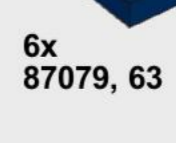
5x 24299, 63



6x 3021, 63

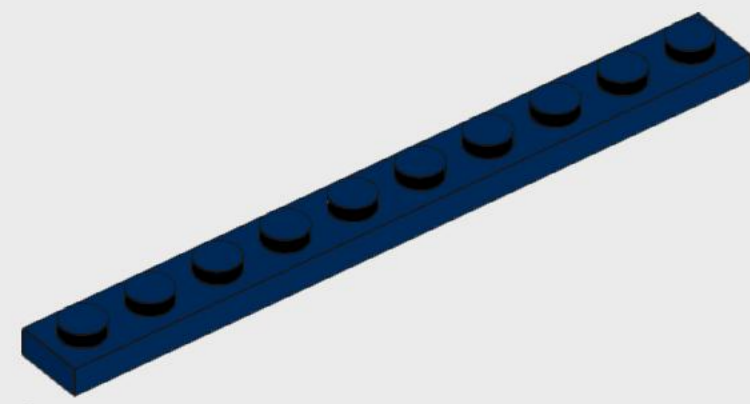


4x 2450, 63

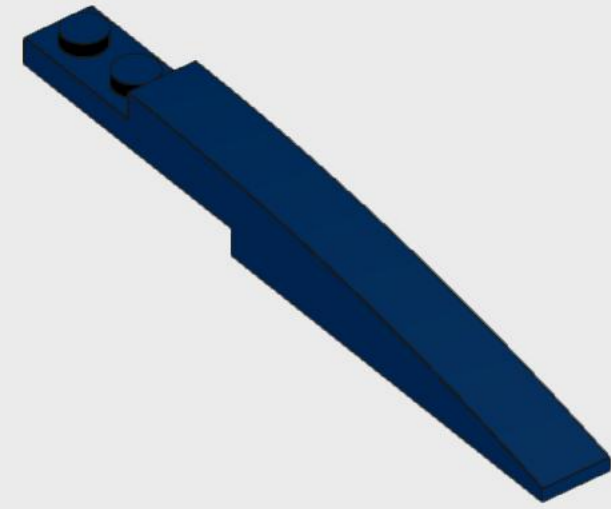


2x 4871, 63

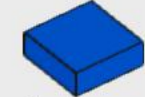




2x  
4477, 63



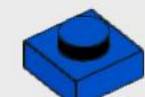
2x  
85970, 63



4x  
3070b, 7



2x  
24246, 7



16x  
3024, 7



12x  
54200, 7



8x  
15712, 7



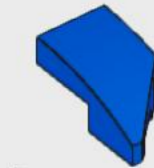
44x  
4274, 7



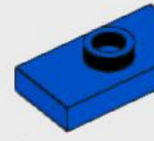
2x  
87087, 7



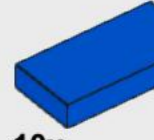
5x  
29119, 7



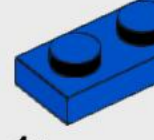
5x  
29120, 7



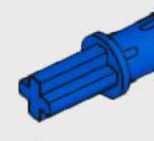
2x  
15573, 7



10x  
3069b, 7



4x  
3023, 7



20x  
43093, 7



4x  
11477, 7



2x  
32028, 7



2x  
3040, 7



2x  
32952, 7



4x  
99781, 7

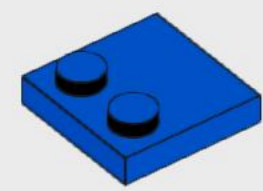


4x  
27925, 7

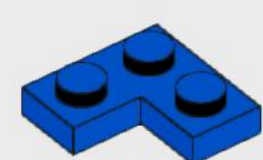


1x  
3021, 7

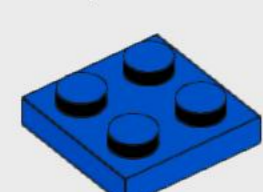
4x  
27925, 7



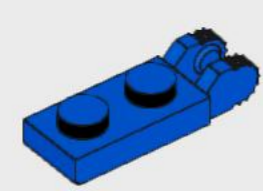
8x  
33909, 7



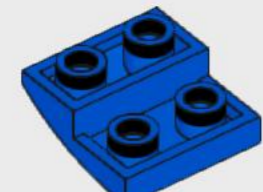
4x  
2420, 7



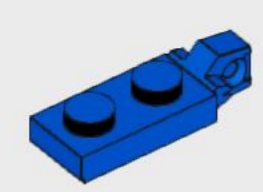
2x  
3022, 7



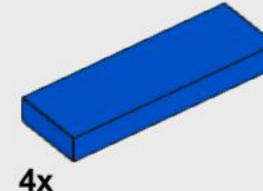
4x  
44302a, 7



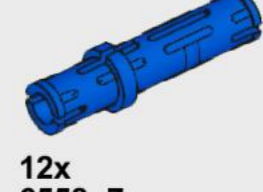
4x  
32803, 7



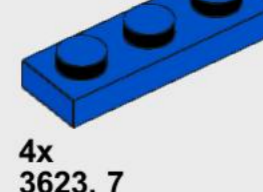
4x  
44301a, 7



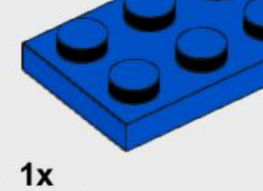
4x  
63864, 7



12x  
6558, 7

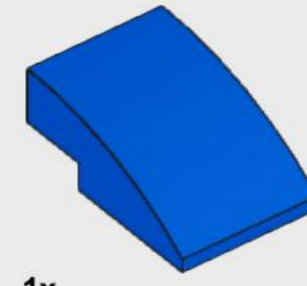


4x  
3623, 7

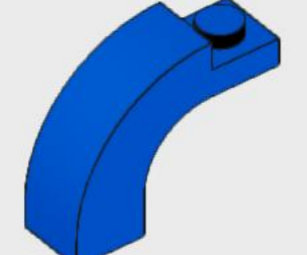


1x  
3021, 7

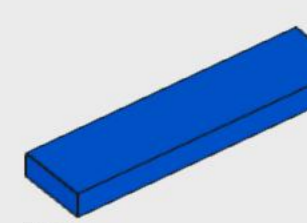
4x  
27925, 7



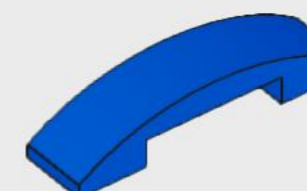
1x  
24309, 7



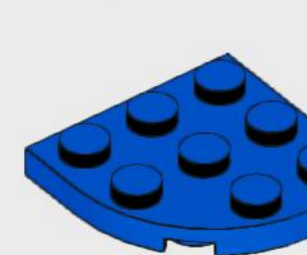
6x  
6005, 7



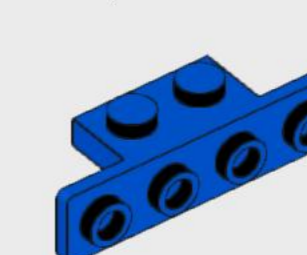
2x  
2431, 7



8x  
93273, 7



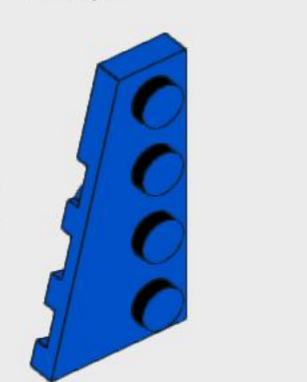
4x  
30357, 7



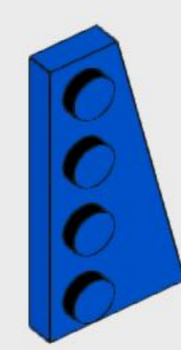
8x  
2436b, 7



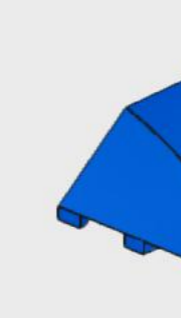
4x  
3020, 7



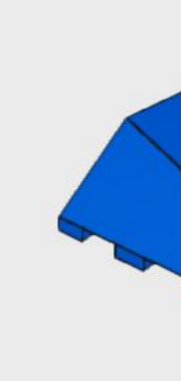
4x  
41770, 7



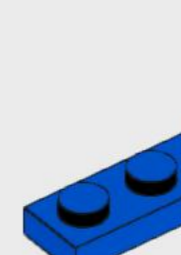
4x  
41769, 7



1x  
64225, 7



2x  
47753, 7



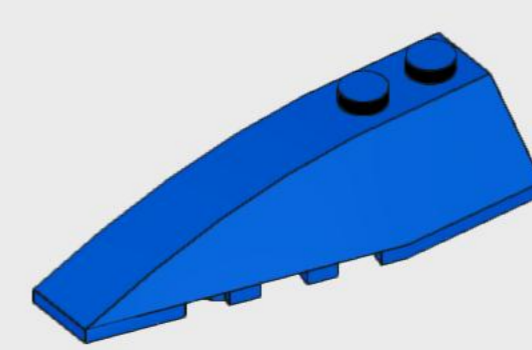
2x  
3666, 7



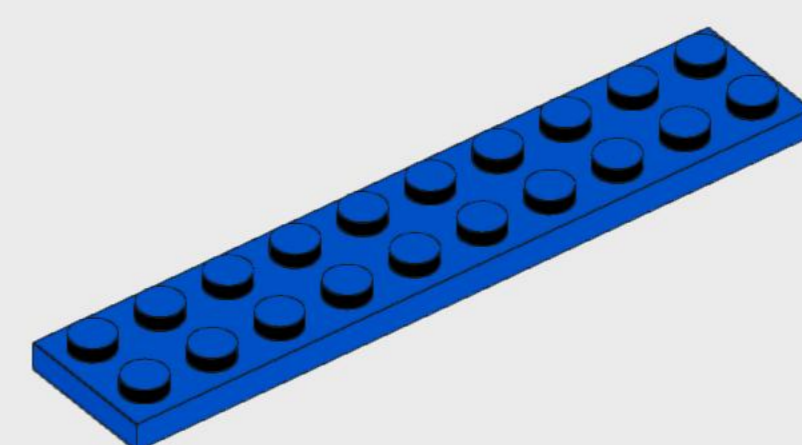
4x  
18980, 7



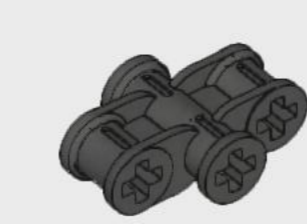
3x  
41747, 7



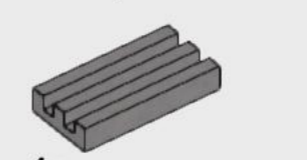
3x  
41748, 7



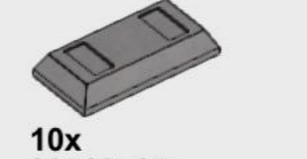
2x  
3832, 7



6x  
11272, 77



4x  
2412b, 95



10x  
99563, 95



1x  
15395, 95