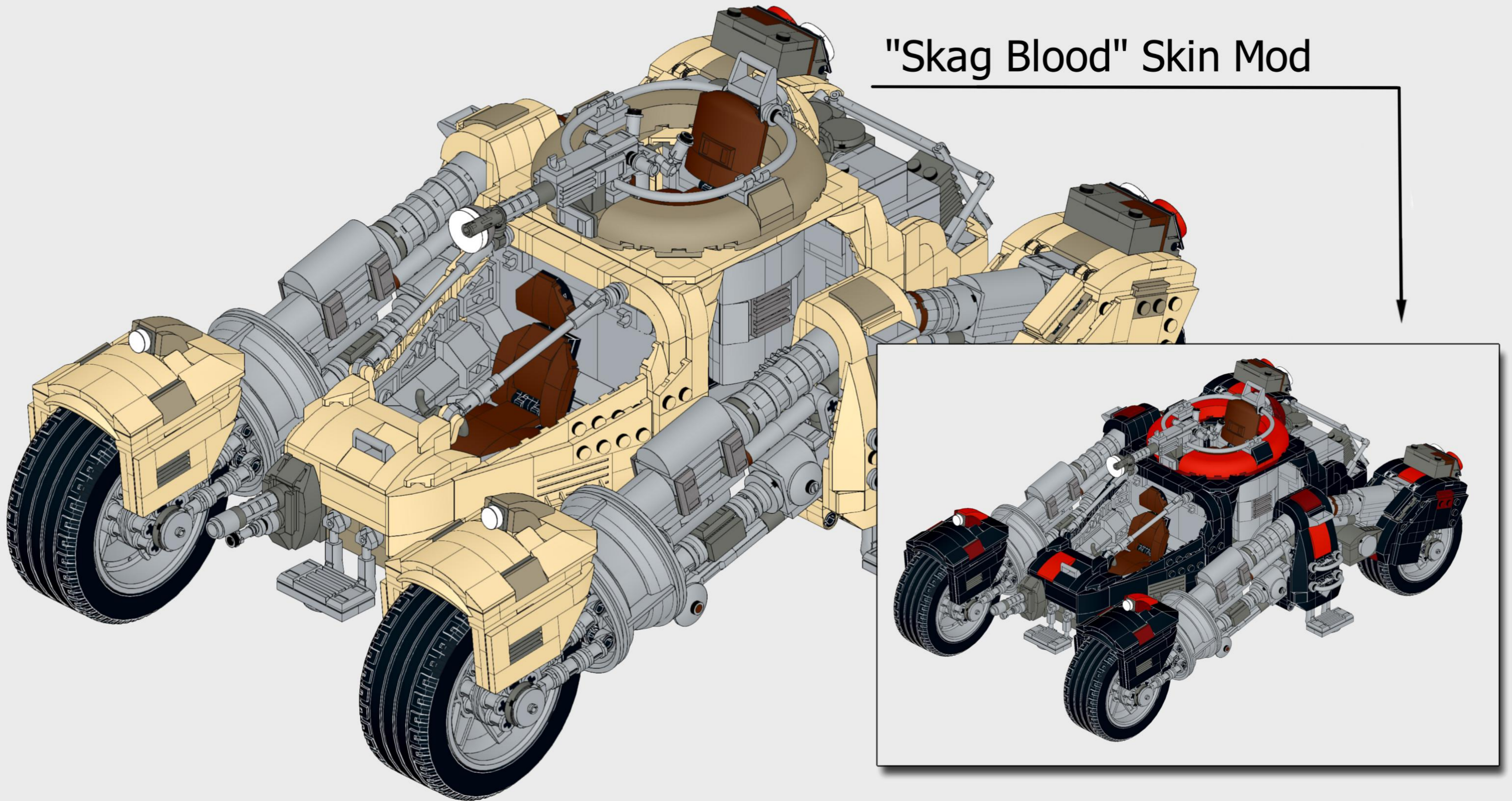


BORDERLANDS

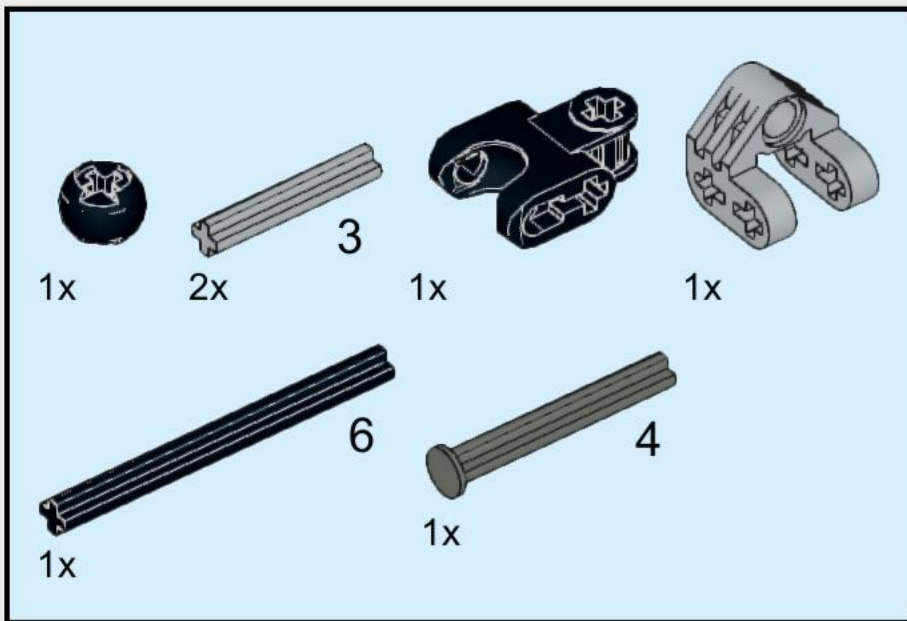
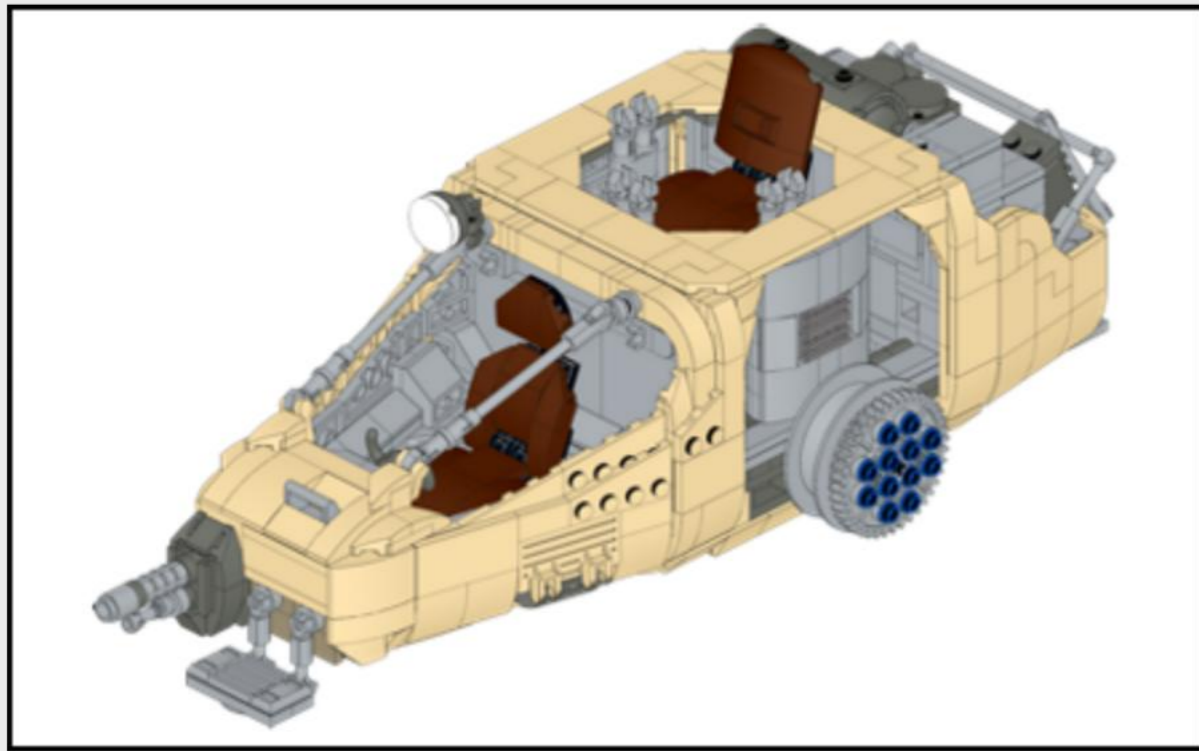
Outrunner

"Skag Blood" Skin Mod

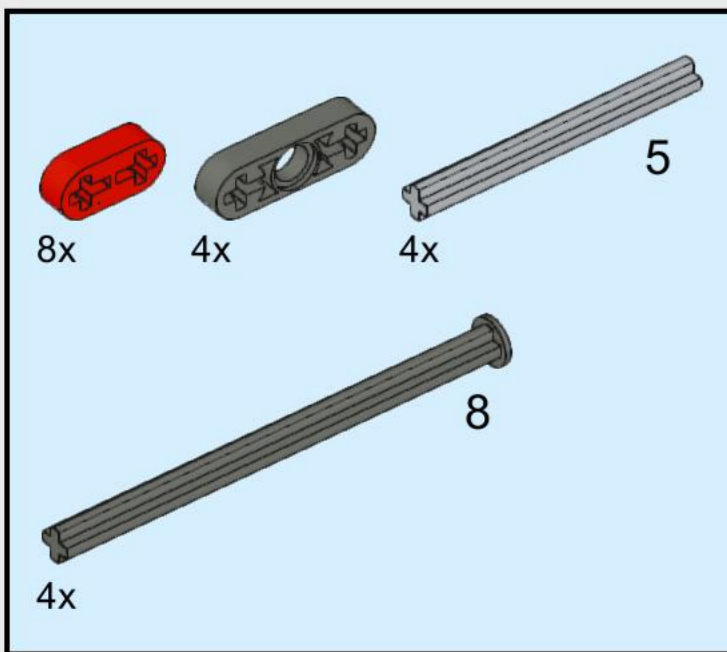


2540 Lego pcs

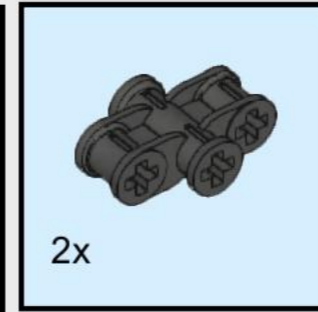
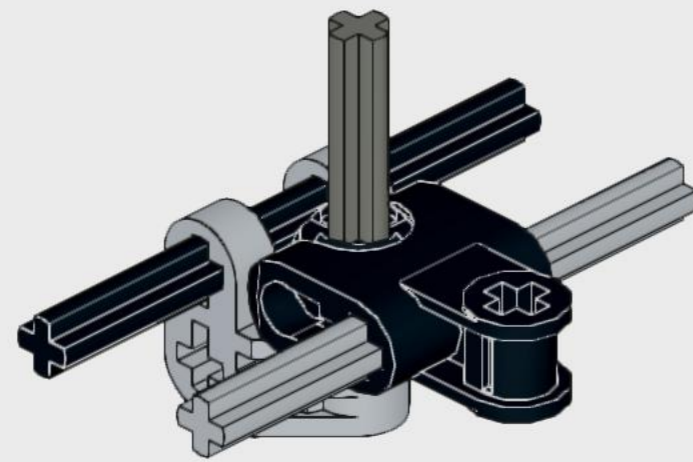
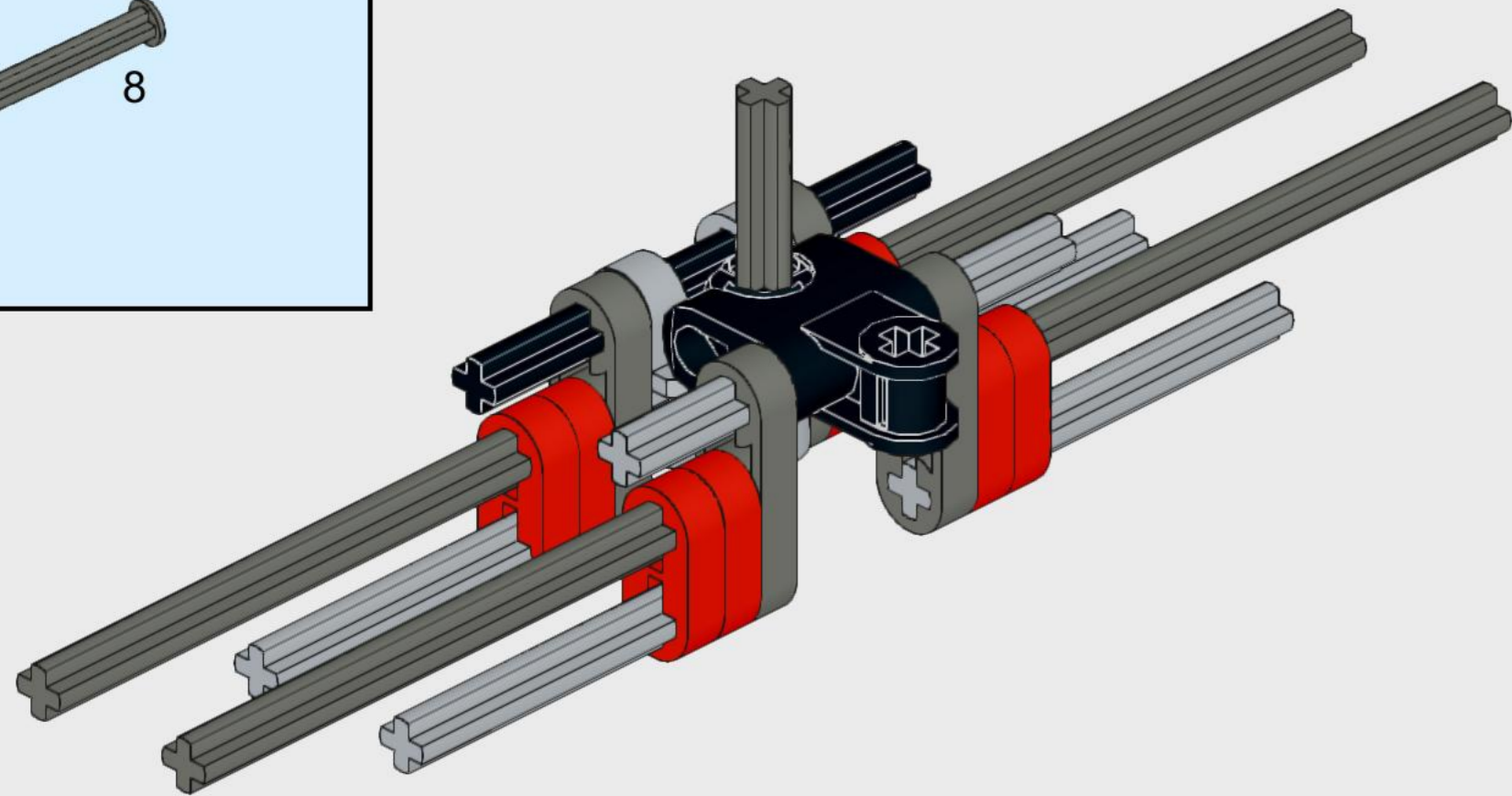
Model by Kevin Hansen
©2020 HansenBricks.com



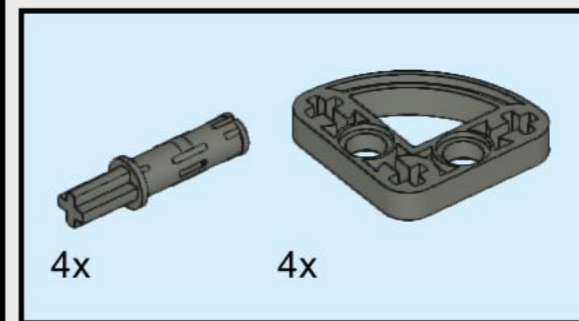
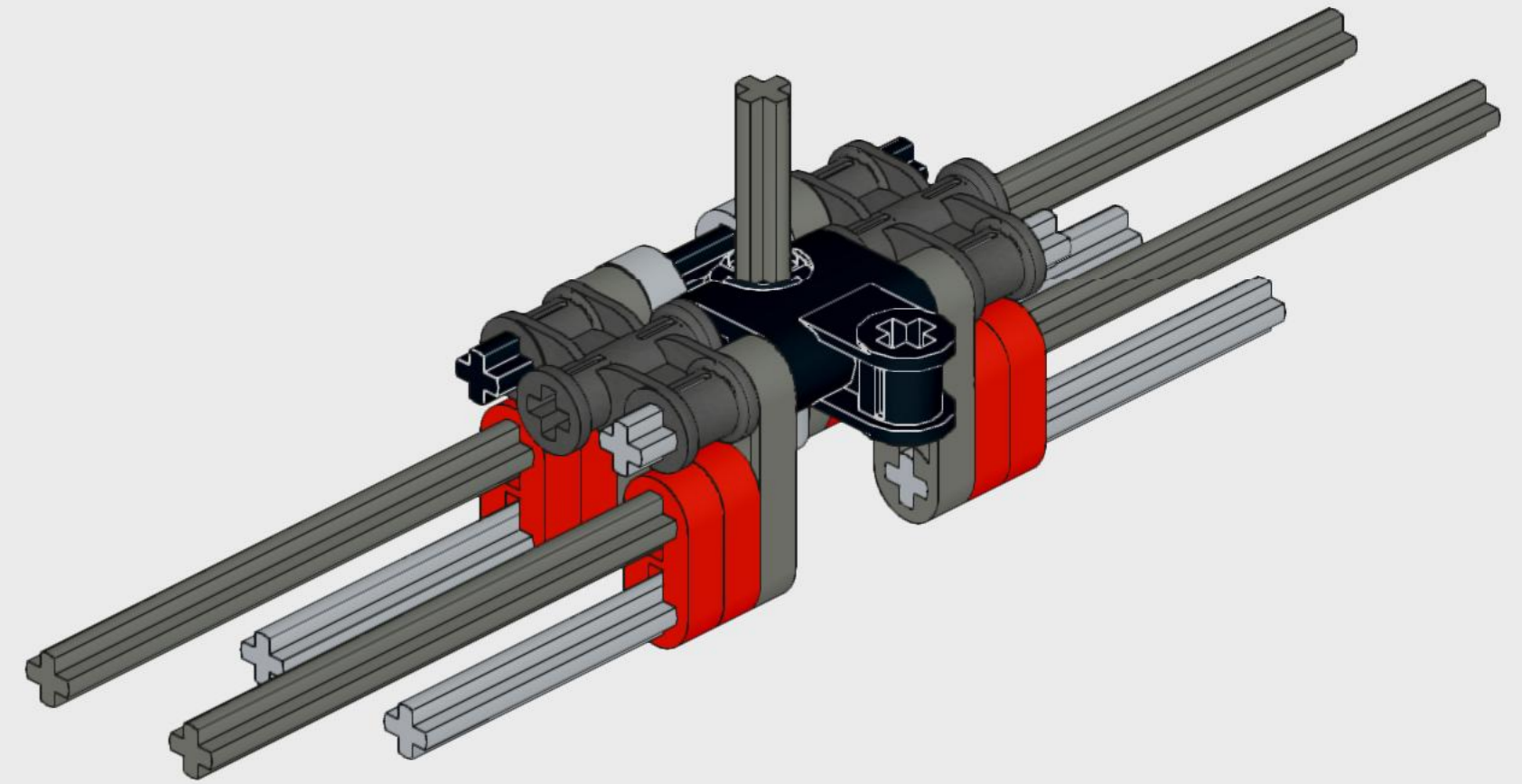
1



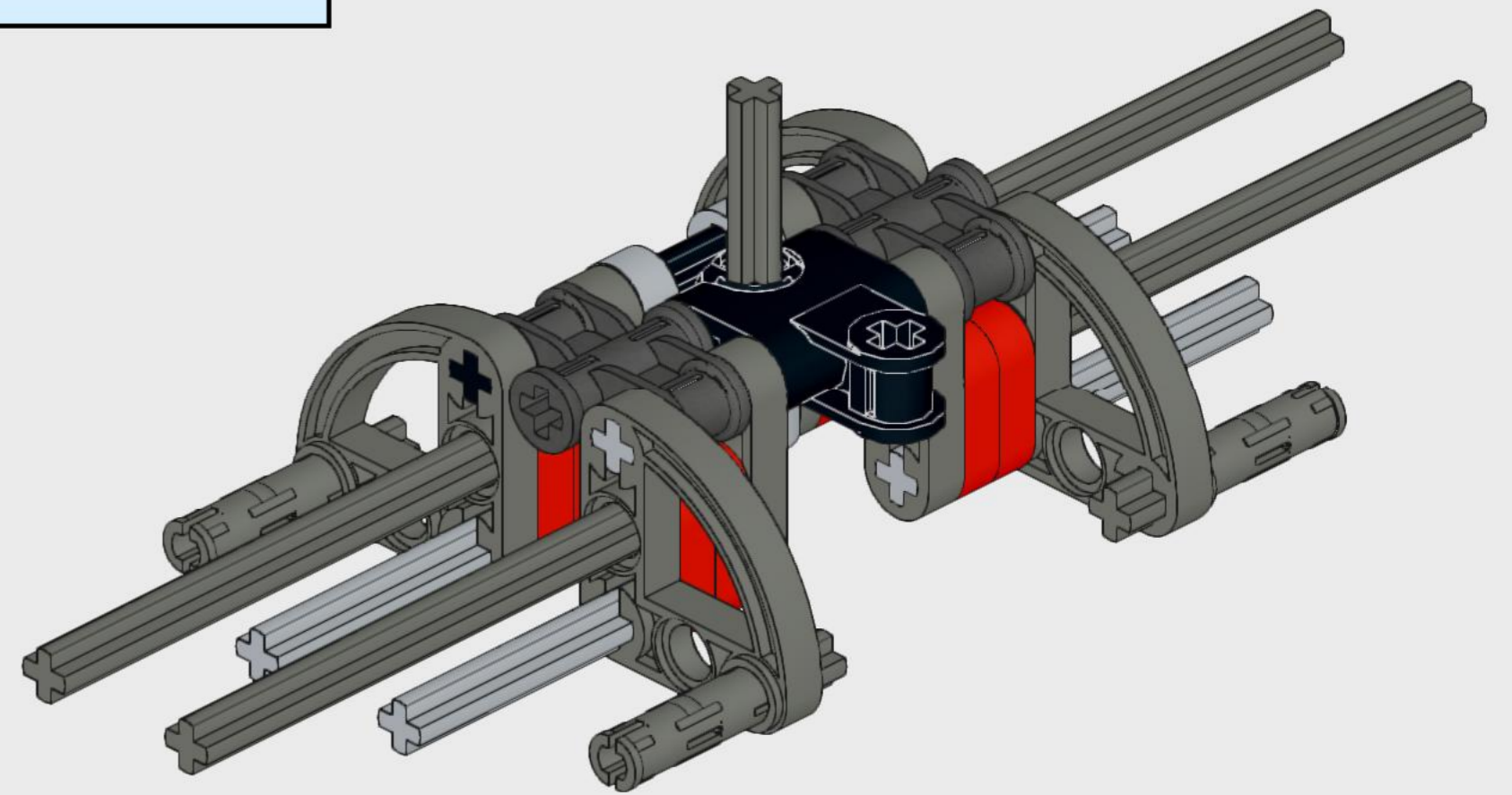
2

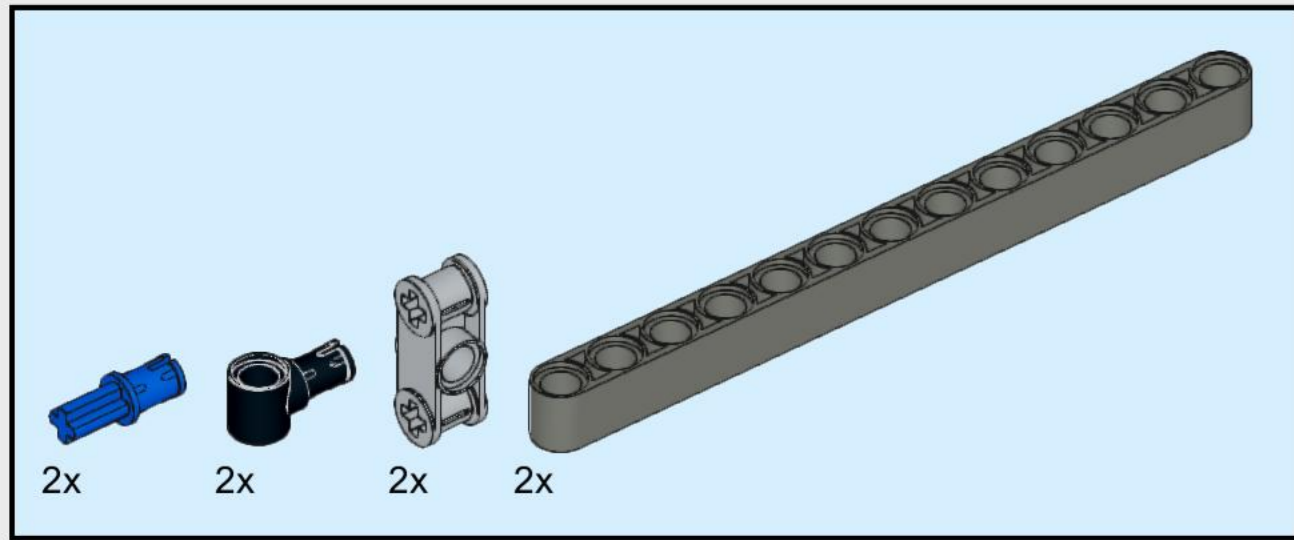


3

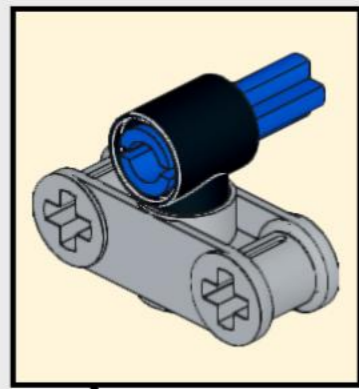
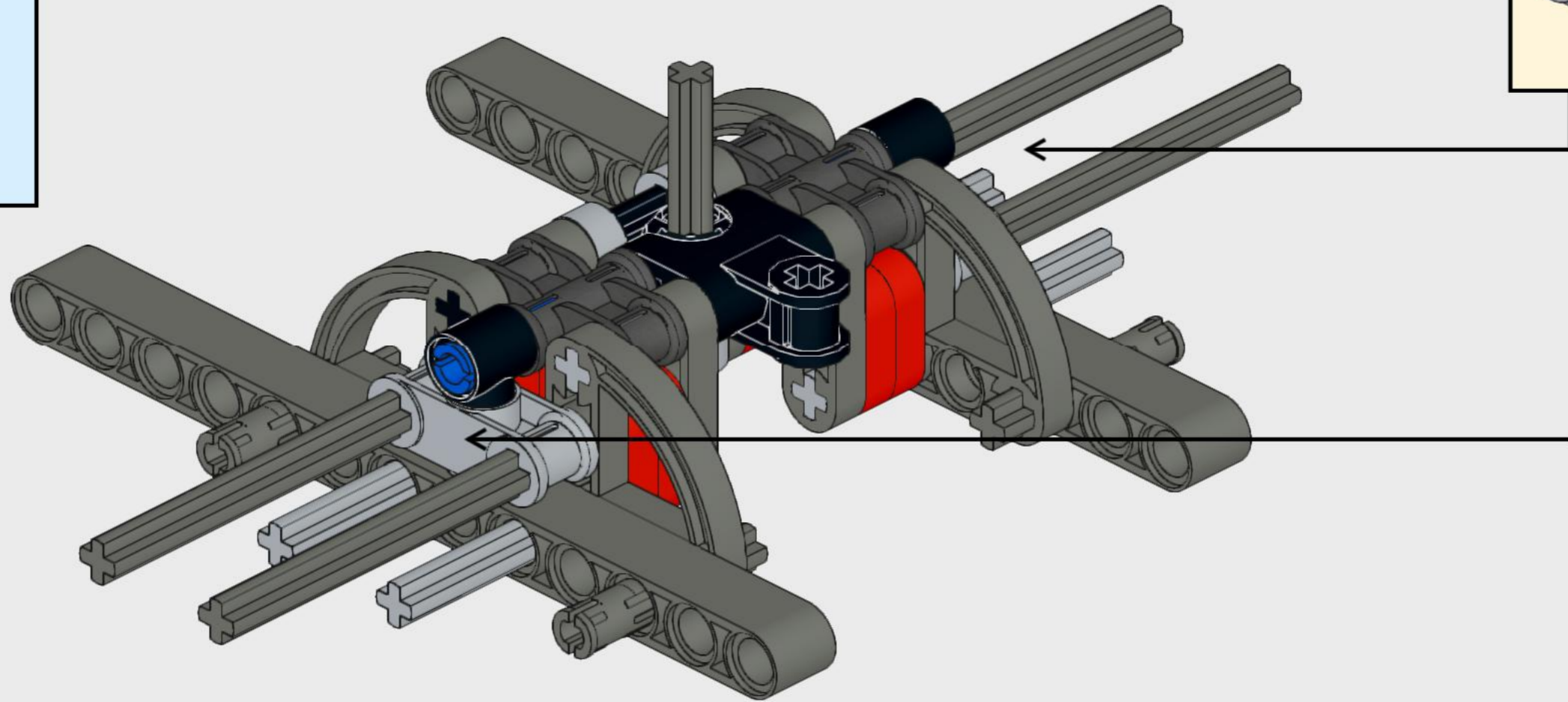


4

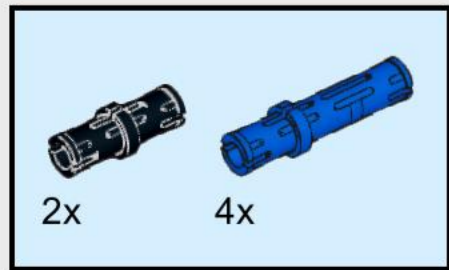




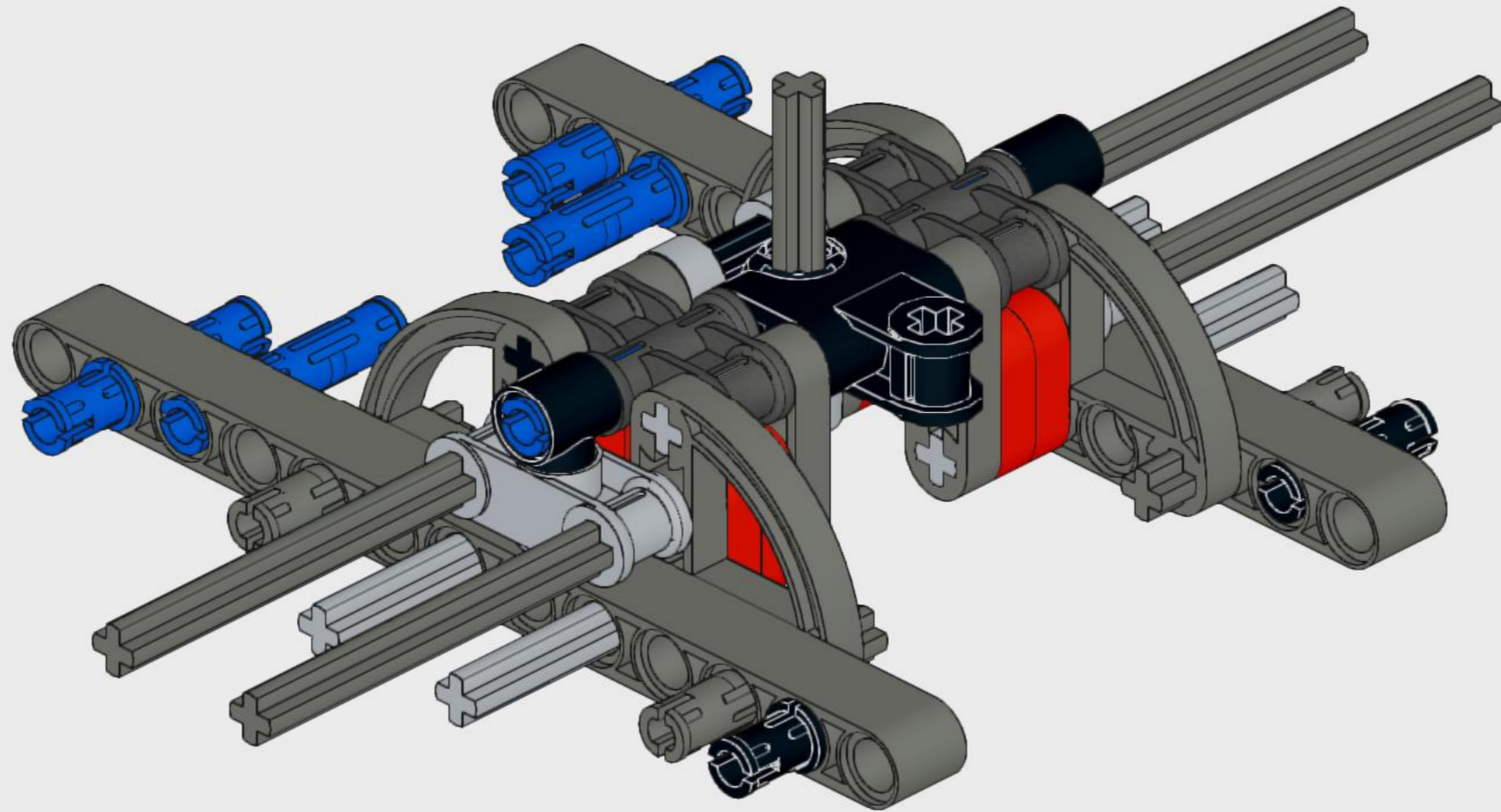
5

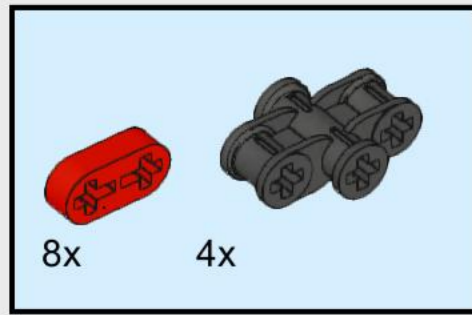


2x

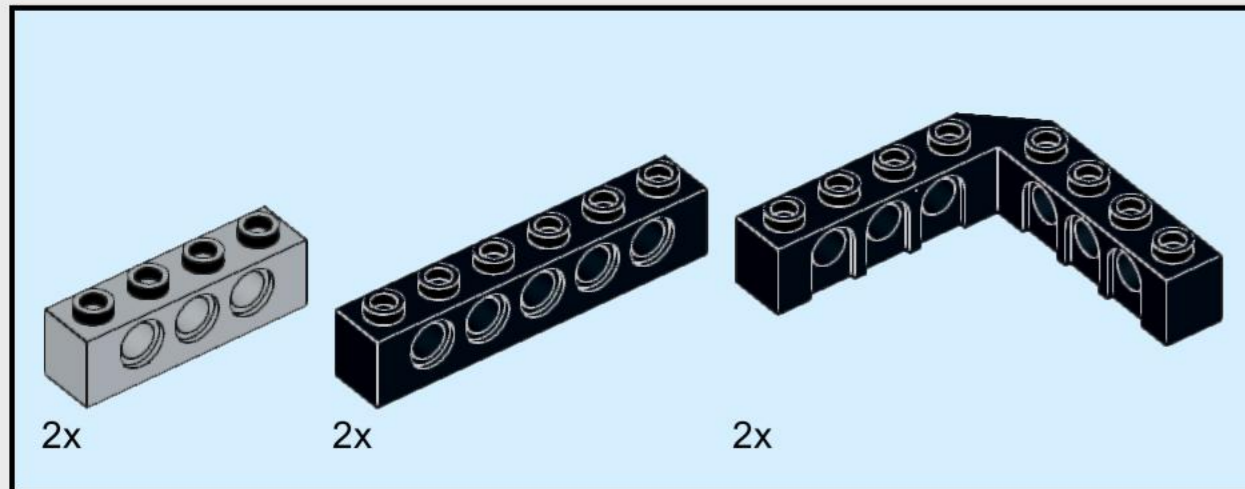
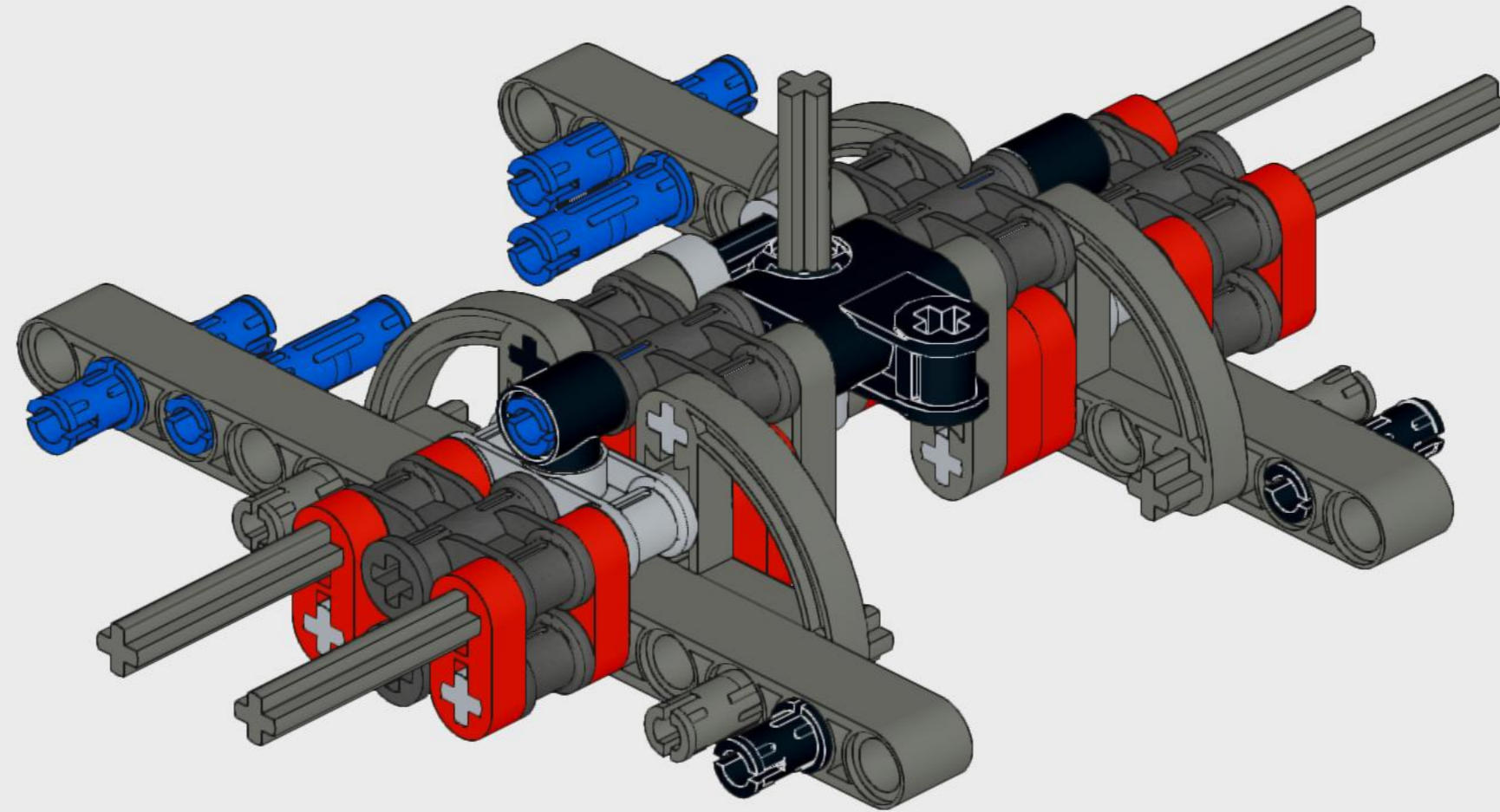


6

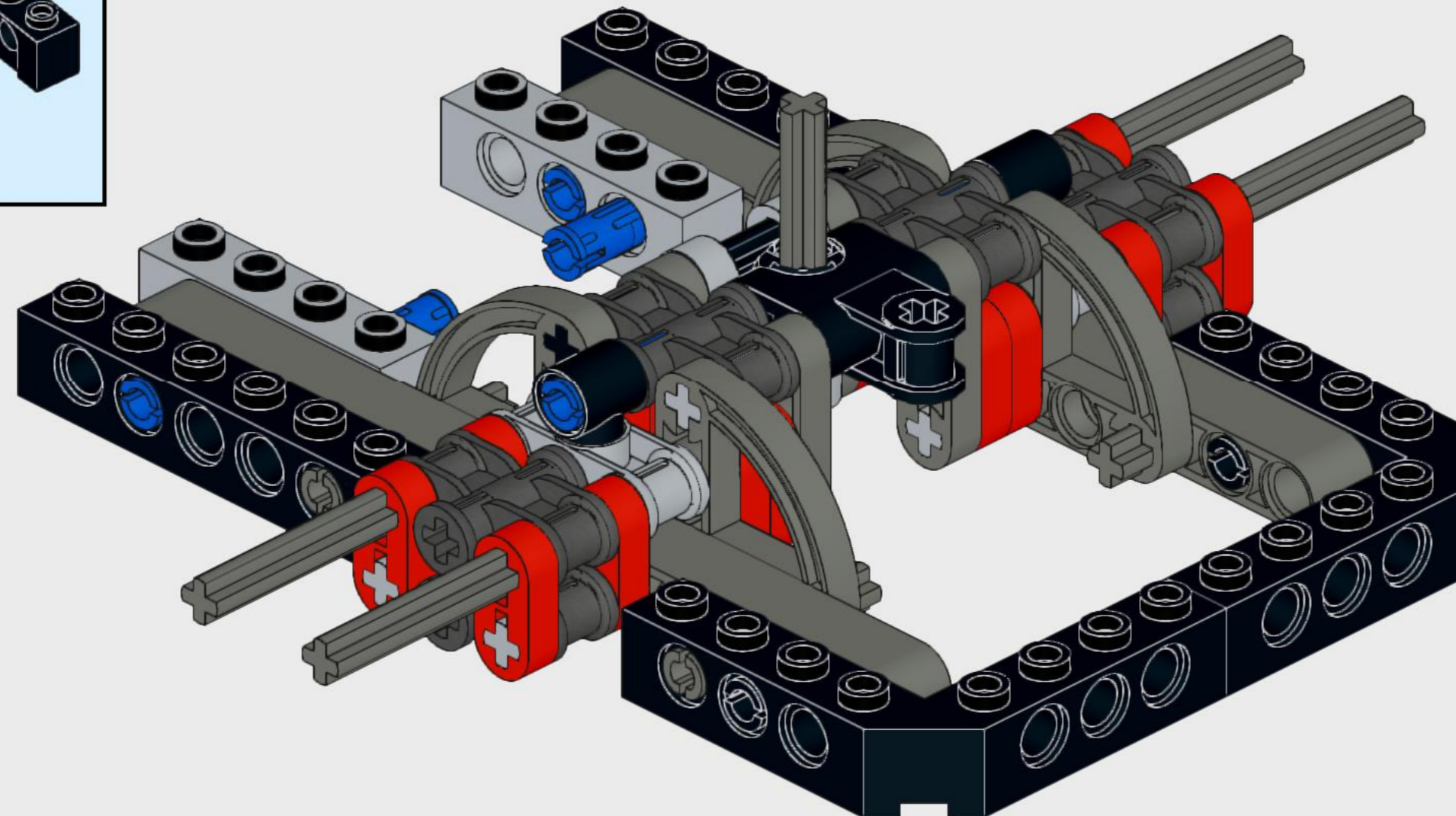


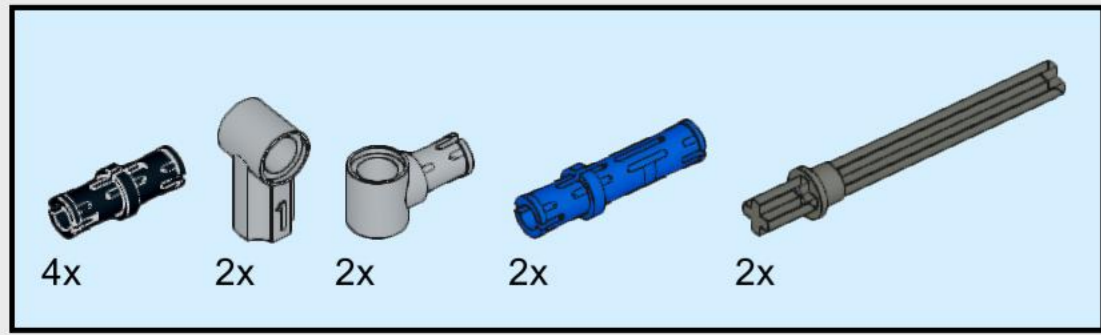


7

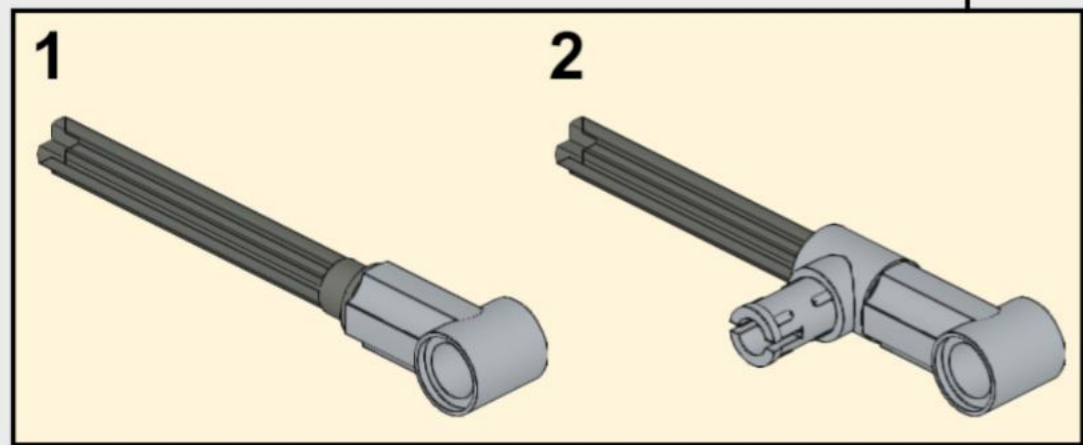


8

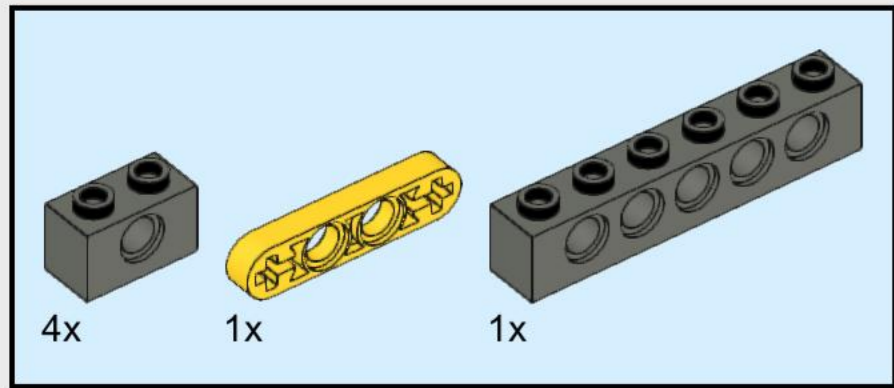
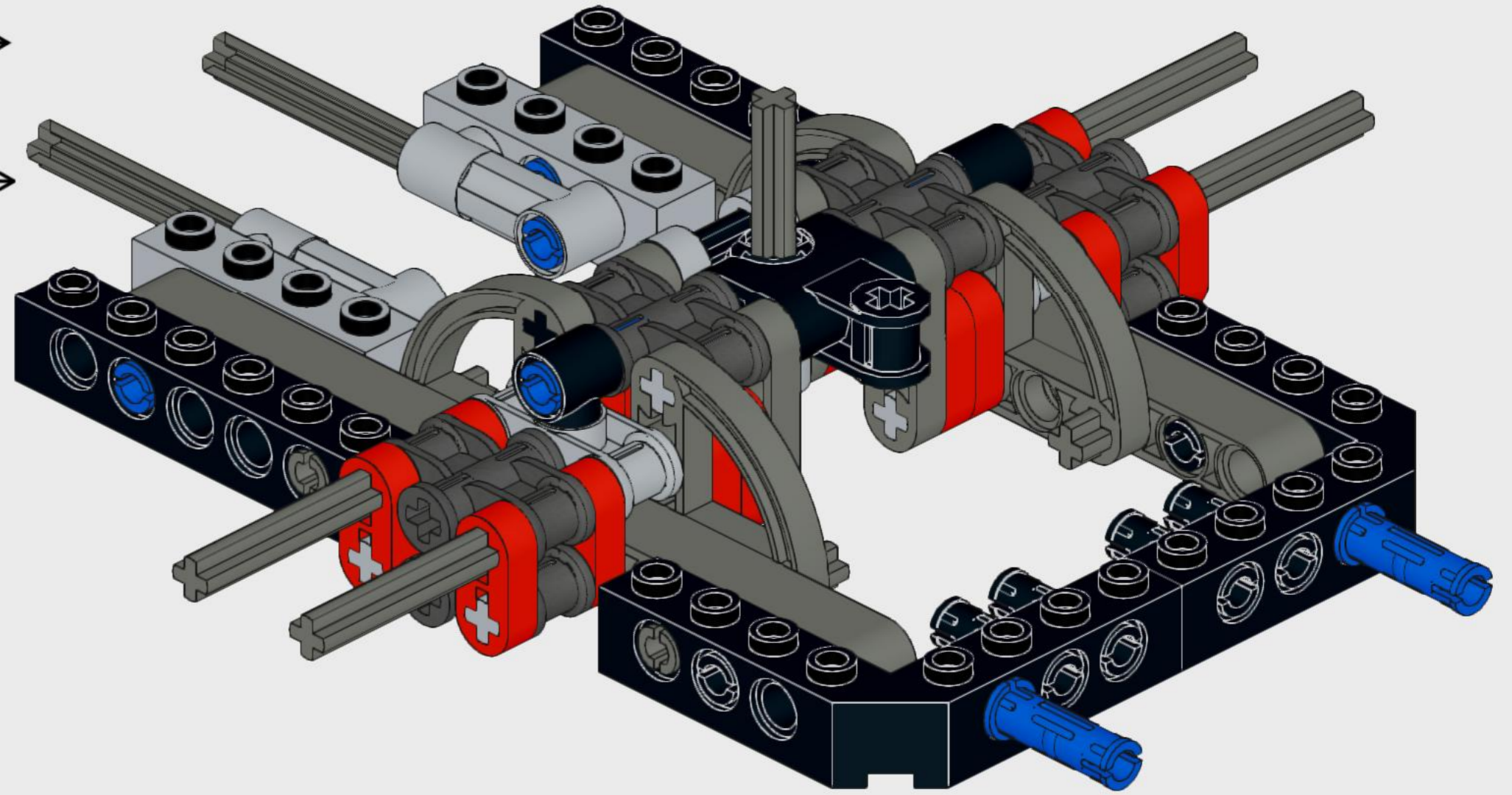




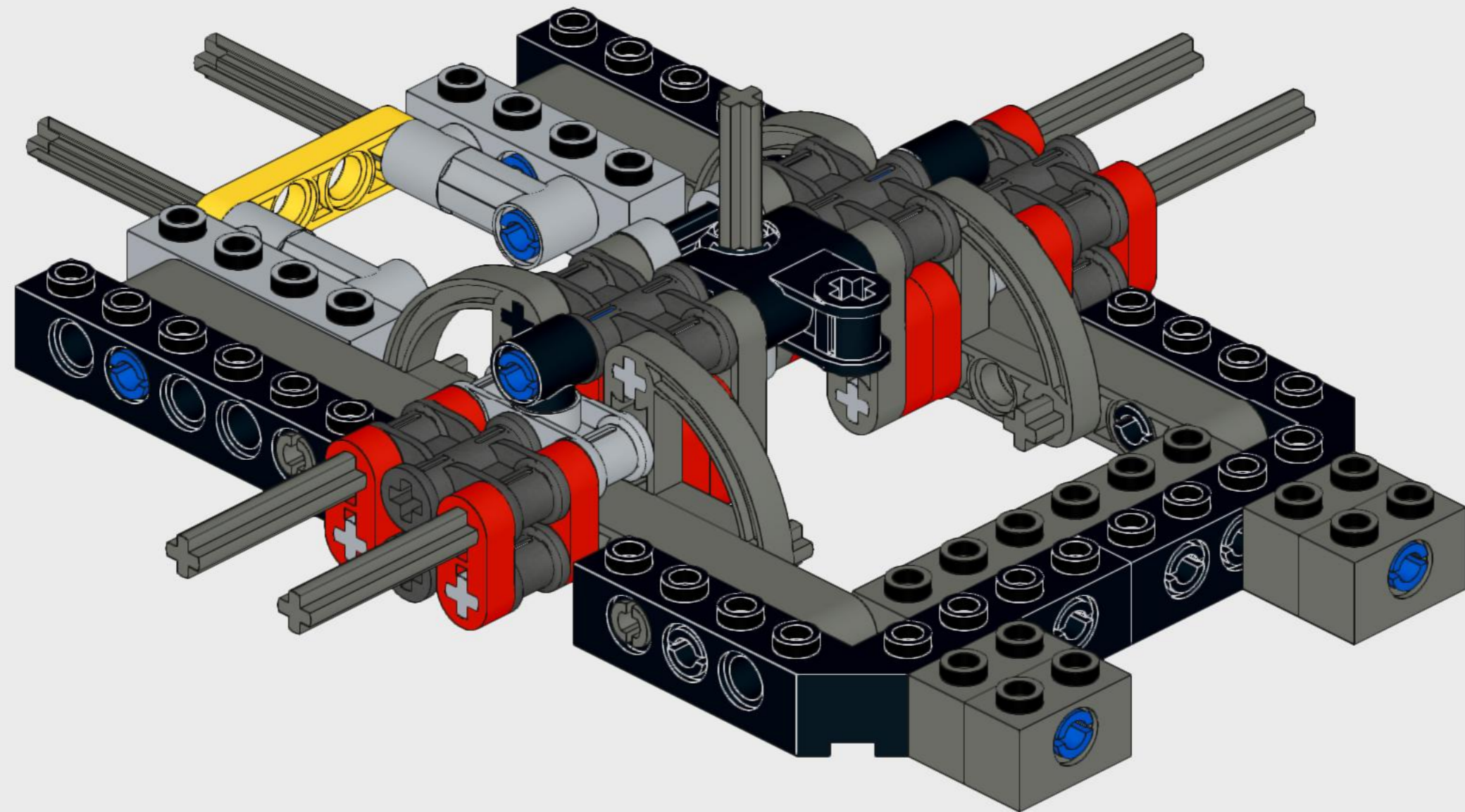
9

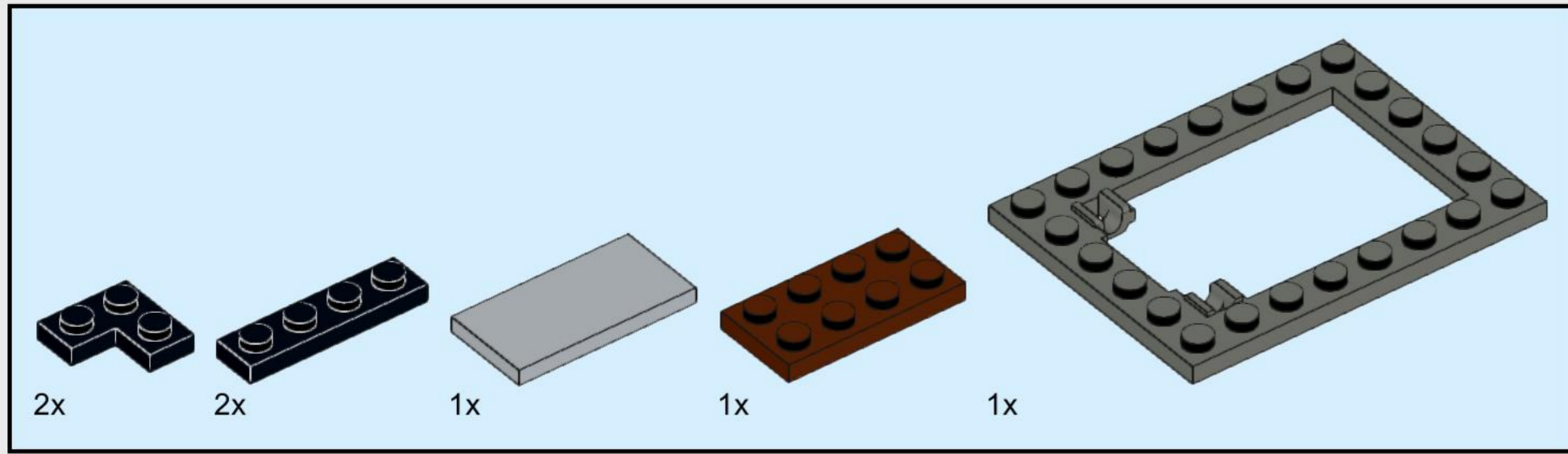


2x

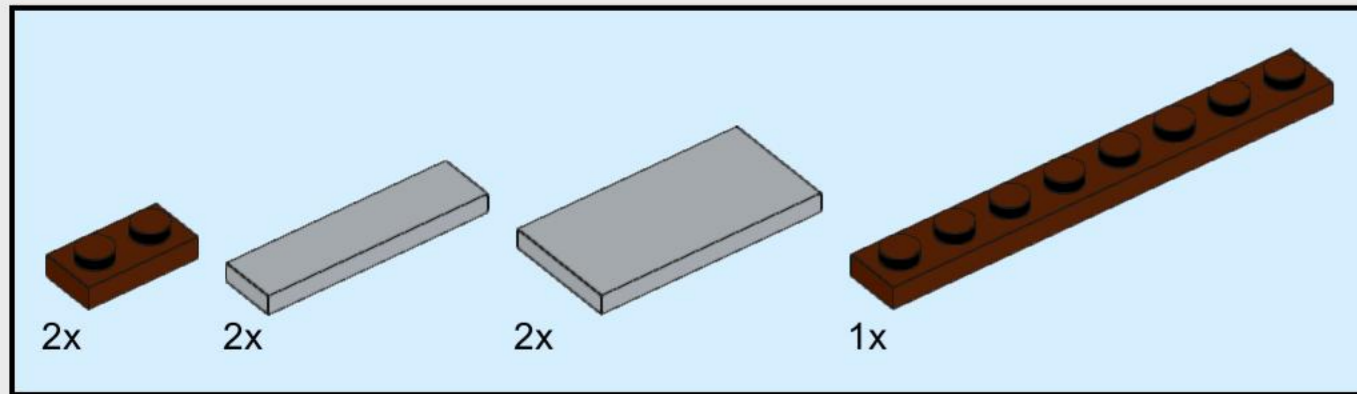
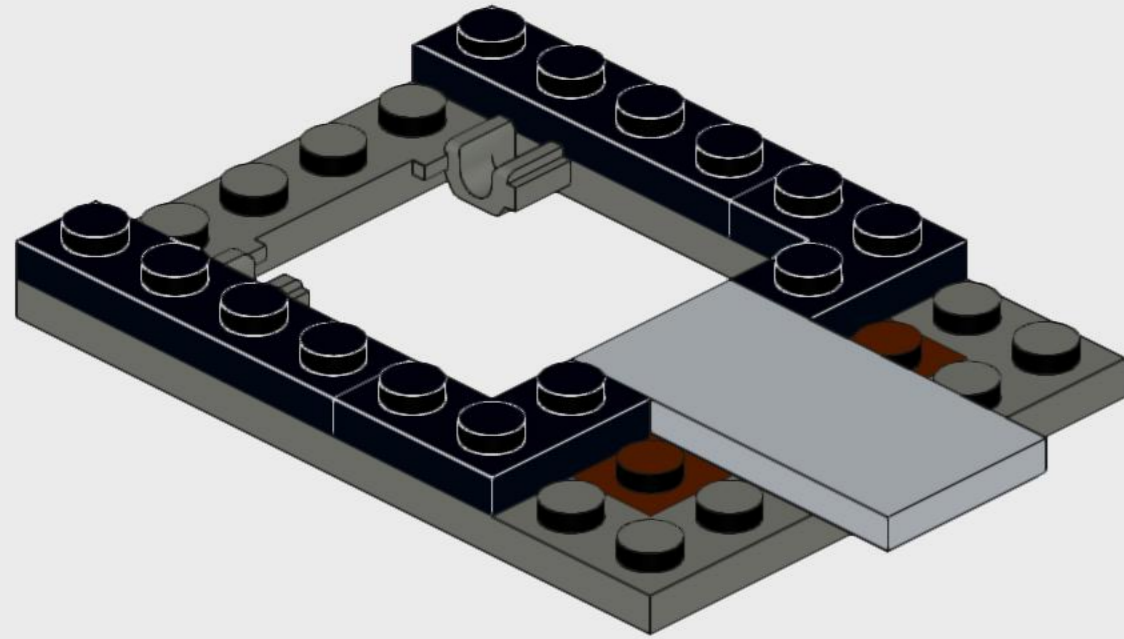


10

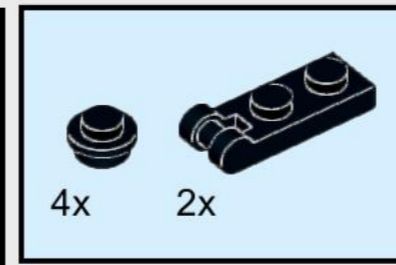
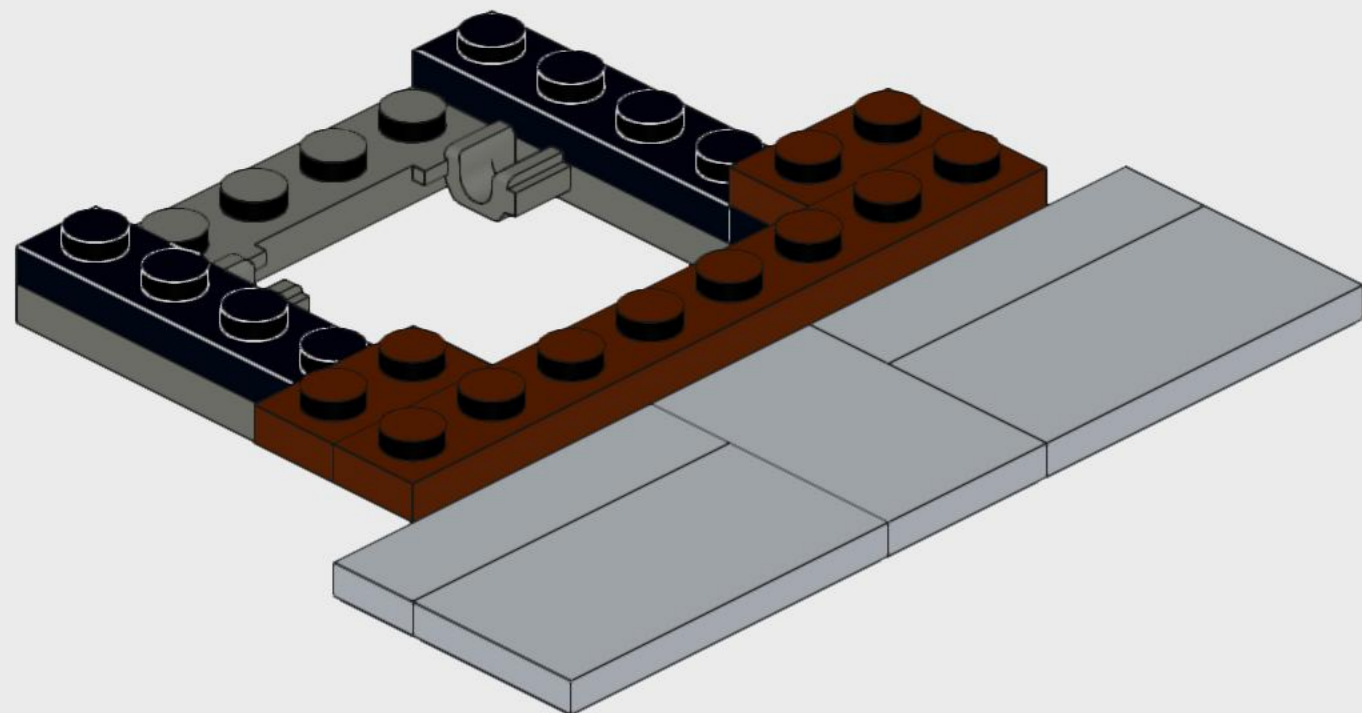




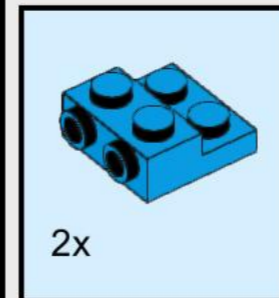
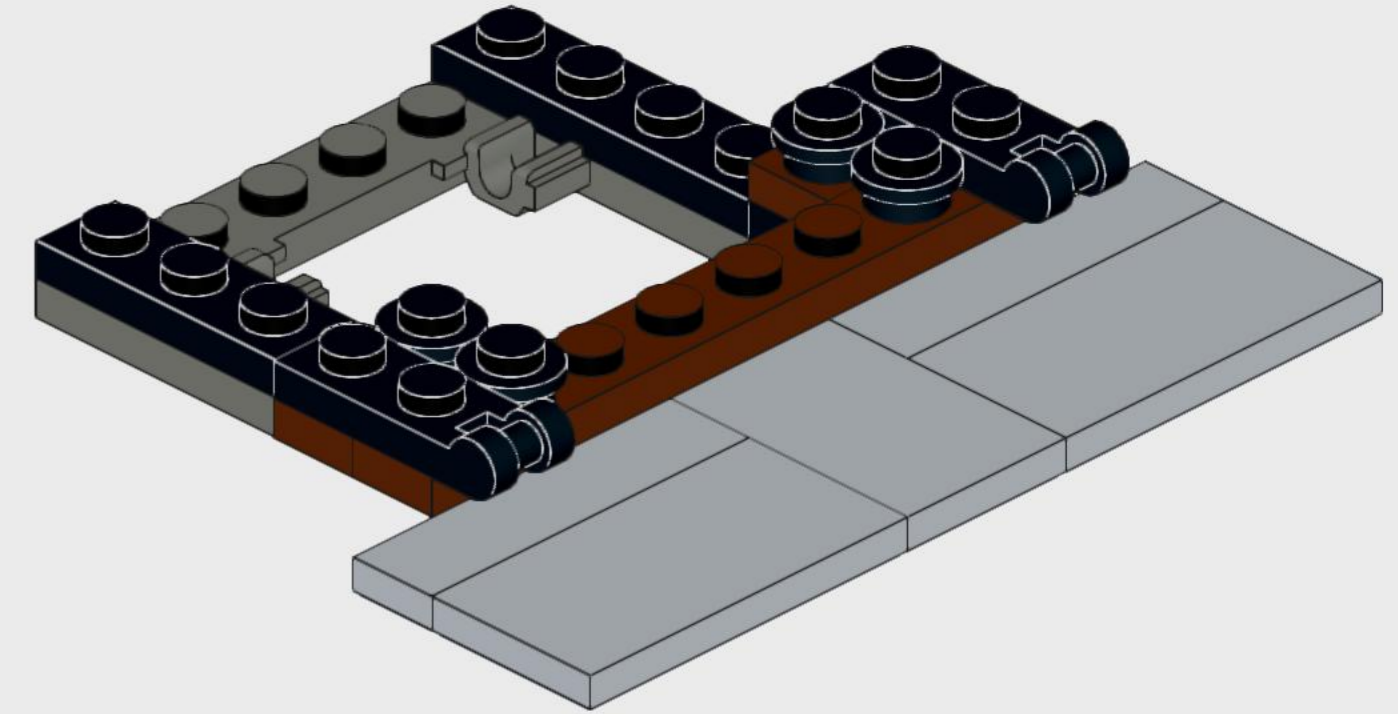
11



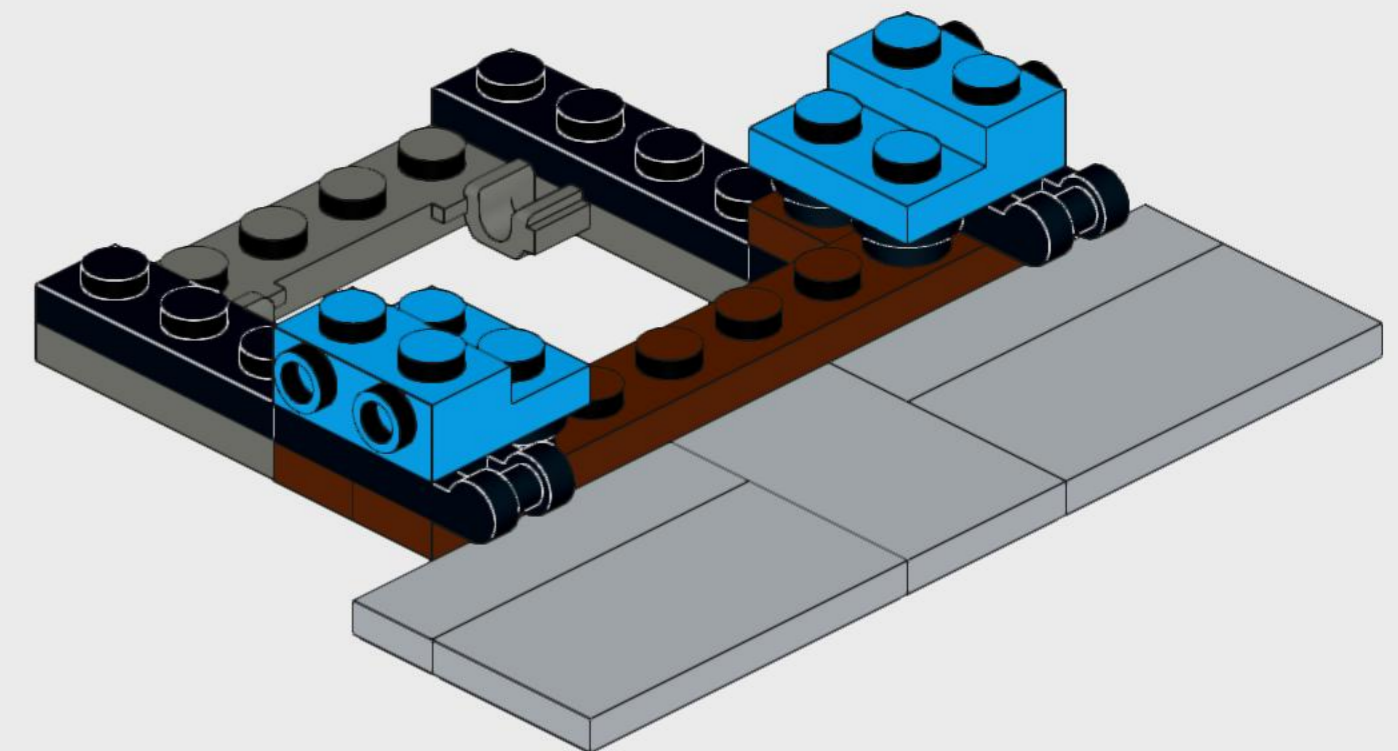
12



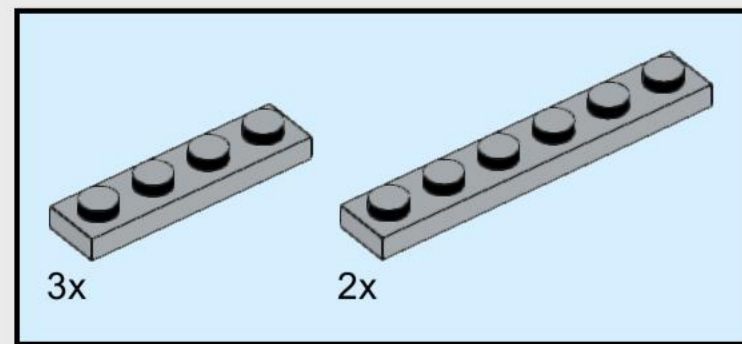
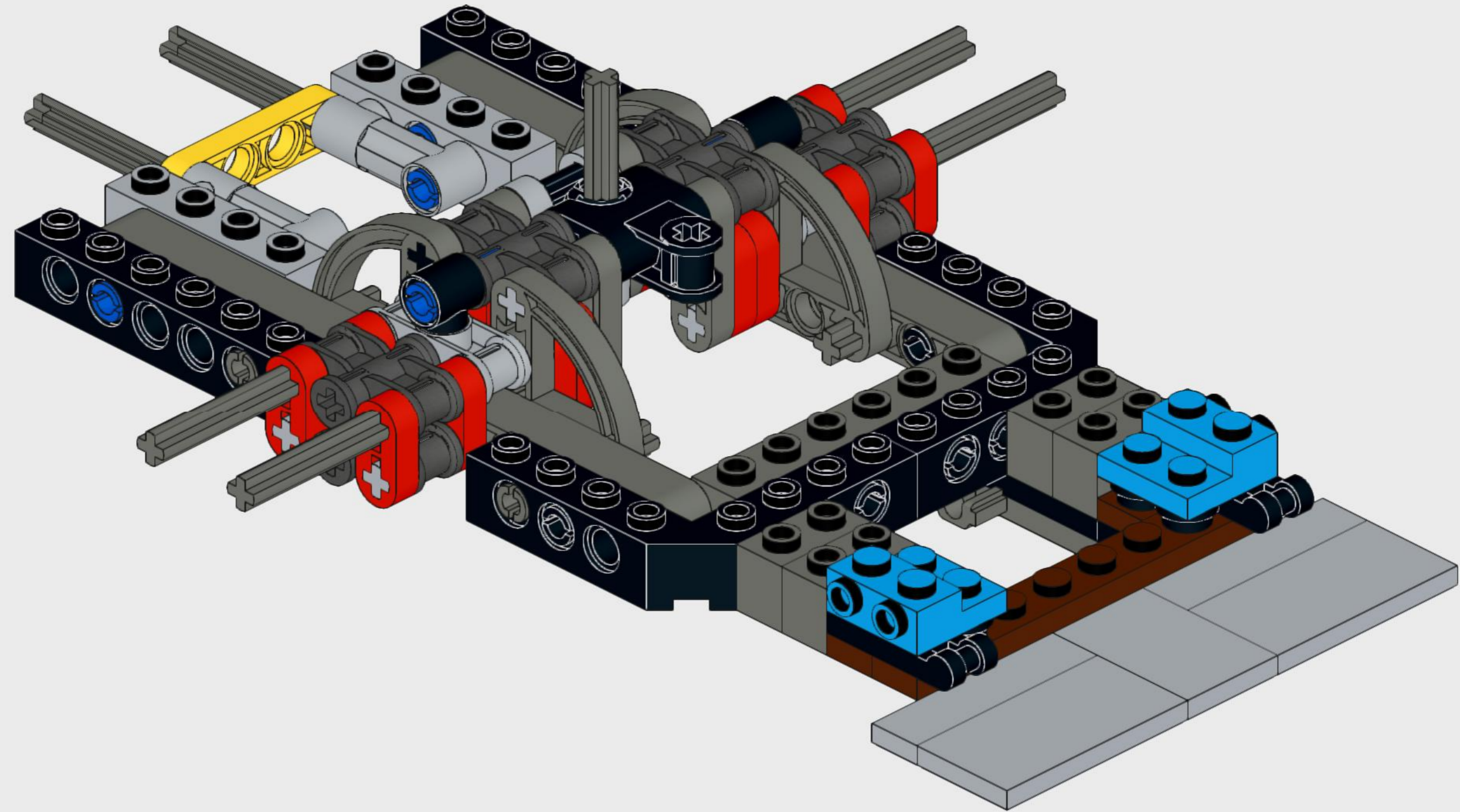
13



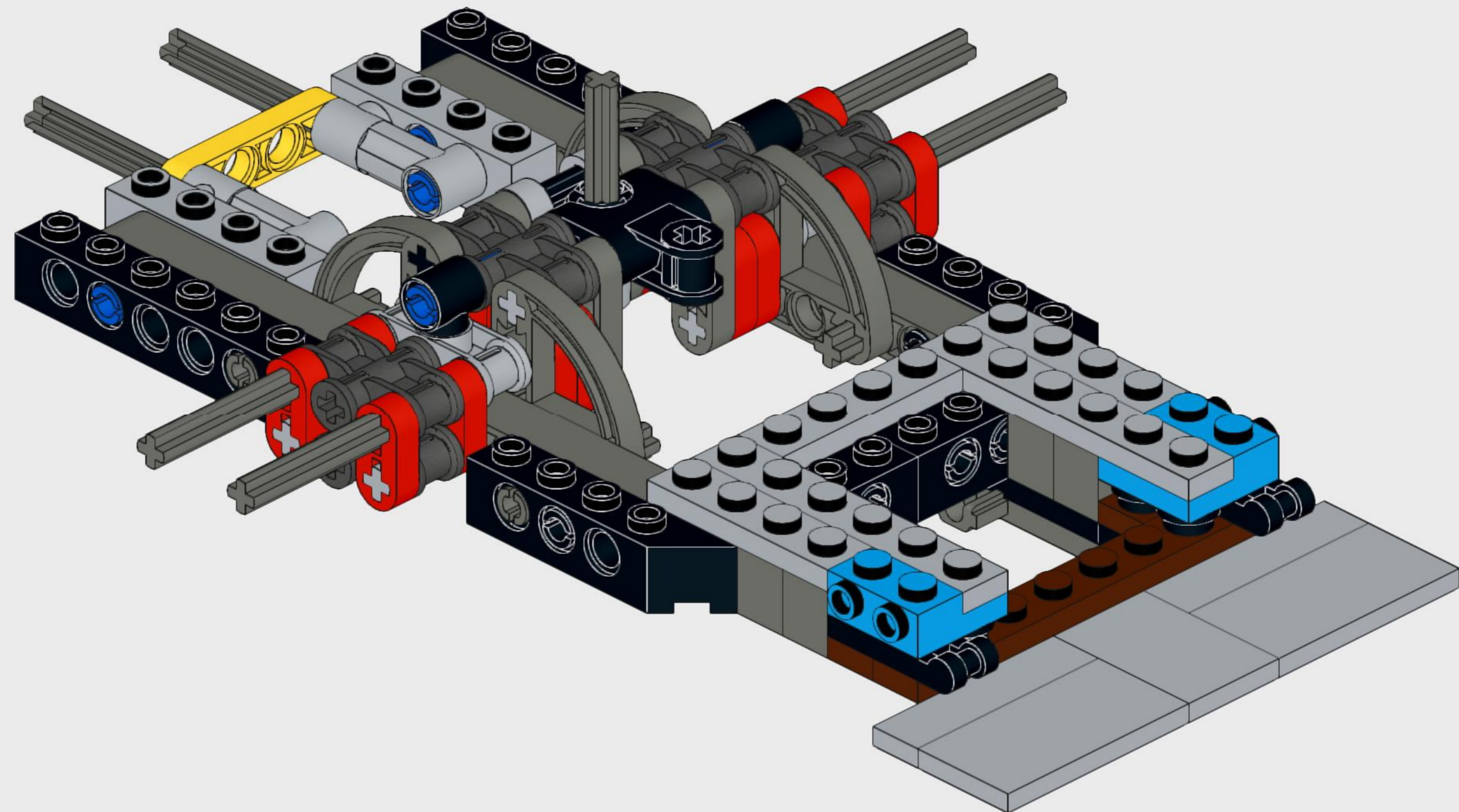
14

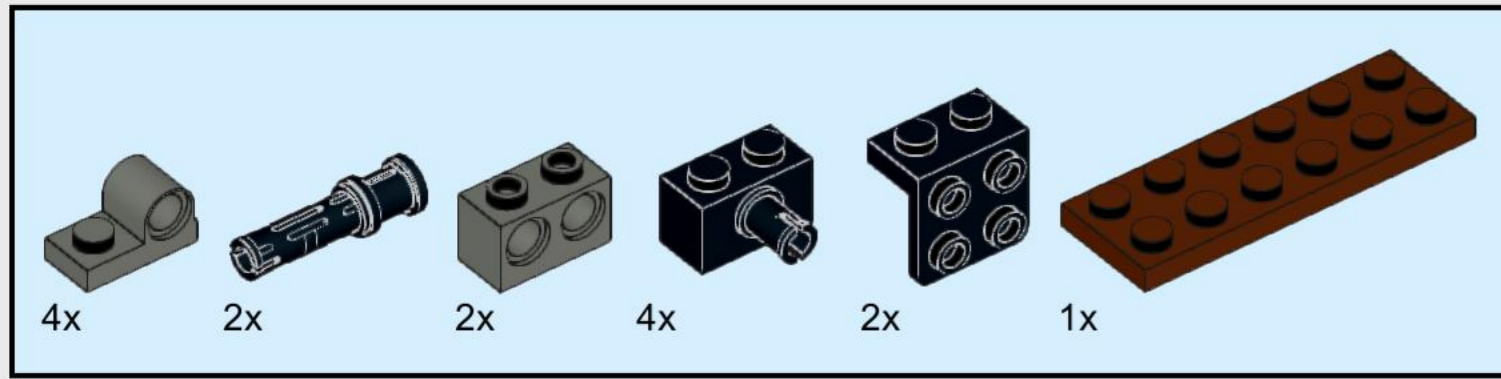


15

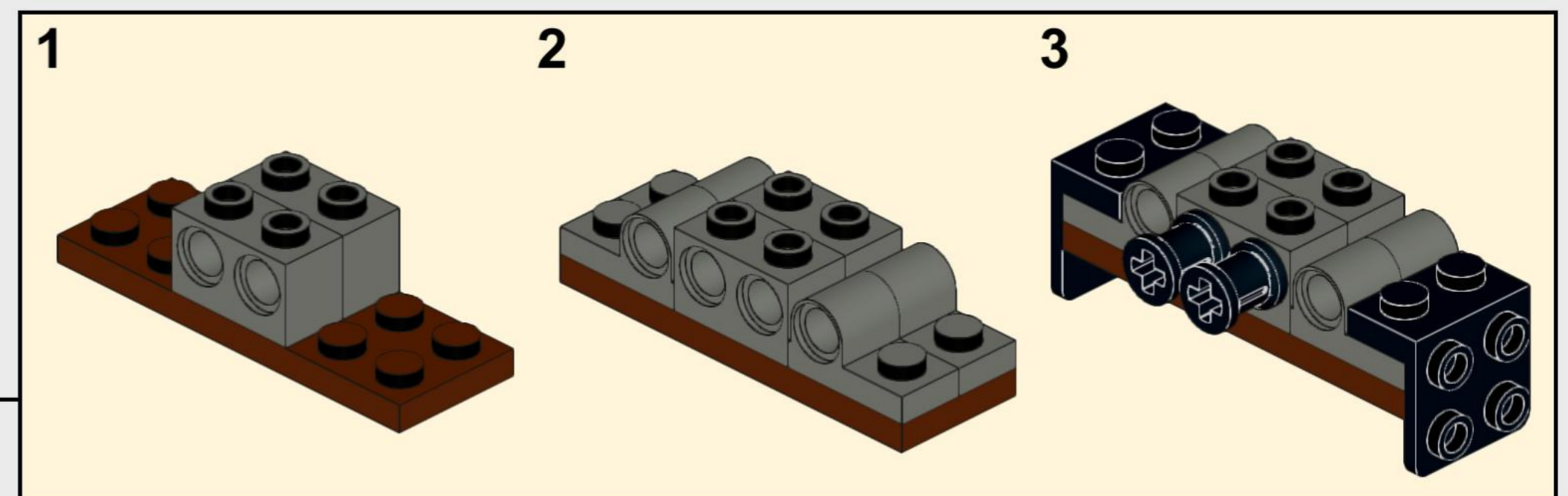
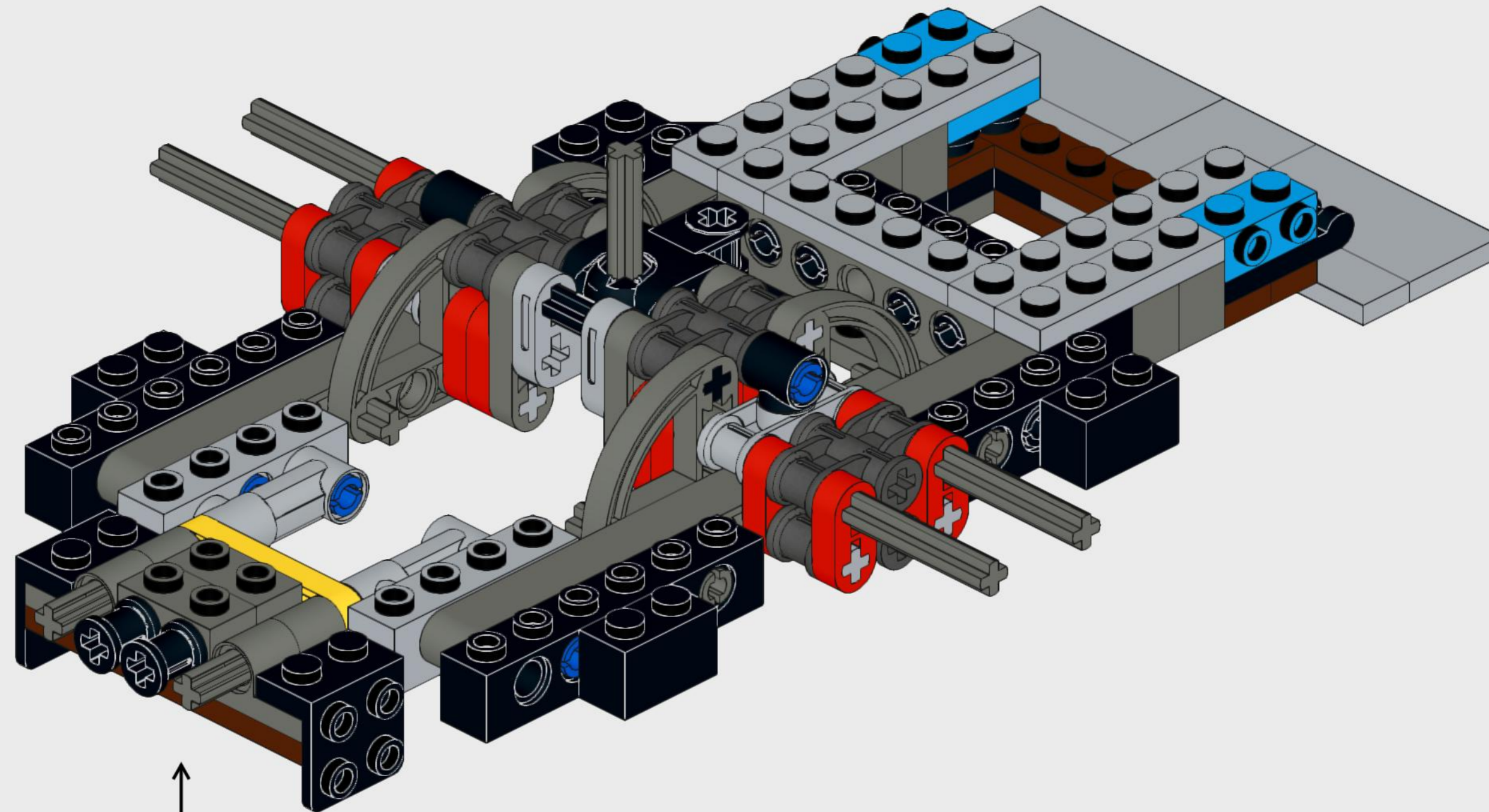


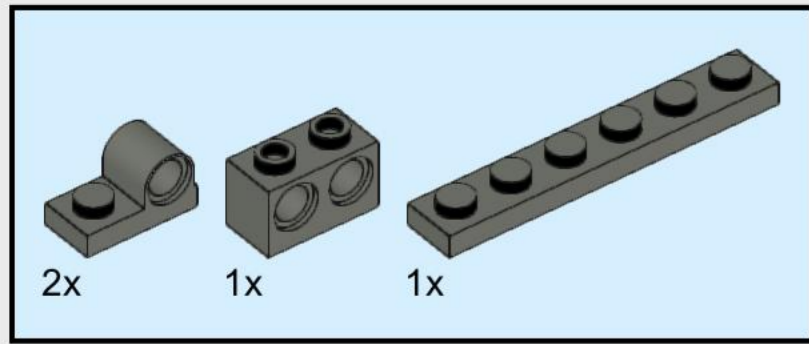
16



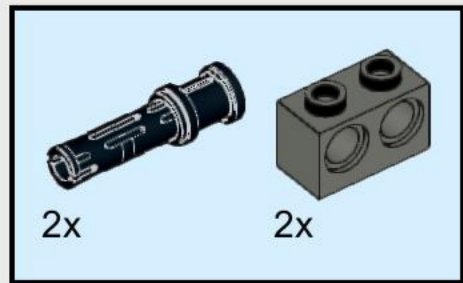
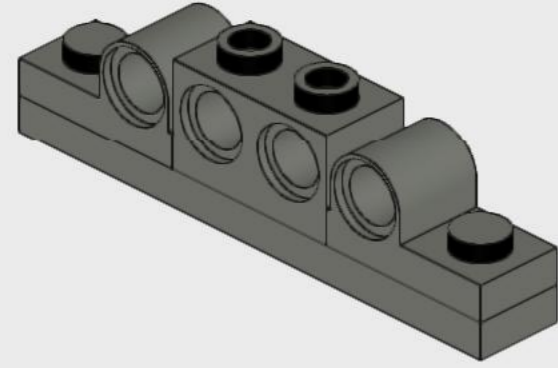


17 

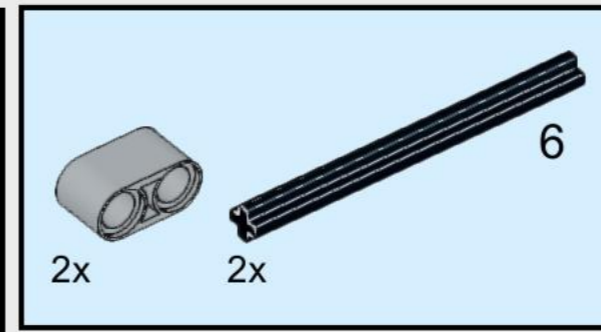
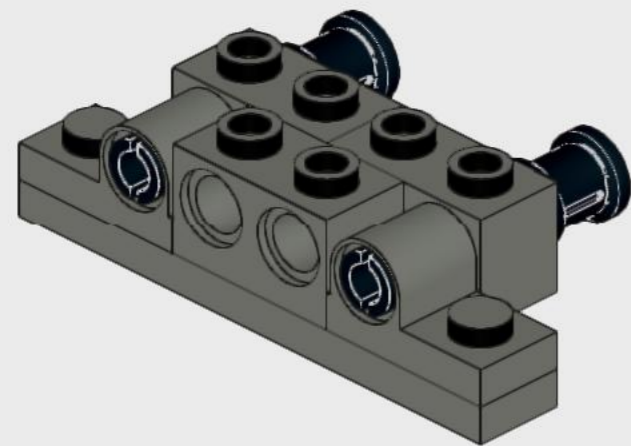




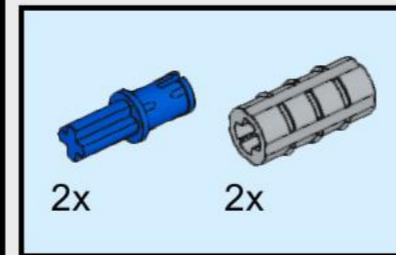
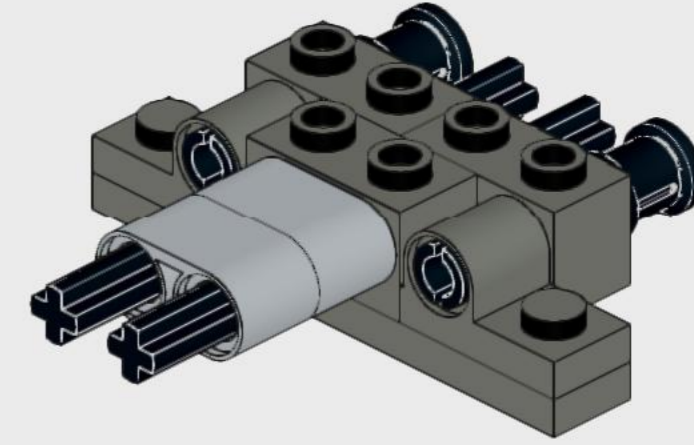
18



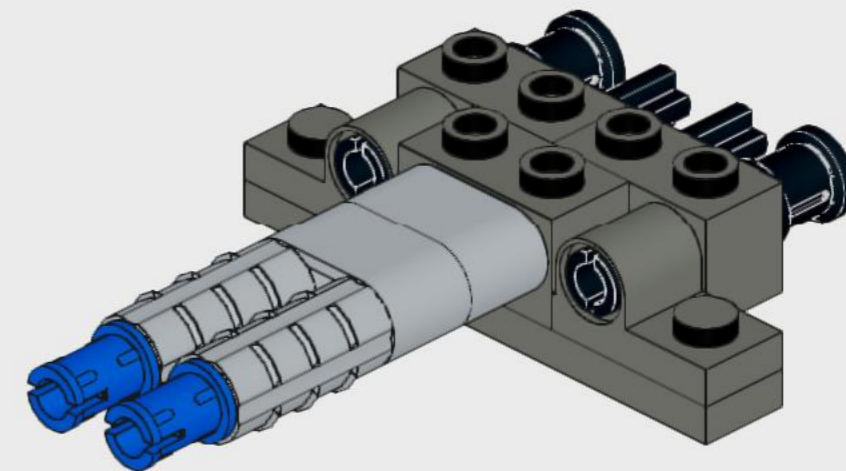
19

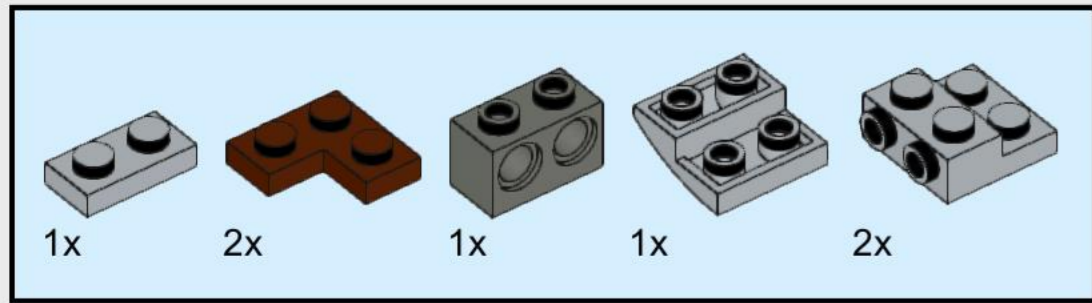


20

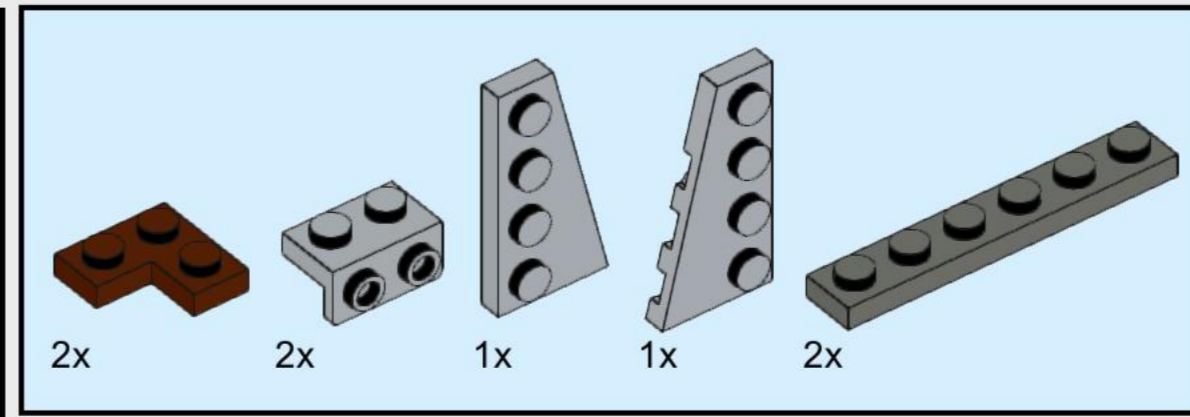
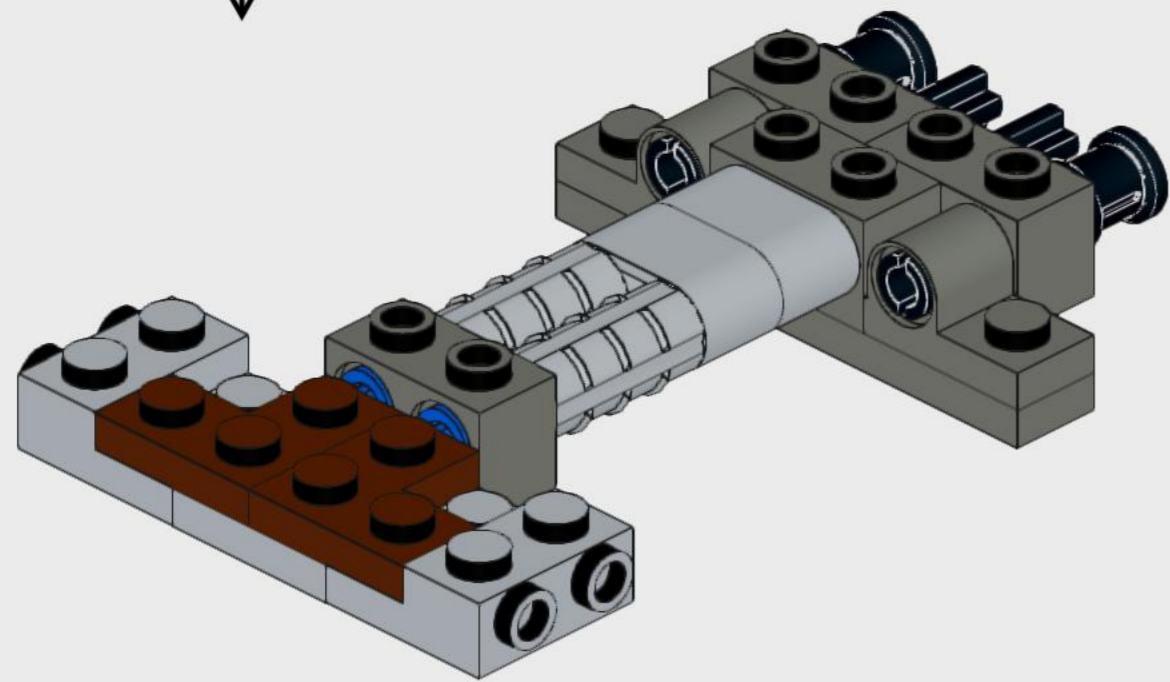
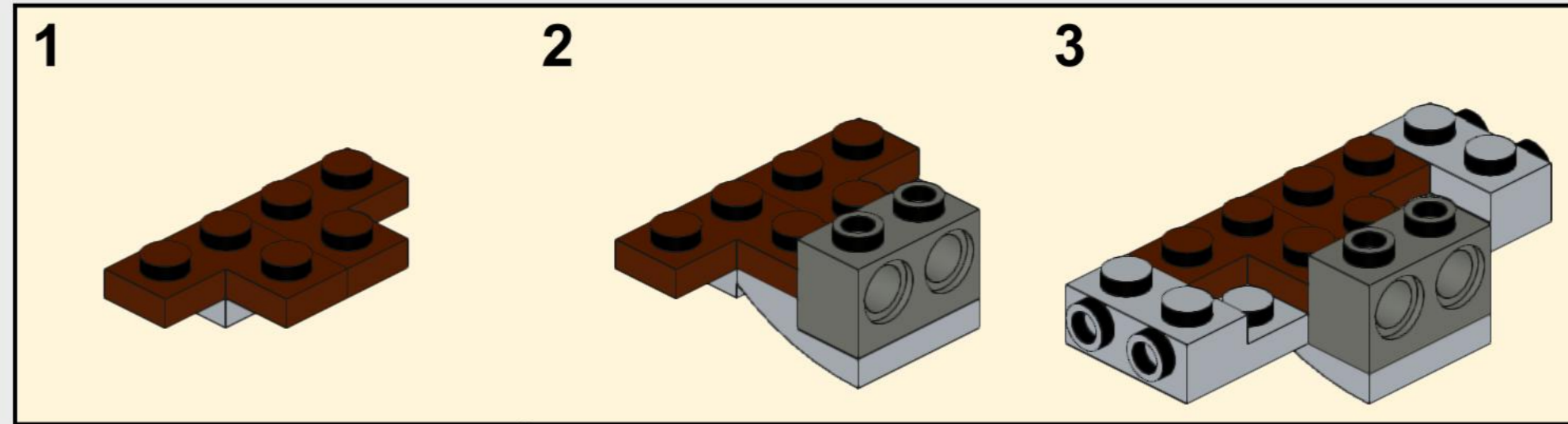


21

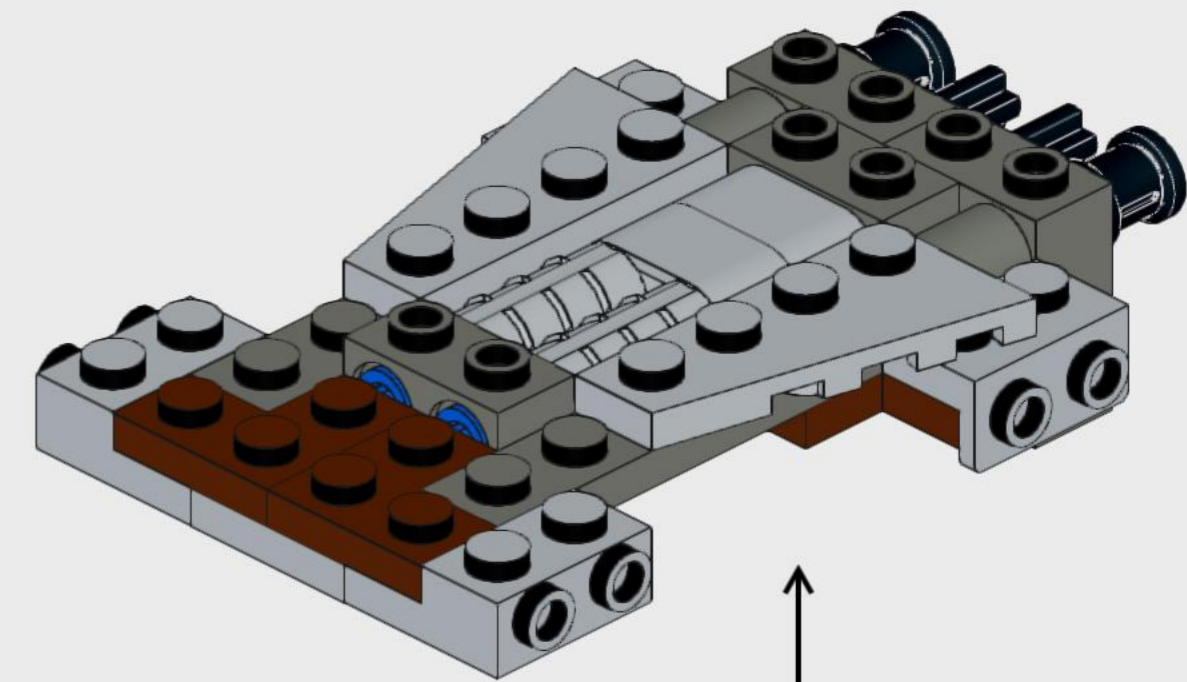
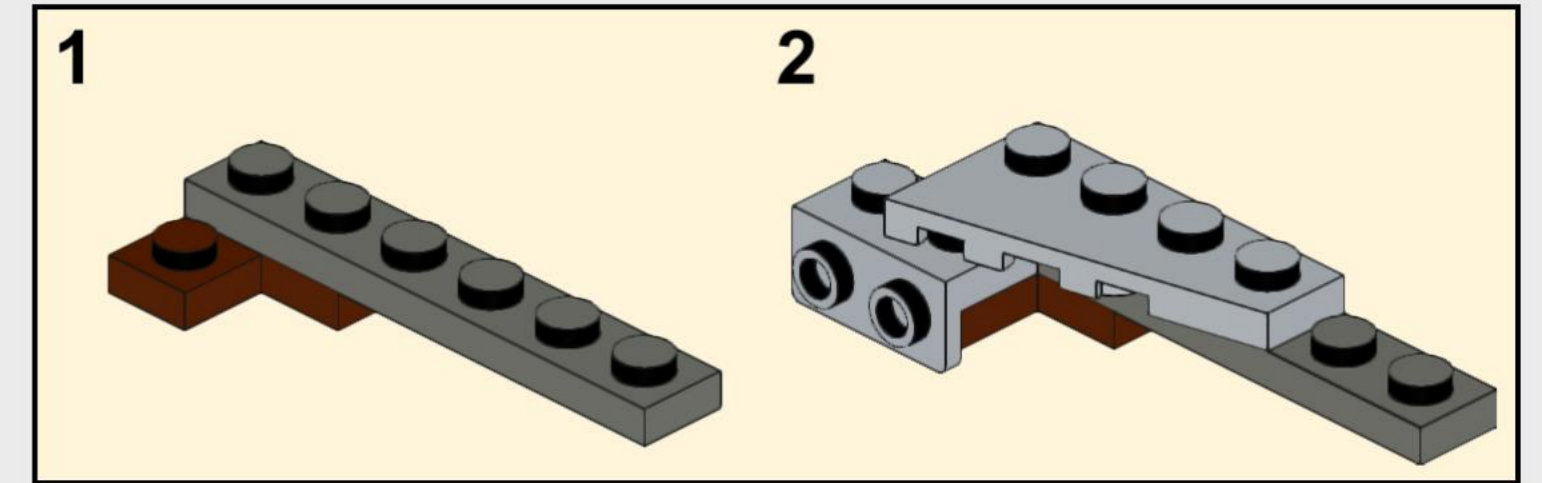




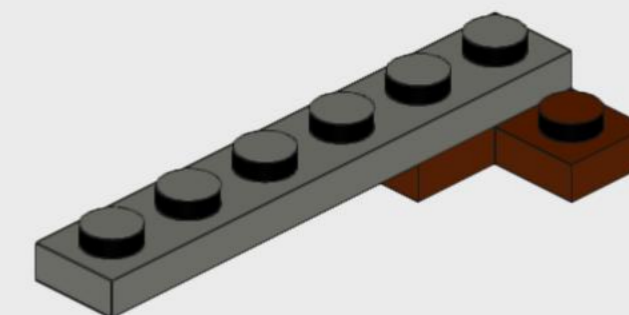
22



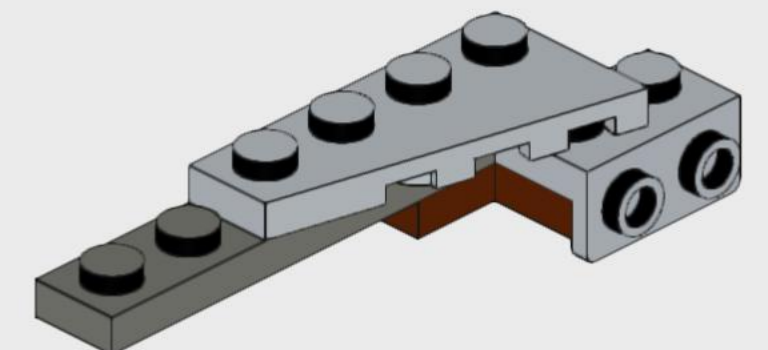
23

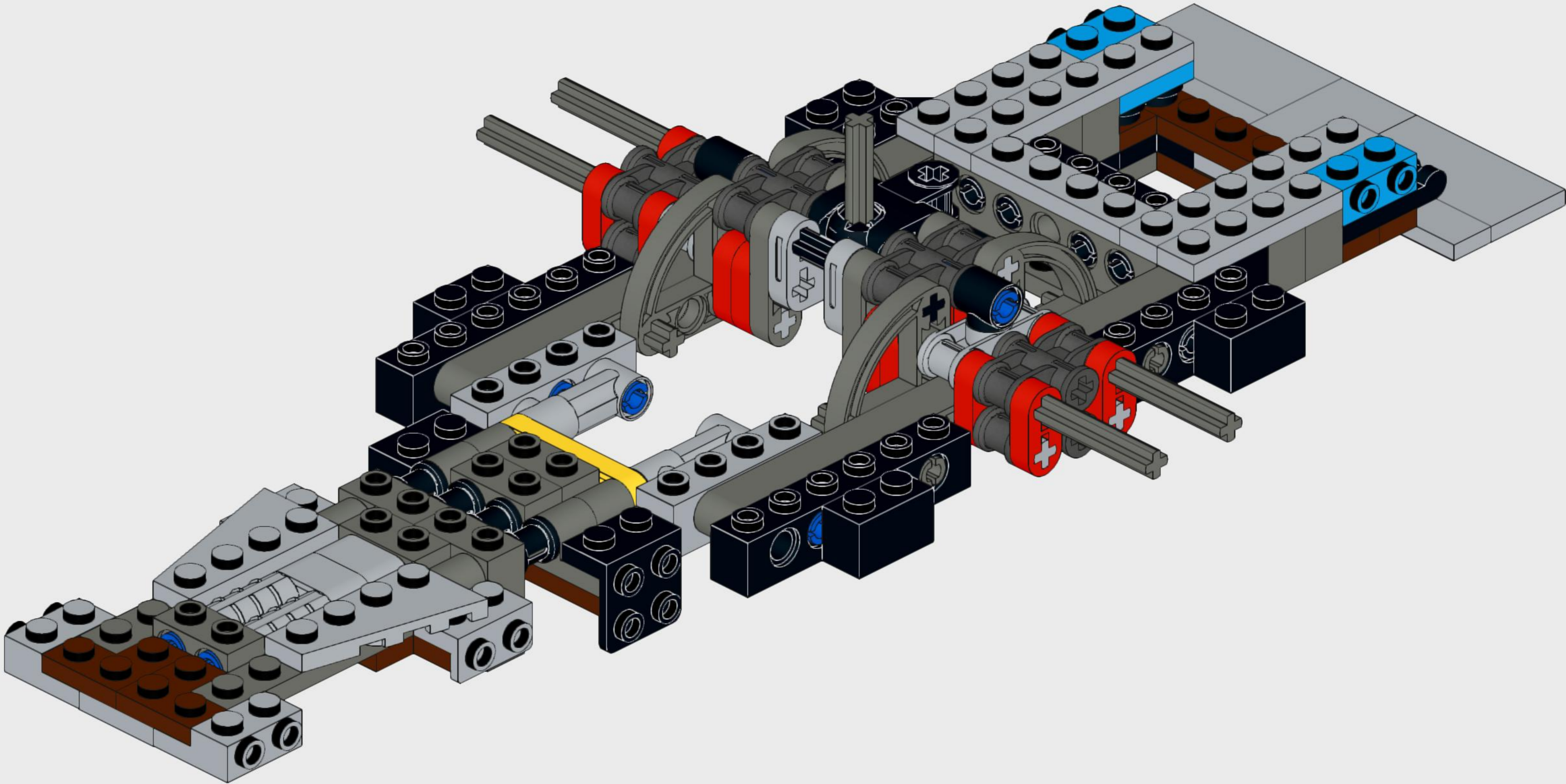


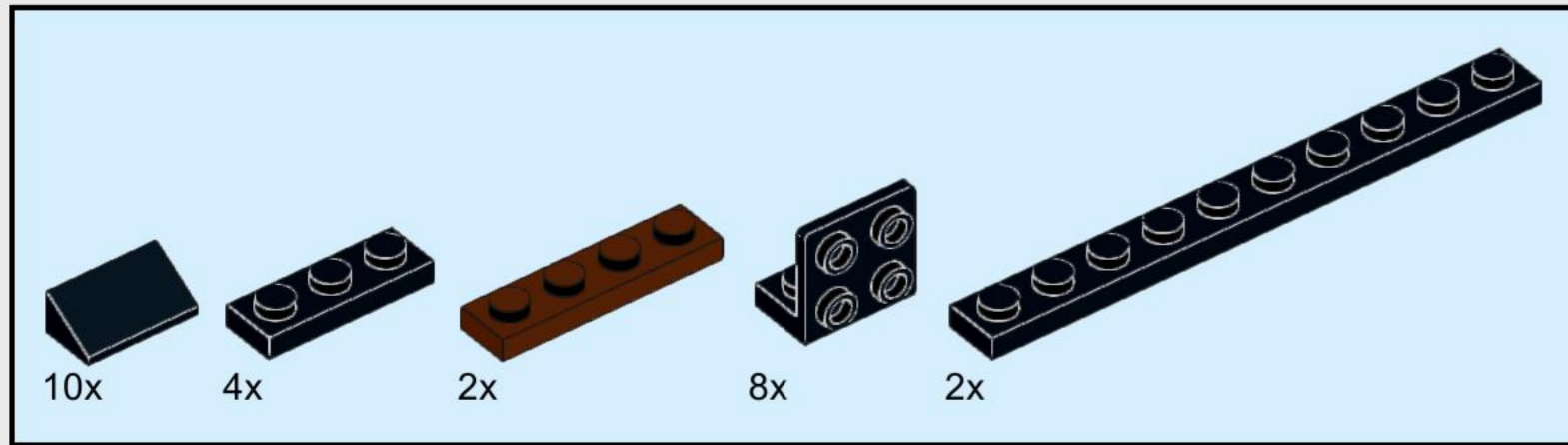
1



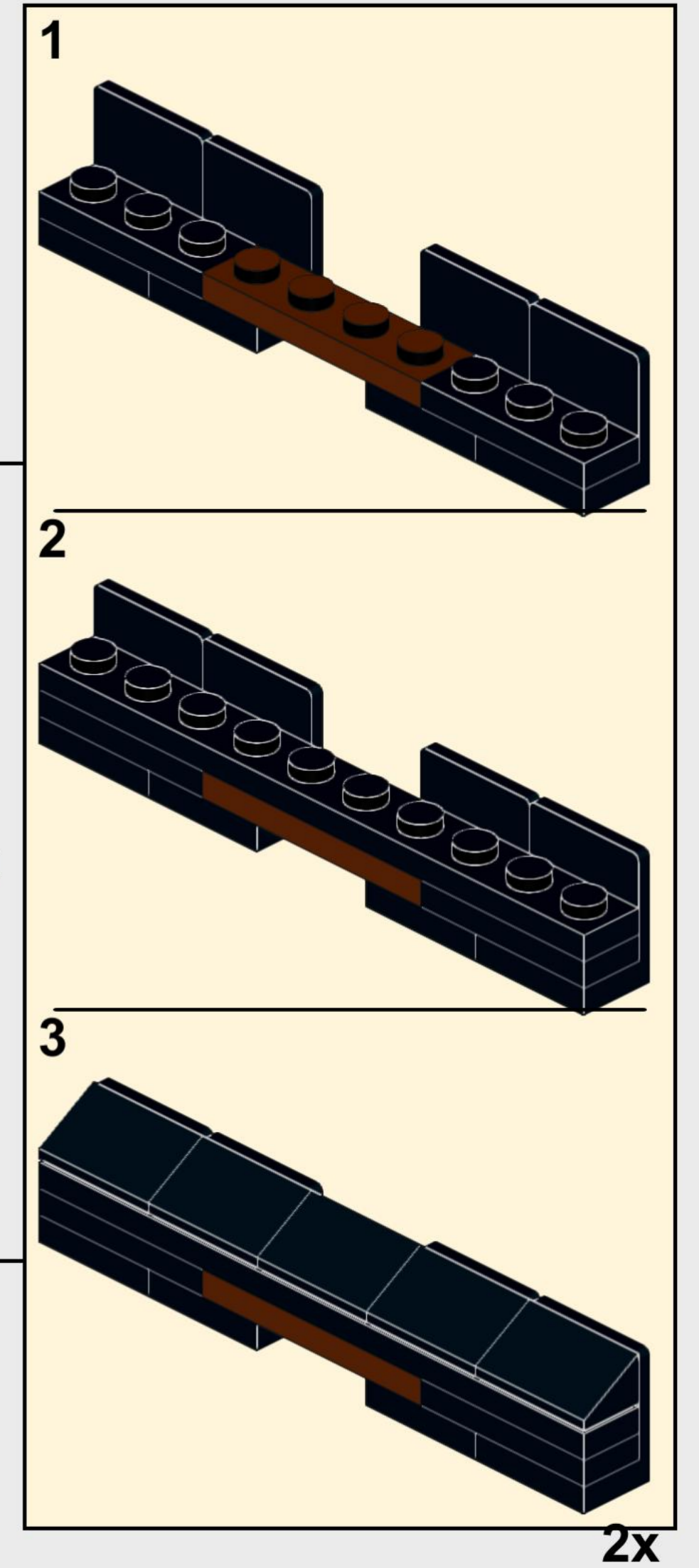
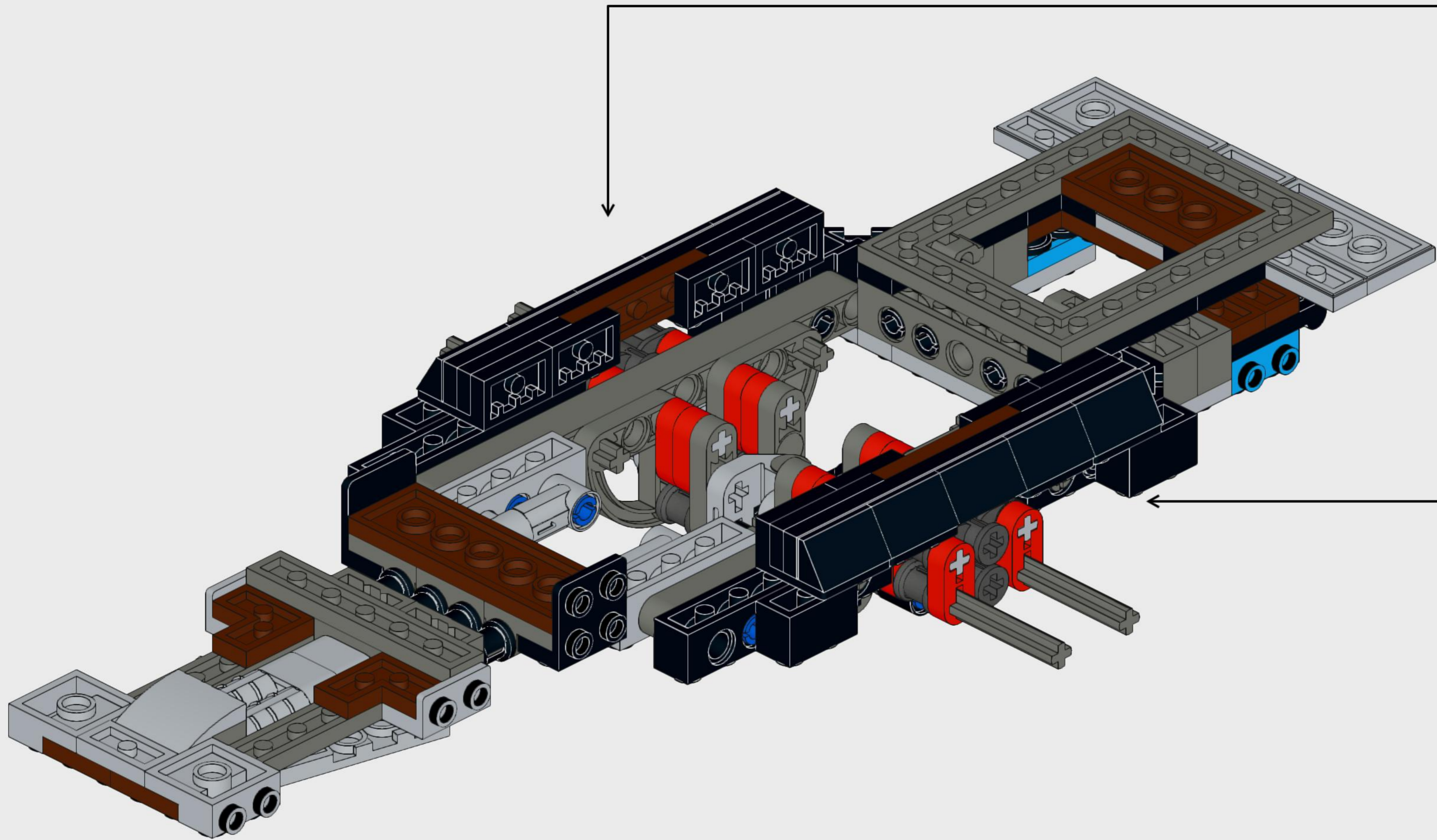
2

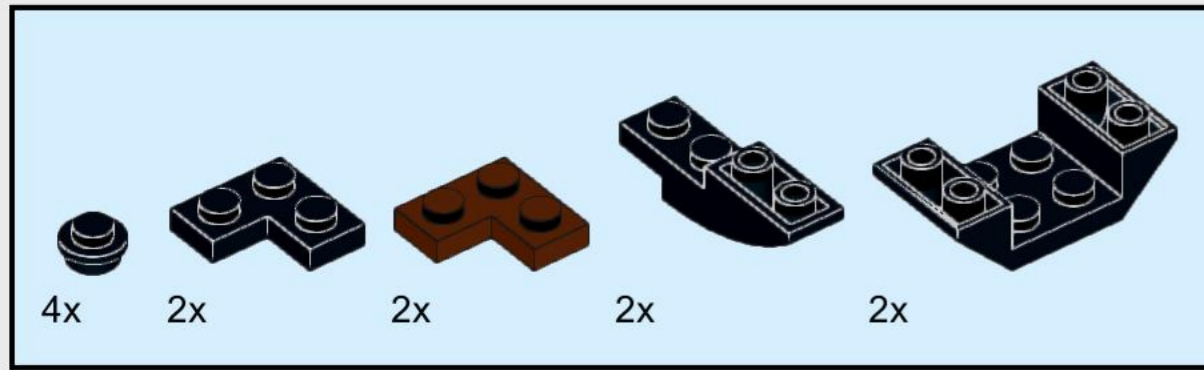






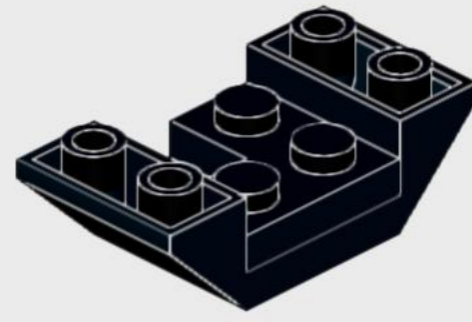
25 



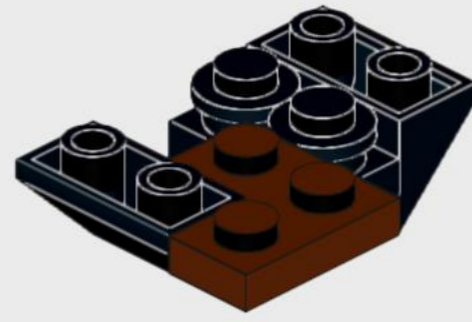


26

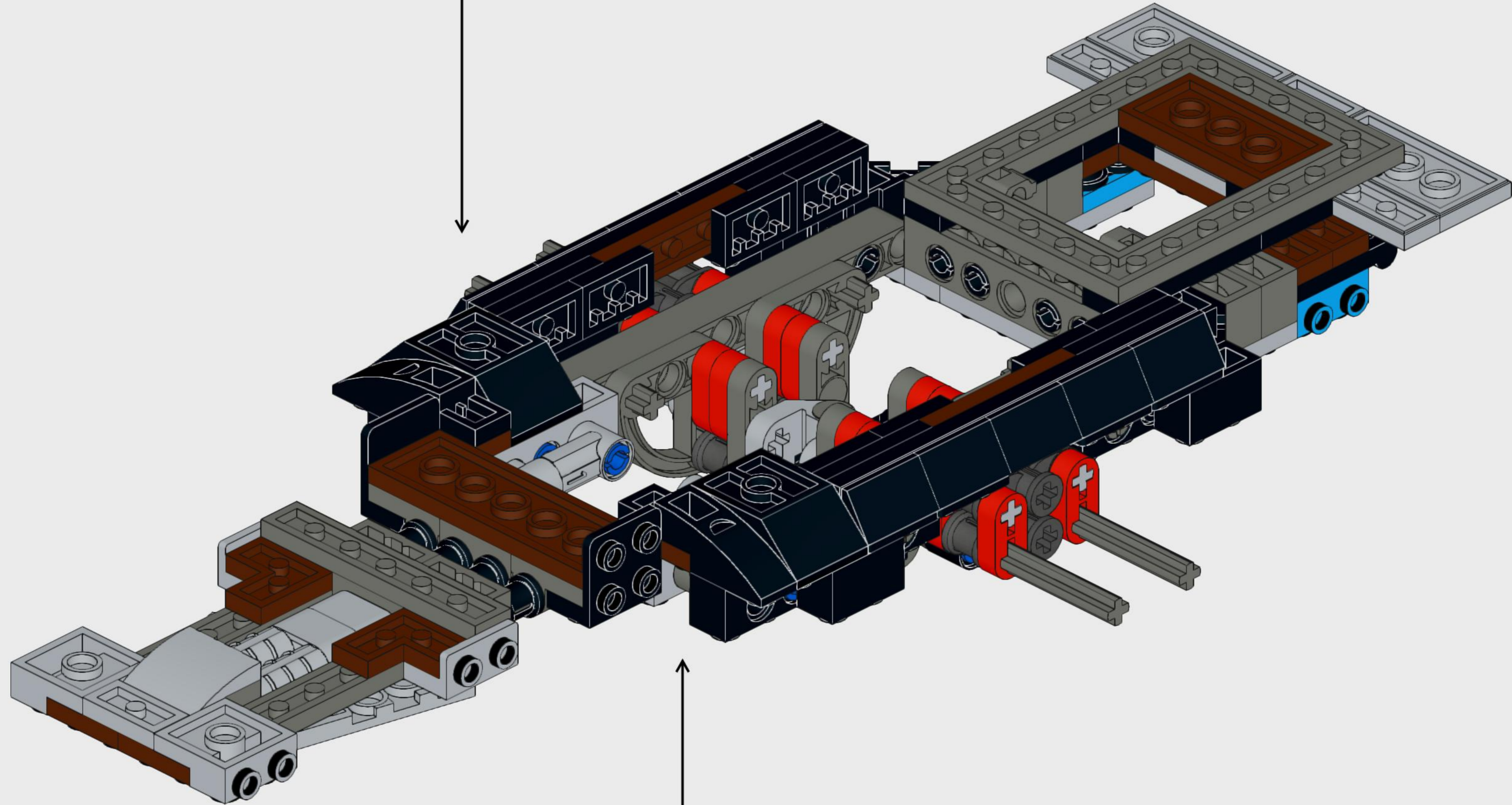
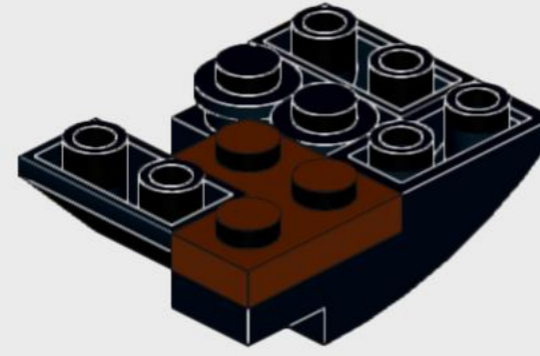
1



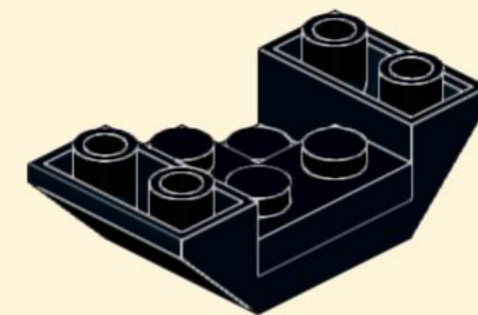
2



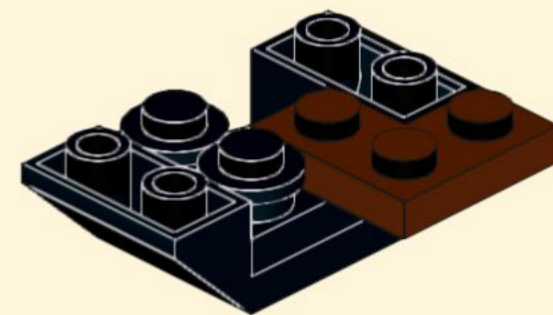
3



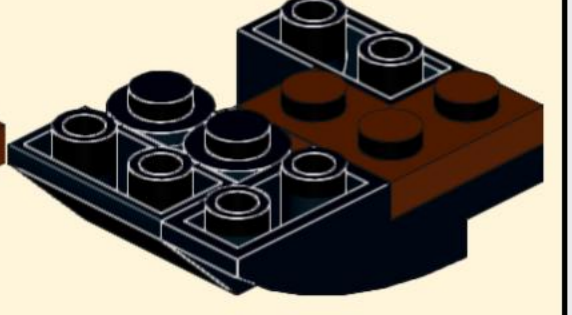
1

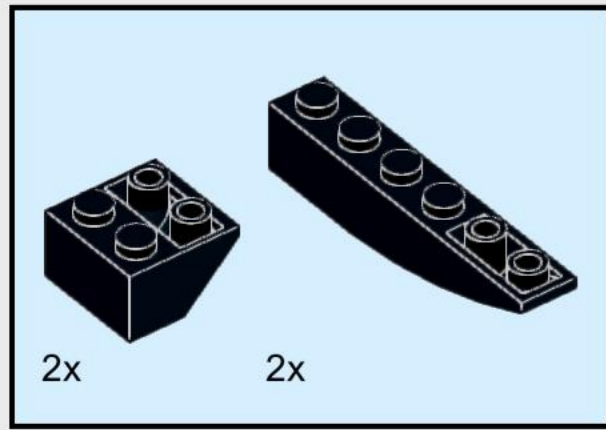


2

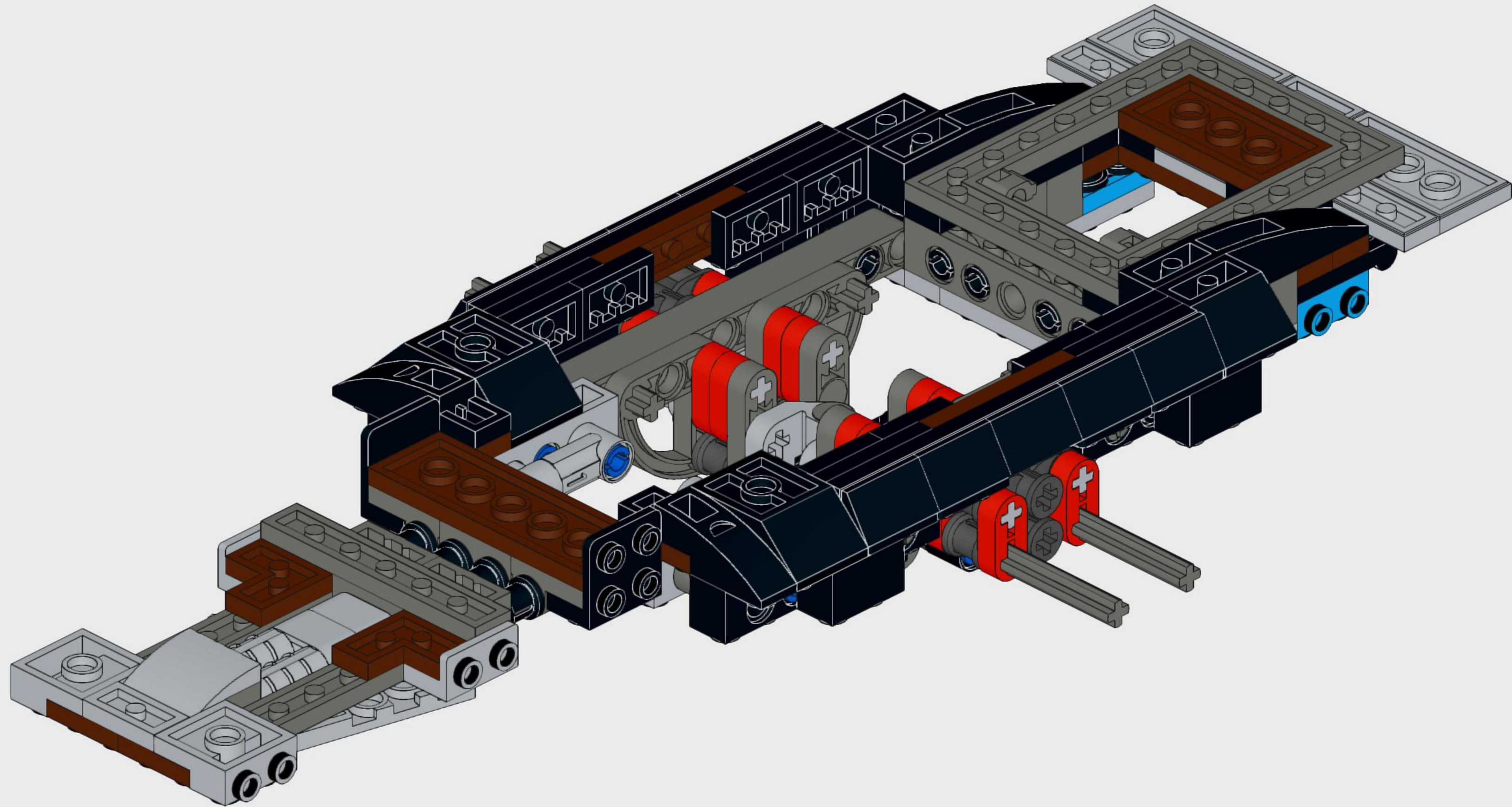


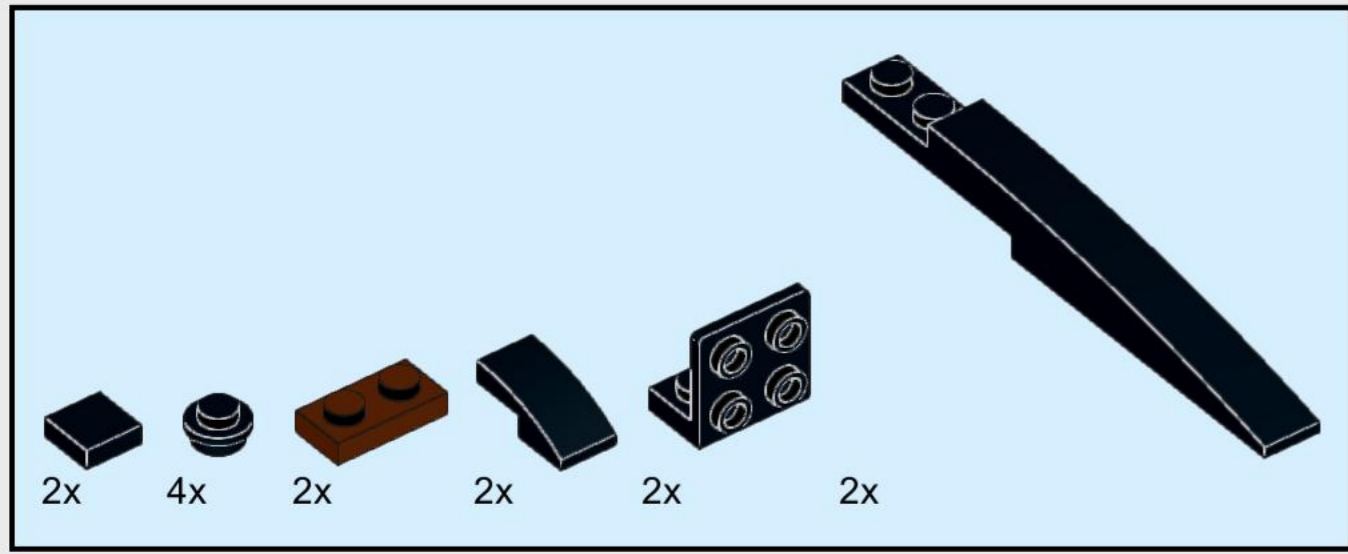
3





27

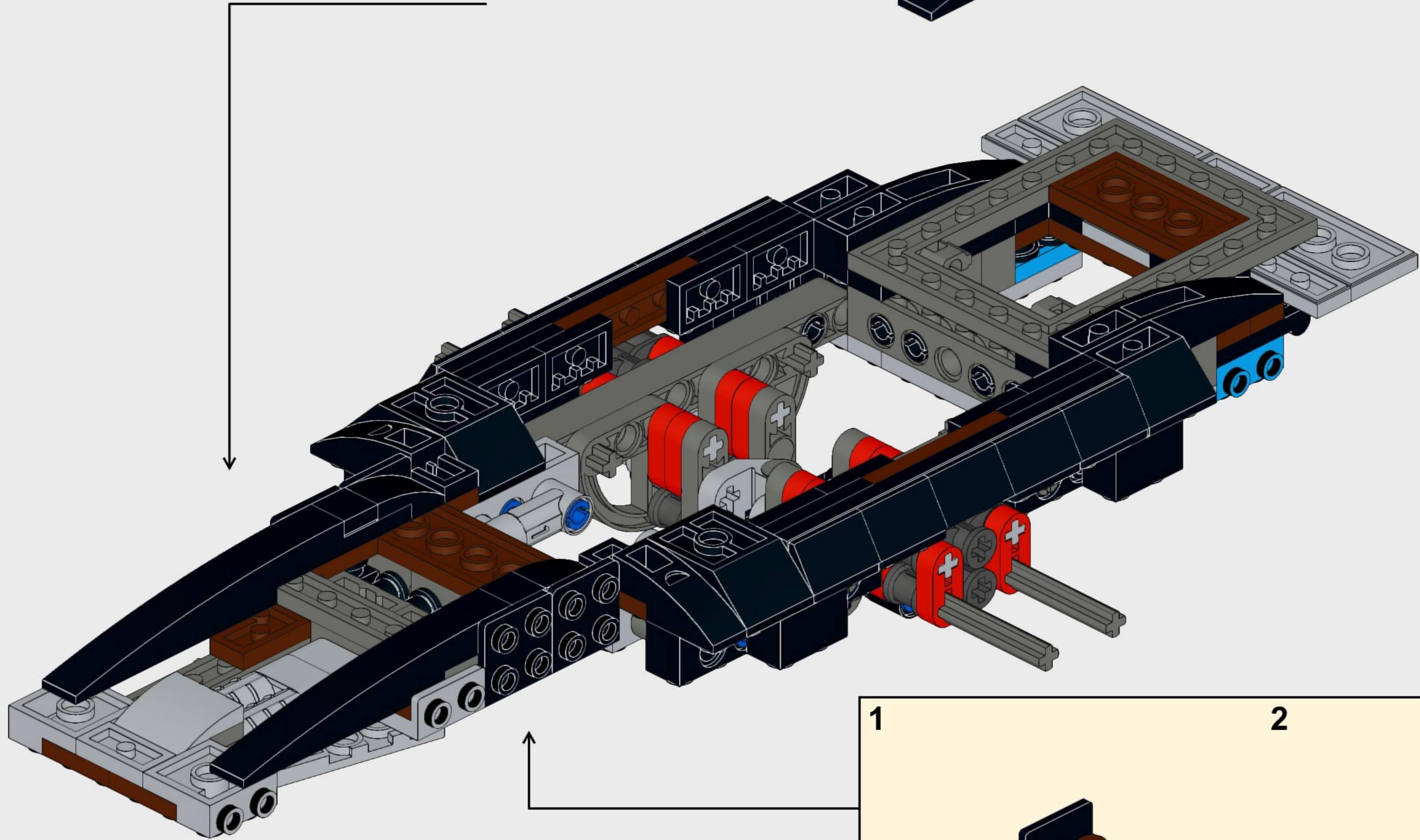
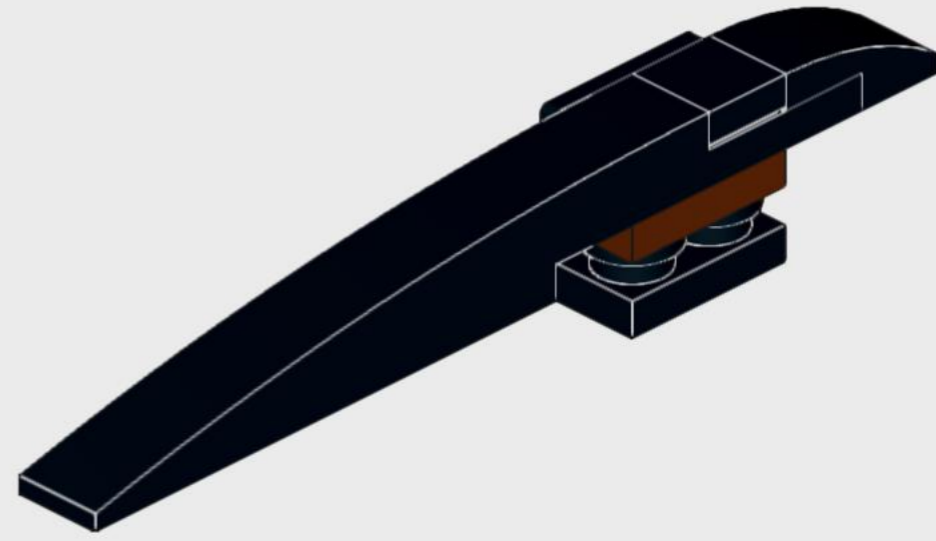
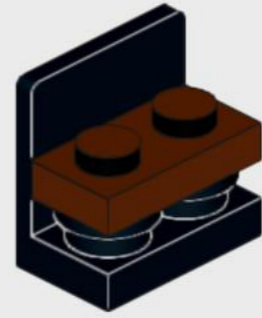




28

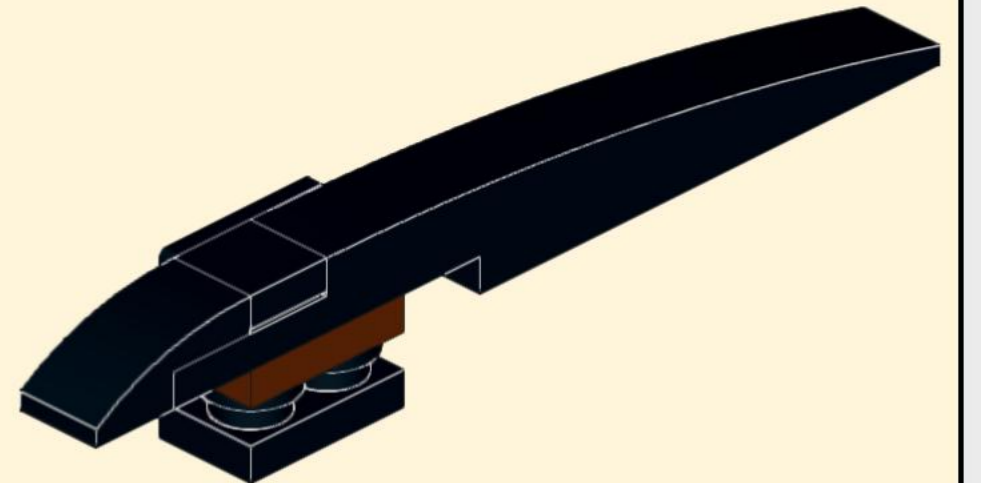
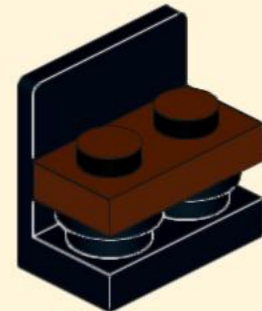
1

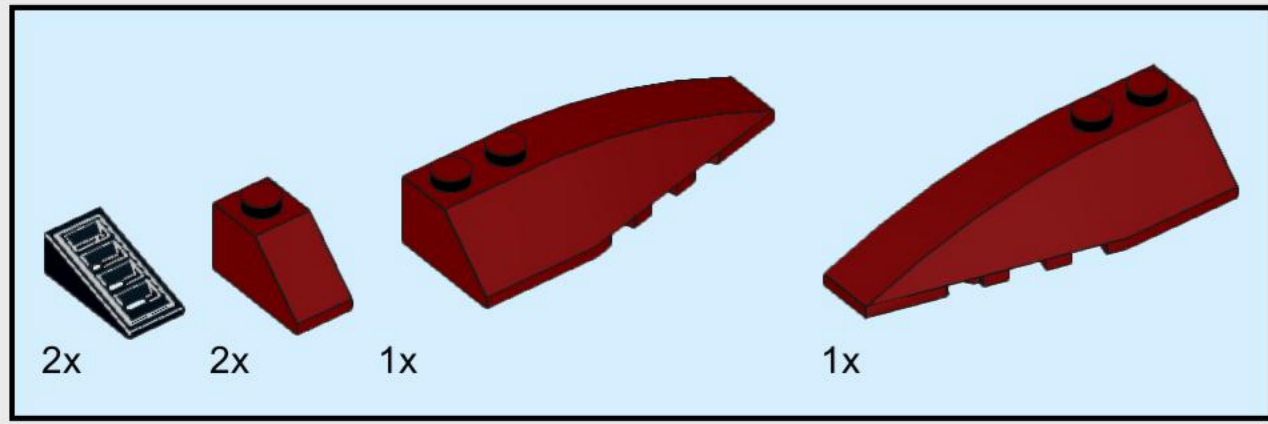
2



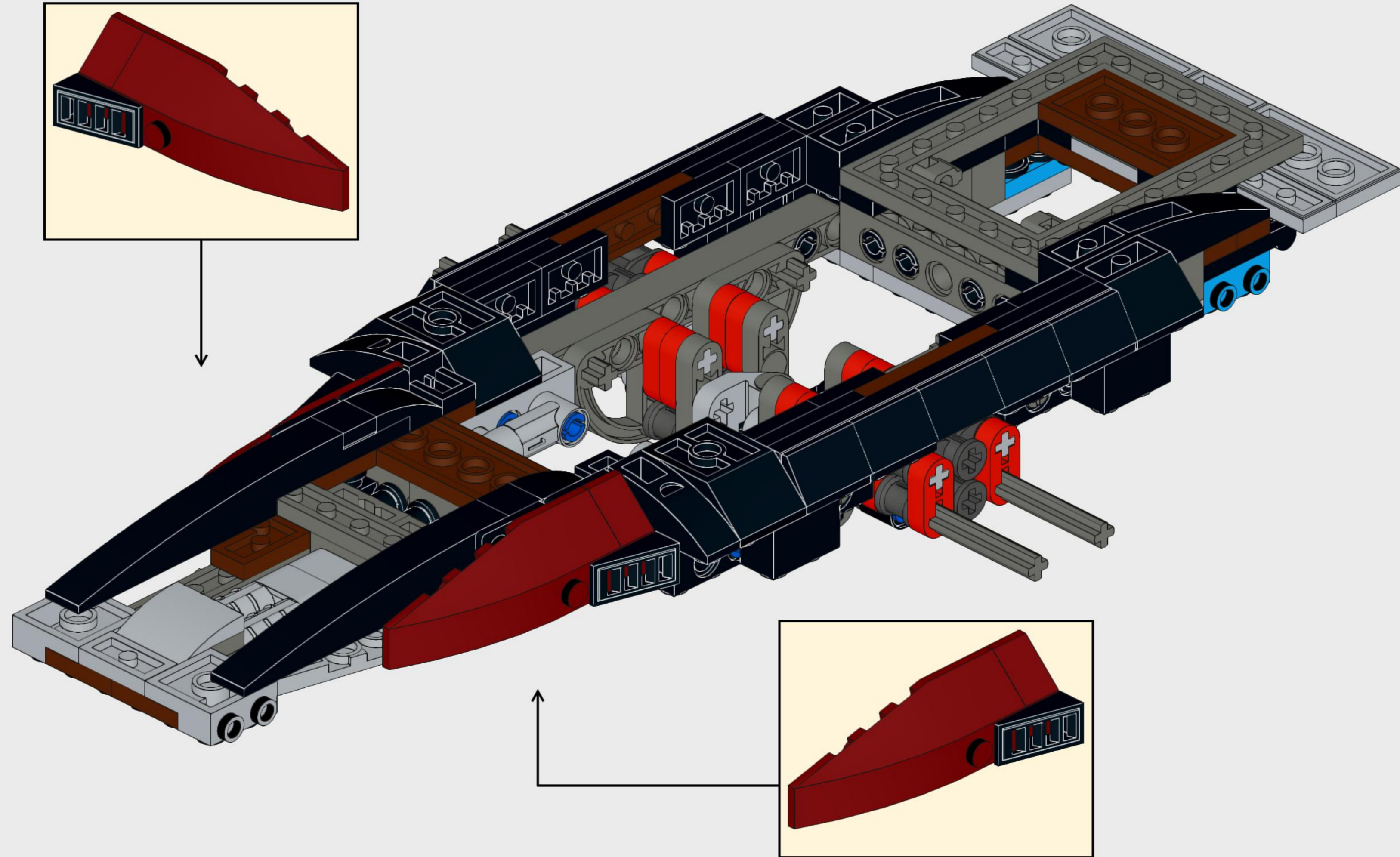
1

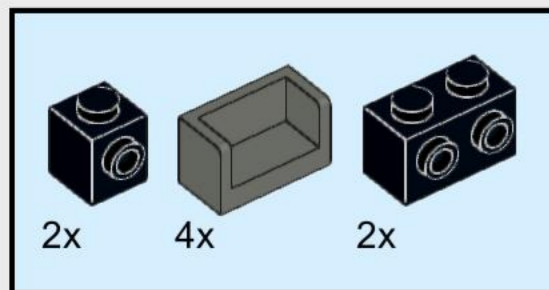
2



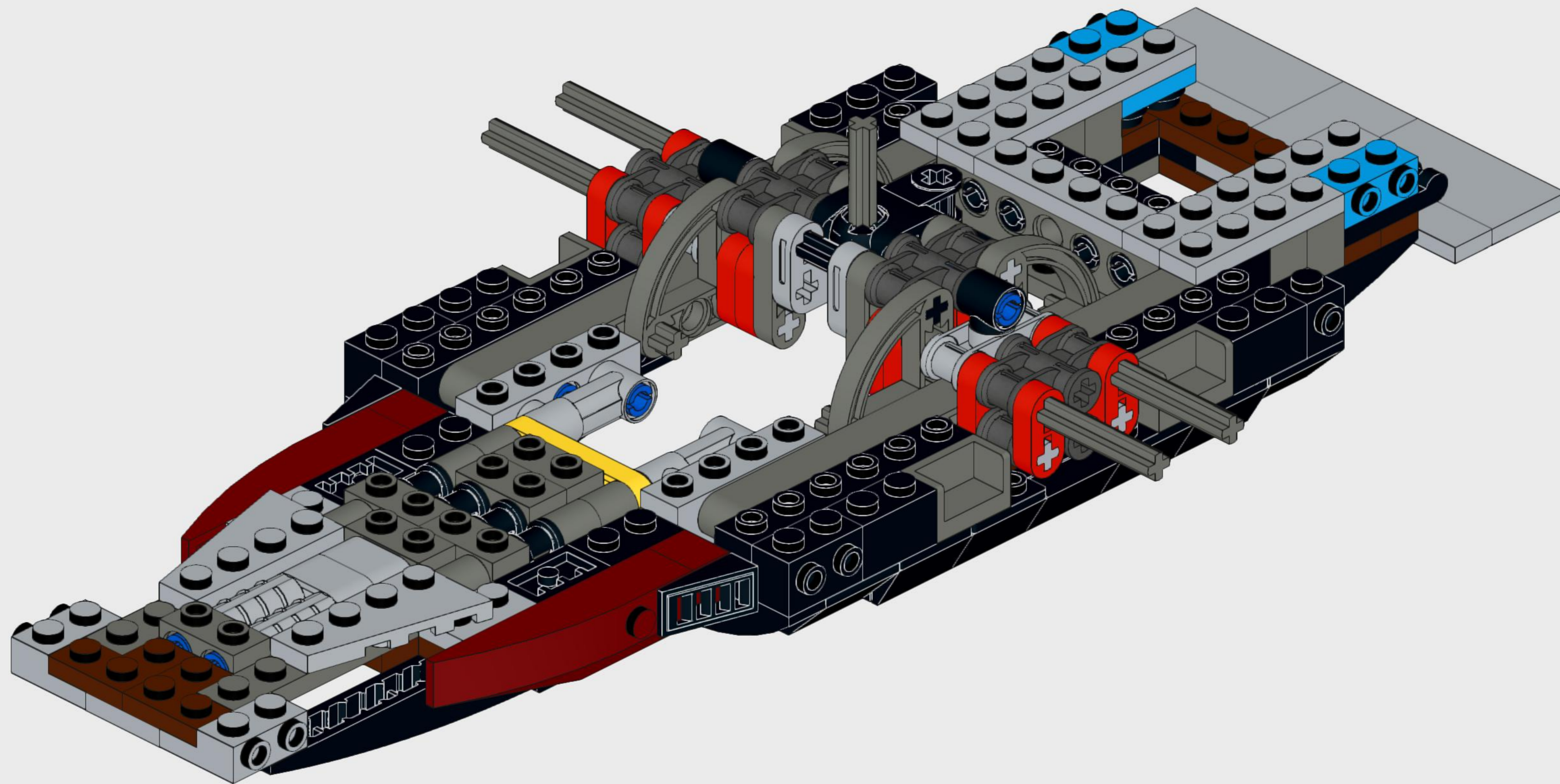


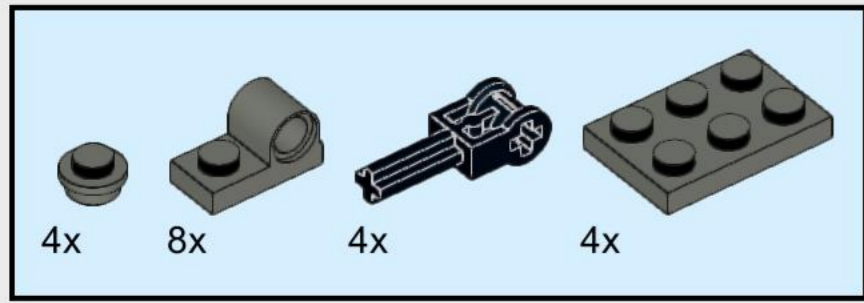
29



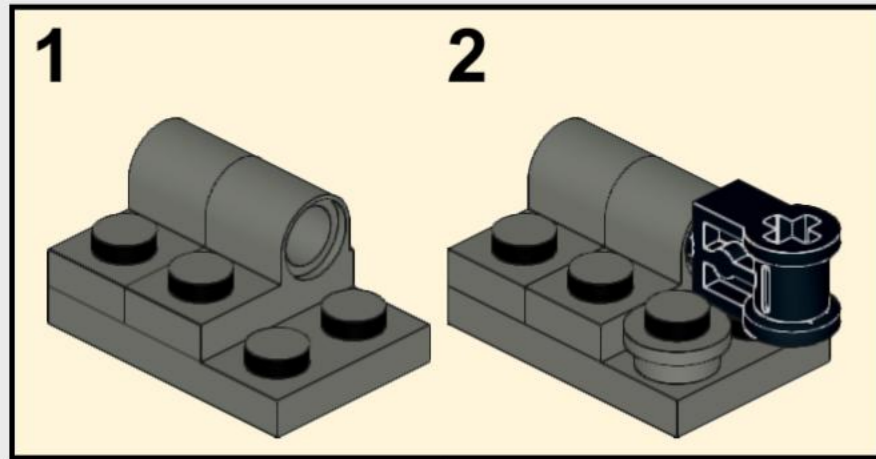


30 

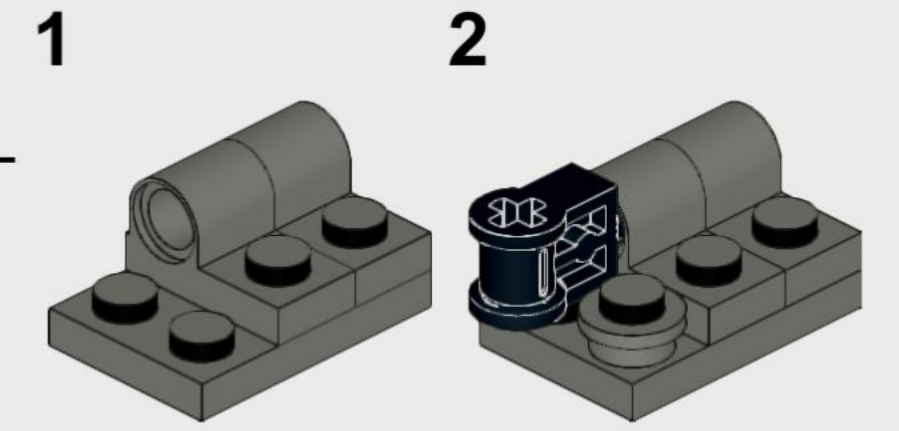




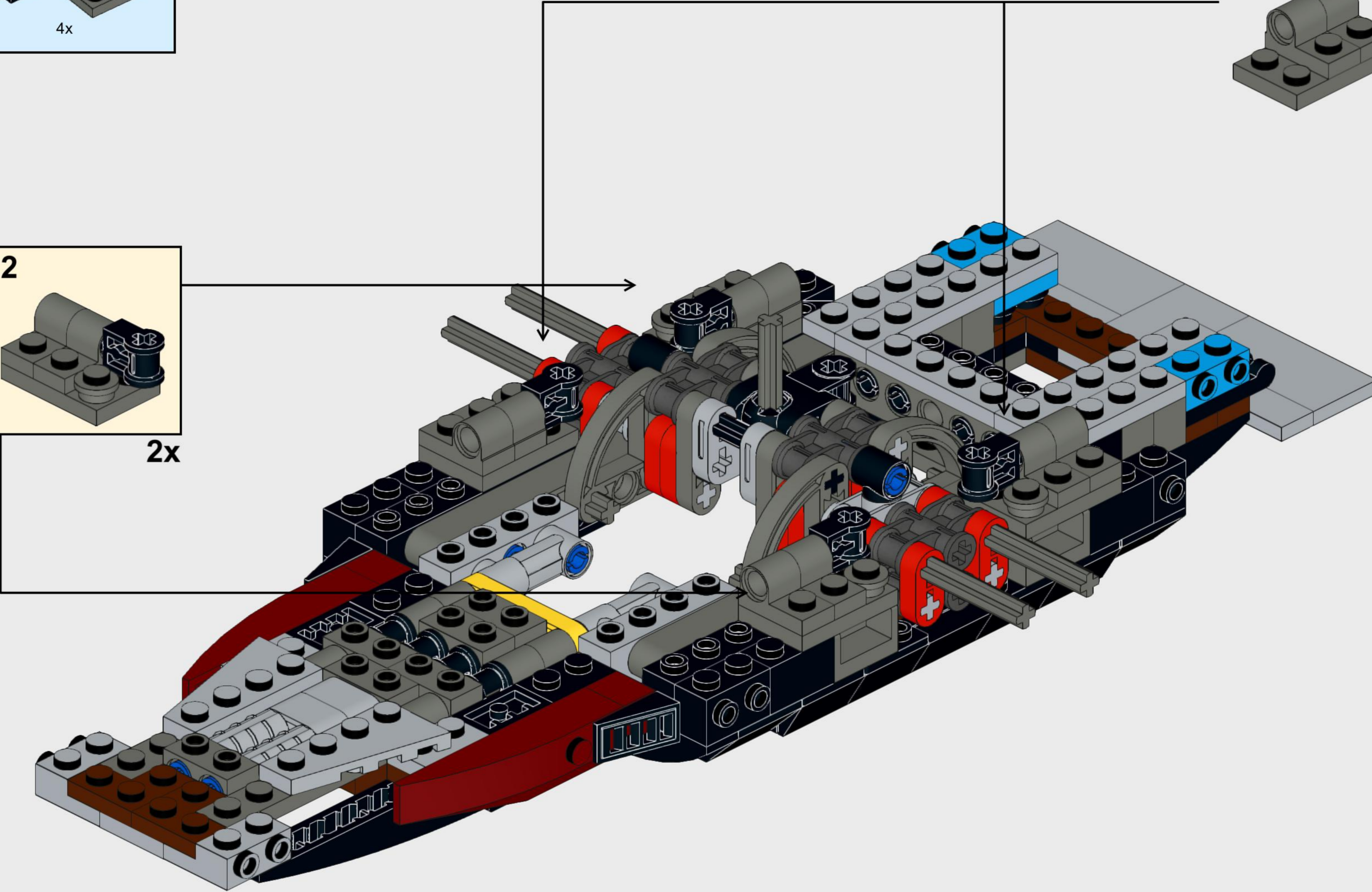
31

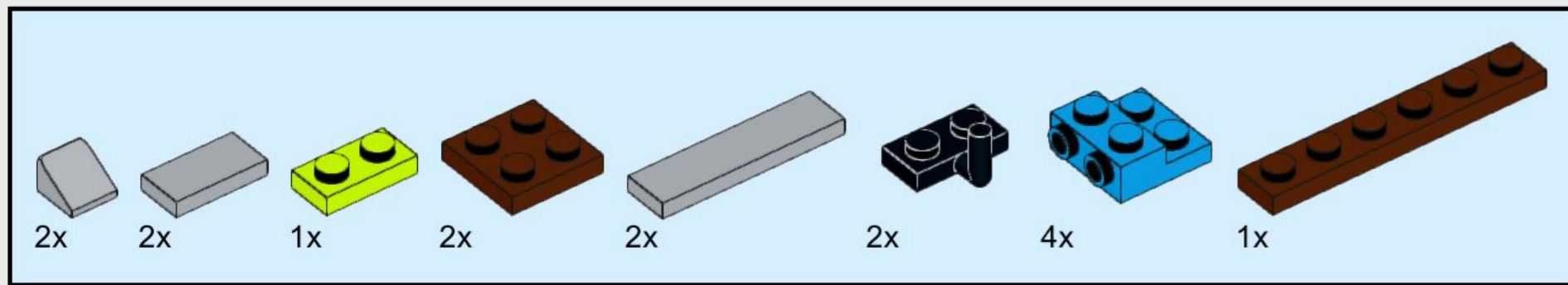


2x

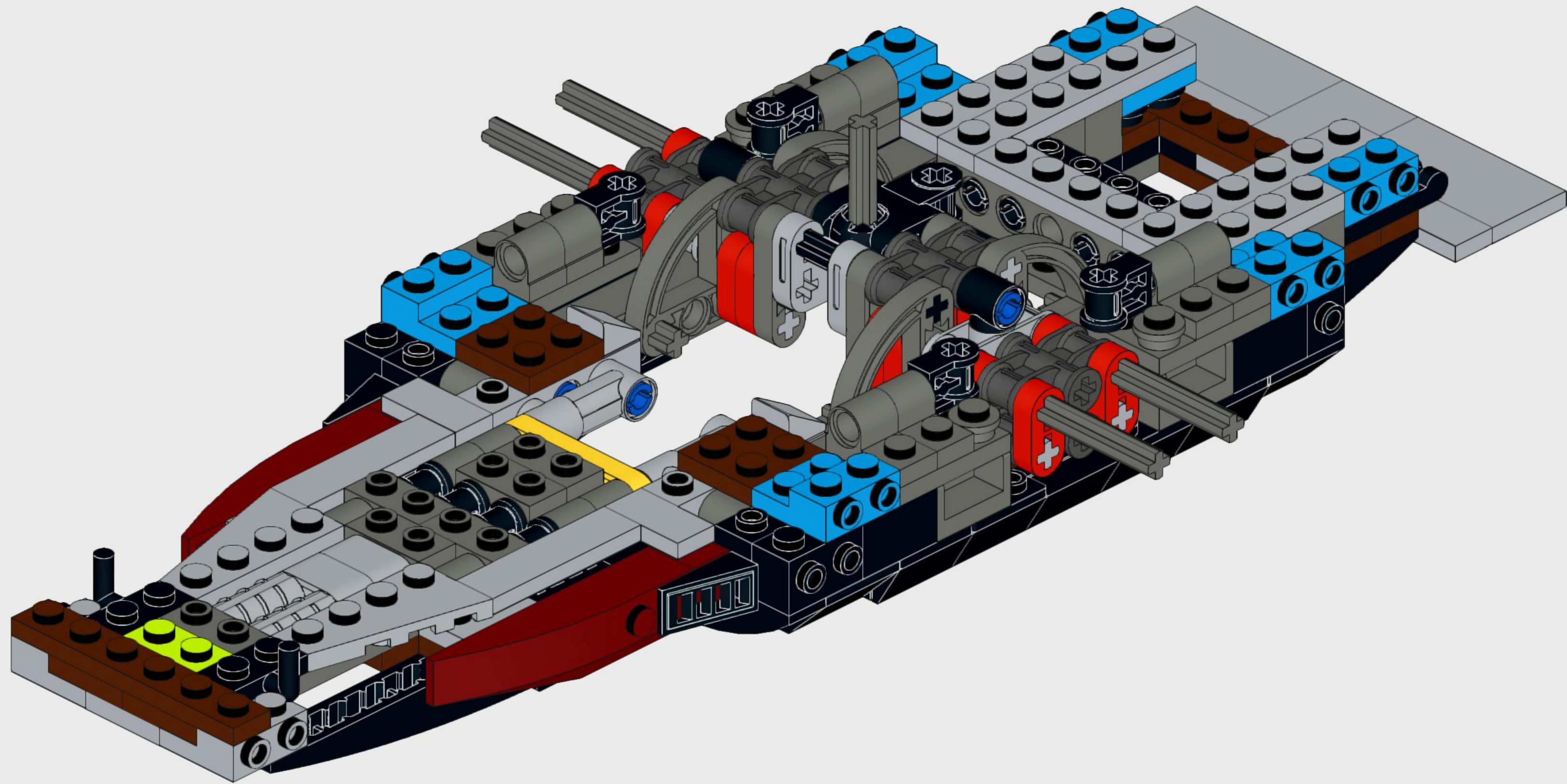


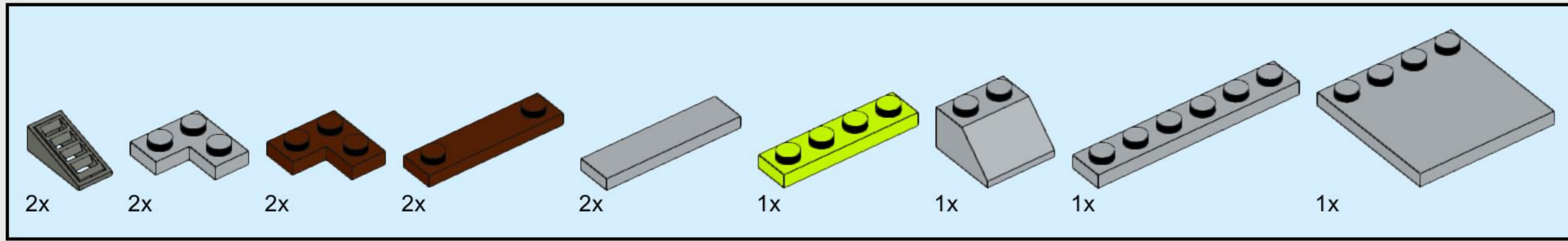
2x



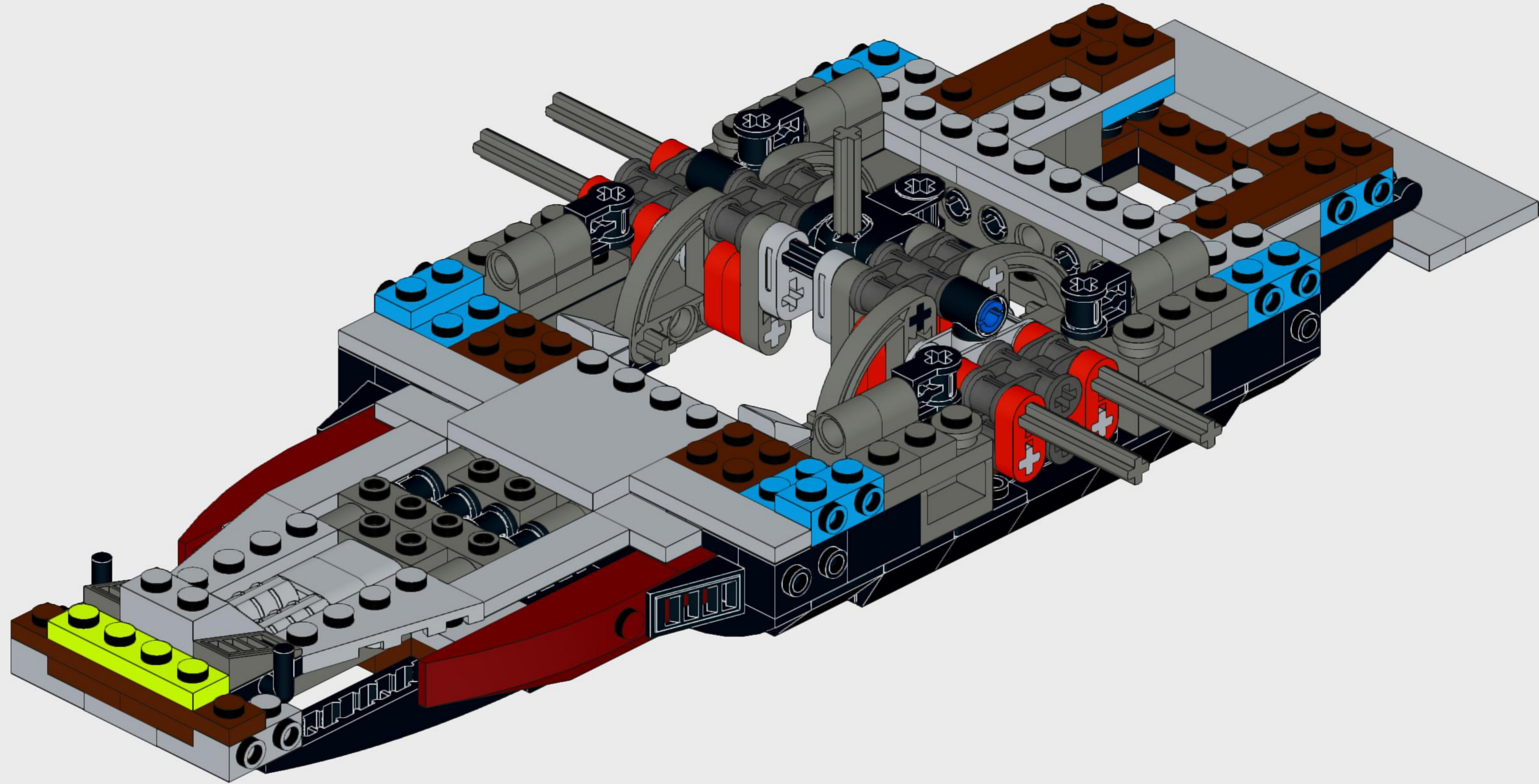


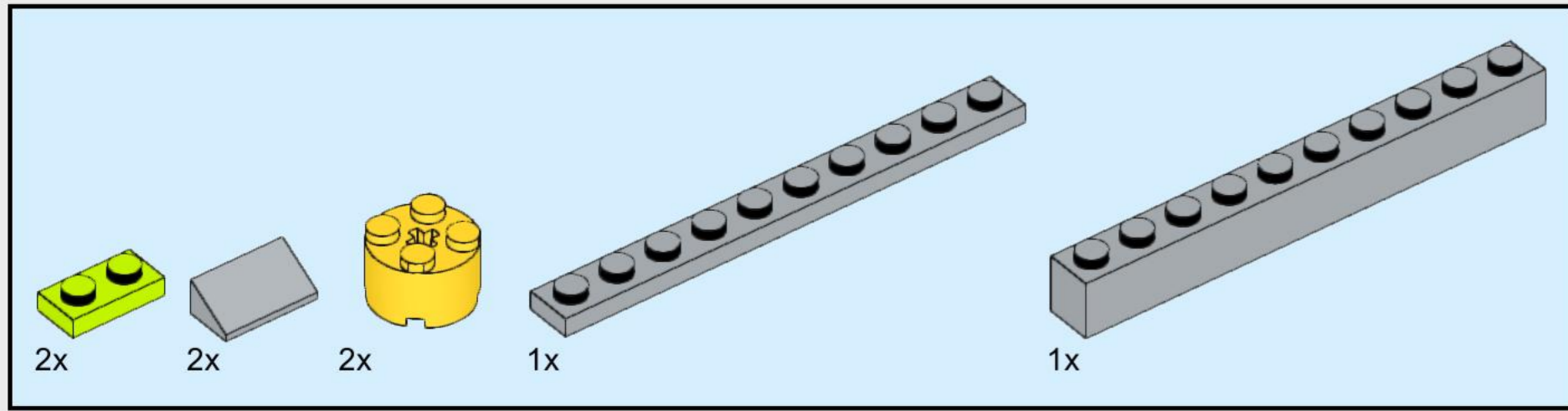
32



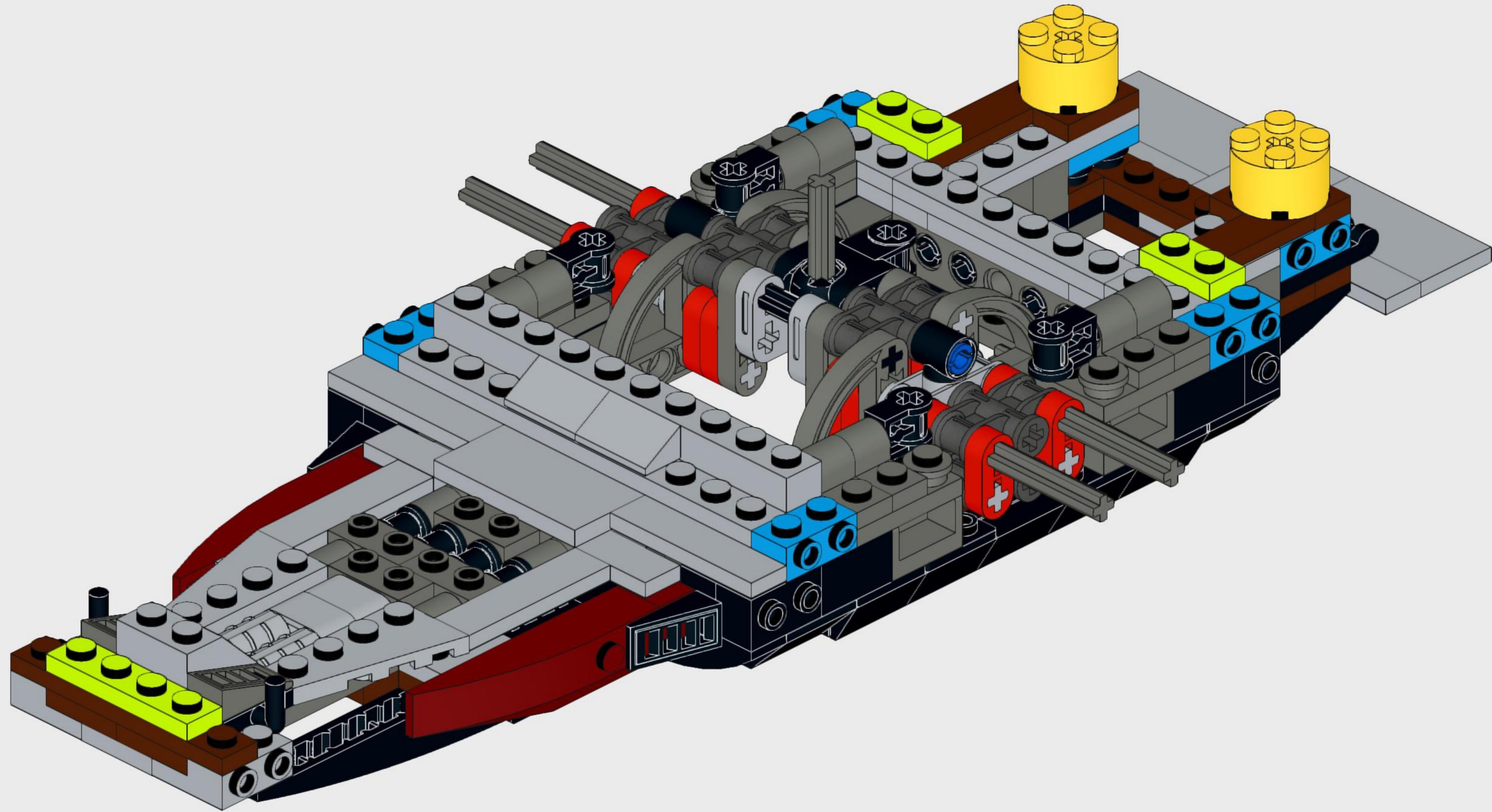


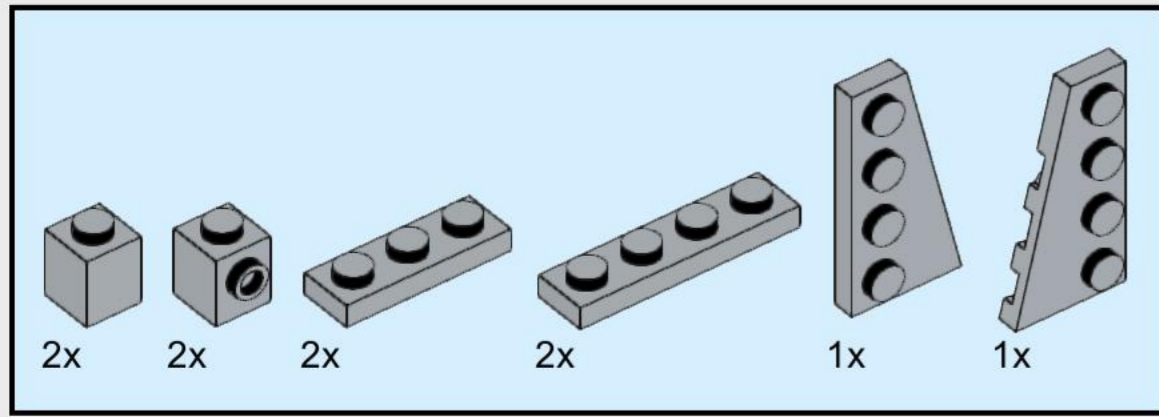
33



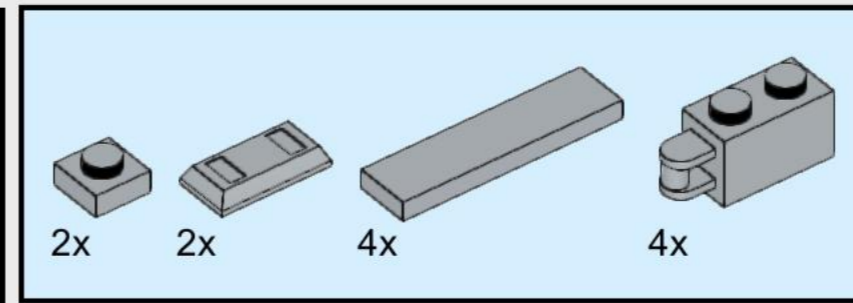
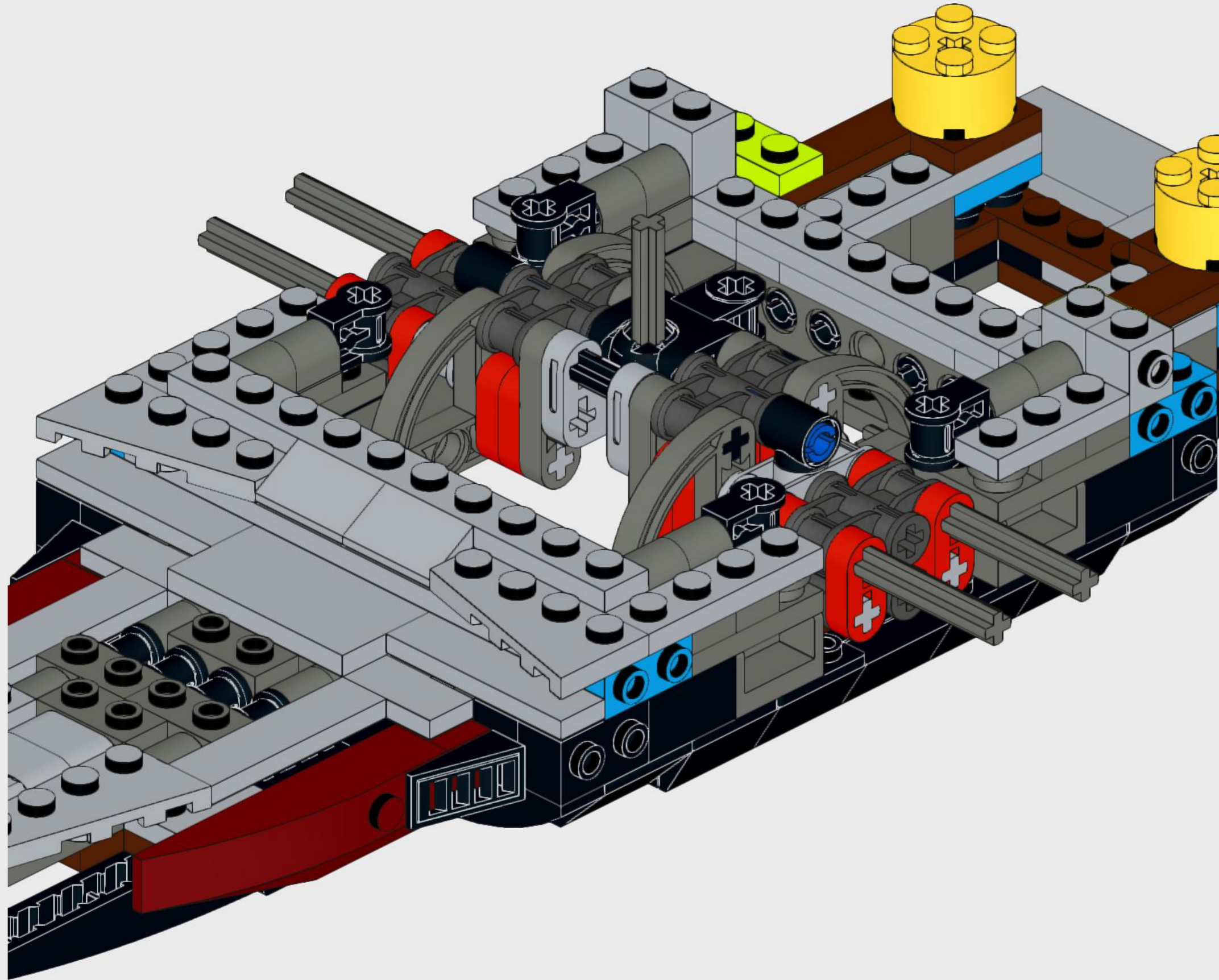


34

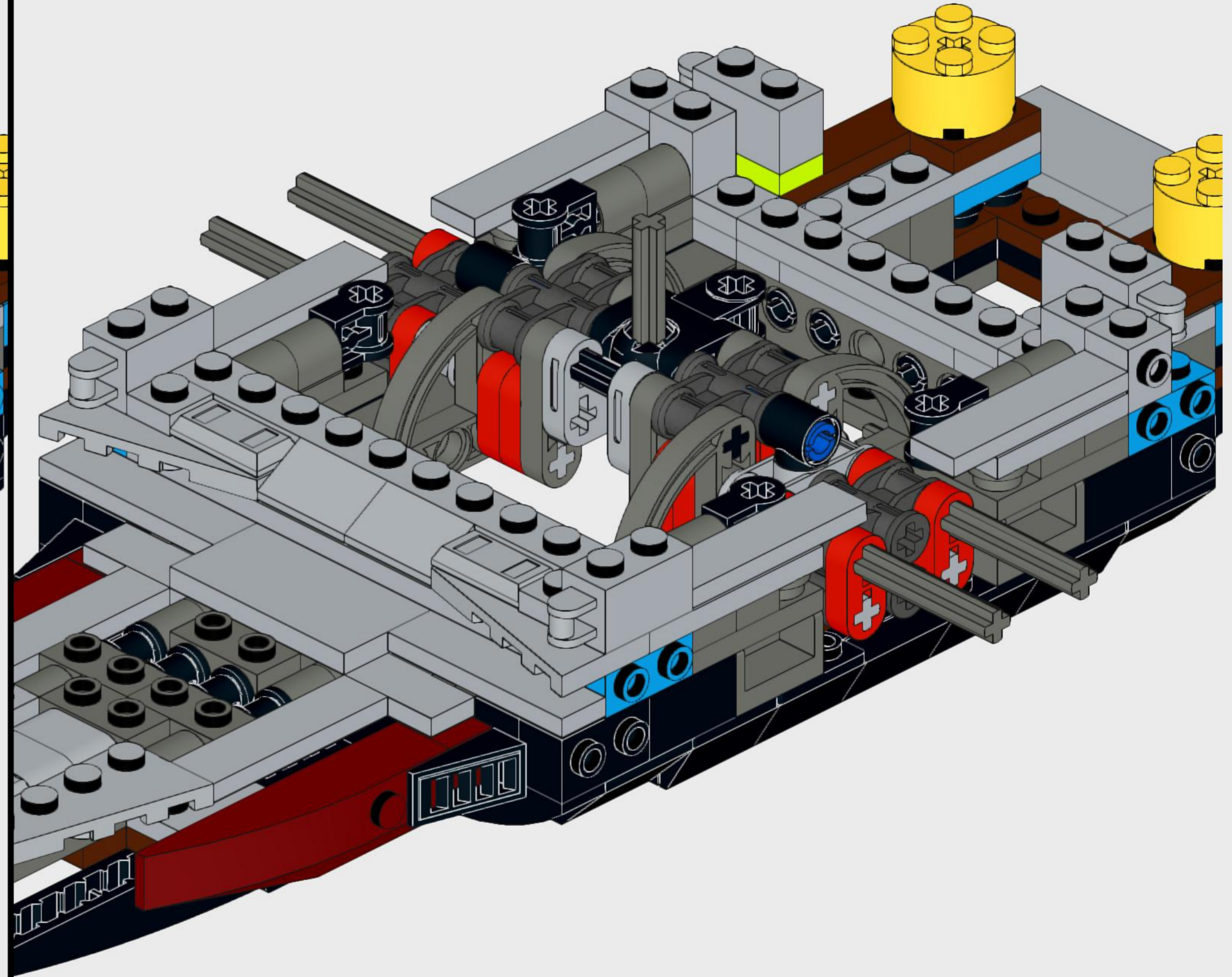


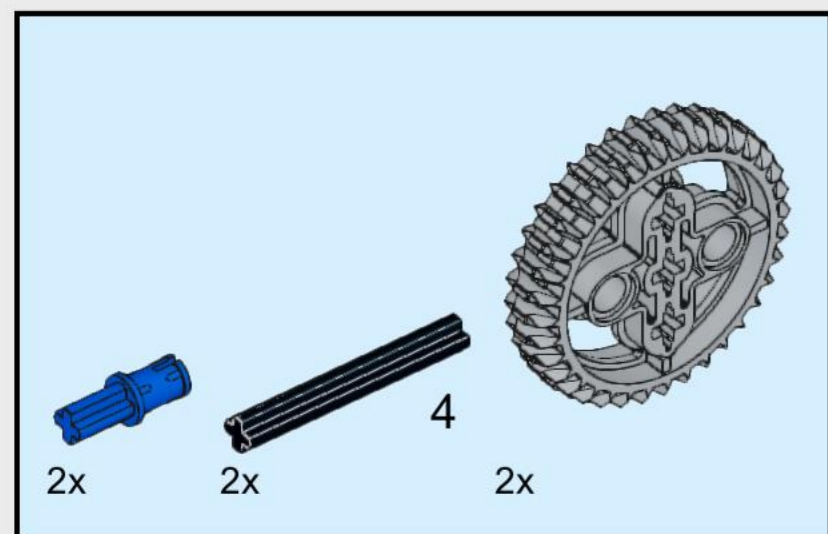


35

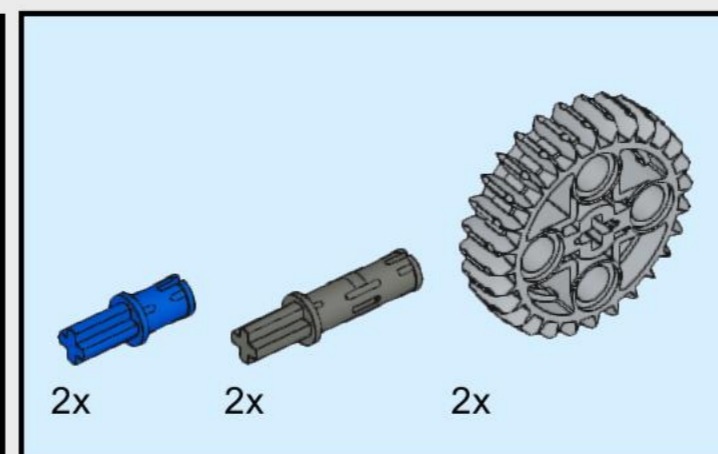
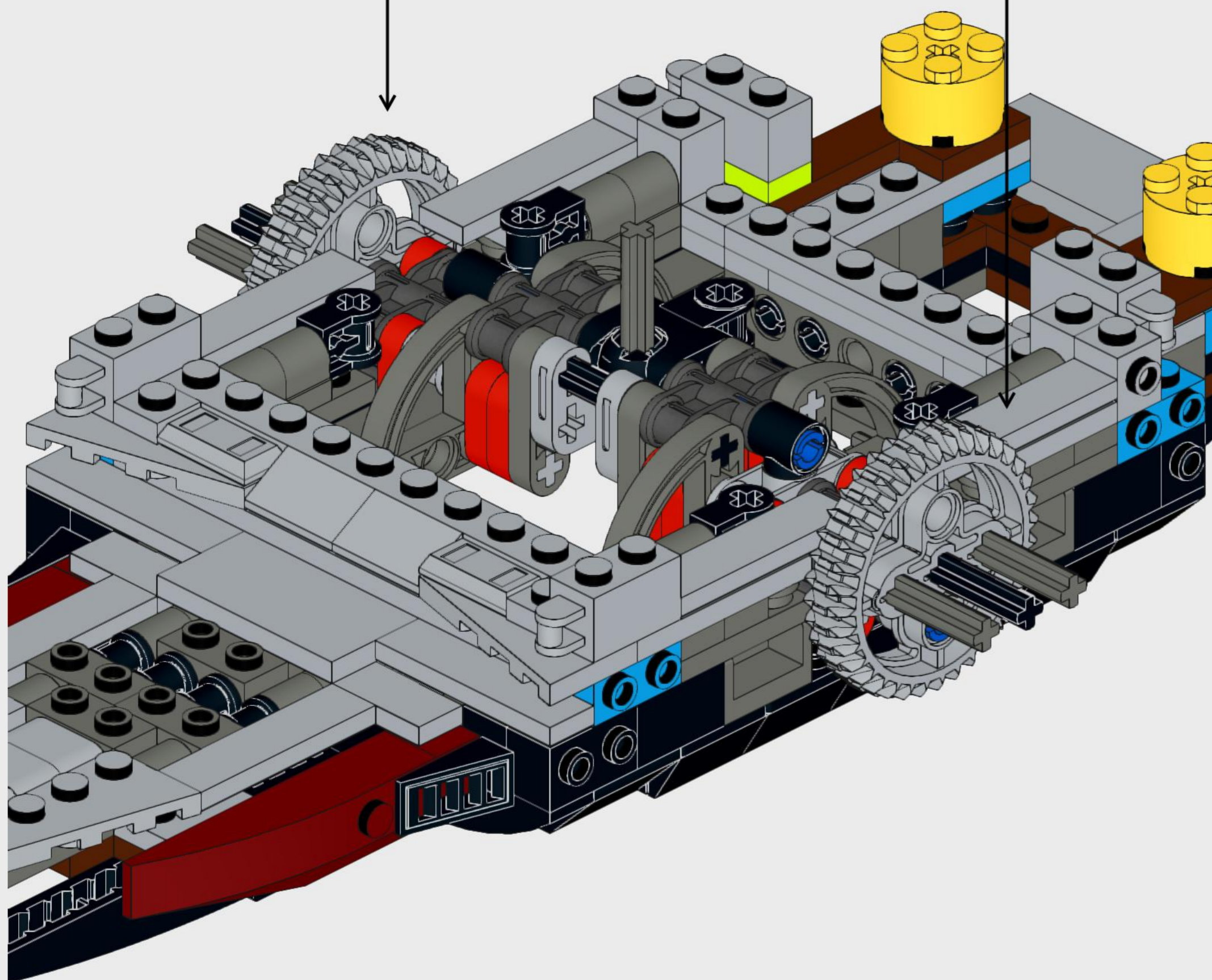
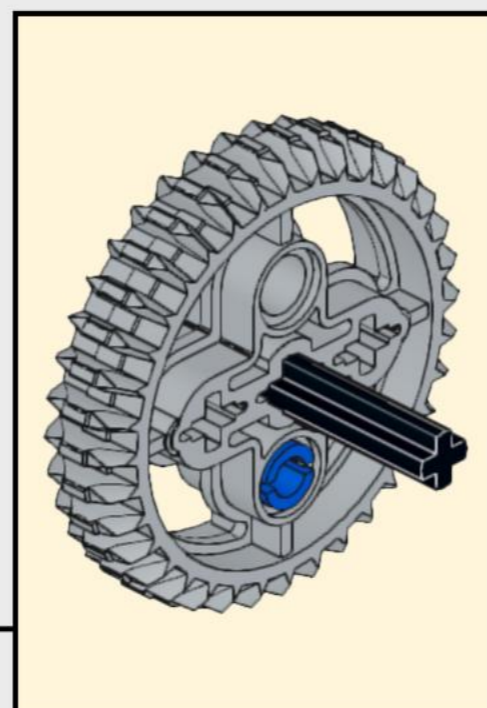


36

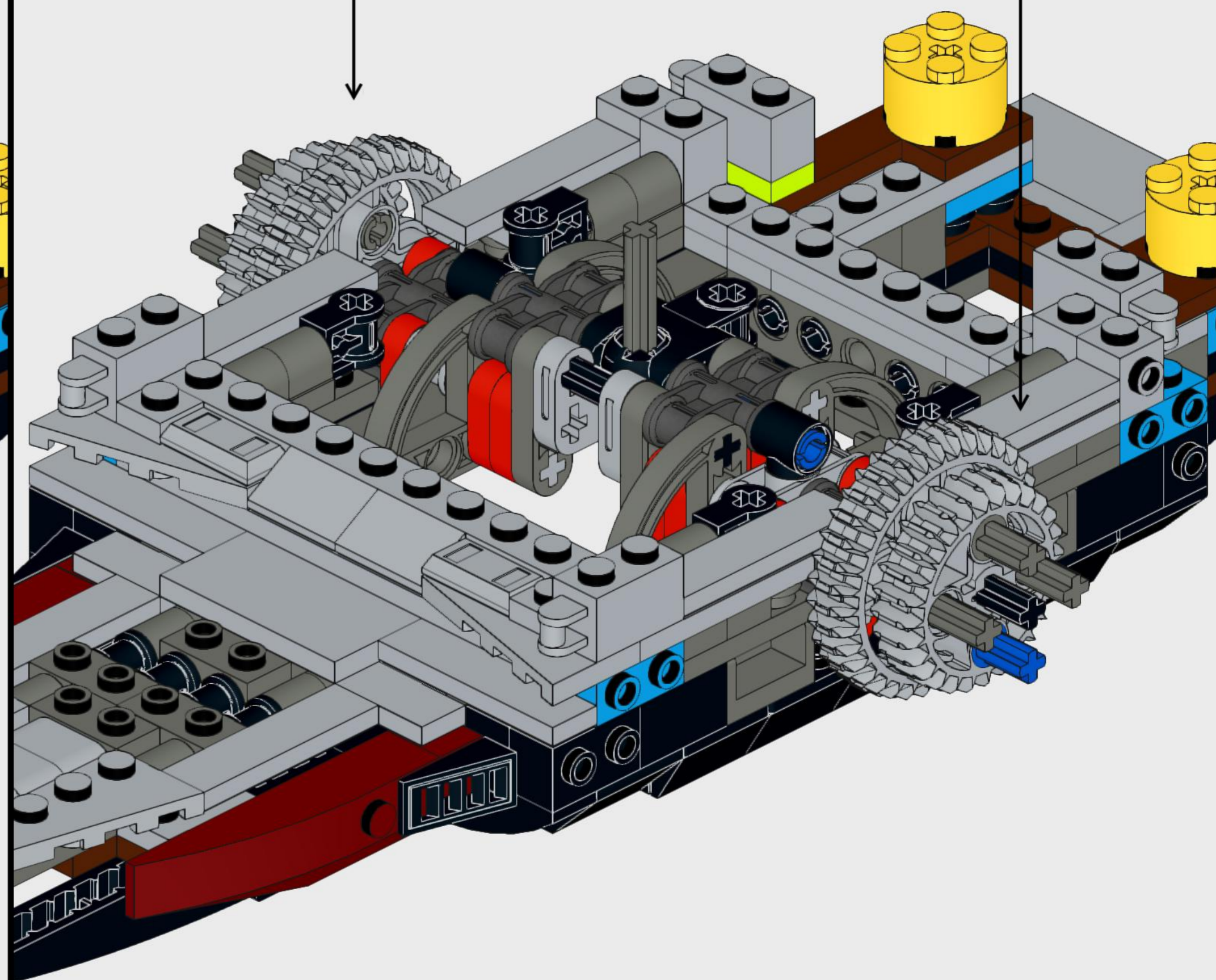
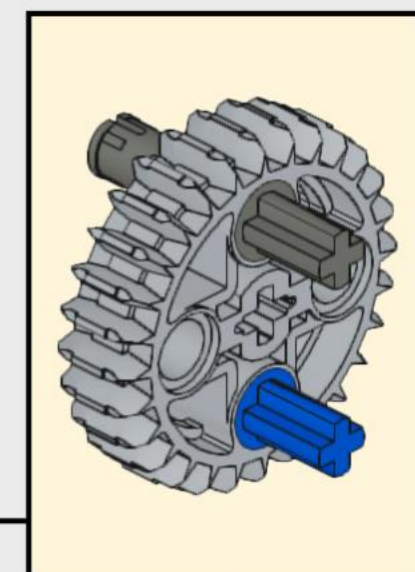


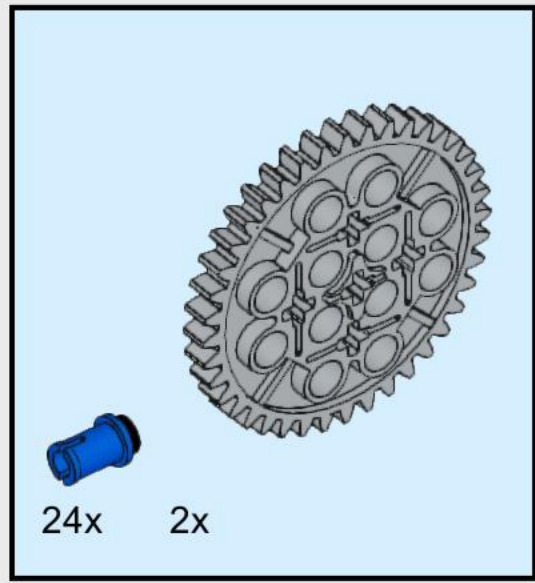


37

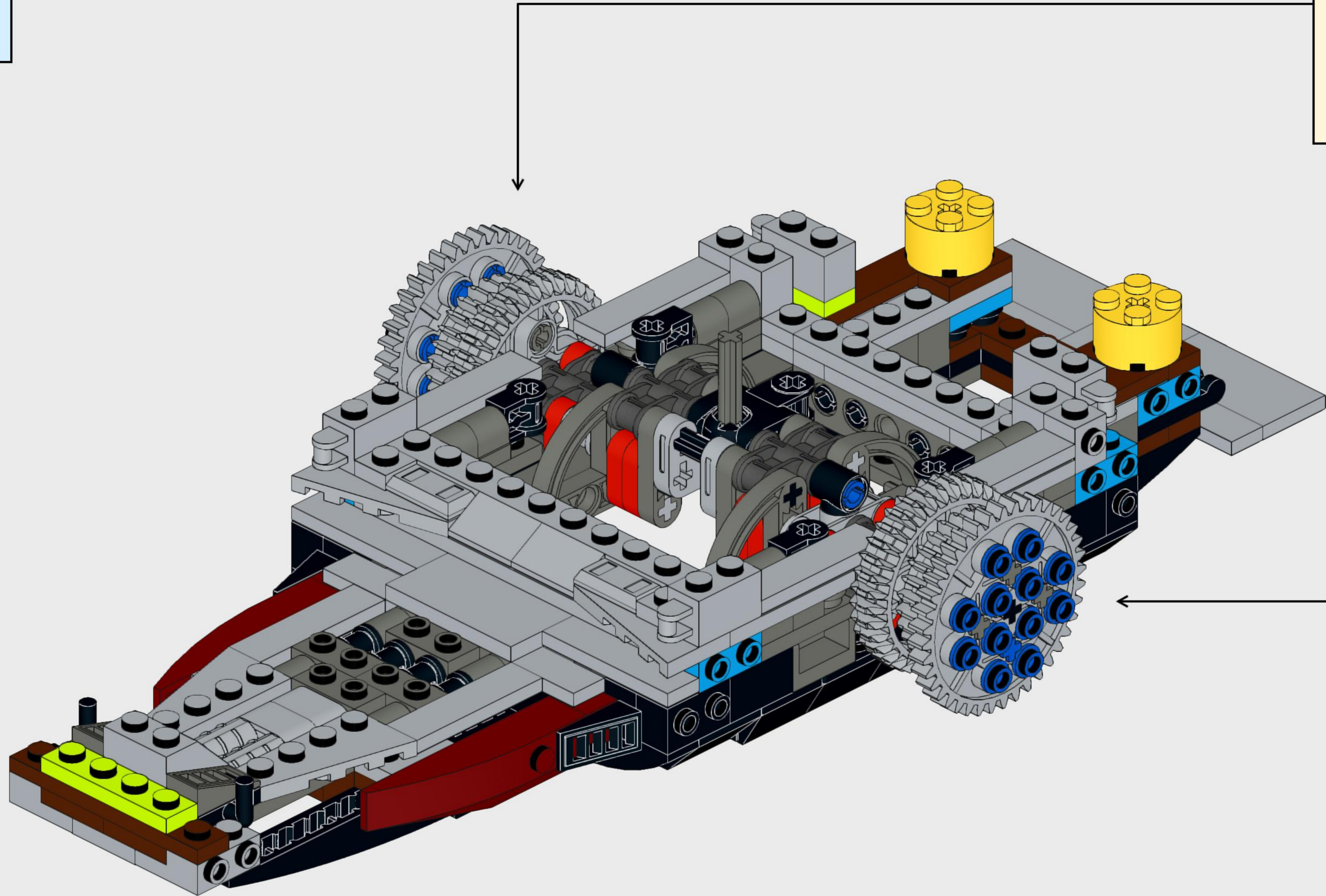
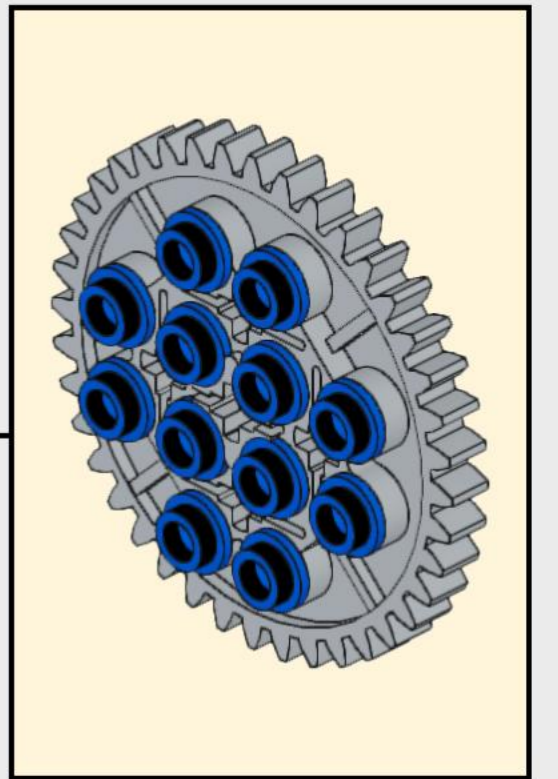


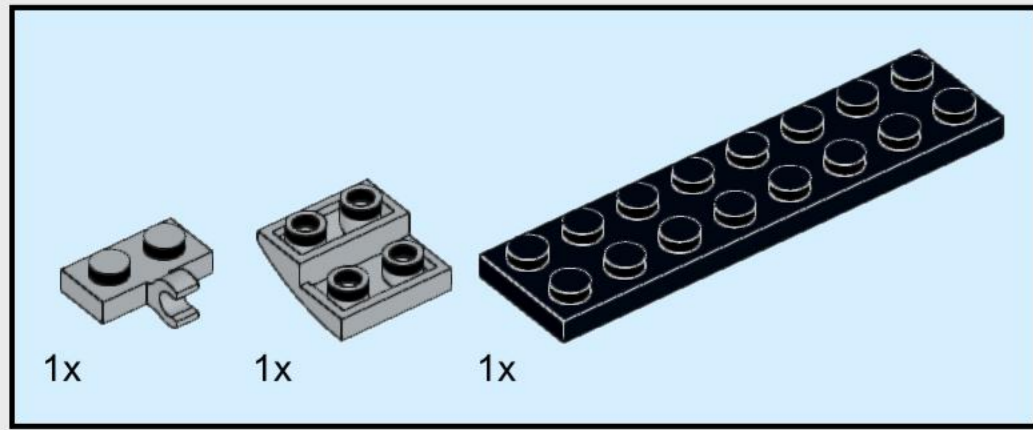
38



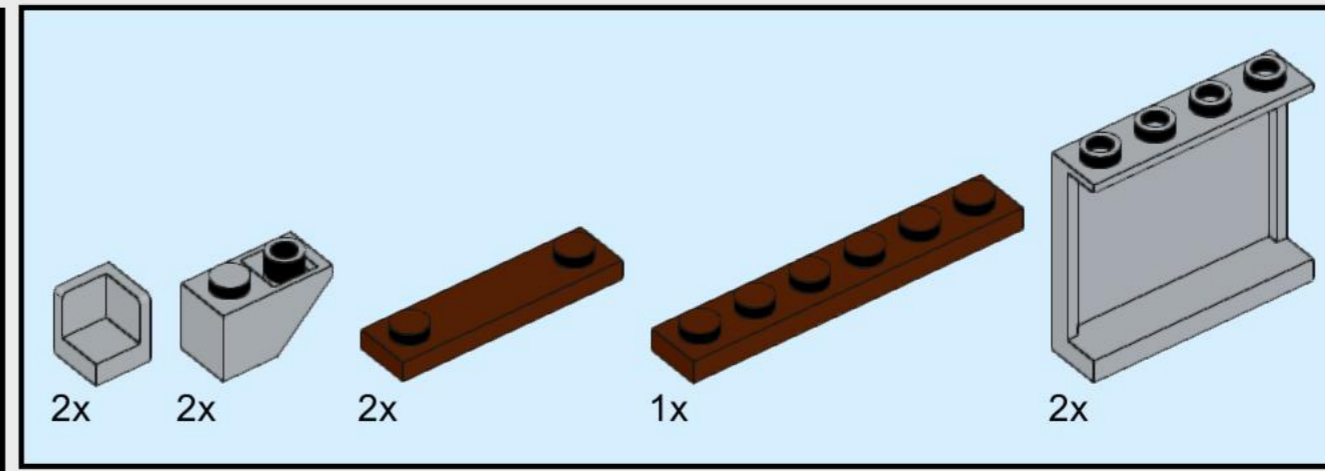
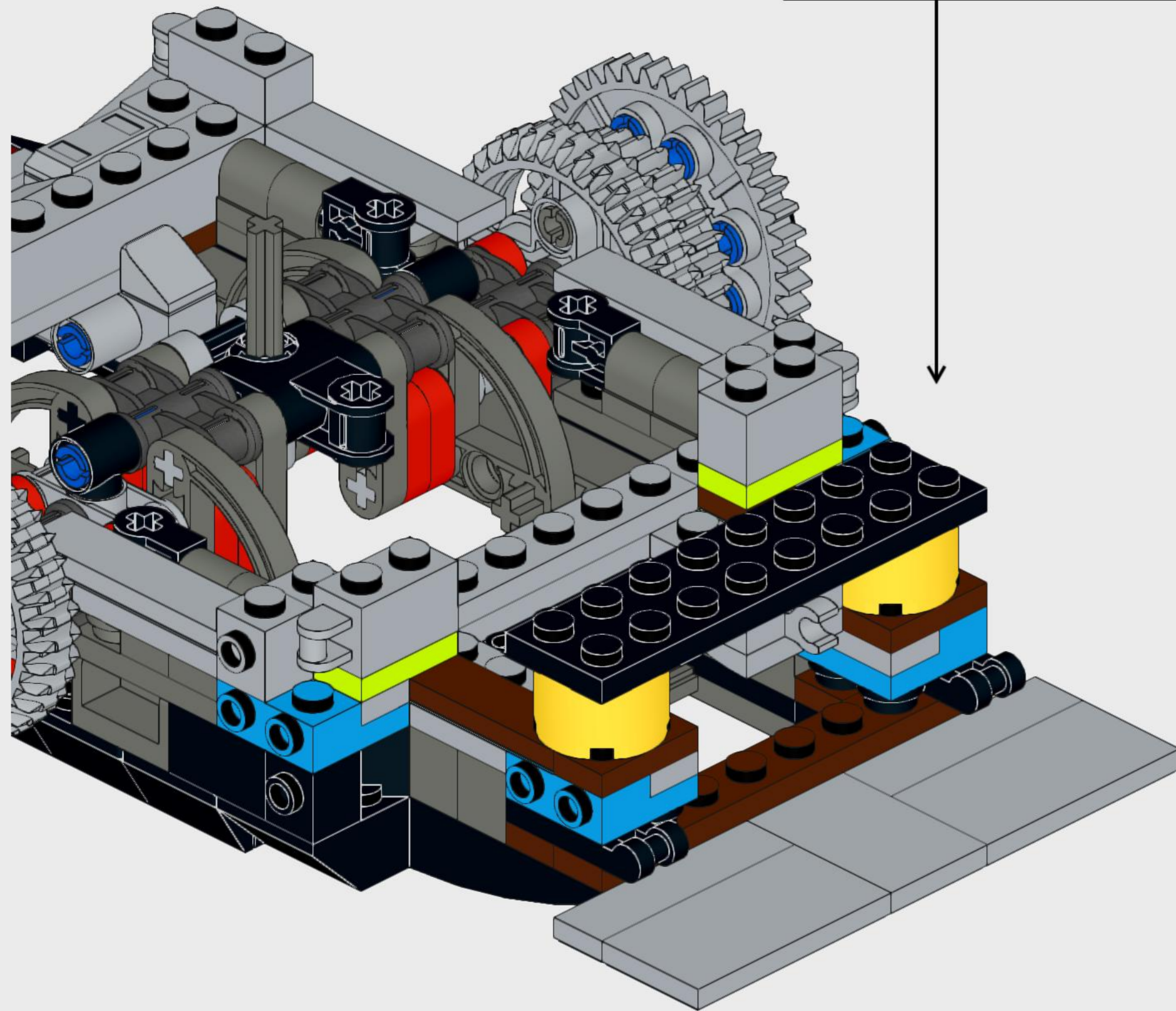
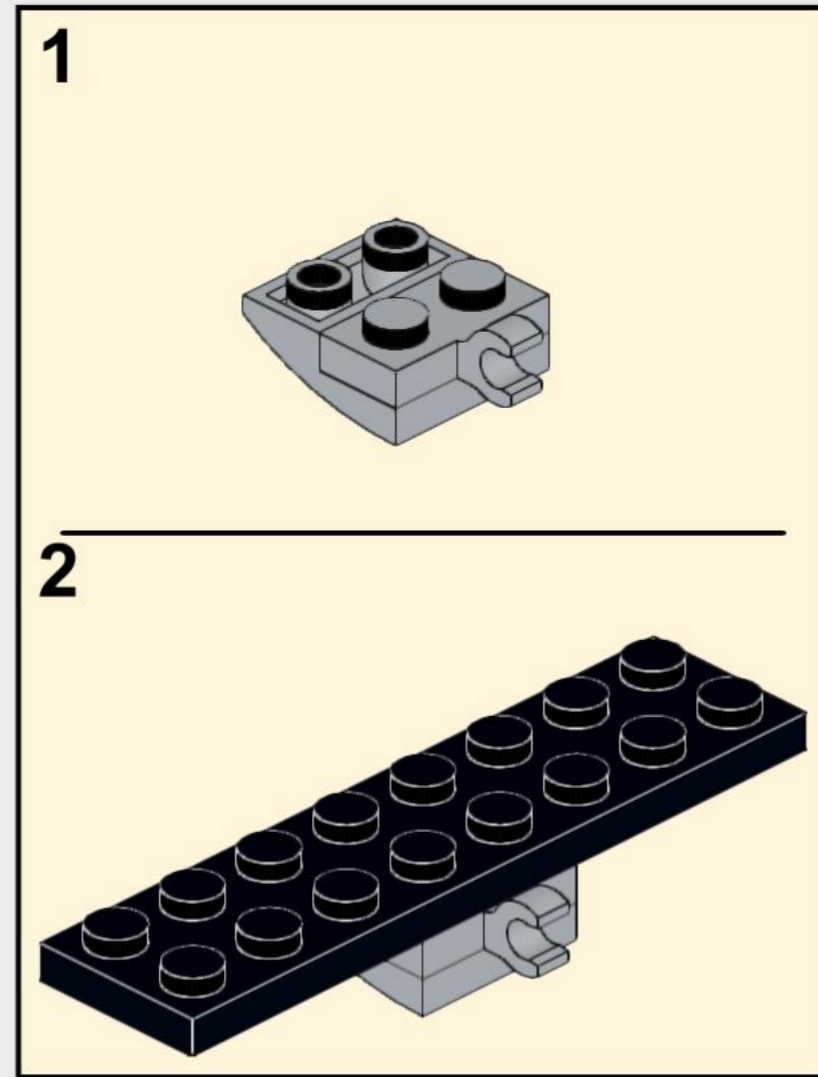


39

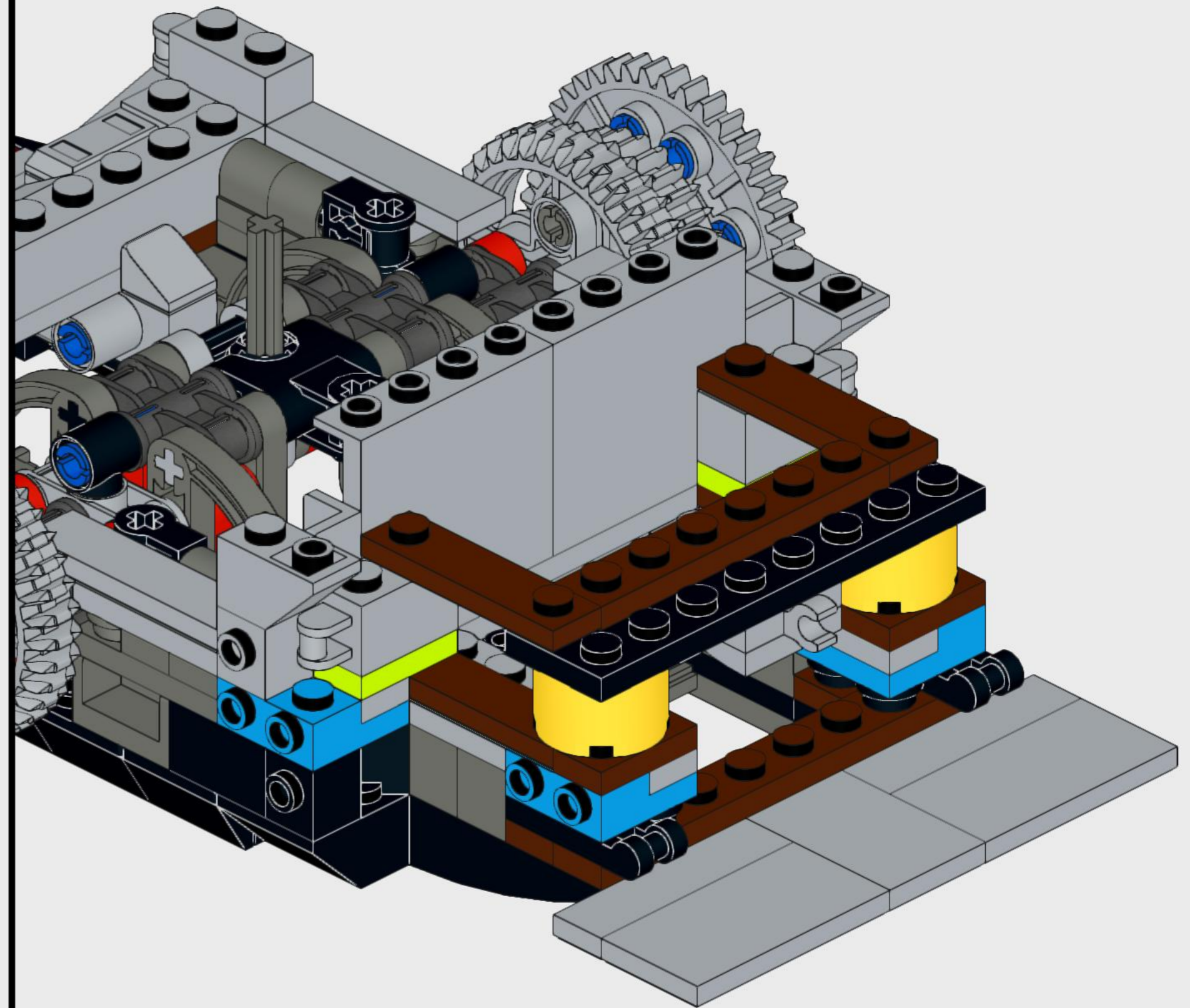


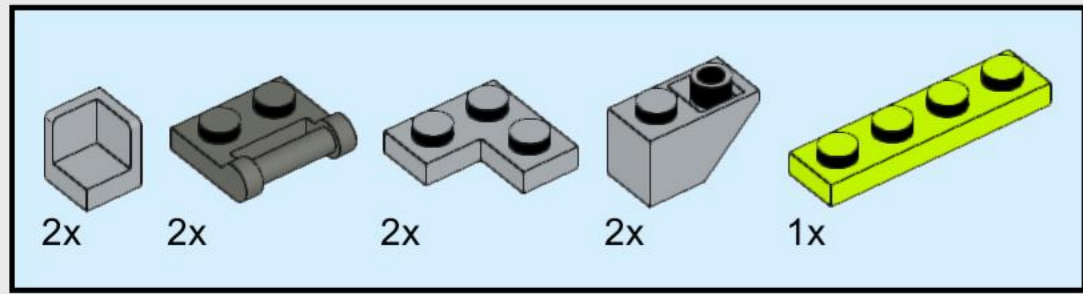


40

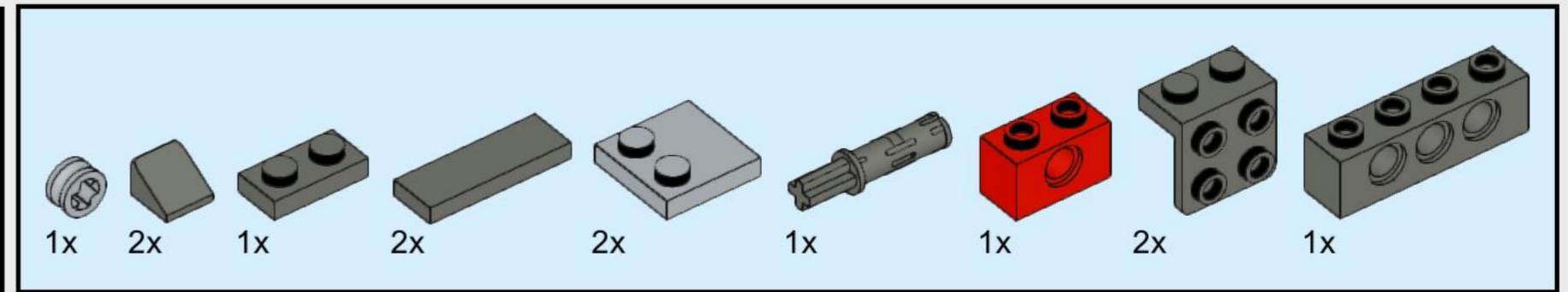
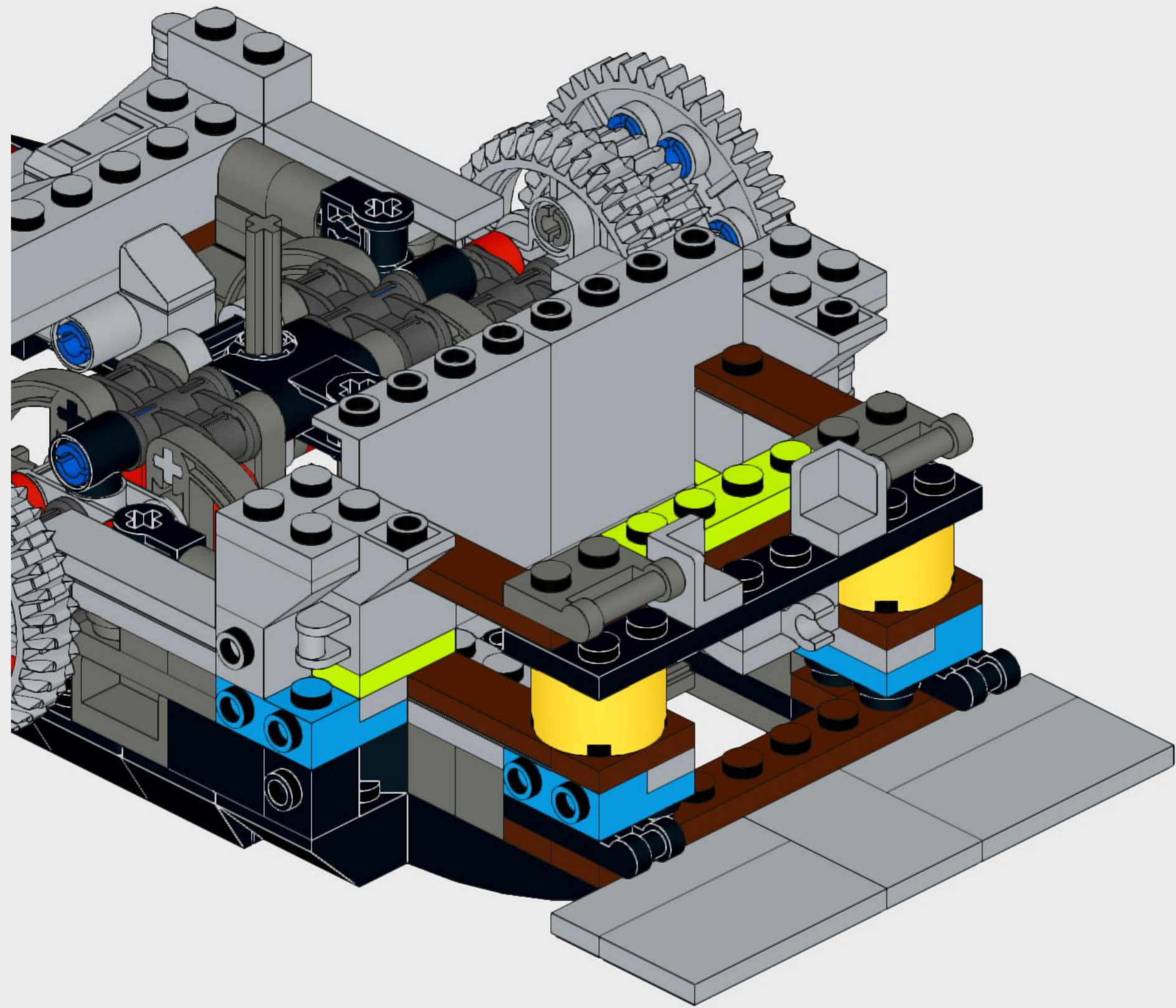


41

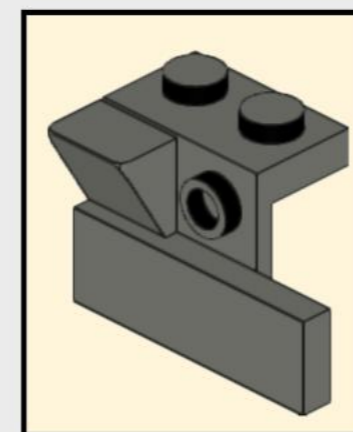
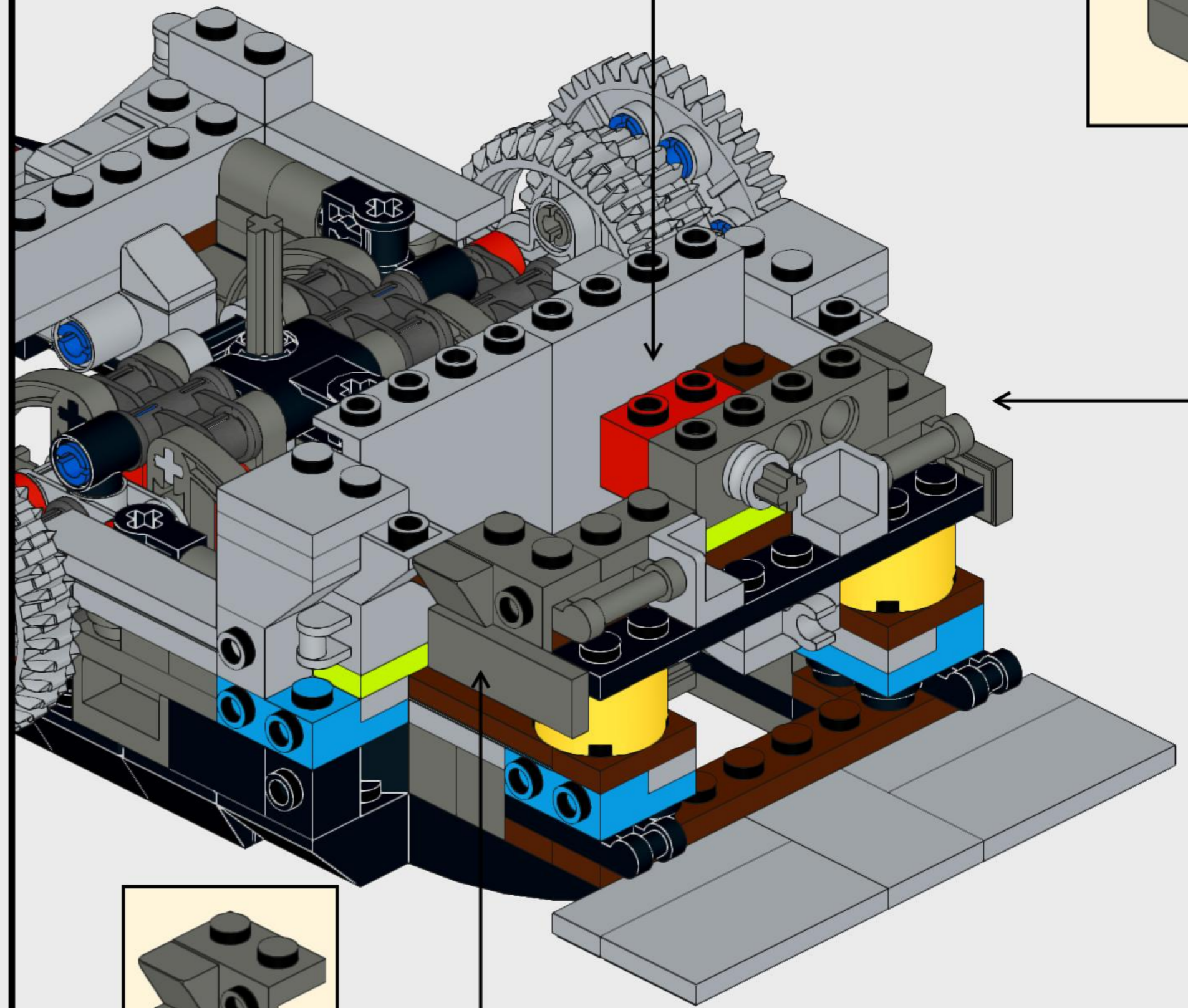
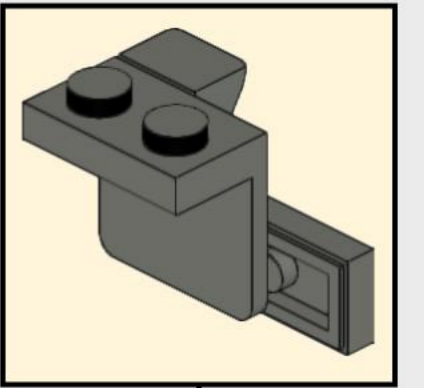
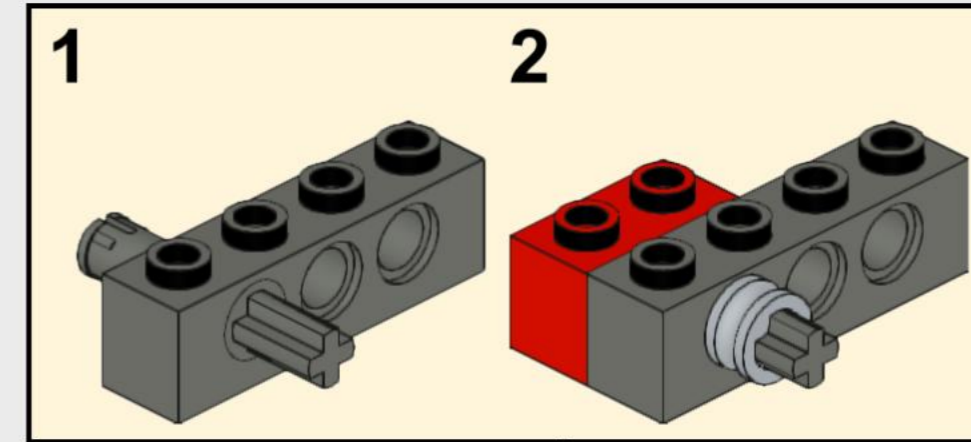


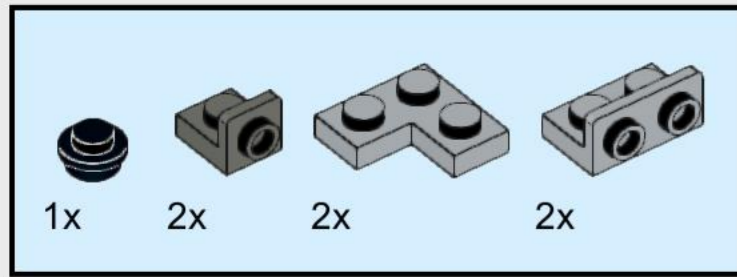


42

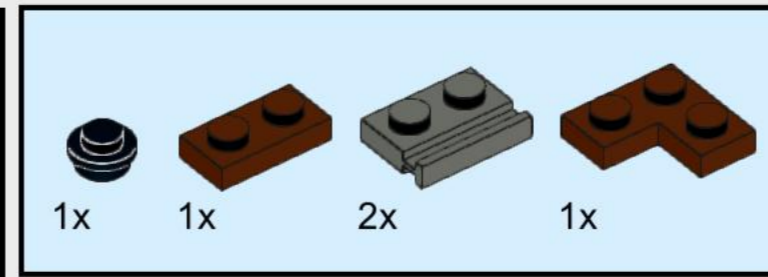
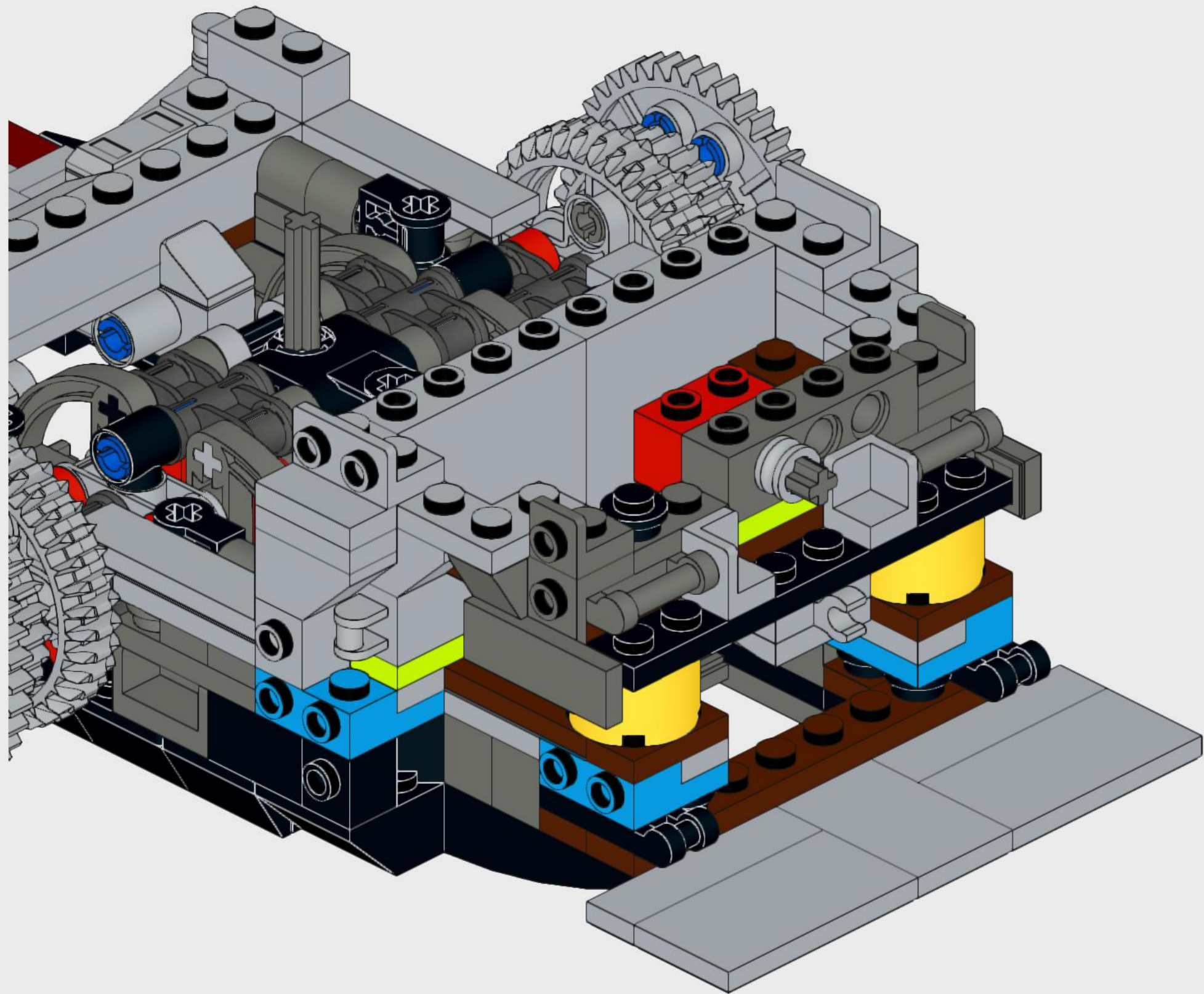


43

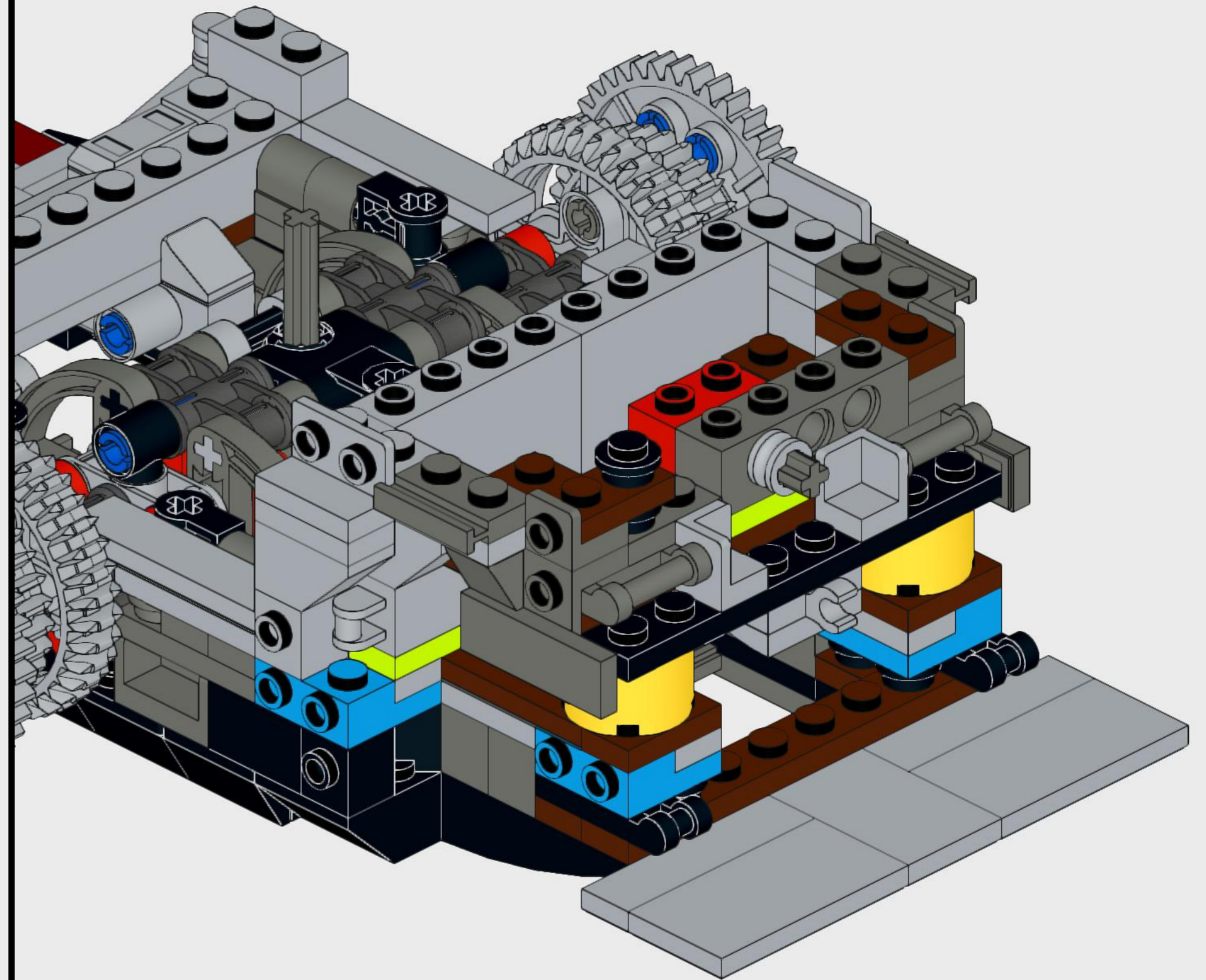


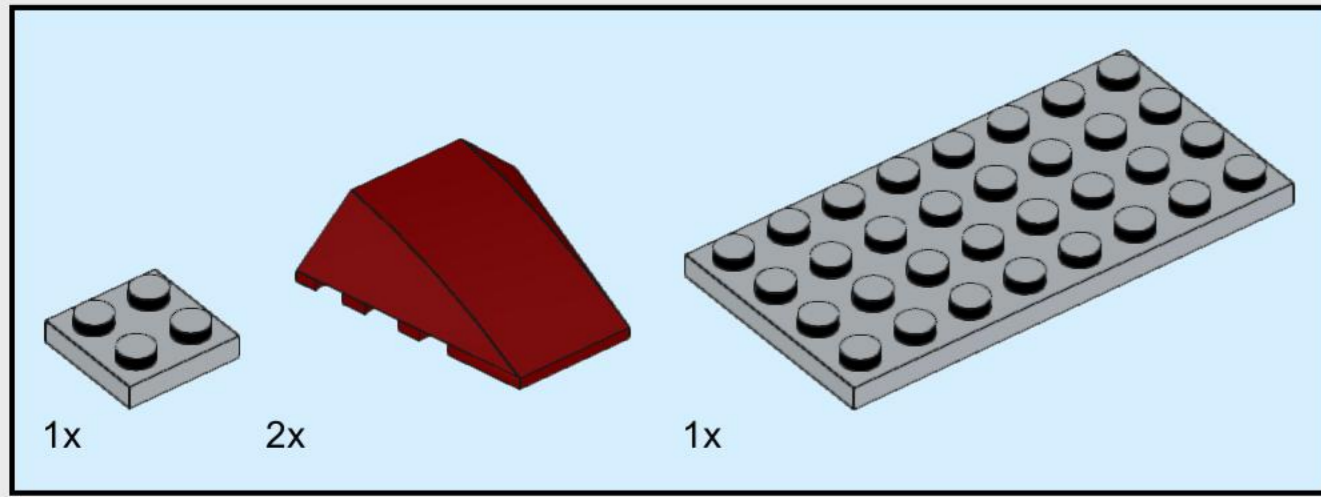


44

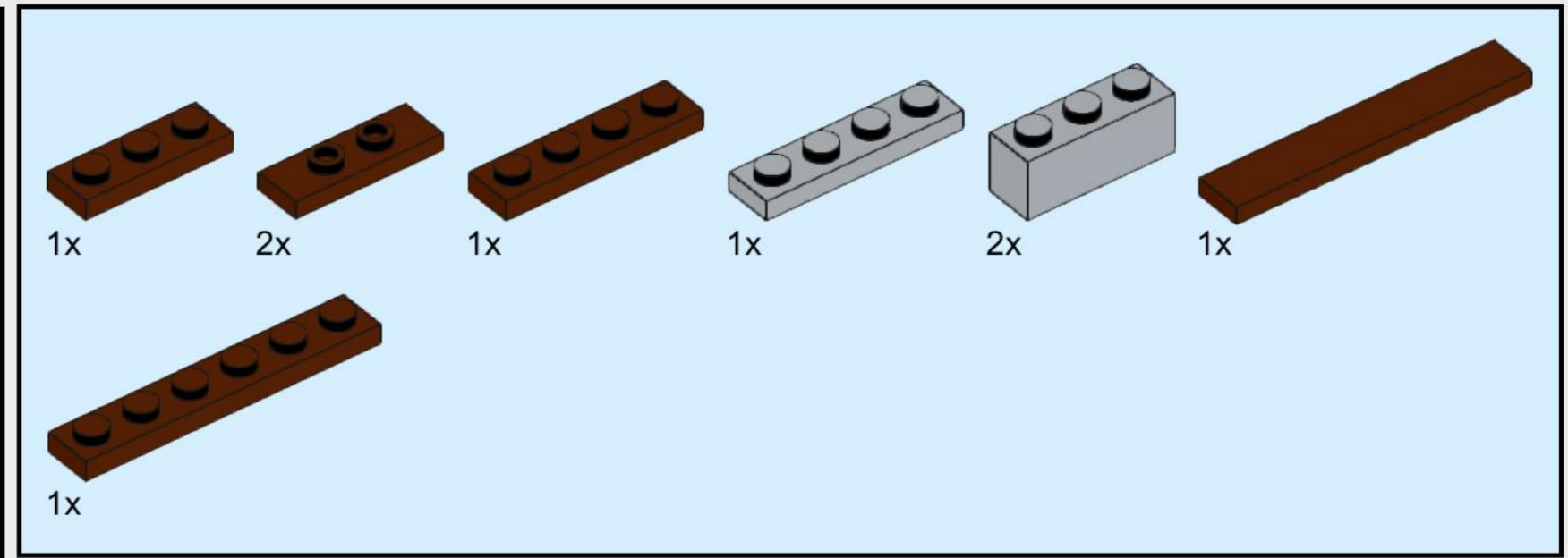
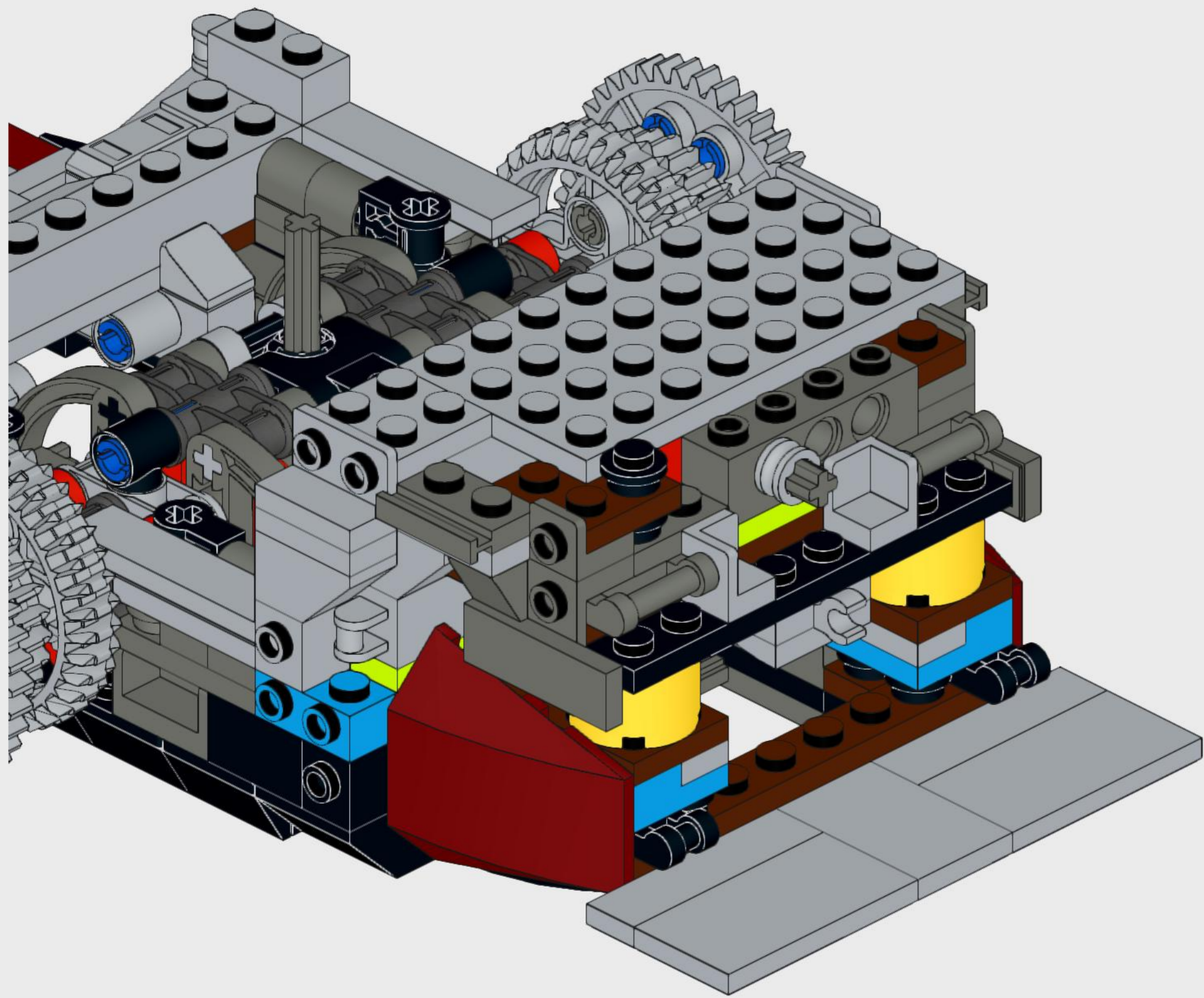


45

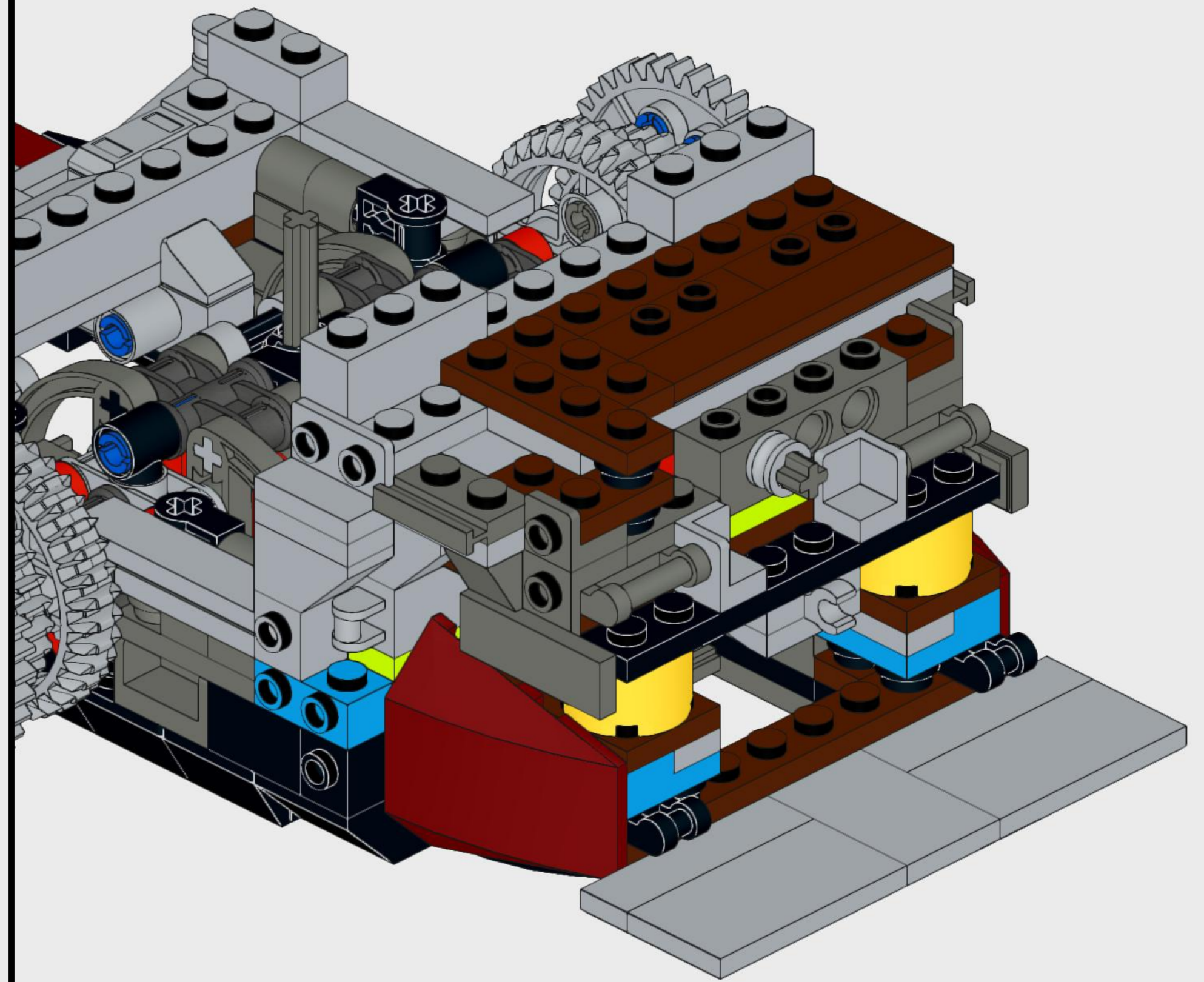


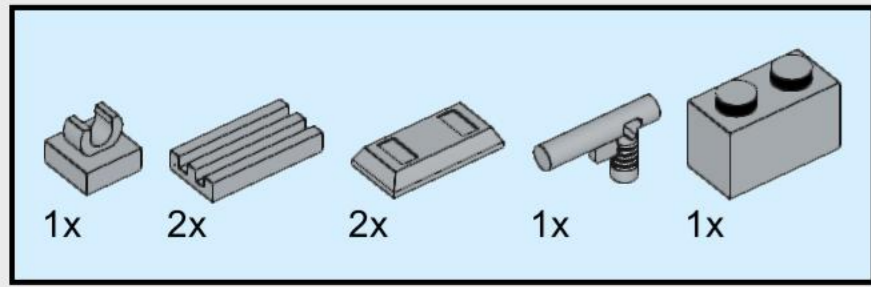


46

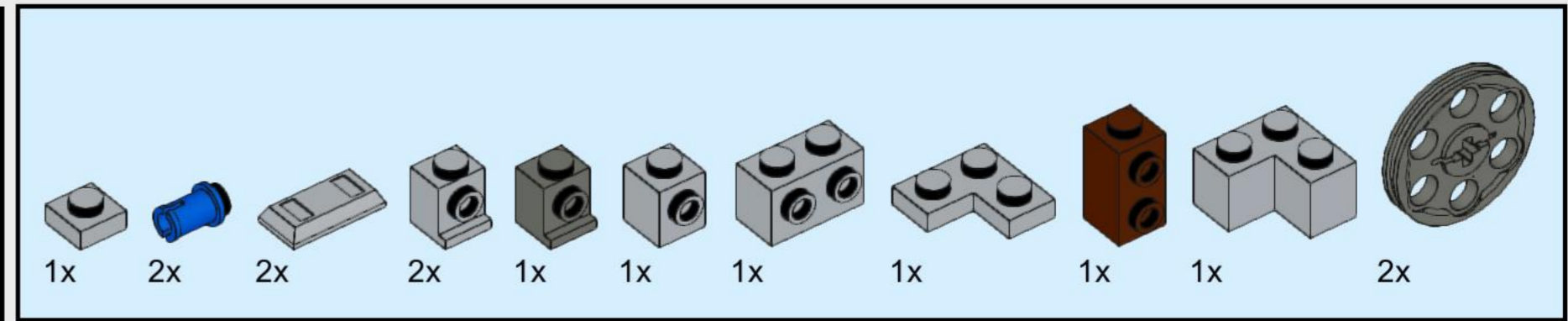
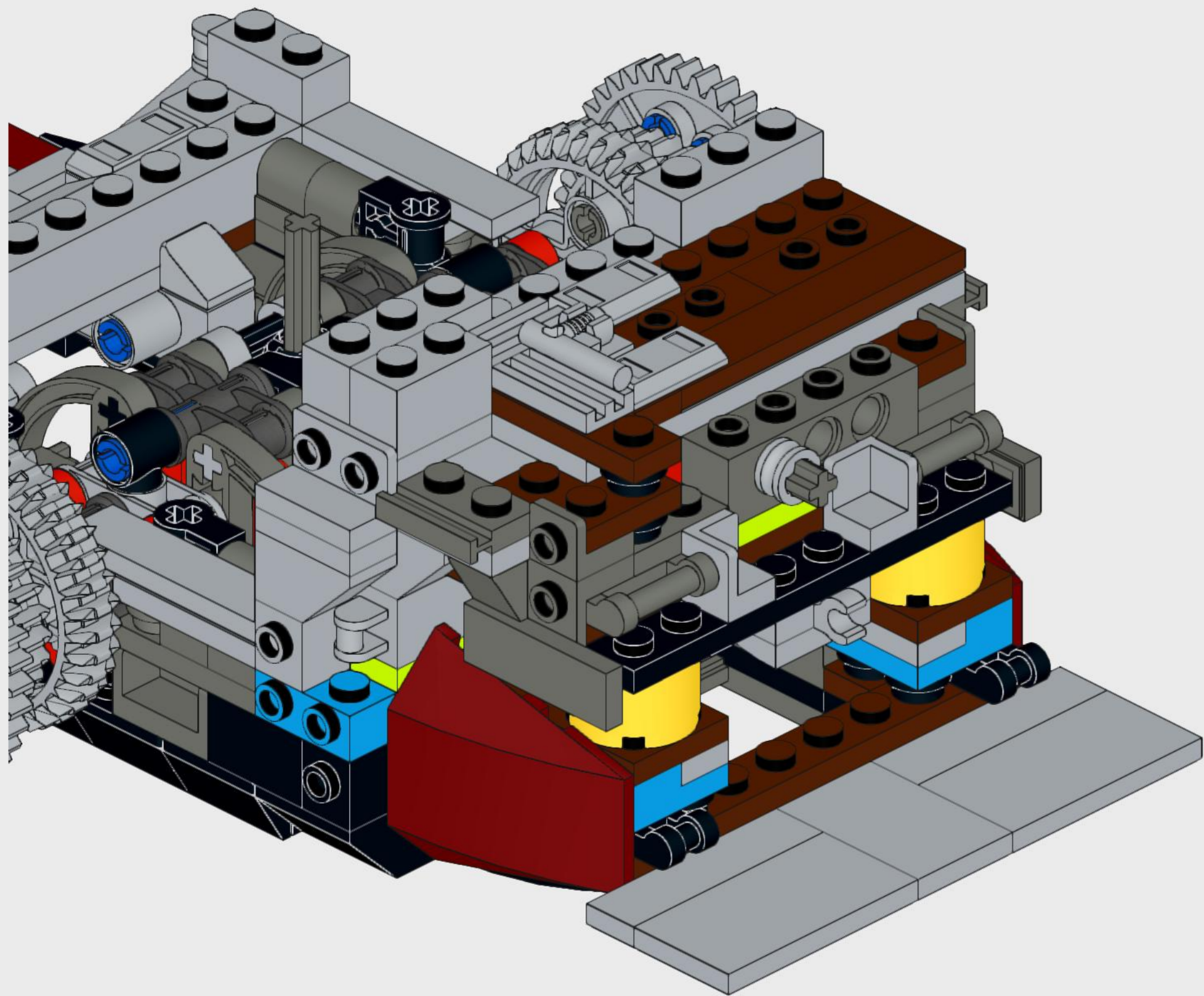


47





48

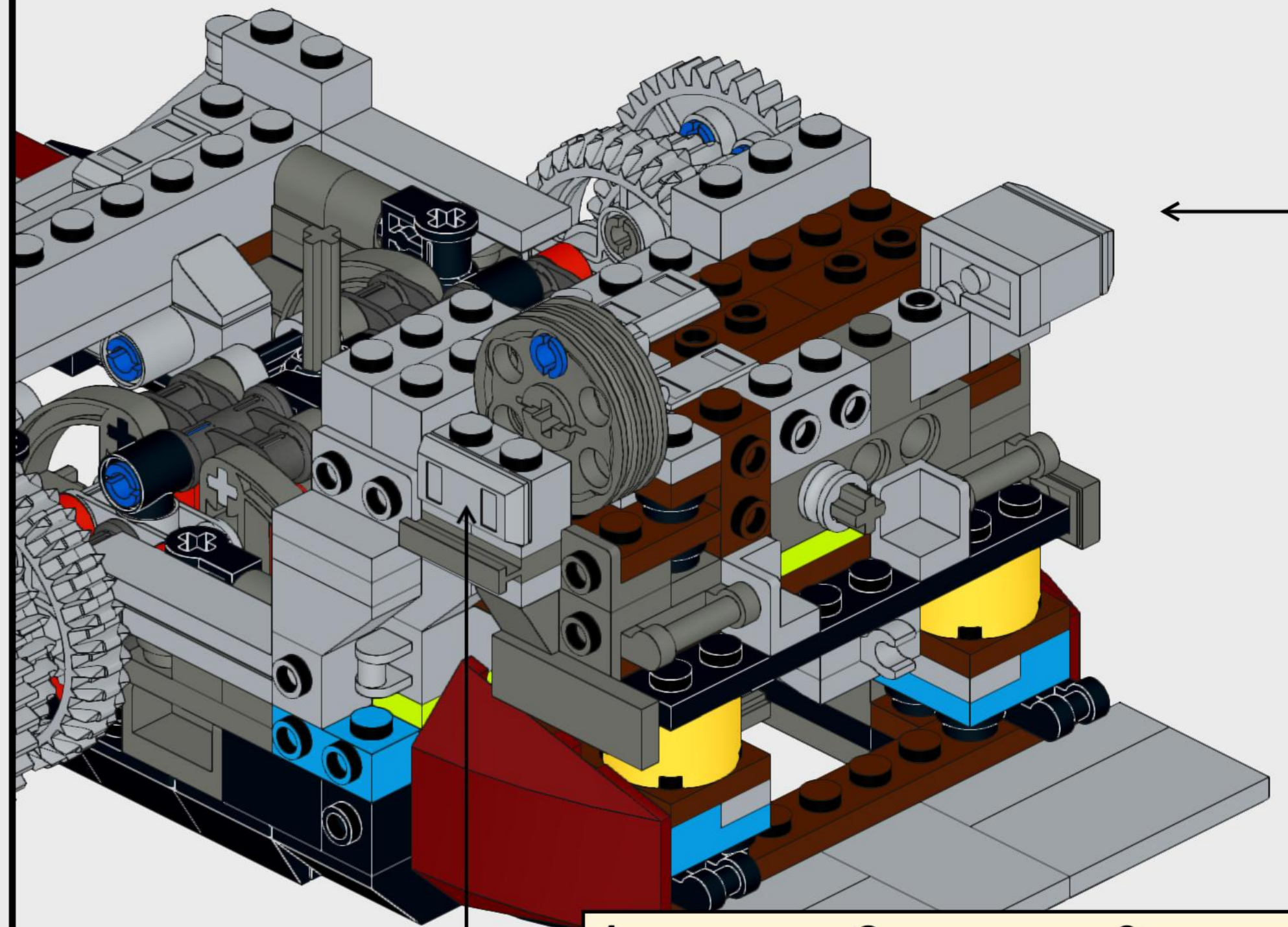
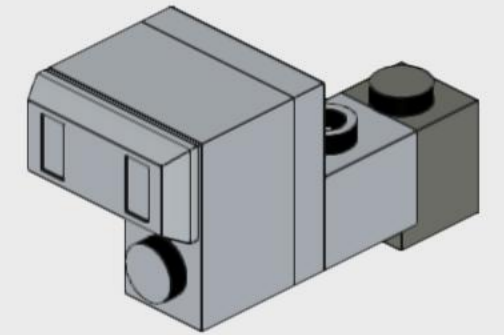
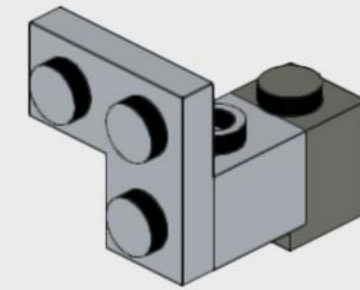
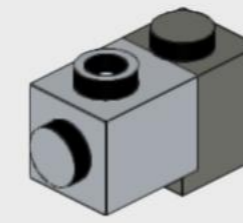


49

1

2

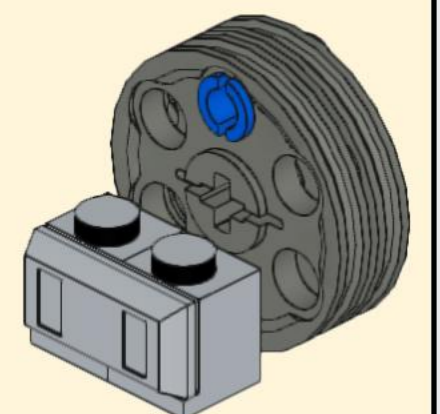
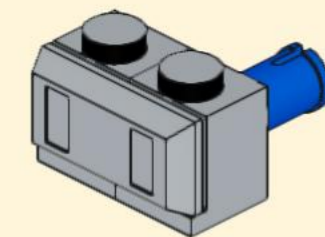
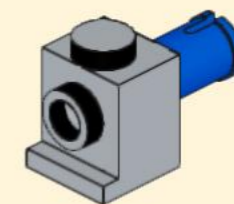
3

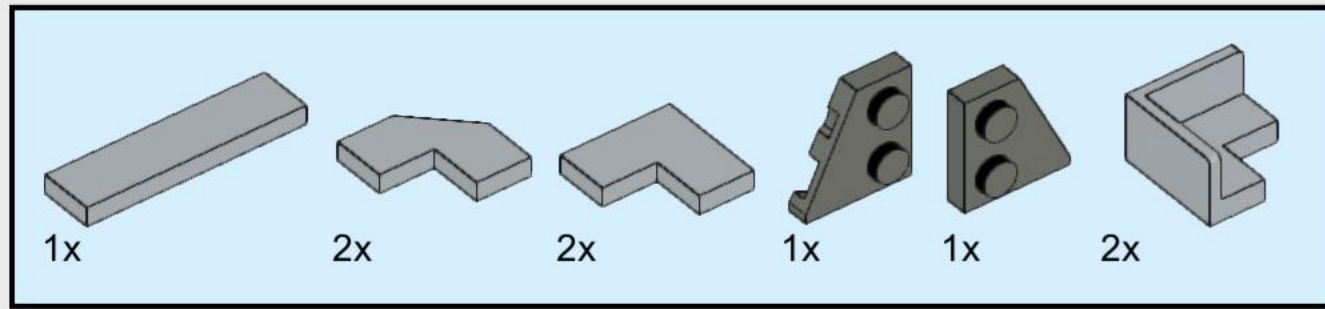


1

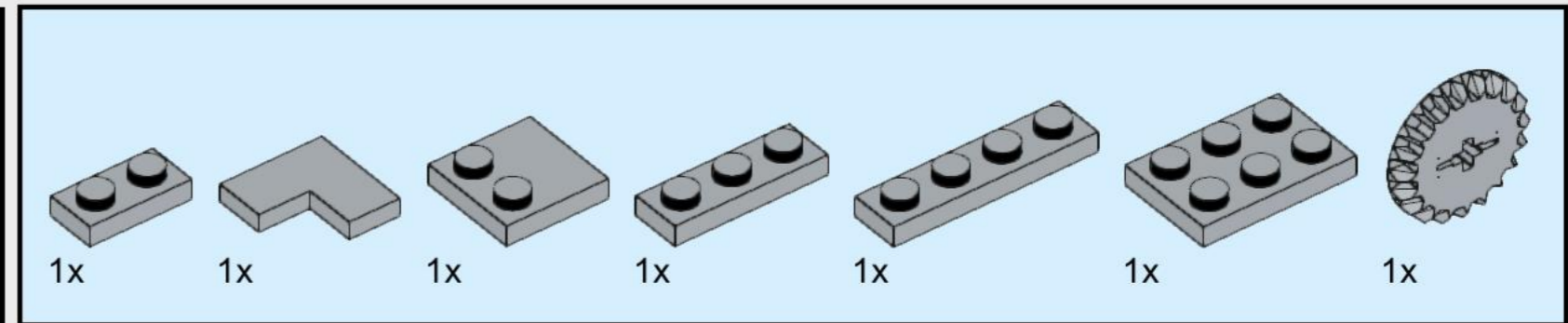
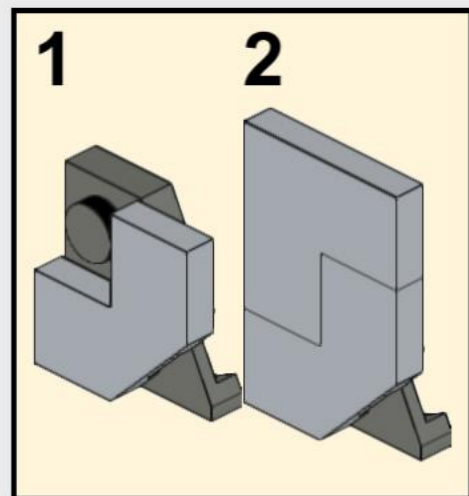
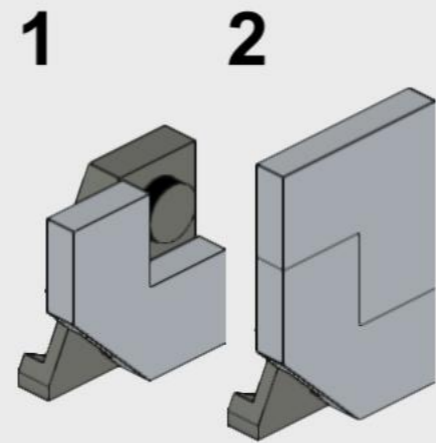
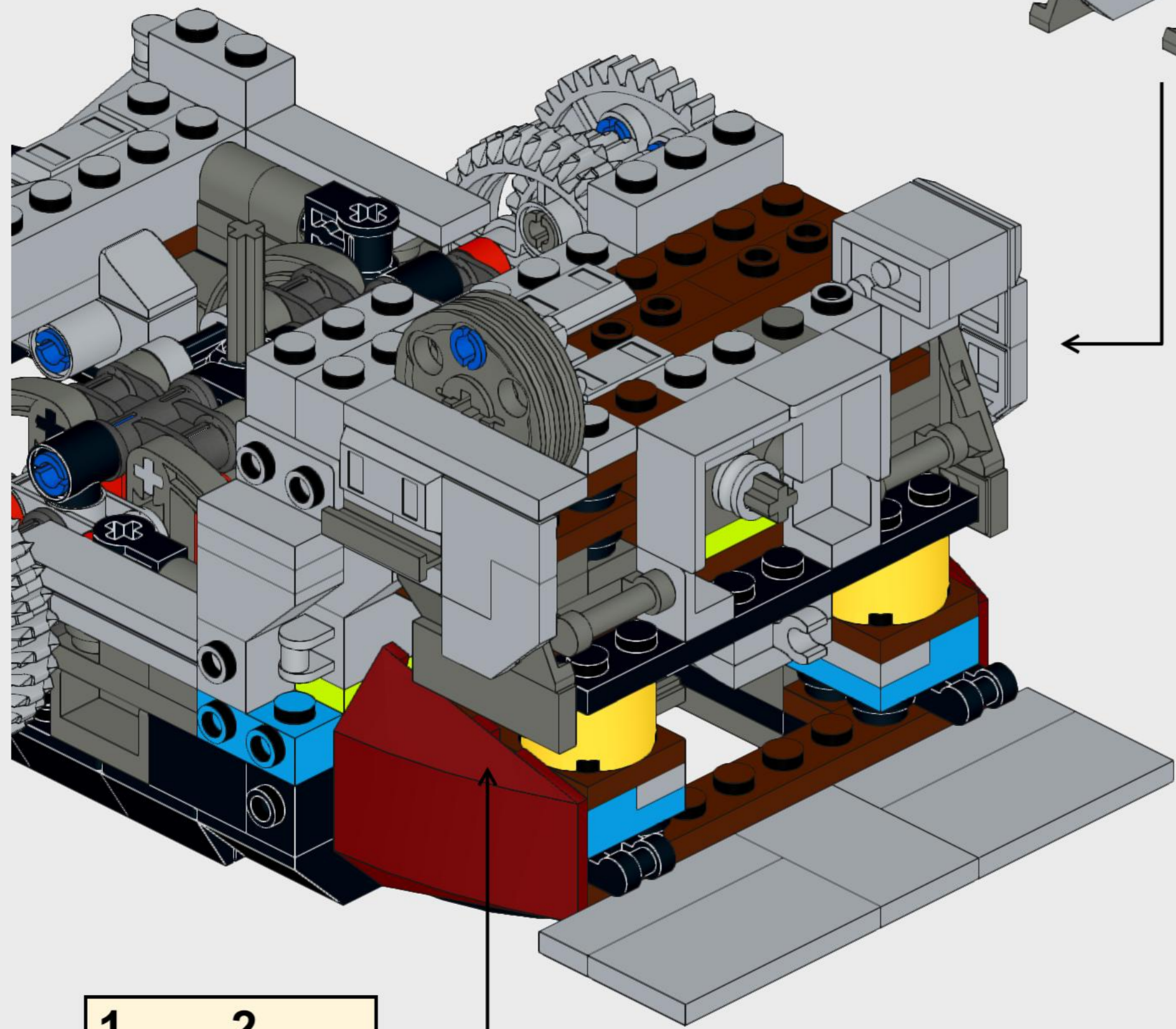
2

3

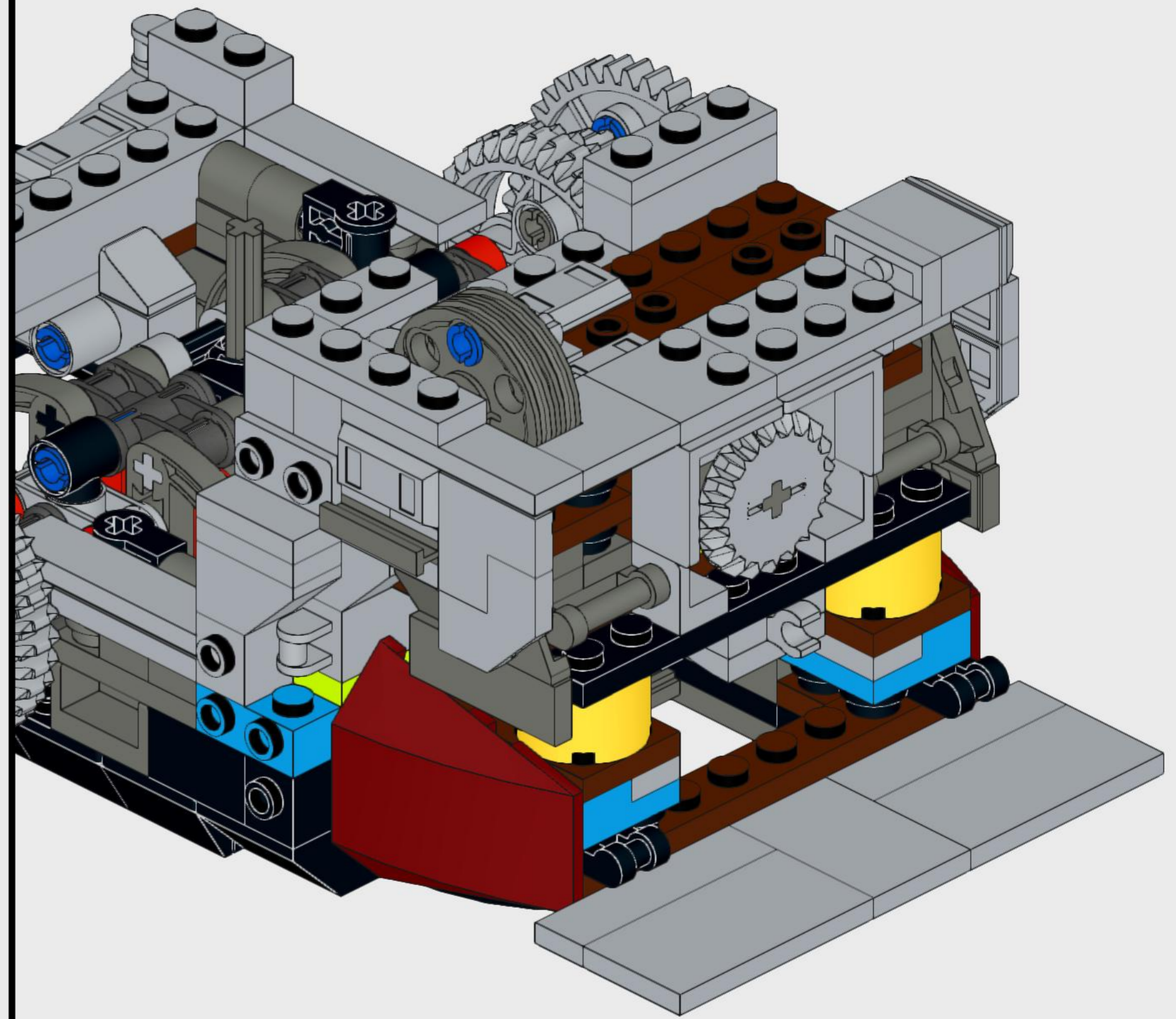


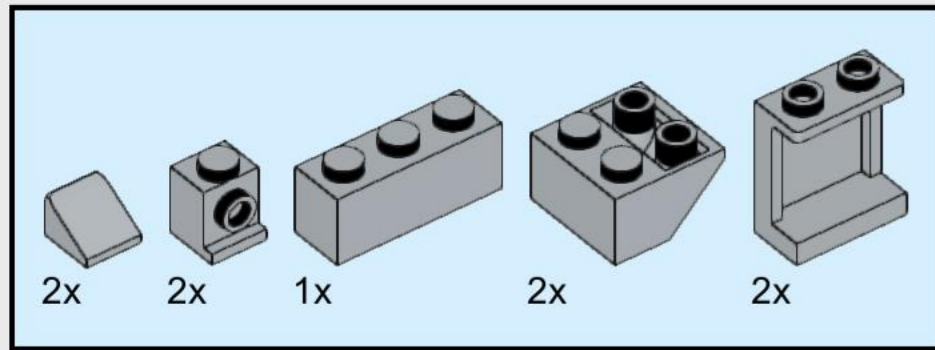


50

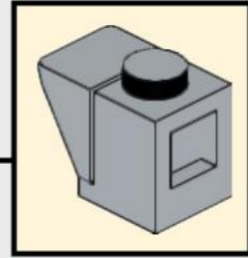


51

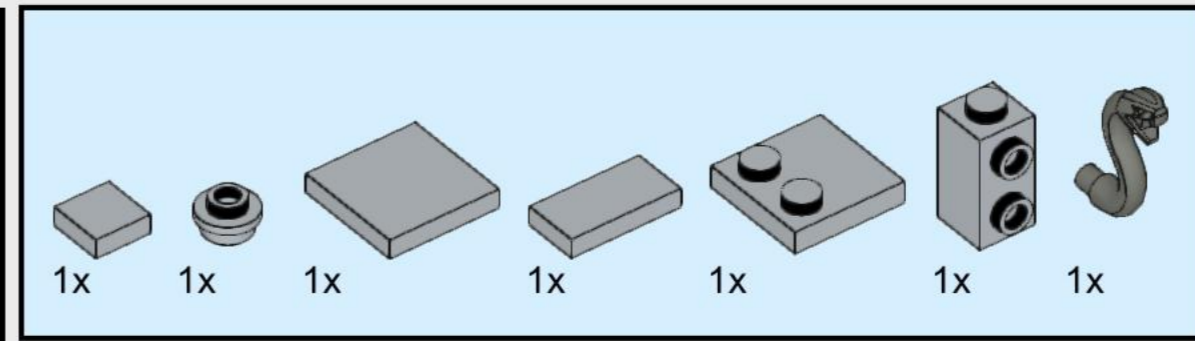
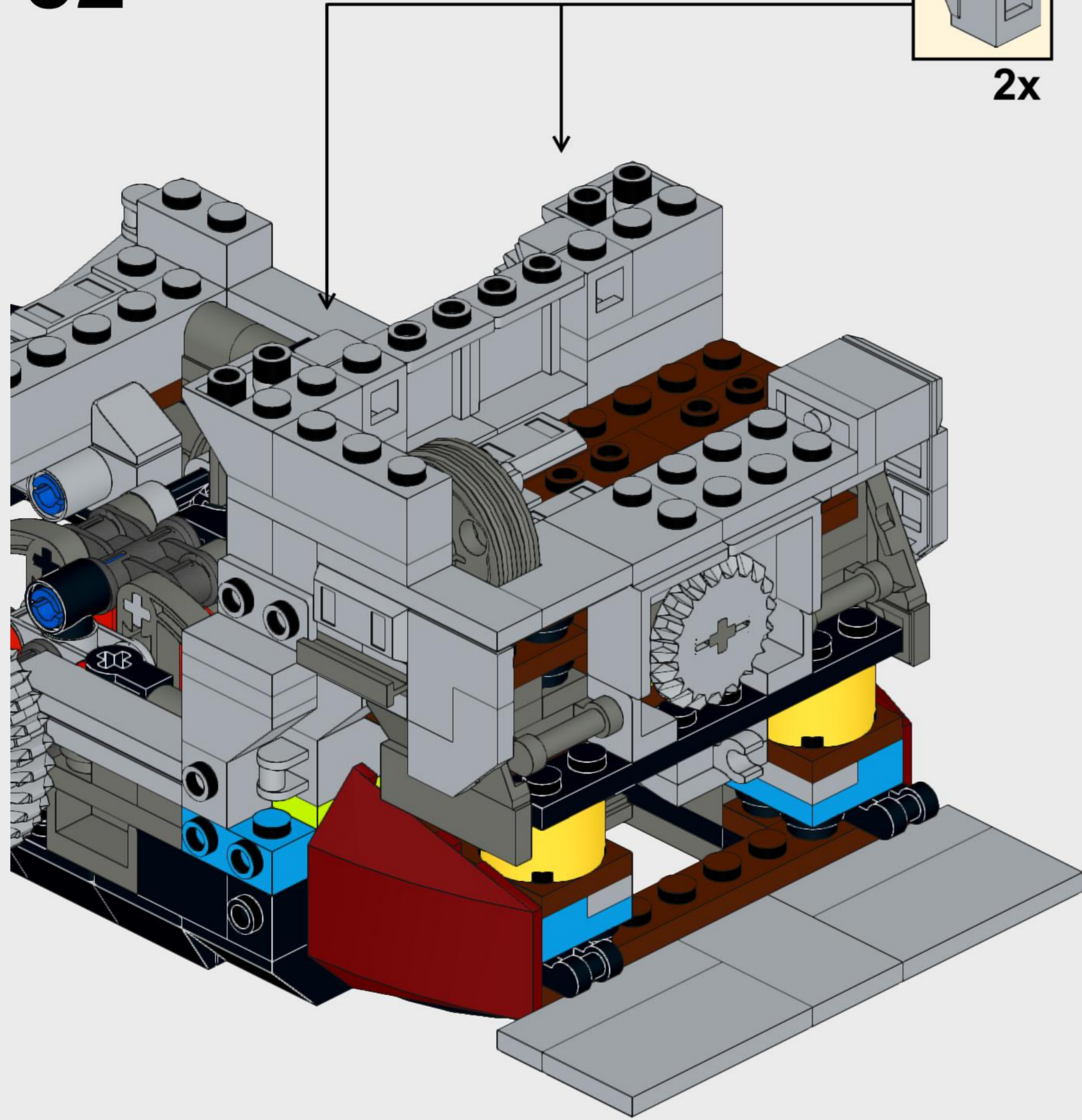




52



2x

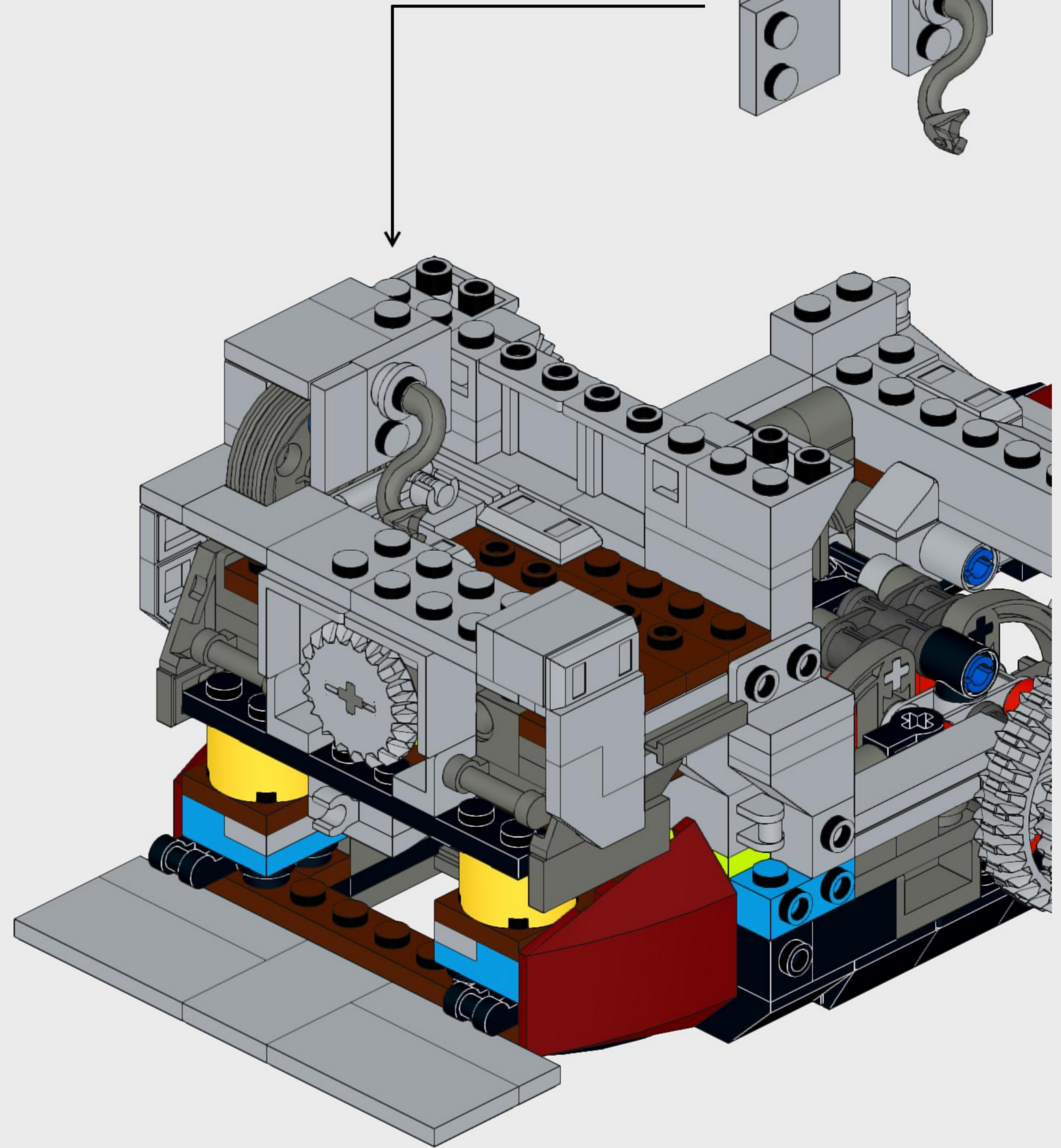
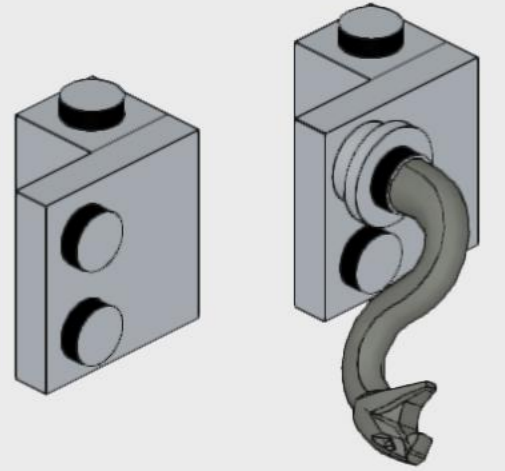


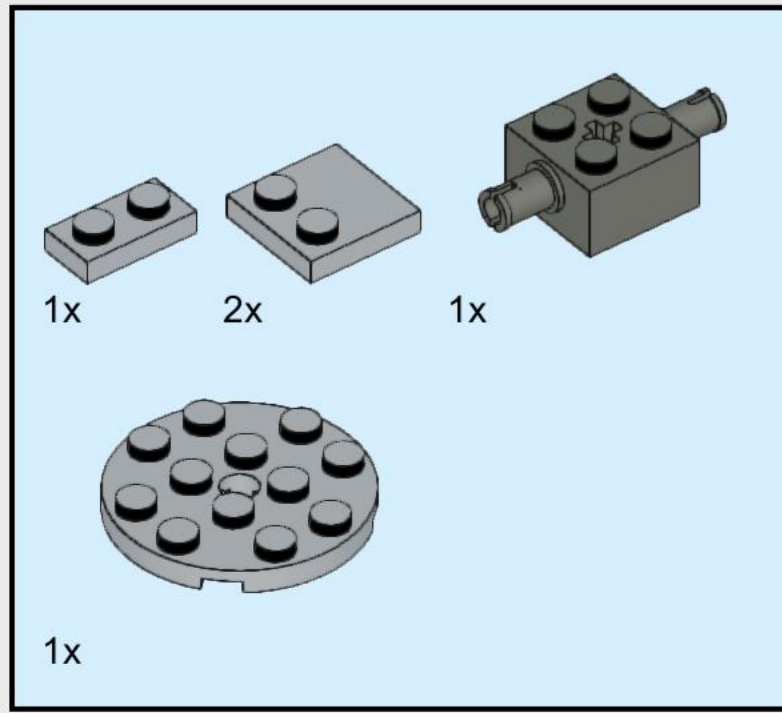
53



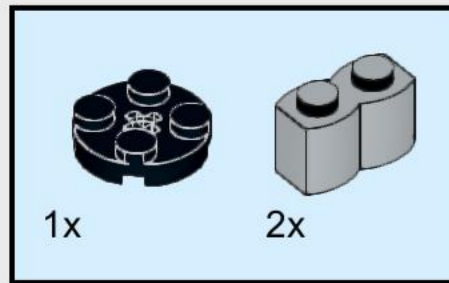
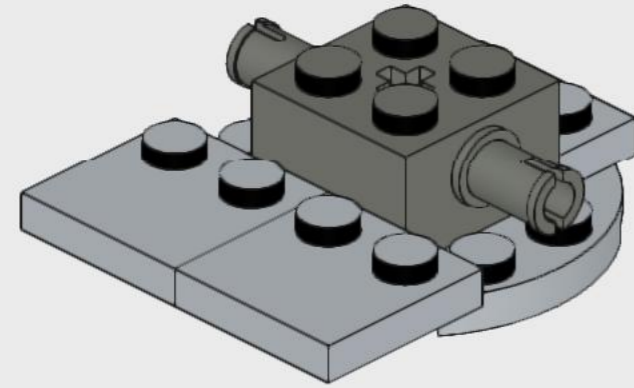
1

2

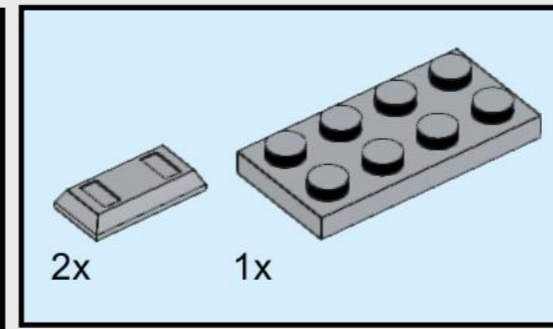
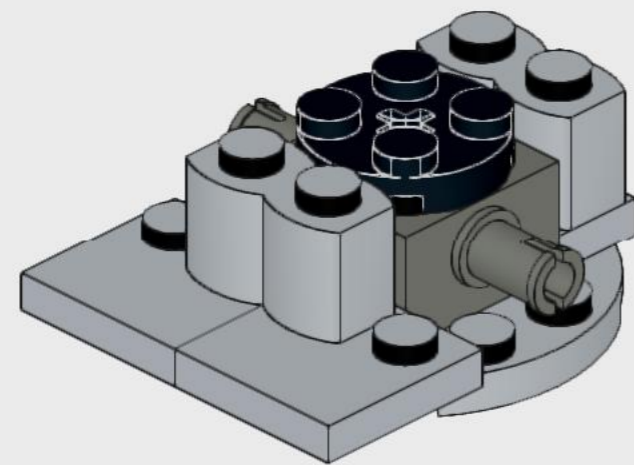




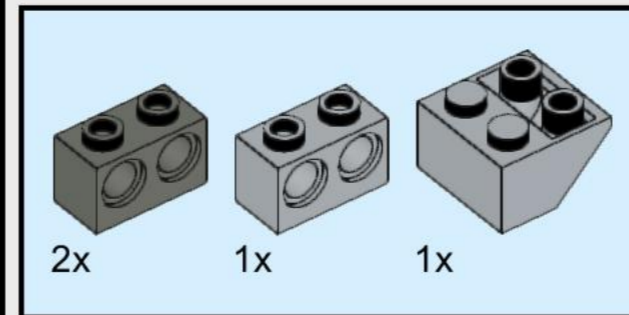
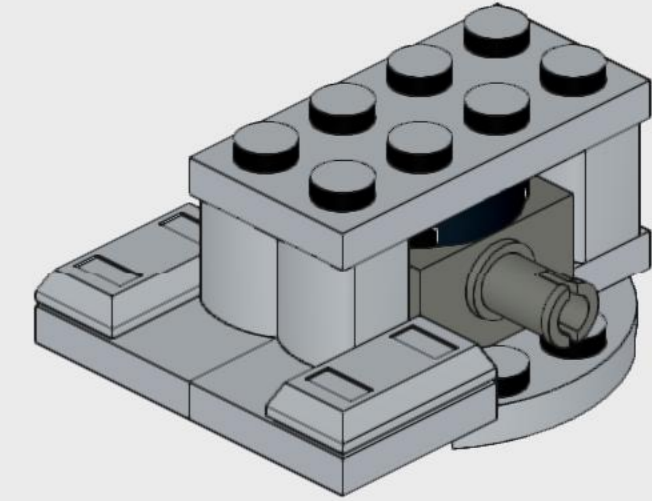
54



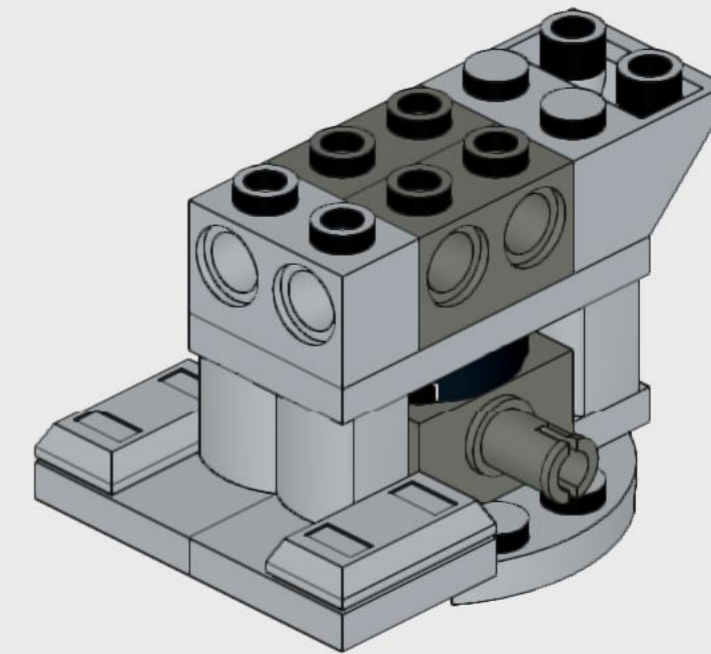
55

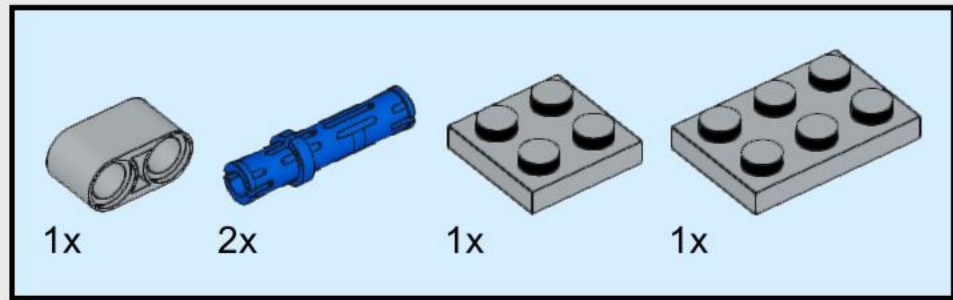


56

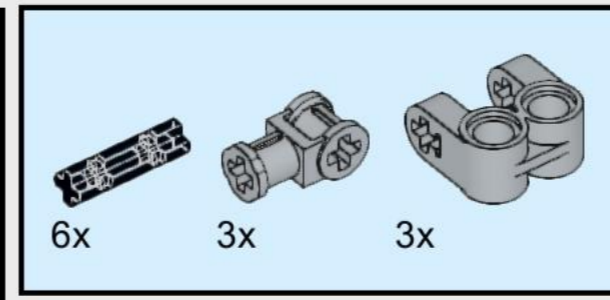
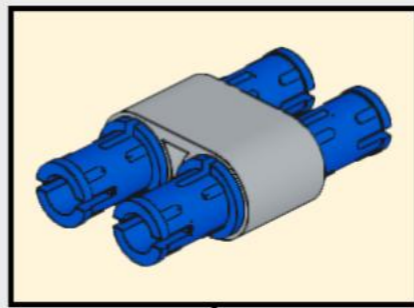
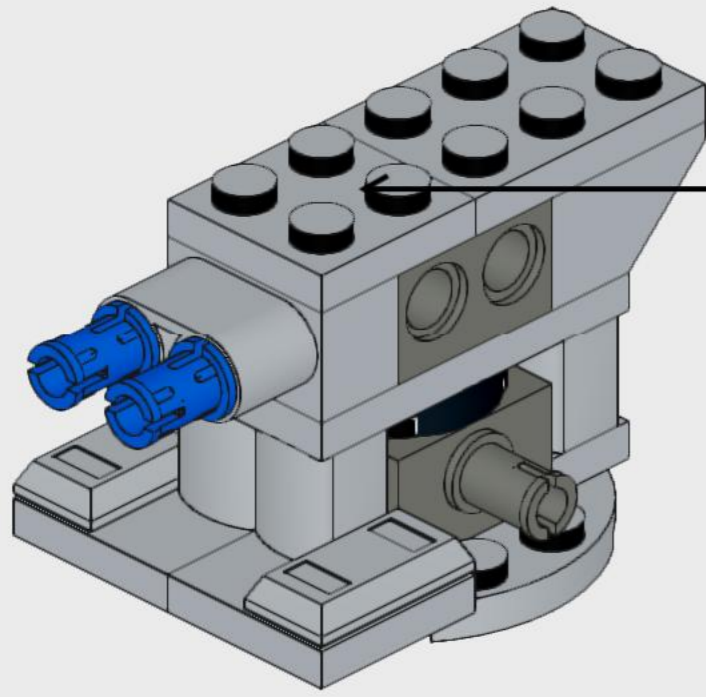


57

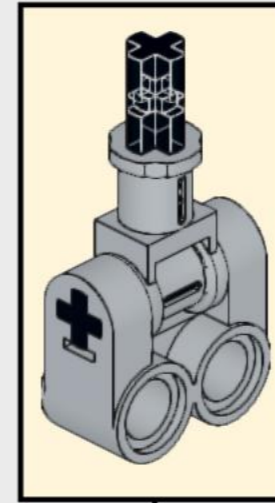




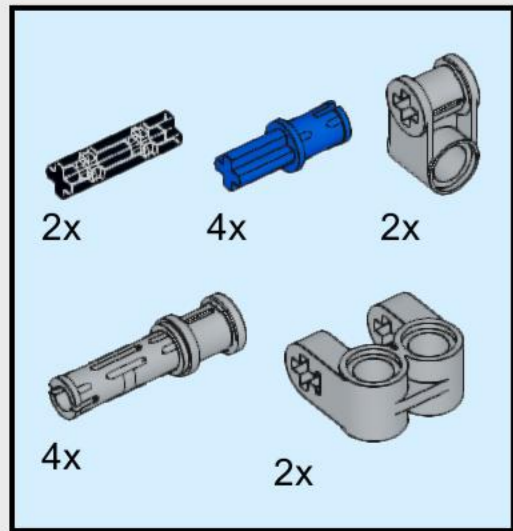
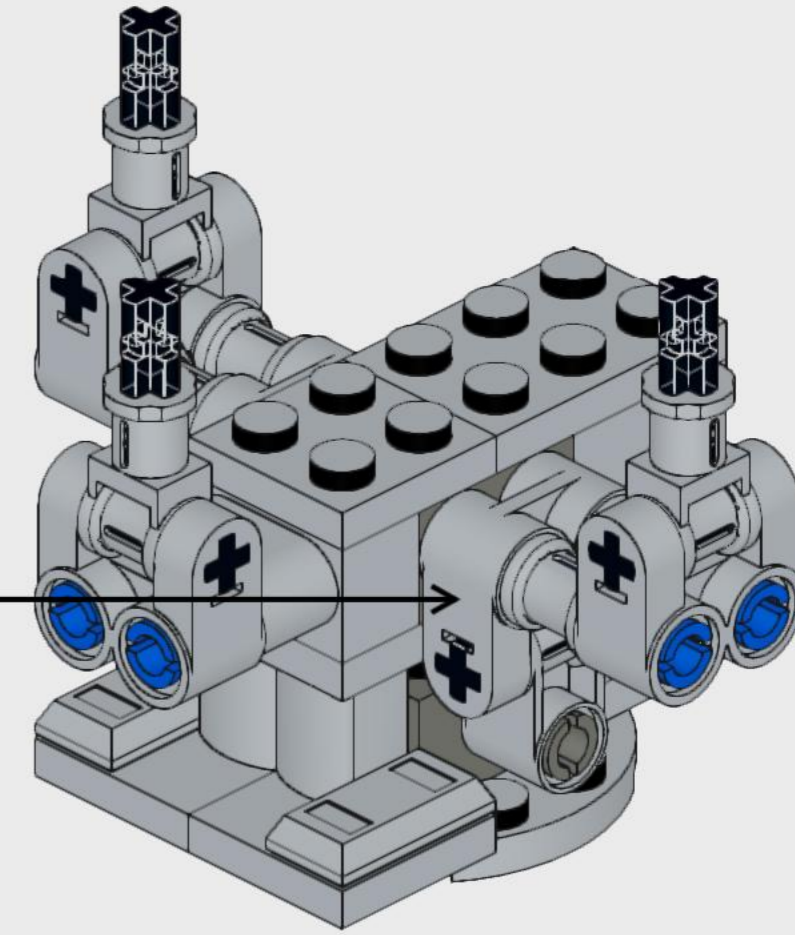
58



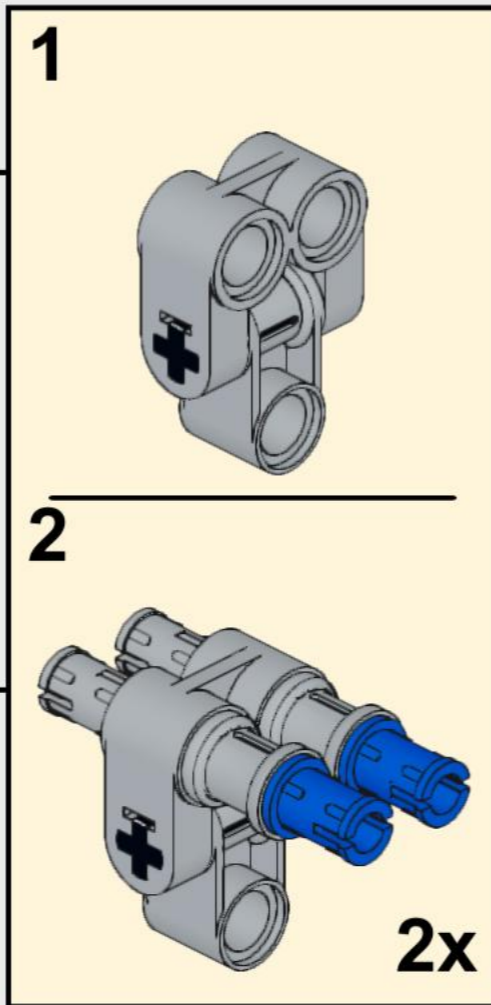
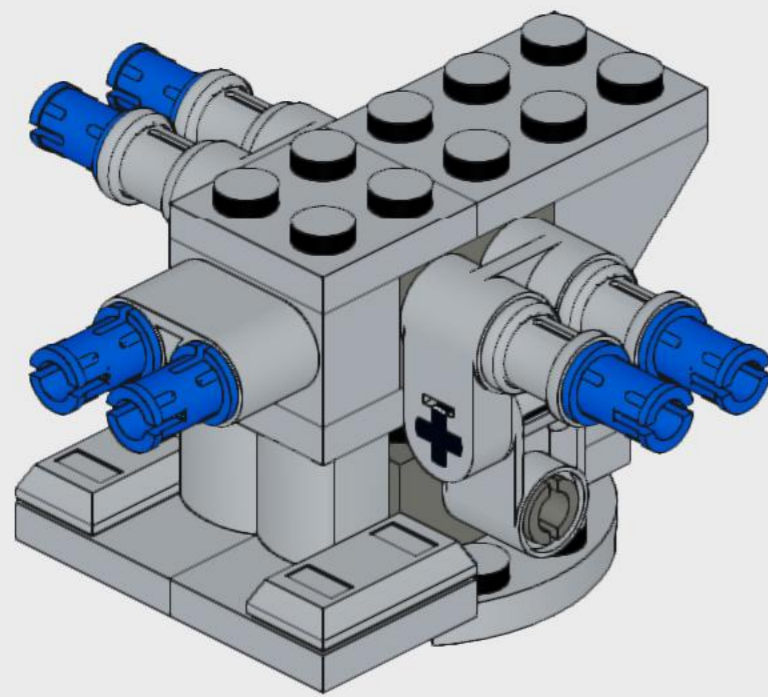
60



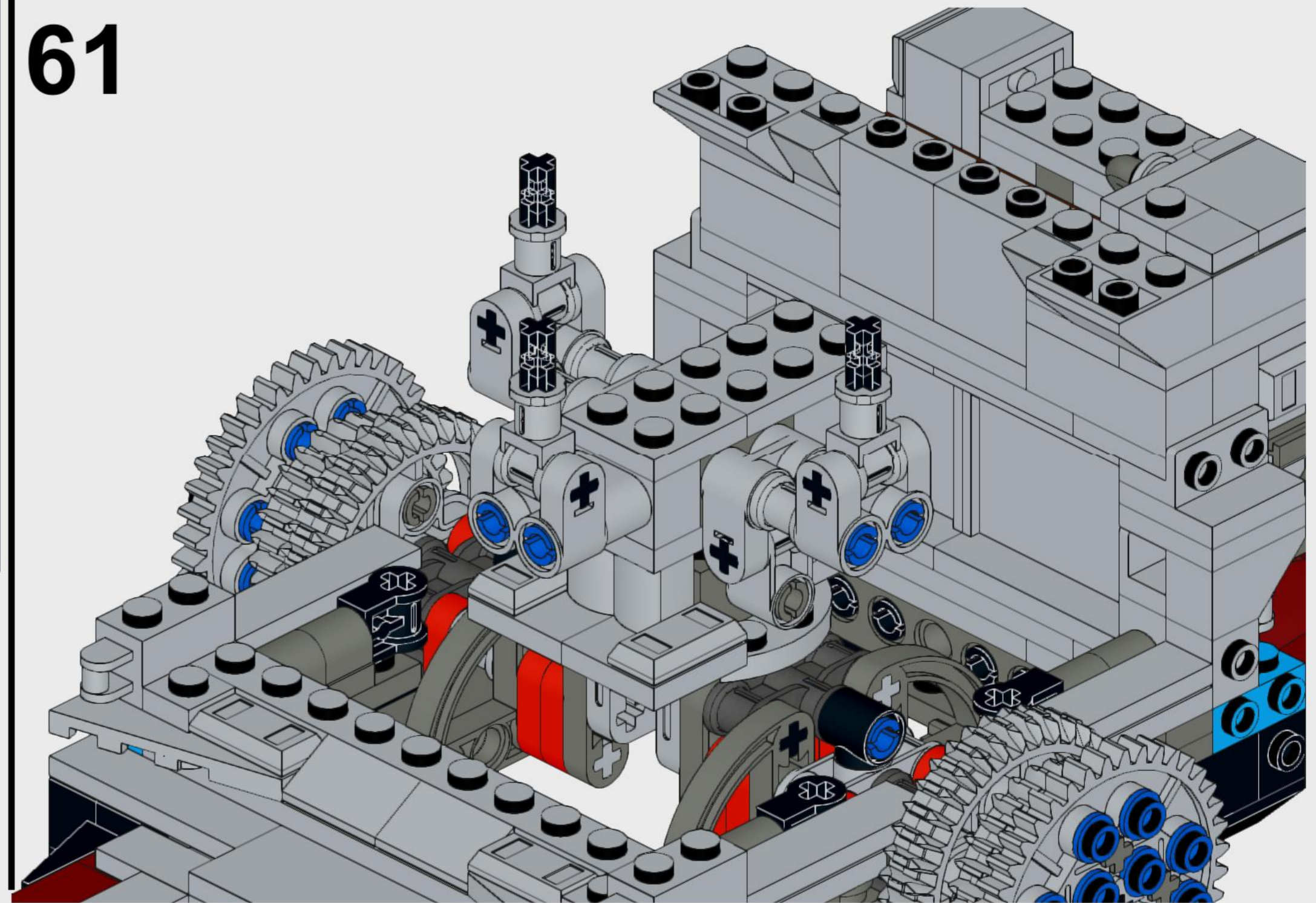
3x

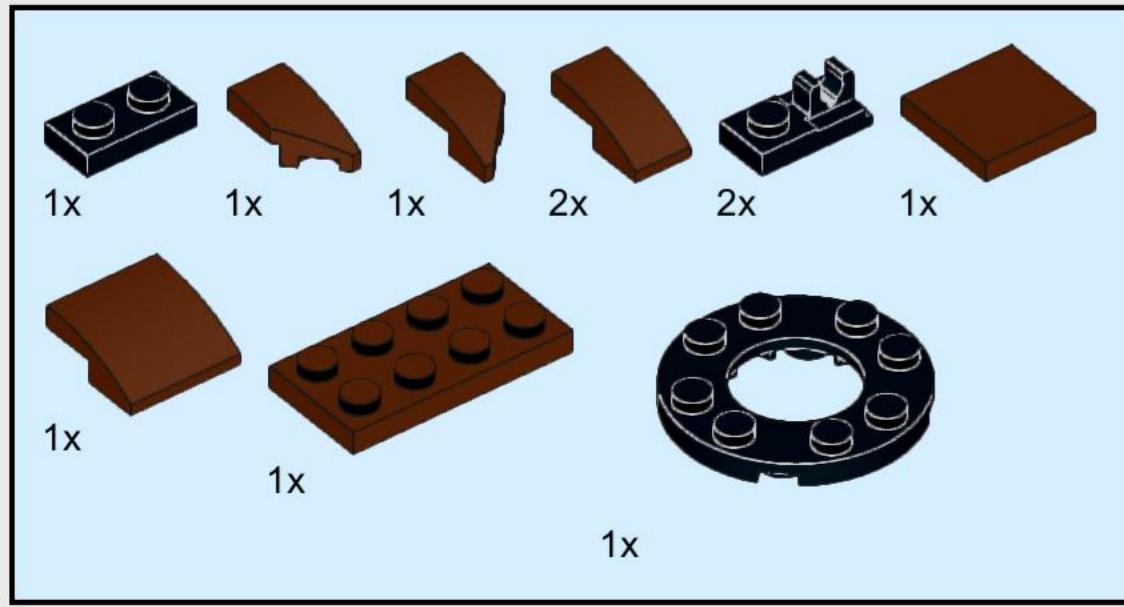


59

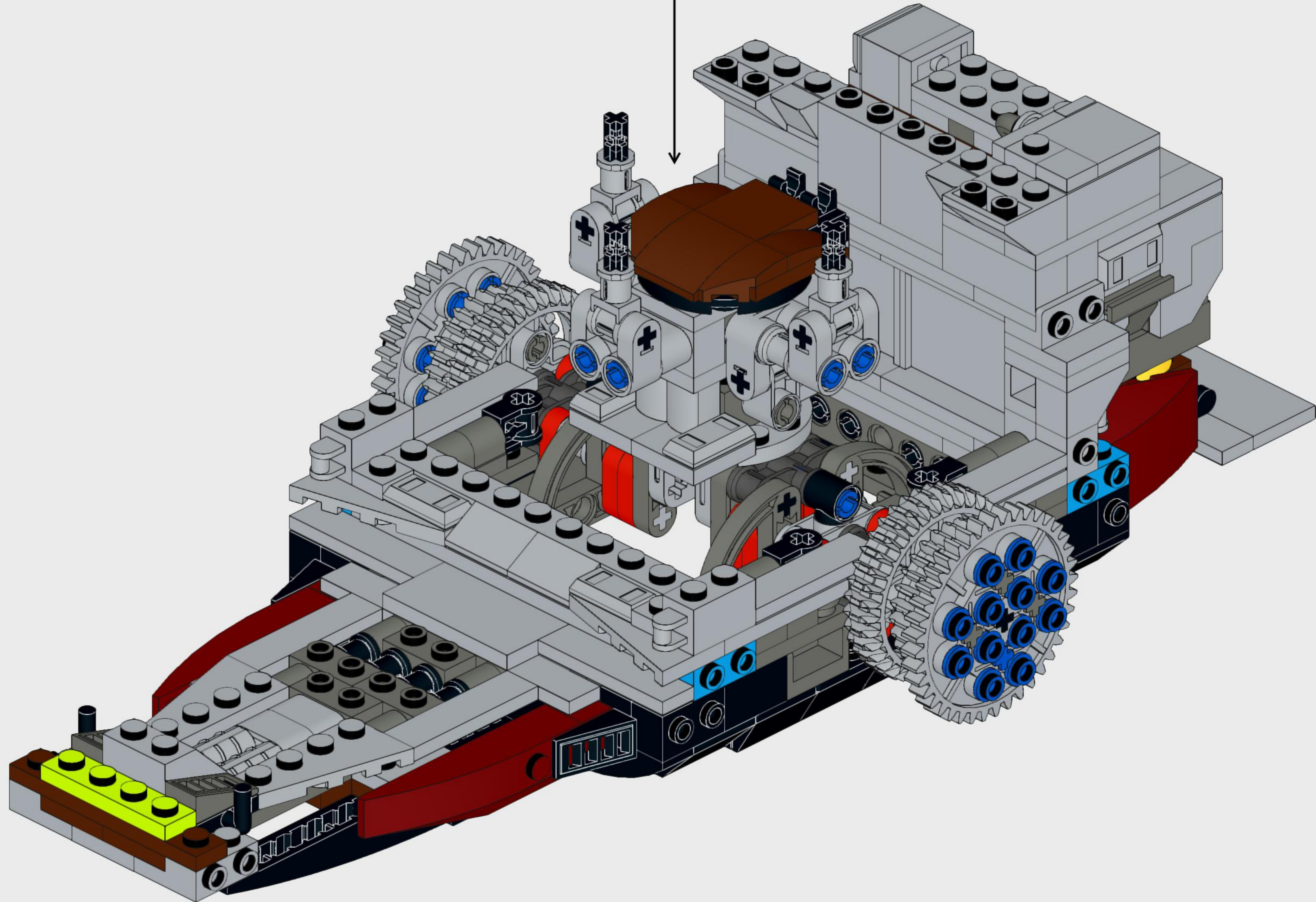
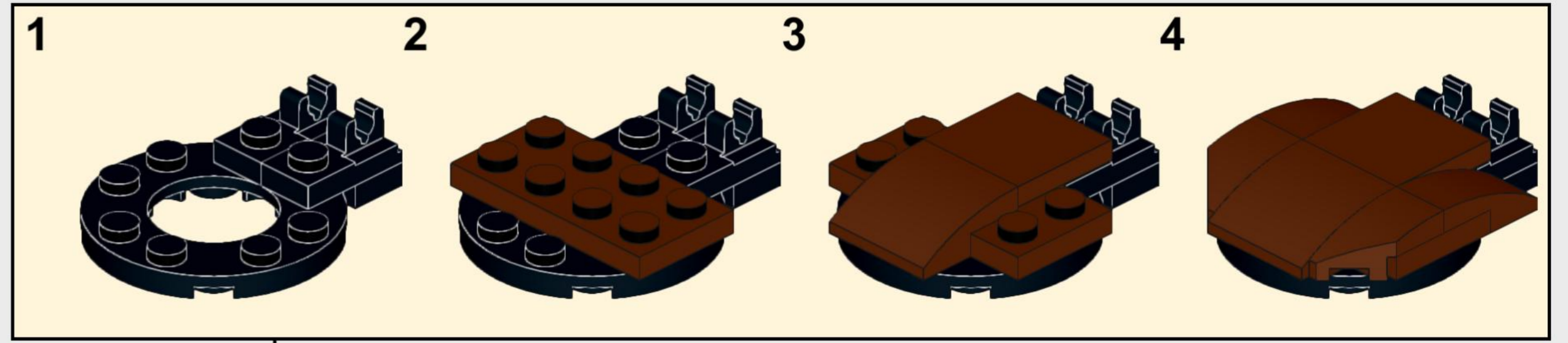


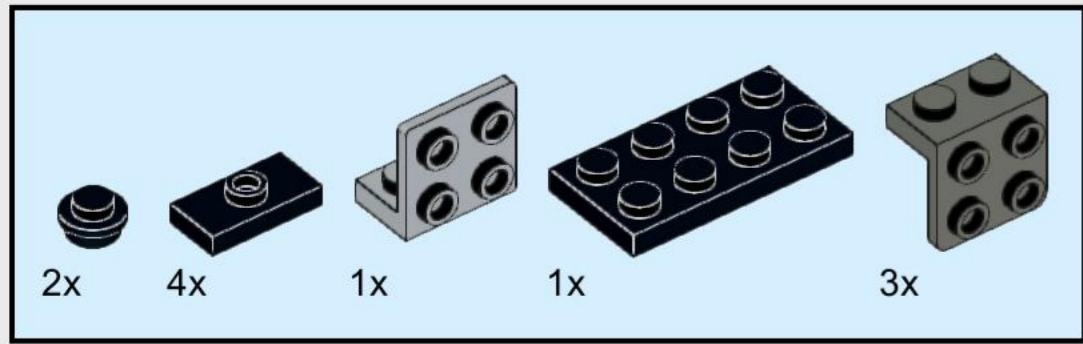
61



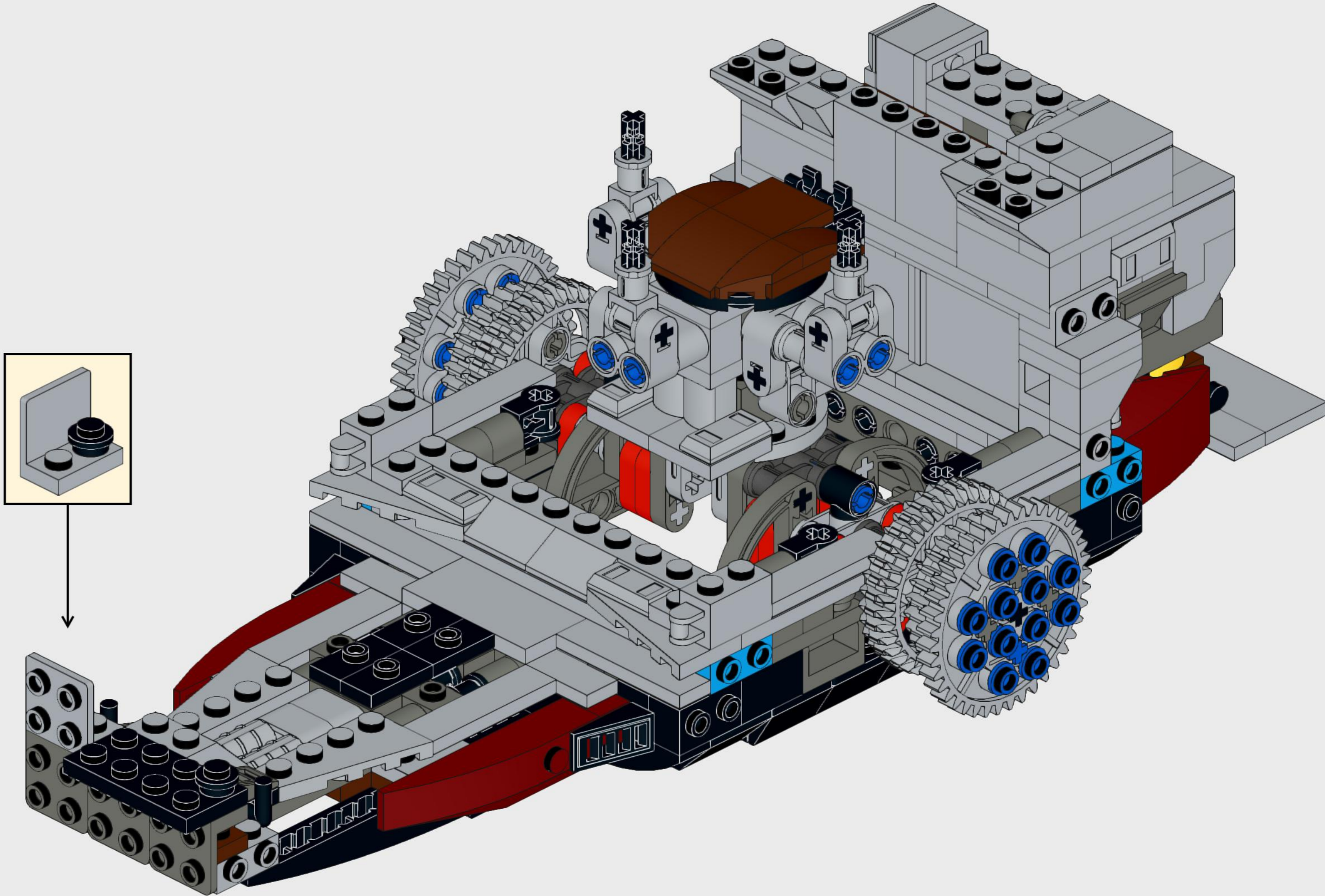


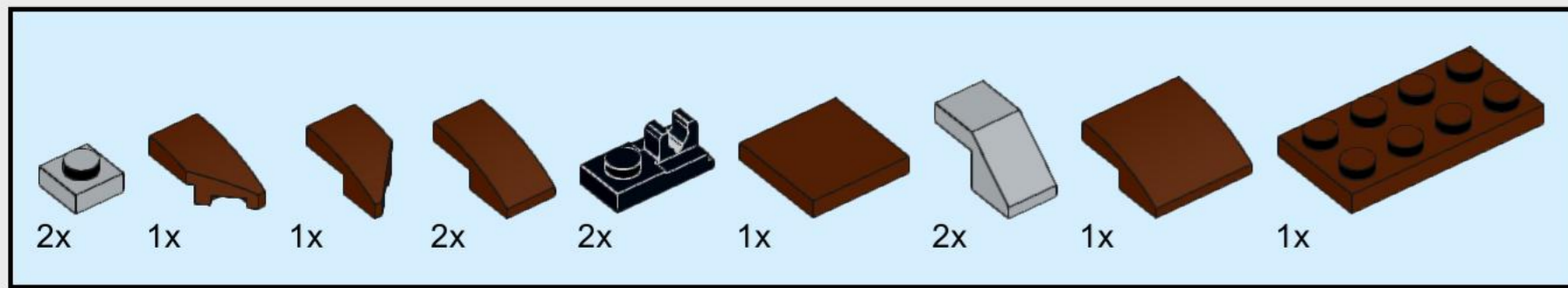
62



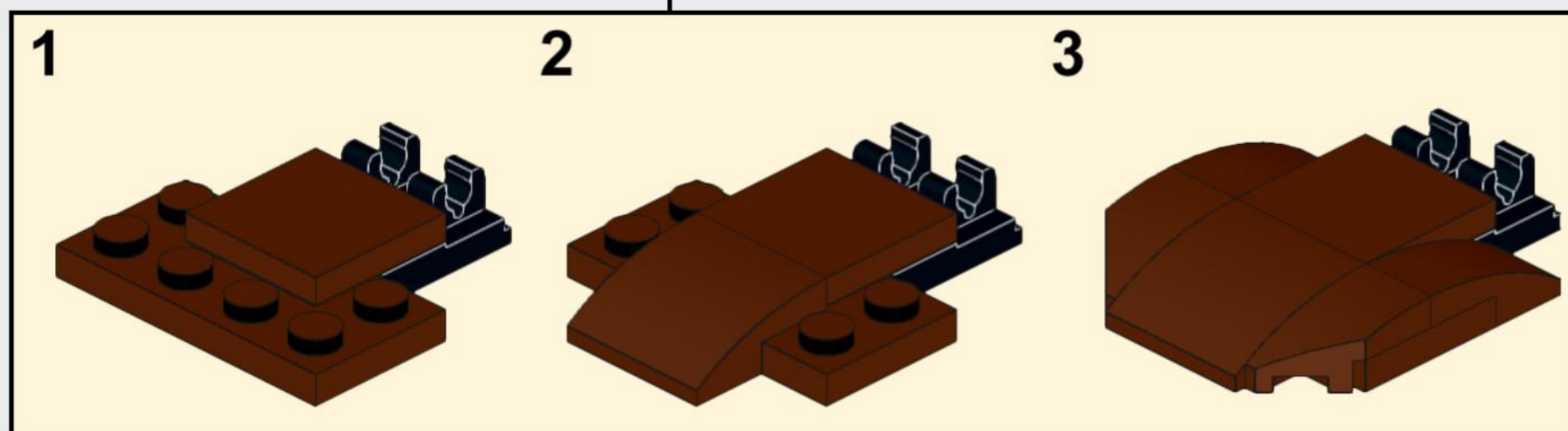
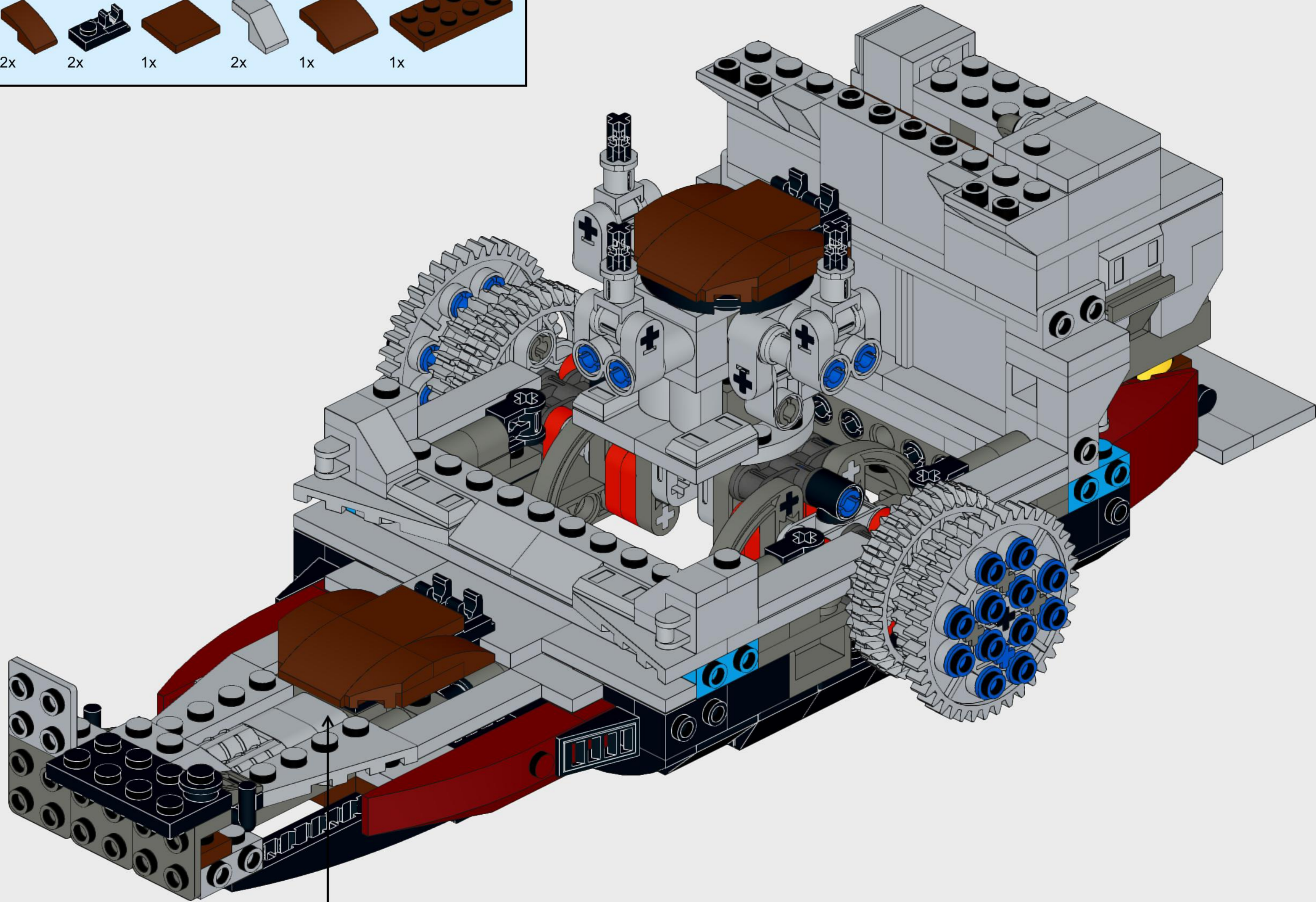


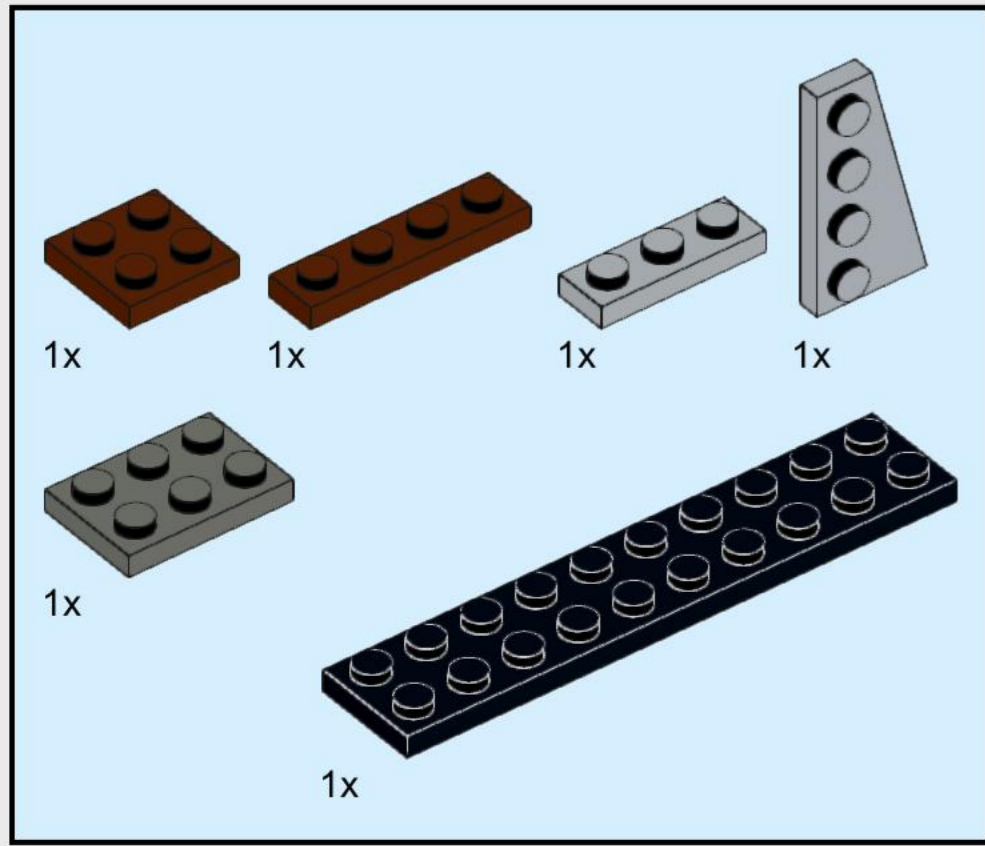
63



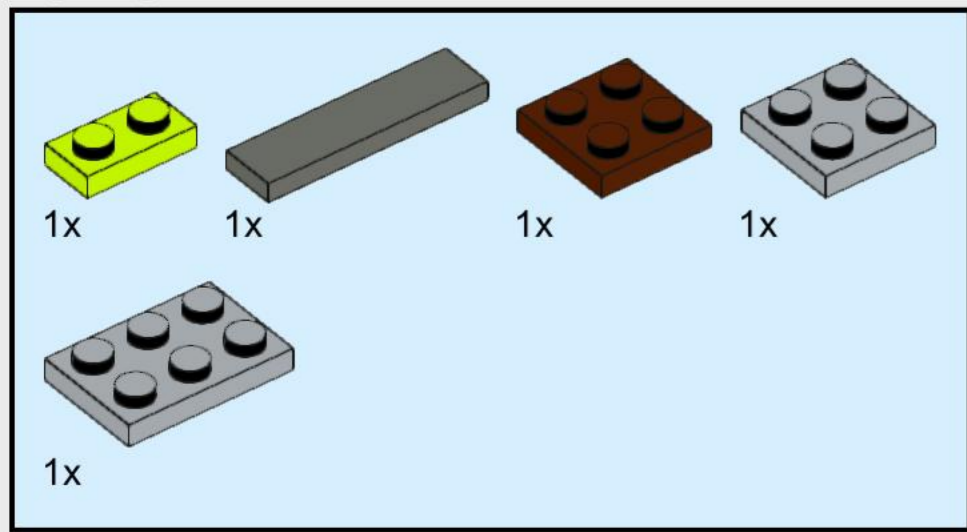


64

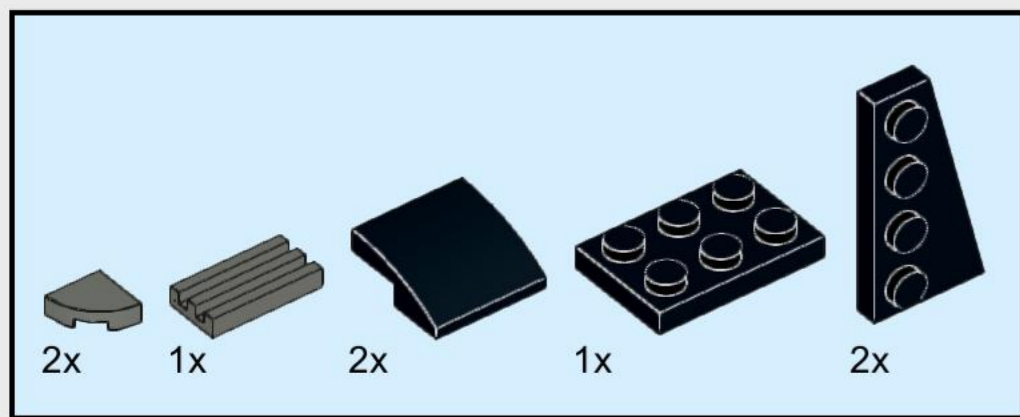




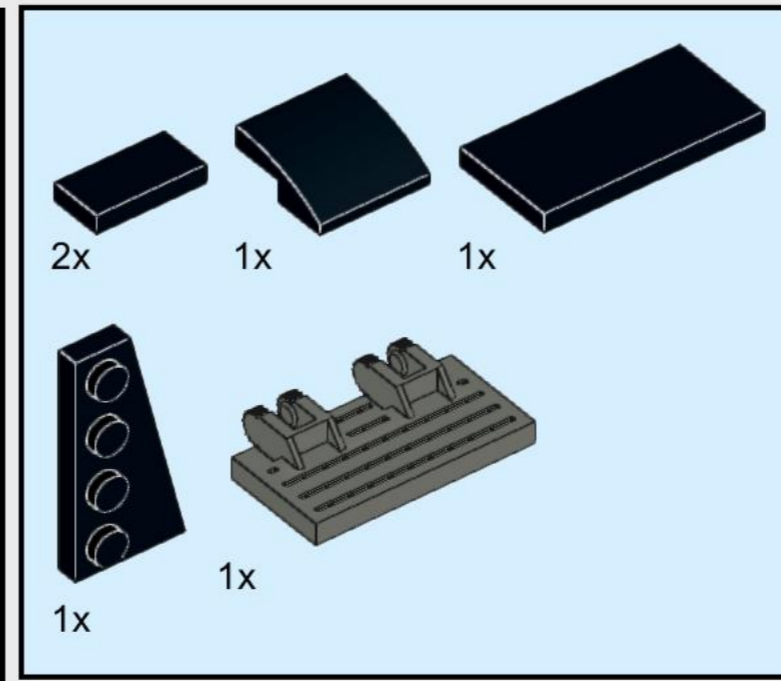
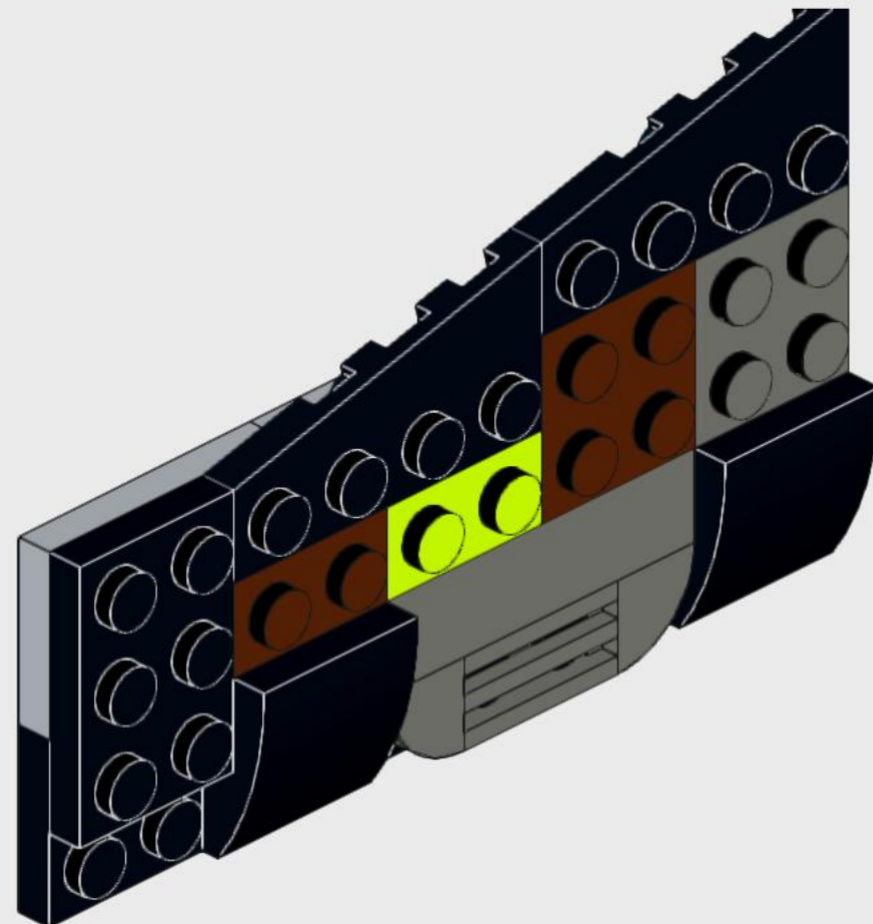
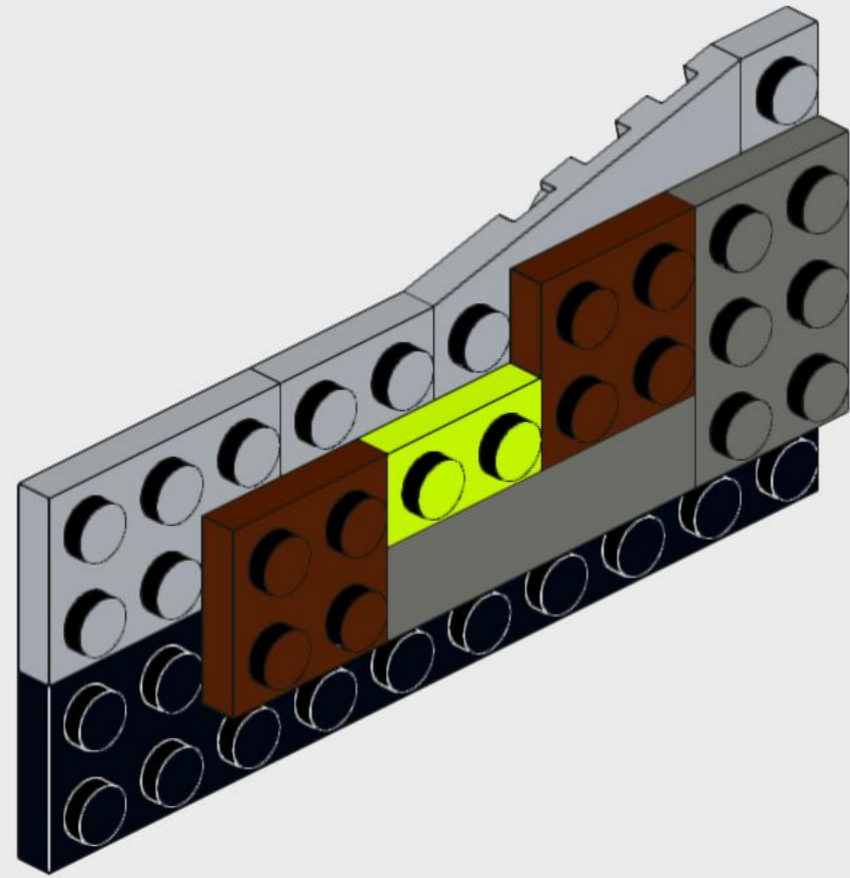
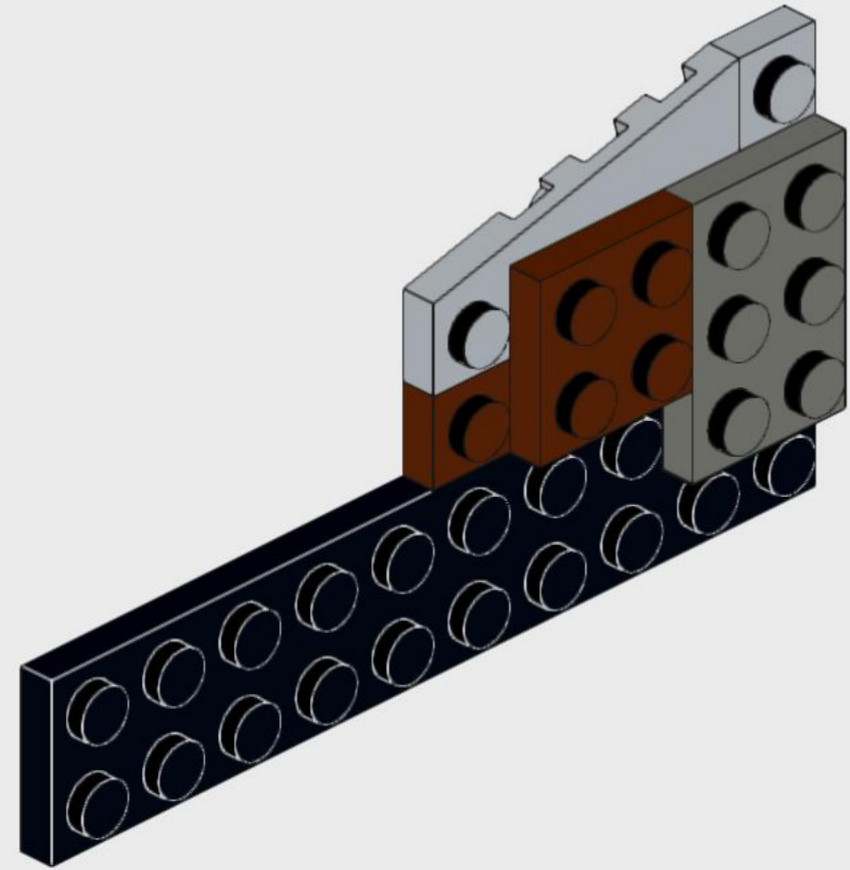
65



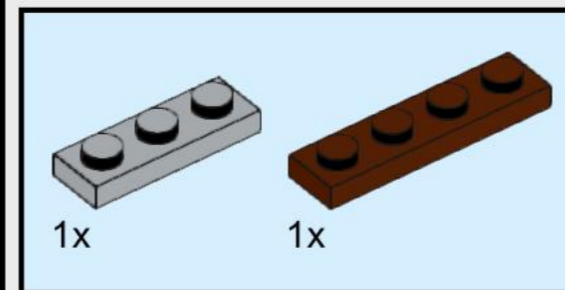
66



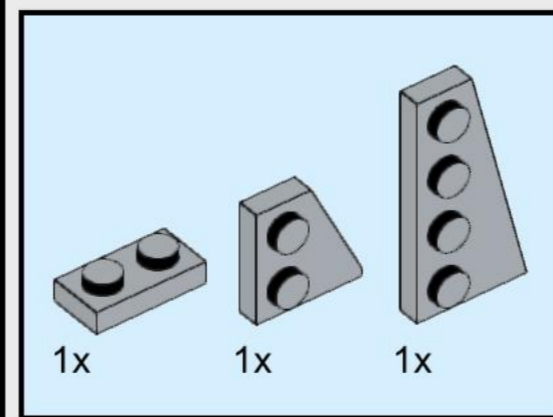
67



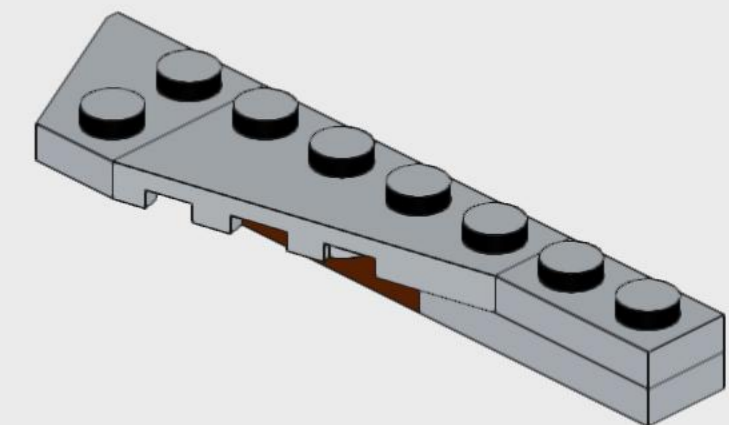
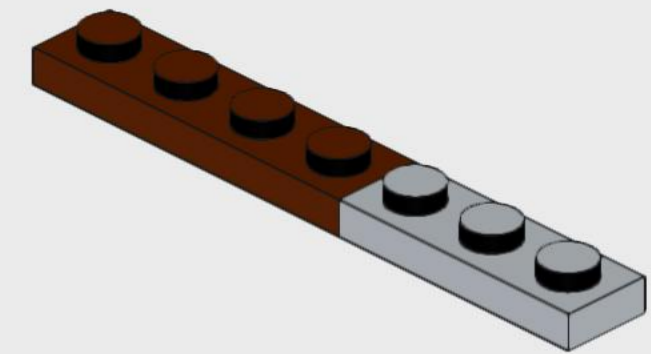
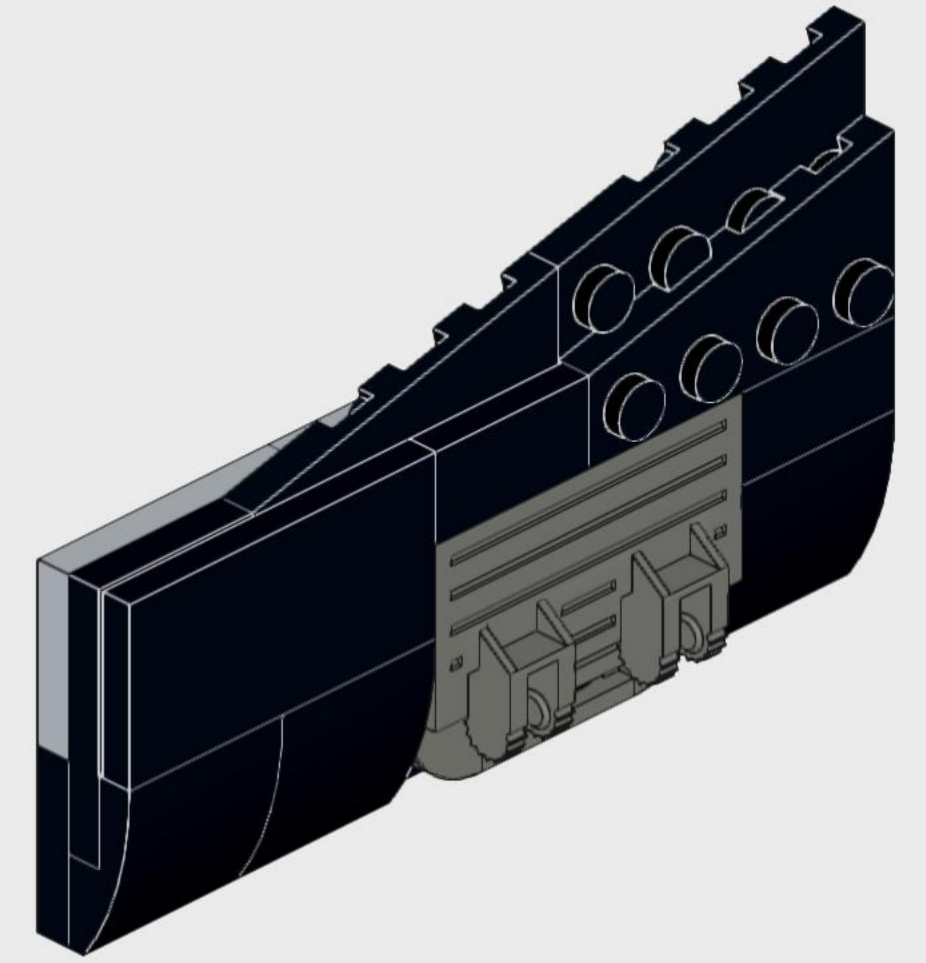
68

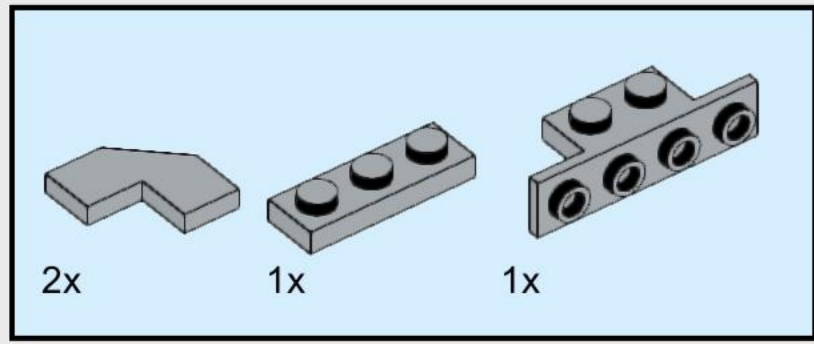


69

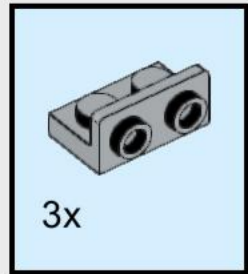
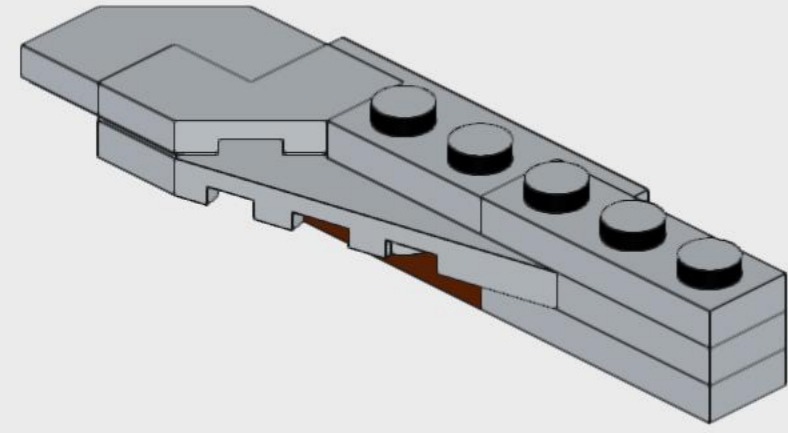


70

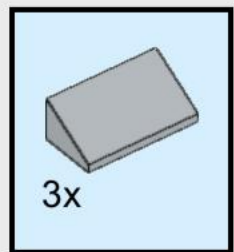
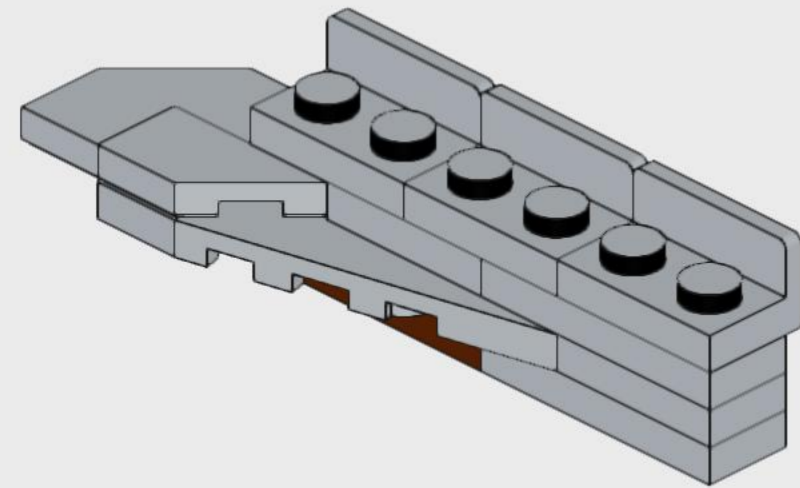




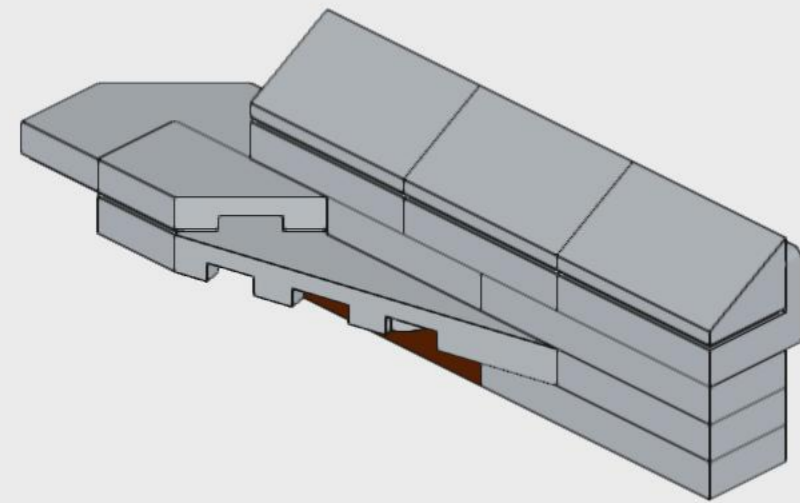
71



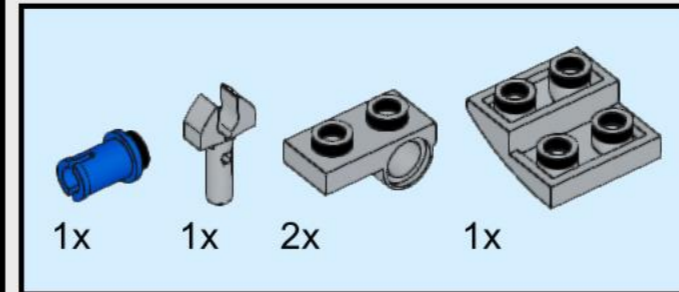
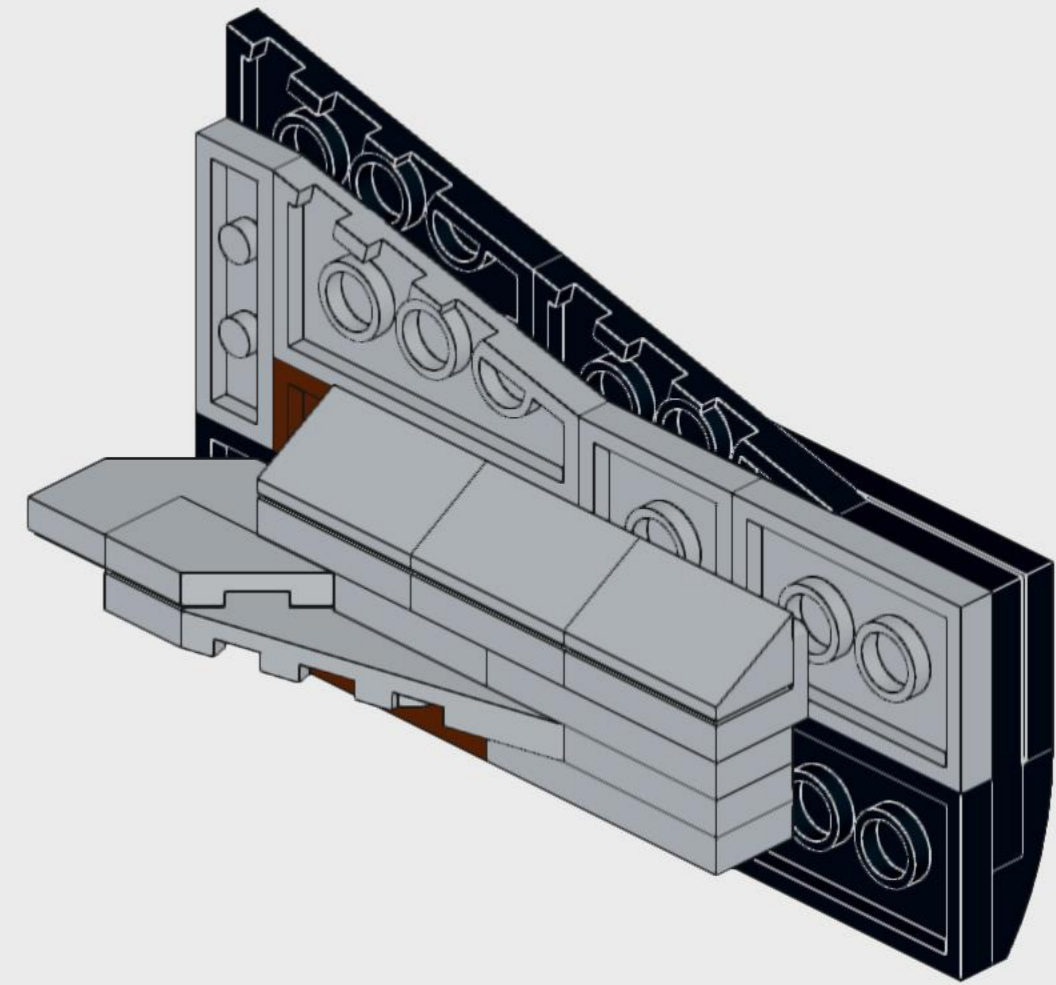
72



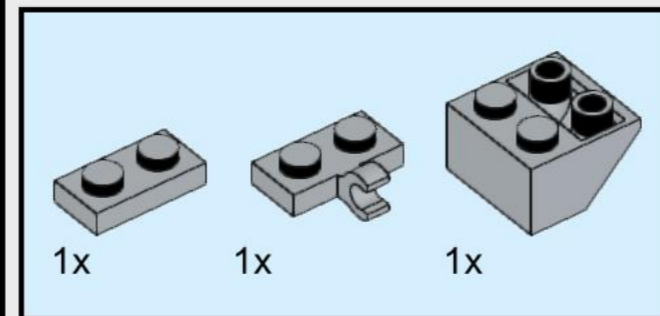
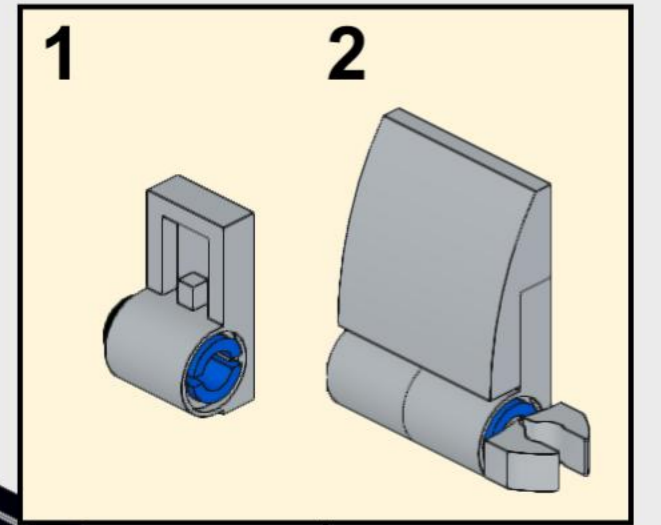
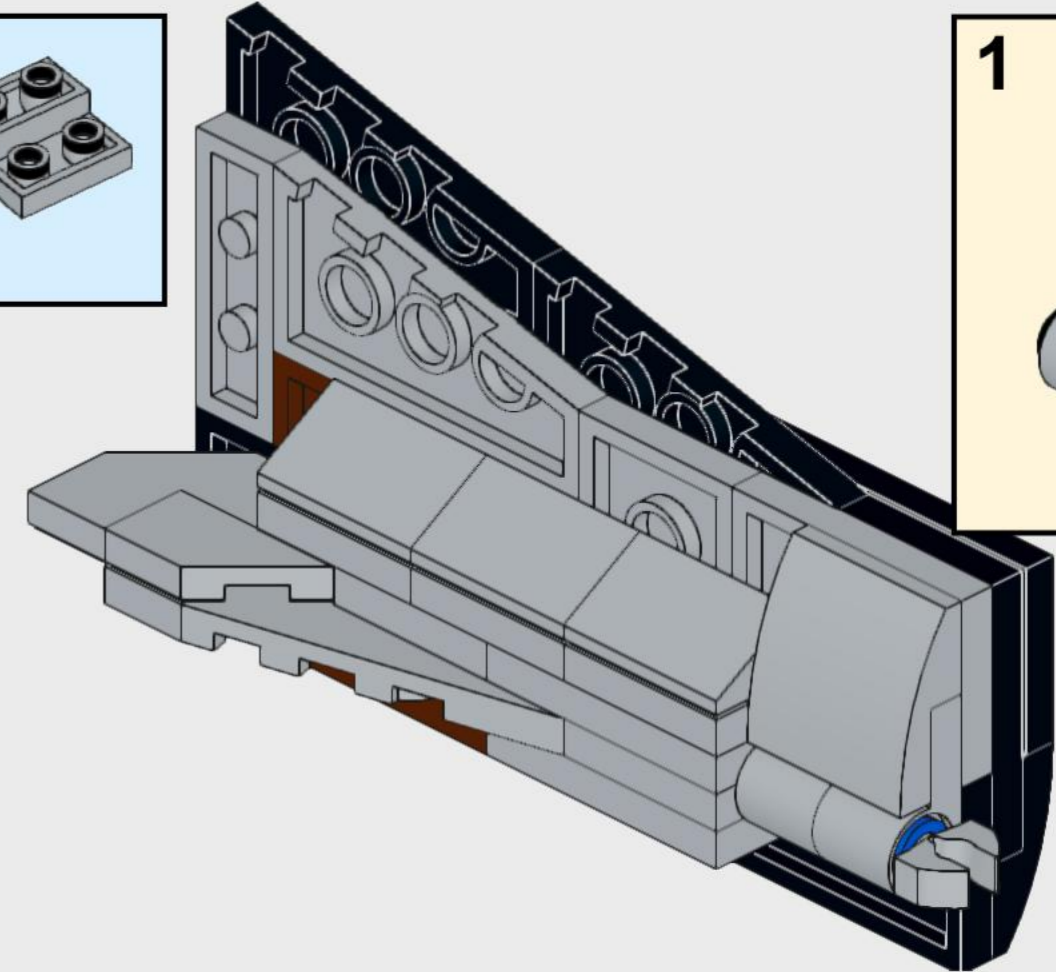
73



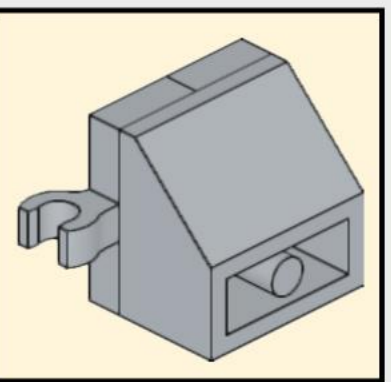
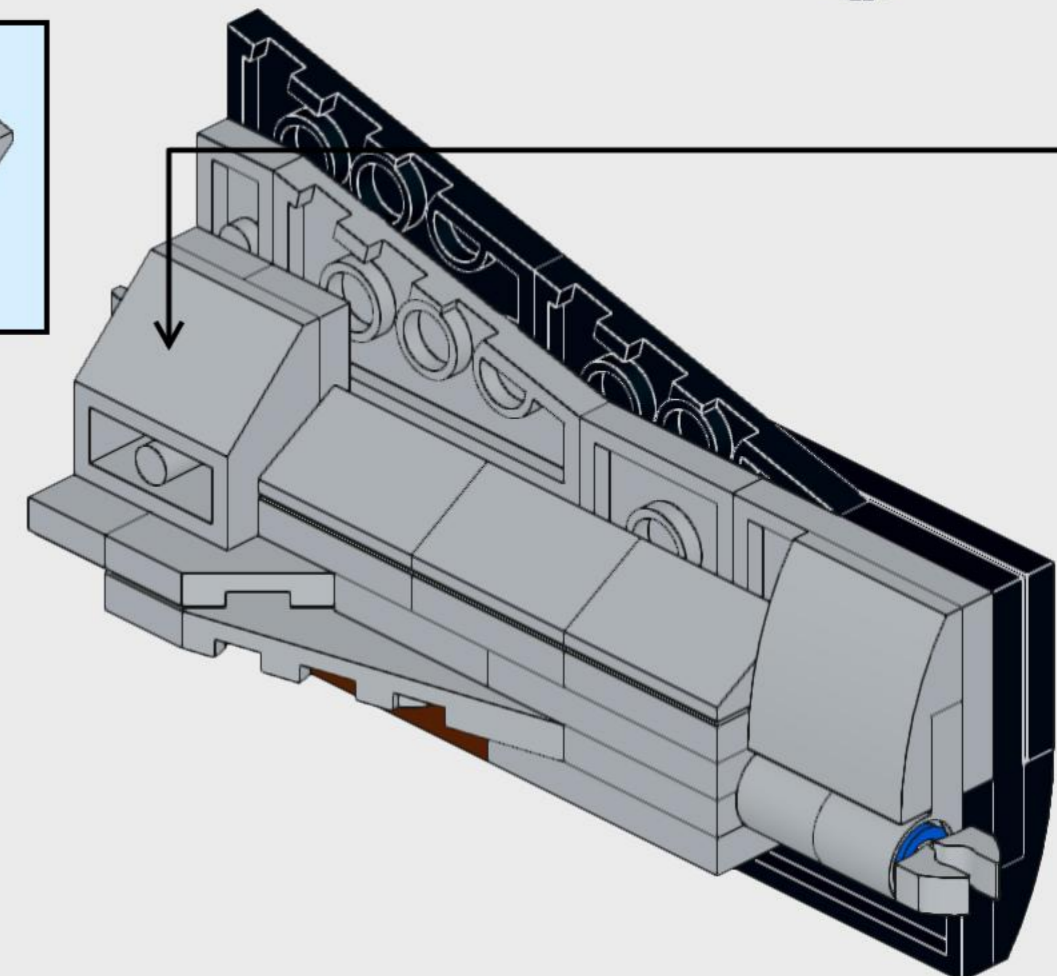
74

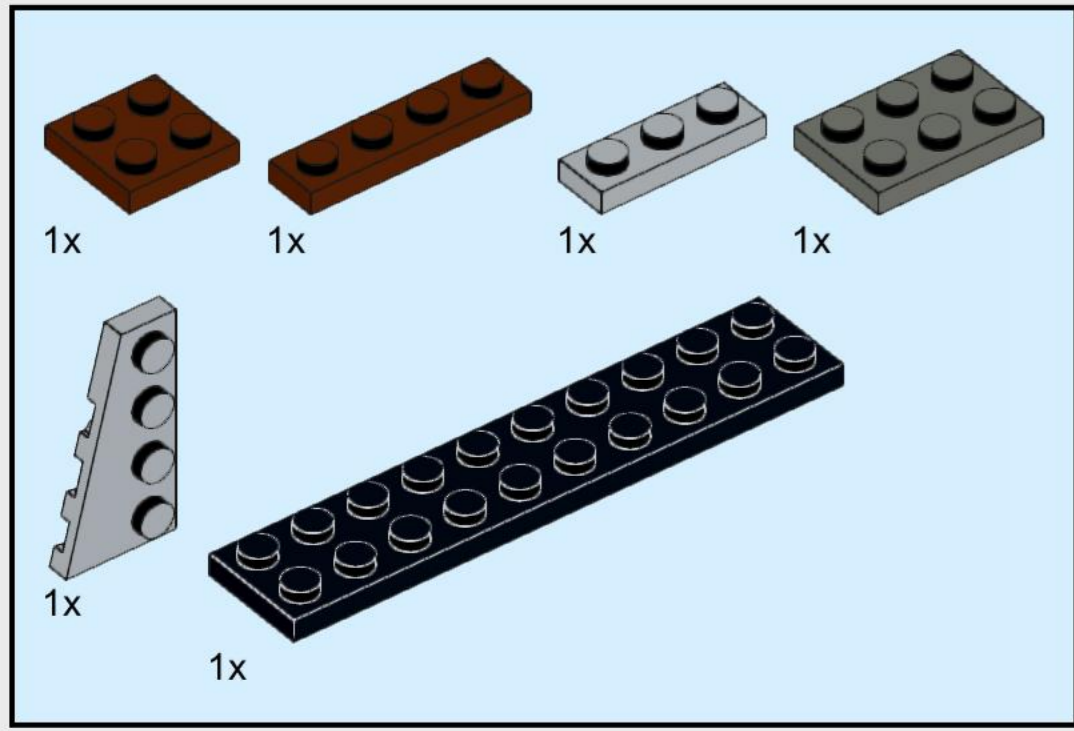


75

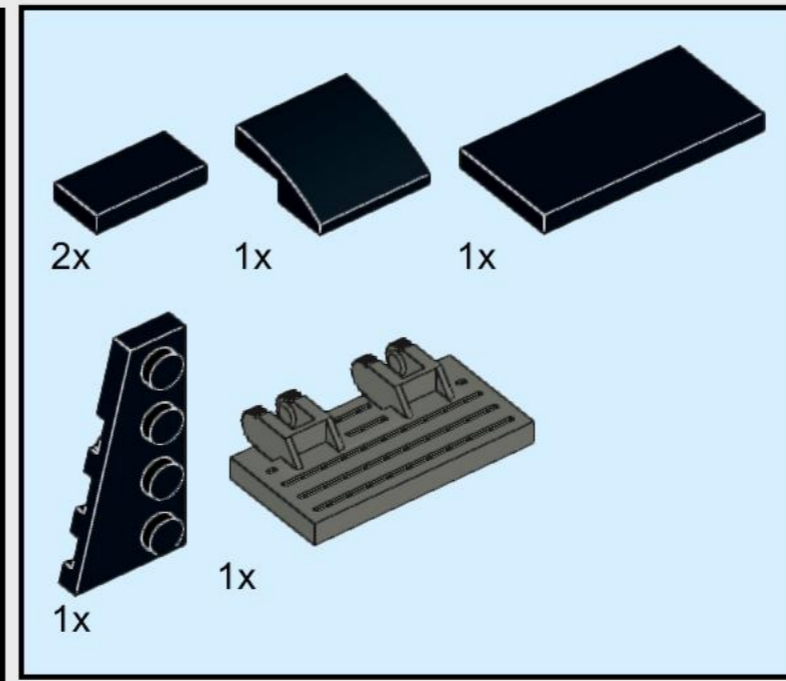
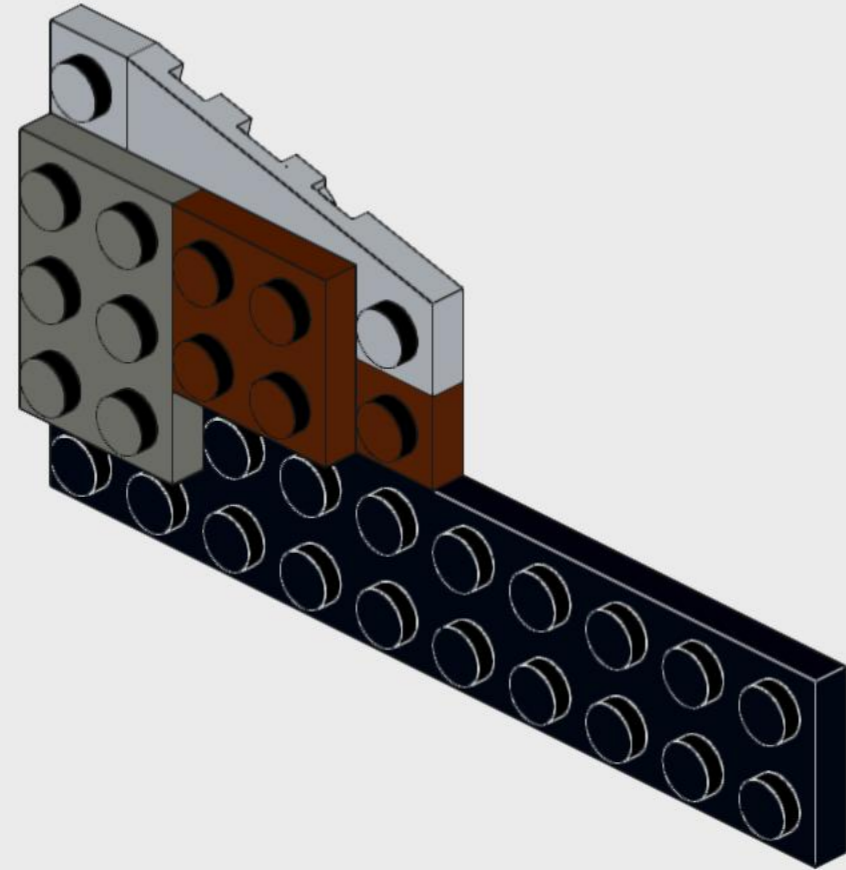


76

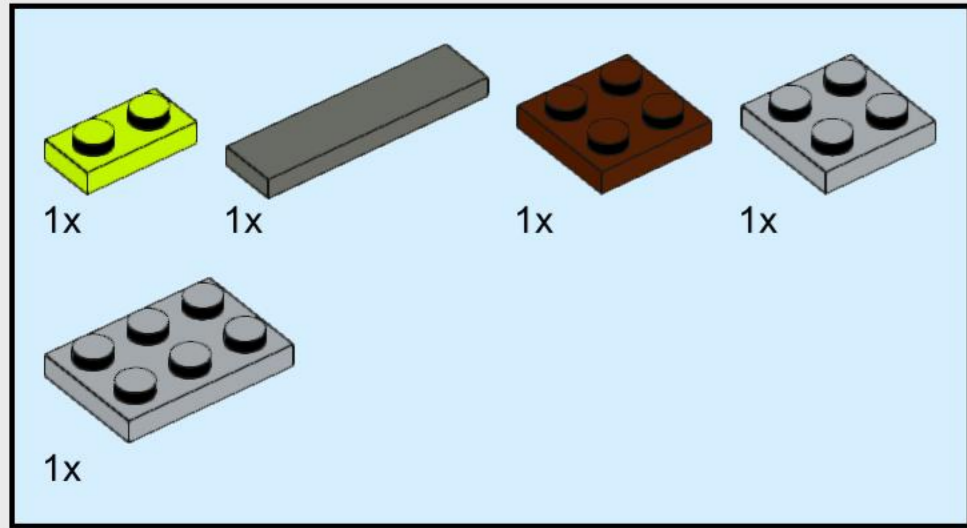
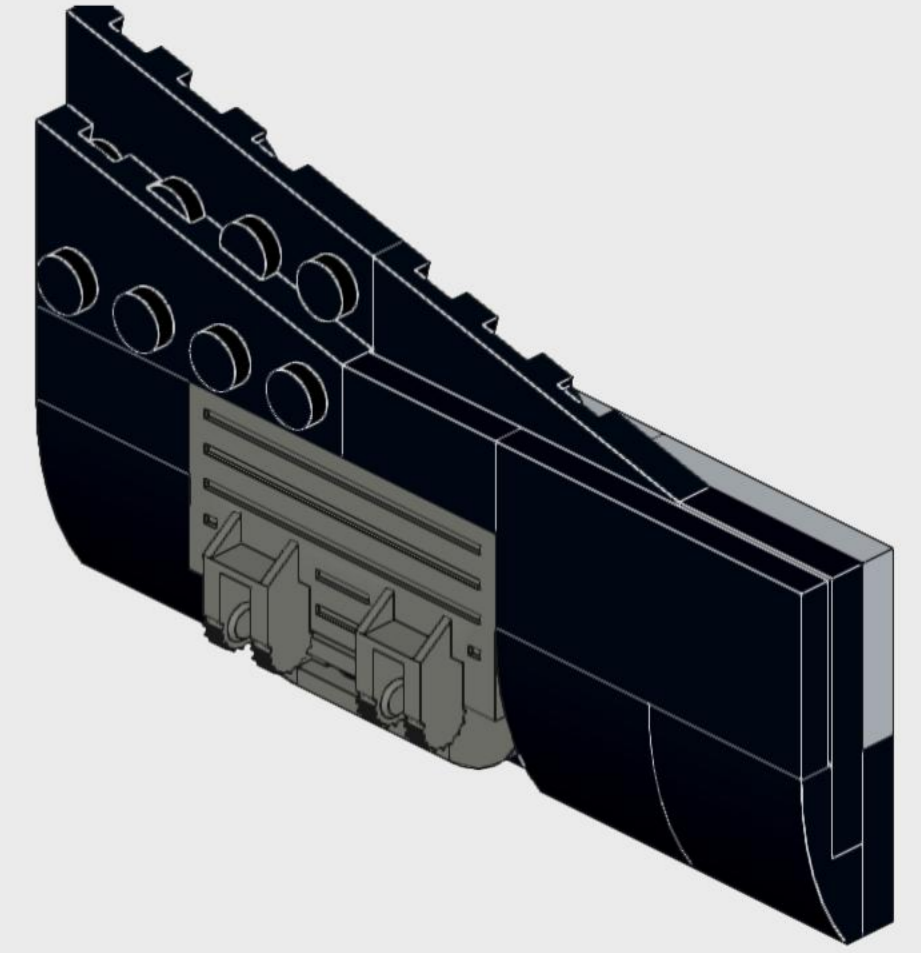




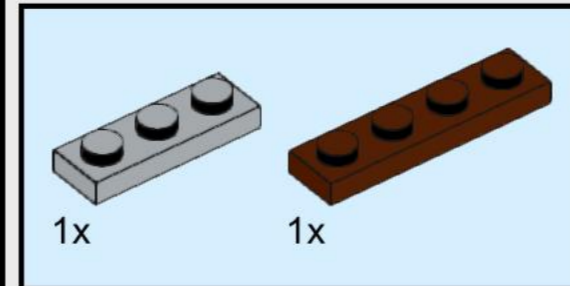
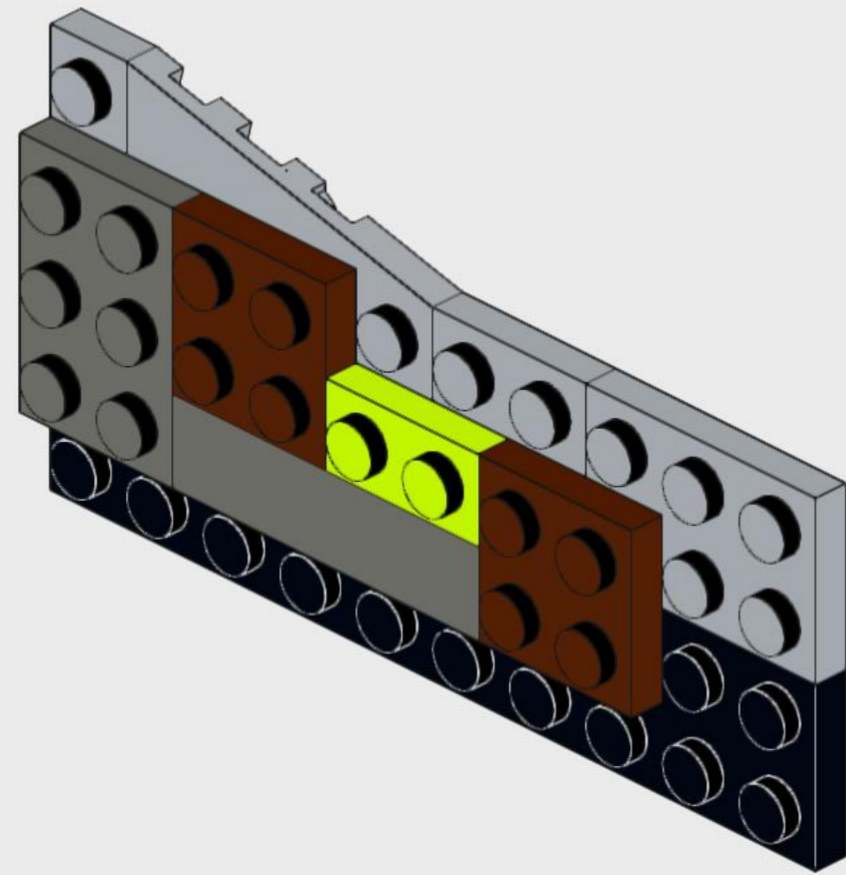
77



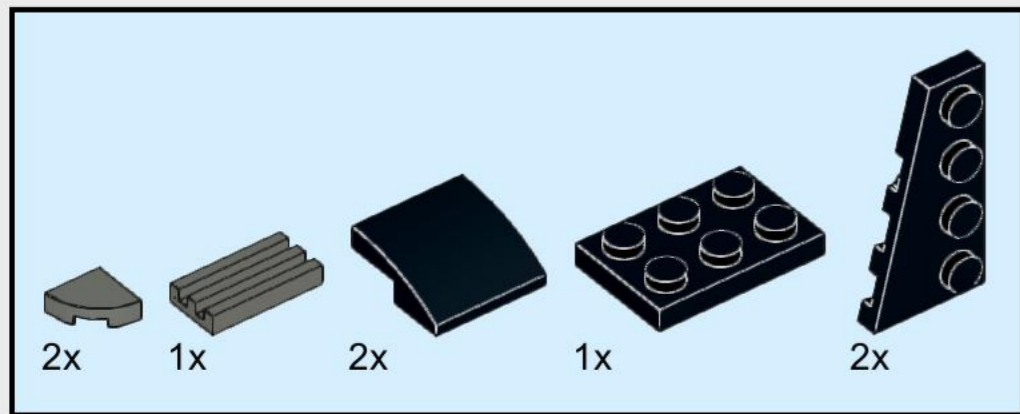
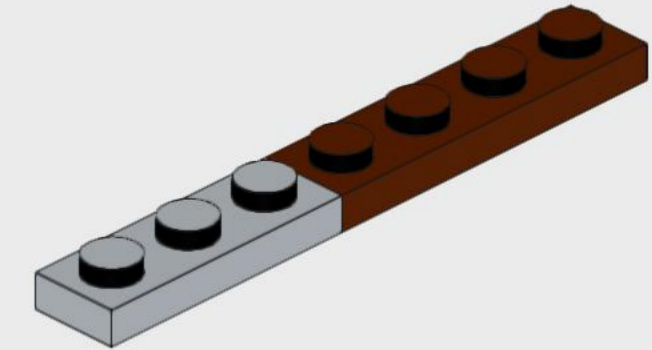
80



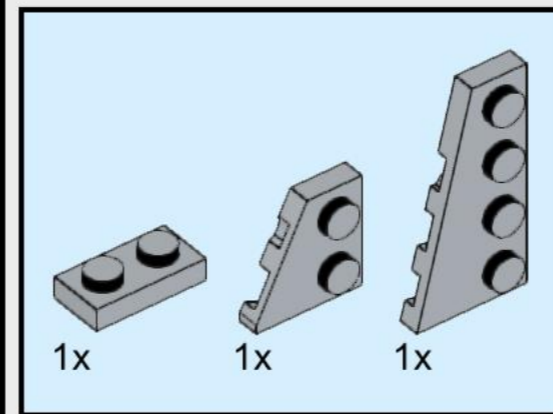
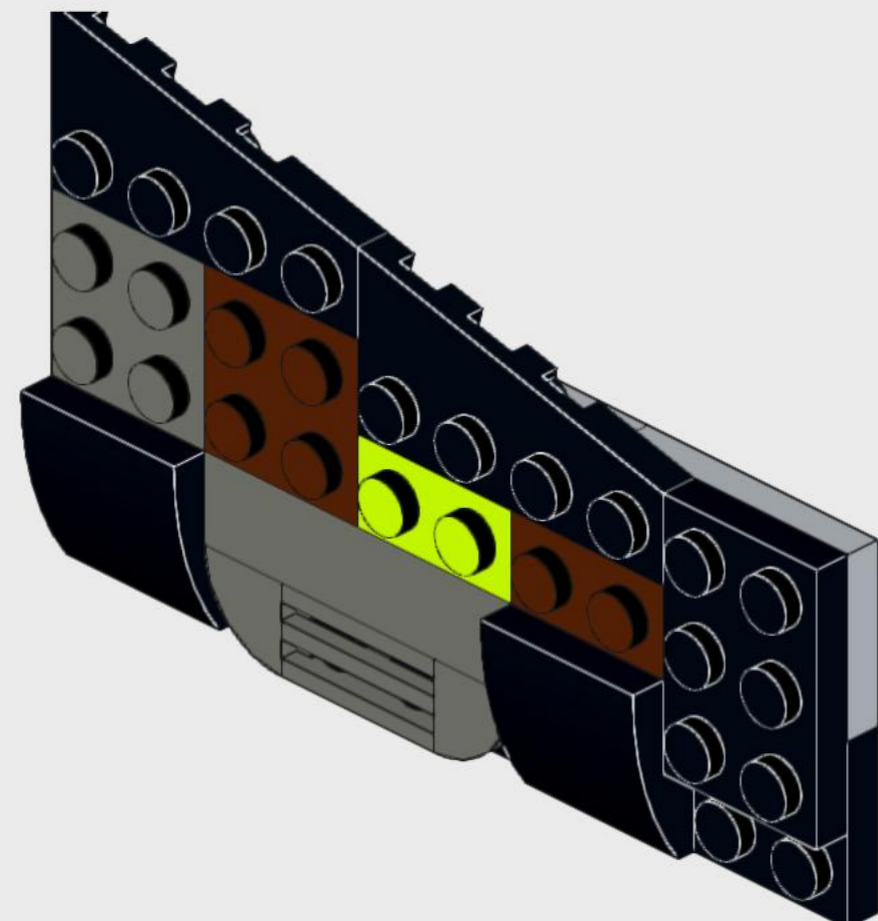
78



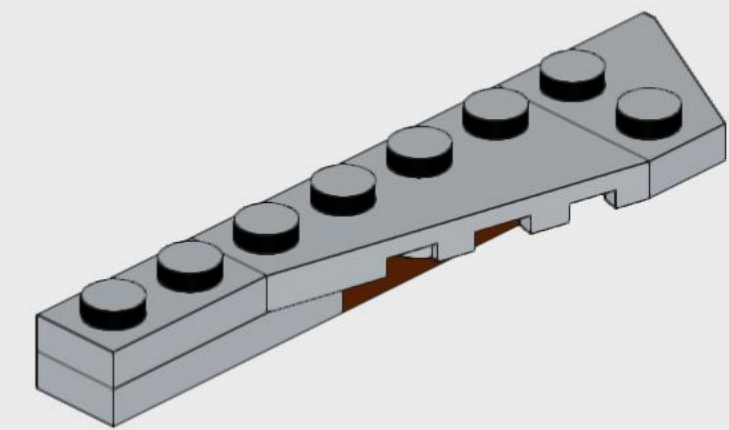
81

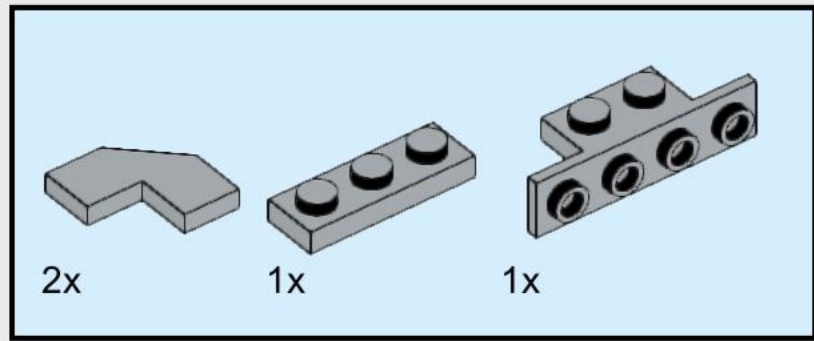


79

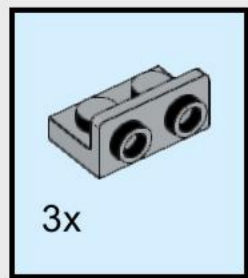
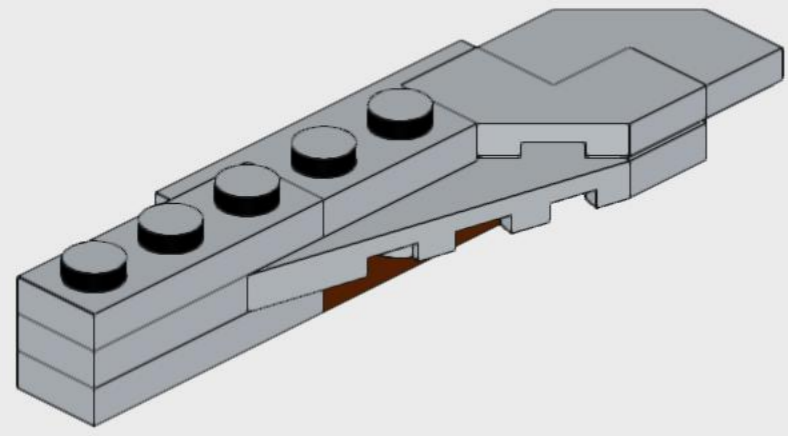


82

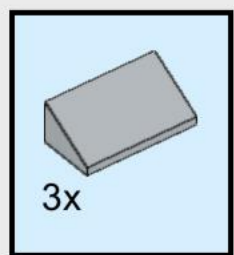
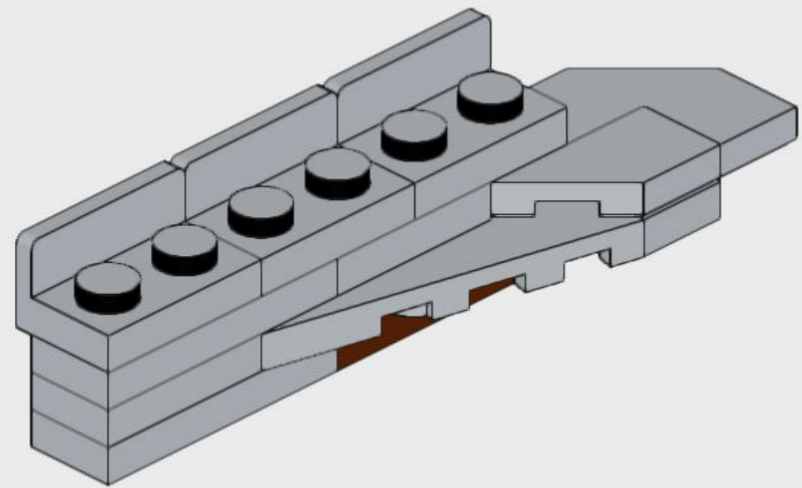




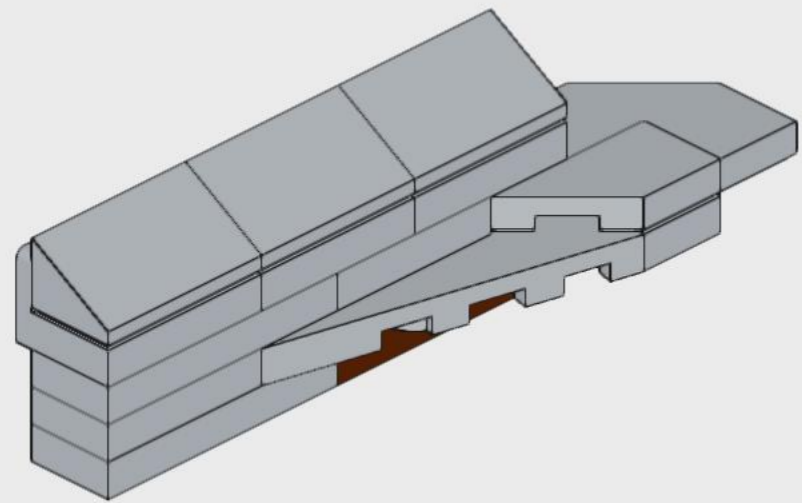
83



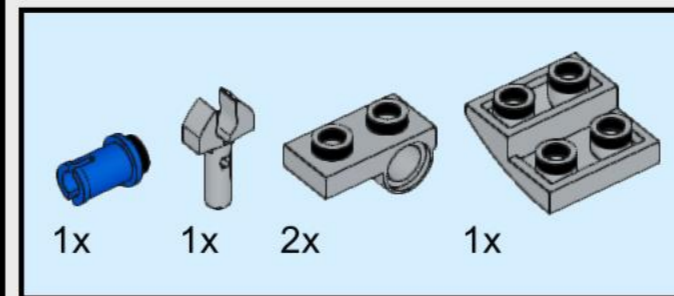
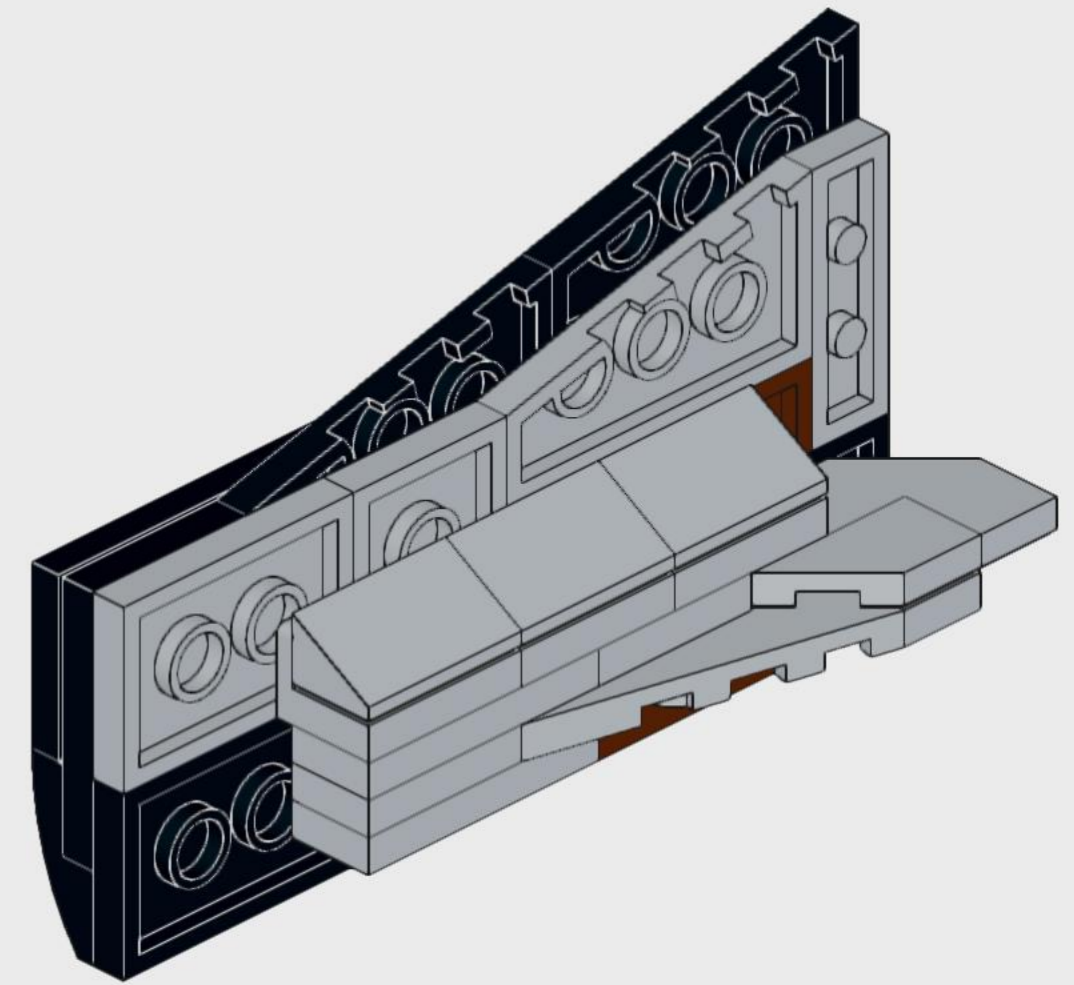
84



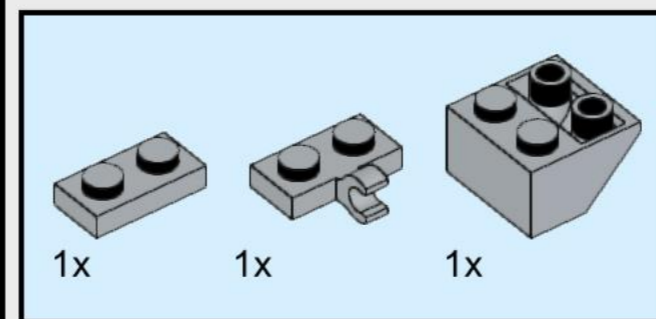
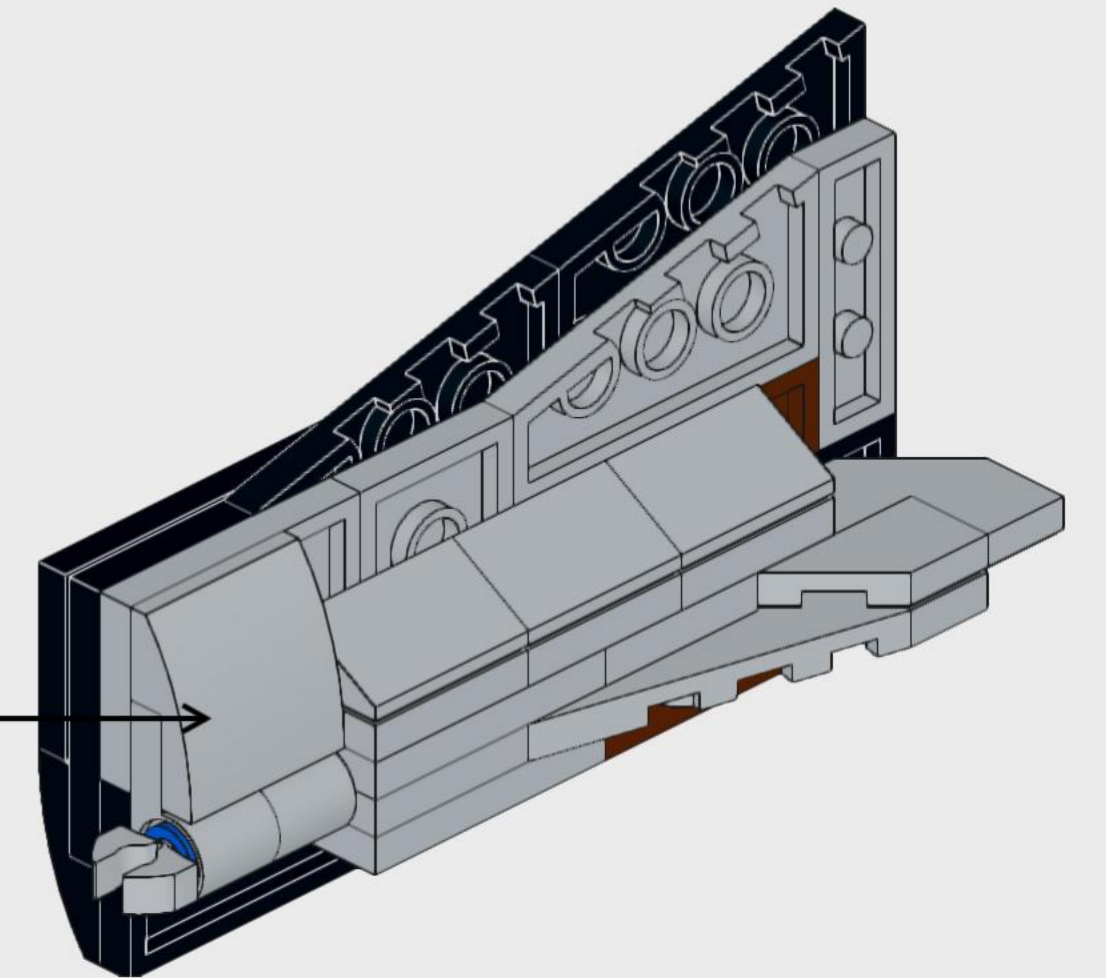
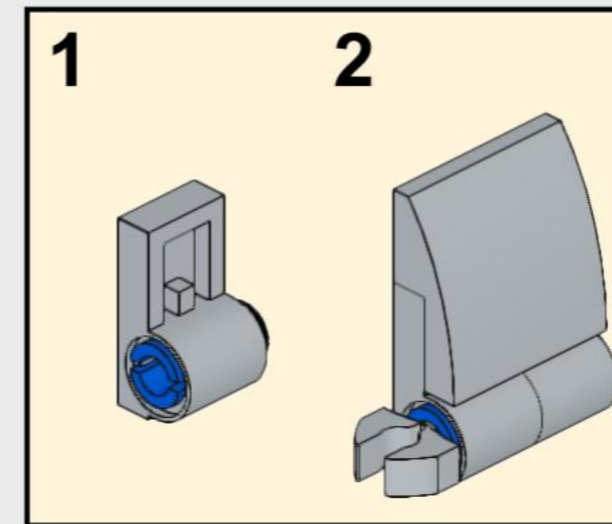
85



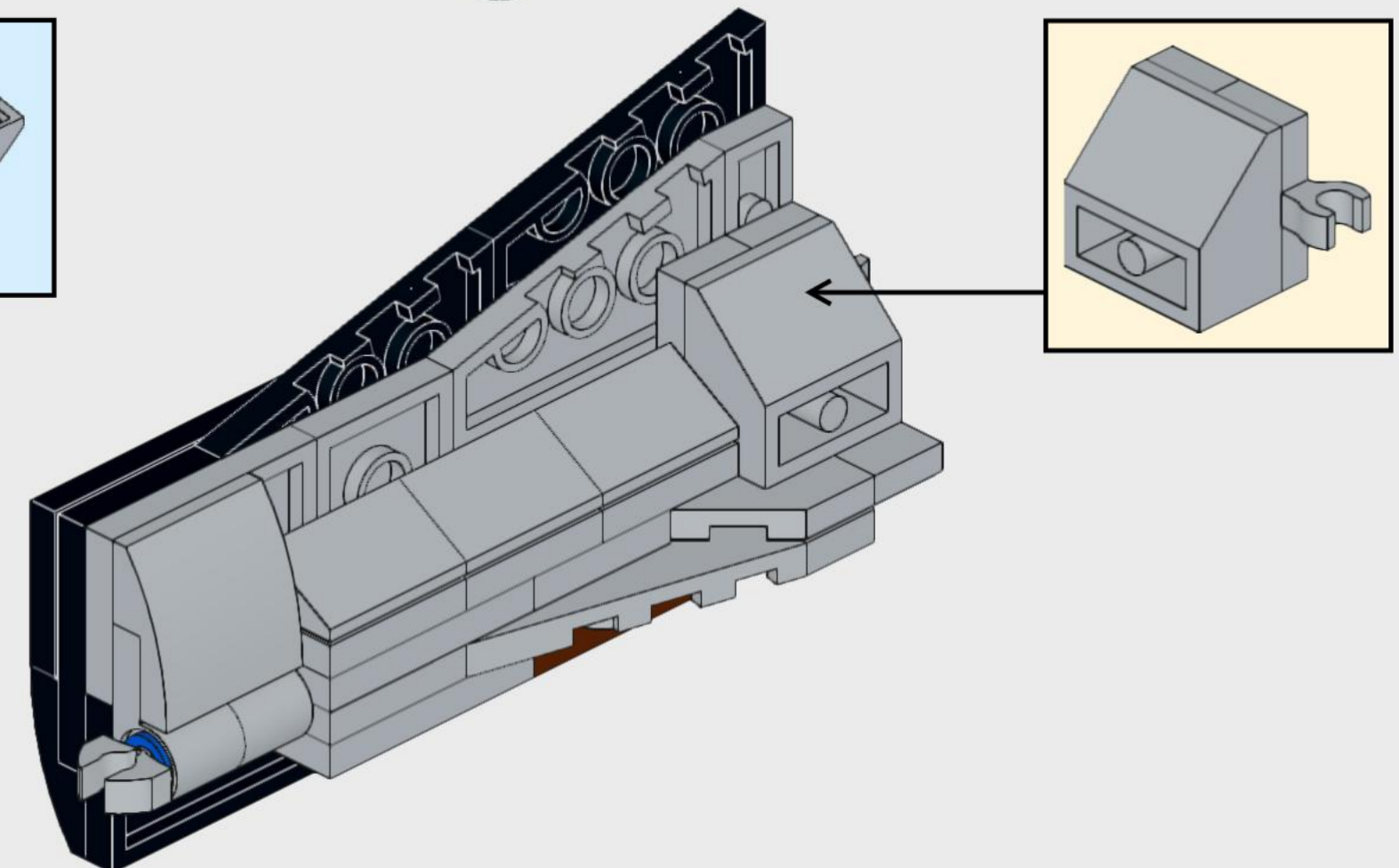
86

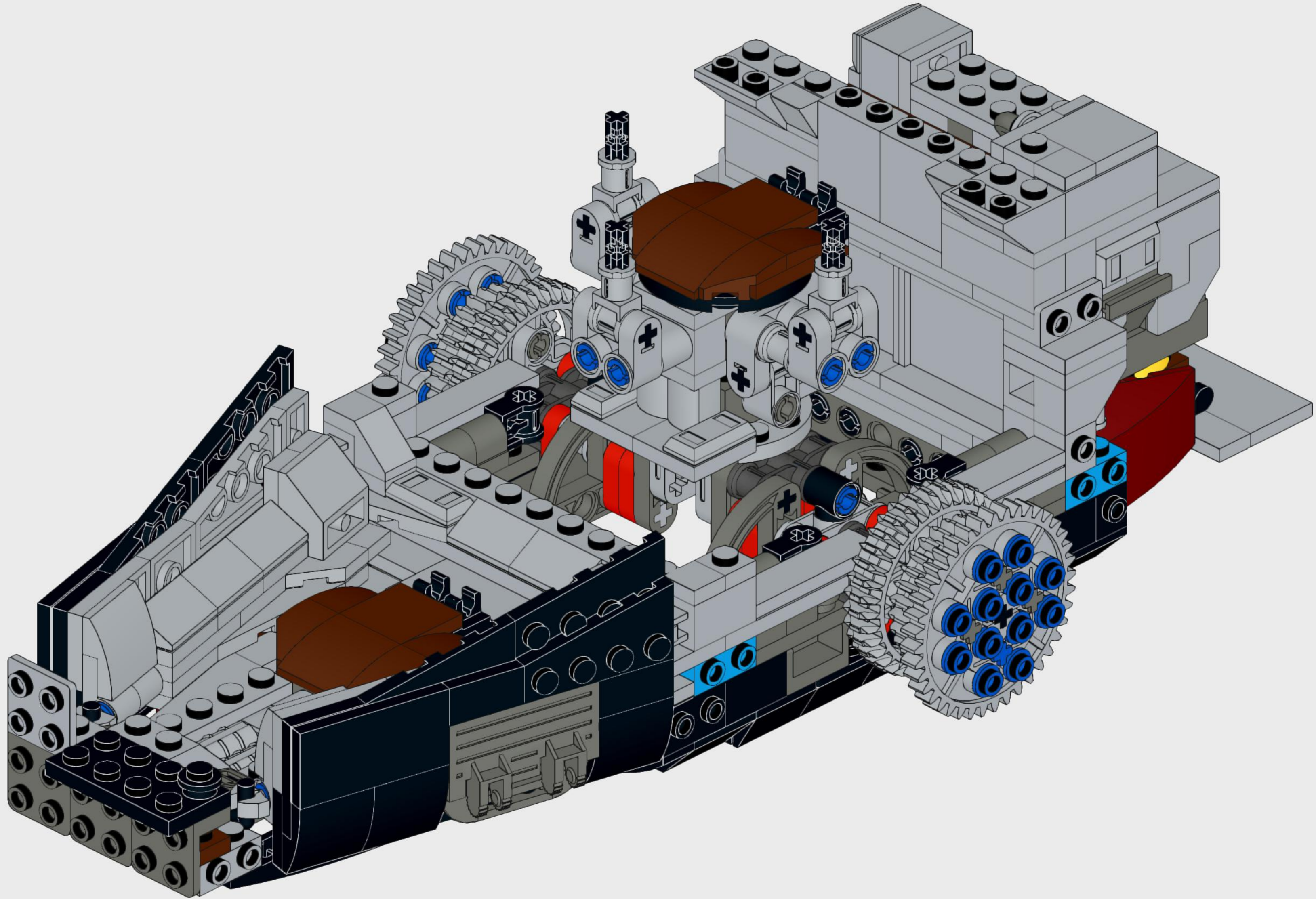


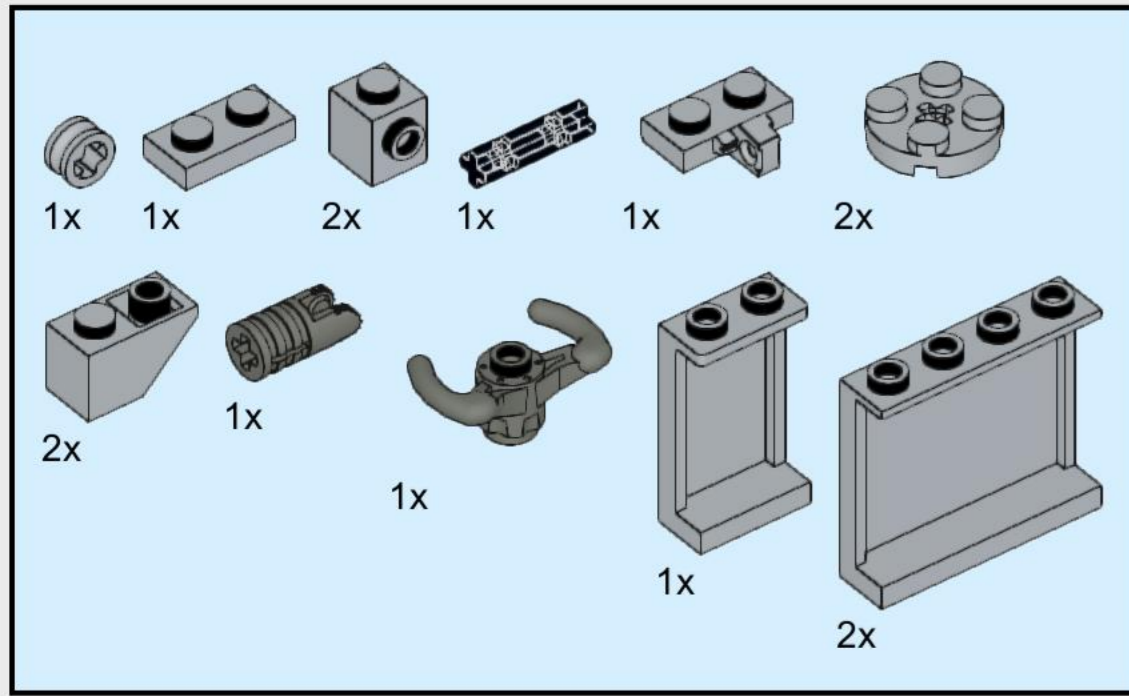
87



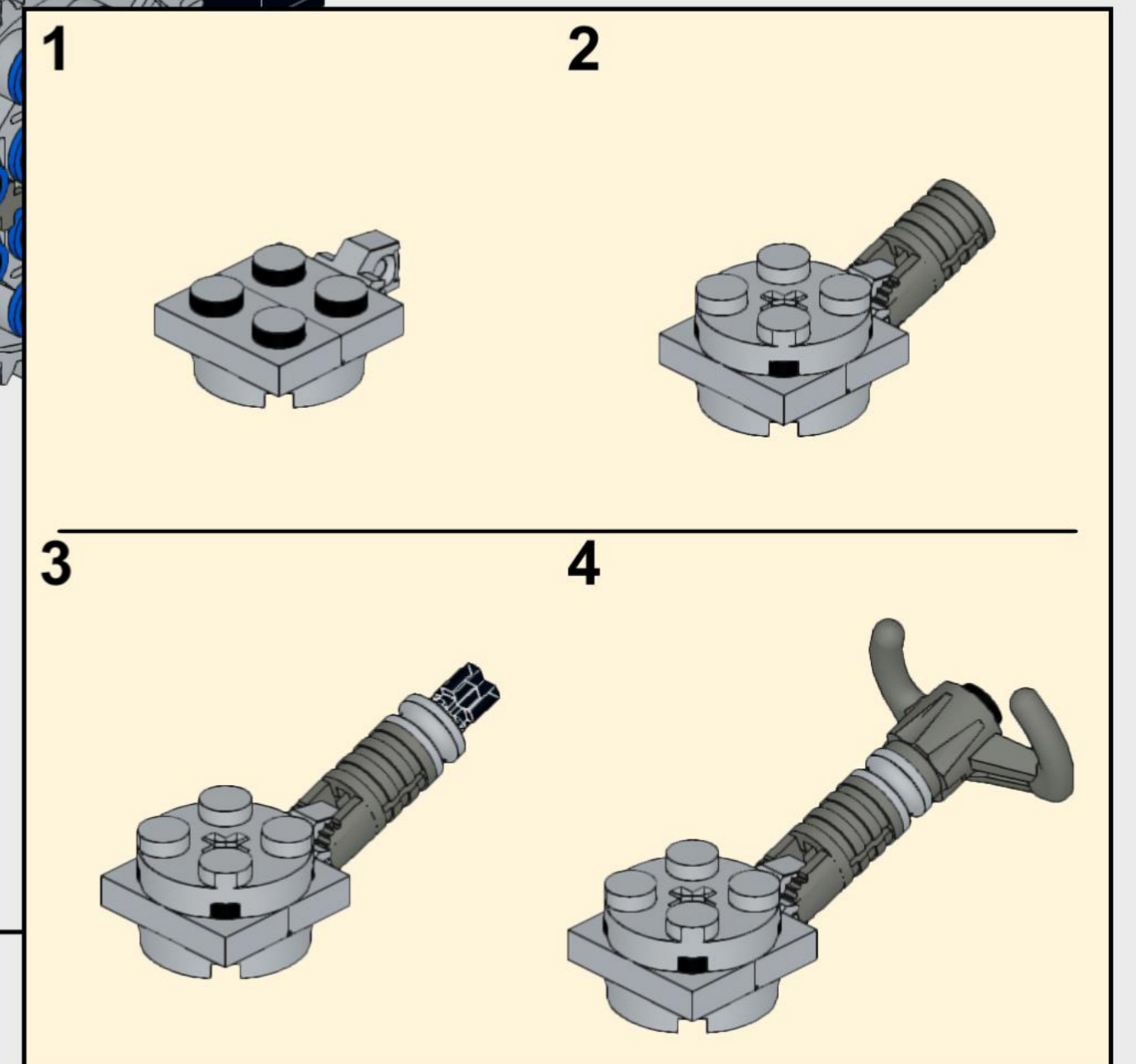
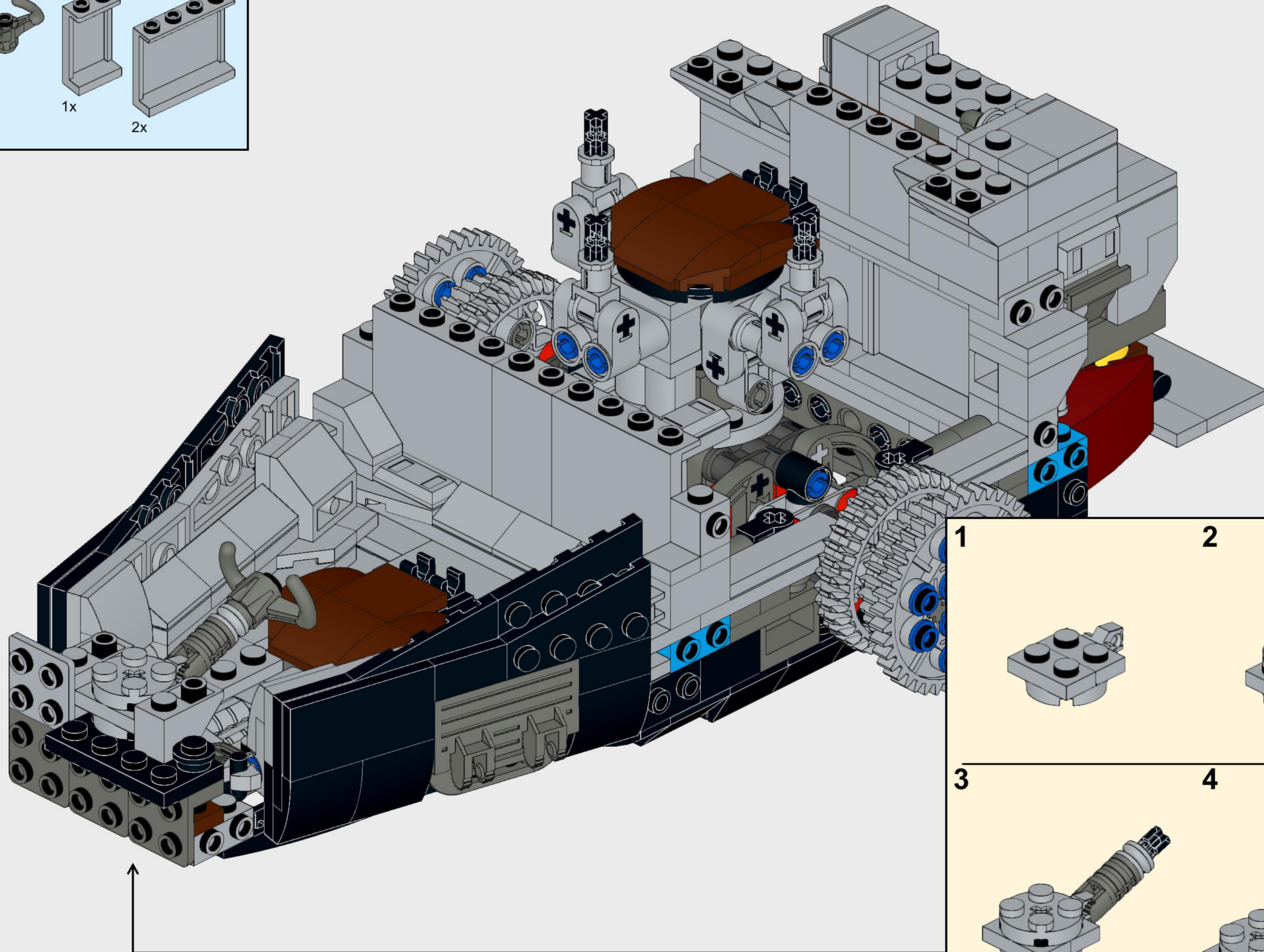
88

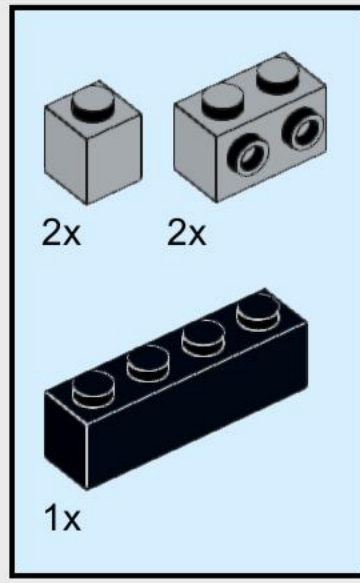




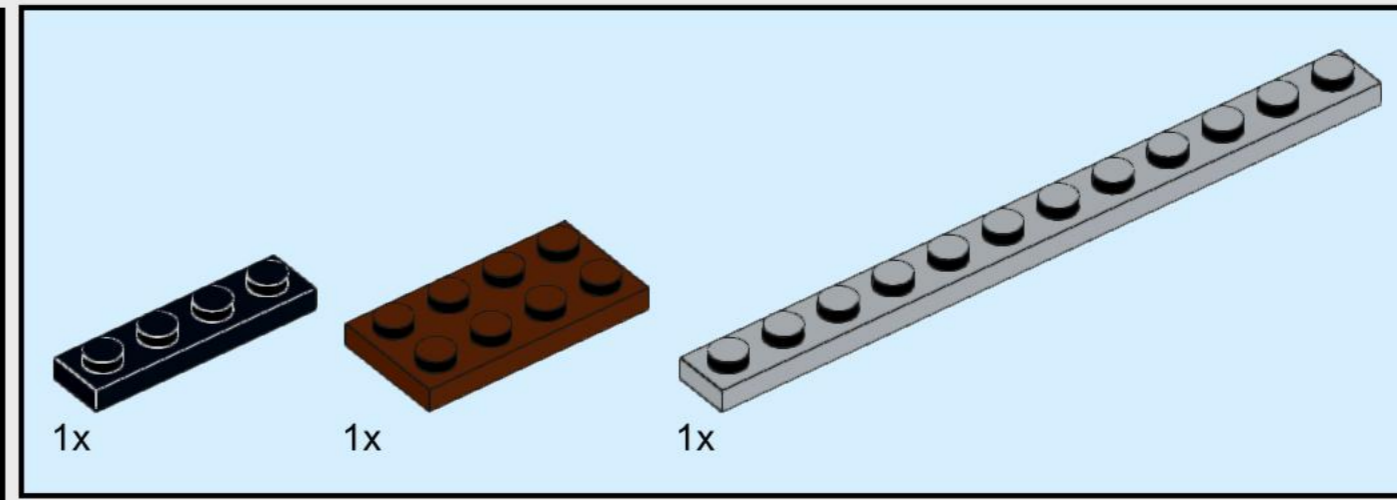
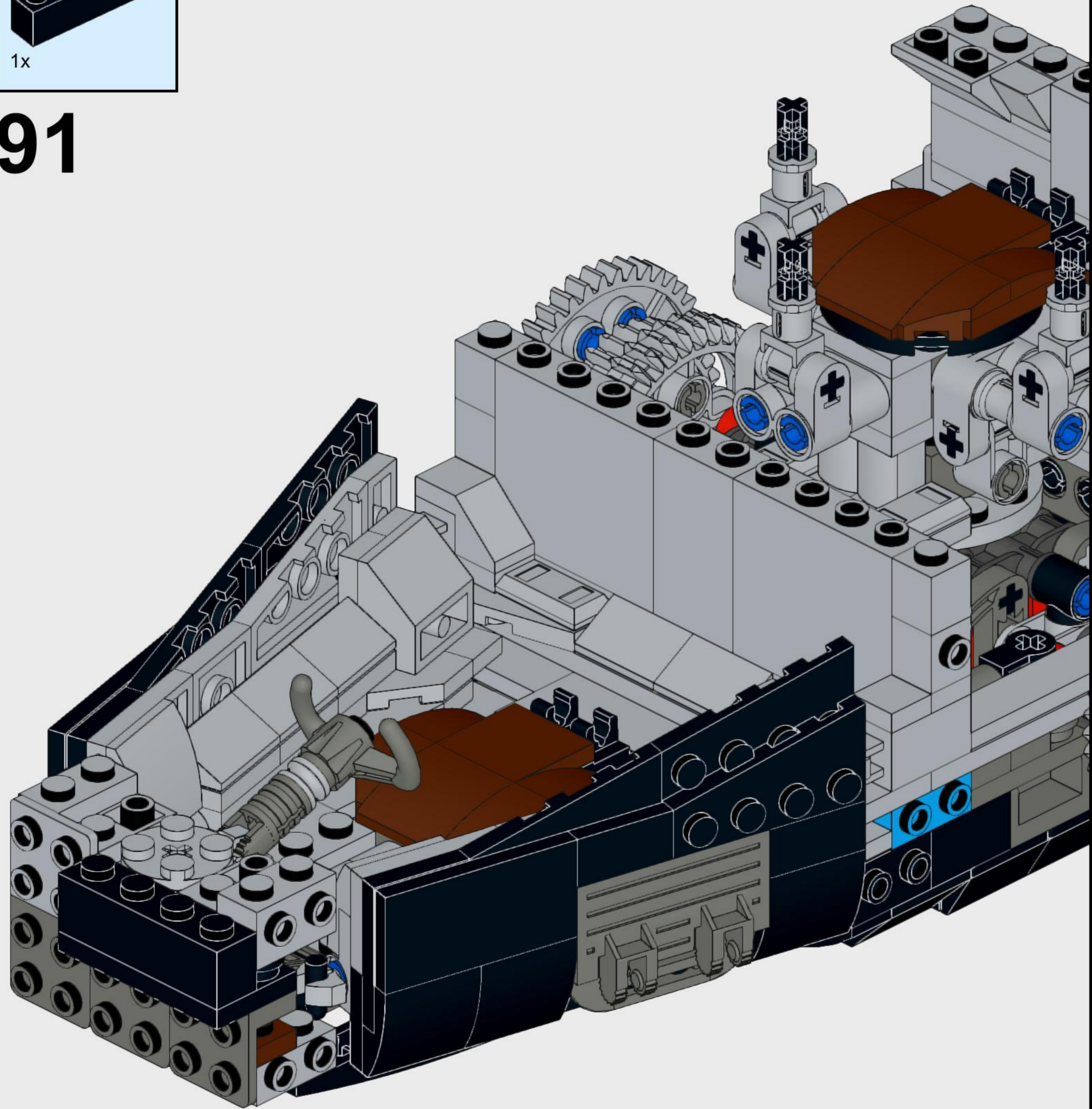


90

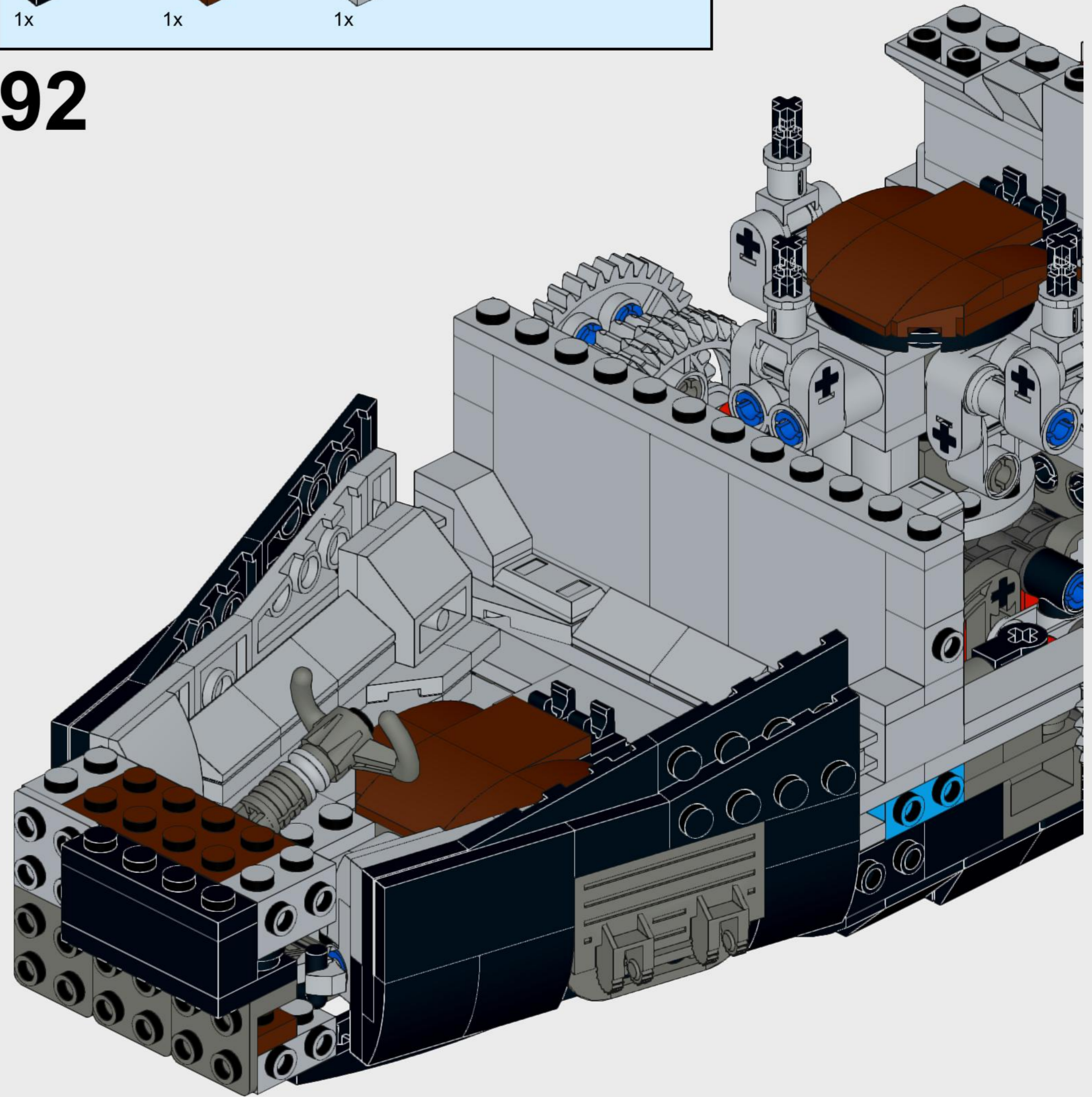


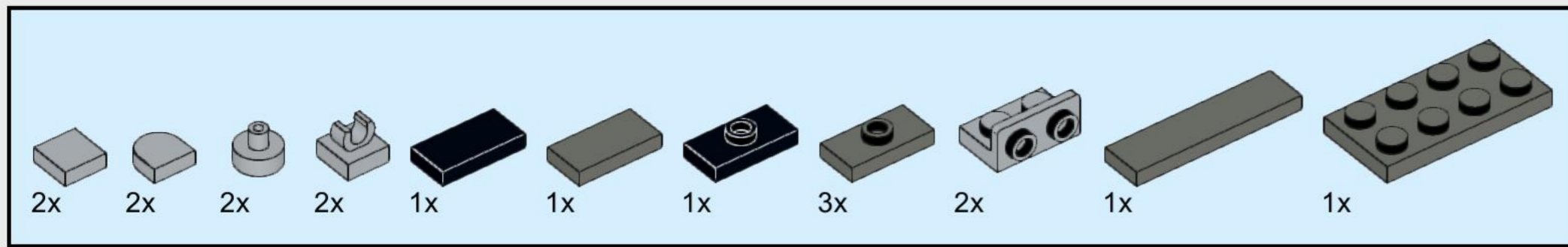


91

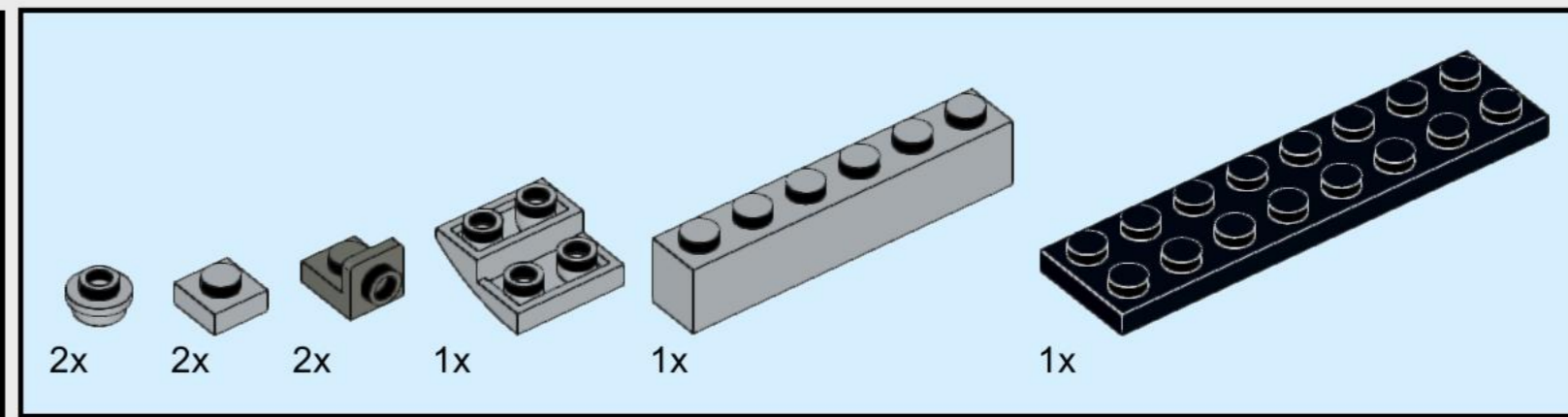
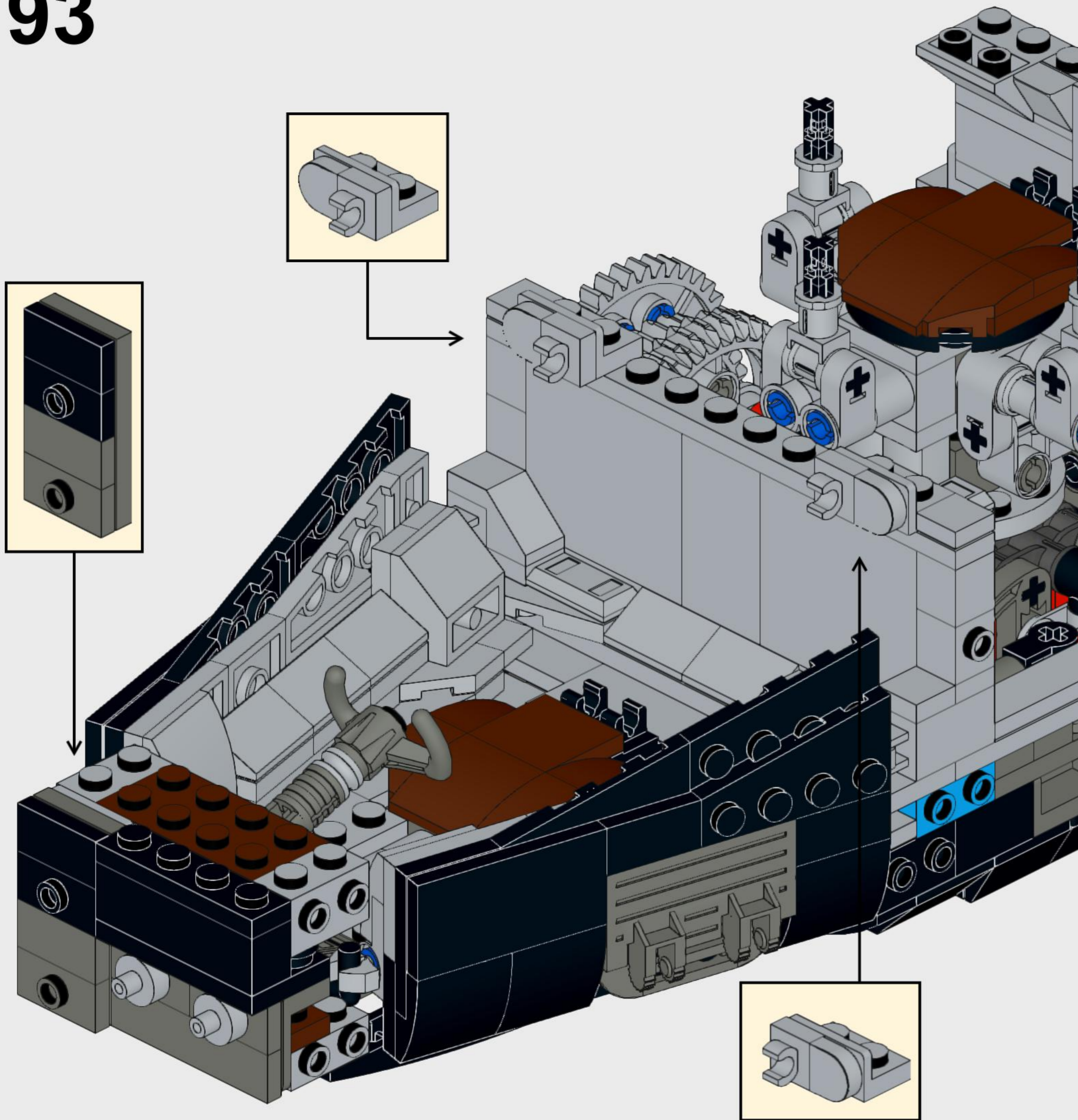


92

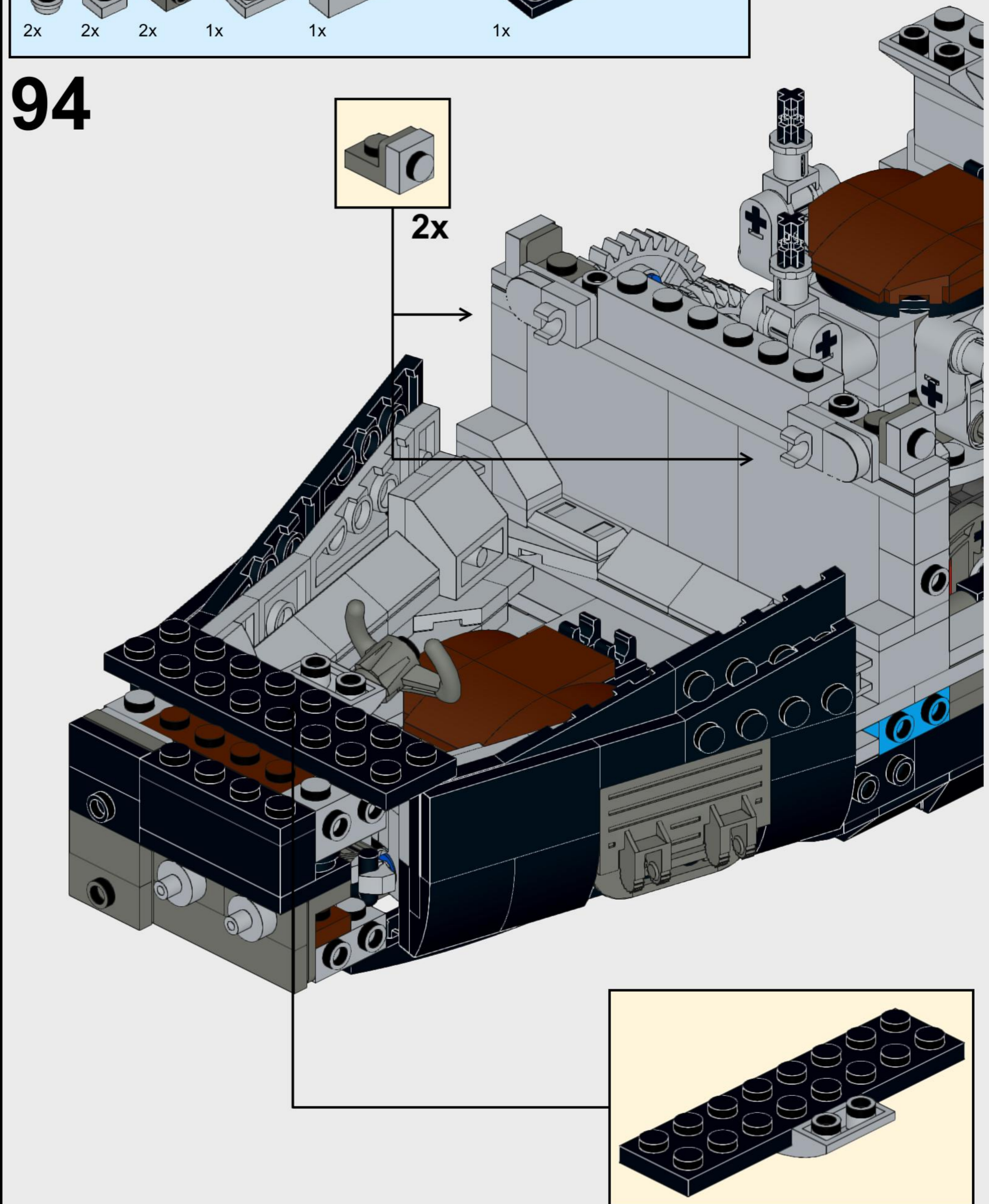


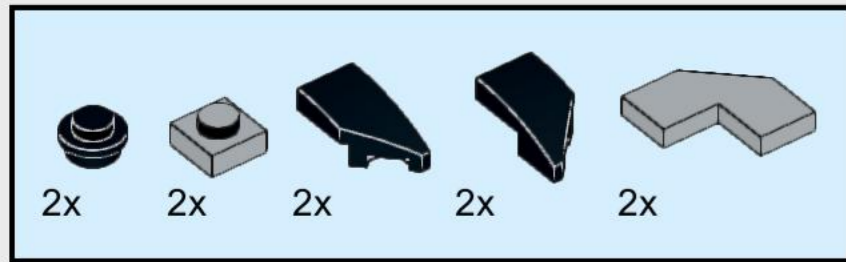


93

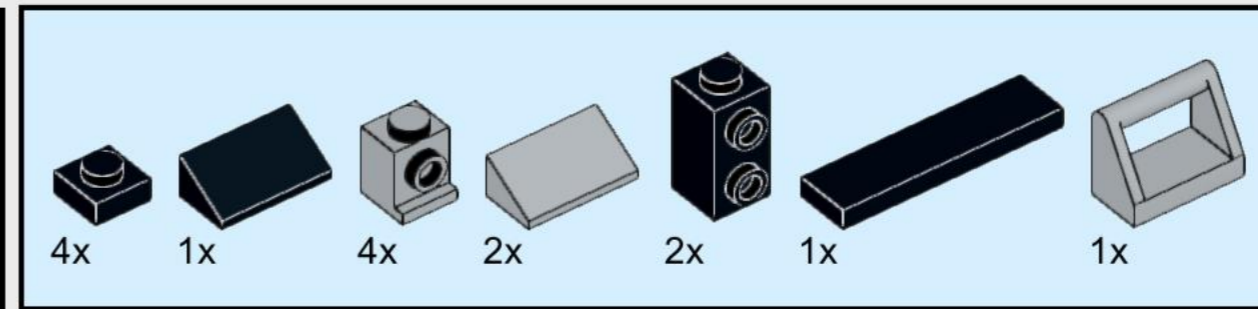
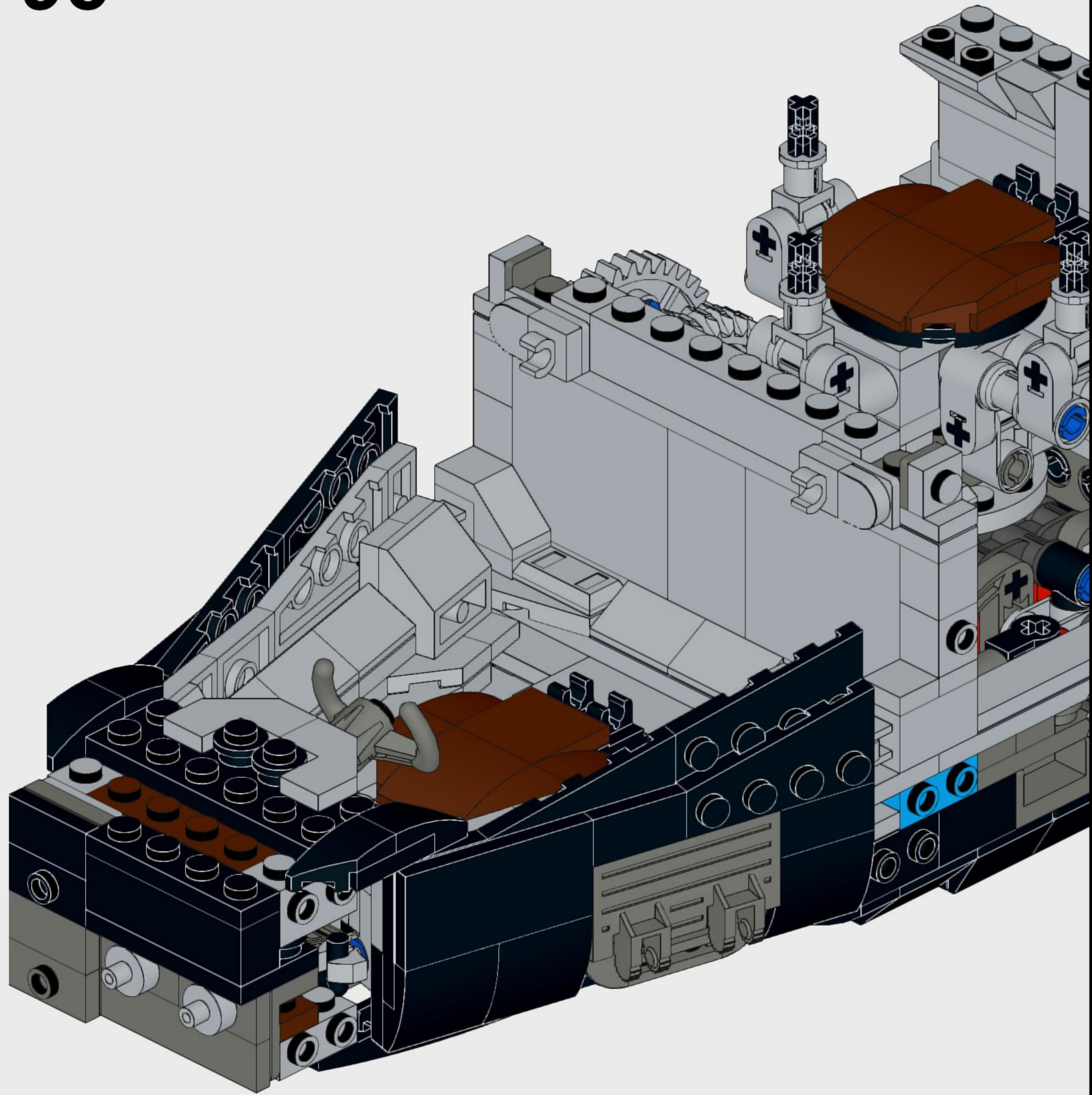


94

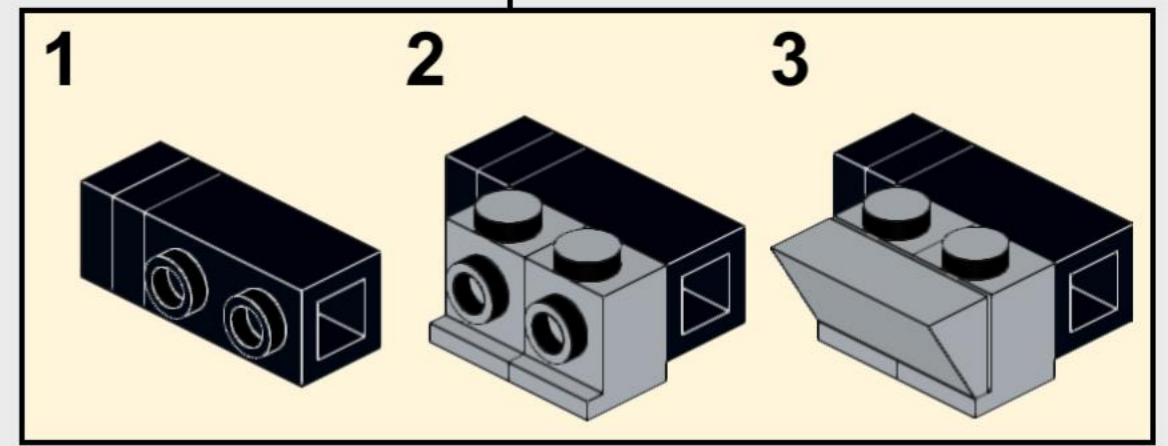
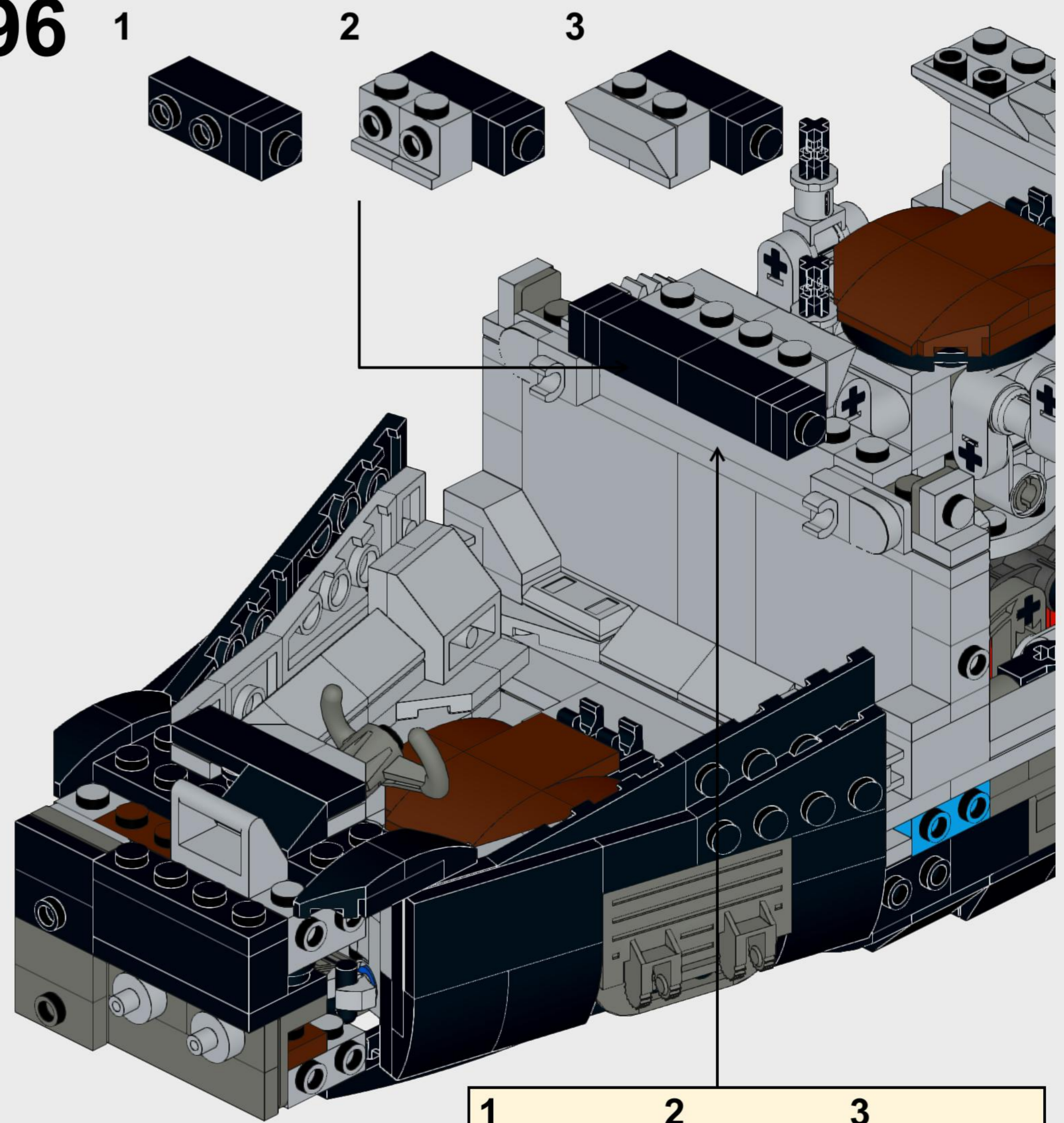


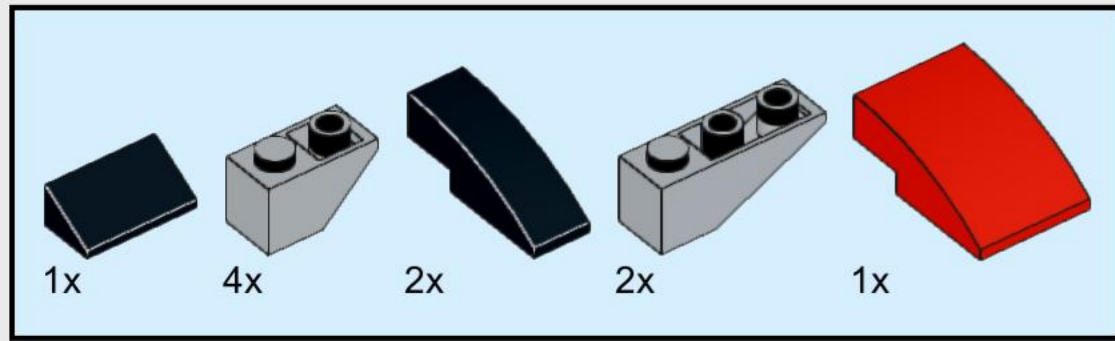


95

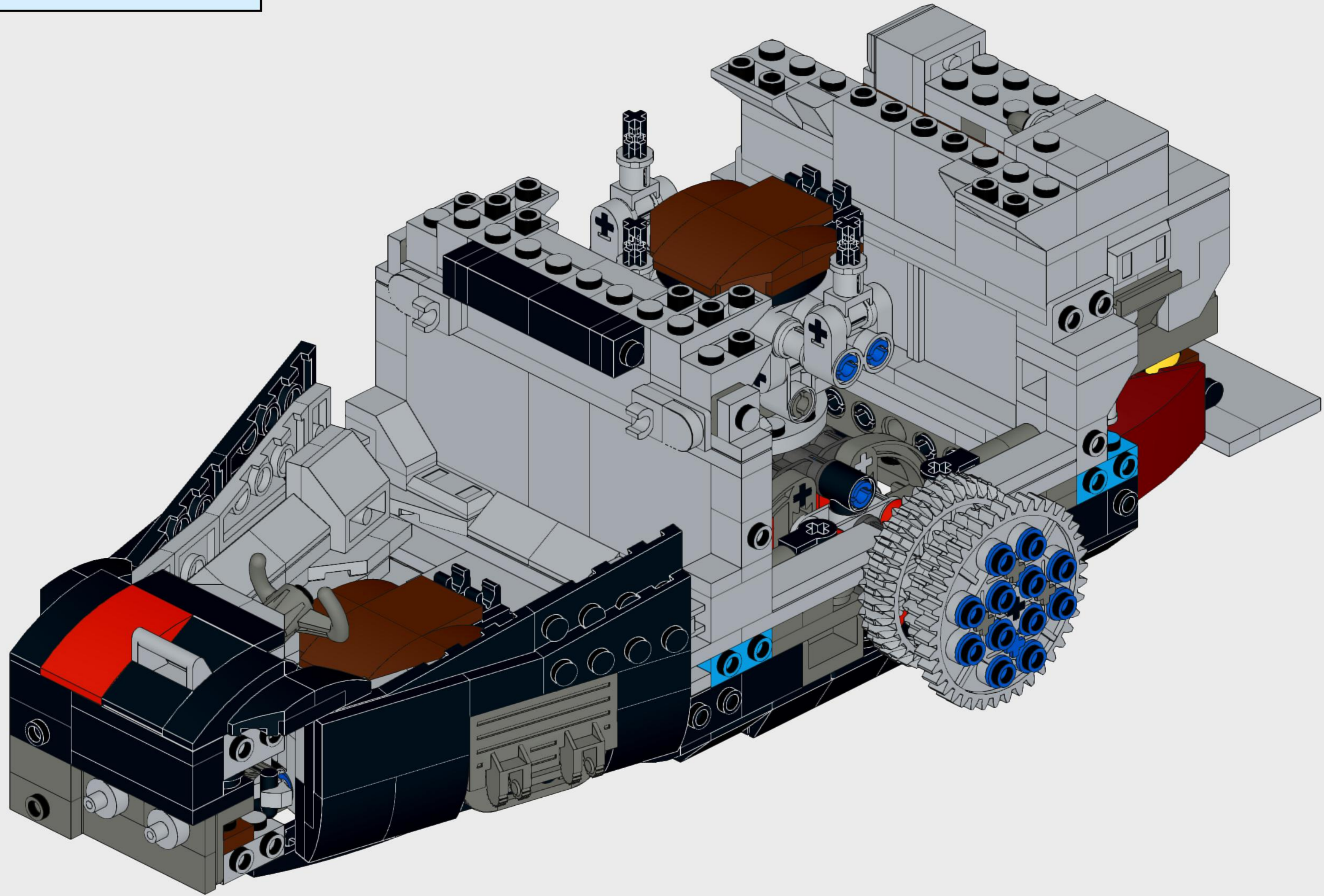


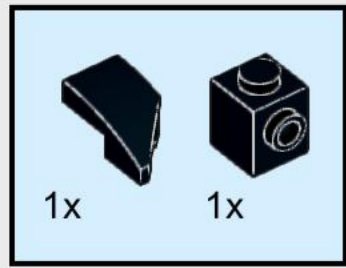
96



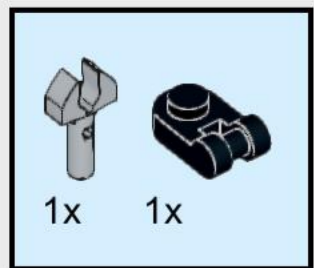


97

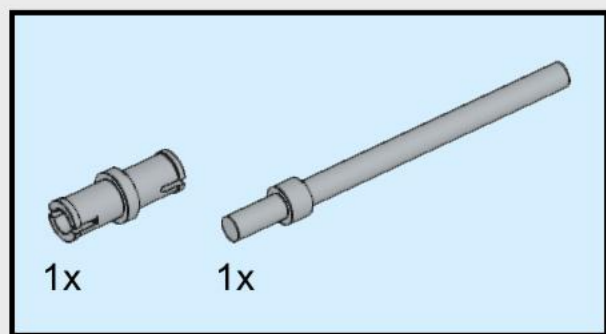
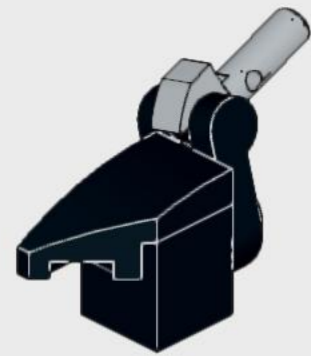




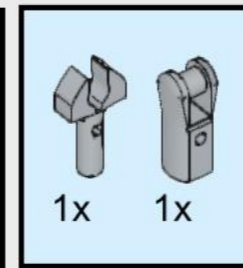
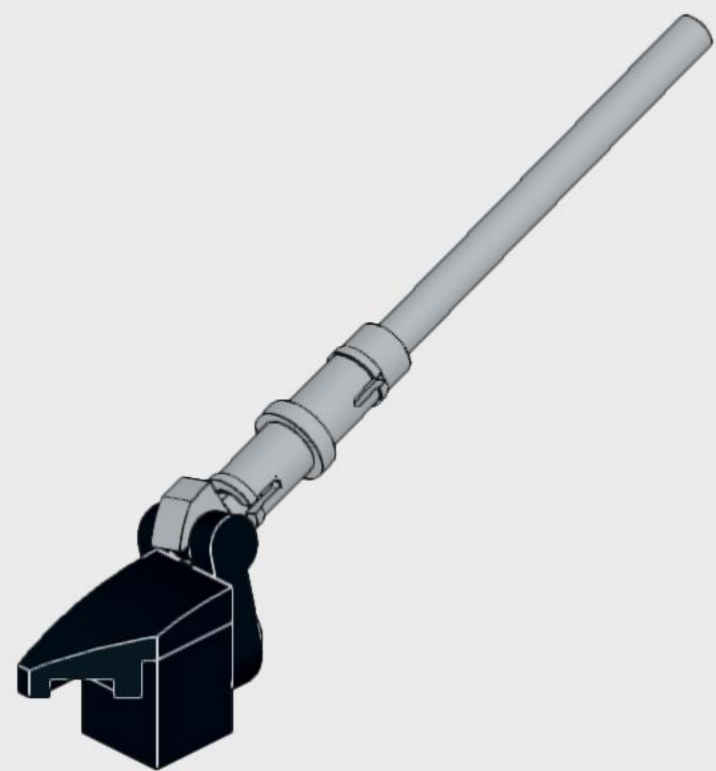
98



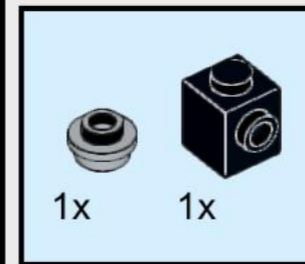
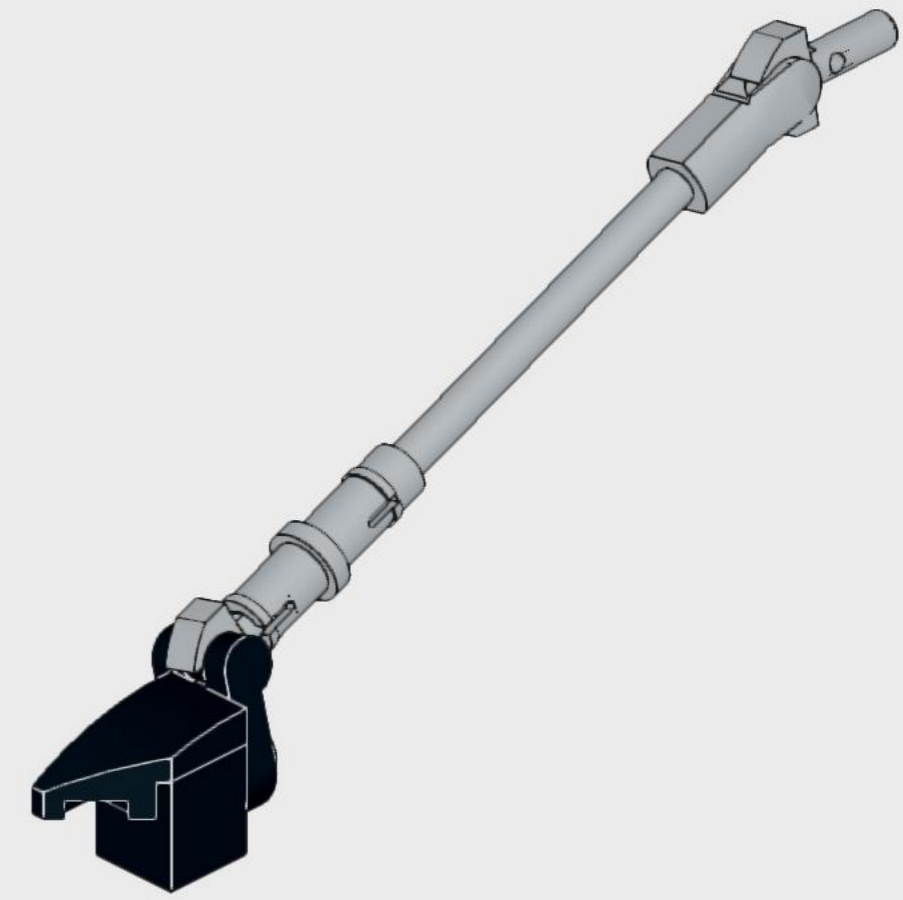
99



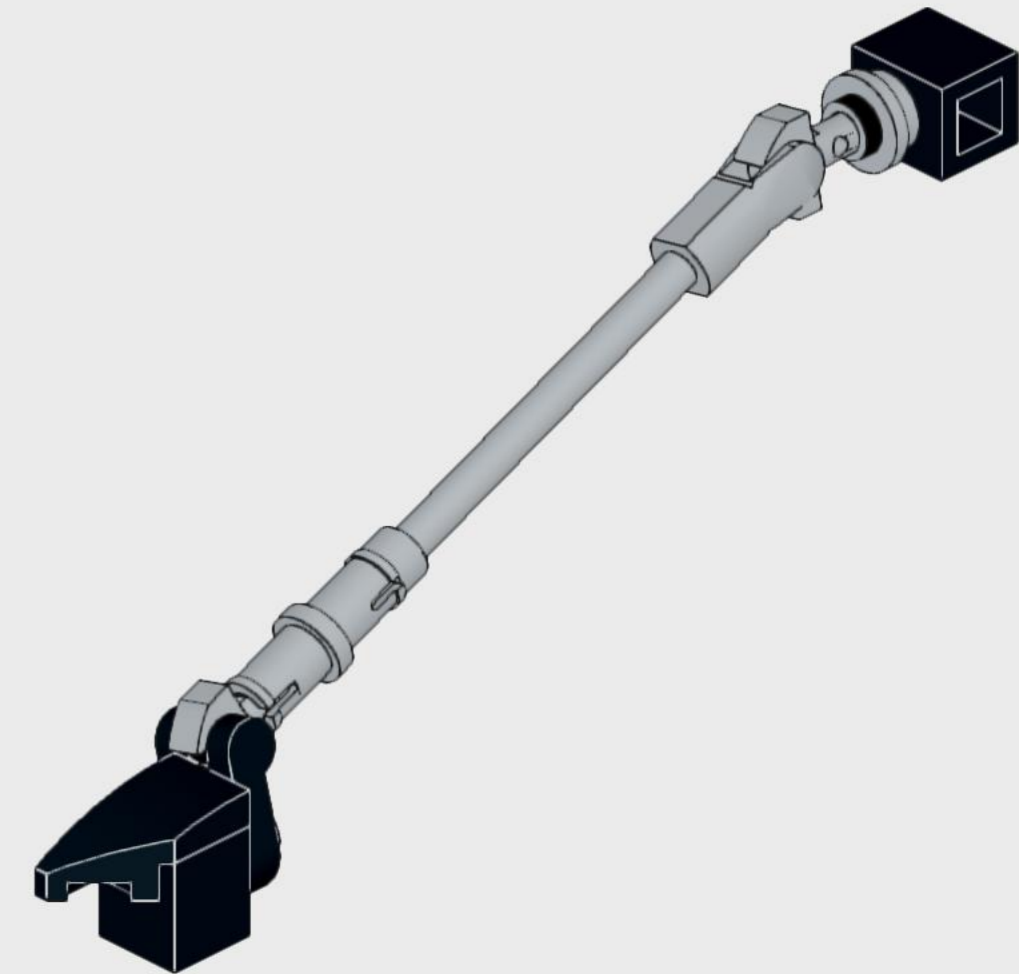
100



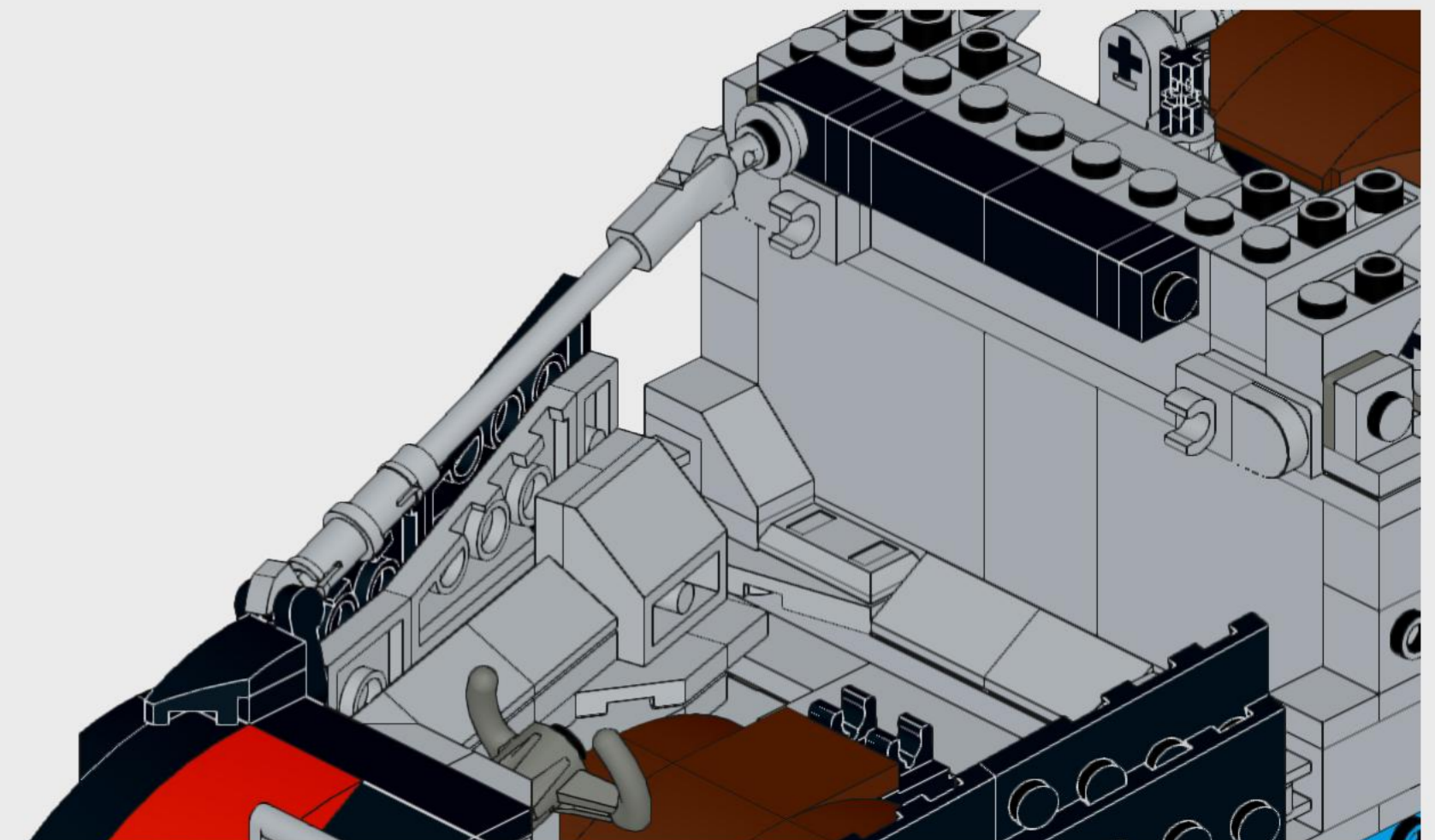
101

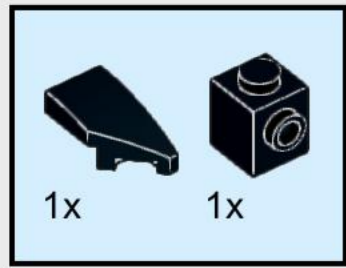


102

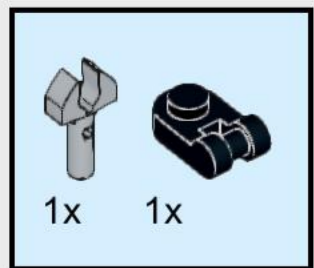


103

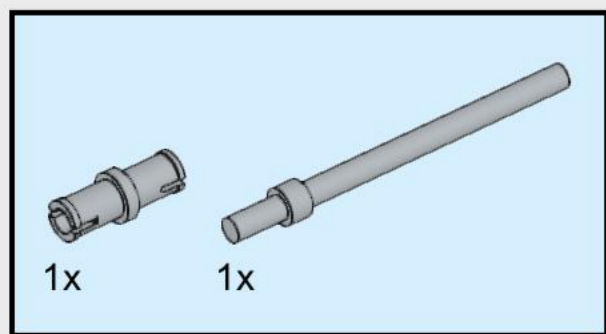
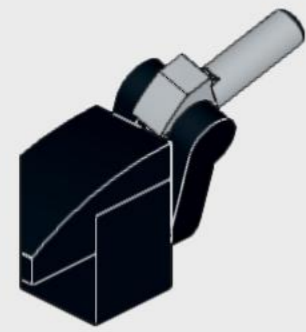




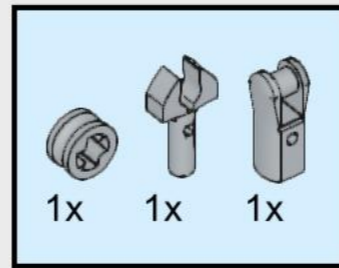
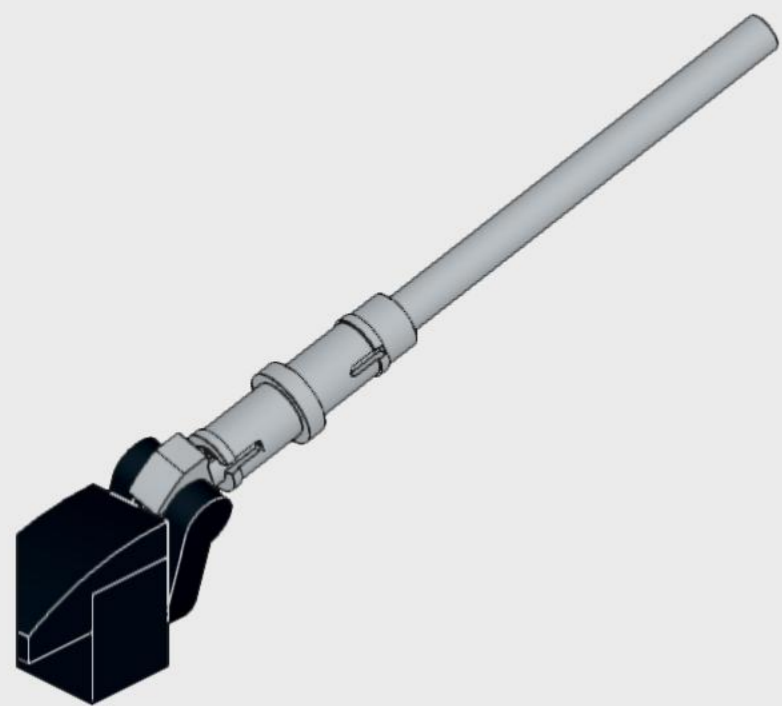
104



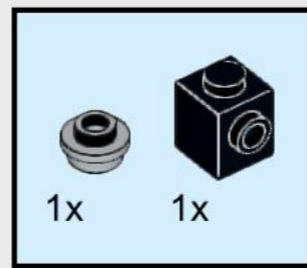
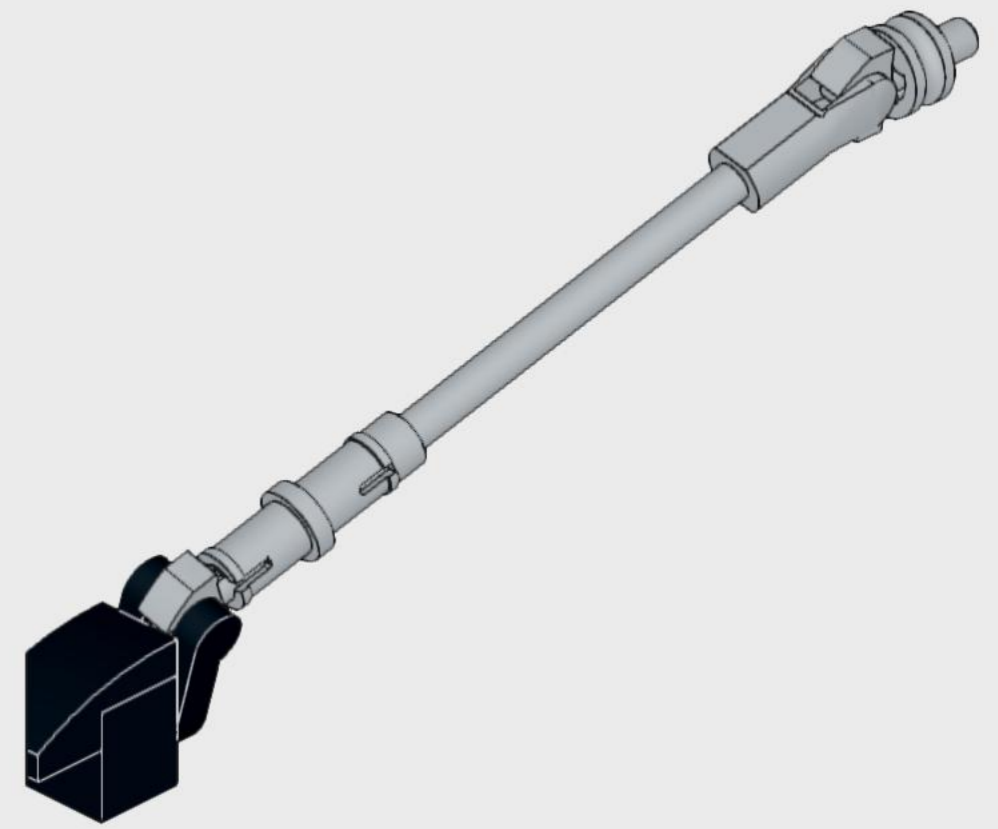
105



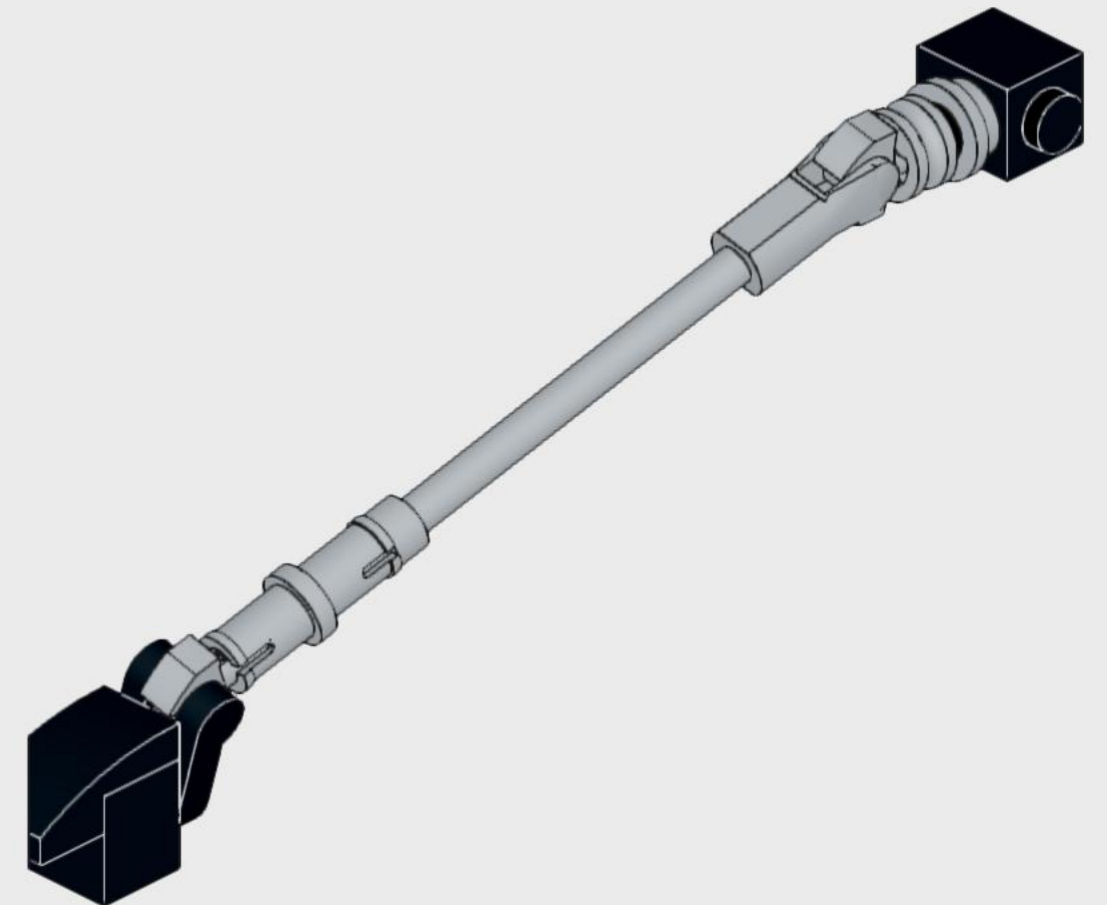
106



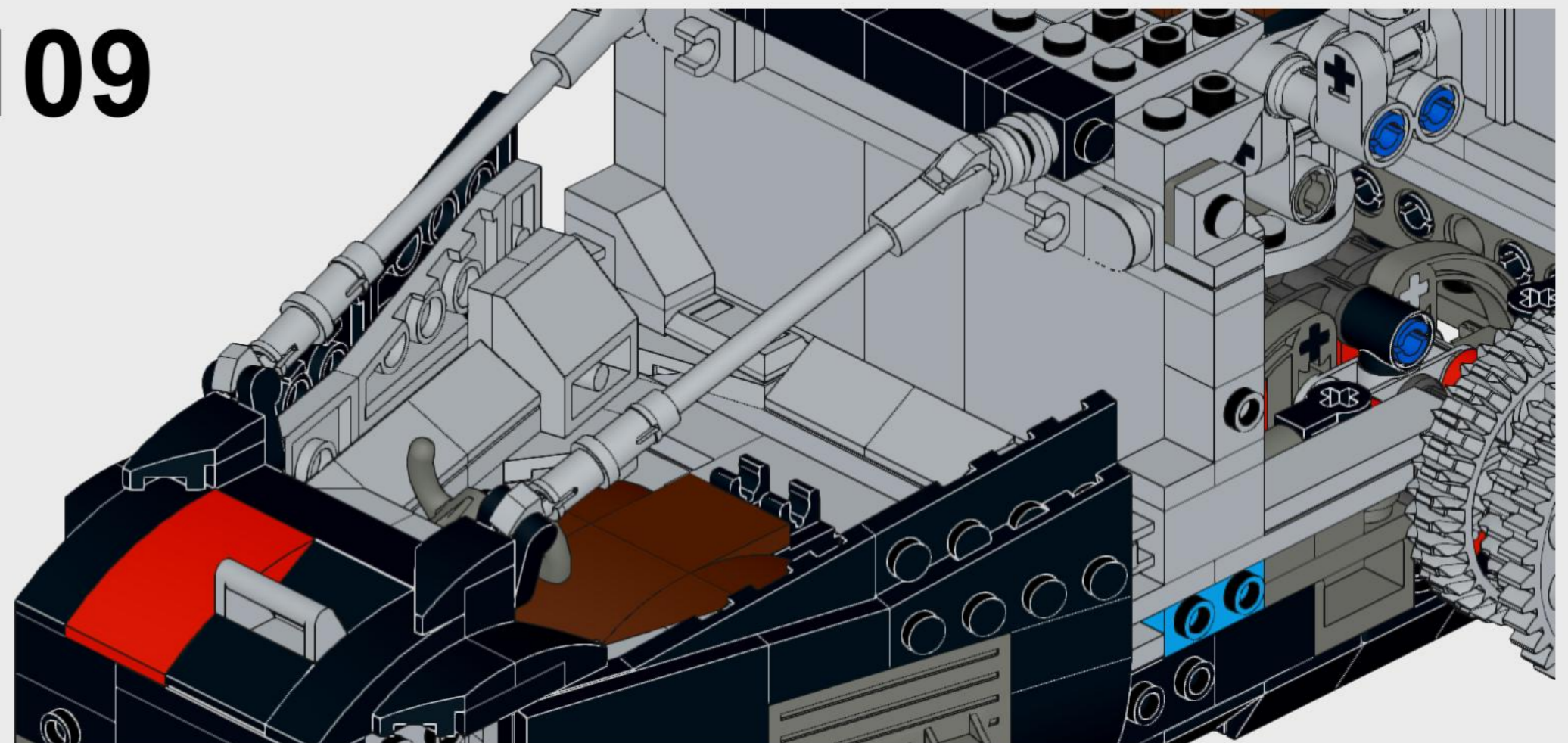
107

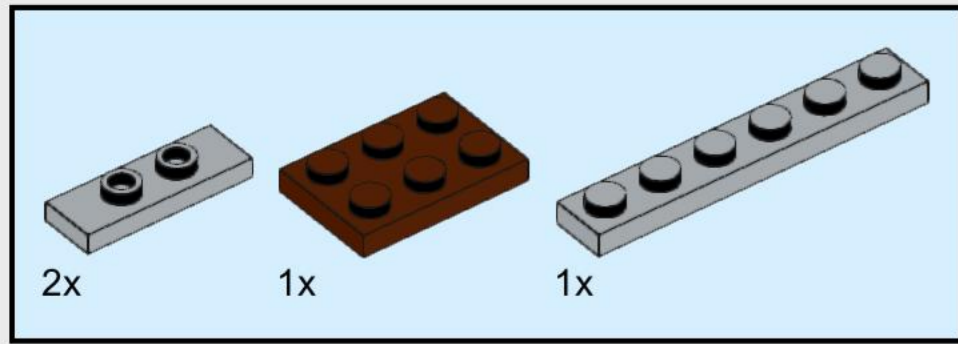


108

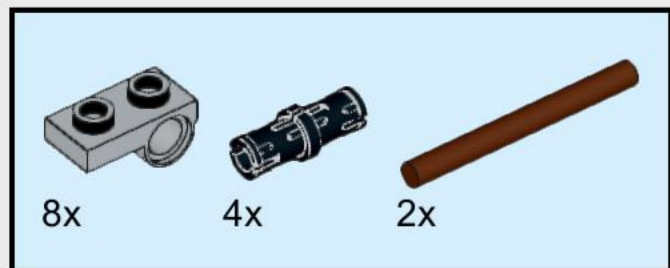
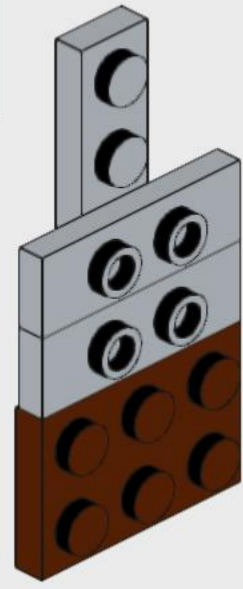


109

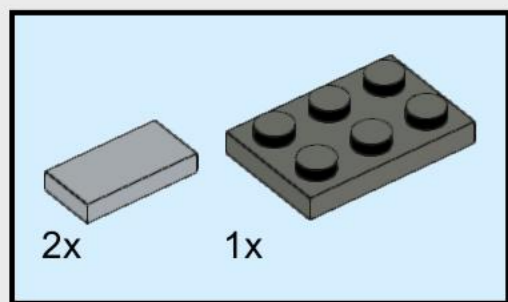
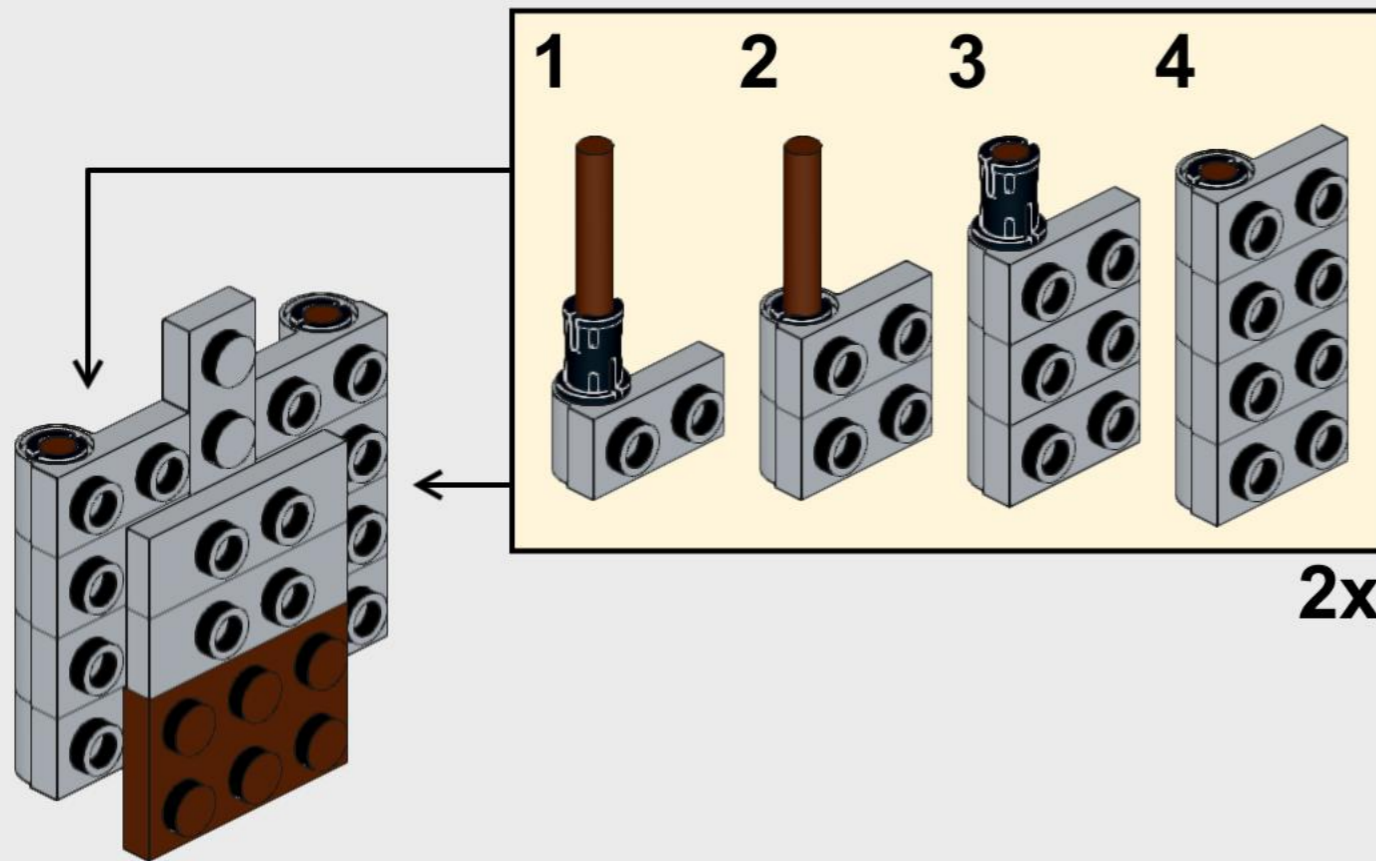




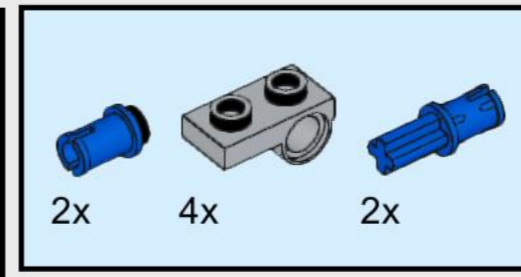
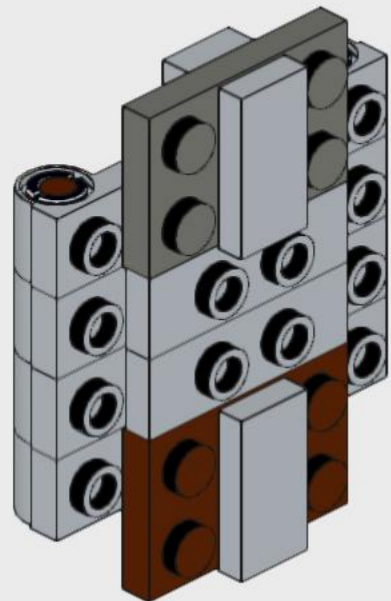
110



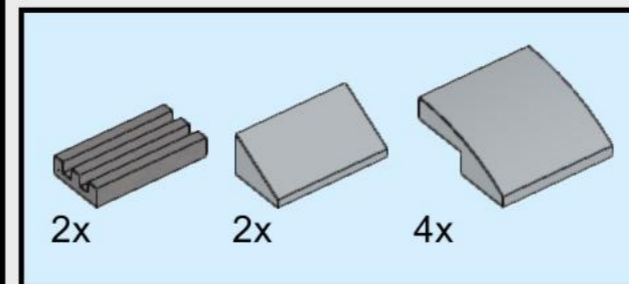
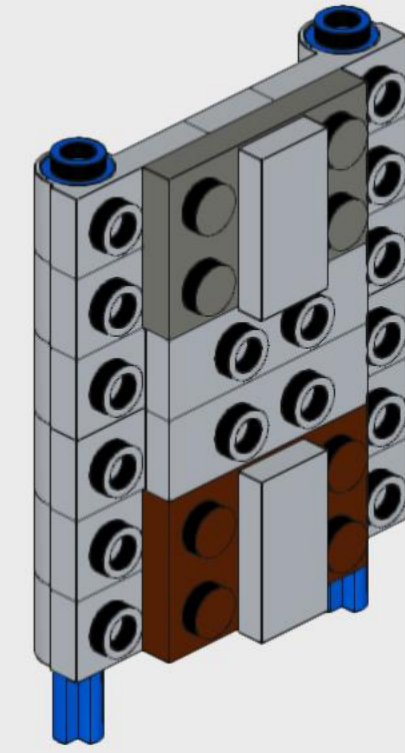
111



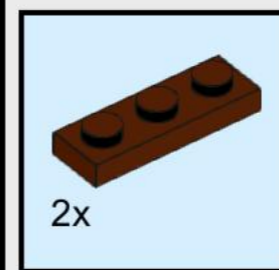
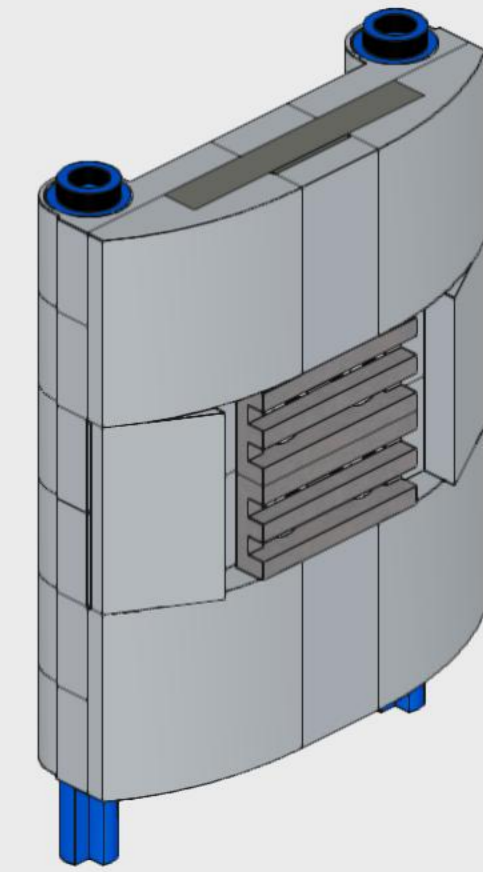
112



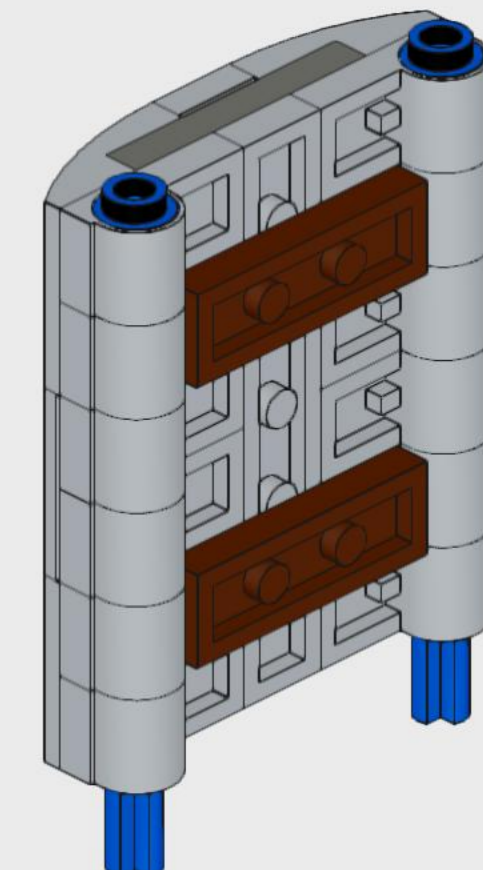
113

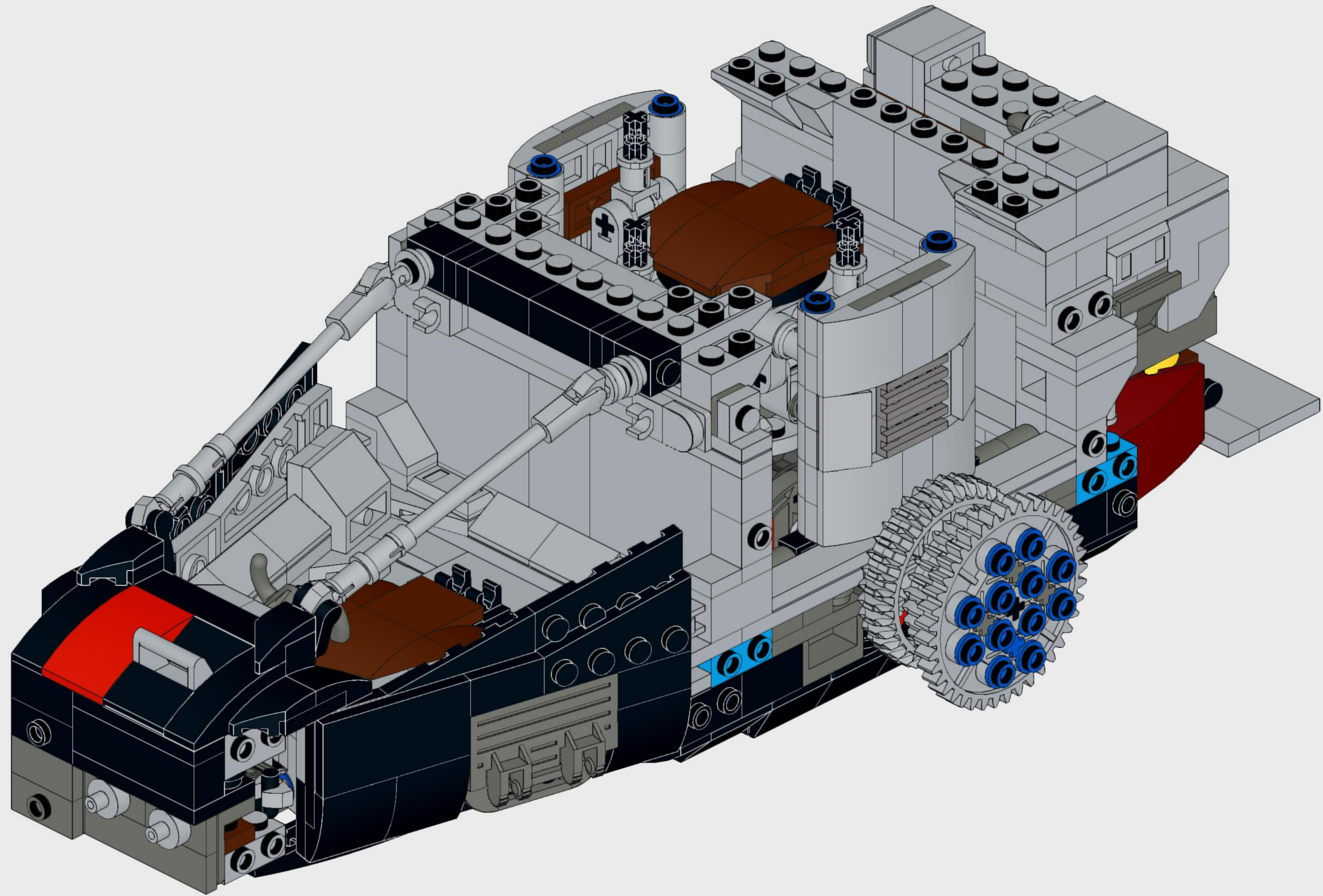


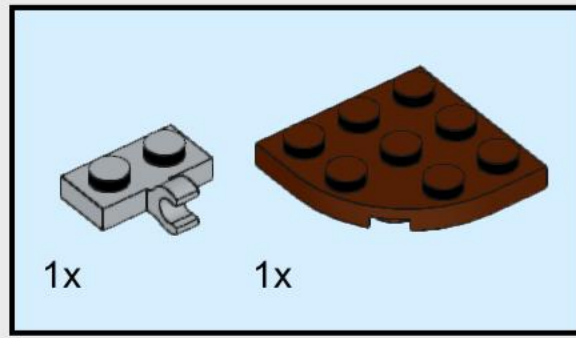
114



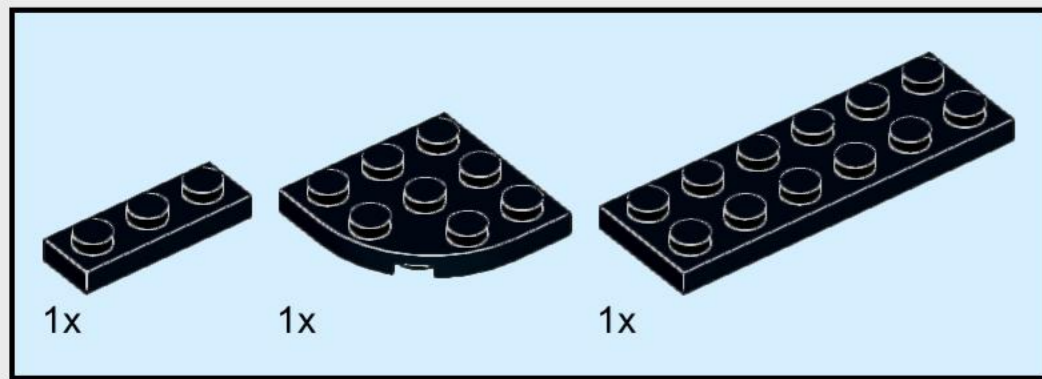
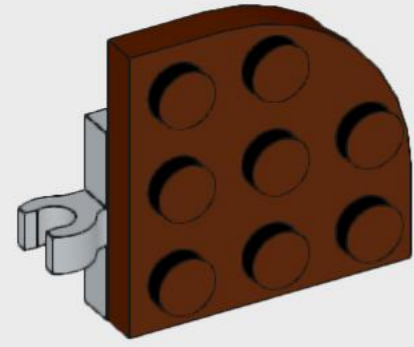
115



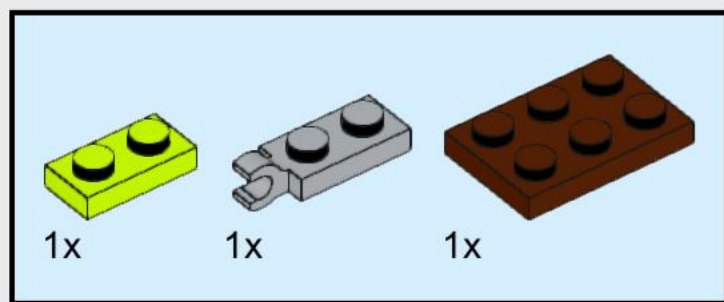
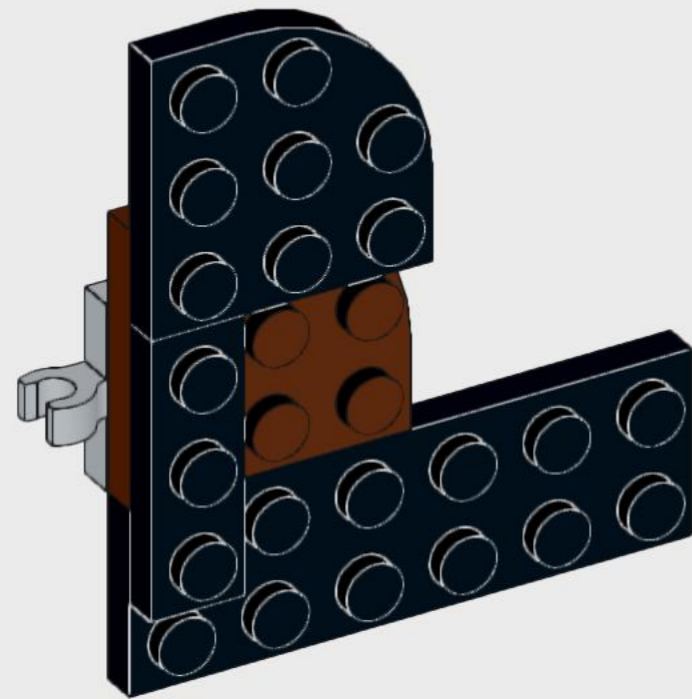




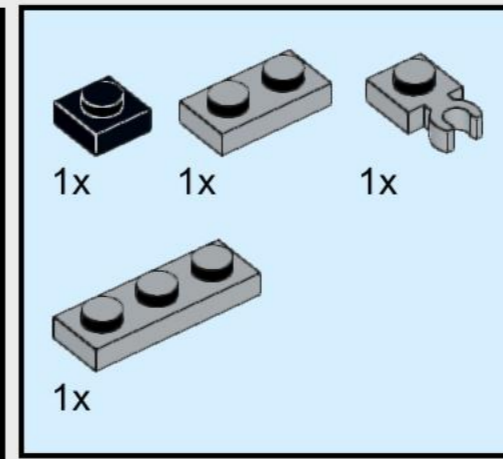
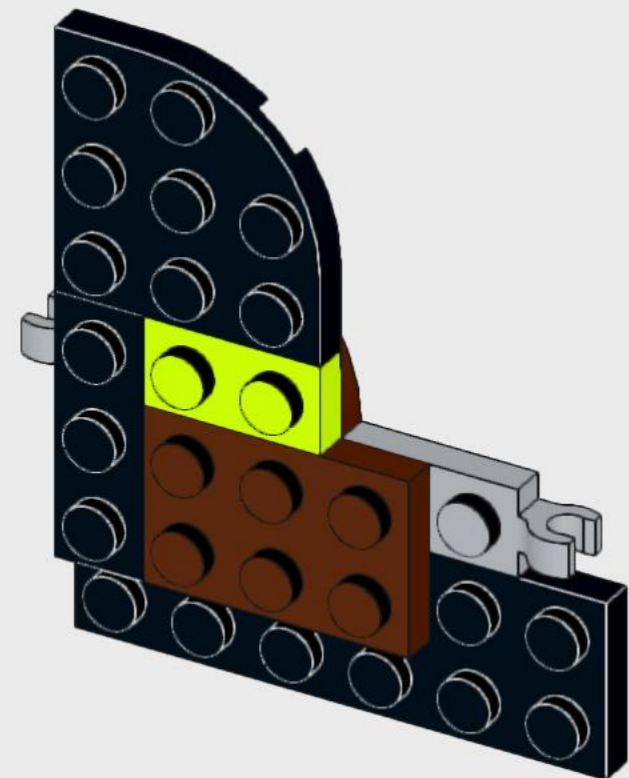
117



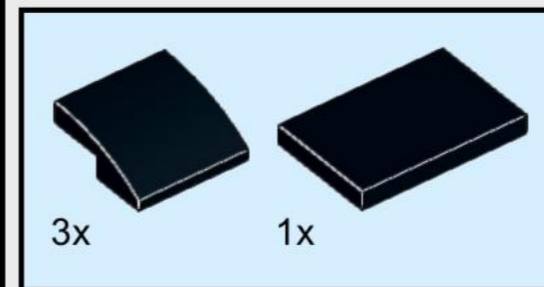
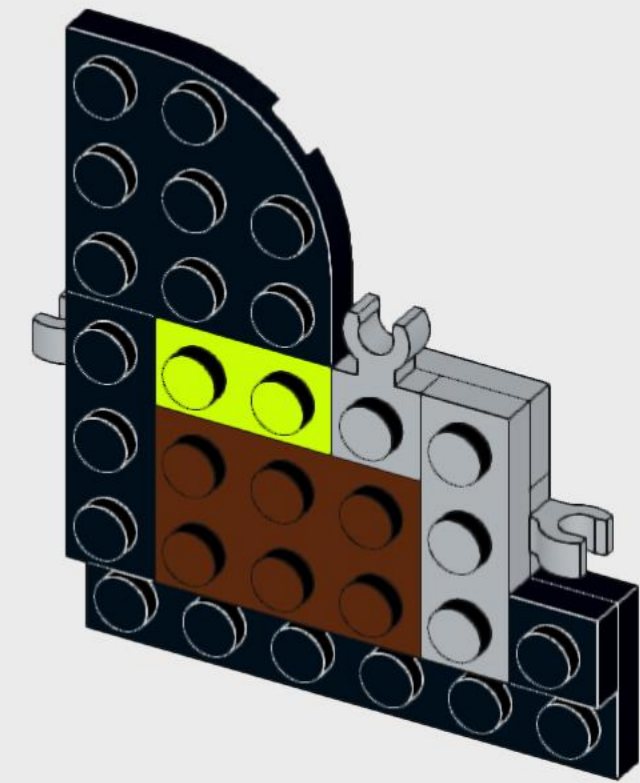
118



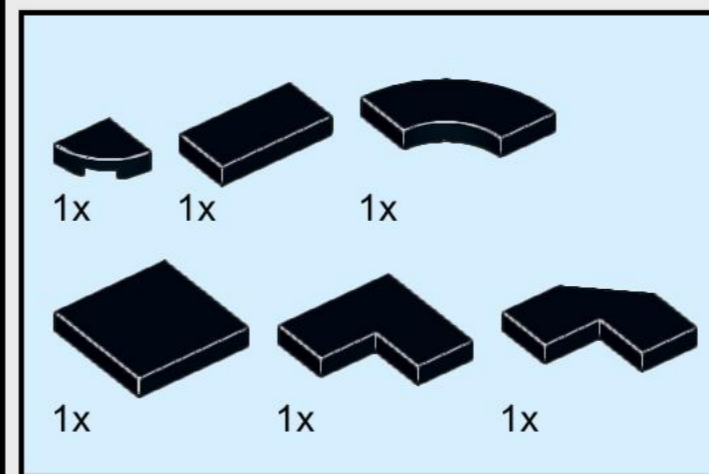
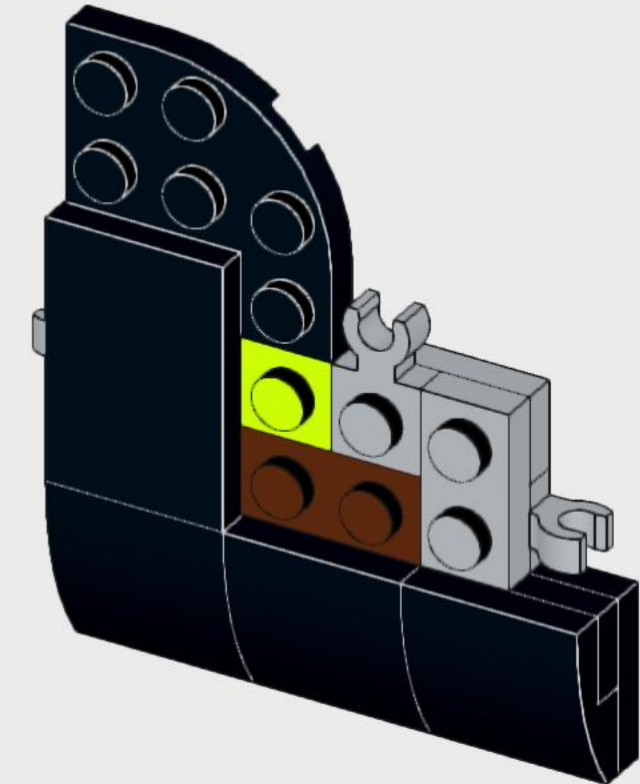
119 



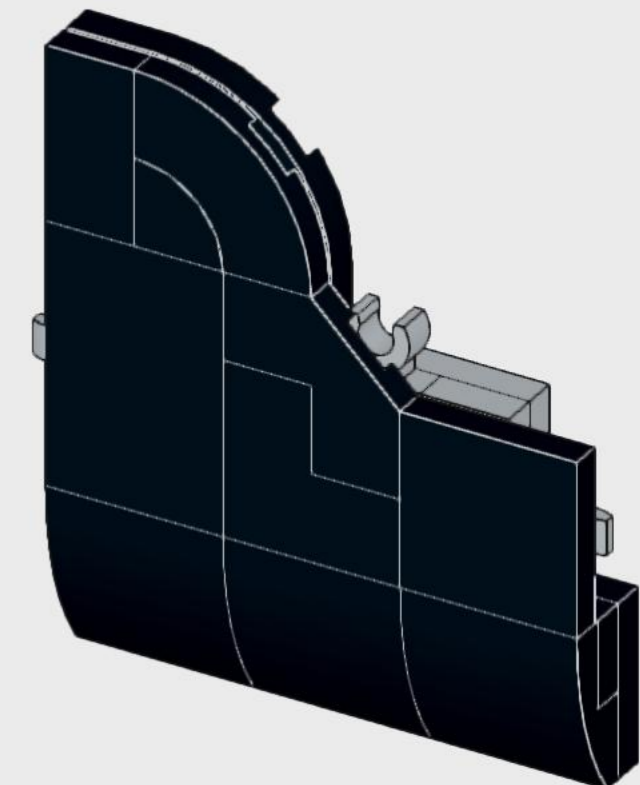
120

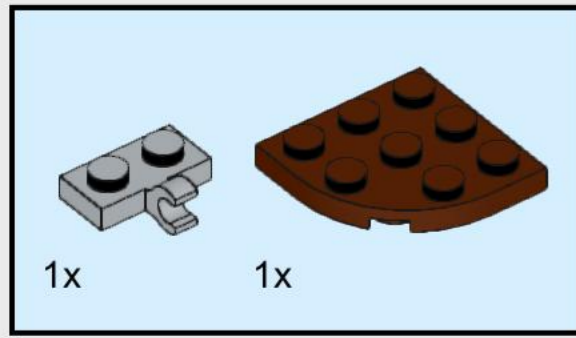


121

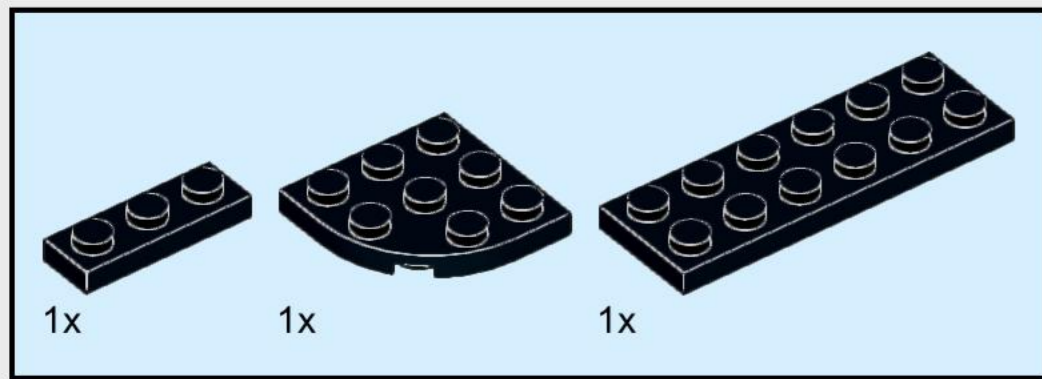
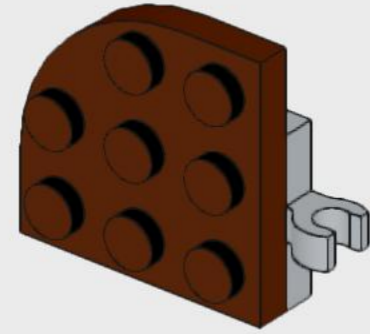


122

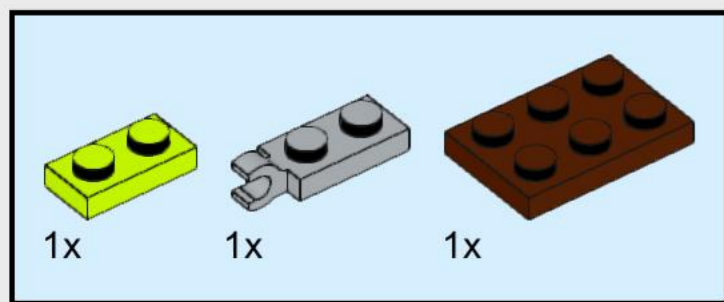
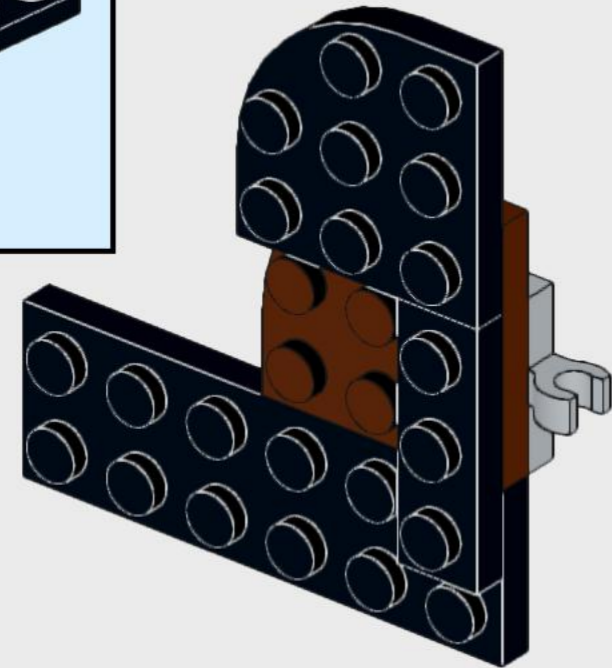




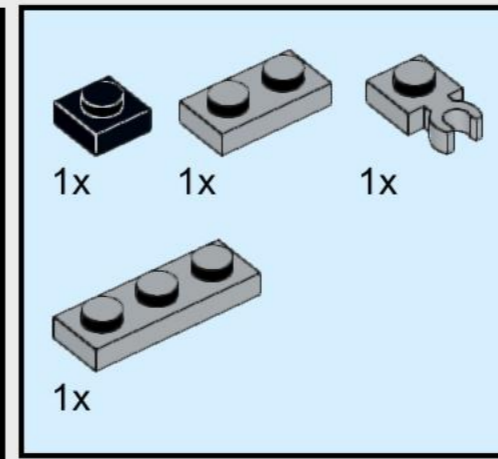
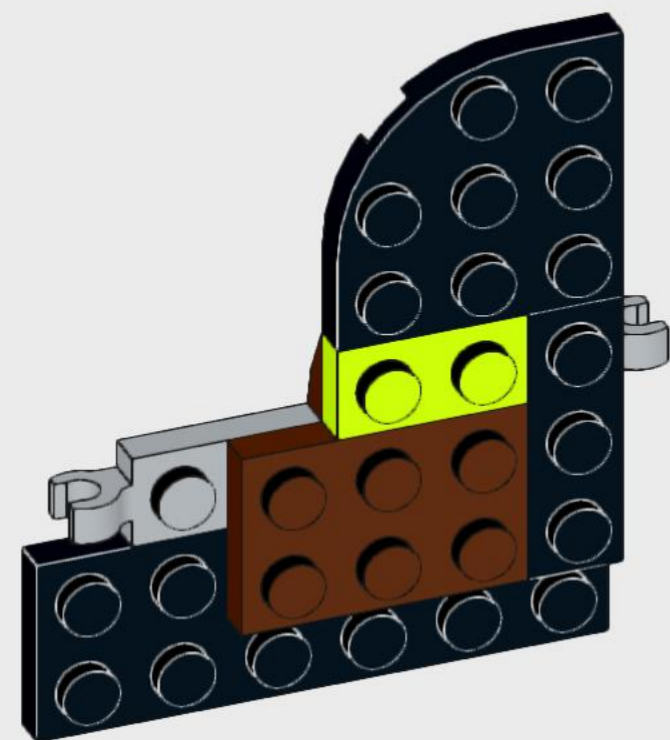
123



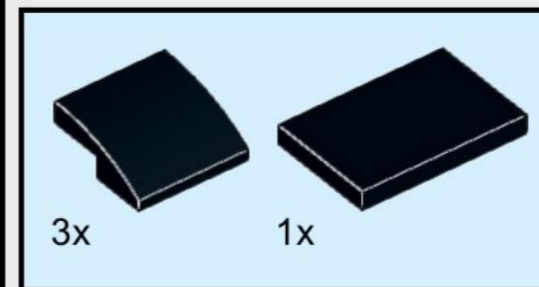
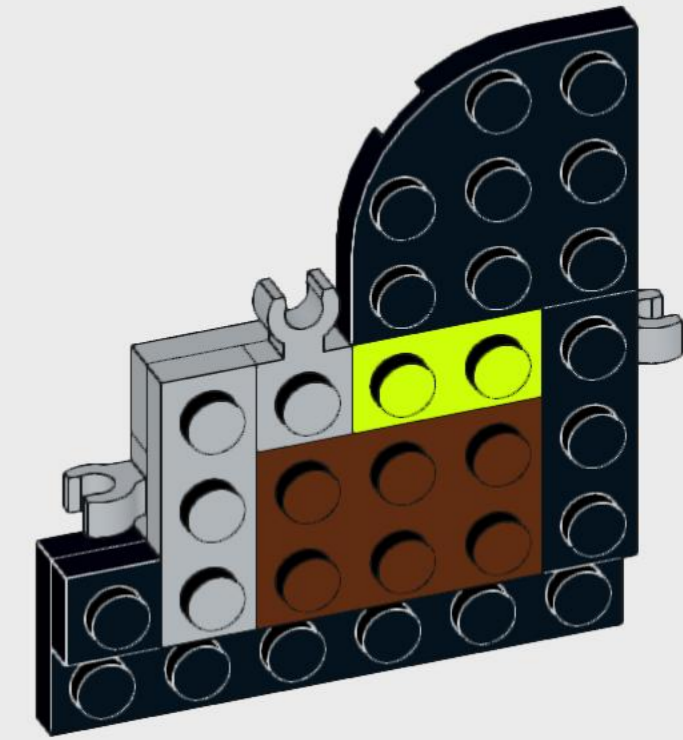
124



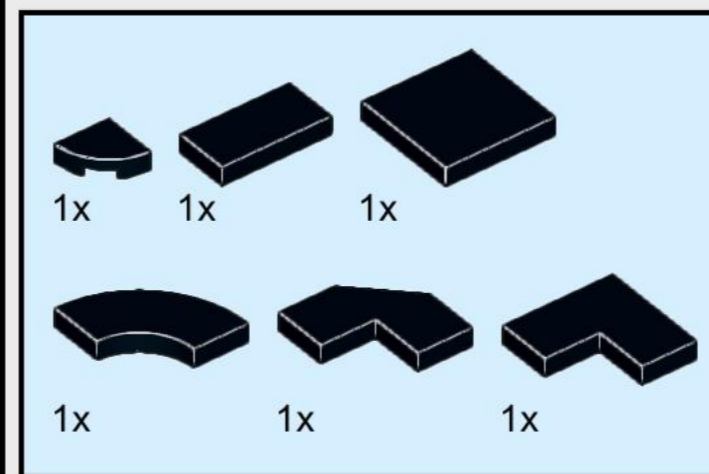
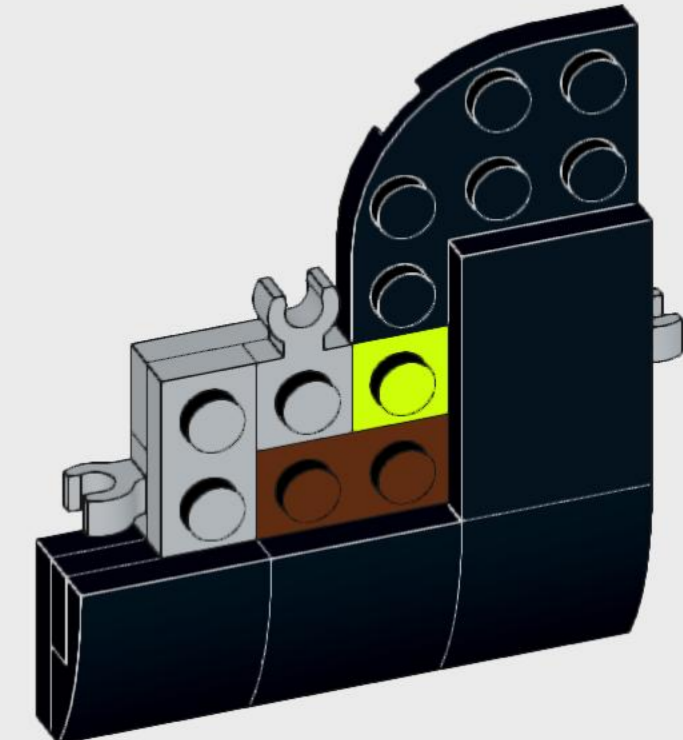
125 



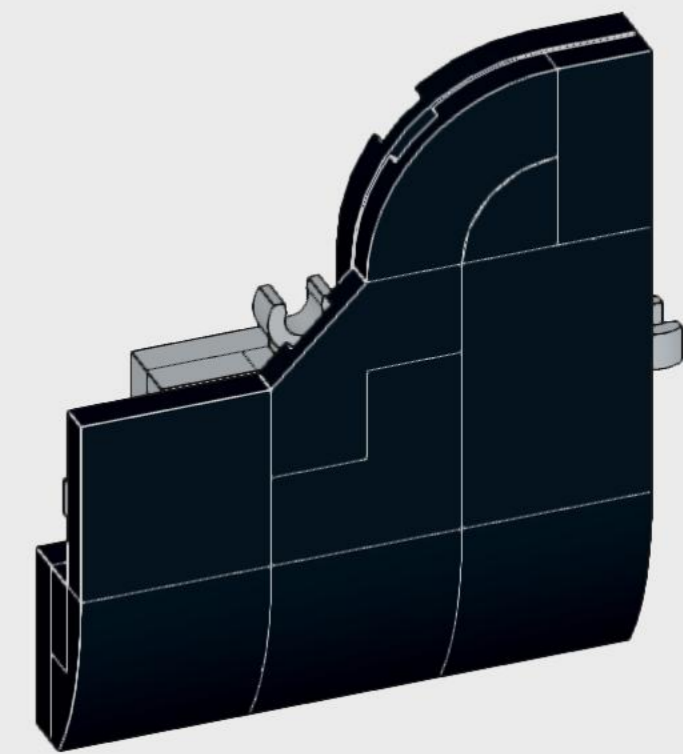
126

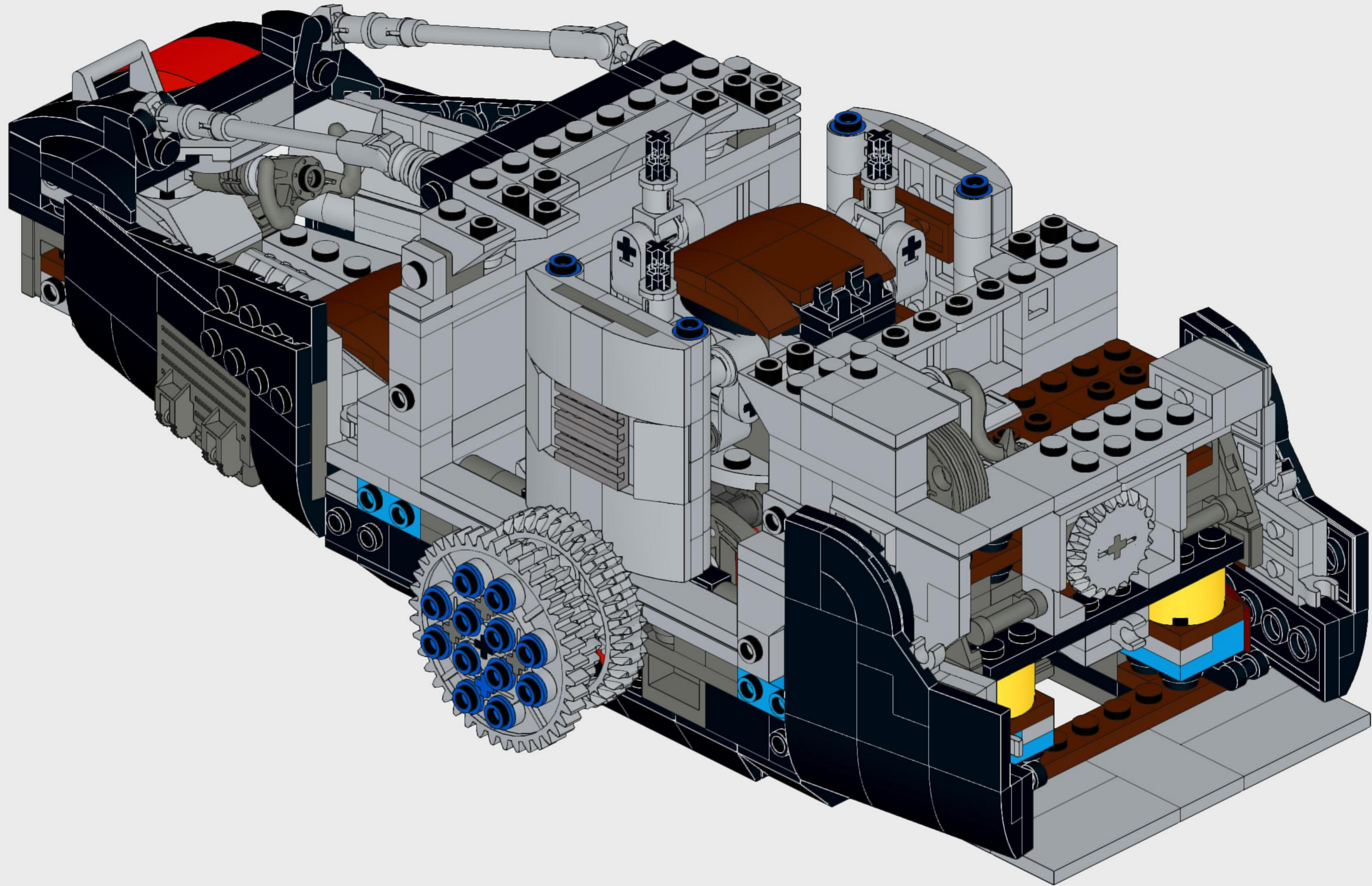


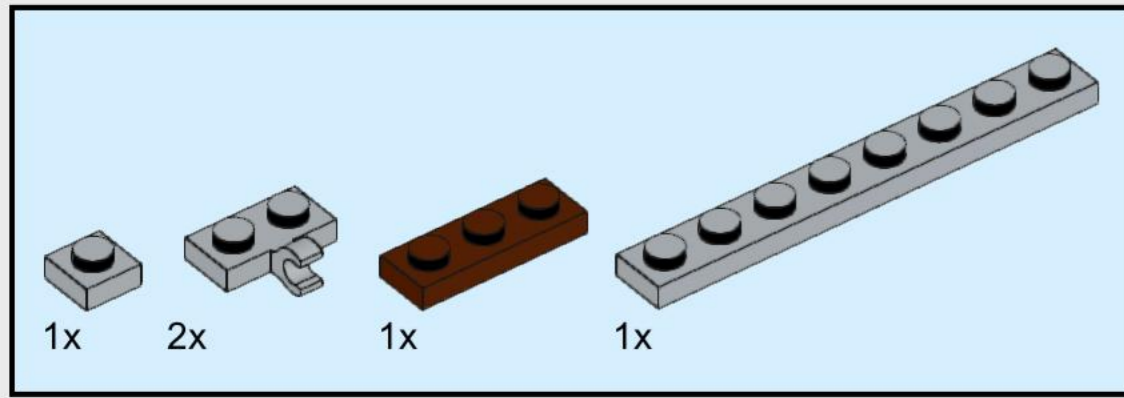
127



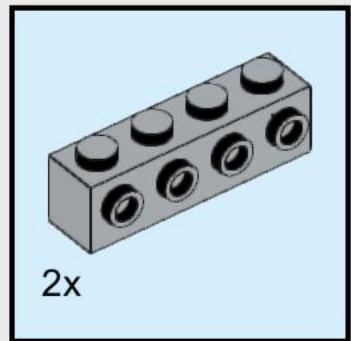
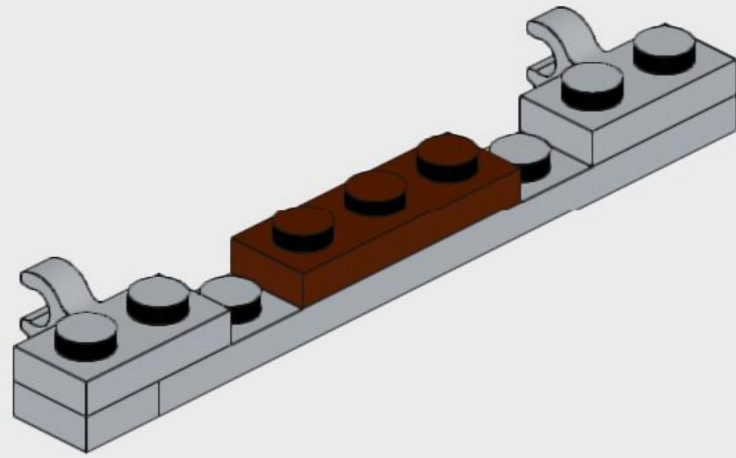
128



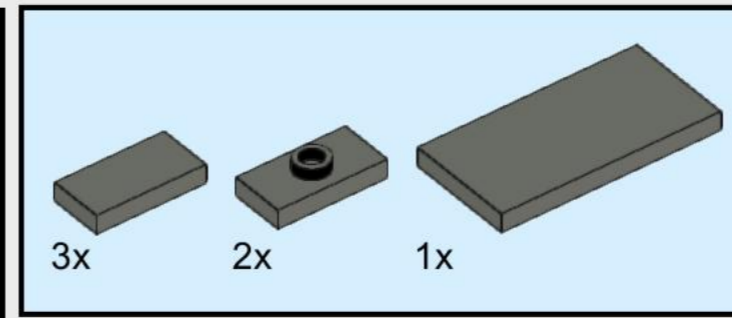
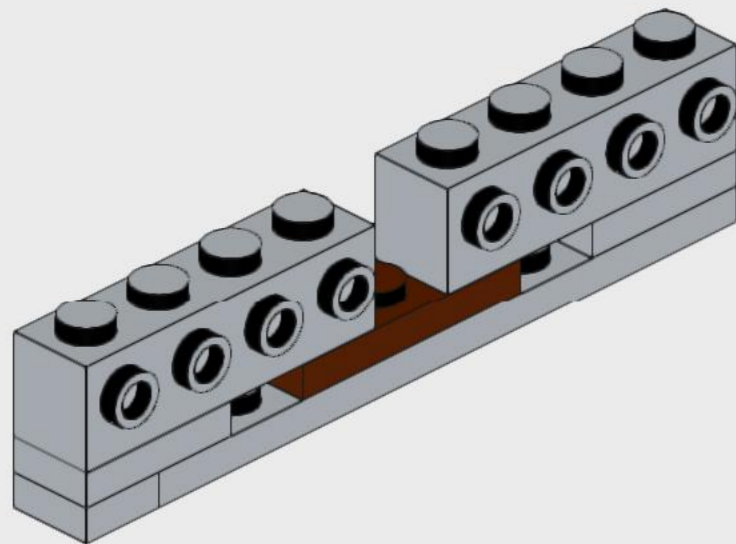




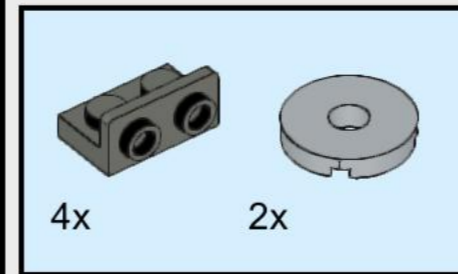
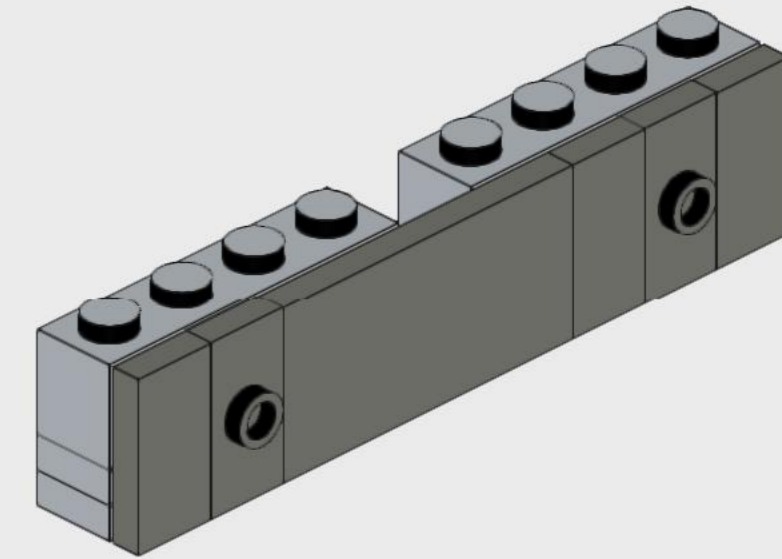
130



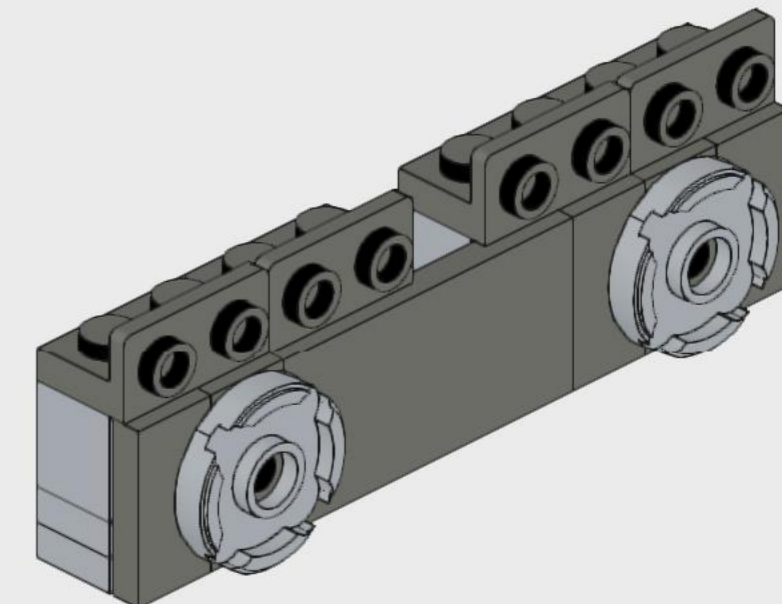
131

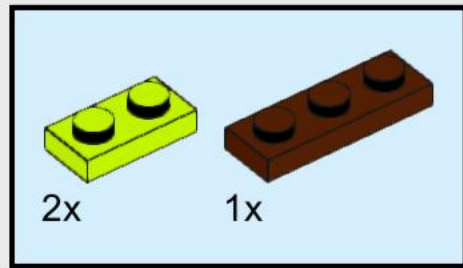


132

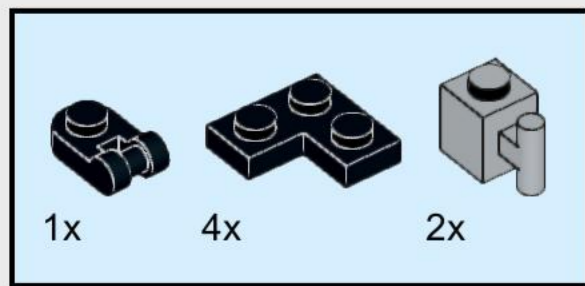
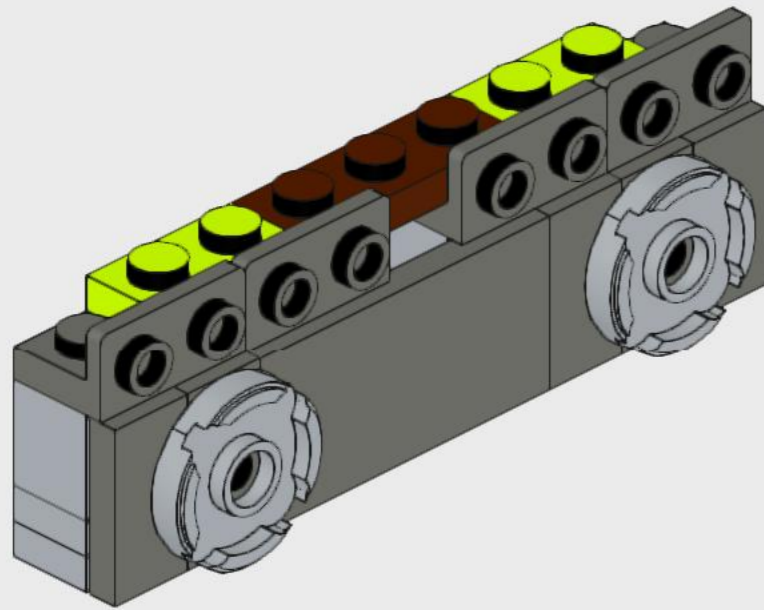


133

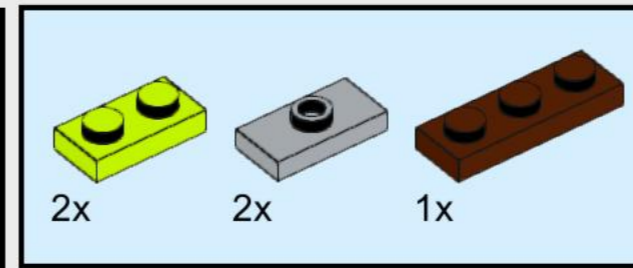
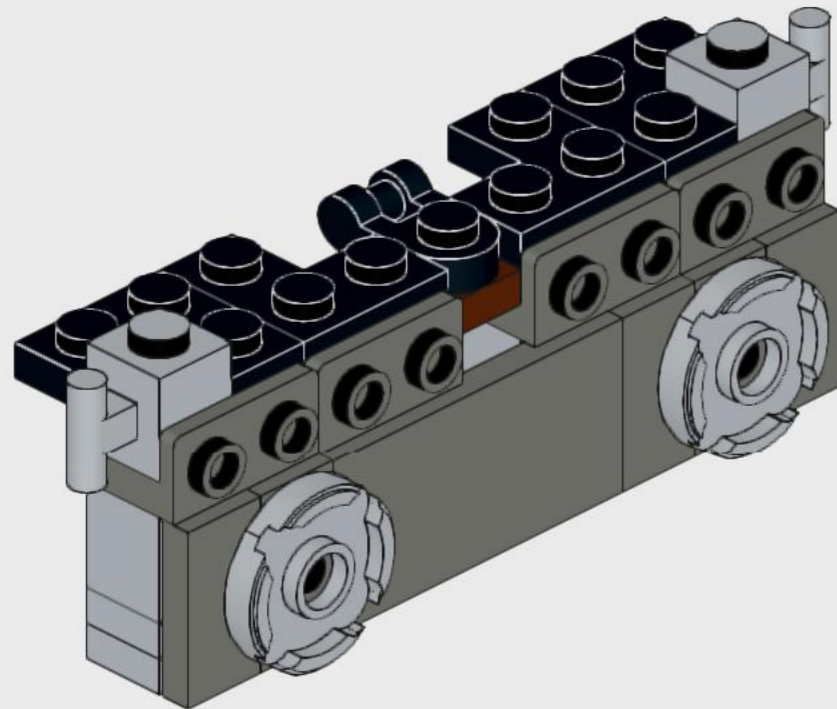




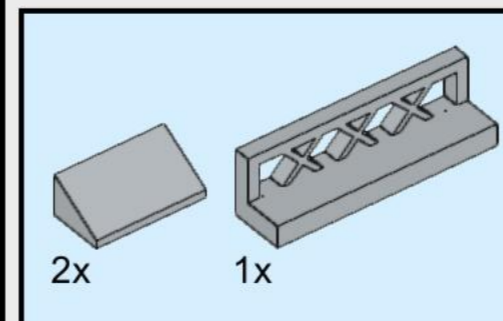
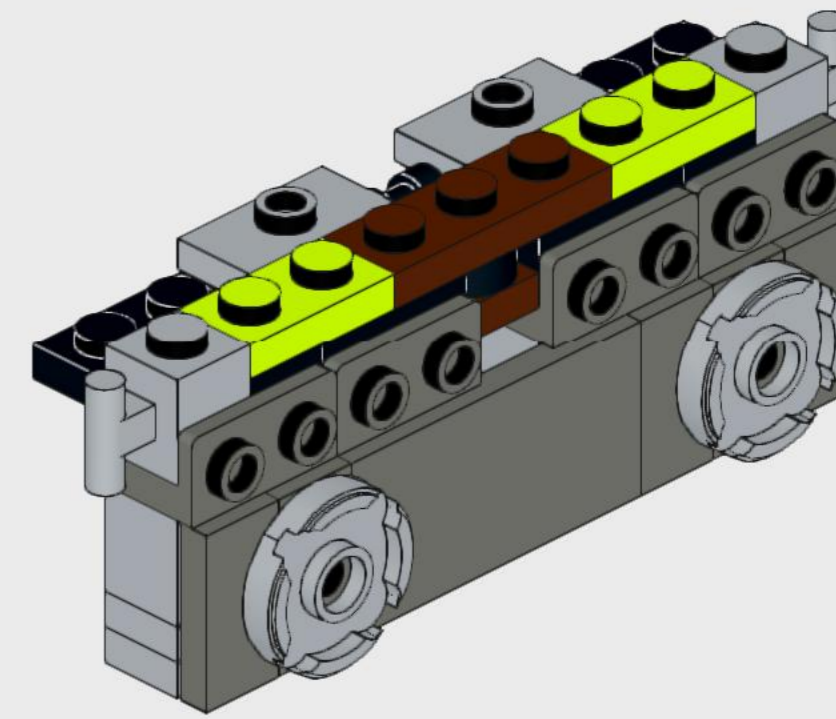
134



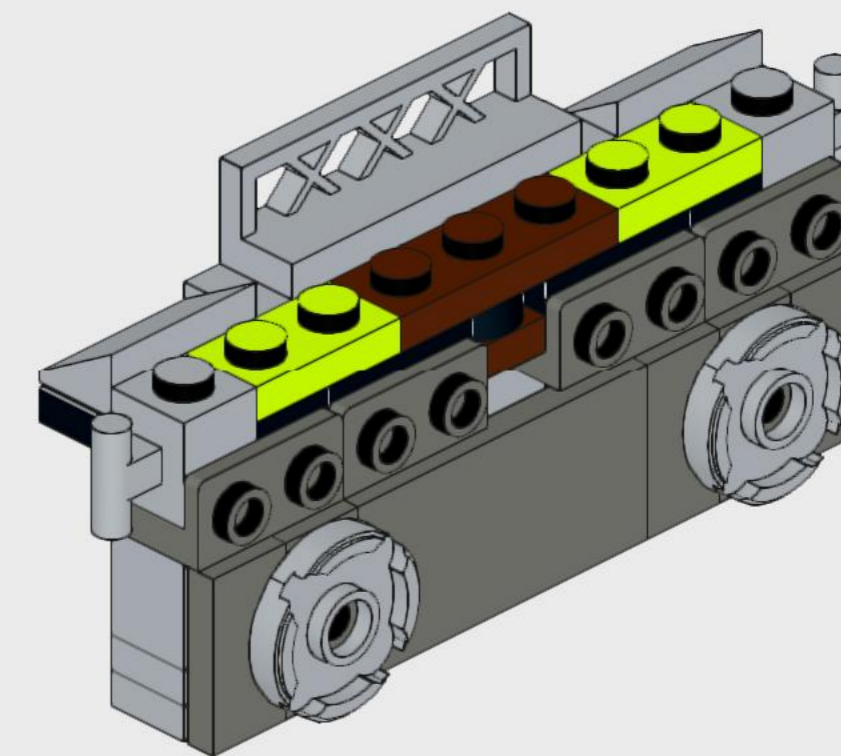
135

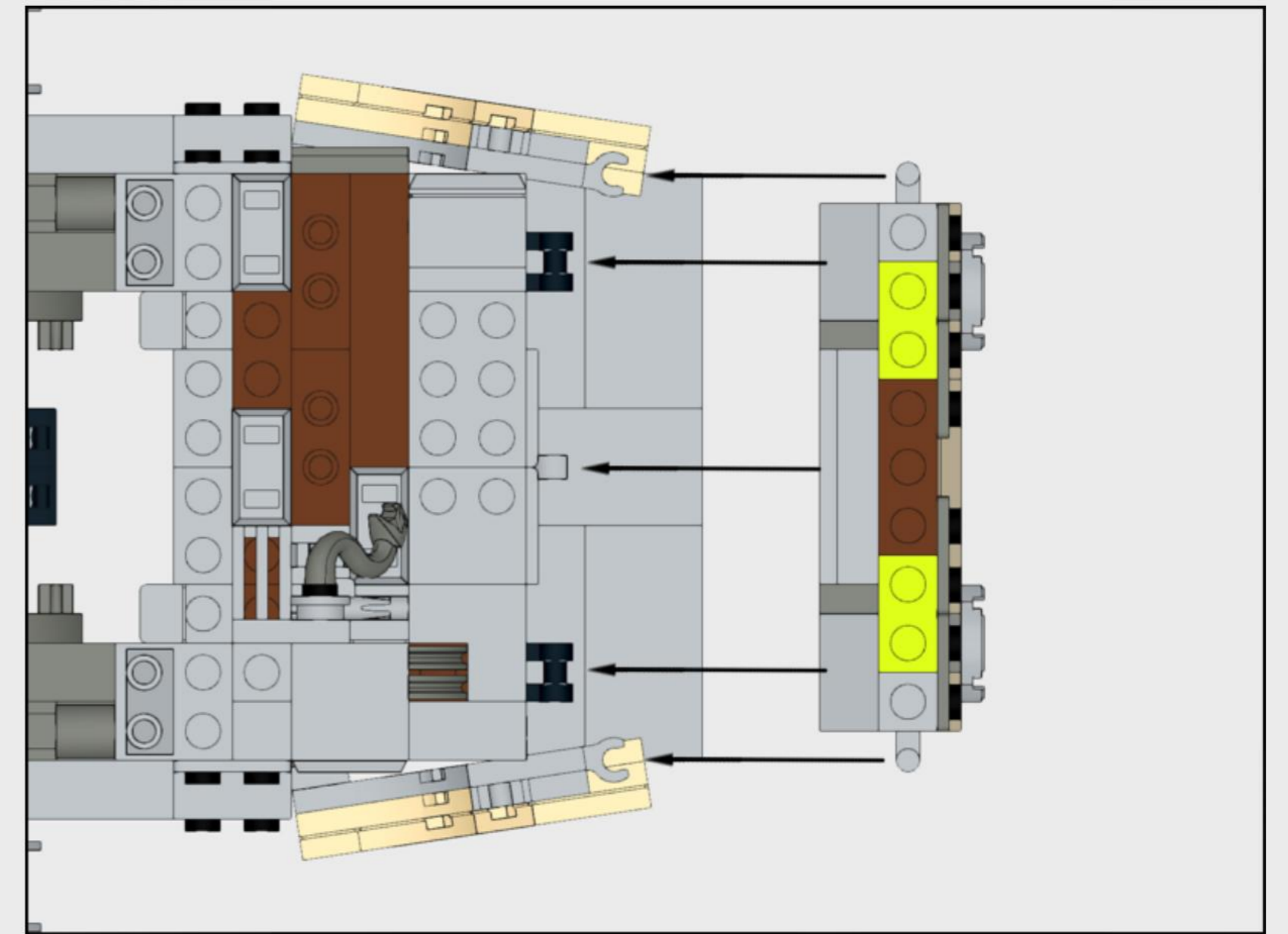
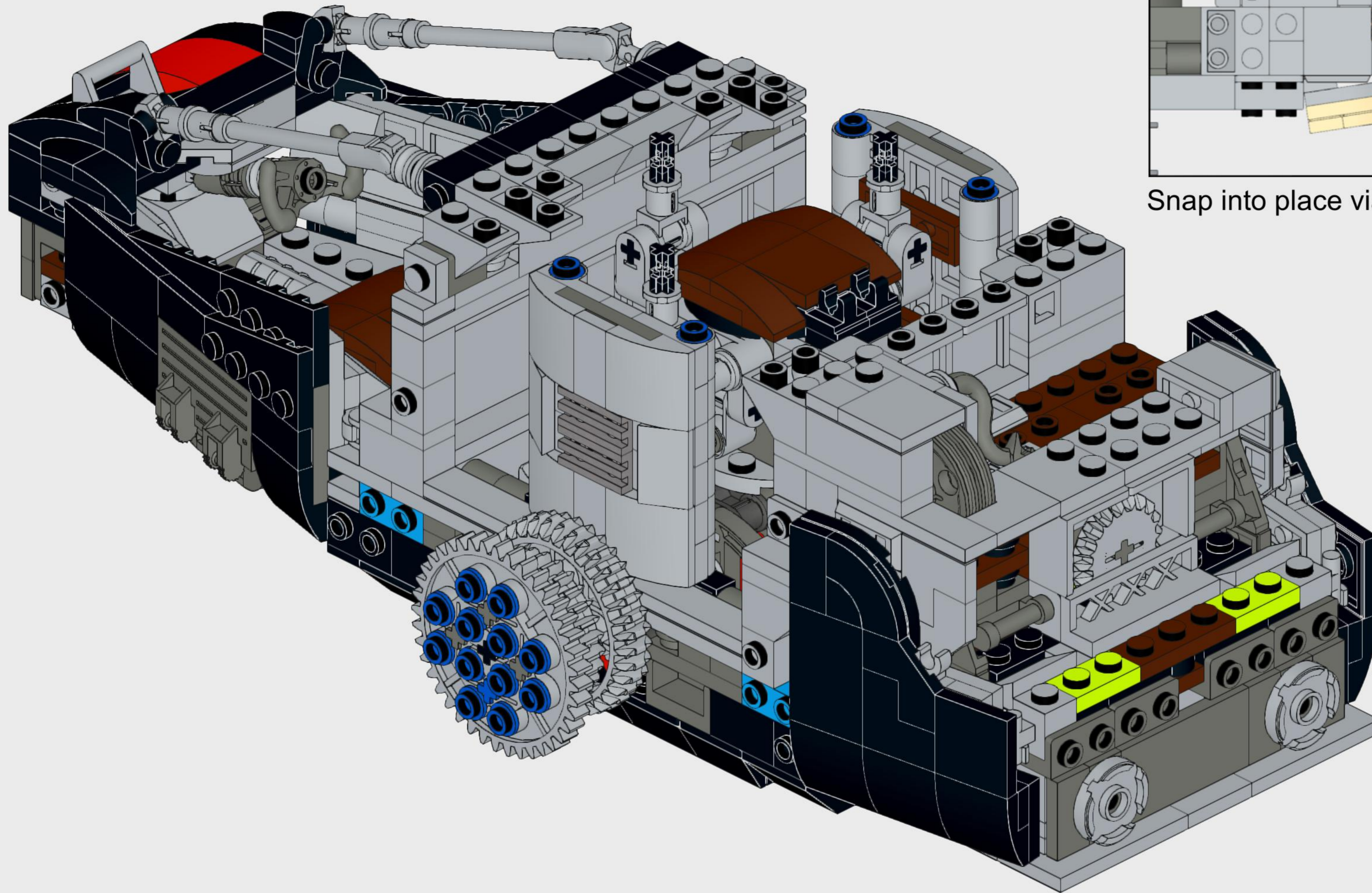


136

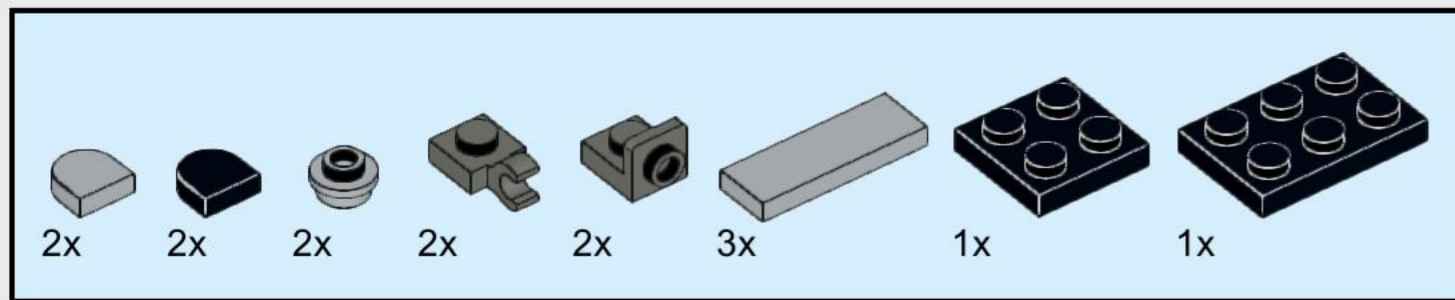


137

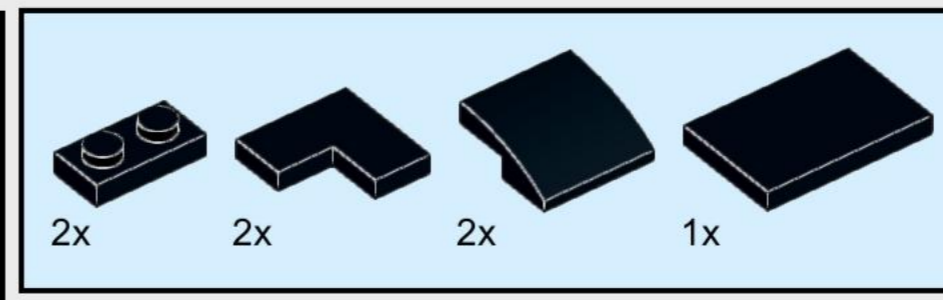
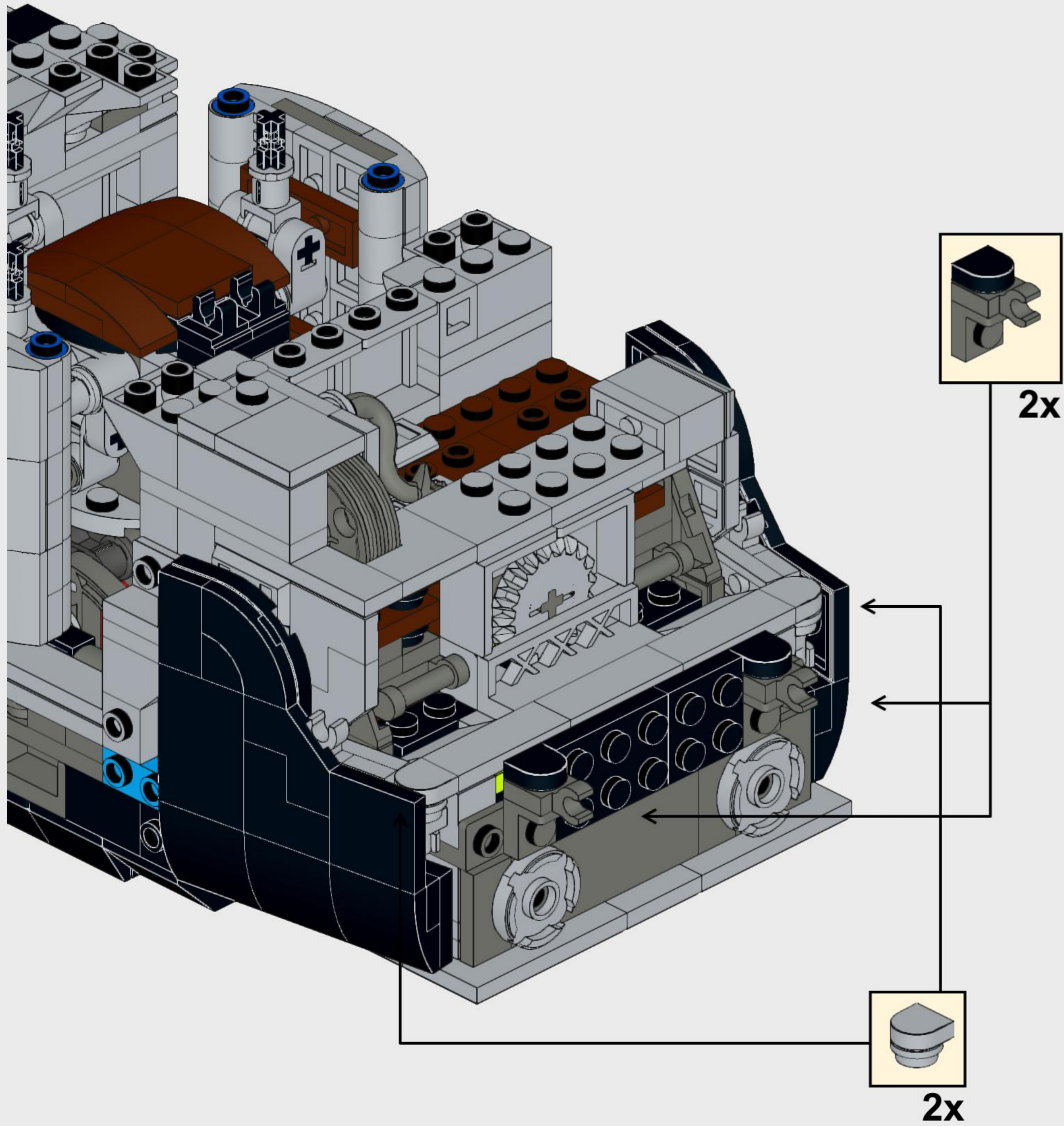




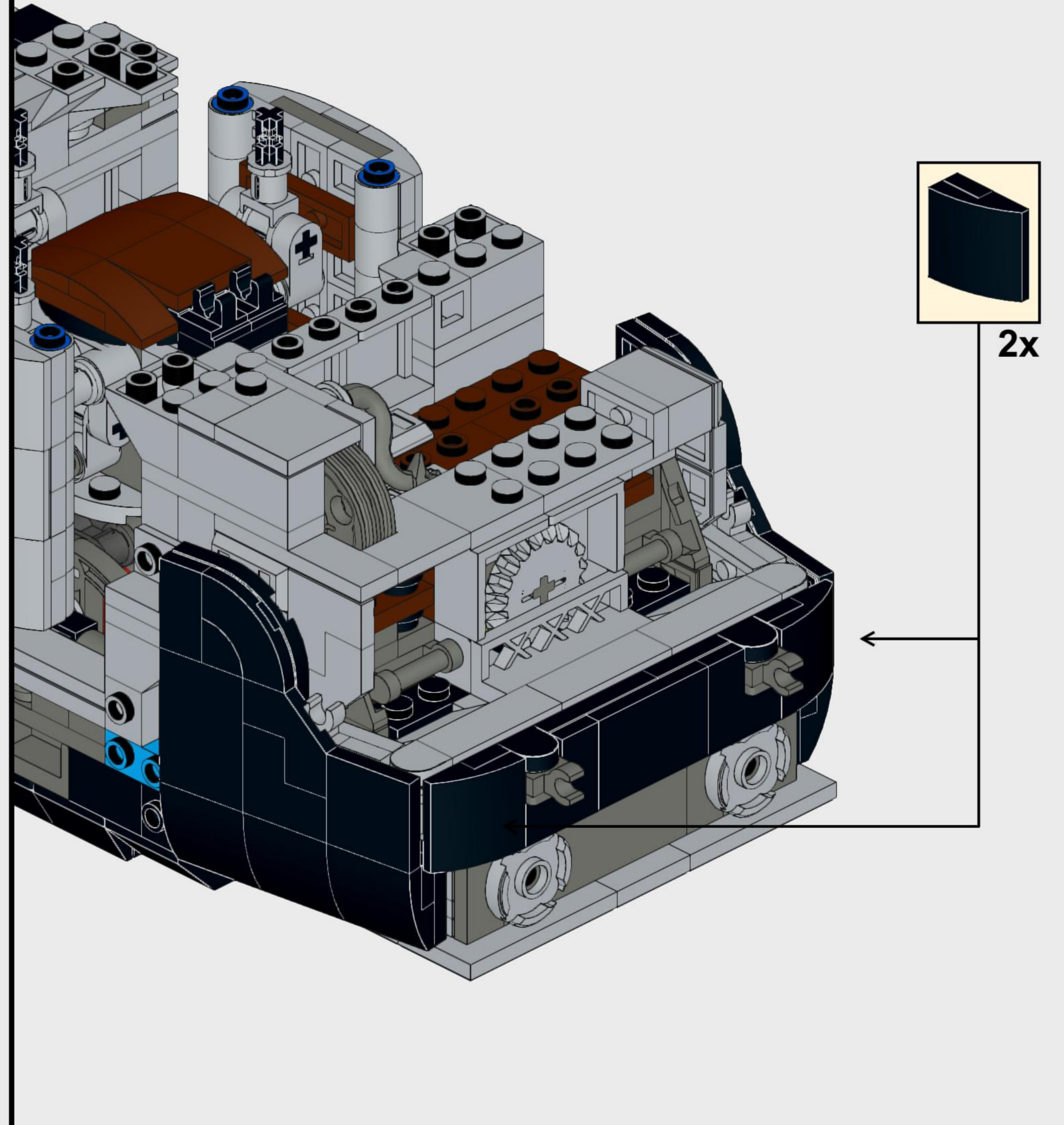
Snap into place via five clip points.

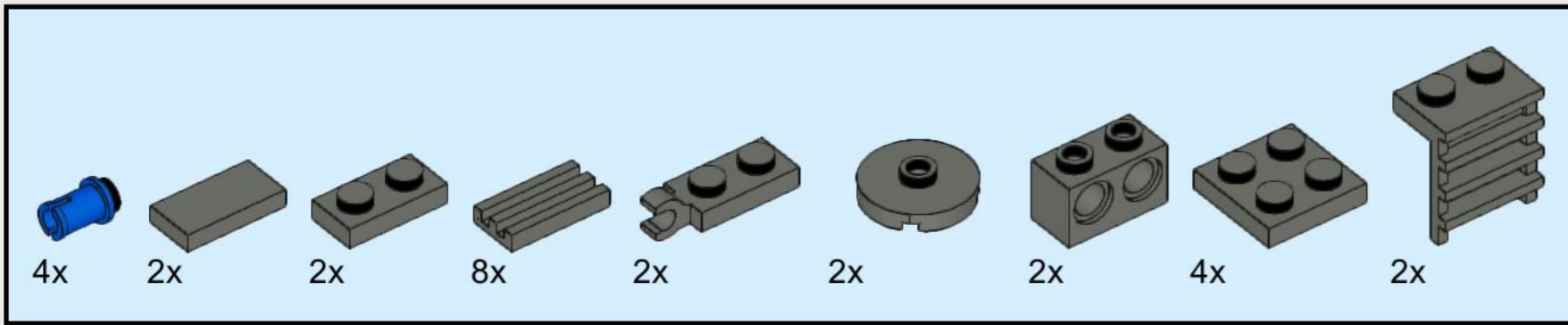


139

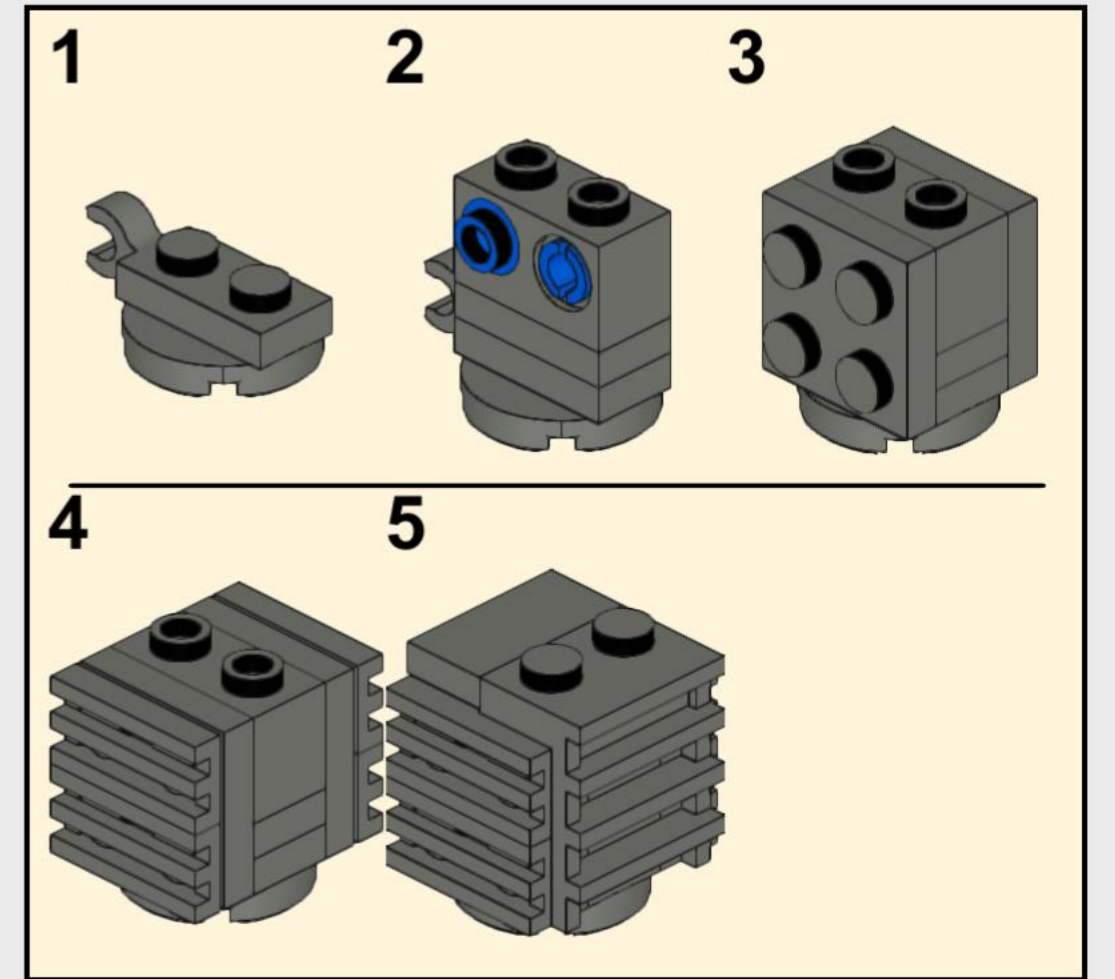
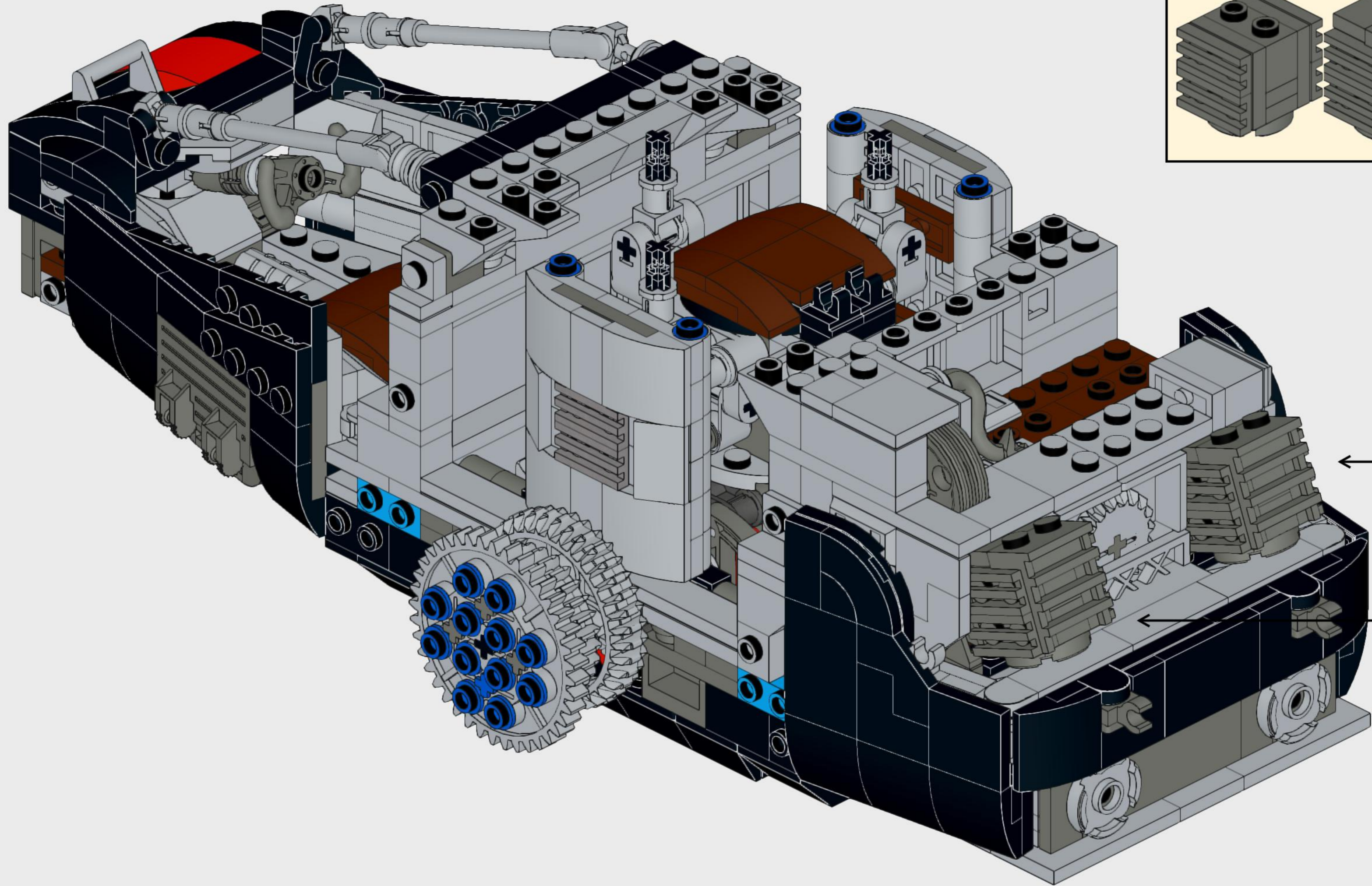


140

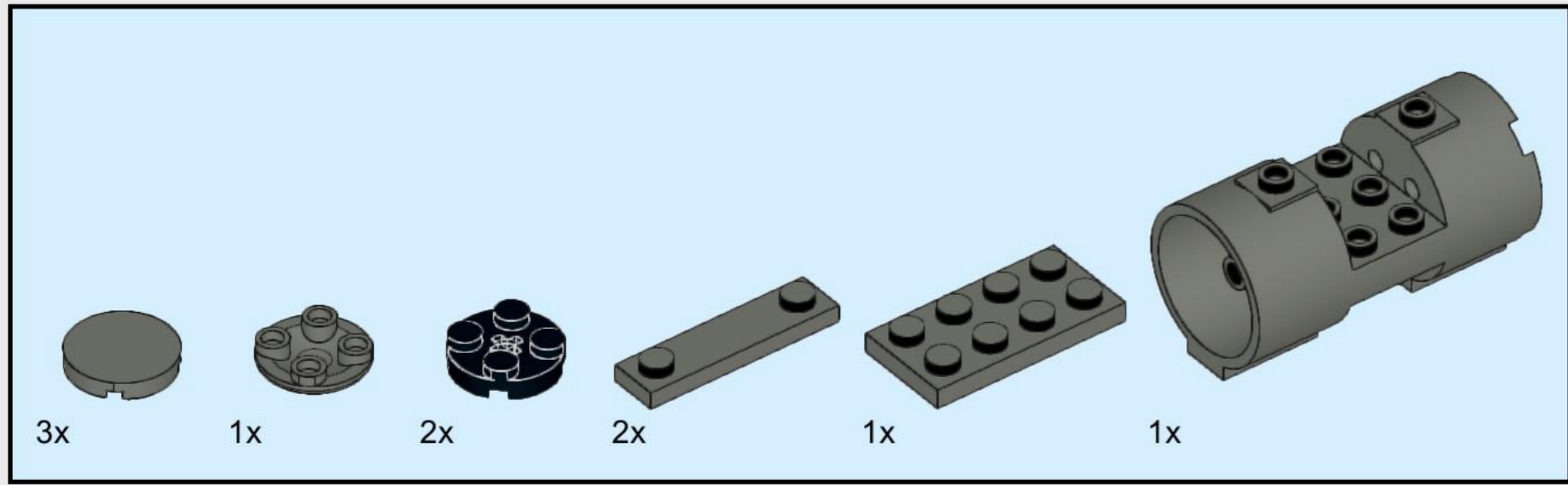




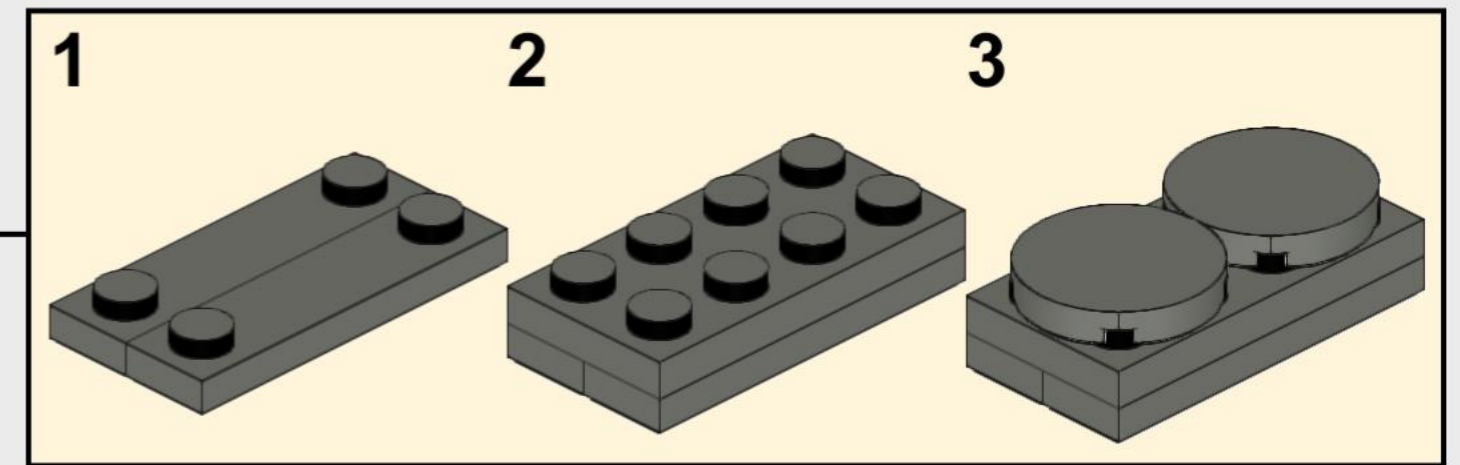
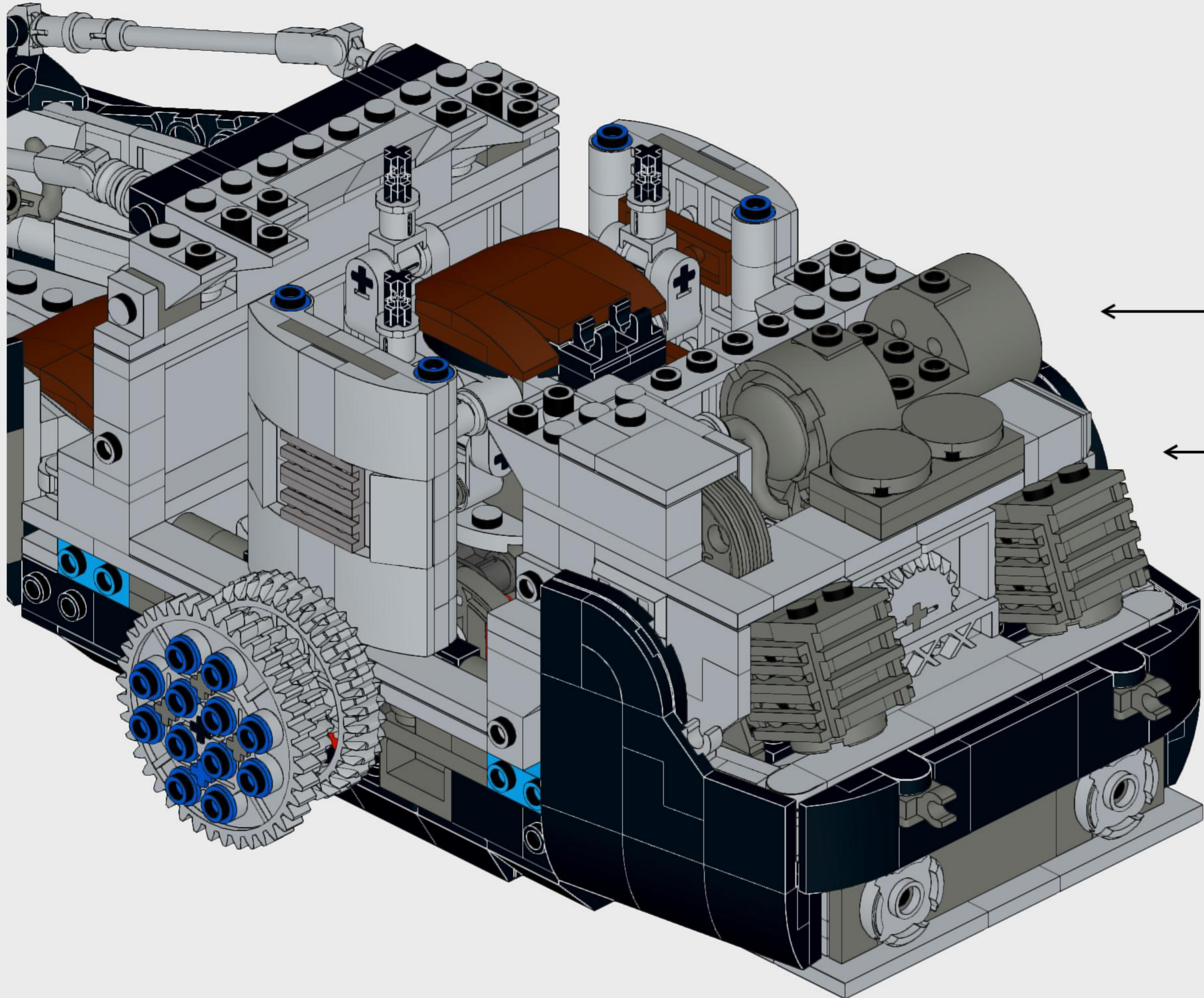
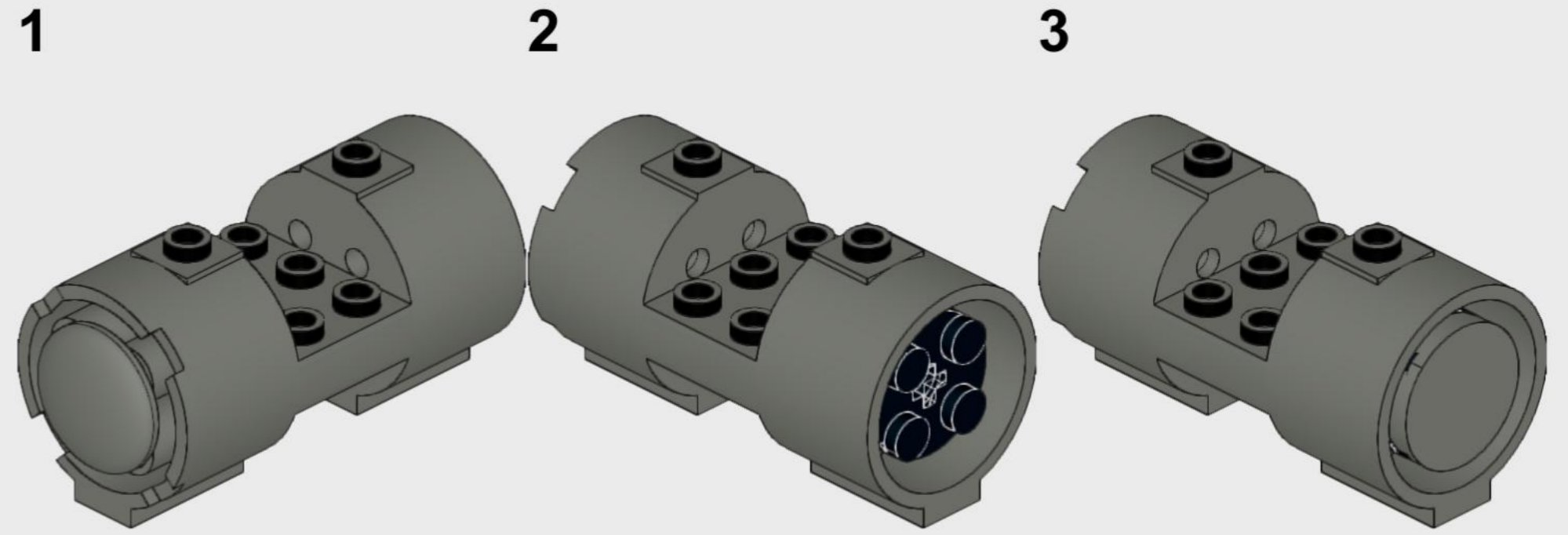
141



2x

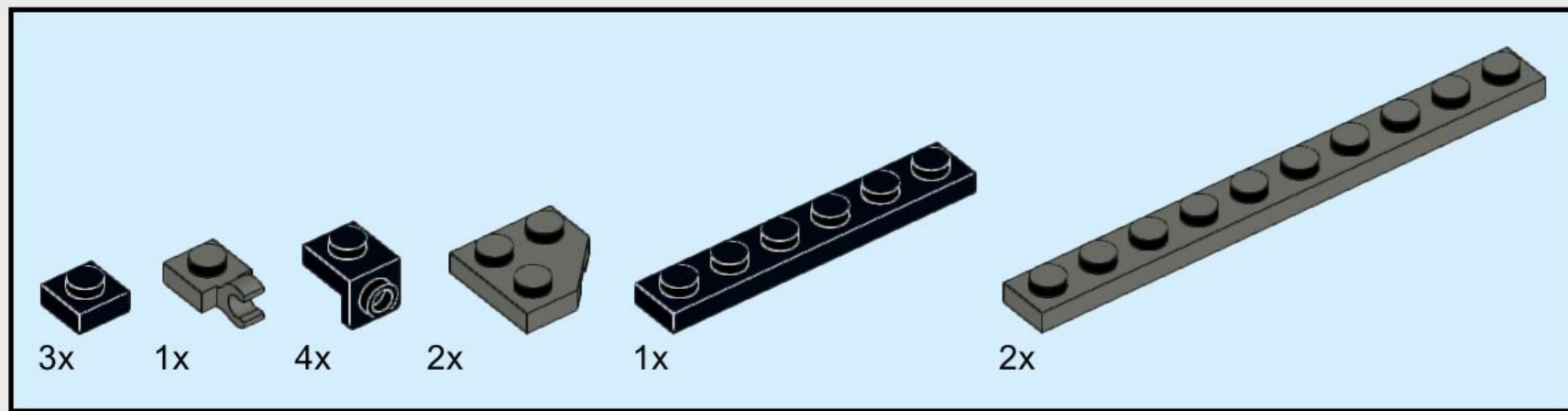


142

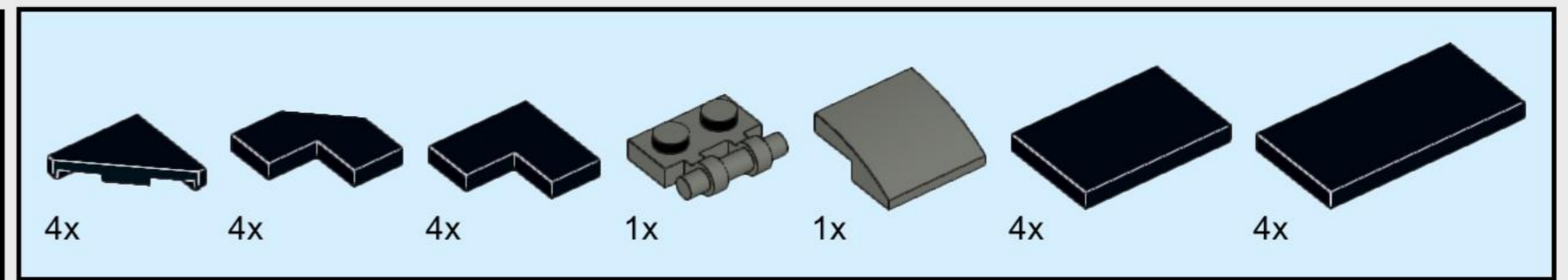
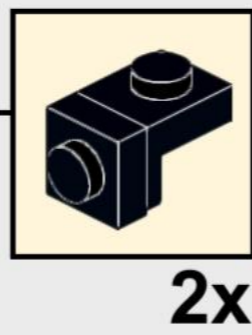
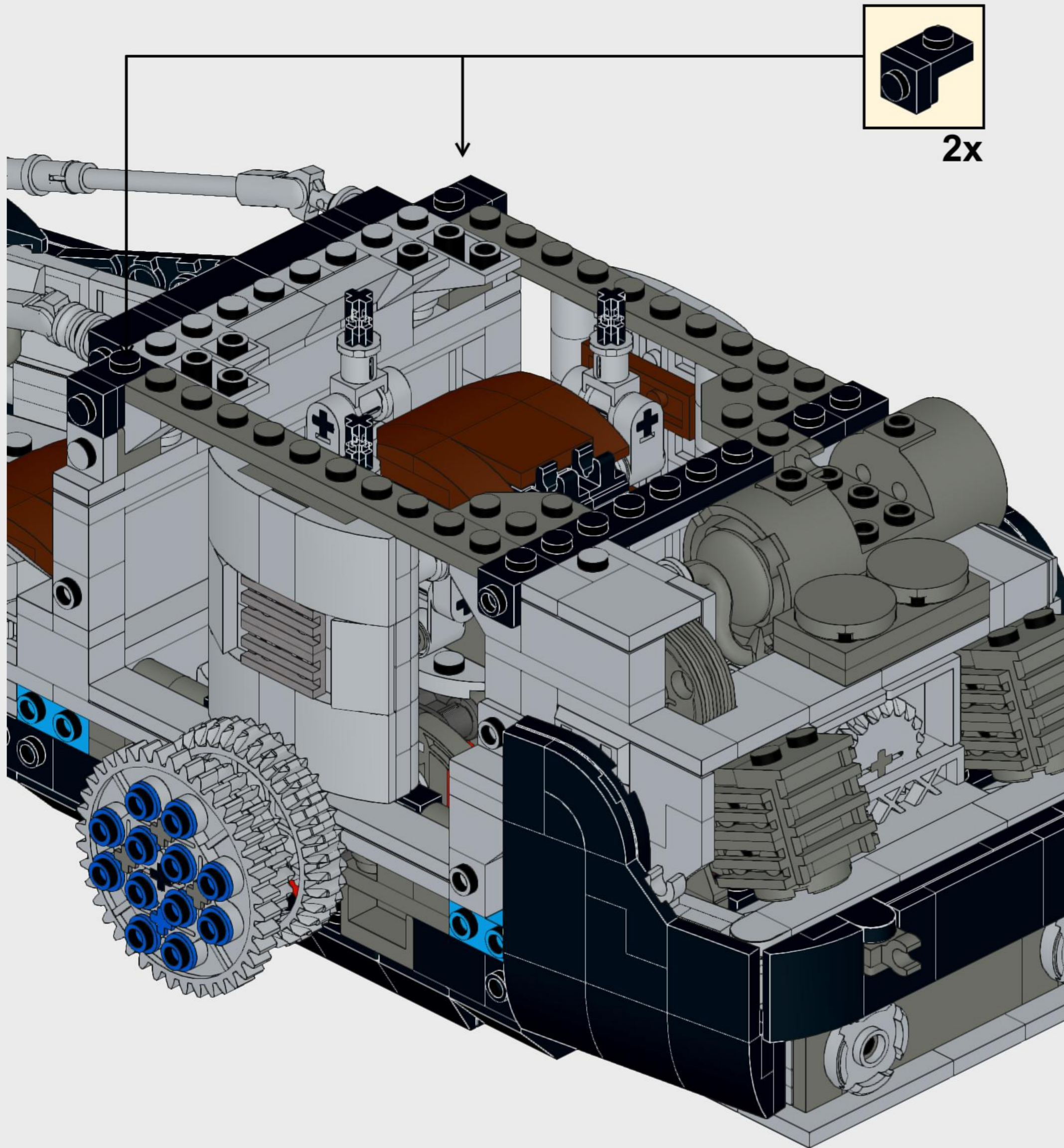


Use Weapon Disk in place of flat tiles.

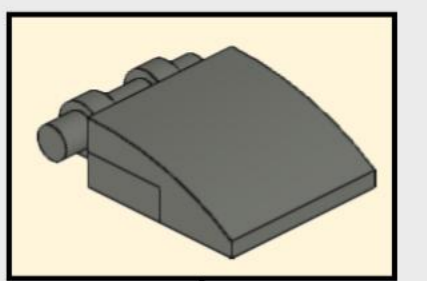
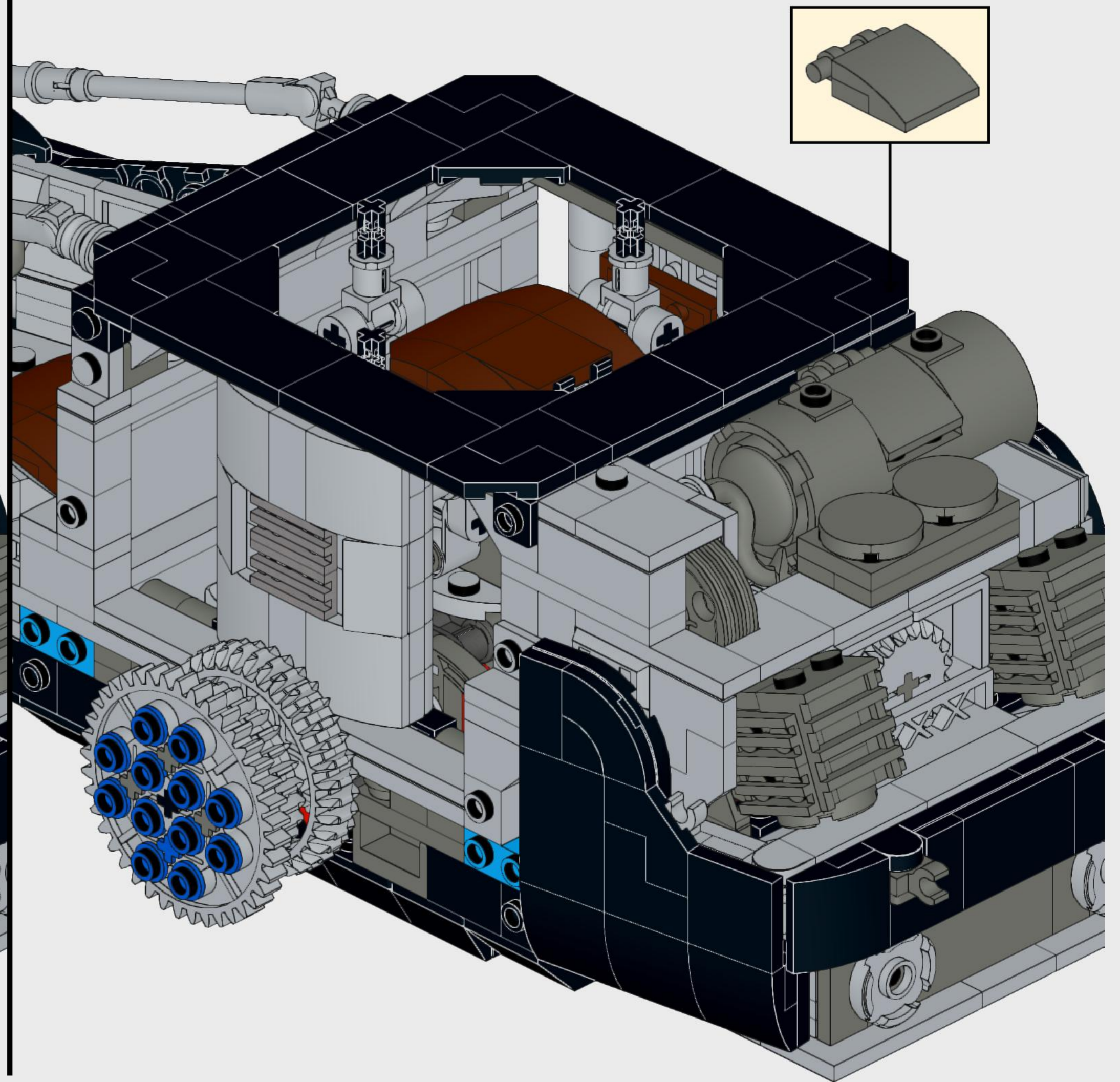


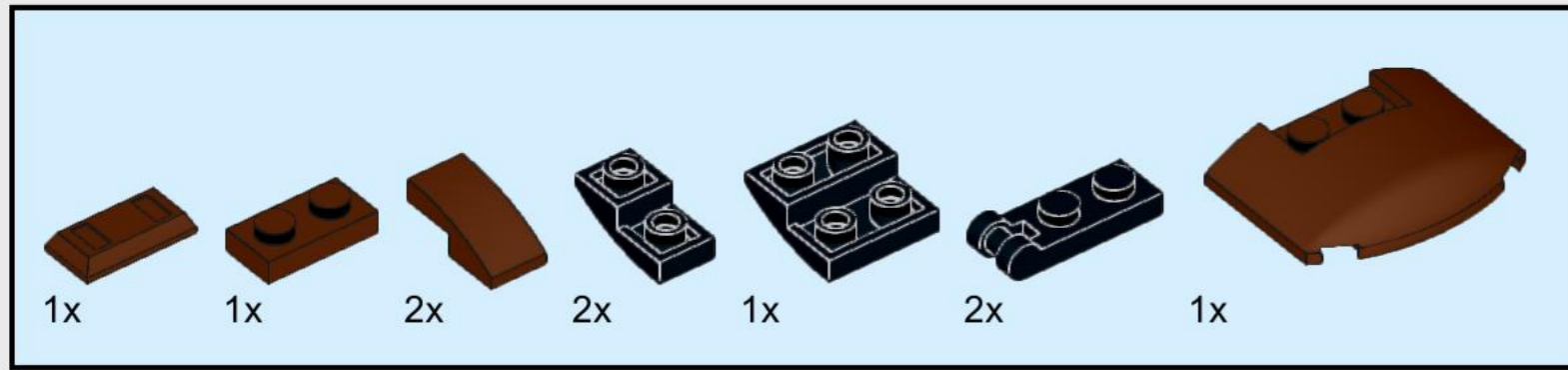


143

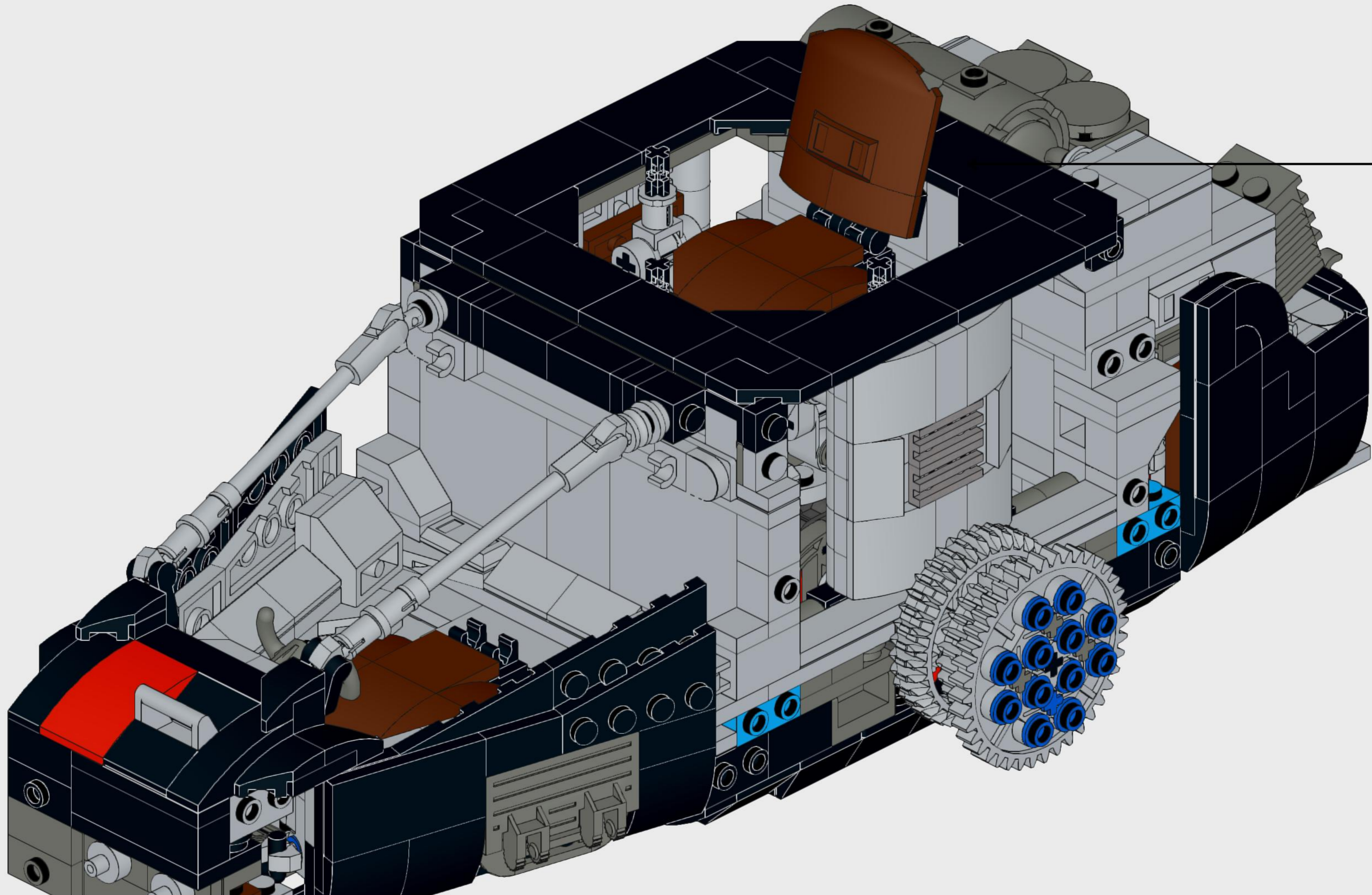
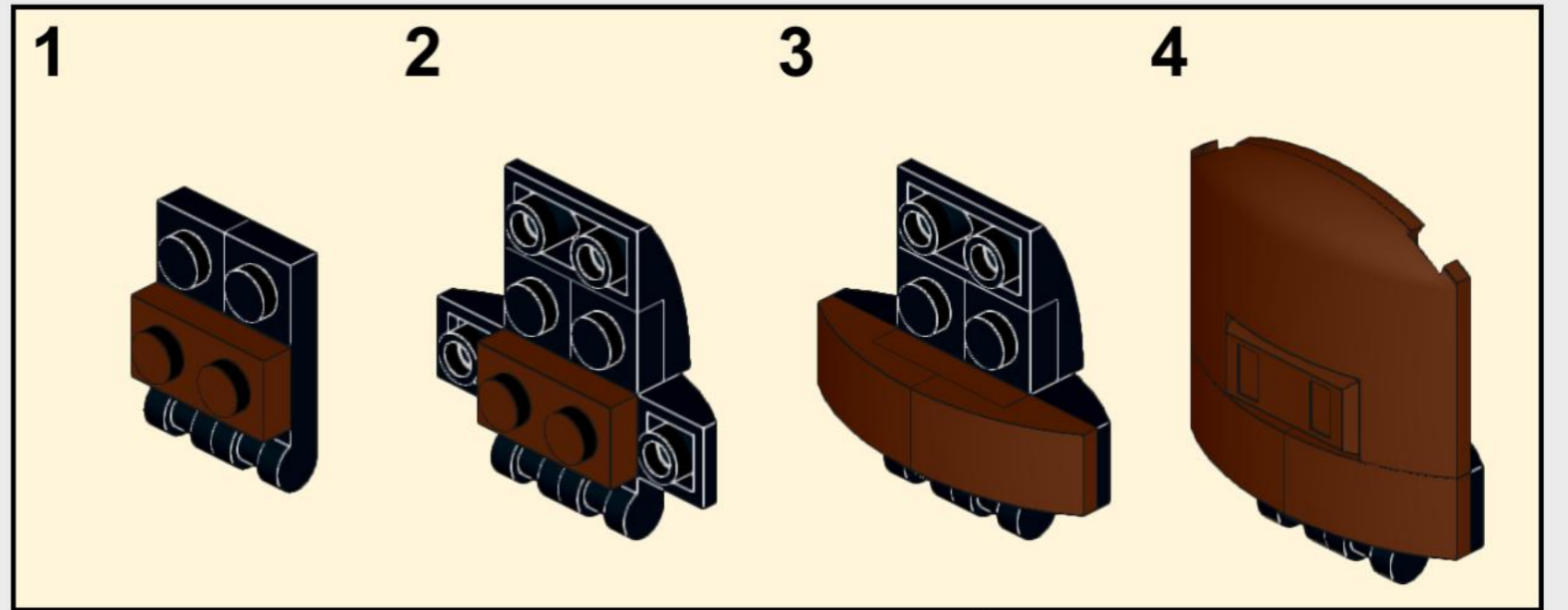


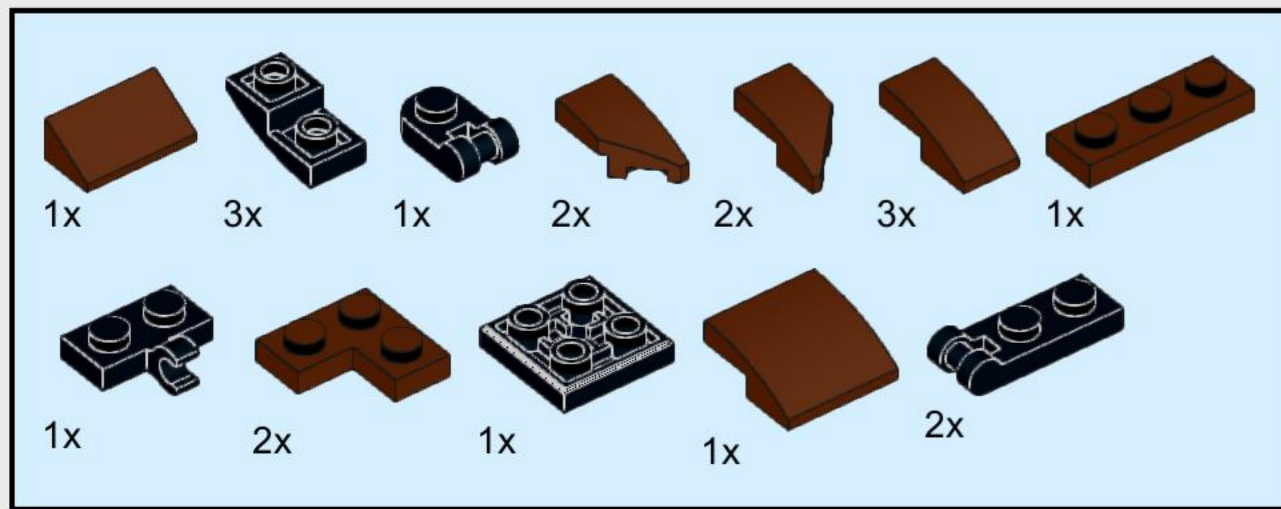
144



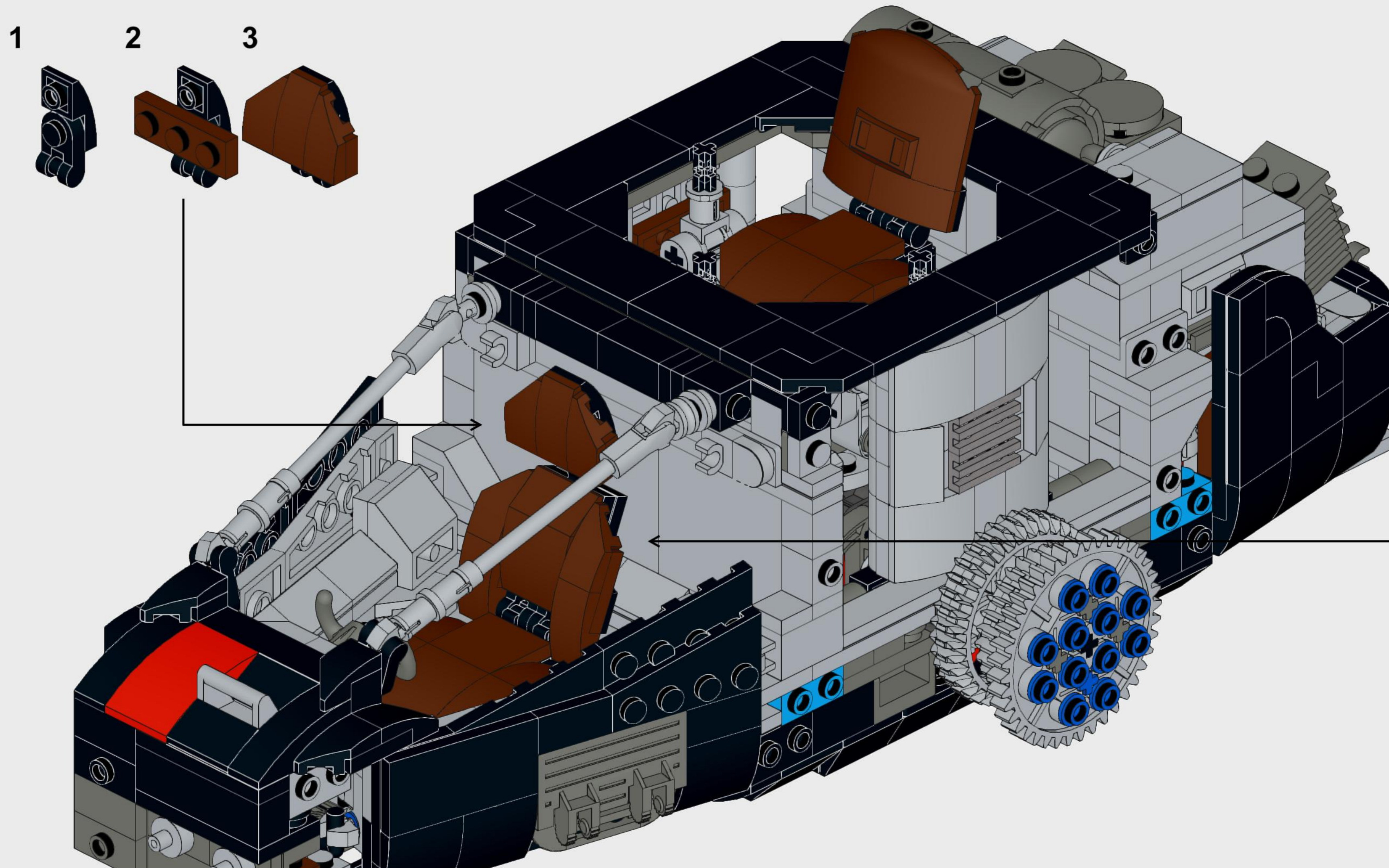
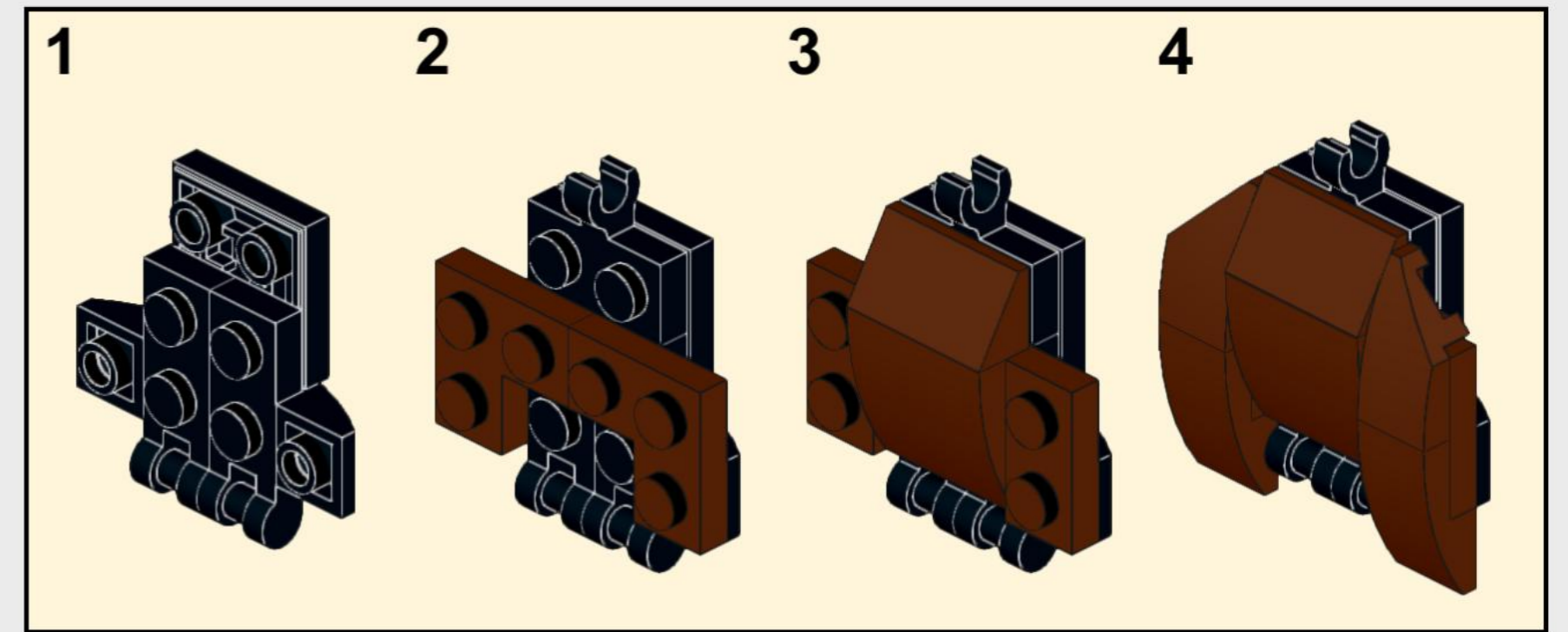


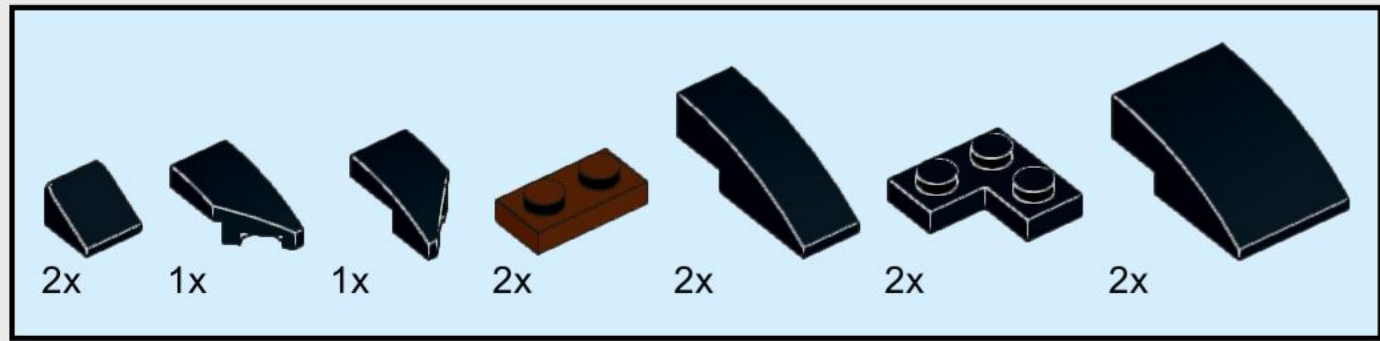
145 



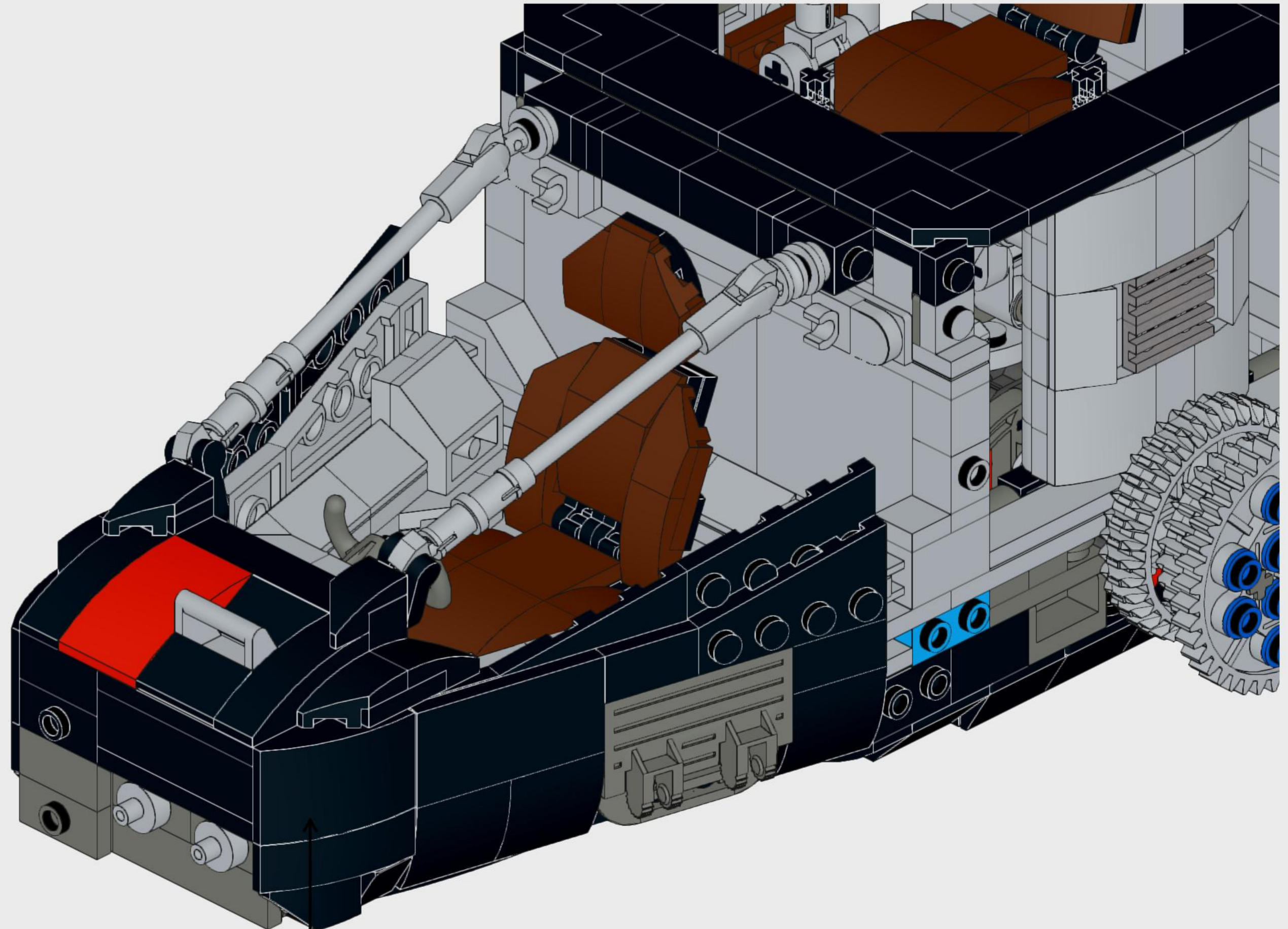
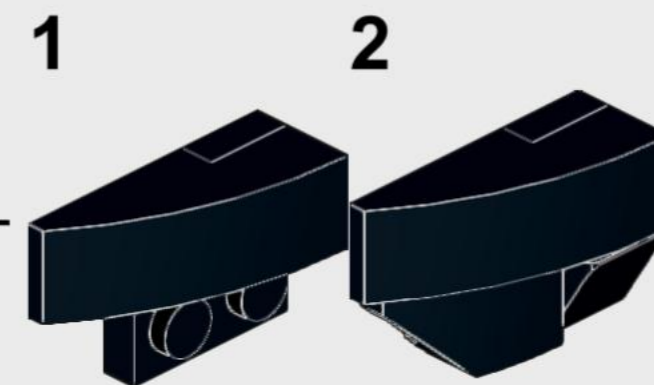
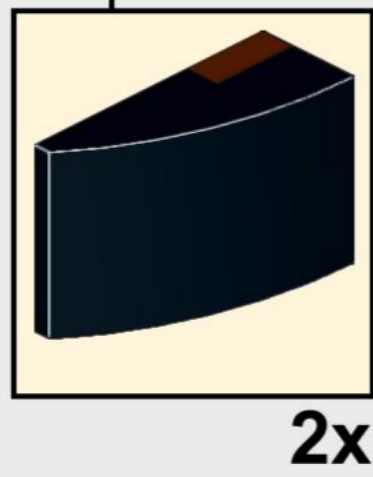
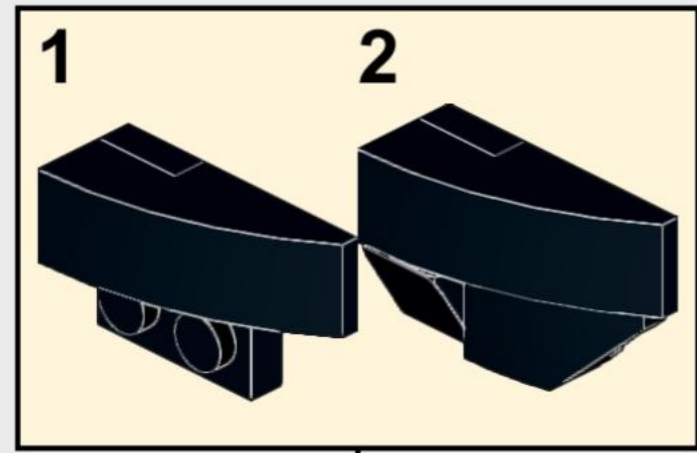


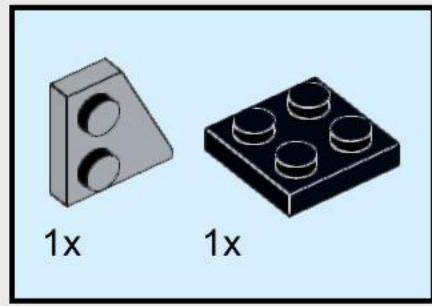
146



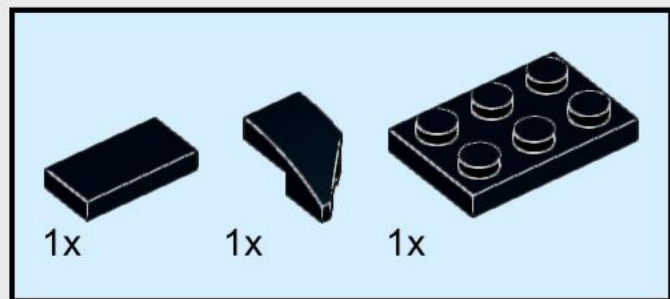
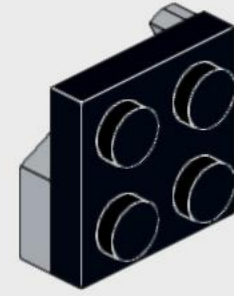


147

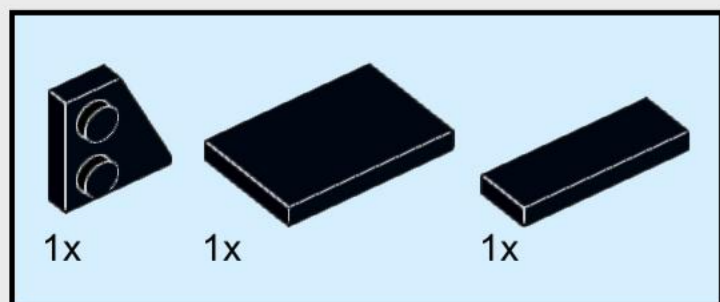
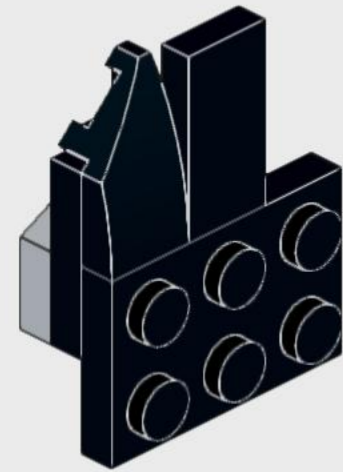




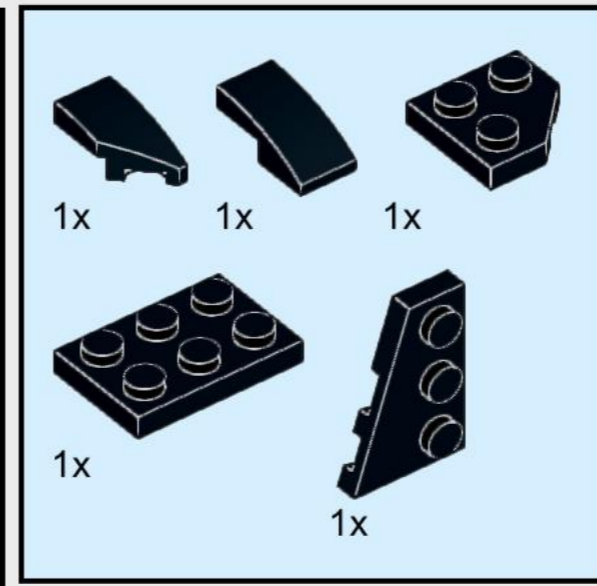
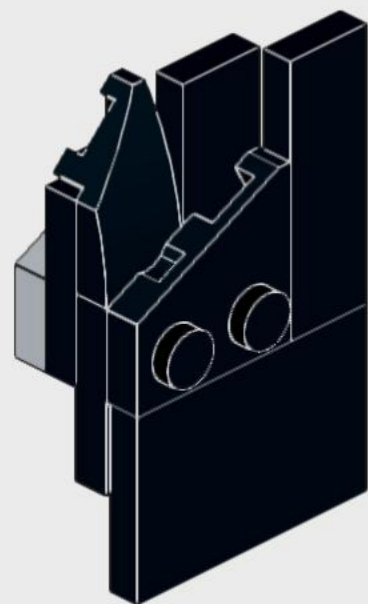
148



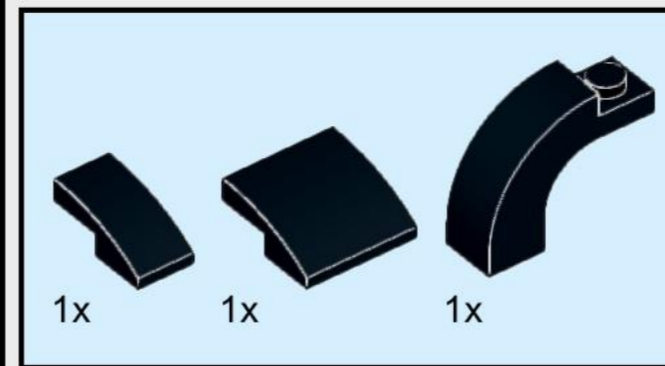
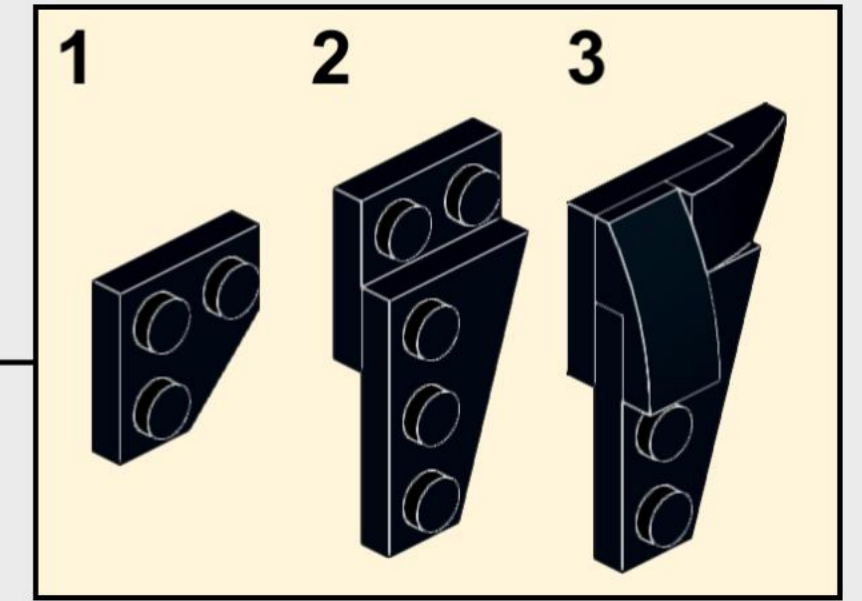
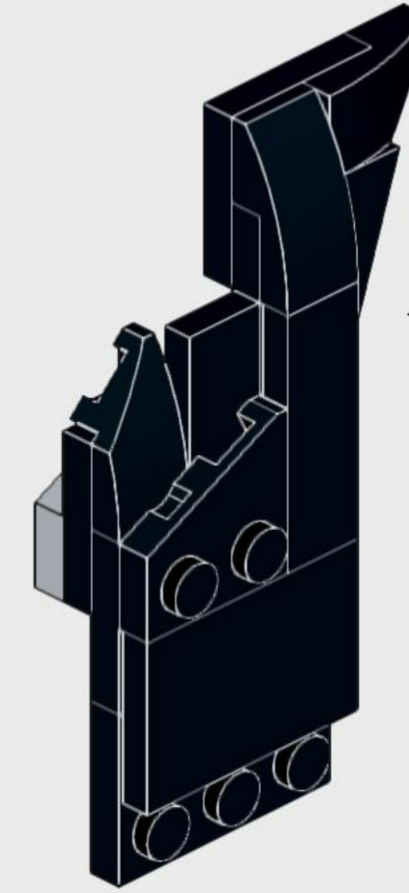
149



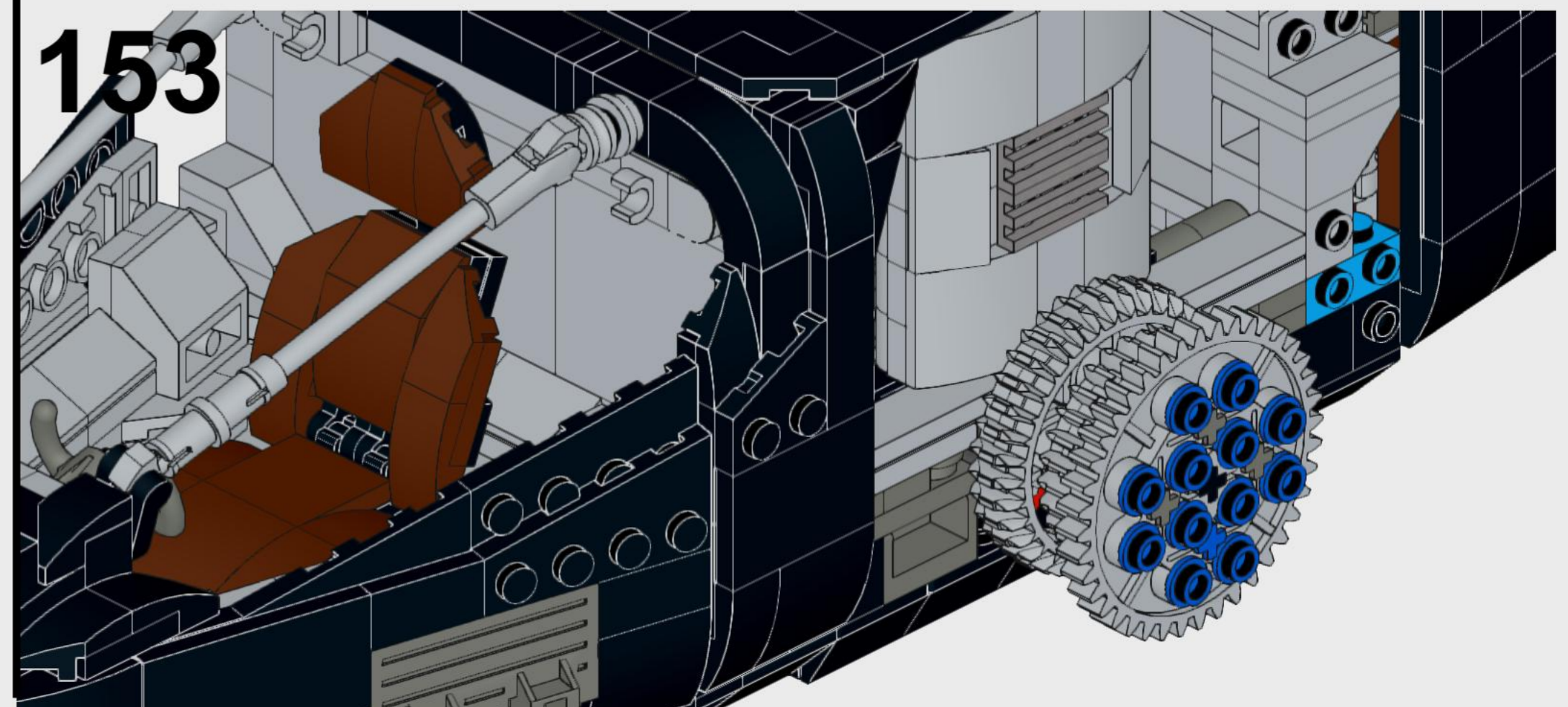
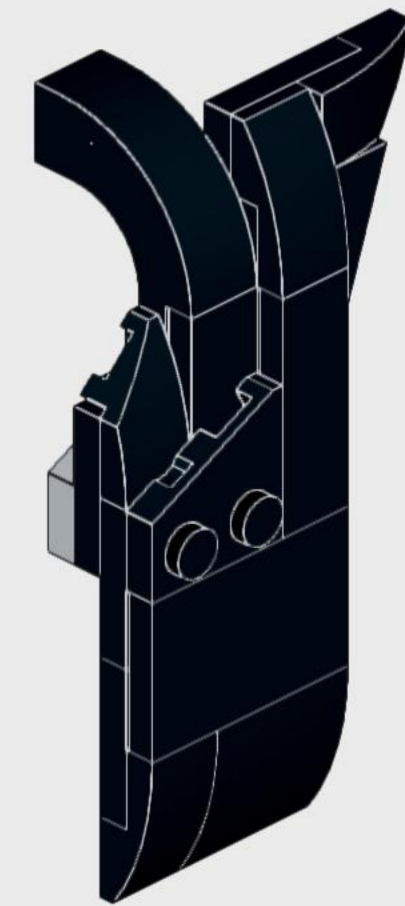
150

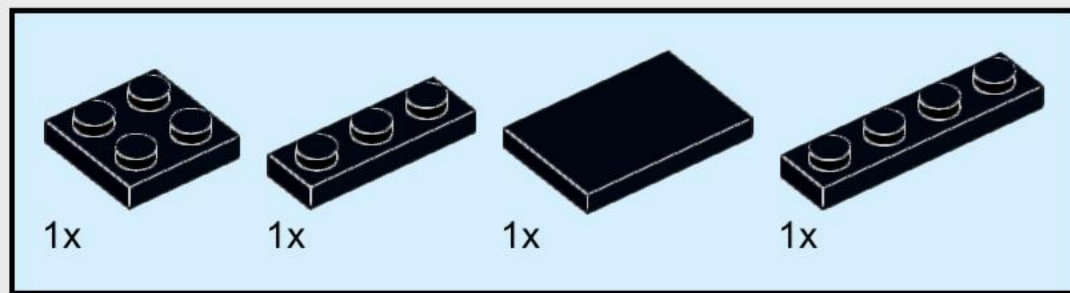


151

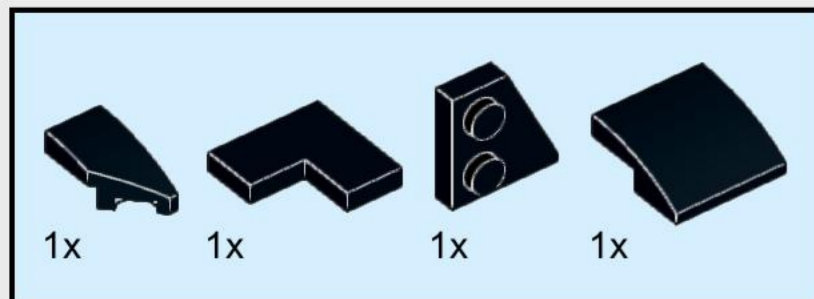


152

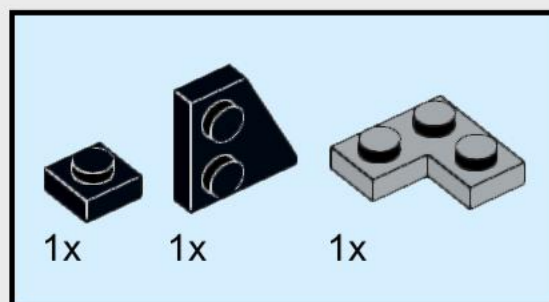




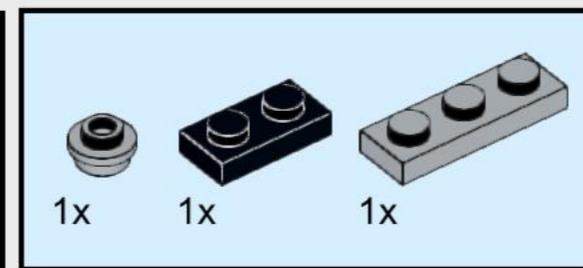
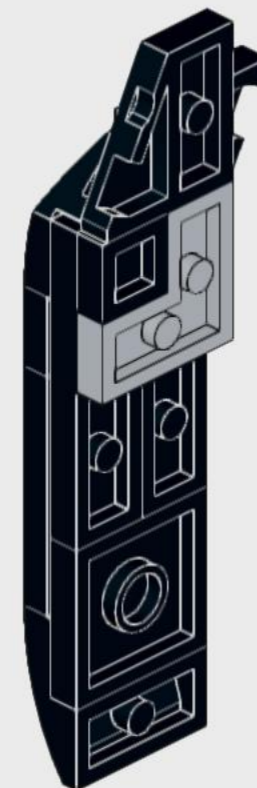
154



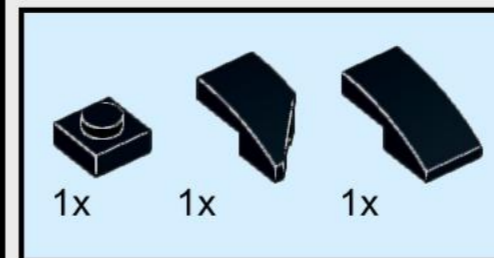
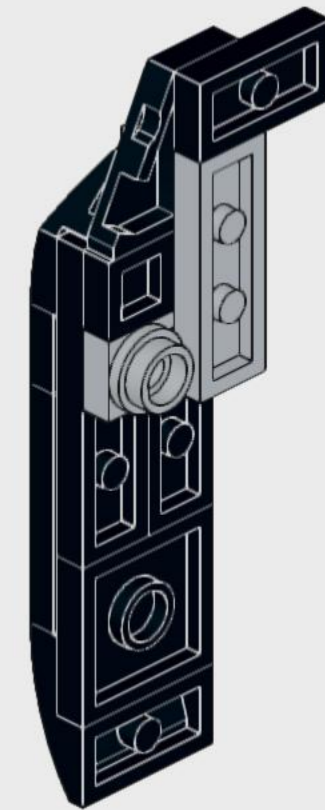
155



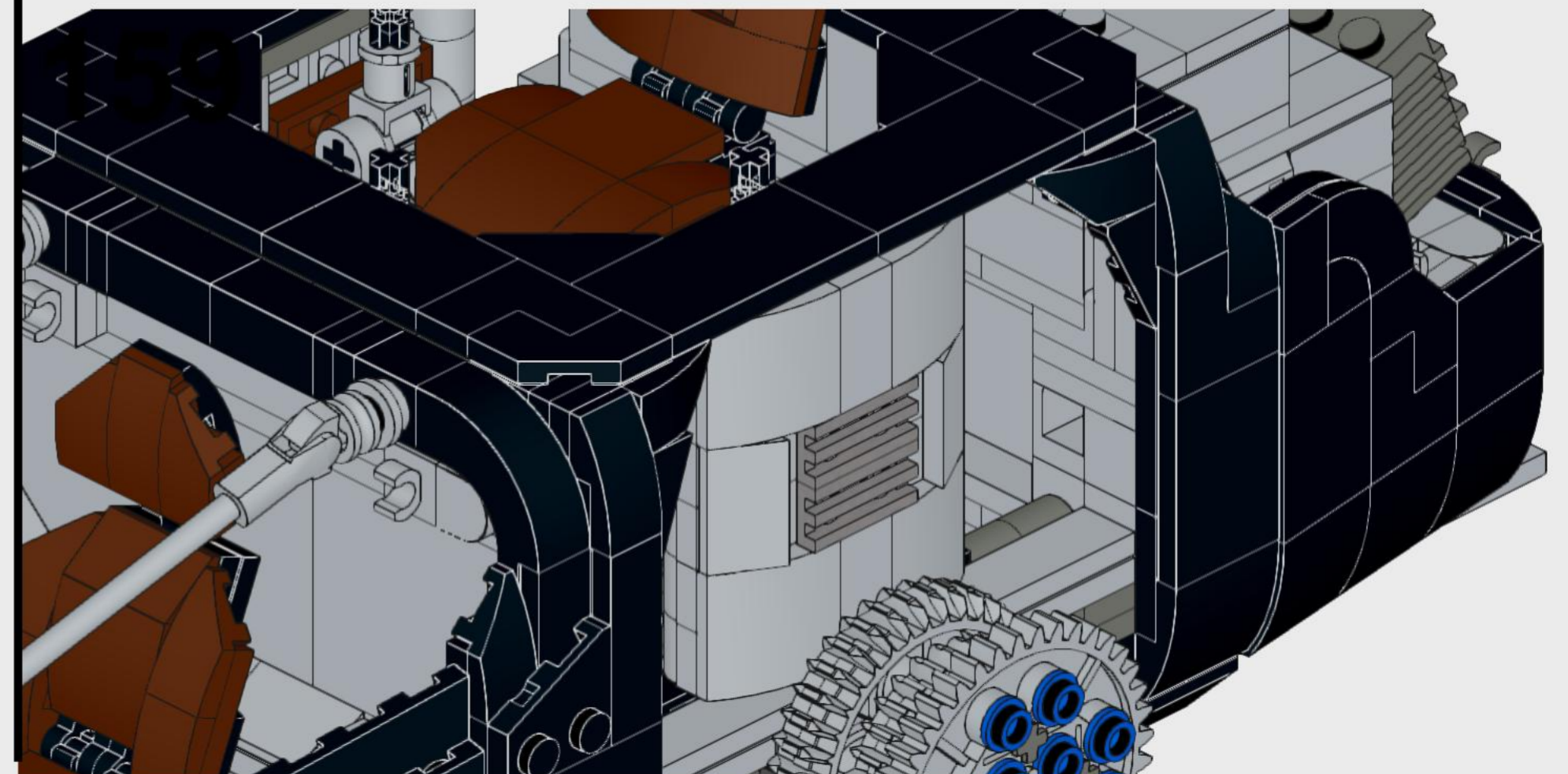
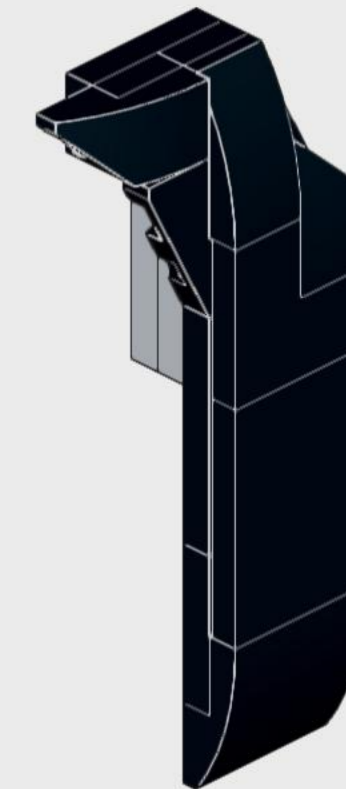
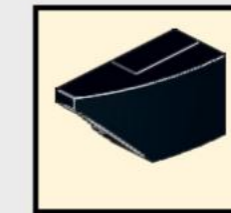
156



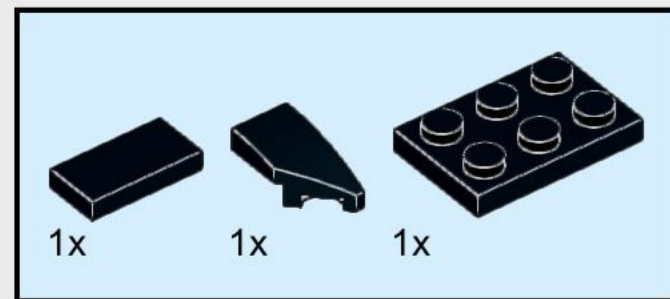
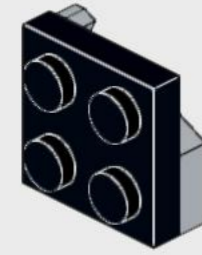
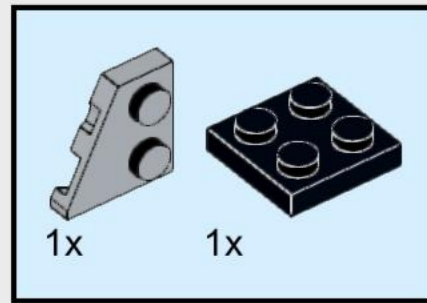
157



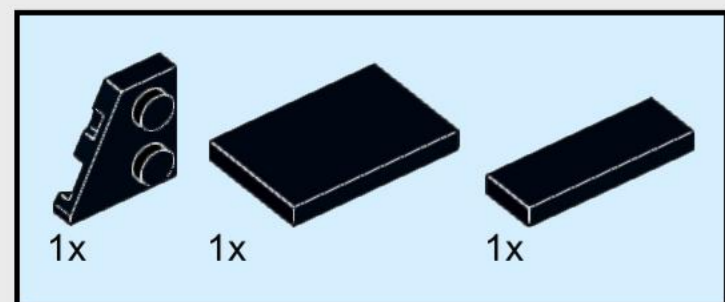
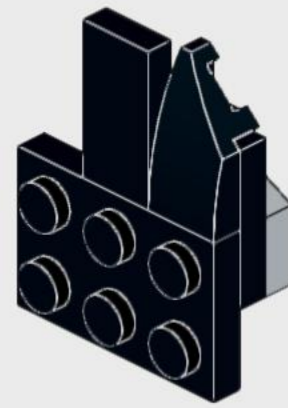
158



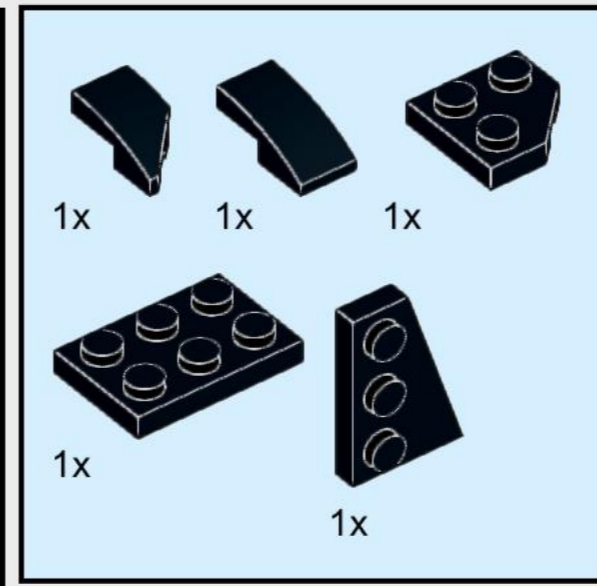
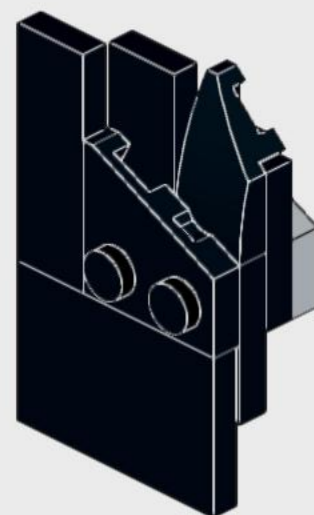
160



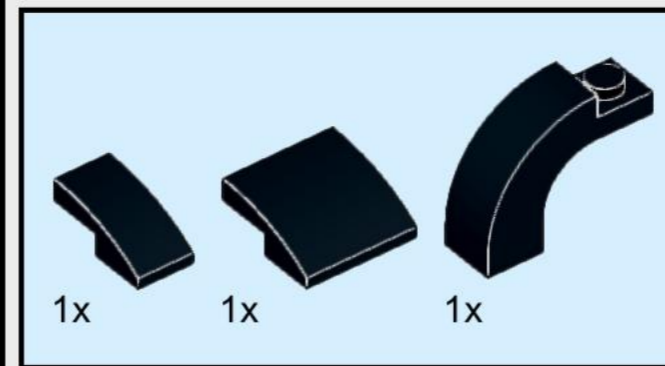
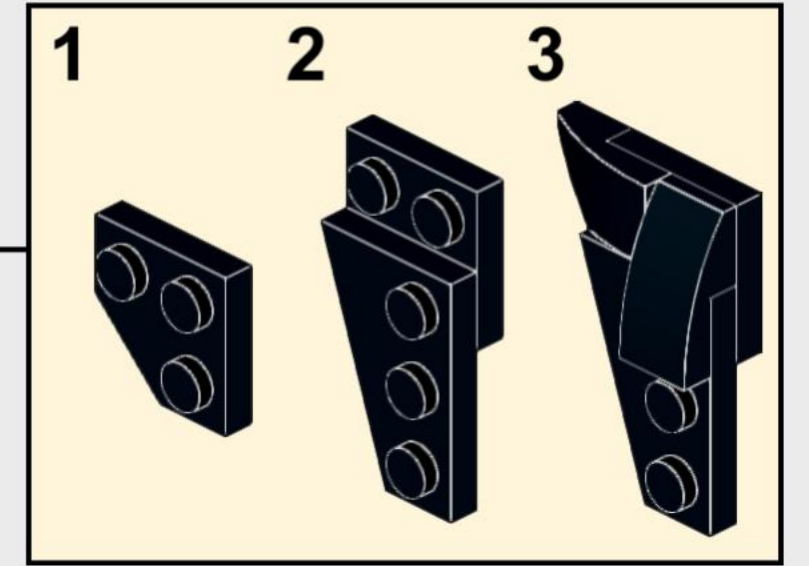
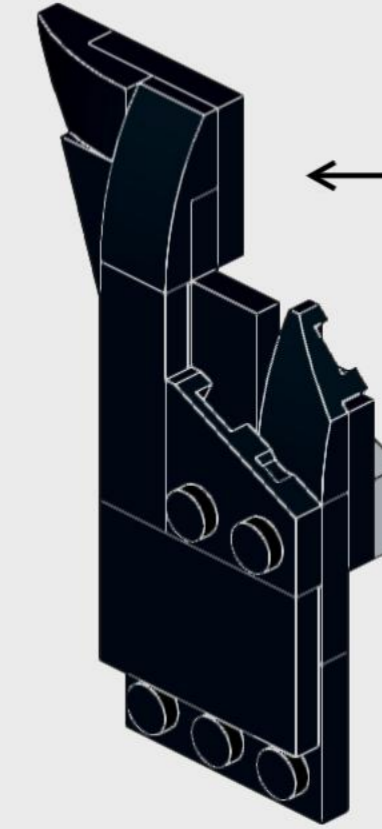
161



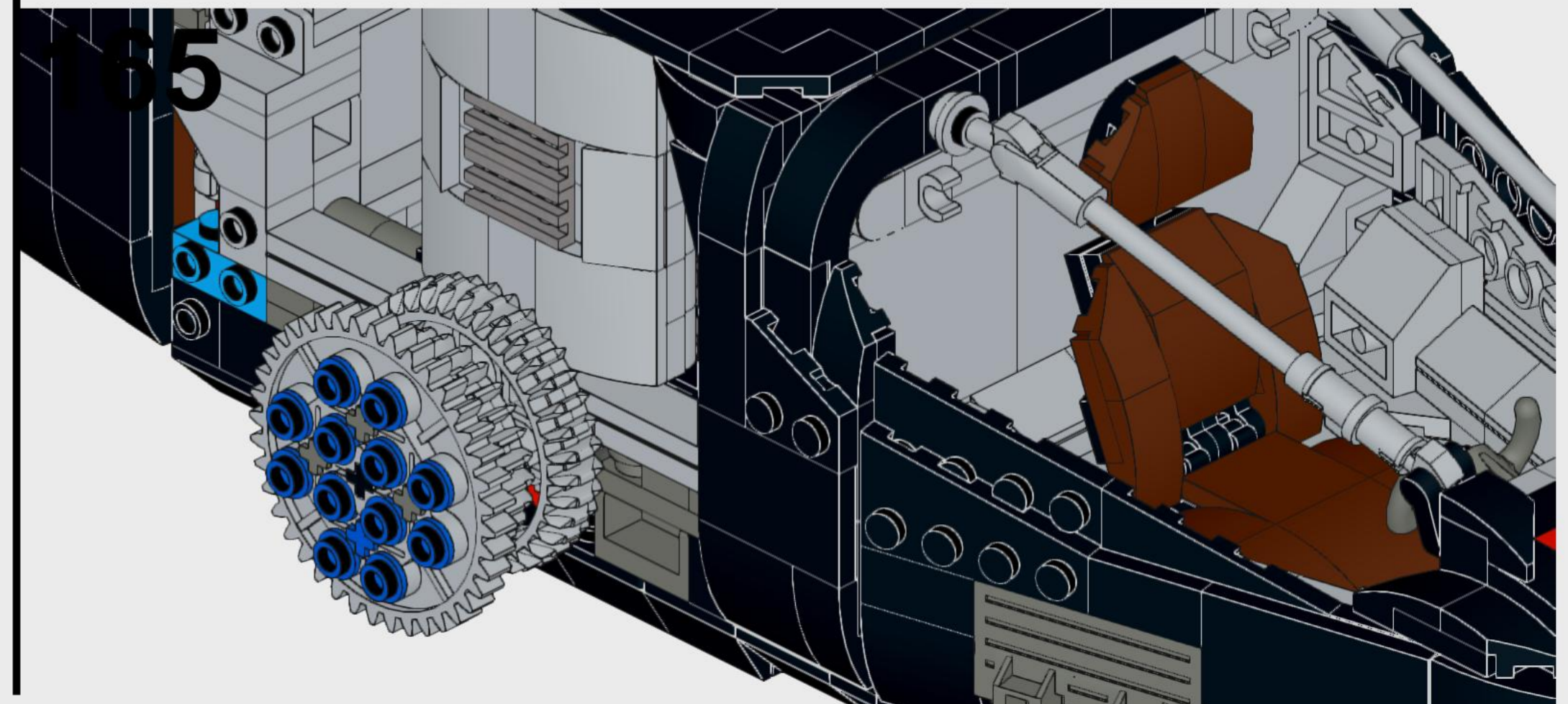
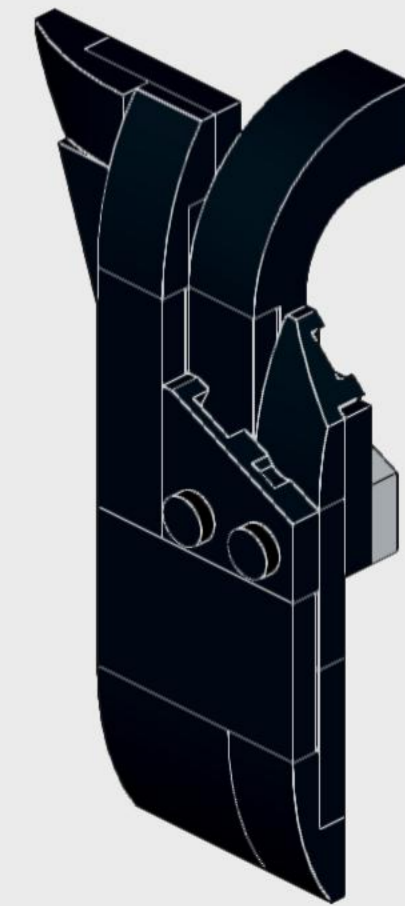
162

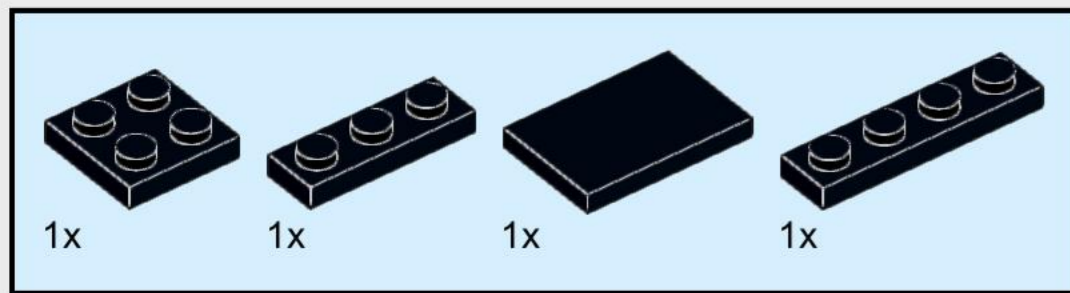


163

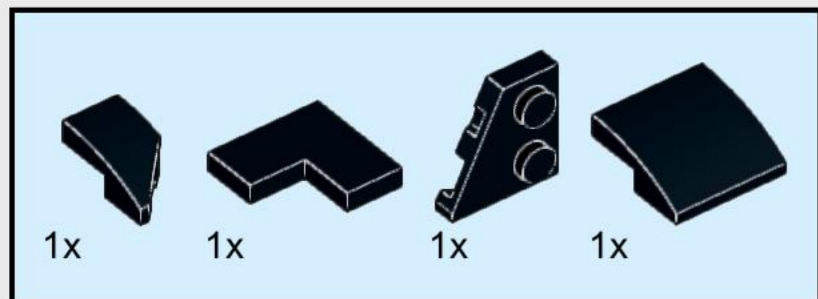
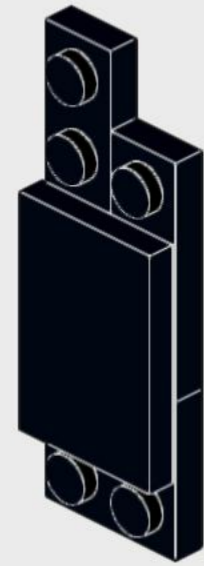


164

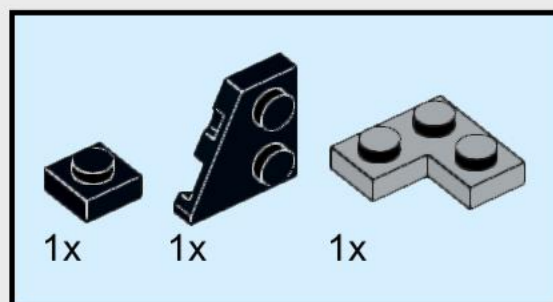
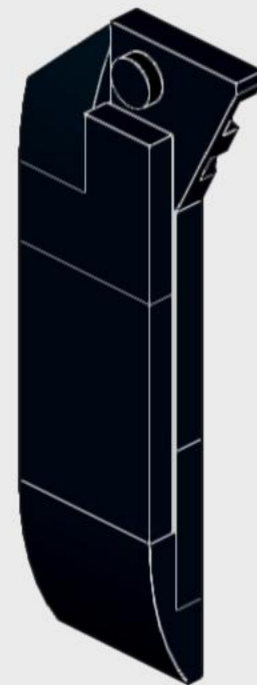




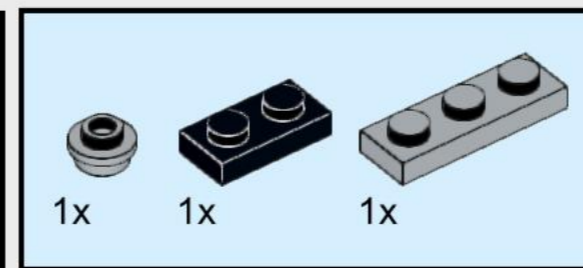
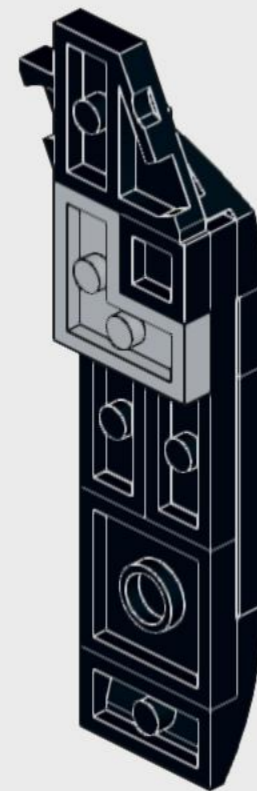
166



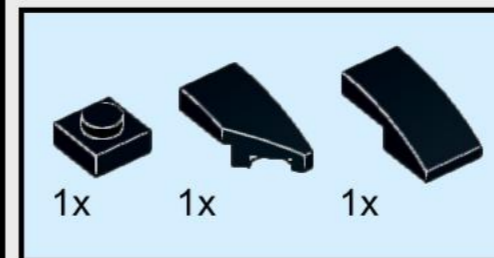
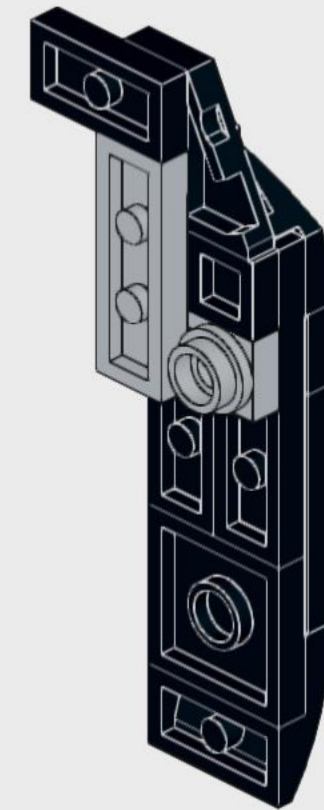
167



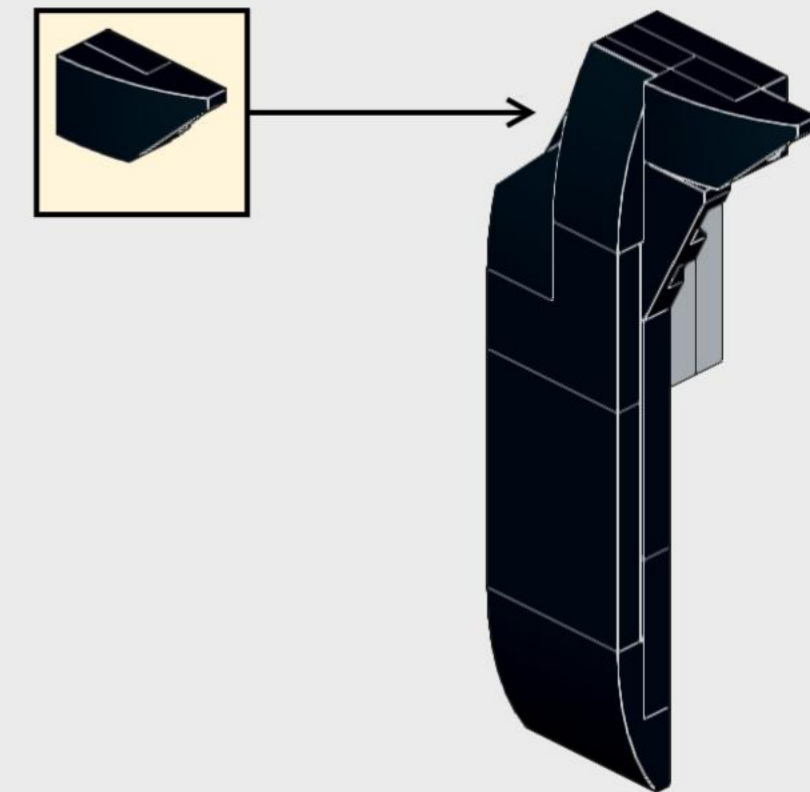
168



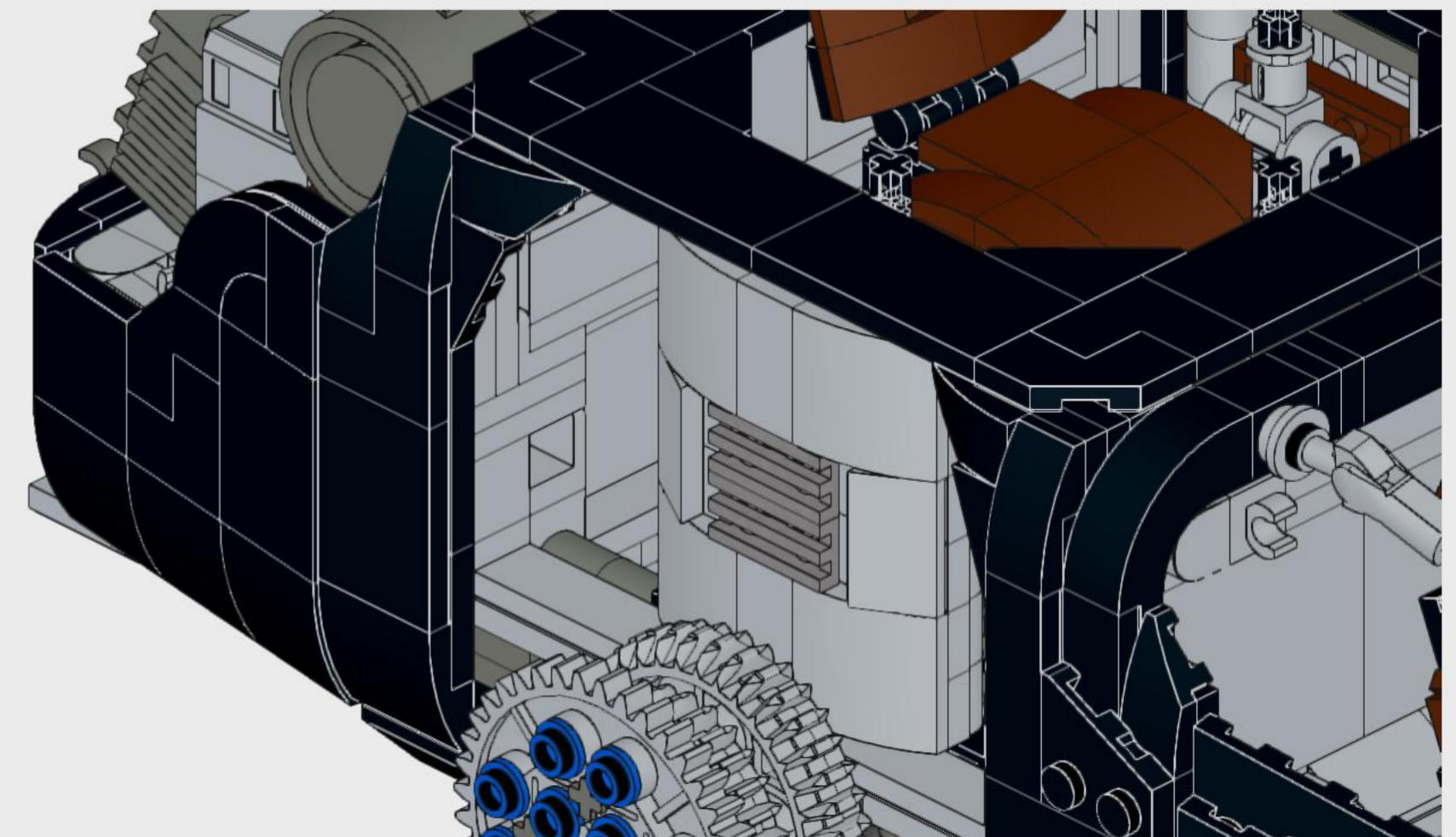
169

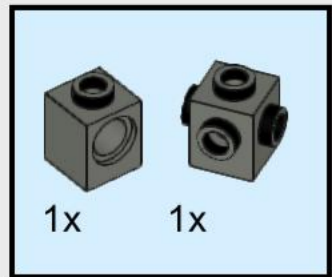


170

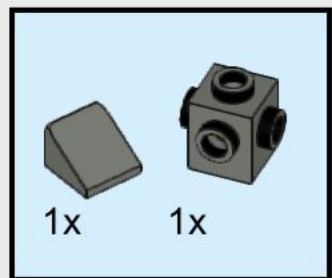
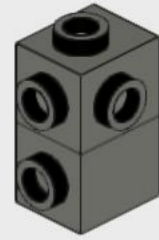


171

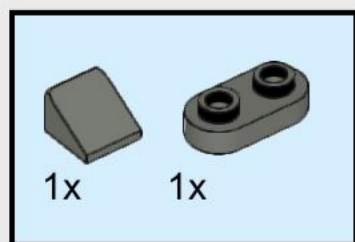
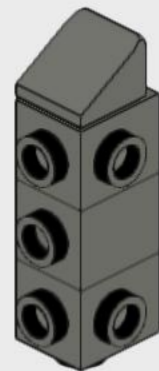




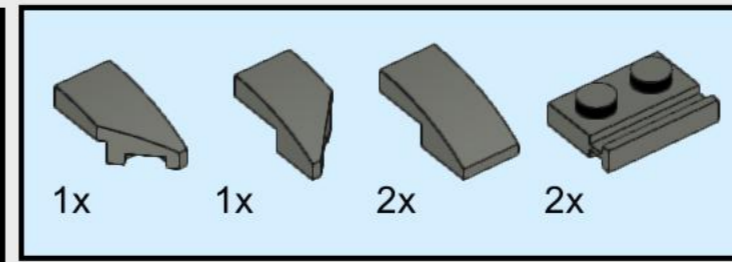
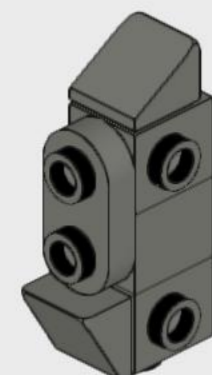
172



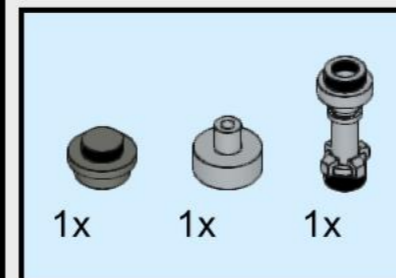
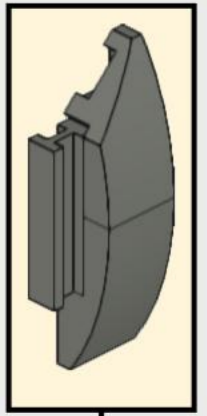
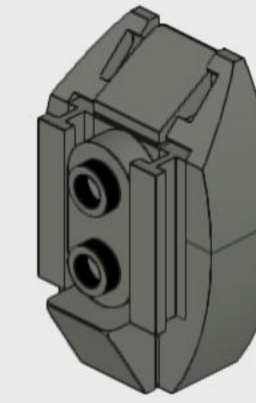
173



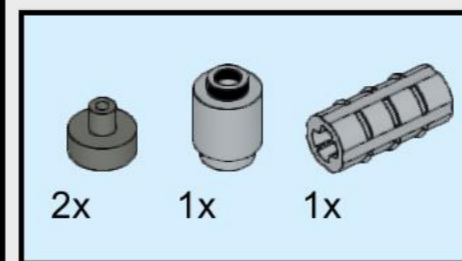
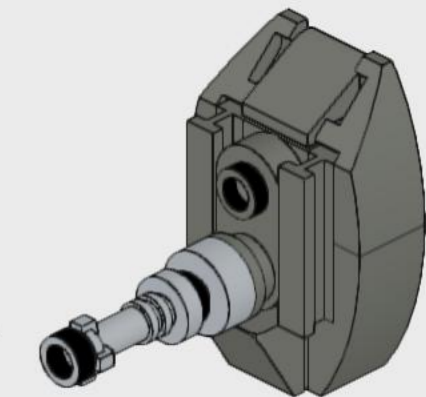
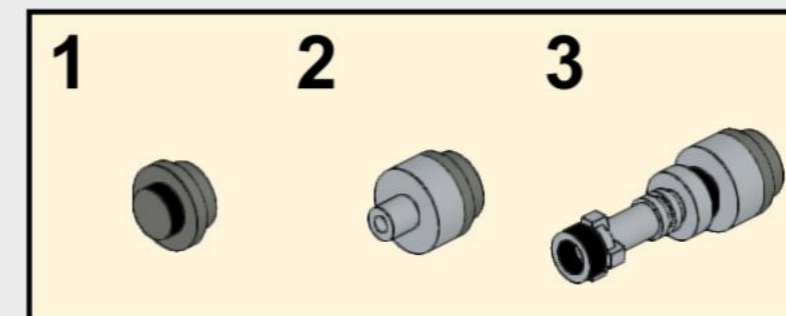
174



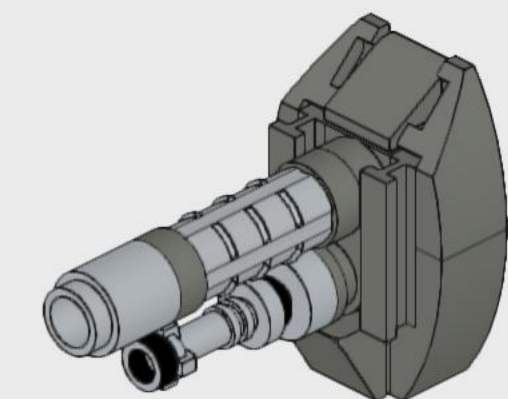
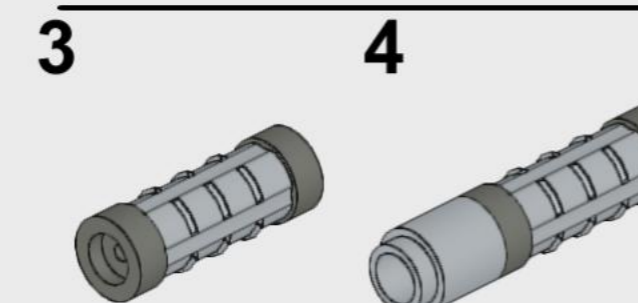
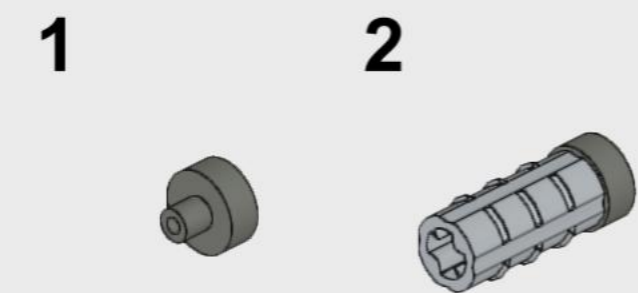
175

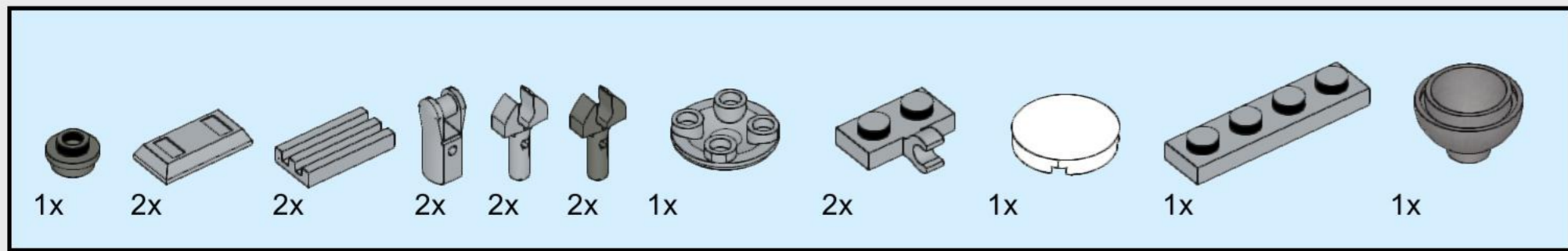


176



177





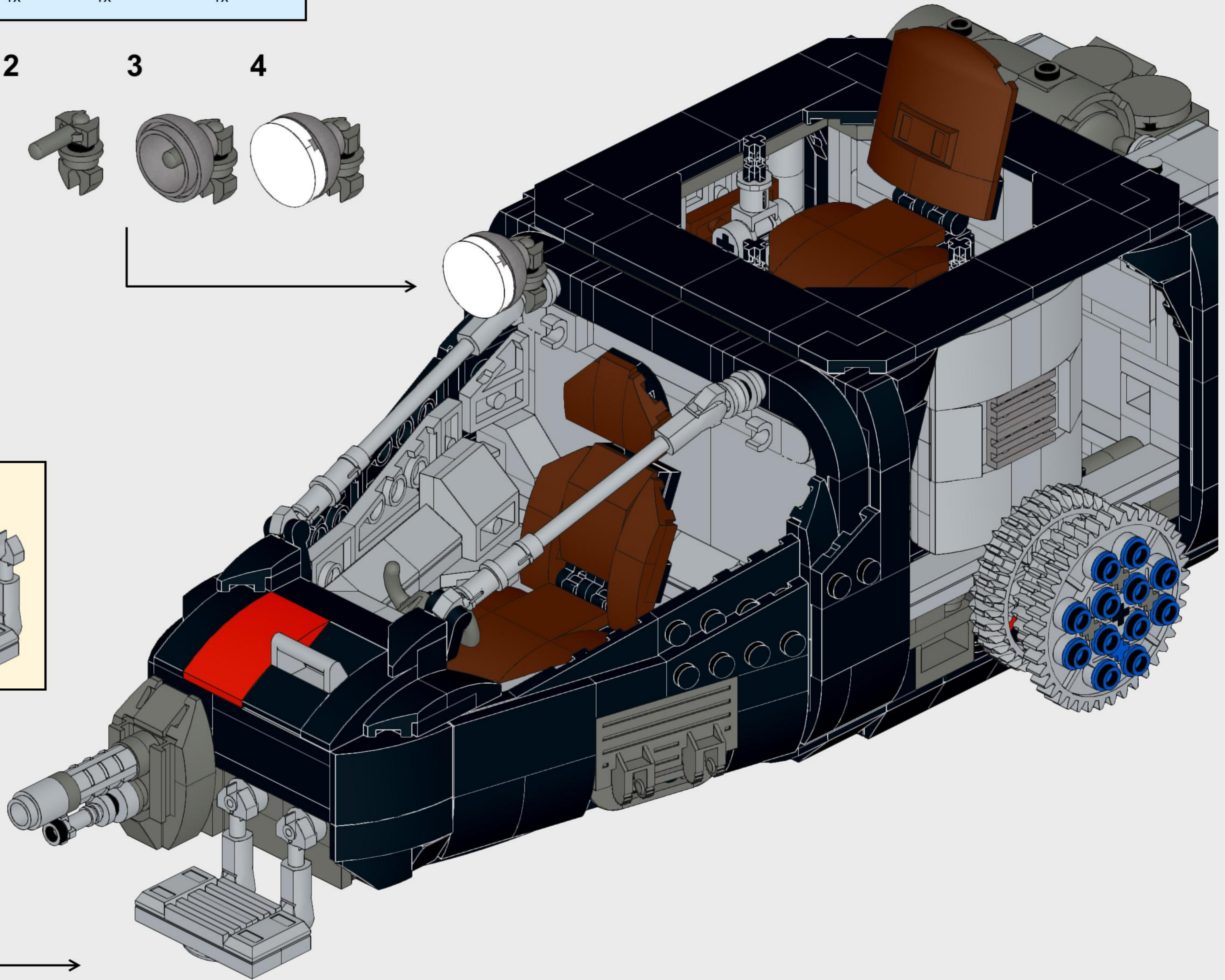
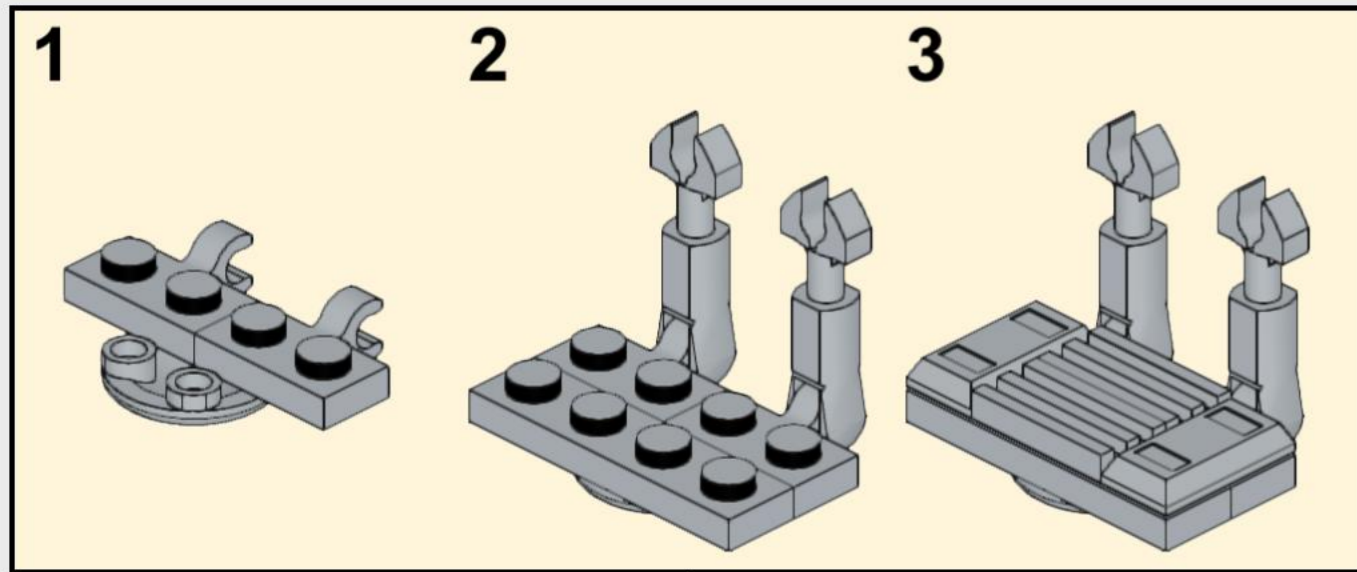
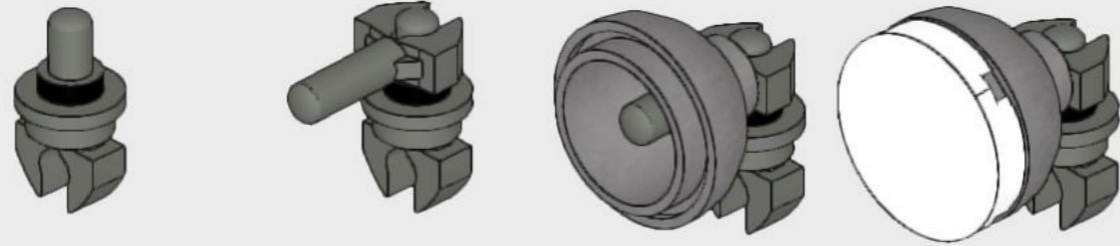
178

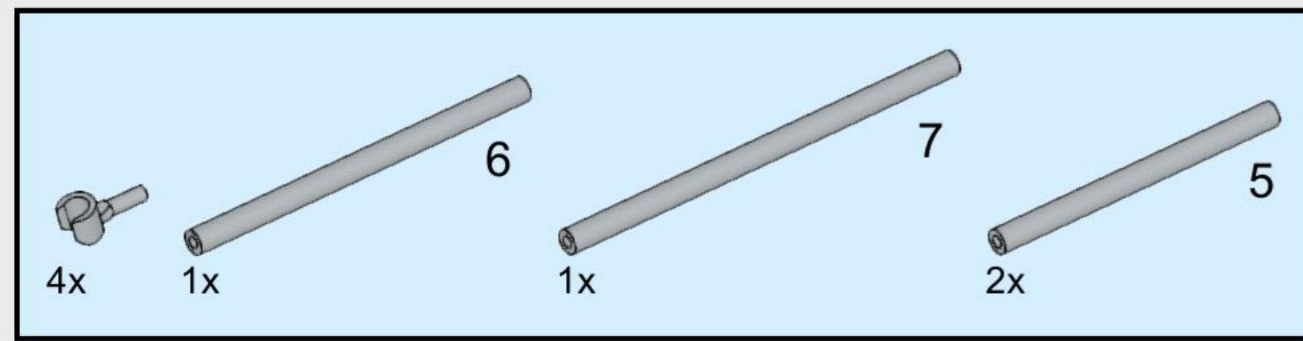
1

2

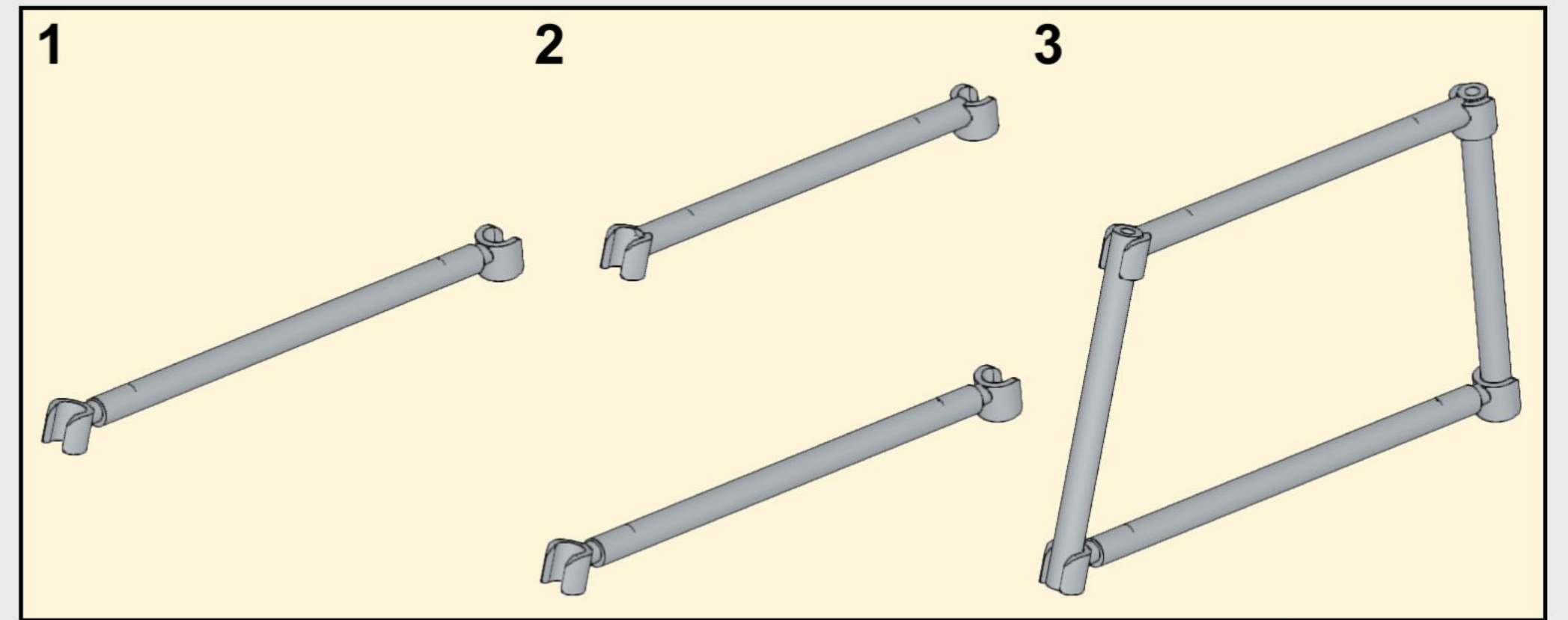
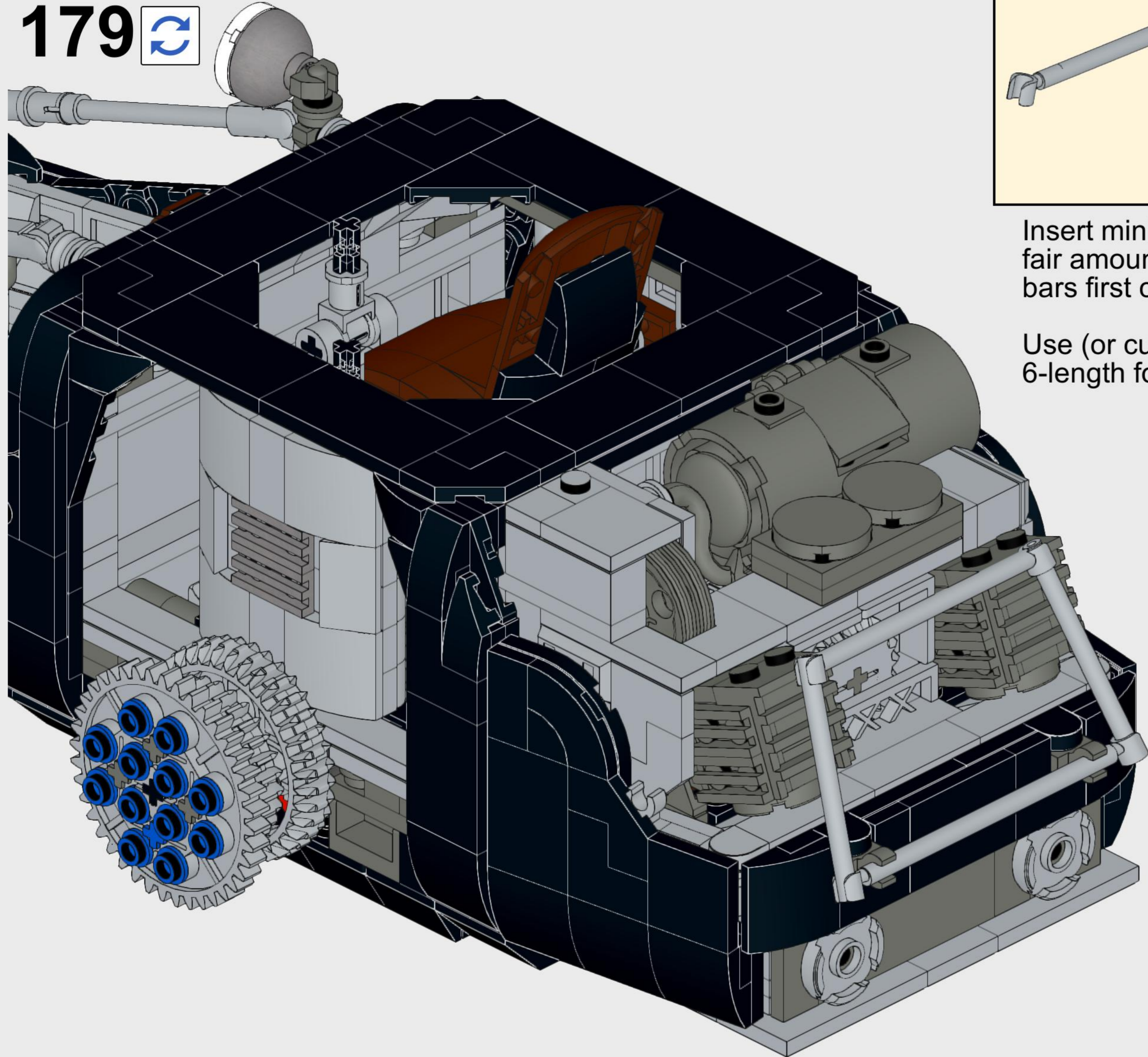
3

4



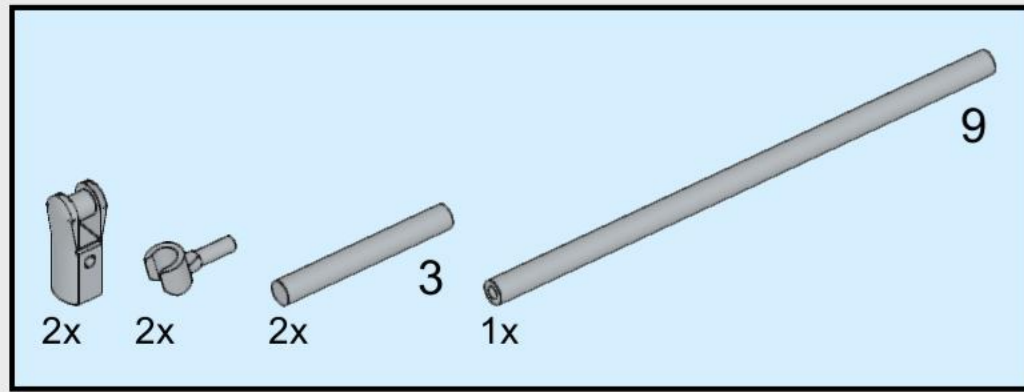


179

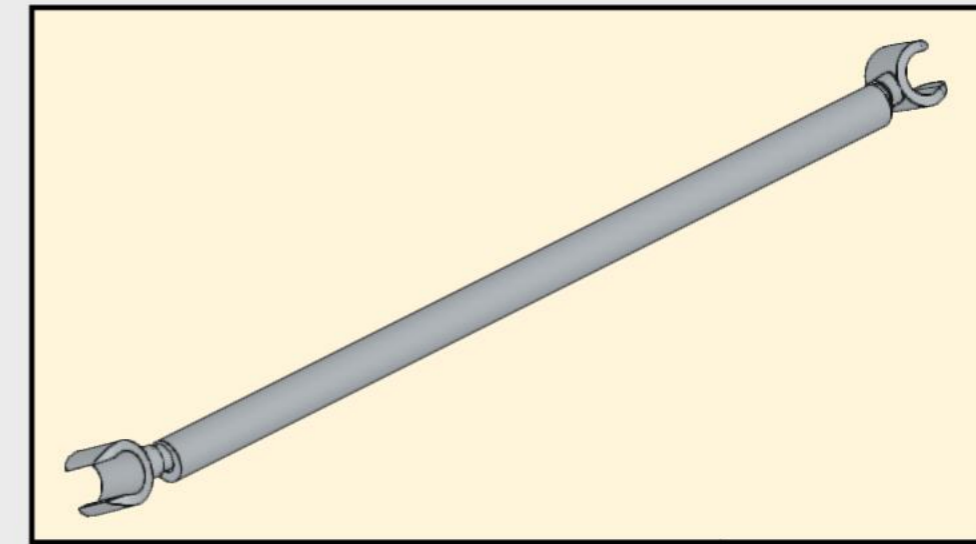
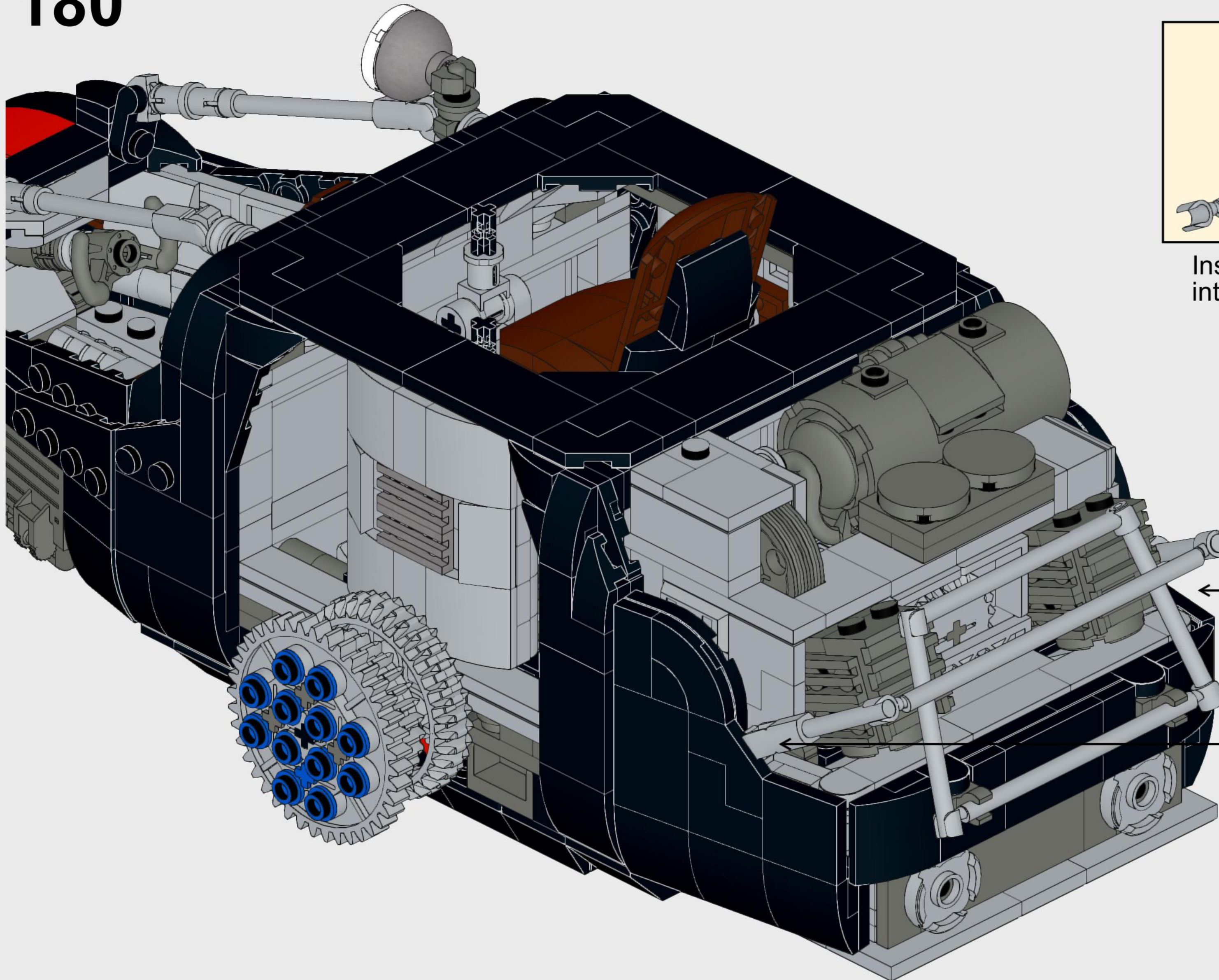


Insert minifig hands into rigid hoses. This can take a fair amount of pressure, so clipping the hands onto bars first can help get leverage needed to insert them.

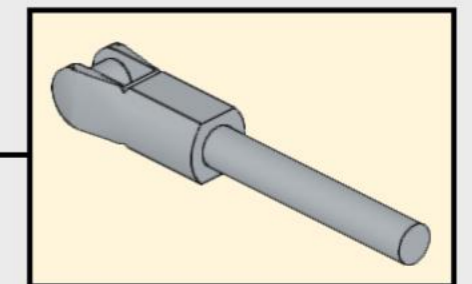
Use (or cut) a 7-stud-length piece for the bottom, a 6-length for the top and 5-lengths for the sides.



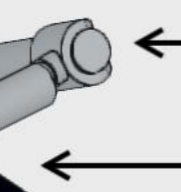
180

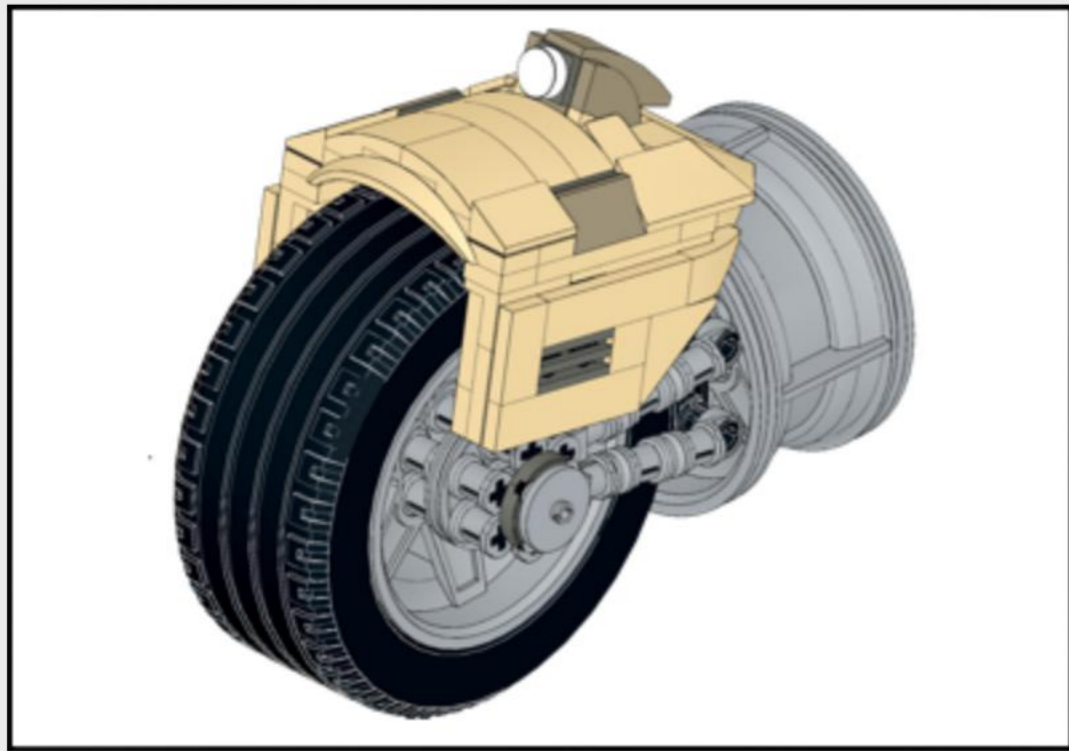


Insert minifig hands
into 9-length hose

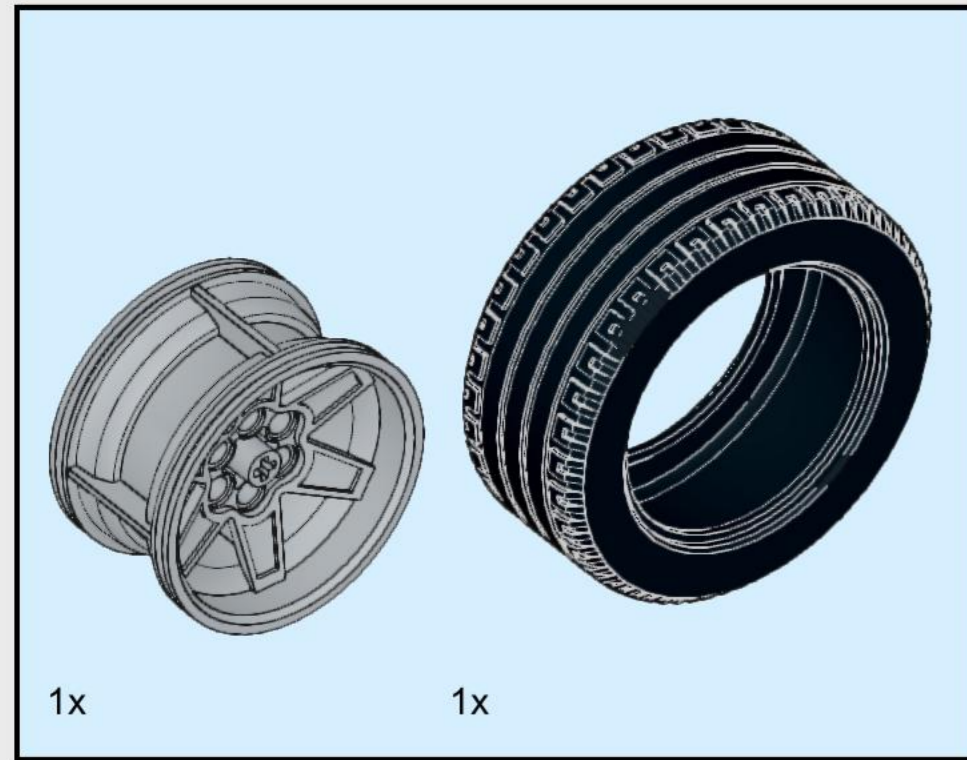


2x



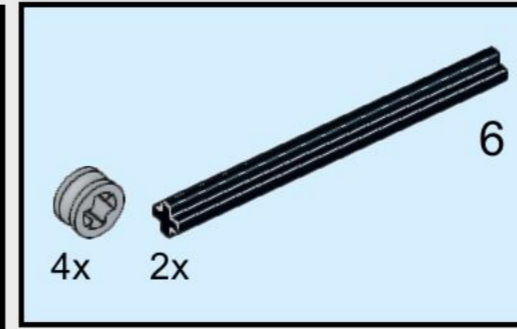


2x



Reverse wheel on second build of this model, so that left/right front wheels will be symmetrically mirrored when the full model is constructed.

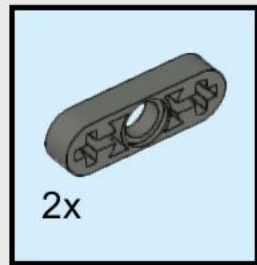
1



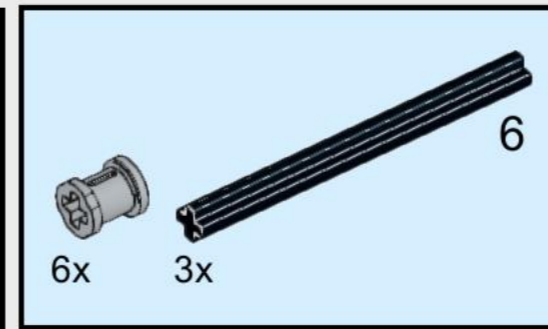
2

Wheel build is symmetrical. Add same pieces to reverse side per step.



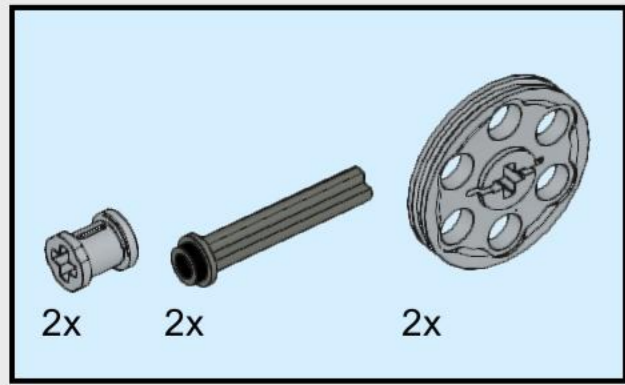


3

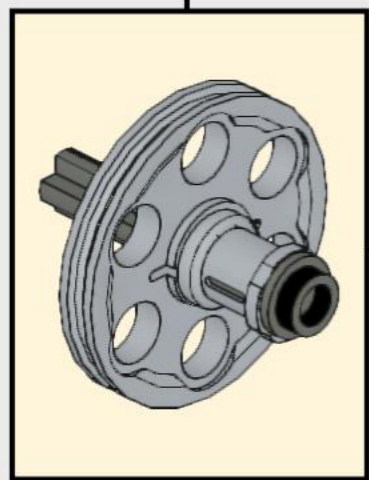


4

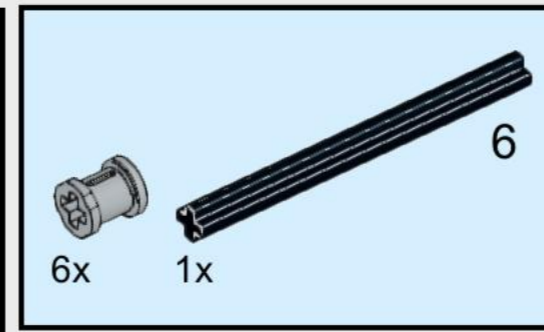




5

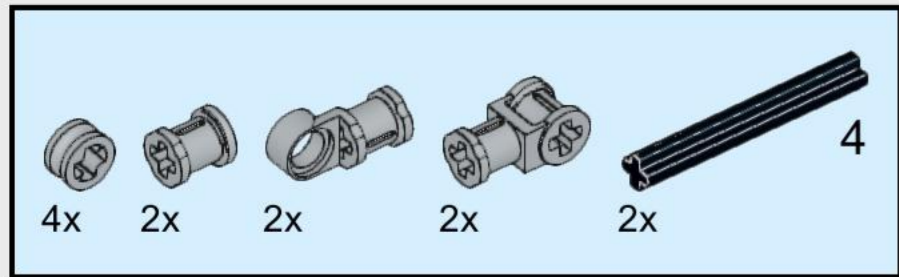


2x

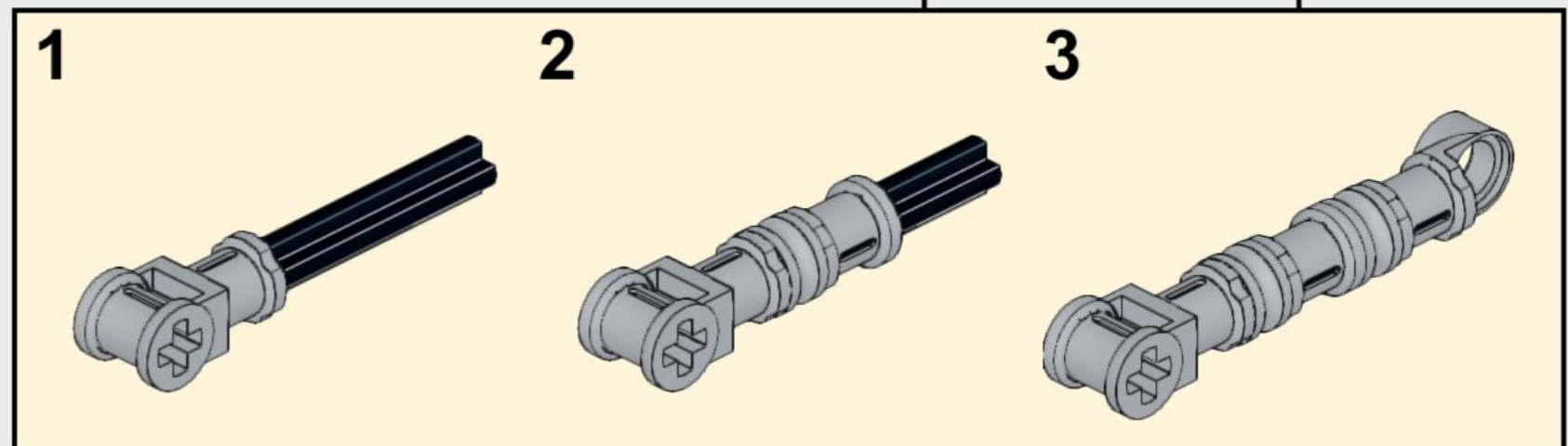
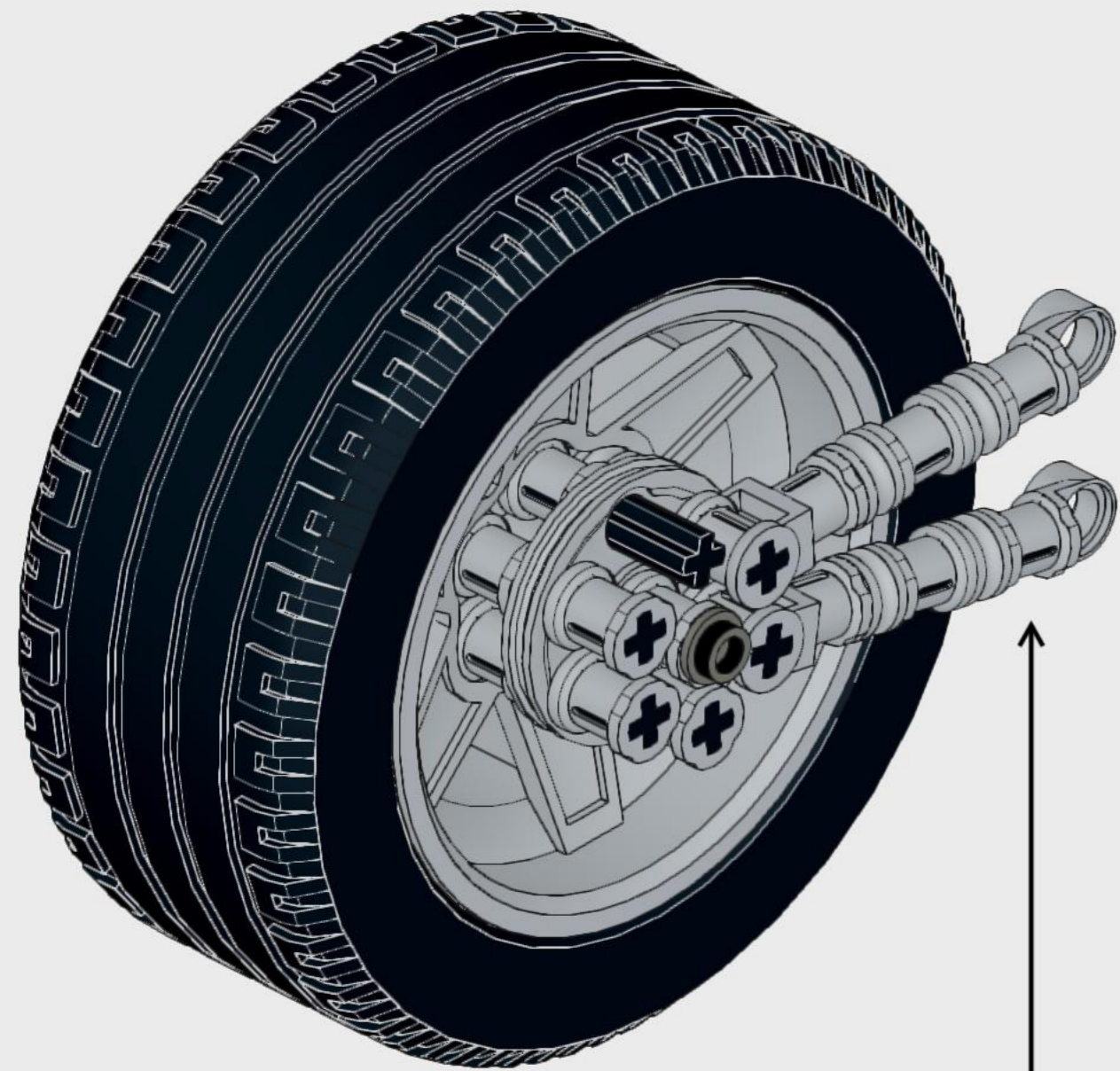


6

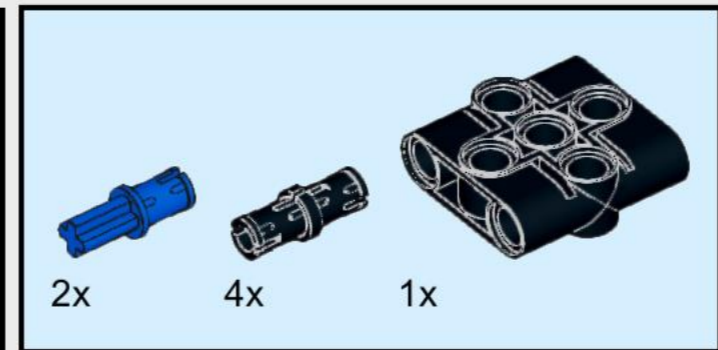




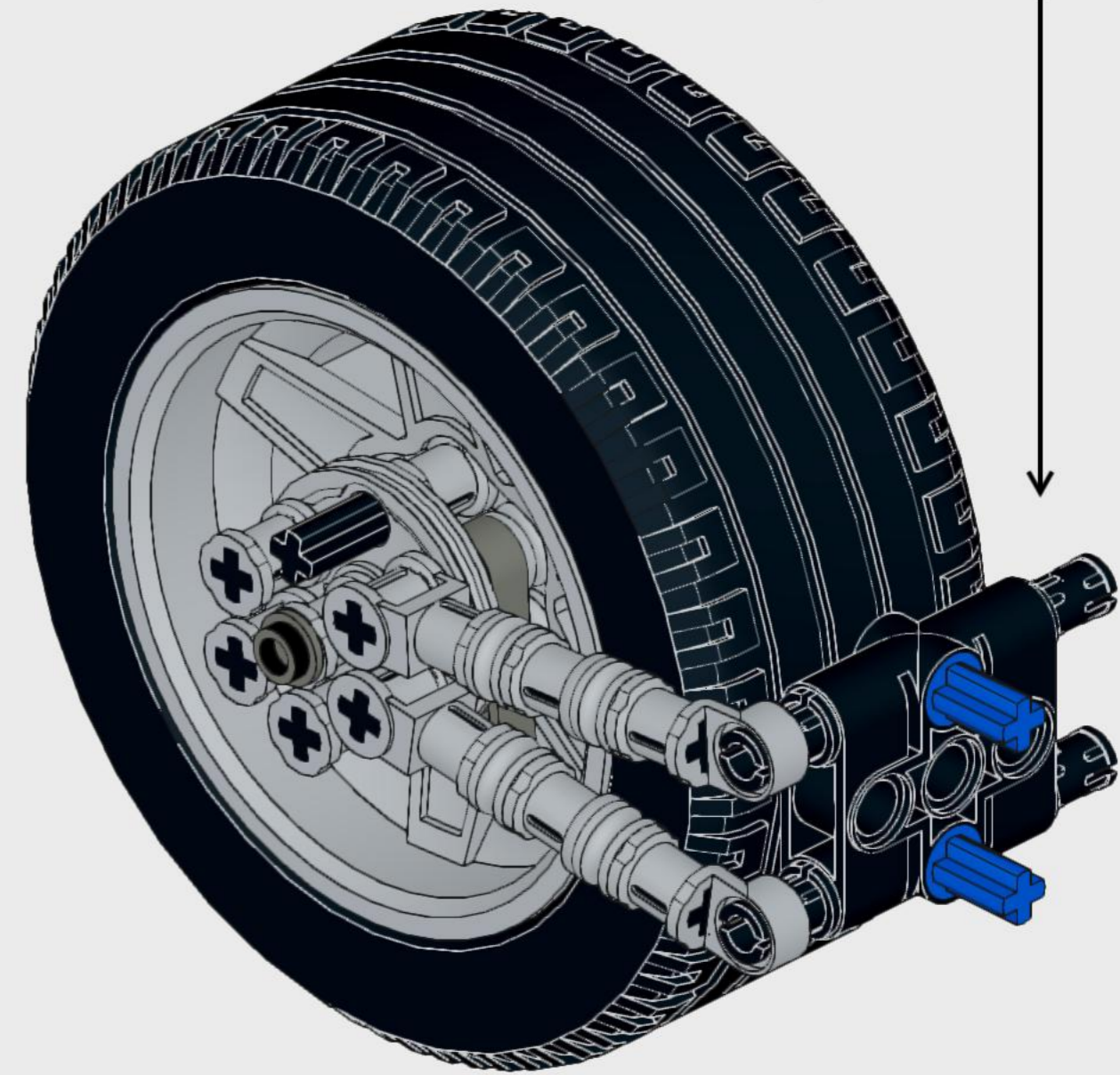
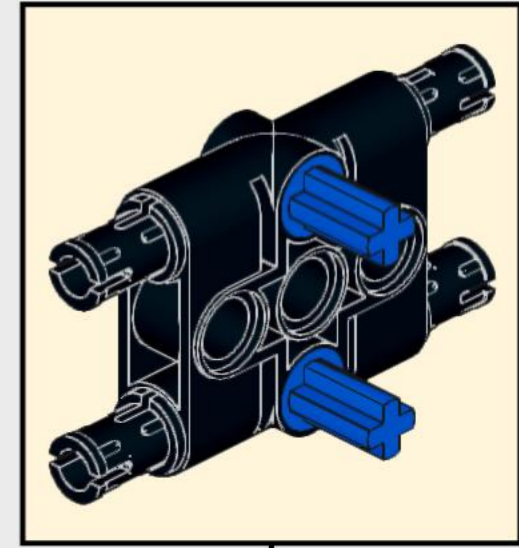
7

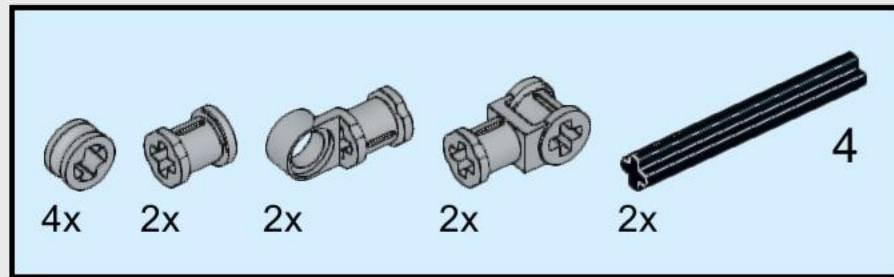


2x

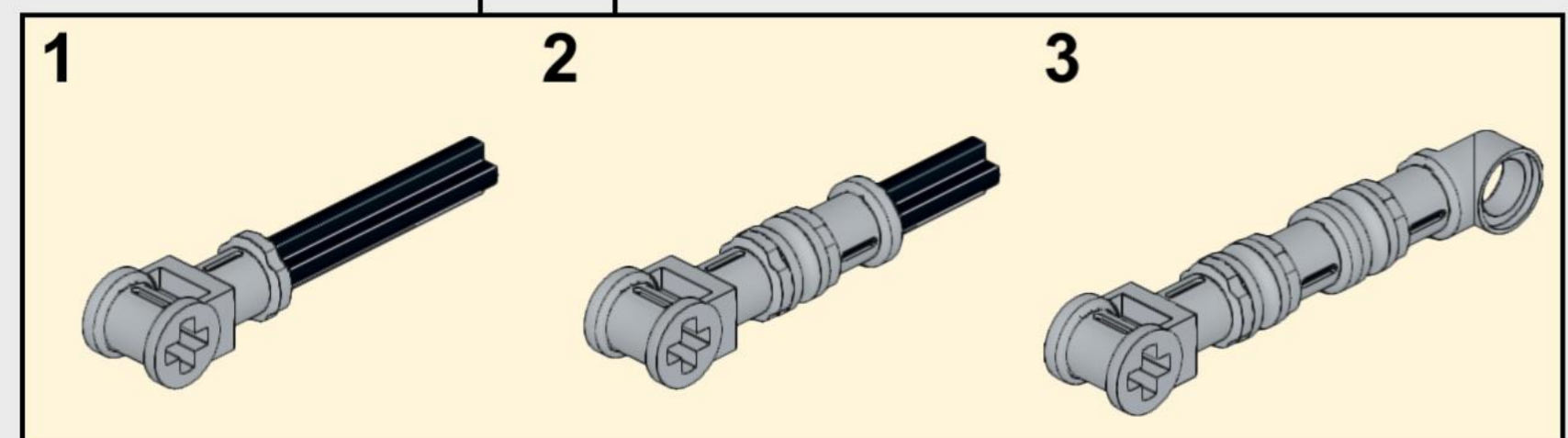
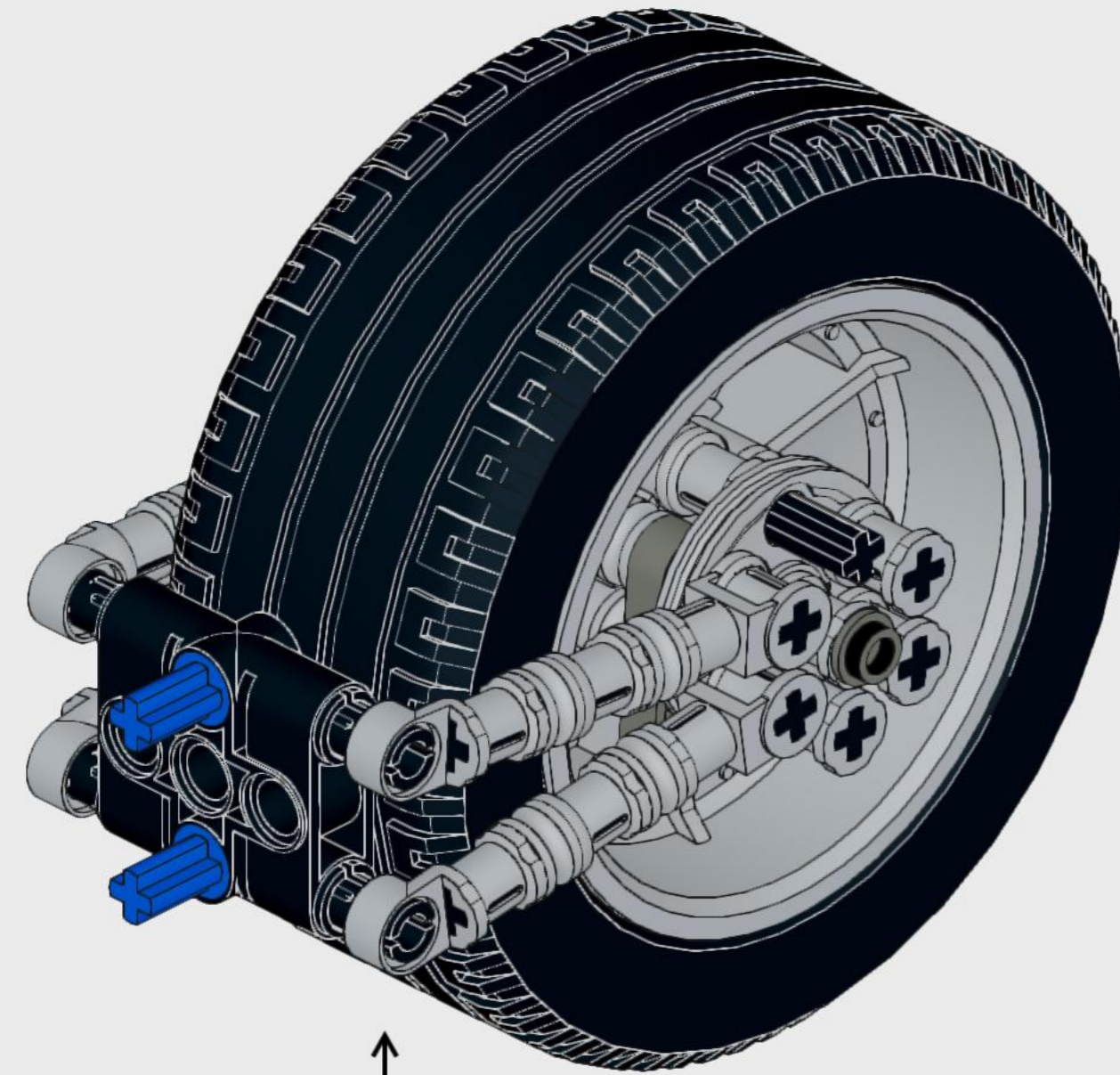


8 

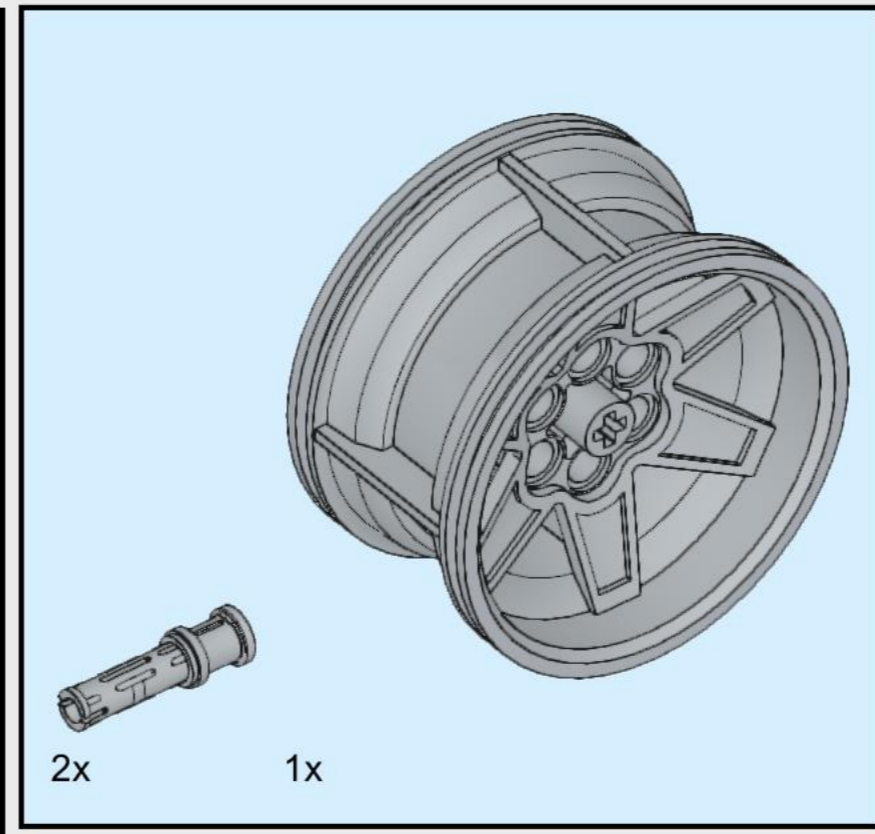




9

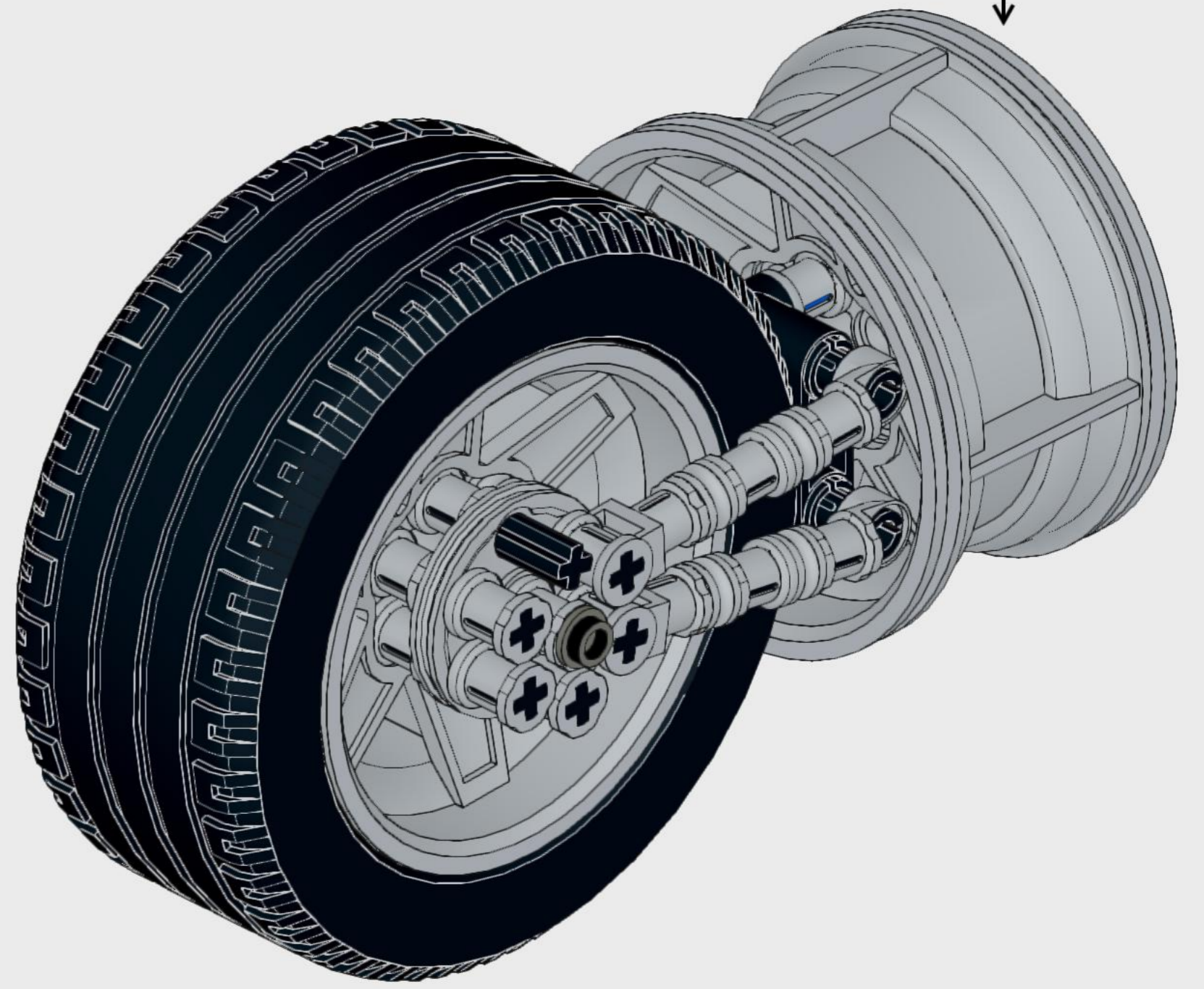
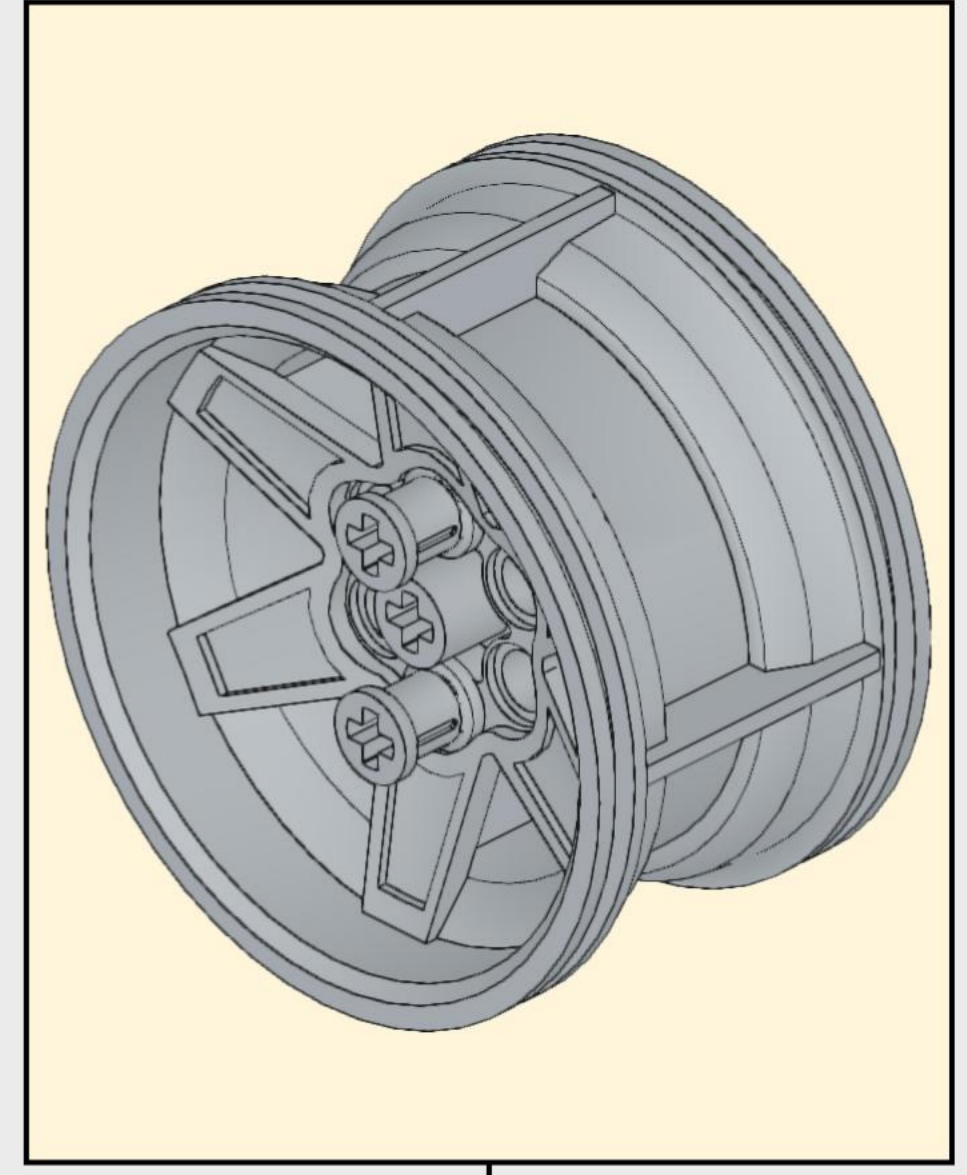


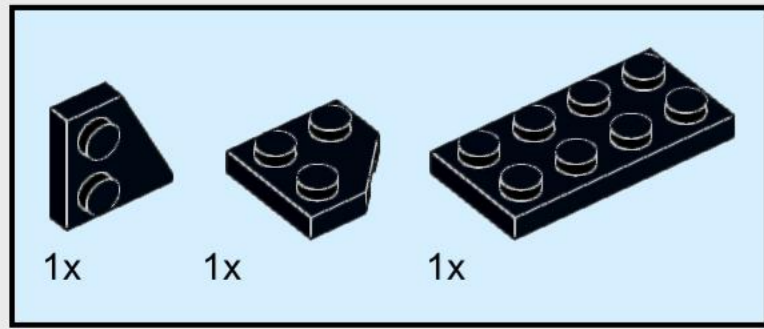
2x



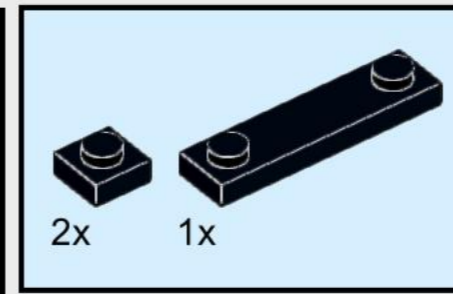
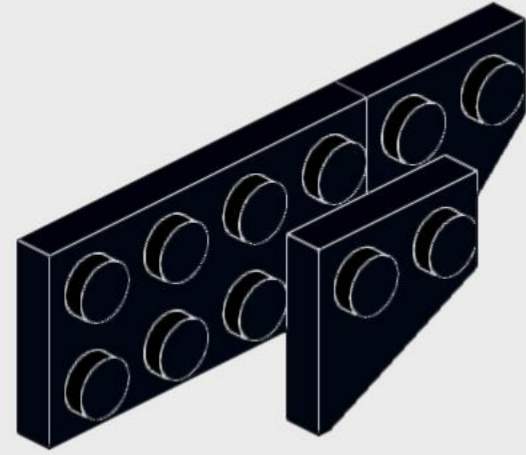
10

Ensure wheel interior matches instruction. Interior of wheel is different on each side.

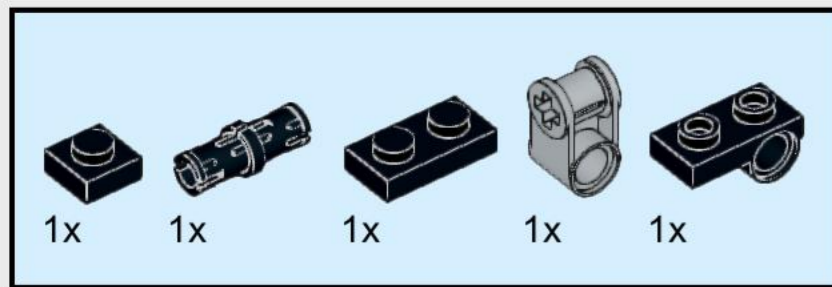
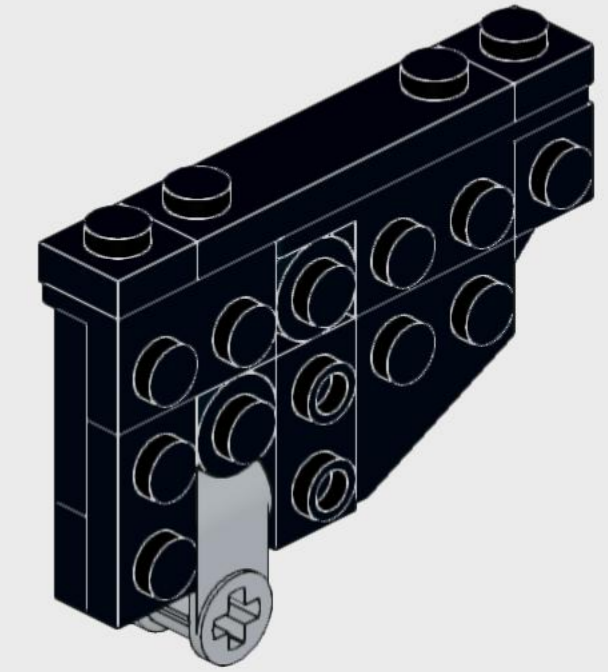




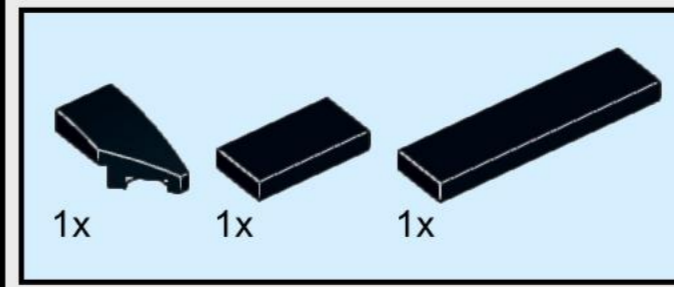
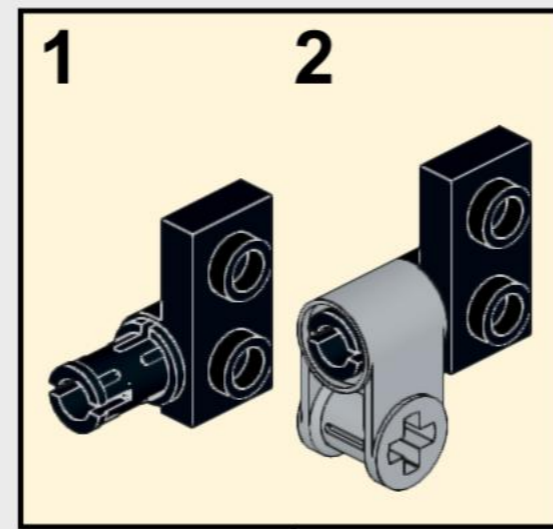
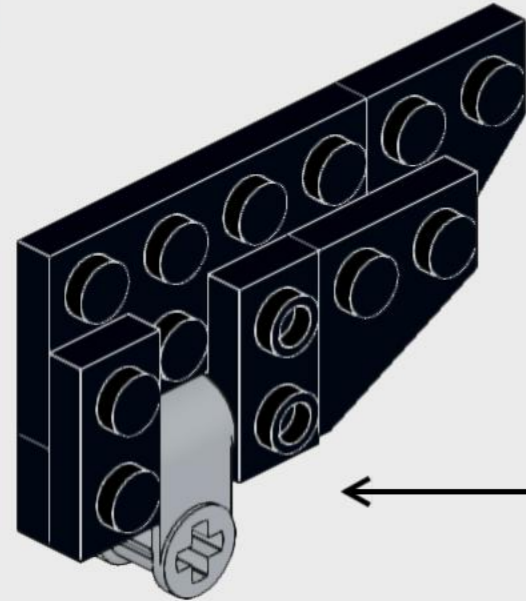
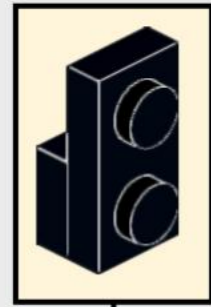
11



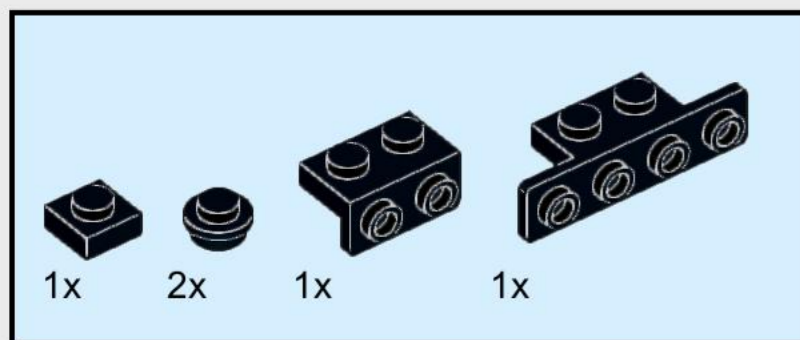
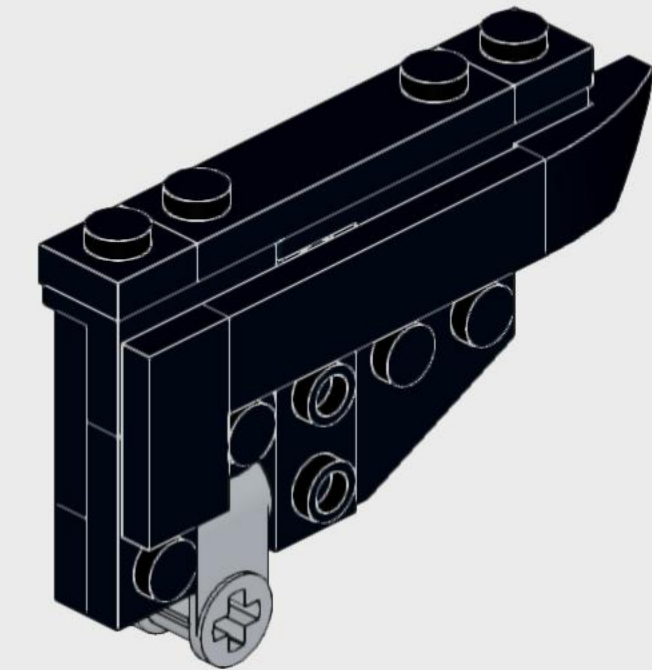
14



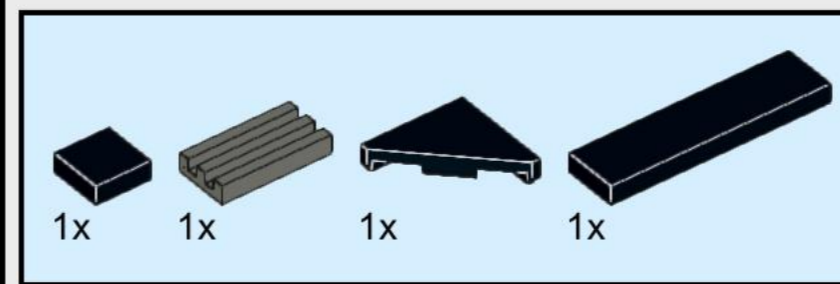
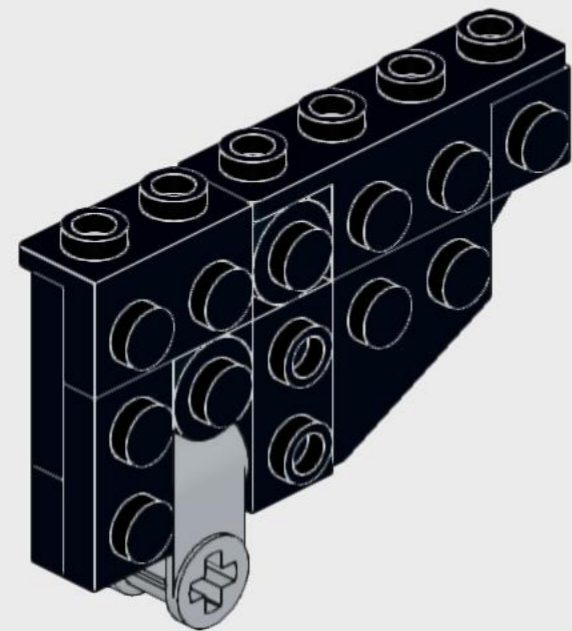
12



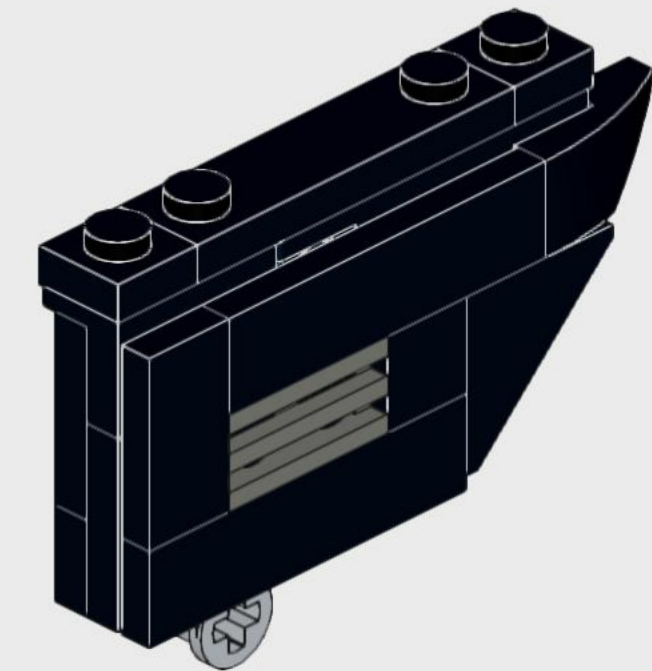
15

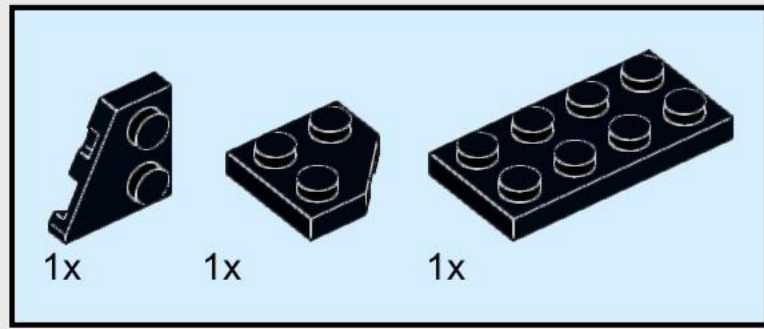


13

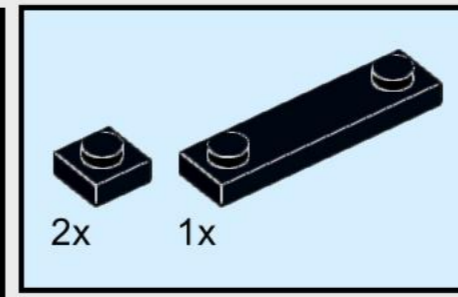
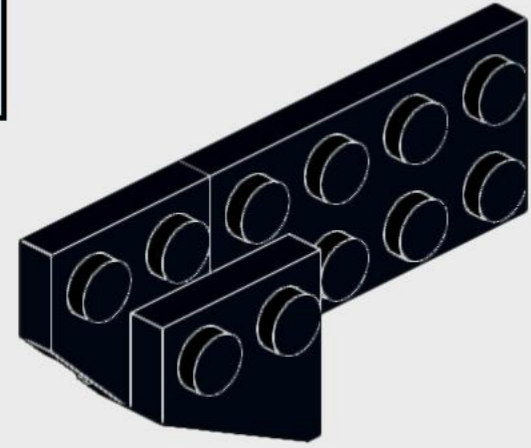


16

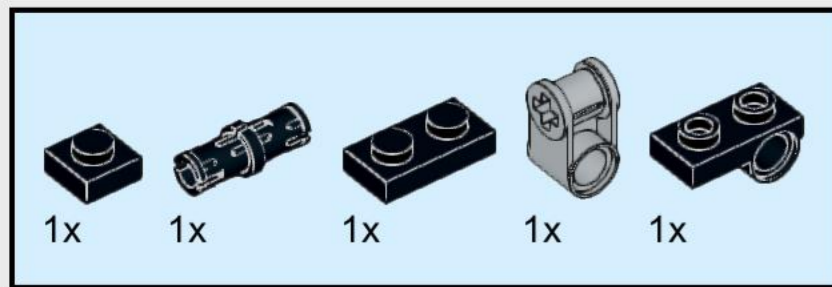
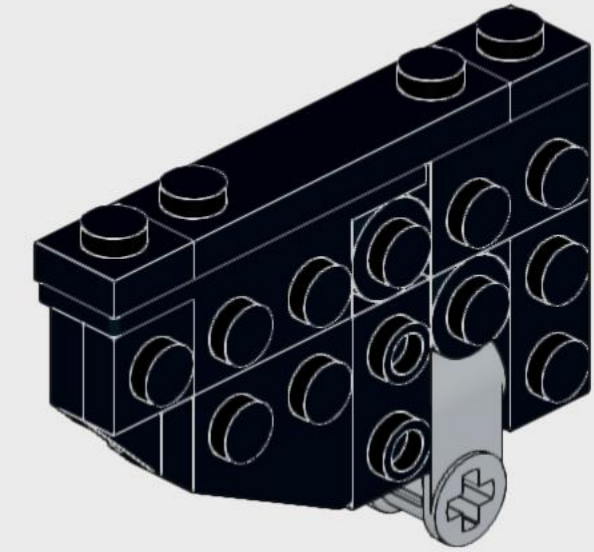




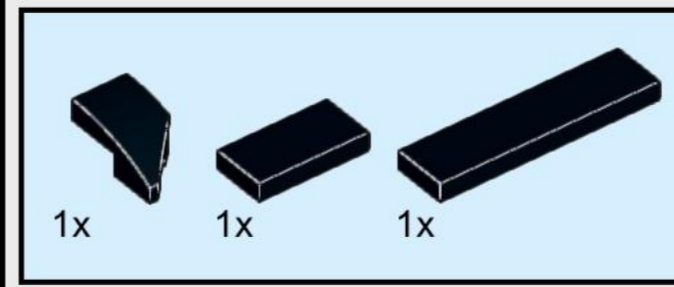
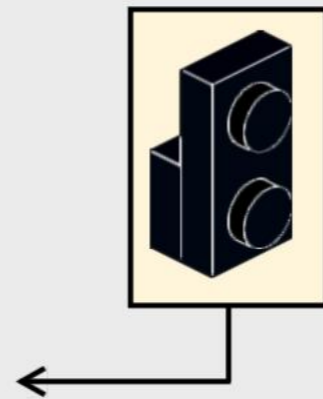
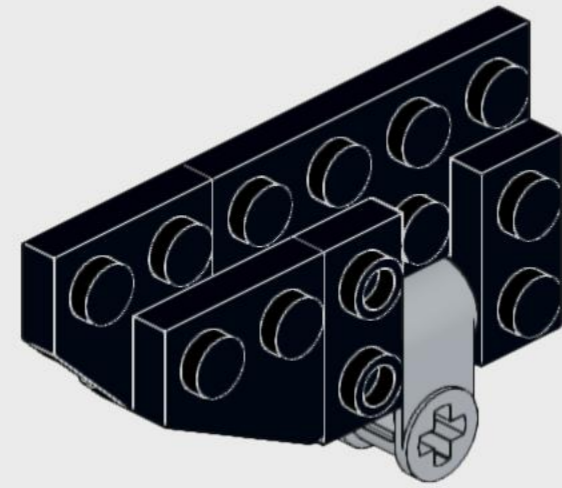
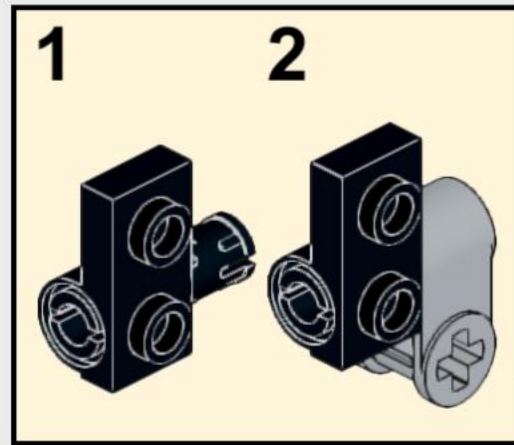
17



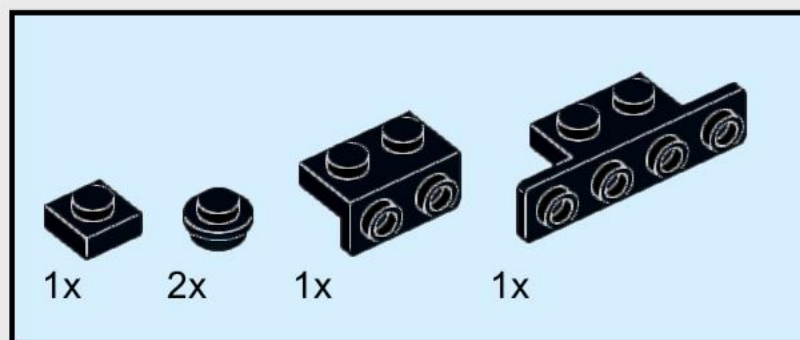
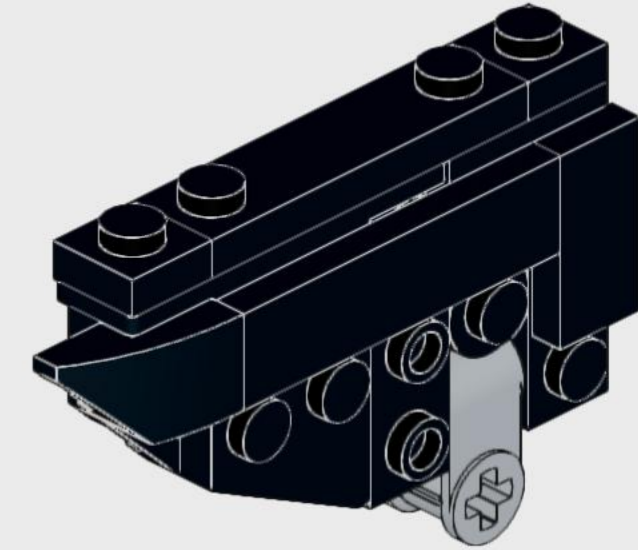
20



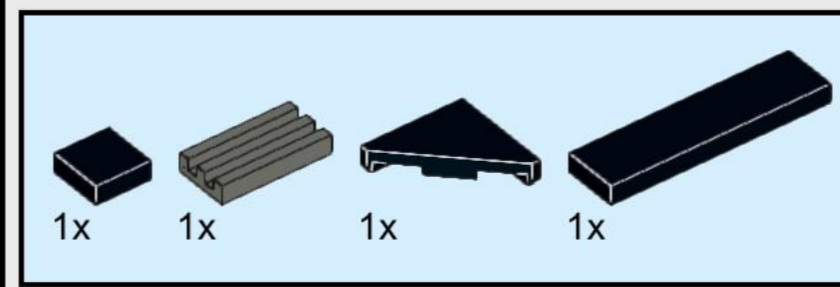
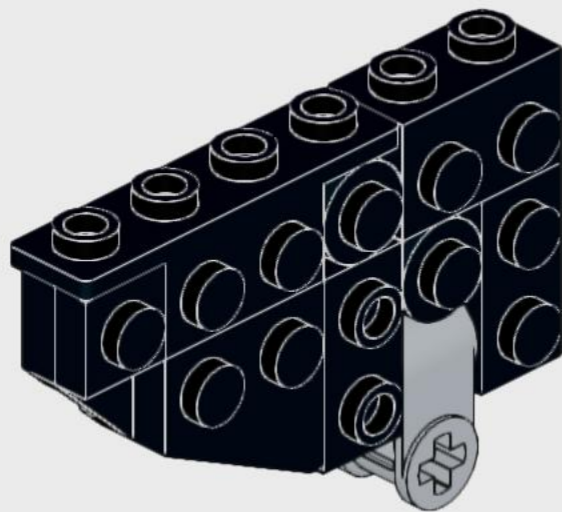
18



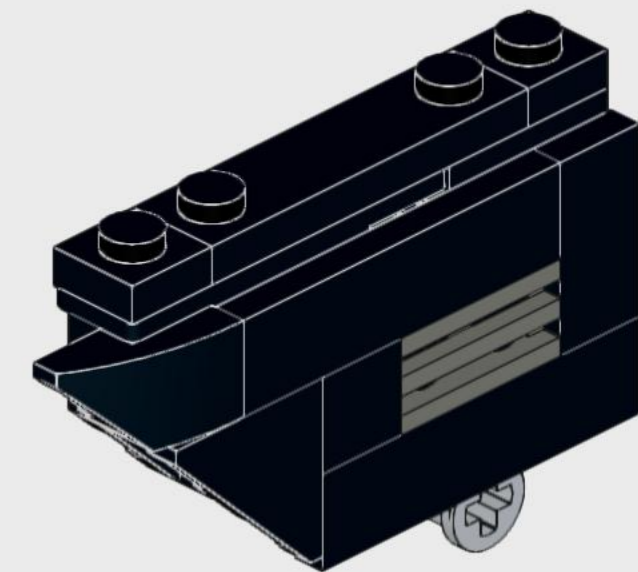
21



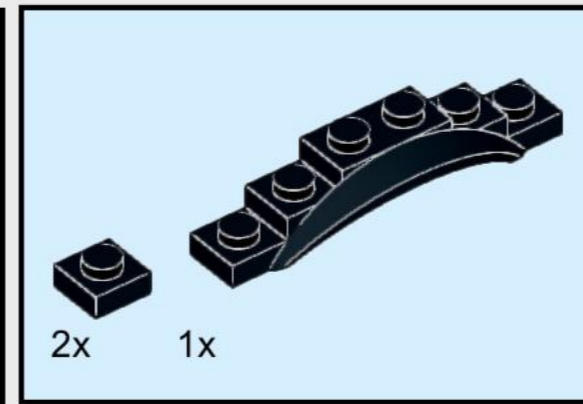
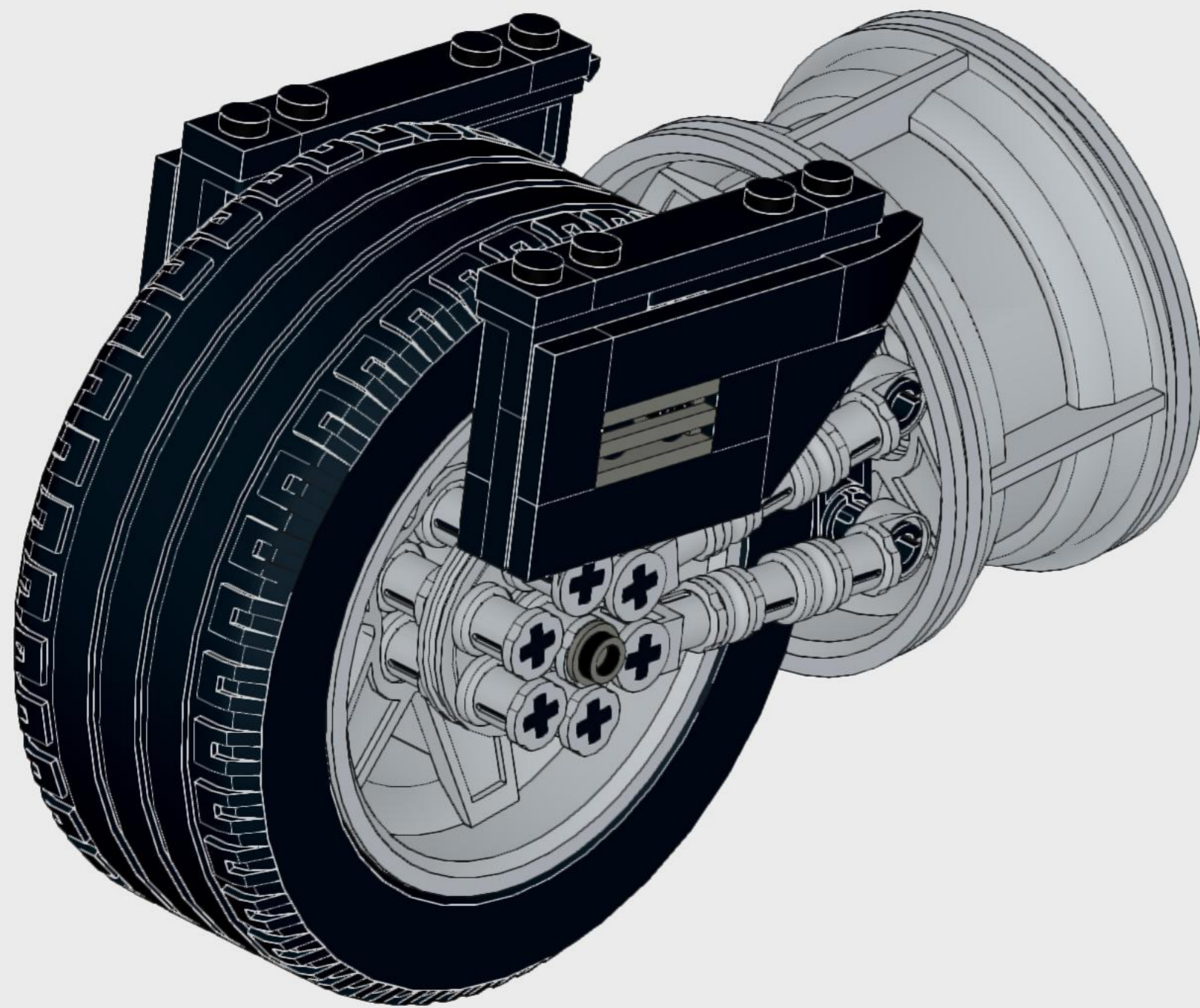
19



22

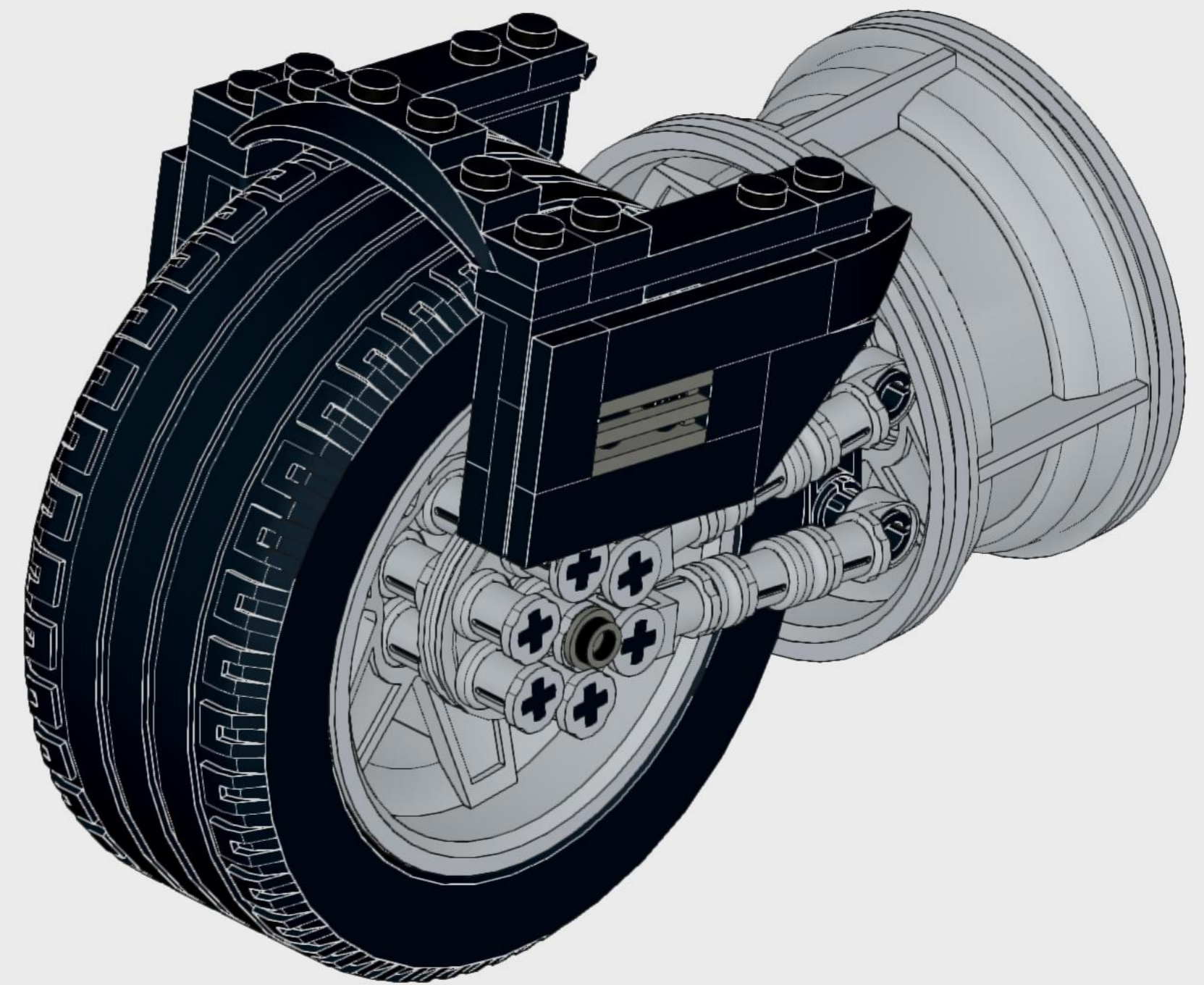


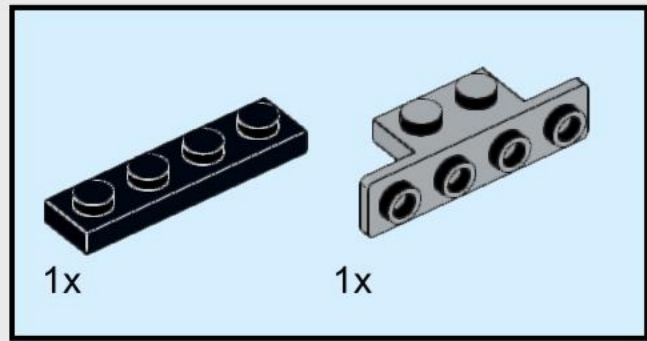
23



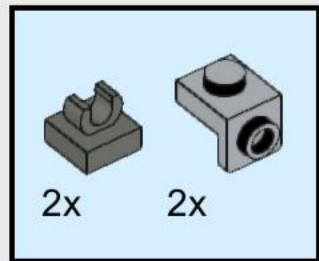
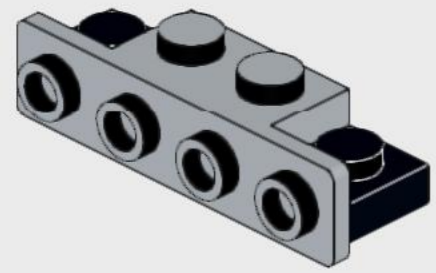
Push sides against wheel to be able to add arch piece on top. The rubber wheels fit a bit tight, but will easily deform slightly when pressure is added.

24

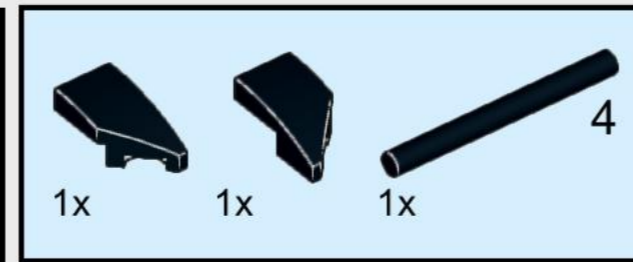
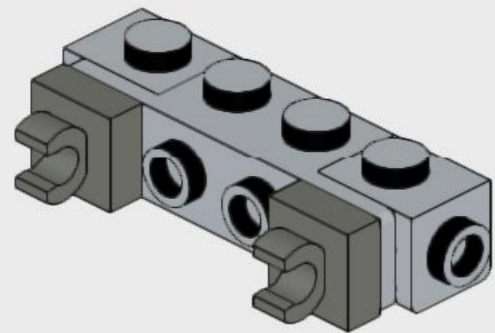




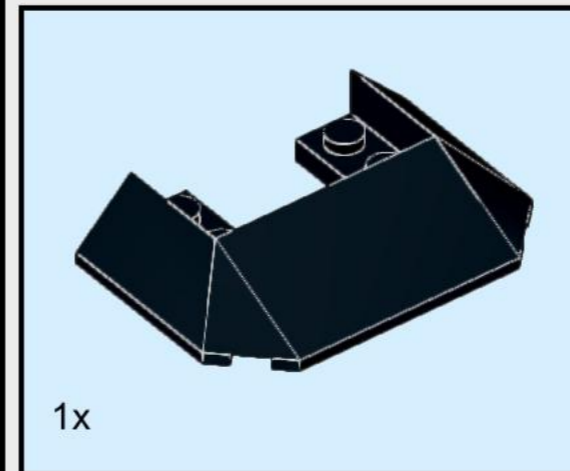
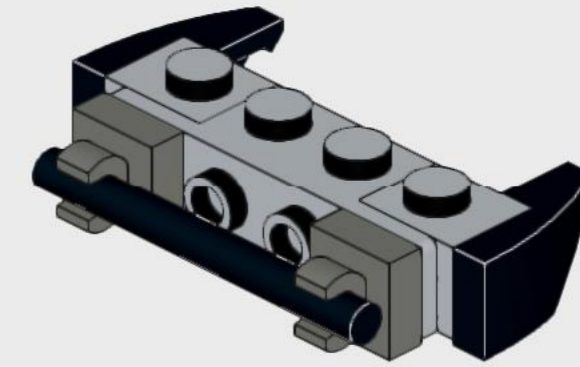
25



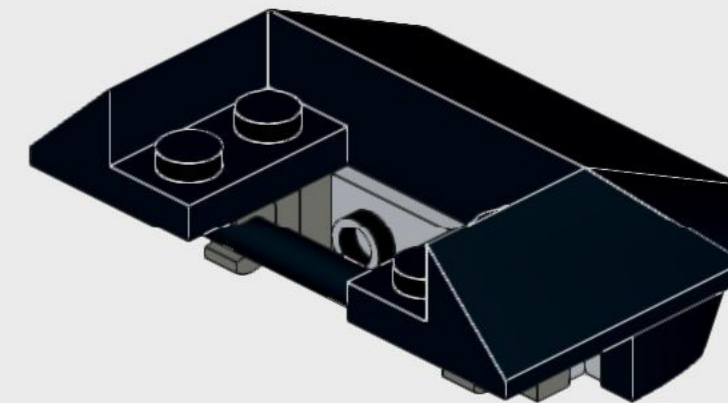
26

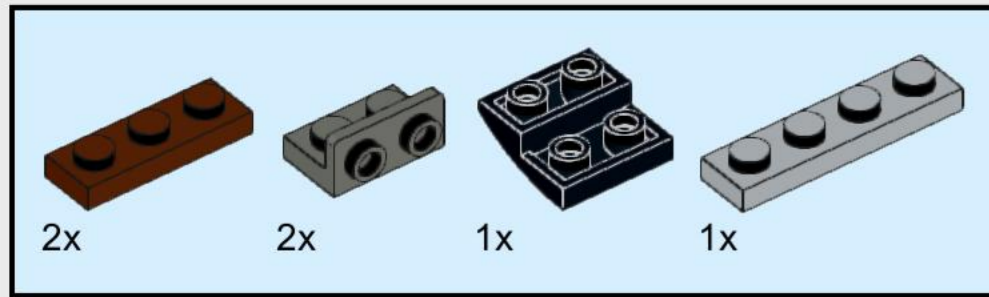


27

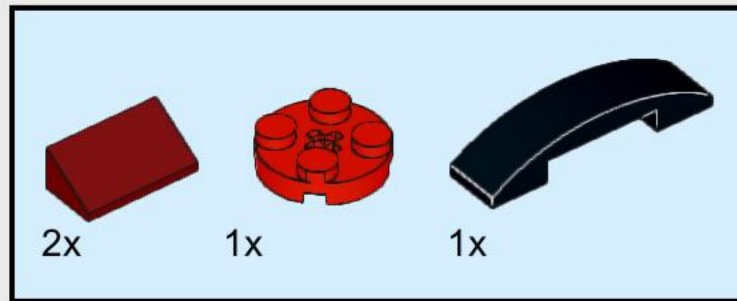
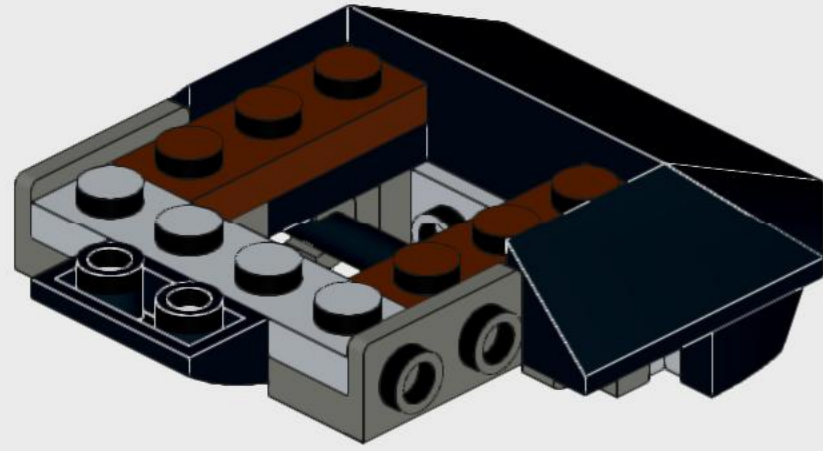


28

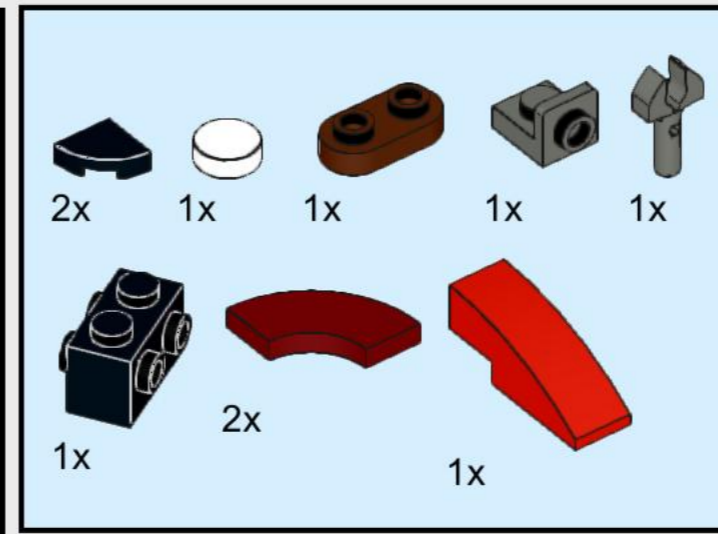
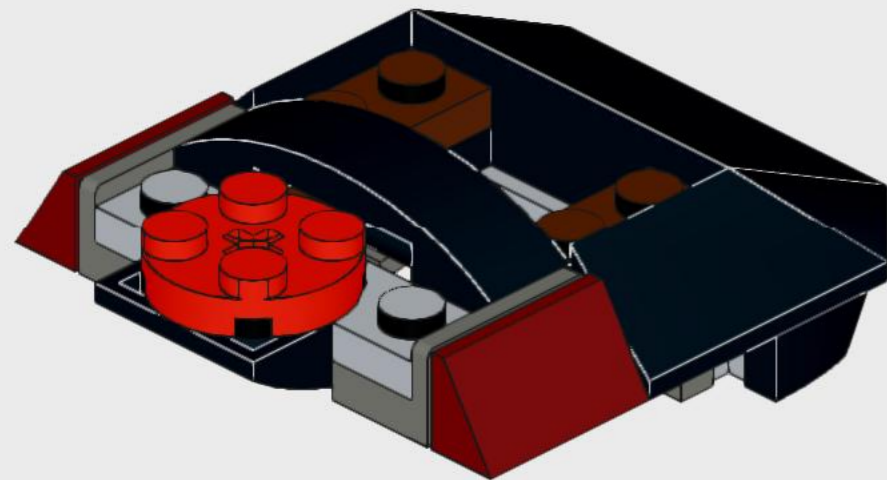




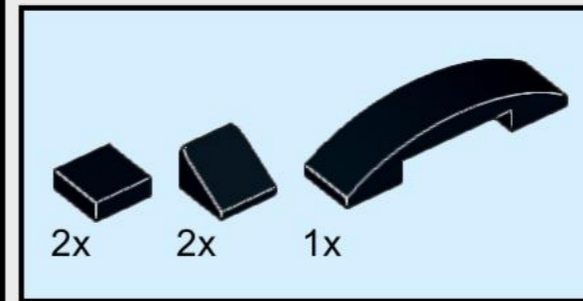
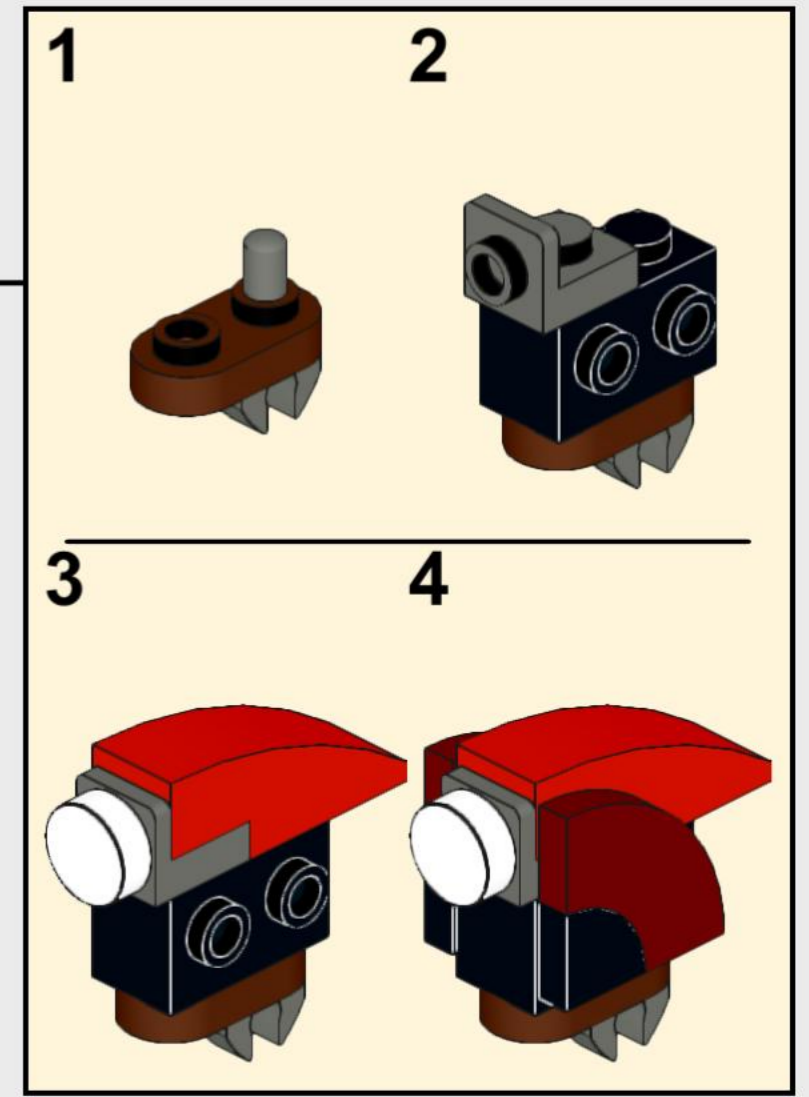
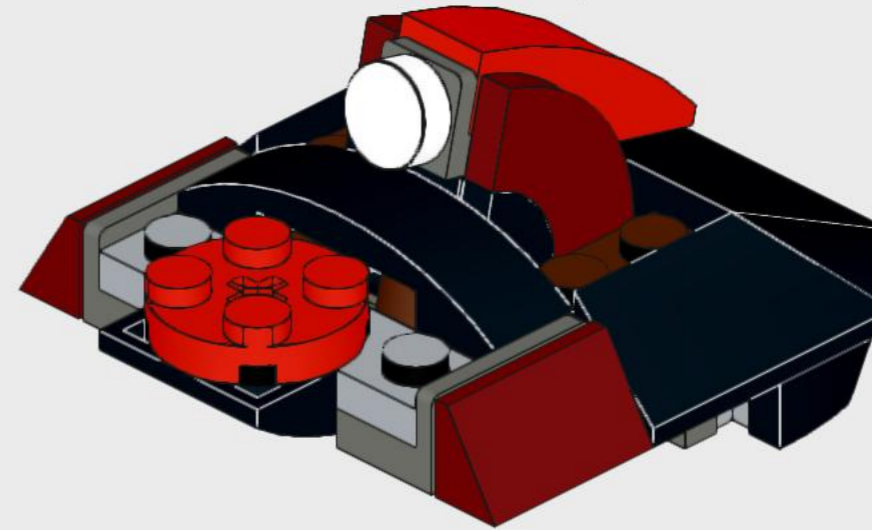
29



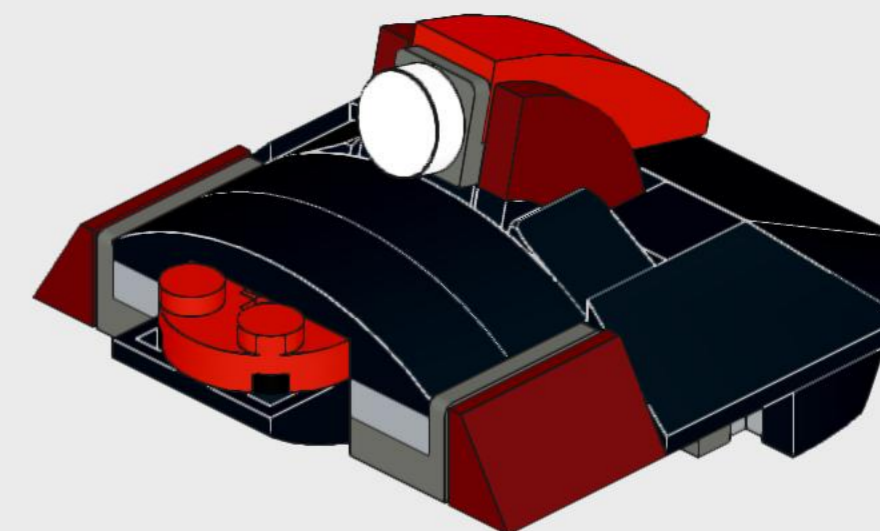
30



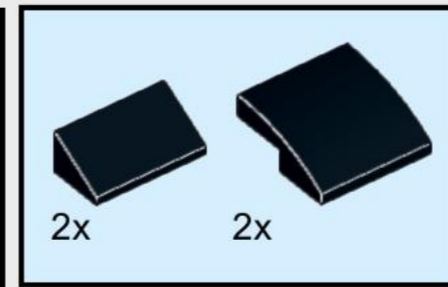
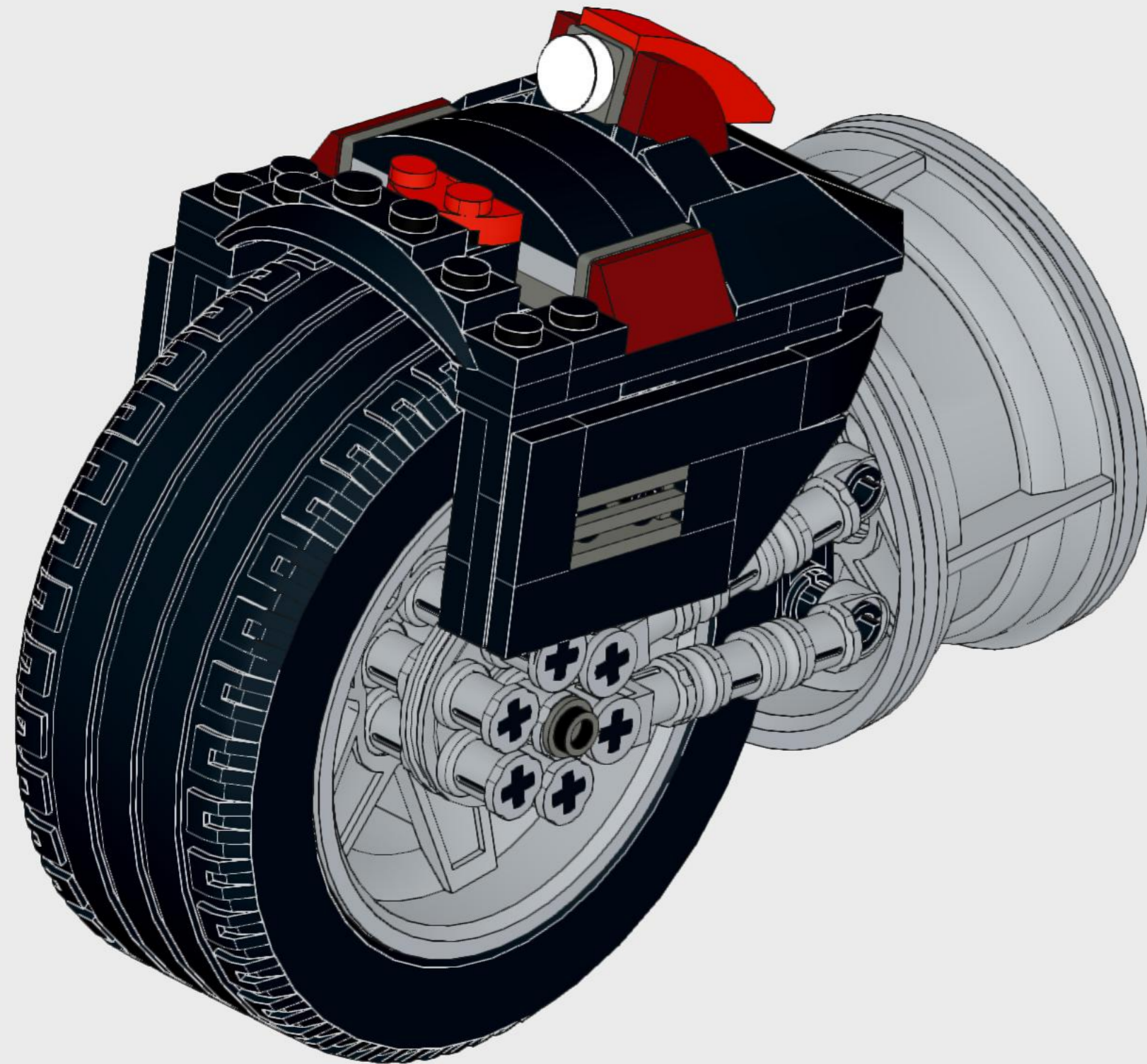
31



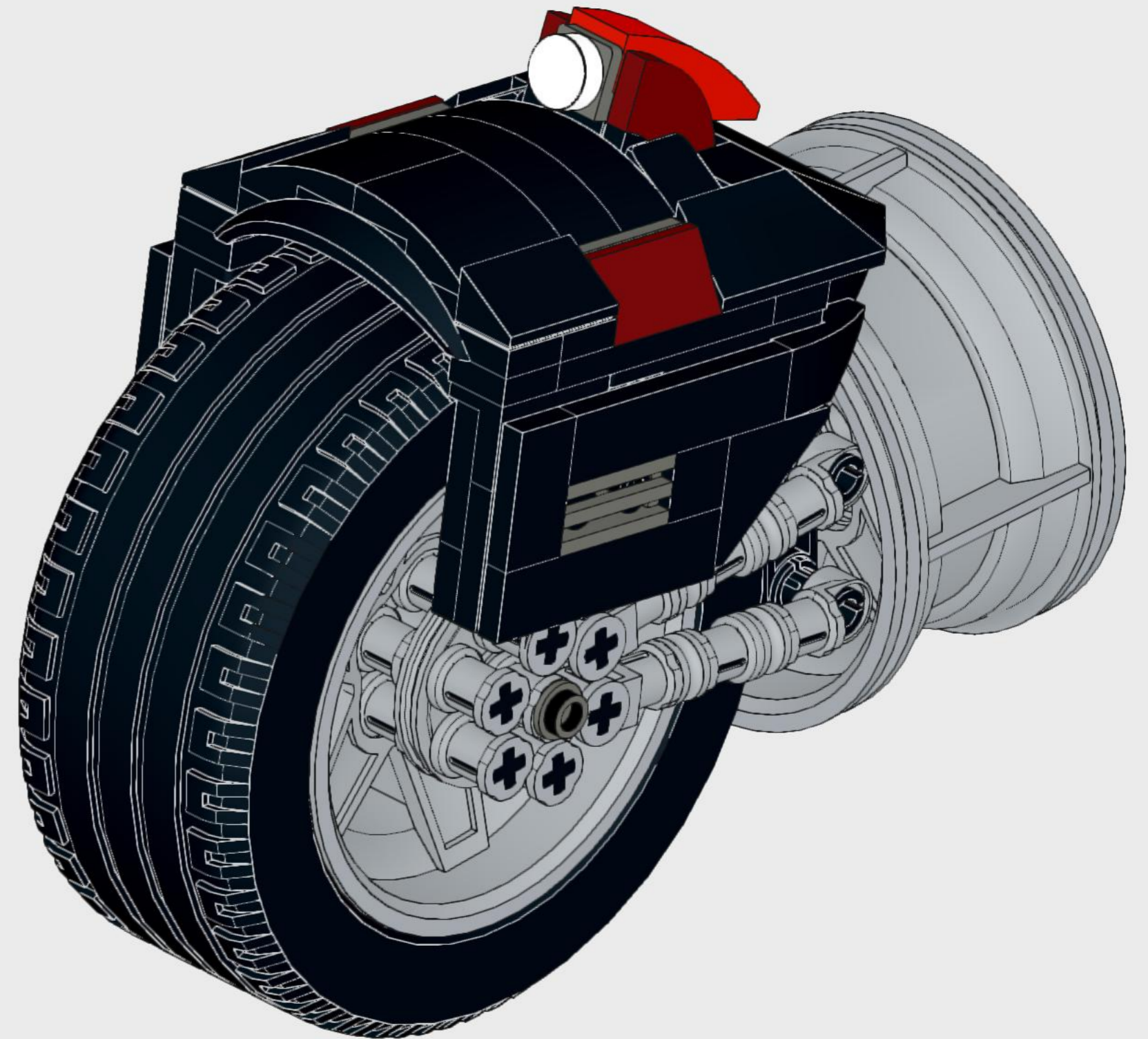
32

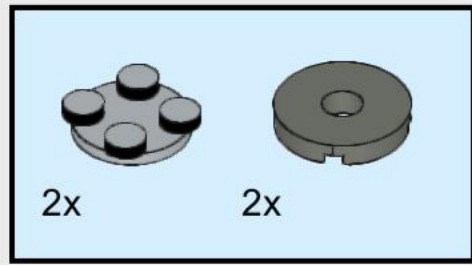


33

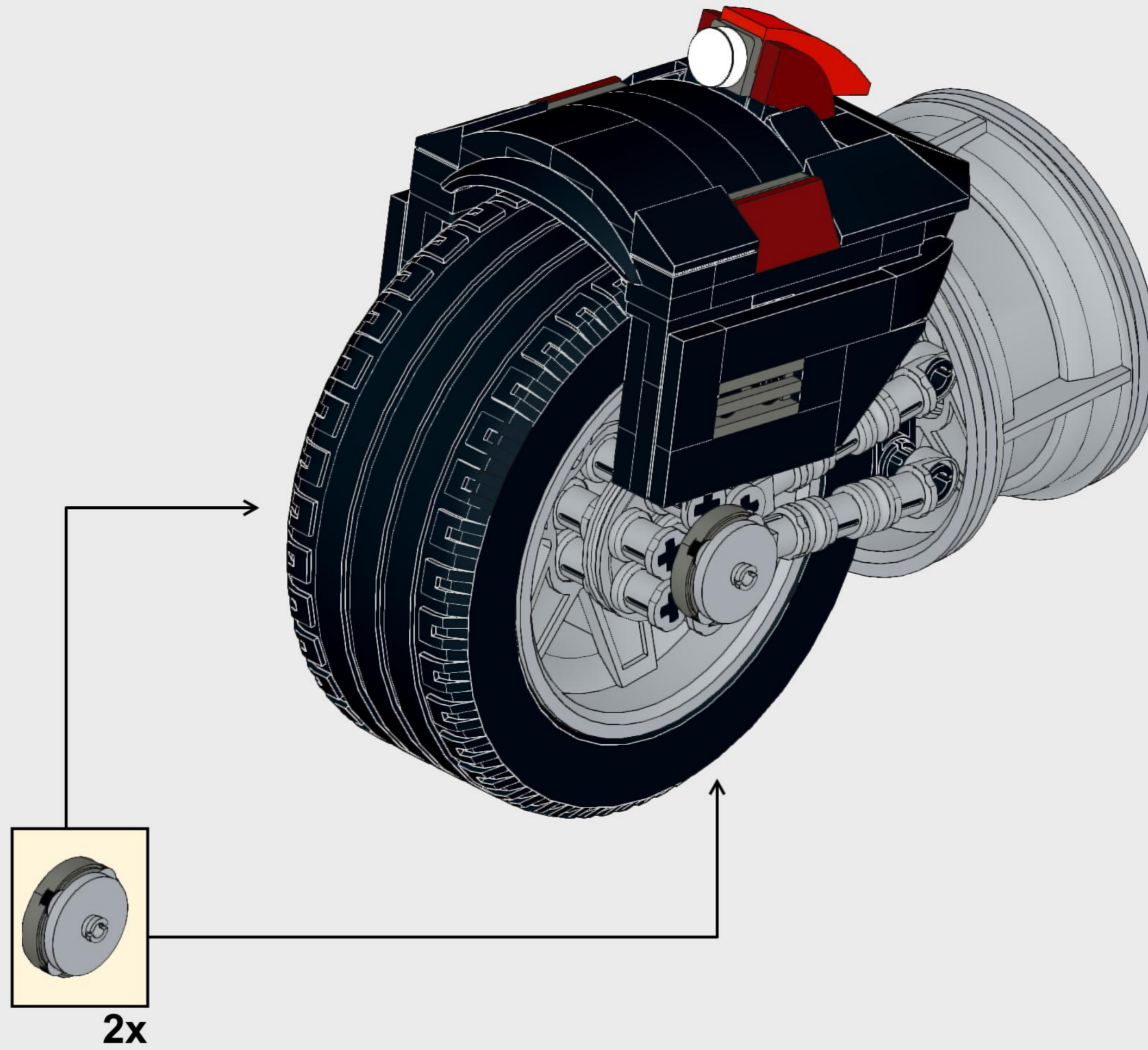


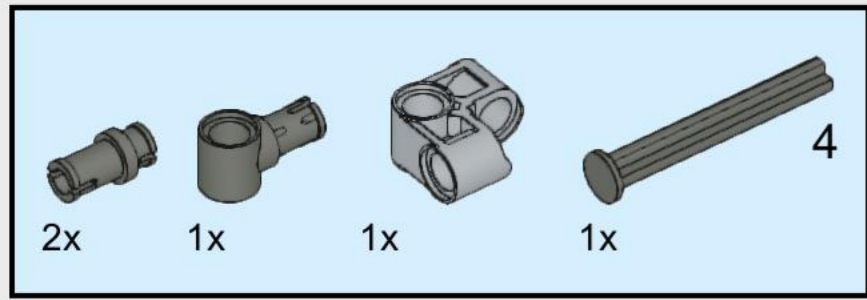
34



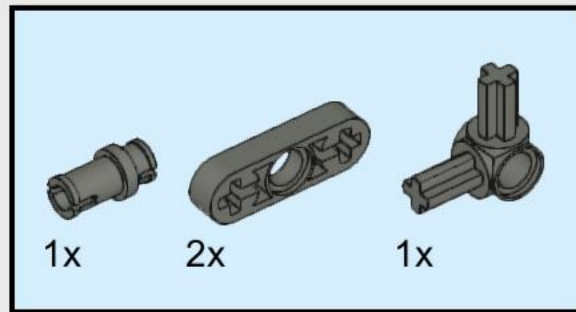
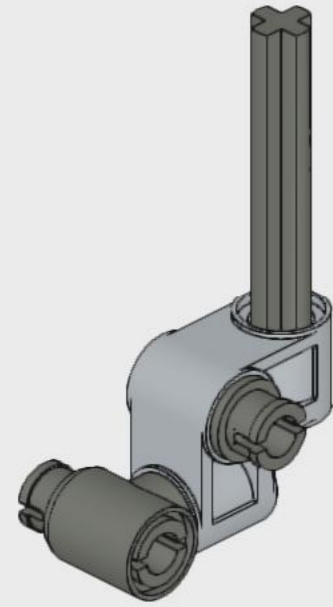


35

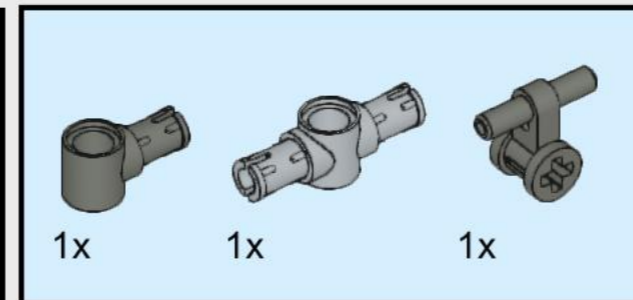
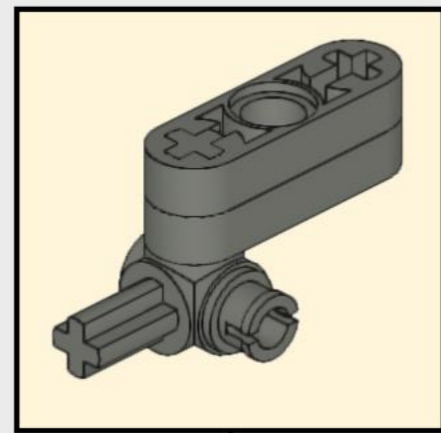
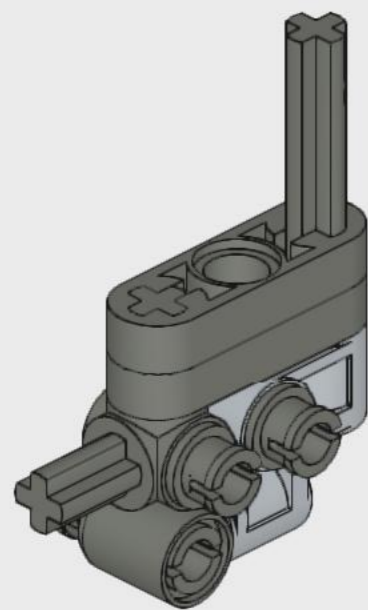




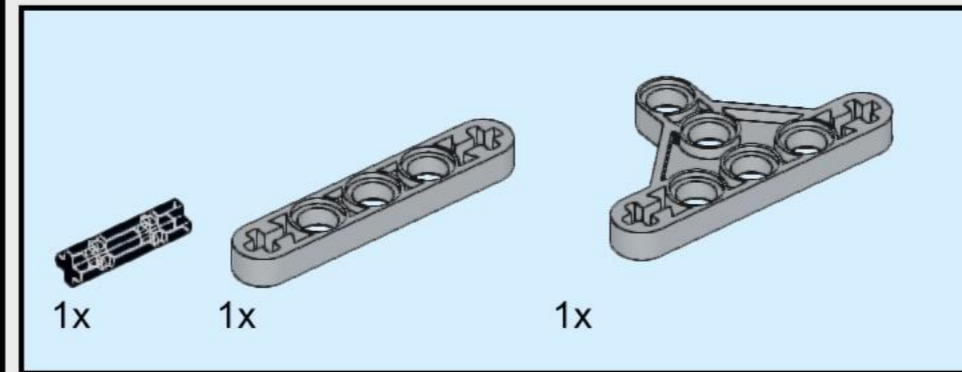
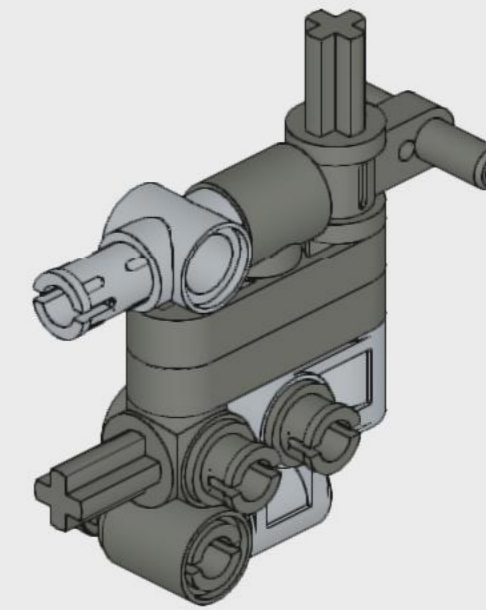
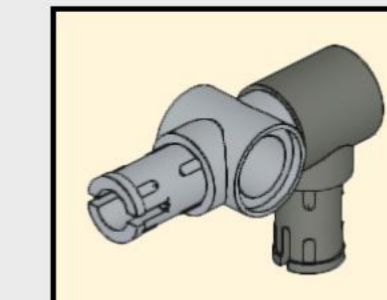
1



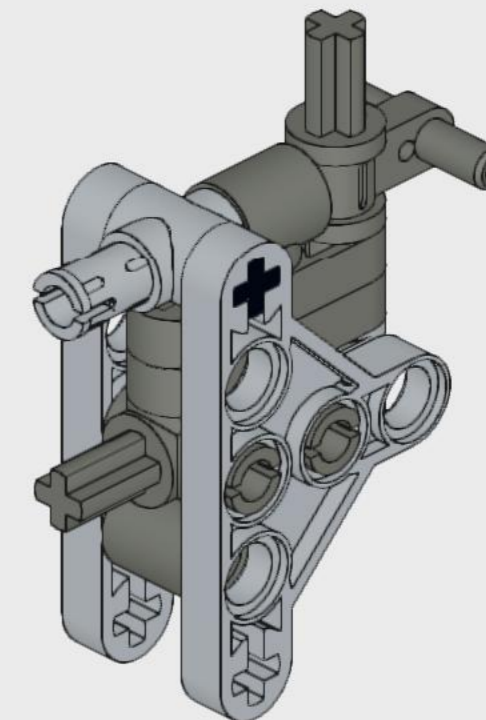
2

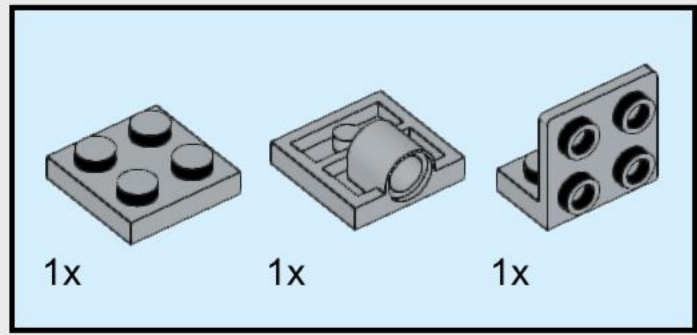


3

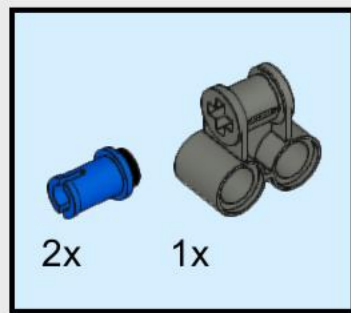
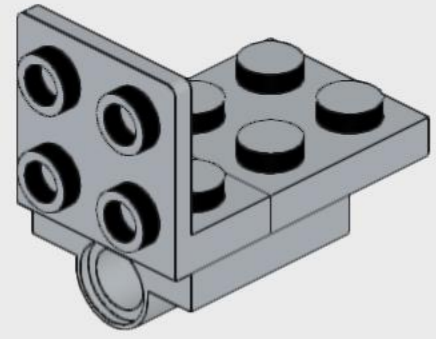


4

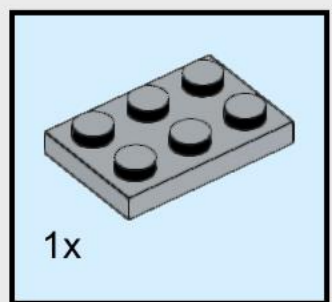
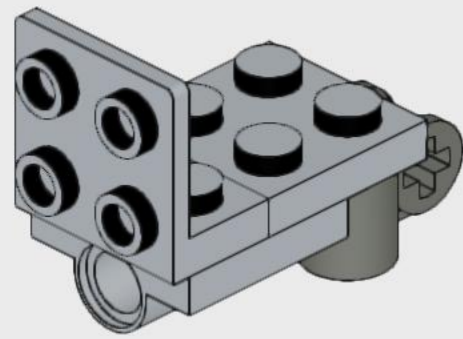




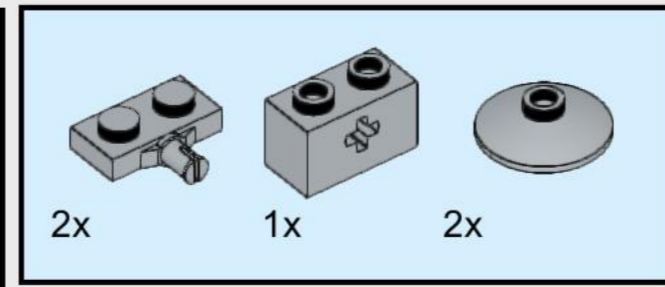
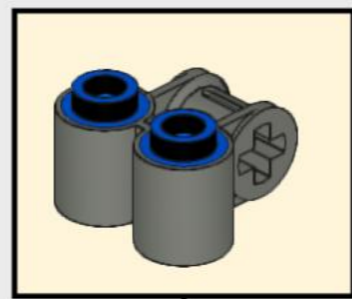
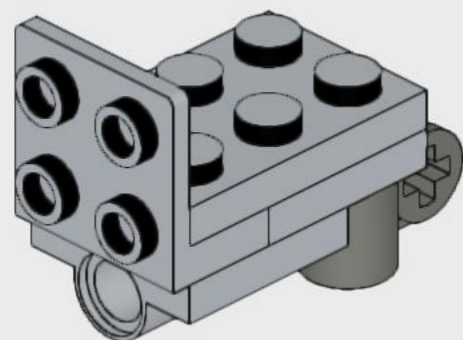
5



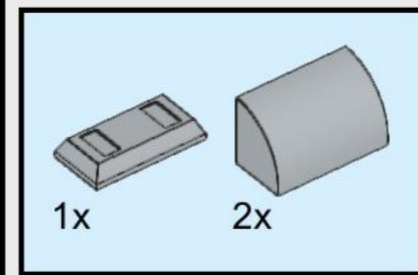
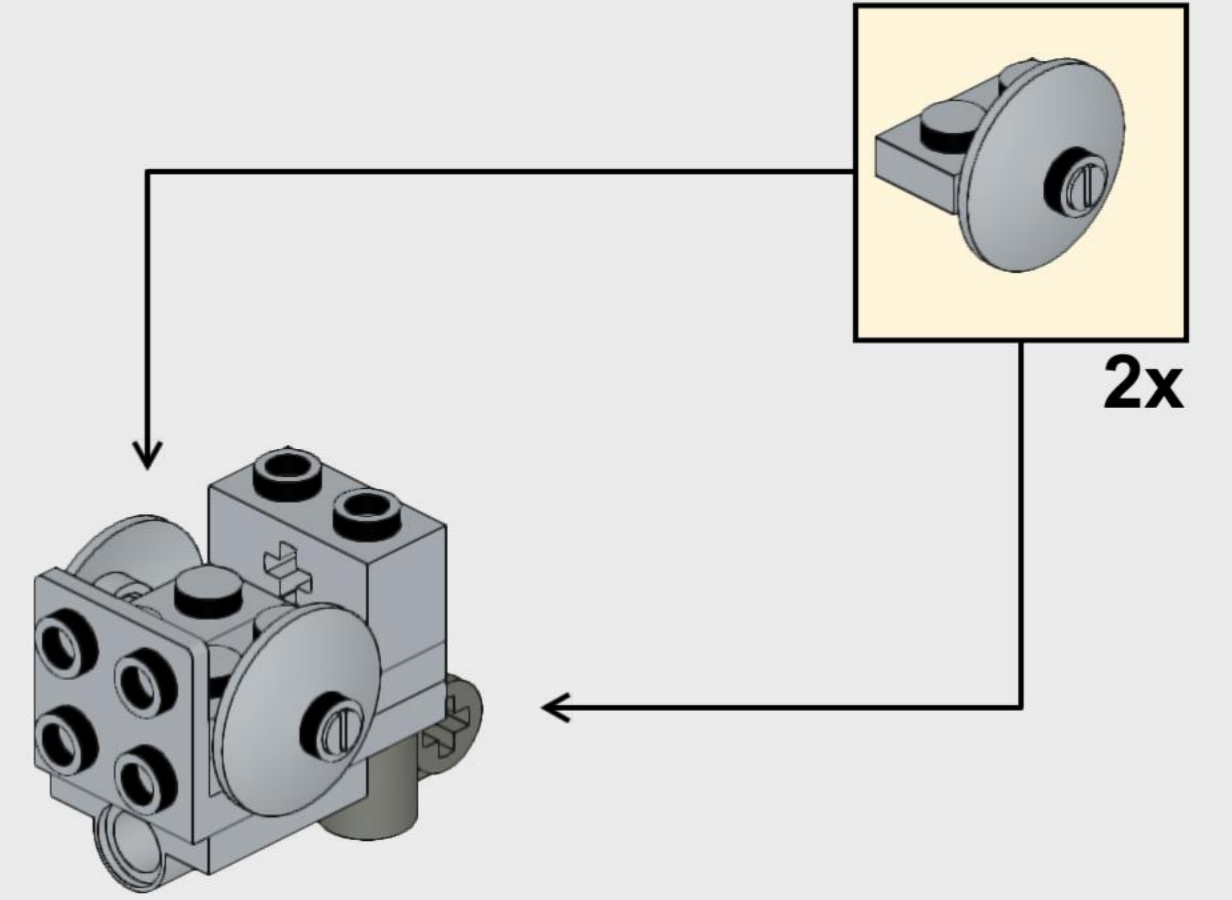
6



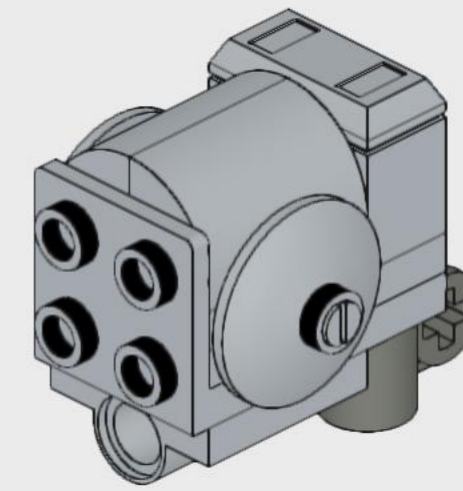
7



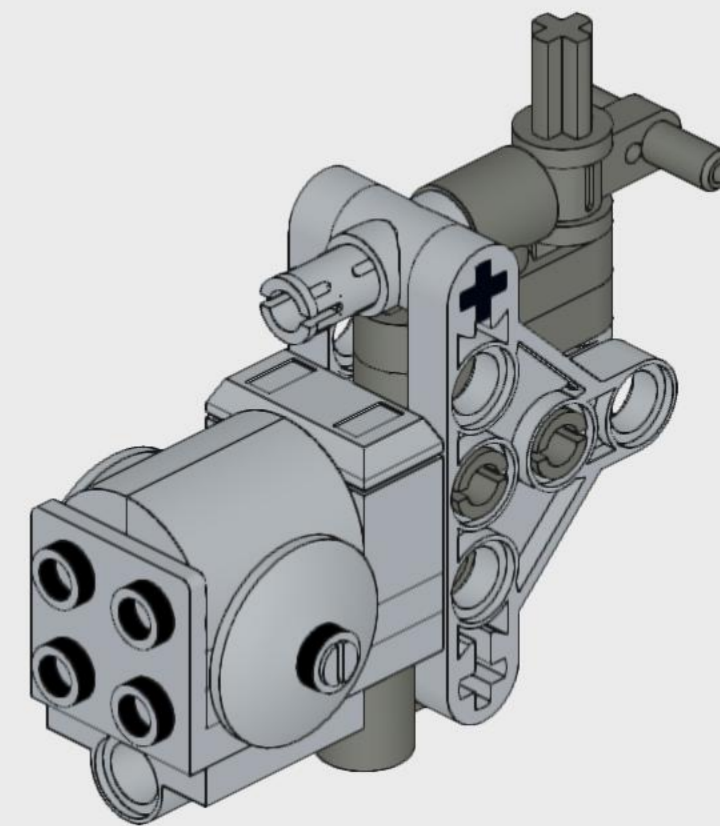
8

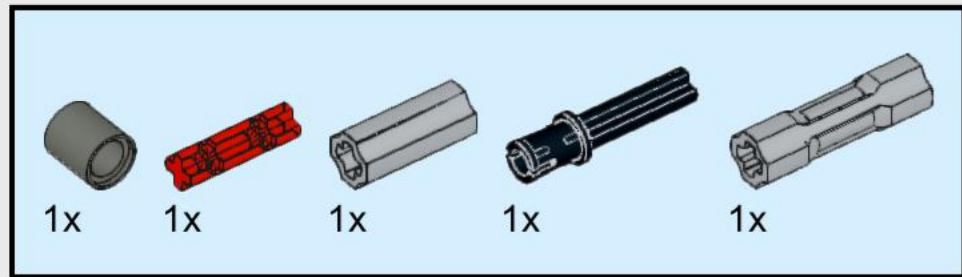


9

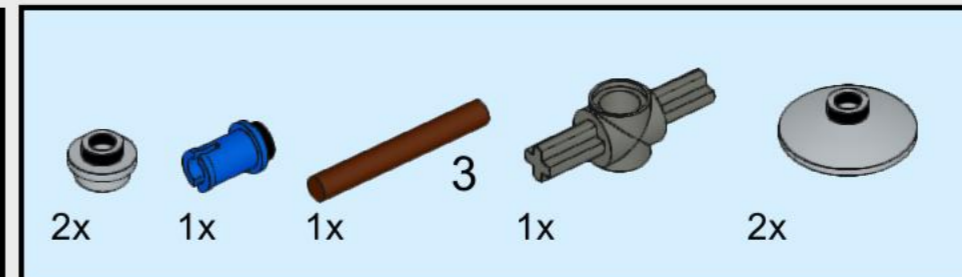
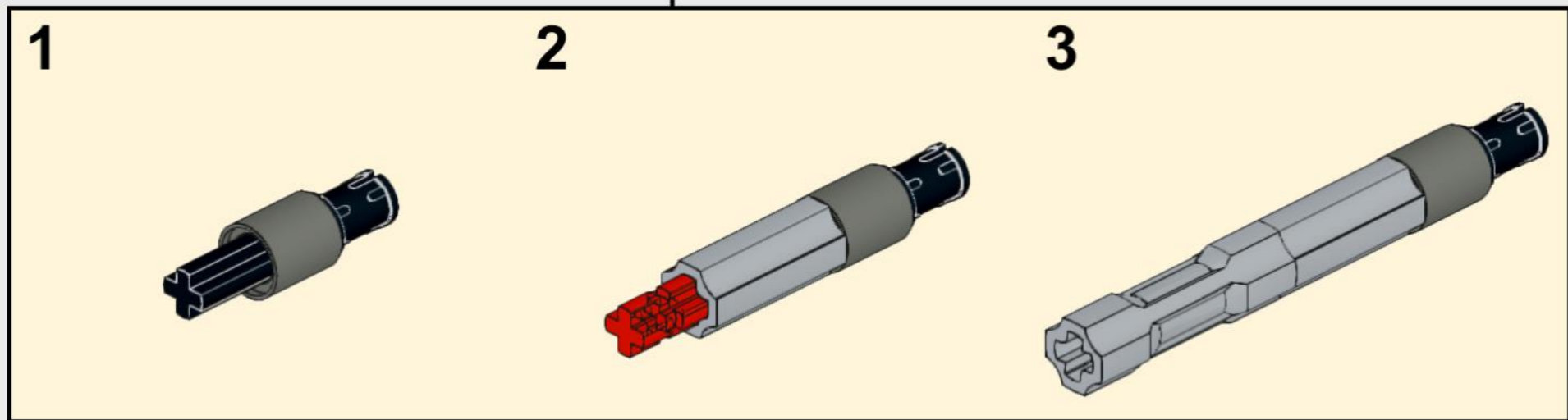
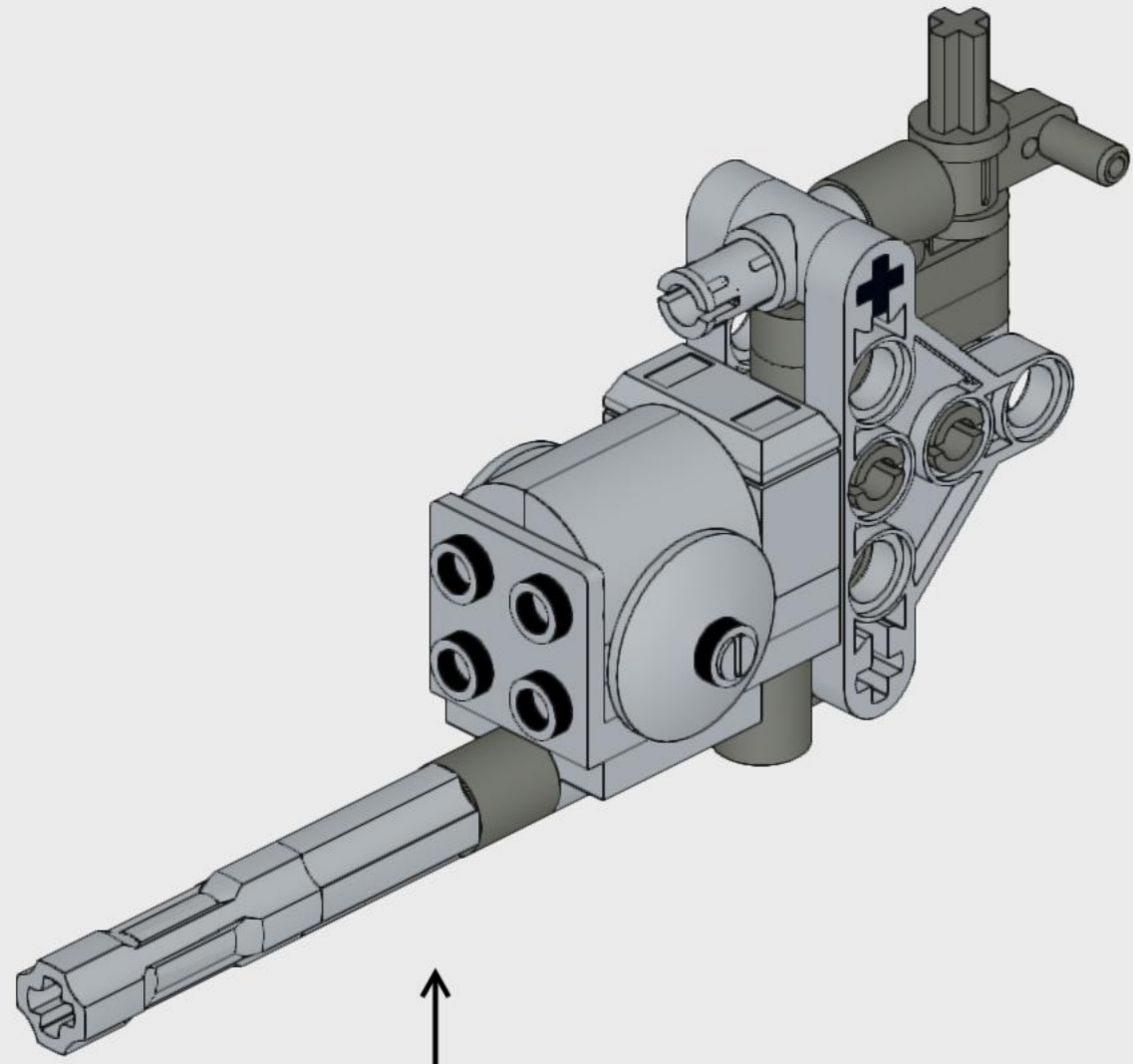


10

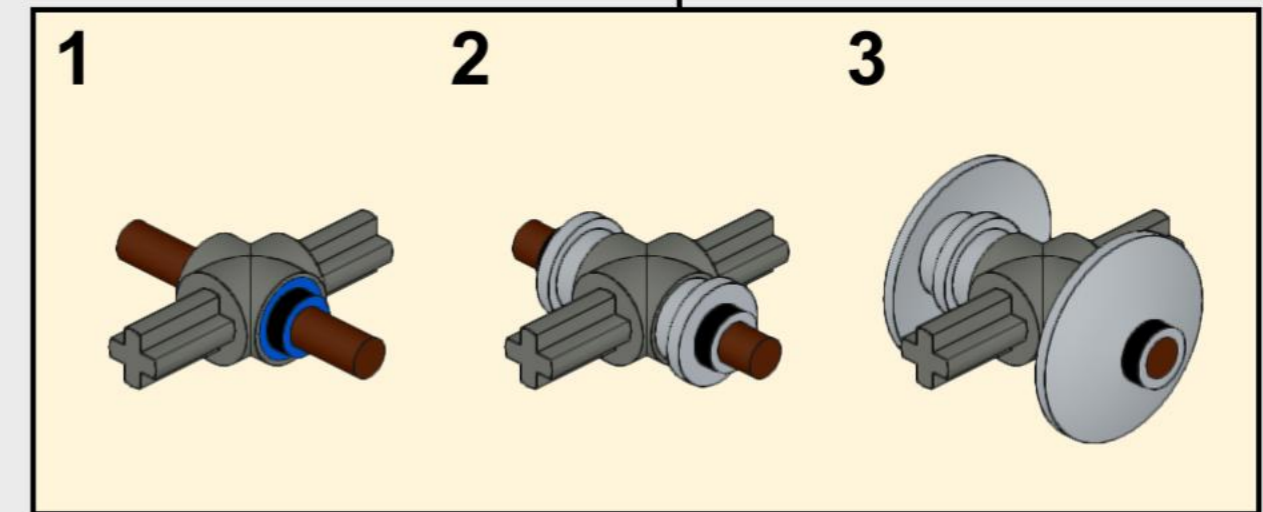
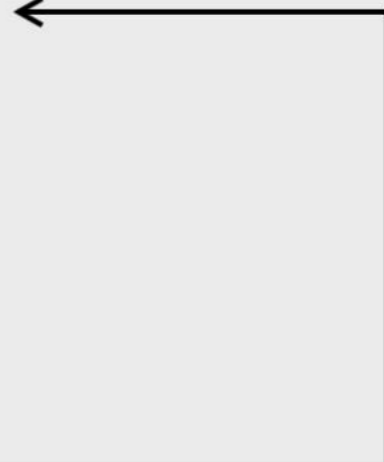
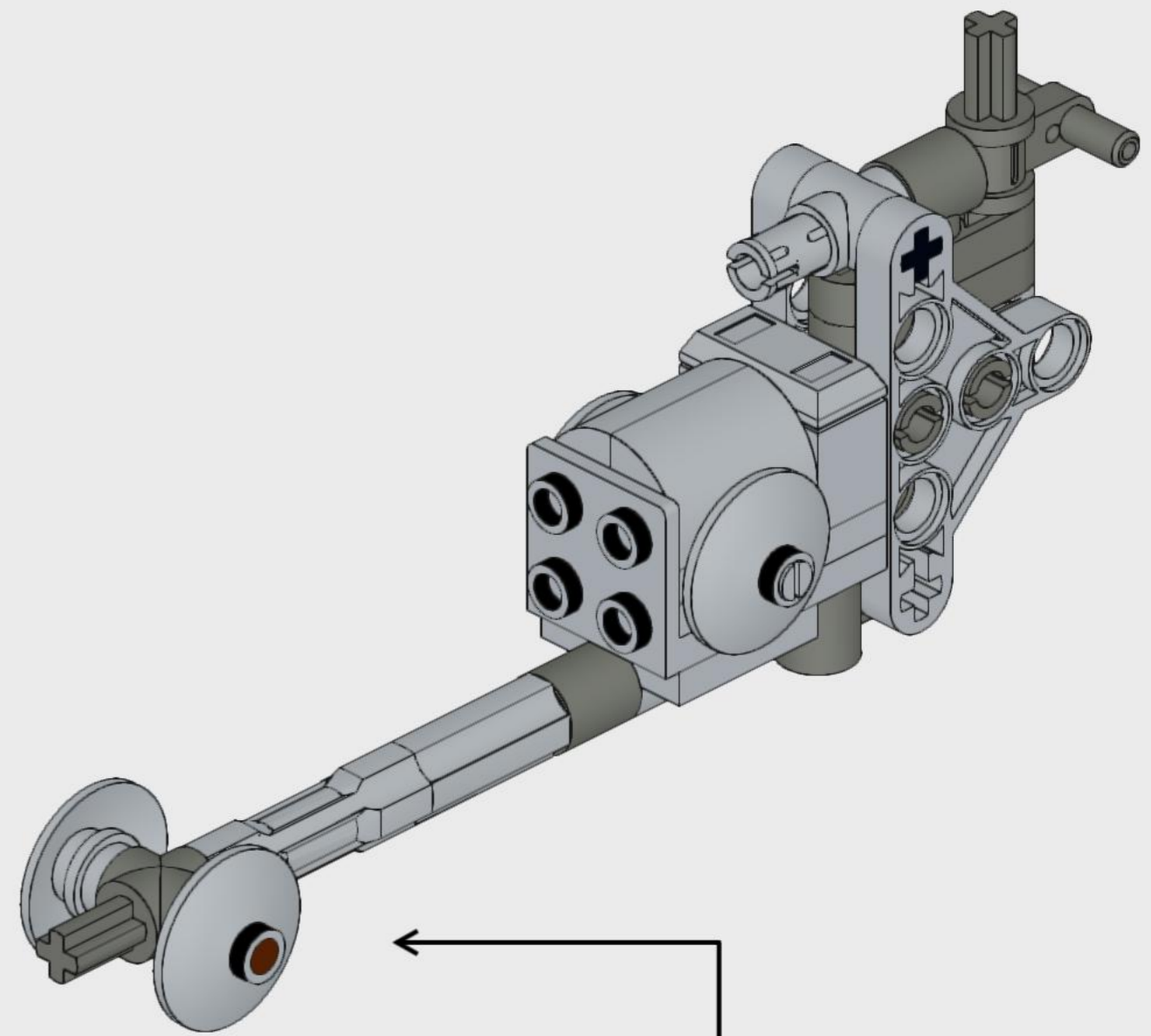


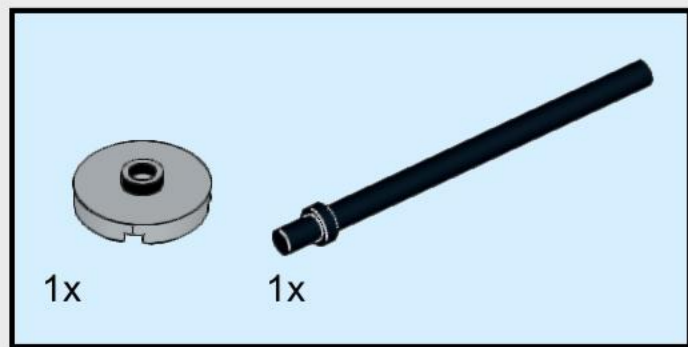


11

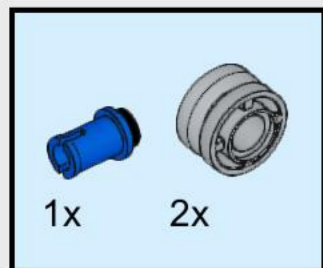
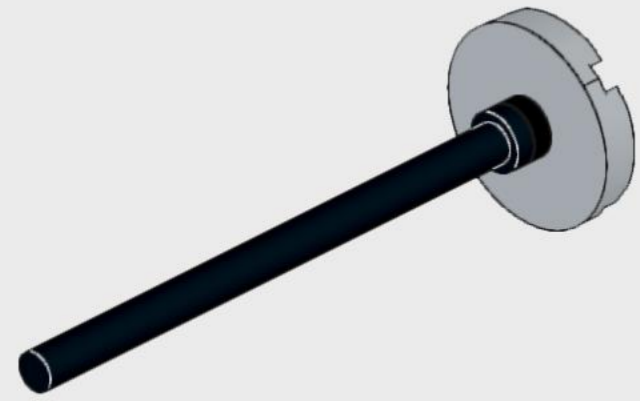


12

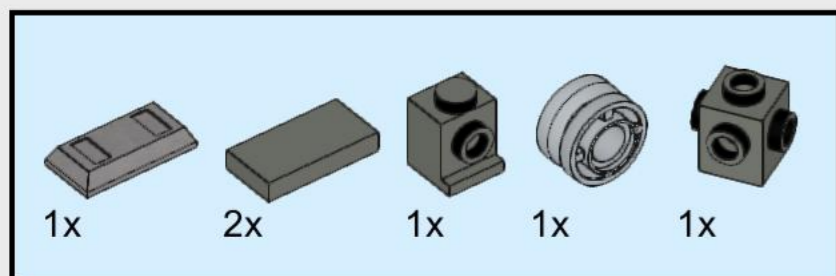
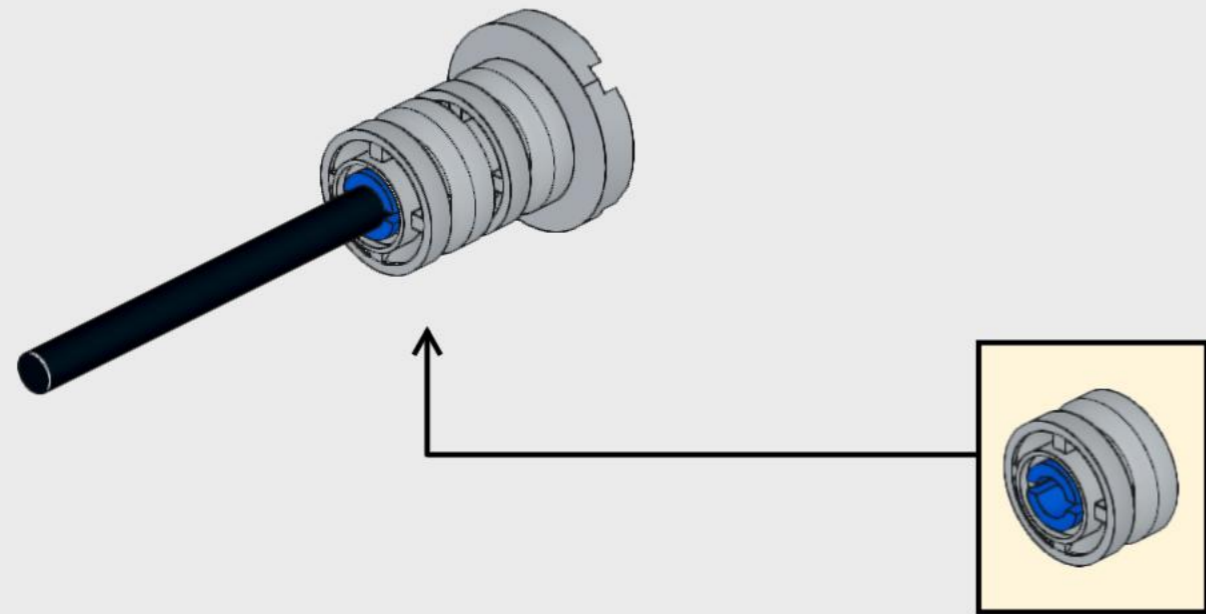




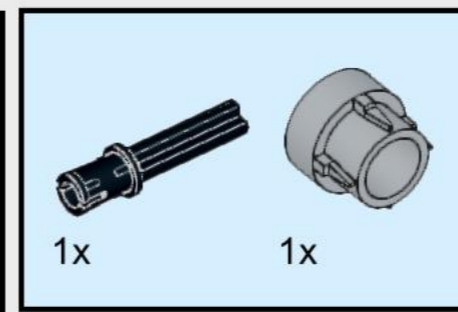
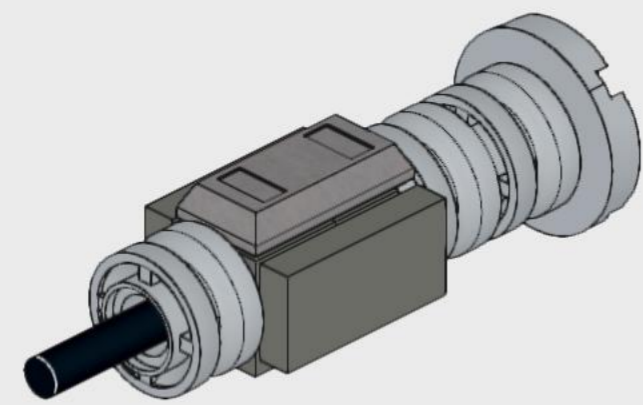
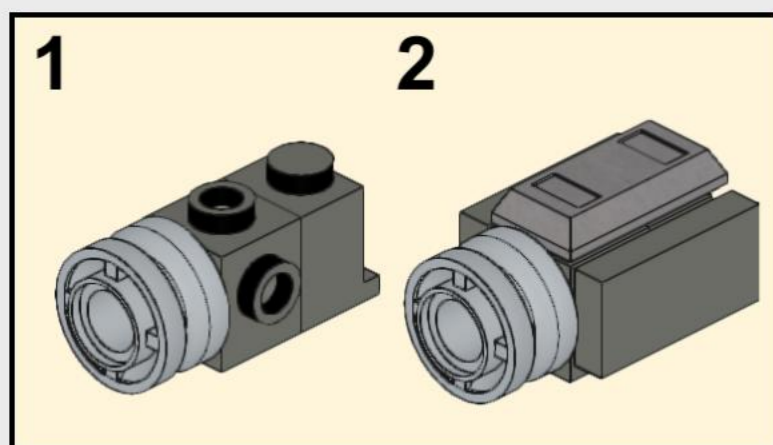
13



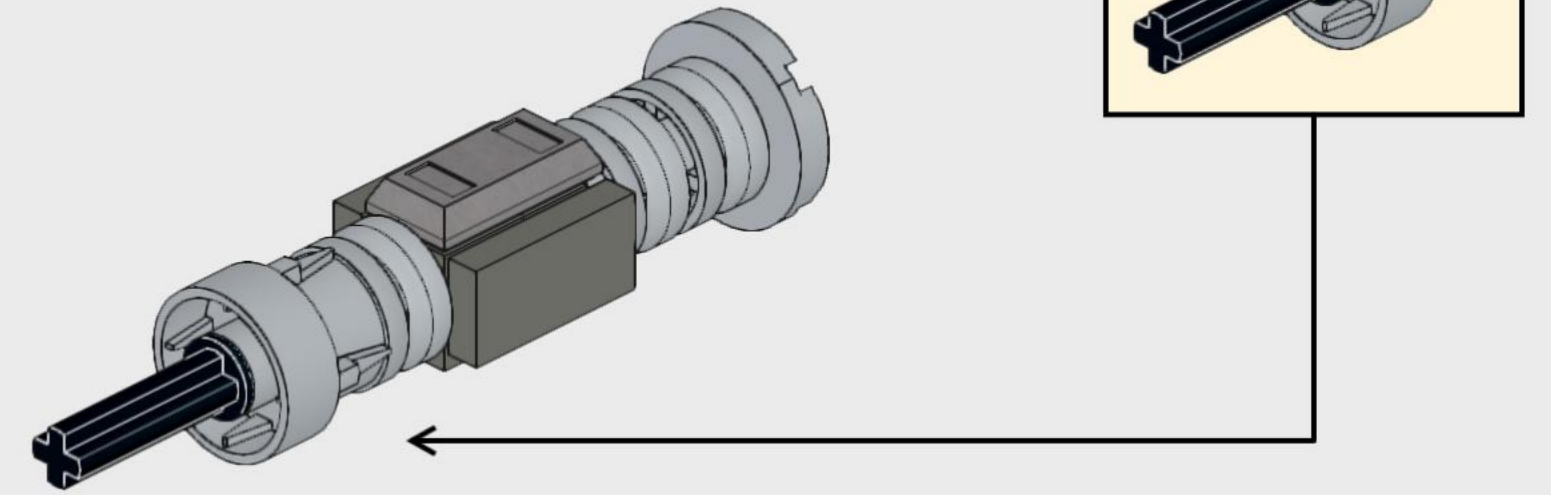
14



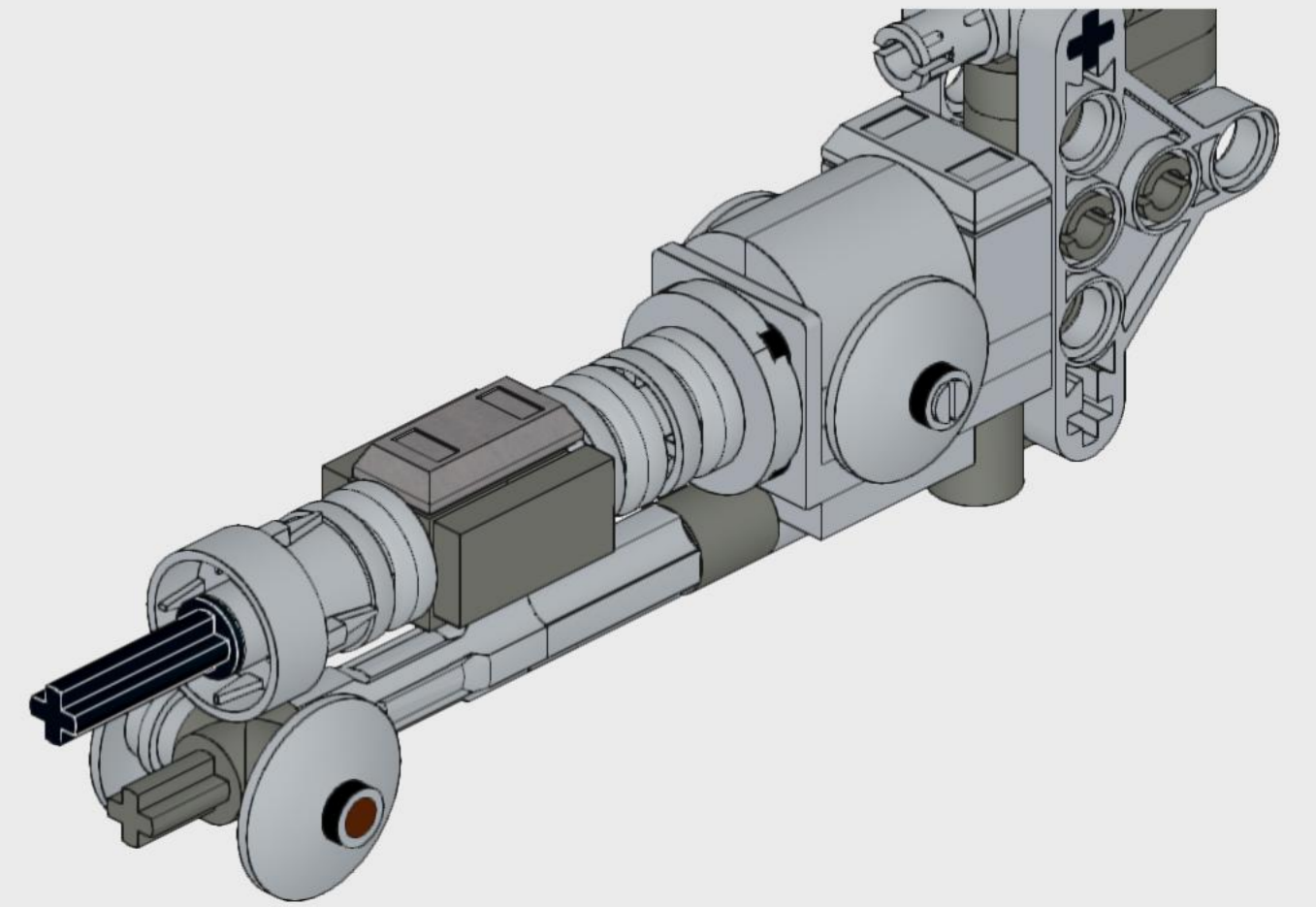
15



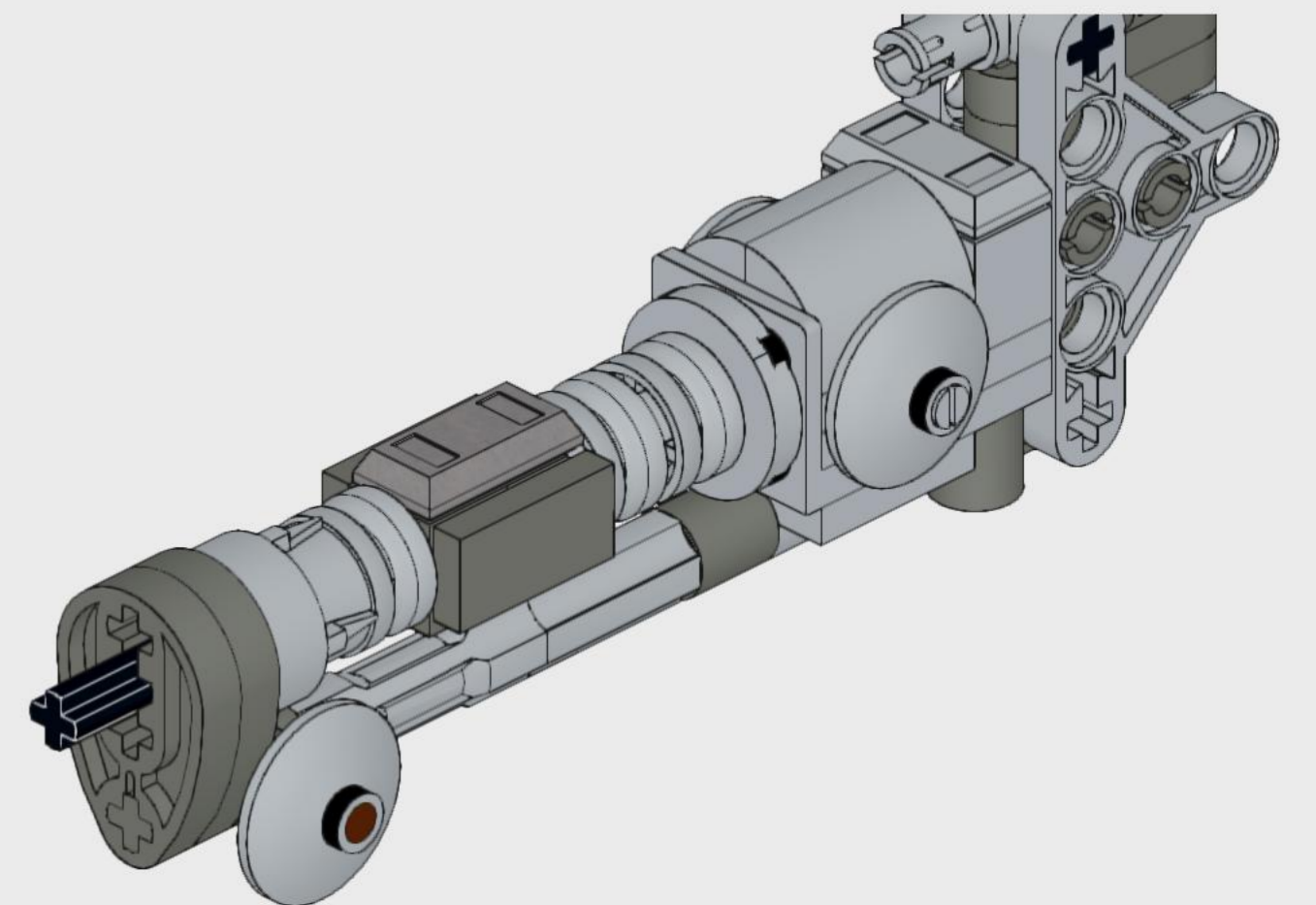
16

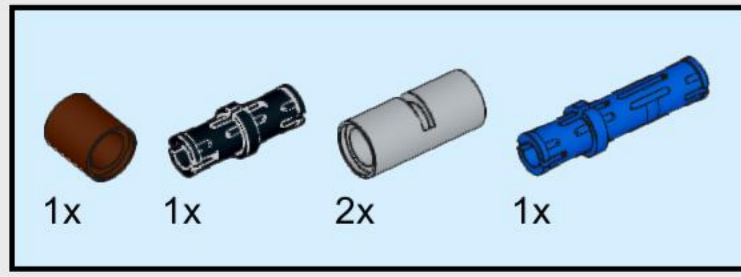


17

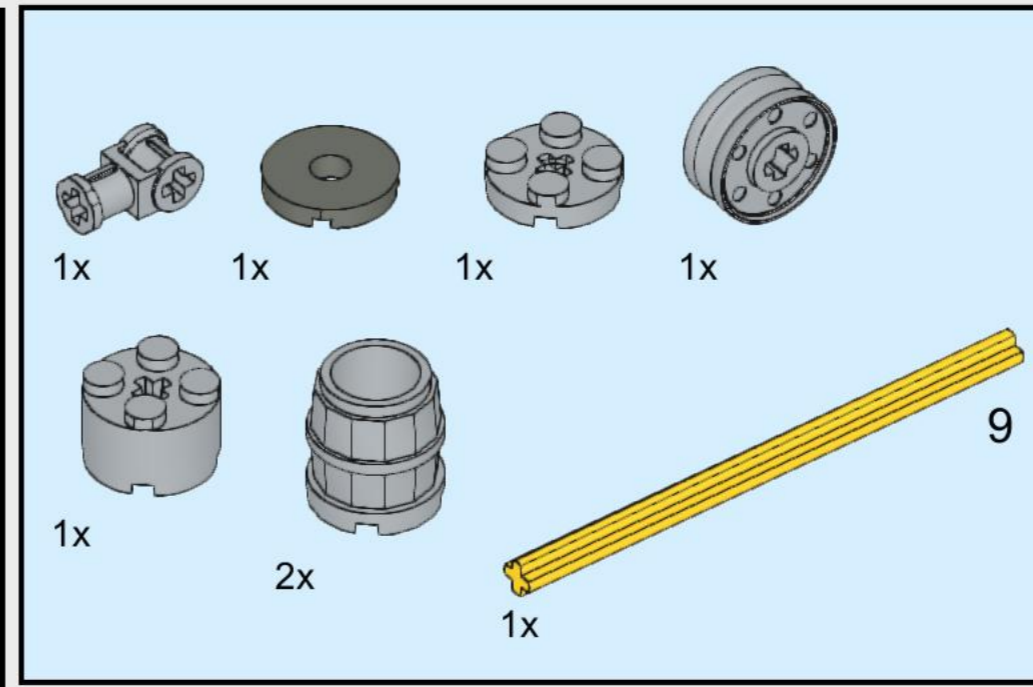
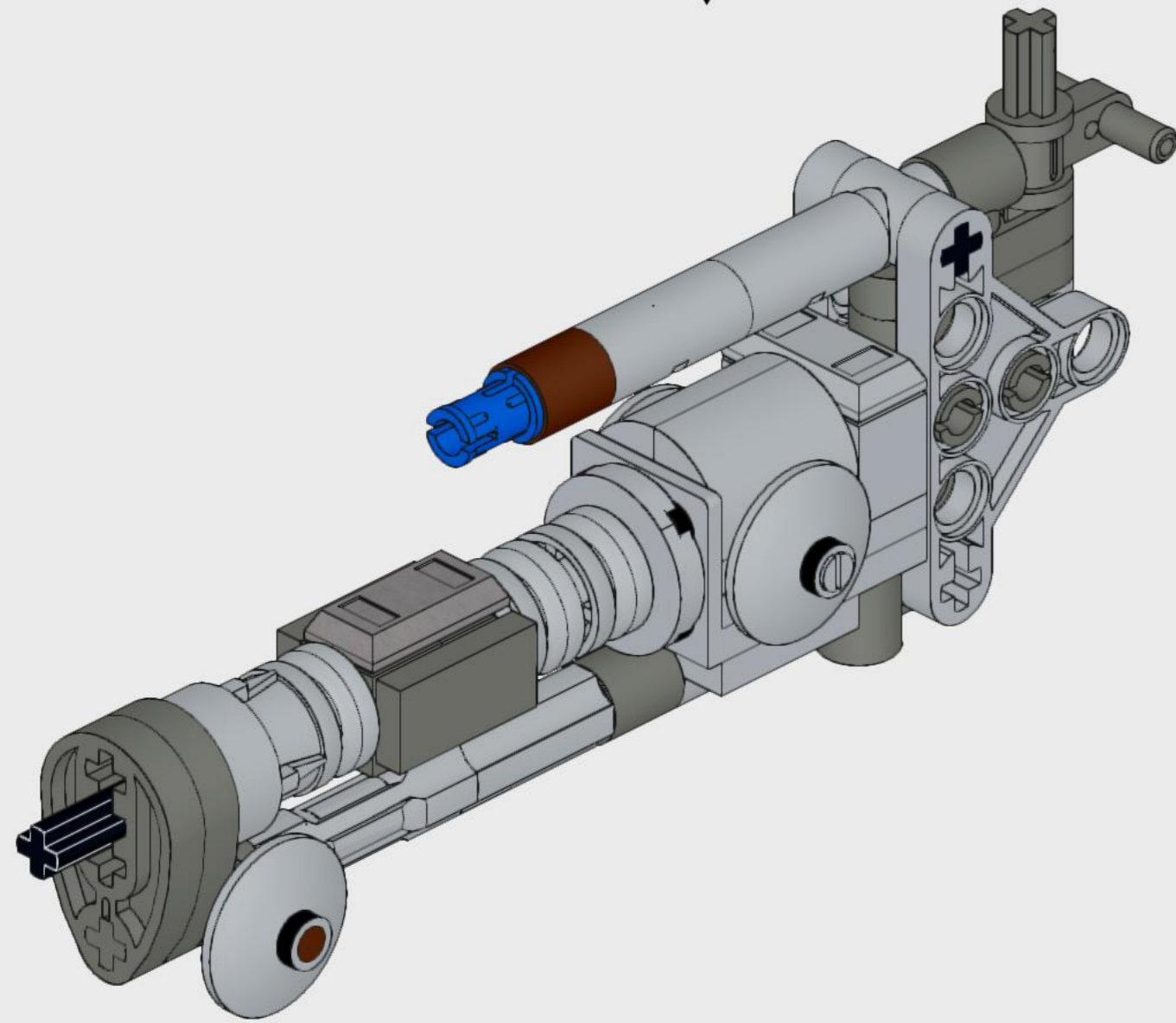
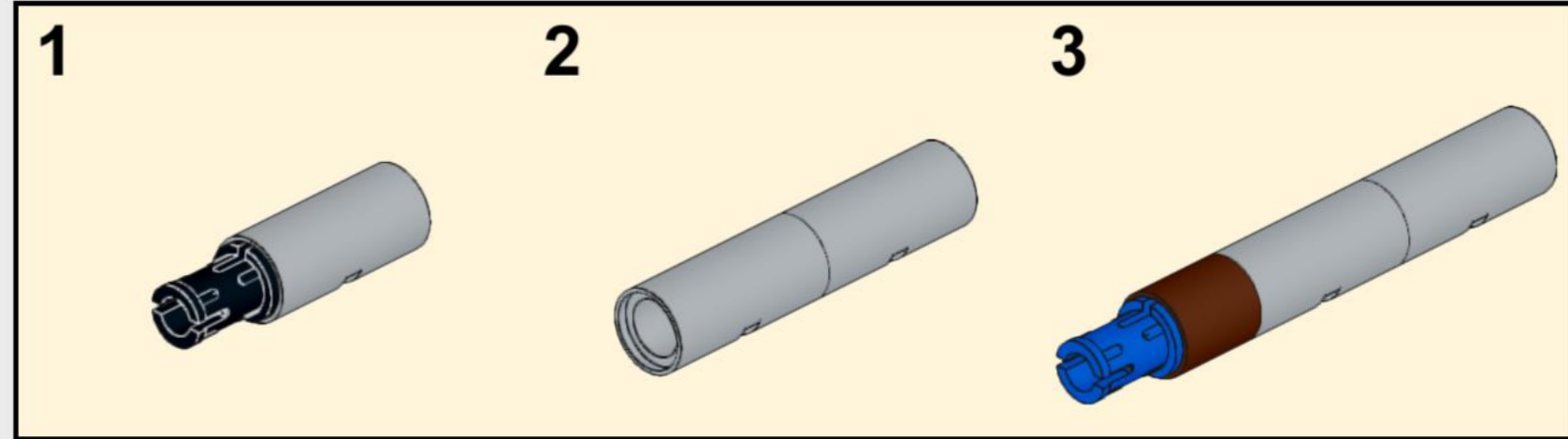


18

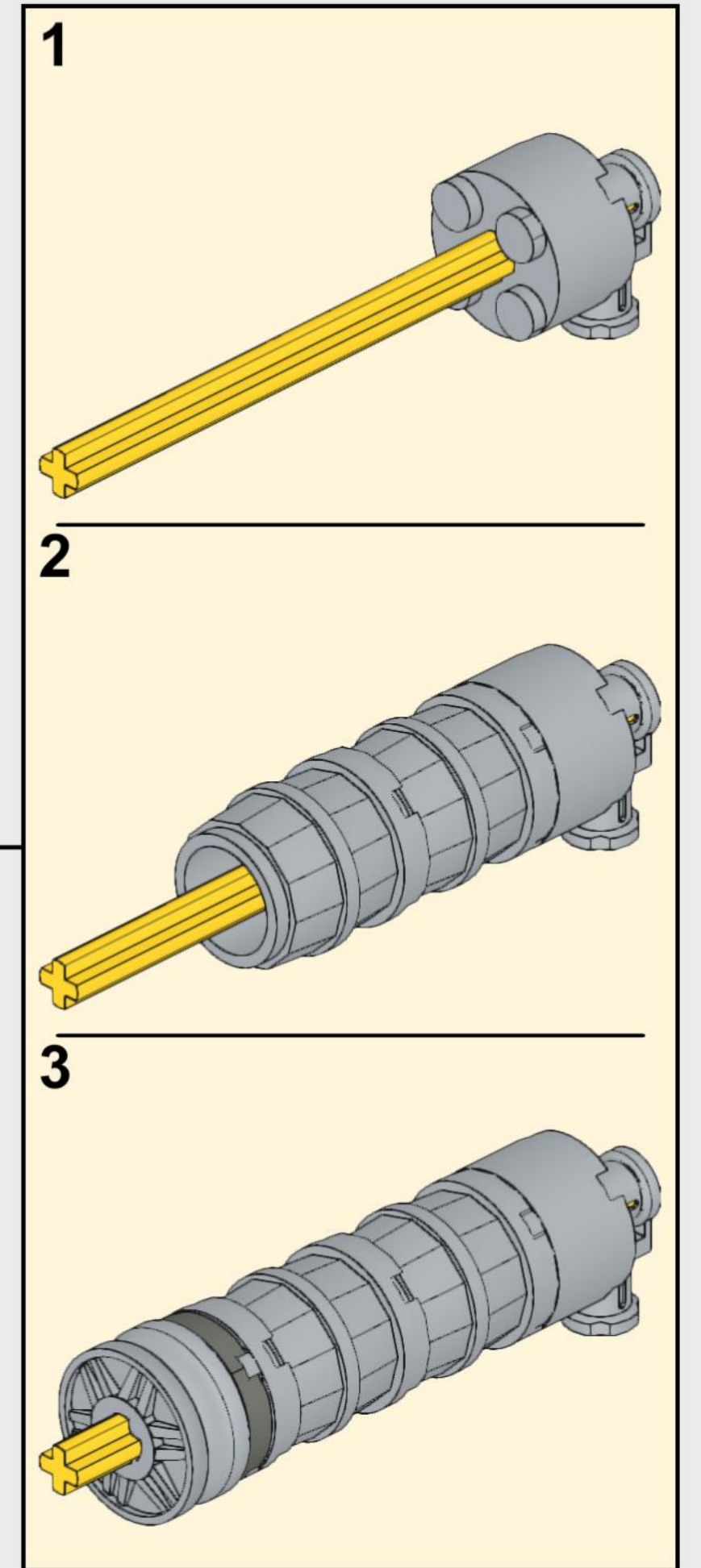
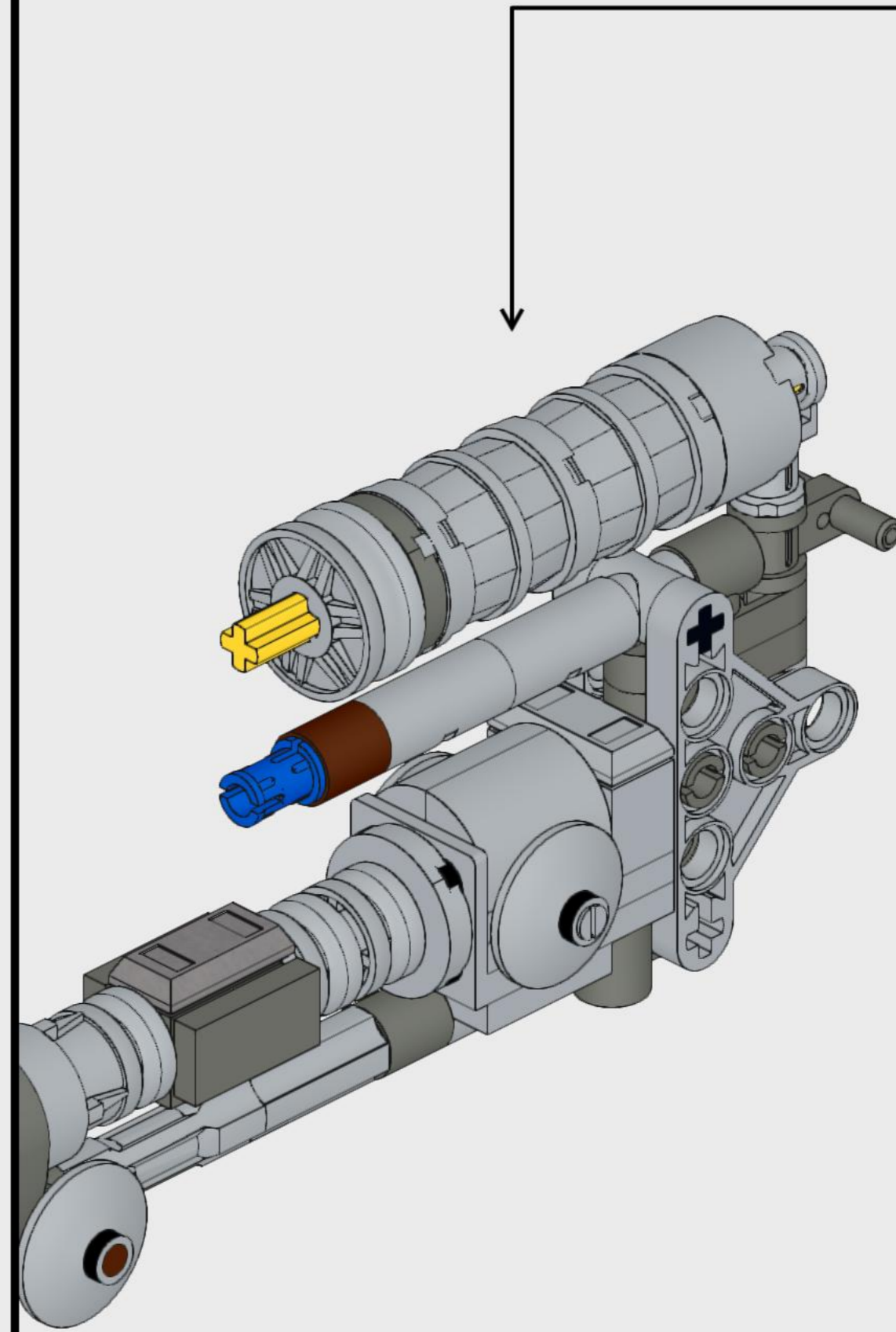


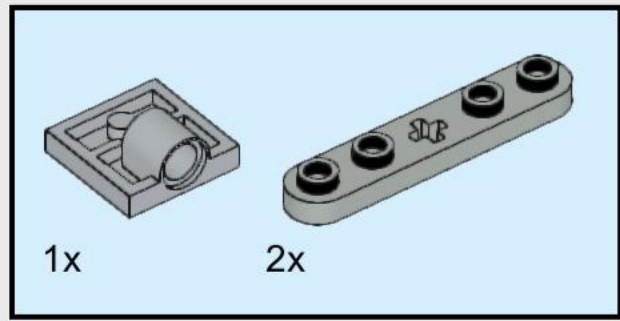


19

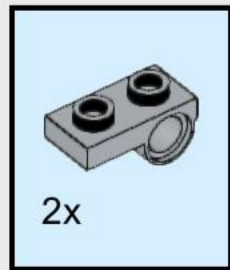
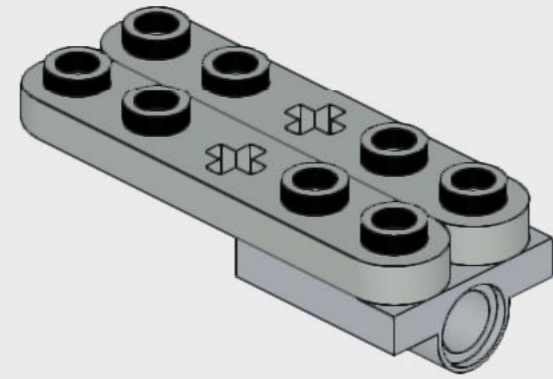


20

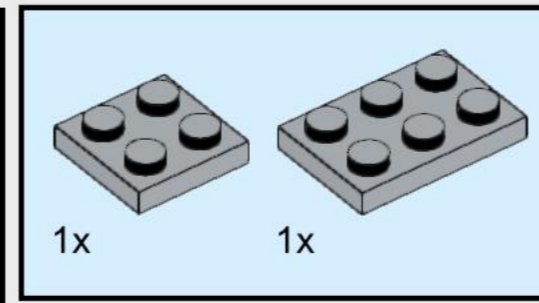
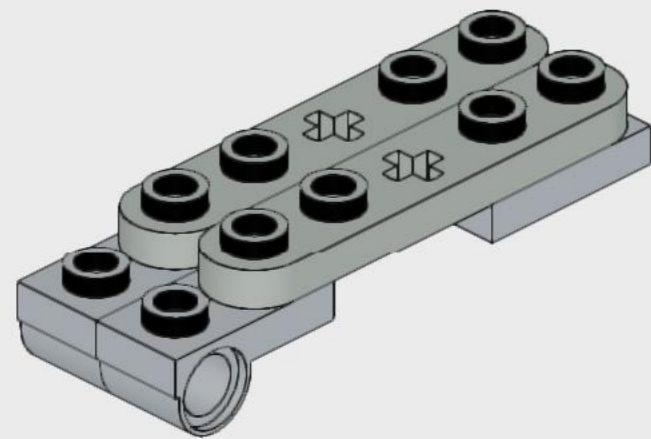




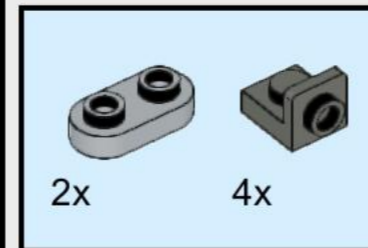
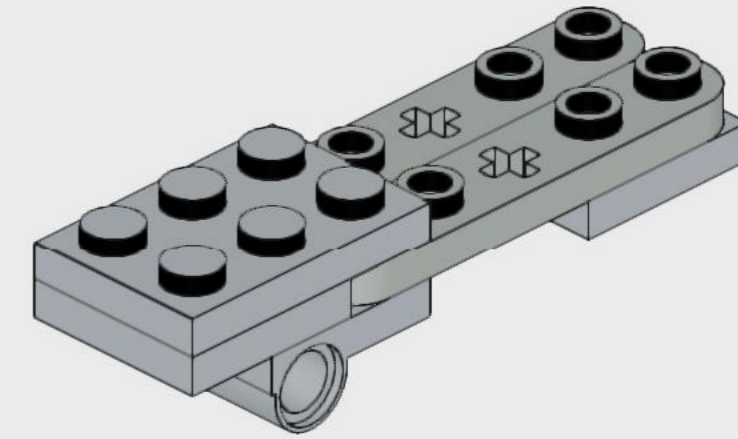
21



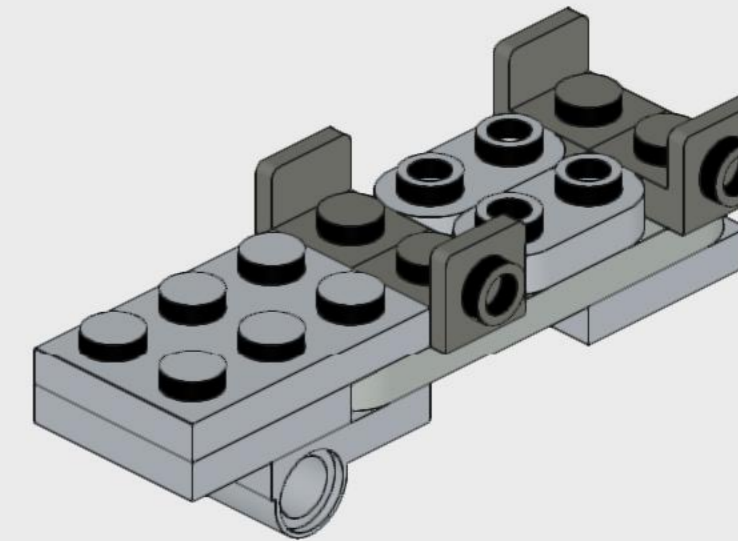
22 

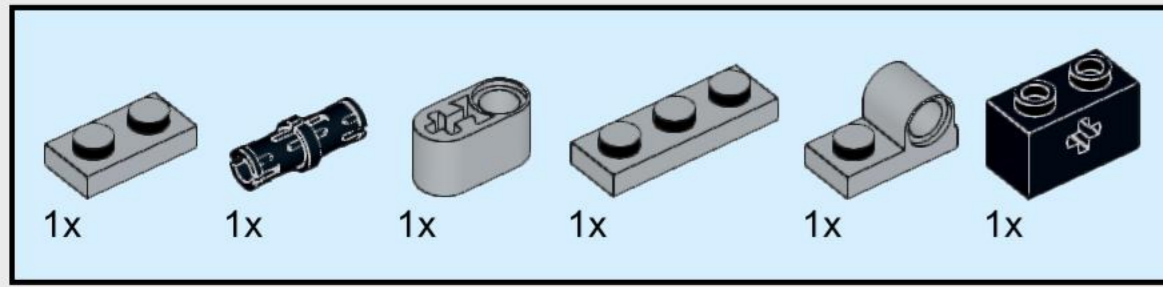


23

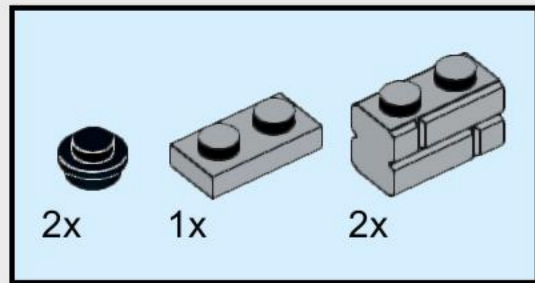
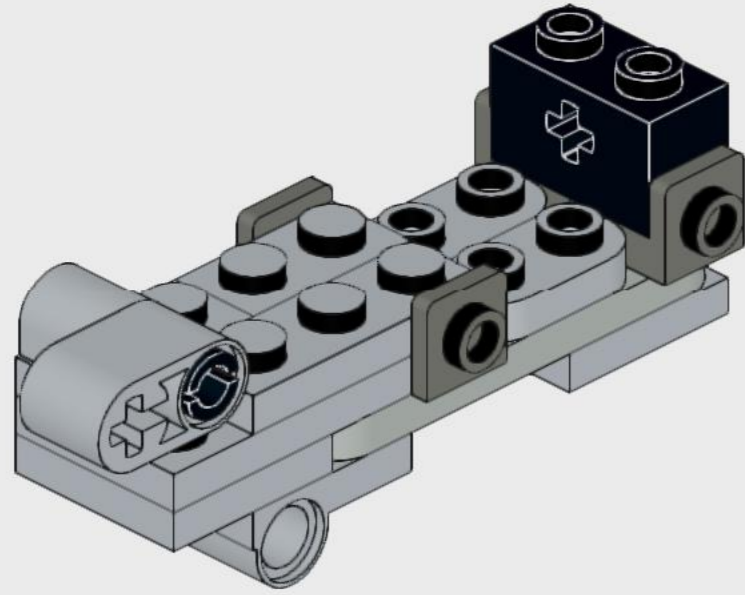
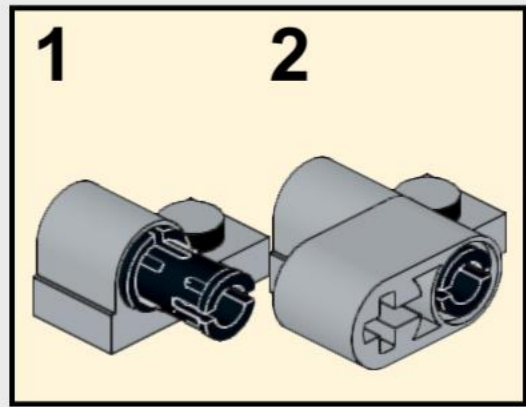


24

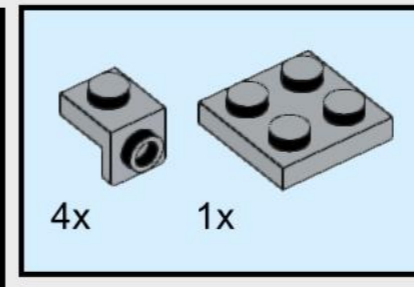
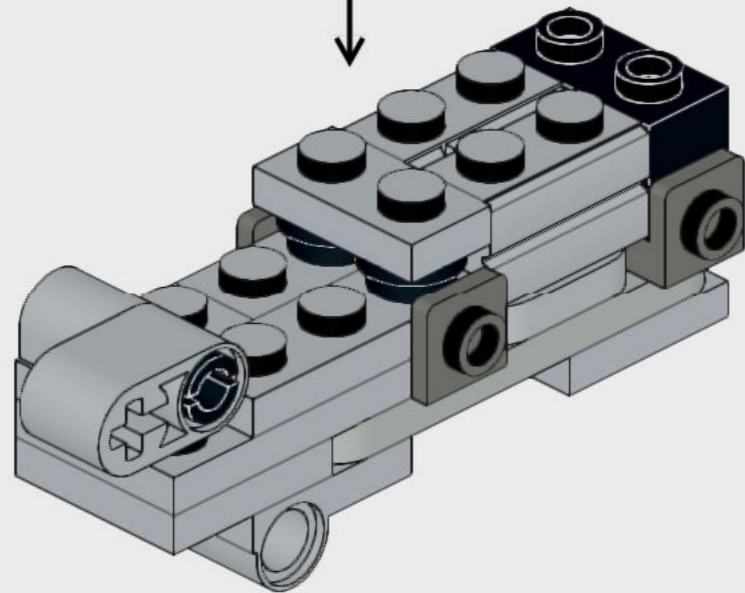
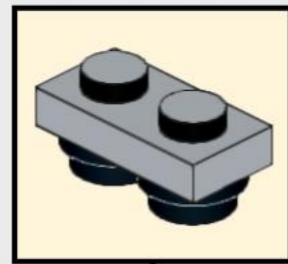




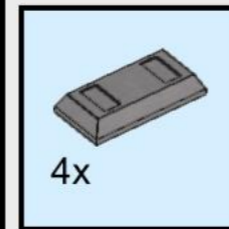
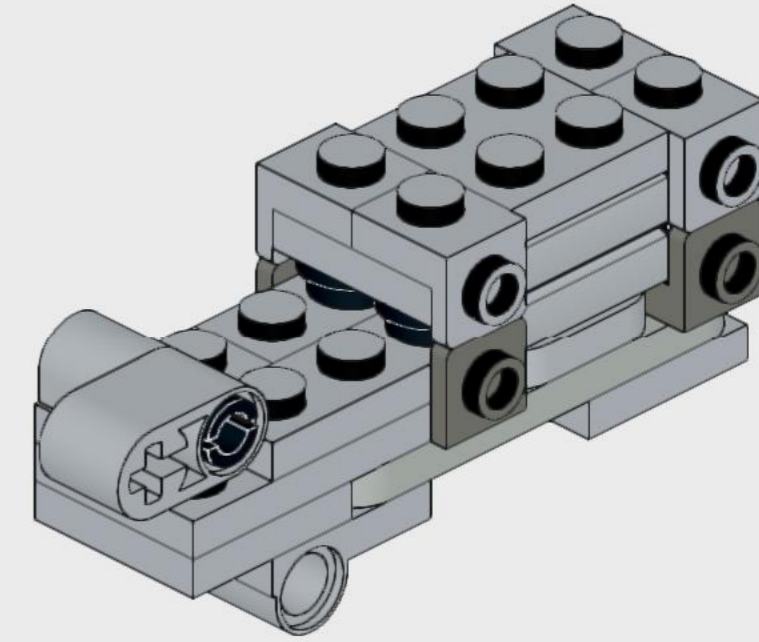
25



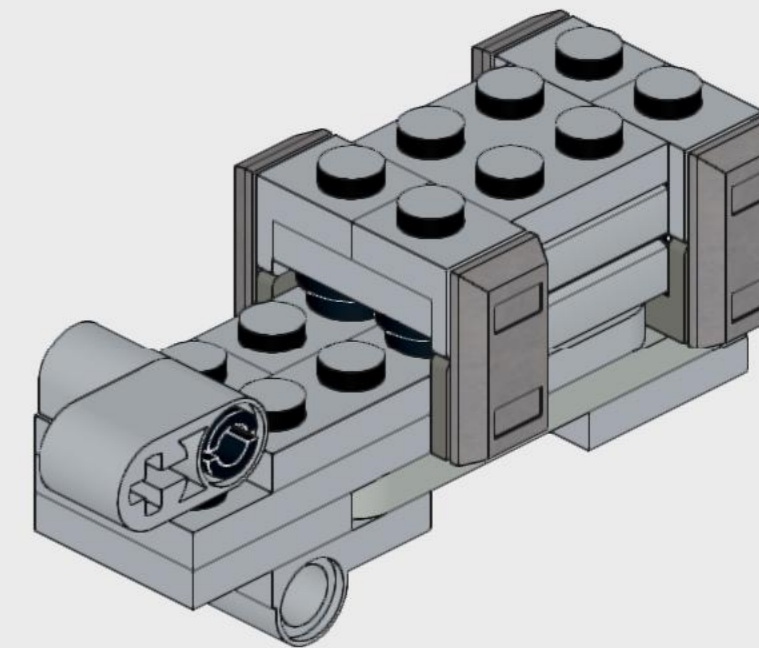
26

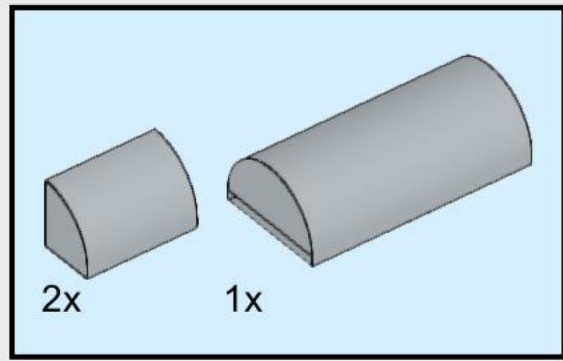


27

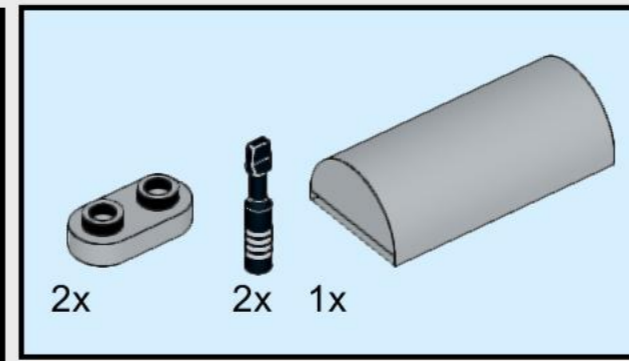
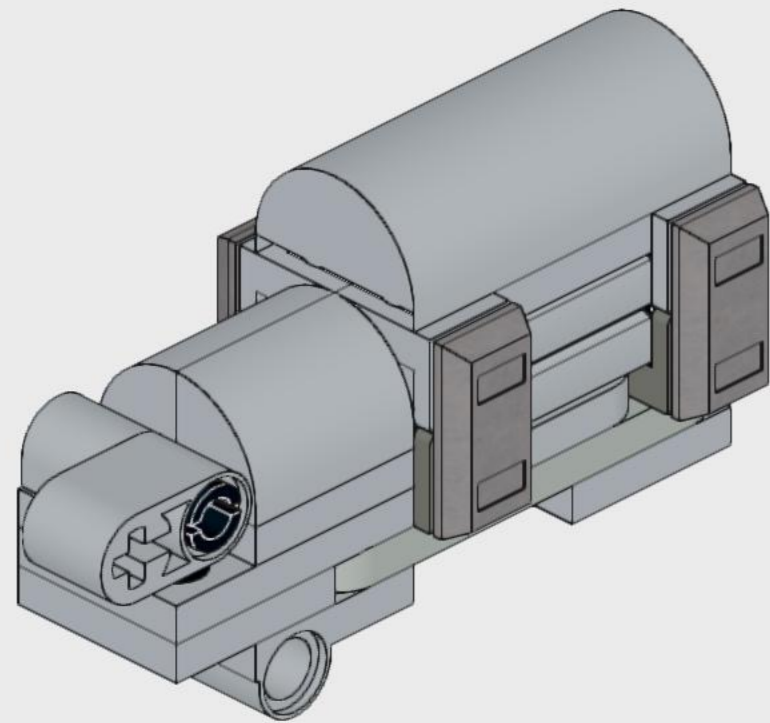


28



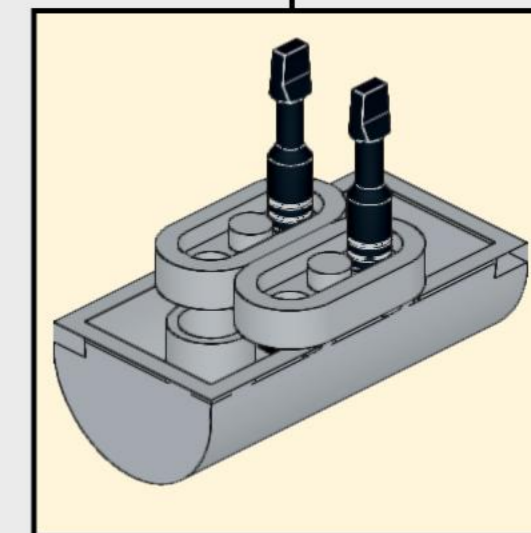
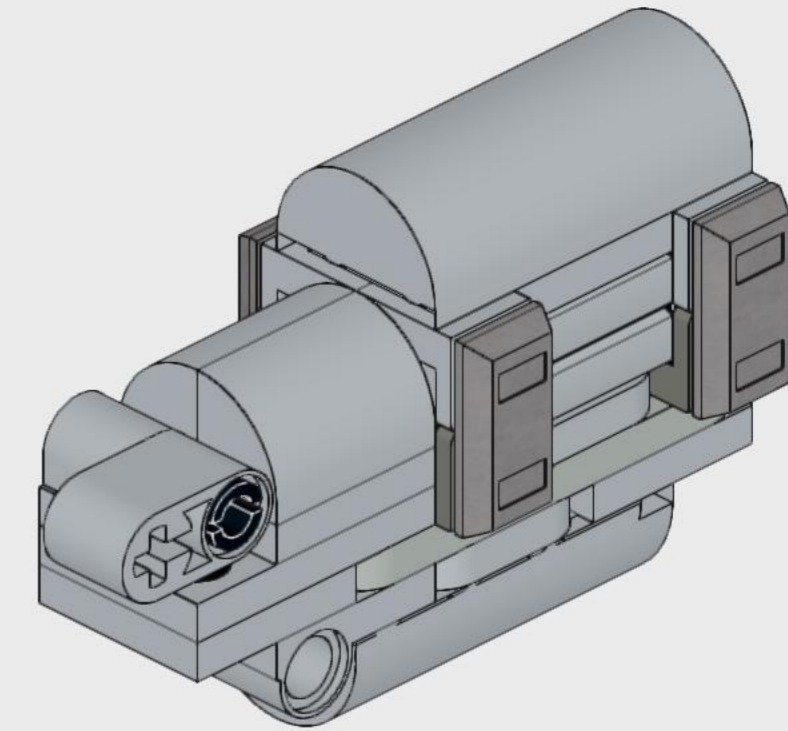


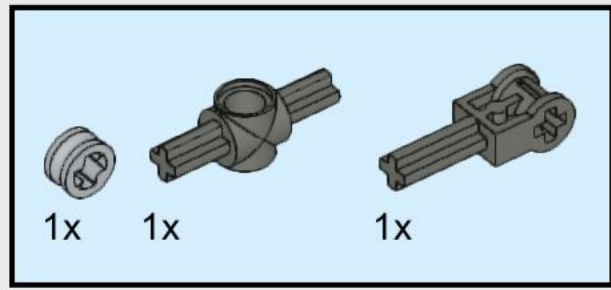
29



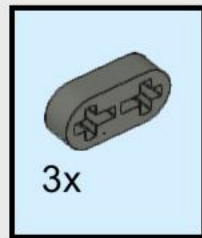
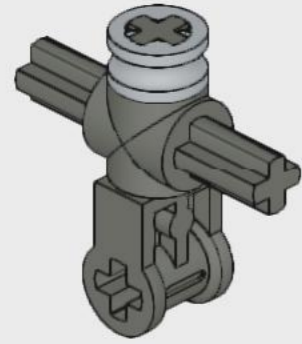
30

Alternatively, 2-stud-long rigid hose pieces can be substituted for black screw-drivers, which are a rare part.

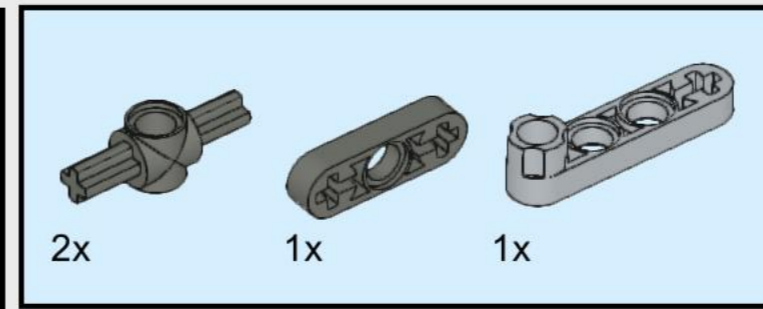
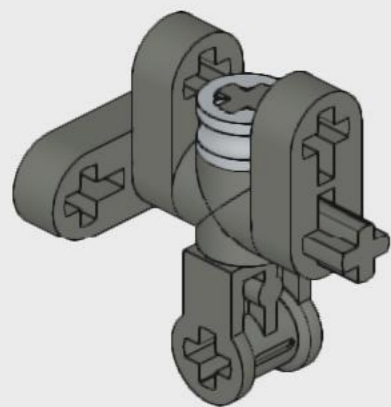




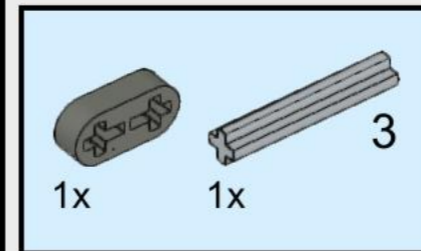
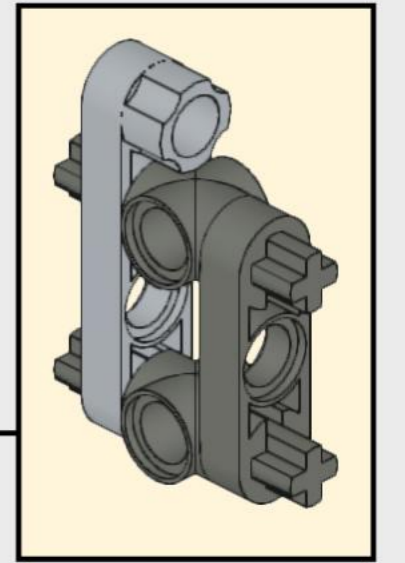
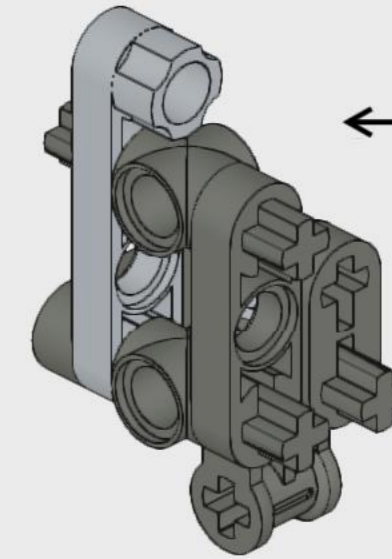
31



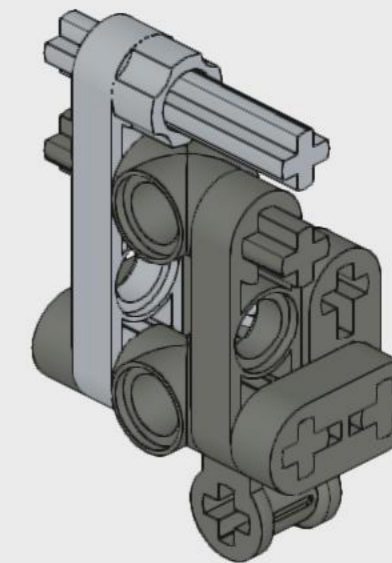
32



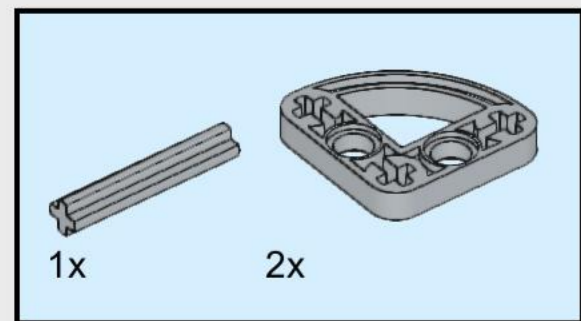
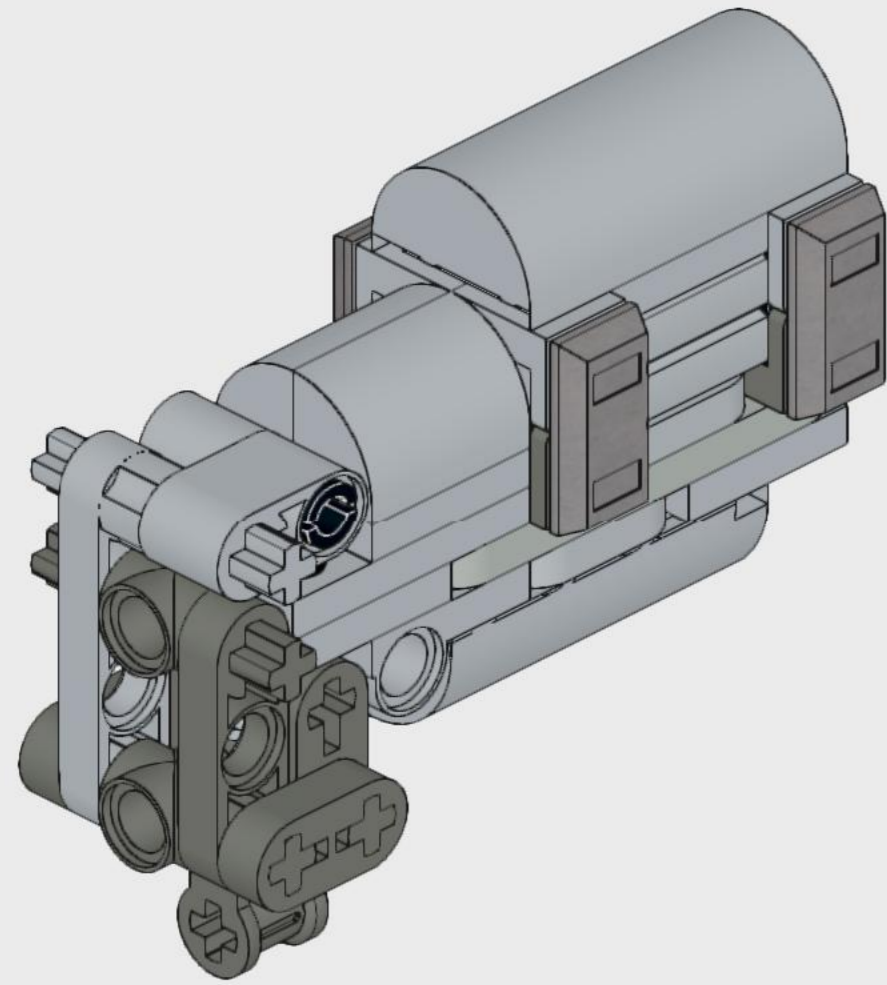
33



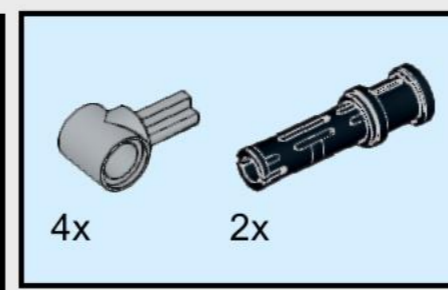
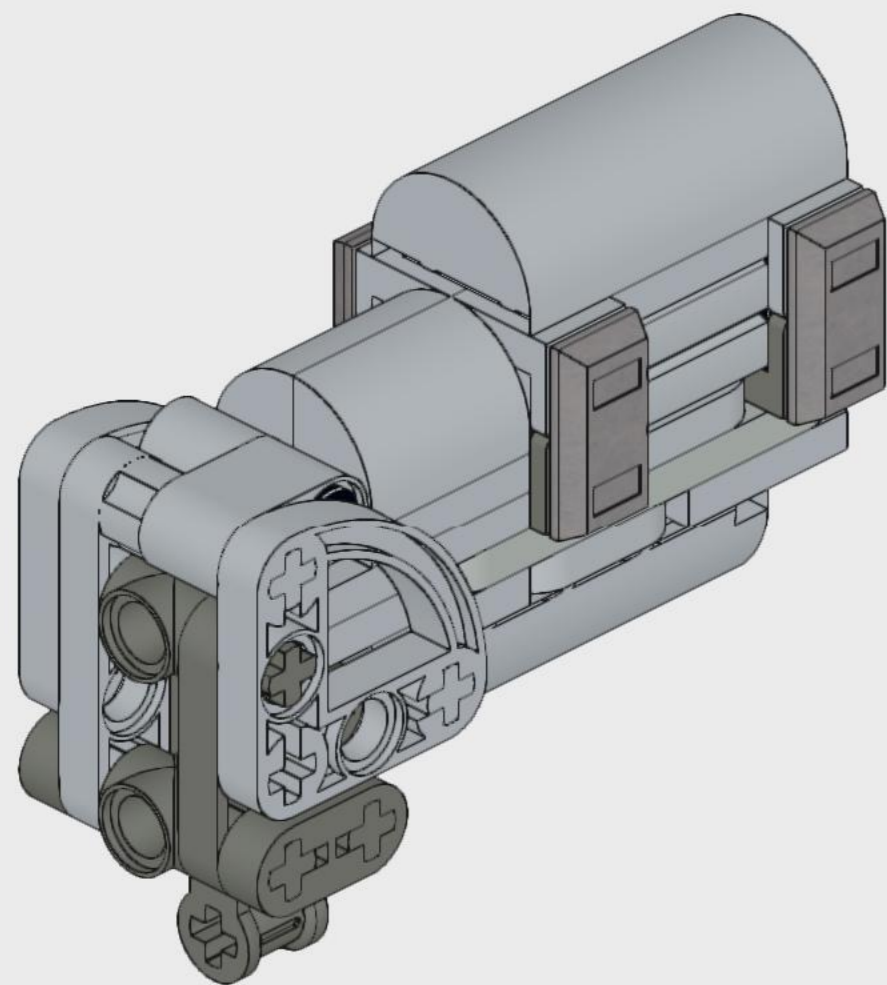
34



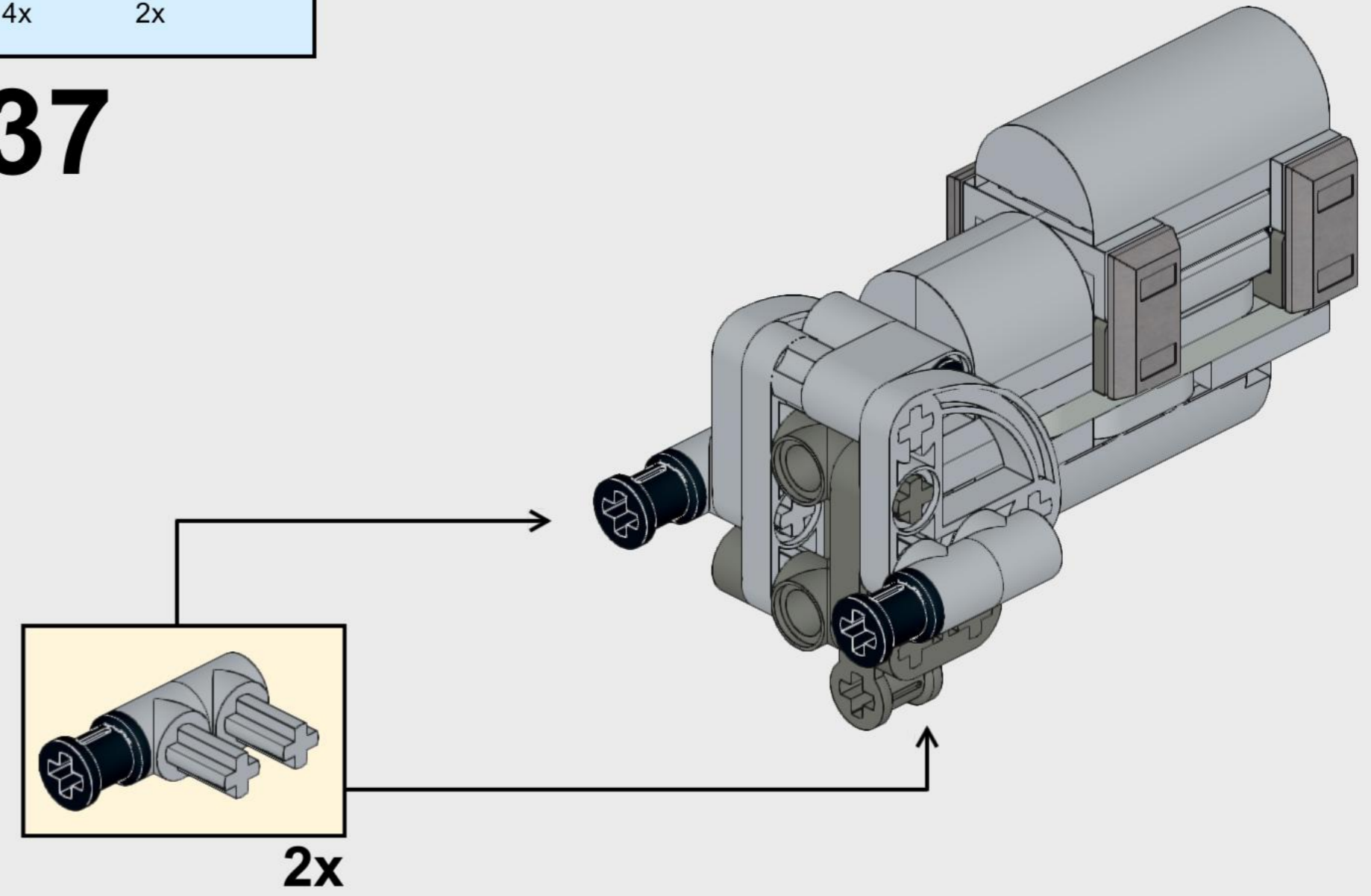
35



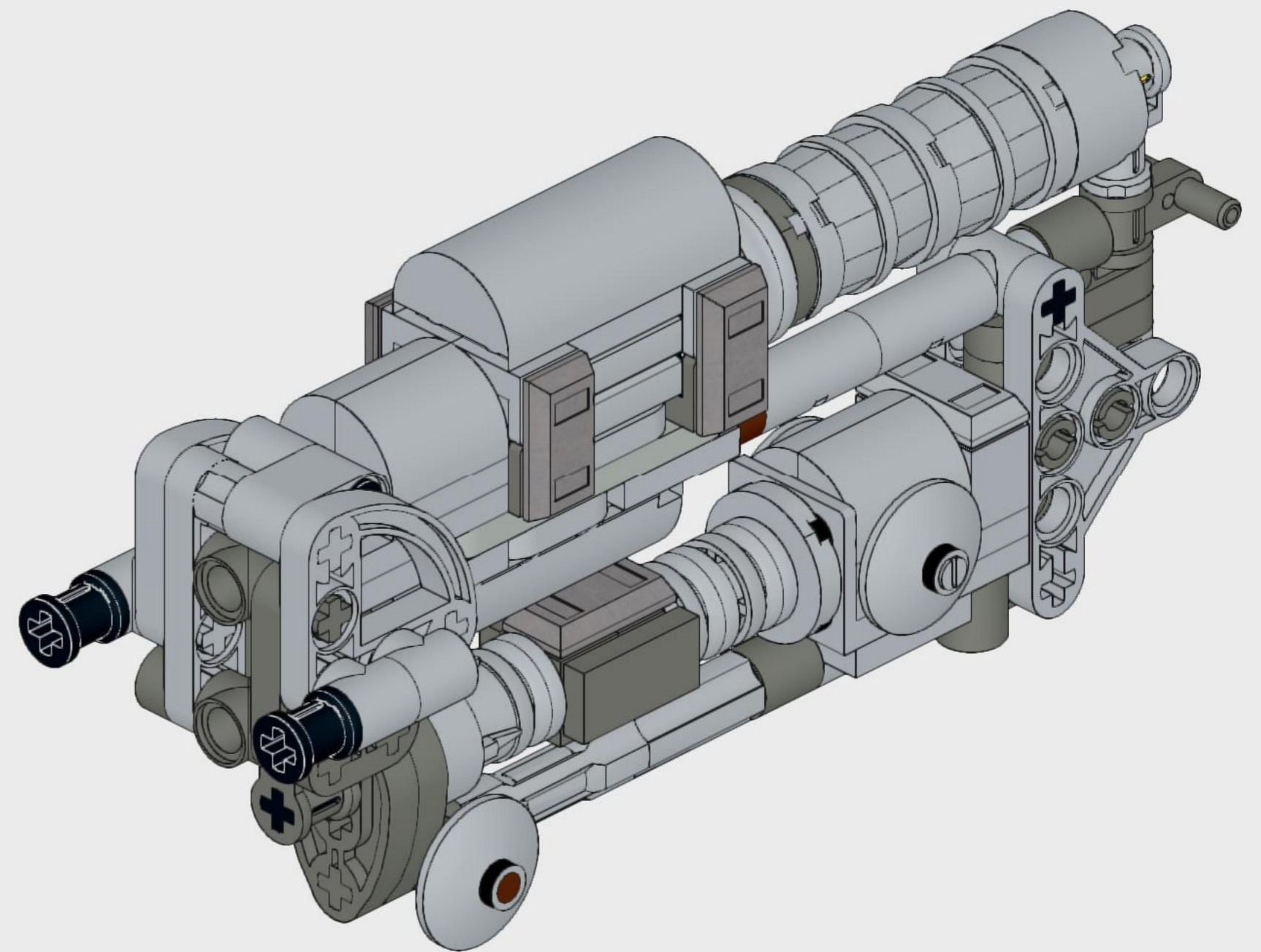
36

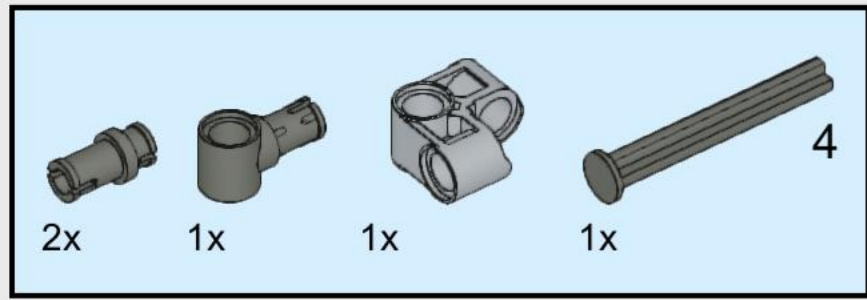


37

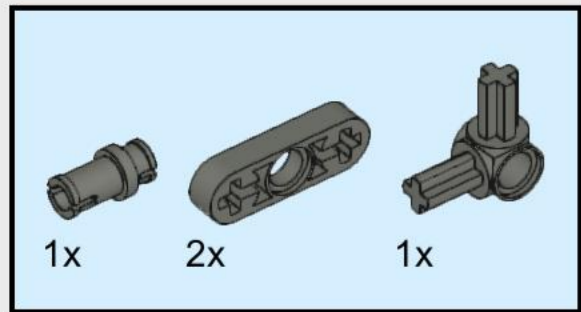
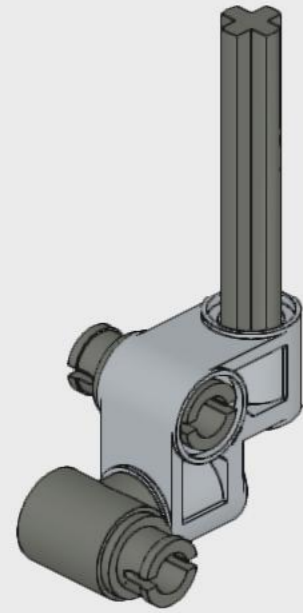


38

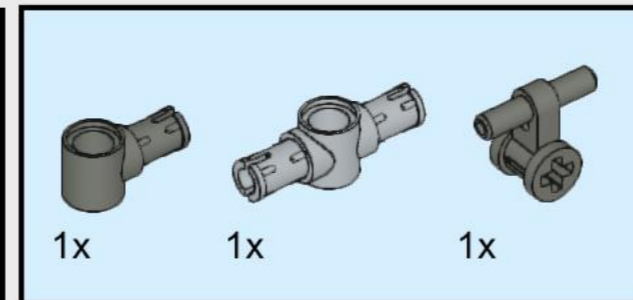
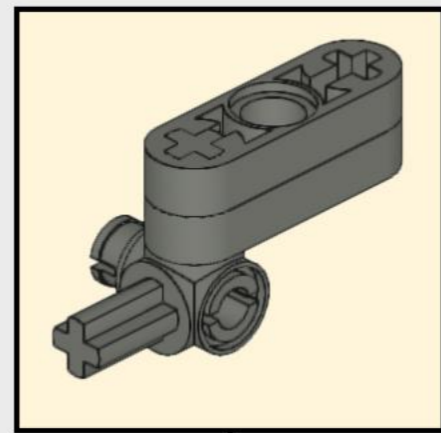
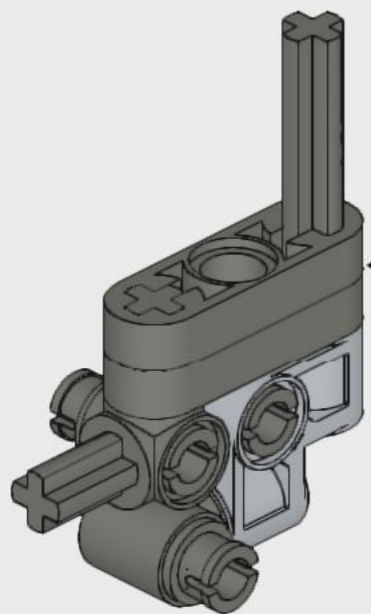




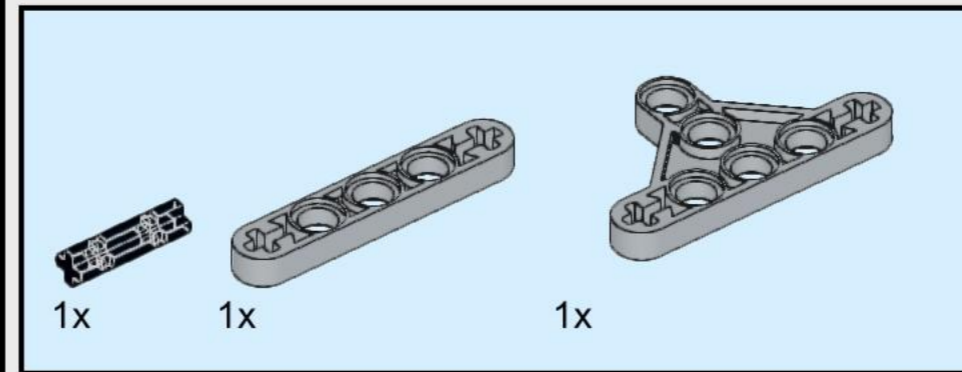
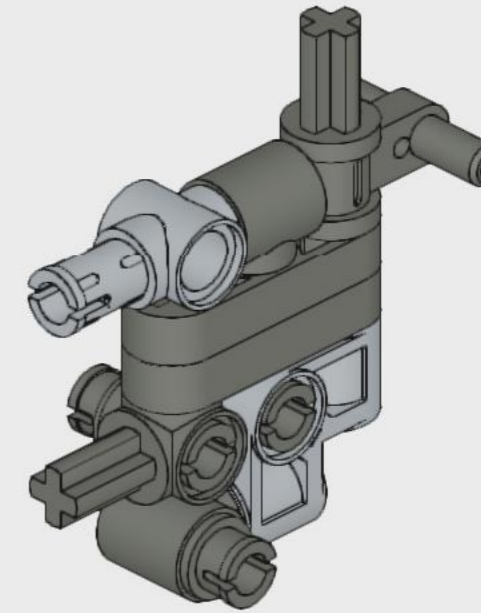
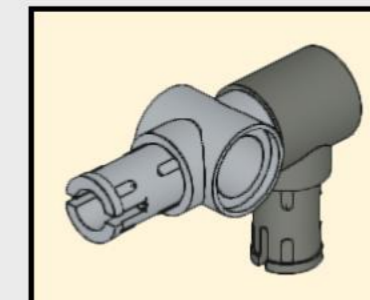
1



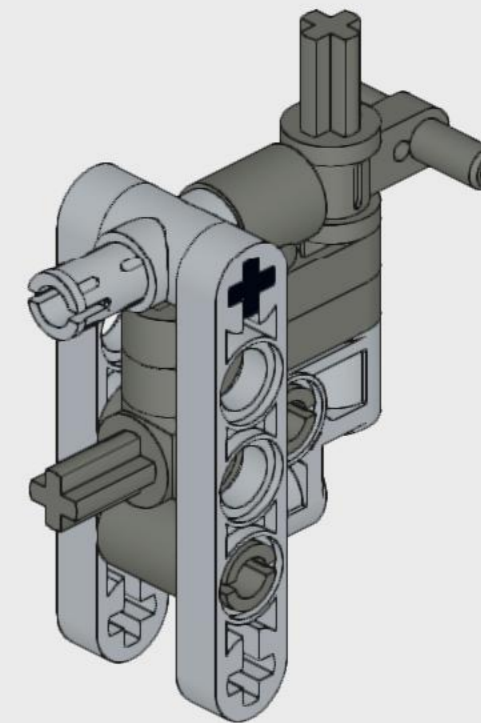
2

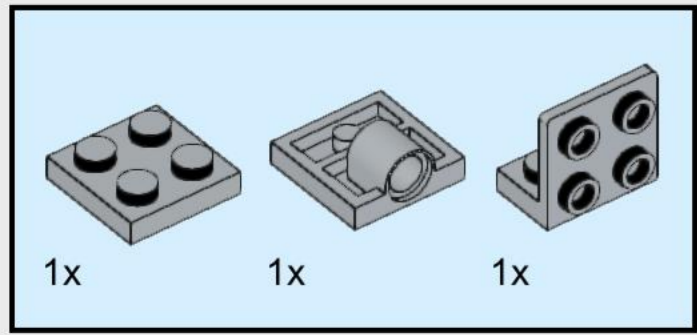


3

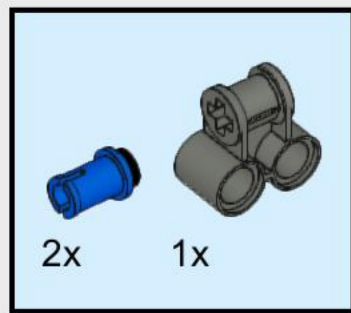
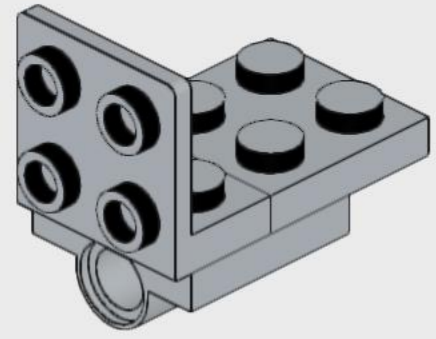


4

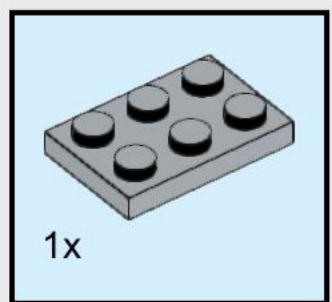
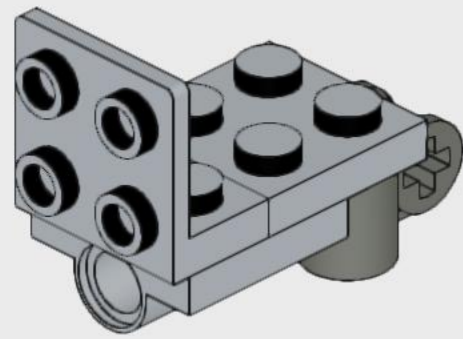




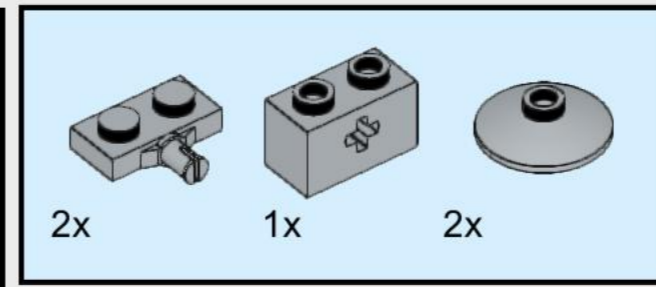
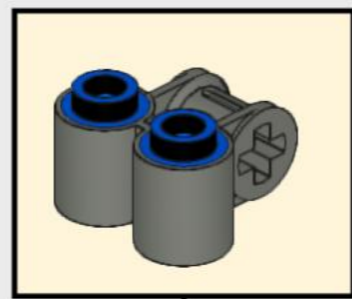
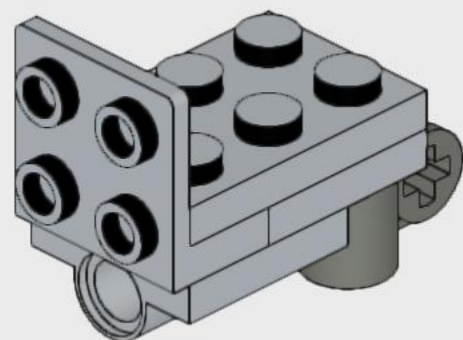
5



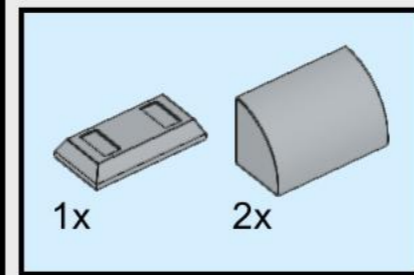
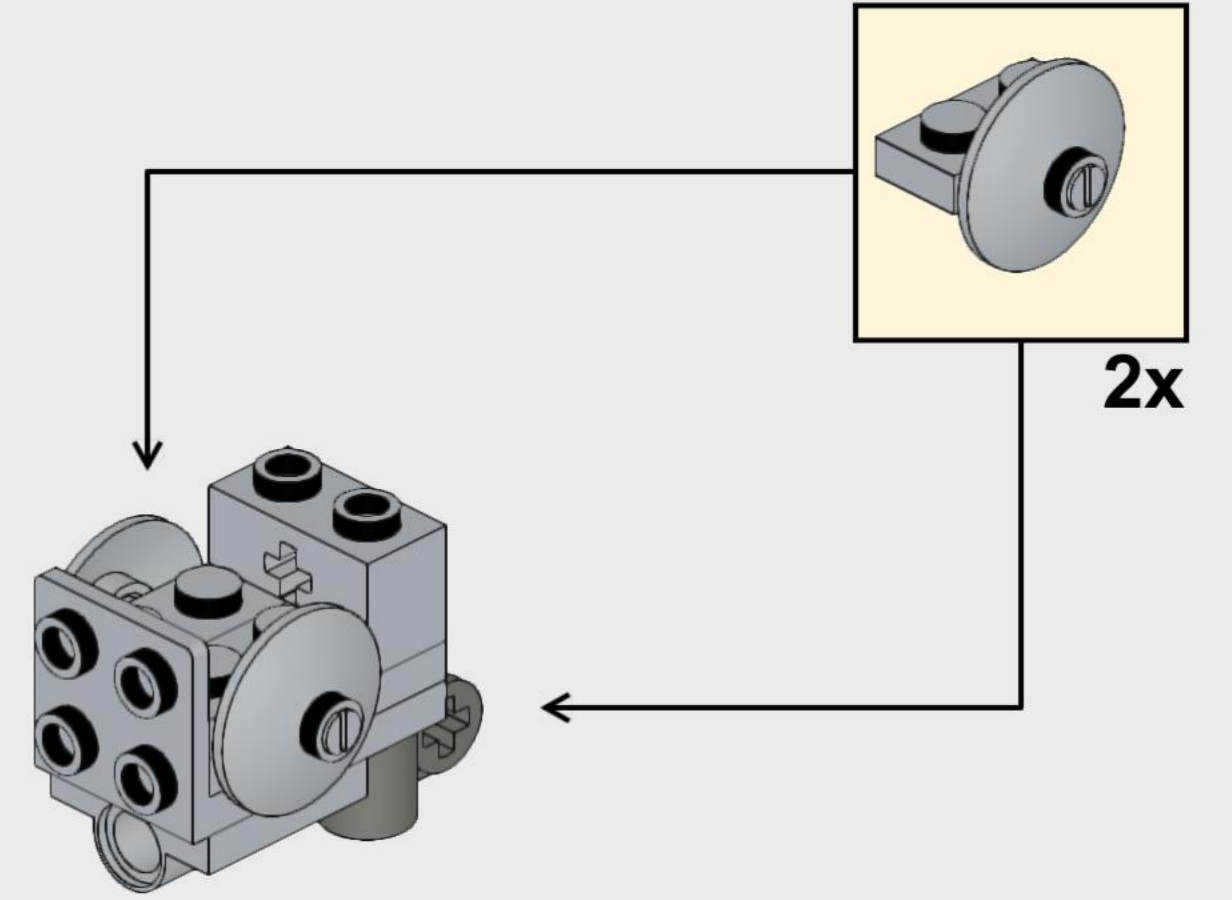
6



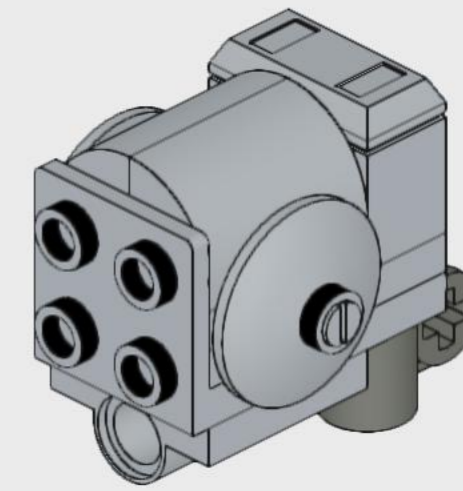
7



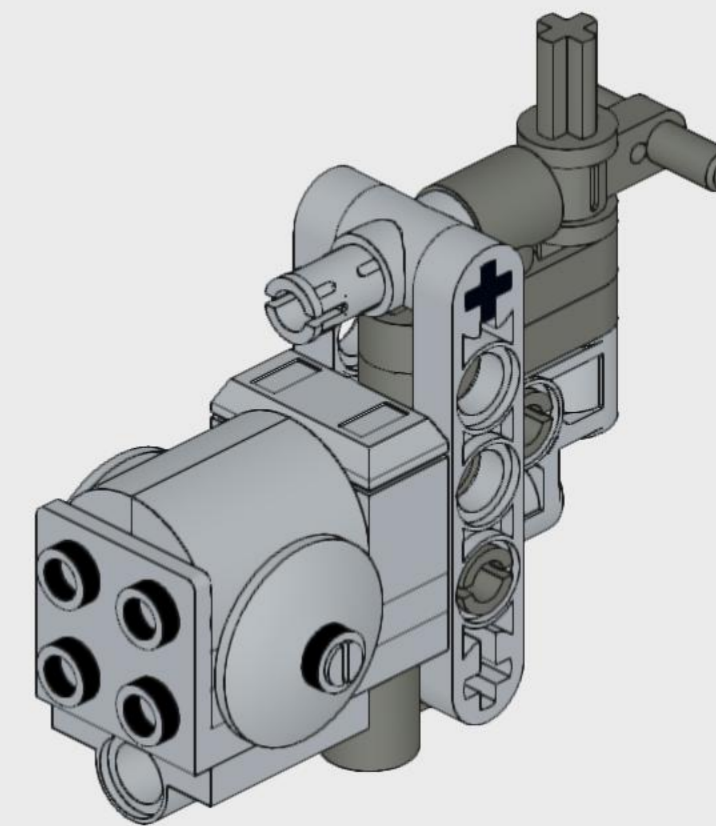
8

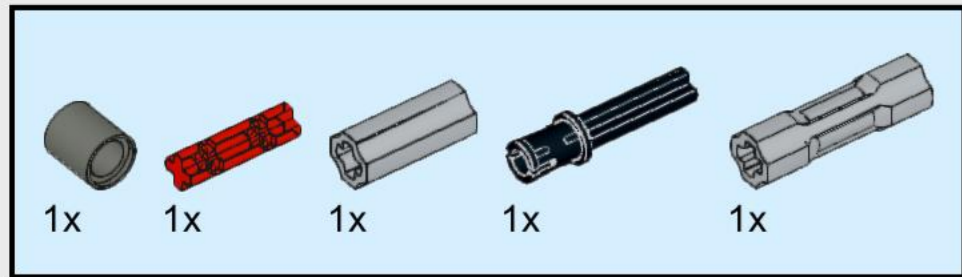


9

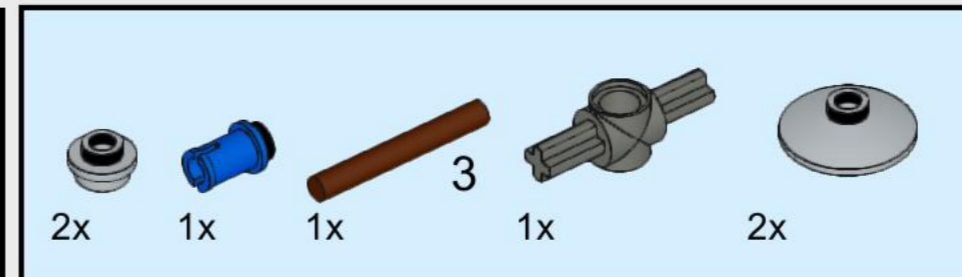
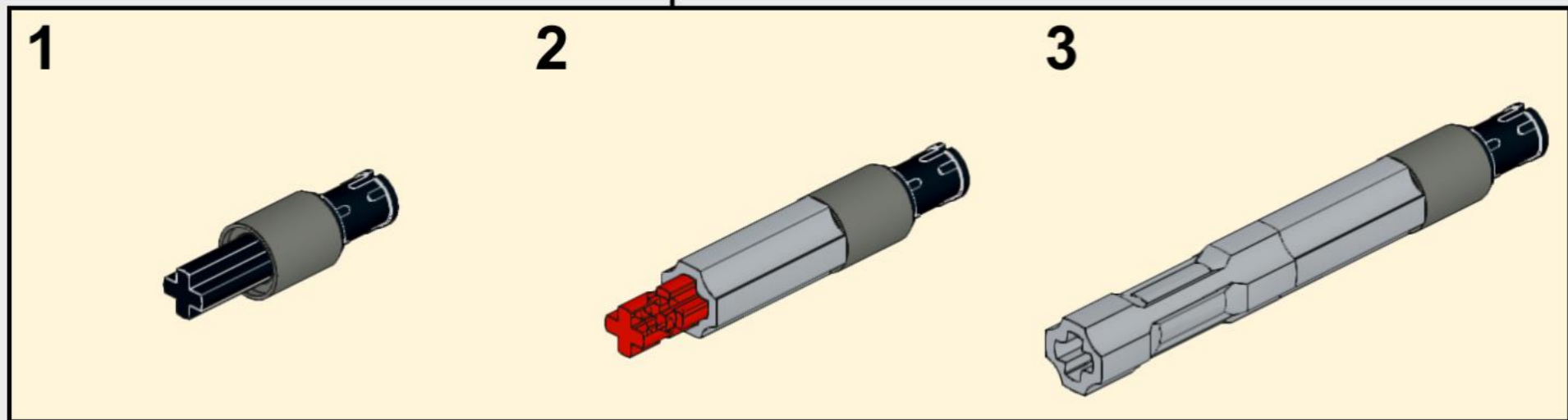
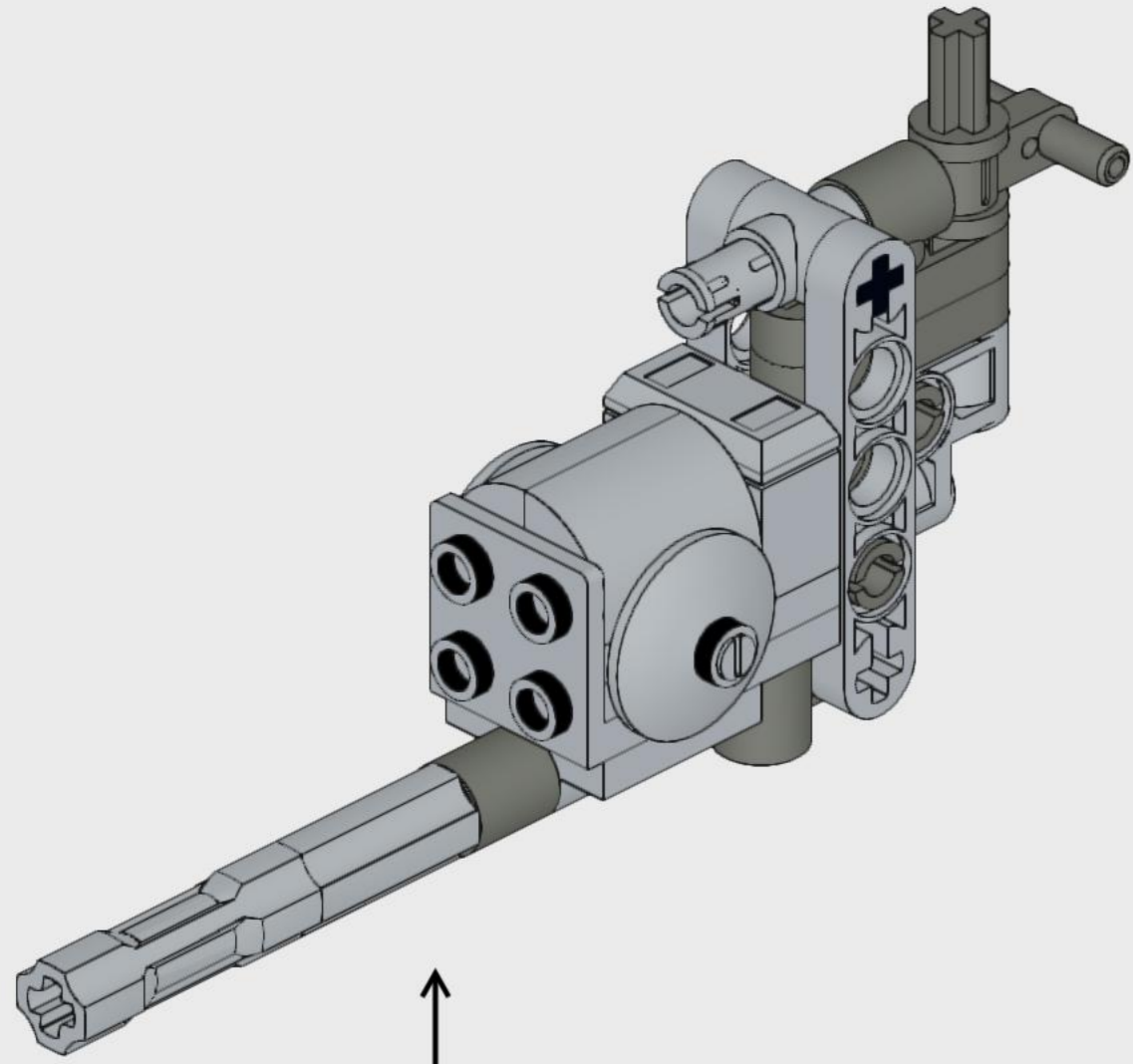


10

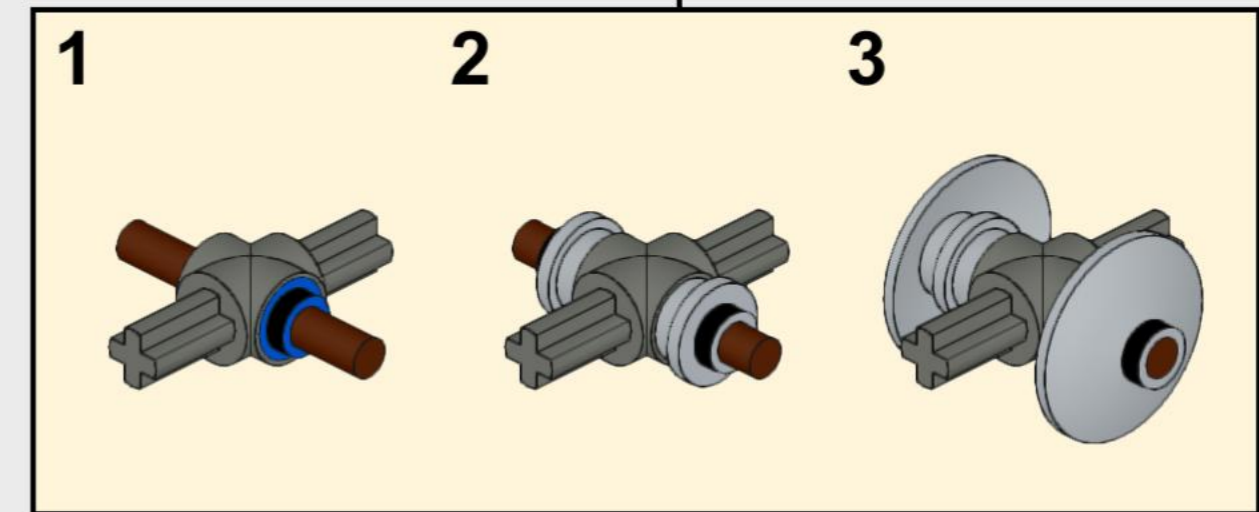
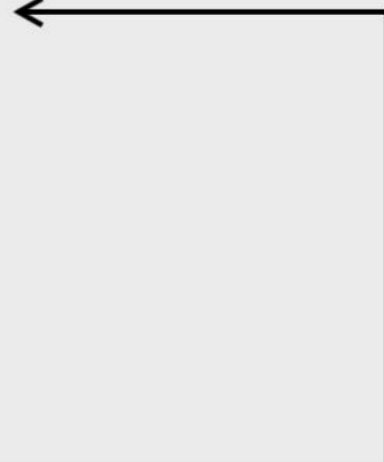
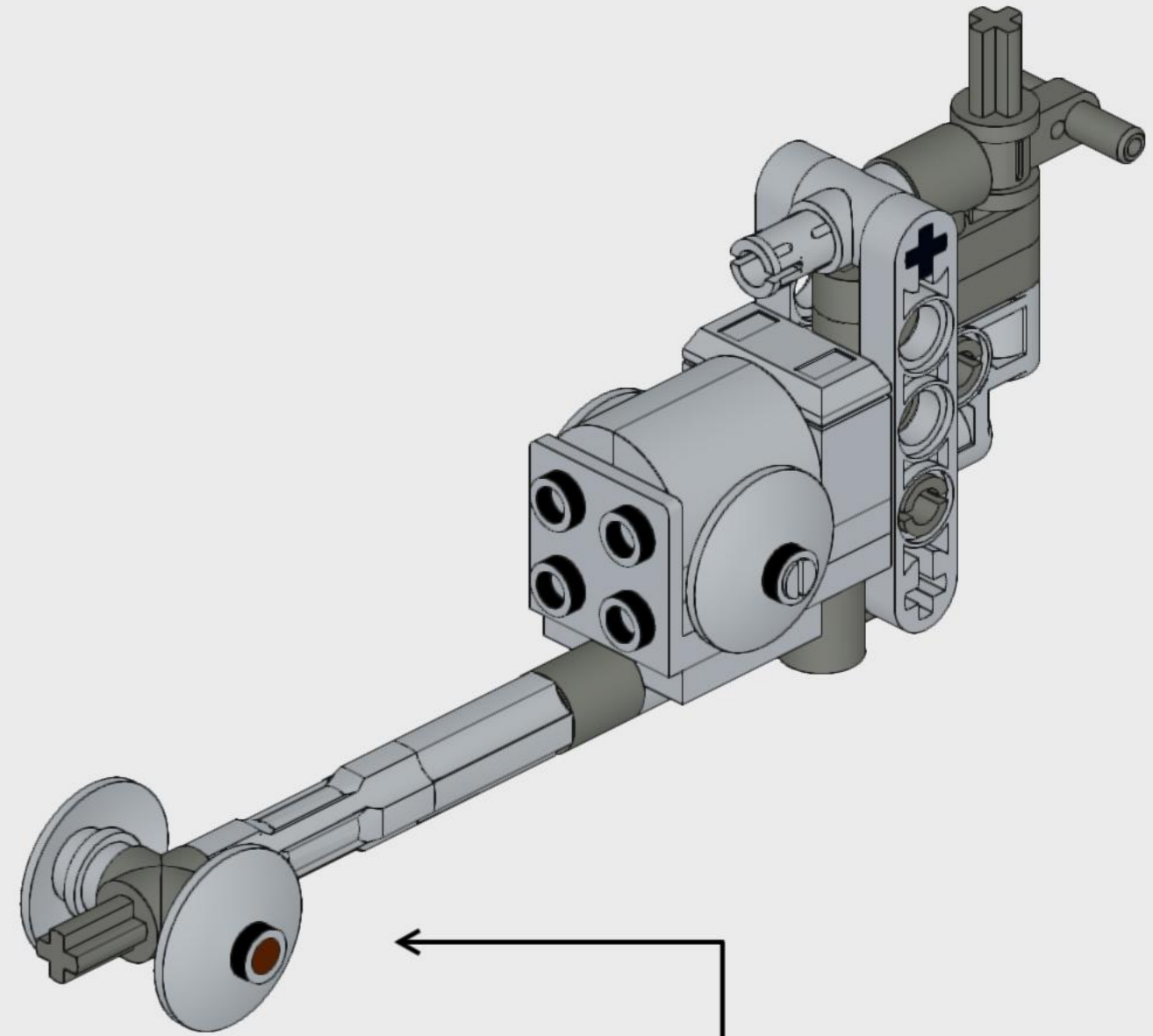


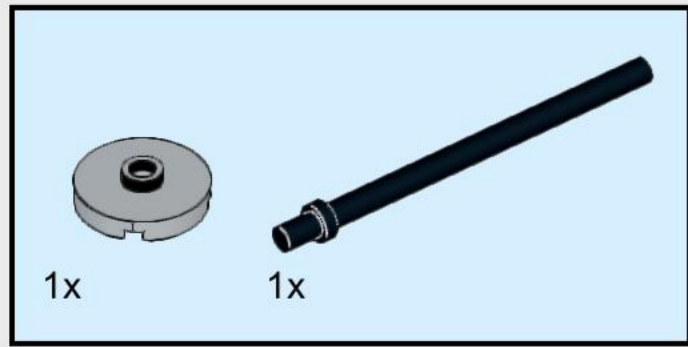


11

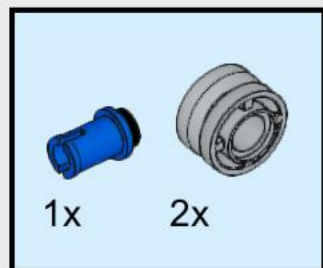
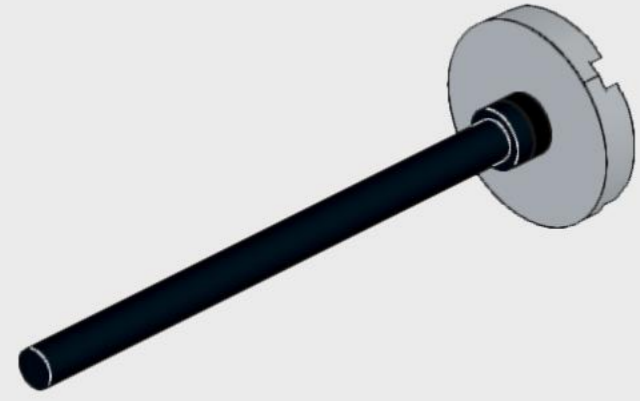


12

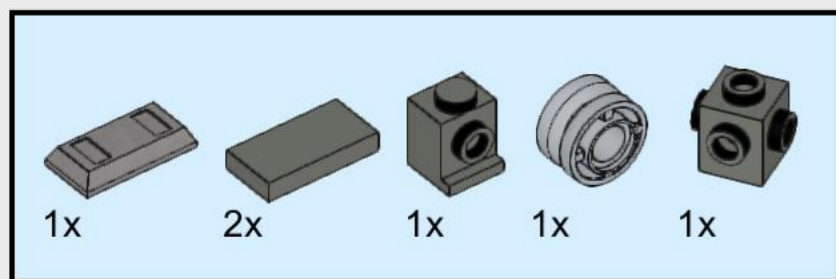
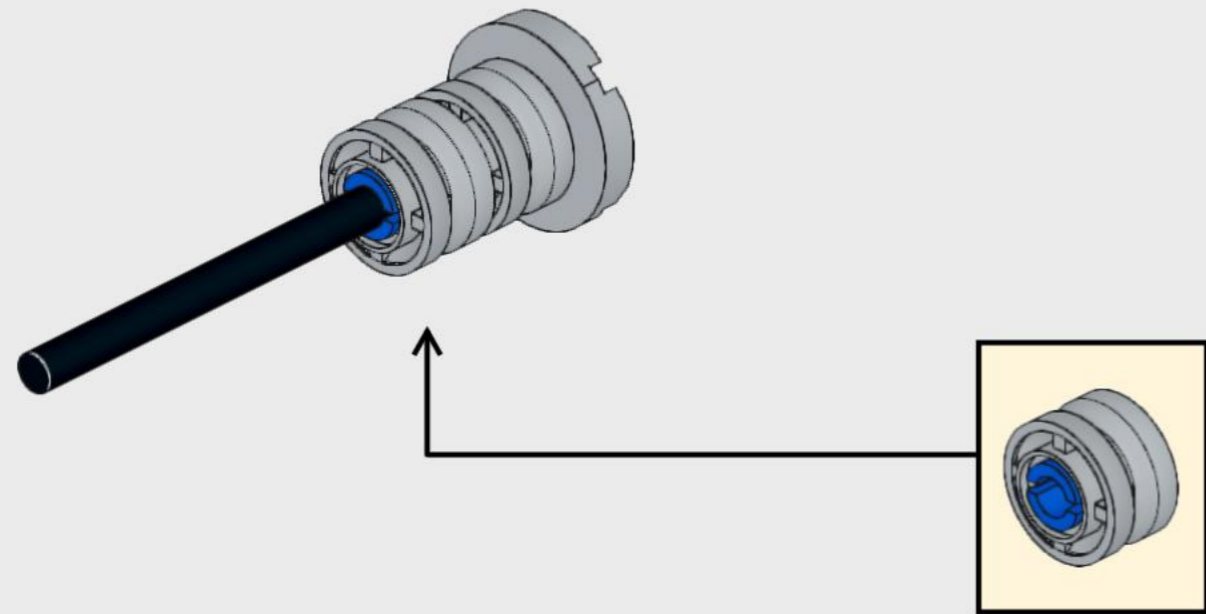




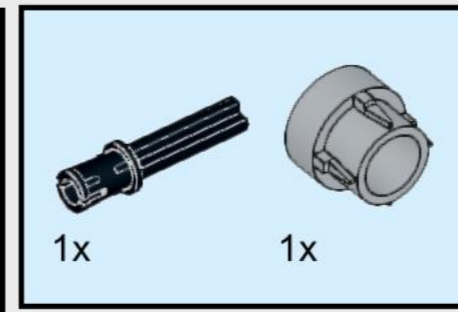
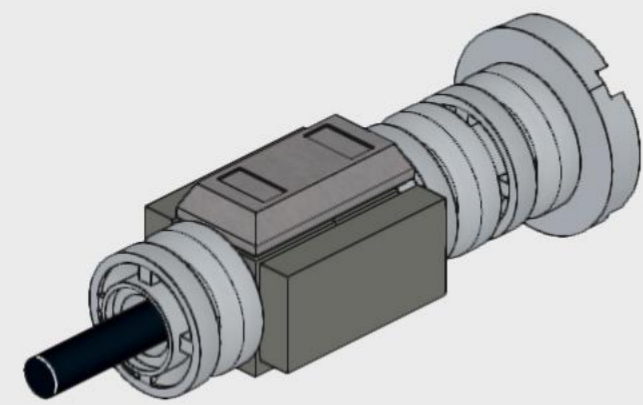
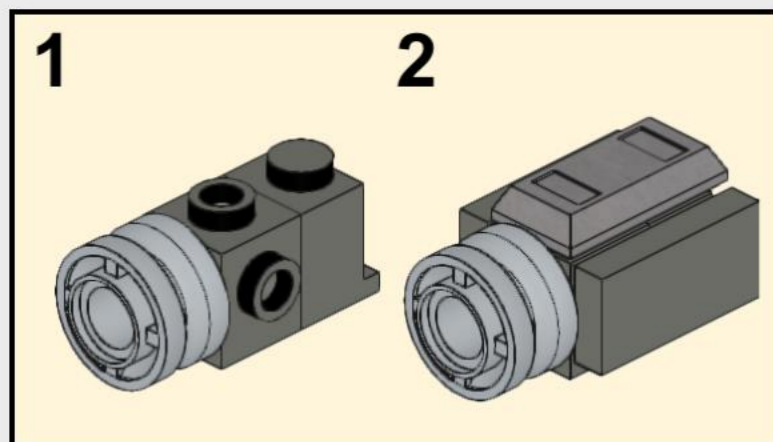
13



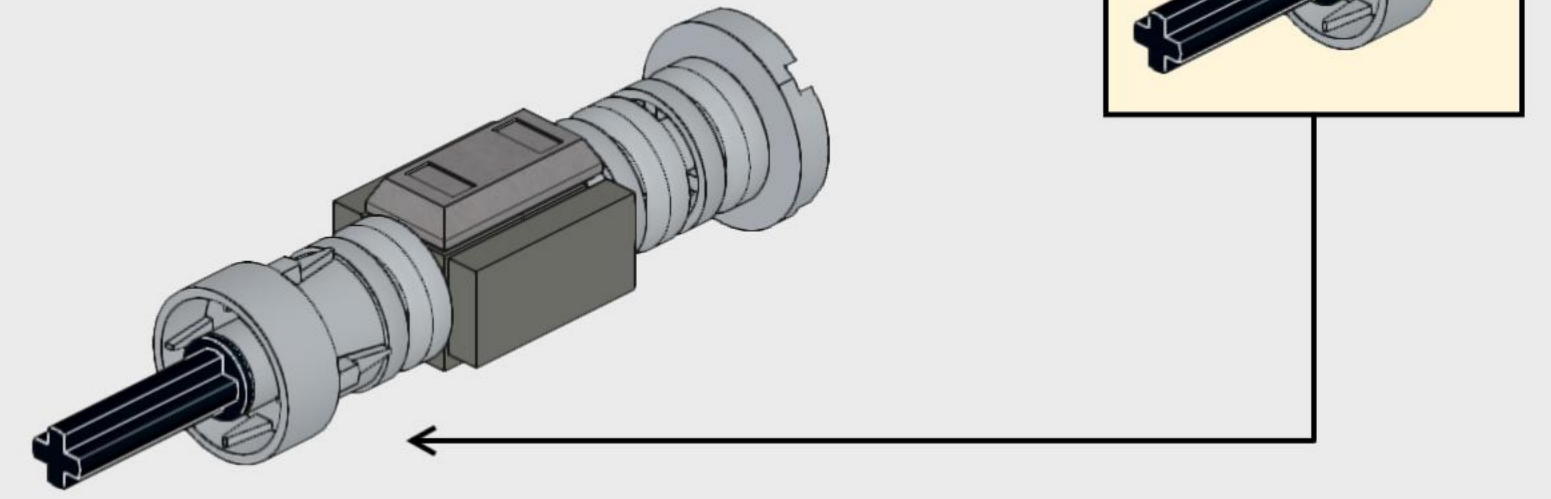
14



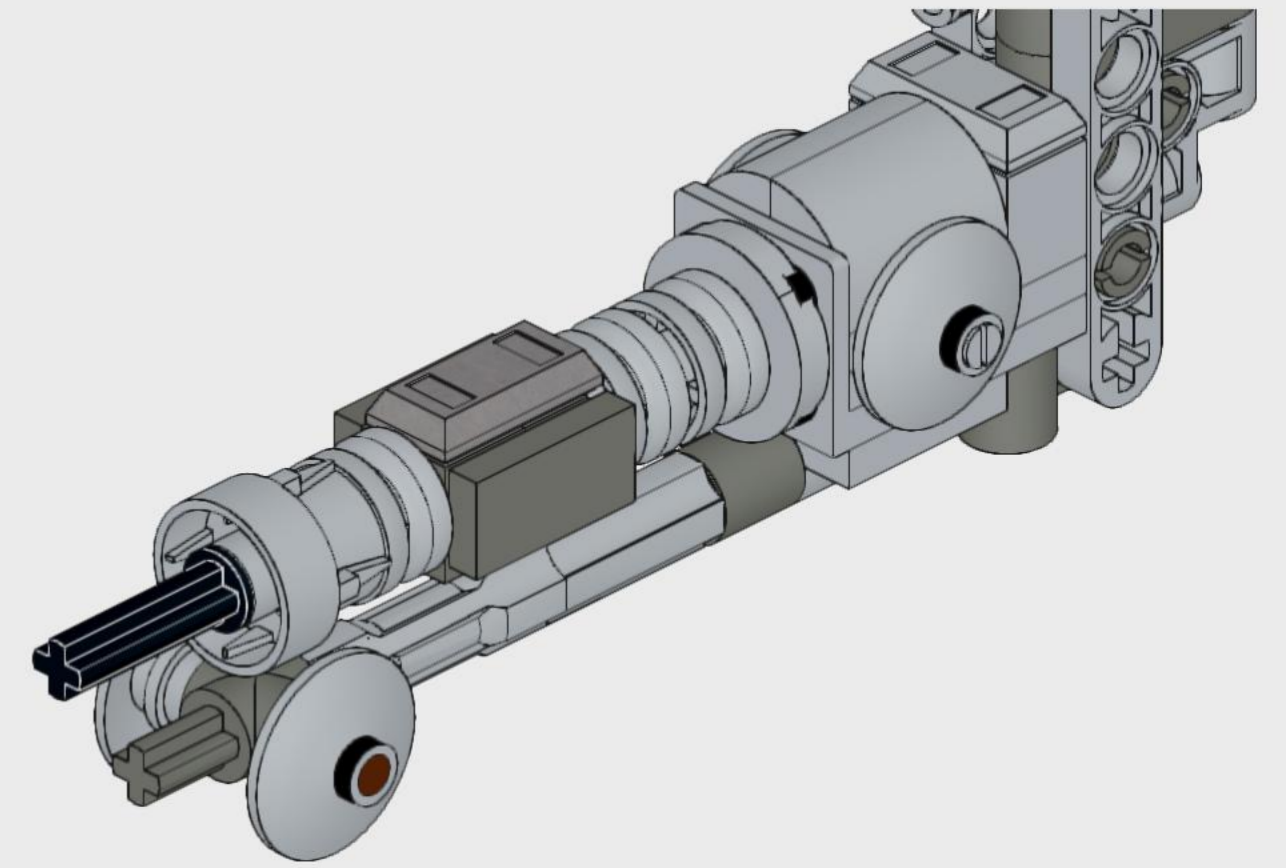
15



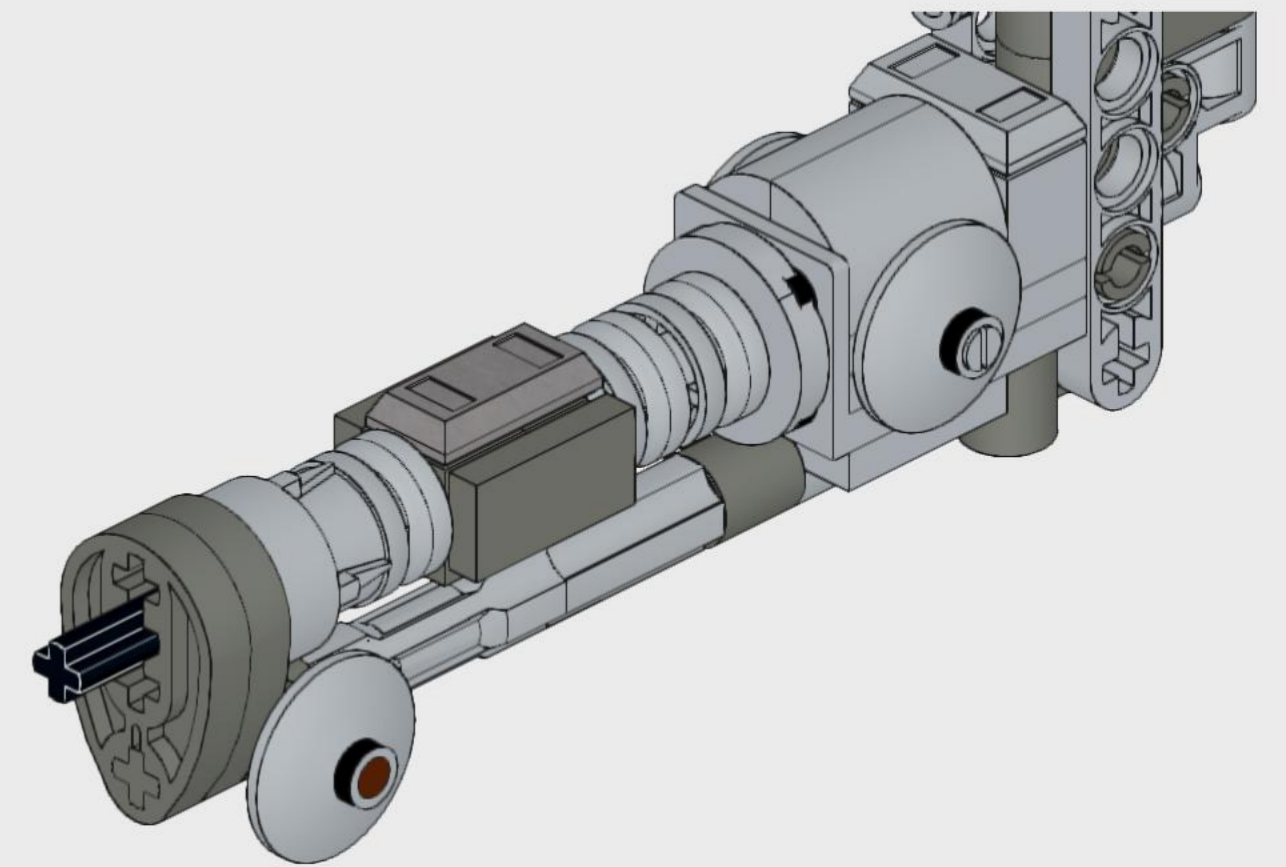
16

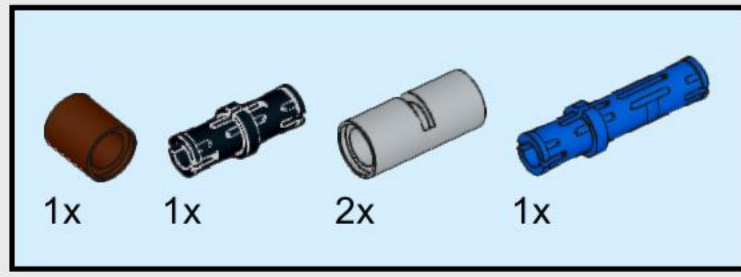


17

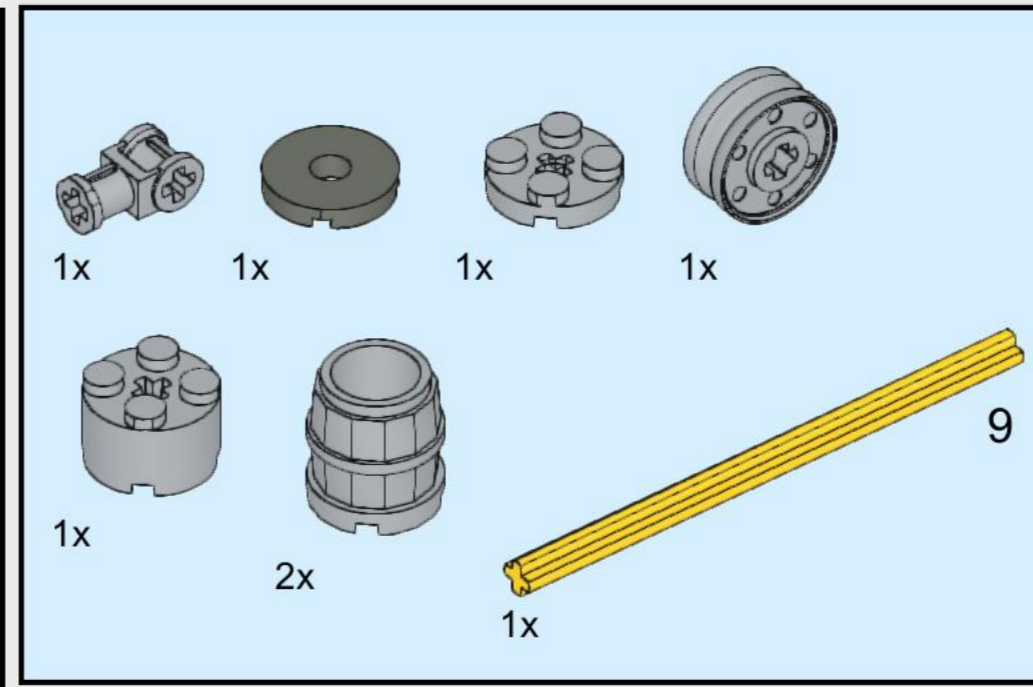
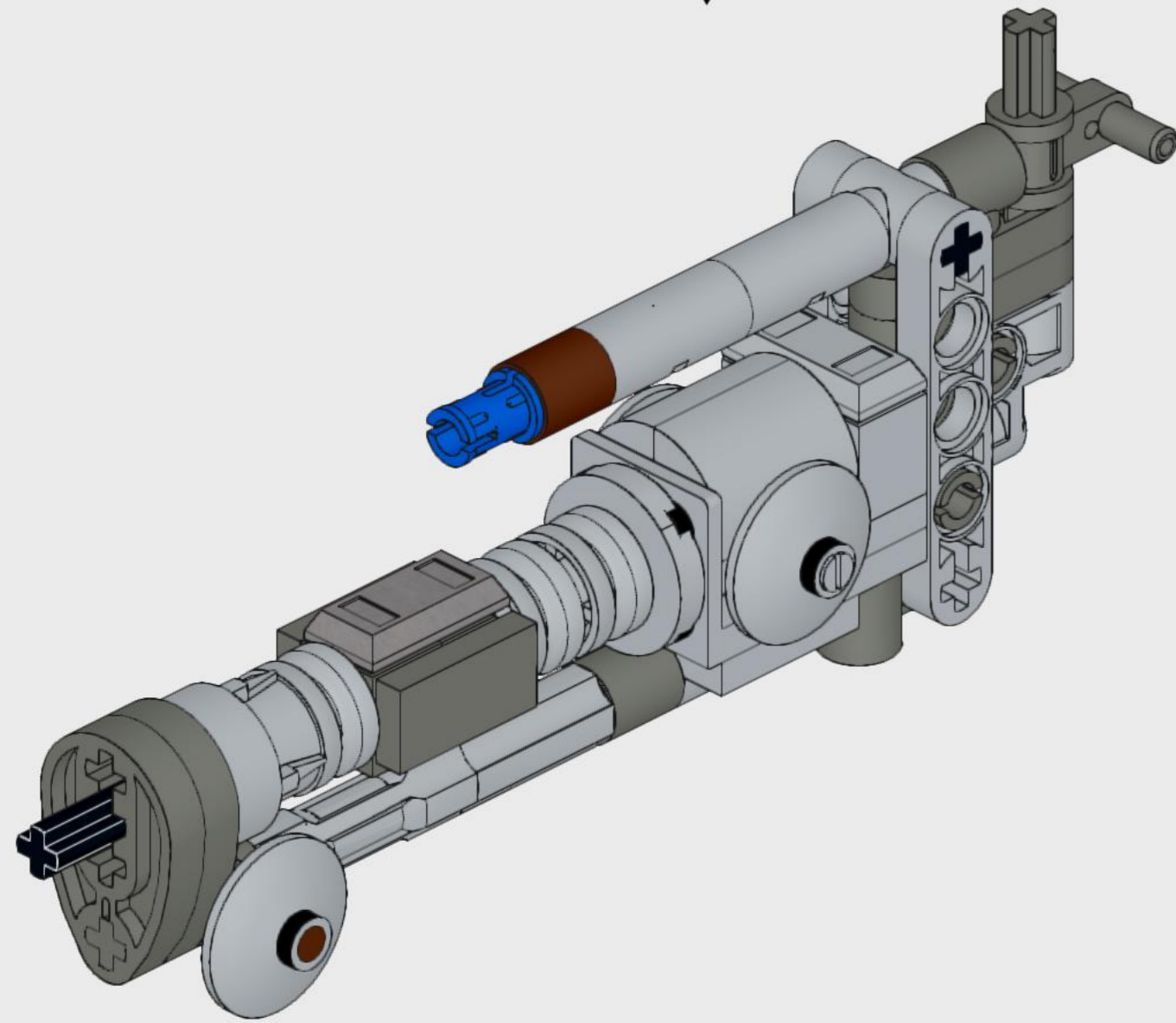
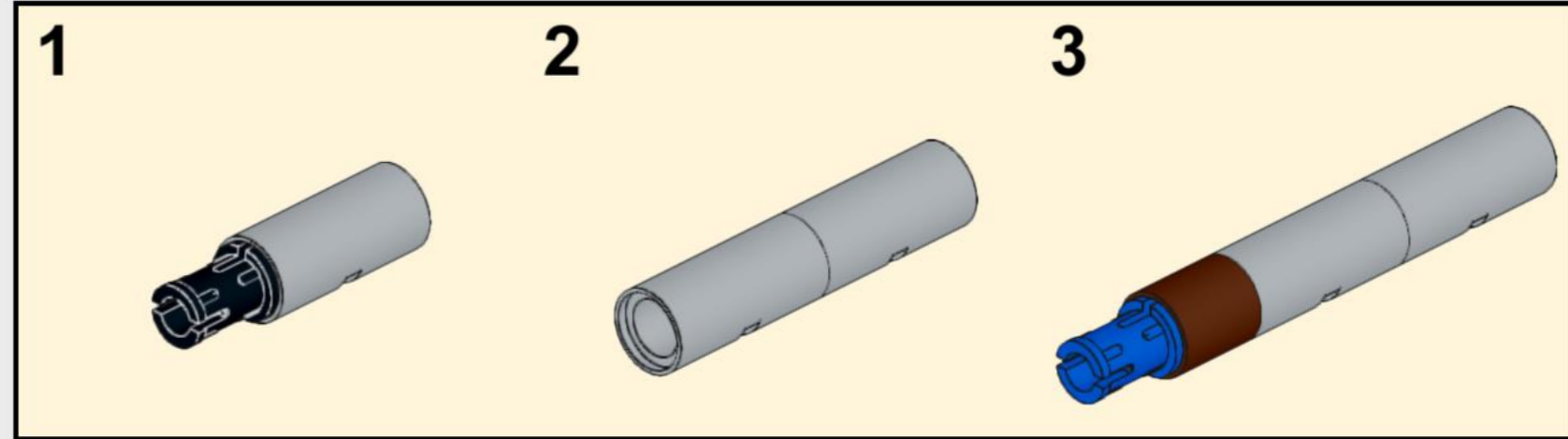


18

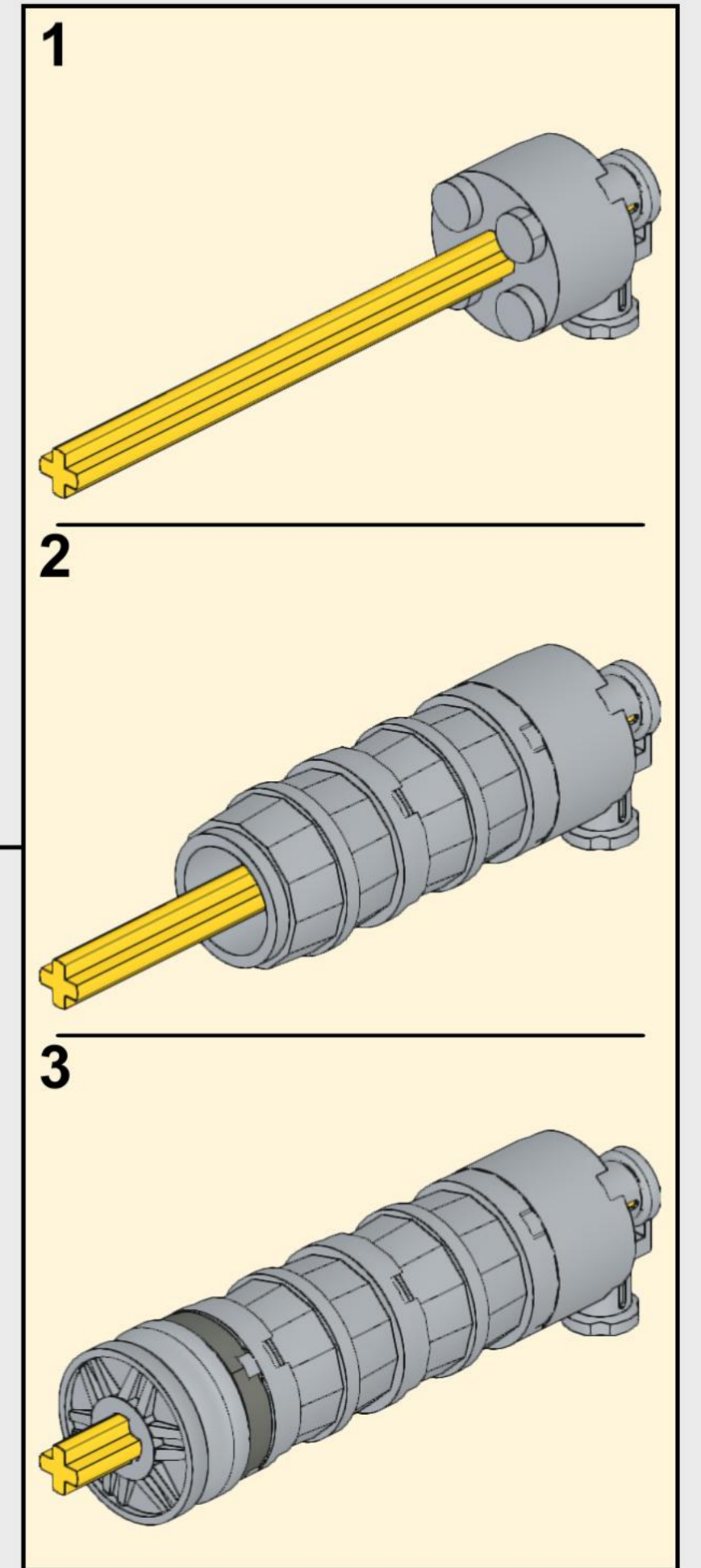
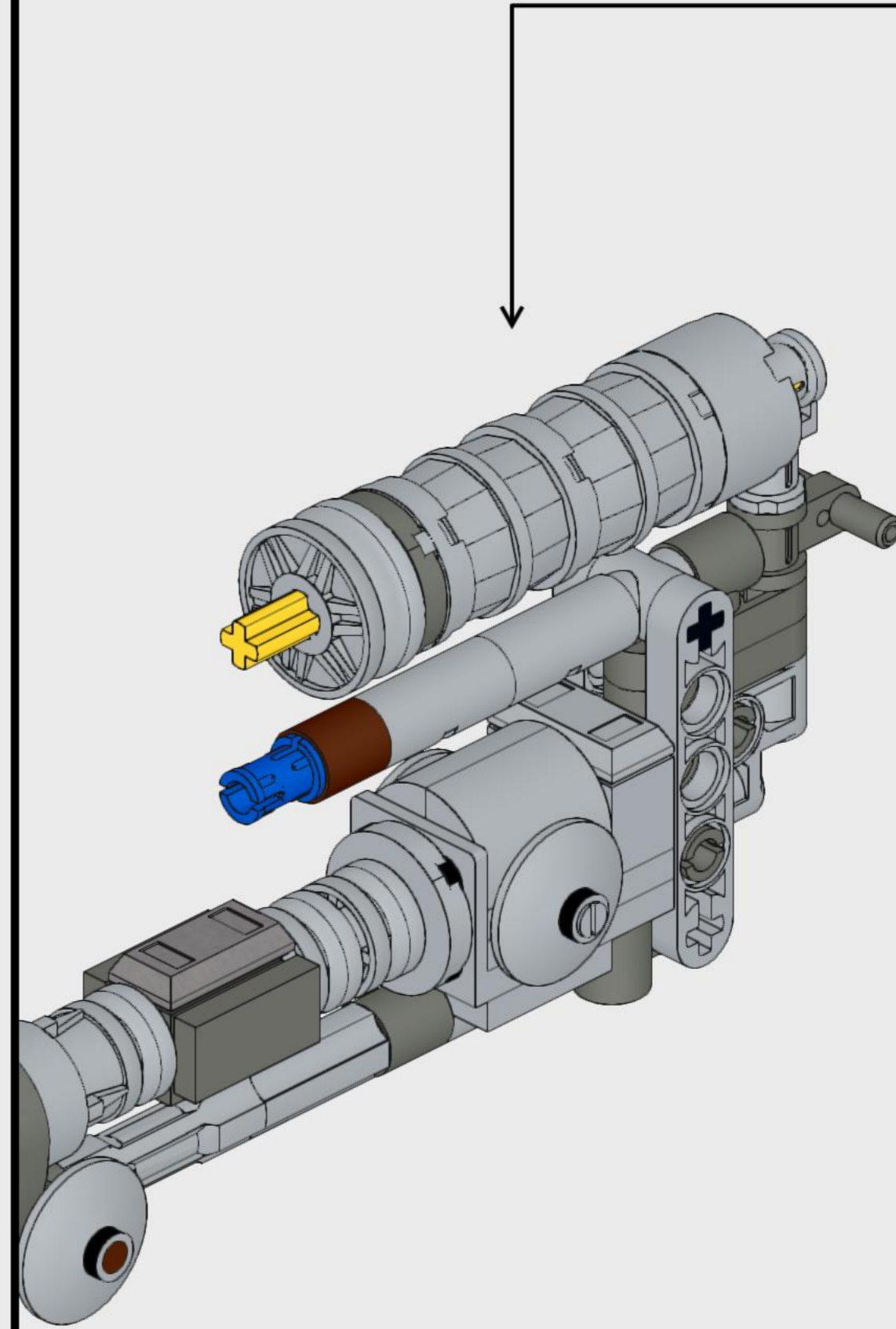


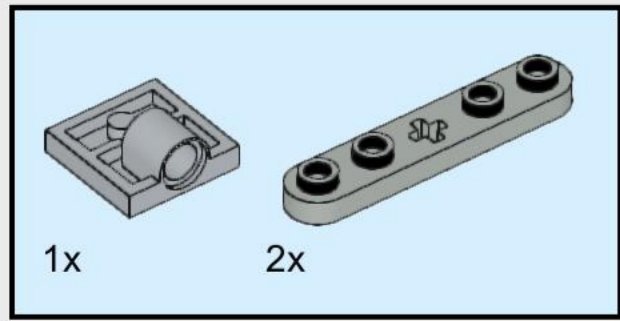


19

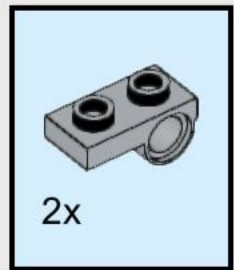
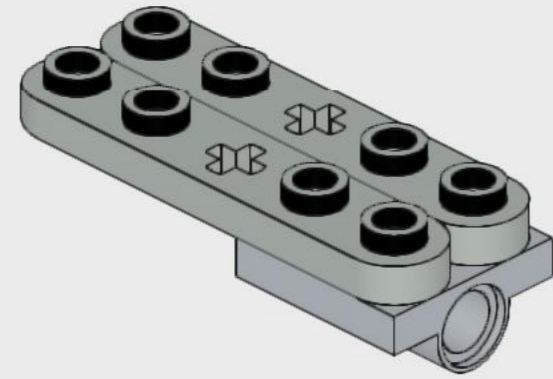


20

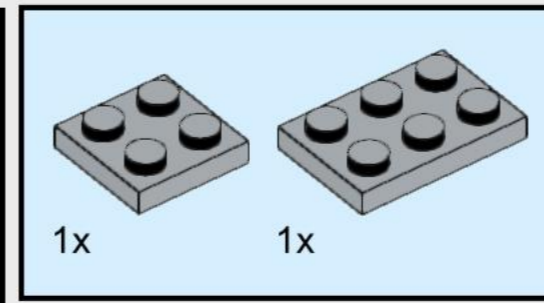
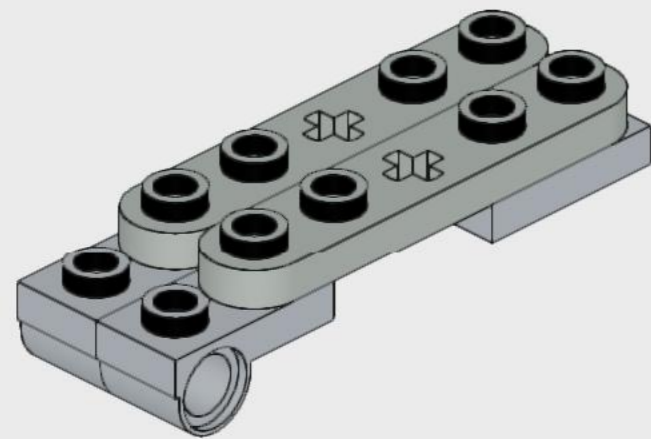




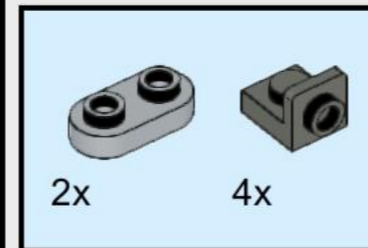
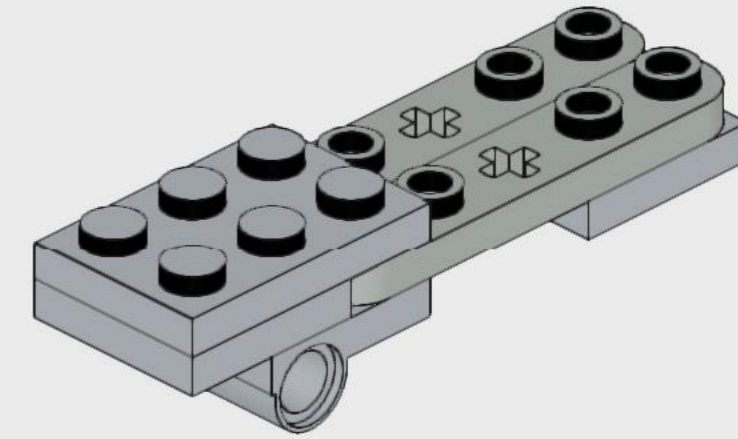
21



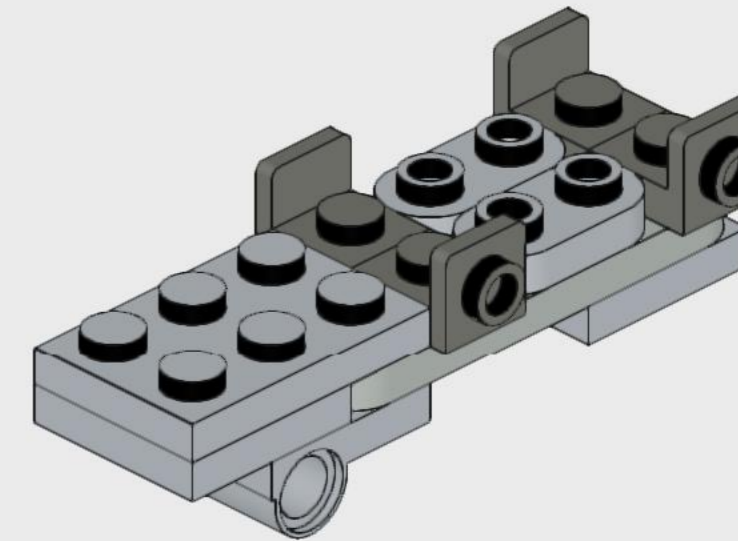
22 

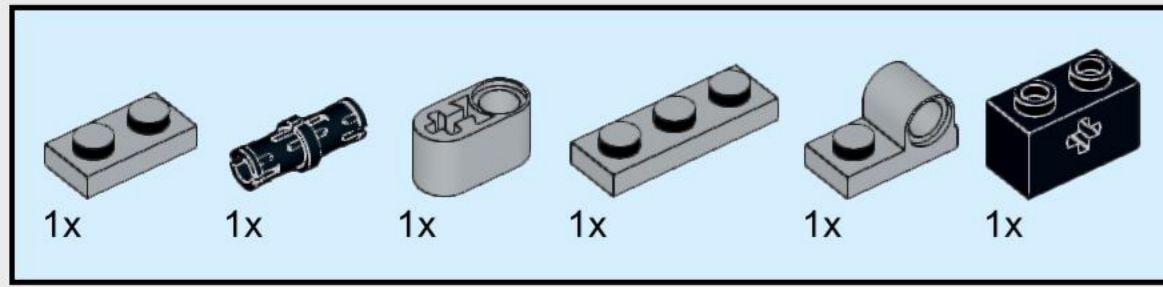


23

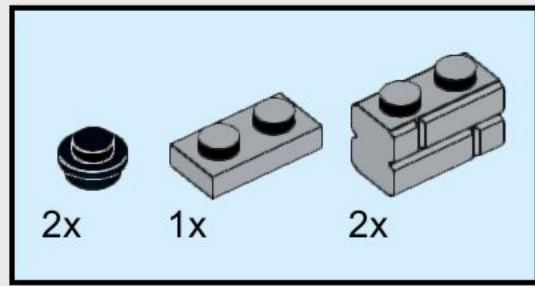
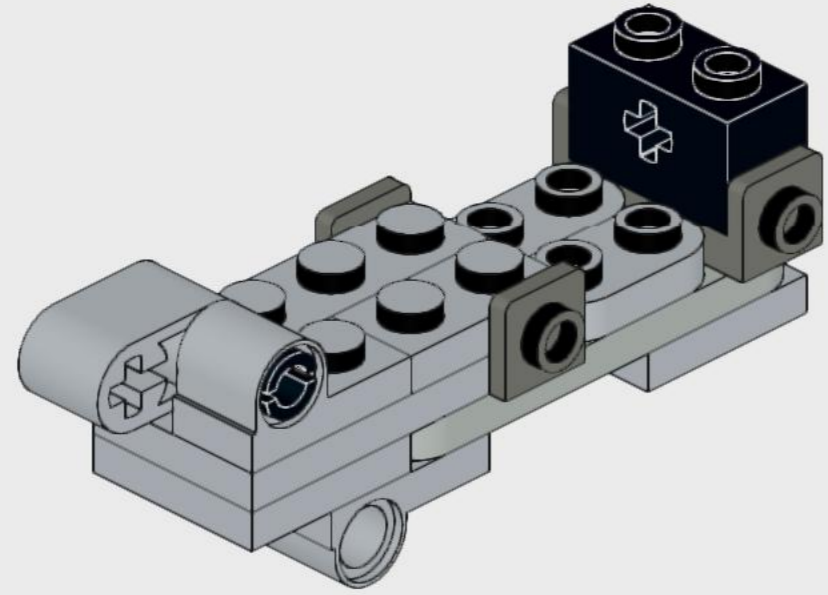
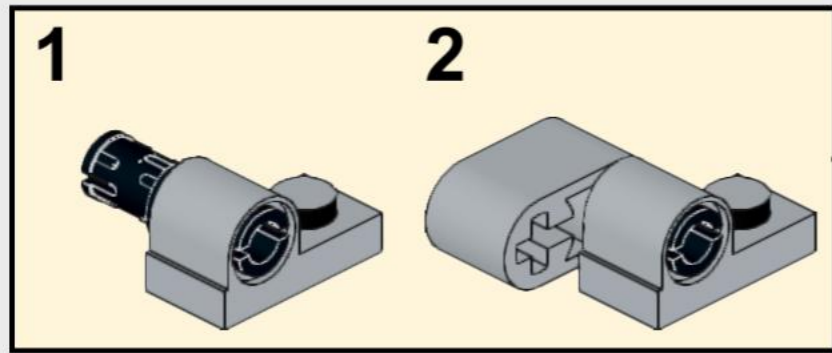


24

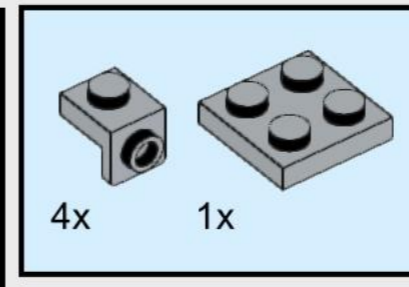
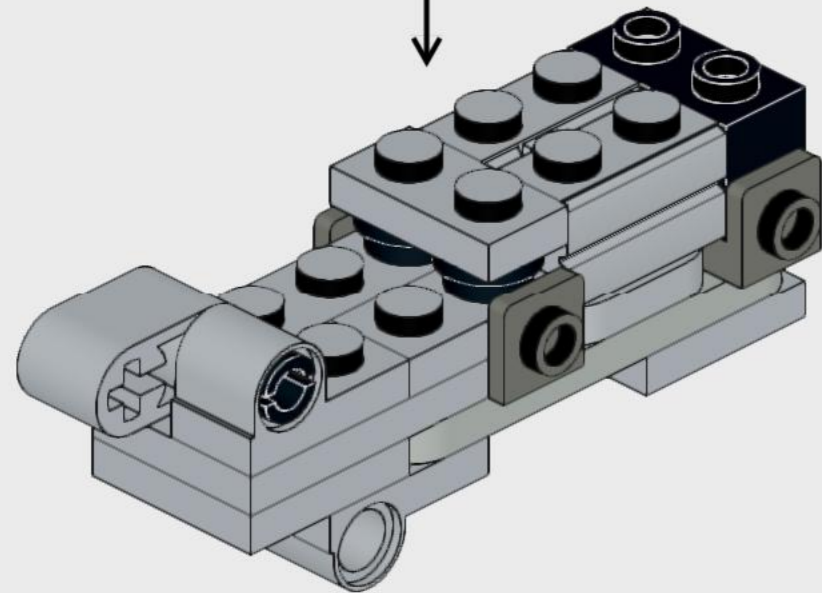
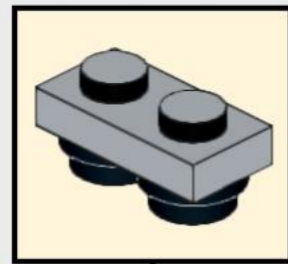




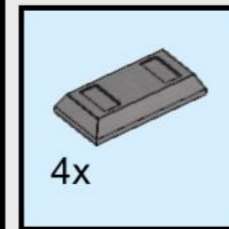
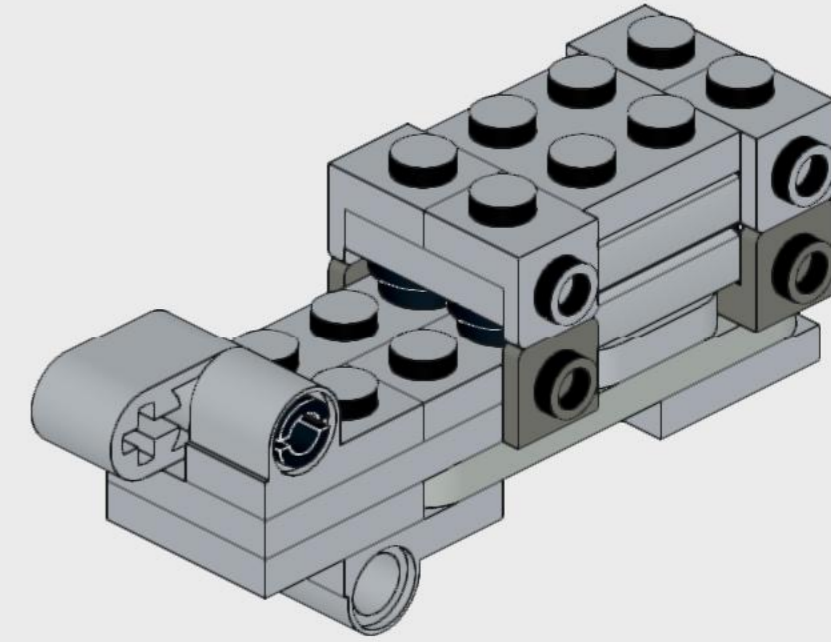
25



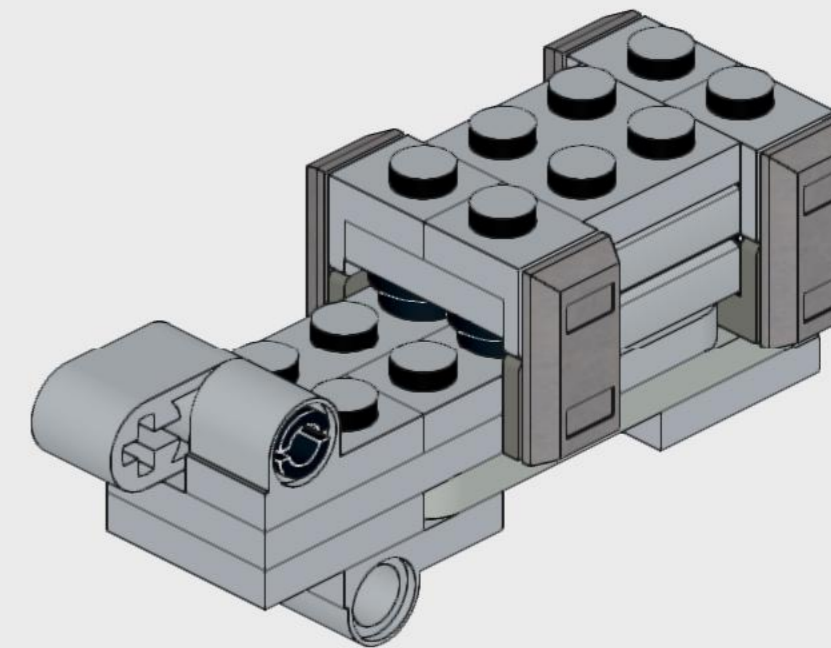
26

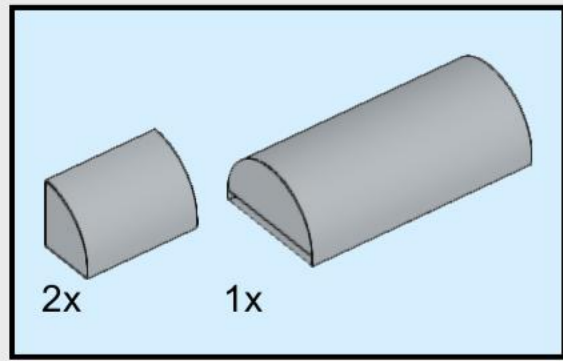


27

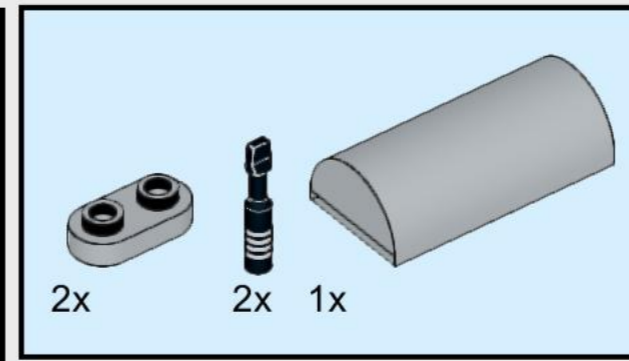
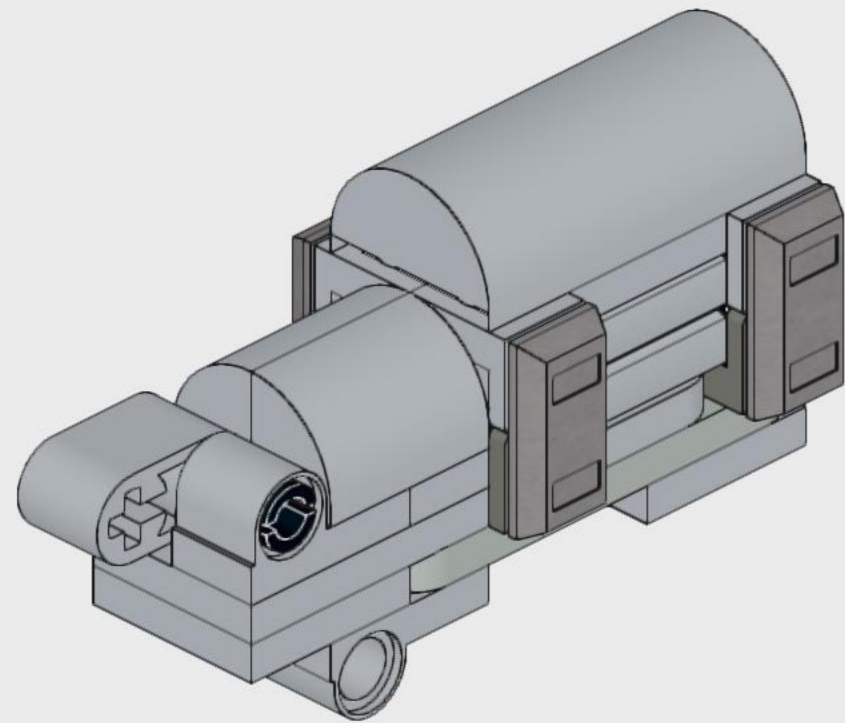


28



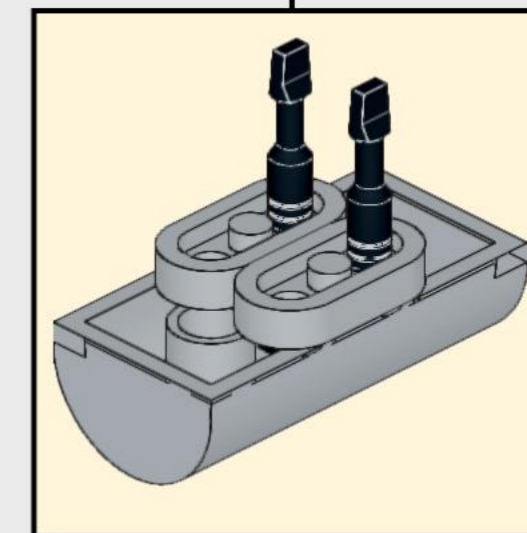
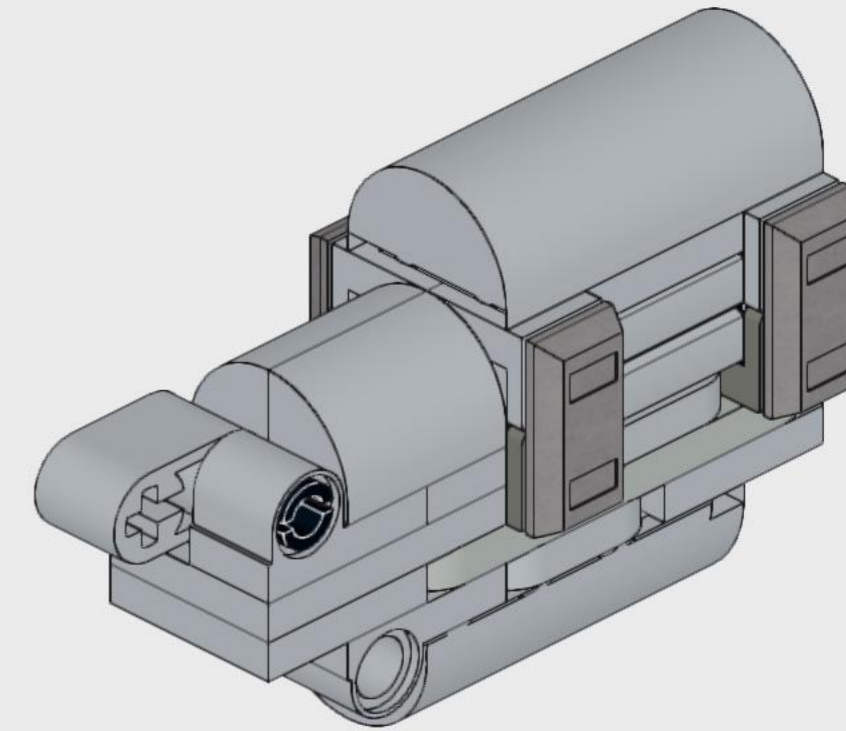


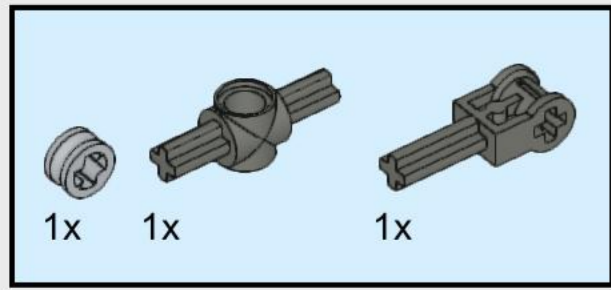
29



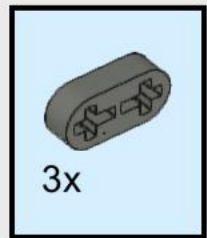
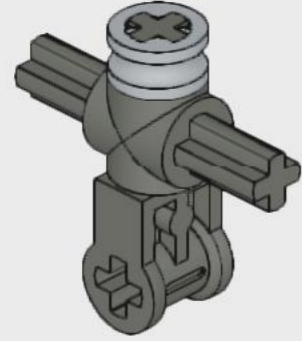
30

Alternatively, 2-stud-long rigid hose pieces can be substituted for black screw-drivers, which are a rare part.

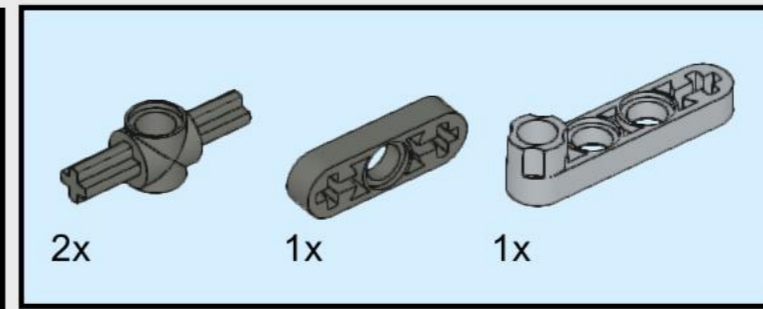
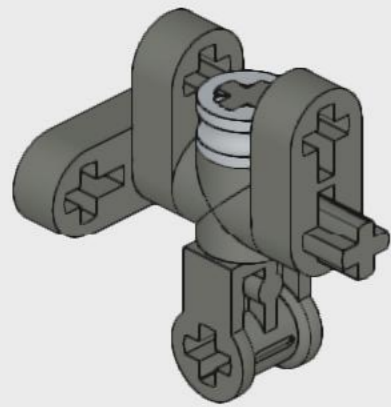




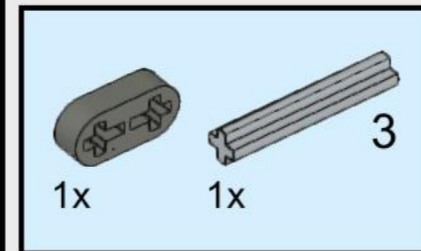
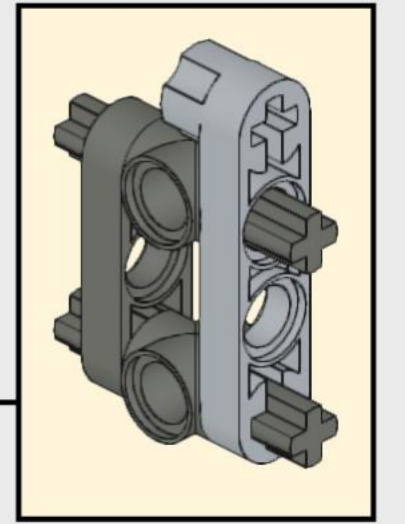
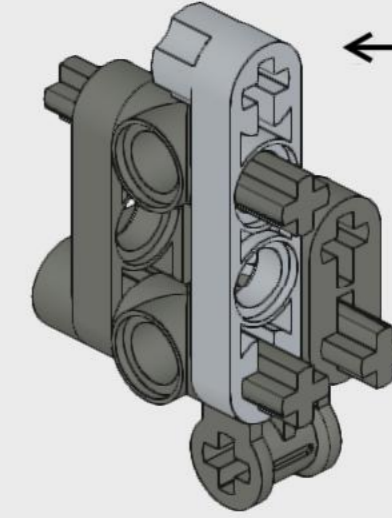
31



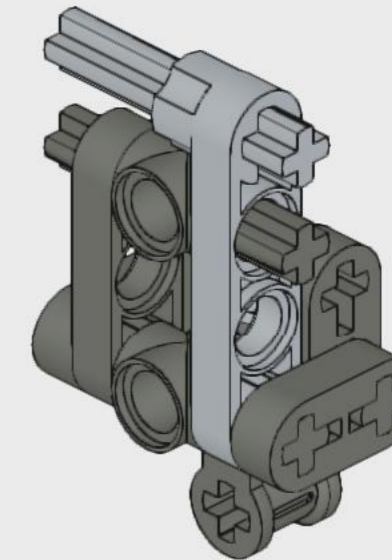
32



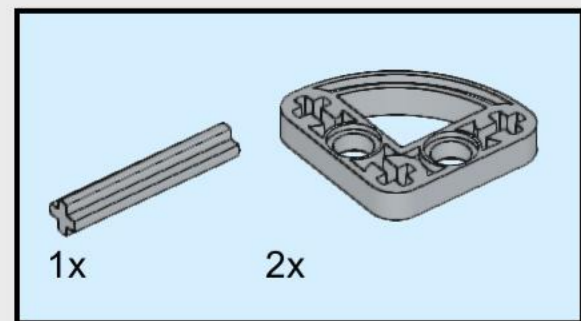
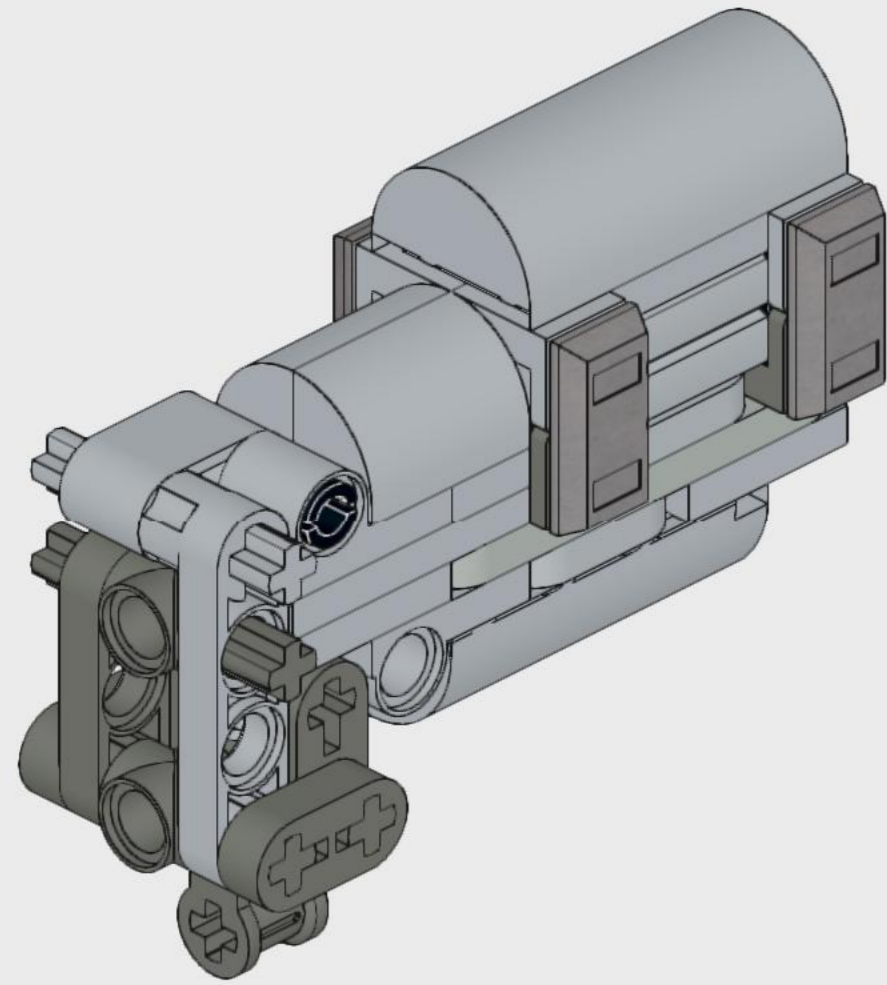
33



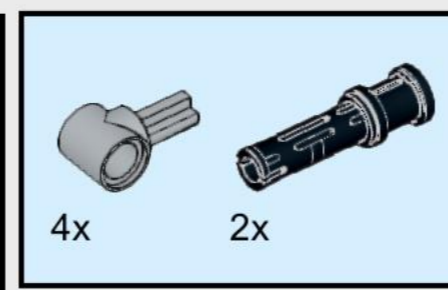
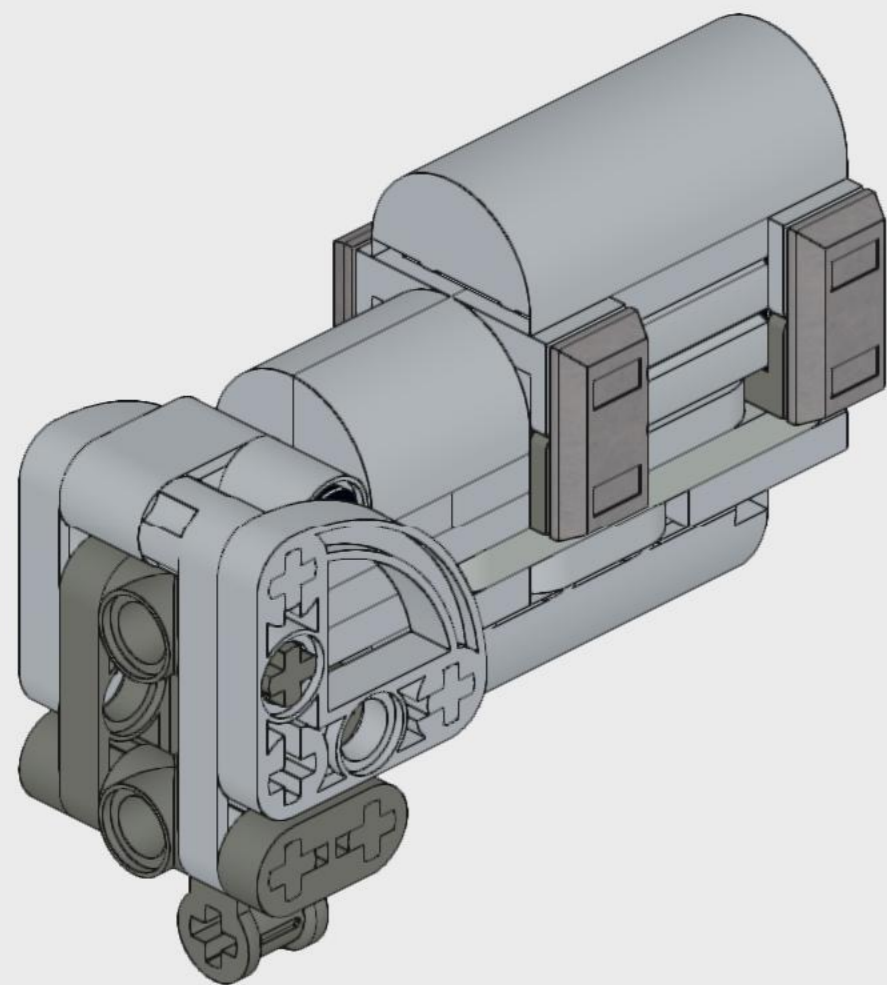
34



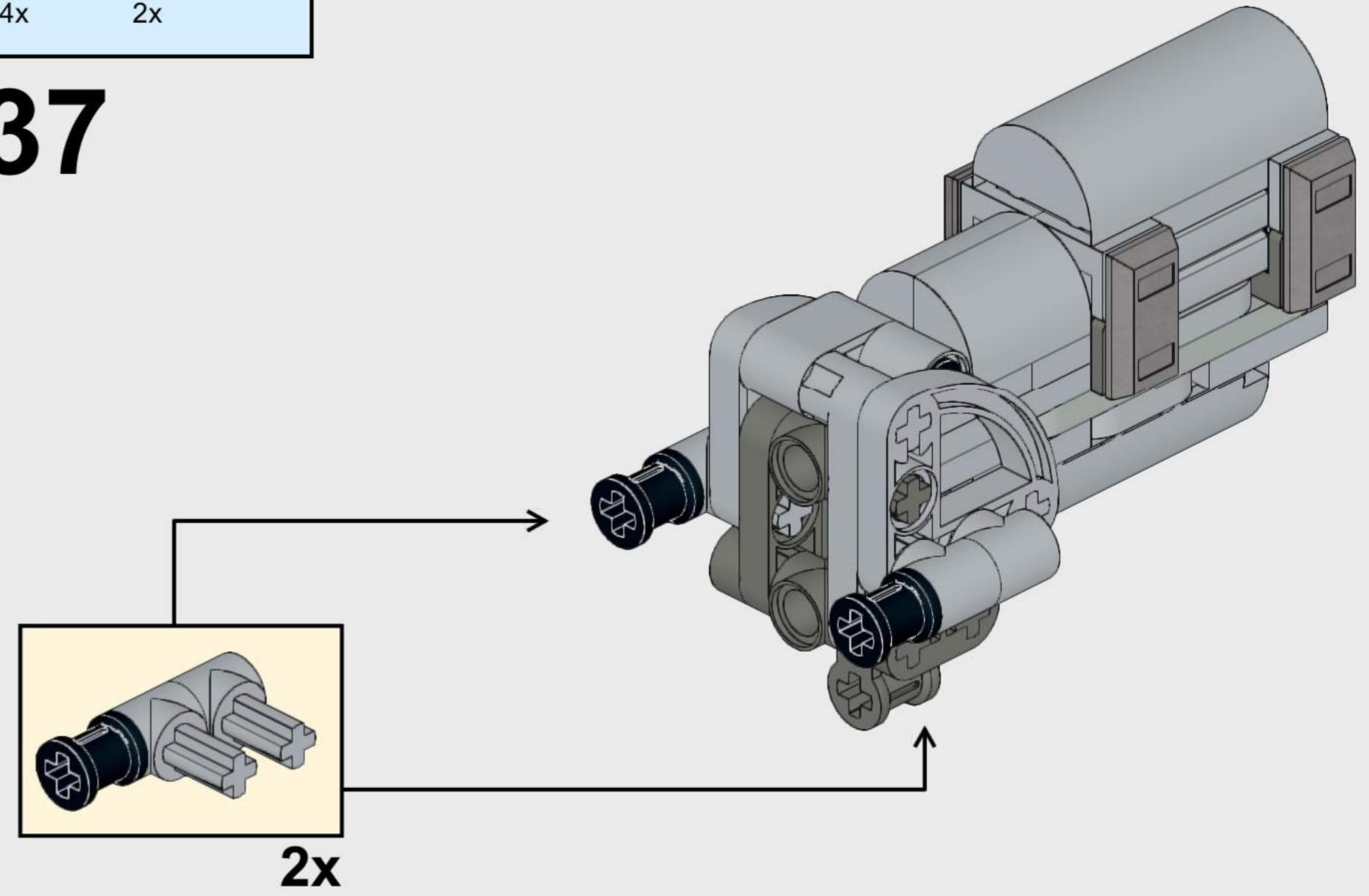
35



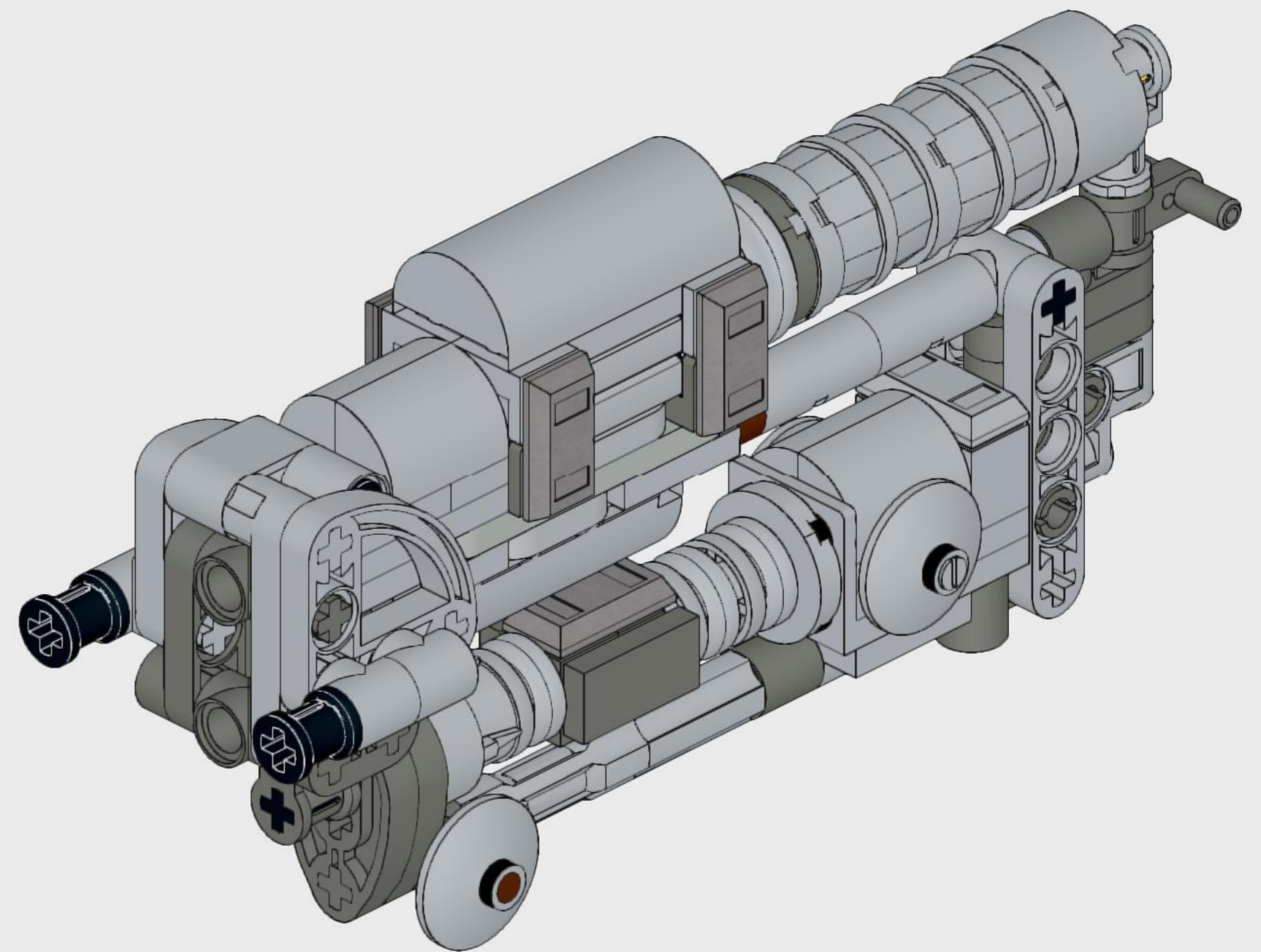
36

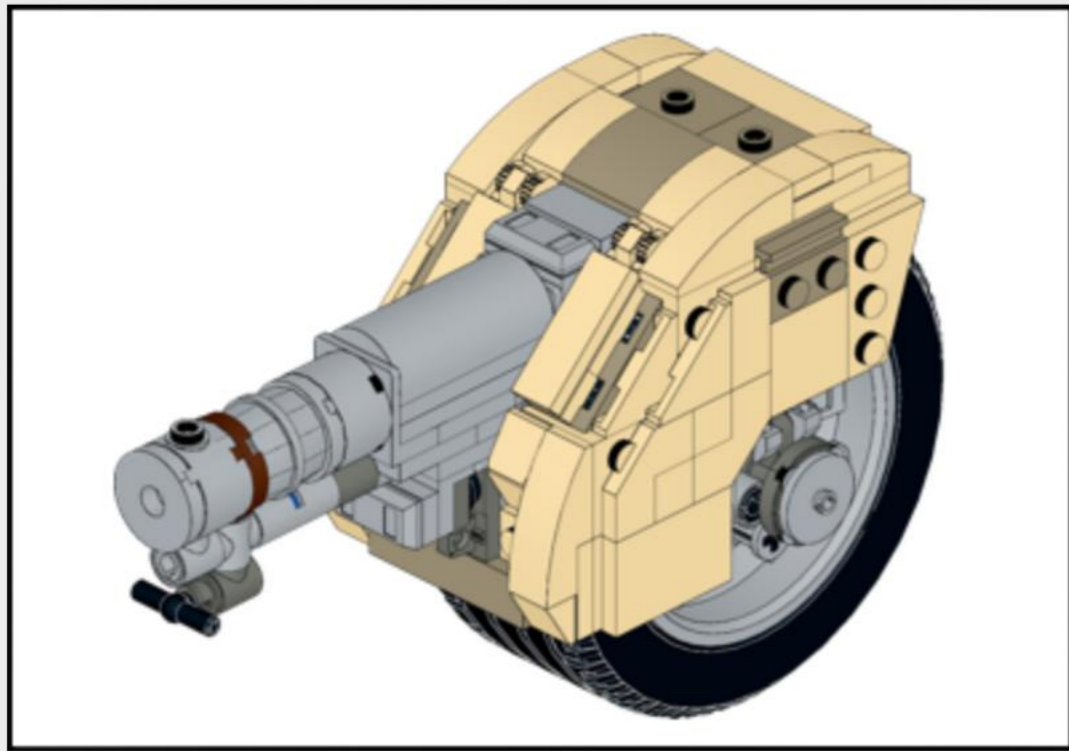


37

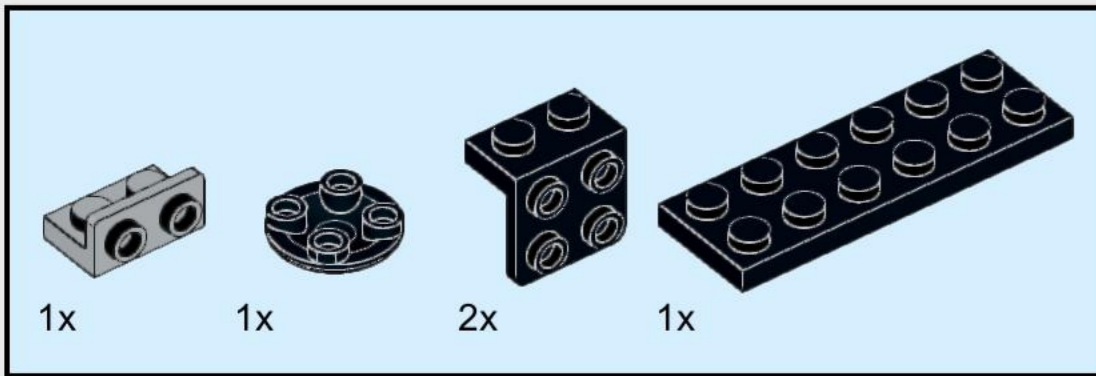


38

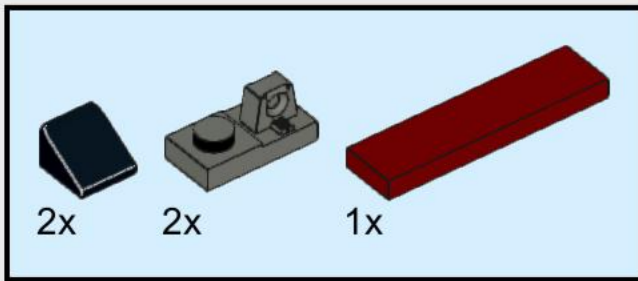
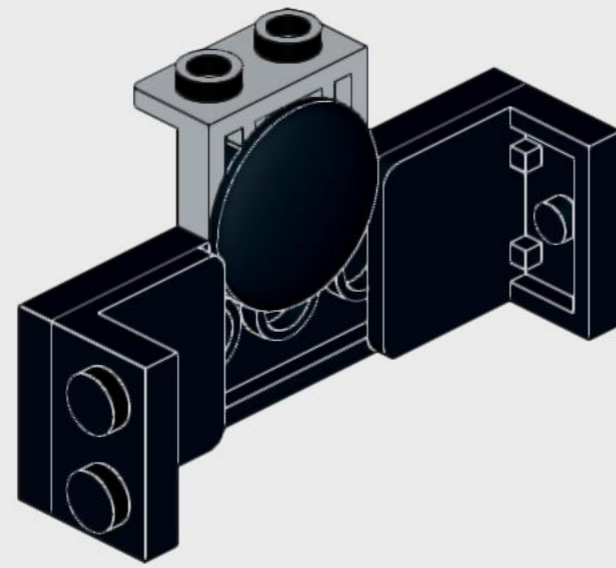




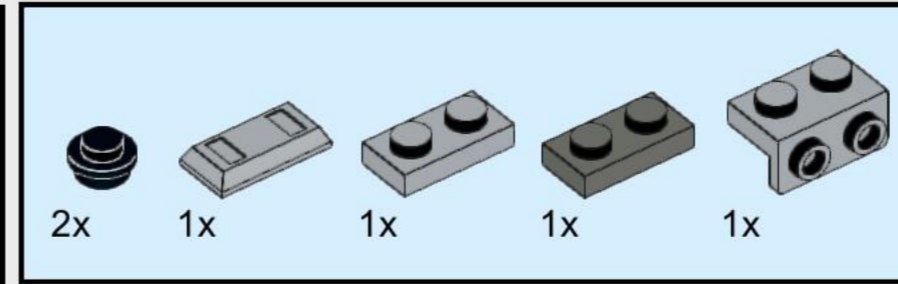
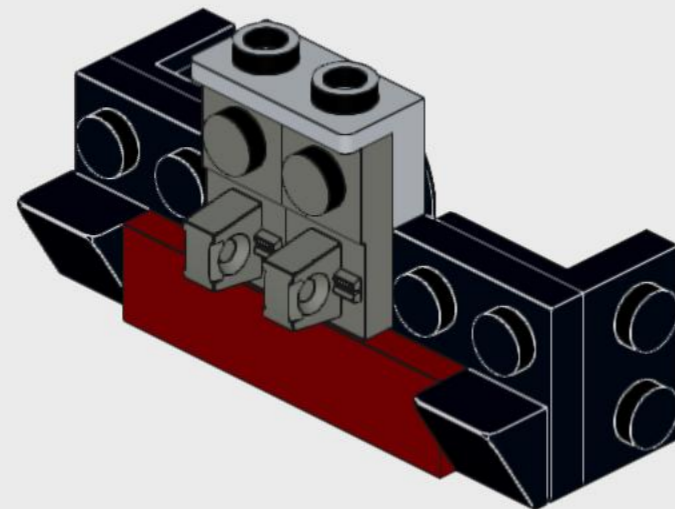
2x



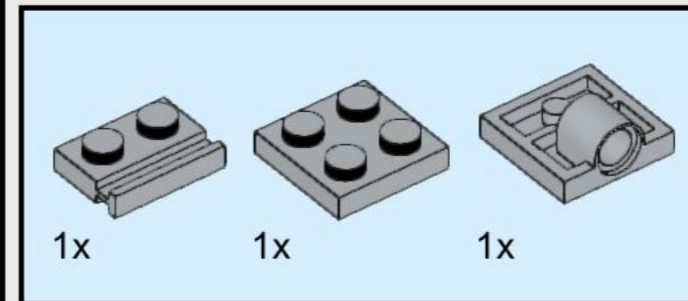
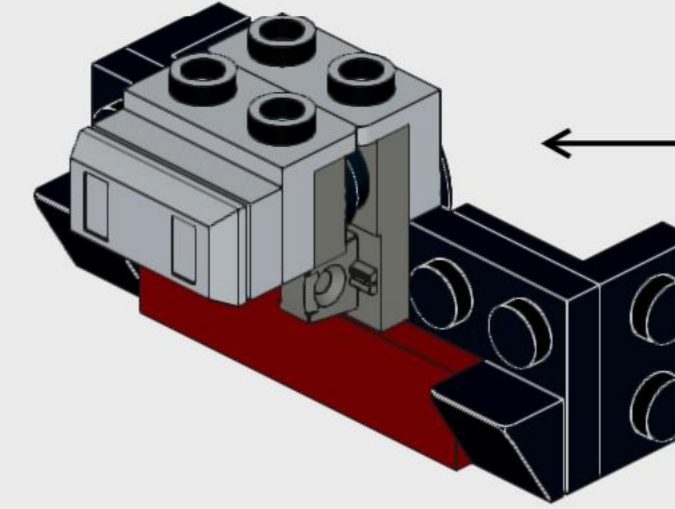
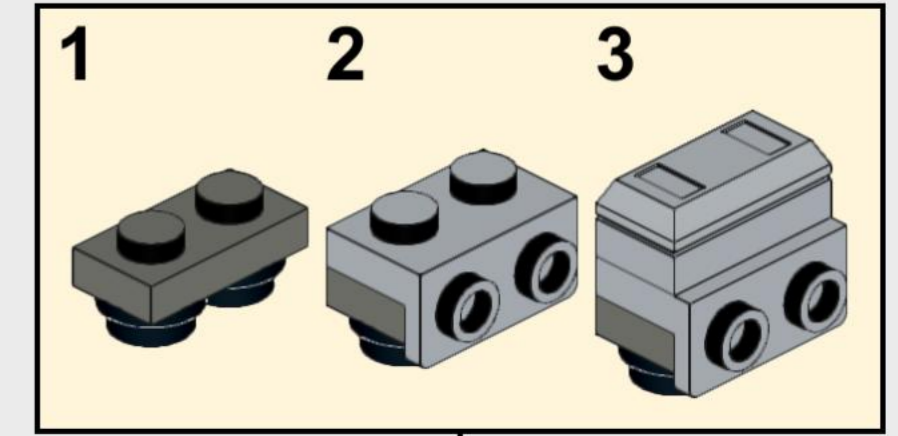
1



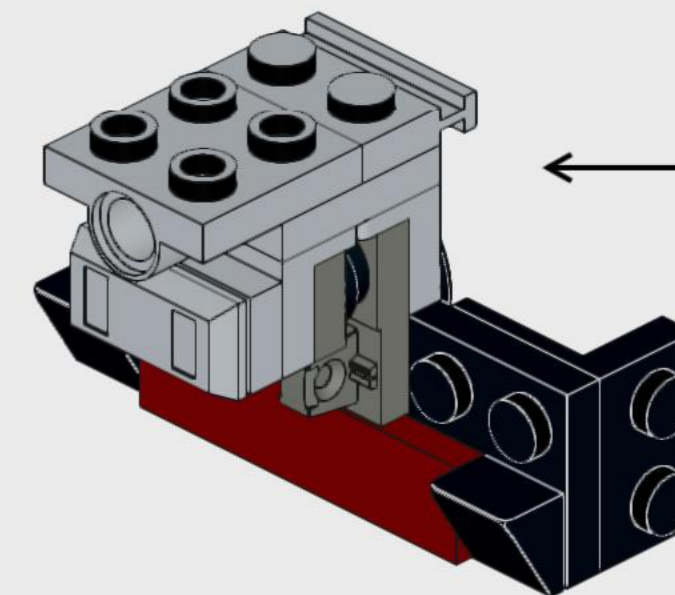
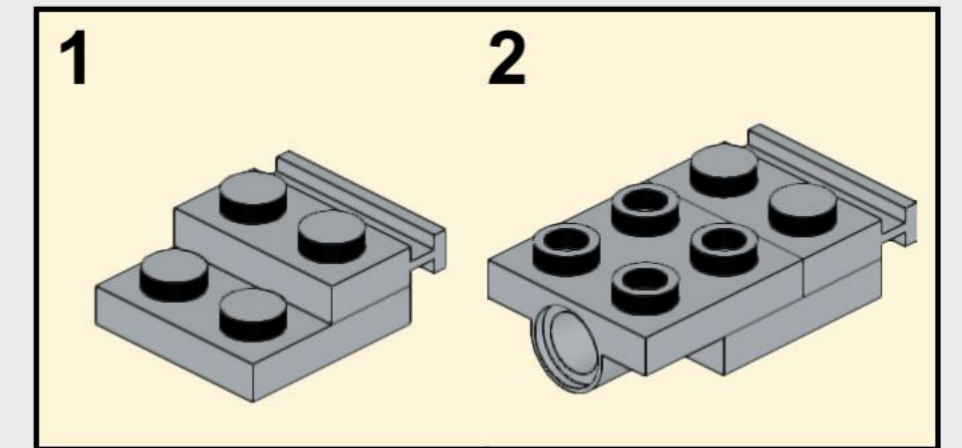
2

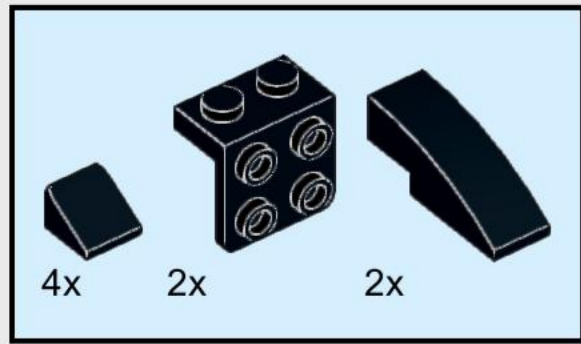


3

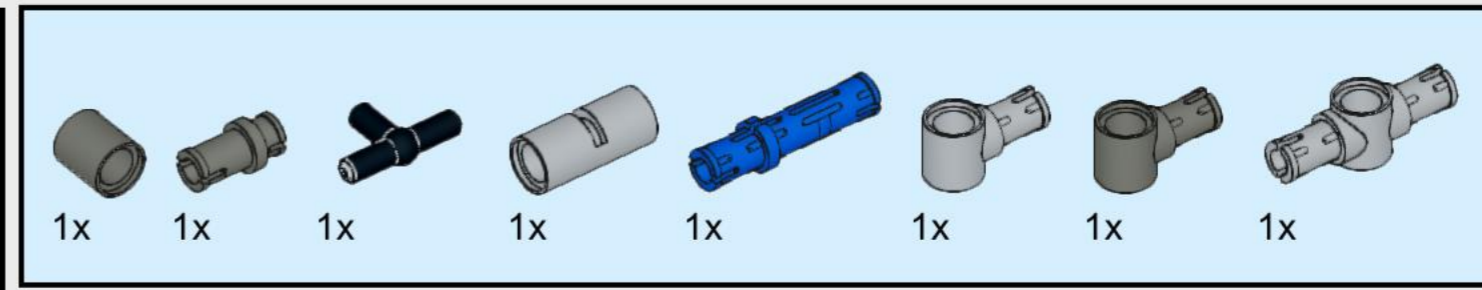
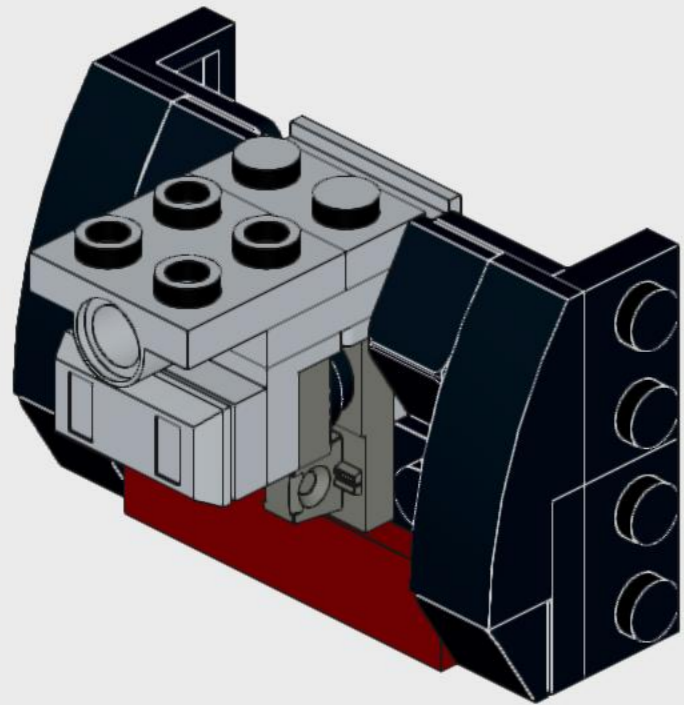
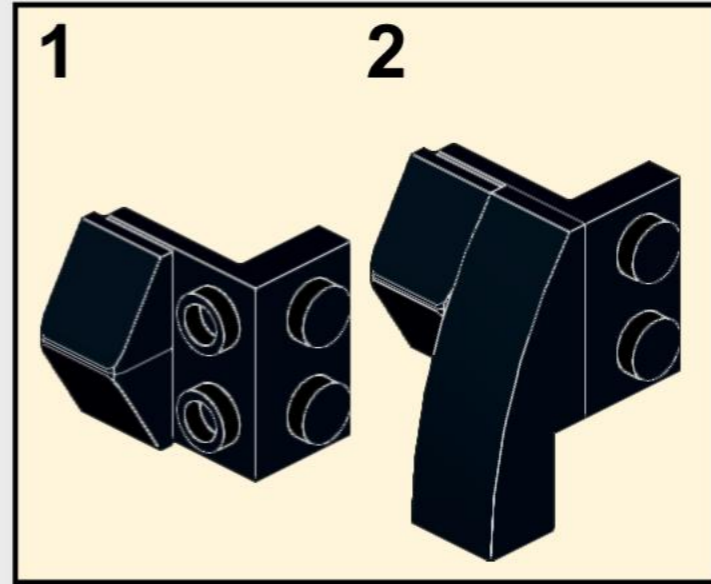
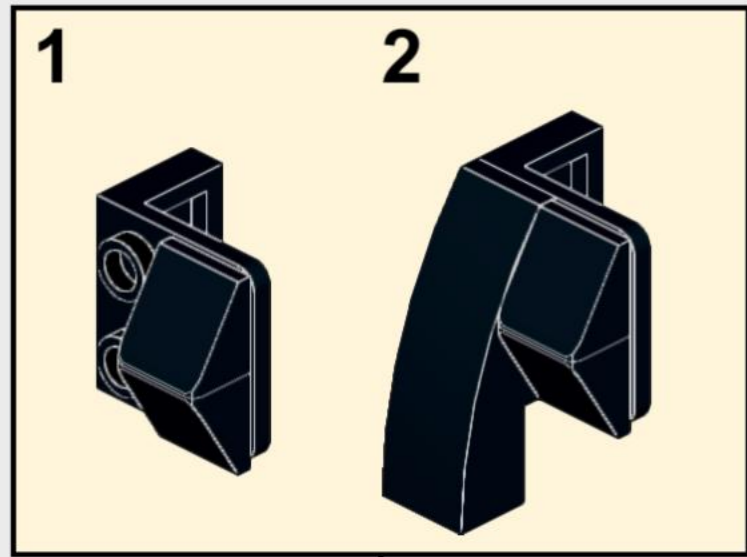


4

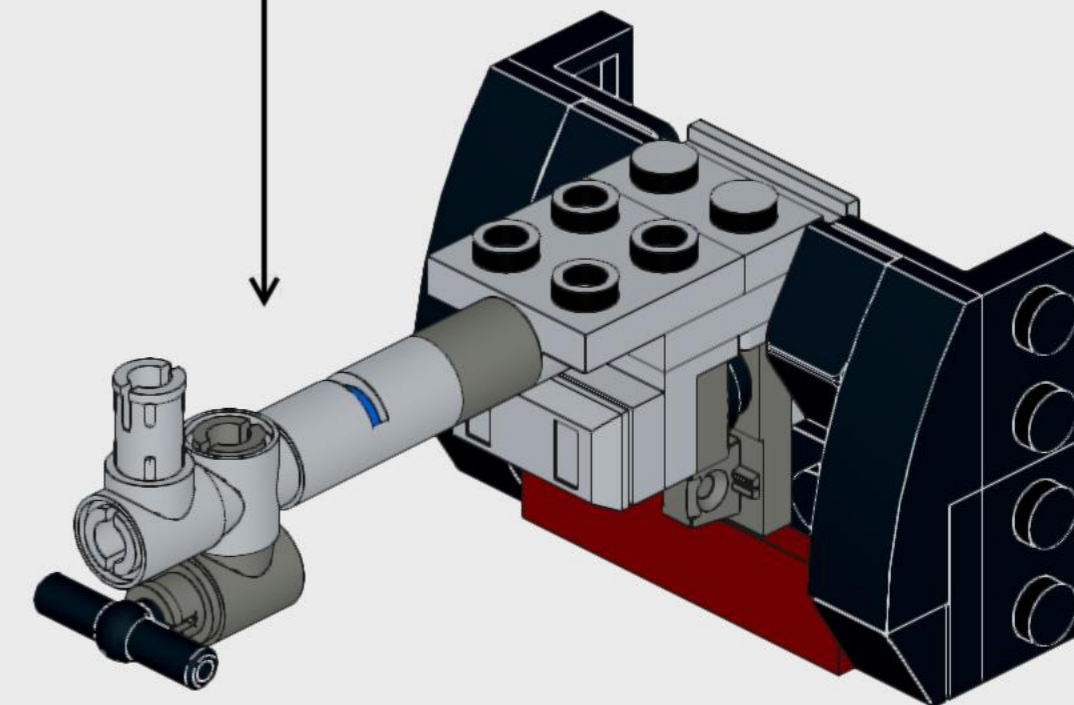
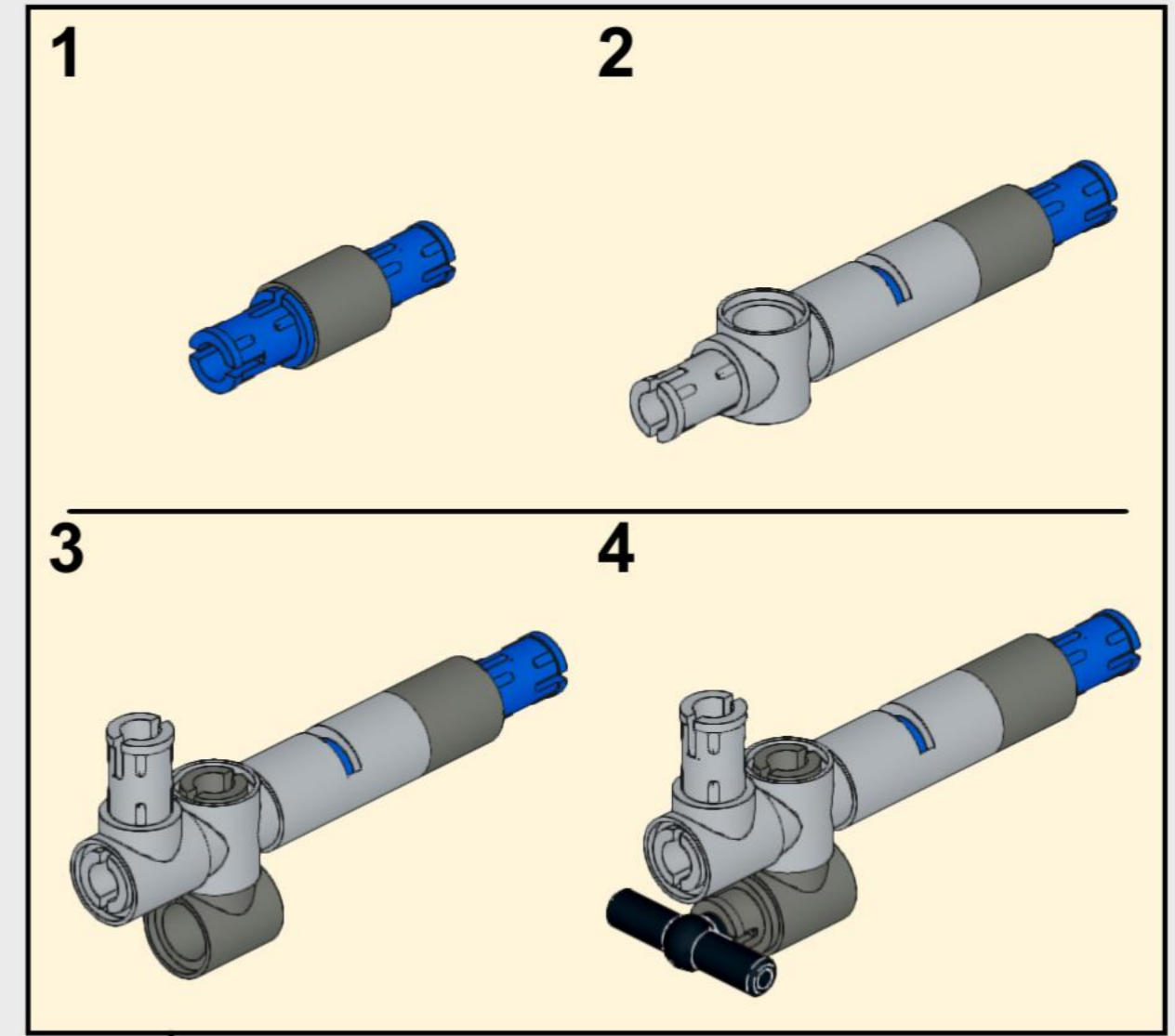


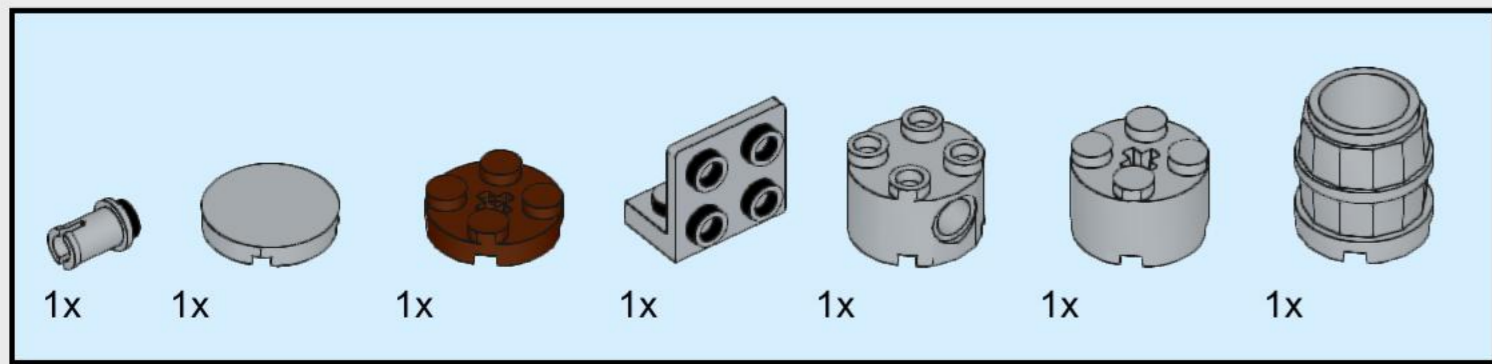


5

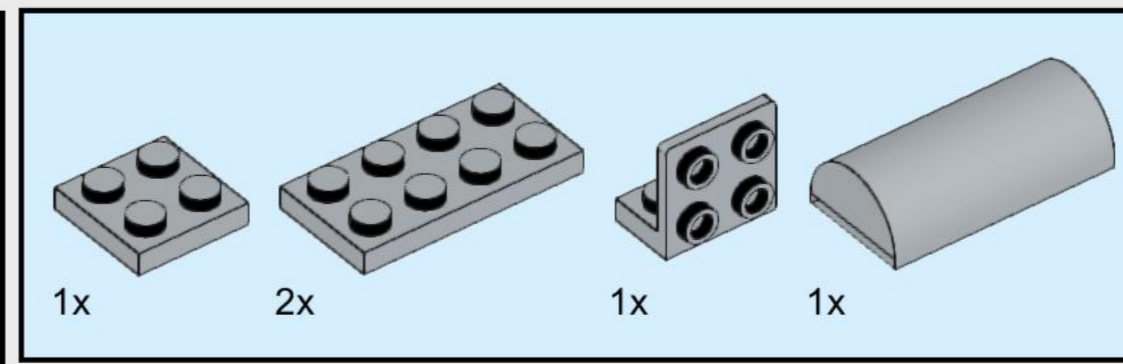
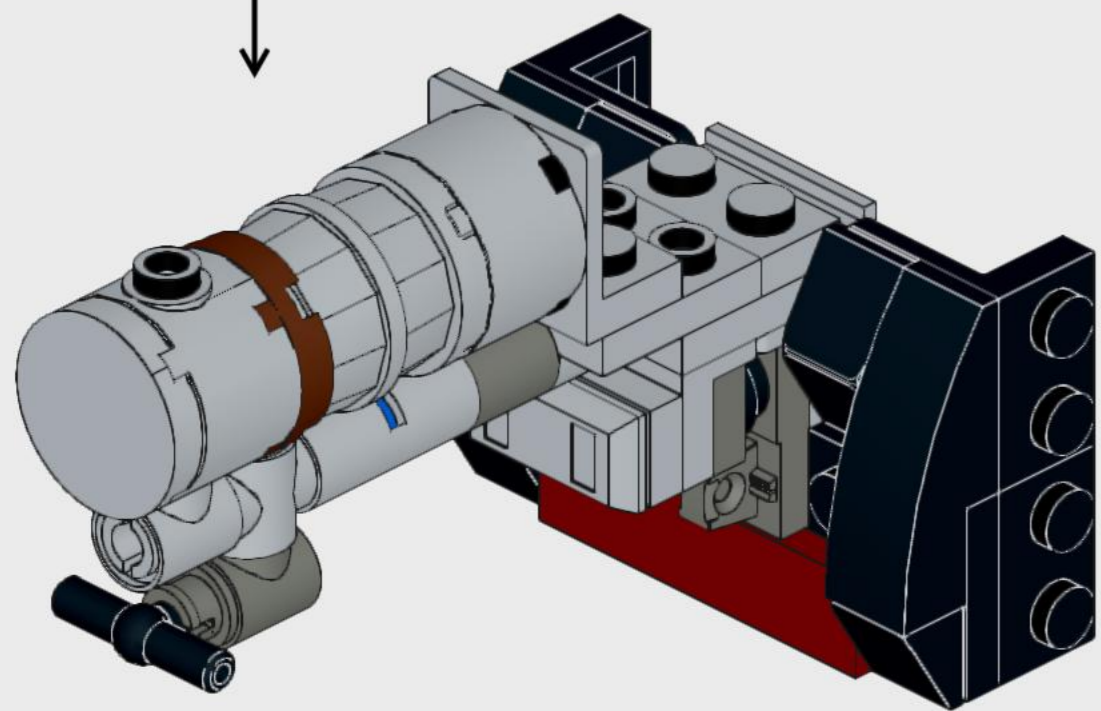
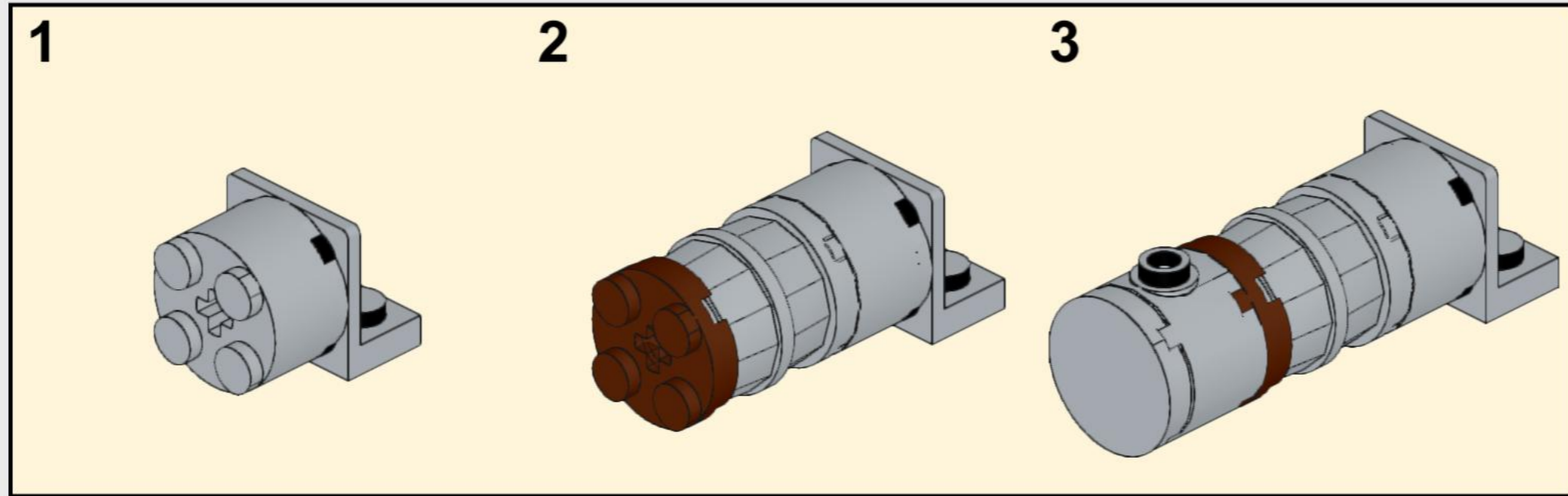


6

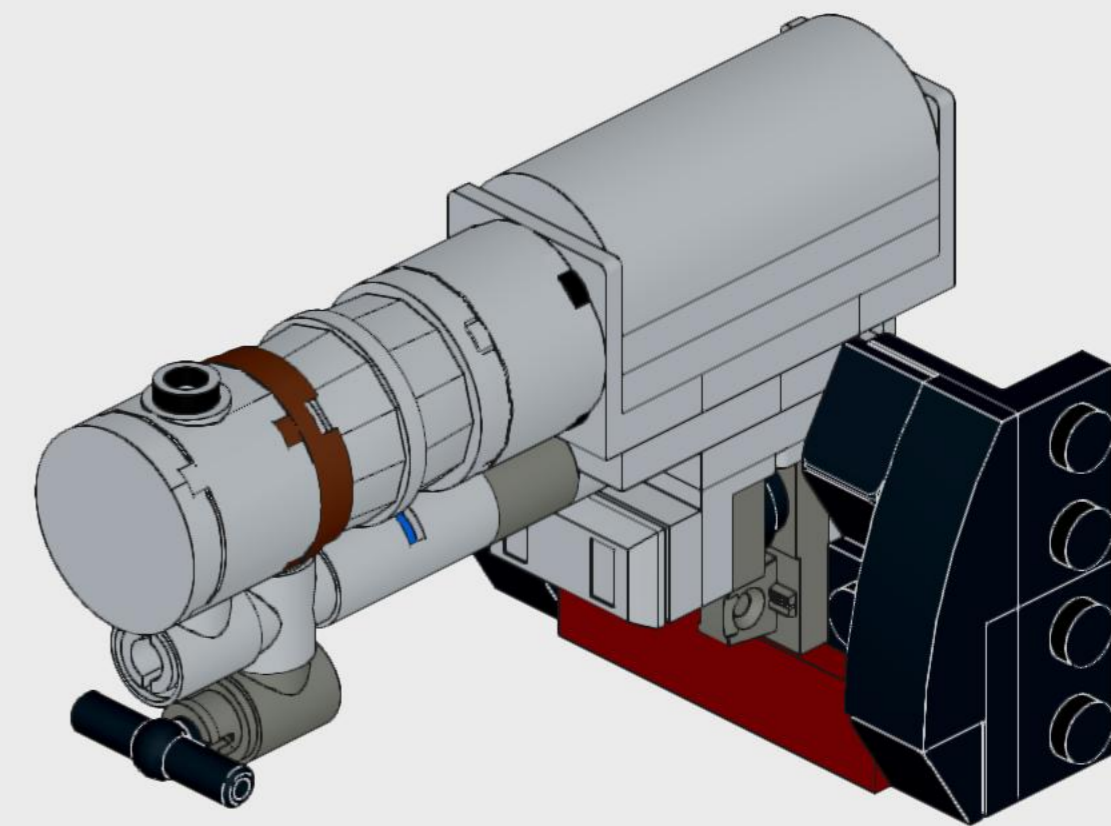
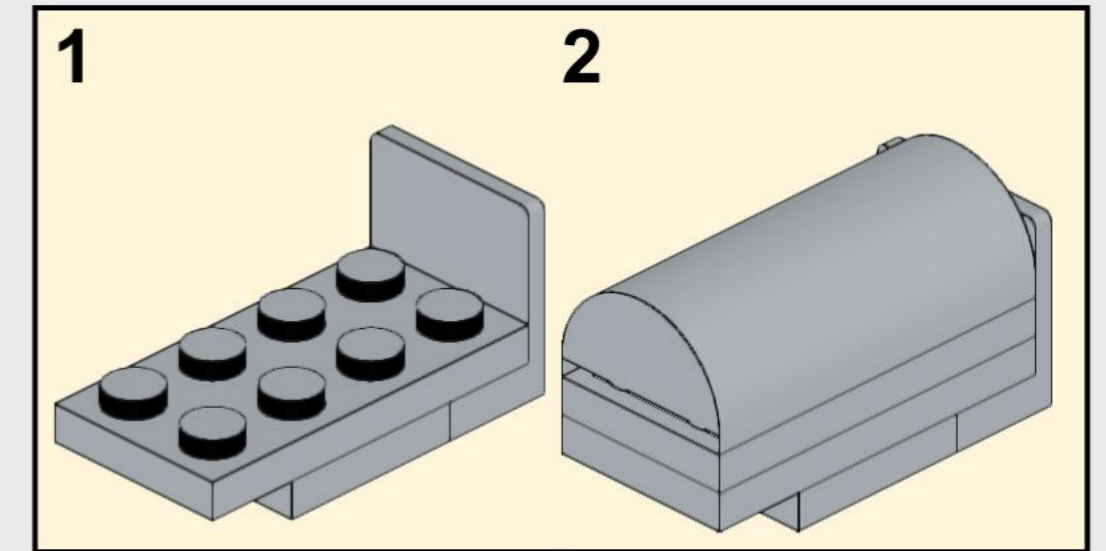


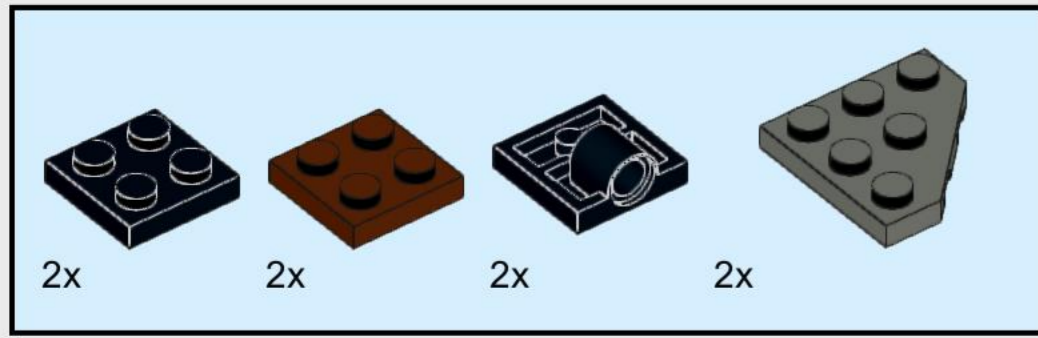


7

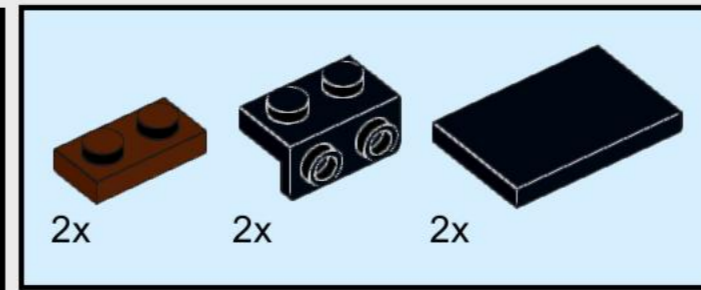
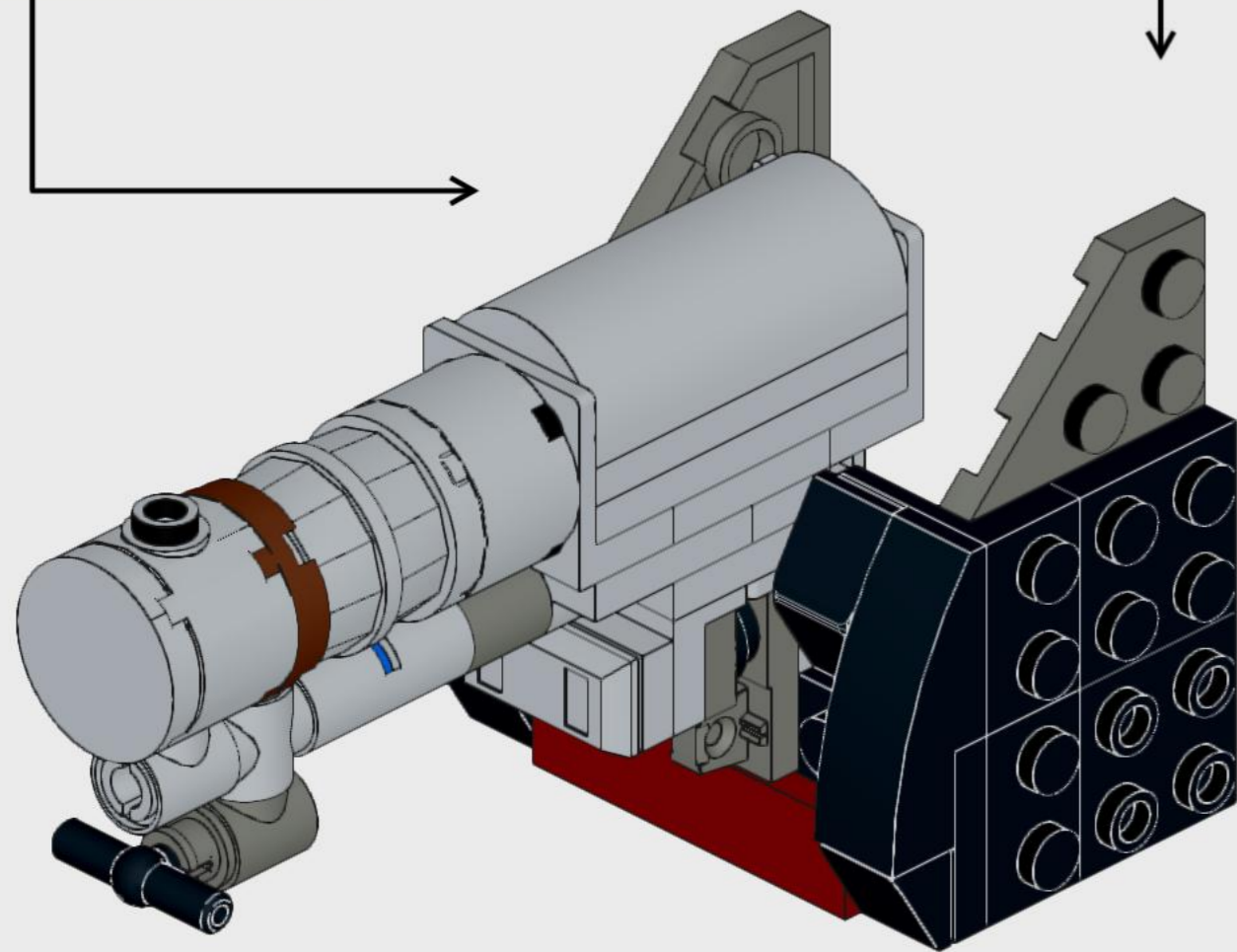
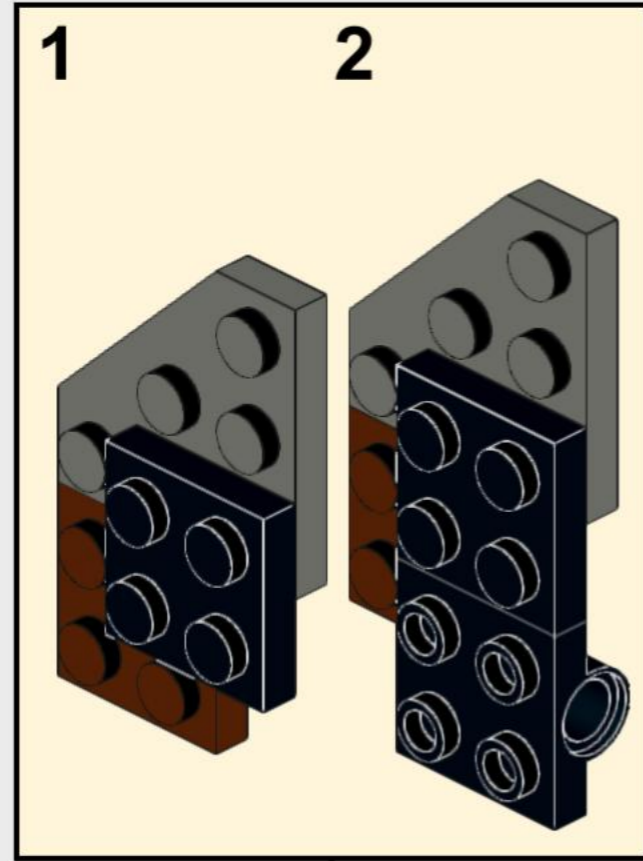
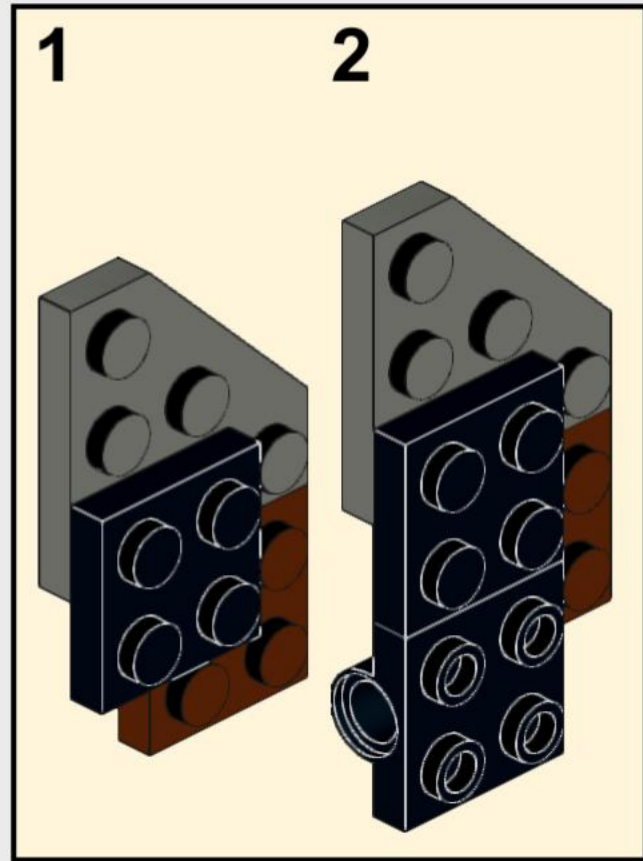


8

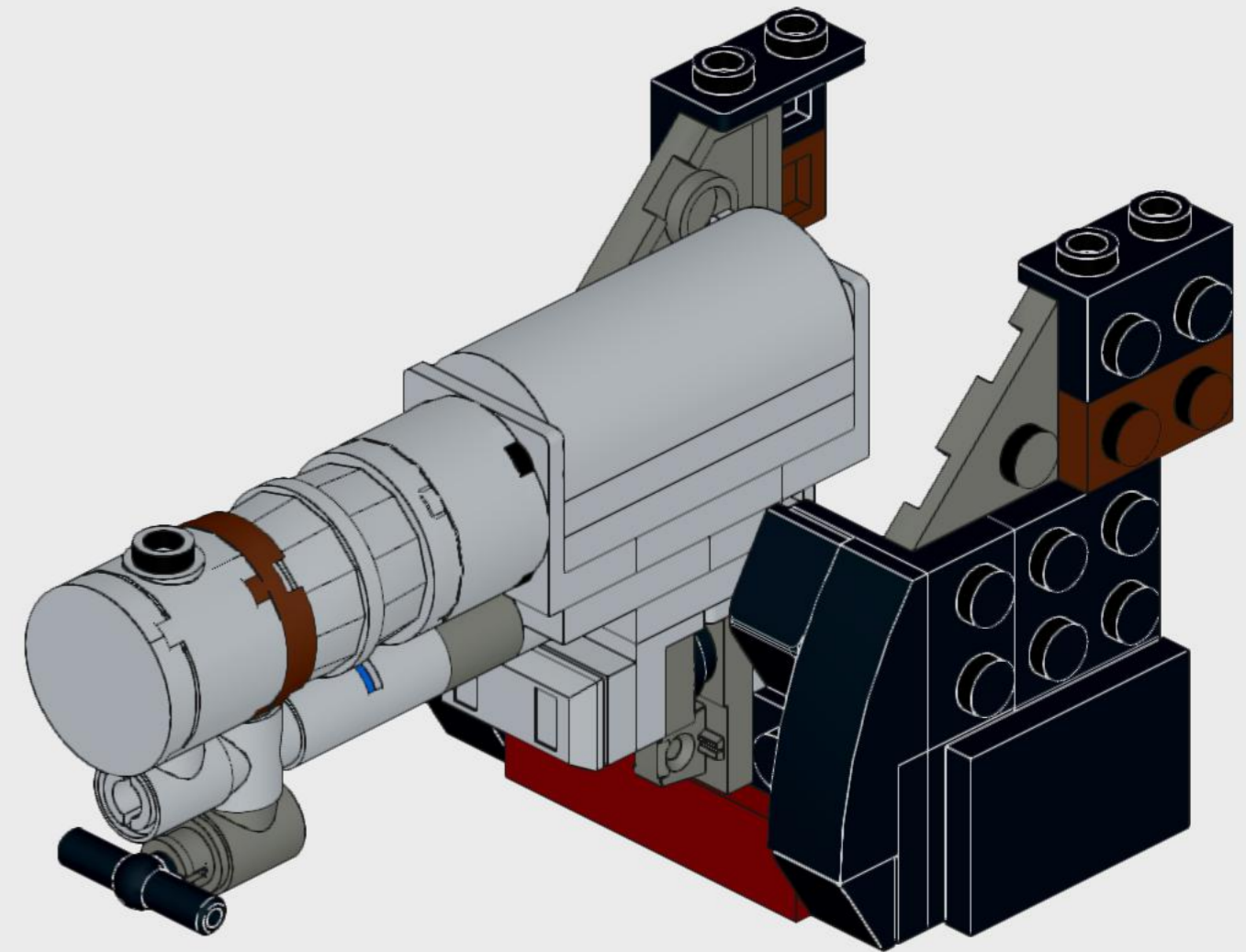


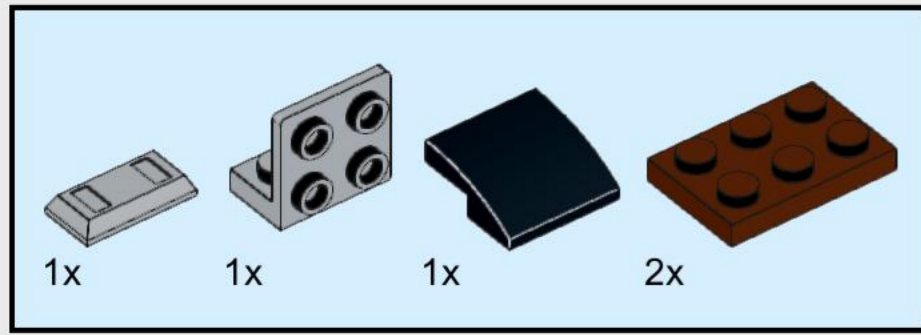


9

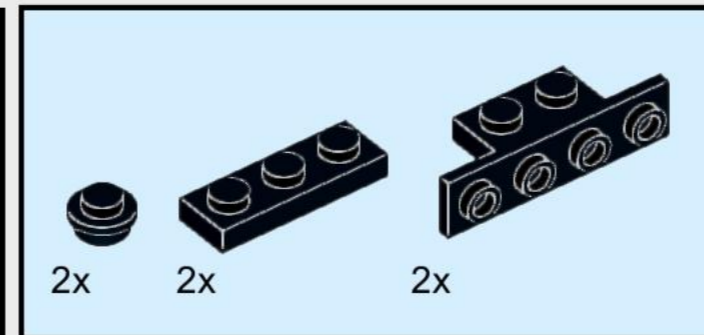
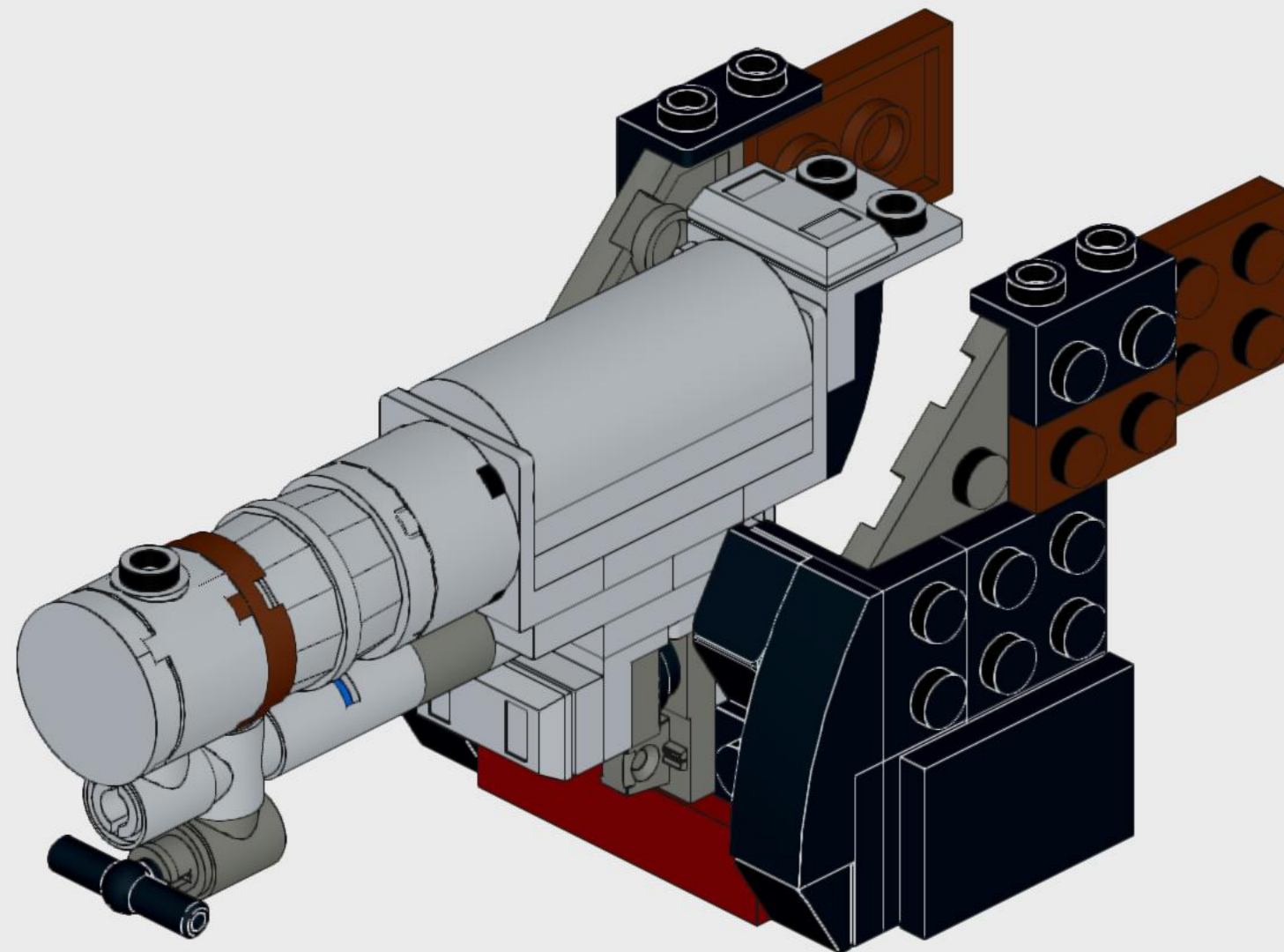
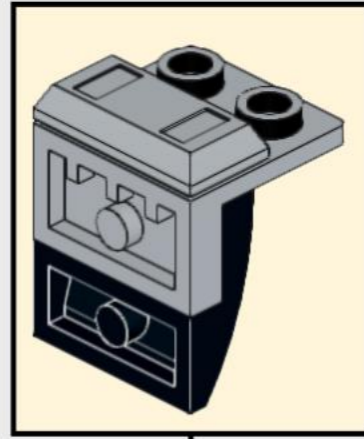


10

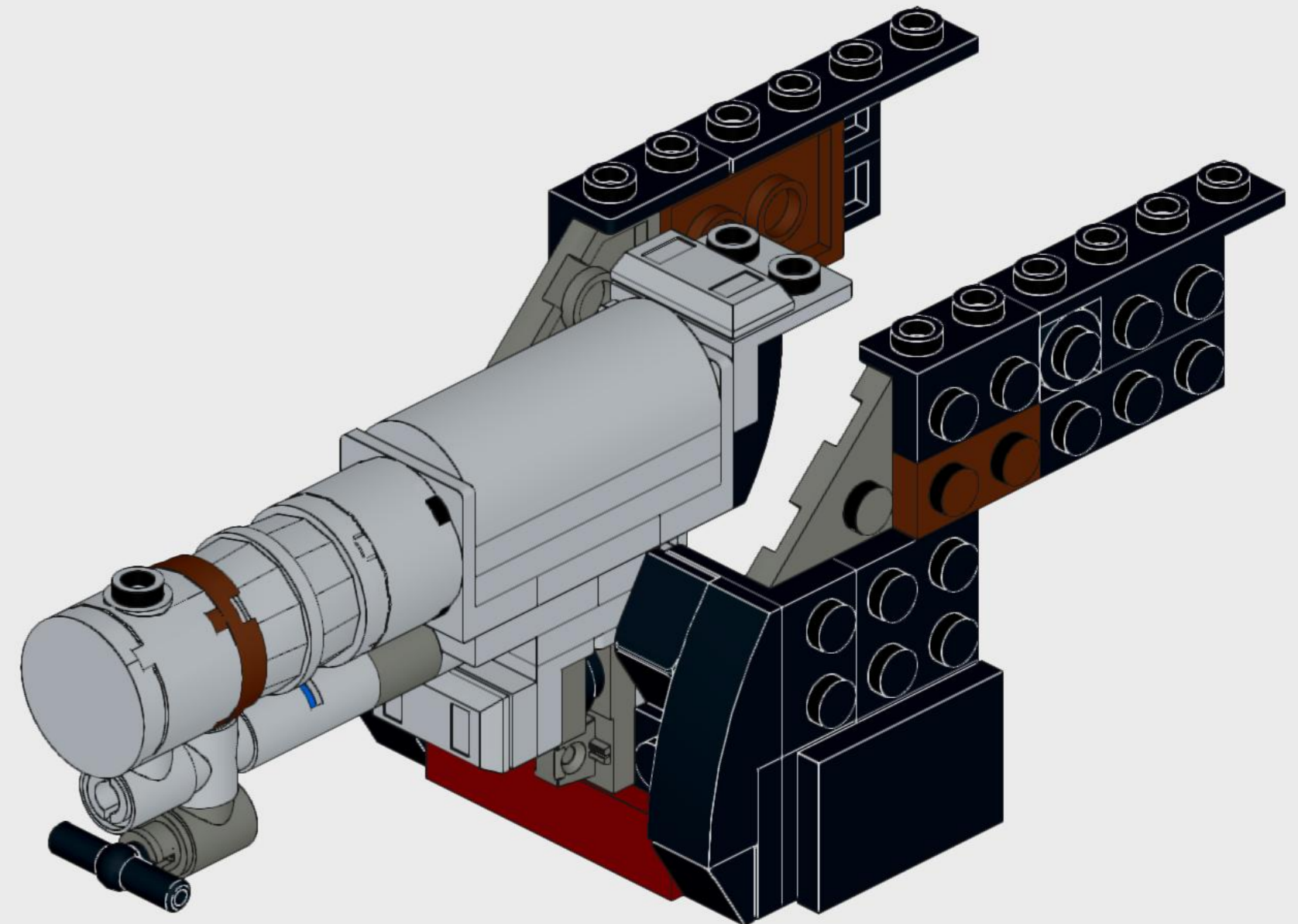


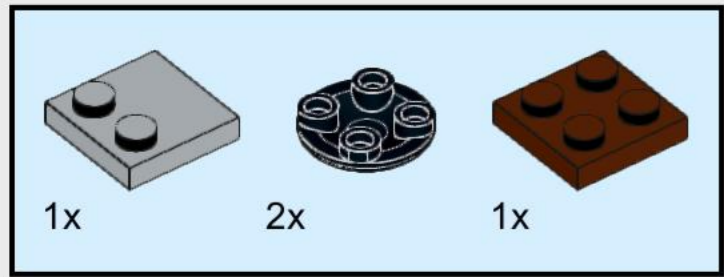


11

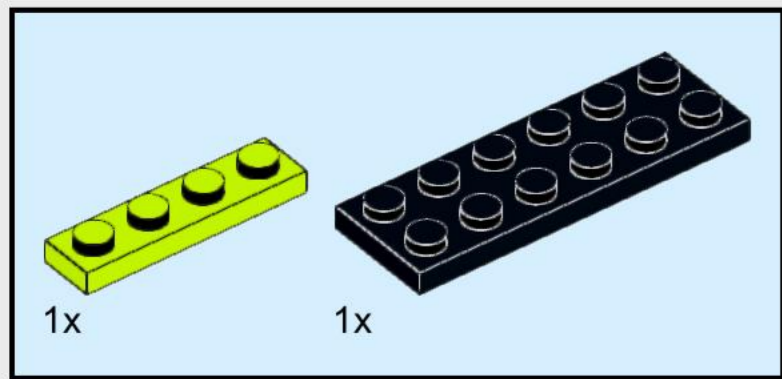
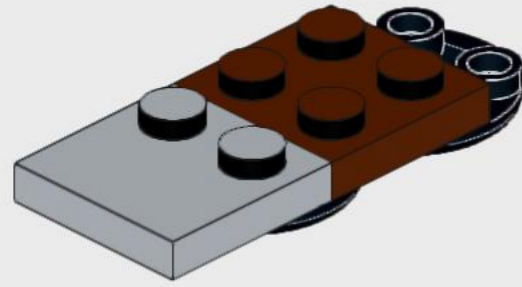


12

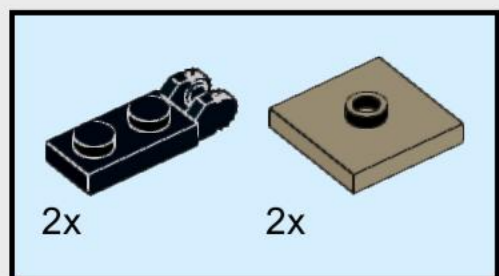
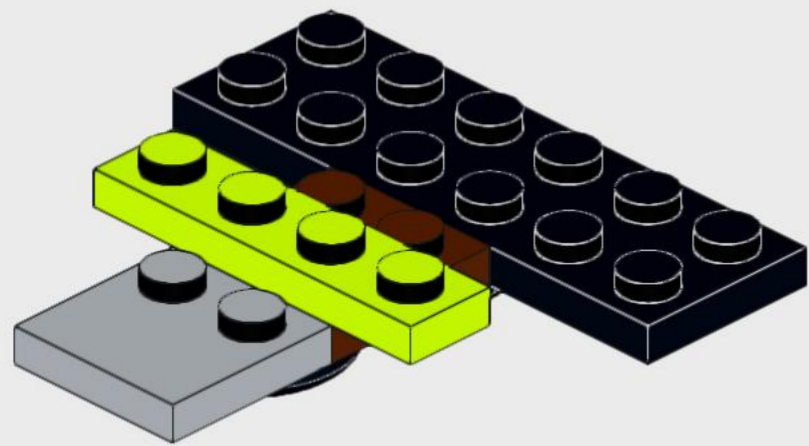




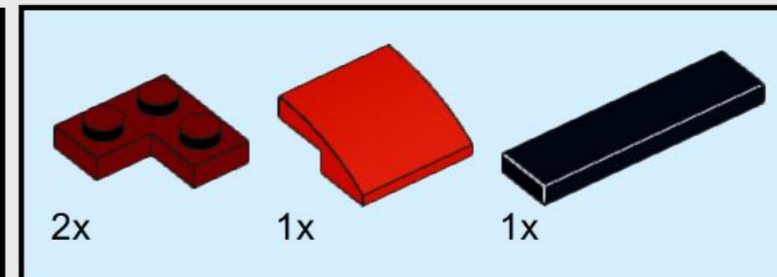
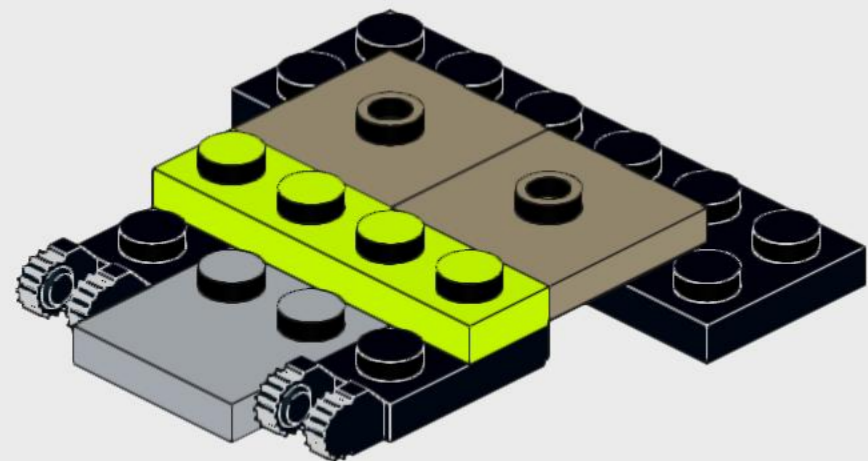
13



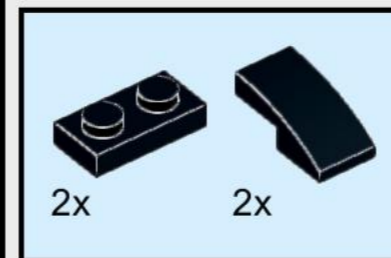
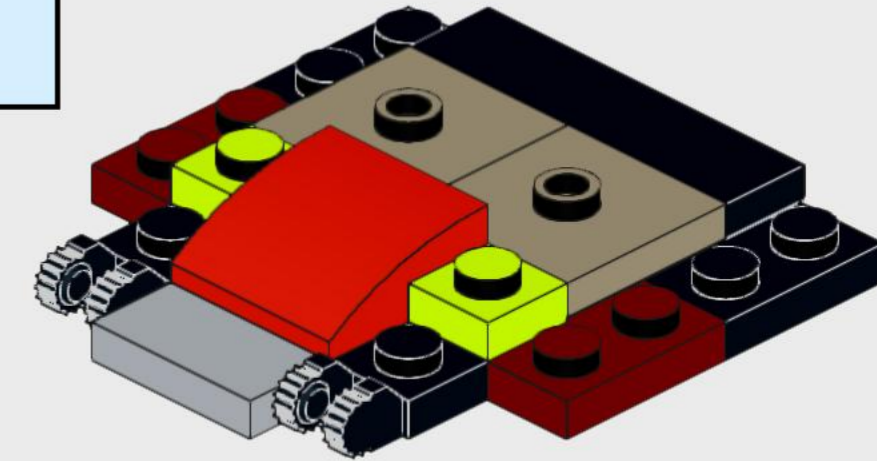
14



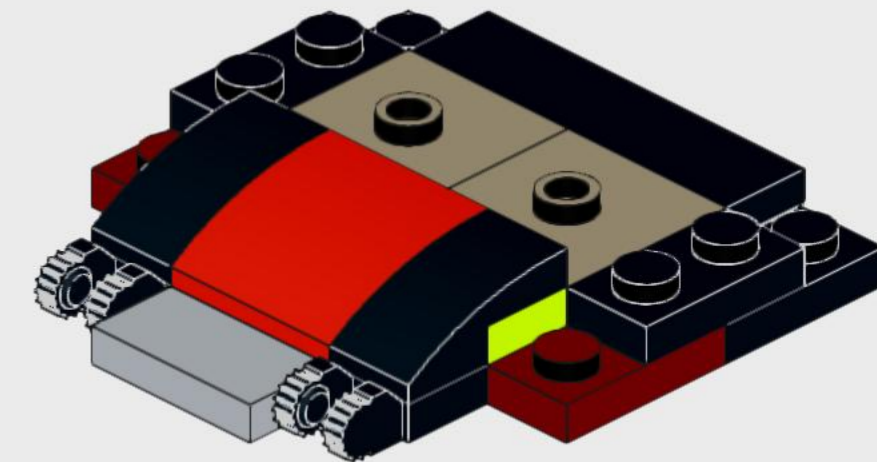
15



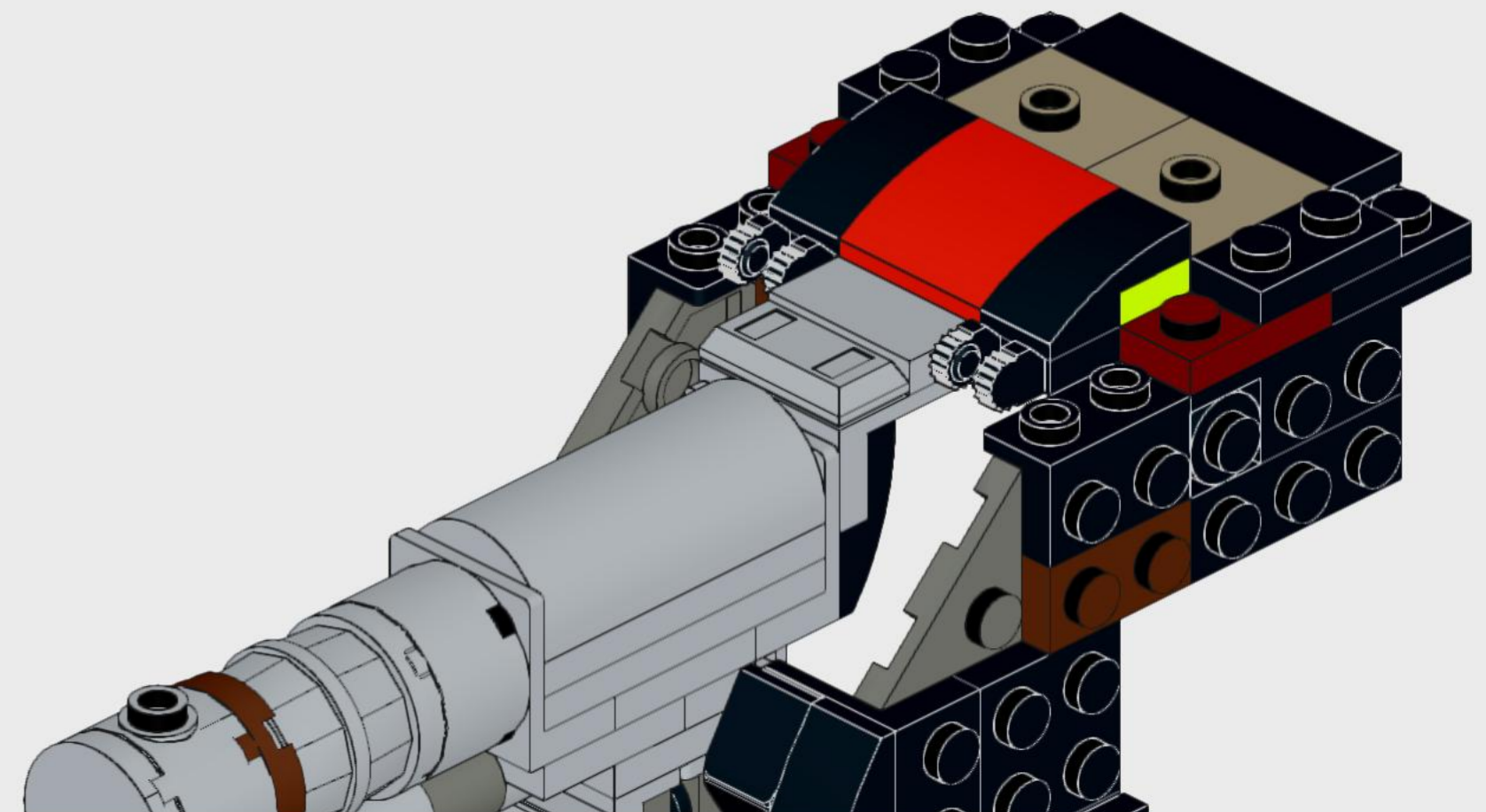
16

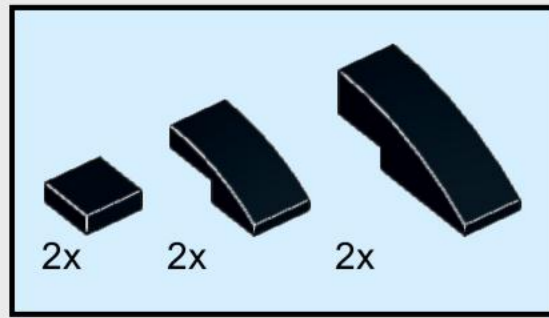


17

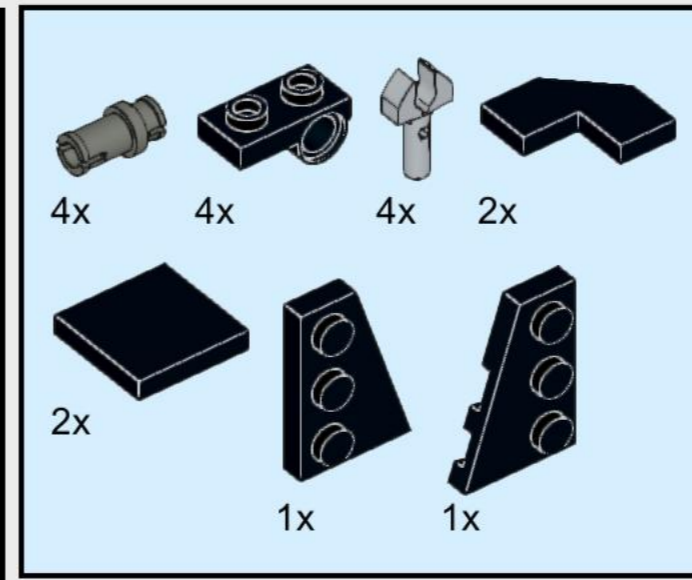
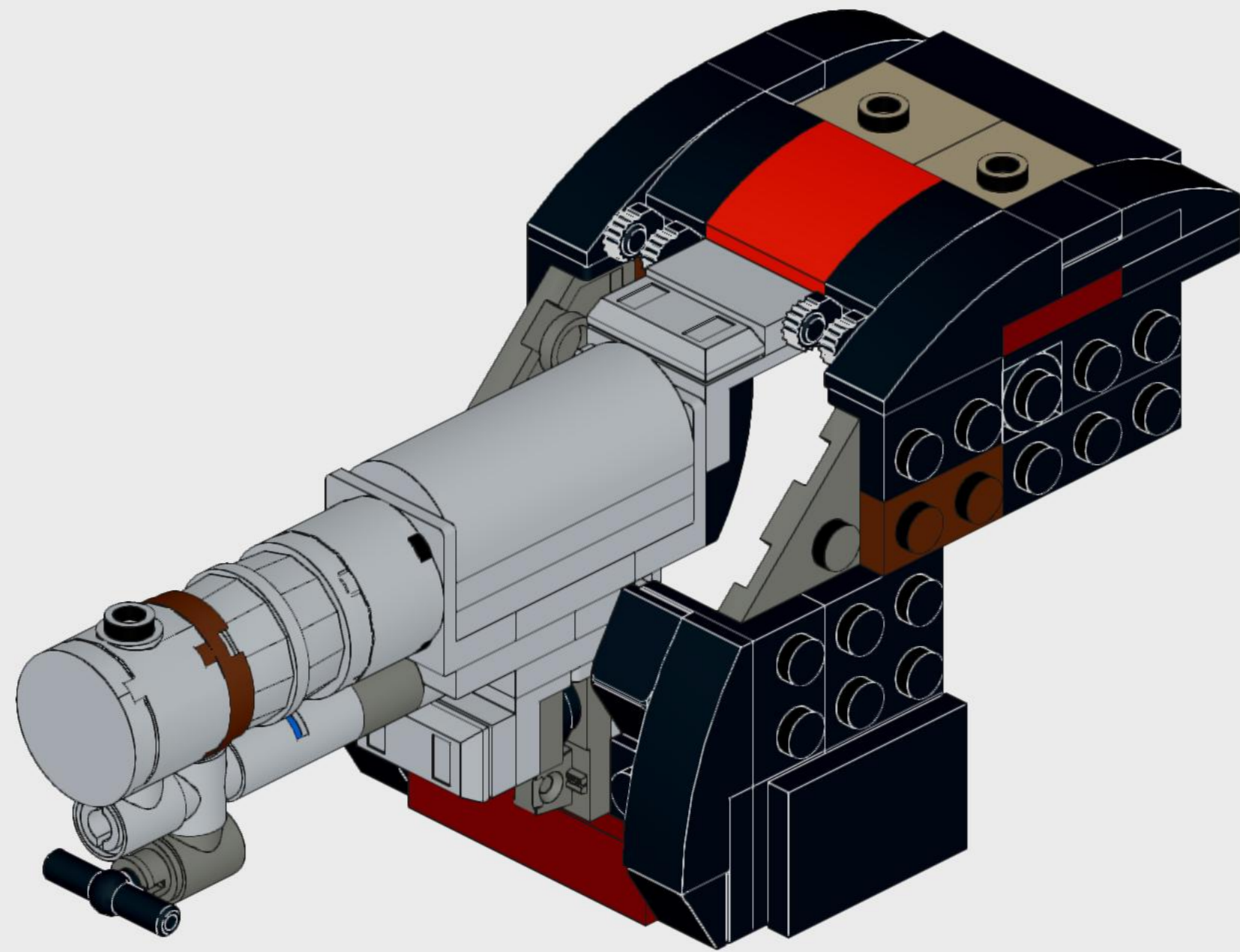


18

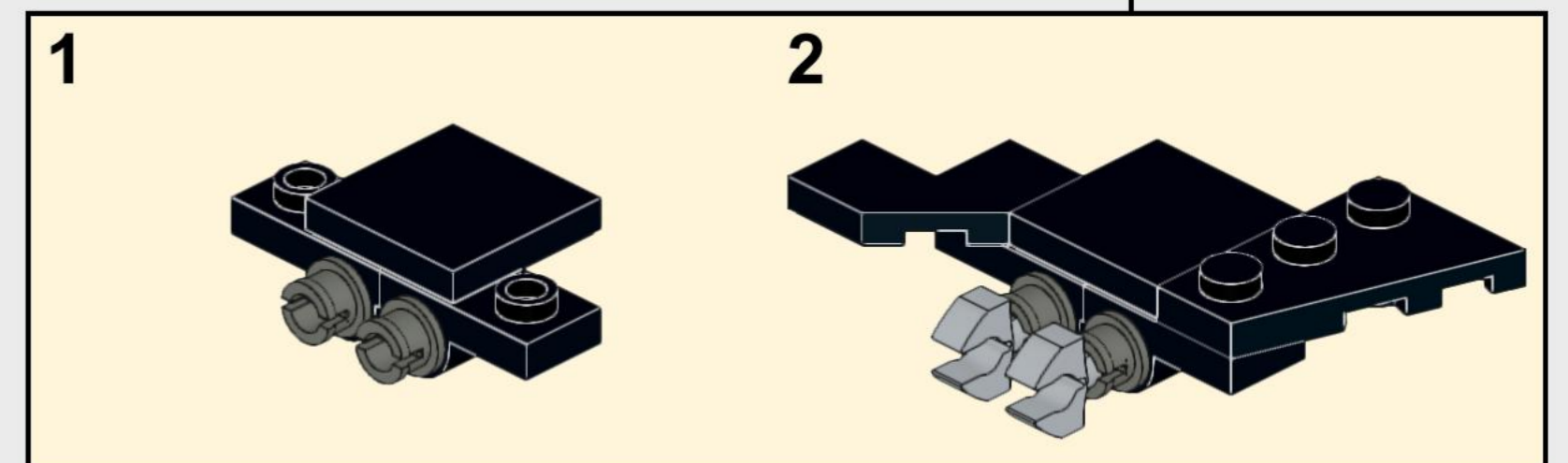
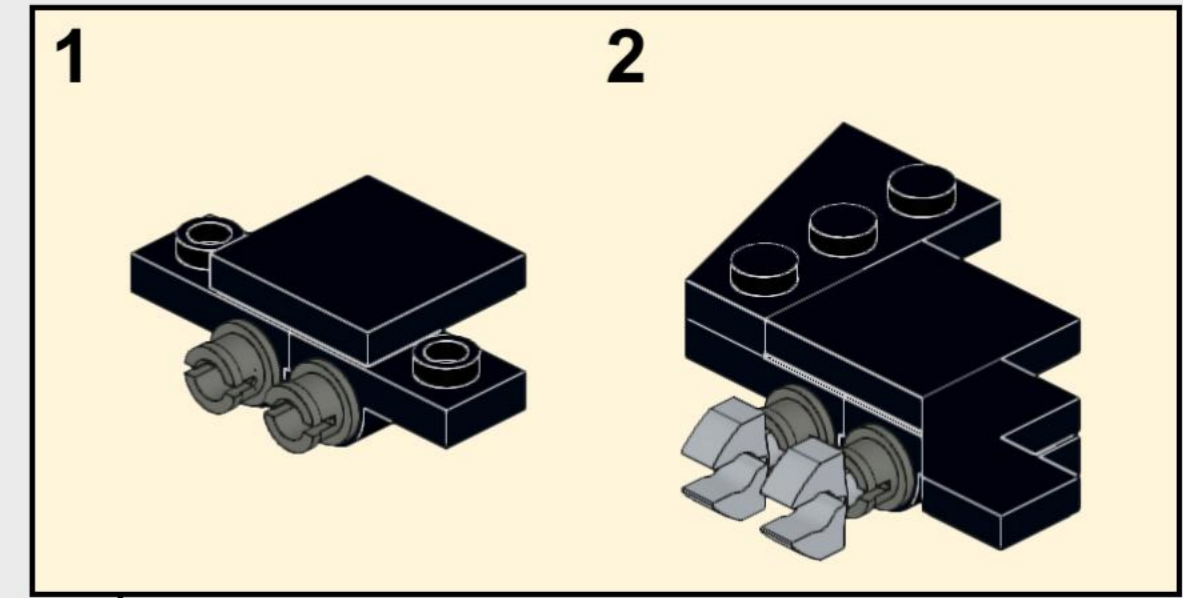
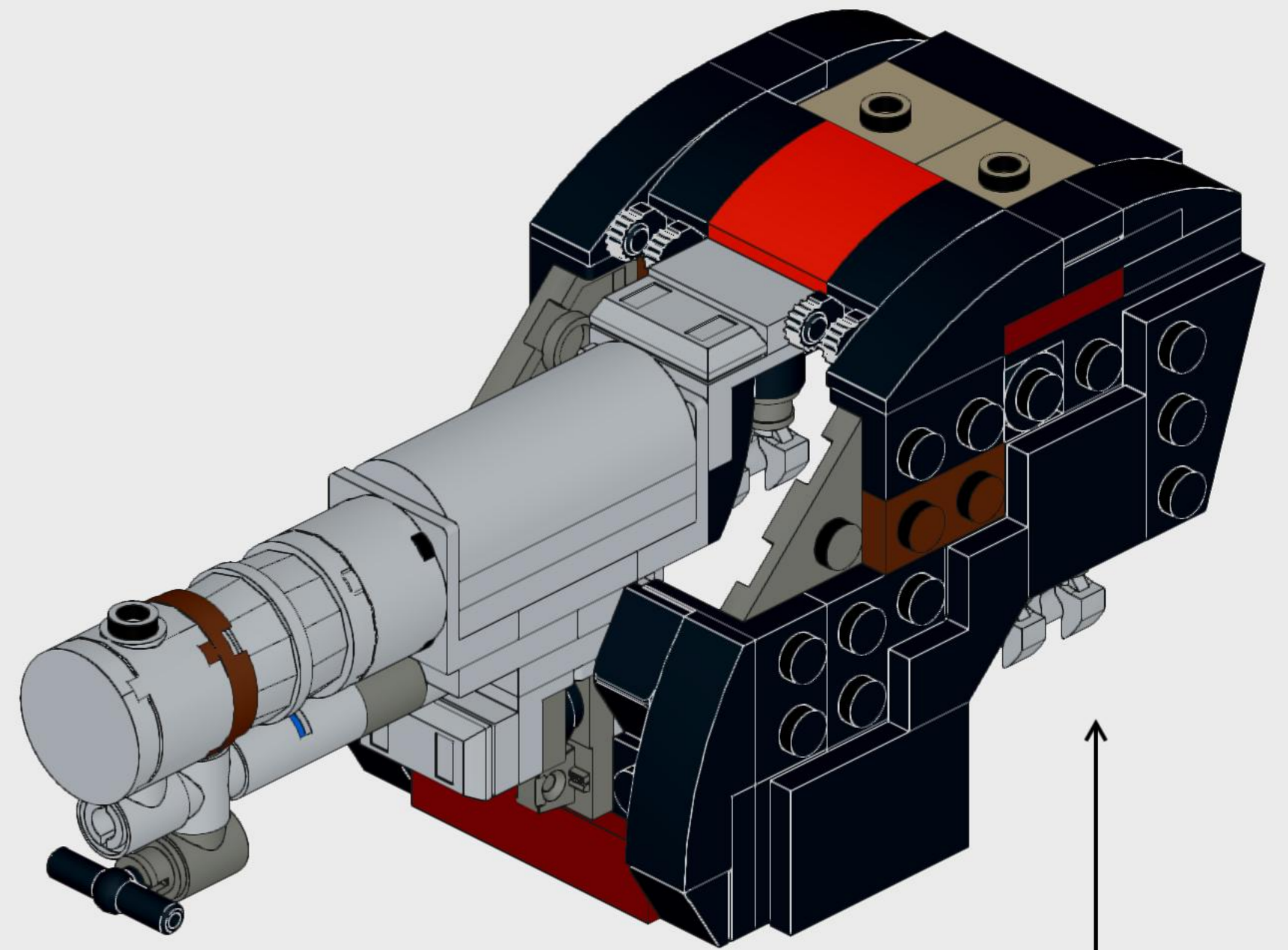


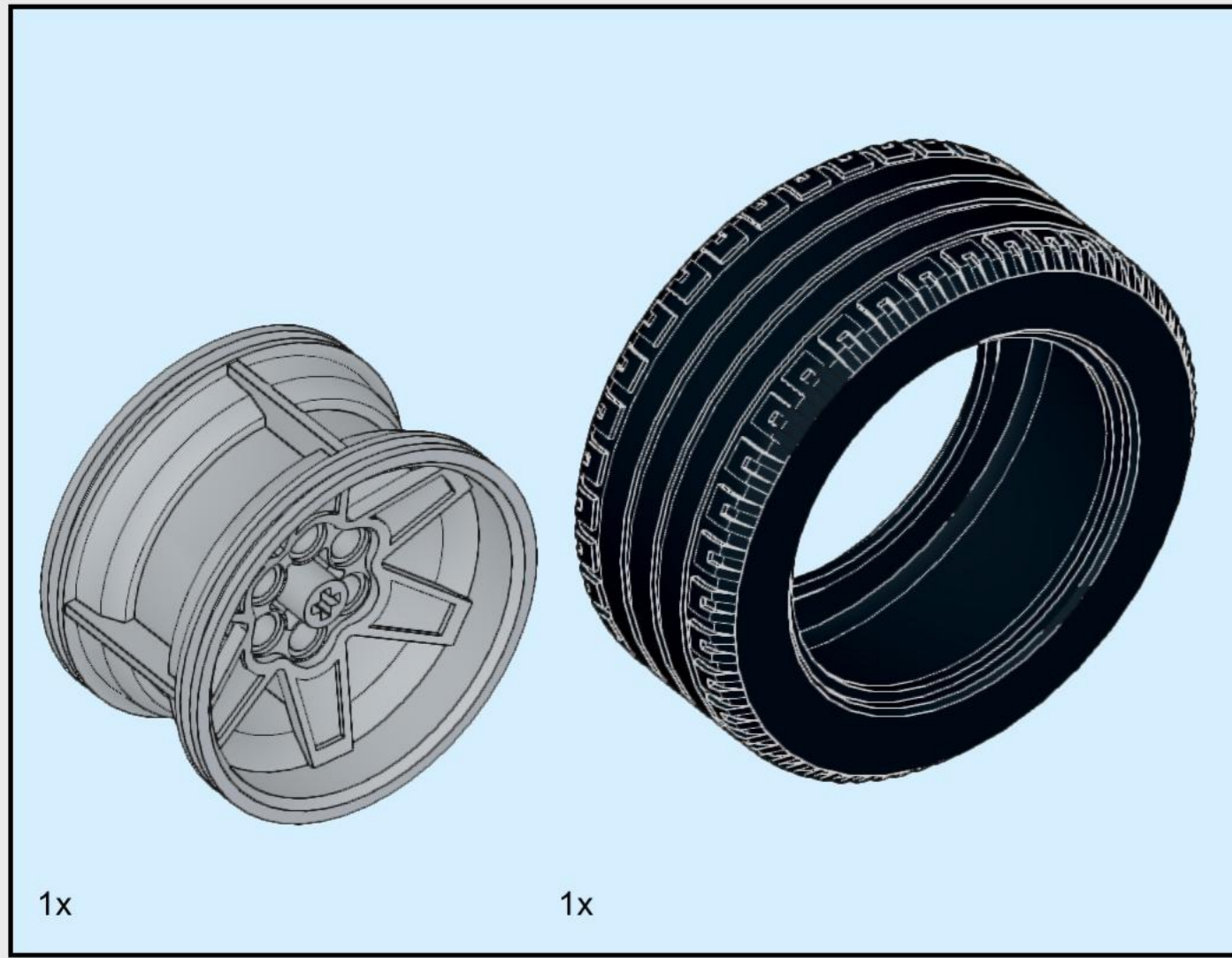


19

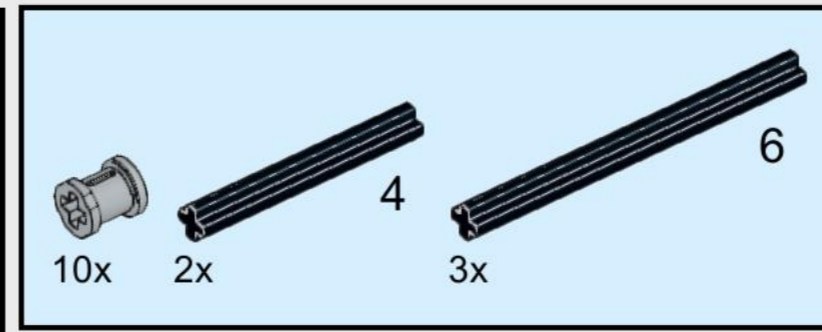


20



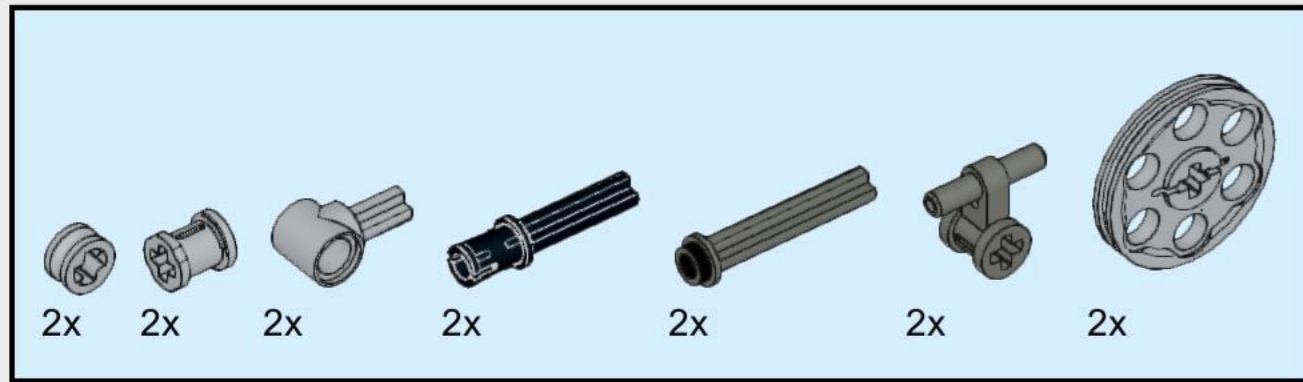


21

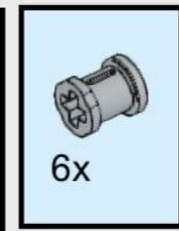
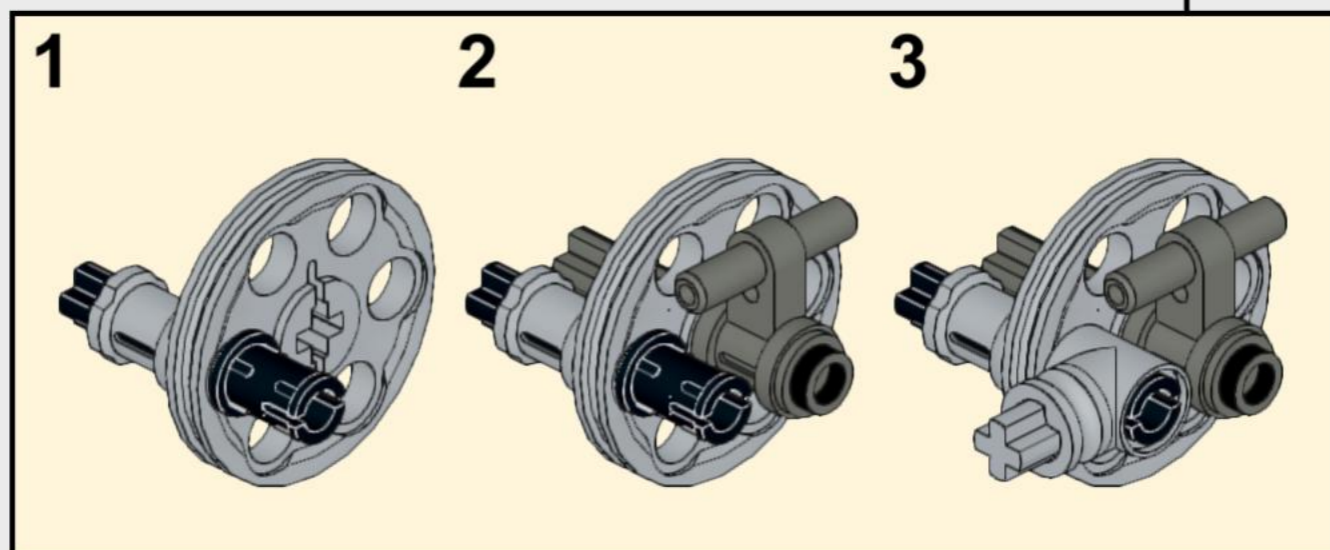


22



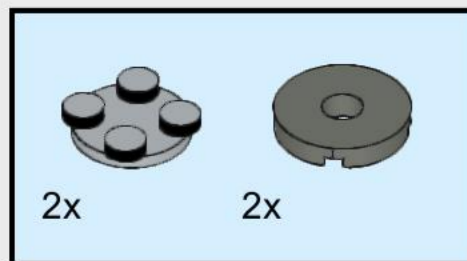


23

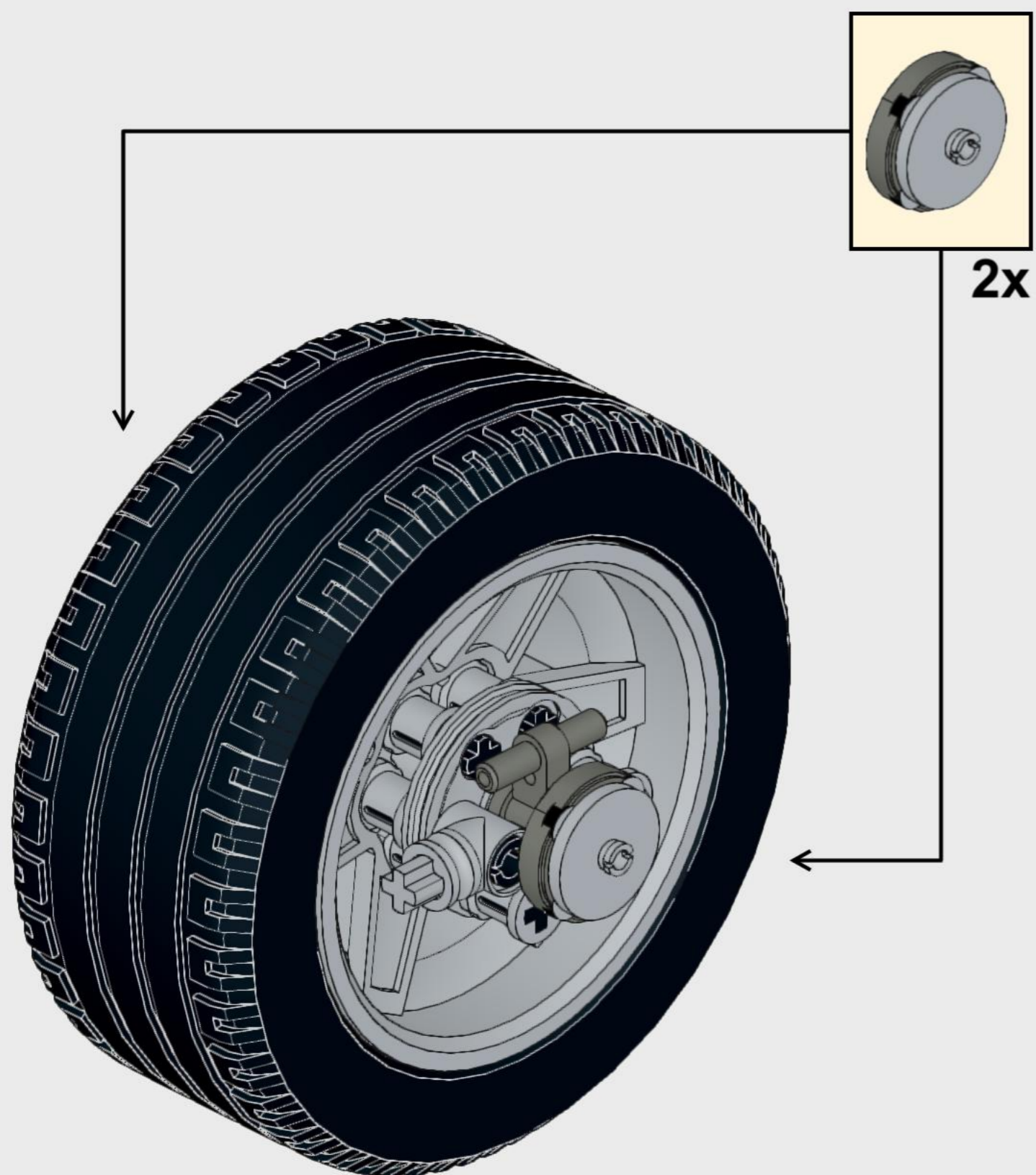


24





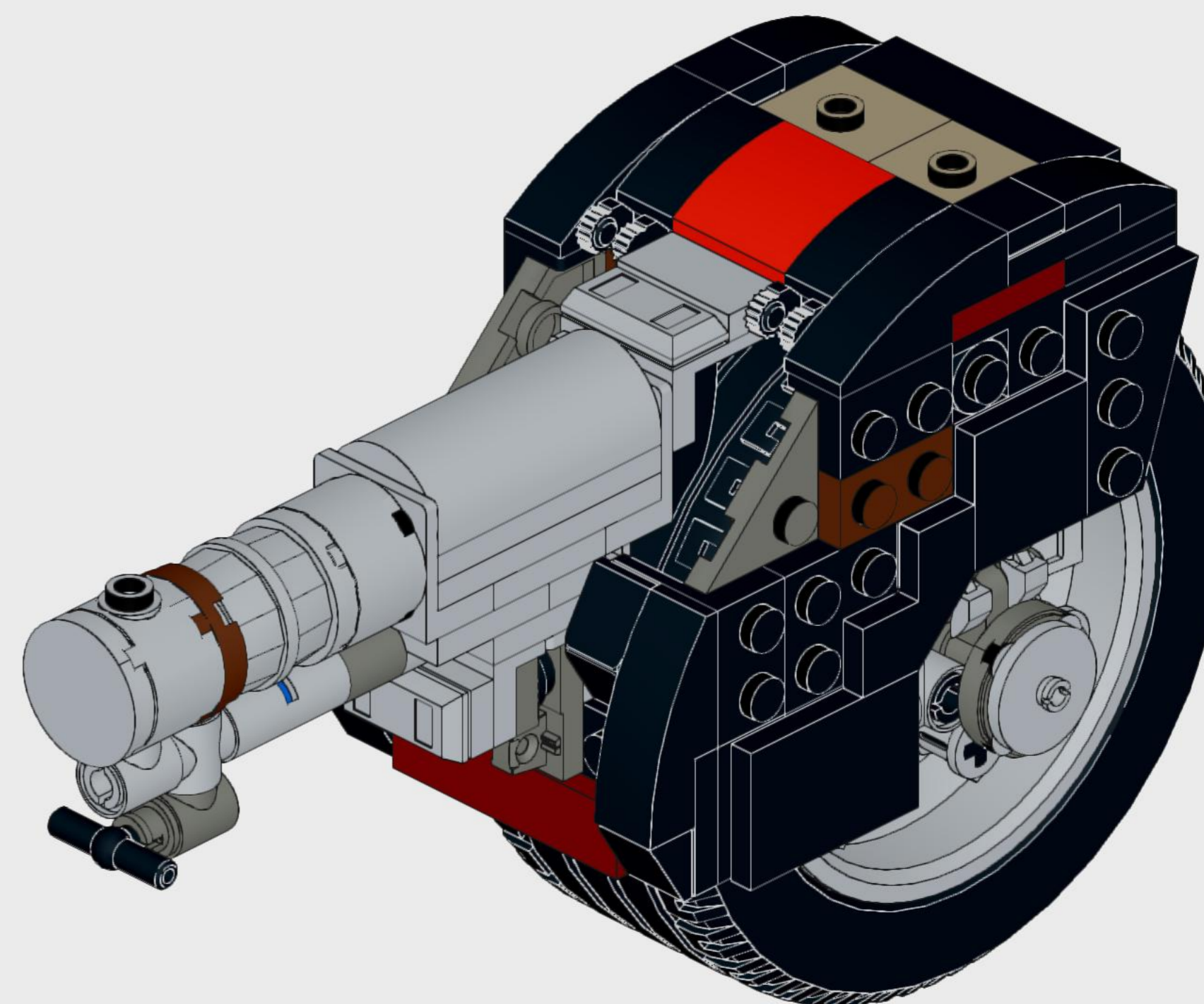
25

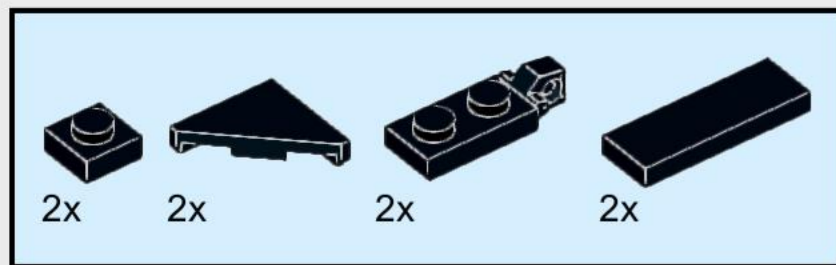


26 Inserting the wheel into the housing can be a bit tricky, as the wheel will fit very tightly against the sides until it is fully in place.

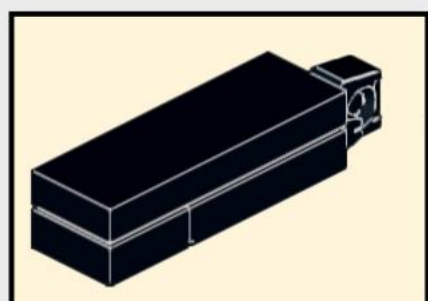
For the easiest attach, first line up the small light grey axle with its corresponding pin hole. While ensuring that the pin stays in its hole, snap the wheel's dark grey bars up into the light grey clips.

Once in place the wheel will be snug and unable to turn, since the housing structure puts pressure on the center top of the tire.

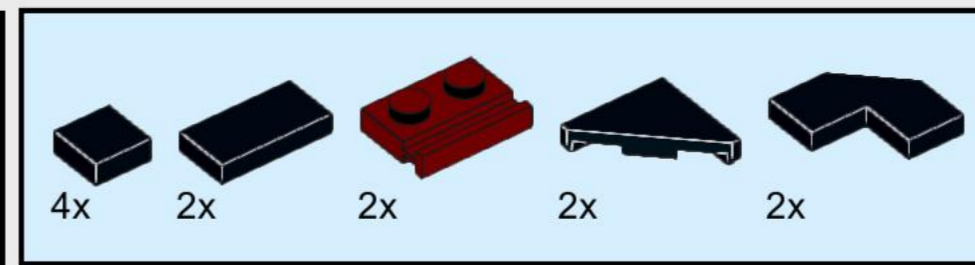
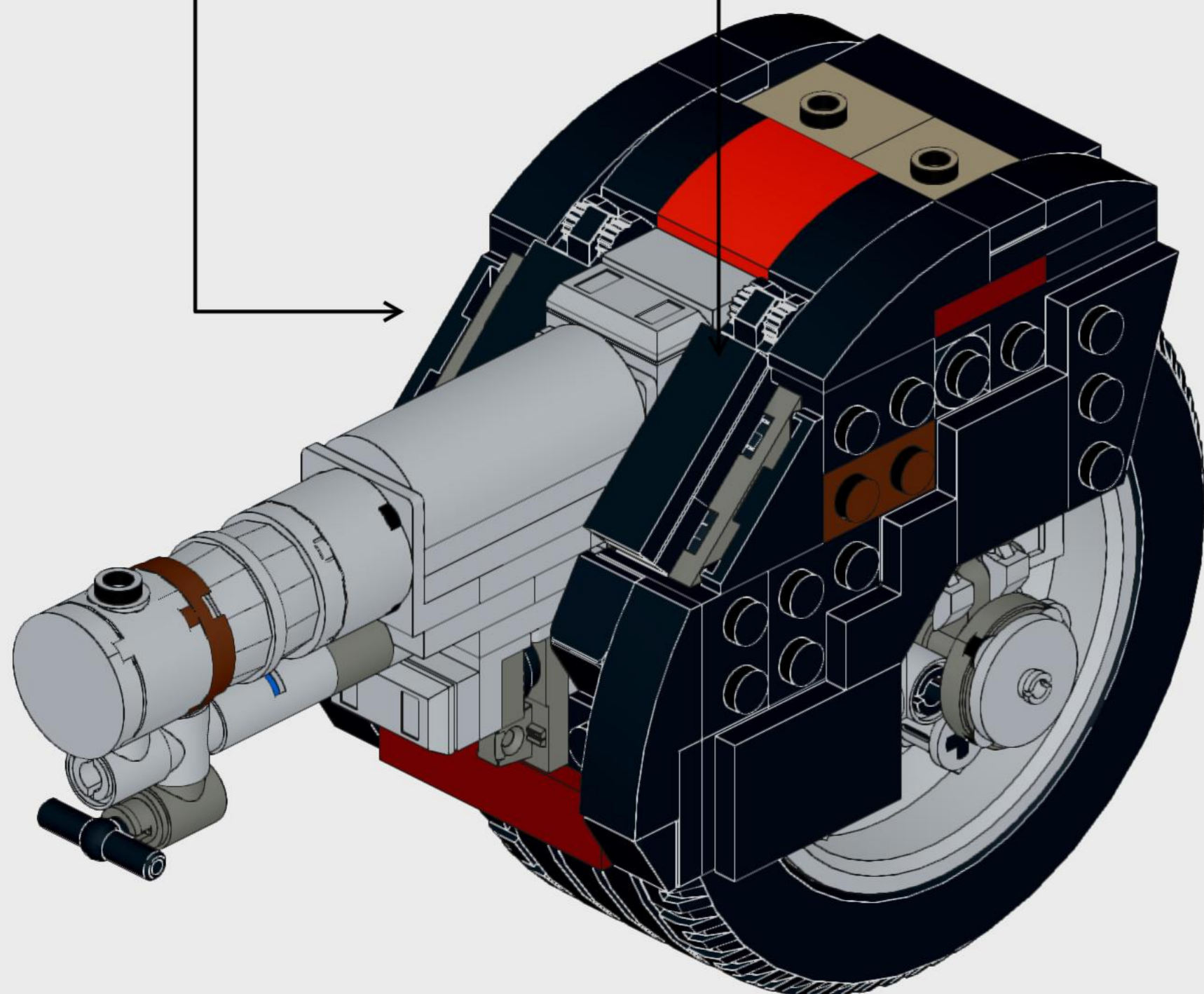




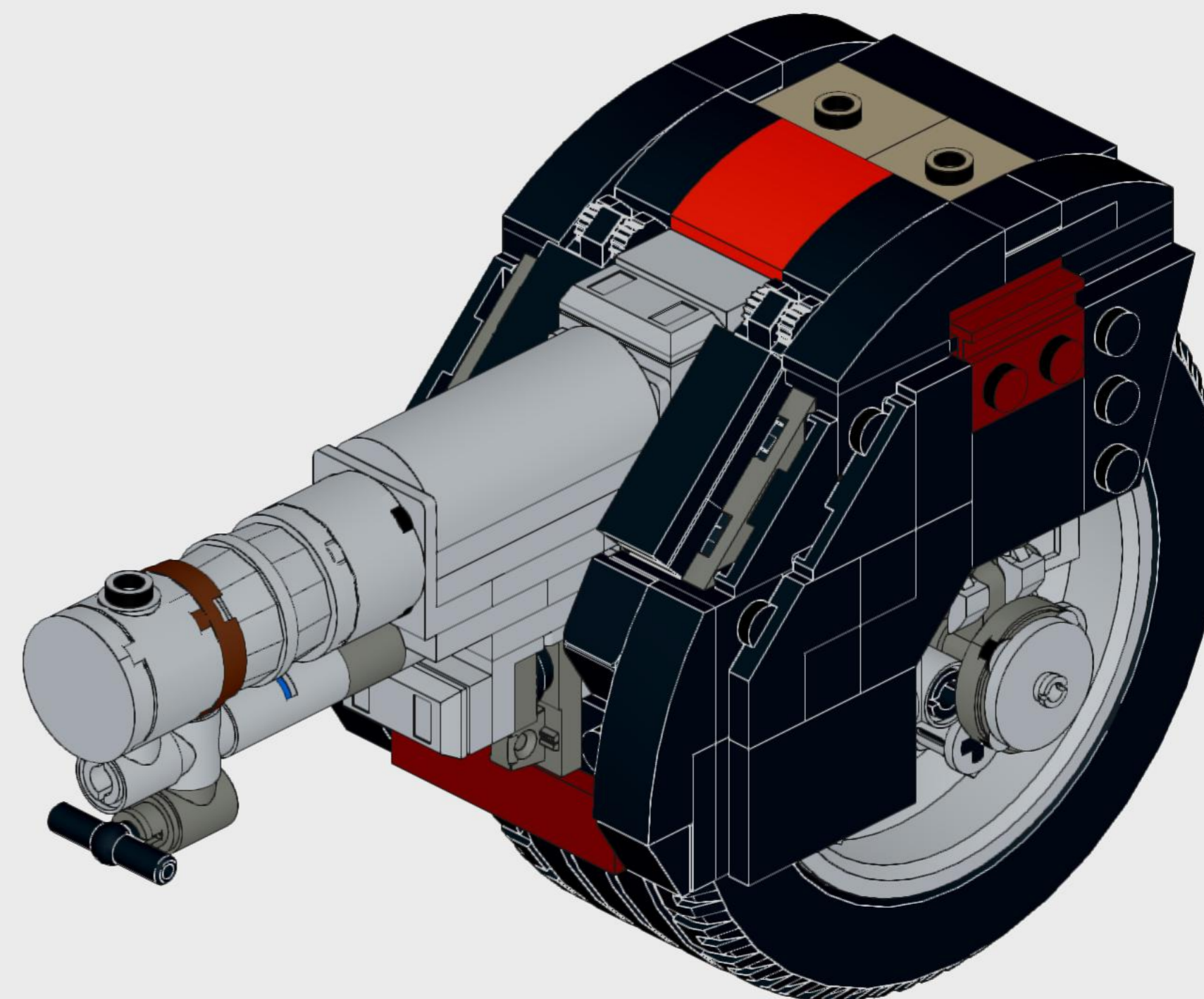
27

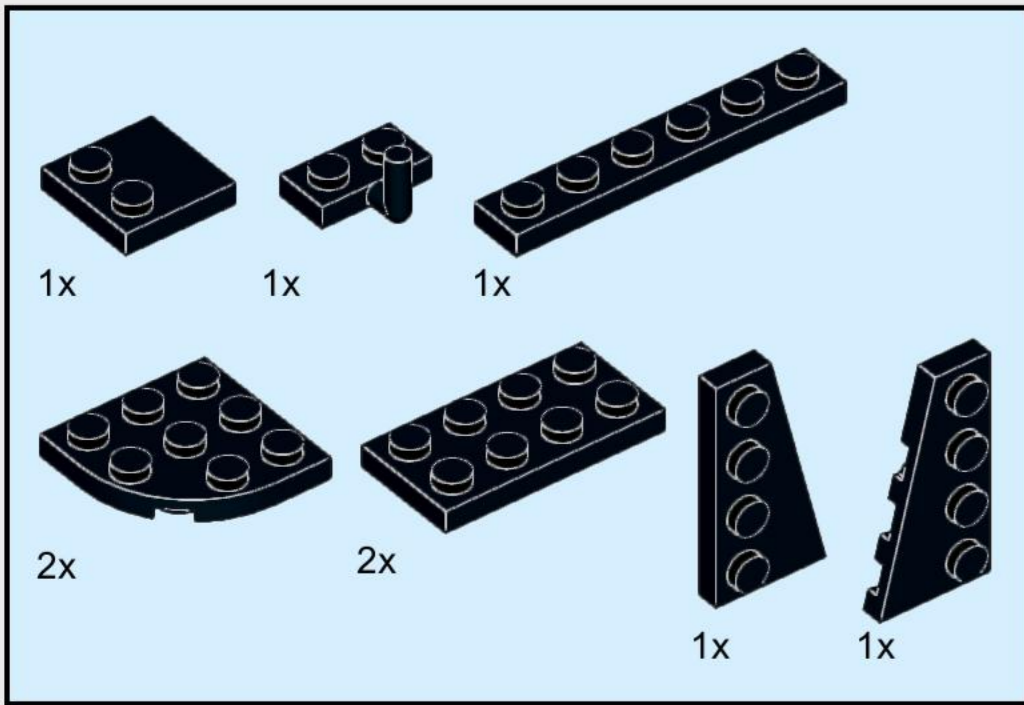
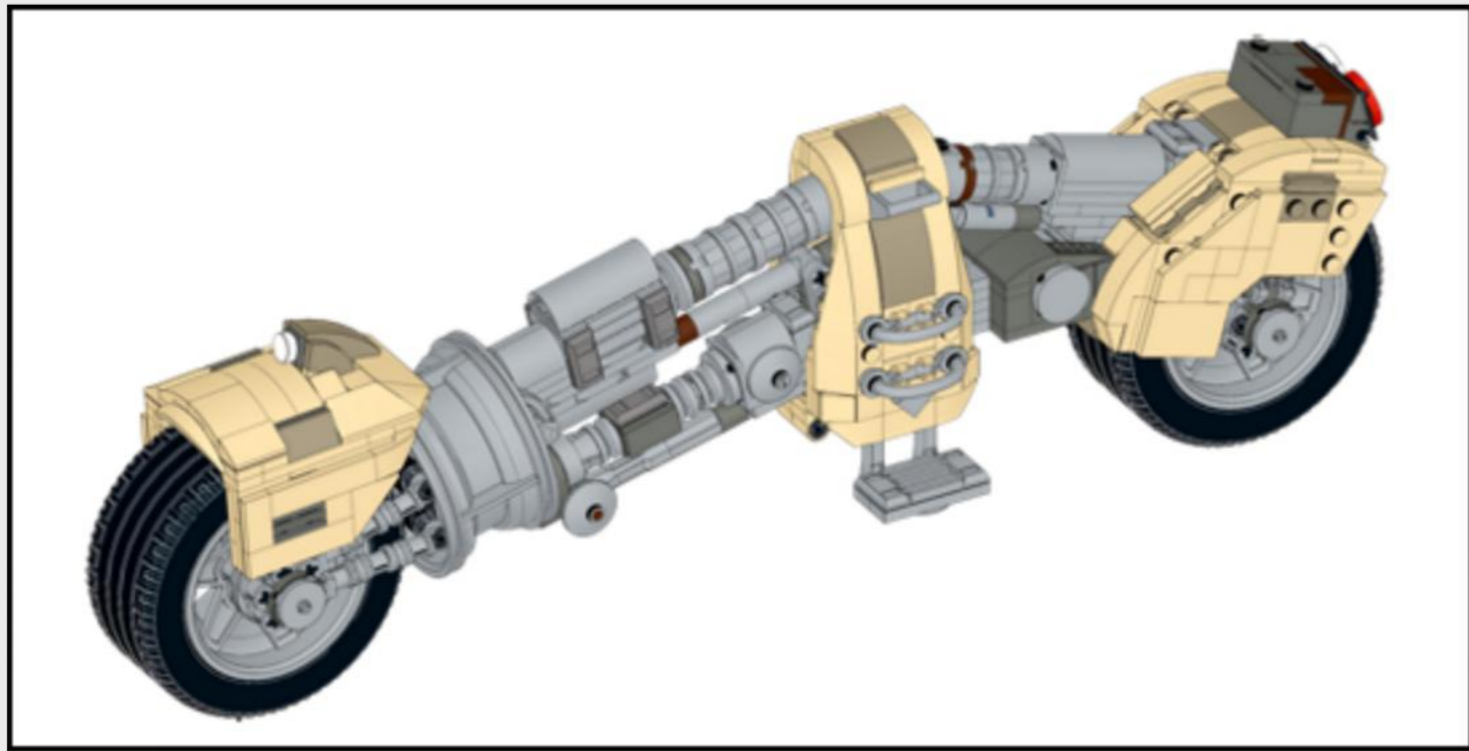


2x

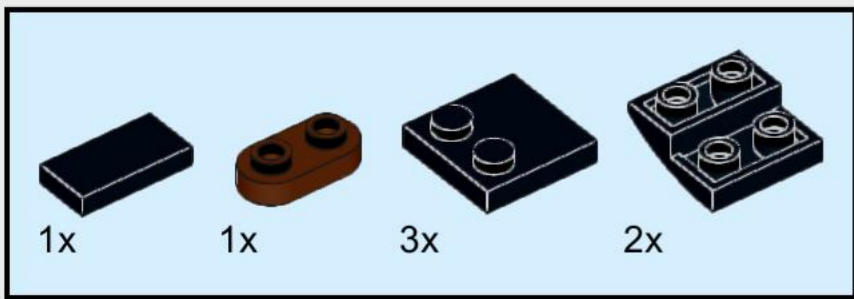


28

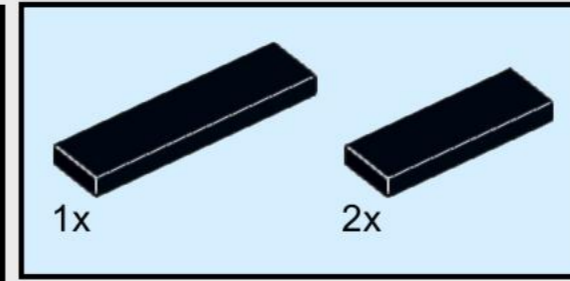
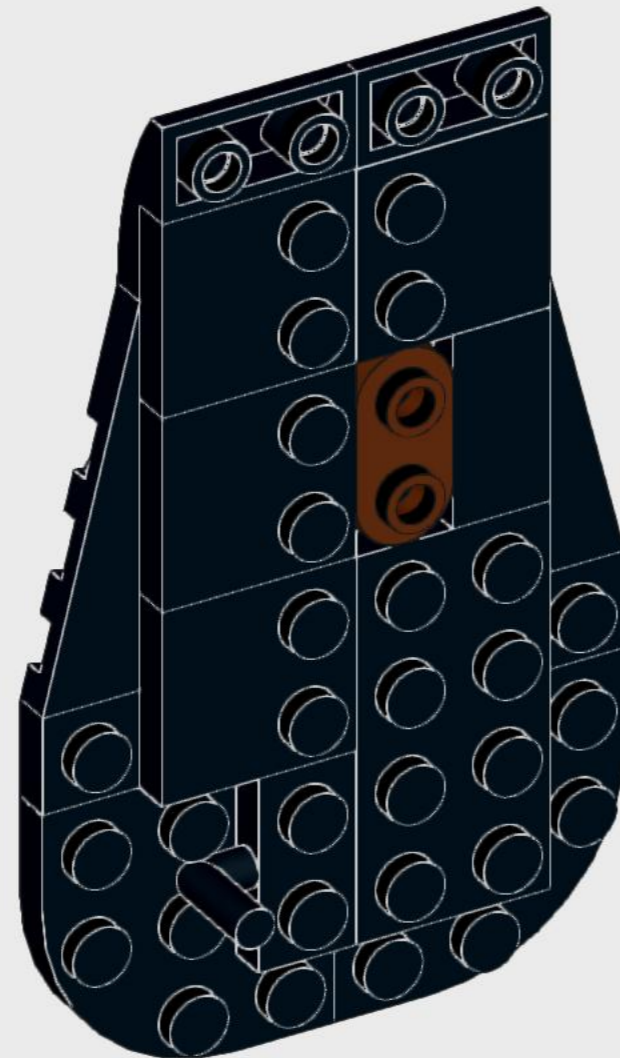
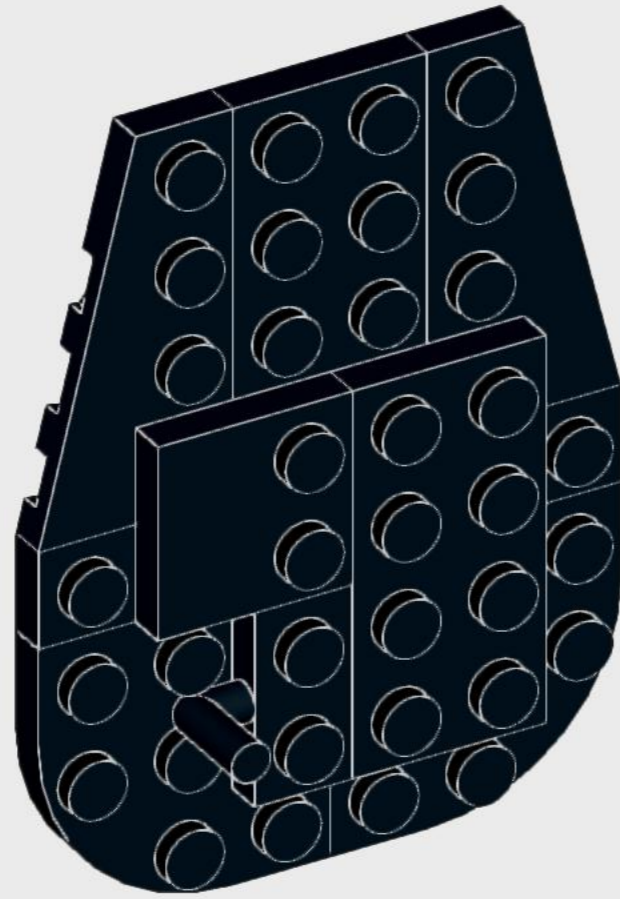




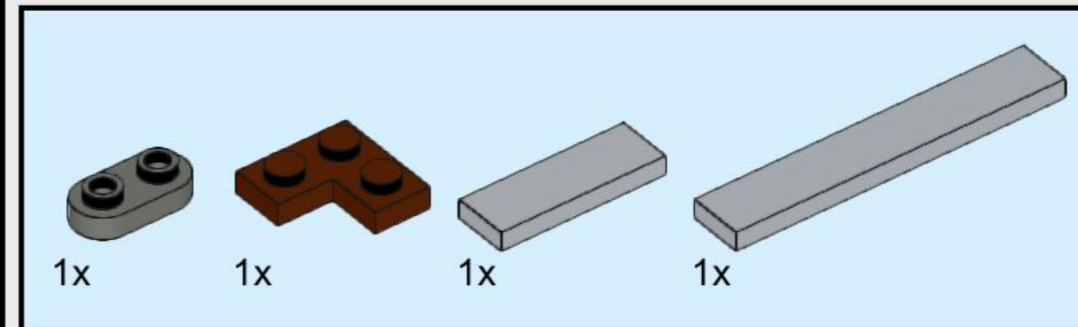
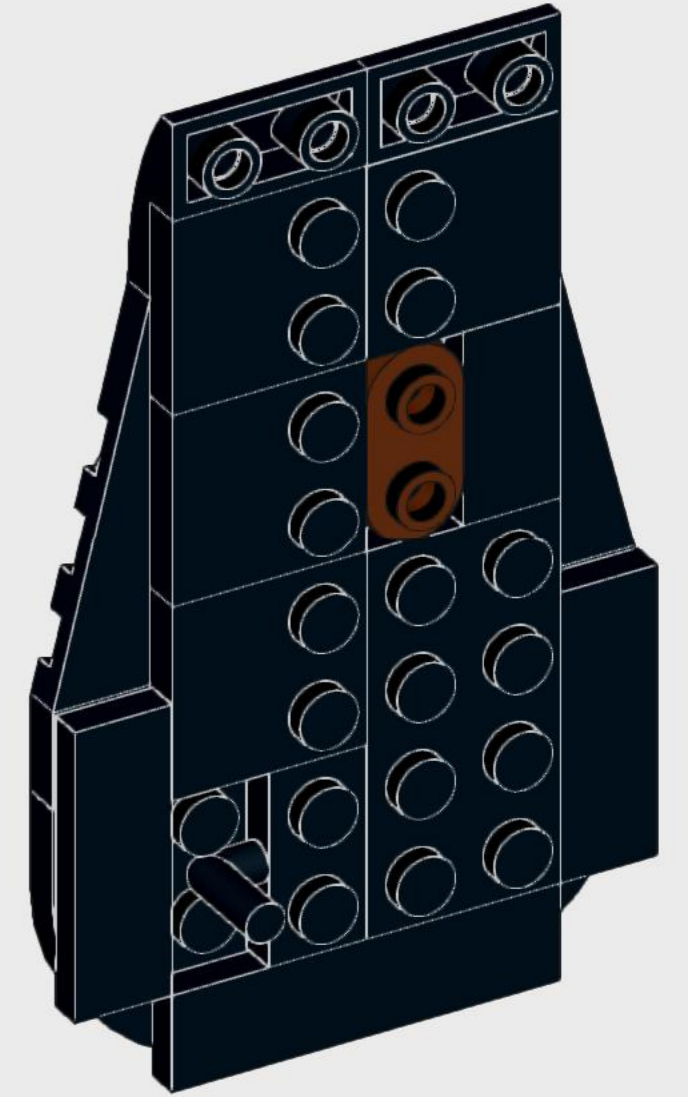
1



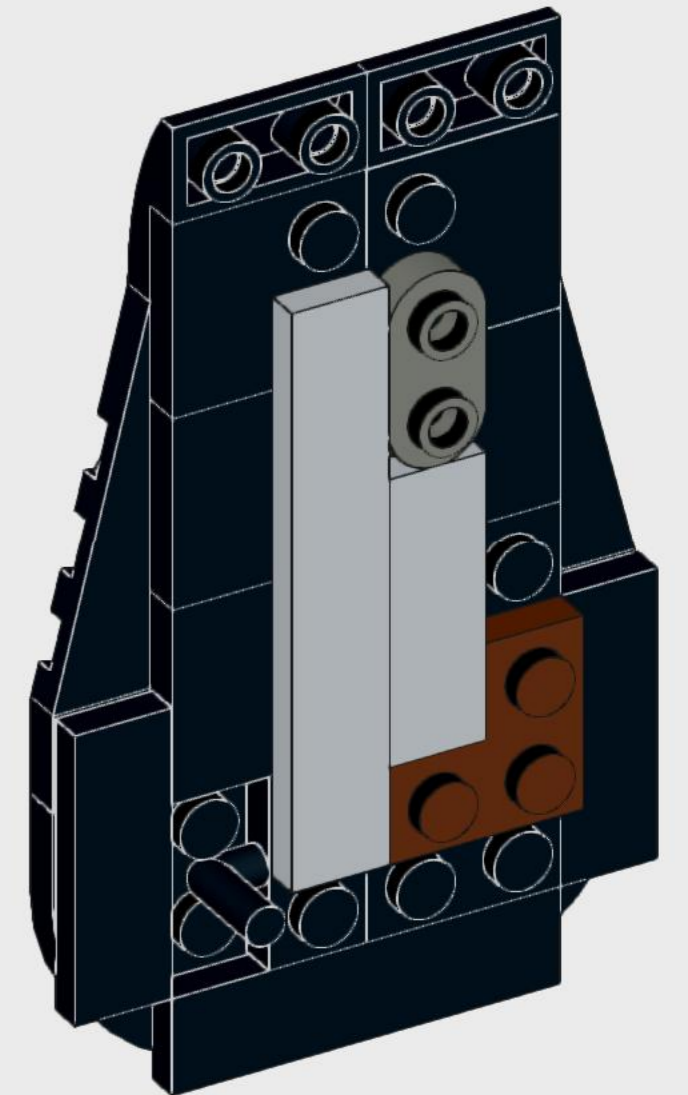
2

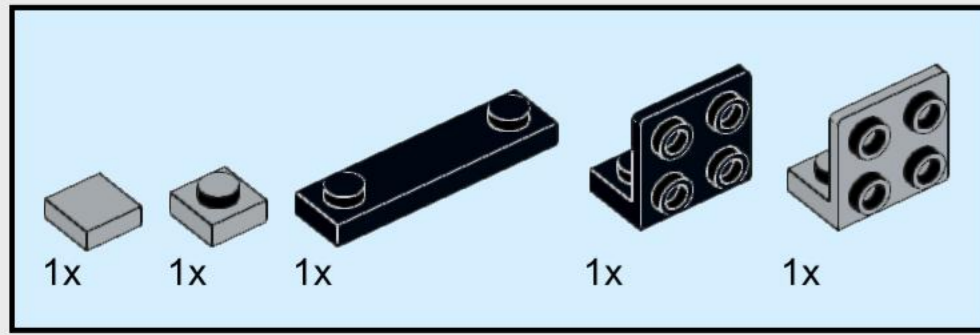


3

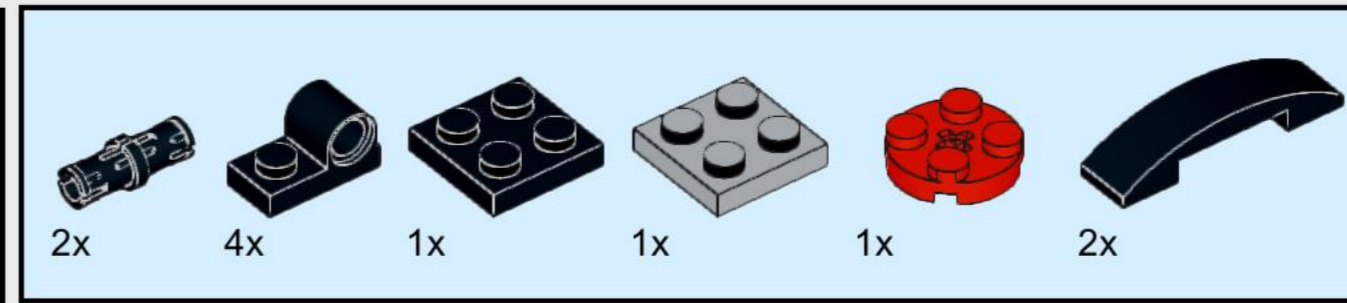
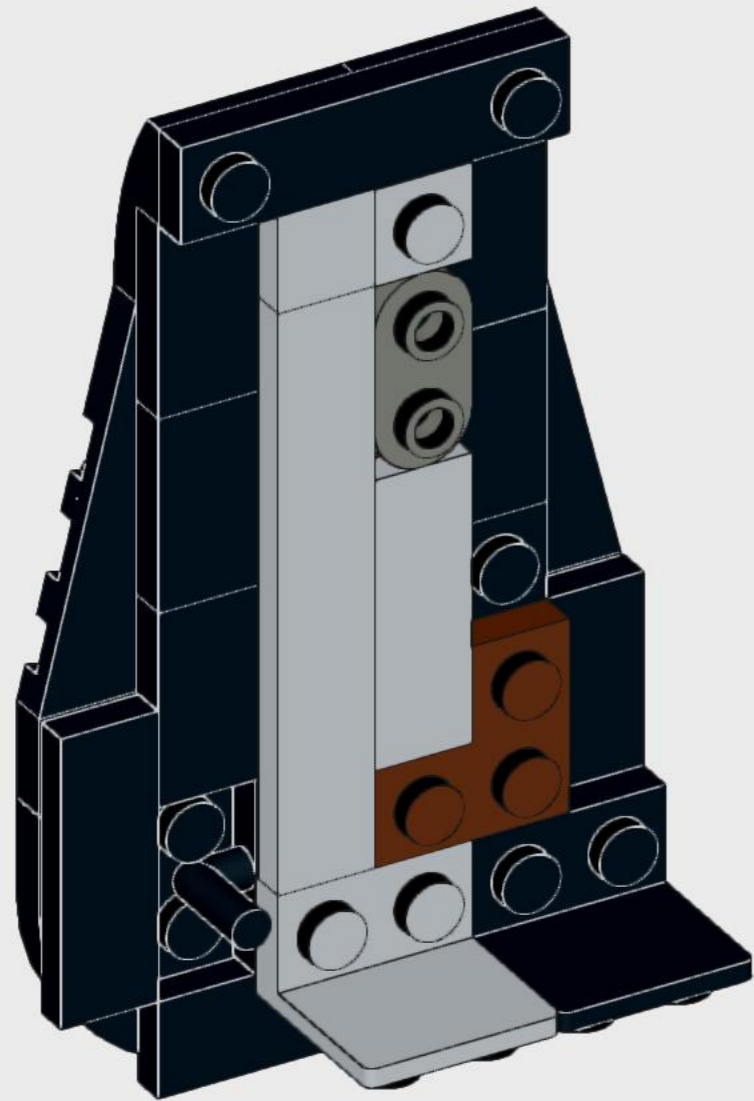


4

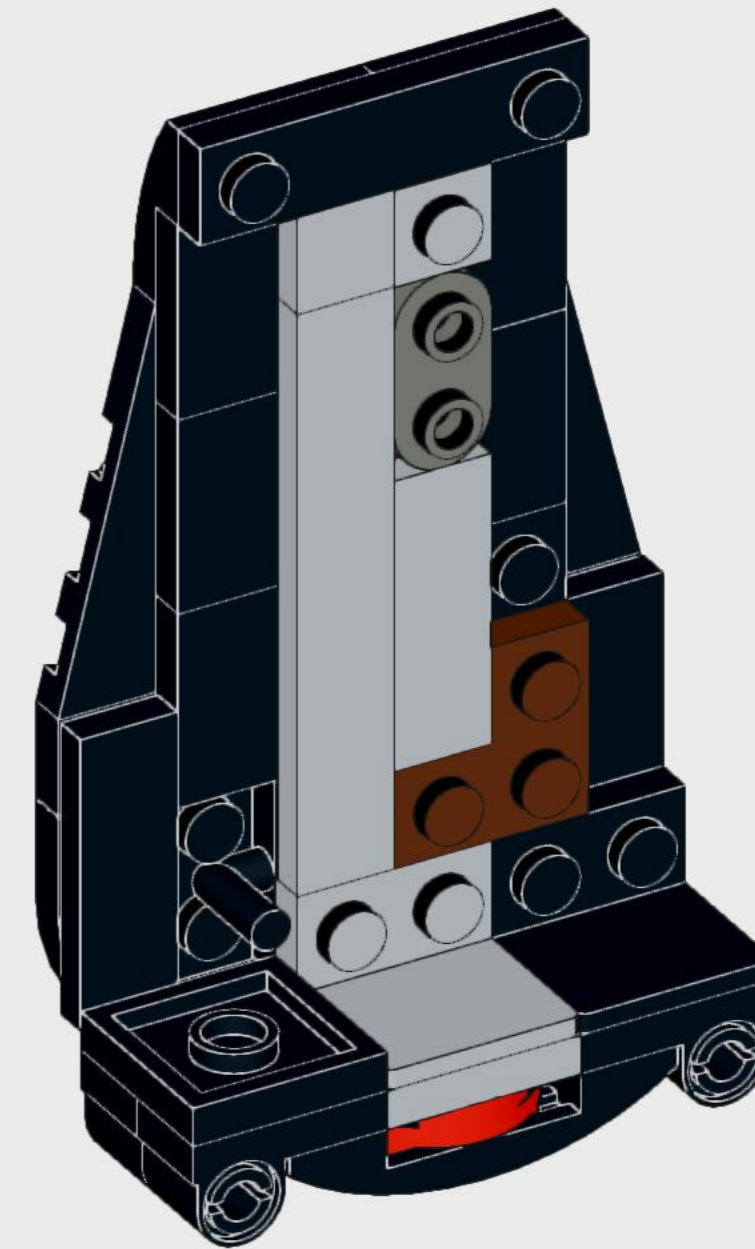
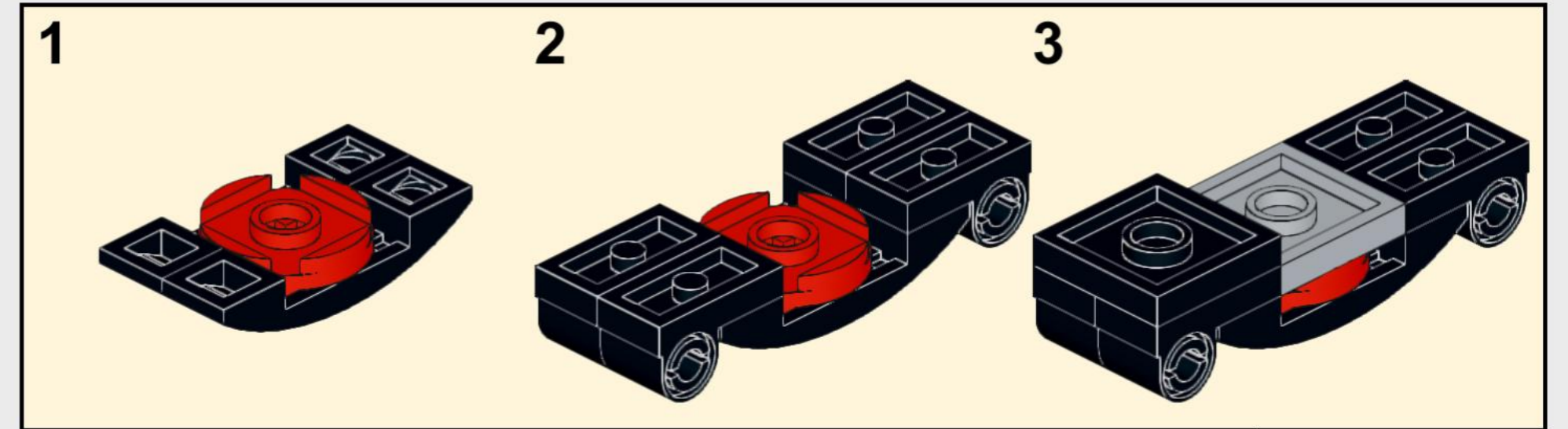


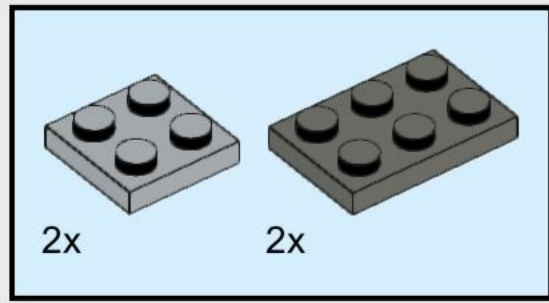


5

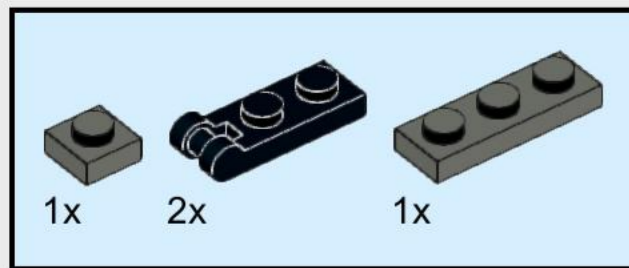
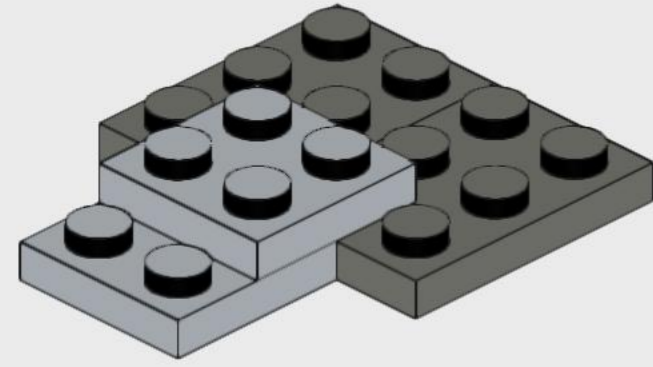


6

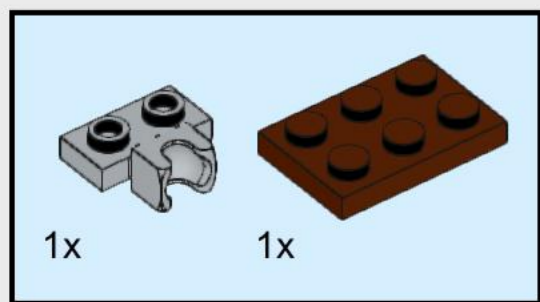
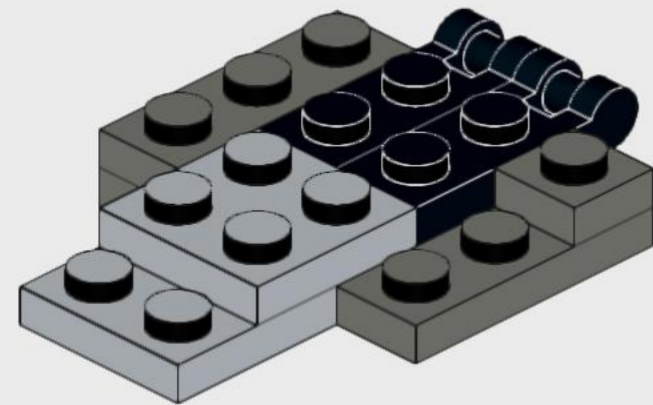




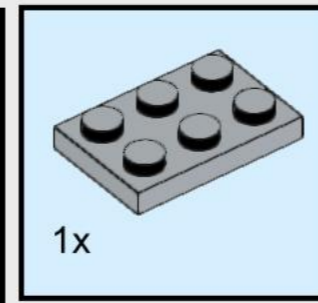
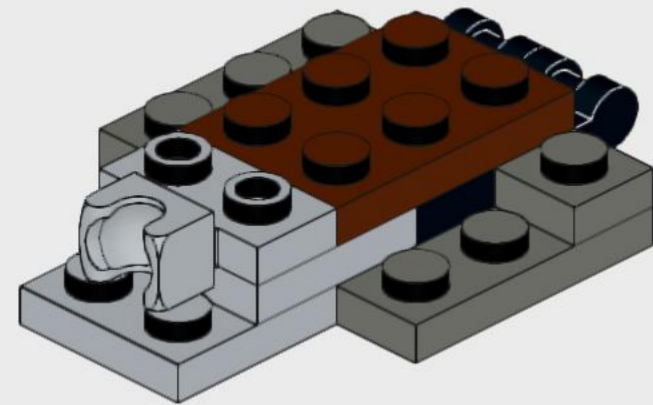
7



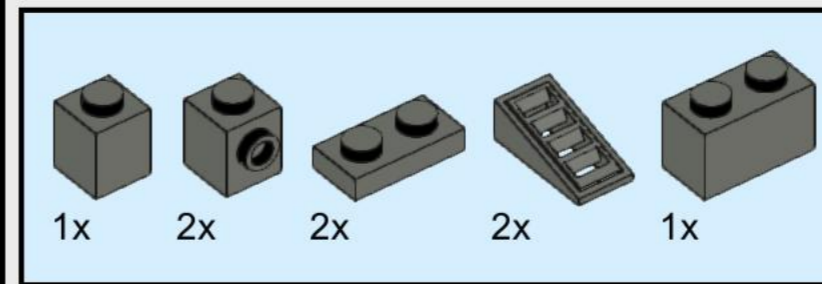
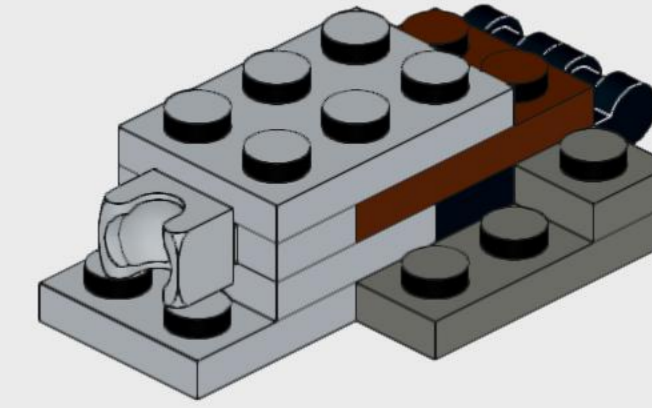
8



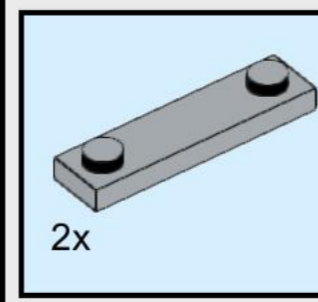
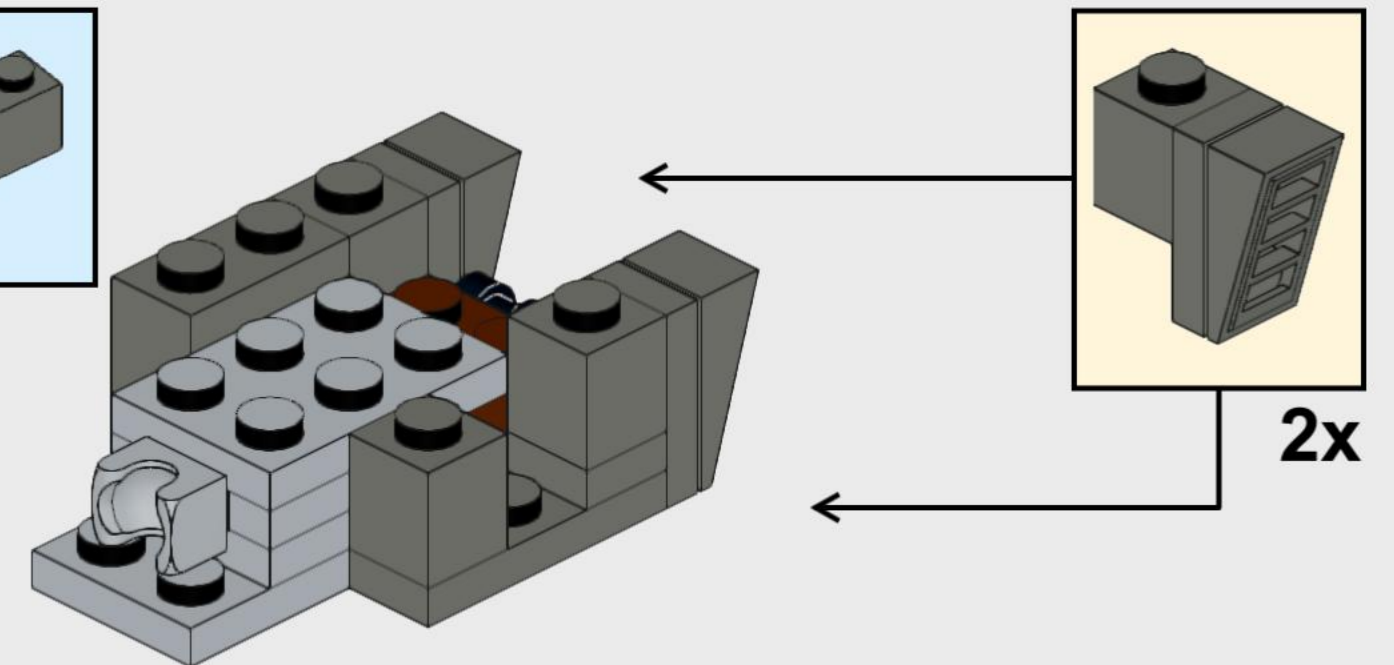
9



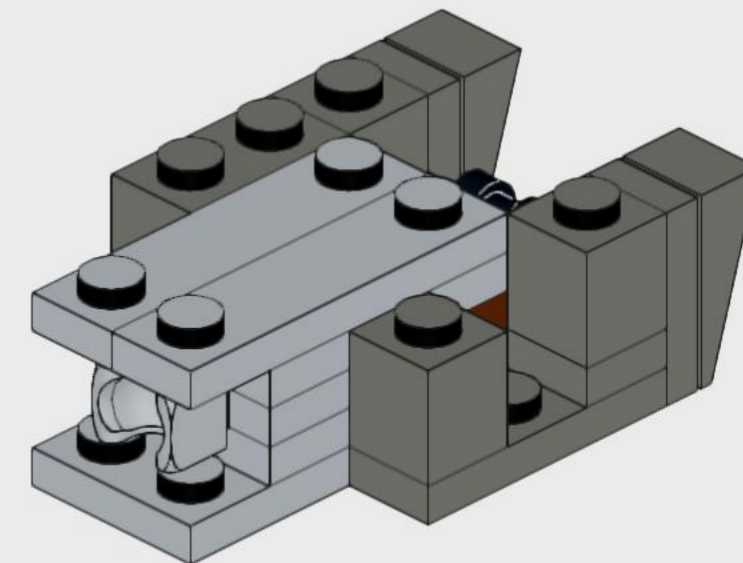
10

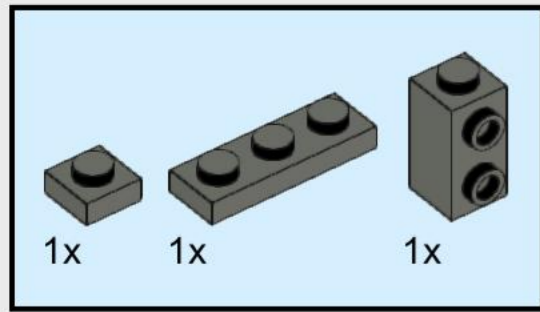


11

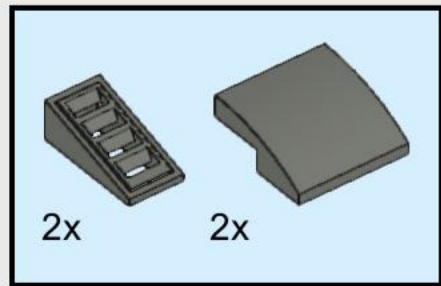
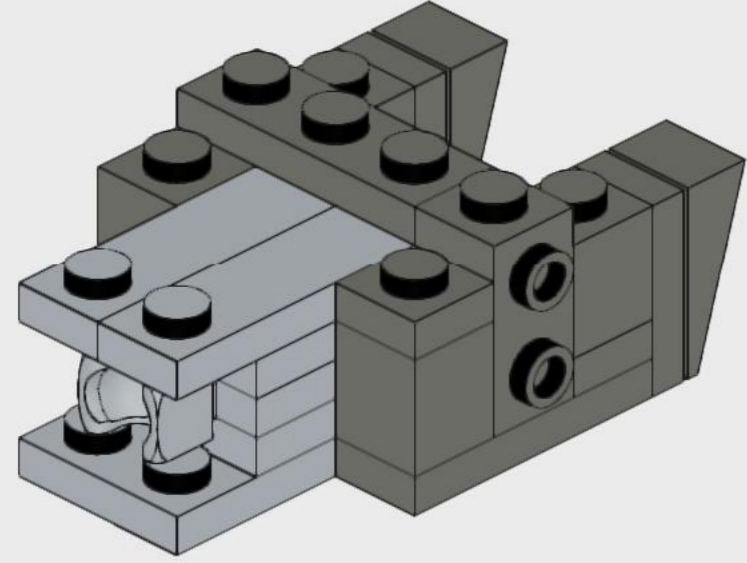


12

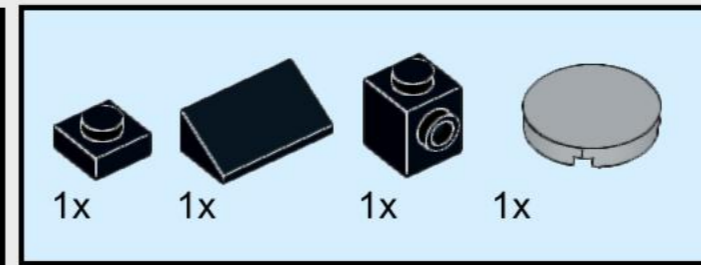
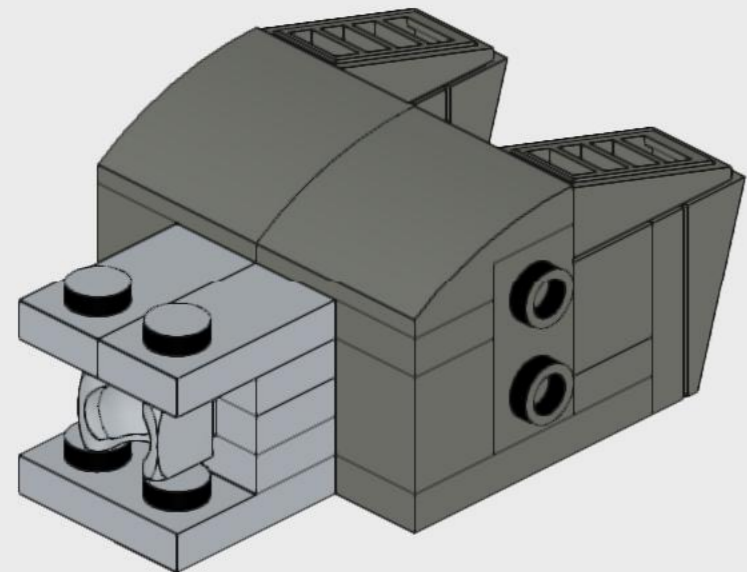




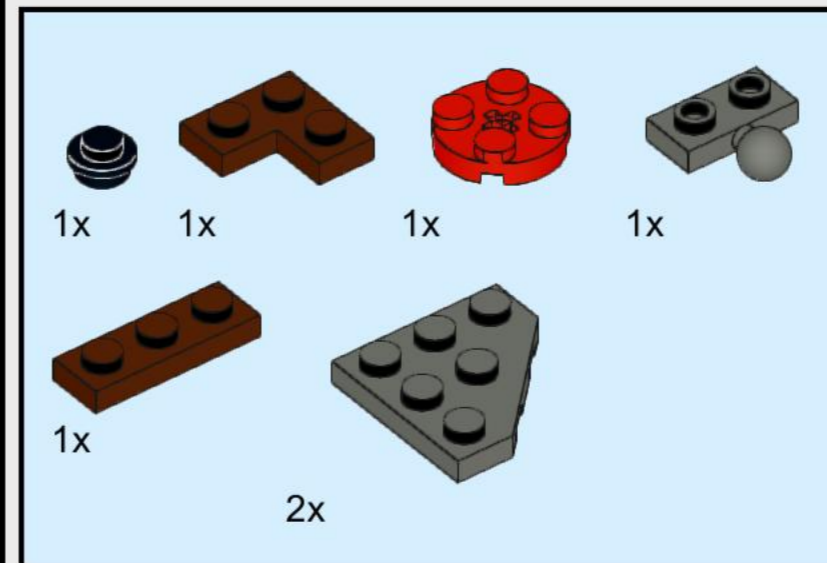
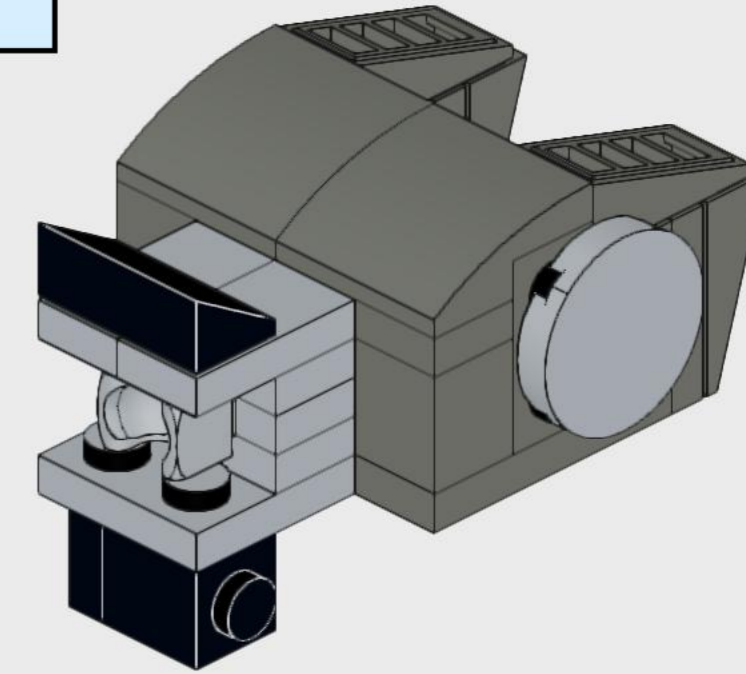
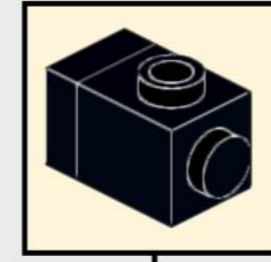
13



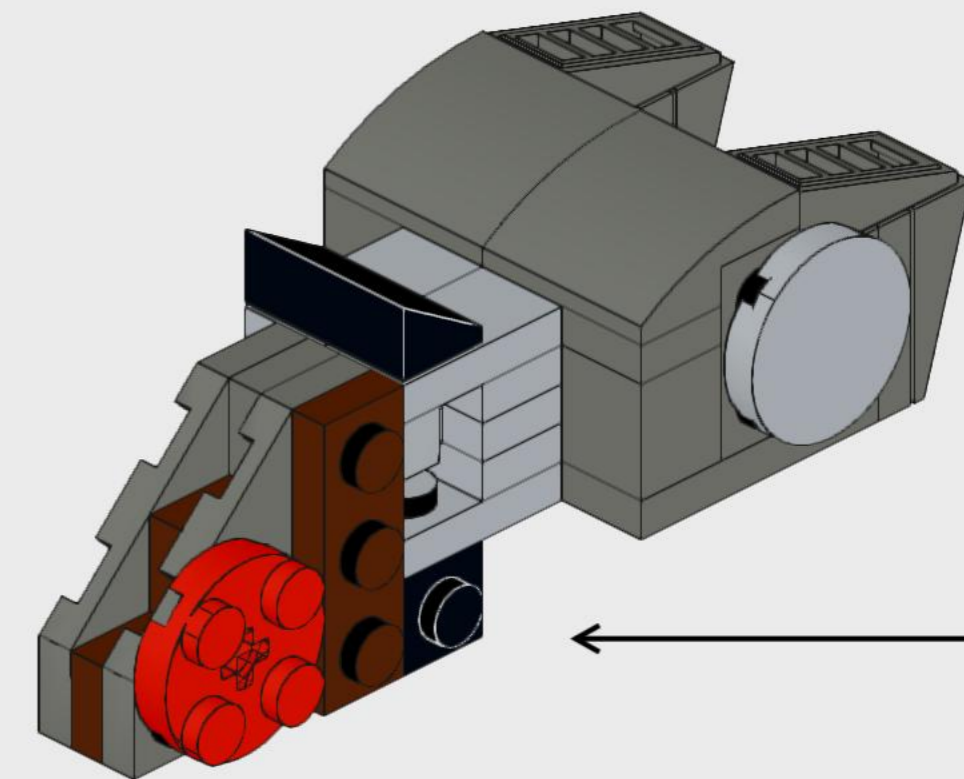
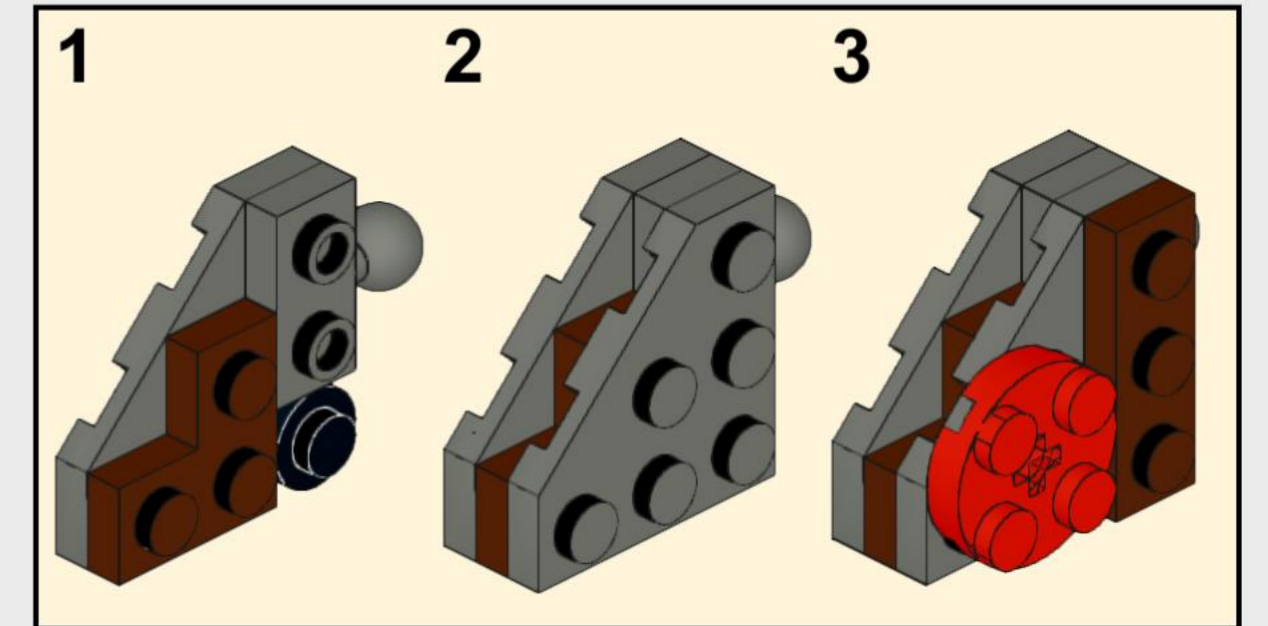
14



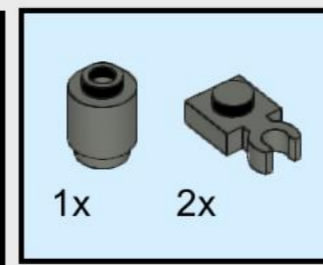
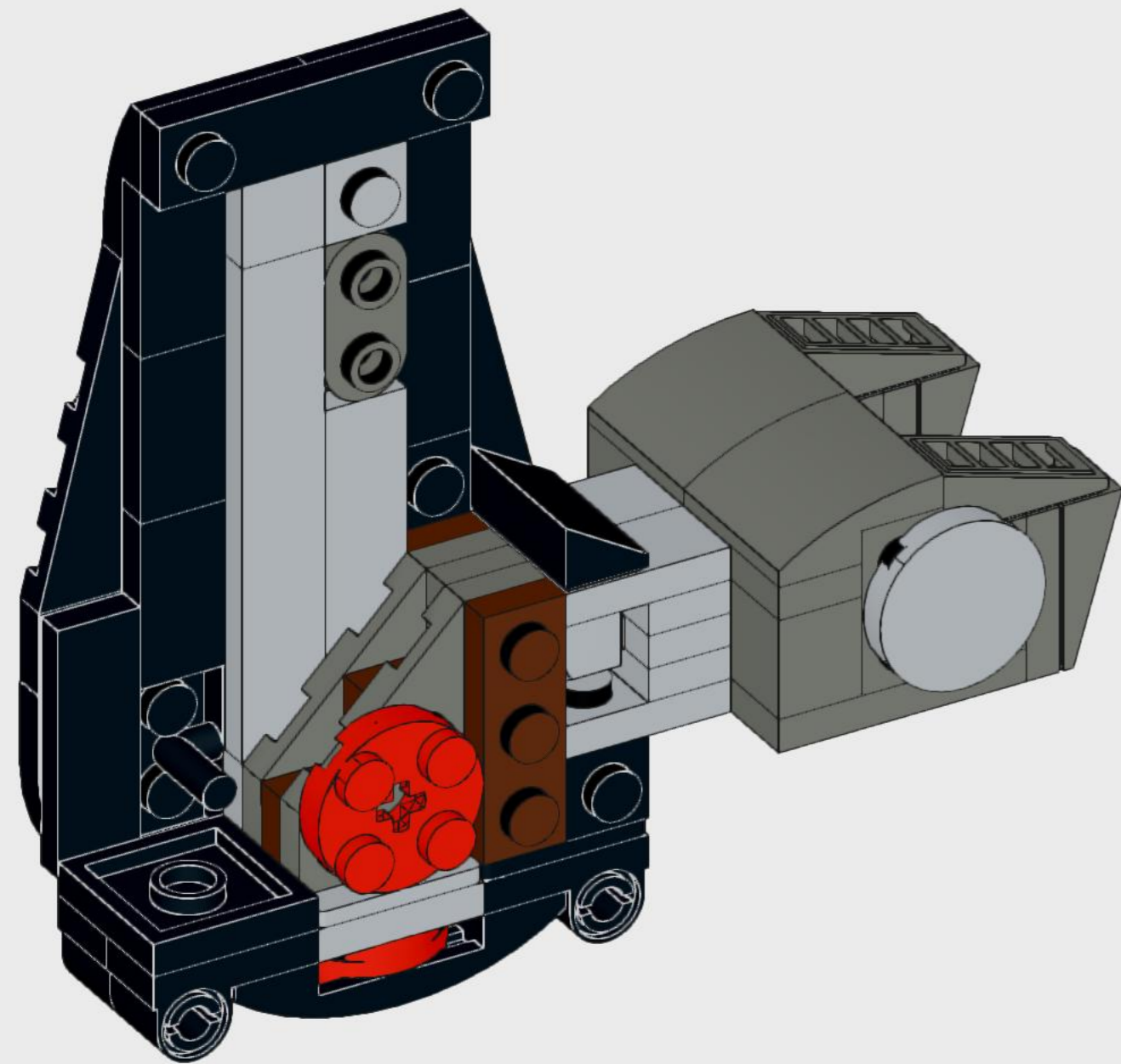
15



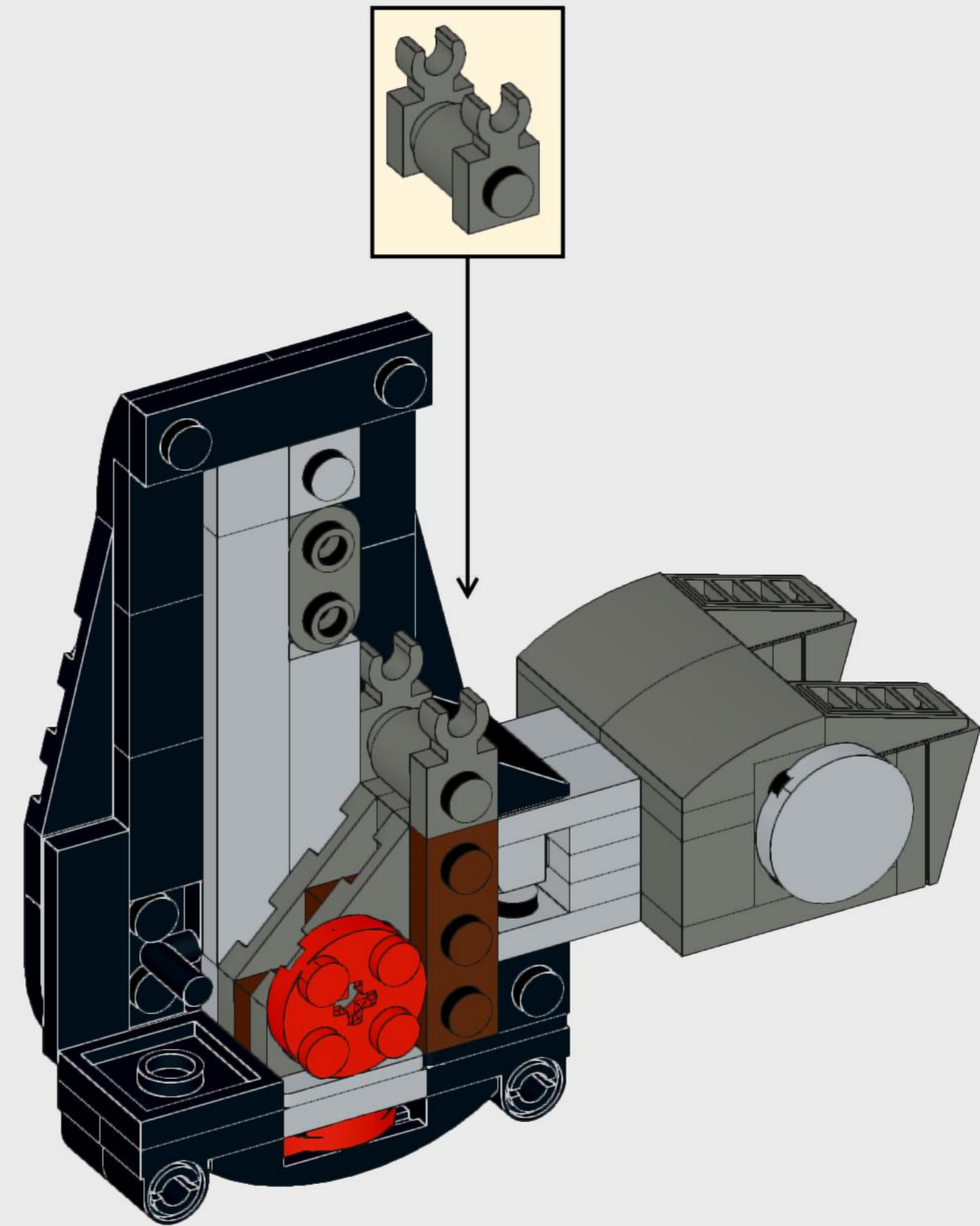
16



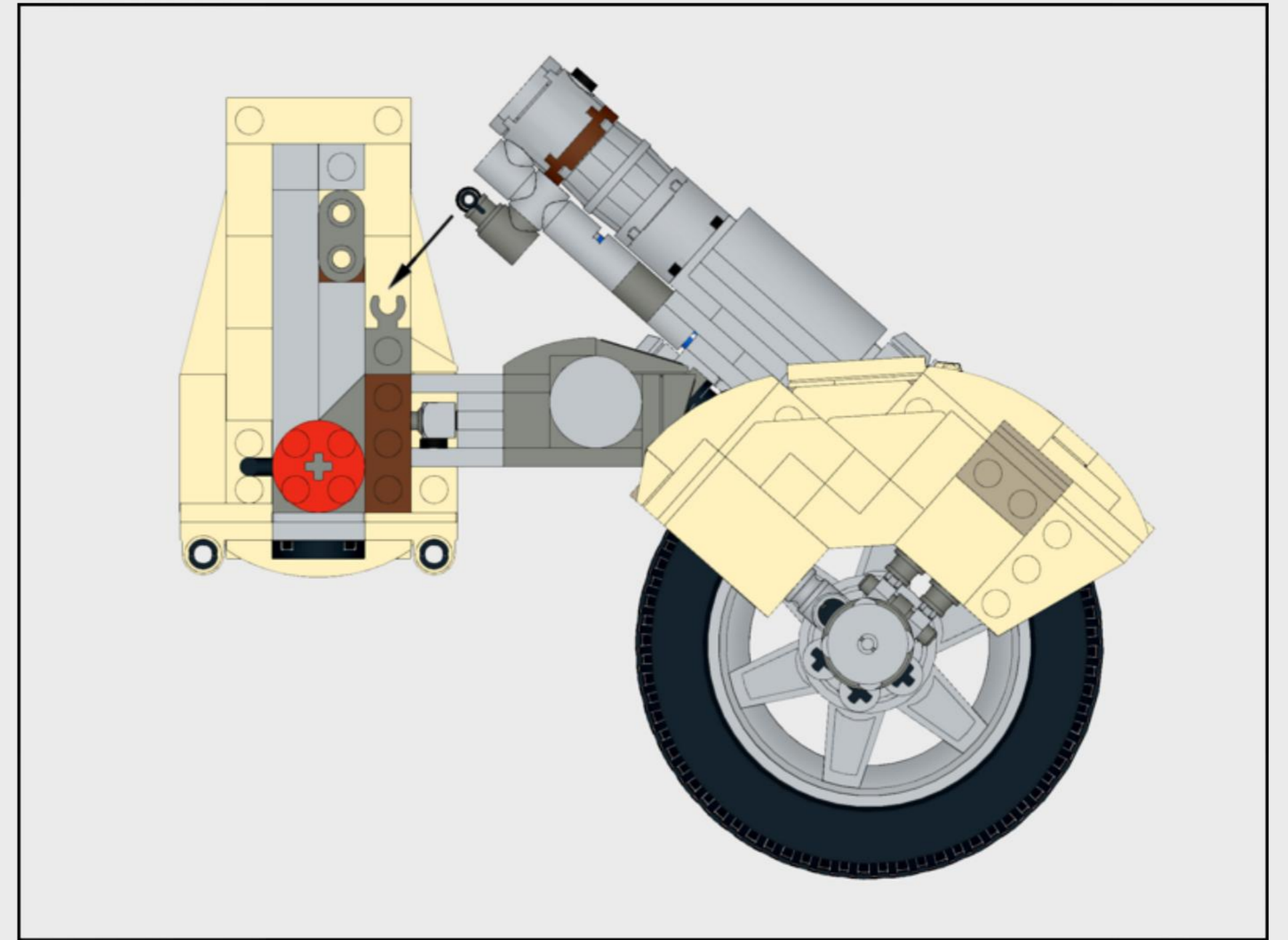
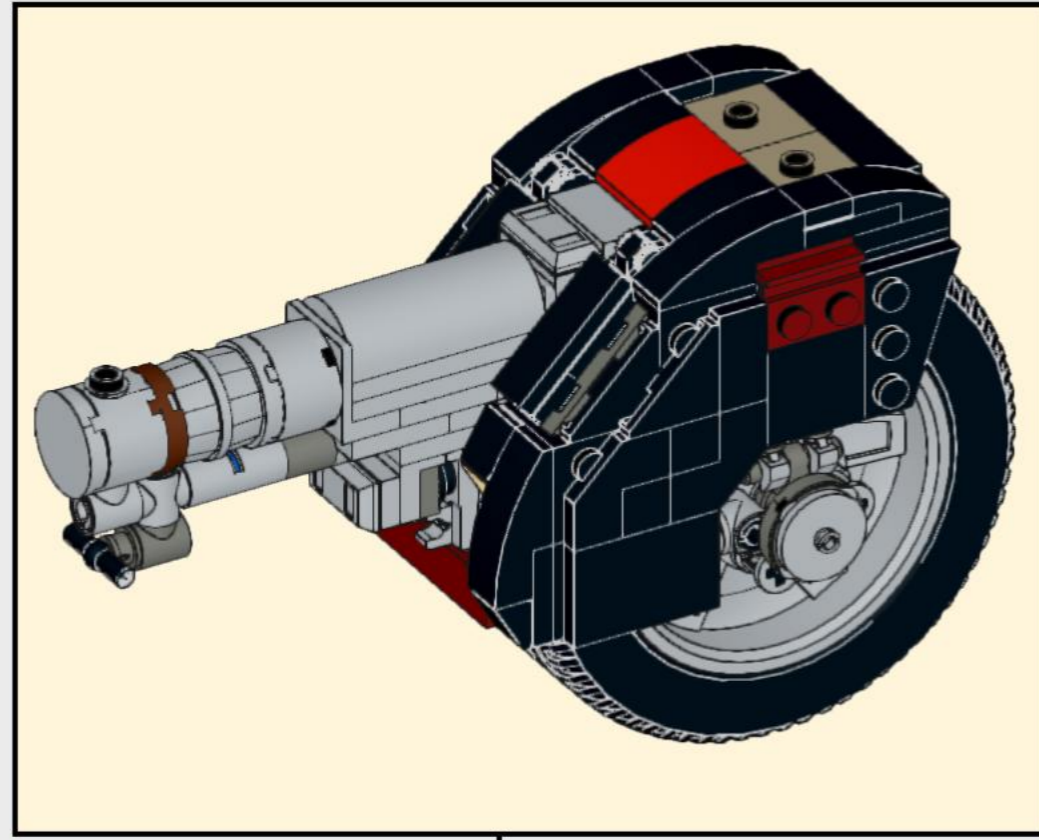
17



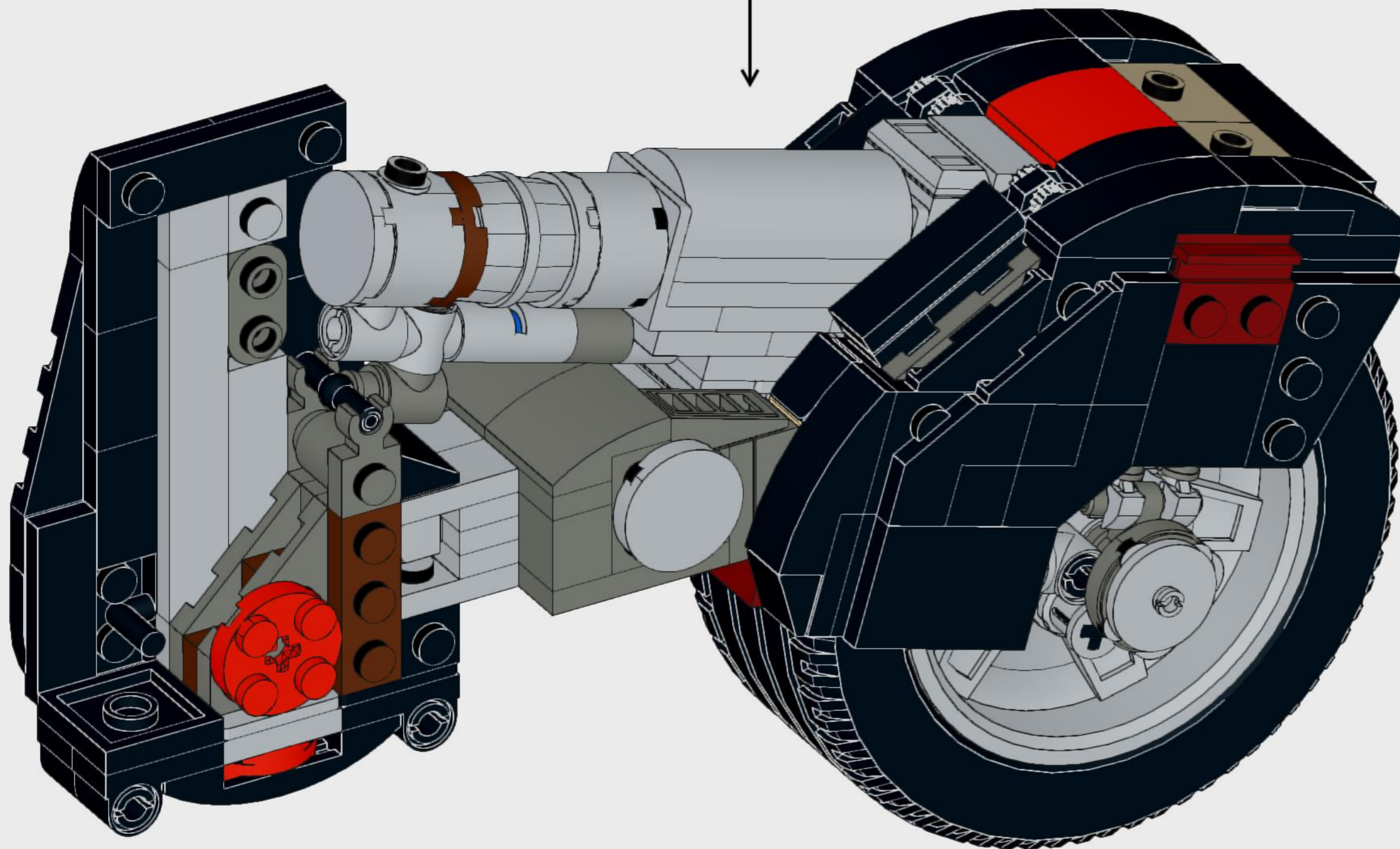
18

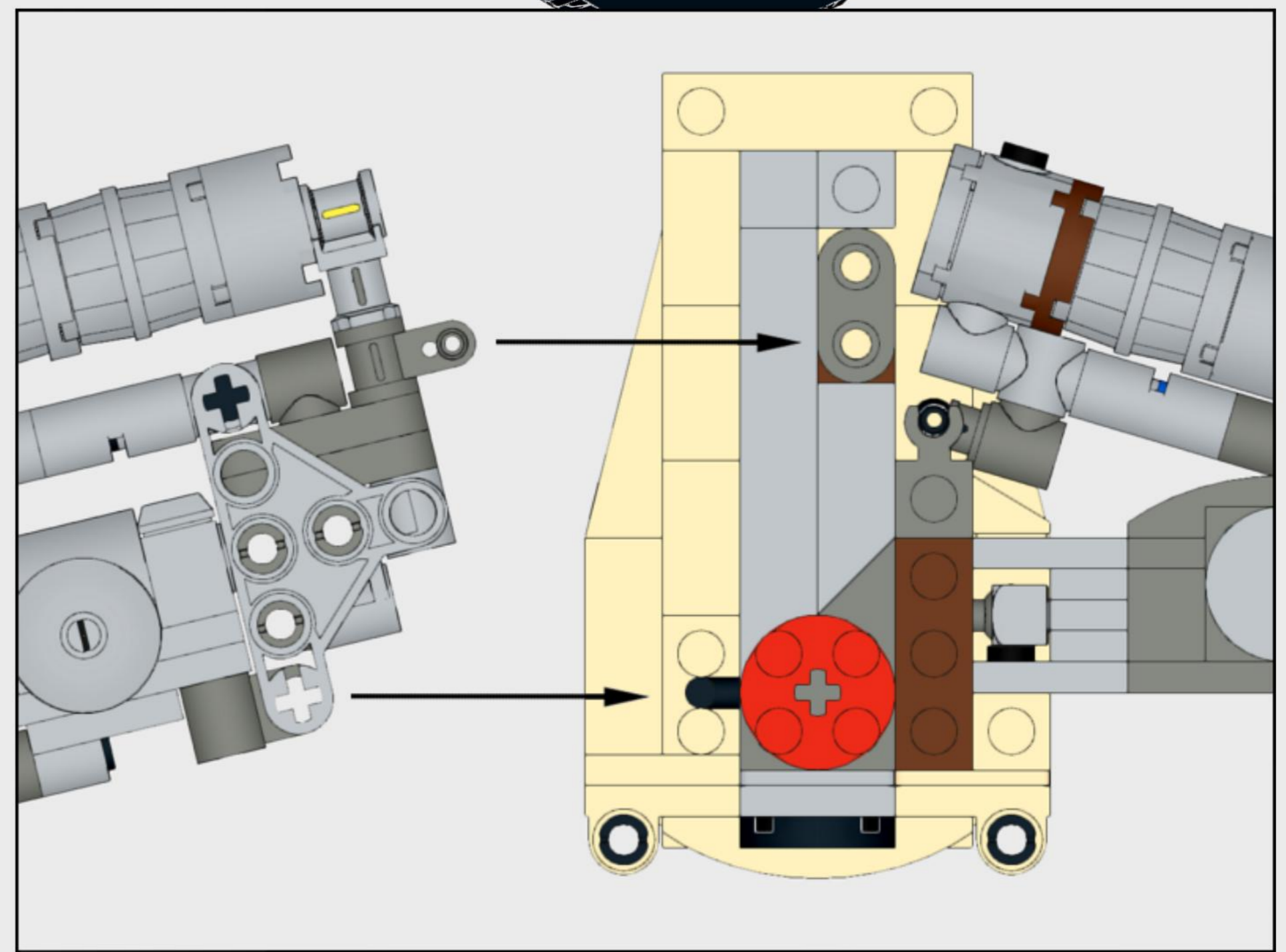
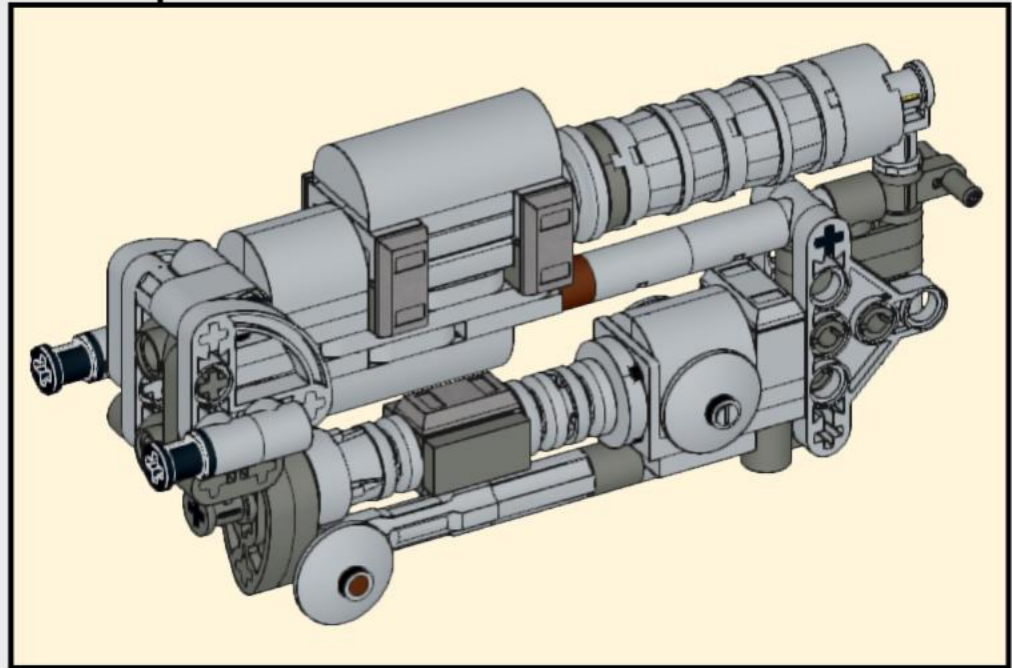
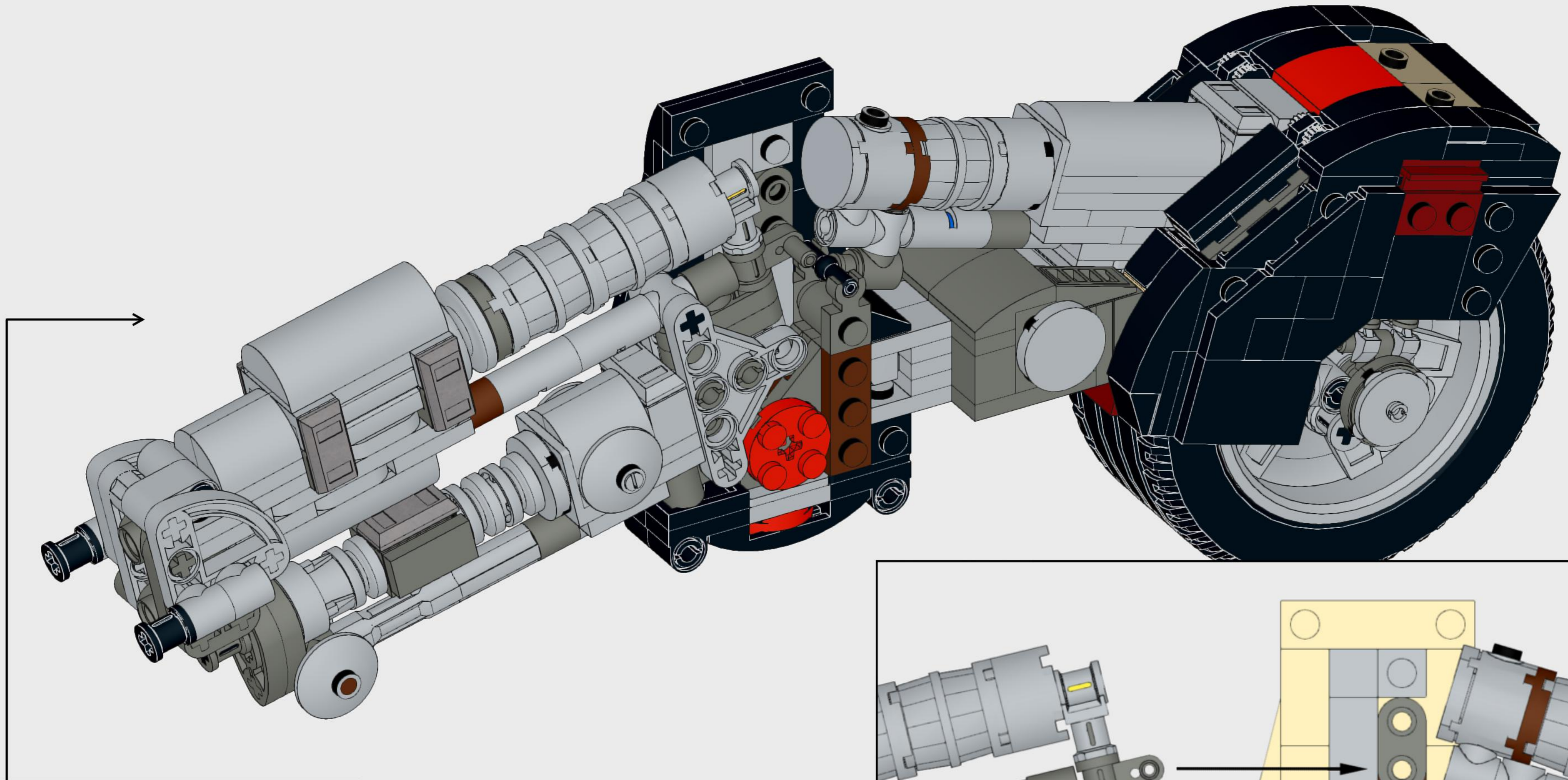


19

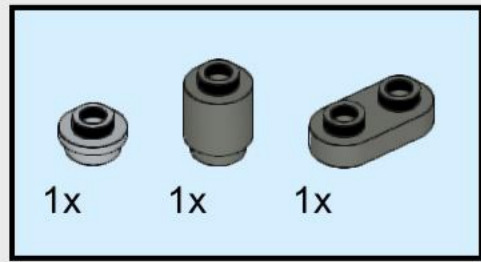


Attach rear wheel by first snapping bar and clips together at base of wheel. Then rotate the top down to clip the black bar into place.

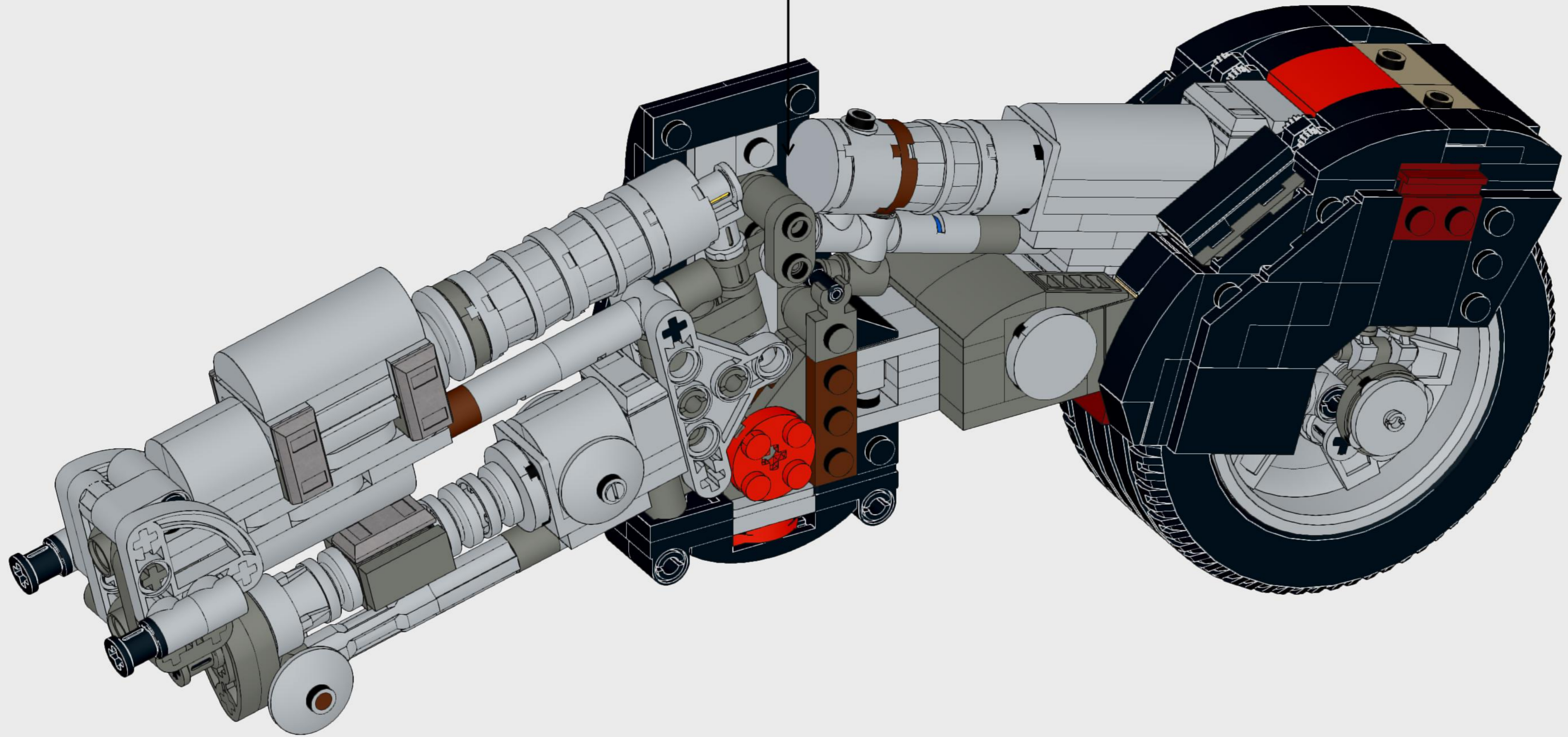
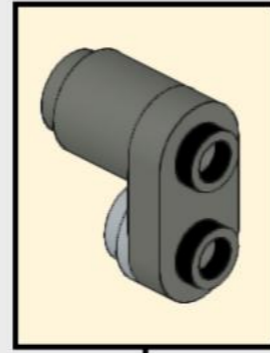


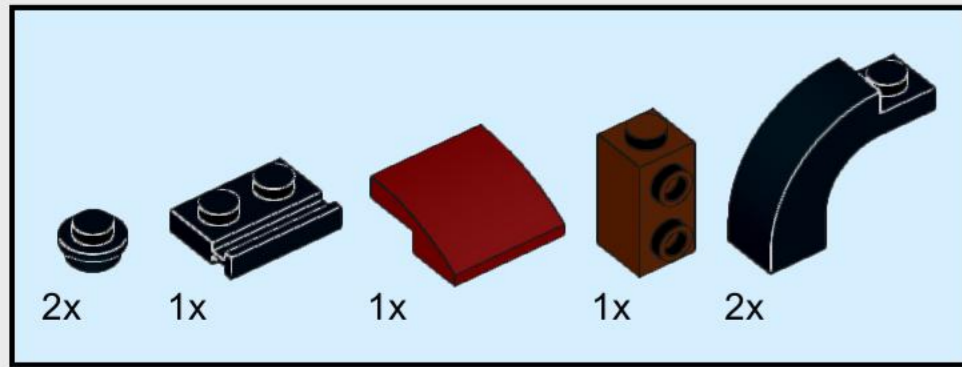


Slide bars into corresponding holes as shown.

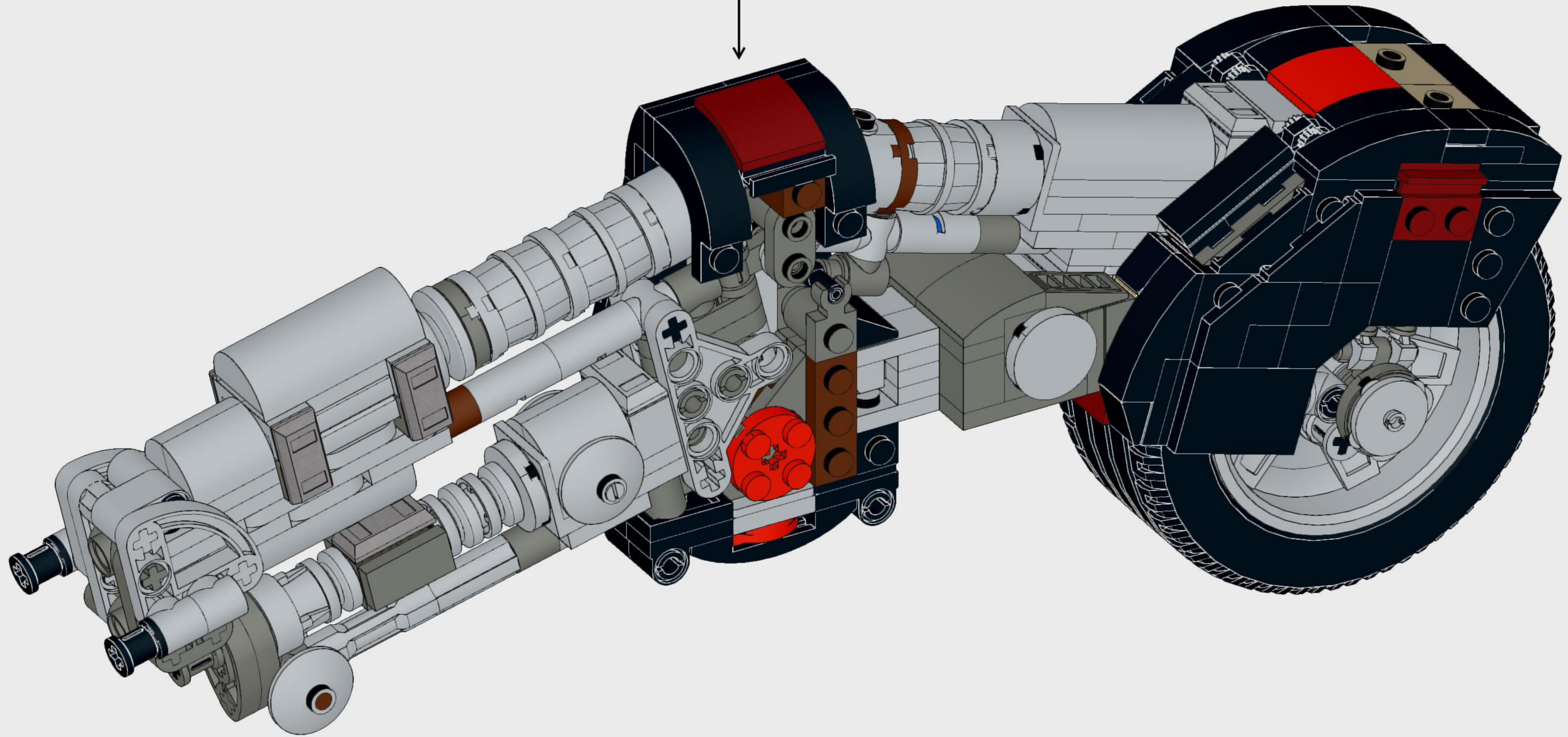
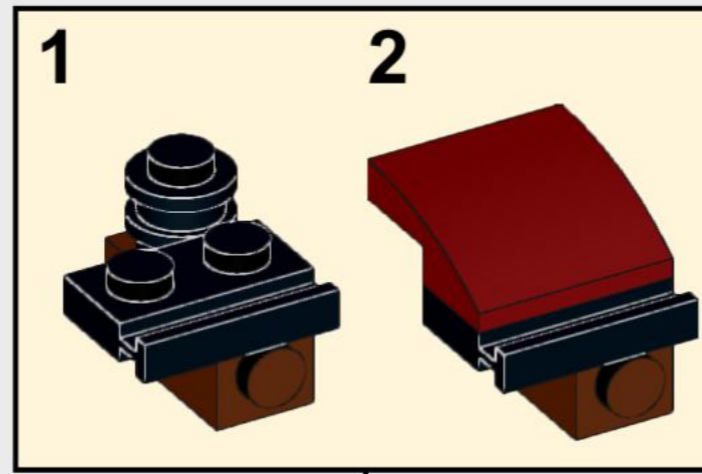


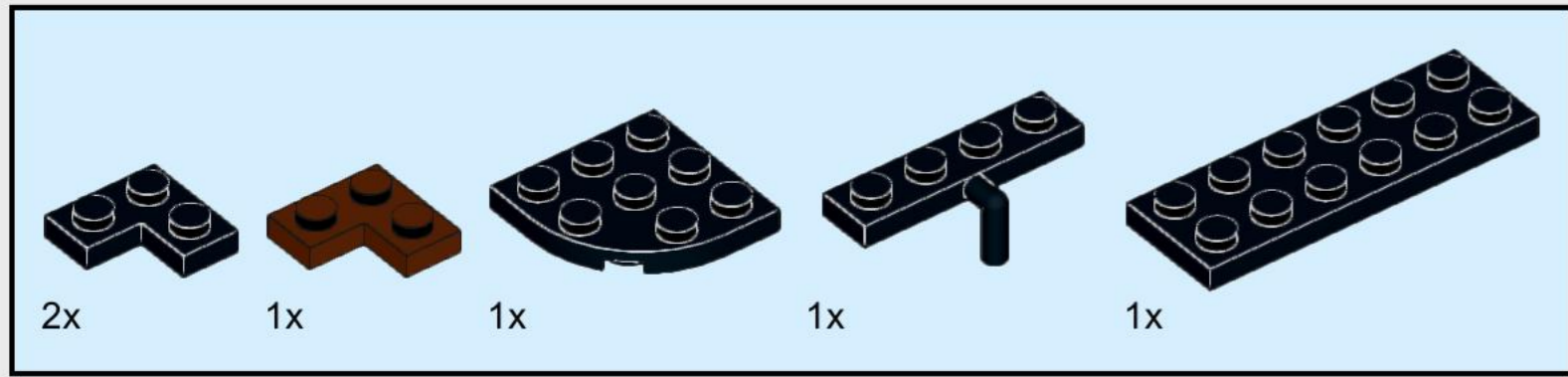
21



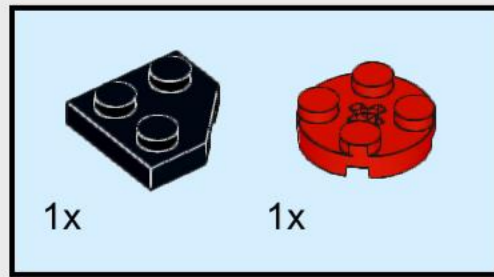
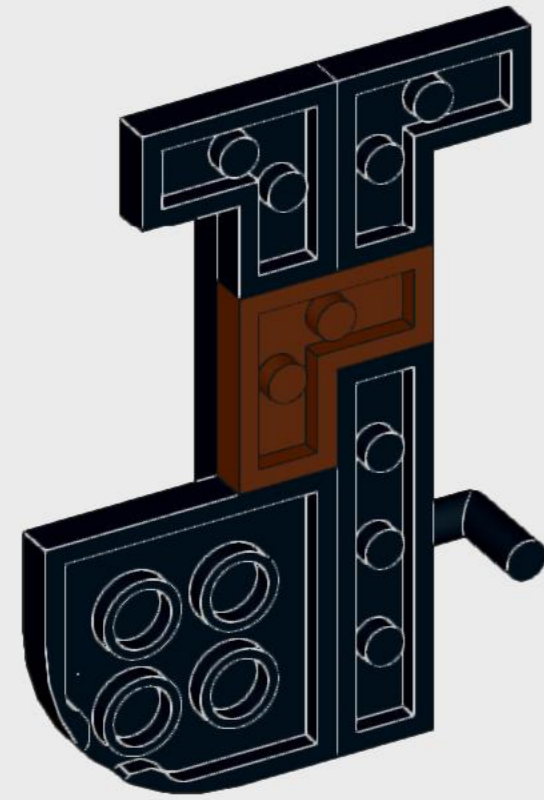


22

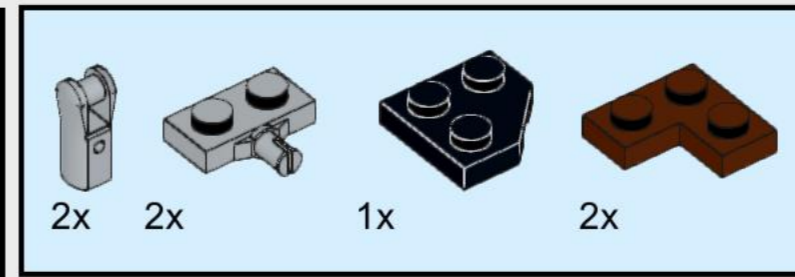
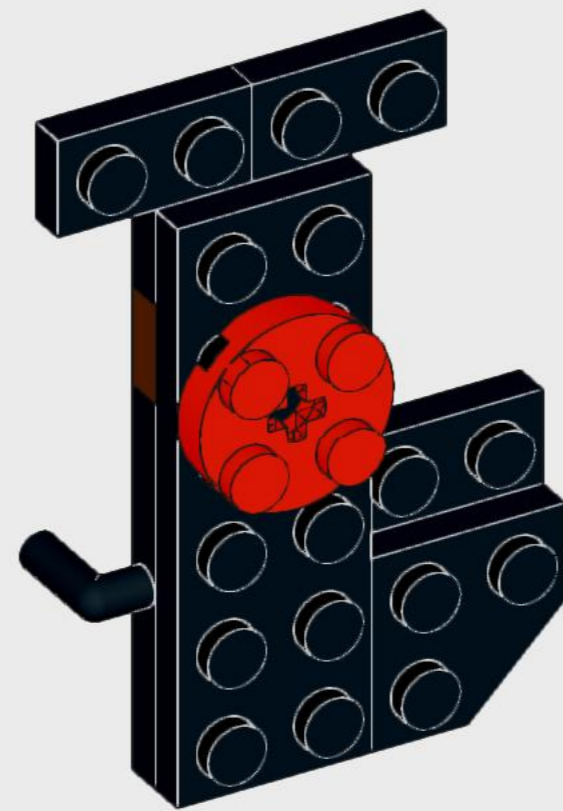




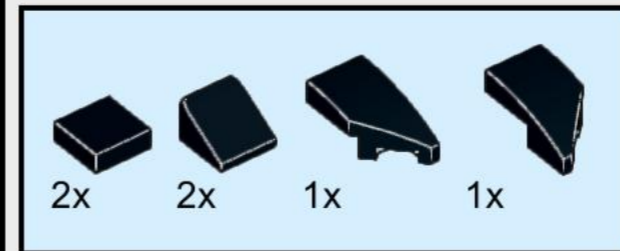
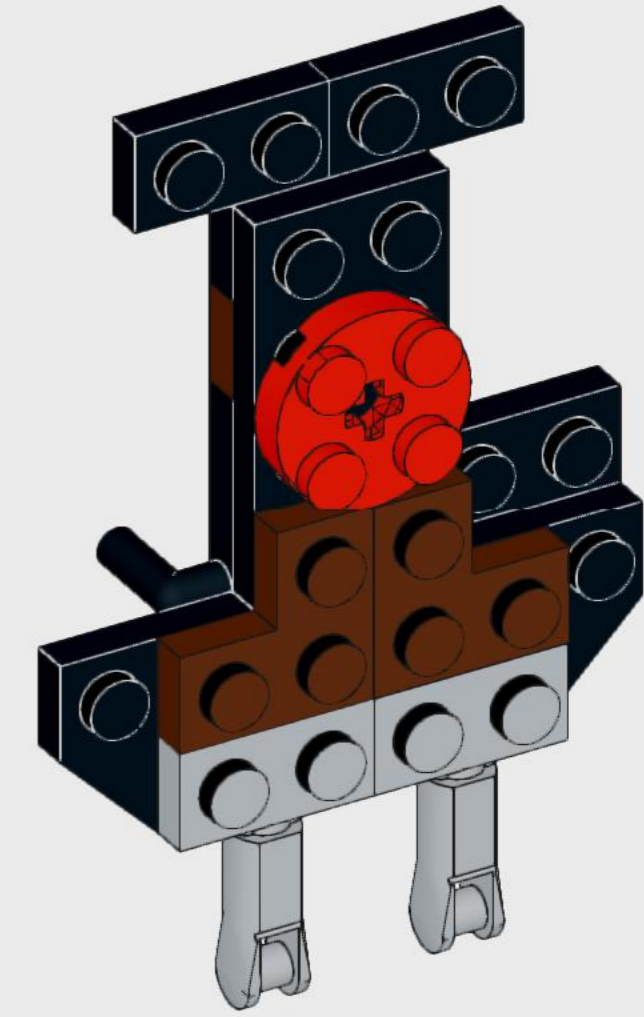
23



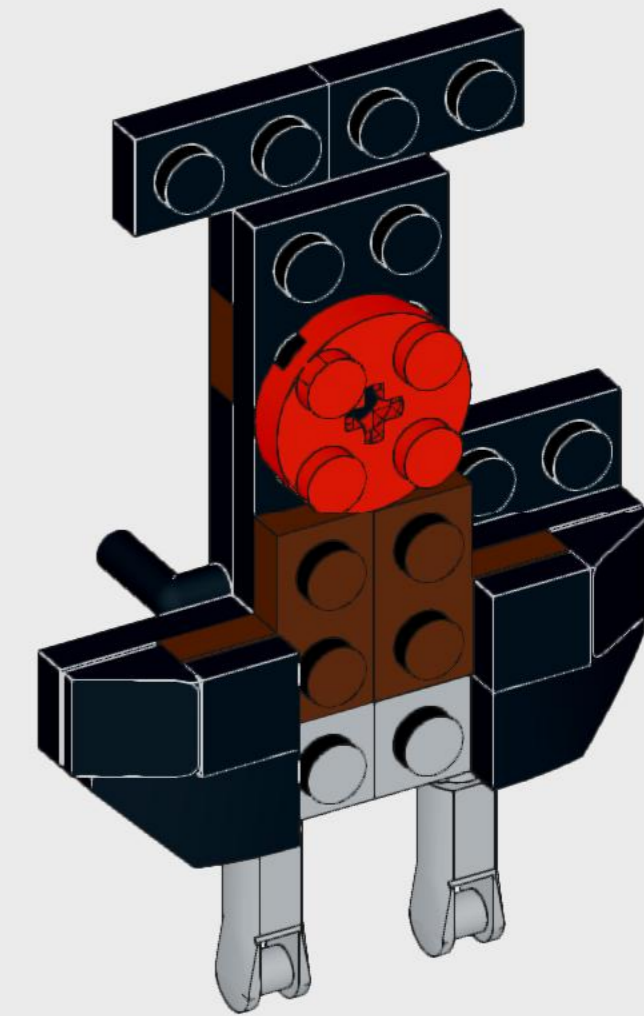
24 

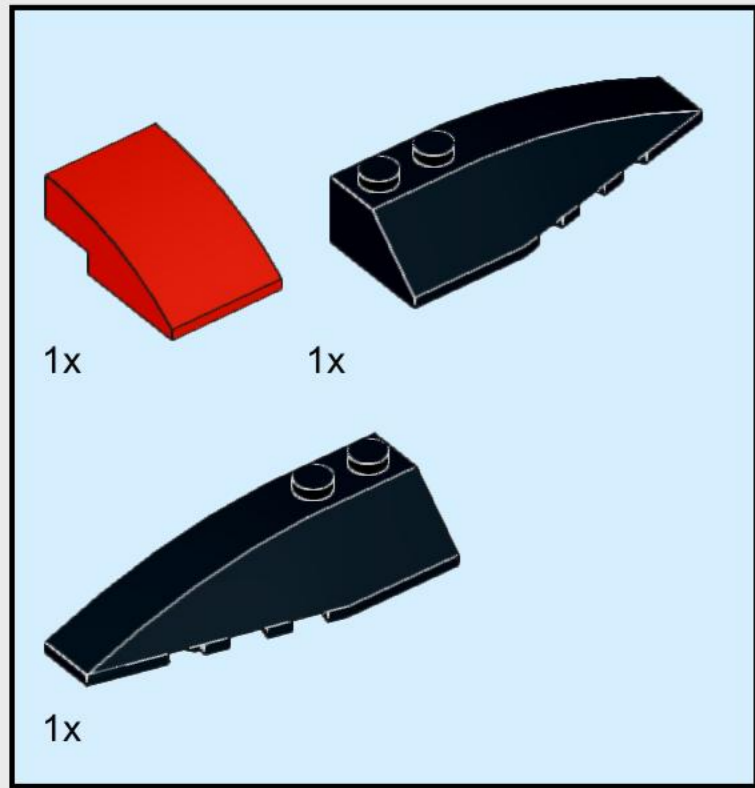


25

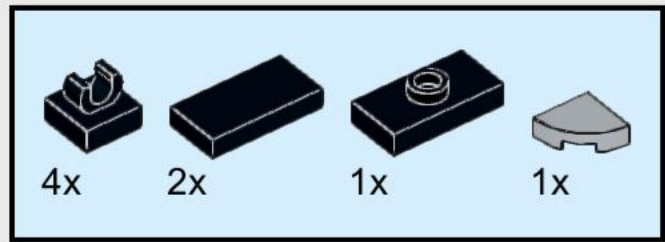
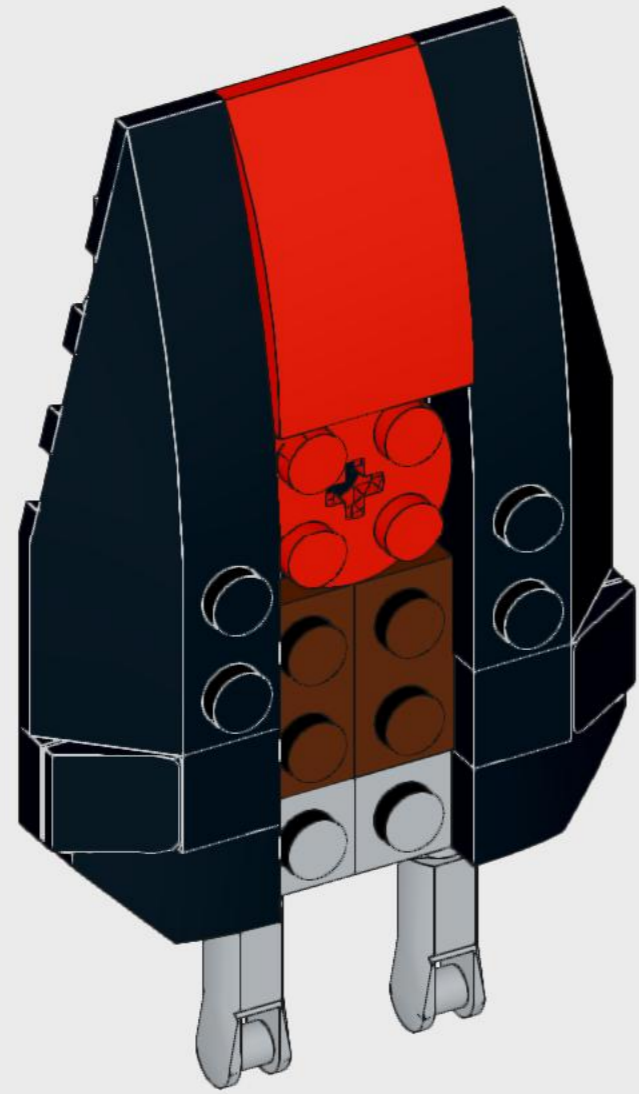


26

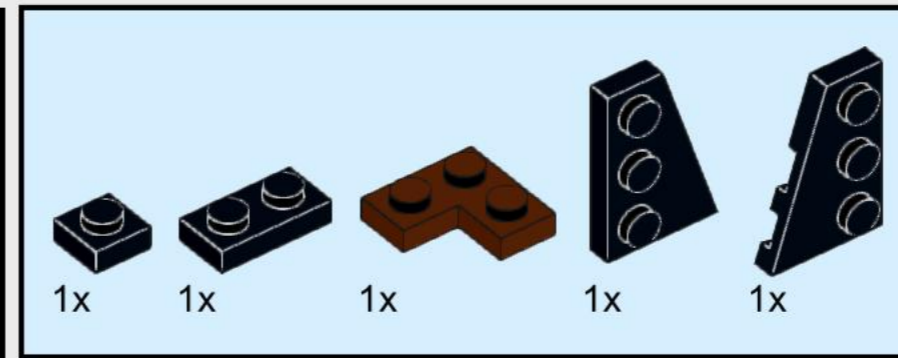
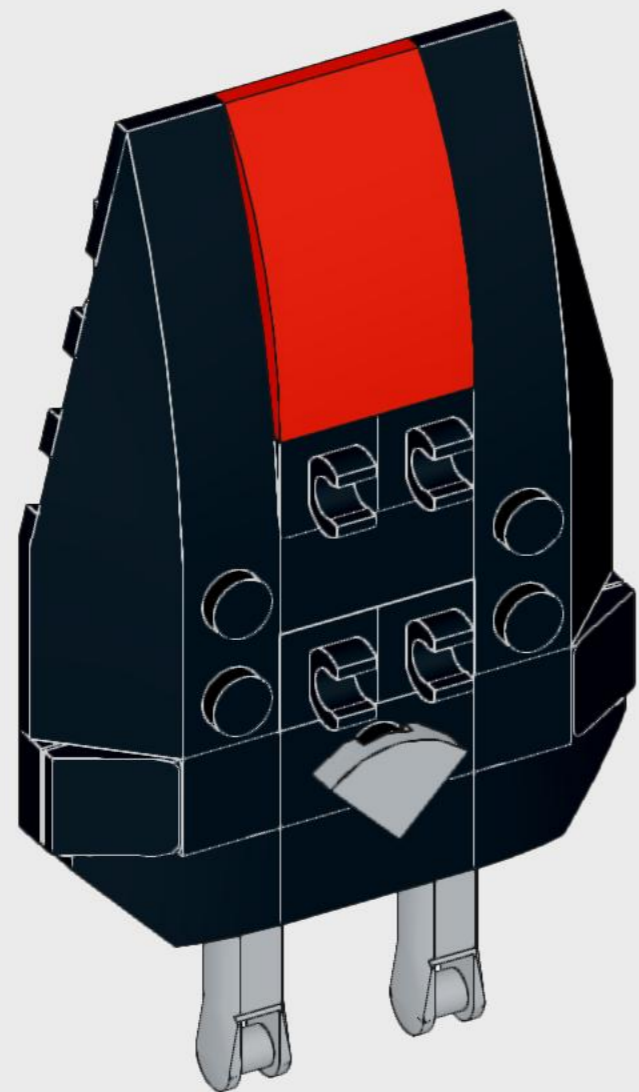




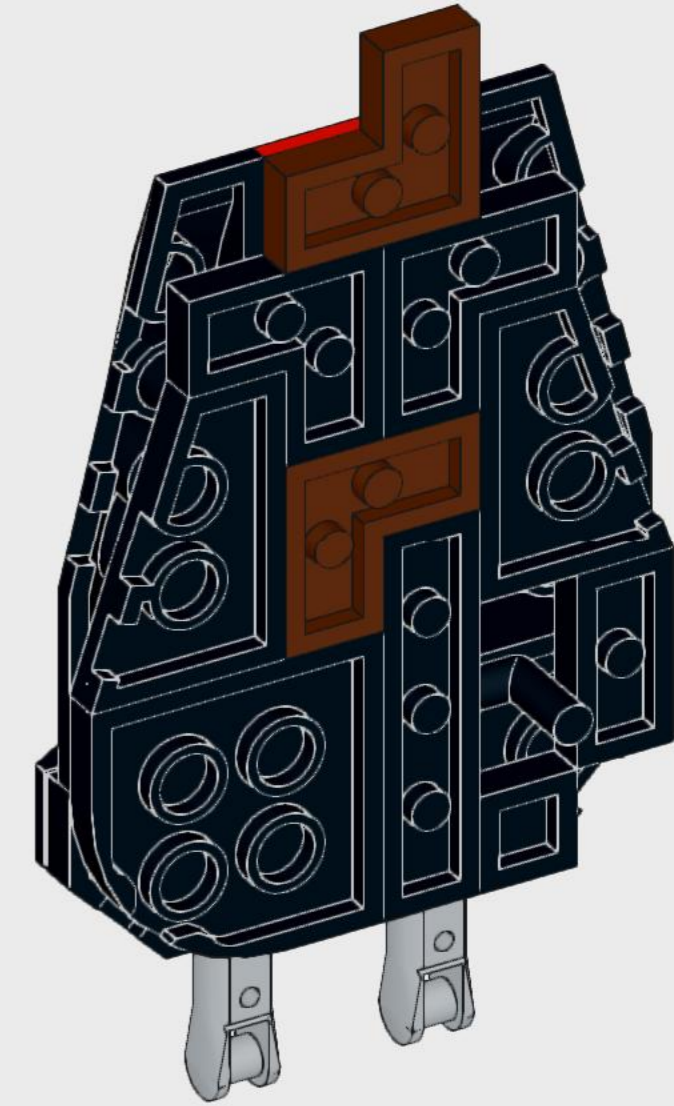
27



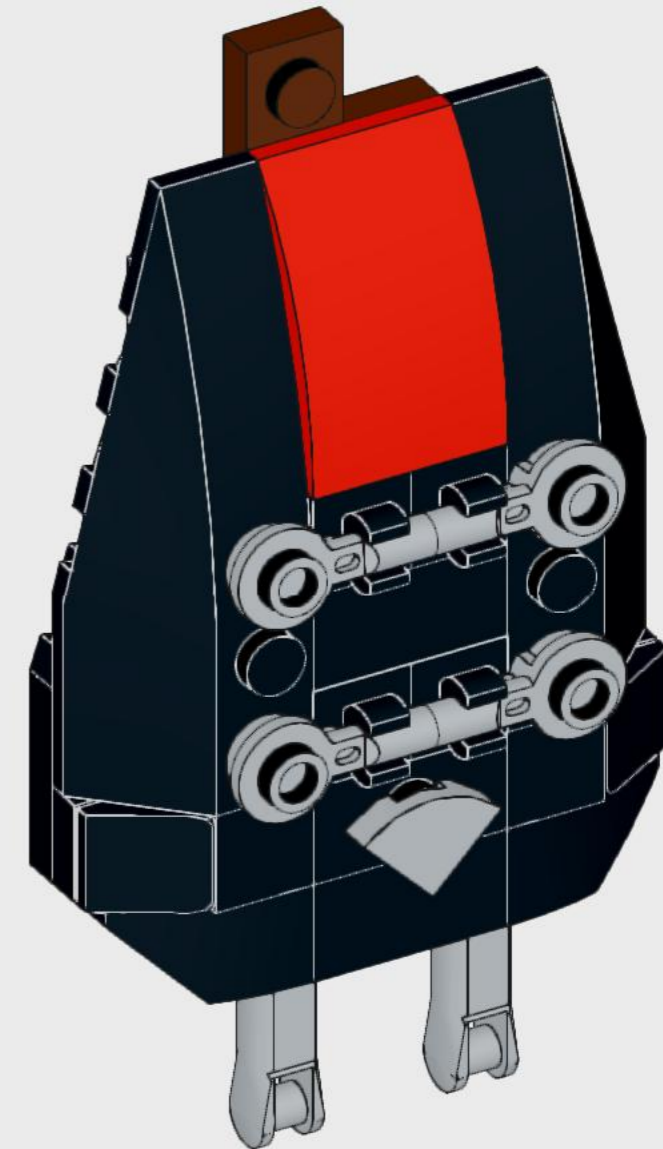
28

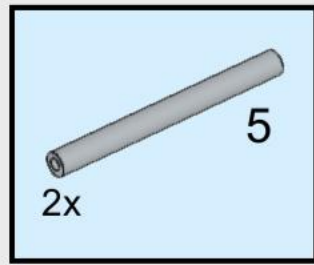


29

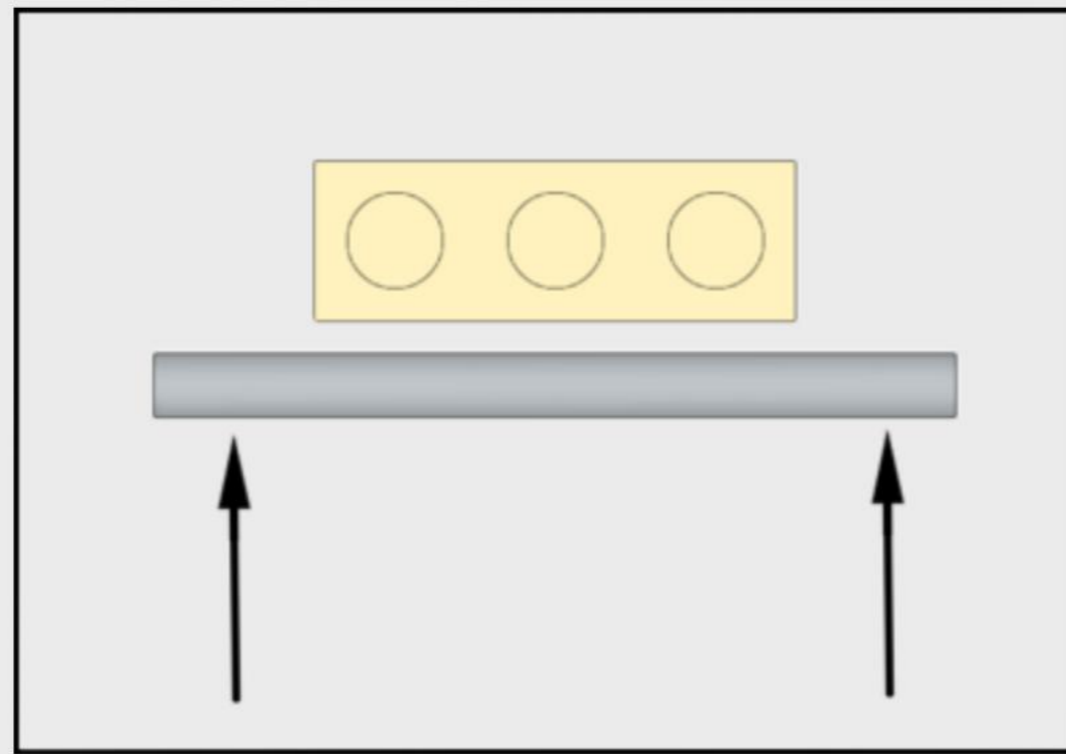


30

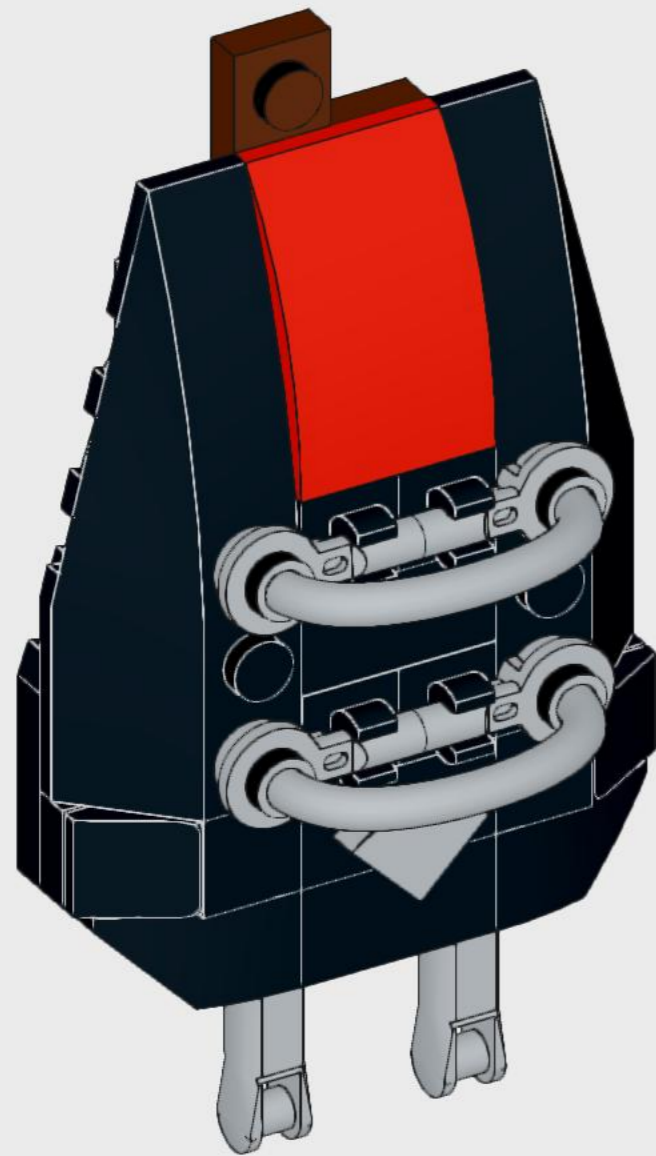




31

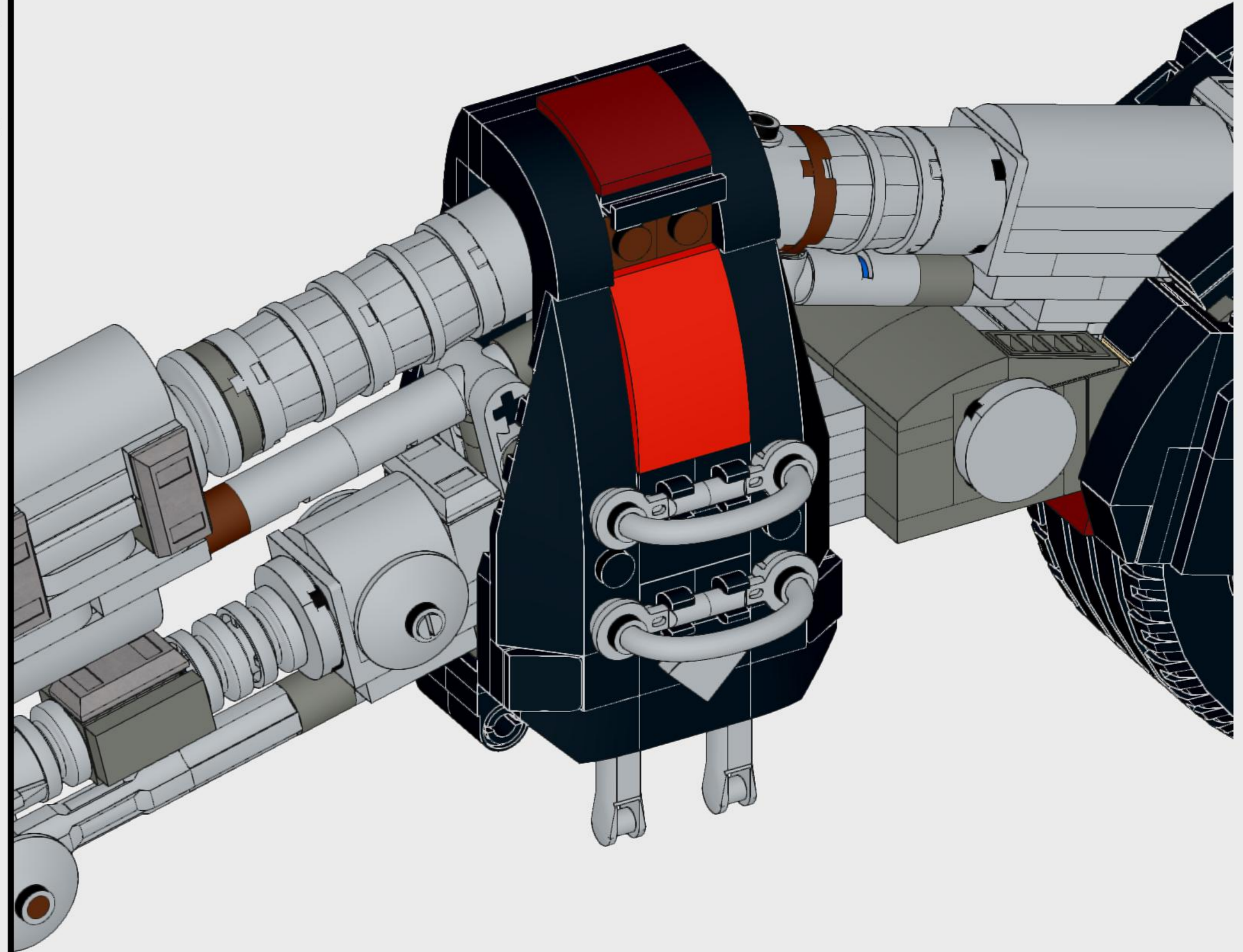


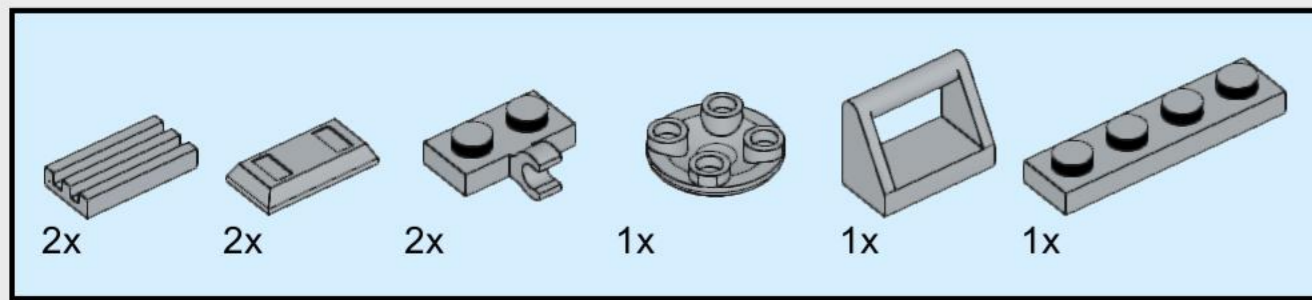
Press 5-long rigid hoses against the corners of a 3-long plate to crease/pinch the hose at a 90 degree angle. Then insert into hollow studs.



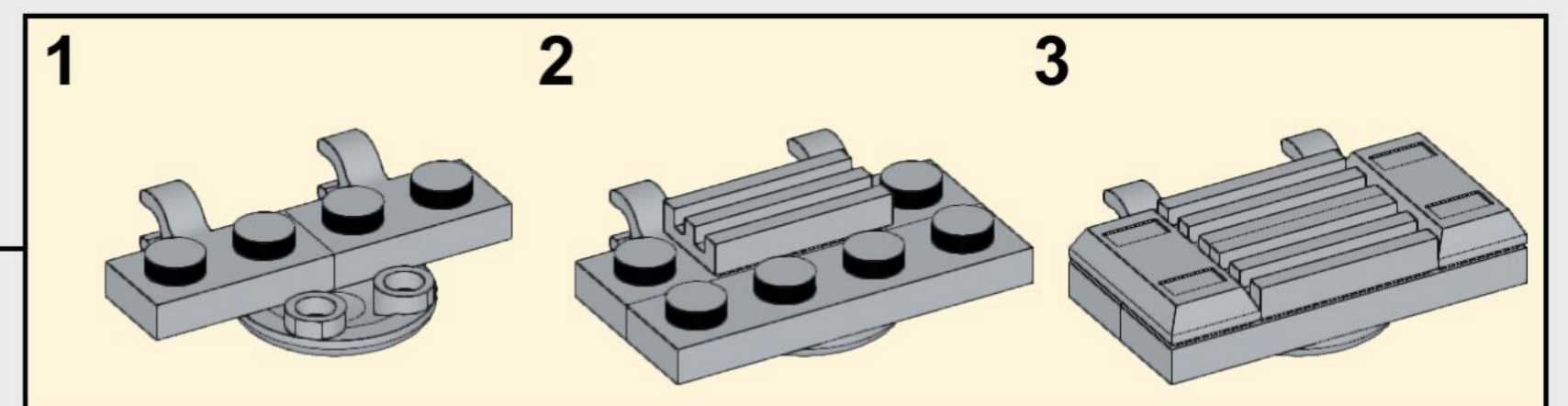
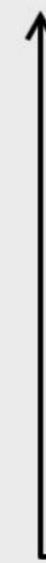
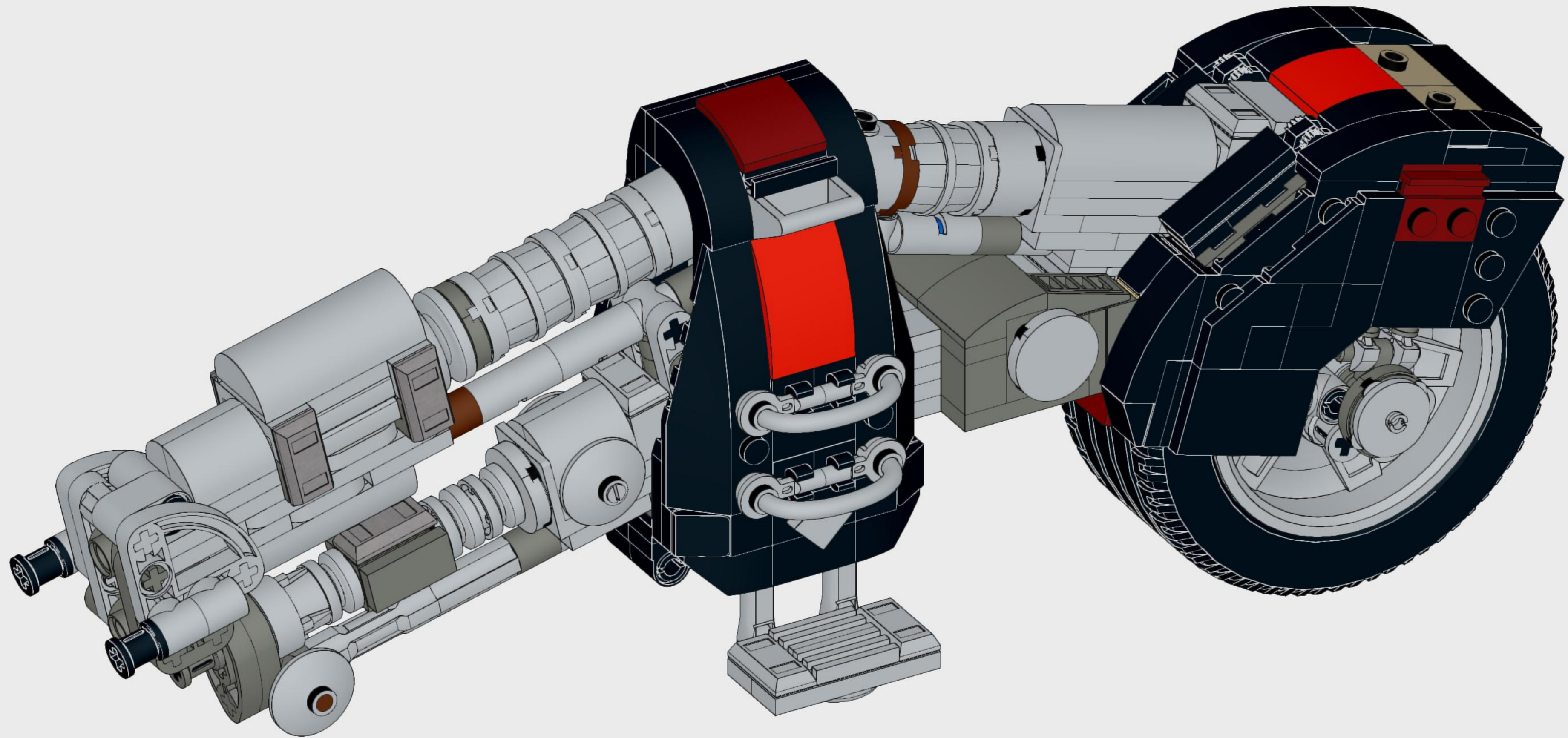
32

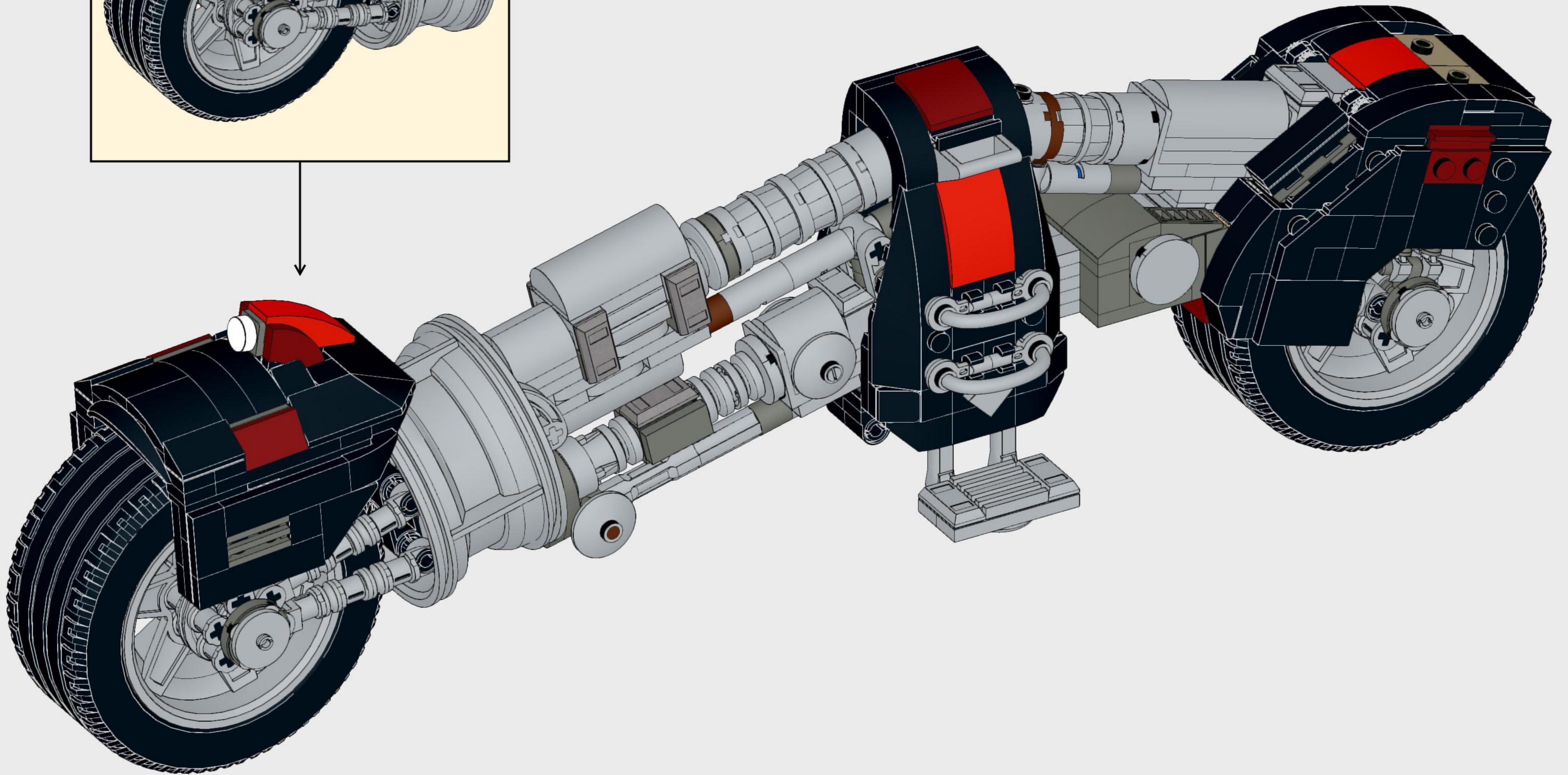
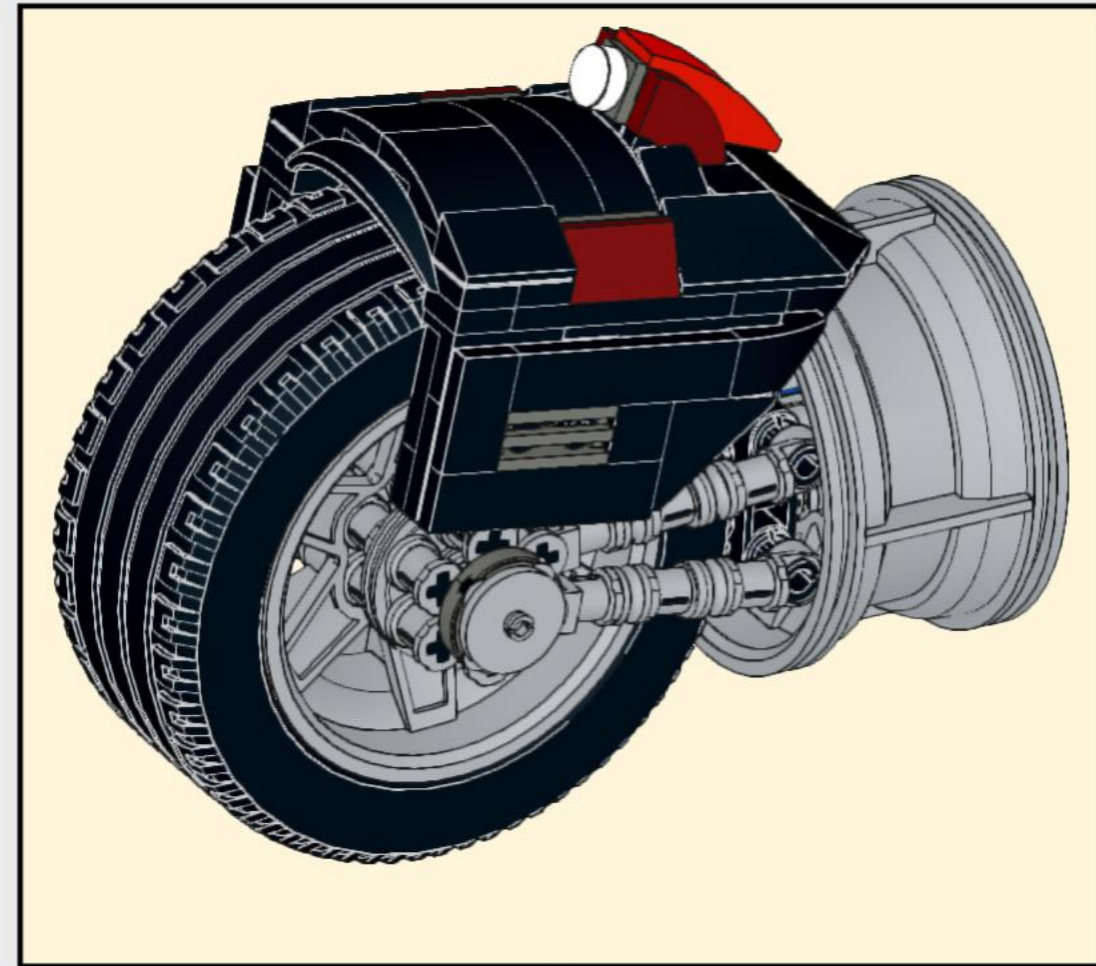
Note that this section will fit somewhat tight when placed, due to the grey arms putting pressure on the arched bricks.

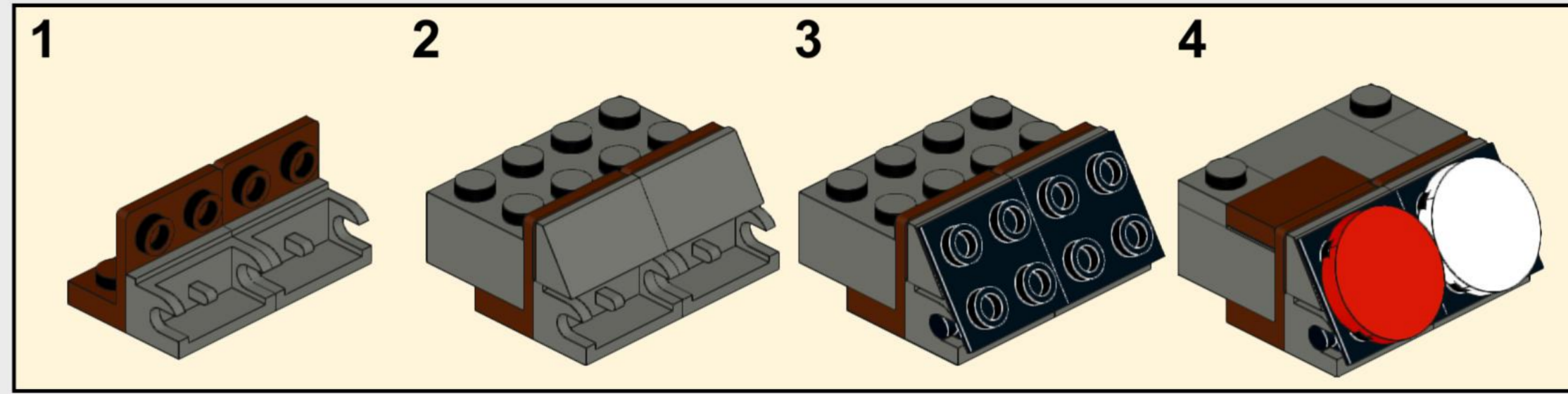
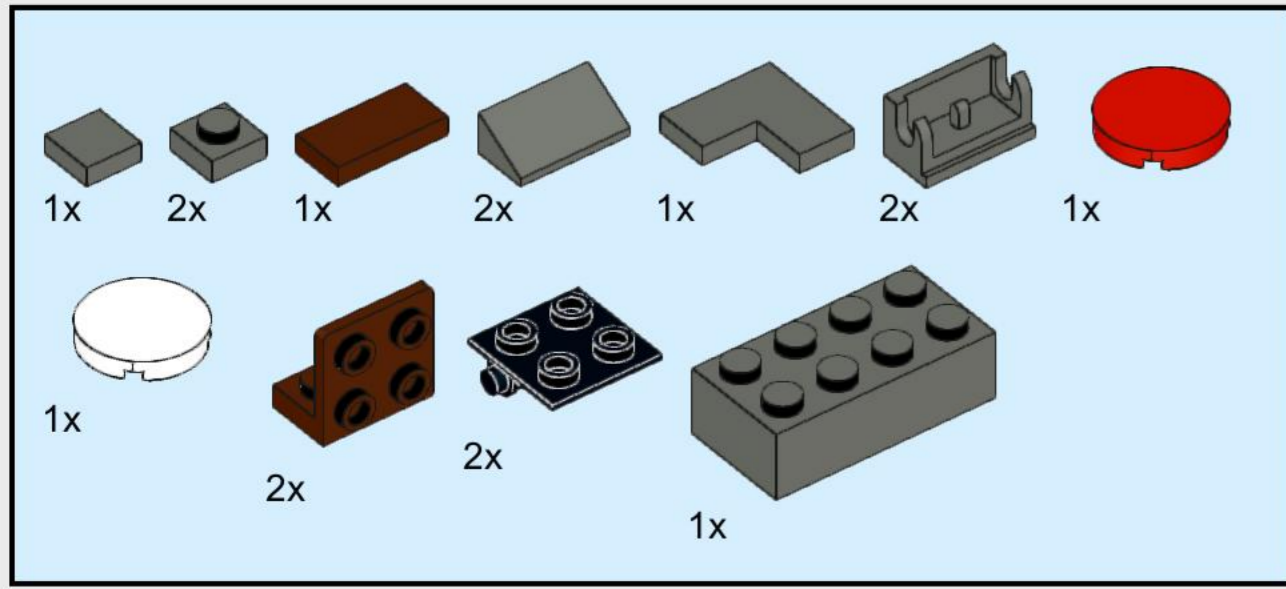




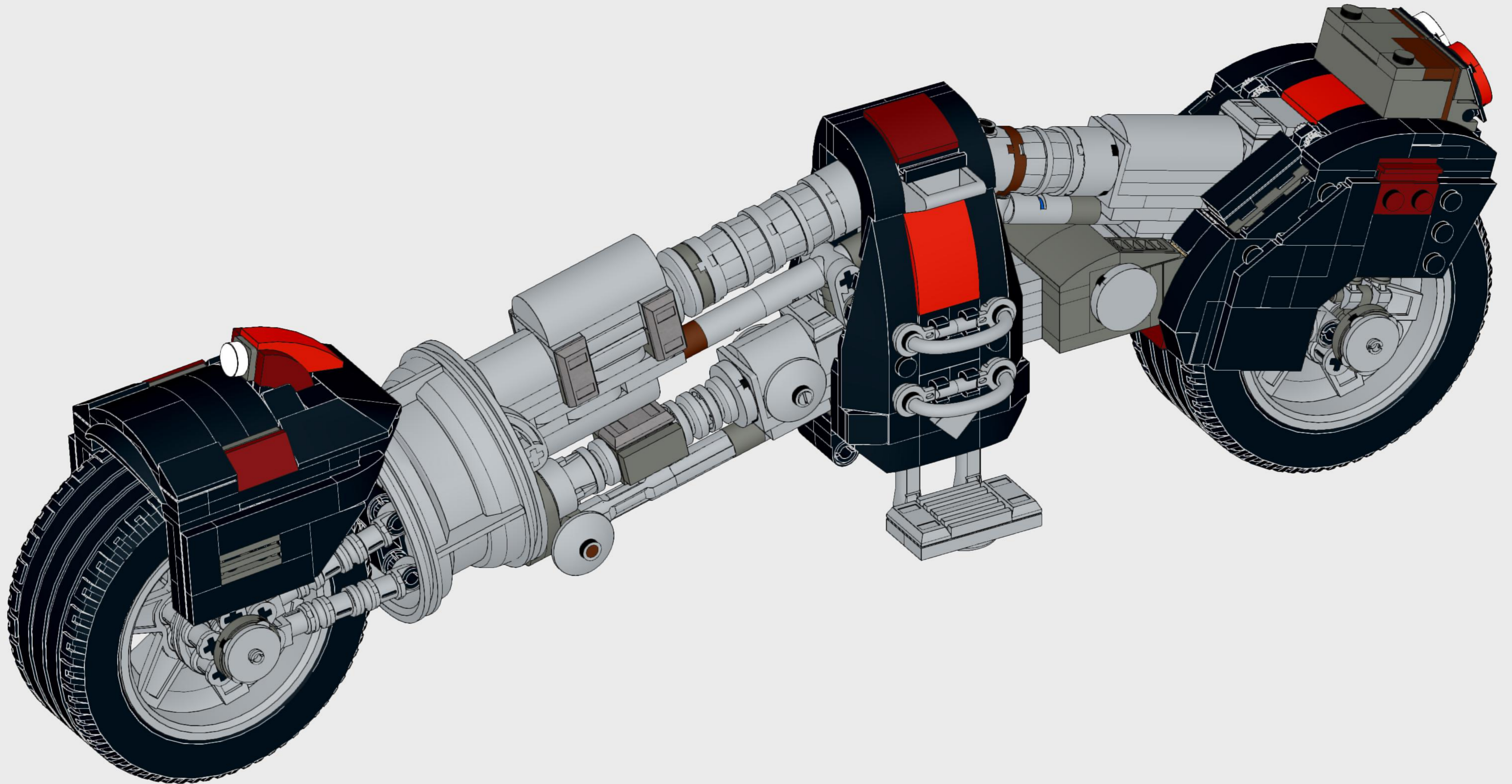
33

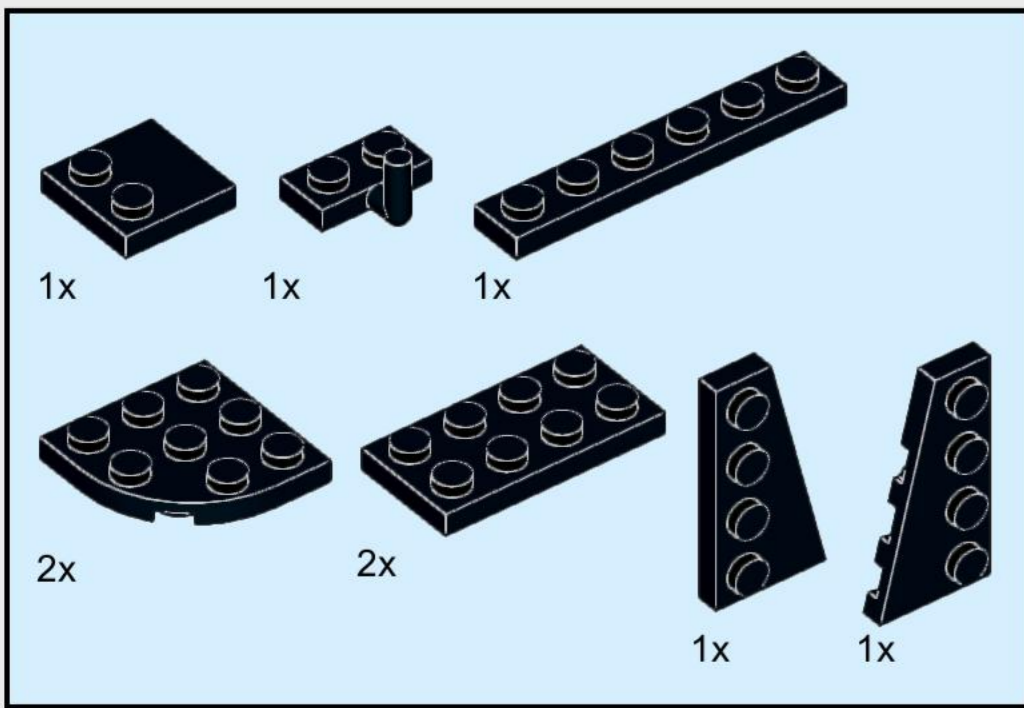
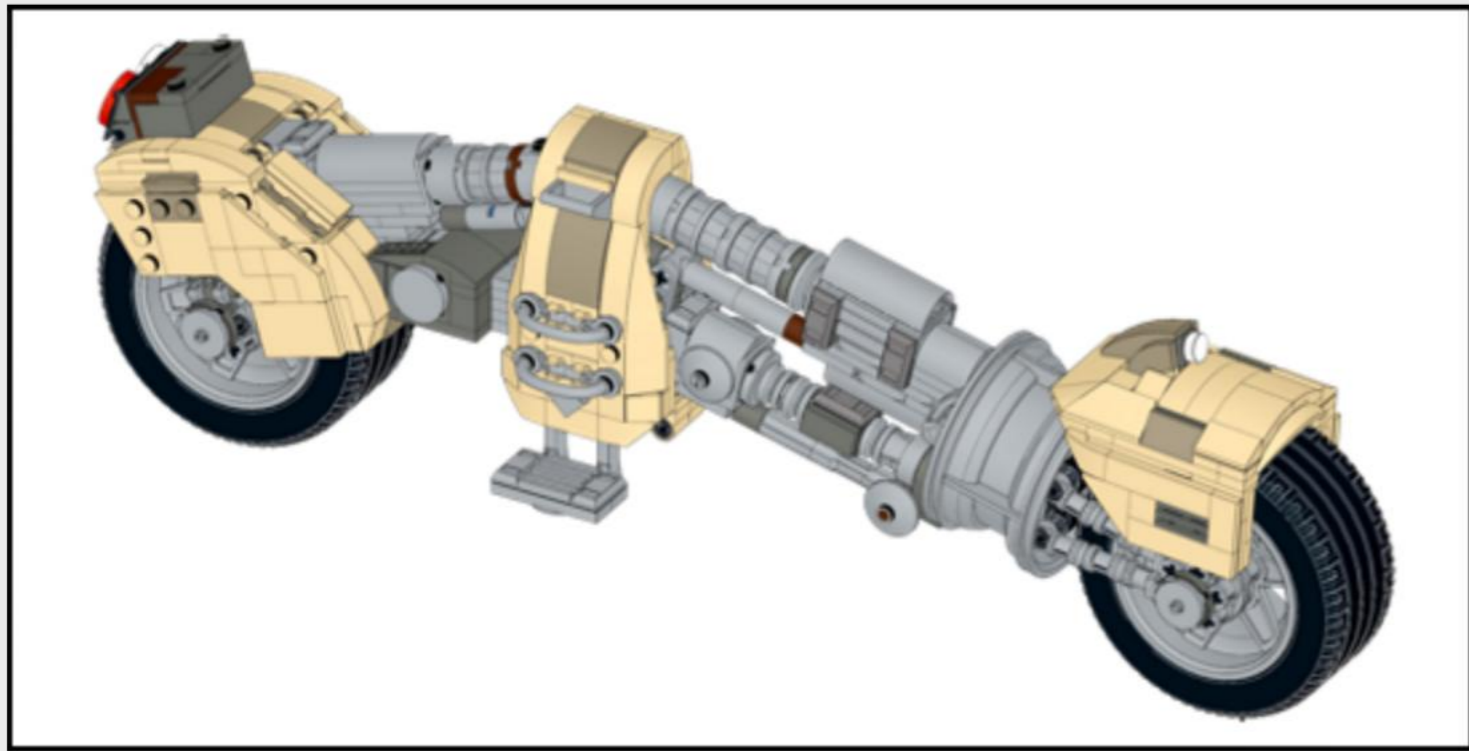




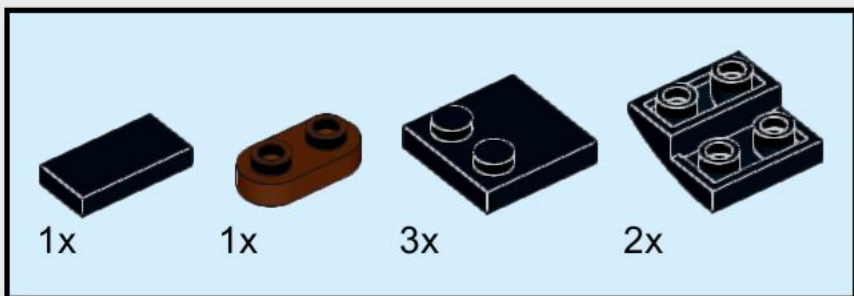


35

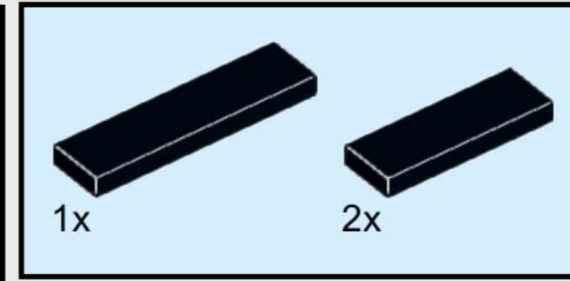
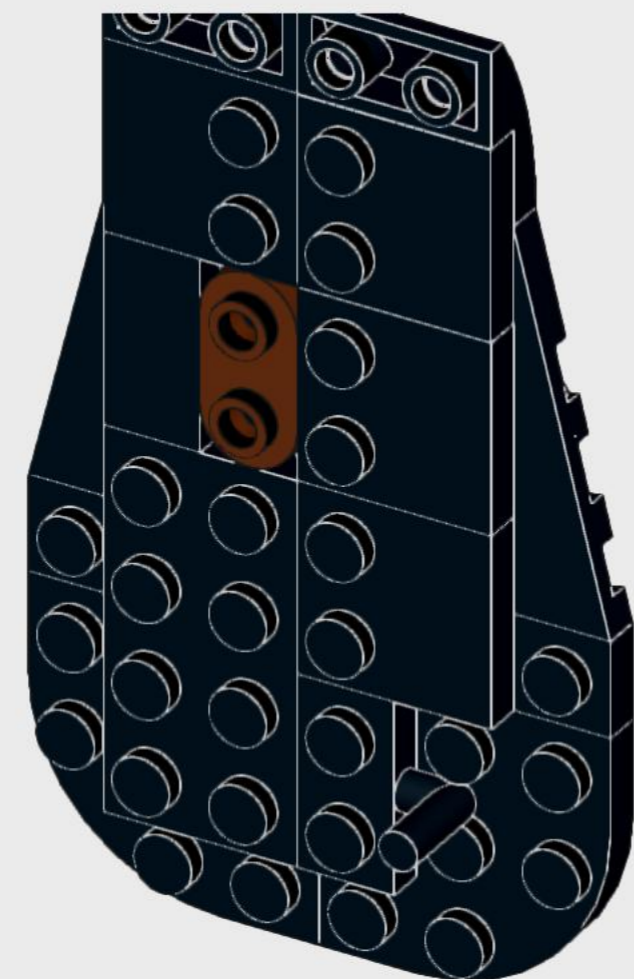
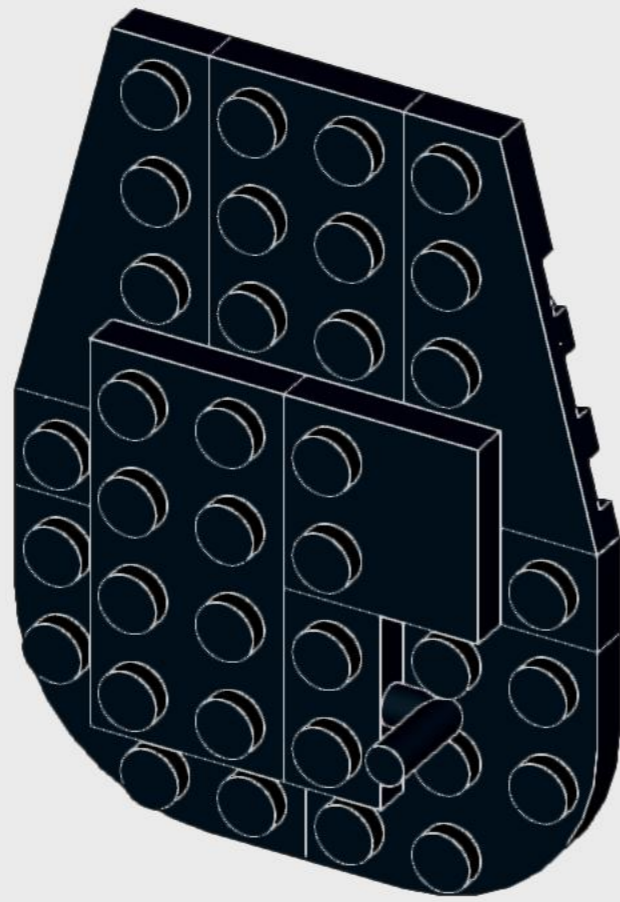




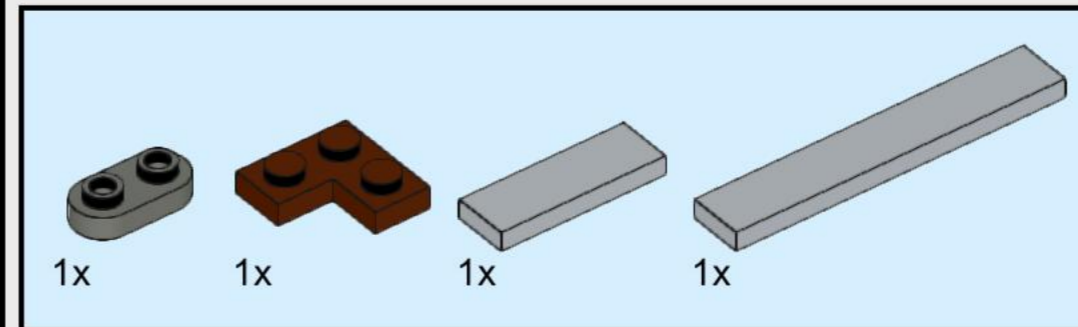
1



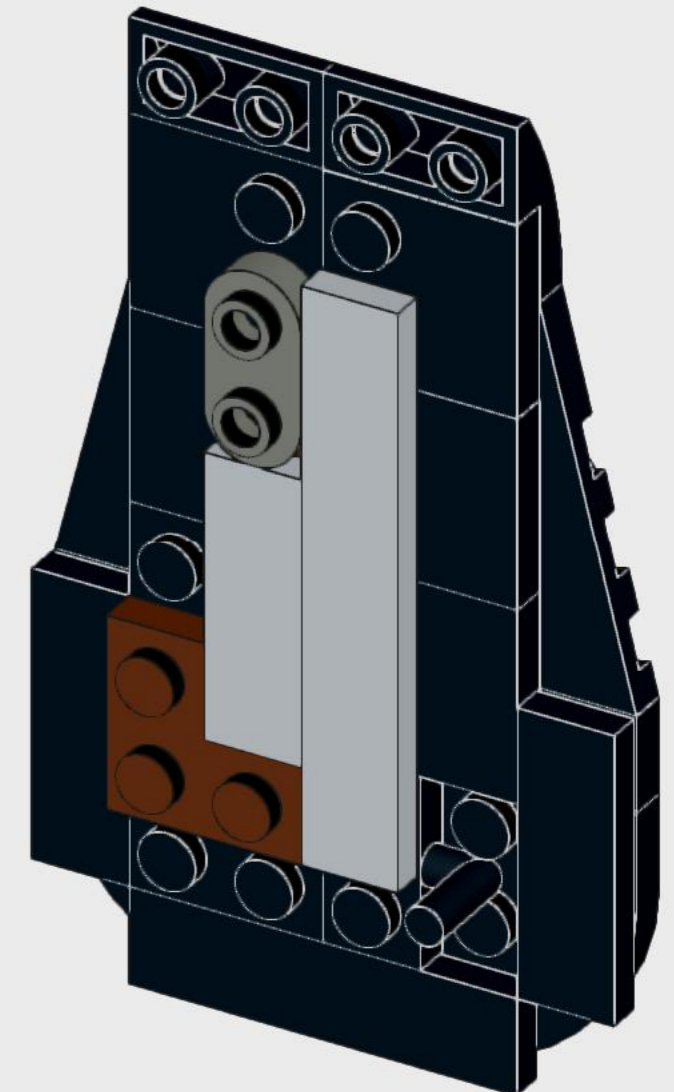
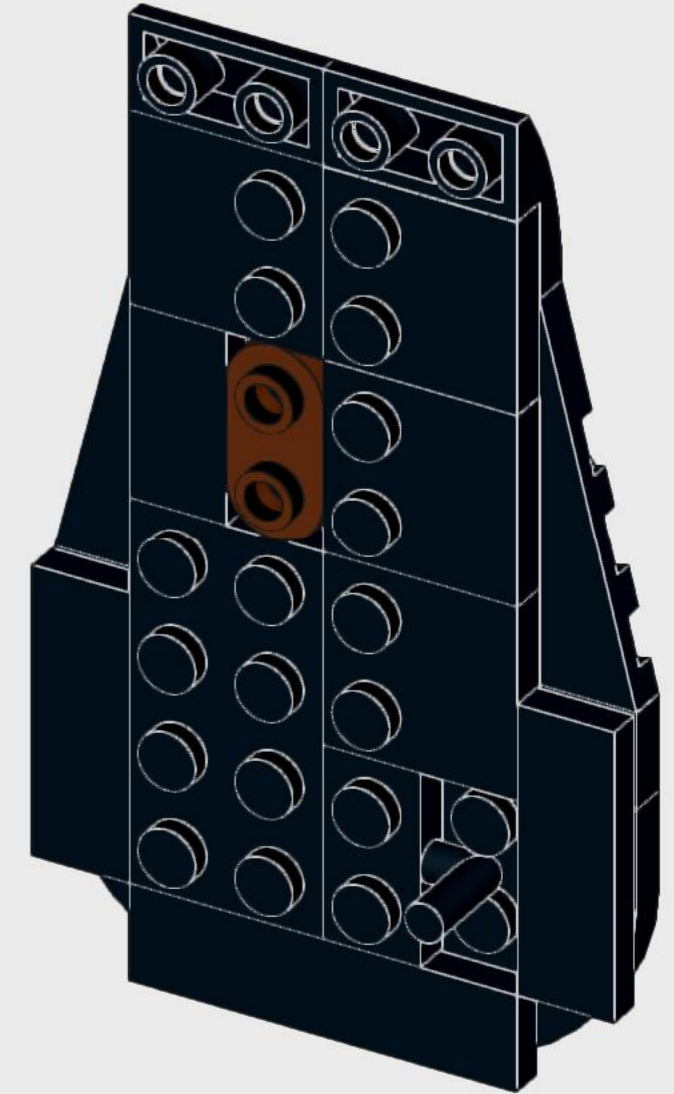
2

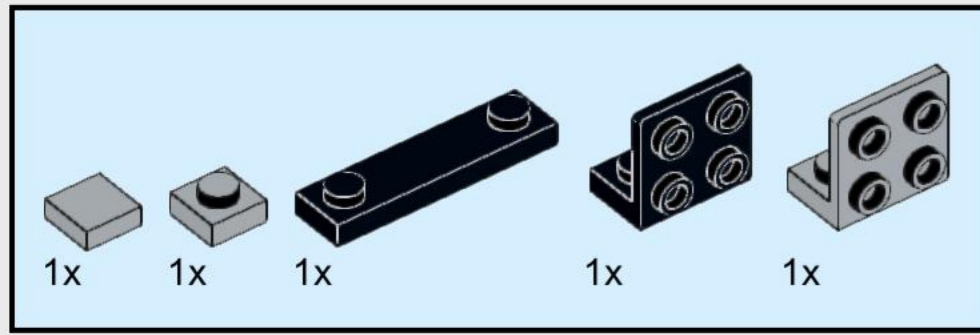


3

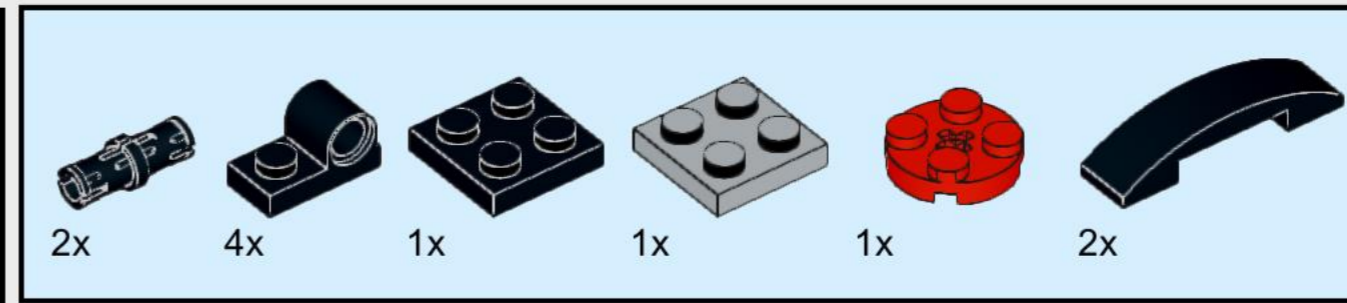
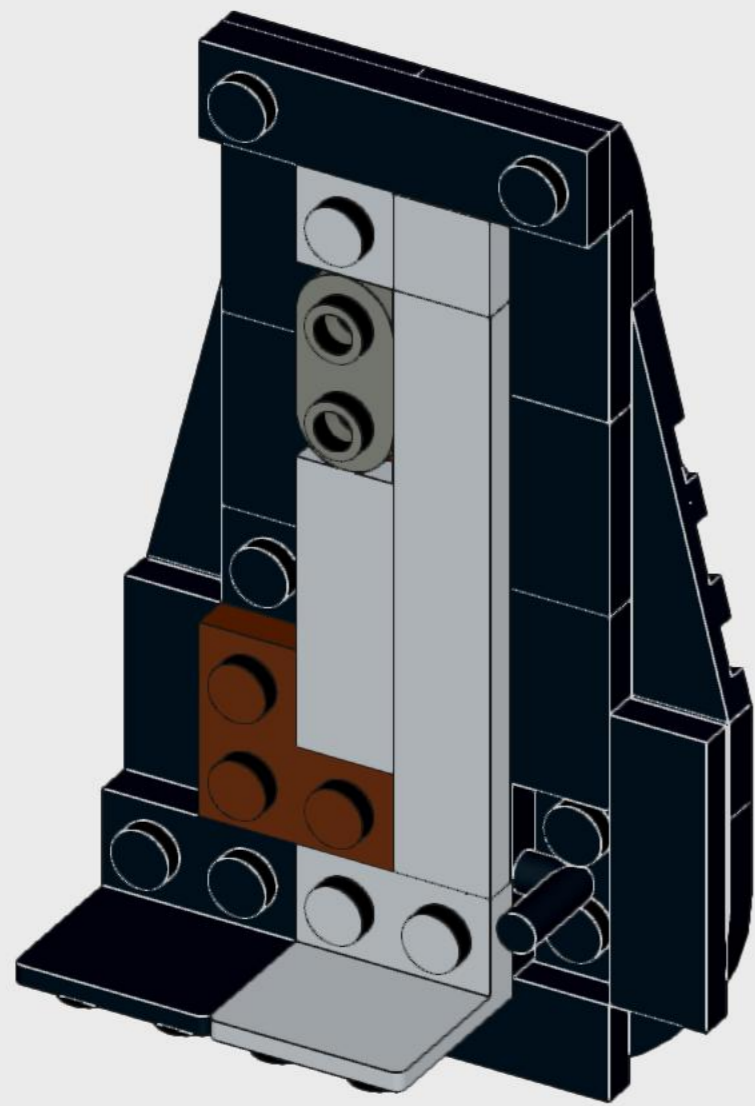


4

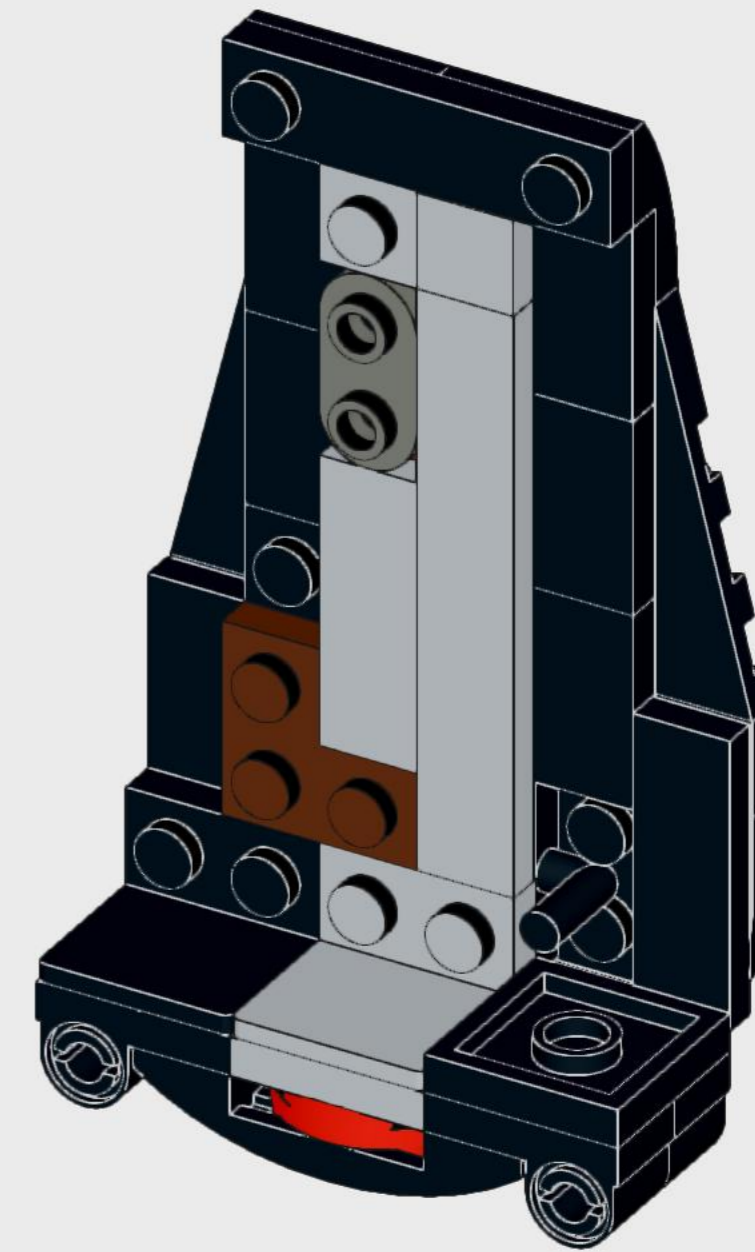
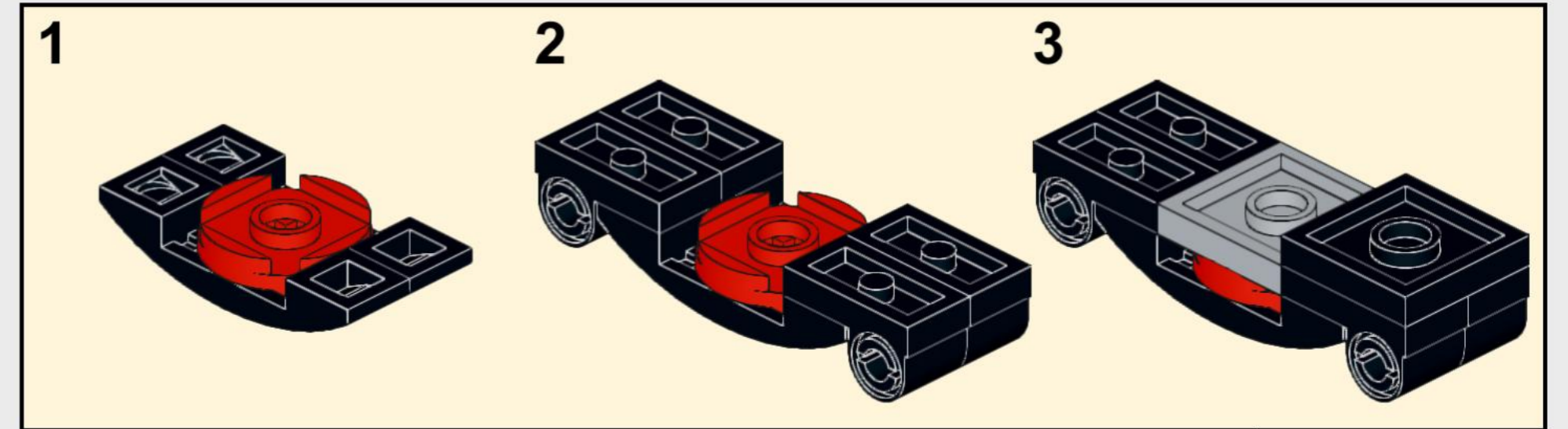


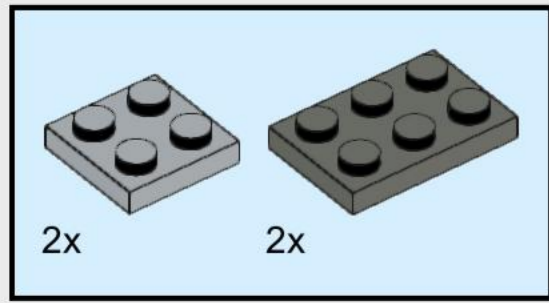


5

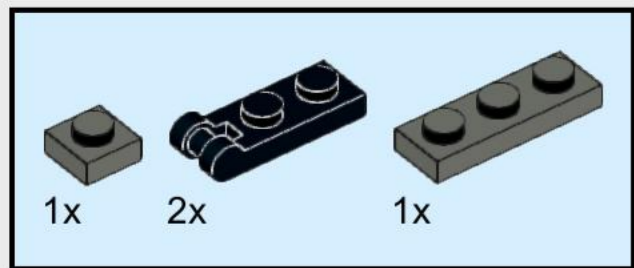
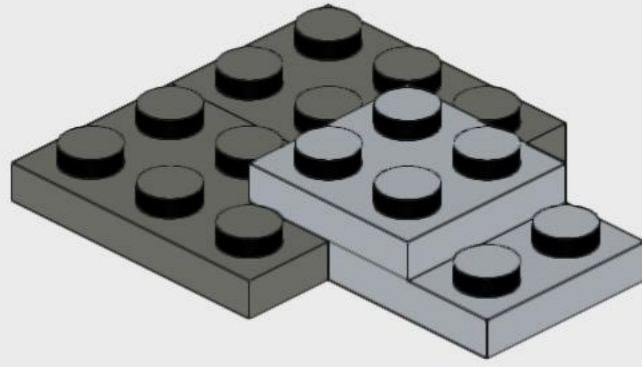


6

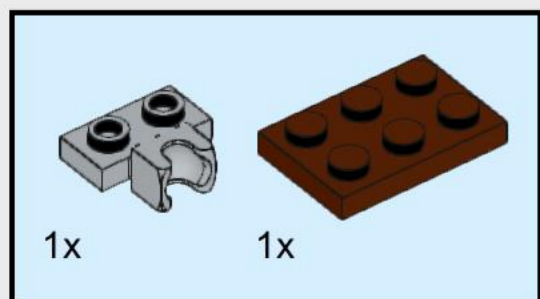
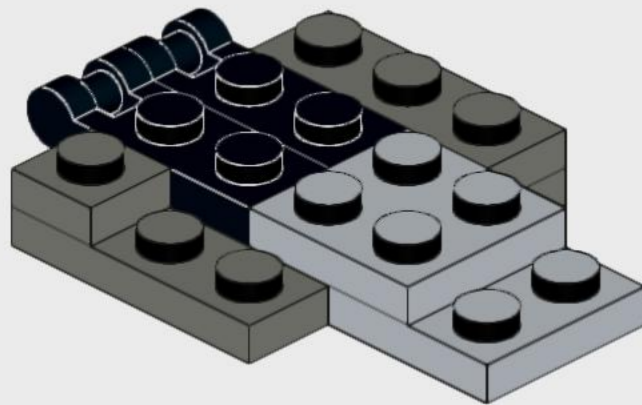




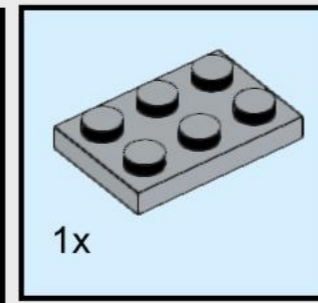
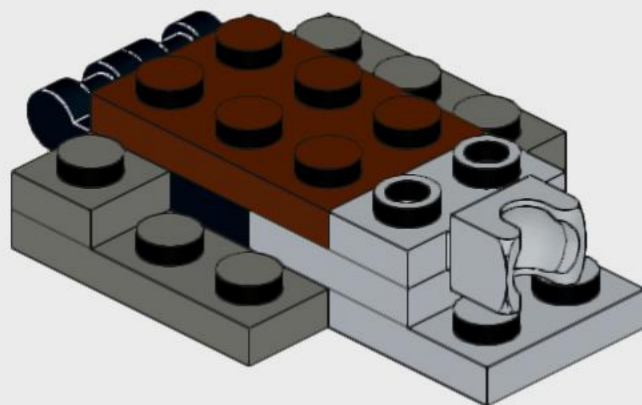
7



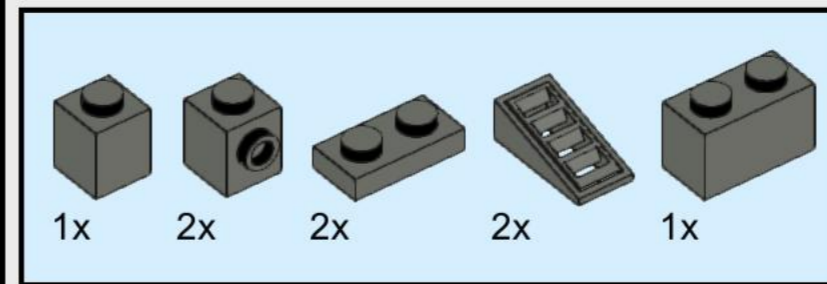
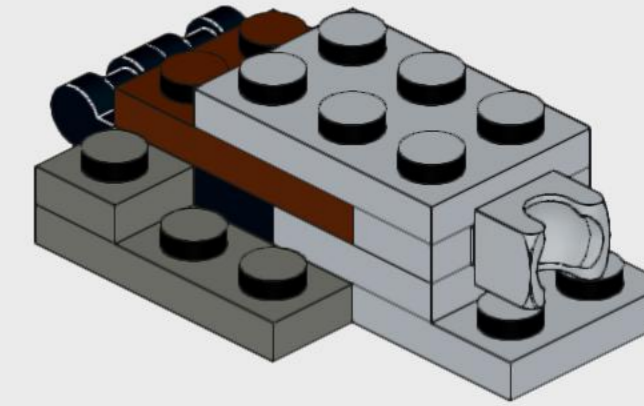
8



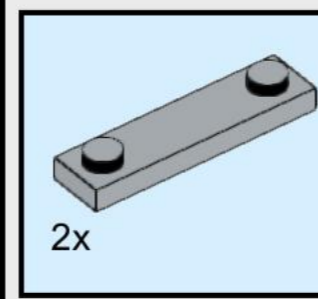
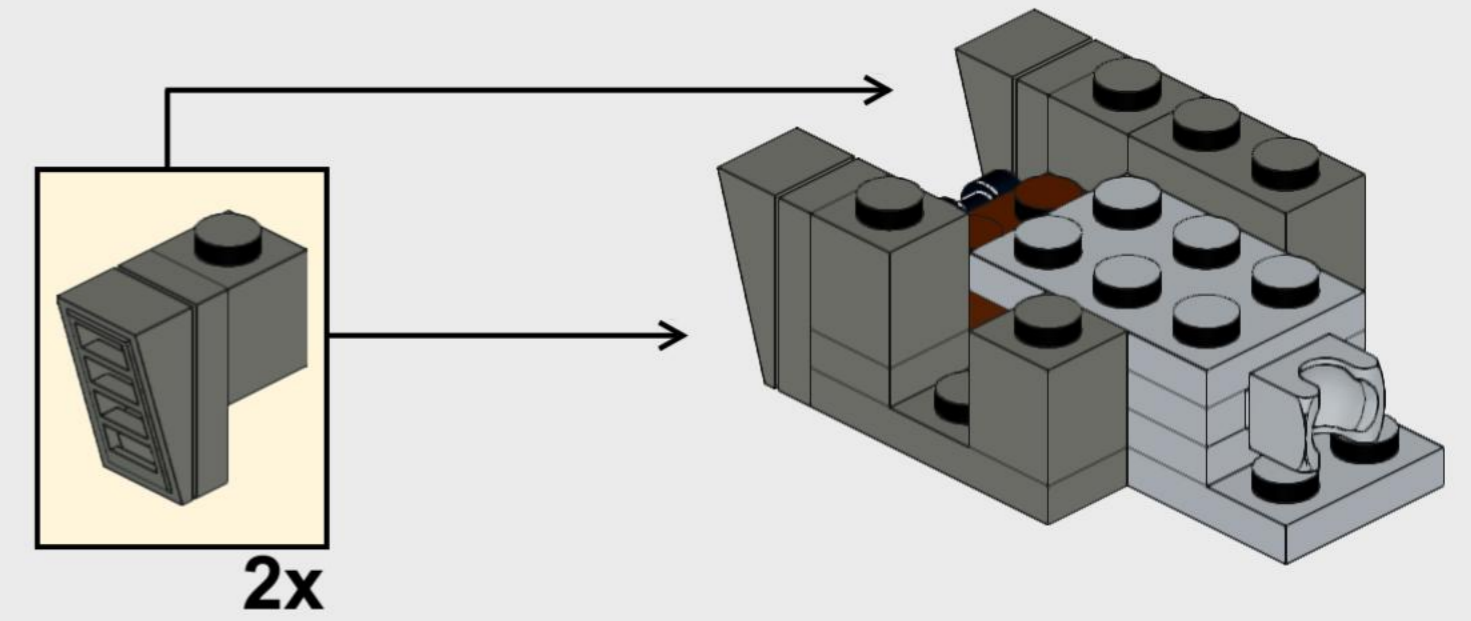
9



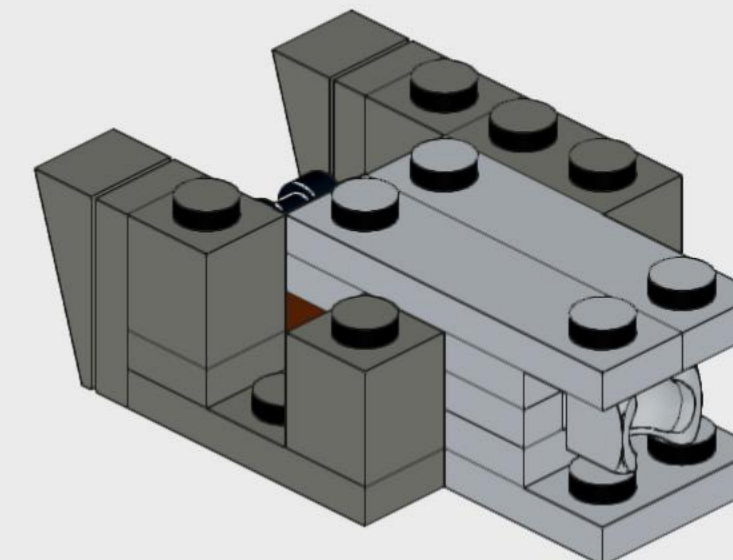
10

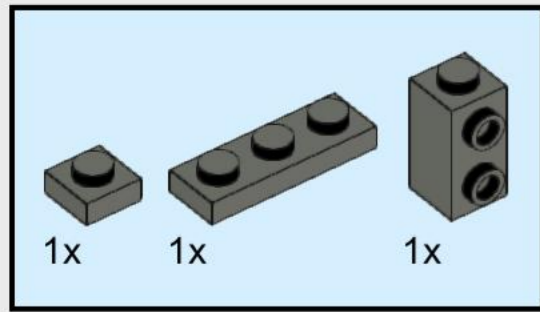


11

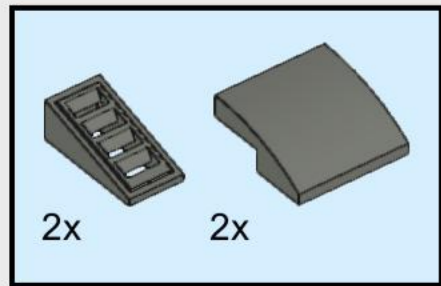
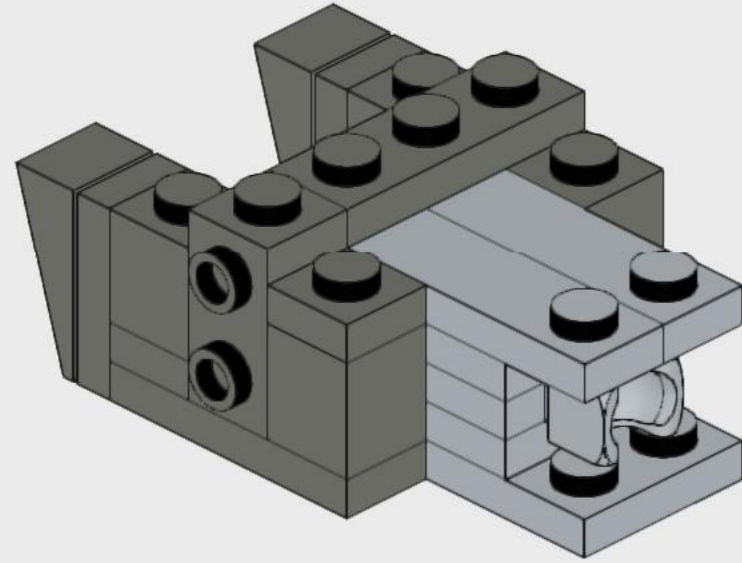


12

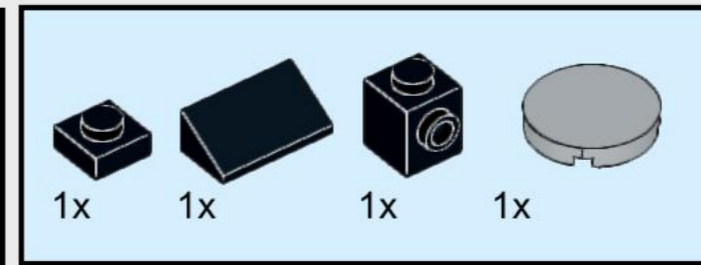
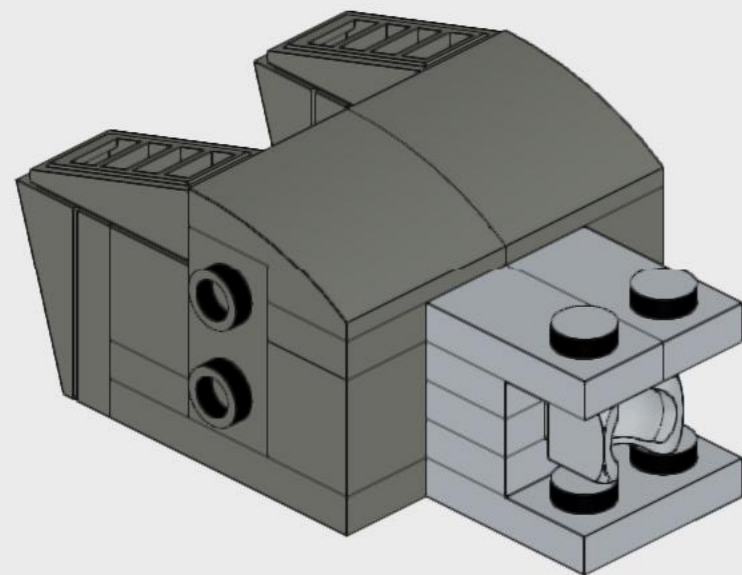




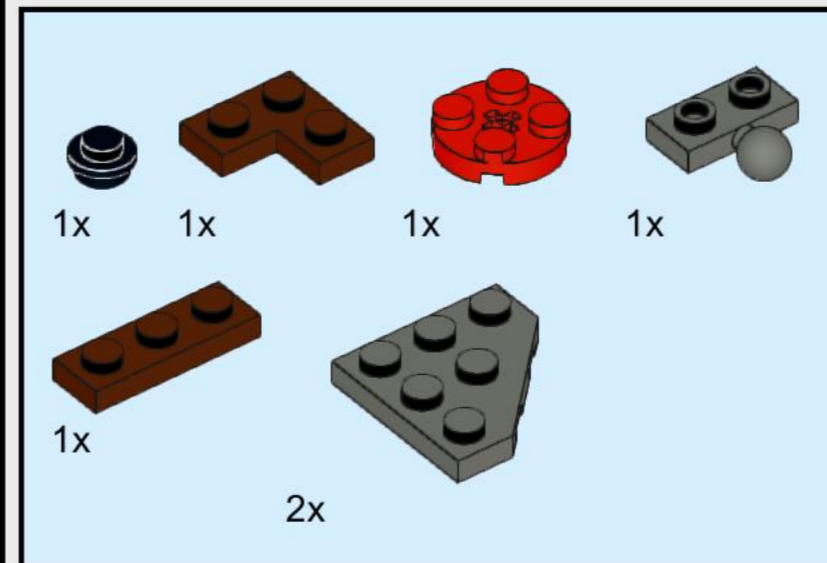
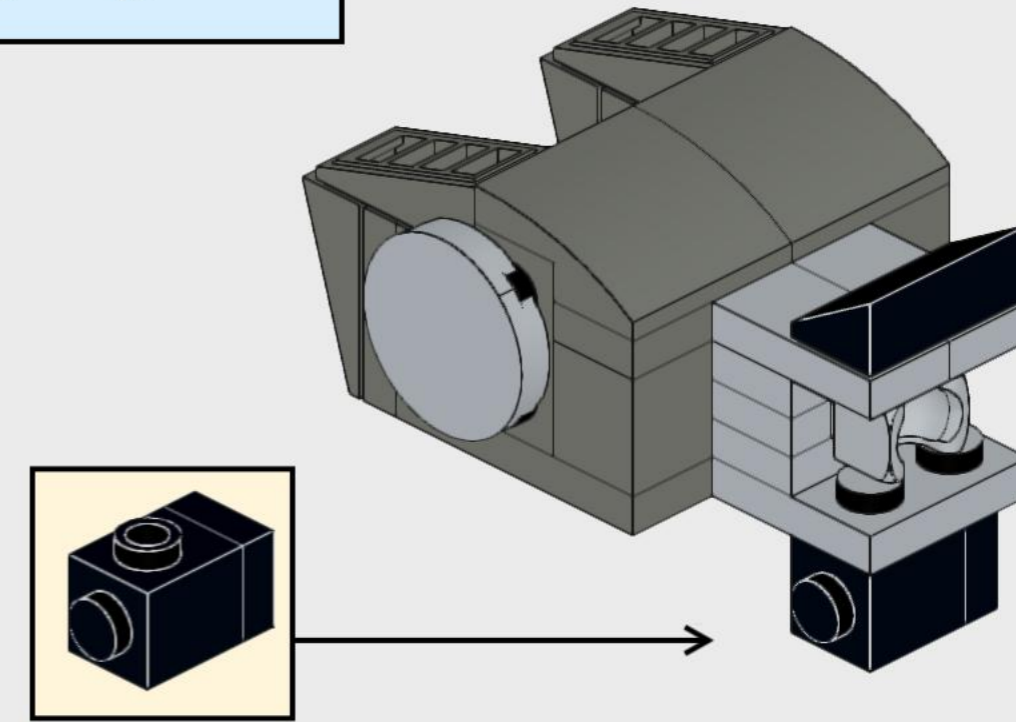
13



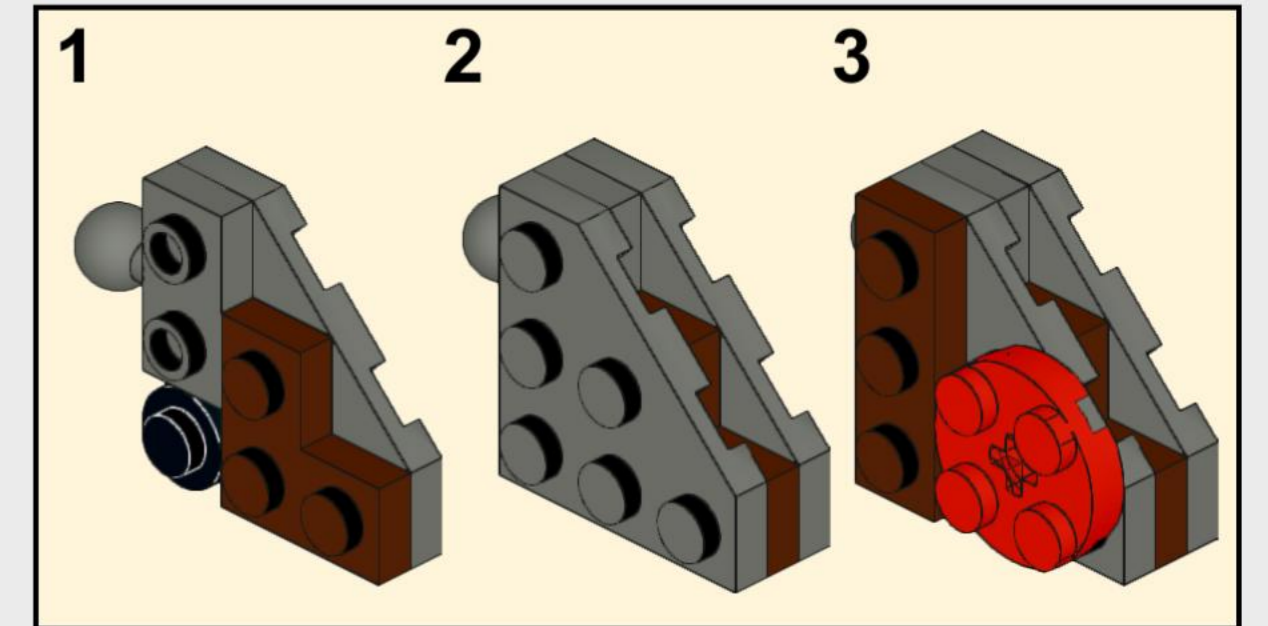
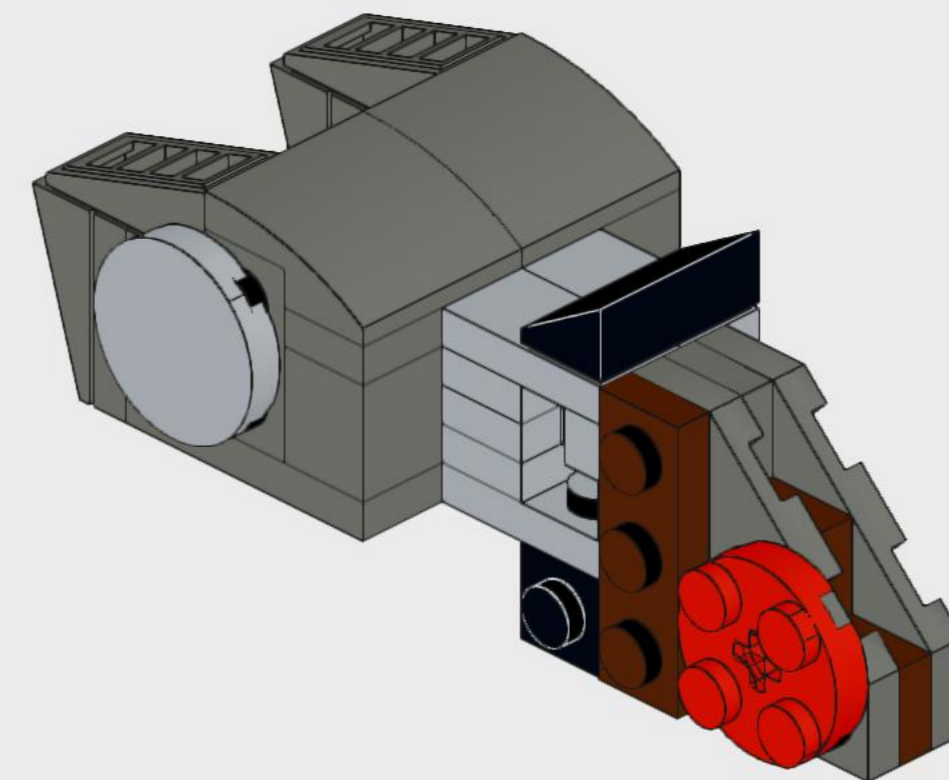
14



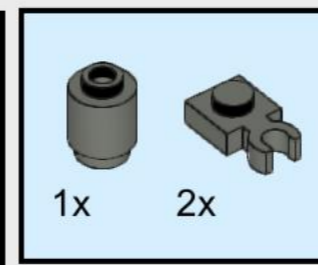
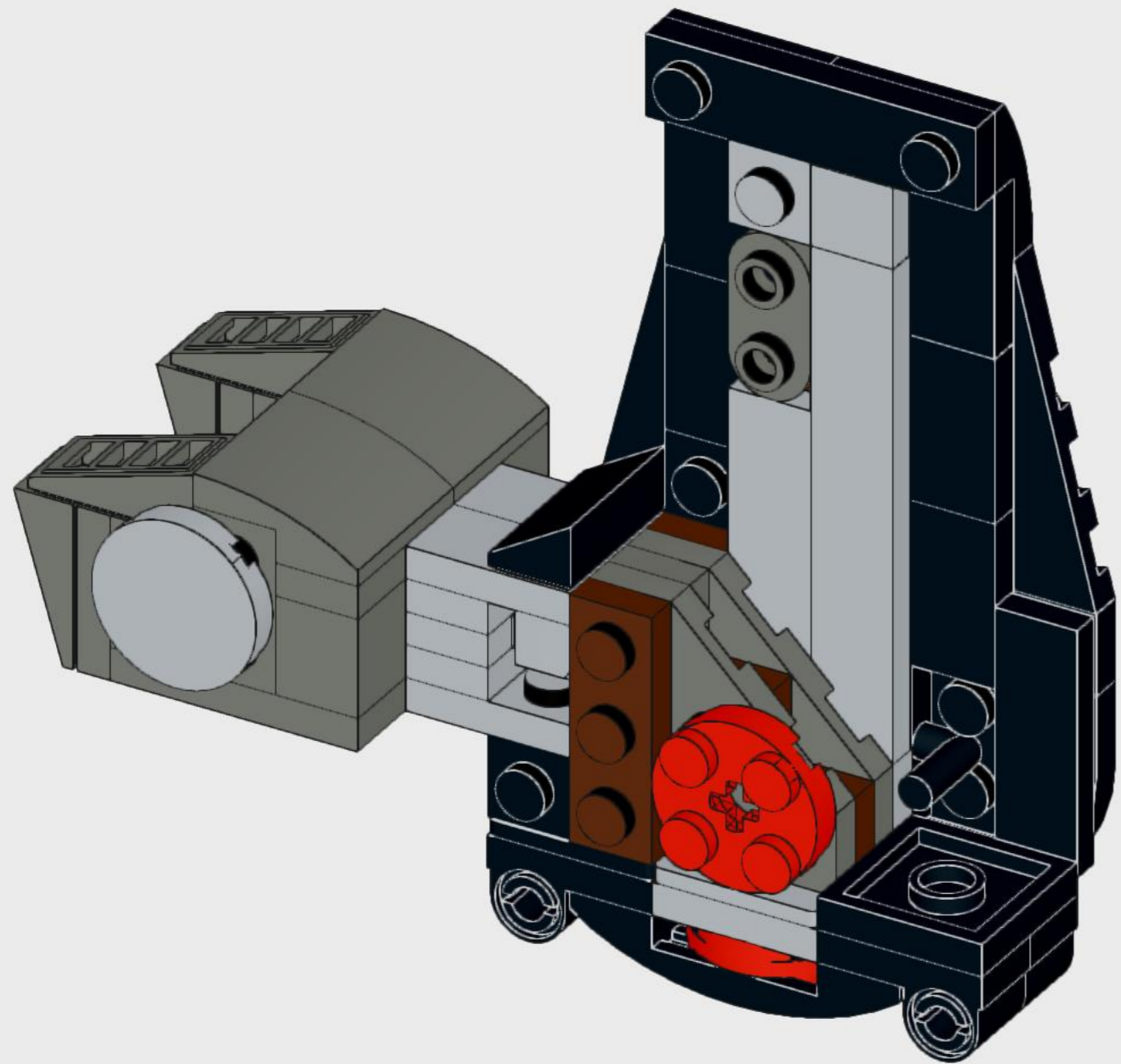
15



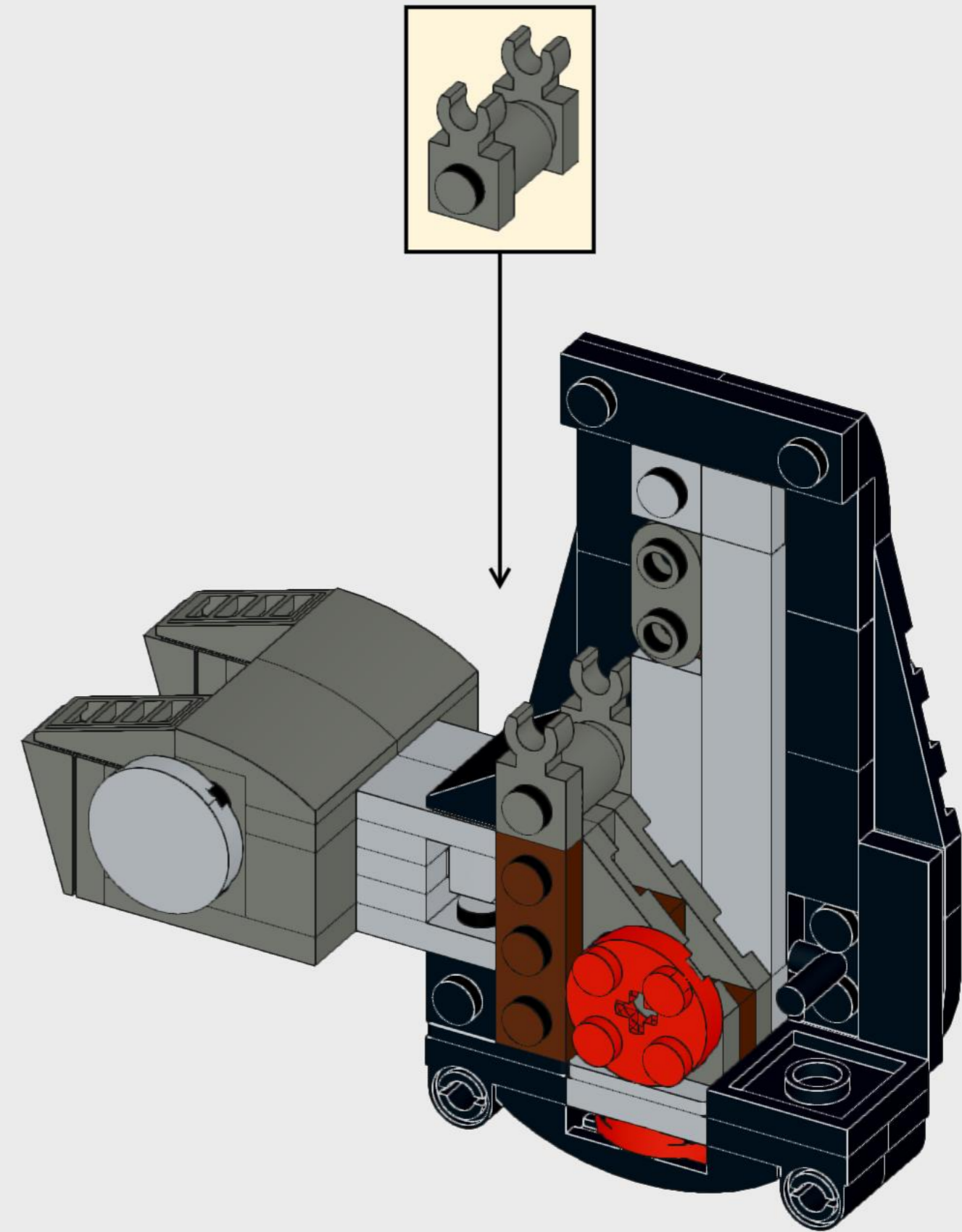
16



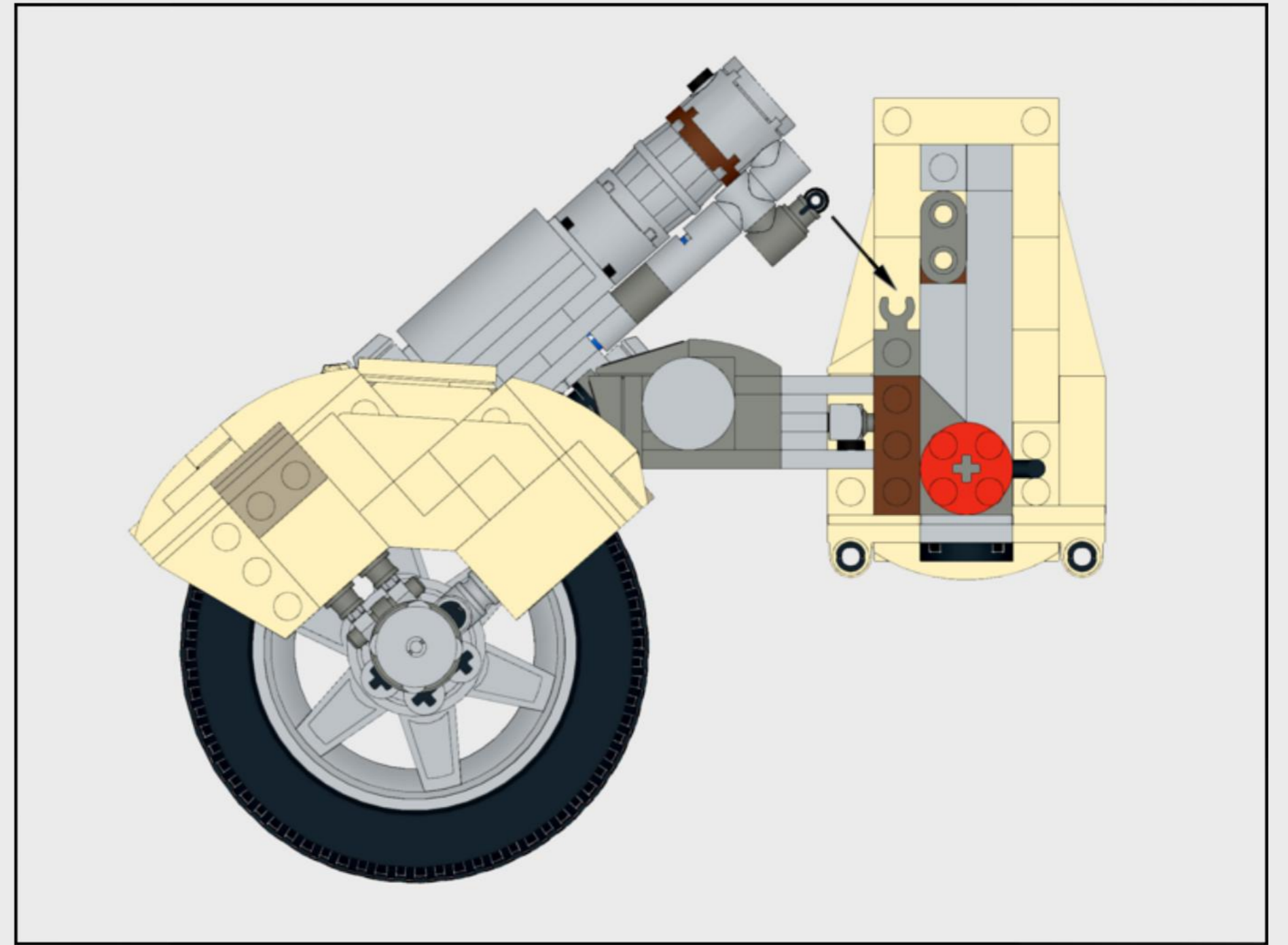
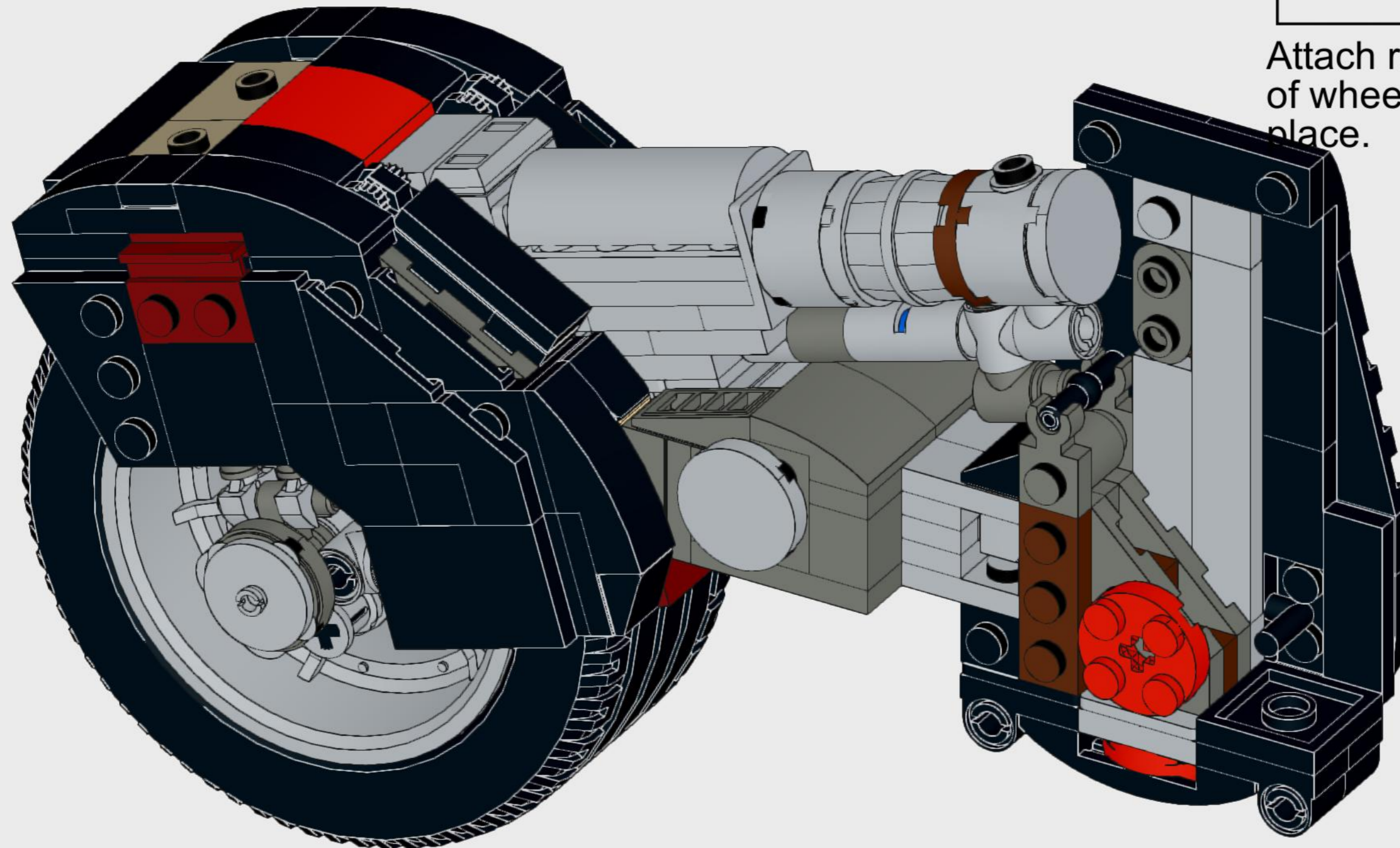
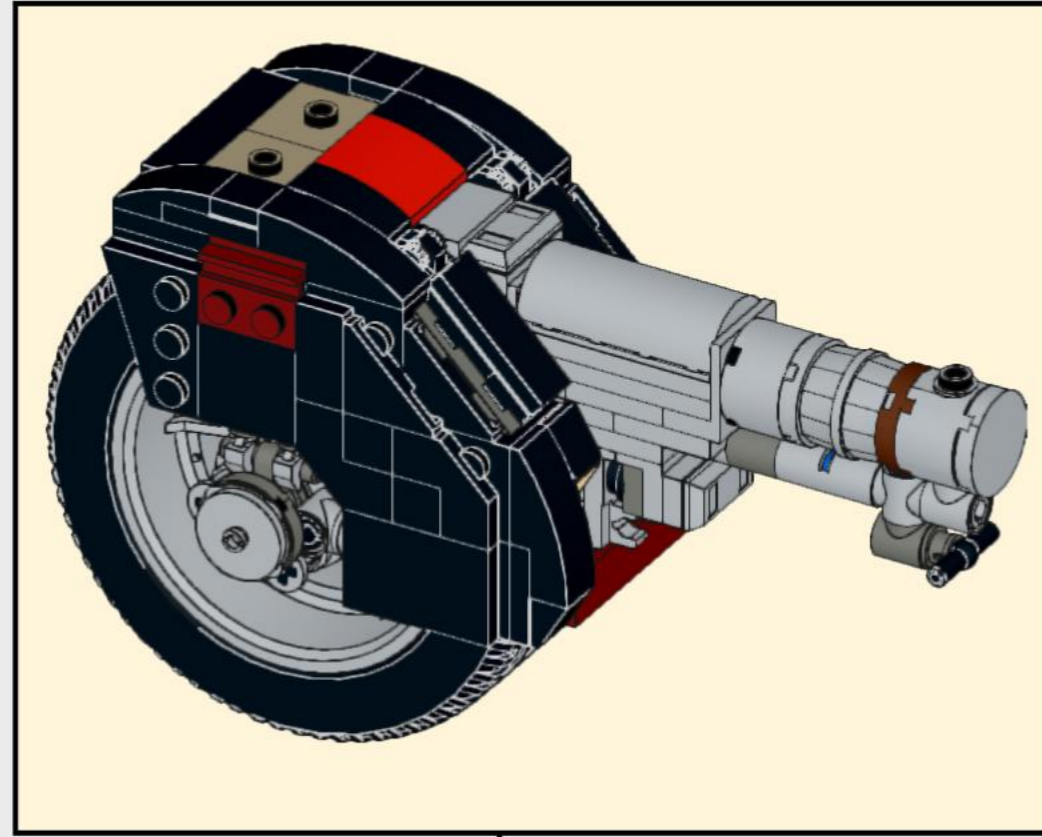
17



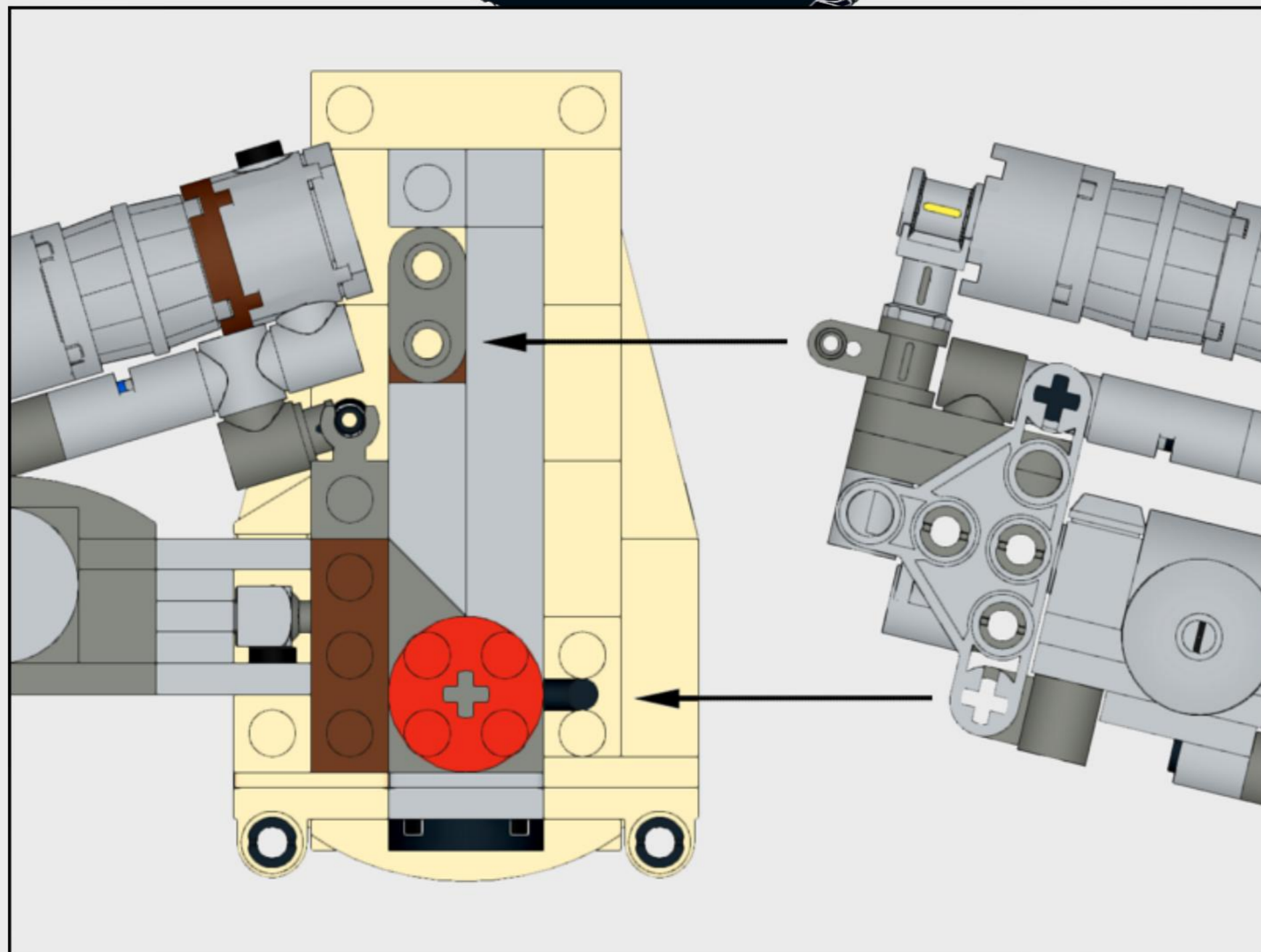
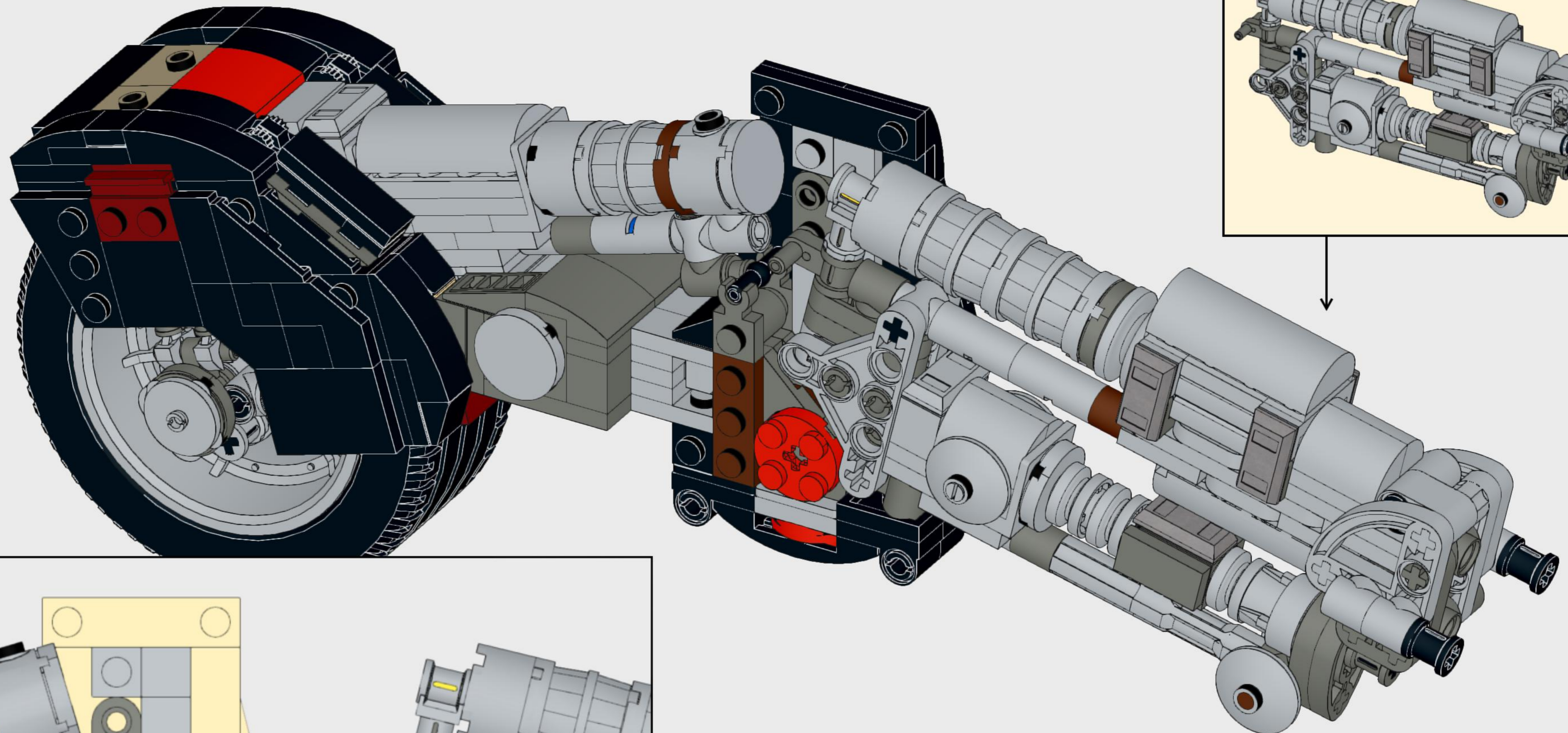
18



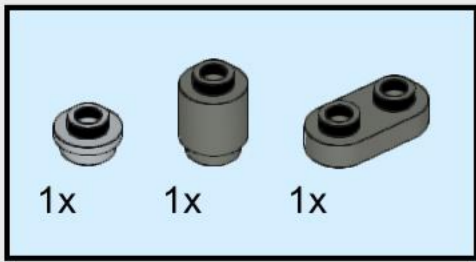
19



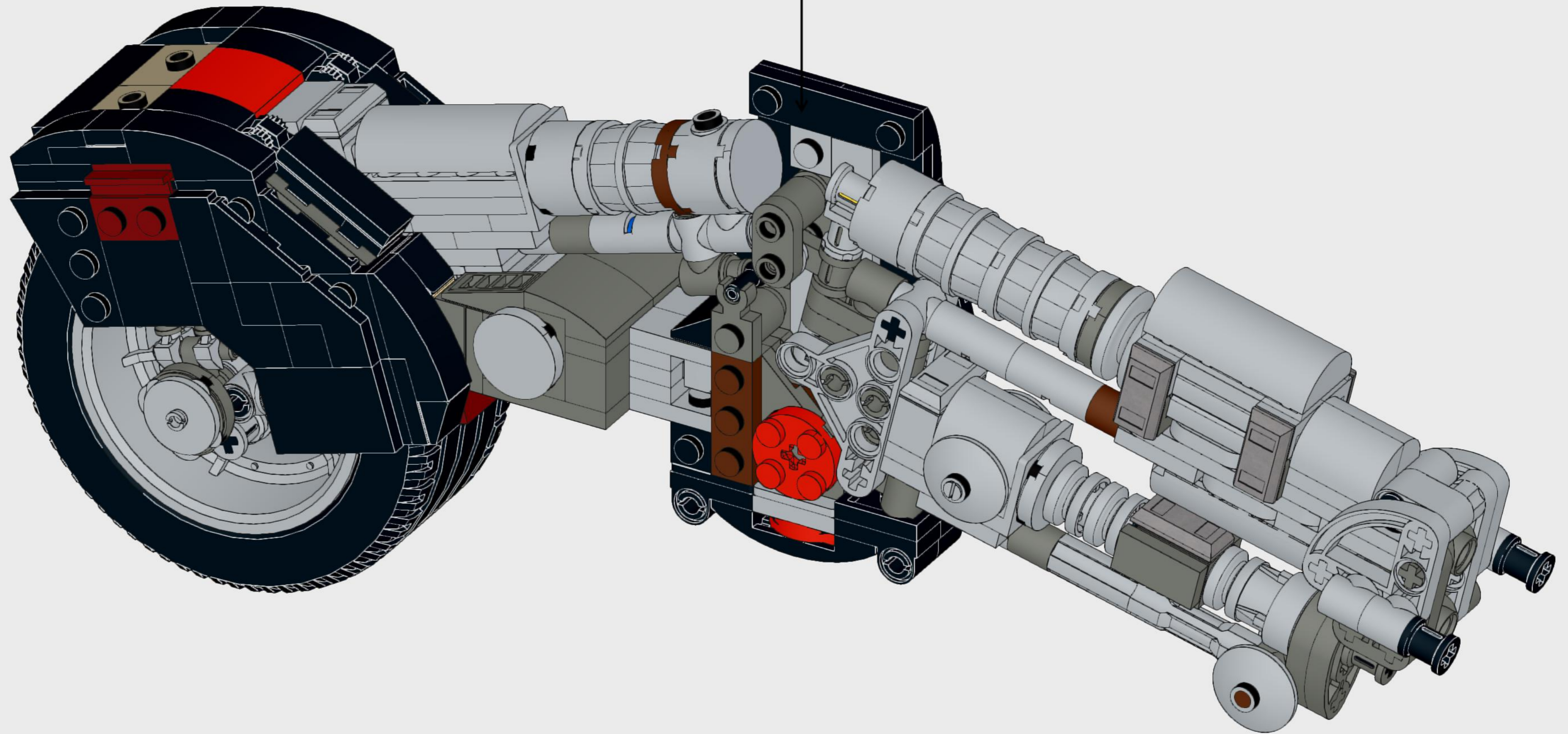
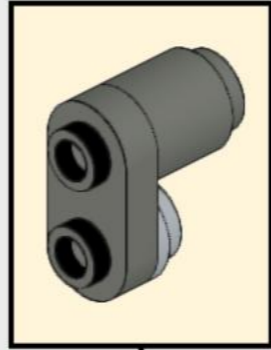
Attach rear wheel by first snapping bar and clips together at base of wheel. Then rotate the top down to clip the black bar into place.

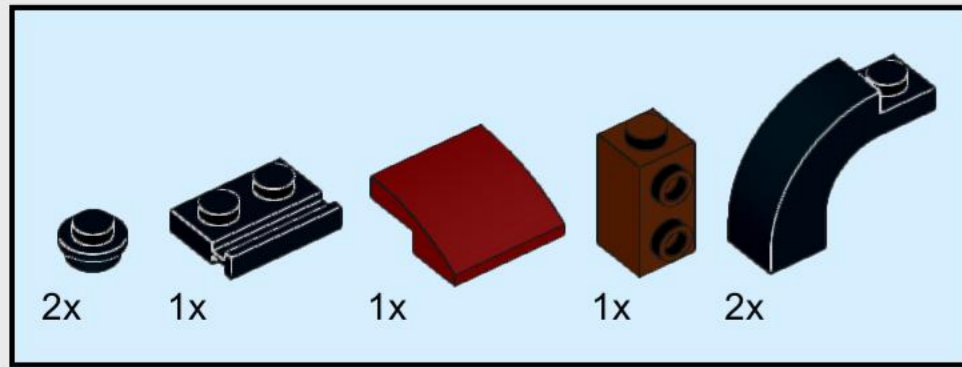


Slide bars into corresponding holes as shown.

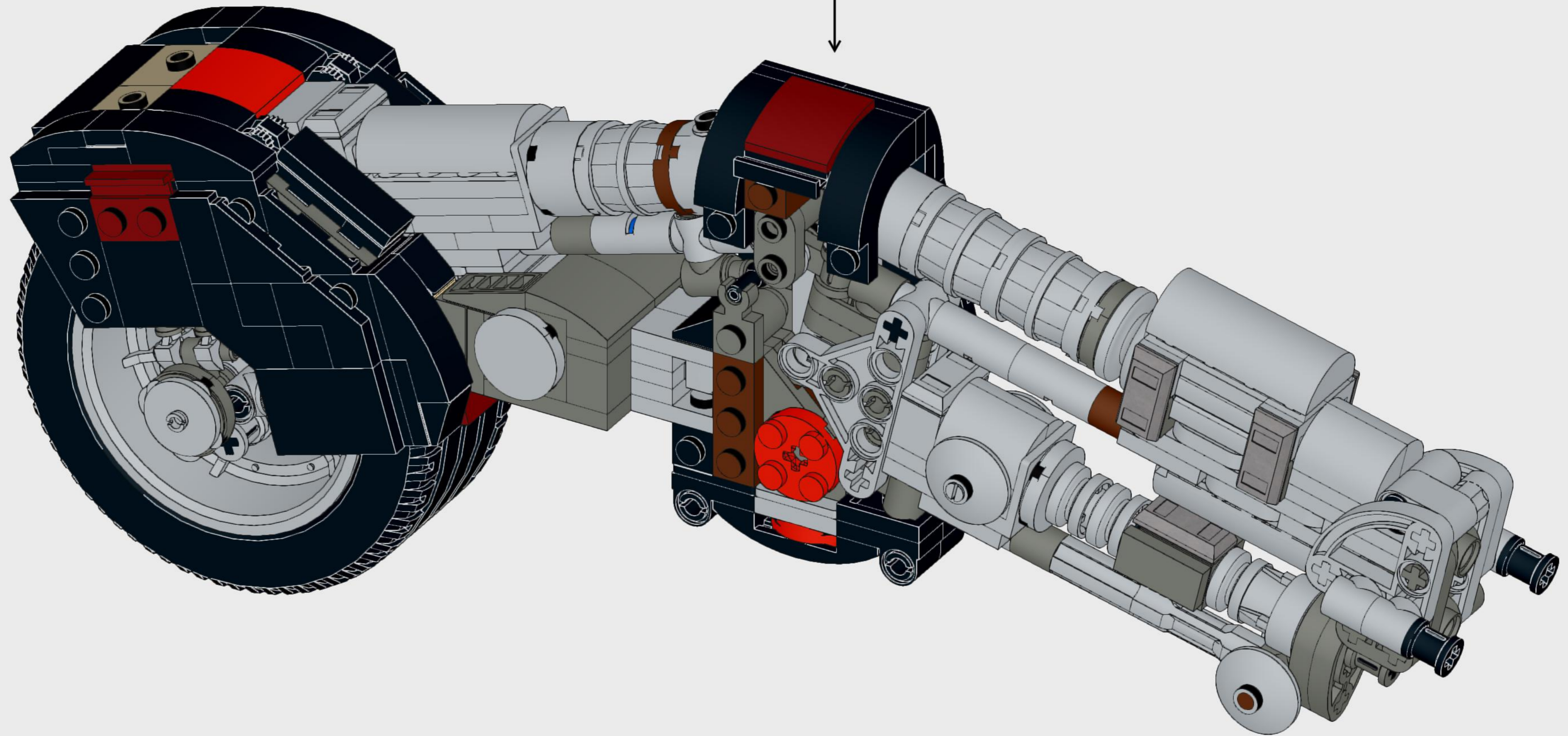
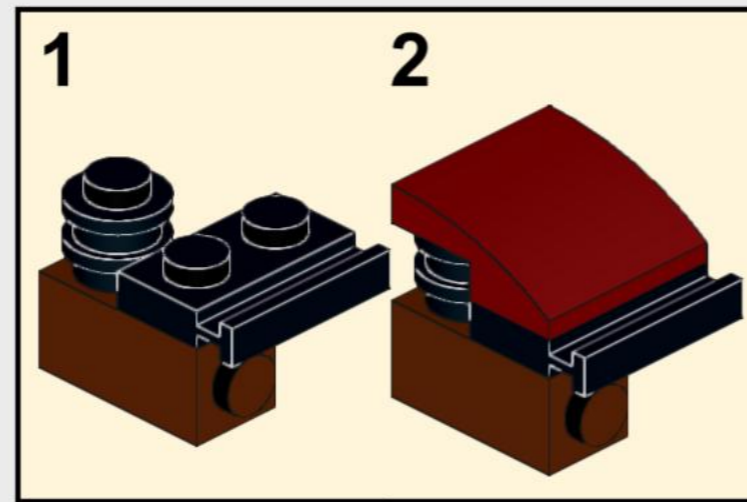


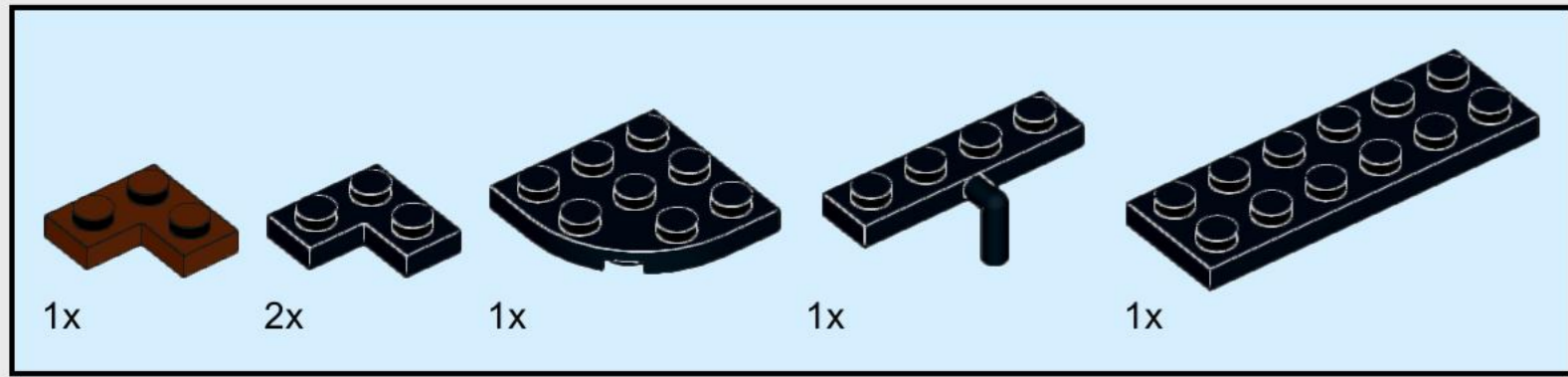
21



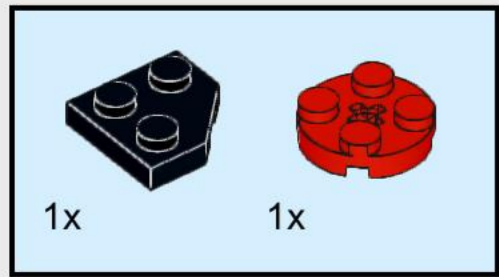
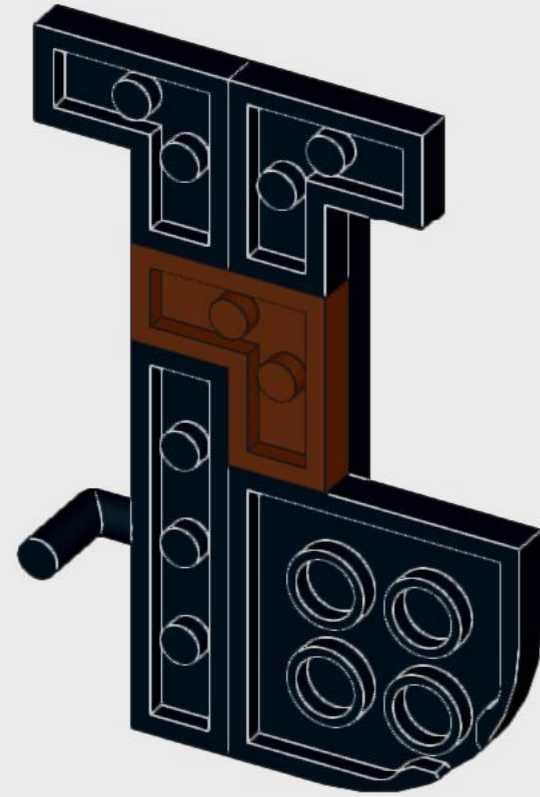


22

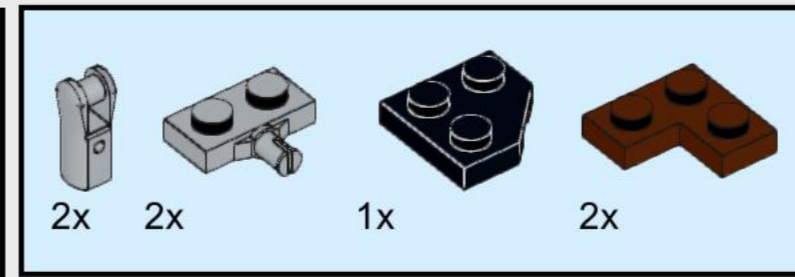
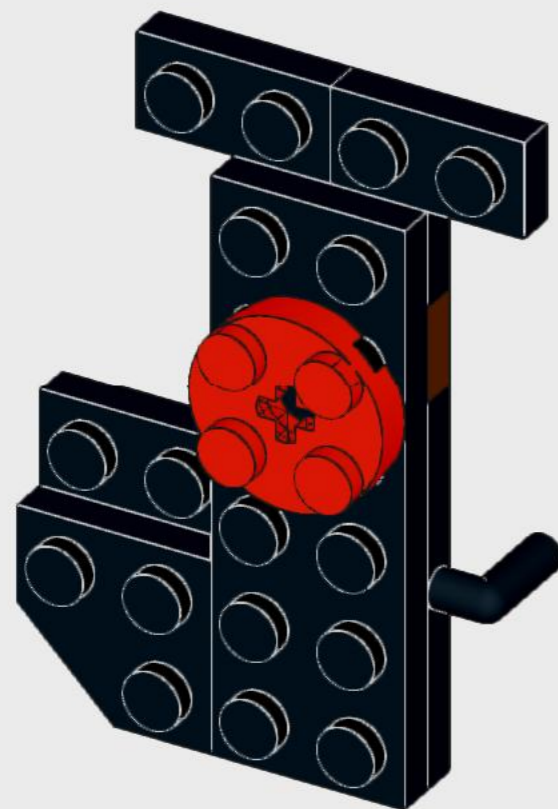




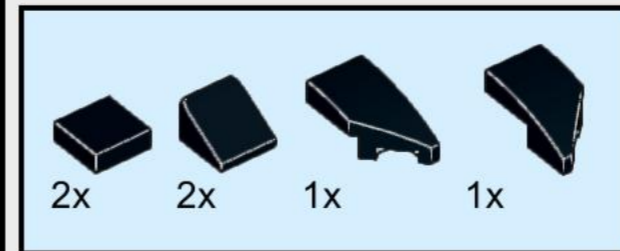
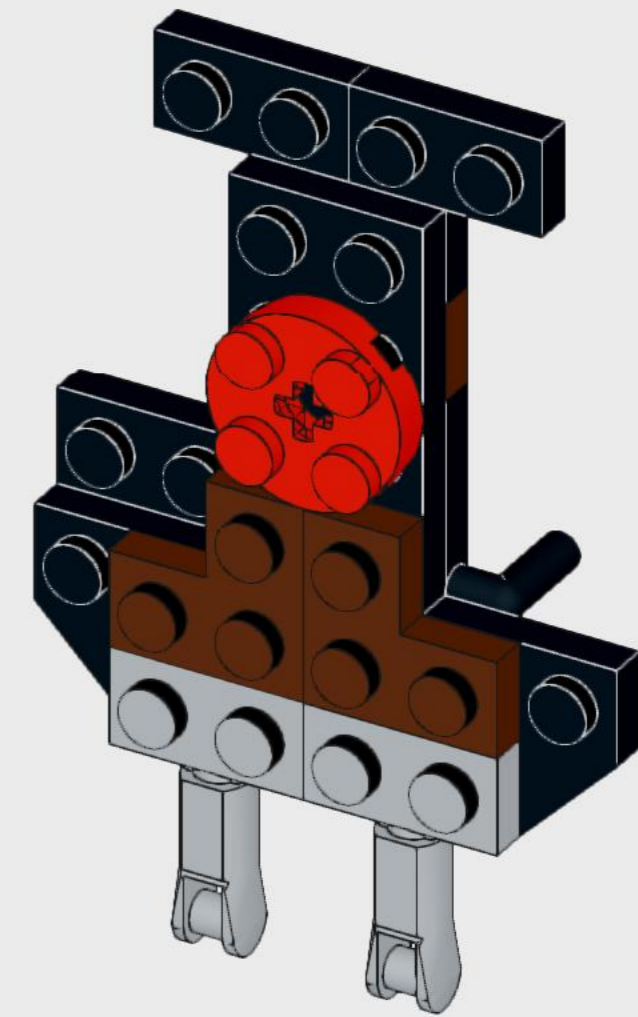
23



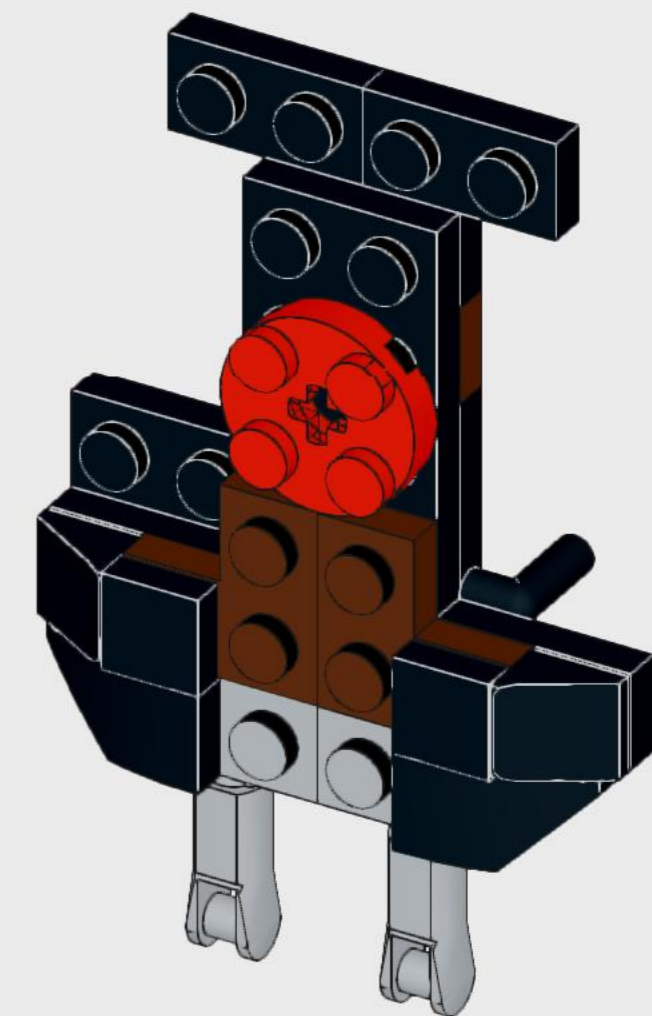
24 

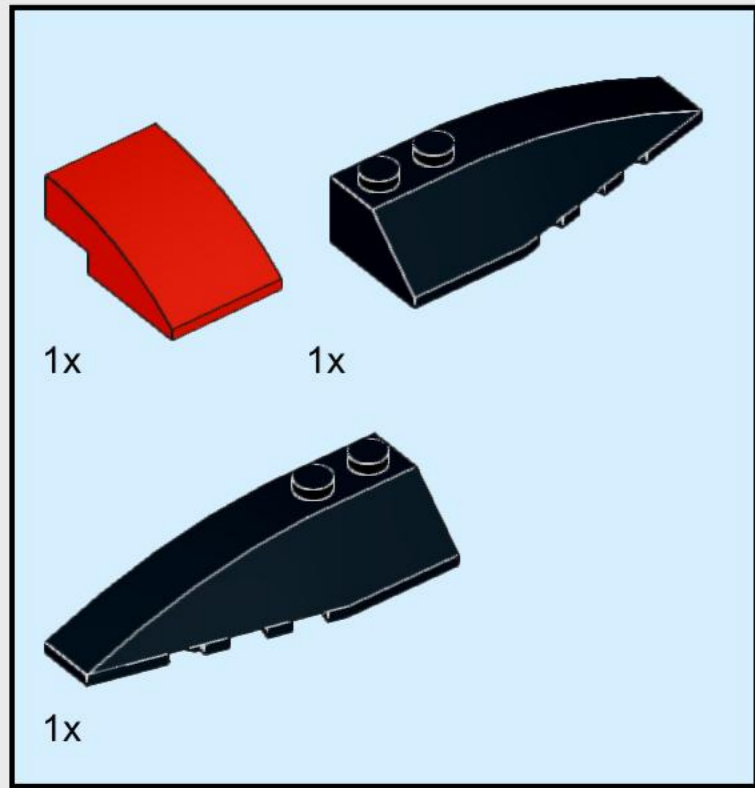


25

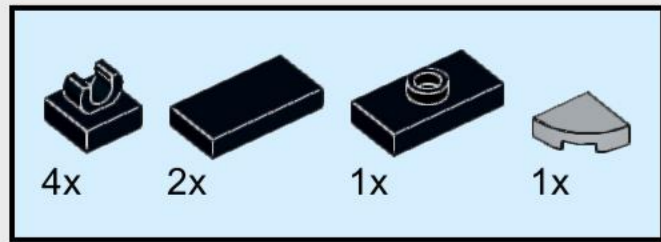
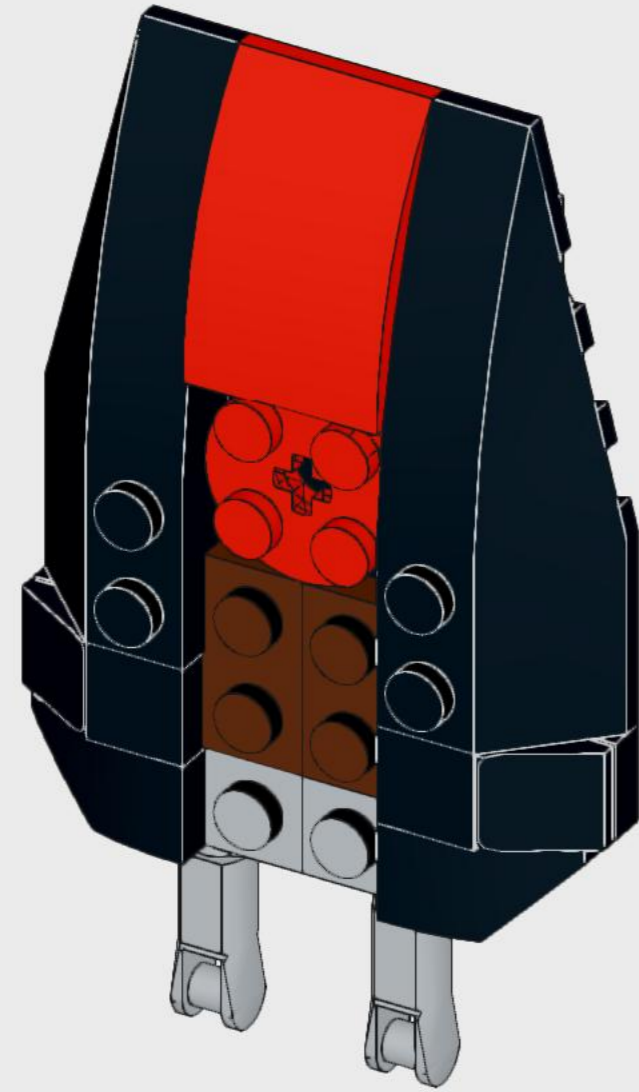


26

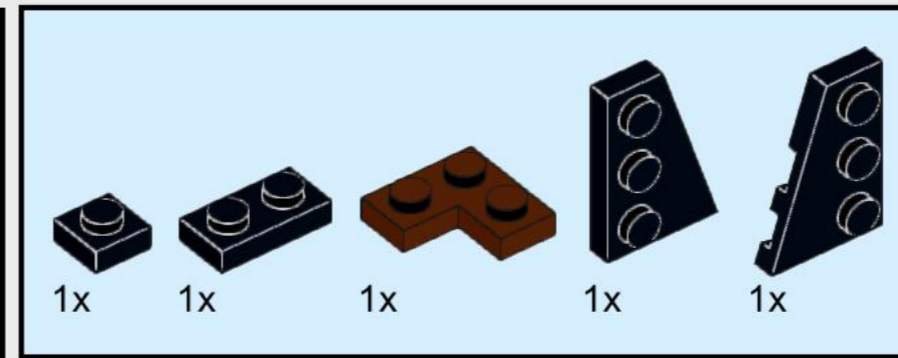
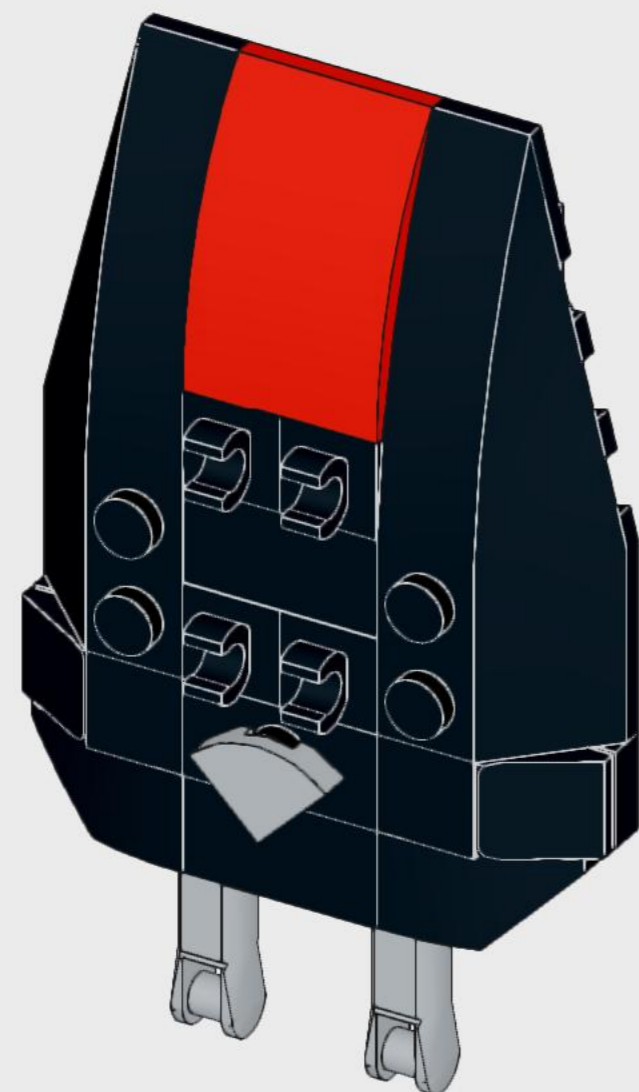




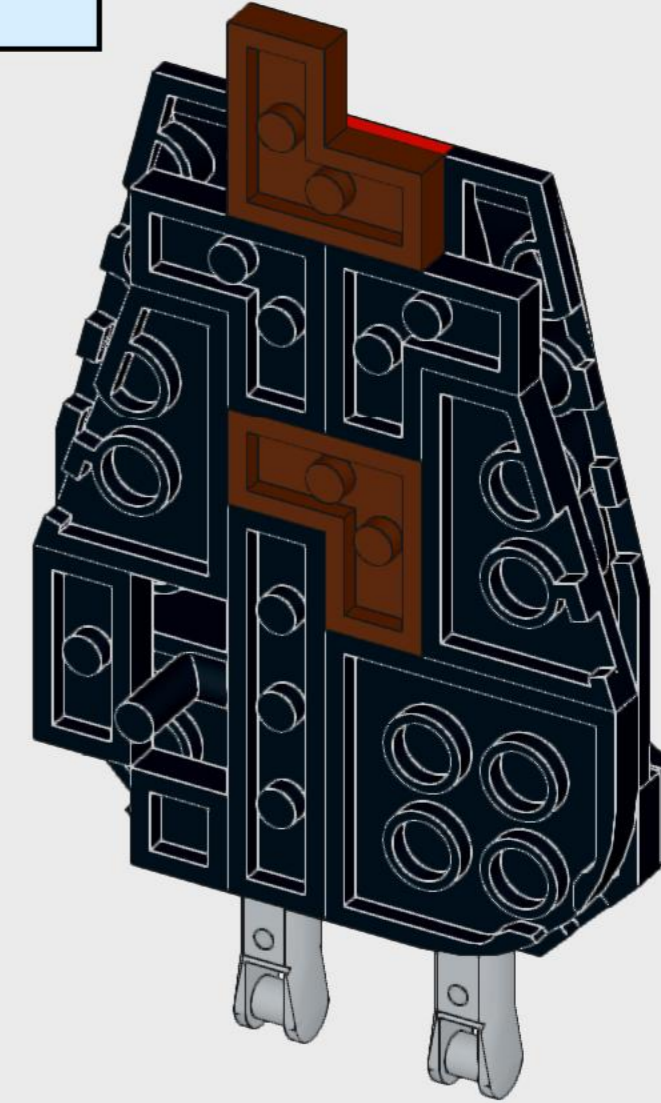
27



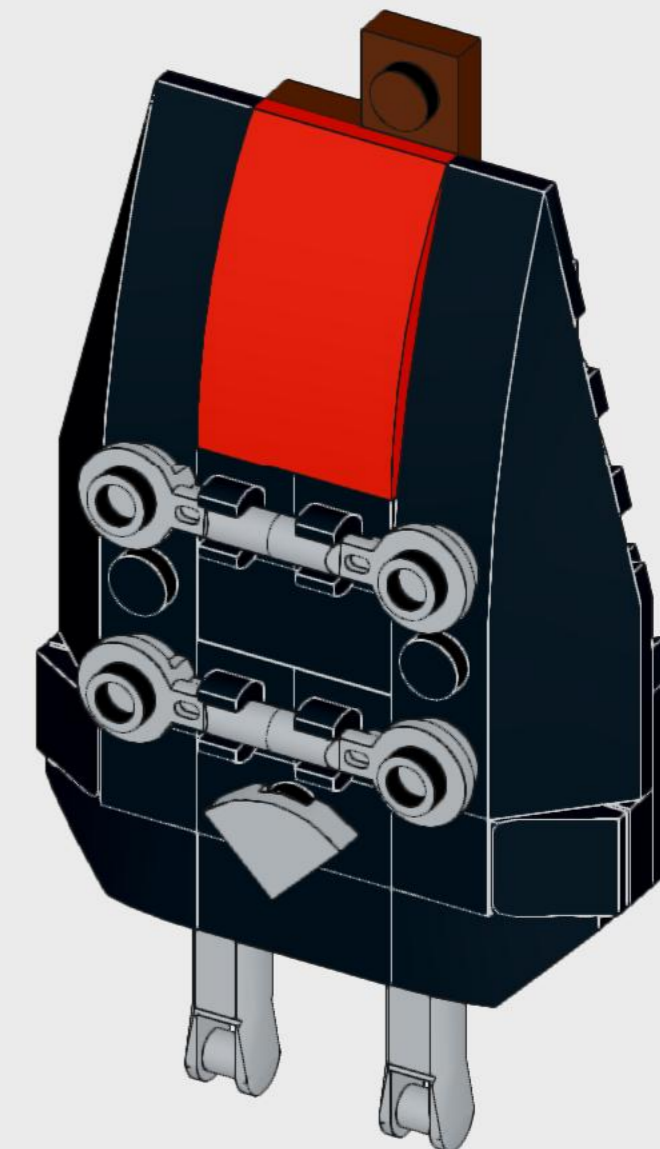
28

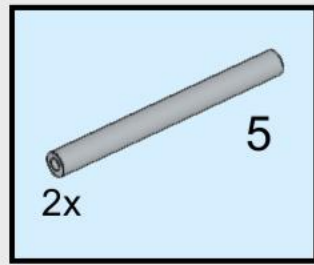


29

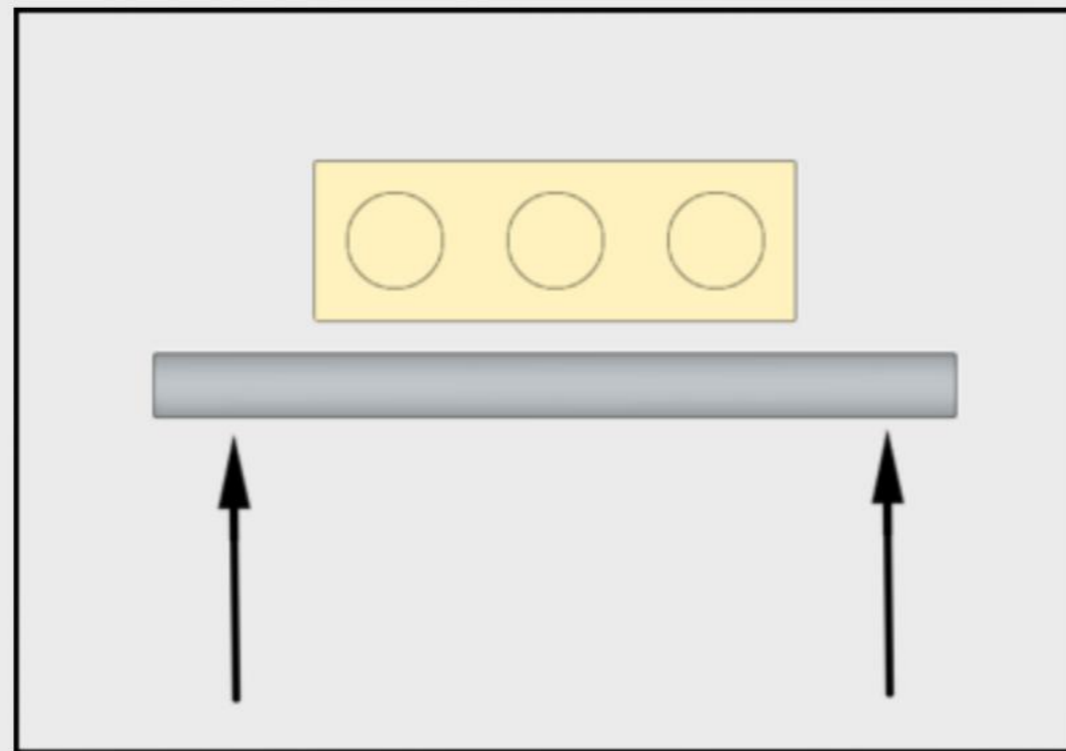


30

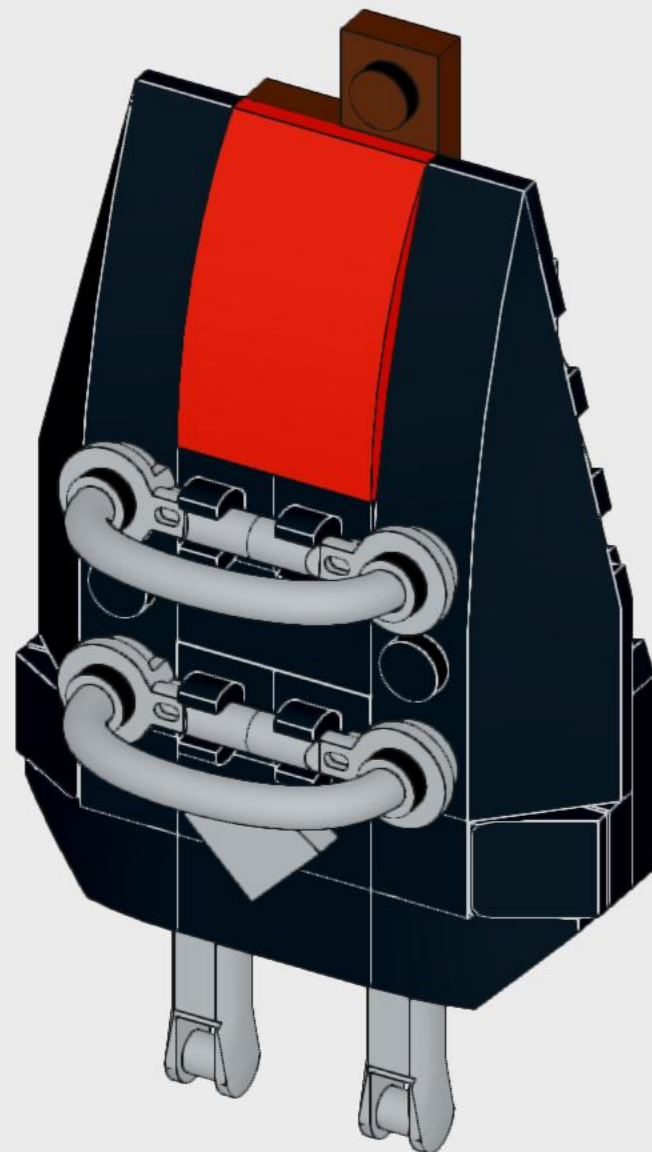




31

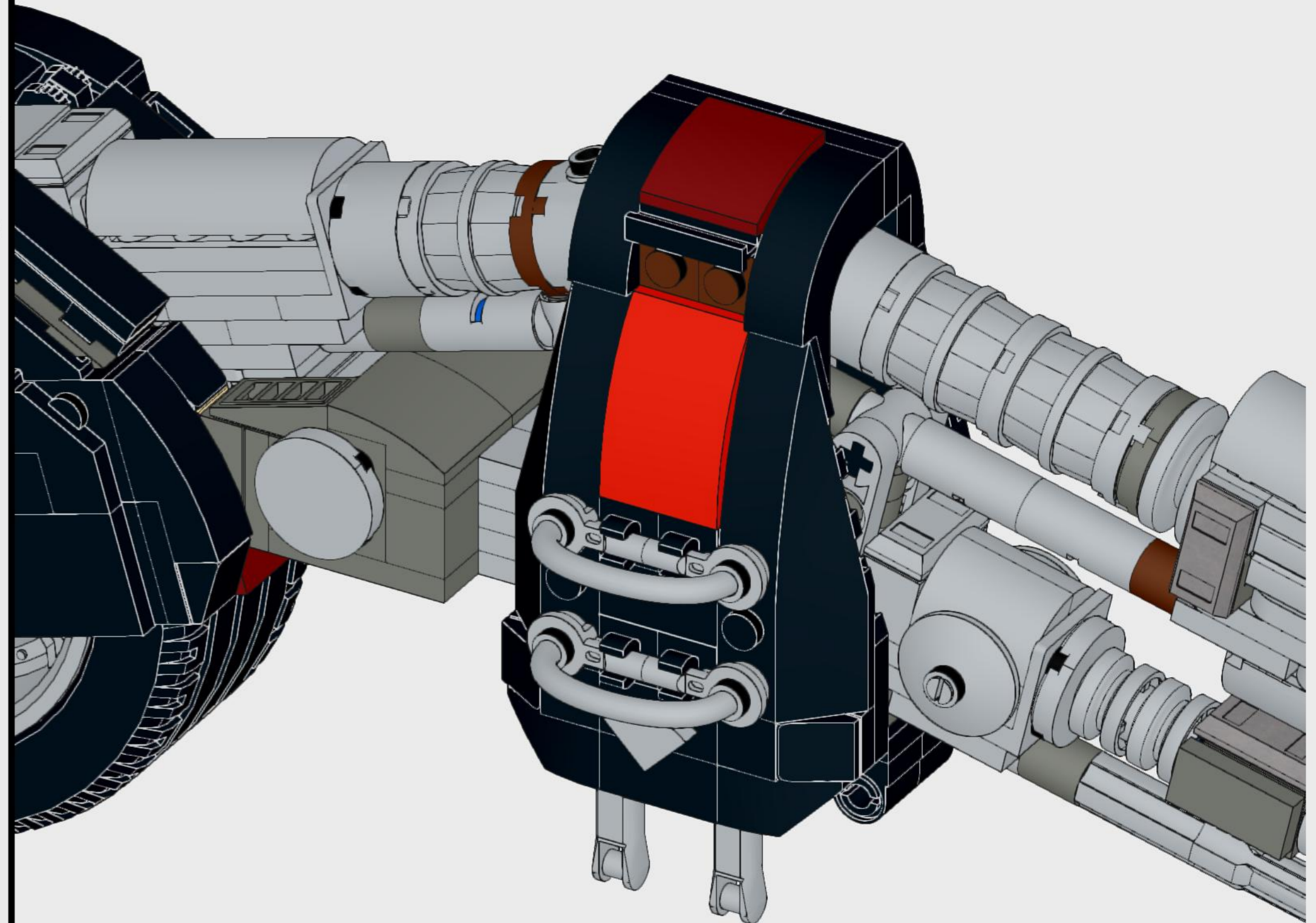


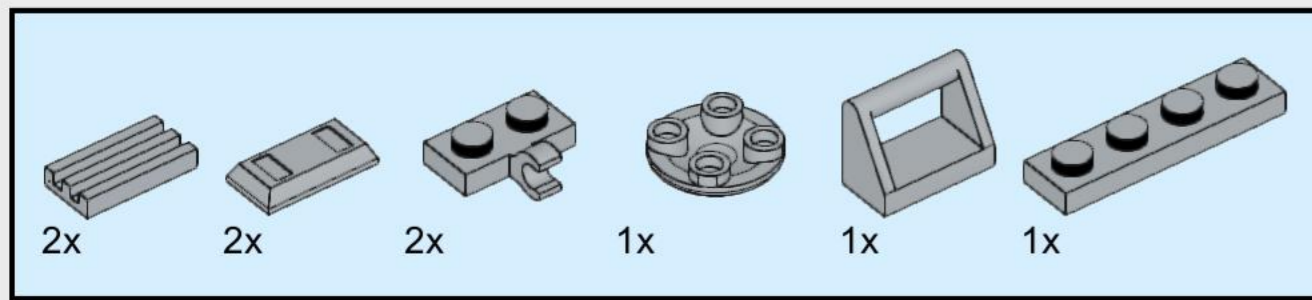
Press 5-long rigid hoses against the corners of a 3-long plate to crease/pinch the hose at a 90 degree angle. Then insert into hollow studs.



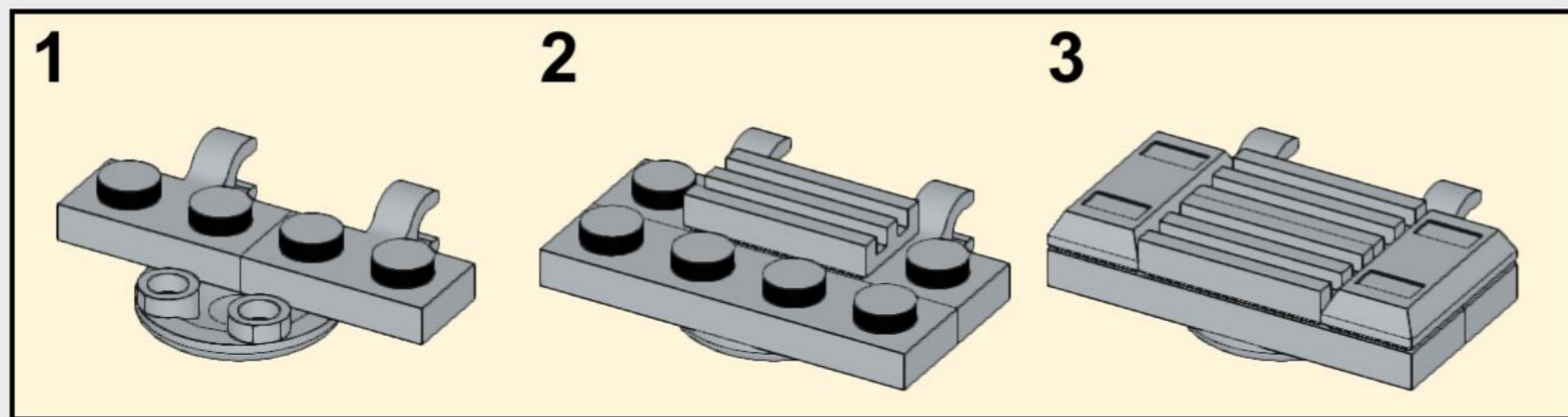
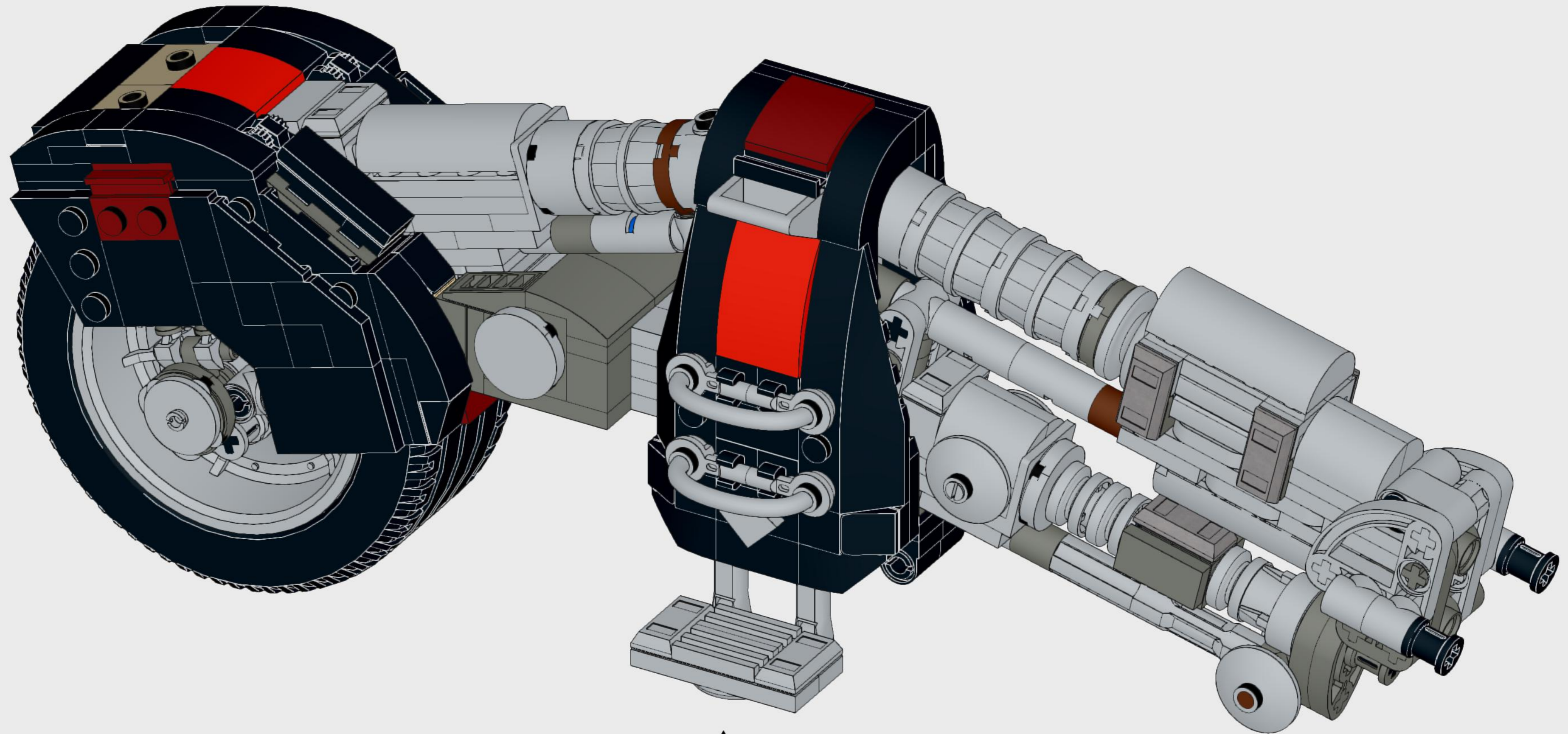
32

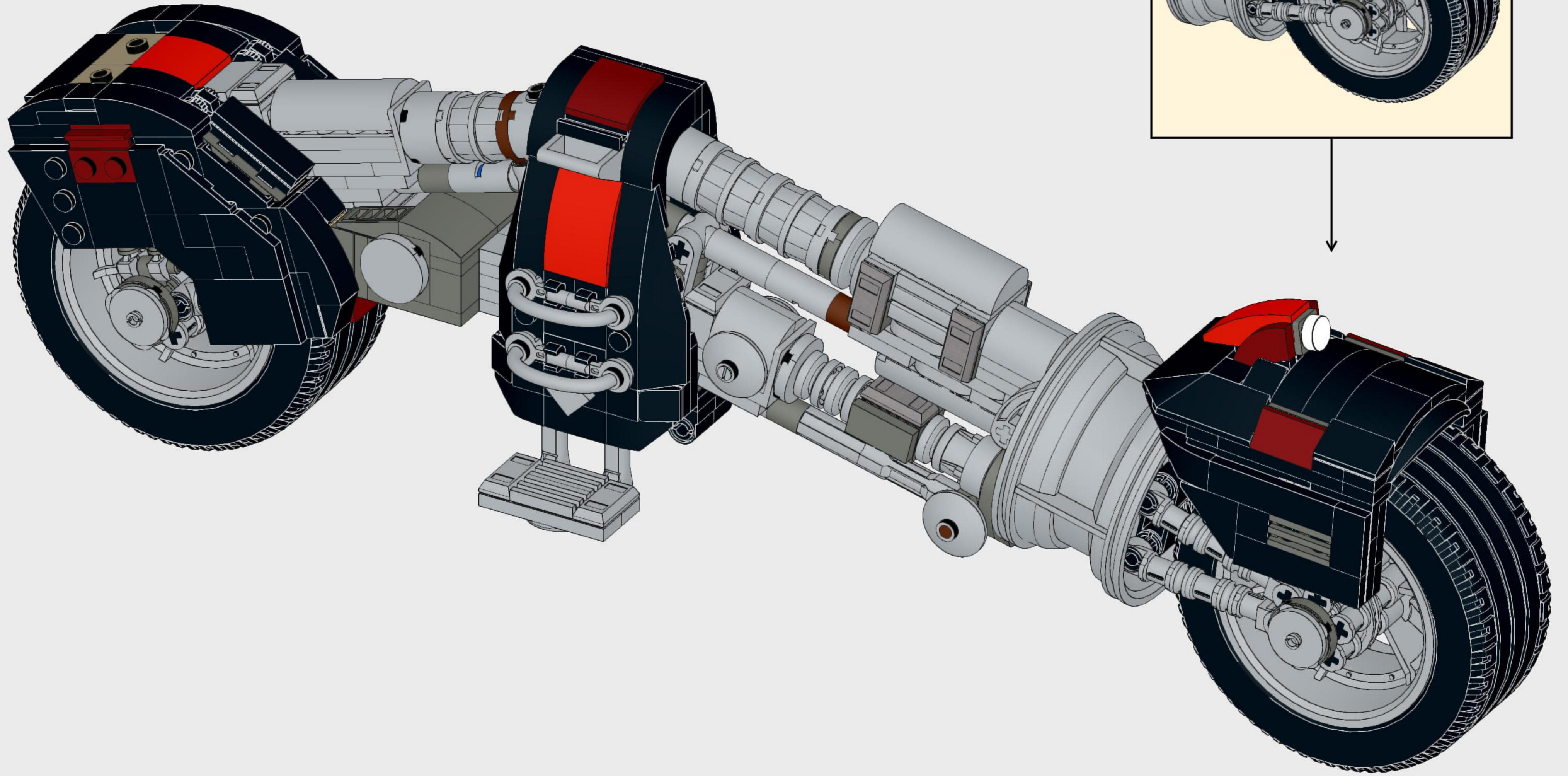
Note that this section will fit somewhat tight when placed, due to the grey arms putting pressure on the arched bricks.

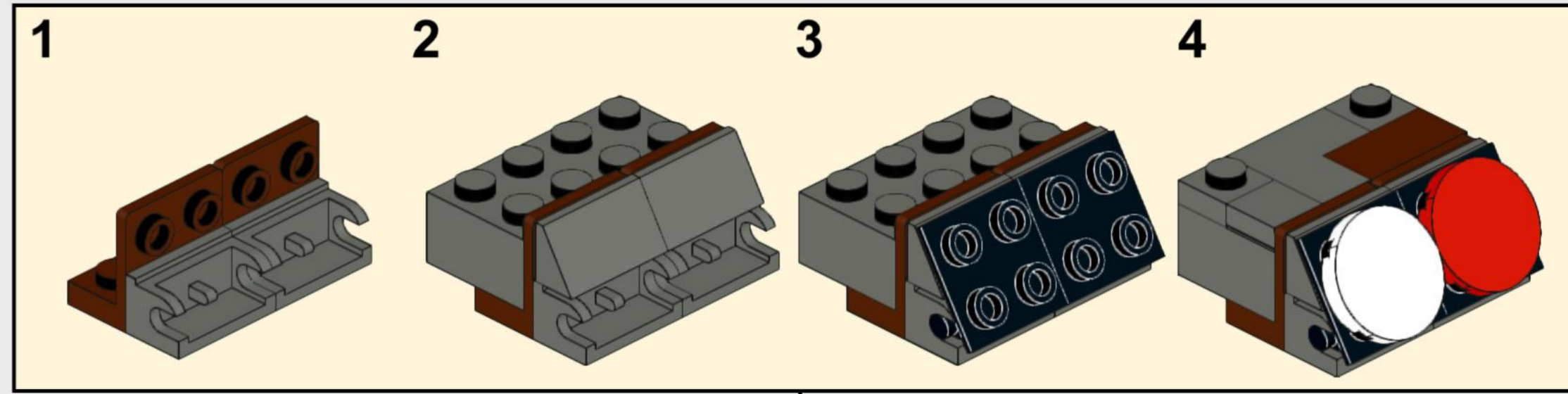
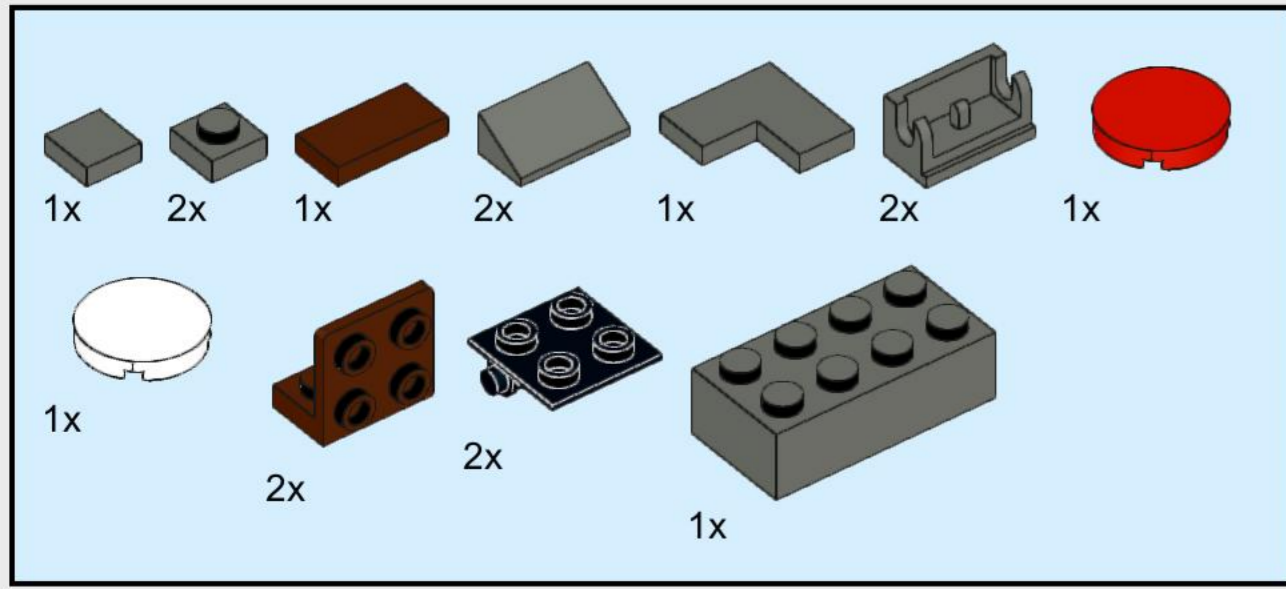




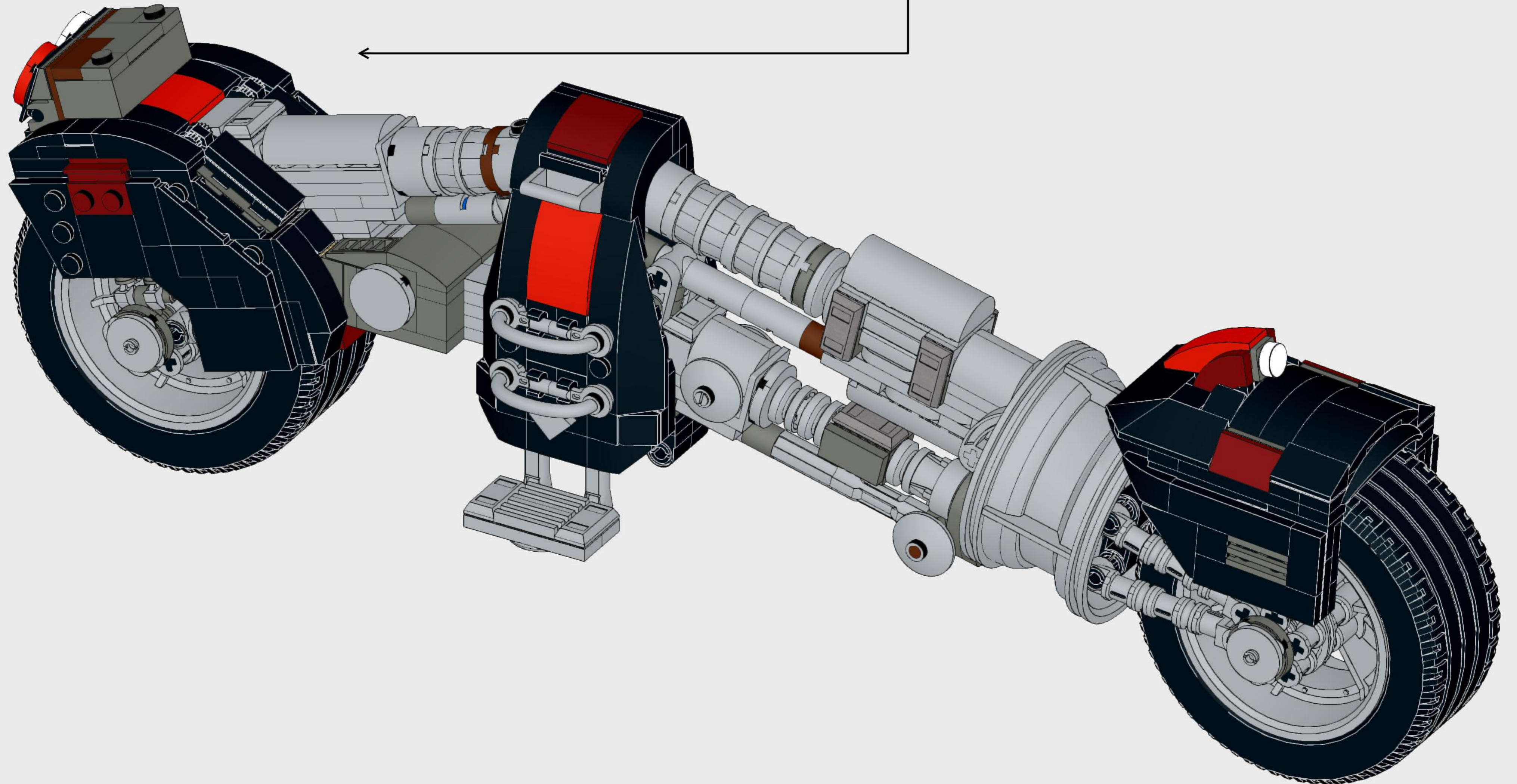
33

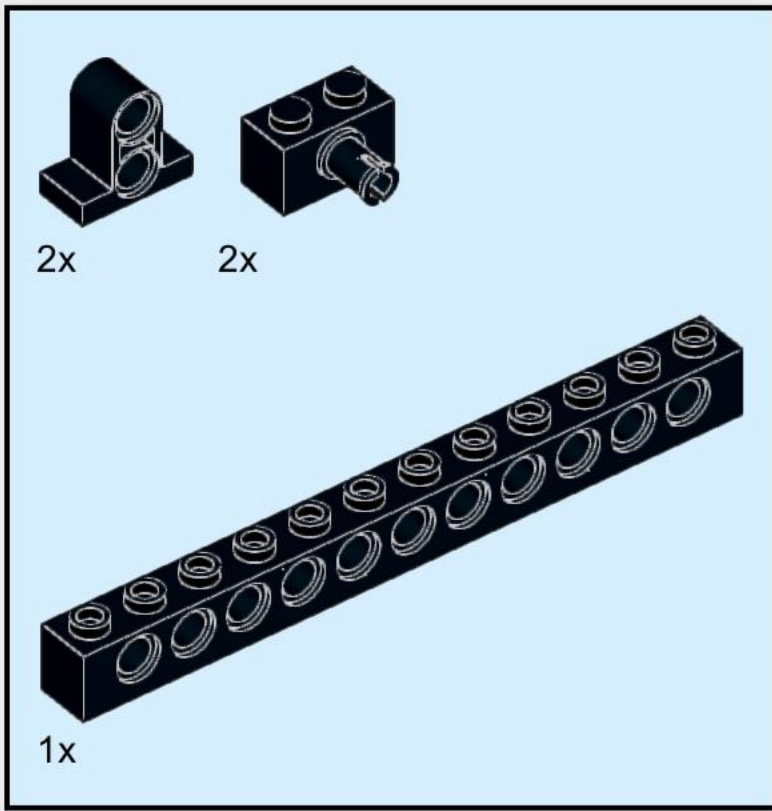
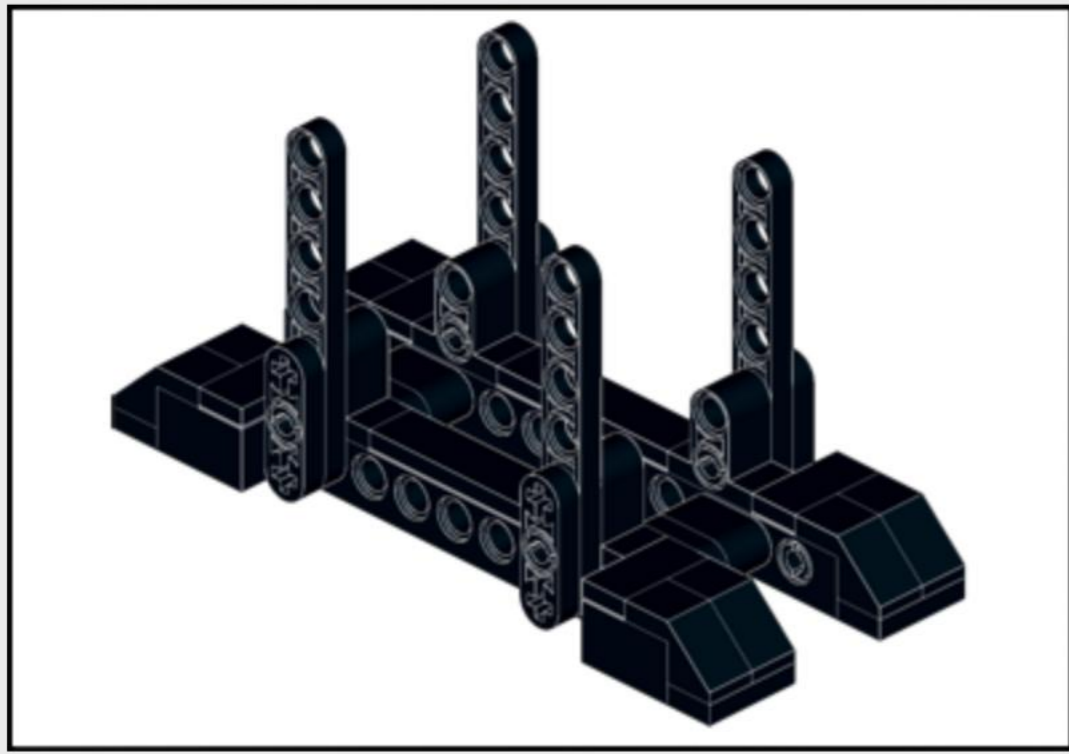






35

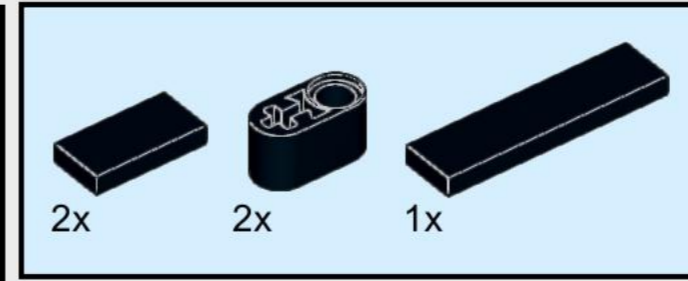
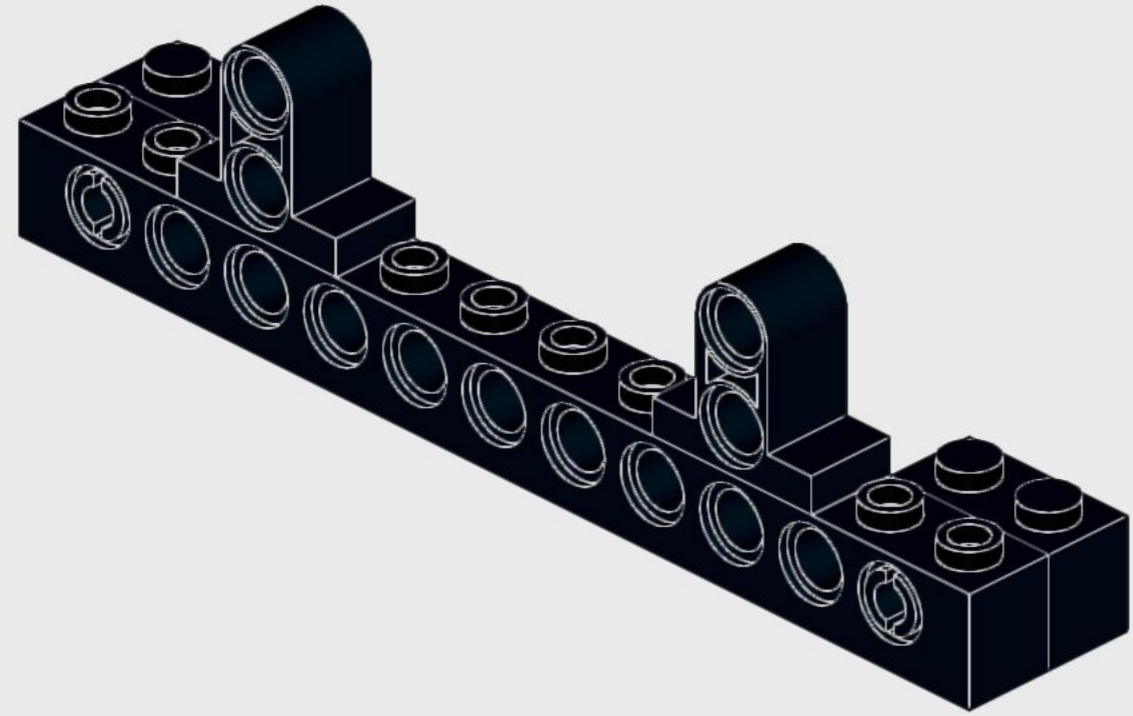
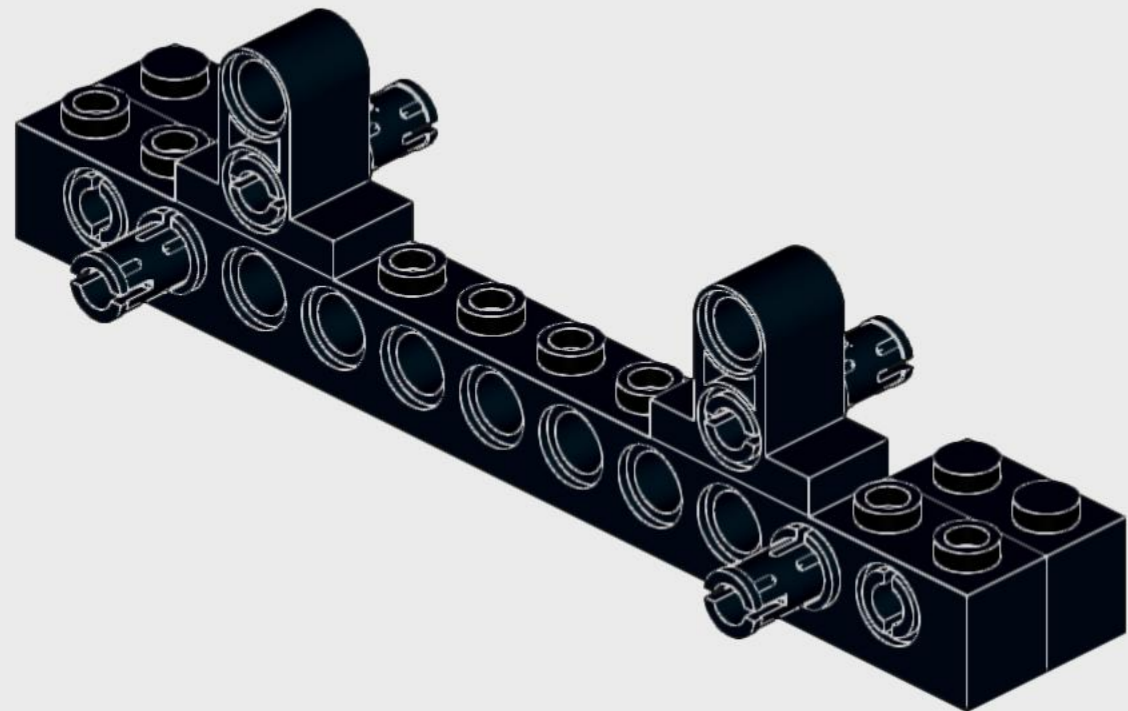




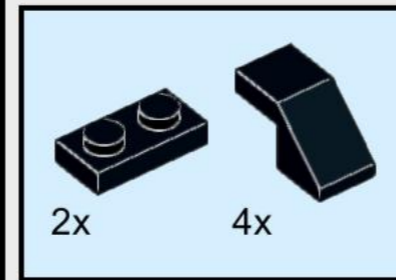
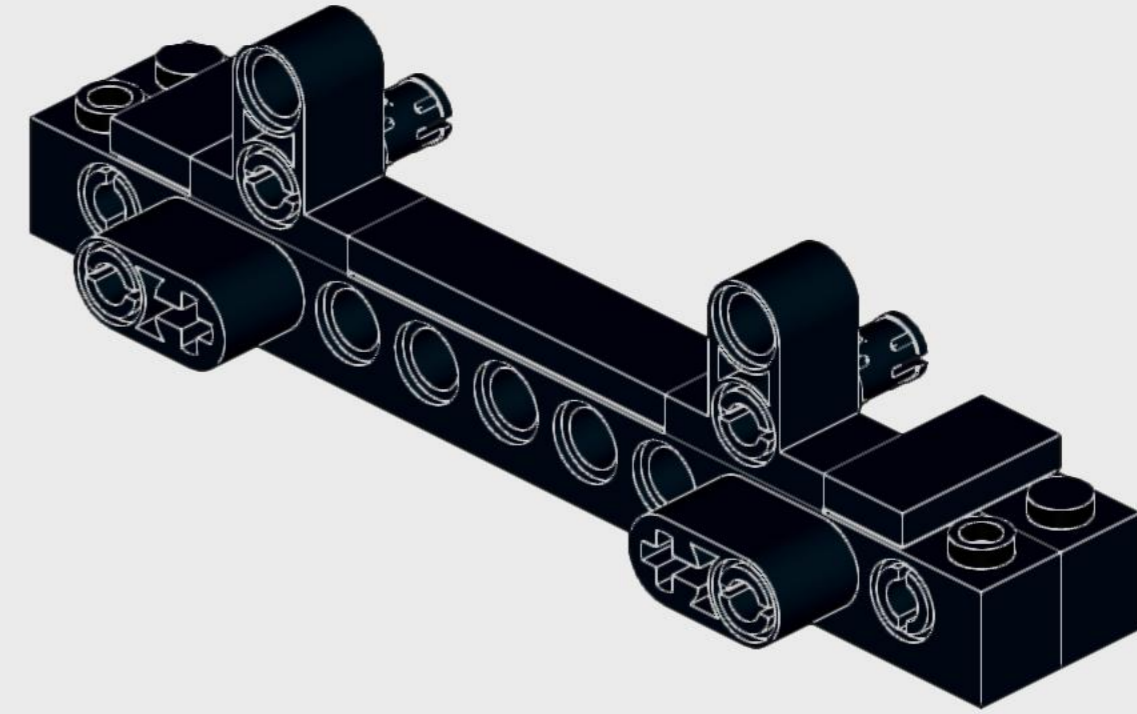
1



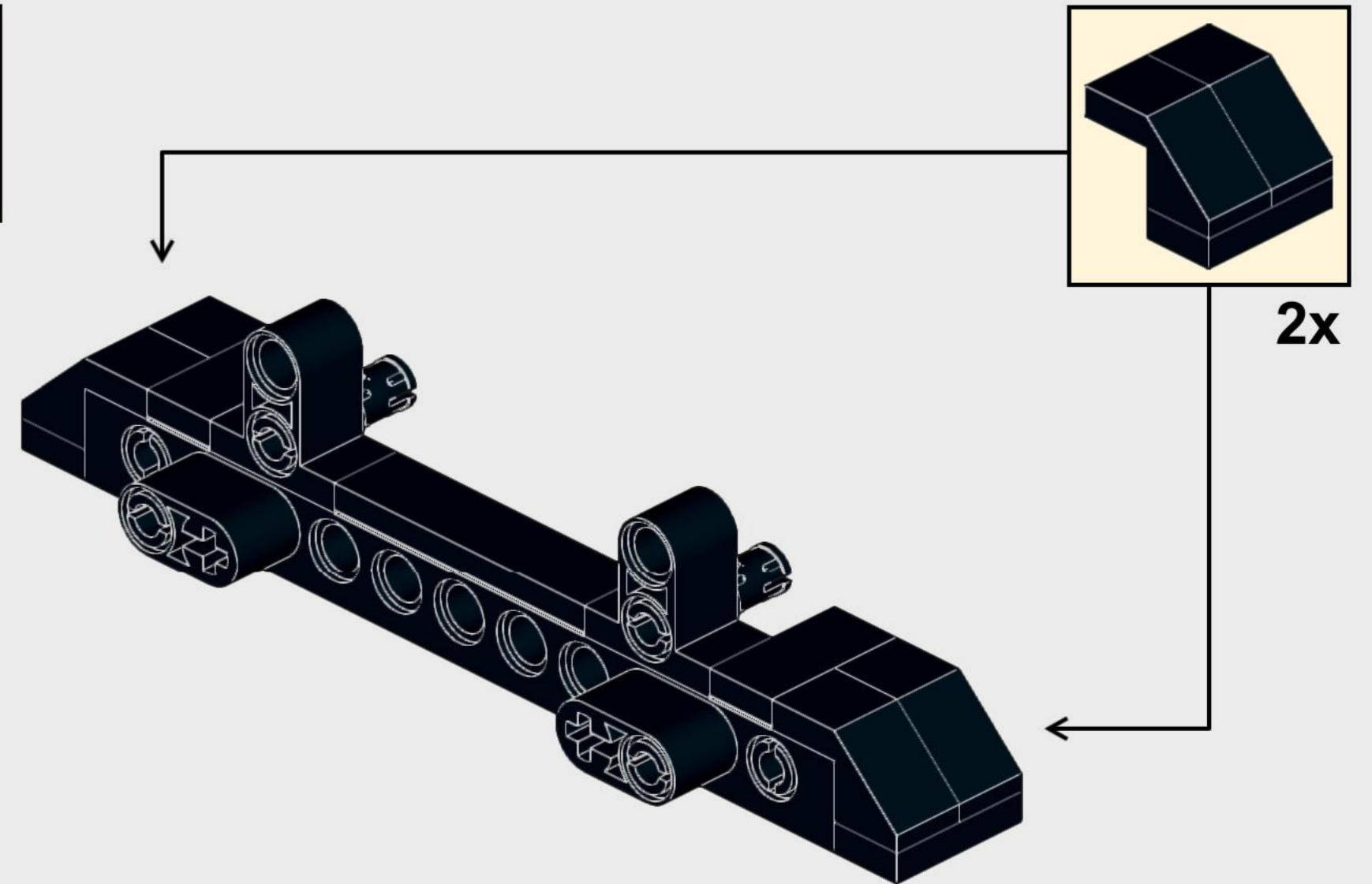
2

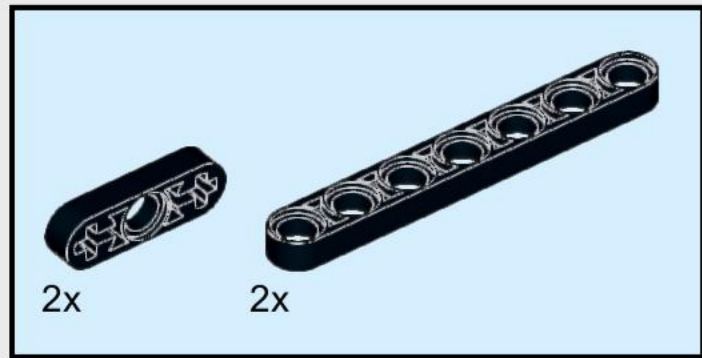


3

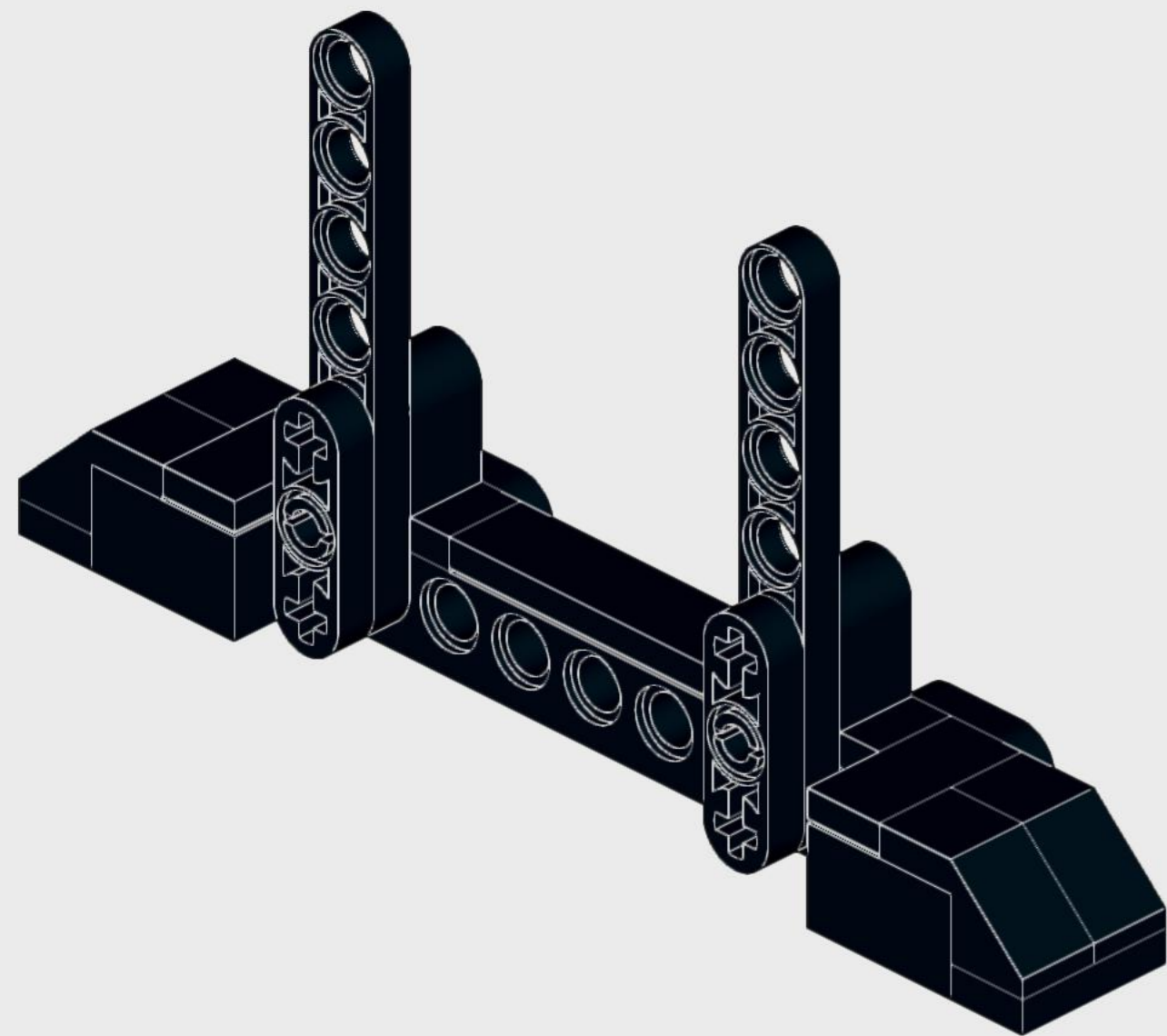


4



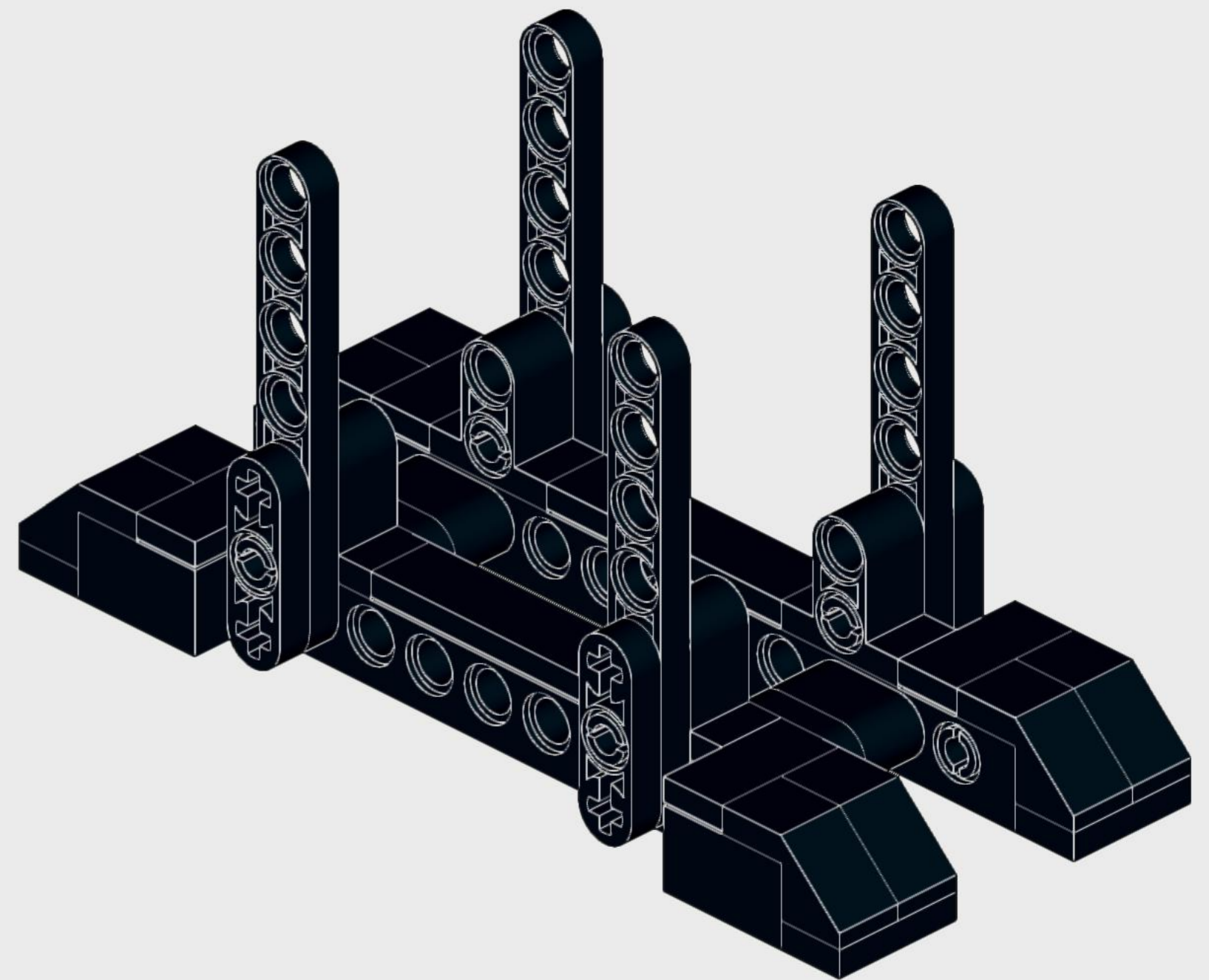


5 

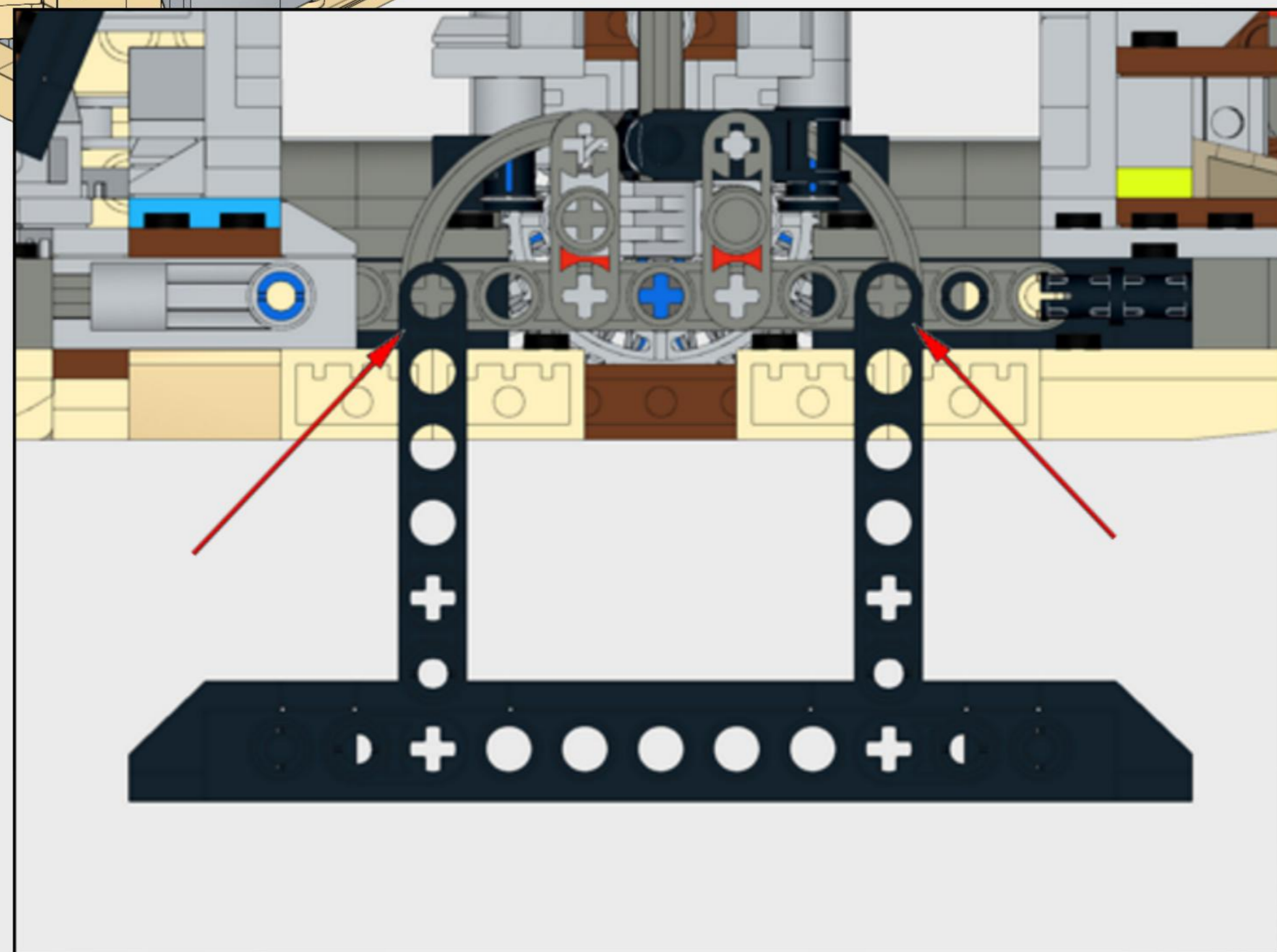
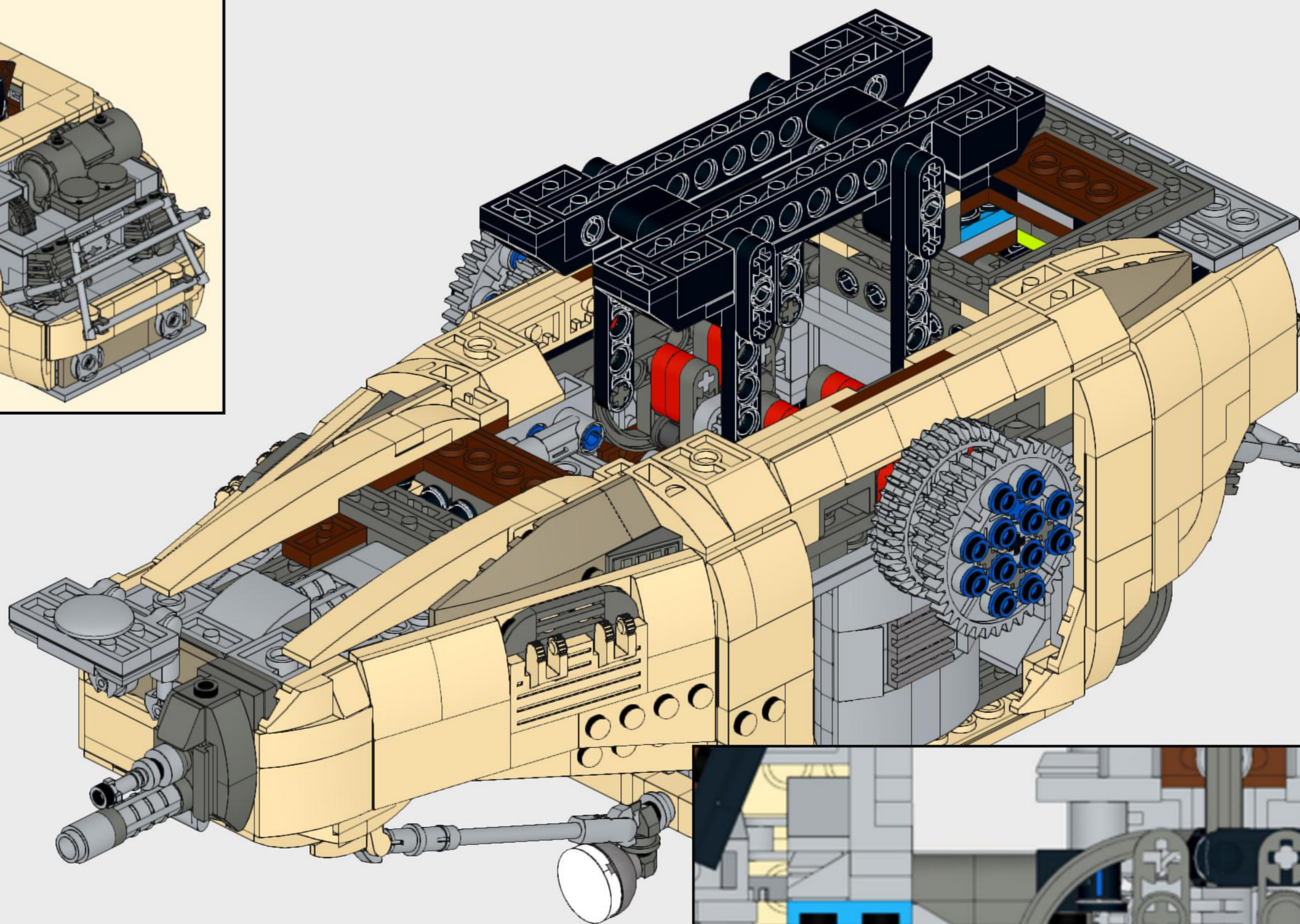
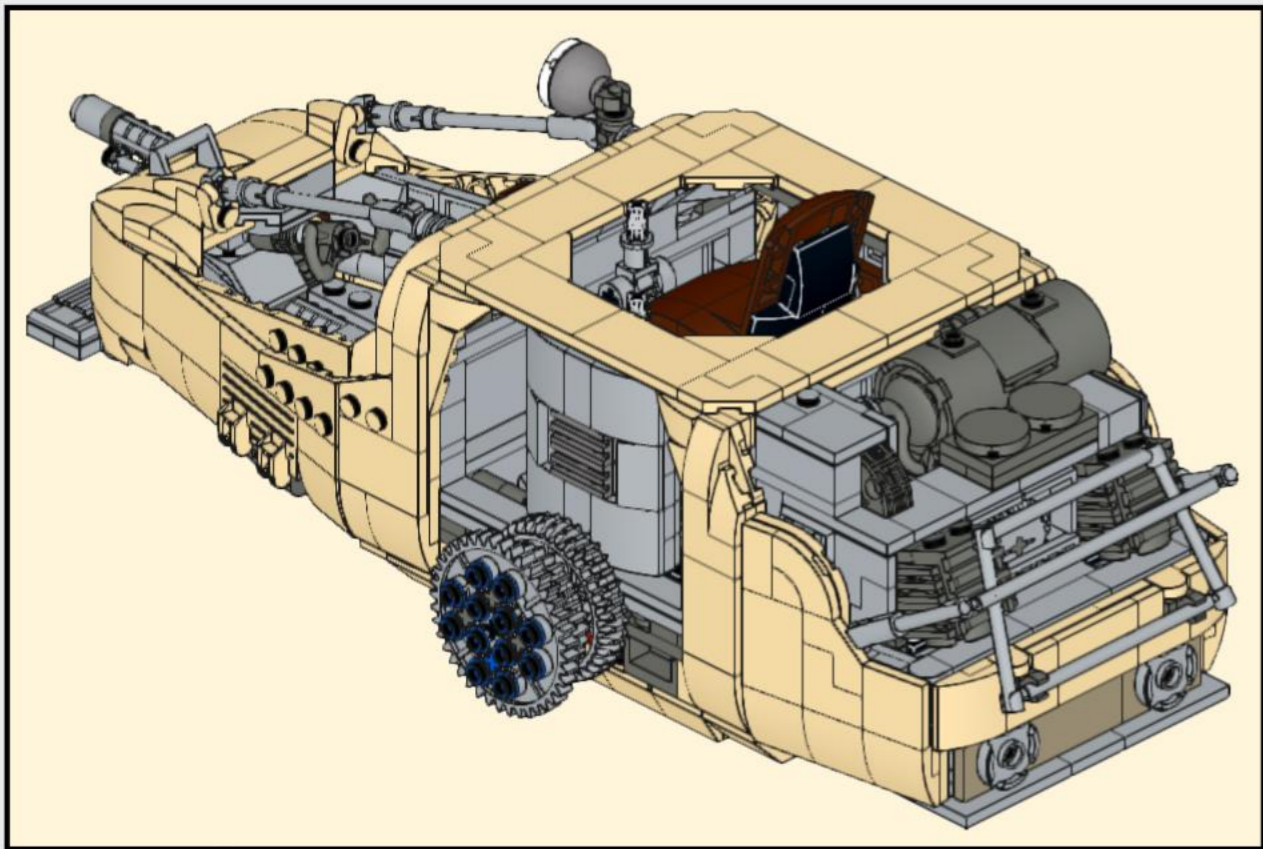


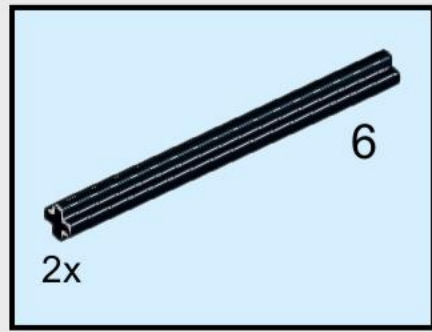
x2

6

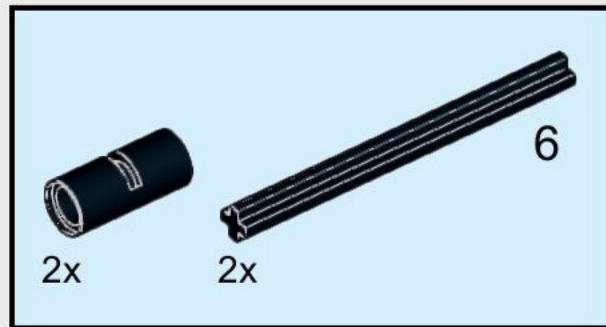
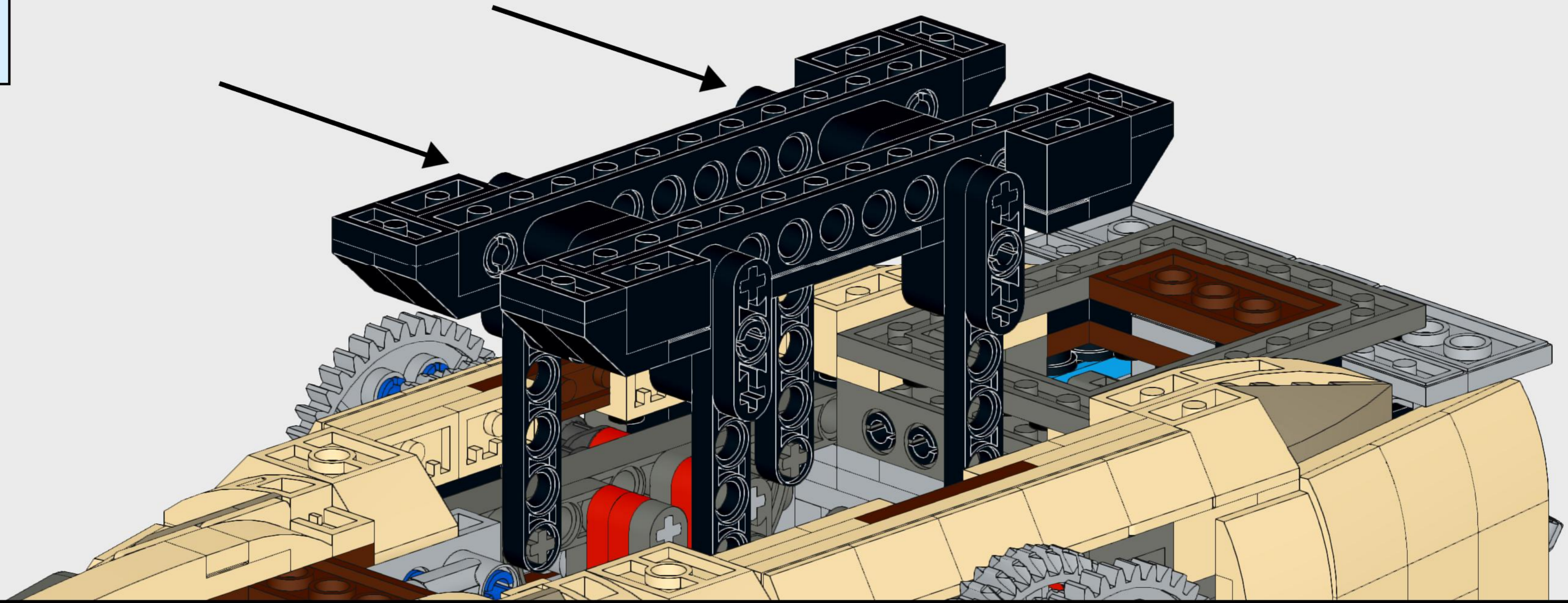


7

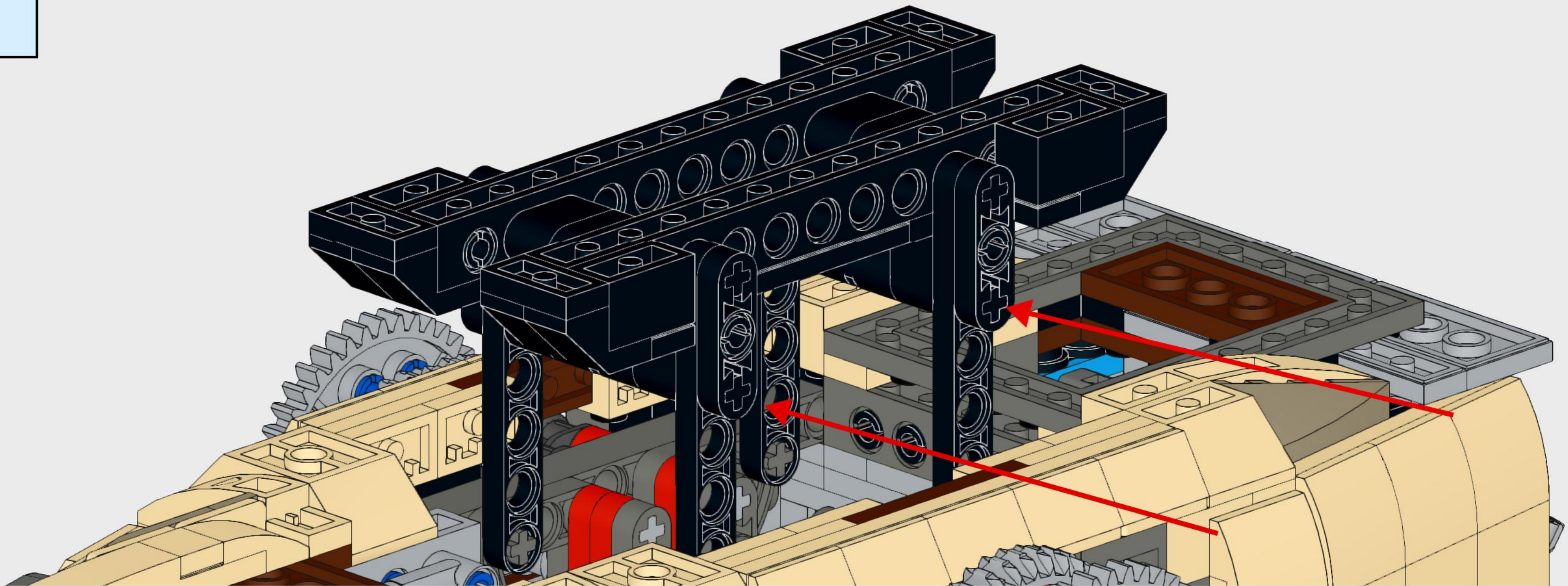


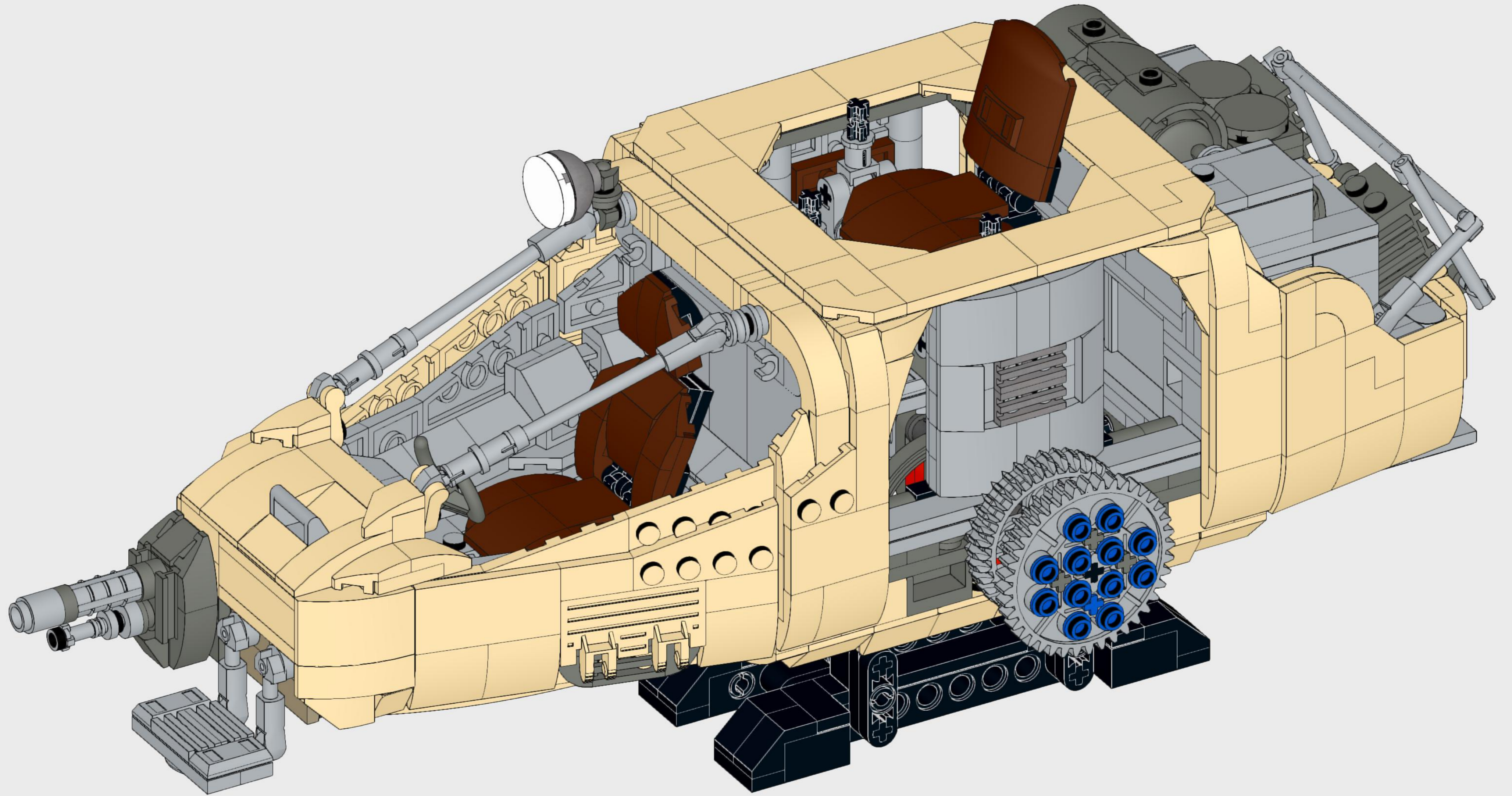


8

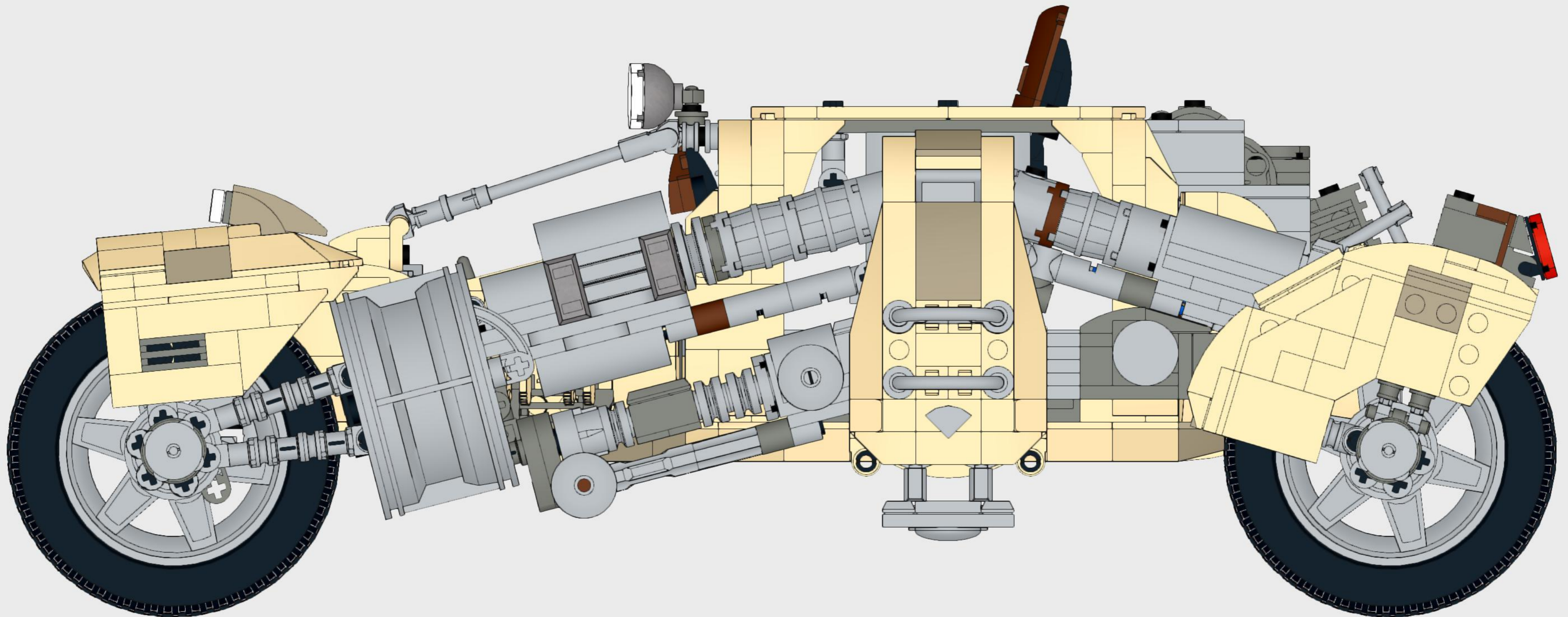
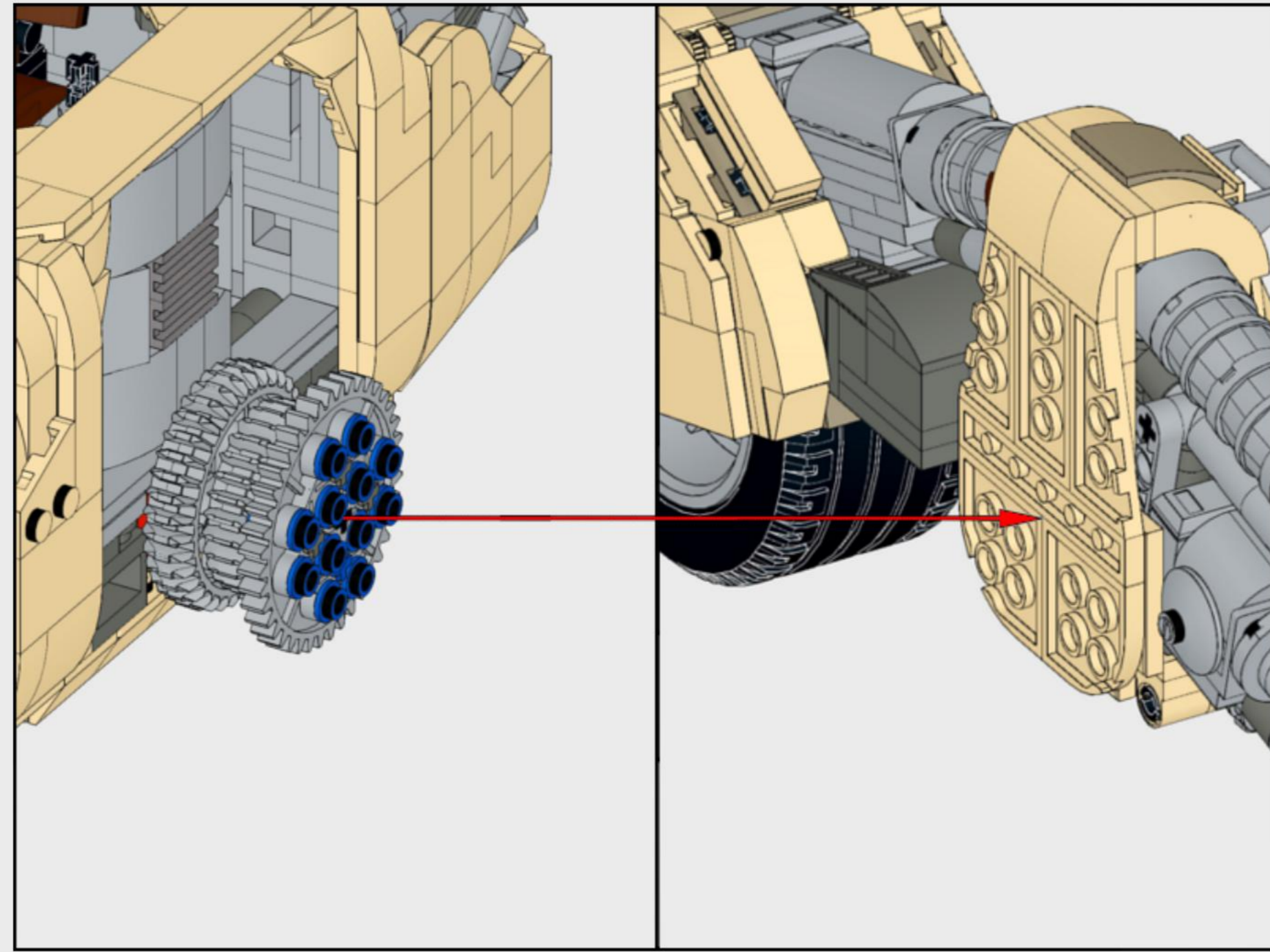


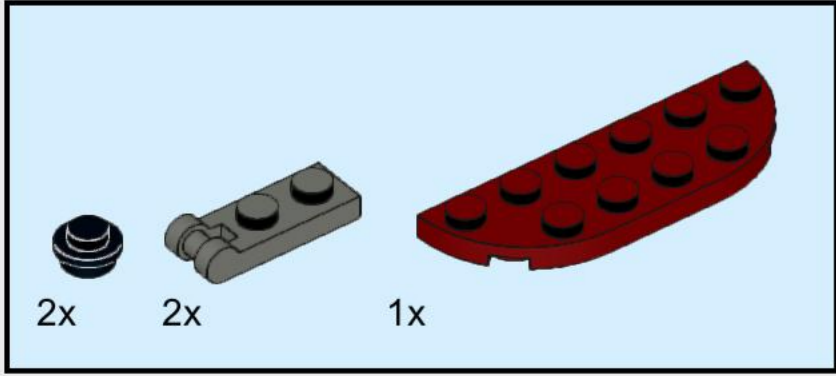
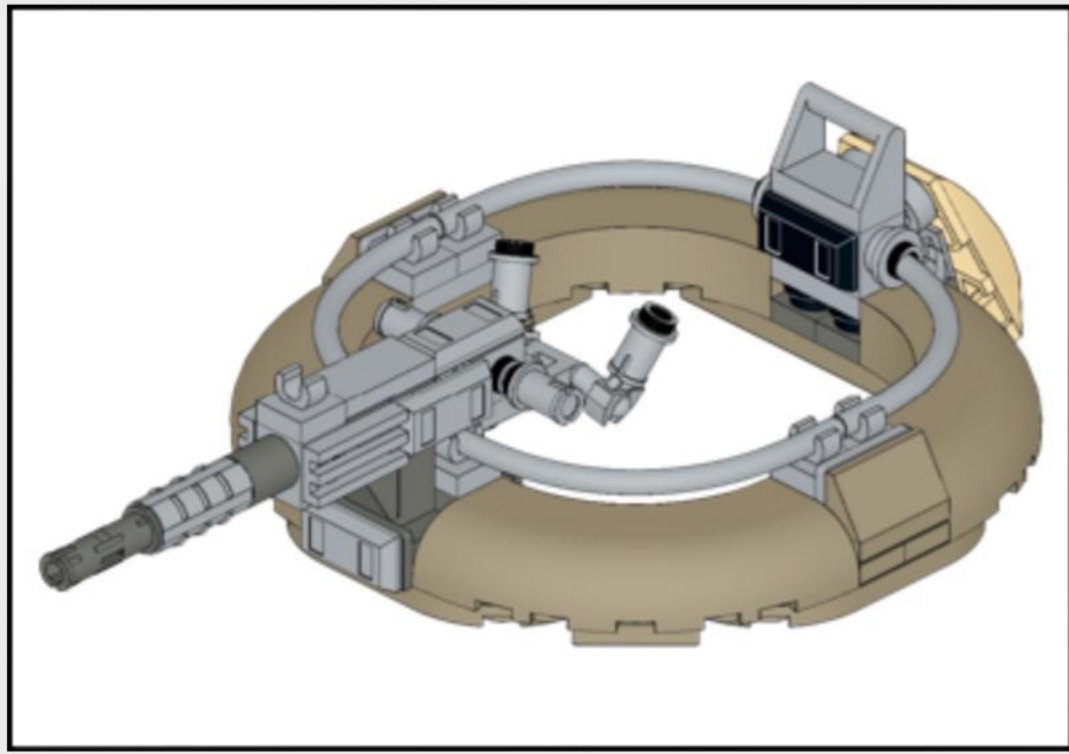
9



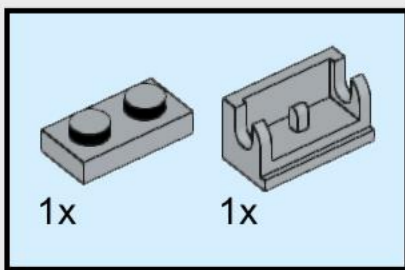
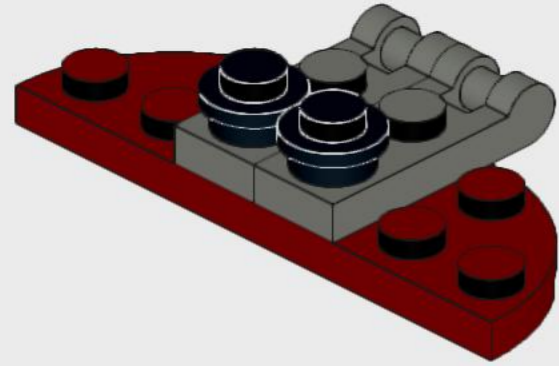


Side Attach

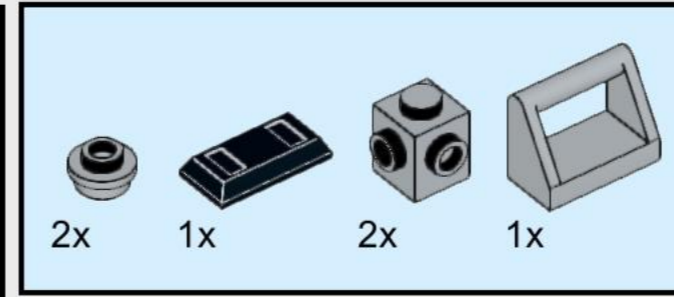
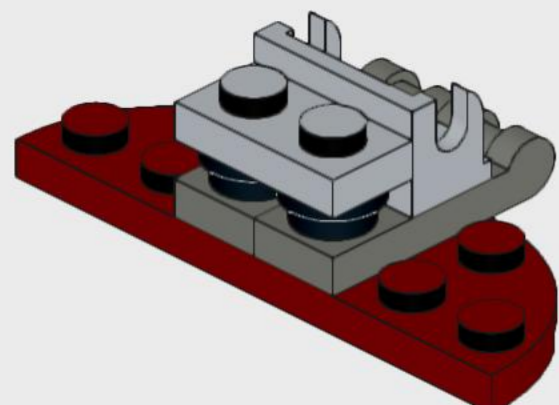




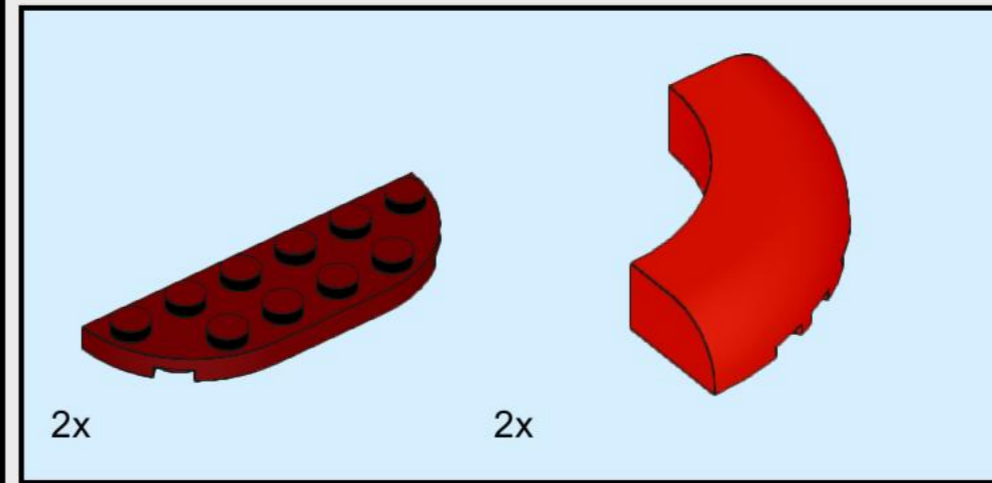
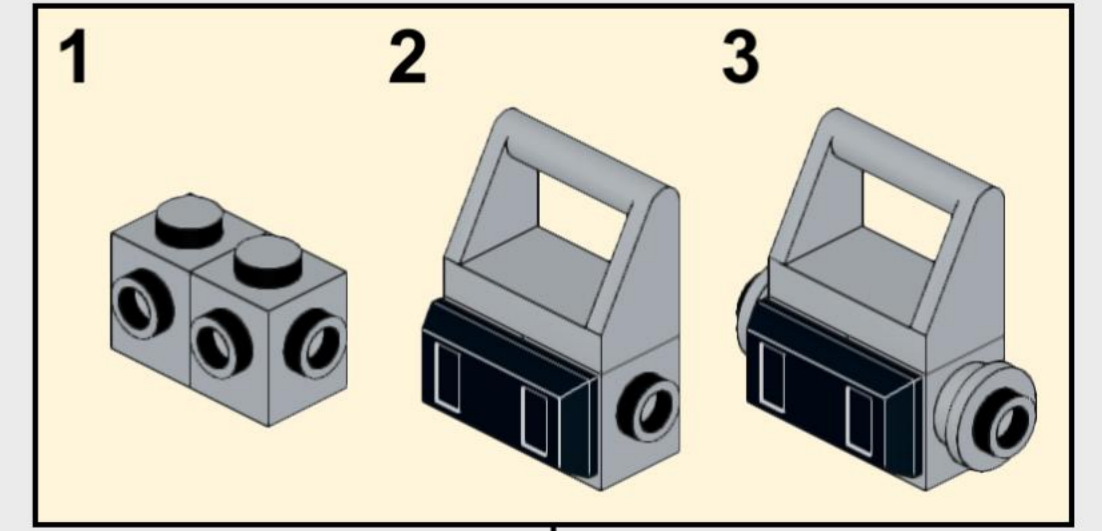
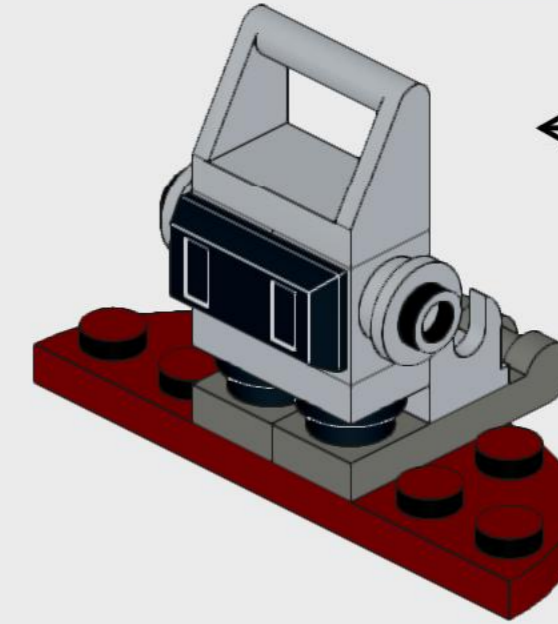
1



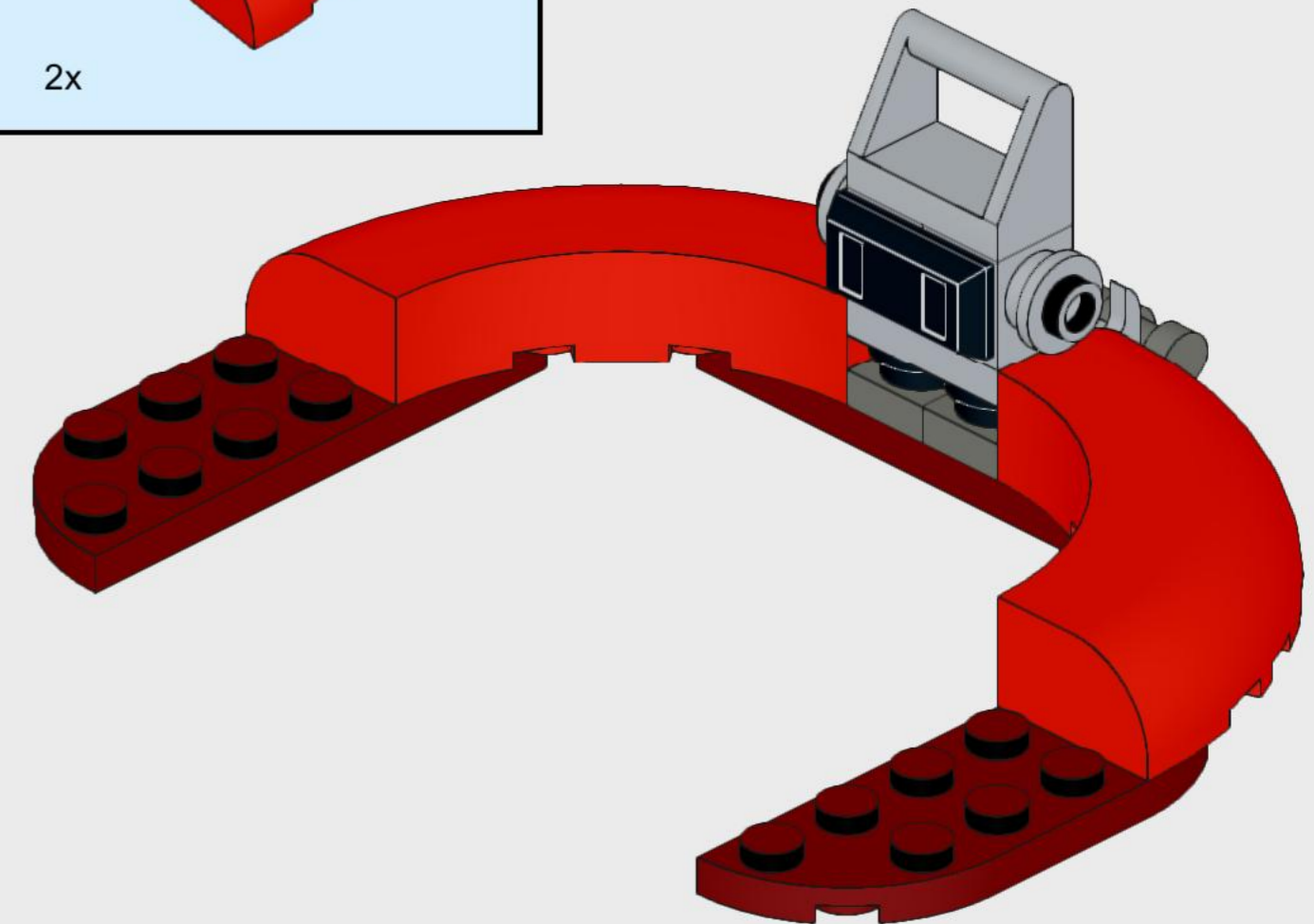
2

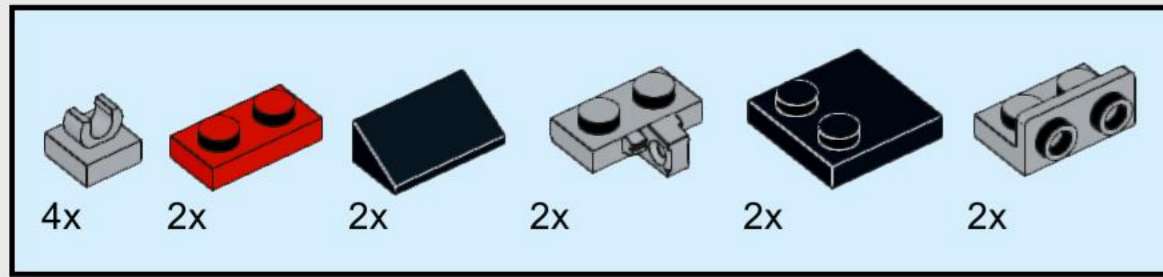


3

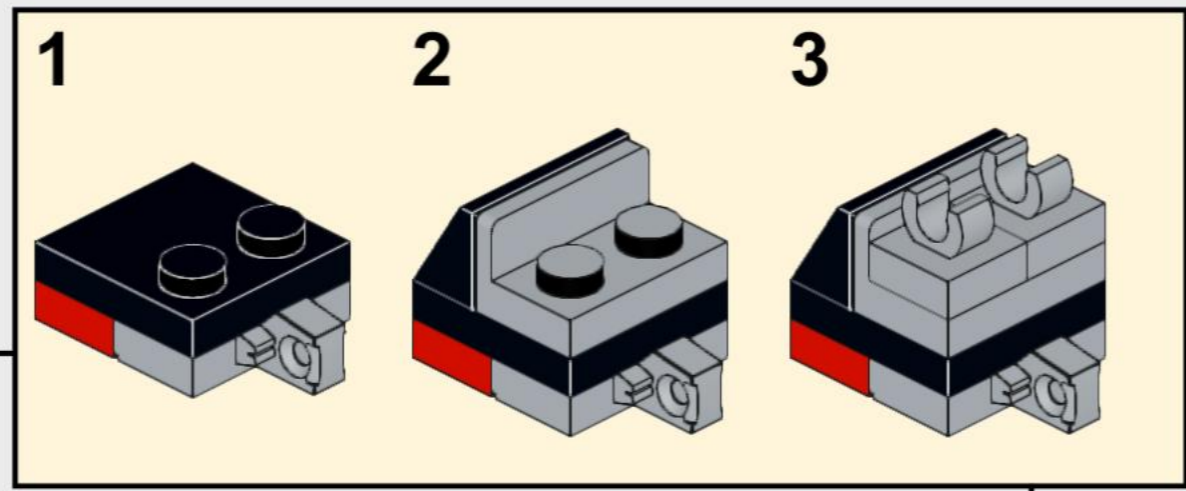


4

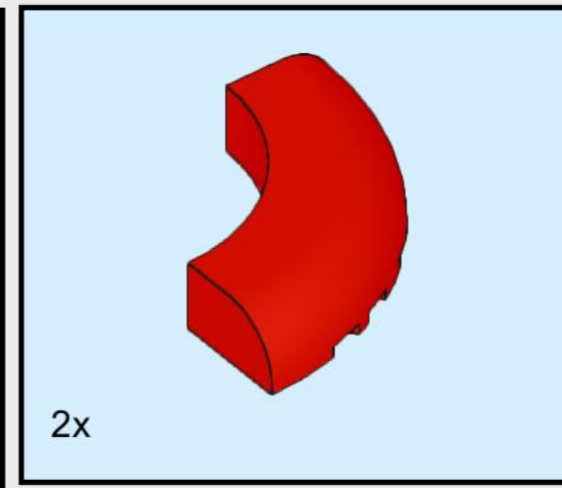
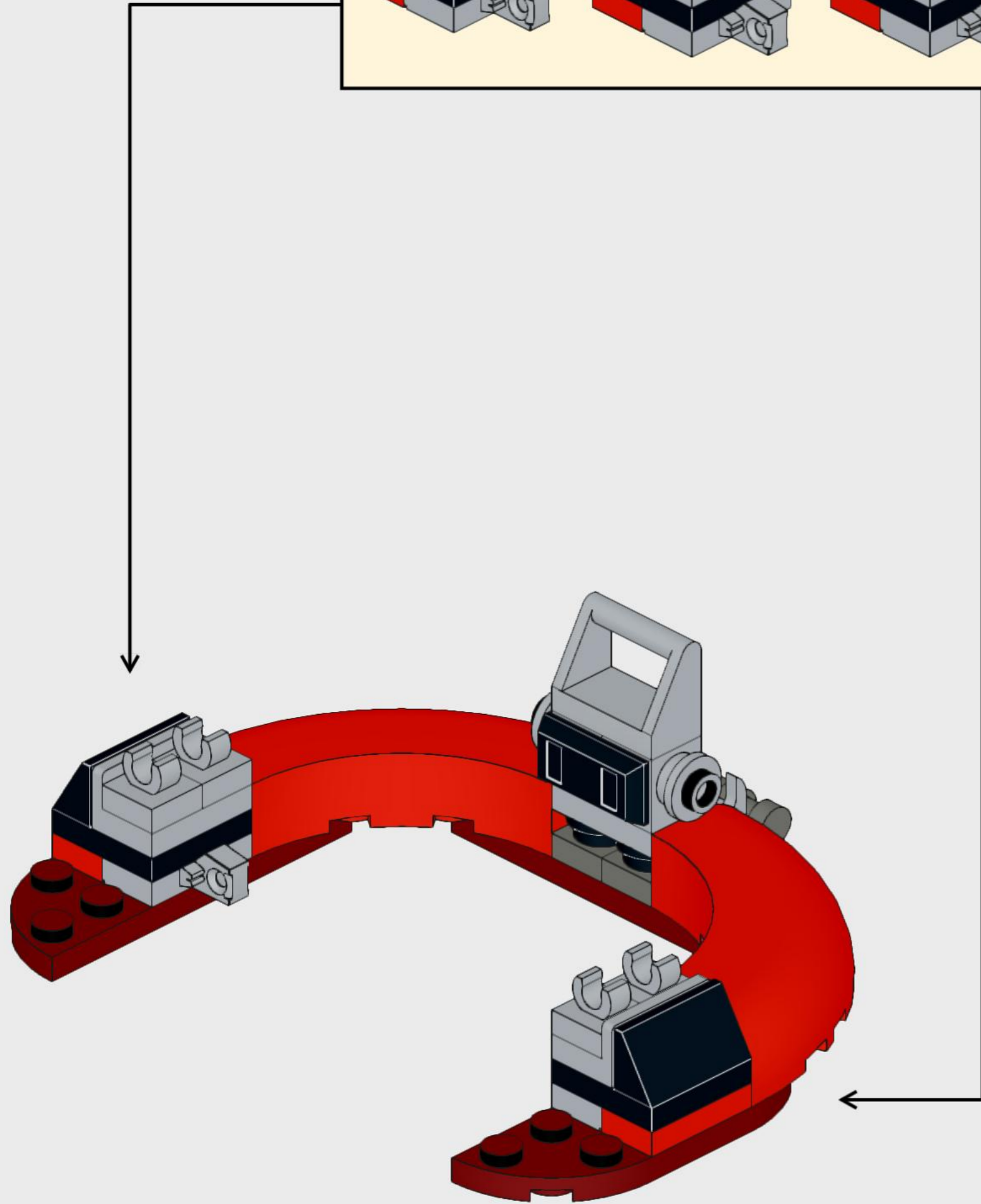




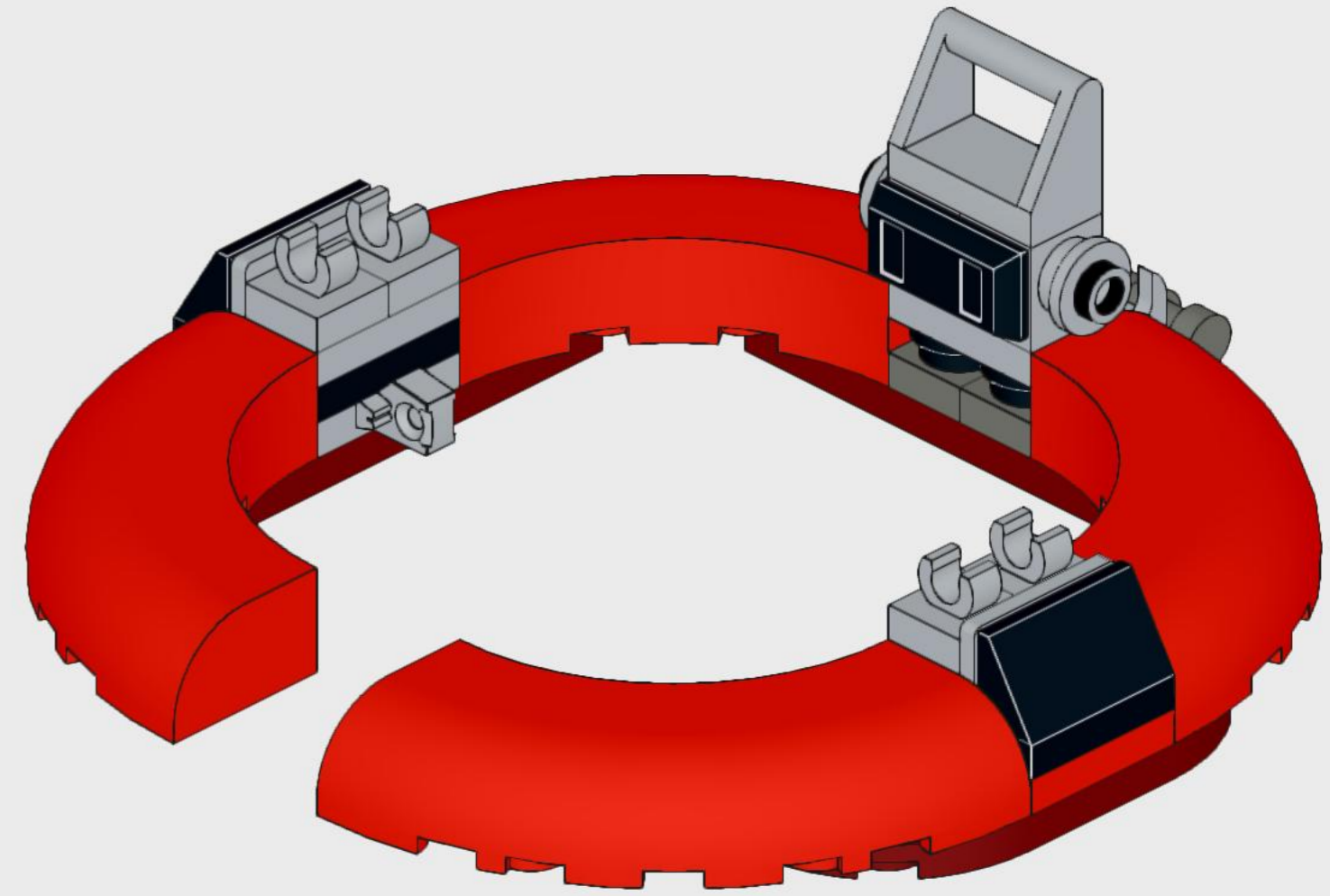
5

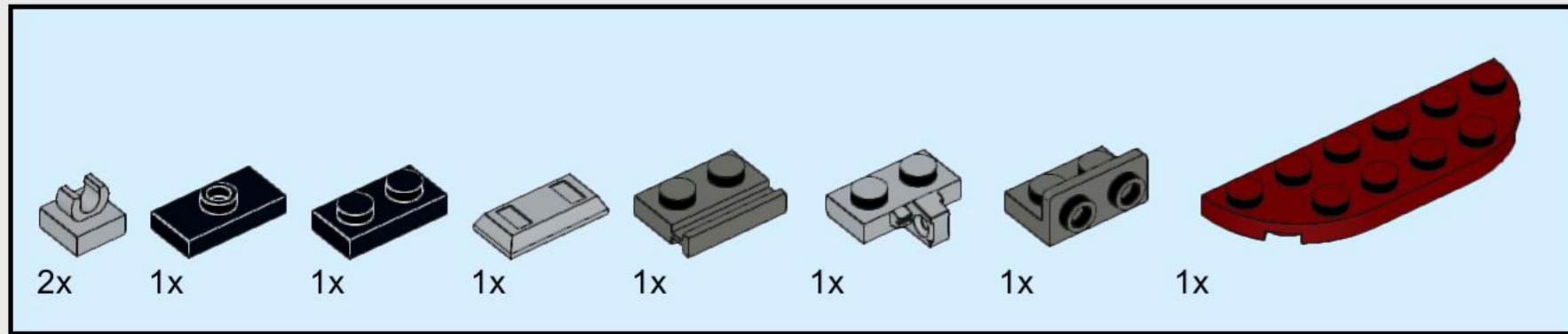


2x

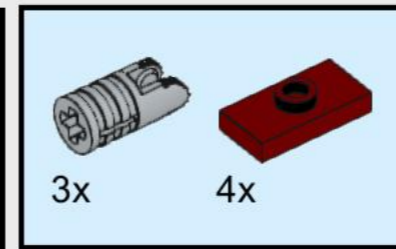
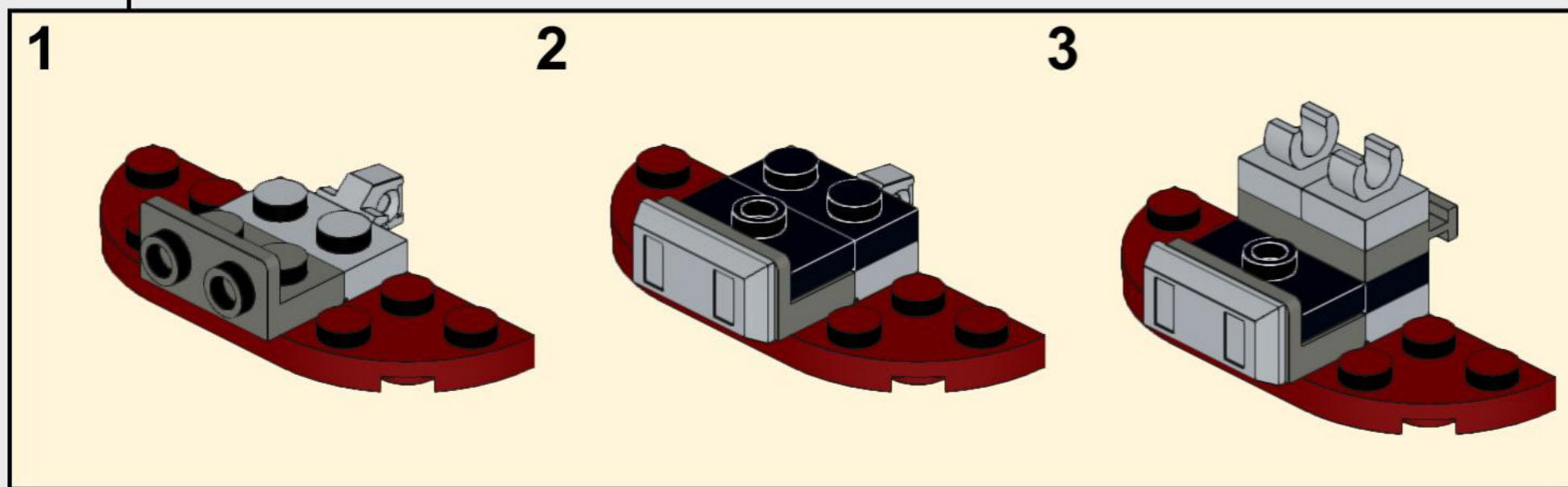
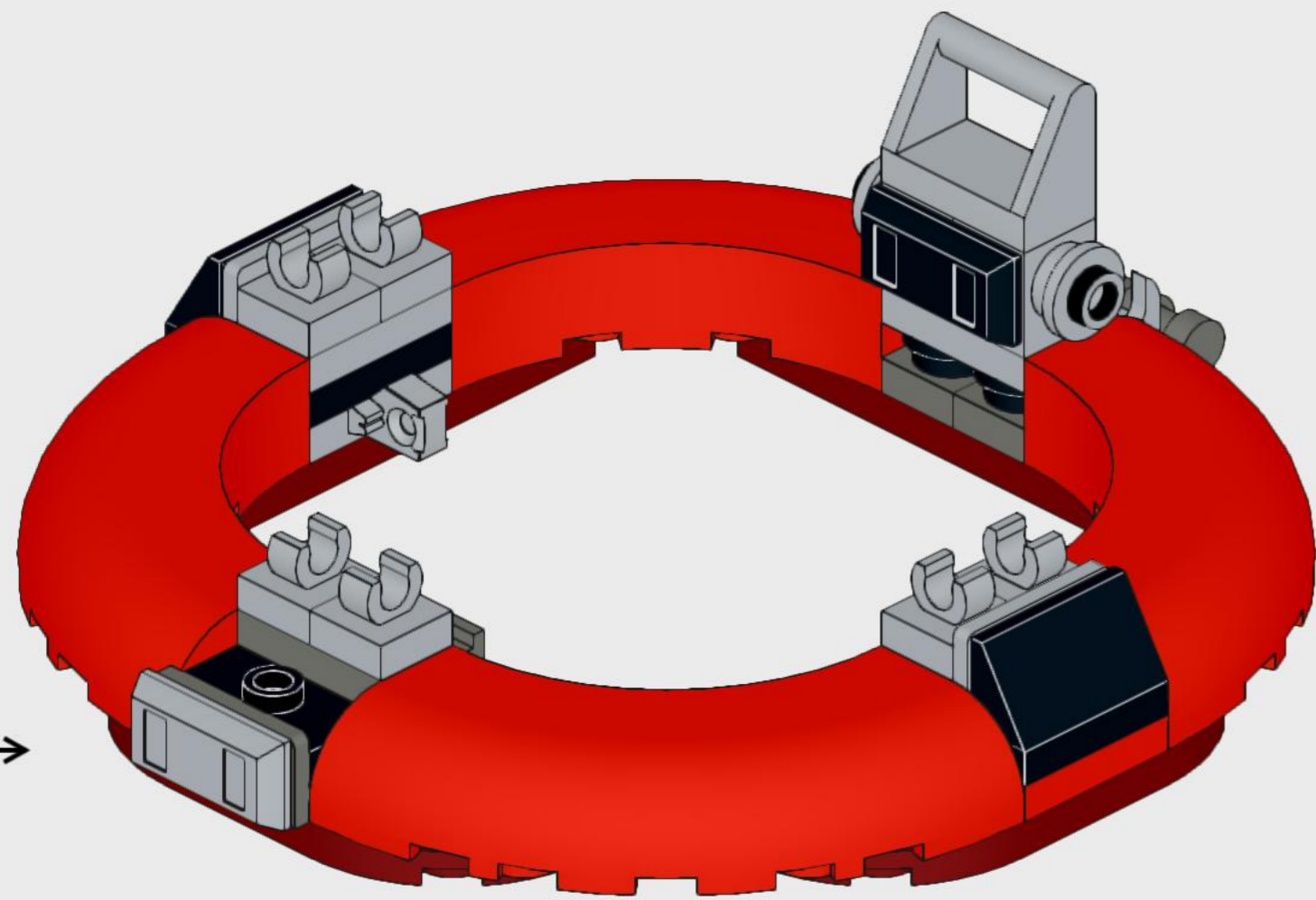


6

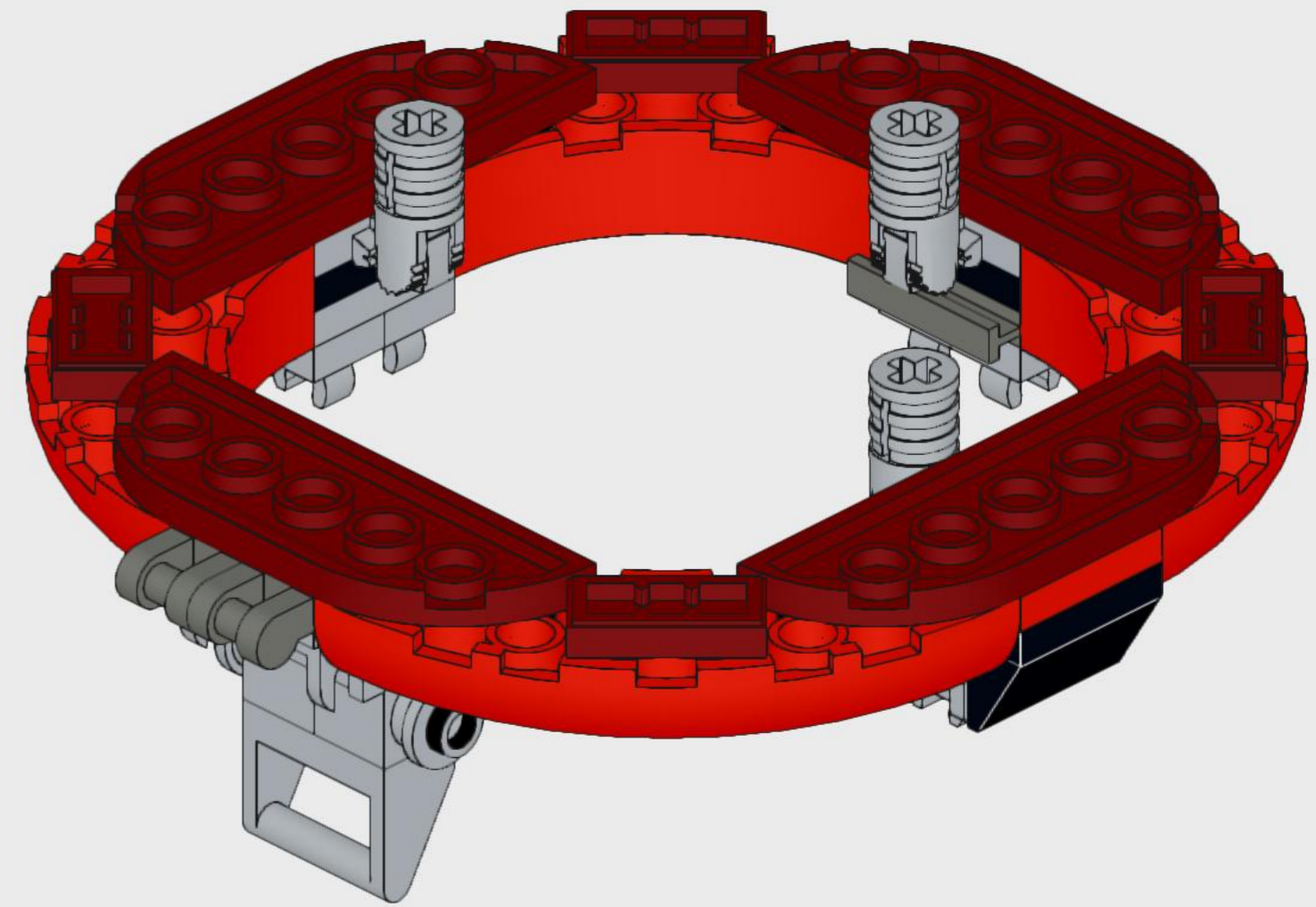


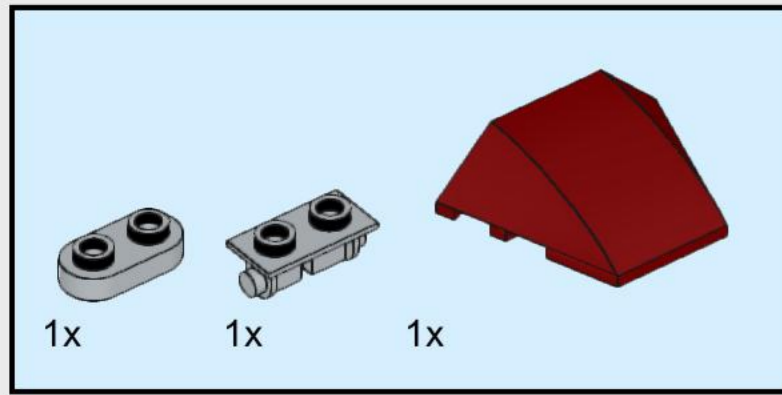


7

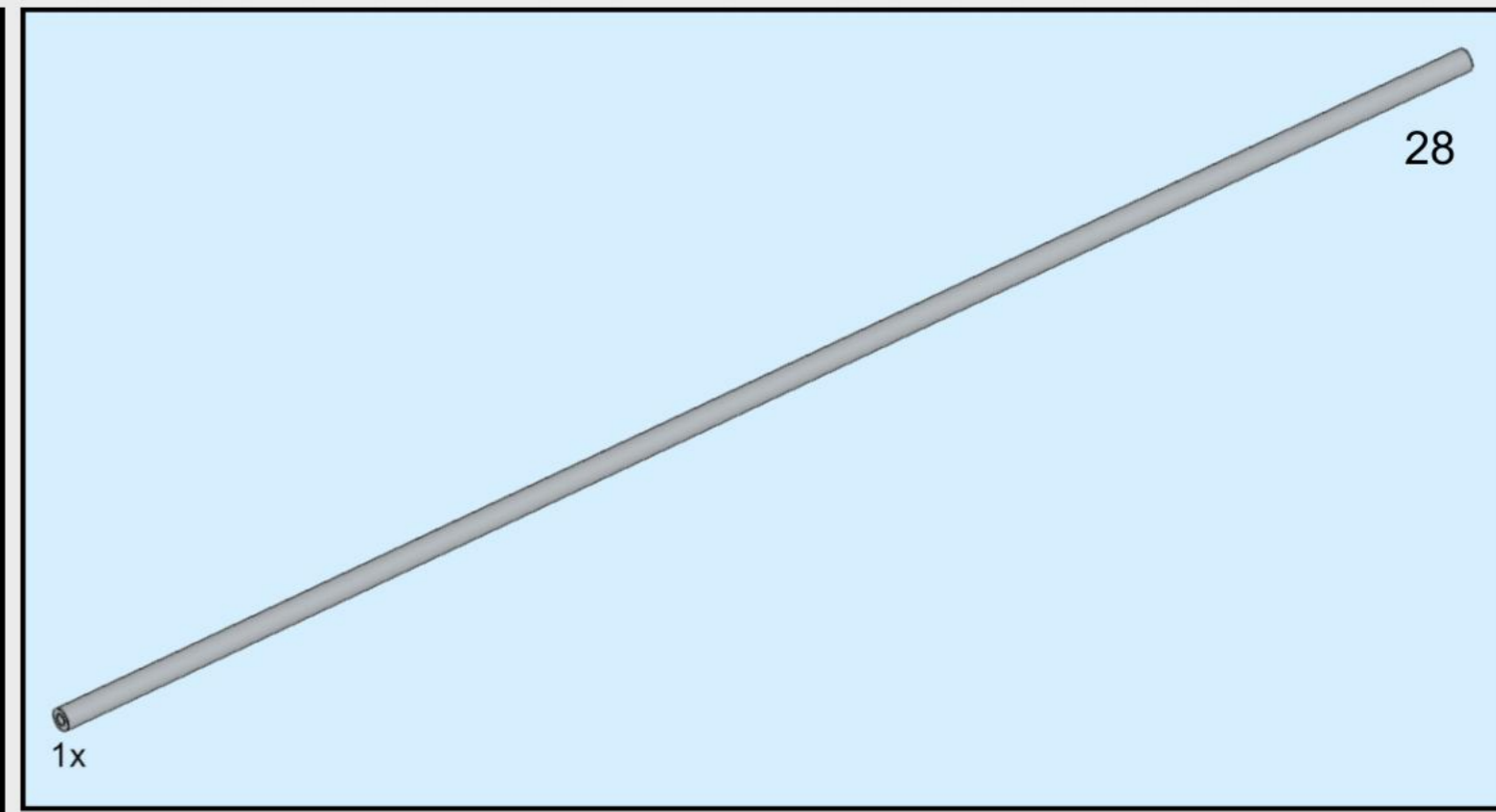
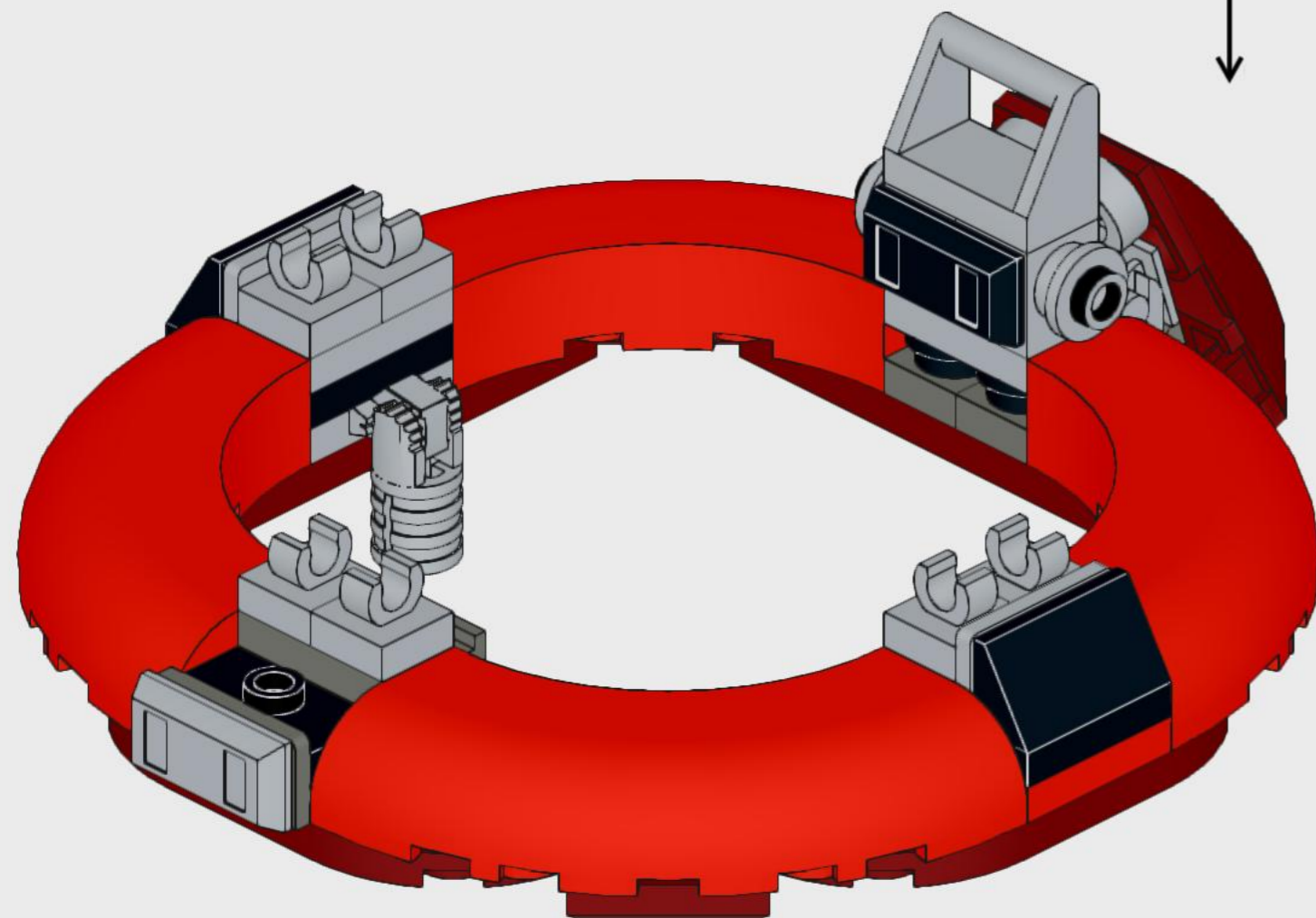
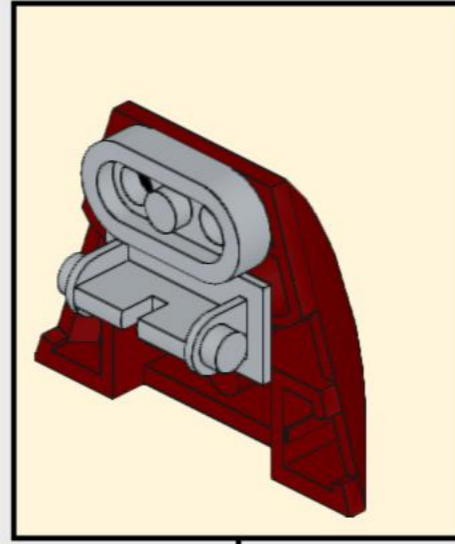


8

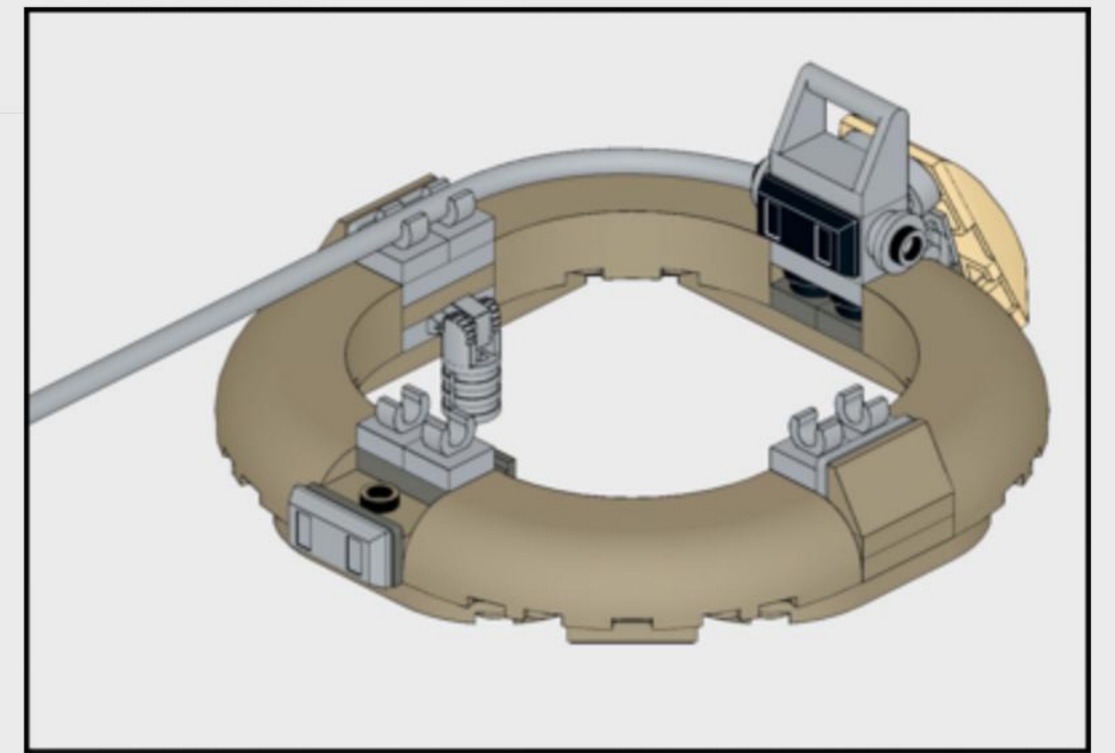




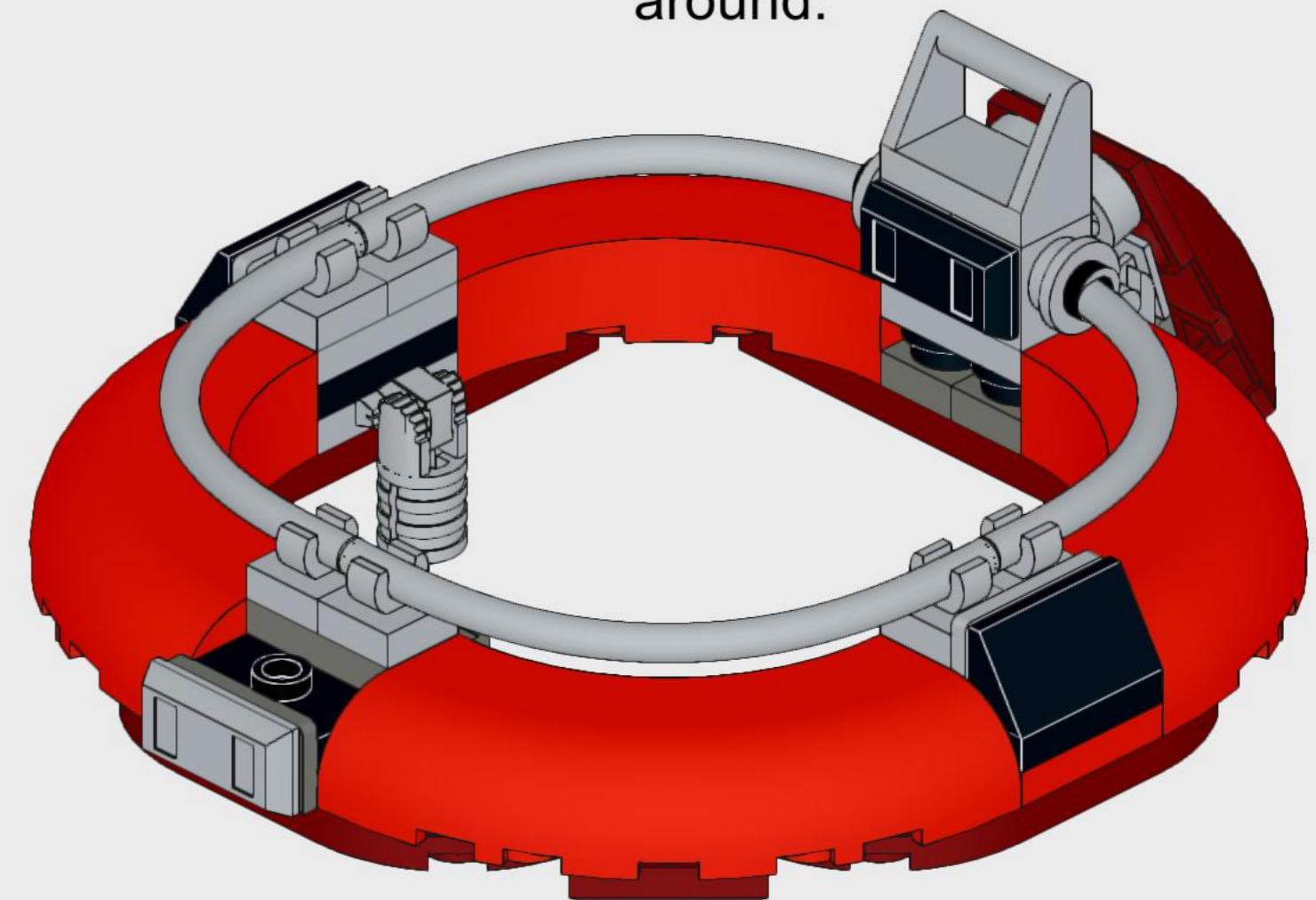
9

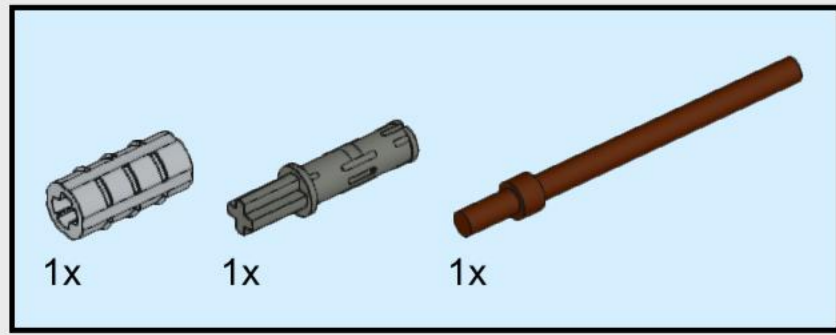


10

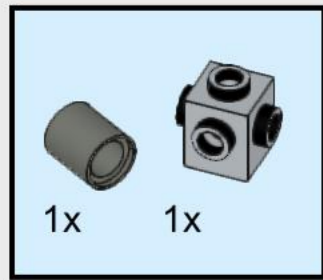
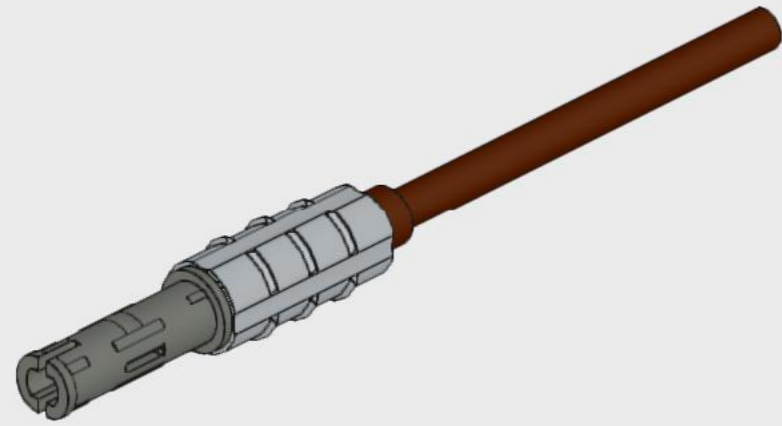


Insert 28-stud-length rigid hose into hollow stud in back, then wrap around.

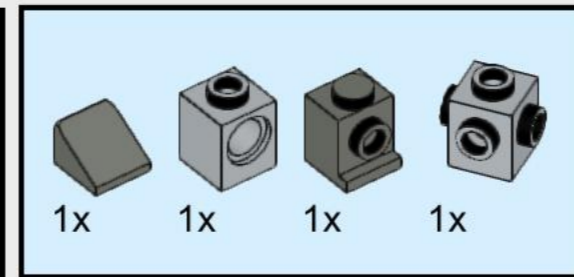
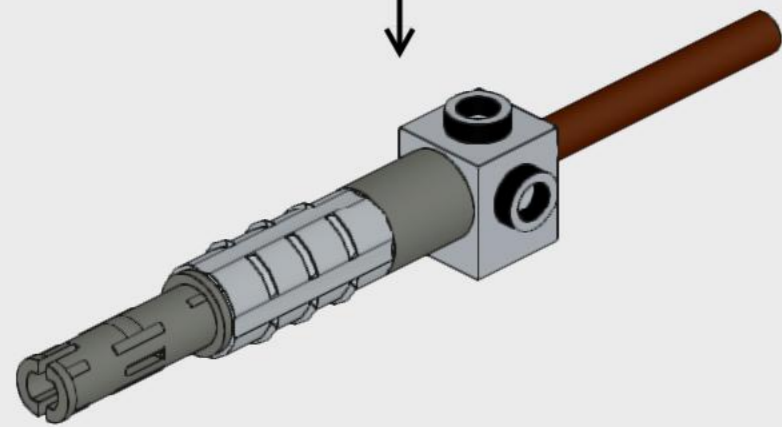
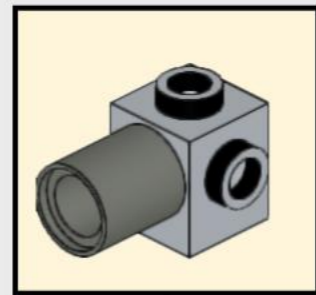




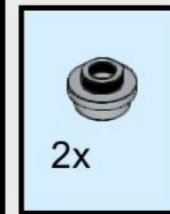
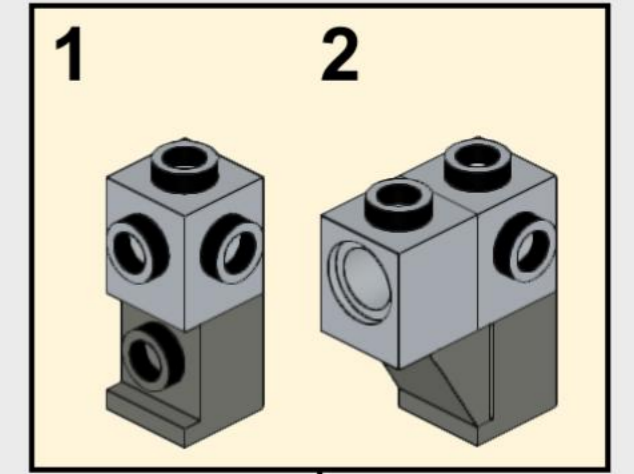
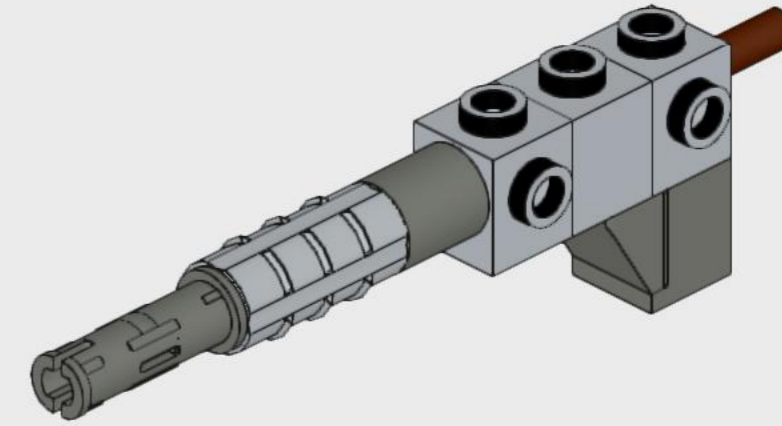
11



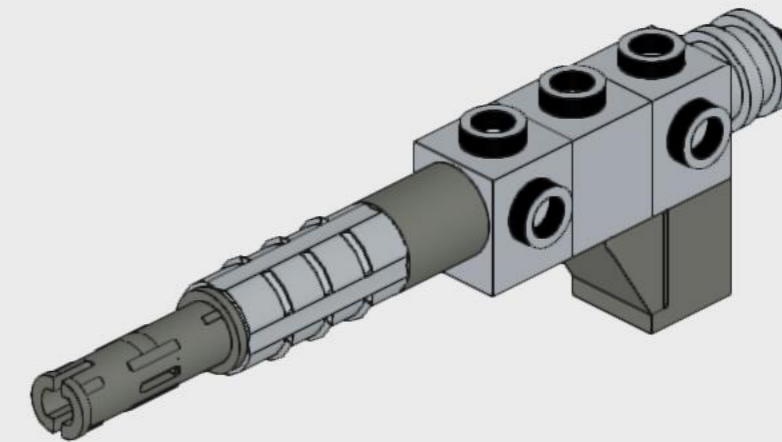
12

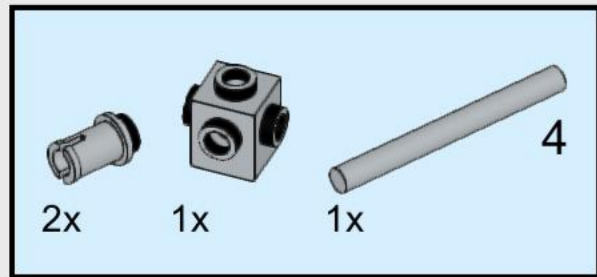


13

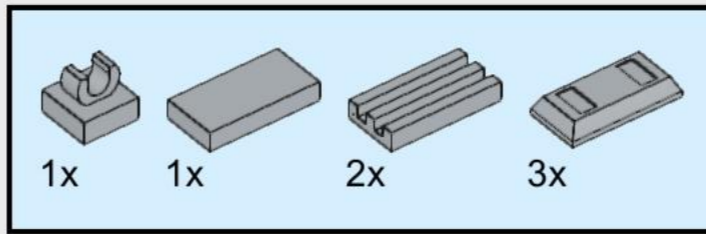
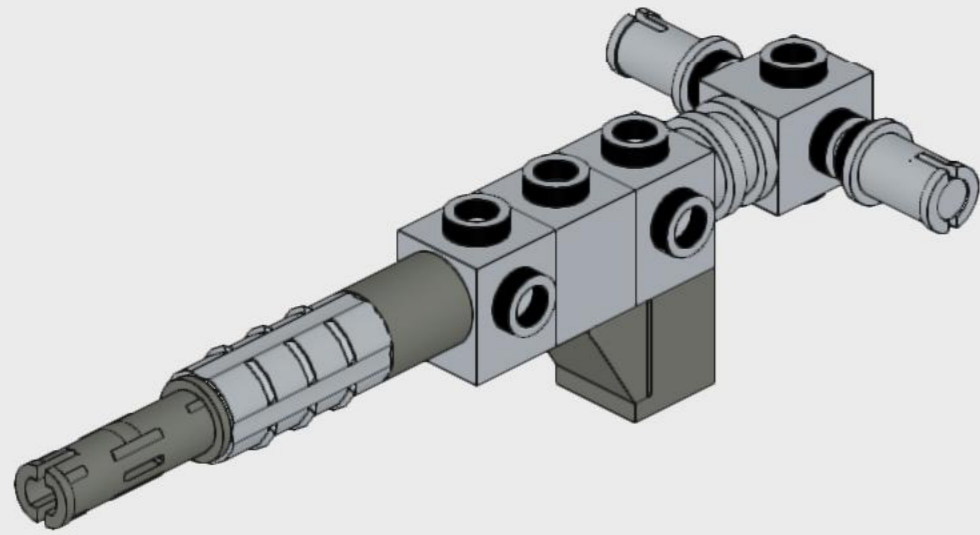
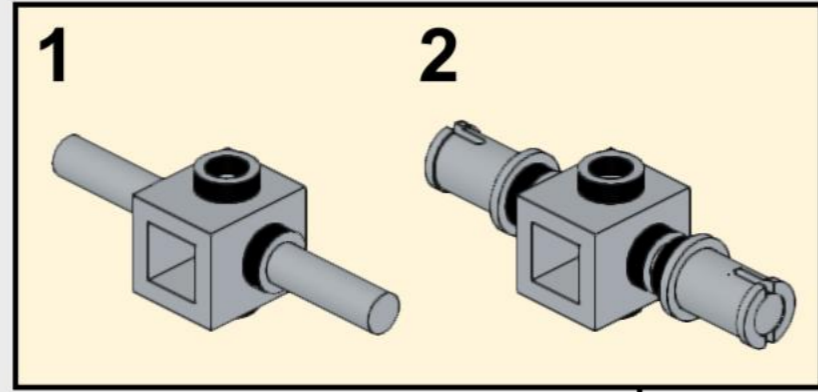


14

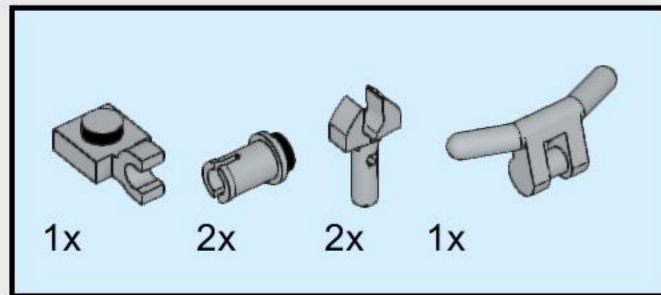
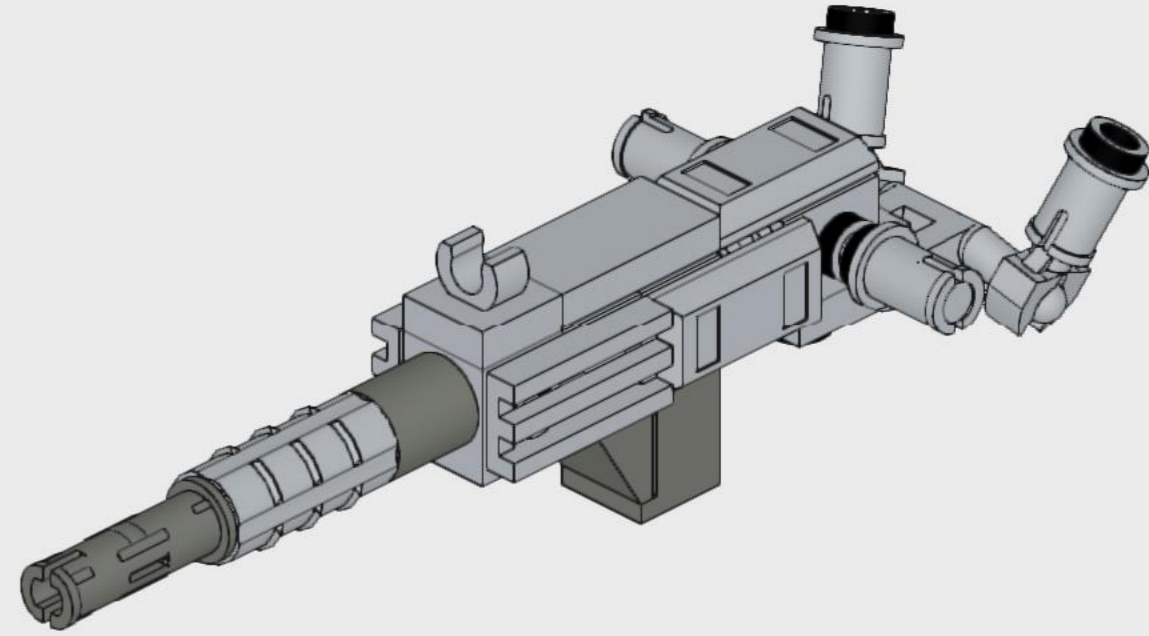




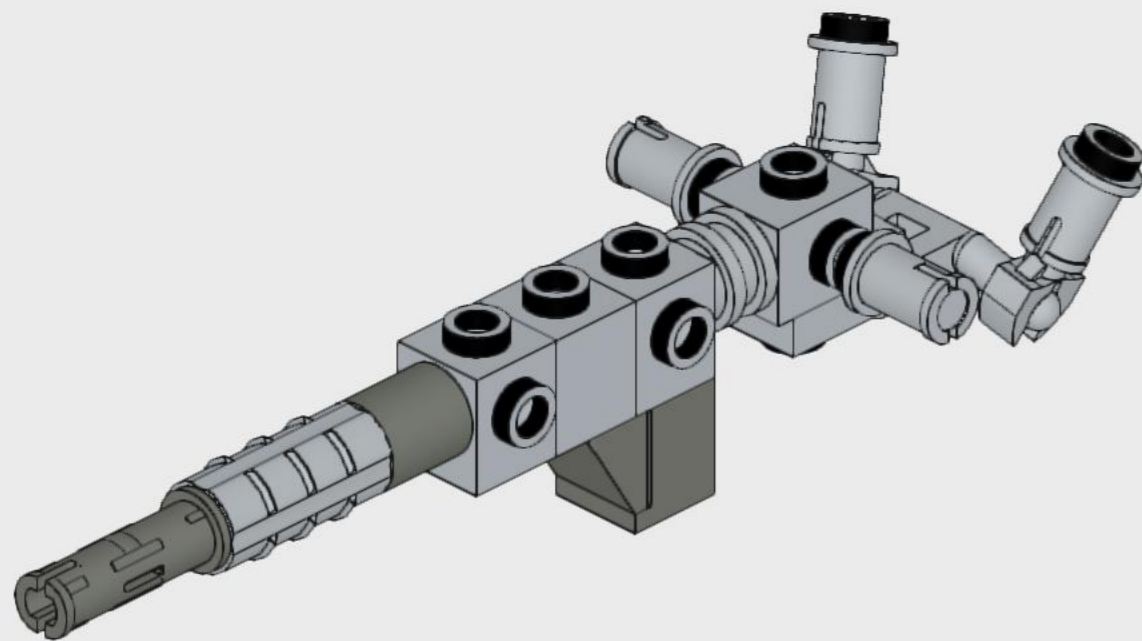
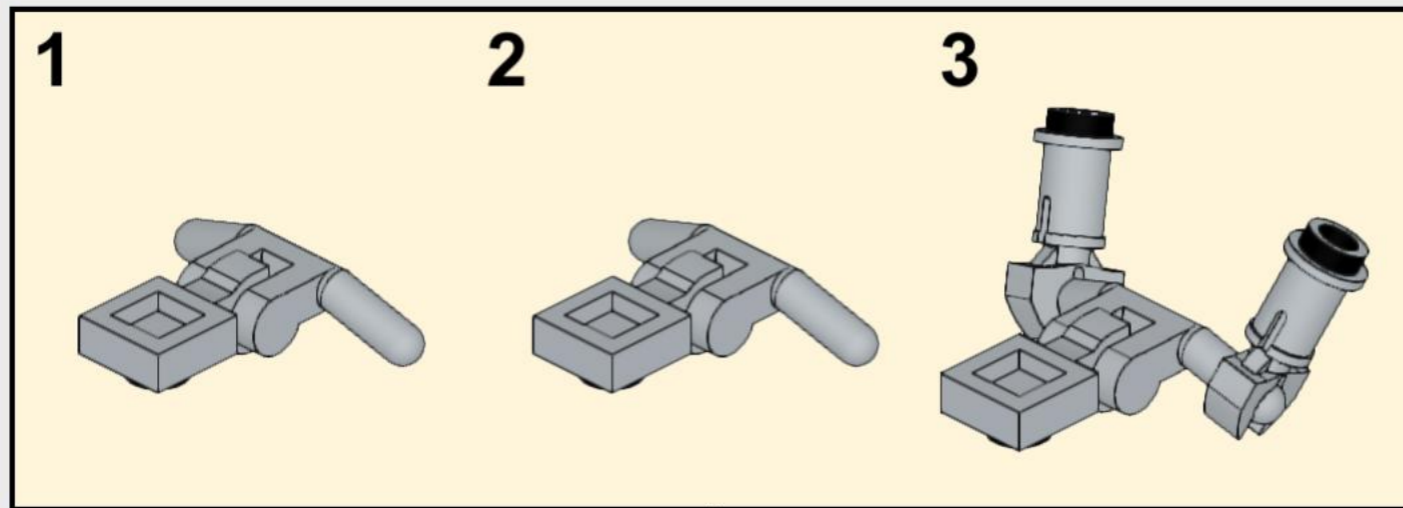
15



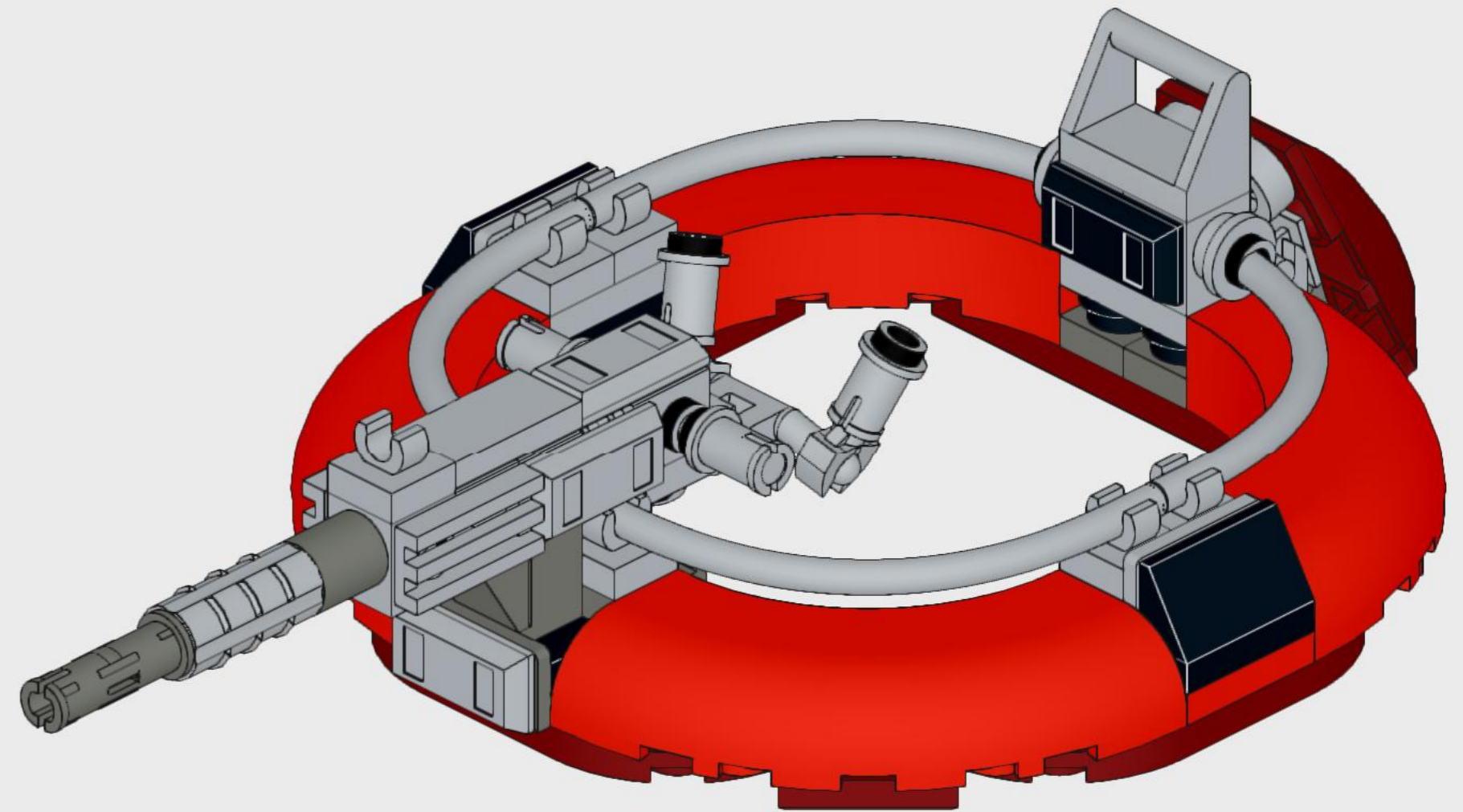
17

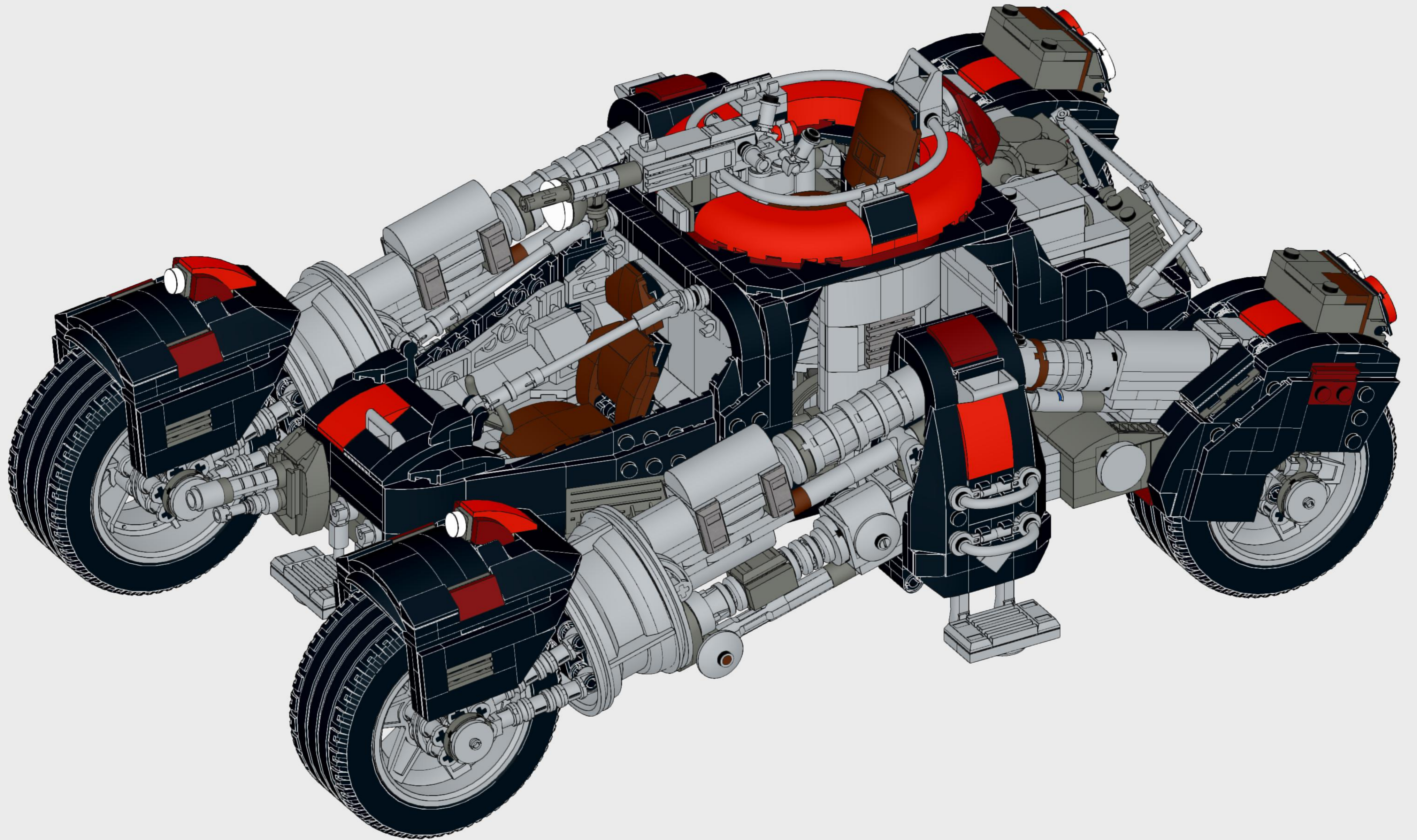


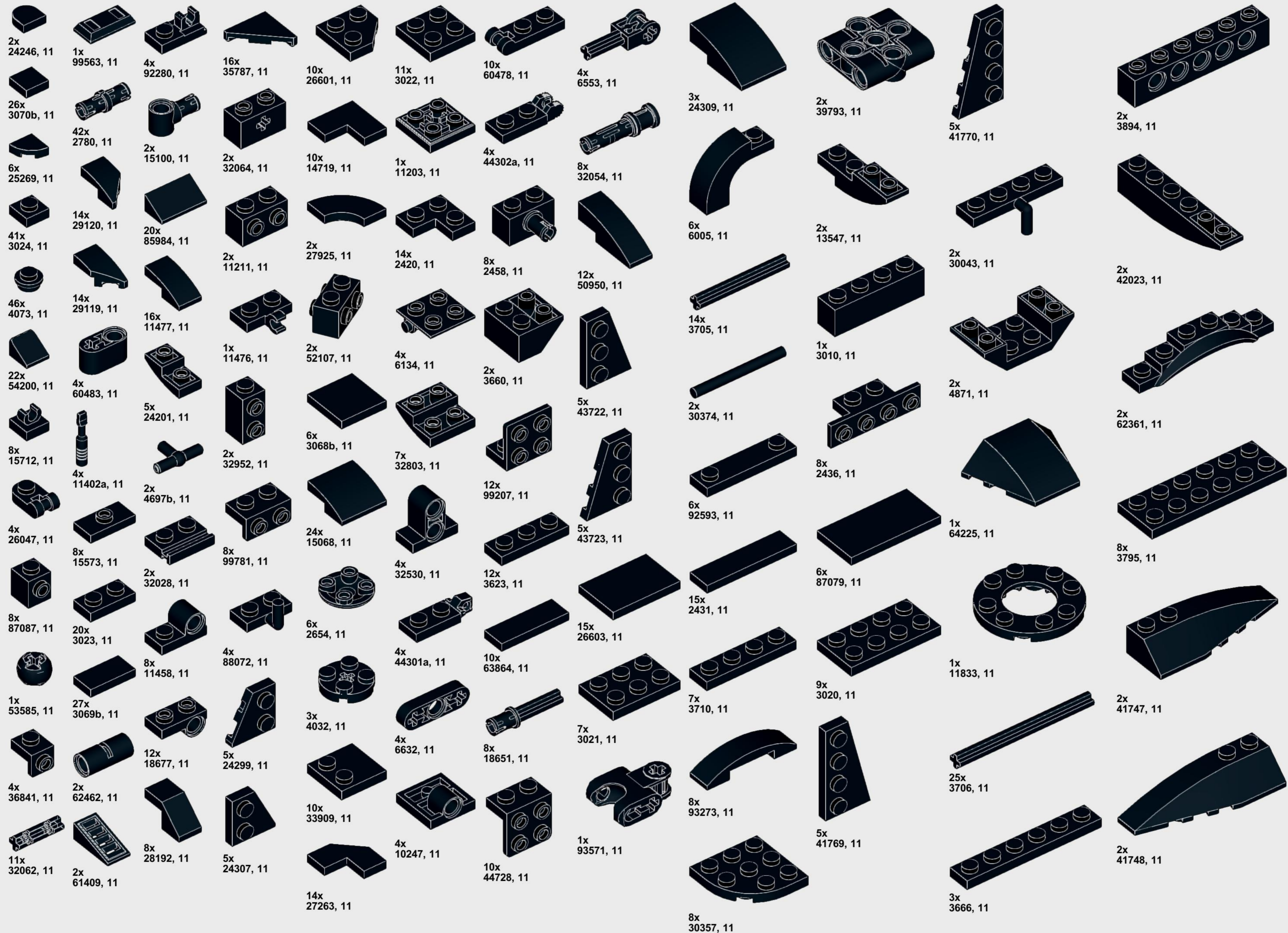
16



18





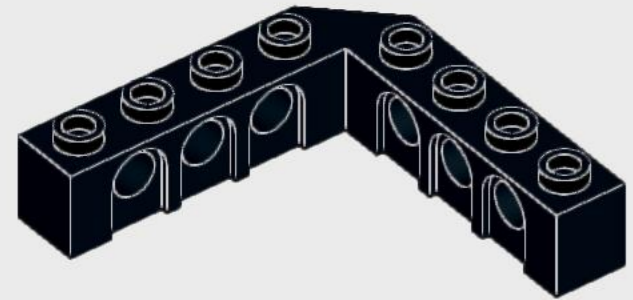




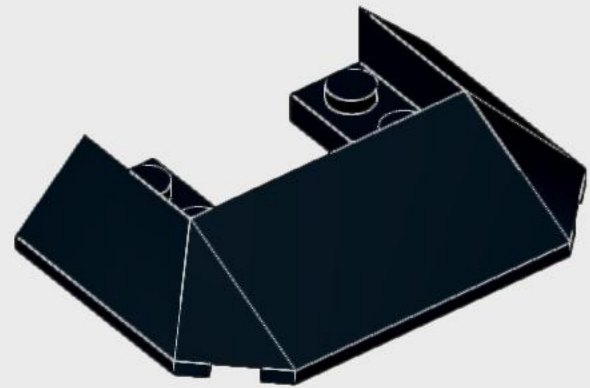
2x
4095, 11



4x
32065, 11



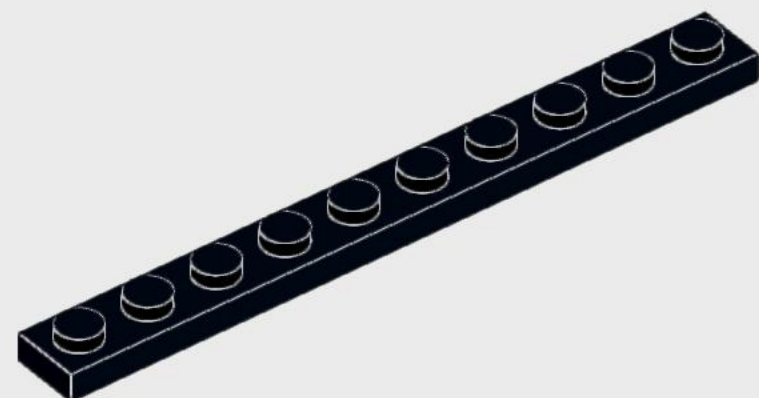
2x
32555, 11



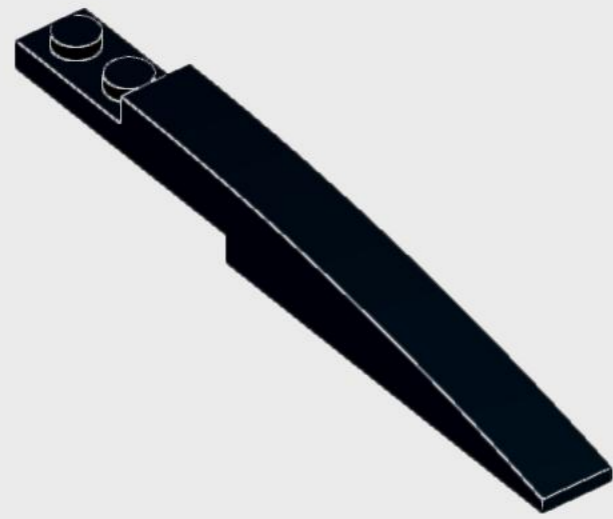
2x
13269, 11



2x
3034, 11



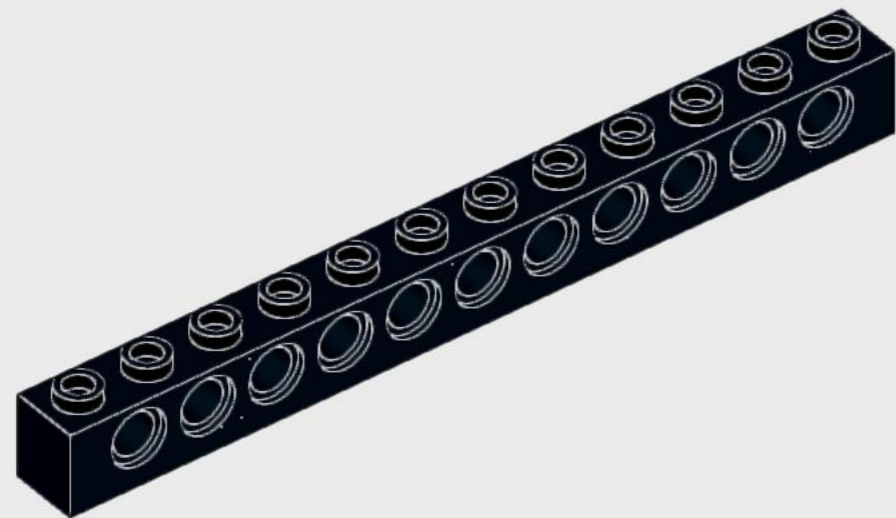
2x
4477, 11



2x
85970, 11



2x
3832, 11



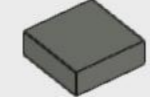
2x
3895, 11



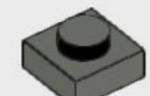
4x
2997, 11



4x
25269, 85



2x
3070b, 85



8x
3024, 85



5x
4073, 85



1x
85861, 85



5x
54200, 85



5x
18654, 85



2x
20482, 85



4x
15712, 85



16x
32002, 85



2x
3005, 85



4x
4070, 85



1x
6541, 85



16x
36840, 85



4x
3062b, 85



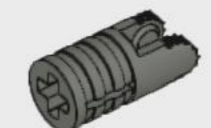
4x
4085d, 85



3x
61252, 85



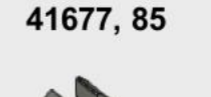
4x
87087, 85



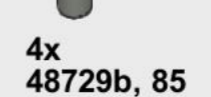
1x
30553, 85



8x
41677, 85



4x
48729b, 85



9x
3023, 85



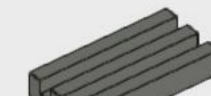
10x
3069b, 85



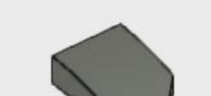
1x
29119, 85



14x
2412b, 85



1x
29120, 85



5x
35480, 85



5x
15573, 85



6x
15100, 85



4x
85984, 85



10x
61409, 85



2x
11477, 85



4x
4733, 85



4x
30383, 85



4x
3937, 85



14x
11458, 85



4x
23969, 85



5x
32028, 85



1x
24299, 85



5x
32028, 85



10x
32000, 85



9x
99780, 85



2x
3004, 85



4x
3700, 85



2x
32952, 85



2x
48336, 85



1x
2540, 85



6x
99021, 85



3x
14769, 85



1x
24307, 85



1x
2654, 85



2x
10197, 85



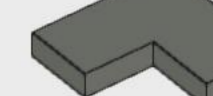
2x
26601, 85



2x
14719, 85



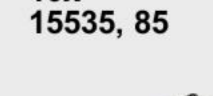
10x
15535, 85



2x
14417, 85



2x
18674, 85



4x
3022, 85



4x
3022, 85



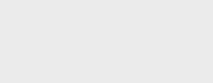
4x
3022, 85



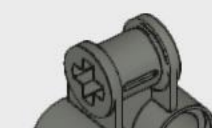
4x
3022, 85



4x
3623, 85



8x
27940, 85



2x
32291, 85



2x
63868, 85



5x
15068, 85



14x
6632, 85



2x
60478, 85



1x
28588, 85



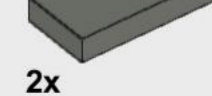
2x
63864, 85



8x
11214, 85



8x
11214, 85



4x
3623, 85



4x
3623, 85



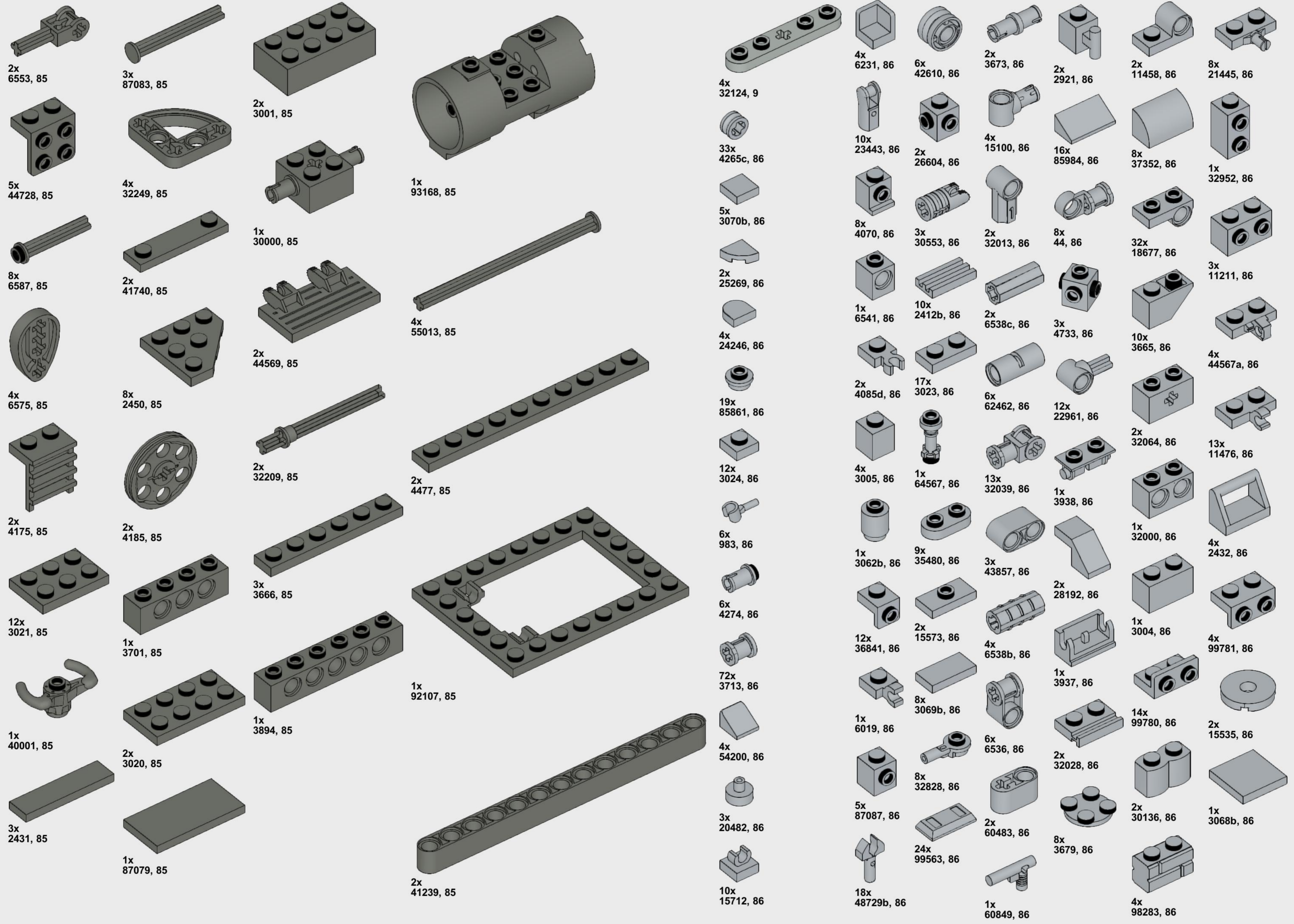
8x
27940, 85



8x
27940, 85



8x
27940, 85



2x
6553, 85

3x
87083, 85

2x
3001, 85

1x
93168, 85

4x
32124, 9

4x
6231, 86

6x
42610, 86

2x
3673, 86

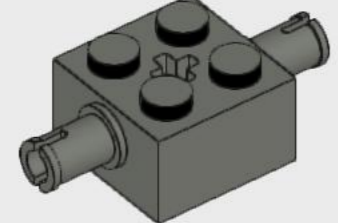
2x
2921, 86

2x
11458, 86

8x
21445, 86

5x
44728, 85

4x
32249, 85



1x
30000, 85

4x
55013, 85

33x
4265c, 86

10x
23443, 86

2x
26604, 86

4x
15100, 86

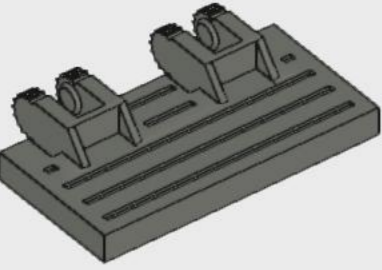
16x
85984, 86

8x
37352, 86

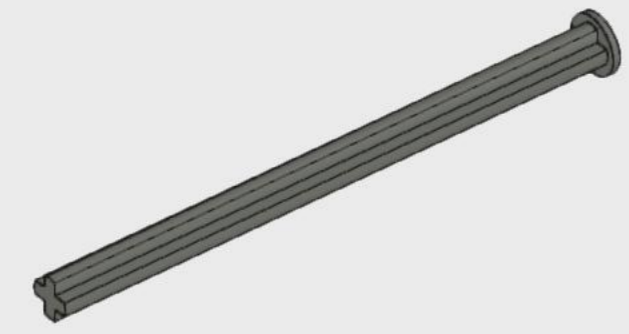
1x
32952, 86

8x
6587, 85

2x
41740, 85



2x
44569, 85



5x
3070b, 86

8x
4070, 86

3x
30553, 86

2x
32013, 86

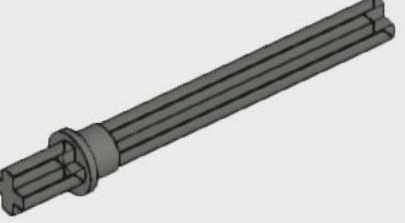
8x
44, 86

32x
18677, 86

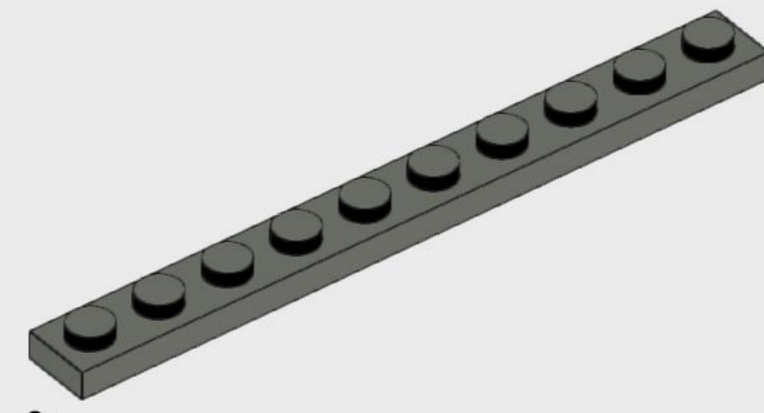
3x
11211, 86

4x
6575, 85

8x
2450, 85



2x
32209, 85



2x
25269, 86

1x
6541, 86

10x
2412b, 86

2x
6538c, 86

3x
4733, 86

10x
3665, 86

4x
44567a, 86

2x
4175, 85

2x
4185, 85



3x
3666, 85

2x
4477, 85

19x
85861, 86

2x
4085d, 86

17x
3023, 86

6x
62462, 86

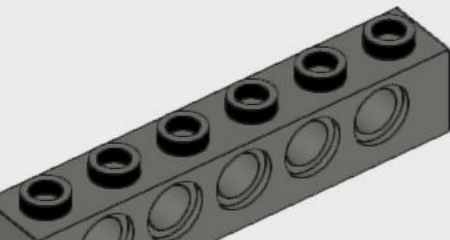
12x
22961, 86

2x
32064, 86

13x
11476, 86

12x
3021, 85

1x
3701, 85



1x
3894, 85

1x
92107, 85

12x
3024, 86

4x
3005, 86

1x
64567, 86

13x
32039, 86

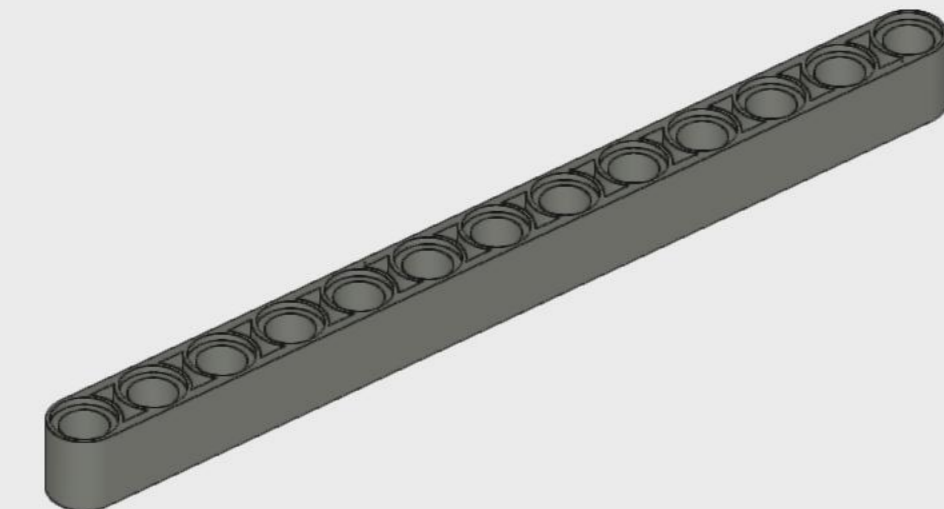
1x
3938, 86

1x
32000, 86

4x
2432, 86

1x
40001, 85

2x
3020, 85



6x
983, 86

1x
3062b, 86

9x
35480, 86

3x
43857, 86

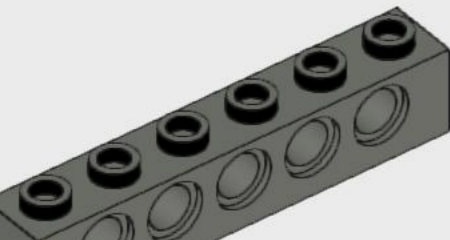
2x
28192, 86

1x
3004, 86

4x
99781, 86

3x
2431, 85

1x
87079, 85



2x
41239, 85

6x
4274, 86

12x
36841, 86

2x
15573, 86

4x
6538b, 86

1x
3937, 86

14x
99780, 86

2x
15535, 86

72x
3713, 86

1x
6019, 86

8x
3069b, 86

6x
6536, 86

2x
32028, 86

2x
30136, 86

1x
3068b, 86

4x
54200, 86

5x
87087, 86

8x
32828, 86

2x
60483, 86

8x
3679, 86

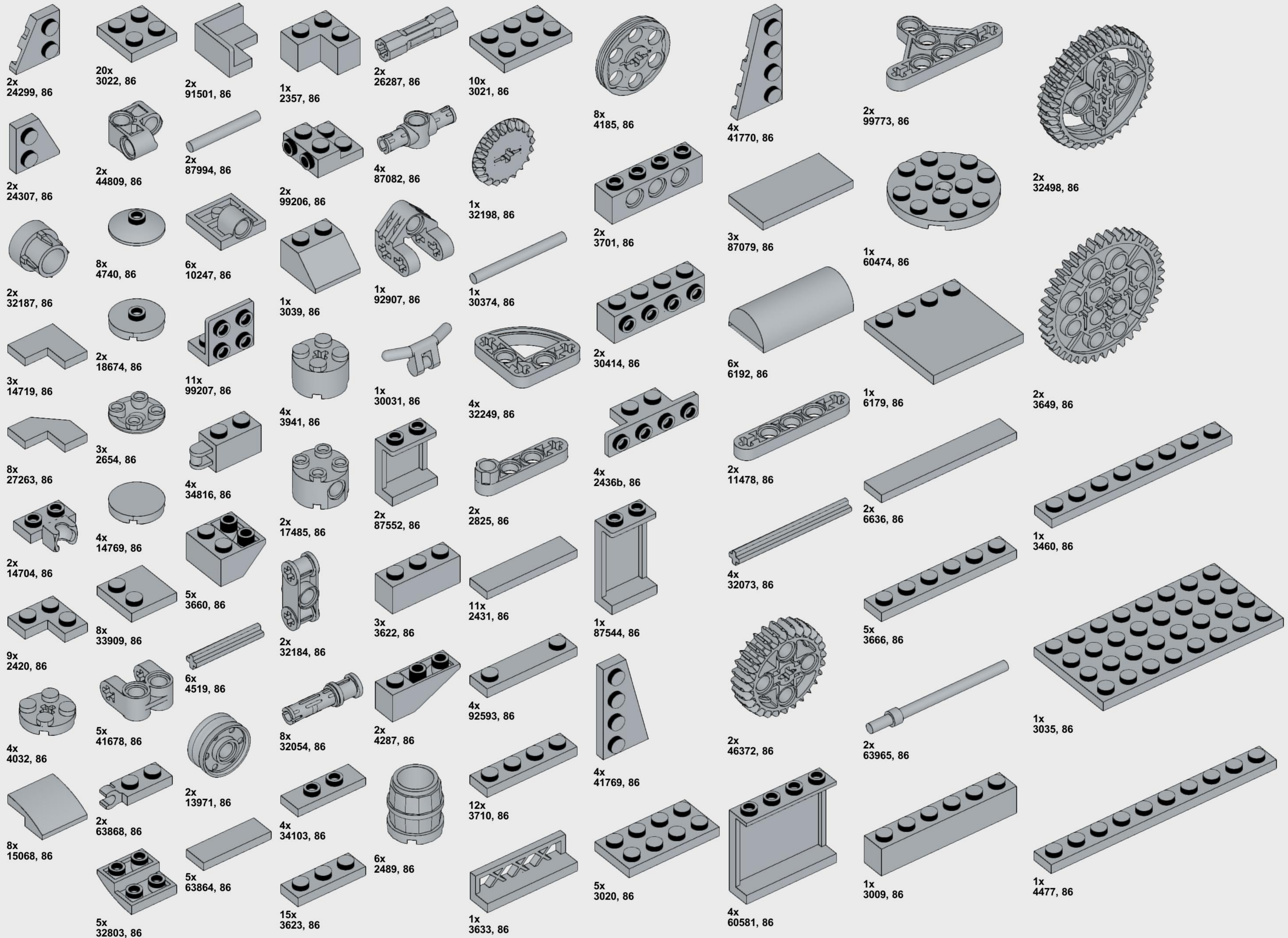
4x
98283, 86

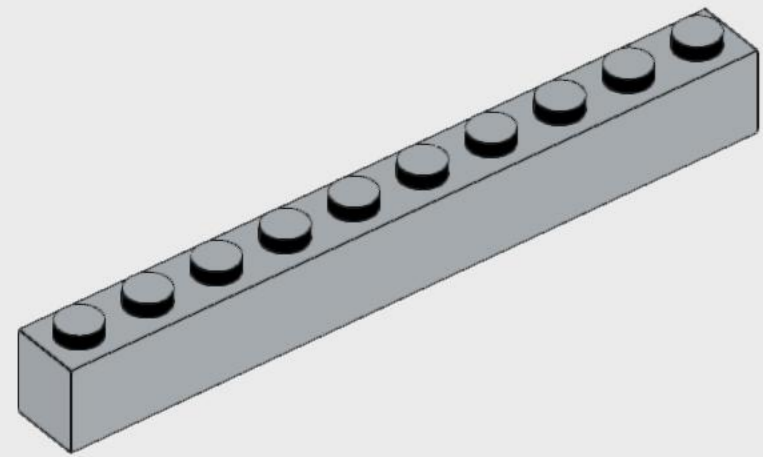
3x
20482, 86

24x
99563, 86

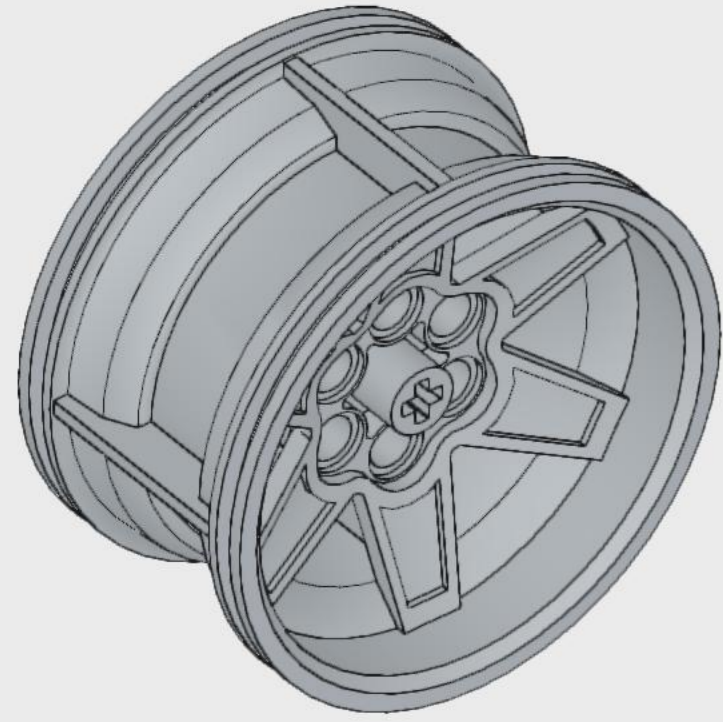
18x
48729b, 86

1x
60849, 86

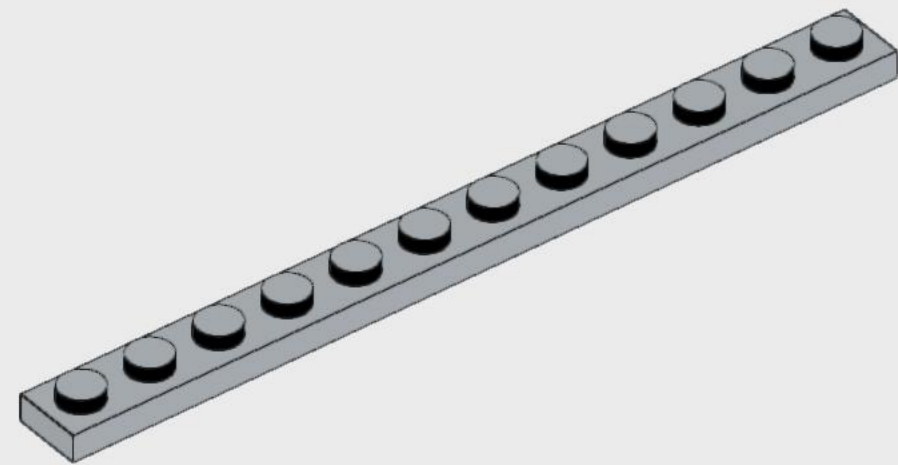




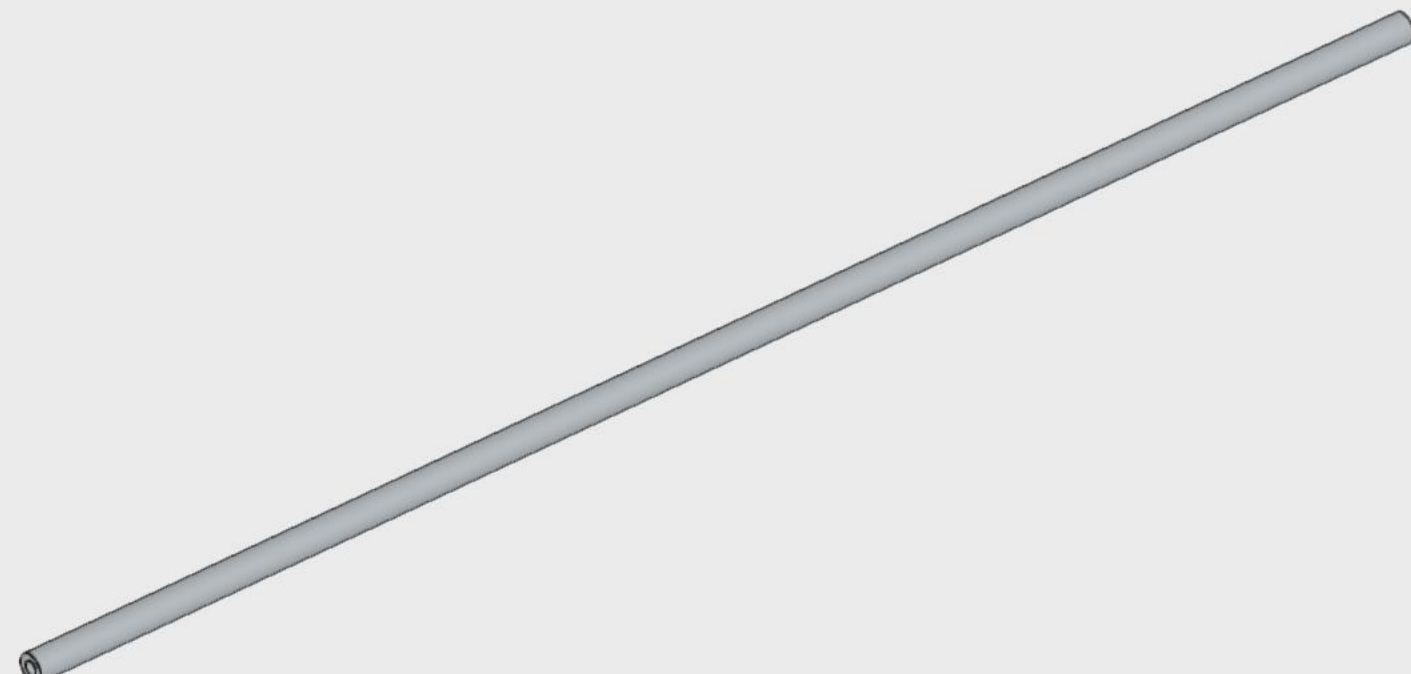
1x
6111, 86



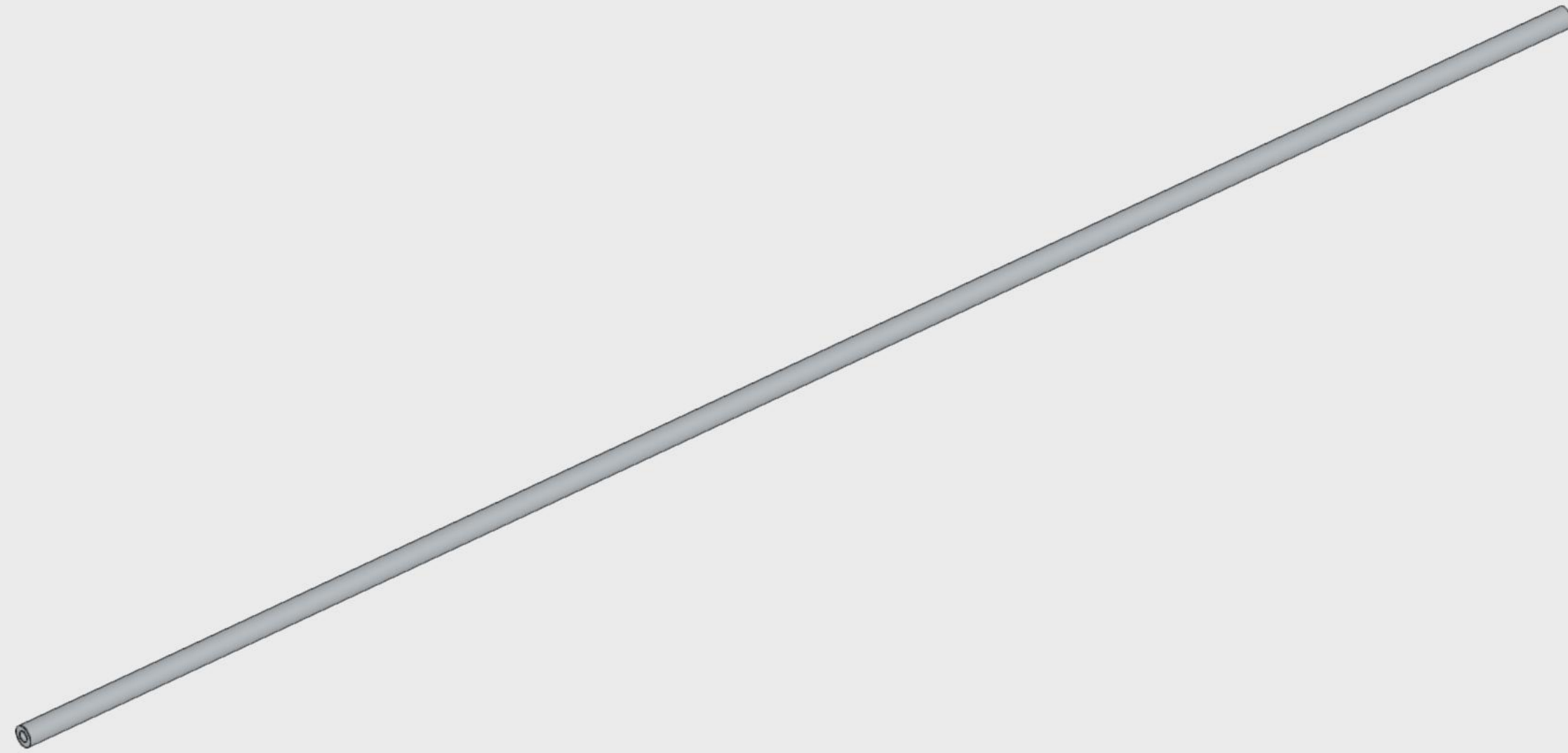
6x
15038, 86



1x
60479, 86



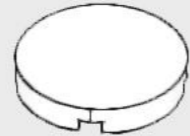
3x
75c20, 86



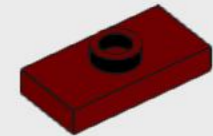
1x
75c32, 86



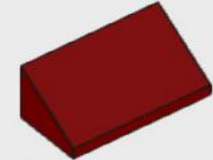
2x
98138, 1



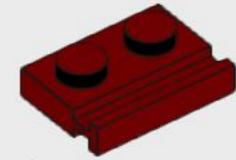
3x
14769, 1



4x
15573, 59



4x
85984, 59



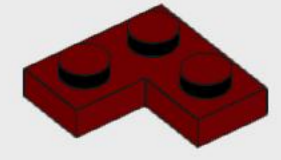
4x
32028, 59



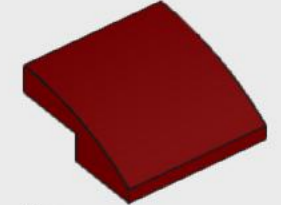
2x
3040, 59



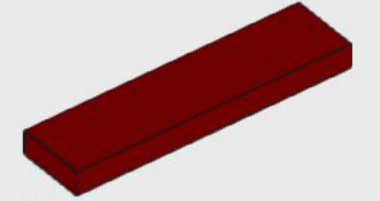
4x
27925, 59



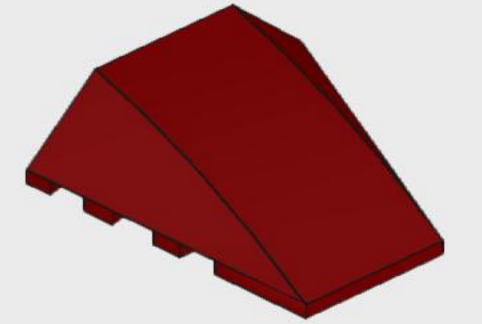
4x
2420, 59



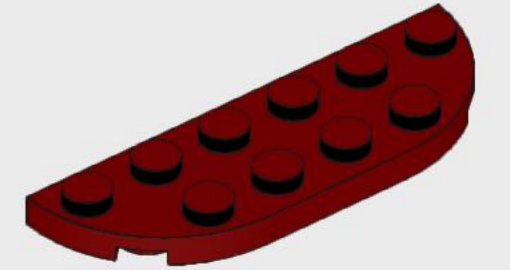
2x
15068, 59



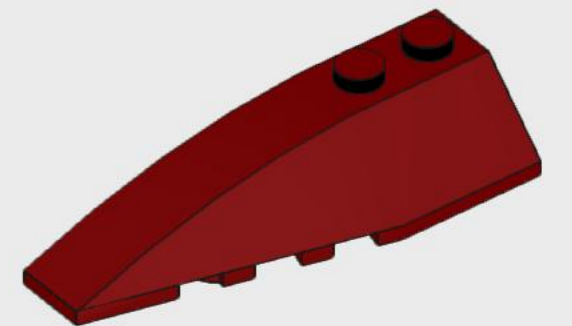
2x
2431, 59



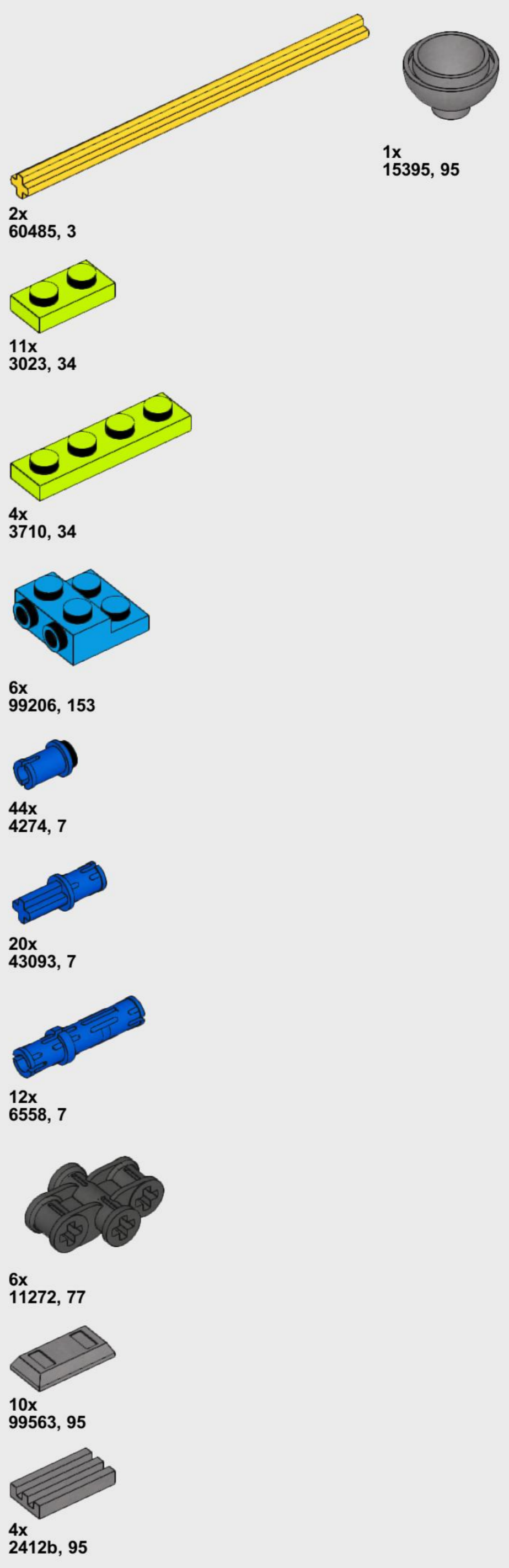
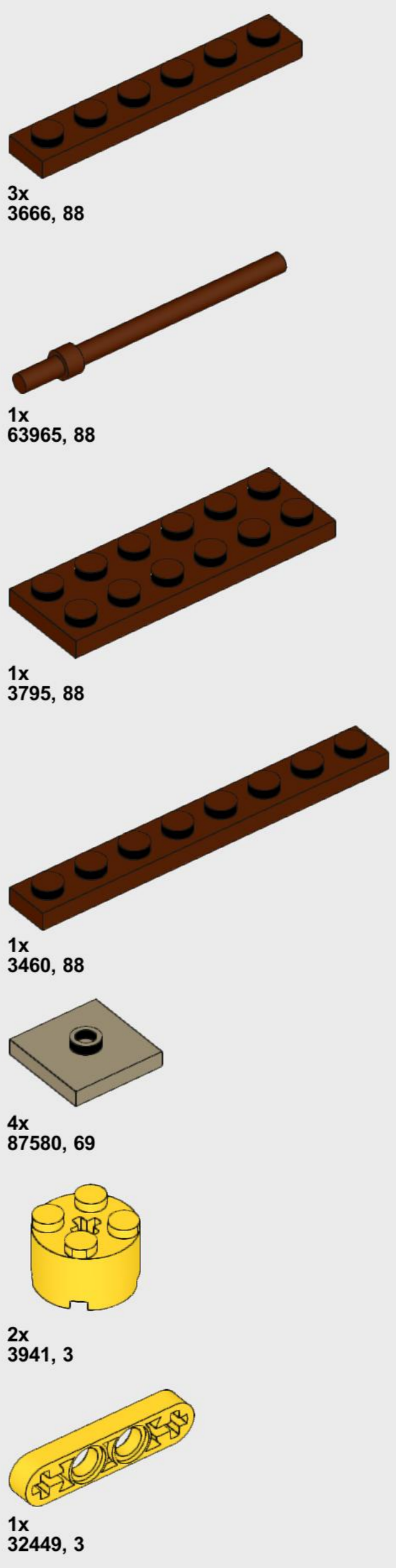
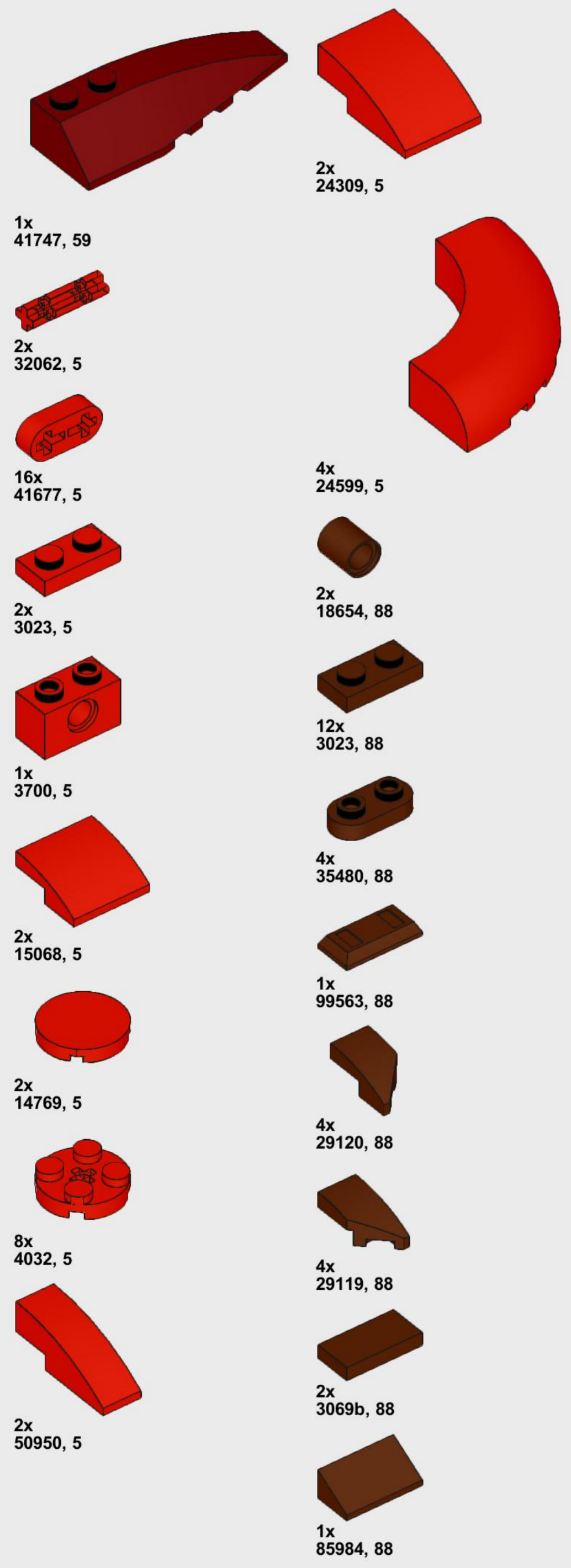
2x
47753, 59



4x
18980, 59



1x
41748, 59



1x
15395, 95